

Sun Ultra™ 2 Series System Product Notes



THE NETWORK IS THE COMPUTER™

Sun Microsystems, Inc.
901 San Antonio Road
Palo Alto, CA 94303-4900 USA
650 960-1300
Fax 650 969-9131

Part No.: 802-5936-15
July 1999, Revision A

Send comments about this document to: docfeedback@sun.com

Copyright 1999 Sun Microsystems, Inc., 901 San Antonio Road, Palo Alto, California 94303-4900 U.S.A. All rights reserved.

This product or document is protected by copyright and distributed under licenses restricting its use, copying, distribution, and decompilation. No part of this product or document may be reproduced in any form by any means without prior written authorization of Sun and its licensors, if any.

Portions of this product may be derived from the UNIX® system, licensed from Novell, Inc., and from the Berkeley 4.3 BSD system, licensed from the University of California. UNIX is a registered trademark in the United States and in other countries and is exclusively licensed by X/Open Company Ltd. Third-party software, including font technology in this product, is protected by copyright and licensed from Sun's suppliers. RESTRICTED RIGHTS: Use, duplication, or disclosure by the U.S. Government is subject to restrictions of FAR 52.227-14(g)(2)(6/87) and FAR 52.227-19(6/87), or DFAR 252.227-7015(b)(6/95) and DFAR 227.7202-3(a).

Sun, Sun Microsystems, the Sun logo, Solaris, PrestoServe, SunFastEthernet, Sun Enterprise, Ultra, and Solaris are trademarks or registered trademarks of Sun Microsystems, Inc. in the United States and in other countries. All SPARC trademarks are used under license and are trademarks or registered trademarks of SPARC International, Inc. in the United States and in other countries. Products bearing SPARC trademarks are based upon an architecture developed by Sun Microsystems, Inc.

The OPEN LOOK® and Sun™ Graphical User Interfaces were developed by Sun Microsystems, Inc. for its users and licensees. Sun acknowledges the pioneering efforts of Xerox Corporation in researching and developing the concept of visual or graphical user interfaces for the computer industry. Sun holds a nonexclusive license from Xerox to the Xerox Graphical User Interface, which license also covers Sun's licensees who implement OPEN LOOK GUIs and otherwise comply with Sun's written license agreements.

THIS PUBLICATION IS PROVIDED "AS IS" WITHOUT WARRANTY OF ANY KIND, EITHER EXPRESS OR IMPLIED, INCLUDING, BUT NOT LIMITED TO, THE IMPLIED WARRANTIES OF MERCHANTABILITY, FITNESS FOR A PARTICULAR PURPOSE, OR NON-INFRINGEMENT.

Copyright 1999 Sun Microsystems, Inc., 901 San Antonio Road, Palo Alto, Californie 94303-4900 U.S.A. Tous droits réservés.

Ce produit ou document est protégé par un copyright et distribué avec des licences qui en restreignent l'utilisation, la copie et la décompilation. Aucune partie de ce produit ou de sa documentation associée ne peut être reproduite sous aucune forme, par quelque moyen que ce soit, sans l'autorisation préalable et écrite de Sun et de ses bailleurs de licence, s'il y en a.

Des parties de ce produit pourront être dérivées du système UNIX® licencié par Novell, Inc. et du système Berkeley 4.3 BSD licencié par l'Université de Californie. UNIX est une marque enregistrée aux Etats-Unis et dans d'autres pays, et licenciée exclusivement par X/Open Company Ltd. Le logiciel détenu par des tiers, et qui comprend la technologie relative aux polices de caractères, est protégé par un copyright et licencié par des fournisseurs de Sun.

Sun, Sun Microsystems, le logo Sun, Solaris, PrestoServe, SunFastEthernet, Sun Enterprise, Ultra, et Solaris sont des marques déposées ou enregistrées de Sun Microsystems, Inc. aux Etats-Unis et dans d'autres pays. Toutes les marques SPARC, utilisées sous licence, sont des marques déposées ou enregistrées de SPARC International, Inc. aux Etats-Unis et dans d'autres pays. Les produits portant les marques SPARC sont basés sur une architecture développée par Sun Microsystems, Inc.

Les utilisateurs d'interfaces graphiques OPEN LOOK® et Sun™ ont été développés de Sun Microsystems, Inc. pour ses utilisateurs et licenciés. Sun reconnaît les efforts de pionniers de Xerox Corporation pour la recherche et le développement du concept des interfaces d'utilisation visuelle ou graphique pour l'industrie de l'informatique. Sun détient une licence non exclusive de Xerox sur l'interface d'utilisation graphique, cette licence couvrant aussi les licenciés de Sun qui mettent en place les utilisateurs d'interfaces graphiques OPEN LOOK et qui en outre se conforment aux licences écrites de Sun.

CETTE PUBLICATION EST FOURNIE "EN L'ETAT" SANS GARANTIE D'AUCUNE SORTE, NI EXPRESSE NI IMPLICITE, Y COMPRIS, ET SANS QUE CETTE LISTE NE SOIT LIMITATIVE, DES GARANTIES CONCERNANT LA VALEUR MARCHANDE, L'APTITUDE DES PRODUITS A REpondre A UNE UTILISATION PARTICULIERE OU LE FAIT QU'ILS NE SOIENT PAS CONTREFAISANTS DE PRODUITS DE TIERS.



Adobe PostScript

Sun Ultra 2 Series System Product Notes

Note – Unless otherwise stated, Sun Ultra™ 2 Series manuals describing "Sun Ultra 2 Series systems" refers to both Ultra 2 Series systems and Sun Enterprise™ 2 systems.

The Sun Ultra 2 Series systems can now support a 400-MHz CPU if the motherboard is part number 501-3132-13 or higher.

Minimum Solaris Operating Environment

TABLE 1 Minimum Solaris Operating Environment

CPU Frequency	Solaris Release
167 MHz	2.5.1
200 MHz	2.5.1 Hardware: 4/97
250 MHz	2.5.1 Hardware: 8/97
300 MHz	2.5.1 Hardware: 11/97, 2.6 Hardware: 3/98
400 MHz	2.5.1 Hardware 11/97, 2.6 Hardware 5/98, 7 Hardware 5/99

OpenBoot PROM

The Sun Ultra 2 Series system requires OpenBoot PROM version 3.19.0 (or later).

Installing an UltraSPARC-II Module

Before installing an UltraSPARC-II module, refer to the Sun UltraSPARC-II Module Upgrade document, part number 805-0936.

Service Warning



Caution – The AC power cord must be disconnected while you replace the power supply. Do not reconnect the power cord while the power supply is outside of the chassis.

Updated Information

Updated information related to the Sun Ultra 2 Series system is also available on the World Wide Web under <http://www.sun.com>.

Solaris 2.X Software Requirements

Sun Ultra 2 Series systems are supported by Solaris™ 2.5.1 or later.

Using PrestoServe SBus Card with Sun Ultra 2 Series System

The PrestoServe™ 2.4.2 release is incompatible with the Solaris 2.5.1 software environment when running on a Sun Ultra 2 Series system.

For information about working around that problem, refer to the document *SMCC Open Issues Supplement Solaris 2.5.1*, part number 802-5340-xx.

Using Narrow SCSI on Sun Ultra 2 Series System

Contact your Sun representative to order a 50-to-68-pin SCSI cable:

For 1.2 meter external SCSI cable, order X903A.

For 2.0 meter external SCSI cable, order X904A.

Using AUI Devices on Sun Ultra 2 Series System

Contact your Sun representative to order an MII to AUI Converter.
Order X467A.

The MII to AUI converter connects the MII (Media Independent Interface) connector on the backpanel of the Sun Ultra 2 Series system or the SunFastEthernet™ Adapter to AUI 10BASE-5 DB-15 Ethernet connectors.

Framebuffers Not Supported in Sun Ultra 2 Series System

- GS SBus Graphics Accelerator (370-1329-xx, 370-1370-xx, 370-1407-xx, 370-1551-xx)
- GT Graphics subsystem (501-1624-x, 501-1692-xx, 501-1694-xxx, 501-1726-xx)
- GT2 Graphics subsystem SBus adapter card (501-1693-xx)
- GX (501-1481-xx, 501-1645-xx)
- GX+ (501-1717-xx, 501-2018-xx, 501-2039-xx)
- ZX2 (501-1694-xx)

EnergyStar

If you experience RED State Exception failures when exercising EnergyStar suspend/resume functions on Solaris 2.5.1 releases prior to Solaris 2.5.1 HW 4/97, install patch 104729-01.

UPA Graphics Card

To remove and replace a UPA graphics card, proceed as follows.

Note – Illustrations supporting the UPA graphics card removal and replacement are not representative of a system unit.

Removing a UPA Graphics Card

To remove a UPA graphics card:

1. **Power-off the system.**
2. **Disconnect the video cable from the graphics card 13W3 video connector.**
3. **Remove the unit cover.**



Caution – Use proper ESD grounding techniques when handling components. Wear an antistatic wrist strap and use an ESD-protected mat. Store ESD-sensitive components in antistatic bags before placing it on any surface.

4. **Attach the wrist strap.**
5. **Unlock the card retainers (FIGURE 1).**
6. **Holding the UPA graphics card at each corner, gently pull the card up to disconnect it from the UPA socket (FIGURE 2).**



Caution – Avoid applying unequal force to one end or one side of the UPA graphics card or connector pin damage may occur.

7. **Slowly lift the graphics card at an upward angle.**
8. **Lower the UPA graphics card backplate.**
9. **Disengage the UPA graphics card backplate from the back panel.**
10. **Place the UPA graphics card on antistatic surface.**

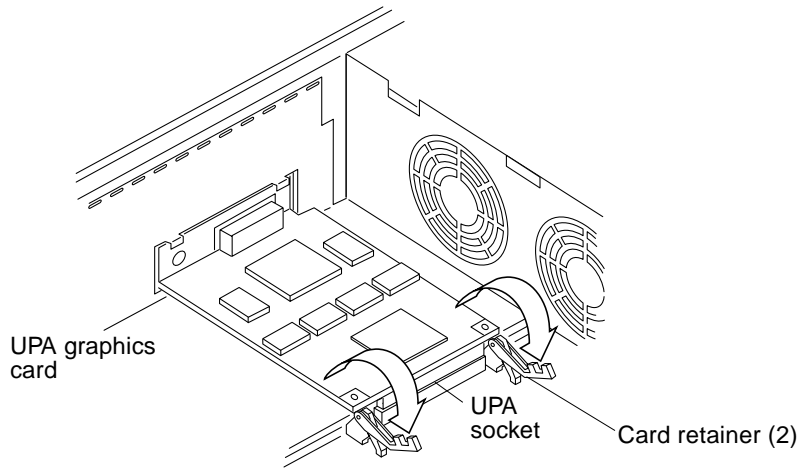


FIGURE 1 Preparing to Remove a UPA Graphics Card

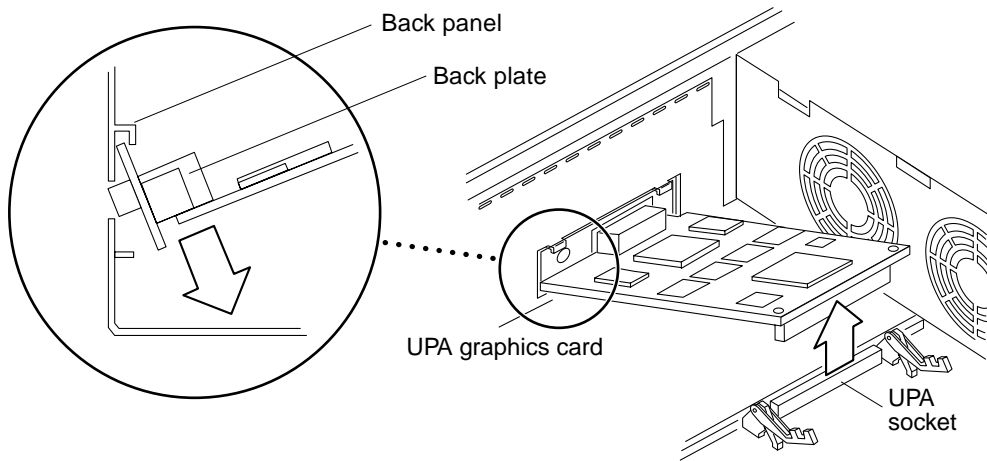


FIGURE 2 Removing the UPA Graphics Card

Replacing a UPA Graphics Card

To replace a UPA graphics card:



Caution – Use proper ESD grounding techniques when handling components. Wear an antistatic wrist strap and use an ESD-protected mat. Store ESD-sensitive components in antistatic bags before placing it on any surface.

1. Verify that both card retainers are pushed back (FIGURE 3).
2. Remove the replacement UPA graphics card from its container.
3. At an angle, lower the UPA graphics card into the chassis over the UPA socket.
4. Hook the UPA graphics card backplate under the chassis back panel tabs.

Note – Ensure that the backplate is visible through the slot on the back panel.

5. Carefully press both corners of the UPA graphics card evenly to seat the graphics card connector into the UPA socket (FIGURE 4).



Caution – Avoid applying unequal force to one end or one side of the UPA graphics card or connector pin damage may occur.

6. Push the card retainer onto the UPA graphics card (FIGURE 5).
7. Replace two screws and washers securing the UPA graphics card to the back panel.
8. Detach the wrist strap.
9. Replace the unit cover.
10. Connect the video cable to the graphics card 13W3 video connector.
11. Power-on the system.

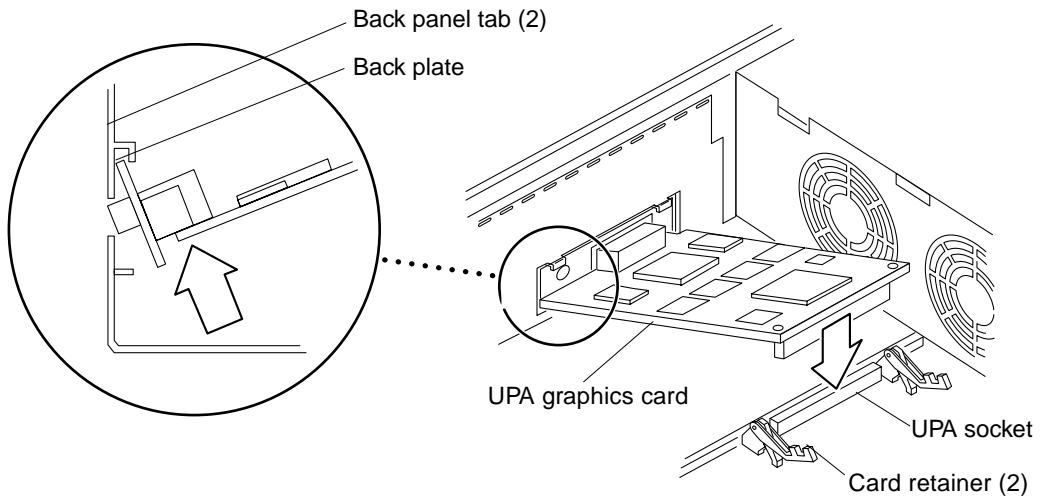


FIGURE 3 Replacing the UPA Graphics Card

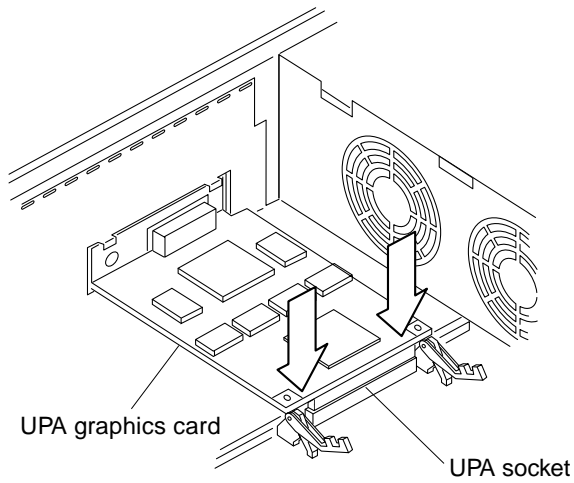


FIGURE 4 Seating the UPA Graphics Card into the Socket

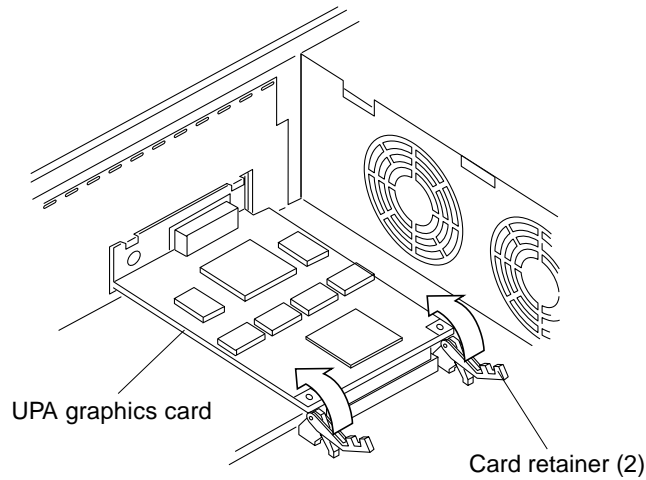


FIGURE 5 Securing the UPA Graphics Card into the Chassis

Creator/Creator3D UPA Graphics Card Patch Information

If you are installing or using the Solaris 2.6 5/98 operating environment, and your system is running in multi-processor mode and you are also installing a Creator or a Creator3D UPA graphics card, you must install patch 105360-21 (or a more current version). This patch is available through the SunSolve Online website at <http://sunsolve.sun.com>.

