

Sun Fire™ Link Systems Site Planning Guide

When planning the installation of a Sun Fire™ Link system, be sure that you have complied with all of the site planning specifications found in the *Sun Fire 6800/4810/4800/3800 Systems Site Planning Guide* or the *Sun Fire 15K/12K Systems Site Planning Guide*.

Switch Cabinets

Mount Sun Fire Link switches in Sun StorEdge™ cabinets as shown in FIGURE 1.

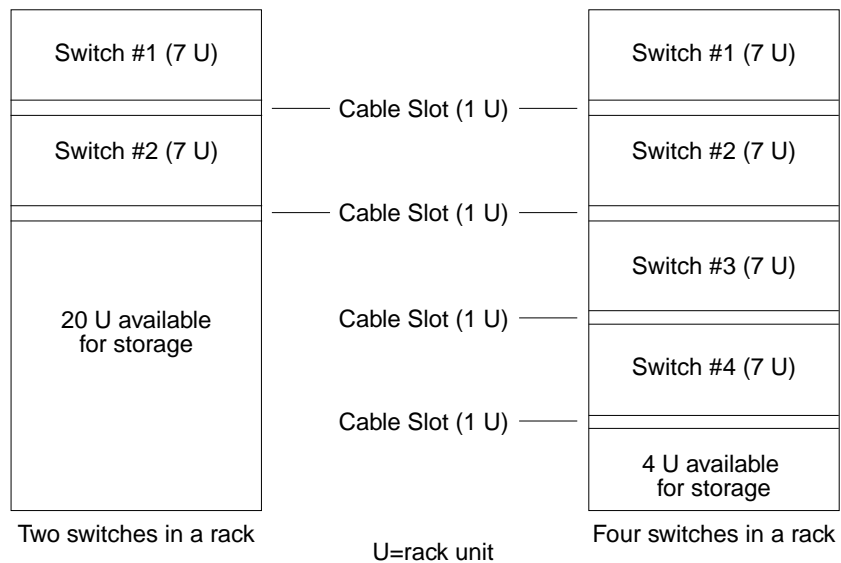


FIGURE 1 Switch Placement in Racks

Server Placement in Computer Room Environments

All environmental requirements specified in the *Sun Fire 6800/4810/4800/3800 Systems Site Planning Guide* and the *Sun Fire 15K/12K Systems Site Planning Guide* apply to Sun Fire Link systems also. The physical layout and distance between nodes and switches will determine the necessary cable lengths. A four-node cluster of three Sun Fire 6800 systems, one Sun Fire 15K system and two Sun Fire Link switches might be laid out as shown in FIGURE 2.

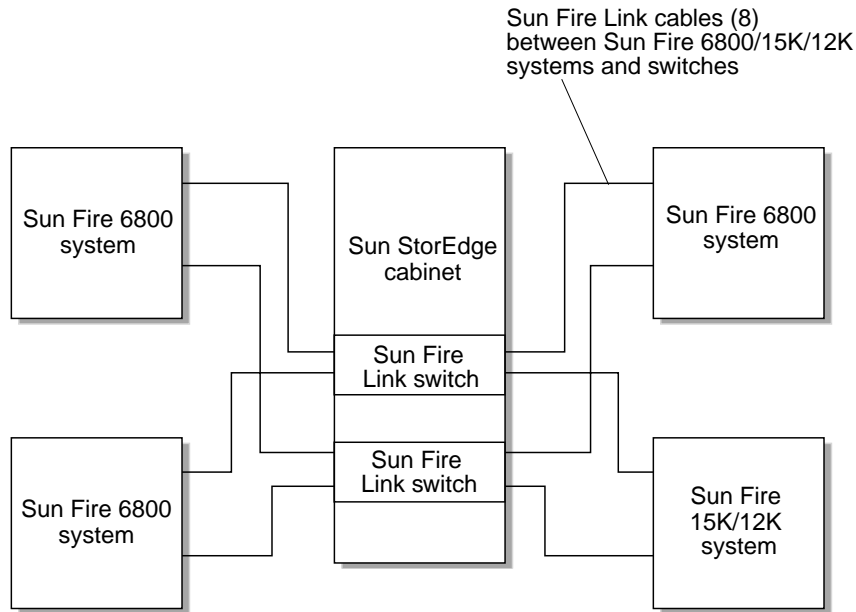


FIGURE 2 Sample Cable Requirements

Fire Link Cables

When ordering Fire Link optical cables for your configuration, keep the following in mind:

- Fire Link cables are available in 5-, 12-, and 20-meter lengths.
- For cost savings, use the shortest length cable as possible.
- 5-meter cables may be used only to connect systems that are in adjacent racks.
- Measure the distances between Sun Fire systems carefully. When calculating the cable lengths you need, be sure to include all of the following items as they apply to your installation:
 - Distance from Sun Fire system to cable tray (if applicable)
 - Distance traveled under the floor or in overhead cable trays
 - Distance from cable tray to the second system if in a direct-connect configuration or to the switch if in a switch configuration

Sun Management Center Requirements

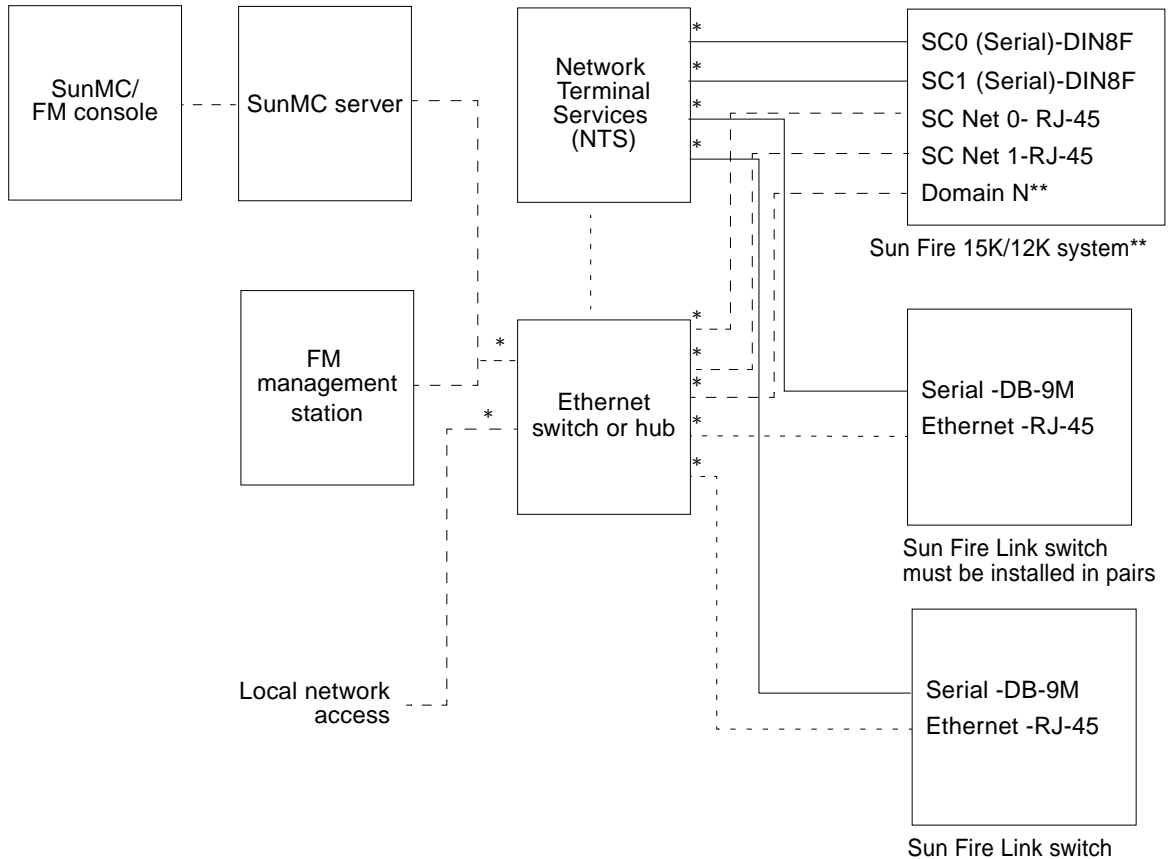
You can configure and manage Sun Fire Link clusters using the services of a software module called the Sun Fire Link Fabric Manager (FM). The FM runs on a central administration host called the *management station*, which is external to the Fire Link cluster. This system is connected to the hosts in the Fire Link cluster by a TCP/IP network.

The FM includes add-ons to the Sun Management Center (SunMC) software. These add-ons extend the administration capabilities of SunMC, enabling you to manage Fire Link clusters as part of a SunMC administrative domain. The Fire Link management station and the SunMC server can be on the same host system or they can be on separate machines.

The FM provides a command-line interface and the ability to configure and monitor a Sun Fire Link cluster. However, the full set of configuration and management tools are available only through the add-ons to the SunMC software. While use of SunMC (and a workstation set up as a *management console*) is not required to configure and run Sun Fire Link clusters, it is *strongly suggested*. If you choose to use the tools and graphical interface provided by SunMC software, you must include a workstation and monitor in the same TCP/IP network as your Sun Fire Link cluster. The Management Console must meet the hardware requirements in the *Sun Management Center 3.0 Configuration and Deployment Guide*. This manual can be found at <http://docs.sun.com/db/coll/810.1>

Serial and Ethernet Connections Required for Sun Fire Link Systems

Before you can install a Sun Fire Link system, make sure the appropriate cables and Ethernet and NTS connections shown in FIGURE 3 and FIGURE 4 are available.



- * The customer is responsible for making sure that the cable connector types on both ends are correct.
- ** Up to four domains are supported. Each domain requires an Ethernet connection.

FIGURE 4 Serial and Ethernet Connections for Sun Fire 15K/12K Configurations

Note – The requirements shown in FIGURE 4 apply to each Sun Fire 15K/12K system in the cluster.

Pinouts for Serial Connection to RTS (Remote Terminal Server)

The pinouts for the serial cable that you must connect from the switch to the customer remote terminal server are:

- Pin 2 RXD
- Pin 3 TXD
- Pin 5 GND

Accessing Sun Documentation

You can view, print, or purchase a broad selection of Sun documentation, including localized versions, at:

<http://www.sun.com/documentation>

Sun Welcomes Your Comments

Sun is interested in improving its documentation and welcomes your comments and suggestions. You can submit your comments by going to:

<http://www.sun.com/hwdocs/feedback>

Please include the title and part number of your document with your feedback:

Sun Fire Link Systems Site Planning Guide, part number 816-6592-11

Copyright 2003 Sun Microsystems, Inc. All rights reserved. Use is subject to license terms. Third-party software, including font technology, is copyrighted and licensed from Sun suppliers. Portions may be derived from Berkeley BSD systems, licensed from U. of CA. Sun, Sun Microsystems, the Sun logo, Sun Fire, and Solaris are trademarks or registered trademarks of Sun Microsystems, Inc. in the U.S. and in other countries. All SPARC trademarks are used under license and are trademarks or registered trademarks of SPARC International, Inc. in the U.S. and in other countries. Federal Acquisitions: Commercial Software—Government Users Subject to Standard License Terms and Conditions.

Copyright 2003 Sun Microsystems, Inc. Tous droits réservés. Distribué par des licences qui en restreignent l'utilisation. Le logiciel détenu par des tiers, et qui comprend la technologie relative aux polices de caractères, est protégé par un copyright et licencié par des fournisseurs de Sun. Des parties de ce produit pourront être dérivées des systèmes Berkeley BSD licenciés par l'Université de Californie. Sun, Sun Microsystems, le logo Sun, Sun Fire, et Solaris sont des marques de fabrique ou des marques déposées de Sun Microsystems, Inc. aux Etats-Unis et dans d'autres pays. Toutes les marques SPARC sont utilisées sous licence et sont des marques de fabrique ou des marques déposées de SPARC International, Inc. aux Etats-Unis et dans d'autres pays.



Please
Recycle

Sun Microsystems, Inc., 4150 Network Circle, Santa Clara, CA 95054 U.S.A.
650-960-1300, Fax 650-969-9131

