

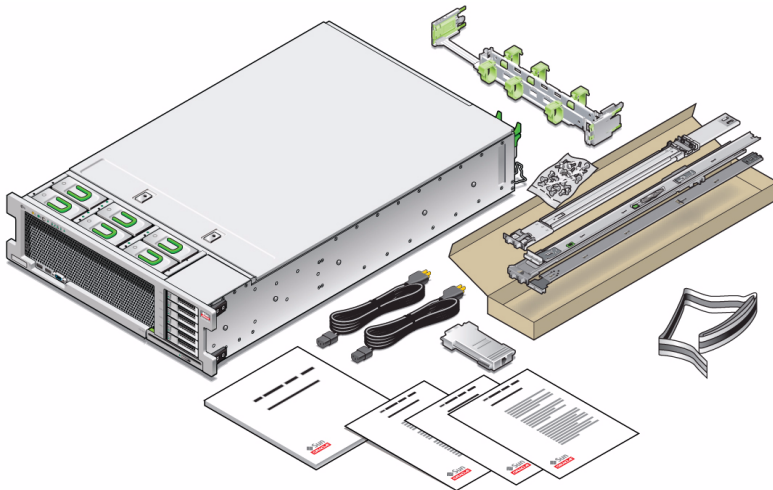
SPARC T3-2 Server

Getting Started Guide

This guide describes the minimum steps you must perform to power on and boot Oracle's SPARC T3-2 server for the first time using the preinstalled Oracle Solaris Operating System (Solaris OS).

For complete installation instructions, refer to the *SPARC T3-2 Server Installation Guide*.

Shipping Contents



Quantity	Item
1	Server
2	AC power cords (if ordered)
1	RJ-45 to DB-9 crossover adapter
1	Antistatic wrist strap
1	Rail rackmounting kit
1	Cable management arm (if ordered)
	Various documents

Before You Begin

For quick installation and configuration, follow these steps. For more detailed information, refer to the complete online product documentation set at: <http://docs.sun.com/app/docs/prod/sparc.t3.2#hic>.

Understand the following information before you set up the server for the first time:

- **Do not apply power until instructed to do so** – This system includes a service processor (SP) that is used to configure and boot the host server. To properly configure the host server and view SP messages, do not apply AC power to the server until the SP and host networking connections are made, as described in this guide.
- **Choose the best instructions for your situation** – The quick setup instructions in this guide work for any networking environment and require the use of a terminal device for connection to a serial port. If you have a networking environment running DHCP, you can configure your system using the Ethernet management port. To take advantage of the DHCP setup method, refer to the online installation guide in the online product documentation set at: <http://docs.sun.com/app/docs/prod/sparc.t3.2#hic>
- **Set aside sufficient time** – Installation times vary, but if you are performing these setup instructions for the first time, plan to spend about 45 to 75 minutes to complete all of these instructions. Additional time might be required for installing optional hardware and rackmounting kits.
- **Obtain a terminal device** – You configure this rackmountable server through the SP using the built-in serial and network management ports, and not through a graphical interface and keyboard. To communicate with the SP, you will need a terminal device, which can be a terminal, a terminal server, or a laptop running terminal emulation software.
- **Gather your configuration information** – During the configuration, you are prompted for time zone and networking parameters for your environment. Use [TABLE 1](#) to record your configuration information.

TABLE 1 Configuration Information

Parameter	Description	Your Entry
Language	Select a number from the displayed language list.	
Locale	Select a number from the displayed locale list.	
Terminal Type	Select a terminal type that corresponds with your terminal device.	
Network?	Select Yes.	
Multiple Network Interfaces	Select the network interfaces that you plan to configure. If you are not sure, select the first one in the list.	
DHCP?	Select Yes or No according to your network environment.	
Host Name	Type the host name for the server.	
IP Address	Type the IP address for the selected Ethernet interfaces.	
Subnet?	Select Yes or No according to your network environment.	
Subnet Netmask	(If subnet was Yes) Type the netmask for the subnet for your network environment.	
IPv6?	Specify whether or not to use IPv6. If you are not sure, select No to configure the Ethernet interface for IPv4.	
Security Policy	Select either standard UNIX security (No) or Kerberos Security (Yes). If you are not sure, select No.	

TABLE 1 Configuration Information (*Continued*)

Confirm	Review the onscreen information and change it if needed. Otherwise, continue.	
Name Service	Select the name service according to your network environment. Note – If you select a name service other than None, you will be prompted for additional name service configuration information.	
NFSv4 Domain Name	Select the type of domain name configuration according to your environment. If you are not sure, select Use the NFSv4 domain derived by the system.	
Time Zone (Continent)	Select your continent.	
Time Zone (Country or Region)	Select your country or region.	
Time Zone	Select the time zone.	
Date and Time	Accept the default date and time, or change the values.	
root Password	Type the root password twice. This password is for the superuser account for the Oracle Solaris OS on this server. This password is not the SP password.	

Quick Setup Instructions

1. **Unpack the server, and check that you received all of the shipping contents.**

See ["Shipping Contents"](#) for details.

2. **Place the server in its intended location for verification.**

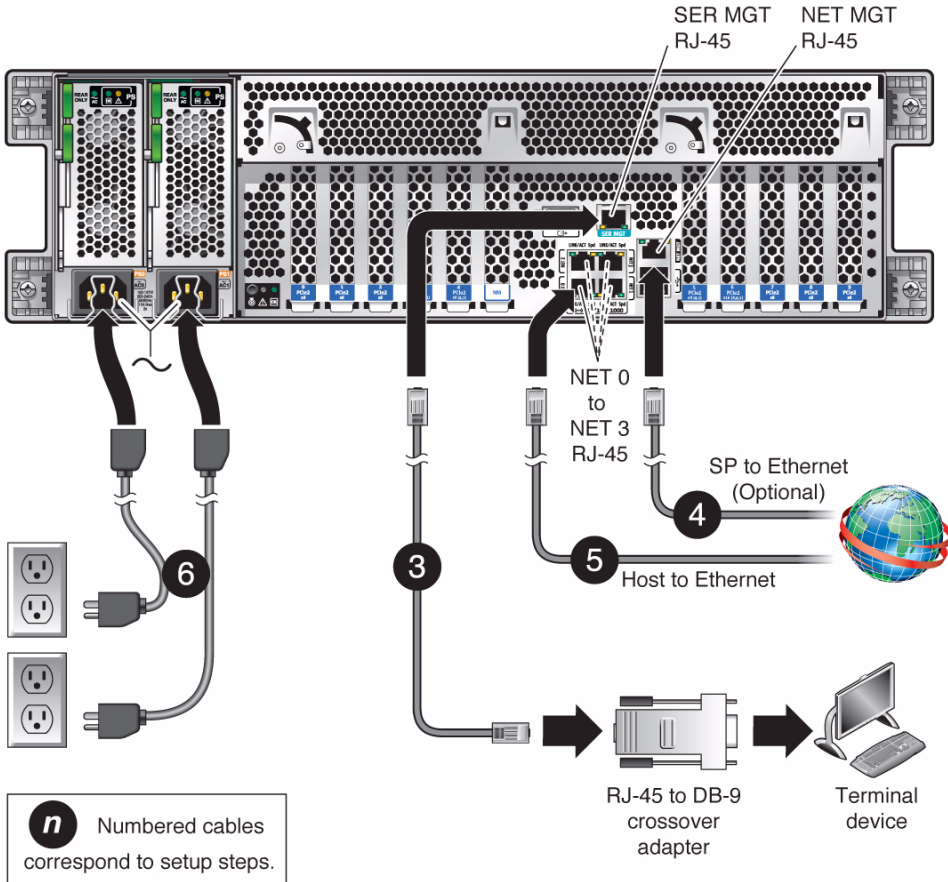
For rackmounting instructions, refer to the online *SPARC T3-2 Server Installation Guide*.

3. **Connect a serial cable between the server's SER MGT port (FIGURE 1) and a terminal device.**

This connection provides your initial communication with the SP.

The device must be set up to communicate using 9600 baud, 8 bit, no parity, 1 stop bit. A null modem configuration is needed, meaning the transmit and receive signals are reversed (crossed over) for DTE to DTE communications. You can use the supplied RJ-45 crossover adapters with a standard RJ-45 cable to achieve the null modem configuration.

FIGURE 1 Server Connections



- 4. (Optional) Connect an Ethernet cable between the server's NET MGT port and the network to which future connections to the SP and host will be made.**

After the initial configuration of the system using the SER MGT port, communication with the SP and host is usually performed through this Ethernet interface.
- 5. Connect an Ethernet cable between one of the server's NET ports and the network to which the server will communicate.**
- 6. Plug the power cords into the power supplies and into separate power sources.**

If your server is equipped with two power supplies, plug them into separate power sources to provide your system with power redundancy. The system can operate with one power connection, but having only one power source removes the redundancy.

When power is applied, the SP initializes and the power supply LEDs illuminate. After a few minutes, the SP login prompt displays on the terminal device. Note that the host is not initialized or powered on yet.

7. At the terminal device, log in to the SP as root with a password of changeme.

```
SUNSP00144FAC732F login: root
Password: changeme
. . .
->
```

After a brief delay, the SP prompt is displayed (->).

At this point, there are many commands you can perform using the Integrated Lights Out Manager (ILOM) interface. For example, to create a user named admin, and to set the admin account role to have cuar (console, user management, admin, and reset and host control) privileges, type:

```
-> create /SP/users/admin role=cuar
Creating user...
Enter new password: *****
Enter new password again: *****
Created /SP/users/admin
```

Note that the asterisks in the example will not be displayed when you type your password.

Additional SP information, such as how to change the password and how to set up the SP network parameters, is available in the online documentation set.

8. Power on the server and redirect the host output to display on the serial terminal device:

```
-> start /SYS
Are you sure you want to start /SYS (y/n)? y
-> start /HOST/console
Are you sure you want to start /HOST/CONSOLE (y/n)? y
Serial console started.
. . .
```

After you start the SP console, the server initialization takes approximately 20 minutes to complete.

9. When prompted, follow the onscreen instructions and type the configuration information.

Refer to [TABLE 1](#) for the list of configuration information and your entries. You will be prompted to confirm the configuration several times, enabling confirmation and changes. If you are not sure how to respond to a particular value, you can accept the default and make future changes when the Oracle Solaris OS is running. When the configuration menus are completed, the server reboots and displays the Oracle Solaris login prompt.

10. Log in to the server and explore the capabilities.

The following commands provide information about the system:

- `showrev` – Displays the host name and system architecture information. Use the `-a` option with this command to see the patches that are installed.
- `psrinfo` – Displays information about the number and status of the processors and cores in the host.

Review the Oracle Solaris OS man pages and documentation for more details.

Accessing Additional Information

You can view, print, and download additional information for this product from the following web sites:

- Oracle's SPARC T3-2 server documentation set, including important documents such as product notes:
<http://docs.sun.com/app/docs/prod/sparc.t3.2#hic>
- A broad selection of documentation, including localized versions:
<http://docs.sun.com/>
- Preinstalled Oracle Solaris OS information:
<http://www.sun.com/software/preinstall>

Technical Support

If you have technical questions about this product that are not answered in this document, go to:

<http://www.sun.com/service/contacting>

Documentation Feedback

Submit comments about this document by clicking the Feedback[+] link at:

<http://docs.sun.com/>

Include the title and part number of your document with your feedback:

SPARC T3-2 Server Getting Started Guide, part number 821-1965-10

Copyright © 2010, Oracle and/or its affiliates. All rights reserved.

Copyright © 2010, Oracle et/ou ses affiliés. Tous droits réservés.

