



Sun Cluster 3.0-3.1 With Sun StorEdge A3500FC System Manual for Solaris OS

SPARC Platform Edition

Sun Microsystems, Inc.
4150 Network Circle
Santa Clara, CA 95054
U.S.A.

Part No: 817-0174-12
August 2005, Revision A

Copyright 2005 Sun Microsystems, Inc. 4150 Network Circle, Santa Clara, CA 95054 U.S.A. All rights reserved.

This product or document is protected by copyright and distributed under licenses restricting its use, copying, distribution, and decompilation. No part of this product or document may be reproduced in any form by any means without prior written authorization of Sun and its licensors, if any. Third-party software, including font technology, is copyrighted and licensed from Sun suppliers.

Parts of the product may be derived from Berkeley BSD systems, licensed from the University of California. UNIX is a registered trademark in the U.S. and other countries, exclusively licensed through X/Open Company, Ltd.

Sun, Sun Microsystems, the Sun logo, docs.sun.com, AnswerBook, AnswerBook2, Netra, OpenBoot, Sun StorEdge, Sun Cluster, Solstice DiskSuite, Solaris, SPARC, UNIX, and Solaris are trademarks or registered trademarks of Sun Microsystems, Inc. in the U.S. and other countries. All SPARC trademarks are used under license and are trademarks or registered trademarks of SPARC International, Inc. in the U.S. and other countries. Products bearing SPARC trademarks are based upon an architecture developed by Sun Microsystems, Inc.

The OPEN LOOK and Sun™ Graphical User Interface was developed by Sun Microsystems, Inc. for its users and licensees. Sun acknowledges the pioneering efforts of Xerox in researching and developing the concept of visual or graphical user interfaces for the computer industry. Sun holds a non-exclusive license from Xerox to the Xerox Graphical User Interface, which license also covers Sun's licensees who implement OPEN LOOK GUIs and otherwise comply with Sun's written license agreements.

U.S. Government Rights – Commercial software. Government users are subject to the Sun Microsystems, Inc. standard license agreement and applicable provisions of the FAR and its supplements.

DOCUMENTATION IS PROVIDED "AS IS" AND ALL EXPRESS OR IMPLIED CONDITIONS, REPRESENTATIONS AND WARRANTIES, INCLUDING ANY IMPLIED WARRANTY OF MERCHANTABILITY, FITNESS FOR A PARTICULAR PURPOSE OR NON-INFRINGEMENT, ARE DISCLAIMED, EXCEPT TO THE EXTENT THAT SUCH DISCLAIMERS ARE HELD TO BE LEGALLY INVALID.

Copyright 2005 Sun Microsystems, Inc. 4150 Network Circle, Santa Clara, CA 95054 U.S.A. Tous droits réservés.

Ce produit ou document est protégé par un copyright et distribué avec des licences qui en restreignent l'utilisation, la copie, la distribution, et la décompilation. Aucune partie de ce produit ou document ne peut être reproduite sous aucune forme, par quelque moyen que ce soit, sans l'autorisation préalable et écrite de Sun et de ses bailleurs de licence, s'il y en a. Le logiciel détenu par des tiers, et qui comprend la technologie relative aux polices de caractères, est protégé par un copyright et licencié par des fournisseurs de Sun.

Des parties de ce produit pourront être dérivées du système Berkeley BSD licenciés par l'Université de Californie. UNIX est une marque déposée aux Etats-Unis et dans d'autres pays et licenciée exclusivement par X/Open Company, Ltd.

Sun, Sun Microsystems, le logo Sun, docs.sun.com, AnswerBook, AnswerBook2, Netra, OpenBoot, Sun StorEdge, Sun Cluster, Solstice DiskSuite, Solaris, SPARC, UNIX, et Solaris sont des marques de fabrique ou des marques déposées, de Sun Microsystems, Inc. aux Etats-Unis et dans d'autres pays. Toutes les marques SPARC sont utilisées sous licence et sont des marques de fabrique ou des marques déposées de SPARC International, Inc. aux Etats-Unis et dans d'autres pays. Les produits portant les marques SPARC sont basés sur une architecture développée par Sun Microsystems, Inc.

L'interface d'utilisation graphique OPEN LOOK et Sun™ a été développée par Sun Microsystems, Inc. pour ses utilisateurs et licenciés. Sun reconnaît les efforts de pionniers de Xerox pour la recherche et le développement du concept des interfaces d'utilisation visuelle ou graphique pour l'industrie de l'informatique. Sun détient une licence non exclusive de Xerox sur l'interface d'utilisation graphique Xerox, cette licence couvrant également les licenciés de Sun qui mettent en place l'interface d'utilisation graphique OPEN LOOK et qui en outre se conforment aux licences écrites de Sun.

CETTE PUBLICATION EST FOURNIE "EN L'ETAT" ET AUCUNE GARANTIE, EXPRESSE OU IMPLICITE, N'EST ACCORDEE, Y COMPRIS DES GARANTIES CONCERNANT LA VALEUR MARCHANDE, L'APTITUDE DE LA PUBLICATION A REpondre A UNE UTILISATION PARTICULIERE, OU LE FAIT QU'ELLE NE SOIT PAS CONTREFAISANTE DE PRODUIT DE TIERS. CE DENI DE GARANTIE NE S'APPLIQUERAIT PAS, DANS LA MESURE OU IL SERAIT TENU JURIDIQUEMENT NUL ET NON AVENU.



050503@11223



Contents

Preface	5
1 Installing and Maintaining a Sun StorEdge A3500FC System	11
Installing Storage Systems	11
▼ How to Install a Storage System in a New Cluster	12
▼ How to Add a Storage System to an Existing Cluster	15
Configuring Storage Systems	20
▼ How to Create a LUN	21
▼ How to Delete a LUN	23
▼ How to Reset the LUN Configuration	25
▼ How to Correct Mismatched Device ID Numbers	26
Maintaining Storage Systems	28
StorEdge A3500FC System FRUs	29
▼ How to Remove a Storage System	30
▼ How to Replace a Failed Controller or Restore an Offline Controller	32
▼ How to Upgrade Controller Module Firmware in a Running Cluster	34
▼ How to Add a Disk Drive in a Running Cluster	35
▼ How to Replace a Failed Disk Drive in a Running Cluster	36
▼ How to Remove a Disk Drive From a Running Cluster	36
How to Upgrade Disk Drive Firmware in a Running Cluster	37
▼ How to Replace a Host Adapter	37
Index	41

Preface

The *Sun Cluster 3.0-3.1 With Sun StorEdge A3500FC System Manual for Solaris OS* provides procedures specific to Sun StorEdge™ A3500FC systems that are placed in a Sun™ Cluster environment.

Use this manual with any version of Sun Cluster 3.x software. Unless otherwise noted, procedures are the same for all Sun Cluster 3.x versions. See the [“Revision History”](#) on page 6 for a list of changes to this manual.

Note – In this document, references to Oracle Real Application Clusters also apply to Oracle Parallel Server, unless otherwise stated.

Who Should Use This Book

This book is for Sun representatives who are performing the initial installation of a Sun Cluster configuration and for system administrators who are responsible for maintaining the system.

This document is intended for experienced system administrators with extensive knowledge of Sun software and hardware. Do not use this document as a planning or presales guide. You should have already determined your system requirements and purchased the appropriate equipment and software before reading this document.

How This Book Is Organized

This book contains one chapter that consists of three major sections.

Section 1 discusses how to install Sun StorEdge A3500FC storage system.

Section 2 discusses how to configure logical units on Sun StorEdge A3500FC storage system.

Section 3 describes how to maintain Sun StorEdge A3500FC storage system in a running cluster.

Revision History

The following table lists the information that has been revised or added since the initial release of this documentation. The table also lists the revision date for these changes.

TABLE P-1 Sun Cluster 3.0-3.1 With Sun StorEdge A3500FC System Manual for Solaris OS

Revision Date	New Information
	No revisions.

Related Documentation

The following books provide conceptual information or procedures to administer hardware and applications. If you plan to use this documentation in a hardcopy format, ensure that you have these books available for your reference.

The following Sun Cluster books support the Sun Cluster 3.1, 2004, and 2005 releases. If you are maintaining a different version of Sun Cluster software, refer to the appropriate documentation. All Sun Cluster documentation is available at <http://docs.sun.com>.

Documentation that is not available at <http://docs.sun.com> is listed with the appropriate URL.

TABLE P-2 Hardware Documentation

Title	Part Number
<i>OpenBoot 2.x Command Reference Manual</i>	806-2906
<i>Sun StorEdge A3500/A3500FC Controller Module Guide</i>	805-4980
Available on http://www.sun.com/products-n-solutions/hardware/docs	
<i>Sun StorEdge A3500/A3500FC Hardware Configuration Guide</i>	805-4981
<i>Sun StorEdge D1000 Storage Guide</i>	805-4013
<i>Sun StorEdge RAID Manager Installation and Support Guide</i>	805-7756
<i>Sun StorEdge RAID Manager Release Notes</i>	805-7758
<i>Sun StorEdge RAID Manager User's Guide</i>	806-0478
<i>Sun StorEdge Traffic Manager Installation and Configuration Guide</i>	816-1420
Available on http://www.sun.com/products-n-solutions/hardware/docs	

TABLE P-3 Sun Cluster Documentation

Application	Title
Concepts	<i>Sun Cluster Concepts Guide for Solaris OS</i>
Overview	<i>Sun Cluster Overview for Solaris OS</i>
Hardware administration	<i>Sun Cluster 3.0-3.1 Hardware Administration Manual for Solaris OS</i> Individual hardware administration guides
Software installation	<i>Sun Cluster Software Installation Guide for Solaris OS</i>
Data service administration	<i>Sun Cluster Data Services Planning and Administration Guide for Solaris OS</i> Individual data service guides
Data service development	<i>Sun Cluster Data Services Developer's Guide for Solaris OS</i>
System administration	<i>Sun Cluster System Administration Guide for Solaris OS</i>
Error messages	<i>Sun Cluster Error Messages Guide for Solaris OS</i>
Command and function reference	<i>Sun Cluster Reference Manual for Solaris OS</i>
Release Notes	<i>Sun Cluster 3.1 8/05 Release Notes for Solaris OS</i> <i>Sun Cluster 3.x Release Notes Supplement</i>

Using UNIX Commands

This document contains information about commands that are used to install, configure, or upgrade a Sun Cluster configuration. This document might not contain complete information about basic UNIX[®] commands and procedures such as shutting down the system, booting the system, and configuring devices.

See one or more of the following sources for this information:

- Online documentation for the Solaris[™] Operating System (Solaris OS)
- Other software documentation that you received with your system
- Solaris Operating System man pages

Getting Help

If you have problems installing or using Sun Cluster, contact your service provider and provide the following information.

- Your name and email address (if available)
- Your company name, address, and phone number
- The model number and serial number of your systems
- The release number of the operating environment (for example, Solaris 8)
- The release number of Sun Cluster (for example, Sun Cluster 3.0)

Use the following commands to gather information about your system for your service provider.

Command	Function
<code>prtconf -v</code>	Displays the size of the system memory and reports information about peripheral devices
<code>psrinfo -v</code>	Displays information about processors
<code>showrev -p</code>	Reports which patches are installed
<code>prtdiag -v</code>	Displays system diagnostic information
<code>/usr/cluster/bin/scinstall -pv</code>	Displays Sun Cluster release and package version information

Also have available the contents of the `/var/adm/messages` file.

Accessing Sun Documentation Online

The docs.sun.comSM Web site enables you to access Sun technical documentation online. You can browse the docs.sun.com archive or search for a specific book title or subject. The URL is <http://docs.sun.com>.

Ordering Sun Documentation

Sun Microsystems offers select product documentation in print. For a list of documents and how to order them, see "Buy printed documentation" at <http://docs.sun.com>.

Typographic Conventions

The following table describes the typographic changes that are used in this book.

TABLE P-4 Typographic Conventions

Typeface or Symbol	Meaning	Example
AaBbCc123	The names of commands, files, and directories, and onscreen computer output	Edit your <code>.login</code> file. Use <code>ls -a</code> to list all files. <code>machine_name%</code> you have mail.
AaBbCc123	What you type, contrasted with onscreen computer output	<code>machine_name%</code> su Password:
<i>AaBbCc123</i>	Command-line placeholder: replace with a real name or value	The command to remove a file is <code>rm filename</code> .

TABLE P-4 Typographic Conventions (Continued)

Typeface or Symbol	Meaning	Example
<i>AaBbCc123</i>	Book titles, new terms, and terms to be emphasized	Read Chapter 6 in the <i>User's Guide</i> . Perform a <i>patch analysis</i> . Do <i>not</i> save the file. [Note that some emphasized items appear bold online.]

Shell Prompts in Command Examples

The following table shows the default system prompt and superuser prompt for the C shell, Bourne shell, and Korn shell.

TABLE P-5 Shell Prompts

Shell	Prompt
C shell prompt	machine_name%
C shell superuser prompt	machine_name#
Bourne shell and Korn shell prompt	\$
Bourne shell and Korn shell superuser prompt	#

Product Training

Sun Microsystems offers training in many Sun technologies through a variety of instructor-led courses and self-paced courses. For information about the training courses that Sun offers and to enroll in a class, visit Sun Microsystems Training at <http://training.sun.com/>.

Installing and Maintaining a Sun StorEdge A3500FC System

This chapter describes the procedures about how to install, configure, and maintain a Sun StorEdge™ A3500FC (Fibre Channel-based) system in a Sun™ Cluster environment. For information about the SCSI-based version of this device, see the *Sun Cluster 3.0-3.1 With StorEdge A1000 Array, Netra st A1000 Array, or StorEdge A3500 System Manual* manual.

This chapter contains the following main topics:

- “Installing Storage Systems” on page 11
- “Configuring Storage Systems” on page 20
- “Maintaining Storage Systems” on page 28

For information about how to use storage arrays in a storage area network (SAN), see “SAN Solutions in a Sun Cluster Environment” in *Sun Cluster 3.0-3.1 Hardware Administration Manual for Solaris OS*.

Installing Storage Systems

This section contains procedures both for installing a storage system in a new cluster and for adding storage systems to an existing cluster.

TABLE 1-1 Task Map: Installing Storage Systems

Task	Information
Install a storage system to a new cluster, before the OS and Sun Cluster software are installed.	“How to Install a Storage System in a New Cluster” on page 12

TABLE 1-1 Task Map: Installing Storage Systems (Continued)

Task	Information
Add a storage system to an operational cluster.	"How to Add a Storage System to an Existing Cluster" on page 15

▼ How to Install a Storage System in a New Cluster

Use this procedure for an initial installation and an initial configuration, *before* you install the Solaris Operating System and Sun Cluster software. If you need to add a storage system to an operational cluster, use the procedure in "How to Add a Storage System to an Existing Cluster" on page 15.

Steps 1. **Install the host adapters in the nodes. These nodes are to be connected to the storage system.**

For the procedure about how to install host adapters, see the documentation that shipped with your host adapters and nodes.

2. **Cable the storage system.**

See [Figure 1-1](#) for an example about how to cable a StorEdge A3500FC system.

For more sample configurations, see the *Sun StorEdge A3500/A3500FC Hardware Configuration Guide*.

For the procedure about how to install the cables, see the *Sun StorEdge A3500/A3500FC Controller Module Guide*.

Note – If you want to create a SAN by using two FC switches and Sun SAN software, see "SAN Solutions in a Sun Cluster Environment" in *Sun Cluster 3.0-3.1 Hardware Administration Manual for Solaris OS* for more information. .

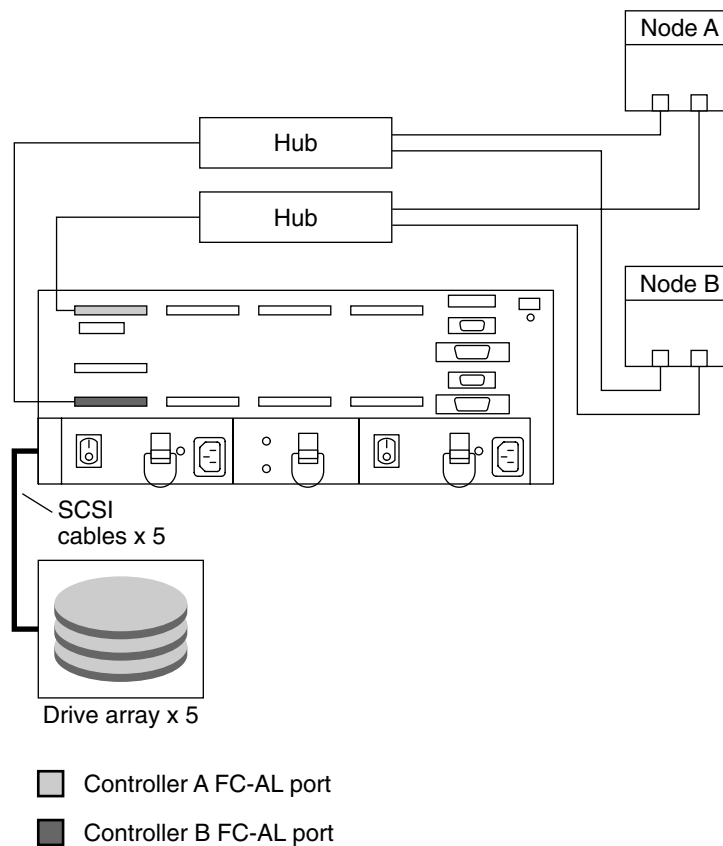


FIGURE 1-1 Installing a StorEdge A3500FC Storage System: An Example

3. Set the loop ID of the controller module by installing jumpers to the appropriate pins on the rear of the controller module.

For diagrams and information about how to set FC-AL ID settings, see the *Sun StorEdge A3500/A3500FC Controller Module Guide*.

4. Power on the storage system and nodes.

For the procedure about how to power on the storage system, see the *Sun StorEdge A3500/A3500FC Controller Module Guide*.

5. Install the RAID Manager software.

For the procedure about how to install the RAID Manager software, see the *Sun StorEdge RAID Manager Installation and Support Guide*.

Note – RAID Manager 6.22 or a compatible version is required for clustering with Sun Cluster software.

Note – For the most current list of software, firmware, and patches that are required for the storage system, refer to *EarlyNotifier 20029, A1000/A3x00/A3500FC Software/Firmware Configuration Matrix*. This document is available online to Sun service providers and to customers with SunSolve service contracts at the SunSolve site: <http://sunsolve.sun.com>.

6. Install the storage system controller module and RAID Manager patches.

For more information, see the *Sun StorEdge RAID Manager Release Notes*.

7. Check the storage system controller module NVSRAM file revision. If necessary, install the most recent revision.

For the NVSRAM file revision number and boot level, see the *Sun StorEdge RAID Manager Release Notes*. For the procedure about how to upgrade the NVSRAM file, see the *Sun StorEdge RAID Manager User's Guide*.

8. Check the storage system controller module firmware revision. If necessary, install the most recent revision.

For the firmware revision number and boot level, see the *Sun StorEdge RAID Manager Release Notes*. For the procedure about how to upgrade the firmware, see the *Sun StorEdge RAID Manager User's Guide*.

9. Set the Rdac parameters in the `/etc/osa/rmparams` file.

```
Rdac_RetryCount=1
Rdac_NoAltOffline=TRUE
```

10. Ensure that the controller module is set to active/active mode.

For more information on controller modes, see the *Sun StorEdge RAID Manager Installation and Support Guide* and the *Sun StorEdge RAID Manager User's Guide*.

11. Set up the storage system controller module with logical unit numbers (LUNs) and hot spares.

For the procedure about how to set up the storage system controller module with LUNs and hot spares, see the *Sun StorEdge RAID Manager User's Guide*.

Note – Use the `format` command to verify Solaris logical device names.

12. Copy the `/etc/raid/rdac_address` file from the node on which you created the LUNs to the other node. If you copy this file to the other node, you ensure

consistency across both nodes.

13. Ensure that the new logical name for the LUN that you created in [Step 11](#) appears in the `/dev/rdisk` directory on both nodes.

```
# /etc/raid/bin/hot_add
```

See Also To continue with Sun Cluster software and data services installation tasks, see your Sun Cluster software installation documentation and Sun Cluster data services collection.

▼ How to Add a Storage System to an Existing Cluster

Use this procedure to add a storage system to a running cluster. If you need to install a storage array in a new cluster, use the procedure in [“How to Install a Storage System in a New Cluster”](#) on page 12

Steps 1. Install the RAID Manager software.

For the procedure about how to install RAID Manager software, see the *Sun StorEdge RAID Manager Installation and Support Guide*.

Note – RAID Manager 6.22 or a compatible version is required for clustering with Sun Cluster software.

Note – For the most current list of software, firmware, and patches that are required for the storage system, refer to *EarlyNotifier 20029, A1000/A3x00/A3500FC Software/Firmware Configuration Matrix*. This document is available online to Sun service providers and to customers with SunSolve service contracts at the SunSolve site: <http://sunsolve.sun.com>.

2. Install the storage system patches.

For the location of patches and installation instructions, see your Sun Cluster release notes documentation.

3. Set the Rdac parameters in the `/etc/osa/rmparams` file.

```
Rdac_RetryCount=1  
Rdac_NoAltOffline=TRUE
```

4. Power on the storage system.

For the procedure about how to power on the storage system, see the *Sun StorEdge A3500/A3500FC Controller Module Guide*.

5. Are you installing new host adapters in your nodes?

- **If no, skip to Step 7.**

- **If yes, shut down and power off Node A.**

For the procedure about how to shut down and power off a node, see your Sun Cluster system administration documentation.

6. Install the host adapters in Node A.

For the procedure about how to install host adapters, see the documentation that shipped with your host adapters and nodes.

7. Cable the storage system to Node A. The method you choose to cable your system depends on the type of system you are adding.

See [Figure 1–2](#) for an example about how to cable a StorEdge A3500FC storage system. In this example, Node A connects to a StorEdge A3500FC controller module.

For more sample configurations, see the *Sun StorEdge A3500/A3500FC Hardware Configuration Guide*.

For the procedure about how to install the cables, see the *Sun StorEdge A3500/A3500FC Controller Module Guide*.

Note – If you want to create a SAN by using two FC switches and Sun SAN software, see “SAN Solutions in a Sun Cluster Environment” in *Sun Cluster 3.0-3.1 Hardware Administration Manual for Solaris OS* for more information. Sun SAN software does not support storage array.

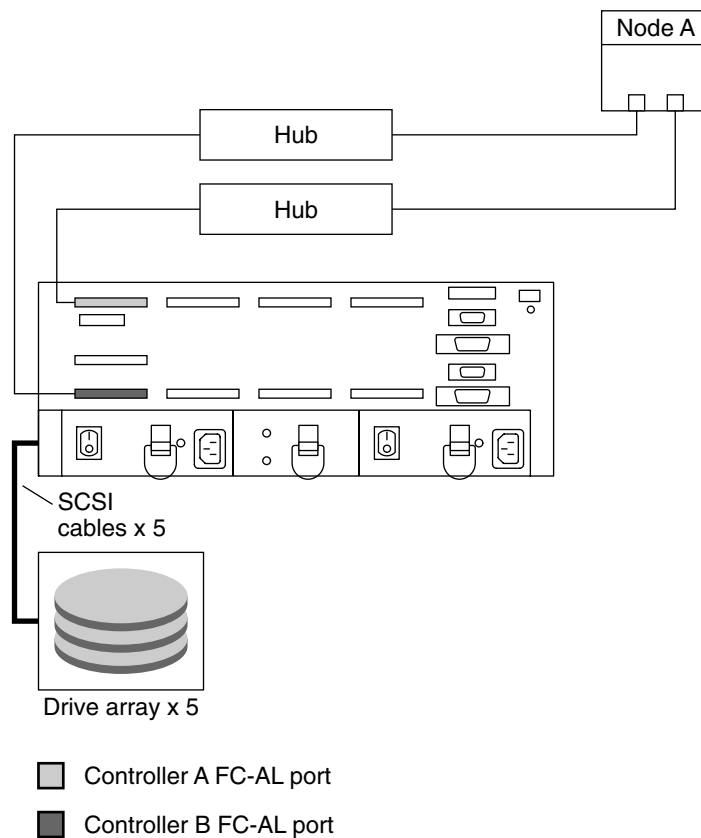


FIGURE 1-2 Cabling a StorEdge A3500FC Storage System: An Example, Part 1

8. Did you power off the Node A to install a host adapter?
 - If no, skip to Step 9.
 - If yes, perform a reconfiguration boot to create the new Solaris device files and links.
9. Are you installing new host adapters in Node B to connect Node B to the storage system?
 - If no, skip to Step 11.
 - If yes, shut down and power off the node.
For the procedure about how to shut down and power off a node, see your Sun Cluster system administration documentation.
10. Install the host adapters in Node B.

For the procedure about how to install host adapters, see the documentation that shipped with your nodes.

11. Cable the storage system to your node. The method that you choose to cable your storage system depends on the type of controller module you are adding.

See [Figure 1-3](#) for an example about how to cable a StorEdge A3500FC storage system. In this example, two nodes connect to a StorEdge A3500FC controller module.

For more sample configurations, see the *Sun StorEdge A3500/A3500FC Hardware Configuration Guide*.

For the procedure about how to install the cables, see the *Sun StorEdge A3500/A3500FC Controller Module Guide*.

Note – If you want to create a SAN by using two FC switches and Sun SAN software, see “SAN Solutions in a Sun Cluster Environment” in *Sun Cluster 3.0-3.1 Hardware Administration Manual for Solaris OS* for more information. .

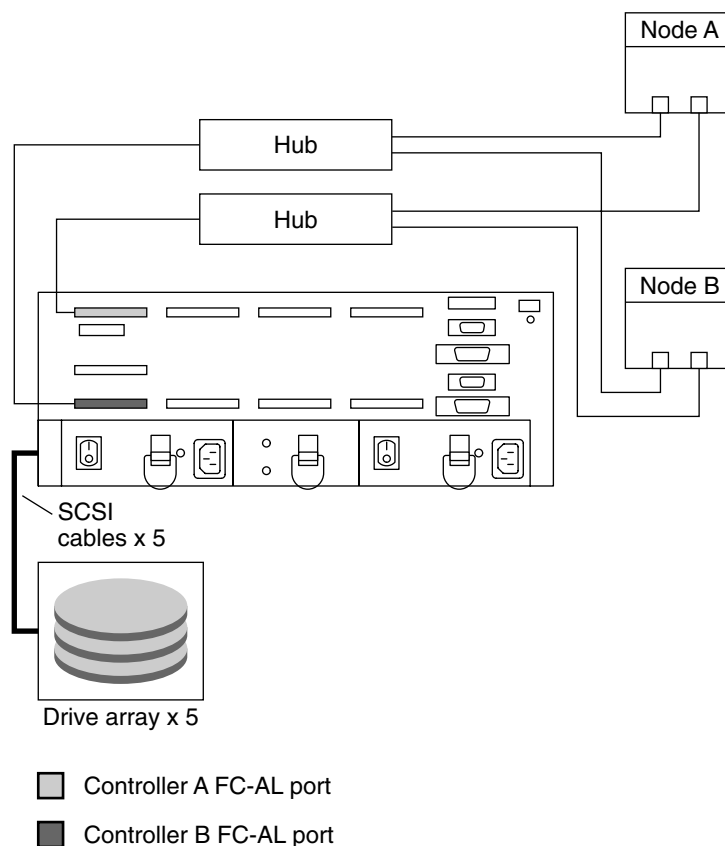


FIGURE 1-3 Cabling a StorEdge A3500FC Storage System: An Example, Part 2

12. Did you power off Node B to install a host adapter?

- If no, skip to [Step 14](#).
- If yes, power on the node and the storage system. Do not enable the node to boot. If necessary, halt the system to continue with OpenBoot PROM (OBP) Monitor tasks.

13. Verify that Node B recognizes the new host adapters and disk drives.

If the node does not recognize the new hardware, check all hardware connections and repeat installation steps you performed in [Step 10](#).

```
{0} ok show-disks
...
b) /sbus@6,0/QLGC,isp@2,10000/sd...
d) /sbus@2,0/QLGC,isp@2,10000/sd... {0} ok
```

14. On one node, verify that the device IDs have been assigned to the LUNs for all nodes. These nodes are attached to the storage system.

```
# scdidadm -L
```

15. Verify that the controller module is set to **active/active mode**.

For more information on controller modes, see the *Sun StorEdge RAID Manager Installation and Support Guide* and the *Sun StorEdge RAID Manager User's Guide*.

See Also To create a LUN from disk drives that are unassigned, see [“How to Create a LUN” on page 21](#).

To upgrade controller module firmware, see [“How to Upgrade Controller Module Firmware in a Running Cluster” on page 34](#).

Configuring Storage Systems

This section contains the procedures about how to configure a storage system *after* you install Sun Cluster software. [Table 1–2](#) lists these procedures.

To configure a storage system *before* you install Sun Cluster software, use the same procedures you use in a noncluster environment. For the procedures about how to configure a storage system before you install Sun Cluster software, see the *Sun StorEdge RAID Manager User's Guide*.

Note – When you upgrade firmware on a storage device or on an enclosure, redefine the stripe size of a LUN, or perform other LUN operations, a device ID might change unexpectedly. When you perform a check of the device ID configuration by running the `scdidadm -c` command, the following error message appears on your console if the device ID changed unexpectedly.

```
device id for nodename:/dev/rdisk/cXtYdZsN does not match physical
device's id for ddecimalnumber, device may have been replaced.
```

To fix device IDs that report this error, run the `scdidadm -R` command for each affected device.

TABLE 1–2 Task Map: Configuring a Storage System

Task	Information
Create a logical unit number (LUN).	“How to Create a LUN” on page 21

TABLE 1-2 Task Map: Configuring a Storage System (Continued)

Task	Information
Remove a LUN.	"How to Delete a LUN" on page 23
Reset the LUN configuration.	"How to Reset the LUN Configuration" on page 25

The following is a list of administrative tasks that require no cluster-specific procedures. See the *Sun StorEdge RAID Manager User's Guide* and the *Sun StorEdge RAID Manager Release Notes* for the following procedures.

- Rebalance running LUNs.
- Create a hot spare.
- Delete a hot spare.
- Increase the size of a drive group.

▼ How to Create a LUN

Use this procedure to create a logical unit number (LUN) from unassigned disk drives or remaining capacity. See the *Sun StorEdge RAID Manager Release Notes* for the latest information about LUN administration.

This product supports the use of hardware RAID and host-based software RAID. For host-based software RAID, this product supports RAID levels 0+1 and 1+0.

Note – You must use hardware RAID for Oracle Parallel Server (OPS) data stored on the storage array. Do not place OPS data under volume management control. You must place all non-OPS data that is stored on the storage arrays under volume management control. Use either hardware RAID, host-based software RAID, or both types of RAID to manage your non-OPS data.

Hardware RAID uses the storage array's or storage system's hardware redundancy to ensure that independent hardware failures do not impact data availability. If you mirror across separate storage arrays, host-based software RAID ensures that independent hardware failures do not impact data availability when an entire storage array is offline. Although you can use hardware RAID and host-based software RAID concurrently, you need only one RAID solution to maintain a high degree of data availability.

Note – When you use host-based software RAID with hardware RAID, the hardware RAID levels you use affect hardware maintenance. If you use hardware RAID level 1, 3, or 5, you can perform most maintenance procedures without volume management disruptions. If you use hardware RAID level 0, some maintenance procedures require additional volume management administration because the availability of the LUNs is impacted.



Caution – Do not configure LUNs as quorum devices. The use of LUNs as quorum devices is not supported.

Steps 1. **With all nodes booted and attached to the storage system, create the LUN on one node.**

After the LUN formatting completes, a logical name for the new LUN appears in `/dev/rdisk` on all nodes. These nodes are attached to the storage system.

For the procedure about how to create a LUN, see the *Sun StorEdge RAID Manager User's Guide*.

If the following warning message displays, ignore the message. Continue with the next step.

```
scsi: WARNING:
/sbus@40,0/SUNW,socal@0,0/sf@1,0/ssd@w200200a0b80740db,4 (ssd0):
corrupt label - wrong magic number
```

Note – Use the `format(1M)` command to verify Solaris logical device names.

2. **Copy the `/etc/raid/rdac_address` file from the node on which you created the LUN to the other node. If you copy this file to the other node, you ensure consistency across both nodes.**

3. **Ensure that the new logical name for the LUN that you created appears in the `/dev/rdisk` directory on both nodes.**

```
# /etc/raid/bin/hot_add
```

4. **On one node, update the global device namespace.**

```
# scgdevs
```

5. **Ensure that the device ID numbers for the LUNs are the same on both nodes. In the sample output that follows, the device ID numbers are different.**

```
# scdidadm -L
...
```

```

33          e07a: /dev/rdisk/c1t4d2          /dev/did/rdsk/d33
33          e07c: /dev/rdisk/c0t4d2          /dev/did/rdsk/d34

```

6. Are the device ID numbers that you received from running the `scdidadm` command in [Step 5](#) the same for both nodes?
 - If the device ID numbers are the same, proceed to [Step 7](#).
 - If the device ID numbers are different, perform the procedure in [“How to Correct Mismatched Device ID Numbers”](#) on page 26 before you continue with [Step 7](#) of this procedure.
7. If you want a volume manager to manage the new LUN, incorporate the new LUN into a diskset or disk group.
For more information, see your Solstice DiskSuite/Solaris Volume Manager or VERITAS Volume Manager documentation.

▼ How to Delete a LUN

Use this procedure to delete one or more LUNs. See the *Sun StorEdge RAID Manager Release Notes* for the latest information about LUN administration.



Caution – This procedure removes all data on the LUN that you delete.



Caution – Do not delete LUN 0.

- Steps**
1. From one node that is connected to the storage system, determine the paths to the LUN that you are deleting.

```

# format
AVAILABLE DISK SELECTIONS:
0. c0t5d0 <SYMBIOS-StorEdgeA3500FCr-0301 cyl3 alt2 hd64 sec64>
/pseudo/rdnexus@0/rdriver@5,0
1. c0t5d1 <SYMBIOS-StorEdgeA3500FCr-0301 cyl2025 alt2 hd64 sec64>
/pseudo/rdnexus@0/rdriver@5,1

```

2. Does a volume manager manage the LUN that you are deleting?
 - If no, proceed to [Step 3](#).
 - If yes, remove the LUN from any diskset or disk group. For more information, see your Solstice DiskSuite/Solaris Volume Manager or VERITAS Volume Manager documentation.

VERITAS Volume Manager documentation.

LUNs that were managed by VERITAS Volume Manager must be removed from VERITAS Volume Manager control before you can delete the LUNs. To remove the LUNs, after you delete the LUN from any disk group, use the following commands.

```
# vxdisk offline cNtXdY
# vxdisk rm cNtXdY
```

3. From one node, delete the LUN.

For the procedure about how to delete a LUN, see the *Sun StorEdge RAID Manager User's Guide*.

4. Remove the paths to the LUNs you are deleting.

```
# rm /dev/rdisk/cNtXdY*
# rm /dev/dsk/cNtXdY*

# rm /dev/osa/dev/dsk/cNtXdY*
# rm /dev/osa/dev/rdisk/cNtXdY*
```

5. Use the `lad` command to determine the *alternate* paths to the LUNs you are deleting.

The RAID Manager software creates two paths to the LUN in the `/dev/osa/dev/rdisk` directory. Substitute the `cNtXdY` number from the other controller module in the storage array to determine the alternate path.

For example, with this configuration.

```
# lad
c0t5d0 1T93600714 LUNS: 0 1
c1t4d0 1T93500595 LUNS: 2
```

The alternate paths would be:

```
/dev/osa/dev/dsk/c1t4d1*
/dev/osa/dev/rdisk/c1t4d1*
```

6. Remove the *alternate* paths to the LUNs you are deleting.

```
# rm /dev/osa/dev/dsk/cNtXdY*
# rm /dev/osa/dev/rdisk/cNtXdY*
```

7. On both nodes, remove all obsolete device IDs.

```
# scdidadm -C
```

8. Move all resource groups and device groups off the node.

```
# scswitch -S -h from-node
```

9. Shut down the node.

For the procedure about how to shut down and power off a node, see your Sun Cluster system administration documentation.

10. Perform a reconfiguration boot to create the new Solaris device files and links.
11. Repeat [Step 3](#) through [Step 10](#) on the other node that is attached to the storage system.

▼ How to Reset the LUN Configuration

Use this procedure to completely remove and reset the LUN configuration.



Caution – If you reset a LUN configuration, a new device ID number is assigned to LUN 0. This change occurs because the software assigns a new world wide name (WWN) to the new LUN.

- Steps**
1. From one node that is connected to the storage array or storage system, determine the paths to the LUNs you are resetting.

```
# format
```

For example:

```
phys-schost-1# format
Searching for disks...done
AVAILABLE DISK SELECTIONS:
0. c0t5d0 <SYMBIOS-StorEdgeA3500FCr-0301 cyl3 alt2 hd64 sec64>
/pseudo/rdnexus@0/rdriver@5,0
1. c0t5d1 <SYMBIOS-StorEdgeA3500FCr-0301 cyl2025 alt2 hd64 sec64>
/pseudo/rdnexus@0/rdriver@5,1
```

2. Does a volume manager manage the LUNs on the controller module you are resetting?

- If no, proceed to [Step 3](#).
- If yes, remove the LUN from any diskset or disk group. For more information, see your Solstice DiskSuite/Solaris Volume Manager or VERITAS Volume Manager documentation.

You must completely remove LUNs that were managed by VERITAS Volume Manager from VERITAS Volume Manager control before you can delete the LUNs.

```
# vxdisk offline cNtXdY
# vxdisk rm cNtXdY
```

3. On one node, reset the LUN configuration.

For the procedure about how to reset the LUN configuration, see the *Sun StorEdge RAID Manager User's Guide*.

4. Use the `format` command to label the new LUN 0.

5. Remove the paths to the old LUNs you reset.

```
# rm /dev/rdisk/cNtXdY*
# rm /dev/dsk/cNtXdY*

# rm /dev/osa/dev/dsk/cNtXdY*
# rm /dev/osa/dev/rdisk/cNtXdY*
```

6. On both nodes, update device namespaces.

```
# devfsadm -C
```

7. On both nodes, remove all obsolete device IDs.

```
# sctidadm -C
```

8. Move all resource groups and device groups off the node.

```
# scswitch -s -h from-node
```

9. Shut down the node.

For the procedure about how to shut down and power off a node, see your Sun Cluster system administration documentation.

10. Perform a reconfiguration boot to create the new Solaris device files and links.

If an error message like the following appears, ignore it. Continue with the next step.

```
device id for '/dev/rdisk/c0t5d0' does not match physical disk's
id.
```

11. After the node reboots and joins the cluster, repeat [Step 5](#) through [Step 10](#) on the other node. This node is attached to the storage array or storage system.

The device ID number for the original LUN 0 is removed. A new device ID is assigned to LUN 0.

▼ How to Correct Mismatched Device ID Numbers

Use this section to correct mismatched device ID numbers that might appear during the creation of A3500FC LUNs. You correct the mismatch by deleting Solaris and Sun Cluster paths to the LUNs that have DID numbers that are different. After rebooting, the paths are corrected.

Note – Use this procedure only if you are directed to do so from [“How to Create a LUN”](#) on page 21.

Steps 1. From one node that is connected to the storage system, determine the paths to the LUNs. These LUNs have different device ID numbers.

```
# format
```

2. Remove the paths to the LUNs that have different device ID numbers.

```
# rm /dev/rdisk/cNtXdY*
# rm /dev/dsk/cNtXdY*

# rm /dev/osa/dev/dsk/cNtXdY*
# rm /dev/osa/dev/rdisk/cNtXdY*
```

3. Use the `lad` command to determine the *alternate* paths to the LUNs that have different device ID numbers.

The RAID Manager software creates two paths to the LUN in the `/dev/osa/dev/rdisk` directory. Substitute the `cNtXdY` number from the other controller module in the storage array to determine the alternate path.

For example, with this configuration.

```
# lad
c0t5d0 1T93600714 LUNS: 0 1
c1t4d0 1T93500595 LUNS: 2
```

The alternate paths would be as follows.

```
/dev/osa/dev/dsk/c1t4d1*
/dev/osa/dev/rdisk/c1t4d1*
```

4. Remove the *alternate* paths to the LUNs that have different device ID numbers.

```
# rm /dev/osa/dev/dsk/cNtXdY*
# rm /dev/osa/dev/rdisk/cNtXdY*
```

5. On both nodes, remove all obsolete device IDs.

```
# scdidadm -C
```

6. Move all resource groups and device groups off the node.

```
# scswitch -S -h from-node
```

7. Shut down the node.

For the procedure about how to shut down and power off a node, see your Sun Cluster system administration documentation.

8. Perform a reconfiguration boot to create the new Solaris device files and links.

9. Repeat [Step 1](#) through [Step 8](#) on the other node. This node is attached to the storage system.

10. Return to [“How to Create a LUN”](#) on page 21.

Maintaining Storage Systems

This section contains the procedures about how to maintain a storage system in a Sun Cluster environment.

Some maintenance procedures in [Table 1-3](#) are performed in the same way as in a noncluster environment. This section references these procedures, but this section does not contain these procedures. [Table 1-3](#) lists the procedures about how to maintain a storage system.

Note – When you upgrade firmware on a storage device or on an enclosure, redefine the stripe size of a LUN, or perform other LUN operations, a device ID might change unexpectedly. When you perform a check of the device ID configuration by running the `scdidadm -c` command, the following error message appears on your console if the device ID changed unexpectedly.

```
device id for nodename:/dev/rdisk/cXtYdZsN does not match physical
device's id for ddecimalnumber, device may have been replaced.
```

To fix device IDs that report this error, run the `scdidadm -R` command for each affected device.

TABLE 1-3 Tasks: Maintaining a Storage System

Task	Information
Remove a storage system.	“How to Remove a Storage System” on page 30
Replace a failed controller module. Restore an offline controller module.	“How to Replace a Failed Controller or Restore an Offline Controller” on page 32
Upgrade controller module firmware and NVSRAM file.	“How to Upgrade Controller Module Firmware in a Running Cluster” on page 34
Add a disk drive.	“How to Add a Disk Drive in a Running Cluster” on page 35
Replace a disk drive.	“How to Replace a Failed Disk Drive in a Running Cluster” on page 36
Remove a disk drive.	“How to Remove a Disk Drive From a Running Cluster” on page 36

TABLE 1-3 Tasks: Maintaining a Storage System (Continued)

Task	Information
Upgrade disk drive firmware.	"How to Upgrade Disk Drive Firmware in a Running Cluster" on page 37
Replace a host adapter in a node.	"How to Replace a Host Adapter" on page 37

StorEdge A3500FC System FRUs

With the exception of one instruction, the following is a list of administrative tasks that require no cluster-specific procedures. Shut down the cluster, and then see the *Sun StorEdge A3500/A3500FC Controller Module Guide*, the *Sun StorEdge A1000 and D1000 Installation, Operations, and Service Manual*, and the *Sun StorEdge Expansion Cabinet Installation and Service Manual* for the following procedures. See the Sun Cluster system administration documentation for procedures about how to shut down a cluster.

- Replacing a power cord that connects to the cabinet power distribution unit (see the *Sun StorEdge Expansion Cabinet Installation and Service Manual*).
- Replacing a power cord to a storage array (see the *Sun StorEdge A1000 and D1000 Installation, Operations, and Service Manual*).
- Replacing the power supply housing.
- Replacing the battery unit.
- Replacing a DC-power or battery harness.
- Replacing a controller module assembly.
- Replacing a controller module power cord.
- Replacing a controller module card cage.

The following is a list of administrative tasks that require no cluster-specific procedures. See the *Sun StorEdge A3500/A3500FC Controller Module Guide*, the *Sun StorEdge RAID Manager User's Guide*, the *Sun StorEdge RAID Manager Release Notes*, the *Sun StorEdge FC-100 Hub Installation and Service Manual*, and the documentation that shipped with your FC hub or FC switch for the following procedures.

- Replacing a storage array-to-host SCSI cable.
- Replacing a controller module fan canister.
- Replacing the power supply fan canister.
- Replacing a SCSI cable from the controller module to the storage array.
- Replacing a storage array-to-host or storage array-to-hub fiber-optic cable.
- Replacing an FC hub (see the *Sun StorEdge FC-100 Hub Installation and Service Manual*).
- Replacing an FC hub gigabit interface converters (GBIC) or Small Form-Factor Pluggable (SFP) that connects cables to the host or hub.

- Replacing a GBIC or an SFP on a node.
- Replacing an FC switch.

▼ How to Remove a Storage System

Use this procedure to remove a storage system from a running cluster.



Caution – This procedure removes all data that is on the storage system you remove.

- Steps**
1. **Migrate any Oracle Real Application Clusters tables, data services, or volumes off the storage system.**
 2. **Halt all activity to the controller module.**
For instructions, see the *Sun StorEdge RAID Manager User's Guide* and your operating system documentation.
 3. **Does a volume manager manage any of the LUNs on the controller module you are removing?**
 - **If no, proceed to Step 4.**
 - **If yes, remove the LUN from any diskset or disk group. For more information, see your Solstice DiskSuite/Solaris Volume Manager or VERITAS Volume Manager documentation.**
You must completely remove LUNs that were managed by VERITAS Volume from VERITAS Volume Manager control before you can delete the LUNs.

```
# vxdisk offline cNtXdY
# vxdisk rm cNtXdY
```
 4. **Disconnect all cables from the storage system. Remove the hardware from your cluster.**
 5. **From one node, delete the LUN.**
For the procedure about how to delete a LUN, see the *Sun StorEdge RAID Manager User's Guide*.
 6. **Remove the paths to the LUNs you are deleting.**

```
# rm /dev/rdisk/cNtXdY*
# rm /dev/dsk/cNtXdY*

# rm /dev/osa/dev/dsk/cNtXdY*
# rm /dev/osa/dev/rdisk/cNtXdY*
```

7. Use the `lad` command to determine the *alternate* paths to the LUNs you are deleting.

The RAID Manager software creates two paths to the LUN in the `/dev/osa/dev/rdisk` directory. Substitute the `cNtXdY` number from the other controller module in the storage array to determine the alternate path.

For example, with this configuration.

```
# lad
c0t5d0 1T93600714 LUNS: 0 1
c1t4d0 1T93500595 LUNS: 2
```

The alternate paths would be the following.

```
/dev/osa/dev/dsk/c1t4d1*
/dev/osa/dev/rdisk/c1t4d1*
```

8. Remove the *alternate* paths to the LUNs you are deleting.

```
# rm /dev/osa/dev/dsk/cNtXdY*
# rm /dev/osa/dev/rdisk/cNtXdY*
```

9. On all nodes, remove references to the storage system.

```
# scdidadm -C
```

10. Are you are removing the *last* StorEdge A3500FC controller module from a hub or FC switch in your cluster?

- If no, proceed to [Step 12](#).
- If yes, remove the hub or FC switch hardware and cables from your cluster.

Note – If you are using your StorEdge A3500FC storage array in a SAN-configured cluster, you must keep two FC switches configured in parallel. This configuration maintains cluster availability. See “SAN Solutions in a Sun Cluster Environment” in *Sun Cluster 3.0-3.1 Hardware Administration Manual for Solaris OS* for more information.

11. If you plan to remove a host adapter that has an entry in the `nvrarmrc` script, delete the references to the host adapters in the `nvrarmrc` script.

Note – If there are no other parallel SCSI devices connected to the nodes, you can delete the contents of the `nvrarmrc` script and, at the OpenBoot PROM, set `setenv use-nvrarmrc? false`.

12. Remove any unused host adapter from nodes that were attached to the storage system.

- a. **Shut down and power off Node A from which you are removing a host adapter.**
For the procedure about how to shut down and power off a node, see your Sun Cluster system administration documentation.
- b. **Remove the host adapter from Node A.**
For the procedure about how to remove a host adapter, see the documentation that shipped with your node hardware.
- c. **Perform a reconfiguration boot to create the new Solaris device files and links.**
- d. **Repeat Step a through Step c for Node B that was attached to the storage system.**

13. Switch the cluster back online.

```
# scswitch -Z
```

14. Are you removing the *last* storage system from your cluster?

- If no, you are finished with this procedure.
- If yes, remove software packages. For the procedure about how to remove software packages, see the documentation that shipped with your storage system.

▼ How to Replace a Failed Controller or Restore an Offline Controller

Use this procedure to replace a controller, or to restore an offline controller.

For conceptual information on SCSI reservations and failure fencing, see your Sun Cluster concepts documentation.

Note – If you want to create a SAN by using two FC switches and Sun SAN software, see “SAN Solutions in a Sun Cluster Environment” in *Sun Cluster 3.0-3.1 Hardware Administration Manual for Solaris OS* for more information. .

- Steps**
1. **On both nodes, to prevent LUNs from automatic assignment to the controller that is being brought online, set the `System_LunReDistribution` parameter in the `/etc/raid/rmparms` file to `false`.**



Caution – You must set the `System_LunReDistribution` parameter in the `/etc/raid/rmparams` file to `false` so that no LUNs are assigned to the controller being brought online. After you verify in [Step 5](#) that the controller has the correct SCSI reservation state, you can balance LUNs between both controllers.

For the procedure about how to modify the `rmparams` file, see the *Sun StorEdge RAID Manager Installation and Support Guide*.

2. Restart the RAID Manager daemon.

```
# /etc/init.d/amdemon stop
# /etc/init.d/amdemon start
```

3. Do you have a failed controller?

- **If your controller module is offline, but does not have a failed controller, proceed to [Step 4](#).**
- **If you have a failed controller, replace the failed controller with a new controller.** *Do not bring the controller online.*

For the procedure about how to replace controllers, see the *Sun StorEdge A3500/A3500FC Controller Module Guide* and the *Sun StorEdge RAID Manager Installation and Support Guide* for additional considerations.

4. On one node, use the RAID Manager GUI's Recovery application to restore the controller online.

Note – You must use the RAID Manager GUI's Recovery application to bring the controller online. Do not use the Redundant Disk Array Controller Utility (`rdacutil`) because this utility ignores the value of the `System_LunReDistribution` parameter in the `/etc/raid/rmparams` file.

For information on the Recovery application, see the *Sun StorEdge RAID Manager User's Guide*. If you have problems with bringing the controller online, see the *Sun StorEdge RAID Manager Installation and Support Guide*.

5. On one node that is connected to the storage system, verify that the controller has the correct SCSI reservation state.

Run the `scdidadm(1M)` repair option (`-R`) on LUN 0 of the controller you want to bring online.

```
# scdidadm -R /dev/dsk/cNtXdY
```

6. Set the controller to active/active mode. Assign LUNs to the controller.

For more information on controller modes, see the *Sun StorEdge RAID Manager Installation and Support Guide* and the *Sun StorEdge RAID Manager User's Guide*.

7. **Reset the `System_LunReDistribution` parameter in the `/etc/raid/rmparams` file to `true`.**

For the procedure about how to change the `rmparams` file, see the *Sun StorEdge RAID Manager Installation and Support Guide*.

8. **Restart the RAID Manager daemon.**

```
# /etc/init.d/amdemon stop
# /etc/init.d/amdemon start
```

▼ How to Upgrade Controller Module Firmware in a Running Cluster

Use this procedure to upgrade firmware in a controller module in a running cluster. Use either the *online* or the *offline* method to upgrade your NVSRAM firmware. The method that you choose depends on your firmware.

Steps 1. Are you upgrading the NVSRAM firmware file?

- **If you are not upgrading the NVSRAM file, you can use the online method.**
Upgrade the firmware by using the online method, as described in the *Sun StorEdge RAID Manager User's Guide*. No special steps are required for a cluster environment.
- **If you are upgrading the NVSRAM file, you must use an offline method. Use one of the following procedures.**
 - If the data on your controller module is mirrored on another controller module, use the procedure in [Step 2](#).
 - If the data on your controller module is *not* mirrored on another controller module, use the procedure in [Step 3](#).

2. Use this step if you are upgrading the NVSRAM and other firmware files on a controller module. This controller module must have mirrored data.

- a. Halt all activity to the controller module.**
For more information, see your Solstice DiskSuite/Solaris Volume Manager or VERITAS Volume Manager documentation.
- b. Update the firmware files by using the offline method, as described in the *Sun StorEdge RAID Manager User's Guide*.**
- c. Restore all activity to the controller module.**
For more information, see your Solstice DiskSuite/Solaris Volume Manager or VERITAS Volume Manager documentation.
This step completes the firmware upgrade.

3. **Use this step if you are upgrading the NVSRAM and other firmware files on a controller module. This controller module must *not* have mirrored data.**
 - a. **Shut down the entire cluster.**

For the procedure about how to shut down a cluster, see your Sun Cluster system administration documentation.
 - b. **Boot one node that is attached to the controller module into noncluster mode.**

For the procedure about how to boot a node in noncluster mode, see your Sun Cluster system administration documentation.
 - c. **Update the firmware files using the offline method, as described in the *RAID Manager User's Guide*.**
 - d. **Boot both nodes into cluster mode.**

For more information about how to boot nodes, see your Sun Cluster system administration documentation.

This step completes the firmware upgrade.

▼ How to Add a Disk Drive in a Running Cluster

Use this procedure to add a disk drive to a storage array that is in a running cluster.



Caution – If the disk drive that you are adding was previously owned by another controller module, reformat the disk drive. Reformat the disk drive to wipe clean the old DacStore information before adding the disk drive to this storage array.

- Steps**
1. **Install the new disk drive to the storage array.**

For the procedure about how to install a disk drive, see the *Sun StorEdge D1000 Storage Guide*.
 2. **Enable the disk drive to spin up approximately 30 seconds.**
 3. **Run Health Check to ensure that the new disk drive is not defective.**

For instructions about how to run Recovery Guru and Health Check, see the *Sun StorEdge RAID Manager User's Guide*.
 4. **Fail the new drive, then revive the drive to update DacStore on the drive.**

For procedure about how to fail and revive drives, see the *Sun StorEdge RAID Manager User's Guide*.
 5. **Repeat [Step 1](#) through [Step 4](#) for each disk drive you are adding.**

See Also To create LUNs for the new drives, see [“How to Create a LUN” on page 21](#) for more information.

▼ How to Replace a Failed Disk Drive in a Running Cluster

Use this procedure to replace a failed disk drive in a running cluster.

- Steps**
1. Does replacing the disk drive affects any LUN's availability?
 - If no, proceed to [Step 2](#).
 - If yes, remove the LUNs from volume management control. For more information, see your Solstice DiskSuite/Solaris Volume Manager or VERITAS Volume Manager documentation.
 2. Replace the disk drive in the storage array.

For the procedure about how to replace a disk drive, see the *Sun StorEdge D1000 Storage Guide*.
 3. Run Health Check to ensure that the new disk drive is not defective.

For the procedure about how to run Recovery Guru and Health Check, see the *Sun StorEdge RAID Manager User's Guide*.
 4. Does the failed drive belong to a drive group?
 - If the drive does *not* belong to a device group, proceed to [Step 5](#).
 - If the drive is part of a device group, reconstruction is started automatically. If reconstruction does not start automatically for any reason, then select Reconstruct from the Manual Recovery application. Do not select Revive. When reconstruction is complete, skip to [Step 6](#).
 5. Fail the new drive, then revive the drive to update DacStore on the drive.

For the procedure about how to fail and revive drives, see the *Sun StorEdge RAID Manager User's Guide*.
 6. If you removed LUNs from volume management control in [Step 1](#), return the LUNs to volume management control.

For more information, see your Solstice DiskSuite/Solaris Volume Manager or VERITAS Volume Manager documentation.

▼ How to Remove a Disk Drive From a Running Cluster

Use this procedure to remove a disk drive from a running cluster.

- Steps**
1. Remove the logical unit number (LUN) that is associated with the disk drive you are removing.

For the procedure about how to remove a LUN, see “How to Delete a LUN” on page 23.

2. Remove the disk drive from the storage array.

For the procedure about how to remove a disk drive, see the *Sun StorEdge D1000 Storage Guide*.



Caution – After you remove the disk drive, install a dummy drive to maintain proper cooling.

How to Upgrade Disk Drive Firmware in a Running Cluster



Caution – You must be a Sun service provider to perform disk drive firmware updates. If you need to upgrade drive firmware, contact your Sun service provider.

▼ How to Replace a Host Adapter

Use this procedure to replace a failed host adapter in a running cluster. This procedure defines Node A as the node with the failed host adapter that you are replacing.

Before You Begin

This procedure relies on the following prerequisites and assumptions.

- Except for the failed host adapter, your cluster is operational and all nodes are powered on.
- Your nodes are not configured with dynamic reconfiguration functionality. If your nodes are configured for dynamic reconfiguration, see your *Sun Cluster Hardware Administration Manual for Solaris OS*, and omit steps that instruct you to shut down and power off the nodes.

Steps 1. **Determine the resource groups and device groups that are running on Node A.**

Record this information because you use this information in [Step 12](#) of this procedure to return resource groups and device groups to Node A.

```
# scstat
```

2. **Move all resource groups and device groups off Node A.**

```
# scswitch -s -h nodename
```

3. Halt all I/O activity on the affected controller module.

For instructions, see the *Sun StorEdge RAID Manager User's Guide*.

4. Shut down Node A.

For the full procedure about how to shut down and power off a node, see your Sun Cluster system administration documentation.

5. Power off Node A.

6. Replace the failed host adapter.

For the procedure about how to remove and add host adapters, see the documentation that shipped with your nodes.

7. Do you need to upgrade the node's host adapter firmware?

■ **If yes, boot Node A into noncluster mode. Proceed to Step 8.**

For more information about how to boot nodes, see your Sun Cluster system administration documentation.

■ **If no, proceed to Step 9.**

8. Upgrade the host adapter firmware on Node A.

PatchPro is a patch-management tool that eases the selection and download of patches required for installation or maintenance of Sun Cluster software. PatchPro provides an Interactive Mode tool especially for Sun Cluster. The Interactive Tool makes the installation of patches easier. PatchPro's Expert Mode tool helps you to maintain your configuration with the latest set of patches. Expert Mode is especially useful for obtaining all of the latest patches, not just the high availability and security patches.

To access the PatchPro tool for Sun Cluster software, go to <http://www.sun.com/PatchPro/>, click Sun Cluster, then choose either Interactive Mode or Expert Mode. Follow the instructions in the PatchPro tool to describe your cluster configuration and download the patches.

For third-party firmware patches, see the SunSolveSM Online site at <http://sunsolve.ebay.sun.com>.

9. Boot Node A into cluster mode.

For more information about how to boot nodes, see your Sun Cluster system administration documentation.

10. Restart I/O activity on the affected controller module.

For instructions, see the *Sun StorEdge RAID Manager User's Guide* and your operating system documentation.

11. Rebalance LUNs that are running on the affected controller module.

For instructions, see the *Sun StorEdge RAID Manager User's Guide*.

12. Return the resource groups and device groups you identified in [Step 1](#) to Node A.

```
# scswitch -z -g resource-group -h nodename  
# scswitch -z -D device-group-name -h nodename
```

For more information, see your Sun Cluster system administration documentation.

Index

A

adding
 See also installing
 disk drives, 35
 systems, 15-20
arrays, *See* storage arrays

B

battery harness, replacing, 29
battery units, replacing, 29

C

cables
 replacing, 29
 fiber-optic cables, 29
configuring, storage systems, 20-27
controller module assemblies, replacing, 29
controller module card cages, replacing, 29
controller module fan canisters, replacing, 29
controller module firmware, upgrading, 34-35
controller module power cords, replacing, 29
controllers
 replacing, 32-34
 restoring, 32-34
correcting, DID numbers, 26-27
creating
 hot spares, 21
 LUNs, 21-23

D

deleting
 See also removing
 hot spares, 21
 LUNs, 23-25
DID numbers, correcting, 26-27
disk drive firmware, upgrading, 37
disk drives
 adding, 35
 removing, 36-37
 replacing, 36
drive groups, expanding, 21

E

expanding, drive groups, 21

F

fan canisters
 See controller module fan canisters
 See power supply fan canisters
firmware, upgrading, 34-35
FRUs, 29-30

G

GBICs
 replacing, 29, 30
gigabit interface converters, *See* GBIC

H

- HBAs, replacing, 37-39
- help, 8
- host adapters, replacing, 37-39
- hot spares
 - creating, 21
 - deleting, 21
- hubs, replacing, 29

I

- installing
 - See also* adding
 - storage systems, 11-20

L

- logical unit numbers, *See* LUNs
- logical units, LUNs, 21-23
- logical volumes, *See* LUNs
- LUNs
 - creating, 21-23
 - deleting, 23-25
 - rebalancing, 21
 - resetting configuration, 25-26

M

- maintaining, storage systems, 28-39

O

- Oracle Parallel Server, 5

P

- power cords
 - replacing, 29
 - storage array
 - replacing, 29
- power supply fan canisters, replacing, 29
- power supply housing, replacing, 29

R

- RAID
 - hardware, 21
 - software, 21
- rebalancing, LUNs, 21
- removing
 - See also* deleting
 - disk drives, 36-37
 - storage systems, 30-32
- replacing
 - battery harness, 29
 - battery units, 29
 - cables, 29
 - controller module assemblies, 29
 - controller module card cages, 29
 - controller module fan canisters, 29
 - controller module power cords, 29
 - controllers, 32-34
 - disk drives, 36
 - fiber-optic cables, 29
 - GBICs, 29, 30
 - host adapters, 37-39
 - hubs, 29
 - power cords, 29
 - power supply fan canisters, 29
 - power supply housing, 29
 - SFPs, 29, 30
 - storage array power cords, 29
 - switches, 30
- resetting, LUN configurations, 25-26
- restoring, controllers, 32-34

S

- SFPs
 - replacing, 29, 30
- Small Form-Factor Pluggable, *See* SFP
- storage systems
 - configuring, 20-27
 - installing, 11-20
 - maintaining, 28-39
 - removing, 30-32
- switches, replacing, 30
- systems
 - See* storage systems
 - adding, 15-20

T

technical support, 8

training, 10

U

upgrading

controller module firmware, 34-35

disk drive firmware, 37

