



Sun Cluster Data Service for NetBackup Guide for Solaris OS

SPARC Platform Edition

Sun Microsystems, Inc.
4150 Network Circle
Santa Clara, CA 95054
U.S.A.

Part No: 817-4651-11
September 2004, Revision A

Copyright 2004 Sun Microsystems, Inc. 4150 Network Circle, Santa Clara, CA 95054 U.S.A. All rights reserved.

This product or document is protected by copyright and distributed under licenses restricting its use, copying, distribution, and decompilation. No part of this product or document may be reproduced in any form by any means without prior written authorization of Sun and its licensors, if any. Third-party software, including font technology, is copyrighted and licensed from Sun suppliers.

Parts of the product may be derived from Berkeley BSD systems, licensed from the University of California. UNIX is a registered trademark in the U.S. and other countries, exclusively licensed through X/Open Company, Ltd.

Sun, Sun Microsystems, the Sun logo, docs.sun.com, AnswerBook, AnswerBook2, and Solaris are trademarks or registered trademarks of Sun Microsystems, Inc. in the U.S. and other countries. All SPARC trademarks are used under license and are trademarks or registered trademarks of SPARC International, Inc. in the U.S. and other countries. Products bearing SPARC trademarks are based upon an architecture developed by Sun Microsystems, Inc.

The OPEN LOOK and Sun™ Graphical User Interface was developed by Sun Microsystems, Inc. for its users and licensees. Sun acknowledges the pioneering efforts of Xerox in researching and developing the concept of visual or graphical user interfaces for the computer industry. Sun holds a non-exclusive license from Xerox to the Xerox Graphical User Interface, which license also covers Sun's licensees who implement OPEN LOOK GUIs and otherwise comply with Sun's written license agreements.

U.S. Government Rights – Commercial software. Government users are subject to the Sun Microsystems, Inc. standard license agreement and applicable provisions of the FAR and its supplements.

DOCUMENTATION IS PROVIDED "AS IS" AND ALL EXPRESS OR IMPLIED CONDITIONS, REPRESENTATIONS AND WARRANTIES, INCLUDING ANY IMPLIED WARRANTY OF MERCHANTABILITY, FITNESS FOR A PARTICULAR PURPOSE OR NON-INFRINGEMENT, ARE DISCLAIMED, EXCEPT TO THE EXTENT THAT SUCH DISCLAIMERS ARE HELD TO BE LEGALLY INVALID.

Copyright 2004 Sun Microsystems, Inc. 4150 Network Circle, Santa Clara, CA 95054 U.S.A. Tous droits réservés.

Ce produit ou document est protégé par un copyright et distribué avec des licences qui en restreignent l'utilisation, la copie, la distribution, et la décompilation. Aucune partie de ce produit ou document ne peut être reproduite sous aucune forme, par quelque moyen que ce soit, sans l'autorisation préalable et écrite de Sun et de ses bailleurs de licence, s'il y en a. Le logiciel détenu par des tiers, et qui comprend la technologie relative aux polices de caractères, est protégé par un copyright et licencié par des fournisseurs de Sun.

Certaines parties de ce produit pourront être dérivées du système Berkeley BSD licenciés par l'Université de Californie. UNIX est une marque déposée aux Etats-Unis et dans d'autres pays et licenciée exclusivement par X/Open Company, Ltd.

Sun, Sun Microsystems, le logo Sun, docs.sun.com, AnswerBook, AnswerBook2, et Solaris sont des marques de fabrique ou des marques déposées de Sun Microsystems, Inc. aux États-Unis et dans d'autres pays. Toutes les marques SPARC sont utilisées sous licence et sont des marques de fabrique ou des marques déposées de SPARC International, Inc. aux États-Unis et dans d'autres pays. Les produits portant les marques SPARC sont basés sur une architecture développée par Sun Microsystems, Inc.

L'interface d'utilisation graphique OPEN LOOK et Sun™ a été développée par Sun Microsystems, Inc. pour ses utilisateurs et licenciés. Sun reconnaît les efforts de pionniers de Xerox pour la recherche et le développement du concept des interfaces d'utilisation visuelle ou graphique pour l'industrie de l'informatique. Sun détient une licence non exclusive de Xerox sur l'interface d'utilisation graphique Xerox, cette licence couvrant également les licenciés de Sun qui mettent en place l'interface d'utilisation graphique OPEN LOOK et qui en outre se conforment aux licences écrites de Sun.

CETTE PUBLICATION EST FOURNIE "EN L'ETAT" ET AUCUNE GARANTIE, EXPRESSE OU IMPLICITE, N'EST ACCORDEE, Y COMPRIS DES GARANTIES CONCERNANT LA VALEUR MARCHANDE, L'APTITUDE DE LA PUBLICATION A REpondre A UNE UTILISATION PARTICULIERE, OU LE FAIT QU'ELLE NE SOIT PAS CONTREFAISANTE DE PRODUIT DE TIERS. CE DENI DE GARANTIE NE S'APPLIQUERAIT PAS, DANS LA MESURE OU IL SERAIT TENU JURIDIQUEMENT NUL ET NON AVENU.



040812@9495



Contents

Preface 5

Installing and Configuring Sun Cluster HA for NetBackup 11

Installing and Configuring Sun Cluster HA for NetBackup 11

Sun Cluster HA for NetBackup Overview 12

Installation Notes 13

Supported Configurations 13

Installing VERITAS NetBackup 14

▼ How to Install VERITAS NetBackup 14

Enabling NetBackup to Run on a Cluster 16

▼ How to Enable NetBackup to Run on a Cluster 16

Verifying the NetBackup Installation and Configuration 18

▼ How to Verify the NetBackup Installation and Configuration 19

Installing Sun Cluster HA for NetBackup Packages 19

▼ How to Install Sun Cluster HA for NetBackup Packages Using the Web Start Program 20

▼ How to Install Sun Cluster HA for NetBackup Packages by Using the `scinstall` Utility 21

Registering and Configuring Sun Cluster HA for NetBackup 22

▼ How to Register and Configure Sun Cluster HA for NetBackup 22

Configuring Sun Cluster HA for NetBackup Extension Properties 24

Fault Monitoring Sun Cluster HA for NetBackup 25

(Optional) Configuring Non-HA VERITAS NetBackup Clients on a Cluster 26

Index 29

Preface

Sun Cluster Data Service for NetBackup Guide for Solaris OS explains how to install and configure Sun™ Cluster HA for NetBackup.

This document is intended for system administrators with extensive knowledge of Sun software and hardware. Do not use this document as a planning or presales guide. Before reading this document, you should have already determined your system requirements and purchased the appropriate equipment and software.

The instructions in this document assume knowledge of the Solaris™ Operating System and expertise with the volume manager software that is used with Sun Cluster.

UNIX Commands

This document contains information about commands that are specific to installing and configuring Sun Cluster data services. The document does *not* contain comprehensive information about basic UNIX® commands and procedures, such as shutting down the system, booting the system, and configuring devices. Information about basic UNIX commands and procedures is available from the following sources:

- Online documentation for the Solaris Operating System
- Solaris Operating System man pages
- Other software documentation that you received with your system

Typographic Conventions

The following table describes the typographic changes that are used in this book.

TABLE P-1 Typographic Conventions

Typeface or Symbol	Meaning	Example
AaBbCc123	The names of commands, files, and directories, and onscreen computer output	Edit your <code>.login</code> file. Use <code>ls -a</code> to list all files. <code>machine_name%</code> you have mail.
AaBbCc123	What you type, contrasted with onscreen computer output	<code>machine_name%</code> su Password:
<i>AaBbCc123</i>	Command-line placeholder: replace with a real name or value	The command to remove a file is <code>rm filename</code> .
<i>AaBbCc123</i>	Book titles, new terms, and terms to be emphasized	Read Chapter 6 in the <i>User's Guide</i> . These are called <i>class</i> options. Do <i>not</i> save the file. (Emphasis sometimes appears in bold online.)

Shell Prompts in Command Examples

The following table shows the default system prompt and superuser prompt for the C shell, Bourne shell, and Korn shell.

TABLE P-2 Shell Prompts

Shell	Prompt
C shell prompt	<code>machine_name%</code>
C shell superuser prompt	<code>machine_name#</code>
Bourne shell and Korn shell prompt	<code>\$</code>

TABLE P-2 Shell Prompts (Continued)

Shell	Prompt
Bourne shell and Korn shell superuser prompt	#

Related Documentation

Information about related Sun Cluster topics is available in the documentation that is listed in the following table. All Sun Cluster documentation is available at <http://docs.sun.com>.

Topic	Documentation
Data service administration	<i>Sun Cluster Data Services Planning and Administration Guide for Solaris OS</i> Individual data service guides
Concepts	<i>Sun Cluster Concepts Guide for Solaris OS</i>
Overview	<i>Sun Cluster Overview for Solaris OS</i>
Software installation	<i>Sun Cluster Software Installation Guide for Solaris OS</i>
System administration	<i>Sun Cluster System Administration Guide for Solaris OS</i>
Hardware administration	<i>Sun Cluster 3.x Hardware Administration Manual for Solaris OS</i> Individual hardware administration guides
Data service development	<i>Sun Cluster Data Services Developer's Guide for Solaris OS</i>
Error messages	<i>Sun Cluster Error Messages Guide for Solaris OS</i>
Command and function reference	<i>Sun Cluster Reference Manual for Solaris OS</i>

For a complete list of Sun Cluster documentation, see the release notes for your release of Sun Cluster at <http://docs.sun.com>.

Related Third-Party Web Site References

Third-party URLs that are referenced in this document provide additional related information.

Note – Sun is not responsible for the availability of third-party web sites mentioned in this document. Sun does not endorse and is not responsible or liable for any content, advertising, products, or other materials that are available on or through such sites or resources. Sun will not be responsible or liable for any actual or alleged damage or loss caused or alleged to be caused by or in connection with use of or reliance on any such content, goods, or services that are available on or through such sites or resources.

Accessing Sun Documentation Online

The docs.sun.comSM Web site enables you to access Sun technical documentation online. You can browse the docs.sun.com archive or search for a specific book title or subject. The URL is <http://docs.sun.com>.

Ordering Sun Documentation

Sun Microsystems offers select product documentation in print. For a list of documents and how to order them, see “Buy printed documentation” at <http://docs.sun.com>.

Help

If you have problems installing or using Sun Cluster, contact your service provider and provide the following information:

- Your name and email address (if available)

- Your company name, address, and phone number
- The model and serial numbers of your systems
- The release number of the Solaris Operating System (for example, Solaris 8)
- The release number of Sun Cluster (for example, Sun Cluster 3.0)

Use the following commands to gather information about each node on your system for your service provider.

Command	Function
<code>prtconf -v</code>	Displays the size of the system memory and reports information about peripheral devices
<code>psrinfo -v</code>	Displays information about processors
<code>showrev -p</code>	Reports which patches are installed
SPARC: <code>prtdiag -v</code>	Displays system diagnostic information
<code>scinstall -pv</code>	Displays Sun Cluster release and package version information

Also have available the contents of the `/var/adm/messages` file.

Installing and Configuring Sun Cluster HA for NetBackup

This chapter describes the procedures to set up and administer Sun Cluster HA for NetBackup on Sun Cluster servers.

This chapter contains the following procedures.

- [“How to Install VERITAS NetBackup” on page 14](#)
- [“How to Enable NetBackup to Run on a Cluster” on page 16](#)
- [“How to Verify the NetBackup Installation and Configuration” on page 19](#)
- [“How to Install Sun Cluster HA for NetBackup Packages Using the Web Start Program” on page 20](#)
- [“How to Install Sun Cluster HA for NetBackup Packages by Using the `scinstall` Utility” on page 21](#)
- [“How to Register and Configure Sun Cluster HA for NetBackup” on page 22](#)

Installing and Configuring Sun Cluster HA for NetBackup

The following table lists the sections that describe the installation and configuration tasks.

TABLE 1 Task Map: Installing and Configuring Sun Cluster HA for NetBackup

Task	For Instructions, Go To ...
Note installation requirements and supported configurations	“Sun Cluster HA for NetBackup Overview” on page 12
Install VERITAS NetBackup	“Installing VERITAS NetBackup” on page 14

TABLE 1 Task Map: Installing and Configuring Sun Cluster HA for NetBackup
(Continued)

Task	For Instructions, Go To ...
Enable VERITAS NetBackup to run on a cluster	“Enabling NetBackup to Run on a Cluster” on page 16
Verify the VERITAS NetBackup installation and configuration	“Verifying the NetBackup Installation and Configuration” on page 18
Install data service packages	“Installing Sun Cluster HA for NetBackup Packages” on page 19
Register and configure Sun Cluster HA for NetBackup	“Registering and Configuring Sun Cluster HA for NetBackup” on page 22
Configure Sun Cluster HA for NetBackup extension properties	“Configuring Sun Cluster HA for NetBackup Extension Properties” on page 24
View fault monitor information	“Fault Monitoring Sun Cluster HA for NetBackup” on page 25
(Optional) Configure Non-HA VERITAS NetBackup clients on a cluster	“(Optional) Configuring Non-HA VERITAS NetBackup Clients on a Cluster” on page 26

Sun Cluster HA for NetBackup Overview

Sun Cluster HA for NetBackup makes the VERITAS NetBackup master server highly available.

The NetBackup master server acts as the centralized administration and scheduling server. Each cluster can have only one NetBackup master server.

The master server communicates with media servers through connections to the public network. Typically, in non-clustered systems, the node that runs the master server is connected to the devices that are used for making and storing backups. However, in the Sun Cluster environment, you must attach backup devices to media servers rather than to master servers. You cannot include backup devices or media servers in the cluster.

NetBackup media servers are the machines that perform backups. Multiple media servers can exist on the local network. You can distribute workload between multiple media servers.

NetBackup clients are processes that run on nodes that are inside or outside of the cluster. The clients transfer data from the machine to be backed up to the master servers and media servers.

NetBackup also includes a NetBackup media manager, which consists of daemons that interact with the backup devices. Sun Cluster does not control the daemons.

Sun Cluster HA for NetBackup only makes the NetBackup master server highly available. VERITAS NetBackup components, agents, add-ons, and the features that use these components are not highly available. For example, online (hot) and warm backups of databases are not highly available because the database backup agents are not under the control of the Sun Cluster framework.

Installation Notes

Note the following considerations before you install VERITAS NetBackup and Sun Cluster HA for NetBackup. [Figure 1](#) illustrates the configuration limitations.

- VERITAS NetBackup is a single-instance data service. You cannot run more than one instance of VERITAS NetBackup per cluster.
- You must install NetBackup master servers in a cluster.
- NetBackup clients can exist inside of a cluster or outside of a cluster.
- You cannot include NetBackup media servers and their backup devices (tape libraries, optical readers, and so on) in any cluster.
- The shared disk that is associated with the NetBackup master server should be large enough to accommodate the NetBackup administrative files and logs that accumulate over time. The size of the administrative files and logs depends upon the amount of backup activity that is required for your configuration.
- If the VERITAS NetBackup client is a cluster, only one logical host can be configured as the client because there is only one `bp.conf` file.
- If the NetBackup client is a cluster and if one of the logical hosts on the cluster is configured as the NetBackup client, NetBackup cannot back up the physical hosts.
- On the cluster that runs the master server, the master server is the only logical host that can be backed up.
- Backup media cannot be attached to the master server, so one or more media servers are required.
- In a Sun Cluster environment, robotic control is supported only on media servers and not on the NetBackup master server that runs on Sun Cluster.

Supported Configurations

The following figure illustrates the supported configuration for Sun Cluster HA for NetBackup.

You must include the NetBackup master server in a cluster. You can attach backup devices only to media servers. You cannot include backup devices and media servers in a cluster.

Communication between NetBackup components occurs only through connections to the public network. If failover or switchover occurs, the components under cluster control fail over or switch over to their backup nodes.

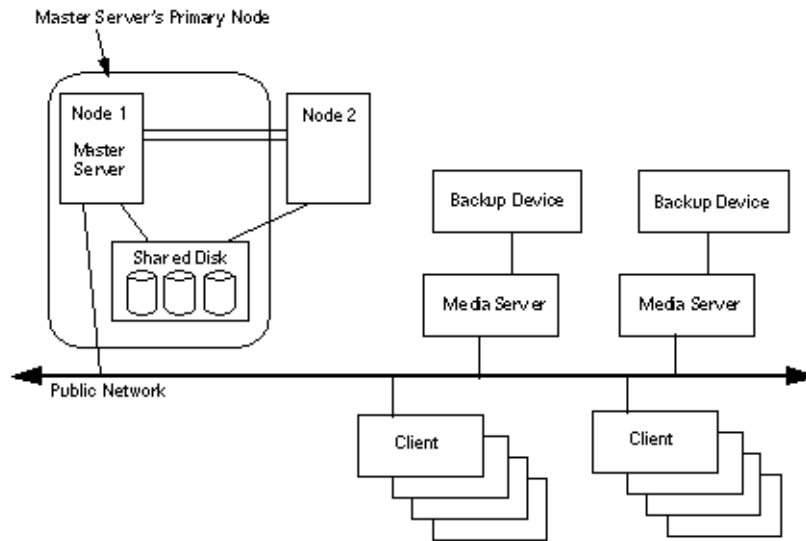


FIGURE 1 Sun Cluster HA for NetBackup Supported Configurations

Installing VERITAS NetBackup

After you install and configure Sun Cluster, use the following procedure and your VERITAS documentation to install and configure VERITAS NetBackup.

▼ How to Install VERITAS NetBackup

In the examples throughout this procedure, the name *nb-master* refers to the cluster node that masters NetBackup, and *slave-1* refers to the media server.

You must have the following information to perform this procedure.

- A list of cluster nodes that can master the data service.
- The network resource that clients use to access the data service. Normally, you set up this IP address when you install the cluster. See the *Sun Cluster Concepts Guide for Solaris OS* document for details on network resources.

1. Ensure that Sun Cluster is running on all of the nodes.

2. Create a failover resource group to hold the network and application resources.

You can optionally select the set of nodes that the data service can run on with the `-h` option, as follows.

```
# scrgadm -a -g resource-group [-h nodelist]
```

`-g resource-group` Specifies the name of the resource group.

`[-h nodelist]` Specifies an optional comma-separated list of physical node names or IDs that identify potential masters. The order here determines the order in which the nodes are considered as primary during failover. If all of the nodes in the cluster are potential masters, you do not need to use the `-h` option.

3. Verify that you have added all of your network resources to the name service database.

You should have performed this verification during the Sun Cluster installation.

Note – Ensure that all of the network resources are present in the server’s and client’s `/etc/inet/hosts` file to avoid any failures because of name service lookup.

4. Add a logical host resource to the resource group.

```
# scrgadm -a -L -g resource-group -l logical-hostname
```

5. Enable the failover resource group and bring the resource group online.

```
# scswitch -Z -g resource-group
```

`-g resource-group` Specifies the name of the resource group.

`-Z` Moves the resource group to the managed state, and brings the resource group online.

6. Log on to the node that masters the logical host resource.

7. Execute the install script to install the VERITAS NetBackup packages from the VERITAS product CD-ROM into the `/usr/opensv` directory.

```
phys-schost-1# ./install
```

8. When the menu appears, choose Option 1 (NetBackup).

This option installs both the Media Manager and the NetBackup software on the server.

9. Follow the prompts in the installation script.

The installation script adds entries to the `/etc/services` and `/etc/inetd.conf` files.

```
phys-schost-1# ./install
...
Would you like to use "phys-schost-1.somedomain.com" as the
configured name of the NetBackup server? (y/n) [y] n
...
Enter the name of the NetBackup server: nb-master
...
Is nb-master the master server? (y/n) [y] y
...
Enter the fully qualified name of a media (slave) server (q to quit)?
slave-1
```

10. Switch the NetBackup resource to the backup node

11. Repeat [Step 6](#) through [Step 10](#) until you install the NetBackup binaries on all the nodes that will run the NetBackup resource.

Where to Go From Here

Go to [“Enabling NetBackup to Run on a Cluster”](#) on page 16.

Enabling NetBackup to Run on a Cluster

This section contains the procedure you need to enable NetBackup to run on a cluster.

▼ How to Enable NetBackup to Run on a Cluster

In the examples throughout this procedure, the name *nb-master* refers to the cluster node that masters NetBackup, and *slave-1* refers to the media server.

- 1. Remove the `/etc/rc2.d/S77netbackup` and `/etc/rc0.d/K77netbackup` files from each cluster node on which Sun Cluster HA for NetBackup is installed.**

If you remove these files, you prevent NetBackup from starting at boot time.

2. On one node, modify the `/usr/opensv/netbackup/bp.conf` file to specify the following information.

- `SERVER = logical-hostname-resource`

All requests to the backup server originate from the primary node. The server name equals the logical hostname resource.

- `CLIENT_NAME = logical-hostname-resource`

On a cluster that runs Sun Cluster HA for NetBackup, the `CLIENT_NAME` equals `nb-master`.

Note – Use this client name to back up files in the cluster running Sun Cluster HA for NetBackup.

- `REQUIRED_INTERFACE = logical-hostname-resource`

This entry indicates the logical interface that the NetBackup application is to use.

The resulting file should resemble the following example.

```
SERVER = nb-master
SERVER = slave-1
CLIENT_NAME = nb-master
REQUIRED_INTERFACE = nb-master
```

3. From one node, put the NetBackup configuration files on a multihost disk.

Place the files on a disk that is part of a failover disk device group that NetBackup is to use.

- a. Run the following commands from the primary node of the failover disk device group. In this example, the failover disk device group is `global`.

```
# mkdir /global/netbackup
# mv /usr/opensv/netbackup/bp.conf /global/netbackup
# mv /usr/opensv/netbackup/db /global/netbackup
# mv /usr/opensv/volmgr/database /global/netbackup
# ln -s /global/netbackup/bp.conf /usr/opensv/netbackup/bp.conf
# ln -s /global/netbackup/db /usr/opensv/netbackup/db
# ln -s /global/netbackup/database /usr/opensv/volmgr/database
```

- b. If the directory `/usr/opensv/db/var` and the file `/usr/opensv/volmgr/vm.conf` exist on the node, move them to the disk that is part of the failover disk device group.

You must configure the NetBackup master server before you move and link `/usr/opensv/volmgr/vm.conf` file.

```
# mv /usr/opensv/db/var /global/netbackup/nbdb
# mv /usr/opensv/volmgr/vm.conf /global/netbackup
# ln -s /global/netbackup/nbdb /usr/opensv/db/var
```

```
# ln -s /global/netbackup/vm.conf /usr/opensv/volmgr/vm.conf
```

Note – Run the command `scstat -D` to identify the primary for a particular disk device group.

- c. Run the following commands from all of the other nodes that will run the NetBackup resource.

```
# rm -rf /usr/opensv/netbackup/bp.conf
# rm -rf /usr/opensv/netbackup/db
# rm -rf /usr/opensv/volmgr/database
# ln -s /global/netbackup/bp.conf /usr/opensv/netbackup/bp.conf
# ln -s /global/netbackup/db /usr/opensv/netbackup/db
# ln -s /global/netbackup/database /usr/opensv/volmgr/database
```

- d. On all of the other nodes that will run the NetBackup resource, if the directory `/usr/opensv/db/var` and the file `/usr/opensv/volmgr/vm.conf` exist on the node, run the following commands:

```
# rm -rf /usr/opensv/db/var
# rm -rf /usr/opensv/volmgr/vm.conf
# ln -s /global/netbackup/nbdb /usr/opensv/db/var
# ln -s /global/netbackup/vm.conf /usr/opensv/volmgr/vm.conf
```

Note – You must configure the NetBackup master server before you remove and link `/usr/opensv/volmgr/vm.conf` file.

Where to Go From Here

Go to [“Verifying the NetBackup Installation and Configuration”](#) on page 18.

Verifying the NetBackup Installation and Configuration

This section contains the procedure you need to verify the NetBackup installation and configuration.

▼ How to Verify the NetBackup Installation and Configuration

Use this procedure to verify the NetBackup installation and configuration. This procedure does not verify that your application is highly available because you have not installed your data service yet.

1. **Start the NetBackup application manually.**
2. **Did your NetBackup application start without error?**
 - If yes, this step completes this procedure.
 - If no, you need to install and configure NetBackup again.

Where to Go From Here

Go to [“Installing Sun Cluster HA for NetBackup Packages”](#) on page 19.

Installing Sun Cluster HA for NetBackup Packages

If you did not install the Sun Cluster HA for NetBackup packages during your initial Sun Cluster installation, perform this procedure to install the packages. Perform this procedure on each cluster node where you are installing the Sun Cluster HA for NetBackup packages. To complete this procedure, you need the Sun Java Enterprise System Accessory CD Volume 3.

If you are installing more than one data service simultaneously, perform the procedure in *“Installing the Software”* in *Sun Cluster Software Installation Guide for Solaris OS*.

Install the Sun Cluster HA for NetBackup packages by using one of the following installation tools:

- The Web Start program
- The `scinstall` utility

Note – The Web Start program is *not* available in releases earlier than Sun Cluster 3.1 Data Services 10/03.

▼ How to Install Sun Cluster HA for NetBackup Packages Using the Web Start Program

You can run the Web Start program with a command-line interface (CLI) or with a graphical user interface (GUI). The content and sequence of instructions in the CLI and the GUI are similar. For more information about the Web Start program, see the `installer(1M)` man page.

1. **On the cluster node where you are installing the Sun Cluster HA for NetBackup packages, become superuser.**
2. **(Optional) If you intend to run the Web Start program with a GUI, ensure that your `DISPLAY` environment variable is set.**
3. **Load the Sun Java Enterprise System Accessory CD Volume 3 into the CD-ROM drive.**

If the Volume Management daemon `vold(1M)` is running and configured to manage CD-ROM devices, it automatically mounts the CD-ROM on the `/cdrom/cdrom0` directory.

4. **Change to the Sun Cluster HA for NetBackup component directory of the CD-ROM.**

The Web Start program for the Sun Cluster HA for NetBackup data service resides in this directory.

```
# cd /cdrom/cdrom0/\
components/SunCluster_HA_NetBackup_3.1
```

5. **Start the Web Start program.**

```
# ./installer
```

6. **When you are prompted, select the type of installation.**

- To install only the C locale, select Typical.
- To install other locales, select Custom.

7. **Follow instructions on the screen to install the Sun Cluster HA for NetBackup packages on the node.**

After the installation is finished, the Web Start program provides an installation summary. This summary enables you to view logs that the Web Start program created during the installation. These logs are located in the `/var/sadm/install/logs` directory.

8. **Exit the Web Start program.**

9. **Unload the Sun Java Enterprise System Accessory CD Volume 3 from the CD-ROM drive.**

- a. To ensure that the CD-ROM is not being used, change to a directory that does *not* reside on the CD-ROM.
- b. Eject the CD-ROM.

```
# eject cdrom
```

Where to Go From Here

Go to [“Registering and Configuring Sun Cluster HA for NetBackup”](#) on page 22.

▼ How to Install Sun Cluster HA for NetBackup Packages by Using the `scinstall` Utility

This section describes how to install Sun Cluster HA for NetBackup packages by using the `scinstall` utility.

1. **Load the Sun Java Enterprise System Accessory CD Volume 3 into the CD-ROM drive.**
2. **Run the `scinstall` utility with no options.**
This step starts the `scinstall` utility in interactive mode.
3. **Choose the menu option, Add Support for New Data Service to This Cluster Node.**
The `scinstall` utility prompts you for additional information.
4. **Provide the path to the Sun Java Enterprise System Accessory CD Volume 3.**
The utility refers to the CD as the “data services cd.”
5. **Specify the data service to install.**
The `scinstall` utility lists the data service that you selected and asks you to confirm your choice.
6. **Exit the `scinstall` utility.**
7. **Unload the CD from the drive.**

Where to Go From Here

See [“Registering and Configuring Sun Cluster HA for NetBackup”](#) on page 22 to register Sun Cluster HA for NetBackup and configure the cluster for the data service.

Registering and Configuring Sun Cluster HA for NetBackup

Use the procedures in this section to register and configure Sun Cluster HA for NetBackup as a failover data service.

To configure a data service, you must create resource groups and resources for your application. See the *Sun Cluster Data Services Planning and Administration Guide for Solaris OS* and the *Sun Cluster Concepts Guide for Solaris OS* document for details on resources and resource groups.

▼ How to Register and Configure Sun Cluster HA for NetBackup

This section describes how to use the `scrgadm(1M)` command to register and configure Sun Cluster HA for NetBackup.

Note – Other options also enable you to register and configure the data service. See “Tools for Data Service Resource Administration” in *Sun Cluster Data Services Planning and Administration Guide for Solaris OS* for details about these options.

Note – Perform this procedure on one cluster member.

1. **Become superuser on a cluster member.**

2. **Run the `scrgadm` command to register the resource type for the data service.**

Register `SUNW.netbackup_master` as the resource type.

```
# scrgadm -a -t SUNW.netbackup_master
```

```
-t SUNW.netbackup_master
```

 Specifies the predefined resource type name for your data service.

3. **Create a NetBackup resource in the resource group.**

```
# scrgadm -a -j resource -g resource-group -t SUNW.netbackup_master
```

4. **Ensure that netbackup processes are stopped on all nodes.**

5. Run the `scswitch(1M)` command to complete the following tasks.

- Enable the resource and fault monitoring.
- Move the resource group into a managed state.
- Bring the resource group online.

```
# scswitch -Z -g resource-group
```

-Z Moves the resource group to the managed state, and brings the resource group online.

Example – Registering Sun Cluster HA for NetBackup

The following example shows how to register Sun Cluster HA for NetBackup on a two-node cluster.

Cluster Information

Node names: *phys-schost-1, phys-schost-2*

Resource Type: *SUNW.netbackup_master*

Logical hostname resource: *nb-master*

Resource group: *NB-RG (failover resource group)*

Netbackup Resources: *test-scnb*

(Register the NetBackup resource type.)

```
# scrgadm -a -t SUNW.netbackup_master
```

(Add the failover resource group to contain all the resources.)

```
# scrgadm -a -g NB-RG -h phys-schost-1,phys-schost-2
```

(Add the network resource to the resource group.)

```
# scrgadm -a -L -g NB-RG -l nb-master
```

(Add the NetBackup resource to the resource group.)

```
# scrgadm -a -j test-scnb -g NB-RG -t SUNW.netbackup_master
```

(Bring the resource group online.)

```
# scswitch -Z -g NB-RG
```

Configuring Sun Cluster HA for NetBackup Extension Properties

This section describes the Sun Cluster HA for NetBackup extension properties. Typically, you use the command line `scrgadm -x parameter=value` to configure the extension properties when you create the resource. See “Standard Properties” in *Sun Cluster Data Services Planning and Administration Guide for Solaris OS* for details on all of the Sun Cluster properties.

For information about the the extension properties that you can set for the NetBackup resource, see [Table 2](#). You can update some extension properties dynamically. You can update others, however, only when you create the resource. In the following table, the Tunable field indicates when you can update each property.

TABLE 2 Sun Cluster HA for NetBackup Extension Properties

Name/Data Type	Description
Start_command (string)	The command that starts the NetBackup application. Default: <code>/opt/SUNWscnb/master/bin/start.netbackup</code> Range: None Tunable: Never
Stop_command (string)	The command that stops the NetBackup application. Default: <code>/opt/SUNWscnb/master/bin/stop.netbackup</code> Range: None Tunable: Never
Monitor_retry_count (integer)	The number of Process Monitor Facility (PMF) restarts that is allowed for the fault monitor. Default: 4 Range: Minimum = 1 Tunable: Any time

TABLE 2 Sun Cluster HA for NetBackup Extension Properties (Continued)

Name/Data Type	Description
Monitor_retry_interval (integer)	The time (in minutes) for the fault monitor to restart. Default: 2 Range: Minimum = 2 Tunable: Any time
Probe_timeout (string)	The time (in seconds) that is used to calculate the time that the fault monitor waits for a successful probe of the processes. At startup, NetBackup's START method multiplies the number of daemons by the value of Probe_timeout to compute the time that the daemons need to start. If the value of Probe_timeout is set to the default value, and there is only one daemon, the START method waits 60 seconds before monitoring starts. Default: 60 Range: Minimum = 1 Tunable: Any time

Fault Monitoring Sun Cluster HA for NetBackup

Depending on the installed version of NetBackup, NetBackup application startup starts one of the following sets of daemons:

- vmd, bprd, and bpdbm
- vmd, bprd, bpdbm, bpjobjd, and nbdbd

Sun Cluster HA for NetBackup can work with either of these two sets of daemons. The Sun Cluster HA for NetBackup fault monitor monitors either of these two sets of processes. While the START method runs, the fault monitor waits until the daemons are online before monitoring the application. The Probe_timeout extension property specifies the amount of time that the fault monitor waits.

After the daemons are online, the fault monitor uses kill (pid, 0) to determine whether the daemons are running. If any daemon is not running, the fault monitor initiates the following actions, in order, until all of the probes are running successfully.

1. Restarts the resource on the current node.
2. Restarts the resource group on the current node.
3. Fails over the resource group to the next node on the resource group's nodelist.

All process IDs (PIDs) are stored in a temporary file,
`/var/run/.netbackup_master`.

(Optional) Configuring Non-HA VERITAS NetBackup Clients on a Cluster

Optionally, you can configure NetBackup clients on a cluster that **will not run** Sun Cluster HA for NetBackup. To do so, use one of the following methods.

- **Configure each node as a separate NetBackup client** – You can use any of the nodes to backup files on the cluster file system. You can use a particular node's NetBackup client name to backup files that are local to that node.
- **Configure one logical hostname resource as the NetBackup client** – You cannot configure multiple logical hostname resources on a cluster as NetBackup clients. Furthermore, if you have configured a logical hostname resource as the NetBackup client, you cannot configure any nodes that are potential primaries for that logical hostname as NetBackup clients.

To configure one logical hostname resource as a NetBackup client, perform the following steps.

1. On all of the potential primary nodes for the logical hostname resource, modify the file `/usr/opensv/netbackup/bp.conf` so that `CLIENT_NAME` equals `logical-hostname-resource`, as follows.

```
CLIENT_NAME = logical-hostname-resource
```

2. On all of the potential primary nodes for the logical hostname resource, add the following entry to the `/usr/opensv/netbackup/bp.conf` file.

```
REQUIRED_INTERFACE = logical-hostname-resource
```

Note – If `REQUIRED_INTERFACE` already exists, modify the entry to equal `logical-hostname-resource`.

If the name of the logical hostname resource is `schost-1`, for example, the modified file should contain the following entries.

```
SERVER = nb-master  
SERVER = slave-1  
CLIENT_NAME = sghost-1  
REQUIRED_INTERFACE = sghost-1
```


Index

C

C locale, 20
commands, node information, 9
configuring, Sun Cluster HA for NetBackup, 22

D

directories, `/var/sadm/install/logs`, 20

E

extension properties
 Sun Cluster HA for NetBackup
 Monitor_retry_count, 24
 Monitor_retry_interval, 24
 Probe_timeout, 24
 Start_command, 24
 Stop_command, 24

F

fault monitor, Sun Cluster HA for
 NetBackup, 25
files, installation logs, 20

I

installing
 Sun Cluster HA for NetBackup, 21

installing, Sun Cluster HA for NetBackup
(Continued)
 by using Web Start program, 20-21
 log files created, 20

L

locales, 20
log files, installation, 20
logical host, 13

M

media server, 13

O

overview, Sun Cluster HA for NetBackup, 12

P

`prtconf -v` command, 9
`prtdiag -v` command, 9
`psrinfo -v` command, 9

R

registering, Sun Cluster HA for NetBackup, 22

robotic control, 13

S

scinstall -pv command, 9

showrev -p command, 9

Sun Cluster HA for NetBackup

See also VERITAS NetBackup

configuration diagrams, 14

extension properties

Monitor_retry_count, 24

Monitor_retry_interval, 24

Probe_timeout, 24

Start_command, 24

Stop_command, 24

fault monitor, 25

installation

Sun Cluster HA for NetBackup

packages, 21

installation notes, 13

installing

by using Web Start program, 20-21

overview, 12

registering and configuring, 22

supported configurations, 13

task map, 11

Sun Cluster HA for Oracle

configuring

non-HA VERITAS NetBackup, 26

T

task map, Sun Cluster HA for NetBackup, 11

V

/var/sadm/install/logs directory, 20

VERITAS NetBackup, *See* Sun Cluster HA for
NetBackup

W

Web Start program, 20-21