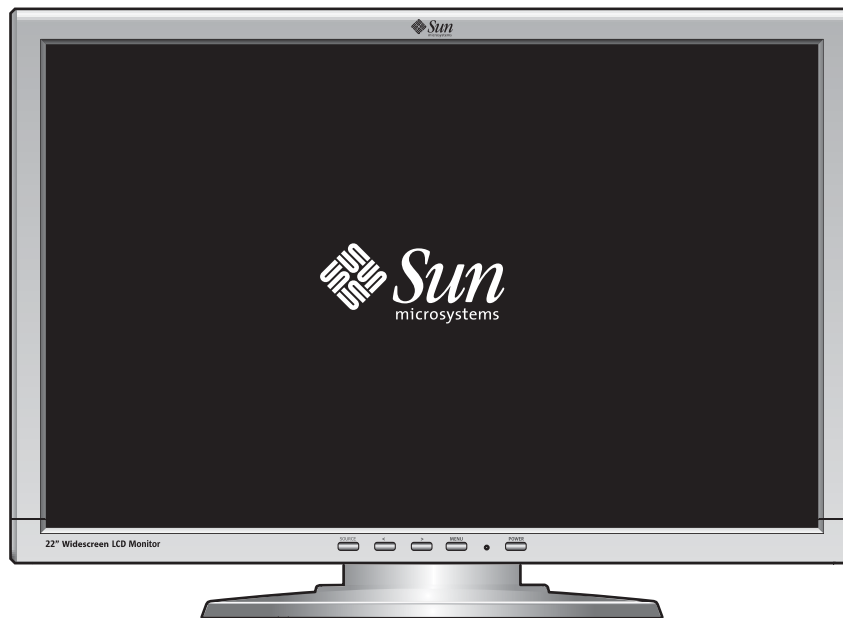


# User's Guide

Sun Part No. 875-4235-10

## 22-inch Widescreen LCD Flat Panel Monitor



# 22-inch Widescreen LCD Flat Panel Monitor

---

## WBZF

### Content

1. Safety Instructions .....	I
Notation .....	I
Installation .....	II
Cleaning .....	II
Other .....	II
China RoHS .....	III
2. Introduction .....	1
Unpacking .....	1
Front .....	2
Rear .....	3
3. Setup .....	4
Stand operation .....	4
Connecting Your Monitor .....	6
Installing VESA compliant mounting .....	7
4. On-Screen Display .....	8
5. Troubleshooting .....	12
Check List .....	12
Self-Test Feature Check .....	14
6. Specification .....	15
General .....	15
Preset Timing Modes .....	17
7. Information .....	18
Authority .....	18





# Safety Instructions

## Notation

**Please read the following safety instructions as they are designed to prevent damage to property and harm to the user.**

### Warning / Caution



Failure to follow directions noted by this symbol could result in bodily harm or damage to equipment.

### Notation Conventions



Prohibited



Important to read and understand at all times



Do not disassemble



Disconnect the plug from the outlet



Do not touch



# Safety Instructions

## Installation

- **Do not cover the vents on the monitor cabinet.**
  - Improper ventilation may cause overheating.

## Cleaning



To clean the monitor case, wipe with a slightly moistened, soft fabric.

To clean the surface of the LCD, wipe either with a soft, dry cloth or a cloth slightly dampened with water. Do not use any chemicals.

## Other



- **Do not remove cover (or back). No user serviceable parts inside.**
  - Refer servicing to qualified service personnel.



- **If your monitor does not operate normally or if there are any unusual sounds or smells coming from it - unplug it immediately and contact an authorized dealer.**



- **Never insert anything metallic into the monitor openings.**



# Safety Instructions

## China RoHS

液晶显示器 LCD Monitor						
零部件名稱 Part Name	有毒有害物质或元素 Toxic or Hazardous Substances and Elements					
	铅 (Pb) Lead	汞 (Hg) Mercury	镉 (Cd) Cadmium	六价铬 (Cr6+) Hexavalent Chromium	多溴联苯 (PBB) Polybrominated biphenyls	多溴二苯醚 (PBDE) Polybrominated diphenylethers
液晶显示屏 LCD DISPLAY	0	X	0	0	0	0
液晶显示屏灯管 Backlight lamps	0	X	0	0	0	0
电路板组件 Circuit cards	0	0	0	0	0	0
缆绳 Cables	0	0	0	0	0	0
外壳 Enclosure	0	0	0	0	0	0

O：表示该部件的所有均质材料中此有毒或有害物质的含量均低于 SJ/T 11363-2006 中的限制要求。  
 O: Indicates that this toxic or hazardous substance contained in all of the homogeneous materials for this part is below the limit requirement in SJ/T 11363-2006.

X：表示该部件所使用的均质材料中至少有一种此有毒或有害物质的含量高于 SJ/T 11363-2006 中的限制要求。  
 X: Indicates that this toxic or hazardous substance contained in at least one of the homogeneous materials used for this part is above the limit requirement in SJ/T 11363-2006.

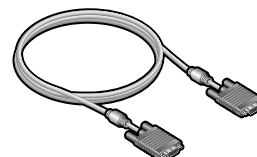


## Unpacking

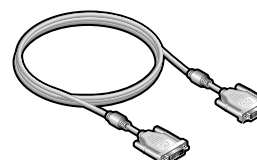
### Monitor and Stand



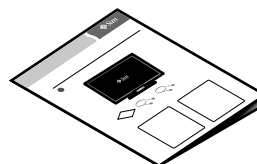
### ● Signal cable - HD - 15



### ● Signal cable - DVI



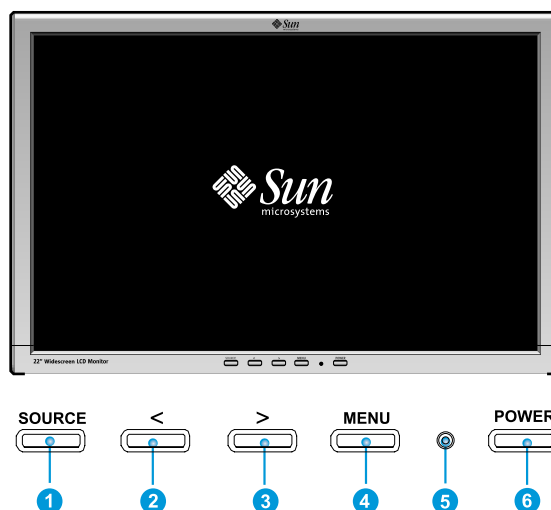
### ● Getting Started Guide



Please make sure the items shown are included with your monitor. If any items are missing, contact your dealer.



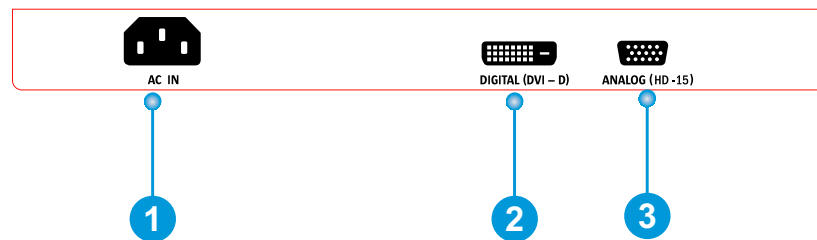
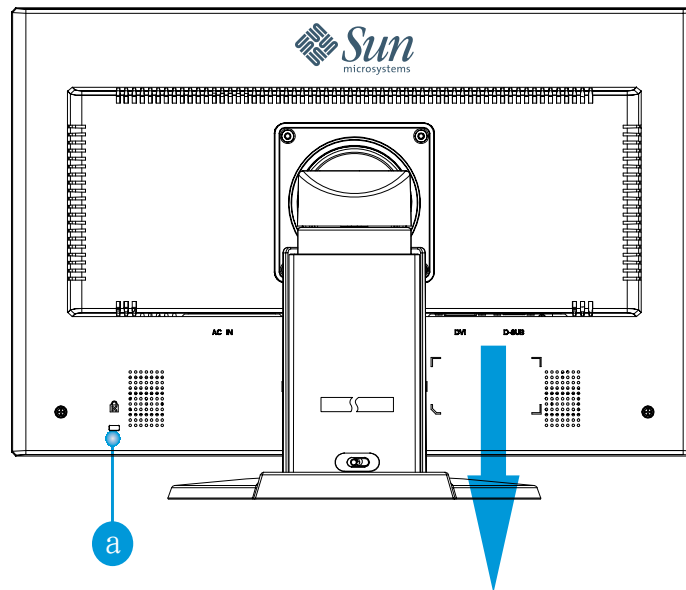
## Front



Press the MENU button ( 4 ) to display the OSD (On Screen Display) menu on the screen.

1. There are a total of 7 OSD submenus divided by categories. Select the desired submenu by pressing the OSD button < or > ( 2 and 3 ).
2. Press the OSD button MENU ( 4 ) to activate the selected function or associated submenu.
3. If you have selected a submenu, you may select its sub function by using < or > ( 2 and 3 ).
4. Set the desired value using the OSD button < or > ( 2 and 3 ).
5. Direct luminance (Brightness) adjustment by use of the < and > ( 2 and 3 ).
6. The current settings are automatically saved when you return to the previous level or exit the OSD menu. Repeat steps 2–5 to make further adjustments as needed.
7. The OSD menu automatically disappears if no changes are made for more than 45 seconds (default setting). The current settings will be saved. You can close it manually by pressing the button SOURCE ( 1 ).
8. Use this button to turn the monitor on and off ( 6 ).
9. This light glows green during normal operation and goes amber during power saving ( 5 ).

## Rear

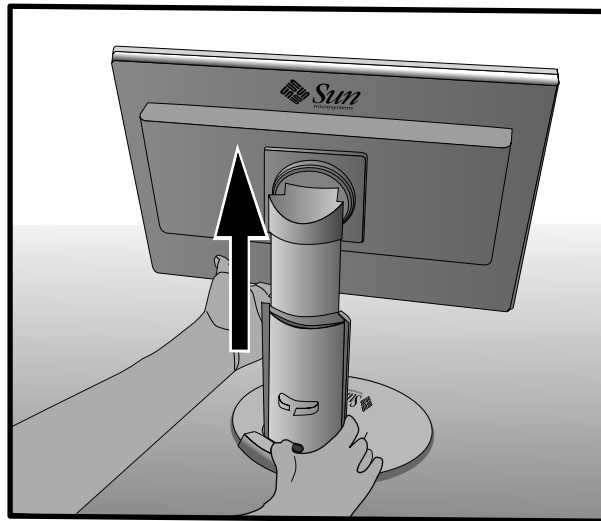
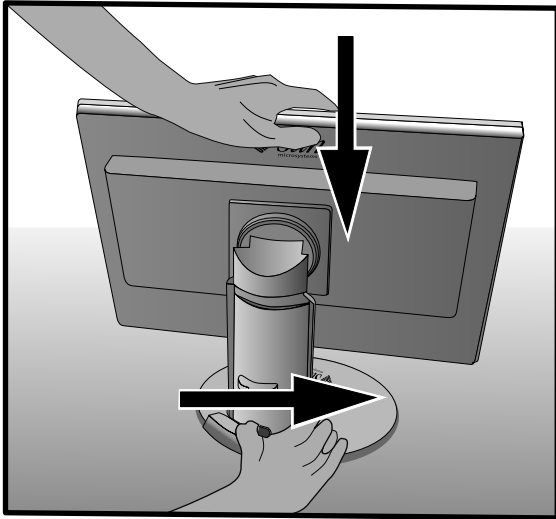


- 1. Power Port**      Connect the power cord (purchased separately) for your monitor to the power connector on the back of the monitor.
  - 2. DVI Port**      Connect the DVI cable to the DVI port on the back of your monitor.
  - 3. HD-15 Port**    Connect the signal cable to the 15-pin, HD-15 connector on the back of your monitor.
- a. Locking Port**      For connecting Kensington® compatible security devices.
- Note:** See the section "Connecting Your Monitor" for further information regarding cable connections.

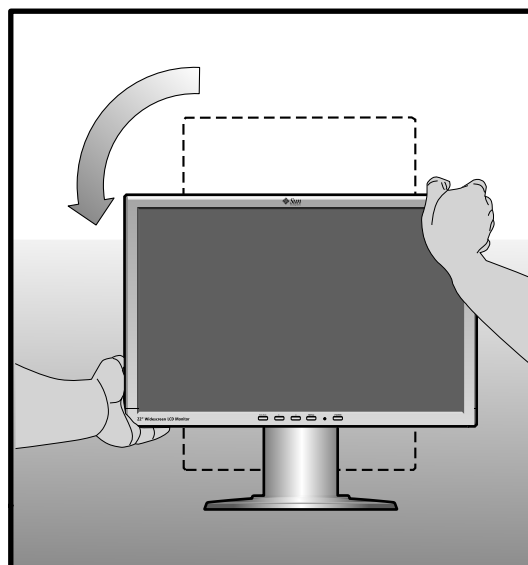
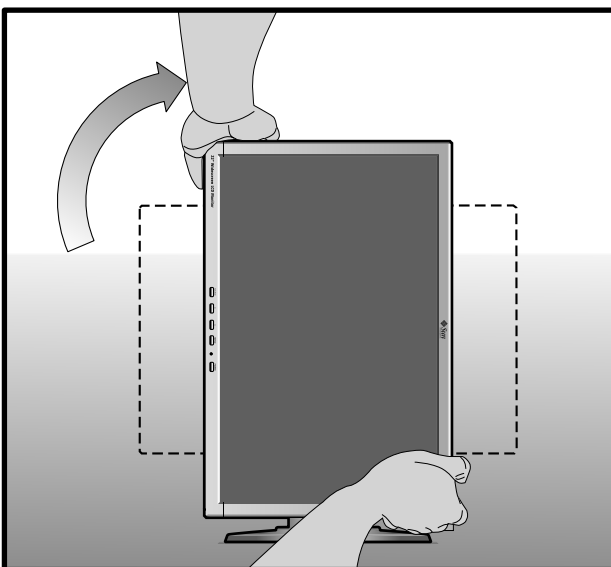


## Stand operation

### Height Adjustment

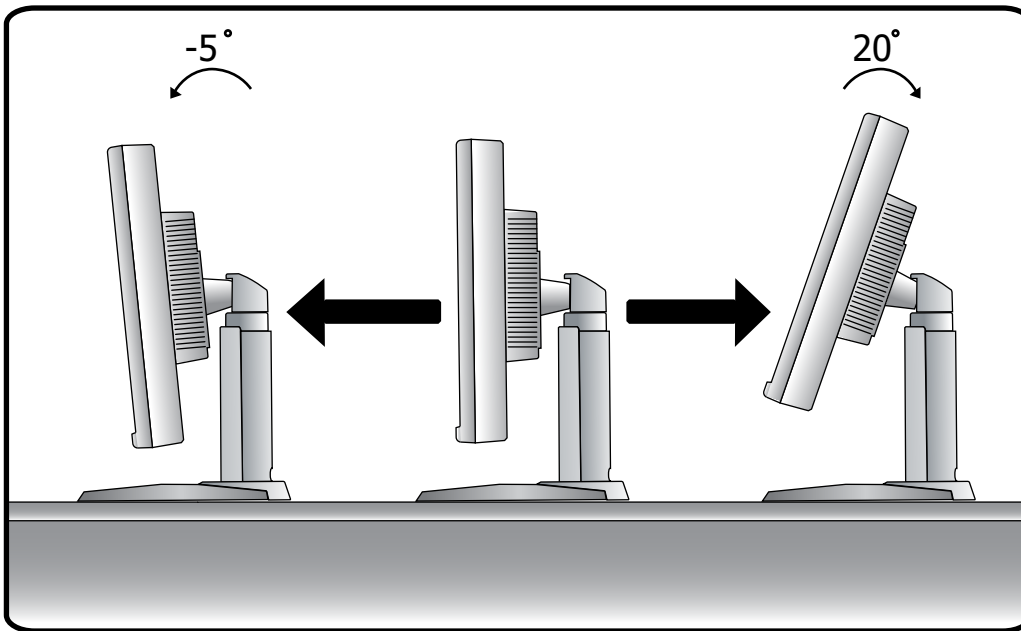


### Pivot

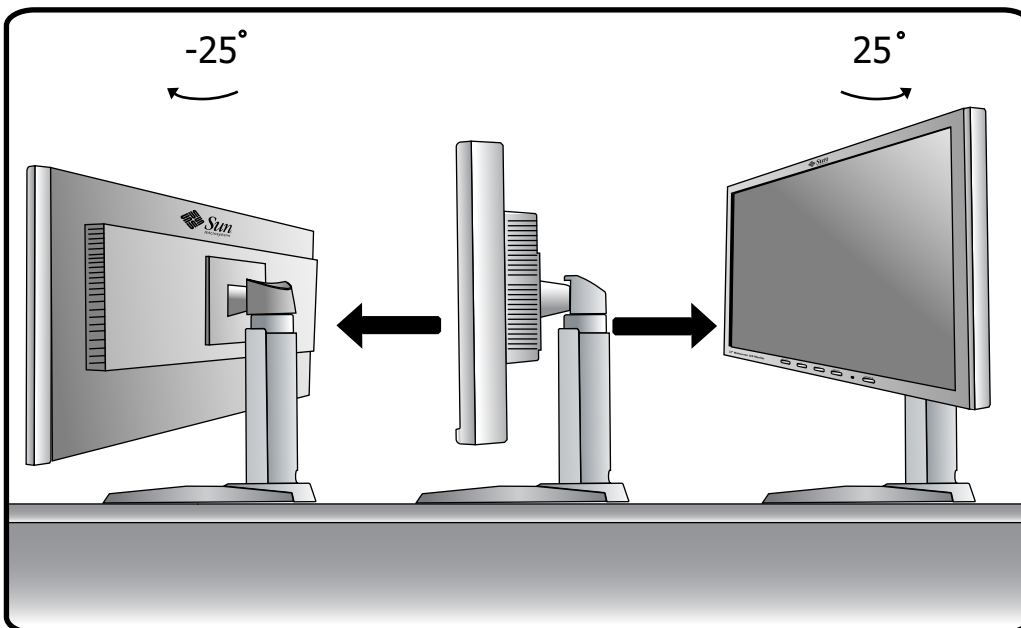


## Stand operation

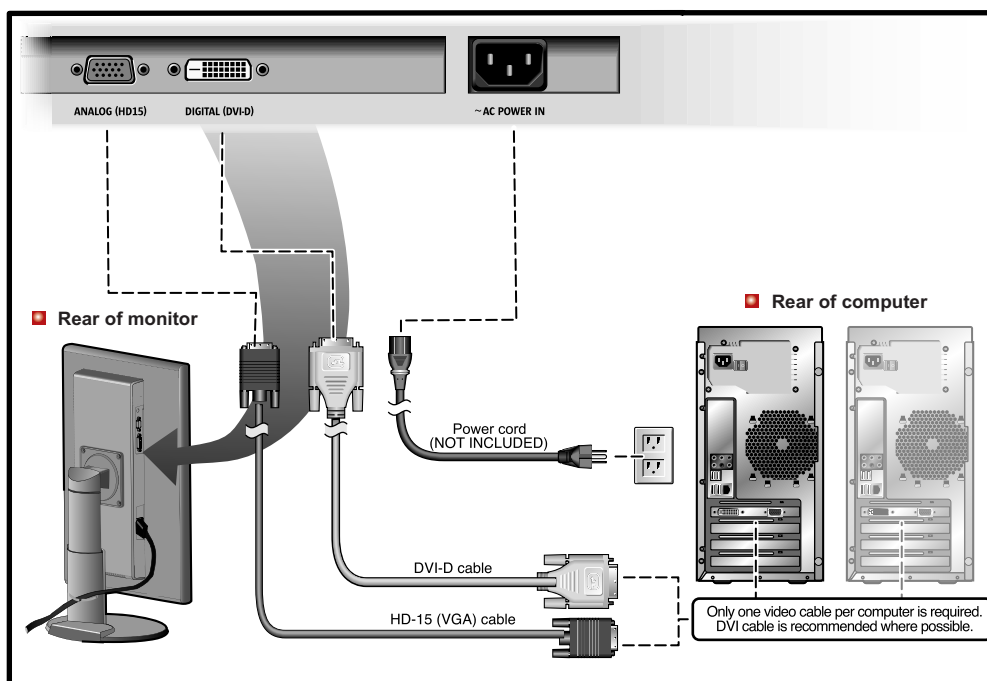
### Tilt



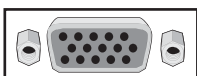
### Swivel



## Connecting Your Monitor



1. Connect the power cord for your monitor to the power port on the back of the monitor. Plug the power cord for the monitor into a nearby outlet.
2. Using the HD-15 (Analog) connector on the video card. Connect the signal cable to the 15-pin, HD-15 connector on the back of your monitor.



3. Using the DVI (Digital) connector on the video card. Connect the DVI cable to the DVI port on the back of your Monitor.

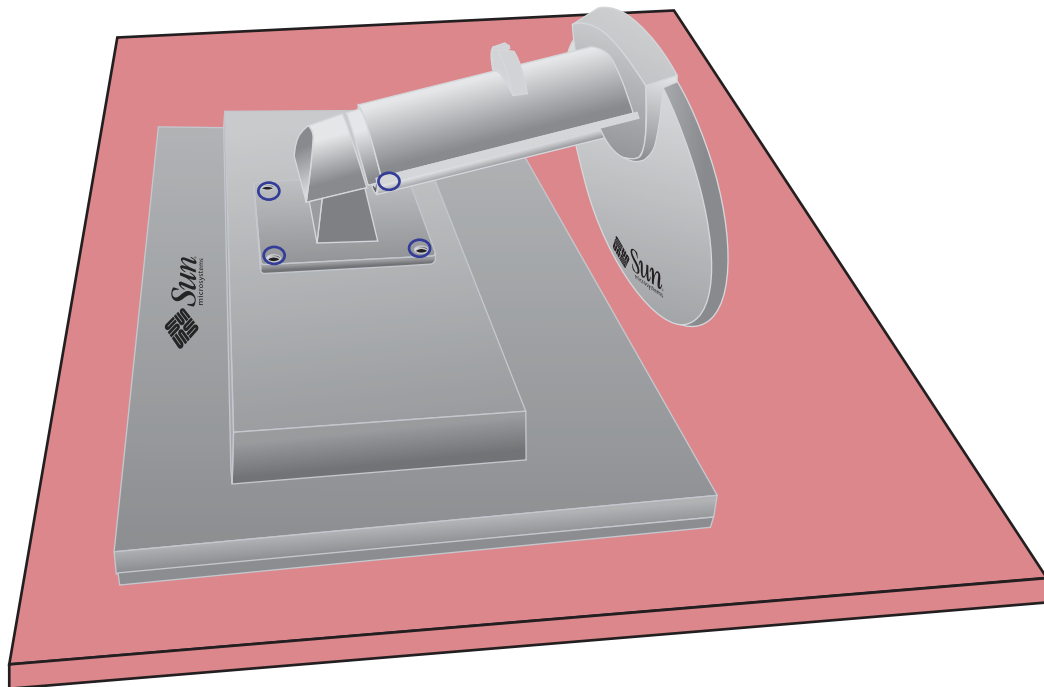


- ◆ If you properly connect your monitor using the DVI connector but get a blank screen, push the SOURCE button to see if the monitor status is set to analog.

Note. Only one cable is needed to provide the source to the monitor. DVI is recommended whenever possible. The second signal cable can be used for an alternate source, where the "Source" button controls which source is selected.

## Installing alternate mounts for the monitor

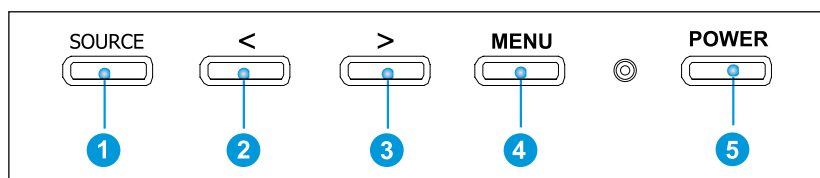
(3rd party mounts are available for this monitor via the VESA-compliant 4-hole, 100mm spacing mounting configuration.)



1. Turn off your monitor and unplug its power cord.
2. Lay the LCD monitor face-down on a flat surface with a cushion beneath it to protect the screen.
3. Remove the four screws circled in blue in the above diagram and then remove the cover plate.



## On-Screen Display



- a. These buttons allow you to highlight and adjust items in the menu. 2 3
- b. Use this button to exit the active menu or the OSD (On-Screen Display) and have direct select input source function. 1
- c. Use this button to open the OSD and activate a highlighted menu item. 4
- d. Use this button to select either the HD-15 (Analog) or DVI-D (Digital) inputs when the menu system is not active. 1
- e. Use these buttons to directly adjust the Luminance (brightness adjustment) when the menu system is not active. 2 3

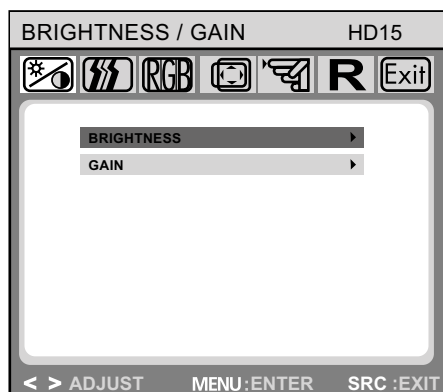


## On-Screen Display

### Brightness/Gain (Gain not available in DVI digital mode)

#### OSD

#### How to adjust

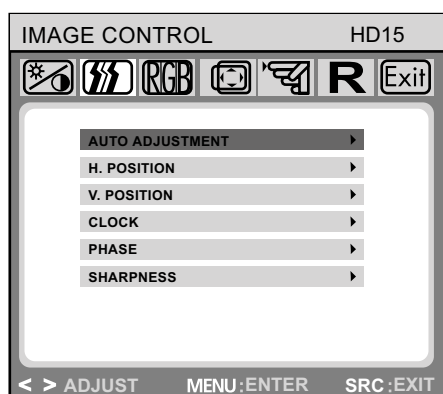


#### Brightness/Gain

**Brightness:** Adjusts luminance (brightness) by using the buttons < or > (2 and 3).

**Gain:** Adjusts screen gain by using the buttons < or > (2 and 3).

### Image Control (not available in DVI digital mode)



#### Image Control

**Auto Adjustment:** Automatically selects the optimal settings for image parameters (image position, phase, etc.) by using the button MENU (4).

**H. Position:** Controls the picture's horizontal position.

**V. Position:** Controls the picture's vertical position.

**Clock:** Adjusts the internal clock frequency for the analog video input.

**Phase:** Adjusts the internal clock phase for fine-tuning the displayed image to the analog video input.

**Sharpness:** Controls image sharpness (only for resolutions less than 1680 × 1050 pixels).

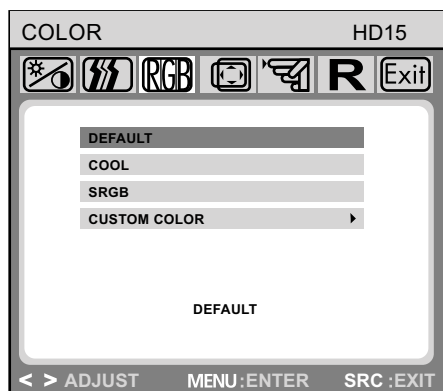


# On-Screen Display

## Color

### OSD

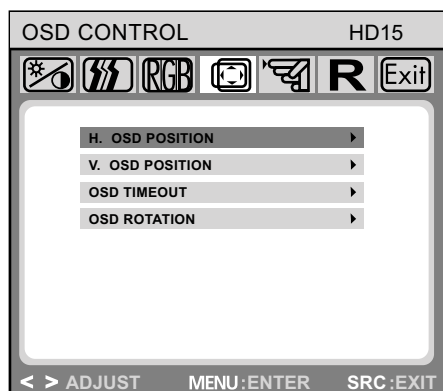
### How to adjust



### Color

This menu lets you select a preset color temperature (Default, COOL, sRGB, and CUSTOM COLOR) by pressing the OSD buttons < or > (2 and 3). Changes to the color temperature take immediate effect on screen. If you wish to set individual color values, select the Custom Color option. Then press the MENU button (4) to select the red, green and blue settings and set the desired value using the OSD buttons < or > (2 and 3). The current settings are automatically saved when you return to the previous level or exit the OSD menu.

## OSD Control



### OSD Control

- H. OSD Position:** Controls the OSD menu's horizontal position.
- V. OSD Position:** Controls the OSD menu's vertical position.
- OSD Timeout:** Determines how long (in seconds) the OSD menu waits before closing automatically after no action has been performed.
- OSD Rotation:** Controls the OSD menu's rotation (0 and 90 degrees).

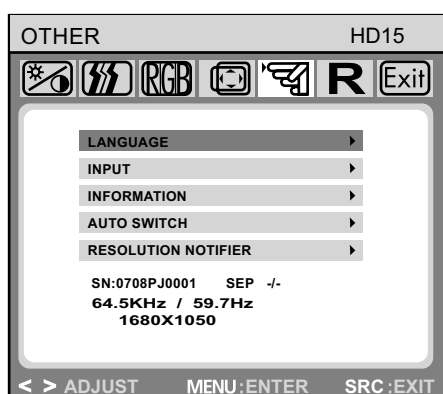


# On-Screen Display

## Other

### OSD

### How to adjust



### Other

**Language:** English, German, French, Italian, Spanish, Russian, Traditional Chinese, Japanese .

**Input:** Controls the selection of the input signal. The monitor allows you to make the following connections: analog graphics card via the 15-pin mini HD-15 interface, digital graphics card via the 24-pin DVI-D interface.

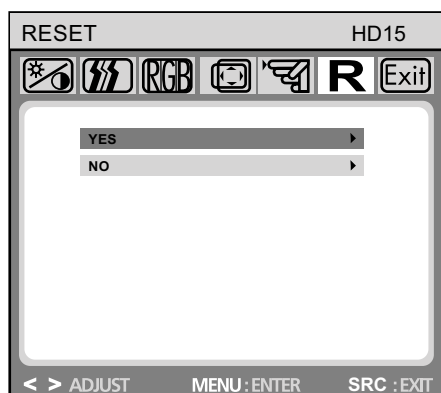
**Information:** There is an optional OSD window (on/off) that displays the newly adjusted screen resolution settings.

**Autoswitch:** This option allows you to decide if the auto adjustment function should take effect after each change to the monitor's resolution.

**Resolution Notifier:** When input timing isn't 1680X1050, the screen should show "Timing Error Reset >> 1680X1050".

**Serial Number and Timing:** The monitor's serial number and timing information are shown. Timing details consist of clock frequency, horizontal frequency, vertical frequency, resolution, and sync type and polarity. These are estimates, not precise values. (Numbers shown are examples only.)

## Reset



### Reset

**Yes:** Resets the monitor to original factory settings.

**No:** Exits the reset function without changing the settings.





## Troubleshooting

### Check List

**Note** Before calling for service, you should check the information in this section to see if these tips will remedy the problem.

Symptom	Check List	Solutions
<b>No image on the screen. The monitor will not turn on.</b>	Is the power cord connected properly?	Check the power cord connection.
	Can you see " <b>No Signal, Check Signal Cable</b> " on the screen?	Check the signal cable connection.
	Can you see " <b>Timing Error</b> "?	Adjust the timing/resolution to be 1680x1050x60Hz.
	Can you see " <b>OUT OF Range</b> " on the screen?	You may see this message when the signal from the video card exceeds the maximum resolution and frequency that the monitor can properly handle.  Adjust the timing/resolution to be 1680x1050x60Hz.
	There is no image on the screen. Is the power indicator on the monitor AMBER?	The monitor is in PowerSaver mode. Press a key on the keyboard to activate the monitor and restore the image on the screen.  If there is still no image, check input source Then press any key on the keyboard again to activate the monitor and restore the image on the screen.
Connected using the DVI cable?	You may get a blank screen if you boot the system before you connect the DVI cable, or disconnect and then reconnect the DVI cable while the system is running, as certain graphic cards may not send out video signals with no monitor attached. Connect the DVI cable and then reset the video.	



## Check List

Symptom	Check List	Solutions
<b>The screen shows strange colors or just black and white.</b>	Does the screen display improper colors?	Check the signal cable connection.  Make sure the computer's video card is fully inserted in its slot.
	Has the computer's video card been set properly?	Set the video card to the correct resolution.

### Check the following items if there is trouble with the monitor.

1. Check if the power cord and the video cable(s) are properly connected to the computer.
2. For analog video, do not exceed 75Hz when using the maximum resolution.  
For digital video, do not exceed 60Hz for any resolution over 1680x1050.  
Any resolution higher than that is limited to 60Hz refresh frequency.

**Note:** If problems repeatedly occur, contact an authorized service center.



## Self-Test Feature Check

Your monitor provides a self test feature via a status light and on-screen warning message that allows you to check whether your monitor is functioning properly.

### Blank Screen

#### 1. Power indicator is off

Make sure the power cable is connected properly (see the section "Connecting Your Monitor").  
Make sure that the monitor was turned on using the power switch.

#### 2. Power indicator lights amber

Perhaps a power saving mode is active. Press any key on your keyboard or click the mouse button.

#### 3. Power indicator lights green

Indicates normal operation of the monitor.

#### 4. "No Signal!" message

Is the signal cable connected to the monitor and the computer's graphics port?  
(see the section "Connecting Your Monitor")

### Display Problems

#### Image is displaced to the left/right or to the top/bottom

If the image appears normal but off-center for the analog video input, you can adjust it using the OSD function under "Image Control" called "Auto Adjustment". There are no such adjustments for digital video (DVI-D) as they are not needed.



# Specification

## General

### General

**Model Name** WBZF

### LCD Panel

**Size** 22 inch diagonal

**Display area** 473.8mm (18.7 inch) (H) x 296.1mm (11.7 inch) (V)

**Pixel Pitch** 0.282mm (0.01111 inch) (H) x 0.282mm (0.01111 inch) (V)

**Type** TFT-LCD

### Synchronization

**Horizontal** 30 – 83 kHz (Analog), 30 ~ 82kHz (Digital)

**Vertical** 56 - 76 Hz

### Display Colors

262,144 total colors with 2-bit/color enhancements to simulate 16,777,216 colors.

### Resolution

**Optimum resolution** 1680 x 1050@60Hz

**Maximum resolution** 1680 x 1050@75Hz (Analog Only)

### Input Signal, Terminated

RGB Analog , DVI Compliant Digital RGB.

Separate H/V sync,TTL level positive or negative

### Maximum Pixel Clock

203 MHz (Analog), 160 MHz (Digital)

### Power Supply

100–240 V AC, 50–60 Hz

### Signal Cable

15pin to 15pin HD-15 cable, detachable, 1.8m

DVI-D to DVI-D connector, detachable, 3.0m

### Power Consumption

55 Watts maximum

### Dimensions (WxDxH) / Weight

513.8 x 230.5 x 369.8 mm / 6.9kg

513.8 x 67.4x 336.1 mm (without stand)



## General

### VESA Mounting Interface

100mm x 100mm 4-hole pattern (for use with specialty mounting hardware.)

### Environmental considerations

**Operating**

Temperature: 50°F ~ 104°F (10°C ~ 40°C)

Humidity: 10% ~ 80%, non-condensing

**Storage**

Temperature: -4°F ~ 113°F (-20°C ~ 45°C)

Humidity: 5% ~ 95%, non-condensing



## Preset Timing Modes

If the signal transferred from the computer is the same as the following Preset Timing Modes, the screen will be adjusted automatically. However, if the signal differs, the screen may go blank while the power LED is on. Refer to the video card manual and adjust the screen as follows.

**Table 1. Preset Timing Modes**

Display Mode	Horizontal Frequency (kHz)	Vertical Frequency (Hz)	Pixel Clock (MHz)	Sync Polarity (H/V)
VESA, 1920 x 1200	73.541	59.596	151.2	+/+
VESA, 1920 x 1080	66.975	60.669	137.7	+/+
VESA, 1280 x 1024	63.981	60.020	108.0	-/-
VESA, 1600 x 1200	74.493	60.026	132.3	+/+
VESA, 1152 x 900	61.845	66.000	94.5	
VESA, 1280 x 1024	81.129	76.000	135.0	
VESA, 1152 x 900	71.809	76.149	108.0	+
VESA, 1280 x 1024	79.976	75.000	135.0	+/+
VESA, 1600 x 1200	75.000	60.000	162.0	+/+

The optimal resolution and only resolution recommended for this monitor is 1680x1050@60Hz. These preset timing modes are offered only to help assure that video will be displayed under most boot or hot-plug conditions. It is recommended to change to 1680x1050@60Hz once video from the computer system is seen on the display.



## Authority

Copyright 2008 Sun Microsystems, Inc., 4150 Network Circle, Santa Clara, California 95054, U.S.A. All rights reserved.

This document and the product to which it pertains are distributed under licenses restricting their use, copying, distribution, and decompilation. No part of the product or of this document may be reproduced in any form by any means without prior written authorization of Sun and its licensors, if any.

Third-party software, including font technology, is copyrighted and licensed from Sun suppliers.

Sun, Sun Microsystems, the Sun logo, and docs.sun.com are trademarks or registered trademarks of Sun Microsystems, Inc. in the U.S. and in other countries.

VESA, DPM are registered trademarks of Video Electronics Standard Association; the ENERGY STAR name and logo are registered trademarks of the U.S. Environmental Protection Agency (EPA). As an ENERGY STAR Partner, Sun Microsystems, Inc. has determined that this product meets the ENERGY STAR guidelines for energy efficiency. All other product names mentioned herein may be the trademarks or registered trademarks of their respective owners.

U.S. Government Rights—Commercial use. Government users are subject to the Sun Microsystems, Inc. standard license agreement and applicable provisions of the FAR and its supplements.

DOCUMENTATION IS PROVIDED "AS IS" AND ALL EXPRESS OR IMPLIED CONDITIONS, REPRESENTATIONS AND WARRANTIES, INCLUDING ANY IMPLIED WARRANTY OF MERCHANTABILITY, FITNESS FOR A PARTICULAR PURPOSE OR NON-INFRINGEMENT, ARE DISCLAIMED, EXCEPT TO THE EXTENT THAT SUCH DISCLAIMERS ARE HELD TO BE LEGALLY INVALID.

Copyright 2008 Sun Microsystems, Inc., 4150 Network Circle, Santa Clara, Californie 95054, Etats-Unis. Tous droits réservés.

Ce produit ou document est protégé par un copyright et distribué avec des licences qui en restreignent l'utilisation, la copie, la distribution, et la décompilation. Aucune partie de ce produit ou document ne peut être reproduite sous aucune forme, par quelque moyen que ce soit, sans l'autorisation préalable et écrite de Sun et de ses bailleurs de licence, s'il y en a.

Le logiciel détenu par des tiers, et qui comprend la technologie relative aux polices de caractères, est protégé par un copyright et licencié par des fournisseurs de Sun.

Sun, Sun Microsystems, le logo Sun, et docs.sun.com sont des marques de fabrique ou des marques déposées de Sun Microsystems, Inc. aux Etats-Unis et dans d'autres pays.

VESA, DPM sont des marques déposées de l'association visuelle de norme de l'électronique ; l'ÉNERGIE TIENNENT LE PREMIER RÔLE le nom et le logo sont des marques déposées de l'agence de protection de l'environnement des ETATS-UNIS (EPA). Car une ÉNERGIE TIENNENT LE PREMIER RÔLE Partner, Sun Microsystems, Inc. a déterminé que ce produit rencontre l'ÉNERGIE TIENNENT LE PREMIER RÔLE des directives pour l'efficacité énergétique. Tous autres noms de produit mentionnés ci-dessus peuvent être les marques déposées ou des marques déposées de leurs propriétaires respectifs.

Utilisation Droit-Commerciale de gouvernement des ETATS-UNIS. Les utilisateurs de gouvernement sont sujets à un accord de licence standard de Sun Microsystems, Inc. et dispositions applicables de FAR et de ses suppléments.

LA DOCUMENTATION EST FOURNIE "EN L'ÉTAT" ET TOUTES AUTRES CONDITIONS, DECLARATIONS ET GARANTIES EXPRESSES OU TACITES SONT FORMELLEMENT EXCLUES, DANS LA MESURE AUTORISEE PAR LA LOI APPLICABLE, Y COMPRIS NOTAMMENT TOUTE GARANTIE IMPLICITE RELATIVE A LA QUALITE MARCHANDE, A L'APTITUDE A UNE UTILISATION PARTICULIERE OU A L'ABSENCE DE CONTREFAÇON.