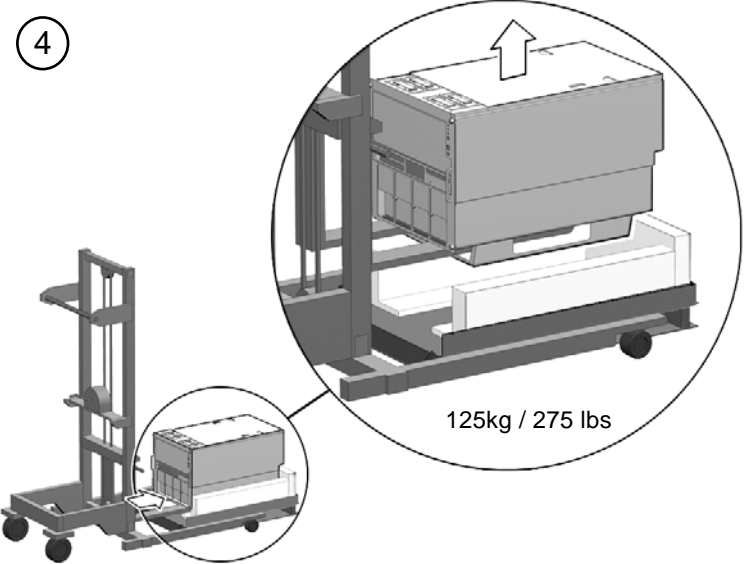
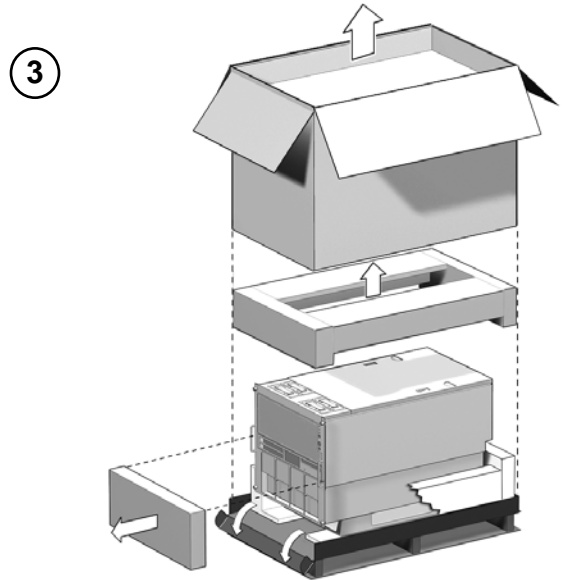
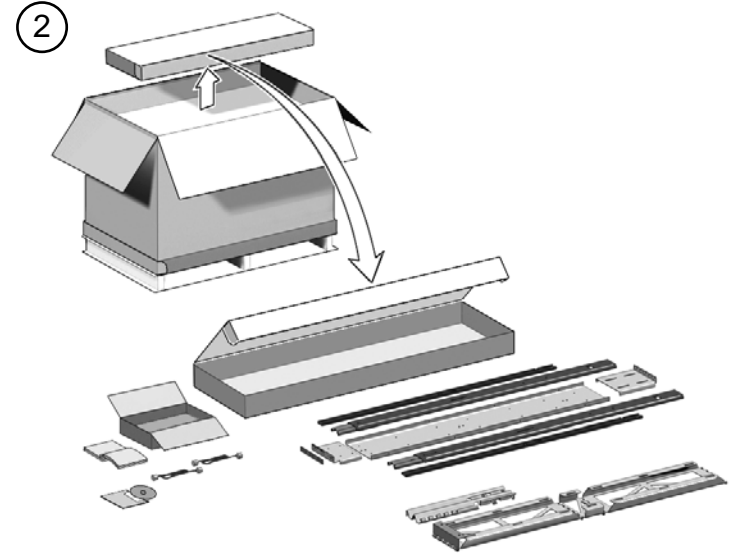
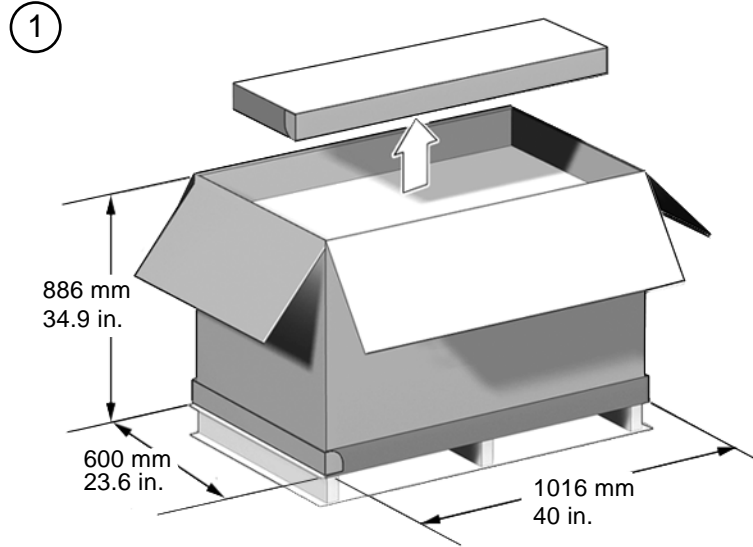


SPARC Enterprise M5000 Server Unpacking Guide 開梱の手引き



Part Number: 821-3044-10,
Manual Code: C120-E350-01XA
December 2010, Revision A