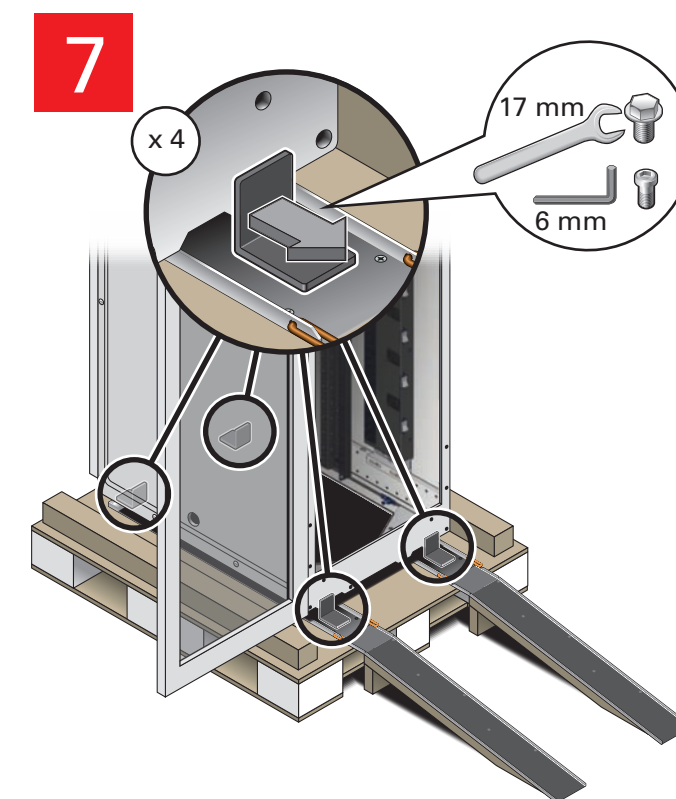
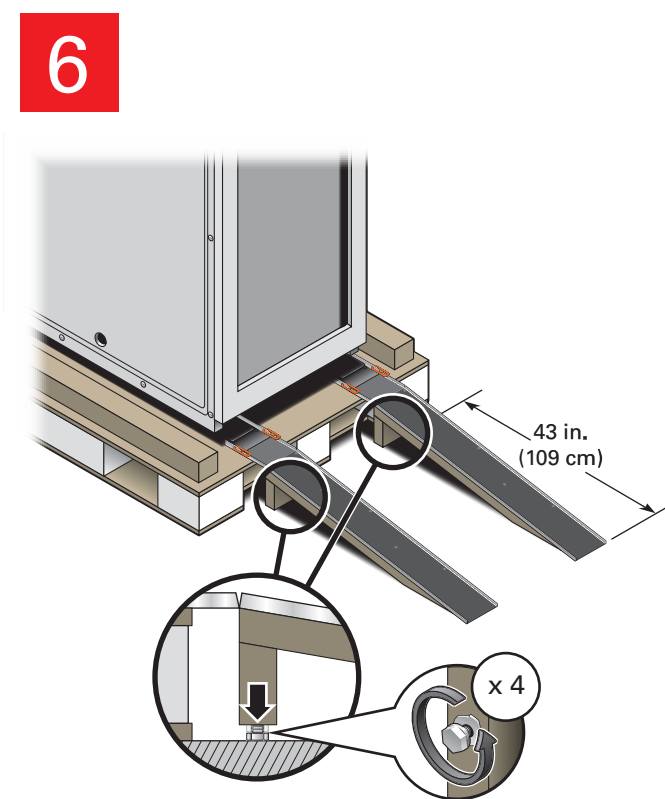
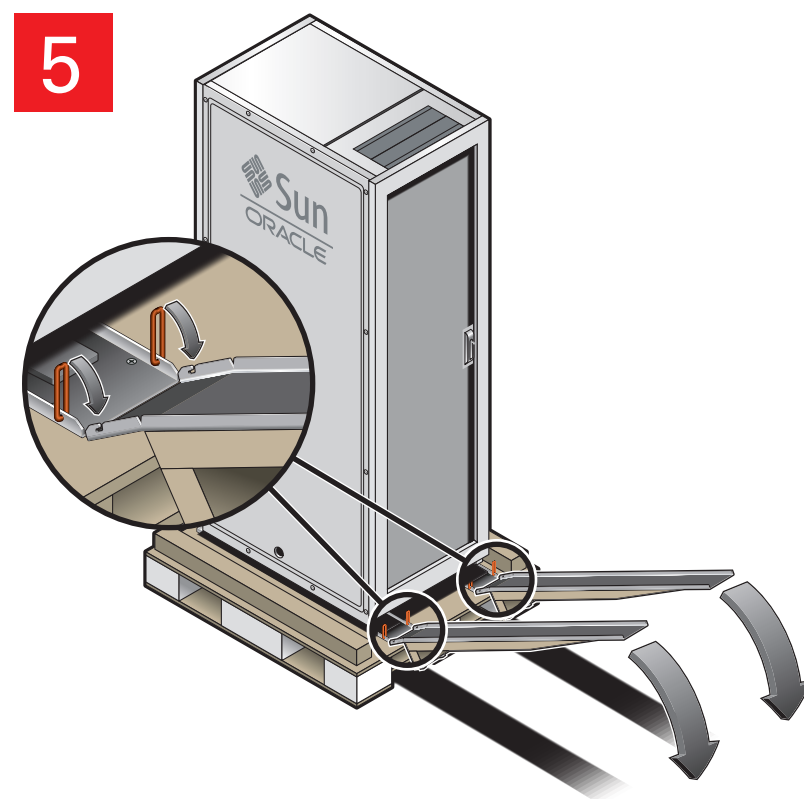
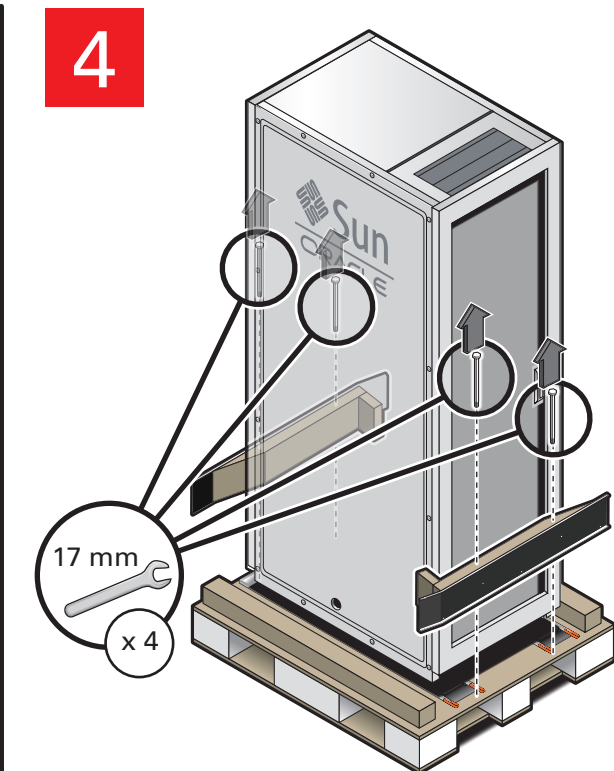
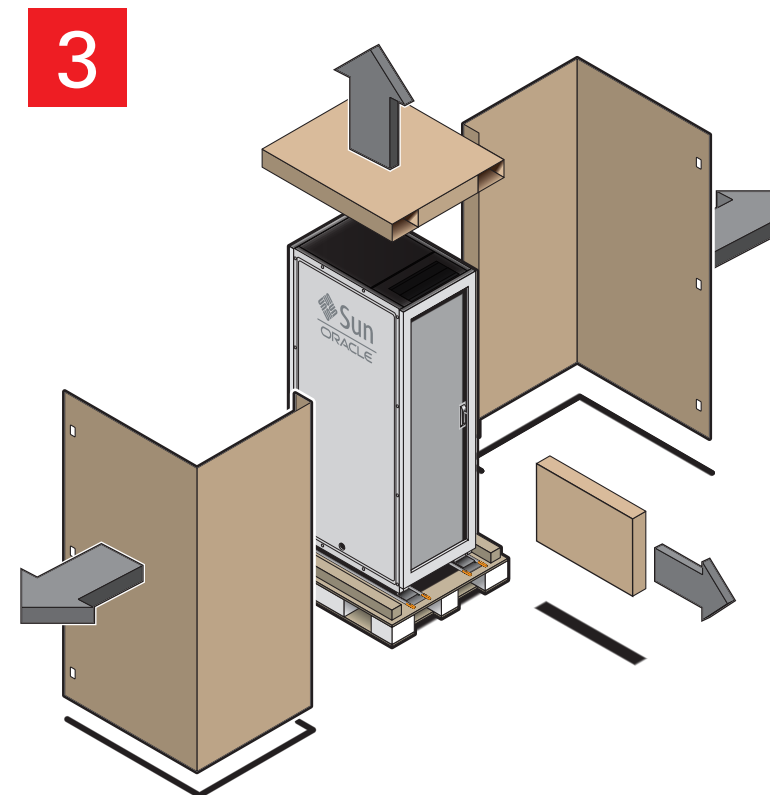
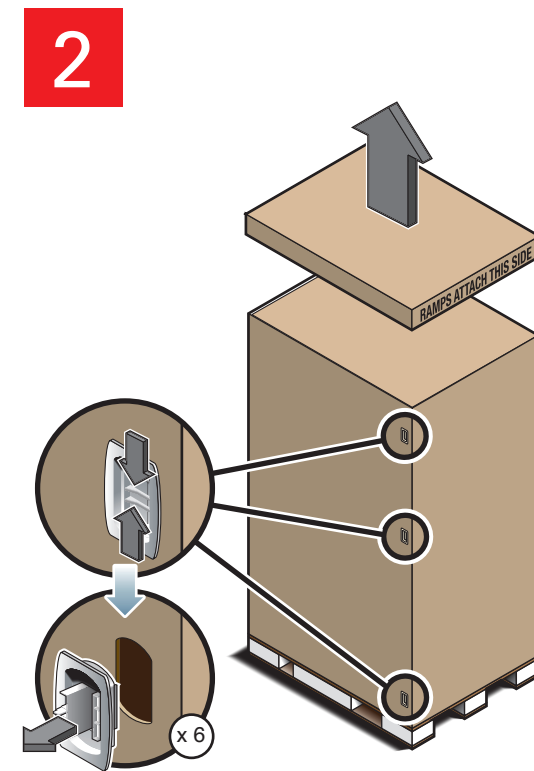
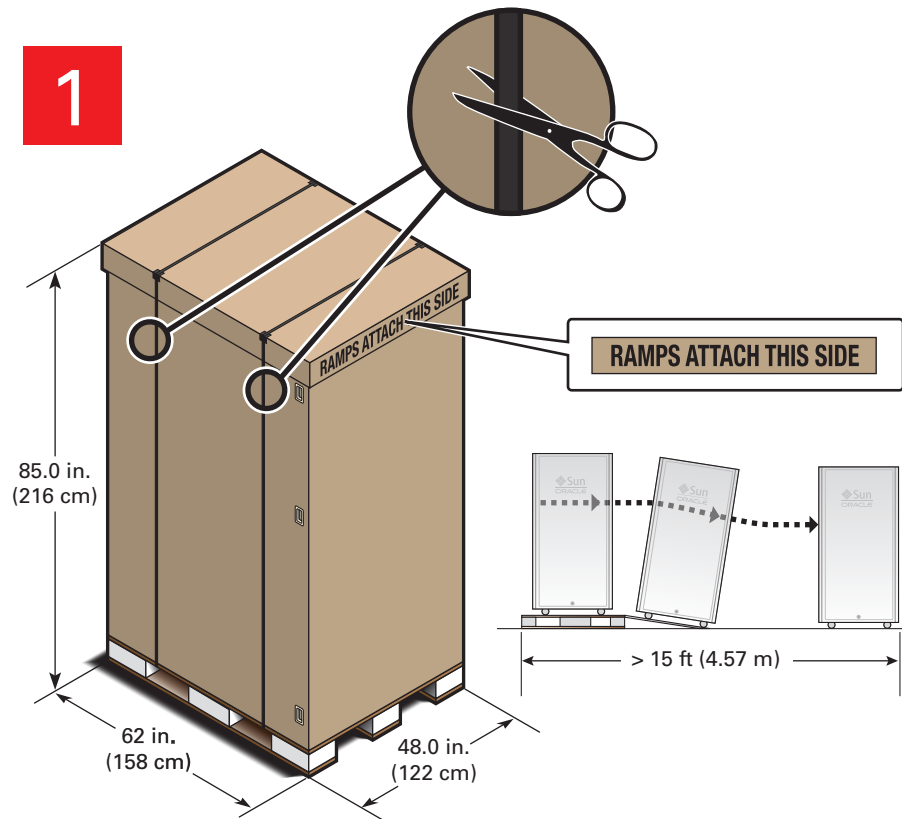


SUN RACK II UNPACKING GUIDE



ORACLE®



? <http://www.oracle.com/goto/sunrackii/docs>