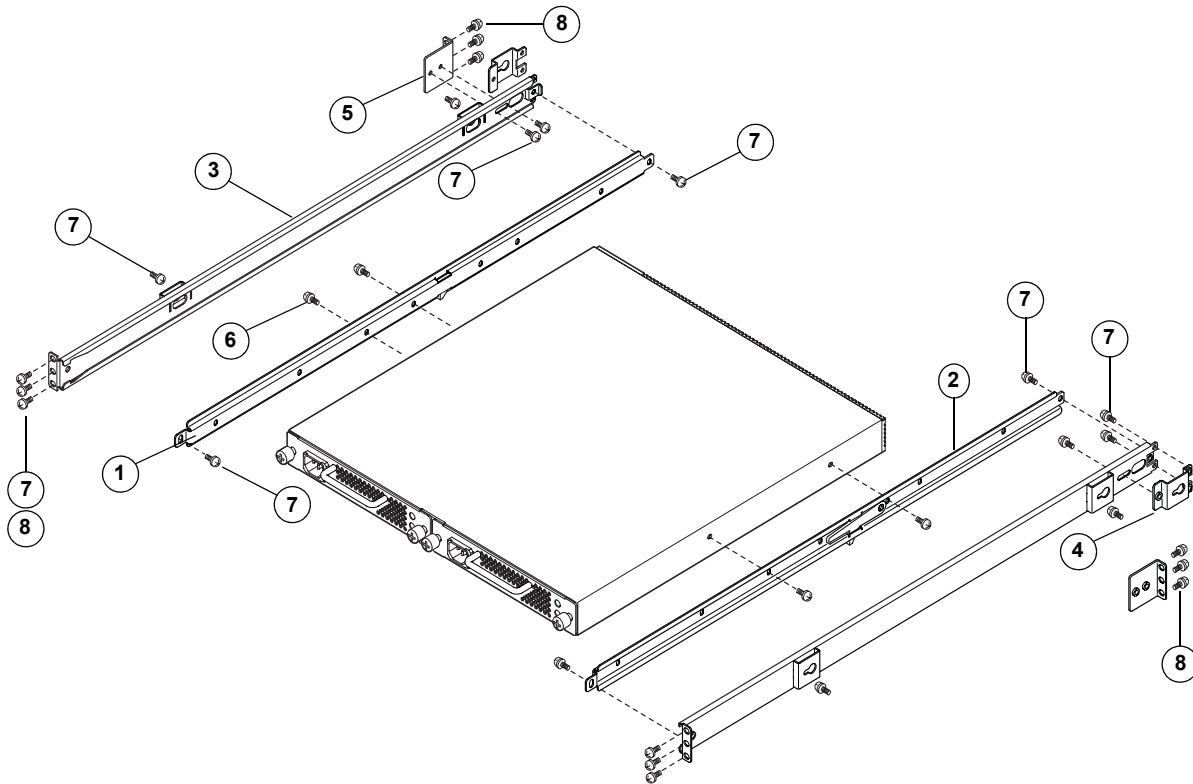


# Sun Storage Fibre Channel Switch 5802 Rack Mounting Guide

This document describes the components and installation of the Sun Storage Fibre Channel Switch 5802 rail kit.



- |                              |  |
|------------------------------|--|
| 1. Mounting slide, left (1)  | 5. Ear extension bracket <sup>†</sup> (2)            |
| 2. Mounting slide, right (1) | 6. Screw, w/washer 8-32 x 1/4 in. (10)               |
| 3. Mounting rail (2)         | 7. Screw, w/washer <sup>‡</sup> 10-32 x 3/8 in. (20) |
| 4. Key tab bracket* (2)      | 8. Screw, w/washer <sup>†</sup> M6 x 12mm (12)       |

\* For use with Sun StorEdge 72-Inch Expansion and Electronics Industries Association (EIA) standard 19-inch cabinets.

<sup>†</sup> For use with Sun Rack 900 cabinets.

<sup>‡</sup> Depending on the cabinet installation, some screws will be unused.

## Tools Required

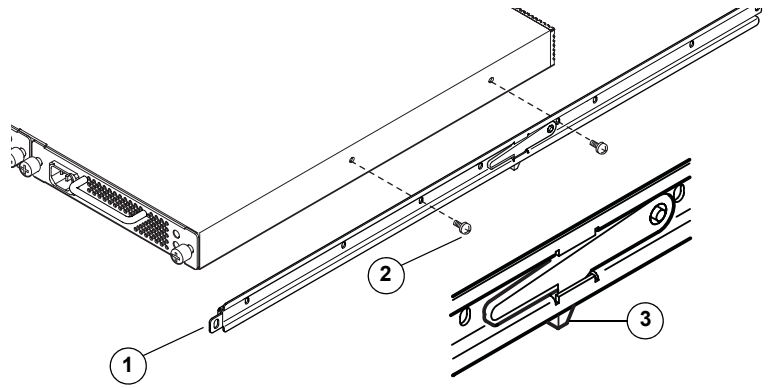
- Crosshead screw driver, medium



**Caution** – Heavier products should be placed near the bottom of a rack or cabinet. A top-heavy rack can become unstable resulting in equipment damage or personal injury.

## ▼ Install Mounting Slides

Install left and right mounting slides on the switch using four screws (8-32) for each. Be sure that the latch tab is pointing down on both slides.



1. Mounting slide, right
2. Screws, 8-32 x 1/4

3. Latch tab pointing down

## ▼ Prepare Mounting Rails

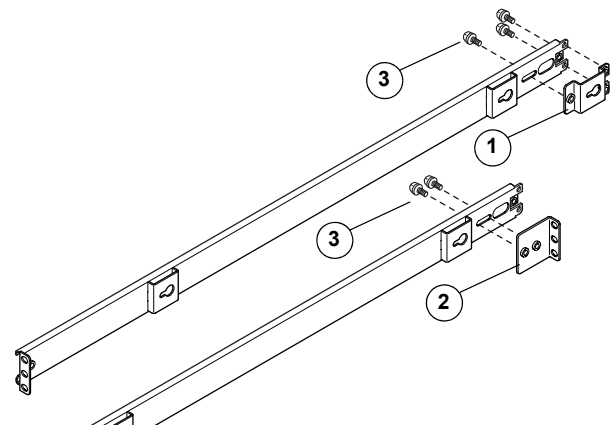
No mounting rail preparation is needed for a Sun Rack 1000 cabinet.

### ▼ For a Sun StorEdge 72-inch Expansion or EIA Standard 19-inch Cabinet

Install a key tab bracket on each mounting rail and fasten with three screws (10-32 x 3/8).

### ▼ For a Sun Rack 900 Cabinet

Install an ear extension bracket on each mounting rail and fasten with two screws (10-32 x 3/8).



1. Key tab bracket
2. Ear extension bracket

3. Screws, 10-32 x 3/8

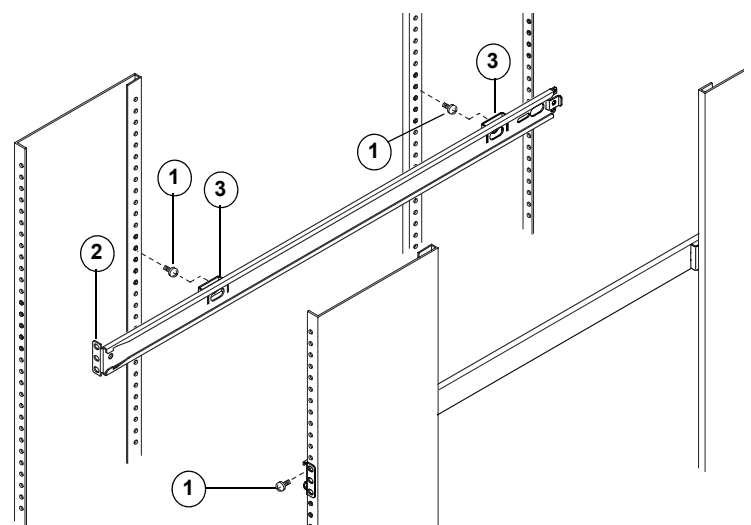
## ▼ Install Mounting Rails

### ▼ For a Sun Rack 1000 Cabinet

Install a support screw (10-32 x 3/8) at the same height in each cabinet post. Allow enough space to slide the key tab bracket under the screw.

Install the mounting rail, placing the key tab bracket over the support screws and sliding the rail into place. Tighten the support screws.

Fasten the rail flange to the cabinet with one screw (10-32 x 3/8) in the upper hole.



1. Screws, 10-32 x 3/8
2. Mounting rail flange

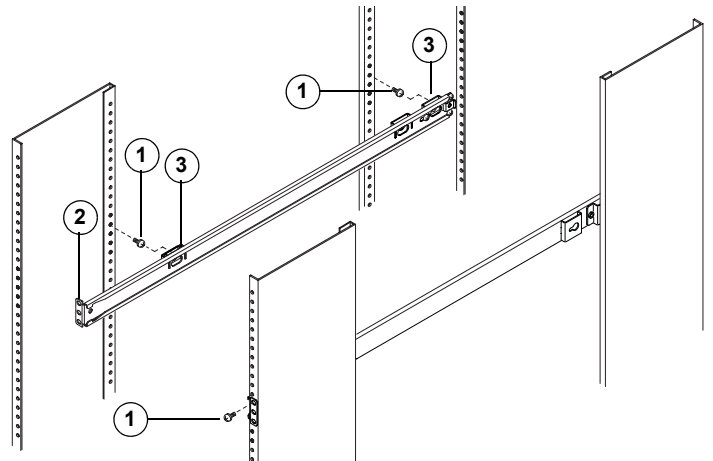
3. Key tab brackets

### ▼ For a Sun StorEdge 72-inch Expansion or EIA Standard 19-inch Cabinet

Install a 10-32 x 3/8 support screw at the same height in each cabinet post. Allow enough space to slide the key tab bracket under the screw.

Install the mounting rail, placing the key tab bracket over the support screws and sliding the rail into place. Tighten the support screws.

Fasten the mounting rail flange to the cabinet with one screw in the upper hole.



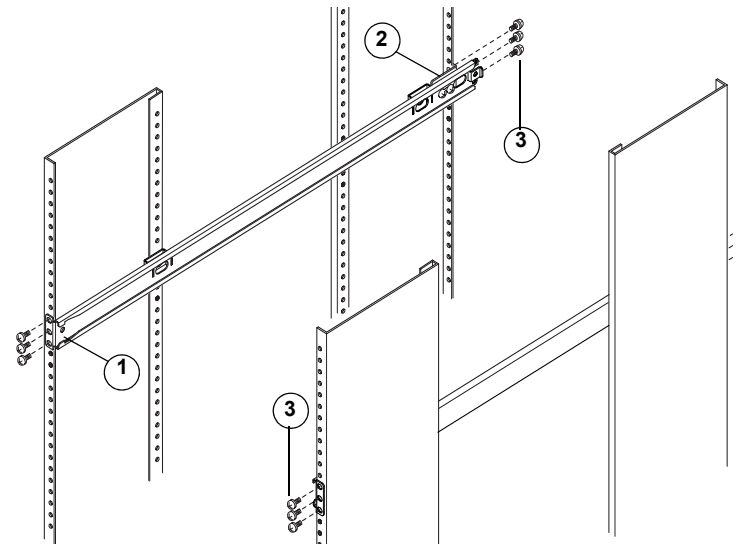
1. Support screw 10-32x3/8

2. Mounting rail flange

3. Key tab bracket

### ▼ For a Sun Rack 900 Cabinet

Install the mounting rail and fasten the rail flange and ear extension bracket on the outsides of the cabinet posts with three screws (M6 x 12).



1. Mounting rail flange

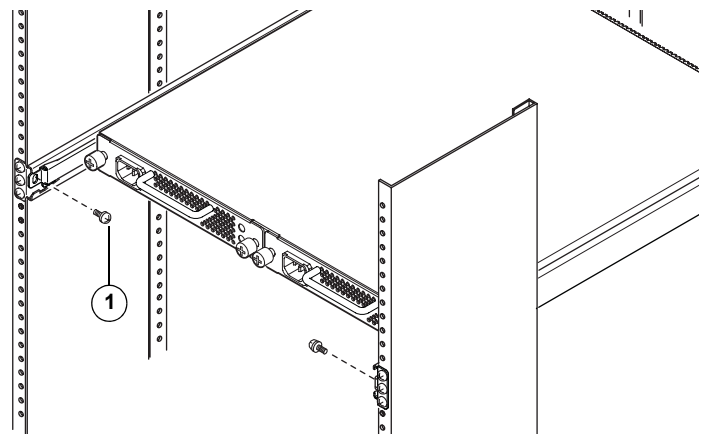
2. Ear extension bracket

3. Screws, M6 x 12mm

### ▼ Install the Switch

Slide the switch and slide assembly into the mounting rails.

Fasten the mounting slides to the mounting rails with four screws (10-32 x 3/8).



1. Screws, 10-32 x 3/8

## Accessing Sun Documentation

You can view, print, or purchase a broad selection of Sun documentation, including localized versions, at:

<http://www.sun.com/documentation>

## Third-Party Web Sites

Sun is not responsible for the availability of third-party web sites mentioned in this document. Sun does not endorse and is not responsible or liable for any content, advertising, products, or other materials that are available on or through such sites or resources. Sun will not be responsible or liable for any actual or alleged damage or loss caused by or in connection with the use of or reliance on any such content, goods, or services that are available on or through such sites or resources.

## Contacting Sun Technical Support

If you have technical questions about this product that are not answered in this document, go to:

<http://www.sun.com/service/contacting>

## Sun Welcomes Your Comments

Sun is interested in improving its documentation and welcomes your comments and suggestions. You can submit your comments by going to:

<http://www.sun.com/hwdocs/feedback>

Please include the title and part number of your document with your feedback:

*Sun Storage Fibre Channel Switch 5802 Rack Mounting Guide*, part number 820-4956-10

Copyright 2008 Sun Microsystems, Inc. All rights reserved.

Sun, Sun Microsystems, the Sun logo, Java, AnswerBook2, docs.sun.com, StorageTek, and Solaris are trademarks or registered trademarks of Sun Microsystems, Inc., or its subsidiaries, in the U.S. and in other countries.

Copyright 2008 Sun Microsystems, Inc. Tous droits réservés.

Sun, Sun Microsystems, le logo Sun, Java, AnswerBook2, docs.sun.com, StorageTek, et Solaris sont des marques de fabrique ou des marques déposées de Sun Microsystems, Inc., ou ses filiales, aux États-Unis et dans d'autres pays.



Sun Microsystems, Inc.  
[www.sun.com](http://www.sun.com)

Part No. 820-4956-10, Rev. A  
September 2008