



Sun StorageTek™ SL8500 Model 4199516XX Redundant Power Switch

Rack Installation Guide

Sun Microsystems, Inc.
www.sun.com

Part No. 316198301
Feb 2010, Revision AC

Please submit comments about this document at <http://docs.sun.com/app/docs/doc/316198301AC1=en>

Copyright © 2009 Sun Microsystems, Inc., 4150 Network Circle, Santa Clara, California 95054, U.S.A. All rights reserved.

Sun, Sun Microsystems, the Sun logo and Sun StorageTek are trademarks or registered trademarks of Sun Microsystems, Inc. or its subsidiaries, in the U.S. and other countries.

DOCUMENTATION IS PROVIDED "AS IS" AND ALL EXPRESS OR IMPLIED CONDITIONS, REPRESENTATIONS AND WARRANTIES, INCLUDING ANY IMPLIED WARRANTY OF MERCHANTABILITY, FITNESS FOR A PARTICULAR PURPOSE OR NON-INFRINGEMENT, ARE DISCLAIMED, EXCEPT TO THE EXTENT THAT SUCH DISCLAIMERS ARE HELD TO BE LEGALLY INVALID.

Copyright © 2009 Sun Microsystems, Inc., 4150 Network Circle, Santa Clara, California 95054, États-Unis. Tous droits réservés.

Sun, Sun Microsystems, le logo Sun et Sun StorageTek sont des marques de fabrique ou des marques enregistrées de Sun Microsystems, Inc. ou ses filiales, aux États-Unis et dans d'autres pays.

LA DOCUMENTATION EST FOURNIE "EN L'ÉTAT" ET TOUTES AUTRES CONDITIONS, DECLARATIONS ET GARANTIES EXPRESSES OU TACITES SONT FORMELLEMENT EXCLUES, DANS LA MESURE AUTORISÉE PAR LA LOI APPLICABLE, Y COMPRIS NOTAMMENT TOUTE GARANTIE IMPLICITE RELATIVE À LA QUALITE MARCHANDE, À L'APTITUDE À UNE UTILISATION PARTICULIERE OU À L'ABSENCE DE CONTREFAÇON.

Contents

About this book	v
How this book is organized	v
Taking advantage of this book's hypertext features	vi
Understanding the conventions used in this book	vi
Obtaining the latest information and resources	vii
Commenting on this book	vii
1. Getting to know the switch	1
Understanding the front panel	2
Understanding the rear panel	3
Understanding switch port numbering	3
2. Installing the switch in a rack	5
▼ Installing the switch in a 19-inch equipment rack	5

About this book

This book is intended for anyone who has to install a SL8500 Model 4199516XX Redundant Power Switch (where XX stands for the identifying digits of submodels in the Compliance Model 4199516XX family). The remainder of this preface explains how you can use this book most effectively and how you can obtain updated or supplementary documentation.

How this book is organized

The document is *task-oriented*, organized around the work you have to do rather than around the features or components of the product. Chapters and sections generally begin with a list of tasks covered. Tasks are presented in order, and the steps in each process are numbered, in the sequence in which they are to be performed. Conditional steps (steps that you perform only in specified circumstances) begin with the condition (“If A ...”) and end with the corresponding action (“... do B”); if the condition does not apply, you simply skip the step. Each task ends with a reference to the next task in the sequence:

Next task: “Installing ...” on page 3.

When the setup process branches, the task ends with conditional alternatives:

Next task:

- If the customer does not plan to run the management console from a host on the local area network (LAN), press `skip`, and go to the next task.
- Otherwise, carry out the procedure “Configuring the Ethernet LAN” on page 57.

When you have finished a task or sequence of tasks, this is clearly noted in the document:

Stop here.

To minimize the time that you spend switching between publications or between major sections of the document, we have made an effort to avoid cross references to external information wherever possible. If you need to have a figure, a table, or a procedure, it should always be, at worst, on a neighboring page.

Taking advantage of this book's hypertext features

If you choose to view this book online, rather than in printed form, you can jump quickly to any part of the book by clicking on the corresponding entry under the Bookmarks tab on the left side of the Adobe Acrobat interface. In addition, clicking on entries in the table of contents, cross references, or references to subsequent tasks will take you directly to the indicated part of the document. You can then use the back arrow on the Adobe Acrobat Reader to return, if desired, to the point you left. In addition, clicking on most Uniform Resource Locators (URLs) and on most references to online resources will open your default web browser to the corresponding web page. You can, if necessary, obtain a required download immediately (be aware, however, URLs to specific pages change frequently and may not always be accurate).

Understanding the conventions used in this book

The table below illustrates the conventions that represent literal and variable values, commands, and property names in this book.

Convention	Meaning	Examples
AaBbCc123	Fixed-width text is used for literal values, including names of commands, files, directories, literal computer inputs/outputs, and Uniform Resource Locators (URLs)	Edit your <code>.login</code> file. Use <code>ls -a</code> to list files. <code>% You have mail.</code>
<i>AaBbCc123</i> <i>AaBbCc123</i>	Oblique text is used for variables that stand for real names or values and for book titles.	To delete a file, type: <code>rm filename.</code>
ABCDEF	Fixed-width uppercase text represents electrical and system states, Boolean values, and constants.	ON, OFF TRUE, FALSE ONLINE, DOWN
ABCD	Bold, san-serif, uppercase text indicates callouts in illustrations.	Click Submit (A below).
1.	Numbered paragraphs indicate steps in a process that should be executed in sequential order.	

Convention	Meaning	Examples
■	Bulleted paragraphs indicate lists of alternatives or components.	
[iasd01-nol]root#	A commandline prompt	
Tab, Shift, A	Keys on the keyboard	
Ctrl-Alt-Del, Alt-0169	A combination of keys on the keyboard, pressed at the same time.	

Obtaining the latest information and resources

Obtain the latest Sun documentation from `<docs.sun.com>`. Always check the documentation portal for updates to this document before proceeding. Documents distributed by other means, such as CDROM, may not reflect the latest changes to appliance hardware, software, and services.

Commenting on this book

Sun welcomes your comments and suggestions for improving this book. Contact us at `dsc-customer-feedback@sun.com`. Please include the title, part number, issue date, and revision: *SL8500 Model 4199516XX Redundant Power Switch Rack Installation Guide*, part number 316198301 (Feb 2010 Revision AC).

Getting to know the switch

The SL8500 Model 4199516XX Redundant Power Switch is an Ethernet switch with redundant, dual power supplies. This feature makes the switch ideal whenever high-availability LAN connectivity is desired. The switch offers the following additional features:

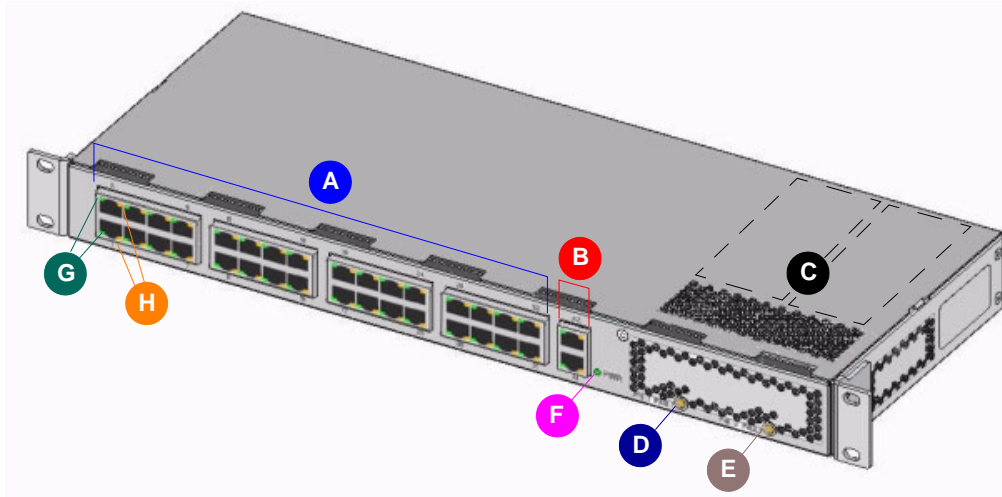
- thirty-two 10/100 Base-T ports
- two 10/100/1000 Base-T ports
- requires no software or processor intervention
- fits standard, 19-inch racks.

The remainder of this introduction describes the physical layout, status indicators, power connections, and port numbering scheme of the switch. See the following sections for details:

- [“Understanding the front panel” on page 2](#)
- [“Understanding the rear panel” on page 3](#)
- [“Understanding switch port numbering” on page 3.](#)

Understanding the front panel

The front, port-side panel of the switch holds the thirty-two 10/100 Base-T ports (**A** below) and the two 10/100/1000 Base-T ports (**B**). The two redundant power supplies reside inside the case behind the cooling holes in the top panel of the case (**C**).

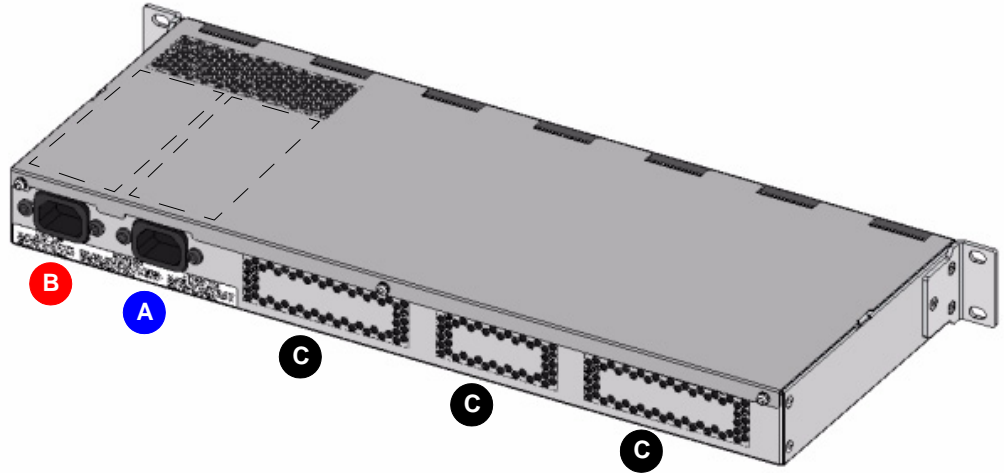


Three light-emitting diodes (LEDs) display the current power state of the switch. Amber warning LEDs light up to indicate faults on power supplies 0 (**D** above) and 1 (**E**). A green LED lights whenever the system has power (**F**).

Standard port LEDs display the link status of each port. A green LED on the left side of the port glows green when the link is operational (**G** above). An amber LED to the right of the port blinks when the link is actively transmitting or receiving (**H**).

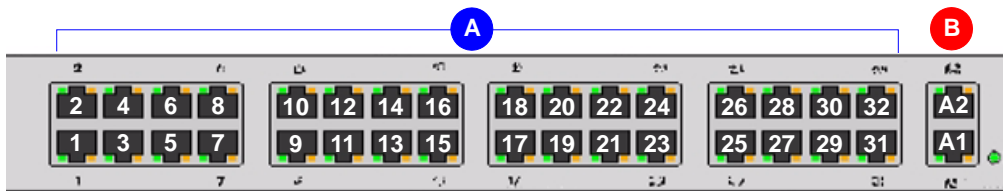
Understanding the rear panel

The rear, non-port-side of the switch holds only the power-cord receptacles for power supplies 0 (A below) and 1 (B). The rest of the panel is taken up by ventilation openings for the internal circuitry (C).



Understanding switch port numbering

The thirty-two 10/100 Base-T ports are arranged in blocks of eight, with the odd numbers (starting with 1) on the bottom and the evens on the top (A below). The two 10/100/1000 Base-T ports are located to the right of 10/100 Base-T ports, with port A1 on the bottom and A2 on the top (B).



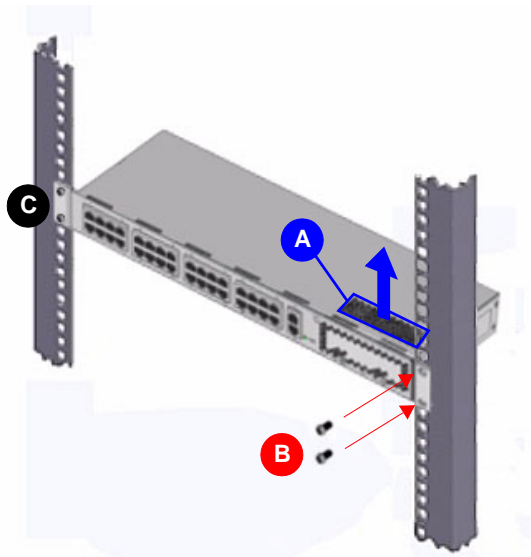
Installing the switch in a rack

The SL8500 Model 4199516XX Redundant Power Switch fits any standard, 19-inch rack. To install the switch, proceed as follows.

▼ Installing the switch in a 19-inch equipment rack

1. If your rack requires cage nuts, install one nut in the upper and lower mounting holes of the selected RU on both the left and right posts of the rack.
2. In the selected RU, position the switch horizontally and with the ventilation opening facing up (A below).

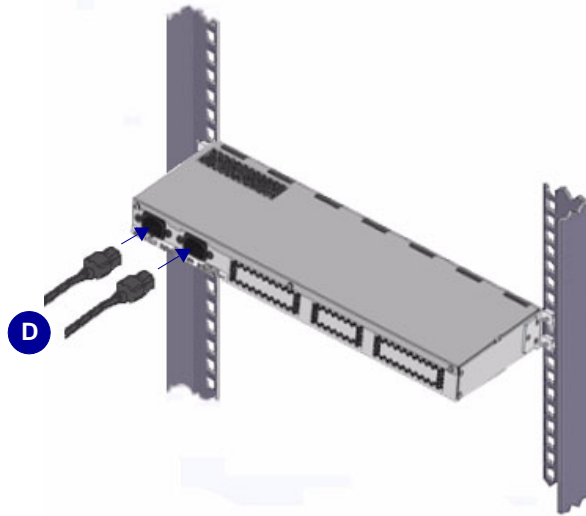
Caution – for safety and regulatory compliance reasons, the switch must be installed in the upright, horizontal position described.



3. Insert a mounting screw into each of the mounting holes in the mounting brackets on the front of switch (B above), and tighten each screw to securely fasten the switch to the rack (C).

4. To use the redundant power feature, connect a power cord to each of the two redundant power supplies (D below) and then plug each power cord into an independent source of power.

For example, to provide full redundancy, you could plug the two cords directly into two independent supply circuits or into two, separate, rack-mounted power distribution units (PDUs) that are themselves connected to independent supply circuits.



5. If you do not require fully redundant power, connect one of the two power cords (D above) to one of the two power supplies and plug the cord into a rack-mounted power distribution unit (PDU) or room power.

Note that an unconnected power supply will light up the corresponding amber fault LED.

Stop here. The switch is installed in the rack and ready for network cabling.