

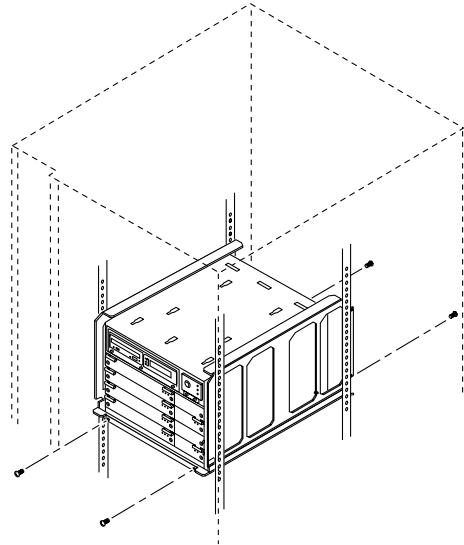
Installing the Server Chassis

1. Remove the front door of the cabinet.
 - For an expansion cabinet, lift the door off the hinge pins.
 - For a server cabinet, pull off the front panel, then lift the door.
2. Lower the leveling pads to ensure that the cabinet cannot move.



Warning – The next two steps require two people.

3. Turn the Ultra Enterprise 4000 chassis right side up.
4. Slide the chassis and base plate onto the rails.



5. Secure the base plate to the side rails with four 10-32 x 1/2 inch screws, two screws at the front and two screws at the rear.
6. Connect the chassis to the power sequencer:
 - For chassis 1, disconnect the AC cable of the rack fan tray from socket J2 and connect the AC cable to J6, then connect the Enterprise 4000 chassis to socket J2.
 - For chassis 2, use socket J7.
 - For chassis 3, use socket J11.

7. Route the interface cables as appropriate and connect them to the Enterprise 4000 chassis.
8. Replace the front door.

Ordering Sun Documents

SunDocsSM is a distribution program for Sun Microsystems technical documentation. You can find a full listing of available documentation on the World Wide Web:

<http://www.sun.com/sunexpress/>

To order or for more information:

Telephone: 1-800-873-7869 (North America only)

Fax: 1-800-944-0661 (North America only)

Reader Comments

Your comments and suggestions are important to us. Please let us know what you think about the *Ultra Enterprise 4000 Rack-Mounting Instructions*, part number 802-7249-10.

You can send detailed comments via email to smcc-docs@sun.com, or send a fax to *SMCC Doc Feedback* at (415) 786-6443.

Copyright 1996 Sun Microsystems, Inc. All rights reserved. Protected by copyright and licenses restricting use, copying, distribution, and decompilation. Sun, Sun Microsystems, the Sun Logo, Ultra Enterprise, SunSoft, and Solaris are trademarks or registered trademarks of Sun Microsystems, Inc. in the United States and in other countries. UNIX[®] is a registered trademark in the United States and other countries, exclusively licensed through X/Open Company, Ltd. Parts of this project may be derived from UNIX system licensed from Novell, Inc. and from the Berkeley 4.3 BSD system licensed from the University of California. Third party font software in this product is protected by copyright and licensed from Sun's font suppliers. RESTRICTED RIGHTS LEGEND: Use, duplication, or disclosure by the government is subject to restrictions as set forth in subparagraph (c) (1) (ii) of the Rights in Technical Data and Computer Software clause at DFARS 252.227-7013 and FAR 52.227-19.

Copyright 1996 Sun Microsystems, Inc. Tous droits réservés. Protégé par un copyright et distribué par des licences qui en restreignent l'utilisation, la copie, la distribution, et la décompilation. Sun, Sun Microsystems, le logo Sun, Ultra Enterprise, SunSoft, et Solaris sont des marques déposées ou enregistrées de Sun Microsystems, Inc. aux Etats-Unis et dans d'autres pays. UNIX[®] est une marque enregistrée aux Etats-Unis et dans d'autres pays et licenciée exclusivement par X/Open Company Ltd. Des parties de ce produit pourront être dérivées du système UNIX licencié par Novell, Inc. et du système Berkeley 4.3 BSD licencié par l'Université de Californie. Le logiciel détenu par des tiers, et qui comprend la technologie relative aux polices de caractères, est protégé par un copyright et licencié par des fournisseurs de Sun.

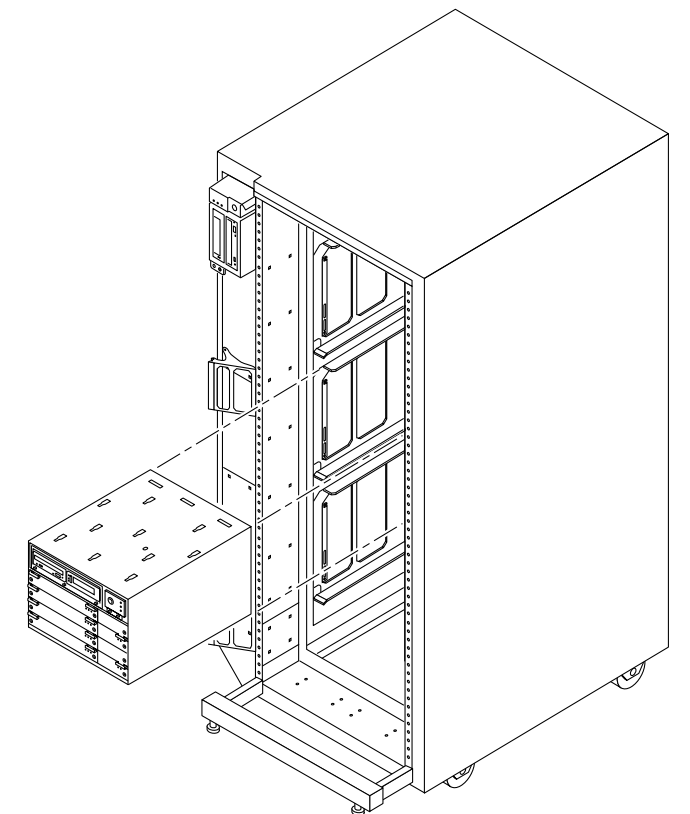
 Recycled Paper



Part Number: 802-7249-10
Revision A of September 1996



UltraTM EnterpriseTM 4000 Rackmounting Guide



For mounting locations in a system or expansion cabinet, refer to the *Rackmount Placement Matrix* (part number 802-6945-11, or later).

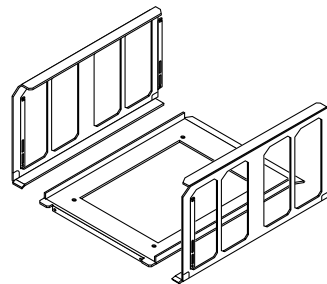
If there are three Ultra™ Enterprise™ 4000 chassis in a rack, you must also install the Ultra Enterprise Cabinet Air Baffle (part number X9601A).

Note – The chassis is heavy. In the following procedures two people are required to move the chassis.

Inventory

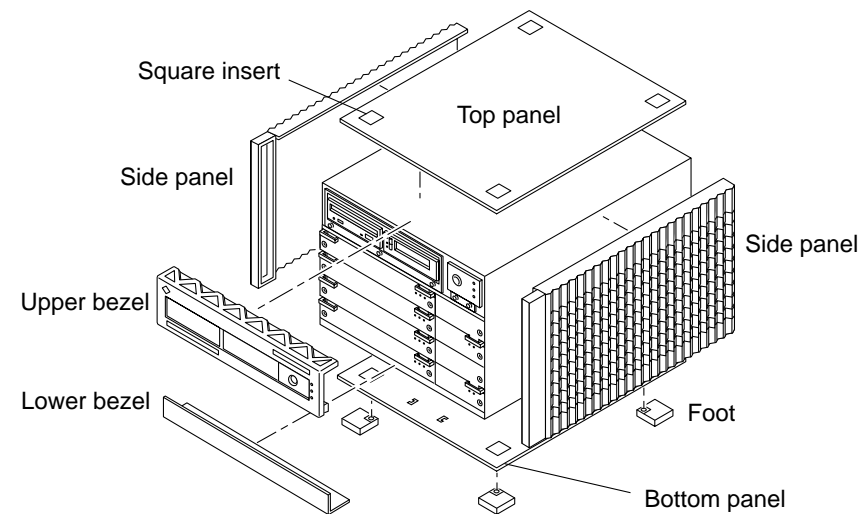
The rack-mounting kit contains:

- Left rail
- Right rail
- Base plate
- 4 Screws, M6 x 10 mm
- 16 Screws, 10-32 x 1/2 inch



Removing the Outer Panels

1. Disconnect all cables from the Enterprise 4000 chassis.
2. Remove the upper bezel:
 - a. Press the lower left and right sides of the upper bezel to release the locking tabs.
 - b. Swing the bottom edge of the bezel toward you to release the tabs in the top of the bezel, then lift the bezel off.
3. Remove the right and left side panels:
 - a. Push the side panel back approximately 3/4 of an inch (2 cm).
 - b. Pull the bottom of the panel away from the side, then lift the panel off.
Mounting tabs are located at top of the panel.



4. Remove the top panel:

- a. Remove the square inserts from the corners of the top panel.
Press the small dot to tilt an insert up, then lift it off.
- b. Lift the front corners of the top panel 1/8 inch (3 mm).
There are two locking tabs at the front corners of the panel.
- c. Push the panel back 1 inch (2.5 cm), then lift it off.

5. Remove the bottom panel:

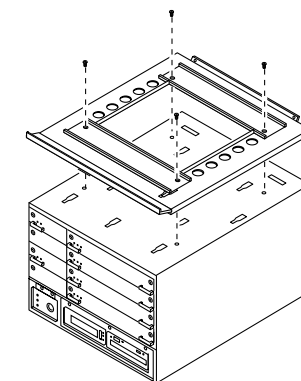
- a. Turn the chassis upside down.
- b. Remove the four feet by removing the screw that holds each foot.
- c. Lift the front corners of the bottom panel, push the panel toward the back of the chassis, and lift the panel off.

6. Remove the lower bezel:

- a. With the chassis still upside down, use a flat-bladed screwdriver to lift the left side of the lower bezel approximately 1/8 of an inch (3 mm).
- b. Slide the bezel 1/4 of an inch (6 mm) to the left and lift it off.

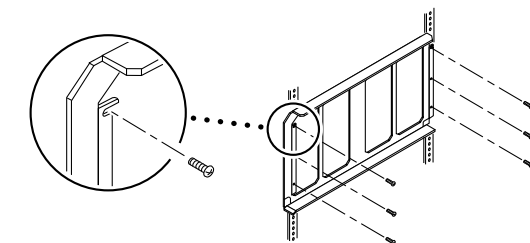
Installing the Rackmount Kit

1. Place the base plate on the bottom of the chassis.
The front of the base is angled away from the chassis.
2. Use four M6x10 screws to attach the base plate to the bottom of the Ultra Enterprise 4000 chassis.



3. Attach the left rail to the rack:

- a. Refer to the *Rack Mount Placement Matrix* to determine which mounting holes you will use. The screw holes on the rack are numbered for easy identification.
- b. Loosely fit the two top screws in the sides of the rack.
- c. Slide the rail onto the screws.



- d. Install the four remaining screws, then tighten all six screws.
4. Install the right side rail in the same manner.