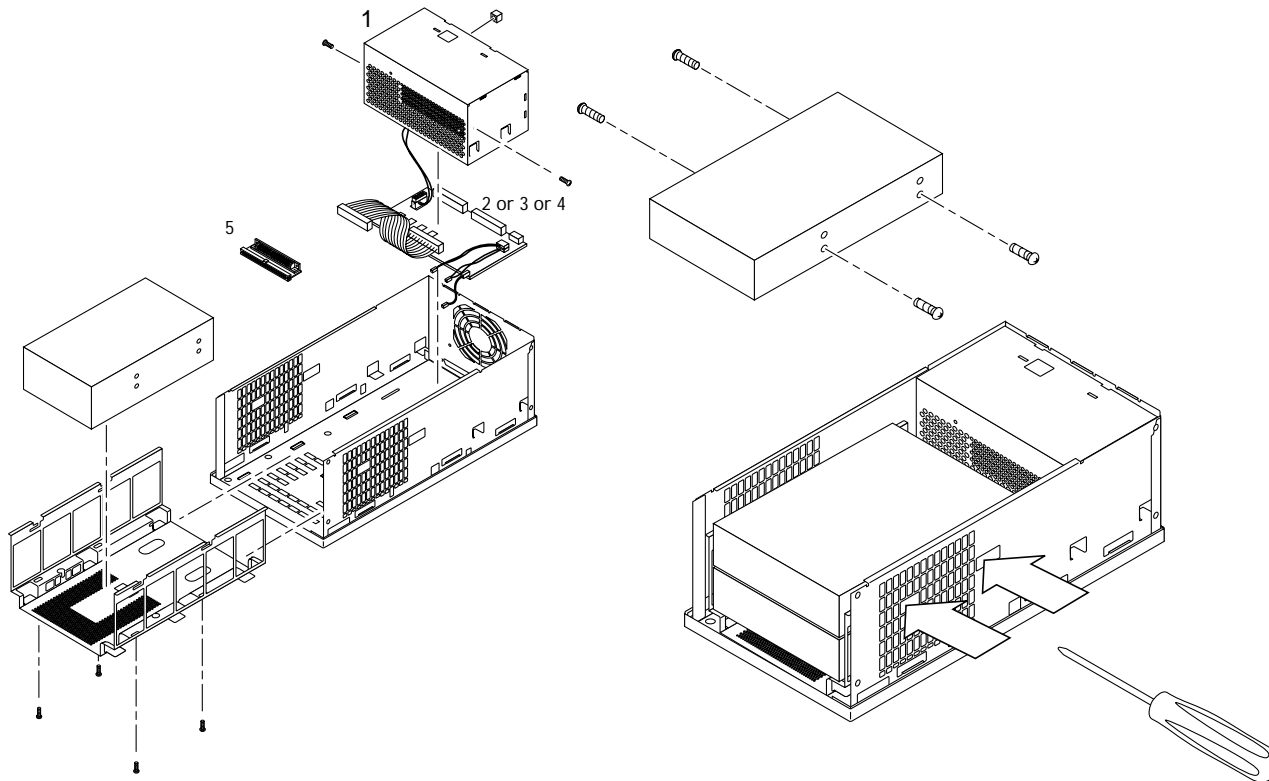




Caution – Only parts marked with a * are replaceable by end users.

Attention - Seules les pièces marquées par un (*) sont remplaçables par l'utilisateur final.

Vorsicht - Nur mit Sternchen versehende Teile sind von Endverbrauchern ersetzbar!



Customer Replaceable Parts

1 Power Supply	300-1324-xx
2 I/O Board (half-height)	501-4327-xx
3 I/O Board (full-height) narrow interface	501-4356-xx
4 I/O Board (full-height) wide interface	501-4357-xx

Drives

QIC-2GB 1/4 in. Cartridge Tape Drive	370-20018-xx
EXB-8900 8mm Tape Drive	370-2183-xx
EXB-8705DX 8mm Tape Drive	370-2844-xx
DDS-2 4mm Tape Drive	370-2375-xx
DDS-3 4mm Tape Drive	370-2377-xx
DDS-3 4mm Autoloader Tape Drive	370-2380-xx
12x CD-ROM	370-2816-xx
DLT 7000 Tape Drive	370-2847-xx
DLT 4000 Tape Drive	370-2848-xx

Adapter and Cables

5 68-pin to 50-pin Adapter	370-2819-xx
68-pin to 68-pin External Cable0.8m	530-1884-xx
68-pin to 50-pin External Cable1.2m	530-2115-xx
ID Cable for narrow devices	530-2181-02
LED Cable	530-2183-02
SCSI ID Cable for EXB-8900 Tape Drive	530-2354-02
SCSI ID Cable for DLT 4000 and 700 Tape Drives	530-2372-xx
802-7739-10	
Rev. A of February 1997	