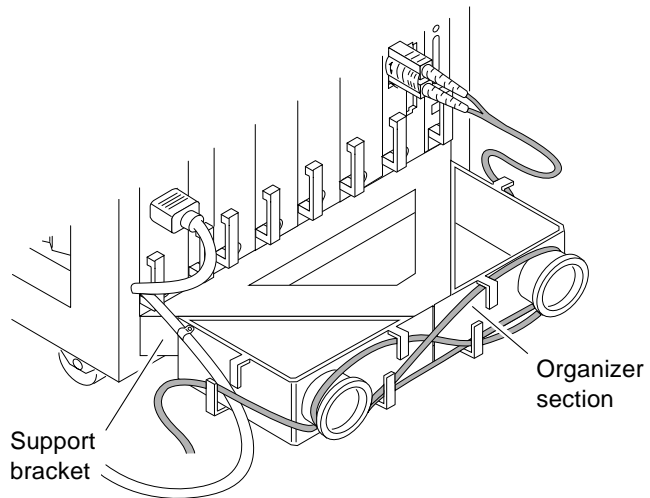


For detailed installation and cabling instructions, refer to Chapter 2 in the *Sun™ Enterprise™ 3500 System Installation Guide*, part no. 805-2629.

- Section 2.2, "Installing the Fiber Cable Organizer"
- Section 2.8, "Connecting the Fiber Cable to the Interface Board and the I/O+ Board"
- Section 2.8.1, "Wrapping the Fiber Cable on the Organizer"



Copyright 1998 Sun Microsystems, Inc. All rights reserved.
805-4010-10, April 1998

Sun™ Enterprise™ 3500 System Fiber Cable Organizer

Use the fiber cable organizer to route the fiber optic cable to connect the interface board and the I/O+ board. A two meter cable is required when utilizing the internal FC-AL disk drives. The cable organizer can help prevent damage to the fiber optic cable by helping ensure the 1.0 inch minimum bend radius rule is observed.

This kit contains: Two organizer sections
 One screw

