



# Netra™ t1 and Netra st D130 Rackmount Installation

---

Sun Microsystems, Inc.  
901 San Antonio Road  
Palo Alto, CA 94303  
U.S.A. 650-960-1300

Part No. 806-3856-11  
June 2000, [Revision A](#)

[Send comments about this document to: docfeedback@sun.com](mailto:docfeedback@sun.com)

Copyright 2000 Sun Microsystems, Inc., 901 San Antonio Road • Palo Alto, CA 94303 USA. All rights reserved.

This product or document is protected by copyright and distributed under licenses restricting its use, copying, distribution, and decompilation. No part of this product or document may be reproduced in any form by any means without prior written authorization of Sun and its licensors, if any. Third-party software, including font technology, is copyrighted and licensed from Sun suppliers.

Parts of the product may be derived from Berkeley BSD systems, licensed from the University of California. UNIX is a registered trademark in the U.S. and other countries, exclusively licensed through X/Open Company, Ltd. For Netscape Communicator™, the following notice applies: Copyright 1995 Netscape Communications Corporation. All rights reserved.

Sun, Sun Microsystems, the Sun logo, AnswerBook, Java, the Java Coffee Cup logo, Netra, Netra ft, and Solaris are trademarks, registered trademarks, or service marks of Sun Microsystems, Inc. in the U.S. and other countries. All SPARC trademarks are used under license and are trademarks or registered trademarks of SPARC International, Inc. in the U.S. and other countries. Products bearing SPARC trademarks are based upon an architecture developed by Sun Microsystems, Inc.

The OPEN LOOK and Sun™ Graphical User Interface was developed by Sun Microsystems, Inc. for its users and licensees. Sun acknowledges the pioneering efforts of Xerox in researching and developing the concept of visual or graphical user interfaces for the computer industry. Sun holds a non-exclusive license from Xerox to the Xerox Graphical User Interface, which license also covers Sun's licensees who implement OPEN LOOK GUIs and otherwise comply with Sun's written license agreements.

**RESTRICTED RIGHTS:** Use, duplication, or disclosure by the U.S. Government is subject to restrictions of FAR 52.227-14(g)(2)(6/87) and FAR 52.227-19(6/87), or DFAR 252.227-7015(b)(6/95) and DFAR 227.7202-3(a).

DOCUMENTATION IS PROVIDED "AS IS" AND ALL EXPRESS OR IMPLIED CONDITIONS, REPRESENTATIONS AND WARRANTIES, INCLUDING ANY IMPLIED WARRANTY OF MERCHANTABILITY, FITNESS FOR A PARTICULAR PURPOSE OR NON-INFRINGEMENT, ARE DISCLAIMED, EXCEPT TO THE EXTENT THAT SUCH DISCLAIMERS ARE HELD TO BE LEGALLY INVALID.

Copyright 2000 Sun Microsystems, Inc., 901 San Antonio Road • Palo Alto, CA 94303 Etats-Unis. Tous droits réservés.

Ce produit ou document est protégé par un copyright et distribué avec des licences qui en restreignent l'utilisation, la copie, la distribution, et la décompilation. Aucune partie de ce produit ou document ne peut être reproduite sous aucune forme, par quelque moyen que ce soit, sans l'autorisation préalable et écrite de Sun et de ses bailleurs de licence, s'il y en a. Le logiciel détenu par des tiers, et qui comprend la technologie relative aux polices de caractères, est protégé par un copyright et licencié par des fournisseurs de Sun.

Des parties de ce produit pourront être dérivées des systèmes Berkeley BSD licenciés par l'Université de Californie. UNIX est une marque déposée aux Etats-Unis et dans d'autres pays et licenciée exclusivement par X/Open Company, Ltd. La notice suivante est applicable à Netscape Communicator™ : Copyright 1995 Netscape Communications Corporation. All rights reserved.

Sun, Sun Microsystems, le logo Sun, AnswerBook, Java, le logo Java Coffee Cup, Netra, Netra ft, et Solaris sont des marques de fabrique ou des marques déposées, ou marques de service, de Sun Microsystems, Inc. aux Etats-Unis et dans d'autres pays. Toutes les marques SPARC sont utilisées sous licence et sont des marques de fabrique ou des marques déposées de SPARC International, Inc. aux Etats-Unis et dans d'autres pays. Les produits portant les marques SPARC sont basés sur une architecture développée par Sun Microsystems, Inc. [ ]

L'interface d'utilisation graphique OPEN LOOK et Sun™ a été développée par Sun Microsystems, Inc. pour ses utilisateurs et licenciés. Sun reconnaît les efforts de pionniers de Xerox pour la recherche et le développement du concept des interfaces d'utilisation visuelle ou graphique pour l'industrie de l'informatique. Sun détient une licence non exclusive de Xerox sur l'interface d'utilisation graphique Xerox, cette licence couvrant également les licenciés de Sun qui mettent en place l'interface d'utilisation graphique OPEN LOOK et qui en outre se conforment aux licences écrites de Sun.

CETTE PUBLICATION EST FOURNIE "EN L'ETAT" ET AUCUNE GARANTIE, EXPRESSE OU IMPLICITE, N'EST ACCORDEE, Y COMPRIS DES GARANTIES CONCERNANT LA VALEUR MARCHANDE, L'APTITUDE DE LA PUBLICATION A REpondre A UNE UTILISATION PARTICULIERE, OU LE FAIT QU'ELLE NE SOIT PAS CONTREFAISANTE DE PRODUIT DE TIERS. CE DENI DE GARANTIE NE S'APPLIQUERAIT PAS, DANS LA MESURE OU IL SERAIT TENU JURIDIQUEMENT NUL ET NON AVENU.



# Contents

---

- 1. Sun 72-inch Expansion Rack Slide Mounts 1**
  - ▼ To Assemble the Slides and Mount the System 2
  - ▼ To Fit the Cable Bracket 7
  
- 2. 19-, 23- and 24-inch, and 600mm Rack Slide Mounts 9**
  - ▼ To Assemble the Slides and Mount the System 12
  - ▼ To Fit the Cable Bracket 16
  
- 3. Fixed Mounts 17**



# Figures

---

- FIGURE 1-1 Cable Bracket 2
- FIGURE 1-2 Slide Mounts for Sun 72-inch Expansion Rack 2
- FIGURE 1-3 Fixing Slide Mounts in Sun 72-inch Expansion Rack – Rear View (side panels removed for clarity) 3
- FIGURE 1-4 Fixing Slide Mounts in Sun 72-inch Expansion Rack – Front View (side panels removed for clarity) 4
- FIGURE 1-5 Fitting the Thumbscrew Brackets 5
- FIGURE 1-6 Adjusting the Mount and Tightening the Thumbscrew 5
- FIGURE 1-7 Cable Bracket Installed in Sun 72-inch Expansion Rack 7
- FIGURE 2-1 Cable Bracket 11
- FIGURE 2-2 19-, 23- and 24inch and 600mm Rack Slide Mounts 12
- FIGURE 2-3 Fitting Slide Mounts to the Rack 13
- FIGURE 2-4 Fitting the Thumbscrew Brackets 14
- FIGURE 2-5 Fitting a Netra Unit in a Rack 15
- FIGURE 2-6 Cable Bracket Installed in a Rack 16
- FIGURE 3-1 Removing the Thumbscrew Brackets 18
- FIGURE 3-2 Fitting the Fixed Mounting Brackets 19
- FIGURE 3-3 Using Fixed Brackets 20



# Tables

---

TABLE 1-1	72-inch Expansion Rack Mounting Kit	1
TABLE 2-1	19-inch Rack Mounting Kit	9
TABLE 2-2	23-inch Rack Mounting Kit	9
TABLE 2-3	24-inch Rack Mounting Kit	10
TABLE 2-4	600mm Rack Mounting Kit	10
TABLE 3-1	Fixed Bracket Mounting Kit	17





# Preface

---

This document provides instructions for fitting a Netra t1 or Netra st D130 into various standard racks using slide mounts or fixed brackets.

The rack fittings are described in:

- Chapter 1 “Sun 72-inch Expansion Rack Slide Mounts”
- Chapter 2 “19-, 23- and 24-inch, and 600mm Rack Slide Mounts”
- Chapter 3 “Fixed Mounts”

---

## Ordering Sun Documentation

Fatbrain.com, an Internet professional bookstore, stocks select product documentation from Sun Microsystems, Inc.

For a list of documents and how to order them, visit the Sun Documentation Center on Fatbrain.com at:

<http://www1.fatbrain.com/documentation/sun>

---

# Sun Welcomes Your Comments

We are interested in improving our documentation and welcome your comments and suggestions. You can email your comments to us at:

`docfeedback@sun.com`

Please include the part number (806-3856-11) of your document in the subject line of your email.

## Sun 72-inch Expansion Rack Slide Mounts

---

The mounting slides are not handed – that is, they can be used on either side of the rack. The parts required are listed below:

**TABLE 1-1** 72-inch Expansion Rack Mounting Kit

<b>Description</b>	<b>Quantity</b>	<b>Part No.</b>
Front slide	2	340-6215
Rear slide	2	340-6234
Cable bracket	1	340-6151
Thumbscrew bracket	2	340-6085
M4 8mm Phillips countersunk screw	4	240-3070
10-32 UNF screws	8	240-1207
M4 nut	4	240-1373

A cable bracket is provided to aid cable management at the rear of the system.

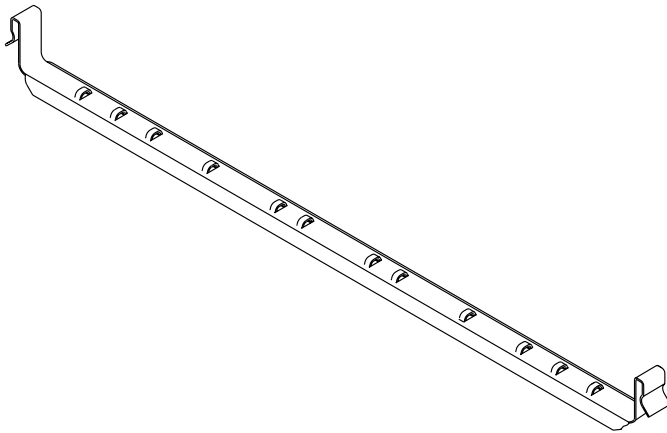


FIGURE 1-1 Cable Bracket

## ▼ To Assemble the Slides and Mount the System

1. Offer up the two parts of the slide so that the double-angled ear (A) is to the rear.
2. Ensure that the front and rear mounting ears are the correct distance apart and loosely secure the two parts together using the M4 nuts supplied.

Refer to FIGURE 1-2.

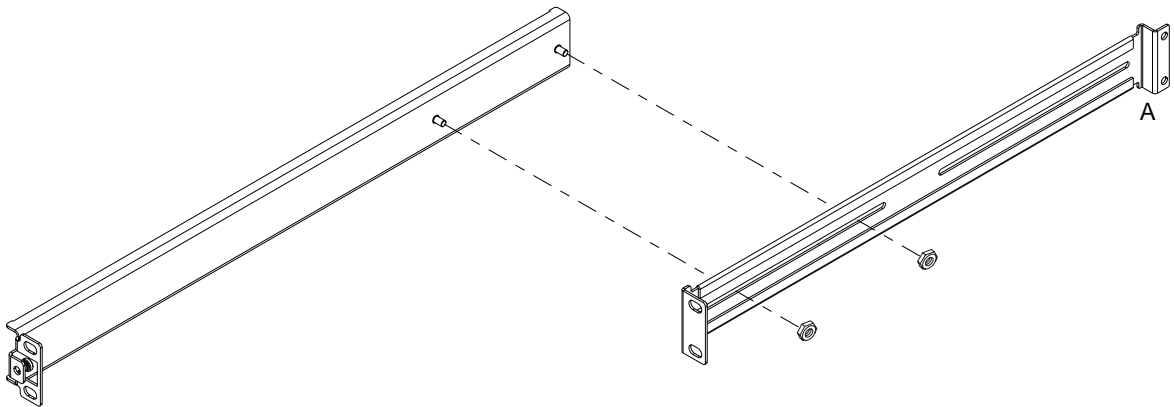
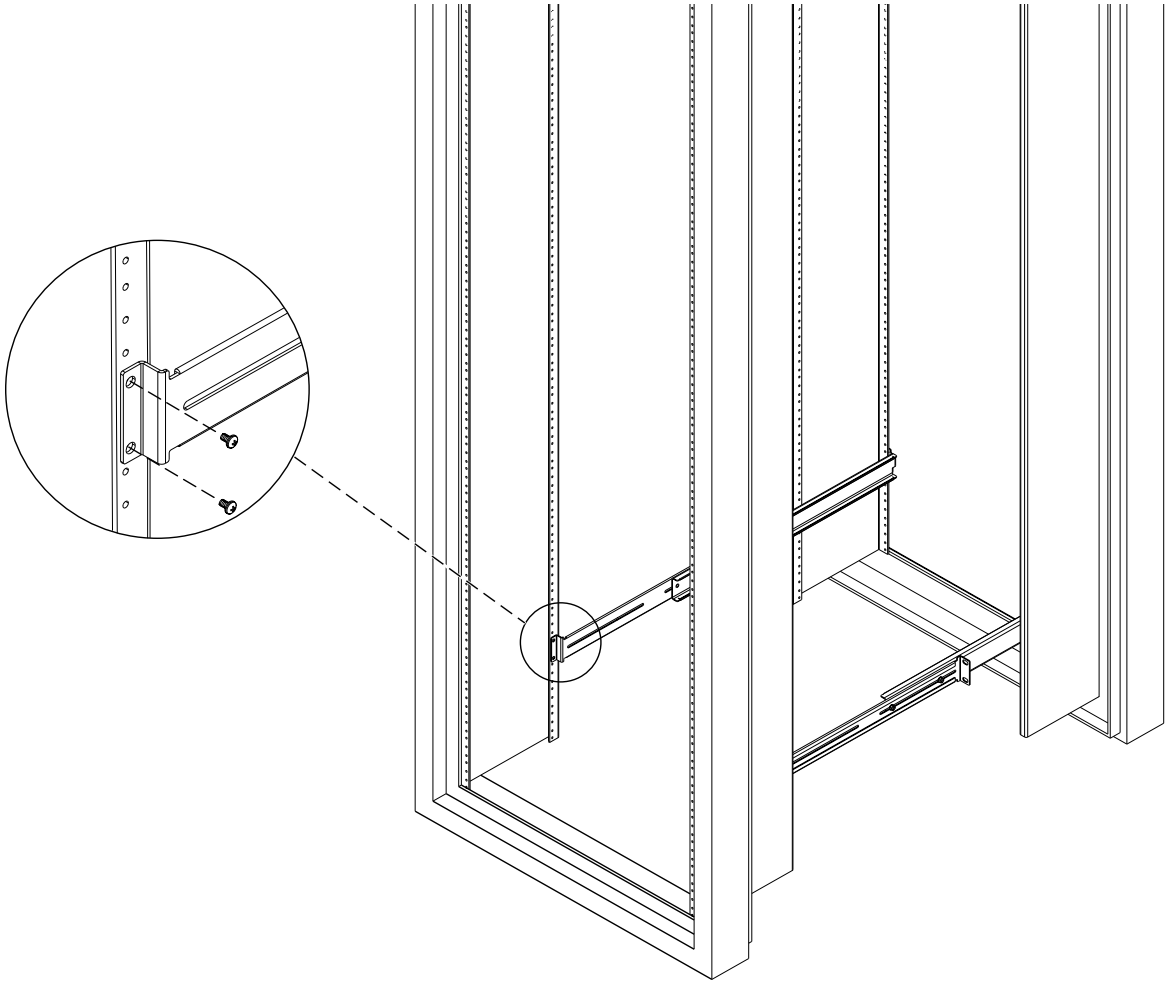


FIGURE 1-2 Slide Mounts for Sun 72-inch Expansion Rack

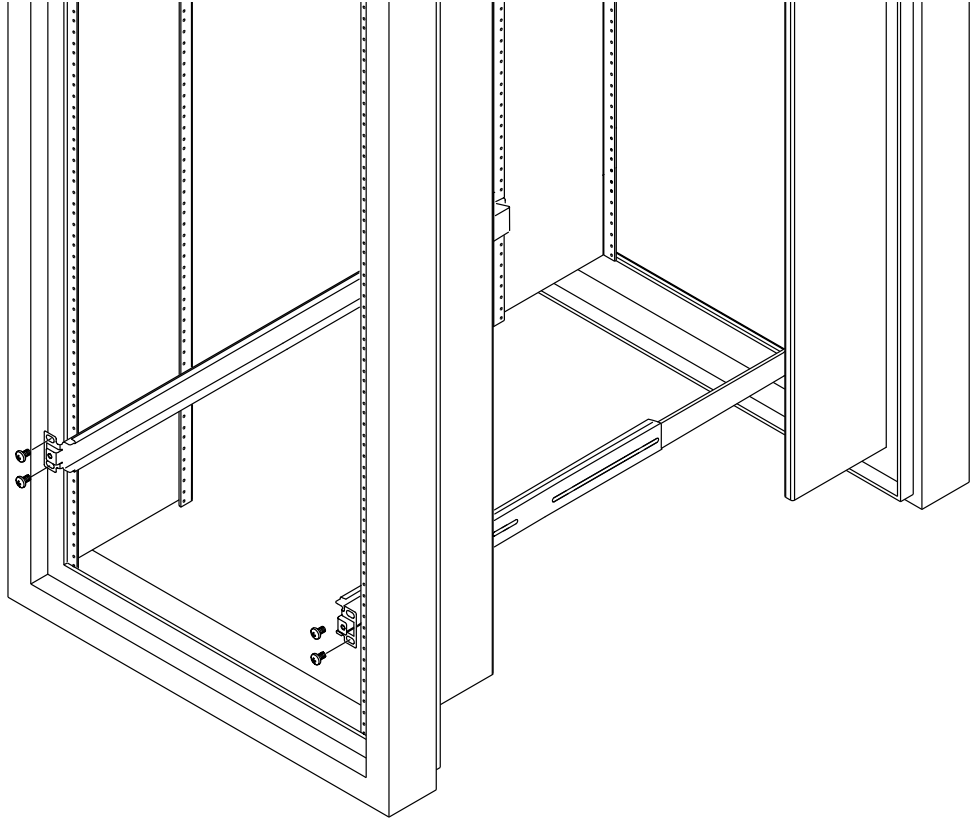
3. Adjust the mount to fit the rack.

4. Move the brackets so that the studs are in suitable slots and tighten the nuts.
5. Fasten the mounting slides to the rack using the screws supplied.

Refer to FIGURE 1-3 on page 3 and FIGURE 1-4 on page 4. Leave the screws slightly loose to allow adjustment when the Netra unit is inserted.



**FIGURE 1-3** Fixing Slide Mounts in Sun 72-inch Expansion Rack – Rear View (side panels removed for clarity)



**FIGURE 1-4** Fixing Slide Mounts in Sun 72-inch Expansion Rack – Front View (side panels removed for clarity)

6. Fit the thumbscrew brackets to the side of the Netra unit using the screws supplied.

Refer to FIGURE 1-5.

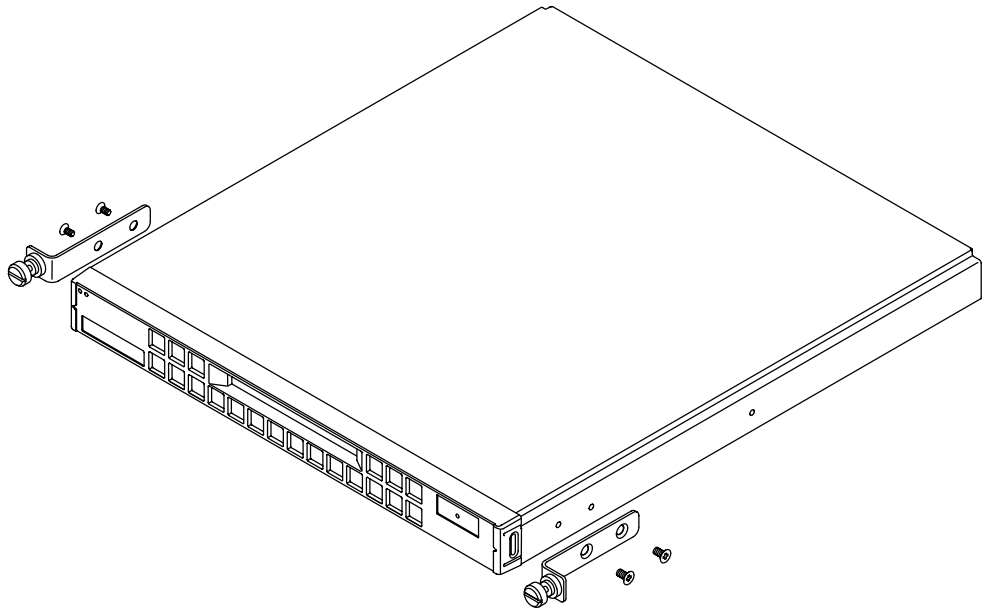


FIGURE 1-5 Fitting the Thumbscrew Brackets

7. Slide the Netra unit into the rack.
8. Check the alignment of the thumbscrews either side of the Netra unit.

Refer to FIGURE 1-6 on page 5.

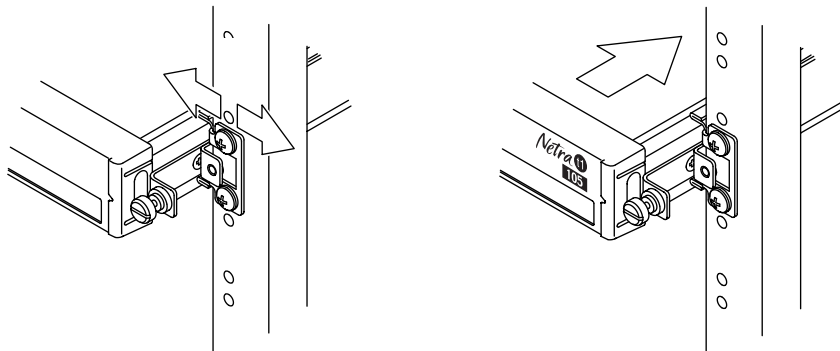


FIGURE 1-6 Adjusting the Mount and Tightening the Thumbscrew

**9. Fasten the slide mount fixing screws.**

It may be necessary to readjust the fixings in order to align the system as required.

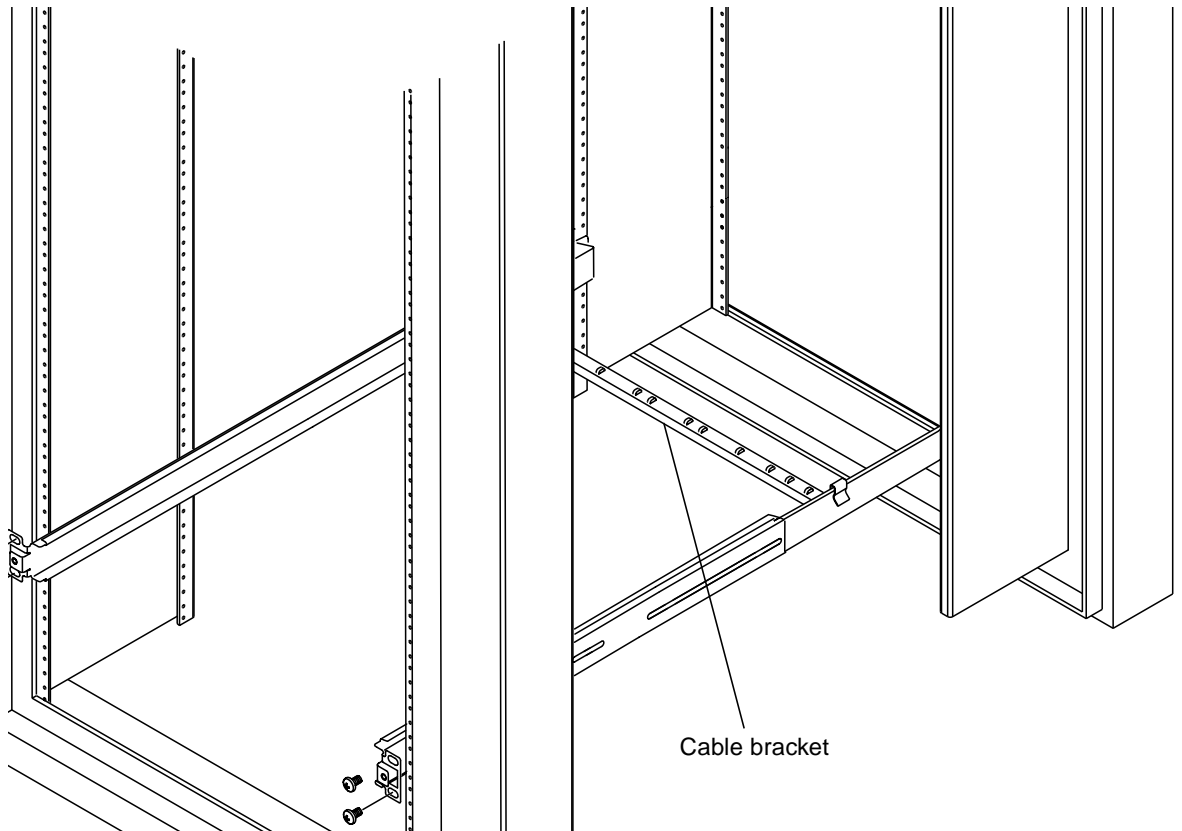
**10. Fasten the thumbscrews at the front of the Netra unit finger-tight.**

Refer to FIGURE 1-6.



## ▼ To Fit the Cable Bracket

- **Hook the bracket over the slide mounts at the rear of the system.**  
You can use the loops in the bracket to secure the cables with cable ties.



**FIGURE 1-7** Cable Bracket Installed in Sun 72-inch Expansion Rack



## 19-, 23- and 24-inch, and 600mm Rack Slide Mounts

The mounting slides are not handed – that is, they can be used on either side of the rack.

The parts required are listed below:

**TABLE 2-1** 19-inch Rack Mounting Kit

Description	Quantity	Part No.
Front slide	2	340-6215
Rear slide	2	340-6234
Cable bracket	1	340-6151
Thumbscrew bracket	2	340-6085
M4 8mm Phillips countersunk screw	4	240-3070
10-32 UNF screws	8	240-1207
M4 nut	4	240-1373

**TABLE 2-2** 23-inch Rack Mounting Kit

Description	Quantity	Part No.
Front slide	2	340-6209
Rear slide	2	340-6210
Cable bracket	1	340-6151
Thumbscrew bracket	2	340-6085

**TABLE 2-2** 23-inch Rack Mounting Kit *(Continued)*

Description	Quantity	Part No.
M4 8mm Phillips countersunk screw	4	240-3070
10-32 UNF screws	8	240-1207
M4 nut	4	240-1373

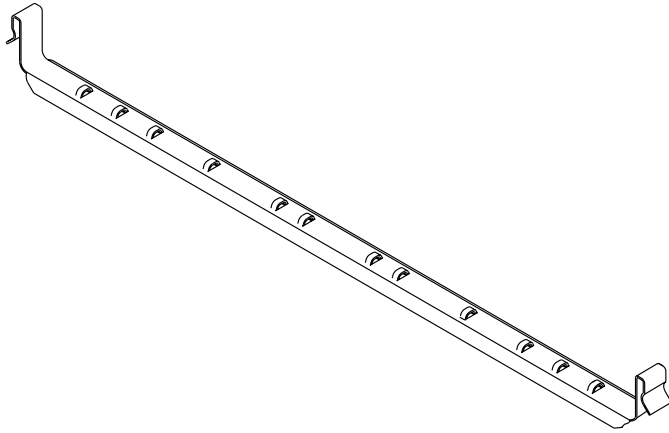
**TABLE 2-3** 24-inch Rack Mounting Kit

Description	Quantity	Part No.
Front slide	2	340-6211
Rear slide	2	340-6212
Cable bracket	1	340-6151
Thumbscrew bracket	2	340-6085
M4 8mm Phillips countersunk screw	4	240-3070
10-32 UNF screws	8	240-1207
M4 nut	4	240-1373

**TABLE 2-4** 600mm Rack Mounting Kit

Description	Quantity	Part No.
Front slide	2	340-6213
Rear slide	2	340-6214
Cable bracket	1	340-6151
Thumbscrew bracket	2	340-6085
M4 8mm Phillips countersunk screw	4	240-3070
10-32 UNF screws	8	240-1207
M4 nut	4	240-1373

A cable bracket is provided to aid cable management at the rear of the system.



**FIGURE 2-1** Cable Bracket

## ▼ To Assemble the Slides and Mount the System

1. Offer up the two parts of the slide so that the double-angled ear (A) is to the front.

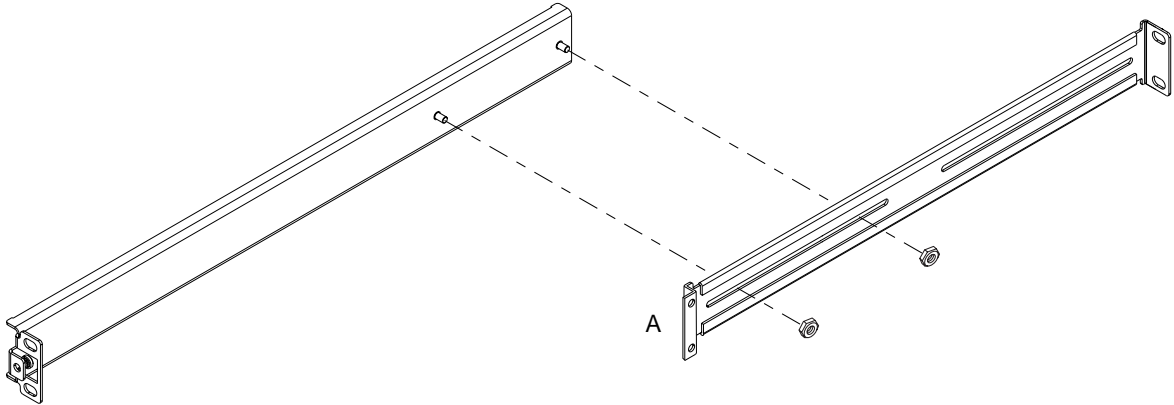


FIGURE 2-2 19-, 23- and 24inch and 600mm Rack Slide Mounts

2. Ensure that the front and rear mounting ears are the correct distance apart and loosely secure the two parts together using the M4 nuts supplied.

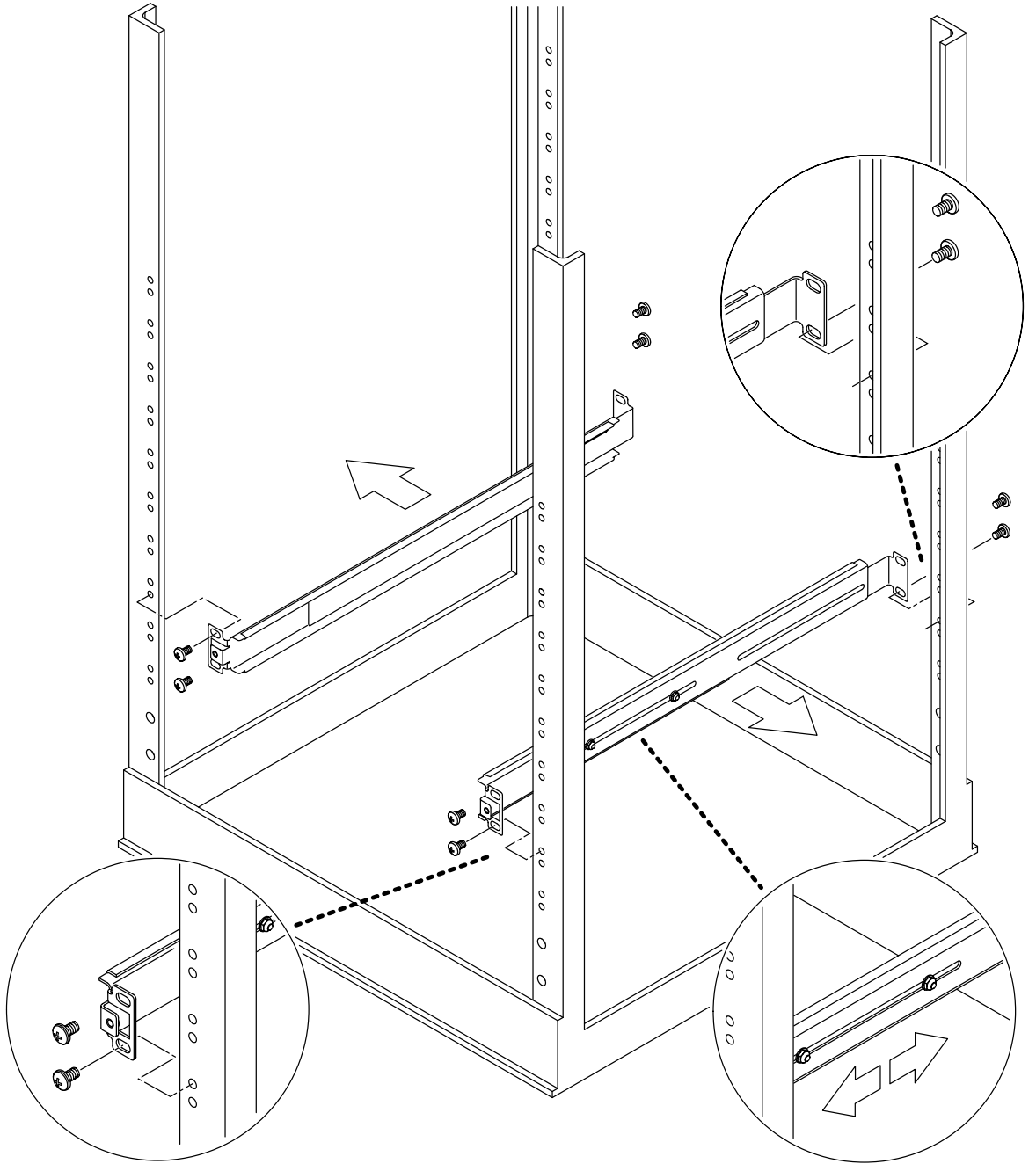
3. Adjust the mount to fit the rack.

The ears must be outside the rack.

4. Move the brackets so that the studs are in suitable slots and tighten the nuts.

5. Fasten the mounting slides to the rack using the screws supplied.

Refer to FIGURE 2-3 on page 13. Leave the screws slightly loose to allow adjustment when the Netra unit is inserted.



**FIGURE 2-3** Fitting Slide Mounts to the Rack

- 6. Fit the thumbscrew brackets to the side of the Netra unit using the screws supplied.**

Refer to FIGURE 2-4.

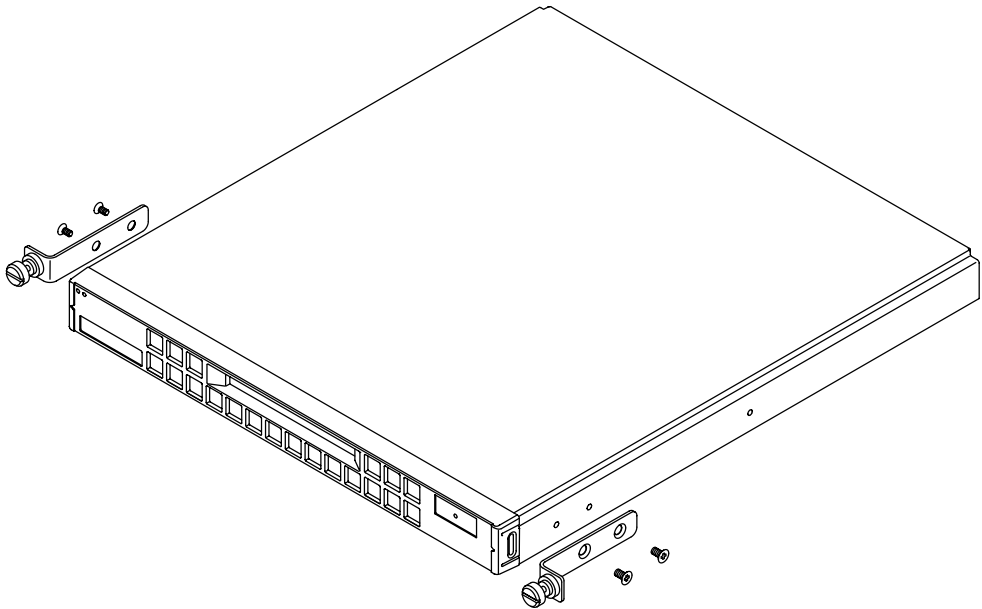
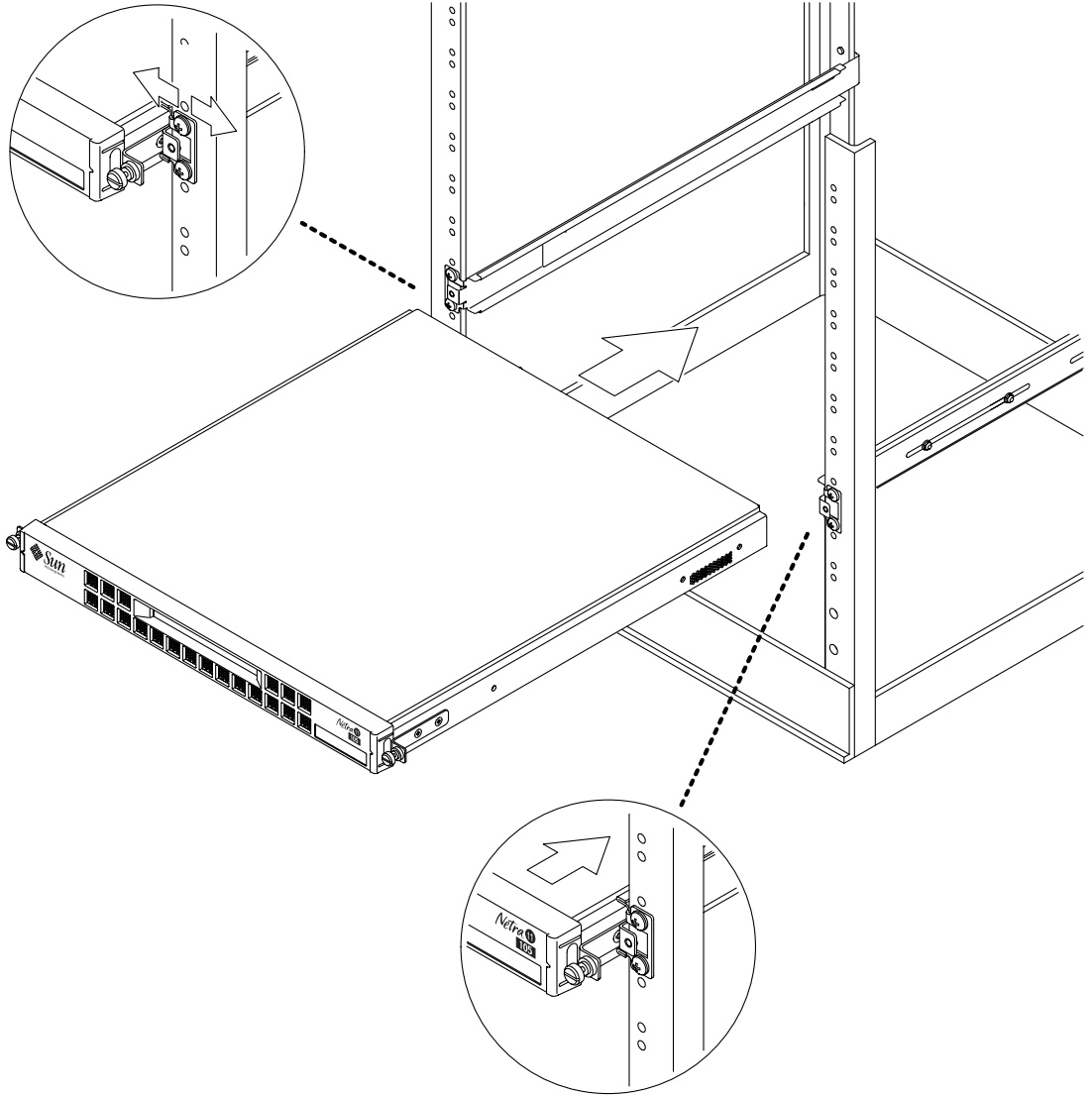


FIGURE 2-4 Fitting the Thumbscrew Brackets

- 7. Slide the Netra unit into the rack.**
- 8. Check the alignment of the thumbscrews either side of the Netra unit.**
- 9. Fasten the slide mount fixing screws.**

It may be necessary to readjust the fixings in order to align the system as required.
- 10. Fasten the thumbscrews at the front of the Netra unit finger-tight.**





**FIGURE 2-5** Fitting a Netra Unit in a Rack

## ▼ To Fit the Cable Bracket

- **Hook the bracket over the slide mounts at the rear of the system.**  
You can use the loops in the bracket to secure the cables with cable ties.

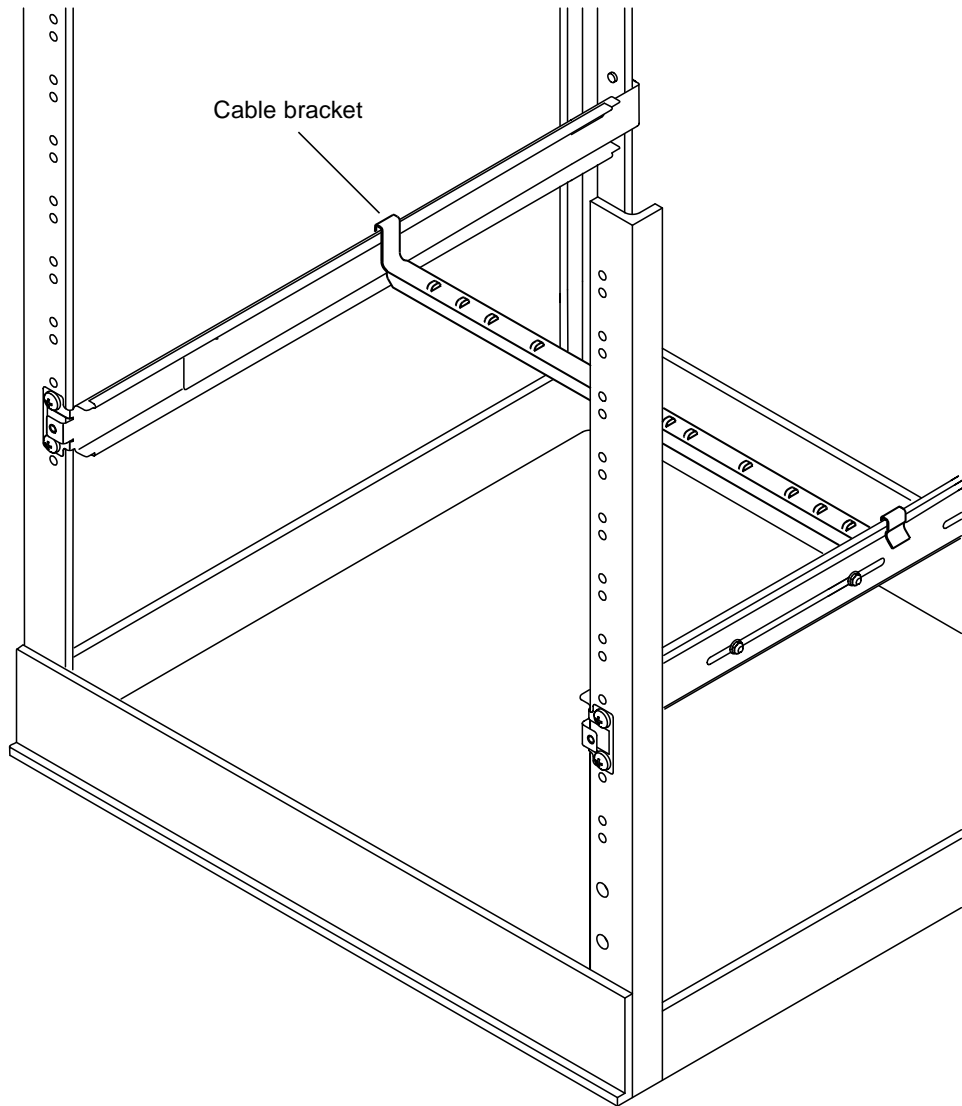


FIGURE 2-6 Cable Bracket Installed in a Rack

## Fixed Mounts

---

The parts required are listed below:

**TABLE 3-1** Fixed Bracket Mounting Kit

Description	Quantity	Part No.
Bracket	4	340-5819
M4 x 8mm countersunk Phillips screws	4	240-3070
10-32 UNF screws	8	240-1207

1. Remove the thumbscrew rack brackets from either side of the system.  
Refer to FIGURE 3-1.

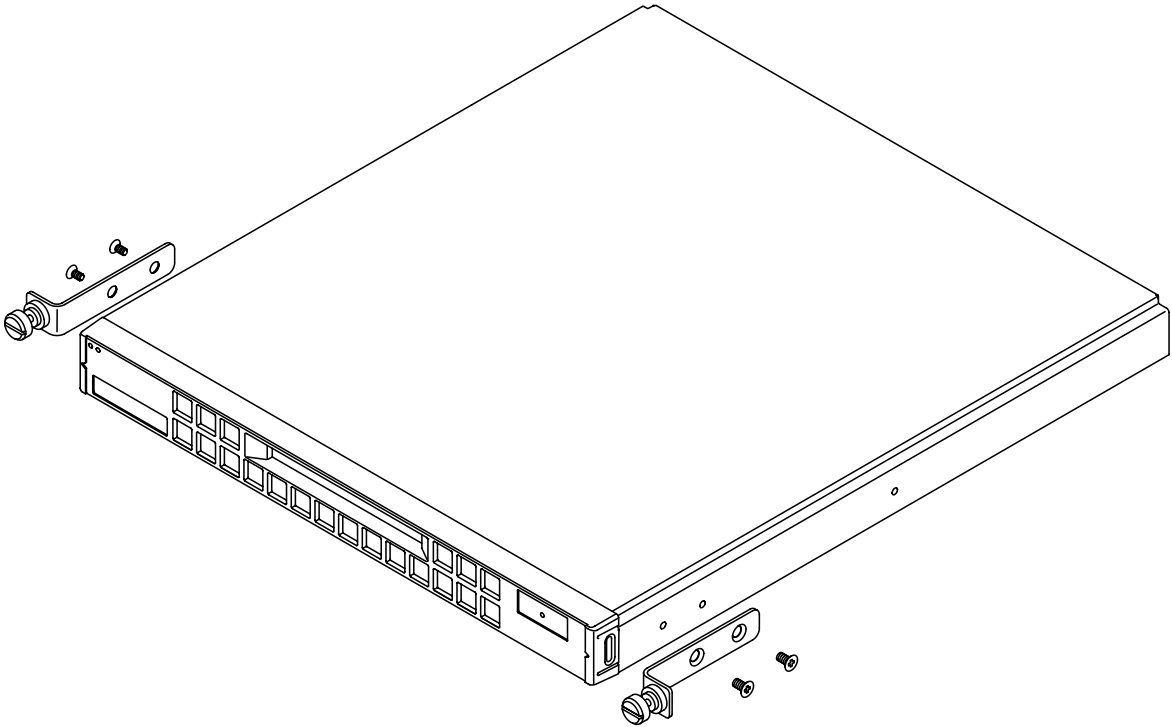


FIGURE 3-1 Removing the Thumbscrew Brackets

2. Fit the two front fixed brackets to the rearmost two of the three tapped holes at the front of the system, using the Phillips-head countersunk screws provided.

Refer to FIGURE 3-2. Do not fit the rear brackets at this stage.

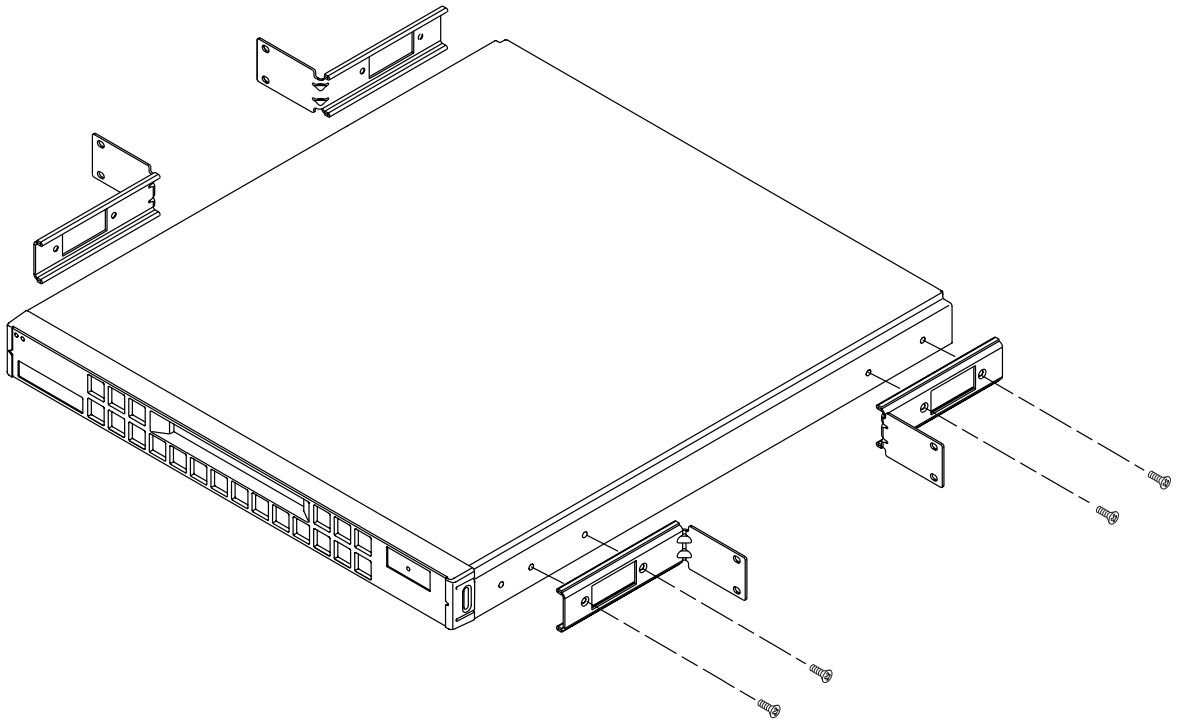
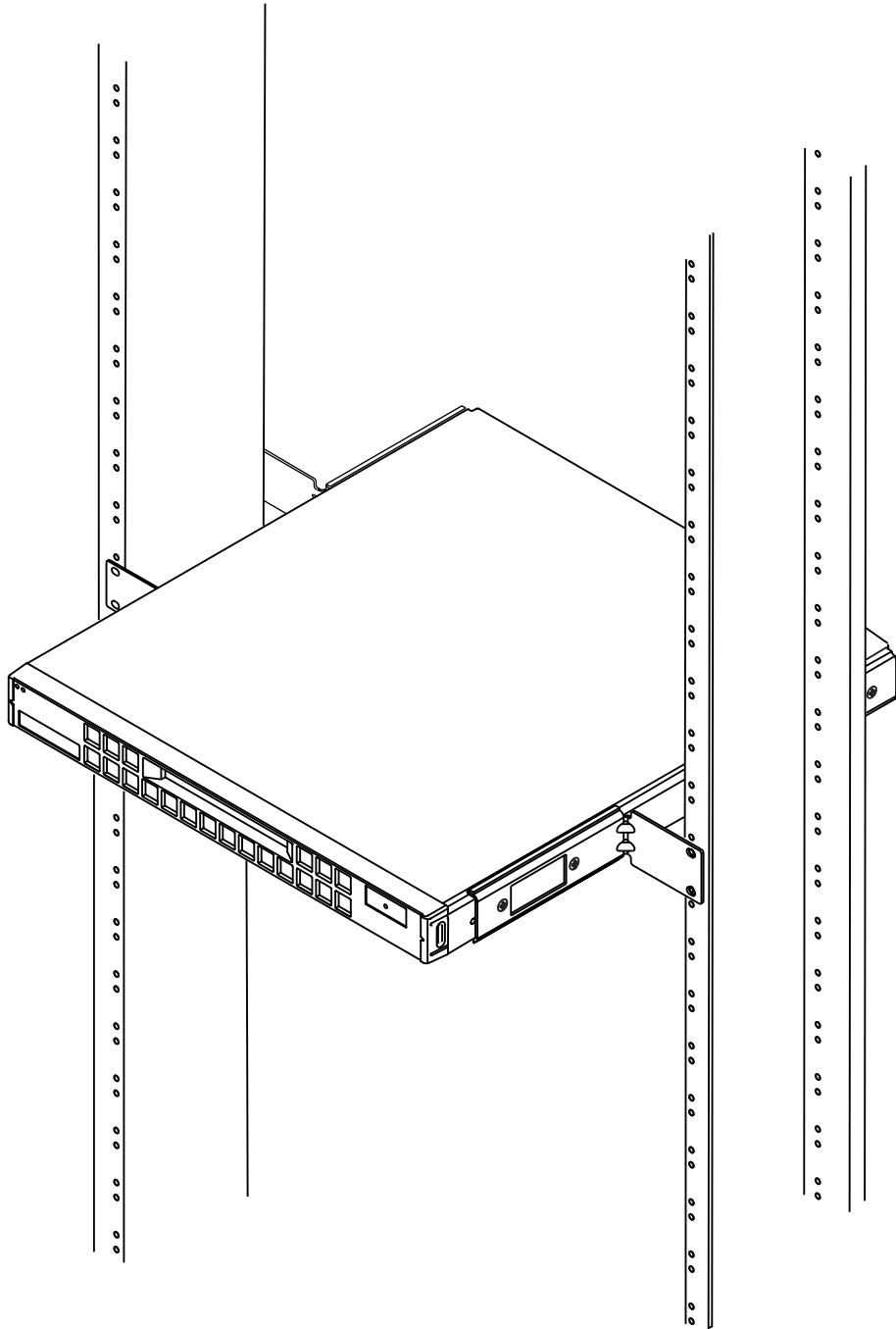


FIGURE 3-2 Fitting the Fixed Mounting Brackets

3. Secure the system to the rack using just the front brackets, but do not fully tighten the screws at this stage.
4. Fit the two rear fixed brackets to the two tapped holes at the rear of the system on each side, using the Phillips-head countersunk screws provided.
5. Secure the rear brackets to the rack in the appropriate place.  
Refer to FIGURE 3-3 on page 20.
6. Once you are certain that all the rack fixing screws are correctly aligned, they can be fully tightened.



**FIGURE 3-3** Using Fixed Brackets