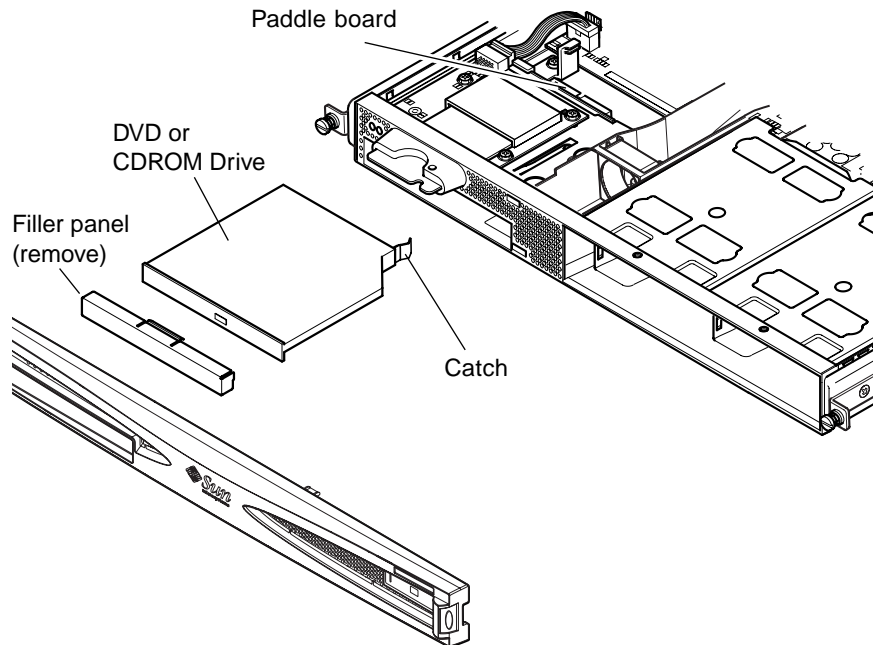

Installing the DVD or CD-ROM Drive

Refer to the installation instructions accompanying the server.



Caution – Take care not to touch the lens when the DVD or CD-ROM disk tray is in the ejected position.



1. **Make sure you disconnect all power cables and wear an antistatic wrist strap.**
 2. **Remove the top cover by following the procedure described in the user guide supplied with your server.**
Refer to the diagrams that you see inside the top cover for illustration of the remaining steps of this procedure.
 3. **Remove the front bezel.**
Release it from the server by pressing in on the tabs at either end of the bezel.
 4. **If you have a full-length PCI card installed, you must remove it before installing the DVD drive.**
For instructions about removing the PCI card, refer to the user guide supplied with your server.
 5. **Squeeze and pull out the filler panel at the front of the chassis's DVD or CD-ROM drive enclosure.**
 6. **Carefully insert the DVD or Cd-ROM drive into its enclosure (see diagram opposite).**
Guide the drive in, making sure that its connectors align with, and then engage with, the connectors on the paddleboard (see diagram opposite) at the back of the chassis's DVD or CD-ROM drive enclosure. You may need to hold the paddleboard by the black IDE connector to guide the drive home. Make sure that the catch at the rear of the drive clicks onto the chassis.
 7. **Re-install the full-length PCI card if you removed one.**
For instructions about installing the PCI card, refer to the user guide supplied with your server.
 8. **Replace the server's cover and tighten the captive screw.**
For instructions about replacing the cover, refer to the user guide supplied with your server.
 9. **Replace the front bezel.**
-

Sun Documentation on the Web

The docs.sun.comsm web site enables you to access Sun technical documentation on the Web. You can browse the docs.sun.com archive or search for a specific book title or subject at:

<http://docs.sun.com>

Sun Welcomes Your Comments


We are interested in improving our documentation and welcome your comments and suggestions. You can email your comments to us at:

docfeedback@sun.com

Please include the part number (806-6990-11) of the document in the subject line of your email.

Copyright 2001 Sun Microsystems, Inc. All rights reserved. Use is subject to license terms. Third-party software, including font technology, is copyrighted and licensed from Sun suppliers. Sun, Sun Microsystems, the Sun Logo, Sun Fire, Netra, AnswerBook2, docs.sun.com, and Solaris are trademarks or registered trademarks of Sun Microsystems, Inc. in the U.S. and other countries. **RESTRICTED RIGHTS:** Use, duplication, or disclosure by the U.S. Government is subject to restrictions of FAR 52.227-14(g)(2)(6/87) and FAR 52.227-19(6/87), or DFAR 252.227-7015(b)(6/95) and DFAR fs227.7202-3(a).

Copyright 2001 Sun Microsystems, Inc. Tous droits réservés. Distribué par des licences qui en restreignent l'utilisation. Le logiciel détenu par des tiers, et qui comprend la technologie relative aux polices de caractères, est protégé par un copyright et licencié par des fournisseurs de Sun. Sun, Sun Microsystems, le logo Sun, Sun Fire, Netra, AnswerBook2, docs.sun.com, et Solaris sont des marques de fabrique ou des marques déposées de Sun Microsystems, Inc. aux Etats-Unis et dans d'autres pays.

 Please Recycle Sun Microsystems, Inc. • 901 San Antonio Road • Palo Alto, CA 94303-4900
USA • 650 960-1300 • Fax 650 969-9131



Part Number: 806-6990-11
December 2001, Revision A



Sun Fire™ V120, Netra™ 120, and Netra™ T1 AC200 and DC200 Servers

*DVD and CD-ROM
Drive
Installation*

