



# How to Replace the DC-to-DC Converter on a Sun Fire™ V880 750 MHz CPU/Memory Board

---

Sun Microsystems, Inc.  
4150 Network Circle  
Santa Clara, CA 95054 U.S.A.  
650-960-1300

Part No. 816-4517-10  
February 2002, Revision A

Send comments about this document to: [docfeedback@sun.com](mailto:docfeedback@sun.com)

Copyright 2002 Sun Microsystems, Inc., 4150 Network Circle, Santa Clara, California 95054, U.S.A. All rights reserved.

Sun Microsystems, Inc. has intellectual property rights relating to technology embodied in the product that is described in this document. In particular, and without limitation, these intellectual property rights may include one or more of the U.S. patents listed at <http://www.sun.com/patents> and one or more additional patents or pending patent applications in the U.S. and in other countries.

This document and the product to which it pertains are distributed under licenses restricting their use, copying, distribution, and decompilation. No part of the product or of this document may be reproduced in any form by any means without prior written authorization of Sun and its licensors, if any.

Third-party software, including font technology, is copyrighted and licensed from Sun suppliers.

Parts of the product may be derived from Berkeley BSD systems, licensed from the University of California. UNIX is a registered trademark in the U.S. and in other countries, exclusively licensed through X/Open Company, Ltd.

Sun, Sun Microsystems, the Sun logo, Sun Fire, Solaris, SunSolve Online, SunVTS, OpenBoot and the Solaris logo are trademarks or registered trademarks of Sun Microsystems, Inc. in the U.S. and other countries.

All SPARC trademarks are used under license and are trademarks or registered trademarks of SPARC International, Inc. in the U.S. and other countries. Products bearing SPARC trademarks are based upon an architecture developed by Sun Microsystems, Inc.

The OPEN LOOK and Sun™ Graphical User Interface was developed by Sun Microsystems, Inc. for its users and licensees. Sun acknowledges the pioneering efforts of Xerox in researching and developing the concept of visual or graphical user interfaces for the computer industry. Sun holds a non-exclusive license from Xerox to the Xerox Graphical User Interface, which license also covers Sun's licensees who implement OPEN LOOK GUIs and otherwise comply with Sun's written license agreements.

Federal Acquisitions: Commercial Software — Government Users Subject to Standard License Terms and Conditions.

DOCUMENTATION IS PROVIDED "AS IS" AND ALL EXPRESS OR IMPLIED CONDITIONS, REPRESENTATIONS AND WARRANTIES, INCLUDING ANY IMPLIED WARRANTY OF MERCHANTABILITY, FITNESS FOR A PARTICULAR PURPOSE OR NON-INFRINGEMENT, ARE DISCLAIMED, EXCEPT TO THE EXTENT THAT SUCH DISCLAIMERS ARE HELD TO BE LEGALLY INVALID.

---

Copyright 2002 Sun Microsystems, Inc., 4150 Network Circle, Santa Clara, California 95054, Etats-Unis. Tous droits réservés.

Sun Microsystems, Inc. a les droits de propriété intellectuelle relatants à la technologie incorporée dans le produit qui est décrit dans ce document. En particulier, et sans la limitation, ces droits de propriété intellectuelle peuvent inclure un ou plus des brevets américains énumérés à <http://www.sun.com/patents> et un ou les brevets plus supplémentaires ou les applications de brevet en attente dans les Etats-Unis et dans les autres pays.

Ce produit ou document est protégé par un copyright et distribué avec des licences qui en restreignent l'utilisation, la copie, la distribution, et la décompilation. Aucune partie de ce produit ou document ne peut être reproduite sous aucune forme, par quelque moyen que ce soit, sans l'autorisation préalable et écrite de Sun et de ses bailleurs de licence, s'il y en a.

Le logiciel détenu par des tiers, et qui comprend la technologie relative aux polices de caractères, est protégé par un copyright et licencié par des fournisseurs de Sun.

Des parties de ce produit pourront être dérivées des systèmes Berkeley BSD licenciés par l'Université de Californie. UNIX est une marque déposée aux Etats-Unis et dans d'autres pays et licenciée exclusivement par X/Open Company, Ltd.

Sun, Sun Microsystems, le logo Sun, Sun Fire, Solaris, SunSolve Online, SunVTS, OpenBoot et le logo Solaris sont des marques de fabrique ou des marques déposées de Sun Microsystems, Inc. aux Etats-Unis et dans d'autres pays.

Toutes les marques SPARC sont utilisées sous licence et sont des marques de fabrique ou des marques déposées de SPARC International, Inc. aux Etats-Unis et dans d'autres pays. Les produits portant les marques SPARC sont basés sur une architecture développée par Sun Microsystems, Inc.

L'interface d'utilisation graphique OPEN LOOK et Sun™ a été développée par Sun Microsystems, Inc. pour ses utilisateurs et licenciés. Sun reconnaît les efforts de pionniers de Xerox pour la recherche et le développement du concept des interfaces d'utilisation visuelle ou graphique pour l'industrie de l'informatique. Sun détient une licence non exclusive de Xerox sur l'interface d'utilisation graphique Xerox, cette licence couvrant également les licenciées de Sun qui mettent en place l'interface d'utilisation graphique OPEN LOOK et qui en outre se conforment aux licences écrites de Sun.

LA DOCUMENTATION EST FOURNIE "EN L'ÉTAT" ET TOUTES AUTRES CONDITIONS, DECLARATIONS ET GARANTIES EXPRESSES OU TACITES SONT FORMELLEMENT EXCLUES, DANS LA MESURE AUTORISEE PAR LA LOI APPLICABLE, Y COMPRIS NOTAMMENT TOUTE GARANTIE IMPLICITE RELATIVE A LA QUALITE MARCHANDE, A L'APTITUDE A UNE UTILISATION PARTICULIERE OU A L'ABSENCE DE CONTREFAÇON.



# How to Replace the DC-to-DC Converter on a Sun Fire V880 750MHz CPU/Memory Board

---

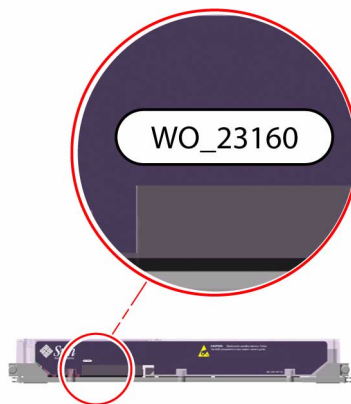
This document describes the procedure for replacing the DC-to-DC converter on a 750 MHz CPU/Memory board (part number 501-5818-05) for the Sun Fire™ V880 server.

You must replace the DC-to-DC converter on every -05 CPU/Memory board that has not had work order WO\_23160 performed on it. This must be done for every -05 CPU/Memory board in a system. A -05 CPU/Memory board that already has the replacement DC-to-DC converter on it is identified by the work order label WO\_23160 affixed to the front label of the board, as shown in the following illustration.

---

**Note** – You do not have to replace the DC-to-DC converter on the -07 750 MHz CPU/Memory board, part number 501-5818-07.

---



---

# Inventory

This kit includes the following parts:

- Replacement DC-to-DC converter, part number 300-1437-04

---

**Note** – The replacement DC-to-DC converter can be identified by the label on the back of the converter with the printed number 143704xxxx. The replacement converter has the numbers 04 in the 5th and 6th digits.

---

- Work Order Label, WO\_23160
- *How to Replace the DC-to-DC Converter on a Sun Fire V880 750 MHz CPU/Memory Board* (This document)

---

## How to Replace the DC-to-DC Converter

### Before You Begin

For further information about powering on and off the system, avoiding electrostatic discharge, and removing and installing a CPU/Memory board, see the *Sun Fire 880 Server Service Manual*, part number 806-6597-10, included on the documentation CD that ships with the system. This service manual is also available at the following url:

[http://www.sun.com/products-n-solutions/hardware/docs/Servers/Workgroup\\_Servers/Sun\\_Fire\\_V880/index.html](http://www.sun.com/products-n-solutions/hardware/docs/Servers/Workgroup_Servers/Sun_Fire_V880/index.html)

---

**Note** – Ensure that the CPU/Memory board has not had the DC-to-DC converter on it replaced. CPU/Memory boards that have the replacement DC-to-DC converter have the work order label WO\_23160 on them, affixed to the board's front label as shown in the illustration on the previous page. Do not replace the DC-to-DC converters on CPU/Memory boards that have the label WO\_23160 affixed to them.

---

Complete these tasks:

(These tasks are described in the *Sun Fire 880 Server Service Manual*)

- "How to Power Off the System"
- "How to Open and Remove a Side Door"
- "How to Avoid Electrostatic Discharge"
- "How to Remove a CPU/Memory Board"

## What to Do



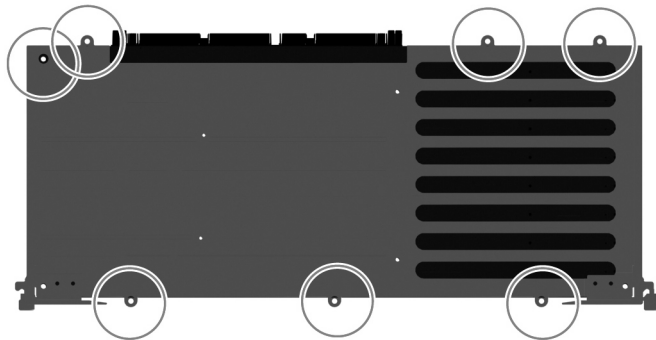
---

**Caution** – CPU/Memory boards are made of electronic components that are extremely sensitive to static electricity. Static electricity from your clothes or your work environment can destroy the CPU/Memory board. Always wear a grounding strap when you handle the board. Place the board on an antistatic mat while you are working on it.

---

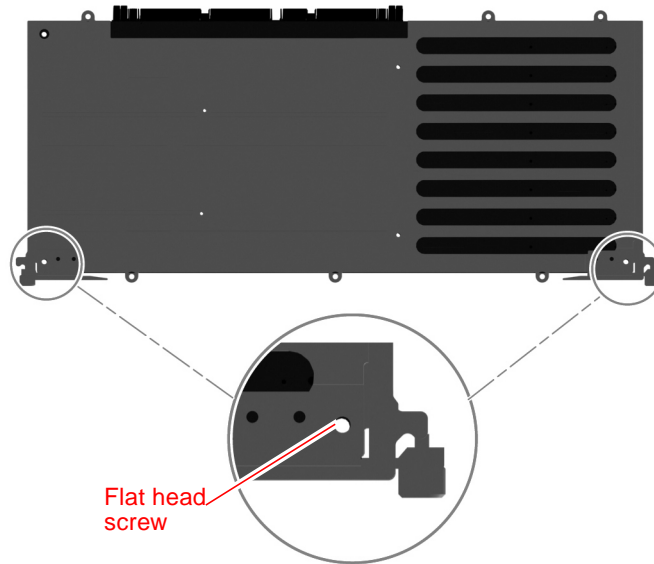
1. Carefully place the CPU/Memory board down on a antistatic mat on its lexan plastic cover.
2. Using a Phillips No 2. screwdriver, remove the seven M4 Phillips screws securing the plastic cover to the CPU/Memory board.

Set aside the screws so that you can replace the cover later.



3. Using a Phillips No 2. screwdriver, remove the two flat head Phillips screws securing the plastic cover to the CPU/Memory board.

Set aside the screws so that you can replace the cover later.



4. Turn the CPU/Memory board over and place it on its metal backplate on an antistatic mat.

5. Remove the plastic cover.



---

**Caution** – Do not damage any circuitry or components on the board.

---

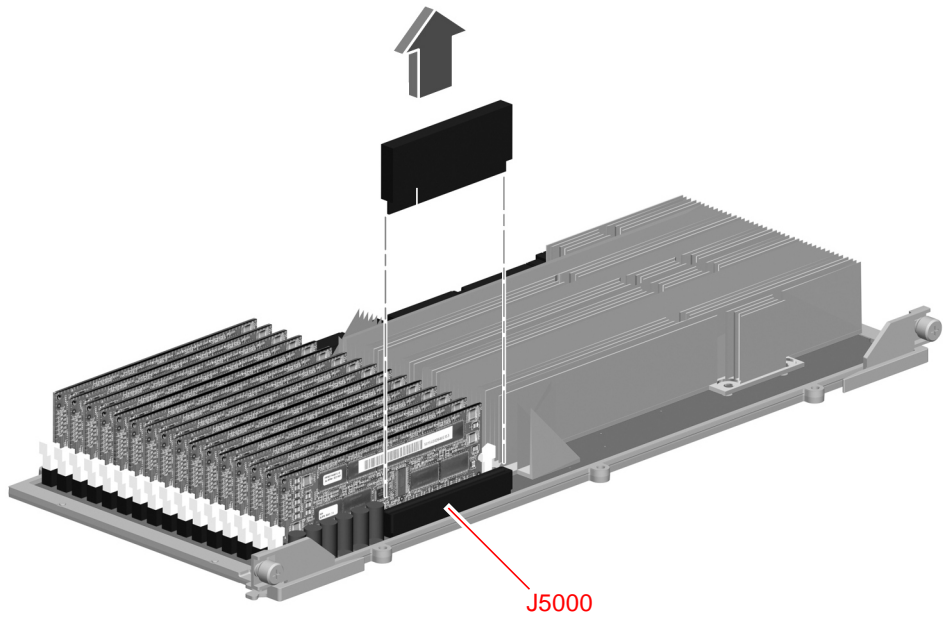
6. Locate the DC-to-DC converter on the CPU/Memory board.

Refer to the illustration on the next page. The converter is located in slot J5000 on the CPU/Memory board.

7. Remove the DC-to-DC converter.

- a. Grasp the DC-to-DC converter on the left- and right- side edges with the fingers of one hand, while holding the module steady with the other hand.

b. Carefully pull the DC-to-DC converter straight up from its socket.



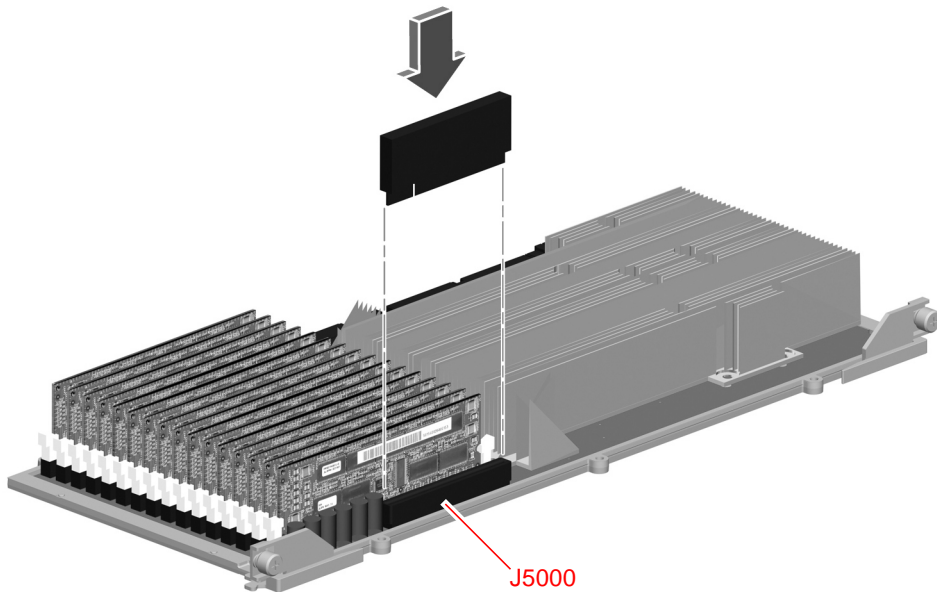
8. Remove the replacement DC-to-DC converter from its antistatic bag.

**9. Replace the DC-to-DC converter.**

**a. Align the converter with its socket on the CPU/Memory board.**

The converter is keyed to fit into the socket in only one way.

**b. Grasping the converter by its edges, carefully place the converter in the socket and push straight down until the converter is fully seated in the socket.**



**10. Carefully replace the plastic cover on the CPU/Memory board, taking care to align the screwholes in the plastic cover with the backplate.**



---

**Caution** – Do not damage any circuitry or components on the board.

---

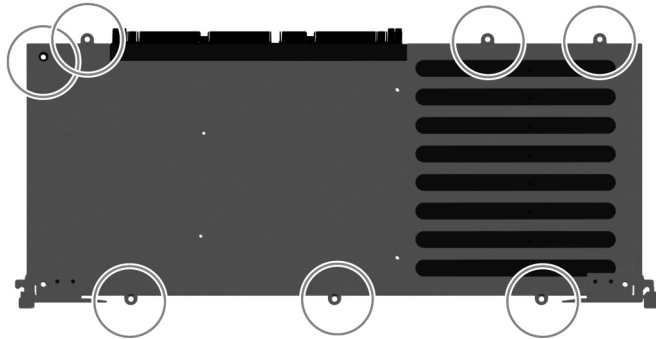
**11. Turn the CPU/Memory board and the plastic cover over and rest them on the plastic cover on an antistatic mat.**

Hold the board and the cover together as you turn them over.

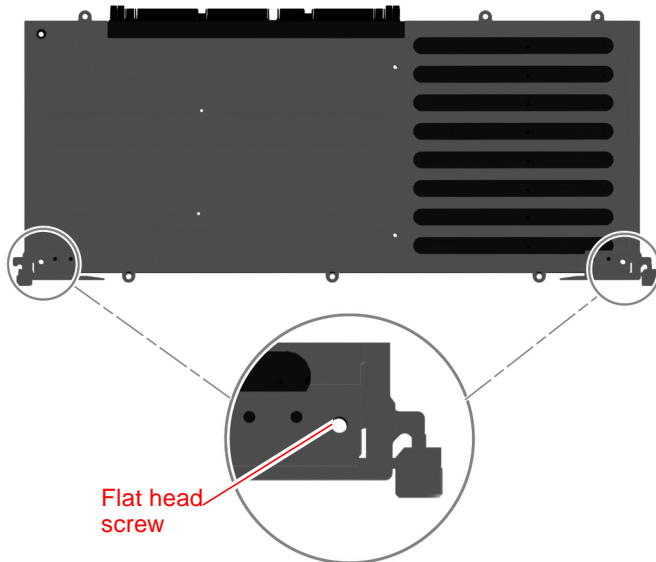
**12. If needed, reposition the CPU/Memory board so that the screw holes on the plastic cover are aligned with the holes on the board.**



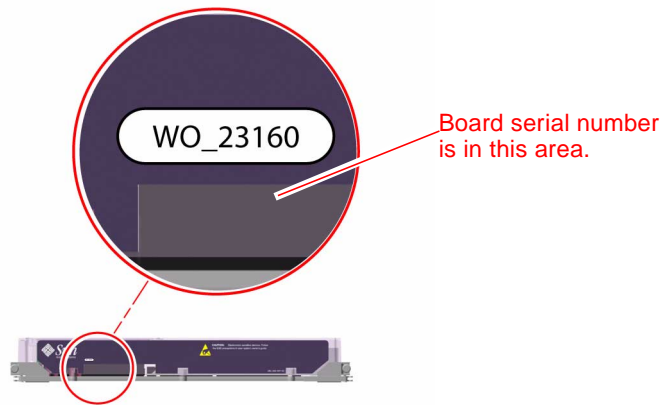
13. Using a Phillips No. 2 screwdriver, replace the seven M4 Phillips screws that secure the plastic cover to the CPU/Memory board. Fully tighten the screws.



14. Using a Phillips No. 2 screwdriver, replace the two flat head Phillips screws that secure the plastic cover to the CPU/Memory board. Fully tighten the screws.



15. Affix the CPU/Memory board work order label on the CPU/Memory board as shown, above the serial number.



16. Repeat this procedure to replace the DC-to-DC converter for every CPU/Memory board in a system.

## What Next

To reassemble the system, complete this task:

- “How to Replace a CPU/Memory Board,” described in the next section of this document. *It is important that the procedure is followed as described; if you do not install the CPU/Memory board as described, the CPU/Memory board may not get seated fully or correctly on the system motherboard. In this case, you may get errors from POST or OpenBoot diagnostics indicating that the CPU/Memory board has failed, or, that there is no CPU/Memory board in a slot where you have installed a CPU/Memory board.*

---

# How to Install a CPU/Memory Board

## What to Do

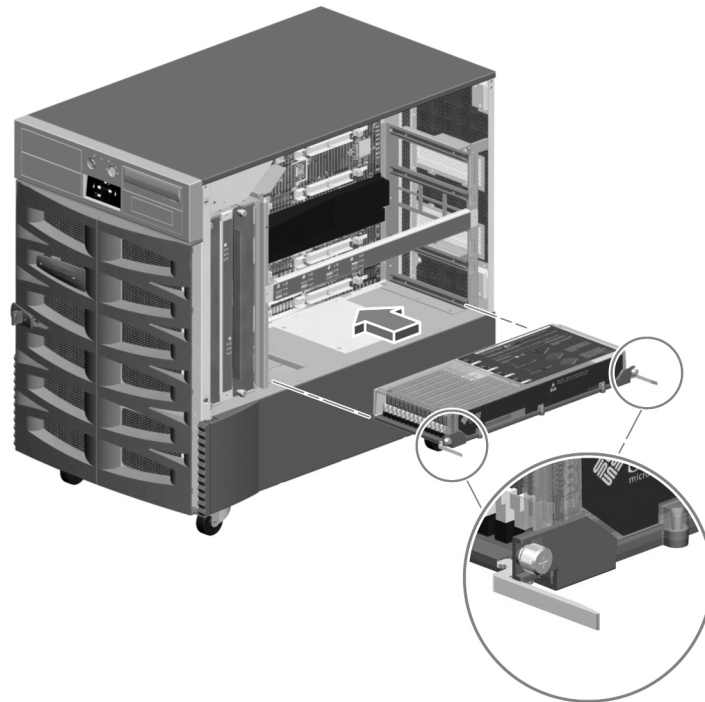
1. Locate the CPU/Memory board slot into which you want to install the CPU/Memory board.

---

**Note** – If you are installing more than one CPU/Memory board, install them from the bottom up, in the lowest available slot on the system.

---

2. Make sure that the ejection levers on the CPU/Memory board are rotated out 90 degrees.



**3. Slide the CPU/Memory board into the guides in the chassis.**

Slide the board into the system until the connectors on the board begin to engage the sockets on the motherboard and the ejection levers begin to contact the bracket.

**4. Push in the two ejection levers simultaneously until the board is fully engaged in its slot.**



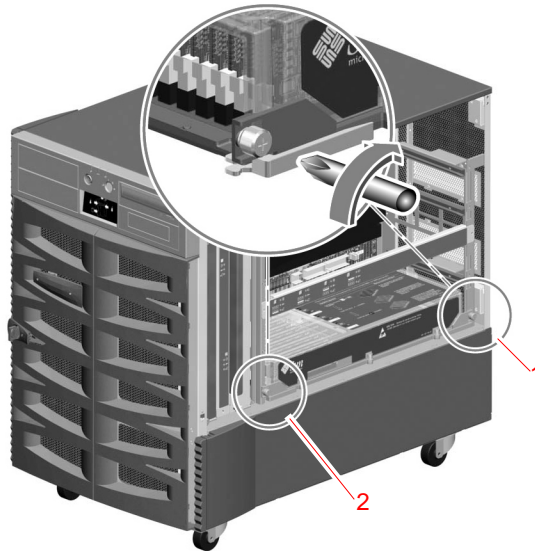
**5. Hand-tighten the two captive screws on the CPU/Memory board.**

6. Using a No. 2 Phillips screwdriver, fully tighten the right-side captive screw and repeat for the left-side screw.

---

**Note** – To correctly seat the CPU/Memory board in its socket on the motherboard, it is important that you fully tighten the right-side captive screw before you tighten the left-side captive screw with a screwdriver.

---



## What Next

To reassemble the system, complete this task:

- “How to Close a Side Door,” described in the *Sun Fire 880 Server Service Manual*

---

**Note** – Be sure to run POST and OpenBoot Diagnostics tests to verify that the system functions correctly with the CPU/Memory board you have just installed. For maximum test coverage, set the OpenBoot configuration variable `diag-level` to `max` prior to starting the diagnostic tests. For more information on POST and OpenBoot Diagnostics, refer to the “Diagnostics and Troubleshooting” chapter in the *Sun Fire 880 Server Service Manual*. If the CPU/Memory board you just installed fails these tests, or if the board is not recognized by the system, first try removing the board and then reseating the board as described in Steps five and six above.

---

