

StorageTek Host Software Component (HSC) MVS Implementation

System Programmer's Guide



June 2010
Revision EA

Submit comments about this document by clicking the Feedback [+] link at: <http://docs.sun.com>

Host Software Component (HSC) System Programmer's Guide

Copyright ©1987, 2010, Oracle and/or its affiliates. All rights reserved.

This software and related documentation are provided under a license agreement containing restrictions on use and disclosure and are protected by intellectual property laws. Except as expressly permitted in your license agreement or allowed by law, you may not use, copy, reproduce, translate, broadcast, modify, license, transmit, distribute, exhibit, perform, publish, or display any part, in any form, or by any means. Reverse engineering, disassembly, or decompilation of this software, unless required by law for interoperability, is prohibited.

The information contained herein is subject to change without notice and is not warranted to be error-free. If you find any errors, please report them to us in writing.

If this is software or related software documentation that is delivered to the U.S. Government or anyone licensing it on behalf of the U.S. Government, the following notice is applicable:

U.S. GOVERNMENT RIGHTS Programs, software, databases, and related documentation and technical data delivered to U.S. Government customers are "commercial computer software" or "commercial technical data" pursuant to the applicable Federal Acquisition Regulation and agency-specific supplemental regulations. As such, the use, duplication, disclosure, modification, and adaptation shall be subject to the restrictions and license terms set forth in the applicable Government contract, and, to the extent applicable by the terms of the Government contract, the additional rights set forth in FAR 52.227-19, Commercial Computer Software License (December 2007). Oracle USA, Inc., 500 Oracle Parkway, Redwood City, CA 94065.

This software or hardware is developed for general use in a variety of information management applications. It is not developed or intended for use in any inherently dangerous applications, including applications which may create a risk of personal injury. If you use this software or hardware in dangerous applications, then you shall be responsible to take all appropriate fail-safe, backup, redundancy, and other measures to ensure the safe use. Oracle Corporation and its affiliates disclaim any liability for any damages caused by use of this software or hardware in dangerous applications.

Oracle is a registered trademark of Oracle Corporation and/or its affiliates. Oracle and Java are registered trademarks of Oracle and/or its affiliates. Other names may be trademarks of their respective owners.

AMD, Opteron, the AMD logo, and the AMD Opteron logo are trademarks or registered trademarks of Advanced Micro Devices. Intel and Intel Xeon are trademarks or registered trademarks of Intel Corporation. All SPARC trademarks are used under license and are trademarks or registered trademarks of SPARC International, Inc. UNIX is a registered trademark licensed through X/Open Company, Ltd.

This software or hardware and documentation may provide access to or information on content, products, and services from third parties. Oracle Corporation and its affiliates are not responsible for and expressly disclaim all warranties of any kind with respect to third-party content, products, and services. Oracle Corporation and its affiliates will not be responsible for any loss, costs, or damages incurred due to your access to or use of third-party content, products, or services.



Please
Recycle



Document Effectivity

EC Number	Date	Doc Kit Number	Type	Effectivity
132519	March, 2007	---	Revision A	This document applies to the Host Software Component for MVS (MVS/HSC), Version 6.2.
---	April, 2008	---	Revision B	
---	September, 2008	---	Revision C	
---	May, 2009	---	Revision D	
---	October, 2009	---	Revision E	
---	June, 2010	---	Revision EA	

Contents

What's New With This Release?	xxxiii
Preface	xliv
Related Documentation	xlvi
Documentation, Support, and Training	xlvii
Oracle Welcomes Your Comments	xlvii
Chapter 1. System Description	1
Automated Cartridge System Overview	1
Host Software Component Overview	3
HSC Subsystem Components	4
HSC and Automated Cartridge System Interaction	6
Automated Mount	6
Automated Dismount	7
Dual LMU Environment	10
User Control of HSC Functions	11
Chapter 2. Host Software Component Functions	15
Overview of HSC Functions	15
Automatic Functions of the HSC	16
Facilities Available for User Control of HSC Functions	16
Installation Functions	17
Configuration Functions	17
Initialization/Termination Functions	17
HSC Service Levels	17
Drive Allocation	22
Common Allocation	24
Mixing Media Types and Recording Techniques	24
Media Domain Support — LTO, SDLT, and T10000 Drives	26
T9840D and T10000 Drive Encryption	28
Virtual Storage Manager (VSM) Media/Recording Technique Support	28
Definition Data Set Control Statements	28
MEDia and RECtech Parameters	30
Model Parameter	32
Device Preferencing	34
Mount/Dismount Functions	34
Mount Processing for Specific Volumes	34

Mount Processing for Scratch Volumes	35
Swap Processing for Swapping Mounted Volumes to Another Tape Transport	35
Dismount Processing for Library Volumes	36
Virtual Thumbwheel (VTW)	37
Tape Transport Cleaning	39
Volume/Cell Control Functions	45
Moving Volumes within the Library	45
Scratch Subpool Management	46
Scratch Threshold Task Restart	47
Cartridge Access Port (CAP) Processing Functions	48
Entering Cartridges into the Library	48
Ejecting Cartridges from the Library	49
CAP Mode Considerations	49
CAP Exception Processing	49
Releasing an Allocated CAP	50
Near Continuous Operation (NCO) Support	51
Swapping Library Transports - New Device Types	51
Common Recovery Functions	52
Control Data Set Recovery	52
Control Data Set Recovery Techniques	53
User Control of Control Data Sets	53
Renaming Control Data Sets	56
Command Functions	57
Enabling/Disabling/Reloading User Exits	58
Controlling LSM Operating Mode	58
Controlling CAP Operating Mode	59
Viewing the Interior Components of an LSM	59
Utility Functions	61
LMU Server Functions	62
Dual LMU Functionality	62
HSC/LMU Software Combinations	63
Adding New Stations to an ACS	64
Dynamic LMU Connection	66
Security Administration Considerations	66
HSC Port Number Assignments	66
Multiple TCP/IP Stack Implications	67
Transitioning Between 3270 and TCP/IP	68
Recovering TCP/IP Communications	69
Configuring VM for TCP/IP Support	71
Communication Functions	74
Host-to-Host Communications Services	74
Programmatic Interface	78
Batch Application Program Interface (API)	78
Chapter 3. HSC Control Statements and HSC Start Procedure	79
Overview	79

PARMLIB Control Statements	79
Defining PARMLIB Control Statements	80
Processing PARMLIB Control Statements	80
Options Offered by PARMLIB Control Statements	82
Control Statement Continuation Conventions	84
Virtual Storage Manager (VSM) Support	84
CDS Definition (CDSDEF) Control Statement	85
EXECParm Control Statement	88
Journal Definition (JRNDEF) Control Statement	90
Reconfiguration CDS Definition (RECDEF) Control Statement	92
Scratch Subpool Control Statement	94
Definition Data Set Control Statements	97
Options Offered by Definition Data Set Control Statements	98
Virtual Storage Manager (VSM) Support	99
Defining LMU Network Connections	99
Defining Volume Attributes (VOLATTR)	99
Identifying the Definition Data Sets (OPTION TITLE)	99
Control Statement Continuation Conventions	100
LMUPATH Control Statement	101
LMUPDEF Command and Control Statement	105
OPTION TITLE Control Statement	108
Scratch Subpool Definition (SCRDEF) Command and Control Statement	110
Tape Request (TAPEREQ) Control Statement	113
Tape Request Definition (TREQDEF) Command and Control Statement	113
Unit Attribute (UNITATTR) Control Statement	113
Unit Attribute Definition (UNITDEF) Command and Control Statement	113
Volume Attribute (VOLATTR) Control Statement	114
Volume Attribute Definition (VOLDEF) Command and Control Statement	127
HSC Start Procedure	130
Creating an HSC START Procedure	130
EXEC Statement Syntax	130
EXEC Statement Parameters	130
Example	133
Starting HSC Execution	135
Modifying LSMs ONLINE	136
Specifying CAP Preferences	136
Configuration Mismatches	136
Multiple Hosts Startup Considerations	137
Issuing the START Command	137
Preinitializing the HSC as an MVS Subsystem	138
Starting the HSC with PARM='INIT'	138
Initializing the HSC Under the Master Subsystem	139
Starting the HSC using the SSYS Parameter	139
Starting the HSC at the Full Service Level	140
Starting the HSC at the Base Service Level	140

Chapter 4. Utility Functions	143
Overview of Library Utilities	143
Selecting a Utility	143
Typical Use of Utilities	146
Control Statement Syntax Conventions	146
Utility Syntax Conventions	146
Utility Administrator (SLUADMIN)	147
How to Invoke SLUADMIN	147
SLUADMIN Output	148
XML Tags - Commands and Utilities	149
XML Data Tag Descriptions	150
Display ACS	154
Display CAP	155
Display CDS	156
Display DRives	157
Display LSM	158
Display SCRatch	159
Display THReshold	160
Display Volume	161
SCRatch	162
TRace	163
UNScratch	164
Volume Report	165
How to Invoke Utility Programs	168
Authorization to Use Utility Functions	168
SLUADMIN Program Return Codes	170
Reports Created By Utilities	171
Report Headings	171
Parameters Controlling Report Headings	171
Example	172
Stand-alone Utilities	173
Utilities Requiring HSC Services	173
Activities Report Utility	174
Syntax	174
Utility Name	174
Parameters	175
JCL Requirements	176
JCL Example	177
Output Description	177
AUDIt Utility	185
Media Type Mismatch Conditions	186
Actions Permitted During an Audit	187
How the AUDIt Utility Functions	187
Syntax	189
Utility Name	189
Parameters	189

JCL Requirement	197
JCL Examples	198
Output Description	200
BACKUp Utility	202
Prerequisites	202
Reasons for Running the BACKUp Utility	202
How the BACKUp Utility Functions	203
Backup Procedure	204
CDS Synchronization Between Local/Remote-linked Libraries	204
Syntax	205
Utility Name	205
Parameters	206
JCL Requirements	208
JCL Examples	209
Output Description	211
How to Restart Backup	214
Related Utilities	214
Database Decompile (LIBGEN) Utility	215
Prerequisites	215
Reasons for Running the Database Decompile Utility	215
How the Database Decompile Utility Functions	215
Syntax	216
Utility Name	216
Parameters	216
JCL Requirements	216
JCL Example	216
Output Description	217
Directory Rebuild Utility	230
Prerequisites	230
Reasons for Running the Directory Rebuild Utility	230
How the Directory Rebuild Utility Functions	230
Syntax	230
Utility Name	230
Parameters	230
JCL Requirements	231
JCL Example	231
Output Description	231
Eject Cartridge Utility	232
Output Options - SLUADMIN	232
Syntax	233
Utility Name	233
Parameters	233
JCL Requirements	243
JCL Examples	244
Output Description	245
Initialize Cartridge (INITIALIZE) Utility	246

Interface with a Tape Management System	247
CAP Operating Instructions	247
How the Initialize Cartridge Utility Functions	247
Syntax	249
Utility Name	249
Parameters	249
JCL Requirements	251
JCL Examples	253
Output Description	255
Journal Offload Utility	257
Syntax	257
Utility Name	257
Parameters	257
JCL Requirements	257
JCL Example	258
Output Description	258
MERGEcds Utility	260
How the MERGEcds Utility Functions	261
Changing the HSC Library Configuration	261
Merging Additional Data Centers	263
Syntax	265
Utility Name	265
Parameters	265
JCL Requirements	267
JCL Examples	267
Output Description	268
MOVE Utility	269
MOVE Considerations	269
Syntax	270
Utility Name	270
Parameters	270
JCL Requirements	275
JCL Examples	275
Output Description	276
Performance Log Reblocker Utility	277
JCL Example	277
Output Description	278
Point-in-Time Copy (SLUPCOPY) Utility	279
Reconfiguration Utility	280
Reasons for Running the Reconfiguration Utility	280
How the Reconfiguration Utility Functions	281
I/O Considerations	282
Running a Successful Reconfiguration	282
Syntax	285
MVS Command Name	285
Parameters	285

JCL Requirements	285
JCL Example	286
PARMLIB Example	286
Output Description	286
RESTore Utility	287
Prerequisites	287
Reasons for Running the RESTore Utility	287
How the RESTore Utility Functions	287
Special Considerations for Control Data Sets Processing Independently	288
Syntax	288
Utility Name	288
Parameters	288
JCL Requirements	289
JCL Examples	291
Output Description	293
How to Handle BACKup/RESTore Discrepancies	295
Scratch Conversion (SLUCONDB) Utility	296
SLUCONDB	296
Link Edit Parameters	298
Syntax	300
Parameters	301
JCL Requirements	302
JCL Examples	303
Output Description	306
Scratch Redistribution Utility	307
How the Scratch Redistribution Utility Functions	307
Syntax	308
Utility Name	308
Parameters	308
JCL Requirements	317
JCL Examples	317
Output Description	319
Scratch Update Utilities	320
Output Options - SLUADMIN	320
Syntax	320
Utility Names	320
Parameters	321
JCL Requirements	321
JCL Example	321
Output Description	322
SET Utility	323
How the SET Utility Functions	325
Considerations Before Running the SET Utility	325
Summary of SET Utility Options	326
Syntax	327
Utility Name	328

Parameters	328
JCL Requirements	343
JCL Examples	344
Output Description	345
UNSElect Utility	346
Syntax	346
Utility Name	347
Parameters	347
JCL Requirements	347
JCL Example	347
Output Description	347
Volume Report Utility	349
Sort Options	349
Output Options - Volume Report	350
Output Options - SLUADMIN	350
Media Type and Recording Technique Considerations	351
Syntax	353
Utility Name	354
Parameters	354
JCL/Parameter File Requirements	361
JCL Examples	363
Output Description	365

Chapter 5. Software Diagnostics and Recovery **373**

Overview	373
Generalized Trace Facility	373
Supervisor Call and Abnormal End Dumps (ABEND)	373
Error Recording Data Set Records	374
HSC Diagnostic Commands	375
List Command	375
Display Command	378
CDS Recovery Capabilities	379
Control Data Set Recovery	379

Chapter 6. Performance Considerations **385**

Overview	385
How Library Activity Affects Library Performance	385
How System Programmers Control Library Performance	386
How Operators Control Library Performance	386
Monitor Library Activity and Performance	387
Using the Activities Report Utility	387
Using the Performance Measurement and Predictive Maintenance System (PM2)	388
Redistribute Scratch Volumes in the Library	389
Maintain Quantities of Scratch Cartridges	389
Define CAP Preferences	390
Use SMF Records to Collect Performance Data	390

Use PARMLIB to Define Static Parameters	391
Define Dispatching Priority for NCS Products	392
Set High-performance Host-to-Host Communications	393
Detailed Information about Host-to-Host Communications	393
Host-to-Host Communications Method Hierarchy	393
Designation of Communication parameters	394
Define Secondary and Standby Control Data Sets	394
Limit View Time to Maintain High Performance	395
Excessive Use of VIEW Command Affects Performance	395
How to Monitor Usage of the VIEW Command	396
Advantages of Using the VIEW Command	396
Load Cartridges into the Library	397
Loading Cartridges for Immediate Use in a Newly Installed LSM	397
Loading Cartridges for Later Use in a Newly Installed LSM	397
Monitor Cartridges Nearing End of Life	398
Reduce Pass-Thrus	399
Unavoidable Pass-Thrus	399
Unnecessary Pass-Thrus	399
Scheduled Pass-Thrus	400
Ways to Reduce Pass-Thru Activity	400
Reduce Operator Intervention	401
Reduce Scheduling Contention	403
Use Deferred Mounting in a Manual Mode LSM	404
Use Performance Log Reblocker to Format Data	404
Use the AUDIt Utility Effectively	404
Use LSMs as Scratch Loaders in a Mixed ACS	405
Chapter 7. Software Interaction	407
Overview	407
Operating System Software Interaction	407
DFSMSrmm	407
Fault Analyzer for z/OS	408
Third-Party Software Interaction	409
Multi-Image Manager	409
CA-ASM2	409
Serializing CDSs	410
CONTROL-M/TAPE Tape Management System	419
Customized Programmatic Interfaces	419
Appendix A. HSC Support for the SL8500 Library	421
Overview	421
Before Configuring the HSC for the SL8500	422
Verifying that all SL8500 Components are Operational	422
Connecting the SL8500 to the HSC	423
SL8500 Internal Addresses and HSC Addresses	424
LSM Numbering	424

SL8500 CAP Behavior	426
Enter or Eject Operations	426
Merging ACSs	427
Configurations for ACSs Numbered Right to Left	427
Configurations for ACSs Numbered Left to Right	428
Merging ACSs using MERGEcds	429
Merging ACSs using AUDIt	432
Removing PTPs and Splitting ACSs	433
Positioning the New ACS	434
Splitting an ACS using MERGEcds	434
Splitting an ACS using AUDIt	437
Partitioning LSMs	438
Overview	438
Partitioning Requirements and Prerequisites	438
Restrictions	439
LIBGEN Considerations	439
CAP Considerations	440
VM Considerations	440
VTCS Considerations	440
MVS/CSC Considerations	440
LibraryStation Considerations	440
Definitions	441
Basic Procedures	442
Error Recovery	479
Message Changes	480
LMUPATH Control Statement	481
SET FREEZE Utility	482
Display Command	483
TCP/IP Communications - Important Considerations	484
Connections	484
Shared Networks	484
Dual IP Connections	486
Two SL8500 Network Connections - Two Mainframe IP Addresses	486
Sample Configuration - Two Dedicated Routes	491
Two SL8500 Network Connections - One Mainframe IP Address	496
Sample Configuration - One Host IP, Two SL8500 Network Connections	500
Multiple SL8500 Library Connections	505
Connecting to Multiple SL8500 Libraries in an ACS	505
Sample Configuration - Four SL8500 Network Connections, Four Mainframe IP Addresses	505
Multiple TCP/IP Redundant Electronics (RE)	507
Connecting to Multiple SL8500 Libraries in an ACS	507
Sample Configuration - One SL8500 Network Single Redundant Pair Connection, Four Mainframe IP Addresses	507
Sample Configuration - One SL8500 Network Dual Redundant Pair Connection, Four Mainframe IP Addresses	509
Sample Configuration - One SL8500 Network Dual Redundant Pair and Two Dual	

TCP/IP Connections, Four Mainframe IP Addresses	511
Powering Down the SL8500 - HSC Requirements	513
Appendix B. HSC Support for the SL3000 Library	515
Overview	515
Partitioning Support for the SL3000 Library	516
Partitioning Requirements and Prerequisites	517
Restrictions	518
LIBGEN Considerations	519
CAP Considerations	519
VM Considerations	519
VTCS Considerations	519
MVS/CSC Considerations	520
LibraryStation Considerations	520
Definitions	521
Basic Procedures	524
Varying the ACS Online After a Configuration Change	556
Error Recovery	557
TCP/IP Communications - Important Considerations	558
Shared Networks	558
Dual IP Connections	559
Two SL3000 Network Connections - Two Mainframe IP Addresses	559
Sample Configuration - Two Dedicated Routes	564
Two SL3000 Network Connections - One Mainframe IP Address	570
Sample Configuration - One Host IP, Two SL3000 Network Connections	574
Appendix C. HSC Support for Near Continuous Operation (NCO)	579
Overview	579
Dynamic Hardware Reconfiguration for StorageTek Libraries	580
SL8500 Library	580
SL3000 Library	581
Additional Considerations	581
Requirements/Recommendations	582
Starting Dynamic Hardware Reconfiguration	582
Adding Tape Drives	583
Removing Tape Drives	584
Replacing Tape Drives	585
Changing Unit Addresses for Tape Drives	586
Adding/Removing Expansion Panels - SL8500 Library	587
Adding/Removing Expansion Modules - SL3000 Library	588
Auditing the SL8500 After Expansion	589
Adding and Configuring SL8500s	591
Auditing the SL3000 After Expansion	599
Common Near Continuous Operation	600
Using Multiple CDS Copies	600
Automatic Recognition of Configuration Changes	601

Using the MERGEcds Utility	602
Using the SET Utility Instead of LIBGEN and Reconfiguration	602
Defining a New Configuration to Avoid Future Reconfigurations	603
Defining Planned ACSs with no Stations	603
Defining Planned Drives	604
Changing Panels	604
Using CDS Rename/Relocate/Expand	606
Swapping a CDS	609
Appendix E. Macros, Control Statements, Utilities, and Commands Syntax Reference .	611
Syntax Flow Diagrams	611
Specifying Commands	611
Variables	611
Delimiters	611
Flow Lines	612
Single Required Choice	612
Single Optional Choice	613
Defaults	613
Repeat Symbol	613
Syntax Continuation (Fragments)	614
Library Identification	615
How to Specify a CAPid	616
CAPid Formats	617
Ranges And Lists	619
Control Statement Syntax Conventions	622
MEDIA, RECTech, and MODEL Parameters	623
LIBGEN Macros	625
SLIACS macro	625
SLIALIST macro	625
SLIDLIST macro	625
SLIDRIVS macros	625
SLIENDGN macro	626
SLLIBRY macro	626
SLILSM macro	627
SLIRCVRY macro	627
SLISTATN macro	628
HSC Control Statements	629
Control Data Set Definition (CDSDEF) control statement	629
EXECParm control statement	629
Journal Definition (JRNDEF) control statement	629
LMUPATH control statement	630
LMU Path Definition (LMUPDEF) command and control statement	630
OPTion control statement	630
Reconfiguration Definition (RECDEF) control statement	630
Scratch Subpool (SCRPOol) control statement	631
Scratch Subpool Definition (SCRPDEF) command and control statement	631

User Exit (UEXIT) command and control statement	631
Volume Attribute (VOLATTR) control statement	632
Volume Attribute Definition (VOLDEF) command and control statement	632
Utilities	633
ACTIvities Report utility	633
AUDIt utility	633
BACKup utility	634
Database Decompile (LIBGEN) utility	634
Directory Rebuild (DIRBLD) utility	634
EJECT Cartridge utility	634
INITialize Cartridge utility	635
Journal OFFLoad utility	635
MERGEcds utility	635
MOVE utility	636
Reconfiguration utility	636
REPLace utility	636
RESTore utility	636
SCRAtch utility	637
Scratch Conversion utility	637
Scratch Redistribution (SCREdist) utility	637
SET utility	638
UNSCratch utility	639
Unselect utility	639
Volume Report (VOLRpt) utility	640
Operator Commands	641
Allocation (ALLOC) command and control statement	641
CAP Preference (CAPPref) command and control statement	641
CDs Enable/Disable command	641
CLean command	642
Communications Path (COMMPath) command and control statement	642
DISMOUNT command	642
Display command	643
DRAIN CAP command	648
EJECT command	648
ENter command	649
Journal command	649
MODify command	649
MONITOR command	649
Mount command	650
Mount/Dismount Options (MNTD) command and control statement	650
MOVE command	651
OPTion command and control statement	651
RECOVER Host command	652
RELease CAP command	652
SCRAtch command	652
SENter command	652

SRVlev (Service Level) command	652
Stop Monitoring (STOPMN) command	652
SWitch command	653
TRace command	653
TRACELKP command	653
UNSCRatch command	653
User Exit (UEXIT) command and control statement	654
Vary Station command	654
View command	655
Warn command	655
HSC Diagnostic Commands	656
List command	656
TRace command	656

Appendix F. Record Formats **657**

Overview	657
Mapping Macros for SMF Records	658
Mapping Macros for LOGREC Records	658
Mapping Macros for Volume Report and Batch API Records	658
Mapping Macros for Batch API Records	658
SMF Records	659
SMF Mapping Macros	659
SMF Record Formats	660
SLSDVAR	660
SLSSFHDR	661
SLSSBLOS	666
SLSSCAPJ	668
SLSSCAPN	669
SLSSVSTA	670
SLSSMLSM	672
SLSSLSB	673
SLSSMF07	675
SLSSMF08	683
LOGREC Records	685
LOGREC Mapping Macros	685
LOGREC Record Formats	686
SLSSLHDR	686
SLSSVLG1	691
SLSSBLOG	693
SLSSLLG1	695
SLSSLLG2	700
SLSSLLG3	702
SLSSLLG4	703
SLSSLLG5	705
SLSSLLG6	708
SLSSDJLR	713

SLSSPSWI	715
SLSSRL00	717
SLSSRL01	718
SLSSH LG1	719
Volume Report and Batch API Records	722
Volume Report and Batch API Mapping Macros	722
Volume Report and Batch API Record Formats	723
SLUVADAT	723
SLUVCDAT	731
SLUVHDAT	734
SLUVIDAT	737
SLUVSDAT	740
SLUVVDAT	742
Batch API Records	753
Batch API Mapping Macros	753
Batch API Record Formats	754
SLUVDDAT	754
SLUVPDAT	758
Appendix G. Logging ACS Robotics Motion	763
Overview	763
Information Being Logged	763
Robotics Motion Start Counts	763
Temporary Motion Error Counts	763
Permanent Motion Errors	764
How Information is Logged	765
Logging Interval	769
Single-Host Environment	770
Multi-Host Environment	770
LMU Response Codes	771
Invalid Parameter Error Codes: 0101 - 0127	772
Configuration Error Codes: 0201 - 0203	773
CAP Procedural Error Codes: 0301 - 0310	773
General Procedural Error Codes: 0401 - 0427	774
LMU LAN Interface Error Codes: 0501 - 0512	775
LMU Logical Error Codes: 0601 - 0620	776
LSM Robotics Error Codes: 0701 - 0718	777
LSM Hardware Error Codes: 0801 - 0809	778
LSM Logical Error Codes: 0901 - 0977	778
Drive Error Codes: 1001 - 1011	780
Undefined Response Code	780
Appendix H. Significant Event Notification Facility (SEN)	781
Overview	781
Using the HSC SEN	781
Enabling the SEN	781

The SEN Macro Interface	782
SEN Macro Interface Authorization Requirements and Module Attributes	783
The SLSXSEN Macro	784
The SEN Listener Exit Routine	794
Display SEN Command	799
Supported HSC and VTCS SEN Events	800
SEN Messages	802
VTCS and HSC Events XML Tags	804
VTCS Events XML Tags	805
HSC Events XML Tags	809

Appendix I. Programmatic Interface (PGMI) 813

Overview	813
Query Information	813
Volume Movement	813
Scratch Volume Control	814
Using the Interface	815
SLSXREQ Functions	817
Query Requests	817
Motion Requests	817
Scratch Requests	817
Control Requests	818
Authorization	819
Functional Description	819
Macros	820
Addresses and Registers	820
Macro SLSXREQ Syntax	821
List Form	821
Parameters	821
Execute Form	821
Return Specifications	824
DISMOUNT	826
DISMOUNT Considerations	826
Syntax	826
Parameters	826
Response to DISMOUNT Request	828
EJECT	829
EJECT Considerations	829
Syntax	829
Parameters	829
Response to EJECT Request	832
MOUNT	833
MOUNT Considerations	833
Syntax	834
Parameters	834
Response to MOUNT Request	845

MOVE	846
MOVE Considerations	846
Syntax	846
Parameters	846
Response to Move Request	848
QCAP	849
QCAP Considerations	849
Syntax	849
Parameters	849
Response to QCAP Request	851
QCONFIG	852
QCONFIG Considerations	852
Syntax	852
Parameters	852
Response to QCONFIG Request	853
QDRIVES	854
QDRIVES Considerations	854
Syntax	854
Parameters	854
Response to QDRIVES Request	855
QDRLIST	856
QDRLIST Considerations	856
Syntax	857
Parameters	857
Response to QDRLIST Request	869
QDSN	870
QDSN Considerations	870
Syntax	870
Parameters	870
Response to QDSN Request	871
QEJECT	872
QEJECT Considerations	872
Syntax	872
Parameters	872
Response to QEJECT Request	873
QHSC	874
QHSC Considerations	874
Syntax	874
Parameters	874
Response to QHSC Request	874
QSCRATCH	875
QSCRATCH Considerations	875
Syntax	875
Parameters	875
Response to QSCRATCH Request	885
QVOLUME	886

QVOLUME Considerations	886
Syntax	886
Parameters	886
Response to QVOLUME Request	887
READ	888
READ Considerations	888
Syntax	888
Parameters	888
Response to READ Request	889
RESET	890
RESET Considerations	890
Syntax	890
Parameters	890
Response to RESET Request	891
SCRATCH	892
SCRATCH Considerations	892
Syntax	892
Parameters	892
Response to SCRATCH Request	893
SELSCR	894
SELSCR Considerations	894
Syntax	895
Parameters	895
Response to SELSCR Request	906
STOP	907
STOP Considerations	907
Syntax	907
Parameters	907
Response to STOP Request	908
UNSCRATCH	909
UNSCRATCH Considerations	909
Syntax	909
Parameters	909
Response to UNSCRATCH Request	910
Sample Requests	911
Sample Set Up	911
Sample QVOLUME Request	911
Sample SCRATCH Request	916
Sample UNSCRATCH Request	919
Sample DISMOUNT Request	922
Sample MOUNT Request	925
Sample EJECT Request	928
SLSXREQM Macro	931
Syntax	931
Parameters	931
Programmatic Interface Mapping (SLSXREQM) Macro	932

Appendix J. Batch Application Program Interface (API)	963
Overview	963
QCDS Request	963
How QCDS Functions	963
Invoking QCDS (SLSUREQ Macro)	963
Addresses and Registers	964
Syntax	964
Parameters	964
QCDS Programming Considerations	967
Return Codes	967
Sample QCDS Requests	969
Output Description	978
SLSUREQM Macro	979
Syntax	979
Parameters	979
Batch API Mapping (SLSUREQM) Macro	980
 Appendix K. Point-in-Time (PIT) Copy Utility	 987
Overview	987
Supported Point-In-Time Copy Methods	987
SLUPCOPY Processing	988
SLUPCOPY Return Codes	989
Frequently Asked Questions (FAQs)	989
General Requirements	990
General Considerations	991
Operational Procedures (Not Required for DFSMSdss FlashCopy or FDRSNAP)	992
JCL Common to all PIT Copy Methods	994
Native SnapShot JCL and Operational Requirements/Considerations	997
DFSMSdss SnapShot JCL and Operational Requirements/Considerations	1001
DFSMSdss FlashCopy JCL and Operational Requirements/Considerations	1003
FDRSNAP JCL and Operational Requirements/Considerations	1005
Restoring a PIT Copy	1007
SLUPCOPY Problem Reporting, Determination, and Resolution	1013
Problem Reporting Procedure	1013
Common Problem Symptoms and Remedies	1013
Advanced Diagnostic Techniques	1015
Sample Output	1018
Example 1 - Successful SnapShot PIT Copy	1018
Example 2 - Successful DFSMSdss FlashCopy PIT Copy on a JES3 System	1021
Example 3 - Successful DFSMSdss SnapShot PIT Copy	1025
Example 4 - Successful FDRSNAP PIT Copy	1028
Example 5 - Failed DFSMSdss SnapShot PIT Copy (SVAA not initialized)	1030
Example 6 - Failed DFSMSdss SnapShot PIT Copy (duplicate target data set)	1034
Example 7 - Failed FDRSNAP PIT Copy (target volume not offline)	1037
 Appendix L. Remote-linked Libraries	 1039

Overview	1039
Configuration 1	1040
Configuration 2	1041
Configuration 3	1042
Configuration 4	1043
Configuration 5	1044
Programming and Operational Considerations	1045
Glossary	1047
Index	1063

Figures

Figure 1. HSC Architecture	5
Figure 2. HSC/Automated Cartridge System Interaction	8
Figure 3. HSC Job and Mount/Dismount Processing	23
Figure 4. MEDia/RECTech Hierarchy	31
Figure 5. HSC Command Functions Overview	57
Figure 6. Utility Functions Overview	61
Figure 7. HSC Communication Methods	75
Figure 8. HSC Communication Methods Between Multiple Hosts	76
Figure 9. Activities Report Utility Sample Output	184
Figure 10. AUDIt Utility Sample Output	201
Figure 11. BACKUp Utility Sample Output	212
Figure 12. Database Decompile Utility Sample Output	219
Figure 13. EJECT Cartridge Utility Sample Output	245
Figure 14. Initialize Cartridge Utility Sample Output	256
Figure 15. Journal Offload Utility Sample Output	259
Figure 16. MOVE Utility Sample Output	276
Figure 17. Restore Utility Sample Output	294
Figure 18. Scratch Conversion Utility Sample Output - Without LIBONLY Parameter	306
Figure 19. Scratch Conversion Utility Sample Output - With LIBONLY Parameter	306
Figure 20. Scratch Redistribution Utility Sample Output	319
Figure 21. Scratch Update Utilities Sample Output	322
Figure 22. Unselect Utility Sample Output	348
Figure 23. Volume Report Sample Output	369
Figure 24. Volume Report SUMMery(TOTal) Sample Output	370
Figure 25. Volume Report Utility SUMMery(SUBpool) Sample Output	371
Figure 26. Control Data Set Recovery Scheme	380

Figure 27. Using LSMs as Scratch Loaders	406
Figure 28. Existing Right to Left Configuration - Three Separate ACSs	427
Figure 29. Desired Configuration - Single ACS	427
Figure 30. Existing Left to Right Configuration - Three Separate ACSs	428
Figure 31. Desired Configuration - Single ACS	428
Figure 32. Existing One ACS Configuration	433
Figure 33. Desired Two ACS Configuration	433
Figure 34. Partition and Host Group Example	441
Figure 35. Process Flow to Remove the Last LSM in an ACS	467
Figure 36. Process Flow to Move the Last LSM to Another ACS Partition	472
Figure 37. Process Flow to Move an Allocated LSM to Another ACS Partition	478
Figure 38. Dual IP with Two SL8500 Network Connections - Different Subnetworks	487
Figure 39. Dual IP Configuration Sample - Different Subnetworks	491
Figure 40. Dual IP (one host IP) with Two SL8500 Network Connections	497
Figure 41. Dual IP (one host IP) with Two SL8500 Network Connections	500
Figure 42. Four IP Addresses (four host IPs) with Four SL8500 Network Connections	506
Figure 43. Four IP (four host IPs) with One Single Redundant Pair SL8500 Network Connections ...	508
Figure 44. Four IP (four host IPs) with One Dual Redundant Pair SL8500 Network Connections	510
Figure 45. Four IP (four host IPs) with One Dual Redundant Pair SL8500 and 2 Dual TCP/IP Network Connections	512
Figure 46. Partition and Host Group Example for Cells and CAPs	522
Figure 47. Partition and Host Group Example for Drives	523
Figure 48. Dual IP with Two SL3000 Network Connections - Different Subnetworks	560
Figure 49. Dual IP Configuration Sample - Different Subnetworks	565
Figure 50. Dual IP (one host IP) with Two SL3000 Network Connections	571
Figure 51. Dual IP (one host IP) with Two SL3000 Network Connections	574
Figure 52. Add Two Drives to the SL8500 and the HSC Configuration	583
Figure 53. Remove Two Drives from the SL8500 and the HSC Configuration	584
Figure 54. Change Unit Addresses for 16 Tape Drives	586
Figure 55. SL8500 Library with Storage Expansion Module	589
Figure 56. LSM Numbering for Four Connected SL8500s	591
Figure 57. Original SL8500 Configuration	594
Figure 58. Updated Configuration - New SL8500 Added to Right	594

Figure 59. SL3000 Library Expansion Modules	599
Figure 60. Sample 1 - SLSXREQ Environment Set Up	911
Figure 61. Sample 2 - QVOLUME Request	912
Figure 62. Sample 3 - PGMI SCRATCH Request	916
Figure 63. PGMI UNSCRATCH Request	919
Figure 64. Sample 5 - PGMI DISMOUNT Request	922
Figure 65. Sample 6 - PGMI MOUNT Request	925
Figure 66. Sample 7 - PGMI EJECT Request	928
Figure 67. Sample 1 - Automatic CDS Allocation	970
Figure 68. Sample 2 - Reading ACS and DRV Together	975
Figure 69. Configuration 1	1040
Figure 70. Configuration 2	1041
Figure 71. Configuration 3	1042
Figure 72. Configuration 4	1043
Figure 73. Configuration 5	1044

Tables

Table 1.	HSC Command Execution at Base and Full Service Levels	19
Table 2.	Utility Execution at Base and Full Service Levels	20
Table 3.	Non-legacy Media Type/Domain Definitions	26
Table 4.	MODEl/RECtech Translation	32
Table 5.	Transport Cleaning Media	41
Table 6.	HSC/LMU Validity Matrix	63
Table 7.	VOLATTR MEDia Default Values	117
Table 8.	VOLATTR RECtech Default Values	121
Table 9.	HSC Initialization	137
Table 10.	Utilities Overview	143
Table 11.	HSC Utilities and Functions	143
Table 12.	XML Data Tag Cross-reference	150
Table 13.	Display ACS XML Tags	154
Table 14.	Display CAP XML Tags	155
Table 15.	Display CDS XML Tags	156
Table 16.	Display DRives XML Tags	157
Table 17.	Display LSM XML Tags	158
Table 18.	Display SCRatch XML Tags	159
Table 19.	Display THReshold	160
Table 20.	Display Volume XML Tags	161
Table 21.	SCRatch XML Tags	162
Table 22.	TRace XML Tags	163
Table 23.	UNScratch XML Tags	164
Table 24.	Volume Report XML Tags	165
Table 25.	Load Modules for Utilities	168
Table 26.	SLUADMIN Return Codes	170

Table 27. Label Descriptions for Devices in Output LIBGEN	217
Table 28. HSC State to Run SET Options	324
Table 29. SET Utility Options	326
Table 30. Mapping of Command Prefix Codes to Characters	330
Table 31. HSC State/SET SLIDRIVS Operation	340
Table 32. SLSVA Effect on Volume Report	362
Table 33. Performance Parameters Controlled by PARMLIB Control Statements	391
Table 34. SL8500/HSC LSM Mapping	424
Table 35. Network Entries Worksheet	488
Table 36. Network Entries Worksheet	498
Table 37. Network Entries Worksheet	561
Table 38. Network Entries Worksheet	572
Table 39. MEDia, RECtech, and MODEl Cross-reference	623
Table 40. Key to Record Format Tables	658
Table 41. Mapping Macros for SMF Records	659
Table 42. SLSDVAR Record Format	660
Table 43. SLSSFHDR Record Format	661
Table 44. SLSSBLOS Record Format	666
Table 45. SLSSCAPJ Record Format	668
Table 46. SLSSCAPN Record Format	669
Table 47. SLSSVSTA Record Format	670
Table 48. SLSSMLSM Record Format	672
Table 49. SLSSLB Record Format	673
Table 50. SLSSMF07 Record Format	675
Table 51. SLSSMF08 Record Format	683
Table 52. Mapping Macros for LOGREC Records	685
Table 53. SLSSLHDR Record Format	686
Table 54. SLSSVLG1 Record Format	691
Table 55. SLSSBLOG Record Format	693
Table 56. SLSSLLG1 Record Format	695
Table 57. SLSSLLG2 Record Format	700
Table 58. SLSSLLG3 Record Format	702
Table 59. SLSSLLG4 Record Format	703

Table 60.	SLSSLLG5 Record Format	705
Table 61.	SLSSLLG6 Record Format	708
Table 62.	SLSSDJLR Record Format	713
Table 63.	SLSSPSWI Record Format	715
Table 64.	SLSSRL00 Record Format	717
Table 65.	SLSSRL01 Record Format	718
Table 66.	SLSSHLG1 Record Format	719
Table 67.	Mapping Macros for Volume Report and Batch API Records	722
Table 68.	SLUVADAT Record Format	723
Table 69.	SLUVCDAT Record Format	731
Table 70.	SLUVHDAT Record Format	734
Table 71.	SLUVIDAT Record Format	737
Table 72.	SLUVSDAT Record Format	740
Table 73.	SLUVVDAT Record Format	742
Table 74.	Mapping macros for Batch API Records	753
Table 75.	SLUVDDAT Record Format	754
Table 76.	SLUVPDAT Record Format	758
Table 77.	Format for Total Motions and Temporary Error Counts	765
Table 78.	Record Format for a Hard Failure	768
Table 79.	LMU Response Codes 0101 thru 0127	772
Table 80.	LMU Response Codes 0201 thru 0203	773
Table 81.	LMU Response Codes 0301 thru 0310	773
Table 82.	LMU Response Codes 0401 thru 0427	774
Table 83.	LMU Response Codes 0501 thru 0512	775
Table 84.	LMU Response Codes 0601 thru 0620	776
Table 85.	LMU Response Codes 0701 thru 0718	777
Table 86.	LMU Response Codes 0801 thru 0809	778
Table 87.	LMU Response Codes 0901 thru 0977	778
Table 88.	LMU Response Codes 1001 thru 1011	780
Table 89.	LMU Response Code xxxx	780
Table 90.	SLSXSENM Macro Format	784
Table 91.	SLSXSEN LISTEN Return Codes	788
Table 92.	SLSXSEN DELETE Return Codes	790

Table 93. SLSXSEN DISABLE Return Codes	791
Table 94. SLSXSEN ENABLE Return Codes	792
Table 95. HSC SEN Events	800
Table 96. VTCS SEN Events	800
Table 97. VTCS Events XML Tags	805
Table 98. HSC Events XML Tags	809
Table 99. SLSXREQM Record Format	932
Table 100. Batch API Return Codes	967
Table 101. Library Element Record Mapping	978
Table 102. SLSUREQM Record Format	980
Table 103. Programming and Operation Precautions for Remote-linked Libraries	1045

What's New With This Release?

HSC 6.2 includes the following enhancements and modifications:

Enhancement/Modification	Publication(s)/ Primary Locations
Revision EA:	
<p>For SL8500 libraries, the Redundant Electronics (RE) feature minimizes control path downtime caused by an active Library Controller (LC) failure. The RE configuration provides a standby LC that acts as a back up to the active LC.</p>	<p><i>System Programmer's Guide</i> Chapter 3, HSC Control Statements and HSC Start Procedure</p> <ul style="list-style-type: none"> • LMUPATH control statement <p>Appendix A, HSC Support for the SL8500 Library:</p> <ul style="list-style-type: none"> • TCP/IP Communications - Important Considerations • Multiple TCP/IP Redundant Electronics (RE) <p><i>Operator's Guide</i> Chapter 1, General Information</p> <ul style="list-style-type: none"> • SL8500 Redundant Electronics (RE) <p>Chapter 2, Commands, Control Statements, and Utilities</p> <ul style="list-style-type: none"> • Display Acs • SWitch <p>Chapter 3, Operating an Automated Cartridge System</p> <ul style="list-style-type: none"> • SL8500 Redundant Electronics Environment • Redundant LC Operational Overview and Operation

Enhancement/Modification	Publication(s)/ Primary Locations
<p>Redundant Electronics feature (continued)</p>	<p><i>Messages and Codes Guide</i> New messages:</p> <ul style="list-style-type: none"> • SLS0692I • SLS0693I • SLS1666E • SLS1667I <p>Changed messages:</p> <ul style="list-style-type: none"> • SLS0699I • SLS1000I • SLS1003I • SLS1004I • SLS1007I
<p>The Media Warranty Life feature shows the percentage of media life that has been used for a volume. The following transports are supported:</p> <ul style="list-style-type: none"> • T9x40, excluding T9840B • T10000A • T10000B 	<p><i>System Programmer's Guide</i> Chapter 4, Utility Functions</p> <ul style="list-style-type: none"> • Volume Report Utility: MWL, MWLNA, and MWLGE parameters <p>Chapter 6, Monitor Cartridges Nearing End of Life</p> <p><i>Messages and Codes Guide</i> New message:</p> <ul style="list-style-type: none"> • SLS2149I <p>Changed message:</p> <ul style="list-style-type: none"> • SLS0601I
<p>The PING parameter on the LMUPATH control statement allows you to set the number of minutes in between requests sent from the HSC to the LMU. These requests are to keep the connection active, which prevents a firewall from closing the connection due to inactivity</p>	<p><i>System Programmer's Guide</i> Chapter 3, HSC Control Statements and HSC Start Procedure</p> <ul style="list-style-type: none"> • LMUPATH control statement

Enhancement/Modification	Publication(s)/ Primary Locations
<i>Revision E:</i>	
The SL8500 library now allows you to remove or add a partition.	<i>System Programmer's Guide</i> Appendix A, HSC Support for the SL8500 Library: <ul style="list-style-type: none"> • Remove a Partition from the Library • Add a Partition to the Library.

Enhancement/Modification	Publication(s)/ Primary Locations
Revision D:	
Support for the SL3000 library Access Expansion Module (AEM).	<p>System Programmer's Guide Chapter 4, AUDIt, EJECT Cartridge, INITialize Cartridge, and MOVE utilities</p> <p>Appendix C, Adding/Removing Expansion Modules - SL3000 Library,</p> <p>Appendix D, CAPid Formats</p> <p>Operator's Guide Chapter 1, SL3000 Library description</p> <p>Chapter 2, CAPid Formats, CAPPref, DRain, EJECT, ENter, MODify, MOVE, RELEase CAP, SENter</p>
The Display DRives command adds the IDENTITY parameter, which displays the World Wide Name transport identifier and the transport serial number.	<p>Operator's Guide Chapter 2, Display DRives</p>

Enhancement/Modification	Publication(s)/ Primary Locations
Revision C:	
Support for T10000B drive encryption recording techniques and model types.	<p><i>System Programmer's Guide</i> Chapter 2, T10000 Drive Encryption</p> <p>Chapter 3, VOLATTR control statement</p> <p>Chapter 4, EJECT Cartridge and Scratch Redistribution utilities</p> <p>Appendix G, MOUNT, QDRLIST, QSCRATCH, and SELSCR requests</p> <p><i>Operator's Guide</i> Chapter 2, Display DRives, Display SCRatch, Display THReshld, EJECT, Warn commands</p>

Enhancement/Modification	Publication(s)/ Primary Locations
Revision B:	
Support for the SL3000 library (HSC 6.1 and later).	<p>Configuration Guide Chapter 2, Calculating DASD Space</p> <p>Chapter 4, SLILSM, SLIDRIVS macros</p> <p>Chapter 5, Storage Cell Capacity for StreamLine SL3000 Libraries</p> <p>Appendix B, Library Configurations</p> <p>Operator's Guide Chapter 2, CAPPref, DRAIn, EJECT, ENter, MODify, MOVE, RELease CAP, View commands</p> <p>System Programmer's Guide Chapter 2, Mixing Media Types and Recording Techniques</p> <p>Chapter 4, AUDIt , EJECT Cartridge, Initialize Cartridge utilities</p> <p>Appendix B, HSC Support for the SL3000 Library</p>

Enhancement/Modification	Publication(s)/ Primary Locations
SL8500 library LSM partitioning (HSC 6.1 and later).	<p><i>System Programmer's Guide</i> Chapter 3, LMUPATH control statement</p> <p>Chapter 4, SET FREEZE utility</p> <p>Appendix A, HSC Support for the SL8500 Library</p> <p><i>Operator's Guide</i> Chapter 2, Display ACS, Display LSM, and Display Exceptions</p> <p><i>Messages and Codes Guide</i> New messages:</p> <ul style="list-style-type: none"> • SLS0073I • SLS0695I • SLS4232I • SLS4412I • SLS4413I • SLS4643I <p>Changed messages:</p> <ul style="list-style-type: none"> • SLS0653I • SLS0663I • SLS1000I • SLS2008I • SLS4401I • SLS4407I • SLS4610I
Considerations for SL8500 library TCP/IP communications (HSC 6.1 and later).	<p><i>System Programmer's Guide</i> Appendix A, HSC Support for the SL8500 Library</p>
Dual IP connections to an SL8500 library (HSC 6.1 and later).	<p><i>System Programmer's Guide</i> Appendix A, HSC Support for the SL8500 Library</p>
Multiple connections to an SL8500 library (HSC 6.1 and later).	<p><i>System Programmer's Guide</i> Appendix A, HSC Support for the SL8500 Library</p>

Enhancement/Modification	Publication(s)/ Primary Locations
<p>Support for T9840D drives (HSC 6.1 and later).</p>	<p><i>Configuration Guide</i> Chapter 2, Unit Addresses</p> <p>Chapter 4, SLIDRIVS macro</p> <p>Chapter 11, External Media Requirements</p> <p><i>Operator's Guide</i> Chapter 2, Display Drives, Display SCRatch, Display Mount, THReshld, EJECT, Warn</p> <p><i>System Programmer's Guide</i> Chapter 3, TAPEREQ, UNITATTR, VOLATTR</p> <p>Chaper 4, EJECT, SCRatch Redistribution</p> <p>Appendix H, MOUNT, QDRLIST, QSCRATCH, SELSCR</p>
<p>Support for LTO generation 4 drives (HSC 6.1 and later). Note: LTO transports are not supported in an MVS environment. These transports are recognized by the HSC but are accessible only to open systems clients using LibraryStation.</p>	<p><i>Configuration Guide</i> Chapter 2, Unit Addresses</p> <p>Chapter 4, SLIDRIVS macro</p> <p>Chapter 11, External Media Requirements</p> <p><i>Operator's Guide</i> Chapter 2, Display Drives, Display SCRatch, Display Mount, THReshld, EJECT, Warn</p> <p><i>System Programmer's Guide</i> Chapter 3, TAPEREQ, UNITATTR, VOLATTR</p> <p>Chaper 4, EJECT, SCRatch Redistribution</p> <p>Appendix H, MOUNT, QDRLIST, QSCRATCH, SELSCR</p>
<p>The Point-in-Time (SLUPCOPY) utility provides a faster, less disruptive method to create a backup of the HSC CDS (HSC 6.1 and later).</p>	<p><i>System Programmer's Guide</i> Chapter 4, Point-in-Time Copy (SLUPCOPY) Utility</p>

Enhancement/Modification	Publication(s)/ Primary Locations
The SLILIBRY macro adds the FUTRACS parameter to allow new ACSs to be added to the library complex (HSC 6.1 and later).	<i>Configuration Guide</i> Chapter 4, SLILIBRY macro
The SLILSM macro adds the TYPE=3000 and DOOR=3000 parameters for the SL3000 library (HSC 6.1 and later).	<i>Configuration Guide</i> Chapter 4, SLILSM macro
The OPTion command DUPOFL parameter allows the duplicate VOLSER process to continue when the VOLSER being entered exists in an ACS that is disconnected or in an LSM that is offline (HSC 6.1 and later).	<i>Operator's Guide</i> Chapter 4, OPTion command
The LMUPATH control statement PARTID parameter defines a partition ID for an SL3000 or SL8500 library (HSC 6.1 and later).	<i>System Programmer's Guide</i> Chapter 3, LMUPATH control statement
The EJECT Cartridge utility SEQ parameter specifies whether or not CAP eject processing fills the CAP cells in the same order specified by the VOLser parameter (HSC 6.1 and later).	<i>System Programmer's Guide</i> Chapter 4, EJECT Cartridge utility
The LIST diagnostic command has been expanded with more control blocks and enhanced storage dump capability (HSC 6.1 and later).	<i>System Programmer's Guide</i> Chapter 5, LIST command
The CDS swap process has been enhanced to dynamically correct unit address information .	<i>System Programmer's Guide</i> Appendix C, Swapping a CDS

Enhancement/Modification	Publication(s)/ Primary Locations
Revision A:	
SLUADMIN output options, date field formats, and alphabetic data field formats have been expanded to include structured XML and comma-separated values (CSV).	<i>System Programmer's Guide</i> Chapter 4, "SLUADMIN Output" and "Parameters Controlling Report Headings"
Support for the Unified User Interface (UI) and CSV.	<i>NCS/VTCS XML User's Guide</i>
Support for T10000 drive encryption recording techniques and model types.	<i>System Programmer's Guide</i> Chapter 2, T10000 Drive Encryption Chapter 3, VOLATTR control statement Chapter 4, EJECT Cartridge and Scratch Redistribution utilities Appendix G, MOUNT, QDRLIST, QSCRATCH, and SELSCR requests <i>Operator's Guide</i> Chapter 2, Display DRives, Display SCRatch, Display THReshld, EJECT, Warn commands
The "Serializing CDSs" topic discusses resource serialization using either the IBM Global Resource Serialization (GRS) facility or the Unicenter CA-MIM/MII third-party software. This replaces the "Global Resource Sharing (GRS) and Multi-Image Integrity Manager (MII)" section.	<i>System Programmer's Guide</i> Chapter 7, Software Interaction
The starting column for the control statement information area has been changed from column 2 to column 1.	Control Statement Syntax Conventions, found in the following documents: <i>System Programmer's Guide</i> Appendix C <i>Operator's Guide</i> Appendix C <i>Reference Summary</i>
The BACKup utility DD parameter allows a backup to be run on a selected CDS.	<i>System Programmer's Guide</i> Chapter 4, BACKup utility
The EJECT utility WAITCAP parameter specifies whether a list of ejecting volumes waits for available CAP if one is not available.	<i>System Programmer's Guide</i> Chapter 4, EJECT utility

Enhancement/Modification	Publication(s)/ Primary Locations
The Scratch Conversion utility SLUDRCA1, SLUDRTLMM, and SLUDRRMM load modules are distributed in the SMC SMCLINK library during SMP/E installation. Previously, the HSC SLULINK library was used.	<i>System Programmer's Guide</i> Chapter 4, Scratch Conversion utility
The Volume Report utility NOVOL parameter displays summary and/or subpool totals without producing volume detail.	<i>System Programmer's Guide</i> Chapter 4, Volume Report utility
The Display SCRatch command ALL parameter specifies that all scratch subpool totals, including 0 scratch count values, will be displayed.	<i>Operator's Guide</i> Chapter 4, Display command
The SCRATCH and UNSCRATCH operator commands have been added to allow you to scratch or unscratch up to 100 volumes.	<i>Operator's Guide</i> Chapter 2, SCRATCH and UNSCRATCH commands
Support for circumventing the IBM length restriction of 255 characters for a macro parameter.	<i>Configuration Guide</i> Chapter 4, SLIACS macro, LSM2, LSM3, and LSM4 parameters <i>System Programmer's Guide</i> Chapter 4, Reconfiguration utility

Preface

This guide provides information about the Oracle's StorageTek Host Software Component (HSC) and its use with the Automated Cartridge System.

The *System Programmer's Guide* is intended primarily for systems programmers responsible for installing and maintaining HSC software at their library sites. Library operators and computer system administrators may also find information contained in this guide useful on occasions to review or understand some HSC system concepts.

Related Documentation

The following list describes the publications that provide additional information about the HSC.

The online documentation is available at:

<http://docs.sun.com/app/docs/prod/stortek.hsc#hic>

Function	Title
HSC Publications	
Tasks for planning and configuring the HSC	<i>Configuration Guide</i>
System operation, maintenance, and problem resolution	<i>Operator's Guide</i>
Detailed HSC and library information, control statements, and utilities	<i>System Programmer's Guide</i>
Messages and codes issued by the HSC	<i>Messages and Codes Guide</i>
Frequently used syntax information	<i>Reference Summary</i>
Related Publications	
Installation tasks for the HSC	<i>NCS Installation Guide</i>
Detailed descriptions of HSC user exits	<i>NCS User Exit Guide</i>
Interface between the HSC and the operating system that influences tape allocation	<i>Storage Management Component (SMC) Configuration and Administration Guide</i>
Generate XML output for VTCS and NCS commands and utilities	<i>NCS XML Guide</i>

Documentation, Support, and Training

Function	URL
Documentation	
• Customer:	http://docs.sun.com
• Employee:	http://docs.sfbay.sun.com/
• Partner:	https://spe.sun.com/spx/control/Login
Downloads	
• Customer	http://www.sun.com/download/index.jsp
• Employee	https://dlrequest-zn-dlapps1.sfbay.sun.com/usr/login
Support	http://www.sun.com/support/
Training	http://www.oracle.com/global/us/education/sun_select_country.html
Online Account	https://reg.sun.com/register

Oracle Welcomes Your Comments

Oracle is interested in improving its documentation and welcomes your comments and suggestions. Submit your comments by clicking the Feedback[+] link at:

<http://docs.sun.com>

Please include the title and part number of your document with your feedback:

System Programmer's Guide, 312642401

Chapter 1. System Description

Automated Cartridge System Overview

The StorageTek Automated Cartridge System (ACS), called the library, is an automated storage and retrieval facility for tape cartridges. The library incorporates the Host Software Component (HSC) to accomplish automated mounting and dismounting of resident cartridges for the library-attached cartridge transports. The library may be attached to a maximum of 16 CPUs (hosts) with an HSC installed on each attached host system.

The library consists of five major elements:

- Host Software Component (HSC) — functions as the library control component acting as the interface between the SMC and the library hardware.
- Storage Management Component (SMC) — functions as the interface between the host operating system, a tape management system (if applicable), and the HSC.
- Library Storage Module (LSM) — contains storage cells for tape cartridges. The storage capacity of an LSM depends upon the LSM model. There are several LSM models available:
 - Standard (Model 4410)
 - PowderHorn (Model 9310)
 - WolfCreek (Model 9360), which includes:
 - 9360-100 (1,000 cartridge capacity)
 - 9360-075 (750 cartridge capacity)
 - 9360-050 (500 cartridge capacity)
 - TimberWolf (Model 9740)
 - StreamLine (Model 3000)
 - StreamLine (Model 8500).

An attached Library Control Unit (LCU) with associated electronics controls LSM robot movement. The LSM access door, contains a Cartridge Access Port (CAP), for entering or removing tape cartridges from the LSM. The types of CAPs available, depending upon how the LSMs are configured in an ACS, include:

- Standard and Enhanced CAP used in standard (4410) and PowderHorn (9310) LSMs.
- WolfCreek (9360) standard 20-cell and optional 30-cell CAPs. The WolfCreek LSM holds approximately 500, 750, or 1000 cartridges depending on the number of cartridge drives, pass-thru ports, and CAPs installed.
- TimberWolf (9740) 10-cell removable magazine or 14-cell permanent rack CAP.
- StreamLine (3000) contains 2, 13-cell removable magazines in each CAP. This library allows up to 12 CAPs.
- StreamLine (8500) includes 3, 13-cell removable magazines. An optional 39-cell CAP can be added.

The complete inventory of each LSM and the storage location for each cartridge is contained in the library control data sets maintained by the HSC.

- Library Management Unit (LMU) — controls the Library Storage Modules (LSMs) in the ACS. The LMU interprets the commands from the host and relays the instructions to an LSM for execution. One LMU can control up to 24 LSMs.
- Tape Cartridge Subsystem — consists of the tape cartridge drives containing tape transports where tape cartridges are placed by the robot for read or write operations.

Host Software Component Overview

The HSC performs a variety of functions including:

- determining if the requested cartridge is stored within an LSM
- minimizing cartridge enters and ejects
- ensuring the correct media type is mounted on the correct transport type
- delivering library mount/dismount instructions to the LMU via a terminal control unit
- providing exits at key points
- providing for operator control of the library through a set of operator commands and utility programs
- determining the LSM location of each library cartridge from the library control data set (CDS)
- providing a programmatic interface for library control.

CDS integrity can be provided through the following techniques:

- allocating secondary (shadow) and standby data sets in addition to the primary control data set
- scheduling regular backups of the control data sets
- utilizing journal data sets to log library transactions.

After the SMC intercepts a mount or dismount message, the HSC issues cartridge movement requests to an LMU station via the terminal control unit. The LMU relays information to the Library Control Unit (LCU) enabling the robot in the LSM to locate and mount/dismount the requested cartridge.

In a dual LMU environment when the master LMU fails, the standby LMU takes over. The standby LMU completes the work in progress and services all future ACS requests.

HSC Subsystem Components

The HSC is a secondary subsystem as defined by MVS. The HSC contains the following components:

- **External Components** — External components interface with the SMC, an operator, an administrator, and/or a system programmer. The external components consist of an installation component, the initialization/termination component, a command component, the utility component, and an application program interface (Programmatic Interface, a tape management interface component).
- **Common Components** — Common components provide distinct functions required by the external and common components. The common components consist of the mount/dismount components, the CAP component, and the recovery component.
- **Control Components** — Control components provide logical control over system entities used by both common components and external components. The control components consist of the volume/cell control component and the configuration control component.
- **Server Components** — The server components provide physical control of system entities for the control components. The server components consist of the database server, the LMU server, the WTO component, and the address space communications server.

HSC Architecture

Figure 1 on page 5 is a block diagram of the HSC architecture with the user's address space on the left side, and other HSC components located in the HSC address space on the right side.



Note: The initialization/termination external component resides entirely in the HSC address space.

The Address Space Communications Server spans both the user's address space and the HSC address space. It handles requests from components in the user's address space that require services from components located in the HSC address space.

The following section briefly describes the functions of each external component.

Operator Command component

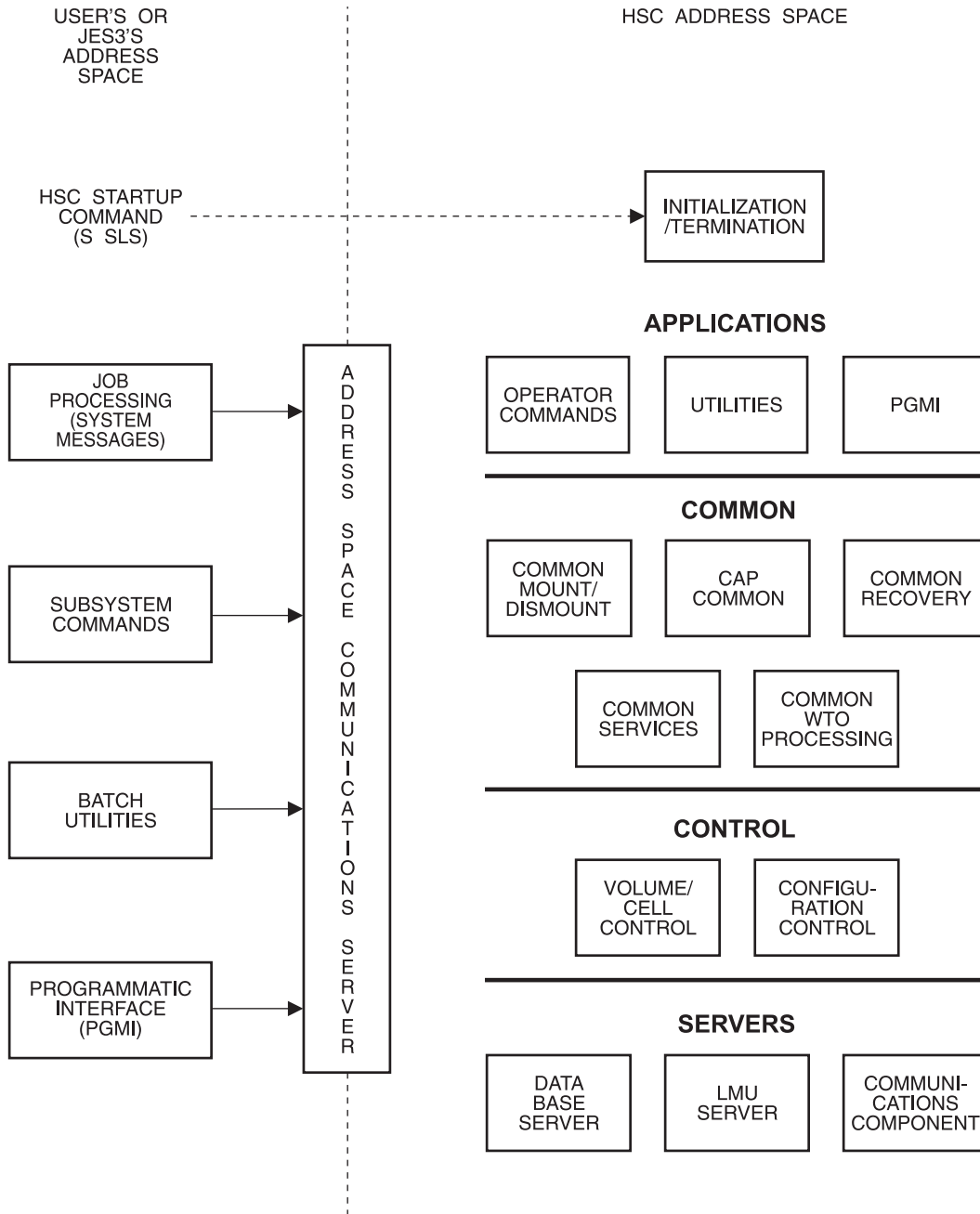
The operator command component receives control from the CONSOLE address space to process a subsystem command. The requests are directed to the appropriate components located in the HSC address space.

Batch Utilities external component

The batch utilities component handles services required by a utility that are requested thru the address space communications server. Responses to those requests are returned to the utility's address space and processing continues.

Programmatic Interface external component

The programmatic interface component receives and directs requests for configuration, status, mount, dismount, and other information, from users and programs.



C46002

Figure 1. HSC Architecture

HSC and Automated Cartridge System Interaction

After the HSC is enabled by the MVS START command and completes full initialization, mount or dismount requests are received, and the library control data set is used to determine the location of the requested cartridge (library-controlled or nonlibrary).

The library control data set is created on a DASD volume when you perform a data set initialization during installation. Figure 2 on page 8 shows that it is necessary to share the control data set between all hosts requiring access to the library.

Automated cartridge mounts/dismounts are performed in response to operator commands, MVS or JES3 system messages intercepted by the SMC, or requests from the programmatic interface. The HSC determines that a mount/dismount is required for a volume under automated library control (cartridge resides in an LSM storage cell), and it communicates with the appropriate LMU.

If the request is for a mount, the following information is communicated to the LMU:

- the LSM and panel/row/column in which the volume resides
- the destination LSM (where the volume is to be mounted on a transport).

If all drives in an LSM are busy, a cartridge can be moved to another LSM to satisfy the mount request. This action is performed without operator intervention, since the pass-thru port (PTP) makes the cartridge available to the attached LSM.

If the request is for a dismount, this information is passed to the LMU:

- the LSM, cartridge drive, and transport in which the volume resides
- the destination (storage cell, CAP, or PTP) of the cartridge.

Automated Mount

Figure 2 on page 8 shows the LMU communicating with the LSM through LAN 0. In this illustration, LAN 1 is represented as the backup used in case of a LAN 0 failure.



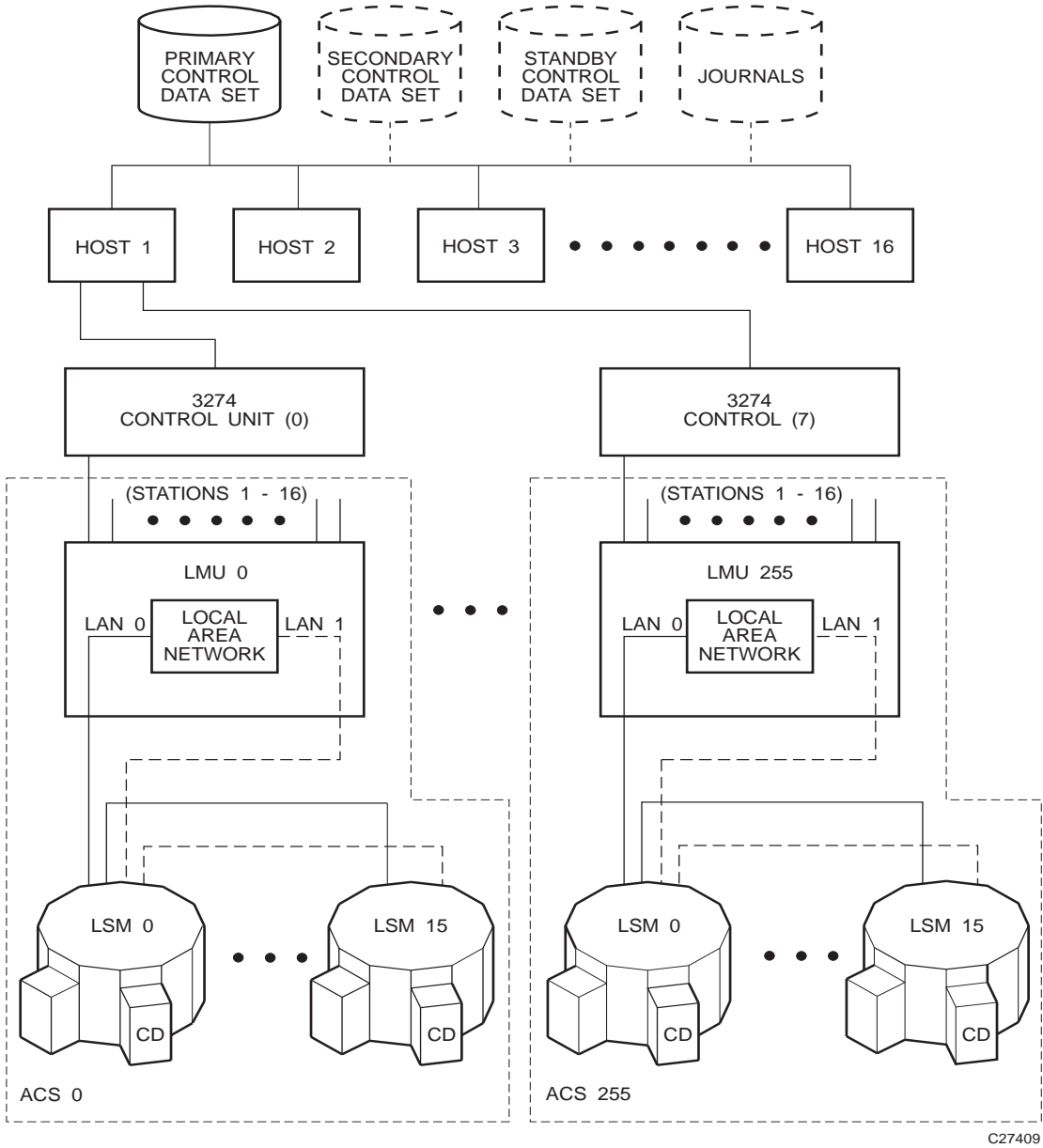
Note: The LMU can select either LAN for communications with the LSM(s). Whichever LAN is not picked becomes the backup.

Within the LSM, the robot's hands are positioned to the correct panel/row/column cartridge location. The external Tri-Optic label is verified by the robot's vision system, the robot's hand extends, and the hand grasps the cartridge from its storage cell. The robot's hand retracts with the cartridge and the robot moves to the appropriate position (PTP cell or transport). The robot hand extends and the cartridge is positioned and released at its destination (PTP cell or transport).

If the destination is a PTP cell, the cartridge is made available to the adjacent LSM, and the process repeats until the cartridge is placed in a transport.

Automated Dismount

An automated dismount is the reverse of the mount procedure. The LMU communicates with the LSM via the LAN, and the robot's hands are positioned at the transport to be dismounted. The external Tri-Optic label is verified using the vision system. A hand is extended and the cartridge is grasped from the transport. The hand retracts with the cartridge and the robot is moved to the cartridge's destination. The hand is extended and the cartridge is positioned and released into the storage cell.



C27409

Figure 2. HSC/Automated Cartridge System Interaction

In a library configuration containing more than one LSM, if a pass-thru operation occurs to obtain the cartridge for mounting, the cartridge may be returned by one of these possible ways:

- If the MNTD Float command is set to ON (the HSC initial value), the cartridge is returned to any new cell location in the LSM containing the tape transport from which it was dismounted. For more information on the MNTD Float command, refer to the *HSC Operator's Guide*.
- If the MNTD Float command is set to OFF, the cartridge is passed through to the origin LSM and placed into its originating cell location. For more information on the MNTD Float command, refer to the *HSC Operator's Guide*.
- If the LSM is full, the cartridge is passed thru to another LSM and placed in any cell location
- A temporary enter on a mount operation means an eject upon dismount (the cartridge does not remain in the LSM).

The library control data set is automatically updated to reflect the new location of the cartridge.

Dual LMU Environment

In a dual LMU environment, the HSC maintains contact with both LMUs. Both LMUs are varied online. One LMU functions as the master LMU and the other functions as the standby LMU. Requests and responses are channeled through station paths on the master LMU. Paths on the standby LMU are online, but not used.

The master LMU continually informs the HSC of the status of the standby LMU. The HSC informs the operator when status changes.

The standby LMU constantly polls the master LMU. If the master LMU fails, the standby LMU informs the HSC that status has changed. The standby becomes the master. The HSC also informs the operator that the previous master LMU is not communicating.



Note: Automatic LMU switching occurs only when the standby LMU detects problems with the master LMU's core logic and hardware components in an HSC environment. Switching does not take place if the problem relates to the communications path between the HSC and the LMUs.

At switchover, the HSC:

- notifies the operator that switchover is occurring
- verifies the configuration for the LMU
- sends the new master LMU all the work that was in progress
- terminates ENTER operations.

After switchover, the HSC sends the new master all ACS requests.

Switchover should not affect movement in process. All moves should complete. If not, the cartridges become errant and are found when the LSMs perform “quick initialization” processing. ENTER operations must be restarted after switchover.

User Control of HSC Functions

Various controls are in place in the HSC software to permit you to select how the HSC functions. Macros, Utilities, HSC control statements, and User Exits are normally used by the systems programmer to tune and customize the system. Commands are normally invoked by a systems operator in the performance of daily operations tasks. A description of the function of each of these available controls follows.

Macros

Macros are provided primarily to help you set up the library software configuration or library generation (LIBGEN). Refer to the *HSC Configuration Guide* for detailed information about the LIBGEN macros and how they are used to configure a library.

Utilities

Utilities are provided to allow you to manage library resources. The utilities enable you to dynamically:

- perform maintenance on control data sets
- control cartridge and scratch volume functions
- produce performance, activity, and inventory reports relating to a library.

Refer to Chapter 4, “Utility Functions” for detailed information about the HSC utilities and how they are used to manage library resources.

HSC Control Statements

Two types of control statements are available: PARMLIB, used to set initial values for system functions at HSC initialization, and definition data set, provided to define mixed media and devices. PARMLIB control statements set HSC functions such as:

- host-to-host communications parameters
- definition of scratch subpools
- data set definitions including: the primary, secondary, standby control data sets, and journals
- extended parameter list for startup.

Definition data set control statements allow you to define the following items to the HSC:

- volume attributes
- TCP/IP LMU
- scratch subpools.

Refer to Chapter 3, “HSC Control Statements and HSC Start Procedure” for detailed information about control statements and usage.

Commands

Operator commands are available for Systems Operators to use in daily library operation to perform various tasks. Commands perform such functions as:

- assigning a preference to a specific cartridge access port (CAP)
- displaying system status, such as control data set status, ACS, LSM, and volume status
- entering, ejecting, mounting, and dismounting cartridges
- setting of system parameters.

Refer to “Commands, Control Statements, and Utilities” in the *HSC Operator’s Guide* for information about HSC operator commands and usage.

User Exits

User exits are provided with the HSC software so you can customize operation of your library to meet specific requirements. User exits are provided by StorageTek in source and object form on the distribution tapes. It is necessary for you to code routines designed especially for your library. You can then replace the StorageTek provided user exits with these custom-coded routines.



Note: User exits 1, 2, 4, 8, 9, 10, 11, 12, and 13 are invoked by the SMC and not directly by the HSC. See the *NCS User Exit Guide* for more information.

User exits permit:

- interfacing to tape management systems (knowledge of cartridge insert and delete)
- influencing allocation of tape transports
- defining scratch subpools
- implementing authorization checking
- implementing reporting for cartridges added or deleted from the library control data sets
- processing installation-specific messages (special message parsing)
- providing flexibility in user exit processing
- enabling esoteric substitution
- controlling deferred mounting
- controlling unit affinity separation
- controlling JES3 deferred mounting
- controlling JES3 drive prioritization for a specific volume

- establishing and cleaning up global user information.

Refer to the *NCS User Exit Guide* for detailed information about each user exit. Information includes:

- functional description including entry and return specifications, and return codes
- programming considerations
- restrictions and limitations
- parameter list, DSECT, record layout, and parameter cross reference.

Chapter 2. Host Software Component Functions

Overview of HSC Functions

This chapter describes the basic function of the HSC. Functions for each of the HSC components fit within the architecture structure presented in Figure 1 on page 5. Not all of the components of the architecture structure have capabilities directly visible to you. Only those HSC functions that you can control or those that are operationally apparent are described in this chapter.



Note: Drive allocation is managed by the Storage Management Component (SMC). Refer to the *SMC Configuration and Administration Guide* for details.

System functions relating to HSC architecture components represented in Figure 1 include:

- installation
- configuration
- initialization/termination
- mount/dismount processing
- volume/cell control
- CAP processing
- common recovery
- renaming control data sets
- command
- utility
- LMU server
- communication
- programmatic interface
- batch application program interface.

The Automated Cartridge System provides the facilities and software to perform various functions with or without operator intervention. Such major system functions are described in this chapter.

Automatic Functions of the HSC

Among the functions handled automatically by the HSC are:

- mounting and dismounting of cartridges
- automatic and manual operating modes
- handling of abnormal situations occurring during mounting or dismounting of cartridge
- Cartridge Access Port processing to allow the operator to enter or eject cartridges
- tape management system assistance
- automatic cleaning of tape transports with cleaning cartridges under the control of the HSC and the library
- restricting the write access to volumes in the library through the Virtual Thumbwheel feature that interfaces with the MVS System Authorization Facility (SAF)
- dual LMU support
- control data set recovery.

Facilities Available for User Control of HSC Functions

There are facilities available for system programmers and operators to use to control various system functions. These include:

- macros
- utilities
- HSC control statements
- operator commands
- programmatic interface (PGMI) requests
- user exits.

Installation Functions

Installation functions pertain to installation of the HSC subsystem. Refer to the HSC installation section in the *NCS Installation Guide* for information about installation planning and instructions, including:

- preparing for the HSC installation
- installing the HSC Base Function
- performing post-installation tasks.

Configuration Functions

Installation functions relate to configuration or reconfiguration processing of the HSC subsystem. The *HSC Configuration Guide* presents detailed information about configuration planning, including:

- performing preexecution tasks
- defining the library configuration (LIBGEN)
- defining PARMLIB control statements
- initializing the control data sets
- verifying library generation
- starting HSC execution
- testing the installation
- planning and executing cartridge migration into the library
- planning migration to new HSC releases
- performing library modifications
- library configuration checklist.

Initialization/Termination Functions

Initialization/termination functions control initialization and termination of HSC components. This section describes the major initialization/termination functions.



Note: An SMC subsystem must be active to influence tape allocations and intercept MVS messages. Refer to the “Starting SMC” chapter in the *SMC Administration and Configuration Guide* for more information.

The SMC is not required to be initialized before the HSC or to be running on the same host as the HSC. However, if the HSC is brought up without SMC, the HSC acts as a server only and cannot perform allocations or device preferencing.

HSC Service Levels

To provide you with a more flexible, dynamic, automated cartridge mounting execution environment, the HSC has a service level strategy. Operation at either of the two service levels impacts the HSC subsystem. Operation flexibility is provided at a base service level to tolerate failures in certain isolated areas without impacting the functions of other sections of the HSC or your entire data center. Overall, this fault-tolerant HSC gives you

greater availability of your automated library and lessens the need to shutdown and reinitialize. The HSC subsystem operates at two service levels:

Base service level

provides minimal functionality keeping the HSC running while having the capability of applying software maintenance or altering the subsystem parameters at the same time. This level is the lower level of functionality.

Full service level

provides full functionality of the HSC.

Normally, the HSC initializes to the full service level when started. HSC can be started at the base service level by coding a parameter field in the MVS START command. Refer to “Starting the HSC at the Base Service Level” on page 140 for information on command syntax.

Description of Base Service Level

The base service level is the nucleus of the HSC subsystem. It involves the functions necessary to execute as an extension of the operating system. The service level and its functions satisfy the requirements defined by the operating environment in place at the time of execution. Base service level functions include the capabilities to:

- issue subsystem commands
- execute certain utilities
- access the control data sets
- support the operating system interfaces and front-ends and maintain HSC host-to-host communications.

All operator commands can be issued with the HSC executing at the base service level. However, the commands which involve library hardware cannot perform their function completely. Table 1 on page 19 indicates which commands have complete functionality at the base service level.

Table 2 on page 20 indicates which utilities can be executed at the base service level.

Description of Full Service Level

The full service level of operation for the HSC provides all of the functions available and necessary to invoke and sustain complete library operations. These functions include:

- mount/dismount processing
- CAP processing
- cartridge and cell inventory management
- LMU access
- library resource recovery
- support for utilities which require services from the hardware
- support for user exits
- support for the programmatic interface.

At initialization, the HSC builds data areas, loads program modules, and sets up the required operating system services to support the two service levels of operation.

Termination of the HSC, including normal termination by issuing the MVS STOP command, and abnormal termination through abends or issuing the MVS CANCEL or FORCE commands, removes the service level structure and services.

On your system with the HSC operating at full service level, all commands, utilities, etc. are fully functional. Should you decide to manually intervene by issuing the Service Level command (SRVlev) to change from full to base service level, the functionality of the HSC is reduced.

See “Starting the HSC at the Full Service Level” on page 140 for information about setting the service level at HSC initialization.

Table 1. HSC Command Execution at Base and Full Service Levels

Command	Service Level Execution	
	Base	Full
ALLOC	YES	YES
CAPPref	NO	YES
CDs	YES	YES
CLean	NO	YES
COMMPath	YES	YES
DISMount	NO	YES
Display	YES *	YES
DRAin	NO	YES
EJect	NO	YES
ENter	NO	YES
Journal	YES	YES
MNTD	NO	YES
MODify (F)	NO	YES
MONITOR (MN)	YES	YES
Mount	NO	YES
MOVE	NO	YES
OPTion	YES	YES
RECover	NO	YES
RELease	NO	YES
SCRAtch	YES	YES
SENter	NO	YES

Table 1. HSC Command Execution at Base and Full Service Levels (Continued)

Command	Service Level Execution	
	Base	Full
SRVlev	YES	YES
STOPMN (PM)	YES	YES
SWitch	NO	YES
Trace	YES	YES
TRACELKP	YES	YES
TREQDEF	YES	YES
UEXIT	YES	YES
UNITDEF	YES	YES
UNSCRatch	YES	YES
Vary	NO	YES
VIew	NO	YES
VOLDEF	YES	YES
Warn	NO	YES

* Display options that require hardware interaction are not valid at the base service level

Table 2. Utility Execution at Base and Full Service Levels

Command	Service Level Execution	
	Base	Full
ACTIvities	YES	YES
AUDIIt	NO	YES
BACKUp	YES	YES
EJECT	NO	YES
LIBGen	YES	YES
INITialize	NO	YES
MERGEcds	YES	YES
MOVE	NO	YES
OFFLoad	YES	YES
REPLaceall	YES	YES
RESTore	NO	NO

Table 2. Utility Execution at Base and Full Service Levels

Command	Service Level Execution	
	Base	Full
SCRAtch	YES	YES
SCREdist	NO	YES
SET	YES	YES
UNSCratch	YES	YES
UNSElect	YES	YES
VOLRpt	YES	YES

Displaying/Setting Service Level

An HSC operator command, SRVlev, sets a different service level. Refer to “DISPLAY Command” in the *HSC Operator's Guide* for information on how to display the current HSC service level.

Starting the HSC Subsystem at Base Service Level

If the HSC and the library are new to your data center, you may want to install the HSC software and start the subsystem at the base service level before your library hardware is physically installed. Starting the HSC at the base service level allows you to perform many of the preliminary tasks involved in configuring your library and performing preliminary tests on basic operation.

Normally the HSC subsystem is initialized to the full service level when started. The HSC can be started at the base service level only by coding PARM=BASE in the MVS START command. Then, the Service Level (SRVlev) command can be used to bring the HSC to full service level whenever you are ready.

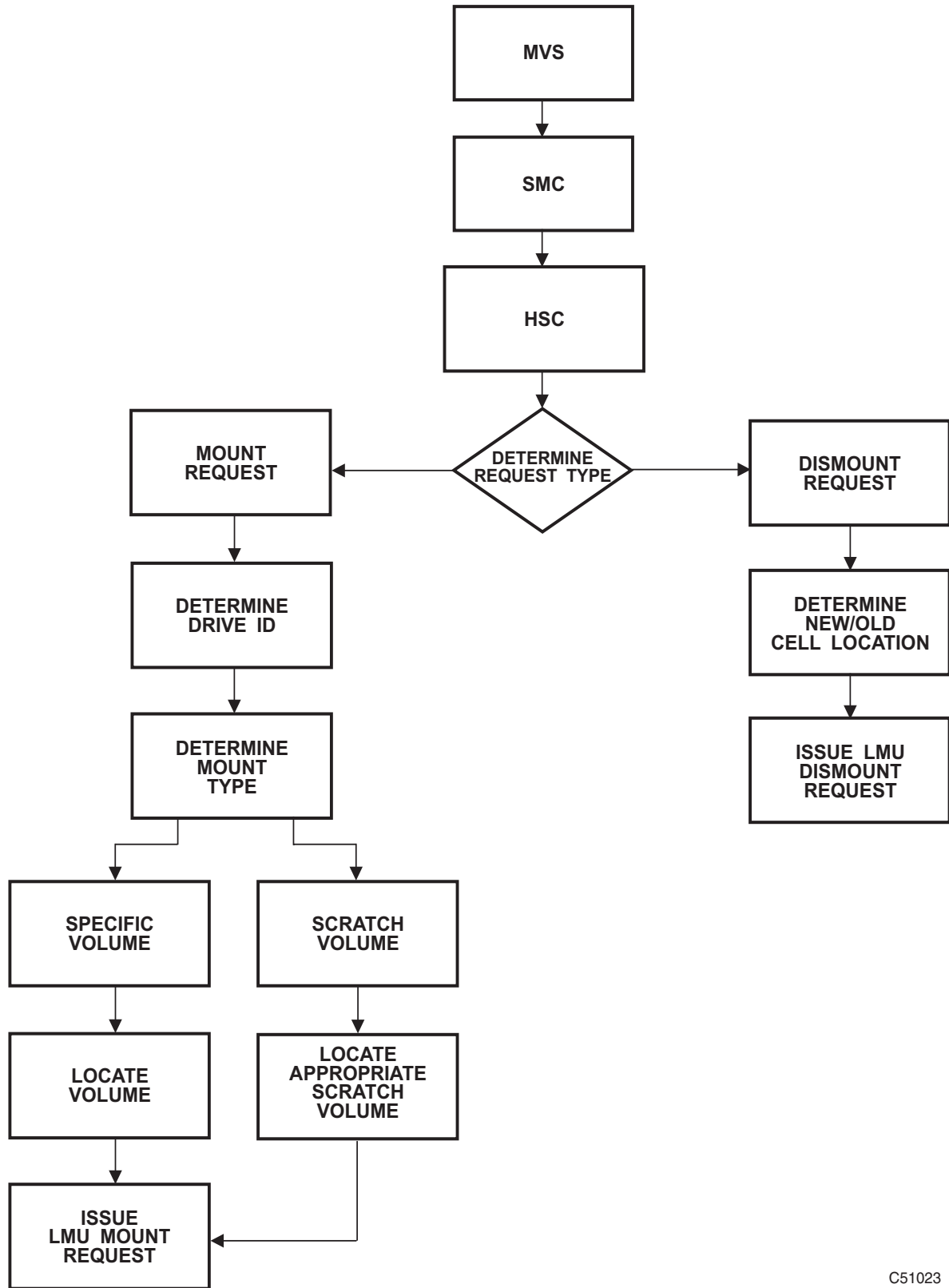
See “Starting the HSC at the Base Service Level” on page 140 for information about setting the service level at HSC initialization.

Drive Allocation

The SMC subsystem handles all allocation requests. Refer to either “SMC Allocation in a JES2 Environment” or “SMC Allocation in a JES3 Environment,” as appropriate, in the *SMC Configuration and Administration Guide* for more information.

SMC Common Allocation

The Storage Management Component (SMC) manages common allocation. The SMC provides single, consistent functionality between the HSC and MVS/CSC, in both JES2 and JES3 environments. Refer to the *SMC Configuration and Administration Guide* for more information.



C51023

Figure 3. HSC Job and Mount/Dismount Processing

Common Allocation

Common allocation is the process of influencing MVS allocation to select the most desirable device for a request. The Storage Management Component (SMC) consolidates the allocation components of the HSC and MVS/CSC and communicates with these subsystems to determine policies, volume locations, and drive ownership. Refer to the *SMC Configuration and Administration Guide* for detailed descriptions of this product.

Mixing Media Types and Recording Techniques

The HSC supports mixing media types and transport models with different recording techniques in a library environment without requiring the user to change JCL or invoke HSC user exits. The supported media types are standard, ECART, ZCART, helical, STK1 (T9840A, T9840B, T9840C, T9840D), STK2 (T9940A and T9940B), LTO, SDLT, and T10000 (T10000T1, T10000TS).



Notes:

- The SL8500 library supports the T9840A, T9840B, T9840C, T9840D, T9940B, LTO, SDLT, T10000A, and T10000B media types and recording techniques.
- The SL3000 library supports the T9840C, T9840D, LTO, SDLT, T10000A, and T10000B media types and recording techniques.
- The STK1 media type is not related to the STK1 storage group defined in DFSMS/MVS.

The supported transports for all libraries except the SL8500 are the StorageTek 18-track model 4480; 36-track models 4490, 9490, and 9490EE; helical model SD-3; model T9840A, T9840B, T9840C, T9840D; model T9940A and T9940B; and model T10000A and T10000B.



Notes:

- The main physical external difference between standard, ECART, and ZCART cartridges is that the ECART and ZCART housings are two-toned (ECART is black and tan; ZCART is black and red). Since ECARTs are in 36-track format, they cannot be read from or written to on a 4480 (18-track) transport. ZCARTs can be read from or written to only on 9490EE transports.

•Transport models 4490, 9490, 9490EE, SD-3, T9840A, T9840B, T9840C, T9840D, T9940A, and T9940B appear to the operating system as the following types of devices

- 4490 – 3490E
- 9490 – 3490E
- 9490EE – 3490E
- SD-3 – 3490E or 3590
- T9840A, T9840B, T9840C, T9840D – 3490E or 3590
- T9940A and T9940B – 3490E or 3590
- T10000A and T10000B – 3490E or 3590.



Note: LTO and SDLT transports are not supported as direct-attach devices in an MVS environment. These transports are recognized by the HSC but are accessible only to open systems clients using LibraryStation.

Media Domain Support — LTO, SDLT, and T10000 Drives

Media domain support has been extended to the HSC for non-legacy media types. Media domains contain a logical collection of differing media separated into distinct pools known as a domain. All legacy StorageTek media (e.g., ECARTs) belong to domain “0”; non-legacy media belong to other domains as defined in Table 3.

Table 3. Non-legacy Media Type/Domain Definitions

Media Name	Media Domain	Media Type
LTO-10G	'L'	'C'
LTO-35G	'L'	'B'
LTO-50G	'L'	'A'
LTO-100G	'L'	'1'
LTO-200G	'L'	'2'
LTO-400G	'L'	'3'
LTO-400W	'L'	'T'
LTO-800G	'L'	'4'
LTO-800W	'L'	'U'
LTO-CLN1	'C'	'1'
LTO-CLN2	'C'	'2'
LTO-CLNU	'C'	'U'
SDLT	'1'	'S'
SDLT-2	'1'	'2'
SDLT-S1	'S'	'1'
SDLT-S2	'S'	'2'
SDLT-S3	'S'	'3'
SDLT-S4	'S'	'4'
SDLT-4	'1'	'4'
STK1R	'0'	'R'
STK1Y	'0'	'Y'
T10000T1	'T'	'1'
T10000TS	'T'	'S'
T10000CT	'C'	'T'

The media domain is shown as part of the external label and is affixed to the outside of the cartridge following the volume serial label. This information is returned to the host as part of an LMU catalog response. Physical move requests for all volumes require a media domain to be supplied as part of the LMU request initiated by the controlling software. Failure to provide the correct domain results in the LMU failing the request.

T9840D and T10000 Drive Encryption

T9840D, T10000A, and T10000B tape drives implement data security through tape drive encryption. In the HSC, you enable encryption by specifying new recording techniques and model types; no special media is needed, except for the cleaning cartridge media type for the T9840D (STK1Y).

To read encrypted files, you must have access to an encryption key you set up in advance. The key allows you to encrypt the data if you are writing to a tape or decrypt the data if you are reading from a tape.

Refer to the *Crypto Key Management System Administration Guide* for more information.

Virtual Storage Manager (VSM) Media/Recording Technique Support

VSM support for the virtual media and recording technique has been added for certain control statements and operator commands. See the VTCS documentation for more information.

Definition Data Set Control Statements

Definition data sets contain control statements that can be used to define to the HSC the volume attributes, unit attributes, and tape request characteristics for your data center. The HSC uses this information to make sure that:

- the correct media type is selected to satisfy the request
- the cartridge is mounted on an appropriate transport model (i.e., 4480, 4490, 9490, 9490EE, SD-3, T9840A, T9840B, T9840C, T9840D, T9940A, T9940B, LTO, SDLT, T10000A, or T10000B).

Definition data set control statements include:

- **OPTION TITLE** which places an identifying string in a definition data set
- **Tape Request (TAPEREQ)** which describes the media type and recording technique to be used for a particular data set TAPEREQ is managed by the SMC. Refer to the *SMC Configuration and Administration Guide* for details.
- **Tape Request Definition (TREQDEF)** which identifies the definition data set containing TAPEREQ control statements. TREQDEF is processed by the SMC. Refer to the *SMC Configuration and Administration Guide* for information.
- **Unit Attribute (UNITATTR)** which describes the recording technique attributes of library and nonlibrary transports is managed by the SMC. Refer to the *SMC Configuration and Administration Guide* for details.
- **Volume Attribute (VOLATTR)** which describe the media type and recording technique attributes of cartridge tape volumes

- Volume Attribute Definition (VOLDEF) which identifies the definition data set containing VOLATTR control statements.

See “Definition Data Set Control Statements” on page 97 for additional information.

MEDia and RECtech Parameters

MEDia and RECtech parameters are specified on several control statements, operator commands, utilities, and PGMI requests. Parameter values associated with MEDia and RECtech, and their hierarchy, are shown in Figure 4 on page 31.

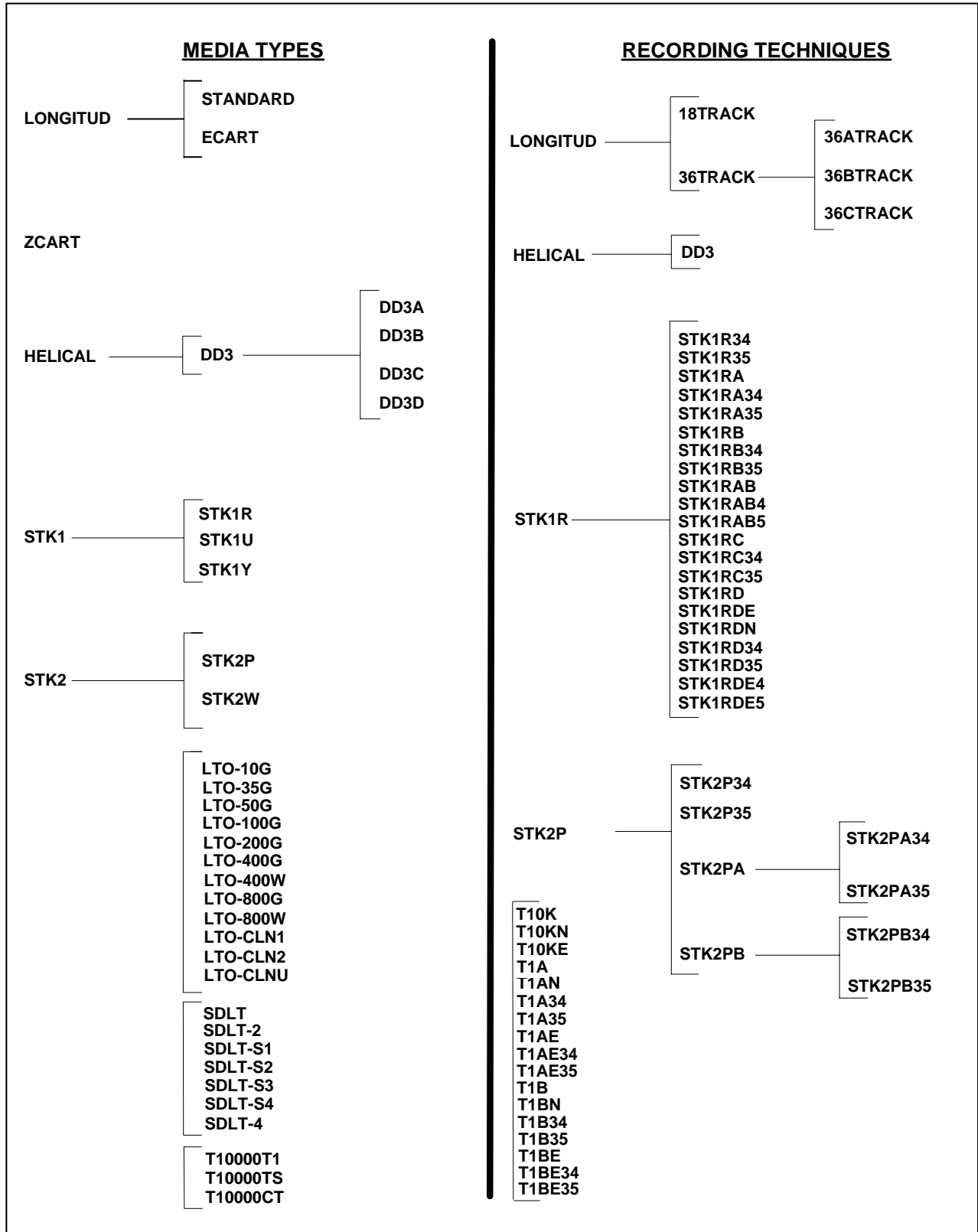


Figure 4. MEDIA/RECtech Hierarchy

Model Parameter

The MODEL parameter is specified on the TAPEREQ and UNITATTR statements. MODEL values are processed as if they were RECTECH values. UNITATTR control statements do not use the RECTECH parameter. Table 4 shows the relationship between MODEL and RECTECH parameters.

Table 4. MODEL/RECTECH Translation

MODEL	Resulting RECTECH
4480	18track
4490	36Atrack
9490	36Btrack
9490EE	36Ctrack
SD3	DD3
9840	STK1R
984035	STK1R
T9840B	STK1R
T9840B35	STK1R
T9840C	STK1R
T9840C35	STK1R
T9840D	STK1RD34
T9840D35	STK1RD35
T9840DE	STK1RDE4
T9840DE5	STK1RDE5
T9940A	STK2P34
T9940A35	STK2P35
T9940B	STK2PB34
T9940B35	STK2PB35
HP-LTO2	None*
HP-LTO3	None*
HP-LTO4	None*
IBM-LTO2	None*
IBM-LTO3	None*
IBM-LTO4	None*

Table 4. MODel/RECtech Translation

MODel	Resulting RECtech
SDLT-600	None*
DLT-S4	None*
T1A34	T1A34
T1A35	T1A35
T1AE34	T1AE34
T1AE35	T1AE35
T1B34	T1B34
T1B35	T1B35
T1BE34	T1BE34
T1BE35	T1BE35

* LTO and SDLT drives are accessible to HSC and LibraryStation but not to MVS. As a result, there is no corresponding RECtech for the MODel parameter.

Device Preferencing

Device preferencing is applicable only to library configurations containing a mixture of StorageTek's 36-track 4490, 9490, and 9490EE Cartridge Subsystems and is managed by the Storage Management Component (SMC). Refer to the *SMC Administration and Configuration Guide* for more information.

Mount/Dismount Functions

Mount and dismount functions consist of the following processing:

- mounting specific volumes
- mounting scratch volumes
- swapping mounted volumes to another tape transport
- dismounting library volumes
- handling abnormal mounts and dismounts
- virtual thumbwheel (VTW)
- automated tape transport cleaning.

The SMC message handling component is driven by operating system message traffic and sends requests to the HSC mount/dismount component to cause tape cartridges to be mounted, dismounted, or swapped. Requests for the same transport are sometimes logically queued until the required physical actions have completed (e.g., tape rewind and dismounted so the next mount can occur) or until the operator has responded to a decision message with a desired action. See Figure 3 on page 23 for an overview of HSC mount/dismount processing.

Several options exist to allow users to specify how they want mount/dismount to react in various situations. Refer to "MNTD (Mount/Dismount Options) Command and Control Statement" in the *HSC Operator's Guide* for a description of these options.

Mount Processing for Specific Volumes

The HSC maintains a record of the library location for each cartridge and instructs the LMU to mount the requested cartridge on the selected transport.

Mount processing occurs as a result of:

- the programmatic interface (PGMI) interpreting a request for library transports, or
- SMC message handling interpreting a WTO/WTOR message for library transports, or
- issuance of the HSC operator Mount command, or
- a clean request.

A volume may be temporarily or permanently entered into the library to satisfy a mount on a library transport. If a volume is temporarily entered into an LSM, a notation is made in the library control data set for this volume to be automatically ejected, via a CAP, when the volume is dismounted.

Mount Processing for Scratch Volumes

To process scratch mount requests, the HSC determines which volumes within an LSM are considered as scratch volumes. The HSC makes the determination from information contained in the library control data set.



Note: A scratch volume is marked as nonscratch when it is mounted, even if it is not written on.

Normally, only requests for nonspecific VOLSERS and the appropriate label type (as defined in the LIBGEN) are considered as requests for scratch volumes. However, the HSC allows selection of scratch volumes from different scratch subpools and different label types via interaction with User Exits 01, 02, 03, and 04, SCRPOOL statements, and the Allocation command LSMpref, LOWscr, and SCRtech options. User Exit 02 is used for JES2; User Exit 04 is used for JES3 with SETUP processing.

In addition, other means are available for controlling scratch volume activity. These are at the operator command and programmer utility levels. See “Scratch Subpool Management” on page 46 for more information. See the *NCS User Exit Guide* for a more detailed explanation of scratch subpools and controlling user exits.



Note: Mount messages that occur without SMC intervention, and that are subsequently redriven while the SMC is active, do not have their subpool specification honored.

The scratch status of cartridges listed in the library control data set is updated through the use of the Scratch Update utility. One part of this function is a Scratch Conversion utility, supporting Computer Associates’ CA-1, CA-DYNAM/TLMS, and IBM’s DFSMSrmm, which produce a list of scratch volume serial numbers in a format acceptable as input to the Scratch Update utility. No modification of either tape management system is required.

The second part of this function, the Scratch Update utility, accepts a list of volume serial numbers for addition to or deletion from the control data set’s list of scratch volumes.

For other third-party or customized tape management systems, the user must provide the interface routine between the tape management system being used and the Scratch Update function. The source code of the Scratch Conversion utility is provided on the distribution tape for use in developing the interface routine.

Swap Processing for Swapping Mounted Volumes to Another Tape Transport

Swap processing is initiated by the operator issuing an MVS SWAP command or by the operating system when it detects an error on a particular transport.

The SMC attempts to automate swaps initiated by the operating system when the swap messages specify a library device. Swap processing details can be found in the *SMC Configuration and Administration Guide*.

Dismount Processing for Library Volumes

The HSC determines when a library volume is to be dismounted from a library transport. Dismount processing occurs as a result of:

- SMC message handling interpreting a keep or retain WTO/WTOR message identifying a library transport, or
- a PGMI request identifying library transports
- issuance of the HSC operator DISMount command
- the completion of a clean operation.

The MNTD Float command is useful for influencing pass-thru operations and returning cartridges to their original cells or to new cells after a mount/dismount request has been completed.

If the MNTD command Float option is on (i.e., MNTD Float(ON)), when a volume is passed to a transport in another LSM, dismount processing frees the original cell location and assigns the volume to a cell in the same LSM as the transport as long as empty cells exist. If no empty cells exist, a location is chosen in the nearest LSM with free cells or volumes can be forced to their original home cell at dismount time. If Float is off, the HSC returns the volume to its original home cell location.

The MNTD PASSTHRU parameter sets the maximum number of pass-thrus that can occur for a cartridge that is to be archived.

Refer to the “MNTD (Mount/Dismount Options) Command and Control Statement” in the *HSC Operator’s Guide* for a description of all the options associated with this command.

If the dismount occurs for a temporary volume, the volume is ejected through a CAP, and a message informs the operator to retrieve the cartridge.

It may be required to interpret the volume disposition and note if it is to be scratched. If the delete disposition for volumes is SCRTCH (as specified in the SMC MOUNTDEF command), then the SMC examines the dismount message to determine if the volume is to be scratched. To make sure deleted volumes are retained as nonscratch during the TMS grace period, TMS users should specify the following SMC command:

```
MOUNTDEF DI SMSCRReal (OFF)
```

You can intervene in how the HSC controls library operation. Tape cartridge movement, as well as many other functions, can be controlled to function in ways that you prefer. Refer to Chapter 4, “Utility Functions” on page 143 for information about utilities that can be used to control HSC operation of the library. Refer to “Commands, Control Statements, and Utilities” in the *HSC Operator’s Guide* for information about operator commands that can be used for controlling library operation.

Virtual Thumbwheel (VTW)

Cartridges are usually entered into an LSM with the physical thumbwheel set to the write enabled position. Virtual Thumbwheel is a facility provided with the HSC that allows this physical thumbwheel to be electronically “set” to allow read-only access. This virtual thumbwheel setting to enforce read-only access varies according to the allowed access defined by your security package.

The virtual thumbwheel function allows read-only access to a cartridge in an ACS if the user requesting the tape is not actually authorized to update the volume. This verification of user access authority is accomplished by the SMC subsystem, which calls the MVS System Authorization Facility (SAF) with the appropriate volume serial number.

If the SAF response indicates that the user has authorization to update the cartridge, the SMC requests that the HSC mount the tape cartridge with write enabled; otherwise, the SMC requests that the HSC mount the tape cartridge with read-only access. The HSC cannot enable update ability if the physical thumbwheel is set to write-protect.

Security Software Requirements

The HSC virtual thumbwheel facility does not add any security controls to the system. The SMC obtains the authority decisions of the SAF interface and passes this to the HSC.

The SMC invokes the SAF interface by issuing a RACROUTE macro with the following parameters:

```
REQUEST=AUTH,  
ATTR=UPDATE,  
CLASS=TAPEVOL,  
ENTITY=tape-volser
```

This is the same type of RACROUTE call that is subsequently issued by the operating system when the tape volume is opened.

Virtual thumbwheel does not have any effect on mount processing unless there is a data security program product installed that uses the SAF interface to protect tapes at the volume level (CLASS=TAPEVOL). If a data security product is installed, refer to the product documentation or contact the product vendor to determine if it meets these criteria.

HSC Mount Command Support

The Mount command provides support for virtual thumbwheel. The Readonly operand for the Mount command enables a volume to be mounted with the virtual thumbwheel set to write protect.

Example of Mount Command with Readonly Operand

```
MOUNT VOL001,B00,,READONLY
```



Note: Operands for operator commands are positional. In the example above, two commas must follow the drive operand to indicate that the *host-id* operand is not specified.

This command option is provided to respond to a situation where the security environment changes between the time the SMC issues its RACROUTE request (when the mount message is issued) and the time when MVS issues its RACROUTE (when the volume is opened). It is possible that the rules governing the tape volume could change during this interval, so when the volume is opened the user is no longer authorized to update the volume. In this case, MVS dismounts the volume and issues a message, requesting that the volume be remounted with write disabled.

If this situation occurs, the operator can issue the Mount command with the Readonly option specified to mount the volume with the virtual thumbwheel set to write-protect.

Tape Transport Cleaning

The HSC allows you to automate the cleaning process or to manually clean library-attached tape transports. When a library transport needs to be cleaned, it informs the LMU, which broadcasts a “drive needs cleaning” message to all connected hosts. The LMU broadcast causes the HSC to issue a console message indicating that a transport needs cleaning. Until a cleaning cartridge is loaded, future mounts continue to initiate this message.

If auto-cleaning is disabled, HSC processing is complete, and the transport must be cleaned manually. To manually clean a transport, see “Manual Tape Transport Cleaning” on page 44 for more information.



Note: The initial value for transport cleaning is for automated cleaning to be disabled.

Automated Tape Transport Cleaning

If auto-cleaning is enabled, the HSC sets the transport to “needs cleaning” status. The next time a mount is issued for that tape transport, the following cleaning process is invoked prior to mounting the requested cartridge:

1. The HSC selects a cleaning cartridge from the pool of compatible cleaning cartridges in the LSM that contains the tape transport that needs cleaning (or from the closest LSM that contains a compatible cleaning cartridge).
2. The cleaning cartridge is mounted.
3. The tape transport is cleaned.
4. The cleaning cartridge is dismounted.

When the cleaning process is complete, the original requested cartridge is mounted on the transport.

If auto-cleaning is enabled, cleaning can also be scheduled for a transport by issuing the CLean command. See “Activating Automated Cleaning” for additional information.



Note: LTO drives do not support automated cleaning.

Activating Automated Cleaning

The MNTD AUtocln command is used to turn auto-cleaning on or off on a host-by-host basis. The following example shows how to activate automatic cleaning.

```
MNTD AUTOCLN(ON)
```



Note: It is probably more useful to have automated cleaning on for all hosts in a JES2 installation unless library transports are allocatable only by some hosts. In a JES3 environment, most mounts are done by the global processor and auto-cleaning should be set on for at least the global processor.

Once auto-cleaning is activated, the CLean command can be issued to initiate cleaning of specified drives on specified hosts. An example of issuing the CLean command is:

```
CLEAN 582 MVSA
```



Notes:

- The MNTD AUtocln command must be set to ON before attempting to use the CLean command.
- The CLean command sets the transport to “needs cleaning” status. The cleaning process is not initiated until the next mount is issued against the transport. Refer to the *HSC Operator’s Guide* for an explanation of the CLean command.

Identifying Cleaning Cartridges

Cleaning cartridges are identified to the HSC by a unique three-character alphabetic prefix, followed by three required numeric values, in their volsers. All cartridges identified with that prefix, which are valid cleaning media, make up a pool of cleaning cartridges in each LSM.

The parameter CLNPRFX, contained in the LIBGEN SLILIBRY macro, specifies the volsers prefix for cleaning cartridges. CLNPRFX must be three alphabetic characters, and identifies cleaning cartridges associated with the library. The default is CLN. Refer to “SLILIBRY Macro” in the *HSC Configuration Guide* for additional information.



Notes:

- Any cartridges identified by the cleaning prefix are treated exclusively as cleaning cartridges; they cannot be scratched or initialized by HSC utilities.
- Extra overhead can be avoided if the range of cleaning cartridge volsers in an LSM and ACS is both narrow and dense. For example, if three cleaning cartridges are in a single LSM, labels of CLN020, CLN021 and CLN022 would cause less processing overhead than if they were labeled CLN001, CLN501 and CLN901.
- The cleaning prefix can be changed using the SET CLNPRFX utility. However, before the cleaning prefix is changed, all cleaning cartridges must be ejected from all ACSs. See the description of the SET utility for the complete procedure.

Cleaning Media and Drive Compatibility

Tape transports must be cleaned with cleaning cartridges of a compatible cleaning media type. Table 5 lists cleaning media for each type of transport.

Table 5. Transport Cleaning Media

Transport Type	Cleaning Media
Longitudinal	Longitudinal cleaning media
Helical	DD3D
T9840A, T9840B, T9840C, T9840D	STK1U (T9840A, T9840B, T9840C), STK1Y (T9840D)
T9940A, T9940B	STK2W
LTO	LTO-CLN1, LTO-CLN2, LTO-CLNU
SDLT	SDLT cleaning media
T10000A, T10000B	T10000CT



Notes:

- Different cleaning cartridge media types may have different maximum cleaning usage limits. Grouping cleaning cartridges of different media types into different volsers ranges makes it easier to specify these limits with the VOLATTR control statement MAXclean parameter(s). For example, if the helical cleaning cartridges have volsers between CLN500 and CLN599, the following VOLATTR statement can be used to set a different maximum cleaning usage limit for this range of helical cleaning cartridges:

```
VOLATTR SERIAL(CLN500-CLN599) MAXclean(nn)
```

- Contact your StorageTek Customer Services Engineer for appropriate MAXclean values for different cleaning media types.

Limits on the Use of Cleaning Cartridges

Cleaning cartridges should only be used a limited number of times. The MNTD MAXclean command globally specifies how many cleaning operations are allowed before a cleaning cartridge should be removed from the ACS and replaced (the default is 100 uses). This maximum cleaning usage limit can be different for different cleaning media. Use the VOLATTR MAXclean parameter to specify a different maximum cleaning limit for different cleaning cartridge media.



Notes:

- Refer to “MNTD (Mount/Dismount Options) Command and Control Statement” in the *HSC Operator’s Guide* and to “Volume Attribute (VOLATTR) Control Statement” on page 114 for additional information about the MAXclean value.

- Ejecting and reentering used cleaning cartridges should be avoided. When a cartridge is ejected and reentered, its select count is set to zero. The select count is used to track the number of times a cleaning cartridge has been used. Used cleaning cartridges which are reentered will be used more times than specified by the applicable MAXclean value.

Each cleaning media type is used in a different way to clean tape transports. Some media types use the same cleaning surface many times, while other media types use the cleaning surface only once. Some media types use the cleaning material fewer times before they are unable to clean a tape transport.

When a cleaning cartridge is no longer able to adequately clean a tape transport, it is over-use.

Over-use (Over-limit and Spent) Cleaning Cartridges

An *over-use* cleaning cartridge means either that the usage (select) count is over the MAXclean value (“over-limit”) or all of its cleaning material is used or “spent.”

- An *over-limit* cleaning cartridge has been used more than the value (limit) specified by either the MNTD MAXclean or VOLATTR MAXclean settings. This cleaning cartridge may not be able to adequately clean a tape transport. If an over-limit cleaning cartridge is mounted on a tape transport, the cleaning process is attempted and may succeed.
- A *spent* cleaning cartridge’s cleaning material is completely used up or exhausted and can no longer be used for cleaning. When a spent cleaning cartridge is mounted on a transport, the LMU automatically returns it to its source location before notifying the HSC. The HSC will not use spent cleaning cartridges during automated tape transport cleaning.

Over-use cleaning cartridges should be removed from the LSM and replaced with new cleaning cartridges. By default, the HSC ejects all over-limit cleaning cartridges that it finds during tape transport cleaning. The default can be changed by using the MNTD EJctauto command.

Managing Over-use Cleaning Cartridges

If an operator is not available to empty a CAP, it may be desirable to retain over-use cleaning cartridges in the LSM for later removal.

The MNTD EJctauto command allows you to control processing of over-use cleaning cartridges.

Options for this command include:

ON

Use this option when operators are available to remove cleaning cartridges from a CAP during automated tape transport cleaning. ON is the initial value for the HSC.

MSg

Use this option when operators are available to respond to console messages during automated tape transport cleaning.

OFF

With this option, no operator intervention is required for automated tape transport cleaning.

When the HSC is searching for a cleaning cartridge to clean a tape transport, it skips all over-use cleaning cartridges that are detected in the ACS until it finds a compatible cleaning cartridge.

If no compatible cleaning cartridges are found in the ACS, the HSC prompts the operator to enter a cleaning cartridge or skip the clean process.

If compatible over-limit cleaning cartridges are found in the ACS, the HSC acts based on the MNTD EJctauto setting.

- If MNTD EJctauto(ON) or (MSg) are set, an operator prompt is issued. The operator can reply to use one of these over-limit cleaning cartridges, enter a cleaning cartridge, or skip the clean process.
- If MNTD EJctauto(OFF) is set, a compatible over-limit cleaning cartridge is automatically selected to clean the transport.

When the clean process is finished, the cleaning cartridge is dismounted from the tape transport. If the cleaning cartridge is over-limit, the HSC acts based on the MNTD EJctauto setting.

- If MNTD EJctauto(ON) is set, the cleaning cartridge is automatically ejected from the ACS.
- If MNTD EJctauto(MSg) is set, an operator prompt is issued. The operator can reply to eject the cleaning cartridge from the ACS or keep the cleaning cartridge in the ACS.
- If MNTD EJctauto(OFF) is set, the cleaning cartridge is automatically kept in the ACS.

Messages are written to the console if any over-use cleaning cartridges are found in the ACS, how many were found, and if an over-use cleaning cartridge has been kept in the ACS. These messages help the operator manage cleaning cartridges in the ACS.

Managing Cleaning Cartridges

Appropriate numbers of compatible cleaning cartridges must be available to clean the transports attached to an LSM. While there is no minimum number of cleaning cartridges, optimally, each LSM should contain multiple cleaning cartridges for each type of transport attached to the LSM. This makes sure that automated cleaning avoids pass-thrus for cleaning cartridges.

If all transports in an LSM are scheduled for cleaning at the same time (by a scheduled or operator-entered CLean command), each LSM should contain one cleaning cartridge for every tape transport attached to the LSM.

Managing cleaning cartridges is especially important when automatic ejection of over-use cleaning cartridges has been disabled by the MNTD EJctauto command. On a regular basis, these cleaning cartridges must be identified, ejected from the ACS, and replaced with new cleaning cartridges.

Use the Volume Report utility to identify over-use cleaning cartridges. Select the cleaning cartridges by volser range and sort the output by use:

```
VOLRpt VOLser(CLN000-CLN999) SORT(USE) DESCend
```

The “Cln Use” column on the report identifies:

N = Not usable cartridges (including spent cleaning cartridges)

M = Over MAXclean, for over-limit cleaning cartridges

Spent and over-limit cleaning cartridges are also identified on the SLSCDATA flat file requested by the VOLDATA parameter. Volume data is mapped by the SLUVVDAT macro. Volumes that are not usable (i.e., spent) are identified by **VOLNOUSE**. The MAXclean value that applies to a cleaning cartridge is carried in the **VOLMXCLN** field.

Manual Tape Transport Cleaning

If auto-cleaning is disabled, tape transports must be cleaned manually. This process can be performed without entering the LSM.



Note: StorageTek recommends using automated cleaning instead of manual cleaning because automated cleaning respects the maximum cleaning limits for different cleaning cartridges and does not select spent cleaning cartridges.

Two methods that can be used to accomplish this task are:

- issue a Mount command to mount a cleaning cartridge on the transport. When cleaning is complete, enter a DISMount command to remove the cleaning cartridge from the transport.
- use an automated operations package to mount and dismount the correct cleaning cartridge(s) on the transport(s). Coordination and setup is required to implement this solution. This task can be used to initiate the clean process for all drives at a predetermined time.

Volume/Cell Control Functions

Volume/cell control functions coordinate and control the location of tape cartridges in the library.

Volume/cell control functions described in this section include:

- moving volumes within the library
- scratch subpool management
- scratch threshold task restart.

Moving Volumes within the Library

Often there is need to move a single volume, several volumes, or a range of volumes to other locations within a library. The destination for the volume(s) may be within the same LSM or different LSM(s). The Volume Move function provides you with the capability to move volumes at your discretion. Volume movement may be required because of:

- changes in your library hardware configuration. Addition of tape transports or LSMs to a library configuration often requires that volumes be moved to accommodate the new hardware configuration. Panels can be frozen to prevent allocation of new volumes to those panels. It is not necessary to move volumes that reside on a panel before it is frozen, however, volumes should be moved off frozen panels that will be changed.
- the need to achieve better control over library tape activity.

Volumes can be moved by any of the following methods:

- MOVE operator command
- MOVE utility
- programmatic interface MOVE request
- tape management interface MOVE request
- Scratch Redistribution utility.

These methods provide you with the operational flexibility often needed within a library installation.

Scratch Subpool Management

Management of scratch subpools within the library is an important function affecting library performance and your ability to have greater control over scratch volume activity.

The HSC provides support for mounting of scratch volumes from subpools resulting from MVS mount messages. You can effectively manage your scratch subpools by several available means. These include:

- **Defining subpool information** — Scratch subpools can be defined using either Scratch Subpool (SCRPOol) PARMLIB control statements or User Exit 03.



Note: Using the SCRPOol control statement is preferable to specifying User Exit 03.

SCRPOol permits you to enter the following information for each subpool:

- a subpool name
 - the range of volume serial numbers
 - the label type
 - the HOSTID.
- **Enabling scratch subpools** — Scratch subpools specified by SCRPOol are defined in the SLSSYSxx command list and are executed when the HSC is initialized. Refer to “Scratch Subpool Control Statement” on page 94 for detailed information on how to implement scratch subpooling using the SCRPOol control statement. (The syntax for the SCRPOol PARMLIB control statement is also contained in Appendix E, “Macros, Control Statements, Utilities, and Commands Syntax Reference” on page 611).

User Exit 03 is also used to define scratch subpools and is called at HSC initialization. Refer to the *NCS User Exit Guide* for more information.

- **Implementing scratch subpool user exits** — User Exits 01, 02, and 04 are used to implement the operational portion of scratch subpooling.



Note: Information used to select a scratch volume from the correct subpool follows this order of precedence:

1. TAPEREQ subpool
2. User Exit 01 subpool
3. Subpool specified on the TMS mount message.

User Exits 02 and 04 select the tape transport in the LSM that has the most scratch volumes of the correct subpool type. Refer to the *NCS User Exit Guide* for additional information about these user exits.

- **Specifying scratch subpool parameters with operator commands** — Several commands are available for controlling scratch subpools. Complementing these commands are scratch subpool parameters in two utilities. The syntax for each operator command is contained in Appendix E, “Macros, Control Statements, Utilities, and Commands Syntax Reference” on page 611.

The commands that can be used to display scratch subpool information include:

- Display SCRatch and Display THREShold commands
- Warn command.

Commands that include scratch subpool parameters are:

- EJECT
- ENter
- Mount.

Utilities that include scratch subpool parameters are:

- Scratch Redistribution (SCREdist) control statement
- EJECT utility.

Refer to the *HSC Operator’s Guide* for detailed information about operator commands and to Chapter 4, “Utility Functions” on page 143 for information about utilities.

Scratch Threshold Task Restart

The scratch threshold task is a function within the HSC that maintains a count of scratch volumes that are available within a library. Should this task fail, the HSC is unaware of the number of scratch volumes available. Thus, a failure of this task could result in impairing any library processing relying on scratch volumes.

The HSC provides automatic recovery and reinstatement of this task if a failure occurs. This recovery and reinstatement is transparent to users except for a message displayed on the system console indicating that the task is reinstated.

In the event, because of unusual circumstances, that the task is not reinstated, a message on the system console also informs you of the condition and appropriate action to take.

Refer to “WARN Command” in the *HSC Operator’s Guide* for information about the Warn operator command used to dynamically modify scratch threshold values.

Cartridge Access Port (CAP) Processing Functions

CAP processing functions control cartridge enter and eject functions. The HSC provides operator commands and utilities which permit you to:

- enter cartridges into the library
- eject cartridges from the library.

The CAP is the focal point for the activities of entering or ejecting cartridges. At least one CAP is located on the access door of every LSM, and indicators are provided for the operator to identify what CAP operations are active. At some points, operator interaction is required. Refer to your ACS hardware operator's guide for more information about CAPs.

CAP processing functions described in this section include:

- entering cartridges into the library using the ENter command.
- ejecting cartridges from the library using either the EJECT command or EJECT utility
- CAP exception processing
- releasing an allocated CAP.

Enter and eject operations are accomplished concurrently with other normal LSM operations: automated mounts, automated dismounts, pass-thrus, and so forth.

For multiple CAPs, each enter and eject operation is processed separately. The user can run concurrent tasks against CAPs on a single LSM.

PCAPs are used for single cartridge enter and eject operations. These are controlled by the user through the PGMI or user exits.

Operator commands and detailed instructions for controlling CAP processing functions are described in the *HSC Operator's Guide*; utilities are discussed in Chapter 4, "Utility Functions" in this document.

Entering Cartridges into the Library

To enter cartridges into the library, execute the HSC ENter or SENter command and identify which CAP is to be used for the operation. Specifying the *cap-id* is optional for the ENter command. Following the procedures described in the *HSC Operator's Guide*, open the CAP door, place cartridges into the CAP cells, and close the CAP door.

The CAP automatically locks when the door is pushed closed. The robot scans the Tri-Optic label (must be unique) of a cartridge, and the cartridge is moved by the robot to an empty cell in one of the LSM panels.

For a CAP in automatic mode, do not issue an ENter command. The operator need only open the door, insert cartridges, and close the door. No other operator intervention is required.

Ejecting Cartridges from the Library

Cartridges are ejected from the library by using either the EJECT command or the EJECT utility. Either a single cartridge, a range of cartridges, or a list of cartridges can be identified for removal from the library. The robot locates the appropriate storage cell, withdraws the cartridge from its cell, and moves it to an available cell in a CAP.

The operator must remove cartridges from the library through the CAP. All cartridges contained in the CAP must be removed once they are placed in the CAP by the robot. Refer to the *HSC Operator's Guide* for operator procedures for CAP processing.

CAP Mode Considerations

Unlike manual mode CAPs which are allocated for enters from specific hosts, automatic mode CAPs may be serviced by any active host. Placing a CAP in automatic mode improves CAP performance and is best utilized when:

- operator intervention is not required
- it is acceptable to receive and respond to HSC WTORs from any active host console.

Entering cartridges that require operator intervention may create problems in library configurations utilizing automatic mode CAPs, especially if you enter many cartridges without external Tri-Optic labels. WTORs are issued by the host currently servicing the automatic mode CAP which may present an inconvenience if you are expecting the WTORs at a specific host console, but they are being directed to an unattended host console. If you require WTORs to be returned to a specific host console, you must allocate one or more manual mode CAPs and use the Enter command from that host.

CAP Exception Processing

Enter and eject processes are based on a cartridge-by-cartridge basis. This affords a significant amount of isolation between requests. However, in certain cases redundant errors may be incurred due to abnormal conditions external to an individual request. Mechanisms have been provided to help when these situations arise:

- Releasing a CAP may be necessary to free up cartridge and CAP resources and to end an enter or eject process.
- Modifying a CAP offline isolates it from being used until the error is corrected.
- The next use of the CAP invokes CAP cleanup and recovery, which requests that the operator check the CAP for cartridges.



Note: If an enter process has not moved all cartridges from a CAP or an eject process has moved cartridges to the CAP when a release occurs, the cartridges are left in the CAP but are not in the control data set. Refer to the *HSC Operator's Guide* for more details on CAP.

Releasing an Allocated CAP

The RELEase *cap-id* operator command allows you to release a CAP that is allocated to a failed host.

A CAP can be left allocated to a system if the HSC terminated without recovery while the CAP is active.

When you issue the command, appropriate messages inform you of conditions and actions to take. You are prompted by an initial message to confirm or terminate release of the specified CAP. This confirmation prevents the release of a CAP that is currently being used by the system.

This feature is of significant importance to you by giving you control to release a CAP without having to recycle all of the HSCs that share control data sets.

Refer to the *HSC Operator's Guide* for additional information.

Near Continuous Operation (NCO) Support

Near Continuous Operation (NCO) support for the HSC provides facilities and techniques that allow customers to make dynamic changes to the library that do not disrupt the library hardware and environment. In most cases, users can perform these procedures without requiring the HSC to be terminated and restarted.

Two kinds of NCO operations are discussed:

- dynamic hardware reconfiguration for the SL8500 library
- common NCO for all library types.

Where to Find NCO Information

Procedures to accomplish dynamic reconfiguration tasks are discussed in Appendix C, “HSC Support for Near Continuous Operation (NCO)”.

The MODify CONFIG command initiates dynamic hardware reconfiguration. Refer to the MODify Command in “Commands, Control Statements, and Utilities” in the *HSC Operator’s Guide*.

Swapping Library Transports - New Device Types

The UNITDEF command is no longer used to define library drives. When a tape transport device type changes, the HSC automatically recognizes the new device type from the LMU and immediately changes its internal structures to reflect the new device type.

Common Recovery Functions

Common recovery functions consist of information gathering from the control data sets and journals, and processing to recover from a database or hardware failure.

The most vital recovery function is control data set recovery which is described in this section.

Control Data Set Recovery

Control data sets contain valuable information required for the HSC software and the library to function. The control data sets contain:

- inventory information on all volumes in a library
- the library configuration, including how many ACSs, LSMs, tape transports, etc.
- information about library hardware resource ownership across multiple processors
- information for controlling the communication link between HSC subsystems running on multiple processors.

The HSC subsystem has the capability of operating with several control data sets and journals simultaneously:

- **Primary control data set** — This data set is required for every installation
- **Secondary control data set** — This data set is optional, but highly recommended
- **Standby control data set** — This data set is strictly optional, but also recommended



Note: The SLIRCVRY LIBGEN macro TCHNIQE parameter determines how many CDS copies will be initialized by the SLICREAT program and whether or not journals will be initialized by SLICREAT. Refer to “SLIRCVRY Macro” in the *HSC Configuration Guide* for more information.

The number of CDS copies used by the HSC is dependent on the number of CDS copies defined in the CDSDEF PARMLIB control statement. It is not determined by the TCHNIQE parameter.

The HSC uses all of the CDS copies defined in the CDSDEF control statement (whether this includes more or less CDS copies than are specified by the TCHNIQE parameter). However, if journaling is specified by the TCHNIQE parameter, journals must be defined for successful HSC initialization.

- **Journals** — Two journals per host are kept to record library transactions. Each journal contains a record of changed data. The changed data consists only of bytes of data that have been changed. The record is made at the time the transaction occurs. The journals can be applied to a backup control data set, for recovery purposes, to make the control data set current.



Note: Journals are optional and are no longer a recommended recovery method. Secondary and standby data sets provide a faster and more reliable method for ensuring CDS integrity.

Control data sets can be accessed by different hosts and are kept synchronized. In event of a failure, the BACKup and RESTore utilities can be used to perform extensive error checking and synchronization of the data. A backup control data set and journals are used to reconstruct the control data sets.

The integrity of the control data sets is extremely important. In multiple processor environments, data set integrity is much more difficult to maintain. Because of this, the HSC subsystem is designed to keep the control data sets intact and configured to recover from failures. Features such as shadowing for the control data set, journaling, backup and restore were previously in place in prior releases to maintain data set integrity.

Control Data Set Recovery Techniques

There are several techniques to accomplish control data set recovery. These techniques are:

- dynamic recovery of CDS errors (when possible)
 - switch
 - internal CDS directory rebuild
 - standby CDS copy.
- diagnostic information on CDS errors, error detection, and correction of the CDS through the BACKup and RESTore utilities
- the ability of the HSC to continue running on one copy of the CDS
- user control of enabling and disabling control data sets with operator commands
- automatic communication with other hosts in a complex when control is switched from one CDS to another.

User Control of Control Data Sets

The HSC offers flexibility for definition and control of control data sets. User control of these data sets includes:

- allocation of data sets at initialization
- ability to dynamically enable or disable the library control data sets
- reassigning control data set names in the Database Heartbeat record.

Allocation of Control Data Sets

Control data sets are defined at HSC initialization by PARMLIB control statements rather than defined by JCL. These definitions are invoked at HSC initialization and remain set until HSC termination. The definitions cannot be altered without HSC shutdown and restart.

See “PARMLIB Control Statements” on page 79 for additional information.

Dynamic Enable/Disable of Control Data Sets

Operator commands are supplied to give you control over which data sets the HSC is utilizing. This functionality is particularly useful in a multiple-processor environment.

Before attempting to enable or disable any data set, you can use the Display CDS command to display the current status of the control data sets.

The commands to enable or disable a control data set can be issued without halting HSC execution or disrupting any running HSC.

Refer to the “CDS Enable/Disable Command” in the *HSC Operator’s Guide* for detailed information about operator commands for enabling or disabling control data sets.

Reassigning Control Data Set Names in Database Heartbeat Record

The names of the control data sets are recorded by the HSC in the Database Heartbeat (DHB) record to identify the correct primary, secondary and standby control data sets. When HSC is initialized, it assigns its control data set copies as primary, secondary and standby based on the Database Heartbeat record, not on the assignment in the CDSDEF PARMLIB statement.

Assigning specific control data sets as primary, secondary, and standby happens automatically and is not normally of concern.

Either of the following procedures can be used to change the assignment of control data sets as primary, secondary and standby in the Database Heartbeat record.

- Procedure using CDS Disable and CDS Enable commands:
 1. Use CDS Disable and CDS Enable commands to rotate the control data sets into the desired sequence.
 2. Use the Display CDS command to view the current status and assignment of the control data sets.

For example, to switch the assigned order of a primary control data set (with DSN=SLS.DBASE1) and a secondary control data set (with DSN=SLS.DBASE2):

1. Issue the command:

```
DISPLAY CDS
```

to view the current control data set status and assignments.

2. Make the current secondary control data set the new primary control data set by issuing the command:

```
CDS DISABLE PRIMARY
```

3. Make SLS.DBASE2 the new secondary control data set by issuing the command:

```
CDS ENABLE DSN=SLS.DBASE2
```

4. Issue the command:

```
DISPLAY CDS
```

to view the current control data set status and assignments.

- HSC BACKUp and HSC RESTore procedure:
 1. Stop the host software on all hosts.
 2. Back up the control data set with the HSC BACKUp utility.
 3. Restore the control data set with the HSC RESTore utility. This will clear the control data set information in the Database Heartbeat record.
 4. Start an HSC system, specifying the desired primary, secondary, and standby control data sets in the CDSDEF PARMLIB statement. During HSC initialization, the control data sets assigned as primary, secondary, and standby will be recorded in the Database Heartbeat record.

Renaming Control Data Sets

The control data set names are recorded in the Database Heartbeat (DHB) record. During HSC initialization, the data set names in the DHB are compared with the DSNs specified in the CDSDEF PARMLIB control statement.

If a DSN specified in the CDSDEF statement does not match any of the control data set names recorded in the DHB, that DSN is disabled. If all the specified DSNs are disabled, the HSC will not initialize. The specific assignment of enabled DSNs to the primary, secondary, and standby control data set(s) is made based on the control data set assignments recorded in the Database Heartbeat record.

If the control data set(s) needs to be renamed, use the HSC BACKup and RESTore utilities as described in the rename procedure below. Do **not** use MVS, TSO ISPF, or third-party utilities to rename the control data set(s) without running the BACKup and RESTore utilities.

Procedure to Rename Control Data Sets

Use the following procedure to rename the control data set(s):



Note: Use this procedure to move or copy the control data sets to new data set names, if the new control data sets are to be used as the control data sets. In these cases, the new control data sets can be allocated when they are restored.

1. Stop the HSC on all hosts.
2. Back up the control data set using the HSC BACKup utility. Refer to “BACKup Utility” on page 202 for details on the BACKup utility.
3. Rename the control data sets using standard MVS or TSO ISPF utilities. If you want to move the control data sets, this can be done at this time.
4. Restore the backup of the control data sets to the renamed control data sets using the HSC RESTore utility. Refer to “RESTore Utility” on page 287 for details on the RESTore utility. The control data set names in the Database Heartbeat record are blanked out.
5. Start the HSC, specifying the desired primary, secondary, and standby control data sets in the CDSDEF PARMLIB control statements.

During HSC initialization, the new control data set names are recorded in the Database Heartbeat record.

Command Functions

Command functions consist of real-time control of automated cartridge handling, dynamic selection of HSC processing options, and various query operations.

Figure 5 illustrates the specific areas within a library where HSC commands enable you to control processing.

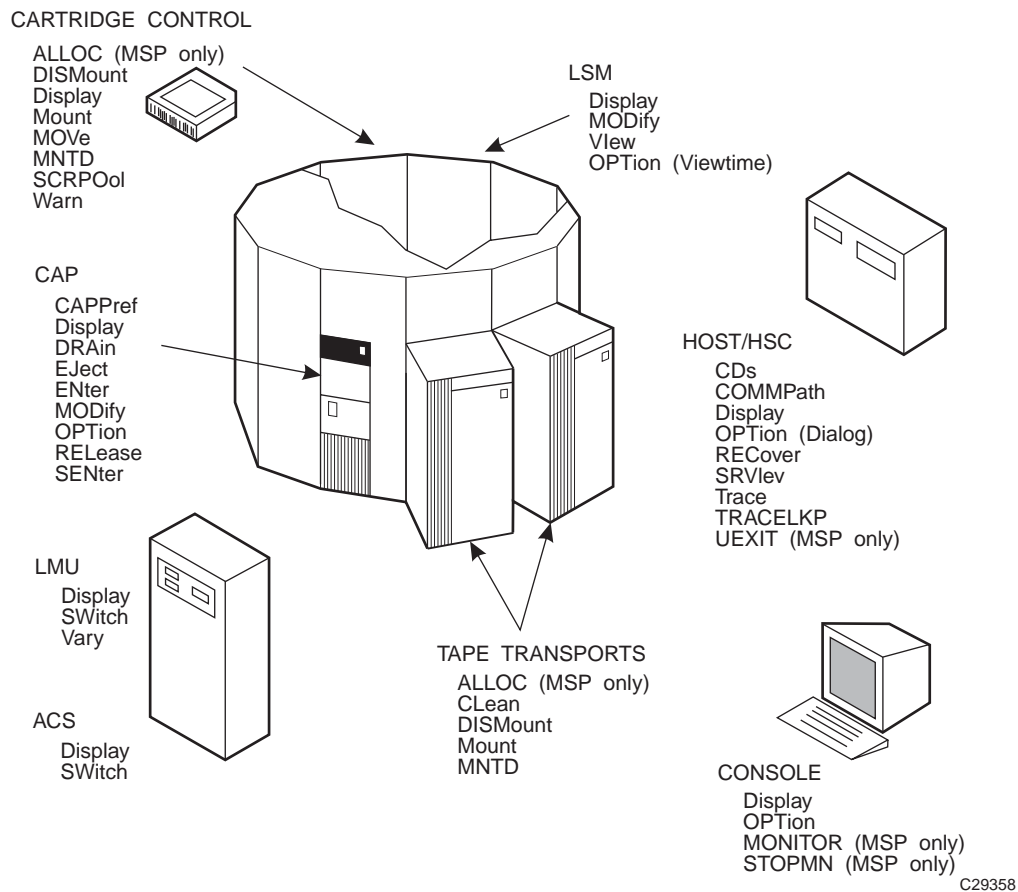


Figure 5. HSC Command Functions Overview

Refer to “Commands, Control Statements, and Utilities” in the *HSC Operator’s Guide* for a complete description of HSC operator commands, syntax, and examples for usage.

If you are interested only in reference information on command syntax, refer to Appendix E, “Macros, Control Statements, Utilities, and Commands Syntax Reference” on page 611.

Enabling/Disabling/Reloading User Exits

User exits can be enabled, disabled, or reloaded without interrupting library operations or recycling the HSC.



Note: The above statement is true for all user exits except the following:

- User Exit 03 is enabled at HSC initialization, and the UEXIT operator command cannot be used to disable or reload the exit.
- User Exits 01, 02, 04, 08, 09, 10, 11, 12, and 13 are now loaded and executed in the SMC address space. See the *SMC Configuration and Administration Guide* for further information.

You can specify a unique exit load module name to the HSC by using the UEXIT operator command. This command permits you to enable, disable, or reload any user exit that you have customized for the HSC.

Refer to the “User Exit (UEXIT) Command and Control Statement” in the *HSC Operator’s Guide* for detailed information about the UEXIT command.

Advantages of Using the UEXIT Command

If any of your user exits do not perform as expected, you can easily disable the exit, make any required changes, then reload and enable it again. This all can be done without interfering with the operation of the HSC and your library system.

Controlling LSM Operating Mode

The operating mode for any LSM is controlled by using the MODify command to place the LSM online or offline. An LSM operating mode is a relationship between an LSM and all attached hosts. The two LSM operating modes are:

- automatic — the LSM is online to all hosts.
- manual — the LSM is offline to all hosts.



Caution: StorageTek strongly recommends that you do not place SL3000 and SL8500 libraries in manual mode. To use manual mode, all LSMs in the SL3000 or SL8500 must be offline, and that means all CAPs and drives are unavailable for automated operations.

Additionally, SL3000s and SL8500s have been designed for high cartridge density, so there is limited room for manually mounting and dismounting cartridges.

Refer to the “Precautions” topic in the *SL8500 Modular Library System User’s Guide* for safety requirements and physical restrictions if you decide that you must enter the library.

When an LSM is online, the LSM is in the automatic mode, meaning that the robot is fully operational. When an LSM is offline, the LSM is in manual mode.

Refer to the *HSC Operator's Guide* for procedures describing how to operate an LSM in manual or automatic mode.

Controlling CAP Operating Mode

The operating mode for CAPs is controlled by the CAPPref and MODify commands. The four CAP operating modes are:

- automatic — the user can enter cartridges into an LSM without using HSC commands or utilities.
- manual — the user must issue HSC commands and utilities to use the CAP.
- online — the CAP is online to all hosts.
- offline — the CAP is offline to all hosts.

Refer to the *HSC Operator's Guide*, “Operating an Automated Cartridge System,” for a description of CAP modes and “Managing Library Resources,” for procedures describing how to operate an LSM in manual or automatic mode.

Viewing the Interior Components of an LSM

Should you have a need to determine the state of a tape transport or any other component inside of an LSM, you can use the View command to “see” inside of an LSM for visual inspection of a tape transport, pass-thru port, storage cell, CAP, or playground cell.

Using the View command offers benefits; you do **not** need to:

- vary tape transports offline
- modify the LSM offline
- physically open the LSM access door to inspect the inside of the LSM
- disable the LSM for minutes at a time.



Note: This feature is standard on the model 4410 (Cimarron), 9310 (PowderHorn), and 9740 LSMs. A 9360 (WolfCreek) LSM requires an optional vision system. **The SL3000 and SL8500 libraries do not provide viewing capability.**

Using the View command to Inspect an LSM Component

When you issue the View command, you direct the vision system to focus on an item inside of the LSM for a specified length of time. Upon entering the command, the following events occur:

- A View request is sent to the controlling LMU.
- A WTOR is displayed on the console when the camera is in position; the message indicates which camera/robot hand is focused on the specified object.



Note: If you respond to the message before the expiration of the requested time interval, the View request is cancelled.

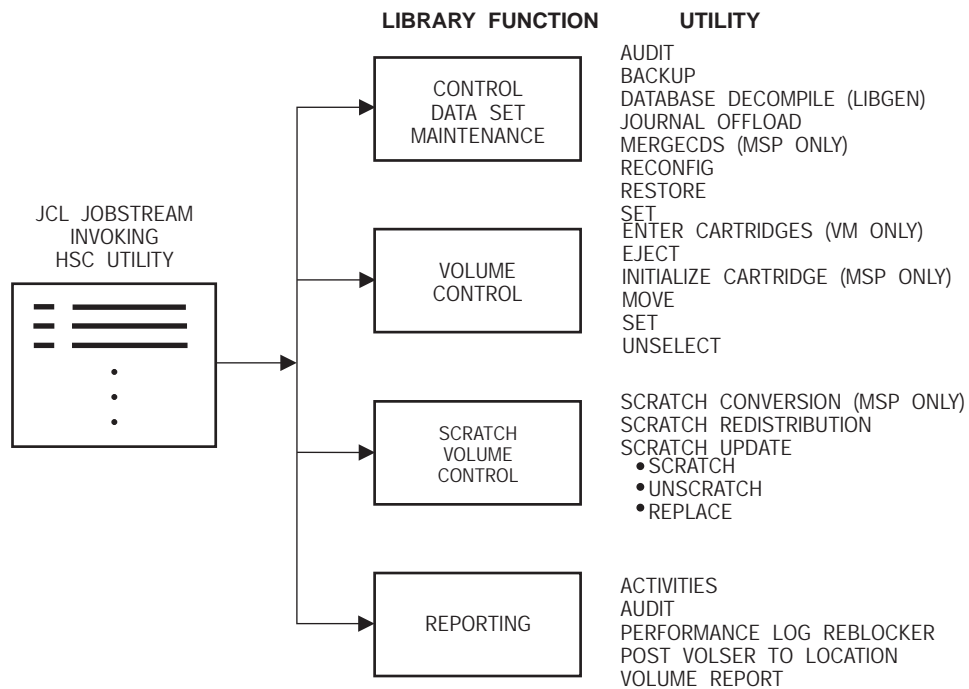
Refer to the OPTion command and the Viewtime parameter for controlling the view interval. See “OPTION Command and Control Statement” in the *HSC Operator’s Guide* for a description of the operator commands.

- The message on the console is DOMed.
- Optionally, a subtype 8 SMF record is written. The record includes the length of time that the camera was held in a static position for this particular View command. Refer to Appendix F, “Record Formats” on page 657 for more information on SMF records.

Utility Functions

Utility functions provide control and recovery of library resources. In addition, reporting of library and volume activity can be invoked using various HSC utilities.

Figure 6 illustrates the control concept provided by the various HSC utilities.



C29344

Figure 6. Utility Functions Overview

Refer to Chapter 4, “Utility Functions” on page 143 for detailed descriptive information about all HSC utilities, including description, syntax and parameters, JCL requirements and examples, and samples of output.

LMU Server Functions

LMU server functions control each of the Automated Cartridge Systems within a library. Many of the LMU server functions are completely transparent to users. This section contains information about LMU server tasks of which you should be aware.

Dual LMU Functionality

With dual LMU functionality, a switch happens when the LMU designated as the master fails, or is forcibly switched by issuance of an operator command. The operator is also notified when the LMU designated as the standby fails.



Note: Automatic LMU switching occurs only when the standby LMU detects problems with the master LMU's core logic and hardware components in an HSC environment. Switching does not take place if the problem relates to the communications path between the HSC and the LMUs.

If the Master LMU Fails

When the master LMU fails:

- the standby LMU detects the failing master and informs the HSC
- the HSC reports the failure by issuing a message
- the HSC reacts as necessary to recover and continue processing mounts and dismounts.

If the Standby LMU Fails

The standby LMU constantly polls the master. The master LMU acknowledges this polling.

In the communications between the HSC and the master LMU, the master, as part of its acknowledgment, informs the HSC of the status of the standby. The standby LMU is either ready or not ready.

The master LMU thinks that the standby is ready if the standby has polled the master in the required time interval. If the standby LMU has not polled the master in the required time interval, the master informs the HSC that the standby is not ready.

The HSC issues a message which is highlighted and non-scrollable. This informs the operator of the status change (not ready) in the standby LMU.

Operator Control of LMUs

A library operator can control which LMU is operating with the SWITCH command. When the SWITCH command is issued, all hosts connected to the ACS are affected.

If after entering a SWITCH command, the new master LMU fails and the switchover does **not** occur in 20 seconds, the HSC attempts to resume working with the old master. (The HSC has been waiting for the standby LMU to take over as the master LMU, but the switch did not take place.)

If the SWitch command fails, the system issues an error message. The operator can force the completion of the command-generated switchover either by:

- manually re-IPLing the master LMU, or
- powering off the master LMU.

LMU Switchover Messages

The *HSC Messages and Codes Guide* contains all the messages appropriate to the LMU switchover process.

After an LMU Switch Occurs

After a switch of LMUs occurs and the LSMs have finished quick initialization procedures, all cartridge motion requests are redriven and completed. If a motion request cannot be completed, the cartridge in question is made errant.



Note: ENter and Eject operations may need to be restarted after a switchover.

HSC/LMU Software Combinations

Table 6 describes the various possible combinations of HSC software with LMU microcode and installed hardware. The table indicates valid combinations.

Table 6. HSC/LMU Validity Matrix

HSC Version	LMU Version	Number of LMUs Powered Up	Valid Combination	Functionality Available
1.2 + ECap SPE	3.2	1	Yes	New HSC features are available. Dual LMU can be configured*, but switchover cannot occur.
		2	Yes	New HSC features are available. Dual LMU must be configured*. Switchover can be automated.
1.2 or later	3.6 or later	1	Yes	New HSC features are available. Dual LMU can be configured*, but switchover cannot occur.
		2	Yes	New HSC features are available. Dual LMU must be configured*. Switchover can be automated.
2.0 or later	9315/30 1.0 or later.	1	Yes	New HSC features are available. Dual LMU can be configured*, but switchover cannot occur.
		2	Yes	New HSC features are available. Dual LMU must be configured*. Switchover can be automated.

* Configuration of dual LMU is done by a StorageTek Customer Services Engineer (CSE).

Adding New Stations to an ACS

The following is an example of JCL for the SET utility that can be used as a pattern for adding new stations to an ACS without requiring a reconfiguration.



Note: Update LIBGEN control statements to make changes permanent. You do not have to execute the Reconfig utility to implement these changes. Refer to “Reconfiguration Utility” on page 280 for more information about reconfiguration.

JCL to Add New Stations to an ACS

```
//HSCUPDAT JOB (acctno),'LMU STATIONS',MSGCLASS=1,CLASS=A,  
//          MSGLEVEL=(1,1)  
//STEP00 EXEC PGM=SLUADMIN  
//* The following DD is the HSC STEP library  
//STEPLIB DD DSN=SLS.PROD.LINKLIB,DISP=SHR  
//SLSPRINT DD SYSOUT=*  
//* The following DD statement identifies the HSC primary CDS  
//SLSCNTL DD DISP=SHR,DSN=SLS.DBASE1  
//* The following DD statement identifies the HSC secondary CDS  
//SLSCNTL2 DD DISP=SHR,DSN=SLS.DBASE2  
//SLSIN DD *  
    SET SLISTATN(0CD,0CE,0D0,0D1) FORACS(0) FORHOST(MVS1)  
    SET SLISTATN(0CD,0CE,0D0,0D1) FORACS(0)  
//
```

Notes for the Example

1. The first SET control statement defines the listed stations for only one host.



Note: All stations must be specified (not just the new ones).

2. The second SET control statement defines the listed stations for all hosts.



Note: All stations must be specified (not just the new ones).

3. The following are installation dependent:

- STEPLIB data set
- SLSCNTL data set
- SLSCNTL2 data set
- station identifiers
- ACS numbers
- host IDs.

4. The standby CDS is not required for this JCL.

The HSC does not need to be recycled to recognize the new addresses. Varying the ACS offline and back online automatically uses the new station configuration.

Reconstructing a LIBGEN

The Database Decompile (LIBGEN) utility can be used to reconstruct a LIBGEN, reflecting the true configuration of your HSC subsystem if for some reason your LIBGEN has been lost.

Refer to “Database Decompile (LIBGEN) Utility” on page 215 for details on how to use the Database Decompile utility.

Dynamic LMU Connection

LMU network connections can be defined dynamically to TCP/IP addresses using the LMUPATH and LMUPDEF control statements.



Note: For information on implementing TCP/IP connections, refer to the LMUPATH and LMUPDEF control statements in Chapter 3, “HSC Control Statements and HSC Start Procedure” and to display information about the LMUPDEF data set, refer to Display LMUPDEF in the *HSC Operator’s Guide*.

In addition to the control statements, the following informational and procedural topics are discussed in this section:

- security administration considerations
- HSC port number assignments
- multiple TCP/IP stack implications
- transitioning between 3270 and TCP/IP
- recovering TCP/IP communications
- configuring VM for TCP/IP support.

Security Administration Considerations

All users at OS/390 V2R5 and above must define an OMVS segment in RACF for the userid associated with the HSC. If this is not done, an OS/390 UNIX process initialization failure occurs. To define the OMVS segment, refer to the IBM document “*OS/390 IBM Communications Server IP Migration Guide*.”

If you are running a functionally equivalent security product (e.g., ACF2), refer to the documentation for that product.

HSC Port Number Assignments

The 9330 TCP/IP LMU listens on ports 50001 through 50016. The port assignment used by the HSC is determined by adding the host index number within the CDS to 50000, i.e.,

$$\text{host index number} + 50000$$

Users can find out the host index number of the system(s) running the HSC by entering:

```
Display CDS
```

Part of the output from this command displays hostids using this CDS. The first hostid in the list represents host index number 1, the second host index number 2, and so forth.

For example, if a user enters Display CDS and the following output appears

```
HOSTID---LEVEL-FLAG---DESCRIPTION---
MVSA      6.2.0 (F0)  ACTIVE PRIMARY SECONDARY STANDBY
MVS      B  6.2.0 (F0)  ACTIVE PRIMARY SECONDARY STANDBY
MVS      C  6.0.0 (F0)  ACTIVE PRIMARY SECONDARY STANDBY
MVS      D  6.1.0 (F0)  ACTIVE PRIMARY SECONDARY STANDBY
```

then, MVSA is host index number 1, which when added to 50000 means that the HSC on MVSA uses port number 50001, the HSC on MVSB uses 50002, the HSC on MVSC uses 50003, and the HSC on MVSD uses 50004.

Multiple TCP/IP Stack Implications

The TCP/IP stack used for LMU communications must be identified to the HSC if:

- multiple TCP/IP stacks run on the same host as the HSC, or
- one TCP/IP stack contains a name other than the default, “TCPIP.”

To make this change, refer to the appropriate release of the IBM publication *z/OS Communications Server: IP Configuration Guide*; in particular, the sections “Configuration files for the TCP/IP stack” and “Configuration files for TCP/IP applications.”

Understanding these sections and your site’s TCP/IP configuration will provide you with the information needed to direct the HSC to the TCP/IP stack used for LMU communications.

Transitioning Between 3270 and TCP/IP

A number of methods are available to move between 3270 station connections and TCP/IP LMU network attachment. **StorageTek recommends cycling the HSC as the preferred process to transition between 3270 and TCP/IP.** However, the following procedures offer alternative ways to accomplish the transition.

3270 to TCP/IP

1. After the hardware modification to the LMU has been made to support network communications, vary the stations offline.

```
Vary STation 028 OFFline
```



Notes:

- Users can also vary the ACS offline.

```
Vary ACS 00 OFFline
```

- Station addresses specified in the LIBGEN SLISTATN macro do not have to be removed for the HSC to communicate to the LMU using TCP/IP.
2. Load the LMUPDEF statements containing the LMUPATH parameters that specify the hostname or IP address for each ACS.

```
LMUPDEF DSN('xxx.xxx.xxx(xxx)')
```

StorageTek recommends that the LMUPDEF statement be specified in the initialization parameters, however, this statement can be issued from the console as well.

3. Use the Vary ACS command to bring each ACS online. Message SLS0054I indicates that the ACS is online. After all ACSs to be network-attached are online, the HSC is ready for processing.

TCP/IP to 3270

1. Vary the ACS offline.

```
Vary ACS 00 OFFline
```

2. Load an LMUPDEF control statement that includes either an empty data set (no statements) or a data set that only contains an OPTion TITLE statement.
3. Either vary the ACS online, or vary the 3270 station addresses online.

Recovering TCP/IP Communications

StorageTek suggests either performing a normal HSC shutdown or changing the HSC state to the base service level prior to recycling TCP/IP or taking TCP/IP down for any extended period of time.

Unlike 3270 station protocol, TCP/IP station protocol requires the socket interface to be reopened (restarted) by the HSC before communication to the LMU can be reestablished. If the LMU station connection is lost, the HSC begins network recovery to the station. During recovery, the HSC continues trying to reestablish the connection between its socket and the remote station socket every 10 seconds for 30 minutes. Once the network problem is resolved, the next time the HSC attempts network connectivity, it reestablishes communication to the LMU.



Note: When 30 minutes is exceeded, no further reconnection attempts are made, and operator intervention is required.

In a dual LMU environment, users can switch to the standby station if other host processing is not greatly impacted. If connectivity is lost to both LMU stations, network recovery is simultaneous.

When the HSC detects TCP/IP interface errors or timeout conditions, message SLS6012E is issued.

```
SLS6012E ACS AA recovery of network connection to station C...C is now active
```

When the HSC successfully recovers network connectivity, message SLS6013I is issued and all outstanding LMU requests are redriven.

```
SLS6013I ACS AA recovery of network connection to station C...C successful
```

If the HSC network recovery times out, message SLS6014E is issued, the station is considered in error, no further reconnection attempts are made, and operator intervention is required.

```
SLS6014E ACS AA unable to reestablish connection to station C...C
```



Caution: During network recovery or timeout situations, only use the Display Acs command to view ACS and station status. The Display Cap and Display LSM commands involve LMU requests and will not execute.

Operator Intervention - Single LMU Configuration

If the HSC network recovery times out, the ACS is automatically changed to an offline state and all outstanding LMU requests are purged. After troubleshooting the network connection, vary the ACS online.

```
Vary ACS acs-id ONline
```



Note: During network recovery, the ACS can be forced offline, however, all outstanding LMU requests are purged. StorageTek recommends that users allow the HSC network recovery process to remain active and not to force the ACS offline.

Operator Intervention - Dual LMU Configuration

Communication Lost to Master LMU

If network recovery times out on the master LMU, and the HSC is still connected to the standby LMU, the ACS is still considered in an online state. Issue the SWITCH command to make the current standby LMU the new master LMU.

```
Switch Acs acs-id
```

The HSC redrives requests to the new master LMU.

Communication Lost to Standby LMU

If network recovery times out on the standby LMU, resolve the network problem and IPL the standby LMU. After the IPL is complete, the master LMU notifies the HSC that the standby LMU is now ready and network connectivity is reestablished with the standby.

Communication Lost to Both LMUs

If network recovery times out on both LMUs, the ACS is automatically changed to an offline state and all outstanding LMU requests are purged. After the network problems are resolved, vary the ACS online.



Note: When network recovery is active on the master and standby LMUs, the ACS can be forced offline, however, all outstanding LMU requests are purged. StorageTek recommends that users allow the HSC network recovery process to remain active and not to force the ACS offline.

Configuring VM for TCP/IP Support

The following items must be updated to allow VM to support TCP/IP station protocol.

- System Definition File
- System Profile File
- HSC Startup Job File
- LMUPATH Definition Data Set.

System Definition File (ACS SYSDEF)

To define the IUCV connection with the LMU communications component, add the TCP/IP file statement to the ACS SYSDEF file.

```
FILE LCOMM IUCV <tcpip> DSN <tcpip>.LMU.COMM
```

where *tcpip* is the user ID of the TCP/IP service machine.

System Profile File (ACS SYSPROF)

Add the LMUPDEF command and control statement to the ACS SYSPROF file.

```
LMUPDEF <vaddr> DSN <dsname> VOL <volser>
```

where

vaddr is the virtual address of the data set that contains the LMUPATH statements.

dsname is data set name.

volser is the volume serial number of the volume on which the data set resides.

HSC Startup Job File (ACS SLKJCL)

Add the LMUPDEF command and control statement to the ACS SLKJCL file.

```
LMUPDEF DSN(dataset.name) VOLUME(volser) UNIT(vaddr)
```

where

dataset.name is data set name of the volume.

volser is the volume serial number of the volume on which the data set resides.

vaddr is the virtual address of the data set that contains the LMUPATH statements.

Initializing the LMUPATH Definition Data Set

The next three tasks apply to the LMUPATH definition data set.

Minidisk Statement for the LMUPATH Data Set

Add a minidisk statement to the directory entry for the STKACS userid. Refer to “Define the ACS Service Machine” in the *HSC 6.2 VM Installation Guide* for an example.

Minidisk Format

Format the minidisk as an OS or CMS RESERVED minidisk using the SLIMDISK utility. Refer to “Allocation of OS-formatted Minidisk” and “Allocation of CMS RESERVED Minidisk” in the *HSC 6.2 VM Installation Guide* for more information.

Commands to Format OS Minidisk:

```
EXEC SLIMDISK <vaddr> <volser> (INIT  
EXEC SLIMDISK <vaddr> <volser> <numcyls> 4080 80 DSN <dsname>
```

where

vaddr is the virtual address.

volser is the DASD volume serial number.

numcyls is the number of cylinders to allocate.

dsname is the data set name to assign to this space.

Commands to Format CMS Reserved Minidisk:

```
EXEC SLIMDISK CMSR <vaddr> <volser> 512 (INIT  
EXEC SLIMDISK CMSR <vaddr> <volser> DSN <fname> <ftype>
```

where

vaddr is the virtual address.

volser is the DASD volume serial number.

fname is the file name of the data set.

ftype is the file type of the data set.

LMUPATH Definition Data Set

Add the LMUPATH statements to the LMUPDEF data set using the ACS UTIL VOLCOPY command.



Note: ACS UTIL VOLCOPY creates skeleton JCL that you modify to match your configuration.

```
/JOB SLSXUTIL SLUGENER
/PARM RECCOPY
/FILE SYSPRINT DEV PRNT CLASS A
/FILE SYSUT2 DEV <vaddr> DSN <dsname>
/FILE SYSUT1 *
LMUPATH ACS(aa) LMUADDR(nnn.nnn.nnn.nnn)
LMUPATH ACS(aa) LMUADDR(nnn.nnn.nnn.nnn)
.
.
.
```

Communication Functions

HSC communication functions make sure that passing pertinent information between HSC components and hosts is accomplished successfully.

Host-to-Host Communications Services

The HSC permits you to select the hierarchy of methods used for host-to-host communications. The communications services are designed to provide you with fail-safe communications between HSC hosts in a data center complex.

Information Passed Between Hosts

The following kind of information is passed between hosts:

- control data set switch information
- CAP status information.

Types of Communications Services

Communications services that are available fall into three categories:

- telecommunications access method through the ACF/VTAM network — This method of host-to-host communications provides the highest performance and reliability.



Note: StorageTek recommends using VTAM since it does not place a performance burden on HSC components.

- communication through the LMU — This method of host-to-host communications is a lower performance method than ACF/VTAM.
- communication through the CDS — This method of host-to-host communications is a lower performance method than either ACF/VTAM or LMU.

Figure 7 on page 75 illustrates the available communication methods and relative hierarchy of the methods.

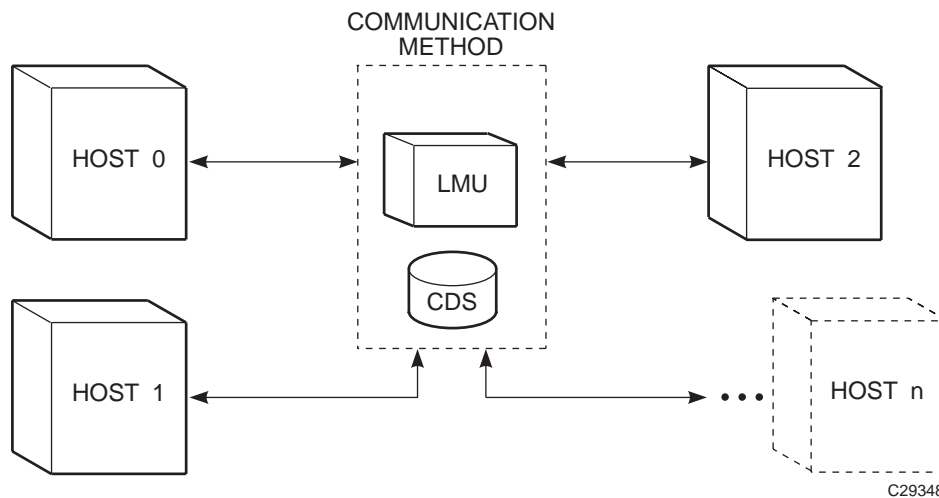


Figure 7. HSC Communication Methods

How Communications Services are Set or Changed

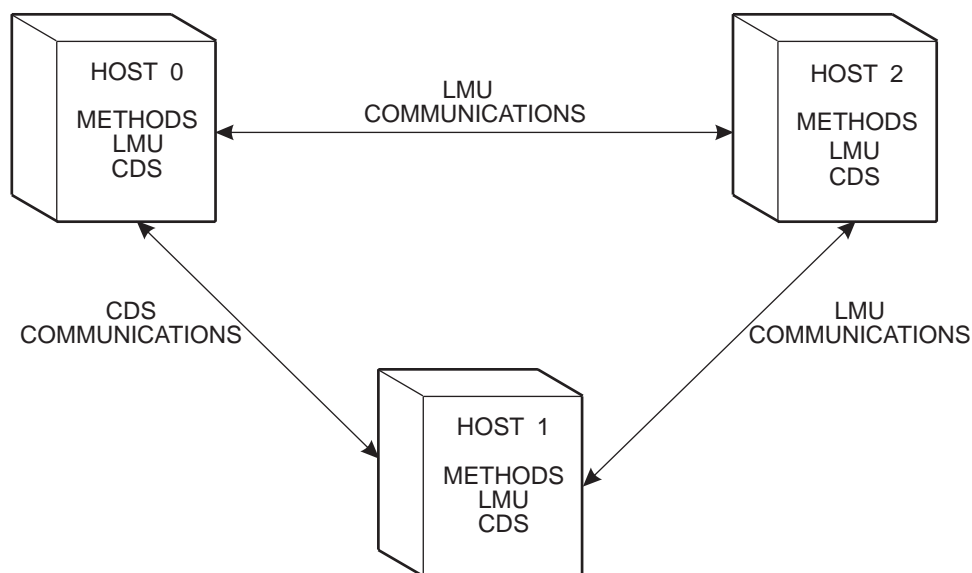
Communications services are set or changed by the Communications Path (COMMPATH) command and control statement. This command specifies host, communication method, LMU paths and VTAM path name for the associated host. The communication path definitions can be modified at any time during library operation without terminating the HSC.

The COMMPATH command and control statement sets up a table of definitions for the host that is executing the command. Each host's table must contain a list of path definitions for itself and a separate list for each defined host. Therefore, on each host, the command must be issued once to define the paths for itself, once to define the paths for a second host, once to define the paths for a third host, and so on, until all hosts are defined.

For example, the library is operating in an environment with three hosts: Host 0, Host 1, and Host 2. The COMMPATH command must be issued three times on each host. The table of definitions for Host0 must contain a list of paths for Host 0, a list for Host 1, and a list for Host 2. The same is true for Host 1 and Host 2.

For one host to communicate with another, they must have matching entries in their respective lists of defined paths. The highest-performance method that is common to two hosts is selected as the current method of communications between the two. A host can use one method of communications with a second host, and a different method of communications with a third host.

Figure 8 on page 76 illustrates how different communication methods can be used between multiple hosts.



EACH PAIR OF HOSTS COMMUNICATE USING THE HIGHEST PERFORMANCE METHOD DEFINED TO BOTH

C26184

Figure 8. HSC Communication Methods Between Multiple Hosts

COMMPath can be specified by an operator as an operator command, or by a systems programmer as a PARMLIB control statement. Before COMMPath is issued, all methods of communications are set to CDS. Refer to “Communications Path (COMMPath) Command and Control Statement” in the *HSC Operator’s Guide* for information on the usage of the command.

It is recommended that host-to-host communications be defined in PARMLIB at startup. The COMMPath operator command is best used to switch communications paths, or to delete paths.

Displaying Current Status of Communication Services

The current status of the communications method is displayed by issuing the Display operator command. Issuing the Display command, specifying the COMMPath parameter, and optional HOSTid parameter results in a summary display at the console.

When issuing the command, individual host IDs or all hosts can be specified. If you exclude the HOSTid parameter in the command, a summary of current parameter settings for all hosts is displayed in a message. If the HOSTid is specified as “*” the current settings are displayed for the host from which the command is entered. If the ALL parameter is issued, the current settings for all defined hosts are displayed.

The message provides a summary list for the current HSC host-to-host communications parameters.

Tracing the host-to-host communications method is done with the operator Trace command. Upon issuance of the command at the system console, an appropriate message is displayed indicating a list of ACS subsystem components with tracing status.

Switching Communications Paths

The performance ranking of the communications methods takes on meaning when it becomes necessary to switch from one method to another because of a failure. A switch can be initiated automatically by the HSC or dynamically by the operator using the COMMPATH command. The HSC issues a message to the console when a communications path switch occurs, regardless of how it is initiated.

The HSC can initiate

- a lateral switch from one defined LMU path to another, or
- a downward switch from a higher performance method to any lower performance method (VTAM to LMU, LMU to CDS, or VTAM to CDS).

The COMMPATH command can initiate a switch to a higher, lower, or equivalent method.



Note: After an automatic downward switch has occurred, an upward switch can only be accomplished using the COMMPATH command.

Software Requirements

The following software requirements apply:

- LMU 3.0 (or higher) or 9315/9330 1.0 (or higher) μ -software is required for a multiple-level communications service.
- ACF/VTAM 3.2 (or higher) must be available to use the VTAM method of communications.

Programmatic Interface

The programmatic interface component provides you with the interface definitions to use for customizing the HSC. Using the detailed definitions provided, you can interface third-party software or create custom programming to run with the HSC.

In MVS, tape management systems are interfaced to the HSC using user exits rather than through the programmatic interface.

Refer to Appendix I, “Programmatic Interface (PGMI)” on page 813 for detailed information about programmatic interfaces.

Batch Application Program Interface (API)

The Batch API allows you to retrieve 2.0- and 2.1-level CDS information in batch mode. The CDS specified as input to the request does not have to be active nor does it have to be referenced by the HSC address space (the request executes in the user address space). In addition, the HSC does not have to be active to submit the request. Refer to “Batch Application Program Interface (API)” on page 963 for more information.

Chapter 3. HSC Control Statements and HSC Start Procedure

Overview

This chapter discusses two kinds of control statements, PARMLIB (below) and definition data set (refer to “Definition Data Set Control Statements” on page 97), and the HSC Start procedure (refer to “HSC Start Procedure” on page 130). For more information about HSC installation and initialization, refer to the *HSC Configuration Guide*.

PARMLIB Control Statements

Parameter library (PARMLIB) control statements provide you a way, at HSC initialization, to statically specify various operation parameters. Identifying your system needs and then specifying various control statements permits you to tailor the HSC to the needs of your data center.

Some PARMLIB options can be altered after HSC initiation with the HSC running. These options can be changed using an appropriate operator command. With these options it is not necessary to stop the HSC and restart it to initialize the new or changed options that you want to specify. Those PARMLIB control statements that can be altered with the HSC running are identified as PARMLIB commands or control statements in this chapter.

Any operator command can be specified as a PARMLIB control statement.



Note: Refer to Appendix E, “Macros, Control Statements, Utilities, and Commands Syntax Reference” on page 611 for the rules and conventions that apply to command and control statement syntax.

Defining PARMLIB Control Statements

PARMLIB control statements are defined in a sequential data set or a single partitioned data set (PDS) member that is opened when the HSC is initialized.

There are two methods for defining PARMLIB control statements:

- defining PARMLIB members in user-defined data sets
- defining PARMLIB members in SYS1.PARMLIB.

The PARMLIB control statements are invoked by specifying MEMBER(*xx*) or M(*xx*) on the input parameter in the startup procedure. The suffix “*xx*” is concatenated with SLSSYS to form a name. The name is used either as the ddname in the startup procedure or as a member in SYS1.PARMLIB.

If the ddname is not specified in the startup procedure, then the SYS1.PARMLIB data set is dynamically allocated and a search for the member name is made in that data set.

If the data set named in the SLSSYS.*xx* DD is a partitioned data set (PDS), you **MUST** specify the member name containing the control statements. If the SLSSYS.*xx* DD is a sequential data set, only the data set name (DSN) needs to be specified.

With either method, the PARMLIB data set (or SYS1.PARMLIB member) is opened and read to obtain the parameters for running the HSC software.



Note: Although SYS1.PARMLIB can be used in a multiple-system environment, it is recommended that a user-defined data set, other than SYS1.PARMLIB, be used.

Processing PARMLIB Control Statements

PARMLIB control statements are processed at HSC initialization.

The following are examples of JCL for HSC execution. The examples contain DD statements defining data sets and members that contain PARMLIB control statement definitions.

Example JCL Defining Sequential PARMLIB Data Sets

```
//SLS0      PROC
//IEFPROC   EXEC PGM=SLSBINIT,
//          TIME=1440,
//          REGION=2000K,
//          DPRTY=(7,5),
//          PARM='E(E086) F(23) M(00)'
//*
//STEPLIB   DD DISP=SHR,DSN=SLS.SLSLINK
//*
//SLSSYS00  DD DISP=SHR,DSN=parmlib0-data set
//SLSSYS01  DD DISP=SHR,DSN=parmlib1-data set
//SLSSYS02  DD DISP=SHR,DSN=parmlib2-data set
```

Example JCL Defining Partitioned PARMLIB Data Sets

```
//SLS0      PROC
//IEFPROC   EXEC PGM=SLSBINIT,
//          TIME=1440,
//          REGION=2000K,
//          DPRTY=(7,5),
//          PARM='E(E086) F(23) M(00)'
//*
//STEPLIB   DD DISP=SHR,DSN=SLS.SLSLINK
//*
//SLSSYS00  DD DISP=SHR,DSN=parmlib0-data set(member)
//SLSSYS01  DD DISP=SHR,DSN=parmlib1-data set(member)
//SLSSYS02  DD DISP=SHR,DSN=parmlib2-data set(member)
```



Note: In the JCL examples, “M(xx)” is the MEMBER parameter described in “Defining PARMLIB Control Statements” on page 80.

Multiple PARMLIB data sets can be allocated. At HSC startup, members can be specified at your discretion.

Examples of SLSSYS_{xx} command streams and PARMLIB control statements are contained in members SLSSYS00, SLSSYS12, and SLSSYS20 of the HSC SAMPLIB.

Options Offered by PARMLIB Control Statements

The PARMLIB control statements offer various HSC operating options. At HSC installation you identify the control statements to the HSC for those processes that you want to tailor to your installation. The options are placed in the PARMLIB data set. Options that you can control by using PARMLIB control statements are summarized below. Refer to “Control Statement Syntax Conventions” on page 622 for information on specifying control statements.



Note: PARMLIB control statements that apply only to system programmer tasks are described in this guide. These include:

- Control Data Set definition
- EXECPARM Control definition
- Journal Data Set definition
- Reconfiguration definition
- Scratch Subpool definition.

The other command and control statements appear in the *HSC Operator's Guide*.

Device Allocation

Device allocation specifications are specified by the ALLOC operator command and the SMC ALLOCDEF command, and tailor the HSC to influence operating system processing of device allocation. Refer to “Allocation (ALLOC) Command and Control Statement” in the *HSC Operator's Guide* and the *SMC Configuration and Administration Guide* for more information.

CAP Preference Definition

This control statement and operator command defines an ordered list of CAPs that is used by the library when cartridges are being entered or ejected. Refer to “CAP Preference (CAPPref) Command and Control Statement” in the *HSC Operator's Guide* for detailed information.



Note: The CAPPref AUTO and MANual settings should not be placed in PARMLIB. If these settings are used and the CAP is already in the selected mode, the command is rejected without changing the preference value.

Control Data Set Definition

With this control statement and operator command, you specify the control data set definitions and the number of control data sets that you want running. CDS definition information is specified in the CDSDEF control statement. Refer to “CDS Definition (CDSDEF) Control Statement” on page 85 for control statement syntax, parameter information, and example statements.

Communications Path Definition

This control statement and operator command provides you a way to set the communications path utilized in a multi-host environment. A hierarchy for communications can be established. If a communications failure occurs, the hierarchy defined provides continued operation of HSC software and the communications path. Refer to ‘‘Communications Path (COMMPATH) Command and Control Statement’’ in the *HSC Operator’s Guide* for more information.

EXECPARM Control Definition

The EXECPARM control statement provides an alternative method for specifying GTF event and format IDs normally specified in the subsystem startup procedure. This control statement also provides you with the option of displaying the command prefix preceding WTO or WTOR messages. Refer to ‘‘EXECPARM Control Statement’’ on page 88 for control statement syntax, parameter information, and example statements.

Journal Data Set Definition

In this control statement you specify the journal data set definitions. Journal information is specified in the JRNDEF control statement. Refer to ‘‘Journal Definition (JRNDEF) Control Statement’’ on page 90 for control statement syntax, parameter information, and example statements.

Mount/Dismount Processing Control

With the MNTD control statement and operator command, you can tailor the HSC’s response to mount or dismount processing that occurs. For example, some of the functions that you can control include:

- automatic or manual dismount and/or scratch
- maximum count for use of cleaning cartridges
- device where scratch volumes mounted in a WolfCreek LSM are to be dismounted or archived
- maximum number of pass-thrus allowed for a cartridge to be archived.

Refer to ‘‘MNTD (Mount/Dismount Options) Command and Control Statement’’ in the *HSC Operator’s Guide* for control statement syntax, parameter information, and example statements.

Option Control

The general purpose OPTion control statement and operator command provides you methods to control the following:

- viewing time when using the VIEw command
- issuance of a message if an attempt is made to enter duplicate volumes into a library
- display of uppercase and lowercase characters output at the system console
- maximum number of cartridges that can be ejected for one eject operation
- volume processing associated with a specific CAP when the CAP is drained or becomes unavailable before an eject operation completes.

Refer to “OPTION Command and Control Statement” in the *HSC Operator’s Guide* for control statement syntax, parameter information, and example statements.

Reconfiguration CDS Definition

The RECDEF control statement is used during reconfiguration to specify the new primary and secondary CDS definitions. Refer to “Reconfiguration CDS Definition (RECDEF) Control Statement” on page 92 for control statement syntax, parameter information, and example statements.

Scratch Subpool Definition

With this control statement, you can specify new scratch pools. Using this control statement is recommended over using User Exit 03 (SLSUX03). Refer to “Scratch Subpool Control Statement” on page 94 for control statement syntax, parameter information, and example statements.

User Exit Execution Control

This control statement and operator command allows you to enable or disable specified user exits. Refer to “User Exit (UEXIT) Command and Control Statement” in the *HSC Operator’s Guide* for control statement syntax, parameter information, and example statements.

Control Statement Continuation Conventions

Control statements may be interspersed with comments designated by an asterisk (*) in column one.

For definition data sets (VOLATTRs, UNITATTRs and TAPEREQs) comments **must** be in the new format (/...*/). Asterisk (*) comments are not allowed. A /...*/ comment in the first line is **not** required for definition data sets.

Refer to “Control Statement Syntax Conventions” on page 622 for more information.

Virtual Storage Manager (VSM) Support

VSM support has been added for certain HSC PARMLIB control statements. See the VTCS documentation for more information.

CDS Definition (CDSDEF) Control Statement

The CDSDEF control statement is required and provides CDS name and location information to the HSC. This information is used by the HSC during initialization.

The static information includes both specified and implied parameters of the CDSDEF statement. For example, if you code your CDSDEF control statements and do not include volume serial (VOLSER) information, the HSC determines the VOLSER from the MVS catalog at HSC startup time. You cannot change a CDS VOLSER without stopping the HSC. Therefore, if you

- disable a CDS
- uncatalog a CDS
- recatalog a CDS on a new VOLSER
- enable a CDS

the HSC reallocates the original uncataloged CDS. The HSC stores the CDS VOLSER and this information remains in effect for the life of the HSC execution, even if you did not explicitly specify the volume parameter.

The HSC also stores CDS unit address information, but this information can change if the CDS is moved to a new unit address as part of a TDMF, FDRPAS, or P/DAS swap operation.

The primary, secondary, and standby control data sets are dynamically allocated. The CDSDEF PARMLIB control statement defines which copies of the control data set are used while the HSC is running.

Information used to build the SVC99 parameter lists is acquired from the parameter data set.

If journaling is active, JRNDEF statements must be used (refer to “Journal Definition (JRNDEF) Control Statement” on page 90 for more information).

Control information provided to the HSC by CDSDEF includes:

- the name(s) for HSC control data set(s)
- the DASD volume where the specified CDS resides
- the unitname for the SVC99 parameter list for CDS allocation
- switch information controlling the enabling of a standby CDS.



Note: The number of CDS copies used by the HSC is dependent on the number of CDS copies defined in the CDSDEF PARMLIB control statement. Control and journal data sets **cannot** be defined in JCL; the CDSDEF statement **must** be in the PARMLIB definitions. It is not determined by the LIBGEN SLIRCVRY macro TECHNIQUE parameter.

The HSC uses all of the CDS copies defined in the CDSDEF control statement (whether this includes more or less CDS copies than are specified by the TECHNIQUE

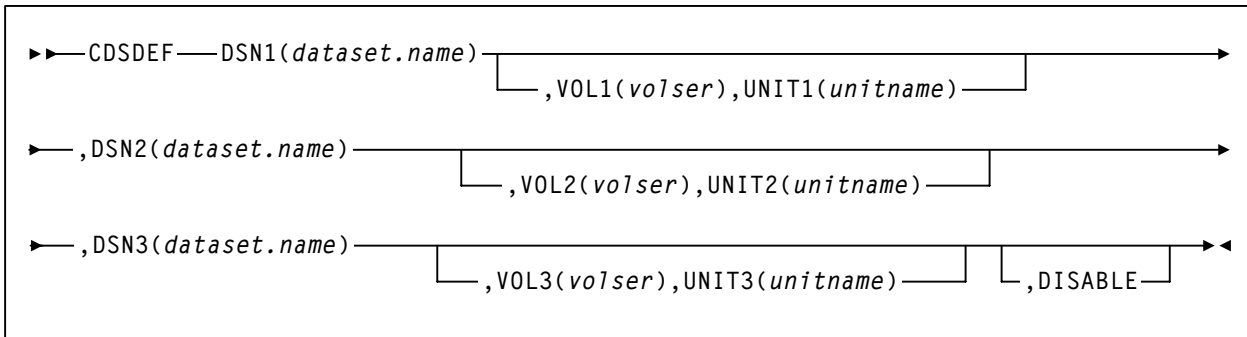
parameter). However, if journaling is specified by the TCHNIQE parameter, journals must be defined for successful HSC initialization.

The HSC RECONFIG utility uses CDS copies defined by JCL DD statements. JCL must be used to define the old and new CDS copies when VIO is used to minimize the time required to run RECONFIG. For more information about the RECONFIG utility, see “Reconfiguration Utility” on page 280.



Caution: Parameters specified for the CDS definition cannot be changed without a complete restart of the HSC on all hosts.

Syntax



Control Statement Name

CDSDEF

initiates the control statement.

Parameters

DSNx

dataset.name is the name of an HSC control data set. At least one DSN parameter must be specified, as many as three can be specified. If two data sets are specified, then the volume inventory information on both copies is kept current, and these two data sets are referred to as the primary and the secondary CDS.

If all three are specified, then two copies are kept current and the third data set is a standby CDS which is enabled as the default condition. This standby CDS can be disabled with the **DISABLE** parameter. In the case where a standby copy of the CDS is being used, you do not need to specify which two of the three CDSs are the primary and secondary copies. The HSC determines, based on last use, which two are the correct copies to use during the initialization of the Control Data Set Services.

VOLx

optionally, *volser* is the volume serial number of the DASD volume where the specified CDS resides. If the data set is not cataloged, this must be specified.

If omitted, volume and unit information is determined from the MVS catalog, and the **UNITx** parameter is ignored.

UNITx

optionally, *unitname* is used to specify the unit parameter in the SVC99 dynamic allocation parameter list. If omitted, SYSALLDA is used.

unitname can be an IBM-defined generic (e.g., 3390), a system-built esoteric (e.g., SYSALLDA), a user-defined esoteric, or a specific device number. It is recommended that a general value of SYSALLDA be specified (or defaulted) to allow maximum flexibility and to reduce the need for CDSDEF updates to keep them consistent with the active CDS.

DISABLE

optionally, disables the standby CDS. If this parameter is not specified, the default is to enable the standby CDS at HSC initialization.

If **DISABLE** is specified, initialization verifies the standby CDS by allocating, opening, and reading the data set. The standby CDS is then closed and deallocated. This process allows manual control over the use of the standby CDS during a control data set switch situation.

If the standby CDS is enabled, the HSC automatically uses it for switching. If it is disabled, it is not used. There is no enable parameter for CDSDEF, as the enable condition is the default.

Example

The following is an example of using the CDSDEF control statement.

CDSDEF Control Statement

```
CDSDEF DSN1(SLS.DBASE),VOL1(HSC101),UNIT1(501),+
      DSN2(SLS.DBSEC),VOL2(HSC102),UNIT2(502),+
      DSN3(SLS.DSTBY),VOL3(HSC103),UNIT3(503),+
      DISABLE
```



Note: Control statements can only be continued if PARMLIB begins with a /*...*/ comment statement (see “Control Statement Syntax Conventions” on page 622).

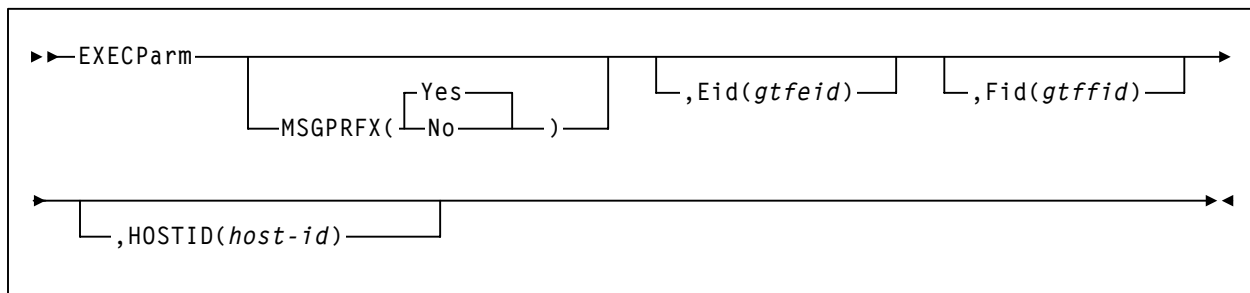
When entering a 4 digit address, the address must be prefixed with a “/”. For example, Unit1=/1501.

EXECParm Control Statement

The EXECParm control statement is an alternative method for specifying the GTF event ID (*Eid(gtfeid)*) and GTF format ID (*Fid(gtffid)*). The EXECParm control statement also provides a parameter that enables you to control display of the system command prefix when messages are written to the operator at the system console. This parameter controls the command prefix on WTO and WTOR messages.

Refer to “Creating an HSC START Procedure” on page 130 for a description of the start procedure and how it relates to EXECParm.

Syntax



Control Statement Name

EXECParm

initiates the control statement

Parameters

MSGPRFX

optionally, specifies control of whether the command prefix is to precede WTO or WTOR messages to the operator.

Yes

indicates that the command prefix is to display preceding WTO or WTOR messages to the operator.

No

indicates that the command prefix is not to display preceding WTO or WTOR messages to the operator.

Eid

optionally, *gtfeid* specifies a GTF event ID.

PARM='Eid(*user-specified-event-id*)' parameter is valid for use in the HSC initialization procedure as an alternative method of specifying the GTF event ID.

Fid

optionally, *gtffid* specifies a GTF format ID.

PARM='Fid(*user-specified-format-id*)' parameter is valid for use in the HSC initialization procedure as an alternative method of specifying the GTF format ID.

HOSTID

optionally, *host-id* specifies the system ID associated with the request to process the EXECParm control statement.



Note: If the *hostid* specified does not match the host executing the command, the command is ignored and no message is issued.

Example

The following example illustrates the use of the EXECParm control statement.

EXECParm Control Statement — Command Prefix Off

```
EXECPC MSGPRFX(NO) E(Ø86) F(23) HOSTID(MVS1)
```

Journal Definition (JRNDEF) Control Statement

The JRNDEF control statement provides static information to the HSC. This information is used by the HSC at initialization and remains for the life of the HSC execution. Control information provided to the HSC by JRNDEF includes:

- the name for HSC journal data sets

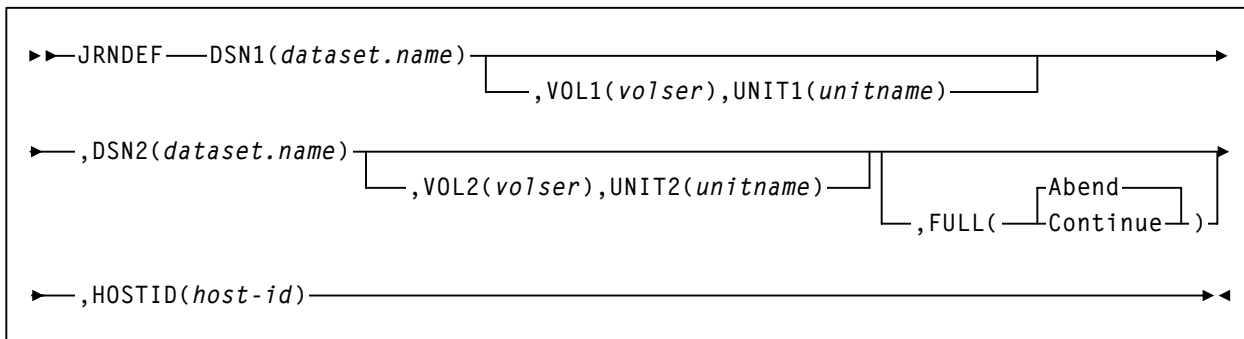


Note: If your recovery technique involves using journals, both journal data sets are required. HSC will not initialize if only one journal data set is provided.

- the DASD volume where the specified journal resides
- the unitname for the dynamic allocation parameter list for journal allocation
- journal full options.

In a multi-host complex, a separate JRNDEF statement is required for each host. Refer to “CDS Definition (CDSDEF) Control Statement” on page 85 for information about defining CDS files.

Syntax



Control Statement Name

JRNDEF

initiates the control statement.

Parameters

DSN_x

dataset.name is the name of an HSC journal data set. If journaling is active, each HSC host that comes active must find a JRNDEF statement in PARMLIB with a HOSTID that matches the system where it is running. Each JRNDEF statement **must specify two distinct journal DSNs**.

Journal data sets cannot be shared between hosts.

VOL_x

optionally, *volser* is the volume serial number of the DASD volume where the specified journal resides. The volume must be specified if the journal data set is not cataloged.

UNIT_x

optionally, *unitname* is used to specify the unit parameter in the SVC99 dynamic allocation parameter list.

FULL

optionally, this parameter provides the following options:

Abend

the HSC main address space internally abends if both journals fill to capacity before a CDS backup is executed. **This parameter is the default.**

Continue

library operations in the complex continue to occur **without the benefit of journaling on any host.**



Note: Once journaling is discontinued, the data contained in **all** journals and off-loaded copies cannot be used for recovery purposes. However, by running the BACKUP utility, all journals are reset and journaling automatically becomes active again.

HOSTID

host-id is the system ID associated with the journals specified with this control statement. *host-id* must match the HOSTIDs defined by the SLILIBRY macro in the LIBGEN for the subsystem.

Example

The following is an example of using the JRNDEF control statement.

JRNDEF Control Statement

```
JRNDEF DSN1(SLS.JRN01),VOL1(HSC101),UNIT1(510),+
        DSN2(SLS.JRN02),VOL2(HSC102),UNIT2(511),+
        FULL(CONTINUE),+
        HOSTID(MVS1)
```



Note: Control statements can only be continued if PARMLIB begins with a /*...*/ comment statement (see “Control Statement Syntax Conventions” on page 622).

When entering a 4 digit address, the address must be prefixed with a “/”. For example, Unit1=/1501.

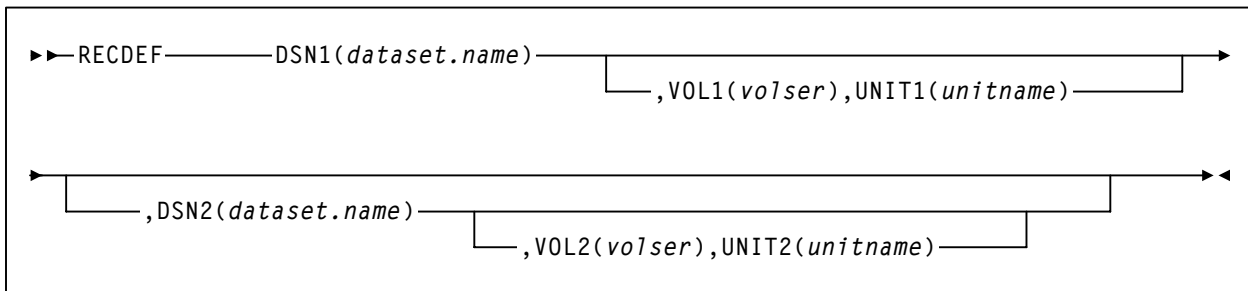
Reconfiguration CDS Definition (RECDEF) Control Statement

The RECDEF control statement, in combination with the CDSDEF control statement (refer to “CDS Definition (CDSDEF) Control Statement” on page 85), defines which CDS copies are to be used when running the Reconfiguration utility. CDSDEF specifies the old input copies of the CDS; RECDEF the new copies.



Note: RECDEF parameters replace the DBPRMNEW and DBSHDNEW DD statements used in previous releases. A new standby CDS created by the SLICREAT program (refer to “Initializing the Control Data Sets” in the *HSC Configuration Guide*) is not affected by reconfiguration. It becomes valid once it is enabled by the HSC.

Syntax



Control Statement Name

RECDEF

initiates the control statement.

Parameters

DSN_x

dataset.name is the name of a newly created HSC CDS. At least one DSN parameter must be specified; as many as two can be specified. The first DSN becomes the primary CDS. If specified, the next DSN is created as an identical copy of the primary CDS.

RECDEF DSNs are input for the first HSC initialization as CDSDEF control statements. DSNs can be entered in any order whether or not this is the first initialization. Order is not important, since all copies are identical after the reconfiguration and controlling information is kept in each CDS for subsequent runs.

VOL_x

optionally, *volser* is the volume serial number of the DASD volume where the specified CDS resides.

UNIT_x

optionally, *unitname* is used to specify the unit parameter in the SVC99 dynamic allocation parameter list.

Example

The following is an example of using the RECDEF control statement.

RECDEF Control Statement

```
RECDEF DSN1(SLS.DBASE),VOL1(HSC101),UNIT1(501),+  
       DSN2(SLS.DBSEC),VOL2(HSC102),UNIT2(502)
```



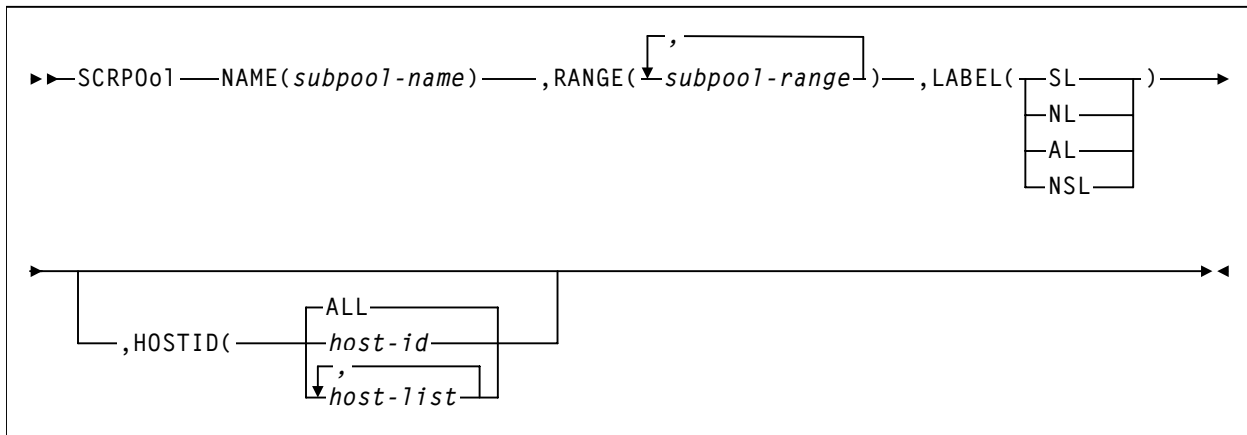
Note: Control statements can only be continued if PARMLIB begins with a /*...*/ comment statement (see “Control Statement Syntax Conventions” on page 622).

When entering a 4 digit address, the address must be prefixed with a “/”. For example, Unit1=/1501.

Scratch Subpool Control Statement

The scratch subpool control statement provides you with control of the scratch volume activity in a library. Refer to “Scratch Subpool Management” on page 46 for more information relating to this control statement.

Syntax



Control Statement Name

SCRPOOl

control statement identifier.

Parameters

Subpool information is defined in PARMLIB as individual control statements using the following parameters.

NAME

specifies the name of the subpool. A maximum of 13 characters is allowed; blank spaces are not permitted.



Notes:

- If scratch subpools are defined using User Exit 03 (see the *NCS User Exit Guide*), the scratch subpool name may be omitted. If the subpool name is not provided by User Exit 03, the subpool index (subpool 0) is used as the name.

The subpool index is converted to three EBCDIC decimal digits and placed in the left most three positions of the subpool name. Subpool 0 contains all scratch tapes in the ACS including scratch tapes in named subpools.

- A SCRPOOl statement containing a duplicate subpool name is ignored unless it immediately follows the first statement that specifies the same subpool name.

In this case, the second statement is considered to be a continuation of the first. The following example shows a valid combination:

```
SCRPOOL NAME=POOL1 , RANGE=(P10000-P10199) , LABEL=SL
SCRPOOL NAME=POOL1 , RANGE=(P90000-P20199) , LABEL=SL
SCRPOOL NAME=POOL2 , RANGE=(P20000-P20199) , LABEL=SL
```

In the next example, the second POOL1 statement is not valid and causes an error message to be generated.

```
SCRPOOL NAME=POOL1 , RANGE=(P10000-P10199) , LABEL=SL
SCRPOOL NAME=POOL2 , RANGE=(P20000-P20199) , LABEL=SL
SCRPOOL NAME=POOL1 , RANGE=(P90000-P90199) , LABEL=SL
```

RANGE

subpool-range specifies the volume serial numbers which the subpool represents. Range start and end values are separated by a single dash (-). Multiple ranges may be specified separating each range by commas.



Notes:

- The range of volume serial numbers must be unique for each subpool; that is, a volume serial number cannot be used in more than one subpool range.
- Make sure when you are coding multiple ranges of tapes that you do not specify the **RANGE** parameter on different SCRPOOL control statements. If more than one SCRPOOL statement has been specified, the HSC reads only the **last** RANGE setting it encounters and loads only that range. All other ranges are ignored.

StorageTek recommends that you specify multiple ranges, separated by commas, on one SCRPOOL control statement, if possible.

LABEL

type specifies the label type associated with the applicable subpool. Types include:

SL

standard label

NL

no label

AL

ANSI label

NSL

nonstandard label

HOSTID

optionally, defines the hosts that are valid for this subpool. Multiple *host-lists* may be specified, separating each *host-list* value with a comma. Default HOSTID is ALL.

If you need to define the same subpool name on some but not all hosts, you may duplicate the SCRPOOL statement changing the HOSTID parameter as necessary (see examples). Optionally, you may use separate PARMLIB data sets for each host, but this is not recommended.

Example

The following is an example of using the Scratch Subpool control statement.

Scratch Subpool Control Statements

```
SCRPOOL NAME(SITE1), RANGE(100000-200000, 300000-400000), LABEL(SL)
SCRPO  NAME(SITE2), RANGE(500000-540072), LABEL(NL), HOSTID(MVS1)
SCRPO  NAME(SITE2), RANGE(500000-540072), LABEL(NL), HOSTID(MVS6)
SCRPO  NAME(SITE3), RANGE(540081-610094), LABEL(NSL)
SCRPO  NAME(SITE4), RANGE(AP1000-AP1999), LABEL(SL), HOSTID(MVS1, MVS6)
```

Other Methods of Controlling Scratch Subpools

There are other ways to control scratch volumes and scratch subpools in the library. The following are additional methods that may be used:

- Display SCRatch command
- Display command with THReshld parameter
- ENTer command specified with SCRatch parameter
- SCREdist utility with SUBpool and BALtol parameters
- Eject command with SCRTCH SUBpool parameters
- Mount command with SCRTCH SUBpool parameters
- Warn command with SCRatch SUBpool and THREShold parameters
- Job Processing User Exit 01
- JES2 Scratch Allocation Exit 02
- Scratch Subpool User Exit 03
- JES3 Scratch Subpool User Exit 04.

Refer to the “Commands, Control Statements, and Utilities” in the *HSC Operator’s Guide* for more information.

Definition Data Set Control Statements

Definition data sets contain the control statements used to define tape data set storage policies to the HSC. A definition data set must be sequential (it may be a partitioned data set [PDS] member) with any valid record format (RECFM). The syntax rules for the HSC PARMLIB data set designated by SLSSYSxx apply to the statements contained in a definition data set, except that comment statements with an asterisk in column one are not allowed. Refer to “Control Statement Syntax Conventions” on page 622 for information about PARMLIB syntax rules.

Each of the following commands cause the HSC to open a definition data set and load its specified attributes:

- LMUPDEF
- SCRPFDEF
- VOLDEF (for VOLATTRs)



Note: The UNITDEF command is no longer supported by the HSC. The HSC now recognizes library and virtual drive characteristics from the LMU and CDS definitions. TREQDEF has been removed from the HSC and is now processed by the SMC.

The user can specify LMUPDEF, SCRPFDEF, and VOLDEF control statements either in the HSC PARMLIB data set to load the definition data sets at startup, or issue them as operator commands to dynamically load the data sets without stopping the HSC. The LMUPATH, SCRPOOL, and VOLATTR statements contained in a definition data set are in effect only on the host that opens the data set. They are not broadcast or propagated to other hosts, and are not maintained across HSC stops and starts. The definition data sets must be opened each time the HSC is restarted.

LMU path (LMUPATH), scratch subpool (SCRPOOL), and volume attribute (VOLATTR), statements may be placed in the same definition data set or in different data sets, depending on your site requirements. Each data set may also contain an OPTION TITLE statement with an identifying string.

If the HSC encounters any other statements when it opens a definition data set, error messages are issued, the statements are ignored, **the definition data set is not loaded, and definition data set processing terminates**. The user must correct the problem statements and reload the data set.

Options Offered by Definition Data Set Control Statements

The following definition data set control statements are included in this chapter:

OPTion TITLE

This control statement allows you to specify a string that identifies a definition data set. Refer to “OPTion TITLE Control Statement” on page 108 for control statement syntax, parameter information, and example statements.

LMU Path

The LMUPATH control statement defines network LMU attachments. Refer to “LMUPATH Control Statement” on page 101 for control statement syntax, parameter information, and example statements.

LMU Parameter Definition

The LMUPDEF command and control statement identifies the definition data set where network LMU network attachment statements reside (see LMUPATH). LMUPDEF can be issued either in PARMLIB or as an operator command. Refer to “LMUPDEF Command and Control Statement” on page 105 for control statement syntax, parameter information, and example statements.

Scratch Subpool Parameter Statement Definition

The SCRPFDEF command and control statement identifies the definition data set where scratch subpool parameter statements reside (see Scratch Subpool Control Statement). SCRPFDEF can be issued either in PARMLIB or as an operator command. Refer to “Scratch Subpool Definition (SCRPFDEF) Command and Control Statement” on page 110 for control statement syntax, parameter information, and example statements.

Tape Request

The TAPEREQ control statement specifies tape request attributes. **TAPEREQ is no longer processed by the HSC.** Refer to the *SMC Configuration and Administration Guide* for control statement syntax, parameter information, and example statements.

Tape Request Definition

The TREQDEF command and control statement identifies the definition data set where the tape request attributes reside (see TAPEREQ). **TREQDEF is no longer processed by the HSC.** Refer to the *SMC Configuration and Administration Guide* for control statement syntax, parameter information, and example statements.

Unit Attribute

The UNITATTR control statement specifies unit attributes. **UNITATTR is no longer processed by the HSC.** Refer to the *SMC Configuration and Administration Guide* for control statement syntax, parameter information, and example statements.

Volume Attribute

The VOLATTR control statement specifies tape volume attributes. Refer to “Volume Attribute (VOLATTR) Control Statement” on page 114 for control statement syntax, parameter information, and example statements.

Volume Attribute Definition

The VOLDEF command and control statement identifies the definition data set where the tape volume attributes can be found (see VOLATTR). VOLDEF can be issued either in PARMLIB or as an operator command. Refer to “Volume Attribute Definition (VOLDEF) Command and Control Statement” on page 127 for control statement syntax, parameter information, and example statements.

Virtual Storage Manager (VSM) Support

VSM support has been added for certain definition data set control statements. See the VTCS documentation for more information.

Defining LMU Network Connections

LMUPATH statements allow users to define LMU network TCP/IP attachments. Network addresses can be specified by host name or LMU IP address.

Defining Volume Attributes (VOLATTR)

VOLATTR statements describe the media type and recording technique attributes of cartridge tape volumes. Volumes are described by:

- volume serial number (VOLSER)
- media type
- recording technique.

To allow the HSC to operate correctly, the user must define VOLATTR statements for all ECART, ZCART, helical, T9840A/T9840B/T9840C/T9840D (STK1R), T9940A/T9940B (STK2), LTO, SDLT, T10000A, and T10000B media. Volumes not defined by VOLATTRs are presumed to be standard capacity cartridges for scratch counts.

Collections of cartridges with common attributes can be identified in a single VOLATTR statement by specifying ranges and lists of VOLSERs, or using wild card characters.

Scratch counts are based entirely on VOLATTR information. Accurately defined VOLATTR control statements are critical for correct processing of nonspecific volume requests.

For specific mounts, the actual media type, as determined by the LMU, overrides what is specified in the VOLATTR.

The VOLDEF command causes the HSC to open the definition data set containing the VOLATTR statements. See “Volume Attribute Definition (VOLDEF) Command and Control Statement” on page 127 and “Volume Attribute (VOLATTR) Control Statement” on page 114 for descriptions of syntax and parameters.

Identifying the Definition Data Sets (OPTION TITLE)

The OPTion TITLE control statement places an identifying string in a definition data set to describe the contents of the data set. See “LMUPDEF Command and Control Statement” on page 105 for descriptions of syntax and parameters.

Control Statement Continuation Conventions


Control statements may be interspersed with comments designated by an asterisk (*) in column one.

For definition data sets (VOLATTRs, UNITATTRs and TAPEREQs) comments **must** be in the new format (/...*/). Asterisk (*) comments are not allowed. A /...*/ comment in the first line is **not** required for definition data sets.

Refer to “Control Statement Syntax Conventions” on page 622 for more information.

LMUPATH Control Statement

The LMUPATH control statement defines network LMU and Library Controller (LC) attachments. LMUPATH information is obtained from the definition data set specified by the LMUPDEF command. The LMUPATH statement must be placed in the definition data set; it cannot be issued as an operator command.

 **Note:** If you are using the SL3000 or SL8500 partitioning feature, the PARTID parameter connects to a specific partition defined by the SL3000 or SL8500 library for the HSC host group. Refer to “HSC Support for the SL8500 Library” on page 421 or “HSC Support for the SL3000 Library” on page 515 for partitioning procedures.

Users can find additional important TCP/IP-related information by referring to “Dynamic LMU Connection” on page 66. To display the LMUPDEF data set, refer to Display LMUPDEF in the *HSC Operator’s Guide*.

LMUPATH Usage

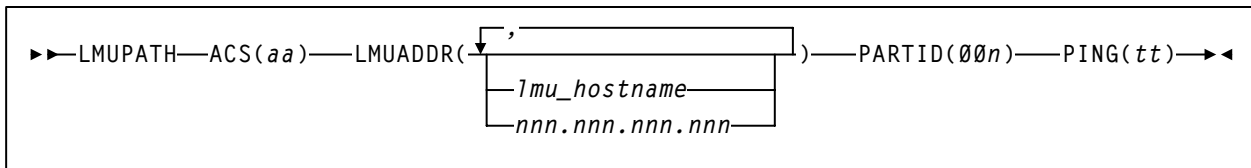
LMUPATH statements define the TCP/IP addresses used to communicate between an HSC on a host and the LMU for a specific ACS. Up to four addresses can be specified for each ACS. The following are possible address combinations:

- For a 9310 library using up to two 9330 LMU units, you can specify up to two addresses, however, a second address indicates a dual LMU environment.
- For an SL8500 ACS with one library, you can specify up to two addresses, which also indicates a dual LMU environment.
- For an SL8500 ACS with four or more libraries, you can specify up to four IP addresses, one for each library of an ACS.

 **Notes:**

- TCP/IP must be initialized prior to bringing the HSC to the full service level.
- The number of hosts that can be connected to a TCP/IP LMU at one time is hardware dependent. With the help of your StorageTek SE, verify that the LMU is capable of connecting all the required hosts.
- For more information about connecting multiple libraries within an ACS using TCP/IP, refer to Appendix A, “HSC Support for the SL8500 Library”.

Syntax



Control Statement Name

LMUPATH

initiates the LMUPATH control statement.

Parameters

ACS

specifies the ACS name.

aa

specifies the hexadecimal ACSid value (00 through FF) to identify the LMU(s) used to communicate with an HSC.

LMUADDR

identifies an LMU/Library Controller (LC) by host name or IP address, for each ACS. To designate a single LMU/LC environment, specify one IP address or host name. To specify a dual LMU/LC environment or a dual IP connection to an SL8500, enter an additional IP address and/or host name.



Note: The HSC automatically detects the type of connection, dual LMU for a 9330 or dual IP for an SL8500 library.

Users can intermix host name and IP addresses in one LMUPATH control statement. Each parameter entered must represent a different IP address. A maximum of 32 parameters can be specified as either a hostname, IP address, or a combination of both.

lmu_hostname

defines a host name for the TCP/IP connection. The host name can be up to 24 characters long. The first character must be alphabetic.

This option is not supported in VM.

nnn.nnn.nnn.nnn

an IP address for the LMU/LC. A maximum of 32 IP addresses can be specified.

PARTID

defines a partition ID for each ACS.



A partitioned SL3000 or SL8500 cannot use the multiple TCP/IP connection feature since partitioning applies only to a single SL3000 or SL8500 box.

00n

specifies a partition ID from 001 to 999.



Notes:

- All three characters must be entered for the partition ID.
- For this release, only IDs 001 through 008 are supported.

PING

specifies the number of minutes in between requests sent from the HSC to the LMU. These requests are to keep the connection active, which prevents a firewall from closing the connection due to inactivity.

tt

A time in minutes from 00-99. The default is 5 minutes if this parameter is not defined, and entering 00 turns off this feature.

Examples

The following example shows multiple LMUADDR parameters consisting of an IP address and a hostname. In this case, the second parameter, LMU01, indicates a dual LMU environment.

```
LMUPATH ACS(00) LMUADDR(123.456.789.012, LMU01)
```



Note: The host name parameter shown in this example (LMU01) is not supported in VM.

The following example shows multiple LMUADDR parameters consisting of two IP addresses and a partition ID. For an SL8500 library, the second IP address indicates a dual TCP/IP connection to the SL8500. The partition ID, 001, indicates the SL8500 library has been configured with partitioning, and a partition ID of 1 has been assigned for the HSC as ACS 00.

```
LMUPATH ACS(00) LMUADDR(123.456.789.012, 123.456.789.013) PARTID(001)
```

The following example shows multiple LMUADDR parameters consisting of four IP addresses. For the SL8500 library only, the first, second, third, and fourth IP addresses indicate a TCP/IP connection to each of four separate SL8500 libraries connected in ACS 00.

```
LMUPATH ACS(00)+  
LMUADDR(123.456.789.012, 123.456.789.013, 123.456.789.014, 123.456.789.015)
```

LMUPDEF Command and Control Statement

The LMUPDEF command and control statement is used to specify the definition data set that contains network LMU attachment (LMUPATH) statements. The data set must be a sequential or a partitioned data set (PDS) with any valid record format (RECFM). Also, the data set must contain one or more LMUPATH statements.

The LMUPDEF statement can be specified in PARMLIB, or it can be issued as an operator command to dynamically load or reload LMUPATH parameters. (Refer to “PARMLIB Control Statements” in the *HSC Configuration Guide* for an explanation of PARMLIB.)

If a definition file is changed by a LMUPDEF operator command, and if the change is to be permanent, you must update PARMLIB before restarting the HSC. If the definition file is to be modified for a given shift or application, remember that the new definition remains in effect until another definition is loaded or the HSC is recycled. The definition file then reverts to the PARMLIB specification. Thus, LMUPDEF can be used to temporarily change a definition file.

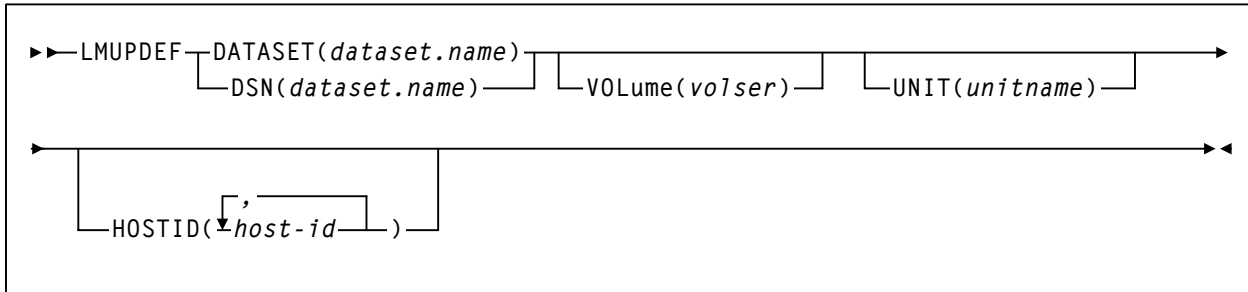
Definition commands issued on one host are in effect only on that host. If different hosts use the same definition data set, the LMUPATH parameter statements are shared by those hosts.



Notes:

- Users can find additional important TCP/IP-related information by referring to “Dynamic LMU Connection” on page 66. To display the LMUPDEF data set, refer to Display LMUPDEF in the *HSC Operator’s Guide*.
- When the LMUPDEF command is issued, if the definition data set contains errors, an HSC message provides the parameter in error, a description of the problem, and the line number where the error occurred. If the definition data set contains errors, none of the attributes specified in the LMUPATH control statement(s) will be loaded (put into effect). Message SLS1627I is displayed if errors are encountered. If 50 errors are encountered, the remainder of the data set is not checked. Correct the problem and reissue the command.
- The LMUPDEF command and control statement executes at both base and full service levels of the HSC.
- If you issue multiple LMUPDEF commands or statements, the last one processed is currently active. You can determine which LMUPDEF statement is active by entering the Display LMUPDEF command.
- In order for the new IP addresses to take effect, users must first establish IP addresses with the LMUPDEF command. Next, vary the ACS(s) offline and then online, using the Vary ACS operator command.

Syntax



Control Statement Name

LMUPDEF

Initiates the LMUPDEF command and control statement.

Parameters

DATASET or DSN

specifies the name of the data set containing the LMUPATH statements to be processed and, optionally, an OPTion TITLE statement.



Note: The definition data set may contain VOLATTR, UNITATTR, TAPEREQ, LMUPATH, and OPTion TITLE statements.

- Only OPTion TITLE and LMUPATH statements are processed.
- If any other statement is encountered, an error message is issued and the statement is ignored.

dataset.name

specifies the name of the data set containing the LMUPATH address parameters. If the data set name includes a member name, *dataset.name* must be enclosed in quotes. For example,

```
DATASET('YOUR.DSN(MEMBER)')
```

VOLume

specifies the serial number of the DASD volume on which the data set resides. This parameter is optional. Specify the VOLume parameter if the data set is not cataloged, or if a data set on a volume other than the volume indicated by the catalog is to be used.



Note: The volume specified must be a DASD volume.

volser

specifies the volume serial number for the definition data set.

UNIT

specifies the unit where the definition data set is located.

unitname

specifies the unit name. If the definition data set is not cataloged and this parameter is omitted, a unit name of SYSALLDA is the default.

HOSTID

(This parameter is valid only for use in PARMLIB, so that multiple systems can share a PARMLIB member containing TAPEREQ, VOLATTR, UNITATTR, or LMUPATH statements for different releases of HSC. If entered from the console, message SLS0018I is issued.)

Optionally, limits the execution of this control statement to the specified hosts. If one of the specified hostids matches the host executing this control statement, the control statement is executed for that host. Otherwise, it is ignored. If this parameter is omitted, the control statement is executed on all hosts.

host-id

specifies the name of one or more hosts from which to execute this control statement. Multiple hosts must be separated by commas.

Examples

The following examples illustrate the use of the LMUPDEF statement.

Load the LMUPATH Parameters From YOUR.DSN(MEMBER)

```
LMUPDEF DSN('YOUR.DSN(MEMBER)')
```

Load the LMUPATH Parameters From DASD Volume DISK03

```
LMUPDEF DSN(YOUR.DSN2) VOLUME(DISK03)
```



Note: Control statements can only be continued if PARMLIB begins with a /*...*/ comment statement (see “Control Statement Syntax Conventions” on page 622).

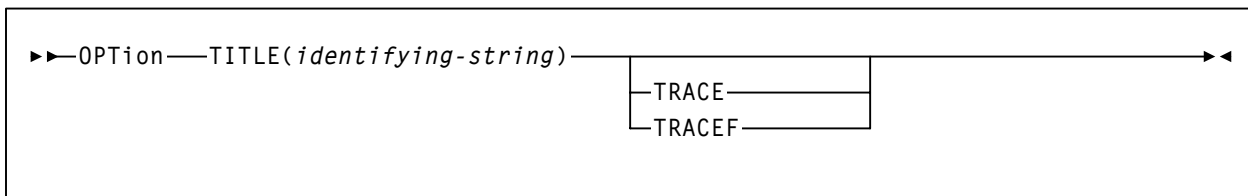
OPTion TITLE Control Statement

The OPTion TITLE statement is used to specify an identifying string for a definition data set. The identifying string can be any information that helps the user describe the contents of the definition data set.

The OPTion TITLE statement must be placed in the definition data set; it cannot be issued as an operator command. If more than one OPTion statement is specified in the definition data set, only the identifying string of the last OPTion statement encountered is retained.

The identifying string can be displayed with HSC Display commands. Refer to “DISPLAY Command” in the *HSC Operator’s Guide* for descriptions of command syntax and parameters.

Syntax



Control Statement Name

OPTion

initiates the OPTion control statement.

Parameters

TITLE

specifies an identifying string for the definition data set. If this statement is omitted, the definition data set has no identifying string associated with it.

identifying-string

specifies the identifying string. The maximum length of the identifying string is fifty characters. If the identifying string includes one or more spaces, or any characters other than alphabetic, numeric, or national (i.e., \$, @, #), it must be enclosed in quotes.

TRACE or TRACEF

used to control internal tracing of HSC table lookups. During problem resolution, Software Support may request that you specify one of these parameters.

Example

The following example illustrates the use of the OPTion TITLE control statement.

Specify an Identifying String For a Definition Data Set

OPTION TITLE('SAMPLE IDENTIFYING STRING')

Scratch Subpool Definition (SCRPDEF) Command and Control Statement

The SCRPDEF command and control statement is used to specify the definition data set that contains scratch subpool (SCRPOol) parameter statements. (Refer to “Scratch Subpool Control Statement” on page 94 for details on syntax and parameters.) The data set must be a sequential or a partitioned data set (PDS) with any valid record format (RECFM). Also, the definition data set must contain one or more SCRPOol statements.

The SCRPDEF statement may be specified in the HSC PARMLIB, or it may be issued as an operator command to dynamically load or reload scratch subpool parameters. (Refer to “PARMLIB Control Statements” on page 79 for an explanation of PARMLIB.)



Warning:

- If you reissue SCRPDEF, it resets subpool threshold values to 0. In this case, you must reenter the subpool thresholds on the Warn command SUBpool parameter. Only subpool thresholds are affected; ACS and LSM thresholds are not reset.
- The SCRPDEF command does not refresh LibraryStation subpool(s) unless LibraryStation is restarted using LS STOP and LS INIT.

If a definition file is changed by a SCRPDEF operator command, and if the change is to be permanent, you must update PARMLIB before restarting the HSC. If the definition file is to be modified for a given shift or application, remember that the new definition remains in effect until another definition is loaded or the HSC is recycled. The definition file then reverts to the PARMLIB specification. Thus, SCRPDEF can be used to temporarily change a definition file.



Caution: If SCRPOol parameter statements are specified in PARMLIB or are loaded from User Exit 03, SCRPDEF is disabled and dynamic scratch pool reload is not allowed.

Definition commands issued on one host are in effect only on that host. If different hosts use the same definition data set, then the tape request parameter statements are shared by those hosts.

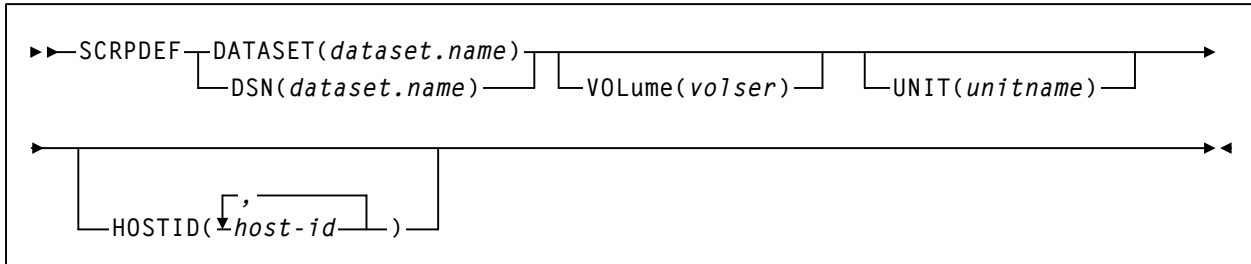


Notes:

- When the SCRPDEF command is issued, if the definition data set contains errors, an HSC message provides the parameter in error, a description of the problem, and the line number where the error occurred. If the definition data set contains errors, none of the attributes specified in the SCRPOol control statement(s) will be loaded (put into effect), which may cause data sets to be created on the wrong type of media and incorrect devices to be allocated. Message SLS1627I is displayed if errors are encountered. If 50 errors are encountered, the remainder of the data set is not checked. Correct the problem and reissue the command.
- The SCRPDEF command and control statement executes at both base and full service levels of the HSC.
- If you issue multiple SCRPDEF statements, the last one processed is currently active. You can determine which SCRPDEF statement is active by entering the Display SCRPDEF command.

- For additional information about syntax, refer to “Control Statement Syntax Conventions” on page 622.

Syntax



Control Statement Name

SCRPFDEF

initiates the SCRPFDEF command and control statement.

Parameters

DATASET or DSN

specifies the name of the data set containing the SCRPOOL statements to be processed and, optionally, an OPTION TITLE statement. (Refer to “Scratch Subpool Control Statement” on page 94 and “OPTION TITLE Control Statement” on page 108 for details on syntax and parameters).



Note: The definition data set may contain SCRPOOL, TAPERREQ, UNITATTR, VOLATTR, and OPTION TITLE statements. Only OPTION TITLE and SCRPOOL statements are processed. If any other statement is encountered, an error message is issued and the statement is ignored.

dataset.name

specifies the name of the data set containing scratch subpool parameters. If the data set name includes a member name, *dataset.name* must be enclosed in quotes. For example,

```
DATASET('YOUR.DSN(MEMBER)')
```

VOLUME

specifies the serial number of the DASD volume on which the data set resides. This parameter is optional. Specify the VOLUME parameter if the data set is not cataloged, or if a data set on a volume other than the volume indicated by the catalog is to be used.



Note: The volume specified must be a DASD volume.

volser

specifies the volume serial number for the definition data set.

UNIT

specifies the unit where the definition data set is located.

unitname

specifies the unit name. If the definition data set is not cataloged and this parameter is omitted, a unit name of SYSALLDA is the default.

HOSTID

(This parameter is valid only for use in PARMLIB, so that multiple systems can share a PARMLIB member containing SCRPOOL, TAPEREQ, VOLATTR, or UNITATTR statements for different releases of HSC. If entered from the console, message SLS0018I is issued.)

Optionally, the HOSTID parameter limits the execution of this control statement to the specified hosts. If one of the specified hostids matches the host executing this control statement, the control statement is executed for that host. Otherwise, it is ignored. If this parameter is omitted, the control statement is executed on all hosts.

host-id

specifies the name of one or more hosts from which to execute this control statement. Multiple hosts must be separated by commas.

Examples

The following examples illustrate the use of the SCRPODEF statement.

Load the SCRPOOL Parameters From YOUR.DSN(MEMBER)

```
SCRPODEF DSN('YOUR.DSN(MEMBER)')
```

Load the SCRPOOL Parameters From DASD Volume DISK01

```
SCRPODEF DSN('YOUR.DSN(MEMBER)') VOLUME(DISK01)
```



Note: Control statements can only be continued if PARMLIB begins with a /*...*/ comment statement (see “Control Statement Syntax Conventions” on page 622).

Tape Request (TAPEREQ) Control Statement

The TAPEREQ control statement is used to specify tape request attributes.



Note: TAPEREQ is controlled by the SMC. Refer to the *SMC Configuration and Administration Guide* for detailed information.

Tape Request Definition (TREQDEF) Command and Control Statement

The TREQDEF command and control statement is used to specify the definition data set that contains tape request (TAPEREQ) parameter statements.



Note: TREQDEF is processed by the SMC. Refer to the *SMC Configuration and Administration Guide* for more information.

Unit Attribute (UNITATTR) Control Statement

The UNITATTR statement specifies unit attributes and allows the user to define the model number of transports.



UNITATTR is controlled by the SMC. Refer to the *SMC Configuration and Administration Guide* for detailed information.

Unit Attribute Definition (UNITDEF) Command and Control Statement

The UNITDEF command and control statement allows the user to specify the data set that contains the unit attribute (UNITATTR) statements.



UNITDEF is processed by the SMC. Refer to the *SMC Configuration and Administration Guide* for more information.

Volume Attribute (VOLATTR) Control Statement

The VOLATTR control statement is used to specify tape volume attributes. VOLATTR statements are read from the definition data set specified by the VOLDEF command. (Refer to “Volume Attribute Definition (VOLDEF) Command and Control Statement” on page 127 for details on syntax and parameters.) The VOLATTR statement must be placed in the definition data set; it cannot be issued as an operator command.



Notes:

- You must enter a VOLATTR statement for each media type so that the HSC can correctly determine scratch counts and preferencing for scratch allocation. **It is important that all VOLATTR control statements be accurate if you rely on precise scratch counts.**
- A VOLATTR must exist for ECARTs that do not have a media label so that the HSC can distinguish ECARTs from standard cartridges.

VOLATTR Usage

When the HSC needs to determine the attributes for a volume, it searches the VOLATTR statements in the order that they appear in the definition data set. The first statement that matches the requested volume is used to determine the attributes that are specified on that VOLATTR statement. The search continues for any attributes that are not specified on the first matching VOLATTR statement. These attributes are supplied by the next matching VOLATTR that specifies the attribute(s).

For example, if MEDia is provided but RECtech is not, RECtech takes a default value based upon the MEDia parameter. The same situation occurs if a RECtech value is present but MEDia is not. Thus, StorageTek recommends that users:

- order the VOLATTR statements from most specific to most general
- specify only MEDia on all VOLATTR statements and let RECtech default, or specify both MEDia and RECtech on all VOLATTR statements.

The HSC always selects a RECtech compatible with the volume’s media type; it is not necessary to specify RECtech on VOLATTR statements unless a specific RECtech is desired.

If RECtech is specified for any default VOLATTRs, however, it should be specified for all VOLATTRs to avoid obtaining MEDia from one VOLATTR and RECtech from another.



Note: Run the Volume Report utility using the NONMEDEQ option to verify that your VOLATTRs are in agreement with the CDS volume attribute record (VAR). The VAR reflects volume information from the LMU and can be compared to the VOLATTRs.

StorageTek recommends that the volume attribute statements in effect be the same on all processors; if not, results are unpredictable. This is especially true when running the HSC as a remote server to an SMC client.

If you enter any VOLATTR statement that globally defaults to all volumes (e.g., VOLATTR SER(*) REC(18)), you **must** precede this statement with VOLATTRs specifying the cleaning cartridges for each type of transport defined in the ACS. Cleaning cartridges should be defined as follows:

- for longitudinal drives should be defined as MEDia(S)
- for helical drives, MEDia(DD3D)
- for T9840A, T9840B, and T9840C drives, MEDia(STK1U)
- for T9840D drives, MEDia(STK1Y)
- for T9940A and T9940B drives, MEDia(STK2W)
- for LTO drives, MEDia(LTO-CLN1), MEDia(LTO-CLN2), or MEDia(LTO-CLNU)



Note: SDLT cleaning cartridges are defined by the cleaning prefix setting you specify in either the SLILIBRY CLNPRFX macro or the SET CLNPRFX utility. The cleaning prefix is the first three characters of the VOLSER. If you do not provide a cleaning prefix, it defaults to **CLN**.

- for T10000A and T10000B, MEDia(T10000CT)

If global defaults are used to specify RECtech for large ranges of volumes, specify both MEDia and RECtech on all preceding VOLATTR statements. Otherwise, for a given VOLSER, the MEDia may be obtained from an earlier statement.

In the following example, the media type obtained from an earlier statement results in a default RECtech of STK1R. Then, the global statement that follows specifies a global RECtech of 36track, which is incompatible with the earlier statement.

```
VOLATTR SERIAL(EAG000-EAG999) MEDIA(STK1R)
VOLATTR SERIAL(*) RECTECH(36TRACK)
```

Disabling a VOLATTR Definition

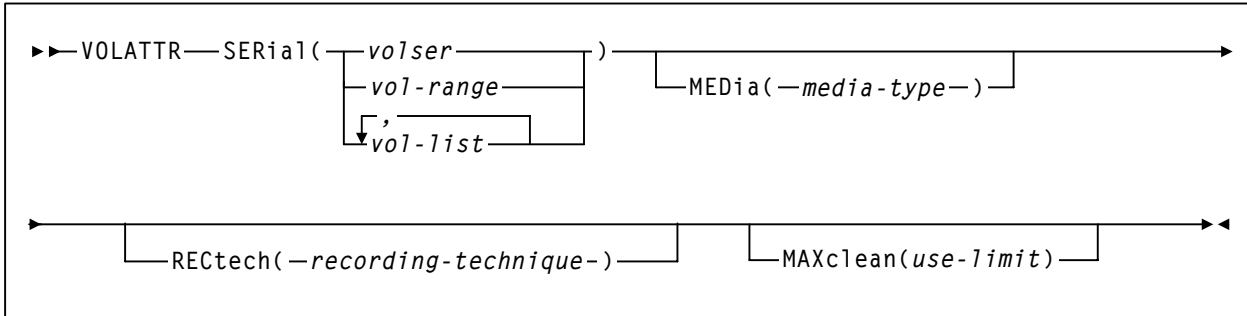
Use the following procedure to disable a VOLATTR definition.

1. Edit the definition data set containing the current VOLATTR statements.
2. Delete the parameters of the VOLATTR statement you want to disable, or delete or comment out the VOLATTR statement.
3. Issue the VOLDEF command to reload the definition data set.

With the modified definition data set in effect, the HSC searches the remaining VOLATTR statements to determine the media type and recording technique for a volume.

To disable all VOLATTR definitions, load a definition data set that contains only the statement VOLATTR SERIAL(*). Refer to Table 7 on page 117 and Table 8 on page 121 to see a list of VOLATTR media and recording technique default values.

Syntax



Control Statement Name

VOLATTR

initiates the VOLATTR control statement. This statement applies to all cartridges including all types of cleaning cartridges.



Note: Standard cleaning cartridges that do not match the cleaning prefix established in the LIBGEN may be treated as scratch cartridges.

Parameters

SERIAL

specifies one or more volume serial numbers (VOLSERS) to which this definition applies.

volser or vol-range or vol-list

identifies a single VOLSER, a VOLSER range, or a list of VOLSERS and/or VOLSER ranges in any combination. This parameter may include the following wildcard characters:

- % or ? any single non-blank character
- * any character string (length 0 to 6).

The wildcard characters shown above may not be used in a range.



Notes:

- On a single VOLATTR statement, all volumes specified in a list or range must be the same media type (e.g., a Standard cartridge cannot be included in a range of VOLSERS that also contains an ECART or DD3A cartridge).
- If a given VOLSER is not included in any VOLATTR statement, the MEDIA value defaults to Standard; thus, RECTECH defaults to LONGitud.

MEDia

optionally, specifies the type of media (cartridge) for the VOLSER designated in the SERIAL parameter.



Notes:

- **The SL8500 library supports the T9840A, T9840B, T9840C, T9840D, T9940B, LTO, SDLT, T10000A, and T10000B media types and recording techniques.**
- **The SL3000 library supports the T9840C, T9840D, LTO, SDLT, T10000A, and T10000B media types and recording techniques.**
- **LTO and SDLT transports are not supported in an MVS environment.** These transports are recognized by the HSC but are accessible only to open systems clients using LibraryStation.

Only specific media types can be entered. Generic media types, that is, LONGItud and HELical cannot be specified. Refer to the syntax for this control statement to see the parameters available to you.

If this parameter is not specified by any matching VOLATTR statement, a default is chosen based on the value of the RECtech parameter. Table 7 shows default values used if MEDia is omitted.

If both media type and recording technique are omitted, all media types and recording techniques are assumed to be eligible. StorageTek recommends that MEDia always be specified on all VOLATTR statements.

Table 7. VOLATTR MEDia Default Values

RECtech Entered:	MEDia Default:
18track	Standard
36track, 36Atrack, 36Btrack	Standard
36Ctrack	ZCART
LONGItud	Standard
DD3, HELical	DD3A
STK1R, STK1R34, STK1R35, STK1RA, STK1RA34, STK1RA35, STK1RB, STK1RB34, STK1RB35, STK1RAB, STK1RAB4, STK1RAB5, STK1RC, STK1RC34, STK1RC35, STK1RD, STK1RDE, STK1RDN, STK1RD34, STK1RD35, STK1RDE4, STK1RDE5	STK1R
STK2P, STK2P34, STK2P35, STK2PA, STK2PA34, STK2PA35, STK2PB, STK2PB34, STK2PB35	STK2P

Table 7. VOLATTR MEDIA Default Values

RECTech Entered:	MEDIA Default:
T10K, T10KN, T10KE, T1A, T1AN, T1A34, T1A35, T1AE, T1AE34, T1AE35, T1B, T1BN, T1B34, T1B35, T1BE, T1BE34, T1BE35	T10000T1

media-type

identifies the media type. Valid media types are:

LONGitud

indicates any Standard or ECART cartridge.

Standard

indicates a standard length, 3480 cartridge. It can be read on any longitudinal drives (4480, 4490, 9490, or 9490EE). Data can be written in 36-track mode on a 4490, 9490, or 9490EE transport but cannot be read on an 18-track (4480) drive. Synonyms for this type of cartridge include:

- CST
- MEDIA1
- STD
- 1
- 3480

ECART

indicates a 3490E, extended capacity cartridge. It can be used only on a 36-track drive (4490, 9490, or 9490EE). Synonyms include:

- E
- ECCST
- ETAPE
- Long
- MEDIA2
- 3490E

ZCART

indicates a 3490E, extended capacity cartridge that provides greater storage capacity than an ECART. It can be used only on a 9490EE drive.

ZCART can be abbreviated as Z.

DD3A, DD3B, DD3C, DD3D

indicates a helical cartridge. The media indicator in the external label is encoded with the cartridge type (A, B, C, or D). **DD3A, DD3B, DD3C, or DD3D** can be abbreviated to **A, B, C, or D**, respectively.

Types of helical cartridges, along with their associated media capacities, are:

- A – 10GB
- B – 25GB
- C – 50GB
- D – cleaning cartridge.

Data capacity differences between DD3A, DD3B, and DD3C cartridges are related to the length of the tape in the cartridge, not to the recording density of the data.



Note: Cleaning cartridges that do not match the cleaning prefix established in the LIBGEN cannot be selected as valid cleaners.

STK1R

indicates a T9840 cartridge. The media indicator in the external label is encoded with the cartridge type (R). STK1R can be abbreviated to R.

T9840 cartridge media capacities are 20GB (T9840A and T9840B), 40GB (T9840C), or 75GB (T9840D).

STK1U

indicates a T9840A, T9840B, or T9840C cleaning cartridge. STK1U can be abbreviated to U.

STK1Y

indicates a T9840D cleaning cartridge. STK1Y can be abbreviated to Y.

STK2P, STK2W

indicates a T9940 cartridge. The media indicator in the external label is encoded with the cartridge type (P or W). STK2P or STK2W can be abbreviated to P or W, respectively.

Types of T9940 cartridges are:

- STK2P — 60GB (T9940A) or 200GB (T9940B)
- STK2W — cleaning cartridge.

LTO-10G

indicates an LTO 10GB capacity cartridge.

LTO-35G

indicates an LTO 35GB capacity cartridge.

LTO-50G

indicates an LTO 50GB capacity cartridge.

LTO-100G

indicates an LTO 100GB capacity cartridge.

LTO-200G

indicates an LTO 200GB capacity cartridge.

LTO-400G

indicates an LTO 400GB capacity cartridge.

LTO-400W

indicates an LTO Generation 3 WORM cartridge.

LTO-800G

indicates an LTO 800GB capacity cartridge.

LTO-800W

indicates an LTO Generation 4 WORM cartridge.

LTO-CLN1

indicates an LTO type 1 cleaning cartridge.

LTO-CLN2

indicates an LTO type 2 cleaning cartridge.

LTO-CLNU

indicates an LTO universal cleaning cartridge.

SDLT

indicates an SDLT 160GB cartridge.

SDLT-2

indicates an SDLT 125GB cartridge.

SDLT-S1

indicates an SDLT Generation S1 cartridge.

SDLT-S2

indicates an SDLT Generation S2 cartridge.

SDLT-S3

indicates an SDLT Generation S3 cartridge.

SDLT-S4

indicates an SDLT Generation S4 cartridge.

SDLT-4

indicates an SDLT Generation 4 cartridge.



Note: SDLT cleaning cartridges are defined by the cleaning prefix setting you specify in either the SLILIBRY CLNPRFX macro or the SET CLNPRFX utility. The cleaning prefix is the first three characters of the VOLSER. If you do not provide a cleaning prefix, it defaults to **CLN**.

T1000T1 or T1

indicates a full-capacity 500GB T10000A or 1TB T10000B cartridge. T1000T1 can be abbreviated as **T1**.

T1000TS or TS

indicates a smaller-capacity 120GB T10000A or 240GB T10000B cartridge. T1000TS can be abbreviated as **TS**.

T1000CT or CT

indicates a T10000 cleaning cartridge. **T1000CT** can be abbreviated as **CT**.

RECtech

optionally, specifies the method used to record data tracks on the tape surface for the VOLSER designated in the SERIAL parameter.

**Notes:**

- **The SL8500 library supports the T9840A, T9840B, T9840C, T9840D, T9940B, LTO, SDLT, T10000A, and T10000B media types and recording techniques.**
- **The SL3000 library supports the T9840C, T9840D, LTO, SDLT, T10000A, and T10000B media types and recording techniques.**

If this parameter is not specified on any matching VOLATTR statement, a default is chosen based on the value of the MEDIA parameter. Table 8 shows default values used if RECtech is omitted.

Table 8. VOLATTR RECtech Default Values

MEDIA Entered:	RECtech Default:
Standard	LONGItud
ECART	36track
ZCART	36Ctrack
DD3A, DD3B, DD3C, DD3D	DD3
STK1R, STK1U, STK1Y	STK1R
STK2P, STK2W	STK2P
T1000T1, T1000TS, T1000CT	T10K

recording-technique

identifies the recording technique. Valid recording techniques are:

LONGItud

indicates any device that uses longitudinal recording.

18track

indicates a 4480 transport.

36track

indicates a 4490, 9490, or 9490EE transport (any device that records in 36-track mode).

36Atrack

indicates a 4490 (Silverton) transport.

36Btrack

indicates a 9490 (Timberline) transport.

36Ctrack

indicates a 9490EE transport.

HELical

indicates a device using helical recording.

DD3

indicates a device using helical recording.

STK1R

indicates any T9840 transport.

STK1R34

indicates any 3490E-image T9840 transport.

STK1R35

indicates any 3590-image T9840 transport.

STK1RA

indicates a 3490E or 3590-image T9840A transport.

STK1RA34

indicates a 3490E-image T9840A transport.

STK1RA35

indicates a 3590-image T9840A transport.

STK1RB

indicates a 3490E or 3590-image T9840B transport.

STK1RB34

indicates a 3490E-image T9840B transport.

STK1RB35

indicates a 3590-image T9840B transport.

STK1RAB

indicates a 3490E or 3590-image T9840A or T9840B transport.

STK1RAB4

indicates a 3490E-image T9840A or T9840B transport.

STK1RAB5

indicates a 3590E-image T9840A or T9840B transport.

STK1RC

indicates a 3490E or 3590-image T9840C transport.

STK1RC34

indicates a 3490-image T9840C transport.

STK1RC35

indicates a 3590-image T9840C transport.

STK1RD

indicates any T9840D transport.

STK1RDE

indicates an encryption-enabled T9840D transport.

STK1RDN

indicates a non-encryption enabled T9840D transport.

STK1RD34

indicates a non-encryption enabled 3490E-image T9840D transport.

STK1RD35

indicates a non-encryption enabled 3590-image T9840D transport.

STK1RDE4

indicates an encryption-enabled 3490E-image T9840D transport.

STK1RDE5

indicates an encryption-enabled 3590-image T9840D transport.

STK2P

indicates any 9940 transport.

STK2P34

indicates any 3490E-image 9940 transport.

STK2P35

indicates any 3590-image 9940 transport.

STK2PA

indicates a T9940A transport.

STK2PA34

indicates a 3490E-image T9940A transport.

STK2PA35

indicates a 3590-image T9940A transport.

STK2PB

indicates a T9940B transport.

STK2PB34

indicates a 3490E-image T9940B transport.

STK2PB35

indicates a 3590-image T9940B transport.

T10K

indicates all T10000 transports.

T10KN

indicates all non-encrypted T10000 transports.

T10KE

indicates all encrypted T10000 transports.

T1A

indicates any T10000A transport.

T1AN

indicates a non-encryption enabled 3490E- or 3590-image T10000 transport.

T1A34

indicates a non-encryption enabled 3490E-image T10000A transport.

T1A35

indicates a non-encryption enabled 3590-image T10000A transport.

T1AE

indicates an encryption-enabled 3490E- or 3590-image T10000A transport.

T1AE34

indicates an encryption-enabled 3490E-image T10000 transport.

T1AE35

indicates an encryption-enabled 3590-image T10000 transport.

T1B

indicates any T10000B transport.

T1BN

indicates a non-encryption enabled 3490E- or 3590-image T10000B transport.

T1B34

indicates a non-encryption enabled 3490E-image T10000B transport.

T1B35

indicates a non-encryption enabled 3590-image T10000B transport.

T1BE

indicates an encryption-enabled 3490E- or 3590-image T10000B transport.

T1BE34

indicates an encryption-enabled 3490E-image T10000B transport.

T1BE35

indicates an encryption-enabled 3590-image T10000B transport.

MAXclean

optionally, specifies a maximum cleaning cartridge usage for the VOLSER or range of VOLSERS (1 to 32767) associated with the SERIAL parameter. Do not specify values that exceed the manufacturer's recommendation for usage. MAXclean applies to all types of cleaning cartridges.

If this parameter is specified, the VOLSER(s) indicated in the SERIAL parameter must begin with the cleaning cartridge prefix established in the LIBGEN.

use-limit

indicates the maximum number of times a cleaning cartridge should be used. Refer to "Tape Transport Cleaning" on page 39 for additional details.

**Notes:**

- If MAXclean is not specified in the VOLATTR statement, the value or default of the MAXclean parameter in the MNTD operator command is used for all cleaning cartridge counts.
- If MAXclean is specified, the MEDIA setting must be Standard, DD3D, or STK1U.

Example

The following example illustrates how to use VOLATTR statements to specify volume attributes for particular VOLSERS.

Set Volume Attributes

```
VOLATTR SERIAL(L*,AA9*) MEDIA(ECART) RECTECH(36)
VOLATTR SER(S*,PRD000-PRD499,BY*) MED(S) REC(36)
VOLATTR SER(CLN200-CLN299) MED(DD3D) REC(HEL) MAXCLEAN(50)
VOLATTR SER(CLN300-CLN599) MED(S) REC(LONGI)
VOLATTR SER(*) MED(S) REC(18)
```



Notes:

- Ask your StorageTek CSE about recommended MAXCLEAN values for specific types of cleaning cartridges.
- In the example above, the last VOLATTR statement specifies a user-defined default for all volumes that do not match any of the previous statements.
- Note that recording technique is specified on all VOLATTR statements in the preceding examples, since the last statement specifies a RECtech(18), which is not the default (LONGI). If RECtech were omitted from the previous MED(S) VOLATTR statements, the REC(18) from the last VOLATTR statement would be used.

Volume Attribute Definition (VOLDEF) Command and Control Statement

The VOLDEF command and control statement is used to specify the definition data set that contains volume attribute (VOLATTR) statements. (Refer to “Volume Attribute (VOLATTR) Control Statement” on page 114 for details on syntax and parameters.) The data set must be a sequential or a partitioned data set (PDS) with any valid record format (RECFM). Also, the data set must contain one or more VOLATTR statements.

The VOLDEF statement can be specified in PARMLIB, or it can be issued as an operator command to dynamically load or reload volume attribute parameters. (Refer to “PARMLIB Control Statements” in the *HSC Configuration Guide* for an explanation of PARMLIB.)

If a definition file is changed by a VOLDEF operator command, and if the change is to be permanent, you must update PARMLIB before restarting the HSC. If the definition file is to be modified for a given shift or application, remember that the new definition remains in effect until another definition is loaded or the HSC is recycled. The definition file then reverts to the PARMLIB specification. Thus, VOLDEF can be used to temporarily change a definition file.

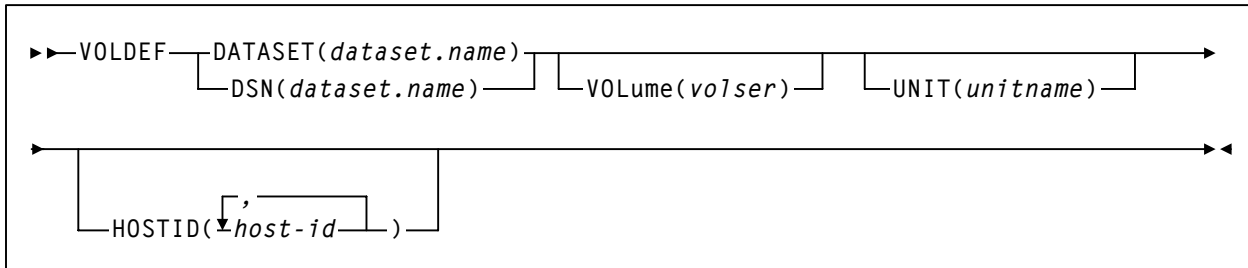
Definition commands issued on one host are in effect only on that host. If different hosts use the same definition data set, the volume attribute parameter statements are shared by those hosts.



Notes:

- StorageTek recommends that volume attributes be the same on all processors. This can be provided by defining the same volume attribute definition data set to all hosts.
- When the VOLDEF command is issued, if the definition data set contains errors, an HSC message provides the parameter in error, a description of the problem, and the line number where the error occurred. If the definition data set contains errors, none of the attributes specified in the VOLATTR control statement(s) will be loaded (put into effect), which may cause the wrong scratch media to be mounted on a transport or the wrong transport to be allocated for a volume. Message SLS1627I is displayed if errors are encountered. If 50 errors are encountered, the remainder of the data set is not checked. Correct the problem and reissue the command.
- The VOLDEF command and control statement executes at both base and full service levels of the HSC.
- If you issue multiple VOLDEF statements, the last one processed is currently active. You can determine which VOLDEF statement is active by entering the Display VOLDEF command.
- For additional information about syntax, refer to “Control Statement Syntax Conventions” on page 622.

Syntax



Control Statement Name

VOLDEF

initiates the VOLDEF command and control statement.

Parameters

DATASET or DSN

specifies the name of the data set containing the VOLATTR statements to be processed and, optionally, an OPTion TITLE statement. (Refer to “Volume Attribute (VOLATTR) Control Statement” on page 114 and “OPTion TITLE Control Statement” on page 108 for details on syntax and parameters).



Note: The definition data set may contain SCRPOOL, VOLATTR, UNITATTR, TAPEREQ, and OPTion TITLE statements.

- Only OPTion TITLE and VOLATTR statements are processed.
- If any other statement is encountered, an error message is issued and the statement is ignored.

dataset.name

is the name of the data set containing volume attribute parameters. If the data set name includes a member name, *dataset.name* must be enclosed in quotes. For example,

```
DATASET('YOUR.DSN(MEMBER)')
```

VOLUME

specifies the serial number of the DASD volume on which the data set resides. This parameter is optional. Specify the VOLUME parameter if the data set is not cataloged, or if a data set on a volume other than the volume indicated by the catalog is to be used.



Note: The volume specified must be a DASD volume.

volser

specifies the volume serial number for the definition data set.

UNIT

specifies the unit where the definition data set is located.

unitname

specifies the unit name. If the definition data set is not cataloged and this parameter is omitted, a unit name of SYSALLDA is the default.

HOSTID

(This parameter is valid only for use in PARMLIB, so that multiple systems can share a PARMLIB member containing SCRPOOL, TAPEREQ, VOLATTR, or UNITATTR statements for different releases of HSC. If entered from the console, message SLS0018I is issued.)

Optionally, limits the execution of this control statement to the specified hosts. If one of the specified hostids matches the host executing this control statement, the control statement is executed for that host. Otherwise, it is ignored. If this parameter is omitted, the control statement is executed on all hosts.

host-id

specifies the name of one or more hosts from which to execute this control statement. Multiple hosts must be separated by commas.

Examples

The following examples illustrate the use of the VOLDEF statement.

Load the VOLATTR Parameters From YOUR.DSN(MEMBER)

```
VOLDEF DSN('YOUR.DSN(MEMBER)')
```

Load the VOLATTR Parameters From DASD Volume DISK02

```
VOLDEF DSN(YOUR.DSN2) VOLUME(DISK02)
```



Note: Control statements can only be continued if PARMLIB begins with a /*...*/ comment statement (see “Control Statement Syntax Conventions” on page 622).

HSC Start Procedure

Starting HSC execution requires two basic tasks:

- creating an HSC START Procedure
- executing the HSC START Procedure.

Creating an HSC START Procedure

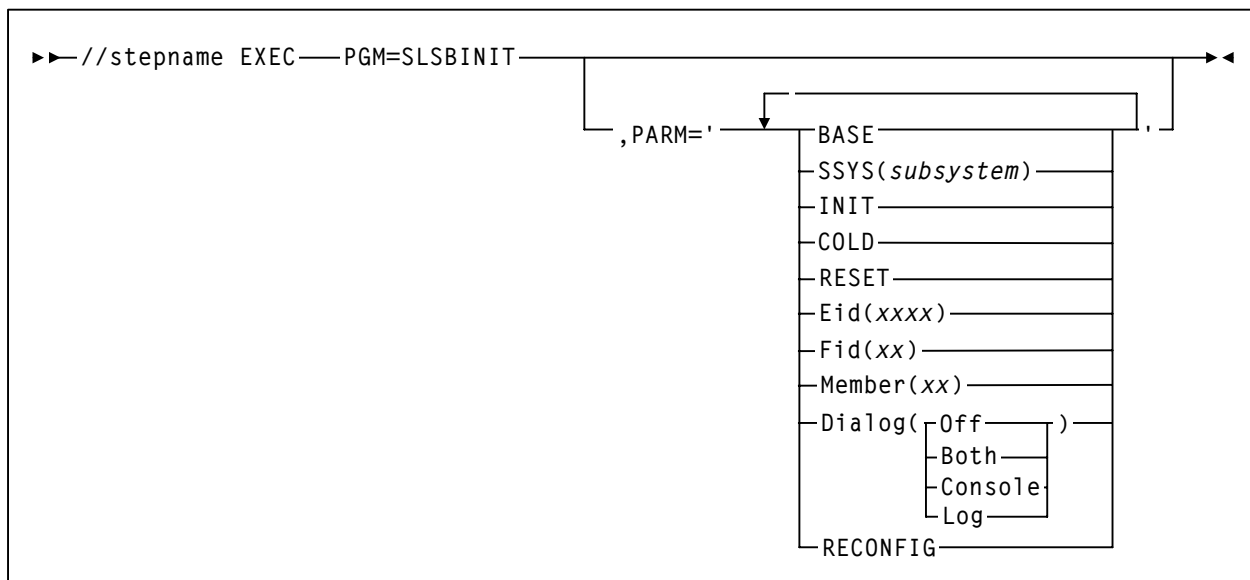
A procedure must be created in the cataloged procedure library of the host system. The START command invokes the cataloged procedure. The procedure loads the nucleus of the HSC into main storage, instructs the operating system to allocate data sets, and invokes the library host software initialization routine.



Note: Refer to “EXEC Parm Control Statement” on page 88 for an alternative method of specifying GTF Eid and Fid parameters.

This section describes how to create the procedure. A typical syntax for the EXEC statement and full descriptions of each of the parameters follows.

EXEC Statement Syntax



EXEC Statement Parameters

PARM=

defines the list of parameters passed to the HSC initialization routine.



Note: If you enter more than one of the following parameters, you must separate them with a blank space (e.g., BASE SSYS(subsystem) RESET).

BASE

specifies that the HSC initialize and execute at the base service level.

SSYS

specifies that HSC initialization search for the *subsystem* name specified. If the name is not found or is not a valid name, the subsystem terminates. *subsystem* must be a 1- to 4-character name or problems can occur when initializing the HSC.

This parameter permits you to symbolically specify the subsystem and retain the same startup procedure whether starting the HSC before or after JES.

INIT

specifies that only preinitialization of the HSC occur. See “Preinitializing the HSC as an MVS Subsystem” on page 138.



Note: If PARM=INIT is specified, the HSC subsystem is only initialized. It is still necessary to issue an HSC Start command to start the HSC. If any other parameters are specified with INIT (except for SSYS), they are ignored.

COLD

specifies that any permanent in-memory data structures previously allocated by HSC are reallocated and reinitialized.

On the first startup of the HSC after an IPL, this option is meaningless. If the HSC has been brought up previously for this IPL, use of this option results in the loss of a system linkage index for Program Call (PC) instructions. There are a limited number of system linkage indexes. Once exhausted, they can only be restored by IPLing. If COLD is not specified, the linkage index used previously by the HSC is reused.

This parameter should be used only when absolutely necessary. (The installation instructions for some HSC maintenance may direct you to perform a COLD start.)



Note: You do **not** need to include the COLD parameter when you are initializing an HSC that is at a different release level than the HSC that was previously running on a host. When an initializing HSC detects a release level difference, it performs an automatic internal cold start. For an automatic cold start, PC system linkage indexes are reused by the HSC.

Contact StorageTek Software Support before using this parameter (see the guide *Requesting Help from Software Support for more information*).

RESET

specifies that all subsystem status flags in the MVS Subsystem Communications Vector Table (SSCVT) for the HSC are unconditionally reset. Use of this option may correct a situation in which the HSC was terminated abnormally without resetting the status flags; for example, if the HSC was terminated with the MVS FORCE command.

These messages are possible symptoms of this situation:

... ACS subsystem CCCC is ACTIVE

or

... ACS subsystem CCCC is TERMINATING

or

... ACS subsystem CCCC is INITIALIZING

at HSC startup, when a display of active jobs indicates that the subsystem is not, in fact, active.

This parameter should only be used in extreme situations and may not correct all error conditions. Contact StorageTek Software Support before using this parameter.

Eid

xxxx is 1 to 4 hex characters specifying the GTF event ID used for the duration of this subsystem. ‘E’ is the abbreviation for this parameter. The default Eid value is **E086**.

Fid

xx is 1 to 2 hex characters specifying the GTF format ID used for the duration of this subsystem. ‘F’ is the abbreviation for this parameter. The default Fid value is **17**.



Note: Refer to “EXECParM Control Statement” on page 88 for an alternative method of specifying GTF Eid and Fid parameters.

Member

For MVS, xx is the suffix of the SLSSYSxx member in SYS1.PARMLIB, or an SLSSYSxx DD statement in the startup procedure used as the automatic commands (PARMLIB control statements) data set. ‘M’ is the abbreviation for this parameter.

Dialog

specifies that messages can be displayed on the operator console and/or written to the system log. This option can be used to further restrict where messages are displayed based on the ROUTCDE. These messages indicate that the HSC is waiting for an active task to complete before the HSC terminates.

For more information on Dialog, see “OPTION Command and Control Statement” in the *HSC Operator’s Guide*.

If Dialog is specified, one of the options **must** be selected. There is no default. The options for Dialog include:

Off

specifies that you do not want active task termination messages displayed on the operator console or written to the system log.

Both

specifies that messages are displayed on the operator console and written to the system log.

Console

specifies that messages are displayed on the operator console only.

Log

specifies that messages are written to the system log only.

RECONFIG

specifies this execution of the HSC will only run the Reconfiguration utility.

Example

The following listing is an example PROC for the START command. This sample is also included in the HSC SAMPLIB as member JCLPROC.

Example PROC for START Command

```
//SLS0    PROC PROG=SLSBINIT,PRM=' '  
//*  
//IEFPROC EXEC PGM=&PROG,TIME=1440,  
//  PARM='&PRM E(086) F(23) M(00) SSYS(SLS0)',REGION=4M  
//*  
//STEPLIB DD DSN=SLS.SLSLINK,DISP=SHR  
//*  
//SLSUEXIT DD DSN=load.module.library,DISP=SHR  
//SLSSYS00 DD DSN=SLS.PARMS,DISP=SHR
```

In the example PROC shown above, SLS0 is used as both the name of the started task procedure (line 1) and as the subsystem name defined in the SSYS parameter “SSYS(SLS0)” in line 4. Your site is not required to use these values. You can replace

either or both of these values with more meaningful or useful names pertaining to your site specific needs. However, you must keep in mind the following:

1. HSC subsystem names must be cataloged in your IEFSSNxx member.
2. The subsystem name must be 4 characters in length.
3. If the started task procedure name and the subsystem name are identical, the SSYS parameter is not necessary in the started task procedure. If the started task procedure name is not identical to the subsystem name, then the SSYS parameter must be used to point the started task procedure to the required HSC subsystem.

For more information on using the SSYS parameter, refer to “SSYS” on page 131 and “Starting the HSC using the SSYS Parameter” on page 139.



Notes:

- Control data sets are defined using the CDSDEF control statement. The CDSDEF statement **must** be present in your PARMLIB definitions. Control and journal data sets may no longer be defined in JCL. Refer to “CDS Definition (CDSDEF) Control Statement” on page 85 for more information.
- The number of CDS copies used by the HSC is dependent on the number of CDS copies defined in the CDSDEF PARMLIB control statement. It is not determined by the TCHNIQE parameter of the LIBGEN SLIRCVRY macro. The HSC uses all of the CDS copies defined in the CDSDEF control statement (whether this includes more or less CDS copies than are specified by the TCHNIQE parameter).
- Journals are defined using the JRNDEF control statement. The JRNDEF statement must be present in your PARMLIB definitions if you want to use journaling. Journal data sets may no longer be defined in JCL. Refer to “Journal Definition (JRNDEF) Control Statement” on page 90 for more information.
- If journaling is specified by the TCHNIQE parameter of the LIBGEN SLILIBRY macro, journals must be defined in your PARMLIB definitions for successful HSC initialization.
- A control statement is terminated if the statement is not continued. Control statements must have a /*...*/ comment as the **first** control statement in the PARMLIB member. A PARMLIB member that does not begin with a /*...*/ style comment is assumed to be in the old format. Comments in old format members must begin with an asterisk in column 1.

For additional information, refer to “Control Statement Syntax Conventions” on page 622.

- TIME=1440 or TIME=NOLIMIT should be coded to make sure that the HSC does not time out and terminate.

Descriptions of DD Statements

The following are descriptions of the JCL DD statements used in the example PROC for the START command.

SLSSYSxx

statement that defines the data set containing the HSC PARMLIB. In the example procedure above, xx is replaced by the suffix ‘‘00’’. The SLSSYS00 DD statement matches the M(00) declaration and points to the PARMLIB member ‘‘00’’ that contains your start-up parameters.

SLSUEXIT

statement that defines the data set containing HSC user exits.

Starting HSC Execution

The HSC cataloged procedure is invoked by issuing the MVS START command. Refer to ‘‘Issuing the START Command’’ on page 137 for information about the MVS START command, syntax, and parameter descriptions.

When phases of HSC initialization are completed, messages are displayed on the system console indicating completion of the initialization phases. Messages inform you when HSC base service level and when HSC full service level initialization is completed.



Notes:

- An SMC subsystem is required to influence tape allocations and intercept MVS messages. Refer to the ‘‘Starting SMC’’ chapter in the *SMC Configuration and Administration Guide* for more information.
- When it is initialized, the HSC determines whether this HSC release differs from the release level of the previous HSC subsystem. If there is a difference, an internal cold start is invoked.

Before starting the internal cold start processing, however, the Program Call system linkage indexes are saved, and the HSC’s main in-memory data structure is freed. This reduces the resources lost due to the cold start.

If your SMF options for the HSC did not specify the SUBTYPE parameter, the HSC issues a message that SMF record subtypes 1 through 6 are being recorded.

If you did not specify GTF Eid and Fid parameters on the PARM operand in the HSC start procedure, the HSC issues a message indicating that default Eid and Fid values are being used.

The HSC may be started prior to hardware arrival to make sure that it has been installed properly. The HSC subsystem comes up with the LMU stations offline. HSC operator commands may be entered, but any functions requiring interaction with the ACS hardware result in error messages.

Modifying LSMs ONLINE

When the CDS is initialized, the status of all LSMs defined in the LIBGEN is OFFLINE. You must issue the HSC MODify ONline command to bring all of your LSMs online.

For subsequent executions of HSC, the last recorded status of the LSMs is obtained from the control data set.

Specifying CAP Preferences

When the CDS is initialized, all CAP preferences are zero (never selected). You must issue the CAPPREF command and control statement to establish a preference value for a CAP. The HSC selects CAPs based on the preference value. Refer to “CAP Preference (CAPPref) Command and Control Statement” in the *HSC Operator's Guide* for more information.

Configuration Mismatches

During HSC initialization, the HSC remains active if LSM or panel type configuration mismatches occur between the CDS and LMU. Specifically, these mismatches include:

- different numbers of LSMs
- different or unknown types of LSMs
- different or unknown panel types in an LSM.

In these cases, the affected ACS(s) is forced offline. The HSC continues to support the unaffected ACS(s).

While the unaffected ACS(s) remains online, the mismatched configuration can be corrected. If the hardware configuration is incorrect, the affected ACS(s) can then be brought online. Otherwise, the configuration can be changed through the LIBGEN/SLICREAT/MERGEcds or Reconfiguration process at your convenience.

Multiple Hosts Startup Considerations

In a multiple-host configuration, start one host at a time. **Do not bring up multiple hosts simultaneously.**

Issuing the START Command

The HSC software is initialized by issuing the MVS START command. Parameters associated with PARM= on the EXEC statement of the HSC cataloged procedure (see “Creating an HSC START Procedure” on page 130) can also be supplied via PARM= on the START command. The PARM= specification on the START command overrides the PARM= specification in the HSC cataloged procedure. Examples in this section relevant to single PARM= parameters may need to be accompanied by other parameters present in the HSC cataloged procedure.

Alternately, a JCL substitution symbol may be specified in the HSC cataloged procedure, and additional parameters passed via the START command using the substitution symbol.

The HSC can be initialized to a full or base service level by issuing the MVS START command. The HSC can also be preinitialized or initialized under the MVS Master subsystem (MSTR) through the START command.

Table 9 shows examples of the START command options introduced in this section. For further information about these options, refer to the paragraphs following the table.

Table 9. HSC Initialization

HSC Start Command	Proc Name Same as IEFSSNxx Entry	SLSBPRES in IEFSSNxx or Previous HSC Start With PARM='INIT'
HSC Started Under MSTR and PROC in SYS1.PROCLIB		
S SLS0	Yes	No
S SLS0,SUB=MSTR	Yes	Ignored
S SLS0,PRM='SSYS(SLS0)',SUB=MSTR	No	Ignored
HSC Started Under JES and PROC in Any PROCLIB		
S SLS0	Yes	Yes
S SLS0,PARM='INIT' S SLS0	Yes	No
S SLS0,PARM='SSYS(SLS0)'	No	Yes
S SLS0,PARM='INIT,SSYS(SLS0)' S SLS0,PARM='SSYS(SLS0)'	No	No

Preinitializing the HSC as an MVS Subsystem

The HSC must first be initialized as an MVS Subsystem before it can perform any services such as mount/dismount of cartridges, etc.. There are two valid ways to preinitialize the HSC:

- specifying SLSBPRESI as the HSC subsystem initialization routine in the IEFSSNxx member of the system PARMLIB and IPLing MVS as follows:

```
SUBSYS SUBNAME(SLSØ) INITRTN(SLSBPRESI) /* keyword format */
```



Note: SLSBPRESI must reside in SYS1.LINKLIB or its link list. After installation, copy the SLSBPRESI module from HSC SLSLINK to a library in the MVS link list.

- starting the HSC with PARM='INIT'.

Starting the HSC with PARM='INIT'

An alternative method to the SLSBPRESI subsystem initialization routine is to specify PARM='INIT' in a START command for a preinitialization startup followed by a START command for the actual startup of the HSC.

The need for the HSC's subsystem Master Subsystem Initialization (MSI) routine is eliminated. MSI functions are taken over by the main HSC address space initialization routines. The use of any subsystem MSI exit routine imposes a restriction that it must be in a data set that is cataloged in the master catalog, and included in the LNKLST. Previous HSC versions have distributed this module to install in SYS1.LINKLIB.

The first example is the START command for preinitializing the HSC; the second example is the START command for actual startup of the HSC. The first START command performs only the preinitialization and must be followed by the second command to startup the HSC. The example command is:

Preinitialization of HSC

```
S SLSØ, PARM='INIT'
```

The second START command performs actual HSC startup. The example command is:

Actual HSC Startup

```
S SLSØ
```

The startup procedure can be a normal procedure with the exception of using the INIT parameter or it can be specified separately.



Note: This preinitialization of the HSC is for initializing the HSC under the primary Job Entry Subsystem (JES).

Initializing the HSC Under the Master Subsystem

If you want to initialize the HSC under the Master subsystem (MSTR), the following circumstances must be considered:

- If SLSBPRESI is not part of the subsystem definition in IEFSSN $_{xx}$ or a prior execution of the subsystem using the INIT parameter was done, then the MVS subparameter SUB=MSTR must be appended to the START command.

For example:

SLSBPRESI Defined in IEFSSN $_{xx}$ or Prior execution Using INIT

```
S SLSØ, SUB=MSTR
```

This command starts the HSC under Master subsystem control.

- If SLSBPRESI is not part of the subsystem definition in IEFSSN $_{xx}$ and the subsystem name is the same as the start procedure name, then no preinitialization or SUB=MSTR is necessary. For example:

Subsystem Name is Same as Start Procedure Name

```
S SLSØ
```



Note: When running the HSC under the Master subsystem, JES services are not used. It is also possible to receive duplicate messages in the system log.

If you want to initialize the HSC under JES later, the INIT parameter may be used to do the preinitialization when necessary.

Starting the HSC using the SSYS Parameter

The HSC can be started against a particular subsystem by specifying the SSYS PARM. Refer to “Creating an HSC START Procedure” on page 130 for a description of the parameter.



Note: When using PARM, be sure to specify **all** applicable parameters.

Starting HSC Against a Subsystem Named SLS0

```
S SLS0,PARM='SSYS(SLS0)'
```

Starting the HSC at the Full Service Level

Normally, HSC software is initialized to the full service level when it is started. The syntax for the START command to initialize the HSC to the full service level is:

Starting to Full Service Level

```
S SLS0
```

Starting the HSC at the Base Service Level

HSC software can be started only to the base service level by coding the BASE parameter in the PARM field of the MVS START command. The syntax for the START command to initialize the HSC to the base service level is:

Starting to Base Service Level

```
S SLS0,PRM='BASE'
```



Note: PRM adds the parameter BASE to the startup PARMs.

The BASE parameter should be used with other parameters in the START command since these parameters override whatever is specified in the HSC START Procedure. A sample START command with parameters is:

```
S SLS0,PARM='BASE E(086) F(23) M(00) SSYS(SLS0)'
```

In this case, PARM overrides **all** parameters in the PARM field.

Refer to “Creating an HSC START Procedure” on page 130 for a description of these and other related parameters.

After initializing to this point, the SRVlev command can be used to bring the subsystem up to full function.

Chapter 4. Utility Functions

Overview of Library Utilities

The HSC contains utility functions that provide you with ways to manage library resources. Primary utility functions include:

- library CDS maintenance
- control of library cartridges
- control of scratch volumes
- preparation of reports covering library activity.

Table 10. Utilities Overview

Function	Utility
Library Control Data Set Maintenance	AUDIt BACKUp Database Decompile (LIBGEN) Directory Rebuild (DIRBLD) Journal Offload (OFFLoad) MERGEcds Point-in-Time Copy (SLUPCOPY) RESTore SET
Cartridge Control	Initialize Cartridge (INITialize) Eject Cartridge (EJECT) MOVE UNSElect
Scratch Volume Control	Scratch Conversion (SLUCONDB) Scratch Redistribution (SCREdist) Scratch Update (SCRATch, UNSCRatch, and REPLaceall)
Reporting	Activities Report (ACTivities) Performance Log Reblocker (SLUPERF) Volume Report (VOLRpt)

Selecting a Utility

There are many utilities described within this chapter. If you know what function you want to perform, find that function in Table 11. The applicable utility for each specific function is contained in the table.

Table 11. HSC Utilities and Functions

Function	Utility to Use
Add a volume (or list of volumes) to the existing scratch list contained in the CDS	SCRATch
Back up the library CDS	BACKUp

Table 11. HSC Utilities and Functions

Function	Utility to Use
Back up the library CDS at a given point in time	Point-in-Time Copy (SLUPCOPY)
Balance the number of scratch volumes across the library	Scratch Redistribution (SCREdist)
Clear (delete) the scratch list in the CDS and optionally replace it with a new list	Replace (REPLaceall)
Delete a volume (or volumes) from the scratch list contained in the CDS	UNSCratch or Replace (REPLaceall)
Eject one or more cartridges from an ACS in batch mode	EJECT
Force unselection of a volume selected by the HSC	UNSElect
Generate scratch transactions from tape management systems	Scratch Conversion (SLUCONDB)
Inventory cartridges in the library	AUDIt
Label cartridges through the CAP	Initialize Cartridge (INITialize)
Merge volume information from one CDS into another	MERGEcds
Move or relocate a volume (or volumes) within an ACS	MOVE
Off-load one or both of the journals	Journal Offload (OFFLoad)
Prepare the SCP-generated performance log (SMF data) for use by the Activities Report utility	Performance Log Reblocker (SLUPERF)
Print a listing of volumes and locations residing in an LSM	Volume Report (VOLRpt)
Print an activities report listing library activity statistics	Activities Report (ACTIvities)
Rebuild the database directory if the CDS becomes corrupted	Directory Rebuild (DIRBLD)
Recreate the library LIBGEN from the existing CDS	Database Decompile (LIBGEN)
Restore or recreate the library CDS	RESTore

Table 11. HSC Utilities and Functions

Function	Utility to Use
Set or change library configuration information, including: <ul style="list-style-type: none"> - ACS esoteric - cleaning prefix - delete disposition - device numbers for drives - drive host - eject password - freeze panels - host identification - HSC command prefix - HSC level - library station device numbers - MAJNAME (QNAME) - new host - nonlibrary esoteric - scratch label type - SMF record type - recovery technique 	SET



Note: If you are running a mixed multi-host complex of HSC 6.0, 6.1, and 6.2 systems, refer to Appendix D, “Migration and Coexistence Processes” in the *HSC Configuration Guide* for the proper utility release level.

Typical Use of Utilities

A typical use of utility functions might be, for example, invoking both the Scratch Update utility and an Activities Report. In the following example

- volumes A1B1C1 through A1B1C4 have been designated as scratch volumes
- an activities report is to be produced starting on 1/23/93 at 12:00:00. Data in the report will contain uppercase and lowercase characters.



Note: PARM=MIXED in the JCL specifies mixed characters.

The JCL for invoking these utilities is:

JCL for Scratch Update and Activities Report

```
//JOB1      job (account),programmer
//STEP1     EXEC PGM=SLUADMIN,PARM=MIXED
//SLSCNTL   DD DSN=control.dataset.name,DISP=SHR
//SLSSMF    DD DSN=smf.history,UNIT=TAPE,DISP=OLD
//SLSPRINT  DD SYSOUT=A
//SLSIN     DD *
            SCRATCH VOLSER(A1B1C1,A1B1C2,A1B1C3,A1B1C4)
            ACTI BEGIN(01/23/93,12:00:00)
/*
//
```

Refer to “Activities Report Utility” on page 174 and “Scratch Update Utilities” on page 320 for detailed descriptions of these utilities.

It is only necessary to supply those statements required by the particular utility function(s) being invoked. Utility functions can also share data sets represented by the same statement.

Control Statement Syntax Conventions

The control statement for each utility program consists of a command (indicating the utility function) followed by parameters, as applicable, in 80-character card-image records. For more information about this syntax, see Appendix E, “Macros, Control Statements, Utilities, and Commands Syntax Reference” on page 611.

Utility Syntax Conventions

Utility syntax is illustrated using syntax flow diagrams. For a complete description of this syntax convention, refer to Appendix E.

Utility Administrator (SLUADMIN)

The SLUADMIN program operates as a batch job and controls initialization processing for most utility functions. The utility administrator (SLUADMIN) can accept multiple control statements which are handled as serial requests for multiple utilities. If all requirements needed to execute the utility function are met, control is passed to the appropriate program which handles the actual processing.

Utility functions represented by additional control statements are not started until the prior utility function stops and control is returned to the SLUADMIN program.



Caution: The maximum length of a control statement is 32,767 characters. Exceeding this limit causes message SLS024II to be displayed, which indicates an invalid utility control statement.

How to Invoke SLUADMIN

The following is a generic example of JCL that can be modified to execute SLUADMIN. Where “utility and CSV definition statements” appears in this sample JCL, enter the utilities or CSV statements you want to execute.

For example:

```
SET HOSTID(HSC2) FORHOST(HSCB)
OFFLoad
SCREdist ACS(01)
```

JCL to Invoke SLUADMIN

```
//JOBname    job (account),programmer
//S1         EXEC PGM=SLUADMIN,PARM=MIXED
//SLSPRINT  DD SYSOUT=A
//SLSIN     DD *
            utility and CSV definition statements
            .
            .
            .
//*****
//* The following datasets are optional *
//*****
            optional csv text
//SLSCSV    DD DSN=yourcsv.output.dataset,DISP=SHR
//SLSXML    DD DSN=yourxml.output.dataset,DISP=SHR
/*
//
```

SLUADMIN Output

In addition to plain text, SLUADMIN supports output types added through Unified User Interface (UUI) requests. See the *NCS/VTCS XML Guide* for a list of commands and utilities supported by the UUI.

The output type is controlled by DD statements defined in the SLUADMIN JCL and includes:

- plain text — output written to an SLSPRINT data set. Plain text output is always produced and is unchanged from previous releases.
- structured XML — output written to the SLSXML data set. This output type is optional and is generated only if its corresponding DD statement is specified.

Structured XML is a well-formed XML datastream containing XML header tags, data tags, and data element content. Refer to the *NCS/VTCS XML Guide* for XML tag names and structure for all UUI requests.

- comma separated values (CSV) — output written to the SLSCSV data set. This output type is optional and is generated only if its corresponding DD statement is specified.

CSV output is customizable. A template of XML data tag names can be input by the user to specify which data values will be output. The output data is a single CSV header line followed by CSV detail lines.

A CSV header line is a list of the XML data tag names requested; each name is separated by a comma. Each CSV detail line is a specified fixed number of data values, separated by a comma. This kind of output is readily adaptable as input into spreadsheets or customizable report writers.



Note: The Volume Report utility **VOLDATA** parameter produces a volume flat file. This option is still supported, but may be discontinued in future releases.

Requesting XML Output

If the SLSXML DD statement is present, it indicates that structured XML output should be provided for all SLUADMIN commands that support the UUI interface. Refer to the *NCS/VTCS XML Guide* for detailed information.

Requesting CSV Output

If the SLSCSV DD statement is present, comma separated value (CSV) output is provided for all SLUADMIN commands that support the UUI interface. See the *NCS/VTCS XML Guide* for more information.

XML Tags - Commands and Utilities

This section describes the XML format output of PGMI responses. “XML Data Tag Descriptions” on page 150 describes:

- content of each XML data tag
- XML structure tags where each data tag occurs.

The following subsections show the XML head, structure, and data tags for each PGMI response:

- “Display ACS” on page 154
- “Display CAP” on page 155
- “Display CDS” on page 156
- “Display DRives” on page 157
- “Display LSM” on page 158
- “Display SCRatch” on page 159
- “Display THReshold” on page 160
- “Display Volume” on page 161
- “SCRatch” on page 162
- “TRace” on page 163
- “UNScratch” on page 164
- “Volume Report” on page 165

XML Data Tag Descriptions

Table 12. XML Data Tag Cross-reference

Data Tag	Occurs In	Definition
<acs>	<subpool_data> <acs_data> <lsm_data> <cap_data> <scratch_data>	ACS ID (real subpools only).
<acs_count>	<cds_data>	ACS count for this CDS.
<acs_mvc_counts>	<mvcpool_counts>	
<acs_status>	<acs_data>	ACS status (CONNECTED DISCONNECTED).
<active>	<host_data>	Yes/no. Indicates whether the host is active.
<adjacent_count>	<lsm_data>	Number of adjacent LSMs for this LSM.
<adjacent_lsm>	<lsm_data>	ID of LSM adjacent to this LSM.
<cap>	<cap_data>	CAP ID.
<cap_count>	<cds_data> <lsm_data>	CAP count for this CDS. CAP count for this LSM.
<cell_count>	<lsm_data> <cap_data>	Storage cell count for this LSM. Cell count for this CAP.
<cleaner_count>	<lsm_data>	Cleaner cartridge count for this LSM.
<cleaner_prefix>	<cds_data>	Cleaning cartridge prefix for this CDS.
<cleaner_over_maxclean>	<volume_data>	Yes/no. Indicates whether a cleaning cartridge is over the MAXCLEAN value.
<cleaner_usable>	<volume_data>	Yes/no. Indicates whether a cleaning cartridge is usable.
<date>	<header>	Date YYYYMMDD that the XML was generated.
<device_address>	<drive_data>	Drive unit address (<i>uuuu</i>).
<drive_count>	<cds_data>	Drive count for this CDS.
<drive_location>	<drive_data>	Drive location (<i>aa:ll:pp:rr:cc</i>).
<dsname>	<dsn_data>	CDS DSname.
<dual_lmu_config>	<acs_data>	Yes/no. Indicates whether dual LMU is configured.
<encrypted>	<volume_data>	Yes/no. Indicates whether the volume is encrypted.
<errant>	<volume_data>	Yes/no. Indicates whether the volume is errant.
<error>	<volume_data>	Hex reason code produced by a scratch/unscratch request's outcome.
<external_label>	<volume_data>	Yes/no. Indicates whether the volume has an external label.

Table 12. XML Data Tag Cross-reference

Data Tag	Occurs In	Definition
<free_count>	<lsm_data> <panel_data>	LSM free cell count. Panel free cell count.
<free_cell_count>	<acs_data>	ACS free cell count.
<from_volser>	<subpool_data>	Starting volser of a range.
<frozen>	<panel_data>	Yes/no. Indicates whether panel is frozen.
<home_cell>	<volume_data>	Volser's home cell (<i>aa:ll:pp:rr:cc</i>).
<host_count>	<cds_data>	Host count for this CDS.
<host_id>	<host_data>	Host ID.
<host_name>	<header>	Host where XML was generated.
<hsc_version>	<header> <host_data>	Defines the HSC version that generated the XML in v.r.m format currently 6.2.0.
<insert_date>	<volume_data>	Date YYYYMMDD that the volume was inserted into the CDS.
<insert_time>	<volume_data>	Time HH:MM:SS that the volume was inserted into the CDS.
<label_readable>	<volume_data>	Yes/no. Indicates whether the volume's external label is readable.
<lsm>	<subpool_data> <lsm_data> <cap_data> <scratch_data>	LSM ID (real subpools only).
<lsm_count>	<cds_data> <acs_data>	LSM count for this CDS. LSM count for this ACS.
<max_size>	<volume_data>	Maximum volume size in GB.
<media>	<drive_data> <subpool_data> <scratch_data>	Drive compatible media name. Subpool media name. Scratch volser media name.
<media>virtual</media>	<subpool_data>	Media virtual (virtual subpools only).
<media_label>	<volume_data>	Yes/no/NA. Indicates whether the volume has a media label.
<media_match>	<volume_data>	Yes/no/undefined. Indicates whether the volume's media matches its media label.
<media_type>	<volume_data>	Volser's media type (MEDIA).
<member>	<dsn_data>	DEF data set member name.
<mode>	<lsm_data> <cap_data>	LSM mode (AUTOMATIC MANUAL). CAP mode (IDLE BUSY).
<model>	<drive_data> <lsm_data>	Drive model. LSM model.

Table 12. XML Data Tag Cross-reference

Data Tag	Occurs In	Definition
<mounted>	<volume_data>	Yes/no. Indicates the volume's mount status.
<name>	<trace_status>	Trace type (ALLOCATION, ASCOMM, CAP, CONFIGURATION, DATABASE, INIT/TERM, LMUDRIVER, MOUNT/DISMOUNT, OPERATOR, RECOVERY, UTILITIES, VOLUME/CELL, WTO SERVER, HOST COMMUNICATIONS, XML ASCOMM, UUI, VTCS, LIBRARYSTATION)
<non_scratch_count>	<subpool_data>	Non-Scratch count (real subpools only).
<panel>	<panel_data>	Panel ID.
<panel_type>	<panel_data>	Panel type.
<panel_count>	<lsm_data>	Panel count for this LSM.
<priority>	<cap_data>	CAP priority.
<reason>	<volume_data>	SLS message number and test produced by a scratch/unscratch request's outcome.
<rectech>	<volume_data> <subpool_data> <scratch_data>	Volser's recording technique (RECTECH). Subpool's recording technique (RECTECH). Scratch volser's recording technique (RECTECH).
<result>	<volume_data>	Success/Failure. Indicates a scratch/unscratch request's outcome.
<scratch>	<volume_data>	Yes/no. Indicates the volume's scratch status.
<scratch_count>	<subpool_data> <acs_data> <lsm_data> <scratch_data>	Scratch count (real subpools only). ACS scratch count. LSM scratch count. Subpool's scratch count
<select_count>	<volume_data>	Number of times volume was selected.
<select_date>	<volume_data>	Date YYYYMMDD that the volume was last selected.
<select_time>	<volume_data>	Time HH:MM:SS that the volume was last selected.
<selected>	<volume_data>	Yes/no. Indicates the volume's selection status.
<smf_number>	<cds_data>	SMF number for this CDS.
<subpool_index>	<volume_data> <subpool_summary_data>	Subpool index.
<subpool_label>	<volume_data> <subpool_summary_data>	Subpool label.
<subpool_name>	<volume_data> <subpool_summary_data>	Subpool name.
<state>	<lsm_data> <cap_data>	State (ONLINE OFFLINE).

Table 12. XML Data Tag Cross-reference

Data Tag	Occurs In	Definition
<status>	<drive_data> <lsm_data> <cap_data>	Drive status (On Drive Mounting Dismounting). LSM status (READY NOTREADY) CAP status (AUTOMATIC MANUAL)
<threshold_count>	<subpool_data>	Threshold count.
<time>	<header>	Time HH:MM:SS that the XML was generated.
<to_volser>	<subpool_data>	Ending volser of a range.
<trace>	<trace_status>	Trace ON or OFF.
<type>	<dsn_data>	CDS type (Primary, Secondary, Standby) DEF data set type (SCRPDEF LKEYDEF LMUPDEF MGMTDEF MV CDEF MPOOL00 VOLDEF)
<unit>	<dsn_data>	CDS unit address (<i>uuuu</i>).
<volser>	<dsn_data>	CDS volser.
<volser>	<volume_data> <drive_data>	Volser of Nearline volume.

Display ACS

Table 13. Display ACS XML Tags

Command/ Utility	Head Tag	Structure/Data Tags	
DISPLAY ACS	<display_acs_request>	<header>	<hsc_version>
			<date>
			<time>
			<host_name>
		<ACS_data>	<acs>nn</acs>
			<acs_status>
			<lsm_count>
			<scratch_count>
			<free_cell_count>
			<dual_lmu_config>

Display CAP

Table 14. Display CAP XML Tags

Command/ Utility	Head Tag	Structure/Data Tags	
DISPLAY CAP	<display_cap_request>	<header>	<hsc_version>
			<date>
			<time>
			<host_name>
		<cap_data>	<acs>
			<lsm>
			<cap>
			<cell_count>
			<priority>
			<mode>
			<status>
			<state>

Display CDS

Table 15. Display CDS XML Tags

Command/ Utility	Head Tag	Structure/Data Tags		
DISPLAY CDS	<display_cds_request>	<header>	<hsc_version>	
			<date>	
			<time>	
			<host_name>	
		<cds_data>	<smf_number>	
			<cleaner_prefix>	
			<acs_count>	
			<lsm_count>	
			<cap_count>	
			<host_count>	
Data for CDS Data Sets				
		<dsn_data>	<type>	
			<dsname>	
			<volser>	
			<unit>	
Data for DEF Data Sets				
		<dsn_data>	<type>	
			<dsname>	
			<member>	
		<host_data>	<host_id>	
			<active>	
			<hsc_version>	

Display DRives

Table 16. Display DRives XML Tags

Command/ Utility	Head Tag	Structure/Data Tags			
DISPLAY DRIVES	<display_drives_request>	<header>	<hsc_version>		
			<date>		
			<time>		
			<host_name>		
		<drive_data>	<device_address>		
			<volser>		
			<status>		
		Additional Fields for DISPLAY DRIVES DETAIL			
					<model>
					<media>

Display LSM

Table 17. Display LSM XML Tags

Command/ Utility	Head Tag	Structure/Data Tags		
DISPLAY LSM	<display_lsm_request>	<header>	<hsc_version>	
			<date>	
			<time>	
			<host_name>	
		<lsm_data>		
			<lsm>	
			<model>	
			<state>	
			<status>	
			<mode>	
			<panel_count>	
			<cell_count>	
			<free_count>	
			<scratch_count>	
			<cleaner_count>	
			<cap_count>	
			<adjacent_count>	
			<adjacent_lsms>	
			<panel_data>	<panel>
				<panel_type>
		<free_count>		
		<frozen>		

Display SCRatch

Table 18. Display SCRatch XML Tags

Command/ Utility	Head Tag	Structure/Data Tags	
DISPLAY SCRATCH	<display_scratch_request>	<header>	<hsc_version>
			<date>
			<time>
			<host_name>
		<subpool_data>	<subpool_name>
			<media>
			<acs>
			<lsm>
			<scratch_count>
Additional Subpool Data for DISPLAY SCRATCH DETAIL			
			<rectech>

Display THReshold

Table 19. Display THReshold

Command/ Utility	Head Tag	Structure/Data Tags	
DISPLAY THRESHOLD	<display_threshold_request>	<header>	<hsc_version>
			<date>
			<time>
			<host_name>
		<subpool_data>	<subpool_name>
			<media>
			<acs>
			<lsm>
			<scratch_count>
			<threshold_count>
Additional Subpool Data for DISPLAY THRESHOLD DETAIL			
			<rectech>

Display Volume

Table 20. Display Volume XML Tags

Command/ Utility	Head Tag	Structure/Data Tags	
DISPLAY VOLUME	<display_volume_request>	<header>	<hsc_version>
			<date>
			<time>
			<host_name>
		<volume_data>	<volser>
			<home_cell>
			<mounted>
			<selected>
			<scratch>
		Addition Volume Data Fields for DISPLAY VOLUME DETAIL	
			<errant>
			<external_label>
			<label_readable>
			<insert_date>
			<insert_time>
			<select_date>
			<select_time>
			<select_count>
			<media_type>
			<rectech>
			<media_label>
			<media_match>

SCRatch

Table 21. SCRatch XML Tags

Command/ Utility	Head Tag	Structure/Data Tags	
SCRATCH	<scratch_request>	<header>	<hsc_version>
			<date>
			<time>
			<host_name>
		<volume_data>	<volser>
			<result>
			<error>
			<reason>

TRace

Table 22. TRace XML Tags

Command/Utility	Head Tag	Structure/Data Tags	
TRACE	<trace_request>	<header>	<hsc_version>
			<date>
			<time>
			<host_name>
		<trace_status>	
			<name>ALLOCATION
			<trace>OFF ON

UNScratch

Table 23. UNScratch XML Tags

Command/ Utility	Head Tag	Structure/Data Tags	
UNSCRatch	<unscratch_request>	<header>	<hsc_version>
			<date>
			<time>
			<host_name>
		<volume_data>	<volser>
			<result>
			<error>
			<reason>

Volume Report

Table 24. Volume Report XML Tags

Command/ Utility	Head Tag	Structure/Data Tags		
VOLRPT	<volrpt>	<header>		
			<hsc_version>v.r.m</hsc_version>	
			<date>yyyyMondd</date>	
			<time>hh:mm:ss</time>	
			<host_name>host</host_name>	
		<volume_data>		
			<volser>vvvvvv</volser>	
			<home_cell>aa:ll:pp:rr:cc</home_cell>	
			<scratch>Yes No</scratch>	
			<selected>Yes No</selected>	
			<mounted>Yes No</mounted>	
			<errant>Yes No</errant>	
			<external_label>Yes No</external_label>	
			<label_readable>Yes No</label_readable>	
			<cleaner_usable>Yes No</cleaner_usable>	
			<cleaner_over_maxclean>Yes No</cleaner_ over_maxclean>	
			<insert_date>yyyyMondd</insert_date>	
			<insert_time>hh:mm:ss</insert_time>	
			<select_date>yyyyMondd</select_date>	
			<select_time>hh:mm:ss</select_time>	
			<select_count>nnnnn</select_count>	
			<media_type>MEDIA_NAME</media_type>	
			<rectech>RECTECH_NAME</rectech>	
			<subpool_name> <i>subpool name</i> </subpool_name>	
			<subpool_label> <i>label type</i> </subpool_label>	
			<subpool_index> <i>subpool index</i> </subpool_index>	
			<date_last_mounted>DATE_LAST_MOUN TED</date_last_mounted>	

Table 24. Volume Report XML Tags

Command/ Utility	Head Tag	Structure/Data Tags		
			<time_last_mounted>TIME_LAST_MOUN TED</time_last_mounted>	
			<max_size>MAX_SIZE</max_size>	
			<volume_usable>VOLUME_USABLE</vo lume_usable>	
			<encrypted>ENCRYPTED</encrypted>	
			<density>RECTECH_NAME</density>	
		<subpool_ summary_data>		
			<subpool_data>	
				<subpool_name> <i>subpool name</i> </subpool_name>
				<subpool_label> <i>label type</i> </subpool_label>
				<subpool_index> <i>subpool index</i> </subpool_index>
				<from_volser> <i>starting volser</i> </from_volser>
				<to_volser> <i>ending volser</i> </to_volser>
				<scratch_data>
				<acs> <i>acsId</i> </acs>
				<lsm> <i>lsmID</i> </lsm>
				<media> <i>media name</i> </media>
				<rectech> <i>rectech name</i> </rectech>
				<scratch_count > <i>number of scratch volumes</i> </scratch_count >

Table 24. Volume Report XML Tags

Command/ Utility	Head Tag	Structure/Data Tags			
					<non_scratch_c ount> <i>number of non-scratch volumes</i> </non_scratch_ count>

How to Invoke Utility Programs

For convenience, most utility programs are packaged to appear as a single, user-invoked program. An exception is Scratch Conversion.

All other utility functions are invoked as a normal batch job using the SLUADMIN program and user-specified control statements needed to invoke the required utility function.

Utility functions represented by additional control statements are not started until the prior utility function stops and control is returned to the SLUADMIN program.

Authorization to Use Utility Functions

For SLUADMIN to run as an APF-authorized program, it must reside in an authorized library.

A copy of SLUADMIN can be placed in a non-APF authorized library whose access is restricted to those personnel authorized to print reports. Only the Activities Report and Volume Report utilities can execute from a non-APF authorized library.

Volume Report can be executed from an unauthorized library if all required DD statements (including SLSCNTL, SLSVA, and SLSSCRPL) are provided. To dynamically allocate data sets based on an active HSC subsystem, the library for the SLUADMIN job must be authorized.

Another copy of SLUADMIN can be placed in an APF-authorized library whose access is restricted to personnel authorized to run all the utilities.

It may be desirable to further restrict access to individual utility functions. Table 25 lists utility commands and the applicable load modules that are invoked to process the utility. By restricting access to any of the load modules with an appropriate security package, it is possible to restrict access to the specified utility function.

Security for commands executing under the UII is managed by User Exit 15. See the *NCS/VTCS XML Guide* for the list of commands executed under the UII.

Table 25. Load Modules for Utilities

Utility	Load Module
ACTIVITIES (Activities Report)	SLUACTV
AUDIT	SLUAUDT
BACKUP	SLUBKUP
DIRBLD (Directory Rebuild)	SLUDRDIR
INITIALIZE (Initialize Cartridge)	SLUINCT
LIBGEN (Database Decompile)	SLUDBMAP
MERGEcds	SLUMERGE

Table 25. Load Modules for Utilities

Utility	Load Module
MOVE	SLUMOVE
OFFLOAD (Journal Offload)	SLUOFFLD
Performance Log Reblocker *	SLUPERF
Point-in-Time Copy	SLUPCOPY
Reconfiguration *	SLURECON
RESTORE	SLURSTR *
SCRATCH CONVERSION	SLUCONDB
SCREDIST (Scratch Redistribution)	SLUSCRD
SET	SLUSET
UNSELECT	SLUNSEL
VOLRPT (Volume Report)	SLUVOLR

* Not invoked by command.

SLUADMIN Program Return Codes

The SLUADMIN program sets a return code for the execution of the job step as defined in Table 26.

Table 26. SLUADMIN Return Codes

Return Code	Description
0	All utility functions requested via control statements completed normally.
4	At least one utility function encountered an abnormal situation, but it did not cause termination of that utility function or any subsequent utility functions.
8	At least one utility function encountered an error condition that prevented continuation of that utility function, but any subsequent utility functions represented by control statements were attempted.
12	An error condition was detected that either prevented the start of any utility functions, or terminated the active utility function and prevented processing of subsequent utility functions. Note: If the return code occurred because of a problem with the HSC CDS or journal files, the problem must be resolved before the HSC can be initialized safely.

The return code for each utility function is listed in a message. For return codes other than 0, additional messages are listed providing more information and description of the error condition. Refer to the *HSC Messages and Codes Guide* for any messages encountered.

Examples of utility program outputs, including messages indicating the return codes, are provided throughout this chapter.

Reports Created By Utilities

Several utilities produce reports when executed. The reports are in addition to the utility function. Utilities that produce reports include:

- Activities Report
- AUDit
- BACKup
- MOVE
- Volume Report.

A description of each utility and resulting report is contained in this chapter.

Report Headings

Utilities provide reports at the end of execution. Report headings include the following information:

- date/time of the report
- page number(s)
- host software version number
- name of the utility function executed.

Parameters Controlling Report Headings

The following are optional parameters that change the format of output reports.

Parameter	Description
NOHDR	<p>Suppresses printing of report headings (error messages still can be written to the report file). This can be useful when running the Volume Report utility with the VOLDATA parameter specified, which produces a raw volume (flat) data file.</p> <p>This parameter can be used only with the Activities Report, MOVE, and Volume Report utilities.</p> <p>NOHDR and LINECNT are mutually exclusive.</p> <p>If NOHDR is not specified, the default is to print headings containing the following information:</p> <ul style="list-style-type: none">- date/time of the report- page number(s)- host software version number- name of the utility function executed.
MIXED	<p>Prints all report headings and messages in mixed case. The default is uppercase.</p>
LINECNT=<i>nn</i>	<p>Specifies the number of lines per page for the SLUADMIN report. Allowable values are 10 through 99; the default is 60 lines per page. LINECNT and NOHDR are mutually exclusive.</p>

- XMLDate(*date*)** Defines the format of date fields in XML and CSV output. Allowable *date* formats are:
- *yyyymondd*
 - *yyyy-mm-dd*
 - *yyyy-mon-dd*
- The default format is *yyyymondd*, and an example of this is 2005Oct14.
- XMLCase(*case*)** Defines the case of alphabetic data fields in XML and CSV output. Allowable *case* formats are:
- M (mixed uppercase and lowercase)
 - U (all uppercase)
- The default is M.
- DATE=2YR** Specifies that all dates displayed in report detail lines are in the “*mm/dd/yy*” format. A *yy* value of 71 or greater indicates a 20th century (19*xx*) date. A *yy* value of 70 or less indicates a 21st century (20*xx*) date. To avoid confusion, you are encouraged to use the DATE=4YR parameter setting described below.
- DATE=4YR** Specifies that all dates displayed in report detail lines are in the “*yyyymmdd*” format. This is the default.

Note: The DATE parameter does not control report header date formats, which are displayed as *yyyy-mm-dd*. See Figure 9 on page 184 for an example of this format.

Example

Several JCL examples using the options for report headings follow:

Example of JCL Using Report Heading Options

```
//STEP1 EXEC PGM=SLUADMIN,PARM='NOHDR,MIXED'  
//STEP1 EXEC PGM=SLUADMIN,PARM='LINECNT=55'  
//STEP1 EXEC PGM=SLUADMIN,PARM='MIXED'  
//STEP1 EXEC PGM=SLUADMIN,PARM='DATE=4YR'
```


Stand-alone Utilities

Some utilities run stand-alone, in the sense that they perform no dialogues with other HSC components, but they do require the MVS Operating System to be available. These stand-alone utilities are:

- Activities Report
- BACKup
- Database Decompile
- Directory Rebuild
- Journal Offload
- Point-in-Time Copy
- RESTore, which requires the HSC to be quiesced
- Scratch Conversion, unless LIBONLY is specified as an option (see “Scratch Conversion (SLUCONDB) Utility” on page 296). If LIBONLY is not specified, the SLUADMIN SCRATCH UPDATE utility that performs the actual scratch operation requires the HSC to be at BASE service level or higher.
- SET
- Volume Report.

Utilities Requiring HSC Services

The following utilities must be executed on a system running an active HSC:

- AUDIt
- Eject Cartridge
- Initialize Cartridge
- MERGEcds
- MOVE
- Performance Log Reblocker
- Reconfiguration
- Scratch Conversion if the LIBONLY parameter is specified
- Scratch Redistribution
- Scratch Update
- UNSElect
- Volume Report when VOLATTR information is to be included.

Activities Report Utility

The Activities Report utility provides you with information to analyze library resource loading by volume groups (for example, scratch compared to nonscratch, mounted, dismounted, entered, and ejected). This report provides the information necessary for analyzing and possibly redistributing library resources. You specify the time period to be reported against.

The utility also requires the SMF data for the time period requested (see the SET utility, SMF parameter in “SET SMF Record Type” on page 342). It is assumed that you elect to have cartridge movement SMF records recorded in the time period specified. It is also assumed that the SMF records are in sequence by:

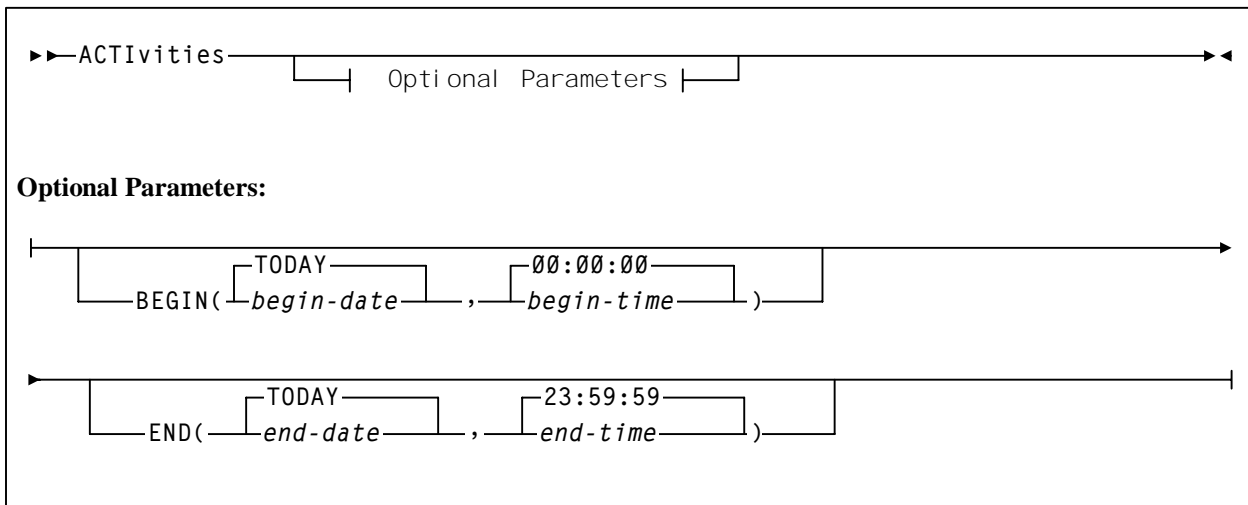
- SMF ID
- date
- time, from earliest to latest.

Duplicate or out of sequence records cause the utility to terminate and to display a message indicating that the SMF records are not sorted. Refer to “JCL Requirements” on page 176 to see sort statements you can specify to avoid this situation.



The Activities Report utility is not supported for the SL3000 and SL8500 libraries.

Syntax



Utility Name

ACTivities

specifies that an activities report is to be produced.

Parameters

BEGIN

optionally specifies the beginning of the period for the activities analysis.

begin-date

begin-date specifies the starting date of the analysis, expressed in *mm/dd/yy* or *yyyymmdd* format.



Note: When using the *mm/dd/yy* format, specify a *yy* value of 71 or greater to indicate a 20th century (19*xx*) date. Specify a *yy* value of 70 or less to indicate a 21st century (20*xx*) date. To avoid confusion, you are encouraged to use the *yyyymmdd* date format.

TODAY

is default date.

begin-time

begin-time is the beginning time-of-day (24-hour value), expressed in *hh:mm:ss* format.

The allowable range for the *begin-time* and *end-time* parameters is 00:00:00 to 24:00:00.

00:00:00

The default value is **00:00:00**.

Examples:

In each of the following examples, activity reporting begins on October 27, 1997 at midnight.

```
BEGIN(10/27/97,00:00:00)
BEGIN(19971027,00:00:00)
BEGIN(TODAY,00:00:00)
BEGIN(,00:00:00)
```

END

optionally specifies the end of the period for the activities analysis.

end-date

end-date specifies the ending date of the analysis, expressed in *mm/dd/yy* or *yyyymmdd* format. If *begin-date* is specified, *end-date* must be in the same format.



Note: When using the *mm/dd/yy* format, specify a *yy* value of 71 or greater to indicate a 20th century (19*xx*) date. Specify a *yy* value of 70 or less to indicate a 21st century (20*xx*) date. To avoid confusion, you are encouraged to use the *yyyymmdd* date format.

TODAY

is the default date.

end-time

end-time is the ending time-of-day (24-hour value), expressed in *hh:mm:ss* format.

The allowable range for the begin-time and end-time parameters is 00:00:00 to 24:00:00.

23:59:59

The default value is **23:59:59**.

Examples:

```
END(10/27/93,18:00:00)
END(19960501,11:30:00)
END(TODAY,23:29:00)
END(,23:59:59)
```

JCL Requirements

The following definitions apply to the Activities Report utility JCL:

SLSCNTL

the primary control data set. This is required so that the SMF record type code may be retrieved.

SLSPRINT

output messages and report from the utility.

SLSSMF

SMF data which the utility reports against. This may be a number of data sets concatenated from oldest to newest. This is an off-loaded copy of the active SMF data sets, created by the SMF dump utility IFASMFDP.

SLSIN

input to the utility in the form of a control statement card image.

The user must specify several additional control cards in the SYSIN portion of the SYNCSORT JCL to make sure SMF records are sorted.

Additional Sort Control Cards

```
//SYSIN DD *
INCLUDE COND=(6,1,BI,EQ,X'xx')
SORT FIELDS=(15,4,CH,A,11,4,PD,A,7,4,BI,A)
SUM FIELDS=NONE
```

Note: In the “INCLUDE COND” statement, the SMF type setting, shown as “X'xx'” above, is supplied by the user. The default setting is “FF” (SMF type 255).

JCL Example

The following example shows JCL for producing an Activities report beginning on December 2, 1993 at noon. Since the END parameter is not specified, all activity up to the last record in the SLSSMF data set is reported. (This assumes that all SMF data is after the start time.)

JCL to Produce an Activities Report

```
//JOBACTV      job (account),programmer
//S1          EXEC PGM=SLUADMIN,PARM=MIXED
//SLSCNTL     DD DSN=control.data set.name,DISP=SHR
//SLSPRINT    DD SYSOUT=A
//SLSSMF      DD DSN=SMF.HISTORY,DISP=OLD
//SLSIN       DD *
              ACTIVITIES BEGIN(12/02/93,12:00:00)
/*
//
```

Output Description

There are two types of output contained in the Activities report:

- statistics on cartridge movements (the first section of the report; called the Move section of the report)
- statistics on overall ACS activity (the second section of the report, called the ACS section of the report).

Cartridge Movement Statistics - Move Section of the Report

In the first section of the report, the Move section, the HSC provides two summary lines:

- The first summary line lists from 1 to 16 SMF system IDs found in the SMF records input to the utility.
- The second summary line lists the SMF record type being reported, the total number of SMF records, and the date (*mm/dd/yy* or *yyyymmdd*) and time (*hh:mm:ss*) of the earliest and latest SMF record found matching the duration criteria.

The HSC SMF record type can be changed. When changed, the data extracted from SMF represents the most recent SMF record type, and records with prior SMF record types are ignored.

The duration criteria are specified in the Activities Report utility syntax as input via the SLSIN parameters.

For the Move section of the Activities Report, every move type is reported under the following headings:

Total

is the count of all operations for the move category listed found in the SMF input matching the duration criteria. This is calculated as the sum of the number of operations found in the SMF records for the move category.

The value is reported as a count of moves and can range from 0 to 99,999,999,999 moves.

The major move categories are:

- all mounts (includes cleaning mounts)
- all dismounts (includes cleaning dismounts)
- all enters
- all ejects.

Subcategories for mount/dismounts are:

- scratch - same LSM
- scratch - diff LSM
- nonscratch - same LSM
- nonscratch - diff LSM.

Subcategories for enter/ejects are:

- ejects-same LSM
- ejects-diff LSM
- enters-same
- enters-diff LSM.

All “-same LSM” subcategories report moves which have the source and destination of the move in the same LSM. All “-diff LSM” subcategories report moves which have the source and destination of the move in different LSMs.

% of all

is the percent of move operations represented by the category or subcategory found in SMF input matching the duration criteria.

This percentage is calculated as the number of operations in the category or subcategory divided by the number of operations in the major category.

The value is reported as a percent and can range from 0 to 100 percent.

Ave. time

is the mean elapsed time from the issuance of the move request by the HSC until the HSC receives an acknowledgment that the cartridge has been moved.

It is calculated as the sum of the elapsed time for operations in the category divided by the number of operations in the category. The elapsed time is an HSC determined response time for a move request.

The value is reported as seconds and can range from 0.0 to 9,999.9 seconds. A value of “N/A” indicates no SMF records were found for the move category or no library hardware existed which matched the requested duration criteria.

For dismounts, this includes time for the transport to rewind and unload the cartridge. For mounts, this includes time the transport takes to load and spin the tape to load point. For mounts and dismounts, this **excludes** HSC queueing incurred when the HSC delays sending a mount request to the LMU until a previous tape has been rewound, unloaded, and put away.

Temporary enters are counted in the enter category. Ejects of temporarily entered volumes are counted in the eject category. For temporary enter/ejects, transport load and unload times are included in the elapsed time.

For enters and ejects, this only includes time it takes to move a cartridge from the CAP to a cell or from a cell to the CAP. It does NOT include time it takes for an operator to service the CAP or for the LSM to scan the CAP. It also **excludes** HSC queueing done to manage the CAP activity.

Ave. pass-thrus

is the mean number of pass-thrus for a move category.

This is calculated as the sum of the number of pass-thrus divided by the number of operations in the category.

The value is reported as the mean number of pass-thrus and can range from 0.0 to 99.9 pass-thrus.

This is only reported for the major and the “-diff LSM” move subcategories. A value of “N/A” is reported for the “-same LSM” subcategories.

Earliest

is the date (*mm/dd/yy* or *yyyymmdd*) and time (*hh:mm:ss*) of the earliest SMF record found matching the category being reported for the duration requested.

Latest

is the date (*mm/dd/yy* or *yyyymmdd*) and time (*hh:mm:ss*) of the last SMF record found matching the category being reported for the duration requested.

Usage Notes

- Only cartridge moves involving a CAP or a transport are reported. Cell to cell moves such as those used by the Scratch Redistribution utility are not reported.
- Only moves which complete successfully are reported in the statistics. Moves which incur HSC or LMU errors are not reported.
- Other products exist which report mount pending time, but fail to consider dismount as a separate activity. To compare the Activities Report values to other products' "mount pending" time, it may be necessary to add HSC reported mount and dismount times.
- Other LSM operations besides cartridge moves consume ACS resources (e.g., CAP and audit scans probably take the next highest amount of LSM activity depending on frequency). Scans are not reported specifically, except as they impact cartridge movement time and increase LSM ARM USE (see "Overall ACS Statistics - ACS Section of the Report" on page 182).
- The LSM may move more than one cartridge at a time and often interleaves moves when busy. The HSC reported response time is an elapsed time which does not consider overlapped operations. When attempting to determine how the LSM is capable of mounting 10 cartridges in 125 wall clock seconds when the HSC reports average mount time of 25 seconds, LSM interleave must be considered.
- Dismount scratch categories depend on the settings established in the SMC MOUNTDef command. Refer to the *SMC Configuration and Administration Guide* for more information.
- As the HSC attempts to float dismounts to a nearby LSM, there should be less pass-thru activity on dismounts than on mounts. However, to float cartridges, free cells must be available. Ejects also may incur more pass-thru activity than enters because the HSC attempts to place entered cartridges into the same LSM as the entry CAP. Ejected cartridges may take numerous pass-thru operations to move from their home cell to the preferred CAP.
- The Activities Report summarizes information contained in SMF input. Two types of SMF records are written every HSC SMF interval:
 - LSM operating statistics record, (subtype 1), and
 - LMU statistics buffer data block records (subtype 4).

The Move section of the Activities Report only processes the LSM operating statistics records. LSM operating statistic records contain information describing moves which complete during an HSC SMF interval. When attempting to understand ACS performance it may be worthwhile to decrease the HSC SMF interval so the HSC SMF records describe finer intervals of time (see the post-installation tasks information in the *NCS Installation Guide*).

For the ACS section of the Activities Report, output is based on an LMU interval. In a single host environment, the LMU interval is equivalent to the customer-defined HSC SMF interval.

In a multi-host environment, the LMU interval for each host is equivalent to the customer-defined HSC SMF interval for the host on which the HSC is running. In this case, data from all hosts must be combined to get an accurate picture of HSC activity. Combining data is necessary because the LMU's reports of robotic motions and temporary error counts are not separated by the requesting host. Robotic motions and temporary error counts attributed to all hosts are combined and sent to the host that is currently requesting ACS statistics.

In addition, in a multi-host environment, cartridge motions initiated for one host may be accounted for in another host's SMF data, depending on the relative length and timing of the SMF reporting intervals on the various hosts. This is true for data that appears in PM2 and CA-9 Reliability Plus (R+) reports, as well as in this report. The SMF subtype 7 records generated for each motion request are reported only by the host that initiated the request.



Note: For this report and for the CA-9 (R+) report, it is better to combine data from multiple hosts prior to generating the report so that the data from all sources will be reported and the totals and averages listed will be as accurate as possible.

Overall ACS Statistics - ACS Section of the Report

For the ACS section of the Activities report, ACS statistics are reported under the following report headings:

ACS ID

is the ACS number of the ACS being reported, the number of SMF records, and the earliest and latest SMF record date (*mm/dd/yy* or *yyyymmdd*) and time (*hh:mm:ss*) found matching the Activities Report verbs duration specification.

LSM

the LSM numbers are listed across the page.

ARM USE

is the mean percent LMU calculated LSM arm busy found in the SMF input matching the duration criteria.

The LMU calculates this value as the amount of time since start of an LMU interval the LSM arm has been in motion divided by the total time in the LMU interval. This value is then summed for all SMF records and divided by the number of SMF records found matching the duration criteria.

The value is reported as a percent and may range from 0 to 100 percent. A value of "N/A" indicates the LSM is not configured. A value of "X percent" indicates that the LSM is configured, but no SMF records matched the duration criteria.

LSM arm motion is used for CAP and audit scans as well as general cartridge movement. This does not include pass-thru port rotation time, but does include time to place the cartridge into the pass-thru port or to remove a cartridge from the pass-thru port.

P-THRU

is the LMU calculated number of master pass-thru operations found in the SMF records matching the duration criteria.

This is recorded by the LMU every LMU interval and is summed by the Activities Report.

The value is reported as a count of pass-thrus and can range from 0 to 99,999 pass-thrus. A value of “N/A” indicates the LSM is not configured. A value of “X” indicates that the LSM is configured, but no SMF records matched the duration criteria.

Each pass-thru port has both a master and a slave LSM. A pass-thru operation involves placing a cartridge into one side of a pass-thru port, rotating the pass-thru port, and removing the cartridge from the other side of the pass-thru port. Each pass-thru operation is counted one time and is only counted by the master side LSM for the pass-thru port.

Usage Notes

- Merging multi-host HSC SMF records impacts the LSM ARM USE statistic as described above. However, not merging multi-host HSC SMF records affects the number of pass-thrus reported, as this is only the number of pass-thru operations occurring during the hosts LMU interval.
- LSM ARM USE should never be reported higher than 100 percent. If the LSM is overlapping operations the arm is still only busy for 1 second even though it may be moving two cartridges during that 1 second time period.
- The raw SMF record contains counts of pass-thru operations for each master pass-thru port of an LSM. The ACS section totals this information for its pass-thru count.
- The ACS section of the Activities Report only processes the LMU statistics buffer data block SMF record (subtype 4). LMU statistics buffer records contain information calculated and returned by the LMU every HSC SMF interval. When attempting to understand ACS performance it may be worthwhile to decrease the HSC SMF interval so the HSC SMF records describe finer intervals of time (refer to the post-installation tasks information in the *NCS Installation Guide*).
- Depending on the 9740 microcode level, 9740 LSMs may display zeroes for LSM arm use percentage and pass-thru statistics. Additionally, the SLSSLB SMF record (refer to “SLSSLB” on page 673) will contain zeroes in the LMU ATHS Statistics Buffer entries, and the SLSSLG6 LOGREC record (refer to “SLSSLG6” on page 708) will not write robotics motion and soft fail counts for 9740s.

Figure 9 on page 184 is an example of a typical Activities report.

```

SLUADMIN (n.n.n)                Oracle Enterprise Library Software Utility        PAGE 0001
TIME hh:mm:ss                    Control Card Image Listing                            DATE yyyy-mm-dd

ACTIVITIES BEGIN(20040301)

SLUADMIN (n.n.n)                Oracle Enterprise Library Software Utility        PAGE 0002
TIME hh:mm:ss                    Activities Begin 2004-03-01                        DATE yyyy-mm-dd

SYSTEM IDS: HSC1 HSCH HSCF HSCE HSC6 HSC2
SMF RECORD TYPE: 245 TOTAL RECORDS: 1,580 EARLIEST 20040301 11:54:12 LATEST: 20040401 05:12:25

TOTAL % OF ALL AVE.TIME AVE. PASS-THRU EARLIEST LATEST
ALL MOUNTS: 346 100% 22.4 SEC. 0.0 20040301 11:54:12 20040401 05:12:25
SCRATCH -SAME LSM 10 0% 19.7 SEC. N/A 20040301 11:54:12 20040401 05:12:25
-DIFF LSM 0 0% N/A 0.0 20040301 11:54:12 20040401 05:12:25
NONSCRATCH-SAME LSM 336 97% 22.5 SEC. N/A 20040301 11:54:12 20040401 05:12:25
-DIFF LSM 0 0% N/A 0.0 20040301 11:54:12 20040401 05:12:25
TOTAL % OF ALL AVE.TIME AVE. PASS-THRU EARLIEST LATEST
ALL DISMOUNTS: 345 100% 19.9 SEC. 0.0 20040301 11:54:12 20040401 05:12:25
SCRATCH -SAME LSM 0 0% N/A N/A 20040301 11:54:12 20040401 05:12:25
-DIFF LSM 0 0% N/A 0.0 20040301 11:54:12 20040401 05:12:25
NONSCRATCH-SAME LSM 345 100% 19.9 SEC. N/A 20040301 11:54:12 20040401 05:12:25
-DIFF LSM 0 0% N/A 0.0 20040301 11:54:12 20040401 05:12:25
TOTAL % OF ALL AVE.TIME AVE. PASS-THRU EARLIEST LATEST
ALL ENTERS: 338 100% 12.2 SEC. 0.0 20040301 11:54:12 20040401 05:12:25
-SAME LSM 338 100% 12.2 SEC. N/A 20040301 11:54:12 20040401 05:12:25
-DIFF LSM 0 0% N/A 0.0 20040301 11:54:12 20040401 05:12:25
TOTAL % OF ALL AVE.TIME AVE. PASS-THRU EARLIEST LATEST
ALL EJECTS: 338 100% 13.2 SEC. 0.0 20040301 11:54:12 20040401 05:12:25
-SAME LSM 326 96% 12.5 SEC. N/A 20040301 11:54:12 20040401 05:12:25
-DIFF LSM 12 4% 32.7 SEC. 1.0 20040301 11:54:12 20040401 05:12:25

ACS ID: 00 USAGE RECORDS: 690 EARLIEST: 20040301 11:54:12 LATEST: 20040401 05:12:25
LSM: 0 1 2 3 4 5 6 7 8 9 A B C D E F
ARM USE: 0% N/A N/A N/A N/A N/A N/A N/A N/A N/A N/A N/A N/A N/A N/A
P-THRU: 31 N/A N/A N/A N/A N/A N/A N/A N/A N/A N/A N/A N/A N/A N/A
ACS ID: 01 USAGE RECORDS: 195 EARLIEST: 20040301 11:54:12 LATEST: 20040401 05:12:25
LSM: 0 1 2 3 4 5 6 7 8 9 A B C D E F
ARM USE: 8% N/A N/A N/A N/A N/A N/A N/A N/A N/A N/A N/A N/A N/A N/A
P-THRU: 0 N/A N/A N/A N/A N/A N/A N/A N/A N/A N/A N/A N/A N/A N/A
SLS0155I CONDITION CODE FOR UTILITY FUNCTION IS 0

```

Figure 9. Activities Report Utility Sample Output

AUDIt Utility

The Audit utility provides the user the ability to perform a physical inventory of library volumes and to optionally update the library control data set to reflect all observed changes in cell storage for the specified component(s). Identification of the library components to be audited may include:

- the entire library
- an ACS
- LSMs (or a single LSM) within a specified ACS
- certain panels within a specified LSM
- certain rows within a specified panel
- certain columns (cells) within a specified row
- empty cells only
- diagnostic cells
- in-transit cartridges.

The AUDIt utility does not audit the enhanced CAP panel (panel 11 on the 4410 and 9310 LSMs) because the panel contains no storage cells. Audit processing preserves, whenever possible, the volume history/usage information and scratch status.

9360 (WolfCreek) LSMs perform an internal audit when the LSM access door is closed. This takes only a few minutes. To move volume data into the CDS, the user must run an HSC external audit.

Audits are lengthy because the LSM hardware physically scans the library elements identified in the audit. The Audit utility validates the contents of cell storage locations on a cell-by-cell basis across each specified LSM panel, then proceeds on a panel-by-panel basis regardless of whether an entire LSM or an ACS is being audited.

Usually you invoke this utility after detecting a possible loss of library integrity. Such events can include LSM access door opening or a volume not found at the data set location. To minimize processing time, each LSM engaged in the audit process is managed by an independent task attached in the HSC address space.

- If a loss of control data set integrity is suspected in an operating Automated Cartridge System, specification of optional parameters restricts audit processing to only those library elements where an integrity loss is suspected. Because selective or restrictive audits take less time, you are encouraged to run these types of audits if the library elements which experienced the loss of integrity are known.
- On the other hand, a total library audit is an acceptable method to use to initialize the control data sets when the LSMs in a library have been opened and manually loaded. In order to initialize the control data set for a total library audit, you must have a control data set with a valid configuration. This can be obtained from any previous backup of the control data set or from a new execution of data set initialization (SLICREAT is used to create the control data set during installation).

Depending on the size of the library elements and installation conventions, you may choose to code **TIME=1440** on the utility job card. Setting this parameter allows you to override the default execution time limit. TIME=1440 specifies that no time checking is

done at all, which allows a job to execute indefinitely (1440 is the number of minutes in 24 hours).

You can specify whether or not the library control data set is updated as a result of audit, or if only the discrepancy listing is produced by the parameters chosen.

- If the APPLy(YES) is specified, the library control data set is updated to reflect all observed contents in cell storage. A discrepancy listing is also produced. Duplicate VOLSERS and cartridges with unreadable or illegal external labels are ejected from the LSM. Cartridges that are not recorded in the CDS that have external media labels that are unreadable are also ejected.



Note: The discrepancy list identifies differences between the CDS and the physical inventory. APPLy(YES) is the default setting.

- If APPLy(NO) is specified, duplicate VOLSERS and cartridges with unreadable/illegal external labels are not ejected, the library control data set is not updated, and a discrepancy listing is produced.

Media Type Mismatch Conditions

The Audit utility can address a mismatch condition if the LMU reports a different media type than the CDS contains. In this case, an unreadable external media label exists, and the vision system cannot determine the media type.



Note: CDS media information is updated when the volume external label is read by the robotic vision system and is transmitted back to the HSC through the LMU.

It is recommended that users provide an external media label for all cartridges. **SL8500 and SL3000 libraries will not enter a non-labeled cartridge.**

Depending on the parameters input by the user, the following actions occur:

1. If APPLy(YES) is specified (or defaulted to):
 - If the LMU and a VOLATTR are mismatched, the VOLATTR is incorrect, and the HSC issues a warning message.
 - If the media values for the LMU and the VAR do not agree, the HSC issues a warning message, and the CDS is updated to reflect the value reported by the LMU.
 - If the media value is unreadable by the LMU (for a cartridge recorded in the CDS), the HSC issues a warning message, and the CDS is updated to indicate that the media value of this volume is unreadable.
 - If the media value is unreadable by the LMU (for a cartridge not recorded in the CDS), the HSC issues a warning message, and the volume is ejected.
2. If APPLy(NO) is specified:
 - If the LMU and a VOLATTR are mismatched, the VOLATTR is incorrect, and the HSC issues a warning message.

- If the media values for the LMU and the VAR do not agree, the HSC issues a warning message.
- If the media value is unreadable by the LMU (recorded in the CDS), the HSC issues a warning message.
- If the media value is unreadable by the LMU (not recorded in the CDS), the HSC issues a warning message.

In both of these cases (APPLY(NO) or APPLY(YES)), the audit continues.

Actions Permitted During an Audit

During execution, AUDIt permits any of the following actions to occur within any LSM in which an audit is being conducted:

- mounts
- dismounts to the same or another LSM (if the home location exists prior to the start of the audit)
- ejects
- pass-thru events.

No new cartridge cell allocations can occur during audit processing within those LSMs being audited, so cartridge enters and pass-thrus with MNTD Float(ON) are not allowed in ACSs or LSMs involved in the audit. In addition, cartridge initialization and scratch redistribution is not allowed in an ACS being audited.

How the AUDIt Utility Functions

Each LSM element to be audited is scanned, cell by cell, and compared with the volume and cell information for the corresponding entries in the library control data set. If the APPLY(YES) parameter is specified, the control data set is corrected to reflect the current contents of the inspected cell. If duplicate volumes are found in either a previously audited cell in the LSM currently being audited or another LSM, the last volume scanned is physically ejected.

Volumes which are to be ejected are moved to the CAP identified in the invoking control statement or to the highest-priority, available CAP. The CAP is not allocated until the Audit utility requires it.

If, during the Audit operation, a CAP is required and the scope of the Audit is a row or column level Audit, the CAP remains allocated until the Audit completes. If the scope of the Audit is for multiple panels or larger (such as an LSM or ACS level Audit), the operator is given the opportunity to release the CAP or have it remain allocated for the duration of the Audit.



Note: The opportunity to release the CAP is presented only after each full panel audit completes. An audit consisting of only one panel is not presented with the choice to reserve or release the CAP. The same logic applies to the last panel of a multiple-panel audit.

After the Audit ejects volumes from the current panel, a write-to-operator with reply (WTOR) is issued allowing the operator to keep or release the CAP. If the operator responds with a “K”, the CAP remains allocated for the duration of the Audit. If the operator responds “R”, the CAP is released so that it may be allocated to another operation. If another volume is to be ejected, the Audit again acquires the CAP and the keep/release dialog is repeated. If the operator does not reply to the message within a 5-minute time period (unattended operations, nighttime Audits), the default is “K”. The CAP remains allocated, and the Audit continues.

Scratch status of some volumes may be lost after an audit; therefore, it is recommended that the installation run the Volume Report utility, and possibly the Scratch Update utility, after an audit. You are also encouraged to back up the library control data sets after completing an audit.

On a frozen panel, if cartridges are encountered that have not been recorded in the CDS and APPLY(YES) is specified, these cartridges will then be recorded in the CDS. The panel free cell counts are updated. LSM free cell counts are not updated, since the LSM free cell count does not include free cells on frozen panels.

Concurrent Audits

Concurrent Audit utilities (from the same or different MVS systems) are allowed and can usually improve the performance of the selective/restrictive audits in different LSMs. Concurrent audits are not recommended when duplicate volumes are suspected.

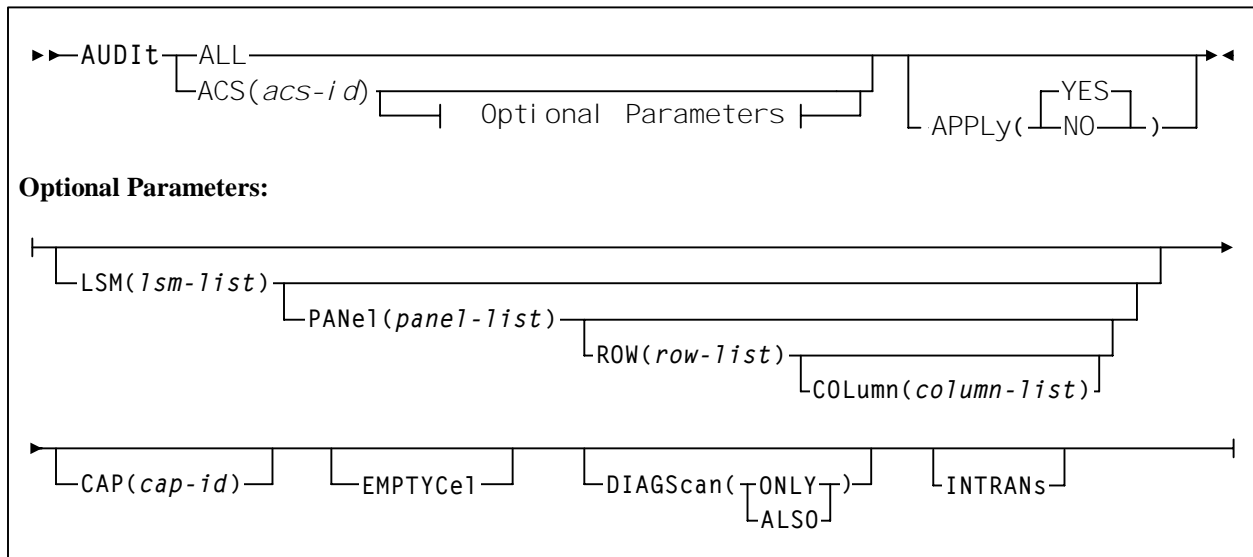
In some cases, running concurrent audits may compromise the accuracy of the audits. For example, two concurrent audits running on different MVS systems may not detect duplicate volumes if both utilities audit separate library elements containing duplicate volumes.



Note: Concurrent APPLY(YES) and APPLY(NO) audits or audits of overlapping elements are disallowed. In addition, audits are prohibited from running concurrently with the Initialize Cartridge or Scratch Redistribution utilities within the same ACS. An HSC message is generated and the utility must be resubmitted or its parameters changed so no conflict exists.

If concurrent audits are running on multiple LSMs, and an audit is canceled and restarted, a conflicting audit message is generated. If the restarted audit were to be run, inappropriate duplicate VOLSERS may be detected and these volumes may be ejected from the LSM. All audits must be completed before any can be restarted.

Syntax



Utility Name

AUDIT

specifies that an audit operation is to be performed.

Parameters

ALL

specifies that the total library is to be audited.

APPLY

(YES)

specifies that the Audit operation ejects cartridges with duplicate VOLSERS, unreadable or illegal external media labels, and/or new cartridges unreadable external labels, and performs corrective actions to the control data set to reflect the physical contents of storage cells. **YES is the default.**

(NO)

specifies that a discrepancy listing is produced, and the control data set is not updated.

ACS

specifies that only a particular ACS in the library is to be audited.

(acs-id)

The one or two digit hexadecimal ACS identifier.



Note: If the ACS parameter is specified with no LSM parameters, the audit is performed on all LSMs in the ACS at the same time (multitasking). This is the same

as running the AUDIT utility with the ALL parameter. To audit only certain LSMs within an ACS, you must code the LSM parameter with the LSM or list of LSMs.

LSM

optionally specifies that only certain LSMs within the specified ACS are to be audited.

(lsm-list)

An *lsm-list* can be a single LSMid or a list of LSMids. An LSMid (*lsm-id*) is made up of the ACSid (hexadecimal 00-FF) and the LSM number (hexadecimal 00-17) separated by a colon (:).

An LSM range is not allowed. If a list is specified, the elements must be separated by blanks or commas, and the entire list enclosed in parentheses.

PANel

optionally specifies that only certain panels within an LSM are to be audited.

(panel-list)

panel-list may be a single panel or a list of panels. Panel ranges are not allowed. If a list is specified, the elements must be separated by blanks or commas, and the entire list enclosed in parentheses.

Refer to the appropriate ACS hardware document for information about LSM outer and inner wall panel layouts.



Note: If this parameter is specified, the LSM parameter may contain only one LSM number.

A *panel-list* element is a one or two digit decimal number.

- For 4410 and 9310 LSMs, valid panel entries are 0 through 11 (outer LSM wall panels) and 12 through 19 (inner wall panels).
- For 9360 (WolfCreek) LSMs, valid panel entries are 0 through 4.
- For 9740 (TimberWolf) LSMs, valid panel entries are 0 through 3.
- LSM Model SL3000 StreamLine library
 - Access Expansion Module (AEM required) - panels 0 -1 and 22-23 are located on both ends of the library
 - Base Drive Module (BDM required) - panels 12-13
 - Drive Expansion Module (DEM optional) - panels 10-11 are located left of the BDM
 - Cartridge Expansion Module (CEM optional) panels 2-9 are located left of the BDM or optional DEM.
 - Cartridge Expansion Module (CEM optional) panels 14 -21 are located right of the BDM.

- Parking Expansion Module (PEM) - **Dual Robots only** - panel numbers equate to the same panel numbers of the CEM it replaces, depending on its location right or left of the BDM.



Note: The library has static panels numbers starting with the left-most back panel (panel 0) and alternating back-to-front left to right and ending the right-most front panel (panel 23).

- For SL8500 (StreamLine) libraries, valid panel entries are:
 - base library — 2-10
 - with one expansion panel — 2-18 (expansion panel is 8-15)
 - with two expansion panels — 2-26 (expansion panels are 8-23)
 - with three expansion panels — 2-34 (expansion panels are 8-31).



Note: Panels 0 (CAP panel) and 1 (drive panel) are allowable entries for an SL8500 audit, however, in this case the HSC displays a condition code 0 because it does not find any storage cells on these panels.

ROW

optionally specifies that only certain rows within the specified LSM panel are to be audited.

(row-list)

row-list may be a single row or a list of rows. Ranges are not allowed. If a list is specified, the elements must be separated by blanks or commas, and the entire list enclosed in parentheses.

If this parameter is specified, the LSM and PANel parameters may contain only one element.

A *row-list* element is a one or two digit decimal number.

- For 4410 and 9310 LSMs, valid row entries are 0 through 14 (0 indicates the top row and 14 indicates the bottom row).
- For 9360 (WolfCreek) LSMs, rows 0 through 41 can be specified with the exception of panel 1, which contains only four usable cells (rows 35 through 38).
- For 9740 LSMs, valid row entries are 0 through 41 on panels 0, 2, and 3; and 36 through 41 on panel 1.

- LSM Model SL3000 StreamLine library
 - Access Expansion Modules - panels 0-1 and 22-23 (no cells in this initial release)
 - Base Drive Module (BDM) - panel 12 (back)
 - 12-47 with 8 drives installed
 - 23-47 with 16 drives installed
 - 35-47 with 24 drives installed
 - Base Drive Module (BDM) - panel 13 (front)
 - 0-51 on the front panel
 - Drive Expansion Module (DEM) - panel 10 (back)
 - 12-47 available with 8 drives installed
 - 23-47 available with 16 drives installed
 - 35-47 available with 24 drives installed
 - No rows available with 32 drives installed
 - Drive Expansion Module (DEM) - panel 11 (front)
 - 0-51 available on the front panel
 - Cartridge Expansion Modules (CEM) - all panels
 - 0-51 available on both front and back panels
 - Parking Expansion Module (PEM) - all panels
 - 0-51 available on the back and front panels
- For SL8500 libraries, valid row entries are:
 - 0-26 on a standard panel
 - 0-12 on a short panel (panels 2-4, 6-7)
 - 6-12 on a PTP panel (panel 5)



Notes:

- On 9740s, column 3 on panel 2 allows row entries only on rows 28 through 41.
- On 9740s, the cells on panel 3 are optional.

COLumn

optionally specifies that only certain columns (cells) within an LSM panel row are to be audited.

(column-list)

column-list may be a single column, or a list of columns. Ranges are not allowed. If a list is specified, the elements must be separated by blanks or commas, and the entire list enclosed in parentheses.

If this parameter is specified, the LSM, PANel, and ROW parameters may contain only one element.

A *column-list* element is a one or two digit decimal number.

- For 4410 and 9310 LSMs, valid column entries are 0 through 23, left to right, for outside wall panel columns. Inner wall panels are numbered 0 through 19, right to left.
- For 9360 (WolfCreek) LSMs, columns 0 through 5 can be specified.
- For 9740 LSMs, valid column entries are 0 through 3 for panels 0, 2, and 3 (if the optional cells are present); 0 through 2 for panel 1.
- For SL3000 libraries:
 - Access Expansion Module (AEM) panels 0-1 and 22-23
 - Base Drive Module (BDM) - panel 12 (back)
0 is available, if a CEM or DEM is added to the left of the BDM
1-5 available for all rows.
 - Base Drive Module (BDM) - panel 13 (front)
0 available with expansion to the left of the BDM
5 available for rows 39-51 with expansion to the right of the BDM
1-3 available for rows 0-38 with a CAP installed
1-4 available for rows 39-51 with a CAP installed
1-3 not available for rows 9-16 with optional window/Operator panel installed.
 - Drive Expansion Module (DEM) - panel 10 (back)
0 is available with expansion to the left of the DEM
1-5 available for rows 12-47 with 8 drives installed
1-5 available for rows 23-47 with 16 drives installed
1-5 available for rows 35-47 with 24 drives installed
No columns available with 32 drives installed.

- Drive Expansion Module (DEM) - panel 11 (front)
 - 0 available with expansion to the left DEM
 - 1-3 available for rows 0-38 with a CAP installed
 - 1-5 available for rows 39-51, with a CAP installed
 - 1-3 not available for rows 9-16 with a window installed
 - 1-5 available for rows 0-51 on a standard DEM panel.
- Cartridge Expansion Module (CEM) - panels 2, 4, 6, 8 (back)
 - 0 available with expansion to the left
 - 1- 5 available on the standard CEM back panel.
- Cartridge Expansion Module (CEM) - panels 3, 5, 7, 9 (front)
 - 0 available with expansion to the left
 - 1-3 available for rows 0-39 with a CAP installed
 - 1-4 available for rows 39-51, with a CAP installed
 - 1-4 available on the standard CEM front panel.
- Cartridge Expansion Module (CEM) - panels 14-20 (back)
 - 0-5 available on the standard CEM back panel.
- Cartridge Expansion Module (CEM) - panels 15-21 (front)
 - 0-3 available for rows 0-39 with a CAP installed
 - 0-5 available for rows 39-51 with a CAP installed
 - 0-5 available on the standard CEM front panel.
- Parking Expansion Module (PEM) - left side PEM
 - 3-5 available on the back and front panels with a second robot installed.
- Parking Expansion Module (PEM) - right side PEM
 - 0-2 available on the back and front panels with a second robot installed.
- For SL8500 libraries, valid column entries are 0 through 1 for each panel type.

CAP

CAP optionally specifies a particular Cartridge Access Port to be used for any required cartridge ejections during the Audit operation.

(cap-id)

The Cartridge Access Port identifier. The format for *cap-id* is *AA:LL:CC* where *AA* is the ACS number (hexadecimal 00-FF), *LL* is the LSM number (hexadecimal 00-17), and *CC* is the CAP number.

Allowable values for *CC* are:

00

- For 4410 and 9310 LSMs, standard 21-cell CAP or the right-hand 40-cell enhanced CAP
- For 9360 LSMs, the 20-cell WolfCreek CAP
- For 9740 LSMs, fixed rack 14-cell or 10-cell removable magazine CAP
- For SL3000 libraries, a left-side SL3000 AEM CAP, consisting of 18, 13-cell removable magazines
- For SL8500 libraries, the CAP consists of 3, 13-cell removable magazines.

01

- For 4410 and 9310 LSMs, left-hand 40-cell enhanced CAP
- For 9360 LSMs, the 30-cell WolfCreek optional CAP
- For SL3000 libraries, this is an optional CEM CAP consisting of 2, 13-cell removable magazines
- For SL8500 libraries, this is an optional CAP consisting of 3, 13-cell removable magazines.

02

- priority CAP (PCAP) for a 4410 or 9310 LSM enhanced CAP or for a 9360 LSM CAP.
- an optional SL3000 CEM CAP consisting of 2, 13-cell removable magazines.

03, 04, 05

- optional SL3000 CEM/DEM CAPs each consisting of 2, 13-cell removable magazines.

06

- the only required SL3000 BDM CAP consisting of 2, 13-cell removable magazines.

07, 08, 09, 0A

- optional SL3000 CEM CAPs each consisting of 2, 13-cell removable magazines.

0B

- a right-side SL3000 AEM CAP, consisting of 18, 13-cell removable magazines



Notes:

- If SL3000 library CAPs are not present, the HSC reports them as “not installed” This keeps CAP addresses from changing as new CAPs are added.
- Refer to the individual command explanations for additional information on specifying CAPids.
- SL3000 and SL8500 libraries do not contain a PCAP.
- If a CAP is not specified, a CAP in the identified ACS is selected based on the CAPPref operator command (refer to the “CAP Preference (CAPPref) Command and Control Statement” in the *HSC Operator’s Guide*).

Multi-ACS audits cannot specify the CAP parameter. A CAP is chosen for each ACS based upon CAP preference values.

EMPTYCel

optionally specifies that only empty cells are to be audited. **This parameter can be used in combination with all other AUDIt parameters except DIAGScan(ONLY).**

The main benefit provided by auditing only empty cells is reducing the time required to run an audit.



Note: StorageTek does not recommend running an empty cell audit on an SL3000 or SL8500 library because the time to run the audit will not be substantially reduced.

Typically, users will want to specify this parameter when:

- they have entered an LSM and placed new cartridges in empty cells, or
- they need to correct cartridge location information for library volumes that have been manually moved to empty cells.

In either case, if APPLY(YES) is specified, the CDS is updated to reflect that these cells are no longer empty.



Caution: In some cases, running an empty cell only audit may compromise the accuracy of the audit.

DIAGScan

optionally specifies that diagnostic cells are to be scanned. The HSC scans these cells one at a time and displays the contents of each cell in the AUDIt utility report.



Notes:

- **DIAGScan is mutually exclusive with the ROW and COLUMN parameters.** It can be used in combination with all other AUDIt parameters.
- Cartridge movement between diagnostic cells and regular storage or CAP cells is not supported by the LMU, so diagnostic cell contents can only be reported.

ONLY

specifies that only diagnostic cells should be scanned. **This parameter cannot be specified in combination with the EMPTYCel parameter.**

ALSO

specifies that diagnostic cells should also be scanned along with the normal AUDIt utility operations.

INTRANs

optionally specifies that in-transit cartridges in an LSM are to be processed. All in-transit cartridges, except those identified in the note below, are read and ejected as part of an AUDIt utility operation.



Notes:

- **INTRANs is mutually exclusive with the APPLY(NO) parameter.** It can be used in combination with all other AUDIt parameters.
- Only the first two cells (columns 0 and 1) in a 9310 playground are accessible to an in-transit audit. Cartridges in other cell positions in a 9310 playground (columns 2 through 5) cannot be ejected by an in-transit operation.
- 9740 diagnostic cells cannot be scanned by an audit.

JCL Requirement

The following definitions apply to Audit utility JCL:

SLSPRINT

output messages from the utility program.

SLSIN

input to the utility in the form of control cards.

JCL Examples

The following example shows JCL for auditing an entire library (all ACSs).

JCL for Audit of Entire Library (all ACSs)

```
//JOBAUDT      job (account),programmer,TIME=1439
//S1           EXEC PGM=SLUADMIN,PARM=MIXED
//SLSPRINT     DD SYSOUT=A
//SLSIN        DD *
               AUDIT ALL
/*
//
```

The following example shows JCL for a selective audit of a single ACS and two LSMs. The CAPid where the cartridges are to be ejected is also specified.

JCL for Selective Audit (1 ACS, 2 LSMs, with CAPid)

```
//JOBAUDT      job (account),programmer
//S1           EXEC PGM=SLUADMIN,PARM=MIXED
//SLSPRINT     DD SYSOUT=A
//SLSIN        DD *
               AUDIT ACS(01) LSM(01,02) CAP(00)
/*
//
```

The following example shows JCL for a selective audit specifying a panel-list and producing a discrepancy list if duplicate VOLSERS or unreadable/illegal cartridge labels are encountered.

JCL for Selective Audit (with panel-list and discrepancy list)

```
//JOBAUDT    job (account),programmer
//S1        EXEC PGM=SLUADMIN,PARM=MIXED
//SLSPRINT  DD SYSOUT=A
//SLSIN     DD *
            AUDIT ACS(Ø1) LSM(Ø4) PANEL(6,12) APPLY(NO)
/*
//
```

JCL for Selective Audit of Empty Cells

```
//JOBAUDT    job (account),programmer
//S1        EXEC PGM=SLUADMIN,PARM=MIXED
//SLSPRINT  DD SYSOUT=A
//SLSIN     DD *
            AUDIT ACS(ØØ) LSM(Ø1) EMPTYCELL
/*
//
```

JCL for Selective Audit of Diagnostic Cells Only

```
//JOBAUDT    job (account),programmer
//S1        EXEC PGM=SLUADMIN,PARM=MIXED
//SLSPRINT  DD SYSOUT=A
//SLSIN     DD *
            AUDIT ACS(ØØ) LSM(Ø2) DIAGSCAN(ONLY)
/*
//
```

JCL for Selective Audit that Includes Diagnostic Cells

```
//JOBAUDT    job (account),programmer
//S1        EXEC PGM=SLUADMIN,PARM=MIXED
//SLSPRINT  DD SYSOUT=A
//SLSIN     DD *
            AUDIT ACS(ØØ) LSM(Ø2) PANEL(6,7,8) DIAGSCAN(ALSO)
/*
//
```

Output Description

Output resulting from the execution of the Audit utility includes:

- a listing of input commands with appropriate messages when syntax errors occur
- messages associated with error conditions resulting from an unsuccessful attempt to execute audit processing
- messages indicating anomalies observed and/or actions occurring during processing (see Figure 10)
- updated and validated library control data set with respect to the library elements that have been audited (if APPLY(YES) is specified).

```

SLUADMIN (n.n.n)                Oracle Enterprise Library Software Utility        PAGE 0001
TIME hh:mm:ss                   Control Card Image Listing                          DATE yyyy-mm-dd

AUDIT ACS(00) LSM(11)

SLUADMIN (n.n.n)                Oracle Enterprise Library Software Utility        PAGE 0002
TIME hh:mm:ss                   Audit Utility                                         DATE yyyy-mm-dd

-SLS0231I Audit phase 1 (Registration) completed
-
SLS2200I Warning: Volume MVC005 Media-type compare failed between VOLATTR and cartridge label
-SLS0232I Audit phase 2 (Volumes Check) completed
-
SLS0199I Volume CLN504 in cell 00:11:00:02:00 is in control data set at cell 00:11:00:00:00
SLS0199I Volume CLN505 in cell 00:11:00:02:05 is in control data set at cell 00:11:00:00:05
SLS0238I Audit scan for LSMid 00:11, panel 0 has completed
SLS0238I Audit scan for LSMid 00:11, panel 1 has completed
SLS0238I Audit scan for LSMid 00:11, panel 2 has completed
SLS0238I Audit scan for LSMid 00:11, panel 3 has completed
SLS0238I Audit scan for LSMid 00:11, panel 4 has completed
SLS0238I Audit scan for LSMid 00:11, panel 5 has completed
SLS0238I Audit scan for LSMid 00:11, panel 6 has completed
SLS0238I Audit scan for LSMid 00:11, panel 7 has completed
SLS0238I Audit scan for LSMid 00:11, panel 8 has completed
SLS0238I Audit scan for LSMid 00:11, panel 9 has completed
SLS0238I Audit scan for LSMid 00:11, panel 10 has completed
SLS0238I Audit scan for LSMid 00:11, panel 11 has completed
SLS0238I Audit scan for LSMid 00:11, panel 12 has completed
SLS0200I Volume Y20114 in cell 00:11:13:02:05 is not in control database
SLS0238I Audit scan for LSMid 00:11, panel 13 has completed
SLS0238I Audit scan for LSMid 00:11, panel 14 has completed
SLS0238I Audit scan for LSMid 00:11, panel 15 has completed
SLS0238I Audit scan for LSMid 00:11, panel 16 has completed
SLS0200I Volume Y20133 in cell 00:11:17:02:07 is not in control database
SLS0238I Audit scan for LSMid 00:11, panel 17 has completed
SLS0238I Audit scan for LSMid 00:11, panel 18 has completed
SLS0238I Audit scan for LSMid 00:11, panel 19 has completed
SLS0239I Audit scan for panels in LSMid 00:11 has terminated
-SLS0233I Audit phase 3 (Cell Scan) completed

SLS0213I Volume Y00133 not located by Audit
SLS0213I Volume Y00114 not located by Audit
-SLS0234I Audit phase 4 (Finish) completed
SLS0155I Condition code for utility function is 4

```

Figure 10. AUDIt Utility Sample Output

BACKup Utility

The BACKup utility allows you to back up the library control data set. The control data set is the single most important resource required in the operation of the HSC. Various controls and services are available to keep the control data set intact and to enable you to recover the data set from a total failure. Features such as shadowing, journaling, backup, and restore, are all intended to provide for the integrity of the control data set. A library can have the following control data sets:

- **Primary control data set.** Every installation must have this data set. It contains the inventory of all cartridges in the library, the library configuration, information about library hardware and resource ownership across multiple processors, and serves as a vehicle of communication between the HSCs running on multiple processors.
- **Secondary control data set.** This optional data set is a duplicate copy of the primary control data set.
- **Standby control data set.** This data set is optional. It is a formatted control data set with only one valid record, the Database Heartbeat (DHB). It is highly recommended that a standby control data set be created and initialized in your installation. This database is used primarily for control data set recovery.

Prerequisites

The BACKup utility can be executed with or without functioning library host software.

Note: Backup to tape is not supported.

Reasons for Running the BACKup Utility

The following items justify running the BACKup utility:

- regularly scheduled backups can be run to prevent inadvertent loss of information
- the primary and/or secondary copy of the control data set for your library has been deleted or corrupted
- in a multiprocessor environment, due to a CDS switch on one processor, the primary and secondary CDS might run independently and become unsynchronized. In such a situation, you must determine which of two nonidentical control data sets is the correct copy; the BACKup utility assists you in recovery.
- to choose the CDS with the most current updates if a database mismatch is detected.

Refer to “CDS Synchronization Between Local/Remote-linked Libraries” on page 204 for the procedure to recover control data sets in remote-linked libraries.

How the BACKup Utility Functions

The BACKup utility performs extensive error checking on CDS records, as well as comparison checking between primary and secondary copies of the CDS.



Notes:

- In order to run a back up correctly, all data sets currently defined to the HSC should be specified. This allows proper CDS selection and reservation to occur.
- The backup data set is formatted as RECFM=F, BLKSIZE=4096. The logical record length may be LRECL=0. In this case, LRECL=0 indicates to default to the block size, so you should not construe this as a problem.

If both copies of the data set are available and an I/O error occurs during the analysis phase of backup, the utility attempts to continue backup on the other copy unless the CDS keyword specifies the CDS that contains the error. If the CDS keyword specifies the control data set containing the error, the utility terminates.

Depending upon the option that you select with the keyword OPTion,

- a straight copy is made
- a detailed block analysis is performed
- a restart of the utility is performed.

Copy data sets are made for use as analysis data sets to limit the hardware reserve placed on the control data set to an absolute minimum. Depending upon options selected, analysis of data blocks can be performed and block information modified before the data is written to the backup data set (SLSBKUP).

A return code of eight (RC=8) can be expected if shadowing (a secondary CDS) is enabled, the secondary DD statement is not provided, and the specific CDS is not designated with the DD statement. A backup of the primary control data set will not be taken in that circumstance.

If for any reason, a return code of eight (RC=8) occurs, the utility may be able to be restarted (refer to “How to Restart Backup” on page 214).

The RESTore utility works in conjunction with BACKup by formatting the discrepancy blocks into control card statements and outputting them to the SLSAUDIT data set. When the HSC is reactivated after a backup and restore, the discrepancy control statements are input to the SLUADMIN program and AUDIt, UNSCratch, and UNSElect are performed to resolve discrepancies.

Refer to “RESTore Utility” on page 287 for detailed information on the RESTore utility.

Backup Procedure

Backup of the control data set may be performed using conventions for specifying the secondary control data set and with copy data sets to enable block analysis, if desired. The following procedure describes steps for performing backups (see the examples in “JCL Examples” on page 198 for each step).

1. If OPTion(Analyze) is specified, allocate the SLSCOPY1 and SLSCOPY2 data sets. This step is not necessary if you specify OPTion(Copy). These data sets must be the size of the current control data set.
2. Allocate the SLSBKUP data set. It should be slightly larger than the control data sets. The size depends upon the number of discrepancies found. However, a recommended size is five percent larger than the current control data set.
3. Run the BACKup utility.

If backup options requiring copy data sets are specified, the control data set is placed in a reserve state only long enough for the data to be copied to the SLSCOPYn data sets. The resident-host cannot access either control data set except for backup processing.

The library control data set is backed-up to the user-specified DASD data set. If journaling is enabled, all specified journals are reset when the backup is completed.



Note: Up to 99 journals can be specified per run.

Finally, the control data set is returned to a state where it can support normal library processing. If Analyze is specified, the SLSCOPYn data sets are processed using unreserved READs; otherwise, the utility ends.

4. If SLSCOPYn data sets are used and a return code of less than RC=8 (i.e., backup successful) is achieved, these data sets may be deleted or reused when the backup is restarted due to a failure.

CDS Synchronization Between Local/Remote-linked Libraries

Special precautions should be taken for running BACKup and RESTore when local/remote-linked libraries run control data sets independent of each other. In this situation, the primary and secondary control data sets are being updated by the HSC on their respective sides of the link. If remote communication is lost, the two control data sets become unsynchronized.

Precautions also should be followed when the link connecting the local and remote libraries is disrupted.

Special considerations while the link is down include:

- Keep enters and ejects of cartridges to a minimum. This practice reduces the number of AUDIT statements produced.
- Enter MNTD Float(OFF). This generates more pass-thrus, but less AUDIT statements.

- Enter MNTD SCRDISM(CURRENT) to avoid cartridge movement.
- Avoid running the SET utility.
- Avoid running the Scratch Update and Scratch Redistribution functions during this time.
- Take all HSCs down prior to the link being restored.

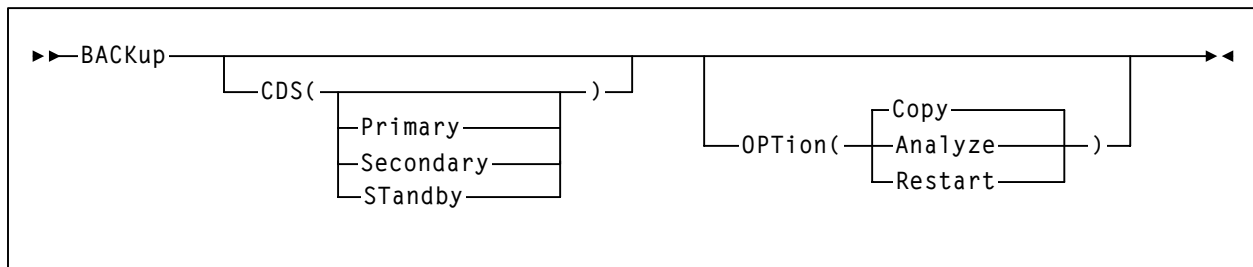
Special considerations after the link is restored include:

- Avoid restoring CDS copies from backups taken while the link is down. If a restore of the CDS(s) is necessary only on one side of the link, make sure that only the CDS(s) on that side is restored.

Do this by including **only** DD statements for the data sets on the side of the link to be restored. Do **not** restore **all** CDS copies from a backup taken while the link is down.

- After the link is restored, **all** HSCs should remain down for backup/restore.
- Run BACKup. OPTion(Analyze) must be used.
- If you know which CDS has had the most processing occur after the link was disrupted, use the CDS keyword to select that CDS for backup.
- Once backup is completed, restore the control data sets. Do not apply journals.
- Reinitialize the HSCs.
- When the ACSs are available, start the SLUADMIN program using the SLSAUDIT data set from the restore as input.

Syntax



Utility Name

BACKup

specifies that a backup operation is to be performed.

Parameters

DD

optionally, specifies a backup is to be run on a selected CDS. If **DD** is not specified, the BACKup utility backs up the CDS containing the most updates.

For regularly scheduled backups of HSC CDSs, do not specify the **DD** keyword unless each CDS copy has been backed up individually in the same time frame. The reason for not specifying the **DD** keyword is that a CDS switch(es) may have taken place.

(SLSCNTL)

specifies that the CDS defined by the SLSCNTL DD statement is to be copied to the SLSBKUP data set.



Notes:

- The **CDS** parameter is still accepted by the BACKup utility. The **Primary** keyword is a synonym for the **SLSCNTL** keyword. When you select a specific CDS, we recommend you use the **DD** parameter.
- The **Secondary** and **Standby** parameters are no longer supported by the **CDS** parameter. To back up a selected CDS data set, make sure that the SLSCNTL DD statement names the CDS you wish to backup.
- The **DD** parameter is especially useful for libraries operating through a remote link such as channel extenders.

If the link drops and the primary and secondary CDSs complete processing separately, you can bypass the programmatic algorithm that normally determines the CDS to be backup up. If you know which data set (primary and secondary) had the most cartridge processing, then you can select that data set to be processed by the utility.

CDS

optionally, specifies a backup is to be run on a CDS. If **CDS** is not specified, the BACKup utility backs up the CDS containing the most updates.

For regularly scheduled backups of HSC control data sets, do **not** specify the **CDS** keyword unless each CDS copy has been backed up individually in the same time frame. The reason for not specifying the **CDS** keyword is that a CDS switch(es) may have taken place.

(Primary)

specifies that the control data set defined by the SLSCNTL DD statement is to be copied to the SLSBKUP data set.



Notes:

- The **CDS** parameter is still accepted by the BACKup utility. The **Primary** keyword is a synonym for the **SLSCNTL** keyword on the **DD** parameter. When you select a specific CDS, we recommend you use the **DD** parameter.

- The **Secondary** and **Standby** parameters are no longer supported by the **CDS** parameter. To back up a selected CDS data set, make sure that the SLSCNTL DD statement names the CDS you wish to backup.

OPTion

optionally, allows you to select one of three backup options.

(Copy)

if this parameter is specified, NO block analysis is performed. The backup is taken from one of the control data sets. This function is a straight copy to the SLSBKUP data set. It emulates the last backup; therefore, the DD SLSCOPYx statements are not required in the JCL for this option.

OPTion(Copy) is the default and should be used or defaulted to for regularly scheduled backups of the HSC control data set.

OPTion(Copy) determines which copy of the CDS is the most current and copies that CDS copy to the SLSBKUP data set. This dynamic determination of the current primary CDS is disabled if the CDS keyword is specified.

(Analyze)

this option allows detailed analysis of individual blocks to occur. A reserve is held against the control data set until the SLSCOPY data sets are made and the journals are reset. An analysis is made and discrepancies are output to a summary report and to the SLSBKUP data set. Refer to Figure 11 on page 212 to see a sample discrepancy report. An errant and in-transit destination report, followed by a block processing report, also is produced in this case. Figure 11 on page 212 shows these reports.



Note: The VOLSERS and cell locations that are discrepant are sorted into an incremental stack to reduce the amount of robotic movement.

Up to 10,000 discrepancies can be recorded for the Scratch and Select discrepancy types; 96,000 discrepancies or one ACS can be recorded for the Audit discrepancy type. Once these limits have been reached, discrepancy saving is discontinued. Discrepancies saved prior to reaching the limits are retained and output.

If you specify this option, normally SLSCNTL represents the current primary data set; SLSCNTL2 specifies the current secondary data set. However, if you are recovering from a link down or multi-host switch situation, SLSCNTL should remain the current primary CDS on one side of the link while SLSCNTL2 should be specified as the current primary CDS on the other side of the link. If you are sure which two CDSs should be compared, do **not** specify SLSSTBY.

Upon restore, the discrepancy blocks are used to generate UNSCratch, UNSElect, and AUDIt statements to the SLSAUDIT data set.



Notes:

- Specify a region size of 2000K (REGION=2000K) on the EXEC statement.
- It is better to use OPTion(Copy) for regularly scheduled backups of the HSC CDS. OPTion(Analyze) is designed to backup the CDSs when there may be discrepancies between copies of the CDS.

(Restart)

specifies to bypass the initial copy of the control data sets to the SLSCOPY data sets. This option is used when a system outage or job failure has occurred after the control data sets have been copied to the SLSCOPY data sets. Analysis of the previous backup run-time report indicates the successful copies.

If you have journals, the report should be inspected to determine if the journals were **successfully** reset. If they have not been reset, a backup should be taken again to obtain the most current control data sets prior to doing the journal resets.

If the journals have been reset, OPTion(Restart) should be used to obtain the information from the SLSCOPY data sets.

JCL Requirements

The following definitions apply to the BACKup utility JCL:

SLSPRINT

the message output data set.

SLSCNTL

the primary control data set. This statement must be provided.

SLSCNTL2

the secondary control data set. If a secondary CDS exists, it should be specified so that if a switch occurs and the secondary data set is now active, the CDSs can be reordered to maintain database integrity.



Note: The logical record length of the backup data set may be LRECL=0. This is not an indication of a problem. In this case, the LRECL for the backup data set defaults to BLKSIZE=4096.

SLSBKUP

the created backup data set.

SLSSTBY

the standby data set. If a standby exists, it should be specified so that if a switch occurs and the standby data set is now active, the CDSs can be reordered to maintain database integrity.

SLSCOPY1

the data set to which the primary control data set (specified by the DD SLSCNTL statement) is copied. This statement is not required when you specify OPTion(Copy).

SLSCOPY2

the data set to which the secondary control data set (specified by the DD SLSCNTL2 statement) is copied. This statement is not required when you specify OPTion(Copy).

SLSJRN nn

if journaling is enabled, these statements define the library journal data sets (two per host, up to 16 hosts). All journals must be specified. Up to 99 journals can be specified. **Allowable values for nn are decimal 01 to 99, but numbers cannot be skipped.**

SLSIN

input to the utility in the form of control statement card images.

JCL Examples

Various examples showing JCL for running the BACKup utility are presented. Select an appropriate example matching the control statement conventions that you have used for specifying data sets.

JCL for Running Backup

The first example shows JCL for backup with the primary, secondary, and standby control data sets, copy data sets (SLSCOPY1 and SLSCOPY2), and journals. The JCL to perform a backup contains the following statements:

Run Backup Utility

```
//JOB BKUP      job (account),programmer
//S2            EXEC PGM=SLUADMIN,PARM=MIXED,REGION=2000K
//SLSCNTL      DD DSN=primary.dataset.name,DISP=SHR
//SLSCNTL2     DD DSN=secondary.dataset.name,DISP=SHR
//SLSSTBY      DD DSN=standby.dataset.name,DISP=SHR
//SLSBKUP      DD DSN=backup.dataset.name,DISP=(NEW,CATLG),
//              UNIT=dasd-name,SPACE=
//SLSJRN01     DD DSN=journal1.dataset.name,DISP=SHR
//SLSJRN02     DD DSN=journal2.dataset.name,DISP=SHR
//SLSCOPY1     DD DSN=copy1.dataset.name,DISP=(NEW,CATLG),UNIT=,SPACE=
//SLSCOPY2     DD DSN=copy2.dataset.name,DISP=(NEW,CATLG),UNIT=,SPACE=
//SLSPRINT     DD SYSOUT=*
//SLSIN        DD *
Backup OPTION(Analyze) DD(SLSCNTL)
/*
//
```

JCL for Running a Copy Backup

The following examples show JCL for running a straight copy backup of the control data set.

This example specifies BACKUP utilizing OPTION(COPY) with shadowing (a secondary CDS) and journaling enabled. The SLSCNTL statement identifies the primary control data set. Backup is processed with journals. If the DD SLSCNTL2 statement is not provided, a return code of four (RC=4) is generated, and a backup of the primary is taken.

JCL for Backup of Primary or Secondary CDS with Journals

```
//JOB BKUP      job (account),programmer
//S1            EXEC PGM=SLUADMIN,PARM=MIXED
//SLSBKUP      DD DSN=backup.dataset.name,DISP=(NEW,KEEP),
//              UNIT=unit-number,SPACE=
//SLSCNTL      DD DSN=primary.dataset.name,DISP=SHR
//SLSCNTL2     DD DSN=standby.dataset.name,DISP=SHR
//SLSJRN01     DD DSN=journal1.dataset.name,DISP=SHR
//SLSJRN02     DD DSN=journal2.dataset.name,DISP=SHR
//SLSPRINT     DD SYSOUT=A
//SLSIN        DD *
Backup OPTION(COPY)
/*
//
```

This example specifies BACKUP with the SLSCNTL statement to identify the primary control data set. Backup is processed without a secondary control data set and journals.

JCL for Backup of the Primary CDS without Secondary and Journals

```
//JOB BKUP    job (account),programmer
//S1         EXEC PGM=SLUADMIN,PARM=MIXED
//SLSBKUP    DD DSN=backup.dataset.name,DISP=(NEW,KEEP),
//           UNIT=unit-number,SPACE=
//SLSCNTL    DD DSN=primary.dataset.name,DISP=SHR
//SLSPRINT   DD SYSOUT=A
//SLSIN      DD *
//           BACKUP
//           /*
//           //
```

Output Description

Output resulting from the execution of the BACKUP utility includes:

- the following data sets:
 - backup of the library control data set
 - copies of the primary and secondary control data sets
 - reset of the control data set journals.
- a listing of input commands with appropriate messages when syntax errors occur
- messages associated with backup processing

Note: These messages may include error conditions.

- an “Errant and In-transit Location Report” (refer to Figure 11 on page 212)



Note: This report is normal. In-transit and possibly errant VOLSERS are normal when the HSC is active.

- a “Block Processing Report” and a “Block Record Element Discrepancy Report,” which may include reports of mismatches between the primary and secondary CDS (refer to Figure 11 on page 212)



Note: Unselect cards may be generated during a good backup of a primary and secondary CDS that match.

- a condition code from backup processing:

0	no errors and no SLUADMIN control cards generated
4	warning MESSAGES --- Backup successful
8	a system failure occurred. Restart or rerun backup.

```

SLUADMIN (n.n.n)          Oracle Enterprise Library Software Utility          PAGE 0001
TIME hh:mm:ss              CONTROL CARD IMAGE LISTING                      DATE yyyy-mm-dd

BACKUP OPTION(ANALYZE)

SLUADMIN (n.n.n)          Oracle Enterprise Library Software Utility          PAGE 0002
TIME hh:mm:ss              BACKUP UTILITY                                          DATE yyyy-mm-dd

SLS1315I  SPRC.@793665.V6L.DBASEPRM WAS SELECTED AS THE PRIMARY CONTROL DATA SET
SLS1212I  JCL HAS BEEN VERIFIED FOR THE BACKUP UTILITY
SLS1216I  SLS_CNTL WAS SELECTED AS THE CONTROL DATA SET TO OUTPUT
SLS1215I  SLS_CNTL WAS SUCCESSFULLY COPIED TO SLS_COPY1

SLUADMIN (n.n.n)          Oracle Enterprise Library Software Utility          PAGE 0003
TIME hh:mm:ss              BACKUP UTILITY                                          DATE yyyy-mm-dd
                          BLOCK PROCESSING REPORT

SLS1210I  PROCESSING HAS STARTED FOR THE DHB BLOCK
SLS1211I  PROCESSING COMPLETE FOR THE DHB BLOCK

SLS1210I  PROCESSING HAS STARTED FOR THE DPV BLOCK
SLS1211I  PROCESSING COMPLETE FOR THE DPV BLOCK

SLS1210I  PROCESSING HAS STARTED FOR THE DDIR BLOCK
SLS1211I  PROCESSING COMPLETE FOR THE DDIR BLOCK

SLS1210I  PROCESSING HAS STARTED FOR THE DALM BLOCK
SLS1211I  PROCESSING COMPLETE FOR THE DALM BLOCK

SLS1210I  PROCESSING HAS STARTED FOR THE LSM BLOCK
SLS1211I  PROCESSING COMPLETE FOR THE LSM BLOCK

SLS1210I  PROCESSING HAS STARTED FOR THE CAP BLOCK
SLS1211I  PROCESSING COMPLETE FOR THE CAP BLOCK

SLS1210I  PROCESSING HAS STARTED FOR THE VSLB BLOCK
SLS1211I  PROCESSING COMPLETE FOR THE VSLB BLOCK

SLS1210I  PROCESSING HAS STARTED FOR THE DPTR BLOCK
SLS1211I  PROCESSING COMPLETE FOR THE DPTR BLOCK

SLS1210I  PROCESSING HAS STARTED FOR THE VSLB BLOCK
SLS1211I  PROCESSING COMPLETE FOR THE VSLB BLOCK

SLS1210I  PROCESSING HAS STARTED FOR THE DCX BLOCK
SLS1211I  PROCESSING COMPLETE FOR THE DCX BLOCK

SLS1210I  PROCESSING HAS STARTED FOR THE DPTR BLOCK
SLS1211I  PROCESSING COMPLETE FOR THE DPTR BLOCK

SLS1210I  PROCESSING HAS STARTED FOR THE DCX BLOCK
SLS1211I  PROCESSING COMPLETE FOR THE DCX BLOCK

SLS1210I  PROCESSING HAS STARTED FOR THE VCAM BLOCK
SLS1211I  PROCESSING COMPLETE FOR THE VCAM BLOCK
      .
      .
SLS1210I  PROCESSING HAS STARTED FOR THE ACS BLOCK
SLS1211I  PROCESSING COMPLETE FOR THE ACS BLOCK

SLS1210I  PROCESSING HAS STARTED FOR THE DRV BLOCK
SLS1211I  PROCESSING COMPLETE FOR THE DRV BLOCK

SLS1210I  PROCESSING HAS STARTED FOR THE GBL BLOCK
SLS1211I  PROCESSING COMPLETE FOR THE GBL BLOCK

```

**Figure 11. BACKup Utility Sample Output
(1 of 2)**


```

SLUADMIN (n.n.n)                Oracle Enterprise Library Software Utility          PAGE 0004
TIME hh:mm:ss                   BACKUP UTILITY                                           DATE yyyy-mm-dd

SLS1210I PROCESSING HAS STARTED FOR THE DITA BLOCK
SLS1211I PROCESSING COMPLETE FOR THE DITA BLOCK

SLS1210I PROCESSING HAS STARTED FOR THE DITR BLOCK
SLS1211I PROCESSING COMPLETE FOR THE DITR BLOCK

SLS1210I PROCESSING HAS STARTED FOR THE DPTR BLOCK
SLS1211I PROCESSING COMPLETE FOR THE DPTR BLOCK
.
.
SLS1210I PROCESSING HAS STARTED FOR THE DES BLOCK
SLS1211I PROCESSING COMPLETE FOR THE DES BLOCK

SLS1210I PROCESSING HAS STARTED FOR THE DPTR BLOCK
SLS1211I PROCESSING COMPLETE FOR THE DPTR BLOCK

SLS1210I PROCESSING HAS STARTED FOR THE DES BLOCK
SLS1211I PROCESSING COMPLETE FOR THE DES BLOCK

SLS1210I PROCESSING HAS STARTED FOR THE FREE BLOCK
SLS1211I PROCESSING COMPLETE FOR THE FREE BLOCK

SLS1215I SLSCOPY1 WAS SUCCESSFULLY COPIED TO SLSBKUP

SLUADMIN (n.n.n)                Oracle Enterprise Library Software Utility          PAGE 0005
TIME hh:mm:ss                   BACKUP UTILITY                                           DATE yyyy-mm-dd
                                ERRANT AND INTRANSIT LOCATION REPORT

|-- VOLSER --|      |-- SOURCE  LOCATION  --|      |-- DESTINATION LOCATION  --|
                A0040C      CELL  00:01:08:00:00      DRIVEID  00:00:09:00
                Y00130      CELL  00:11:14:00:00      DRIVEID  00:11:10:01

SLUADMIN (n.n.n)                Oracle Enterprise Library Software Utility          PAGE 0006
TIME hh:mm:ss                   BACKUP UTILITY                                           DATE yyyy-mm-dd
                                BLOCK RECORD ELEMENT DISCREPANCY REPORT

|--ACTION--|  |-DATATYPE-|  |-----DETAILED ELEMENT DISCREPANCY INFORMATION-----|
UNSELECT    VOLSER      (A0040C,Y00130)
UNSCRATCH   VOLSER      NO VOLSER DISCREPANCIES FOUND.
AUDIT       CELL        (00:01:08:00:00,00:11:14:00:00)

SLS1213I DISCREPANCY BLOCKS HAVE BEEN GENERATED
SLS0155I CONDITION CODE FOR UTILITY FUNCTION IS 4

```

Figure 11. BACKup Utility Sample Output (2 of 2)

How to Restart Backup

After executing the BACKup utility, if a system failure or any other circumstance occurs that causes a return code of eight (RC=8), the BACKup utility can be restarted as long as criteria described in “Parameters” on page 206 for OPTion(Restart) is true.

Related Utilities

The RESTore utility complements the BACKup utility. If a restore is required, it should be performed immediately after a CDS failure. Refer to “RESTore Utility” on page 287 for detailed information about the Restore utility.

Database Decompile (LIBGEN) Utility

The Database Decompile utility provides a way to generate LIBGEN macro statements from an existing library control data set.



Note: If you run Database Decompile using HSC 6.2 load libraries, you must run the LIBGEN using HSC 6.2 load libraries.

Prerequisites

The utility runs under the control of the SLUADMIN program and does not require the HSC to be running.

Reasons for Running the Database Decompile Utility

The following are possible reasons for running the Database Decompile utility to restore the LIBGEN for a library:

- The LIBGEN for your library has been deleted, lost, or corrupted; you want to re-create the file to match your library configuration.
- The SET utility is used to change the library configuration stored in the CDS; consequently, the original LIBGEN no longer matches the CDS.

How the Database Decompile Utility Functions

The utility performs the following processing to create the LIBGEN from the existing control data set:

- opens the existing control data set and an output data set to hold the recreated LIBGEN data set
- reads the control data set into buffers and determines validity of the existing control data set
- locates host IDs generated for the library
- extracts values from the control data set corresponding with LIBGEN macro parameters and re-creates the output of each LIBGEN macro. The re-creation follows the same required order as in LIBGEN generation (see “LIBGEN Macros” in the *HSC Configuration Guide* for information about library generation). During the re-creation processing, various reads, calculations, and copies are performed.
- If errors are encountered, appropriate messages are displayed (see the *HSC Messages and Codes Guide* for explanations of error messages)
- Upon completion, the output LIBGEN deck is ready for configuration changes and reassembly for the SLICREAT program (see “Executing the SLICREAT Program” in the *HSC Configuration Guide* for information on data set initialization using the SLICREAT program).

Syntax

```
▶—LIBGEN—◀
```

Utility Name

LIBGEN

specifies that database processing is to be performed and invokes the SLUDBMAP module. SLUDBMAP creates a complete HSC LIBGEN from an existing control data set.

Parameters

None.

JCL Requirements

The following definitions apply to the LIBGEN utility JCL:

SLSPRINT

output messages from the utility program.

SLSCNTL

the primary control data set. **This statement is required.**



Note: SLSCNTL should be the copy of the CDS currently selected as the primary CDS. Two ways to determine the identity of the primary CDS are:

- issue the Display CDS command, and look at PRIVOL
- run the BACKup OPTion(Analyze) utility and note the “*ddname* was selected as the control data set to output” line in the output report (*ddname* is the name of the current primary CDS).

SLSLIBGN

the output data set to accommodate the LIBGEN created by the utility. The data set has these characteristics: LRECL=80, fixed-blocked format (multiple of 80). The data set can be assigned to print or to output to a DASD. **This statement is required.** It may be assigned to DUMMY if only the SLSPRINT output is desired.

SLSIN

input to the utility in the form of control cards.

JCL Example

The following example shows JCL for creating a LIBGEN from the existing control data set.

JCL for Database Decompile

```

//JOB      job (account),programmer
//S1       EXEC PGM=SLUADMIN
//SLSCNTL DD DSN=control.dataset.name,DISP=SHR
//SLSLIBGN DD DSN=control.dataset.decompile,DISP=(NEW,CATLG,KEEP),
//          SPACE=(TRK,(1,1)),DCB=(RECFM=F,BLKSIZE=8000),UNIT=SYSDA
//*
//SLSPRINT DD SYSOUT=*
//SLSIN    DD *
           LIBGEN
/*

```

Output Description

Outputs resulting from the execution of the Database Decompile utility include:

- a valid LIBGEN file matching the existing control data set. The output file has the following characteristics:
 - All station and drive addresses are 4-character addresses.
 - In cases where multiple parameters point to the same label statement, the utility duplicates the statement with a unique label and points each parameter to a different, although identical statement.
 - Labels generated in the output LIBGEN are listed in Table 27.
 - If an Eject password exists, it is **NOT** displayed. Instead, the following line is displayed: EJCTPAS=???????
- messages associated with error conditions resulting from an unsuccessful execution of the utility.

Table 27. Label Descriptions for Devices in Output LIBGEN

Device	Label	Description
ACS	ACSaa	aa is the sequential hexadecimal ACSid value (00 through FF), beginning with zero.
LSM	LSMaall	aa is the ACSid, and ll is the sequential hexadecimal LSMid value (00 through 17), beginning with zero.
STATION	STaah	aa is the ACSid, and h is the sequential hexadecimal host index value (0 through F), beginning with zero.
PANEL	Paallpp	aa is the ACSid, ll is the LSMid, and pp is the sequential decimal panel number (0 through 10).

Table 27. Label Descriptions for Devices in Output LIBGEN

Device	Label	Description
DRIVE	<i>Daallpph</i>	<i>aa</i> is the ACSid, <i>ll</i> is the LSMid, <i>pp</i> is the decimal panel number, and <i>h</i> is the hexadecimal host index value, beginning with zero.

Refer to Figure 12 on page 219 for an example of output from the utility.

```

*****
* THIS IS A SAMPLE LIBGEN THAT CONTAINS A MIX OF POWDERHORN AND *
* SL8500 LSMS.THE SL8500 PORTION OF THE LIBGEN SPECIFIES TWO *
* LIBRARIES WITH PTP CONNECTIONS. *
*****
*
LIBGEN SLIRCVRY TCHNIQE=STANDBY
*
SLILIBRY SMF=007, X
ACSLIST=ACSLIST, X
HOSTID=(VM6,ECC2,ECC32,EC20,ECC36,ECCS,EC38, X
ECCB,ECC18,ECC4,ECCE,EC41,EC21,ECC43, X
ECCY,ECC42), X
NNLBDRV=(TNLCART,TNLCART,TNLCART,TNLCART, X
TNLCART,TNLCART,TNLCART,TNLCART,TNLCART, X
TNLCART,TNLCART,TNLCART,TNLCART), X
DELDISP=SCRTCH, X
MAJNAME=STKALSON, X
CLNPRFX=CLN, X
COMPRFX=<, X
DRVHOST=, X
SCRLABL=SL X
*
ACSLIST SLIALIST ACS00,ACS01,ACS02
*
ACS00 SLIACS ACSDRV=(HVZZZZ0,HVZZZZ0,HVZZZZ0,HVZZZZ0,HVZZZZ0, X
HVZZZZ0,HVZZZZ0,HVZZZZ0,HVZZZZ0,HVZZZZ0, X
HVZZZZ0,HVZZZZ0,HVZZZZ0,HVZZZZ0), X
STATION=(ST000,ST001,ST002,ST003,ST004,ST005, X
ST006,ST007,ST008,ST009,ST00A,ST00B,ST00C, X
ST00D,ST00E,ST00F), X
LSM=(LSM0000,LSM0001) X
*
ST000 SLISTATN ADDRESS=(0025,0026,0020,0021)
ST001 SLISTATN ADDRESS=(0025,0026,0020,0021)
ST002 SLISTATN ADDRESS=(0025,0026,0020,0021)
ST003 SLISTATN ADDRESS=(0026,002B)
ST004 SLISTATN ADDRESS=(0025,0026,0020,0021)
ST005 SLISTATN ADDRESS=(0025,0026,0020,0021)
ST006 SLISTATN ADDRESS=(0025,0026,0020,0021)
ST007 SLISTATN ADDRESS=(0025,0026,0020,0021)
ST008 SLISTATN ADDRESS=(0025,0026,0020,0021)
ST009 SLISTATN ADDRESS=(0020,0022)
ST00A SLISTATN ADDRESS=(0025,0026,0020,0021)
ST00B SLISTATN ADDRESS=(0025,0026,0020,0021)
ST00C SLISTATN ADDRESS=(0026,002B)
ST00D SLISTATN ADDRESS=(0025,0026,0020,0021)
ST00E SLISTATN ADDRESS=(0020,0023)
ST00F SLISTATN ADDRESS=(0025,0026,0020,0021)
*
LSM0000 SLILSM PASTHRU=(B,M), X
ADJACNT=(LSM0001), X
DRIVE=(1,2,3,10), X
DRVELST=(P000001,P000002,P000003,P000010), X
TYPE=9310, X
DOOR=STD X
*
P000001 SLIDLIST HOSTDRV=(D0000010,D0000011,D0000012,D0000013, X
D0000014,D0000015,D0000016,D0000017,D0000018, X
D0000019,D000001A,D000001B,D000001C,D000001D, X
D000001E,D000001F) X
*
D0000010 SLIDRIVS ADDRESS=(11C4,11C5,11C6,11C7,11C8,11CF, X
,,,) X
D0000011 SLIDRIVS ADDRESS=(11C4,11C5,11C6,11C7,11C8,11CF, X
,,,) X
D0000012 SLIDRIVS ADDRESS=(11C4,11C5,11C6,11C7,11C8,11CF, X
,,,) X
D0000013 SLIDRIVS ADDRESS=(11C4,11C5,11C6,11C7,11C8,11CF, X
,,,) X
D0000014 SLIDRIVS ADDRESS=(11C4,11C5,11C6,11C7,11C8,11CF, X
,,,) X
D0000015 SLIDRIVS ADDRESS=(11C4,11C5,11C6,11C7,11C8,11CF, X
,,,) X
D0000016 SLIDRIVS ADDRESS=(11C4,11C5,11C6,11C7,11C8,11CF, X
,,,) X
D0000017 SLIDRIVS ADDRESS=(11C4,11C5,11C6,11C7,11C8,11CF, X
,,,) X
D0000018 SLIDRIVS ADDRESS=(11C4,11C5,11C6,11C7,11C8,11CF, X
,,,) X

```

Figure 12. Database Decompile Utility Sample Output
(1 of 11)

```

D0000019 SLIDRIVS ADDRESS=(11C4,11C5,11C6,11C7,11C8,11CF,
,,,) X
D000001A SLIDRIVS ADDRESS=(11C4,11C5,11C6,11C7,11C8,11CF,
,,,) X
D000001B SLIDRIVS ADDRESS=(11C4,11C5,11C6,11C7,11C8,11CF,
,,,) X
D000001C SLIDRIVS ADDRESS=(11C4,11C5,11C6,11C7,11C8,11CF,
,,,) X
D000001D SLIDRIVS ADDRESS=(11C4,11C5,11C6,11C7,11C8,11CF,
,,,) X
D000001E SLIDRIVS ADDRESS=(11C4,11C5,11C6,11C7,11C8,11CF,
,,,) X
D000001F SLIDRIVS ADDRESS=(11C4,11C5,11C6,11C7,11C8,11CF,
,,,) X
*
P000002 SLIDLIST HOSTDRV=(D0000020,D0000021,D0000022,D0000023,
D0000024,D0000025,D0000026,D0000027,D0000028,
D0000029,D000002A,D000002B,D000002C,D000002D,
D000002E,D000002F) X
*
D0000020 SLIDRIVS ADDRESS=(0B34,0B35,0B36,0B37)
D0000021 SLIDRIVS ADDRESS=(0B34,0B35,0B36,0B37)
D0000022 SLIDRIVS ADDRESS=(0B34,0B35,0B36,0B37)
D0000023 SLIDRIVS ADDRESS=(0B34,0B35,0B36,0B37)
D0000024 SLIDRIVS ADDRESS=(0B34,0B35,0B36,0B37)
D0000025 SLIDRIVS ADDRESS=(0B34,0B35,0B36,0B37)
D0000026 SLIDRIVS ADDRESS=(0B34,0B35,0B36,0B37)
D0000027 SLIDRIVS ADDRESS=(0B34,0B35,0B36,0B37)
D0000028 SLIDRIVS ADDRESS=(0B34,0B35,0B36,0B37)
D0000029 SLIDRIVS ADDRESS=(0B34,0B35,0B36,0B37)
D000002A SLIDRIVS ADDRESS=(0B34,0B35,0B36,0B37)
D000002B SLIDRIVS ADDRESS=(0B34,0B35,0B36,0B37)
D000002C SLIDRIVS ADDRESS=(0B34,0B35,0B36,0B37)
D000002D SLIDRIVS ADDRESS=(0B34,0B35,0B36,0B37)
D000002E SLIDRIVS ADDRESS=(0B34,0B35,0B36,0B37)
D000002F SLIDRIVS ADDRESS=(0B34,0B35,0B36,0B37)
*
P000003 SLIDLIST HOSTDRV=(D0000030,D0000031,D0000032,D0000033,
D0000034,D0000035,D0000036,D0000037,D0000038,
D0000039,D000003A,D000003B,D000003C,D000003D,
D000003E,D000003F) X
*
D0000030 SLIDRIVS ADDRESS=(,,,,,,,,)
D0000031 SLIDRIVS ADDRESS=(,,,,,,,,)
D0000032 SLIDRIVS ADDRESS=(,,,,,,,,)
D0000033 SLIDRIVS ADDRESS=(,,,,,,,,)
D0000034 SLIDRIVS ADDRESS=(,,,,,,,,)
D0000035 SLIDRIVS ADDRESS=(,,,,,,,,)
D0000036 SLIDRIVS ADDRESS=(,,,,,,,,)
D0000037 SLIDRIVS ADDRESS=(,,,,,,,,)
D0000038 SLIDRIVS ADDRESS=(,,,,,,,,)
D0000039 SLIDRIVS ADDRESS=(,,,,,,,,)
D000003A SLIDRIVS ADDRESS=(,,,,,,,,)
D000003B SLIDRIVS ADDRESS=(,,,,,,,,)
D000003C SLIDRIVS ADDRESS=(,,,,,,,,)
D000003D SLIDRIVS ADDRESS=(,,,,,,,,)
D000003E SLIDRIVS ADDRESS=(,,,,,,,,)
D000003F SLIDRIVS ADDRESS=(,,,,,,,,)
*
P000010 SLIDLIST HOSTDRV=(D0000100,D0000101,D0000102,D0000103,
D0000104,D0000105,D0000106,D0000107,D0000108,
D0000109,D000010A,D000010B,D000010C,D000010D,
D000010E,D000010F) X
*
D0000100 SLIDRIVS ADDRESS=(11C0,11C1,11C2,11C3)
D0000101 SLIDRIVS ADDRESS=(11C0,11C1,11C2,11C3)
D0000102 SLIDRIVS ADDRESS=(11C0,11C1,11C2,11C3)
D0000103 SLIDRIVS ADDRESS=(11C0,11C1,11C2,11C3)
D0000104 SLIDRIVS ADDRESS=(11C0,11C1,11C2,11C3)
D0000105 SLIDRIVS ADDRESS=(11C0,11C1,11C2,11C3)
D0000106 SLIDRIVS ADDRESS=(11C0,11C1,11C2,11C3)
D0000107 SLIDRIVS ADDRESS=(11C0,11C1,11C2,11C3)
D0000108 SLIDRIVS ADDRESS=(11C0,11C1,11C2,11C3)
D0000109 SLIDRIVS ADDRESS=(11C0,11C1,11C2,11C3)
D000010A SLIDRIVS ADDRESS=(11C0,11C1,11C2,11C3)
D000010B SLIDRIVS ADDRESS=(11C0,11C1,11C2,11C3)
D000010C SLIDRIVS ADDRESS=(11C0,11C1,11C2,11C3)
D000010D SLIDRIVS ADDRESS=(11C0,11C1,11C2,11C3)
D000010E SLIDRIVS ADDRESS=(11C0,11C1,11C2,11C3)
D000010F SLIDRIVS ADDRESS=(11C0,11C1,11C2,11C3)
*

```

Figure 12. Database Decompile Utility Sample Output (2 of 11)


```

LSM0001  SLILSM PASTHRU=((2,S)),                X
          ADJACNT=(LSM0000),                    X
          DRIVE=(6,7,8,10),                      X
          DRVELST=(P000106,P000107,P000108,P000110), X
          WINDOW=(9),                            X
          TYPE=9310,                              X
          DOOR=ECAP,                              X
*
P000106  SLIDLIST HOSTDRV=(D0001060,D0001061,D0001062,D0001063, X
          D0001064,D0001065,D0001066,D0001067,D0001068, X
          D0001069,D000106A,D000106B,D000106C,D000106D, X
          D000106E,D000106F)
*
D0001060 SLIDRIVS ADDRESS=(,,,,,,,,,,,,,)
D0001061 SLIDRIVS ADDRESS=(,,,,,,,,,,,,,)
D0001062 SLIDRIVS ADDRESS=(,,,,,,,,,,,,,)
D0001063 SLIDRIVS ADDRESS=(,,,,,,,,,,,,,)
D0001064 SLIDRIVS ADDRESS=(,,,,,,,,,,,,,)
D0001065 SLIDRIVS ADDRESS=(,,,,,,,,,,,,,)
D0001066 SLIDRIVS ADDRESS=(,,,,,,,,,,,,,)
D0001067 SLIDRIVS ADDRESS=(,,,,,,,,,,,,,)
D0001068 SLIDRIVS ADDRESS=(,,,,,,,,,,,,,)
D0001069 SLIDRIVS ADDRESS=(,,,,,,,,,,,,,)
D000106A SLIDRIVS ADDRESS=(,,,,,,,,,,,,,)
D000106B SLIDRIVS ADDRESS=(,,,,,,,,,,,,,)
D000106C SLIDRIVS ADDRESS=(,,,,,,,,,,,,,)
D000106D SLIDRIVS ADDRESS=(,,,,,,,,,,,,,)
D000106E SLIDRIVS ADDRESS=(,,,,,,,,,,,,,)
D000106F SLIDRIVS ADDRESS=(,,,,,,,,,,,,,)
*
P000107  SLIDLIST HOSTDRV=(D0001070,D0001071,D0001072,D0001073, X
          D0001074,D0001075,D0001076,D0001077,D0001078, X
          D0001079,D000107A,D000107B,D000107C,D000107D, X
          D000107E,D000107F)
*
D0001070 SLIDRIVS ADDRESS=(,,,,,,,,,,,,,)
D0001071 SLIDRIVS ADDRESS=(,,,,,,,,,,,,,)
D0001072 SLIDRIVS ADDRESS=(,,,,,,,,,,,,,)
D0001073 SLIDRIVS ADDRESS=(,,,,,,,,,,,,,)
D0001074 SLIDRIVS ADDRESS=(,,,,,,,,,,,,,)
D0001075 SLIDRIVS ADDRESS=(,,,,,,,,,,,,,)
D0001076 SLIDRIVS ADDRESS=(,,,,,,,,,,,,,)
D0001077 SLIDRIVS ADDRESS=(,,,,,,,,,,,,,)
D0001078 SLIDRIVS ADDRESS=(,,,,,,,,,,,,,)
D0001079 SLIDRIVS ADDRESS=(,,,,,,,,,,,,,)
D000107A SLIDRIVS ADDRESS=(,,,,,,,,,,,,,)
D000107B SLIDRIVS ADDRESS=(,,,,,,,,,,,,,)
D000107C SLIDRIVS ADDRESS=(,,,,,,,,,,,,,)
D000107D SLIDRIVS ADDRESS=(,,,,,,,,,,,,,)
D000107E SLIDRIVS ADDRESS=(,,,,,,,,,,,,,)
D000107F SLIDRIVS ADDRESS=(,,,,,,,,,,,,,)
*
P000108  SLIDLIST HOSTDRV=(D0001080,D0001081,D0001082,D0001083, X
          D0001084,D0001085,D0001086,D0001087,D0001088, X
          D0001089,D000108A,D000108B,D000108C,D000108D, X
          D000108E,D000108F)
*
D0001080 SLIDRIVS ADDRESS=(,,,,,,,,,,,,,)
D0001081 SLIDRIVS ADDRESS=(,,,,,,,,,,,,,)
D0001082 SLIDRIVS ADDRESS=(,,,,,,,,,,,,,)
D0001083 SLIDRIVS ADDRESS=(,,,,,,,,,,,,,)
D0001084 SLIDRIVS ADDRESS=(,,,,,,,,,,,,,)
D0001085 SLIDRIVS ADDRESS=(,,,,,,,,,,,,,)
D0001086 SLIDRIVS ADDRESS=(,,,,,,,,,,,,,)
D0001087 SLIDRIVS ADDRESS=(,,,,,,,,,,,,,)
D0001088 SLIDRIVS ADDRESS=(,,,,,,,,,,,,,)
D0001089 SLIDRIVS ADDRESS=(,,,,,,,,,,,,,)
D000108A SLIDRIVS ADDRESS=(,,,,,,,,,,,,,)
D000108B SLIDRIVS ADDRESS=(,,,,,,,,,,,,,)
D000108C SLIDRIVS ADDRESS=(,,,,,,,,,,,,,)
D000108D SLIDRIVS ADDRESS=(,,,,,,,,,,,,,)
D000108E SLIDRIVS ADDRESS=(,,,,,,,,,,,,,)
D000108F SLIDRIVS ADDRESS=(,,,,,,,,,,,,,)
*

```

Figure 12. Database Decompile Utility Sample Output (3 of 11)

```

P000110 SLIDLIST HOSTDRV=(D0001100,D0001101,D0001102,D0001103, X
D0001104,D0001105,D0001106,D0001107,D0001108, X
D0001109,D000110A,D000110B,D000110C,D000110D, X
D000110E,D000110F)
*
D0001100 SLIDRIVS ADDRESS=(11C9,11CA,11CB,11CC,11CD,11CE, X
,,,,,,,,,,,,)
D0001101 SLIDRIVS ADDRESS=(11C9,11CA,11CB,11CC,11CD,11CE, X
,,,,,,,,,,,,)
D0001102 SLIDRIVS ADDRESS=(11C9,11CA,11CB,11CC,11CD,11CE, X
,,,,,,,,,,,,)
D0001103 SLIDRIVS ADDRESS=(11C9,11CA,11CB,11CC,11CD,11CE, X
,,,,,,,,,,,,)
D0001104 SLIDRIVS ADDRESS=(11C9,11CA,11CB,11CC,11CD,11CE, X
,,,,,,,,,,,,)
D0001105 SLIDRIVS ADDRESS=(11C9,11CA,11CB,11CC,11CD,11CE, X
,,,,,,,,,,,,)
D0001106 SLIDRIVS ADDRESS=(11C9,11CA,11CB,11CC,11CD,11CE, X
,,,,,,,,,,,,)
D0001107 SLIDRIVS ADDRESS=(11C9,11CA,11CB,11CC,11CD,11CE, X
,,,,,,,,,,,,)
D0001108 SLIDRIVS ADDRESS=(11C9,11CA,11CB,11CC,11CD,11CE, X
,,,,,,,,,,,,)
D0001109 SLIDRIVS ADDRESS=(11C9,11CA,11CB,11CC,11CD,11CE, X
,,,,,,,,,,,,)
D000110A SLIDRIVS ADDRESS=(11C9,11CA,11CB,11CC,11CD,11CE, X
,,,,,,,,,,,,)
D000110B SLIDRIVS ADDRESS=(11C9,11CA,11CB,11CC,11CD,11CE, X
,,,,,,,,,,,,)
D000110C SLIDRIVS ADDRESS=(11C9,11CA,11CB,11CC,11CD,11CE, X
,,,,,,,,,,,,)
D000110D SLIDRIVS ADDRESS=(11C9,11CA,11CB,11CC,11CD,11CE, X
,,,,,,,,,,,,)
D000110E SLIDRIVS ADDRESS=(11C9,11CA,11CB,11CC,11CD,11CE, X
,,,,,,,,,,,,)
D000110F SLIDRIVS ADDRESS=(11C9,11CA,11CB,11CC,11CD,11CE, X
,,,,,,,,,,,,)
*
ACS01 SLIACS ACSDRV=(HJACS1,HJACS1,HJACS1,HJACS1,HJACS1, X
HJACS1,HJACS1,HJACS1,HJACS1,HJACS1,HJACS1, X
HJACS1,HJACS1,HJACS1,HJACS1,HJACS1), X
STATION=(ST010,ST011,ST012,ST013,ST014,ST015, X
ST016,ST017,ST018,ST019,ST01A,ST01B,ST01C, X
ST01D,ST01E,ST01F), X
LSM=(LSM0100,LSM0101)
*
ST010 SLISTATN ADDRESS=(0145)
ST011 SLISTATN ADDRESS=(0045,0046)
ST012 SLISTATN ADDRESS=(002D,002E)
ST013 SLISTATN ADDRESS=(0045,0046)
ST014 SLISTATN ADDRESS=(002D,002E)
ST015 SLISTATN ADDRESS=(002D,002E)
ST016 SLISTATN ADDRESS=(0045,0046)
ST017 SLISTATN ADDRESS=(0045,0046)
ST018 SLISTATN ADDRESS=(0045,0046)
ST019 SLISTATN ADDRESS=(0025)
ST01A SLISTATN ADDRESS=(0045,0046)
ST01B SLISTATN ADDRESS=(0045,0046)
ST01C SLISTATN ADDRESS=(0045,0046)
ST01D SLISTATN ADDRESS=(0045,0046)
ST01E SLISTATN ADDRESS=(0045,0046)
ST01F SLISTATN ADDRESS=(0045,0046)
*
LSM0100 SLILSM PASTHRU=((2,M)), X
ADJACNT=(LSM0101), X
DRIVE=(7,8,9,10), X
DRVELST=(P010007,P010008,P010009,P010010), X
TYPE=9310, X
DOOR=ECAP
*
P010007 SLIDLIST HOSTDRV=(D0100070,D0100071,D0100072,D0100073, X
D0100074,D0100075,D0100076,D0100077,D0100078, X
D0100079,D010007A,D010007B,D010007C,D010007D, X
D010007E,D010007F)
*
D0100070 SLIDRIVS ADDRESS=(11D8,11D9,11DA,11DB)
D0100071 SLIDRIVS ADDRESS=(11D8,11D9,11DA,11DB)
D0100072 SLIDRIVS ADDRESS=(11D8,11D9,11DA,11DB)
D0100073 SLIDRIVS ADDRESS=(11D8,11D9,11DA,11DB)

```

Figure 12. Database Decompile Utility Sample Output
(4 of 11)

```

D0100074 SLIDRIVS ADDRESS=(11D8,11D9,11DA,11DB)
D0100075 SLIDRIVS ADDRESS=(11D8,11D9,11DA,11DB)
D0100076 SLIDRIVS ADDRESS=(11D8,11D9,11DA,11DB)
D0100077 SLIDRIVS ADDRESS=(11D8,11D9,11DA,11DB)
D0100078 SLIDRIVS ADDRESS=(11D8,11D9,11DA,11DB)
D0100079 SLIDRIVS ADDRESS=(11D8,11D9,11DA,11DB)
D010007A SLIDRIVS ADDRESS=(11D8,11D9,11DA,11DB)
D010007B SLIDRIVS ADDRESS=(11D8,11D9,11DA,11DB)
D010007C SLIDRIVS ADDRESS=(11D8,11D9,11DA,11DB)
D010007D SLIDRIVS ADDRESS=(11D8,11D9,11DA,11DB)
D010007E SLIDRIVS ADDRESS=(11D8,11D9,11DA,11DB)
D010007F SLIDRIVS ADDRESS=(11D8,11D9,11DA,11DB)
*
P010008 SLIDLIST HOSTDRV=(D0100080,D0100081,D0100082,D0100083,      X
                        D0100084,D0100085,D0100086,D0100087,D0100088,      X
                        D0100089,D010008A,D010008B,D010008C,D010008D,      X
                        D010008E,D010008F)
*
D0100080 SLIDRIVS ADDRESS=(,,,)
D0100081 SLIDRIVS ADDRESS=(,,,)
D0100082 SLIDRIVS ADDRESS=(,,,)
D0100083 SLIDRIVS ADDRESS=(,,,)
D0100084 SLIDRIVS ADDRESS=(,,,)
D0100085 SLIDRIVS ADDRESS=(,,,)
D0100086 SLIDRIVS ADDRESS=(,,,)
D0100087 SLIDRIVS ADDRESS=(,,,)
D0100088 SLIDRIVS ADDRESS=(,,,)
D0100089 SLIDRIVS ADDRESS=(,,,)
D010008A SLIDRIVS ADDRESS=(,,,)
D010008B SLIDRIVS ADDRESS=(,,,)
D010008C SLIDRIVS ADDRESS=(,,,)
D010008D SLIDRIVS ADDRESS=(,,,)
D010008E SLIDRIVS ADDRESS=(,,,)
D010008F SLIDRIVS ADDRESS=(,,,)
*
P010009 SLIDLIST HOSTDRV=(D0100090,D0100091,D0100092,D0100093,      X
                        D0100094,D0100095,D0100096,D0100097,D0100098,      X
                        D0100099,D010009A,D010009B,D010009C,D010009D,      X
                        D010009E,D010009F)
*
D0100090 SLIDRIVS ADDRESS=(,,,)
D0100091 SLIDRIVS ADDRESS=(,,,)
D0100092 SLIDRIVS ADDRESS=(,,,)
D0100093 SLIDRIVS ADDRESS=(,,,)
D0100094 SLIDRIVS ADDRESS=(,,,)
D0100095 SLIDRIVS ADDRESS=(,,,)
D0100096 SLIDRIVS ADDRESS=(,,,)
D0100097 SLIDRIVS ADDRESS=(,,,)
D0100098 SLIDRIVS ADDRESS=(,,,)
D0100099 SLIDRIVS ADDRESS=(,,,)
D010009A SLIDRIVS ADDRESS=(,,,)
D010009B SLIDRIVS ADDRESS=(,,,)
D010009C SLIDRIVS ADDRESS=(,,,)
D010009D SLIDRIVS ADDRESS=(,,,)
D010009E SLIDRIVS ADDRESS=(,,,)
D010009F SLIDRIVS ADDRESS=(,,,)
*
P010010 SLIDLIST HOSTDRV=(D0100100,D0100101,D0100102,D0100103,      X
                        D0100104,D0100105,D0100106,D0100107,D0100108,      X
                        D0100109,D010010A,D010010B,D010010C,D010010D,      X
                        D010010E,D010010F)
*
D0100100 SLIDRIVS ADDRESS=(11DC,11DD,11D6,11D7,11DE,11DF,      X
                        ,,,)
D0100101 SLIDRIVS ADDRESS=(11DC,11DD,11D6,11D7,11DE,11DF,      X
                        ,,,)
D0100102 SLIDRIVS ADDRESS=(11DC,11DD,11D6,11D7,11DE,11DF,      X
                        ,,,)
D0100103 SLIDRIVS ADDRESS=(11DC,11DD,11D6,11D7,11DE,11DF,      X
                        ,,,)
D0100104 SLIDRIVS ADDRESS=(11DC,11DD,11D6,11D7,11DE,11DF,      X
                        ,,,)
D0100105 SLIDRIVS ADDRESS=(11DC,11DD,11D6,11D7,11DE,11DF,      X
                        ,,,)
D0100106 SLIDRIVS ADDRESS=(11DC,11DD,11D6,11D7,11DE,11DF,      X
                        ,,,)
D0100107 SLIDRIVS ADDRESS=(11DC,11DD,11D6,11D7,11DE,11DF,      X
                        ,,,)
D0100108 SLIDRIVS ADDRESS=(11DC,11DD,11D6,11D7,11DE,11DF,      X
                        ,,,)

```

Figure 12. Database Decompile Utility Sample Output (5 of 11)

```

D0100109 SLIDRIVS ADDRESS=(11DC,11DD,11D6,11D7,11DE,11DF,
,,,) X
D010010A SLIDRIVS ADDRESS=(11DC,11DD,11D6,11D7,11DE,11DF,
,,,) X
D010010B SLIDRIVS ADDRESS=(11DC,11DD,11D6,11D7,11DE,11DF,
,,,) X
D010010C SLIDRIVS ADDRESS=(11DC,11DD,11D6,11D7,11DE,11DF,
,,,) X
D010010D SLIDRIVS ADDRESS=(11DC,11DD,11D6,11D7,11DE,11DF,
,,,) X
D010010E SLIDRIVS ADDRESS=(11DC,11DD,11D6,11D7,11DE,11DF,
,,,) X
D010010F SLIDRIVS ADDRESS=(11DC,11DD,11D6,11D7,11DE,11DF,
,,,) X
*
LSM0101 SLILSM PASTHRU=(8,S), X
ADJACNT=(LSM0100), X
DRIVE=(4,6,10), X
DRVELST=(P010104,P010106,P010110), X
TYPE=9310, X
DOOR=ECAP
*
P010104 SLIDLIST HOSTDRV=(D0101040,D0101041,D0101042,D0101043,
D0101044,D0101045,D0101046,D0101047,D0101048,
D0101049,D010104A,D010104B,D010104C,D010104D,
D010104E,D010104F) X
*
D0101040 SLIDRIVS ADDRESS=(,,,)
D0101041 SLIDRIVS ADDRESS=(,,,)
D0101042 SLIDRIVS ADDRESS=(,,,)
D0101043 SLIDRIVS ADDRESS=(,,,)
D0101044 SLIDRIVS ADDRESS=(,,,)
D0101045 SLIDRIVS ADDRESS=(,,,)
D0101046 SLIDRIVS ADDRESS=(,,,)
D0101047 SLIDRIVS ADDRESS=(,,,)
D0101048 SLIDRIVS ADDRESS=(,,,)
D0101049 SLIDRIVS ADDRESS=(,,,)
D010104A SLIDRIVS ADDRESS=(,,,)
D010104B SLIDRIVS ADDRESS=(,,,)
D010104C SLIDRIVS ADDRESS=(,,,)
D010104D SLIDRIVS ADDRESS=(,,,)
D010104E SLIDRIVS ADDRESS=(,,,)
D010104F SLIDRIVS ADDRESS=(,,,)
*
P010106 SLIDLIST HOSTDRV=(D0101060,D0101061,D0101062,D0101063,
D0101064,D0101065,D0101066,D0101067,D0101068,
D0101069,D010106A,D010106B,D010106C,D010106D,
D010106E,D010106F) X
*
D0101060 SLIDRIVS ADDRESS=(11D4,11D5,11D2,11D3)
D0101061 SLIDRIVS ADDRESS=(11D4,11D5,11D2,11D3)
D0101062 SLIDRIVS ADDRESS=(11D4,11D5,11D2,11D3)
D0101063 SLIDRIVS ADDRESS=(11D4,11D5,11D2,11D3)
D0101064 SLIDRIVS ADDRESS=(11D4,11D5,11D2,11D3)
D0101065 SLIDRIVS ADDRESS=(11D4,11D5,11D2,11D3)
D0101066 SLIDRIVS ADDRESS=(11D4,11D5,11D2,11D3)
D0101067 SLIDRIVS ADDRESS=(11D4,11D5,11D2,11D3)
D0101068 SLIDRIVS ADDRESS=(11D4,11D5,11D2,11D3)
D0101069 SLIDRIVS ADDRESS=(11D4,11D5,11D2,11D3)
D010106A SLIDRIVS ADDRESS=(11D4,11D5,11D2,11D3)
D010106B SLIDRIVS ADDRESS=(11D4,11D5,11D2,11D3)
D010106C SLIDRIVS ADDRESS=(11D4,11D5,11D2,11D3)
D010106D SLIDRIVS ADDRESS=(11D4,11D5,11D2,11D3)
D010106E SLIDRIVS ADDRESS=(11D4,11D5,11D2,11D3)
D010106F SLIDRIVS ADDRESS=(11D4,11D5,11D2,11D3)
*
P010110 SLIDLIST HOSTDRV=(D0101100,D0101101,D0101102,D0101103,
D0101104,D0101105,D0101106,D0101107,D0101108,
D0101109,D010110A,D010110B,D010110C,D010110D,
D010110E,D010110F) X
*
D0101100 SLIDRIVS ADDRESS=(,11D0,,11D1)
D0101101 SLIDRIVS ADDRESS=(,11D0,,11D1)
D0101102 SLIDRIVS ADDRESS=(,11D0,,11D1)
D0101103 SLIDRIVS ADDRESS=(,11D0,,11D1)
D0101104 SLIDRIVS ADDRESS=(,11D0,,11D1)
D0101105 SLIDRIVS ADDRESS=(,11D0,,11D1)
D0101106 SLIDRIVS ADDRESS=(,11D0,,11D1)
D0101107 SLIDRIVS ADDRESS=(,11D0,,11D1)
D0101108 SLIDRIVS ADDRESS=(,11D0,,11D1)
D0101109 SLIDRIVS ADDRESS=(,11D0,,11D1)

```

**Figure 12. Database Decompile Utility Sample Output
(6 of 11)**

```

D010110A SLIDRIVS ADDRESS=(,11D0,,11D1)
D010110B SLIDRIVS ADDRESS=(,11D0,,11D1)
D010110C SLIDRIVS ADDRESS=(,11D0,,11D1)
D010110D SLIDRIVS ADDRESS=(,11D0,,11D1)
D010110E SLIDRIVS ADDRESS=(,11D0,,11D1)
D010110F SLIDRIVS ADDRESS=(,11D0,,11D1)
*
ACS02 SLIACS ACSDRV=(SL8500,SL8500,SL8500,SL8500,SL8500, X
SL8500,SL8500,SL8500,SL8500,SL8500,SL8500,SL8500, X
SL8500,SL8500,SL8500,SL8500,SL8500), X
STATION=(ST020,ST021,,ST023,ST024,ST025,ST026, X
ST027,ST028,ST029,ST02A,ST02B,ST02C,ST02D, X
ST02E,ST02F), X
LSM=(LSM0200,LSM0201,LSM0202,LSM0203,LSM0204, X
LSM0205,LSM0206,LSM0207)
*
ST020 SLISTATN ADDRESS=(00CC,00CD)
ST021 SLISTATN ADDRESS=(00CC,00CD)
ST023 SLISTATN ADDRESS=(00CC,00CD)
ST024 SLISTATN ADDRESS=(00CC,00CD)
ST025 SLISTATN ADDRESS=(00CC,00CD)
ST026 SLISTATN ADDRESS=(00CC,00CD)
ST027 SLISTATN ADDRESS=(00CC,00CD)
ST028 SLISTATN ADDRESS=(00CC,00CD)
ST029 SLISTATN ADDRESS=(00CC,00CD)
ST02A SLISTATN ADDRESS=(00CC,00CD)
ST02B SLISTATN ADDRESS=(00CC,00CD)
ST02C SLISTATN ADDRESS=(00CC,00CD)
ST02D SLISTATN ADDRESS=(00CC,00CD)
ST02E SLISTATN ADDRESS=(00CC,00CD)
ST02F SLISTATN ADDRESS=(00CC,00CD)
*
LSM0200 SLILSM PASTHRU=((0,M),(0,M),(0,M),(0,M)), X
ADJACNT=(LSM0203,LSM0202,LSM0201,LSM0204), X
DRIVE=(1), X
DRVELST=(P020001), X
TYPE=8500, X
DOOR=8500-1
*
P020001 SLIDLIST HOSTDRV=(D0200010,D0200011,D0200012,D0200013, X
D0200014,D0200015,D0200016,D0200017,D0200018, X
D0200019,D020001A,D020001B,D020001C,D020001D, X
D020001E,D020001F)
*
D0200010 SLIDRIVS ADDRESS=(,,9500,,9501,,,9502,,9503,, X
9512,9513)
D0200011 SLIDRIVS ADDRESS=(,,9500,,9501,,,9502,,9503,, X
9512,9513)
D0200012 SLIDRIVS ADDRESS=(,,9500,,9501,,,9502,,9503,, X
9512,9513)
D0200013 SLIDRIVS ADDRESS=(,,9500,,9501,,,9502,,9503,, X
9512,9513)
D0200014 SLIDRIVS ADDRESS=(,,9500,,9501,,,9502,,9503,, X
9512,9513)
D0200015 SLIDRIVS ADDRESS=(,,9500,,9501,,,9502,,9503,, X
9512,9513)
D0200016 SLIDRIVS ADDRESS=(,,9500,,9501,,,9502,,9503,, X
9512,9513)
D0200017 SLIDRIVS ADDRESS=(,,9500,,9501,,,9502,,9503,, X
9512,9513)
D0200018 SLIDRIVS ADDRESS=(,,9500,,9501,,,9502,,9503,, X
9512,9513)
D0200019 SLIDRIVS ADDRESS=(,,9500,,9501,,,9502,,9503,, X
9512,9513)
D020001A SLIDRIVS ADDRESS=(,,9500,,9501,,,9502,,9503,, X
9512,9513)
D020001B SLIDRIVS ADDRESS=(,,9500,,9501,,,9502,,9503,, X
9512,9513)
D020001C SLIDRIVS ADDRESS=(,,9500,,9501,,,9502,,9503,, X
9512,9513)
D020001D SLIDRIVS ADDRESS=(,,9500,,9501,,,9502,,9503,, X
9512,9513)
D020001E SLIDRIVS ADDRESS=(,,9500,,9501,,,9502,,9503,, X
9512,9513)
D020001F SLIDRIVS ADDRESS=(,,9500,,9501,,,9502,,9503,, X
9512,9513)
*

```

Figure 12. Database Decompile Utility Sample Output (7 of 11)

LSM0201	SLILSM	PASTHRU=((0,M),(0,S),(0,M),(0,M)), ADJACNT=(LSM0203,LSM0200,LSM0202,LSM0205), DRIVE=(1), DRVELST=(P020101), TYPE=8500, DOOR=8500-2	X X X X X
*			
P020101	SLIDLIST	HOSTDRV=(D0201010,D0201011,D0201012,D0201013, D0201014,D0201015,D0201016,D0201017,D0201018, D0201019,D020101A,D020101B,D020101C,D020101D, D020101E,D020101F)	X X X
*			
D0201010	SLIDRVS	ADDRESS=(9504,,,9505,,,950C,,,950D,, ,)	X
D0201011	SLIDRVS	ADDRESS=(9504,,,9505,,,950C,,,950D,, ,)	X
D0201012	SLIDRVS	ADDRESS=(9504,,,9505,,,950C,,,950D,, ,)	X
D0201013	SLIDRVS	ADDRESS=(9504,,,9505,,,950C,,,950D,, ,)	X
D0201014	SLIDRVS	ADDRESS=(9504,,,9505,,,950C,,,950D,, ,)	X
D0201015	SLIDRVS	ADDRESS=(9504,,,9505,,,950C,,,950D,, ,)	X
D0201016	SLIDRVS	ADDRESS=(9504,,,9505,,,950C,,,950D,, ,)	X
D0201017	SLIDRVS	ADDRESS=(9504,,,9505,,,950C,,,950D,, ,)	X
D0201018	SLIDRVS	ADDRESS=(9504,,,9505,,,950C,,,950D,, ,)	X
D0201019	SLIDRVS	ADDRESS=(9504,,,9505,,,950C,,,950D,, ,)	X
D020101A	SLIDRVS	ADDRESS=(9504,,,9505,,,950C,,,950D,, ,)	X
D020101B	SLIDRVS	ADDRESS=(9504,,,9505,,,950C,,,950D,, ,)	X
D020101C	SLIDRVS	ADDRESS=(9504,,,9505,,,950C,,,950D,, ,)	X
D020101D	SLIDRVS	ADDRESS=(9504,,,9505,,,950C,,,950D,, ,)	X
D020101E	SLIDRVS	ADDRESS=(9504,,,9505,,,950C,,,950D,, ,)	X
D020101F	SLIDRVS	ADDRESS=(9504,,,9505,,,950C,,,950D,, ,)	X
*			
LSM0202	SLILSM	PASTHRU=((0,M),(0,S),(0,S),(0,S)), ADJACNT=(LSM0203,LSM0200,LSM0201,LSM0206), DRIVE=(1), DRVELST=(P020201), TYPE=8500, DOOR=8500-2	X X X X X
*			
P020201	SLIDLIST	HOSTDRV=(D0202010,D0202011,D0202012,D0202013, D0202014,D0202015,D0202016,D0202017,D0202018, D0202019,D020201A,D020201B,D020201C,D020201D, D020201E,D020201F)	X X X
*			
D0202010	SLIDRVS	ADDRESS=(9510,,,950B,,,9506,,,9507,, ,9511)	X
D0202011	SLIDRVS	ADDRESS=(9510,,,950B,,,9506,,,9507,, ,9511)	X
D0202012	SLIDRVS	ADDRESS=(9510,,,950B,,,9506,,,9507,, ,9511)	X
D0202013	SLIDRVS	ADDRESS=(9510,,,950B,,,9506,,,9507,, ,9511)	X
D0202014	SLIDRVS	ADDRESS=(9510,,,950B,,,9506,,,9507,, ,9511)	X
D0202015	SLIDRVS	ADDRESS=(9510,,,950B,,,9506,,,9507,, ,9511)	X
D0202016	SLIDRVS	ADDRESS=(9510,,,950B,,,9506,,,9507,, ,9511)	X
D0202017	SLIDRVS	ADDRESS=(9510,,,950B,,,9506,,,9507,, ,9511)	X
D0202018	SLIDRVS	ADDRESS=(9510,,,950B,,,9506,,,9507,, ,9511)	X
D0202019	SLIDRVS	ADDRESS=(9510,,,950B,,,9506,,,9507,, ,9511)	X
D020201A	SLIDRVS	ADDRESS=(9510,,,950B,,,9506,,,9507,, ,9511)	X

**Figure 12. Database Decompile Utility Sample Output
(8 of 11)**

D020201B	SLIDRIVS ADDRESS=(9510,,950B,,9506,,9507,,9511)	X
D020201C	SLIDRIVS ADDRESS=(9510,,950B,,9506,,9507,,9511)	X
D020201D	SLIDRIVS ADDRESS=(9510,,950B,,9506,,9507,,9511)	X
D020201E	SLIDRIVS ADDRESS=(9510,,950B,,9506,,9507,,9511)	X
D020201F	SLIDRIVS ADDRESS=(9510,,950B,,9506,,9507,,9511)	X
*		
LSM0203	SLILSM PASTHRU=((0,S),(0,S),(0,S),(0,S)), ADJACNT=(LSM0202,LSM0201,LSM0200,LSM0207), DRIVE=(1), DRVELST=(P020301), TYPE=8500, DOOR=8500-2	X X X X X
*		
P020301	SLIDLIST HOSTDRV=(D0203010,D0203011,D0203012,D0203013, D0203014,D0203015,D0203016,D0203017,D0203018, D0203019,D020301A,D020301B,D020301C,D020301D, D020301E,D020301F)	X X X
*		
D0203010	SLIDRIVS ADDRESS=(9508,9509,,,,950E,,,,950F)	
D0203011	SLIDRIVS ADDRESS=(9508,9509,,,,950E,,,,950F)	
D0203012	SLIDRIVS ADDRESS=(9508,9509,,,,950E,,,,950F)	
D0203013	SLIDRIVS ADDRESS=(9508,9509,,,,950E,,,,950F)	
D0203014	SLIDRIVS ADDRESS=(9508,9509,,,,950E,,,,950F)	
D0203015	SLIDRIVS ADDRESS=(9508,9509,,,,950E,,,,950F)	
D0203016	SLIDRIVS ADDRESS=(9508,9509,,,,950E,,,,950F)	
D0203017	SLIDRIVS ADDRESS=(9508,9509,,,,950E,,,,950F)	
D0203018	SLIDRIVS ADDRESS=(9508,9509,,,,950E,,,,950F)	
D0203019	SLIDRIVS ADDRESS=(9508,9509,,,,950E,,,,950F)	
D020301A	SLIDRIVS ADDRESS=(9508,9509,,,,950E,,,,950F)	
D020301B	SLIDRIVS ADDRESS=(9508,9509,,,,950E,,,,950F)	
D020301C	SLIDRIVS ADDRESS=(9508,9509,,,,950E,,,,950F)	
D020301D	SLIDRIVS ADDRESS=(9508,9509,,,,950E,,,,950F)	
D020301E	SLIDRIVS ADDRESS=(9508,9509,,,,950E,,,,950F)	
D020301F	SLIDRIVS ADDRESS=(9508,9509,,,,950E,,,,950F)	
*		
LSM0204	SLILSM PASTHRU=((1,S),(0,M),(0,M),(0,M)), ADJACNT=(LSM0200,LSM0205,LSM0206,LSM0207), DRIVE=(1), DRVELST=(P020401), TYPE=8500, DOOR=8500-1	X X X X X
*		
P020401	SLIDLIST HOSTDRV=(D0204010,D0204011,D0204012,D0204013, D0204014,D0204015,D0204016,D0204017,D0204018, D0204019,D020401A,D020401B,D020401C,D020401D, D020401E,D020401F)	X X X
*		
D0204010	SLIDRIVS ADDRESS=(,9400,,9401,940A,,940B,,940E, 940F,,)	X
D0204011	SLIDRIVS ADDRESS=(,9400,,9401,940A,,940B,,940E, 940F,,)	X
D0204012	SLIDRIVS ADDRESS=(,9400,,9401,940A,,940B,,940E, 940F,,)	X
D0204013	SLIDRIVS ADDRESS=(,9400,,9401,940A,,940B,,940E, 940F,,)	X
D0204014	SLIDRIVS ADDRESS=(,9400,,9401,940A,,940B,,940E, 940F,,)	X
D0204015	SLIDRIVS ADDRESS=(,9400,,9401,940A,,940B,,940E, 940F,,)	X
D0204016	SLIDRIVS ADDRESS=(,9400,,9401,940A,,940B,,940E, 940F,,)	X
D0204017	SLIDRIVS ADDRESS=(,9400,,9401,940A,,940B,,940E, 940F,,)	X
D0204018	SLIDRIVS ADDRESS=(,9400,,9401,940A,,940B,,940E, 940F,,)	X
D0204019	SLIDRIVS ADDRESS=(,9400,,9401,940A,,940B,,940E, 940F,,)	X
D020401A	SLIDRIVS ADDRESS=(,9400,,9401,940A,,940B,,940E, 940F,,)	X
D020401B	SLIDRIVS ADDRESS=(,9400,,9401,940A,,940B,,940E, 940F,,)	X
D020401C	SLIDRIVS ADDRESS=(,9400,,9401,940A,,940B,,940E, 940F,,)	X
D020401D	SLIDRIVS ADDRESS=(,9400,,9401,940A,,940B,,940E, 940F,,)	X
D020401E	SLIDRIVS ADDRESS=(,9400,,9401,940A,,940B,,940E, 940F,,)	X
D020401F	SLIDRIVS ADDRESS=(,9400,,9401,940A,,940B,,940E, 940F,,)	X

Figure 12. Database Decompile Utility Sample Output (9 of 11)

```

*
LSM0205  SLILSM PASTHRU=((1,S),(0,S),(0,M),(0,M)),          X
          ADJACNT=(LSM0201,LSM0204,LSM0206,LSM0207),        X
          DRIVE=(1),                                         X
          DRVELST=(P020501),                                X
          TYPE=8500,                                        X
          DOOR=8500-2
*
P020501  SLIDLIST HOSTDRV=(D0205010,D0205011,D0205012,D0205013, X
          D0205014,D0205015,D0205016,D0205017,D0205018,    X
          D0205019,D020501A,D020501B,D020501C,D020501D,    X
          D020501E,D020501F)
*
D0205010 SLIDRIVS ADDRESS=(, ,9408, , ,9409, ,940C,940D,9402, X
          , ,9403)
D0205011 SLIDRIVS ADDRESS=(, ,9408, , ,9409, ,940C,940D,9402, X
          , ,9403)
D0205012 SLIDRIVS ADDRESS=(, ,9408, , ,9409, ,940C,940D,9402, X
          , ,9403)
D0205013 SLIDRIVS ADDRESS=(, ,9408, , ,9409, ,940C,940D,9402, X
          , ,9403)
D0205014 SLIDRIVS ADDRESS=(, ,9408, , ,9409, ,940C,940D,9402, X
          , ,9403)
D0205015 SLIDRIVS ADDRESS=(, ,9408, , ,9409, ,940C,940D,9402, X
          , ,9403)
D0205016 SLIDRIVS ADDRESS=(, ,9408, , ,9409, ,940C,940D,9402, X
          , ,9403)
D0205017 SLIDRIVS ADDRESS=(, ,9408, , ,9409, ,940C,940D,9402, X
          , ,9403)
D0205018 SLIDRIVS ADDRESS=(, ,9408, , ,9409, ,940C,940D,9402, X
          , ,9403)
D0205019 SLIDRIVS ADDRESS=(, ,9408, , ,9409, ,940C,940D,9402, X
          , ,9403)
D020501A SLIDRIVS ADDRESS=(, ,9408, , ,9409, ,940C,940D,9402, X
          , ,9403)
D020501B SLIDRIVS ADDRESS=(, ,9408, , ,9409, ,940C,940D,9402, X
          , ,9403)
D020501C SLIDRIVS ADDRESS=(, ,9408, , ,9409, ,940C,940D,9402, X
          , ,9403)
D020501D SLIDRIVS ADDRESS=(, ,9408, , ,9409, ,940C,940D,9402, X
          , ,9403)
D020501E SLIDRIVS ADDRESS=(, ,9408, , ,9409, ,940C,940D,9402, X
          , ,9403)
D020501F SLIDRIVS ADDRESS=(, ,9408, , ,9409, ,940C,940D,9402, X
          , ,9403)
*
LSM0206  SLILSM PASTHRU=((1,S),(0,S),(0,S),(0,M)),          X
          ADJACNT=(LSM0202,LSM0204,LSM0205,LSM0207),        X
          DRIVE=(1),                                         X
          DRVELST=(P020601),                                X
          TYPE=8500,                                        X
          DOOR=8500-2
*
P020601  SLIDLIST HOSTDRV=(D0206010,D0206011,D0206012,D0206013, X
          D0206014,D0206015,D0206016,D0206017,D0206018,    X
          D0206019,D020601A,D020601B,D020601C,D020601D,    X
          D020601E,D020601F)
*
D0206010 SLIDRIVS ADDRESS=(, , , , , , , , , ,9406, , ,9407)
D0206011 SLIDRIVS ADDRESS=(, , , , , , , , , ,9406, , ,9407)
D0206012 SLIDRIVS ADDRESS=(, , , , , , , , , ,9406, , ,9407)
D0206013 SLIDRIVS ADDRESS=(, , , , , , , , , ,9406, , ,9407)
D0206014 SLIDRIVS ADDRESS=(, , , , , , , , , ,9406, , ,9407)
D0206015 SLIDRIVS ADDRESS=(, , , , , , , , , ,9406, , ,9407)
D0206016 SLIDRIVS ADDRESS=(, , , , , , , , , ,9406, , ,9407)
D0206017 SLIDRIVS ADDRESS=(, , , , , , , , , ,9406, , ,9407)
D0206018 SLIDRIVS ADDRESS=(, , , , , , , , , ,9406, , ,9407)
D0206019 SLIDRIVS ADDRESS=(, , , , , , , , , ,9406, , ,9407)
D020601A SLIDRIVS ADDRESS=(, , , , , , , , , ,9406, , ,9407)
D020601B SLIDRIVS ADDRESS=(, , , , , , , , , ,9406, , ,9407)
D020601C SLIDRIVS ADDRESS=(, , , , , , , , , ,9406, , ,9407)
D020601D SLIDRIVS ADDRESS=(, , , , , , , , , ,9406, , ,9407)
D020601E SLIDRIVS ADDRESS=(, , , , , , , , , ,9406, , ,9407)
D020601F SLIDRIVS ADDRESS=(, , , , , , , , , ,9406, , ,9407)
*

```

Figure 12. Database Decompile Utility Sample Output (10 of 11)


```

LSM0207  SLILSM PASTHRU=((1,S),(0,S),(0,S),(0,S)),          X
          ADJACNT=(LSM0203,LSM0204,LSM0205,LSM0206),        X
          DRIVE=(1),                                         X
          DRVELST=(P020701),                                X
          TYPE=8500,                                         X
          DOOR=8500-2
*
P020701  SLIDLIST HOSTDRV=(D0207010,D0207011,D0207012,D0207013, X
          D0207014,D0207015,D0207016,D0207017,D0207018,    X
          D0207019,D020701A,D020701B,D020701C,D020701D,    X
          D020701E,D020701F)
*
D0207010 SLIDRIVS ADDRESS=(, ,9404, , ,9405,9410, , ,9411, , X
          ,)
D0207011 SLIDRIVS ADDRESS=(, ,9404, , ,9405,9410, , ,9411, , X
          ,)
D0207012 SLIDRIVS ADDRESS=(, ,9404, , ,9405,9410, , ,9411, , X
          ,)
D0207013 SLIDRIVS ADDRESS=(, ,9404, , ,9405,9410, , ,9411, , X
          ,)
D0207014 SLIDRIVS ADDRESS=(, ,9404, , ,9405,9410, , ,9411, , X
          ,)
D0207015 SLIDRIVS ADDRESS=(, ,9404, , ,9405,9410, , ,9411, , X
          ,)
D0207016 SLIDRIVS ADDRESS=(, ,9404, , ,9405,9410, , ,9411, , X
          ,)
D0207017 SLIDRIVS ADDRESS=(, ,9404, , ,9405,9410, , ,9411, , X
          ,)
D0207018 SLIDRIVS ADDRESS=(, ,9404, , ,9405,9410, , ,9411, , X
          ,)
D0207019 SLIDRIVS ADDRESS=(, ,9404, , ,9405,9410, , ,9411, , X
          ,)
D020701A SLIDRIVS ADDRESS=(, ,9404, , ,9405,9410, , ,9411, , X
          ,)
D020701B SLIDRIVS ADDRESS=(, ,9404, , ,9405,9410, , ,9411, , X
          ,)
D020701C SLIDRIVS ADDRESS=(, ,9404, , ,9405,9410, , ,9411, , X
          ,)
D020701D SLIDRIVS ADDRESS=(, ,9404, , ,9405,9410, , ,9411, , X
          ,)
D020701E SLIDRIVS ADDRESS=(, ,9404, , ,9405,9410, , ,9411, , X
          ,)
D020701F SLIDRIVS ADDRESS=(, ,9404, , ,9405,9410, , ,9411, , X
          ,)
*
*
          SLIENDGN ,

```

Figure 12. Database Decompile Utility Sample Output (11 of 11)

Directory Rebuild Utility

The Directory Rebuild utility provides a means to rebuild the database directory for all defined CDS copies.

Prerequisites

The stand-alone Directory Rebuild utility:

- runs under the control of the SLUADMIN utilities program
- may be run while the CDS-related HSCs are STOPped
- must be run using all CDS copies as input.

Reasons for Running the Directory Rebuild Utility

The major purpose of the Directory Rebuild utility is to repair a corrupted CDS database directory when the HSC is not active. Normally, the HSC corrects errors automatically.

How the Directory Rebuild Utility Functions

The utility performs the following processing to rebuild the database directory:

- opens the control data sets specified by the SLSCNTL, SLSCNTL2, and SLSSTBY DD statements
- locates invalid pointers, directory entries, and recovery data
- rewrites corrected blocks to all CDS copies.

Syntax

▶—DIRBLD—▶▶

Utility Name

DIRBLD

specifies that directory rebuild processing is to be performed and invokes the SLUDRDIR module.

Parameters

None.

JCL Requirements

The following definitions apply to the DIRBLD utility JCL:

SLSPRINT

output messages from the utility program.

SLSCNTL, SLSCNTL2, SLSSTBY

SLSCNTL is the primary CDS, SLSCNTL2 is the secondary CDS, and SLSSTBY is the standby CDS from which the directory is rebuilt. **This statement is required for each CDS that has been defined.**

SLSIN

input to the utility in the form of control cards.

JCL Example

The following example shows JCL for Directory Rebuild execution.

JCL for Directory Rebuild

```
//JOB          job (account),programmer
//S1           EXEC PGM=SLUADMIN
//SLSCNTL     DD DSN=control.dataset.name,DISP=(OLD,KEEP)
//*
//SLSPRINT    DD SYSOUT=*
//SLSIN       DD *
              DIRBLD
/*
```

Output Description

Output resulting from the execution of the Directory Rebuild utility includes:

- a listing of input commands with appropriate messages when syntax errors occur
- messages associated with error conditions resulting from an unsuccessful attempt to execute DIRBLD processing
- an updated CDS with corrected pointer and directory information
- a condition code indicating successful or unsuccessful CDS update.

Eject Cartridge Utility

The EJECT Cartridge utility permits you to remove one or more cartridges from an ACS in a batch mode. For the automated ejection of cartridges, the EJECT Cartridge utility takes advantage of the Cartridge Access Port (CAP) in an LSM.

The control statement allows you to designate a single CAP, a specific CAP, or a list of specific CAPs. Specifying one or more CAPs limits cartridge ejection to those CAPs.



Caution: The maximum length of a control statement is 32,767 characters. Exceeding this limit causes message SLS0241I to be displayed, which indicates an invalid utility control statement.

Ejections in a multiple ACS configuration may specify CAPs in each ACS if volumes reside in each ACS. If a CAP list is not provided, the utility selects the highest priority CAP available for each ACS (refer to the the “CAP Preference (CAPPref) Command and Control Statement” in the *HSC Operator’s Guide*).

You may elect to submit multiple EJECT Cartridge utility requests, each of which may specify a particular CAP. If you elect to specify a CAP in a multi-ACS configuration, then the list of volumes must reside within the CAP ACS.

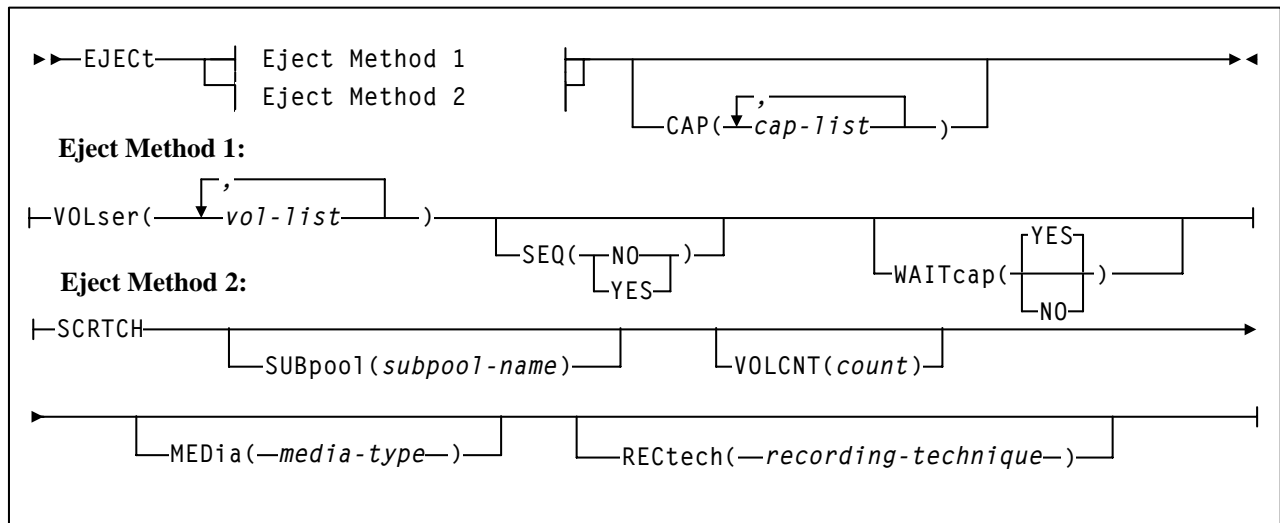
Multiple CAPs within one ACS can be allocated to the EJECT utility. Specifying multiple CAPs in a single EJECT Cartridge utility typically improves performance by reducing pass-thrus.

If two CAPs are specified in the same LSM, cartridges in that LSM are ejected in sequential order. This is helpful for vaulting.

Output Options - SLUADMIN

In addition to plain text, SLUADMIN supports output types added through Unified User Interface (UUI) requests. Refer to “SLUADMIN Output” on page 148 or the *NCS/VTCS XML Guide* for more information.

Syntax



Utility Name

EJECT

specifies that ejection processing is to be performed.

Parameters

VOLser

specifies that a VOLSER(s) is to be ejected.

(vol-list)

vol-list specifies the list of volumes to be ejected. A *vol-list* can be a single VOLSER, a range of VOLSERS or a list of VOLSERS and/or VOLSER ranges in any combination.

If a list is specified, the elements must be delimited by commas or blanks, and the entire list enclosed in parentheses. A range of VOLSERS consists of a starting VOLSER and an ending VOLSER separated by a dash.

SEQ

optionally, specifies whether or not CAP eject processing fills the CAP cells in the same order specified by the **VOLser** parameter.



Notes:

- If **SEQ** is not specified, but two CAPs are requested in the same LSM, and the LSM is not an SL8500, cartridges in the ACS are ejected in sequential order.
- For best performance, **SEQ(NO)** is recommended.

NO

specifies to eject the requested volumes in the order of home cell location. Eject processing fills the CAP or magazine (for the SL8500) according to the distance of the home cell to the CAP or magazine; that is, volumes closest to the CAP or magazine are ejected first.

YES

specifies to eject cartridges to the CAP in the order the volumes are listed in the associated **VOLser** parameter. The first cartridge requested appears in the topmost CAP cell, the second cartridge requested appears in the next CAP cell, and so on until the CAP is full or all cartridges have been moved to the CAP.

WAITcap

optionally, specifies whether or not a list of ejecting volumes waits for an available CAP if one is not available.

YES

specifies that the eject process waits indefinitely for a CAP to become available. **YES** is the default.

NO

specifies that the eject process does not wait for a CAP if it is not available.

SCRATCH

indicates that scratch volumes are to be ejected.



Note: If no CAPs are specified, only scratch tapes in ACS 00 are ejected.

SUBpool

optionally, specifies the subpool from which scratch volumes are to be ejected. If **MEDIA** or **RECTech** are specified, cartridges are ejected for that media type or recording technique within the same subpool.

(subpool-name)

subpool-name indicates the name for the subpool.

VOLCNT

optionally, specifies that a designated number of scratch volumes are to be ejected.

(count)

count indicates the number of scratch volumes to be ejected.

MEDia

optionally, specifies that scratch cartridges of the desired media are to be ejected.



Notes:

- If MEDia is not specified, the next scratch cartridge is selected without regard to media type if RECtech does not exist. If both MEDia and RECtech are supplied, they must be compatible.
- **The SL8500 library supports the T9840A, T9840B, T9840C, T9840D, T9940B, LTO, SDLT, T1000A, and T1000B media types and recording techniques.**
- **The SL3000 library supports the T9840C, T9840D, LTO, SDLT, T1000A, and T1000B media types and recording techniques.**
- LTO and SDLT transports are not supported in an MVS environment. These transports are recognized by the HSC but are accessible only to open systems clients using LibraryStation.

media-type

identifies the media type. Valid media types are:

Standard

indicates a standard length, 3480 cartridge. It can be read on any longitudinal drives (4480, 4490, 9490, or 9490EE). Data can be written in 36-track mode on a 4490, 9490, or 9490EE transport but cannot be read on an 18-track (4480) drive. Synonyms for this type of cartridge include:

- CST
- MEDIA1
- STD
- 1
- 3480

ECART

indicates a 3490E, extended capacity cartridge. It can be used only on a 36-track drive (4490, 9490, or 9490EE). Synonyms include:

- E
- ECCST
- ETAPE
- Long
- MEDIA2
- 3490E

ZCART

indicates a 3490E, extended capacity cartridge that provides greater storage capacity than an ECART. It can be used only on a 9490EE drive.

ZCART can be abbreviated as Z.

DD3

indicates any DD3A, DD3B, or DD3C (HELical) cartridge. HELical is a synonym for DD3.

DD3A, DD3B, DD3C

indicates a helical cartridge. The media indicator in the external label is encoded with the cartridge type (A, B, or C). DD3A, DD3B, or DD3C can be abbreviated to A, B, or C, respectively.

Types of helical cartridges, along with their associated media capacities, are:

- A — 10GB
- B — 25GB
- C — 50GB.

Data capacity differences between DD3A, DD3B, and DD3C cartridges are related to the length of the tape in the cartridge, not to the recording density of the data.

STK1

indicates any T9840 cartridge.

STK1R

indicates a T9840 cartridge. The media indicator in the external label is encoded with the cartridge type (R). STK1R can be abbreviated to R.

T9840 cartridge media capacities are 20GB (T9840A and T9840B), 40GB (T9840C), or 75GB (T9840D).

STK2

indicates any T9940 cartridge.

STK2P

indicates a T9940 data cartridge. The media indicator in the external label is encoded with the cartridge type (P). STK2P can be abbreviated to P.

T9940 cartridge media capacities are 60GB (T9940A) or 200GB (T9940B).

LTO-10G

indicates an LTO 10GB capacity cartridge.

LTO-35G

indicates an LTO 35GB capacity cartridge.

LTO-50G

indicates an LTO 50GB capacity cartridge.

LTO-100G

indicates an LTO 100GB capacity cartridge.

LTO-200G

indicates an LTO 200GB capacity cartridge.

LTO-400G

indicates an LTO 400GB capacity cartridge.

LTO-400W

indicates an LTO Generation 3 WORM cartridge.

LTO-800G

indicates an LTO 800GB capacity cartridge.

LTO-800W

indicates an LTO Generation 4 WORM cartridge.

SDLT

indicates an SDLT 160GB cartridge.

SDLT-2

indicates an SDLT 125GB cartridge.

SDLT-S1

indicates an SDLT Generation S1 cartridge.

SDLT-S2

indicates an SDLT Generation S2 cartridge.

SDLT-S3

indicates an SDLT Generation S3 cartridge.

SDLT-S4

indicates an SDLT Generation S4 cartridge.

SDLT-4

indicates an SDLT Generation 4 cartridge.

T10000T1 or T1

indicates a full-capacity 500GB T10000A or ITB T10000B cartridge. T10000T1 can be abbreviated as **T1**.

T10000TS or TS

indicates a smaller-capacity 120GB T10000A or 240GB T10000B cartridge. T10000TS can be abbreviated as **TS**.

RECtech

optionally, specifies scratch cartridges of the desired recording technique are to be ejected. RECtech indicates the method used to record data tracks on the tape surface.



Notes:

- If RECtech is not specified, the next scratch cartridge is selected depending on the media type (if supplied). If neither is supplied, the next scratch cartridge is selected without taking media type and recording technique into consideration. If both RECtech and MEDia are supplied, they must be compatible.
- **The SL8500 library supports the T9840A, T9840B, T9840C, T9840D, T9940B, LTO, SDLT, T10000A, and T10000B media types and recording techniques.**
- **The SL3000 library supports the T9840C, T9840D, LTO, SDLT, T10000A, and T10000B media types and recording techniques.**

recording-technique

identifies the recording technique. Valid recording techniques are:

18track

indicates a 4480 transport.

36track

indicates a 4490, 9490, or 9490EE transport (any device that records in 36-track mode).

36Atrack

indicates a 4490 (Silverton) transport.

36Btrack

indicates a 9490 (Timberline) transport.

36Ctrack

indicates a 9490EE transport.

HELical

indicates a device using helical recording.

DD3

indicates a device using helical recording.

STK1R

indicates any T9840 transport.

STK1R34

indicates any 3490E-image T9840 transport.

STK1R35

indicates any 3590-image T9840 transport.

STK1RA

indicates a 3490E or 3590-image T9840A transport.

STK1RA34

indicates a 3490E-image T9840A transport.

STK1RA35

indicates a 3590-image T9840A transport.

STK1RB

indicates a 3490E or 3590-image T9840B transport.

STK1RB34

indicates a 3490E-image T9840B transport.

STK1RB35

indicates a 3590-image T9840B transport.

STK1RAB

indicates a 3490E or 3590-image T9840A or T9840B transport.

STK1RAB4

indicates a 3490E-image T9840A or T9840B transport.

STK1RAB5

indicates a 3590E-image T9840A or T9840B transport.

STK1RC

indicates a 3490E or 3590-image T9840C transport.

STK1RC34

indicates a 3490-image T9840C transport.

STK1RC35

indicates a 3590-image T9840C transport.

STK1RD

indicates any T9840D transport.

STK1RDE

indicates an encryption-enabled T9840D transport.

STK1RDN

indicates a non-encryption enabled T9840D transport.

STK1RD34

indicates a non-encryption enabled 3490E-image T9840D transport.

STK1RD35

indicates a non-encryption enabled 3590-image T9840D transport.

STK1RDE4

indicates an encryption-enabled 3490E-image T9840D transport.

STK1RDE5

indicates an encryption-enabled 3590-image T9840D transport.

STK2P

indicates any 9940 transport.

STK2P34

indicates any 3490E-image 9940 transport.

STK2P35

indicates any 3590-image 9940 transport.

STK2PA

indicates a T9940A transport.

STK2PA34

indicates a 3490E-image T9940A transport.

STK2PA35

indicates a 3590-image T9940A transport.

STK2PB

indicates a T9940B transport.

STK2PB34

indicates a 3490E-image T9940B transport.

STK2PB35

indicates a 3590-image T9940B transport.

T10K

indicates all T10000 transports.

T10KN

indicates all non-encrypted T10000 transports.

T10KE

indicates all encrypted T10000 transports.

T1A

indicates any T10000A transport.

T1AN

indicates a non-encryption enabled 3490E- or 3590-image T10000A transport.

T1A34
indicates a non-encryption enabled 3490E-image T10000A transport.

T1A35
indicates a non-encryption enabled 3590-image T10000A transport.

T1AE
indicates an encryption-enabled 3490E- or 3590-image T10000A transport.

T1AE34
indicates an encryption-enabled 3490E-image T10000A transport.

T1AE35
indicates an encryption-enabled 3590-image T10000A transport.

T1B
indicates any T10000B transport.

T1BN
indicates a non-encryption enabled 3490E- or 3590-image T10000B transport.

T1B34
indicates a non-encryption enabled 3490E-image T10000B transport.

T1B35
indicates a non-encryption enabled 3590-image T10000B transport.

T1BE
indicates an encryption-enabled 3490E- or 3590-image T10000B transport.

T1BE34
indicates an encryption-enabled 3490E-image T10000B transport.

T1BE35
indicates an encryption-enabled 3590-image T10000B transport.

WAITcap
optionally, specifies whether or not a list of ejecting volumes waits for an available CAP if one is not available.

YES
specifies that the eject process waits indefinitely for a CAP to become available. **YES** is the default.

NO
specifies that the eject process does not wait for a CAP if it is not available or has been released.

CAP

optionally, specifies which Cartridge Access Port(s) is being used for the operation.

This utility ejects scratch volumes to the specified CAP(s) only. EJECT searches for scratch volumes only in the LSMs that contain the specified CAP(s).



Note: If a CAP has not been specified, EJECT determines the CAP to use based upon the CAPPref command setting (refer to “CAP Preference (CAPPref) Command and Control Statement” in the *HSC Operator’s Guide*).

If a CAP preference has not been specified, the HSC displays a message and waits until the user enters a CAPPref value. Pass-thrus can be made to CAPs specified by CAPPref.

(cap-list)

cap-list identifies the Cartridge Access Port(s). The *cap-list* requires explicitly specified CAPids separated by commas. A CAPid range is not allowed.

If more than one CAPid is specified, the elements must be separated by blanks or commas, and the entire list must be enclosed in parentheses. If no CAP is specified, one is chosen in each ACS.

The format for *cap-id* is *AA:LL:CC* where *AA* is the ACS number (hexadecimal 00-FF), *LL* is the LSM number (hexadecimal 00-17), and *CC* is the CAP number.

Allowable values for *CC* are:

00

- For 4410 and 9310 LSMs, standard 21-cell CAP or the right-hand 40-cell enhanced CAP
- For 9360 LSMs, the 20-cell WolfCreek CAP
- For 9740 LSMs, fixed rack 14-cell or 10-cell removable magazine CAP
- For SL3000 libraries, a left-side SL3000 AEM CAP, consisting of 18, 13-cell removable magazines
- For SL8500 libraries, the CAP consists of 3, 13-cell removable magazines.

01

- For 4410 and 9310 LSMs, left-hand 40-cell enhanced CAP
- For 9360 LSMs, the 30-cell WolfCreek optional CAP
- For SL3000 libraries, this is an optional CEM CAP consisting of 2, 13-cell removable magazines
- For SL8500 libraries, this is an optional CAP consisting of 3, 13-cell removable magazines.

02

- priority CAP (PCAP) for a 4410 or 9310 LSM enhanced CAP or for a 9360 LSM CAP.
- an optional SL3000 CEM CAP consisting of 2, 13-cell removable magazines.

03, 04, 05

- optional SL3000 CEM/DEM CAPs each consisting of 2, 13-cell removable magazines.

06

- the only required SL3000 BDM CAP consisting of 2, 13-cell removable magazines.

07, 08, 09, 0A

- optional SL3000 CEM CAPs each consisting of 2, 13-cell removable magazines.

0B

- a right-side SL3000 AEM CAP, consisting of 18, 13-cell removable magazines



Notes:

- If SL3000 library CAPs are not present, the HSC reports them as “not installed” This keeps CAP addresses from changing as new CAPs are added.
- Refer to the individual command explanations for additional information on specifying CAPids.
- SL3000 and SL8500 libraries do not contain a PCAP.

JCL Requirements

The following definitions apply to EJECT Cartridge utility JCL:

SLSPRINT

output messages from the utility program.

SLSIN

input to the utility in the form of control statements.

JCL Examples

The following example shows JCL for ejecting a single volume from the library.

JCL for Ejecting a Single Volume

```
//JOB EJECT      job (account),programmer
//S1             EXEC PGM=SLUADMIN,PARM=MIXED
//SLSPRINT      DD SYSOUT=A
//SLSIN         DD *
                EJECT VOL(A1B1C1)
/*
/
```

The following example shows JCL for ejecting cartridges from the library with the CAPid specified. Nine cartridge volumes are specified for ejection at CAPid 01:02:01.

JCL to Eject Several Volumes (with a CAPid Specified)

```
//JOB EJECT      job (account),programmer
//S1             EXEC PGM=SLUADMIN,PARM=MIXED
//SLSPRINT      DD SYSOUT=A
//SLSIN         DD *
                EJECT VOL(A1B1C1-A1B1C9) CAP(01:02:01)
/*
//
```

The following example shows JCL for ejecting one standard scratch cartridge.

JCL to Eject One STD Scratch Cartridge

```
//JOB EJECT      job (account),programmer
//S1             EXEC PGM=SLUADMIN,PARM=MIXED
//SLSPRINT      DD SYSOUT=A
//SLSIN         DD *
                EJECT SCRTCH MEDIA(STD)
/*
//
```

The following example shows JCL for ejecting five SD-3 (helical) scratch cartridges.

JCL to Eject Five SD-3 Scratch Cartridges

```
//JOB EJECT      job (account), programmer
//S1            EXEC PGM=SLUADMIN, PARM=MIXED
//SLSPRINT     DD SYSOUT=A
//SLSIN        DD *
               EJECT SCRATCH RECTECH(DD3) VOLCNT(5)
/*
//
```

Output Description

Output resulting from the execution of the EJECT Cartridge utility includes:

- a listing of input commands, with appropriate messages, when syntax errors occur
- messages associated with error conditions resulting from an unsuccessful attempt to execute ejection processing
- a message indicating successful ejection processing (see Figure 13).

```
SLUADMIN (n.n.n)          StorageTek Automated Cartridge System Utility          PAGE 0001
TIME hh:mm:ss              Control Card Image Listing                      DATE yyyy-mm-dd

EJECT VOL(A1B1C1)

SLUADMIN (n.n.n)          StorageTek Automated Cartridge System Utility          PAGE 0002
TIME hh:mm:ss              Eject Cartridges Utility                      DATE yyyy-mm-dd

SLS0174I Volume A1B1C1 successfully ejected from library
SLS0155I Condition code for utility function is 0
```

Figure 13. EJECT Cartridge Utility Sample Output

Initialize Cartridge (INITIALIZE) Utility

The Initialize Cartridge utility permits you to batch enter cartridges into the library through the CAP and to write magnetic labels for those cartridges.



Warning: This utility must be executed on an MVS system running the SMC and using a local HSC server.

Initialize Cartridge reads the external Tri-Optic labels and records them in a data set defined through the CNTLDD parameter.



Note: CNTLDD is a control statement parameter that describes the DDname to be used for TMSTPNIT control statements.

The Initialize Cartridge utility does not initialize cartridges on its own; it invokes TMS, TLMS, or any other initialization utility, which performs the initialization. CNTLDD specifies, through the HSC to the TMS utility, the DD to be used for the input parameters the TMS utility requires.

Initialize Cartridge modifies the skeleton statement provided by the SLSINIT DD statement by substituting the VOLSER provided from the optical label of the cartridge entered in the library. It then passes the statement, unchanged in any other respect, as input to the program specified in the PROGram parameter of the utility.

When CAP processing completes, cartridges are placed in a home cell. Each new volume then is moved to the library transport defined by the SLSTAPE DD statement and the magnetic volume label is written. At the end of the labeling process, any of the following actions can occur:

- the volume(s) may be optionally ejected from the library
- the volume(s) may be optionally entered into the library control data set as a scratch volume
- the volume(s) may be entered as a non-scratch volume if the OPTion parameter is not specified
- the volumes that have a media mismatch are ejected.

This utility identifies the desired transport by one of the following:

- a specific unit address
- an esoteric limited to a single ACS and a single device type
- an esoteric limited to a single ACS and TAPEREQ statements, which restrict the transport to a specific device type.



Note: TAPEREQ statements must match the unit esoteric specified for the cartridge initialization job being run. For example, if the esoteric designates helical cartridges, the TAPEREQ(s) must request helical media as well.

The HSC determines the recording technique and supported media from the selected drive. If the transport specified in the SLSTAPE DD statement does not match the media type of volumes entered into the CAP, the volumes are ejected and an error message is displayed.



Note: You must batch enter volumes through a manual mode CAP with a non-zero CAP preference.

By using TAPEREQ control statements, different cartridge initialization jobs can be defined to select different types of drives.

The following guidelines apply to running the Initialize Cartridge utility in a library with mixed device types:

- Do not mix recording techniques in a single job step. Run the utility to initialize cartridges in either 18-track, 36-track, helical, 9840, 9940 recording format at one time. If 36-track recording format is desired, both standard and long media cartridges can be initialized in a single job.



Note: A ZCART cartridge can be initialized only on a 9490EE transport, but a 9490EE transport can initialize a 36-track, ECART, or ZCART cartridge.

If helical is requested, all helical types can be mixed.

- Specify the correct device for the volumes to be entered.

Interface with a Tape Management System

It is the responsibility of the installation to inform the tape management system (i.e., TMS, TLMS, or DFSMSrmm) of the volume's scratch status.

CAP Operating Instructions

Operating instructions for the CAP are provided in the *HSC Operator's Guide*.



Note: When there are no more cartridges to be entered, open the CAP once again to make sure that no cartridges are present in the CAP cells, and then close the CAP to complete processing.

How the Initialize Cartridge Utility Functions

Part of the labeling process involves an installation-specified program to perform the labeling. The program must conform to, or actually invoke, IEHINITT. The label program must issue SVC 39 which normally requires the operator to reply M to message IEC701D. The HSC causes the volume to be mounted and generates the reply to the IEC701D message. If the user-supplied label program requires a special DDname identity, then a DD statement containing that DDname should be specified with a reference to the required SLSTAPE DD statement via UNIT=AFF=SLSTAPE.



Note: The SLSTAPE DD statement defines the library transport where tape labeling is performed. In a multi-LSM environment, pass-thrus may be avoided by:

- supplying a specific address for the SLSTAPE device along with the CAP parameter (specifying the *cap-id* for the LSM where the SLSTAPE device is attached) on the control statement, or
- supplying the library esoteric on the SLSTAPE DD statement without a CAP parameter.

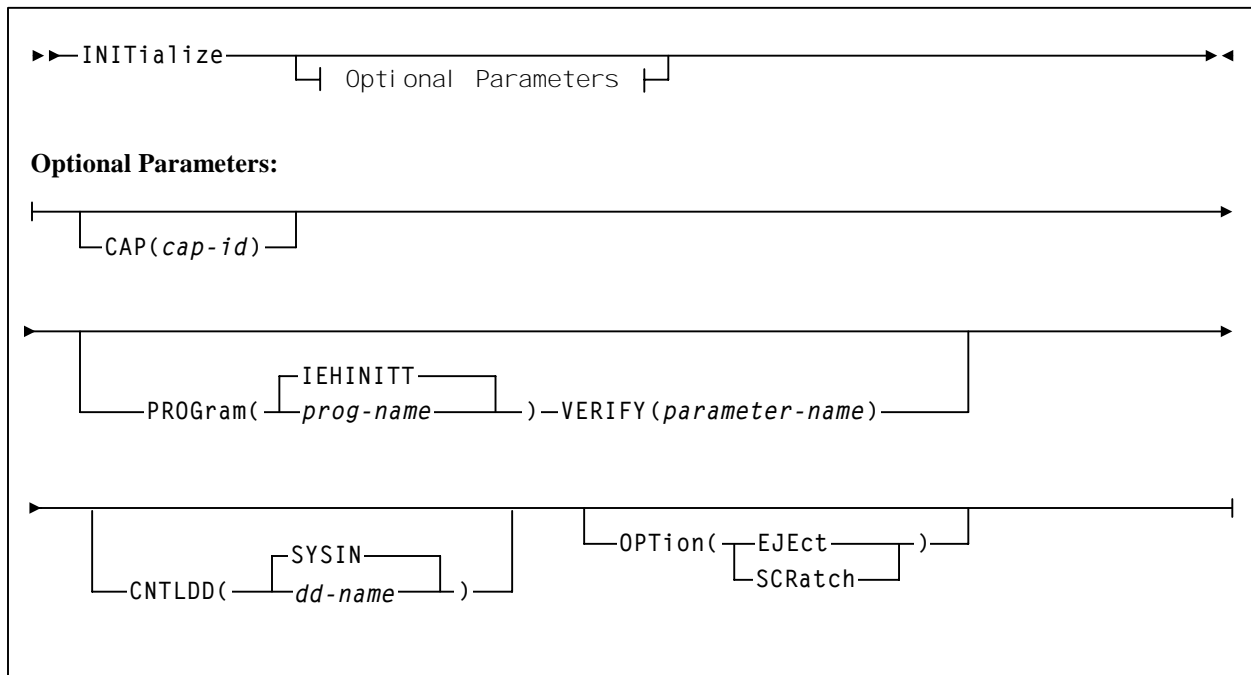
You must provide **all** necessary DD statements for the Initialize Cartridge utility and any program in its path (i.e., IEHINITT). You must also supply a prototype control statement, via the SLSINIT DD statement, in the format of card-images (a maximum of six) to initialize a single volume.

The control statement must contain a variable symbol indicator (a string of six asterisks) in place of the volume serial number. If the cartridges being entered have external labels with trailing blanks, it is suggested that the variable symbol indicators be the last characters on the prototype control statement to allow proper handling of other parameters present in this control statement. The utility substitutes the six characters from the external cartridge label for the asterisks and writes a control statement for each cartridge entered.



Note: The Initialize Cartridge utility may not run concurrently with an Audit utility within the same ACS. In addition, the Scratch Redistribution utility may not run concurrently, within the same ACS, when the Initialize Cartridge utility scratch option is specified. If either of these conditions are not followed, an HSC message is generated and the utility must be resubmitted.

Syntax



Utility Name

INITialize

specifies that cartridges are to be initialized.

Parameters

CAP

optionally specifies a particular CAP to be used for the operation.

If CAP is not specified, the utility chooses a CAP in the ACS implied by the device allocated to satisfy the SLSTAPE DD statement.

(cap-id)

cap-id identifies the CAP. The format for *cap-id* is *AA:LL:CC* where *AA* is the ACS number, *LL* is the LSM number, and *CC* is the CAP number.

Allowable values for *CC* are:

00

- For 4410 and 9310 LSMs, standard 21-cell CAP or the right-hand 40-cell enhanced CAP
- For 9360 LSMs, the 20-cell WolfCreek CAP
- For 9740 LSMs, fixed rack 14-cell or 10-cell removable magazine CAP

- For SL3000 libraries, the left-side AEM CAP, consisting of 18, 13-cell removable magazines
- For SL8500 libraries, the CAP consists of 3, 13-cell removable magazines.

01

- For 4410 and 9310 LSMs, left-hand 40-cell enhanced CAP
- For 9360 LSMs, the 30-cell WolfCreek optional CAP
- For SL3000 libraries, an optional CEM CAP consisting of 2, 13-cell removable magazines
- For SL8500 libraries, this is an optional CAP consisting of 3, 13-cell removable magazines.

02

- priority CAP (PCAP) for a 4410 or 9310 LSM enhanced CAP or for a 9360 LSM CAP
- an optional SL3000 CEM CAP consisting of 2, 13-cell removable magazines.

03, 04, 05 indicates the following:

- optional SL3000 CEM/DEM CAPs each consisting of 2, 13-cell removable magazines.

06

- the only required SL3000 BDM CAP consisting of 2, 13-cell removable magazines.

07, 08, 09

- optional SL3000 CEM CAPs each consisting of 2, 13-cell removable magazines.

0B

- a right-side SL3000 AEM CAP, consisting of 18, 13-cell removable magazines

PROG

optionally specifies a program to be invoked to actually write the label (if not specified, IEHINITT is assumed).

(prog-name)

prog-name identifies the name of the program that is to perform the initialization.

(IEHINITT)

IEHINITT is the default value.

VERIFY

optionally specifies a parameter to be passed to the tape initialization program identified by the PROGRAM parameter. **VERIFY is valid only when the PROGRAM parameter specifies TMSTPNIT.**

(parameter-name)

parameter-name is the parameter passed to the TMSTPNIT program. For example, if the parameter entered is

```
VERIFY(ROBOT)
```

TMSTPNIT suppresses the TMS CAL0TN01 message for NL (nonlabeled) tapes. Refer to the appropriate CA-1 documentation for valid parameter values.

CNTLDD

optionally specifies the DD statement to which initialization control statements are written, and from which the label program reads its control statements.



Note: This is not your control data set.

(dd-name)

The name of the DD statement.

Note: The *dd-name* option may only be specified when using CA-1 (TMS) prior to version 5.1. The default value (SYSIN) MUST be used with CA-1 (TMS) version 5.1 or later.

(SYSIN)

SYSIN is the default value.

OPTION

specifies optional handling to be performed following the completion of label processing. If not specified, the default is retention of the new cartridges in the library with a non-scratch status.

(EJECT)

specifies that the labeled volumes are to be ejected from the library after the labeling process is complete.

(SCRATCH)

specifies that the labeled volumes entering the library are to be added to the scratch list. If the volume is to be treated as scratch, the installation must inform the tape management system of the volume's scratch status.

JCL Requirements

The following definitions apply to the Initialize Cartridge utility JCL:

SLSPRINT

output messages from the utility.

SLSIN

input to the utility in the form of control statement card images.

SLSINIT

A substitution control card format for the invoked initialization program.

SLSTAPE

The library transport on which the cartridge is mounted for labeling. To prevent a nonlibrary transport from being allocated, specify one of the following:

- an esoteric containing only library transports,
- a specific library transport address,
- a TAPEREQ statement to direct the allocation to a library transport,
- a user exit (refer to the *NCS User Exit Guide*).

CNTLDD or SYSIN

Contains volume serial labeling information and is passed as input to the initialization program (IEHINITT or the program specified by the PROG keyword parameter).

If CNTLDD is specified in the utility control statement, then the DDname identifies the data set containing the labeling information.

SYSPRINT

Output messages from IEHINITT.

JCL Examples

The following example shows JCL for cartridge initialization with a unit esoteric specified and no *cap-id* specified.

JCL for Initializing a Cartridge with Unit Esoteric and No CAPid

```
//JOBINCT      job (account),programmer
//S1          EXEC PGM=SLUADMIN,PARM=MIXED
//SLSPRINT    DD SYSOUT=A
//SLSTAPE     DD UNIT=(LIB4480,,DEFER),DISP=NEW
//SYSPRINT    DD SYSOUT=A
//SLSINIT     DD *
SLSTAPE INITT OWNER='CUSTOMER',SER=*****
//SLSIN       DD *
              INITIALIZE
/*
//SYSIN       DD DSN=&&TEMP,DISP=(,DELETE,DELETE),UNIT=SYSDA,
//            SPACE=(TRK,1)
//
```

The following example shows JCL for cartridge initialization of a CA-1(TMS) cartridge that is in delete status in the TMC, with the unit, the *cap-id* parameter, the PROGRAM parameter, and the CNTLDD parameter all specified.

JCL for Initializing a Cartridge with CA-1 (TMS) 4.9/5.0

```
//JOBTINIT    job (account),programmer
//*
//TINIT      EXEC PGM=SLUADMIN,TIME=1440,PARM=MIXED
//LABELDD   DD UNIT=(580,1,DEFER),DISP=NEW
//*         TMSTPNIT INIT TAPE UNIT DD.
//*
//SLSTAPE   DD UNIT=AFF=LABELDD          INIT CARTRIDGES INIT TAPE
//*         UNIT DD
//SYSIN     DD UNIT=VIO,SPACE=(TRK,1)    IEHINITT CONTROL DATASET
//PRESYSIN  DD UNIT=VIO,SPACE=(TRK,1)    TMSTPNIT CONTROL DATASET
//TMC       DD DSN=XXXXX.TMC,DISP=SHR    TMS CATALOG
//TMSRPT    DD SYSOUT=*                  TMSTPNIT REPORT OUTPUT
//SLSPRINT  DD SYSOUT=*                  UTILITY MESSAGES
//SYSPRINT  DD UNIT=VIO,SPACE=(TRK,1)    IEHINITT MESSAGES
//SLSINIT   DD *                        PROTOTYPE CONTROL STATEMENT
INTAPE NUMBTAPE=1,SER=*****
//*
//SLSIN     DD *                        INIT CART CONTROL STATEMENT
           INITIALIZE CAP(00:00:00) PROGRAM(TMSTPNIT) CNTLDD(PRESYSIN)
           OPTION(SCRATCH)
//*  WHEN USING THE TMS TAPE INITIALIZATION PROGRAM TMSTPNIT, YOU
   *  MUST SPECIFY THE 'PROGRAM' PARAMETER AND THE 'CNTLDD' PARAMETER
   *  ON THE INIT CARTRIDGES CONTROL STATEMENT.
/*
```

JCL for Initializing a Cartridge with CA-1 (TMS) 5.1/5.2

```
//JOBTINIT    job (account),programmer
//*
//TINIT      EXEC PGM=SLUADMIN,PARM=MIXED
//LABELDD   DD UNIT=(uuu,,DEFER),DISP=NEW TMSTPNIT TAPE UNIT DD
//SLSTAPE   DD UNIT=AFF=LABELDD          INIT CART TAPE UNIT DD
//SYSIN     DD UNIT=VIO,SPACE=(TRK,1)    TMSTPNIT CONTROL DATASET
//SLSPRINT  DD SYSOUT=*                  HSC UTILITY MESSAGES
//SYSPRINT  DD SYSOUT=*                  TMSUPNIT MESSAGES
//SLSINIT   DD *                        PROTOTYPE CONTROL STATEMENT
INTAPE NUMBTAPE=1,SER=*****
//SLSIN     DD *
           INITIALIZE PROGRAM(TMSTPNIT)
```

The following example shows JCL for cartridge initialization with the unit, the *cap-id* parameter, and the PROGRAM parameter (EDGINERS) specified.

JCL for Initializing a Cartridge with EDGINERS

```
//JOBINIT   job (account),programmer
//*
//TINIT     EXEC PGM=SLUADMIN,TIME=1440,PARM=MIXED
//TAPE      DD UNIT=(580,1,DEFER),DISP=NEW
//*         EDGINERS INIT TAPE UNIT DD.
//*
//SLSTAPE   DD UNIT=AFF=TAPE                INIT CARTRIDGES INIT TAPE
//*         UNIT DD.
//SYSIN     DD UNIT=VIO,SPACE=(TRK,1)      EDGINERS CONTROL DATASET.
//SLSPRINT  DD SYSOUT=*                    UTILITY MESSAGES.
//SLSPRINT  DD SYSOUT=*                    EDGINERS MESSAGES.
//SLSINIT   DD *                            PROTOTYPE CONTROL STATEMENT.
INIT LABEL(SL) VOL(******)
//*
//SLSIN     DD *                            INIT CARTRIDGES CONTROL
//*         STATEMENT.
* WHEN USING THE DFSMSrmm TAPE INITIALIZATION PROGRAM EDGINERS, YOU
* MUST SPECIFY THE 'PROGRAM' PARAMETER ON THE INIT CARTRIDGES
* CONTROL STATEMENT.
  INITIALIZE CAP(00:00) PROGRAM(EDGINERS) OPTION(SCRATCH)
/*
```

Output Description

Output resulting from the execution of the Initialize Cartridge utility includes:

- a listing of input commands with appropriate messages when syntax errors occur (see Figure 14 on page 256)
- console messages informing the console operator when the labeling of the new volume(s) is complete
- messages associated with error conditions resulting from an unsuccessful attempt to execute initialization processing or actions occurring during processing
- updated library control data set containing new volumes with the proper scratch disposition.
- labeled cartridges
- listing from the installation-specified initialization utility (see Figure 14 on page 256).

```
SYSTEM SUPPORT UTILITIES IEHINITT                                PAGE 0001

SLSTAPE INITT SER=SQUARE,OWNER='CUSTOMER'
VOL 1 SQUARE

SLUADMIN (n.n.n)          Oracle Enterprise Library Software Utility      PAGE 0002
TIME hh:mm:ss            Control Card Image Listing                DATE yyyy-mm-dd

INITIALIZE CAP(00:00:00)

SLUADMIN (n.n.n)          Oracle Enterprise Library Software Utility      PAGE 0003
TIME hh:mm:ss            Initialize Cartridges Utility            DATE yyyy-mm-dd

SLS0211I Volume SQUARE successfully entered into library
SLS0155I Condition code for utility function is 0
```

Figure 14. Initialize Cartridge Utility Sample Output

Journal Offload Utility

The Journal Offload utility allows you to offload one or both of the journals on a given host without backing up the control data set. It is extremely important that you archive the offloaded journals, in the event that these journals are required for a restore operation.

The HSC can be operational while the Journal Offload utility is executing.

Syntax

```
▶—OFFLoad—————▶
```

Utility Name

OFFLoad

specifies that a journal offload is to be performed.

Parameters

None.

JCL Requirements

The following definitions apply to the Journal Offload utility program JCL:

SLSPRINT

the message output data set.

SLSCNTL

DD statement naming the primary library control data set.

SLSCNTL2

the secondary copy of the control data set.

SLSSTBY

the standby copy of the control data set.

SLSJRN01

the first of two journals on the given host.

SLSJRN02

the second of two journals on the given host. This statement is required only if both journals are to be offloaded. If specified, the SLSOFF02 statement is also required.

SLSOFF01

the created offload data set for the first journal (SLSJRN01).

SLSOFF02

the created offload data set for the second journal (SLSJRN02).

SLSIN

input to the utility in the form of control statement card images.



Note: The offloaded data sets created by SLSOFF01 and SLSOFF02 must be allocated on DASD. You can then copy the offloaded data sets to tape if you desire.

JCL Example

The following example shows JCL for the offload of both journals.

JCL for Offload of Journals

```
//JOB0FFL  job (account),programmer
//S2      EXEC PGM=SLUADMIN,PARM=MIXED
//SLSCNTL DD DSN=primary.dataset.name,DISP=SHR
//SLSCNTL2 DD DSN=secondary.dataset.name,DISP=SHR
//SLSSTBY DD DSN=standby.dataset.name,DISP=SHR
//SLSOFF01 DD DSN=offload.file1,DISP=(NEW,CATLG),UNIT=unit-number,
//        SPACE=(CYL,(primary.cyl.extent,secondary.cyl.extent),RLSE)
//SLSOFF02 DD DSN=offload.file2,DISP=(NEW,CATLG),UNIT=unit-number,
//        SPACE=(CYL,(primary.cyl.extent,secondary.cyl.extent),RLSE)
//SLSJRN01 DD DSN=journal1.dataset.name,DISP=SHR
//SLSJRN02 DD DSN=journal2.dataset.name,DISP=SHR
//SLSPRINT DD SYSOUT=*
//SLSIN   DD *
          OFFLOAD
/*
//
```



Note: The space specified in the SPACE parameter should equal the allocated space that your active journals take today. For example,

```
SPACE=(CYL,(4,1),RLSE)
```

indicates 4 primary extent cylinders and 1 secondary extent cylinders are to be allocated.

Output Description

Output resulting from the execution of the Journal Offload utility (see Figure 15 on page 259) includes:

- the journal(s) is copied to the offload data set(s)
- the journal(s) is reset
- messages associated with error conditions resulting from an unsuccessful attempt to execute the Journal Offload utility
- a condition code indicating successful or unsuccessful completion of the utility.

```
SLUADMIN (n.n.n)          Oracle Enterprise Library Software Utility          PAGE 0001
  TIME hh:mm:ss              Control Card Image Listing              DATE yyyy-mm-dd

OFFLOAD)

SLUADMIN (n.n.n)          Oracle Enterprise Library Software Utility          PAGE 0002
  TIME hh:mm:ss              Journal Offload Utility              DATE yyyy-mm-dd

SLS0282I Journal at DDname SLSJRN01 successfully offloaded to data set defined by SLSOFF01 DD statement
SLS0282I Journal at DDname SLSJRN02 successfully offloaded to data set defined by SLSOFF02 DD statement
SLS0191I Journal at DDname SLSJRN01 successfully reset
SLS0191I Journal at DDname SLSJRN02 successfully reset
SLS0155I Condition code for utility functions is 0
```

Figure 15. Journal Offload Utility Sample Output

MERGEcds Utility

The MERGEcds utility integrates volume information from one CDS into another. Users can designate specific ACSids or LSMids to merge volume information from and to.

If you are running VSM, refer to the *VTCS Command and Utility Reference* and the *Managing VTCS* document before starting the MERGEcds process. If you do not familiarize yourself with how VTCS interacts with this utility, you may not be successful migrating VTV data to the new CDS.



Notes:

- **Before you execute this utility, run the Volume Report utility (refer to “Volume Report Utility” on page 349) and resolve all errant volumes.**
- StorageTek recommends that MERGEcds be used instead of the Reconfiguration utility. Support for RECONFIG will end in a future release.

This utility supports the following activities:

- adding or changing a configuration to reflect new ACSs or LSMs
- consolidating multiple libraries and CDSs into one library and CDS. No audit is necessary.
- dividing one library and CDS into multiple libraries and CDSs. MERGEcds copies volume information from the old to the new CDS for each library.
- merging multiple ACSs into one ACS
- dividing one ACS into multiple ACSs
- modifying an ACSid and/or LSMid and copying the affected volume information from the old to the new CDS. This provides the ability to renumber ACSs and LSMs.

The “from” CDS is identified by DD statements in the utility JCL that designate the primary, secondary, or standby CDS. The utility uses the primary CDS for volume information, so if more than one of these DD statements is present, the HSC determines which CDS is the primary from the Database Heartbeat (DHB) record. The “from” CDS is not modified.

Note: Refer to “Renaming Control Data Sets” on page 56 for information about how to rename a CDS in the DHB.

The “to” CDS is accessed by an active HSC subsystem that executes on the same host as the SLUADMIN program that runs this utility. The “to” CDS can be either:

- an existing CDS containing volume information
- the output of a SLICREAT program, which initializes CDS configuration information but does not supply volume information. In this case, stop tape processing until the merge is complete.

If specific ACSids or LSMids have been named, the affected ACSs must remain disconnected from all hosts until the merge is complete.

How the MERGEcdfs Utility Functions

During a merge, volume information is copied from the “from” CDS to the “to” CDS. For each LSM included in the merge, volume information is copied for all panels as long as the panel type did not change.



Notes:

- LSM types must be the same, or no volumes in those LSMs are merged. 4410 and 9310 LSMs are considered to be the same LSM type.
- An example of a “changed” panel type is if a drive panel replaces a cell panel. In this case, volume information on that panel is not copied.

When panels are frozen by the SET FREEZE utility, the resulting panel status in the “to” CDS is determined by these conditions:

- If the panel types match on the “from” and “to” CDS, the panel is frozen only if the panel on the “from” CDS is frozen.
- If the panel types do not match on the “from” and “to” CDS, the panel is frozen only if the panel on the “to” CDS is frozen.



Note: In-transit volumes in *selected* status in the “from” CDS are copied to the “to” CDS but are changed to *unselected* status after the merge is completed.

To avoid losing in-transit information, the “from” CDS should not be in use by an active HSC subsystem. If active HSCs have been running using the “from” CDS, they should either be stopped normally (not cancelled) or recovered (see “RECOVER Host Command” in the *HSC Operator’s Guide*).

Errant volumes, along with all errant volume information, are copied to the “to” CDS.

Changing the HSC Library Configuration

The following procedure details the necessary steps to change your HSC configuration (add new ACSs or new LSMs, change LSM types, and so forth). **This procedure replaces the process described in “Running a Successful Reconfiguration” on page 282.**

1. Run the Database Decompile utility to create a new LIBGEN.



Caution: Do not rely on old LIBGENs for accuracy. If you do not perform this step, modifications made to the CDS (e.g., changes entered from the SET utility) will not be added to the LIBGEN. Thus, you may encounter a mismatch between your CDS and LIBGEN.

2. Identify any proposed changes to the host system’s Configuration Plan.
3. Assemble a LIBGEN that contains the required macro changes.

4. Create the data set initialization JCL and execute SLICREAT to format the new control data set(s) (refer to “Initializing the Control Data Sets” in the *HSC Configuration Guide*).



Note: SLICREAT must create **all** control data sets (primary, secondary, and standby) referenced by the HSC.

5. Update the CDSDEF PARMLIB statement to specify the new HSC data set to be created.
6. Initialize the HSC on a test system (or a production system that can be brought down to be used for a test).
7. Execute the SLUADMIN program and include the following control statement to verify that the merged configurations are compatible:

```
MERGEcds ALL VALIDate
```

Run the validation test using an active CDS as the “from” CDS, and ignore any in-transit or errant volume warning messages.

8. If additional libraries (i.e., CDSs and ACSs) will be merged in the future, you can also validate that the configurations are compatible at this time.
9. At a predetermined time, terminate the HSC on all hosts (suspending tape activity).
10. To retain the original CDS names, do the following:
 - Back up the current active CDS.
 - Restore the CDS to the same data set.
 - Rename the CDS to reflect the desired name for your “from” CDS.
 - Rename the output of your SLICREAT job to the original CDS names.
11. Start the HSC on the target host at either the base or full service level using the new CDS created by the SLICREAT program.



Note: Make sure tape activity is still suspended. Since the new CDS does not contain any volumes, all tape mounts during the merge are sent outside the library.

12. If some ACS(s) defined on the “to” CDS will not be used immediately, add to the HSC PARMLIB member the following command to suppress the “ACS is disconnected” message.

```
OPTion DISCmsg SUppress ACS(aa)
```

Refer to “OPTION Command and Control Statement” in the *HSC Operator’s Guide* for more information about this command.

13. Run SLUADMIN, specifying the following command:

```
MERGE ALL
```

Include the SLSFCNTL, SLSFCTL2, or SLSFSTBY DD statements, as appropriate, to indicate the “from” CDS.



Note: MERGEcds determines the primary CDS from these statements.

14. Back up the “to” CDS after the merge.
15. After the merge is complete, verify that the contents of the ACS(s) have been merged successfully into the new CDS. Check the output of the utility. Make hardware LMU microcode changes.
16. Restart tape processing on the host. The HSC does not need to be recycled.
17. Modify all LSMs online.
18. Start the HSC on the other hosts using the new CDS. Bring the HSC to the full service level.
19. Audit any panels that changed while reconfiguring the library.



Caution: When an LSM panel is replaced, the contents of the original panel are not retained in the CDS. The entire new panel must be audited to update the CDS.

20. The reconfiguration sets all CAP preference values to MANUAL. If necessary, reassign CAP preference values.

Merging Additional Data Centers

Once the new CDS has been reconfigured, you are not required to recycle the HSC when you merge other data centers. The following procedure describes merging data centers into an active HSC.

1. Run a validation test on the host to be merged using the CDS to be merged.

```
SLSIN: MERGE VALIDate
```

You must specify the “from” to “to” ACSs on the SLSMERGE DD statement. See “SLSMERGE DD Statement” on page 265 for information about its syntax.

```
SLSMERGE: MERGE FACS(aa) TACS(aa)
```

Run the validation test prior to the merge. If the “from” CDS is in use by active HSCs when the test is executing, ignore any in-transit or errant volume warning messages.

2. Review the output of the validation run and repeat the process until all errors are corrected.
3. Back up the CDS before running the merge.
4. Run the merge without the VALIDate parameter.

```
SLSIN: MERGE  
SLSMERGE: MERGE FACS(aa) TACS(aa)
```

5. Back up the updated “to” CDS.

6. If additional ACSs are to be merged, repeat the previous steps.



Note: If LSMs in another data center are to be merged into an ACS, follow the same process used for ACSs. Specify the “from” and “to” LSM parameters, FLSM and TLSM, in the SLSMERGE DD statement.

- a. Run the validation test.

```
SLSIN: MERGE VALIDate
SLSMERGE: MERGE FLSM(aa11) TLSM(aa11)
```

- b. Verify the validation test.

- c. Run the merge without the VALIDate parameter.

```
SLSIN: MERGE
SLSMERGE: MERGE FLSM(aa11) TLSM(aa11)
```

Since an LSM may be merged into a CDS where it becomes part of another ACS, it is likely that the LSM will be changed so that one or more of its panels becomes a pass-thru panel.

In this case, volumes stored on the affected panel(s) are not merged, and a warning message is issued indicating that the panel type does not match and that no volumes from the panel have been merged.

7. After completing any necessary hardware moves, connect the new ACS by entering:

```
Vary dev-id ONline
```

The HSC can now access the new ACS.

8. Stop suppression of the “ACS is disconnected” message by entering:

```
OPTion DISCmsg(SHow) ACS(acs-id)
```

9. Modify the new LSMs online.

10. Reset the CAPPREF parameter.

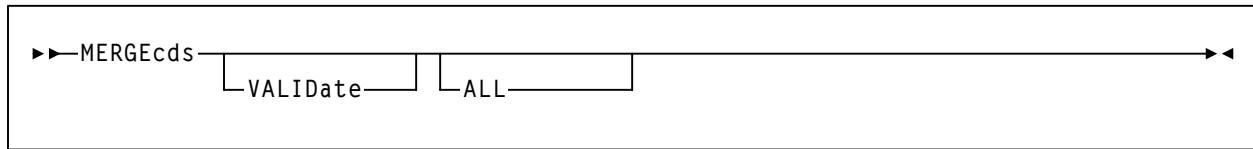
11. Remove the OPTion DISCmsg control statement from the HSC PARMLIB member.

12. If either of the following cases are reported

- duplicate volumes from the merge
- errant or in-transit volumes

audit the target cell locations to eject these volumes.

Syntax



Utility Name

MERGEcds

specifies that a CDS merge is to be performed.

Parameters

VALIDate

optionally, verifies that the configurations to be merged are compatible and reports duplicate, in-transit, and errant volumes. **The merge is not performed with this parameter.**

ALL

optionally, indicates that volume information associated with all ACSs and LSMs in the “from” CDS is to be merged into the corresponding ACSs and LSMs in the “to” CDS. The ACSids and LSMids must match.

If **ALL** is omitted, MERGEcds reads the parameters specified in the SLSMERGE DD statement.



Note: ALL and the SLSMERGE DD statement are mutually exclusive.

SLSMERGE DD Statement

This statement designates specific ACSs or LSMs to merge volume information from and to.



Notes:

- If a “from” and “to” ACS is specified, all matching LSMs within the ACS are merged.
- If a matching LSM contains panels types that do not match, no volumes in those panels are merged. 4410 and 9310 LSMs are considered to be matching LSMs.

When LSM types in a merging ACS do not match, no volumes in those LSMs are merged.

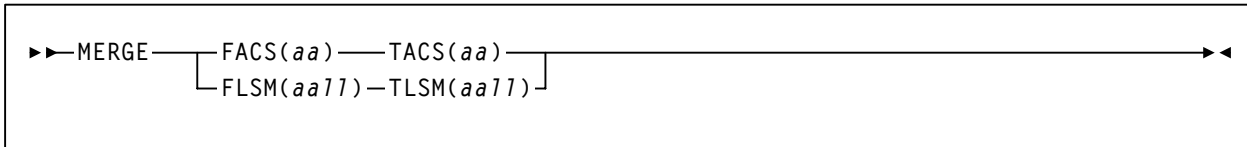
- The “to” ACS must not contain volumes in the “to” CDS unless the volumes reside in an LSM that is not included in the merge.
- The “to” LSM must not contain volumes in the “to” CDS.
- Duplicate volumes in LSMs are not merged.

- The SLSMERGE DD statement and the MERGEcids **ALL** parameter cannot be entered in the same job step.

Multiple sets of parameters can be specified (with no limit) for a single MERGEcids run. ACS and LSM formats can be mixed, as long as the same ACS or LSM is not named more than once in a run.

The syntax for SLSMERGE is:

SLSMERGE Statement



where:

FACS

specifies the “from” ACS.

aa

specifies the hexadecimal ACSid value (00 through FF) to merge volume information from.

TACS

specifies the “to” ACS.

aa

specifies the ACSid to merge volume information to.

FLSM

specifies the “from” LSM.

aall

specifies the hexadecimal LSMid value. An LSMid (*lsm-id*) is made up of the ACSid (hexadecimal 00-FF) and the LSM number (hexadecimal 00-17) separated by a colon (:).

TLSM

specifies the “to” LSM.

aall

specifies the LSMid to merge volume information to.



Note: The “from” and “to” LSM must be the same LSM type (4410 and 9310 are considered to be the same type).

JCL Requirements

The following definitions apply to the MERGEcds utility JCL:

SLSPRINT

output messages from the utility program.

SLSIN

input to the utility in the form of control cards.

SLSFCNTL, SLSFCTL2, SLSFSTBY

the “from” control data set. MERGEcds selects the primary CDS if more than one of these DD statements is provided.

SLSMERGE

the statement that contains specific ACSs and/or LSMs to be merged.

JCL Examples

The following example shows JCL for verifying volume information in all ACSs and LSMs.

JCL for Verifying All ACSs/LSMs

```
//JOBMERG    job (account),programmer
//S1         EXEC PGM=SLUADMIN,PARM=MIXED
//SLSPRINT   DD SYSOUT=A
//SLSFCNTL   DD DSN=from.primary.control.dataset,DISP=SHR
//SLSFCTL2   DD DSN=from.secondary.control.dataset,DISP=SHR
//SLSFSTBY   DD DSN=from.standby.control.dataset.,DISP=SHR
//SLSIN      DD *
             MERGECDs VALIDATE ALL
/*
//
```

The next example merges volume information from an ACS and a LSM.

JCL for Merging ACS/LSM Volume Information

```
//JOBMERG  job (account),programmer
//S1       EXEC PGM=SLUADMIN,PARM=MIXED
//SLSPRINT DD SYSOUT=A
//SLSFCNTL DD DSN=from.primary.control.dataset,DISP=SHR
//SLSFCTL2 DD DSN=from.secondary.control.dataset,DISP=SHR
//SLSFSTBY DD DSN=from.standby.control.dataset.,DISP=SHR
//SLSIN    DD *
           MERGECDS
//SLSMERGE DD *
           MERGE FACS(00) TACS(01)
           MERGE FLSM(02:00) TLSM(02:01)
/*
//
```

Output Description

Output resulting from the execution of the MERGEcds utility includes:

- a merged library control data set
- messages associated with error conditions resulting from an unsuccessful attempt to execute MERGEcds processing (with or without the VALIDate option)
- messages warning about each in-transit or errant volume affected by the merge, LSMid mismatches, LSM type and panel mismatches, and duplicate volumes in LSMs.

MOVE Utility

The MOVE utility permits you to request the HSC to move a single volume, a list of volumes, or a range of volumes to other locations within an ACS.

MOVE Considerations

You should be aware of the following considerations before attempting to use the MOVE utility:

- Movement of volumes to all LSMs is done on a first-come first-served basis. As volumes are moved, should an LSM become fully populated before the move request is satisfied for that LSM, the move request continues with the movement of volumes designated for the next LSM specified in the request. An LSM is fully populated when all available cells contain tape cartridges. This process continues until the entire move request is completed or all destination LSMs are full.
- Moves are performed one at a time so that other LSM work can be done.
- The target LSM for the move request must be specified. Optionally, the specific panel within the target LSM may also be specified. Cartridges may be moved from one panel to another panel within the same LSM, but cartridges may **not** be moved from one location to another on the **same** panel. Also, cartridges cannot be moved to frozen panels in an LSM which is the target of a move.

The cartridges being moved may be specified in the following ways:

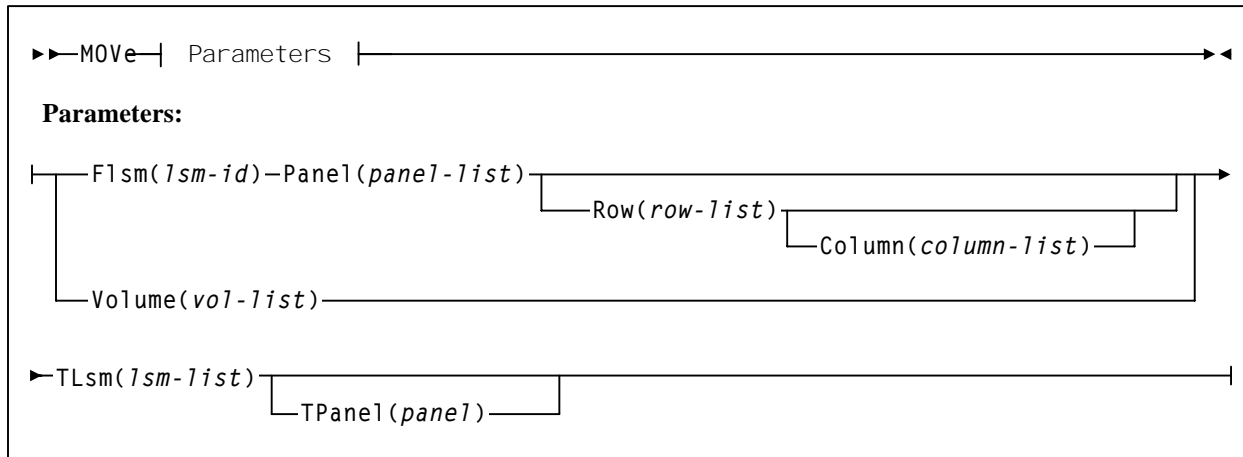
- move a single cartridge or a group of cartridges (specified by a VOLSER, a list of VOLSERS, or a range of VOLSERS)
- move the contents of a specified column, row, or entire panel (specified using the parameters FromLSM,Panel,Row,Column)
- An entire panel or panels can be emptied by specifying the **Panel** parameter without the **Row** or **Column** parameters. Any panels that are specified in the *panel-list* are excluded as destination panels if cartridges are being moved within the same LSM.



Note: Other cartridge activity occurring in the LSM can result in cartridges being placed in cells in a panel that is being emptied by the MOVE utility.

Refer to the appropriate ACS hardware document for information about LSM outer and inner wall panel layouts.

Syntax



Utility Name

MOVE

specifies a move request.

Parameters

Flsm

The ‘From’ LSMid in the format *AA:LL* that the cartridges are to be moved from. If you specify the **Flsm** parameter, you may not specify the Volume parameter.

(lsm-id)

LSM identifier name. An LSMid (*lsm-id*) is made up of the ACSid (hexadecimal 00-FF) and the LSM number (hexadecimal 00-17) separated by a colon (:).

Panel

panel number to be moved from. This parameter has a corequisite of the **Flsm** parameter and is required.

An entire panel can be emptied if the **Row** and **Column** parameters are not specified.

(panel-list)

A one or two digit panel number. Ranges are not valid. This parameter cannot contain a list if a list is specified for the **Row** or **Column** parameter.

Panels specified by *panel-list* are excluded as destination panels if cartridges are being moved within the same LSM.

- LSM Models 4410 and 9310 PowderHorn
 - 0-11 for outer wall panels
 - 12-19 for inner wall panels.

- LSM Model 9360 WolfCreek
 - 0-2 for Model 9360-050
 - 0-3 for Model 9360-075
 - 0-4 for Model 9360-100.
- LSM Model 9740 TimberWolf
 - 0-2 (panel 3 is included if the optional cells are present).
- LSM Model SL3000 StreamLine library
 - Access Expansion Module (AEM required) - panels 0 -1 and 22-23 are located on both ends of the library
 - Base Drive Module (BDM required) - panels 12-13
 - Drive Expansion Module (DEM optional) - panels 10-11 are located left of the BDM
 - Cartridge Expansion Module (CEM optional) panels 2-9 are located left of the BDM or optional DEM.
 - Cartridge Expansion Module (CEM optional) panels 14 -21 are located right of the BDM.
 - Parking Expansion Module (PEM) - **Dual Robots only** - panel numbers equate to the same panel numbers of the CEM it replaces, depending on its location right or left of the BDM.



Note: The library has static panels numbers starting with the left-most back panel (panel 0) and alternating back-to-front left to right and ending the right-most front panel (panel 23).

Row

list of rows to be moved from. This parameter has a corequisite of the **Panel** parameter.

(row-list)

A one or two digit row number or list of row numbers. The maximum list allowed is four rows. However, this parameter cannot contain a list if a list was specified for the **Column** parameter. Ranges are not valid.

- LSM Models 4410 and 9310 PowderHorn
 - 0-14 for outer wall panels
 - 0-5 and 8-14 for inner wall panels.
 - The maximum list is 4 rows (approximately 100 cells).
- LSM Model 9360 WolfCreek - 0-41 (all models). The maximum list is 20 rows (approximately 100 cells).
- LSM Model 9740 TimberWolf - 0-41 on panels 0, 2, and 3; and 36-41 on panel 1.



Notes:

- Column 3 on panel 2 allows row entries only on rows 28-41.
- The cells on panel 3 are optional.
- LSM Model SL3000 StreamLine library
 - Access Expansion Modules - panels 0-1 and 22-23 (no cells in this initial release)
 - Base Drive Module (BDM) - panel 12 (back)
12-47 with 8 drives installed
23-47 with 16 drives installed
35-47 with 24 drives installed
 - Base Drive Module (BDM) - panel 13 (front)
0-51 on the front panel
 - Drive Expansion Module (DEM) - panel 10 (back)
12-47 available with 8 drives installed
23-47 available with 16 drives installed
35-47 available with 24 drives installed
No rows available with 32 drives installed
 - Drive Expansion Module (DEM) - panel 11 (front)
0-51 available on the front panel
 - Cartridge Expansion Modules (CEM) - all panels
0-51 available on both front and back panels
 - Parking Expansion Module (PEM) - all panels
0-51 available on the back and front panels
- For SL8500 libraries, valid row entries are:
 - 0-26 on a standard panel
 - 0-12 on a short panel (panels 2-4, 6-7)
 - 6-12 on a PTP panel (panel 5)

Column

list of columns to be moved from. This parameter has a corequisite of the **Row** parameter and is optional. If this parameter is not specified, all columns will be moved for the rows specified.

(column-list)

A one or two digit column number or list of column numbers. This parameter cannot contain a list if a list was specified for the **Row** parameter. Ranges are not valid.

- LSM Models 4410 and 9310 PowderHorn
 - 0-23 for outer wall panels
 - 0-19 for inner wall panels.

- LSM Model 9360 WolfCreek - 0-5 (all models).
- LSM Model 9740 TimberWolf - 0-3 for panels 0, 2, and 3 (if the optional cells are present); 0-2 for panel 1.
- LSM Model SL3000 StreamLine library
 - Access Expansion Module (AEM) panels 0-1 and 22-23
 - Base Drive Module (BDM) - panel 12 (back)
0 is available, if a CEM or DEM is added to the left of the BDM
1-5 available for all rows.
 - Base Drive Module (BDM) - panel 13 (front)
0 available with expansion to the left of the BDM
5 available for rows 39-51 with expansion to the right of the BDM
1-3 available for rows 0-38 with a CAP installed
1-4 available for rows 39-51 with a CAP installed
1-3 not available for rows 9-16 with optional window/Operator panel installed.
 - Drive Expansion Module (DEM) - panel 10 (back)
0 is available with expansion to the left of the DEM
1-5 available for rows 12-47 with 8 drives installed
1-5 available for rows 23-47 with 16 drives installed
1-5 available for rows 35-47 with 24 drives installed
No columns available with 32 drives installed.
 - Drive Expansion Module (DEM) - panel 11 (front)
0 available with expansion to the left DEM
1-3 available for rows 0-38 with a CAP installed
1-5 available for rows 39-51, with a CAP installed
1-3 not available for rows 9-16 with a window installed
1-5 available for rows 0-51 on a standard DEM panel.
 - Cartridge Expansion Module (CEM) - panels 2, 4, 6, 8 (back)
0 available with expansion to the left
1- 5 available on the standard CEM back panel.
 - Cartridge Expansion Module (CEM) - panels 3, 5, 7, 9 (front)
0 available with expansion to the left
1-3 available for rows 0-39 with a CAP installed
1-4 available for rows 39-51, with a CAP installed
1-4 available on the standard CEM front panel.
 - Cartridge Expansion Module (CEM) - panels 14-20 (back)
0-5 available on the standard CEM back panel.

- Cartridge Expansion Module (CEM) - panels 15-21 (front)
0-3 available for rows 0-39 with a CAP installed
0-5 available for rows 39-51 with a CAP installed
0-5 available on the standard CEM front panel.
- Parking Expansion Module (PEM) - left side PEM
3-5 available on the back and front panels with a second robot installed.
- Parking Expansion Module (PEM) - right side PEM
0-2 available on the back and front panels with a second robot installed.
- LSM Model SL8500 StreamLine - 0-1 for all panel types.



Note: Refer to the appropriate ACS hardware document for information about LSM panel, row, and column locations and layouts.

Volume

volumes to be moved.

(vol-list)

A list of volumes (a maximum of 300 can be specified) or a range of volumes. If you specify the **Volume** parameter, you may not specify the **Flsm** parameter.

TLsm

The target LSM(s). This is a required parameter. The LSMs are specified as *AA:LL*, where *AA* is the ACSid and *LL* is the LSMid. The ACSid:

- must be identical to the Flsm parameter “aa” (ACSid), or
- must be the same ACS in which the volume resides if the Volume parameter is specified.

(lsm-list)

A list of LSMs (a maximum of 24 can be specified). Ranges are invalid. An LSMid (*lsm-id*) is made up of the ACSid (hexadecimal 00-FF) and the LSM number (hexadecimal 00-17) separated by a colon (:).

TPanel

the panel in the **TLsm** to move the cartridge(s) to. This parameter is optional.

(panel)

The one or two digit panel number. This parameter cannot contain a list or range.

JCL Requirements

The following definitions apply to MOVE utility JCL:

SLSPRINT

output messages from the utility program.

SLSIN

input to the utility in the form of control cards.

JCL Examples

The following example shows JCL for moving a single volume from a panel to another panel within the same LSM.

The example JCL moves a volume from LSM 00:01, Panel 08, Row 05, Column 02 to the same LSM (00:01) to Panel 09.

JCL for Moving a Single Volume within the Same LSM

```
//JOBMOVE   job (account),programmer
//S1        EXEC PGM=SLUADMIN,PARM=MIXED
//SLSPRINT  DD SYSOUT=A
//SLSIN     DD *
           MOVE FLSM(00:01) PANEL(08) ROW(05) COLUMN(02) TLSM(00:01) TPANEL(09)
/*
//
```

The example JCL moves volumes 000345, 000357, 000367, and 000360 to LSM 00:02, Panel 06.

Move Several Volumes From an LSM to Another LSM

```
//JOBMOVE   job (account),programmer
//S1        EXEC PGM=SLUADMIN,PARM=MIXED
//SLSPRINT  DD SYSOUT=A
//SLSIN     DD *
           MOVE VOLUME(000345 000357 000367 000360) TLSM(00:02) TPANEL(06)
/*
//
```

Output Description

Typical outputs resulting from the execution of the MOVE utility include:

- a listing of input commands with appropriate messages when syntax errors occur
- messages associated with error conditions resulting from an unsuccessful attempt to execute unselect processing
- messages indicating actions occurring during processing (see Figure 16 on page 276)
- an updated control data set indicating the volume is moved
- a condition code indicating successful or unsuccessful volume movement (see Figure 16 on page 276).

```
SLUADMIN (n.n.n)          Oracle Enterprise Library Software Utility          PAGE 0001
TIME hh:mm:ss              Control Card Image Listing                          DATE yyyy-mm-dd

MOVE FLSM(00:04) PANEL(00) TLSM(00:11)

SLUADMIN (n.n.n)          Oracle Enterprise Library Software Utility          PAGE 0002
TIME hh:mm:ss              Move Volume Utility                                DATE yyyy-mm-dd

SLS1950I Volume X00609 moved from location 00:04:00:00:00 to location 00:11:00:00:14
SLS1950I Volume X00594 moved from location 00:04:00:00:01 to location 00:11:01:00:09
SLS1950I Volume X00578 moved from location 00:04:00:00:02 to location 00:11:02:00:09
SLS1950I Volume X00562 moved from location 00:04:00:00:03 to location 00:11:03:00:09
SLS1950I Volume X00546 moved from location 00:04:00:00:04 to location 00:11:04:00:09
SLS1950I Volume X00638 moved from location 00:04:00:00:05 to location 00:11:05:00:09
SLS1950I Volume X00659 moved from location 00:04:00:00:06 to location 00:11:06:00:09
SLS1950I Volume X00680 moved from location 00:04:00:00:07 to location 00:11:07:00:09
SLS1950I Volume X00431 moved from location 00:04:00:00:08 to location 00:11:08:00:09
SLS1950I Volume X00538 moved from location 00:04:00:00:09 to location 00:11:09:00:09
SLS1156I 10 volume(s) moved
SLS1155I 10 volume(s) moved to LSM 00:11
SLS0155I Condition code for utility function is 0
```

Figure 16. MOVE Utility Sample Output

Performance Log Reblocker Utility

The Performance Log Reblocker utility is used by sites sharing an ACS between MVS and VM hosts. The utility is used to reformat the VM performance log data to a common format similar to that of the MVS/SMF data. This data is then used as input for the Activities Report utility. The Performance Log Reblocker utility is required to reconstruct the original-image SMF data; different versions are provided to execute in the CMS and MVS environments.

This utility prepares the generated performance log (SMF data) for use by the Activities Report utility.

SMF records passed to the SCP (see the glossary for a definition of SCP) are variable in length and can be up to 32K bytes long. The SCP breaks these records into sections that fit in a VM punch spool file, and passes reblocking information with each segment.

The MVS version takes SCP performance log output (with header/trailer data) and reblocks the physical records into the original length variable, blocked, spanned records that an MVS SMF function can handle.

For more information about the Performance Log Reblocker utility, refer to the *HSC System Programmer's Guide (VM Implementation)*. The PERFLOG trailer data optionally may be used to specify additional processing of the data after it is reblocked.

JCL Example

The following example shows JCL for Performance Log Reblocker formatter and merge tasks.

JCL for Performance Log Reblocker

```
//PERFLOG JOB (Accounting info),
// CLASS=x
//* ----- *
//* PERFLOG Formatter *
//* Takes PERFLOG records in 80 column card images and rebuilds them *
//* as SMF type records. *
//* ----- *
//STEP01 EXEC PGM=SLUPERF,REGION=512K
//STEPLIB DD DSN=your.hsc.loadlib,DISP=SHR
//SYSPRINT DD SYSOUT=*
//PRINTER DD SYSOUT=*
//SLSSMF DD DSN=PERFLOG.FORMATED,DISP=(NEW,CATLG,DELETE),
// DCB=(BLKSIZE=3120,LRECL=16384,RECFM=VBS),
// UNIT=SYSDA,SPACE=(CYL,(10,5))
//SYSIN DD *
+++++ PERFLOG DATA GOES HERE +++++
//* ----- *
//* PERFLOG Merge *
//* Takes the SMF type PERFLOG records and merges them with any other *
//* records desired. *
//* ----- *
//STEP02 EXEC PGM=merge,REGION=512K
//SYSPRINT DD SYSOUT=*
//PRINTER DD SYSOUT=*
//SYSUT1 DD DSN=PERFLOG.FORMATED,DISP=OLD
//SYSUT2 DD DSN=other.data,DISP=OLD
//SYSUT3 DD DSN=merged.data,DISP=(NEW,CATLG,DELETE),
// UNIT=SYSDA,SPACE=(CYL,(10,5))
//
```

Output Description

Output resulting from the execution of the Performance Log Reblocker utility includes:

- a reblocked SMF data file
- a listing of record subtypes that have been reblocked.

A sample output listing of the Performance Log Reblocker utility follows.

```
SLUPERF: Begin Date= 1996155   Begin Time= 14:44:27   End Date= 1996155
          End Time= 14:45:42

SMF Subtype: 001 LSM Offload Statistics 8

SMF Subtype: 004 LMU Read Statistics 16
```

This example shows the number of records reblocked for a given SMF subtype. In this case, 8 subtype 001 records and 16 subtype 004 records have been reblocked.

Point-in-Time Copy (SLUPCOPY) Utility

The Point-in-Time Copy utility provides an alternate method to create a backup of the HSC CDS. There are several benefits to running this utility over the BACKup utility:

- It is a significantly faster way to create a backup.
- It provides much less disruption to tape operations.
- It ensures that the backup of the CDS is a consistent copy for a given point in time.

For detailed information, refer to Appendix K, “Point-in-Time (PIT) Copy Utility” on page 987.

Reconfiguration Utility

The Reconfiguration utility is used as part of a four stage process to create a new copy of the control data set when library hardware configurations change, such as the addition of drives or LSMs, but when information regarding the location of cartridges in the library must be retained from the original control data set.

The four stages include:

- performing a LIBGEN to create the new hardware configuration
- executing the SLICREAT procedure to format the new CDS that will hold the information transferred from the old CDS during the execution of the Reconfiguration utility
- executing the Reconfiguration utility to transfer current cartridge information from the old CDS to the new CDS taking into account the hardware configuration changes made
- possibly executing a partial audit that may be necessary to make final corrections to the CDS contents for panels that may have changed as a result of hardware configurations, such as the addition of drive panels.

The Reconfiguration utility, called via an MVS START command parameter, runs as a special invocation of the HSC. The Reconfiguration utility uses as input the CDSDEF control statement (points to the old CDS) as its information source and the RECDEF control statement (points to the newly formatted CDS) as the target where the updated information is stored.



Notes:

- **Before you execute this utility, run the Volume Report utility (refer to “Volume Report Utility” on page 349) and resolve all errant volumes.**
- StorageTek recommends that the MERGEcds utility be used instead of this utility. Support for Reconfiguration will end in a future release.

Reasons for Running the Reconfiguration Utility

The Reconfiguration utility minimizes the amount of time that the library is unavailable for your use due to library modifications. Some typical examples of library modifications are:

- an LSM panel is reconfigured (possibly by adding a drive panel to the LSM)
- an LSM is added to the existing configuration. Usually, this causes a change to the configuration of some of the existing LSMs since PTP panels replace panels that are currently full wall panels.
- an ACS is added to the library
- an LSM, or an entire ACS, is removed from the library.

Since the LIBGEN macros define the various physical aspects of a library, most changes or modifications affecting the physical configuration of the library require that corresponding LIBGEN macro(s) be updated. Any update to the LIBGEN (except changes made via the SET utility) requires that a new library control data set be created. To do this, run your LIBGEN through the SLICREAT program (refer to “Executing the SLICREAT Program” in the *HSC Configuration Guide*) and use that output file along with your old CDS as input to the Reconfiguration utility (refer to “Reconfiguration CDS Definition (RECDEF) Control Statement” on page 92).



Note: The SET utility allows many changes to be made without executing the Reconfiguration utility to accomplish a desired functional change. Refer to “SET Utility” on page 323 for a description of the SET utility.

How the Reconfiguration Utility Functions

During a reconfiguration, volume information is copied from the old CDS to the new CDS. If the same LSMid exists on both the old and new CDS, volume information is copied for all panels as long as the panel type did not change.



Notes:

- LSM types must be the same, or no volumes in those LSMs are copied. 4410 and 9310 LSMs are considered to be the same LSM type.
- An example of a “changed” panel type is if a drive panel replaces a cell panel. In this case, volume information on that panel is not copied.

When panels are frozen by the SET FREEZE utility, the resulting panel status in the new CDS is determined by these conditions:

- If the panel types match on the old and new CDS, the panel is frozen only if the panel on the old CDS is frozen.
- If the panel types **do not** match on the old and new CDS, the panel is frozen only if the panel on the new CDS is frozen.

The console operator can execute the Reconfiguration utility via a PROC (refer to “Reconfiguration PROC” on page 284) using the MVS START command to transfer data from the old control data sets to the new control data sets.



Note: Reconfiguration executes under the Base service level only.

Before executing the Reconfiguration utility, it is highly recommended that you run the Volume Report utility, which specifies the ACS and/or ACS and LSM options.

The volume report detects any errant and/or selected volume plus cell-allocated, but empty, conditions. If any of these conditions exist, it is recommended that each condition be cleared before running the Reconfiguration utility. If not cleared, the condition is copied to the newly created control data set.

An exception exists for selected volumes that are copied and marked unselected in the new control data set. If duplicate VOLSERS exist, run the AUDIt utility before running the Reconfiguration utility.

The net result of executing the Reconfiguration utility (process) is the creation of new control data sets that must be used for HSC execution from this point.



Note: ALL new control data sets (primary, secondary, and standby) must conform to the library hardware.



Caution: Following a reconfiguration, all LSMs are in offline, manual mode and must be brought online. Commands that are dependent on the LSMs being online (including all commands used when automated mounts or dismounts are necessary) need to be issued after the LSMs are brought online.

I/O Considerations

The Reconfiguration utility supports creating data spaces to store CDS records subject to multiple I/O updates. Data space size is approximately 500K (.5M) for each LSM in the new configuration.

If the necessary data space cannot be acquired by the utility, CDS I/O will require significant additional time.



Note: Reconfiguration to real DASD with many scratch volumes has been known to take hours of wall clock time.

Running a Successful Reconfiguration

While the Reconfiguration utility is in process, the library is unavailable to the user. The steps necessary to achieve a successful reconfiguration are as follows:

1. Run the Database Decompile utility to create a new LIBGEN.



Caution: Do not rely on old LIBGENs for accuracy. If you do not perform this step, modifications made to the CDS (e.g., changes entered from the SET utility) will not be added to the LIBGEN. Thus, you may encounter a mismatch between your CDS and LIBGEN.

2. Identify any proposed changes to the host system's Configuration Plan. Update your Hardware Configuration Definition (HCD) and LIBGEN to reflect these changes.

If you want to insert new ACSs into the middle of an existing library, or LSMs into an existing ACS, use the MERGEcds utility instead of Reconfiguration.



Caution:

- **If new ACSs are inserted into the middle of an existing library, all volume information will be lost for ACSs after the inserted ACS(s). In this case, audits may need to be run on the affected ACSs.**

When you add a new ACS(s), add it as the last ACS defined in LIBGEN; specifically, add it as the last assembler label specified on the SLIALIST macro and add all other affected macros. Refer to the "SLIALIST Macro" in the *HSC Configuration Guide* for a description of the macros.

- **If new LSMs are inserted in the middle of an existing ACS LSM string, all volume information will be lost for LSMs after the inserted LSM(s). In this case, audits may need to be run on the affected LSMs.**

When you add new LSMs to an ACS, add them as the last LSMs in that ACS; that is, add them as the last SLILSM macros specified on the highest-numbered LSM parameter (LSM, LSM2, LSM3, or LSM4) of the SLIACS macro and include all other affected macros. Refer to the “SLIACS Macro” in the *HSC Configuration Guide* for a description of the macros.

Assuming you specify additional LSM parameters (LSM2, LSM3, LSM4) in ascending order to enhance maintainability, note these syntax requirements:

- If the number of LSMs in an ACS does not exceed the 255-character limit on the LSM parameter, add the new LSMs as the last SLILSM macros on the LSM parameter.
- If the number of LSMs in an ACS exceeds the 255-character limit on the LSM parameter, add the new LSMs as the last SLILSM macros on the LSM2 parameter.
- If the number of LSMs in an ACS exceeds the 255-character limit on the LSM2 parameter, add the new LSMs as the last SLILSM macros on the LSM3 parameter.
- If the number of LSMs in an ACS exceeds the 255-character limit on the LSM3 parameter, add the new LSMs as the last SLILSM macros on the LSM4 parameter.



Note: If the number of LSMs in an ACS exceeds the 255-character limit on the LSM4 parameter, you have surpassed the architectural limit of 256 LSMs for each ACS. In this case, you must add the new LSMs to another ACS.

3. Assemble a LIBGEN that contains the required macro changes.
4. Optionally, run the SLIVERFY program to verify the HCD and LIBGEN.
5. Create the data set initialization JCL and execute SLICREAT to format the new control data set(s) (refer to “Initializing the Control Data Sets” in the *HSC Configuration Guide*).



Note: SLICREAT must create **all** control data sets (primary, secondary, and standby) referenced by the HSC.

6. Update the RECDEF PARMLIB statement to specify the new HSC data set to be created.

7. Make sure that the current primary CDS copy (as shown by the Display CDS command) is the primary copy of the old CDS input to RECONFIG.

If the CDS copies need to be rotated into a different sequence, use the procedure described under “Reassigning Control Data Set Names in Database Heartbeat Record” on page 54.

8. Update the CDSDEF PARMLIB control statement to include **only** the primary CDS.



Warning: You must specify **only** the primary CDS copy that was last active. If you do not, unpredictable and undesirable operational results, including operating system hangs, can occur.

9. Stop execution of the HSC on all hosts.
10. Use the MVS START Command to invoke the Reconfiguration PROC. Refer to “Reconfiguration PROC” on page 284.
11. When the RECONFIG is complete, if necessary, make hardware/LMU microcode changes.
12. Back up the new control data set.
 - a. Update the CDSDEF PARMLIB statement to specify the new HSC data set(s). Change the existing utility JCL to reflect the new CDS names.

or

- b. Rename the CDSs. To see how to retain the CDS names, refer to “Renaming Control Data Sets” on page 56.



Note: The HSC startup after reconfiguration must point to the new primary, secondary, and standby CDS copies.

13. Remove the RECDEF PARMLIB statement.
14. Start the new production procedure (see “Renaming Control Data Sets” on page 56 for more information).
15. Modify all LSMs online.
16. The reconfiguration sets all CAP preference values to MANUAL. If necessary, reassign CAP preference values.
17. Audit any panels that changed while reconfiguring the library.



Caution: When an LSM panel is replaced, the contents of the original panel are not retained in the CDS. The entire new panel must be audited to update the CDS.

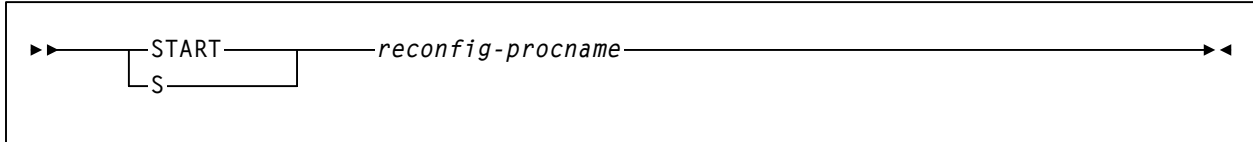
Reconfiguration PROC

Create a reconfiguration procedure that includes the new control data sets produced by the reconfiguration data set initialization JCL. This PROC may be identical to the startup PROC with the following modifications:

- Add RECONFIG to the PARM information passed from the EXEC statement.
- Enter the new control data set name specified in the RECDEF PARMLIB statement (refer to “Reconfiguration CDS Definition (RECDEF) Control Statement” on page 92) in your SLSSYS DD statement.

Refer to “JCL Example” for an example of a Reconfiguration PROC.

Syntax



Note: The Reconfiguration utility is invoked by using the MVS START command that includes the RECONFIG parameter in the PROC. This PROC executes program SLSBINIT.

MVS Command Name

START or S

initiates the MVS START command.

Parameters

reconfig-procname

is the name of the Reconfiguration PROC.

JCL Requirements

Refer to “Reconfiguration CDS Definition (RECDEF) Control Statement” on page 92 for information required for the Reconfiguration utility.

JCL Example

Sample Reconfiguration PROC

```
//newprocname PROC
//IEFPROC EXEC PGM=SLSBINIT,
// TIME=1440,
// REGION=2000K,
// DPRTY=(7,5),
// PARM='E(086) F(23) M(02) SSYS(HSC0) RECONFIG'
//*
//SLSSYS02 DD DSN=your.parmlib.(member),DISP=SHR
//STEPLIB DD DSN=sys1.your.linklib,DISP=SHR
```

PARMLIB Example

The following JCL example represents the reconfiguration procedure using CDSDEF and RECDEF statements in the PARMLIB.

Refer to Chapter 3, “HSC Control Statements and HSC Start Procedure” on page 79 for more RECDEF PARMLIB examples.

PARMLIB Example of RECDEF Control Statement

```
/*
CDSDEF DSN1=SLS.DBASEPRM
RECDEF DSN1=SLS.NEW.DBASEPRM,+
       DSN2=SLS.NEW.DBASESEC
*/
```

Output Description

Output resulting from the execution of the Reconfiguration utility includes a message stating whether or not the utility ran successfully.

REStore Utility

The REStore utility provides a way to re-create the library control data set from a previous backup copy of the data set. You also have the option to apply all journals (maximum of 99 files per run) since the last backup, if journaling is enabled.



Caution: It is critical that you restore all data sets referenced by the HSC (primary, secondary, standby). Failing to restore all data sets can cause CDS mismatches. Refer to “Control Data Set Recovery” on page 52 and “Reassigning Control Data Set Names in Database Heartbeat Record” on page 54 for additional information.

Prerequisites



Warning: The host software must be **stopped** on all hosts when this utility is executed.

Reasons for Running the REStore Utility

The REStore utility performs the following tasks:

- re-creates the library control data set from a backup copy
- applies contents of any journals having activity since the backup. This process occurs only if you have designated that journals are enabled. See “SLIRCVRY Macro” in the *HSC Configuration Guide* for information about enabling journaling



Notes: The HSC BACKup and REStore utilities can be used as part of a procedure to rename control data sets. Refer to “Renaming Control Data Sets” on page 56 for detailed information on renaming control data sets.

How the REStore Utility Functions

The REStore utility is executed in the following phases:

- A hardware reserve is issued against the control data set.
- The library control data set is restored from a previous backup copy.
- If journaling is enabled, the installation optionally can apply journals (up to 99 files per run) to the restored library control data set. It is the user’s responsibility to include all journals and offload copies made since the last backup.
- The restored library control data set is duplicated in the secondary and standby control data sets if secondary and standby control data sets are being used. Refer to “Control Data Set Recovery” on page 52 for additional information about the control data set recovery scheme.

Note: The restored data set is formatted as RECFM=F, BLKSIZE=4096. The logical record length may be LRECL=0. In this case, LRECL=0 indicates to default to the block size, so you should not construe this as a problem.

- If GENERate (YES, Only, or Short) is specified in the REStore JCL, output of the discrepancies encountered is stored in the SLSAUDIT data set. For information on

resolving any discrepancies, see “How to Handle BACKUp/REStore Discrepancies” on page 295.

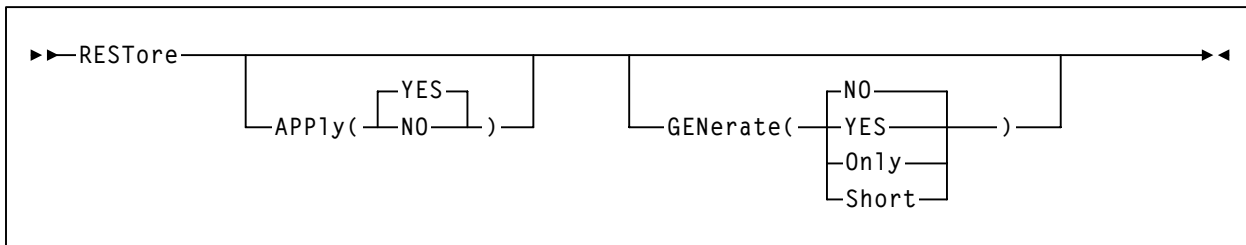
- The control data set is released, and the utility ends.

The REStore utility does not reset the journals. It is recommended that a backup be performed following the completion of the restore to reset the journals and reflect the newly restored control data set.

Special Considerations for Control Data Sets Processing Independently

Special precautions should be taken for running BACKUp and REStore when local/remote-linked libraries run control data sets independent of each other. These precautions should be followed when the link connecting the local and remote libraries is disrupted. Refer to “CDS Synchronization Between Local/Remote-linked Libraries” on page 204 for more information.

Syntax



Utility Name

REStore

specifies that the restore operation is to be performed.

Parameters

APPLy

optionally specifies whether or not the journals are to be applied to the restore operation.

(YES)

specifies that journals are to be applied. **YES is the default.**

(NO)

specifies that journals are not to be applied.

GENerate

optionally specifies what statements are output to the SLSAUDIT data set and whether or not control data sets are restored.

(NO)

specifies that NO statements are sent to the SLSAUDIT data set. The control data sets are also restored. **NO is the default.**

(YES)

specifies that statements are sent to the SLSAUDIT data set. The control data sets are also restored.

Note: If OPTion(Analyze) was specified for backup, this parameter should be specified for the restore.

(Only)

specifies that all statements are sent to the SLSAUDIT data set. The CDS and Journal DD statements need not be present. The control data sets are not restored.

(Short)

specifies that Audit statements only are sent to the SLSAUDIT data set. The control data sets are restored.

JCL Requirements

The following definitions apply to RESTore utility JCL:

SLSPRINT

output messages from the utility program.

SLSCNTL

the primary control data set.

SLSCNTL2

the secondary copy of the CDS (optional).



Notes:

- If this is a new data set (e.g., DISP=(NEW,...)), DCB=(DSORG=PS) must be coded to make sure that the data set organization of the control data set is defined correctly.
- The logical record length of the restored data set may be LRECL=0. This is not an indication of a problem. In this case, the LRECL for the restored data set defaults to BLKSIZE=4096.

SLSBKUP

the backup data set.

SLSSTBY

a standby copy of the control data set having only the heartbeat block updated (optional).

SLSJRNnn

if journaling is enabled, statements that define all journals since the last backup. There are two journals per host and up to 16 hosts. The possibility exists that the journals could have been off-loaded since the last control data set backup. If so, all archived journals must also be specified here.

It is the user's responsibility to specify the archived journals, since there are no means of checking for missing archived journals. There is also no provision for specifying more than 99 journals. **Allowable values for nn are 01 to 99, but numbers cannot be skipped.**

SLSAUDIT

identifies where the UNSCratch, UNSElect, and AUDIt statements are to be placed. SLSAUDIT has a logical record length (LRECL) of 80 and a block size (BLKSIZE) of 80. These statements are in the optimal order and can be directly input to an execution of SLUADMIN. The data set name specified in SLSAUDIT can be used as SLSIN input to SLUADMIN.

SYSOUT

sort message output. Required if APPLy(YES) is specified.

SLSIN

input to the utility in the form of control cards.

SLSDELTA

work data set created by the restore. The DD statement naming a temporary data set for the sorted deltas. The space allocation should be at least as large as the sum of all the SLSJRNnn data sets. This statement is only required when APPLy(YES) is specified.

SORTWKnn

sort work data sets. Required if APPLy(YES) is specified.

JCL Examples

Various examples showing JCL for running the RESTore utility are presented. Select the appropriate example matching the control data set conventions that you have used for specifying data sets.

The first example restores the control data sets using current data set conventions with the primary, secondary, and standby control data sets and journals applied.

JCL for RESTore (with Journals Applied)

```
//JOBSTR      job (account),programmer,REGION=2048K
//S1          EXEC PGM=SLUADMIN,PARM=MIXED
//SLSBKUP     DD DSN=backup.set.name,DISP=(OLD)
//SLSCNTL     DD DSN=primary.set.name,DISP=(NEW,CATLG,DELETE),
//            DCB=(DSORG=PS),UNIT=,SPACE=
//SLSCNTL2    DD DSN=secondary.set.name,DISP=SHR
//SLSSTBY     DD DSN=standby.set.name,DISP=SHR
//SLSJRN01    DD DSN=journal1.set.name,DISP=SHR
//SLSJRN02    DD DSN=journal2.set.name,DISP=SHR
//SORTWK01    DD UNIT=,SPACE=
//SLSDELTA    DD UNIT=,SPACE=
//SLSAUDIT    DD DSN=dataset.name,DISP=SHR
//SLSPRINT    DD SYSOUT=*
//SYSOUT      DD SYSOUT=*
//SLSIN       DD *
              RESTORE APPLY(YES)
/*
```

The second example shows JCL for the RESTore utility using the GENERate(Only) parameter.

JCL for RESTore (with GENERate Only)

```
//JOBSTR      job (account),programmer,REGION=2048K
//S1          EXEC DD DSN=backup.set.name,DISP=OLD
//SLSAUDIT    DD DSN=dataset.name,DISP=SHR
//SLSPRINT    DD SYSOUT=*
//SLSIN       DD*
              RESTORE GENERATE(ONLY)
```

The third example shows JCL for restoring the library control data set without journals applied and without sending the output of the restore operation to the SLSAUDIT data set.

JCL for RESTore (without Journals or Output to SLSAUDIT)

```
//JOBSTR      job (account),programmer,REGION=2048K
//S1          EXEC PGM=SLUADMIN,PARM=MIXED
//SLSBKUP     DD DSN=backup.set.name,DISP=(OLD)
//SLSCNTL     DD DSN=primary.set.name,DISP=(NEW,CATLG,DELETE),
//            DCB=(DSORG=PS),UNIT=,SPACE=
//SLSCNTL2    DD DSN=secondary.set.name,DISP=SHR
//SLSSTBY     DD DSN=standby.set.name,DISP=SHR
//SORTWK01    DD DSN=temp.sort,DISP=(NEW,KEEP),UNIT=
//SLSDELTA    DD DSN=temp.delta,DISP=(NEW,KEEP),UNIT=
//SLSPRINT    DD SYSOUT=*
//SLSIN       DD *
              RESTORE APPLY(NO) GENERATE(NO)
/*
//
```

The fourth example shows JCL for restoring the library control data set with data set naming conventions. The example runs RESTore with journals applied (APPLY(YES)) and a secondary CDS active.

JCL for RESTore (with Secondary [Shadow] and Journals)

```
//JOBSTR      job (account),programmer,REGION=2048K
//S1          EXEC PGM=SLUADMIN,PARM=MIXED
//SLSBKUP     DD DSN=backup.set.name,DISP=(OLD)
//SLSCNTL     DD DSN=primary.set.name,DISP=(NEW,CATLG,DELETE),
//            DCB=(DSORG=PS),UNIT=,SPACE=
//SLSDELTA    DD DSN=&&TEMP,DISP=(,DELETE,DELETE),UNIT=,SPACE=
//SLSJRN01    DD DSN=journal1.set.name,DISP=OLD
//SLSJRN02    DD DSN=journal2.set.name,DISP=OLD
//SLSPRINT    DD SYSOUT=A
//SLSCNTL2    DD DSN=secondary.set.name,DISP=(NEW,KEEP),UNIT=,SPACE=
//SORTWK01    DD DSN=&&TEMP,DISP=(,DELETE,DELETE),UNIT=,SPACE=
//SYSOUT      DD SYSOUT=A
//SLSIN       DD *
              RESTORE APPLY(YES)
/*
//
```

Note: The UNIT= and SPACE= parameters for SLSCNTL are completed with the same information defined for the Data Set Initialization JCL section in “Creating Data Set Initialization JCL” in the *HSC Configuration Guide*.

The fifth example shows JCL for restoring the library control data set with data set naming conventions. The example runs RESTore with journals applied (APPLY(YES)) and the output of the restore operation placed in the SLSAUDIT data set (GENERATE(YES)).

JCL for RESTore (Journals and Output to SLSAUDIT)

```
//JOBSTR   job (account),programmer,REGION=2048K
//S1       EXEC PGM=SLUADMIN,PARM=MIXED
//SLSCNTL  DD DSN=primary.set.name,DISP=SHR
//SLSCNTL2 DD DSN=secondary.set.name,DISP=SHR
//SLSBKUP  DD DSN=backup.set.name,DISP=OLD
//SLSPRINT DD SYSOUT=*
//SLSIN    DD *
RESTORE  APPLY(YES) GENERATE(YES)
```

Output Description

Output resulting from the execution of the RESTore utility includes:

- a restored library control data set. A shadow or secondary data set is also output if specified in the JCL.
- a listing of input commands with appropriate messages when syntax errors occur
- messages associated with error conditions resulting from an unsuccessful attempt to execute RESTore processing
- a condition code indicating successful/unsuccessful restore processing (see Figure 17 on page 294)
- a control card output for CDS discrepancies.

```

SLUADMIN (n.n.n)          Oracle Enterprise Library Software Utility          PAGE 0001
TIME hh:mm:ss            Control Card Image Listing                    DATE yyyy-mm-dd

RESTORE GENERATE(YES)

SLUADMIN (n.n.n)          Oracle Enterprise Library Software Utility          PAGE 0002
TIME hh:mm:ss            Restore Utility                                DATE yyyy-mm-dd

SLS1212I JCL has been verified for the RESTORE utility
SLS1199I The Backup being restored is from 20040301 at 14:08:04
SLS0161I Control database is successfully copied from the backup copy
SLS0391I All host DHBEFLAGS reset in CDS
SLS1219I SLSCNTL2 data set was successfully restored from SLSCNTL
SLS1219I SLSSTBY data set was successfully restored from SLSCNTL

SLUADMIN (n.n.n)          Oracle Enterprise Library Software Utility          PAGE 0003
TIME hh:mm:ss            Restore Utility                                DATE yyyy-mm-dd
                          Statement Generation Summary Report

UNSCR VOL(EVT181-EVT182,EVT184-EVT187,EVT190-EVT191,EVT193-EVT194)
UNSCR VOL(EVT286-EVT288,EVT386-EVT388,EVT480-EVT483,EVT485-EVT488)
UNSEL VOL(E51233)
UNSEL VOL(EVT180)
.
.
.
UNSEL VOL(EVT488)

SLUADMIN (n.n.n)          Oracle Enterprise Library Software Utility          PAGE 0004
TIME hh:mm:ss            Restore Utility                                DATE yyyy-mm-dd
                          Statement Generation Summary Report

AUDIT ACS(00) LSM(00) PAN(00) ROW(00) COL(00)
AUDIT ACS(00) LSM(00) PAN(01) ROW(00) COL(03)
.
.
.
AUDIT ACS(01) LSM(00) PAN(19) ROW(03) COL(01)
SLS0155I Condition code for utility function is 0

```

Figure 17. Restore Utility Sample Output

How to Handle BACKup/REStore Discrepancies

Under abnormal circumstances (CDS mismatch, link down, and so on), the backup operation must be performed periodically. During this operation, discrepancy blocks are generated within the SLSBKUP data set. Then, during the restore process, the discrepant records are formatted into control card statements and output to the SLSAUDIT data set.

After the HSC is reactivated, the statements defining discrepancies are input to SLUADMIN, and AUDIt, UNSCratch, and UNSElect are performed to resolve the discrepancies.

Scratch Conversion (SLUCONDB) Utility

The SLUCONDB program generates scratch transactions from CA-1, CA-DYNAM/TLMS, and DFSMSrmm tape management systems, or from a file extracted from a client system by the SMC SMCUDBX utility (refer to the *SMC Configuration and Administration Guide* for more information).

It generates the scratch transactions in a format acceptable to the Scratch Update utility. In addition, the LIBONLY parameter can be coded on the EXEC JCL statement, which scratches the selected volume serial numbers in the HSC CDS using the HSC Programmatic Interface.



Warning: The Scratch Update utility should not be executed while the Scratch Conversion utility is running.

Data Space Consideration

Some installations utilize the IEFUSI exit to limit the size of data spaces in a job. The IEFUSI exit must allow SLUCONDB to either:

- allocate two 1GB data spaces, or
- be modified by the user to create data spaces of a size allowed by IEFUSI, yet large enough to contain the necessary data for SLUCONDB processing.

One data space must be a minimum of 16 times the maximum number of volumes defined in the HSC CDS, for real and virtual volumes, at any given time. The other data space must be a minimum of 16 times the maximum number of volumes defined as “scratch” in the TMS data base at any given time.

SLUCONDB

SLUCONDB processes the CA-1 Tape Management Catalog (TMC), CA-DYNAM/TLMS VMF, or DFSMSrmm and selects volume serial numbers for processing based on the date parameter(s) specified on the EXEC JCL statement.



Note: Volume serial numbers selected are those **not** already in scratch status in the CDS.

If a parameter is NOT specified on the EXEC JCL statement, defaults are assigned. These defaults are described in the Parameters section below.

SLUCONDB calls one of three routines to read either CA-1 TMC (SLUDRCA1), CA-DYNAM/TLMS VMF (SLUDRTLMM), or DFSMSrmm (SLUDRRMM).

SLUCONDB can also be used to read the SMC TMS scratch extract file generated by the SMCUDBX utility. In this mode, SLUCONDB generates scratch transactions **only** for HSC volumes with a “last select time” earlier than the time of the SMCUDBX run.



Caution: If you have made any modifications to previous releases of these modules, the StorageTek routines must be modified, reassembled, and linked using the sample provided. New releases can introduce changes in operation.

SLUDRCA1

SLUDRCA1 utilizes CA-1 macros to map the layout of the CA-1 TMC. The macro names which map the CA-1 TMC have changed from Release 4.9 to Release 5.0. Both macros are located at the end of this module with the CA-1 Release 4.9 macro as a comment. The version of SLUDRCA1 supplied in SAMPLIB utilizes CA-1 Release 5.0 macro and was assembled using this macro.

If you are using CA-1 Release 4.9 or earlier, you must comment out the Release 5.0 macro, remove the asterisk in column 1 of the Release 4.9 macro, and reassemble this module. Make sure the appropriate CA-1 macro library is used in the assemble SYSLIB concatenation.

If you are running CA-1 Release 5.0 without any local modifications, this module does not need to be reassembled and nothing further must be done to this module. If you have local modifications, you must reassemble this module.

SLUDRTL

SLUDRTL utilizes a CA-DYNAM/TLMS COPY member to map the layout of the VMF. This module must be re-assembled if you are running TLMS Release 5.4 or if you have local modifications. If you must re-assemble this module, make sure the appropriate CA-DYNAM/TLMS source library is used in the assemble SYSLIB concatenation.

SLUDRRMM

SLUDRRMM is called to read the DFSMSrmm report extract file if RMM is specified in the EXEC JCL statement. This program utilizes the DFSMSrmm EDGRVEXT macro to map the layout of the extract file. Fields read in the extract file include:

- RVTYPE (record type)
- RVVOLSER (volser number)
- RVLCDATE (last change date)
- RVNAME (unit type)
- RVSTATUS (volume status)
- RVEXPDT (volume expiration date)
- RVEXPDTO (volume original expiration date)
- RVLABEL (volume label type).

SLUDRRMM processes the extract and passes the volume record information to SLUCONDB, which builds scratch card images to be input to SLUADMIN. Volume scratch status (scratch/nonscratch) is then updated in the CDS for each volume record in the extract file.

Dates on the RMM report must be in Julian date format (EDGHSKP run with PARM 'DATEFORM(J)'). Tapes listed on the RMM report without expiration dates will be skipped by SLUDRRMM.

SLUDRSMC

SLUDRSMC is called to read the extract file created by the SMCUDBX utility from a client tape management system. This file includes one record for every scratch volume extracted that contains the volume serial number and the time of the extract run.

During execution, correct scratch synchronization is provided by matching the time (in GMT format) of the scratch extract run with the volume's "last select time." Any volume selected after the scratch selection run is skipped in SLUCONDB processing.

Link Edit Parameters

The following is an example of the Link Edit control statements to be used for SLUCONDB if user modifications are required.

Link Edit Control Statements for SLUCONDB

```
/*  
//S000001 EXEC PGM=IEWL,COND=(0,NE),  
// PARM='SIZE=(400K,96K),LIST,XREF,NCAL'  
//SYSPRINT DD SYSOUT=*  
//ASLSLINK DD DISP=SHR,DSN=your.hsc.smp/e.loadlib  
//USEROBJ DD DISP=SHR,DSN=your.user.objlib  
//SYSMOD DD DISP=SHR,DSN=your.user.loadlib  
//SYSLIN DD *  
INCLUDE ASLSLINK(SLSFLLVT)  
INCLUDE ASLSLINK(SLSXCAL)  
INCLUDE USEROBJ(SLUCONDB)  
ENTRY SLUCONDB  
SETCODE AC(1)  
NAME SLUCONDB(R)  
/*
```

The following is an example of the Link Edit control statements to be used for SLUDRCA1, SLUDRTL, or SLUDRRMM.



Note: The SLUDRCA1, SLUDRTL, and SLUDRRMM modules are shared with the MVS/CSC and SMC products. These load modules are distributed in the SMC SMCLINK library during SMP/E installation.

Link Edit Statements SLUDRCA1/SLUDRTL/SLUDRRMM

```
/*
//S000001 EXEC PGM=IEWL,COND=(0,NE),
//          PARM='SIZE=(400K,96K),LIST,XREF,NCAL'
//SYSPRINT DD  SYSOUT=*
//USEROBJ  DD  DISP=SHR,DSN=your.user.objlib
//SYSLMOD  DD  DISP=SHR,DSN=your.user.loadlib
//SYSLIN   DD  *
          INCLUDE USEROBJ(SLUDR___)
          ENTRY  SLUDR___
          SETCODE AC(1)
          NAME   SLUDR___(R)
/*
```

The following is an example of the assembly and link edit JCL required for SLUCONDB if user modifications are required.

Assembly and Link Edit JCL for SLUCONDB

```
//SLUCONAS JOB (acctg info),'SLUCONDB',...
/*
//ASM      EXEC PGM=ASMA90,PARM='OBJECT,NODECK',REGION=1024K,
//SYSPRINT DD  SYSOUT=*
//SYSLIB   DD  DISP=SHR,DSN=SYS1.MACLIB
//          DD  DISP=SHR,DSN=your.hsc.smp/e.maclib
//SYSUT1   DD  UNIT=VIO,SPACE=(CYL,(1,1))
//SYSLIN   DD  DISP=(,PASS),UNIT=SYSDA,SPACE=(TRK,(1,1))
//SYSIN    DD  DISP=SHR,DSN=slucondb.asm.dataset
/*
//LKED     EXEC PGM=IEWL,COND=(0,NE),REGION=1024K,
//          PARM='SIZE=(400K,96K),LIST,XREF,NCAL'
//SYSPRINT DD  SYSOUT=*
//ASLSLINK DD  DISP=SHR,DSN=your.hsc.smp/e.loadlib
//SYSLMOD  DD  DISP=SHR,DSN=your.user.loadlib
//SYSLIN   DD  DISP=(OLD,DELETE),DSN=*.ASM.SYSLIN
//          DD  *
          INCLUDE ASLSLINK(SLSFLLVT)
          INCLUDE ASLSLINK(SLSXCAL)
          ENTRY  SLUCONDB
          SETCODE AC(1)
          NAME   SLUCONDB(R)
/*
//
```

The following is an example of the assembly and link edit JCL required for SLUDRCA1, SLUDRTL or SLUDRRMM if user modifications are required.

Assembly/Link-Edit JCL SLUDRCA1/SLUDRTL/SLUDRRMM

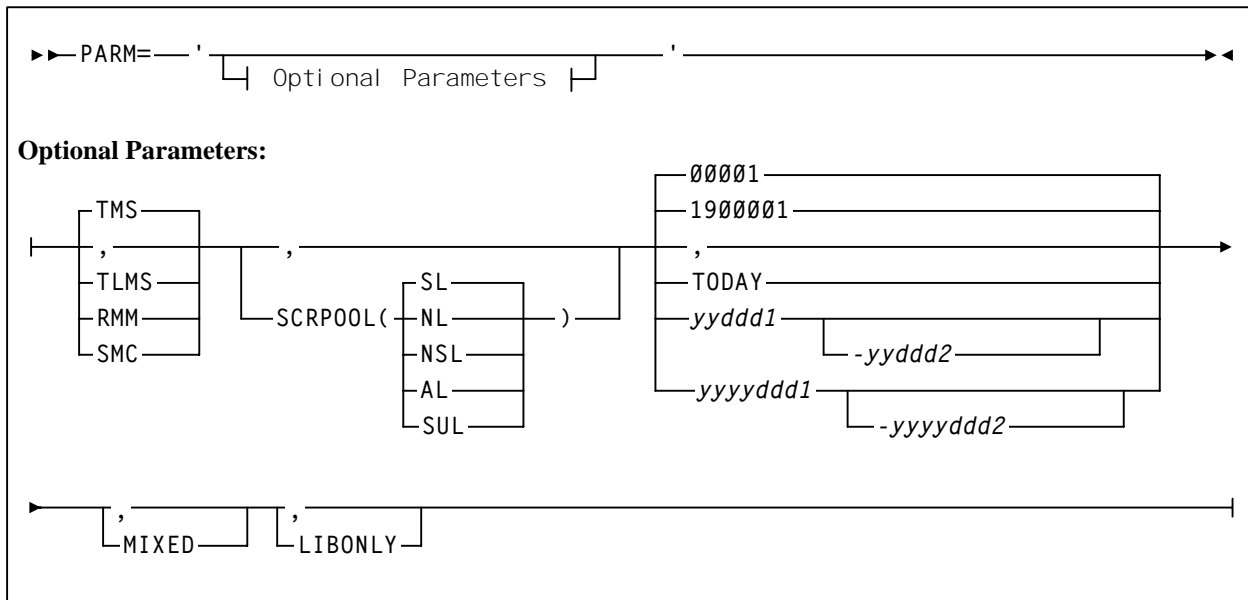
```

//SLUDRASL JOB (acctg info),'SLUDR___',...
//*
//ASM      EXEC PGM=ASMA90,PARM='OBJECT,NODECK',REGION=1024K,
//SYSPRINT DD  SYSOUT=*
//SYSLIB   DD  DISP=SHR,DSN=SYS1.MACLIB
//         DD  DISP=SHR,DSN=your.hsc.smp/e.maclib
//         DD  DISP=SHR,DSN=your.tms.maclib
//SYSUT1   DD  UNIT=VIO,SPACE=(CYL,(1,1))
//SYSLIN   DD  DISP=(,PASS),UNIT=SYSDA,SPACE=(TRK,(1,1))
//SYSIN    DD  DISP=SHR,DSN=sludr___.asm.dataset
//*
//LKED     EXEC PGM=IEWL,COND=(0,NE),REGION=1024K,
//         PARM='SIZE=(400K,96K),LIST,XREF,NCAL'
//SYSPRINT DD  SYSOUT=*
//SYSLMOD  DD  DISP=SHR,DSN=your.user.loadlib
//SYSLIN   DD  DISP=(OLD,DELETE),DSN=*.ASM.SYSLIN
//         DD  *
//         ENTRY SLUDR___
//         SETCODE AC(1)
//         NAME SLUDR___(R)
/*
//

```

Syntax

When running SLUCONDB (for processing the control database), optional PARM values on the EXEC statement in the JCL may be specified. The PARM values are positional. PARM option and values are:



Parameters

PARM=

specifies the parameters that follow can be accessed by the program indicated in the PGM parameter in the JCL.

The defaults for the PARM are:

- TMS
- SL
- all scratches from **January 1, 1900** to the current system date
- uppercase only for TMS-generated reports.

The keywords for the PARM are positional. There are several ways to invoke the defaults.

- If you accept the system defaults, do not specify the PARM. The system takes the defaults.
- Code the PARM as: PARM="" or PARM=',,,,'

TMS

specifies the CA-1 tape management system (TMS)

TLMS

specifies the TLMS: CA-DYNAM/TLMS tape management system

RMM

specifies the DFSMSrmm tape management system

SMC

specifies the extract file from the SMC utility SMCUDBX. If SMC is specified, label and date parameters are not permitted. (Label and date selection are performed by the SMC utility when it creates the extract file.)

SCRPOOL

is the scratch pool label type used by the library. This is required to make sure that the label type matches the label type specified for scratch tape label type specified during LIBGEN (SLILIBRY macro SCRLABL parameter).

The acceptable values for label type are as follows:

(SL)

the default, standard label

(NL)

nonlabeled

(NSL)

nonstandard label.

(AL)
ANSI label

(SUL)
standard user label

00001 or 190001

This is the default for date. It means January 1, 1900.

TODAY

is the current system date. If TODAY is not specified, the only other acceptable date for the range is also the current system date. Therefore, TODAY is usually specified instead of a range.

yyddd1 or yyyyddd1

If a single date is specified, that date becomes the “from” date. The “to” date is the current system date (which is not specified). All specified dates are in Julian notation.

yyddd1-yyddd2 or yyyyddd1-yyyyddd2

specifies the date range in which the volumes became scratch. Neither of these dates can be greater than the current system date.

Note: If this keyword is not specified, the system defaults to **January 1, 1900 (00001)**.

MIXED

specifies to print all the headings and messages in mixed case characters (uppercase and lowercase characters).



Note: If a comma is specified, or if this keyword is not specified, the system defaults to **uppercase letters**.

LIBONLY

specifies that volumes are to be placed in scratch status through the HSC Programmatic Interface. If this parameter is specified, you can omit the SLUADMIN step that runs the Scratch Update utility from the invoking JCL (refer to “JCL Examples” on page 198). The HSC must be active.



Note: If this parameter is specified, the Scratch Conversion utility to be used must reside in an APF-authorized library.

JCL Requirements

The following definitions apply to Scratch Conversion utility JCL to process scratch report files.

SLSTMS or DBTMS

input to the utility in the form of either the CA-1 TMC, CA-DYNAM/TLMS Volume Master File (VMF), or DFSMSrmm report extract file. **This statement is required.**

SLSSOUT

output from the utility specifying the Scratch Update utility control statement. **This statement is required.**

If specifying a temporary or permanent data set for 'DSN=' in the JCL, be sure to include the appropriate DCB information (i.e., LRECL=72).

SLSIN

input to the utility in the form of scratch card images. **This statement is required.**

SLSPRINT

output messages from the utility program. **This statement is required.**



Note: The Scratch Conversion utility uses the Batch API to extract volume and VTV records from the CDS. The Batch API requires read access to the CDS, either from statements in the JCL or by getting the data set information from an active HSC. The SLSCNTL, SLSCNTL2, and SLSSTBY DD statements are optional if an active HSC is running on the same system. Refer to Appendix J, "Batch Application Program Interface (API)".

SLSCNTL

the primary control data set. **This statement is optional.**

SLSCNTL2

the secondary control data set. If a secondary CDS exists, it should be specified so that if a switch occurs and the secondary data set is now active, the CDSs can be reordered to maintain database integrity. **This statement is optional.**

SLSSTBY

the standby control data set. If a standby exists, it should be specified so that if a switch occurs and the standby data set is now active, the CDSs can be reordered to maintain database integrity. **This statement is optional.**

JCL Examples

In the following examples, specifying **LIBONLY** on the SLUCONDB EXEC statement causes SLUCONDB to directly update the CDS. In this case, you can omit the SLUADMIN job step that runs the Scratch Update utility.

The library referred to as "your.smc.smp/e.loadlib" in the following examples refers to the SMCLINK library generated during the NCS installation containing the TMS extract modules SLUDR*. If you reassemble these modules as described in "SLUCONDB" on page 296, this library is the output of your link edit.



Note: The UNIT, SPACE, and DCB parameter settings are determined by the user.

JCL to Process Tape Management Databases (Without CDS DDnames)

```
//JOBSCUP JOB (account),programmer
//*
//STEP1 EXEC PGM=SLUCONDB,
// PARM=('TLMS,SCRPOOL(NL),2002100,MIXED')
//STEPLIB DD DISP=SHR,DSN=your.hsc.smp/e.loadlib
// DD DISP=SHR,DSN=your.smc.smp/e.loadlib
//SLSTMS DD DSN=TMS.MASTER.FILE,DISP=OLD
//SLSSOUT DD DSN=&&SCUPINPT,DISP=(NEW,PASS),UNIT=,SPACE=,DCB=
//SLSPRINT DD SYSOUT=A
//*
//STEP2 EXEC PGM=SLUADMIN,COND=(4,LT,STEP1),PARM=MIXED
//SLSIN DD DSN=&&SCUPINPT,DISP=(OLD,DELETE)
//SLSPRINT DD SYSOUT=A
//
```

JCL to Process Tape Management Databases (With CDS DDnames)

```
//JOBSCUP JOB (account),programmer
//*
//STEP1 EXEC PGM=SLUCONDB,
// PARM=('TLMS,SCRPOOL(NL),2002100-2002110,MIXED')
//STEPLIB DD DISP=SHR,DSN=your.hsc.smp/e.loadlib
// DD DISP=SHR,DSN=your.smc.smp/e.loadlib
//SLSTMS DD DSN=TMS.MASTER.FILE,DISP=OLD
//SLSSOUT DD DSN=&&SCUPINPT,DISP=(NEW,PASS),UNIT=,SPACE=,DCB=
//SLSPRINT DD SYSOUT=A
//SLSCNTL DD DSN=primary.control.dataset,DISP=SHR
//SLSCNTL2 DD DSN=secondary.control.dataset,DISP=SHR
//SLSSTBY DD DSN=standby.control.dataset,DISP=SHR
//*
//STEP2 EXEC PGM=SLUADMIN,COND=(4,LT,STEP1),PARM=MIXED
//SLSIN DD DSN=&&SCUPINPT,DISP=(OLD,DELETE)
//SLSPRINT DD SYSOUT=A
//
```

JCL to Process DFSMSrmm Database

```
//JOBSCUP JOB (account),programmer
/*
//STEP1 EXEC PGM=EDGHSKP,PARM='RPTEXT,DATEFORM(J)'
//MESSAGE DD DSN=rmm.message.dataset,DISP=SHR
//REPTXT DD DSN=rmm.report.extract,DISP=SHR
/*
//STEP2 EXEC PGM=SLUCONDB,
// PARM=('RMM,SCRPOOL(SL),2002100-2002110,MIXED')
//STEPLIB DD DISP=SHR,DSN=your.hsc.smp/e.loadlib
// DD DISP=SHR,DSN=your.smc.smp/e.loadlib
//SLSTMS DD DSN=rmm.report.extract,DISP=SHR
//SLSSOUT DD DSN=&&SCUPINPT,DISP=(NEW,PASS),UNIT=,SPACE=,DCB=
//SLSPRINT DD SYSOUT=A
/*
//STEP3 EXEC PGM=SLUADMIN,COND=(4,LT,STEP2),PARM=MIXED
//SLSIN DD DSN=&&SCUPINPT,DISP=(OLD,DELETE)
//SLSPRINT DD SYSOUT=A
//
```

JCL to Process SMC Extract File

```
//JOBSCUP JOB (account),programmer
/*
//STEP1 EXEC PGM=SLUCONDB,PARM='SMC,,,MIXED,LIBONLY'
//STEPLIB DD DISP=SHR,DSN=your.hsc.smp/e.loadlib
// DD DISP=SHR,DSN=your.smc.smp/e.loadlib
//DBTMS DD DISP=SHR,DSN=your.smc.extract.file
//SLSSOUT DD DUMMY
//SLSPRINT DD SYSOUT=A
/*
```

Output Description

Output resulting from the execution of the Scratch Conversion utility includes:

- a listing of input commands with appropriate messages when syntax errors occur
- messages associated with error conditions resulting from an unsuccessful attempt to execute scratch conversion processing
- messages indicating errors and/or actions occurring during processing (see Figure 18 and Figure 19 on page 306).
- updated library control data set containing the new scratch lists.

```
StorageTek Automated Library Conversion Utility    Page 001
Time hh:mm:ss                                     Date yyyy-mm-dd

SLS0286I  000008 volumes have been selected
SLS0155I  Condition code for utility function is 0
```

Figure 18. Scratch Conversion Utility Sample Output - Without LIBONLY

```
StorageTek Automated Library Conversion Utility    Page 001
Time hh:mm:ss                                     Date yyyy-mm-dd

SLS0167I  Volume 001284 successfully added to library as scratch
SLS0167I  Volume 001294 successfully added to library as scratch
SLS0167I  Volume 001495 successfully added to library as scratch
SLS0167I  Volume 001652 successfully added to library as scratch
SLS0167I  Volume 001673 successfully added to library as scratch
SLS0167I  Volume 001677 successfully added to library as scratch
SLS0167I  Volume 001679 successfully added to library as scratch
SLS0167I  Volume 001680 successfully added to library as scratch
SLS1312I  000008 volumes successfully scratched
SLS0155I  Condition code for utility function is 0
```

Figure 19. Scratch Conversion Utility Sample Output - With LIBONLY

Scratch Redistribution Utility

The Scratch Redistribution utility provides you with a way to balance the number of scratch volumes across the ACS. It permits the redistribution of scratch volumes either:

- among LSMs implied by the specification of an ACS, or
- among the LSMs explicitly identified through an optional parameter.

This utility allows the user to select one media type and recording technique. If specified, scratch volume redistribution will be based on the MEDia and RECtech settings.



Note: If neither MEDia nor RECtech is specified, volumes are redistributed without regard to media type or recording technique.

How the Scratch Redistribution Utility Functions

When only the ACS parameter is specified, the redistribution method transfers cartridges from LSMs with a greater number of scratch volumes to LSMs with a lesser number of scratch volumes. The process is repeated until the number of scratch volumes in each LSM is within the defined scratch tolerance level.

Distribution in an ACS containing a mix of LSMs (4410s, 9310s, 9360s, 9740s) is performed based on a percentage of scratch cartridges in the ACS. That is, the utility causes each LSM to have the same percentage of scratch tapes within the ACS as the LSM has cells within the ACS. For example, in an ACS where a 9310 LSM contains 80 percent of the cells within the ACS, 80 percent of the scratch tapes will reside in the 9310.



Note: The SL3000 and SL8500 are standalone libraries and cannot be combined with any other LSM type.

After Scratch Redistribution is completed, only the specified LSMs contain scratch cartridges, if the LSM parameter was specified.

Concurrent redistributions among different ACSs are accomplished by multiple executions of this utility program.

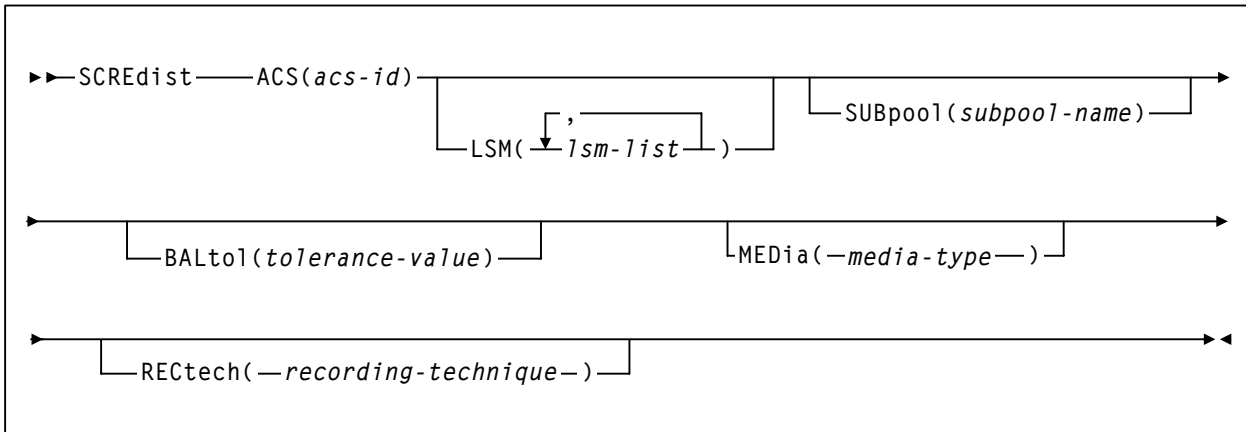
Redistribution moves non-scratch cartridges to make space for scratch cartridges. The actual number of scratch cartridges moved may vary depending on the number of free cells and the number of scratch cartridges available.



Notes:

- The Scratch Redistribution utility cannot be run concurrently with the Scratch Update utility, or when either the Audit or Initialize Cartridge (with the scratch option) utilities are being run in the same ACS as the Scratch Redistribution utility. An HSC message is generated, and the utility must be resubmitted.
- Cartridges cannot be transferred to a frozen panel.

Syntax



Utility Name

SCREdist

specifies that a scratch redistribution is to be performed.

Parameters

ACS

specifies one ACS in the library in which the scratch volumes are to be redistributed.

(acs-id)

identifies the ACS. The one or two digit hexadecimal ACS identifier.

LSM

optionally, specifies that only certain LSMs within an ACS are to contain scratch cartridges (if not specified, scratch volumes are redistributed across all LSMs in the ACS).

(lsm-list)

lsm-list can be a single LSM or a list of LSMids. An LSMid (*lsm-id*) is made up of the ACSid (hexadecimal 00-FF) and the LSM number (hexadecimal 00-17) separated by a colon (:). An LSM range is not allowed.

The element(s) contained in an *lsm-list* must be enclosed in parentheses; multiple elements must be separated by blanks or commas.

SUBpool

optionally, specifies the subpool name from which scratch volumes are to be redistributed.

(subpool-name)

subpool-name identifies the subpool.

BALtol

optionally, specifies a balance tolerance value. Scratch volumes are distributed based on this specified value.

(tolerance-value)

tolerance-value specifies a percent value that identifies when cartridge redistribution ends. Valid values are 1 through 999, where the values indicate a percentage from .1 to 99.9 (i.e., 1 signifies .1 percent; 999 equals 99.9 percent). **The initial value for the HSC is 1. If *tolerance-value* is not specified in this utility, HSC uses the initial value for scratch redistribution.**

The utility finishes redistributing scratch cartridges when the percentage of scratch tapes in all specified LSMs is within tolerance-value / 2 percentage points of each LSM's percentage of cells in the ACS.

For example, assume an ACS has one 4410 LSM with 5,000 cells, one 9360 (WolfCreek) LSM with 1,000 cells, and 600 total scratch tapes in the ACS. Scratch Redistribution attempts to put 500 scratches in the 4410 and 100 scratches in the 9360.

Entering BALtol(100) specifies a setting of 10 percent, which means that the utility ends when all LSMs are within ± 5 percent of the expected number of scratches for each LSM (500 for the 4410, 100 for the 9360).

The expected number can be determined as follows:

$$\text{expnumlsm} = \text{totscracs} * \frac{\text{totcellslsm}}{\text{totcellsacs}}$$

where:

expnumlsm

expected number of scratches for each LSM.

totscracs

total number of scratches in the ACS.

totcellslsm

total number of cells in the LSM.

totcellsacs

total number of cells in the ACS.

In the previous example, the 4410 should have a range 470-530 scratches and the 9360 a range of 70-130. To determine the BALtol range BALtol range

$$\text{BALtol range} = \text{expnumlsm} \pm \frac{\text{baltol} / 1000 * \text{totscracs}}{2}$$

where:

BALtol range

range of balance tolerance value.

expnumlsm

expected number of scratches for each LSM (see above).

baltol

user-supplied percent value (*tolerance-value*) that specifies when scratch cartridge redistribution ends.

totscracs

total number of scratches in the ACS.

MEDia

optionally, specifies the type of cartridge to redistribute across the ACS.

**Notes:**

- **The SL8500 library supports the T9840A, T9840B, T9840C, T9840D, T9940B, LTO, SDLT, T10000A, and T10000B media types and recording techniques.**
- **The SL3000 library supports the T9840C, T9840D, LTO, SDLT, T10000A, and T10000B media types and recording techniques.**
- LTO and SDLT transports are not supported in an MVS environment. These transports are recognized by the HSC but are accessible only to open systems clients using LibraryStation.

media-type

identifies the media type. Valid media types are:

LONGItud

indicates any Standard or ECART cartridge.

Standard

indicates a standard length, 3480 cartridge. It can be read on any longitudinal drives (4480, 4490, 9490, or 9490EE). Data can be written in 36-track mode on a 4490, 9490, or 9490EE transport but cannot be read on an 18-track (4480) drive. Synonyms for this type of cartridge include:

- CST
- MEDIA1
- STD
- 1
- 3480

ECART

indicates a 3490E, extended capacity cartridge. It can be used only on a 36-track drive (4490, 9490, or 9490EE). Synonyms include:

- E
- ECCST
- ETAPE
- Long
- MEDIA2
- 3490E

ZCART

indicates a 3490E, extended capacity cartridge that provides greater storage capacity than an ECART. It can be used only on a 9490EE drive.

ZCART can be abbreviated as Z.

DD3

indicates any DD3A, DD3B, or DD3C (HELical) cartridge. HELical is a synonym for DD3.

DD3A, DD3B, DD3C

indicates a helical cartridge. The media indicator in the external label is encoded with the cartridge type (A, B, or C). DD3A, DD3B, or DD3C can be abbreviated to A, B, or C, respectively.

Types of helical cartridges, along with their associated media capacities, are:

- A — 10GB
- B — 25GB
- C — 50GB.

Data capacity differences between DD3A, DD3B, and DD3C cartridges are related to the length of the tape in the cartridge, not to the recording density of the data.

STK1

indicates any T9840 cartridge.

STK1R

indicates a T9840 cartridge. The media indicator in the external label is encoded with the cartridge type (R). STK1R can be abbreviated to R.

T9840 cartridge media capacities are 20GB (T9840A and T9840B), 40GB (T9840C), or 75GB (T9840D).

STK2

indicates any T9940 cartridge.

STK2P

indicates a T9940 data cartridge. The media indicator in the external label is encoded with the cartridge type (P). STK2P can be abbreviated to P.

T9940 cartridge media capacities are 60GB (T9940A) or 200GB (T9940B).

LTO-10G

indicates an LTO 10GB capacity cartridge.

LTO-35G

indicates an LTO 35GB capacity cartridge.

LTO-50G

indicates an LTO 50GB capacity cartridge.

LTO-100G

indicates an LTO 100GB capacity cartridge.

LTO-200G

indicates an LTO 200GB capacity cartridge.

LTO-400G

indicates an LTO 400GB capacity cartridge.

LTO-400W

indicates an LTO Generation 3 WORM cartridge.

LTO-800G

indicates an LTO 800GB capacity cartridge.

LTO-800W

indicates an LTO Generation 4 WORM cartridge.

SDLT

indicates an SDLT 160GB cartridge.

SDLT-2

indicates an SDLT 125GB cartridge.

SDLT-S1

indicates an SDLT Generation S1 cartridge.

SDLT-S2

indicates an SDLT Generation S2 cartridge.

SDLT-S3

indicates an SDLT Generation S3 cartridge.

SDLT-S4

indicates an SDLT Generation S4 cartridge.

SDLT-4

indicates an SDLT Generation 4 cartridge.

T10000T1 or T1

indicates a full-capacity 500GB T10000A or 1TB T10000B cartridge. T10000T1 can be abbreviated as **T1**.

T10000TS or TS

indicates a smaller-capacity 120GB T10000A or 240GB T10000B cartridge. T10000TS can be abbreviated as **TS**.

RECtech

optionally, specifies the method used to record data tracks on the tape surface.

**Notes:**

- **The SL8500 library supports the T9840A, T9840B, T9840C, T9840D, T9940B, LTO, SDLT, T10000A, and T10000B media types and recording techniques.**
- **The SL3000 library supports the T9840C, T9840D, LTO, SDLT, T10000A, and T10000B media types and recording techniques.**
- If RECtech is not specified, the next scratch cartridge is selected depending on the MEDIA type that has been specified.

***recording-technique***

identifies the recording technique. Valid recording techniques are:

LONGitud

indicates any device that uses longitudinal recording.

18track

indicates a 4480 transport.

36track

indicates a 4490, 9490, or 9490EE transport (any device that records in 36-track mode).

36Atrack

indicates a 4490 (Silverton) transport.

36Btrack

indicates a 9490 (Timberline) transport.

36Ctrack

indicates a 9490EE transport.

HELical

indicates a device using helical recording.

DD3

indicates a device using helical recording.

STK1R

indicates any T9840 transport.

STK1R34

indicates any 3490E-image T9840 transport.

STK1R35

indicates any 3590-image T9840 transport.

STK1RA

indicates a 3490E or 3590-image T9840A transport.

STK1RA34

indicates a 3490E-image T9840A transport.

STK1RA35

indicates a 3590-image T9840A transport.

STK1RB

indicates a 3490E or 3590-image T9840B transport.

STK1RB34

indicates a 3490E-image T9840B transport.

STK1RB35

indicates a 3590-image T9840B transport.

STK1RAB

indicates a 3490E or 3590-image T9840A or T9840B transport.

STK1RAB4

indicates a 3490E-image T9840A or T9840B transport.

STK1RAB5

indicates a 3590E-image T9840A or T9840B transport.

STK1RC

indicates a 3490E or 3590-image T9840C transport.

STK1RC34

indicates a 3490-image T9840C transport.

STK1RC35

indicates a 3590-image T9840C transport.

STK1RD

indicates any T9840D transport.

STK1RDE

indicates an encryption-enabled T9840D transport.

STK1RDN

indicates a non-encryption enabled T9840D transport.

STK1RD34

indicates a non-encryption enabled 3490E-image T9840D transport.

STK1RD35

indicates a non-encryption enabled 3590-image T9840D transport.

STK1RDE4

indicates an encryption-enabled 3490E-image T9840D transport.

STK1RDE5

indicates an encryption-enabled 3590-image T9840D transport.

STK2P

indicates any 9940 transport.

STK2P34

indicates any 3490E-image 9940 transport.

STK2P35

indicates any 3590-image 9940 transport.

STK2PA

indicates a T9940A transport.

STK2PA34

indicates a 3490E-image T9940A transport.

STK2PA35

indicates a 3590-image T9940A transport.

STK2PB

indicates a T9940B transport.

STK2PB34

indicates a 3490E-image T9940B transport.

STK2PB35

indicates a 3590-image T9940B transport.

T10K

indicates all T10000 transports.

T10KN

indicates all non-encrypted T10000 transports.

T10KE

indicates all encrypted T10000 transports.

T1A

indicates any T10000A transport.

T1AN

indicates a non-encryption enabled 3490E- or 3590-image T10000A transport.

T1A34

indicates a non-encryption enabled 3490E-image T10000A transport.

T1A35

indicates a non-encryption enabled 3590-image T10000A transport.

T1AE

indicates an encryption-enabled 3490E- or 3590-image T10000A transport.

T1AE34

indicates an encryption-enabled 3490E-image T10000A transport.

T1AE35

indicates an encryption-enabled 3590-image T10000A transport.

T1B

indicates any T10000B transport.

T1BN

indicates a non-encryption enabled 3490E- or 3590-image T10000B transport.

T1B34

indicates a non-encryption enabled 3490E-image T10000B transport.

T1B35

indicates a non-encryption enabled 3590-image T10000B transport.

T1BE

indicates an encryption-enabled 3490E- or 3590-image T10000B transport.

T1BE34

indicates an encryption-enabled 3490E-image T10000B transport.

T1BE35

indicates an encryption-enabled 3590-image T10000B transport.

JCL Requirements

The following definitions apply to Scratch Redistribution utility JCL:

SLSPRINT

output messages from the utility.

SLSIN

input to the utility in the form of control statement card images.

JCL Examples

The following example shows JCL for redistributing scratch volumes within all LSMs in an ACS.

JCL to Perform Scratch Redistribution

```
//JOBSCRD  job (account),programmer,TIME=1439
//S1      EXEC PGM=SLUADMIN,PARM=MIXED
//SLSPRINT DD SYSOUT=A
//SLSIN   DD *
          SCREDIST ACS(01)
/*
//
```

The following example shows JCL for redistributing 36-track scratch volumes within all LSMs in ACS 00.

JCL to Perform Scratch Redistribution

```
//JOBSCRD  job (account),programmer,TIME=1439
//S1      EXEC PGM=SLUADMIN,PARM=MIXED
//SLSPRINT DD SYSOUT=A
//SLSIN   DD *
          SCREDIST ACS(00) MEDIA(STD) RECTECH(36)
/*
//
```

The following example shows JCL for redistributing helical DD3A (10GB) scratch volumes within LSM 01 in ACS 01.

JCL to Perform Scratch Redistribution

```
//JOBSCRD   job (account),programmer,TIME=1439
//S1        EXEC PGM=SLUADMIN,PARM=MIXED
//SLSPRINT  DD SYSOUT=A
//SLSIN     DD *
            SCREDIST ACS(01) LSM(01) MEDIA(DD3A)
/*
//
```

Output Description

Output occurring from execution of the Scratch Redistribution utility includes:

- updated library control data set reflecting the redistribution of scratch volumes
- messages detailing actions or attempts to provide an even distribution of scratch volumes across LSMs in an ACS (see Figure 20).

```
SLUADMIN (n.n.n)          Oracle Enterprise Library Software Utility          PAGE 0001
TIME hh:mm:ss             Control Card Image Listing                            DATE yyyy-mm-dd

SCREDIST ACS(00) LSM(03)

SLUADMIN (n.n.n)          Oracle Enterprise Library Software Utility          PAGE 0002
TIME hh:mm:ss             Scratch Redistribution                                    DATE yyyy-mm-dd

SLS0244I Scratch Redistribution completed successfully for ACS 00
SLS0155I Condition code for utility function is 0
```

Figure 20. Scratch Redistribution Utility Sample Output

Scratch Update Utilities

Scratch Update utilities provide three basic functions:

- SCRAtch utility — allows you to scratch a volume, a list of volumes, or a range of volumes
- UNSCRatch utility — allows you to unscratch a volume, a list of volumes, or a range of volumes. The entire scratch list in the library control data set can be deleted by using the UNSCRatch utility.
- REPLace utility — allows you to clear the entire scratch list and then add a volume, a list of volumes, or a range of volumes to the scratch list(s) in the library control data set. When using the Replace utility, additions to the scratch list(s) are made **after an initial clearing of the scratch list(s)**.



Caution: The maximum length of a control statement is 32,767 characters. Exceeding this limit causes message SLS0241I to be displayed, which indicates an invalid utility control statement.

Output Options - SLUADMIN

In addition to plain text, SLUADMIN supports output types added through Unified User Interface (UI) requests. Refer to “SLUADMIN Output” on page 148 or the *NCS/VTCS XML Guide* for more information.

Syntax

```
▶▶ SCRAtch—VOLser(—vol-list—)—————▶▶
```

```
▶▶ UNSCRatch—VOLser(—vol-list—)—————▶▶
```

```
▶▶ REPLaceall—————▶▶  
    VOLser(—vol-list—)
```

Utility Names

SCRAtch

specifies that scratch list additions are to be made in the library control data set.

UNSCratch

specifies that scratch list deletions are to be made in the library control data set.

REPLaceall

specifies that all scratch lists in the control data sets are to be cleared.

Parameters**VOLser**

specifies the list of volume serial numbers to be added, deleted, or replaced in the scratch list(s).

(vol-list)

vol-list specifies the volume serial numbers; this can be a single volume, a list of volume serial numbers, ranges of volume serial numbers, or combinations of lists with ranges delimited by commas. The entire list must be enclosed in parentheses.

JCL Requirements

The following definitions apply to the Scratch Update utilities JCL:

SLSPRINT

output from the utility program.

SLSIN

input to the utility in the form of control cards.

JCL Example

The following example shows JCL for scratching cartridges and the alternatives of unscratching cartridges or clearing the scratch lists in the control data set.



Note: For REPLaceall, if the scratch pool size is large, specify TIME=1440 on the JOB-STEP statement. The time required to clear the entire scratch list may exceed the Job Wait Time (JWT in SMSPRMxx in SYS1.PARMLIB) specified for the system, which results in a system abend.

JCL to Scratch, Unscratch, and Replace

```
//JOBSCUP  job (account),programmer
//S1       EXEC PGM=SLUADMIN,PARM=MIXED
//SLSPRINT DD SYSOUT=A
//SLSIN    DD *
           SCRATCH VOLSER(102412,102414,VACANT)
           UNSCRATCH VOLSER(A1B1C1,A1B1C2,A1B1C3,A1B1C4)
           REPLACEALL VOLSER(A1B1C1-A1B1C4)
/*
//
```

Output Description

Output resulting from the execution of the Scratch Update utilities includes:

- a listing of input commands with appropriate messages when syntax errors occur
- messages indicating any errors encountered during execution of the utility (see Figure 21 on page 322)
- messages indicating successful scratching or unscratching of specific volumes
- an update to the library control data set reflecting volumes added to or deleted from the scratch lists, or that scratch lists have been cleared or replaced.

```
SLUADMIN (n.n.n)          Oracle Enterprise Library Software Utility          PAGE 0001
TIME hh:mm:ss             Control Card Image Listing                          DATE yyyy-mm-dd

SCRATCH VOL(102412,102414)

SLUADMIN (n.n.n)          Oracle Enterprise Library Software Utility          PAGE 0002
TIME hh:mm:ss             Scratch Update                                        DATE yyyy-mm-dd

SLS0167I Volume 102412 successfully added to library as scratch
SLS0164I Volume 102414 already defined in library as scratch
SLS0155I Condition code for utility function is 4
```

Figure 21. Scratch Update Utilities Sample Output

SET Utility

The SET utility allows you to change certain library configuration information without performing a library reconfiguration. The utility performs operations directly on the control data set.

In many cases, SET may be run with an active HSC. However, with the exception of the two SET options below, **changes made are not effective until the HSC has been brought down and then reactivated.**

Exceptions include:

- SET FREEZE(ON|OFF), where frozen or unfrozen panels or LSMs are recognized immediately by all active HSCs
- SET NEWHOST(*newhost*), where the new host will be ready to be brought online to the HSC.

In other cases, the SET function requires that you shut down the HSC on a specific system or shut down all HSCs by entering the MVS STOP (P) command. When this is done, the heartbeat record indicates that the host is not active.

Table 28 shows whether affected HSCs and all other HSCs can be active for each SET option. Further information can be found in each individual option description.

Table 28. HSC State to Run SET Options

SET Option	Affected HSCs	All Other HSCs
ACSDRV	Down	Active
CLNPRFX	Down	Down
COMPRFX	Active	Active
DELDISP	Active	Active
DRVHOST	Active	Active
EJCTPAS	Active	Active
FREEZE	Active	Active
HOSTID	Down	Active
HSCLEVEL	Down	Active
MAJNAME	Down	Down
NEWHOST	Active	Active
NNLBDRV	Down	Active
SCRLABL	Active	Active
SLIDRIVS	Down *	Down *
SLISTATN	Active	Active
SMF	Active	Active
TCHNIQE	Down	Down

* In some cases, the SLIDRIVS parameter can be run effectively with the HSC active. Refer to “Running SET SLIDRIVS With the HSC Active” on page 340 for more details.

If a host has abended, the active flag is left on. If the host cannot be restarted and ended normally, use the SET HSCLEVEL utility to reset the active flag.

How the SET Utility Functions

One of the facilities provided by the SET utility is to change the RESERVE QNAME that was defined during LIBGEN and stored in the CDS. The RESERVE QNAME is used by the HSC and utilities running on each host to make sure that access to the CDS is serialized. The SET utility and HSC use an additional StorageTek-defined RESERVE QNAME to maintain serialization while the customer-defined RESERVE QNAME is being changed.

The SET utility issues two RESERVEs against the CDS prior to an update, consisting of:

- a RESERVE with the StorageTek-defined QNAME “STKENQNM”
- a RESERVE using the existing customer-defined QNAME (or the default value of “STKALSQN”).

When the HSC is started on any host, it initially serializes on the CDS using the StorageTek-defined QNAME. This prevents the HSC from being started while the customer-defined QNAME is potentially in the process of being changed. If this is successful (no SET utility in progress), the customer-defined QNAME is read from the CDS and is used for future serialization requests.

The SET utility does not perform changes that require the structure of the database to be changed. This includes changing the following:

- number of ACSs
- number of LSMs
- panel types.

Considerations Before Running the SET Utility

It is advisable to back up the CDS before running the utility. Note that this utility does not update the journals. After running the utility, a backup should be performed. Otherwise, a restore removes the changes made, and the SET utility must be rerun.

This utility does not in any way change the LIBGEN macros and does not update the journals. Either manually edit the LIBGEN macros to change them to match the SET changes or run the Database Decompilation utility to create a new LIBGEN database (refer to “Database Decompilation (LIBGEN) Utility” on page 215).

Access to the SET function can be restricted by password protecting the HSC CDSs, or by using RACF or functionally equivalent product to restrict access to the CDS.

Before running this utility, make sure that the SLUADMIN program resides in an APF-authorized library. The SET function can be invoked only when SLUADMIN is invoked APF authorized, key 0 through 7, or supervisor state. The load module invoked by SET is SLUSET. Restricting access to this module restricts access to the SET function.

Summary of SET Utility Options

Table 29 provides a summary of the options available for the SET utility.

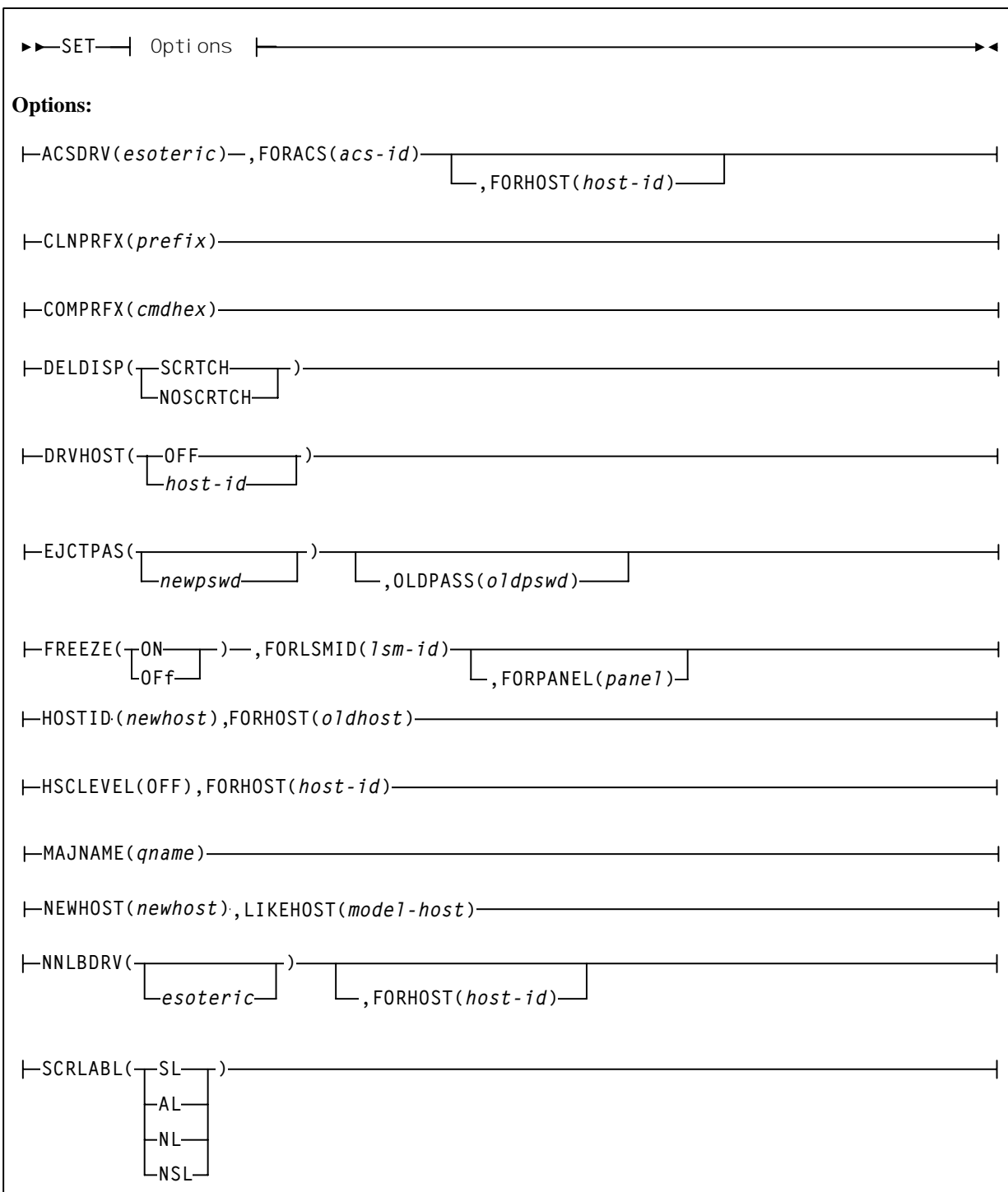


Note: You can enter only one option in each SET statement. However, you can specify multiple SET statements within a single execution of the utility. Refer to “JCL Examples” on page 198 for an example showing multiple SET statements.

Table 29. SET Utility Options

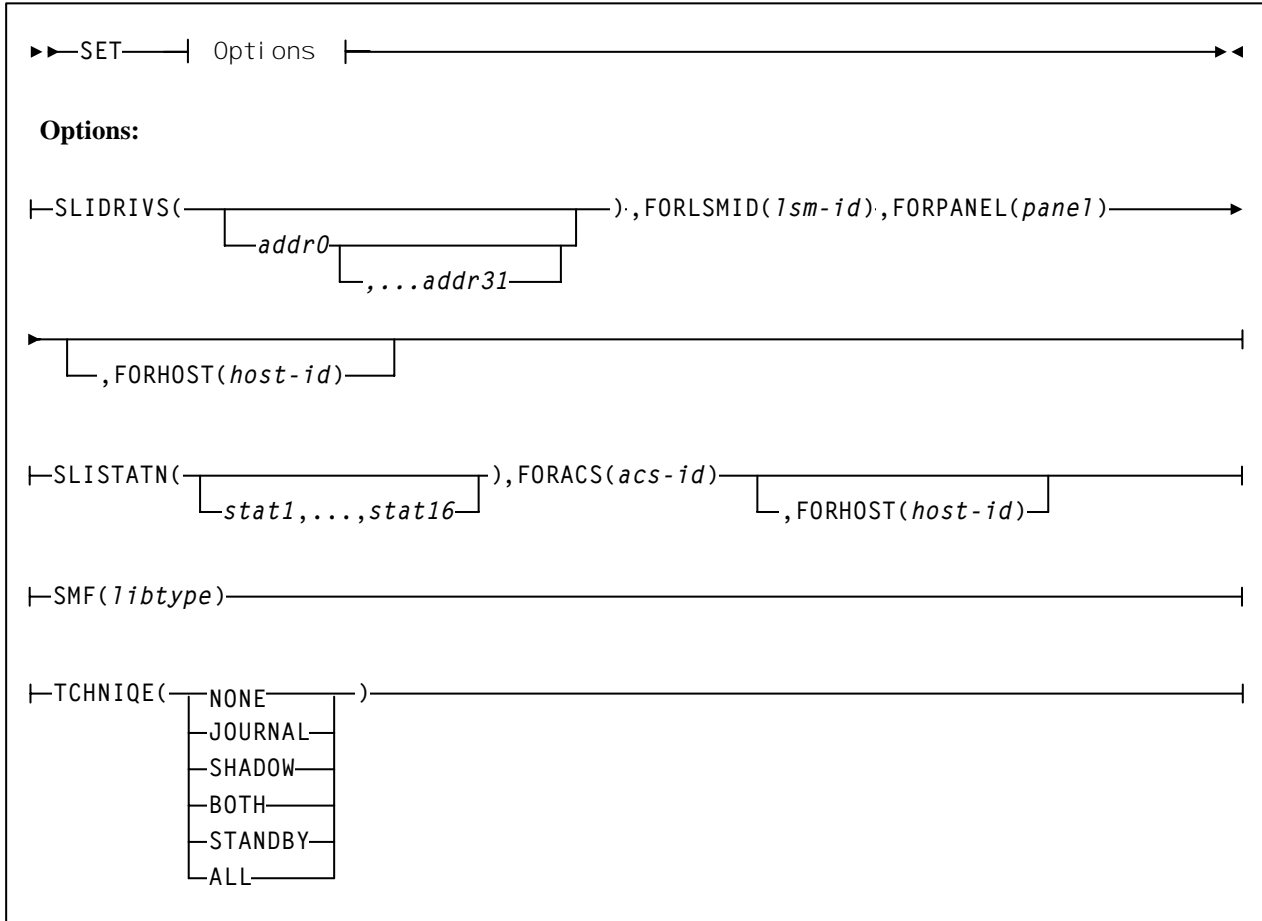
SET Option	SET Utility Function and Location of Description
ACSDRV	“SET ACS Esoteric” on page 328
CLNPRFX	“SET Cleaning Prefix” on page 329
COMPRFX	“SET HSC Command Prefix” on page 329
DELDISP	“SET Delete Disposition” on page 331
DRVHOST	“SET Drive Host” on page 332
EJCTPAS	“SET Eject Password” on page 332
FREEZE	“SET Freeze” on page 333
HOSTID	“SET Host ID” on page 334
HSCLEVEL	“SET HSC Level” on page 334
MAJNAME	“SET ENQ/DEQ/RESERVE QNAME” on page 335
NEWHOST	“SET New Host” on page 336
NNLBDRV	“SET Nonlibrary Drive Esoteric” on page 336
SCRLABL	“SET Scratch Label Type” on page 337
SLIDRIVS	“SET Device Numbers for Drives” on page 337
SLISTATN	“SET LMU Station Address Numbers” on page 341
SMF	“SET SMF Record Type” on page 342
TCHNIQE	“SET Recovery Technique” on page 342

Syntax



This syntax diagram is continued on the next page.

Syntax (continued)



Utility Name

SET

specifies that the SET function is to be invoked.

Parameters

SET ACS Esoteric

ACSDRV

specifies that the esoteric for the specified ACS is to be changed. The change does not take effect until the relevant HSC(s) are recycled.

(esoteric)

specifies a 1- to 8-character esoteric that represents all of the drives in the specified ACS.

FORACS

specifies that the operation is being restricted to a specific ACS.

(acs-id)

specifies the ACSid whose esoteric is being changed.

FORHOST

specifies that the operation is being restricted to a specific host. Only the specified hosts' esoteric is set. If omitted, the esoterics for all hosts are changed.

(host-id)

specifies the 1- to 8-character host ID for the host to which the operation is restricted.

SET Cleaning Prefix

CLNPRFX

specifies that the cleaning prefix is to be set. This parameter requires that the HSC on all systems be shut down before changing the cleaning prefix.

(prefix)

specifies a 3-character prefix for the cleaning cartridges. Valid characters are A-Z, 0-9, \$, #, and @.

SET CLNPRFX Procedure

Follow this procedure to change a cleaning cartridge prefix:

1. Eject **all** cleaning cartridges from **all** ACSs. The HSC records information about cleaning cartridges in the CDS.
2. Terminate the HSC on all hosts.
3. Change the cleaning prefix using SET CLNPRFX.
4. Initialize the HSC on any desired hosts.
5. Enter new cleaning cartridges identified with the new prefix into all ACSs.



Note: It is preferable to enter new cleaning cartridges because a cartridge's select count is set to zero when it is ejected and reentered. The select count tracks the number of times a cleaning cartridge has been used.

SET HSC Command Prefix

COMPRFX

specifies that the HSC command prefix is to be set. HSCs that were brought up before using this function still use the old command prefix. HSCs that are brought up after the function use the new command prefix.

(cmdhex)

specifies the 2-character hexadecimal code of the command prefix. Do not choose a value that conflicts with values assigned to other subsystems. The characters associated with each code are shown in Table 30 on page 330.



Notes:

- Make sure that the prefix character used does not conflict with any of the following:
 - another subsystem’s command prefix character (such as “\$” for JES2, “*” for JES3, or “;” the delimiter for TSO).
 - the command delimiter for MVS, specified as the value for the CMDDELIM keyword in SYS1.PARMLIB (CONSOLxx) and described in the *Installation and Tuning Guide for MVS*.
 - a JES line editing character as specified in the JES installation statements or default. For JES2 the initialization statement is CONDEF.
 - For JES3 the installation statement is CONSTD. Descriptions of these statements and default values can be found in the appropriate JES *Initialization and Tuning Guide*.
- If you are running the HSC on a VM host that shares the CDS with an HSC running on MVS, make sure that your command prefix character does not conflict with any of the VM facilities, such as the CP line editing symbol.

Table 30. Mapping of Command Prefix Codes to Characters

Hex	Character	Description
40	null	blank
4A	¢	cent
4B	.	period
4C	<	less than
4D	(left parenthesis
4E	+	plus
4F		vertical bar
50	&	ampersand
5A	!	exclamation point
5B	\$	dollar sign
5C	*	asterisk
5D)	right parenthesis
5E	;	semicolon
5F	¬	not symbol
60	-	minus
61	/	slash
6B	,	comma
6C	%	percent

Table 30. Mapping of Command Prefix Codes to Characters

Hex	Character	Description
6D	_	underscore
6E	>	greater than
6F	?	question mark
7A	:	colon
7B	#	crosshatch
7C	@	at sign
7E	=	equals sign
7F	“	double quote

Note: If you specify a null command prefix (hex 40), you must use the MVS MODIFY command to perform any HSC operator command.
Example: F SLS0 MOUNT EDU050,B30
where:
F an abbreviation for the MVS MODIFY command
SLS0 an HSC subsystem
MOUNT an HSC operator command
EDU050 a VOLSER ID
B30 a designated tape drive

SET Delete Disposition

DELDISP

specifies that the delete disposition parameter is to be set. The delete disposition parameter controls how the HSC interprets the delete disposition on a dismount message. HSCs that were brought up before using this function still use the old delete disposition. HSCs that are brought up after the function use the new disposition.



Note: This parameter is used only by SMC 6.0 clients. In SMC 6.2, the MOUNTDEF command replaces DELDISP. Refer to the *SMC Configuration and Administration Guide* for information about MOUNTDEF.

(SCRATCH)

specifies that the volume is to be placed in the scratch pool when the operating system indicates delete disposition.

(NOSCRATCH)

specifies that delete disposition is to be ignored. Because CA-1(TMS) and CA-DYNAM/TLMS provide a grace period, users of these products should specify NOSCRATCH.

SET Drive Host

DRVHOST

specifies to allow all SMC client systems to use device addresses defined in the SMC DRIVEMAP command to influence allocation and request mounts and dismounts. Refer to the *SMC Configuration and Administration Guide* for more information about DRIVEMAP.

OFF

indicates that each HSC reports device addresses to SMC clients based on drives defined for that host in the HSC SLILIBRY LIBGEN macro.

hostid

indicates one of the host names defined in the CDS.

SET Eject Password

EJCTPAS

specifies that the eject password is to be set. HSCs that were brought up before using this function still use the old password. HSCs that are brought up after the function use the new password.

(newpswd)

specifies a 1- to 8-character eject password. The new password must be alphanumeric: A-Z (capital letters only) and 0-9. If newpswd is omitted, eject password checking is disabled. Note that the newpswd will not be displayed on SLSPRINT.

OLDPASS

specifies that the old eject password is being specified. The old password must be specified to change or delete a password. To delete an old password, omit it from the syntax, i.e., OLDPASS(). If there is not currently an eject password, this parameter can be omitted.

(oldpswd)

specifies the 1-to 8-character old eject password. Note that oldpswd is not displayed on SLSPRINT.

SET Freeze

FREEZE

specifies to disallow (freeze) or allow (unfreeze) additional cartridges to be stored on a panel or LSM.



Notes:

- If frozen panels already exist in an LSM, and then you freeze the entire LSM, **all** panels will be unfrozen when you unfreeze the LSM.

If you want some panels to remain frozen after unfreezing the entire LSM, you can add SET FREEZE ON FORLSMID FORPANEL statements to the same SLUADMIN JOBSTEP.

- When an LSM is frozen, no new cell allocations occur. However, any cartridge from the frozen LSM that is currently mounted on a drive will return to its home cell.
- Frozen or unfrozen panels and LSMs are recognized immediately by all active HSCs. It is not necessary to stop and reinitialize active HSCs to detect changes made by SET FREEZE.
- On a frozen panel, if a panel type is changed by running the MERGEcds or Reconfiguration utility, the new panel is not frozen. If the panel type **did not** change, the panel remains frozen after a merge or reconfiguration.

ON

specifies to freeze a panel or LSM, which prevents additional cartridges from being moved to it. This restriction includes allocating new cartridge locations on a panel or LSM as a result of:

- a MOVE command, utility, or PGMI request
- cartridge entry into the ACS
- float, scratch dismount, or scratch redistribution processing.

If a cartridge on a frozen panel is selected (e.g., through a mount request), it may be returned to its home cell on the frozen panel after fulfilling the request.

Cartridges already located on a frozen panel or LSM must be deliberately moved off using the MOVE command, utility, or PGMI request, or cartridges can be ejected by running the EJECT command or EJECT utility.

OFF

specifies to unfreeze a panel or LSM, which allows additional cartridges to be moved to it.

FORLSMID

specifies that the operation is being restricted to a specific panel or LSM.

(lsm_id)

indicates the LSMid (*AA:LL*) of the LSM being frozen or unfrozen. An LSMid (*lsm-id*) is made up of the ACSid (hexadecimal 00-FF) and the LSM number (hexadecimal 00-17) separated by a colon (:).

FORPANEL

optionally, specifies that the operation is being restricted to a specific panel.

(panel)

indicates the 2-digit ID of the panel to be frozen or unfrozen. The specified panel must be an existing drive panel in the LSM.

SET Host ID

HOSTID

specifies that the old host ID is being changed to a new name.

(newhost)

specifies a 1-8 character host ID, which represents the SMF system ID for **both** JES2 and JES3. *newhost* cannot already be defined in the CDS.

FORHOST

specifies the old host ID.

(oldhost)

specifies a 1-to 8-character host ID. This host must not be marked active in the CDS. An HSC can be down but still marked active. SET HOSTID would fail to run. To be marked inactive, the HSC, in the host that is down, must be brought up and then shut down. Also, another host could perform cross-host recovery on the HSC that is down, but marked active. Either of these change the status in the CDS of the down HSC from active to inactive. See “SET HSC Level” for information about resetting operating flags.



Note: You must delimit the HOSTID (*newhost* or *oldhost*) with quotes when this ID is in lower case.

SET HSC Level

HSCLEVEL

specifies that the HSC active and release level indicators are to be cleared for the designated host.



Note: If used, HSCLEVEL should be performed **only when the host designated in *host-id* is inactive**.

These indicators remain set after an abrupt termination of the HSC has occurred (e.g., a cancellation of the HSC or a crash of the operating system).

(OFF)

specifies that the HSC active and HSC release level indicators for the designated host are to be cleared.

FORHOST

specifies that the active indicators are to be cleared for the designated host.

(host-id)

specifies the 1- to 8-character host ID of the host to which the operation is restricted.



Note: StorageTek recommends the following alternatives to executing SET HSCLEVEL because they reset the HSC indicators and recover resources owned by the failing host:

- Restart the HSC on the host.
- Enter the RECover *host-id* FORCE operator command.

SET ENQ/DEQ/RESERVE QNAME

MAJNAME

specifies that the ENQ/DEQ/RESERVE QNAME is to be set. This parameter requires that the HSC on all systems be shut down before changing the QNAME.

(qname)

specifies a 1- to 8-character QNAME. The QNAME is blank padded on the right. The name should conform to the requirements for a QNAME. If any hosts are MVS hosts, to prevent conflicts with the operating system, the QNAME should not start with “SYSA” through “SYSZ.” Since the HSC is authorized, the “SYSA” through “SYSZ” names would be allowed, but deadlock may result.

SET New Host

NEWHOST

specifies that a new host is to be added. The new host to be added cannot exceed the maximum limitation of 16 hosts.

(newhost)

specifies a 1-8 character host ID, which represents the SMF system ID for **both** JES2 and JES3. *newhost* cannot already be defined in the CDS.



Note: You must delimit the HOSTID with quotes when this ID is in lower case.

LIKEHOST

specifies that an existing configuration, as currently defined in the LIBGEN, is to be used for the new host. Settings used include:

- SLILIBRY>NNLBDRV (nonlibrary drive esoteric)
- SLIACS ACSDRV (ACS drive esoteric)
- SLISTATN ADDRESS (ACS 3270 station addresses)
- SLIDRIVS ADDRESS (drive addresses).

(model-host)

specifies a 1- to 8-character host ID.

SET Nonlibrary Drive Esoteric

NNLBDRV

specifies that the nonlibrary drive esoteric is being set. The change does not take effect until the relevant HSC(s) is recycled. A relevant HSC is one that resides in the host specified in FORHOST. If FORHOST is omitted, all HSCs are relevant because the operation is not restricted to a specific host.



Note: This parameter is no longer used in HSC or SMC allocation processing.

(esoteric)

specifies a 1-to 8-character esoteric. If the value is omitted, this means that there are no nonlibrary drives installed.

FORHOST

specifies that the operation is being restricted to a specific host. Only the specified hosts' nonlibrary drive esoteric is to be set. If omitted, the nonlibrary esoterics for all hosts are to be changed.

(host-id)

specifies the 1- to 8-character host ID of the host to which the operation is restricted.

SET Scratch Label Type

SCRLABL

specifies the scratch label type is to be set. To add to the scratch pool, the REPLaceall function is run before the Scratch Update utility. Otherwise, the scratch update utility should be run to update the scratch pools after using this function.

(SL)

specifies that nonspecific requests for standard-labeled tapes are to be automated.

(AL)

specifies that nonspecific requests for ANSI-labeled tapes are to be automated.

(NL)

specifies that nonspecific requests for nonlabeled tapes are to be automated.

(NSL)

specifies that nonspecific requests for nonstandard labeled tapes are to be automated.

SET Device Numbers for Drives

SLIDRIVS

specifies that the device numbers for the drives in a particular panel are being changed or added.

For the 9310 and 9740 LSMs, the change does not take effect until the affected HSC(s) is recycled. Refer to “Running SET SLIDRIVS With the HSC Active” on page 340 for more information.

For the SL3000 and SL8500 libraries, the changes take effect after you issue a MODi fy CONFIG UPDate ACS (xx) for the ACS that the drives were added to. Near Continuous Operation will add the drives to the configuration, so you do not need to recycle the HSC.

(*addr0,...addr31*)

specifies the device numbers for the panel. The numbers are from the top of the panel down. If a device number is omitted, this means that the host cannot access a drive in that particular position in the panel, or the drive does not exist.



Notes:

1. Blanks as well as commas may be used to separate the drive specifications.
2. The total number of drives specified (including comma placeholders) must be:
 - 4, 10, or 20 for a 9310
 - 16 for an SL8500
 - 8, 16, 24, or 32 for an SL3000.
 - You cannot specify 20-drive panels on 9740 (TimberWolf) LSMs or SL8500 (StreamLine) libraries.

10-drive and 20-drive panels cannot be specified on 4410 LSMs.

3. Before this utility can be executed, all cells in the panel must be empty if the user is moving to or from a 20-drive panel configuration.
4. The user can change a drive panel between a 4- or 10-drive panel (normal) and a 20-drive panel (wide) without running a reconfiguration. Affected panels must be empty and no cells in the panels can be allocated to cartridges.

To ensure that drive panels being changed from normal to wide configurations (or vice versa) remain empty, freeze them with the SET FREEZE utility. Then, move all cartridges to other panels or LSMs.

If a panel type is changed by SET SLIDRIVS, the new panel will not be frozen. Frozen panels whose panel type did not change remain frozen after SET SLIDRIVS.

5. HSC does not allow duplicate addresses for drives. If it becomes necessary to exchange the drive addresses on one panel with the drive addresses on another panel, the addresses on one of the panels must first be changed to temporary addresses that are not currently defined. For example:

```
LSM0, PANEL10, ADDRESSES-400,401,402,403  
LSM1, PANEL11, ADDRESSES-404,405,406,407
```

If the 400-403 addresses are to be moved to LSM1 and 404-407 are to be moved to LSM0, the SET utility must first be run to change the LSM0 addresses (400-403) to 900-903 (or some other addresses that are not currently defined). The SET utility is then run to change the LSM1 addresses to 400-403. The utility is run a third time to change the temporary LSM0 addresses (900-903) to 404-407.

6. On all 9310 LSMs, drives are defined to the HSC from top to bottom, with *addr0* representing the topmost drive and *addrn* the bottommost drive.

For the SL3000 library, drives are defined right to left, top to bottom as viewed from the front to the back of the library.

For the SL8500 library, drives are defined right to left, top to bottom as viewed from the outside of the library.

However, on a 9740 10-drive panel LSM, the drives are populated and configured to the 9740 LSM from bottom to top. (9740 4-drive panels are configured to the 9740 LSM from top to bottom, as are all other LSM drive panels.)

An example showing how to define a 9740 10-drive panel containing five 9840 drives i

```
SET SLIDRIVS( , , , , BD4 , BD3 , BD2 , BD1 , BD0 ) , FORLSMID( lsm-id ) ,  
FORPANEL( panel )
```

FORLSMID

specifies that the operation is being restricted to a specific LSM.

(lsm-id)

specifies the LSMid containing the drive panel whose addresses are being changed. An LSMid is made up of the ACSid (hexadecimal 00-FF) and the LSM number (hexadecimal 00-17) separated by a colon (:).

FORPANEL

specifies that the operation is being restricted to a specific panel.

(panel)

specifies the 2-digit ID of the panel containing the drives whose addresses are being changed.



Note: The specified panel must be an existing drive panel in the LSM.

FORHOST

specifies that the operation is being restricted to a specific host. Only the specified hosts' drive device numbers are set. If omitted, the device numbers for all hosts are changed.



Note: The number of drive positions for a specific host must equal the number of drive positions defined globally (issuing SET SLIDRIVS without the FORHOST parameter).

(host-id)

specifies the 1- to 8-character host ID of the host, to which the operation is restricted.

Running SET SLIDRIVS With the HSC Active

 **Note:** This information applies only to the 9310 and 9740 LSMs.

Ideally, the HSC should be shut down on all hosts when you specify this parameter. In some cases, however, the HSC can be left active without causing adverse results. Table 31 defines options for running SET SLIDRIVS. Also, refer to “HSC Support for Near Continuous Operation (NCO)” on page 579 to see the NCO interaction with SET SLIDRIVS.


Table 31. HSC State/SET SLIDRIVS Operation

HSC State	Effect on SET SLIDRIVS
Down	If the HSC is down on all hosts, the HSC recognizes all new drive locations when it is initialized. Shutting the HSC down ensures that accurate drive information is written to the CDS.
Active	The HSC can be up on all hosts only if <i>new drives are being added at new drive locations</i> . The HSC recognizes the new drive locations when it is recycled on a host.
Active	If unit addresses are changed or deleted for an <i>existing drive location</i> , either <ul style="list-style-type: none">the affected LSM must be offline until the HSC has been recycled on all hosts, orthe affected ACS must be offline to all affected hosts that access an HSC that has not been recycled.

SET SLIDRIVS Procedure

For 9310 and 9740 LSMs, the following procedure shows one method for changing unit addresses with the HSC active.

- For one host:
 - Modify the affected LSM offline (MODify lsm-id OFFline). The LSM will be offline to all hosts.
 - Use SET SLIDRIVS to update the CDS drive records while the StorageTek CSE(s) is making the hardware changes.
 - Recycle the HSC on one host.
 - Vary the affected ACS offline (Vary ACS(acs-id) OFFline) on all hosts running an HSC that has not been recycled.
 - Modify the affected LSM online (MODify lsm-id ONline). The LSM will be online to all hosts where the ACS is online.

 **Note:** Only hosts that are online to the ACS and that are running a recycled HSC will mount to drives connected to this LSM.

- For the remaining hosts, recycle the HSC, and the affected ACS will come up.

For SL3000 and SL8500 libraries, the following procedure shows how to change unit addresses with the HSC active.

1. Make the necessary hardware changes (add, delete, or move drives).
2. Modify the SET SLIDRIVS JCL deck to reflect these changes.
3. Run SET SLIDRIVS.
4. Issue MODify CONFIG or MODify CONFIG ACS(*xx*).

The changes will cascade to all other hosts.

SET LMU Station Address Numbers

SLISTATN

specifies that the LMU station addresses are to be set. The change does not take effect until the affected HSC(s) is recycled. An affected HSC is one that resides in the host specified in FORHOST. If FORHOST is omitted, all HSCs are relevant because the operation is not restricted to a specific host.

(stat1,...,stat16)

specifies the LMU station addresses associated with a particular ACS. No station addresses are required. Up to 16 can be specified, separated by commas.



Notes:

- When adding one or more station addresses to an existing list of stations, you must specify all old stations as well as new ones. Any stations (for this ACS and Host ID) not specified here will be deleted and no longer available for use.
- To remove station addresses for an ACS or host, do not specify station addresses following the SLISTATN parameter. For example,

```
SET SLISTATN( ), FORACS(01), FORHOST(HSCA)
```

FORACS

specifies the ACS for which station addresses are being changed.

(acs-id)

specifies the ACSid whose stations are being changed (00 - FF).

FORHOST

specifies that the operation is being restricted to a specific host. Only the specified hosts' stations are set. If omitted, the stations for all hosts are changed.

(host-id)

specifies the 1- to 8-character host ID for the host to which the operation is restricted.

SET SMF Record Type

SMF

specifies that the SMF record type used by the HSC is to be set. HSCs brought up before invoking this function still use the old SMF record type; HSCs brought up after using the function use the new record type.



Note: Until all active HSCs have been initialized with the new SMF record type, the Activities Report utility produces incorrect results. This is because some HSCs are writing records with the old SMF record type, and some with the new record type.

(libtype)

specifies the SMF record type. The range is from 0 to 255, inclusive. Because 128 through 255 are reserved for user-defined records, it is recommended that a number from 128 through 255 be selected, and that the number does not conflict with other user-defined record types.

SET Recovery Technique

TCHNIQE

specifies that the control data set recovery technique is to be set. This SET utility replaces the recovery technique that is currently defined in the CDS. Refer to “SLIRCVRY Macro” in the *HSC Configuration Guide* for a complete description of the LIBGEN SLIRCVRY macro. A recovery technique value must be specified; there is no default value.

NONE

specifies no form of recovery is used for the control data set. Thus, the primary control data set must be rebuilt, if inaccessible.

JOURNAL

specifies that there is to be only one primary control data set and that journals are kept. These data sets are to be used for recovery purposes.

The journals contain a record of all transactions that update the control data set. There are two journals per host. It is recommended that they are placed on separate HDAs from the primary control data set DASD volume.

SHADOW

specifies that there is to be two distinct copies of the control data set (primary and secondary) for recovery purposes. It is recommended that these data sets reside on separate HDAs and separate strings. A journal is not recorded.

BOTH

specifies that two distinct copies of the control data set (primary and secondary) and journals are specified for recovery purposes. **The default is BOTH.**

STANDBY

specifies that primary, secondary, and standby control data sets are to be recorded for recovery purposes. No journals are recorded during HSC operation.

ALL

specifies that all control data sets (primary, secondary, and standby) and journals are to be kept and available for recovery purposes.

SET TCHNIQE Procedure

Use the following procedure to invoke the TCHNIQE utility and to set the appropriate recovery technique value:

1. ALLOCATE, based on existing CDS definitions, any new CDS copies that will be needed for the subsequent SET recovery technique.
2. Stop the HSCs on all hosts configured to use the CDS you are intending to update with SET recovery technique.
3. Run the BACKup utility.
4. Run the RESTore utility to restore all CDS copies required to support the current recovery technique. If the recovery technique update in the following step requires new CDS copies, then include them in this restore.
5. Run the SET utility with the appropriate recovery technique value. It is important to note that the SET utility for this recovery technique update must include DD statements for all CDS copies defined in either the old or the new recovery technique.
6. Run the BACKup utility again. This backup provides you with the ability to restore the updated CDS.

JCL Requirements

The following definitions apply to the JCL for SET utilities:

SLSPRINT

output messages from the utility program.

SLSCNTL

the primary control data set. A primary control data set is required.

SLSCNTL2

the secondary control data set. This statement is used only if you have configured and initiated a secondary control data set for your installation. A secondary control data set is optional, but highly recommended.

SLSSTBY

the standby control data set. This statement is used only if you have configured and initiated a standby control data set for your installation.

SLSIN

input to the utility in the form of control cards.

JCL Examples

The following example shows basic JCL that is required for executing the SET utility. Statements that represent individual utility functions are included in the JCL, as you deem necessary, to comprise the HSC configuration that you want to invoke.

JCL for Set Utility

```
//JOBSET      job (account),programmer
//S1         EXEC PGM=SLUADMIN,PARM=MIXED
//SLSCNTL    DD DISP=SHR,DSN=control.set.name
//SLSCNTL2   DD DISP=SHR,DSN=secondary.set.name
//SLSSTBY    DD DISP=SHR,DSN=standby.set.name
//SLSPRINT   DD SYSOUT=A
//SLSIN      DD *
/* List individual utility statements following this comment
      .
      .
      (utility statements)
      .
/*
//
```



Note: JCL statements for SLSCNTL2 and SLSSTBY are optional. However, if you have configured your library to have a secondary and standby control data set, you **must** include statements for these control data sets. It is highly recommended that you operate your library with a secondary and standby control data set.

The following example shows JCL that makes these modifications:

- changes the host ID from HSCB to HSC2
- sets the library station device numbers to 0CD and 0DD for ACS 00 on host HSC2
- changes the nonlibrary drive esoteric to “CTAPE” for hosts CPUA and CPUB
- changes the device numbers for ACS 00 LSM 0 panel 10 on all hosts.



Notes:

- Only one option can be specified per SET statement. This example demonstrates that multiple SET statements can be entered for each execution of the utility.
- In the SET SLIDRIVS statement below, note that a continuation character (+) has been added to allow 10-drive panels to be specified on one statement.

JCL for Multiple SET Statements

```
//JOBSET      job (account),programmer
//S1          EXEC PGM=SLUADMIN,PARM=MIXED
//SLSCNTL    DD DISP=SHR,DSN=control.set.name
//SLSCNTL2   DD DISP=SHR,DSN=secondary.set.name
//SLSPRINT   DD SYSOUT=A
//SLSIN      DD *
              SET HOSTID(HSC2) FORHOST(HSCB)
              SET SLISTATN(ØCD,ØDD) FORACS(ØØ) FORHOST(HSC2)
              SET>NNLBDRV(CTAPE) FORHOST(CPUA)
              SET>NNLBDRV(CTAPE) FORHOST(CPUB)
              SET SLIDRIVS(16ØB,16ØC,16ØD,16ØE,16ØF,23ØB,23ØC,23ØD,23ØE,23ØF), +
                  FORLSMID(ØØ:ØØ) FORPANEL(Ø1)
/*
//
```

Output Description

Output resulting from the execution of the SET command includes:

- a listing of input commands with appropriate messages when syntax errors occur
- messages associated with error conditions resulting from an unsuccessful attempt to execute SET processing
- an updated CDS with the changed parameters
- a condition code indicating successful or unsuccessful CDS update.

UNSElect Utility

The UNSElect utility allows you to “unselect” a volume that the HSC leaves in a selected state. Usually, this is an error. The “unselect” operation is performed without cycling the HSC.



Note: Use this utility only if you are certain that the HSC has incorrectly left the volume selected. Incorrect use of this utility can result in HSC abends and errant volumes.

Issue a Display Volume DETail command to determine which host has the volume in question. Then, issue Display DRives and Display Requests commands on the host that has the volume in question to see if that volume is being used.

If the selected volume is mounted on a transport, issue a DISMount command for the transport. If there is a request active to the LMU for the volume, wait for the request to complete. If the overdue response handler indicates the request has timed out, you may want to abort the request.



Note: For detailed information about the Display and DISMount commands, refer to “DISPLAY Command” and “DISMOUNT Command” in the *HSC Operator’s Guide*.

The HSC must be running on the same host that is running the UNSElect utility. If the selected volume is selected by another active (not marked inactive in the CDS) host, the HSC on that host must be running. Both hosts must be connected to the same LMU. In an environment with multiple ACSs, this can be any LMU, as long as it is the same LMU.

If the **FORCE** option is specified, the volume is “unselected” regardless of the other host being active. Using this option can result in a greater likelihood of abends if the host is running.

If the host running UNSElect cannot communicate because both hosts are not connected to the same LMU, rerun UNSElect on the host with the volume selected. Do not use the FORCE parameter in this case.

The UNSElect function can only be invoked when SLUADMIN is invoked APF authorized, key 0 through 7, or supervisor state. The load module invoked by UNSElect is SLUNSEL. Restricting access to this module restricts access to this utility function.

Syntax

```
►►UNSElect—VOLser(volser)——┬──,FORCE──┘──►
```

Utility Name

UNSElect

specifies that the UNSElect function is to be performed.

Parameters

VOLser

indicates that a VOLSER is being specified for unselection.

(*volser*)

volser specifies the VOLSER to be unselected.

FORCE

optionally indicates that the volume is to be unselected even if communication with the host that has the volume selected is not possible.

JCL Requirements

The following definitions apply to UNSElect utility JCL:

SLSPRINT

output messages from the utility program.

SLSIN

input to the utility in the form of control cards.

JCL Example

The following example shows JCL for unselecting volume BWX119.

JCL to Unselect a Volume

```
//JOBUNSEL job (account),programmer
//S1      EXEC PGM=SLUADMIN{,PARM=MIXED}
//SLSPRINT DD SYSOUT=A
//SLSIN   DD *
          UNSELECT VOLSER(BWX119)
/*
//
```

Output Description

Output occurring from execution of the UNSElect utility includes:

- a listing of input commands with appropriate messages when syntax errors occur
- messages associated with error conditions resulting from an unsuccessful attempt to execute UNSElect processing
- messages indicating actions occurring during processing (see Figure 22 on page 348)

- an updated control data set indicating the volume is unselected
- a condition code indicating successful or unsuccessful unselection (see Figure 22 on page 348).

```
SLUADMIN (n.n.n)          Oracle Enterprise Library Software Utility          PAGE 0001
TIME hh:mm:ss            Control Card Image Listing                                DATE yyyy-mm-dd

UNSELECT VOL(BWX119)

SLS0376I Volume BWX119 is now unselected; owning host was HSC1
SLS0155I Condition code for utility function is 0
```

Figure 22. Unselect Utility Sample Output

Volume Report Utility

The function of the Volume Report utility is to produce a listing of the physical location for volumes residing in an LSM. This utility is used primarily for informational purposes and provides history and usage statistics on specific library volumes.

The Volume Report utility program functions as a stand-alone process in batch mode and does not require that the HSC be operational in order to execute. If the HSC is operational, Volume Report can extract CDS and VOLATTR information from the active HSC.

In addition to the reporting capability, the utility can produce a “flat file” which may be used as a data source for manipulating the data for user-defined reports with other software products. **This option is still supported, but may be discontinued in future releases.**



Note: It is recommended that a 2 megabyte region size be used when running the Volume Report utility.

Sort Options

A report may be sorted or unsorted. When the SORT option is specified, volume data can be sorted by:

- volume serial numbers
- location of volumes
- select count (usage) of volumes
- date volumes were inserted into the library control data set
- last date volumes were selected
- media life usage.

Sorting may be done in ascending or descending order.

- The report sorted by volume serial number is useful when a listing of library information is needed in ascending VOLSER sequence.
- The report sorted by location can be utilized for either the mass transfer of volumes or assessing the potential impact of a component failure. With this information, the installation can avoid jobs which access volumes within failed components.
- The report sorted by usage lists volumes by selection count. This report is useful for either ejecting low use volumes or replicating information on high use volumes.

Output Options - Volume Report

The utility output may include a variety of information, depending upon the user-specified parameters. For example, volume information can be specifically included or excluded from a report based on:

- scratch status
- errant status
- external label status
- selected status.

Specifying of report parameters can range from the ACS or LSM level to as specific as a single volume serial number or list of volume serial numbers. Whenever a report is generated using library element parameters (i.e., LSM and/or ACS), the Volume Report utility may also output messages identifying empty but allocated cells.

The volume location information in this report is accurate only up to the time that the volume information is read from the database. For recovery purposes, a listing from a Volume Report run, while the HSC is down on all hosts, must be used to assist locating the required volumes.



Note: Volume movement occurs as a result of:

- mount activity, dismount activity, enter activity, or eject activity
- invoking the Scratch Redistribution utility
- invoking the MOVE command or utility.

Output Options - SLUADMIN

In addition to plain text, SLUADMIN supports output types added through Unified User Interface (UUI) requests. Refer to “SLUADMIN Output” on page 148 or the *NCS/VTCS XML Guide* for more information.

Media Type and Recording Technique Considerations

Volume reports can display media type (MEDia) and recording technique (RECtech).

MEDia data is extracted from either the CDS volume attribute record (VAR) or the VOLATTR statements. The VAR media information is updated when the volume external media label is read by the robotic vision system and is transmitted back to the HSC through the LMU. This can occur as a result of mounts, CAP enters, or audits.

RECtech is extracted from the VOLATTR statement. If the VOLATTR statement does not contain the recording technique for the volume, or if the VOLATTR media value conflicts with the media value that is present in the VAR, the RECtech value is determined from the MEDia value that is being reported. This RECtech value will include all recording techniques that the reported MEDia value allows (e.g., if the media value is Standard and the recording technique value defaults to LONGitud, then 18track, 36track, 36Atrack, 36Btrack, and 36Ctrack recording techniques also are included).

The report indicates if the VAR media type has been verified by the LMU. If the LMU verified the media type, the VAR media value is reported. If the media type has not been verified by the LMU, the VOLATTR MEDia value is used if it exists. If both VOLATTR and VAR media type information do not exist, the volume is considered to be Standard. At a minimum, a VOLATTR statement must be present for all volumes that are not Standard cartridges. This is because:

- the vision system cannot recognize two-tone (ECART) cartridges without an external media label



Note: It is recommended that users provide an external media label for all ECARTs. ZCART, DD3, and STK1 media **must** have external labels.

- for scratch purposes, volume categorization occurs based on the media type. Therefore, it is extremely important that accurate VOLATTRs be defined to maintain accurate scratch counts.

Run the Volume Report utility to verify that your VOLATTR statements and the VARs are in agreement.

To determine which volumes are mismatched between the VAR and the VOLATTR statements, specify either INCLUDE(NONMEDEQ) or EXCLUDE(MEDEQUAL) in the Volume Report syntax. Refer to the syntax and parameter descriptions sections of this utility for more information.

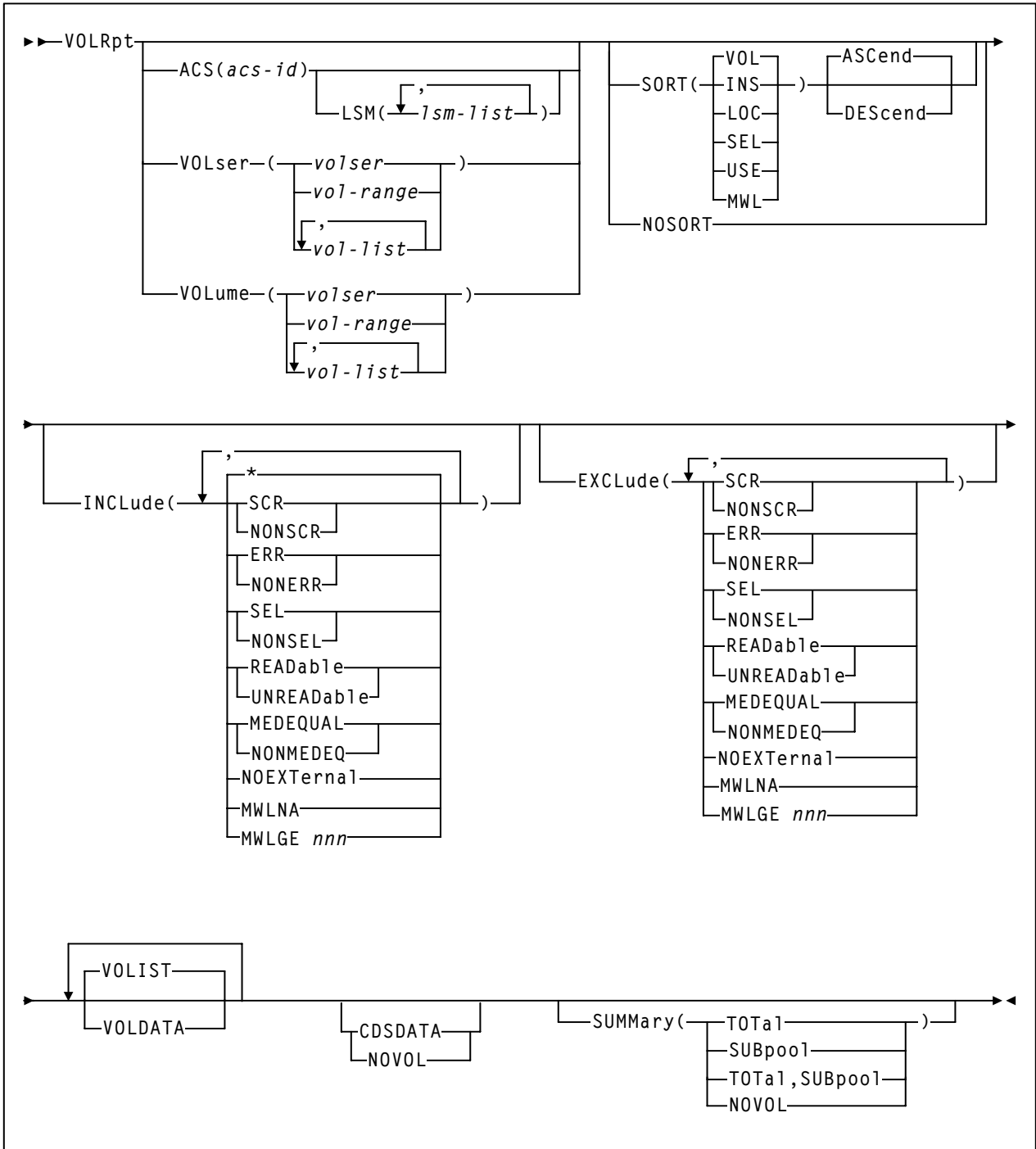
If the VAR is not synchronized with the VOLATTR statements, take one of the following actions to resolve the mismatch.

- change the VOLATTR statement(s)
- add an external media label to cartridges that are not Standard
- mount the cartridges
- enter the cartridges through the CAP
- run an audit.



Note: Be aware that if you choose to run an audit to update the VAR, audits can be very time-consuming and can slow HSC processing.

Syntax



Utility Name

VOLRpt

specifies that a volume report is to be produced.

Parameters

ACS

optionally specifies that a report is to be produced for only a particular ACS.

(acs-id)

The one or two digit hexadecimal ACS identifier.

LSM

optionally specifies that a report is to be produced for only certain LSMs within an ACS.

(lsm-list)

lsm-list indicates the LSMs. An *lsm-list* can be a single LSM number or a list of LSM numbers. An LSM number is hexadecimal 00-17.

An LSM range is not allowed. If a list is specified, the elements must be separated by blanks or commas, and the entire list enclosed in parentheses.

VOLser or VOLUME

optionally specifies that the report only contain information on certain VOLSERS.

(volser or vol-range or vol-list)

volser, *vol-range*, and *vol-list* indicate the volume serial numbers requested. Any subranges of volumes specified in the *vol-list* that are not in the control data set are listed in the Control Card Image Listing portion of the report using one line per subrange.

A percent sign (“%”) may be used as a “wildcard” character in the VOLSER to specify pattern matching. The percent sign designates that any single character can match the corresponding position in the VOLSER.

For example, A9%%% specifies that all of the six-character volume serial numbers that begin with the characters “A9” are selected for the report.

Q%12% specifies that all five-character VOLSERS that begin with “Q” and have a “12” in the third and fourth positions of the VOLSER are selected for the report. The percent sign cannot be specified in a range specification. Therefore, “A%0000-A%9999” is invalid.

In the Volume Report Listing of the utility, the volumes requested which are not in the control data set are not listed.

SORT

optionally specifies a specified sort sequence. The following options are available:

VOL

indicates that the report is to be sorted by volume serial number (**VOL** is the default).

LOC

indicates that the report is to be sorted by location.

USE

indicates that the report is to be sorted by selection count.

INS

indicates that the report is to be sorted by date and time the volume was inserted into the control data set.

SEL

indicates that the report is to be sorted by date and time the volume was last selected.

MWL

indicates that the report is to be sorted by Media Warranty Life (MWL) percentage, which indicates how much of the media life has been used. Media warranty life is considered to be expired at 100%.



Note: To collect and report media warranty life, tape libraries and transports must meet the following requirements:

- SL8500 or SL3000 libraries LMU compatibility level 21 or higher
- T9x40: all media and models at firmware level 1.42 or higher (except 9840B)
- T10000: all models and media at firmware level 1.38 or higher

Multiple sort criteria may be specified. The order, from left to right, specifies the order in which the report is to be sorted.

For example, **SORT(INS,USE)** produces a report sorted by date inserted in the control data set, and then for each date, sorted by select count. **SORT is mutually exclusive with NOSORT.**

NOSORT

specifies that an unsorted report is to be produced. **NOSORT is mutually exclusive with SORT, ASCend, and DEScend.**

ASCend

optionally specifies that the report is to be sorted in ascending order. **ASCend is the default.** This parameter is ignored if **NOSORT** is specified. **ASCend is mutually exclusive with NOSORT and DEScend.**

DEScend

optionally specifies that the report is to be sorted in descending order. This parameter is ignored if **NOSORT** is specified. **DEScend** is mutually exclusive with **NOSORT** and **ASCend**.

INCLude

optionally specifies the criteria for including volume information in the report. If this keyword is specified, all volumes that match at least one of the specified criteria are tentatively selected for the report. Information about volumes may be removed from the list of volumes selected for the report if other options, such as **EXCLUDE**, **VOL**, **ACS**, or **LSM** are specified.

**Notes:**

- **INCLude** parameters are applied before **EXCLude** parameters in volume selection.
- Parameter values are not checked for the existence of their opposite values (for example, “SEL” is still flagged even if “NONSEL” is specified, and vice versa).
- Positive attributes are applied before negative attributes (for example, SCR is applied before NONSCR).

*

indicates that all volumes in the library are considered for being included in the report. **The default is ***. If more than one of the following parameters is specified, the parameters must be separated by commas.

SCR

specifies that scratch volumes match the specified criteria.

NONSCR

specifies that nonscratch volumes match the specified criteria.

ERR

specifies that errant volumes match the criteria.

NONERR

specifies that non-errant volumes match the criteria.

SEL

specifies that selected volumes match the criteria.

NONSEL

specifies that nonselected volumes match the criteria.

READable

specifies that volumes with a readable external label match the criteria.

UNREADable

specifies that volumes with an unreadable external label match the criteria.

MEDEQUAL

specifies that volumes for which the media types of the VOLATTR and the VAR are equal match the criteria.

NONMEDEQ

specifies that volumes for which the media types of the VOLATTR and the VAR are not equal match the criteria.

NOEXternal

NOEXternal specifies that volumes without an external label match the criteria.

For example, **INCLUDE(SEL,ERR)** tentatively chooses only selected and errant volumes for the report. **INCLude** parameters are applied before **EXCLude** parameters in volume selection.

MWLNA

specifies that volumes with an unknown media warranty life match the criteria. Media warranty life is obtained at volume dismount for tape libraries with an LMU compatibility level of 21 or above. Use the Display ACS command to obtain the LMU compatibility level.

MWLGE *nnn*

specifies that volumes with a media warranty life greater than or equal to *nnn* percent match the criteria. It also excludes all volumes with an unknown media warranty life.

Specify **INCLUDE(MWLNA)** to force inclusion of all volumes with an unknown media warranty life. Valid values for *nnn* are 0-254.



Note: To collect and report media warranty life, tape libraries and transports must meet the following requirements:

- SL8500 or SL3000 libraries
- LMU compatibility level 21 or higher
- T9x40: all media and models at firmware level 1.42 or higher (except 9840B)
- T10000: all models and media at firmware level 1.38 or higher

EXCLude

optionally specifies the criteria for excluding volume information from the report. Any volumes that match one or more of the exclusion criteria are excluded from the report.

EXCLude parameter values are the same as INCLude values, except for the “*” parameter (see the INCLude options list above).

As an example, **EXCL(NONSEL)** excludes nonselected volumes from the report.



Notes:

- **INCLude** parameters are applied before **EXCLude** parameters in volume selection.
- If **MWLGE** is specified in both the **INCLUDE** and **EXCLUDE** parameters, the **EXCLUDE** limit value must be greater than the **INCLUDE** limit value.
- Parameter values are not checked for the existence of their opposite values (for example, “**SEL**” is still flagged even if “**NONSEL**” is specified, and vice versa).
- Positive attributes are applied before negative attributes (for example, **SCR** is applied before **NONSCR**).

VOLDATA

optionally specifies that a flat file, not a volume report, is to be produced.

When this keyword is specified, the utility attempts to write the volume data to a data set defined by the **SLSCDATA** DD statement (refer to the **SLSCDATA** description “**JCL/Parameter File Requirements**” on page 361).

If both **VOLDATA** and **CDSDATA** (see below) are specified, a single flat file is produced that contains volume and non-volume information.

VOLIST

optionally specifies that the utility produce a volume report. This parameter is used in combination with **VOLDATA** so that both a flat file and a volume report can be created. Normally, you would not specify **VOLIST** without also designating **VOLDATA**.

If **VOLIST**, **VOLDATA**, and **CDSDATA** (see below) are specified, a volume report is created and a single flat file is produced that contains volume and non-volume information.

CDSDATA

optionally specifies that the Volume Report utility is to produce non-volume CDS data for the data set defined by the **SLSCDATA** DD statement (refer to **SLSCDATA** “**JCL/Parameter File Requirements**” on page 361). **CDSDATA** is independent of **VOLDATA** and does not keep a volume report from being produced.

NOVOL

optionally, when used with **SUMMARY**, specifies to display summary and/or subpool totals without producing volume detail. This parameter can also be used with **CDSDATA**. **NOVOL** should not be specified by itself.

NOVOL is mutually exclusive with **ACS**, **VOLser**, **VOLUME**, **SORT**, **NOSORT**, **INCLUDE**, **EXCLUDE**, **VOLIST**, and **VOLDATA**.

SUMMARY

optionally specifies that the utility provide totals of volume attributes on an **LSM** and **ACS** basis, and/or subpool data on an **ACS** or **LSM** basis. Totals are affected by the use of limiting parameters such as **ACS** (and possibly **LSM**), **VOLser/VOLUME**, and **INCLUDE** and/or **EXCLUDE**.

If both **TOTAL** and **SUBpool** are specified, both reports are provided. The time and date displayed in the header for the Summary Report(s) are the same as the Volume Report Listing header.

TOTAL

specifies that totals of scratch, selected, errant, available cells, and external label status types be provided on an **LSM**, **ACS**, and library basis in the report.

The totals are listed on a separate listing, on a new page from the Volume Report Listing and the Control Card Listing. An example depicting the totals is in Figure 24 on page 370.

SUBpool

specifies that subpool totals be provided on an **LSM**, **ACS**, and library basis in the report.

Subpool information must be provided in one of the following ways:

- through **PARMLIB SCRPOOL** control statements (refer to “Scratch Subpool Control Statement” on page 94). These statements are contained in an **HSC PARMLIB** data set pointed to by the **SLSSCRPL DD** statement (refer to “JCL/Parameter File Requirements” on page 361) or used by the active **HSC** on this host.
- through an accessible **SLSUX03** user exit (refer to the *NCS User Exit Guide*). This exit must be in a library included somewhere in the **MVS** load library search order.

SCRPOOL control statements are the preferred method of subpool definition. If the **HSC PARMLIB** data set pointed to by the **SLSSCRPL DD** statement or used by the active **HSC** on this host is missing or invalid, a search for a valid **SLSUX03** is made. If the exit cannot be found or if a code of 64 is returned on its initial call, a message is issued and a utility return code 4 is set.

The totals are listed on a separate listing, on a new page from the Volume Report Listing, the Control Card Listing, and the Volume Report Totals Listing. An example displaying subpool information is shown in Figure 25 on page 371.

If subpools overlap (i.e., a volume belongs to more than one subpool), then each volume is reported only within the first subpool in which it occurs, and totals for the other subpools may be inaccurate.

JCL/Parameter File Requirements

The following definitions apply to Volume Report utility JCL:

SORTWK nn

sort work files to optimize the sorting of volume records into the requested order. SORTWK statements are optional. Up to 99 SORTWK statements are allowed.

SLSCNTL, SLSCNTL2, SLSSTBY

HSC control data set to be processed.

If these statements are omitted, the data sets used by the active HSC on the host are accessed. If the HSC on the host is inactive, one or more of these DD statements are required.

The utility attempts to select the primary CDS from the data sets specified.

SLSPRINT

output messages and report from the utility. A message is displayed detailing the data set names being used to produce the report.

SYSOUT

sort message output.

SLSIN

input to the utility in the form of control statement card images.

SLSCDATA

statement required if VOLDATA and/or CDSDATA parameters are specified to request CDS data.

The data set defined by SLSCDATA must be sequential and have a variable record format. Optionally, DCB parameters LRECL and BLKSIZE may be specified by the user.

The minimum LRECL should be 2376 if CDSDATA is specified or 136 if VOLDATA is specified.

It is recommended that the LRECL be set larger than the minimum LRECL to accommodate any future changes.

BLKSIZE can be any valid block size and must be at least LRECL + 4.

If individual DCB parameters are not specified at execution time, the following defaults are provided:

- RECFM=VB
- LRECL=2376 or 136
- BLKSIZE=LRECL + 4

If any DCB parameters are specified which conflict with any of the requirements described above, the defaults are used.

SLSSCRPL

points to a data set containing HSC PARMLIB statements. The SCRPOOL scratch subpools and MNTD MAXclean values are defined in these control statements.

If this statement is omitted, the data set used by the active HSC on the host is accessed. If the HSC on the host is inactive, SLSSCRPL is required to produce a SUMMARY(SUBpool) report.

SLSVA

statement that points to the data set containing the VOLATTR statements for the CDS being reported on.

If SLSVA or VOLATTRs are omitted, several different scenarios can occur depending on the HSC state. Table 32 describes these situations.

Table 32. SLSVA Effect on Volume Report

HSC State:	SLSVA Specified:	SLSVA Not Specified:
Active	Use VOLATTRs pointed to by SLSVA. *	Use VOLATTRs used by the HSC. *
Inactive	Use VOLATTRs pointed to by SLSVA. *	The HSC generates an error message saying that SLSVA is missing and incorrect data may be reported. In addition, no prefix characters appear before the "Media" field on the report to identify media type discrepancies.

* If VOLATTRs have been defined, media prefix characters are displayed before the "Media" field if the media types reported by the LMU and the VOLATTR statements do not agree. If VOLATTRs are not present, media prefix characters are not displayed.

JCL Examples

The following example shows JCL to produce a Volume Report for several LSMs sorted by selection count.

JCL to produce a Volume Report (LSMs Sorted by Selection Count)

```
//JOBVOLR   job (account),programmer
//S1        EXEC PGM=SLUADMIN,PARM='NOHDR,MIXED'
//STEPLIB   DD DSN=sys.your.linklib,DISP=SHR
//SLSCNTL   DD DSN=control.dataset.name,DISP=SHR
//SORTWK01  DD UNIT=SYSDA,SPACE=(TRK,(space),,CONTIG)
//SORTWK02  DD UNIT=SYSDA,SPACE=(TRK,(space),,CONTIG)
//SLSPRINT  DD SYSOUT=A
//SYSOUT    DD SYSOUT=A
//SLSIN     DD *
           VOLRPT ACS(01) LSM(00,01,05) SORT(USE)
/*
//
```

The following example shows JCL to produce a Volume Report using work files.

JCL to produce a Volume Report (Using Work Files)

```
//JOBVOLR   job (account),programmer
//S1        EXEC PGM=SLUADMIN,PARM='NOHDR,MIXED'
//STEPLIB   DD DSN=sys.your.linklib,DISP=SHR
//SLSCNTL   DD DSN=control.dataset.name,DISP=SHR
//SLSPRINT  DD SYSOUT=A
//SYSOUT    DD SYSOUT=A
//SORTWK01  DD UNIT=SYSDA,SPACE=(TRK,(space),,CONTIG)
//SORTWK02  DD UNIT=SYSDA,SPACE=(TRK,(space),,CONTIG)
//SORTWK03  DD UNIT=SYSDA,SPACE=(TRK,(space),,CONTIG)
//SORTWK04  DD UNIT=SYSDA,SPACE=(TRK,(space),,CONTIG)
//SLSIN     DD *
           VOLRPT VOLSER(ABCD01-ABCD99)
/*
//
```

The optional parameter “NOHDR” suppresses page headings on the volume report.

The following example shows JCL to produce a Volume Report using work files and scratch subpool PARMLIB definitions.

`SORTWK nn` DD statements are optional and should be included if sorting is to be done. Up to 99 SORTWK DD statements are allowed. The SLSSCRPL DD statement is necessary if subpool information is to be obtained from SCRPOOL PARMLIB statements.

This example sorts volumes by date last selected; calls for subpool totals by LSM, ACS, and library; and sends non-volume CDS data to the data set specified in SLSCDATA.

JCL to produce a Volume Report (Using Scratch Subpool Definitions)

```
//JOBVOLR    job (account),programmer
//S1         EXEC PGM=SLUADMIN,PARM='NOHDR,MIXED'
//STEPLIB   DD DSN=sys.your.linklib,DISP=SHR
//SLSPRINT  DD SYSOUT=A
//SYSOUT    DD SYSOUT=A
//SORTWK01  DD UNIT=SYSDA,SPACE=(TRK,(prim),,CONTIG)
//SORTWK02  DD UNIT=SYSDA,SPACE=(TRK,(prim),,CONTIG)
//SORTWK03  DD UNIT=SYSDA,SPACE=(TRK,(prim),,CONTIG)
//SLSCNTL   DD DSN=control.dataset.name,DISP=SHR
//SLSSCRPL  DD DSN=your.hsc.parmlib.name(SLSSYSnn),DISP=SHR
//SLSCDATA  DD DSN=your.cdsdata.name,
//           DISP=(,CATLG,DELETE),
//           UNIT=SYSDA,
//           SPACE=(TRK,(prim,sec),RLSE)
//SYSIN     DD *
            VOLRPT SORT(SEL) SUMMARY(SUBPOOL) CDSDATA
/*
//
```

This example shows JCL to produce a Volume Report listing media types that are mismatched between the CDS VAR and VOLATTR control statements. The SLSVA DD statement must be present to identify the VOLDEF data set containing the VOLATTR statements.

JCL to produce a Volume Report (Comparing VAR/VOLATTR)

```
//JOBVOLR    job (account),programmer
//S1         EXEC PGM=SLUADMIN,PARM='NOHDR,MIXED'
//STEPLIB   DD DSN=sys.your.linklib,DISP=SHR
//SLSPRINT  DD SYSOUT=A
//SYSOUT    DD SYSOUT=A
//SORTWK01  DD UNIT=SYSDA,SPACE=(TRK,(prim),,CONTIG)
//SORTWK02  DD UNIT=SYSDA,SPACE=(TRK,(prim),,CONTIG)
//SORTWK03  DD UNIT=SYSDA,SPACE=(TRK,(prim),,CONTIG)
//SLSCNTL   DD DSN=control.dataset.name,DISP=SHR
//SLSVA     DD DSN=voldef.dataset.name,DISP=SHR
//SYSIN     DD *
            VOLRPT SORT(VOL) SUMMARY(TOTAL) EXCLUDE(MEDEQUAL)
/*
//
```


Output Description

A report in the specified sort order provides details about the library volumes in the ACSs/LSMs for which the report is produced. Other outputs may include error messages to the listing.

Report Detail Lines

The following sections describe the detailed volume information reported for each volume.

Media and Recording Technique Origin

The media and recording technique are derived from the media type reported by the LMU (recorded in the VAR) and the applicable VOLATTR statement, if one exists. If the media type from the LMU is compatible with the VOLATTR statement, the VOLATTR's media type and recording technique is reported. If the LMU and VOLATTR data and VOLATTR data is incompatible, or the VOLATTR is not provided, the LMU media type is used.

Media Type Prefix Characters

If discrepancies exist between the media type reported by the LMU (in the VAR) and the VOLATTR information, the media type is prefixed by one of the following characters:

- ? displayed if the media has been flagged as unreadable.
- * displayed if the VAR media type and VOLATTR information do not match. In this case, the user should correct the erroneous VOLATTRs.
- displayed if **both** of these conditions are true:
 - a VOLATTR cannot be found for an ECART, ZCART, helical, or STK1 cartridge (anything other than a Standard cartridge), and
 - the cartridge external media label has been verified by the LMU.
- @ displayed if **both** of these conditions are true:
 - a VOLATTR exists for an ECART, ZCART, helical, or STK1 cartridge (anything other than a Standard cartridge), and
 - the cartridge external media label has not been verified by the LMU.

Cell Location Fields

The cell location (Cell Loc) fields show the location of cartridges by ACS (AA), LSM (LL), panel (PA), row (RO), and column (CO). The LSMid has been changed from 0-F to 0-17 hexadecimal to support greater than 16 LSMs.

Errant, Scratch, Selected Fields

A flag of “Y” (yes) under the Errant (Err), Scratch (Scr), or Selected (Sel) headings indicates that the volume is currently in that status.

A volume in Errant (Err) status shows the volume’s home cell in the Cell Loc column.

Under the Selected heading, a flag of “Y” indicates that the volume is currently selected, that is, being mounted, dismounted, ejected, or moved. A flag of “M” indicates that the volume is currently mounted. The Selected column on the totals report includes both selected and mounted volumes. The volume’s home cell appears in the Cell Loc column.

External Label Field

Under the heading External Label (Ext Lbl), “R” indicates that the volume has a readable external label. A flag of “U” (unreadable) means that the cartridge has an external label which the camera system is unable to read. “N” indicates that the cartridge has no external label.

Cartridge Usability (CLN USE) Field

An “N” indicates a cartridge which is not usable, for example, a spent cleaning cartridge that is not usable because it has exhausted its cleaning surface. An “M” means that a cleaning cartridge has exceeded its maximum usage set by the VOLATTR MAXclean or MNTD MAXclean value.

Subpool ID Field

Scratch subpools for volumes are listed if:

- SUMMery(SUBpool) is specified and
- scratch subpool definitions have been provided either by SCRPOOL control statements or User Exit 03.

If the VOLSER is not within any scratch subpool range,

```
** DEFAULT **
```

appears in this field.

Times Selected Field

The Times Selected count is the number of times the volume has been selected for use by a host. A single selection may represent a mount/dismount pair, the volume’s initial entry, participation in scratch redistribution, or any update to its scratch status.



Note: The count is valid only for the time that the volume exists in a CDS.

Media Warranty Life (MWL) Field

The Media Warranty Life (MWL) is a percentage value that is obtained at volume dismount for tape libraries that are at LMU compatibility level 21 or later. If you do not know the compatibility level, enter the HSC Display Acs command to display it (refer to the *HSC 6.2 Operator's Guide*).

The MWL percent indicates how much of the media life has been used and is considered to be “expired” at 100%. Values may range from 0 to 254. If the field is blank, the MWL is unknown.

Totals Reports

Two totals reports can be produced:

- volume report totals
- subpool totals.

Volume Report Totals

Total of cartridges with various characteristics are displayed for LSMs, ACSs, and the entire library.

The total selected volumes is the sum of the number of volumes currently selected and the number of volumes currently mounted.



Note: The free storage cells reported do not include free cells on frozen panels. An LSM with at least one frozen panel is indicated by an asterisk after the free cell count.

Subpool Totals

Totals of cartridges by subpool are produced for LSMs, ACSs, and the entire library.

Volume Report Flat Files

Specifying the **VOLDATA** parameter produces a volume flat file. The layout of the volume records is defined by the SMP/E-distributed **SLUVVDAT** macro. Refer to “**SLUVVDAT**” on page 742 in Appendix F, “Record Formats” to see the **SLUVVDAT** record format.

When **VOLDATA** is specified under CMS, only the volume information that passed all of the selection criteria is written to the specified output data set, one volume per record.

The **CDSDATA** parameter creates a non-volume CDS flat file. The following SMP/E-distributed macros define the non-volume information:

- **SLUVADAT** (flat file ACS/LSM information DSECT)
- **SLUVCDAT** (flat file static configuration data DSECT)
- **SLUVHDAT** (flat file host information DSECT)
- **SLUVIDAT** (flat file CDS information DSECT).

Refer to “Volume Report and Batch API Records” on page 722 in Appendix F, “Record Formats” for the layouts of these records.

An optional parameter, “**NOHDR**,” may be specified in the JCL to eliminate printing page headings. This option enables the user to customize the output data to produce reports in various formats.

```

SLUADMIN (7.0.0)                SUN MICROSYSTEMS ENTERPRISE LIBRARY SOFTWARE UTILITY                PAGE 00001
TIME 11:20:29                   CONTROL CARD IMAGE LISTING                                               DATE 2009-05-18
VOLRPT
SLUADMIN (7.0.0)                SUN MICROSYSTEMS ENTERPRISE LIBRARY SOFTWARE UTILITY                PAGE 00002
TIME 11:20:29                   VOLUME REPORT UTILITY                                                  DATE 2009-05-18
SL513151 SPDJ.HSCJ.CDS.SL3000 WAS SELECTED AS THE PRIMARY CONTROL DATA SET
SL543601 DDNAME SL5VA ALLOCATED TO DATASET NAME SPDJ.HSCJ.PARMLIB(VATT08)
SL543601 DDNAME SLSSCRPL ALLOCATED TO DATASET NAME SPDJ.HSCJ.PARMLIB(SCRPO8)
SLUADMIN (7.0.0)                SUN MICROSYSTEMS ENTERPRISE LIBRARY SOFTWARE UTILITY                PAGE 00003
TIME 11:20:29                   VOLUME REPORT UTILITY                                                  DATE 2009-05-18
VOLUME                           CELL LOC   ERR   SEL EXT CLN  |--- INSERTED ---| |--- LAST USED ---|  TIMES  MWL
SERIAL  MEDIA  RECTECH AA:LL:PA:RO:CO | SCR | LBL USE  SUBPOOL ID  DATE    TIME    DATE    TIME    SELECTED %
BILL0   STK1R   STK1R   00:00:10:43:00  |   |   R   BILLS-TAPES 20090514 12:51:18 20090514 12:51:18 4921 50
BILL1   STK1R   STK1R   00:00:10:43:01  |   |   R   BILLS-TAPES 20090514 12:51:19 20090514 12:51:19 4833 49
BILL2   STK1R   STK1R   00:00:10:43:02  |   |   R   BILLS-TAPES 20090514 12:51:19 20090514 12:51:19 1
BILL3   STK1R   STK1R   00:00:10:43:03  |   |   R   BILLS-TAPES 20090514 12:51:19 20090514 12:51:19 1
BILL4   STK1R   STK1R   00:00:10:43:04  |   |   R   BILLS-TAPES 20090514 12:51:19 20090514 12:51:19 4431 45
BILL5   STK1R   STK1R   00:00:10:43:05  |   |   R   BILLS-TAPES 20090514 12:51:19 20090514 12:51:19 5521 57
CLN000  -STK1W  STK1RABC 00:00:20:20:00  |   |   R   *CLEANER* 20090514 12:51:25 20090518 10:25:43 3
CLN001  -STK2W  STK2P    00:00:20:20:01  |   |   R   *CLEANER* 20090514 12:51:25 20090514 12:51:25 1
CLN002  -STK1Y  STK1RD   00:00:20:20:02  |   |   R   *CLEANER* 20090514 12:51:25 20090514 12:51:25 1
CLN003  -LTO-CLN1 HP-LTO   00:00:20:21:00  |   |   R   *CLEANER* 20090514 12:51:25 20090514 12:51:25 1
CLN004  -LTO-CLN2 IBM-LTO 00:00:20:21:01  |   |   R   *CLEANER* 20090514 12:51:25 20090514 12:51:25 1
CLN006  -LTO-CLNU LTO     00:00:20:22:00  |   |   R   *CLEANER* 20090514 12:51:25 20090514 12:51:25 1
CLN007  -T10000CT T10K    00:00:20:22:01  |   |   R   *CLEANER* 20090514 12:51:25 20090514 12:51:25 1
FRED0   STK1R   STK1R   00:00:10:41:00  |   |   R   FREDS-TAPES 20090514 12:51:18 20090514 12:51:18 1
FRED1   STK1R   STK1R   00:00:10:41:01  |   |   R   FREDS-TAPES 20090514 12:51:18 20090514 12:51:18 1
FRED2   STK1R   STK1R   00:00:10:41:02  |   |   R   FREDS-TAPES 20090514 12:51:18 20090517 14:29:47 10933 101
FRED3   STK1R   STK1R   00:00:10:41:03  |   |   R   FREDS-TAPES 20090514 12:51:18 20090518 10:25:11 322 38
FRED4   STK1R   STK1R   00:00:10:41:04  |   |   R   FREDS-TAPES 20090514 12:51:18 20090514 12:51:18 1
FRED5   STK1R   STK1R   00:00:10:41:05  |   |   R   FREDS-TAPES 20090514 12:51:18 20090514 12:51:18 17421 163
JACK0   STK1R   STK1R   00:00:10:44:00  |   |   R   JACKS-TAPES 20090514 12:51:19 20090514 12:51:19 1
JACK1   STK1R   STK1R   00:00:10:44:01  |   |   R   JACKS-TAPES 20090514 12:51:19 20090514 12:51:19 1
JACK2   STK1R   STK1R   00:00:10:44:02  |   |   R   JACKS-TAPES 20090514 12:51:19 20090514 12:51:19 1
JACK3   STK1R   STK1R   00:00:10:44:03  |   |   R   JACKS-TAPES 20090514 12:51:19 20090514 12:51:19 1
JACK4   STK1R   STK1R   00:00:10:44:04  |   |   R   JACKS-TAPES 20090514 12:51:19 20090514 12:51:19 5321 46
JACK5   STK1R   STK1R   00:00:10:44:05  |   |   R   JACKS-TAPES 20090514 12:51:19 20090514 12:51:19 1
JILL0   STK1R   STK1R   00:00:10:45:00  |   |   R   JILLS-TAPES 20090514 12:51:19 20090514 12:51:19 2391 22
JILL1   STK1R   STK1R   00:00:10:45:01  |   |   R   JILLS-TAPES 20090514 12:51:19 20090514 12:51:19 1201 10
JILL2   STK1R   STK1R   00:00:10:45:02  |   |   R   JILLS-TAPES 20090514 12:51:19 20090514 12:51:19 11211 104
JILL3   STK1R   STK1R   00:00:10:45:03  |   |   R   JILLS-TAPES 20090514 12:51:19 20090514 12:51:19 981 9
JILL4   STK1R   STK1R   00:00:10:45:04  |   |   R   JILLS-TAPES 20090514 12:51:19 20090514 12:51:19 7321 79
JILL5   STK1R   STK1R   00:00:10:45:05  |   |   R   JILLS-TAPES 20090514 12:51:19 20090514 12:51:19 1
034903  *STK1R  STK1R   00:00:03:49:03  |   |   R   PRODUCTION 20090514 12:51:15 20090514 12:51:15 1001 10
041905  T10000T1 T10K    00:00:04:19:05  |   |   R   PRODUCTION 20090514 12:51:16 20090514 12:51:16 1
052802  T10000T1 T10K    00:00:05:28:02  |   |   R   PRODUCTION 20090514 12:51:16 20090514 12:51:16 1
065105  T10000T1 T10K    00:00:06:51:05  |   |   R   PRODUCTION 20090514 12:51:16 20090514 12:51:16 121 4
070000  T10000T1 T10K    00:00:07:00:00  |   |   R   PRODUCTION 20090514 12:51:17 20090514 12:51:17 1
080802  T10000T1 T10K    00:00:08:08:02  |   |   R   PRODUCTION 20090514 12:51:17 20090514 12:51:17 111 3
094903  STK1R   STK1R   00:00:09:49:03  |   |   R   TEST-POOL-XYZ 20090514 12:51:17 20090514 12:51:17 12981 122
104200  STK1R   STK1R   00:00:10:42:00  |   |   R   TEST-POOL-XYZ 20090514 12:51:18 20090514 12:51:18 1

```

Figure 23. Volume Report Sample Output

SLUADMIN (n.n.n)		Oracle Enterprise Library Software Utility										PAGE 0001	
TIME hh:mm:ss		Control Card Image Listing										DATE yyyy-mm-dd	
VOLRPT SUMMARY(TOTAL) VOLUME(CLN400-CLN418)													
SLUADMIN (n.n.n)		Oracle Enterprise Library Software Utility										PAGE 0002	
TIME hh:mm:ss		Volume Report Utility										DATE yyyy-mm-dd	
Volume	Cell Loc	Ext Cln	--- Inserted ---		--- Last Used--		Times	MWL					
Serial Media	Rectech AA:LL:PA:RO:CO	Err Scr Sel	Lbl Use	Subpool ID	Date	Time	Date	Time	Selected	%			
CLN400 STK1U	STK1R 01:01:14:00:17		R N	**Default**	20040216	12:56:56	20040216	13:11:10	23				
CLN401 STANDARD	18TRACK 01:01:18:00:19		R	**Default**	20040216	12:56:57	20040216	13:11:17	98				
CLN402 STANDARD	18TRACK 01:01:01:00:23		R M	**Default**	20040216	12:56:59	20040216	13:11:20	101				
CLN403 STANDARD	18TRACK 01:01:04:00:23		R	**Default**	20040216	12:57:00	20040216	13:11:25	96				
CLN404 STK1U	STK1R 01:01:06:00:20		R NM	**Default**	20040216	12:57:01	20040216	13:11:27	105				
CLN405 STK1U	STK1R 01:01:07:01:10		R N	**Default**	20040216	12:57:03	20040216	13:11:30	26				
CLN406 *STANDARD	18TRACK 01:00:03:30:01		R	**Default**	20040216	12:57:04	20040216	13:05:51	3				
CLN407 *STANDARD	18TRACK 01:00:00:15:02		R	**Default**	20040216	12:57:05	20040216	13:05:53	3				
CLN408 STANDARD	18TRACK 01:00:02:15:05		R	**Default**	20040216	12:57:06	20040216	13:05:54	3				
CLN409 STANDARD	18TRACK 01:00:03:30:02		R	**Default**	20040216	12:57:06	20040216	13:05:56	3				
CLN410 @DD3D	DD3 01:00:00:15:03		R M	**Default**	20040216	12:57:08	20040216	13:05:58	3				
CLN411 @DD3D	DD3 01:00:02:16:00		R M	**Default**	20040216	12:57:08	20040216	13:06:00	3				
CLN412 DD3D	DD3 01:00:03:31:00		R M	**Default**	20040216	12:57:11	20040216	13:06:02	3				
CLN413 -DD3D	DD3 01:00:00:15:04		R M	**Default**	20040216	12:57:12	20040216	13:06:04	3				
CLN414 DD3D	DD3 01:00:02:16:01		R M	**Default**	20040216	12:57:13	20040216	13:06:05	3				
CLN415 DD3D	DD3 01:00:03:31:01		R M	**Default**	20040216	12:57:14	20040216	13:06:07	3				
CLN416 DD3D	DD3 01:00:00:15:05		R M	**Default**	20040216	12:57:17	20040216	13:06:11	3				
CLN417 DD3D	DD3 01:00:02:16:02		R M	**Default**	20040216	12:57:18	20040216	13:06:14	3				
CLN418 DD3D	DD3 01:00:03:31:02		R M	**Default**	20040216	12:57:20	20040216	13:06:16	3				
SLUADMIN (n.n.n)		Oracle Enterprise Library Software Utility										PAGE 0003	
TIME hh:mm:ss		Volume Report Totals										DATE yyyy-mm-dd	
Type	Loc	Errant	Selected	No External	Un Readable	External Readable	Scratch	Non Scratch	Not Usuable	Over MAXclean	All	Free Cells	
LSM	00:00	0	0	0	0	0	0	0	0	0	0	4069	
ACS	00	0	0	0	0	0	0	0	0	0	0	4069	
LSM	01:00	0	0	0	0	13	0	13	0	9	13	346	
LSM	01:01	0	0	0	0	6	0	6	3	2	6	4660	
ACS	01	0	0	0	0	19	0	19	3	11	19	5006	
ALL		0	0	0	0	19	0	19	3	11	19	9075	

Figure 24. Volume Report SUMMARY(TOTAL) Sample Output

SLUADMIN (n.n.n)		Oracle Enterprise Library Software Utility										PAGE 0001			
TIME hh:mm:ss		Control Card Image Listing										DATE yyyy-mm-dd			
VOLRPT SUMMARY(SUB) VOLUME(EE0000-EE9999)															
SLUADMIN (n.n.n)		Oracle Enterprise Library Software Utility										PAGE 0002			
TIME hh:mm:ss		Volume Report Utility										DATE yyyy-mm-dd			
Volume	Cell Loc	Ext Cln	--- Inserted ---		-- Last Used--		Times	MWL							
Serial Media	Rectech	AA:LL:PA:R0:CO	Err	Scr	Sel	Lbl	Use	Subpool	ID	Date	Time	Date	Time	Selected	%
EE0000	ZCART	36TRACK 01:00:02:00:01				R		SUB1	20040214	15:14:39		20040221	10:16:59	5453	
EE0001	ZCART	36TRACK 01:00:03:01:00		Y		R		SUB1	20040210	11:30:51		20040221	16:23:56	28	
EE0002	ZCART	36TRACK 01:00:00:00:00		Y		R		SUB1	20040210	11:30:55		20040221	16:23:56	29	
EE0003	ZCART	36TRACK 01:00:01:36:01	Y	Y	Y	R		SUB1	20040210	11:31:01		20040221	16:23:57	25	
EE0004	ZCART	36TRACK 01:00:02:01:02		Y		R		SUB1	20040210	11:31:07		20040221	16:23:57	27	
EE0005	ZCART	36TRACK 01:00:03:01:01		Y		R		SUB1	20040210	11:31:12		20040221	16:23:57	23	
EE0006	ZCART	36TRACK 02:00:00:00:00		Y		R		SUB1	20040214	14:48:10		20040218	10:33:07	6	
EE0007	ZCART	36TRACK 02:01:00:04:03		Y		R		SUB1	20040214	09:39:53		20040218	10:33:08	100	
EE0008	ZCART	36TRACK 02:00:01:39:01		Y		R		SUB1	20040214	09:40:07		20040218	10:33:08	45	
EE0009	ZCART	36TRACK 02:00:00:02:00			M	R		SUB1	20040214	09:40:19		20040221	16:34:17	676	
EE0010	ZCART	36TRACK 02:01:01:39:02		Y		R		SUB1	20040214	09:40:33		20040221	16:23:58	82	
EE0011	ZCART	36TRACK 02:01:00:08:01		Y		R		SUB1	20040214	14:24:46		20040221	16:24:00	15	
EE0012	ZCART	36TRACK 02:00:01:36:01		Y		R		SUB1	20040214	08:33:30		20040218	10:33:08	19	
EE0800	ZCART	36TRACK 01:01:01:00:04				R		SUB2	20040210	10:58:04		20040221	16:26:39	64	
EE0801	ZCART	36TRACK 01:01:14:00:04		Y		R		SUB2	20040210	10:57:13		20040218	12:44:54	34	
EE0802	ZCART	36TRACK 01:01:03:31:01		Y		R		SUB2	20040210	10:57:20		20040218	10:33:09	30	
EE0803	ZCART	36TRACK 01:01:16:00:06		Y		R		SUB2	20040210	10:57:27		20040218	13:12:31	34	
EE0804	ZCART	36TRACK 01:01:17:00:10		Y		R		SUB2	20040210	10:57:35		20040218	10:33:09	30	
EE0805	ZCART	36TRACK 01:01:18:00:06		Y		R		SUB2	20040210	10:57:43		20040218	10:33:09	7	
EE0806	ZCART	36TRACK 01:01:19:00:05		Y		R		SUB2	20040210	10:57:49		20040218	12:54:17	34	
EE0807	ZCART	36TRACK 01:01:00:00:01		Y		R		SUB2	20040210	10:57:58		20040218	13:08:24	34	
EE0808	ZCART	36TRACK 01:01:13:00:02		Y		R		SUB2	20040210	10:53:06		20040218	13:04:13	34	
EE0809	ZCART	36TRACK 02:01:01:36:00		Y		R		SUB2	20040220	10:33:04		20040218	10:33:10	50	

Figure 25. Volume Report Utility SUMMARY(SUBpool) Sample Output (1 of 2)

SLUADMIN (n.n.n)		Oracle Enterprise Library Software Utility				PAGE 0003
TIME hh:mm:ss		Subpool Totals, All Ranges				ATE yyyy-mm-dd
SUBPOOL ID		LABEL TYPE		RANGE LIMITS		
SUB1		SL		N/A - N/A		
		NON				
ACS	LSM	SCRATCH	SCRATCH	Media	Rectech	
00	00:00	0	0			
ACS Total		0	0			
01	00:10	5	1	ZCART	36CTRACK	
	00:10	0	0			
ACS Total		5	1			
02	00:20	3	1	ZCART	36CTRACK	
	00:21	3	0	ZCART	36CTRACK	
ACS Total		6	1			
Library Total		11	2			

Figure 25. Volume Report Utility SUMMARY(SUBpool) Sample Output (2 of 2)

Chapter 5. Software Diagnostics and Recovery

Overview

This chapter describes the overall diagnostic capabilities supported by all components of the HSC. Diagnostic capabilities include:

- **Generalized Trace Facility (GTF) Tracing (GTRACE)** — This facility provides a history of the processing before a failure.
- **Supervisor Call (SVC), Dump (SDUMP), and Abnormal End (ABEND) Dumps** — Record information on dumps is made available at the time of failure by using these dumps.
- **Error Recording Data Sets (ERDS)** — Software failures are logged into these error recording data sets.

These diagnostic tools can be helpful to you in diagnosing software problems and useful when discussing any problems with StorageTek Support Services.

Generalized Trace Facility

The Generalized Trace Facility (GTF) provides a low level history of the recent past. The HSC issues GTRACE requests for significant events during operation. Format ID and Event ID (FID and EID) are specified as parameters on the EXEC statement (PARM=) of the HSC JCL procedure (refer to “Creating an HSC START Procedure” in the *HSC Configuration Guide* for an example procedure).

Supervisor Call and Abnormal End Dumps (ABEND)

SVC and ABEND dumps are taken where appropriate to diagnose software failures. Do not use SYSUDUMP, SYSMDUMP or SYSABEND DD statements in HSC JCL. These ABEND types do not provide enough information on the HSC address space.

Error Recording Data Set Records

4480 Cartridge Subsystem and 3278 Terminal Subsystem Error Recording Data Set (ERDS) records are written by MVS routines. The HSC writes software records to the ERDS to record:

- software failures for task/service request block (SRB) end
- LSM access door opening events
- LSM and LMU status responses
- LMU error responses
- control data set inaccessible
- control data set copy inaccessible
- both journals filled
- current journal inaccessible
- a switch to the copy of the control data set
- dual LMU status change in a dual LMU environment
- a switch of the host-to-host communication method level.

Library software uses normal ESTAE and FRR capabilities to log task/SRB termination records to the ERDS. Information in the variable recording area of the software record is used to record data pertinent to each subtype of HSC software ERDS records.

HSC Diagnostic Commands

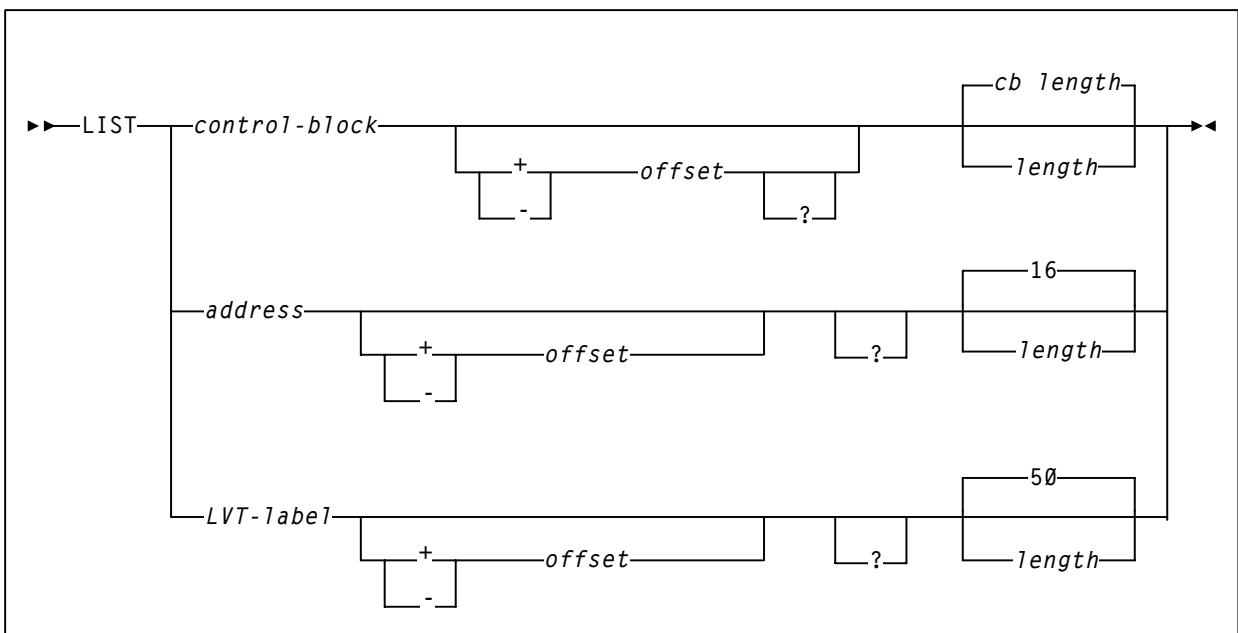
The following HSC diagnostic commands are provided:

- Llst
- Display.

Llst Command

The Llst command is used to display an HSC data structure and to provide for diagnostic support for the HSC. Use **this command under the direction of StorageTek support personnel.**

Syntax



Command Name

Llst
initiates the Llst command.

Parameters

control-block

specifies the name of a single HSC data structure. It may be any one of the following:

BCVT

Initialization/Termination Communication Vector Table

CCV

CAP Communication Vector Table

DCV

Database Server Communications Vector Table

DHB (Primary copy pointed from DCVDIOB2)

Database Heartbeat Block

DHBE (1748 bytes into DHB pointed from DCVDIOB2)

Database Heartbeat Extension Block

FCVT

Configuration Control Communication Vector Table

HCVT

Host Communication Vector Table

JCVT

Job Processing Communication Vector Table

LCB (first LCB in the chain)

LMU Control Block

LCVT

LMU Communication Vector Table

LOOK (LOOKSECT)

Table LOOK-up DSECT for SLSSLOO

LVT

Library Vector Table (large output produced)

MCVT

Mount/Dismount Vector Table

OCVT

Operator Command Vector Table

QVT

Ascomm Vector Table

RCVT

Recovery Communication Vector Table

SSST

Services CVT Pointer

TDEF (first TDEF in LOOKSECT)

Table Definition for SLSSLOO

UCT

Utilities Communication Vector Table

VCT

Volume Cell Communication Table

address

A hexadecimal address. If the address is not available in the address space, you will get a “Storage Not Available” message.

LVT-label

The assembler label in the LVT macro used to find where many HSC programs are loaded into memory.

offset

An offset to be added (+) or subtracted (-) from the address. This allows you to specify an offset from an address or an offset into a control block. **This parameter is optional.**

?

A question mark (?) is used for indirect addressing. It will take the fullword target and use it as the new target, dumping storage from that location. There is no space before the question mark (?). **This parameter is optional.**

A question mark will be ignored if used with a control block unless you also specify an offset.

cb length

specifies the length of the control block. **This parameter is optional.**

If you do not specify a length with a control block, it will take the second fullword of the control block as the length.

length

decimal number of bytes of storage to dump. **This parameter is optional.**

The default length is 16 bytes for an address and for any combination if you specify an offset and/or a question mark (?).

If you specify an offset or an offset and question mark with a control block, and do not specify a length, the default is 16 bytes. It will not use the length found in the control block.

The maximum length to be dumped is 4096 (X'1000') bytes. If you attempt to dump more, or the length found in the control block is greater than 4K, you will get an error message and the storage will not be dumped. This is to prevent excessive output to the system console.

If the storage being dumped has duplicate lines (example: a lot of hex zeros), duplicate lines will be grouped together. A single line will be output showing the offset range and a message "SAME AS ABOVE."

Display Command

The Display command offers several options that are useful for diagnostic purposes. For more information on the Display command and its uses for diagnostics, refer to "DISPLAY Command" in the *HSC Operator's Guide*.

CDS Recovery Capabilities

Capabilities to recover the CDS from certain hardware and software failures are inherent in the HSC. CDS recovery capabilities include:

- dynamic recovery of the control data set
- control data set error diagnostics
- initializing/running on one copy of the control data set
- switching to another copy of the control data set
- control data set integrity during BACKUp and RESTore
- detecting mismatch of control data sets

Additional recovery information is available in the *HSC Operator's Guide* pertaining to the following topics:

- cartridge recovery
- errant cartridge recovery
- switch to standby LMU
- automatic downward switch of the host-to-host communication method level
- starting the HSC at the base service level.

Control Data Set Recovery

Dynamic Recovery of the Control Data Set

At HSC installation, specifying additional control data sets, secondary and standby, in the LIBGEN SLIRCVRY macro indicates that these additional copies of the control data set are maintained by the HSC during library operation and kept on DASD. In addition, a CD's operator command provides you with the capability to enable or disable any of the various control data sets. An auto-enable function of the command sets the automatic switch capability of the HSC to automatically switch operation to another control data set.

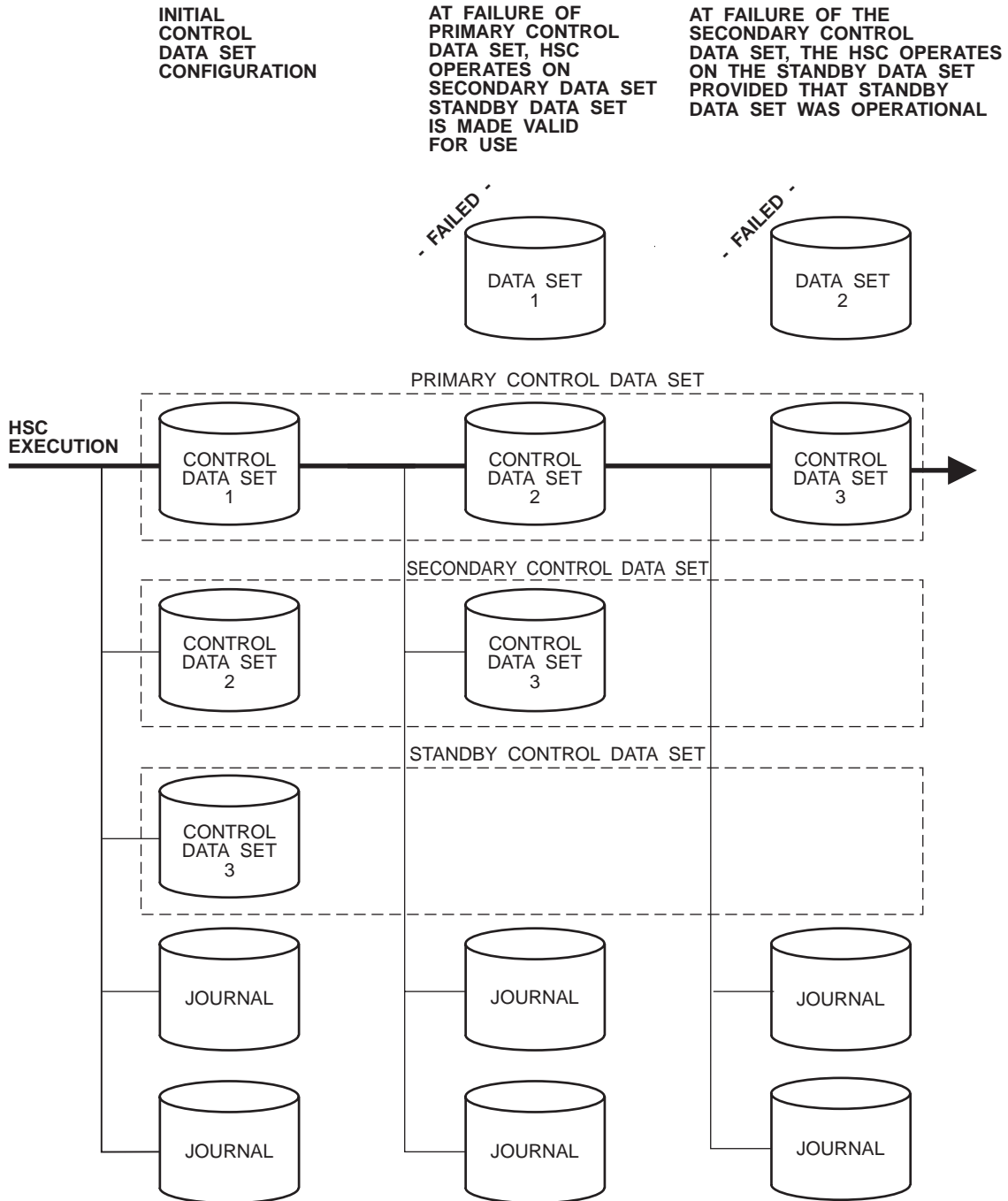
If a failure occurs accessing the primary control data set, the HSC automatically switches operation to the secondary control data set. At the time that the switch to the secondary control data set occurs, the standby control data set becomes valid. After library operation continues with the secondary control data set, should the secondary control data set become inaccessible, the standby control data set is accessed and used by the HSC to keep the library operating.



Note: If the primary and secondary control data sets fail simultaneously, without sufficient time for the HSC to make the standby data set valid and accessible, HSC operation is impaired.

These backup data sets replace a failing control data set; however, they retain their original data set name.

Figure 26 on page 380 illustrates the built-in recovery scheme for the control data sets.



C29343

Figure 26. Control Data Set Recovery Scheme

All HSCs in operation must be stopped to perform the restore operation.

If the three control data sets fail, the journal(s) can be used to restore a valid control data set. Refer to “BACKup Utility” on page 202 for information about backing up a CDS or “REStore Utility” on page 287 for information about restoring a CDS.

Control Data Set Error Diagnostics

Numerous messages are provided to permit you to diagnose problems pertaining to the control data sets. The messages describe error circumstances including:

- block mismatches between copies of the control data sets
- missing DD statements required for control data set initialization
- various backup and restore actions
- discrepancy block information, and other pertinent diagnostic information.

Refer to *HSC Messages and Codes Guide* for more information about messages encountered that pertain to the control data sets and the BACKup and REStore utilities.

Control Data Set Processes

Several important processes are available to you for recovery purposes. These are designed to permit you to keep your library running when there are apparent problems with the primary control data set. Processes include how to:

- initialize and run the HSC on one copy of the control data set
- switch to any backup copy of the control data set
- switch the control data set in a multiple-host environment.

Initializing/Running the HSC on One Copy of the Control Data Set

You have the option of initializing and running the HSC on only one copy of the control data set. With the available PARMLIB control statements, you can specify backup control data sets (secondary and standby control data sets); however, if for any reason, the HSC can run on only one of the control data sets, the HSC continues to run normally.

The HSC has the capability of determining which of any number of control data sets are valid and consequently chooses a valid data set with which to continue operation.

It is highly recommended that you initialize, in addition to the primary control data set, a secondary and a standby control data set. With these data sets, you can recover from problems with the primary control data set.

Switching to a Backup Copy of the Control Data Set

If you have initialized your HSC subsystem with the additional backup copies of the control data set, you can dynamically switch operation to any one of the copies without affecting the HSC and library operation.

With an operator command, you can enable or disable specific copies of the control data set. When a copy of the CDS is disabled, the specified control data set is taken offline while the current standby control data set (if present) is brought online; HSC does not terminate during the switch.

When a new control data set is brought online, all work within a library complex requiring CDS access halts until the switch function completes. Depending on the size of the complex, this switching time can take a few minutes. However, this is a better alternative than an HSC shutdown and subsequent restore of data sets, especially in a multiple-host environment.

Operator commands are available to display the status of current control data sets or to enable, disable, or auto-enable any copy of the control data set. Refer to the *HSC Operator's Guide* for detailed information about the commands.

Switching the Control Data Set in a Multiple-host Environment

In a multiple-host environment, the HSC automatically provides communications to all hosts when a control data set switch has occurred. Communications is based on settings from the COMMPATH command and control statement (refer to the “Communications Path (COMMPATH) Command and Control Statement” in the *HSC Operator's Guide*).

Recommended Recovery Actions

Once you are aware that a switch of the control data set has occurred, it is recommended that the following actions be taken:

1. Run the BACKUP utility.
2. Retain a backup copy of each control data set for diagnostic purposes.
3. Run the RESTORE utility.
4. If DASD hardware errors are found, reallocate valid control data sets to a good storage device.

If you are unsuccessful in recovering from mismatch errors, contact StorageTek Software Support (refer to the guide *Requesting Help from Software Support*).

Control Data Set Integrity During RESTORE

Refer to “RESTORE Utility” on page 287 for more information about running the Restore utility.

Detecting Mismatch of Control Data Sets

Control data set mismatch occurs when the HSC has determined that the primary and secondary (or shadow) control data sets are not synchronized. Normally, the HSC automatically determines which copy of the control data set is valid and switches operation to that data set.

The recovery performed by the HSC is transparent to you, except for the issuance of appropriate messages to the operator. Through the messages, the operator is made aware of the switching that has occurred.

In cases where the HSC cannot determine which control data set is valid, you must run the BACKUP and RESTORE utilities to recover the data sets. Refer to “CDS Synchronization

Between Local/Remote-linked Libraries” on page 204 for some special considerations concerning control data sets.

Using a Periodic Backup When Journaling is Not Present

Periodic backups retain information current up to the time they are taken. If the backup copies are restored at some later time, a full audit may be required. However, backups do provide the majority of the inventory information necessary to keep your shop running.

If a corrupted CDS exists, one method of recovery is to run `BACKUP OPTION(Analyze)` specifying the old periodic backup copy and the current corrupted CDS. The `CDS` parameter should specify the old backup.

If the analyze process is successful or indicates that the corrupted CDS returned an I/O error after the `DVAR` blocks were processed, the discrepancy list should be correct or close to correct.

An audit run as a background task is still a good idea after the restore, subsequent to bringing up the HSC and running `SLSAUDIT`, `AUDIT`, `UNSCRATCH`, and `UNSELECT` statements. Recovery time for mission-critical cartridges is less if this is done.

Information Required for StorageTek Diagnosis

To aid diagnosis, collect the following information:

- backup copies of the primary, secondary, and standby control data sets at the time of the error
- console logs for a period of one hour before the mismatch condition was detected.

Gather Diagnostic Materials

During problem resolution, Software Support may request that you provide them with specific diagnostic material. While printed format may be accepted, it is most desirable that you provide machine readable data (on magnetic tape). For small amounts of data, Software Support may request that you FAX the data, instead of mailing it. Sending small amounts of data by FAX may significantly reduce the time taken to resolve problems.

Diagnostic Materials

HSC diagnostic material may be requested by Software Support and, as appropriate to the problem, may include one or more of:

- `MVS SYSLOG`
- `JESMSG` data set
- `SYSMSG` data set
- `SYSPRINT` data set
- `SLSPRINT` data set
- system dump data sets
- database `DUMPS/DEBUG` if master
- `EREP` - Type 'S'; from `LOGREC`
- details of circumstances

- ISPF/PDF PANEL IMAGES/SPFLOG
- external TRACE for HSC via GTF
- CCW traces
- copy of database files
- INISH deck
- IOCDS
- SAE dumps
- JCL/JOBLOGS.

Tape Format

If Software Support requests a tape of your SYSMDUMP or SYS1.DUMP, follow the format requirement listed below for your operating system type. Failure to follow this requirement may result in a delayed resolution to the problem you are reporting.

Dump using IEBGENER or IPCS

```
DCB=(RECFM=FB,LRECL=4160,BLKSIZE=4160)
```

Tape Return

When requested, Software Support will return any tapes which the sending party has labeled with a return address. Refer to the guide *Requesting Help from Software Support* for more information.

Chapter 6. Performance Considerations

Overview

After installing your Automated Cartridge System you will notice an improvement in your site system performance, especially for jobs and programs where tape cartridge handling is involved. Without any tuning, the ACS should significantly decrease mount/dismount times, shorten batch elapse times, open production windows, and reduce operator intervention. By making minor performance adjustments, you may achieve even more efficiency from your library.

The performance of a library is related to the following:

- overall library activity
- actions performed by systems programmers, at installation or during library operation
- daily operations controlled by an operator.

This chapter contains recommendations and highlights performance techniques that can be helpful to you in making your library operate more efficiently.

How Library Activity Affects Library Performance

Overall library activity and the type of activities involved are great influences on the performance of the library. In a large data center, the vast volume of jobs running that require entering and ejecting of cartridges, mounting, swapping, dismounting, tape drive cleaning, and pass-thrus determine the performance of the library.

Without proper planning and implementation of techniques to control how all of these activities affect performance, a library may not operate as intended or preferred. Therefore, it is important that you customize techniques and employ standard methods developed especially for your data center to optimize the overall performance of your library.

How System Programmers Control Library Performance

Systems programmers command extensive control of overall library performance. This control of performance is inherent with how a systems programmer:

- initially configures the library (during the LIBGEN process)
- uses available utilities and commands
- monitors and analyzes performance
- participates in the development of standard methods and procedures for the data center.

How Operators Control Library Performance

An operator may participate in the initial configuration of a library; however, an operator usually does not have control to change the majority of the static parameters set for library operation at installation time. There are exceptions. Some commands relate to the same functions initially set by PARMLIB control statements. These commands are available for use by an operator for resetting some library parameters initially set at HSC installation and initialization.

An operator impacts library performance primarily during daily operations with the use of operator commands. These commands may be used when operator intervention is required or when it is necessary to reset some static library parameter to improve performance.

Monitor Library Activity and Performance

There are several methods to monitor library activity and performance:

- running the Activities Report utility to produce a detailed report identifying performance values for various library activities.

The data in the report can be easily analyzed to produce performance criteria for your installation.

- using the StorageTek Performance Measurement and Predictive Maintenance System (PM2) to collect performance information
- using Expert Library Manager (ExLM) to monitor performance and to balance workload. For more information on ExLM, refer to the *Expert Library Manager User Guide and Reference*.

Using the Activities Report Utility

The Activities Report utility can be used to effectively record, monitor, and analyze library performance. Running the utility on a regular basis in addition to comprehensive analyses can provide you with information disclosing total performance characteristics for your library.

The Activities Report utility generates a report listing relative activity by volume groups. Information reflected on this report can be used to redistribute resources and, if necessary, to balance the cartridge activity load in a library.

This utility provides the library administrator with the information necessary to balance mount/dismount activity across ACSs and LSMs within a library. The information is based on statistics contained in SMF records that are tallied for each cartridge movement. Total Mount and Dismount activity is categorized to show a percentage for:

- scratch mount/total mounts and average time per mount
- nonscratch mounts/total mounts, and average time per mount
- scratch mounts in a different LSM/total mounts, average time per mount, and average number of pass-thrus
- nonscratch mounts in a different LSM/total mounts, average time per mount, and average number of pass-thrus.

Refer to “Activities Report Utility” on page 174 for detailed information on the Activities Report utility.

Using the Performance Measurement and Predictive Maintenance System (PM2)

The Performance Measurement and Predictive Maintenance System generates performance and error reports on various StorageTek equipment, including the library.

There are two categories of reports that provide information about library operation:

- ACS Daily Report
- Tape Volume Report.

ACS Daily Report

The ACS Daily Report contains the following information:

- Library Subsystem Error Report
- LMU Response Summary
- Problem Volume Serial List
- ACS Deblocking Error Report
- ACS Door Open Summary
- ACS LMU Degraded Summary
- ACS Database Journaling Entry
- ACS Primary/Shadow Switch Record
- ACS Audit Required Summary
- ACS Host Recovery Summary.

Tape Volume Report

The Tape Volume Report contains the following information:

- Tape Volume Select
- Tape Volume Analysis.

Refer to *PM2 Report Description & Analysis Manual - Install User's Manual* for detailed information about PM2 and the reports that can be helpful to you in monitoring library performance.

Redistribute Scratch Volumes in the Library

The Scratch Redistribution utility allows you to redistribute scratch volumes across the LSMs within a particular ACS. You can choose to have the scratch volumes go to only specified LSMs or all LSMs within an ACS.

Redistribution is performed to an evenness defined by the balance tolerance level which is specified via the Scratch Redistribution utility. If necessary, the Scratch Redistribution utility swaps scratch volumes with nonscratch volumes to equalize the count of scratch cartridges in an ACS.

Refer to “Scratch Redistribution Utility” on page 307 for detailed information on the Scratch Redistribution utility, syntax, and parameters.

Maintain Quantities of Scratch Cartridges

Typically, in a high-activity environment, if there are insufficient quantities of scratch volumes available within a library, production time can be lost. Scratch volumes are maintained in scratch pools that are defined across the library LSMs. It is important that the number of cartridges maintained in the scratch pools are sufficient enough for normal library operation at your data center. The operator or the systems programmer can control when the HSC warns of low quantities of scratch cartridges.

The Warn command establishes thresholds which control when the HSC notifies the operator of an insufficient quantity of scratch cartridges in an ACS. The scratch pool depletion warning notifies the operator when the number of scratch volumes in an ACS falls below a specified minimum value.

By specifying warning thresholds, you can know when the number of scratch cartridges is too low for normal library operation.

Refer to “Commands, Control Statements, and Utilities” in the *HSC Operator’s Guide* for more information about the command, syntax, and parameters.

Define CAP Preferences

The physical configuration of your library, especially the location of CAPs, can affect both library performance and operator performance. For a more efficient operation, ideally the operator should be located close to the CAPs being used the most. You can control which CAPs are most used.

The CAP preference (CAPPref) command enables you to specify preference values for CAPs. If CAP preferences are not specified, the CAP preference value is set to zero. A CAP with a preference value of zero is never selected (defaulted to) by the HSC unless specifically requested. The CAP preference list specified in the command establishes an ordered list of CAPs for use during cartridge entry and ejection. The HSC chooses an available CAP from this list by starting at the highest priority and moving down the list until a nonbusy, nonzero-priority CAP is identified.

If ejects and/or enters of large numbers of cartridges are frequent, you may want to set higher CAP preferences for enhanced CAPs.

Refer to the “CAP Preference (CAPPref) Command and Control Statement” in the *HSC Operator’s Guide* for information.

Use SMF Records to Collect Performance Data

Library performance data can be accumulated from SMF records. The SMF operand of the SLILIBRY macro for LIBGEN or the SMF parameter of the HSC SET utility determines the SMF record type written by the HSC. The MVS SET SMF command is used to enable recording of SMF data for specific SMF record subtypes to be collected. With SMF recording enabled, a record of various library activities is made for the specified record subtypes. Each library activity, such as each time the VIEw command (optional subtype(8)) is used, each time a cartridge is entered or ejected, etc., is recorded as an SMF subtype record.

The SMF database that is created can be used to analyze library performance. Software analytical tools can be used to manipulate the data and create various performance statistics.

The HSC SAMPLIB contains SAS layout statements that can be used to convert SMF data to SAS formatted data. Various SAS reports and graphs can be produced from the formatted data.

Refer to Appendix F, “Record Formats” for information about SMF record subtypes. Refer to “SET Utility” on page 323 for information about the SET utility, syntax, and parameters.

Use PARMLIB to Define Static Parameters

Control statements can be entered into a user-defined PARMLIB data set at HSC installation to statically set various performance criteria. The systems programmer may specify these control statements to be executed when the HSC software is initialized. Most of the statically set parameters can be changed at any time after initialization by issuing an appropriate operator command.

Table 33 on page 391 summarizes the PARMLIB control statements with corresponding operator commands. Any of the PARMLIB control statements can be used to improve various performance aspects of library operation.

Refer to “PARMLIB Control Statements” on page 79 for detailed information about using PARMLIB control statements.

Table 33. Performance Parameters Controlled by PARMLIB Control Statements

Statements Performance Parameter	Control Statement	Operator Command
Device Allocation	ALLOC	ALLOC
CAP Preference	CAPPref	CAPPref
Control Data Set Definition	CDSDEF	
Host-to-Host Communications Path	COMMPath	COMMPath
Control Message Prefix,Eid,Fid,and Hostid	EXECPARM	
Journal Definition	JRNDEF	Journal (specify FULL=Abend or FULL=Continue)
Journals	JRNDEF	Journal (specify FULL=Abend or FULL=Continue)
Mount Processing	MNTD	MNTD
General Purpose Options	OPTion	OPTion
Scratch Subpool	SCRPool	Warn (specify SUBpool option)
User Exit	UEXIT	UEXIT

Define Dispatching Priority for NCS Products

Depending on your requirements, set these products so the amount of resources available to them is as follows:

- HSC — greater than batch and any started task or application requiring quick access to tape, but less than an online system
- SMC — greater than the HSC, or if the HSC is inactive, greater than batch and any started task or application requiring quick access to tape, but less than an online system
- VTCS — around the middle of the performance environment at the customer site, greater than batch and any started task or application requiring quick access to tape, but less than an online system
- HTTP server — around the level of an online system.

Customer requirements may dictate that these products be given access to greater or lesser resources than we recommend here, but you must determine this for your environment. The information above is meant only to serve as a guideline.

During initialization, the HSC uses SYSEVENT TRANSWAP to make its address space non-swappable. The HSC address space cannot be swapped out once this has been accomplished.

Set High-performance Host-to-Host Communications

In a multi-host ACS configuration, host-to-host communications allows hosts to notify each other of a CDS switch. Host-to-host communications can be accommodated through three performance levels of communications, ranked as follows:

- ACF/VTAM
- LMU(s)
- CDS.

The high-performance telecommunications method is through VTAM. **StorageTek recommends using VTAM because it does not place a performance burden on HSC components.**

Host-to-host communications through the control data set should be used only as a backup facility. You should implement the highest level of host-to-host communications available.

“Communication Functions” on page 74 and “Communications Path (COMMPath) Command and Control Statement” in the *HSC Operator’s Guide* describe how multiple hosts can be connected using any of the three possible communication methods. You have the capability to set or dynamically switch the host-to-host communication method between each pair of hosts. You can monitor the level of communication using the Display COMMPath command. If a level of communications fails, it automatically drops to the next lower level, allowing the HSC to continue without interruption.

The communications parameters can be modified dynamically, using the COMMPath command, without halting HSC execution.

Detailed Information about Host-to-Host Communications

Refer to “Communication Functions” and “Communications Path (COMMPath) Command and Control Statement” in the *HSC Operator’s Guide* for a general description of communication functions.

Refer to “PARMLIB Control Statements” on page 79 for how to define communication functions in a PARMLIB control statement.

The “Communications Path (COMMPath) Command and Control Statement” in the *HSC Operator’s Guide* contains information about the operator commands for controlling the host-to-host communication path.

Host-to-Host Communications Method Hierarchy

The method hierarchy that is established is, from highest to lowest, VTAM, LMU, CDS. Initially, all methods are set to CDS. Appropriate entries can be placed in the PARMLIB statement to set the communications method at HSC initialization. If an error in communications occurs during communications with the current communication method, a method switch is performed.

The system may switch from a method of VTAM to LMU, selecting the first LMU available from a list of defined LMUs. If the current method is LMU, the system attempts to find the next LMU available from the list, or switches from LMU to CDS. If a list of

LMUs has not been defined by the PARMLIB statement, or if no LMUs are available, the system switches directly from VTAM to CDS.



Note: After a downward switch has occurred, you **must** issue an operator command to perform an upward switch (for example, from CDS to LMU, CDS to VTAM, or LMU to VTAM).

Figure 8 on page 76 illustrates how various combinations of communication methods can exist at the same time between multiple hosts.

Designation of Communication parameters

When specifying communication parameters in the operator command, the parameters can designate different actions depending upon whether or not the host specified in the command is the host that is executing the command.

When the command is defining parameters for the host executing the command, the method parameter defines the highest method in the hierarchy allowed to be defined on that host.

If a command defining parameters for another host specifies a higher method, the current method for this other host is set to the executing host's limit, if possible. To change a host's method hierarchy limit, the command must be issued on that host, except during HSC initialization when the method is set from a PARMLIB control statement.

When the command is defining parameters for the host executing the command, the LMUpath parameter defines those LMUs this host is allowed to use for sending messages. For two hosts to communicate via an LMU, there must be matching entries in their respective LMUpath lists.

Careful analysis should be performed when defining the communication method in the PARMLIB control statement because of how the system handles the switching.

Define Secondary and Standby Control Data Sets

Various controls and services are in place in the HSC subsystem to make sure that the primary control data set maintains its integrity. Included among the controls are the capability to:

- designate secondary and standby control data sets as backup
- run BACKup and RESTore utilities
- designate journal data sets for use in recovery of control data set errors.

However, though all of these means are available, you must configure your installation to take advantage of the capabilities. At installation, when defining the library configuration, it is important that you initialize the additional control data sets.

It is highly recommended that secondary and standby data sets be used to maintain the performance and reliability of your library.

Refer to “Initializing the Control Data Sets” in the *HSC Configuration Guide* for information about defining control data set requirements at HSC installation.

See “SWITCH Command” in the *HSC Operator’s Guide* for information about the operator commands to control switching of control data sets.

Limit View Time to Maintain High Performance

Certain conditions within a library can significantly affect performance. These conditions may occur because of software issues or simply because of daily procedures used within a data center. The `View` command is invoked to improve performance because it can be used to quickly resolve problems. It can often eliminate the need for an operator to open an LSM door and enter the LSM to resolve a problem.



Note: The SL8500 library does not contain a camera, so the `View` command is not useful in that environment.

Excessive use of the `View` command is a typical example of how library performance can be drastically affected unless you plan and consider how it can impact the performance of your library.

Though the `View` command is primarily used by operators, it is important for systems programmers to know that excessive use of the `View` command for extended periods of time can impact the performance of an LSM and your library. However, you should use the `View` command to inspect the interior of an LSM rather than place the LSM in manual mode and physically enter the LSM. If it is necessary to inspect the robot, its hands, and/or cameras, you must modify the LSM offline and enter through the access door.

Default view time can be controlled with the `OPTION Viewtime` command. The system default for view time is 10 seconds. However, you can change this default value to fit your needs.

Refer to Appendix A, “Macros, Control Statements, Utilities, and Commands Syntax Reference” for the `OPTION Viewtime` command syntax or to Chapter 2, “Commands, Control Statements, and Utilities” in the *HSC Operator’s Guide* for information about the command, syntax, and parameters.

Excessive Use of View Command Affects Performance

Each time the `View` command is invoked, the automatic functioning occurring within an LSM is interrupted. During the interruption, the robot hands and associated cameras are stopped from performing HSC directed library functions to focus on some specified area within the LSM for some specified time interval. Any manual intervention with library functioning can have a negative effect on the throughput of an LSM and consequently affect overall library performance.

How to Monitor Usage of the View Command

There are two facilities available for monitoring use of the View command:

- enabling SMF logging
- running and analyzing the Activities Report.

It is highly recommended that you enable recording of the subtype 8 SMF record. After each successful use of the View command, a subtype 8 SMF record is written. The record documents the component that was viewed, the view time requested, and the actual view time used. Be aware that the time actually used can be shorter than time requested at the invocation of the command, if the operator responds to the outstanding WTOR before the expiration of the requested time interval. Refer to the post-installation tasks information in the *NCS Installation Guide* for details on how to specify the SMF parameters.



Note: Subtype 8 SMF record logging is not a default and must be specified in accordance with the instructions contained in the referenced paragraph.

Another useful technique to monitor the use of the View command is to run the Activities Report utility and to thoroughly analyze the resulting report. Heavy use of the View command results in low levels for performance criteria delineated in an Activity Report. Depending upon system load for the specified time reported in an Activity Report, most performance parameters are adversely affected by excessive use of the command. For example, LSM ARM USE percentages reflected in an Activities Report are most likely to be low during heavy use of the command.

Each successful use of the View command is counted as one robotic motion for reliability measuring (R+) purposes. Refer to Appendix G, “Logging ACS Robotics Motion” on page 763 for more information.

Advantages of Using the View Command

There are definite advantages for using the View command in place of other alternatives. Obvious benefits for using the command include:

- The View command easily permits monitoring of tape drives and other LSM components with the execution of a single command entered at the system console.
- The LSM does not need to be modified offline to execute the command.
- The operator does not enter the LSM.
- The camera can be focused on a specific component that is considered as suspect; thus, time is saved by avoiding the lengthy process of physically entering the LSM.
- With the use of SMF logging, accurate records can be accumulated for system analysis or to monitor system status.

Load Cartridges into the Library

There are different methods that can be used to load an LSM with cartridges at installation time. There are advantages and disadvantages involved for each method. The following brief discussions may help you determine which loading method is best for your installation.

Loading Cartridges for Immediate Use in a Newly Installed LSM

If you are loading cartridges into an LSM that must be placed into production, it may be advantageous to begin entering volumes a few at a time through the CAP.

Tape cartridges can be entered into an LSM by several methods:

- using the ENter command to enter cartridges through the CAP
- setting a CAP to automatic mode and opening and filling the CAP repeatedly
- loading the CAP and running the Cartridge Initialization utility to load the cartridges into the LSM and to write the magnetic label on the cartridges (provided that they are in scratch status in the tape management system).

Refer to “Initialize Cartridge (INITIALIZE) Utility” on page 246 for information about the Initialization utility, the syntax, and parameters. Refer to the “CAP Preference (CAPPref) Command and Control Statement” in the *HSC Operator’s Guide* for information about how to set the CAP in automatic mode. Refer to “ENTER Command” in the *HSC Operator’s Guide* for information about the ENter command.



Note: The control data set is updated with each load of cartridges entered through the CAP.

If you begin entering cartridges containing data sets known to be required by regularly scheduled jobs, these volumes are immediately available for use. The obvious advantage of using this method is that the LSM and any cartridges entered are immediately available for use.

Loading Cartridges for Later Use in a Newly Installed LSM

If you are loading cartridges into an LSM that is not scheduled for production immediately, it may be to your advantage to manually load the entire LSM. The cartridges must be previously initialized to use this method.

After all cartridges are loaded into cells, run the AUDIt utility for the LSM to update the control data set.

This method of loading cartridges into an LSM is faster for physically moving the cartridges and takes less operator time. However, running the AUDIt utility for an entire LSM can take a significant amount of time.

Monitor Cartridges Nearing End of Life

Old cartridges can potentially cause errors that degrade the overall performance of a system. Being proactive and monitoring the Media Warranty Life (MWL) to identify old cartridges for replacement can improve system performance.

The Volume Report utility displays the MWL% column on the extreme right. This column shows the percentage of Media Warranty Life used for the volume, where 100% means the volume has exceeded its Media Warranty Life. Refer to “Volume Report Utility” on page 349.

A volume’s Media Information Record (MIR) stores the number of times the cartridge has been mounted during its lifetime. During dismount processing, the HSC uses the mount count value read from the MIR to compute the MWL%.

For the HSC to report MWL% for a library-resident volume, the volume must have been mounted and dismounted at least once after it was entered into the library. When a volume is ejected, the associated CDS VAR record is deleted, and the HSC can no longer report MWL% for that volume while it remains outside the library. However, the mount count is maintained in the MIR, and the next time the volume is entered into the library and mounted and dismounted at least once, the HSC can again report MWL% for that volume while it resides in the library.

If a transport cannot read or write the MIR, the drive can reinitialize a new MIR elsewhere on the volume. Errors processing a MIR are rare, and although the drive will reconstruct a new MIR if it must, it is possible the drive might not be able to transfer the mount count from the failed MIR to the replacement MIR, in which case the drive will initialize the mount count to zero in the replacement MIR. If you observe a non-zero mount count go to zero for a volume (for example, by monitoring the MWL% on a volume report), examine the SYSLOG for data checks on this volume and have the tape drive examined, and also consider retiring this volume.

The Media Warranty Life feature requires the following:

- Tape library LMU compatibility level 21
- T9x40 transports with 1.42 drive firmware



Note: T9840B is not supported because of memory constraints.

- T10000A and T10000B with 1.38 drive firmware.

Reduce Pass-Thrus

The number of pass-thrus required to mount, dismount, and replace cartridges in LSMs can impact library performance. In a large or busy ACS, this impact may be significant especially during periods of heavy mount activity. There are three categories of pass-thrus:

- unavoidable
- unnecessary
- scheduled.

Unavoidable Pass-Thrus

The HSC attempts to minimize the number of pass-thrus required; however, depending upon available tape transports and locations of cartridges, pass-thrus often cannot be avoided. By running Activities Reports on a regular basis and examining the results, you can see that mounts for different LSMs take longer than mounts for the same LSM.

Unnecessary Pass-Thrus

Scratch mounts, dismounts, enters, and ejects that require pass-thrus are unnecessary and should be avoided. These types of activities divert the robot from productive work especially during periods of peak activity.

If scratch subpools are properly defined and managed, scratch cartridges normally are not involved in pass-thrus. Scratch mounts are the same as specific mounts as far as pass-thrus that cannot be avoided. In general, you should never see a scratch pass-thru. But, if you do see a scratch pass-thru, it was unavoidable.

The effect of unnecessary pass-thrus is not obvious in the Activities Report. You must compare their number with average mount times to see the effect on performance.

Scheduled Pass-Thrus

Using the Scratch Redistribution utility to balance scratch cartridges involves moving cartridges to various LSMs to achieve scratch balancing. This type of activity involves heavy pass-thru usage. If you must balance scratch volumes across your library, schedule such activity during off peak hours. This approach will make sure that the pass-thru activity involved does not directly interfere with mounts and dismounts for high-priority production.

You can use Expert Library Manager (ExLM) to schedule pass-thrus. Refer to the *Expert Library Manager User and Reference Guide* for more information.

Ways to Reduce Pass-Thru Activity

There are various ways to reduce pass-thru activity. Each of these ways is briefly discussed in the following paragraphs.

Set MNTD Float to ON

The Float option of the MNTD command specifies whether the HSC is to select a new home cell location when it dismounts a volume that requires a pass-thru when it is dismounted.

When MNTD Float is set to ON, cartridges are not passed back to their original LSM. The cartridges are assigned new cells in the LSM where they are dismounted. This action eliminates most unnecessary pass-thrus.

Set MNTD SCRDISM to CURRENT

When MNTD SCRDISM is set to CURRENT, scratch cartridges mounted in a 9360 (WolfCreek) LSM are dismounted in the same device rather than being archived in the next largest storage device.

Provide adequate free cells

Setting MNTD Float to ON can be overridden if there are no free cells in the dismounting LSM. Dismounted cartridges are passed to other LSMs to find a new home cell.

Use the Display Lsm command to determine the number of free cells in each LSM. Use MOVE or EJECT to create free cells if they are needed.

Eject through the CAP closest to the cartridge

If you eject a cartridge through the CAP of the LSM where it resides, no pass-thrus are required.

If you eject a cartridge without specifying a CAPid, the cartridge is ejected through the highest priority CAP that is not busy. This type of activity may cause one or more unnecessary, nonproductive pass-thrus.

The recommended way to accomplish ejects without affecting performance with pass-thrus, is to use multiple CAP option on the EJECT utility. By specifying multiple CAPs (i.e., CAP(00:00:00,00:00:01,00:00:02)), the desired effect (i.e., no pass-thrus) is achieved.

Redistribute cartridges during off-peak times

You can use the MOVE command and utility to move cartridges within an LSM or between LSMs. The Scratch Redistribution utility can be used to move scratch cartridges between LSMs until an equilibrium is reached. Each inter-LSM movement of cartridges causes pass-thrus which delay robot movement in mounting a cartridge.

Depending on the number of cartridges to be redistributed, you may prefer to schedule moves and scratch redistribution during periods of low data center activity. The redistribution runs faster and performance is not affected during off peak times.

Reduce Operator Intervention

Although the ACS runs mostly unattended, situations occur where operator intervention is required. Excessive and unnecessary operator intervention impacts library performance. There are specific ways in which operator intervention can be reduced. These include:

Set SMC ALLOCDef DEFer(ON)

If a keep is issued for a cartridge while it is being mounted, the HSC issues a message indicating that the robot cannot dismount the volume. An operator must unload the tape transport and then reply “R” to the message.

This situation is caused by programs allocating cartridges through JCL, not opening the data set on the cartridge, and terminating before the mount completes. It causes unnecessary mounts, extends dismount time, and delays the availability of cartridges and transports.

If a message requiring operator intervention occurs frequently, you may want to set ALLOCDef DEFer(ON) so ACS mounts are deferred until the data set is opened. Alternatively, you can code User Exit 09 for JES2 or User Exit 11 for JES3 with SETUP processing to selectively defer a subset of ACS mounts.

Set CAP Preference

In a multiple-LSM ACS, the CAPPref command establishes an ordered list of CAPs to use should the operator or HSC start an activity that requires a CAP without specifying a CAPid.

To enter or eject cartridges faster, set CAPPref such that the CAP closest to the cartridge racks is preferred. This minimizes operator travel distance.

In large ACS configurations, of five or more LSMs, consider setting CAPPref such that a CAP in the middle of the ACS has the highest priority. This may make the operators walk further, but it reduces the number of pass-thrus should the default (highest priority) CAPid be used for ejecting cartridges.

Prefetch Enters

Nonlibrary cartridges that are mounted on library transports are delayed while the operator fetches and enters them. This is a common occurrence for HSC sites with all transports attached to the library.

If you or your scheduling system can predict which nonlibrary cartridges will be mounted in the library before a mount message appears, your operator can improve performance by entering those cartridges in advance.

Avoid Crashing Test Systems

Library attached hosts own library resources, including CAPs, tape drives, and cartridges. If a host fails, another host must clean up the resources held by the failing host. This delays mounts and dismounts on the recovering host while recovery takes place.

You should attempt to shut down the HSC properly before IPLing a system. This is especially important for test systems that may be restarted several times a day.

Use Unit Affinity Separation

Unit affinity separation can improve library performance by eliminating the need for operators to enter or eject tape cartridges when volumes are requested with unit affinity. Without unit affinity separation, a tape transport is selected based on the location of the first volume.

Refer to the *SMC Configuration and Administration Guide* for information about the ALLOCDef command SEPLvl parameter, which specifies the exclusion level at which affinity chains are separated.

Reduce Tape Transport Contention

Balanced use of library tape transports results in better robotic and system performance. In a multiple LSM library, you want the workload to be spread evenly among the robots rather than having one robot overloaded while the others are idle. Within each LSM, you want mounts to be evenly distributed among transports rather than having the robot wait for a cartridge to be rewound so it can mount the next cartridge on the same tape transport.

Tape transport contention can be reduced by:

- ensuring scratch cartridge balance
- managing multi-host tape transports
- avoiding dedicating tape transports
- using two tape transports for multi-volume files.

Reduce Scheduling Contention

Effective scheduling can increase library performance. Controlling the following scheduling related areas can help significantly in further increasing library performance:

- strive for a balanced workload
- schedule nonproductive library activities during low-demand times.

Balancing the Workload

If you experience higher than expected average mount times, but at the same time experience an improvement in production throughput, it could be an indication that your system is periodically flooded with work rather than having a balanced workload.

For example, all of your production jobs may be getting submitted at the beginning of a shift so that the library robots are overworked for the first few hours of the shift. Then, the robots may remain idle for the remainder of the shift. If you are using a scheduling software package and it releases jobs every hour on the hour, there may be tremendous tape transport contention for the first few minutes of each hour while the transports are unused for the remainder of each hour.

These situations tend to elevate average mount times; however, as long as the work is performed on time, there is probably no need to change conditions. However, if the work is not getting performed on schedule, you can improve performance by balancing your production workload.

Scheduling Nonproductive Activities During Low-Demand Times

There are several library utilities, which, though very essential, severely impact the library's ability to mount and dismount cartridges. The following utilities should not be run when high-priority production jobs are pending:

- AUDIt
- EJECT
- Initialize Cartridge
- MOVE
- Scratch Redistribution
- Scratch Update.

These utilities should be scheduled during quiet periods so they do not contend with mounts and dismounts. Running these activities during quiet periods also makes sure that the tasks complete faster. In the case of mass enters or ejects, operator's time can also be optimized.

Use Deferred Mounting in a Manual Mode LSM

Using the SMC ALLOCDef command with the DEFer parameter set to ON in a manual mode LSM can improve performance. Under the conditions set to defer mounting of cartridges, a cartridge is not mounted at step allocation time, but is only mounted if a data set on the volume is required to be opened by a calling program. Thus, unnecessary mounts and dismounts by the operator can be avoided.



Caution: StorageTek strongly recommends that you do not place SL8500 libraries in manual mode. To use manual mode, all LSMs in the SL8500 must be offline, and that means all CAPs and drives are unavailable for automated operations.

Additionally, SL8500s have been designed for high cartridge density, so there is limited room for manually mounting and dismounting cartridges.

Refer to the “Precautions” topic in the *SL8500 Modular Library System User’s Guide* for safety requirements and physical restrictions if you decide that you must enter the library.

Use Performance Log Reblocker to Format Data

The performance log reblocker (SLUPERF) prepares the performance log file produced by the SCP for use by the library Activities Report utility. The utility executes in both MVS and VM environments, for which different versions of the utility are produced.

Use the AUDIt Utility Effectively

The AUDIt utility causes the robot to read cartridge labels. Tape cartridge information is uploaded to the CDS. In a quiesced LSM, performing an audit on a full panel can take up to 15 minutes, depending upon the LSM type, size, and configuration.

You should keep in mind that empty cells slow down an audit. If the robot cannot read a cartridge label, it must reach out to determine if the cell is empty. Each empty cell takes approximately three times longer to audit than a cell containing a cartridge.

If you are partially filling an LSM before running an audit, you should fill as many complete panels as possible and then audit only those filled panels. Avoid auditing empty cells.

Use LSMs as Scratch Loaders in a Mixed ACS

In an environment where massive cartridge input is required or a lot of cartridge movement occurs, 9360 (WolfCreek) or 9310 (PowderHorn) LSMs can be used to simulate scratch loaders intermixed with 4410 LSMs to improve library performance.

1. Specify the following operator commands:
 - MNTD SCRDISM(ARCHIVE)
 - ALLOC SCRtech(ROTATE)
2. Run scratch redistribution frequently or enter scratches into devices previously selected by the ALLOC LSMpref command.
3. Eject cartridges when necessary from the archive device (4410 or 9310).

Figure 27 on page 406 shows a 9360 used as a scratch loader.

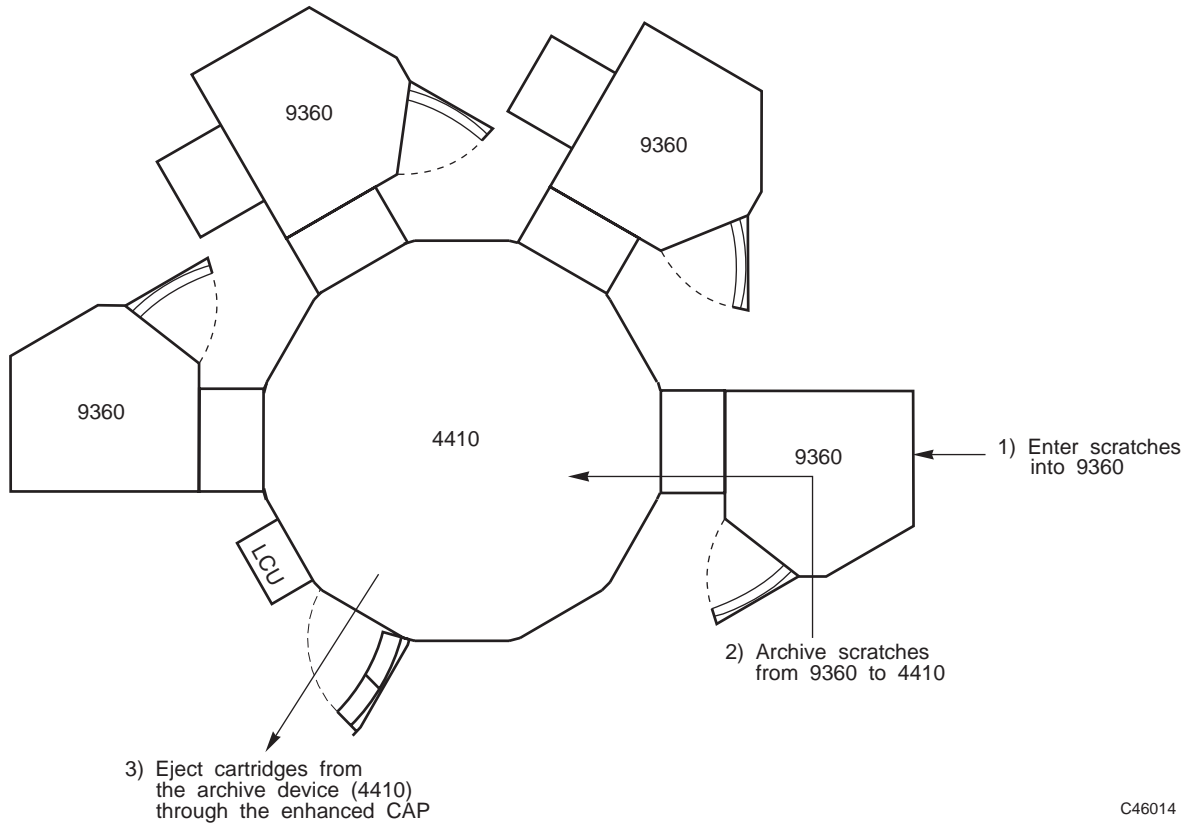


Figure 27. Using LSMs as Scratch Loaders

Chapter 7. Software Interaction

Overview

The HSC subsystem operates in conjunction with various other third-party software. However, StorageTek can only recommend some techniques to provide complete compatibility of the HSC with these third-party packages.

There are distinct areas of software interaction possible:

- operating system software interaction
- third-party software interaction
- customized programmatic interfaces.

Operating System Software Interaction

DFSMSrmm

DFSMSrmm Scratch Subpools

DFSMSrmm defines a scratch pool consisting of a single range of volumes (in powers of 10). Scratch pools are based on the host system that is using the volumes. There is no mechanism for associating a scratch tape request with a specific pool. Any volume from a pool that allows use on the system making the request can be used to satisfy the scratch request.

IBM recommends one scratch pool per host system. You can create and manage subpools of library controlled scratch volumes using the SCRPOOL PARMLIB control statement and SMC/HSC user exits 01, 02, 03, and 04. Refer to “Scratch Subpool Control Statement” on page 94 syntax and parameter descriptions, and to the *NCS User Exit Guide* for information about HSC user exits.

Data Facility Hierarchical Storage Manager (DFHSM)

If you plan to use DFHSM for library transports, you must code the SETSYS command to define the tape environment. You must also specify the esoteric name that represents the library transports used for DFHSM functions on the USERUNITTABLE parameter. See the appropriate IBM publication for more information on DFHSM.

Fault Analyzer for z/OS

The IBM program Fault Analyzer for z/OS is used to determine why an application abends. It may be installed on systems that also run StorageTek NCS software products, however, **it is not useful when applied to abends that occur in NCS code**. Because of the complex subsystem environment where NCS code executes, Fault Analyzer itself may abend.

If Fault Analyzer for z/OS is installed on your NCS system, **StorageTek strongly recommends** you add the following DD statement to your NCS product's (HSC, SMC, or MVS/CSC) started task JCL:

```
//IDI0FF DD DUMMY
```

Third-Party Software Interaction



Note: Exercise caution if you use any third-party software that modifies the Eligible Device List (EDL) and therefore the MVS Device Allocation process. These products may compromise the functionality of the HSC and lead to unpredictable results.

Multi-Image Manager

Multi-Image Manager (MIM) is a third-party software product produced by Computer Associates International, Inc. MIM is used in a multi-CPU environment to control the allocation of transports to a particular host.

Devices within the library should **not** be used for MIM device preferencing or job reserve. If library devices are used for these MIM functions, the HSC only allows MIM device preferencing or job reserve to modify device selection if the target VOLSER resides in the same LSM as the devices that are requested to be preferred or reserved. The primary goal of HSC is to eliminate pass-thru events.



Warning: To prevent response or lockout problems, it is strongly recommended that MIM data sets do not reside on the same volume with the HSC's CDS or journal files.

CA-ASM2

Automatic Reload uses Open Type J for auto data set reload. The user explicitly specifies the appropriate transport pool (ACS or manual) for auto data set reload.

- If it is desired to have all reloads done for the library, specify the esoteric associated with ACS transports.
- If it is **not** desired to have all reloads done for the library, specify the manual transport esoteric.

Serializing CDSs

Background

Resource serialization in the IBM z/OS operating system is generally accomplished using either the IBM Global Resource Serialization (GRS) facility or a third-party software product such as Unicenter CA-MIM/MII.

A resource is identified by two names:

- an 8-character QNAME,
- and a 1-255 character RNAME.

The relationship between the two names is hierarchical; different RNAMEs can be used to describe specific different resources that are generically related to a single QNAME.

- The HSC QNAME STKALSQN can be changed and is used by the HSC to serialize access to the HSC CDS and by ExLM to serialize LSM-related processing.



Note: If you have changed STKALSQN to a different QNAME, just substitute your name for the STKALSQN references in this documentation.

- The HSC QNAME STKENQNM cannot be changed and is used to serialize HSC utilities.

In GRS environments only, resources can be serialized across multiple systems by global (SCOPE=SYSTEMS) requests or serialized on individual systems only by local (SCOPE=SYSTEM) requests. GRS provides three ways (Resource Name Lists) to change how a request is to be processed:

- The Systems Exclusion Resource Name List (referred to as the Systems Exclusion List) allows global requests to be converted to local requests.
- The Systems Inclusion Resource Name List allows local requests to be converted to global requests.
- The Resource Conversion Resource Name List (referred to as the Reserve Conversion List) allows RESERVE requests to be suppressed.

These three lists are built from RNLDEF statements specified in the GRSRNLxx member of SYSx.PARMLIB in GRS environments.

Note when a RESERVE is issued, there is also an enqueue associated with the RESERVE. If a matching entry is found in the Systems Exclusion List, the RESERVE is issued, and the enqueue associated with a RESERVE is issued as a local enqueue request. If a matching entry is not found in the Systems Exclusion List, the RESERVE is issued and the enqueue associated with a RESERVE is issued as global enqueue request.



Caution: If no matching entry is found in the Systems Exclusion List and the Reserve Conversion List, double serialization occurs. Avoid this at all costs. The IBM z/OS *VIR7.0 MVS Planning: Global Resource Serialization* document shows a diagram of this process.

Multiple HSC Library Complex Considerations

If you have multiple HSC library complexes (each library complex must use a different set of primary, secondary, and standby CDSs) within the same GRS or MIM/MII serialization complex, make sure you change the default HSC QNAME STKALSQN to a different value for each HSC library complex. This ensures the serialization resources for one library complex does not delay the serialization of resources for the other library complexes. The default name can be changed either through the MAJNAME parameter on the SLILIBRY macro in LIBGEN or through the SET MAJNAME command of the SLUADMIN utility.



Note: With multiple library complexes, remember to replicate the STKALSQN examples shown in this documentation as many times as necessary and change STKALSQN to the different values you chose for each library complex.

Example

For two HSC library complexes, you could change the default HSC QNAME of STKALSQN to HSCPLEX1 for one library complex and HSCPLEX2 for the other. This allows the two library complexes to operate simultaneously without interference with each other.

As a specific case, ExLM management runs issue global enqueues for the HSC QNAME and an RNAME of PROCESSLSM $aa:ll$, where aa is the ACSid and ll is the LSMid. In a configuration of two HSC library complexes, there is an LSM 00 in an ACS 00 for each library complex, which results in the same RNAME of PROCESSLSM00:00. Two simultaneous ExLM management runs for LSM 00 in ACS 00. Two simultaneous ExLM management runs for LSM 00 in ACS 00 will conflict unless the HSC QNAMEs are different for the two library complexes.

HSC CDS Performance and Sharing Tips

Follow these tips for optimal CDS performance and sharing:

1. Place each copy of the HSC CDS (primary, secondary, and standby) on its own dedicated volume with no other data sets on those volumes. This is especially important when you do not convert HSC RESERVEs. A RESERVE issued by one system locks out access to all data on the volume for all other systems, so if you put a catalog or the TMC on the same volume as an HSC CDS, you will create a performance problem. Isolating the HSC CDSs to dedicated volumes can also simplify recovery after an outage.
2. Make sure all HSC CDS devices are genned as SHARED in your I/O device definitions. To do this, assign a value of YES to the SHARED feature for the device on the HCD View Device Parameter/Feature Definition panel and then activate the Input/Output Definition File (IODF) containing the change.
3. Make sure you use the VTAM communication method for all HSC host-to-host communication. This is specified by the METHOD parameter on the COMMPATH command and control statement.

4. If you use both HSC and VTCS software, and all hosts are running on release 6.1 or later, consider converting the CDS to the “F” level format (or later), which reduces CDS I/O during HSC/VTCS initialization and periodically thereafter when VTCS refreshes its cache.
5. If you use VTCS in a sysplex configuration and you believe you have a CDS performance problem because of VTCS, contact StorageTek Software Support to have the problem analyzed before implementing VTCS lock data in a Coupling Facility structure.

Unicenter CA-MIM/MII Considerations

Start the HSC only after the CA-MII address space has fully initialized.

Follow Computer Associates’ recommendations to start the CA-MII address space using their MIMASC utility, make sure the CA-MII address space is in the WLM SYSTEM service class so that it runs with a dispatching priority of FF, and add a PPT entry in the SYS1.PARMLIB(SCHED $_{xx}$) member on all systems in the MIM/MII serialization complex for the MIMDRBGN program. Refer to the CA documentation for other tuning recommendations.

Whenever you need to add a QNAME statement for the HSC, you must specify SCOPE=SYSTEMS and not SCOPE=RESERVES on the QNAME statement, since other NCS products (ExLM and LibraryStation) issue global enqueues that must be propagated to all systems. Specifying SCOPE=RESERVES prevents these enqueues from being propagated and will cause problems.

GRS Considerations

For GRS ring configurations, the ACCELSYS and RESMIL parameters (specified on GRSDEF statements in the GRSCNF $_{xx}$ member of SYS $_{x}$.PARMLIB) can influence ring performance. Refer to the IBM *z/OS V1R7.0 MVS Planning: Global Resource Serialization* (SA22-7600-04) document for information about how best to set these values.

When HSC RESERVEs Must Remain as RESERVEs (All Environments)



Warning: Do not convert HSC RESERVEs to global enqueues in the following configurations and environments, or CDS data integrity will be compromised and CDS damage will occur.

- No serialization facility or product (e.g., GRS or CA-MIM/MII) is used, and the HSC CDSs are on devices that are shared by multiple systems.
 - Even unconverted RESERVEs are insufficient to guarantee data integrity in this case. You should consider why you are trying to share data without a serialization product.

- A serialization facility or product is used, but the HSC CDSs are on devices shared by multiple serialization complexes (GRS or MIM/MII).
 - Even unconverted RESERVEs are insufficient to guarantee data integrity in this case. In the IBM *z/OS VIR7.0 MVS Planning: Global Resource Serialization* document, it indicates that multiple serialization complexes cannot share resources.
 - Computer Associates cites this restriction in their paper *Unicenter CA-MII Data Sharing for z/OS*.
- The environment consists of a GRS star configuration that attempts to share the HSC CDSs between a sysplex and a system that is not part of the sysplex.
 - IBM cites this restriction in the *z/OS VIR7.0 MVS Planning: Global Resource Serialization* document.
- The HSC CDSs reside on devices shared by z/OS and z/VM systems.
 - IBM cites this restriction in the *z/OS VIR7.0 MVS Planning: Global Resource Serialization* document.
 - Computer Associates cites this restriction in their paper *Unicenter CA-MII Data Sharing for z/OS*.

When You May Want to Leave HSC RESERVEs as RESERVEs

You may not want to convert HSC RESERVEs to global enqueues in the following configurations and environments.

- You use GRS in a ring configuration and converting HSC RESERVEs affects ring performance.
 - IBM cites this consideration in the *z/OS VIR7.0 MVS Planning: Global Resource Serialization* document.
 - Performance can suffer due to propagation delays in GRS ring configurations. Deciding whether or not to convert RESERVEs is best determined by actual experience, but as an arbitrary rule, do not convert RESERVEs if there are more than three or four systems in your GRS ring.
- You use GRS in a ring configuration and converting HSC RESERVEs affects HSC/VTCS performance.
 - Because of ring propagation delays for global enqueues, HSC and VTCS throughput may significantly degrade during periods of high HSC and/or VTCS activity.

- You have a large virtual tape configuration. For example, if you have several million Virtual Tape Volumes (VTVs) defined and have not yet migrated the CDS to the “F” level format, you may experience slow HSC/VTCS initialization times and higher CDS I/O activity due to the need for VTCS to initialize and periodically refresh its cache of VTV information.
- You use GDPS HyperSwap, which requires specifying a pattern RNL to convert all RESERVEs, but you do not want to convert the HSC RESERVEs. These competing goals can be accommodated in a GRS environment by performing the following tasks:
 - Ensure that no device defined to GDPS can have a RESERVE issued to it.
 - Place the HSC CDSs on devices that are outside the scope of GDPS and HyperSwap control (i.e., not defined to GDPS) and therefore are not HyperSwap eligible.
 - Specify the following RNLDEF statements in the GR SRNL_{xx} member of SYSx.PARMLIB on all systems:

```
RNLDEF RNL(EXCL) TYPE(GENERIC) QNAME(STKALSQN) RNAME(hsc.primarycds.datasetname)
RNLDEF RNL(EXCL) TYPE(GENERIC) QNAME(STKALSQN) RNAME(hsc.secondarycds.datasetname)
RNLDEF RNL(EXCL) TYPE(GENERIC) QNAME(STKALSQN) RNAME(hsc.standbycds.datasetname)
RNLDEF RNL(CON) TYPE(GENERIC) QNAME(*)
```

The Reserve Conversion List is not searched if an entry is found in the Systems Exclusion List, thus GDPS is unaware of the RESERVEs processed by GRS. The net effect is that the GDPS HyperSwap requirement of a pattern RNL to convert all RESERVEs is satisfied, but the HSC RESERVEs are not converted.

When HSC RESERVEs Must be Converted to Global Enqueues

Convert HSC RESERVEs to global enqueues if the HSC CDSs are on devices that are defined to GDPS.

How to Leave HSC RESERVEs as RESERVEs in a GRS Environment

If you do not convert HSC RESERVEs, remove all RNLDEF RNL(CON) statements for the HSC from the GRSRNLxx member on all systems. Even though the Reserve Conversion List is not searched if an entry is found for the HSC RESERVE in the Systems Exclusion List, it is good practice to keep your GRSRNLxx definitions up to date.

More importantly, if there are no RNL(EXCL) or RNL(CON) statements at all for the HSC, both a SYSTEMS ENQ and a RESERVE are issued for the HSC CDS. This results in double serialization and reduced performance. Refer to the IBM *z/OS V1R7.0 MVS Planning: Global Resource Serialization* document for a diagram showing how RESERVEs are processed by GRS.

To avoid double serialization, perform **only one** of the following tasks:

- Do not convert HSC RESERVEs by adding the recommended RNL(EXCL) statements for the HSC.
- Convert HSC RESERVEs by adding the recommended RNLDEF(CON) statements for the HSC.

To not convert HSC RESERVEs, include one RNL(EXCL) statement for the STKALSQN resource for each copy of the CDS (primary, secondary, and standby) and one statement for the STKENQNM resource as follows:

```
RNLDEF RNL(EXCL) TYPE(GENERIC) QNAME(STKALSQN) RNAME(hsc.primarycds.datasetname)
RNLDEF RNL(EXCL) TYPE(GENERIC) QNAME(STKALSQN) RNAME(hsc.secondarycds.datasetname)
RNLDEF RNL(EXCL) TYPE(GENERIC) QNAME(STKALSQN) RNAME(hsc.standbycds.datasetname)
RNLDEF RNL(EXCL) TYPE(GENERIC) QNAME(STKENQNM)
```

- Do not specify TYPE(SPECIFIC) on the RNLDEF statements for the STKALSQN resource.

The HSC code uses an RNAME 44 bytes long with blank fill on the right, so a TYPE(SPECIFIC) statement as shown will not be matched and will not produce the desired results.

- Do not remove the RNAME parameter from the RNLDEF statements for the STKALSQN resource.

The RNLDEF RNL(EXCL) statements tell GRS a RESERVE for the HSC CDS should be issued as a RESERVE and a global (SCOPE=SYSTEMS) enqueue issued for STKALSQN (including the enqueue associated with the RESERVE) should be changed to a local (SCOPE=SYSTEM) enqueue. The RNAME parameter limits these changes in scope to the CDS only.

Using a generic QNAME statement without an RNAME parameter tells GRS to change **all** global enqueues for STKALSQN to local enqueues. Since other NCS products (ExLM and LibraryStation) issue global enqueues with the expectation that they will be propagated to other systems and not reduced in scope, using a generic QNAME statement for STKALSQN without an RNAME parameter will cause problems. The RNAME parameter must be explicitly specified for each copy of the CDS as in the example above. The STKENQNM resource can continue to be defined using a generic QNAME only.

How to Leave HSC RESERVEs as RESERVEs in an MIM/MII Environment

For PROCESS=SELECT and PROCESS=ALLSYSTEMS environments:

- Whenever you need to add a QNAME statement for the HSC, specify SCOPE=SYSTEMS and not SCOPE=RESERVES on the QNAME statement, since other NCS products (ExLM and LibraryStation) issue global enqueues that must be propagated to all systems. Specifying SCOPE=RESERVES prevents enqueues from being propagated and causes problems.

For PROCESS=SELECT and PROCESS=ALLSYSTEMS environments with ExLM and/or LibraryStation:

- To not convert the CDS RESERVEs but propagate the other STKALSQN global enqueue requests, use an Exempt List and specify the QNAME statements as follows:

```
STKALSQN EXEMPT=YES , GDIF=YES , RESERVES=KEEP , SCOPE=SYSTEMS
STKENQNM EXEMPT=NO , GDIF=NO , RESERVES=KEEP , SCOPE=SYSTEMS
```

- Make sure an Exempt List can be used. If the GDIINIT statement specifies EXEMPT=NONE, either change it to specify EXEMPT=*membername*, or remove the EXEMPT parameter to cause the default member name of GDIEXEMPT to be used.
- In the GDIEXEMPT member (or whatever you named it) of the MIM parameter data set, specify:

```
LOCAL QNAME=STKALSQN RNAME=hsc.primarycds.datasetname
LOCAL QNAME=STKALSQN RNAME=hsc.secondarycds.datasetname
LOCAL QNAME=STKALSQN RNAME=hsc.standbycds.datasetname
GLOBAL QNAME=STKALSQN
```

- Enter the following in the MIM commands member for **every** system in the MIM/MII serialization complex.

```
SET GDIF EXEMPTRESERVES=YES
```



Warning: The same value of EXEMPTRESERVES=YES must be specified and in effect on all systems in the MIM/MII serialization complex at the same time, otherwise, a data integrity exposure will exist for all shared data. If you have any questions about changing to EXEMPTRESERVES=YES, contact Computer Associates before making the change.

For PROCESS=SELECT environments without ExLM and LibraryStation:

- You have a choice. PROCESS=SELECT implies that only those resources that are explicitly defined with QNAME statements will be processed by CA-MIM/MII, so you can do **one** of the following:
 - Make sure there are **no** QNAME statements or Exempt List entries for the HSC, and CA-MIM/MII will leave all HSC RESERVEs alone. If no QNAME statements or Exempt List entries previously existed for the HSC, you are done.
 - Explicitly add and enable new QNAME statements for the HSC, and make sure that Exempt List entries do not exist for the HSC. If you choose this option, you must specify GDIF=NO, RESERVES=KEEP, and SCOPE=SYSTEMS on the QNAME statements for the HSC. As a precaution, also specify EXEMPT=NO on the QNAME statements to prevent the Exempt List from overriding any QNAME statement values. For example:

```
STKALSQN EXEMPT=NO, GDIF=NO, RESERVES=KEEP, SCOPE=SYSTEMS
STKENQNM EXEMPT=NO, GDIF=NO, RESERVES=KEEP, SCOPE=SYSTEMS
```

For PROCESS=ALLSYSTEMS environments without ExLM and LibraryStation:

- Add and enable new QNAME statements for the HSC and make sure Exempt List entries do not exist for the HSC.

Specify GDIF=NO, RESERVES=KEEP and SCOPE=SYSTEMS on the QNAME statements for the HSC. As a precaution, also specify EXEMPT=NO on the QNAME statements to prevent the Exempt List from overriding any QNAME statement values. You must code your HSC QNAME statements as shown below, since the dynamic addition of HSC resources by PROCESS=ALLSYSTEMS inappropriately defaults to assign the EXEMPT=YES and GDIF=YES attributes. For example:

```
STKALSQN EXEMPT=NO, GDIF=NO, RESERVES=KEEP, SCOPE=SYSTEMS
STKENQNM EXEMPT=NO, GDIF=NO, RESERVES=KEEP, SCOPE=SYSTEMS
```

How to Convert HSC RESERVEs to Global Enqueues in a GRS Environment

For both GRS ring and star configurations:

- Include one RNL(CON) statement for the STKALSQN resource and one RNL(CON) statement for the STKENQNM resource:

```
RNLDEF RNL(CON) TYPE(GENERIC) QNAME(STKALSQN)
RNLDEF RNL(CON) TYPE(GENERIC) QNAME(STKENQNM)
```

- Remove all RNLDEF RNL(EXCL) statements for the HSC from the GRSRNLxx member on all systems, otherwise, the HSC RESERVEs will not be converted to global enqueues. The Reserve Conversion List is not searched if an entry is found for the HSC RESERVE in the Systems Exclusion List.

How to Convert HSC RESERVEs to Global Enqueues in an MIM/MII Environment

For both PROCESS=SELECT and PROCESS=ALLSYSTEMS environments:

- Specify GRSRNL=EXCLUDE in the IEASYSxx member of SYSx.PARMLIB on all systems to prevent RNL processing by GRS.
- If any systems are in a sysplex, refer to “Sysplex Considerations” in the “Advanced Topics” chapter of the *MII System Programmer’s Guide* for other IEASYSxx requirements.
- Whenever you need to add a QNAME statement for the HSC, specify SCOPE=SYSTEMS and not SCOPE=RESERVES on the QNAME statement since other NCS products (ExLM and LibraryStation) issue global enqueues that must be propagated to all systems. Specifying SCOPE=RESERVES prevents these enqueues from being propagated and causes problems.

For PROCESS=SELECT environments:

- Specify GDIF=YES, RESERVES=CONVERT, and SCOPE=SYSTEMS on the QNAME statements for the HSC. Make sure Exempt List entries do not exist for the HSC, and as a precaution, also specify EXEMPT=NO to prevent the Exempt List from overriding any QNAME statement values. For example:

```
STKALSQN EXEMPT=NO, GDIF=YES, RESERVES=CONVERT, SCOPE=SYSTEMS
STKENQNM EXEMPT=NO, GDIF=YES, RESERVES=CONVERT, SCOPE=SYSTEMS
```

For PROCESS=ALLSYSTEMS environments:

- If the GDIINIT statement specifies RESERVES=KEEP, you must specify the same QNAME statements as required for PROCESS=SELECT environments since the dynamic addition of HSC resources by PROCESS=ALLSYSTEMS will not (by default) assign the RESERVES=CONVERT attribute needed to convert the RESERVE:

```
STKALSQN EXEMPT=NO, GDIF=YES, RESERVES=CONVERT, SCOPE=SYSTEMS  
STKENQNM EXEMPT=NO, GDIF=YES, RESERVES=CONVERT, SCOPE=SYSTEMS
```

- If the GDIINIT statement specifies or is defaulted to RESERVES=CONVERT, you do not need to specify any QNAME statements unless you have special requirements that conflict with the defaults assigned to dynamically added QNAMEs. See “Selecting the GDIF Processing Mode” in the *Unicenter CA-MII Systems Programming Guide* for the defaults assigned to dynamically added QNAMEs.

CONTROL-M/TAPE Tape Management System

HSC provides limited support for the CONTROL-M/TAPE tape management system. Refer to the BMC publication *CONTROL-M/TAPE Implementation Guide* for more information.

Customized Programmatic Interfaces

The HSC can interface with custom programs provided that the specifications described in Appendix I, “Programmatic Interface (PGMI)” on page 813 are followed.

The HSC is capable of providing various services and information to custom programs with which it interfaces. The appendix provides the following:

- descriptions of the services and information that the HSC can provide
- how to use the interface
- macros, including usage considerations, syntax, parameter descriptions, and return codes.

Appendix A. HSC Support for the SL8500 Library

Overview

This appendix discusses a variety of topics relating only to the SL8500 library. The following information appears here:

- considerations before you configure the HSC for the SL8500 (page 422)
- connecting the SL8500 to the HSC (page 423)
- how the HSC handles differences between SL8500 internal addresses and other library addresses (page 424)
- SL8500 CAP behavior (page 426)
- merging ACSs (page 427)
- removing PTPs and splitting ACSs (page 433)
- partitioning LSMs (page 438)
- TCP/IP communications - important considerations (page 484)
- dual IP connections to an SL8500 library (page 486)
- multiple SL8500 library connections (page 505)
- HSC requirements before powering down the SL8500 (page 511).

Additionally, information about dynamic hardware reconfiguration for the SL8500 can be found in Appendix C, “HSC Support for Near Continuous Operation (NCO)”. These topics are discussed:

- adding and configuring additional SL8500s
- adding and removing expansion panels.

Before Configuring the HSC for the SL8500

Before you configure the HSC for the SL8500, verify that all components of the SL8500 are operational. The HSC builds its library configuration from the information reported by the library. If SL8500 components are not operational, the library information may not be reported to the HSC, and the HSC configuration of the SL8500 is incomplete.

Verifying that all SL8500 Components are Operational

To verify that all the components of the SL8500 are operational, use the SLConsole (either the panel on the SL8500 or a remote SLConsole).

To do this, select **Tools**, then select **System Detail**.

- All SL8500 components should be green. If the components are not green, and you have already configured the SL8500 to the HSC, the missing components probably have not been configured.
- If the drives are red, the drive configuration can be updated dynamically using the SET SLIDRIVS utility (refer to the *HSC System Programmer's Guide*) and the MODify CONFIG command (see the *HSC Operator's Guide*). If only the drives are red, you can proceed with the HSC configuration.
- The elevators (Elevator Folder) must be green. If the elevators are not green, **do not** configure the SL8500 to the HSC. The elevators are the logical pass-thru-ports (PTPs). Without PTPs, the HSC will not know that the SL8500 rails are connected.

Once the SL8500 components are operational, continue with the configuration, as discussed in “Configuring the HSC Environment” in the *HSC Configuration Guide*.

Connecting the SL8500 to the HSC

The SL8500 library uses TCP/IP protocol over an Ethernet physical interface to manage and communicate with the host and the HSC. This interface enables the HSC to connect to and communicate with the SL8500.

- All hosts should communicate with only one SL8500 library.

This is critical when you create an SL8500 library complex, that is, when you connect libraries together with pass-thru ports. All hosts must connect to only one library in the complex; preferably, to the first or rightmost library in the complex.

Making multiple host communication connections to each library will cause problems.

- The SL8500 library should be attached to a separate subnet or a controlled network to protect it from floods of ARP broadcasts.

SL8500 Internal Addresses and HSC Addresses

The SL8500 library identifies cartridge locations by library, rail, column, side, and row. Other libraries supported by the HSC distinguish software address cartridge locations by LSM, panel, row, and column.

LSM Numbering

The SL8500 library contains four rails on which four handbots travel. Optionally, you can upgrade to eight handbots, two per rail, for redundancy. The HSC considers each SL8500 rail as a separate LSM.

SL8500 numbering conventions are different as compared with previous libraries. From top to bottom, SL8500 rails are numbered 1-4. HSC LSMs (rails) are numbered from 0-3. For example, in Table 34, SL8500 rail 1 is HSC LSM 0.

Table 34. SL8500/HSC LSM Mapping

SL8500 Mapping	HSC Mapping
Rail 1	LSM 0
Rail 2	LSM 1
Rail 3	LSM 2
Rail 4	LSM 3

Panels

SL8500 addresses do not include panels. For the HSC:

- Panel 0 = CAP panel
- Panel 1 = drive panel
- Panels 2 through n = cell storage panels. The total number of panels depends on the configuration of the library.
 - base library — 2-10
 - With one expansion panel — 2-18 (expansion panel is 8-15)
 - With two expansion panels — 2-26 (expansion panels are 8-23)
 - With three expansion panels — 2-34 (expansion panels are 8-31).

Column Numbers

As viewed from inside the library, SL8500 column numbers are positive starting with +1 to the right of the center line of the drive bays. They are negative starting with -1 to the left of the drive bays.

The HSC reports two columns for each cell storage panel (columns 0 and 1).

Inside/Outside Numbers

For the SL8500 library, sides are numbered such that the outer wall = 1 and the inner wall = 2.

Row Numbers

Within each LSM (rail), rows are numbered consecutively from the top down. Row numbers start with 1 for the SL8500 and 0 for the HSC.

SL8500 CAP Behavior

SL8500 CAPs span three rails (2-4). For the HSC, this is LSMs 1-3. The SL8500 includes one CAP with an optional second CAP. Each CAP contains three magazines with 13 cells per magazine. Each magazine is adjacent to a separate rail, and can only be accessed by handbots on that rail.

- If the second CAP is not present, the HSC reports that the CAP is offline, non-operational, or non-existent. To prevent any messages regarding the CAP from being displayed, vary the non-existent CAP to an offline state using the MODify command. This also prevents any mistaken attempts to use the second CAP where it does not exist.
- If the SL8500 library has two physical CAPs, both should be online and operational.

The CAP is treated as an independent component, and does not belong to any one rail. This means that one of the CAPs can be reserved for other uses, such as entering and ejecting cartridges to and from any LSM.

Considerations:

- The SL8500 CAP can be online and operational even though the LSM identified in the *capid* is offline or not operational.
- If LSM 1 is varied offline, the SL8500 CAP(s) is not automatically varied offline.
- If LSM 1 is varied online, the HSC does not automatically vary the SL8500 CAP(s) online.
- The SL8500 CAP(s) can be online and used to enter and eject cartridges to and from LSM0 as long as at least **one** of the other LSMs (1-3) is online.

Enter or Eject Operations

During an enter, the HSC tries to move the cartridge to an LSM (rail) adjacent to the CAP magazine. For ejects, the HSC attempts to eject cartridges to a CAP cell adjacent to the LSM containing the cartridge.

If these two operations are not possible, the library controller takes care of moving the cartridge through the elevator to another LSM. This requires movements between two handbots and the elevator.

Merging ACSs

SL8500 PTP support allows multiple, separate SL8500s to be combined into a single ACS by running the MERGEcds utility. To minimize losing information about cartridges and to reduce operational downtime, follow the procedures described in this section.



Note: The HSC communicates to only one SL8500 in a library complex (ACS). All HSC requests and responses are routed through this SL8500, which forwards HSC requests to the other SL8500s as needed.

Two configurations are shown below. In the first, the ACSs to be merged are numbered from right to left (as you face them from the CAP side). In the second, they are numbered from left to right. It is assumed that the resulting ACS uses the lower or lowest ACSid.

Configurations for ACSs Numbered Right to Left

Figure 28 and Figure 29 illustrate merging three ACSs numbered right to left, as you face them from the CAP side.

ACS2	ACS1	ACS0
LSM 02:00	LSM 01:00	LSM 00:00
LSM 02:01	LSM 01:01	LSM 00:01
LSM 02:02	LSM 01:02	LSM 00:02
LSM 02:03	LSM 01:03	LSM 00:03

Figure 28. Existing Right to Left Configuration - Three Separate ACSs

ACS0				
LSM 00:08		LSM 00:04		LSM 00:00
LSM 00:09	P	LSM 00:05	P	LSM 00:01
LSM 00:0A	T	LSM 00:06	T	LSM 00:02
LSM 00:0B	P	LSM 00:07	P	LSM 00:03

Figure 29. Desired Configuration - Single ACS

Configurations for ACSs Numbered Left to Right

Figure 30 and Figure 31 illustrate merging three ACSs numbered left to right, as you face them from the CAP side.

ACS0	ACS1	ACS2
LSM 00:00	LSM 01:00	LSM 02:00
LSM 00:01	LSM 01:01	LSM 02:01
LSM 00:02	LSM 01:02	LSM 02:02
LSM 00:03	LSM 01:03	LSM 02:03

Figure 30. Existing Left to Right Configuration - Three Separate ACSs

ACS0				
LSM 00:08		LSM 00:04		LSM 00:00
LSM 00:09	P	LSM 00:05	P	LSM 00:01
LSM 00:0A	T	LSM 00:06	T	LSM 00:02
LSM 00:0B	P	LSM 00:07	P	LSM 00:03

Figure 31. Desired Configuration - Single ACS

Merging ACSs using MERGEcds

The MERGEcds utility preserves volume information and runs quickly. This procedure requires that you terminate and restart the HSC, however, you must stop and restart the HSC if you are removing an ACS, so this is not an additional restriction for MERGEcds.

1. Assemble a LIBGEN to create a new CDS. Define all LSMs as a part of a single ACS.
2. Validate the LIBGEN by running SLICREAT to create a trial CDS with a different name.
3. Stop the HSC on all hosts.
4. Add new SL8500s to the library complex. Refer to “Adding and Configuring SL8500s” on page 591 for more information.
5. Run the BACKup utility to back up the CDS before the configuration change.
6. Run the RESTore utility to re-create the CDS that was active before the configuration change. Specify new CDS files with different names. This becomes the “from” CDS in the MERGEcds JCL example shown below.



Note: This restore resets the DSNs in the copies of the CDS.

The following is sample RESTore utility JCL.

```
//SLSREST JOB 505135,RESTORE,CLASS=A,MSGCLASS=1,MSGLEVEL=(1,1),
//          NOTIFY=SPRT,REGION=4096K
//*
//STEP0    EXEC PGM=SLUADMIN,PARM=MIXED
//STEPLIB DD DSN=NCS600.SOS6000.SLSLINK,DISP=SHR
//SLSBKUP DD DSN=backup.name,DISP=(OLD)
//SLSCNTL DD DSN=from.primary.cds,DISP=(NEW,CATLG,DELETE),
//          DCB=(DSORG=PS),UNIT=,SPACE=
//SLSCTL2 DD DSN=from.secondary.cds,DISP=(NEW,CATLG,DELETE),
//          DCB=(DSORG=PS),UNIT=,SPACE=
//SORTWK01 DD DSN=temp.sort,DISP=(NEW,DELETE,DELETE),
//          UNIT=,SPACE=
//SLSPRINT DD SYSOUT=*
//SLSIN    DD *
//          RESTORE APPLY(NO)
//          /*
//          //
```

7. Execute SLICREAT to create the new real CDS.
8. Bring up the HSC to the BASE service level for the new CDS. This prevents mounts during the merge operation. Otherwise,
 - enters of new cartridges collide with existing cartridges.

- movements of cartridges to existing (renumbered) LSMs collide with cartridges already in the cells,
9. Run the MERGEcds utility to remap all the volume addresses in the new CDS. For the “from” CDS, use the restored HSC backup that was run before the configuration change. Refer to step 6.

The following is sample MERGEcds utility JCL.

```
//SLSMCDs JOB 505135,MERGECDs,CLASS=A,MSGCLASS=1,MSGLEVEL=(1,1),
//          NOTIFY=SPRT,REGION=4096K
//*
//STEP0    EXEC PGM=SLUADMIN,PARM=MIXED
//STEPLIB DD DSN=NCS600.SOS6000.SLSLINK,DISP=SHR
//SLSFCNTL DD DSN=from.primary.cds,DISP=SHR
//SLSFCTL2 DD DSN=from.secondary.cds,DISP=SHR
//SLSPRINT DD SYSOUT=*
//SLSIN    DD *
MERGECDs
/*
/* Do NOT specify REALONLY because we must transfer all information
/* to the new CDS
//SLSMERGE DD *

/* Merge Statements, see below
/*
//
```

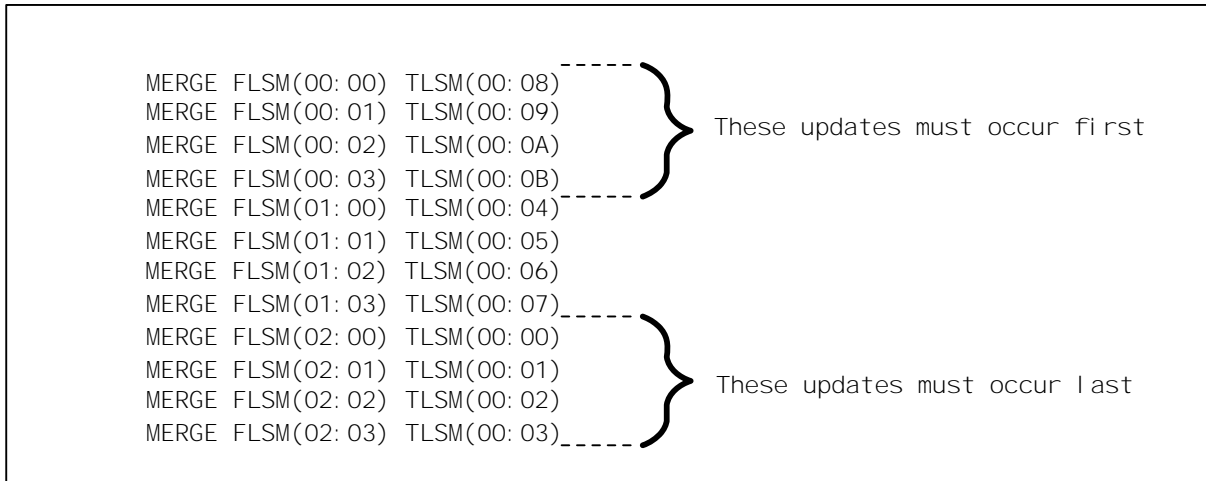
SLSMERGE Statements - ACSs Numbered Right to Left

When you merge LSMs numbered right to left, the order the SLSMERGE statements are processed is not important. The “to” (TLSM) LSMs are not also the “from” (FLSM) LSMs.

```
MERGE FLSM(01:00) TLSM(00:04)
MERGE FLSM(01:01) TLSM(00:05)
MERGE FLSM(01:02) TLSM(00:06)
MERGE FLSM(01:03) TLSM(00:07)
MERGE FLSM(02:00) TLSM(00:08)
MERGE FLSM(02:01) TLSM(00:09)
MERGE FLSM(02:02) TLSM(00:0A)
MERGE FLSM(02:03) TLSM(00:0B)
```

SLSMERGE Statements - ACSs Numbered Left to Right

When you merge LSMs numbered from left to right, **the order the SLSMERGE statements are processed is important**. In the example below, the “to” LSMs for the pre-existing ACS 2 (02:00-02:03) become the “from” LSMs 00:00-00:03. You must first update ACS 0, LSMs 00:00-00:03 to be “from” LSMs 00:08-00:0B. Otherwise, the volumes from both “from” LSMs 00:00-00:03 and 02:00-02:03 will be assigned to 00:08-00:0B.



10. Run the BACKup utility to back up the CDS after the merge.
11. Bring the HSC service level back to FULL, and resume normal operations.
12. Run the Database DecompilE (LIBGEN) utility to generate LIBGEN macro statements from a modified CDS.

Merging ACSs using AUDIt

If you do not run the MERGEcds utility to transfer volume information to the new CDS, you can run AUDIt to add volumes to a new, empty CDS. These volumes will not contain any customer-supplied scratch status information, and all usage records for cleaning cartridges is also lost.

The following procedure explains how to use the AUDIt utility to add volumes to a new CDS:

1. Assemble a LIBGEN to create a new CDS. Place all LSMs in a single ACS.
2. Validate the LIBGEN by running SLICREAT to create a trial CDS with a different name.
3. Stop the HSC on all hosts.
4. Add the new SL8500s to the library complex.
5. Run the BACKup utility to back up the CDS before the configuration change.
6. Execute SLICREAT to create the new real CDS.
7. Run the BACKup utility to back up the CDS after the configuration change.
8. Start the HSC with the new CDS on only one host. Keep the drives offline to MVS, since there is no reason to support automated mounts until AUDIt has added the volumes to the new CDS.
9. Run the AUDIt utility to audit the LSMs added to the ACS.
 - a. If you are merging ACSs that were numbered right to left, the order they are audited is not important. The entire ACS or all LSMs can be audited at the same time. AUDIt adds the volumes the volumes to the new CDS.
 - b. If you are merging ACSs that were numbered left to right, the order they are audited is important. **Audit the LSMs first in the SL8500 that retains the same ACS number.**

You want AUDIt to find these volumes in their new LSM addresses before you audit the LSMs that are now assigned to the old LSM addresses. The LSM addresses are updated for all volumes in these SL8500s.

10. Run the BACKup utility to back up the CDS after the audits.
11. Restart the HSC on all hosts. Vary the drives online to MVS.
12. Run the Database Decompile (LIBGEN) utility to generate LIBGEN macro statements from a modified CDS.

Removing PTPs and Splitting ACSs

You can remove PTP mechanisms that connect two SL8500s and separate a single ACS into two ACSs. This configuration change is the reverse of merging two ACSs into a single ACS.

Figure 32 shows an existing one ACS configuration.

ACS0						
LSM 00:0C	P T P	LSM 00:08	P T P	LSM 00:04	P T P	LSM 00:00
LSM 00:0D		LSM 00:09		LSM 00:05		LSM 00:01
LSM 00:0E		LSM 00:0A		LSM 00:06		LSM 00:02
LSM 00:0F		LSM 00:0B		LSM 00:07		LSM 00:03

Figure 32. Existing One ACS Configuration

Figure 33 shows the desired configuration, with ACS 0 split into two ACSs.

ACS1			ACS0		
LSM 01:04	P T P	LSM 01:00	LSM 00:04	P T P	LSM 00:00
LSM 01:05		LSM 01:01	LSM 00:05		LSM 00:01
LSM 01:06		LSM 01:02	LSM 00:06		LSM 00:02
LSM 01:07		LSM 01:03	LSM 00:07		LSM 00:03

Figure 33. Desired Two ACS Configuration

Positioning the New ACS

StorageTek recommends you locate the new ACS to the left side of the split, which ensures that the HSC assigns higher-numbered LSMs to the new ACS and avoids renumbering the LSMs that remain in the existing LSM.

If you create a new ACS to the right side of the split, all volume addresses must be remapped using MERGEcds. The procedures below do not discuss creating the new ACS to the right of the split.

You can use either of these two utilities to add the new ACS on the left side of the split:

- MERGEcds
- AUDIt.

Splitting an ACS using MERGEcds

MERGEcds is the preferred method to split an ACS, since it preserves volume information and runs quickly. When you add an ACS, you must terminate and restart the HSC with a new CDS.

1. Assemble a LIBGEN to create a new CDS. Place all LSMs in a single ACS.
2. Validate the LIBGEN by running SLICREAT to create a trial CDS with a different name.
3. Stop the HSC on all hosts.
4. Remove the four PTP mechanisms that connect the SL8500s you want to separate.
5. Run the BACKup utility to back up the CDS before the configuration change.
6. Run the RESTore utility to re-create the CDS that was active before the configuration change. Specify new CDS files with different names. This becomes the “from” CDS in the MERGEcds JCL example shown below.



Note: This restore resets the DSNs in the copies of the CDS.

The following is sample RESTore utility JCL.

```

//SLSREST JOB 505135,RESTORE,CLASS=A,MSGCLASS=1,MSGLEVEL=(1,1),
//          NOTIFY=SPRT,REGION=4096K
//*
//STEP0    EXEC PGM=SLUADMIN,PARM=MIXED
//STEPLIB DD DSN=NCS600.SOS6000.SLSLINK,DISP=SHR
//SLSBKUP  DD DSN=backup.name,DISP=(OLD)
//SLSCNTL  DD DSN=from.primary.cds,DISP=(NEW,CATLG,DELETE),
//          DCB=(DSORG=PS),UNIT=,SPACE=
//SLSCTL2  DD DSN=from.secondary.cds,DISP=(NEW,CATLG,DELETE),
//          DCB=(DSORG=PS),UNIT=,SPACE=
//SORTWK01 DD DSN=temp.sort,DISP=(NEW,DELETE,DELETE),
//          UNIT=,SPACE=
//SLSPRINT DD SYSOUT=*
//SLSIN    DD *
//          RESTORE APPLY(NO)
//*
//

```

7. Execute SLICREAT to create the new real CDS.
8. Bring up the HSC to the BASE service level for the new CDS. This prevents mounts during the merge operation. Otherwise,
 - mounts fail because cartridges cannot be found in their last known addresses.
 - until the audits update the HSC map of the empty cells in the renumbered LSMs:
 - enters of new cartridges collide with existing cartridges.
 - movements of cartridges to existing (renumbered) LSMs collide with cartridges already in the cells,
9. Run the MERGEcds utility to remap all the volume addresses in the CDS for the LSMs (rails) that are now in the new ACS. For the “from” CDS, use the restored HSC backup that was run before the configuration change. Refer to step 6.

The following is sample MERGEcds utility JCL.

```

//SLSMCD S JOB 505135,MERGECD S,CLASS=A,MSGCLASS=1,MSGLEVEL=(1,1),
//          NOTIFY=SPRT,REGION=4096K
//*
//STEP00   EXEC PGM=SLUADMIN,PARM=MIXED
//STEPLIB DD DSN=NCS6000.SOS6000.SLSLINK,DISP=SHR
//SLSFCNTL DD DSN=from.primary.cds,DISP=SHR
//SLSFCTL2 DD DSN=from.secondary.cds,DISP=SHR
//SLSPRINT DD SYSOUT=*
//SLSIN    DD *
MERGECD S
/*
/* Do NOT specify REALONLY because we must transfer all information
/* to the new CDS
//SLSMERGE DD *

/* Merge Statements, see below
/*
//

```

An example of the MERGE statements is shown below, with the new ACS being created from SL8500s on the right. The order of the statements is not important, since the “to” LSMs are not also the “from” LSMs.

```

MERGE FLSM(00:08) TLSM(01:00)
MERGE FLSM(00:09) TLSM(01:01)
MERGE FLSM(00:0A) TLSM(01:02)
MERGE FLSM(00:0B) TLSM(01:03)
MERGE FLSM(00:0C) TLSM(01:04)
MERGE FLSM(00:0D) TLSM(01:05)
MERGE FLSM(00:0E) TLSM(01:06)
MERGE FLSM(00:0F) TLSM(01:07)

```

10. Run the BACKup utility to back up the CDS after the merge.
11. Bring the HSC service level back to FULL, and resume normal operations.
12. Run the Database Decompil e (LIBGEN) utility to generate LIBGEN macro statements from a modified CDS.

Splitting an ACS using AUDIt

If you do not run the MERGEcds utility to transfer volume information to the new CDS, you can run AUDIt to add volumes to a new, empty CDS. These volumes will not contain any customer-supplied scratch status information, and all usage records for cleaning cartridges is also lost.

The following procedure explains how to use the AUDIt utility to add volumes to a new CDS:

1. Assemble a LIBGEN to create a new CDS. Place all LSMs in a single ACS.
2. Validate the LIBGEN by running SLICREAT to create a trial CDS with a different name.
3. Stop the HSC on all hosts.
4. Add the new SL8500s to the library complex.
5. Run the BACKup utility to back up the CDS before the configuration change.
6. Execute SLICREAT to create the new real CDS.
7. Run the BACKup utility to back up the CDS after the configuration change.
8. Start the HSC with the new CDS on only one host. Keep the drives offline to MVS, since there is no reason to support automated mounts until AUDIt has added the volumes to the new CDS.
9. Run the AUDIt utility to audit the newly configured LSMs. The order in which the LSMs are audited does not matter, and the entire ACS or all LSMs can be audited at the same time. AUDIt adds the volumes to the new CDS.
10. Run the BACKup utility to back up the CDS after the audits.
11. Restart the HSC on all hosts. Vary the drives online to MVS.
12. Run the Database Decompile (LIBGEN) utility to generate LIBGEN macro statements from a modified CDS.

Partitioning LSMs

Overview

SL8500 LSM partitioning supports from one to four partitions established along LSM boundaries. There are many advantages to partitioning your library, for example, enabling service centers to keep a client from accessing another client's tapes, keeping various departments within the same company separate, and dividing a library between production and test environments.

The following procedures describe how to configure HSC partitioning on the SL8500 library.

- starting from scratch – LIBGEN, SLICREAT (page 442)
- converting a non-partitioned ACS to a partitioned ACS (page 443)
- converting a partitioned ACS to a non-partitioned ACS (page 445)
- removing a partition from the library (page 447)
- adding a partition to the library (page 451)
- removing an LSM from a partition (page 455)
- adding an LSM to a partition (page 459)
- removing the **last** LSM from an ACS partition (page 463)
- moving the **last** allocated LSM to another ACS partition (page 468)
- moving an allocated LSM to another ACS partition (page 473).

In addition, these related topics are discussed:

- error recovery (page 479)
- message changes (page 480)
- LMUPATH control statement parameter update to connect to a specific partition (page 481)
- SET FREEZE utility update to freeze an entire LSM (page 482)
- Display command output changes (page 483).

Partitioning Requirements and Prerequisites

Address these items before partitioning your library:

- Read the *SL8500 Best Practices Guide*.
- Call Software Support to schedule a CSE to configure the SL8500. **This is required.**
- Make sure you are running HSC 6.1 or higher.
- Make sure you have installed firmware Version 3.7x or higher **and** SLConsole version FRS 3.25 or higher.



Note: Customers **MUST** be current on maintenance:

- HSC 6.2 (MVS) - L1H13HI and any follow-on PTFs
- HSC 6.1 (VM) - L1H13GX and any follow-on PTFs.

Restrictions

- Partitioning applies to a single SL8500 box containing only four rails (LSMs).
- Pass-thru ports (PTPs) to another SL8500 library are not supported.
- Hosts prior to HSC 6.1, or hosts without the partitioning PTF, cannot bring the partitioned ACS online.
- If the SL8500 being partitioned is not part of the CDS, it cannot be dynamically added to the CDS. A LIBGEN/SLICREAT/MergeCDS process must be performed.
- Whichever hosts own the other partitions (ACSLs, another HSC, etc.), the configuration is not complete until the inverse of the procedures is run. That is:
 - If an LSM is moving from one partition group to another, an ADD to one partition group implies a DELETE must be run on the other.
 - A DELETE to one partition group implies nothing; the ADD can occur to the other partition group at a later time.
- Volumes remaining in an LSM that is unallocated from one host group are deleted from that CDS when the ACS is reconfigured.

If the last LSM in an ACS host group is being unallocated, follow the “Remove the Last LSM from an ACS Partition” procedure shown on page 463.

- Volumes remaining in an LSM that is allocated to a host group are added to that CDS after running an AUDIt or MERGEcds.

Volume history is only preserved if MERGEcds is run.

- If a volume is mounted on a drive in an LSM that is unallocated before the drive goes offline, the volume is deleted from the CDS, and any future mount to that drive ends in an error.
- When moving volumes from one partition group to another, duplicate volumes **must** be considered.
- Prior to backing up the CDS described in the procedures that follow, NCS and VTCS systems **must** be in an idle state. This means draining all batch tape initiators, varying **all** automated MVS tape devices offline (real and virtual) and varying **all** RTDs defined in the VTCS configuration offline to VTCS.
- When a VTCS CONFIG RESET is required, **all** host systems must be down.

LIBGEN Considerations

There are no changes to LIBGEN for partitioning.

CAP Considerations

Partitioning affects CAP usage. Consider two situations that can be a common occurrence:

- **AUTO CAP** – In partitioning mode, AUTO CAP is disabled. If you are using AUTO CAP prior to partitioning the library, change it to manual. If it is not changed, the HSC changes it.
- **Overriding a CAP Reservation** – Consult the *SL8500 Best Practices Guide*.

VM Considerations

For the most part, this document applies to both VM and MVS, with some specific references to the MVS environment. In references to the MVS environment, you must determine whether the reference is relevant to the VM environment and how it might apply to VM.

For example, this document refers to varying drives offline and online to MVS. Your configuration and operating environment determines if varying drives offline and online to VM is relevant.

VTCS Considerations

For the most part, this document applies to both NCS and VTCS products, with some specific references to the VTCS environment. In regards to the VTCS product, references to tape activity includes **both** real and virtual tape processing.

MVS/CSC Considerations

When you add drives, you must update the LIBUNIT and UNITMAP parameters with the new drives and drive locations. MVS/CSC must now be recycled. To use these new drives, recycling must take place **after** the drives have been added to LibraryStation. Devices can now be varied online to MVS to be eligible for allocation.

When you delete drives, to prevent further allocations, issue the SMC UNITATTR command, specifying the deleted drives and the MODEL IGNORE parameter. Update the LIBUNIT and UNITMAP parameters to remove these drives definitions. MVS/CSC loads these updated parameters the next time it is initialized. Failure to update these parameters prevents MVS/CSC from initializing.

LibraryStation Considerations

When adding or deleting drives, LibraryStation must be recycled to pick up the new drive configuration.



Note: Library Station does not support Near Continuous Operation (NCO). If LibraryStation is running during NCO, results will be unpredictable.

Library Station should not be running when NCO is started or is anticipated to start, for example, when you are varying a newly reconfigured library online. This includes changes to drives that are configured to LibraryStation.

Definitions

Host Group

A set of hosts connected to an ACS and sharing one CDS. For the HSC, there can be up to 16 hosts in a host group.

Partition

A partition is a segment of one SL8500 unit consisting of one or more LSMs for a maximum of four partitions (one LSM per partition). A partition gives exclusive control of cell and drives. When you define a partition, the LSMs (Rails) must be adjacent.

Figure 34 illustrates a partition and host group configuration.

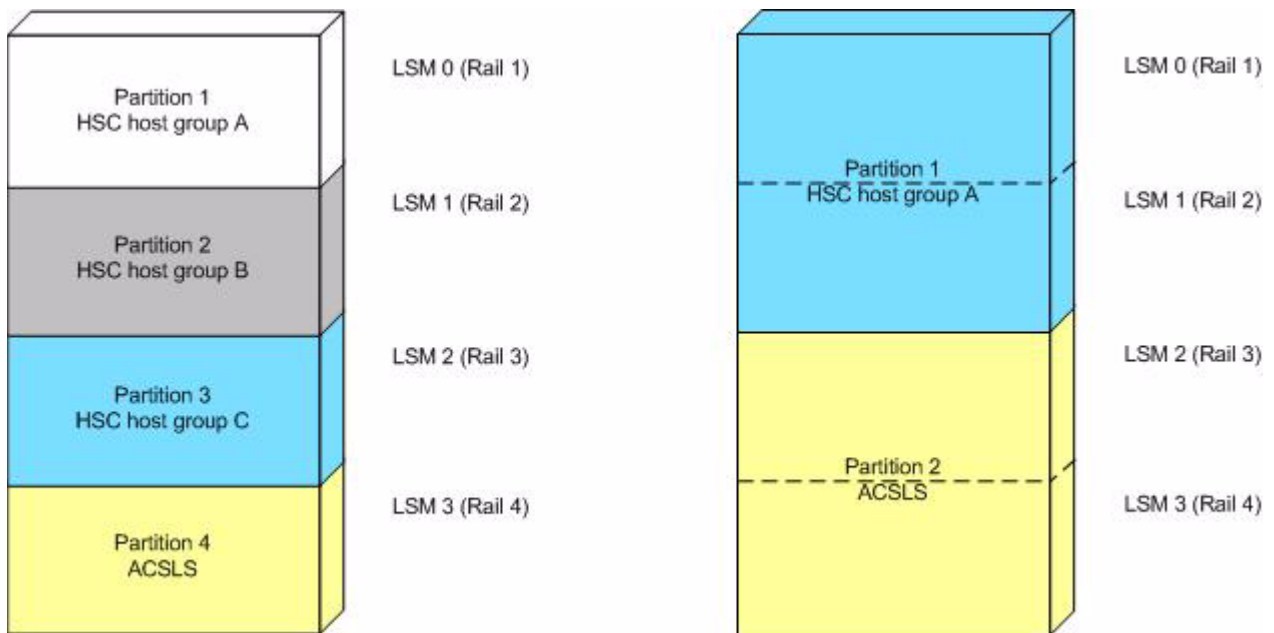


Figure 34. Partition and Host Group Example

Allocated LSM

An LSM assigned to an HSC partition from the Library Console.

Unallocated LSM

An LSM that is either assigned to another partition or unassigned.

Basic Procedures

Start from Scratch – LIBGEN, SLICREAT

This procedure creates a partitioned SL8500 from scratch. No LIBGEN changes are required.

- 1. Run an HSC 6.1 or later LIBGEN assemble and the SLICREAT program.**

Create a new CDS using the procedures found in the “Initializing the Control Data Sets” chapter in the *HSC Configuration Guide*. The HSC must use HSC 6.1 or later SMP/E libraries. After running the SLICREAT program, a standard CDS is created.



Note: If virtual tape is being implemented, VTCS CONFIG must be run to define the configuration to VTCS.

- 2. Run the “Convert a Non-partitioned ACS to a Partitioned ACS” procedure shown on page 443 to partition the library.**

The SL8500 is now partitioned with all four LSMs in a single partition and is available for use. Start the HSC as usual. At a later time, if desired, use the “Remove an LSM from a Partition” procedure shown on page 455 to remove one to three LSMs from that partition.

Convert a Non-partitioned ACS to a Partitioned ACS

This procedure converts an existing non-partitioned ACS to a partitioned ACS. The ACS must contain only one SL8500.

After completing the following steps, you will create a partitioned SL8500 with four LSMs in a single partition. At a later time, to remove any LSMs from this partition, use the “Remove an LSM from a Partition” procedure shown on page 455.

1. (Optional) Stop activity for drives in the affected ACS.

In preparation for reconfiguring the partition, stop all tape activity (both real and virtual) in that ACS from all active hosts.



Note: If activity is not stopped, jobs currently running continue to run. No new mount activity occurs and dismounts are delayed until the ACS is brought back online.

2. Issue the `Display Cap` command.

Issue the Display Cap command to verify the CAP is in manual status since this procedure does not go through the NCO process. If the CAP status is AUTOMATIC, issue the CAP Preference command to change the CAP to MANUAL:

```
CAPP prefval cap-id MANUAL
```

3. Vary the affected ACS offline to all hosts.

The ACS to be partitioned must be offline to **all** hosts. Issue the HSC command:

```
VARY ACS acs-id OFFLINE
```

4. Back up the CDS.

Before making changes to the CDS, it is best practice to create a backup copy for recovery purposes. This backup copy can be restored, if problems are encountered, to recover to a known CDS state using documented HSC recovery procedures.

Use the HSC BACKup utility to create the backup CDS copy.



Note: If VTCS is involved, **all tape activity (real and virtual) must be stopped**. All virtual tape drives must be varied offline to MVS. All RTDs defined in the VTCS configuration must be varied offline to VTCS. It is highly recommended that all initiators be drained that feed both real and virtual tape drive processing. NCS and VTCS must be in an idle state prior to creating the backup copy of the CDS to avoid possibility of data loss.

5. Change the SL8500 configuration file to partition the ACS.

The internal configuration file in the SL8500 must be changed to show all LSMs are assigned to a partition ID. This change is made through the SLConsole.

6. Modify the HSC LMUPATH parameter in PARMLIB.

Add the PARTID(00*n*) keyword to the LMUPATH HSC parameter in PARMLIB. The ID(*n*) is obtained from the SLConsole.

Example: LMUPATH ACS(*acs-id*) LMUADDR(*ip-address*) PARTID(00*n*)



Note: Refer to the “LMUPATH Control Statement” on page 101 for further information.

7. Issue the HSC LMUPDEF command on all hosts.

To activate the modified LMUPATH statement, issue the HSC command:

```
LMUPDEF DATASET(dataset.name)
```

8. Vary the affected ACS online to all Hosts.

Issue the HSC command:

```
VARY ACS acs-id ONLINE
```

The HSC retains the online/offline status of each pre-existing LSM. If the LSMs do not modify online when the ACS is varied online, issue the HSC command:

```
MODIFY LSM lsm-id ONLINE
```

No additional mounts occur to the ACS until the ACS is varied online.



Note: Virtual tape environments are required to vary any RTDs online to VTCS. Additionally, any virtual tape drives varied offline need to be varied online to MVS.

9. Re-establish connections to all defined libraries (if necessary).

Re-establish connections to all defined libraries to acquire drive configuration information from these libraries. To re-drive any outstanding mounts that may have been lost due to hardware or communication errors, issue the SMC RESYNCHRONIZE command.

The ACS is now partitioned and available for use with all four LSMs in a single partition. If you are running multiple HSC hosts, the new configuration is propagated automatically to all hosts.

Convert a Partitioned ACS to a Non-partitioned ACS

This procedure converts an existing partitioned ACS to a non-partitioned ACS. The ACS must contain only one SL8500, and all four LSMs are converted from partitioned to non-partitioned.

1. (Optional) Stop activity for drives in the affected ACS.

In preparation for reconfiguring the partition, stop all tape activity (both real and virtual) in that ACS from all active hosts.



Note: If activity is not stopped, jobs currently running continue to run. No new mount activity occurs, and dismounts are delayed until the ACS is brought back online.

2. Vary the affected ACS offline to all hosts.

The ACS to be unpartitioned must be offline to **all** hosts. Issue the HSC command:

```
VARY ACS acs-id OFFLINE
```

3. Back up the CDS.

Before making changes to the CDS, it is best practice to create a backup copy for recovery purposes. This backup copy can be restored, if problems are encountered, to recover to a known CDS state using documented HSC recovery procedures.

Use the HSC BACKUP utility to create the backup CDS copy.



Note: If VTCS is involved, **all tape activity (real and virtual) must be stopped.** All virtual tape drives must be varied offline to MVS. All RTDs defined in the VTCS configuration must be varied offline to VTCS. It is highly recommended that all initiators be drained that feed both real and virtual tape drive processing. NCS and VTCS must be in an idle state prior to creating the backup copy of the CDS to avoid the possibility of data loss.

4. Change the SL8500 configuration file to unpartition the ACS.

The internal configuration file in the SL8500 must be changed to show all LSMs are unassigned. This change is made through the SLConsole.

5. Modify the HSC LMUPATH parameter in PARMLIB.

Remove the PARTID(00*n*) keyword from the HSC LMUPATH parameter in PARMLIB.

Example: LMUPATH ACS(*acs-id*) LMUADDR(*ip-address*)



Note: Refer to “LMUPATH Control Statement” on page 101 for further information.

6. Issue the HSC LMUPDEF command on all hosts.

To activate the modified HSC LMUPATH statement, issue the HSC command:

```
LMUPDEF DATASET(dataset.name)
```

7. Vary the affected ACS online to all hosts.

Issue the HSC command:

```
VARY ACS acs-id ONLINE
```

The HSC retains the online/offline status of each pre-existing LSM. If the LSMs do not modify online when the ACS is varied online, issue the HSC command:

```
MODIFY LSM lsm-id ONLINE
```

No additional mounts occur to the ACS until the ACS is varied online. All other hosts complete their configuration process when the ACS is varied online.



Note: Virtual tape environments are required to vary any RTDs online to VTCS. Additionally, any virtual tape drives varied offline need to be varied online to MVS.

8. Re-establish connections to all defined libraries (if necessary).

Re-establish connections to all defined libraries to acquire drive configuration information from these libraries. To re-drive any outstanding mounts that may have been lost due to hardware or communication errors, issue the SMC RESYNCHRONIZE command.

The ACS is now unpartitioned and available for use. If you are running multiple HSC hosts, the new configuration is propagated automatically to all hosts.

Remove a Partition from the Library

This procedure removes a partition from an existing library.



Note: If this is the last ACS in the HSC host group, only Step 1 through Step 6 may apply. At this time, the HSC can be stopped.

1. Stop activity for all ACSs connected to the library.

In preparation for removing a partition from the library, stop all CAP and tape activity (both real and virtual) from all active hosts, including RTD tape processing, in that ACS. **Failure to do so will result in lost cartridges and errors on dismount.**

Vary drives (both real and virtual) offline to all MVS hosts that will no longer have access to the drives. From the MVS console, issue the following command to see if the drives in the affected ACS are offline to MVS:

```
D U, , ,xxx-yyy
```

where *xxx-yyy* is the drive ID or UCB range. If not, vary the drives offline with the MVS command:

```
VARY xxx-yyy OFFLINE
```

Additionally, any RTDs that reside on the affected ACS will need to be varied offline. To do this, issue the VTCS command:

```
V RTD(rtd_id) OFF
```



Warning: Failure to perform this step may result in the devices being removed becoming allocated. This may cause severe operational consequences including loss of access for any cartridge mounted at the time of the partitioning.



Note: If VTCS is involved, any RTDs moving out of the CDS will require a VTCS CONFIG RESET to be run to remove the specific RTDs from the VTCS configuration.

2. Run the SET Freeze utility to freeze affected LSMs.

To stop cartridges from migrating to the LSMs of the partition being removed, run the HSC SLUADMIN SET FREEZE utility for each LSM:

```
SET FREEZE(ON) FORLSMID(lsm-id)
```



Note: When an LSM is frozen, no new cell allocations will occur, however, any cartridge from the LSM that is currently mounted on a drive will return to its home cell.

3. Run the Volume Report utility.

Run a volume report on the affected ACS and keep the output. This data can be used later to verify where volumes were in the ACS before it was removed.



Note: Systems with VTCS should run an MVC report for cross-reference purposes.

4. Eject cartridges out of the affected ACS (optional).

Eject all cartridges from the affected ACS.

5. Vary the affected ACS OFFLINE to all hosts.

The ACS must be offline to all hosts within the groups using the ACS. Issue the HSC command:

```
VARY ACS acs-id OFFLINE
```

6. Back up the CDS.

Before making changes to the CDS, it is best practice to create a backup copy for recovery purposes. This backup copy can be restored if problems are encountered to recover to a known CDS state using documented HSC recovery procedures.

Use the HSC BACKUP utility to create the backup CDS copy.



Note: If VTCS is involved, ALL tape activity (real and virtual) must be stopped. All virtual tape drives must be varied offline to MVS. All RTDs defined in the VTCS configuration must be varied offline to VTCS. It is highly recommended that all initiators be drained that feed both real and virtual tape drive processing. NCS and VTCS must be in an idle state prior to creating the backup copy of the CDS to avoid possibility of data loss.

7. Issue the HSC F CONFIG DELETE ACS command.

To delete a partition(s) in an HSC Host Group, issue the HSC command as the examples below show:

```
F CONFIG DELETE ACS(03)  
F CONFIG DELETE ACS(04)  
F CONFIG DELETE ACS(05)
```



Notes:

- If running multiple HSC hosts, the new configuration will be propagated automatically to all hosts.
- **Deleting an ACS deletes its volumes from the CDS.**
- If the last allocated ACS is deleted, the HSC no longer has connections to any library and can be stopped. Step 8 through Step 10 can be ignored.

8. Remove the HSC LMUPATH parameter in PARMLIB.

Remove the LMUPATH statements referencing the ACS previously defined to the LMUPDEF HSC parameter file of the affected host group.

9. Issue the HSC LMUPDEF command on all hosts.

To refresh the modified HSC LMUPDEF parameter file within a host group, issue the HSC command to all hosts:

```
LMUPDEF DATASET(dataset.name)
```

10. Change the SL8500 configuration to remove the affected partition from the library (optional).

The internal configuration file in the SL8500 may be changed to remove the partition. This change happens through the SLConsole.

11. Vary all ACSs connected to the library ONLINE to all hosts.

Issue the HSC command:

```
VARY ACS acs-id ONLINE
```

The HSC retains the online/offline status of each pre-existing LSM. If the LSM is not modified online when the ACS is varied online, issue the HSC command:

```
MODIFY LSM lsm-id ONLINE
```

No additional mounts will occur to the ACS until the ACS is varied online. All other hosts will complete their configuration process when the ACS is varied online.

12. Vary drives ONLINE to MVS (if necessary).

From the MVS console, issue the following command to see if the new drives are online to MVS:

```
D U,,,xxx-yyy
```

where *xxx-yyy* is the drive ID range (both real and virtual). If they are not, bring the real drives online with the MVS command:

```
VARY xxx-yyy ONLINE
```

13. Vary RTDs ONLINE to VTCS (if necessary).

From the MVS console, issue:

```
V RTD(rtd_id) ON
```

for the RTDs that reside on the LSMs being allocated.



Note: Virtual tape environments will be required to vary any RTDs online to VTCS. Additionally, any virtual tape drives varied offline will need to be varied online to MVS.

14. Re-synchronize the SMC.

Issue the SMC RESYNCHRONIZE command.

The partition is removed from the library, and the remaining library resources are available for use.

Add a Partition to the Library

This procedure adds a partition to the library for either an existing or new configuration.

After completing the following steps, a partitioned SL8500 with up to four partitions may be created. At a later time, remove any partitions from this library using “Remove a Partition from the Library” on page 447.

If you are adding more partitions as ACSs than what currently exist, the FUTRACS parameter in the SLLIBRY macro must be coded in the LIBGEN with enough ACSs to accommodate the total number of partitions being accessed within a SL8500 library.

1. Stop activity for all ACSs connected to the library.

In preparation for adding a partition to the library, stop all CAP and tape activity (both real and virtual) from all active hosts, including RTD tape processing, in that ACS. **Failure to do so will result in lost cartridges and errors on dismount.**

Vary drives (both real and virtual) offline to all MVS hosts that will no longer have access to the drives. From the MVS console, issue:

```
D U, , ,xxx-yyy
```

where *xxx-yyy* is the drive ID or UCB range. If not, vary the drives offline with the MVS command:

```
VARY xxx-yyy OFFLINE
```

Additionally, any RTDs that reside on the affected ACS will need to be varied offline. To do this, issue the VTCS command:

```
V RTD(rtd_id) OFF
```



Notes:

- This step is necessary if you are adding partitions other than the first time.
- If VTCS is involved, any RTDs moving out of the CDS will require a VTCS CONFIG RESET to be run to remove the specific RTDs from the VTCS Configuration.

2. Vary all ACSs connected to the library OFFLINE to all hosts.

ALL ACSs connected to the library must be offline to all hosts. Issue the HSC command:

```
VARY ACS acs-id OFFLINE
```

3. Back up the CDS.

Before making changes to the CDS, it is best practice to create a backup copy for recovery purposes. This backup copy can be restored if problems are encountered to recover to a known CDS state using documented HSC recovery procedures.

Use the HSC BACKUP utility to create the backup CDS copy.



Notes:

- This step is necessary if you are adding partitions other than the first time.
- If VTCS is involved, **ALL tape activity (real and virtual) must be stopped.** All virtual tape drives must be varied offline to MVS. All RTDs defined in the VTCS configuration must be varied offline to VTCS. It is highly recommended that all initiators be drained that feed both real and virtual tape drive processing. NCS and VTCS must be in an idle state prior to creating the backup copy of the CDS to avoid possibility of data loss.

4. Change the SL8500 configuration to add the partition and assign LSMs to the partition.

The internal configuration file in the SL8500 must be changed to show the newly added partition(s) to a library. This change is made through the SLConsole.



Note: If scratch volumes exist, update and reload SCRPFDEF, VOLDEF, and TAPEREQ PARMLIB members accordingly. This must be done prior to executing Step 5.

5. Issue the HSC F CONFIG ADD ACSType command (optional).

If you are adding more partitions as ACSs to an HSC Complex than currently exist, issue the HSC command as in the example below:

```
F CONFIG ADD ACST(SL8500)
```

6. Change or add the HSC LMUPATH parameter in PARMLIB.

If an LMUPATH statement was defined for an SL8500 using “Start from Scratch – LIBGEN, SLICREAT” on page 442, change the HSC LMUPATH statement to add the PARTID keyword in LMUPDEF in PARMLIB. Verify the partition ID defined from the SLConsole is the same as the PARTID in the HSC LMUPDEF. For a new partition, add an HSC LMUPATH statement in LMUPDEF in PARMLIB.

Example:

```
LMUPATH ACS(acs-id) LMUADDR(ip-address) PARTID(nnn)
```

Refer to “LMUPATH Control Statement” on page 101.

7. Issue the HSC LMUPDEF command on all hosts.

To activate the modified HSC LMUPATH statement, issue the HSC command:

```
LMUPDEF DATASET(dataset.name)
```

8. Run the SET SLIDRIVS utility (match CDS drive configuration to the library).

Add drives to the LSM(s) of an added ACS by running the SLUADMIN utility or command for SET SLIDRIVS for each LSM assigned to the partition.

```
SET SLIDRIVS(drv1,drv2,drv3,,,,,,,,,,,,,) +  
FORLSMID(lsm-id),FORPANEL(01)
```



Note: If VTCS is involved, any RTDs moving into the CDS will require a VTCS CONFIG RESET to be run to add the specific RTDs to the VTCS configuration.

9. Vary all ACSs connected to the library ONLINE to all hosts.

Issue the HSC command:

```
VARY ACS acs-id ONLINE
```

The HSC retains the online/offline status of each pre-existing LSM. If the LSM is not modified online when the ACS is varied online, issue the HSC command:

```
MODIFY LSM lsm-id ONLINE
```

No additional mounts will occur to the ACS until the ACS is varied online. All other hosts will complete their configuration process when the ACS is varied online.

10. Run the SET Freeze utility to un-freeze the affected LSMs.

To allow you to use all cartridge cells, run the SET FREEZE utility for each LSM:

```
SET FREEZE(OFF) FORLSMID(lsm-id)
```

11. Run the HSC AUDIt utility.

Run the HSC AUDIt utility against all LSMs in the ACS.

This step may be bypassed if no volumes have been added, deleted, or moved. It must be run if new LSMs have been allocated to the configuration.

Follow company standard procedures for any cartridges found in the newly allocated LSM.

12. Unfreeze panels/LSM (optional).

If the panels were audited in Step 10, the panels can now be unfrozen. To unfreeze the panels/LSM, run the HSC SLUADMIN SET FREEZE utility as follows:

```
SET FREEZE(OFF) FORLSMID(lsm-id) FORPANEL(panel-id)
```

13. Run the HSC Scratch Update utility (if necessary).

Run the HSC Scratch Update utility.

This step may be bypassed if no volumes have been added, deleted, or moved. It must be run if new LSMs have been added to the configuration.

14. Vary drives ONLINE to MVS (if necessary).

From the MVS console, issue the following command to see if the new drives are online to MVS:

```
D U, , ,xxx-yyy
```

where xxx-yyy is the drive ID range (both real and virtual). If they are not, bring the real drives online with the MVS command:

```
VARY xxx-yyy ONLINE
```

15. Vary RTDs ONLINE to VTCS (if necessary).

From the MVS console, issue:

```
V RTD(rtid_id) ON
```

for the RTDs that reside on the LSMs being allocated.



Notes:

- Virtual tape environments will be required to vary any RTDs online to VTCS. Additionally, any virtual tape drives varied offline will need to be varied online to MVS.
- Prior to performing this step, ensure that SET SLIDRIVS (Step 8) is performed so that the CDS drive configuration matches EXACTLY to the new drive configuration on the SL8500 library.

16. Re-synchronize the SMC.

To add drives for the SMC, issue the SMC RESYNCHRONIZE command.

The partition is now added to the library and is available for use. If running multiple HSC hosts, the new configuration will be propagated automatically to all hosts.

Remove an LSM from a Partition

This procedure removes an LSM from an existing partition.



Note: To remove all LSMs from a partition, the ACS cannot be deleted without a LIBGEN/MergeCDS. If the HSC is recycled, the ACS attempts to come online, fails, and goes into recovery. After a timeout, it remains offline. The HSC continues to initialize even with this failure. To delete the last LSM in a partitioned ACS, use the “Remove the Last LSM from an ACS Partition” procedure shown on page 463.

Also, to move an LSM from one partition to another and to **retain volume history** (usage counts, encryption state, etc.), use the “Move the Last Allocated LSM to Another ACS Partition” procedure shown on page 468.

1. Stop activity for drives in the affected ACS.

In preparation for reconfiguring the partition, stop all tape activity (both real and virtual) from all active hosts, including RTD tape processing, in that ACS. **Failure to do so results in lost cartridges and errors on dismount.**

Vary drives (both real and virtual) offline to **all** MVS hosts that will no longer have access to the drives. From the MVS console, issue

```
D U, , ,xxx-yyy
```

where *xxx-yyy* is the drive ID or UCB range, to see if the drives in the affected LSM are offline to MVS. If not, vary the drives offline with the MVS command:

```
VARY xxx-yyy OFFLINE
```

Additionally, any RTDs that reside on the affected LSM need to be varied offline. To do this, issue the VTCS command:

```
.VT V RTD(rtid_id) OFF
```



Warning: Failure to perform this step may result in the devices being removed becoming allocated. This may cause severe operational consequences including loss of access for any cartridge mounted at the time of the partitioning.

2. Back up the CDS.

Before making changes to the CDS, it is best practice to create a backup copy for recovery purposes. This backup copy can be restored, if problems are encountered, to recover to a known CDS state using documented HSC recovery procedures.

Use the HSC BACKUP utility to create the backup CDS copy.



Note: If VTCS is involved, **all tape activity (real and virtual) must be stopped.** All virtual tape drives must be varied offline to MVS. All RTDs defined in the VTCS configuration must be varied offline to VTCS. It is highly recommended that all initiators be drained that feed both real and virtual tape drive processing. NCS and VTCS must be in an idle state prior to creating the backup copy of the CDS to avoid possibility of data loss.

3. Run the SET Freeze utility to freeze affected LSM.

To stop cartridges from migrating to the LSM to be unallocated, run the SET FREEZE utility:

```
SET FREEZE(ON) FORLSMID(lsm-id)
```



Note: When an LSM is frozen, no new cell allocations occur, however, any cartridge from the LSM that is currently mounted on a drive returns to its home cell.

4. Run the Volume Report utility.

Run a volume report on the affected LSM and keep the output. This data can be used later to verify which volumes were in the LSM before it was unallocated.



Note: Systems with VTCS should run an MVC report for cross reference purposes.

5. Move cartridges out of the affected LSM.

Move all cartridges from the affected LSM to other online LSMs within the same partition. Use ExLM, the HSC MOVE command, or the HSC MOVE utility. If cartridges are not to remain under library control, they can be ejected.

Do not enter the library and physically remove the cartridges; use the HSC MOVE command or utility or use ExLM to clear the LSM. This ensures the CDS is properly updated.



Note: If the cartridges are not moved out of the LSM prior to removing the LSM from the configuration, the volume history in the CDS is deleted when the configuration change is completed. To retain the volume history when the LSM is moved to a different partition, use the “Move the Last Allocated LSM to Another ACS Partition” procedure shown on page 468.

6. Vary the affected ACS offline to all host groups.

The ACS must be offline to **all** host groups. Issue the HSC command:

```
VARY ACS acs-id OFFLINE
```

7. Run the SET SLIDRIVS utility (match CDS drive configuration to the library).

Remove drives from the HSC for the affected LSM by running the SLUADMIN utility or command for SET SLIDRIVS.

```
SET SLIDRIVS(,,,,,,,,,,,,,) +  
FORLSMID(lsm-id),FORPANEL(01)
```



Notes:

- If the drives are not removed prior to removing the LSM from the ACS, the drives displays a type of “unknown.”
- If VTCS is involved, any RTDs moving out of the CDS require a VTCS CONFIG RESET to be run to remove the specific RTDs out of the VTCS configuration.

8. Change the SL8500 configuration file to remove the affected LSM from the partition.

The internal configuration file in the SL8500 must be changed to unallocate the LSM. This change is made through the SLConsole.

9. Vary the affected ACS online to all host groups.

Issue the HSC command:

```
VARY ACS acs-id ONLINE
```

The HSC retains the online/offline status of each pre-existing LSM. If the LSMs do not modify online when the ACS is varied online, issue the HSC command:

```
MODIFY LSM lsm-id ONLINE
```

No additional mounts occur to the ACS until the ACS is varied online. All other hosts complete their configuration process when the ACS is varied online.



Notes:

- Virtual tape environments are required to vary any RTDs online to VTCS. Additionally, any virtual tape drives varied offline need to be varied online to MVS.

- **Prior to performing this step, ensure that SET SLIDRIVS (step 7) is performed so that the CDS drive configuration matches EXACTLY to the new drive configuration on the SL8500 library. Since this partitioning process involves unallocating an LSM and removing all associated drives from the configuration, the SET SLIDRIVS statement should look as follows:**

```
SET SLIDRIVS(,,,,,,,,,,,,,) +  
FORLSMID(lsm_id),FORPANEL(01)
```

10. Re-establish connections to all defined libraries (if necessary).

Re-establish connections to all defined libraries to acquire drive configuration information from these libraries. To re-drive any outstanding mounts that may have been lost due to hardware or communication errors, issue the SMC RESYNCHRONIZE command.

The LSM is removed from the configuration, and the remaining LSMs are available for use. If running multiple HSC hosts, the new configuration is propagated automatically to all hosts.

Add an LSM to a Partition

This procedure adds an LSM to a partition. It assumes the SL8500 is already partitioned and an additional LSM is being added to that partition.

If the ACS is not partitioned, use the “Convert a Non-partitioned ACS to a Partitioned ACS” procedure shown on page 443 to make it partitioned.



Note: If the SL8500 to be partitioned is not part of the CDS, it cannot be dynamically added. A LIBGEN/MERGEcds must be performed.

To retain volume history, use the “Move the Last Allocated LSM to Another ACS Partition” procedure shown on page 468.

1. Stop activity for drives in the affected ACS.

In preparation for reconfiguring the partition, stop all tape activity (both real and virtual) from all active hosts, including RTD tape processing, in that ACS. **Failure to do so results in lost cartridges and errors on dismount.**

Vary drives (both real and virtual) offline to **all** MVS hosts that will no longer have access to the drives. From the MVS console, issue

```
D U, , ,xxx-yyy
```

where *xxx-yyy* is the drive ID or UCB range, to see if the drives in the affected LSM are offline to MVS. If not, vary the drives offline with the MVS command:

```
VARY xxx-yyy OFFLINE
```

Additionally, any RTDs that reside on the affected LSM need to be varied offline. To do this, issue the VTCS command:

```
.VT V RTD(rtd_id) OFF
```



Warning: Failure to perform this step may result in the devices being removed becoming allocated. This may cause severe operational consequences including loss of access for any cartridge mounted at the time of the partitioning.

2. Back up the CDS.

Before making changes to the CDS, it is best practice to create a backup copy for recovery purposes. This backup copy can be restored, if problems are encountered, to recover to a known CDS state using documented HSC recovery procedures.

Use the HSC BACKUP utility to create the backup CDS copy.



Note: If VTCS is involved, **all tape activity (real and virtual) must be stopped.** All virtual tape drives must be varied offline to MVS. All RTDs defined in the VTCS configuration must be varied offline to VTCS. It is highly recommended that all initiators be drained that feed both real and virtual tape drive processing. NCS and VTCS must be in an idle state prior to creating the backup copy of the CDS to avoid possibility of data loss.

3. Ensure the new LSM is available.

The LSM being allocated may have been owned at one time by another host system (ACSLs, another HSC, etc.). Verify the LSM obtained has been properly cleared and processed.

Run the “Remove an LSM from a Partition” procedure on page 455 and remove all cartridges.

4. Vary the affected ACS offline to all host groups.

The ACS must be offline to **all** host groups. Issue the HSC command:

```
VARY ACS acs-id OFFLINE
```

5. Change the SL8500 configuration file to add the LSM to the partition.

The internal configuration file in the SL8500 must be changed to show that the newly added LSM(s) is assigned to a partition ID. This change is made through the SLConsole. Verify the PARTID from the SLConsole is the same as the PARTID in the HSC LMUPDEF.

6. Run the SET SLIDRIVS utility (match the CDS drive configuration to the library).

Add drives to the new LSM by running the SLUADMIN utility or command for SET SLIDRIVS.

```
SET SLIDRIVS(drv1,drv2,drv3,,,,,,,,,,,,,) +  
FORLSMID(lsm-id),FORPANEL(01)
```



Note: If VTCS is involved, any RTDs moving into the CDS require a VTCS CONFIG RESET to be run to add the specific RTDs to the VTCS configuration.

7. Vary the affected ACS online to all host groups.

Issue the HSC command:

```
VARY ACS acs-id ONLINE
```

The HSC retains the online/offline status of each pre-existing LSM. If the LSMs do not modify online when the ACS is varied online, issue the HSC command:

```
MODIFY LSM lsm-id ONLINE
```

No additional mounts occur to the ACS until the ACS is varied online.

All other hosts complete their configuration process when the ACS is varied online.



Notes:

- Virtual tape environments are required to vary any RTDs online to VTCS. Additionally, any virtual tape drives varied offline need to be varied online to MVS.
- Prior to performing this step, ensure that SET SLIDRIVS (step 6. in this procedure) is performed so that the CDS drive configuration matches EXACTLY to the new drive configuration on the SL8500 library.

8. Run the SET Freeze utility to un-freeze the affected LSM.

To allow you to use all cartridge cells, run the SET FREEZE utility:

```
SET FREEZE(OFF) FORLSMID(lsm-id)
```

9. Run the HSC AUDIt utility.

Run the HSC AUDIt utility against all LSMs in the ACS.

This step may be bypassed if no volumes have been added, deleted, or moved. It must be run if new LSMs have been allocated to the configuration.

Follow company standard procedures for any cartridges found in the newly allocated LSM.

10. Run the HSC Scratch Update utility (if necessary).

Run the HSC Scratch Update utility.

This step may be bypassed if no volumes have been added, deleted, or moved.

11. Vary drives online to MVS (if necessary).

From the MVS console, issue

```
D U, , ,xxx-yyy
```

where *xxx-yyy* is the drive ID range (both real and virtual), to see if the new drives are online to MVS. If they are not, bring them online with the MVS command:

```
VARY xxx-yyy ONLINE
```

12. Vary RTDs online to VTCS (if necessary).

From the MVS console, issue

```
.VT V RTD(rtd-id) ON
```

for the RTDs that reside on the LSMs being allocated.

13. Re-establish connections to all defined libraries (if necessary).

Re-establish connections to all defined libraries to acquire drive configuration information from these libraries. To re-drive any outstanding mounts that may have been lost due to hardware or communication errors, issue the SMC RESYNCHRONIZE command.

The LSM is now added to the configuration and is available for use. If running multiple HSC hosts, the new configuration is propagated automatically to all hosts.

Remove the Last LSM from an ACS Partition

Normally, use the “Remove an LSM from a Partition” procedure shown on page 455 to remove an LSM from a partitioned ACS. If you are attempting to remove the last LSM from an ACS, the HSC will no longer be able to communicate with that ACS. Therefore, use this procedure to remove the last LSM from the CDS.

Figure 35 on page 467 illustrates the procedure described below.



Note: This set of procedures is disruptive, since it requires a LIBGEN/MERGEcds and cannot be done dynamically using Near Continuous Operation (NCO). If the ACS removing its last LSM is the only ACS in that CDS, steps pertaining to a separate LIBGEN (steps 1 through 8) do not need to be performed.

1. Stop activity for drives in the affected ACS.

In preparation for reconfiguring the partition, stop all tape activity (both real and virtual) from all active hosts in that ACS, including RTD tape processing. **Failure to do this results in lost cartridges and errors on dismount.**

Vary drives offline to **all** MVS hosts that will no longer have access to the drives. From the MVS console, issue

```
D U, , ,xxx-yyy
```

where *xxx-yyy* is the drive ID or UCB range, to see if the drives in the affected LSM are offline to MVS. If not, vary the drives offline with the MVS command:

```
VARY xxx-yyy OFFLINE
```

Additionally, any RTDs that reside on the affected LSM need to be varied offline. To do this, issue the VTCS command:

```
.VT V RTD(rtd_id) OFF
```



Warning: Failure to perform this step may result in the devices that are being removed becoming allocated. This may cause severe operational consequences including loss of access for any cartridge mounted at the time of the partitioning.

2. Back up the CDS containing the LSM to be unallocated (CDS01).

Before running a MERGEcds utility, it is best practice to create a backup copy for recovery purposes. This backup copy can be restored, if problems are encountered, to recover to a known CDS state using documented HSC recovery procedures.

Use the HSC BACKup utility to create the backup CDS copy.



Note: If VTCS is involved, **all tape activity (real and virtual) must be stopped.** All virtual tape drives must be varied offline to MVS. All RTDs defined in the VTCS configuration must be varied offline to VTCS. It is highly recommended that all initiators be drained that feed both real and virtual tape drive processing. NCS and VTCS must be in an idle state prior to creating the backup copy of the CDS to avoid possibility of data loss.

3. Use SLICREAT to create a new CDS (CDS03).

Use SLICREAT to create a new CDS identical to CDS01, except the ACS containing the last LSM to be unallocated is not in the SLICREAT.



Note: If virtual tape is being implemented, VTCS CONFIG must be run to define a virtual tape configuration to the new (CDS03).

4. Stop all Active HSC(s) for hosts connected to CDS01.

Stop all active HSC(s) for the partition where the last LSM is being unallocated. Normal tape activity must cease until the new CDS is available.

5. Remove the HSC LMUPATH parameter in PARMLIB.

Remove the HSC LMUPATH parameter in PARMLIB for the ACS being removed.

6. Start Single HSC pointing to new CDS (CDS03) using BASE mode.

Start the HSC for the partition where the last LSM is being unallocated. The HSC must be started at the BASE service level to run MERGECDs. This can be accomplished by adding the HSC command

```
START HSC,PRM='BASE'
```

to the HSC start up PARMLIB member.

7. Run MERGEcds.

Input is CDS01. Output is the CDS (CDS03) minus the ACS containing the last LSM. The example below shows going from three ACSs to two ACSs with ACS 01 being removed. For other examples, refer to the the MERGEcds utility in the *HSC Systems Programmer's Guide*.

```
//jobcard
//STEP1 EXEC PGM=SLUADMIN,PARM='MIXED'
//STEPLIB DD DISP=SHR,DSN=dataset.name
//*
//SLSPRINT DD SYSOUT=*
//*
//SLSFCNTL DD DSN=CDS01.primary,DISP=SHR
//*
//SLSIN DD *
MERGECDs
//SLSMERGE DD *
MERGE FACS(00) TACS(00)
MERGE FACS(02) TACS(01)
/*
//
```

8. Set the Service Level to full.

Set the service level to full for the HSC pointing to the new CDS (CDS03). Issue the HSC command:

```
SRVLEV FULL
```

9. Start the remaining HSC(s) using CDS03.

All HSCs should successfully initialize using the updated configuration.



Note: From the HSC perspective for this host group, the procedure is complete. From a library perspective, to restore the LSM to an unallocated state, perform the remaining steps.

10. Vary the affected ACS offline to all host groups.

The ACS containing the LSM to be unallocated must be offline to **all** host groups. Issue the HSC command:

```
VARY ACS acs-id OFFLINE
```

11. Change the SL8500 configuration file using CDS03 (with LSM unallocated).

The internal configuration file in the SL8500 must be changed to unallocate the LSM. This change is made through the SLConsole.

12. Vary the affected ACS online to all host groups.

Issue the HSC command:

```
VARY ACS acs-id ONLINE
```

The HSC retains the online/offline status of each pre-existing LSM. If the LSMs do not modify online when the ACS is varied online, issue the HSC command:

```
MODIFY LSM lsm-id ONLINE
```

No additional mounts occur to the ACS until the ACS is varied online.

All other hosts complete their configuration process when the ACS is varied online.



Note: Virtual tape environments are required to vary any RTDs online to VTCS. Additionally, any virtual tape drives varied offline need to be varied online to MVS.

13. Re-establish connections to all defined libraries (if necessary).

Re-establish connections to all defined libraries to acquire drive configuration information from these libraries. To re-drive any outstanding mounts that may have been lost due to hardware or communication errors, issue the SMC RESYNCHRONIZE command.

If you are running multiple HSC hosts, the new configuration is propagated automatically to all hosts.

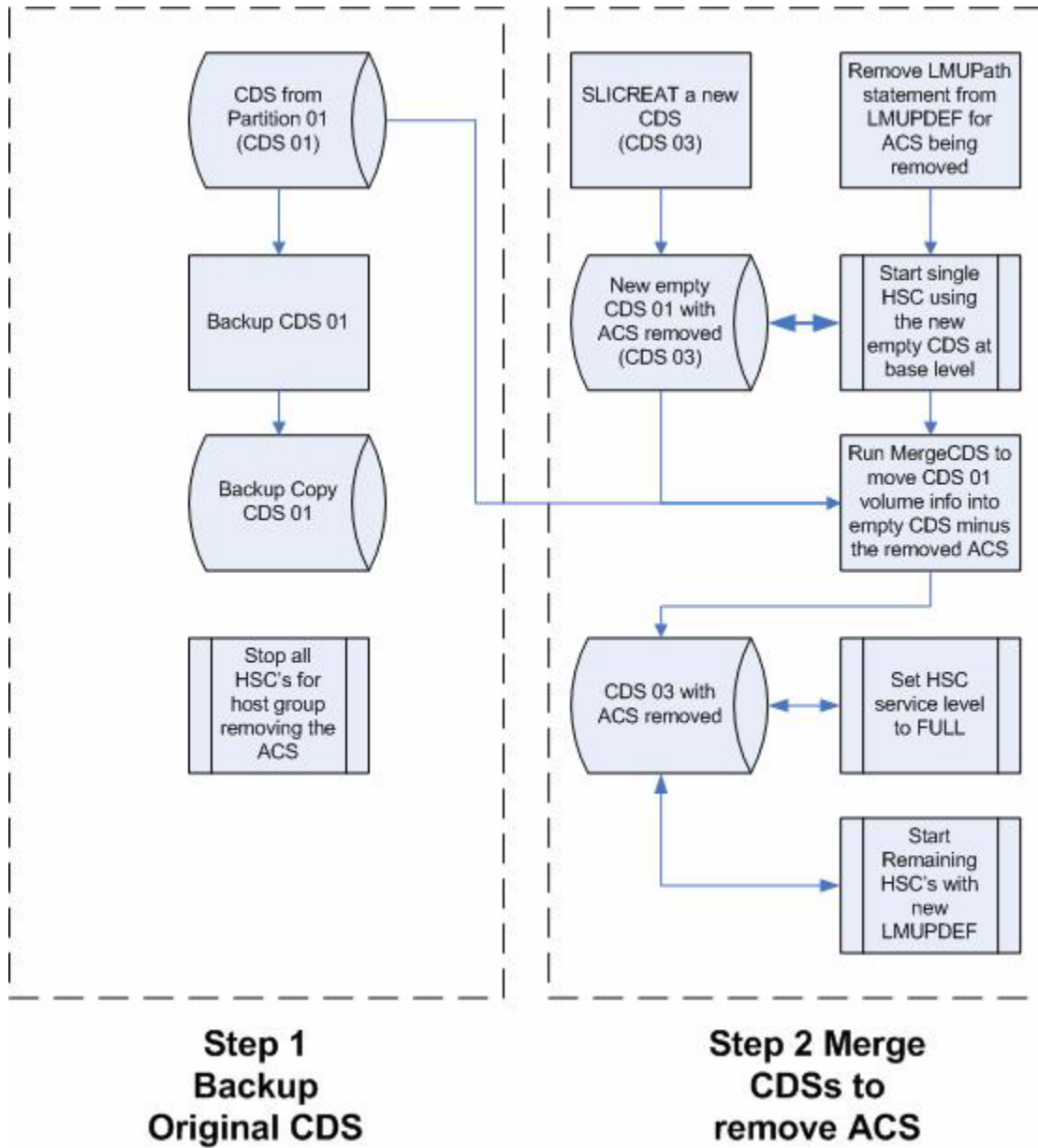


Figure 35. Process Flow to Remove the Last LSM in an ACS

Move the Last Allocated LSM to Another ACS Partition

This procedure moves the last allocated LSM to another partitioned ACS and preserves the history of the LSM volumes being added. Figure 36 on page 472 illustrates the procedure described below.



Note: This set of procedures is disruptive since it requires a LIBGEN/MERGEcds and cannot be done using Near Continuous Operation (NCO).

- 1. Complete steps 1 through 10 in the “Remove the Last LSM from an ACS Partition” procedure shown on page 463.**

To remove all LSMs from a partitioned ACS, including the last LSM, follow steps 1 through 10 in the same procedure.

- 2. Back up the CDS that will receive the LSM (CDS02).**

Before running a MERGEcds, it is best practice to create a backup copy for recovery purposes. This backup copy can be restored, if problems are encountered, to recover to a known CDS state using documented HSC recovery procedures.

Use the HSC BACKUp utility to create the backup CDS copy.



Note: If VTCS is involved, **all tape activity (real and virtual) must be stopped.** All virtual tape drives must be varied offline to MVS. All RTDs defined in the VTCS configuration must be varied offline to VTCS. It is highly recommended that all initiators be drained that feed both real and virtual tape drive processing. NCS and VTCS must be in an idle state prior to creating the backup copy of the CDS to avoid possibility of data loss.

3. Run MERGEcds again.

Input is CDS01. Output is an updated CDS (CDS02). This example moves the LSM 03 volume history from ACS 00 (CDS01) to LSM 03 in ACS 01 (CDS02). For other examples, refer to the MERGEcds utility in the *HSC Systems Programmer's Guide*.

```
//jobcard
//STEP1 EXEC PGM=SLUADMIN,PARM='MIXED'
//STEPLIB DD DISP=SHR,DSN=dataset.name
//*
//SLSPRINT DD SYSOUT=*
//*
//SLSFCNTL DD DSN=CDS01.primary,DISP=SHR
//*
//SLSIN DD *
MERGECDs
//SLSMERGE DD *
MERGE FLSM(00:03) TLSM(01:03)
/*
//
```

4. Run the SET SLIDRIVS utility (match the CDS drive configuration to the library).

Add drives to the new LSM by running the SLUADMIN utility or command for SET SLIDRIVS.

```
SET SLIDRIVS(drv1,drv2,drv3,,,,,,,,,,,,) +
FORLSMID(lsm_id),FORPANEL(01)
```



Note: If VTCS is involved, any RTDs moving into the CDS require a VTCS CONFIG RESET to be run to add the specific RTDs to the VTCS configuration.

5. Change the SL8500 Configuration file using CDS02 (with the new LSM added).

The internal configuration file in the SL8500 must be changed to move the LSM from one partition to another. This change is made through the SLConsole.

6. Vary the affected ACS online to all host groups.

Issue the HSC command:

```
VARY ACS acs-id ONLINE
```

The HSC retains the online/offline status of each pre-existing LSM. If the LSMs do not modify online when the ACS is varied online, issue the HSC command:

```
MODIFY LSM lsm-id ONLINE
```

No additional mounts occur to the ACS until the ACS is varied online. All other hosts complete their configuration process when the ACS is varied online.



Note: Virtual tape environments are required to vary any RTDs online to VTCS. Additionally, any virtual tape drives varied offline need to be varied online to MVS.

7. Run the HSC Scratch Update utility (if necessary).

Run an HSC Scratch Update utility.

This step may be bypassed if no volumes have been added, deleted, or moved. It must be run if new LSMs have been added to the configuration.

8. Run the SET Freeze utility to un-freeze the added LSM.

To allow you to use all cartridge cells, run the SET FREEZE utility:

```
SET FREEZE(OFF) FORLSMID(lsm-id)
```

9. Vary drives online to MVS (if necessary).

From the MVS console, issue

```
D U, , ,xxx-yyy
```

where *xxx-yyy* is the drive ID range (both real and virtual), to see if the new drives are online to MVS. If they are not, bring them online with the MVS command:

```
VARY xxx-yyy ONLINE
```

10. Vary RTDs online to VTCS (if necessary).

From the MVS console, issue

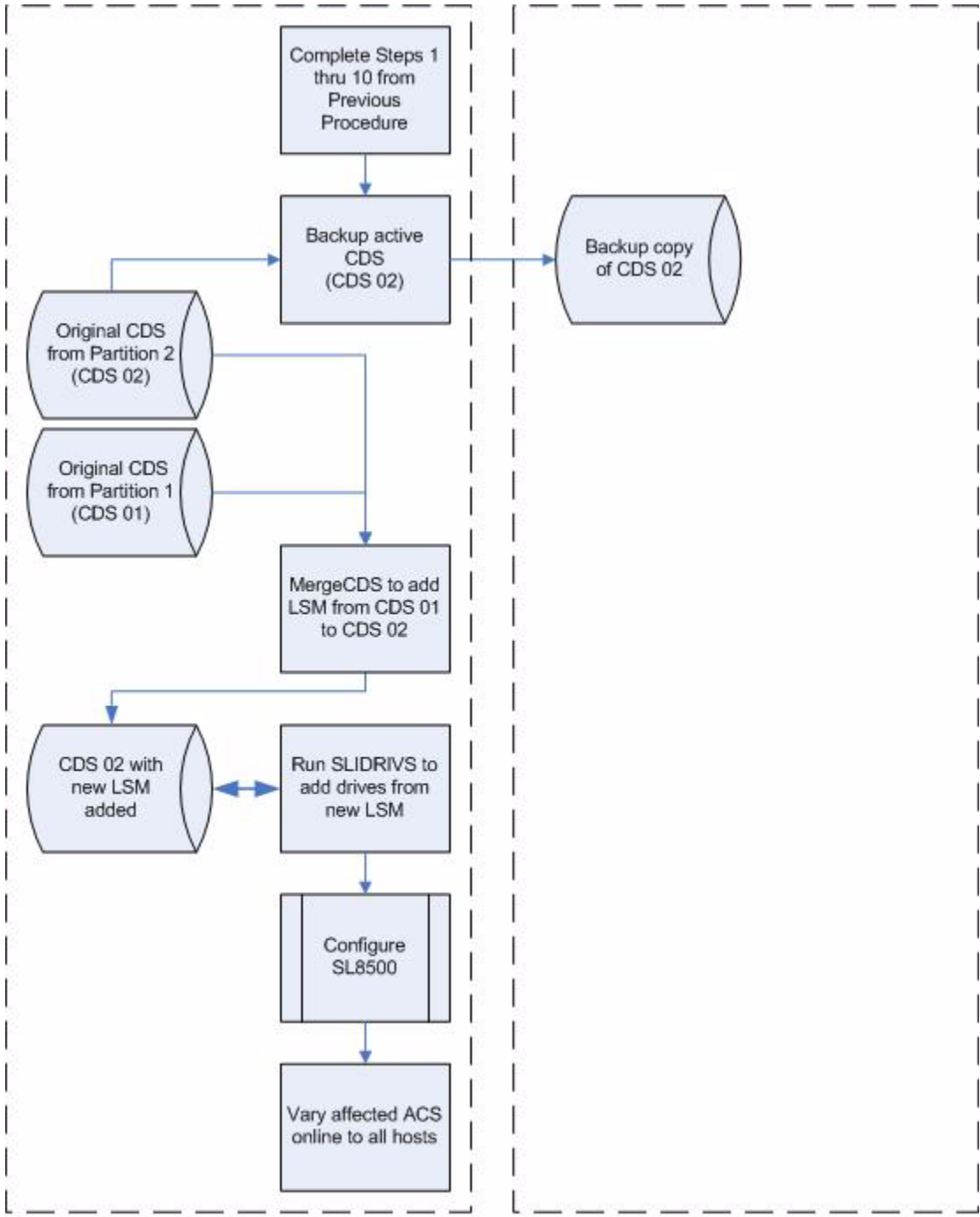
```
.VT V RTD(rtd-id) ON
```

for the RTDs that reside on the LSMs being allocated.

11. Re-establish connections to all defined libraries (if necessary).

Re-establish connections to all defined libraries to acquire drive configuration information from these libraries. To re-drive any outstanding mounts that may have been lost due to hardware or communication errors, issue the SMC RESYNCHRONIZE command.

If you are running multiple HSC hosts, the new configuration is propagated automatically to all hosts.



STEP 1

Move LSM to another CDS

Figure 36. Process Flow to Move the Last LSM to Another ACS Partition

Move an Allocated LSM to another ACS Partition

This procedure moves an allocated LSM to another partitioned ACS and preserves the history of the LSM volumes being allocated. Figure 37 on page 478 illustrates the procedure described below.



Note: This set of procedures is disruptive as it requires a LIBGEN/MERGEcds and cannot be done using Near Continuous Operation (NCO).

1. Stop activity for drives in the affected ACS.

In preparation for reconfiguring the partition, you must stop all tape activity (both real and virtual), from all active hosts, including virtual tape processing, in that ACS. **Failure to do this results in lost cartridges and errors on dismount.**

Vary drives offline to **all** MVS hosts that will no longer have access to the drives. From the MVS console, issue

```
D U, , ,xxx-yyy
```

where *xxx-yyy* is the drive ID or UCB range, to see if the drives in the affected LSM are offline to MVS. If they are not, bring them offline with the MVS command:

```
VARY xxx-yyy OFFLINE
```

Additionally, any RTDs that reside on the affected LSM need to be varied offline. To do this, issue the VTCS command:

```
.VT V RTD(rtd_id) OFF
```



Warning: Failure to perform this step to vary these drives offline from MVS results in these devices becoming allocated while removing the LSM from the partition. This may cause severe operational consequences including loss of access for any cartridge that was mounted at the time of the partitioning.

2. Vary the affected ACS offline to all host groups.

The ACS must be offline to **all** host groups. Issue the HSC command:

```
VARY ACS acs-id OFFLINE
```

3. Back up the CDS containing the LSM to be unallocated (CDS01).

Before running a MERGEcds, it is best practice to create a backup copy for recovery purposes. This backup copy can be restored, if problems are encountered, to recover to a known CDS state using documented HSC recovery procedures.

Use the HSC BACKup utility to create the backup CDS copy.



Note: If VTCS is involved, **all tape activity (real and virtual) must be stopped.** All virtual tape drives must be varied offline to MVS. All RTDs defined in the VTCS configuration must be varied offline to VTCS. It is highly recommended that all initiators be drained that feed both real and virtual tape drive processing. NCS and VTCS must be in an idle state prior to creating the backup copy of the CDS to avoid possibility of data loss.

4. Backup all CDSs with partitions connected to the SL8500.

Before running a MERGEcds, it is best practice to create backup copies of the remaining CDSs for recovery purposes. These backup copies can be restored, if problems are encountered, to recover to a known CDS state using documented HSC recovery procedures.

Use the HSC BACKup utility to create the backup CDS copy.



Note: If VTCS is involved, **all tape activity (real and virtual) must be stopped.** All virtual tape drives must be varied offline to MVS. All RTDs defined in the VTCS configuration must be varied offline to VTCS. It is highly recommended that all initiators be drained that feed both real and virtual tape drive processing. NCS and VTCS must be in an idle state prior to creating the backup copy of the CDS to avoid possibility of data loss.

5. Run the MERGEcds utility.

Input is CDS01. Output is an updated CDS (CDS02). This example moves the LSM volume history from LSM 00 in ACS 00 (CDS01) to LSM 00 in ACS 01 (CDS02). For other examples, refer to the MERGEcds utility in the *HSC Systems Programmer's Guide*.

```
//jobcard
//STEP1 EXEC PGM=SLUADMIN,PARM='MIXED'
//STEPLIB DD DISP=SHR,DSN=dataset.name
//*
//SLSPRINT DD SYSOUT=*
//*
//SLSFCNTL DD DSN=CDS01.primary,DISP=SHR
//*
//SLSIN DD *
MERGECDs
//SLSMERGE DD *
MERGE FLSM(00:00) TLSM(01:00)
/*
//
```

6. Run the SET SLIDRIVS utility (match the CDS drive configuration to the library).

Add drives to the new LSM by running the SLUADMIN utility or command for SET SLIDRIVS.

```
SET SLIDRIVS(drv1,drv2,drv3,,,,,,,,,,,,,) +
FORLSMID(lsm_id),FORPANEL(01)
```



Note: If VTCS is involved, any RTDs moving into the CDS require a VTCS CONFIG RESET to be run to add the specific RTDs to the VTCS configuration.

7. Change the SL8500 configuration file to move the LSM.

The internal configuration file in the SL8500 must be changed to move the LSM from one partition to another. This change is made through the SLConsole.

8. Vary the affected ACS online to all host groups.

Issue the HSC command:

```
VARY ACS acs-id ONLINE
```

The HSC retains the online/offline status of each pre-existing LSM. If the LSMs do not modify online when the ACS is varied online, issue the HSC command:

```
MODIFY LSM lsm-id ONLINE
```

No additional mounts occur to the ACS until the ACS is varied online.

All other hosts complete their configuration process when the ACS is varied online.



Note: Virtual tape environments are required to vary any RTDs online to VTCS. Additionally, any virtual tape drives varied offline need to be varied online to MVS.

9. Run the HSC Scratch Update utility (if necessary).

Run an HSC Scratch Update utility.

This step may be bypassed if no volumes have been added, deleted, or moved. It must be run if new LSMs have been added to the configuration.

10. Run the SET Freeze utility to un-freeze the added LSM.

To allow you to use all cartridge cells, run the SET FREEZE utility:

```
SET FREEZE(OFF) FORLSMID(lsm-id)
```

11. Vary drives online to MVS (if necessary).

From the MVS console, issue

```
D U,,,xxx-yyy
```

where *xxx-yyy* is the drive ID range (both real and virtual), to see if the new drives are online to MVS. If they are not, bring them online with the MVS command:

```
VARY xxx-yyy ONLINE
```

12. Vary RTDs online to VTCS (if necessary).

From the MVS console, issue

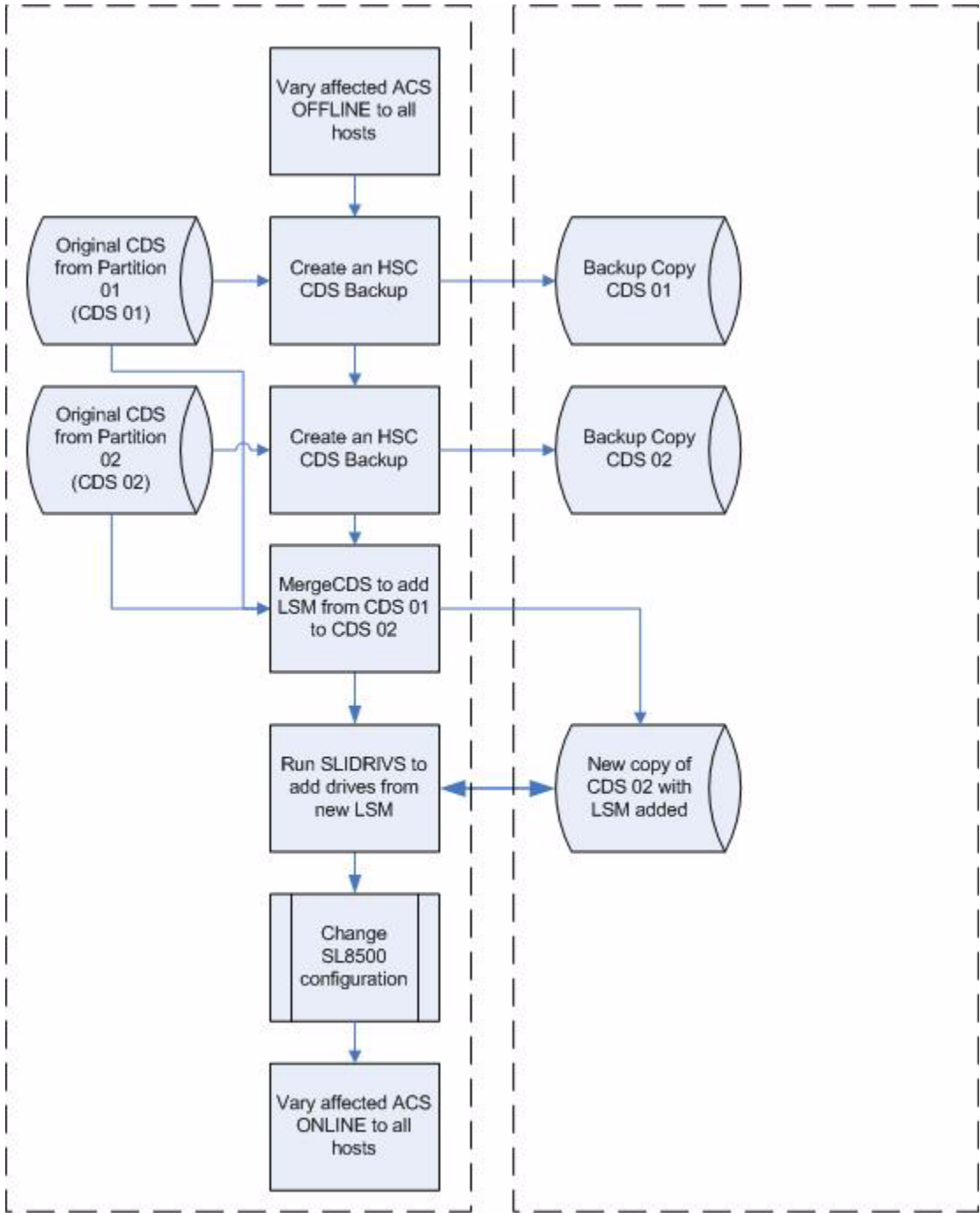
```
.VT V RTD(rtd-id) ON
```

for the RTDs that reside on the LSMs being allocated.

13. Re-establish connections to all defined libraries (if necessary).

Re-establish connections to all defined libraries to acquire drive configuration information from these libraries. To re-drive any outstanding mounts that may have been lost due to hardware or communication errors issue the SMC RESYNCHRONIZE command.

If running multiple HSC hosts, the new configuration is propagated automatically to all hosts.



STEP 1

Move LSM to another CDS

Figure 37. Process Flow to Move an Allocated LSM to Another ACS Partition

Error Recovery

Deviation from the preceding procedures can result in unpredictable behavior. Although the SL8500 partitioning process uses Near Continuous Operation (NCO) to minimize or eliminate down time, failure to follow these procedures may result in unplanned down time.

The recommended procedure to recover from errors and to return the configuration to what it was before the partitioning attempt is to restore the CDS using the RESTore utility and perform an audit using the AUDIt utility to ensure the CDS matches the library. Once the cause of the problem is determined and fixed, start the procedures again.

Volumes physically remaining in an LSM that is being unallocated from the CDS are logically deleted unless it is the last LSM.

Message Changes

The following new and changed error messages have been added to support partitioning. Refer to the *HSC Messages and Codes Guide* to see these messages.

- new messages:
 - SLS0073I
 - SLS0695I
 - SLS4232I
 - SLS4412I
 - SLS4413I
 - SLS4463I

- updated messages:
 - SLS0653I
 - SLS0663I
 - SLS1000I
 - SLS2008I
 - SLS4401I
 - SLS4407I
 - SLS4610I

LMUPATH Control Statement

The LMUPATH control statement has been updated to include the PARTID parameter, which defines a partition ID for each ACS. Refer to the “LMUPATH Control Statement” on page 101 for more information.

SET FREEZE Utility

The SET FREEZE utility has been modified to allow you to freeze an entire LSM at once, instead of being required to issue separate SET FREEZE statements for each panel in an LSM. Refer to the “SET Freeze” on page 333 utility for more information.

Display Command

Display command output has been updated to include partitioning for the following subcommands:

- Display ACS
- Display LSM
- Display CAP
- Display Exceptions.

Refer to the *HSC Operator's Guide* for detailed information.

TCP/IP Communications - Important Considerations

Connections

When you create an SL8500 library complex by connecting libraries together with pass-thru ports, all hosts can be connected to only **one** library in the complex— preferably to the first or rightmost library. **Multiple “host” communication connections to more than one SL8500 library will cause problems.**

For the complex, there are two types of TCP/IP connections for the SL8500 library:

- Dual TCP/IP — A redundancy feature that allows up to two connections to the first library in a complex. Refer to “Dual IP Connections” on page 486.
- Multiple TCP/IP — Starting with the SL8500 3.9x firmware release only, an SL8500 complex is capable of a network connecting up to four libraries to the HSC. This enhances redundancy in the complex compared to dual TCP/IP. Refer to “Multiple SL8500 Library Connections” on page 505.
- Multiple TCP/IP Redundant Electronics — Starting with the SL8500 6.0 firmware release, an SL8500 complex is capable of redundant electronics of the library controller with network connecting up to 16 libraries in pairs (one active and one standby) to HSC. This enhances hardware reliability to the complex compared to the other 2 types. Refer to “Multiple TCP/IP Redundant Electronics (RE)” on page 507.

Shared Networks

The following are some examples of issues that can arise when you connect the SL8500 library to a shared network.

- A TCP/IP-connected library can handle standard host traffic, but it cannot resolve floods of *Address Resolution Protocol* (ARP) broadcasts. **For this reason, it is best to attach the library on a controlled network, such as behind a switch or router.**

Later generation networks, such as 1000Base-T and Gig-E, support earlier communication modes; however, devices that are communicating with the library may transmit data at bandwidths that could overwhelm the library.

It is best to attach the library on a controlled network, such as with a switch that can isolate the library from network broadcasts.

- When you connect the library on shared networks, and broadcasts are sent to all network nodes, they may also be directed to the library (even though it does not need them).

During the time the library is receiving these irrelevant broadcasts, it cannot receive requests or reply to others in a timely fashion. This heavy broadcast traffic on the network can saturate the library to the point that, to the host, it may appear that the TCP/IP connection has been lost.

- Heavy network traffic can also overwhelm the Ethernet controller causing the processor to continuously reset and re-initialize the controller, then recover the host-to-library communications.

Dual IP Connections

The LMUPATH control statement allows users to define network LMU attachments (see “LMUPATH Control Statement” on page 101). In a dual IP connection environment for an SL8500, specify a second LMUADDR parameter to define dual IP. The HSC automatically determines whether or not the connection is dual IP or dual LMU.



Note: Vary the ACS offline and back online to pick up the revised LMUPATH statement that includes the second connection.

Figure 38 on page 487 and Figure 39 on page 491 show examples of a dual IP connection for the HSC.

Two SL8500 Network Connections - Two Mainframe IP Addresses

To establish two dedicated routes on different subnetworks from the HSC to two dedicated routes to the SL8500, use the process described in this section. **To configure the SL8500 dual TCP/IP feature, refer to the *StreamLine SL8500 Modular Library System Dual TCP/IP Feature* document.**

Figure 38 on page 487 shows dual IP connections with two SL8500 network connections.

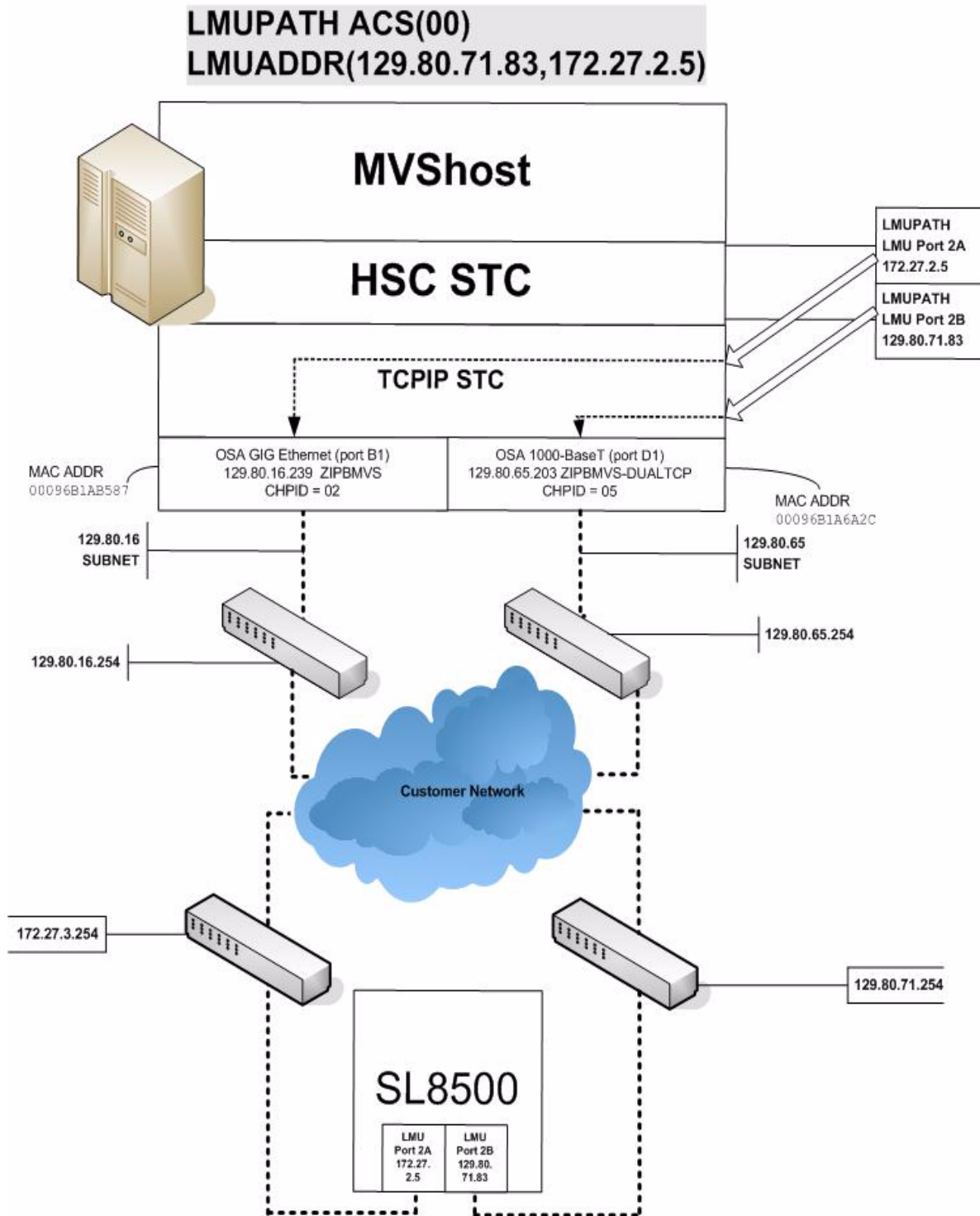


Figure 38. Dual IP with Two SL8500 Network Connections - Different Subnetworks

In the following examples, the entries *in italics* represent the second connection.

1. Create and complete the Network Entries Worksheet (see Table 35 for a sample) for each set of two dedicated routes to the SL8500. The worksheet can be found in the *StreamLine SL8500 Modular Library System Dual TCP/IP Feature* document.

Table 35. Network Entries Worksheet

Description		IP Address
Port 2A	HBC Card Port 2A	172.27.2.5
	Gateway Port 2A	172.27.3.254
	Netmask	/23
	Host to Port 2A	129.80.16.239
Port 2B	HBC Car Port 2B	129.80.71.83
	Gateway Port 2B	129.80.71.254
	Netmask	/23
	Host to Port 2B	129.80.65.203

2. Define a second DEVICE and LINK statement in your TCP/IP profile data set for a second mainframe network connection:

Example:

```

; OSA CARD #1
DEVICE ECCQD01 MPCIPA  NONROUTER AUTORESTART
LINK  ZIPBMVS IPAQENET ECCQD01

; OSA CARD #2
DEVICE ECCQA01 MPCIPA  NONROUTER AUTORESTART
LINK  ZIPB2MVS IPAQENET ECCQA01

```

3. Define a second home address in your TCP/IP profile data set.

Example:

```

HOME

129.80.16.239 ZIPBMVS
129.80.65.203 ZIPB2MVS

```

- Define a second router on the second subnetwork in the routing paragraph of your TCP/IP profile data set. **Remember that you must also configure the SL8500 routing tables according to the instructions described in the *StreamLine SL8500 Modular Library System Dual TCP/IP Feature* document.**

Example:

```

BEGINROUTES
;   NETWORK MASK                FIRSTHOP      LINKNAME  PACKETSIZE
ROUTE 129.80.16.0/24            =            ZIPBMVS   MTU 1492
ROUTE 129.80.65.0/24            =            ZIPB2MVS  MTU 1492
ROUTE 172.27.2.5 HOST           129.80.16.254 ZIPBMVS   MTU 1492
ROUTE 129.80.71.83 HOST         129.80.65.254 ZIPB2MVS  MTU 1492
ROUTE DEFAULT 129.80.16.254     ZIPBMVS     MTU 1492
ROUTE DEFAULT 129.80.65.254     ZIPB2MVS    MTU 1492
ENDROUTES

```

- Optionally, define two dedicated static routes to the SL8500 destination port (2A and 2B) IP addresses over two different routers.

Example:

```

;   NETWORK MASK  ROUTER      LINKNAME  PACKETSIZE
ROUTE S18500-port-2A-IP-Address HOST         129.80.16.254 MVSHOST1  MTU 1492
ROUTE S18500-port-2B-IP-Address HOST         129.80.64.254 MVSHOST2  MTU 1492

BEGINROUTES
;   NETWORK MASK                FIRSTHOP      LINKNAME  PACKETSIZE
ROUTE 129.80.16.0/24            =            ZIPBMVS   MTU 1492
ROUTE 129.80.65.0/24            =            ZIPB2MVS  MTU 1492
ROUTE 172.27.2.5                HOST         129.80.16.254 ZIPBMVS   MTU 1492
ROUTE 129.80.71.83              HOST         129.80.65.254 ZIPB2MVS  MTU 1492
ROUTE DEFAULT 129.80.16.254     ZIPBMVS     MTU 1492
ROUTE DEFAULT 129.80.65.254     ZIPB2MVS    MTU 1492
ENDROUTES

```

- Start the second mainframe network connection device.

```
V TCPIP,tcp-stc-name,START,devi ce_name
```

- Define a second LMUADDR parameter for the port 2A IP address on the SL8500.

Example:

```
LMUPATH ACS(00) LMUADDR(129.80.71.83,172.27.2.5)
```

8. Enter the LMUPDEF command containing the LMUPATH statements that define the host name or IP address for each ACS.

```
LMUPDEF DSN('xxx.xxx.xxx(xxx)')
```

In the following example, LMUPDEF loads LMUPATH parameters from YOUR.DSN(MEMBER).

```
LMUPDEF DSN('YOUR.DSN(MEMBER)')
```

9. Allow the trained SL8500 service representative to enter the network connections to the SL8500 library for either port 2A and 2B, whichever is applicable.
10. Vary the ACS offline and back online to pick up the revised LMUPATH statement that includes the second connection. This can be done one host at a time to minimize down time.

Sample Configuration - Two Dedicated Routes

Figure 39 shows a sample configuration with two dedicated routes, followed by the statements that apply to it.

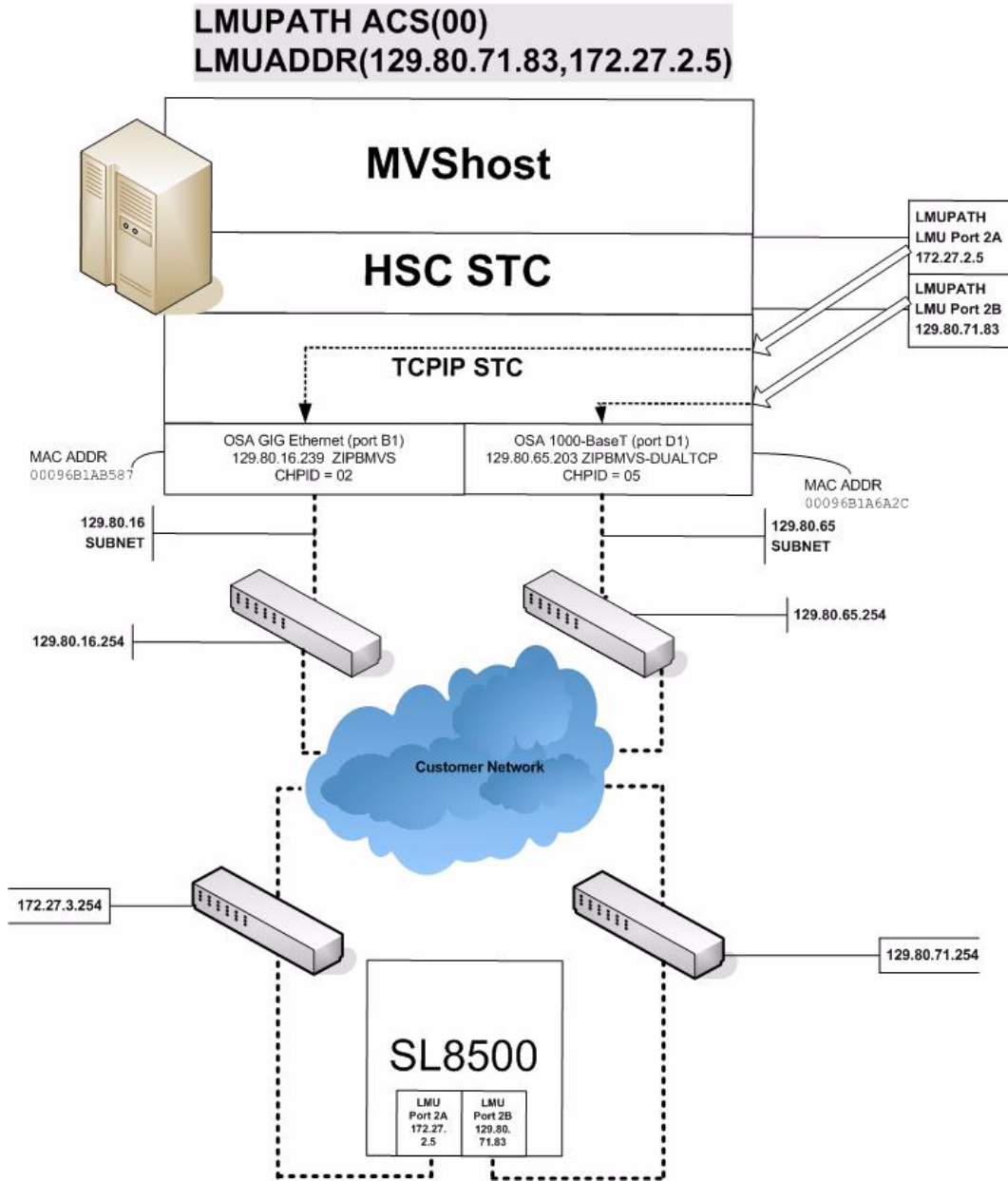


Figure 39. Dual IP Configuration Sample - Different Subnetworks

Setup Statements and Displays

The following information shows the statements and displays used in Figure 39.

HSC LMUPDEF PARMLIB Member

```
OPTION TITLE(' DUAL TCPIP CONNECTING TO SL8500' )  
LMUPATH ACS(00) LMUADDR(129. 80. 71. 83, 172. 27. 2. 5)
```

TCP/IP Profile Data Set

```
; OSA CARD #1  
DEVICE ECCQD01 MPCIPA NONROUTER AUTORESTART  
LINK ZI PBMVS I PAQENET ECCQD01  
  
; OSA CARD #2  
DEVICE ECCQA01 MPCIPA NONROUTER AUTORESTART  
LINK ZI PB2MVS I PAQENET ECCQA01  
  
HOME  
129. 80. 16. 239 ZI PBMVS  
129. 80. 65. 203 ZI PB2MVS  
  
BEGINROUTES  
; NETWORK MASK FIRSTHOP LINKNAME PACKETSIZE  
ROUTE 129. 80. 16. 0/24 = ZI PBMVS MTU 1492  
ROUTE 129. 80. 65. 0/24 = ZI PB2MVS MTU 1492  
ROUTE 172. 27. 2. 5 HOST 129. 80. 16. 254 ZI PBMVS MTU 1492  
ROUTE 129. 80. 71. 83 HOST 129. 80. 65. 254 ZI PB2MVS MTU 1492  
ROUTE DEFAULT 129. 80. 16. 254 ZI PBMVS MTU 1492  
ROUTE DEFAULT 129. 80. 65. 254 ZI PB2MVS MTU 1492  
  
ENDROUTES  
  
INCLUDE ZI P. TCPIP. PROFILES(COMMON)  
  
START ECCQD01  
START ECCQA01
```


TCP/IP Console Displays

```
D TCPIP, TCPIP, NETSTAT, DEV
EZZ2500I NETSTAT CS V1R4 TCPIP 229
DEVNAME: LOOPBACK          DEVTYPE: LOOPBACK
DEVSTATUS: READY
LNKNAME: LOOPBACK          LNKTYPE: LOOPBACK    LNKSTATUS: READY
NETNUM: 0    QUESIZE: 0
BYTESIN: 1781074          BYTESOUT: 1781074
ACTMTU: 65535
BSD ROUTING PARAMETERS:
MTU SIZE: 00000          METRIC: 00
DESTADDR: 0.0.0.0        SUBNETMASK: 0.0.0.0
MULTICAST SPECIFIC:
MULTICAST CAPABILITY: NO

DEVNAME: ECCQD01          DEVTYPE: MPCIPA
DEVSTATUS: READY          CFGROUTER: NON  ACTROUTER: NON
LNKNAME: ZI PBMV          LNKTYPE: IPAQENET  LNKSTATUS: READY
NETNUM: 0    QUESIZE: 0    SPEED: 0000001000
BYTESIN: 34704496        BYTESOUT: 11207410
IPBROADCASTCAPABILITY: NO
ARPOFFLOAD: YES  ARPOFFLOADINFO: YES
ACTMTU: 8992
INBPERF: BALANCED
BSD ROUTING PARAMETERS:
MTU SIZE: 00000          METRIC: 00
DESTADDR: 0.0.0.0        SUBNETMASK: 255.255.255.0
MULTICAST SPECIFIC:
MULTICAST CAPABILITY: YES
GROUP          REFCNT
-----
224.0.0.1      0000000001

DEVNAME: ECCQA01          DEVTYPE: MPCIPA
DEVSTATUS: READY          CFGROUTER: NON  ACTROUTER: NON
LNKNAME: ZI PB2MVS        LNKTYPE: IPAQENET  LNKSTATUS: READY
NETNUM: 0    QUESIZE: 0    SPEED: 0000000100
BYTESIN: 147508801       BYTESOUT: 2188246
IPBROADCASTCAPABILITY: NO
ARPOFFLOAD: YES  ARPOFFLOADINFO: YES
ACTMTU: 1492
INBPERF: BALANCED
BSD ROUTING PARAMETERS:
MTU SIZE: 00000          METRIC: 00
DESTADDR: 0.0.0.0        SUBNETMASK: 255.255.255.0
MULTICAST SPECIFIC:
MULTICAST CAPABILITY: YES
GROUP          REFCNT
-----
224.0.0.1      0000000001
3 OF 3 RECORDS DISPLAYED
```

```

D TCPIP, TCPIP, NETSTAT, ROUTE
EZZ2500I NETSTAT CS V1R4 TCPIP 250
DESTINATION      GATEWAY          FLAGS      REFCNT  INTERFACE
DEFAULT          129.80.16.254   UGS        000003  ZI PBMVS
DEFAULT          129.80.65.254   UGS        000002  ZI PB2MVS
127.0.0.1        0.0.0.0         UH         000003  LOOPBACK
129.80.16.0      0.0.0.0         US         000002  ZI PBMVS
129.80.16.239   0.0.0.0         UH         000000  ZI PBMVS
129.80.65.0     0.0.0.0         US         000000  ZI PB2MVS
129.80.65.203   0.0.0.0         UH         000000  ZI PB2MVS
129.80.71.83    129.80.65.254  UGHS       000001  ZI PB2MVS
172.27.2.5      129.80.16.254  UGHS       000001  ZI PBMVS
9 OF 9 RECORDS DISPLAYED

```

HSC Display Showing SL8500 Connection

```

D ACS
SLS0000I D ACS
SLS1000I ACS 00 STATUS: CONNECTED 334
ACTIVE QUEUE ELEMENTS                2
COMPATIBILITY LEVELS: HSC=13, LMU=13
DUAL LMU NOT CONFIGURED
IP ADDR 129.80.71.83 ONLINE
IP ADDR 172.27.2.5 ONLINE
SCRATCH VOLUMES AVAILABLE.....      210
FREE CELLS AVAILABLE.....            2008
D TCPIP, TCPIP, NETSTAT, HOME
EZZ2500I NETSTAT CS V1R4 TCPIP 252
HOME ADDRESS LIST:
ADDRESS      LINK          FLG
129.80.16.239  ZI PBMVS      P
129.80.65.203  ZI PB2MVS
127.0.0.1      LOOPBACK
3 OF 3 RECORDS DISPLAYED

```

SLConsole Display of SL8500 Ports 2A/2B IP Addresses

The screenshot displays the Streamline Library Console interface. On the left, a tree view shows the library structure with green checkmarks indicating status. The main area shows the 'Library' properties for 'Library:2,0,0,0,0'. The 'Physical' section lists various hardware specifications, and the 'Host Interface TCP/IP 2B' and 'Host Interface TCP/IP 2A' sections show network configuration details.

Physical	
Vendor	STK
Frame Serial Number	516000000454
Expansion Module Count	0
Total Slot Count	1448
Empty Slot Count	954
Physical PTP Count	4
Drive Count	25
Robot Count	4
Cap Count	1
Elevator Count	2

Host Interface TCP/IP 2B	
DNS Domain Name	sl85001
IP Address	129.80.71.83
NetMask	255.255.254.0
MAC Address	00:10:4F:06:F8:32

Host Interface TCP/IP 2A	
IP Address	172.27.2.5
NetMask	255.255.254.0
MAC Address	00:10:4F:06:F8:33

At the bottom of the console, the StoragTek logo is on the left, and the status bar shows 'Comm Status' (green checkmark), 'UserID: test', and 'Library:SL85001' (green checkmark).

Two SL8500 Network Connections - One Mainframe IP Address

To establish one host IP route from the HSC to two routes to the SL8500, use the process described in this section. **To configure the SL8500 dual TCP/IP feature, refer to the *StreamLine SL8500 Modular Library System Dual TCP/IP Feature* document.**

Figure 40 on page 497 shows dual IP (one host IP) with two SL8500 network connections.

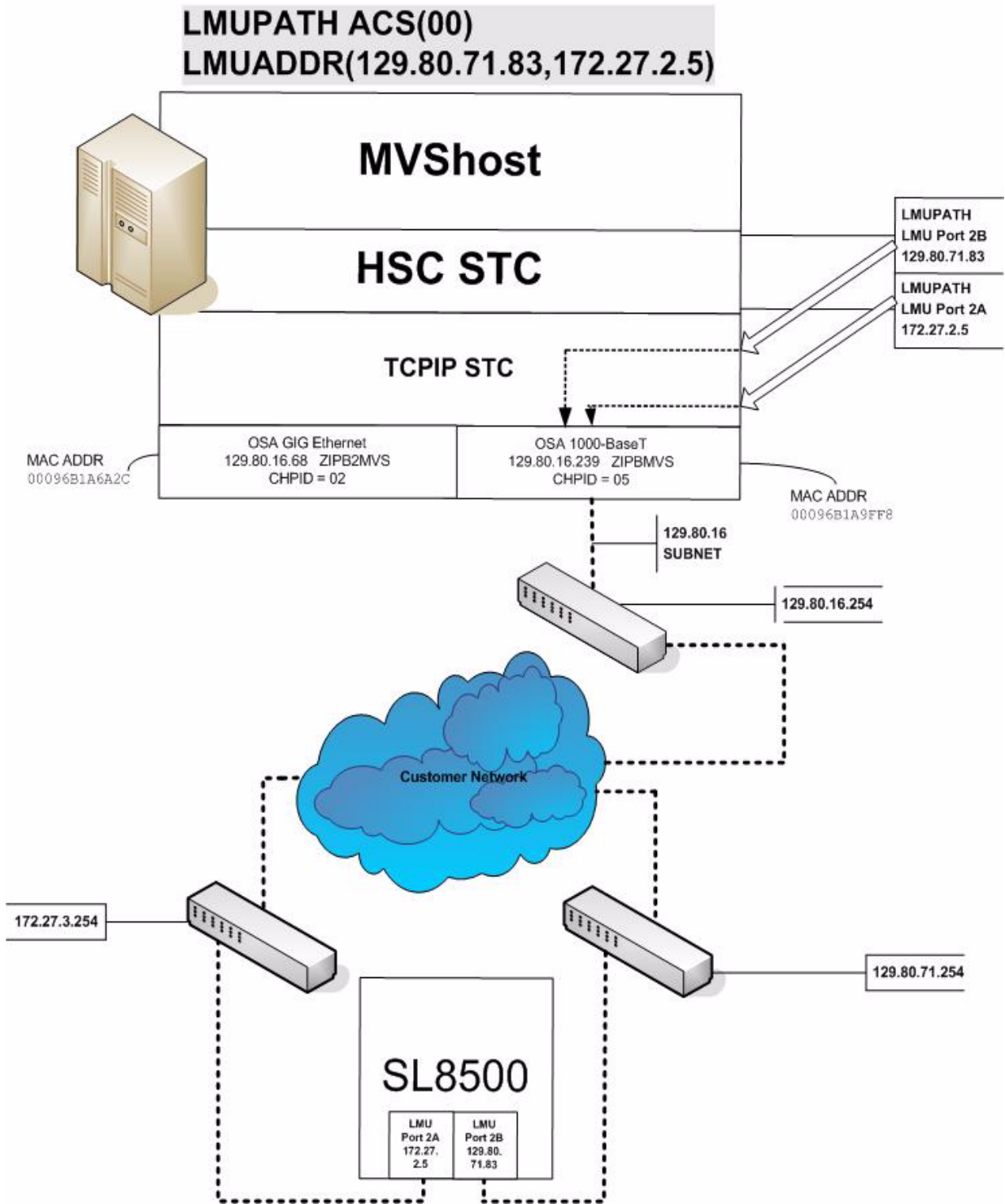


Figure 40. Dual IP (one host IP) with Two SL850 Network Connections

In the following examples, the entries *in italics* represent the second connection.

1. Complete the Network Entries Worksheet (see Table 36 for a sample) for each set of routes to the SL8500. The worksheet can be found in the *StreamLine SL8500 Modular Library System Dual TCP/IP Feature* document.

Table 36. Network Entries Worksheet

Description		IP Address
Port 2A	HBC Card Port 2A	172.27.2.5
	Gateway Port 2A	172.27.3.254
	Netmask	/23
	Host to Port 2A	129.80.16.239
Port 2B	HBC Car Port 2B	129.80.71.83
	Gateway Port 2B	129.80.71.254
	Netmask	/23
	Host to Port 2B	129.80.16.239

2. Optionally, define two dedicated static routes to the SL8500 destination port (2A and 2B) IP addresses over one router.

Example:

```

BEGINROUTES
;   DESTINATION           FIRSTHOP           LINKNAME           PACKETSIZE
ROUTE 129.80.16.0/24      =                  &SYSNAME.MVS      MTU 1492
ROUTE 172.27.2.5 HOST    129.80.16.254    &SYSNAME.MVS      MTU 1492
ROUTE 129.80.71.83 HOST  129.80.16.254    &SYSNAME.MVS      MTU 1492
ROUTE DEFAULT            129.80.16.254    &SYSNAME.MVS      MTU 1492

ENDROUTES

```

3. Define a second LMUADDR parameter for the port 2A IP address on the SL8500.

Example:

```

LMUPATH ACS(00) LMUADDR(129.80.71.83,172.27.2.5)

```

4. Enter the LMUPDEF command containing the LMUPATH statements that define the host name or IP address for each ACS.

```
LMUPDEF DSN('xxx.xxx.xxx(xxx)')
```

In the following example, LMUPDEF loads LMUPATH parameters from YOUR.DSN(MEMBER).

```
LMUPDEF DSN('YOUR.DSN(MEMBER)')
```

5. Allow the trained SL8500 service representative to enter the network connections to the SL8500 library for either port 2A and 2B, whichever is applicable.
6. Vary the ACS offline and back online to pick up the revised LMUPATH statement that includes the second connection. This can be done one host at a time to minimize down time.

Sample Configuration - One Host IP, Two SL850 Network Connections

Figure 41 shows a sample dual IP (one host IP) configuration with two SL850 network connections, followed by the statements that apply to it.

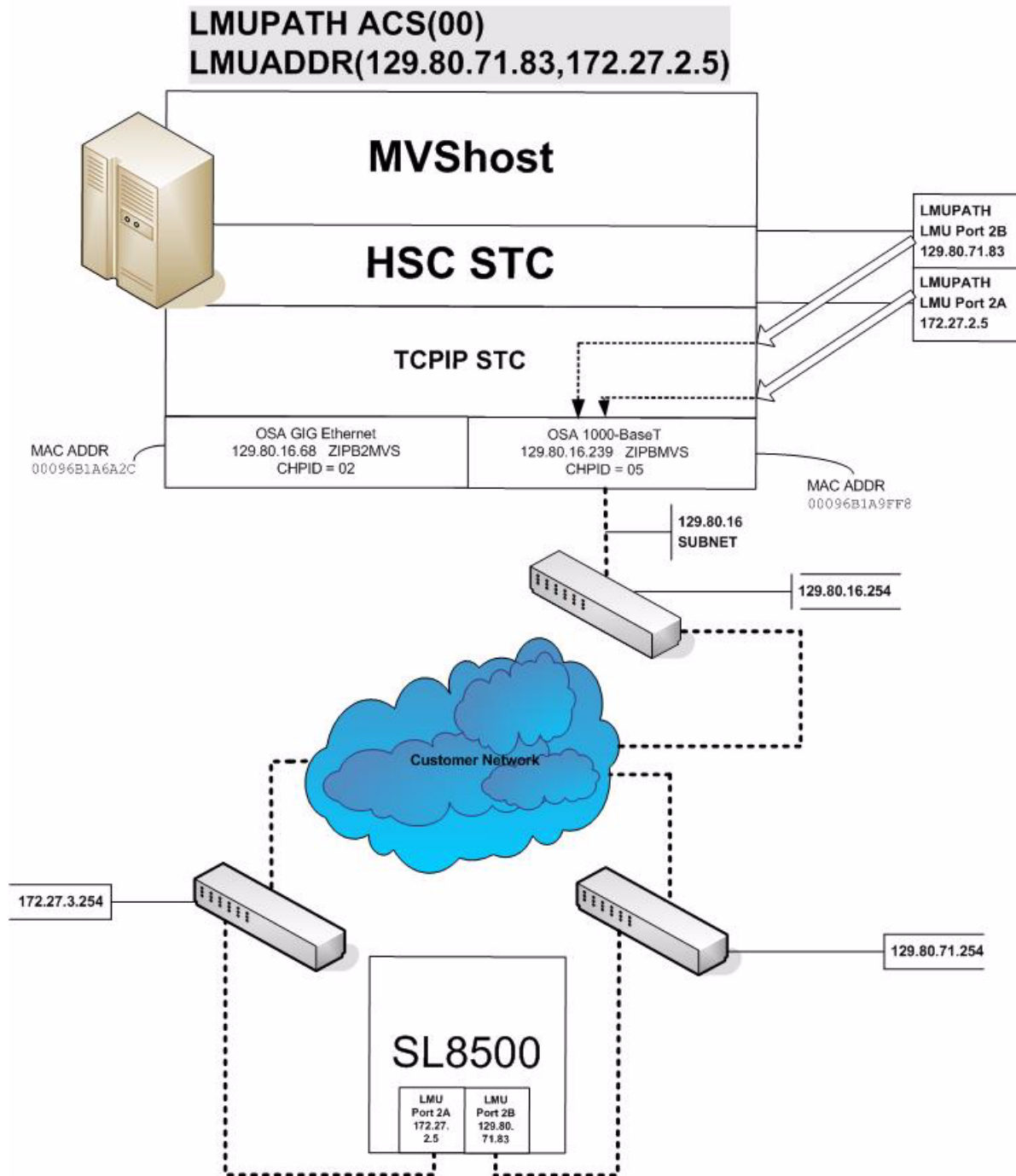


Figure 41. Dual IP (one host IP) with Two SL850 Network Connections

Setup Statements and Displays

The following information shows the statements and displays used in Figure 41.

HSC LMUPDEF PARMLIB Member

```
OPTION TITLE(' DUAL TCPIP CONNECTING TO SL85001' )  
LMUPATH ACS(00) LMUADDR(129.80.71.83,172.27.2.5)
```

TCP/IP Profile Data Set

```
; OSA CARD #1  
DEVICE ECCQD01 MPCIPA NONROUTER AUTORESTART  
LINK ZI PBMVS I PAQENET ECCQD01  
  
HOME  
 129.80.&I PADDR1 &SYSNAME.MVS  
  
BEGINROUTES  
; NETWORK MASK FIRSTHOP LINKNAME PACKETSIZE  
ROUTE 129.80.16.0/24 = &SYSNAME.MVS MTU 1492  
ROUTE 172.27.2.5 HOST 129.80.16.254 &SYSNAME.MVS MTU 1492  
ROUTE 129.80.71.83 HOST 129.80.16.254 &SYSNAME.MVS MTU 1492  
ROUTE DEFAULT  
  
ENDROUTES  
  
INCLUDE ZI P.TCPIP.PROFILES(COMMON)  
  
START ECCQD01
```

TCP/IP Console Displays

```

D TCPIP, ,N,DEV
EZZ2500I NETSTAT CS V1R4 TCPIP 931
DEVNAME: LOOPBACK          DEVTYPE: LOOPBACK
DEVSTATUS: READY
LNKNAME: LOOPBACK          LNKTYPE: LOOPBACK    LNKSTATUS: READY
NETNUM: 0    QUESIZE: 0
BYTESIN: 2136824          BYTESOUT: 2136824
ACTMTU: 65535
BSD ROUTING PARAMETERS:
MTU SIZE: 00000          METRIC: 00
DESTADDR: 0.0.0.0        SUBNETMASK: 0.0.0.0
MULTICAST SPECIFIC:
MULTICAST CAPABILITY: NO
DEVNAME: ECCQD01          DEVTYPE: MPCIPA
DEVSTATUS: READY          CFGROUTER: NON  ACTROUTER: NON
LNKNAME: ZIPBMVS          LNKTYPE: IPAQENET  LNKSTATUS: READY
NETNUM: 0    QUESIZE: 0    SPEED: 0000001000
BYTESIN: 48605838        BYTESOUT: 9790950
IPBROADCASTCAPABILITY: NO
ARPOFFLOAD: YES  ARPOFFLOADINFO: YES
ACTMTU: 8992
INBPERF: BALANCED
BSD ROUTING PARAMETERS:
MTU SIZE: 00000          METRIC: 00
DESTADDR: 0.0.0.0        SUBNETMASK: 255.255.255.0
MULTICAST SPECIFIC:
MULTICAST CAPABILITY: YES
GROUP          REFCNT
-----
224.0.0.1      00000000001
2 OF 2 RECORDS DISPLAYED

```

```

D TCPIP, ,N,ROUTE
EZZ2500I NETSTAT CS V1R4 TCPIP 933
DESTINATION    GATEWAY          FLAGS    REFCNT    INTERFACE
DEFAULT        129.80.16.254    UGS      000001    ZIPBMVS
127.0.0.1      0.0.0.0          UH       000004    LOOPBACK
129.80.16.0    0.0.0.0          US       000000    ZIPBMVS
129.80.16.239 0.0.0.0          UH       000000    ZIPBMVS
129.80.71.83   129.80.16.254    UGHS     000001    ZIPBMVS
172.27.2.5     129.80.16.254    UGHS     000001    ZIPBMVS
6 OF 6 RECORDS DISPLAYED

```

```

D TCPIP, ,N,HOME
EZZ2500I NETSTAT CS V1R4 TCPIP 935
HOME ADDRESS LIST:
ADDRESS        LINK          FLG
129.80.16.239 ZIPBMVS       P
127.0.0.1      LOOPBACK
2 OF 2 RECORDS DISPLAYED

```

HSC Display Showing SL8500 Connection

```
D ACS
SLS0000I D ACS
SLS1000I ACS 00 STATUS: CONNECTED 942
ACTIVE QUEUE ELEMENTS                1
COMPATIBILITY LEVELS: HSC=13, LMU=13
DUAL LMU NOT CONFIGURED
IP ADDR 129.80.71.83 ONLINE
IP ADDR 172.27.2.5 ONLINE
SCRATCH VOLUMES AVAILABLE.....      210
FREE CELLS AVAILABLE.....            2007
```

SLConsole Display of SL8500 Ports 2A/2B IP Addresses

The screenshot displays the Streamline Library Console interface. On the left, a tree view shows the hierarchy: Library:2,0,0,0,0, with sub-items for CAP Folder, Drive Folder, Elevator Folder, Ptp Folder, and Robot Folder, all marked with green checkmarks. The main area shows the 'Library' properties for 'Library:2,0,0,0,0'. The 'Physical' section lists hardware details, and the 'Host Interface TCP/IP 2B' and 'Host Interface TCP/IP 2A' sections show network configuration.

Physical	
Vendor	STK
Frame Serial Number	516000000454
Expansion Module Count	0
Total Slot Count	1448
Empty Slot Count	954
Physical PTP Count	4
Drive Count	25
Robot Count	4
Cap Count	1
Elevator Count	2

Host Interface TCP/IP 2B	
DNS Domain Name	sl85001
IP Address	129.80.71.83
NetMask	255.255.254.0
MAC Address	00:10:4F:06:F8:32

Host Interface TCP/IP 2A	
IP Address	172.27.2.5
NetMask	255.255.254.0
MAC Address	00:10:4F:06:F8:33

At the bottom of the console, the STORAGETEK logo is on the left, and status indicators are on the right: a green checkmark for 'Comm Status', 'UserID: test', and another green checkmark for 'Library:SL85001'.

Multiple SL8500 Library Connections

Connecting to Multiple SL8500 Libraries in an ACS

When SL8500 3.9x or higher firmware is installed, the HSC can connect to more than one SL8500 in an ACS (library complex).

The HSC supports up to four connections to an ACS. Some *possible* connections are:

- four connections to four SL8500s
- two connections to each of two SL8500s
- two connections to one SL8500 and two connections to two other SL8500s.

When the HSC establishes two connections to one SL8500, the HSC provides dual TCP/IP or multiple TCP/IP connectivity. Refer to the “Connections” on page 484 discussion for more information.



Notes:

- To optimize library performance and minimize inter-library communication among SL8500s, connect to the libraries with the most activity. The HSC distributes communications to the libraries evenly.
- LMUPATH control statements are used to define network LMU attachments.

The following example shows multiple LMUADDR parameters consisting of four IP addresses. In this case, the first, second, third, and fourth IP addresses indicate a TCP/IP connection to each of four separate SL8500 libraries connected in ACS 00.

```
LMUPATH ACS(00)+  
LMUADDR(123.456.789.012,123.456.789.013,123.456.789.014,123.456.789.015)
```

Sample Configuration - Four SL8500 Network Connections, Four Mainframe IP Addresses

Figure 42 on page 506 shows a sample of a four IP (four host IPs) configuration with four SL8500 network connections. This configuration applies to SL8500 3.x or higher firmware.

LMUPATH ACS(00)
LMUADDR(129.80.71.83,129.80.61.73,129.80.51.63,129.80.41.53)

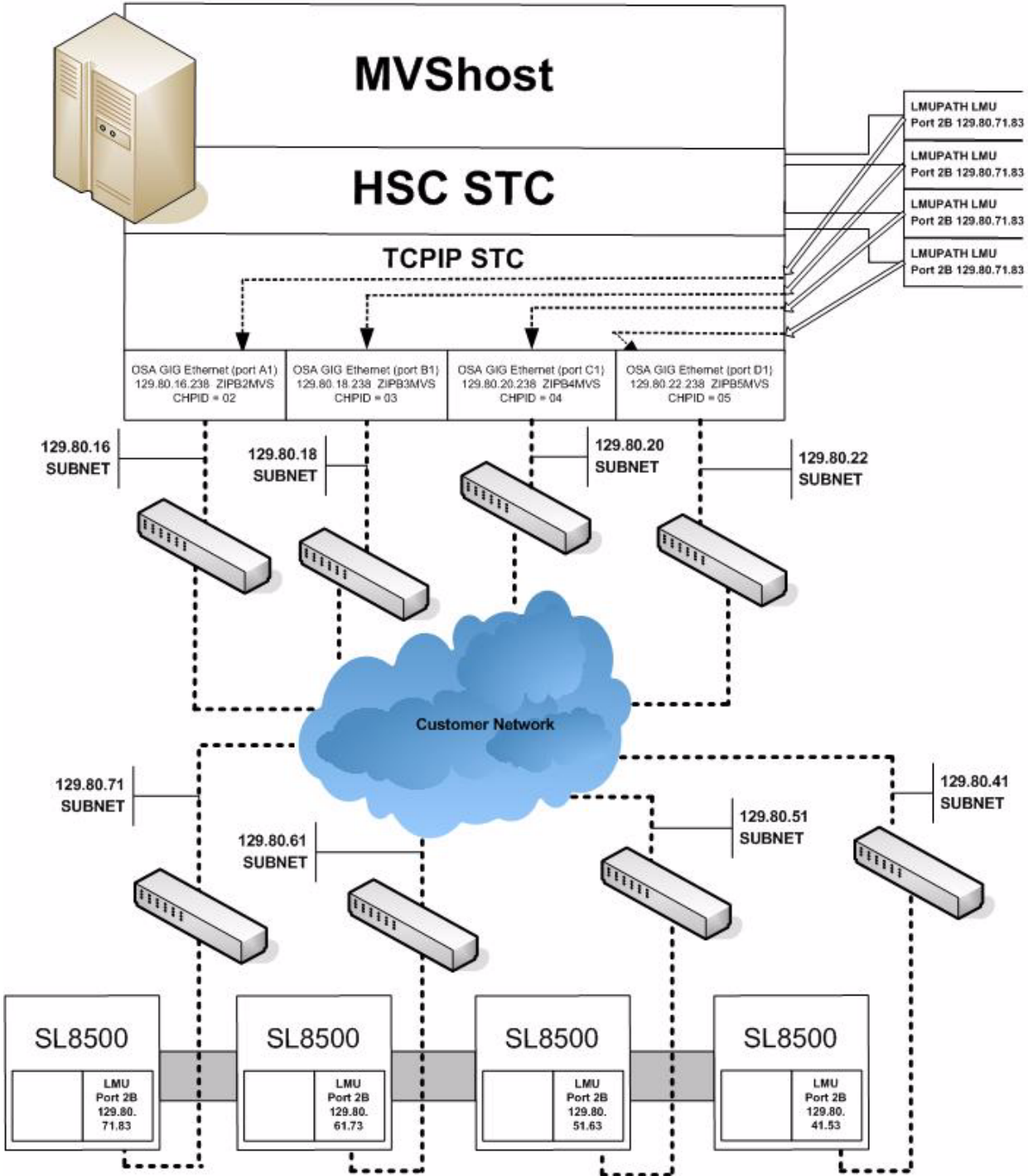


Figure 42. Four IP Addresses (four host IPs) with Four SL850 Network Connections

Multiple TCP/IP Redundant Electronics (RE)

Connecting to Multiple SL8500 Libraries in an ACS

The LMUPATH control statement (see page 101) allows users to define network Library Controller attachments. In a Multiple TCP/IP redundant electronics environment for an SL8500 complex, specify up to 32 network connections using the LMUADDR parameter. When specified, the HSC automatically adjusts when redundant electronics is installed.



Note: Vary the ACS offline, updating the LMUPDEF file to accommodate redundant electronics, read the new LMUPDEF file, and vary the ACS back online to pick up the revised LMUPATH statement that includes the added connections.

Sample Configuration - One SL8500 Network Single Redundant Pair Connection, Four Mainframe IP Addresses

Figure 43 on page 508 shows an example of a four IP (four host IPs) configuration with one single redundant pair SL8500 network connections. This configuration applies to SL8500 6.0 or higher firmware.

**LMUPATH ACS(00) +
LMUADDR(129.80.71.81,129.80.61.81)**

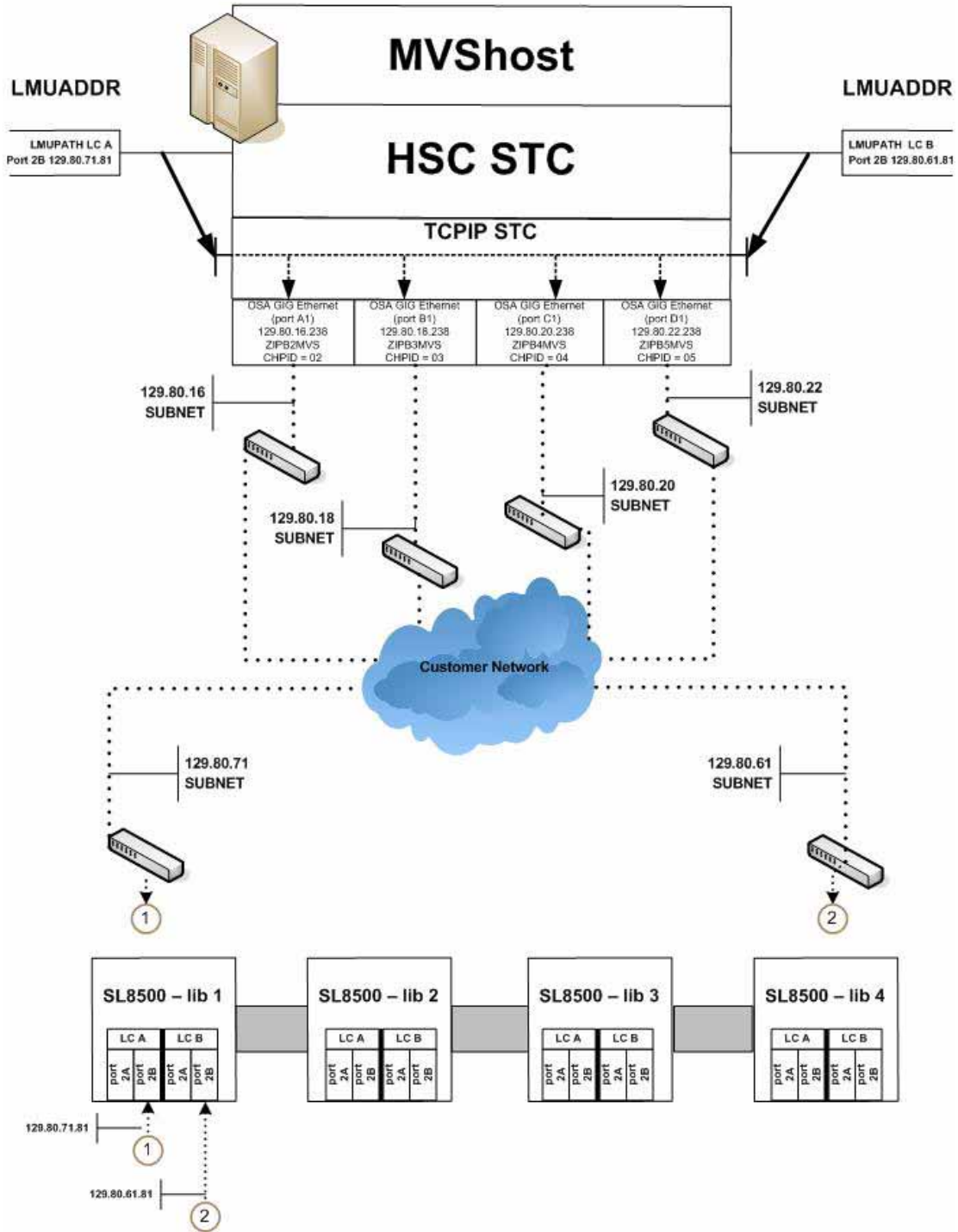


Figure 43. Four IP (four host IPs) with One Single Redundant Pair SL8500 Network Connections

Sample Configuration - One SL8500 Network Dual Redundant Pair Connection, Four Mainframe IP Addresses

Figure 44 on page 510 shows an example of a four IP (four host IPs) configuration with one dual redundant pair SL8500 network connections. This configuration applies to SL8500 6.0 or higher firmware.

LMUPATH ACS(00) +
 LMUADDR(129.80.71.81,129.80.61.81 +
 129.80.51.81,129.80.41.81)

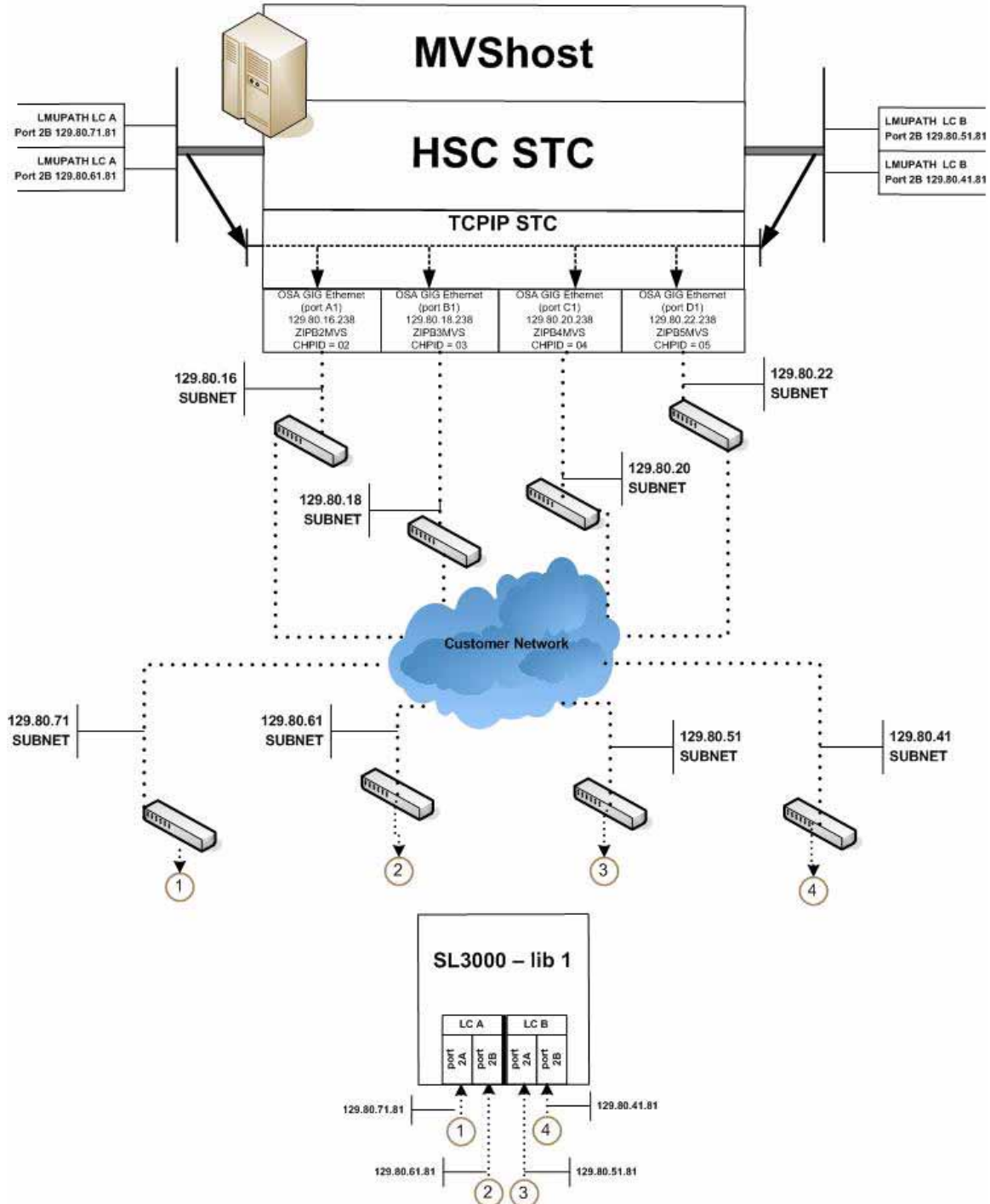


Figure 44. Four IP (four host IPs) with One Dual Redundant Pair SL500 Network Connections

Sample Configuration - One SL8500 Network Dual Redundant Pair and Two Dual TCP/IP Connections, Four Mainframe IP Addresses

Figure 45 on page 512 shows an example of a four IP (four host IPs) configuration with one dual redundant pair SL8500 and two dual TCP/IP network connections. This configuration applies to SL8500 6.0 or higher firmware.

**LMUPATH ACS(00) +
 LMUADDR(129.80.71.81,129.80.61.81,129.80.51.81,129.80.41.81, +
 129.80.71.82,129.80.61.82,129.80.51.82,129.80.41.82)**

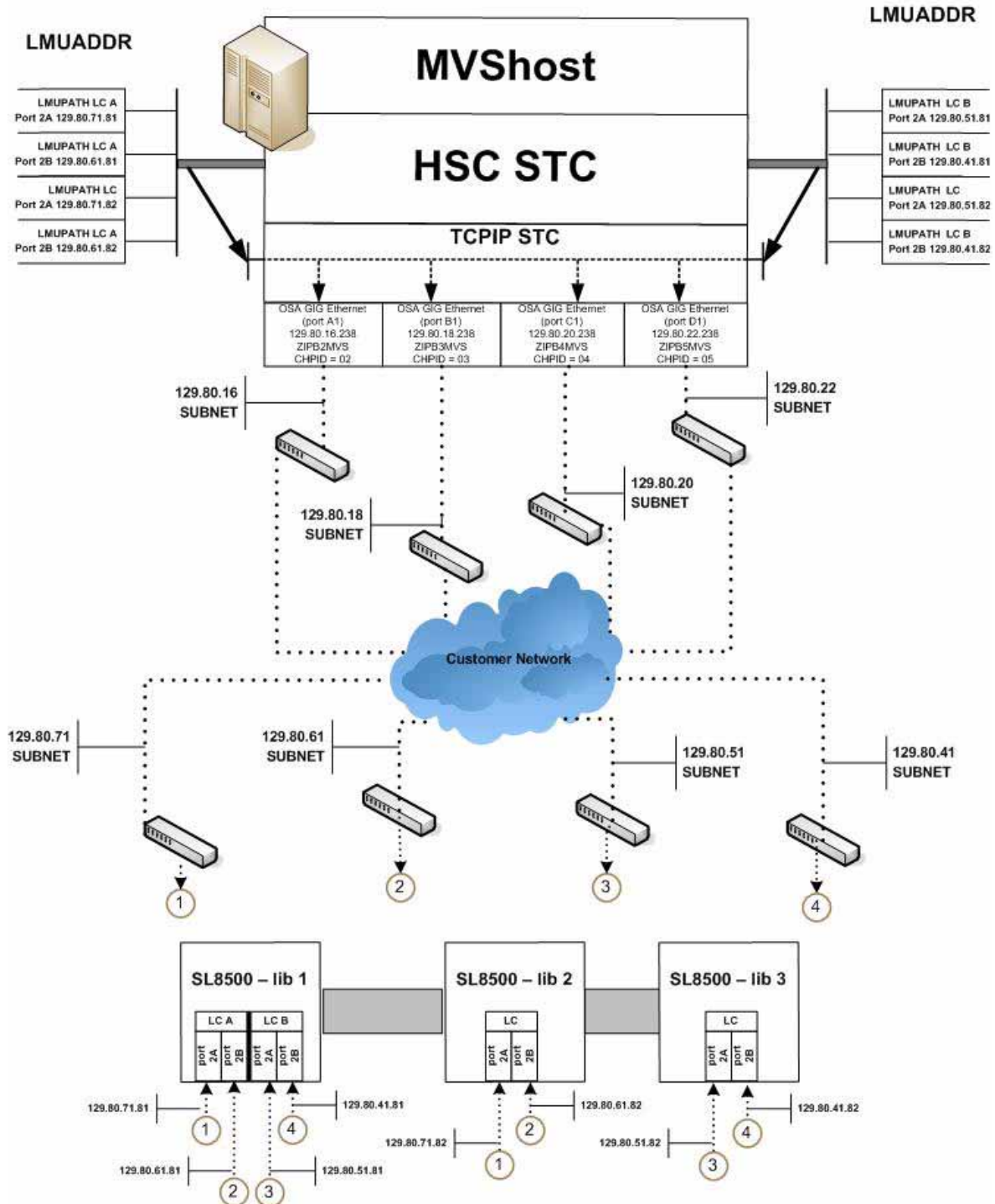


Figure 45. Four IP (four host IPs) with One Dual Redundant Pair SL8500 and 2 Dual TCP/IP Network Connections

Powering Down the SL8500 - HSC Requirements

Prior to powering down the SL8500, the HSC requires that the following procedure must be followed:

1. Vary the drives offline at the MVS host level.
2. Modify the LSM(s) offline (see the MODify Command in the *HSC 6.2 Operator's Guide*).

For specific information about powering off the SL8500, refer to the *SL8500 User's Guide*.

Appendix B. HSC Support for the SL3000 Library

Overview

This appendix discusses topics that pertain only to the SL3000 library:

- partitioning support for the SL3000 library (page 516)
- TCP/IP communications - important considerations (page 558)
- dual IP connections to an SL3000 library (page 559)

Partitioning Support for the SL3000 Library

This section describes a variety of partitioning-related procedures that apply to the SL3000 library. There are many advantages to partitioning your library, including:

- enabling service centers to keep a client from accessing another client's tapes
- keeping separate various departments within the same company
- dividing a library between production and test environments.

The SL3000 can be configured with one to eight partitions with cell, drive, and CAP assignments established by the customer using the StreamLine library Console (SLC).

The following procedures are discussed:

Basic Procedures:

- setting up the HSC to configure an SL3000 library (page 524)
- converting a non-partitioned library to partitioned library (page 527)
- adding partitions (page 530)
- removing partitions (page 534)
- converting a partitioned library to non-partitioned library (page 538)
- moving a partition from one HSC host group to another (page 543).

Library Resource Procedures:

- adding resources to a library (page 548)
- removing resources from a library (page 552).

Partitioning Requirements and Prerequisites

Address these items before partitioning a library:

- Read the *SL3000 Principles of Operation* document.
- Call Software Support to schedule a CSE to configure the SL3000. **This is mandatory.**
- Verify the HSC is version 6.1 or higher.
- Verify firmware is version 2.00 or higher, and the SLConsole version is FRS 4.00 or higher.



Note: Customers **MUST** be current on maintenance.

- HSC 6.2 (MVS) – L1H149X and subsequent PTFs
- HSC 6.2 (VM) – L1H149W and subsequent PTFs
- LibraryStation 6.2 - L1S1076
- MVS-CSC 6.2 - L1C109C

Restrictions

- Hosts prior to HSC 6.1 do not support the SL3000 library.
- Whichever hosts own the other partitions (ACSLs, another HSC, etc.), the configuration is not complete until the inverse of the procedures is run. That is:
 - If a partition is moving from host group to another, an ADD on one side implies a DELETE must be run on the other.
 - A DELETE on this side implies nothing; the partition is available for future use and any cartridges not removed before the delete are orphaned.
- Volumes remaining in a partition being removed from one host group will be deleted from that CDS when the ACS is deleted using the HSC command `Modify Config Delete acs-id`.
- Volumes located in a partition that is added to a host group will be available to that CDS after an AUDIt or MERGEcds.
- Volume history will only be preserved if MERGEcds is run.
- When converting a partitioned library to non-partitioned library, a MERGEcds is possible to retain volume history from previously defined partitions.
- If a volume is mounted on a drive in a partition that is removed before the drive goes OFFLINE, the volume will be deleted from the CDS, and any future MOUNT activity to that drive will end in an error.
- When moving volumes from one partition to another, neither the HSC CDS nor the library support duplicate volumes.

- Prior to backing up the CDS described in the procedures below, NCS and VTCS systems must be in an idle state. This means draining all batch tape initiators, varying all automated MVS tape devices offline (real and virtual) and varying all RTDs defined in the VTCS configuration offline to VTCS.
- When a VTCS CONFIG RESET is required, all host systems must be down.
- If an HSC group owns multiple partitions within a SL3000 (or SL8500) library, anything done to that partition is considered disruptive and will affect all partitions connected to an HSC group. For any changes that involve adding or removing partitions or adding or removing partition resources, all activity (i.e., drive(s), cap(s), etc.) must be stopped for all ACSs connected to the library. All ACSs connected to the library must be varied offline. Perform the specific activity and then vary the ACSs online. Activity can now be started for all ACSs.

LIBGEN Considerations

Please refer to chapter 4, “Creating the Library Configuration File (LIBGEN),” in the *HSC 6.2 Configuration Guide* for information about configuring an SL3000 library in LIBGEN.

CAP Considerations

Partitioning affects CAP usage. Consider two situations that can be a common occurrence:

- AUTO CAP – In partitioning mode, AUTO CAP can be enabled only for CAPs assigned to that partition only. CAPs assigned to multiple partitions cannot be enabled to AUTO CAP.
- Release CAP – A CAP can only be released from the owning host.
- Overriding the CAP Reserve – Consult the *SL3000 Best Practices Guide*.

VM Considerations

For the most part, this document applies to both VM and MVS, with some specific references to the MVS environment. In references to the MVS environment, it must be discerned whether the reference is relevant to the VM environment and how it might apply to VM.

For example, this document refers to varying drives offline and online to MVS. The configuration and operating environment determines if varying drives offline and online to VM is relevant.

VTCS Considerations

For the most part, this document applies to both NCS and VTCS products, with some specific references to the VTCS environment. In regards to the VTCS product, references to tape activity includes both real and virtual tape processing.

MVS/CSC Considerations

When you add drives, the LIBUNIT and UNITMAP parameters must be updated with the new drives and drive locations. Be advised that MVS/CSC requires each ACS to have its drives defined in a unique esoteric. Refer to the LIBDEV parameter in the *MVS/CSC Configuration Guide* for a more detailed description.

MVS/CSC must then be recycled. To make use of these new drives, the recycle must take place after the drives have been added to LibraryStation and LibraryStation has been recycled. Devices can now be varied online to MVS to be eligible for allocation.

ATTENTION: In all cases, LibraryStation must be stopped before MVS/CSC is stopped, and LibraryStation must not be started until MVS/CSC is started.

When you delete drives, to prevent further allocations, issue the SMC UNITATTR command with the deleted drives and specify MODEL(IGNORE). The LIBUNIT and UNITMAP parameters must be updated to remove these drive definitions. MVS/CSC must then be recycled. MVS/CSC will load these updated parameters when it is initialized. Failure to update these parameters will prevent MVS/CSC from initializing.

LibraryStation Considerations

LibraryStation must be recycled to pick up the new drive configuration for the following conditions:

- adding ACSs
- deleting ACSs
- adding LSMs
- deleting LSMs
- adding drives
- deleting drives.



Note: LibraryStation does not support Near Continuous Operation (NCO). If LibraryStation is running during NCO, results will be unpredictable.

LibraryStation should not be running when NCO is started or is anticipated to start, for example, when you are varying a newly reconfigured library online. This includes changes to drives that are configured to LibraryStation.

Definitions

Host Group

A set of hosts connected to an ACS and sharing one CDS. For the HSC, there can be up to 16 hosts in a host group.

Partition

For an SL3000 library, a partition is a segment of one SL3000 unit consisting of cells with a minimum of 1 to n in increments of 100, CAPs, and drives for a maximum of 8 partitions. A partition is an ACS. A partition has exclusive control of cells and drives. Installed CAPs may be assigned to one partition (exclusive), assigned to multiple partitions (shared), or unassigned.

Figure 46 on page 522 and Figure 47 on page 523 illustrate an SL3000 divided into 4 partitions:

- Partition 1 assigned to ACSLS:
 - 200 cells
 - 1st and 2nd CAPs shared
 - 24 drives
- Partitions 2 and 3 assigned to HSC Host Group A:
 - 200 cells each
 - 1st and 2nd CAPs shared for each
 - 6 drives each
- Partition 4 assigned to HSC Host Group B:
 - 200 cells
 - 1st and 2nd CAPs shared, 3rd and 4th CAPs exclusively assigned
 - 12 drives

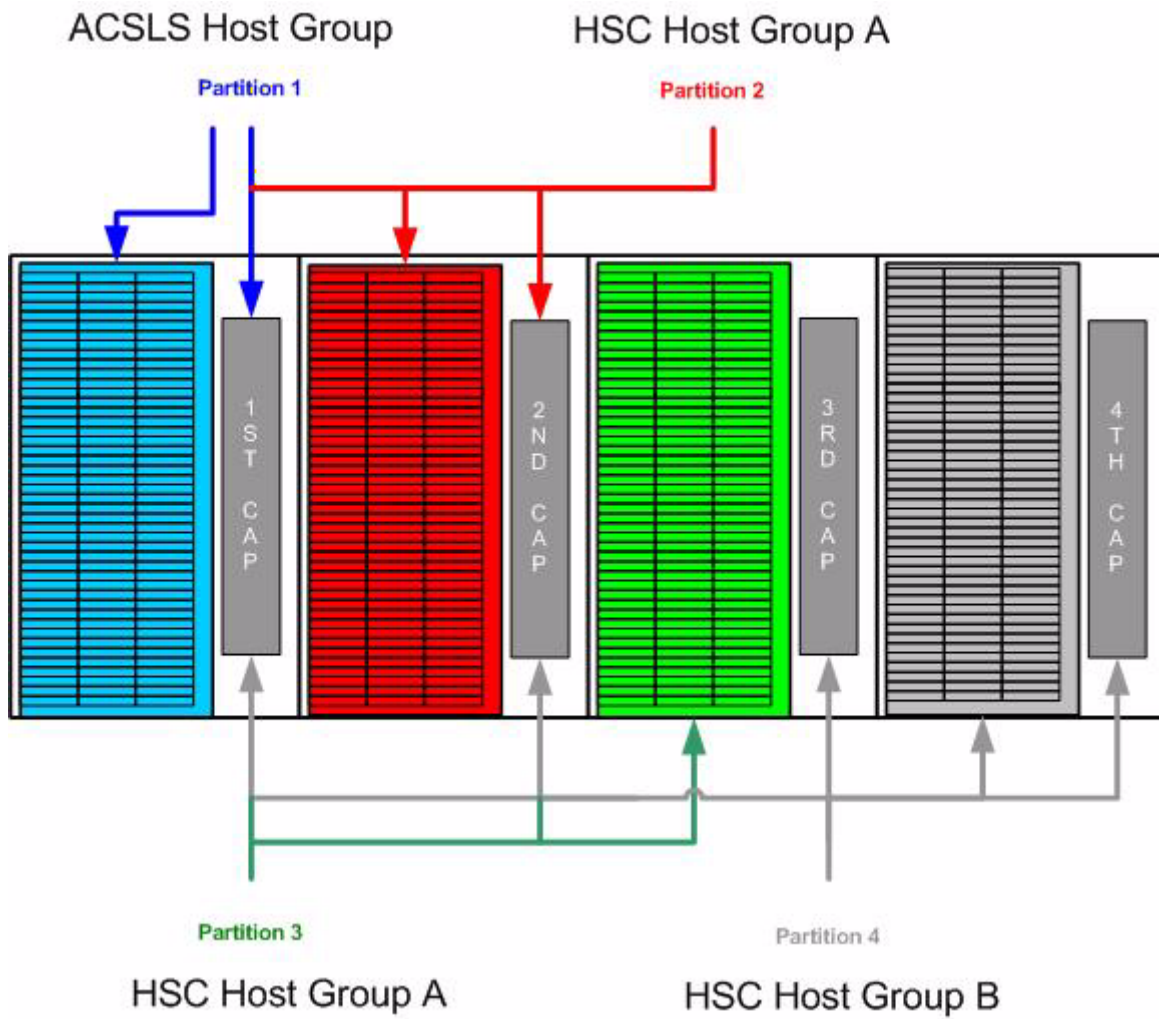


Figure 46. Partition and Host Group Example for Cells and CAPs

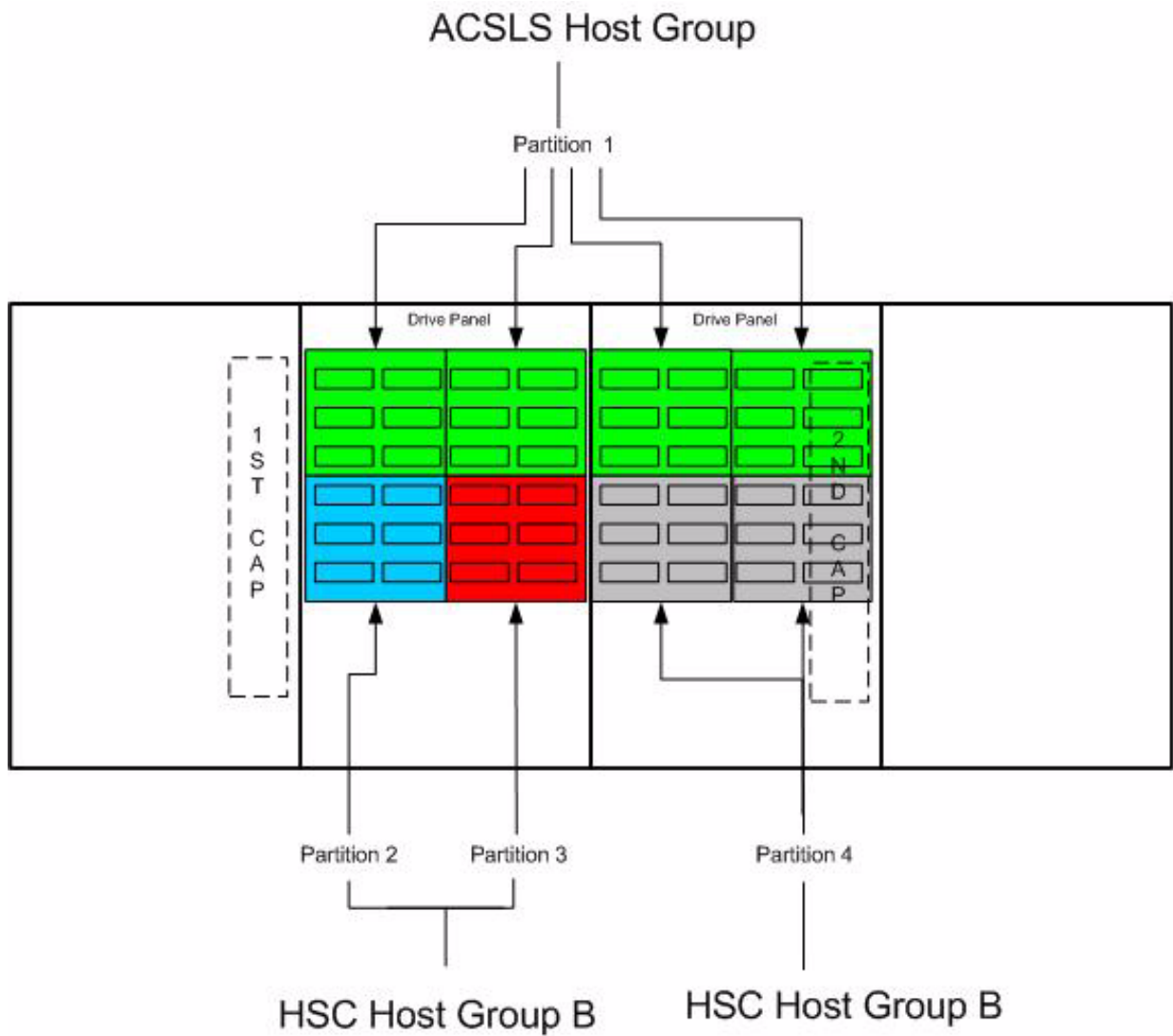


Figure 47. Partition and Host Group Example for Drives

Basic Procedures

Starting from Scratch – LIBGEN, SLICREAT

This procedure creates a SL3000 ACS from scratch. Please refer to chapter 4, “Creating the Library Configuration File (LIBGEN),” the *HSC 6.2 Configuration Guide* to see how to configure a LIBGEN with a SL3000 library.

1. Run an HSC 6.1 or higher LIBGEN assemble and SLICREAT.

Create a new CDS using the procedures found in the *HSC Configuration Guide*. The HSC must use HSC 6.1 or later SMP/E libraries. After running the SLICREAT program, a standard CDS is created.

Below is a sample LIBGEN for an SL3000 library defined with one ACS and seven future ACSs for adding partitions/ACSs to the HSC:

```
LIBGEN  SLIRCVRY TCHNIQE=SHADOW
*
      SLILIBRY SMF=245,                                X
          ACSLIST=ACSLIST,                             X
          HOSTID=(HST1,HST2),                          X
          DELDISP=SCRTCH,                              X
          MAJNAME=STKSBADD,                            X
          CLNPRFX=CLN,                                 X
          COMPRFX=/,                                   X
          FUTRACS=(7),                                 X
          SCRLABL=SL
*
ACSLIST  SLIALIST ACS00
*
ACS00    SLIACS ACSDRV=(TACS0,TACS0),                  X
          LSM=(LSM0000)
*
LSM0000  SLILSM TYPE=3000
*
*
      SLIENDGN ,
```



Note: If virtual tape is being implemented, VTCS CONFIG must be run to define the configuration to VTCS.

2. Add the HSC LMUPATH statement in LMUPDEF in PARMLIB.

Add an HSC LMUPATH statement in LMUPDEF in PARMLIB to define the new SL3000 library.

Example: `LMUPATH ACS(acs-id) LMUADDR(ip-address)`



Notes:

- Refer to the “LMUPATH Control Statement” on page 101.
- Future ACSs cannot be defined to LMUPDEF. Refer to “Adding a Partition to the Library” on page 530 for further information.

3. Run the SET SLIDRIVS utility on the host group (optional).

If the drives were not specified for the ACS in the LIBGEN, optionally add drives to the new LSM of the ACS by running the SLUADMIN utility for SET SLIDRIVS.

```
SET SLIDRIVS(drv1,drv2,drv3,,,,,,,,,,,,,) +  
FORLSMID(lsm-id),FORPANEL(12)
```



Note: If VTCS is involved, any RTDs moving into the CDS will require a VTCS CONFIG RESET to be run to add the specific RTDs to the VTCS configuration.

4. Start the HSC.

Start HSC using the new CDS defined from the LIBGEN and the SL3000 library defined in LMUPDEF.

5. Display the ACS.

Issue the Display ACS command to verify that the SL3000 library is properly defined. Issue the HSC command:

```
DISPLAY ACS acs-id
```

6. Modify the LSMs ONLINE.

Issue the Modify LSM command to bring the LSMs online. Issue the HSC command

```
F LSM acs-id:lsm-id ONLINE
```

7. Display detail for each LSM.

Issue the Display LSM command to verify the LSMs for the ACS are properly defined. Issue the HSC command:

```
D LSM acs-id:lsm-id
```

8. Audit the LSM(s) (optional).

If the LSM contains frozen panels, this indicates that the CDS configuration does not match the library configuration and the LSM needs to be audited. To audit the LSM, run the HSC SLUADMIN Audit utility as follows:

```
AUDIT ACS(acs-id) LSM(lsm-id) PANEL(panel-id)
```

9. Unfreeze the LSM (optional).

Unfreeze the panels that are frozen as displayed in step 7. To unfreeze the panels, run the HSC SLUADMIN SET FREEZE utility as follows:

```
SET FREEZE (OFF) FORLSMID(lsm-id) FORPANEL(panel-id)
```

The SL3000 ACS is now defined to the HSC. Next, follow the procedure “Adding a Partition to the Library” on page 530 to divide the library into partitions.

ATTENTION: All subsequent procedures are based on the requirement that the HSCs are active.

Converting a Non-Partitioned Library to a Partitioned Library

This procedure converts an existing non-partitioned library to a partitioned library. It assumes that the existing ACS number for a non-partitioned library will be reused for the partitioned one.

If more partitions are added to HSC, refer to “Adding a Partition to the Library” on page 530.

1. Stop activity for the ACS connected to the library.

In preparation for reconfiguring the partition, stop all CAP and tape activity (both real and virtual) from all active hosts in that library, including RTD tape processing. **Failure to do this will result in lost cartridges and errors on dismount.**

Vary drives offline to ALL MVS hosts that will no longer have access to the drives. From the MVS console, issue the following command to see if the drives in the affected LSM are offline to MVS:

```
D U, , ,xxx-yyy
```

where *xxx-yyy* is the drive ID or UCB range. If the drives are not offline to MVS, vary the drives offline with the MVS command:

```
VARY xxx-yyy OFFLINE
```

Additionally, any RTDs that reside on the affected LSM will need to be varied offline. To do this, issue the VTCS command:

```
.VT V RTD(rtd_id) OFF
```



Note: If VTCS is involved, any RTDs moving out of the CDS of the host groups affected will require a VTCS CONFIG RESET to be run to remove the specific RTDs from the VTCS configuration.

2. Vary the ACS OFFLINE to all hosts.

The ACS to be partitioned must be offline to all hosts. Issue the HSC command:

```
VARY ACS acs-id OFFLINE
```

3. Back up all CDSs.

Before making changes to the CDS, it is best practice to create a backup copy for recovery purposes. This backup copy can be restored if problems are encountered to recover to a known CDS state using documented HSC recovery procedures.

Use the HSC BACKUP utility (see “BACKup Utility” on page 202) to create the backup CDS copies.



Note: If VTCS is involved, **ALL tape activity (real and virtual) must be stopped.** All virtual tape drives must be varied offline to MVS, and all RTDs defined in the VTCS configuration must be varied offline to VTCS. StorageTek recommends that all initiators be drained that feed both real and virtual tape drive processing. NCS and VTCS must be in an idle state prior to creating the backup copy of the CDS to avoid possibility of data loss.

4. Change the SL3000 configuration to partition the library.

The internal configuration file in the SL3000 must be changed to partition the LSM, assign cell, drive, and CAP resources to that partition. This change is made through the SLConsole.

5. Run the SET SLIDRIVS utility on the host group (optional).

If not all the drives need to be configured to the partitioned ACS, modify drives to the LSM of the ACS by running the SLUADMIN utility for SET SLIDRIVS.

```
SET SLIDRIVS(drv1,drv2,drv3,,,,,,,,,,,,,) +  
FORLSMID(lsm-id),FORPANEL(12)
```

6. Modify the HSC LMUPATH parameter in PARMLIB.

Add the PARTID(00*n*) keyword to the LMUPATH HSC parameter in PARMLIB. The partition ID is obtained from the SLConsole.

Example:LMUPATH ACS(03) LMUADDR(*ip-address*) PARTI D(00*n*)

7. Issue the HSC LMUPDEF command on all host groups.

To activate the modified HSC LMUPATH statement, issue the HSC command:

```
LMUPDEF DATASET(dataset.name)
```

8. Vary the affected ACS ONLINE to the host.

Issue the HSC command for the host group taking ownership of the library:

```
VARY ACS acs-id ONLINE
```

The HSC retains the online/offline status of each pre-existing LSM. If the LSM does not modify online when the ACS is varied online, issue the HSC command:

```
MODIFY LSM lsm-id ONLINE
```

No additional mounts will occur to the ACS until the ACS is varied online. All other hosts will complete their configuration process when the ACS is varied online.



Notes:

- Virtual tape environments will be required to vary any RTDs online to VTCS.
- Refer to “Varying the ACS Online After a Configuration Change” on page 556 for further details of this process.

9. Vary drives ONLINE to MVS (if necessary).

From the MVS console, issue

```
D U, , ,xxx-yyy
```

where *xxx-yyy* is the drive ID range (both real and virtual), to see if the new drives are online to MVS. If they are not, bring the real drives online with the MVS command:

```
VARY xxx-yyy ONLINE
```

10. Vary RTDs ONLINE to VTCS (if necessary).

From the MVS console, issue

```
.VT V RTD(rtd-id) ON
```

for the RTDs that reside on the LSMs being allocated.

11. Re-synchronize the SMC.

To add drives for the SMC, issue the SMC RESYNCHRONIZE command.

The library is now partitioned and available for use.

Adding a Partition to the Library

This procedure adds a partition to the library for either an existing or new configuration.

After completing the following steps, a partitioned SL3000 with up to eight partitions may be created. At a later time, remove any partitions from this library using “Removing a Partition from the Library” on page 534.

If you are adding more partitions to an ACS than what currently exist, the FUTRACS parameter in the SLLIBRY macro must be coded in the LIBGEN with enough ACSs to accommodate the total number of partitions being accessed within a SL3000 library.

1. Stop activity for all ACSs connected to the library.

In preparation for adding a partition to the library, stop all CAP and tape activity (both real and virtual) from all active hosts, including RTD tape processing, in that ACS. **Failure to do so will result in lost cartridges and errors on dismount.**

Vary drives (both real and virtual) offline to all MVS hosts that will no longer have access to the drives. From the MVS console, issue

```
D U,,,xxx-yyy
```

where *xxx-yyy* is the drive ID or UCB range, to see if the drives in the affected ACS are offline to MVS. If not, vary the drives offline with the MVS command:

```
VARY xxx-yyy OFFLINE
```

Additionally, any RTDs that reside on the affected ACS will need to be varied offline. To do this, issue the VTCS command:

```
.VT V RTD(rtd_id) OFF
```



Notes:

- This step is necessary if you are adding partitions other than the first time.
- If VTCS is involved, any RTDs moving out of the CDS will require a VTCS CONFIG RESET to be run to remove the specific RTDs from the VTCS configuration.

2. Vary all ACSs connected to the library OFFLINE to all hosts.

ALL ACSs connected to the library must be offline to all hosts. Issue the HSC command:

```
VARY ACS acs-id OFFLINE
```

3. Back up the CDS (if necessary).

Before making changes to the CDS, it is best practice to create a backup copy for recovery purposes. This backup copy can be restored if problems are encountered to recover to a known CDS state using documented HSC recovery procedures.

Use the HSC BACKUP utility (see “BACKup Utility” on page 202) to create the backup CDS copy.



Notes:

- This step is necessary if you are adding partitions other than the first time.
- If VTCS is involved, **ALL tape activity (real and virtual) must be stopped.** All virtual tape drives must be varied offline to MVS. All RTDs defined in the VTCS configuration must be varied offline to VTCS. It is highly recommended that all initiators be drained that feed both real and virtual tape drive processing. NCS and VTCS must be in an idle state prior to creating the backup copy of the CDS to avoid possibility of data loss.

4. Change the SL3000 configuration to add the partition and assign resources to the partition.

The internal configuration file in the SL3000 must be changed to show the newly added partition(s) to a library. This change is made through the SLConsole.

ATTENTION: If scratch volumes exist, update and reload SCRDEF, VOLDEF, and TAPEREQ PARMLIB members accordingly. This must be done prior to executing step 5.

5. Issue the HSC F CONFIG ADD ACSType command (optional).

If you are adding more partitions to an ACS than currently exist, issue the HSC command as in the examples below:

```
F CONFIG ADD ACST(SL3000)
F CONFIG ADD ACST(SL8500)
```

6. Change or add the HSC LMUPATH statement in PARMLIB.

If an LMUPATH statement was defined for an SL3000 using “Starting from Scratch – LIBGEN, SLICREAT”, change the HSC LMUPATH statement to add the PARTID keyword in LMUPDEF in PARMLIB. Verify the partition ID defined from the SLConsole is the same as the PARTID in the HSC LMUPDEF. For a new partition, add an HSC LMUPATH statement in LMUPDEF in PARMLIB.

Example: LMUPATH ACS(*acs-id*) LMUADDR(*ip-address*) PARTID(*nnn*)



Note: Refer to “LMUPATH Control Statement” on page 101.

7. Issue the HSC LMUPDEF command on all hosts.

To activate the modified HSC LMUPATH statement, issue the HSC command:

```
LMUPDEF DATASET(dataset.name)
```

8. Run the SET SLIDRIVS utility (match CDS drive configuration to the library).

Add drives to an LSM of an added ACS by running the SLUADMIN utility or command for SET SLIDRIVS.

```
SET SLIDRIVS(drv1,drv2,drv3,,,,,,,,,,,,,) +  
FORLSMID(lsm-id),FORPANEL(12)
```



Note: If VTCS is involved, any RTDs moving into the CDS will require a VTCS CONFIG RESET to be run to add the specific RTDs to the VTCS configuration.

9. Vary all ACSs connected to the library ONLINE to all hosts.

Issue the HSC command:

```
VARY ACS acs-id ONLINE
```

The HSC retains the online/offline status of each pre-existing LSM. If the LSM is not modified online when the ACS is varied online, issue the HSC command:

```
MODIFY LSM lsm-id ONLINE
```

No additional mounts will occur to the ACS until the ACS is varied online. All other hosts will complete their configuration process when the ACS is varied online.

10. Audit LSM of ACS (optional).

From step 9, when an SLS4416E message is displayed, some panels are populated with cartridges that are not cataloged to HSC. These panels must be audited for the HSC to be aware of these cartridges. To audit the panel, run the HSC AUDIt utility as follows:

```
AUDIT ACS(xx) LSM(yy) PANEL(zz)
```

11. Unfreeze panels/LSM (optional).

If the panels were audited in step 10, the panels can now be unfrozen. To unfreeze the panels/LSM, run the HSC SLUADMIN SET FREEZE utility as follows:

```
SET FREEZE (OFF) FORLSMID(lsm-id) FORPANEL(panel-id)
```


12. Run the HSC Scratch Update utility (if necessary).

Run an HSC Scratch Update utility.

This step may be bypassed if no volumes have been added, deleted, or moved. It must be run if new LSMs have been added to the configuration.

13. Vary drives ONLINE to MVS (if necessary).

From the MVS console, issue the following command to see if the new drives are online to MVS:

```
D U, , ,xxx-yyy
```

where xxx-yyy is the drive ID range (both real and virtual). If they are not, bring the real drives online with the MVS command:

```
VARY xxx-yyy ONLINE
```

14. Vary RTDs ONLINE to VTCS (if necessary).

From the MVS console, issue

```
.VT V RTD(rtd_id) ON
```

for the RTDs that reside on the LSMs being allocated.



Notes:

- Virtual tape environments will be required to vary any RTDs online to VTCS. Additionally, any virtual tape drives varied offline will need to be varied online to MVS.
- Prior to performing this step, ensure that SET SLIDRIVS (step 8) is performed so that the CDS drive configuration matches EXACTLY to the new drive configuration on the SL3000 library.

15. Re-synchronize the SMC.

To add drives for the SMC, issue the SMC RESYNCHRONIZE command.

The partition is now added to the library and is available for use. If running multiple HSC hosts, the new configuration will be propagated automatically to all hosts.

Removing a Partition from the Library

ATTENTION: If this is the last ACS in the HSC host group, only steps 1 through 6 may apply. At this time, the HSC can be stopped.

This procedure removes a partition from an existing library.

1. Stop activity for all ACSs connected to the library.

In preparation for removing a partition from the library, stop all CAP and tape activity (both real and virtual) from all active hosts, including RTD tape processing, in that ACS. **Failure to do so will result in lost cartridges and errors on dismount.**

Vary drives (both real and virtual) offline to all MVS hosts that will no longer have access to the drives. From the MVS console, issue the following command to see if the drives in the affected ACS are offline to MVS:

```
D U, , ,xxx-yyy
```

where xxx-yyy is the drive ID or UCB range. If not, vary the drives offline with the MVS command:

```
VARY xxx-yyy OFFLINE
```

Additionally, any RTDs that reside on the affected ACS will need to be varied offline. To do this, issue the VTCS command:

```
.VT V RTD(rtd_id) OFF
```



Warning: Failure to perform this step may result in the devices being removed becoming allocated. This may cause severe operational consequences including loss of access for any cartridge mounted at the time of the partitioning.



Note: If VTCS is involved, any RTDs moving out of the CDS will require a VTCS CONFIG RESET to be run to remove the specific RTDs from the VTCS configuration.

2. Run the SET Freeze utility to freeze affected LSM.

To stop cartridges from migrating to the LSM of the partition being removed, run the HSC SLUADMIN SET FREEZE utility:

```
SET FREEZE(ON) FORLSMID(lsm-id)
```



Notes:

- When an LSM is frozen, no new cell allocations will occur, however, any cartridge from the LSM that is currently mounted on a drive will return to its home cell.
- Since there is one LSM in an SL3000 library, freezing the LSM is freezing the ACS.

3. Run the Volume Report utility.

Run a volume report on the affected ACS and keep the output. This data can be used later to verify where volumes were in the ACS before it was removed.



Note: Systems with VTCS should run an MVC report for cross reference purposes.

4. Eject cartridges out of the affected ACS (optional).

Eject all cartridges from the affected ACS.

5. Vary the affected ACS OFFLINE to all hosts.

The ACS must be offline to all hosts within the groups using the ACS. Issue the HSC command:

```
VARY ACS acs-id OFFLINE
```

6. Back up the CDS.

Before making changes to the CDS, it is best practice to create a backup copy for recovery purposes. This backup copy can be restored if problems are encountered to recover to a known CDS state using documented HSC recovery procedures.

Use the HSC BACKUP utility to create the backup CDS copy.



Note: If VTCS is involved, ALL tape activity (real and virtual) must be stopped. All virtual tape drives must be varied offline to MVS. All RTDs defined in the VTCS configuration must be varied offline to VTCS. It is highly recommended that all initiators be drained that feed both real and virtual tape drive processing. NCS and VTCS must be in an idle state prior to creating the backup copy of the CDS to avoid possibility of data loss.

7. Issue the HSC F CONFIG DELEte ACS command.

To delete a partition(s) in an HSC Host Group, issue the HSC command as the examples below show:

```
F CONFIG DELETE ACS(03)
F CONFIG DELETE ACS(04)
F CONFIG DELETE ACS(05)
```



Notes:

- If running multiple HSC hosts, the new configuration will be propagated automatically to all hosts.
- **Deleting an ACS deletes its volumes from the CDS.**
- If the last allocated ACS is deleted, the HSC no longer has connections to any library and can be stopped. Steps 8 through 10 can be ignored.

8. Remove the HSC LMUPATH parameter in PARMLIB.

Remove the LMUPATH statements referencing the ACS previously defined to the LMUPDEF HSC parameter file of the affected host group.

9. Issue the HSC LMUPDEF command on all hosts.

To refresh the modified HSC LMUPDEF HSC parameter file within a host group, issue the HSC command to all hosts:

```
LMUPDEF DATASET(dataset.name)
```

10. Change the SL3000 configuration to remove the affected partition from the library (optional).

The internal configuration file in the SL3000 may be changed to remove the partition. This change happens through the SLConsole.

11. Vary all ACSs connected to the library ONLINE to all hosts.

Issue the HSC command:

```
VARY ACS acs-id ONLINE
```

The HSC retains the online/offline status of each pre-existing LSM. If the LSM is not modified online when the ACS is varied online, issue the HSC command:

```
MODIFY LSM lsm-id ONLINE
```

No additional mounts will occur to the ACS until the ACS is varied online. All other hosts will complete their configuration process when the ACS is varied online.

12. Vary drives ONLINE to MVS (if necessary).

From the MVS console, issue the following command to see if the new drives are online to MVS:

```
D U, , ,xxx-yyy
```

where xxx-yyy is the drive ID range (both real and virtual). If they are not, bring the real drives online with the MVS command:

```
VARY xxx-yyy ONLINE
```

13. Vary RTDs ONLINE to VTCS (if necessary).

From the MVS console, issue

```
.VT V RTD(rtd_id) ON
```

for the RTDs that reside on the LSMs being allocated.



Note: Virtual tape environments will be required to vary any RTDs online to VTCS. Additionally, any virtual tape drives varied offline will need to be varied online to MVS

14. Re-synchronize the SMC.

Issue the SMC RESYNCHRONIZE command.

The partition is removed from the library, and the remaining library resources are available for use.

Converting a Partitioned Library to a Non-partitioned Library

This procedure converts an existing partitioned library to a non-partitioned library. In this procedure, all defined partitions will be removed and the library will be left un-partitioned.

1. Stop activity for all ACSs connected to the library.

In preparation for reconfiguring the partition, stop all CAP and tape activity (both real and virtual) from all active hosts in that library, including RTD tape processing.
Failure to do this will result in lost cartridges and errors on dismount.

Vary drives offline to ALL MVS hosts that will no longer have access to the drives. From the MVS console, issue the following command to see if the drives in the affected LSM are offline to MVS.

```
D U, , ,xxx-yyy
```

where xxx-yyy is the drive ID or UCB range. If not, vary the drives offline with the MVS command:

```
VARY xxx-yyy OFFLINE
```

Additionally, any RTDs that reside on the affected LSM will need to be varied offline. To do this, issue the VTCS command:

```
.VT V RTD(rtd_id) OFF
```



Warning: Failure to perform this step may result in the devices being removed becoming allocated. This may cause severe operational consequences including loss of access for any cartridge mounted at the time of the non-partitioning.



Note: If VTCS is involved, any RTDs moving out of the CDS of the host groups affected will require a VTCS CONFIG RESET to be run to remove the specific RTDs from the VTCS configuration.

2. Run the Volume Report utility.

Run a volume report on the affected ACS(s) and keep the output. This data can be used later to verify where volumes were in the ACS(s) before it was removed.



Note: Systems with VTCS should run an MVC report for cross reference purposes.

3. Back up all CDSs.

Before making changes to the CDSs affected, it is best practice to create backup copies for recovery purposes. These backup copies can be restored, if problems are encountered, to recover to a known CDSs state using documented HSC recovery procedures.

Use the HSC BACKUP utility to create the backup CDS copies.



Note: If VTCS is involved, ALL tape activity (real and virtual) must be stopped. All virtual tape drives must be varied offline to MVS. All RTDs defined in the VTCS configuration must be varied offline to VTCS. It is highly recommended that all initiators be drained that feed both real and virtual tape drive processing. NCS and VTCS must be in an idle state prior to creating the backup copy of the CDS to avoid possibility of data loss.

4. Vary all ACSs connected to the library OFFLINE to all host groups.

The ACS(s) to be un-partitioned must be offline to all hosts. Issue the HSC command:

```
VARY ACS acs-id OFFLINE
```

5. Change the SL3000 configuration to un-partition the library.

The internal configuration file in the SL3000 must be changed to delete all partitions. This change is made through the SLConsole.

6. Issue the HSC F CONFIG DELEte ACS command.

To delete an ACS from an HSC host group, issue the HSC command as in the examples below:

```
F CONFIG DELETE ACS(03)  
F CONFIG DELETE ACS(04)  
F CONFIG DELETE ACS(05)
```



Notes:

- If running multiple HSC hosts, the new configuration will be propagated automatically to all hosts.
- **Deleting an ACS deletes its volumes from the CDS.**
- If this is the last ACS in the HSC host group, the following steps may apply. At this time, the HSC can be stopped.
 - Run a volume report on the affected ACS and keep the output. This data can be used later to verify where volumes were in the ACS before it was removed.
 - Eject all cartridges from the affected ACS.

7. Run the SET SLIDRIVS utility on the remaining host group.

Add drives to the new LSM of the ACS by running the SLUADMIN utility or command for SET SLIDRIVS.

```
SET SLIDRIVS(drv1,drv2,drv3,,,,,,,,,,,,,) +  
FORLSMID(lsm-id),FORPANEL(12)
```



Note: If VTCS is involved, any RTDs moving into the CDS will require a VTCS CONFIG RESET to be run to add the specific RTDs to the VTCS configuration.

8. Modify LMUPDEF in PARMLIB for all host groups.

Remove all the LMUPATH statements referencing the ACSes previously defined to all LMUPDEF HSC parameter files of all affected host groups. If a particular host group will have ownership of the library after it becomes un-partitioned, add or change the LMUPATH statement using the following example:

```
Example:LMUPATH ACS(03) LMUADDR(ip-address)
```

9. Issue the HSC LMUPDEF command on all host groups.

To activate the modified HSC LMUPATH statement, issue the HSC command:

```
LMUPDEF DATASET(dataset.name)
```

10. Vary the ACS ONLINE to the remaining host group.

Issue the HSC command for the host group taking ownership of library:

```
VARY ACS acs-id ONLINE
```

The HSC retains the online/offline status of each pre-existing LSM. If the LSM does not modify online when the ACS is varied online, issue the HSC command:

```
MODIFY LSM lsm-id ONLINE
```

No additional mounts will occur to the ACS until the ACS is varied online. All other hosts will complete their configuration process when the ACS is varied online.



Note: When an ACS is varied online, the panels are discovered to complete the configuration process. During this time, if any cartridges are discovered, an SLS4416E message will be displayed. It is important to follow the user response section of this message before proceeding to the next step. This section will instruct the user to perform the following step in the order listed:

- Run the HSC SLUADMIN Audit utility with APPLY(NO) for the panels indicated to discover and resolve issues.
- Run the HSC SLUADMIN Volume Report utility if necessary to gather volume information.
- Run the HSC SLUADMIN Audit utility with APPLY(YES) to apply updates to the CDS.
- Run the HSC SLUADMIN SET Utility specifying FREEZE OFF for any panels in the frozen state.

Refer to “Varying the ACS Online After a Configuration Change” on page 556 for further details of this process.



Note: Virtual tape environments will be required to vary any RTDs online to VTCS.

11. Vary drives ONLINE to MVS (if necessary).

From the MVS console, issue the following command to see if the new drives are online to MVS:

```
D U, , ,xxx-yyy
```

where xxx-yyy is the drive ID range (both real and virtual). If they are not, bring the real drives online with the MVS command:

```
VARY xxx-yyy ONLINE
```

12. Vary RTDs ONLINE to VTCS (if necessary).

From the MVS console, issue

```
.VT V RTD(rtd_id) ON
```

for the RTDs that reside on the LSMs being allocated.

13. Run the HSC Scratch Update utility (if necessary).

Run the HSC Scratch Update utility.

This step may be bypassed if no volumes have been added, deleted, or moved. It must be run if new LSMs have been added to the configuration.

14. Re-synchronize the SMC.

To add drives for the SMC, issue the SMC RESYNCHRONIZE command.

The library is now non-partitioned and available for use.

Moving a Partition from One Host Group to another Host Group

This procedure moves a partition from one host group to another and preserves the history of the partition volumes being allocated.

ATTENTION: If this is the last ACS in the “from” HSC host group, only steps 1 through 4 may apply. At this time, the “from” HSC can be stopped. Proceed with steps 9 through 20.

“From” Host Group:

1. Stop activity for all ACSs connected to the library.

In preparation for moving the partition, you must stop all CAP and tape activity (both real and virtual), from all active hosts, including virtual tape processing, in that ACS of the host group of where the partition is moving from. **Failure to do this will result in lost cartridges and errors on dismount.**

Vary drives offline to all MVS hosts that will no longer have access to the drives. From the MVS console, issue the following command to see if the drives in the affected LSM are offline to MVS.

```
D U,,,xxx-yyy
```

where xxx-yyy is the drive ID or UCB range. If they are not, bring them offline with the MVS command:

```
VARY xxx-yyy OFFLINE
```

Additionally, any RTDs that reside on the affected LSM will need to be varied offline. To do this issue the VTCS command:

```
.VT V RTD(rtd_id) OFF
```



Warning: Failure to perform this step to vary these drives offline from MVS will result in these devices becoming allocated while removing the LSM from the partition. This may cause severe operational consequences including loss of access for any cartridge that was mounted at the time of the partitioning.



Note: If VTCS is involved, any RTDs moving out of the CDS of the “from host group” will require a VTCS CONFIG RESET to be run to remove the specific RTDs from the VTCS configuration.

2. **Run the Volume Report utility.**

Run a volume report on the affected ACS and keep the output. This data can be used later to verify where volumes were in the ACS before it was relocated.



Note: Systems with VTCS should run an MVC report for cross reference purposes.

3. Vary the ACS being removed OFFLINE to all hosts.

The ACS must be offline to all hosts. Issue the HSC command:

```
VARY ACS acs-id OFFLINE
```

4. Back up the CDS (CDS01).

Use the HSC BACKUP utility to create the backup CDS copy as CDS01.

5. Remove the HSC LMUPATH parameter in PARMLIB.

Remove the LMUPATH statements referencing the partition previously defined to the LMUPDEF HSC parameter file.

6. Issue the HSC LMUPDEF command on all hosts.

To refresh the modified HSC LMUPDEF HSC parameter file within a host group, issue the HSC command to all hosts:

```
LMUPDEF DATASET(dataset.name)
```

7. Issue the HSC F CONFIG DELEte ACS command.

To delete a partition from a HSC Host Group, issue the HSC command as in the examples below:

```
F CONFIG DELETE ACS(03)  
F CONFIG DELETE ACS(04)  
F CONFIG DELETE ACS(05)
```



Notes:

- If running multiple HSC hosts, the new configuration will be propagated automatically to all hosts.
- **Deleting an ACS deletes its volumes from the CDS.**

8. Re-synchronize the SMC.

To add drives for the SMC, issue the SMC RESYNCHRONIZE command.

“To” Host Group:

9. Back up the CDS (CDS02).

Use the HSC BACKUP utility to create the backup CDS copy as CDS02.

10. Issue the HSC F CONFIG ADD ACSType command.

To add a partition to an HSC Host Group, issue the HSC command as in the examples below:

```
F CONFIG ADD ACST(SL3000)
F CONFIG ADD ACST(SL8500)
```



Note: If running multiple HSC hosts, the new configuration will be propagated automatically to all hosts.

11. Add the HSC LMUPATH statement in PARMLIB.

Add an HSC LMUPATH statement in LMUPDEF in PARMLIB.

Example: LMUPATH ACS(*acs-id*) LMUADDR(*ip-address*) PARTID(*nnn*)



Note: Refer to “LMUPATH Control Statement” on page 101.

12. Issue the HSC LMUPDEF command on all hosts.

To activate the modified HSC LMUPATH statement, issue the HSC command:

```
LMUPDEF DATASET(dataset.name)
```

13. Set the Service Level to BASE for all hosts.

Set the service level to BASE for the host group to allow a MERGEcds to be started. Issue the HSC command:

```
SRVLEV BASE
```

14. Run the MERGEcds utility.

Input will be CDS01. Output will be an updated CDS02. This example will move the ACS volume history from ACS 00 (CDS01) to ACS 04. For other examples, refer to the “MERGEcds Utility” on page 260.



Notes:

- If merging a non-VTCS ACS into a VTCS ACS, the REALonly parameter is necessary on the MERGEcds.
- After MERGEcds, if scratch volumes exist, update and reload the SCRPFDEF, VOLDEF, and TAPEREQ PARMLIB members accordingly.

```
//jobcard
//STEP1 EXEC PGM=SLUADMIN, PARM='MIXED'
//STEPLIB DD DISP=SHR, DSN=dataset.name
//*
//SLSPRINT DD SYSOUT=*
//*
//SLSFCNTL DD DSN=CDS01.primary, DISP=SHR
//*
//SLSIN DD *
MERGECDs
//SLSMERGE DD *
MERGE FACS(00) TACS(04)
/*
//
```

15. Run the SET SLIDRIVS utility.

Add drives to the new ACS of the “to host group” by running the SLUADMIN utility or command for SET SLIDRIVS.

```
SET SLIDRIVS(drv1,drv2,drv3,,,,,,,,,,,,,) +
FORLSMID(lsm-id), FORPANEL(12)
```



Note: If VTCS is involved, any RTDs moving into the CDS will require a VTCS CONFIG RESET to be run to add the specific RTDs to the VTCS configuration.

16. Set the Service Level to FULL for all hosts.

Set the service level to FULL for the host group after the MERGEcds has completed. Issue the HSC command:

```
SRVLEV FULL
```

17. Run the HSC Scratch Update utility (if necessary).

Run an HSC Scratch Update utility.

This step may be bypassed if no volumes have been added, deleted, or moved. It must be run if new LSMs have been added to the configuration.

18. Vary drives ONLINE to MVS (if necessary).

From the MVS console of all hosts within the to host group, issue the following command to see if the new drives are online to MVS.

```
D U , , ,xxx-yyy
```

where *xxx-yyy* is the drive ID range (both real and virtual). If they are not, bring the real drives online with the MVS command:

```
VARY xxx-yyy ONLINE
```

19. Vary RTDs ONLINE to VTCS (if necessary).

From the MVS console of the to host group, issue

```
.VT V RTD(rtd_id) ON
```

for the RTDs that reside on the LSMs being allocated.

20. Re-synchronize the SMC.

To add drives for the SMC, issue the SMC RESYNCHRONIZE command.

Adding Resources to a Library

This procedure allows resources to be added to an existing library. Resource additions can consist of cells, drives, drive bays, CAPs, expansion modules, and dual Tallbot.



Warning: If you are changing the library configuration, for example, changing UPC labels, the cartridges in the cells being removed must be ejected or moved, and the cells being removed must be unassigned to all partitions using the SLConsole prior to physically adding the library resources.

1. Stop activity for all ACSs connected to the library.

In preparation for adding resources to the library, stop all CAP and tape activity (both real and virtual) from all active hosts in that library, including RTD tape processing. **Failure to do this will result in lost cartridges and errors on dismount.**

Vary drives offline to ALL MVS hosts that will no longer have access to the drives. From the MVS console, issue the following command to see if the drives in the affected LSM are offline to MVS.

```
D U, , ,xxx-yyy
```

where *xxx-yyy* is the drive ID or UCB range. If not, vary the drives offline with the MVS command:

```
VARY xxx-yyy OFFLINE
```

Additionally, any RTDs that reside on the affected LSM will need to be varied offline. To do this, issue the VTCS command:

```
.VT V RTD(rtd_id) OFF
```



Warning: Failure to perform this step may result in the devices being removed becoming allocated. This may cause severe operational consequences including loss of access for any cartridge mounted at the time of the non-partitioning.



Note: If VTCS is involved, any RTDs moving out of the CDS of the host groups affected will require a VTCS CONFIG RESET to be run to remove the specific RTDs from the VTCS configuration.

2. Back up the CDS containing the ACS to be changed.

Use the HSC BACKUP utility to create the backup CDS copy.

3. Vary all ACSs connected to the library OFFLINE to all hosts.

ALL ACSs connected to the library must be offline to all hosts. Issue the HSC command:

```
VARY ACS acs-id OFFLINE
```


4. Change the SL3000 configuration to the affected partition.

The internal configuration file in the SL3000 is changed to reconfigure a partition, i.e., adding or deleting cell allocations or changing the exclusivity status of a CAP. This change is accomplished through the SLConsole.

- CAPs
 - If assigning a CAP, use the SLConsole to assign the CAP to only one partition (dedicated) or a set of partitions (shared).



Notes:

- Only dedicated CAPs can be set to auto.
- Prior to reassigning a CAP, it must be set to manual.
- If installing a CAP, verify the cells that occupied the CAP space are unassigned to any partition. Assign the CAP as described in the previous bullet.
- Drives – If installing or assigning a drive, use the SLConsole to assign the drive to a partition.
- Drive Bays – If installing a drive bay, after verifying the cells are unassigned to any partition, use the SLConsole to assign the drive slots to a partition.
- Cells – If assigning cells, use the SLConsole to assign cells to a partition.
- Dual Tallbots – If installing a second robot, verify the outermost three columns (front and back) of each outermost Cartridge Expansion Module (CEM) are unassigned to any partition.



Note: Outermost CEMs must be transformed into Parking Expansion Modules (PEMs) when installing the second robot.

- Expansion Modules
 - If installing a Drive Expansion Module (DEM) no additional setup is needed.
 - If installing a CEM to either end, no additional setup is needed.
 - **ATTENTION:** Prior to installing a CEM to a location other than to either end of the library (i.e., between a PEM and either a CEM, DEM, or Base Drive Module) the volumes in the PEM **must** be either moved to available space within the partition or ejected if no space is available. After the volumes are removed from the PEM, the partitions need to unassign the cell locations.

5. Run the SET SLIDRIVS utility if adding drives (optional).

Add drives to the changed ACS by running the SLUADMIN utility or command for SET SLIDRIVS

```
SET SLIDRIVS(drv1,drv2,drv3,,,,,,,,,,,,,) +  
FORLSMID(lsm-id),FORPANEL(12)
```



Note: If VTCS is involved, any RTDs moving into the CDS will require a VTCS CONFIG RESET to be run to add the specific RTDs to the VTCS configuration.

6. Vary all ACSs connected to the library ONLINE to all hosts.

Issue the HSC command:

```
VARY ACS acs-id ONLINE
```

The HSC retains the online/offline status of each pre-existing LSM. If the LSMs do not modify online when the ACS is varied online, issue the HSC command:

```
MODIFY LSM lsm-id ONLINE
```

No additional mounts will occur to the ACS until the ACS is varied online.

All other hosts will complete their configuration process when the ACS is varied online.



Notes:

- When an ACS is varied online, the panels are discovered to complete the configuration process. During this time, if any cartridges are discovered, an SLS4416E message will be displayed. It is important to follow the user response section of this message before proceeding to the next step. This section will instruct the user to perform the following step in the order listed:
 - Run the HSC SLUADMIN Audit utility with APPLY(NO) for the panels indicated to discover and resolve issues.
 - Run the HSC SLUADMIN Volume Report utility if necessary to gather volume information.
 - Run the HSC SLUADMIN Audit utility with APPLY(YES) to apply updates to the CDS.
 - Run the HSC SLUADMIN SET Utility specifying FREEZE OFF for any panels in the frozen state.

Refer to “Varying the ACS Online After a Configuration Change” on page 556 for further details of this process.

- Virtual tape environments will be required to vary any RTDs online to VTCS. Additionally, any virtual tape drives varied offline will need to be varied online to MVS.

7. Vary drives ONLINE to MVS if adding drives (optional).

From the MVS console, issue the following command to see if the new drives are online to MVS.

```
D U, , ,xxx-yyy
```

where *xxx-yyy* is the drive ID range (both real and virtual). If they are not, bring the real drives online with the MVS command:

```
VARY xxx-yyy ONLINE
```

8. Vary drives ONLINE to VTCS if adding RTDs (optional).

From the MVS console, issue

```
.VT V RTD(rtd_id) ON
```

for the RTDs that reside on the LSMs being allocated.

9. Re-synchronize the SMC.

Issue the SMC RESYNCHRONIZE command.

If you are running multiple HSC hosts, the new configuration will be propagated automatically to all hosts in the affected host group

Removing Resources from a Library

This procedure allows resources to be removed from an existing library. Resource removal can consist of cells, drives, drive bays, CAPs, expansion modules and dual Tallbot.

1. Back up the CDS containing the ACS to be changed.

Use the HSC BACKUP utility to create the backup CDS copy.



Note: If VTCS is involved, ALL CAP and tape activity (real and virtual) must be stopped. All virtual tape drives must be varied offline to MVS. All RTDs defined in the VTCS configuration must be varied offline to VTCS. It is highly recommended that all initiators be drained that feed both real and virtual tape drive processing. NCS and VTCS must be in an idle state prior to creating the backup copy of the CDS to avoid possibility of data loss.

2. Stop activity for all ACSs connected to the library.

In preparation for removing resources from the library, stop all CAP and tape activity (both real and virtual) from all active hosts in that ACS, including RTD tape processing. **Failure to do this will result in lost cartridges and errors on dismount.**

Vary drives offline to ALL MVS hosts that will no longer have access to the drives. From the MVS console, issue the following command to see if the drives in the affected LSM are offline to MVS.

```
D U, , ,xxx-yyy
```

where xxx-yyy is the drive ID or UCB range. If not, vary the drives offline with the MVS command:

```
VARY xxx-yyy OFFLINE
```

Additionally, any RTDs that reside on the affected LSM will need to be varied offline. To do this, issue the VTCS command:

```
.VT V RTD(rtd_id) OFF
```



Warning: Failure to perform this step may result in the devices being removed becoming allocated. This may cause severe operational consequences including loss of access for any cartridge mounted at the time of the partitioning.



Note: If VTCS is involved, any RTDs moving out of the CDS will require a VTCS CONFIG RESET to be run to add the specific RTDs from the VTCS configuration.

3. Eject cartridges out of the affected cells to be removed (optional).

If cells to be removed contain cartridges, optionally eject all cartridges from the affected ACS.

4. Vary drives OFFLINE to MVS if removing drives (optional).

From the MVS console, issue the following command to see if the new drives are offline to MVS.

```
D U, , ,xxx-yyy
```

where *xxx-yyy* is the drive ID range (both real and virtual). If they are not, vary the real drives offline with the MVS command:

```
VARY xxx-yyy OFFLINE
```

5. Vary drives OFFLINE to VTCS if removing RTDs (optional).

From the MVS console, issue

```
.VT V RTD(rtid_id) OFF
```

for the RTDs that reside in the LSMs being unallocated.

6. Vary all ACSs connected to the library OFFLINE to all hosts.

All ACSs must be offline to all hosts. Issue the HSC command:

```
VARY ACS acs-id OFFLINE
```

7. Run the SET SLIDRIVS utility if deleting drives (optional).

Delete drives to the changed partition (ACS) by running the SLUADMIN utility or command for SET SLIDRIVS

```
SET SLIDRIVS(,,,,,,,) +  
FORLSMID(lsm-id),FORPANEL(12)
```



Note: If VTCS is involved, any RTDs moving out of the CDS will require a VTCS CONFIG RESET to be run to remove the specific RTDs from the VTCS configuration.

8. Change the SL3000 configuration.

The internal configuration file in the SL3000 must be changed to reconfigure a partition. This change is made through the SLConsole.

- CAPs
 - If removing a CAP, use the SLConsole to unassign the CAP from all partitions.
 - If unassigning a CAP, verify the CAP is in manual mode. Use the SLConsole to unassign the CAP from one or more partitions.
- Drives – If removing or unassigning a drive, use the SLConsole to unassign the drive from the partition.
- Drive Bays – If removing a drive bay, use the SLConsole to unassign the drive slots from their partition.
- Cells – If unassigning cells, use the SLConsole to unassign cells from the partition.



Note: Cartridges left in unassigned cells will become orphaned.

- Dual Tallbots – If removing a second robot, no additional setup is needed.



Note: Outermost PEMs must be transformed into CEMs when removing the second robot.

- Expansion Modules
 - **ATTENTION:** Prior to removing a DEM, cartridges must be either moved to available space or ejected if space is not available. After the volumes are removed from the DEM, the partitions need to unassign the cell locations.
 - **ATTENTION:** Prior to removing a CEM from the library, cartridges must be either moved to available space or ejected if space is not available. After the volumes are removed from the CEM, the partitions need to unassign the cell locations.



Note: Prior to removing a CEM from a location other than from either end of the library (i.e., between a PEM and either a CEM, DEM or Base Drive Module) the volumes in the PEM **must** be either moved to available space within the partition or ejected if no space is available. After the volumes are removed from the PEM, the partitions need to unassign the cell locations.

9. Vary all ACSs connected to the library ONLINE to all hosts.

Issue the HSC command:

```
VARY ACS acs-id ONLINE
```

The HSC retains the online/offline status of each pre-existing LSM. If the LSMs do not modify online when the ACS is varied online, issue the HSC command:

```
MODIFY LSM lsm-id ONLINE
```

No additional mounts will occur to the ACS until the ACS is varied online.

All other hosts will complete their configuration process when the ACS is varied online.



Notes:

- Virtual tape environments will be required to vary any RTDs online to VTCS. Additionally, any virtual tape drives varied offline will need to be varied online to MVS.
- Refer to the Vary ACS Online after Configuration Change section in Appendix A for further details of this process.

10. Re-synchronize the SMC.

Issue the SMC RESYNCHRONIZE command.

If you are running multiple HSC hosts, the new configuration will be propagated automatically to all hosts.

Varying the ACS Online After a Configuration Change

In several partitioning procedures, there is a “vary ACS online” step that needs to be performed when a hardware configuration change is completed for an SL3000 library. When this step is executed, the HSC will run a reconfiguration for the ACS that is affected. During Reconfiguration of an ACS, the following occurs:

- The ACS configuration containing details of the LSM is read from the library.
- CAP and drive configuration information are read from the library.
- Library configuration information (LSM, CAP, and drive) is then synchronized with the equivalent information in the HSC database.
- LSM cell geography is discovered and updated in the HSC database.

Below is an HSC log example of an SL3000 ACS that change from a library with a Basic Expansion Module (BEM) to a library with a BEM, a DEM, and 2 CEMs:

```
/SLS0000I V ACS 00 ONLINE
/SLS4459I Li brary confi gurati on changes started
/SLS4400I HSC dynami c reconfi gurati on ini ti ated
/SLS0668I LSM 00:00 READY; TEMP OUTAGE QUEUE WI LL BE RE-DRI VEN.
/SLS0054I ACS 00 now ONLINE
/SLS4415I Confi gurati on change for LSM 00:00, total cells increased by
1,148, free cells increased by 748
/SLS4419I CAP 00:00:04 status changed from UNALLOCATED to OFFLINE
/SLS4419I CAP 00:00:05 status changed from UNALLOCATED to OFFLINE
/SLS4419I CAP 00:00:07 status changed from UNALLOCATED to OFFLINE
/SLS1969I User exit 06 module SLSUX06 INACTIVE
/SLS4407I HSC dynami c reconfi gurati on processi ng has ended.
/SLS4460I Li brary confi gurati on changes complete on ECCL
```


Error Recovery

Deviation from the preceding procedures can result in unpredictable behavior. Although the SL3000 partitioning process uses Near Continuous Operation (NCO) to minimize or eliminate down time, failure to follow these procedures may result in unplanned down time.

Volumes physically remaining in an ACS that is being removed from the CDS will be logically deleted.

The recommended procedure to recover from errors and to return the configuration to what it was before the partitioning attempt is to restore the CDS using the HSC RESTore utility and perform an audit using the HSC AUDIt utility to ensure the CDS matches the library. Once the cause of the problem is determined and fixed, start the procedures again.

The following manuals are available for reference:

- *HSC Messages and Code Guide*
- *HSC System Programmer's Guide*
- *VTCS Installation and Configuration Guide*
- *VTCS Command and Utility Reference*

TCP/IP Communications - Important Considerations

For the complex, the dual TCP/IP connection provides a redundancy feature that allows up to two connections to the first library in a complex.

Shared Networks

The following are some examples of issues that can arise when you connect the SL3000 library to a shared network.

- A TCP/IP-connected library can handle standard host traffic, but it cannot resolve floods of Address Resolution Protocol (ARP) broadcasts. **For this reason, it is best to attach the library to a controlled network, such as behind a switch or router.**

Later generation networks, such as 1000Base-T and Gig-E, support earlier communication modes; however, devices that are communicating with the library may transmit data at bandwidths that could overwhelm the library.

It is best to attach the library on a controlled network, such as with a switch that can isolate the library from network broadcasts.

- When you connect the library on shared networks, and broadcasts are sent to all network nodes, they may also be directed to the library (even though it does not need them).

During the time the library is receiving these irrelevant broadcasts, it cannot receive requests or reply to others in a timely fashion. This heavy broadcast traffic on the network can saturate the library to the point that, to the host, it may appear that the TCP/IP connection has been lost.

- Heavy network traffic can also overwhelm the Ethernet controller causing the processor to continuously reset and re-initialize the controller, then recover the host-to-library communications.

Dual IP Connections

The LMUPATH control statement allows users to define network LMU attachments (see “LMUPATH Control Statement” on page 101). In a dual IP connection environment for an SL3000, specify a second LMUADDR parameter to define dual IP. The HSC automatically determines whether or not the connection is dual IP or dual LMU.



Note: Vary the ACS offline and back online to pick up the revised LMUPATH statement that includes the second connection.

Figure 48 on page 560 and Figure 49 on page 565 show examples of a dual IP connection for the HSC.

Two SL3000 Network Connections - Two Mainframe IP Addresses

To establish two dedicated routes on different subnetworks from the HSC to two dedicated routes to the SL3000, use the process described in this section. **To configure the SL3000 dual TCP/IP feature, refer to chapter 4 of the *StreamLine SL3000 Modular Library System Installation Guide*.**

Figure 48 on page 560 shows dual IP connections with two SL3000 network connections.

LMUPATH ACS(00)
LMUADDR(129.80.71.83,172.27.2.5)

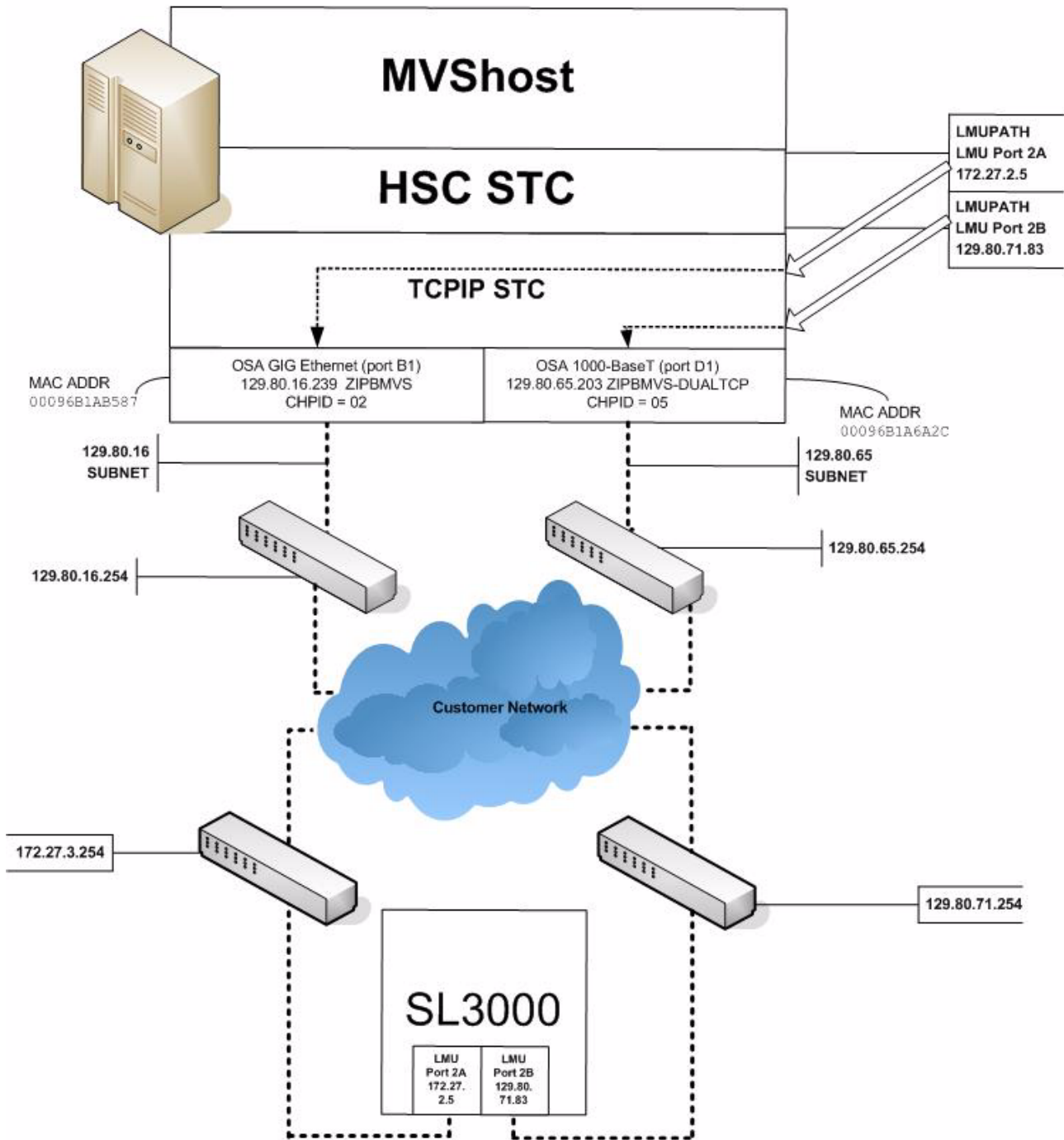


Figure 48. Dual IP with Two SL3000 Network Connections - Different Subnetworks

In the following examples, the entries *in italics* represent the second connection.

1. Create and complete the Network Entries Worksheet (see Table 37 for a sample) for each set of two dedicated routes to the SL3000. The worksheet can be found in chapter 4 of the *SL3000 Modular Library System Installation Guide*.

Table 37. Network Entries Worksheet

Description		IP Address
Port 2A	HBC Card Port 2A	172.27.2.5
	Gateway Port 2A	172.27.3.254
	Netmask	/23
	Host to Port 2A	129.80.16.239
Port 2B	HBC Car Port 2B	129.80.71.83
	Gateway Port 2B	129.80.71.254
	Netmask	/23
	Host to Port 2B	129.80.65.203

2. Define a second DEVICE and LINK statement in your TCP/IP profile data set for a second mainframe network connection:

Example:

```

; OSA CARD #1
DEVICE ECCQD01 MPCIPA NONROUTER AUTORESTART
LINK ZIPBMVS IPAQENET ECCQD01

; OSA CARD #2
DEVICE ECCQA01 MPCIPA NONROUTER AUTORESTART
LINK ZIPB2MVS IPAQENET ECCQA01

```

3. Define a second home address in your TCP/IP profile data set.

Example:

```

HOME

129.80.16.239 ZIPBMVS
129.80.65.203 ZIPB2MVS

```

- Define a second router on the second subnetwork in the routing paragraph of your TCP/IP profile data set. **Remember that you must also configure the SL3000 routing tables according to the instructions described in chapter 4 of the SL3000 Modular Library System Installation Guide.**

Example:

```

BEGINROUTES
;   NETWORK MASK                FIRSTHOP      LINKNAME  PACKETSIZE
ROUTE 129.80.16.0/24           =            ZIPBMVS   MTU 1492
ROUTE 129.80.65.0/24           =            ZIPB2MVS  MTU 1492
ROUTE 172.27.2.5 HOST          129.80.16.254 ZIPBMVS   MTU 1492
ROUTE 129.80.71.83 HOST        129.80.65.254 ZIPB2MVS  MTU 1492
ROUTE DEFAULT 129.80.16.254    ZIPBMVS     MTU 1492
ROUTE DEFAULT 129.80.65.254    ZIPB2MVS    MTU 1492
ENDROUTES

```

- Optionally, define two dedicated static routes to the SL3000 destination port (2A and 2B) IP addresses over two different routers.

Example:

```

;   NETWORK MASK  ROUTER      LINKNAME  PACKETSIZE
ROUTE S13000-port-2A-IP-Address HOST  129.80.16.254 MVSHOST1  MTU 1492
ROUTE S13000-port-2B-IP-Address HOST  129.80.64.254 MVSHOST2  MTU 1492

BEGINROUTES
;   NETWORK MASK  FIRSTHOP      LINKNAME  PACKETSIZE
ROUTE 129.80.16.0/24 =            ZIPBMVS   MTU 1492
ROUTE 129.80.65.0/24 =            ZIPB2MVS  MTU 1492
ROUTE 172.27.2.5   HOST  129.80.16.254 ZIPBMVS   MTU 1492
ROUTE 129.80.71.83 HOST  129.80.65.254 ZIPB2MVS  MTU 1492
ROUTE DEFAULT 129.80.16.254 ZIPBMVS     MTU 1492
ROUTE DEFAULT 129.80.65.254 ZIPB2MVS    MTU 1492
ENDROUTES

```

- Start the second mainframe network connection device.

```
V TCP/IP, tcp-stc-name, START, device_name
```

- Define a second LMUADDR parameter for the port 2A IP address on the SL3000.

Example:

```
LMUPATH ACS(00) LMUADDR(129.80.71.83,172.27.2.5)
```

8. Enter the LMUPDEF command containing the LMUPATH statements that define the host name or IP address for each ACS.

```
LMUPDEF DSN('xxx.xxx.xxx(xxx)')
```

In the following example, LMUPDEF loads LMUPATH parameters from YOUR.DSN(MEMBER).

```
LMUPDEF DSN('YOUR.DSN(MEMBER)')
```

9. Allow the trained SL3000 service representative to enter the network connections to the SL3000 library for either port 2A and 2B, whichever is applicable.
10. Vary the ACS offline and back online to pick up the revised LMUPATH statement that includes the second connection. This can be done one host at a time to minimize down time.

Sample Configuration - Two Dedicated Routes

Figure 49 on page 565 shows a sample configuration with two dedicated routes, followed by the statements that apply to it.

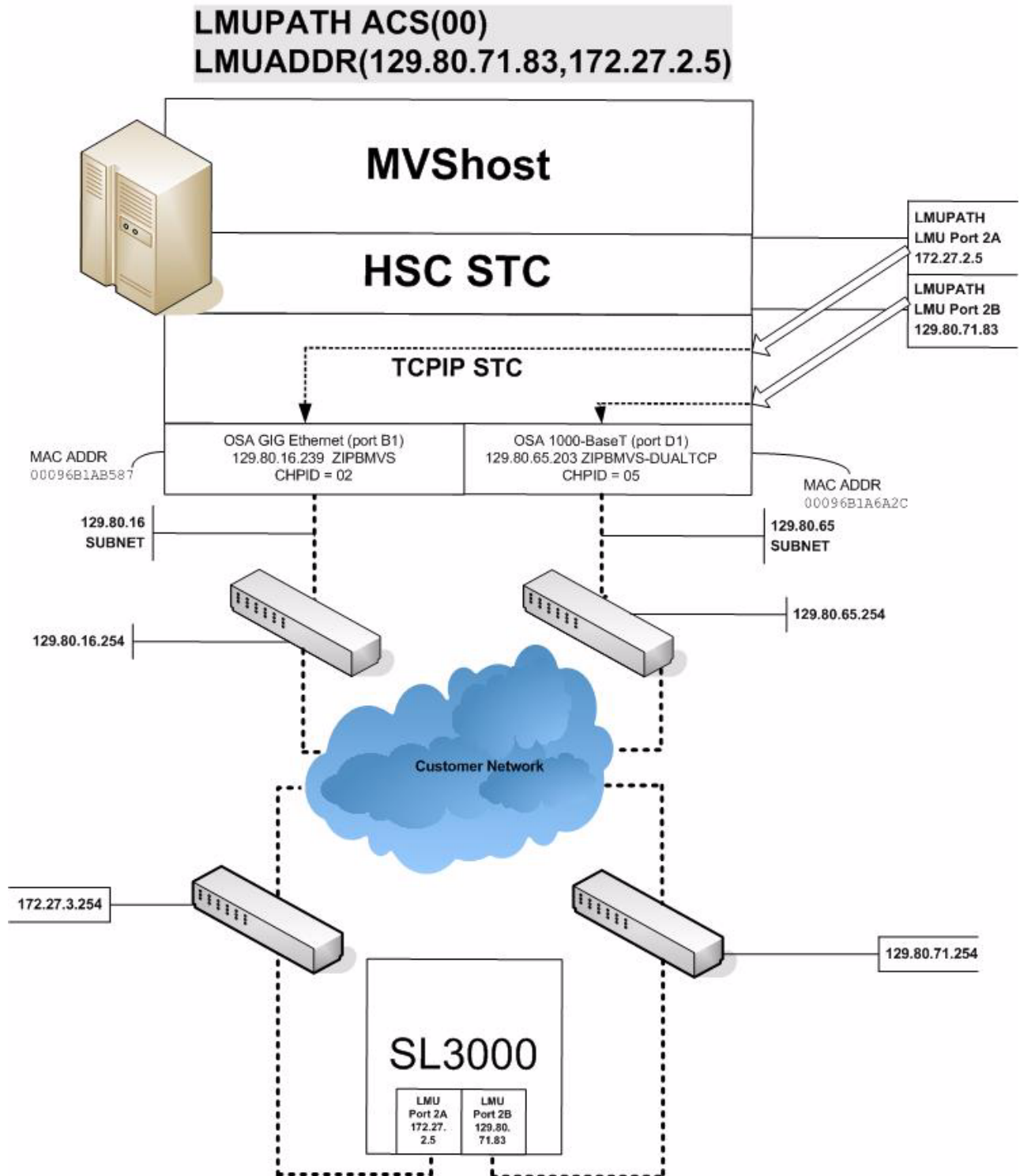


Figure 49. Dual IP Configuration Sample - Different Subnetworks

Setup Statements and Displays

The following information shows the statements and displays used in Figure 49.

HSC LMUPDEF PARMLIB Member

```
OPTION TITLE(' DUAL TCPIP CONNECTING TO SL3000' )
LMUPATH ACS(00) LMUADDR(129. 80. 71. 83, 172. 27. 2. 5)
```

TCP/IP Profile Data Set

```
; OSA CARD #1
DEVI CE ECCQD01 MPCIP A   NONROUTER AUTORESTART
LI NK   ZI PBMVS I PAQENET ECCQD01

; OSA CARD #2
DEVI CE ECCQA01 MPCIP A   NONROUTER AUTORESTART
LI NK   ZI PB2MVS I PAQENET ECCQA01

HOME
    129. 80. 16. 239 ZI PBMVS
    129. 80. 65. 203 ZI PB2MVS

BEGI NROUTES
;
      NETWORK MASK   FI RSTHOP      LI NKNAME      PACKETSI ZE
ROUTE 129. 80. 16. 0/24      =              ZI PBMVS      MTU 1492
ROUTE 129. 80. 65. 0/24      =              ZI PB2MVS     MTU 1492
ROUTE 172. 27. 2. 5   HOST      129. 80. 16. 254 ZI PBMVS      MTU 1492
ROUTE 129. 80. 71. 83 HOST      129. 80. 65. 254 ZI PB2MVS     MTU 1492
ROUTE DEFAULT 129. 80. 16. 254      ZI PBMVS      MTU 1492
ROUTE DEFAULT 129. 80. 65. 254      ZI PB2MVS     MTU 1492

ENDROUTES

I NCLUDE ZI P. TCPI P. PROFI LES(COMMON)

START ECCQD01
START ECCQA01
```

TCP/IP Console Displays

```
D TCPIP, TCPIP, NETSTAT, DEV
EZZ2500I NETSTAT CS V1R4 TCPIP 229
DEVNAME: LOOPBACK          DEVTYPE: LOOPBACK
DEVSTATUS: READY
LNKNAME: LOOPBACK          LNKTYPE: LOOPBACK    LNKSTATUS: READY
NETNUM: 0    QUESIZE: 0
BYTESIN: 1781074          BYTESOUT: 1781074
ACTMTU: 65535
BSD ROUTING PARAMETERS:
MTU SIZE: 00000          METRIC: 00
DESTADDR: 0.0.0.0        SUBNETMASK: 0.0.0.0
MULTICAST SPECIFIC:
MULTICAST CAPABILITY: NO

DEVNAME: ECCQD01          DEVTYPE: MPCIPA
DEVSTATUS: READY          CFGROUTER: NON  ACTROUTER: NON
LNKNAME: ZI PB MVS        LNKTYPE: IPAQENET  LNKSTATUS: READY
NETNUM: 0    QUESIZE: 0    SPEED: 0000001000
BYTESIN: 34704496        BYTESOUT: 11207410
IPBROADCASTCAPABILITY: NO
ARPOFFLOAD: YES  ARPOFFLOADINFO: YES
ACTMTU: 8992
INBPERF: BALANCED
BSD ROUTING PARAMETERS:
MTU SIZE: 00000          METRIC: 00
DESTADDR: 0.0.0.0        SUBNETMASK: 255.255.255.0
MULTICAST SPECIFIC:
MULTICAST CAPABILITY: YES
GROUP          REFCNT
-----
224.0.0.1      0000000001

DEVNAME: ECCQA01          DEVTYPE: MPCIPA
DEVSTATUS: READY          CFGROUTER: NON  ACTROUTER: NON
LNKNAME: ZI PB2MVS        LNKTYPE: IPAQENET  LNKSTATUS: READY
NETNUM: 0    QUESIZE: 0    SPEED: 0000000100
BYTESIN: 147508801        BYTESOUT: 2188246
IPBROADCASTCAPABILITY: NO
ARPOFFLOAD: YES  ARPOFFLOADINFO: YES
ACTMTU: 1492
INBPERF: BALANCED
BSD ROUTING PARAMETERS:
MTU SIZE: 00000          METRIC: 00
DESTADDR: 0.0.0.0        SUBNETMASK: 255.255.255.0
MULTICAST SPECIFIC:
MULTICAST CAPABILITY: YES
GROUP          REFCNT
-----
224.0.0.1      0000000001
3 OF 3 RECORDS DISPLAYED
```

```

D TCPIP, TCPIP, NETSTAT, ROUTE
EZZ2500I NETSTAT CS V1R4 TCPIP 250
DESTINATION      GATEWAY          FLAGS      REFCNT  INTERFACE
DEFAULT          129.80.16.254   UGS        000003  ZI PBMVS
DEFAULT          129.80.65.254   UGS        000002  ZI PB2MVS
127.0.0.1        0.0.0.0         UH         000003  LOOPBACK
129.80.16.0      0.0.0.0         US        000002  ZI PBMVS
129.80.16.239   0.0.0.0         UH        000000  ZI PBMVS
129.80.65.0     0.0.0.0         US        000000  ZI PB2MVS
129.80.65.203   0.0.0.0         UH        000000  ZI PB2MVS
129.80.71.83    129.80.65.254  UGHS      000001  ZI PB2MVS
172.27.2.5      129.80.16.254  UGHS      000001  ZI PBMVS
9 OF 9 RECORDS DISPLAYED

```

HSC Display Showing SL3000 Connection

```

D ACS
SLS0000I D ACS
SLS1000I ACS 00 STATUS: CONNECTED 334
ACTIVE QUEUE ELEMENTS                2
COMPATIBILITY LEVELS: HSC=13, LMU=13
DUAL LMU NOT CONFIGURED
IP ADDR 129.80.71.83 ONLINE
IP ADDR 172.27.2.5 ONLINE
SCRATCH VOLUMES AVAILABLE.....      210
FREE CELLS AVAILABLE.....            2008
D TCPIP, TCPIP, NETSTAT, HOME
EZZ2500I NETSTAT CS V1R4 TCPIP 252
HOME ADDRESS LIST:
ADDRESS      LINK          FLG
129.80.16.239  ZI PBMVS      P
129.80.65.203  ZI PB2MVS
127.0.0.1     LOOPBACK
3 OF 3 RECORDS DISPLAYED

```

SLConsole Display of SL3000 Ports 2A/2B IP Addresses

StorageTek Library Console

Tools Help **System Detail** Apply Refresh ?

Library:1,0,0,0,0
 CAP Folder:1,0,0,0,0
 Drive Folder:1,0,0,0,0
 Power Supply Folder:1,0,0,0,0
 Robot Folder:1,0,0,0,0

Library

Status Properties **Auto Clean**

General Library Controller Drive Controller

Physical

Vendor	STK
Frame Serial Number	571000000016
Expansion Module Count	4
Total Slot Count	2192
Empty Slot Count	211
Drive Count	8
Robot Count	2
Cap Count	4
Drive Power Supply Count	8
Hardware Power Supply Count	6

Host Interface TCP/IP 2B

DNS Domain Name	andre3k
IP Address	10.80.41.200
NetMask	255.255.254.0
MAC Address	00:10:4F:00:B9:AE

Host Interface TCP/IP 2A

IP Address	10.80.40.200
NetMask	255.255.254.0
MAC Address	00:10:4F:00:B9:AF

SL3000 Comm Status UserID: mfg Library:010.080.040.200

Two SL3000 Network Connections - One Mainframe IP Address

To establish one host IP route from the HSC to two routes to the SL3000, use the process described in this section. **To configure the SL3000 dual TCP/IP feature, refer to chapter 4 of the *SL3000 Modular Library System Installation Guide*.**

Figure 51 on page 574 shows dual IP (one host IP) with two SL3000 network connections.

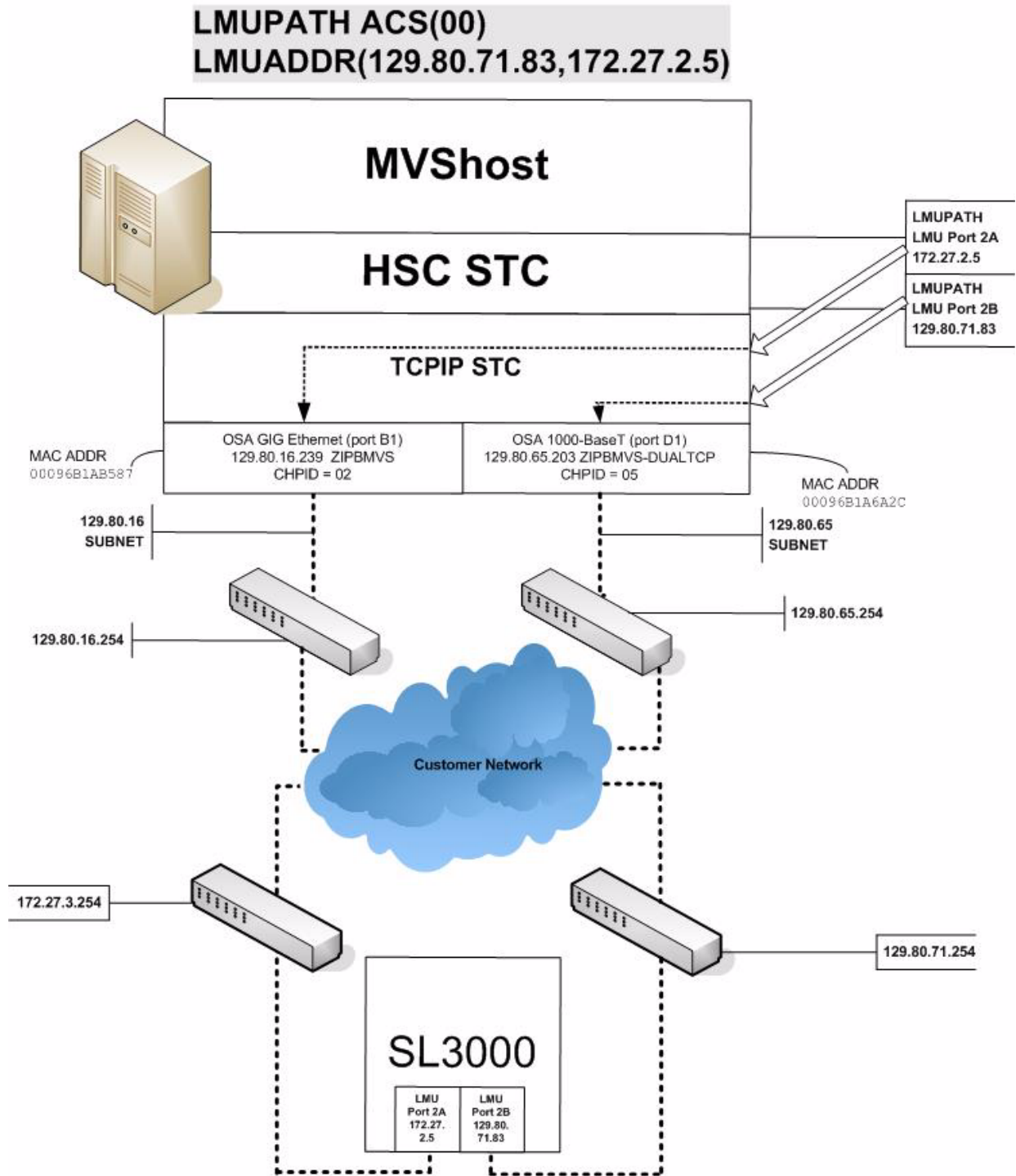


Figure 50. Dual IP (one host IP) with Two SL3000 Network Connections

In the following examples, the entries *in italics* represent the second connection.

1. Complete the Network Entries Worksheet (see Table 38 for a sample) for each set of routes to the SL3000. The worksheet can be found in chapter 4 of the *SL3000 Modular Library System Installation Guide*.

Table 38. Network Entries Worksheet

Description		IP Address
Port 2A	HBC Card Port 2A	172.27.2.5
	Gateway Port 2A	172.27.3.254
	Netmask	/23
	Host to Port 2A	129.80.16.239
Port 2B	HBC Car Port 2B	129.80.71.83
	Gateway Port 2B	129.80.71.254
	Netmask	/23
	Host to Port 2B	129.80.16.239

2. Optionally, define two dedicated static routes to the SL3000 destination port (2A and 2B) IP addresses over one router.

Example:

```

BEGINROUTES
;   DESTINATION           FIRSTHOP           LINKNAME           PACKETSIZE
ROUTE 129.80.16.0/24      =                  &SYSNAME.MVS      MTU 1492
ROUTE 172.27.2.5 HOST    129.80.16.254    &SYSNAME.MVS      MTU 1492
ROUTE 129.80.71.83 HOST  129.80.16.254    &SYSNAME.MVS      MTU 1492
ROUTE DEFAULT            129.80.16.254    &SYSNAME.MVS      MTU 1492

ENDROUTES

```

3. Define a second LMUADDR parameter for the port 2A IP address on the SL3000.

Example:

```

LMUPATH ACS(00) LMUADDR(129.80.71.83,172.27.2.5)

```


4. Enter the LMUPDEF command containing the LMUPATH statements that define the host name or IP address for each ACS.

```
LMUPDEF DSN('xxx.xxx.xxx(xxx)')
```

In the following example, LMUPDEF loads LMUPATH parameters from YOUR.DSN(MEMBER).

```
LMUPDEF DSN('YOUR.DSN(MEMBER)')
```

5. Allow the trained SL3000 service representative to enter the network connections to the SL3000 library for either port 2A and 2B, whichever is applicable.
6. Vary the ACS offline and back online to pick up the revised LMUPATH statement that includes the second connection. This can be done one host at a time to minimize down time.

Sample Configuration - One Host IP, Two SL3000 Network Connections

Figure 51 shows a sample dual IP (one host IP) configuration with two SL3000 network connections, followed by the statements that apply to it.

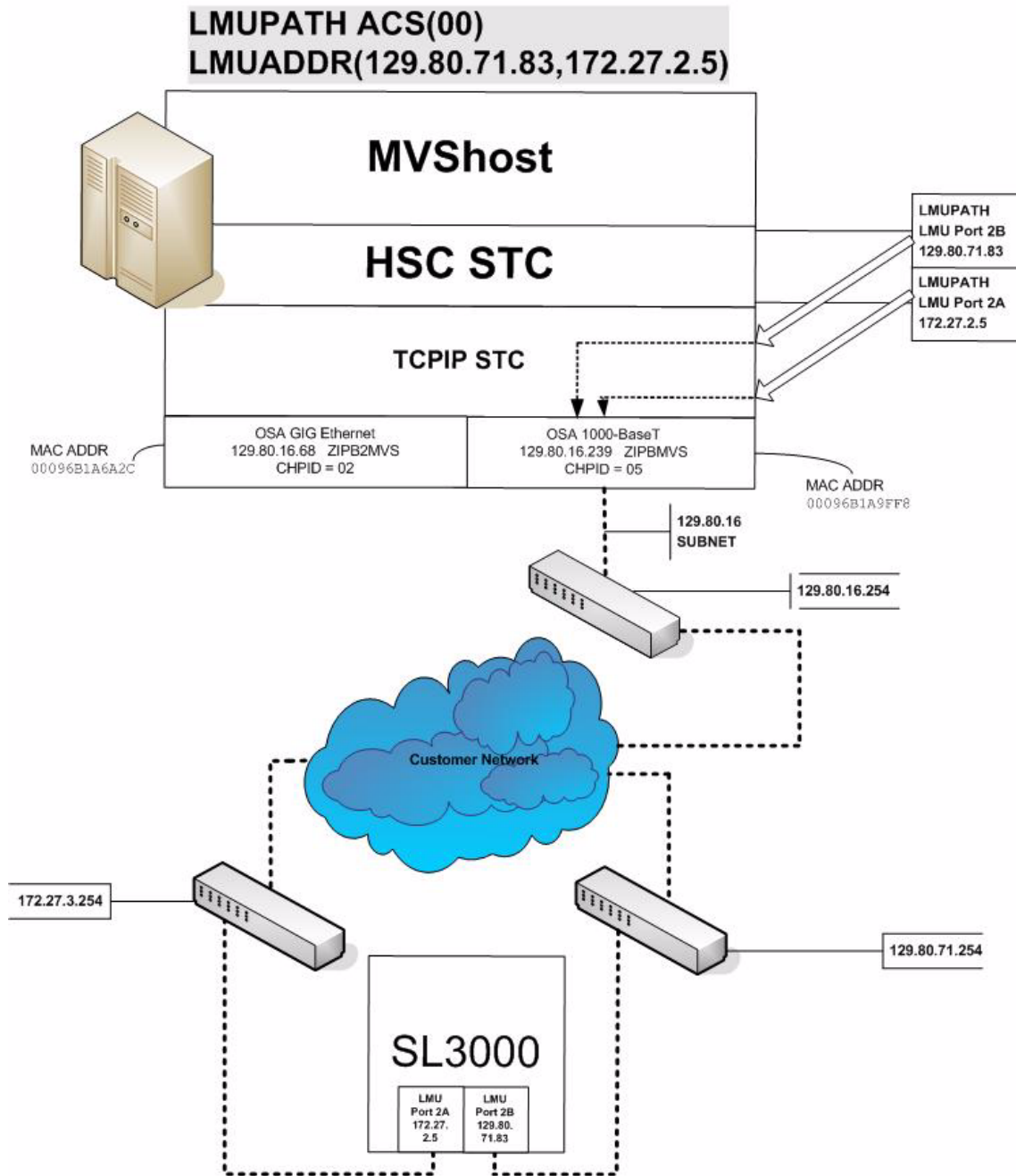


Figure 51. Dual IP (one host IP) with Two SL3000 Network Connections

Setup Statements and Displays

The following information shows the statements and displays used in Figure 51.

HSC LMUPDEF PARMLIB Member

```
OPTION TITLE(' DUAL TCPIP CONNECTING TO SL30001' )  
LMUPATH ACS(00) LMUADDR(129.80.71.83,172.27.2.5)
```

TCP/IP Profile Data Set

```
; OSA CARD #1  
DEVICE ECCQD01 MPCIPA NONROUTER AUTORESTART  
LINK ZI PBMVS I PAQENET ECCQD01  
  
HOME  
    129.80.&I PADDR1 &SYSNAME.MVS  
  
BEGINROUTES  
;          NETWORK MASK  FIR STHOP      LI NKNAME      PACKETSI ZE  
ROUTE 129.80.16.0/24      =          &SYSNAME.MVS  MTU 1492  
ROUTE 172.27.2.5 HOST    129.80.16.254 &SYSNAME.MVS  MTU 1492  
ROUTE 129.80.71.83 HOST  129.80.16.254 &SYSNAME.MVS  MTU 1492  
ROUTE DEFAULT  
  
ENDROUTES  
  
INCLUDE ZI P.TCPIP.PROFI LES(COMMON)  
  
START ECCQD01
```

TCP/IP Console Displays

```

D TCPIP, ,N,DEV
EZZ2500I NETSTAT CS V1R4 TCPIP 931
DEVNAME: LOOPBACK          DEVTYPE: LOOPBACK
DEVSTATUS: READY
LNKNAME: LOOPBACK          LNKTYPE: LOOPBACK    LNKSTATUS: READY
NETNUM: 0    QUESIZE: 0
BYTESIN: 2136824          BYTESOUT: 2136824
ACTMTU: 65535
BSD ROUTING PARAMETERS:
MTU SIZE: 00000          METRIC: 00
DESTADDR: 0.0.0.0        SUBNETMASK: 0.0.0.0
MULTICAST SPECIFIC:
MULTICAST CAPABILITY: NO
DEVNAME: ECCQD01          DEVTYPE: MPCIPA
DEVSTATUS: READY          CFGROUTER: NON  ACTROUTER: NON
LNKNAME: ZIPBMVS          LNKTYPE: IPAQENET  LNKSTATUS: READY
NETNUM: 0    QUESIZE: 0    SPEED: 0000001000
BYTESIN: 48605838        BYTESOUT: 9790950
IPBROADCASTCAPABILITY: NO
ARPOFFLOAD: YES  ARPOFFLOADINFO: YES
ACTMTU: 8992
INBPERF: BALANCED
BSD ROUTING PARAMETERS:
MTU SIZE: 00000          METRIC: 00
DESTADDR: 0.0.0.0        SUBNETMASK: 255.255.255.0
MULTICAST SPECIFIC:
MULTICAST CAPABILITY: YES
GROUP          REFCNT
-----
224.0.0.1      00000000001
2 OF 2 RECORDS DISPLAYED

```

```

D TCPIP, ,N,ROUTE
EZZ2500I NETSTAT CS V1R4 TCPIP 933
DESTINATION    GATEWAY          FLAGS    REFCNT    INTERFACE
DEFAULT        129.80.16.254    UGS      000001    ZIPBMVS
127.0.0.1      0.0.0.0          UH       000004    LOOPBACK
129.80.16.0    0.0.0.0          US       000000    ZIPBMVS
129.80.16.239 0.0.0.0          UH       000000    ZIPBMVS
129.80.71.83   129.80.16.254    UGHS     000001    ZIPBMVS
172.27.2.5     129.80.16.254    UGHS     000001    ZIPBMVS
6 OF 6 RECORDS DISPLAYED

```

```

D TCPIP, ,N,HOME
EZZ2500I NETSTAT CS V1R4 TCPIP 935
HOME ADDRESS LIST:
ADDRESS        LINK          FLG
129.80.16.239  ZIPBMVS      P
127.0.0.1     LOOPBACK
2 OF 2 RECORDS DISPLAYED

```

HSC Display Showing SL3000 Connection

```
D ACS
SLS0000I D ACS
SLS1000I ACS 00 STATUS: CONNECTED 942
ACTIVE QUEUE ELEMENTS                1
COMPATIBILITY LEVELS: HSC=13, LMU=13
DUAL LMU NOT CONFIGURED
IP ADDR 129.80.71.83 ONLINE
IP ADDR 172.27.2.5 ONLINE
SCRATCH VOLUMES AVAILABLE.....      210
FREE CELLS AVAILABLE.....            2007
```

SLConsole Display of SL3000 Ports 2A/2B IP Addresses

The screenshot displays the StorageTek Library Console interface. The title bar reads "StorageTek Library Console". The menu bar includes "Tools", "Help", and "System Detail". The left-hand pane shows a tree view with the following items:

- Library:1,0,0,0,0 (Warning icon)
- CAP Folder:1,0,0,0,0 (Success icon)
- Drive Folder:1,0,0,0,0 (Warning icon)
- Power Supply Folder:1,0,0,0,0 (Success icon)
- Robot Folder:1,0,0,0,0 (Success icon)

The main display area is titled "Library" and has three tabs: "Status", "Properties", and "Auto Clean". The "Properties" tab is active, showing three sub-tabs: "General", "Library Controller", and "Drive Controller". The "General" sub-tab is selected, displaying the following information:

Physical

Vendor	STK
Frame Serial Number	57100000016
Expansion Module Count	4
Total Slot Count	2192
Empty Slot Count	211
Drive Count	8
Robot Count	2
Cap Count	4
Drive Power Supply Count	8
Hardware Power Supply Count	6

Host Interface TCP/IP 2B

DNS Domain Name	andre3k
IP Address	10.80.41.200
NetMask	255.255.254.0
MAC Address	00:10:4F:00:B9:AE

Host Interface TCP/IP 2A

IP Address	10.80.40.200
NetMask	255.255.254.0
MAC Address	00:10:4F:00:B9:AF

The bottom status bar shows "SL3000" on the left, "Comm Status" and "UserID: mfg" in the center, and a warning icon followed by "Library:010.080.040.200" on the right.

Appendix C. HSC Support for Near Continuous Operation (NCO)

Overview

This appendix discusses Near Continuous Operation (NCO) for the HSC, which provides facilities and techniques that allow customers to make dynamic changes to the library that do not disrupt the library hardware and environment. In most cases, users can perform these procedures without requiring the HSC to be terminated and restarted.

This appendix describes two separate sets of NCO operations:

- dynamic hardware reconfiguration for the StorageTek libraries (page 580)
- common NCO (page 600).



Note: Library Station does not support Near Continuous Operation (NCO). If LibraryStation is running during NCO, results will be unpredictable.

Library Station should not be running when NCO is started or is anticipated to start, for example, when you are varying a newly reconfigured library online. This includes changes to drives that are configured to LibraryStation.

Dynamic Hardware Reconfiguration for StorageTek Libraries

SL8500 Library

NCO for the SL8500 library provides users with the ability to modify their hardware configuration dynamically without terminating the HSC. The following procedures are detailed:

- tape drives:
 - adding tape drives (page 583)
 - removing tape drives (page 584)
 - replacing tape drives (page 585)
 - changing unit addresses for tape drives (page 586).
- expansion panels:
 - adding or removing (page 587)
 - auditing after expansion (page 589)
- SL8500s only:
 - adding and configuring SL8500s (page 591).

Related SL8500 procedures that require you to terminate the HSC are discussed in Appendix A, “HSC Support for the SL8500 Library”. These include:

- merging ACSs
- removing PTPs and splitting ACSs.



Notes:

- Adding SL8500 expansion panels is a hardware-disruptive change that requires you to vary the LSMs (rails) or the ACS offline and back online.
- CAPs are detected automatically when LSMs are added to an SL8500 library. For HSC 6.2, the optional second CAP is planned for a future release.

SL3000 Library

SL3000 procedures that require you to terminate the HSC are discussed in Appendix B, “HSC Support for the SL3000 Library” on page 515. The following procedures are described:

- expansion modules for the SL3000 library:
 - adding or removing (page 588)
 - auditing after expansion (page 599)



Notes:

- Adding SL3000 expansion modules is a hardware-disruptive change that requires you to vary the LSM offline and back online.
- CAPs are detected automatically when modules are added to an SL3000 library.

Additional Considerations

- It is possible to add or remove LSMs from the SL8500 or expansion modules from the SL3000 configuration without performing a LIBGEN, MERGEcds, and recycle of the HSC. However, **this operation requires assistance from StorageTek.**
- If you intend to add drives, run the SET SLIDRIVS utility to allow the HSC to recognize drive locations and associated UCB addresses and to ensure the CDS reflects the new tape drive configuration. Refer to the SET SLIDRIVS utility in the *HSC System Programmer's Guide*.

See the procedure “Adding Tape Drives” on page 583 for more information.

Requirements/Recommendations



Caution: Do not run any CDS-related commands or utilities while dynamic hardware changes are being implemented.

- Back up the CDS before and after you perform a hardware reconfiguration.
- For any active HSC that accesses the CDS being modified by dynamic reconfiguration, **all ACSs and LSMs must be varied online** to maintain configuration integrity across hosts. An inactive HSC can be started after dynamic reconfiguration has completed on another host, but once an HSC becomes active, it must be at the full service level, and all ACSs and LSMs must be varied online.
- In a multi-host environment, StorageTek recommends that **all active hosts run HSC 6.1-level software**. Any hosts not at 6.1 level **must** be brought down before initiating dynamic hardware reconfiguration and brought back up after the hardware reconfiguration is complete. The non-6.1 hosts recognize the hardware changes at this time.

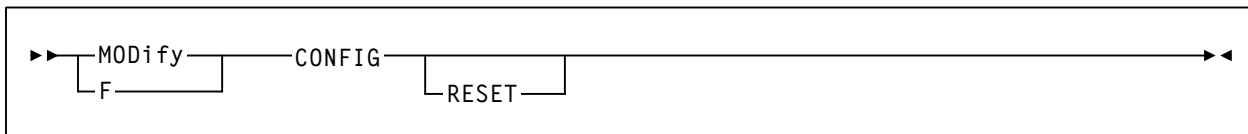
Starting Dynamic Hardware Reconfiguration

Enter the MODify CONFIG command (see the MODify Command in the *HSC 6.2 Operator's Guide*) to initiate dynamic hardware reconfiguration.



Warning: BEFORE you enter MODify CONFIG, RUN A BACKUP OF THE CDS.

The syntax for this command is:



Adding Tape Drives

This section discusses a procedure to add drives to an SL8500 library and HSC configuration. In this case, the SL8500 panel already contains operational tape drives, and the HSC remains active during this time.

1. Connect the additional tape drives to a drive panel in the SL8500 library. The new drives must be installed and powered on, and the user must run the SET SLIDRIVS utility to add the MVS drive address and drive location to the CDS.
2. Specify the SLUADMIN utility administrator program in your JCL to add the drives to the CDS. This example shows JCL to add two drives and specifies a primary and secondary CDS.

```
//DRVADD EXEC PGM=SLUADMIN
//*
//STEPLIB DD DSN=SYS1.SLSLINK
//*
//SLSCNTL DD DISP=SHR,DSN=SYS1.DBASEPRM
//SLSCNTL2 DD DISP=SHR,DSN=SYS1.DBASESEC
//SLSPRINT DD SYSOUT=*
//SLSIN DD *
    SET SLIDRIVS(A00, A01, A02, A03, A04, A05, A06, A07, A08, A09, +
        A10, A11, A12, A13, A14, A15), FORLSMID(00:00), FORPANEL(01)
/*
```

Figure 52. Add Two Drives to the SL8500 and the HSC Configuration

In this example, the user is adding two tape drives to fill the 16-drive panel for LSM 01 (rail 1) within an SL8500 library. A14 and A15 represent the new drives being added; A00-A13 are the existing operational drives.



Notes:

- Follow this example for the SL3000 library.
 - Panel 01 is the only drive panel within an SL8500 library; panels 10 and 12 are the only valid drive panels in the SL3000 library.
3. **RUN A BACKUP OF THE CDS.**
 4. Enter `MODIFY CONFIG` to start the dynamic reconfiguration process. Messages will be displayed that indicate the drive(s) has been added successfully.
 5. Execute the Database Decompile (LIBGEN) utility to generate LIBGEN macro statements from a modified CDS. This ensures you have the source for the current LIBGEN.
 6. **RUN A BACKUP OF THE CDS.**

Removing Tape Drives

This section discusses a procedure to remove drives from an SL8500 library and HSC configuration. In this case, the SL8500 panel already contains operational tape drives, and the HSC remains active during this time.

1. Disconnect the tape drives to be removed from the drive panel in the SL8500 library. The drives to be removed must be powered off, and the user must run the SET SLIDRIVS utility to remove the MVS drive address and drive location from the CDS.
2. Specify the SLUADMIN utility administrator program in your JCL to remove the drives from the CDS. This example shows JCL to remove two drives and specifies a primary and secondary CDS.

```
//DRVREM EXEC PGM=SLUADMIN
//*
//STEPLIB DD DSN=SYS1.SLSLINK
//*
//SLSCNTL DD DISP=SHR,DSN=SYS1.DBASEPRM
//SLSCNTL2 DD DISP=SHR,DSN=SYS1.DBASESEC
//SLSPRINT DD SYSOUT=*
//SLSIGN DD *
      SET SLIDRIVS(B00, B01, B02, B03, B04, B05, B06, B07, B08, B09, +
        B10, B11, B12, B13, , ), FORLSMID(00:01), FORPANEL(01)
/*
```

Figure 53. Remove Two Drives from the SL8500 and the HSC Configuration

In this example, the user is removing two tape drives, leaving two open slots in the 16-drive panel for LSM 01 within an SL8500 library. B14 and B15 represent the drives being removed; B00-B13 represent the remaining operational drives.



Note: Panel 01 is the only drive panel within an SL8500 library.

3. **RUN A BACKUP OF THE CDS.**
4. Enter MODIFY CONFIG to start the dynamic reconfiguration process. Messages will be displayed that indicate the drive(s) has been removed successfully.
5. Execute the Database Decompile (LIBGEN) utility to generate LIBGEN macro statements from a modified CDS. This ensures you have the source for the current LIBGEN.
6. **RUN A BACKUP OF THE CDS.**

Replacing Tape Drives

The following procedure describes how to change (replace) drive types on an SL8500 panel, while retaining the same unit addresses. The HSC remains active during this time.

1. Disconnect and remove all drives to be replaced and connect the appropriate replacement drives.
2. **RUN A BACKUP OF THE CDS.**
3. Enter `MODi fy CONF I G` to start the dynamic reconfiguration process if the drive type(s) change. Messages will be displayed that indicate the drive type has changed.



Note: You do not need to perform this step if you are replacing drives with the same drive type.

Changing Unit Addresses for Tape Drives

The following procedure describes how to change the unit addresses for tape drives on an SL8500 panel that contains operational drives. The HSC remains active during this time.

1. Specify the SLUADMIN utility administrator program in your JCL to change unit addresses assigned to the tape drives. This example shows JCL to change unit addresses on all tape drives on a 16-drive panel and specifies a primary and secondary CDS.

```
//UNI TADDR EXEC PGM=SLUADMIN
//*
//STEPLIB DD DSN=SYS1.SLSLINK
//*
//SLSCNTL DD DISP=SHR,DSN=SYS1.DBASEPRM
//SLSCNTL2 DD DISP=SHR,DSN=SYS1.DBASESEC
//SLSPRINT DD SYSOUT=*
//SYSOUT DD SYSOUT=*
//SYSUDUMP DD SYSOUT=*
//SLSI N DD *
      SET SLIDRIVS(F00, F01, F02, F03, F04, F05, F06, F07, F08, F09, +
              F10, F11, F12, F13, F14, F15), FORLSMID(00:02), FORPANEL(01)
/*
```

Figure 54. Change Unit Addresses for 16 Tape Drives

In this example, the user is changing the unit addresses on tape drives on a 16-drive panel for LSM 00:02, F00 through F15.



Note: Follow the same example for the SL3000 library.

2. **RUN A BACKUP OF THE CDS.**
3. Enter `MODIFY CONFIG` to start the dynamic reconfiguration process. Messages will be displayed that indicate the drive unit addresses have changed.



Note: Dynamic hardware reconfiguration changes unit addresses and drive model types at the same time.

4. **RUN A BACKUP OF THE CDS.**

Adding/Removing Expansion Panels - SL8500 Library

Adding or removing SL8500 expansion panels is a hardware-disruptive process. However, the HSC can dynamically recognize changes and continue to support other libraries without the need to recycle the HSC.

The following procedure describes how to add or remove SL8500 expansion panels. The HSC remains active during this time.

1. Enter the `MODi fy LSM OFFI i ne` command to modify all SL8500 LSMs offline to all HSC hosts in the affected library. See the `MODi fy` command in the *HSC 6.2 Operator's Guide* for syntax information. All drives and cartridges in that SL8500 are now unavailable to the complex.
2. Allow StorageTek service technicians to physically add or remove the expansion frame(s).
3. Enter the `MODi fy LSM ONI i ne` command to modify the SL8500 LSMs online to the HSC.

During the modify online process, the HSC automatically discovers the panel configuration changes. A WTOR is issued to the operator describing the change and requesting confirmation to make the changes permanent to the CDS.

- Replying “NO” aborts the configuration change. The CDS is not updated and the old configuration is preserved.



Note: A problem can occur if an attempt is made to access a cell that has been removed. New cells are not recognized.

- Replying “YES” causes the CDS to be updated with the new configuration and also propagates the changes to all other active hosts in the complex. The HSC updates its in-memory control blocks.

4. RUN A BACKUP OF THE CDS.

Adding/Removing Expansion Modules - SL3000 Library

Adding or removing SL3000 expansion modules is a hardware-disruptive process. However, the HSC can dynamically recognize changes and continue to support other libraries without the need to recycle the HSC.

SL3000 expansion modules can be any of the following:

- Drive Expansion Module (DEM) – only one allowed, and if present, must be immediately to the left of the Base Drive Module (BDM).
- Cartridge Expansion Module (CEM) – from 1 to 8 modules can be added, with up to 4 on either side of the BDM (or DEM).
- Parking Expansion Module (PEM) – a larger section which acts as a garage for the robots. No cells are in the PEM.
- Access Expansion Module (AEM) – two bulk CAPs located at either end of the library.

The following procedure describes how to add or remove SL3000 expansion modules. The HSC remains active during this time.

1. **RUN A BACKUP OF THE CDS.**
2. Enter the `MODi fy LSM OFFi i ne` command to modify the SL3000 offline to all HSC hosts in the affected library. See the `MODi fy` command in the *HSC Operator's Guide* for syntax information. All drives and cartridges in the library are now unavailable to the complex.
3. Allow StorageTek service technicians to physically add or remove the expansion frame(s).
4. Enter the `MODi fy LSM ONi i ne` command to modify the library online to the HSC.

During the modify online process, the HSC automatically discovers the panel configuration changes. A `WTOR` is issued to the operator describing the change and requesting confirmation to make the changes permanent to the CDS.

- Replying “NO” aborts the configuration change. The CDS is not updated and the old configuration is preserved.



Note: A problem can occur if an attempt is made to access a cell that has been removed. New cells are not recognized.

- Replying “YES” causes the CDS to be updated with the new configuration and also propagates the changes to all other active hosts in the complex. The HSC updates its in-memory control blocks.

5. **RUN A BACKUP OF THE CDS.**

Auditing the SL8500 After Expansion

You can increase cartridge capacity in SL8500 libraries by installing Storage Expansion Modules between the Robotics Interface Module (RIM) and the Customer Interface Module (CIM). The CIM, which includes the CAP, is physically moved to accommodate new expansion modules. As a result, higher panel numbers are assigned to the three cell panels on the CIM.

Figure 55 shows an SL8500 library that includes a Storage Expansion Module.

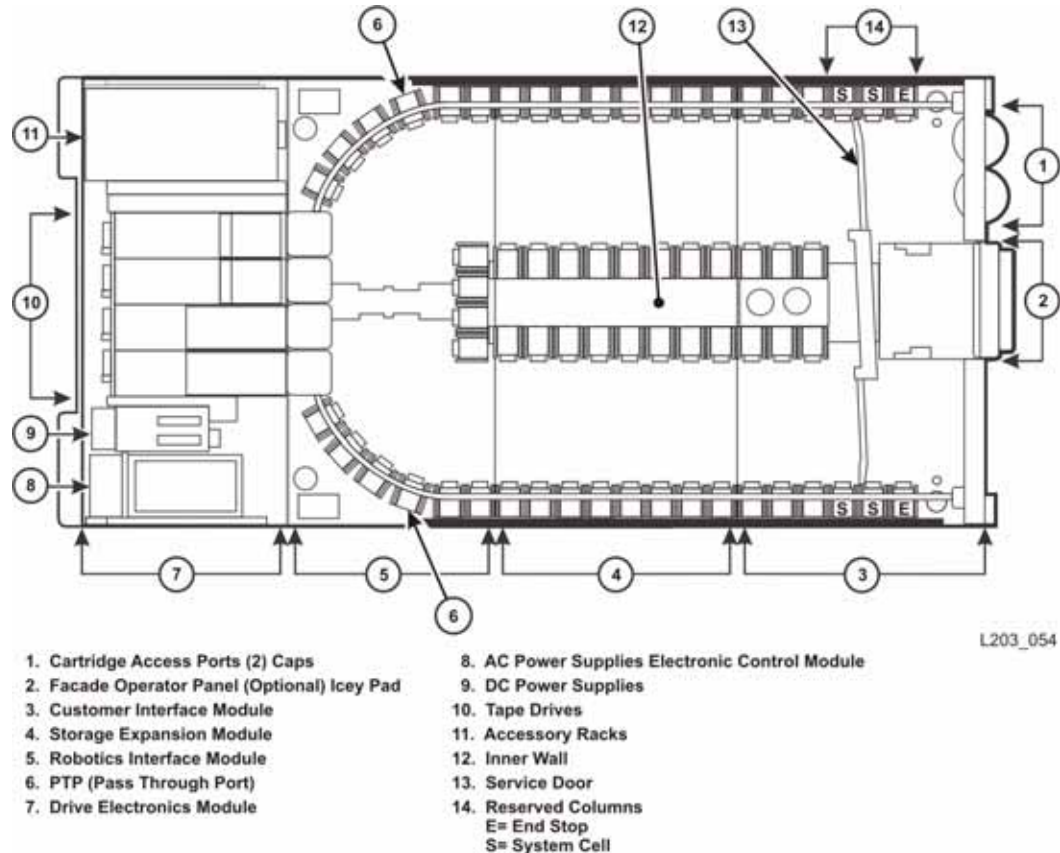


Figure 55. SL8500 Library with Storage Expansion Module

When the cell panels in the CIM are assigned higher panel numbers, the addresses for all cartridges in the CIM change. You must audit these panels so the HSC updates the CDS with the new addresses of the volumes.



Note: If you have to remove any cartridges to attach the Storage Expansion Module, place them in an empty panel in the Storage Expansion Module. Then audit this panel after auditing the three highest panels in the CIM. This guarantees audit will find these cartridges in their new address.

When you audit the SL8500 after an expansion, you must perform the following steps to ensure that volume information is not lost:

1. Audit the three highest-numbered panels in each LSM (rail) to locate and update cartridges that have changed addresses. These three panels are located in the CIM.
 - When audit finds a cartridge in a new address, it checks the old address where it was previously recorded in the CDS to verify that it is not a duplicate volume.
 - If a cartridge has changed addresses, the HSC updates the CDS with the new address.



Warning: If the HSC first audits old cartridge addresses after an expansion, **it will not find the cartridges and will delete them.**

If the cartridges are deleted, they will be readded later when the HSC audits their new address. However, when the cartridges are readded, information about cleaning cartridge usage, number of times mounted, scratch status, and scratch pool assignments is lost.

2. Audit the entire LSM. **When you audit the entire LSM *last*, you do not lose any cartridge information.**

Running an Audit After Expansion

The following procedure describes how to run an audit after adding one or more Storage Expansion Modules:

1. **RUN A BACKUP OF THE CDS.**
2. Enter `MODi fy CONF I G` to update the CDS.
3. Determine the highest panel number in the expanded SL8500.

In an SL8500 library without expansion modules, the highest panel number is 10. Each additional expansion module adds eight panels, so for an SL8500 with one expansion module, the highest panel number is 18; for two expansion panels the highest panel number is 26; and so forth.

The three highest panel numbers are in the CIM, so in an SL8500 containing one expansion module, panels 16, 17, and 18 are located in the CIM.

4. Audit the three panels containing the highest panel numbers in each LSM (rail) in the expanded SL8500.
5. Audit any panel that includes cartridges that may have been moved during installation of the Storage Expansion Module.
6. Audit each LSM in the expanded SL8500.
7. **RUN A BACKUP OF THE CDS.**

Adding and Configuring SL8500s

The HSC supports multiple LSMs containing pass-thru ports (PTPs). The following procedures are discussed:

- adding new SL8500s
- merging ACSs.

Before You Install a New SL8500

StorageTek recommends you perform these tasks before you add SL8500s to your ACS:

- Apply all relevant maintenance to your HSC systems.
- Optionally, audit existing SL8500s to update cartridge addresses.

LSM Numbering - Multiple SL8500s

LSMs in an SL8500 complex are numbered top down, right to left, as viewed from the CAP end. Figure 56 demonstrates this numbering pattern.

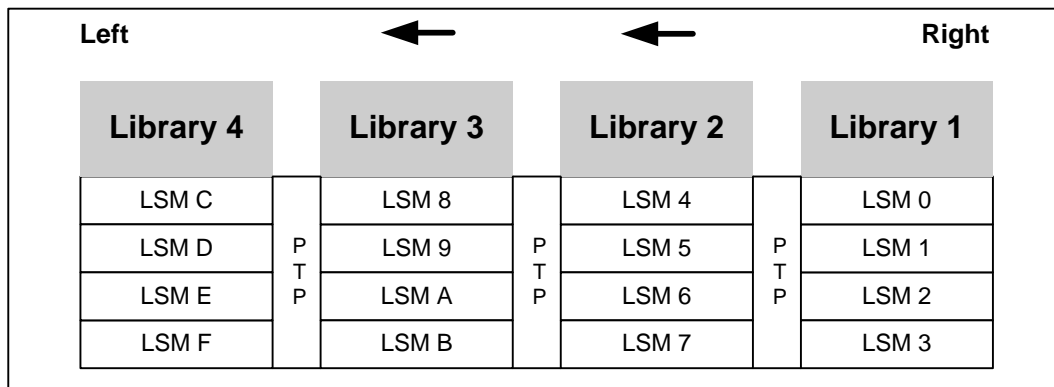


Figure 56. LSM Numbering for Four Connected SL8500s

Depending on the physical layout of your site, you may be adding a new SL8500 to the left or right of an existing SL8500.

- When a new SL8500 is added to the left of an existing SL8500, the new LSMs are assigned higher numbers, and the existing LSMs are not renumbered. **StorageTek recommends adding LSMs to the left if possible to avoid renumbering existing LSMs.**

Refer to “Adding a New SL8500 to the Left” on page 592.

- When a new SL8500 is added to the right of the existing SL8500, all existing LSMs are renumbered. As a result, the home cell addresses of all existing cartridges are changed.

Refer to “Adding a New SL8500 to the Right” on page 593.

Adding a New SL8500 to the Left

Adding a new SL8500 to the left of an existing SL8500 does not require the existing LSM to be renumbered, however, if cartridges have been placed in cells in the new SL8500, you must run the AUDIt utility on the LSMs of the new SL8500 to add these cartridges to the CDS. The LSMs in the existing SL8500 can remain online during the audit.

Modifying the HSC Configuration

The following procedure describes how to update your configuration when you add an SL8500 to the left:

1. Add the new SL8500(s) to the library complex.
2. **RUN A BACKUP OF THE CDS.**
3. Start the dynamic configuration process by entering the `MODi fy CONFIG` command.

After dynamically updating the ACS and LSM configurations, you must update the MVS Unit Addresses for the tape drives by running the `SET SLIDRIVS` utility. Then, enter `MODi fy CONFIG` again to refresh the HSC's in-memory tables.

4. **RUN A BACKUP OF THE CDS.**
5. If cartridges have been placed in the new SL8500, run the AUDIt utility to audit the LSMs (rails) in the new SL8500 and add these cartridges to the CDS.
6. Execute the Database Decompile (LIBGEN) utility to generate LIBGEN macro statements from a modified CDS. This ensures you have the source for the current LIBGEN.

Adding a New SL8500 to the Right

When you add a new SL8500 to the right of an existing SL8500, the existing LSMs are renumbered and cartridge addresses change. As a result, if the HSC attempts to mount a volume whose address has changed, the mount fails because the HSC cannot find the volume.

Modifying the HSC Configuration with MODIFY CONFIG

The following procedure describes how to update your configuration when you add an SL8500 to the right:

1. Enter the Vary ACS command to vary the ACS offline to all but one host.
2. On the remaining host, quiesce mount activity against the ACS by varying the drives offline to MVS (MVS VARY command) in the existing SL8500. If this is not done,
 - mounts fail because cartridges cannot be found in their last known addresses.
 - until the audits update the HSC map of the empty cells in the renumbered LSMs:
 - enters of new cartridges collide with existing cartridges.
 - movements of cartridges to existing (renumbered) LSMs collide with cartridges already in the cells,
3. Add the new SL8500(s) to the library complex.
4. **RUN A BACKUP OF THE CDS.**
5. Start the dynamic hardware reconfiguration process by entering the `MODIFY CONFIG` command.

After dynamically updating the ACS and LSM configurations, you must update the MVS Unit Addresses for the tape drives by running the `SET SLIDRIVS` utility. Then, enter `MODIFY CONFIG` again to refresh the HSC's in-memory tables.

6. **RUN A BACKUP OF THE CDS.**

7. Run the AUDIt utility to update cartridge addresses.
 - a. Audit the renumbered LSMs in the pre-existing SL8500 first.
 - **The order you audit the LSMs is critical to avoid losing cartridges. Audit each LSM (rail) in sequence from the highest-numbered LSM to the lowest-numbered LSM.** The audit will find all cartridges in their (renumbered) LSM addresses.

You can audit all four LSMs (rails) in an SL8500 at the same time.
 - b. Audit the LSMs in the newly-added SL8500. These LSMs have the lowest LSM numbers. After the audit is complete, the drives in these LSMs can be varied online to MVS and volumes in them can be mounted on tape drives.

Figure 57 shows an SL8500 configuration before adding a new SL8500 to the right.

SL8500		SL8500		SL8500	
LSM 8	P T P	LSM 4	P T P	LSM 0	
LSM 9		LSM 5		LSM 1	
LSM 10		LSM 6		LSM 2	
LSM 11		LSM 7		LSM 3	

Figure 57. Original SL8500 Configuration

Figure 58 represents the same ACS, with a new SL8500 library added to the right. Notice that the LSMs in the new SL8500 are assigned the lowest LSM numbers. The illustration also shows the recommended audit order, from highest to lowest LSM number.

SL8500 (1st Audits)		SL8500 (2nd Audits)		SL8500 (3rd Audits)		New SL8500 (Last Audits)	
Now LSM 12	P T P	Now LSM 8	P T P	Now LSM 4	P T P	New LSM 0	
Now LSM 13		Now LSM 9		Now LSM 5		New LSM 1	
Now LSM 14		Now LSM 10		Now LSM 6		New LSM 2	
Now LSM 15		Now LSM 11		Now LSM 7		New LSM 3	

Figure 58. Updated Configuration - New SL8500 Added to Right

8. RUN A BACKUP OF THE CDS after the audits.

9. Enter the Vary ACS command to vary the ACS online to all hosts.
10. Vary the drives online to MVS in the existing SL8500.
11. Execute the Database Decompile (LIBGEN) utility to generate LIBGEN macro statements from a modified CDS. This ensures you have the source for the current LIBGEN.

Modifying the HSC Configuration using MERGEcds

The MERGEcds utility can be used to update LSM addresses quickly for all cartridges located in LSMs and/or ACSs that have changed addresses. MERGEcds requires an empty CDS, into which cartridges are merged.

The following procedure describes another method you can use to update your configuration when you add an SL8500 to the right:

1. Enter the Vary ACS command to vary the ACS offline to all but one host.
2. On the remaining host, quiesce mount activity against the ACS by varying the drives offline to MVS (MVS VARY command) in the existing SL8500(s). If this is not done,
 - mounts fail because cartridges cannot be found in their last known addresses.
 - until the audits update the HSC map of the empty cells in the renumbered LSMs:
 - enters of new cartridges collide with existing cartridges.
 - movements of cartridges to existing (renumbered) LSMs collide with cartridges already in the cells,
3. Add the new SL8500(s) to the library complex.
4. **RUN A BACKUP OF THE CDS.**
5. Start the dynamic configuration process by entering the MODi fy CONF I G command.

After dynamically updating the ACS and LSM configurations, you must update the MVS Unit Addresses for the tape drives by running the SET SLIDRIVS utility. Then, enter MODi fy CONF I G again to refresh the HSC's in-memory tables.

6. Use the MERGEcds utility to remap all volume addresses to the new LSMs.
 - a. Change the HSC service level to BASE. This prevents mount/dismount activity and other robotics operations during the merge.

```
SRVlev BASE
```

- b. Run the RESTore utility to re-create the CDS that was active before the configuration change. Specify new CDS files with different names. This becomes the "from" CDS in the MERGEcds JCL example shown below.



Note: This restore resets the DSNs in the copies of the CDS.

The following is sample RESTore utility JCL.

```
//SLSREST JOB 505135,RESTORE,CLASS=A,MSGCLASS=1,MSGLEVEL=(1,1),
//          NOTIFY=SPRT,REGION=4096K
//*
//STEP0    EXEC PGM=SLUADMIN,PARM=MIXED
//STEPLIB DD DSN=NCS600.SOS6000.SLSLINK,DISP=SHR
//SLSBKUP  DD DSN=backup.name,DISP=(OLD)
//SLSCNTL  DD DSN=from.primary.cds,DISP=(NEW,CATLG,DELETE),
//          DCB=(DSORG=PS),UNIT=,SPACE=
//SLSCTL2  DD DSN=from.secondary.cds,DISP=(NEW,CATLG,DELETE),
//          DCB=(DSORG=PS),UNIT=,SPACE=
//SORTWK01 DD DSN=temp.sort,DISP=(NEW,DELETE,DELETE),
//          UNIT=,SPACE=
//SLSPRINT DD SYSOUT=*
//SLSIN    DD *
//          RESTORE APPLY(NO)
//
//
```

- c. Run the MERGEcds utility to update the volume addresses in the new CDS. MERGEcds uses the volume addresses from the old CDS.

In the MERGEcds statement, **do not specify the ALL parameter**, so that the utility reads the parameters specified in the SLSMERGE DD statement.

The following is sample MERGEcds utility JCL.

```
//SLSMCD S JOB 505135,MERGECD S,CLASS=A,MSGCLASS=1,MSGLEVEL=(1,1),
//          NOTIFY=SPRT,REGION=4096K
//*
//STEP0    EXEC PGM=SLUADMIN,PARM=MIXED
//STEPLIB DD DSN=NCS600.SOS6000.SLSLINK,DISP=SHR
//SLSFCNTL DD DSN=from.primary.cds,DISP=SHR
//SLSFCTL2 DD DSN=from.secondary.cds,DISP=SHR
//SLSPRINT DD SYSOUT=*
//SLSIN    DD *
MERGECD S REALONLY
/*
/* REALONLY is OK because we are only merging real volumes)
//SLSMERGE DD *

/* Merge Statements, see below
/*
//
```

When you add new SL8500s to the right of an existing SL8500, the order the SLSMERGE statements are processed is important. Update the volume addresses in order from highest LSM addresses to lowest LSM addresses to avoid assigning multiple sets of volumes to the same LSM.

```
MERGE FLSM(00:0B) TLSM(00:0F)-----
MERGE FLSM(00:0A) TLSM(00:0E)-----
MERGE FLSM(00:09) TLSM(00:0D)-----
MERGE FLSM(00:08) TLSM(00:0C)-----
MERGE FLSM(00:07) TLSM(00:0B)-----
MERGE FLSM(00:06) TLSM(00:0A)-----
MERGE FLSM(00:05) TLSM(00:09)-----
MERGE FLSM(00:04) TLSM(00:08)-----
MERGE FLSM(00:03) TLSM(00:07)-----
MERGE FLSM(00:02) TLSM(00:06)-----
MERGE FLSM(00:01) TLSM(00:05)-----
MERGE FLSM(00:00) TLSM(00:04)-----
```

These updates must occur first

These updates must occur last

d. Change the HSC service level back to FULL. The HSC now supports mount/dismount activity and other robotics operations.

SRVlev FULL

7. **RUN A BACKUP OF THE CDS after the merge.**
8. Enter the Vary ACS command to vary the ACS online to all hosts.
9. Vary the drives online to MVS in the existing SL8500(s).
10. Execute the Database Decompile (LIBGEN) utility to generate LIBGEN macro statements from a modified CDS. This ensures you have the source for the current LIBGEN.

Auditing the SL3000 After Expansion

You can increase cartridge capacity in SL3000 libraries by installing additional expansion modules to the left or right of the Base Drive Module (BDM).

Figure 59 shows an SL3000 library with all expansion modules.

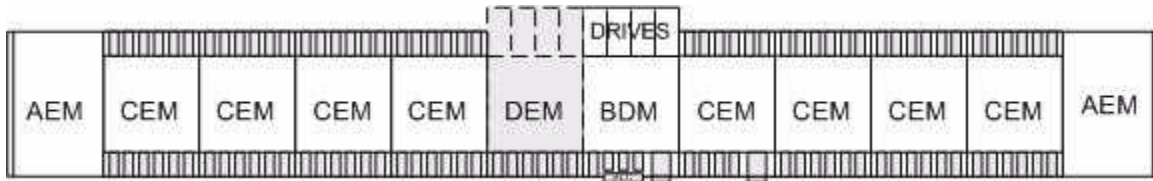


Figure 59. SL3000 Library Expansion Modules

When an expansion module is added to the SL3000, it assume the physical position of previously unallocated or place holder, panels. The panel numbers do not change.

Running an Audit After Expansion

There are no special issues with the SL3000. Run the normal HSC audit.

Common Near Continuous Operation

This section discusses topics that are not specific to the SL3000 and SL8500 libraries but may be valuable to reduce system downtime. These include:

- using multiple CDS copies
- automatic recognition of configuration changes
- using the MERGEcds utility
- using the SET utility instead of LIBGEN and reconfiguration
- defining a new configuration to avoid future reconfigurations
- defining planned ACSs with no stations
- defining planned drives
- changing panels
- using CDS rename/relocate/expand
- swapping a CDS.

In addition, several other timesaving benefits are described in other places in the HSC documentation set. These are:

- resolving LSM and panel type configuration mismatches. Refer to either the *HSC Configuration Guide*, “Configuration Mismatches,” **or** see the *HSC System Programmer’s Guide*, “Configuration Mismatches.”
- changing drive panel types without running a MERGEcds or reconfiguration. Refer to the *HSC System Programmer’s Guide*, “SET Device Numbers for Drives.”
- automatic internal cold start for HSC 2.0.1 and later releases. Refer to either the *HSC Configuration Guide*, “Starting HSC Execution” **or** see the *HSC System Programmer’s Guide*, “Starting HSC Execution.”
- suppressing the “ACS Disconnected” message to allow for future hardware expansion. Refer to the OPTion Command and Control Statement in the *HSC 6.2 Operator’s Guide*.

Using Multiple CDS Copies

When multiple copies of the CDS are defined and enabled, the HSC automatically recovers from errors on one of these copies. In a multiple-host environment, CDS recovery is coordinated among the HSCs on all hosts.

- When there is a mismatch between information on the same block on the primary and secondary CDS copy, the HSC automatically selects the most recent copy. When the CDS is updated, the modified block is written to both the primary and secondary CDS copies.
- If a secondary CDS copy is active, and a failure occurs in accessing the current primary CDS copy, the HSC automatically makes the secondary CDS copy the primary copy. If a standby CDS copy is active, the new primary CDS copy is copied over the standby CDS copy, and the standby becomes the new secondary copy.
- If a standby CDS copy is active, and a failure occurs in accessing the secondary CDS copy, the current primary CDS copy is copied over the standby CDS copy, and the standby becomes the new secondary copy.

To utilize full automatic CDS recovery capabilities of the HSC, StorageTek recommends that all three CDS copies (primary, secondary, and standby) should be used. CDS copies must be created (by the SLICREAT program), defined to the HSC (by the CDSDEF control statement in PARMLIB), and active (by the CDs Enable/Disable command). CDS copies should be located on different DASD volumes for redundancy.

For more details about automatic CDS recovery, refer to “Control Data Set Recovery” and “CDS Recovery Capabilities” in the *HSC System Programmer’s Guide*.

Automatic Recognition of Configuration Changes

Some changes to the library configuration are automatically recognized by the HSC.

Automatic Update of LSM from 4410 to 9310

When an LSM comes online, the LSM type is reported to the HSC by the LMU. If the LSM is defined in the CDS as a 4410, but it is actually a 9310 (PowderHorn), the LSM type is automatically updated in the CDS. Thus, an LSM upgrade from a 4410 to a 9310 is automatically recognized and recorded in the CDS without running the MERGEcds or Reconfiguration utilities.



Note: Replacing a 9310 with a 4410 LSM does not result in an automatic update of the LSM type. (In some cases the hardware report of this change may not be accurate.)

If an LSM is defined to the HSC as a 9310, but it is actually a 4410, the HSC manages it without problems, since the panel configurations and LMU requests and responses are the same for 4410 and 9310 LSMs. However, HSC preferencing by LSM type will not work correctly in the following cases:

- if ALLOC LSMpref(*lsm-type*) is specified for scratch requests
- if MNTD SCRDISM(CURRENT|ARCHIVE) is entered for scratch dismount requests.

Run-time Recognition of 9740 CAP Configuration

The 9740 CAP can either be a 14-cell array, or it can hold a 10-cell removable magazine. The HSC recognizes the current CAP size when the LSM is modified online. This allows the user to change the 9740 CAP configuration without running the MERGEcds or Reconfiguration utilities or recycling the HSC.

Using the MERGEcds Utility

The MERGEcds utility replaces the Reconfiguration utility and also copies volume information from specified ACSs and/or LSMs to other specified ACSs and/or LSMs. As a result, MERGEcds supports all of these activities:

- adding new ACSs and/or LSMs to a configuration or changing a configuration (currently, the Reconfiguration utility does this).
- merging two or more libraries and CDSs into a single library and CDS (without requiring an AUDIt to update the resulting CDS with volume information from the second and later libraries).
- splitting a single library and CDS into two or more libraries and CDSs, and using MERGEcds to copy the volume information from the old CDS to the new CDS for each library.
- merging two or more ACSs into a single ACS. For example, if you merge ACS 01 and 02 into a single ACS 01, and if both ACSs contain two LSMs, LSMs 020 and 021 become LSMs 012 and 013.
- splitting an ACS into two or more ACSs.
- changing the ACSid and/or LSMid of ACS(s) and/or LSM(s), and using MERGEcds to copy the affected volume information from the old CDS to the new CDS.

Refer to “MERGEcds utility” in the *HSC System Programmer’s Guide* for syntax and procedural information.

Using the SET Utility Instead of LIBGEN and Reconfiguration

Changing a configuration using the MERGEcds or Reconfiguration utilities requires a global outage. Many of the changes made by the SET utility can be performed while HSC subsystems are up that are not directly affected. Then, these subsystems can be recycled (brought down and then restarted) to pick up the changed information. Cycling the affected HSCs can be done at a convenient time, with only one HSC down at a time. This permits an HSC server to remain up, servicing requests from clients such as MVS/CSC.



Note: In many instances, the SET utility can run while HSC subsystem(s) are active. However, some SET options require that the HSC(s) affected must be down, e.g., SET HOSTID.

In most cases, the LSM and/or ACS affected must remain offline until HSCs on affected hosts are recycled, e.g., when deleting or changing drive unit addresses with SET SLIDRIVS.

In most cases, all affected HSCs must be recycled to reinitialize and support the new configuration. Refer to SET Utility in the *HSC System Programmer’s Guide* for restrictions on the specific SET options and processes to follow when making configuration changes.

Defining a New Configuration to Avoid Future Reconfigurations

When you define a new configuration with LIBGEN, you can add some flexibility to avoid running MERGEcds or reconfigurations in the future.

- If additional hosts may be added later, define dummy host IDs now. Entries for future hosts can be defined in the SLILIBRY macro, `HOSTID=(host0, . . . , host23)` parameter. For example, host IDs of FREE1, FREE2, and FREE3 could be defined. Then, the SET utility HOSTID option can be used to change these “reserved” host IDs to the new ones being added to the configuration.

```
SET HOSTID(newhost),FORHOST(FREE1)
```

- When a CDS is created, it is desirable to allocate more than the minimum amount of space. The free blocks can be used later when additional drives are added.
- The FUTRACS parameter can be added to the SLILIBRY macro to define ACSs to be added at a future time.
- The FUTRLSM parameter can be added to an SLILSM macro to define additional LSMs to be added at a future time. **This does not apply to the SL3000 library.**

Defining Planned ACSs with no Stations

The HSC allows users to define an ACS without specifying station addresses (refer to the SLIACS macro in the *HSC Configuration Guide*).

Using this feature means that a planned ACS can be placed into the LIBGEN/SLICREAT process and remain disconnected without generating message SLS1664A (' ACS AA is disconnected') or requiring the user to enter the OPTion DISCmsg command to suppress SLS1664A.

If planned ACSs have been defined previously with dummy station addresses, these stations can be removed using the SET SLISTATN utility. In this case, the user does not specify any output stations. Refer to the SET utility, “SET LMU Station Address Numbers” in the *HSC System Programmer’s Guide* for more details.

When the planned ACS becomes available, SET SLISTATN can be used to add stations for the ACS. The ACS can then be brought online without recycling the HSC.

Defining Planned Drives

For MVS 5.2 and later, unit addresses can be defined for devices that do not physically exist. The HSC allows users to exclude these drives from being allocated in the following cases:

- If drives are to be added outside the library, no changes are required. However, the SMC UNITATTR MOdel(IGNORE) command can be used to make sure allocation will never be directed to the nonexistent drive.
- If the drives are to be added inside the library, they can be excluded from allocation by using the SMC UNITATTR MOdel(IGNORE) command after they are added to the SLIDRIVS LIBGEN macro or SET SLIDRIVS utility.



Note: Drive panels can contain either four, ten, or twenty drive addresses. For example, by defining ten unit addresses for panels that contain only four physical drives, users can reserve addresses for planned drives.

Changing Panels

The following procedures describe methods to make changes to panels. These include changing panels types in an LSM and removing cartridges to facilitate hardware changes.

- To change panel types in an LSM:
 1. Use the SET utility to freeze the panel, preventing any additional cartridges from being moved to it. This prohibits new cartridge home cell locations from being allocated on the frozen panel.

```
SET FREEZE(ON),FORLSMID(aa11),FORPANEL(pp)
```

2. Use the MOVE utility or the MOVE or Eject commands to move all cartridges off the panel being changed

```
MOVE Flsm(aa11) Panel(pp) TLsm(aa11)
```

Because the panel has been frozen, cartridges cannot be moved to it, and it will remain empty.

3. Change the panel type, either using the SET SLIDRIVS utility to change between standard and wide drive panels or running the LIBGEN, SLICREAT, MERGEcds process to change other panel types.



Notes:

- StorageTek CSEs will change the library hardware at the same time the panel type is being changed.
- The HSC must be recycled before the LSM and ACS containing the changed panel configuration can be brought online to the HSC.

4. After the hardware changes are complete, unfreeze the panel, if it is still frozen.

```
SET FREEZE(OFF),FORLSMID(aa11),FORPANEL(pp)
```

Notes:

- If a frozen panel type is changed by the MERGEcds or Reconfiguration utilities, the new panel is not frozen. Frozen panels that did not change remain frozen after a MERGEcds or reconfiguration.
- When SET SLIDRIVS is used to change panel types, SET FREEZE(OFF) can follow the SET SLIDRIVS statement.
- To remove cartridges from rows on panel(s) to facilitate hardware (e.g., cabling) changes:
 1. Use the SET utility to freeze the panel, preventing any additional cartridges from being moved to it. This prohibits new cartridge home cell locations from being allocated on the frozen panel.

```
SET FREEZE(ON),FORLSMID(aa11),FORPANEL(pp)
```

2. Use the MOVE utility or the MOVE or EJECT commands to move all cartridges off the panel rows being changed.

```
MOVE Flsm(aa11) Panel(pp) TLsm(aa11)
```

Because the panel has been frozen, cartridges cannot be moved to it, and the rows will remain empty. The StorageTek CSEs will make the hardware changes required.

3. After the hardware changes are complete, unfreeze the panel, if it is still frozen.

```
SET FREEZE(OFF),FORLSMID(aa11),FORPANEL(pp)
```

Using CDS Rename/Relocate/Expand

The HSC can rename, relocate, and expand an existing CDS(s) without requiring tape activity to be suspended or the HSC to be taken down on all hosts. To use these features, users must be at HSC 5.0 or later, however, compatible down-level releases of the HSC may be initialized after the CDS has been modified as long as the CDSDEF control statements are consistent with the active CDS definitions.

For a rename or relocation operation, the CDS must be disabled (inactive) on all HSC hosts to make sure that no active HSC hosts attempt to update or read the target CDS copy during a rename or relocation activity. When using the CDS EXpand function, all CDS copies are reformatted at the same time, so all CDSs must be enabled (active) on all hosts.

CDs Command

The CDs operator command provides rename, relocation, and expand capabilities. Refer to “Commands, Control Statements, and Utilities” in the *HSC 6.2 Operator’s Guide* for a description of the keywords used to perform these operations.

Renaming/Relocating a CDS - Scenarios

To rename and relocate a CDS copy, only one copy of the CDS must be disabled at a time. For example,

```
CDS DISABLE DSN(ACS.DBASEOLD)
```

Renaming a CDS Copy

Before you enable the renamed CDS copy, assume only one CDS has been disabled using the CDs Disable command (see above), and ACS.DBASEOLD is renamed to ACS.DBASECPY. The inactive (disabled) data set is then enabled using the following command:

```
CDS ENABLE DSN(ACS.DBASECPY)
```

If the Enable command fails for the renamed CDS, CDS definitions are restored to what they were before the command was issued. Users must modify CDSDEF control statements to keep them consistent with the active CDS.

Renaming and Relocating a CDS Copy

To relocate a CDS copy with the CDS Enable command, the user must first create a data set containing the appropriate CDS attributes: a fixed, 4096-byte record, single extent, physical sequential file. Optionally, users may rename the CDS.

The data set can be created using JCL as shown for the SLICREAT job discussed in the *HSC Configuration Guide* or using the TSO 3.2 Data Set Utility facility.



Note: TSO 3.2 may create a single extent data set even when no secondary quantity is specified.

It is not necessary to initialize the CDS copy, that is, you do not have to execute SLICREAT or copy another CDS copy to the new data set.

Assume that ACS.DBASECPY has been disabled and deleted (or uncataloged), and ACS.DBASENEW has been allocated and cataloged. The following command enables the renamed and relocated CDS:

```
CDS ENABLE DSN(ACS.DBASENEW) NEWLOC
```



Note: MVS uses catalog services to resolve the volume and unit definitions, if not specified.

If a rename or relocate operation fails, CDS definitions are restored to what they were before the command was issued. Users must modify CDSDEF control statements to keep them consistent with the active CDS.

Relocating an Uncataloged CDS Copy

Assume that ACS.DBASECPY has been disabled and deleted (or uncataloged), and ACS.NOTCATLG has been allocated and cataloged. The following command relocates an uncataloged CDS copy:

```
CDS ENABLE DSN(ACS.NOTCATLG) NEWVOL(HSC001),NEWUNIT(ABC)
```

Users must modify CDSDEF control statements to make them consistent with the CDS definitions in this command. If a rename or relocate operation fails, CDS definitions are restored to what they were before the command was issued.



Note: The **NEWVOL** and **NEWUNIT** parameters are required for VM.

Expanding a CDS - Scenario

Before expanding all CDSs, each CDS must be disabled one at a time and created with a larger space allocation in the JCL. Then, all CDS copies must be enabled before issuing the following command:

```
CDS EXPAND
```



Warning: StorageTek recommends backing up all CDS copies prior to issuing the CDS EXpand command. Failures during the expand operation usually cause the CDS to be unusable. It is important to back up the CDS before invoking the CDS EXpand command to make sure that the latest copy of the CDS is available in case of a failure during the expand operation.

The number of formatted blocks in the CDS remains constant for all copies of the CDS regardless of the physical space allocated for CDS copies. The number of formatted blocks is determined by the maximum number of 4096 blocks that can be written in the smallest CDS copy.

Users must modify CDSDEF control statements to make them consistent with the CDS definitions in this command.

Swapping a CDS

Previous Releases

Unit address information specified (or defaulted to) on the CDSDEF control statement was used during HSC initialization to locate the CDSs. The unit address information was stored in the CDS and remained in effect for the life of the HSC execution. The only way to reset the unit address information was to back up and restore the CDS using the SLUADMIN utility, but this required the HSC to be stopped and restarted.

If the CDS volume was defined as a PPRC Primary and/or participated in a swap operation using TDMF, FDRPAS, or P/DAS, the unit address information did not change and would not correctly reflect the new location of the CDS.



Note: By definition, a swap operation does not change a VOLSER since the devices are exact duplicates of each other.

While the out-of-date unit address information did not directly affect the HSC subsystem, it did affect HSC and VTCS utilities. Typical utility failure symptoms included the following:

- SLUCONDB SLS6053I OCDS ERROR (RC=0028) FOR FUNCTION OPEN VOL
- SLUADMIN SLS1203I MISSING OR INVALID SLSCNTL DD STATEMENT
VOLRPT
- SWSADMIN SLS6771E UNABLE TO ALLOCATE TO THE CDS

HSC 6.2 and Later

The HSC has been enhanced to dynamically correct the unit address information stored in the CDS within a few seconds after a TDMF, FDRPAS, or P/DAS swap operation takes place so that HSC and VTCS utilities always use the new CDS location.

This enhancement does not provide an unrestricted ability to move a CDS. Moving a CDS by a means other than a PPRC or swap operation requires a change to the VOLSER of the CDS. The traditional process of executing a SLUADMIN BACKUp and RESTore of the CDS must be used to reset both unit address and volume serial information if the VOLSER of the CDS changes.

Appendix E. Macros, Control Statements, Utilities, and Commands Syntax Reference

Syntax Flow Diagrams

Syntax is illustrated using flow diagrams. These can include the following elements:

- syntax – the diagram itself.
- items – individual elements inside the diagram. Items can be keywords, variables, delimiters, operators, fragment references, and separators.
- groups – a collection of items or other groups.

The following sections describe syntax flow diagram features and include some generic examples.

Specifying Commands

Commands are composed of command names, keyword parameters, and positional parameters. Command names initiate command execution, keyword parameters are operands that contain keywords and their related values, and positional parameters are operands that are identified by their position in the command string rather than by keywords.

- Keyword parameters can be specified in any order. The HSC accepts (tolerates) multiple occurrences of a keyword. The value assigned to a keyword reflects the last occurrence of a keyword within a command.
- Positional parameters must be entered in the order shown in the syntax diagram.
- Uppercase letters indicate the minimum abbreviation for the command name, keyword, or positional parameter.

Variables

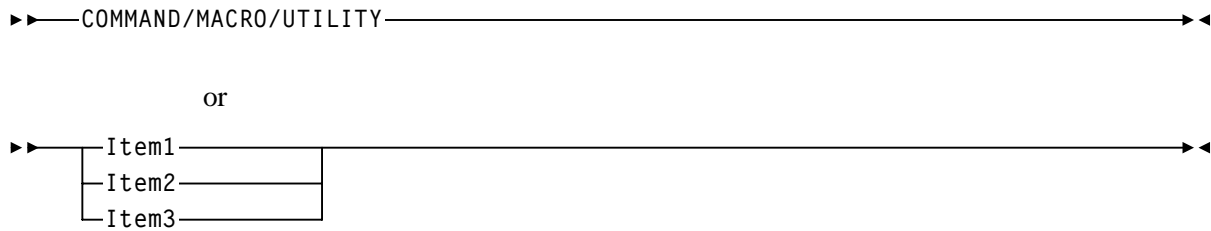
Variables are italicized.

Delimiters

If a comma (,), a semicolon (;), or other delimiter is shown with an element of the syntax diagram, it must be entered as part of the statement or command.

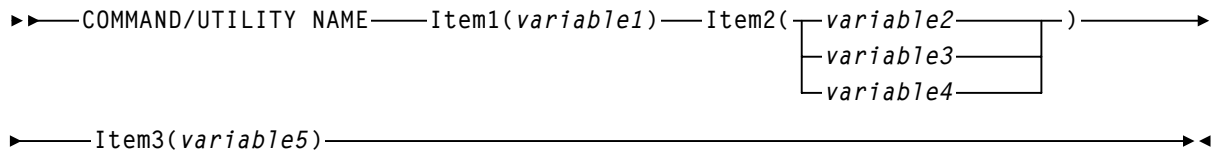
Flow Lines

Syntax diagrams consist of horizontal and vertical lines and the text of a command, control statement, macro, or utility.



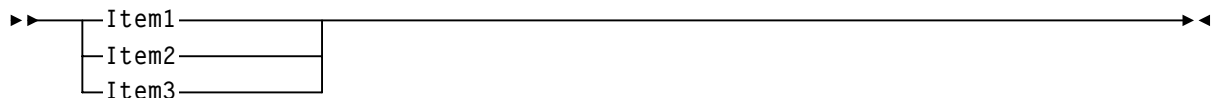
Diagrams are read left to right and top to bottom. Arrows indicate flow and direction.

- a statement begins with ▶▶
- a statement ends with ▶◀
- diagrams continuing to the next line begin with ▶
- fragments begin and end with |



Single Required Choice

Branch lines, without repeat arrows, indicate that a **single** choice must be made. If one of the items from which a choice is being made is on the base line of the diagram, a single choice is required.



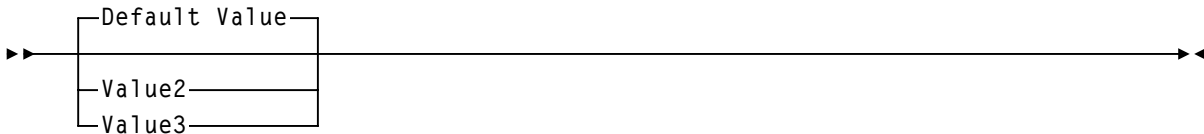
Single Optional Choice

If the first item is on the line below the base line, a single choice of items in the stack is optional.



Defaults

Default values and parameters appear above the syntax diagram line. In the following example, if a value is not specified with the command, Default Value is used by the HSC.

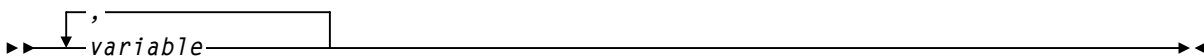


Some keyword parameters provide a choice of values in a stack. When the stack contains a default value, the keyword and the value choices are placed below the baseline to indicate that they are optional, and the default value appears above the keyword line. In the following example, if the keyword is not specified with the command, Keyword(Default Value) is used by the HSC.



Repeat Symbol

A repeat symbol indicates that more than one choice can be made or that a single choice can be made more than once. The repeat symbol shown in this example indicates that a comma is required as the repeat separator.



Syntax Continuation (Fragments)

Fragment references direct you to parts (fragments) of the syntax that contain more detail than can be shown in the main syntax diagram.

▶▶COMMAND/UTILITY NAME——| Fragment Reference |—————▶▶

Fragment:

└Item1(——┐variable1——┐,——┐variable3——┐)—————▶
 └variable2——┘ └variable4——┘

▶Item2(——┐variable5——┐,——┐variable7——┐)—————|
 └variable6——┘ └variable8——┘

Library Identification

Each ACS, LSM, and CAP is assigned a unique identification number during LIBGEN. Use this number in HSC commands and utilities when identifying a specific ACSid, LSMid, or CAPid.

- ACSid (*acs-id*) is a hexadecimal value from 00 through FF that identifies the LMU.

An *acs-id* is the result of defining the SLIALIST macro during a LIBGEN. See “LIBGEN Macros” in the *HSC Configuration Guide* for information about the SLIALIST macro. The first ACS listed in this macro acquires a hexadecimal identifier of 00, the second ACS listed acquires a hexadecimal identifier of 01, and so forth until all ACSs are identified.

- An LSM number (*ll*) is a hexadecimal value from 00 through 17. It differentiates an LSM from every other LSM connected to the same LMU.

An LSM number is the result of defining the SLIACS macro LSM, LSM2, LSM3, and LSM4 parameters. See the *HSC Configuration Guide* for information about the SLIACS macro. The first LSM listed for an ACS acquires a hexadecimal number of 00, the second LSM listed for an ACS acquires a hexadecimal number of 01, and so forth.

- An LSMid (*lsm-id*) is made up of the ACSid and the LSM number separated by a colon (:). It differentiates an LSM from every other LSM in a library.
- A CAP number is a hexadecimal value from 00 to 02 for all existing libraries, except for SL3000 libraries. The CAP number for an SL3000 is a hexadecimal value from 00 to 0B. The CAP number identifies a specific CAP in an LSM that has more than one CAP.
- A CAPid (*cap-id*) is a hexadecimal value made up of the LSMid and the CAP number separated by a colon. Refer to “How to Specify a CAPid” on page 616 for more information.

Some HSC commands and utilities require, or optionally allow, the user to specify a host identifier or a VOLSER.

- The *host-id* for a given host is the identifier specified in the HOSTID parameter of the SLILIBRY macro in the LIBGEN. The HOSTID parameter is the SMF system identifier for **both** JES2 and JES3. Valid characters for a HOSTID are A-Z, 0-9, #, \$, and @.
- A VOLSER (*volser*) identifies a volume serial number consisting of one to six characters. Valid characters are A-Z, 0-9, # (crosshatch), \$, ¥ (yen character), and optional trailing blanks. Leading blanks are not allowed.

How to Specify a CAPid

A CAPid specifies a particular CAP in the library. Each CAP is identified by the LSMid of the LSM that the CAP is attached to and a CAP number to distinguish it from other CAPs in that LSM.

CAP configurations differ based on the LSM type. The following configurations are possible:

LSM (Model 4410) and PowderHorn LSM (Model 9310)

This LSM is configured with either the standard 21-cell CAP or an enhanced CAP. An enhanced CAP contains two 40-cell magazine-style CAPs and a one-cell priority CAP (PCAP). The 40-cell CAPs function independently.

WolfCreek LSM (Models 9360-050, 9360-075, and 9360-100)

This LSM is configured with a WolfCreek CAP which contains a 20-cell magazine-style CAP and a PCAP. An optional 30-cell, magazine-style CAP, called a WolfCreek optional CAP, may be added to the WolfCreek CAP.

TimberWolf LSM (Model 9740)

This LSM is configured with either a 14-cell permanent rack or a 10-cell removable magazine.

StreamLine Library (Model SL3000)

The library is configured with 2, 13-cell removable magazines in each CAP. This library can contain up to 12 CAPs (00-0B).

StreamLine Library (Model 8500)

This library is configured with 3, 13-cell removable magazines. An optional 39-cell CAP can be added.

CAPid Formats

There are two formats that can be used to specify a CAPid:

- *AA:LL*, where *AA* is the ACSid and *LL* is the LSM number. This format is referred to as the *lsm-id*.
- *AA:LL:CC*, where *AA:LL* is the LSMid and *CC* is the CAP number. This format is referred to as the *cap-id*.



Caution:

Do not use a colon as the MVS command delimiter because the system will process the colon in the new CAPid format as the end of the command. All information following the colon in an HSC command will not be processed.

The appropriate format to use is determined by the CAP hardware and the command being specified.

- The *AA:LL* format can be specified in the following situations:
 - to specify a standard CAP
 - to allow the HSC to select a CAP based on CAP preference.
- The *AA:LL:CC* format can be specified for any CAP hardware in any command that accepts a CAPid. This is the preferred format. Valid CAP numbers are:

00 indicates one of the following:

- a 21-cell 4410 or 9310 standard CAP
- the right-hand 40-cell 4410 or 9310 enhanced CAP
- the 20-cell 9360 WolfCreek CAP
- a 14-cell or 10-cell removable magazine 9740 TimberWolf CAP
- an unused SL3000 AEM CAP
- the left-hand 39-cell SL8500 library CAP.



Note: The LSM portion of the SL8500 CAP must be the LSM number of the LSM on track 1 of the structure.

01 indicates one of the following:

- the left-hand 40-cell 4410 or 9310 enhanced CAP.
- the 30-cell 9360 WolfCreek optional CAP.
- an optional SL3000 CEM CAP consisting of 2, 13-cell removable magazines.
- the right-hand optional 39-cell SL8500 library CAP.

02 indicates one of the following:

- PCAP in either a 4410 or 9310 enhanced CAP or a 9360 WolfCreek CAP.
- an optional SL3000 CEM CAP consisting of 2, 13-cell removable magazines.

03, 04, 05 indicates the following:

- optional SL3000 CEM/DEM CAPs each consisting of 2, 13-cell removable magazines.

06 indicates the following:

- the only required SL3000 BDM CAP consisting of 2, 13-cell removable magazines.

07, 08, 09, 0A indicates the following:

- an optional SL3000 CEM CAPs each consisting of 2, 13-cell removable magazines.

0B indicates the following:

- an optional SL3000 AEM CAP.



Notes:

- If SL3000 library CAPs are not present, the HSC reports them as “not installed” This keeps CAP addresses from changing as new CAPs are added.
- Refer to the individual command explanations for additional information on specifying CAPids.
- SL3000 and SL8500 libraries do not contain a PCAP.

Ranges And Lists

HSC commands and utilities often allow the user to specify ranges and lists of elements.

1. An inclusive range is indicated by a pair of elements of the same length and data type, joined by a dash. The first element **must** be strictly less than the second element.
 - A hexadecimal range consists of a pair of hexadecimal numbers (for example, 0A2-0AD, or 000-0FC).
 - A decimal range consists of a pair of decimal numbers (for example, 1-9, or 010-094). Leading zeros are not required.
 - A numeric VOLSER range (*vol-range*) consists of a pair of VOLSER elements containing a decimal numeric portion of 1 to 6 digits (for example, ABC012-ABC025, or X123CB-X277CB). The decimal portion is referred to as an incremental range. The following additional restrictions apply:
 - The character positions of the incremental portion of both range elements must match.
 - The non-incremental characters of the first element must be identical to those of the second element.
 - You cannot increment two portions of a range element. If 111AAA is the first element, you cannot specify 112AAB for the second element.
 - If a VOLSER range contains more than one decimal portion, any portion is valid as the incremental range. For example:

A00B00 the largest range that can be specified is A00B00 through A99B99.

A0B0CC the largest range that can be specified is A0B0CC through A9B9CC.

000XXX the largest range that can be specified is 000XXX through 999XXX.



Note: A VOLSER range for most operator commands is limited to 100 entries. If a larger range is entered, only the first 100 VOLSERS in the range are acted on. If HSC utilities are used, the entire range is processed.

- An alphabetic VOLSER range (*vol-range*) consists of a pair of VOLSER elements containing an incremental portion of 1 to 6 characters (for example, 000AAA-000ZZZ, or 9AAA55-9ZZZ55). This portion is referred to as an incremental range. The following additional restrictions apply:
 - The character positions of the incremental portion of both range elements must match.
 - The non-incremental characters of the first element must be identical to those of the second element.

- You cannot increment two portions of a range element. If 111AAA is the first element, you cannot specify 112AAB for the second element.
- The alphabetic portion of the VOLSER range is defined as being from character A to Z. To increment multi-character sequences, each character increments to Z. For instance, ACZ is part of the AAA-AMM range. Examples are:

<u>A00A0-A99A0</u>	increments VOLSERS A00A0 through A09A0, then A10A0 through A99A0.
<u>9AA9A-9ZZ9A</u>	increments VOLSERS 9AA9A through 9AZ9A, then 9BA9A through 9ZZ9A.
<u>111AAA-111ZZZ</u>	increments VOLSERS 111AAA through 111AAZ, then 111ABA through 111ZZZ.
<u>999AM8- 999CM8</u>	increments VOLSERS 999AM8 through 999AZ8, then 999BA8 through 999CM8
<u>A3BZZ9- A3CDE9</u>	increments VOLSERS A3BZZ9 through A3CAA9, then A3CAB9 through A3CDE9
<u>AAAAAA- AAACCC</u>	increments VOLSERS AAAAAA through AAAAAZ, then AAAABA through AAACCC
<u>CCCNNN- DDDNNN</u>	increments VOLSERS CCCNNN through CCCNNZ, then CCCNOA through DDDNNN*

* **Caution:** This is a very large range.

The number of volumes in an alphabetic VOLSER range depends on the number of elements in the incrementing portion of the VOLSER range. For an A to Z range in each character position, the number of volumes can be calculated by 26 to the power of the number of positions that are being incremented.

A-Z	26^1	26
AA-ZZ	26^2	676
AAA-ZZZ	26^3	17,576
AAAA-ZZZZ	26^4	456,976
AAAAA-ZZZZZ	26^5	11,881,376
AAAAAA-ZZZZZZ	26^6	308,915,776



Note: For most operator commands, a VOLSER range is limited to 100 entries. If a large range is entered, only the first 100 VOLSERS are acted upon. If HSC utilities are used, the entire range is processed.

2. A list consists of one or more elements. If more than one element is specified, the elements **must** be separated by a comma or a blank, and the entire list enclosed in parentheses.
 - For some HSC operator commands, an element may consist of a single item or a range. Refer to the individual command explanations for valid list entries.
 - In general, HSC utilities **do not allow** ranges to be specified in a list. The exception to this is a VOLSER list (*vol-list*) which does allow ranges to be specified. For VOLATTR control statements, you can use wildcard characters (% , ? , or *) to identify a list of VOLSERS.

Control Statement Syntax Conventions

The control statement for each utility program consists of a command (indicating the utility function) followed by parameters, as applicable, in 80-character card-image records. The standard syntax conventions for control statements are as follows:

- The only valid control statement information area is from column 1 to column 72. Columns 73-80 are ignored.
- Parameters are separated by one or more blanks or a comma.
- A value is associated with a parameter by an equal sign (=) or by enclosing the value in parentheses, and concatenating it immediately after the parameter.
- Case (upper or lower) is ignored in actual control statements.
- Control statements may be interspersed with comments designated by an asterisk (*) in column one.

For definition data sets (VOLATTRs, UNITATTRs and TAPEREQs) comments **must** be in the new format (/...*/). Asterisk (*) comments are not allowed. A /...*/ comment in the first line is **not** required for definition data sets.

- A control statement is terminated if the statement is not continued. Comments cannot be nested, and mixing the two comment styles (* and /*) is not allowed.
- The 80-character card-image records use conventional continuation rules.
 - A space and a dash (–) following a parameter or parameter value indicates that a blank is to be inserted between the last nonblank character of this line and the first nonblank character of the next nonblank record.
 - A plus sign (+) specifies that the continued control information is to be concatenated directly after the character preceding the plus sign. The continued data starts at column two of the next nonblank record.



Note: You can use a continuation only after a new keyword or after the natural end of a value. Some examples follow.

The following examples illustrate continuations used correctly:

```
SCRPOOL NAME=STD36,RANGE+  
(AAA000-AAA999,ZZZ000-ZZZ999)
```

```
SCRPOOL NAME=STD36,RANGE(AAA000-AAA999,-  
ZZZ000-ZZZ999)
```

The following example illustrates a continuation used *incorrectly*:

```
SCRPOOL NAME=STD36,RANGE(AAA000-AAA999,ZZZ+  
000-ZZZ999)
```

- The maximum length of a control statement is 32,767 characters.
- The maximum length of a command (used as a command or in PARMLIB) is 126 characters.

MEDia, RECtech, and MODel Parameters

Table 39 describes the HSC commands and control statements that accept MEDia, MODel, and RECtech parameters.

Table 39. MEDia, RECtech, and MODel Cross-reference

Name	Type	Related Parameters	MEDia	RECtech	MODel	Description
Display Drive	Command	DETail	Yes	Yes	Yes	Displays the transports that are capable of the specified MEDia, RECtech, or MODel. When DETail is supplied, the MEDia and MODel are displayed for all transports.
Display SCRatch	Command	<i>acs-id</i> , <i>lsm-id</i> , SUBpool, DETail	Yes	Yes	No	Displays scratch counts that match the MEDia and/or RECtech. The scope of the display may be limited to MEDia and/or RECtech scratch counts within a subpool, ACS, or LSM. When DETail is supplied, all MEDia and RECtech information is displayed along with scratch counts.
Display THReshld	Command	<i>acs-id</i> , <i>lsm-id</i> , SUBpool, DETail	Yes	Yes*	No	Displays all scratch thresholds that match the MEDia and/or RECtech. The scope of the display may be limited to MEDia and/or RECtech scratch thresholds within a subpool, ACS, or LSM. When DETail is supplied, all MEDia and RECtech information is displayed along with scratch thresholds.
Display Volume	Command	DETail	No	No	No	Information on MEDia and RECtech is provided when the DETail parameter is supplied.
EJect, EJECT	Command and Utility	SUBpool, SCRTCH	Yes	Yes	No	Ejects scratches that match the MEDia and/or RECtech. If a subpool is supplied, those cartridges that match MEDia and/or RECtech within the subpool are ejected.

Table 39. MEDia, RECtech, and MODel Cross-reference (Continued)

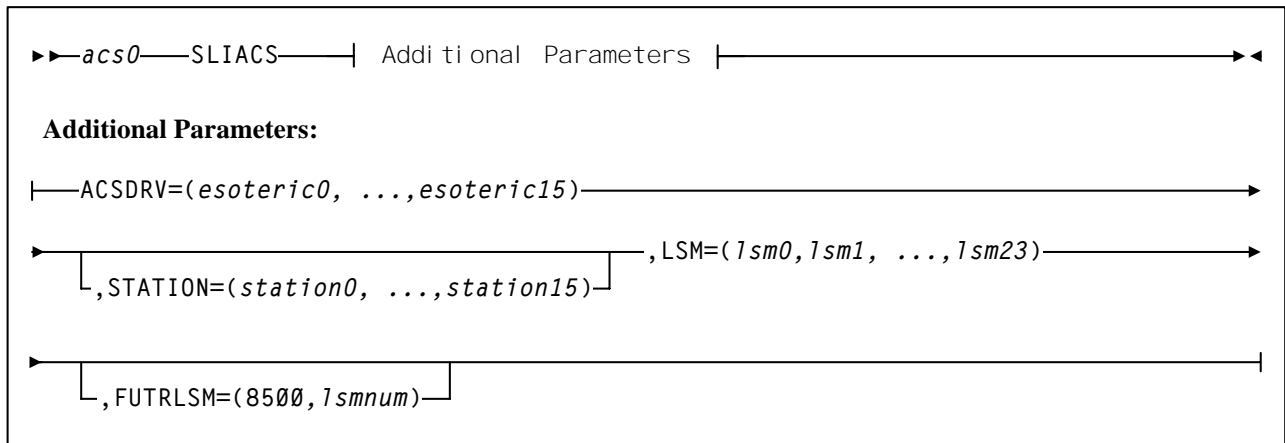
Name	Type	Related Parameters	MEDia	RECtech	MODel	Description
Mount	Command	SUBpool, SCRTCH, PRIVAT	Yes	No	No	Mounts scratches that match the MEDia. If a SUBpool is supplied, a cartridge that matches MEDia within the subpool is mounted.
VOLATTR	Control Statement	N/A	Yes	Yes	No	The MEDia of a given volume must be defined here and the desired RECtech to be used on this volume may also be expressed. Lists are used to define a pool of volumes from which to select. If VOLATTR is improperly defined, scratch counts may be incorrect or volume-to-transport incompatibilities may exist. These issues may result in various operator interactions and unexpected results.
WARN	Command	<i>acs-id, lsm-id,</i> SUBpool	Yes	Yes*	No	A scratch threshold warning value may be set or displayed for a given MEDia and RECtech. The scope of the change may optionally be limited to MEDia and RECtech scratch thresholds within a SUBpool, ACS, or LSM.

* Notes: Yes = Parameter exists. No = Parameter does not exist. * = Parameter can be a list.

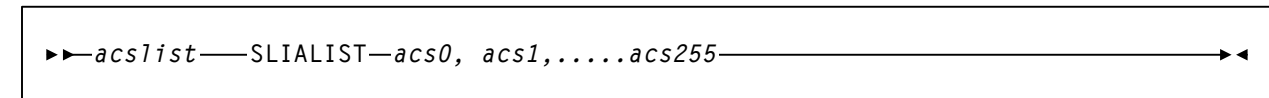
LIBGEN Macros

The LIBGEN macros are shown below in alphabetical order. Refer to “Creating the Library Configuration File (LIBGEN)” in the *HSC Configuration Guide* for complete explanations of macro syntax and parameters, and the order in which they must be specified.

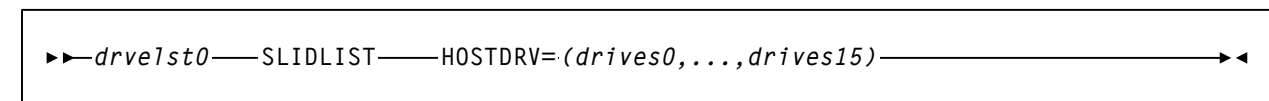
SLIACS macro



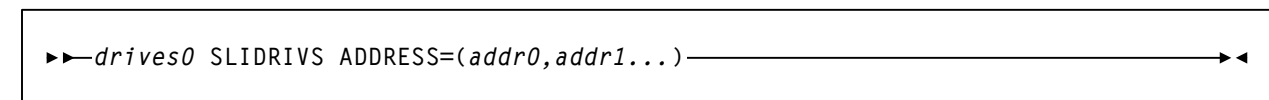
SLIALIST macro



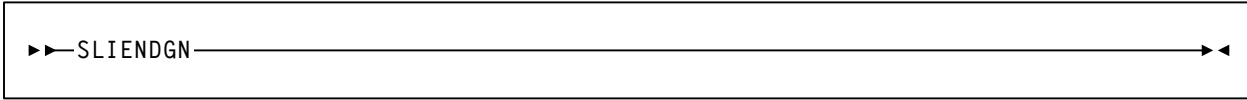
SLIDLIST macro



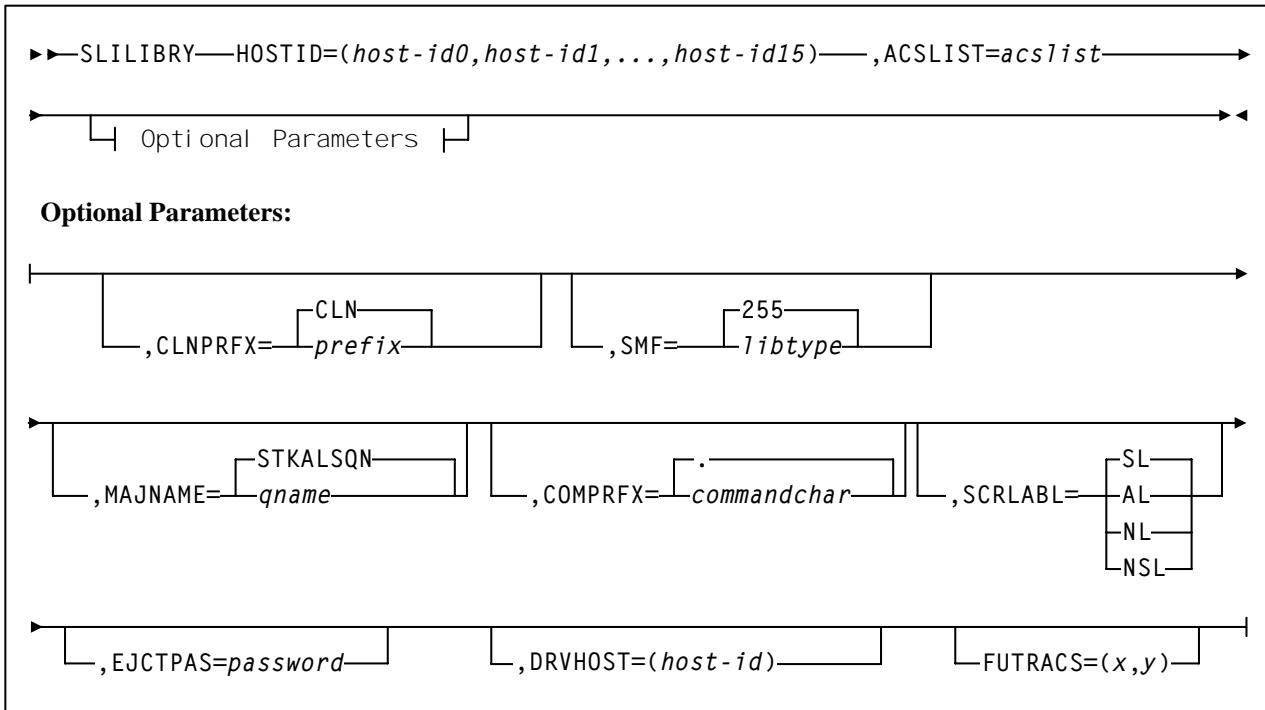
SLIDRIVS macros



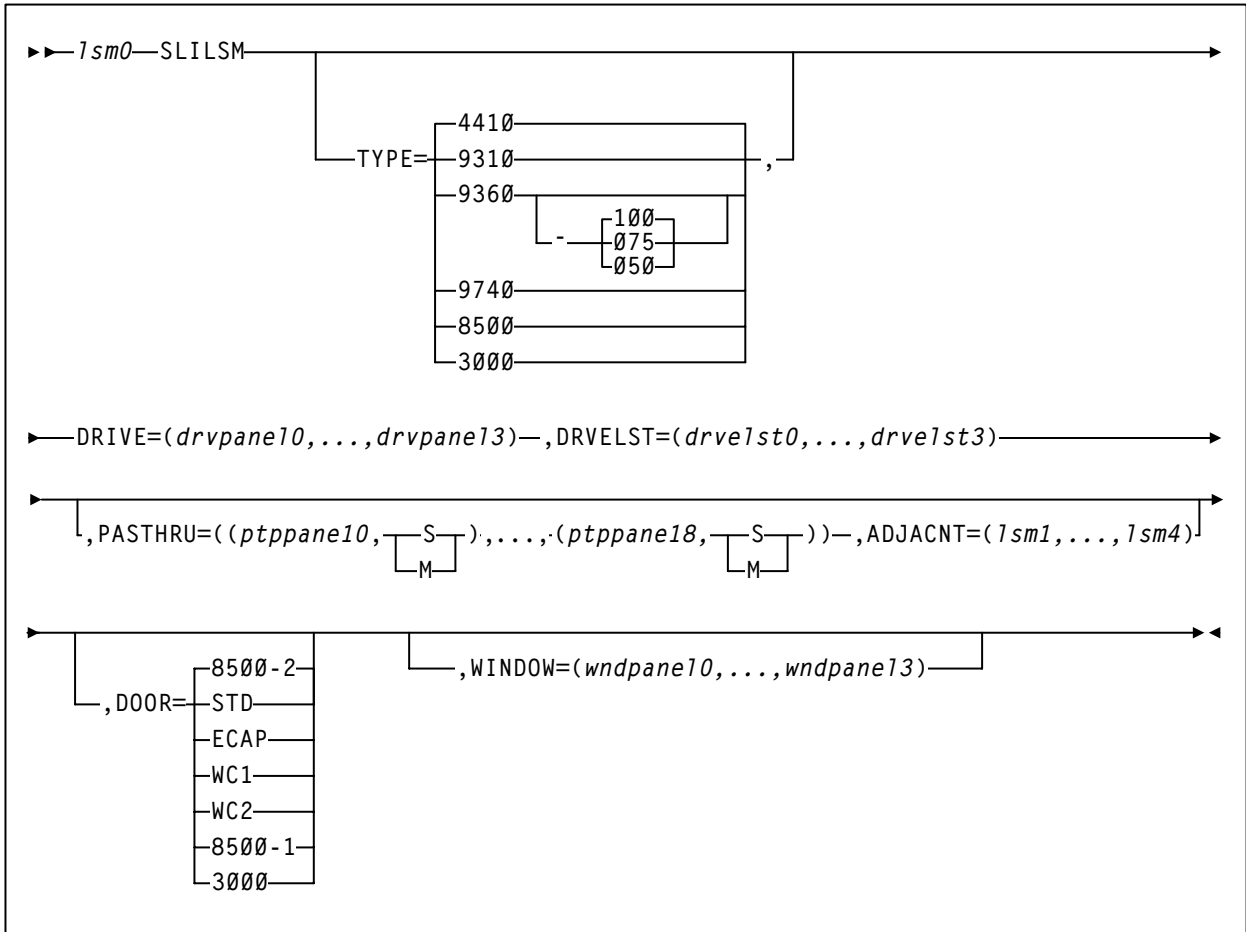
SLIENDGN macro



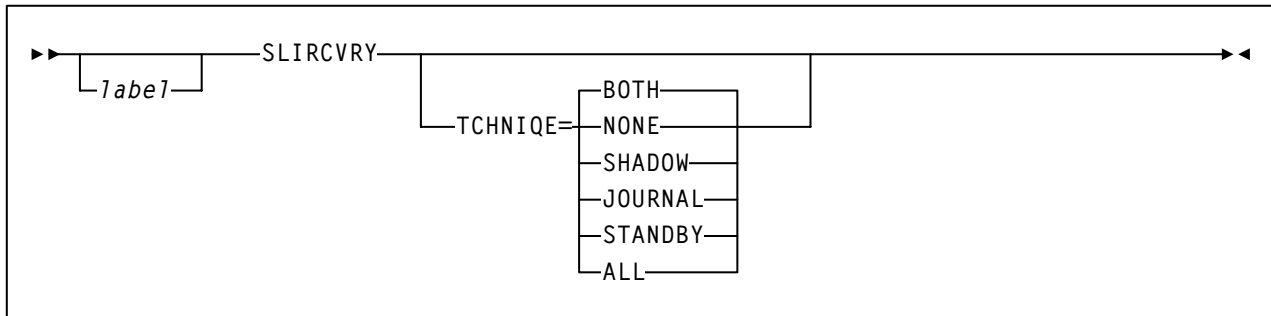
SLILIBRY macro



SLILSM macro



SLIRCVRY macro



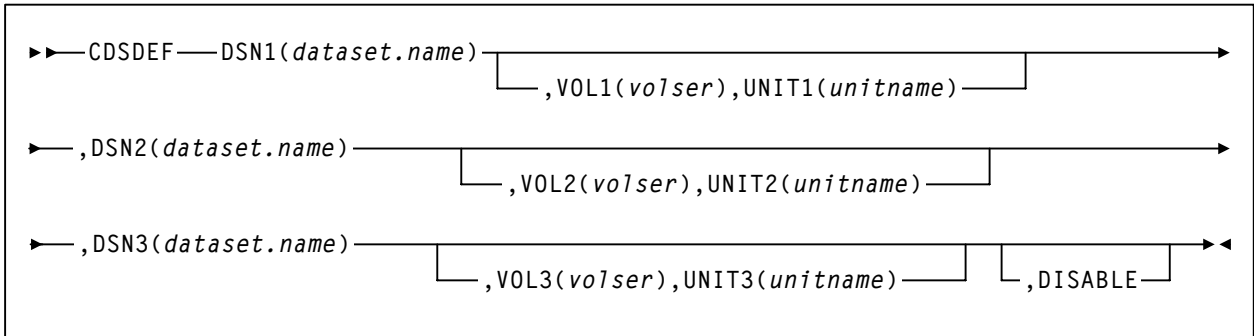
SLISTATN macro

▶ *station0* — SLISTATN ADDRESS=(*addr0*, ..., *addr15*) —▶

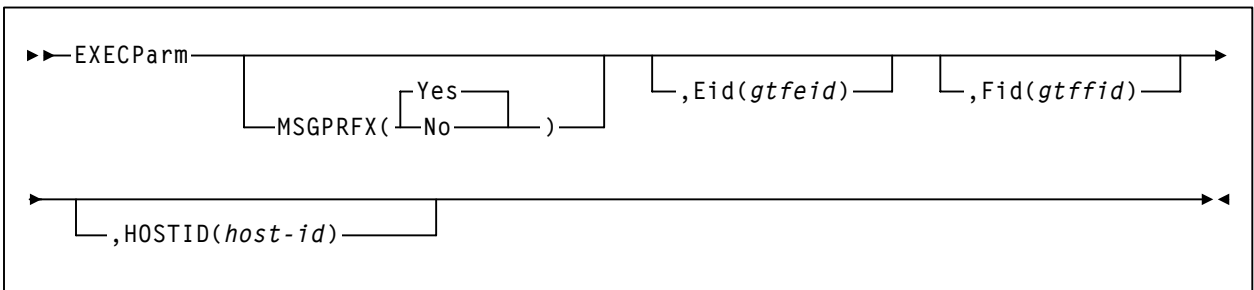
HSC Control Statements

Refer to Chapter 3, “HSC Control Statements and HSC Start Procedure” on page 79 for more information on control statement syntax and parameters.

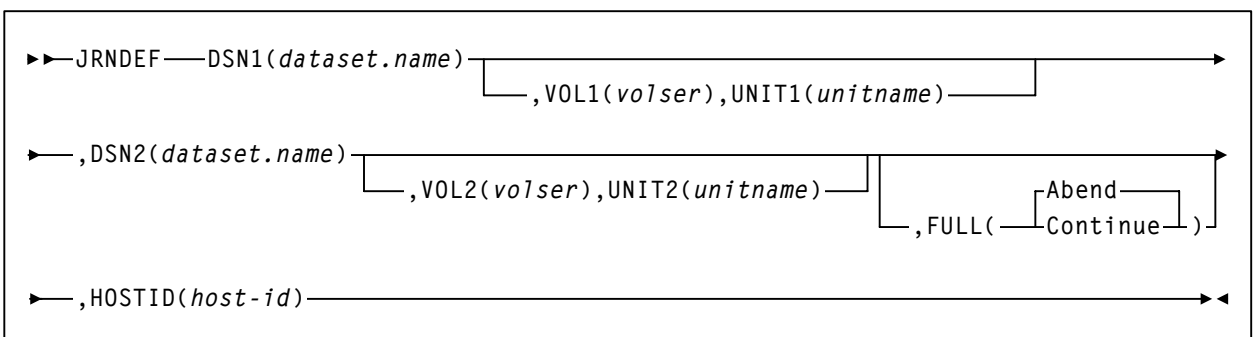
Control Data Set Definition (CDSDEF) control statement



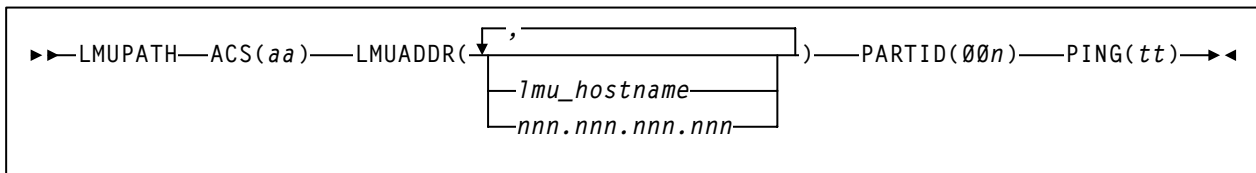
EXECParm control statement



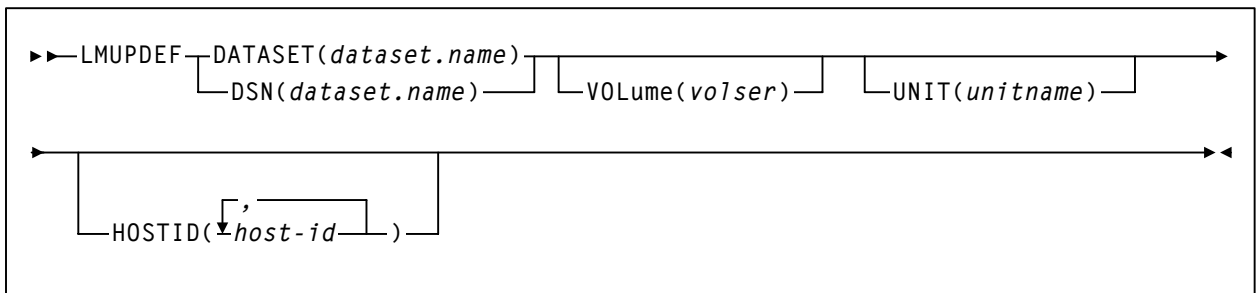
Journal Definition (JRNDEF) control statement



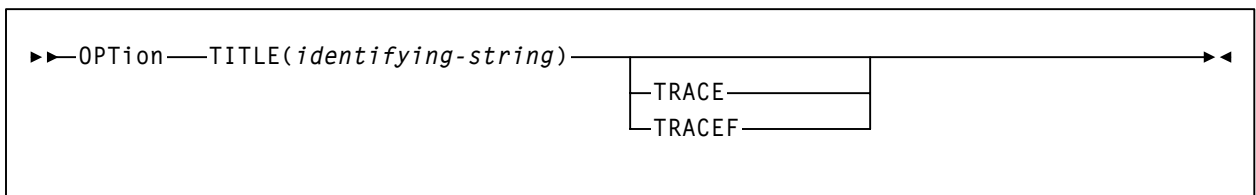
LMUPATH control statement



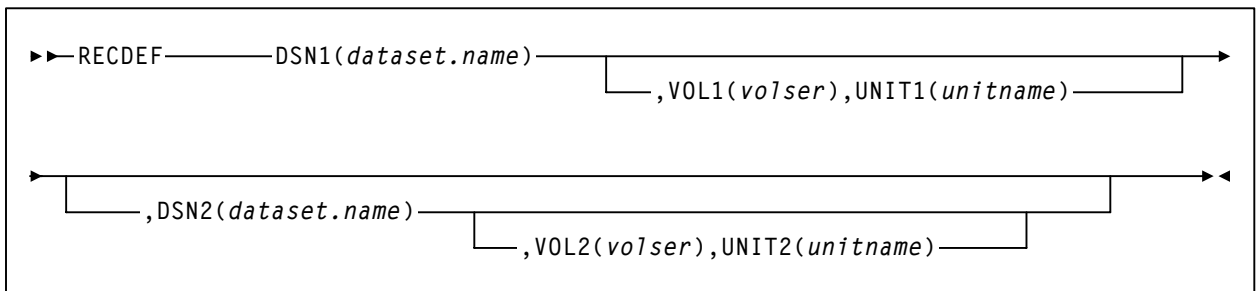
LMU Path Definition (LMUPDEF) command and control statement



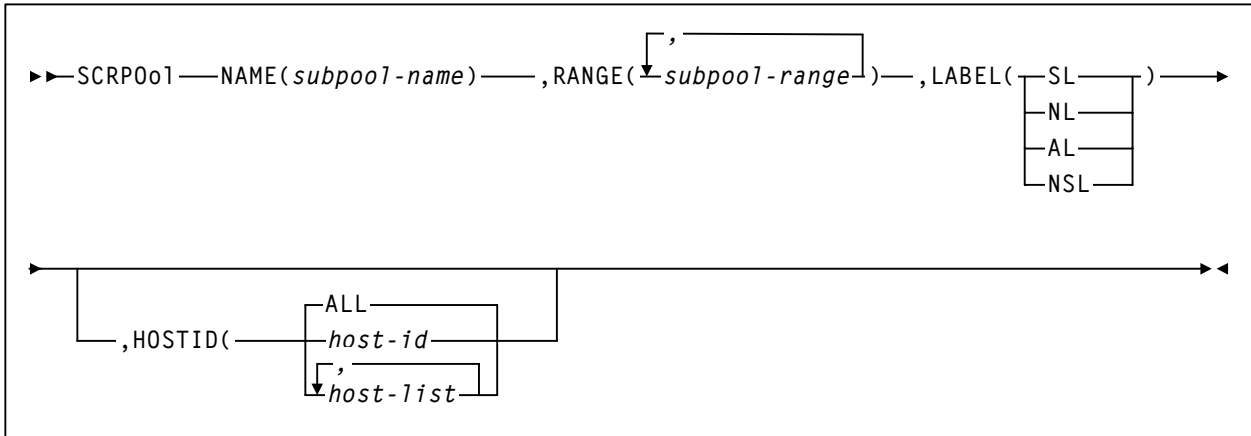
OPTION control statement



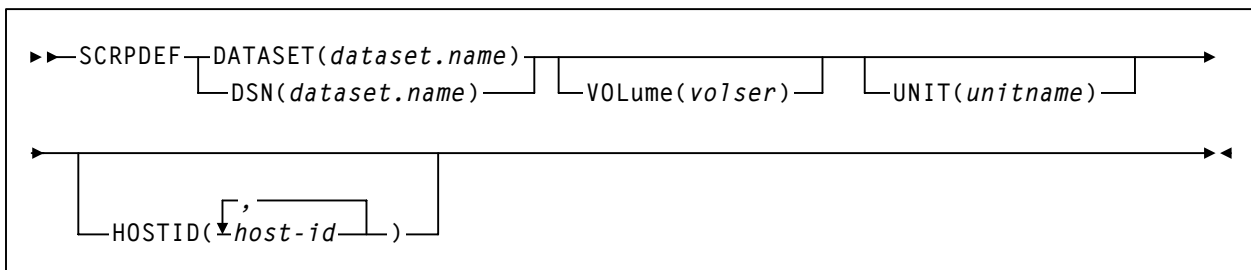
Reconfiguration Definition (RECDEF) control statement



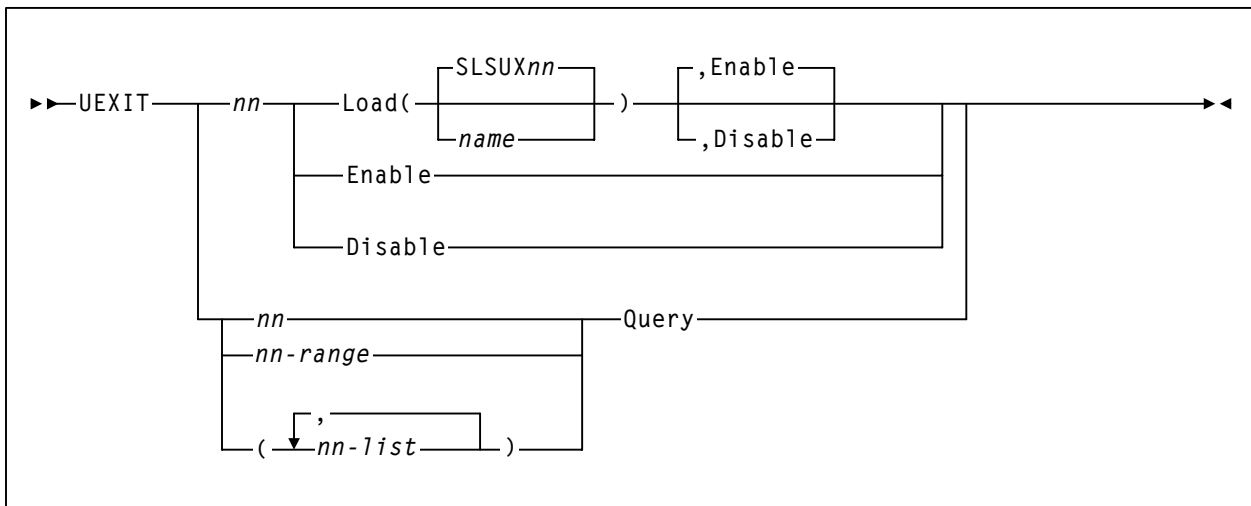
Scratch Subpool (SCRPOOl) control statement



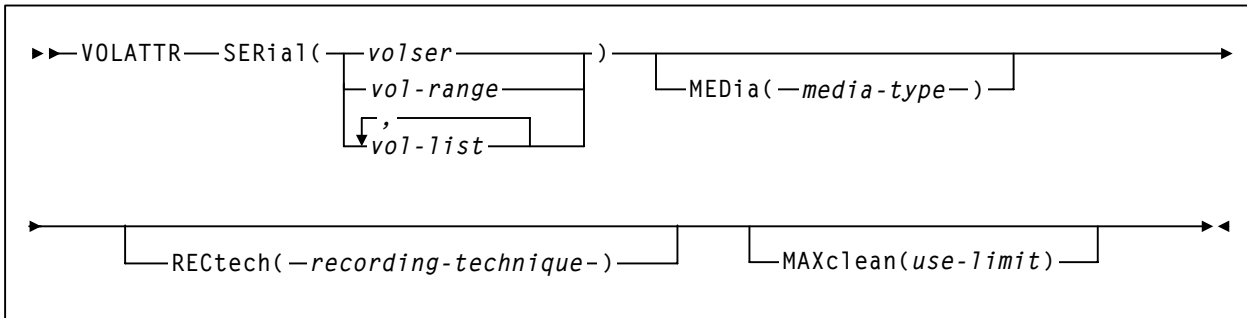
Scratch Subpool Definition (SCRPDEF) command and control statement



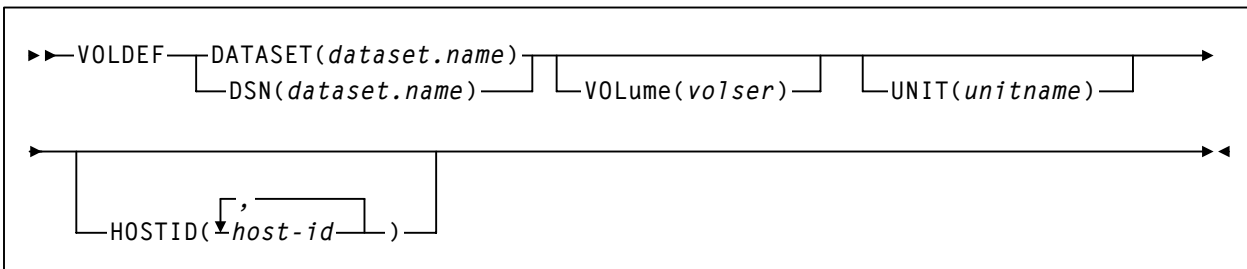
User Exit (UEXIT) command and control statement



Volume Attribute (VOLATTR) control statement



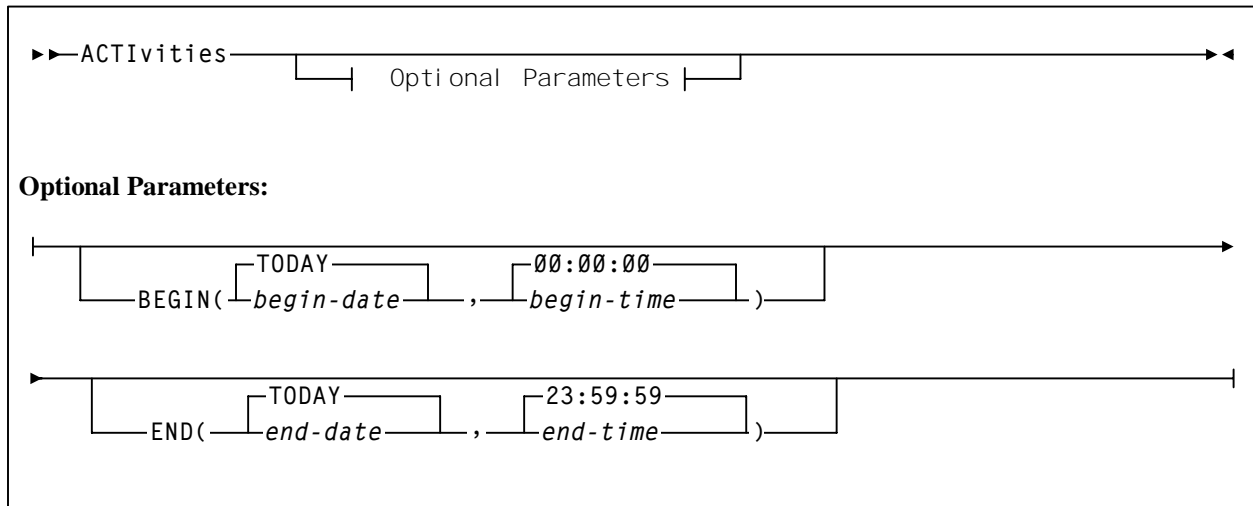
Volume Attribute Definition (VOLDEF) command and control statement



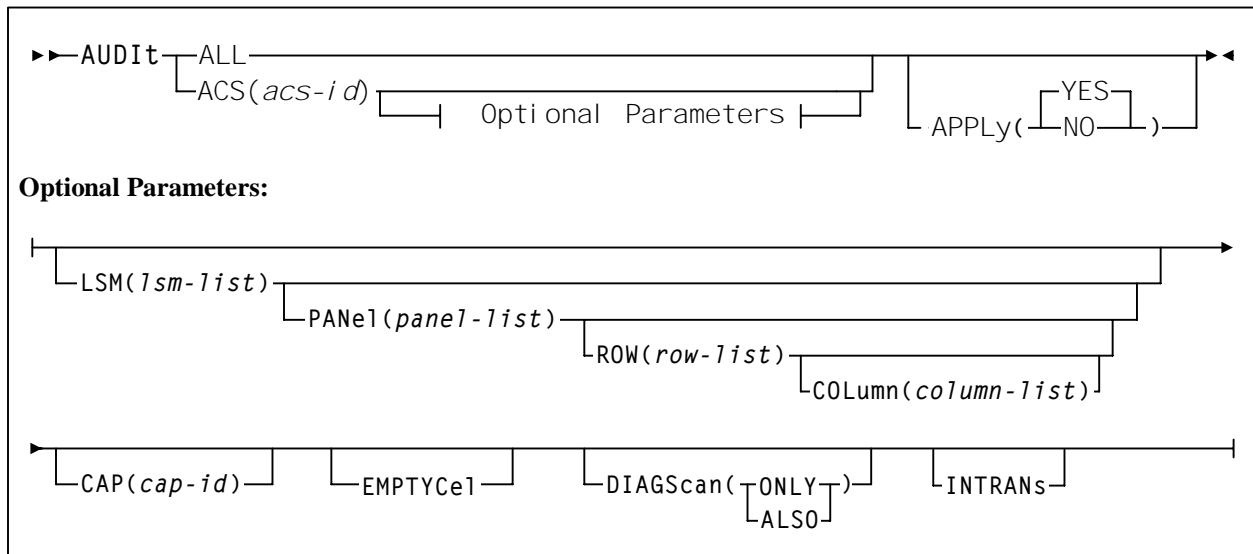
Utilities

Refer to Chapter 4, “Utility Functions” on page 143 for more information on utility syntax and parameters.

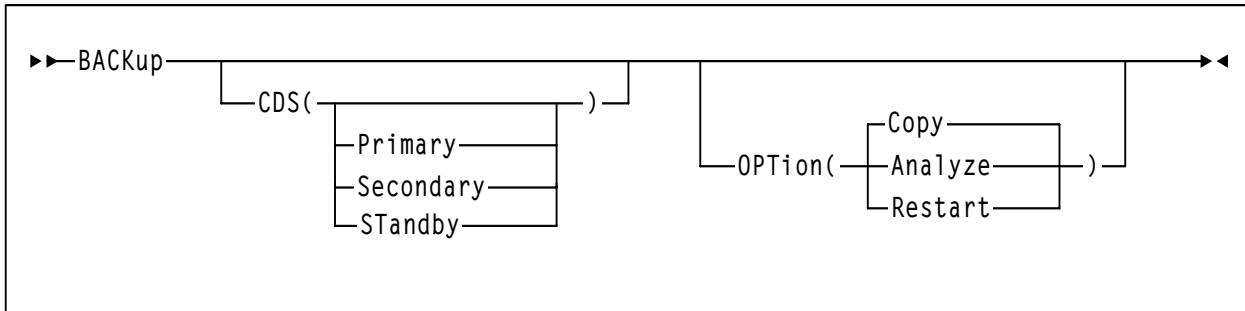
ACTivities Report utility



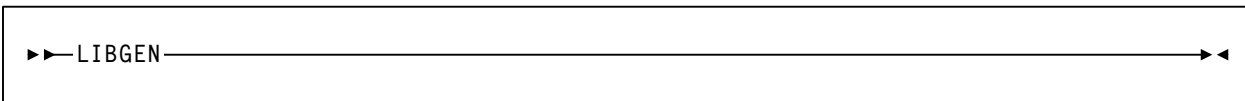
AUDIt utility



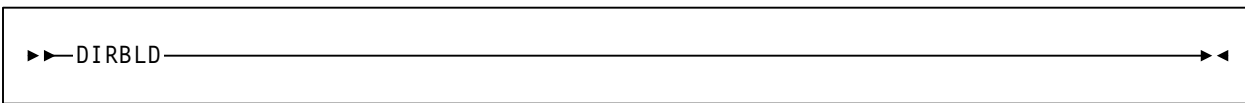
BACKup utility



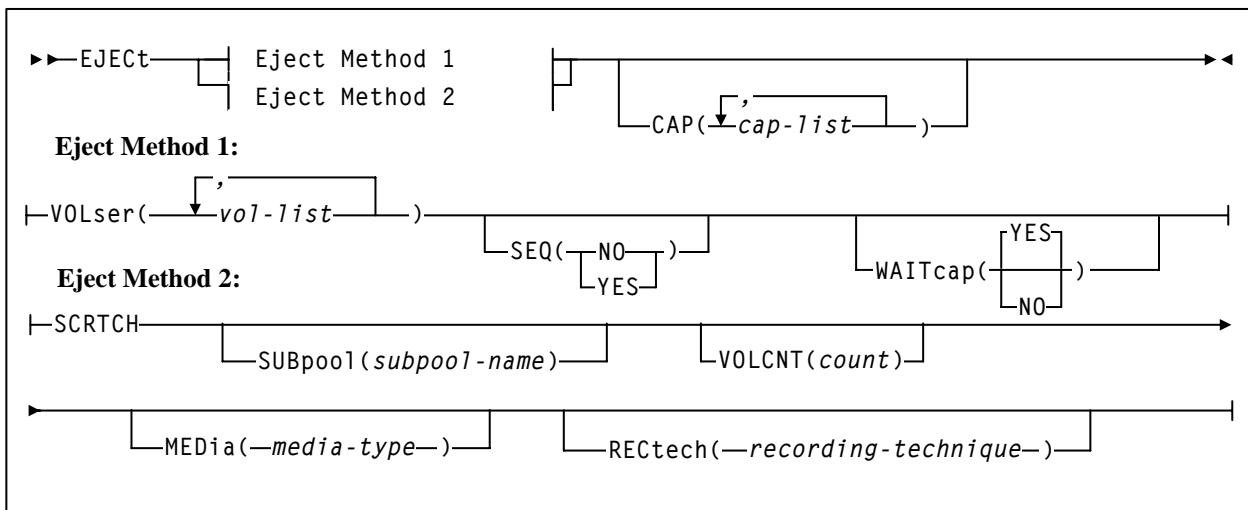
Database Decompile (LIBGEN) utility



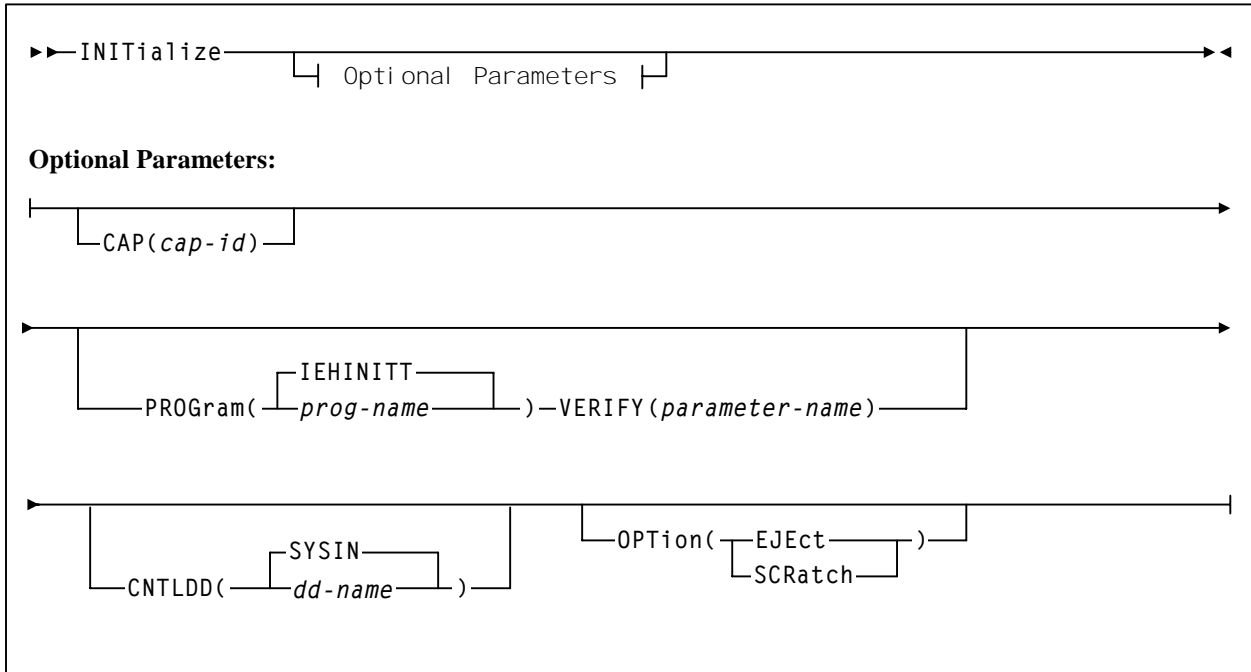
Directory Rebuild (DIRBLD) utility



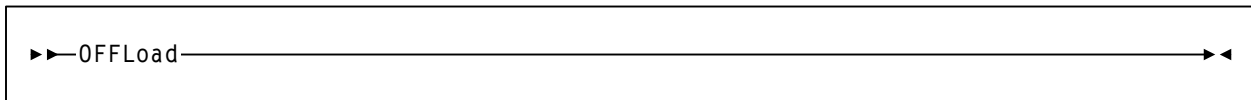
EJECT Cartridge utility



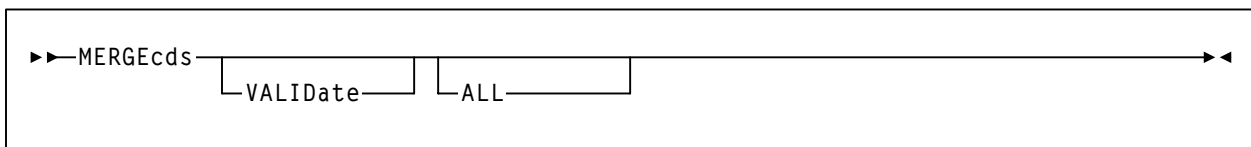
INITialize Cartridge utility



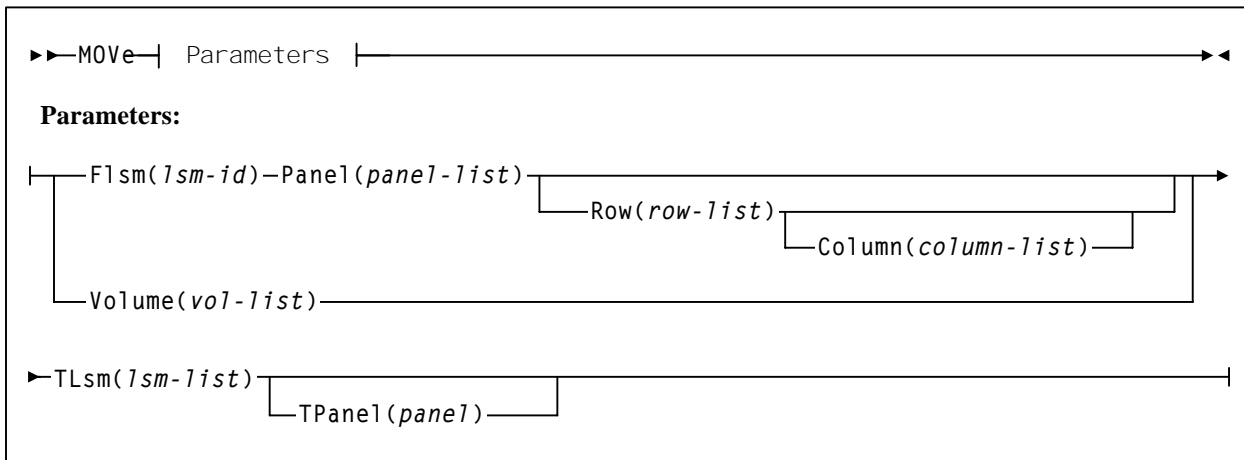
Journal OFFLoad utility



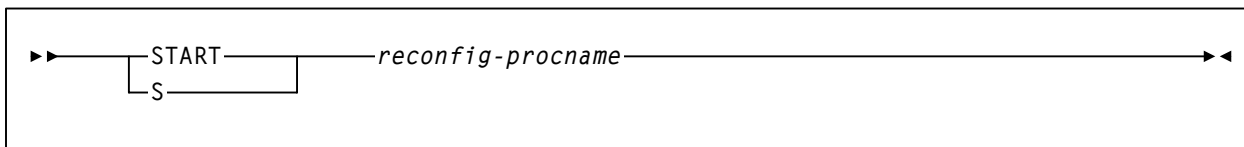
MERGEcds utility



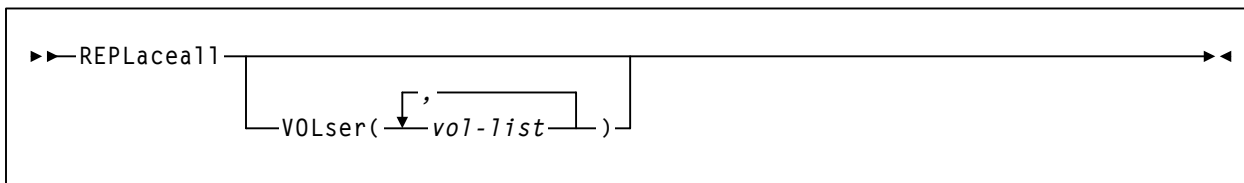
MOVE utility



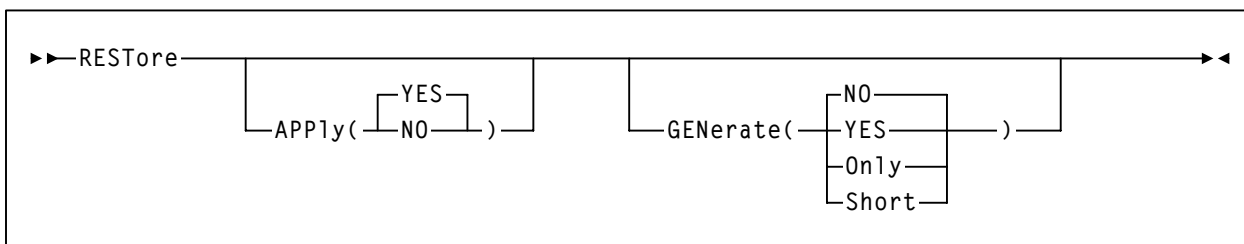
Reconfiguration utility



REPLace utility



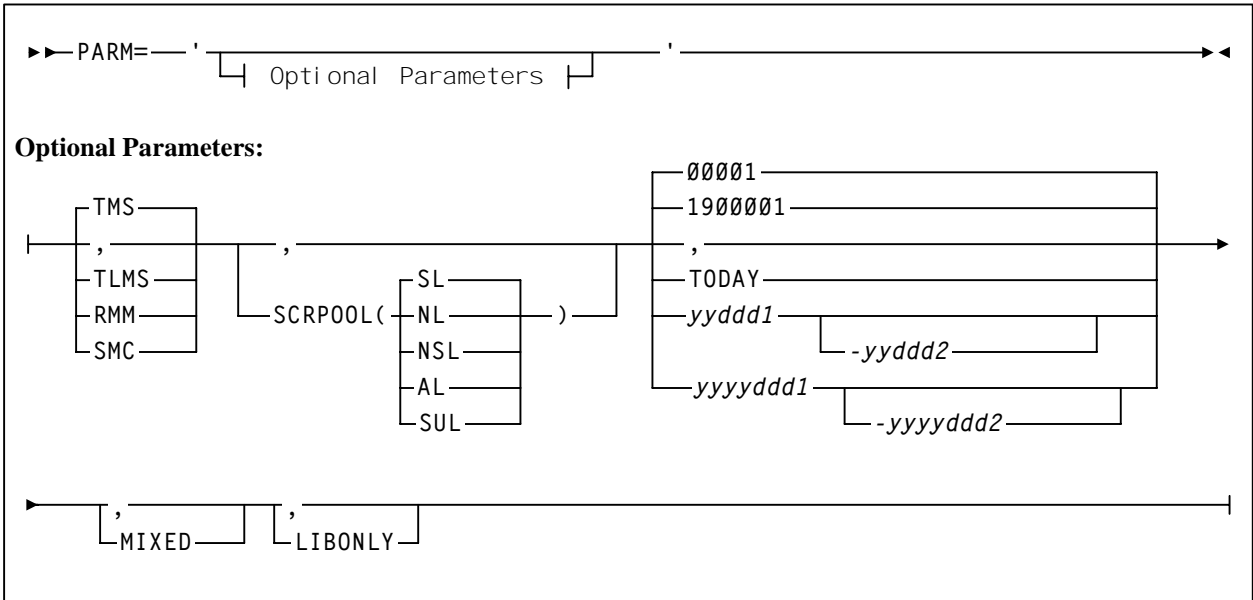
RESTore utility



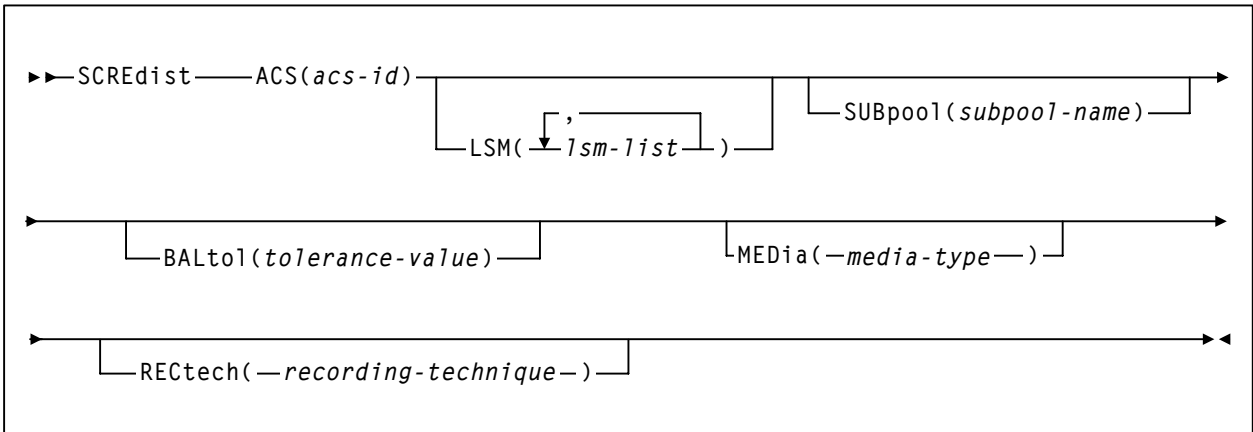
SCRAtch utility



Scratch Conversion utility



Scratch Redistribution (SCREdist) utility



SET utility

▶▶SET| Options |◀◀

Options:

|ACSDRV(*esoteric*)|,FORACS(*acs-id*)|
|,FORHOST(*host-id*)|

|CLNPRFX(*prefix*)|

|COMPRFX(*cmdhex*)|

|DELDISP(|SCRTCH|)|
|NOSCRTCH|

|DRVHOST(|OFF|)|
|*host-id*|

|EJCTPAS(|*newswd*|)|
|,OLDPASS(*oldpswd*)|

|FREEZE(|ON|)|,FORLSMID(*lsm-id*)|
|OFF|,FORPANEL(*panel*)|

|HOSTID(*newhost*),FORHOST(*oldhost*)|

|HSCLEVEL(OFF),FORHOST(*host-id*)|

|MAJNAME(*qname*)|

|NEWHOST(*newhost*),LIKEHOST(*model-host*)|

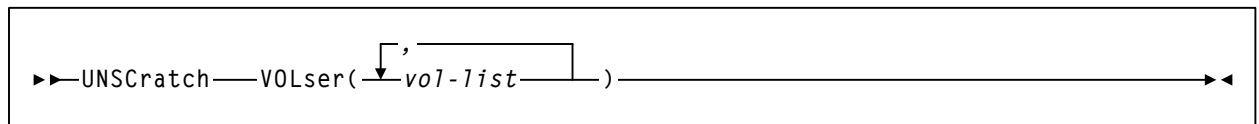
|NNLBDRV(|*esoteric*|)|
|,FORHOST(*host-id*)|

|SCRLABL(|SL|)|
|AL|
|NL|
|NSL|

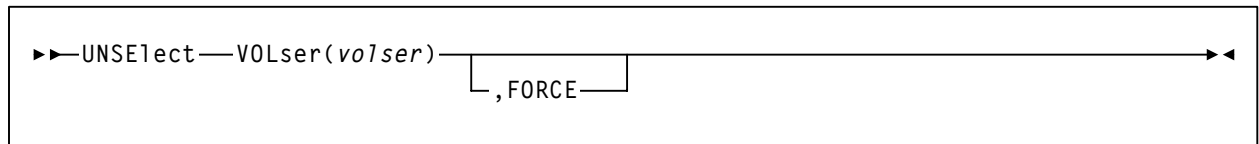
SET Utility (continued)



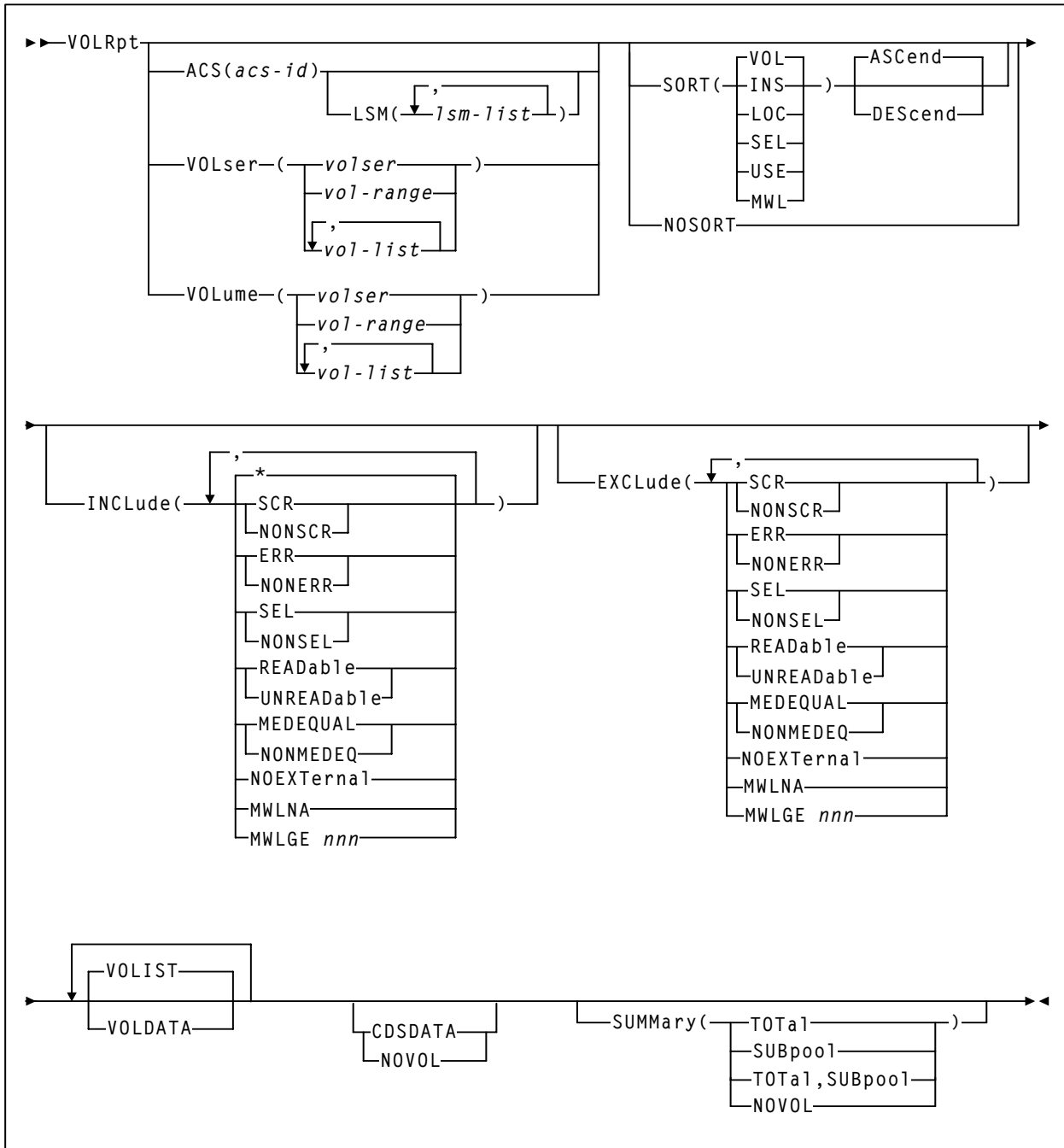
UNSCratch utility



Unselect utility



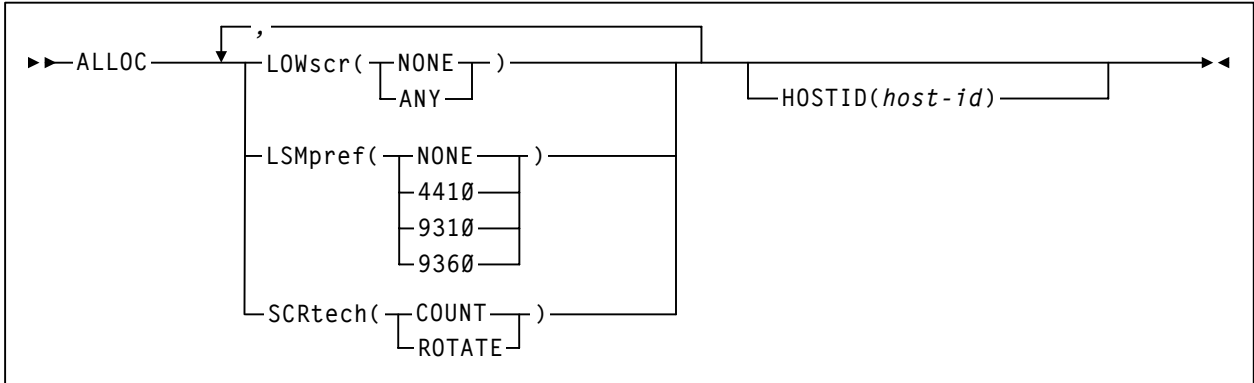
Volume Report (VOLRpt) utility



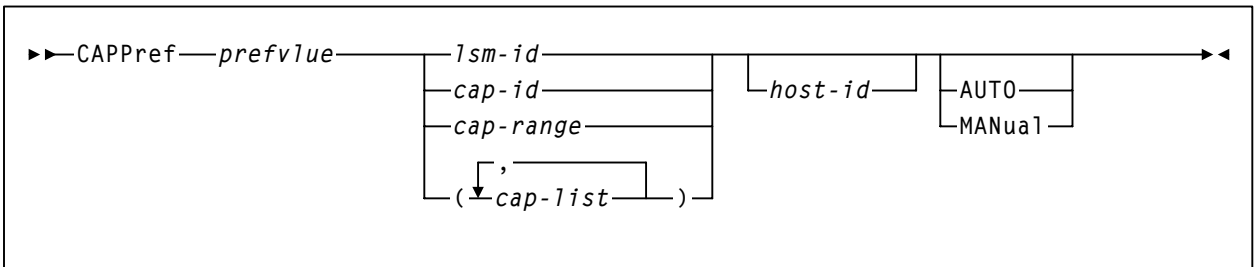
Operator Commands

Refer to “Operator commands” in the *HSC Operator’s Guide* for complete explanations of command syntax and parameters.

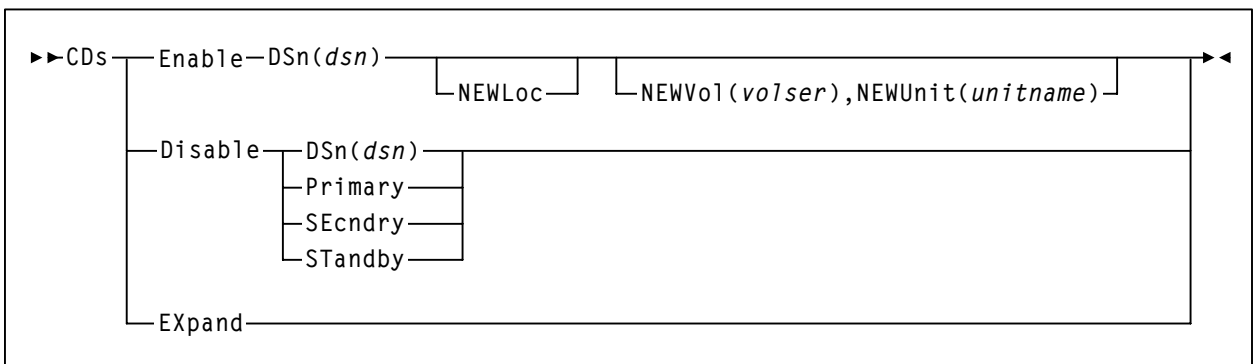
Allocation (ALLOC) command and control statement



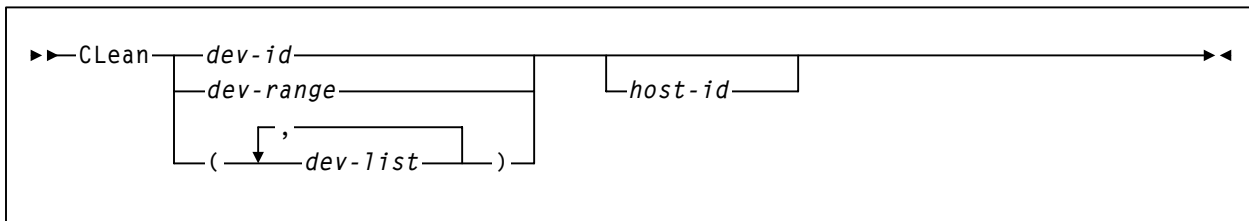
CAP Preference (CAPPref) command and control statement



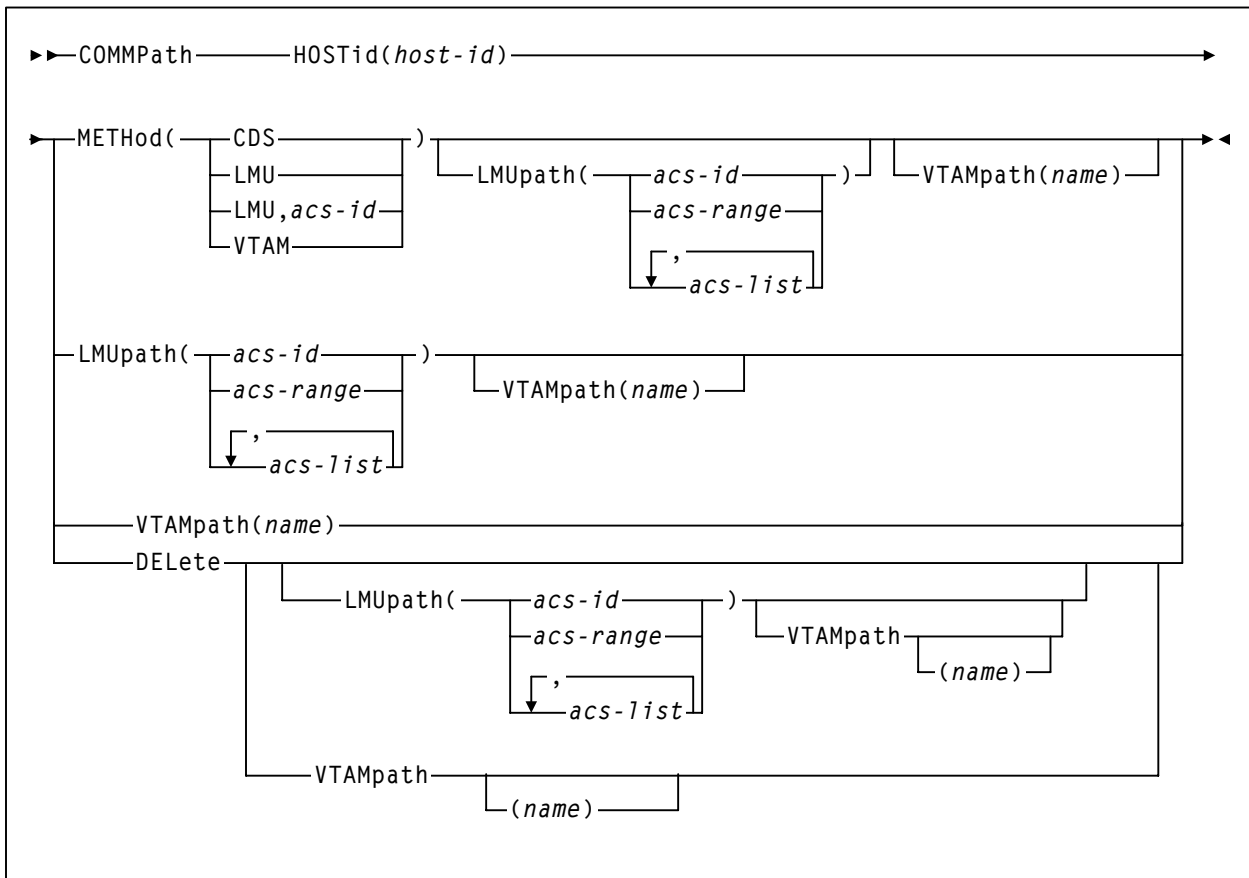
CDs Enable/Disable command



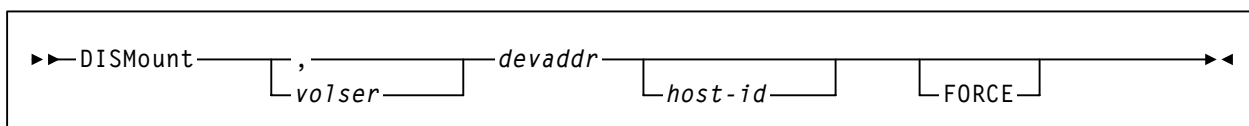
Clean command



Communications Path (COMMPath) command and control statement

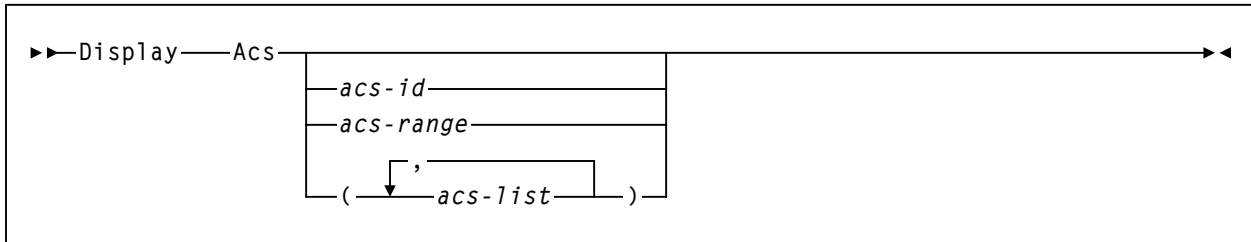


DISMount command

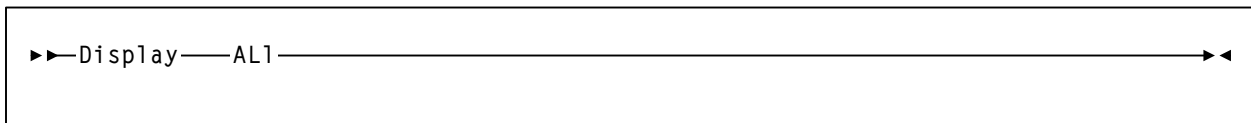


Display command

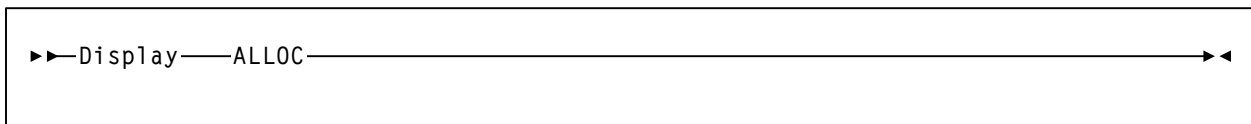
Display AcS



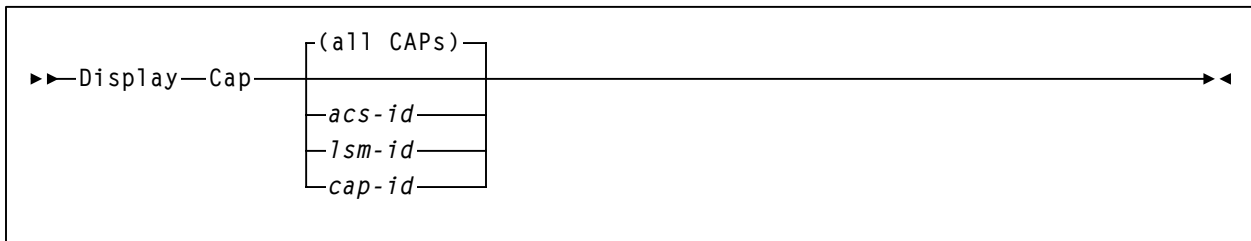
Display ALI



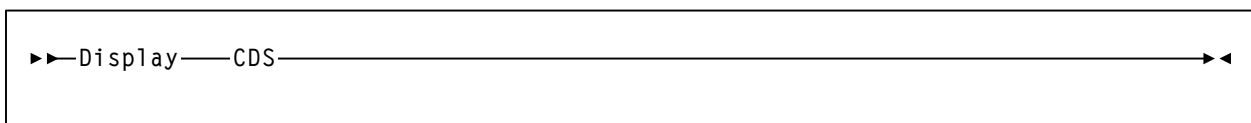
Display ALLOC



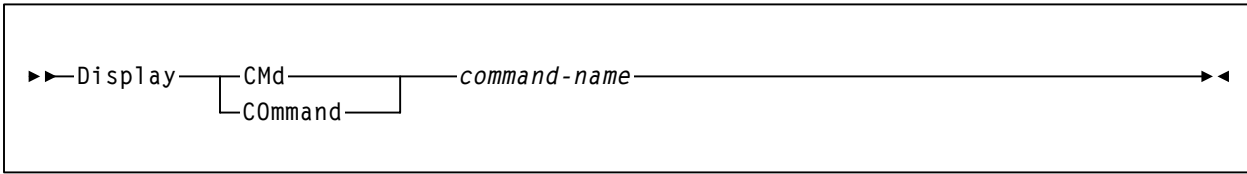
Display Cap



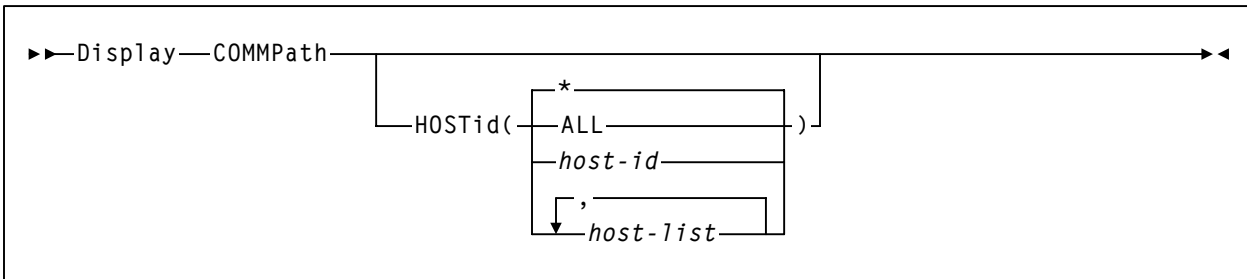
Display CDS



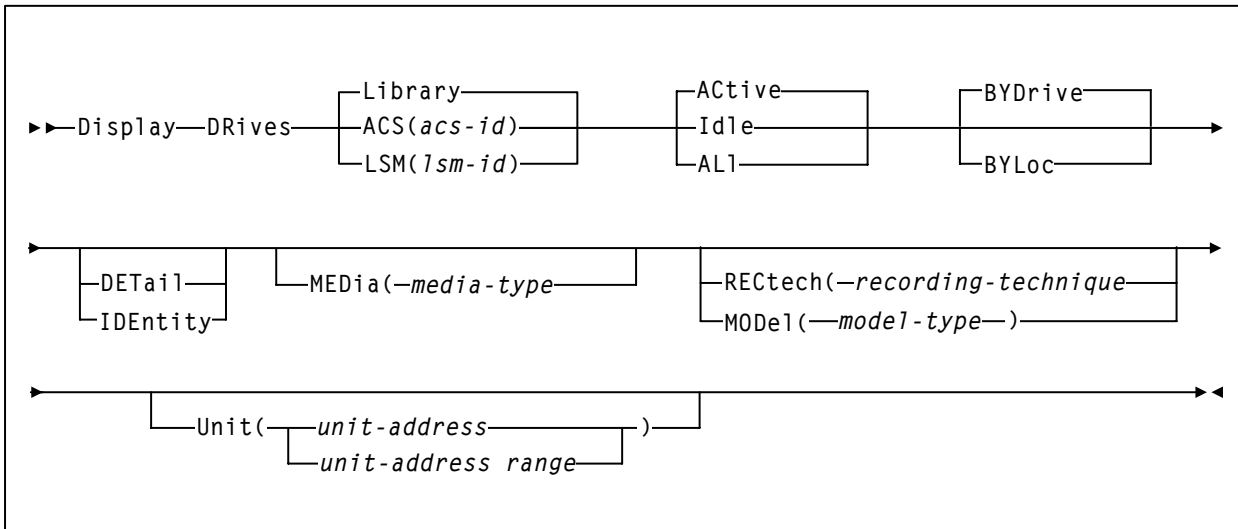
Display Cmd



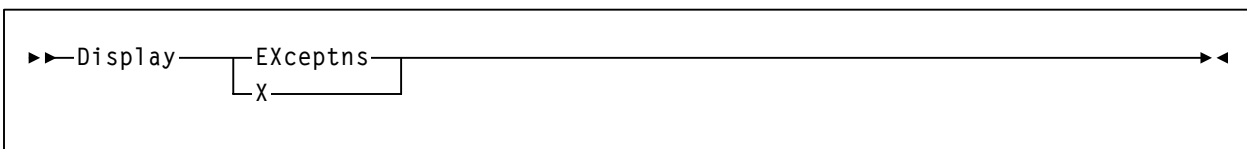
Display COMMPath



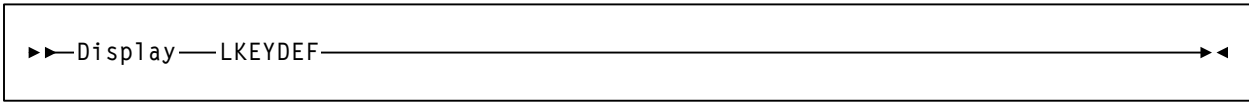
Display DRives



Display Exceptions



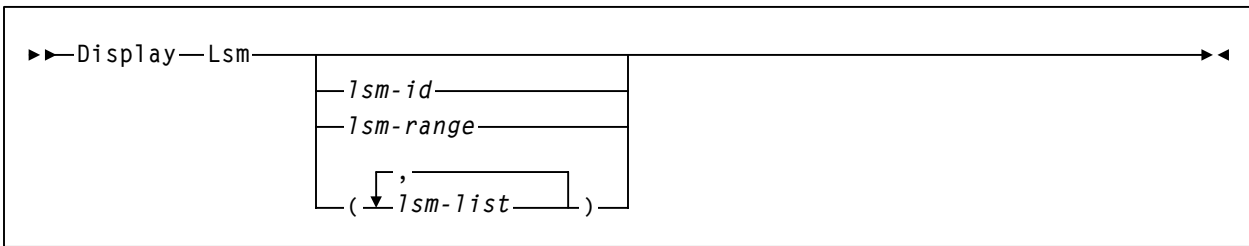
Display LKEYDEF



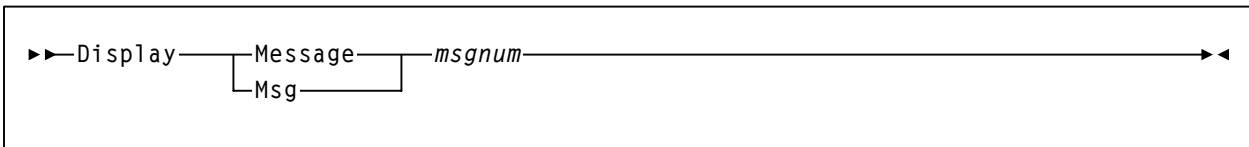
Display LMUPDEF



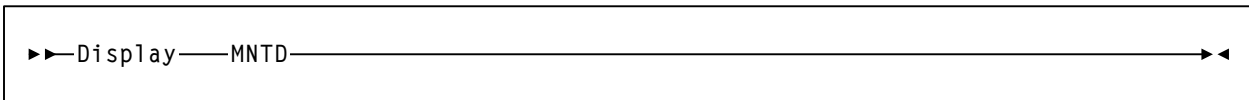
Display LSM



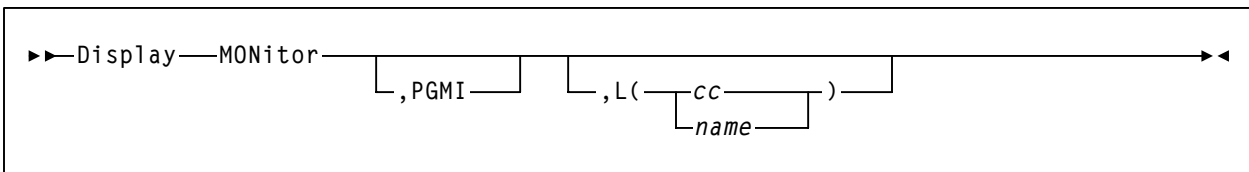
Display Message



Display MNTD



Display MONitor



Display OPTion

►► Display — OPTion ————— ◀◀

Display Requests

►► Display — Requests ————— ◀◀

Display SCRatch

►► Display — SCRatch ————— ◀◀

┌ *acs-id* ─┬─┬ ALL ─┬─┬ SUBpool (*subpool-name*) ─┬─┬ DETail ─┬─┬

└ *lsm-id* ─┴─┴

┌ MEDIA (*media-type*) ─┬─┬

└ RECTech (*recording-technique*) ─┬─┬

Display SCRDEF

►► Display — SCRDEF ————— ◀◀

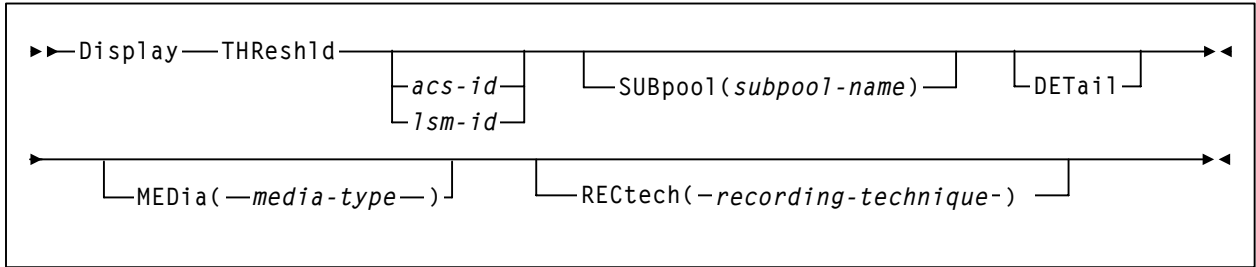
Display SRVlev

►► Display — SRVlev ————— ◀◀

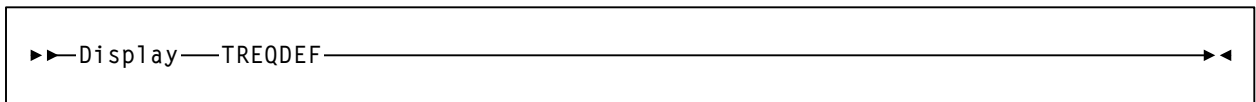
Display Status

►► Display — Status ————— ◀◀

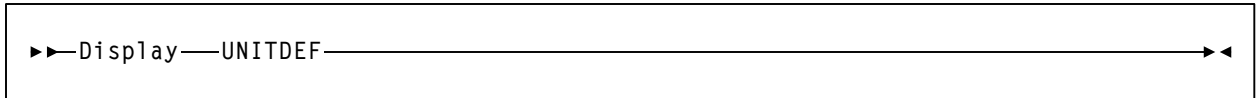
Display THReshd



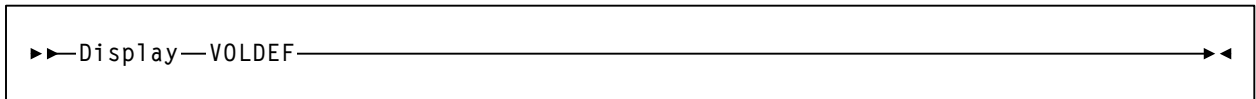
Display TREQDEF



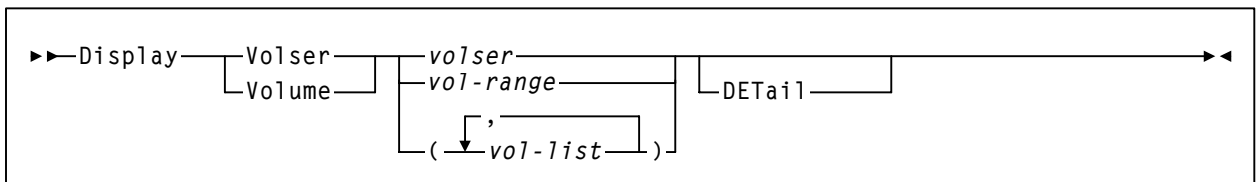
Display UNITDEF



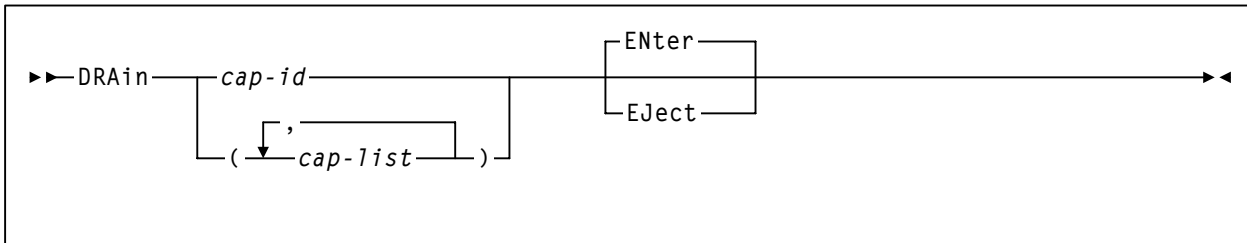
Display VOLDEF



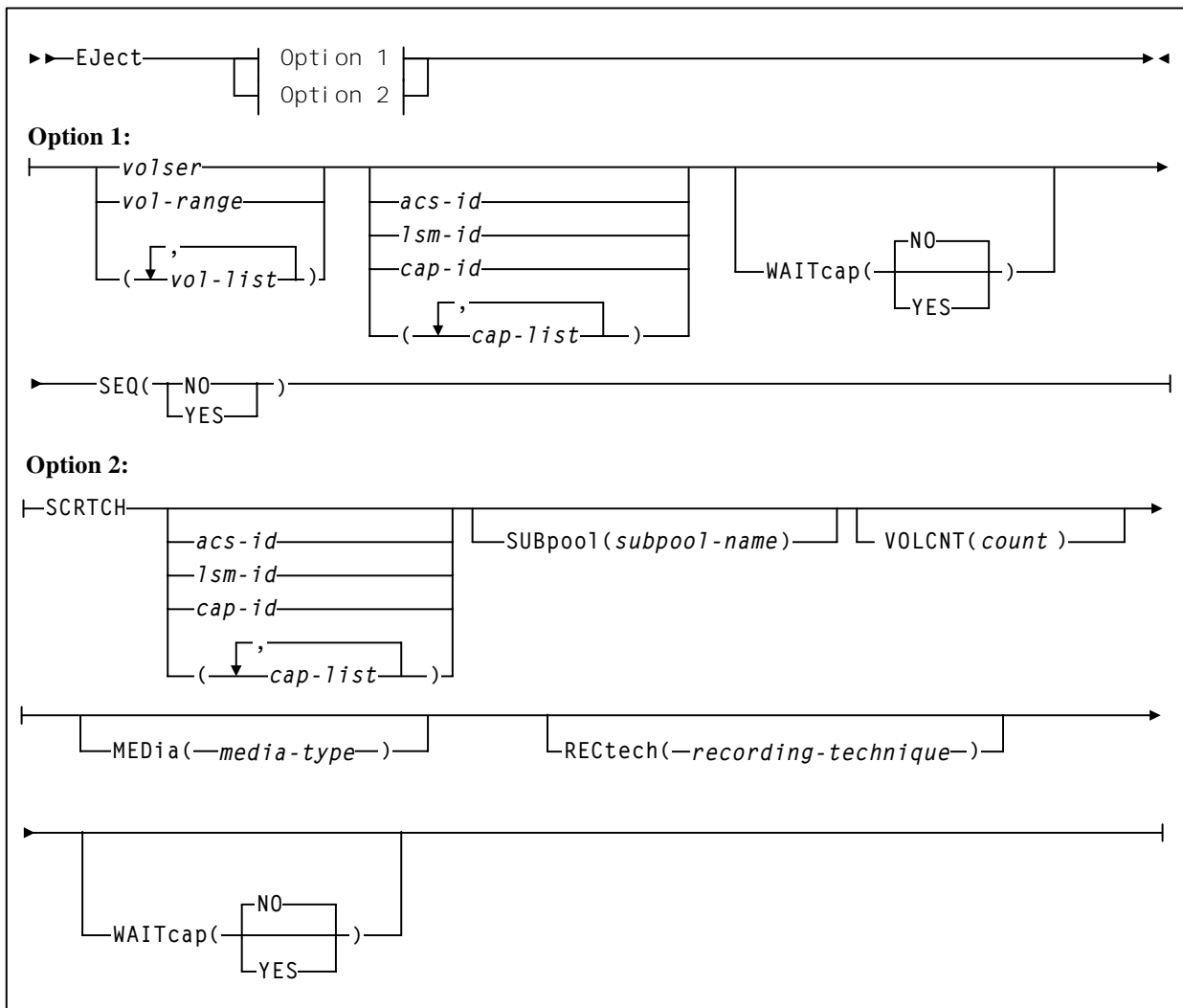
Display Volume



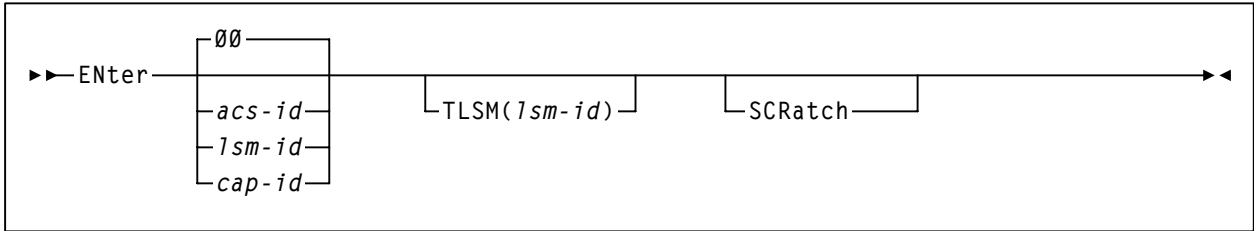
DRAIN CAP command



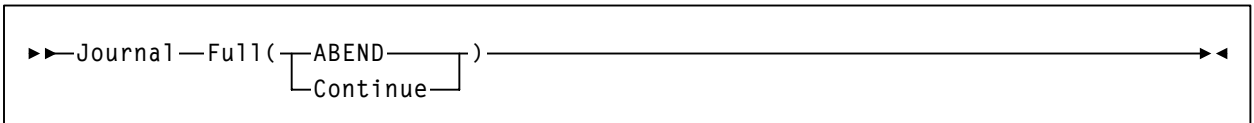
Eject command



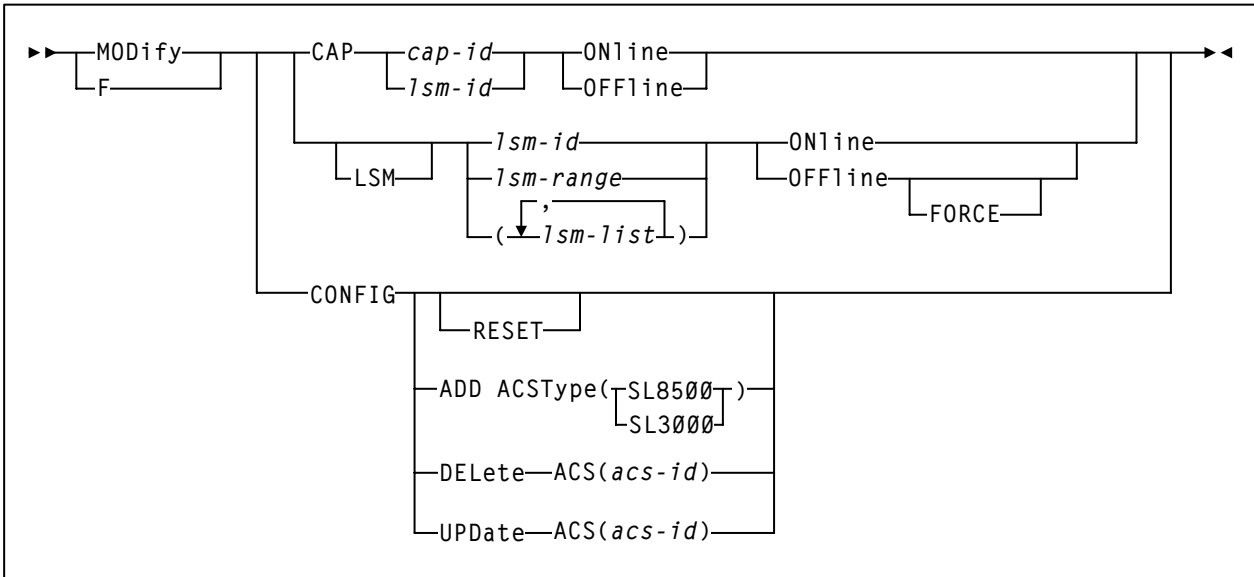
ENter command



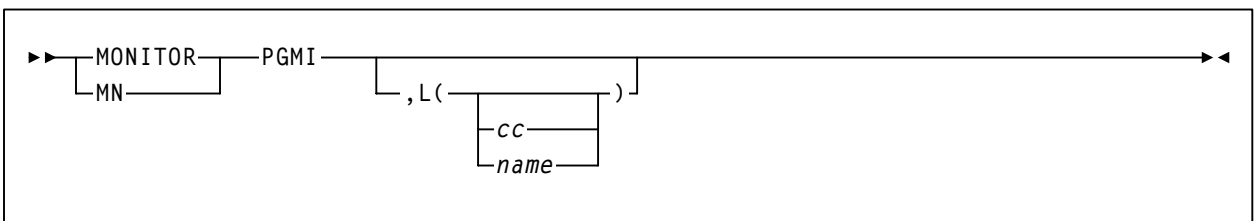
Journal command



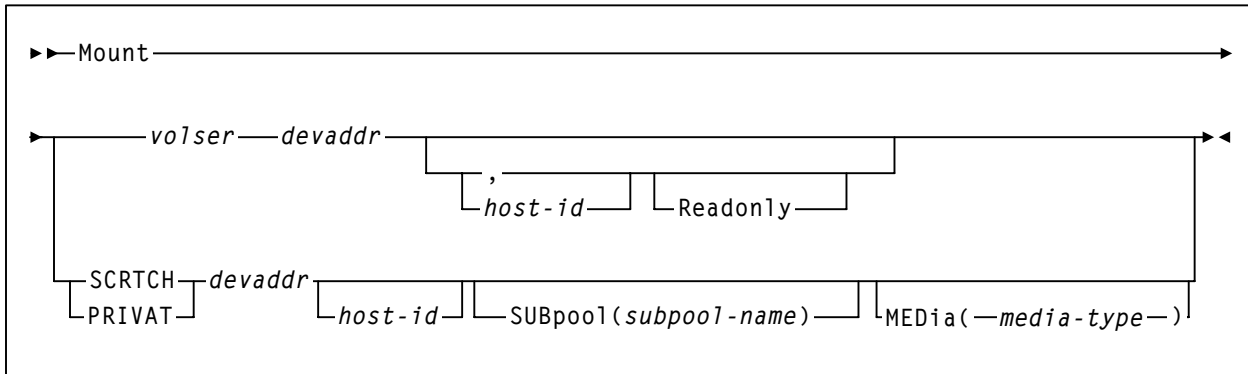
MODify command



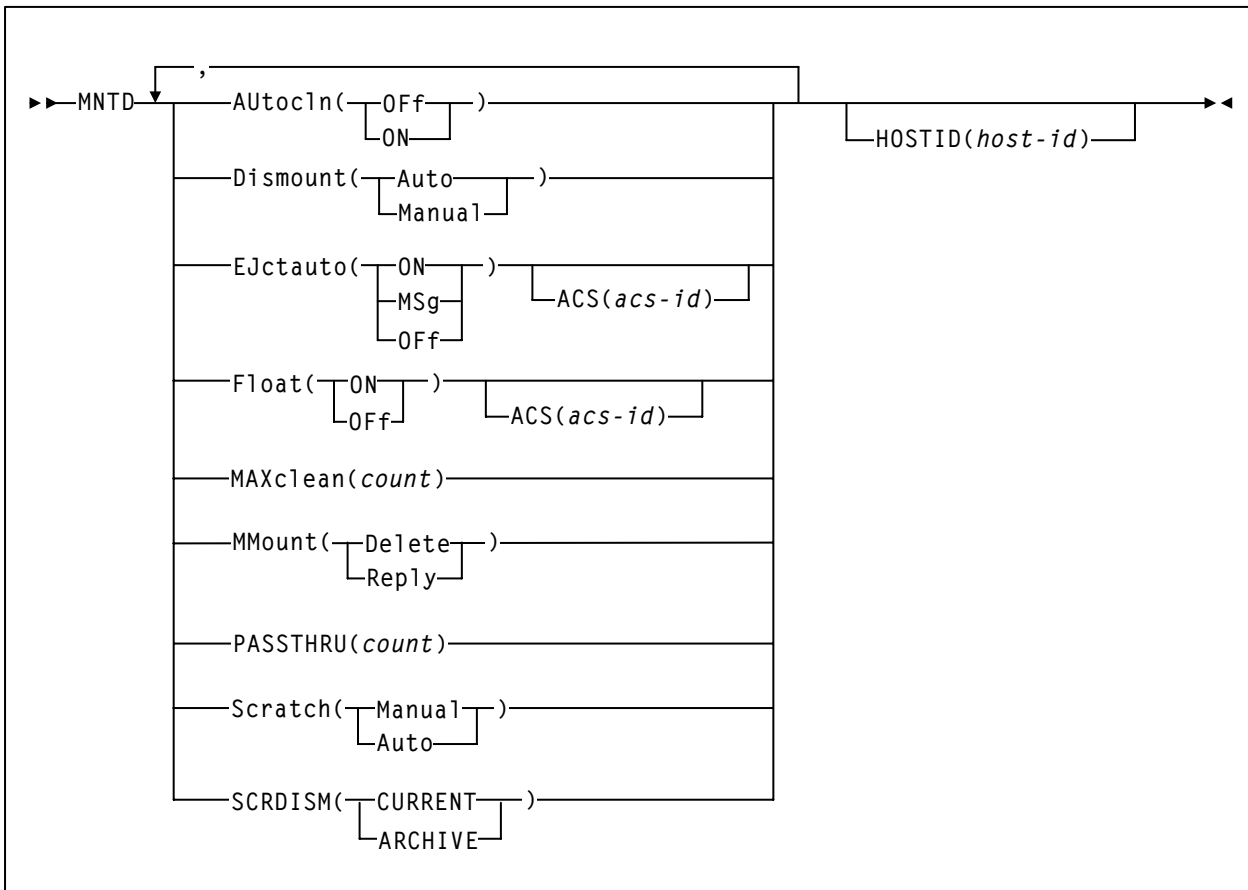
MONITOR command



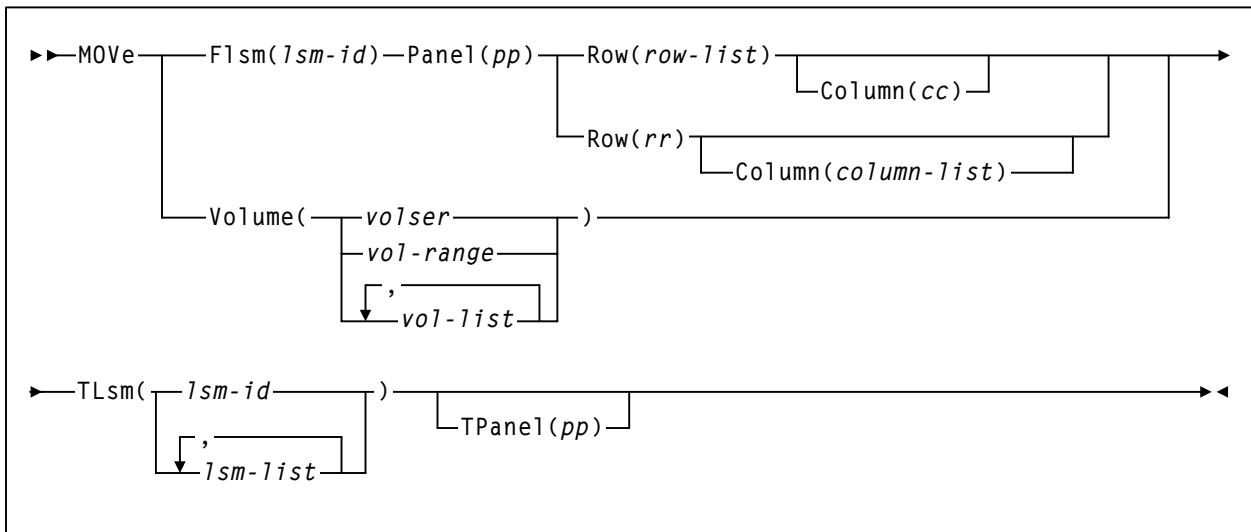
Mount command



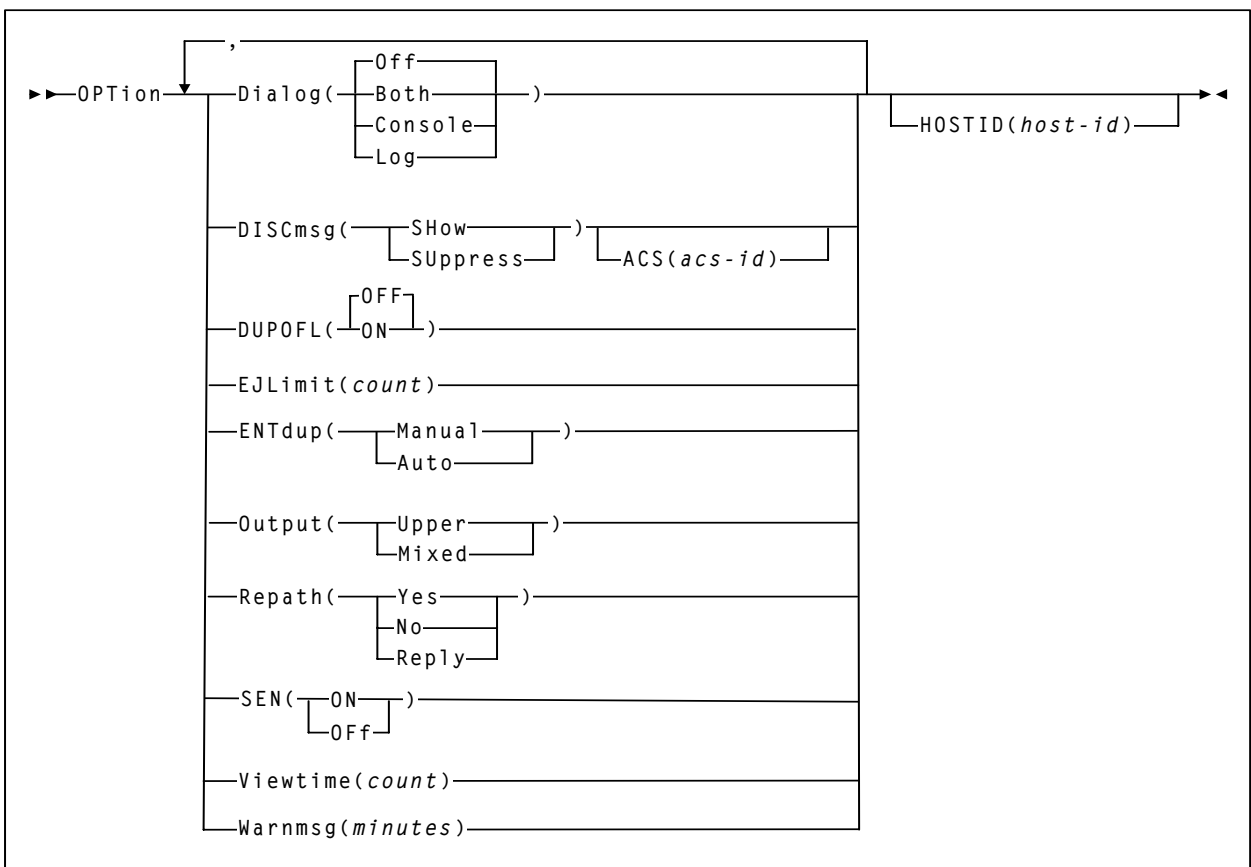
Mount/Dismount Options (MNTD) command and control statement



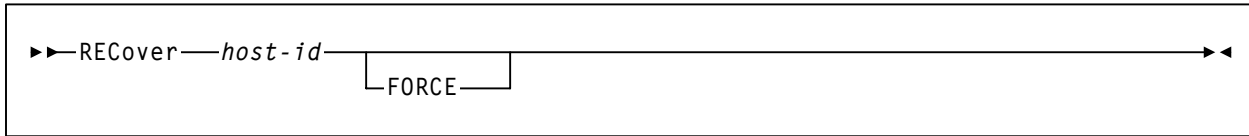
MOVE command



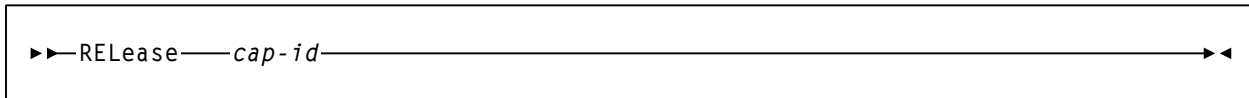
OPTion command and control statement



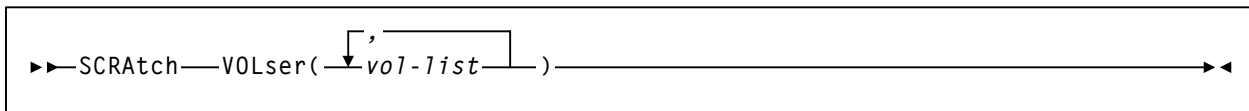
RECover Host command



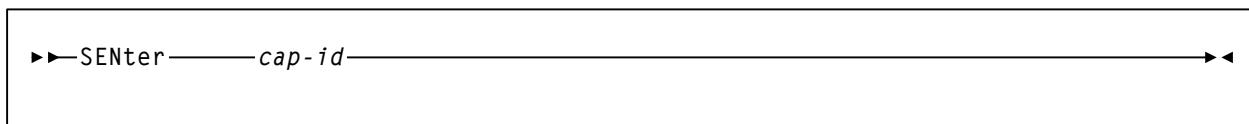
RELease CAP command



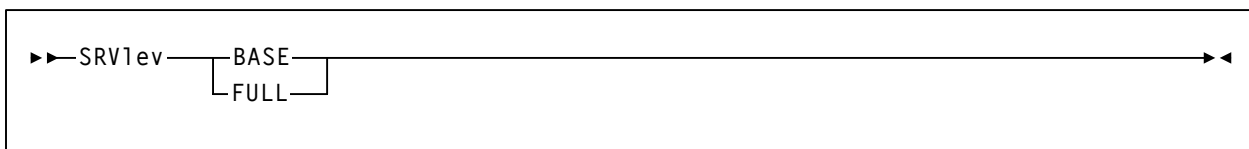
SCRAtch command



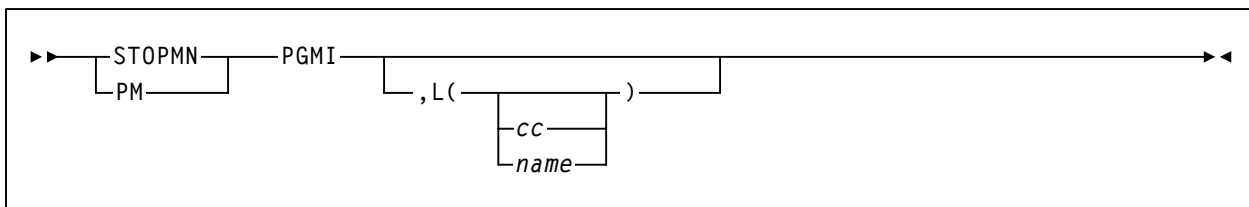
SENter command



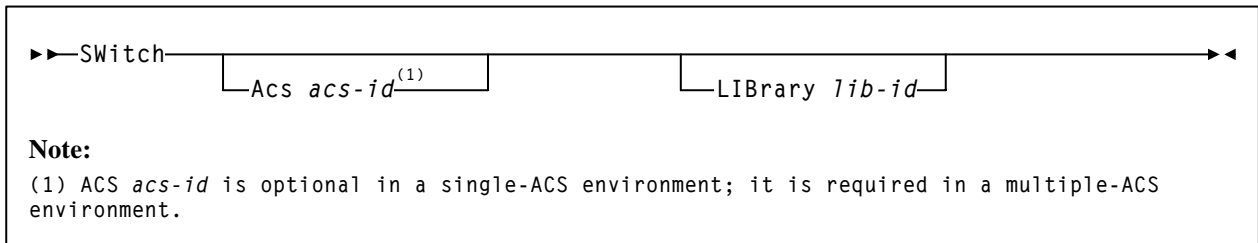
SRVlev (Service Level) command



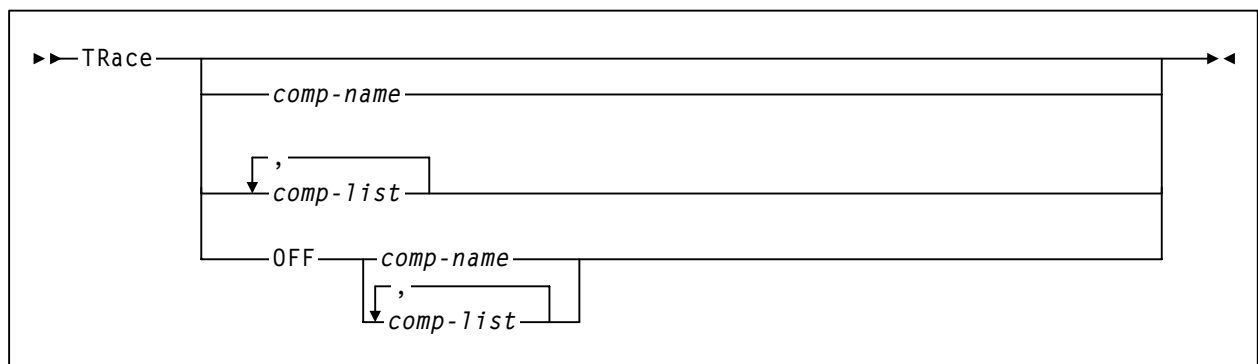
Stop Monitoring (STOPMN) command



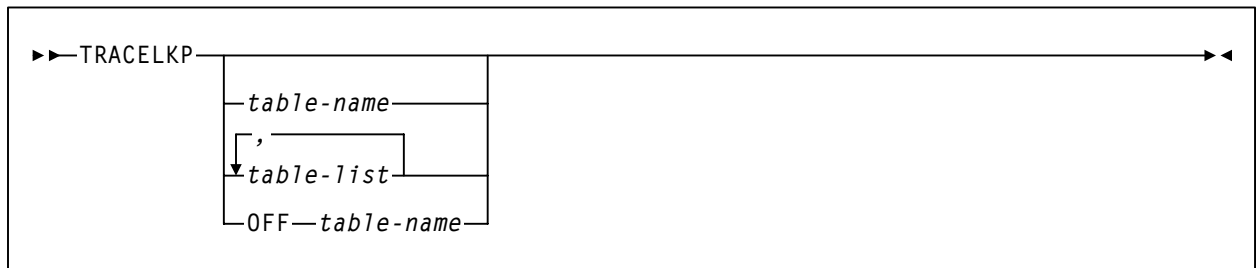
SWitch command



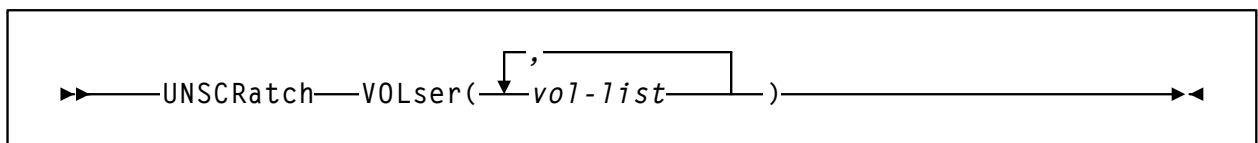
TRace command



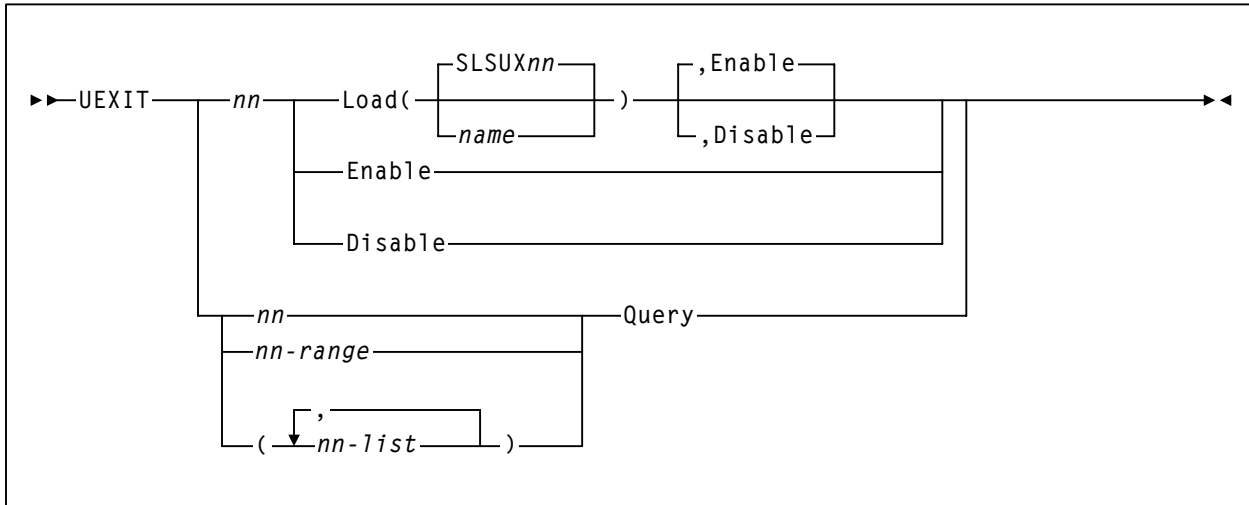
TRACELKP command



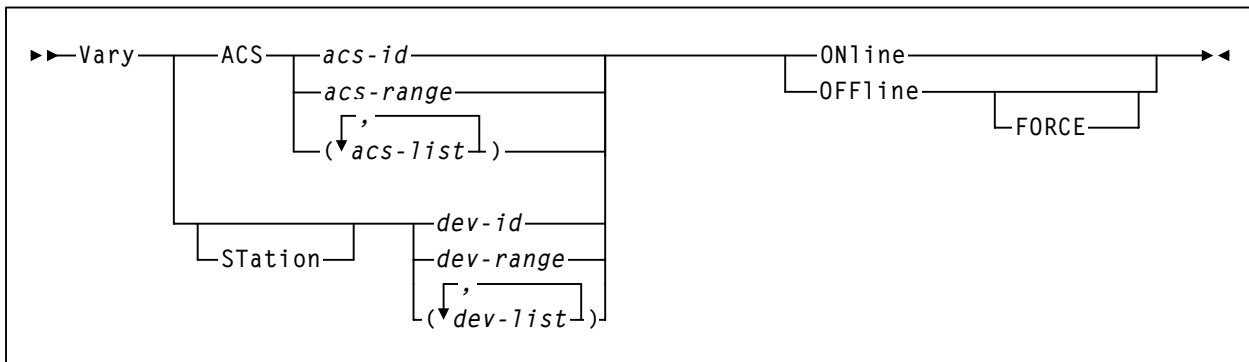
UNSCRatch command



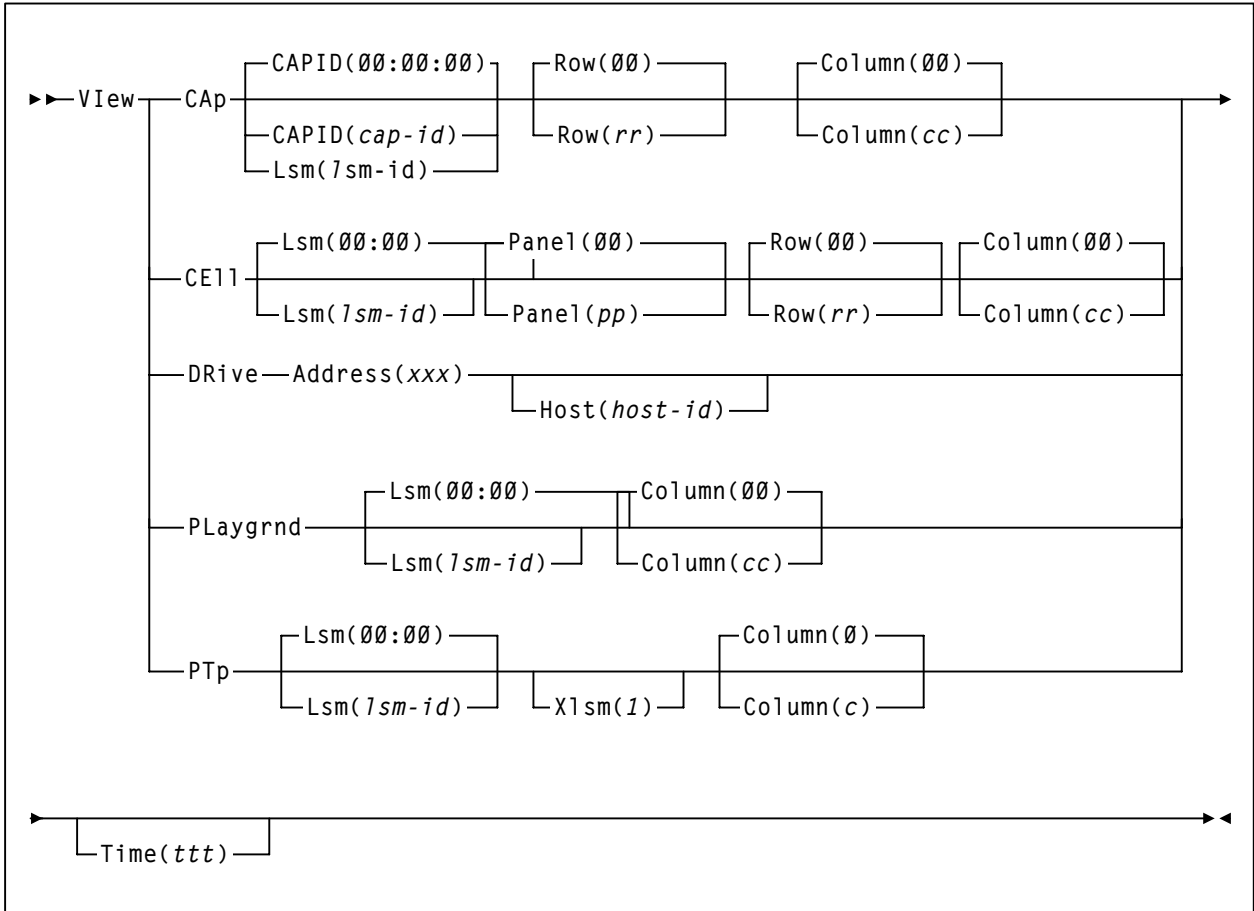
User Exit (UEXIT) command and control statement



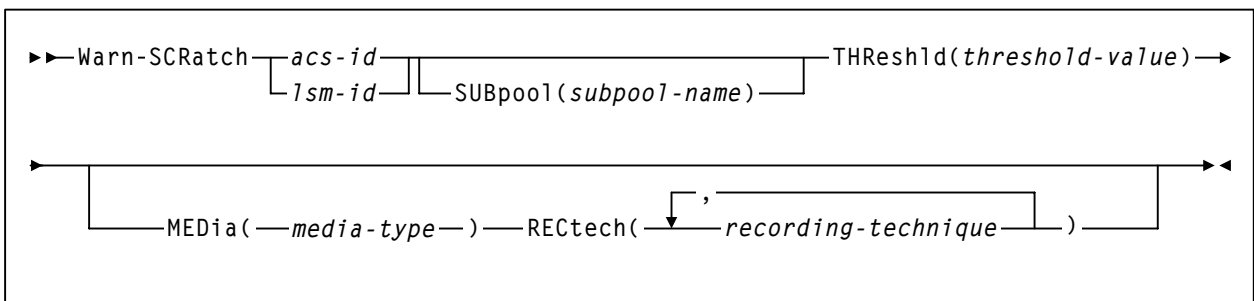
Vary Station command



View command

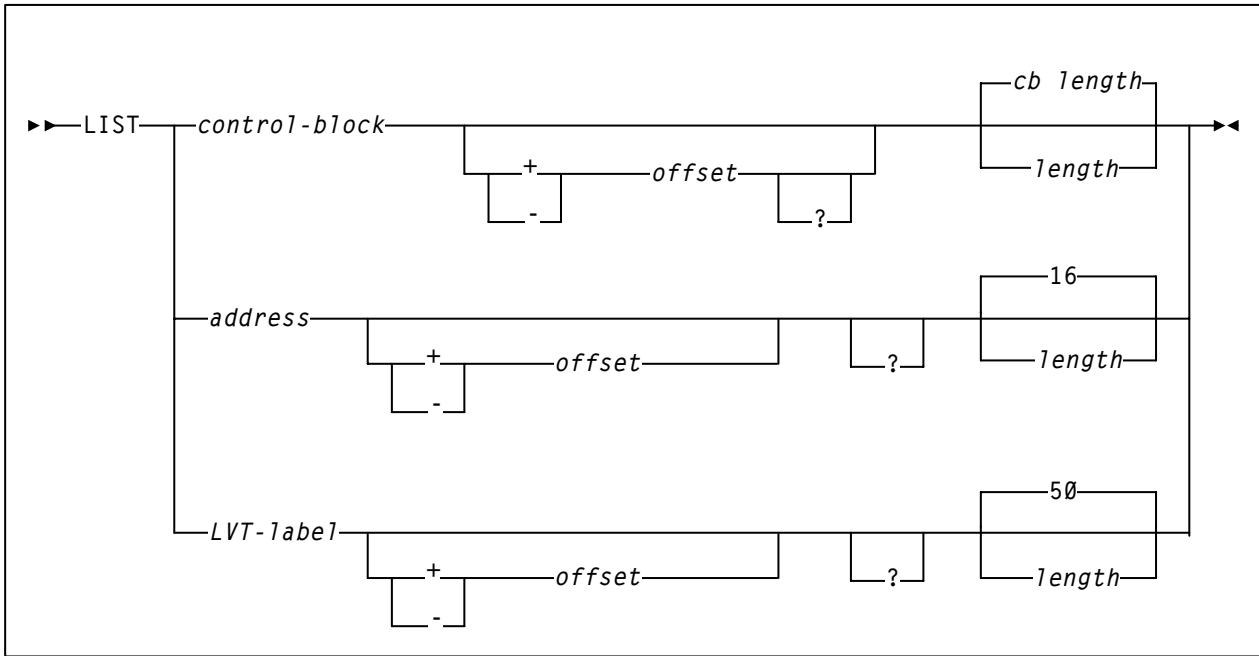


Warn command

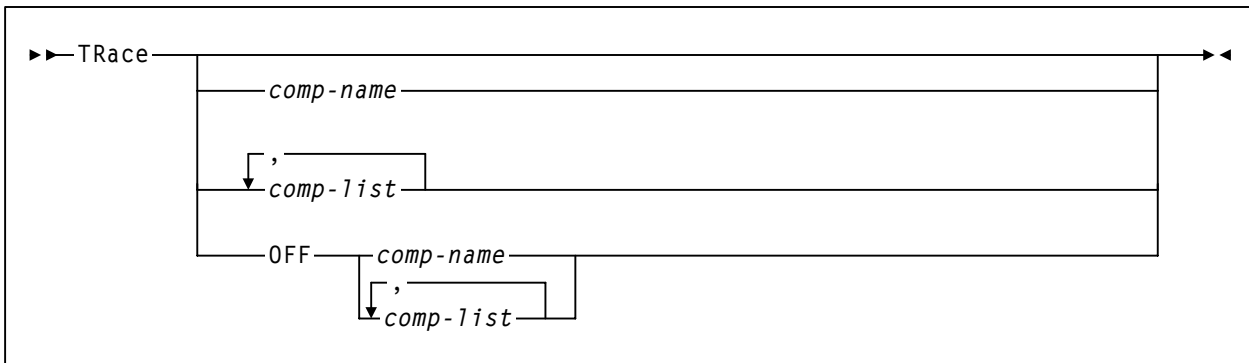


HSC Diagnostic Commands

List command



TRace command



Appendix F. Record Formats

Overview

This appendix provides the record formats for the HSC SMF, LOGREC, Volume Report, and Batch API records. These records are mapped by SMP/E-distributed macros.

Each record format contains the following information:

- decimal representation
- hexadecimal representation
- type
- length
- label information
- description.

Some important points to remember when referencing record formats are:

- Types “**Constant (CONST)**,” “**Character Constant (CHAR CONST)**,” “**BITMAP**,” and “**Length (LENGTH)**” contain values in the Decimal and Hexadecimal columns.
- Type “**AREA**” contains offsets in the Decimal and Hexadecimal columns. The Length is the length of an area. (An area defines an area of storage only.)
- Type “**STRUCTURE**” contains zeros in both the Decimal and Hexadecimal columns and the Label column contains a DSECT name. The Length is blank.
- With Label “**name (Rep count)**,” the Length is equal to the length of one element. The total length of the entire field is found by multiplying the Length times the Rep count.
- If the Label equals -RESERVED-, there is not a label for that particular field.
- Type “**Offset**” contains an offset in the Decimal and Hexadecimal columns and the Length is always blank.

Table 40 provides a key to the SMF record format tables.

Table 40. Key to Record Format Tables

Dec	Hex	Type	Length
values		CONSTANT CHAR CONST BITMAP LENGTH	
offset		AREA	length
0	(0)	STRUCTURE	blank
offset		CHARACTER HEXSTRING BITSTRING SIGNED-FWORD SIGNED-HWORD SHORT-FLOAT LONG-FLOAT A-ADDR Y-ADDR S-ADDR V-ADDR PACKED-DEC ZONED-DEC EXTENDED FLOAT	length (length of one element)
offset		OFFSET	blank

Mapping Macros for SMF Records

Mapping macros for SMF records are listed in Table 41 on page 659.

Mapping Macros for LOGREC Records

Mapping macros for LOGREC records are listed in Table 52 on page 685.

Mapping Macros for Volume Report and Batch API Records

Mapping macros for Volume Report and Batch API records are listed in Table 67 on page 722.

Mapping Macros for Batch API Records

Mapping macros for Batch API Records available only through the Batch API are listed in Table 74 on page 753.

SMF Records

SMF Mapping Macros

Table 41. Mapping Macros for SMF Records

Macro	Description
SLSDVAR	Volume Attribute Record Data Length (within other SMF records)
SLSSFHDR	SMF Record Header Information
SLSSBLOS	SMF LSM Operations Statistics
SLSSCAPJ	SMF CAP Eject Record
SLSSCAPN	SMF CAP Enter Record
SLSSVSTA	SMF Vary Station Record
SLSSMLSM	SMF Modify LSM Record
SLSSLSB	SMF LMU ATHS Statistics Buffer
SLSSMF07	SMF Move Detail Record
SLSSMF08	SMF View Detail Record

SMF Record Formats

SLSDVAR

Table 42. SLSDVAR Record Format

Dec	Hex	Type	Length	Label	Description
SLSDVAR - Distributed Volume Attribute Record Length					
FUNCTION: Pass the HSC Volume Attribute Record Length(VARL) for other Distributed HSC Macros to use as needed.					
0	(0)	HEXSTRING	40	SLSDVAR	Volume Attribute Record
40	(28)	LENGTH		VARL	Length of SLSDVAR(VAR)

Cross Reference

Name	Len	Offset Value
SLSDVAR	000040	00
VARL	-	28

SLSSFHDR

Table 43. SLSSFHDR Record Format

Dec	Hex	Type	Length	Label	Description
SLSSFHDR - SMF RECORD HEADER MAP					
<p>FUNCTION: MAPS THE STANDARD SMF RECORD HEADER AS DEFINED IN THE IBM SMF MANUAL (GC28-1153). IBM PROVIDES NO MAPPING MACRO. MAPS THE ACHS EXTENSIONS TO THE HEADER.</p> <p>SYMBOLICS: &TYPE - USED TO SELECT A VALID SMF RECORD TYPE 1 - BLOS STATISTICS 2 - VARY STATION COMMAND 3 - MODIFY LSM COMMAND 4 - LMU READ STATISTICS 5 - CARTRIDGE EJECT 6 - CARTRIDGE ENTER 7 - MOVE DETAIL 8 - VIEW STATISTICS</p> <p>----- THE FOLLOWING VTCS SUBTYPES DO NOT SUPPORT DSECT GENERATION BY THIS SLSSFHDR.MACRO. -----</p> <p>10 - (VTCS) SUBSYSTEM PERFORMANCE REQUEST 11 - (VTCS) CHANNEL INTERFACE PERFORMANCE REQUEST 13 - (VTCS) VTV MOUNT REQUEST 14 - (VTCS) VTV DISMOUNT REQUEST 15 - (VTCS) VTV DELETE REQUEST 16 - (VTCS) RTD MOUNT REQUEST 17 - (VTCS) RTD DISMOUNT REQUEST 18 - (VTCS) VTV TO MVC REQUEST 19 - (VTCS) RECALL VTV FROM MVC REQUEST 20 - (VTCS) RTD PERFORMANCE REQUEST 21 - (VTCS) RTD VARY REQUEST 25 - (VTCS) MVC USAGE RECORDING 26 - (VTCS) VTV MOVEMENT 27 - (VTCS) VTV SCRATCH EVENT 28 - (VTCS) REPLICATE VTV TO CLUSTERED VTSS REQUEST</p>					
0	(0)	STRUCTURE		SLSSFHDR	RECORD HEADER
0	(0)	SIGNED-HWORD	2	OSHDRECL	RECORD LENGTH
2	(2)	SIGNED-HWORD	2	OSHDDESC	SEGMENT DESCRIPTOR
4	(4)	BITSTRING	1	OSHDFLAG	SYSTEM INDICATOR FLAGS
		.1.. X'40'		OSHDSTV	Subtypes are valid
5	(5)	HEXSTRING	1	OSHDRCTY	SMF RECORD TYPE
6	(6)	HEXSTRING	4	OSHDTIME	TIME RECORD WAS WRITTEN. BINARY HUNDREDTHS OF SECONDS.
10	(A)	HEXSTRING	4	OSHDDATE	DATE RECORD WAS WRITTEN. FORMAT: X'0CYDFFF'. THE DATE/TIME FIELDS ARE SET BY SLSSWSMF MODULE.
14	(E)	CHARACTER	4	OSHDSID	SYSTEM ID
18	(12)	CHARACTER	4	OSHDSSID	SUBSYSTEM ID

Table 43. SLSSFHDR Record Format (Continued)

Dec	Hex	Type	Length	Label	Description
22	(16)	SIGNED-HWORD	2	OSHDRSTY	RECORD SUBTYPE. If adding new record subtype(s), change field OSHDMAXS and add an entry in the HSSUBS table of SLUPERF. Then reassemble modules SLSOOSMF, SLSOWSMF, and SLUPERF.
1	(01)	CONST		OSHDBLOS	BLOS STATISTICS SUBTYPE
2	(02)	CONST		OSHDVSTA	VARY STATION COMMAND SUBTYPE
3	(03)	CONST		OSHDMLSM	MODIFY LSM COMMAND SUBTYPE
4	(04)	CONST		OSHDLRST	LMU READ STATISTICS SUBTYPE
5	(05)	CONST		OSHDEJCT	CARTRIDGE EJECT SUBTYPE
6	(06)	CONST		OSHDENTR	CARTRIDGE ENTER SUBTYPE
7	(07)	CONST		OSHDRC07	MOVE DETAIL SUBTYPE
8	(08)	CONST		OSHDVIEW	VIEW STATISTICS
9	(09)	CONST		OSHDLS09	(VTCS) Subsystem Configuration Change
SLSSFHDR.mac will NOT generate DSECTS for the following VTCS SMF SUBTYPEs.					
10	(0A)	CONST		OSHDVT10	(VTCS) Subsystem Performance Request
11	(0B)	CONST		OSHDVT11	(VTCS) Channel Interface Performance Rqst
12	(0C)	CONST		OSHDVT12	(VTCS) State Save
13	(0D)	CONST		OSHDVT13	(VTCS) VTV MOUNT Request
14	(0E)	CONST		OSHDVT14	(VTCS) VTV DISMOUNT Request
15	(0F)	CONST		OSHDVT15	(VTCS) VTV DELETE Request
16	(10)	CONST		OSHDVT16	(VTCS) RTD MOUNT Request
17	(11)	CONST		OSHDVT17	(VTCS) RTD DISMOUNT Request
18	(12)	CONST		OSHDVT18	(VTCS) VTV to MVC Request
19	(13)	CONST		OSHDVT19	(VTCS) RECALL VTV from MVC Request
20	(14)	CONST		OSHDVT20	(VTCS) RTD PERFORMANCE Request
21	(15)	CONST		OSHDVT21	(VTCS) RTD VARY Request
22	(16)	CONST		OSHDVT22	(VTCS) HOST Initiated MIM Event
23	(17)	CONST		OSHDVT23	(VTCS) CHANGE of SCRATCH DELETION Policy
24	(18)	CONST		OSHDVT24	(VTCS) MVC Media DISCONTINUED USAGE Event
25	(19)	CONST		OSHDVT25	(VTCS) MVC USAGE Recording
26	(1A)	CONST		OSHDVT26	(VTCS) VTV MOVEMENT
27	(1B)	CONST		OSHDVT27	(VTCS) VTV SCRATCH Event

Table 43. SLSSFHDR Record Format (Continued)

Dec	Hex	Type	Length	Label	Description
28	(1C)	CONST		OSHDVT28	(VTCS) REPLICATE VTV->CLUSTERED VTSS Rqst
28	(1C)	CONST		OSHDMAXS	MAXIMUM RECORD SUBTYPE VALUE
24	(18)	LENGTH		OSHDL	LENGTH OF FIXED PORTION OF OSHDR
24	(18)	OFFSET		SLSSTYPE	DEFINE EACH SMF SUBTYPE

Cross Reference

Name	Len	Offset Value
OSHDBLOS	-	01
OSHDDATE	000004	0A
OSHDDESC	000002	02
OSHDEJCT	-	05
OSHDENTR	-	06
OSHDFLAG	000001	04
OSHDL	-	18
OSHDLRST	-	04
OSHDMAXS	-	1C
OSHDMLSM	-	03
OSHDRCTY	000001	05
OSHDRC07	-	07
OSHDRECL	000002	00
OSHDRSTY	000002	16
OSHDSID	000004	0E
OSHDSSID	000004	12
OSHDSTV	-	40
OSHDTIME	000004	06
OSHDVIEW	-	08
OSHDVSTA	-	02
OSHDVT09	-	09
OSHDVT10	-	0A
OSHDVT11	-	0B
OSHDVT12	-	0C
OSHDVT13	-	0D
OSHDVT14	-	0E
OSHDVT15	-	0F
OSHDVT16	-	10
OSHDVT17	-	11
OSHDVT18	-	12
OSHDVT19	-	13

Name	Len	Offset Value
OSHDVT20	-	14
OSHDVT21	-	15
OSHDVT22	-	16
OSHDVT23	-	17
OSHDVT24	-	18
OSHDVT25	-	19
OSHDVT26	-	1A
OSHDVT27	-	1B
OSHDVT28	-	1C
SLSSTYPE	-	18

SLSSBLOS

Table 44. SLSSBLOS Record Format

Dec	Hex	Type	Length	Label	Description
SLSSBLOS - LSM OPERATIONS STATISTICS					
<p>FUNCTION: CONTAINS PERFORMANCE STATISTICS FOR THE LSM. THE SAME STRUCTURE IS USED TO CREATE THE SMF PERFORMANCE RECORD, HOWEVER THE CONTROL BLOCK HEADER IS ELIMINATED, AND ONLY THE FIXED AND MULTIPLE SECTIONS GENERATED. THE FIXED SECTION OF THE RECORD IS OSHDL OFF THE BEGINNING OF THE SMF RECORD. THE MULTIPLE SECTION IS BLOSLSSL OFF THE FIXED SECTION, AND THE FIELD BLOSKNT IN THE SMF RECORD DEFINES THE NUMBER OF MULTIPLE SECTIONS TO FOLLOW</p> <p>SYMBOLICS: &DSECT - DSECT OR CONTINUATION OF DATA AREA. YES - PRODUCE A DSECT LISTING NO - NO DSECT</p>					
0	(0)	AREA	2	SLSSBLOS	LSM OPERATIONS STATISTICS DATA AREA
START OF SMF FIXED PORTION					
0	(0)	SIGNED-HWORD	2	BLOSKNT	COUNT OF BLOS DATA AREAS TO FOLLOW
ZERO IN "IN MEMORY" VERSION.					
2	(02)	LENGTH		BLOSLSSL	LENGTH OF FIXED SMF PORTION.
START OF SMF MULTIPLE SECTION.					
2	(2)	A-ADDR	1	BLOSTYP0	TYPE OF STATISTIC FLAGS
		1... X'80'		BLOSMSS	MOUNT SCRATCH
		.1. X'40'		BLOSMNS	MOUNT NON-SCRATCH
		..1. X'20'		BLOSDSS	DISMOUNT SCRATCH
		...1 X'10'		BLOSDNS	DISMOUNT NON-SCRATCH
	 1... X'08'		BLOSSWS	SWAP
	1.. X'04'		BLOSMOV	MOVE
	1. X'02'		BLOSNTNTR	ENTER
	1 X'01'		BLOSEJT	EJECT
3	(3)	A-ADDR	1	-RESERVED-	*** RESERVED
4	(4)	SIGNED-FWORD	4	BLOSSOPC	SAME LSM OPERATION COUNT
8	(8)	SIGNED-FWORD	4	BLOSSTIM	SAME LSM ELAPSED TIME. BINARY INTEGER COUNT, IN MILLISECONDS - THOUSANDTHS OF SECONDS.
12	(C)	SIGNED-FWORD	4	BLOSDOPC	DIFFERENT LSM OPERATION COUNT

Table 44. SLSSBLOS Record Format (Continued)

Dec	Hex	Type	Length	Label	Description
16	(10)	SIGNED-FWORD	4	BLOSDTIM	DIFFERENT LSM ELAPSED TIME
20	(14)	SIGNED-FWORD	4	BLOSPTRU	PASSTHRU COUNT
22	(16)	LENGTH		BLOSVL	LENGTH OF DATA SECTION
20	(14)	LENGTH		BLOSVL1	LENGTH OF COUNTER SECTION
24	(18)	LENGTH		BLOSL	BLOS LENGTH

Cross Reference

Name	Len	Offset Value
BLOSDNS	-	10
BLOSDOPC	000004	0C
BLOSDSS	-	20
BLOSDTIM	000004	10
BLOSEJT	-	01
BLOSKNT	000002	00
BLOSL	-	18
BLOSLSSL	-	02
BLOSMNS	-	40
BLOSMOV	-	04
BLOSMSS	-	80
BLOSNTNTR	-	02
BLOSPTRU	000004	14
BLOSSOPC	000004	04
BLOSSTIM	000004	08
BLOSSWS	-	08
BLOSTYP0	000001	02
BLOSVL	-	16
BLOSVL1	-	14
SLSSBLOS	000002	00

SLSSCAPJ

Table 45. SLSSCAPJ Record Format

Dec	Hex	Type	Len	Label	Description
SLSSCAPJ - CAP EJECT SMF RECORD FUNCTION: USED TO HOLD INFORMATION PASSED TO THE ALS SMF WRITER SERVICE ROUTINE FOR THE CARTRIDGE EJECT EVENT. SYMBOLICS: &DSECT - DSECT OR CONTINUATION OF DATA AREA YES - PRODUCE A DSECT LISTING NO - NO DSECT					
6	(6)	AREA	2	SLSSCAPJ	CAP EJECT SMF RECORD SUBTYPE
6	(6)	HEXSTRING	6	CJSMFDES	DESTINATION CAP LOCATION
12	(C)	HEXSTRING	40	CJSMFVAR	VOL ATTRIBUTE RECORD FOR CARTRIDGE
46	(2E)	LENGTH		CJSMFL	LENGTH OF EJECT RECORD

Cross Reference

Name	Len	Offset Value
CJSMFDES	000006	06
CJSMFL	-	2E
CJSMFVAR	000040	0C
SLSSCAPJ	000002	06

SLSSCAPN

Table 46. SLSSCAPN Record Format

Dec	Hex	Type	Length	Label	Description
SLSSCAPN - CAP ENTER SMF RECORD					
FUNCTION: USED TO HOLD INFORMATION PASSED TO THE ALS SMF WRITER SERVICE ROUTINE FOR THE CARTRIDGE ENTER EVENT.					
SYMBOLICS: &DSECT - DSECT OR CONTINUATION OF DATA AREA. YES - PRODUCE A DSECT LISTING NO - NO DSECT					
6	(6)	AREA	2	SLSSCAPN	CAP ENTER SMF RECORD SUBTYPE
6	(6)	HEXSTRING	6	CNSMFSRC	SOURCE CAP LOCATION
12	(C)	HEXSTRING	40	CNSMFVAR	VOL ATTRIBUTE RECORD FOR CARTRIDGE
46	(2E)	LENGTH		CNSMFL	LENGTH OF EJECT RECORD

Cross Reference

Name	Len	Offset Value
CNSMFL	-	2E
CNSMFSRC	000006	06
CNSMFVAR	000040	0C
SLSSCAPN	000002	06

SLSSVSTA

Table 47. SLSSVSTA Record Format

Dec	Hex	Type	Length	Label	Description
SLSSVSTA - VARY STATION SMF RECORD SUBTYPE MAP					
FUNCTION: CONTAINS A RECORD OF SUCCESSFUL SUBSYSTEM VARY COMMANDS.					
SYMBOLICS: &DSECT - DSECT OR CONTINUATION OF DATA AREA. YES - PRODUCE A DSECT LISTING NO - NO DSECT					
0	(0)	AREA	2	SLSSVSTA	VARY STATION SMF RECORD SUBTYPE
0	(0)	SIGNED-FWORD	4	SVSTFLAG	FLAGS
0	(0)	A-ADDR	1	SVSTFLG0	TYPE OF STATISTIC FLAGS
		1... X'80'		SVSTVON	VARY ON
		.1.. X'40'		SVSTVOF	VARY OFF
		..1. X'20'		SVSTFOR	VARY FORCE
		...1 X'10'		SVSTACS	SET ACS MODE
	 1... X'08'		SVSTSTBY	STATION ON STANDBY
	1.. X'04'		SVSTVACS	ACS VARY REQUESTED
1	(1)	A-ADDR	3	-RESERVED-	*** RESERVED
FOR STATION VARY:					
4	(4)	HEXSTRING	2	SVSTATID	STATION ID
6	(6)	HEXSTRING	2	SVSTUNID	MVS UNIT NUMBER
FOR ACS VARY:					
4	(4)	HEXSTRING	1	SVSTACID	ACS ID
5	(5)	A-ADDR	3	-RESERVED-	*** UNUSED FOR VARY ACS
8	(08)	LENGTH		SVSTL	LENGTH OF DATA SECTION

Cross Reference

Name	Len	Offset Value
SLSSVSTA	000002	00
SVSTACID	000001	04
SVSTACS	-	10
SVSTATID	000002	04
SVSTFLAG	000004	00
SVSTFLG0	000001	00
SVSTFOR	-	20
SVSTL	-	08
SVSTSTBY	-	08
SVSTUNID	000002	06
SVSTVACS	-	04
SVSTVOF	-	40
SVSTVON	-	80

SLSSMLSM

Table 48. SLSSMLSM Record Format

Dec	Hex	Type	Length	Label	Description
SLSSMLSM - MODIFY LSM SMF RECORD SUBTYPE MAP					
FUNCTION: CONTAINS A RECORD OF SUCCESSFUL SUBSYSTEM MODIFY COMMANDS.					
SYMBOLICS: &DSECT - DSECT OR CONTINUATION OF DATA AREA. YES - PRODUCE A DSECT LISTING NO - NO DSECT					
0	(0)	AREA	2	SLSSMLSM	MODIFY LSM SMF RECORD SUBTYPE
0	(0)	SIGNED-FWORD	4	SMLSFLAG	FLAGS
0	(0)	A-ADDR	1	SMLSFLG0	TYPE OF STATISTIC FLAGS
		1... X'80'		SMLSVON	MODIFY ON
		.1.. X'40'		SMLSVOF	MODIFY OFF
		..1. X'20'		SMLSFOR	MODIFY FORCE
1	(1)	A-ADDR	3	-RESERVED-	RESERVED
4	(4)	HEXSTRING	2	SMLSATID	LSM ID
6	(06)	LENGTH		SMLSL	LENGTH OF DATA SECTION

Cross Reference

Name	Len	Offset Value
SLSSMLSM	000002	00
SMLSATID	000002	04
SMLSFLAG	000004	00
SMLSFLG0	000001	00
SMLSFOR	-	20
SMLSL	-	06
SMLSVOF	-	40
SMLSVON	-	80

SLSSLSB

Table 49. SLSSLSB Record Format

Dec	Hex	Type	Length	Label	Description
SLSSLSB - LMU STATISTICS BUFFER DATA BLOCK					
<p>FUNCTION: THE CALLER OF THE SLSLRSTA FUNCTION SUPPLIES THE ADDRESS OF A DATA BUFFER TO BE FILLED IN WITH THE RESPONSE DATA FROM AN LMU READ STATISTICS REQUEST. THE DATA AREA CONTAINS 16 ENTRIES, ONE FOR EACH LSM CONFIGURED TO THE LMU. INFORMATION SUPPLIED ABOUT EACH LSM INCLUDES:</p> <p>1) LSM ARM UTILIZATION PERCENTAGE. 2) LSM NUMBER MASTER PASSTHRU PORT ONE IS CONNECTED TO. 3) LSM NUMBER MASTER PASSTHRU PORT TWO IS CONNECTED TO.</p> <p>SYMBOLICS: &DSECT - DSECT OR CONTINUATION OF DATA AREA. YES - PRODUCE A DSECT LISTING NO - NO DSECT</p>					
0	(0)	AREA	2	SLSSLSB	LMU ATHS STATISTICS BUFFER
0	(0)	HEXSTRING	2	LSBMON	MONTH
2	(2)	HEXSTRING	2	LSBDAY	DAY
4	(4)	HEXSTRING	2	LSBHR	HOUR
6	(6)	HEXSTRING	2	LSBMIN	MINUTE
8	(8)	HEXSTRING	2	LSBSEC	SECOND
10	(A)	HEXSTRING	1	LSBACS	ACS ID RANGE IS X'00' TO X'FF'
11	(B)	FWORD	3	-RESERVED-	***RESERVED
14	(E)	HWORD	2	-RESERVED-	BOUNDARY ALIGNMENT
16	(10)	FWORD	4	-RESERVED-	*** RESERVED
20	(14)	LENGTH	99	LSBCONTB	NEW FORMAT LSMs 0-99 CONFIGURATION F0 (0) = FUTURE LSM F1 (1) = A CONFIGURED LSM F2 (2) = AN UN-CONFIGURED LSM
119	(77)	HEXSTRING	32	LSBLSBE	ONE FOR EACH LSM FOR 99 LSMS
3287	(CD7)	LENGTH		LSBL	SIZE OF LSB
DSECT DESCRIBING EACH LSM STATISTICS BUFFER					
0	(0)	STRUCTURE		SLSSLSBE	LSM STATISTICS BUFFER.
0	(0)	SIGNED-FWORD	4	LSBEARMU	ARM UTILIZATION PERCENTAGE.
4	(4)	SIGNED-FWORD	4	LSBECNT1	PASSTHRU PORT 1 USAGE COUNT.
8	(8)	SIGNED-FWORD	4	LSBECNT2	PASSTHRU PORT 2 USAGE COUNT.

Table 49. SLSSLSB Record Format (Continued)

Dec	Hex	Type	Length	Label	Description
12	(C)	HEXSTRING	6	LSBECON1	PASSTHRU PORT 1 CONNECTIVITY.
18	(12)	HEXSTRING	6	LSBECON2	PASSTHRU PORT 2 CONNECTIVITY.
LSBECON1 AND LSBECON2 HAVE THE FOLLOWING MAPPING: BYTE 0 - RESERVED BYTE 1 - ACSID BYTE 2 - SLAVE LSMID BYTE 3 - RESERVED BYTE 4 - RESERVED BYTE 5 - RESERVED					
24	(18)	2-FWORDS	8	-RESERVED-	*** RESERVED
32	20	LENGTH		LSBEL	SIZE OF LSBE.

Cross Reference

Name	Len	Offset Value
LSBACS	000001	0A
LSBCONTB	000099	14
LSBDAY	000002	02
LSBEARMU	000004	00
LSBECNT1	000004	04
LSBECNT2	000004	08
LSBECON1	000006	0C
LSBECON2	000006	12
LSBEL	-	20
LSBHR	000002	04
LSBL	-	CD7
LSBLE	-	20
LSBLSBE	000032	77
LSBMIN	000002	06
LSBMON	000002	00
LSBSEC	000002	08
SLSSLSB	000002	00
SLSSLSBE	-	00

SLSSMF07

Table 50. SLSSMF07 Record Format

Dec	Hex	Type	Length	Label	Description
<p>DSECT: SLSSMF07 - HSC RECORD TYPE 7 MAPPING MACRO</p> <p>FUNCTION: MAPS THE SUBTYPE 7 SMF RECORD PRODUCED BY THE HSC. THIS IS PRODUCED FOR EACH SUCCESSFUL MOVE INITIATED BY THE HSC.</p> <p>THESE RECORDS WERE ORIGINALLY DESIGNED TO PROVIDE OUR FIELD AND MARKETING STAFFS WITH STATISTICAL CARTRIDGE MOVEMENT, LMU TIMING, AND ROBOTICS TIMING INFORMATION. THESE RECORDS REPORT MOVEMENT SOURCE, DESTINATION, LMU TIMES, AND ROBOTICS TIMES. THESE RECORDS ALSO CONTAIN VALUABLE SYSTEM ID AND JOB INFORMATION.</p> <p>USAGE TIPS:</p> <p>TO FIND ENTER ACTIVITY WITH THE SLSSMF07 RECORDS:</p> <ul style="list-style-type: none"> • FIND ALL SLSSMF07 MOVE DETAIL RECORDS WITH A SOURCE IDENTIFIER (SMF07SRI) = "CAP"(SMF07SCP). • YOU CAN DETERMINE THE LIBRARY CARTRIDGE MOVEMENT TYPE THAT INITIATED THE ENTER BY CHECKING SMF07TYP. <p>TO FIND EJECT ACTIVITY WITHIN THE SLSSMF07 RECORDS:</p> <ul style="list-style-type: none"> • FIND ALL SLSSMF07 MOVE DETAIL RECORDS WITH A DESTINATION IDENTIFIER(SMF07DEI) = "CAP"(SMF07TCP). • YOU CAN DETERMINE THE LIBRARY CARTRIDGE MOVEMENT TYPE THAT INITIATED THE EJECT BY CHECKING SMF07TYP. 					
0	(0)	AREA	1	SLSSMF07	MOVE DETAIL SMF RECORD SUBTYPE
<p>THIS DSECT MAPS THE SUBTYPE 7 RECORD PRODUCED BY THE HSC FOR EACH SUCCESSFUL MOVE IF SUBTYPE 7 RECORDING IS ENABLED.</p>					
0	(0)	BITSTRING	1	SMF07TYP	TYPE OF RECORD
		1... X'80'		SMF07MSS	MOUNT SCRATCH
		.1.. X'40'		SMF07MNS	MOUNT NON-SCRATCH
		..1. X'20'		SMF07DSS	DISMOUNT SCRATCH
		...1 X'10'		SMF07DNS	DISMOUNT NON-SCRATCH
	 1... X'08'		SMF07SWS	SWAP
	1.. X'04'		SMF07MOV	MOVE
	1. X'02'		SMF07NTR	ENTER
	1 X'01'		SMF07EJT	EJECT
1	(1)	BITSTRING	1	SMF07RQS	REQUESTOR IDENTIFIER
	 X'00'		SMF07UNK	UNKNOWN
	1 X'01'		SMF07HSC	HSC INITIATED (E.G. AUTOMATIC CLEANING OF A DRIVE)
	1. X'02'		SMF07JOB	JOB PROCESSING INITIATED
	11 X'03'		SMF07UTL	HSC UTILITY INITIATED
	1.. X'04'		SMF07PRG	HSC PROGRAMMATIC INTERFACE

Table 50. SLSSMF07 Record Format (Continued)

Dec	Hex	Type	Length	Label	Description
2	(2)1.1 X'05'	1	SMF07OPR	HSC OPERATOR COMMAND INITIATED
	11. X'06'		SMF07TMI	VM TMI INTERFACE
		BITSTRING		SMF07FLG	FLAG BYTE
		1... X'80'		SMF07DSV	SMF07DRS CONTAINS A DRIVE DEVICE NUM
		.1.. X'40'		SMF07DTV	SMF07DRT CONTAINS A DRIVE DEVICE NUM
		..1. X'20'		SMF07CNV	SMF07CON CONTAINS VALID DATA
		...1 X'10'		SMF07LMD	LMU DATA IS AVAILABLE
3	(3) 1... X'08'	4	SMF07PRF	PERFORMANCE SIGNIFICANTLY IMPACTED BY LMU RETRY
		HEXSTRING		SMF07TTM	TIME IN HUNDREDTHS THE REQUEST WAS WAS RECEIVED BY THE HSC. ONLY
7	(7)	HEXSTRING	4	SMF07TDT	DATE THE REQUEST WAS RECEIVED BY THE HSC (0CYDDDF)
11	(B)	HEXSTRING	4	SMF07LTM	TIME IN HUNDREDTHS THE REQUEST WAS WAS RECEIVED BY THE LMU SERVER
15	(F)	HEXSTRING	4	SMF07LDT	DATE THE REQUEST WAS RECEIVED BY THE LMU SERVER
19	(13)	HEXSTRING	4	SMF07NRD	INTERVAL IN HUNDREDTHS THE REQUEST WAS QUEUED BECAUSE A LSM WAS NOT READY.
23	(17)	HEXSTRING	4	SMF07CPO	INTERVAL IN HUNDREDTHS OF A SECOND THE REQUEST WAS DELAYED DUE TO CAP OPERATIONS. THIS INCLUDES THE WAIT TIME FOR THE DOOR TO OPEN, CLOSE THE DOOR, DOOR, FILL OR EMPTY THE CAP, CLOSE THE DOOR, AND SCAN THE CAP. HEX 'FFFFFFF' INDICATES COUNTER OVERFLOW

Table 50. SLSSMF07 Record Format (Continued)

Dec	Hex	Type	Length	Label	Description
27	(1B)	CHARACTER	8	SMF07US1	THIS SHOULD ALWAYS ONLY CONTAIN DISPLAYABLE EBCDIC (INC BLANKS). JOBNAME IF REQ FROM JOB PROCESSING, HSC UTILITY, OR HSC PROGRAMATIC INTERFACE, OR HSC INITIATED. 'CONSOLE' IF INITIATED BY THE OPERATOR VIRTUAL MACHINE NAME THE IUCV RECEIVED FROM (VM TMS INTERFACE)
35	(23)	CHARACTER	8	SMF07US2	THIS SHOULD ALWAYS ONLY CONTAIN DISPLAYABLE EBCDIC (INC BLANKS). SMFID (JES2) IF REQ FROM JOB PROCESSING, HSC UTILITY, OR HSC MAIN PROCESSOR NAME (JES3). IF REQ FROM JOB PROCESSING, HSC UTILITY, OR HSC. THE CONSOLEID IN DISPLAYABLE FORMAT IF INITIATED BY THE OPERATOR NODE NAME (VM TMS INTERFACE)
43	(2B)	HEXSTRING	4	SMF07CON	CONSOLEID IF INITIATED BY THE OPERATOR
47	(2F)	CHARACTER	1	SMF07LBL	LABEL MODIFIER
'1'	(F1)	CHAR CONST		SMF07MVV	VERIFY LABEL VOLSER
'2'	(F2)	CHAR CONST		SMF07MVU	VERIFY UNLABELED CARTRIDGE
'3'	(F3)	CHAR CONST		SMF07MBV	BYPASS LABEL VERIFICATION
'4'	(F4)	CHAR CONST		SMF07MRC	RECOVERY CARTRIDGE
'5'	(F5)	CHAR CONST		SMF07VMT	VERIFY MEDIA AND BYPASS VOLSER
'6'	(F6)	CHAR CONST		SMF07VMV	VERIFY MEDIA AND VOLSER
'7'	(F7)	CHAR CONST		SMF07VMU	VERIFY MEDIA AND UNREADABLE LBL
48	(30)	CHARACTER	6	SMF07VOL	VOLSER BEING MOVED NOTE - ROW AND COLUMN COORDINATES HAVE DIFFERENT MEANINGS FOR CELLS, CAPS, AND DRIVES.
54	(36)	CHARACTER	1	SMF07SF1	SOURCE MODIFIER
'1'	(F1)	CHAR CONST		SMF07SFN	NORMAL
'2'	(F2)	CHAR CONST		SMF07SFI	ONLY SMF07SAC AND SMF07SLS VALID
55	(37)	CHARACTER	1	SMF07SRI	SOURCE IDENTIFIER

Table 50. SLSSMF07 Record Format (Continued)

Dec	Hex	Type	Length	Label	Description
'1'	(F1)	CHAR CONST		SMF07SCE	CELL
'2'	(F2)	CHAR CONST		SMF07SCP	CAP
'3'	(F3)	CHAR CONST		SMF07SDR	DRIVE
56	(38)	HEXSTRING	1	SMF07SAC	SOURCE ACS
57	(39)	HEXSTRING	1	SMF07SLS	SOURCE LSM
58	(3A)	HEXSTRING	1	SMF07SPN	SOURCE PANEL
59	(3B)	HEXSTRING	1	SMF07SRO	SOURCE ROW
60	(3C)	HEXSTRING	1	SMF07SCO	SOURCE COLUMN
61	(3D)	CHARACTER	1	SMF07DEI	DESTINATION IDENTIFIER
'1'	(F1)	CHAR CONST		SMF07TCE	CELL
'2'	(F2)	CHAR CONST		SMF07TCP	CAP
'3'	(F3)	CHAR CONST		SMF07TDR	DRIVE
'5'	(F5)	CHAR CONST		SMF07TDW	DRIVE (WRITE PROTECT)
62	(3E)	HEXSTRING	1	SMF07TAC	DESTINATION ACS
63	(3F)	HEXSTRING	1	SMF07TLS	DESTINATION LSM
64	(40)	HEXSTRING	1	SMF07TPN	DESTINATION PANEL
65	(41)	HEXSTRING	1	SMF07TRO	DESTINATION ROW
66	(42)	HEXSTRING	1	SMF07TCO	DESTINATION COLUMN
67	(43)	HEXSTRING	2	SMF07DRS	SOURCE DRIVE DEVICE NUMBER INVOLVED WITH THE REQUEST. VALID ONLY IF SMF07DSV IS ON.
69	(45)	HEXSTRING	2	SMF07DRT	DESTINATION DRIVE DEVICE NUMBER INVOLVED WITH THE REQUEST. VALID ONLY IF SMF07DTV IS ON.
71	(47)	HEXSTRING	4	SMF07STM	TIME IN HUNDREDTHS THE REQUEST WAS SENT TO THE LMU
75	(4B)	HEXSTRING	4	SMF07SDT	DATE THE REQUEST WAS SENT TO THE LMU IN THE FORM 0CYDDF.
79	(4F)	HEXSTRING	4	SMF07ETM	TIME IN HUNDREDTHS THE LMU INDICATED THE REQUEST WAS COMPLETE
83	(53)	HEXSTRING	4	SMF07EDT	DATE THE LMU INDICATED THE REQUEST WAS COMPLETE.
87	(57)	BITSTRING	1	SMF07TNM	NUMBER OF LSMS USED

Table 50. SLSSMF07 Record Format (Continued)

Dec	Hex	Type	Length	Label	Description
88	(58)	LENGTH		SMF07SL	LENGTH OF NON-LMU PORTION OF SUBRECORD
THIS MAPS THE DATA RETURNED BY THE LMU. IT IS ONLY AVAILABLE IF SMF07LMD IS ON. NOTE THAT THE LMU TIMES ARE ONLY VALID TO A TENTH OF A SECOND. THE HSC CONVERTS THE TIMES TO HUNDREDTHS TO BE CONSISTENT WITH OTHER TIMES.					
88	(58)	HEXSTRING	4	SMF07LTO	INTERVAL IN HUNDREDTHS OF A SECOND THE LMU HAD THE REQUEST. HEX 'FFFFFFFF' INDICATES LMU COUNTER OVERFLOW
92	(5C)	HEXSTRING	4	SMF07DWT	INTERVAL IN HUNDREDTHS OF A SECOND OF DRIVE WAIT TIME. HEX 'FFFFFFFF' INDICATES LMU COUNTER OVERFLOW
96	(60)	HEXSTRING	4	SMF07DRO	INTERVAL IN HUNDREDTHS OF DESTINATION LSM ROBOTICS TIME HEX 'FFFFFFFF' INDICATES LMU COUNTER OVERFLOW
100	(64)	HEXSTRING	4	SMF07DRQ	INTERVAL IN HUNDREDTHS OF DESTINATION LSM ROBOTICS QUEUE TIME. HEX 'FFFFFFFF' INDICATES LMU COUNTER OVERFLOW
104	(68)	HEXSTRING	4	SMF07ORO	INTERVAL IN HUNDREDTHS OF ALL OTHER LSM ROBOTICS TIME HEX 'FFFFFFFF' INDICATES LMU COUNTER OVERFLOW
108	(6C)	HEXSTRING	4	SMF07ORQ	INTERVAL IN HUNDREDTHS OF ALL OTHER LSM ROBOTICS QUEUE TIME. HEX 'FFFFFFFF' INDICATES LMU COUNTER OVERFLOW
112	(70)	HEXSTRING	4	SMF07PRO	INTERVAL IN HUNDREDTHS OF PASSTHRU ROBOTICS TIME HEX 'FFFFFFFF' INDICATES LMU COUNTER OVERFLOW
116	(74)	HEXSTRING	4	SMF07PRQ	INTERVAL IN HUNDREDTHS OF ALL PASSTHRU ROBOTICS QUEUE TIME. HEX 'FFFFFFFF' INDICATES LMU COUNTER OVERFLOW
120	(78)	LENGTH		SMF07L	LENGTH OF FIXED PORTION OF SUBRECORD

Cross Reference

Name	Len	Offset Value
SLSSMF07	000001	00
SMF07CNV	-	20
SMF07CON	000004	2B
SMF07CPO	000004	17
SMF07DEI	000001	3D
SMF07DNS	-	10
SMF07DRO	000004	60
SMF07DRQ	000004	64
SMF07DRS	000002	43
SMF07DRT	000002	45
SMF07DSS	-	20
SMF07DSV	-	80
SMF07DTV	-	40
SMF07DWT	000004	5C
SMF07EDT	000004	53
SMF07EJT	-	01
SMF07ETM	000004	4F
SMF07FLG	000001	02
SMF07HSC	-	01
SMF07JOB	-	02
SMF07L	-	78
SMF07LBL	000001	2F
SMF07LDT	000004	0F
SMF07LMD	-	10
SMF07LTM	000004	0B
SMF07LTO	000004	58
SMF07MBV	-	'CVAL'
SMF07MNS	-	40
SMF07MOV	-	04
SMF07MRC	-	'CVAL'
SMF07MSS	-	80

Name	Len	Offset Value
SMF07MVU	-	'CVAL'
SMF07MVV	-	'CVAL'
SMF07NRD	000004	13
SMF07NTR	-	02
SMF07OPR	-	05
SMF07ORO	000004	68
SMF07ORQ	000004	6C
SMF07PRF	-	08
SMF07PRG	-	04
SMF07PRO	000004	70
SMF07PRQ	000004	74
SMF07RQS	000001	01
SMF07SAC	000001	38
SMF07SCE	-	'CVAL'
SMF07SCO	000001	3C
SMF07SCP	-	'CVAL'
SMF07SDR	-	'CVAL'
SMF07SDT	000004	4B
SMF07SFI	-	'CVAL'
SMF07SFN	-	'CVAL'
SMF07SF1	000001	36
SMF07SL	-	58
SMF07SLS	000001	39
SMF07SPN	000001	3A
SMF07SRI	000001	37
SMF07SRO	000001	3B
SMF07STM	000004	47
SMF07SWS	-	08
SMF07TAC	000001	3E
SMF07TCE	-	'CVAL'
SMF07TCO	000001	42
SMF07TCP	-	'CVAL'

Name	Len	Offset Value
SMF07TDR	-	'CVAL'
SMF07TDT	000004	07
SMF07TDW	-	'CVAL'
SMF07TLS	000001	3F
SMF07TMI	-	06
SMF07TNM	000001	57
SMF07TPN	000001	40
SMF07TRO	000001	41
SMF07TTM	000004	03
SMF07TYP	000001	00
SMF07UNK	-	00
SMF07US1	000008	1B
SMF07US2	000008	23
SMF07UTL	-	03
SMF07VMT	-	'CVAL'
SMF07VMU	-	'CVAL'
SMF07VMV	-	'CVAL'
SMF07VOL	000006	30

SLSSMF08

Table 51. SLSSMF08 Record Format

Dec	Hex	Type	Length	Label	Description
SLSSMF08 - HSC RECORD TYPE 8 MAPPING MACRO					
<p>FUNCTION: MAPS THE SUBTYPE 8 SMF RECORD PRODUCED BY THE HSC. THIS IS PRODUCED FOR EACH SUCCESSFUL VIEW COMMAND INITIATED BY THE HSC.</p> <p>SPECIAL CONSIDERATIONS: This data represents a record that is written out to the SMF data set.</p>					
0	(0)	AREA	1	SLSSMF08	VIEW DETAIL SMF RECORD SUBTYPE
THIS DSECT MAPS THE SUBTYPE 8 RECORD PRODUCED BY THE HSC FOR EACH SUCCESSFUL VIEW COMMAND WHEN SUBTYPE 8 RECORDING IS ENABLED.					
0	(0)	A-ADDR	1	SMF08ACS	ACS id.
1	(1)	A-ADDR	1	SMF08LSM	LSM number.
2	(2)	A-ADDR	1	SMF08CID	CAP id.
3	(3)	A-ADDR	1	SMF08MAG	MAG number.
4	(4)	A-ADDR	1	SMF08TYP	Type of VIEW completed.
	1 X'01'		SMF08CEL	Storage, diag., or playgrnd cell.
	1. X'02'		SMF08CAP	CAP cell.
	11 X'03'		SMF08DRV	Cartridge drive.
	1.. X'04'		SMF08PTP	pass-thru port cell.
5	(5)	AREA	1	SMF08PNL	Panel number (if SMF08TYP 1 or 3).
5	(5)	A-ADDR	1	SMF08LSM2	Connecting LSM (if SMF08TYP is 4).
6	(6)	AREA	1	SMF08ROW	Row number (if SMF08TYP 1 or 2).
6	(6)	AREA	1	SMF08XPT	Transport number (if SMF08TYP 3).
6	(6)	A-ADDR	1	SMF08SLT	PTP Slot number (if SMF08TYP 4).
7	(7)	A-ADDR	1	SMF08COL	Column number (if SMF08TYP 1 or 2)
8	(8)	A-ADDR	1	SMF08RTM	Requested VIEW time.
9	(9)	A-ADDR	1	SMF08VTM	Actual VIEW time.
10	(A)	CHARACTER	8	SMF08HST	Host name (if SMF08TYP 3).
18	(12)	HEXSTRING	2	SMF08CUA	Drive address (if SMF08TYP 3).
20	(14)	LENGTH		SMF08L	VIEW subtype 8 SMF record length.

Cross Reference

Name	Len	Offset Value
SLSSMF08	000001	00
SMF08ACS	000001	00
SMF08CAP	-	02
SMF08CEL	-	01
SMF08CID	000001	02
SMF08COL	000001	07
SMF08CUA	000002	12
SMF08DRV	-	03
SMF08HST	000008	0A
SMF08L	-	14
SMF08LSM	000001	01
SMF08LSM2	000001	05
SMF08MAG	000001	03
SMF08PNL	000001	05
SMF08PTP	-	04
SMF08ROW	000001	06
SMF08RTM	000001	08
SMF08SLT	000001	06
SMF08TYP	000001	04
SMF08VTM	000001	09
SMF08XPT	000001	06

LOGREC Records

LOGREC Mapping Macros

Table 52. Mapping Macros for LOGREC Records

Macro	Description
SLSSLHDR	LOGREC Header Layout
SLSSVLG1	LOGREC Volume/Cell Force Unselect Record
SLSSBLOG	LOGREC Initialization/Termination Record
SLSSLLG1	LOGREC LMU Driver Format 1
SLSSLLG2	LOGREC LMU Driver Format 2
SLSSLLG3	LOGREC LMU Driver Format 3
SLSSLLG4	LOGREC LMU Driver Format 4
SLSSLLG5	LOGREC Dual LMU Status Change
SLSSLLG6	LOGREC Robotics Motion & Soft Fail Counts Record
SLSSDJLR	LOGREC Database/Journaling
SLSSPSWI	LOGREC Primary/Shadow Switch Record
SLSSRL00	LOGREC Recovery Record 1
SLSSRL01	LOGREC Recovery Record 2
SLSSHLG1	LOGREC Host Communications Format 1

LOGREC Record Formats

SLSSLHDR

Table 53. SLSSLHDR Record Format

Dec	Hex	Type	Length	Label	Description
SLSSLHDR - LOGREC RECORD HEADER MAP					
<p>FUNCTION: MAPS THE STANDARD LOGREC RECORD HEADER AS DEFINED IN THE EREP MANUAL (GC28-1378). IBM PROVIDES NO MAPPING MACRO. MAPS THE ACHS EXTENSIONS TO THE HEADER.</p> <p>SYMBOLICS: &TYPE - USED TO SELECT A VALID LOGREC SUBTYPE 4001 - VOL/CELL FORCE UNSELECT RECORD 5000 - INIT/TERM LOGREC RECORD 6501 - LMU DRIVER LOGREC FORMAT 1 6502 - LMU DRIVER LOGREC FORMAT 2 6503 - LMU DRIVER LOGREC FORMAT 3 6504 - LMU DRIVER LOGREC FORMAT 4 6505 - DUAL LMU STATUS CHANGE RECORD 6506 - R+ Robotic Motion & Softfail Counts 7000 - DATABASE JOURNALING LOGREC RECORD 7001 - DATABASE PRIMARY SHADOW SWITCH LOGREC RECORD 8500 - RECOVERY ERDS RECORD 0 8501 - RECOVERY ERDS RECORD 1 9201 - HOST COMMUNICATIONS LOGREC FORMAT 1</p>					
0	(0)	STRUCTURE		SLSSLHDR	RECORD HEADER MAP
0	(0)	BITSTRING	1	OLHDKEY1	CLASS/SOURCE
		.1.. X'40'		OLHDSOFT	SOFTWARE DETECTED ERROR
1	(1)	BITSTRING	1	OLHDKEY2	SYSTEM RELEASE LEVEL
		1... X'80'		OLHDVS2	VS2 OR LATER RELEASE LEVEL
2	(2)	BITSTRING	1	OLHDSMS	RECORD INDEPENDENT SWITCHES
	 1... X'08'		OLHDTFLG	TIME MACRO USED
3	(3)	BITSTRING	1	OLHDSW2	RECORD DEPENDANT SWITCHES
		..1. X'20'		OLHDERF	RECORD CONTAINS AN ERROR ID
4	(4)	HEXSTRING	2	-RESERVED-	*** RESERVED
6	(6)	HEXSTRING	1	OLHDCDCT	RECORD COUNT
7	(7)	HEXSTRING	1	-RESERVED-	*** RESERVED
8	(8)	HEXSTRING	4	OLHDDATE	SYSTEM DATE OF ERROR
12	(C)	HEXSTRING	4	OLHDTIME	SYSTEM TIME OF ERROR
16	(10)	HEXSTRING	8	OLHDCPID	CPU ID
24	(18)	CHARACTER	8	OLHDJBID	JOB ID
MAP FIELDS FROM REAL SDWA					

Table 53. SLSSLHDR Record Format (Continued)

Dec	Hex	Type	Length	Label	Description
32	(20)	OFFSET		OLHDRERID	ERROR ID
32	(20)	HEXSTRING	400	OLHDRSDW	SDWA
32	(20)	CONST		SLSSTYPE	HSC software error subtype LOGREC data overlays SDWA area.
432	(1B0)	HEXSTRING	3	OLHDRARA	SDWARA
435	(1B3)	HEXSTRING	1	OLHRRAL	SDWAURAL (LENGTH OF VRA)
436	(1B4)	HEXSTRING	6	OLHDRVRA	VRA (ALIGN TO DOUBLE WORD+4)
442	(1BA)	HEXSTRING	152	OLHDRRC1	SDWARC1 (RECORABLE EXT 1)
594	(252)	HEXSTRING	16	OLHDRRC2	SDWARC2 (RECORABLE EXT 2)
610	(262)	HEXSTRING	32	OLHDRRC3	SDWARC3 (RECORABLE EXT 2)
642	(282)	HEXSTRING	2	OLHDRTP	RECORD TYPE or Subtype number
642	(282)	CONST		LTYPAREA	HSC SOFTWARE ERROR RECORD TYPE
16385	(4001)	CONST		LTYP4001	- VOL/CELL FORCE UNSELECT RECORD
20480	(5000)	CONST		LTYP5000	- INIT/TERM LOGREC RECORD
25857	(6501)	CONST		LTYP6501	- LMU DRIVER LOGREC FORMAT 1
25858	(6502)	CONST		LTYP6502	- LMU DRIVER LOGREC FORMAT 2
25859	(6503)	CONST		LTYP6503	- LMU DRIVER LOGREC FORMAT 3
25860	(6504)	CONST		LTYP6504	- LMU DRIVER LOGREC FORMAT 4
25861	(6505)	CONST		LTYP6505	- DUAL LMU STATUS CHANGE RECORD
25862	(6506)	CONST		LTYP6506	- R+ Robotic Motion & Softfail Counts
28672	(7000)	CONST		LTYP7000	- DATABASE JOURNALING LOGREC RECORD
28673	(7001)	CONST		LTYP7001	- DATABASE PRIMARY SHADOW SWITCH RECORD
34048	(8500)	CONST		LTYP8500	- RECOVERY ERDS RECORD 0
34049	(8501)	CONST		LTYP8501	- RECOVERY ERDS RECORD 1
37377	(9201)	CONST		LTYP9201	- HOST COMMUNICATIONS LOGREC FORMAT 1
644	(284)	HEXSTRING	4	OLHDSTC	STC RECORD X'FEEDFACE'
648	(288)	HEXSTRING	4	OLHDETIM	TIMESTAMP

Table 53. SLSSLHDR Record Format (Continued)

Dec	Hex	Type	Length	Label	Description
652	(28C)	LENGTH		OLHDL	LENGTH OF FIXED PORTION OF OLHD

Cross Reference

Name	Len	Offset Value
LTYPAREA	-	282
LTYP4001	-	4001
LTYP5000	-	5000
LTYP6501	-	6501
LTYP6502	-	6502
LTYP6503	-	6503
LTYP6504	-	6504
LTYP6505	-	6505
LTYP6506	-	6506
LTYP7000	-	7000
LTYP7001	-	7001
LTYP8500	-	8500
LTYP8501	-	8501
LTYP9201	-	9201
OLHDCDCT	000001	06
OLHDCPID	000008	10
OLHDDATE	000004	08
OLHDERF	-	20
OLHDERID	-	20
OLHDETIM	000004	288
OLHDJBID	000008	18
OLHDKEY1	000001	00
OLHDKEY2	000001	01
OLHDL	-	28C
OLHDRARA	000003	1B0
OLHDRRAL	000001	1B3
OLHDRRC1	000152	1BA
OLHDRRC2	000016	252
OLHDRRC3	000032	262
OLHDRSDW	000400	20
OLHDRTYP	000002	282

Name	Len	Offset Value
OLHDRVRA	000006	1B4
OLHDSMS	000001	02
OLHDSOFT	-	40
OLHDSTC	000004	284
OLHDSW2	000001	03
OLHDTFLG	-	08
OLHDTIME	000004	0C
OLHDVS2	-	80
SLSSTYPE	-	20

SLSSVLG1

Table 54. SLSSVLG1 Record Format

Dec	Hex	Type	Length	Label	Description
SLSSVLG1 - VOL/CELL LOGREC RECORD FORMAT 1					
FUNCTION: MAPS LOGREC RECORD CREATED WHEN A VOLUME IS FORCE UNSELECTED					
SYMBOLICS: &DSECT - DSECT OR CONTINUATION OF DATA AREA. YES - PRODUCE A DSECT LISTING NO - NO DSECT					
0	(0)	AREA	2	SLSSVLG1	VOL/CELL FORCE UNSELECT RECORD
16385	(4001)	CONST		VLG1SUBT	SUBTYPE X'4001'.
STANDARD SLS CONTROL BLOCK HEADER DEFINITION					
0	(0)	CHARACTER	4	VLG1HDR	IDENTIFIER 'VLG1 '
4	(4)	A-ADDR	4	VLG1LEN	LENGTH OF THE VLG1
8	(8)	A-ADDR	1	VLG1SP	SUBPOOL NUMBER
9	(9)	A-ADDR	1	VLG1KEY	PROTECTION KEY
10	(A)	SIGNED-HWORD	2	-RESERVED-	*** RESERVED
VLG1 BODY					
12	(C)	CHARACTER	8	VLG1HOST	HOSTID REQUESTING FORCE UNSELECT
20	(14)	CHARACTER	8	VLG1JOBN	JOBNAME PERFORMING FORCE UNSELECT
28	(1C)	CHARACTER	6	VLG1VOLS	VOLSER FORCE UNSELECTED
34	(22)	CHARACTER	8	VLG1OWNR	HOSTID THAT HAD THE VOL SELECTED
42	(2A)	HEXSTRING	12	-RESERVED-	*** RESERVED
54	(36)	LENGTH		VLG1L	

Cross Reference

Name	Len	Offset Value
SLSSVLG1	000002	00
VLG1HDR	000004	00
VLG1HOST	000008	0C
VLG1JOBN	000008	14
VLG1KEY	000001	09
VLG1L	-	36
VLG1LEN	000004	04
VLG1OWNR	000008	22
VLG1SP	000001	08
VLG1SUBT	-	4001
VLG1VOLS	000006	1C

SLSSBLOG

Table 55. SLSSBLOG Record Format

Dec	Hex	Type	Length	Label	Description
SLSSBLOG - INIT/TERM LOGREC RECORD					
FUNCTION: THIS MAPS THE LOGREC RECORD CREATED BY SLSBINIT WHENEVER THE SUBSYSTEM IS INITIALIZED OR TERMINATED, NORMALLY OR ABNORMALLY SYMBOLICS: &DSECT - DSECT OR CONTINUATION OF DATA AREA. YES - PRODUCE A DSECT LISTING NO - NO DSECT					
0	(0)	AREA	2	SLSSBLOG	INIT/TERM LOGREC RECORD
20480	(5000)	CONST		BLOGID	RECORD TYPE 5000
0	(0)	AREA	4	BLOGFLAG	FLAGS
0	(0)	BITSTRING	1	BLOGFLG0	FLAG1 BYTE
		1... X'80'		BLOGSTRT	SUBSYSTEM START RECORD
		.1... X'40'		BLOGSHTD	SUBSYSTEM SHUTDOWN RECORD
		..1. X'20'		BLOGABND	SUBSYSTEM ABNORMAL SHUTDOWN
		...1 ... X'10'		BLOGCNCL	SUBSYSTEM WAS CANCELED
	 1... X'08'		BLOGRECO	RECONFIG STARTED
1	(1)	HEXSTRING	3	-RESERVED-	*** RESERVED
4	(4)	SIGNED-FWORD	4	-RESERVED-	*** RESERVED
8	(08)	LENGTH		BLOGL	LENGTH OF BLOG

Cross Reference

Name	Len	Offset Value
BLOGABND	-	20
BLOGCNCL	-	10
BLOGFLAG	000004	00
BLOGFLG0	000001	00
BLOGID	-	5000
BLOGL	-	08
BLOGRECO	-	08
BLOGSHTD	-	40
BLOGSTRT	-	80
SLSSBLOG	000002	00

SLSSLLG1

Table 56. SLSSLLG1 Record Format

Dec	Hex	Type	Length	Label	Description
SLSSLLG1 - LMU DRIVER LOGREC RECORD FORMAT ONE					
FUNCTION: MAPS LOGREC RECORD CREATED WHEN AN INVALID RESPONSE IS RECEIVED FROM THE LMU					
0	(0)	AREA	2	SLSSLLG1	LMU DRIVER LOGREC FORMAT ONE
25857	(6501)	CONST		LLG1SUBT	SUBTYPE X'6501'
STANDARD SLS CONTROL BLOCK HEADER DEFINITION					
0	(0)	CHARACTER	4	LLG1HDR	IDENTIFIER 'LLG1 '
4	(4)	A-ADDR	4	LLG1LEN	LENGTH OF THE LLG1
8	(8)	A-ADDR	1	LLG1SP	SUBPOOL NUMBER
9	(9)	A-ADDR	1	LLG1KEY	PROTECTION KEY
10	(A)	SIGNED-HWORD	2	-RESERVED-	*** RESERVED
LLG1 BODY					
12	(C)	HEXSTRING	1	LLG1ACS	ACSID OF REQUEST
13	(D)	HEXSTRING	2	LLG1STN	STATION RECEIVING RESPONSE
15	(F)	BITSTRING	1	LLG1ECD	ERROR CODE
	1.. X'04'		LLG1NTCT	CAN'T HAVE INTERMEDIATE RESP
	 1... X'08'		LLG1NTNM	SEQUENCE NUMBER NOT NUMERIC
	 11.. X'0C'		LLG1NLRQ	NO LRQ WAS FOUND
		...1 X'10'		LLG1INVR	INVALID RESPONSE WAS FOUND
		...1 .1.. X'14'		LLG1RNTN	NON NUMERIC RESPONSE COUNT FOUND
		...1 1... X'18'		LLG1ERSP	ERROR RESPONSE RECEIVED
		...1 11.. X'1C'		LLG1DBKE	DEBLOCKING ERROR
		..1. X'20'		LLG1UNKB	UNKNOWN BROADCAST TYPE
		..1. .1.. X'24'		LLG1ACKE	ACK ERROR
		..1. 1... X'28'		LLG1INVB	INVALID BROADCAST WAS FOUND
NOTE THAT ERRORS 1-99 ARE SENT TO LMU AS A BLOCK ERROR ACK					
16	(10)	BITSTRING	1	LLG1RCDE	ERROR SUBCODE (SEE LRQRSCDE)

Table 56. SLSSLLG1 Record Format (Continued)

Dec	Hex	Type	Length	Label	Description
1	(01)	CONST		LLG1NUNR	UNRECOGNIZABLE TRANSMISSION
2	(02)	CONST		LLG1NSOB	NO START OF BLOCK CHARACTER
3	(03)	CONST		LLG1NEOB	NO END OF BLOCK CHARACTER
4	(04)	CONST		LLG1NSOT	NO START OF TRANSACTION CHARACTER
5	(05)	CONST		LLG1NEOT	NO END OF TRANSACTION CHARACTER
6	(06)	CONST		LLG1NING	INTERFACE NOT GROUPED TO A HOST
7	(07)	CONST		LLG1NHNL	HOST-ID NOT IN LEGAL RANGE
8	(08)	CONST		LLG1NSHP	ILLEGAL SET HOST PATH OPTION
9	(09)	CONST		LLG1NCJI	CAN'T JOIN INT; ANOTHER HOST HAS
10	(0A)	CONST		LLG1NWHI	WRONG HOST-ID
11	(0B)	CONST		LLG1NNUM	NON-NUMERIC BLOCK HEADER
12	(0C)	CONST		LLG1SNOB	STANDBY LMU CANNOT ACCEPT B BLOCK
13	(0D)	CONST		LLG1SWAT	SWITCHOVER ALREADY ACTIVE
50	(32)	CONST		LLG1NWSN	WRONG SEQUENCE NUMBER THIS STN
51	(33)	CONST		LLG1ILGL	SLAVE LMU ACKED B BLOCK
52	(34)	CONST		LLG1ERTP	NON-NUMERIC ACK ERROR TYPE
100	(64)	CONST		LLG1BBLK	BAD BLOCK
132	(84)	CONST		LLG1ITYP	TRANSACTION TYPE IS INVALID
17	(11)	HEXSTRING	44	LLG1RQST	REQUEST
61	(3D)	HEXSTRING	32	LLG1RSPN	RESPONSE
93	(5D)	HEXSTRING	1	LLG1HDFL	R PLUS (R+) HARDFAIL INDICATOR.
94	(5E)	HEXSTRING	5	-RESERVED-	RESERVED FOR FUTURE USE
99	(63)	CHARACTER	2	LLG1LMLV	LMU INTERFACE LEVEL
101	(65)	BITSTRING	1	LLG1STYP	STATION TYPE
		1... X'80'		LLG1STHN	STATION IS A NETWORK HOSTNAME

Table 56. SLSSLLG1 Record Format (Continued)

Dec	Hex	Type	Length	Label	Description
		.1.. X'40'		LLG1STTC	STATION IS A NETWORK IP ADDRESS
FOR TCP/IP HOSTNAME ADDRESS:					
102	(66)	CHARACTER	24	LLG1SHNM	STATION NETWORK HOST NAME
FOR TCP/IP NETWORK ADDRESS:					
126	(7E)	HEXSTRING	4	LLG1STCP	STATION NETWORK IP ADDRESS
130	(82)	HEXSTRING	22	-RESERVED-	RESERVED FOR FUTURE USE
152	(98)	LENGTH	LLG1L		

Cross Reference

Name	Len	Offset Value
LLG1ACKE	-	24
LLG1ACS	000001	0C
LLG1BBLK	-	64
LLG1DBKE	-	1C
LLG1ECD	000001	0F
LLG1ERSP	-	18
LLG1ERTP	-	34
LLG1HDFL	000001	5D
LLG1HDR	000004	00
LLG1ILGL	-	33
LLG1INVB	-	28
LLG1INVR	-	10
LLG1ITYP	-	84
LLG1KEY	000001	09
LLG1L	-	98
LLG1LEN	000004	04
LLG1LMLV	000002	63
LLG1NCJI	-	09
LLG1NEOB	-	03
LLG1NEOT	-	05
LLG1NHNL	-	07
LLG1NING	-	06
LLG1NLRQ	-	0C
LLG1NNUM	-	0B
LLG1NSHP	-	08
LLG1NSOB	-	02
LLG1NSOT	-	04
LLG1NTCT	-	04
LLG1NTNM	-	08
LLG1NUNR	-	01
LLG1NWHI	-	0A

Name	Len	Offset Value
LLG1NWSN	-	32
LLG1RCDE	000001	10
LLG1RNTN	-	14
LLG1RQST	000044	11
LLG1RSPN	000032	3D
LLG1SHNM	000024	66
LLG1SNOB	-	0C
LLG1SP	000001	08
LLG1STCP	000004	7E
LLG1STHN	-	80
LLG1STN	000002	0D
LLG1STTC	-	40
LLG1STYP	000001	65
LLG1SUBT	-	6501
LLG1SWAT	-	0D
LLG1UNKB	-	20
SLSSLLG1	000002	00

SLSSLLG2

Table 57. SLSSLLG2 Record Format

Dec	Hex	Type	Length	Label	Description
SLSSLLG2 - LMU DRIVER LOGREC RECORD FORMAT TWO					
FUNCTION: MAPS LOGREC RECORD CREATED WHEN AN INVALID BLOCK IS RECEIVED FROM THE LMU					
SYMBOLICS: &DSECT - DSECT OR CONTINUATION OF DATA AREA. YES - PRODUCE A DSECT LISTING NO - NO DSECT					
0	(0)	AREA	2	SLSSLLG2	LMU DRIVER LOGREC FORMAT TWO
25858	(6502)	CONST		LLG2SUBT	SUBTYPE X'6502'
STANDARD SLS CONTROL BLOCK HEADER DEFINITION					
0	(0)	CHARACTER	4	LLG2HDR	IDENTIFIER 'LLG2 '
4	(4)	A-ADDR	4	LLG2LEN	LENGTH OF THE LLG2
8	(8)	A-ADDR	1	LLG2SP	SUBPOOL NUMBER
9	(9)	A-ADDR	1	LLG2KEY	PROTECTION KEY
10	(A)	SIGNED-HWORD	2	-RESERVED-	*** RESERVED
LLG2 BODY					
12	(C)	HEXSTRING	1	LLG2ACS	ACSID OF BLOCK
13	(D)	HEXSTRING	2	LLG2STN	STATION RECEIVING BLOCK
15	(F)	BITSTRING	1	LLG2ECD	ERROR CODE
	1.. X'04'		LLG2DBKE	DEBLOCKING ERROR
16	(10)	BITSTRING	1	LLG2RCDE	ERROR SUBCODE
124	(7C)	CONST		LLG2BLNN	BLOCK LENGTH IS NOT NUMERIC
136	(88)	CONST		LLG2ISEQ	INVALID SEQUENCE NUM
17	(11)	HEXSTRING	64	LLG2IBLK	INPUT BLOCK
81	(51)	HEXSTRING	64	LLG2OBLK	OUTPUT BLOCK
145	(91)	BITSTRING	1	LLG2STYP	STATION TYPE
		1... X'80'		LLG2STHN	STATION IS A NETWORK HOSTNAME
		.1.. X'40'		LLG2STTC	STATION IS A NETWORK IP ADDRESS
FOR TCP/IP HOSTNAME ADDRESS:					
146	(92)	CHARACTER	24	LLG2SHNM	STATION NETWORK HOST NAME

Table 57. SLSSLLG2 Record Format (Continued)

Dec	Hex	Type	Length	Label	Description
FOR TCP/IP NETWORK ADDRESS:					
160	(AA)	HEXSTRING	4	LLG2STCP	STATION NETWORK IP ADDRESS
174	(AE)	HEXSTRING	26	-RESERVED-	RESERVED FOR FUTURE USE
200	(C8)	LENGTH		LLG2L	

Cross Reference

Name	Len	Offset Value
LLG2ACS	000001	0C
LLG2BLNN	-	7C
LLG2DBKE	-	04
LLG2ECD	000001	0F
LLG2HDR	000004	00
LLG2IBLK	000064	11
LLG2ISEQ	-	88
LLG2KEY	000001	09
LLG2L	-	C8
LLG2LEN	000004	04
LLG2OBLK	000064	51
LLG2RCDE	000001	10
LLG2SHNM	000024	92
LLG2SP	000001	08
LLG2STCP	000004	AA
LLG2STHN	-	80
LLG2STN	000002	0D
LLG2STTC	-	40
LLG2STYP	000001	91
LLG2SUBT	-	6502
SLSSLLG2	000002	00

SLSSLLG3

Table 58. SLSSLLG3 Record Format

Dec	Hex	Type	Length	Label	Description
SLSSLLG3 - LMU DRIVER LOGREC RECORD FORMAT THREE					
FUNCTION: DEFINES FORMAT OF DOOR OPEN LOGREC RECORD					
SYMBOLICS: &DSECT - DSECT OR CONTINUATION OF DATA AREA. YES - PRODUCE A DSECT LISTING NO - NO DSECT					
0	(0)	AREA	2	SLSSLLG3	LMU DRIVER LOGREC FORMAT THREE
25859	(6503)	CONST		LLG3SUBT	SUBTYPE X'6503'
STANDARD SLS CONTROL BLOCK HEADER DEFINITION					
0	(0)	CHARACTER	4	LLG3HDR	IDENTIFIER 'LLG3 '
4	(4)	A-ADDR	4	LLG3LEN	LENGTH OF THE LLG3
8	(8)	A-ADDR	1	LLG3SP	SUBPOOL NUMBER
9	(9)	A-ADDR	1	LLG3KEY	PROTECTION KEY
10	(A)	SIGNED-HWORD	2	-RESERVED-	*** RESERVED
LLG3 BODY					
12	(C)	HEXSTRING	2	LLG3LSM	LSM ID
14	(0E)	LENGTH		LLG3L	

Cross Reference

Name	Len	Offset Value
LLG3HDR	000004	00
LLG3KEY	000001	09
LLG3L	-	0E
LLG3LEN	000004	04
LLG3LSM	000002	0C
LLG3SP	000001	08
LLG3SUBT	-	6503
SLSSLLG3	000002	00

SLSSLLG4

Table 59. SLSSLLG4 Record Format

Dec	Hex	Type	Length	Label	Description
SLSSLLG4 - LMU DRIVER LOGREC RECORD FORMAT FOUR					
FUNCTION: DEFINES FORMAT OF LMU DEGRADED RECORD					
SYMBOLICS: &DSECT - DSECT OR CONTINUATION OF DATA AREA. YES - PRODUCE A DSECT LISTING NO - NO DSECT					
0	(0)	AREA	2	SLSSLLG4	LMU DRIVER LOGREC FORMAT FOUR
25860	(6504)	CONST		LLG4SUBT	SUBTYPE X'6504'
STANDARD SLS CONTROL BLOCK HEADER DEFINITION					
0	(0)	CHARACTER	4	LLG4HDR	IDENTIFIER 'LLG4'
4	(4)	A-ADDR	4	LLG4LEN	LENGTH OF THE LLG4
8	(8)	A-ADDR	1	LLG4SP	SUBPOOL NUMBER
9	(9)	A-ADDR	1	LLG4KEY	PROTECTION KEY
10	(A)	SIGNED-HWORD	2	-RESERVED-	*** RESERVED
LLG4 BODY					
12	(C)	HEXSTRING	2	LLG4DEVC	LSM ID (FF FOR LMU)
14	(E)	HEXSTRING	1	LLG4COND	1 (PWR DWN) OR 2 (DEGRD)
16	(10)	SIGNED-FWORD	4	LLG4FSC	FSC
20	(14)	LENGTH		LLG4L	

Cross Reference

Name	Len	Offset Value
LLG4COND	000001	0E
LLG4DEVC	000002	0C
LLG4FSC	000004	10
LLG4HDR	000004	00
LLG4KEY	000001	09
LLG4L	-	14
LLG4LEN	000004	04
LLG4SP	000001	08
LLG4SUBT	-	6504
SLSSLLG4	000002	00

SLSSLLG5

Table 60. SLSSLLG5 Record Format

Dec	Hex	Type	Length	Label	Description
SLSSLLG5 - DUAL LMU STATUS CHANGE LOGREC RECORD					
FUNCTION: DEFINES FORMAT OF DUAL LMU STATUS CHANGE LOGREC RECORD					
SYMBOLICS: &DSECT - DSECT OR CONTINUATION OF DATA AREA. YES - PRODUCE A DSECT LISTING NO - NO DSECT					
0	(0)	AREA	2	SLSSLLG5	DUAL LMU STATUS CHANGE LOGREC RECORD
25861	(6505)	CONST		LLG5SUBT	SUBTYPE X'6505'
STANDARD SLS CONTROL BLOCK HEADER DEFINITION					
0	(0)	CHARACTER	4	LLG5HDR	IDENTIFIER 'LLG5'
4	(4)	A-ADDR	4	LLG5LEN	LENGTH OF THE LLG5
8	(8)	A-ADDR	1	LLG5SP	SUBPOOL NUMBER
9	(9)	A-ADDR	1	LLG5KEY	PROTECTION KEY
10	(A)	SIGNED-HWORD	2	-RESERVED-	*** RESERVED
LLG5 BODY					
12	(C)	HEXSTRING	1	LLG5ACS	ACS ID
13	(D)	HEXSTRING	2	LLG5STN	Station number
15	(F)	CHARACTER	1	LLG5OMST	Old Master LMU ID/Config Status
0 = Dual LMU Not Configured Before A = LMU A Was Master LMU Before B = LMU B Was Master LMU Before					
16	(10)	CHARACTER	1	LLG5OSLV	Old Standby LMU Status
0 = Dual LMU Not Configured Before 1 = Standby LMU Was prev ready 2 = Standby LMU Was prev not ready					
17	(11)	CHARACTER	1	LLG5NMST	New Master LMU ID/Config Status
0 = Dual LMU Is Not Configured Now A = LMU A Is Master LMU Now B = LMU B Is Master LMU Now					
18	(12)	CHARACTER	1	LLG5NSLV	New Standby LMU Status
0 = Dual LMU Is Not Configured Now 1 = Standby LMU Is ready 2 = Standby LMU Is not ready					
19	(13)	BITSTRING	1	LLG5STYP	STATION TYPE

Table 60. SLSSLLG5 Record Format (Continued)

Dec	Hex	Type	Length	Label	Description
		1... X'80'		LLG5STHN	STATION IS A NETWORK HOSTNAME
		.1... X'40'		LLG5STTC	STATION IS A NETWORK IP ADDRESS
FOR TCP/IP HOSTNAME ADDRESS:					
20	(14)	CHARACTER	24	LLG5SHNM	STATION NETWORK HOSTNAME
FOR TCP/IP NETWORK ADDRESS:					
44	(2C)	HEXSTRING	4	LLG5STCP	STATION NETWORK IP ADDRESS
48	(30)	HEXSTRING	24	-RESERVED-	RESERVED FOR FUTURE USE
72	(48)	LENGTH		LLG5L	

Cross Reference

Name	Len	Offset Value
LLG5ACS	000001	0C
LLG5HDR	000004	00
LLG5KEY	000001	09
LLG5L	-	48
LLG5LEN	000004	04
LLG5NMST	000001	11
LLG5NSLV	000001	12
LLG5OMST	000001	0F
LLG5OSLV	000001	10
LLG5SHNM	000024	14
LLG5SP	000001	08
LLG5STCP	000004	2C
LLG5STHN	-	80
LLG5STN	000002	0D
LLG5STTC	-	40
LLG5STYP	000001	13
LLG5SUBT	-	6505
SLSSLLG5	000002	00

SLSSLLG6

Table 61. SLSSLLG6 Record Format

Dec	Hex	Type	Length	Label	Description
SLSSLLG6 - Robotic Motion & Softfail Counts LOGREC Record					
FUNCTION: DEFINES FORMAT OF Robotic Motion & Softfail Counts Record					
SYMBOLICS: &DSECT - DSECT OR CONTINUATION OF DATA AREA. YES - PRODUCE A DSECT LISTING NO - NO DSECT					
0	(0)	AREA	2	SLSSLLG6	Robotic motion & softfail counts
25862	(6506)	CONST		LLG6SUBT	Subtype X'6506'
Standard SLS control block header definition					
0	(0)	CHARACTER	4	LLG6HDR	Eyeball characters
4	(4)	A-ADDR	4	LLG6LEN	Length of variable part of record
8	(8)	A-ADDR	1	LLG6SP	Subpool Number
9	(9)	A-ADDR	1	LLG6KEY	Protection Key
10	(A)	SIGNED-HWORD	2	-RESERVED-	Reserved for future use
LLG6 Body					
12	(C)	HEXSTRING	1	LLG6ACS	ACS ID (binary 0-255)
13	(D)	HEXSTRING	1	-RESERVED-	Reserved
14	(E)	BITSTRING	1	LLG6FLG1	1st byte of LSM configuration flags.
		1... X'80'		LLG6L0AV	LSM 0 Configured if flag is on.
		.1.. X'40'		LLG6L1AV	LSM 1 Configured if flag is on.
		..1. X'20'		LLG6L2AV	LSM 2 Configured if flag is on.
		...1 ... X'10'		LLG6L3AV	LSM 3 Configured if flag is on.
	 1... X'08'		LLG6L4AV	LSM 4 Configured if flag is on.
	1.. X'04'		LLG6L5AV	LSM 5 Configured if flag is on.
	1. X'02'		LLG6L6AV	LSM 6 Configured if flag is on.
	1 X'01'		LLG6L7AV	LSM 7 Configured if flag is on.
15	(F)	BITSTRING	1	LLG6FLG2	2nd byte of LSM configuration flags.
		1... X'80'		LLG6L8AV	LSM 8 Configured if flag is on.
		.1.. X'40'		LLG6L9AV	LSM 9 Configured if flag is on.
		..1. X'20'		LLG6L10AV	LSM 10 Configured if flag is on.
		...1 ... X'10'		LLG6L11AV	LSM 11 Configured if flag is on.

Table 61. SLSSLLG6 Record Format (Continued)

Dec	Hex	Type	Length	Label	Description
	 1... X'08'		LLG6L12AV	LSM 12 Configured if flag is on.
	1.. X'04'		LLG6L13AV	LSM 13 Configured if flag is on.
	1. X'02'		LLG6L14AV	LSM 14 Configured if flag is on.
	1 X'01'		LLG6L15AV	LSM 15 Configured if flag is on.
16	(10)	SIGNED-FWORD	4	LLG6L0RM	LSM 0 Robotic Motions Started
20	(14)	SIGNED-FWORD	4	LLG6L0SF	LSM 0 Softfails Recovered
24	(18)	SIGNED-FWORD	4	LLG6L1RM	LSM 1 Robotic Motions Started
28	(1C)	SIGNED-FWORD	4	LLG6L1SF	LSM 1 Softfails Recovered
32	(20)	SIGNED-FWORD	4	LLG6L2RM	LSM 2 Robotic Motions Started
36	(24)	SIGNED-FWORD	4	LLG6L2SF	LSM 2 Softfails Recovered
40	(28)	SIGNED-FWORD	4	LLG6L3RM	LSM 3 Robotic Motions Started
44	(2C)	SIGNED-FWORD	4	LLG6L3SF	LSM 3 Softfails Recovered
48	(30)	SIGNED-FWORD	4	LLG6L4RM	LSM 4 Robotic Motions Started
52	(34)	SIGNED-FWORD	4	LLG6L4SF	LSM 4 Softfails Recovered
56	(38)	SIGNED-FWORD	4	LLG6L5RM	LSM 5 Robotic Motions Started
60	(3C)	SIGNED-FWORD	4	LLG6L5SF	LSM 5 Softfails Recovered
64	(40)	SIGNED-FWORD	4	LLG6L6RM	LSM 6 Robotic Motions Started
68	(44)	SIGNED-FWORD	4	LLG6L6SF	LSM 6 Softfails Recovered
72	(48)	SIGNED-FWORD	4	LLG6L7RM	LSM 7 Robotic Motions Started
76	(4C)	SIGNED-FWORD	4	LLG6L7SF	LSM 7 Softfails Recovered
80	(50)	SIGNED-FWORD	4	LLG6L8RM	LSM 8 Robotic Motions Started
84	(54)	SIGNED-FWORD	4	LLG6L8SF	LSM 8 Softfails Recovered
88	(58)	SIGNED-FWORD	4	LLG6L9RM	LSM 9 Robotic Motions Started
92	(5C)	SIGNED-FWORD	4	LLG6L9SF	LSM 9 Softfails Recovered
96	(60)	SIGNED-FWORD	4	LLG6L10RM	LSM 10 Robotic Motions Started
100	(64)	SIGNED-FWORD	4	LLG6L10SF	LSM 10 Softfails Recovered
104	(68)	SIGNED-FWORD	4	LLG6L11RM	LSM 11 Robotic Motions Started
108	(6C)	SIGNED-FWORD	4	LLG6L11SF	LSM 11 Softfails Recovered
112	(70)	SIGNED-FWORD	4	LLG6L12RM	LSM 12 Robotic Motions Started
116	(74)	SIGNED-FWORD	4	LLG6L12SF	LSM 12 Softfails Recovered

Table 61. SLSSLLG6 Record Format (Continued)

Dec	Hex	Type	Length	Label	Description
120	(78)	SIGNED-FWORD	4	LLG6L13RM	LSM 13 Robotic Motions Started
124	(7C)	SIGNED-FWORD	4	LLG6L13SF	LSM 13 Softfails Recovered
128	(80)	SIGNED-FWORD	4	LLG6L14RM	LSM 14 Robotic Motions Started
132	(84)	SIGNED-FWORD	4	LLG6L14SF	LSM 14 Softfails Recovered
136	(88)	SIGNED-FWORD	4	LLG6L15RM	LSM 15 Robotic Motions Started
140	(8C)	SIGNED-FWORD	4	LLG6L15SF	LSM 15 Softfails Recovered
144	(90)	LENGTH		LLG6L	

Cross Reference

Name	Len	Offset Value
LLG6ACS	000001	0C
LLG6FLG1	000001	0E
LLG6FLG2	000001	0F
LLG6HDR	000004	00
LLG6KEY	000001	09
LLG6L	-	90
LLG6LEN	000004	04
LLG6L0AV	-	80
LLG6L0RM	000004	10
LLG6L0SF	000004	14
LLG6L1AV	-	40
LLG6L1RM	000004	18
LLG6L1SF	000004	1C
LLG6L10AV	-	20
LLG6L10RM	000004	60
LLG6L10SF	000004	64
LLG6L11AV	-	10
LLG6L11RM	000004	68
LLG6L11SF	000004	6C
LLG6L12AV	-	08
LLG6L12RM	000004	70
LLG6L12SF	000004	74
LLG6L13AV	-	04
LLG6L13RM	000004	78
LLG6L13SF	000004	7C
LLG6L14AV	-	02
LLG6L14RM	000004	80
LLG6L14SF	000004	84
LLG6L15AV	-	01
LLG6L15RM	000004	88
LLG6L15SF	000004	8C

Name	Len	Offset Value
LLG6L2AV	-	20
LLG6L2RM	000004	20
LLG6L2SF	000004	24
LLG6L3AV	-	10
LLG6L3RM	000004	28
LLG6L3SF	000004	2C
LLG6L4AV	-	08
LLG6L4RM	000004	30
LLG6L4SF	000004	34
LLG6L5AV	-	04
LLG6L5RM	000004	38
LLG6L5SF	000004	3C
LLG6L6AV	-	02
LLG6L6RM	000004	40
LLG6L6SF	000004	44
LLG6L7AV	-	01
LLG6L7RM	000004	48
LLG6L7SF	000004	4C
LLG6L8AV	-	80
LLG6L8RM	000004	50
LLG6L8SF	000004	54
LLG6L9AV	-	40
LLG6L9RM	000004	58
LLG6L9SF	000004	5C
LLG6SP	000001	08
LLG6SUBT	-	6506
SLSSLLG6	000002	00

SLSSDJLR

Table 62. SLSSDJLR Record Format

Dec	Hex	Type	Length	Label	Description
SLSSDJLR - DATABASE JOURNALING LOGREC MAP					
<p>FUNCTION: TO MAP THE VARIABLE LENGTH AREA OF THE JOURNALING ERDS LOG RECORD WHICH BEGINS AT LABEL OLHDCRD OF OLHDR LOGREC MAPPING MACRO. SPECIFYING OLHDR TYPE=7000 WILL GENERATE THIS MAP VIA AN INNER MACRO CALL WITHIN OLHDR.</p> <p>SYMBOLICS: &DSECT - DSECT OR CONTINUATION OF DATA AREA. YES - PRODUCE A DSECT LISTING NO - NO DSECT</p>					
0	(0)	AREA	2	SLSSDJLR	DATABASE JOURNALING LOGREC MAP.
28672	(7000)	CONST		DJLRID	LOGREC SUBTYPE X'7000' IS PLACED INTO FIELD OLHDRTYP OF OLHDR LOGREC MAP. ID NUMBER MATCHES CORRESPOND- ING MESSAGES FROM WMSGTXTD MACRO.
0	(0)	BITSTRING	1	DJLRFLG1	FLAG BYTE.
		1... X'80'		DJLRIO	I/O ERROR IMMEDIATELY FOLLOWING JOURNAL SWITCH.
		.1.. X'40'		DJLRBIO	BOTH JOURNALS HAVE I/O ERRORS.
		..1. X'20'		DJLRIOFL	ONE JOURNAL HAS AN I/O ERROR, AND THE OTHER IS 100% FULL.
		...1 X'10'		DJLRNRST	NEWLY CURRENT JOURNAL ISN'T RESET.
	 1... X'08'		DJLR4BYT	USE 4 BYTE UNIT NAME FIELDS
1	(1)	CHARACTER	8	DJLRDDN1	INITIAL JOURNAL'S DDNAME.
9	(9)	CHARACTER	44	DJLRDSN1	INITIAL JOURNAL'S DSNAME.
53	(35)	CHARACTER	6	DJLRVOL1	INITIAL JOURNAL'S VOLUME SERIAL.
59	(3B)	CHARACTER	3	DJLRUNT1	INITIAL JOURNAL'S UNIT NAME.
62	(3E)	CHARACTER	8	DJLRDDN2	ALTERNATE JOURNAL'S DDNAME.
70	(46)	CHARACTER	44	DJLRDSN2	ALTERNATE JOURNAL'S DSNAME.
114	(72)	CHARACTER	6	DJLRVOL2	ALTERNATE JOURNAL'S VOLUME SERIAL.
120	(78)	CHARACTER	3	DJLRUNT2	ALTERNATE JOURNAL'S UNIT NAME.

Table 62. SLSSDJLR Record Format (Continued)

Dec	Hex	Type	Length	Label	Description
120	(78)	CHARACTER	4	DJLRUN42	ALTERNATE JOURNAL'S UNIT NAME
124	(7C)	CHARACTER	4	DJLRUN41	INITIAL JOURNAL'S UNIT NAME
128	(80)	AREA	8	-RESERVED-	FORCE THE LENGTH OF DJLR TO A
128	(80)	LENGTH		DJLRL	DOUBLE-WORD MULTIPLE FOR GETMAIN.

Cross Reference

Name	Len	Offset Value
DJLRBIO	-	40
DJLRDDN1	000008	01
DJLRDDN2	000008	3E
DJLRDSN1	000044	09
DJLRDSN2	000044	46
DJLRFLG1	000001	00
DJLRID	-	7000
DJLRIO	-	80
DJLRIOFL	-	20
DJLRL	-	80
DJLRNRST	-	10
DJLRUNT1	000003	3B
DJLRUNT2	000003	78
DJLRUN41	000004	7C
DJLRUN42	000004	78
DJLRVOL1	000006	35
DJLRVOL2	000006	72
DJLR4BYT	-	08
SLSSDJLR	000002	00

SLSSPSWI

Table 63. SLSSPSWI Record Format

Dec	Hex	Type	Length	Label	Description
SLSSPSWI - PRIMARY/SHADOW SWITCH LOGREC RECORD					
FUNCTION: THIS MAPS THE LOGREC RECORD CREATED BY SLSDRDSR WHENEVER THE SUBSYSTEM SWITCHES THE DATABASE FROM PRIMARY TO SHADOWING MODE					
SYMBOLICS: &DSECT - DSECT OR CONTINUATION OF DATA AREA. YES - PRODUCE A DSECT LISTING NO - NO DSECT					
0	(0)	AREA	2	SLSSPSWI	
28673	(7001)	CONST		PSWITID	RECORD TYPE 7001
0	(0)	AREA	4	PSWITFLG	FLAGS
0	(0)	HEXSTRING	1	PSWPRFLG	PRIMARY FLAG BYTE
1	(1)	HEXSTRING	1	PSWSCFLG	SECONDARY FLAG BYTE
2	(2)	HEXSTRING	2	-RESERVED-	*** RESERVED
4	(4)	SIGNED-FWORD	4	PSWITERR	ERROR CAUSING SWITCH TO SHADOW
8	(8)	SIGNED-FWORD	4	PSWPRDCB	DCB OF PRIMARY DATABASE
12	(C)	SIGNED-FWORD	4	PSWPRUCB	UCB OF PRIMARY DATABASE
16	(10)	CHARACTER	6	PSWPRVOL	VOLUME SERIAL OF PRIMARY DB
22	(16)	CHARACTER	44	PSWPRQNM	QNAME OF PRIMARY DATABASE
68	(44)	SIGNED-FWORD	4	PSWSCDCB	DCB OF SECONDARY DATABASE
72	(48)	SIGNED-FWORD	4	PSWSCUCB	UCB OF SECONDARY DATABASE
76	(4C)	CHARACTER	6	PSWSCVOL	VOLUME SERIAL OF SECONDARY DB
82	(52)	CHARACTER	44	PSWSCQNM	QNAME OF SECONDARY DATABASE
128	(80)	SIGNED-FWORD	4	-RESERVED-	*** RESERVED
132	(84)	LENGTH		PSWITL	LENGTH OF PSWIT

Cross Reference

Name	Len	Offset Value
PSWITERR	000004	04
PSWITFLG	000004	00
PSWITID	-	7001
PSWITL	-	84
PSWPRDCB	000004	08
PSWPRFLG	000001	00
PSWPRQNM	000044	16
PSWPRUCB	000004	0C
PSWPRVOL	000006	10
PSWSCDCB	000004	44
PSWSCFLG	000001	01
PSWSCQNM	000044	52
PSWSCUCB	000004	48
PSWSCVOL	000006	4C
SLSSPSWI	000002	00

SLSSRL00

Table 64. SLSSRL00 Record Format

Dec	Hex	Type	Length	Label	Description
SLSSRL00 - RECOVERY ERDS RECORD 00					
FUNCTION: THIS MAPS THE LOGREC RECORD CREATED BY SLSRAURE. IT CONTAINS THE LSM ID OF AN LSM REQUIRING AUDIT					
SYMBOLICS: &DSECT - DSECT OR CONTINUATION OF DATA AREA. YES - PRODUCE A DSECT LISTING NO - NO DSECT					
0	(0)	AREA	2	SLSSRL00	RECOVERY ERDS RECORD 0
34048	(8500)	CONST		RL00ID	EVENT = 8500
0	(0)	A-ADDR	2	RL00DEF	
2	(2)	CHARACTER	2	RL00LSMI	LSM REQUIRING AUDIT
8	(8)	LONG-FLOAT	8	-RESERVED-	*** RESERVED
16	(10)	LENGTH		RL00L	LENGTH OF RL00

Cross Reference

Name	Len	Offset Value
RL00DEF	000002	00
RL00ID	-	8500
RL00L	-	10
RL00LSMI	000002	02
SLSSRL00	000002	00

SLSSRL01

Table 65. SLSSRL01 Record Format

Dec	Hex	Type	Length	Label	Description
SLSSRL01 - RECOVERY ERDS RECORD 01					
FUNCTION: THIS MAPS THE LOGREC RECORD CREATED BY SLSRHRVC. IT CONTAINS THE HOST ID OF A HOST BEING RECOVERED.					
SYMBOLICS: &DSECT - DSECT OR CONTINUATION OF DATA AREA. YES - PRODUCE A DSECT LISTING NO - NO DSECT					
0	(0)	AREA	2	SLSSRL01	RECOVERY ERDS RECORD 1
34049	(8501)	CONST		RL01ID	EVENT = 8501
0	(0)	A-ADDR	2	RL01DEF	
2	(2)	CHARACTER	1	RL01TAGF	CROSS OR SAME HOST RECOVERY
3	(3)	CHARACTER	8	RL01HOST	HOST ID BEING RECOVERED
16	(10)	LONG-FLOAT	8	-RESERVED-	*** RESERVED
24	(18)	LENGTH		RL01L	LENGTH OF RL01

Cross Reference

Name	Len	Offset Value
RL01DEF	000002	00
RL01HOST	000008	03
RL01ID	-	8501
RL01L	-	18
RL01TAGF	000001	02
SLSSRL01	000002	00

SLSSHLG1

Table 66. SLSSHLG1 Record Format

Dec	Hex	Type	Length	Label	Description
SLSSHLG1 - Host Communications LOGREC format 1					
FUNCTION: Defines the LOGREC record formatted for method switches.					
0	(0)	STRUCTURE		SLSSHLG1	Communications LOGREC format 1
37377	(9201)	CONST		HLG1SUBT	Subtype X'9201'
Standard SLS Control Block Header					
0	(0)	A-ADDR	4	HLG1HDR	Identifier
'HLG1'	(C8D3C7F1)	CHAR CONST		HLG1ID	Identifier 'HLG1'
4	(4)	A-ADDR	4	HLG1LEN	Length of control block
8	(8)	A-ADDR	1	HLG1SP	Subpool number
9	(9)	A-ADDR	1	HLG1KEY	Protection key
10	(A)	SIGNED-HWORD	2	-RESERVED-	Reserved for future use
HLG1 body					
12	(C)	SIGNED-FWORD	4	HLG1RC	Return code causing method switch
16	(10)	CHARACTER	8	HLG1LCLH	Hostid of local (executing) host
24	(18)	CHARACTER	8	HLG1SWTH	Hostid of host being switched
32	(20)	CHARACTER	8	HLG1INTH	Hostid of host initiating the switch
40	(28)	A-ADDR	4	HLG1PMTH	Previous communications method
40	(28)	A-ADDR	4	HLG1PLP	Previous LMUPATH (if specified)
40	(28)	A-ADDR	4	HLG1NMTH	New communications method
40	(28)	A-ADDR	4	HLG1NLP	New LMUPATH (if specified)
40	(28)	SIGNED-FWORD	4	-RESERVED-(4)	Reserved
Host Communications Services LOGREC flags					
56	(38)	A-ADDR	1	HLG1FLG1	Flag byte 1
		1... X'80'		HLG1ICMD	Initiated by operator command
		.1.. X'40'		HLG1IOTH	Initiated by other host (via message)

Table 66. SLSSHLG1 Record Format (Continued)

Dec	Hex	Type	Length	Label	Description
		..1. X'20'		HLG1IWRT	Initiated by WRITE function error
		...1 X'10'		HLG1IICN	Initiated by internal condition (meaning internal to HSC processing, for example, operator switched method for local host so method is switched for all other possible hosts)
57	(39)	A-ADDR	1	HLG1FLG2	Flag byte 2
58	(3A)	A-ADDR	2	-RESERVED-	Reserved
This is the header information of the module creating the LOGREC rec					
60	(3C)	CHARACTER	1	HLG1SLSI	SLSID information area
60	(3C)	A-ADDR	2	-RESERVED-	Reserved
64	(40)	SIGNED-FWORD	4	-RESERVED-(16)	reserved space
128	(80)	LENGTH		HLG1L	Size of the SLSSHLG1 record

Cross Reference

Name	Len	Offset Value
HLG1FLG1	000001	38
HLG1FLG2	000001	39
HLG1HDR	000004	00
HLG1ICMD	-	80
HLG1ID	-	'CVAL'
HLG1IICN	-	10
HLG1INTH	000008	20
HLG1IOTH	-	40
HLG1IWRT	-	20
HLG1KEY	000001	09
HLG1L	-	80
HLG1LCLH	000008	10
HLG1LEN	000004	04
HLG1NLP	000004	28
HLG1NMTH	000004	28
HLG1PLP	000004	28
HLG1PMTH	000004	28
HLG1RC	000004	0C
HLG1SLSI	000001	3C
HLG1SP	000001	08
HLG1SUBT	-	9201
HLG1SWTH	000008	18

Volume Report and Batch API Records

Volume Report and Batch API Mapping Macros

These SMP/E-distributed macros map both Volume Report and Batch API records.

Refer to “Batch API Records” on page 753 to see SLUVDDAT and SLUVPDAT, which are used only by the Batch API.

Table 67. Mapping Macros for Volume Report and Batch API Records

Macro	Description
SLUVADAT	Flat File ACS/LSM Information DSECT
SLUVCDAT	Flat File Static Configuration Data DSECT
SLUVHDAT	Flat File Host Information DSECT
SLUVIDAT	Flat File CDS Information DSECT
SLUVSDAT	Flat File ACS Station Address DSECT
SLUVVDAT	Flat File Volume Data DSECT

Volume Report and Batch API Record Formats

SLUVADAT

Table 68. SLUVADAT Record Format

Dec	Hex	Type	Length	Label	Description
SLUVADAT - FLAT FILE ACS/LSM INFORMATION DSECT					
FUNCTION: DESCRIBES THE ACS/LSM INFORMATION WHICH MAY BE GENERATED TO THE FLAT FILE BY THE VOLUME REPORT UTILITY					
0	(0)	STRUCTURE		SLUVADAT	
0	(0)	CHARACTER	1	-RESERVED-	RECORD TYPE (C'A')
1	(1)	HEXSTRING	1	ACSNUMBR	ACS NUMBER
2	(2)	BITSTRING	1	ACSSTAT	STATUS FLAG
		1... X'80'		ACSDUALL	1... - DUAL LMU
3	(3)	HEXSTRING	1	-RESERVED-	***** RESERVED *****
4	(4)	SIGNED-FWORD	4	ACSHCNMP	HOST CONNECT MAP (REPRESENTS EACH HOST CONNECTED FROM LEFT TO RIGHT IN HOST INDEX ORDER)
8	(8)	CHARACTER	2	ACSL1CLV	LMU 1 COMPATIBILITY LEVEL (FUTURE)W90
10	(A)	HEXSTRING	2	-RESERVED-	
12	(C)	CHARACTER	2	ACSL2CLV	LMU 2 COMPATIBILITY LEVEL (FUTURE)W90
14	(E)	HEXSTRING	2	-RESERVED-	
16	(10)	HEXSTRING	24	ACSLTYP5	LSM TYPES IN THIS ACS (1 BYTE FOR EACH TYPE - MAY BE MAPPED WITH EQUATES FOUND IN THE LSMMAP DSECT BELOW)
40	(28)	SIGNED-HWORD	2	ACSNMLSM	NUMBER OF LSMS IN THIS ACS
42	(2A)	LENGTH		ACSFLEN	LENGTH OF FIXED PORTION
42	(2A)	OFFSET		ACSL5MBG	BEGINNING OF LSM ENTRIES
ACSL5MS CONSISTS OF 1 ENTRY PER EACH LSM GENNED TO THIS ACS, EACH OF WHICH MAY BE MAPPED BY THE FOLLOWING DSECT:					
0	(0)	STRUCTURE		LSMMAP	
0	(0)	HEXSTRING	1	LSMNUMBR	LSM NUMBER
1	(1)	BITSTRING	1	LSMSTAT	LSM STATUS BYTE
		1... X'80'		LSMAUTO	1... - ON: AUTOMATIC MODE OFF: MANUAL MODE

Table 68. SLUVADAT Record Format (Continued)

Dec	Hex	Type	Length	Label	Description
		.1.. X'40'		LSMOFFPN	.1.. - OFFLINE PENDING
	 1... X'08'		LSMPTPRO 1... - PTPS REORDERED
		1111 1111 X'FF'		LSMNONEX	1111 1111 - NON-EXISTENT LSM
2	(2)	BITSTRING	1	LSMVCAMF	FLAG BYTE
		1... X'80'		LSMAUDIP	1... - AUDIT IN PROCESS
		.1.. X'40'		LSMVCAMR	.1.. - VCAM REFORMATTED
3	(3)	CHARACTER	8	LSMHSTID	HOST ID IF LSM LOCKED
12	(C)	SIGNED-HWORD	2	LSMMAXCL	MAX CELL COUNT IN THIS LSM
14	(E)	BITSTRING	1	LSMHWTYP	LSM HARDWARE TYPE
	1 X'01'		LSMCIM1 - CIMARRON (4400)
	11 X'03'		LSMWOLF11 - WOLFCREEK (9360)
	1.. X'04'		LSMPOWDR1.. - POWDERHORN (9310)
	11. X'06'		LSMTWLF11. - 9740/TIMBERWOLF
	111 X'07'		LSMELIB111 - E-LIB
15	(F)	HEXSTRING	1	LSMPNTOT	TOTAL NUMBER OF PANELS
16	(10)	HEXSTRING	1	LSMCAPNO	NUMBER OF CAPS
17	(11)	HEXSTRING	1	LSMPTPNO	MAX. # PTPS THIS LSM
18	(12)	HEXSTRING	1	LSMNPNGCS	NUMBER OF PLAYGROUND CELLS
19	(13)	HEXSTRING	1	LSMLIPNO	LAST INSIDE PANEL NUMBER
20	(14)	HEXSTRING	1	LSMLOPNO	LAST OUTSIDE PANEL NUMBER
21	(15)	HEXSTRING	1	LSMNDPPN	NUMBER OF DRIVES PER PANEL
22	(16)	HEXSTRING	1	LSMNXPRN	NUMBER OF TRANSPORTS IN THIS LSM
23	(17)	HEXSTRING	1	LSMIDPNO	INSIDE DOOR PANEL NUMBER
24	(18)	HEXSTRING	1	LSMODPNO	OUTSIDE DOOR PANEL NUMBER
25	(19)	HEXSTRING	1	LSMLCUPN	LCU PANEL NUMBER
26	(1A)	HEXSTRING	1	LSMNROPN	NUMBER OF ROWS PER OUTSIDE PANEL
27	(1B)	HEXSTRING	1	LSMNCOPN	NUMBER OF COLUMNS PER OUTSIDE PANEL
28	(1C)	HEXSTRING	1	LSMNRIPN	NUMBER OF ROWS PER INSIDE PANEL

Table 68. SLUVADAT Record Format (Continued)

Dec	Hex	Type	Length	Label	Description
29	(1D)	HEXSTRING	1	LSMNCIPN	NUMBER OF COLUMES PER INSIDE PANEL
30	(1E)	HEXSTRING	1	LSMDPNUM	NUMBER OF DRIVE PANELS
31	(1F)	HEXSTRING	1	LSMNADLS	NUMBER OF ADJACENT LSMS
32	(20)	HEXSTRING	4	LSMADLSM	ADJACENT LSM NUMBERS (1 BYTE/LSM)
36	(24)	SIGNED-HWORD	2	LSMFRECL	NUMBER OF FREE CELLS
38	(26)	SIGNED-HWORD	2	LSMCLNNM	NUMBER OF CLEANER CARTRIDGES
40	(28)	SIGNED-HWORD	2	LSMNCLSL	NUMBER OF CLEANER CARTRIDGES SELECTED
42	(2A)	CHARACTER	6	LSMLCLVL	LOW CLEANER VOLSER
48	(30)	CHARACTER	6	LSMHCLVL	HIGH CLEANER VOLSER
54	(36)	CHARACTER	6	LSMLCLSL	LAST CLEANER SELECTED
60	(3C)	SIGNED-HWORD	2	LSMSCRCT	NUMBER OF SCRATCHES IN THIS LSM
62	(3E)	HEXSTRING	6	LSMPANLS(44)	LSM PANEL ARRAY
326	(146)	LENGTH		LSMENTLN	LENGTH OF LSM ENTRY
LSMPANLS CONTAINS AN ENTRY FOR EACH PANEL IN AN LSM (MAXIMUM 20), AND MAY BE MAPPED WITH THE FOLLOWING DSECT:					
0	(0)	STRUCTURE		LSMPNLE	
0	(0)	BITSTRING	1	LSMPNLTY	PANEL TYPE
	1 X'01'		LSMCCPNL1 - CIMARRON CELL PANEL
	1. X'02'		LSMCCL101. - CIMARRON PANEL 10
	11 X'03'		LSMCDPNL11 - CIMARRON DOOR PANEL
	1. X'04'		LSMCPTMP1. - CIM PTP RIGHT (USUALLY MSTR)
	1.1 X'05'		LSMCSTMP1.1 - CIM PTP LEFT (SLAVE) PNL
	11. X'06'		LSMCDRVP11. - CIMARRON DRIVE PANEL
	111 X'07'		LSMCDR10111 - CIMARRON DRIVE PNL 10
	1... X'08'		LSMCLCUP1... - CIMARRON LCU PANEL
	1.1 X'09'		LSMCNOCL1.1 - CIM. NO CELLS ON PANEL
	1 X'10'		LSMCINPN1 - CIMARRON INSIDE PANEL
	1 ...1 X'11'		LSMCIN191 ...1 - CIMARRON PANEL 19

Table 68. SLUVADAT Record Format (Continued)

Dec	Hex	Type	Length	Label	Description
		...1 ..1. X'12'		LSMCISDR	...1 ..1. - CIMARRON INSIDE DOOR
		...1 ..11 X'13'		LSMCWIDN	...1 ..11 - CIMARRON 20-DRIVE PANEL
		...1 ..1.. X'14'		LSMCWIDD	...1 ..1.. CIMARRON 20-DRIVE PANEL ADJACENT TO DOOR
		..1. X'20'		LSMWPNL0	..1. - WOLF PANEL 0
		..1. ...1 X'21'		LSMW2PSL	..1. ...1 - WC PANEL 2 WITH PTP (SLAVE)
		..1. ..1. X'22'		LSMW0PT	..1. ..1. - WOLF PANEL 0 W/PTP
		..1. ..11 X'23'		LSMW1NOD	..1. ..11 - WC PANEL WITHOUT DRIVE
		..1. ..1.. X'24'		LSMW1DR	..1. ..1.. - WOLF PANEL 1 W/DRIVE
		..1. ..1.1 X'25'		LSMWPNL2	..1. ..1.1 - WOLF PANEL 2
		..1. ..11. X'26'		LSMW2PT	..1. ..11. - WOLF PANEL 2 W/PTP
		..1. ..111 X'27'		LSMWPNL3	..1. ..111 - WOLF PANEL 3
		..1. 1... X'28'		LSMW3DR	..1. 1... - WOLF PANEL 3 W/DRIVE
		..1. 1..1 X'29'		LSMW41C	..1. 1..1 - WOLF PANEL 4 W/1 CAP
		..11 X'30'		LSMW42C	..11 - WOLF PANEL 4 W/2 CAPS
		..11 ...1 X'31'		LSMW3NOC	..11 ...1 - WC PANEL 3 WITHOUT CELLS
		..11 ..1. X'32'		LSMW3DNC	..11 ..1. - WC PANEL 3 WITH DRIVES, WITHOUT CELLS
		..11 ..11 X'33'		LSMW3WIN	..11 ..11 - WC PANEL 3 WITH WINDOW
		..11 ..1.1 X'35'		LSMW4CNC	..11 ..1.1 - WC PANEL 4, 1 CAP WITHOUT CELLS
		..11 ..11. X'36'		LSMW4CCN	..11 ..11. - WC PANEL 4, 2 CAPS WITHOUT CELLS
		..1. X'40'		LSMTPNLW	..1. - 9740 WINDOW
		..1. ...1 X'41'		LSMTPPNL	..1. ...1 - 9740 CELL PANEL
		..1. ..1.1 X'45'		LSMTPCAP	..1. ..1.1 - 9740 CAP
		..1. ..11. X'46'		LSMTPDRV	..1. ..11. - 9740 DRIVE PANEL
		..1. ..111 X'47'		LSMTP0PT	..1. ..111 - 9740 PANEL 0 PTP
		..1. 1... X'48'		LSMTP2PT	..1. 1... - 9740 PANEL 2 PTP 2 CAPS W/O CELLS

Table 68. SLUVADAT Record Format (Continued)

Dec	Hex	Type	Length	Label	Description
		1... X'80'		LSMELDRV	1... - ELIB DRIVE
		1... ...1 X'81'		LSMELCAP	1... ...1 - ELIB CAP
		1... ..1. X'82'		LSMELCEL	1... ..1. - ELIB STORAGE
		1... ..11 X'83'		LSMELCE3	1... ..11 - ELIB STORAGE
		1... ..1.. X'84'		LSMELCE4	1... ..1.. - ELIB STORAGE
1	(1)	HEXSTRING	2	LSMPCCNT	COUNT OF CELLS FOR THIS PANEL
3	(3)	BITSTRING	1	LSMPFLG	FLAG BYTE FOR PANEL STATUS
		1... X'80'		LSMPFRZ	PANEL IS FROZEN
4	(4)	HEXSTRING	2	-RESERVED-	***** RESERVED *****
3	(03)	LENGTH		LSMPFRZL	LENGTH OF FREEZE PANEL BYTES
6	(06)	LENGTH		LSMPNLEL	LENGTH OF PANEL ENTRY

Cross Reference

Name	Len	Offset Value
ACSDUALL	-	80
ACSFLEN	-	2A
ACSHCNMP	000004	04
ACSLMBG	-	2A
ACSLTYP	000024	10
ACSL1CLV	000002	08
ACSL2CLV	000002	0C
ACSNMLSM	000002	28
ACSNUMBR	000001	01
ACSSTAT	000001	02
LSMADLSM	000004	20
LSMAUDIP	-	80
LSMAUTO	-	80
LSMCAPNO	000001	10
LSMCCL10	-	02
LSMCCPNL	-	01
LSMCDPNL	-	03

Name	Len	Offset Value
LSMCDRVP	-	06
LSMCDR10	-	07
LSMCIM	-	01
LSMCINPN	-	10
LSMCIN19	-	11
LSMCISDR	-	12
LSMCLCUP	-	08
LSMCLNNM	000002	26
LSMCNOCL	-	09
LSMCPTMP	-	04
LSMCSTMP	-	05
LSMCWIDD	-	14
LSMCWIDN	-	13
LSMDPNUM	000001	1E
LSMELCAP	-	81
LSMELCEL	-	82
LSMELCE3	-	83
LSMELCE4	-	84
LSMELDRV	-	80
LSMELIB	-	07
LSMENTLN	-	B8
LSMFRECL	000002	24
LSMHCLVL	000006	30
LSMHSTID	000008	03
LSMHWTYP	000001	0E
LSMIDPNO	000001	17
LSMLCLSL	000006	36
LSMLCLVL	000006	2A
LSMLCUPN	000001	19
LSMLIPNO	000001	13
LSMLOPNO	000001	14
LSMMAXCL	000002	0C

Name	Len	Offset Value
LSMNADLS	000001	1F
LSMNCIPN	000001	1D
LSMNCLSL	000002	28
LSMNCOPN	000001	1B
LSMNDPPN	000001	15
LSMNONEX	-	FF
LSMNPGCS	000001	12
LSMNRIPN	000001	1C
LSMNROPN	000001	1A
LSMNUMBR	000001	00
LSMNXPRT	000001	16
LSMODPNO	000001	18
LSMOFFPN	-	40
LSMPANLS	000006	3E
LSMPCCNT	000002	01
LSMPFLG	000001	03
LSMPFRZ	-	80
LSMPFRZL	-	03
LSMPNLEL	-	06
LSMPNLTY	000001	00
LSMPNTOT	000001	0F
LSMPOWDR	-	04
LSMPTPNO	000001	11
LSMPTPRO	-	08
LSMSCRCT	000002	3C
LSMSTAT	000001	01
LSMTPCAP	-	45
LSMTPDRV	-	46
LSMTPNLW	-	40
LSMTPPNL		41
LSMTPOPT	-	47
LSMTP2PT	-	48

Name	Len	Offset Value
LSMTWLF	-	06
LSMVCAMF	000001	02
LSMVCAMR	-	40
LSMWOLF	-	03
LSMWPNL0	-	20
LSMWPNL2	-	25
LSMWPNL3	-	27
LSMWP0PT	-	22
LSMWP1DR	-	24
LSMWP2PT	-	26
LSMWP3DR	-	28
LSMWP41C	-	29
LSMWP42C	-	30
LSMW3NOC	-	31
LSMW1NOD	-	23
LSMW2PSL	-	21
LSMW3DNC	-	32
LSMW3WIN	-	33
LSMW4CCN	-	36
LSMW4CNC	-	35

SLUVC DAT

Table 69. SLUVC DAT Record Format

Dec	Hex	Type	Length	Label	Description
SLUVC DAT - FLAT FILE STATIC CONFIGURATION DATA DSECT					
FUNCTION: DESCRIBES THE STATIC CONFIGURATION INFORMATION WHICH MAY BE GENERATED TO THE FLAT FILE BY THE VOLUME REPORT UTILITY					
0	(0)	STRUCTURE		SLUVC DAT	
0	(0)	CHARACTER	1	-RESERVED-	RECORD TYPE (C'C')
1	(1)	CHARACTER	3	CFGCCPF X	CLEANING CARTRIDGE PREFIX
4	(4)	SIGNED-FWORD	4	CFGTOTXP	TOTAL TRANSPORTS ALL LSMS (FUTURE)
8	(8)	CHARACTER	2	-RESERVED-	***RESERVED***
10	(A)	CHARACTER	2	-RESERVED-	***RESERVED***
12	(C)	SIGNED-HWORD	2	CFGNMACS	TOTAL DEFINED ACSS
14	(E)	SIGNED-HWORD	2	CFGTOTLS	TOTAL DEFINED LSMS
16	(10)	SIGNED-HWORD	2	CFGTOTCA	TOTAL CAPS FOR ALL LSMS
18	(12)	SIGNED-HWORD	2	CFGTOTDR	TOTAL DRIVES IN ALL LSMS
20	(14)	HEXSTRING	1	CFGSMFTY	SMF RECORD TYPE
21	(15)	CHARACTER	1	CFGCMDFP	COMMAND PREFIX CHARACTER
22	(16)	BITSTRING	1	CFGDDISP	DELETE DISPOSITION
		1... X'80'		CFGDDSCR	1... - SCRATCH
		.1.. X'40'		CFGDDNSC	.1.. - NON-SCRATCH
23	(17)	BITSTRING	1	CFGFLAG1	FLAGS
		1... X'80'		CFGLIBFX	1... - LIB. IS FIXED LOC.
		.1.. X'40'		CFGDISVF	.1.. - DISMOUNT VOL. FLOAT
		..1. X'20'		CFGCHKPE	..1. - CHECK EJECT PASSWORD
24	(18)	BITSTRING	1	CFGLANG	LANGUAGE TYPE
		1... X'80'		CFGENGLS	1... - ENGLISH
		.1.. X'40'		CFGITALN	.1.. - ITALIAN
		..1. X'20'		CFGGERMN	..1. - GERMAN
		...1 X'10'		CFGFRNCH	...1 - FRENCH
25	(19)	BITSTRING	1	CFGSCRLB	SCRATCH LABEL TYPE
	 X'00'		CFGSCRSL - SL (STANDARD)

Table 69. SLUVCDAT Record Format (Continued)

Dec	Hex	Type	Length	Label	Description
	1 X'01'		CFGSCRAL1 - AL (ANSI)
	1. X'02'		CFGSCRNL1. - NL (NONLABELLED)
	11 X'03'		CFGSCRNS11 - NSL (NON-STANDARD)
	1. X'04'		CFGSCRBL1. - BLP (BYPASS LBL PROC)
	1.1 X'05'		CFGSCRNA1.1 - LBL TYPE NOT AVAIL.
26	(1A)	LENGTH		CFGLNGTH	LENGTH OF RECORD
256	(100)	CONST		CFGMXLSM	MAXIMUM NUMBER OF ACSS

Cross Reference

Name	Len	Offset Value
CFGCCPFX	000003	01
CFGCHKEP	-	20
CFGCMDFP	000001	15
CFGDDISP	000001	16
CFGDDNSC	-	40
CFGDDSCR	-	80
CFGDISVF	-	40
CFGENGLS	-	80
CFGFLAG1	000001	17
CFGFRNCH	-	10
CFGGERMN	-	20
CFGITALN	-	40
CFGLANG	000001	18
CFGLIBFX	-	80
CFGNGTH	-	1A
CFGMXLSM	-	100
CFGNMACS	000002	0C
CFGSCRAL	-	01
CFGSCRBL	-	04
CFGSCRBL	000001	19
CFGSCRNA	-	05
CFGSCRNL	-	02
CFGSCRNS	-	03
CFGSCRSL	-	00
CFGSMFTY	000001	14
CGTOTCA	000002	10
CGTOTDR	000002	12
CGTOTLS	000002	0E
CGTOTXP	000004	04

SLUVHDAT



Note: Field HSTLIBEN contains only the first 16 ACS esoterics.

Table 70. SLUVHDAT Record Format

Dec	Hex	Type	Length	Label	Description
SLUVHDAT - FLAT FILE HOST INFORMATION DSECT					
FUNCTION: DESCRIBES THE HOST INFORMATION WHICH MAY BE WRITTEN TO THE FLAT FILE BY THE VOLUME REPORT UTILITY					
0	(0)	STRUCTURE		SLUVHDAT	
0	(0)	CHARACTER	1	-RESERVED-	RECORD TYPE (C'H')
1	(1)	HEXSTRING	2	HSTNHOST	NUMBER OF HOSTS GENNED
3	(03)	LENGTH		HSTFXLEN	FIXED PORTION LENGTH
3	(03)	OFFSET		HSTHOSTS	BEGINNING OF HOST DESCRIPTORS SECTION
HSTHOSTS CONSISTS OF 1 ENTRY PER GENNED HOST, EACH OF WHICH MAY BE MAPPED BY THE FOLLOWING DSECT:					
0	(0)	STRUCTURE		HSTHDMAP	
0	(0)	CHARACTER	8	HSTHNAME	HOST NAME
8	(8)	HEXSTRING	1	HSTINDEX	HOST INDEX NUMBER
9	(9)	BITSTRING	1	HSTFLAG1	HOST FLAG 1 - CDS OPERATING FLGS
		1... X'80'		HSTPRIAC	1... - PRIMARY ACTIVE
		.1.. X'40'		HSTSHDAC	.1.. - SHADOW ACTIVE
		..1. X'20'		HSTHSTAC	..1. - HOST ACTIVE
		...1 X'10'		HSTSBYAC	...1 - STANDBY ACTIVE
10	(A)	BITSTRING	1	HSTFLAG2	HOST FLAG 2 - OTHER OPER. FLGS
		1... X'80'		HSTRCVRR	1... - 'RECOVER' Q RESPONSE TO SLS0739
		.1.. X'40'		HSTRCVRH	.1.. - RECOVER ISSUED FOR THIS HOST
		..1. X'20'		HSTDELAY	..1. - DELAY ISSUED FOR THIS HOST
		...1 X'10'		HSTDEAD	...1 - THIS HOST ASSUMED DEAD
11	(B)	BITSTRING	1	HSTFLAG3	HOST FLAG 3 - HSC SOFTWARE RLSE
		..1. X'20'		HSTR110	..1. - HSC 1.1.0
		1... X'80'		HSTR120	1... - HSC 1.2.0

Table 70. SLUVHDAT Record Format (Continued)

Dec	Hex	Type	Length	Label	Description
		.1.. X'40'		HSTR200	.1.. - HSC 2.0.0
		...1 X'10'		HSTR201	...1 - HSC 2.0.1
	 1... X'08'		HSTR210 1... - HSC 2.1.0
	1.. X'04'		HSTR4001.. - HSC 4.0.0
	1. X'02'		HSTR4101. - HSC 4.1.0
12	(C)	CHARACTER	8	HSTNONEN	NON-LIBRARY ESOTERIC NAMES
20	(14)	CHARACTER	8	HSTLIBEN(16)	LIBRARY ESOTERIC NAMES (BY ACS)
148	(94)	LENGTH		HSTHOSLN	LENGTH OF HOST ENTRY

Cross Reference

Name	Len	Offset Value
HSTDEAD	-	10
HSTDELAY	-	20
HSTFLAG1	000001	09
HSTFLAG2	000001	0A
HSTFLAG3	000001	0B
HSTFXLEN	-	03
HSTHNAME	000008	00
HSTHOSLN	-	94
HSTHOSTS	-	03
HSTHSTAC	-	20
HSTINDEX	000001	08
HSTLIBEN	000008	14
HSTNHOST	000002	01
HSTNONEN	000008	0C
HSTPRIAC	-	80
HSTRCVRH	-	40
HSTRCVRR	-	80
HSTR110	-	20
HSTR120	-	80
HSTR200	-	40
HSTR201	-	10
HSTR210	-	08
HSTR400	-	04
HSTR410	-	02
HSTSBYAC	-	10
HSTSHDAC	-	40

SLUVIDAT

Table 71. SLUVIDAT Record Format

Dec	Hex	Type	Length	Label	Description
SLUVIDAT - FLAT FILE CDS INFORMATION DSECT					
FUNCTION: DESCRIBES THE CDS INFORMATION WHICH MAY BE GENERATED TO THE FLAT FILE BY THE VOLUME REPORT UTILITY.					
0	(0)	STRUCTURE		SLUVIDAT	
0	(0)	CHARACTER	1	-RESERVED-	RECORD TYPE (C'I')
1	(1)	BITSTRING	1	CDSRCVRY	CDS RECOVERY OPTIONS
		1... X'80'		CDSSECND	1... - SECONDARY
		.1.. X'40'		CDSSTDBY	.1.. - STANDBY
		..1. X'20'		CDSJOURN	..1. - JOURNAL
		111. X'E0'		CDSALL	111. - ALL
		1.1. X'A0'		CDSBOTH	1.1. - JOURNAL & SECONDARY
	 X'00'		CDSNONE - NONE
4	(4)	SIGNED-FWORD	4	CDSRSVD1	*** RESERVED ***
8	(8)	CHARACTER	8	CDSENQNM	CDS MAJOR ENQUEUE NAME
16	(10)	CHARACTER	8	CDSLEVEL	CDS LEVEL - VERSION/RELEASE/MOD LEVEL (‘VV.RR.MM’)
24	(18)	CHARACTER	8	CDCDATE	DATE CDS CREATED (MM/DD/YY) NOTE: SINGLE DIGIT MONTH WILL HAVE A BLANK AS THE FIRST CHARACTER, E.G. ‘ 3/16/92’
32	(20)	CHARACTER	8	CDSCTIME	TIME CDS CREATED (HH:MM:SS)
40	(28)	CHARACTER	8	CDSBTIME	TIME LAST BACKED UP (HH:MM:SS)
48	(30)	CHARACTER	8	CDSBDATE	DATE LAST BACKED UP (MM/DD/YY)
56	(38)	CHARACTER	8	CDSRTIME	TIME WHEN RESTORED (HH:MM:SS)
64	(40)	CHARACTER	8	CDSRDATE	DATE WHEN RESTORED (MM/DD/YY)
72	(48)	CHARACTER	240	CDSNAMES	CDS DATASET INFORMATION
312	(138)	LENGTH		CDSLNGTH	LENGTH OF RECORD
CDSNAMES CONTAINS ONE ENTRY PER PRIMARY, SHADOW, AND STANDBY CDSS. EACH ENTRY MAY BE MAPPED BY THE FOLLOWING DSECT:					
0	(0)	STRUCTURE		CDSINFO	FOR CDSNAMES ENTRIES

Table 71. SLUVIDAT Record Format (Continued)

Dec	Hex	Type	Length	Label	Description
0	(0)	CHARACTER	44	CSDSDSN	CDS DATASET NAME
44	(2C)	CHARACTER	6	CDSVOL	CDS VOLSER
50	(32)	HEXSTRING	2	-RESERVED-	*** RESERVED ***
52	(34)	CHARACTER	8	CDSUNIT	CDS UNIT NAME
60	(3C)	HEXSTRING	2	CDSSWCNT	CDS SWITCH COUNT
62	(3E)	HEXSTRING	2	-RESERVED-	*** RESERVED ***
64	(40)	HEXSTRING	4	-RESERVED-(4)	*** RESERVED ***
80	(50)	LENGTH		CDSINFOL	LENGTH OF CDS ENTRY

Cross Reference

Name	Len	Offset Value
CDSALL	-	E0
CDSBDATE	000008	30
CDSBOTH	-	A0
CDSBTIME	000008	28
CDSCDATE	000008	18
CDSCTIME	000008	20
CDSDSN	000044	00
CDSENQNM	000008	08
CDSINFOL	-	50
CDSJOURN	-	20
CDSLEVEL	000008	10
CDSLNGTH	-	138
CDSNAMES	000240	48
CDSNONE	-	00
CDSRCVRY	000001	01
CDSRDATE	000008	40
CDSRSVD1	000004	04
CDSRTIME	000008	38
CDSSECND	-	80
CDSSTDBY	-	40
CDSSWCNT	000002	3C
CDSUNIT	000008	34
CDSVOL	000006	2C

SLUVSDAT

Table 72. SLUVSDAT Record Format

Dec	Hex	Type	Length	Label	Description
SLUVSDAT - FLAT FILE ACS STATION ADDRESS DSECT					
FUNCTION: MAP THE STATION ADDRESS INFORMATION BY HOST WITHIN ACS WHICH MAY BE WRITTEN TO THE FLAT FILE BY THE VOLUME REPORT UTILITY.					
0	(0)	STRUCTURE		SLUVSDAT	
0	(0)	CHARACTER	1	-RESERVED-	RECORD TYPE (C'S')
1	(1)	BITSTRING	1	STNACS	ACS NUMBER
2	(02)	LENGTH		STNFXLEN	LENGTH OF FIXED SECTION
2	(02)	OFFSET		STNSTNS	START OF ACS HOST/STATION ARRAY STNSTNS CONSISTS OF 1 ENTRY PER GENNED HOST, EACH OF WHICH MAY BE MAPPD BY THE FOLLOWING DSECT:
0	(0)	STRUCTURE		STNENTRY	
0	(0)	HEXSTRING	1	STNHINDX	HOST INDEX NUMBER
1	(1)	HEXSTRING	3	STNADDRS(16)	STATION ADDRESS ARRAY
49	(31)	LENGTH		STNENTLN	LENGTH OF HOST/STATION ENTRY STNADDRS CONSISTS OF 1 ENTRY FOR EACH OF 16 POSSIBLE STATION AD- DRESSES WHICH COULD BE ASSIGNED TO A GIVEN ACS:
0	(0)	STRUCTURE		STNADENT	
0	(0)	BITSTRING	1	STNFLAG	STATION FLAGS
		1... X'80'		STNONLIN	1... - STATION ONLINE
1	(1)	HEXSTRING	2	STNCUA	STATION CUA
3	(03)	LENGTH		STNADENL	LENGTH OF STATION ADDR ENTRY

Cross Reference

Name	Len	Offset Value
STNACS	000001	01
STNADDRS	000003	01
STNADENL	-	03
STNCUA	000002	01
STNENTLN	-	31
STNFLAG	000001	00
STNFXLEN	-	02
STNHINDX	000001	00
STNONLIN	-	80
STNSTNS	-	02

SLUVVDAT

To determine the HSC release that produced a volume report flat file, use the CDSDATA parameter to create flat file records with non-volume information.

Interrogate the CDSLEVEL field in the SLUVIDAT (CDS Information) record. A CDS at level 02.00.00 is reported by an HSC VOLRpt at release level 2.0.1 and earlier. CDS level 02.01.00 is reported by an HSC 6.0, 6.1, or 6.2 VOLRpt.

The CDSDATA records are appended to the VOLDATA records. To interrogate the CDS level before processing the volume records, extract the CDSDATA and VOLDATA in different steps to create separate files.



Notes:

- The Batch API request formats the date fields VOLDTINS, VOLDTSEL, and VOLTMNT as “yyyymmdd.”
- The Batch API request does not report volume subpool labels or IDs. Fields VOLSPLBL and VOLSPID are blank-filled.
- When a volume has been mounted, the VOLERMNT and VOLERACT bit values are **both** set in VOLFLAG2. If the volume is errant, the VOLERMNT bit value is **not** set in VOLFLAG2, but the VOLERACT bit value is set.

Table 73. SLUVVDAT Record Format

Dec	Hex	Type	Length	Label	Description
SLUVVDAT - FLAT FILE VOLUME DATA DSECT					
FUNCTION: DESCRIBES THE VOLUME DATA WHICH MAY BE GENERATED TO THE FLAT FILE BY THE VOLUME REPORT UTILITY					
0	(0)	STRUCTURE		SLUVVDAT	
0	(0)	CHARACTER	1	-RESERVED-	RECORD TYPE (C'V')
1	(1)	BITSTRING	1	VOLMEDIA	VOLUME MEDIA TYPE
'1'	(F1)	CHAR CONST		VOLMEDST	STANDARD MEDIA
'1'	(F1)	CHAR CONST		VOLMEDT1	(X'F1') STANDARD MEDIA
'A'	(C1)	CHAR CONST		VOLMEDTA	(X'C1') HELICAL MEDIA "A"
'B'	(C2)	CHAR CONST		VOLMEDTB	(X'C2') HELICAL MEDIA "B"
'C'	(C3)	CHAR CONST		VOLMEDTC	(X'C3') HELICAL MEDIA "C"
'D'	(C4)	CHAR CONST		VOLMEDTD	(X'C4') HELICAL CLEANING CARTRIDGE
'E'	(C5)	CHAR CONST		VOLMEDTE	(X'C5') ECART MEDIA
'J'	(D1)	CHAR CONST		VOLMEDTJ	(X'D1') JCART MEDIA
'P'	(D7)	CHAR CONST		VOLMEDTP	(X'D7') STK2P MEDIA

Table 73. SLUVVDAT Record Format (Continued)

Dec	Hex	Type	Length	Label	Description
'R'	(D9)	CHAR CONST		VOLMEDTR	(X'D9') STK1R MEDIA
'U'	(E4)	CHAR CONST		VOLMEDTU	(X'E4') STK1U CLEANING CARTRIDGE "U"
'W'	(E7)	CHAR CONST		VOLMEDTW	(X'E7') STK2W CLEANING CARTRIDGE "W"
'Z'	(E9)	CHAR CONST		VOLMEDTZ	(X'E9') ZCART MEDIA
2	(2)	BITSTRING	1	VOLFLAG1	VOLUME FLAG BYTE 1
		1... X'80'		VOLSCR	1... - VOLUME IS SCRATCH
		.1.. X'40'		VOLSEL	.1.. - VOLUME IS SELECTED
		..1. X'20'		VOLEXLBL	..1. - VOLUME HAS EXTERNAL LABEL
		...1 X'10'		VOLEXRD	...1 - EXTERNAL LABEL IS OCR READABLE
	 1... X'08'		VOLINUSE 1... - THIS RECORD IS IN USE
	1 X'01'		VOLNILIB1 - VOLUME NOT IN LIB.
3	(3)	HEXSTRING	1	VOLOHID	OWNING HOST ID
4	(4)	SIGNED-FWORD	4	VOLSELCT	VOLUME SELECTION COUNT
8	(8)	CHARACTER	6	VOLSER	VOLUME SERIAL NUMBER, LEFT JUSTIFIED AND BLANK FILLED.
14	(E)	CHARACTER	14	VOLHMLOC	HOME LOCATION
14	(E)	CHARACTER	2	VOLHMACS	READABLE HEXADECIMAL ACS NUMBER WHERE THE VOLUME RESIDES.
16	(10)	CHARACTER	1	-RESERVED-	':'
17	(11)	CHARACTER	2	VOLHMLSM	READABLE HEXADECIMAL LSM # IN VOLHMACS WHERE THE VOLUME RESIDES
19	(13)	CHARACTER	1	-RESERVED-	':'
20	(14)	CHARACTER	2	VOLHMPNL	DECIMAL NUMBER OF THE PANEL WITHIN VOLHMLSM WHERE THE VOLUME RESIDES.
22	(16)	CHARACTER	1	-RESERVED-	':'
23	(17)	CHARACTER	2	VOLHMROW	DECIMAL NUMBER OF THE ROW WITHIN VOLHMPNL WHERE THE VOLUME RESIDES.
25	(19)	CHARACTER	1	-RESERVED-	':'

Table 73. SLUVVDAT Record Format (Continued)

Dec	Hex	Type	Length	Label	Description
26	(1A)	CHARACTER	2	VOLHMCEL	DECIMAL NUMBER OF THE COLUMN WITHIN VOLHMROW WHERE THE VOLUME RESIDES.
28	(1C)	CHARACTER	3	VOLSPLBL	VOLUME SUBPOOL LABEL TYPE
'SL'	(E2D3)	CHAR CONST		VOLSPSL	STANDARD LABEL
'NL'	(D5D3)	CHAR CONST		VOLSPNL	NON-LABELLED
'AL'	(C1D3)	CHAR CONST		VOLSPAL	ANSI LABEL
'NSL'	(D5E2D3)	CHAR CONST		VOLSPNSL	NON-STANDARD LABEL
' '	(404040)	CHAR CONST		VOLSPNON	' SUBPOOL INFO NOT REQUESTED OR NOT AVAILABLE
31	(1F)	CHARACTER	13	VOLSPID	VOLUME SUBPOOL ID (13-BYTE NAME OF POOL IF USING SCRPOOL STATEMENTS; 3-BYTE SUBPOOL INDEX NUMBER IF USING SLSUX03)
44	(2C)	SIGNED-HWORD	2	VOLMXCLN	VOLUME MAXCLEAN VALUE
46	(2E)	SIGNED-HWORD	2	-RESERVED-	* RESERVED *
48	(30)	SIGNED-FWORD	4	-RESERVED-(2)	* RESERVED *
<p>THE FOLLOWING FIELDS: VOLDTINS, VOLTDSSEL, VOLDTMNT CONTAIN THE HIGH-ORDER FULLWORD OF THE CPU TOD CLOCK VALUE WHEN THE VOLUME WAS (RESPECTIVELY) ENTERED INTO THE LIBRARY, LAST SELECTED, AND LAST MOUNTED.</p> <p>FOR EACH OF THESE FIELDS, THE LOW-ORDER BIT (BIT 31) HAS A VALUE EQUAL TO 2-TO-THE-20TH-POWER MICROSECONDS, OR 1.048576 SECONDS SINCE MIDNIGHT, JANUARY 1, 1900. THIS TIME IS UNCORRECTED FOR ANY LOCAL TIME ZONE OFFSET FROM GMT. THIS IS THE SAME FORMAT WHICH IS USED BY THE HSC TO SAVE THIS INFORMATION.</p> <p>THE VALUES IN FIELDS: VOLDTINS, VOLTMINS, VOLTDSSEL, VOLTMSEL, VOLDTMNT, VOLTMNT HAVE BEEN CORRECTED FOR LOCAL TIME OFFSET FROM GMT. THESE TIMES (AND POSSIBLY THE DATES) MAY THEREFORE BE DIFFERENT FROM VALUES CALCULATED USING THE TOD CONTENTS IN VOLDTINS, VOLTDSSEL, AND VOLDTMNT.</p>					
56	(38)	SIGNED-FWORD	4	VOLDTINS	TOD CLOCK VALUE WHEN VOLUME WAS INSERTED INTO THE LIBRARY
60	(3C)	SIGNED-FWORD	4	VOLTDSSEL	TOD CLOCK VALUE WHEN VOLUME WAS LAST SELECTED
64	(40)	SIGNED-FWORD	4	VOLDTMNT	TOD CLOCK VALUE WHEN VOLUME WAS LAST MOUNTED

Table 73. SLUVVDAT Record Format (Continued)

Dec	Hex	Type	Length	Label	Description
68	(44)	CHARACTER	8	VOLDTINS	DATE VOLUME INSERTED INTO THE LIBRARY FORMAT DETERMINED BY VOLD4YR
76	(4C)	CHARACTER	8	VOLTMINS	TIME VOLUME INSERTED INTO THE LIBRARY (HH:MM:SS)
84	(54)	CHARACTER	8	VOLDTSEL	DATE VOLUME LAST SELECTED FORMAT DETERMINED BY VOLD4YR
92	(5C)	CHARACTER	8	VOLTMSEL	TIME VOLUME LAST SELECTED (HH:MM:SS)
100	(64)	CHARACTER	8	VOLDTMNT	DATE VOLUME LAST MOUNTED FORMAT DETERMINED BY VOLD4YR
108	(6C)	CHARACTER	8	VOLTMNT	TIME VOLUME LAST MOUNTED (HH:MM:SS)
116	(74)	BITSTRING	1	VOLFLAG3	VOLUME FLAG BYTE 3
		1... X'80'		VOLD4YR	INDICATES DATE FORMAT ON - YYYYMMDD FORMAT OFF - MM/DD/YY FORMAT
		..1. X'20'		VOLMNDMSM	AFFECTS VOLDTMNT/VOLTMNT FLDS ON - TIME/DATE LAST MOUNTED@02 OFF - TIME/DATE DISMOUNTED
	1. X'02'		VOLNOUSE	VOLUME NOT USABLE
117	(75)	HEXSTRING	3	-RESERVED-	RESERVED
120	(78)	LENGTH		VOLLNGTH	
THE FOLLOWING SECTION IS FILLED IN ONLY IF THE VOLUME WAS FOUND TO BE EITHER IN TRANSIT OR ERRANT.					
120	(78)	BITSTRING	1	VOLFLAG2	VOLUME FLAG BYTE 2
***** FOR IN-TRANSIT VOLUMES: *****					
		1... X'80'		VOLITUSE	1... - RECORD IN USE
		.1. X'40'		VOLITACQ	.1. - RECORD HAS BEEN ACQUIRED
***** FOR ERRANT VOLUMES: *****					
		1... X'80'		VOLERACT	1... - RECORD IS ACTIVE
		.1. X'40'		VOLERLIL	.1. - LOST IN LSM POSSIBLE

Table 73. SLUVVDAT Record Format (Continued)

Dec	Hex	Type	Length	Label	Description
121	(79)	..1. X'20'	1	VOLERSSC	..1. - SOURCE LOC. SCANNED
		...1 X'10'		VOLERDSC	...1 - DEST. LOC. SCANNED
	 1... X'08'		VOLERLSC 1... - LOST IN LSM SCANNED
	1.. X'04'		VOLERHSC1.. - HOME LSM SCANNED
	1.X'02'		VOLERMNT1.- VOLUME IS MOUNTED
		BITSTRING		VOLITTAG	IN-TRANSIT TAG TYPE
	 X'00'		VOLITOTH - OTHER (OR NOT IN TRAN)
	1 X'01'		VOLITCAP1 - CAP
	1. X'02'		VOLITCEL1. - CELL
	1.. X'04'		VOLITLSM1.. - LSM ID
	 1... X'08'		VOLITVOL 1... - VOLUME
.... 1.1. X'0A'	VOLITLOC 1.1. - LIBRARY LOCATION (VOLITVOL+VOLITCEL)			
122	(7A)	BITSTRING	1	VOLITRTN	RECOVERY ROUTINE FLAG (IN TRAN. ON)
	1.. X'04'		VOLRRAUS1.. - AUDIT START
	 1... X'08'		VOLRRALD 1... - AUDIT LOGICAL DELETE
		...1 X'10'		VOLRRMNT	...1 - MOUNT
		...1 .1.. X'14'		VOLRRDEJ	...1 .1.. - DISMOUNT EJECT
		...1 1... X'18'		VOLRRCLU	...1 1... - CLEANER UPDATE
		...1 11.. X'1C'		VOLRRCLS	...1 11.. - CLEANER SELECT
		..1. X'20'		VOLRRSCA	..1. - SCRATCH ADD
		..1. .1.. X'24'		VOLRRSCD	..1. .1.. - SCRATCH DELETE
		..1. 1... X'28'		VOLRRVDL	..1. 1... - VOLUME DELETE
		..1. 11.. X'2C'		VOLRRERR	..1. 11.. - ERRANT PROCESSING
		..11 X'30'		VOLRRCAP	..11 - CAP
		..11 .1.. X'34'		VOLRRCNL	..11 .1.. - CONFIG LSM
		..11 1... X'38'		VOLRRSUA	..11 1... - SCRATCH UPDATE ADD
		..11 11.. X'3C'		VOLRRSLV	..11 11.. - SELECTED VOLUME
		..1. X'40'		VOLRRSRE	..1. - SCRATCH REDISTRIBUTION
		..1. .1.. X'44'		VOLRRMCT	..1. .1.. - MOVE CARTRIDGE

Table 73. SLUVVDAT Record Format (Continued)

Dec	Hex	Type	Length	Label	Description
123	(7B)	HEXSTRING	3	-RESERVED-	* RESERVED
126	(7E)	HEXSTRING	6	VOLSRCE	SOURCE LOCATION
132	(84)	HEXSTRING	6	VOLDEST	DESTINATION LOCATION
138	(8A)	CHARACTER	2	VOLLILSM	“LOST IN” LSM
140	(8C)	CHARACTER	8	VOLRECC	RECTECH CHAR FORM
148	(94)	CHARACTER	8	VOLMEDC	MEDIA CHAR FORM
156	(9C)	LENGTH		VOLIELEN	LENGTH OF MAIN VOLUME SECTION PLUS IN-TRANSIT/ERRANT INFORMATION
THE VOLSRCE AND VOLDEST FIELDS MAY BE MAPPED BY THE FOLLOWING DSECT.					
0	(0)	STRUCTURE		VOLLOC	
0	(0)	CHARACTER	1	VOLSTYPE	SOURCE TYPE
'1'	(F1)	CHAR CONST		VOLSCCELL	CELL
'2'	(F2)	CHAR CONST		VOLSCCAP	CAP
'3'	(F3)	CHAR CONST		VOLSDRIV	DRIVE
'4'	(F4)	CHAR CONST		VOLSOTHR	OTHER
1	(1)	HEXSTRING	1	VOLSACSN	ACS NUMBER
2	(2)	HEXSTRING	1	VOLSLSMN	LSM NUMBER
***** FOR “CELL” TYPES *****					
3	(3)	HEXSTRING	1	VOLSPNLN	PANEL NUMBER
4	(4)	HEXSTRING	1	VOLSROWN	ROW NUMBER
5	(5)	HEXSTRING	1	VOLSCOLN	COLUMN (CELL) NUMBER
***** FOR “CAP” TYPES *****					
3	(3)	HEXSTRING	2	VOLSCLOC	CAP LOCATION
5	(5)	HEXSTRING	1	-RESERVED-	RESERVED
***** FOR “DRIVE” TYPES *****					
3	(3)	HEXSTRING	1	VOLSDPNL	DRIVE PANEL NUMBER
4	(4)	HEXSTRING	1	VOLSDNUM	DRIVE NUMBER

Table 73. SLUVVDAT Record Format (Continued)

Dec	Hex	Type	Length	Label	Description
5	(5)	HEXSTRING	1	-RESERVED-	RESERVED
3	(3)	HEXSTRING	1	VOLSDIDX	DRIVE INDEX NUMBER
4	(4)	HEXSTRING	1	-RESERVED-	RESERVED
5	(5)	BITSTRING	1	VOLSDFLG	DRIVE FORMAT FLAG
		1111 1111 X'FF'		VOLSDFIX	DRIVE IS DRIVE INDEX FORMAT
6	(6)	HEXSTRING	2	-RESERVED-	RESERVED
FOR "OTHER" TYPES, THIS RECORD IS TREATED AS IF THE VOLUME WERE ERRANT.					

Cross Reference

Name	Len	Offset Value
VOLDEST	000006	84
VOLDTINS	000008	44
VOLDTMNT	000008	64
VOLDTSEL	000008	54
VOLD4YR	-	80
VOLERACT	-	80
VOLERDSC	-	10
VOLERHSC	-	04
VOLERLIL	-	40
VOLERLSC	-	08
VOLERMNT	-	02
VOLERSSC	-	20
VOLEXLBL	-	20
VOLEXRD	-	10
VOLFLAG1	000001	02
VOLFLAG2	000001	78
VOLFLAG3	000001	74
VOLHMACS	000002	0E
VOLHMCEL	000002	1A
VOLHMLOC	000014	0E
VOLHMLSM	000002	11
VOLHMPNL	000002	14
VOLHMROW	000002	17
VOLIELEN	-	9C
VOLINUSE	-	08
VOLITACQ	-	40
VOLITCAP	-	01
VOLITCEL	-	02
VOLITLOC	-	0A
VOLITLSM	-	04
VOLITOTH	-	00

Name	Len	Offset Value
VOLITRTN	000001	7A
VOLITTAG	000001	79
VOLITUSE	-	80
VOLITVOL	-	08
VOLLILSM	000002	8A
VOLLNGTH	-	78
VOLMEDC	000008	94
VOLMEDIA	000001	01
VOLMEDST	-	'CVAL'
VOLMEDTA	-	'CVAL'
VOLMEDTB	-	'CVAL'
VOLMEDTC	-	'CVAL'
VOLMEDTD	-	'CVAL'
VOLMEDTE	-	'CVAL'
VOLMEDTJ	-	'CVAL'
VOLMEDTP	-	'CVAL'
VOLMEDTR	-	'CVAL'
VOLMEDTU	-	'CVAL'
VOLMEDTW	-	'CVAL'
VOLMEDTZ	-	'CVAL'
VOLMEDT1	-	'CVAL'
VOLMNDSM	-	20
VOLMXCLN	000002	2C
VOLNILIB	-	01
VOLNOUSE	-	02
VOLOHID	000001	03
VOLRECC	000008	8C
VOLRRALD	-	08
VOLRRAUS	-	04
VOLRRCAP	-	30
VOLRRCLS	-	1C
VOLRRCLU	-	18

Name	Len	Offset Value
VOLRRCNL	-	34
VOLRRDEJ	-	14
VOLRRERR	-	2C
VOLRRMCT	-	44
VOLRRMNT	-	10
VOLRRSCA	-	20
VOLRRSCD	-	24
VOLRRSLV	-	3C
VOLRRSRE	-	40
VOLRRSUA	-	38
VOLRRVDL	-	28
VOLSACSN	000001	01
VOLSCAP	-	'CVAL'
VOLSCCELL	-	'CVAL'
VOLSCLOC	000002	03
VOLSCOLN	000001	05
VOLSCR	-	80
VOLSDFIX	-	FF
VOLSDFLG	000001	05
VOLSDIDS	000001	03
VOLSDNUM	000001	04
VOLSDPNL	000001	03
VOLSDRIV	-	'CVAL'
VOLSEL	-	40
VOLSELCT	000004	04
VOLSER	000006	08
VOLSLSMN	000001	02
VOLSOTHR	-	'CVAL'
VOLSPAL	-	'CVAL'
VOLSPID	000013	1F
VOLSPLBL	000003	1C
VOLSPNL	-	'CVAL'

Name	Len	Offset Value
VOLSPNLN	000001	03
VOLSPNON	-	'CVAL'
VOLSPNSL	-	'CVAL'
VOLSPSL	-	'CVAL'
VOLSRCE	000006	7E
VOLSROWN	000001	04
VOLSTYPE	000001	00
VOLTDINS	000004	38
VOLTDMNT	000004	40
VOLTDSSEL	000004	3C
VOLTMINS	000008	4C
VOLTMMNT	000008	6C
VOLTMSEL	000008	5C

Batch API Records

Batch API Mapping Macros

These SMP/E-distributed macros map only Batch API records. Refer to “Volume Report and Batch API Records” on page 722 to see the records that map both Volume Report and Batch API.

Table 74. Mapping macros for Batch API Records

Macro	Description
SLUVDDAT	Batch API Drive Information DSECT
SLUVPDAT	Batch API CAP Information DSECT

Batch API Record Formats

SLUVDDAT

This record is produced only by the Batch API QCDS request. Refer to Appendix J, “Batch Application Program Interface (API)” on page 963 for more information.

Table 75. SLUVDDAT Record Format

Dec	Hex	Type	Length	Label	Description
SLUVDDAT - QCDS DRIVE INFORMATION DSECT					
FUNCTION: MAPS THE DRIVE DATA PRODUCED BY THE QCDS READ REQUEST FOR THE CDS DRV RECORD AREA.					
0	(0)	STRUCTURE		SLUVDDAT	
0	(0)	CHARACTER	1	UVDRT	RECORD TYPE
1	(1)	BITSTRING	1	UVDFLAG1	STATUS FLAG:
		1... X'80'		UVDDCLN	DRIVE NEEDS CLEANING
2	(2)	BITSTRING	1	UVDFLAG2	MOUNT ERROR FLAG:
		1... X'80'		UVDBMNT	MOUNT ERROR
		.1... X'40'		UVDOPRQ	OPER INTERV REQD BY UX01
		..1. X'20'		UVDV5310	IAT5310 ERROR MESSAGE ISSUED
3	(3)	BITSTRING	1	UVDFLAG3	SCRATCH MOUNT FLAG:
		1... X'80'		UVDSCR	SCRATCH MOUNT
		.1... X'40'		UVDNSCR	NON-SCRATCH MOUNT
		..1. X'20'		UVD501E	IEC501E MSG PREVIOUSLY PROCESSED
		...1 X'10'		UVDRACF	RACF READ OPTION WAS SET
	 1... X'08'		UVDTMS7	MESSAGE IECTMS7 BEING PROCESSED
4	(4)	CHARACTER	2	UVDTYPE	DRIVE TYPE FROM LMU:
'64'	(F6F4)	CHAR CONST		UVD4480	4480 DRIVE
'32'	(F3F2)	CHAR CONST		UVDTIMB	TIMBERLINE DRIVE
'33'	(F3F3)	CHAR CONST		UVD9491	9490EE DRIVE
'16'	(F1F6)	CHAR CONST		UVDREDW	REDWOOD
'08'	(F0F8)	CHAR CONST		UVDSILV	SILVERTON
'06'	(F0F6)	CHAR CONST		UVD3590	T9940A ACTING AS A 3590
'05'	(F0F5)	CHAR CONST		UVD3490E	T9940A ACTING AS A 3490E

Table 75. SLUVDDAT Record Format (Continued)

Dec	Hex	Type	Length	Label	Description
'01'	(F0F1)	CHAR CONST		UVD984B4	T9840B ACTING AS A 3490E
'07'	(F0F7)	CHAR CONST		UVD984B5	T9840B ACTING AS A 3590
'09'	(F0F9)	CHAR CONST		UVD994B4	T9940B ACTING AS A 3490E
'10'	(F1F0)	CHAR CONST		UVD994B5	T9940B ACTING AS A 3590
'02'	(F0F2)	CHAR CONST		UVD9840	9840 DRIVE
'03'	(F0F3)	CHAR CONST		UVD98405	9840 DRIVE ACTING AS A 3590
65535	(FFFF)	CONST		UVDNOLMU	LMU DRIVE TYPE NOT YET SET
6	(6)	AREA	4	UVDDRVID	DRIVEID:
6	(6)	HEXSTRING	1	UVDIDACS	DRIVEID ACS
7	(7)	HEXSTRING	1	UVDIDLSM	DRIVEID LSM
8	(8)	HEXSTRING	1	UVDIDPNL	DRIVEID PANEL
9	(9)	HEXSTRING	1	UVDIDNUM	DRIVEID NUMBER WITHIN PANEL
12	(C)	SIGNED-FWORD	4	UVDDEFIN	DRIVE IS DEFINED TO A HOST - BIT-MAP REPRESENTING EACH HOST THAT HAS THIS DRIVE DEFINED, READING FROM LEFT TO RIGHT IN HOST INDEX ORDER
16	(10)	SIGNED-HWORD	2	UVDNUNIT	NUMBER OF DRIVE UNITS (FOR UVDUNITN)
18	(12)	SIGNED-HWORD	2	UVDLUNIT	LENGTH OF DRIVE UNITS (FOR UVDUNITN)
20	(14)	SIGNED-HWORD	2	UVDUNITN(16)	MVS UNIT NUMBERS INDEXED BY HOST.
52	(34)	LENGTH		UVDLEN	RECORD LENGTH

Cross Reference

Name	Len	Offset Value
UVDBMNT	-	80
UVDDCLN	-	80
UVDDEFIN	000004	0C
UVDDRVID	000004	06
UVDFLAG1	000001	01

Name	Len	Offset Value
UVDFLAG2	000001	02
UVDFLAG3	000001	03
UVDIDACS	000001	06
UVDIDLSM	000001	07
UVDIDNUM	000001	09
UVDIDPNL	000001	08
UVDLEN	-	34
UVDLUNIT	000002	12
UVDNOLMU	-	FFFF
UVDNSCR	-	40
UVDNUNIT	000002	10
UVDOPRQ	-	40
UVDRACTF	-	10
UVDREDW	-	'CVAL'
UVDRT	000001	00
UVDSCR	-	80
UVDSILV	-	'CVAL'
UVDTIMB	-	'CVAL'
UVDTMS7	-	08
UVDTYPE	000002	04
UVDUNITN	000002	14
UVDV5310	-	20
UVD3490E	-	'CVAL'
UVD3590	-	'CVAL'
UVD4480	-	'CVAL'
UVD501E	-	20
UVD9491	-	'CVAL'
UVD984B4	-	'CVAL'
UVD984B5	-	'CVAL'
UVD9840	-	'CVAL'
UVD98405	-	'CVAL'
UVD994B4	-	'CVAL'

Name	Len	Offset Value
UVD994B5	-	'CVAL'

SLUVPDAT

This record is produced only by the Batch API QCDS request. Refer to Appendix J, “Batch Application Program Interface (API)” on page 963 for more information.

Table 76. SLUVPDAT Record Format

Dec	Hex	Type	Length	Label	Description
SLUVPDAT - QCDS CAP INFORMATION DSECT					
FUNCTION: MAPS THE CAP DATA PRODUCED BY THE QCDS READ REQUEST FOR THE CDS CAP RECORD AREA.					
0	(0)	STRUCTURE		SLUVPDAT	
0	(0)	CHARACTER	1	UVPRT	RECORD TYPE
1	(1)	BITSTRING	1	UVPFLAG1	CAP STATUS:
		1... X'80'		UVPF1ACT	CAP IS ACTIVE
		.1.. X'40'		UVPF1REC	CAP NEEDS RECOVERY
		..1. X'20'		UVPF1AUT	CAP IS IN AUTOMATIC MODE
		...1 X'10'		UVPF1LNK	CAP IS LINKED
	 1... X'08'		UVPF1ONL	CAP IS ONLINE
2	(2)	BITSTRING	1	UVPFLAG2	CAP MODE:
		1... X'80'		UVPF2ENT	CAP IS ENTERING
		.1.. X'40'		UVPF2DRA	CAP IS DRAINING
		..1. X'20'		UVPF2EJT	CAP IS EJECTING
		...1 X'10'		UVPF2CLN	CAP IS CLEANING
	 1... X'08'		UVPF2IDL	CAP IS IDLE
3	(3)	HEXSTRING	3	UVPID	CAP ID
6	(6)	CHARACTER	8	UVPJOBN	JOBNAME OF OWNER
14	(E)	CHARACTER	8	UVPHOST	HOSTID IF CAP IS ACTIVE
22	(16)	HEXSTRING	1	UVPHOSTI	HOST INDEX FOR CAHOST
24	(18)	SIGNED-HWORD	2	UVPNCELL	NUMBER OF CELLS IN CAP
26	(1A)	HEXSTRING	1	UVPNROWS	NUMBER OF ROWS IN THIS CAP
27	(1B)	HEXSTRING	1	UVPNCOLS	NUMBER OF COLUMNS IN THIS CAP
28	(1C)	HEXSTRING	1	UVPNMAGS	NUMBER OF MAGAZINES IN THIS CAP
29	(1D)	HEXSTRING	1	UVPNMAGC	NUMBER OF CELLS PER MAGAZINE
30	(1E)	SIGNED-HWORD	2	UVPNPRIO	NUMBER OF CAP PRIORITY ELEMENTS

Table 76. SLUVPDAT Record Format (Continued)

Dec	Hex	Type	Length	Label	Description
32	(20)	SIGNED-HWORD	2	UVPLPRIO	LENGTH OF CAP PRIORITY ELEMENTS
34	(22)	HEXSTRING	1	UVPPRITY(16)	CAP PRIORITY ELEMENTS, BY HOST INDEX
50	(32)	HEXSTRING	1	UVPPANEL	PANEL NUMBER OF CAP
51	(33)	BITSTRING	1	UVPTYPE	TYPE OF CAP:
		1... .. X'80'		UVPPCAP	PRIORITY CAP
	1 X'01'		UVPCIM	CIMARRON
	1. X'02'		UVPClip	CLIPPER
	11 X'03'		UVPTWSTD	STANDARD WOLF CLIPPER
	1.. X'04'		UVPTWOPT	OPTIONAL WOLF CLIPPER
	1.1 X'05'		UVP9740	9740 CAP (CELLS SET AT VARY LSM)
52	(34)	LENGTH		UVPLEN	RECORD LENGTH

Cross Reference

Name	Len	Offset Value
UVPCIM	-	01
UVPCLIP	-	02
UVPFLAG1	000001	01
UVPFLAG2	000001	02
UVPF1ACT	-	80
UVPF1AUT	-	20
UVPF1LNK	-	10
UVPF1ONL	-	08
UVPF1REC	-	40
UVPF2CLN	-	10
UVPF2DRA	-	40
UVPF2EJT	-	20
UVPF2ENT	-	80
UVPF2IDL	-	08
UVPHOST	000008	0E
UVPHOSTI	000001	16
UVPID	000003	03
UVPJOBN	000008	06
UVPLEN	-	34
UVPLPRIO	000002	20
UVPNCELL	000002	18
UVPNCOLS	000001	1B
UVPNMAGC	000001	1D
UVPNMAGS	000001	1C
UVPNPRIOR	000002	1E
UVPNROWS	000001	1A
UVPPANEL	000001	32
UVPPCAP	-	80
UVPPRITY	000001	22
UVPRT	000001	00
UVPTWOPT	-	04

Name	Len	Offset Value
UVPTWSTD	-	03
UVPTYPE	000001	33
UVP9740	-	05

Appendix G. Logging ACS Robotics Motion

Overview

StorageTek provides a way to monitor the reliability of ACS robotics motion. This appendix describes what information is logged and how that information is logged.

Information Being Logged

StorageTek logs robotic motion statistics in three categories:

- robotic Motion Start Counts
- temporary Motion Error Counts
- permanent Motion Errors.

Each category is described in the following paragraphs.

Robotics Motion Start Counts

Each time an LSM robotics motion request is accepted by the LMU, the count of Robotics Motion Starts is incremented by one. This count represents the number of times the robot attempts to pick up a cartridge at one location, move it, and place it at another location. When the Catalog or View commands are used, the count is the number of times the robot hand is moved to a target location. The Robotics Motion Start Count is incremented at the start of each robotics motion. The motion itself may be successful, have a temporary error or have a permanent failure.

With the exception of LMU busy retries, motions retried by the HSC are counted as additional subsequent motions, since each attempted motion request could result in a hardware failure (hard fail) or temporary error.

Temporary Motion Error Counts

For each motion which is successful, but which had a temporary error, the count of Temporary Motion Errors is incremented by one. A temporary error is counted against any motion that contains a retry at some level which either impacts performance or may indicate that hardware is degraded. Temporary errors are currently counted at the LSM level against any motion requiring a panel ID recalibration to complete. Temporary errors are counted at the LMU level if a motion must be retried.

Permanent Motion Errors

Each time a permanent motion failure occurs, complete information concerning the failure is logged. A permanent error is counted against any motion which causes a Mount, DISMount, Swap, MOVE, Catalog, or VView command to fail in such a way that user intervention is required to correct the situation.

How Information is Logged

The HSC periodically retrieves the statistics for robotics motions begun and temporary errors from the LMU. This information is logged to SYS1.LOGREC as software errors as shown in the Table 77. This record is a valid “Initiated and Temporary Error Motion Software Error Record” only under the following circumstances:

- if the Record Type Field (bytes 642-643) has value X’6506’ and
- the StorageTek identifier (X’FEEDFACE’ at bytes 644-647) is present.

Such a record is called an LLG6 record. Refer to Appendix F, “Record Formats” on page 657 to see the record layout for LLG6.

Table 77. Format for Total Motions and Temporary Error Counts

Initiated and Temporary Error Motion Software Error Record	
BYTE #	Description of Field
00-31	Standard HSC LOGREC header
00-00	X’40’ indicates software detected error
01-01	X’80’ indicates VS2 or later release level
02-02	X’08’ indicates TIME macro was used
03-03	X’20’ indicates record contains an error ID
04-05	Reserved
06-06	Record count
07-07	Reserved
08-11	System date of error
12-15	System time of error
16-23	CPU ID
24-31	Subsystem name
32-35	Eyeball characters ‘LLG6’
36-41	Proprietary data
42-43	Reserved
44-44	ACSid (binary)
45-45	Reserved

Table 77. Format for Total Motions and Temporary Error Counts (Continued)

Initiated and Temporary Error Motion Software Error Record	
BYTE #	Description of Field
46-46	LSM Configuration Flag 1st Byte X'80' - LSM 0 exists if flag is on X'40' - LSM 1 exists if flag is on X'20' - LSM 2 exists if flag is on X'10' - LSM 3 exists if flag is on X'08' - LSM 4 exists if flag is on X'04' - LSM 5 exists if flag is on X'02' - LSM 6 exists if flag is on X'01' - LSM 7 exists if flag is on
47-47	LSM Configuration Flag 2nd Byte X'80' - LSM 8 exists if flag is on X'40' - LSM 9 exists if flag is on X'20' - LSM 10 exists if flag is on X'10' - LSM 11 exists if flag is on X'08' - LSM 12 exists if flag is on X'04' - LSM 13 exists if flag is on X'02' - LSM 14 exists if flag is on X'01' - LSM 15 exists if flag is on
48-51	LSM 0 Robotic motions started (binary)
52-55	LSM 0 Temporary motion error counts (binary)
56-59	LSM 1 Robotic motions started (binary)
60-63	LSM 1 Temporary motion error counts (binary)
64-67	LSM 2 Robotic motions started (binary)
68-71	LSM 2 Temporary motion error counts (binary)
72-75	LSM 3 Robotic motions started (binary)
76-79	LSM 3 Temporary motion error counts (binary)
80-83	LSM 4 Robotic motions started (binary)
84-87	LSM 4 Temporary motion error counts (binary)
88-91	LSM 5 Robotic motions started (binary)
92-95	LSM 5 Temporary motion error counts (binary)
96-99	LSM 6 Robotic motions started (binary)
100-103	LSM 6 Temporary motion error counts (binary)
104-107	LSM 7 Robotic motions started (binary)
108-111	LSM 7 Temporary motion error counts (binary)
112-115	LSM 8 Robotic motions started (binary)
116-119	LSM 8 Temporary motion error counts (binary)
120-123	LSM 9 Robotic motions started (binary)

Table 77. Format for Total Motions and Temporary Error Counts (Continued)

Initiated and Temporary Error Motion Software Error Record	
BYTE #	Description of Field
124-127	LSM 9 Temporary motion error counts (binary)
128-131	LSM 10 Robotic motions started (binary)
132-135	LSM 10 Temporary motion error counts (binary)
136-139	LSM 11 Robotic motions started (binary)
140-143	LSM 11 Temporary motion error counts (binary)
144-147	LSM 12 Robotic motions started (binary)
148-151	LSM 12 Temporary motion error counts (binary)
152-155	LSM 13 Robotic motions started (binary)
156-159	LSM 13 Temporary motion error counts (binary)
160-163	LSM 14 Robotic motions started (binary)
164-167	LSM 14 Temporary motion error counts (binary)
168-171	LSM 15 Robotic motions started (binary)
172-175	LSM 15 Temporary motion error counts (binary)
176-641	Reserved
642-643	Record type X'6506'
644-647	StorageTek identifier X'FEEDFACE'
648-651	Timestamp Table

The HSC also makes a log entry for each permanent error, codes and indicates whether or not the errors are considered permanent errors.

The record format used to log a hard fail to SYS1.LOGREC is shown in Table 78. This record is a valid “Motion Hard Fail Software Error Record” only under the following conditions:

- if the Record Type Field (bytes 642-643) has a value of X'6501',
- the StorageTek identifier (X'FEEDFACE' at bytes 644-647) is present, and
- the character 'H' appears at the byte 113 location.

These records, regardless of whether the hard fail indicator is turned on, are LLG1 records.

Table 78. Record Format for a Hard Failure

Motion Hard Fail Software Error Record	
BYTE #	Description of Field
00-31	Standard HSC LOGREC header
00-00	X'40' indicates software detected error
01-01	X'80' indicates VS2 or later release level
02-02	X'08' indicates TIME macro was used
03-03	X'20' indicates record contains an error ID
04-05	Reserved
06-06	Record count
07-07	Reserved
08-11	System date of error
12-15	System time of error
16-23	CPU ID
24-31	Subsystem name
32-35	Eyeball characters 'LLG1'
36-41	Proprietary data D-4
42-43	Reserved
44-44	ACSid (binary)
45-48	Proprietary data
49-85	Request data
49-58	Transaction header
49-52	Proprietary data
53-54	Host ID
55-57	Sequence number
58-58	Transaction Type, a '1' indicates a request
59-59	Request type, 'B' = Mount request 'C' = Dismount request 'D' = Swap request 'E' = Move request 'K' = Catalog request 'X' = View request
60-61	Proprietary data

Table 78. Record Format for a Hard Failure (Continued)

Motion Hard Fail Software Error Record	
BYTE #	Description of Field
62-67	VOLSER of cartridge (this field is only valid if Request type, byte 59, is 'B', 'C', 'D' or 'E' and byte 60 has value character '1')
68-89	Proprietary data
90-91	Host ID
92-94	Sequence number
95-95	Character '7' indicates an error response
96-96	Response type, 'B' = Mount response 'C' = Dismount response 'D' = Swap response 'E' = Move response 'K' = Catalog response 'X' = View response
97-100	LMU Response Code (see Appendix A for definitions)
101-102	LSMid in error
103-112	Proprietary data
113-113	Character 'H' indicates a hard failure
114-641	Reserved
642-643	Record type X'6501'
644-647	StorageTek identifier X'FEEDFACE'
648-651	Timestamp

Logging Interval

When LMU 3.0 or 9315/9330 1.0 μ -software is properly installed in the ACS, the HSC identifies hard fails in LLG1 records and records robotic motion and temporary error counts in LLG6 records written to SYS1.LOGREC.

An LLG6 record is written to SYS1.LOGREC for each qualified ACS at the same interval that is defined for writing ACS-specific SMF records. A record is written not less than once in 24 hours, and always when the HSC is shutting down normally (assuming it has not been canceled).

An LLG1 record, which may or may not represent a hard fail, is written to SYS1.LOGREC for most operations requested by the HSC for which the LMU is unable to complete the HSC request. Operations that are automatically retried by the HSC are usually not errors, and some other states may be defined that are not logged as errors. See "LMU Response Codes" on page 771 for information on error and response codes. For

operations that do result in an error, only those that requested robotic motions are logged as hard fails with the appropriate indicator set in the record. Errors that do not represent failed robotic motions are software errors. These should be analyzed and reported to StorageTek.

Single-Host Environment

In a single-host environment, there is only one SYS1.LOGREC data set and only one copy of the HSC. In such an environment, everything is straightforward and easy to manage.

Recommended procedures in this environment are:

- Offload SYS1.LOGREC to a history data set, and
- Follow Computer Associates' CA-9/R+ Installation Instructions.

The extracted data for the reporting period may then be sent to the reliability measuring service for inclusion in their industry-wide report.

Multi-Host Environment

Data are interpreted differently in a multi-host environment than in a single-host environment. For this reason more explanation is necessary.

Since the LMU counts robotic motions started and temporary errors by LSM and not by host, when any host requests ACS statistics from an LMU, the data that is written to SYS1.LOGREC in an LRG6 record represents the total robotic motions started and temporary errors that occurred on each LSM since the last time that any R+ host requested ACS statistics from the LMU. The robotic motions started by all hosts are consolidated into one LRG6 record.

However, the robotic motions that end in a hard fail that are reported in LRG1 records are only logged to the SYS1.LOGREC of the R+ host that experienced the hard fail. Software failures are similarly logged only by the host that experienced the failure (an LRG1 record without the "hard fail" indicator).

Follow Computer Associates' published procedures for extracting data from all R+ hosts from the LOGREC history tapes and send the extracted data for the reporting period to the reliability measuring service for inclusion in their industry-wide report.

LMU Response Codes

The following tables contain a list of permanent error LMU response codes with associated

- descriptions
- indications of whether a console message is generated
- indications of whether a LOGREC record is cut
- indications of whether this response code is included as an R+ hard fail or if it is excluded.

Symbols used in the tables are as follows:

Code	Description
M	Console message posted
L	Record logged to SYS1.LOGREC
L+	Record sometimes logged to SYS1.LOGREC
H	Hard Fail logged to R+ Statistics
r	Retried by the Host.

Invalid Parameter Error Codes: 0101 - 0127

Table 79. LMU Response Codes 0101 thru 0127

LMU Resp	Response Description	Con Msg	LOG rec	Mnt B	Dmt C	Swp D	Mov E	Cat J/K	Vw X
0101	Bad primary LSM	M	L	H	H	H	H	H	H
0102	Bad secondary LSM	M	L	H	H	H	H	H	H
0105	Undefined option or modifier	M	L	H	H	H	H	H	H
0106	Invalid LSM	M	L	H	H	H	H	H	H
0107	Invalid panel	M	L	H	H	H	H	H	H
0108	Invalid row	M	L	H	H	H	H	H	H
0109	Invalid column	M	L	H	H	H	H	H	H
0110	Invalid drive	M	L	H	H	H	H	H	H
0111	Invalid CAP row	M	L	H	H	H	H	H	H
0112	Invalid CAP column	M	L	H	H	H	H	H	H
0113	No cell at the specified address	M	L	H	H	H	H	H	H
0114	Label modifier option not legal	M	L	H	H	H	H	H	H
0115	Source modifier option not legal	M	L	H	H	H	H	H	H
0116	Source type illegal	M	L	H	H	H	H	H	H
0117	Destination type illegal	M	L	H	H	H	H	H	H
0118	Beginning address greater than end on catalog	M	L	H	H	H	H	H	H
0119	Invalid characters in VOLSER label	M	L	H	H	H	H	H	H
0120	Invalid request ID received	M	L	H	H	H	H	H	H
0121	Invalid transaction length	M	L	H	H	H	H	H	H
0122	Invalid host ID	M	L	H	H	H	H	H	H
0123	illegal characters in request	M	L	H	H	H	H	H	H
0124	Host ID doesn't match current	M	L	H	H	H	H	H	H
0125	Duplicate sequence number active	M	L	-	-	-	-	-	-
0126	Transaction type not request or message ACK	M	L	H	H	H	H	H	H
0127	Invalid request code to cancel	M	L	H	H	H	H	H	H

Configuration Error Codes: 0201 - 0203

Table 80. LMU Response Codes 0201 thru 0203

LMU Resp	Response Description	Con Msg	LOG rec	Mnt B	Dmt C	Swp D	Mov E	Cat J/K	Vw X
0201	LSM is not in static configuration	M	L	H	H	H	H	H	H
0202	Drive does not exist	M	L	H	H	H	H	H	H
0203	CAP does not exist	M	L	H	H	H	H	H	H

CAP Procedural Error Codes: 0301 - 0310

Table 81. LMU Response Codes 0301 thru 0310

LMU Resp	Response Description	Con Msg	LOG rec	Mnt B	Dmt C	Swp D	Mov E	Cat J/K	Vw X
0301	CAP not reserved	M	L	H	H	H	H	H	H
0302	CAP already reserved	M	L	H	H	H	H	H	H
0303	CAP in Enter mode	M	L	H	H	H	H	H	H
0304	CAP in Eject mode	M	L	H	H	H	H	H	H
0305	CAP move active	M	L	H	H	H	H	H	H
0306	CAP door is open	M	L	H	H	H	H	H	H
0307	CAP catalog is in progress	M	L+	H	H	H	H	H	H
0309	Cannot unlock CAP, CAP door is not fully latched	M	L	H	H	H	H	H	H
0310	Cannot cancel enter on release request	M	L+	H	H	H	H	H	H

General Procedural Error Codes: 0401 - 0427

Table 82. LMU Response Codes 0401 thru 0427

LMU Resp	Response Description	Con Msg	LOG rec	Mnt B	Dmt C	Swp D	Mov E	Cat J/K	Vw X
0401	LSM not ready	-	-	r	r	r	r	r	r
	if unlabeled or bypass label	M	-	r	r	r	r	r	r
	if not VARY and LSM offline	M	-	r	r	r	r	r	r
	else add to Temp Outage Queue	-	-	r	r	r	r	r	r
0402	LSM in maintenance mode	M	L	-	-	-	-	-	-
0403	LSM offline pending	M	-	-	-	-	-	-	-
0404	LSM offline	M	-	-	-	-	-	-	-
0405	Drive is full	M	L	-	H	-	H	H	H
0407	Multiple LSM requests in maintenance	M	L	H	H	H	H	H	H
0408	Path rejected due to full PTP deadlock	M	L	H	H	H	H	H	H
0410	Bad recovery on cartridge VOLSER	M	L	H	H	H	H	H	H
0411	Maximum requests allowed exceeded	-	-	r	r	r	r	r	r
0412	Quiesce host is already in progress	M	L	H	H	H	H	H	H
0413	Prior quiesce host override	M	L	H	H	H	H	H	H
0414	Maximum read VOLSER requests active	-	-	H	H	H	H	H	H
0416	Request canceled	M	-	-	-	-	-	-	-
0415	Cancel already pending against request	M	L	H	H	H	H	H	H
0419	VOLSER unexpectedly was readable	M	L	r	r	r	r	H	H
0420	Bad read of VOLSER	M	L+	r	r	r	r	H	H
0422	Cell full	M	L+	-	-	-	-	H	H
0423	Cell empty	M	L+	-	-	-	-	H	H
0424	Drive empty	M	L+	-	-	-	H	H	H
0425	Drive is active	M	L+	r	-	-	H	H	H

Table 82. LMU Response Codes 0401 thru 0427 (Continued)

LMU Resp	Response Description	Con Msg	LOG rec	Mnt B	Dmt C	Swp D	Mov E	Cat J/K	Vw X
0426	Drive not rewound	M	L+	r	-	-	H	H	H
0427	Cartridge not mounted	M	L	H	-	-	H	H	H

LMU LAN Interface Error Codes: 0501 - 0512

Table 83. LMU Response Codes 0501 thru 0512

LMU Resp	Response Description	Con Msg	LOG rec	Mnt B	Dmt C	Swp D	Mov E	Cat J/K	Vw X
0501	Transmission rejection: No LSM at node	M	L	H	H	H	H	H	H
0502	Transmission rejection: Bad LSMid	M	L	H	H	H	H	H	H
0503	Transmission rejection: LSM not communicating	M	-	r	r	r	r	r	r
0504	Transmission rejection: Transmission error	M	-	r	r	r	r	r	r
0505	Transmission rejection: No ACK	M	-	r	r	r	r	r	r
0506	Transmission rejection: No operational LAN	M	-	r	r	r	r	r	r
0507	Transmission rejection: No memory available	M	-	r	r	r	r	r	r
0508	Transmission rejection: Buffer overflow	M	-	r	r	r	r	r	r
0509	Transmission rejection: No response for command	M	L	H	H	H	H	H	H
0510	Transmission rejection: LSM forced offline	M	-	-	-	-	-	-	-
0511	Transmission rejection: Already active CAP Unlock	M	L	H	H	H	H	H	H
0512	Transmission rejection: This is a standby	M	L	H	H	H	H	H	H

LMU Logical Error Codes: 0601 - 0620

Table 84. LMU Response Codes 0601 thru 0620

LMU Resp	Response Description	Con Msg	LOG rec	Mnt B	Dmt C	Swp D	Mov E	Cat J/K	Vw X
0601	Unknown allocation request	M	L	H	H	H	H	H	H
0602	Bad qualifier byte 0	M	L	H	H	H	H	H	H
0603	Bad qualifier byte 1	M	L	H	H	H	H	H	H
0604	Bad qualifier byte 2	M	L	H	H	H	H	H	H
0605	LSM online	M	L	H	H	H	H	H	H
0606	Offline pend overridden	M	L	H	H	H	H	H	H
0610	Unknown panel type from static configuration	M	L	H	H	H	H	H	H
0611	Internal logical problem detected	M	L	H	H	H	H	H	H
0612	Pass-thru port cell full	M	L	H	H	H	H	H	H
0613	Pass-thru port cell empty	M	L	H	H	H	H	H	H
0615	Dynamic task create found full mailbox	M	L	H	H	H	H	H	H
0616	Allocate pend timed out	M	L	H	H	H	H	H	H
0617	LSM command pend timed out	M	L	H	H	H	H	H	H
0620	Connecting LSM path is unavailable for unknown reason	M	L	H	H	H	H	H	H

LSM Robotics Error Codes: 0701 - 0718

Table 85. LMU Response Codes 0701 thru 0718

LMU Resp	Response Description	Con Msg	LOG rec	Mnt B	Dmt C	Swp D	Mov E	Cat J/K	Vw X
0701	Arm not operational	M	L	H	H	H	H	H	H
0702	Hand not operational	M	L	H	H	H	H	H	H
0703	PTP not operational	M	L	H	H	H	H	H	H
0704	PTP does not exist	M	L	H	H	H	H	H	H
0705	CAP is not operational	M	L	H	H	H	H	H	H
0707	Necessary elements inoperational	M	L	H	H	H	H	H	H
0708	Failed robotics portion of move	M	L	H	H	H	H	H	H
0709	Bad PUT	M	L	H	H	H	H	H	H
0710	Bad GET	M	L	H	H	H	H	H	H
0711	Bad reach retraction	M	L	H	H	H	H	H	H
0712	Bad reach extension	M	L	H	H	H	H	H	H
0713	Error positioning PTP	M	L	H	H	H	H	H	H
0714	No hands are operative	M	L	H	H	H	H	H	H
0715	Drive didn't detect cartridge on PUT	M	L	-	H	-	H	H	H
0716	Failed targeting portion of move	M	L	H	H	H	H	H	H
0717	Reach is in an unsafe position	M	L	H	H	H	H	H	H
0718	Failed during recalibration on cell	M	L	H	H	H	H	H	H

LSM Hardware Error Codes: 0801 - 0809

Table 86. LMU Response Codes 0801 thru 0809

LMU Resp	Response Description	Con Msg	LOG rec	Mnt B	Dmt C	Swp D	Mov E	Cat J/K	Vw X
0801	LSM didn't respond to request	M	L	H	H	H	H	H	H
0804	CAP unlock solenoid has over-currented	M	L	H	H	H	H	H	H
0805	Unlock CAP failed	M	L	H	H	H	H	H	H
0806	Lock CAP failed	M	L	H	H	H	H	H	H
0807	Drive not communicating	M	L	-	-	-	H	H	H
0808	Tape unit interface failure	M	L	-	-	-	H	H	H
0809	Failed to transfer image into memory	M	L	H	H	H	H	H	H

LSM Logical Error Codes: 0901 - 0977

Table 87. LMU Response Codes 0901 thru 0977

LMU Resp	Response Description	Con Msg	LOG rec	Mnt B	Dmt C	Swp D	Mov E	Cat J/K	Vw X
0901	Wrong LSM on GET response	M	L	H	H	H	H	H	H
0902	Packet type of response not received	M	L	H	H	H	H	H	H
0903	Wrong task ID on response	M	L	H	H	H	H	H	H
0904	Wrong function ID on response	M	L	H	H	H	H	H	H
0905	Wrong cell address on response	M	L	H	H	H	H	H	H
0906	LSM is offline (from LSM)	M	L	H	H	H	H	H	H
0907	Bad cell location (from LSM)	M	L	H	H	H	H	H	H
0908	Unknown ending status from LSM	M	L	H	H	H	H	H	H
0909	LSM returned invalid response	M	L	H	H	H	H	H	H
0910	Unexpected or out-of-sequence CAP message	M	L	H	H	H	H	H	H
0916	Failure ending status	M	L	H	H	H	H	H	H
0917	Busy ending status	M	L	H	H	H	H	H	H
0918	Bad command	M	L	H	H	H	H	H	H
0919	Bad parameters on command	M	L	H	H	H	H	H	H
0920	Bad address type	M	L	H	H	H	H	H	H

Table 87. LMU Response Codes 0901 thru 0977 (Continued)

LMU Resp	Response Description	Con Msg	LOG rec	Mnt B	Dmt C	Swp D	Mov E	Cat J/K	Vw X
0921	Bad panel, row, or column	M	L	H	H	H	H	H	H
0922	Arm currently reserved	M	L	H	H	H	H		
0923	CAP currently reserved	M	L	H	H	H	H	H	H
0924	First Master Pass-Thru-Port reserved	M	L	H	H	H	H	H	H
0925	Second Master Pass-Thru-Port reserved	M	L	H	H	H	H	H	H
0926	Playground currently reserved	M	L	H	H	H	H	H	H
0943	LSM is online	M	L	H	H	H	H	H	H
0944	LSM is in maintenance mode	M	L	H	H	H	H	H	H
0945	LSM is offline	M	L	H	H	H	H	H	H
0946	LSM access door is open	M	-	r	r	r	r	r	r
0947	LSM is not initialized	M	L	H	H	H	H	H	H
0950	Cell location nonexistent	M	L	H	H	H	H	H	H
0951	Hand full	M	L	H	H	H	H	H	H
0952	Hand empty	M	L	H	H	H	H	H	H
0953	Drive full	M	L+	-	H	-	H	H	H
0955	CAP is currently unlocked	M	L	H	H	H	H	H	H
0956	Can't unlock CAP in idle	M	L	H	H	H	H	H	H
0957	CAP is open	M	L	H	H	H	H	H	H
0958	CAP is currently locked	M	L	H	H	H	H	H	H
0960	CAP already in Idle mode	M	L	H	H	H	H	H	H
0961	CAP already in Eject mode	M	L	H	H	H	H	H	H
0962	CAP already in Enter mode	M	L	H	H	H	H	H	H
0963	CAP in Enter mode, can't eject	M	L	H	H	H	H	H	H
0964	CAP in Eject mode, can't enter	M	L	H	H	H	H	H	H
0965	CAP not locked for Idle mode	M	L	H	H	H	H	H	H
0970	Not a drive panel	M	L	H	H	H	H	H	H
0971	No drive installed at address	M	L	H	H	H	H	H	H
0972	Invalid drive command specifier	M	L	H	H	H	H	H	H
0975	Actively passing data	M	L	H	-	-	H	H	H

Table 87. LMU Response Codes 0901 thru 0977 (Continued)

LMU Resp	Response Description	Con Msg	LOG rec	Mnt B	Dmt C	Swp D	Mov E	Cat J/K	Vw X
0976	Can't rewind	M	L	H	-	-	H	H	H
0977	Can't unload	M	L	-	-	-	H	H	H
0978	Drive cannot honor write protected	M	L	H	H	H	H	H	H
0979	Drive currently reserved	M	L	H	H	H	H	H	H

Drive Error Codes: 1001 - 1011

Table 88. LMU Response Codes 1001 thru 1011

LMU Resp	Response Description	Con Msg	LOG rec	Mnt B	Dmt C	Swp D	Mov E	Cat J/K	Vw X
1001	Drive not communicating	M	L	-	-	-	H	H	H
1002	Drive is not operational	M	L	-	-	-	H	H	H
1003	Outstanding request for drive	M	L	-	H	-	H	H	H
1004	Drive is allocated	M	L+	-	H	-	H	H	H
1005	Drive already has cartridge in it - unload timeout	M	L	-	H	-	H	H	H
1006	Drive found online for diagnostic request	M	L	H	H	H	H	H	H
1010	Drive can't load cartridge	M	L	-	H	-	H	H	H
1011	Load or Unload already in progress	M	L	H	H	H	H	H	H
1012	Load Failure on Special Use Cartridge	M	L	H	-	H	-	-	-

Undefined Response Code

Table 89. LMU Response Code xxxx

LMU Resp	Response Description	Con Msg	LOG rec	Mnt B	Dmt C	Swp D	Mov E	Cat J/K	Vw X
xxxx	Undefined Ending Status	M	L	H	H	H	H	H	H

Appendix H. Significant Event Notification Facility (SEN)

Overview

The HSC provides a Significant Event Notification facility (SEN). The SEN includes a macro interface that allows an application to request notification of specific HSC and VTCS events. The application can then process the data passed by the SEN. SEN notification requests are maintained across HSC warm starts and are purged on HSC cold starts. When HSC is cold started, therefore, all previously established notification requests must be reestablished.

This appendix discusses the following topics:

- using the HSC SEN
- VTCS and HSC Events XML tags.

Using the HSC SEN

The SEN macro interface is supported at HSC base service level. There is no operator interface for the SEN itself, but the Display SEN command for HSC 5.0 and later lists SEN notification requests.

For information on the XML format output of the supported SEN events, see “VTCS and HSC Events XML Tags” on page 804.

Enabling the SEN

When the HSC initializes, the SEN facility is disabled, so you must enable it by specifying the OPTION SEN operator command, which is described in the *HSC Operator's Guide*. To enable the SEN, enter the following:

```
OPTION SEN(ON)
```

The SEN Macro Interface

You invoke the SLSXSEN macro to make SEN requests. The SLSXSEN macro has two forms:

- A **list form** that generates a parameter list. The parameter list is mapped by macro SLSXSENM and must be included in routines invoking SLSXSEN.
- The **execute form** that populates the parameter list and calls the SEN request module SLSXSENR. Modules using the SLSXSEN macro must have an authorization code of 1 and reside in an APF authorized library.

The SLSXSEN macro supports the following four requests:

LISTEN

Request notification for SEN defined events, which requires providing a routine to be invoked when the event occurs.

DELETE

Remove a specific event notification request.

DISABLE

Disable the LISTEN routine for event notification request.

ENABLE

Enable the LISTEN routine for event notification request.

Programs invoking SLSXSEN LISTEN requests must supply the entry points of two routines:

- The SEN request module SLSXSENR.
- The listener routine to get control when an event occurs.

SLSXSENR must be loaded from an APF-authorized library. The listener routine must reside in common storage. The invoking program is responsible for managing this storage.

The listener routine is validated during LISTEN request processing by invoking the routine with general purpose register 1 set to zeros. Therefore, the listener routine must be sensitive to this condition and process it accordingly. The listener routine can simply return back to the caller on this condition or perform any type of initialization required. If LISTEN request processing detects an abend during validation, the request is rejected. A successful LISTEN request returns a token. Programs invoking SLSXSEN with DELETE, DISABLE, or ENABLE requests must provide this token to target a specific LISTEN request. The HSC SAMPLIB contains a sample program showing the use of SLSXSEN.

When events occur for which there is a listener routine, it is invoked and receives data that describes the event. The data passed is in XML format, which is provided on the StorageTek Customer Resource Center (CRC). For more information on the supported events, see “Supported HSC and VTCS SEN Events” on page 800.

When SEN request processing completes and control is returned to the requesting program, the parameter list and Register 15 contain the return code. Return codes are described in “Execute Form - Syntax and Parameters” on page 786.

If the HSC detects an abend while the listener routine is in control, the associated request is disabled and must be programmatically reenabled or deleted. When a notification request is disabled, the listener routine is not invoked.



Note: The HSC OPTion command and control statement lets you set the SEN facility ON or OFF.

```
OPTion SEN(ON)  
OPTion SEN(OFF)
```

Note that even if the SEN is disabled, SLSXSEN requests for event notification can still be processed.

SEN Macro Interface Authorization Requirements and Module Attributes

Modules invoking the SEN macro interface must:

- have an authorization code of 1 and reside in an APF authorized library, **or**
- be running in key 0 - 7 or supervisor state and be running in AMODE 31.

The listener routine must be running in TCB mode (not in SRB mode) and must be re-entrant.

The SLSXSEN Macro

The SLSXSEN macro has two forms:

- A **list form** that generates a parameter list. The parameter list is mapped by macro SLSXSENM (see “SLSXSENM Macro Format” on page 784) and must be included in routines invoking SLSXSEN. On completion of SEN request processing, the SEN parameter list contains the return code and token response areas.
- The **execute form** that populates the parameter list and calls the SEN request module SLSXSENR.

List Form - Syntax and Parameters

Syntax

```
▶ label — SLSXSEN — MF=L —▶
```

Parameters

MF=L

Specifies that a remote parameter list is generated. All other options are ignored.

SLSXSENM Macro Format

Table 90 shows the format of macro SLSXSENM, which generates a DSECT that maps the SEN parameter list generated by the list form of macro SLSXSEN.

Table 90. SLSXSENM Macro Format

Dec	Hex	Type	Length	Label	Description
0	0			SLSXSENM	Start of DSECT
0	0	hexstring	2	SLSXSLEN	Length of parameter list
2	3	bitstring	1	SLSXSFC	SEN request code
		X'01'		SLSXLIS	LISTEN
		X'02'		SLSXSDEL	DELETE
		X'03'		SLSXSDIS	DISABLE
		X'04'		SLSXSENA	ENABLE
3	3	bitstring	1	SLSXSFLG	Processing flag
		X'80'		SLSXSEOT	EOT = YES
		X'40'		SLSXSEOM	EOM = YES
4	4	hexstring	8	SLSXSEM	Event mask

Table 90. SLSXSENM Macro Format

Dec	Hex	Type	Length	Label	Description
12	C	hexstring	4	SLSXSLA	Listener routine address
16	10	hexstring	4	SLSXSRT	Current TCB of requestor
20	14	hexstring	4	SLSXSRA	ASCB of requestor
22	16	hexstring	2	SLSXSTOK	Listen request token
30	1E	character	8	SLSXSREQ	Requestor name
38	26	character	8	SLSXSLNR	Listener routine name
40	28	hexstring	2	SLSXSQA	SEN queue entry address
42	2A	hexstring	2	SLSXSRC	SEN return code
			36	SLXRDI	Duplicate request encountered, request ignored
			32	SLXRNHSC	HSC not active or at proper level
			28	SLXRBADA	Authorization requirements not met
			24	SLXRBILR	Listener failed validation
			20	SLSXRSAB	Abend in HSC SEN processing
			16	SLSXRIR	Invalid request
			12	SLSXRNSQ	No LISTEN request found for DELETE, DISABLE, or ENABLE
			08	SLSXRDR	Duplicate listener encountered
			04	SLSXRDOK	SEN request successful, however the SEN facility is disabled
44	2C			SLSXSMLN	Length

Execute Form - Syntax and Parameters

Syntax

```
▶ label—SLSXSEN—function—parameters—▶
```

Parameters

function is one of the following:

- LISTEN; see “LISTEN” on page 786.
- DELETE; see “DELETE” on page 789.
- DISABLE; see “DISABLE” on page 790.
- ENABLE; see “ENABLE” on page 792.

LISTEN

LISTEN requests notification for the events described in “Supported HSC and VTCS SEN Events” on page 800. Also see “The SEN Listener Exit Routine” on page 794.



Note: A sample program of a LISTEN request (SENREQST) is provided in file SLSSAMP during SMP/E installation.

Syntax

```
label SLSXSEN LISTEN,  
      EVENT=(event_1,event_2,...),  
      RTOKEN=token,  
      LNRADR=listener_address,  
      SENRADR=SLSXSEN_address,  
      EOT=YES/NO,  
      EOM=YES/NO,  
      REQNAME=requestor_name,  
      LNRNAME=listener_name,  
      MF=(E,parm_list)
```

Parameters

EVENT=

Specifies the event(s) requiring notification. For more information, see “Supported HSC and VTCS SEN Events” on page 800. You can specify the event name or the numeric equate. Event names are case sensitive. You can specify a single event or EVENT=ALL. This parameter is required and there is no default.



Note: To specify multiple events on a single LISTEN request, StorageTek recommends that you use the numeric equates to ensure that the parameter value specified will not exceed IBM’s 256 byte size limitation for macro variables.

RTOKEN=

Specifies the address of a fullword token associated with a successful LISTEN request. Valid values are any RX-type address or registers 2 through 12. This parameter is required and there is no default.

LNRADR=

Specifies the entry point address of the listener routine that is invoked when the events specified occur. This program must reside in persistent common storage (that is, subpool 241) if EOT = YES or EOM=YES. It is your responsibility to delete the listener routine and free the storage associated with it. Valid values are any RX-type address or registers 2 through 12. This parameter is required and there is no default.

SENADR=

Specifies the entry point address of the SEN request module (SLSXSENR) that is provided with HSC. SLSXSENR must be loaded before invoking macro SLSXSEN. Valid values are any RX-type address or registers 2 through 12. This parameter is required and there is no default.

EOT=

Specifies whether the listener routine associated with this request is invoked if the task that issued the LISTEN request ends.

YES

Invoke the listener routine if the associated task ends.

NO

Do not invoke the listener routine if the task associated with this request ends.

This parameter is optional and NO is the default.

EOM=

Specifies whether the listener routine associated with this request is invoked if the address space that issued the LISTEN request ends.

YES

Invoke the listener routine if the associated address space ends.

NO

Do not invoke the listener routine if the address space associated with this request ends.

This parameter is optional and NO is the default.



Caution: EOT and EOM control execution of the listener routine, so make sure you set them to specify how you want the listener routine to operate.

REQNAME=

Specifies the name of the requestor and is used to uniquely identify a specify request for display purposes. The name must be an eight byte field containing a combination of uppercase alphanumeric values (A-Z,0-9), national characters (\$,@,#) with no embedded blanks. Valid values are any RX-type address or registers 2 through 12. This parameter is optional if LNRNAME is not specified and has no default.

LNRNAME=

Specifies the name of the listener routine. The name must be an eight byte field containing a combination of uppercase alphanumeric values (A-Z,0-9), national characters (\$,@,#) with no embedded blanks. Valid values are any RX-type address or registers 2 through 12. If LNRNAME is specified, REQNAME must also be specified. Otherwise, this parameter is optional and has no default.



Hint: Although not required, REQNAME and LNRNAME are very useful when displaying active SEN requests. For more information, see “The listener routine must be running in TCB mode (not in SRB mode) and must be re-entrant.” on page 783.

MF=(E,*parm_list*)

Specifies the execute form of the macro using the specified parameter list generated by the list form. The parameter list, *parm_list*, can be specified as any RX-type address or registers 2 through 12.

Responses

The return code is set in register 15 and the SEN parameter list. If the return code is zero, the address specified by RTOKEN contains the token representing this LISTEN request. This token is used when deleting, disabling or enabling a request. Table 91 on page 788 describes the SLSXSEN LISTEN return codes.

Table 91. SLSXSEN LISTEN Return Codes

Return Code	Meaning
00	SEN LISTEN request successful
04	SEN LISTEN request successful however the SEN facility is disabled.
08	Listen request with conflicting event lists. For more information, see “Detecting Duplicate Listen Requests” on page 798.
12	N/A
16	Invalid parameter list received.
20	Indicates that an abend occurred in HSC SEN processing, request rejected.
24	Indicates that listener routine validation failed, request rejected

Table 91. SLSXSEN LISTEN Return Codes

Return Code	Meaning
28	The HSC determined that the SLSXSEN macro is being invoked by a program that does not meet the authorization requirements specified in “SEN Macro Interface Authorization Requirements and Module Attributes” on page 783.
32	The HSC is not active or at the proper initialization level for SEN services.
36	An identical LISTEN request already exists, request ignored. For more information, see “Detecting Duplicate Listen Requests” on page 798.
40	Indicates that the REQNAM or LNRNAME syntax is invalid. Valid syntax is uppercase A-Z, 0-9, valid national characters (\$,#,@), with no embedded blanks.

DELETE

Syntax

```
label SLSXSEN DELETE,
      RTOKEN=token,
      MF=(E,param_list)
```

Parameters

RTOKEN=

Specifies the address of a fullword token representing the request to be removed. This token was returned from a successful LISTEN request. This parameter is required and there is no default.

MF=(E,param_list)

Specifies the execute form of the macro using the specified parameter list generated by the list form. The parameter list, *param_list*, can be specified as any RX-type address or registers 2 through 12.



Note: All other parameters are ignored if entered on the DELETE request.

Responses

The return code is set in register 15 and the SEN parameter list. Table 92 on page 790 describes the SLSXSEN DELETE return codes.

Table 92. SLSXSEN DELETE Return Codes

Return Code	Meaning
00	SEN DELETE request successful.
04	N/A
08	N/A
12	No existing LISTEN request was found using the TOKEN specified on the DELETE request.
16	Invalid request received (not LISTEN, DELETE, DISABLE, or ENABLE).
20	An abend occurred in HSC SEN processing, request rejected.
24	N/A
28	The HSC determined that the SLSXSEN macro is being invoked by a program that does not meet the authorization requirements specified in "SEN Macro Interface Authorization Requirements and Module Attributes" on page 783.
32	HSC is not active or at the proper initialization level for SEN services.
36	N/A

DISABLE

Disable notification for a specific LISTEN request. The targeted request remains but the associated listener routine is not invoked when the specified events occur.

Syntax

```
label SLSXSEN DISABLE,  
      RTOKEN=token,  
      MF=(E,parm_list)
```

Parameters

RTOKEN=

Specifies the address of a fullword token representing the request to be disabled. This token was returned from a successful LISTEN request. This parameter is required and there is no default.

MF=(E,*parm_list*)

Specifies the execute form of the macro using the specified parameter list generated by the list form. The parameter list, *parm_list*, can be specified as any RX-type address or registers 2 through 12.



Note: All other parameters are ignored if entered on the DISABLE request.

Responses

The return code is set in register 15 and the SEN parameter list. Table 93 on page 791 describes the SLSXSEN DISABLE return codes.

Table 93. SLSXSEN DISABLE Return Codes

Return Code	Meaning
00	SEN DISABLE request successful.
04	SEN DISABLE request successful however the SEN facility is disabled.
08	N/A
12	No existing LISTEN request was found using the TOKEN specified on the DISABLE request.
16	Invalid request received (not LISTEN, DELETE, DISABLE, or ENABLE).
20	An abend occurred in HSC SEN processing, request rejected.
24	N/A
28	The HSC determined that the SLSXSEN macro is being invoked by a program that does not meet the authorization requirements specified in “SEN Macro Interface Authorization Requirements and Module Attributes” on page 783.
32	HSC is not active or at the proper initialization level for SEN services.
36	N/A

ENABLE

Enable notification for a specific LISTEN request. The targeted request's listener routine is now invoked when the specified events occur.

Syntax

```
label SLSXSEN ENABLE,  
      RTOKEN=token,  
      MF=(E,parm_list)
```

Parameters

RTOKEN=

Specifies the address of a fullword token representing the request to be enabled. This token was returned from a successful LISTEN request. This parameter is required and there is no default.

MF=(E,*parm_list*)

Specifies the execute form of the macro using the specified parameter list generated by the list form. The parameter list, *parm_list*, can be specified as any RX-type address or registers 2 through 12.



Note: All other parameters are ignored if entered on the ENABLE request.

Responses

The return code is set in register 15 and the SEN parameter list. Table 94 on page 792 describes the SLSXSEN ENABLE return codes.

Table 94. SLSXSEN ENABLE Return Codes

Return Code	Meaning
00	SEN ENABLE request successful.
04	SEN ENABLE request successful however the SEN facility is disabled.
08	N/A
12	No existing LISTEN request was found using the TOKEN specified on the ENABLE request.
16	Invalid request received (not LISTEN, DELETE, DISABLE, or ENABLE).
20	An abend occurred in HSC SEN processing, request rejected.
24	N/A

Table 94. SLSXSEN ENABLE Return Codes

Return Code	Meaning
28	The HSC determined that the SLSXSEN macro is being invoked by a program that does not meet the authorization requirements specified in “SEN Macro Interface Authorization Requirements and Module Attributes” on page 783.
32	HSC is not active or at the proper initialization level for SEN services.
36	N/A

The SEN Listener Exit Routine

To use the SEN, you must write a listener exit routine that is invoked when the requested event(s) occur. The following sections describe the requirements and implementation of this exit.

Input Registers

Registers on entry to the SEN listener routine are as follows:

- R1 points to the address of input parameter list (mapped by macro SWSPGMIA) or zero.
- R13 points to the address of register save area.
- R15 points to the listener routine entry point address.
- All other registers are undefined.

On entry, Register 1 always contains the address of the SWSPGMIA data area except during SEN event registration. When requesting an event, you must provide the address of a listener exit routine that is invoked whenever the specified event(s) occur (for more information, see “LNRADR=” on page 787). As part of this process, HSC invokes the listener exit routine to ensure the address provided is valid. When this validation call is made, Register 1 contains zeros, indicating validation is being performed. During validation, the listener routine can simply return control or perform any routine specific initialization. If the validation call is not successful, the SEN request fails.

Output Registers

Registers on exit from the SEN listener exit routine must be as follows:

- R13 points to the address of original register save area.
- All other registers are undefined (however R15 can be set to 4 upon return to instruct SEN to stop passing any further XML data. For more information, see “How to Tell SEN to Stop Calling Your Listener Routine During Event Processing” on page 798).

Entry Environment

On entry, the SEN listener exit receives control as follows:

- STATE - supervisor
- KEY - key 0
- AMODE: 24 or 31 bit
- LOCKS - none

Listener Exit Routine Programming Considerations

During the SEN registration process each successful request is queued in FIFO order. When a SEN defined event occurs all registered listener exits are invoked serially, in the order in which registration requests were received. A potential performance degradation can occur if a listener exit performs long running units of work. This is particularly critical because each SEN event causes listener exits to be invoked multiple times.



Warning: StorageTek strongly recommends that you design “short running” listener exit routines. In addition, the use of facilities that can result in “wait conditions”, such as WAIT/POST, STIMER/STIMERM and file I/O, should be used with caution or avoided all together.

The SWSPGMIA Data Area

On entry to the SEN listener exit during event processing, Register 1 contains the address of a data area mapped by macro SWSPGMIA. This storage area contains pointers to the XML defined elements describing each SEN defined event. For more information on the XML structures and tags, see “VTCS and HSC Events XML Tags” on page 804.

The listener exit XML interface basically consists of three types of tag definitions:

- Structure start tags
- Structure end tags
- Data tags and associated data

Structure start tags are passed to the listener exit, without any other data, and are used to indicate a set of logically grouped tags will follow.

Data tags (both start and end) along with the associated data are self defining XML elements.

Structure end tags are passed to the listener exit, without any other data, and are used to indicate the set of logically grouped tags has ended.

The following fields of SWSPGMIA support these XML tag structures:

PGMIRSVA

Address of complete XML element being passed.

PGMIRSVL

Length of the start tag plus, optionally, data length plus end tag length.

PGMIRSTA

Address of XML start or end tag.

PGMIRSTL

Length of the XML tag.

PGMIRSDA

Address of associated data, or zero.

PGMIRSDL

Length of associated data, or zero.

Fields PGMIRSVL, PGMIRSTA, and PGMIRSTL always contain values. PGMIRSVL contains the address of either a structure start tag, a structure end tag or a data start tag. If PGMIRSVL points to a structure start or end tag, PGMIRSVL contains the length of the tag (including both the leading and trailing '<','>'). If PGMIRSVL points to a data tag, PGMIRSVL contains the length of the tag (including both the leading and trailing '<','>'), plus the length of the data, plus the length of the data end tag.

Fields PGMIRSTA and PGMIRSTL always contain values. PGMIRSTA contains the address of either a structure start tag or a structure end tag. PGMIRSTL contains the length of the tag (including both the leading and trailing '<','>'),

Fields PGMIRSDA and PGMIRSDL optionally contain values. If PGMIRSVL points to either a structure start or structure end tag, PGMIRSDA and PGMIRSDL will contain zero since there is no data associated with these tags. But if PGMIRSVL points to a data start tag, then PGMIRSDA will contain the address of the associated data, and PGMIRSDL will contain the data's length. The following sections show examples of how the listener exit routine processes XML structures and tags.

Example 1

XML tag `<libvol_insert_event>` is passed to the listener exit, which produces the following:

- PGMIRSVL points to: `<libvol_insert_event>`.
- PGMIRSVL contains: `x'00000015'`.
- PGMIRSTA points to: `<libvol_insert_event>`.
- PGMIRSTL contains: `x'00000015'`.

Because `<libvol_insert_event>` is a structure tag and has no related data:

- PGMIRSDA contains: 0.
- PGMIRSDL contains: 0.

Example 2

XML tag `<hsc_version>5.0.0</hsc_version>` is passed to the listener exit, which produces the following:

- PGMIRSVL points to: `<hsc_version>`.
- PGMIRSVL contains: `x'00000020'`.
- PGMIRSTA points to: `<hsc_version>`.
- PGMIRSTL contains: `x'0000000D'`.

Since `<hsc_version>` is a data start tag, it does have related data. As a result:

- PGMIRSDA points to: 5.0.0.
- PGMIRSDL contains: 00000005.

As described in “Listener Exit Routine Programming Considerations” on page 795, each SEN defined event causes multiple invocations of registered listener exit routines. For example, when an HSC insert volume event occurs the following XML structure is built. The listener routine will be invoked for each of the tag sets:

- <libvol_insert_event> (passed on the 1st call to listener exit)
- <header> (passed on 2nd call to the listener exit)
- <hsc_version>5.0.0</hsc_version> (passed on 3rd call to the listener exit)
- <date>2002Mar19</date> (passed on 4th call to the listener exit)
- <time>17:53:17</time> (passed on 5th call to the listener exit)
- <host_name>HOSTA</host_name> (passed on 6th call to the listener exit)
- </header> (passed on 7th call to listener exit)
- <libvol_data> (passed on 8th call to listener exit)
- <vol_status>xx</vol_status> (passed on 9th call to listener exit, xx is a 1 byte flag field documented in member SLSUX06P of the SLSMAC installation file, field UX06FLGS)
- <vol_ser>V0L001</vol_ser> (passed on 10th call to listener exit)
- <volume_location> (passed on 11th call to listener exit)
- <acs>00</acs> (passed on 12th call to listener exit)
- <ism>000</ism> (passed on 13th call to listener exit)
- <panel>07</panel> (passed on 14th call to listener exit)
- <row>02</row> (passed on 15th call to listener exit)
- <column>10</column> (passed on 16th call to listener exit)
- </volume_location> (passed on 17th call to listener exit)
- <select_count>0</select_count> (passed on 18th call to listener exit)
- </libvol_data> (passed on 19th call to listener exit)
- </libvol_insert_event> (passed on 20th and final call to listener exit)

How to Tell SEN to Stop Calling Your Listener Routine During Event Processing

Because listener routines are invoked to process each XML tag for the event, the data required by the listener may be satisfied before the last tag for the event is passed. For example, your listener routine only requires ACS and LSM number when a cartridge is entered into an LSM. Using “Example 2” on page 796, the listener routines requirements are satisfied on the 13th call. In this situation, a listener routine can set general purpose register 15 to 4 prior to returning control. This instructs SEN not to call it any more for this event. The remaining XML tags are bypassed.

Detecting Duplicate Listen Requests

When an application attempts to register a Listen request with the SEN facility, HSC first validates the request. As part of this validation, HSC insures duplicate registration requests are not accepted to prevent the same user exit routine from being called multiple times for a single event. The following list differentiates between a unique and a duplicate registration request:

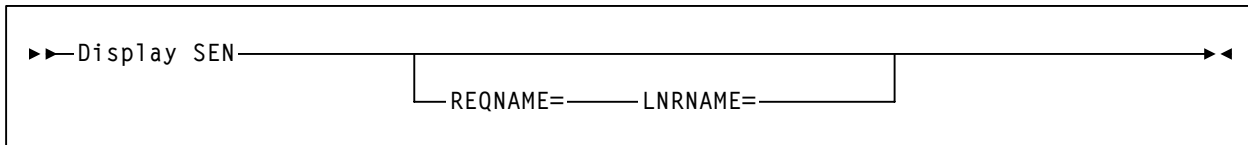
- If a new Listen request specifies an exit routine entry point address that is different than all other previously registered entry point addresses, the Listen request is accepted.
- If a new Listen request specifies an exit routine entry point address that matches a previously registered entry point address but their respective event lists contain no common events (that is, each Listen request specified a unique event list), the Listen request is accepted.
- If a new Listen request specifies an exit routine entry point address that matches a previously registered entry point address and their respective event lists contain all common events (that is, each Listen request specified identical event lists), the Listen request is rejected as an identical duplicate and terminates with a return code of 36.
- If a new Listen request specifies an exit routine entry point address that matches a previously registered entry point address and their respective event lists contain some common events but not all (that is, each Listen request specified partially matching event lists), the Listen request is rejected as a duplicate with conflicting event lists and terminates with a return code of 8.

Display SEN Command

You can use the Display SEN command to display the SEN LISTEN requests and their statuses. The display can either show a specific request, using the requestor and listener names, a list of related requests using only the requestor name, or all SEN requests. The information displayed includes:

- Requestor name and listener name if any.
- EOT/EOM settings.
- Disable/enable status.
- The token associated with the request.
- The event list of the request.

Syntax



Parameters

REQNAME=

Specifies the name of the requestor identified on the SEN request (see “Execute Form - Syntax and Parameters” on page 786).

LNRNAME=

Specifies the name of the listener routine identified on the SEN request (see “Execute Form - Syntax and Parameters” on page 786).



Note: REQNAME= and LNRNAME= are optional. If you specify one, however, you must specify the other.

Supported HSC and VTCS SEN Events

HSC Events

Table 95 on page 800 describes the supported HSC SEN events.

Table 95. HSC SEN Events

Event Name	Numeric Equate
libvol_insert_event	18
libvol_delete_event	19
hsc_termination_event	20
ismrail_added_event	25
ismrail_removed_event	26
libdrive_added_event	27
libdrive_removed_event	28

VTCS SEN Events

Table 96 on page 800 describes the supported VTCS SEN events.

Table 96. VTCS SEN Events

Event Name	Numeric Equate
vtss_performance_event	01
vtss_chanif_performace_event	02
vtv_mount_event	03
vtv_dismount_event	04
vtv_delete_event	05
mvc_mount_event	06
mvc_dismount_event	07
vtv_migrate_event	08
vtv_recall_event	09
rtd_performance_event	10
rtd_vary_event	11
mvc_usage_event	12
vtv_movement_event	13
vtv_scratch_event	14
vtv_replicate_event	15

Table 96. VTCS SEN Events

Event Name	Numeric Equate
vtv_unlink_from_mvc_event	16
clink_vary_event	17

SEN Messages

SLS4970I SEN QUEUE DISPLAY STATUS
CURRENT REQUESTORS 99999999
REQNAME RRRRRRRR LNRNAME LLLLLLLL TOKEN TTTTTTTT
FLAGS FFFFFFFF
EVENT EEEEEEEE

Explanation: This is the output from the Display SEN Queue command. The output produced varies depending on the parameters specified. If no parameters are specified all entries in the SEN QUEUE are displayed. If REQname is specified then only Requestors matching REQname will be displayed. If LNRname is specified REQname must be specified. If LNRname is specified then only Requestors and Listeners matching REQname and LNRname will be displayed.

99999999	Number of Requestors on the SEN QUEUE
RRRRRRRR	Requestor name
LLLLLLL	Listener name
TTTTTTT	Hex display of the Requestor Token
FFFFFFF	Description of the processing flags for the SEN QUEUE ENTRY
EEEEEEE	Description of the Event to be Listened for

System Action: None.

User Response: None.

SLS4971I Significant Event Notification facility not active

Explanation: An attempt was made to display SEN Queue entries. However, Significant Event Notification facility is not active.

System Action: The DISPLAY SEN command is rejected.

User Response: Make certain you are running the correct version of HSC. If you are certain you are running the correct version contact StorageTek HSC support.

SLS4972I SEN QUEUE IS EMPTY

Explanation: An attempt was made to display SEN Queue entries. However, the SEN QUEUE contained no entries.

System Action: Processing continues.

User Response: Make certain you have run the task to add entries to the SEN QUEUE. If the task has run correctly contact StorageTek HSC support.

SLS4973I REQNAME *nnnnnnnn* NOT FOUND

Explanation: An attempt was made to display a specific Requestor on the SEN QUEUE. However, the specified Requestor was not found.

System Action: Processing continues.

User Response: Make certain you have spelled the Requestor name correctly.

SLS4974I LNRNAME *nnnnnnnn* NOT FOUND

Explanation: An attempt was made to display a specific Listener on the SEN QUEUE. However, the specified Listener was not found.

System Action: Processing continues.

User Response: Make certain you have spelled the Listener name correctly.

VTCS and HSC Events XML Tags

This section describes the XML output of the VTCS and HSC events processed by the HSC Significant Event Notification (SEN) facility as follows:

- Listing of the data tags.
- Tag definitions.
- Cross reference of data tags to structure or event tags.

For more information, see the following sections:

- “VTCS Events XML Tags” on page 805
- “HSC Events XML Tags” on page 809

VTCS Events XML Tags

Table 97. VTCS Events XML Tags

XML Tag	Definition	Where Used
<addresses_trapped>	From SMF11NAT in turn from NOADRTRP parm returned from Channel Interface Performance ECAM-T request. Contains the number of unit addresses trapped by a channel interface.	<chanif_data>
<async_end_tod>	Structure that contains date and time that the asynchronous event completed. Date is supplied as: <date>yyyymmdd</date> Time is supplied as: <time>hh:mm:ss.thm</time>	<vtv_mount_event>
		<vtv_dismount_event>
		<mvc_mount_event>
		<vtv_migrate_event>
		<vtv_recall_event>
		<vtv_replicate_event>
<async_start_tod>	Structure that contains date and time that the asynchronous event started. Contains <date> and <time> as in <async_end_tod>.	<vtv_mount_event>
		<vtv_dismount_event>
		<mvc_mount_event>
		<vtv_migrate_event>
		<vtv_recall_event>
		<vtv_replicate_event>
<base_cache_size>	Cache size in MB of VTSS	<vtss_performance_event>
<bytes_read_freespace_collection>	Bytes read for free space collection within a partition.	<part_data>
<bytes_xfered_read>	Bytes transferred for read	<rt_d_perfomance_event>
<bytes_xfered_write>	Bytes transferred for write	<rt_d_perfomance_event>
<chanif_data>	Structure that contains all the information for a single channel IF. Contains:	<vtss_chanif_performance_event>

Table 97. VTCS Events XML Tags

XML Tag	Definition	Where Used
	<name>	
	<installed>	
	<enabled>	
	<link_type>	
	<addresses_trapped>	
	<speed>	
	<io_count>	
	<cu_busy_count>	
<collected_free_backend_capacity>	Bytes read for free space collection with the VTSS partition.	<part_data>
<cu_busy_count>	Count of control unit busy events on a chan IF	<chanif_data>
<customer_cache_size>	Customer cache size in MB	<vtss_performance_event>
<dev_activity>	RTD activity (initial selects)	<rtd_preformance_event>
<dev_available_time>	RTD mounted time	<rtd_preformance_event>
<dev_connect_time>	RTD connected time	<rtd_preformance_event>
<dev_util_time>	RTD utilized time	<rtd_preformance_event>
<dsname>	Data set name of the VTV being mounted/dismounted	<vtv_mount_event>
		<vtv_dismount_event>
<ecam_bypassed_bufferspace_count>	Count of ECAM-T requests bypassed – no buffer space	<vtss_performance_event>
<ecam_bypassed_configbusy_count>	Count of ECAM-T requests bypassed – configuration busy	<vtss_performance_event>
<ecam_processed_count>	Count of ECAM-T requests processed	<vtss_performance_event>
<enabled>	Indicates if a channel if is enabled - contains YES/NO	<chanif_data>
<installed>	Indicates if a channel if installed - contains YES/NO	<chanif_data>
<io_count>	Number of I/Os on this channel interface since last report.	<chanif_data>
<jobname>	MVS jobname requesting the mount/dismount	<vtv_mount_event>
		<vtv_dismount_event>

Table 97. VTCS Events XML Tags

XML Tag	Definition	Where Used
<link_type>	Identifies the link type contains HOST/RTD	<chanif_data>
<mount_type>	Indicates the type of mount performed. Contains:	<vtv_mount_event>
	EXISTING-SPECIFIC	
	CREATE-SL	
	CREATE-AL	
	EXISTING-SCRATCH	
<name>	The configured name of the channel IF.	<chanif_data>
<new_mvc>	Structure that describes the target MVC on a VTV move. Contains <mvc_data>	<vtv_movement_event>
<nvs_size>	NVS Size (MB)	<vtss_performance_event>
<offline_cache_size>	Offline cache size	<vtss_performance_event>
<old_mvc>	Structure that describes the source MVC on a VTV move. Contains <mvc_data>	<vtv_movement_event>
<part_data>	Structure containing all the information from a VTSS partition. Contains:	<vtss_performance_event>
	<total_backend_capacity>	
	<total_free_backend_capacity>	
	<collected_free_backend_capacity>	
	<bytes_read_freespace_collection>	
	<standard_capacity_defined>	
< name>	Name of a VTSS partition	<part_data>
<pinned_cache_size>	Pinned Cache Size	<vtss_performance_event>
<read_buffered_log>	64-byte rbl data represented as 128 characters	<mvc_dismount_event>
<read_only>	Indicates whether or not the VTV was mounted READONLY – contains YES/NO	<vtv_mount_event>

Table 97. VTCS Events XML Tags

XML Tag	Definition	Where Used
<reason>	The reason for the VTV delete, MVC mount, VTV migrate, VTV recall or the VTV/MVC unlink.	<vtv_delete_event>
		<mvc_mount_event>
		<vtv_migrate_event>
		<vtv_recall_event>
		<vtv_unlink_from_mvc_event>
<recall_required>	Indicates whether or not a recall was required in order to mount the VTV – contains YES/NO	<vtv_mount_event>
<recall_with_error>	Indicates if the recall was performed with error – contains YES/NO	<vtv_recall_event>
<sense_data>	32-byte sense data represented as 64 characters	<mvc_mount_event>
		<mvc_dismount_event>
		<vtv_recall_event>
		<vtv_replicate_event>
<speed>	The speed of a channel IF.	<chanif_data>
<standard_capacity_defined>	Standard capacity defined for the partition	<part_data>
<stepname>	MVS stepname of the job requesting the mount/dismount of the VTV	<vtv_mount_event>
		<vtv_dismount_event>
<total_backend_capacity>	Total backend capacity for a partition	<part_data>
<total_free_backend_capacity>	Total free backend capacity for a partition.	<part_data>

HSC Events XML Tags

Table 98. HSC Events XML Tags

Head Tag	Structure/Data Tags		Definition
<header>			header structure, occurs in: <libvol_insert_event> <libvol_delete_event> <hsc_termination_event> Note: Any x22 abends resulting from the cancellation of HSC will not generate the HSC termination event. <libdrive_added_event> <libdrive_removed_event> <ismrail_added_event> <ismrail_removed_event>
	<hsc_version>		HSC Version
	<date>		date
	<time>		time
	<host_name>		host name

Table 98. HSC Events XML Tags

Head Tag	Structure/Data Tags			Definition
<libdrive_added_event>				dynamically added drive event
	<libdrive_data>			drive data
		<location_data>		drive location
			<acs>	ACS
			<lsm>	LSM
			<panel>	panel
			<libdrive_number>	drive number
		<libdrive_model>		drive model (for example, T9840C)
		<libdrive_unit_address>		MVS unit address
<libdrive_removed_event>				dynamically removed drive event
	<libdrive_data>			drive data
		<location_data>		drive location
			<acs>	ACS
			<lsm>	LSM
			<panel>	panel
			<libdrive_number>	drive number
		<libdrive_model>		drive model (for example, T9840C)
		<libdrive_unit_address>		MVS unit address
<libvol_insert_event>				library volume insert event
	<libvol_data>			library volume data
		<vol_status>		volume status (e.g., scratch)

Table 98. HSC Events XML Tags

Head Tag	Structure/Data Tags		Definition
		<volser>	VOLSER
		<volume_location>	volume location data
			<location_type> Location type (e.g. cell)
			<acs> acs id
			<lsm> Lsm id
			<panel> panel number
			<row> Row number
			<column> Column no.
		<select count>	Number of times volume selected
<libvol_delete_event>			library volume delete event
	<libvol_data>		library volume data
		<vol_status>	volume status (e.g. scratch)
		<volser>	VOLSER
		<volume_location>	volume location data
			<location_type> Location type (e.g., cell)
			<acs> acs id
			<lsm> Lsm id
			<panel> panel number
			<row> Row number
			<column> Column no.
		<select_count>	Number of times volume selected

Table 98. HSC Events XML Tags

Head Tag	Structure/Data Tags		Definition	
<hsc_termination_event>			HSC termination event	
<ismrail_added_event>			dynamically added LSM rail event (SL8500 only)	
	<ismrail_data>		LSM rail data	
		<location_data>	rail location	
			<acs>	ACS
			<ism>	LSM
<ismrail_removed_event>			dynamically removed LSM rail event (SL8500 only)	
	<ismrail_data>		LSM rail data	
		<location_data>	rail location	
			<acs>	ACS
			<ism>	LSM

Appendix I. Programmatic Interface (PGMI)

Overview

The Host Software Component (HSC) provides a programmatic interface for users and software developers to request services from the HSC. This interface is functional at the HSC FULL service level.

Those services are:

- query information
- volume movement
- scratch volume control.

The interfaces defined in this document are provided to allow programs that do not use certain MVS services (e.g., unique tape management systems) to request certain services from the HSC.

Query Information

A user can query the HSC for information about configuration, data sets, drive selection, scratch pools, volume location and status. This includes some information available from the HSC Display command. The information is returned in structured control blocks.

A program can query the HSC to determine if a volume is resident in the ACS, and if it is, what drives are the closest. This permits programs doing their own dynamic allocation to make an appropriate choice.

Volume Movement

Interfaces are provided for issuing requests to the HSC to mount, dismount, and eject volumes. If the interface is not used, a program must go through allocation, OPEN/CLOSE/EOV, and the appropriate mount and dismount messages must be issued. The HSC intercepts the messages and instructs the ACS to perform the necessary operations. For further information on intercepted messages, refer to “Intercepted Messages List” in the *SMC Configuration and Administration Guide*.

Scratch Volume Control

The HSC supports the following scratch processing options:

- request a scratch volume to use; request the HSC to select a VOLSER the HSC thinks is scratch
- return a volume to scratch status
- mark a volume as nonscratch
- provide scratch subpool support.

This permits an installation more control over scratch processing.

Using the Interface

Requests for HSC services are made via the SLSXREQ macro. The request parameter list and response areas are mapped by the SLSXREQM macro. An assembler program that uses SLSXREQ is also required to have SLSXREQM generate the DSECTs used by the SLSXREQ macro.

SLSXREQ calls module SLSXCAL to actually get the request over to the HSC. The primary purpose of this routine is to locate the HSC program call (PC) number for cross address space communication. The user is required to have previously loaded SLSXCAL. The address of the routine is passed to the SLSXREQ macro. SLSXCAL is reentrant, so the LOAD need only be done once.

The normal return code (in R15) from the SLSXREQ macro is zero. This indicates the function was successfully initiated. When the HSC is unavailable, a SLSXREQ request receives a return code of SLXRNHSC (X'20') in register 15. The QHSC request can be used to periodically poll the HSC status to determine when it becomes available.

When request processing completes, the HSC returns the address of the response area and its length. R1 contains the address of the response area and R0 contains the length of the response. The response area is in non-fetch protected, HSC key storage. The user should not attempt to freemain or alter the response area. This response area is valid until the next SLSXREQ call, after which it no longer contains the response.

Both synchronous and asynchronous interfaces are provided. Synchronous requests cause the requestor to wait until the request is complete. Asynchronous mode allows the user to have multiple requests active at once, and returns control to the requestor immediately.



Note: Asynchronous requests are not supported for the QHSC and READ functions.

Upon returning from an asynchronous request, R0 will contain a token and R1 will contain the address of an ECB. When the request is complete, the ECB will be posted. After the post, the user must issue a SLSXREQ READ function specifying the returned token. This causes a single response to be made available to the requestor. The ECB and token are no longer valid after the response has been read.

If the PGMI application terminates before all asynchronous requests have completed, any pending requests are canceled. To make sure all requests have completed, the PGMI application must wait for all ECBs to be posted.



Note: If an asynchronous request specifies selected CAPs or volumes, and the PGMI does not wait until all ECBs are posted before terminating, CAPs may need to be released by entering the RELEase CAP command (refer to “RELEase CAP Command” in the *HSC Operator's Guide*) and VOLSERs may need to be “unselected” using the UNSElect utility (refer to “UNSElect Utility” on page 346).

The responses are mapped by the SLSXREQM macro. The response block always contains a Reply Header, mapped by the SLX DSECT. The contents of the elements that follow the SLX header depend on the type of request made. Elements of a similar type are always contiguous (e.g., all drive elements are together). The Reply Header contains the number of each type of element, the offset from the start of Reply Header to the start of the

elements of a specified type, and the length of each element type. In order to provide compatibility with future enhancements, the length in the Reply Header should be used at run time; not an assembled constant.

In the event that the HSC is made unavailable in the middle of a request, the ECB will be posted and the response area will indicate that the HSC is unavailable.

A request can only be issued in task mode with no locks held. A task can have multiple requests active at once. If the requesting task terminates, no responses will be sent and any returned response areas will no longer be valid.

SLSXREQ Functions

The sections below describe the SLSXREQ functions.

Query Requests

Query requests can be issued to obtain information from the HSC. These requests include

- QCAP – Requests a CAP query to determine the number of CAPs available and the capacity and status of each CAP.
- QCONFIG – Requests certain configuration data from the HSC. It returns the number of ACSs and LSMs in the library.
- QDRIVES – Requests drive configuration data from the HSC.
- QDRLIST – Requests a list of drives sorted by proximity to a specified volume. An empty list is returned if the volume is not in the library. For scratch requests, drives are sorted by LSM. Drives attached to the LSM containing the most scratch volumes for a specified subpool are listed first.
- QDSN – Requests information about the current data sets in use by the HSC.
- QHSC – Requests the status (up or down) of the HSC.
- QEJECT – Determine the status of all vol-ids within a given eject request.
- QSCRATCH – Requests the scratch counts for each LSM in the library.
- QVOLUME – Requests information about a specified volume.

Motion Requests

Motion requests can be issued to have the HSC move a cartridge. The motions that can be requested are

- DISMOUNT – Dismount a cartridge and place it in a cell.
- EJECT – Move a cartridge from a cell, place the cartridge in a CAP, and have the operator remove the cartridge.
- MOUNT – Move a cartridge to a drive and mount it.
- MOVE – Move a volume(s) within an LSM or to another LSM.
- RESET – Attempt to dismount all cartridges mounted on behalf of a specified host.

Scratch Requests

The following requests can be issued to alter the scratch status of a volume:

- SCRATCH – Mark a volume as being in scratch status.
- SELSCR – Pick a volume in a specified scratch subpool and mark it as nonscratch.
- UNSCRATCH – Mark a volume as not being in scratch status.

Control Requests

The following requests can be issued to control processing of requests:

- READQ – Read a response associated with a specific token.
- STOP – Terminate a specific PGMI request.

Authorization

The HSC provides a user exit (SLSUX05) to perform authorization checking. If the user exit disables itself (setting return code UX05NOPR) or ABENDs, the HSC allows all users to issue the query and READ requests. The remaining requests can only be issued by APF-authorized, key 0-7, or supervisor state requestors.

If desired, an installation can use the user exit (SLSUX05) to perform different authorization (e.g., use RACF or similar product).

Functional Description

The user exit is invoked for all requests received from the user interface. This does not include HSC internal requests (e.g., job processing, utilities). The user exit should evaluate the request, and set a return code to indicate if the HSC should permit the request to be executed.

The installation written exit routine, which replaces the StorageTek default routine, must be named SLSUX05, and is link-edited into an HSC library. Standard IBM OS linkage conventions must be observed.

For more information on User Exit SLSUX05, see the *NCS User Exit Guide*.

Macros

The HSC programmatic interface uses the SLSXREQ invocation macro to format a parameter list and call SLSXCAL to continue processing. It is assumed that the caller has previously loaded SLSXCAL.

The SLSXREQM macro must be specified to generate a mapping of the parameter list and reply areas

R13 must point to a 72-byte register save area.

Addresses and Registers

- RS-type address: specifies an address that would be valid in an RS-type instruction
- RX-type address: specifies an address that would be valid in an RX-type instruction.
- Register (2) - (12): indicates that one of the general registers, 2 through 12, should be specified, enclosed in parentheses. The register must have been previously loaded with the value required by the parameter. Unused bits must be zeroed.
- Register (0): specifies general register 0, previously loaded as indicated above for register (2) - (12).

Macro SLSXREQ Syntax

Only list and execute forms of the SLSXREQ macro are available.

List Form

The list form defines a remote parameter list that is referenced by the execute form of the macro

The syntax for the list form is:

```
▶ label—SLSXREQ—MF=L—————▶◀
```

Parameters

MF=L specifies that a remote parameter list is generated. All other options are ignored.

Execute Form

The execute form stores parameters in the area defined by the list form and calls SLSXCAL.

The syntax for the execute form is:

```
▶ label—SLSXREQ—function—parameter—————▶◀
```

where *function* is:

DISMOUNT	Dismount volume
EJECT	Eject volume(s) from an ACS
MOUNT	Mount volume
MOVE	Move volume(s) within library
QCAP	Get the number, capacity, and status of each CAP in an ACS
QCONFIG	Get configuration data
QDRIVES	Get drive information
QDRLIST	Get list of drives for mount
QDSN	Get data set information

QEJECT	Determine the status of individual vol-ids within a specific eject request
QHSC	Determine HSC status
QSCRATCH	Get LSM scratch counts
QVOLUME	Get volume status
READ	Read a response
RESET	Dismount all volumes mounted for a specified host
SCRATCH	Return a volume to scratch status
SELSCR	Select a scratch volume
STOP	Terminate a specific PGMI unit-of-work (or list of units-of-work)
UNSCRATCH	Remove a volume from scratch status

and *parameter* is:

,ACSID=*acsidaddr*
 ,CAP=*capidaddr*
 ,COL=*columnaddr*
 ,COUNT=*countaddr*
 ,DRIVE=*driveaddr*
 ,DSN=*datasetname*
 ,EXPDT=*expirationdate*
 ,HOSTID=*hostaddr* or *hostidaddr*
 ,JOB=*jobname* ,
 ,LIST=*itemlistaddr*
 ,LSM=*lsmidaddr* or *lsmaddr*
 ,LTYPE={LDT|SL|NL|AL|NSL|(*r*)}
 ,MEDIA=*medaddr*
 ,MF=(*E,parmaddr*)
 ,OPTION={SYNCH/ASYNCH}
 ,PAN=*paneladdr*
 ,PGM=*pgmname*
 ,PROTECT={YES|(*r*)}
 ,RECTECH=*recaddr*

,RETPD=retentionperiod
,ROW=rowaddr
,SCRATCH={ YES|(r)}
,SCRPOOL=value
,STEP=stepname
,SUBPOOL=subpoolname or value
,TEXT=textaddr
,TOKEN=tokenaddr
,TOLSM=ismaddr
,TOPAN=paneladdr
,VOLSER=voladdr or volumeaddr
,VOLTYPE={ Specific|Nonspecific }
,XCALADR=rtnaddr or subrtmaddr

The following parameters from the list above are selection criteria (input) parameters taken from the TAPEREQ control statement:

- DSN
- EXPDT
- JOB
- PGM
- RETPD
- STEP
- VOLTYPE.

Note: EXPDT and RETPD are mutually exclusive.

MEDIA and RECTECH are media and format requirements (output) parameters also associated with TAPEREQ.

The PGMI determines media and recording technique values for a request either by using MEDIA and RECTECH parameters directly or by searching the TAPEREQ selection criteria (input) parameters in the following order:

1. If both MEDIA and RECTECH are specified, all TAPEREQ parameters are ignored.

Note: PGMI TAPEREQ values (i.e., DSN, EXPDT, JOB, PGM, RETPD, STEP, and VOLTYPE) are ignored as well.

2. If either MEDIA or RECTECH is specified, the implied default is used for the parameter not entered (e.g., if MEDIA is supplied, the RECTECH default is taken).
3. If neither MEDIA nor RECTECH is specified, the PGMI TAPEREQ values (i.e., DSN, EXPDT, JOB, PGM, RETPD, STEP, or VOLTYPE) are searched to determine a media type and recording technique from the TAPEREQ statement(s).

4. If none of the PGMI TAPEREQ values is specified, the HSC tries to find a TAPEREQ that matches all the TAPEREQ default values. If that fails, the default values for MEDia and RECtech are used.

Return Specifications

Return Codes

Upon return, R15 contains a decimal return code as follows:

Return Field Name	Decimal Value and Description
SLXR0K	0 - Wait can be issued (OPTION=ASYNCH) or check response area for status (OPTION=SYNCH).
SLXRNHSC	20 - HSC not available. No SLX response is returned.

After the ECB associated with the request (for OPTION=ASYNCH) has been posted, or upon return for OPTION=SYNCH, the field SLXCMDRC (Return Code) will indicate the status (decimal) of the request.

Return Field Name	Decimal Value and Description
SLXR0K	0 - Request completed successfully.
SLXRWARN	4 - The request completed successfully. However, an anomalous condition occurred (e.g., a QVOLUME request specified a volume not in the library).
SLXRBADP	8 - Bad parameter list (e.g., incompatible options). SLXPEOFF will provide an offset to the bad parameter.
SLXRIERR	12 - Unrecoverable error occurred while processing request.
SLXRFAIL	16 - Request unsuccessful. SLXSRC contains the function specific reason code or a message. HSC messages and non-PGMI reason codes are described in the HSC Messages and Codes Guide. PGMI reason codes are described in “Reason Codes” on page 825 .
SLXRNHSC	20 - HSC not available.
SLXRNAUT	24 - User not authorized. The request was failed by SLSUX05, or the HSC default authorization.
SLXNTCB	28 - Request unsuccessful. The caller was not in task mode.
SLXLOCKD	32 - Request unsuccessful. The caller held at least one lock.
SLXTPROT	36 - Request unsuccessful. The caller did not have fetch/store authority to the SLSXREQM parameter list.
SLXNORSP	40 - Request unsuccessful. No response element with the specified token existed.

Reason Codes

Reason Code Field Name	Decimal Value and Description
SLXANOALS	32772 - HSC is not active.
SLXQNOA	32788 - ASCOMM is not active.
SLXINVOP	32792 - Invalid QUAB option. Internal error; contact StorageTek.
SLXINVFC	32780 - Invalid function code. Internal error; contact StorageTek.
SLXNOLVT	32784 - No LVT. Internal error; contact StorageTek.
SLXTABND	32804 - ASCOMM server task abended.
SLXTINTR	32818 - Current task interrupted.
SLXSANF	32822 - Search argument not found.
SLXMSTT	32826 - Mismatch token types.
SLXTRNF	32832 - Token request area not found.
SLXSFUL	32848 - Reply area space is full.

DISMOUNT

The DISMOUNT request directs the HSC to dismount a volume from a specified transport.

DISMOUNT Considerations

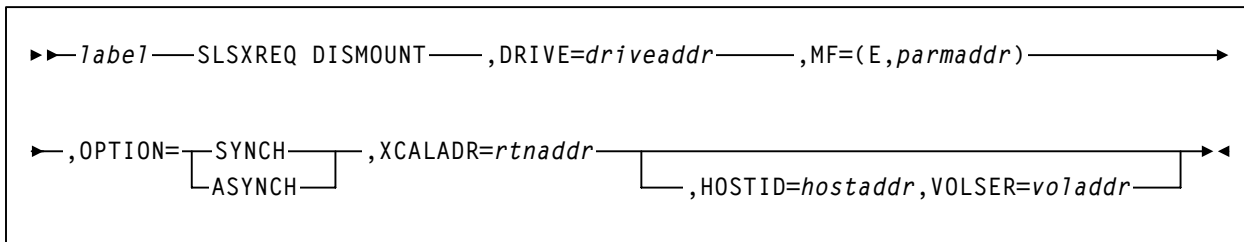
If the operation fails, normal messages to the operator are still sent.

If the volume was temp-entered (see the MOUNT request), it will be ejected to the highest preference available CAP. Otherwise, it is moved to a cell chosen by the HSC.

The requestor is responsible for ensuring that the cartridge on the drive has been rewound. If it has not, the operator is asked for permission to rewind the drive. If the operator grants permission, the drive is unloaded, regardless of whether the drive is in use.

A DISMOUNT request may cancel a MOUNT request provided it is issued before the cartridge is removed from its cell. This is called suppression. If this happens, both requests fail, and the response reason codes indicate “suppression” has occurred.

Syntax



Parameters

DRIVE

driveaddr specifies the address of the 2-byte drive specification (0cua) from which a volume needs dismounting. Specify either an RX-type address of the data or the register (2) - (12) containing the address of the data.

This parameter is required.

MF=(E,*parmaddr*)

specifies the execute form of the SLSXREQ macro using a remote parameter list. The parameter list address *parmaddr* may be specified as an RX-type address or in the register form. Valid register values are (1) - (12).

This parameter is required.

OPTION

specifies whether the requestor is to wait until the request is complete or continue processing while the request is active.

This parameter is required.

SYNCH

specifies that the requestor wait until the request is complete.

ASYNCH

specifies that the requestor continue processing while the request is active. After return from the original request, R1 contains the address of an ECB POSTed when the response completed. R0 contains the token used by SLSXREQ READ to read the response.

XCALADR

specifies a location containing the address of the SLSXCAL routine.

rtnaddr specifies either an RX-type address of the routine, register (15), or register (2) - (12) containing the routine's address.

This parameter is required.

HOSTID

specifies the address of an eight character host ID, left justified and padded with blanks.

hostaddr specifies either an RX-type address of the host ID or the register (2) - (12) containing the address of the host ID.

This parameter is optional. If the parameter is not specified, the host ID executing the request is used.

VOLSER

voladdr specifies the address of a six-character volume label. Acceptable characters for a VOLSER are A-Z, 0-9, #, \$, ¥, and trailing blanks.

Specify either an RX-type address of the VOLSER or the register (2) - (12) containing the address of the VOLSER.

This parameter is required if HOSTID is specified.

Response to DISMOUNT Request

A return code (SLXCMDRC in the SLSXREQM macro) indicates the success of the operation. If the drive is now empty, a return code of SLXROK is placed in SLXCMDRC. If the dismount failed, a return code of SLXRFAIL is placed there.

If the return code is SLXROK or SLXRFAIL, a reason code or message is placed in SLXSRC, and a message text element (mapped by SLXSMSG) is returned. The reason code is the binary message number of the message that the HSC issued when the request completed. HSC messages and non-PGMI reason codes are described in the *HSC Messages and Codes Guide*. PGMI reason codes are described in “Reason Codes” on page 825.

The response is returned at the completion of the request.

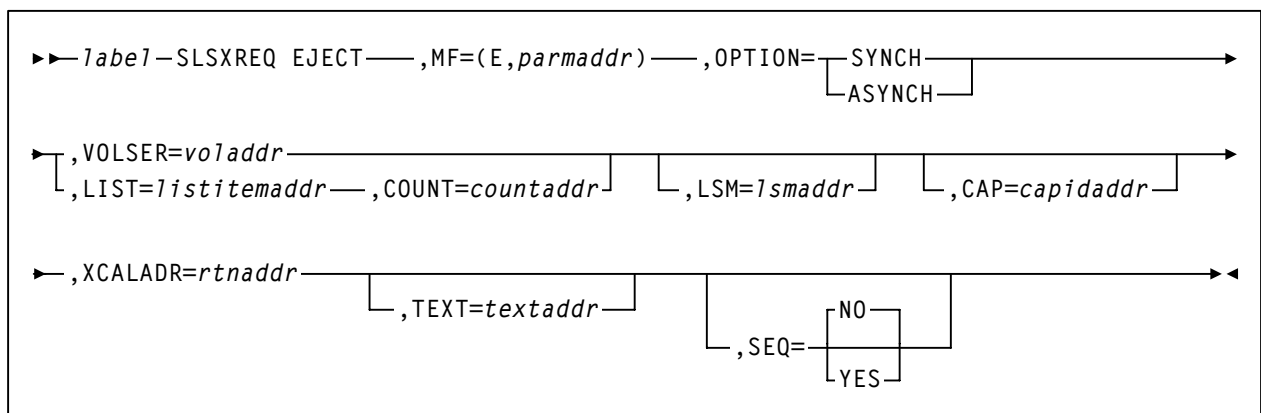
EJECT

The EJECT request causes the HSC to eject a specific volume from the library using the parameter VOLSER, or a list of volumes using the parameters LIST and COUNT. The volume is ejected to the available CAP with the highest preference. The volume may also be ejected at a designated LSM by issuing the LSM parameter.

EJECT Considerations

This request duplicates the operator Eject command with the exception that there is no limit of 100 VOLSERs specified with the COUNT parameter.

Syntax



Parameters

MF=(E,parmaddr)

specifies the execute form of the SLSXREQ macro using a remote parameter list. The parameter list address *parmaddr* may be specified as an RX-type address or in the register form. Valid register values are (1) - (12).

This parameter is required.

OPTION

specifies whether the requestor is to wait until the request is complete or continue processing while the request is active.

This parameter is required.

SYNCH

specifies that the requestor wait until the request is complete.

ASYNCH

specifies that the requestor continue processing while the request is active. After return from the original request, R1 contains the address of an ECB

POSTed when the response completed. R0 contains the token used by SLSXREQ READ to read the response.

VOLSER

voladdr specifies the address of a six-character volume label. Acceptable characters for a VOLSER are A-Z, 0-9, #, \$, ¥, and trailing blanks.

Specify either an RX-type address of the VOLSER or the register (2) - (12) containing the address of the VOLSER.

This parameter is required if LIST and COUNT are not specified. Either VOLSER or LIST and COUNT must be specified.

LIST

listitemaddr specifies the address of a list of elements.

For EJECT, LIST designates a list of 6-byte VOLSERs.

This parameter is required if VOLSER is not specified.

COUNT

countaddr specifies the address of a two-byte count value.

This parameter is required when LIST is specified.

For EJECT, COUNT specifies the number of VOLSERs in the list designated by the co-requisite LIST parameter. Either COUNT and LIST or VOLSER must be specified.

LSM

specifies the address of an LSMid. The format of an LSMid is *AALL*, where *AA* is the ACS number (00-FF hexadecimal) and *LL* is the LSM number (*LL* is 00-17 hexadecimal). For example, 0102 is ACS 01, LSM 02.

Specify either an RX-type address of the LSMid or the register (2) - (12) containing the address of the LSMid.

This parameter is optional.

CAP

specifies the address of the CAP used to satisfy the request. *capidaddr* specifies either the RX-type address of the data or the number of the register containing the address of the data.

The format of *capidaddr* is *AALLCC00*, where *AA* is the ACS number (hexadecimal 00-FF), *LL* is the LSM number (hexadecimal 00-17), and *CC* is the CAP number. These identifiers are always followed by 00.

This parameter is optional.

XCALADR

specifies a location containing the address of the SLSXCAL routine.

rnaddr specifies either an RX-type address of the routine, register (15), or register (2) - (12) containing the routine's address.

This parameter is required.

TEXT

specifies the address of a 32-byte text string issued whenever the operator is requested to open the CAP for an EJECT request.

This parameter is optional.

SEQ

specifies whether or not CAP eject processing fills the CAP cells sequentially or by home location distance.



Note: The SEQ parameter is effective for all LSM types but is used primarily for the SL8500 environment. If sequential order is desired for other LSM types, you must code SEQ=YES.

This parameter is optional.

NO

specifies that the EJECT process order the requested volumes by home location. EJECT fills the CAP or magazine (for the SL8500) according to the volume home location distance to the CAP; that is, volumes closest to the CAP are ejected first.

This is the default.

YES

specifies that the EJECT process place cartridges in the CAP beginning with the topmost available CAP cell and continuing sequentially.

Response to EJECT Request

A return code (SLXCMDRC in SLSXREQM macro) indicates the success of the operation. If the volume was ejected, a return code of SLXR0K is placed in SLXCMDRC. If the eject failed, a return code of SLXRFAIL is placed there. If the code is SLXRFAIL, a reason code or message is placed in SLXSRC. HSC messages and non-PGMI reason codes are described in the *HSC Messages and Codes Guide*. PGMI reason codes are described in “Reason Codes” on page 825.

The response is returned at the completion of the request.

MOUNT

The MOUNT request directs the HSC to mount a volume.

MOUNT Considerations

When a cartridge is removed from its home cell, it becomes “selected” and remains in that state until it is returned. A cartridge in the selected state cannot be used by the following requests:

- EJECT
- MOUNT
- MOVE
- SCRATCH
- UNSCRATCH.

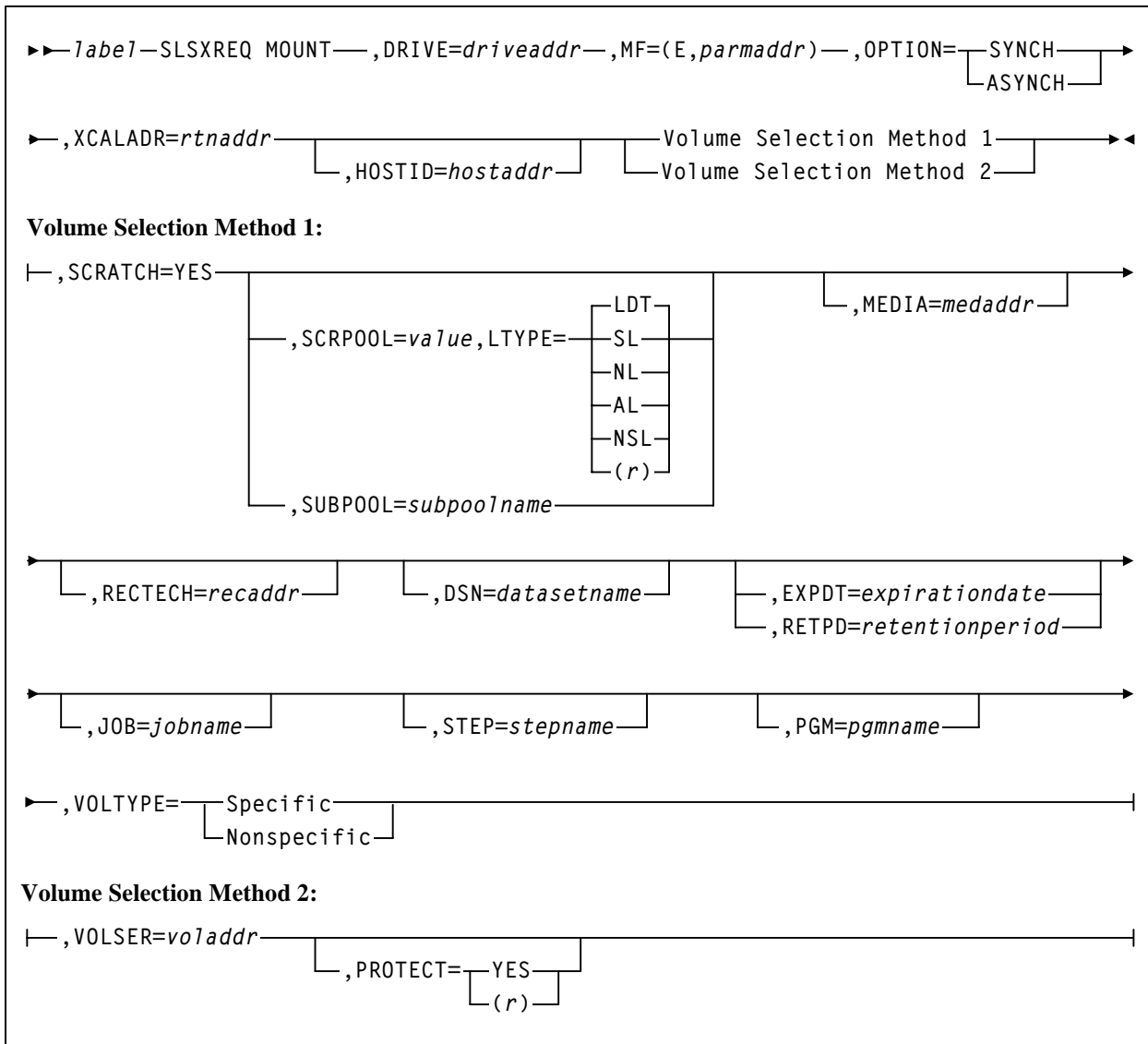
If the target transport for the mount has a volume mounted but unloaded, that volume will be dismounted automatically when the next mount for that transport is requested.

If the volume to be mounted is not in the library, the operator will be given a chance to enter the volume in the library, either permanently or temporarily (temp-enter). If the volume is temp-entered, it will be automatically ejected when dismounted.



Note: To enter a volume in the library, there must be an empty cell in the ACS for the volume, even if it is being temp-entered.

Syntax



Parameters

DRIVE

driveaddr specifies the address of the 2-byte drive specification (0cua) on which a volume needs to be mounted.

Specify either an RX-type address of the data or the register (2) - (12) containing the address of the data.

This parameter is required.

MF=(E,*parmaddr*)

specifies the execute form of the SLSXREQ macro using a remote parameter list. The parameter list address *parmaddr* may be specified as an RX-type address or in the register form. Valid register values are (1) - (12).

This parameter is required.

OPTION

specifies whether the requestor is to wait until the request is complete or continue processing while the request is active.

This parameter is required.

SYNCH

specifies that the requestor wait until the request is complete.

ASYNCH

specifies that the requestor continue processing while the request is active. After return from the original request, R1 contains the address of an ECB POSTed when the response completed. R0 contains the token used by SLSXREQ READ to read the response.

XCALADR

specifies a location containing the address of the SLSXCAL routine.

rmaddr specifies either an RX-type address of the routine, register (15), or register (2) - (12) containing the routine's address.

This parameter is required.

HOSTID

specifies the address of an eight character host ID, left justified and padded with blanks.

hostaddr specifies either an RX-type address of the host ID or the register (2) - (12) containing the address of the host ID.

This parameter is optional. If the parameter is not specified, the host ID executing the request is used.

SCRATCH

specifies that the request is for a nonspecific (scratch) volume.

A VOLSER is selected at this time and mounted on the specified transport.

This parameter is required if VOLSER is not specified. Either SCRATCH or VOLSER must be specified.

SCRPOOL

specifies the scratch subpool index for each request. The index ranges from 0 to 255. A value of zero indicates no special subpool request and any available scratch volume is usable. These subpools are defined by the user in the PARMLIB data set.

value specifies either an RX-type address of the one-byte subpool or the register (2) - (12) containing the subpool in byte 3 (rightmost).

This parameter is optional and defaults to 0 (any scratch volume).

When SCRPOOL is specified, an LTYPE value is also required. SCRPOOL only has meaning for a scratch request and is disregarded when a SUBPOOL value is issued.

LTYPE

specifies the label type for scratch processing. This parameter causes scratch processing to be restricted to the set of scratch volumes associated with the label type specified. These label types are defined in a user defined PARMLIB data set.

LDT

specifies the library default label type.

SL

specifies the standard-labeled pool.

NL

specifies the nonlabeled pool.

AL

specifies the ANSI-labeled pool.

NSL

specifies the nonstandard-labeled pool.

(*r*)

specifies a register (2) - (12) containing the label type in byte 0 of the register. That value is either SLSXLLDT (library default), SLSXLSL (standard label), SLSXLAL (ANSI label), SLSXLNL (nonlabeled) or SLSXLNS (nonstandard label).

This parameter defaults to library default type (LDT). If the default value is accepted for LTYPE, then SCRPOOL defaults to zero (0). If the label type is not the library default type, a nonzero subpool (SCRPOOL) must be specified.

When SCRPOOL is specified, an LTYPE parameter must also be specified.

LTYPE has meaning for a SCRATCH=YES request only. When SUBPOOL is specified, SCRPOOL and LTYPE have no meaning.

SUBPOOL

specifies the address of a 13-character field containing the scratch subpool name for the scratch subpool.

If *subpoolname* is not provided, the subpool index is converted into three EBCDIC decimal digits and placed in the leftmost three positions of the subpool name.

Specify either an RX-type address of the data or the number of the register containing the address of the data. When SUBPOOL is specified, SCRPOOL and LTYPE have no meaning.

This parameter is optional.

MEDia

specifies the address of an 8-byte character field containing the media type of the cartridge to be mounted. **This parameter is optional.**



Notes:

- If **MEDia** is not specified, the next scratch cartridge is mounted without regard to media type.
- **The SL8500 library supports the T9840A, T9840B, T9840C, T9840D, T9940B, LTO, SDLT, T10000A, and T10000B media types and recording techniques.**
- **The SL3000 library supports the T9840C, T9840D, LTO, SDLT, T10000A, and T10000B media types and recording techniques.**
- LTO and SDLT transports are not supported in an MVS environment. These transports are recognized by the HSC but are accessible only to open systems clients using LibraryStation.

medaddr

specifies either an RX-type address of the data or the register (2) - (12) containing the address of the data. Valid media types are:

LONGItud

indicates any Standard or ECART cartridge.

Standard

indicates a standard length, 3480 cartridge. It can be read on any longitudinal drives (4480, 4490, 9490, or 9490EE). Data can be written in 36-track mode on a 4490, 9490, or 9490EE transport but cannot be read on an 18-track (4480) drive. Synonyms for this type of cartridge include:

- CST
- MEDIA1
- STD
- 1
- 3480

ECART

indicates a 3490E, extended capacity cartridge. It can be used only on a 36-track drive (4490, 9490, or 9490EE). Synonyms include:

- E
- ECCST
- ETAPE
- Long
- MEDIA2
- 3490E

ZCART

indicates a 3490E, extended capacity cartridge that provides greater storage capacity than an ECART. It can be used only on a 9490EE drive.

ZCART can be abbreviated as Z.

DD3

indicates any DD3A, DD3B, or DD3C (HELical) cartridge. HELical is a synonym for DD3.

DD3A, DD3B, DD3C

indicates a helical cartridge. The media indicator in the external label is encoded with the cartridge type (A, B, or C). DD3A, DD3B, or DD3C can be abbreviated to A, B, or C, respectively.

Types of helical cartridges, along with their associated media capacities, are:

- A — 10GB
- B — 25GB
- C — 50GB.

Data capacity differences between DD3A, DD3B, and DD3C cartridges are related to the length of the tape in the cartridge, not to the recording density of the data.

STK1

indicates any T9840 cartridge.

STK1R

indicates a T9840 cartridge. The media indicator in the external label is encoded with the cartridge type (R). STK1R can be abbreviated to R.

T9840 cartridge media capacities are 20GB (T9840A and T9840B), 40GB (T9840C), or 75GB (T9840D).

STK2

indicates any T9940 cartridge.

STK2P

indicates a T9940 data cartridge. The media indicator in the external label is encoded with the cartridge type (P). STK2P can be abbreviated to P.

T9940 cartridge media capacities are 60GB (T9940A) or 200GB (T9940B).

LTO-10G

indicates an LTO 10GB capacity cartridge.

LTO-35G

indicates an LTO 35GB capacity cartridge.

LTO-50G

indicates an LTO 50GB capacity cartridge.

LTO-100G

indicates an LTO 100GB capacity cartridge.

LTO-200G

indicates an LTO 200GB capacity cartridge.

LTO-400G

indicates an LTO 400GB capacity cartridge.

LTO-400W

indicates an LTO Generation 3 WORM cartridge.

LTO-800G

indicates an LTO 800GB capacity cartridge.

LTO-800W

indicates an LTO Generation 4 WORM cartridge.

SDLT

indicates an SDLT 160GB cartridge.

SDLT-2

indicates an SDLT 125GB cartridge.

SDLT-S1

indicates an SDLT Generation S1 cartridge.

SDLT-S2

indicates an SDLT Generation S2 cartridge.

SDLT-S3

indicates an SDLT Generation S3 cartridge.

SDLT-S4

indicates an SDLT Generation S4 cartridge.

SDLT-4

indicates an SDLT Generation 4 cartridge.

T10000T1 or T1

indicates a full-capacity 500GB T10000A or 1TB T10000B cartridge. T10000T1 can be abbreviated as **T1**.

T10000TS or TS

indicates a smaller-capacity 120GB T10000A or 240GB T10000B cartridge. T10000TS can be abbreviated as **TS**.

RECtech

specifies the address of an 8-byte field containing the recording technique used to record data tracks on the tape surface. **This parameter is optional.**

**Notes:**

- If RECtech is not specified, the next scratch cartridge is mounted depending on the MEDIA type that has been specified.
- **The SL8500 library supports the T9840A, T9840B, T9840C, T9840D, T9940B, LTO, SDLT, T10000A, and T10000B media types and recording techniques.**
- **The SL3000 library supports the T9840C, T9840D, LTO, SDLT, T10000A, and T10000B media types and recording techniques.**

recaddr

specifies either an RX-type address of the data or the register (2) - (12) containing the address of the data. Valid recording techniques are:

LONGitud

indicates any device that uses longitudinal recording.

18track

indicates a 4480 transport.

36track

indicates a 4490, 9490, or 9490EE transport (any device that records in 36-track mode).

36Atrack

indicates a 4490 (Silverton) transport.

36Btrack

indicates a 9490 (Timberline) transport.

36Ctrack

indicates a 9490EE transport.

HELical

indicates a device using helical recording.

DD3

indicates a device using helical recording.

STK1R

indicates any T9840 transport.

STK1R34

indicates any 3490E-image T9840 transport.

STK1R35

indicates any 3590-image T9840 transport.

STK1RA

indicates a 3490E or 3590-image T9840A transport.

STK1RA34

indicates a 3490E-image T9840A transport.

STK1RA35

indicates a 3590-image T9840A transport.

STK1RB

indicates a 3490E or 3590-image T9840B transport.

STK1RB34

indicates a 3490E-image T9840B transport.

STK1RB35

indicates a 3590-image T9840B transport.

STK1RAB

indicates a 3490E or 3590-image T9840A or T9840B transport.

STK1RAB4

indicates a 3490E-image T9840A or T9840B transport.

STK1RAB5

indicates a 3590E-image T9840A or T9840B transport.

STK1RC

indicates a 3490E or 3590-image T9840C transport.

STK1RC34

indicates a 3490-image T9840C transport.

STK1RC35

indicates a 3590-image T9840C transport.

STK1RD

indicates any T9840D transport.

STK1RDE

indicates an encryption-enabled T9840D transport.

STK1RDN

indicates a non-encryption enabled T9840D transport.

STK1RD34

indicates a non-encryption enabled 3490E-image T9840D transport.

STK1RD35

indicates a non-encryption enabled 3590-image T9840D transport.

STK1RDE4

indicates an encryption-enabled 3490E-image T9840D transport.

STK1RDE5

indicates an encryption-enabled 3590-image T9840D transport.

STK2P

indicates any 9940 transport.

STK2P34

indicates any 3490E-image 9940 transport.

STK2P35

indicates any 3590-image 9940 transport.

STK2PA

indicates a T9940A transport.

STK2PA34

indicates a 3490E-image T9940A transport.

STK2PA35

indicates a 3590-image T9940A transport.

STK2PB

indicates a T9940B transport.

STK2PB34

indicates a 3490E-image T9940B transport.

STK2PB35

indicates a 3590-image T9940B transport.

T10K

indicates all T10000 transports.

T10KN

indicates all non-encrypted T10000 transports.

- T10KE**
indicates all encrypted T10000 transports.
- T1A**
indicates any T10000A transport.
- T1AN**
indicates a non-encryption enabled 3490E- or 3590-image T10000A transport.
- T1A34**
indicates a non-encryption enabled 3490E-image T10000A transport.
- T1A35**
indicates a non-encryption enabled 3590-image T10000A transport.
- T1AE**
indicates an encryption-enabled 3490E- or 3590-image T10000A transport.
- T1AE34**
indicates an encryption-enabled 3490E-image T10000A transport.
- T1AE35**
indicates an encryption-enabled 3590-image T10000A transport.
- T1B**
indicates any T10000B transport.
- T1BN**
indicates a non-encryption enabled 3490E- or 3590-image T10000B transport.
- T1B34**
indicates a non-encryption enabled 3490E-image T10000B transport.
- T1B35**
indicates a non-encryption enabled 3590-image T10000B transport.
- T1BE**
indicates an encryption-enabled 3490E- or 3590-image T10000B transport.
- T1BE34**
indicates an encryption-enabled 3490E-image T10000B transport.
- T1BE35**
indicates an encryption-enabled 3590-image T10000B transport.

Note: The following parameters are ignored if Media, RECtech, or both are specified.

DSN

datasetname specifies the data set name.

This parameter is optional.

EXPDT

expirationdate specifies the expiration date of the data set in *yyddd* or *yyy/ddd* format.

This parameter is optional.

RETPD

retentionperiod specifies the retention period for the data set in days. Specify the number of days as a one- to four-digit decimal number.

This parameter is optional.

JOB

jobname specifies the job name.

This parameter is optional.

STEP

stepname specifies the step name.

This parameter is optional.

PGM

pgmname specifies the step name.

This parameter is optional.

VOLTYPE

indicates whether or not a nonspecific volume was requested.

Specific

requests a specific volume to be mounted.

Nonspecific

requests a nonspecific volume to be mounted

This parameter is optional.

VOLSER

voladdr specifies the address of a six-character volume label. Acceptable characters for a VOLSER are A-Z, 0-9, #, \$, ¥, and trailing blanks.

Specify either an RX-type address of the VOLSER or the register (2) - (12) containing the address of the VOLSER.

This parameter is required if SCRATCH is not specified. Either VOLSER or SCRATCH must be specified.

PROTECT

PROTECT=YES - Specifies the volume is disabled for writing. It causes a volume enabled by the physical thumbwheel to be write disabled for this mount. There is no way to write-enable a cartridge whose thumbwheel indicates the volume is write disabled.

PROTECT=(*r*) - Specifies a register (2) - (12) that contains the write disablement in byte 2 of the register. If bit SLSXPROT is on, writing is disabled. If not on, the thumbwheel determines the write enablement.

This parameter is optional. If omitted, the write enablement is determined by the thumbwheel on the cartridge.

Response to MOUNT Request

A return code (SLXCMDRC in SLSXREQM macro) indicates the success of the operation. If the code is SLXROK or SLXRFAIL, a reason code or message is placed in SLXSRC, and a message text element (mapped by SLXSMSG) is returned. The reason code corresponds to the message in the message text. HSC messages and non-PGMI reason codes are described in the *HSC Messages and Codes Guide*. PGMI reason codes are described in “Reason Codes” on page 825.

If the volume was mounted, a return code of SLXROK is placed in SLXCMDRC. A volume information element (mapped by SLXSVOL) is returned for the mounted volume.

The response is returned at the completion of the request.

MOVE

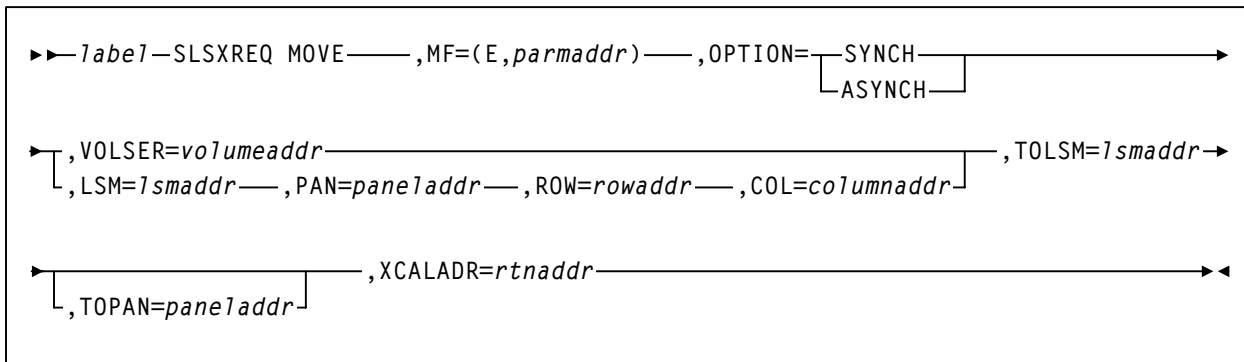
The MOVE request permits you to request the HSC to move a single volume to another location within a library complex.

MOVE Considerations

The following apply before using the MOVE request:

- Movement of volumes to the same panel in the same LSM, or to a frozen panel, is not allowed. The following volume move functions are permitted:
 - Move a single volume from a panel within an LSM to another panel of the same LSM.
 - Move a single volume from a panel within an LSM to any panel of a different LSM within the library complex.
- Movement of volumes to LSMs is done on a first-come first-serve basis. As volumes are moved, if an LSM is filled before the move request is finished for that LSM, the move request continues with the movement of volumes designated for the next LSM specified in the request. An LSM is full if all available cells contain tape cartridges. This process continues until the entire move request is completed.

Syntax



Parameters

MF=(E,parmaddr)

specifies the execute form of the SLSXREQ macro using a remote parameter list. The parameter list address parmaddr may be specified as an RX-type address or in the register form. Valid register values are (1) - (12).

This parameter is required.

OPTION

specifies whether the requestor is to wait until the request is complete or continue processing while the request is active.

This parameter is required.

SYNCH

specifies that the requestor wait until the request is complete.

ASYNCH

specifies that the requestor continue processing while the request is active. After return from the original request, R1 contains the address of an ECB POSTed when the response completed. R0 contains the token used by SLSXREQ READ to read the response.

VOLSER

specifies the address of a volume.

volumeaddr specifies either an RX-type address of the VOLSER or the register (2) - (12) containing the address of the volume. The format of VOLSER is six characters (vvvvvv). Valid characters are A-Z, 0-9, #, \$, ¥, and trailing blanks.

This parameter is required if LSM is not specified.

LSM

specifies the address of an LSMid. The format of an LSMid is *AALL*, where *AA* is the ACS number (00-FF hexadecimal) and *LL* is the LSM number (*LL* is 00-17 hexadecimal). For example, 010A is ACS 01, LSM 10.

Specify either an RX-type address of the LSMid or the register (2) - (12) containing the address of the LSMid.

The COL, PAN, and ROW parameters must accompany the LSM parameter. **This parameter is required if VOL is not specified.**

PAN

specifies the address of a panel number. The format of the panel number is *nn*, where '*nn*' is a one-byte hexadecimal number.

Specify either an RX-type address of the panel or the register (2) - (12) containing the address of the panel.

The COL, ROW, and LSM parameters must accompany the PAN parameter. **These four parameters or the VOL parameter must be issued.**

ROW

specifies the address of a row number. The format of the row number is *nn*, where '*nn*' is a one-byte hexadecimal number.

Specify either an RX-type address of the Row or the register (2) - (12) containing the address of the Row.

The COL, PAN, and LSM parameters must accompany the ROW parameter. **These four parameters or the VOL parameter must be issued.**

COL

specifies the address of a column number. The format of the column number is *nn*, where '*nn*' is a one-byte hexadecimal number.

Specify either an RX-type address of the COL or the register (2) - (12) containing the address of the COL.

The LSM, PAN, and ROW parameters must accompany the COL parameter. **These four parameters or the VOL parameter must be issued.**

TOLSM

specifies the address of the LSMid where the volume is moved. The LSMid is two hexadecimal bytes in the format *AA0LL*, where *AA* is the ACS number (00-FF hexadecimal) and *0LL* is the LSM number (*LL* is 00-17 hexadecimal).

lsmaddr specifies either an RX-type address of the LSMid or the register (2) - (12) containing the address of the LSMid.

This parameter is required.

TOPAN

specifies the address of a panel number. The format of the panel number is *nn*, where '*nn*' is a one-byte hexadecimal number.

Specify either an RX-type address of the panel or the register (2) - (12) containing the address of the panel.

This parameter is optional.

XCALADR

specifies a location containing the address of the SLSXCAL routine.

rnaddr specifies either an RX-type address of the routine, register (15), or register (2) - (12) containing the routine's address.

This parameter is required.

Response to Move Request

A return code (SLXCMDRC in SLSXREQM macro) indicates the success of the operation. If the code is SLXROK or SLXRFAIL, a reason code is placed in SLXSRC, and a message text element (mapped by SLXSMMSG) is returned. The reason code corresponds to the message in the message text.

If the volume was moved, a return code of SLXROK is placed in SLXCMDRC. A volume information element (mapped by SLXSVOL) is returned for the moved volume and the new location is returned in SLXVLOC field.

The response is returned at the completion of the request.

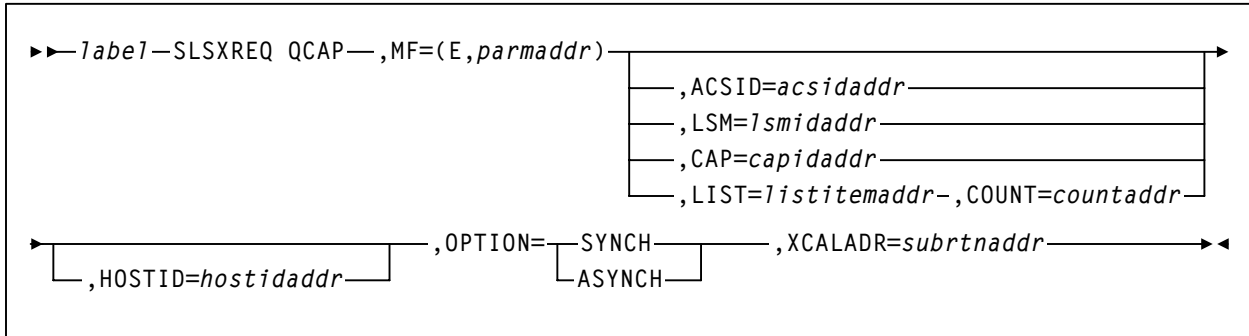
QCAP

This request is used to query the capacity and status of a CAP.

QCAP Considerations

There are no considerations for this PGMI function.

Syntax



Parameters

MF=(E, *parmaddr*)

specifies the execute form of the SLSXREQ macro using a remote parameter list. The parameter list address *parmaddr* may be specified as an RX-type address or in the register form. Valid register values are (1) - (12).

This parameter is required.

ACSID

acsidaddr specifies the address of the ACS used to satisfy the request. The format of *acsidaddr* is AA, where AA is the ACS number (00-FF hexadecimal). For example, 01, designates ACS 01. Specify either an RX-type address of the data or the number of the register containing the address of the data.

This parameter is optional. If specified, the returned data is for the specific ACS.

If ACSID, LSM, CAP, or LIST and COUNT, are not specified, the data returned is for all CAPs.

LSM

specifies the address of an LSMid. The format of an LSMid is *AALL*, where *AA* is the ACS number (00-FF hexadecimal) and *LL* is the LSM number (*LL* is 00-17 hexadecimal). For example, 0102 is ACS 01, LSM 02. All values are in hexadecimal format.

Specify either an RX-type address of the LSMid or the register (2) - (12) containing the address of the LSMid. **This parameter is optional.**

If specified, the returned data is for the specific LSM.

If ACSID, LSM, CAP, or LIST and COUNT, are not specified, the data returned is for all CAPs.

CAP

specifies the address of the CAP used to satisfy the request. *capidaddr* specifies either the RX-type address of the data or the number of the register containing the address of the data.

The format of *capidaddr* is *AALLCC00*, where *AA* is the ACS number (hexadecimal 00-FF), *LL* is the LSM number (hexadecimal 00-17), and *CC* is the CAP number. These identifiers are always followed by 00. **This parameter is optional.**

If specified, the returned data is for the specific CAP.

If ACSID, LSM, CAP, or LIST and COUNT, are not specified, the data returned is for all CAPs.

LIST

listitemaddr specifies the address of the CAPIDs used to satisfy the request. Specify either an RX-type address of the data or the number of the register containing the address of the data. **This parameter is optional.**

If specified, the returned data is for the specific CAPIDs.

If ACSID, LSM, CAP, or LIST and COUNT, are not specified, the data returned is for all CAPs.

COUNT

countaddr specifies the address of a two-byte count value.

This parameter is required when LIST is specified.

For QCAP, COUNT specifies the number of CAPIDs in the list designated by the co-requisite LIST parameter.

If ACSID, LSM, CAP, or LIST and COUNT, are not specified, the data returned is for all CAPs.

HOSTID

specifies the address of an eight character host ID, left justified and padded with blanks.

hostidaddr specifies either an RX-type address of the host ID or the register (2) - (12) containing the address of the host ID.

This parameter is optional. If the parameter is not specified, the host ID executing the request is used.

OPTION

specifies whether the requestor is to wait until the request is complete or continue processing while the request is active.

This parameter is required.

SYNCH

specifies that the requestor wait until the request is complete.

ASYNCH

specifies that the requestor continue processing while the request is active. After return from the original request, R1 contains the address of an ECB POSTed when the response completed. R0 contains the token used by SLSXREQ READ to read the response.

XCALADR

subrtnaddr specifies a location containing the address of the SLSXCAL routine.

Specify either an RX-type address of the routine, register (15), or register (2) - (12) containing the routine's address.

This parameter is required.

Response to QCAP Request

A return code (SLSXQCAP in SLSXREQM macro) indicates the success of the operation. A value of 1A in R15 indicates that a QCAP has been requested. A value of zero indicates that the request has processed.

QCONFIG

This request is provided to enable the requestor to get information about the library configuration.

QCONFIG Considerations

There are no special considerations associated with the QCONFIG request.

Syntax

```
▶▶ label SLSXREQ QCONFIG—, MF=(E,parmaddr)—, OPTION= 

|        |
|--------|
| SYNCH  |
| ASYNCH |

, XCALADR=rtnaddr▶▶
```

Parameters

MF=(E,*parmaddr*)

specifies the execute form of the SLSXREQ macro using a remote parameter list. The parameter list address *parmaddr* may be specified as an RX-type address or in the register form. Valid register values are (1) - (12).

This parameter is required.

OPTION

specifies whether the requestor is to wait until the request is complete or continue processing while the request is active.

This parameter is required.

SYNCH

specifies that the requestor wait until the request is complete.

ASYNCH

specifies that the requestor continue processing while the request is active. After return from the original request, R1 contains the address of an ECB POSTed when the response completed. R0 contains the token used by SLSXREQ READ to read the response.

XCALADR

specifies a location containing the address of the SLSXCAL routine.

rtnaddr specifies either an RX-type address of the routine, register (15), or register (2) - (12) containing the routine's address.

This parameter is required.

Response to QCONFIG Request

A return code (SLXCMDRC in SLXREQM macro) indicates the success of the operation. If the code is SLXRFAIL, a reason code or message is placed in SLXSRC. HSC messages and non-PGMI reason codes are described in the *HSC Messages and Codes Guide*. PGMI reason codes are described in “Reason Codes” on page 825.

In addition to the Reply Header, the Configuration Summary Section, mapped by SLXSCFG is returned.

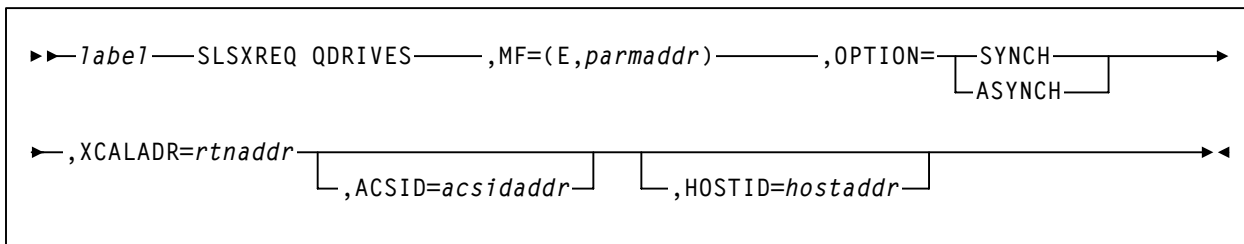
QDRIVES

This request retrieves drive related configuration data. The response includes the ACS and LSM address of the transports, whether or not an enhanced CAP is present, and LSM pass-thru connections.

QDRIVES Considerations

There are no special considerations associated with the QDRIVES request.

Syntax



Parameters

MF=(E,parmaddr)

specifies the execute form of the SLSXREQ macro using a remote parameter list. The parameter list address *parmaddr* may be specified as an RX-type address or in the register form. Valid register values are (1) - (12).

This parameter is required.

OPTION

specifies whether the requestor is to wait until the request is complete or continue processing while the request is active.

This parameter is required.

SYNCH

specifies that the requestor wait until the request is complete.

ASYNCH

specifies that the requestor continue processing while the request is active. After return from the original request, R1 contains the address of an ECB POSTed when the response completed. R0 contains the token used by SLSXREQ READ to read the response.

XCALADR

specifies a location containing the address of the SLSXCAL routine.

rtaddr specifies either an RX-type address of the routine, register (15), or register (2) - (12) containing the routine's address.

This parameter is required.

ACSID

acsidaddr specifies the address of the ACS used to satisfy the request. The format of *acsidaddr* is AA, where AA is the ACS number (00-FF hexadecimal). For example, 01, designates ACS 01. Specify either an RX-type address of the data or the number of the register containing the address of the data.

This parameter is optional.

HOSTID

specifies the address of an eight character host ID, left justified and padded with blanks.

hostaddr specifies either an RX-type address of the host ID or the register (2) - (12) containing the address of the host ID.

This parameter is optional. If the parameter is not specified, the host ID executing the request is used.

Response to QDRIVES Request

A return code (SLXCMDRC in SLSXREQM macro) indicates the success of the operation. If the code is SLXRFAIL, a reason code or message is placed in SLXSRC. HSC messages and non-PGMI reason codes are described in the *HSC Messages and Codes Guide*. PGMI reason codes are described in "Reason Codes" on page 825.

In addition to the Reply Header, the Drive Information Section (mapped by SLXSDRV) and LSM Information Section (mapped by SLXSLSM) are returned.

QDRLIST

The QDRLIST request is used to obtain the HSC recommendation for a library transport for use on a subsequent MOUNT request.

QDRLIST Considerations

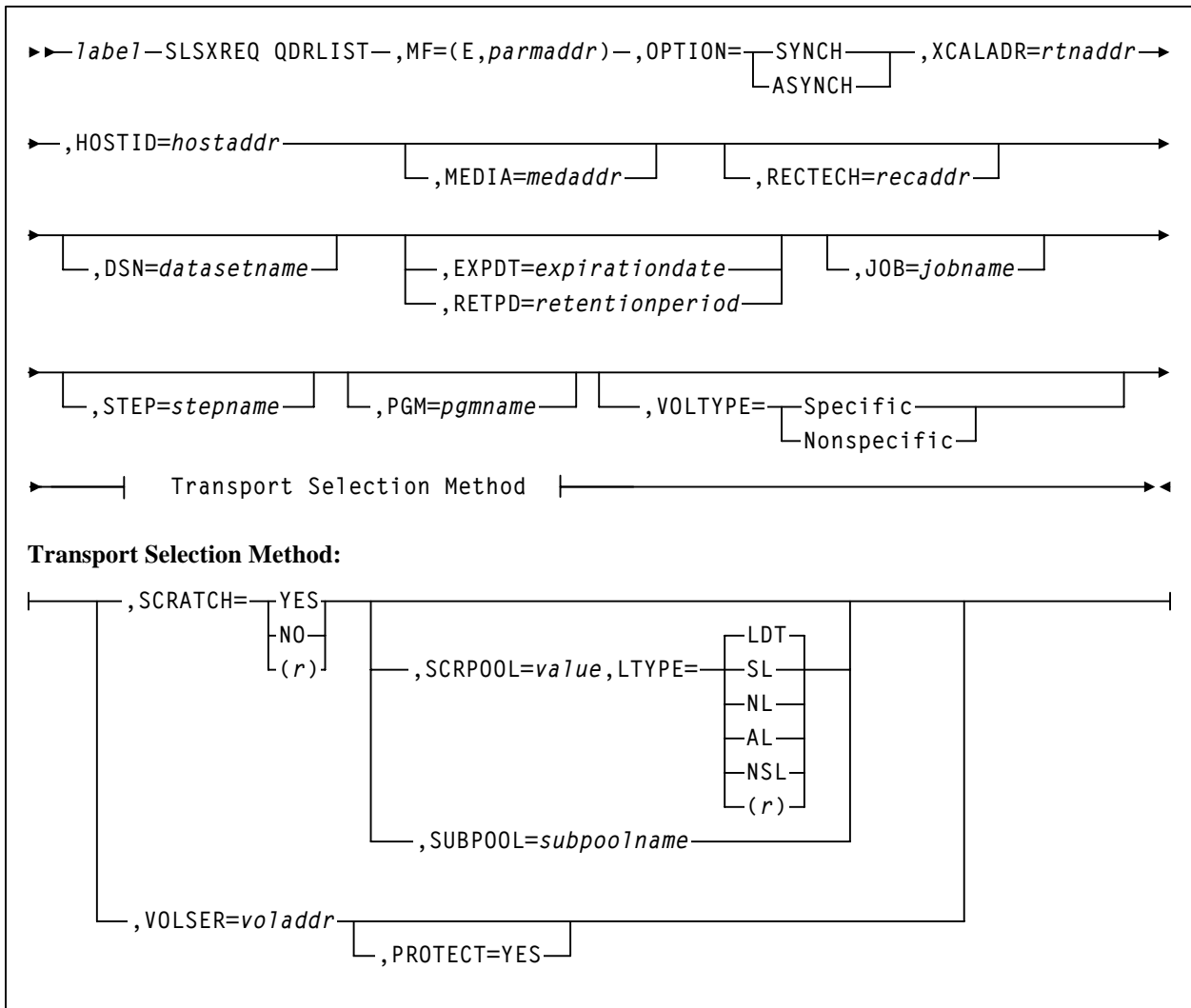
The HSC makes its recommendation by returning a list of drive information elements ordered so that the first element describes the best drive to use, the second element describes the second best drive to use, etc..

If the request is for a specific volume (i.e. SCRATCH=NO), the drive information elements are arranged so that the first drive is in the LSM that is closest to (or in the same LSM as) the LSM that the cartridge is in, and the last drive is in the LSM that is farthest from the cartridge. Only the drives in the same ACS as the volume are returned. In addition, volume information for the specified volume is returned.

If the request is for a nonspecific volume (i.e., SCRATCH=YES), the drive information elements are arranged so that the first drive is in the LSM with the most scratch volumes of the specified subpool and label type, and the last drive is in the LSM that has the least scratch volumes. Drives from all ACSs are returned. A list of drives is still returned even if there are no scratch volumes, in which case, the scratch counts in the LSM elements are zeros.

The HSC ignores whether a transport already has a volume mounted, is in an offline LSM, or a disconnected ACS.

Syntax



Parameters

MF=(E,*parmaddr*)

specifies the execute form of the SLSXREQ macro using a remote parameter list. The parameter list address *parmaddr* may be specified as an RX-type address or in the register form. Valid register values are (1) - (12).

This parameter is required.

OPTION

specifies whether the requestor is to wait until the request is complete or continue processing while the request is active.

This parameter is required.

SYNCH

specifies that the requestor wait until the request is complete.

ASYNCH

specifies that the requestor continue processing while the request is active. After return from the original request, R1 contains the address of an ECB POSTed when the response completed. R0 contains the token used by SLSXREQ READ to read the response.

XCALADR

specifies a location containing the address of the SLSXCAL routine.

rnaddr specifies either an RX-type address of the routine, register (15), or register (2) - (12) containing the routine's address.

This parameter is required.

HOSTID

specifies the address of an eight character host ID, left justified and padded with blanks.

hostaddr specifies either an RX-type address of the host ID or the register (2) - (12) containing the address of the host ID.

This parameter is optional.

If the parameter is not specified, the host ID executing the request is used.

MEDia

specifies the address of an 8-byte character field containing the media type of the selected transport. **This parameter is optional.**



Notes:

- If MEDia is not specified, transports are selected without regard to media type.
- **The SL8500 library supports the T9840A, T9840B, T9840C, T9840D, T9940B, LTO, SDLT, T10000A, T10000B media types and recording techniques.**
- **The SL3000 library supports the T9840C, T9840D, LTO, SDLT, T10000A, and T10000B media types and recording techniques.**
- LTO and SDLT transports are not supported in an MVS environment. These transports are recognized by the HSC but are accessible only to open systems clients using LibraryStation.

medaddr

specifies either an RX-type address of the data or the register (2) - (12) containing the address of the data. Valid media types are:

LONGitud

indicates any Standard or ECART cartridge.

Standard

indicates a standard length, 3480 cartridge. It can be read on any longitudinal drives (4480, 4490, 9490, or 9490EE). Data can be written in 36-track mode on a 4490, 9490, or 9490EE transport but cannot be read on an 18-track (4480) drive. Synonyms for this type of cartridge include:

- CST
- MEDIA1
- STD
- 1
- 3480

ECART

indicates a 3490E, extended capacity cartridge. It can be used only on a 36-track drive (4490, 9490, or 9490EE). Synonyms include:

- E
- ECCST
- ETAPE
- Long
- MEDIA2
- 3490E

ZCART

indicates a 3490E, extended capacity cartridge that provides greater storage capacity than an ECART. It can be used only on a 9490EE drive.

ZCART can be abbreviated as Z.

DD3

indicates any DD3A, DD3B, or DD3C (HELical) cartridge. HELical is a synonym for DD3.

DD3A, DD3B, DD3C

indicates a helical cartridge. The media indicator in the external label is encoded with the cartridge type (A, B, or C). DD3A, DD3B, or DD3C can be abbreviated to A, B, or C, respectively.

Types of helical cartridges, along with their associated media capacities, are:

- A — 10GB
- B — 25GB
- C — 50GB.

Data capacity differences between DD3A, DD3B, and DD3C cartridges are related to the length of the tape in the cartridge, not to the recording density of the data.

STK1

indicates any T9840 cartridge.

STK1R

indicates a T9840 cartridge. The media indicator in the external label is encoded with the cartridge type (R). STK1R can be abbreviated to R.

T9840 cartridge media capacities are 20GB (T9840A and T9840B), 40GB (T9840C), or 75GB (T9840D).

STK2

indicates any T9940 cartridge.

STK2P

indicates a T9940 data cartridge. The media indicator in the external label is encoded with the cartridge type (P). STK2P can be abbreviated to P.

T9940 cartridge media capacities are 60GB (T9940A) or 200GB (T9940B).

LTO-10G

indicates an LTO 10GB capacity cartridge.

LTO-35G

indicates an LTO 35GB capacity cartridge.

LTO-50G

indicates an LTO 50GB capacity cartridge.

LTO-100G

indicates an LTO 100GB capacity cartridge.

LTO-200G

indicates an LTO 200GB capacity cartridge.

LTO-400G

indicates an LTO 400GB capacity cartridge.

LTO-400W

indicates an LTO Generation 3 WORM cartridge.

LTO-800G

indicates an LTO 800GB capacity cartridge.

LTO-800W

indicates an LTO Generation 4 WORM cartridge.

SDLT

indicates an SDLT 160GB cartridge.

SDLT-2

indicates an SDLT 125GB cartridge.

SDLT-S1

indicates an SDLT Generation S1 cartridge.

SDLT-S2

indicates an SDLT Generation S2 cartridge.

SDLT-S3

indicates an SDLT Generation S3 cartridge.

SDLT-S4

indicates an SDLT Generation S4 cartridge.

SDLT-4

indicates an SDLT Generation S4 cartridge.

T10000T1 or T1

indicates a full-capacity 500GB T10000A or 1TB T10000B cartridge.
T10000T1 can be abbreviated as **T1**.

T10000TS or TS

indicates a smaller-capacity 120GB T10000A or 240GB T10000B cartridge. T10000TS can be abbreviated as **TS**.

RECtech

specifies the address of an 8-byte field containing the recording technique used to record data tracks on the tape surface. **This parameter is optional.**

**Notes:**

- If **RECtech** is not specified, transports are selected depending on the MEDIA type that has been specified.
- **The SL8500 library supports the T9840A, T9840B, T9840C, T9840D, T9940B, LTO, SDLT, T10000A, and T10000B media types and recording techniques.**
- **The SL3000 library supports the T9840C, T9840D, LTO, SDLT, T10000A, and T10000B media types and recording techniques.**

recaddr

specifies either an RX-type address of the data or the register (2) - (12) containing the address of the data. Valid recording techniques are:

LONGItud

indicates any device that uses longitudinal recording.

18track

indicates a 4480 transport.

36track

indicates a 4490, 9490, or 9490EE transport (any device that records in 36-track mode).

36Atrack

indicates a 4490 (Silverton) transport.

36Btrack

indicates a 9490 (Timberline) transport.

36Ctrack

indicates a 9490EE transport.

HELical

indicates a device using helical recording.

DD3

indicates a device using helical recording.

STK1R

indicates any T9840 transport.

STK1R34

indicates any 3490E-image T9840 transport.

STK1R35

indicates any 3590-image T9840 transport.

STK1RA

indicates a 3490E or 3590-image T9840A transport.

STK1RA34

indicates a 3490E-image T9840A transport.

STK1RA35

indicates a 3590-image T9840A transport.

STK1RB

indicates a 3490E or 3590-image T9840B transport.

STK1RB34

indicates a 3490E-image T9840B transport.

STK1RB35

indicates a 3590-image T9840B transport.

STK1RAB

indicates a 3490E or 3590-image T9840A or T9840B transport.

STK1RAB4

indicates a 3490E-image T9840A or T9840B transport.

STK1RAB5

indicates a 3590E-image T9840A or T9840B transport.

STK1RC

indicates a 3490E or 3590-image T9840C transport.

STK1RC34

indicates a 3490-image T9840C transport.

STK1RC35

indicates a 3590-image T9840C transport.

STK1RD

indicates any T9840D transport.

STK1RDE

indicates an encryption-enabled T9840D transport.

STK1RDN

indicates a non-encryption enabled T9840D transport.

STK1RD34

indicates a non-encryption enabled 3490E-image T9840D transport.

STK1RD35

indicates a non-encryption enabled 3590-image T9840D transport.

STK1RDE4

indicates an encryption-enabled 3490E-image T9840D transport.

STK1RDE5

indicates an encryption-enabled 3590-image T9840D transport.

STK2P

indicates any 9940 transport.

STK2P34

indicates any 3490E-image 9940 transport.

STK2P35

indicates any 3590-image 9940 transport.

STK2PA

indicates a T9940A transport.

STK2PA34

indicates a 3490E-image T9940A transport.

STK2PA35

indicates a 3590-image T9940A transport.

STK2PB

indicates a T9940B transport.

STK2PB34

indicates a 3490E-image T9940B transport.

STK2PB35

indicates a 3590-image T9940B transport.

T10K

indicates all T10000 transports.

T10KN

indicates all non-encrypted T10000 transports.

T10KE

indicates all encrypted T10000 transports.

T1A

indicates any T10000A transport.

T1AN

indicates a non-encryption enabled 3490E- or 3590-image T10000A transport.

T1A34

indicates a non-encryption enabled 3490E-image T10000A transport.

T1A35

indicates a non-encryption enabled 3590-image T10000A transport.

T1AE

indicates an encryption-enabled 3490E- or 3590-image T10000A transport.

T1AE34

indicates an encryption-enabled 3490E-image T10000A transport.

T1AE35

indicates an encryption-enabled 3590-image T10000A transport.

T1B

indicates any T10000B transport.

T1BN

indicates a non-encryption enabled 3490E- or 3590-image T10000B transport.

T1B34

indicates a non-encryption enabled 3490E-image T10000B transport.

T1B35

indicates a non-encryption enabled 3590-image T10000B transport.

T1BE

indicates an encryption-enabled 3490E- or 3590-image T10000B transport.

T1BE34

indicates an encryption-enabled 3490E-image T10000B transport.

T1BE35

indicates an encryption-enabled 3590-image T10000B transport.

Note: The following parameters are ignored if Media, RECtech, or both are specified.

DSN

datasetname specifies the data set name.

This parameter is optional.

EXPDT

expirationdate specifies the expiration date of the data set in *yyddd* or *yyy/ddd* format.

This parameter is optional.

RETPD

retentionperiod specifies the retention period for the data set in days. Specify the number of days as a one- to four-digit decimal number.

This parameter is optional.

JOB

jobname specifies the job name.

This parameter is optional.

STEP

stepname specifies the step name. This parameter is optional. PGM *pgmname* specifies the step name.

This parameter is optional.

VOLTYPE

indicates whether or not a nonspecific volume was requested.

Specific

requests a specific volume to be mounted.

Nonspecific

requests a nonspecific volume to be mounted.

This parameter is optional.

SCRATCH

specifies that the request is for a nonspecific (scratch) volume. If SCRATCH=YES is specified, VOLSER is optional and is used only in messages to the operator.

SCRATCH=(*r*) - Specifies a register (2) - (12) containing the scratch request flag in byte 1 of the register. If bit SLSXSCR is on, the request is a scratch request.

If SCRATCH=NO is specified or the SCRATCH parameter is omitted, the VOLSER parameter is required.

A VOLSER is selected at this time.

This parameter is required if VOLSER is not specified. Either SCRATCH or VOLSER must be specified.

SCRPOOL

specifies the scratch subpool index for each request. The index ranges from 0 to 255. A value of zero indicates no special subpool request and any available scratch volume is usable. These subpools are defined by the user in the PARMLIB data set.

value specifies either an RX-type address of the one-byte subpool or the register (2) - (12) containing the subpool in byte 3 (rightmost).

This parameter is optional and defaults to 0 (any scratch volume).

When SCRPOOL is specified, an LTYPE value is also required.

SCRPOOL only has meaning for a scratch request and is disregarded when a SUBPOOL value is issued.

LTYPE

specifies the label type for scratch processing. This parameter causes scratch processing to be restricted to the set of scratch volumes associated with the label type specified. These label types are defined in a user defined PARMLIB data set.

LDT

specifies the library default label type.

SL

specifies the standard-labeled pool.

NL

specifies the nonlabeled pool.

AL

specifies the ANSI-labeled pool.

NSL

specifies the nonstandard-labeled pool.

(r)

specifies a register (2) - (12) containing the label type in byte 0 of the register. That value is either SLSXLLDT (library default), SLSXLSL (standard label), SLSXLAL (ANSI label), SLSXLNL (nonlabeled) or SLSXLNS (nonstandard label).

This parameter defaults to library default type (LDT). If the default value is accepted for LTYPE, then SCRPOOL defaults to zero (0). If the label type is not the library default type, a nonzero subpool (SCRPOOL) must be specified.

When SCRPOOL is specified, an LTYPE parameter must also be specified. LTYPE has meaning for a SCRATCH=YES request only. When SUBPOOL is specified, SCRPOOL and LTYPE have no meaning.

SUBPOOL

specifies the address of a 13-character field containing the scratch subpool name for the scratch subpool.

If *subpoolname* is not provided, the subpool index is converted into three EBCDIC decimal digits and placed in the leftmost three positions of the subpool name.

Specify either an RX-type address of the data or the number of the register containing the address of the data. When SUBPOOL is specified, SCRPOOL and LTYPE have no meaning.

This parameter is optional.

VOLSER

voladdr specifies the address of a six-character volume label. Acceptable characters for a VOLSER are A-Z, 0-9, #, \$, ¥, and trailing blanks.

Specify either an RX-type address of the VOLSER or the register (2) - (12) containing the address of the VOLSER.

This parameter is required if SCRATCH is not specified. Either VOLSER or SCRATCH must be specified.

PROTECT

PROTECT=YES - Specifies the volume is disabled for writing. It causes a volume write enabled by the physical thumbwheel to be write disabled for this mount. There is no way to write-enable a cartridge whose thumbwheel indicates the volume is write disabled.

This parameter is optional. If omitted, the write enablement is determined by the thumbwheel on the cartridge.

Response to QDRLIST Request

A return code (SLXCMDRC in SLXREQM macro) indicates the success of the operation. If the code is SLXRFAIL, a reason code or message is placed in SLXSRC. HSC messages and non-PGMI reason codes are described in the *HSC Messages and Codes Guide*. PGMI reason codes are described in “Reason Codes” on page 825.

If the request specifies SCRATCH=NO and the volume is not in the library, a code of SLXRWARN is placed in SLXCMDRC, a reason code of 700C is set, and only a Volume Information Section is returned.

The QDRLIST response consists of a Reply Header (mapped by SLX), and a Drive Information Section (mapped by SLXSDRV). If the request specifies SCRATCH=YES, an LSM Information Section (mapped by SLXSLSM) is included, sorted by scratch counts. The Drive Information Section is also sorted by scratch counts (most scratch volumes first). If the request specifies SCRATCH=NO, a Volume Information Section (mapped by SLXSVOL) is returned for the specified volume. The Drive Information Section is sorted by proximity to that volume.

QDSN

This request is provided to enable the requestor to get information about the current data sets in use by HSC.

QDSN Considerations

There are no special considerations associated with the QDSN request.

Syntax

```
▶▶ label — SLSXREQ QDSN — , MF=(E, parmaddr) — , OPTION= 

|        |
|--------|
| SYNCH  |
| ASYNCH |

 , XCALADR=rtnaddr →◀
```

Parameters

MF=(E,*parmaddr*)

specifies the execute form of the SLSXREQ macro using a remote parameter list. The parameter list address *parmaddr* may be specified as an RX-type address or in the register form. Valid register values are (1) - (12).

This parameter is required.

OPTION

specifies whether the requestor is to wait until the request is complete or continue processing while the request is active

This parameter is required.

SYNCH

specifies that the requestor wait until the request is complete.

ASYNCH

specifies that the requestor continue processing while the request is active. After return from the original request, R1 contains the address of an ECB POSTed when the response completed. R0 contains the token used by SLSXREQ READ to read the response.

XCALADR

specifies a location containing the address of the SLSXCAL routine.

rtnaddr specifies either an RX-type address of the routine, register (15), or register (2) - (12) containing the routine's address.

This parameter is required.

Response to QDSN Request

A return code (SLXCMDRC in SLXREQM macro) indicates the success of the operation. If the code is SLXRFAIL, a reason code or message is placed in SLXSRC

When querying data set information use the new QDSN Information Element Block (QDS) that is mapped by the SLXDSNIM. The response created is in contiguous storage and is composed of the SLX header and the QDSN information elements for a single QDSN request which are pointed to by the QDSN/QCONFIG directory.

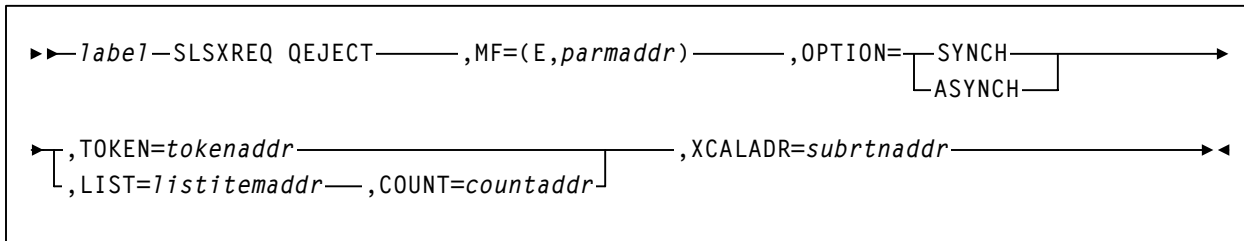
QEJECT

This request is used to determine the status of individual volser within an eject task.

QEJECT Considerations

There are no special considerations associated with the QEJECT request.

Syntax



Parameters

MF=(E,parmaddr)

specifies the execute form of the SLSXREQ macro using a remote parameter list. The parameter list address parmaddr may be specified as an RX-type address or in the register form. Valid register values are (1) - (12).

This parameter is required.

OPTION

specifies whether the requestor is to wait until the request is complete or continue processing while the request is active.

This parameter is required.

SYNCH

specifies that the requestor wait until the request is complete.

ASYNCH

specifies that the requestor continue processing while the request is active. After return from the original request, R1 contains the address of an ECB POSTed when the response completed. R0 contains the token used by SLSXREQ READ to read the response.

TOKEN

specifies the address of the token originally returned in R0 when the request was initiated.

tokenaddr specifies either an RX-type address of the token or the register (2) - (12) containing the address of the token.

This parameter is required if LIST is not specified.

LIST

tokenlist specifies the address of a list of tokens for STOP processing. The parameter list address may be specified as an RX-type address or in register form. Valid register values are (2) - (12).

A special form of this parameter, **LIST=***, indicates that the list immediately follows the parameter list control block.

This parameter is required if TOKEN is not specified.

COUNT

countaddr specifies the address of a two-byte count value. For QEJECT, COUNT specifies the number of VOLSERS in the list designated by the co-requisite LIST parameter.

This parameter is required when LIST is specified.

XCALADR

subrtnaddr specifies a location containing the address of the SLSXCAL routine. Specify either an RX-type address of the routine, register (15), or register (2) - (12) containing the routine's address.

This parameter is required.

Response to QEJECT Request

A return code indicates the success of the QEJECT operation. When successful, QEJECT returns the status of each VOLSER in an EJECT request.

QHSC

This request may be used to determine if the HSC is active or not. This permits programs to poll periodically to determine when the HSC becomes active.

QHSC Considerations

The QHSC request is synchronous only.

Syntax

```
▶▶ label — SLSXREQ QHSC — , MF=(E, parmaddr) — , XCALADR=rtnaddr —▶▶
```

Parameters

MF=(E,*parmaddr*)

specifies the execute form of the SLSXREQ macro using a remote parameter list. The parameter list address *parmaddr* may be specified as an RX-type address or in the register form. Valid register values are (1) - (12).

This parameter is required.

XCALADR

specifies a location containing the address of the SLSXCAL routine.

rtnaddr specifies either an RX-type address of the routine, register (15), or register (2) - (12) containing the routine's address.

This parameter is required.

Response to QHSC Request

A return code in R15 indicates if the HSC is active (SLXR0K) or not (SLXRNHSC). The response length (R0) and response address (R1) are zero.

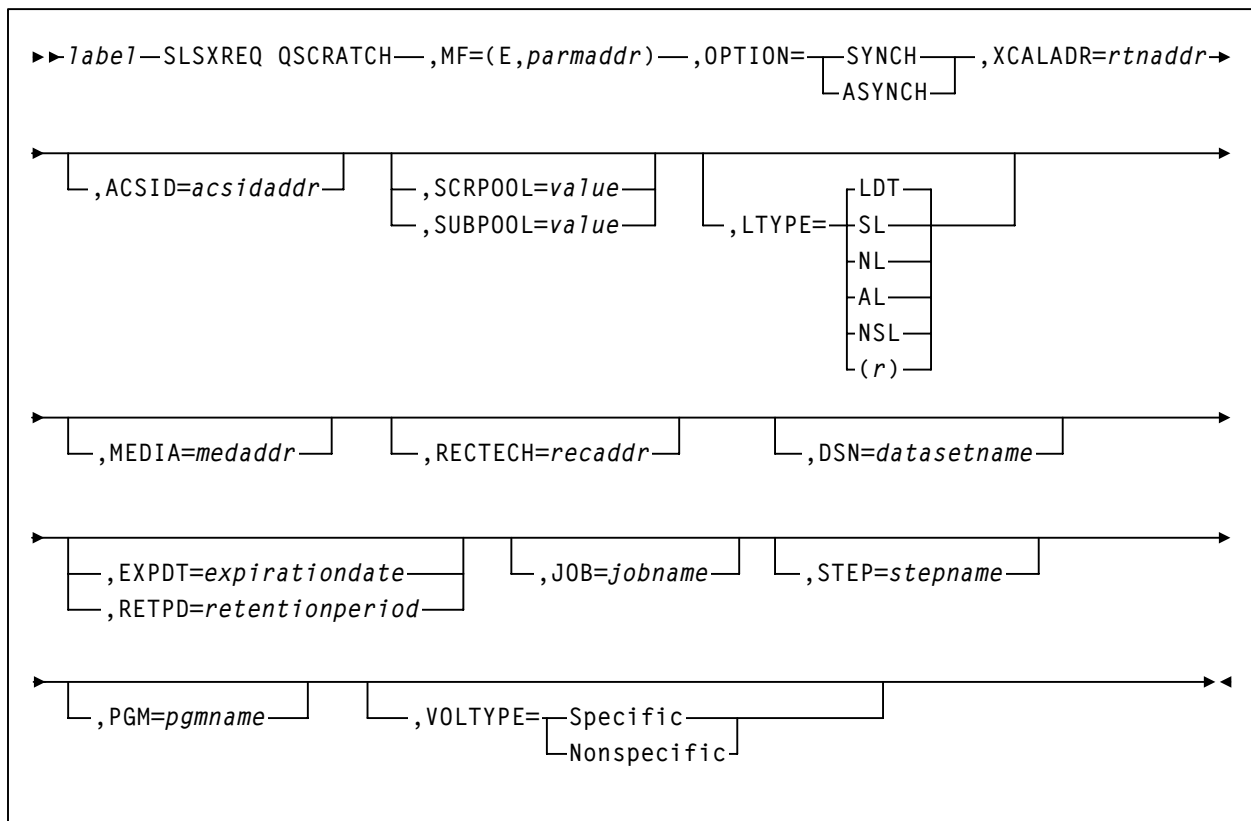
QSCRATCH

The QSCRATCH request is used to obtain detailed information about the number of scratch volumes in each LSM and ACS.

QSCRATCH Considerations

When the library and its associated control data sets are shared by more than one HSC, then the reported totals may differ from the true totals because they may not account for recent scratch volume activity on other processors. However, each HSC refreshes its scratch volume totals every 4 minutes (or the time interval specified in the OPTION command), so the variance should be slight. The LSM Information Elements are returned in highest scratch-count to lowest scratch-count order.

Syntax



Parameters

MF=(E,parmaddr)

specifies the execute form of the SLSXREQ macro using a remote parameter list. The parameter list address *parmaddr* may be specified as an RX-type address or in the register form. Valid register values are (1) - (12).

This parameter is required.

OPTION

specifies whether the requestor is to wait until the request is complete or continue processing while the request is active.

This parameter is required.

SYNCH

specifies that the requestor wait until the request is complete.

ASYNCH

specifies that the requestor continue processing while the request is active. After return from the original request, R1 contains the address of an ECB POSTed when the response completed. R0 contains the token used by SLSXREQ READ to read the response.

XCALADR

specifies a location containing the address of the SLSXCAL routine.

rtnaddr specifies either an RX-type address of the routine, register (15), or register (2) - (12) containing the routine's address.

This parameter is required.

ACSID

acsidaddr specifies the address of the ACS used to satisfy the request. The format of *acsidaddr* is *AA*, where *AA* is the ACS number (00-FF hexadecimal). For example, 01, designates ACS 01. Specify either an RX-type address of the data or the number of the register containing the address of the data.

This parameter is optional.

SCRPOOL

specifies the scratch subpool index for each request. The index ranges from 0 to 255. A value of zero indicates no special subpool request and any available scratch volume is usable. These subpools are defined by the user in the PARMLIB data set.

value specifies either an RX-type address of the one-byte subpool or the register (2) - (12) containing the subpool in byte 3.

This parameter is optional and defaults to 0 (any scratch volume).

SUBPOOL

specifies the address of a 13-character field containing the scratch subpool name for the scratch subpool.

subpoolname specifies either an RX-type address of the data or the number of the register containing the address of the data.

This parameter is optional.

LTYPE

specifies the label type for scratch processing. This parameter causes scratch processing to be restricted to the set of scratch volumes associated with the label type specified. These label types are defined in a user defined PARMLIB data set.

LDT

specifies the library default label type.

SL

specifies the standard-labeled pool.

NL

specifies the nonlabeled pool.

AL

specifies the ANSI-labeled pool.

NSL

specifies the nonstandard-labeled pool.

(*r*)

specifies a register (2) - (12) containing the label type in byte 0 of the register. That value is either SLSXLLDT (library default), SLSXLSL (standard label), SLSXLAL (ANSI label), SLSXLNL (nonlabeled) or SLSXLNS (nonstandard label).

This parameter defaults to library default type (LDT). If the default value is accepted for LTYPE, then SCRPOOL defaults to zero (0). If the label type is not the library default type, a nonzero subpool (SCRPOOL) must be specified.

This parameter is optional.

MEDia

specifies the address of an 8-byte character field containing the media type of of the requested scratch cartridge. **This parameter is optional.**

**Notes:**

- If MEDia is not specified, scratch cartridges are selected without regard to media type.
- **The SL8500 library supports the T9840A, T9840B, T9840C, T9840D, T9940B, LTO, SDLT, T10000A, and T10000B media types and recording techniques.**
- **The SL3000 library supports the T9840C, T9840D, LTO, SDLT, T10000A, and T10000B media types and recording techniques.**
- LTO and SDLT transports are not supported in an MVS environment. These transports are recognized by the HSC but are accessible only to open systems clients using LibraryStation.

medaddr

specifies either an RX-type address of the data or the register (2) - (12) containing the address of the data. Valid media types are:

LONGitud

indicates any Standard or ECART cartridge.

Standard

indicates a standard length, 3480 cartridge. It can be read on any longitudinal drives (4480, 4490, 9490, or 9490EE). Data can be written in 36-track mode on a 4490, 9490, or 9490EE transport but cannot be read on an 18-track (4480) drive. Synonyms for this type of cartridge include:

- CST
- MEDIA1
- STD
- 1
- 3480

ECART

indicates a 3490E, extended capacity cartridge. It can be used only on a 36-track drive (4490, 9490, or 9490EE). Synonyms include:

- E
- ECCST
- ETAPE
- Long
- MEDIA2
- 3490E

ZCART

indicates a 3490E, extended capacity cartridge that provides greater storage capacity than an ECART. It can be used only on a 9490EE drive.

ZCART can be abbreviated as Z.

DD3

indicates any DD3A, DD3B, or DD3C (HELical) cartridge. HELical is a synonym for DD3.

DD3A, DD3B, DD3C

indicates a helical cartridge. The media indicator in the external label is encoded with the cartridge type (A, B, or C). DD3A, DD3B, or DD3C can be abbreviated to A, B, or C, respectively.

Types of helical cartridges, along with their associated media capacities, are:

- A — 10GB
- B — 25GB
- C — 50GB.

Data capacity differences between DD3A, DD3B, and DD3C cartridges are related to the length of the tape in the cartridge, not to the recording density of the data.

STK1

indicates any T9840 cartridge.

STK1R

indicates a T9840 cartridge. The media indicator in the external label is encoded with the cartridge type (R). STK1R can be abbreviated to R.

T9840 cartridge media capacities are 20GB (T9840A and T9840B), 40GB (T9840C), or 75GB (T9840D).

STK2

indicates any T9940 cartridge.

STK2P

indicates a T9940 data cartridge. The media indicator in the external label is encoded with the cartridge type (P). STK2P can be abbreviated to P.

T9940 cartridge media capacities are 60GB (T9940A) or 200GB (T9940B).

LTO-10G

indicates an LTO 10GB capacity cartridge.

LTO-35G

indicates an LTO 35GB capacity cartridge.

LTO-50G

indicates an LTO 50GB capacity cartridge.

LTO-100G

indicates an LTO 100GB capacity cartridge.

LTO-200G

indicates an LTO 200GB capacity cartridge.

LTO-400G

indicates an LTO 400GB capacity cartridge.

LTO-400W

indicates an LTO Generation 3 WORM cartridge.

LTO-800G

indicates an LTO 800GB capacity cartridge.

LTO-800W

indicates an LTO Generation 4 WORM cartridge.

SDLT

indicates an SDLT 160GB cartridge.

SDLT-2

indicates an SDLT 125GB cartridge.

SDLT-S1

indicates an SDLT Generation S1 cartridge.

SDLT-S2

indicates an SDLT Generation S2 cartridge.

SDLT-S3

indicates an SDLT Generation S3 cartridge.

SDLT-S4

indicates an SDLT Generation S4 cartridge.

SDLT-4

indicates an SDLT Generation 4 cartridge.

T10000T1 or T1

indicates a full-capacity 500GB T10000A or 1TB T10000B cartridge. T10000T1 can be abbreviated as **T1**.

T10000TS or TS

indicates a smaller-capacity 120GB T10000A or 240GB T10000B cartridge. T10000TS can be abbreviated as **TS**.

RECtech

specifies the address of an 8-byte field containing the recording technique used to record data tracks on the tape surface. **This parameter is optional.**

**Notes:**

- If **RECtech** is not specified, scratch cartridges are selected depending on the MEDIA type that has been specified.
- **The SL8500 library supports the T9840A, T9840B, T9840C, T9840D, T9940B, LTO, SDLT, T10000A, and T10000B media types and recording techniques.**
- **The SL3000 library supports the T9840C, T9840D, LTO, SDLT, T10000A, and T10000B media types and recording techniques.**

recaddr

specifies either an RX-type address of the data or the register (2) - (12) containing the address of the data. Valid recording techniques are:

LONGItud

indicates any device that uses longitudinal recording.

18track

indicates a 4480 transport.

36track

indicates a 4490, 9490, or 9490EE transport (any device that records in 36-track mode).

36Atrack

indicates a 4490 (Silverton) transport.

36Btrack

indicates a 9490 (Timberline) transport.

36Ctrack

indicates a 9490EE transport.

HELical

indicates a device using helical recording.

DD3

indicates a device using helical recording.

STK1R

indicates any T9840 transport.

STK1R34

indicates any 3490E-image T9840 transport.

STK1R35

indicates any 3590-image T9840 transport.

STK1RA

indicates a 3490E or 3590-image T9840A transport.

STK1RA34

indicates a 3490E-image T9840A transport.

STK1RA35

indicates a 3590-image T9840A transport.

STK1RB

indicates a 3490E or 3590-image T9840B transport.

STK1RB34

indicates a 3490E-image T9840B transport.

STK1RB35

indicates a 3590-image T9840B transport.

STK1RAB

indicates a 3490E or 3590-image T9840A or T9840B transport.

STK1RAB4

indicates a 3490E-image T9840A or T9840B transport.

STK1RAB5

indicates a 3590E-image T9840A or T9840B transport.

STK1RC

indicates a 3490E or 3590-image T9840C transport.

STK1RC34

indicates a 3490-image T9840C transport.

STK1RC35

indicates a 3590-image T9840C transport.

STK1RD

indicates any T9840D transport.

STK1RDE

indicates an encryption-enabled T9840D transport.

STK1RDN

indicates a non-encryption enabled T9840D transport.

STK1RD34

indicates a non-encryption enabled 3490E-image T9840D transport.

STK1RD35

indicates a non-encryption enabled 3590-image T9840D transport.

STK1RDE4

indicates an encryption-enabled 3490E-image T9840D transport.

STK1RDE5

indicates an encryption-enabled 3590-image T9840D transport.

STK2P

indicates any 9940 transport.

STK2P34

indicates any 3490E-image 9940 transport.

STK2P35

indicates any 3590-image 9940 transport.

STK2PA

indicates a T9940A transport.

STK2PA34

indicates a 3490E-image T9940A transport.

STK2PA35

indicates a 3590-image T9940A transport.

STK2PB

indicates a T9940B transport.

STK2PB34

indicates a 3490E-image T9940B transport.

STK2PB35

indicates a 3590-image T9940B transport.

T10K

indicates all T10000 transports.

T10KN

indicates all non-encrypted T10000 transports.

T10KE

indicates all encrypted T10000 transports.

T1A

indicates any T10000A transport.

T1AN

indicates a non-encryption enabled 3490E- or 3590-image T10000A transport.

T1A34

indicates a non-encryption enabled 3490E-image T10000A transport.

T1A35

indicates a non-encryption enabled 3590-image T10000A transport.

T1AE

indicates an encryption-enabled 3490E- or 3590-image T10000A transport.

T1AE34

indicates an encryption-enabled 3490E-image T10000A transport.

T1AE35

indicates an encryption-enabled 3590-image T10000A transport.

T1B

indicates any T10000B transport.

T1BN

indicates a non-encryption enabled 3490E- or 3590-image T10000B transport.

T1B34

indicates a non-encryption enabled 3490E-image T10000B transport.

T1B35

indicates a non-encryption enabled 3590-image T10000B transport.

T1BE

indicates an encryption-enabled 3490E- or 3590-image T10000B transport.

T1BE34

indicates an encryption-enabled 3490E-image T10000B transport.

T1BE35

indicates an encryption-enabled 3590-image T10000B transport.

Note: The following parameters are ignored if Media, RECtech, or both are specified.

DSN

datasetname specifies the data set name.

This parameter is optional.

EXPDT

expirationdate specifies the expiration date of the data set in *yyddd* or *yyy/ddd* format.

RETPD

retentionperiod specifies the retention period for the data set in days. Specify the number of days as a one- to four-digit decimal number.

This parameter is optional.

JOB

jobname specifies the job name. This parameter is optional. *STEP* stepname specifies the step name. This parameter is optional. *PGM* pgmname specifies the step name.

This parameter is optional.

VOLTYPE

indicates whether or not a nonspecific volume was requested.

Specific

requests a specific volume to be mounted.

Nonspecific

requests a nonspecific volume to be mounted.

This parameter is optional.

Response to QSCRATCH Request

A return code (SLXCMDRC in SLSXREQM macro) indicates the success of the operation. If the code is SLXRFAIL, a reason code or message is placed in SLXSRC. HSC messages and non-PGMI reason codes are described in the *HSC Messages and Codes Guide*. PGMI reason codes are described in “Reason Codes” on page 825.

In addition to the Reply Header, an LSM information element for each LSM (mapped by SLXSLSM) is returned.

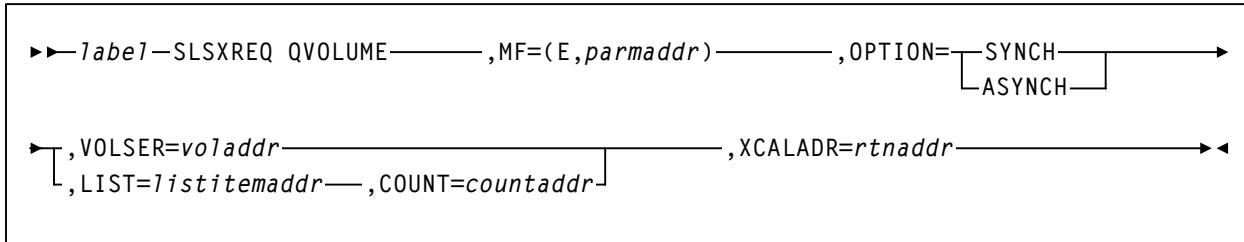
QVOLUME

The QVOLUME request is used to obtain the library status of a cartridge.

QVOLUME Considerations

There are no considerations for this PGMI function.

Syntax



Parameters

MF=(E,*parmaddr*)

specifies the execute form of the SLSXREQ macro using a remote parameter list. The parameter list address *parmaddr* may be specified as an RX-type address or in the register form. Valid register values are (1) - (12).

This parameter is required.

OPTION

specifies whether the requestor is to wait until the request is complete or continue processing while the request is active.

This parameter is required.

SYNCH

specifies that the requestor wait until the request is complete.

ASYNCH

specifies that the requestor continue processing while the request is active. After return from the original request, R1 contains the address of an ECB POSTed when the response completed. R0 contains the token used by SLSXREQ READ to read the response.

VOLSER

voladdr specifies the address of a six-character volume label. Acceptable characters for a VOLSER are A-Z, 0-9, #, \$, ¥, and trailing blanks.

Specify either an RX-type address of the VOLSER or the register (2) - (12) containing the address of the VOLSER.

This parameter is required.

LIST

specifies the address of a list of elements. *listitemaddr* specifies either an RX-type address of the data or the number of a register containing the address of the data. LIST designates a list of 6-byte VOLSERS.

This parameter is required if VOLSER is not specified.

COUNT

specifies the address of a two-byte count value.

countaddr specifies either an RX-type address of the data or the number of the register containing the address of the data.

This parameter is required when LIST is specified.

XCALADR

specifies a location containing the address of the SLSXCAL routine.

rtnaddr specifies either an RX-type address of the routine, register (15), or register (2) - (12) containing the routine's address.

This parameter is required.

Response to QVOLUME Request

A return code (SLXCMDRC in SLSXREQM macro) indicates the success of the operation. If the code is SLXRFAIL, a reason code or message is placed in SLXSRC. HSC messages and non-PGMI reason codes are described in the *HSC Messages and Codes Guide*. PGMI reason codes are described in "Reason Codes" on page 825.

In addition to the Reply Header, the Volume Information Section (mapped by SLXSVOL) is returned.

If the volume is not in the library, a code of SLXRWARN is placed in SLXCMDRC, a reason code of 700C is set.

READ

The READ request directs the HSC to return the response(s) associated with a previously initiated request, which has completed as indicated by a posted ECB.

READ Considerations

This request is used to read a response associated with a particular token. The requestor specifies the token returned on the original request.

The READ request is synchronous only.

Syntax

```
▶▶—label—SLSXREQ READ—,MF=(E,parmaddr)—,TOKEN=tokenaddr—,XCALADR=rtnaddr—▶▶
```

Parameters

MF=(E,parmaddr)

specifies the execute form of the SLSXREQ macro using a remote parameter list. The parameter list address parmaddr may be specified as an RX-type address or in the register form. Valid register values are (1) - (12).

This parameter is required.

TOKEN

specifies the address of the token originally returned in R0 when the request was initiated.

tokenaddr specifies either an RX-type address of the token or the register (2) - (12) containing the address of the token.

This parameter is required.

XCALADR

specifies a location containing the address of the SLSXCAL routine.

rtnaddr specifies either an RX-type address of the routine, register (15), or register (2) - (12) containing the routine's address.

This parameter is required.

Response to READ Request

A return code (SLXCMDRC in SLSXREQM macro) indicates the success of the operation. If zero, R1 contains the address of the response, and R0 contains the length. The area and length are valid until the next SLSXREQ macro. The response area is in HSC key, non-fetch protected, so the user should not attempt to modify the response area.

If the code is SLXRFAIL, a reason code or message is placed in SLXSRC. HSC messages and non-PGMI reason codes are described in the *HSC Messages and Codes Guide*. PGMI reason codes are described in “Reason Codes” on page 825. Valid reason codes depend on the original request.

RESET

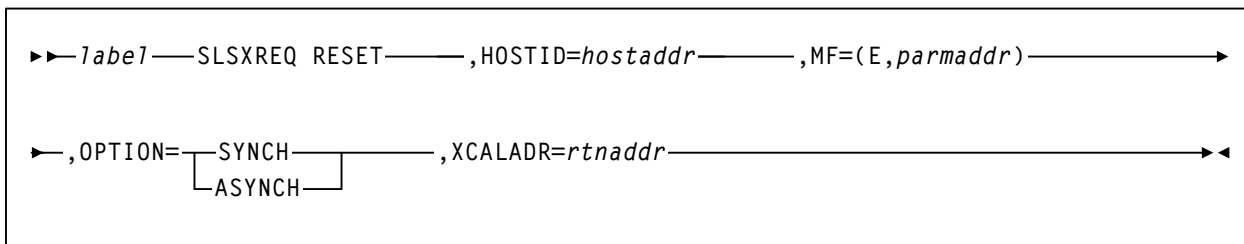
The RESET request caused prior versions of the HSC to attempt to dismount all volumes that were mounted on behalf of a specific host.

RESET Considerations

Volumes mounted on a drive can be dismounted by any host connected to the library. This removes the restriction that the host that mounted a volume must be the host to dismount the volume.

When a mounted volume is rewound and the drive is unloaded, the next mount request for that drive causes the volume to be dismounted. Because of this fact, the RESET request no longer physically dismounts a volume.

Syntax



Parameters

HOSTID

specifies the address of an eight character host ID, left justified and padded with blanks.

hostaddr specifies either an RX-type address of the host ID or the register (2) - (12) containing the address of the host ID.

This parameter is required.

MF=(E,parmaddr)

specifies the execute form of the SLSXREQ macro using a remote parameter list. The parameter list address *parmaddr* may be specified as an RX-type address or in the register form. Valid register values are (1) - (12).

This parameter is required.

OPTION

specifies whether the requestor is to wait until the request is complete or continue processing while the request is active.

This parameter is required.

SYNCH

specifies that the requestor wait until the request is complete.

ASYNCH

specifies that the requestor continue processing while the request is active. After return from the original request, R1 contains the address of an ECB POSTed when the response completed. R0 contains the token used by SLSXREQ READ to read the response.

XCALADR

specifies a location containing the address of the SLSXCAL routine.

rnaddr specifies either an RX-type address of the routine, register (15), or register (2) - (12) containing the routine's address.

This parameter is required.

Response to RESET Request

A return code of SLXROK is placed in SLXCMDRC.

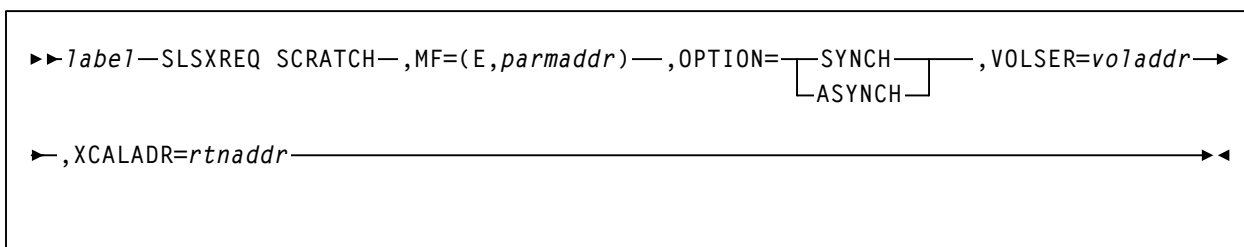
SCRATCH

The SCRATCH request causes a volume to be placed in scratch status in the library control data set.

SCRATCH Considerations

The volume must be in the library. No volume movement takes place. However, SCRATCH processing must select the cartridge in order to change its status. This means that the scratch request fails if the cartridge is in use.

Syntax



Parameters

MF=(E,*paramaddr*)

specifies the execute form of the SLSXREQ macro using a remote parameter list. The parameter list address *paramaddr* may be specified as an RX-type address or in the register form. Valid register values are (1) - (12).

This parameter is required.

OPTION

specifies whether the requestor is to wait until the request is complete or continue processing while the request is active.

This parameter is required.

SYNCH

specifies that the requestor wait until the request is complete.

ASYNCH

specifies that the requestor continue processing while the request is active. After return from the original request, R1 contains the address of an ECB POSTed when the response completed. R0 contains the token used by SLSXREQ READ to read the response.

VOLSER

voladdr specifies the address of a six-character volume label. Acceptable characters for a VOLSER are A-Z, 0-9, #, \$, ¥, and trailing blanks.

Specify either an RX-type address of the VOLSER or the register (2) - (12) containing the address of the VOLSER.

This parameter is required.

XCALADR

specifies a location containing the address of the SLSXCAL routine.

rtnaddr specifies either an RX-type address of the routine, register (15), or register (2) - (12) containing the routine's address.

This parameter is required.

Response to SCRATCH Request

A return code (SLXCMDRC in SLSXREQM macro) indicates the success of the operation. If the scratch was successful, a return code of SLXR0K is placed in SLXCMDRC. If the scratch failed, a return code of SLXRFAIL is placed there. If the code is SLXRFAIL, a reason code or message is placed in SLXSRC. HSC messages and non-PGMI reason codes are described in the *HSC Messages and Codes Guide*. PGMI reason codes are described in "Reason Codes" on page 825.

The response is returned at the completion of the request.

SELSCR

The SELSCR causes the HSC to choose a library scratch volume and remove it from scratch status in the library control data sets.

SELSCR Considerations

No volume movement occurs.

When neither ACSID nor DRIVE is specified, the HSC searches through all library LSMs and chooses a scratch volume from the LSM containing the most scratch volumes. When ACSID is specified, the HSC chooses a scratch volume from the LSM in the specified ACS that holds the most cartridges. When DRIVE is specified the HSC chooses a scratch volume from the closest LSM, if the drive is in an automatic mode LSM. If the drive is in a manual mode LSM, a scratch volume is picked from a manual mode LSM before it is picked from an automatic mode LSM.

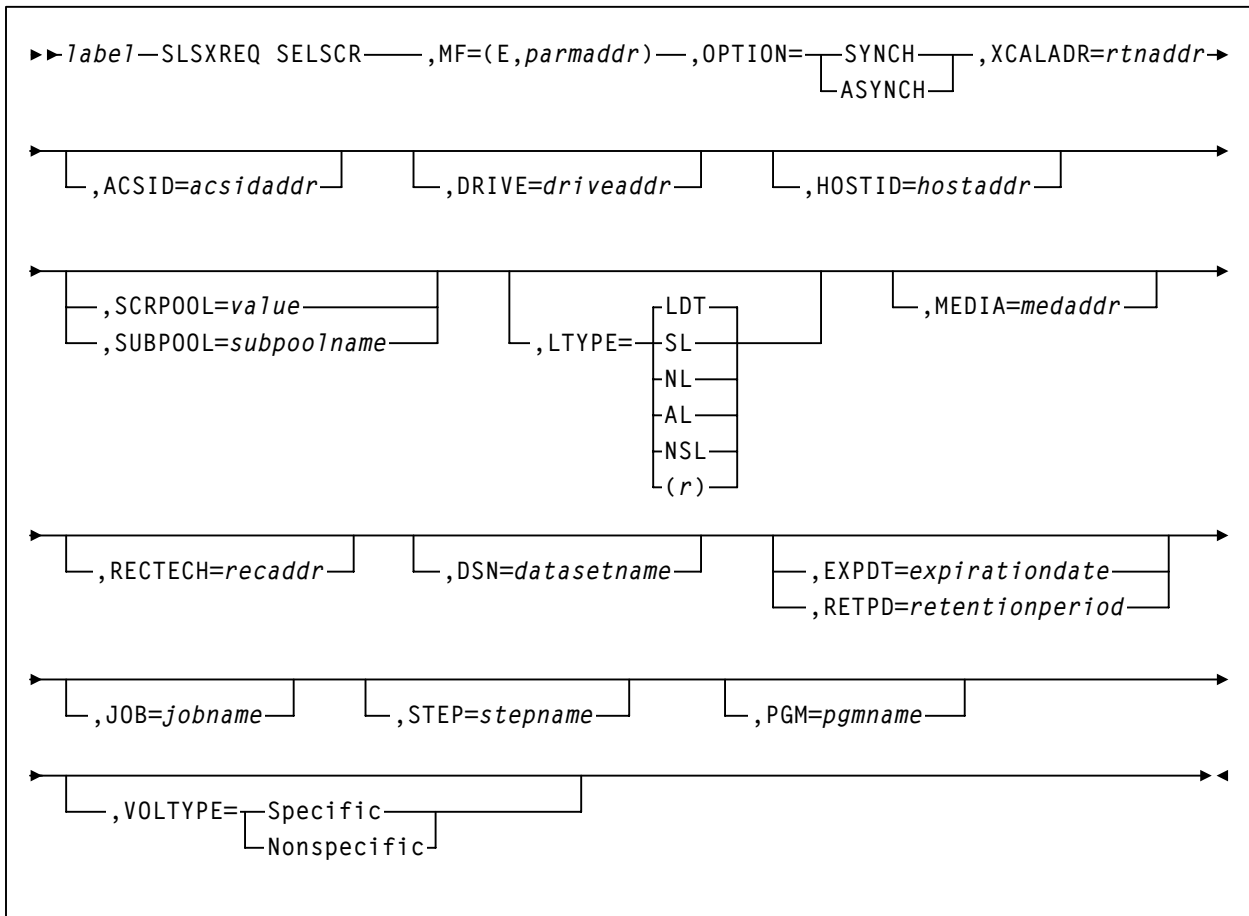


Caution: StorageTek strongly recommends that you do not place SL3000 and SL8500 libraries in manual mode. To use manual mode, all LSMs in the library must be offline, and that means all CAPs and drives are unavailable for automated operations.

Additionally, SL8500s have been designed for high cartridge density, so there is limited room for manually mounting and dismounting cartridges.

Refer to the “Precautions” topic in the *SL8500 Modular Library System User’s Guide* for safety requirements and physical restrictions if you decide that you must enter the library.

Syntax



Parameters

MF=(E,parmaddr)

specifies the execute form of the SLSXREQ macro using a remote parameter list. The parameter list address *parmaddr* may be specified as an RX-type address or in the register form. Valid register values are (1) - (12).

This parameter is required.

OPTION

specifies whether the requestor is to wait until the request is complete or continue processing while the request is active.

This parameter is required.

SYNCH

specifies that the requestor wait until the request is complete.

ASYNCH

specifies that the requestor continue processing while the request is active. After return from the original request, R1 contains the address of an ECB POSTed when the response completed. R0 contains the token used by SLSXREQ READ to read the response.

XCALADR

specifies a location containing the address of the SLSXCAL routine.

rtmaddr specifies either an RX-type address of the routine, register (15), or register (2) - (12) containing the routine's address.

This parameter is required.

ACSID

acsidaddr specifies the address of the ACS used to satisfy the request. The format of *acsidaddr* is AA, where AA is the ACS number (00-FF hexadecimal). For example, 01, designates ACS 01. Specify either an RX-type address of the data or the number of the register containing the address of the data.

This parameter is optional.

DRIVE

driveaddr specifies the address of the 2-byte drive specification (0cua) from which a volume needs dismounting.

Specify either an RX-type address of the data or the register (2) - (12) containing the address of the data.

This parameter is optional.

HOSTID

specifies the address of an eight character host ID, left justified and padded with blanks. *hostaddr* specifies either an RX-type address of the host ID or the register (2) - (12) containing the address of the host ID.

This parameter is optional. If the parameter is not specified, the host ID executing the request is used.

SCRPOOL

specifies the scratch subpool index for each request. The index ranges from 0 to 255. A value of zero indicates no special subpool request and any available scratch volume is usable. These subpools are defined by the user in the PARMLIB data set.

value specifies either an RX-type address of the one-byte subpool or the register (2) - (12) containing the subpool in byte 3.

This parameter is optional and defaults to 0 (any scratch volume).

SUBPOOL

specifies the address of a 13-character field containing the scratch subpool name for the scratch subpool.

subpoolname specifies either an RX-type address of the data or the number of the register containing the address of the data.

This parameter is optional.

LTYPE

specifies the label type for scratch processing. This parameter causes scratch processing to be restricted to the set of scratch volumes associated with the label type specified. These label types are defined in a user defined PARMLIB data set.

LDT

specifies the library default label type.

SL

specifies the standard-labeled pool.

NL

specifies the nonlabeled pool.

AL

specifies the ANSI-labeled pool.

NSL

specifies the nonstandard-labeled pool.

(r)

specifies a register (2) - (12) containing the label type in byte 0 of the register. That value is either SLSXLLDT (library default), SLSXLSL (standard label),

SLSXLAL (ANSI label), SLSXLNL (nonlabeled) or SLSXLNS (nonstandard label).

This parameter defaults to library default type (LDT). If the default value is accepted for LTYPE, then SCRPOOL defaults to zero (0). If the label type is not the library default type, a nonzero subpool (SCRPOOL) must be specified

This parameter is optional.

MEDia

specifies the address of an 8-byte character field containing the media type of the selected scratch cartridge. **This parameter is optional.**



Notes:

- If **MEDia** is not specified, scratch cartridges are selected without regard to media type.
- **The SL8500 library supports the T9840A, T9840B, T9840C, T9840D, T9940B, LTO, SDLT, T10000A, and T10000B media types and recording techniques.**
- **The SL3000 library supports the T9840C, T9840D, LTO, SDLT, T10000A, and T10000B media types and recording techniques.**
- LTO and SDLT transports are not supported in an MVS environment. These transports are recognized by the HSC but are accessible only to open systems clients using LibraryStation.

medaddr

specifies either an RX-type address of the data or the register (2) - (12) containing the address of the data. Valid media types are:

LONGItud

indicates any Standard or ECART cartridge.

Standard

indicates a standard length, 3480 cartridge. It can be read on any longitudinal drives (4480, 4490, 9490, or 9490EE). Data can be written in 36-track mode on a 4490, 9490, or 9490EE transport but cannot be read on an 18-track (4480) drive. Synonyms for this type of cartridge include:

- CST
- MEDIA1
- STD
- 1
- 3480

ECART

indicates a 3490E, extended capacity cartridge. It can be used only on a 36-track drive (4490, 9490, or 9490EE). Synonyms include:

- E
- ECCST
- ETAPE
- Long
- MEDIA2
- 3490E

ZCART

indicates a 3490E, extended capacity cartridge that provides greater storage capacity than an ECART. It can be used only on a 9490EE drive.

ZCART can be abbreviated as Z.

DD3

indicates any DD3A, DD3B, or DD3C (HELical) cartridge. HELical is a synonym for DD3.

DD3A, DD3B, DD3C

indicates a helical cartridge. The media indicator in the external label is encoded with the cartridge type (A, B, or C). DD3A, DD3B, or DD3C can be abbreviated to A, B, or C, respectively.

Types of helical cartridges, along with their associated media capacities, are:

- A — 10GB
- B — 25GB
- C — 50GB.

Data capacity differences between DD3A, DD3B, and DD3C cartridges are related to the length of the tape in the cartridge, not to the recording density of the data.

STK1

indicates any T9840 cartridge.

STK1R

indicates a T9840 cartridge. The media indicator in the external label is encoded with the cartridge type (R). STK1R can be abbreviated to R.

T9840 cartridge media capacities are 20GB (T9840A and T9840B), 40GB (T9840C), or 75GB (T9840D).

STK2

indicates any T9940 cartridge.

STK2P

indicates a T9940 data cartridge. The media indicator in the external label is encoded with the cartridge type (P). STK2P can be abbreviated to P.

T9940 cartridge media capacities are 60GB (T9940A) or 200GB (T9940B).

LTO-10G

indicates an LTO 10GB capacity cartridge.

LTO-35G

indicates an LTO 35GB capacity cartridge.

LTO-50G

indicates an LTO 50GB capacity cartridge.

LTO-100G

indicates an LTO 100GB capacity cartridge.

LTO-200G

indicates an LTO 200GB capacity cartridge.

LTO-400G

indicates an LTO 400GB capacity cartridge.

LTO-400W

indicates an LTO Generation 3 WORM cartridge.

LTO-800G

indicates an LTO 800GB capacity cartridge.

LTO-800W

indicates an LTO Generation 4 WORM cartridge.

SDLT

indicates an SDLT 160GB cartridge.

SDLT-2

indicates an SDLT 125GB cartridge.

SDLT-S1

indicates an SDLT Generation S1 cartridge.

SDLT-S2

indicates an SDLT Generation S2 cartridge.

SDLT-S3

indicates an SDLT Generation S3 cartridge.

SDLT-S4

indicates an SDLT Generation S4 cartridge.

SDLT-4

indicates an SDLT Generation 4 cartridge.

T10000T1 or T1

indicates a full-capacity 500GB T10000A or 1TB T10000B cartridge. T10000T1 can be abbreviated as **T1**.

T10000TS or TS

indicates a smaller-capacity 120GB T10000A or 240GB T10000B cartridge. T10000TS can be abbreviated as **TS**.

RECtech

specifies the address of an 8-byte field containing the recording technique used to record data tracks on the tape surface. **This parameter is optional.**



Notes:

- If **RECtech** is not specified, scratch cartridges are selected depending on the MEDIA type that has been specified.
- **The SL8500 library supports the T9840A, T9840B, T9840C, T9840D, T9940B, LTO, SDLT, T1000A, and T1000B media types and recording techniques.**
- **The SL3000 library supports the T9840C, T9840D, LTO, SDLT, T1000A, and T1000B media types and recording techniques.**

recaddr

specifies either an RX-type address of the data or the register (2) - (12) containing the address of the data. Valid recording techniques are:

LONGitud

indicates any device that uses longitudinal recording.

18track

indicates a 4480 transport.

36track

indicates a 4490, 9490, or 9490EE transport (any device that records in 36-track mode).

36Atrack

indicates a 4490 (Silverton) transport.

36Btrack

indicates a 9490 (Timberline) transport.

36Ctrack

indicates a 9490EE transport.

HELical

indicates a device using helical recording.

DD3

indicates a device using helical recording.

STK1R

indicates any T9840 transport.

STK1R34

indicates any 3490E-image T9840 transport.

STK1R35

indicates any 3590-image T9840 transport.

STK1RA

indicates a 3490E or 3590-image T9840A transport.

STK1RA34

indicates a 3490E-image T9840A transport.

STK1RA35

indicates a 3590-image T9840A transport.

STK1RB

indicates a 3490E or 3590-image T9840B transport.

STK1RB34

indicates a 3490E-image T9840B transport.

STK1RB35

indicates a 3590-image T9840B transport.

STK1RAB

indicates a 3490E or 3590-image T9840A or T9840B transport.

STK1RAB4

indicates a 3490E-image T9840A or T9840B transport.

STK1RAB5

indicates a 3590E-image T9840A or T9840B transport.

STK1RC

indicates a 3490E or 3590-image T9840C transport.

STK1RC34

indicates a 3490-image T9840C transport.

STK1RC35

indicates a 3590-image T9840C transport.

STK1RD

indicates any T9840D transport.

STK1RDE

indicates an encryption-enabled T9840D transport.

STK1RDN

indicates a non-encryption enabled T9840D transport.

STK1RD34

indicates a non-encryption enabled 3490E-image T9840D transport.

STK1RD35

indicates a non-encryption enabled 3590-image T9840D transport.

STK1RDE4

indicates an encryption-enabled 3490E-image T9840D transport.

STK1RDE5

indicates an encryption-enabled 3590-image T9840D transport.

STK2P

indicates any 9940 transport.

STK2P34

indicates any 3490E-image 9940 transport.

STK2P35

indicates any 3590-image 9940 transport.

STK2PA

indicates a T9940A transport.

STK2PA34

indicates a 3490E-image T9940A transport.

STK2PA35

indicates a 3590-image T9940A transport.

STK2PB

indicates a T9940B transport.

STK2PB34

indicates a 3490E-image T9940B transport.

STK2PB35

indicates a 3590-image T9940B transport.

T10K

indicates all T10000 transports.

T10KN

indicates all non-encrypted T10000 transports.

T10KE

indicates all encrypted T10000 transports.

T1A

indicates any T10000A transport.

T1AN

indicates a non-encryption enabled 3490E- or 3590-image T10000A transport.

T1A34

indicates a non-encryption enabled 3490E-image T10000A transport.

T1A35

indicates a non-encryption enabled 3590-image T10000A transport.

T1AE

indicates an encryption-enabled 3490E- or 3590-image T10000A transport.

T1AE34

indicates an encryption-enabled 3490E-image T10000A transport.

T1AE35

indicates an encryption-enabled 3590-image T10000A transport.

T1B

indicates any T10000B transport.

T1BN

indicates a non-encryption enabled 3490E- or 3590-image T10000B transport.

T1B34

indicates a non-encryption enabled 3490E-image T10000B transport.

T1B35

indicates a non-encryption enabled 3590-image T10000B transport.

T1BE

indicates an encryption-enabled 3490E- or 3590-image T10000B transport.

T1BE34

indicates an encryption-enabled 3490E-image T10000B transport.

T1BE35

indicates an encryption-enabled 3590-image T10000B transport.

Note: The following parameters are ignored if Media, RECtech, or both are specified.

DSN

datasetname specifies the data set name.

This parameter is optional.

EXPDT

expirationdate specifies the expiration date of the data set in *yyddd* or *yyy/ddd* format.

This parameter is optional.

RETPD

retentionperiod specifies the retention period for the data set in days. Specify the number of days as a one- to four-digit decimal number.

This parameter is optional.

JOB

jobname specifies the job name.

This parameter is optional.

STEP

stepname specifies the step name.

This parameter is optional.

PGM

pgmname specifies the step name.

This parameter is optional.

VOLTYPE

indicates whether or not a nonspecific volume was requested.

Specific

requests a specific volume to be mounted.

Nonspecific

requests a nonspecific volume to be mounted.

This parameter is optional.

Response to SELSCR Request

A return code (SLXCMDRC in the SLSXREQM macro) indicates the success of the operation. If the return code is SLXR0K, a volume information element will be returned describing the volume picked.

If the return code is SLXRWARN, there is no scratch volume that met the specifications. A reason code of X'4011' will be set in SLXSRC.

If the return code is SLXRFAIL, a reason code or message is placed in SLXSRC. HSC messages and non-PGMI reason codes are described in the *HSC Messages and Codes Guide*. PGMI reason codes are described in "Reason Codes" on page 825.

STOP

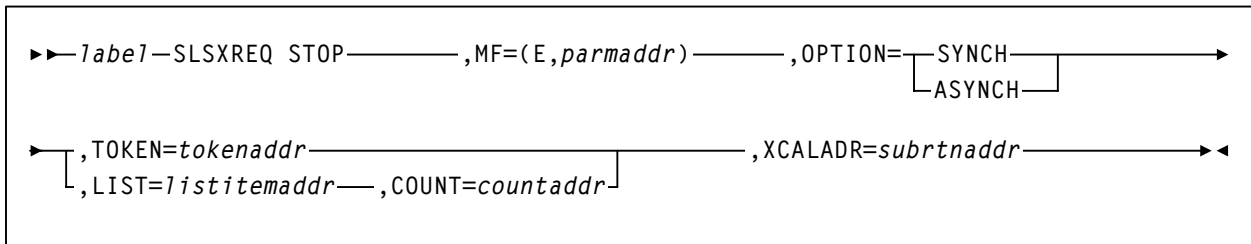
The STOP request causes a specific PGMI request to be terminated.

STOP Considerations

Each PGMI request is assigned a token number. This token number is available to the operator when submitting a request for tracking or conversational purposes. The HSC's allow for a variable number of EJECT requests. The STOP request provides the ability to interrupt those requests. Through the use of tokens, a STOP request can be issued to terminate any specific request.

The STOP request allows a forced, orderly termination of a given unit or units of work.

Syntax



Parameters

MF=(E,parmaddr)

specifies the execute form of the SLSXREQ macro using a remote parameter list. The parameter list address *parmaddr* may be specified as an RX-type address or in the register form. Valid register values are (1) - (12).

This parameter is required.

OPTION

specifies whether the requestor is to wait until the request is complete or continue processing while the request is active.

This parameter is required.

SYNCH

specifies that the requestor wait until the request is complete.

ASYNCH

specifies that the requestor continue processing while the request is active. After return from the original request, R1 contains the address of an ECB POSTed when the response completed. R0 contains the token used by SLSXREQ READ to read the response.

TOKEN

Specifies the address of the token originally returned in R0 when the request was initiated.

tokenaddr specifies either an RX-type address of the token or the register (2) - (12) containing the address of the token.

This parameter is required if LIST is not specified.

LIST

tokenlist specifies the address of a list of tokens for STOP processing. The parameter list address may be specified as an RX-type address or in register form. Valid register values are (2) - (12).

A special form of this parameter, LIST=*, indicates that the list immediately follows the parameter list control block.

This parameter is required if TOKEN is not specified.

COUNT

countaddr specifies the RX or register form address of a two-byte binary field containing the number of entries specified in **LIST**. Valid register values for RX addressing are (2) - (12). The maximum number of tokens specified is 500. If COUNT is specified without LIST, an error results.

This parameter is required when LIST is specified.

XCALADR

subrtnaddr specifies a location containing the address of the SLSXCAL routine. Specify either an RX-type address of the routine, register (15), or register (2) - (12) containing the routine's address.

This parameter is required.

Response to STOP Request

A return code indicates the success of the STOP operation.

UNSCRATCH

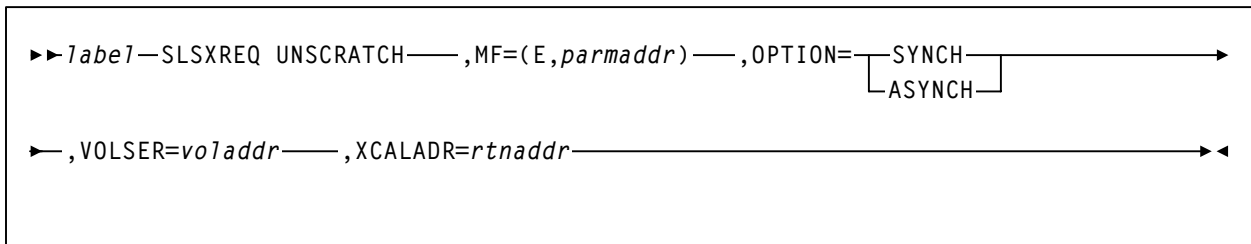
The UNSCRATCH request causes a volume to be removed from scratch status in the HSC control data set.

UNSCRATCH Considerations

This request removes a volume from scratch status within the library.

No volume movement occurs. However, UNSCRATCH processing must select the cartridge in order to change its status. This means that the UNSCRATCH request will fail if the cartridge is mounted on a drive.

Syntax



Parameters

MF=(E,parmaddr)

specifies the execute form of the SLSXREQ macro using a remote parameter list. The parameter list address *parmaddr* may be specified as an RX-type address or in the register form. Valid register values are (1) - (12).

This parameter is required.

OPTION

specifies whether the requestor is to wait until the request is complete or continue processing while the request is active.

This parameter is required.

SYNCH

specifies that the requestor wait until the request is complete.

ASYNCH

specifies that the requestor continue processing while the request is active. After return from the original request, R1 contains the address of an ECB POSTed when the response completed. R0 contains the token used by SLSXREQ READ to read the response.

VOLSER

voladdr specifies the address of a six-character volume label. Acceptable characters for a VOLSER are A-Z, 0-9, #, \$, ¥, and trailing blanks.

Specify either an RX-type address of the VOLSER or the register (2) - (12) containing the address of the VOLSER.

This parameter is required.

XCALADR

specifies a location containing the address of the SLSXCAL routine.

rtnaddr specifies either an RX-type address of the routine, register (15), or register (2) - (12) containing the routine's address.

This parameter is required.

Response to UNSCRATCH Request

A return code (SLXCMDRC in SLSXREQM macro) indicates the success of the operation. If the unscratch was successful, a return code of SLXR0K is placed in SLXCMDRC. If the unscratch failed, a return code of SLXRFAIL is placed there. If the return code is SLXRFAIL, a reason code or message is placed in SLXSRC. HSC messages and non-PGMI reason codes are described in the *HSC Messages and Codes Guide*. PGMI reason codes are described in "Reason Codes" on page 825.

The response is returned at the completion of the request.

Sample Requests

Sample Set Up

The following code fragment sets up for the SLSXREQ environment, and then issues QHSC to see if the HSC is available.

```
*
* Get HSC call routine
*
      LOAD EP=SLSXCAL,          LOAD SLSXCAL.          +
          ERRET=NOHSC          ASSUME NOT UP IF LOAD FAILS
      ST      Ø,WXCALADR        SAVE ADDR FOR LATER.
*
* See if the HSC is up
*
      SLSXREQ QHSC,            QUERY HSC STATUS.          +
          XCALADR=WXCALADR,
          MF=(E,W SLSXREQ)
      LTR 15,15                RETURN CODE ZERO
      BNZ NOHSC                 NO - HSC NOT UP.
```

Figure 60. Sample 1 - SLSXREQ Environment Set Up

Sample QVOLUME Request

The following code fragment issues a QVOLUME request to determine if a volume is in the library. If it is, that information could be used in a Display command.

Note: The response is copied so that further SLSXREQ requests can be issued without losing the volume data.

```

QVOLUME TITLE '- PROGRAMMATIC INTERFACE - QVOLUME'
*
* QVOLUME - PROGRAMMATIC INTERFACE - QUERY THE STATUS OF A VOLUME
* FUNCTION: USE PROGRAMMATIC INTERFACE SLSXREQ MACRO FUNCTION
* QVOLUME.
*
* ATTRIBUTES:
* ATTRIBUTES --
* 1. PROBLEM STATE, USER KEY
* 2. NON-APF AUTHORIZED
* EXITS
* RETURN CODE:
* R15 = 8 = HSC NOT AVAILABLE
* 4 = QUERY VOLUME FUNCTION FAILED
* 0 = QUERY VOLUME FUNCTION SUCCESSFUL
*
* CHANGE HISTORY:
* 01/05/95-GRC - CORRECT CODING ERRORS
* - AND MISLEADING OMISSIONS.
* 11/30/90-CRTD-VB - MODULE CREATED.
**ENDPROLOGUE*****
TITLE '- ESTABLISH ENTRY, BASE REGISTERS AND WORK AREAS'
PRINT GEN
ENTRY QVOLUME
QVOLUME CSECT
QVOLUME AMODE 31
QVOLUME RMODE ANY
*
* ESTABLISH CSECT ADDRESSABILITY.
* IF NEEDED, R11 HAS BEEN RESERVED FOR A SECOND BASE REGISTER.
*
STM R14,R12,12(R13) SAVE REGISTERS
LR R12,R15 BASE REG 12
USING QVOLUME,R12 SETUP BASE REG 12
B A000
MODNAME DC CL8'QVOLUME '
DC CL8'&SYSDATE'
DC CL5'&SYSTIME'
*
A000 DS 0H
LA R10,QVOLWORK R10 IS WORKAREA BASE
ST R13,4(,R10) PTR TO PREV S.A. FROM NEW
ST R10,8(,R13) PTR TO NEW S.A. FROM OLD
LR R13,R10 ESTABLISH NEW SAVE AREA
*
* ESTABLISH MAP TO SLX RESPONSE AREA.
USING SLX,R5
TITLE '- LOAD SLSXCAL'

```

**Figure 61. Sample 2 - QVOLUME Request
(1 of 4)**

```

* LOAD HSC INTERFACE MODULE SLSXCAL.
*
      LOAD EP=SLSXCAL          LOAD SLSXCAL
      ST R0,WSCALADR          SAVE SLSXCAL ROUTINE ADR
      TITLE '- QUERY VOLUME DATA'
*
* QUERY A VOLUME
*
      SLSXREQ QVOLUME,          QUERY VOLUME.          +
              VOLSER=VOLSER,          +
              OPTION=SYNCH,          +
              XCALADR=WSCALADR,          +
              MF=(E,WLSXREQ)
      LTR 15,15          RETURN CODE ZERO?
      BNZ HSCNOTAV          NO - HSC NOT UP.
      LR R5,R1          SAVE STORAGE ADDRESS.
      CLI SLXCMDRC,SLXROK          DID IT WORK?
      BN FUNCFAIL          NO, TELL OPERATOR
      LR 4,1          SAVE REPLY BUFFER ADDRESS.
      LR 3,0          SAVE REPLY LENGTH.
      GETMAIN RU,LV=(3),SP=0          GET PERMANENT STORAGE.
      LR R5,R1          SAVE THE REPLY COPY AREA ADDRESS
      LR 14,1          "TO" ADDRESS.
      LR 15,3          "TO" LENGTH.
      LR 0,4          "FROM" ADDRESS.
      LR 1,3          "FROM" LENGTH.
      MVCL 14,0          MOVE THE REPLY TO PERMANENT STORAGE.
      L 4,SLXXVOLL          LENGTH OF VOLUME SECTION.
      L 2,SLXXVOLO          GET VOLUME OFFSET.
      LA 2,SLX(2)          GET ADDR PF VOLUME SECTION.
      USING SLXSVOL,2          TELL ASSEMBLER.
*****
*----> CUSTOMER CODE TO PROCESS QVOLUME DATA GOES HERE *
*****
      WTO 'QVOLUME - SUCCESSFUL'
      FREEMAIN RU,A=(R5),LV=(R3),SP=0 FREE QVOLUME REPLY COPY AREA
      XR R15,R15          NORMAL RETURN
      B FUNCEXIT          EXIT
      TITLE '- ERROR ROUTINES'
*
* HSC IS NOT AVAILABLE.
*
HSCNOTAV DS 0H
      WTO 'QVOLUME - HSC NOT AVAILABLE'
      LA R15,8          HSC NOT AVAILABLE RETURN CODE
      B FUNCEXIT          EXIT
*
* QVOLUME REQUEST FAILED.
*

```

Figure 61. Sample 2 - QVOLUME Request
(2 of 4)

```

*
FUNCFAIL DS      0H
          LA      R4,SLXCMDRC      POINT TO FAILING RETURN CODE
          LA      R5,WFCMDRC      RECEIVING AREA
          LA      R15,1           NUMBER OF BYTES TO CONVERT
          BAL     R2,CONVHTC       CONVERT
          WTO MF=(E,WTOQFAIL)     TELL OPERATOR
          LA      R15,4 QVOLUME    FUNCTION FAILED RETURN CODE
          B       FUNCEXIT        EXIT
          TITLE   '- COMMON EXIT'

*
* RETURN TO CALLER.
FUNCEXIT DS      0H
          LR      R2,R15           SAVE RETURN CODE
          DELETE EP=SLSXCAL       DELETE SLSXCAL
          L       R13,4(,R13)     POINT TO PREV REG SAVE AREA
          LR      R15,R2         BRING BACK RETURN CODE
          L       R14,12(R13)     RESTORE REG 14
          LM      R0,R12,20(R13)  RESTORE REGS 0 - 12
          BR      R14           RETURN TO CALLER
          TITLE   '- SERVICE ROUTINES (DATA CONVERSION)'
          CONVERT HEXADECIMAL DATA TO CHARACTER DATA.

*
*
CONVHTC  DS      0H
          ICM     R7,B'1000',0(R4) GET ONE HEX BYTE
          LA      R8,2           TWO HEX CHAR IN EACH BYTE

CHTCLOOP DS      0H
          XR      R6,R6           CLEAR
          SLDL   R6,4           SHIFT HALF BYTE TO NEXT REGISTER
          STC    R6,0(R5)       SET IN RECEIVING AREA
          TR     0(1,R5),TRTAB  TRANSLATE TO CHARACTER
          LA     R5,1(,R5)      BUMP TO NEXT RECEIVING BYTE
          BCT   R8,CHTCLOOP     DO FOR BOTH HEX CHAR IN BYTE
          LA     R4,1(,R4)      BUMP TO NEXT HEX BYTE
          BCT   R15,CONVHTC     DO FOR NUMBER OF HEX BYTES
          BR     R2           RETURN TO CALLER

*
          TITLE   '- MISCELLANEOUS CONSTANTS AND WORK AREAS'
          TRTAB  DC           CL16'0123456789ABCDEF'

*
VOLSER   DC      C'EDU228'      VOLUME SERIAL TO QVOLUME
*
WTOQFAIL WTO     'QVOLUME - SLSXREQ FAILED, SLXCMDRC = XX',MF=L
WFCMDRC  EQU     WTOQFAIL+41
QVOLWORK DS      0D           LINKAGE SAVE AREA
          DS     18F           LINKAGE SAVE AREA
*
WSCALADR DS      F           SLSXCAL ROUTINE ADR
*
WSLSXREQ SLSXREQ MF=L         REMOTE SLSXREQ.

```

**Figure 61. Sample 2 - QVOLUME Request
(3 of 4)**

```
QVOLWKL EQU *-QVOLWORK
*
      LTORG
      TITLE '- ESTABLISH REGISTER EQUATES'
      SLSREGS
      TITLE '- DSECT MACROS'
      SLSXREQM ,
*
      END QVOLUME
```

**Figure 61. Sample 2 - QVOLUME Request
(4 of 4)**

Sample SCRATCH Request

The following code fragment issues a SCRATCH request to direct the HSC to scratch a volume.

```
SCRATCH TITLE 'SCRATCH - PROGRAMMATIC INTERFACE - SCRATCH'
*
* SCRATCH - PROGRAMMATIC INTERFACE - DIRECT HSC TO SCRATCH A VOLUME
*
* FUNCTION: USE PROGRAMMATIC INTERFACE SLSXREQ MACRO FUNCTION
*           SCRATCH.
*
* ATTRIBUTES:
* ATTRIBUTES --
*   1. PROBLEM STATE, USER KEY
*   2. NON-APF AUTHORIZED
*
* EXITS
*   RETURN CODE:
*   R15 =
*
* CHANGE HISTORY:
*   11/30/90-CRTD-VB - MODULE CREATED.
**ENDPROLOGUE*****
      TITLE 'SCRATCH - ESTABLISH BASE REGISTER'
      PRINT GEN
      ENTRY SCRATCH
SCRATCH CSECT
*
* ESTABLISH CSECT ADDRESSABILITY.
* IF NEEDED, R11 HAS BEEN RESERVED FOR A SECOND BASE REGISTER.
*
      LR    R12,R15           LOAD EPA AND ESTABLISH
      USING SCRATCH,R12      ADDRESSABILITY TO THE CSECT
      STM   R14,R12,12(R13)  SAVE REGS
      LA    R10,MAINSAVE     POINT TO OUR SAVE AREA
      ST   R13,4(,R10)       PTR TO PREV S.A. FROM NEW
      ST   R10,8(,R13)       PTR TO NEW S.A. FROM OLD
      LR    R13,R10          ESTABLISH NEW SAVE AREA
*
* ESTABLISH MAP TO SLSX RESPONSE AREA.
*
      USING SLX,R3
*
* LOAD HSC INTERFACE MODULE SLSXCAL.
*
      LOAD  EP=SLSXCAL       LOAD SLSXCAL
      ST   R0,WSCALADR       SAVE SLSXCAL ROUTINE ADR
```

**Figure 62. Sample 3 - PGMI SCRATCH Request
(1 of 3)**


```

* USE SLSXREQ MACRO TO INVOKE SCRATCH OPTION.
*
      SLSXREQ SCRATCH,
      OPTION=SYNCH,
      XCALADR=WSCALADR,
      VOLSER=VOLSER,
      MF=(E,W SLSXREQ)
      LTR R15,R15
      BNZ HSCNOTAV
      LR R3,R1
      CLI SLXCMDRC,SLXROK
      BNE FUNCFAIL
      B   FUNCEXIT
      HSC AVAILABLE?
      NO, TELL OPERATOR
      POINT TO START OF REPLY HEADER
      SCRATCH SUCCESSFUL?
      NO, TELL OPERATOR WHY
      EXIT
*
* HSC IS NOT AVAILABLE.
*
      HSCNOTAV DS 0H
      WTO 'SCRATCH - HSC NOT AVAILABLE'
      B   FUNCEXIT
      EXIT
*
* SCRATCH REQUEST FAILED.
*
      FUNCFAIL DS 0H
      LA R4,SLXCMDRC
      LA R5,WFCMDRC
      LA R15,1
      BAL R2,CONVHTC
      WTO MF=(E,WTOQFAIL)
      B   FUNCEXIT
      POINT TO FAILING RETURN CODE
      RECEIVING AREA
      NUMBER OF BYTES TO CONVERT
      CONVERT
      TELL OPERATOR
      EXIT
*
* RETURN TO CALLER.
*
      FUNCEXIT DS 0H
      DELETE EP=SLSXCAL
      L R13,4(,R13)
      L R14,12(R13)
      LM R0,R12,20(R13)
      BR R14
      DELETE SLSXCAL
      POINT TO PREV REG SAVE AREA
      RESTORE REG 14
      RESTORE REGS 0 - 12
      RETURN TO CALLER
*
      TITLE 'SCRATCH - SERVICE ROUTINES (DATA CONVERSION)'
*
      CONVERT HEXADECIMAL DATA TO CHARACTER DATA.
*
      CONVHTC DS 0H
      ICM R7,B'1000',0(R4)
      LA R8,2
      GET ONE HEX BYTE
      TWO HEX CHAR IN EACH BYTE

```

**Figure 62. Sample 3 - PGMI SCRATCH Request
(2 of 3)**

```

CHTCLOOP DS  0H
          XR  R6,R6          CLEAR
          SLDL R6,4          SHIFT HALF BYTE TO NEXT REGISTER
          STC  R6,0(R5)      SET IN RECEIVING AREA
          TR  0(1,R5),TRTAB  TRANSLATE TO CHARACTER
          LA  R5,1(,R5)      BUMP TO NEXT RECEIVING BYTE
          BCT R8,CHTCLOOP    DO FOR BOTH HEX CHAR IN BYTE
          LA  R4,1(,R4)      BUMP TO NEXT HEX BYTE
          BCT R15,CONVHTC    DO FOR NUMBER OF HEX BYTES
          BR  R2              RETURN TO CALLER
          TRTAB DC  CL16'0123456789ABCDEF'
*
          TITLE 'SCRATCH - MISCELLANEOUS CONSTANTS AND EQUATES'
          LTORG
*
          MAINSAVE DS  9D          LINKAGE SAVE AREA
          DWORD DS  D              DOUBLEWORD WORK AREA
*
          WSCALADR DS  F              SLSXCAL ROUTINE ADR
*
          VOLSER DC  C'EDU228'      VOLUME SERIAL TO SCRATCH
*
          WTOQFAIL WTO  'SCRATCH - SLSXREQ FAILED, SLXCMDRC = XX',MF=L
          WFCMDRC EQU  WTOQFAIL+41
*
          TITLE 'SCRATCH - SLSXREQ DSECT MACRO'
          SLSXREQM ,
*
          END  SCRATCH

```

**Figure 62. Sample 3 - PGMI SCRATCH Request
(3 of 3)**

Sample UNSCRATCH Request

The following code fragment issues a UNSCRATCH request to direct the HSC to remove a volume from scratch status.

```
UNSCRTCH TITLE 'UNSCRATCH - PROGRAMMATIC INTERFACE - UNSCRATCH'
*
* UNSCRATCH - PROGRAMMATIC INTERFACE-DIRECT HSC TO UNSCRATCH A VOLUME
*
* FUNCTION:  USE PROGRAMMATIC INTERFACE SLSXREQ MACRO FUNCTION
*           UNSCRATCH.
*
* ATTRIBUTES:
* ATTRIBUTES  --
*   1.  PROBLEM STATE, USER KEY
*   2.  NON-APF AUTHORIZED
*
* EXITS
*   RETURN CODE:
*       R15 =
*
* CHANGE HISTORY:
*   11/30/90-CRTD-VB - MODULE CREATED.
**ENDPROLOGUE*****
                TITLE 'UNSCRTCH - ESTABLISH BASE REGISTER'
                PRINT GEN
                ENTRY UNSCRTCH
UNSCRTCH CSECT
*
* ESTABLISH CSECT ADDRESSABILITY.
* IF NEEDED, R11 HAS BEEN RESERVED FOR A SECOND BASE REGISTER.
*
                LR   R12,R15           LOAD EPA AND ESTABLISH
                USING UNSCRTCH,R12     ADDRESSABILITY TO THE CSECT
                STM  R14,R12,12(R13)   SAVE REGS
                LA   R10,MAINSAVE      POINT TO OUR SAVE AREA
                ST   R13,4(,R10)       PTR TO PREV S.A. FROM NEW
                ST   R10,8(,R13)       PTR TO NEW S.A. FROM OLD
                LR   R13,R10           ESTABLISH NEW SAVE AREA
*
* ESTABLISH MAP TO SLSX RESPONSE AREA.
*
                USING SLX,R3
*
* LOAD HSC INTERFACE MODULE SLSXCAL.
*
                LOAD EP=SLSXCAL        LOAD SLSXCAL
                ST   R0,WSCALADR       SAVE SLSXCAL ROUTINE ADR
```

**Figure 63. PGMI UNSCRATCH Request
(1 of 3)**

```

*
* USE SLSXREQ MACRO TO INVOKE UNSCRATCH OPTION.
*
      SLSXREQ UNSCRATCH,
              OPTION=SYNCH,
              XCALADR=WSCALADR,
              VOLSER=VOLSER,
              MF=(E,WLSXREQ)
      LTR  R15,R15
      BNZ  HSCNOTAV
      LR   R3,R1
      CLI  SLXCMDRC,SLXROK
      BNE  FUNCFAIL
      B    FUNCEXIT
      HSC AVAILABLE?
      NO, TELL OPERATOR
      POINT TO START OF REPLY HEADER
      UNSCRATCH SUCCESSFUL?
      NO, TELL OPERATOR WHY
      EXIT
*
* HSC IS NOT AVAILABLE.
*
HSCNOTAV DS    0H
          WTO   'UNSCRATCH - HSC NOT AVAILABLE'
          B     FUNCEXIT
          EXIT
*
* UNSCRATCH REQUEST FAILED.
*
FUNCFAIL DS    0H
          LA    R4,SLXCMDRC
          LA    R5,WFCMDRC
          LA    R15,1
          BAL   R2,CONVHTC
          WTO   MF=(E,WTOQFAIL)
          B     FUNCEXIT
          POINT TO FAILING RETURN CODE
          RECEIVING AREA
          NUMBER OF BYTES TO CONVERT
          CONVERT
          TELL OPERATOR
          EXIT
*
* RETURN TO CALLER.
*
FUNCEXIT DS    0H
          DELETE EP=SLSXCAL
          L     R13,4(R13)
          L     R14,12(R13)
          LM    R0,R12,20(R13)
          BR    R14
          DELETE SLSXCAL
          POINT TO PREV REG SAVE AREA
          RESTORE REG 14
          RESTORE REGS 0 - 12
          RETURN TO CALLER
*
TITLE 'UNSCRATCH - SERVICE ROUTINES (DATA CONVERSION)'

```

**Figure 63. Sample 4 - PGMI UNSCRATCH Request
(2 of 3)**

```

*
* CONVERT HEXADECIMAL DATA TO CHARACTER DATA.
*
CONVHTC  DS      0H
          ICM     R7,B'1000',0(R4)  GET ONE HEX BYTE
          LA      R8,2              TWO HEX CHAR IN EACH BYTE
CHTCLOOP DS      0H
          XR      R6,R6              CLEAR
          SLDL   R6,4              SHIFT HALF BYTE TO NEXT REGISTER
          STC     R6,0(R5)          SET IN RECEIVING AREA
          TR      0(1,R5),TRTAB     TRANSLATE TO CHARACTER
          LA      R5,1(,R5)         BUMP TO NEXT RECEIVING BYTE
          BCT     R8,CHTCLOOP        DO FOR BOTH HEX CHAR IN BYTE
          LA      R4,1(,R4)         BUMP TO NEXT HEX BYTE
          BCT     R15,CONVHTC        DO FOR NUMBER OF HEX BYTES
          BR      R2                RETURN TO CALLER
TRTAB    DC      CL16'0123456789ABCDEF'
*
          TITLE 'UNSCRATCH - MISCELLANEOUS CONSTANTS AND EQUATES'
          LTORG
*
MAINSAVE DS      9D                LINKAGE SAVE AREA
DWORD    DS      D                DOUBLEWORD WORK AREA
*
WSCALADR DS      F                SLSXCAL ROUTINE ADR
*
VOLSER   DC      C'EDU228'         VOLUME SERIAL TO UNSCRATCH
*
WTOQFAIL WTO     'UNSCRATCH - SLSXREQ FAILED, SLXCMDRC = XX',MF=L
WFCMDRC  EQU     WTOQFAIL+41
*
          TITLE 'UNSCRATCH - SLSXREQ DSECT MACRO'
          SLSXREQM ,
*
          END      UNSCRTCH

```

**Figure 63. Sample 4 - PGMI UNSCRATCH Request
(3 of 3)**

Sample DISMOUNT Request

The following code fragment issues a DISMOUNT request to direct the HSC to dismount a volume.

```
DISMOUNT TITLE 'DISMOUNT - PROGRAMMATIC INTERFACE - DISMOUNT'
*
* DISMOUNT - PROGRAMMATIC INTERFACE - DIRECT HSC TO DISMOUNT A VOLUME
*
* FUNCTION: USE PROGRAMMATIC INTERFACE SLSXREQ MACRO FUNCTION
*           DISMOUNT.
*
* ATTRIBUTES:
* ATTRIBUTES --
*     1. PROBLEM STATE, USER KEY
*     2. NON-APF AUTHORIZED
*
* EXITS
*     RETURN CODE:
*         R15 =
*
* CHANGE HISTORY:
*     12/04/90-CRTD-VB - MODULE CREATED.
**ENDPROLOGUE*****
    TITLE 'DISMOUNT - ESTABLISH BASE REGISTER'
    PRINT GEN
    ENTRY DISMOUNT
DISMOUNT CSECT
*
* ESTABLISH CSECT ADDRESSABILITY.
* IF NEEDED, R11 HAS BEEN RESERVED FOR A SECOND BASE REGISTER.
*
    LR     R12,R15           LOAD EPA AND ESTABLISH
    USING DISMOUNT,R12      ADDRESSABILITY TO THE CSECT
    STM    R14,R12,12(R13)  SAVE REGS
    LA     R10,MAINSAVE     POINT TO OUR SAVE AREA
    ST     R13,4(,R10)      PTR TO PREV S.A. FROM NEW
    ST     R10,8(,R13)      PTR TO NEW S.A. FROM OLD
    LR     R13,R10          ESTABLISH NEW SAVE AREA
*
* ESTABLISH MAP TO SLSX RESPONSE AREA.
*
    USING SLX,R3
*
* LOAD HSC INTERFACE MODULE SLSXCAL.
*
    LOAD   EP=SLSXCAL        LOAD SLSXCAL
    ST     R0,WSCALADR       SAVE SLSXCAL ROUTINE ADR
```

**Figure 64. Sample 5 - PGMI DISMOUNT Request
(1 of 3)**

```

*
* USE SLSXREQ MACRO TO INVOKE DISMOUNT OPTION.
*
      SLSXREQ DISMOUNT,
      OPTION=SYNCH,
      XCALADR=WSCALADR,
      DRIVE=DRIVEADR,
      VOLSER=VOLSER,
      MF=(E,WLSXREQ)
      LTR R15,R15      HSC AVAILABLE?
      BNZ HSCNOTAV    NO, TELL OPERATOR
      LR  R3,R1       POINT TO START OF REPLY HEADER
      CLI SLXCMDRC,SLXROK  DISMOUNT SUCCESSFUL?
      BNE FUNCFAIL    NO, TELL OPERATOR WHY
      B   FUNCEXIT    EXIT
*
* HSC IS NOT AVAILABLE.
*
HSCNOTAV DS  ØH
          WTO  'DISMOUNT - HSC NOT AVAILABLE'
          B   FUNCEXIT    EXIT
*
* DISMOUNT REQUEST FAILED.
*
FUNCFAIL DS  ØH
          LA  R4,SLXCMDRC    POINT TO FAILING RETURN CODE
          LA  R5,WFCMDRC    RECEIVING AREA
          LA  R15,1         NUMBER OF BYTES TO CONVERT
          BAL R2,CONVHTC    CONVERT
          WTO MF=(E,WTOQFAIL) TELL OPERATOR
          B   FUNCEXIT    EXIT
*
* RETURN TO CALLER.
*
FUNCEXIT DS  ØH
          DELETE EP=SLSXCAL    DELETE SLSXCAL
          L   R13,4(R13)      POINT TO PREV REG SAVE AREA
          L   R14,12(R13)     RESTORE REG 14
          LM  RØ,R12,2Ø(R13)  RESTORE REGS Ø - 12
          BR  R14             RETURN TO CALLER
*
          TITLE 'DISMOUNT - SERVICE ROUTINES (DATA CONVERSION)'

```

Figure 64. Sample 5 - PGMI DISMOUNT Request
(2 of 3)

```

*
*CONVERT HEXADECIMAL DATA TO CHARACTER DATA
*
CONVHTC DS      0H
          ICM    R7,B'1000',0(R4)  GET ONE HEX BYTE
          LA     R8,2                TWO HEX CHAR IN EACH BYTE
CHTCLOOP DS      0H
          XR     R6,R6                CLEAR
          SLDL  R6,4                SHIFT HALF BYTE TO NEXT REGISTER
          STC   R6,0(R5)            SET IN RECEIVING AREA
          TR    0(1,R5),TRTAB       TRANSLATE TO CHARACTER
          LA    R5,1(,R5)           BUMP TO NEXT RECEIVING BYTE
          BCT  R8,CHTCLOOP          DO FOR BOTH HEX CHAR IN BYTE
          LA    R4,1(,R4)           BUMP TO NEXT HEX BYTE
          BCT  R15,CONVHTC         DO FOR NUMBER OF HEX BYTES
          BR   R2                   RETURN TO CALLER
TRTAB   DC      CL16'0123456789ABCDEF'
*
          TITLE 'DISMOUNT - MISCELLANEOUS CONSTANTS AND EQUATES'
          LTORG
*
MAINSAVE DS      9D                LINKAGE SAVE AREA
DWORD   DS      D                DOUBLEWORD WORK AREA
*
WSCALADR DS      F                SLSXCAL ROUTINE ADR
*
DRIVEADR DC      X'0380'          DRIVE ADDRESS
*
VOLSER   DC      CL6'EDU228'      VOLUME SERIAL NUMBER
*
WTOQFAIL WTO     'DISMOUNT - SLSXREQ FAILED, SLXCMDRC = XX',MF=L
WFCMDRC EQU     WTOQFAIL+42
*
          TITLE 'DISMOUNT - SLSXREQ DSECT MACRO'
          SLSXREQM ,
*
          END   DISMOUNT

```

**Figure 64. Sample 5 - PGMI DISMOUNT Request
(3 of 3)**

Sample MOUNT Request

The following code fragment issues a MOUNT request to direct the HSC to mount a volume.

```
MOUNT TITLE 'MOUNT - PROGRAMMATIC INTERFACE - MOUNT'
*
* MOUNT - PROGRAMMATIC INTERFACE - DIRECT HSC TO MOUNT A VOLUME
*
* FUNCTION:  USE PROGRAMMATIC INTERFACE SLSXREQ MACRO FUNCTION
*           MOUNT.
*
* ATTRIBUTES:
* ATTRIBUTES  --
*   1.  PROBLEM STATE, USER KEY
*   2.  NON-APF AUTHORIZED
*
* EXITS
*   RETURN CODE:
*       R15 =
*
* CHANGE HISTORY:
*   11/30/90-CRTD-VB - MODULE CREATED.
**ENDPROLOGUE*****
      TITLE 'MOUNT - ESTABLISH BASE REGISTER'
      PRINT GEN
      ENTRY MOUNT
MOUNT CSECT
*
* ESTABLISH CSECT ADDRESSABILITY.
* IF NEEDED, R11 HAS BEEN RESERVED FOR A SECOND BASE REGISTER.
*
      LR    R12,R15          LOAD EPA AND ESTABLISH
      USING MOUNT,R12       ADDRESSABILITY TO THE CSECT
      STM   R14,R12,12(R13) SAVE REGS
      LA    R10,MAINSAVE    POINT TO OUR SAVE AREA
      ST    R13,4(,R10)     PTR TO PREV S.A. FROM NEW
      ST    R10,8(,R13)     PTR TO NEW S.A. FROM OLD
      LR    R13,R10         ESTABLISH NEW SAVE AREA
*
* ESTABLISH MAP TO SLSX RESPONSE AREA.
*
      USING SLX,R3
*
* LOAD HSC INTERFACE MODULE SLSXCAL.
*
      LOAD  EP=SLSXCAL      LOAD SLSXCAL
      ST    R0,WSCALADR     SAVE SLSXCAL ROUTINE ADR
```

**Figure 65. Sample 6 - PGMI MOUNT Request
(1 of 3)**

```

*
* USE SLSXREQ MACRO TO INVOKE MOUNT OPTION.
*
      SLSXREQ MOUNT,                                     +
              OPTION=SYNCH,                             +
              XCALADR=WSCALADR,                         +
              DRIVE=DRIVEADR,                           +
              SCRATCH=YES,                               +
              SCRPOOL=SCRPOOL,                           +
              MF=(E,WLSXREQ)                             +
      LTR R15,R15          HSC AVAILABLE?
      BNZ HSCNOTAV        NO, TELL OPERATOR
      LR  R3,R1           POINT TO START OF REPLY HEADER
      CLI SLXCMDRC,SLXROK MOUNT SUCCESSFUL?
      BNE FUNCFAIL        NO, TELL OPERATOR WHY
      B   FUNCEXIT        EXIT
*
* HSC IS NOT AVAILABLE.
*
HSCNOTAV DS  ØH
          WTO 'MOUNT - HSC NOT AVAILABLE'
          B   FUNCEXIT        EXIT
*
* MOUNT REQUEST FAILED.
*
FUNCFAIL DS  ØH
          LA  R4,SLXCMDRC     POINT TO FAILING RETURN CODE
          LA  R5,WFCMDRC     RECEIVING AREA
          LA  R15,1          NUMBER OF BYTES TO CONVERT
          BAL R2,CONVHTC     CONVERT
          WTO MF=(E,WTOQFAIL) TELL OPERATOR
          B   FUNCEXIT        EXIT
*
* RETURN TO CALLER.
*
FUNCEXIT DS  ØH
          DELETE EP=SLSXCAL  DELETE SLSXCAL
          L   R13,4(R13)     POINT TO PREV REG SAVE AREA
          L   R14,12(R13)    RESTORE REG 14
          LM  RØ,R12,2Ø(R13) RESTORE REGS Ø - 12
          BR  R14           RETURN TO CALLER
*
          TITLE 'MOUNT - SERVICE ROUTINES (DATA CONVERSION)'
```

**Figure 65. Sample 6 - PGMI MOUNT Request
(2 of 3)**

```

*
* CONVERT HEXADECIMAL DATA TO CHARACTER DATA.
*
CONVHTC DS      0H
          ICM    R7,B'1000',0(R4)    GET ONE HEX BYTE
          LA     R8,2                TWO HEX CHAR IN EACH BYTE
CHTCLOOP DS      0H
          XR     R6,R6                CLEAR
          SLDL  R6,4                SHIFT HALF BYTE TO NEXT REGISTER
          STC   R6,0(R5)            SET IN RECEIVING AREA
          TR    0(1,R5),TRTAB      TRANSLATE TO CHARACTER
          LA    R5,1(,R5)          BUMP TO NEXT RECEIVING BYTE
          BCT  R8,CHTCLOOP         DO FOR BOTH HEX CHAR IN BYTE
          LA    R4,1(,R4)          BUMP TO NEXT HEX BYTE
          BCT  R15,CONVHTC        DO FOR NUMBER OF HEX BYTES
          BR   R2                  RETURN TO CALLER
TRTAB    DC     CL16'0123456789ABCDEF'
*
          TITLE 'MOUNT - MISCELLANEOUS CONSTANTS AND EQUATES'
          LTORG
*
MAINSAVE DS      9D                LINKAGE SAVE AREA
DWORD    DS      D                DOUBLEWORD WORK AREA
*
WSCALADR DS      F                SLSXCAL ROUTINE ADR
*
DRIVEADR DC     X'0380'           DRIVE ADDRESS
*
SCRPOOL  DC     X'01'            SCRATCH SUBPOOL ID
*
WTOQFAIL WTO    'MOUNT - SLSXREQ FAILED, SLXCMDRC = XX',MF=L
WFCMDRC  EQU    WTOQFAIL+39
*
          TITLE 'MOUNT - SLSXREQ DSECT MACRO'
          SLSXREQM ,
*
          END    MOUNT

```

Figure 65. Sample 6 - PGMI MOUNT Request (3 of 3)

Sample EJECT Request

The following code fragment issues a EJECT request to direct the HSC to eject a volume.

```
EJECT TITLE 'EJECT - PROGRAMMATIC INTERFACE - EJECT'
*
* EJECT - PROGRAMMATIC INTERFACE - DIRECT HSC TO EJECT A VOLUME
*
* FUNCTION: USE PROGRAMMATIC INTERFACE SLSXREQ MACRO FUNCTION
*           EJECT.
*
* ATTRIBUTES:
* ATTRIBUTES --
*   1. PROBLEM STATE, USER KEY
*   2. NON-APF AUTHORIZED
*
* EXITS
*   RETURN CODE:
*       R15 =
*
* CHANGE HISTORY:
*   11/30/90-CRTD-VB - MODULE CREATED.
**ENDPROLOGUE*****
        TITLE 'EJECT - ESTABLISH BASE REGISTER'
        PRINT GEN
        ENTRY EJECT
EJECT CSECT
*
* ESTABLISH CSECT ADDRESSABILITY.
* IF NEEDED, R11 HAS BEEN RESERVED FOR A SECOND BASE REGISTER.
*
        LR   R12,R15           LOAD EPA AND ESTABLISH
        USING EJECT,R12       ADDRESSABILITY TO THE CSECT
        STM  R14,R12,12(R13)  SAVE REGS
        LA   R10,MAINSAVE     POINT TO OUR SAVE AREA
        ST   R13,4(,R10)      PTR TO PREV S.A. FROM NEW
        ST   R10,8(,R13)      PTR TO NEW S.A. FROM OLD
        LR   R13,R10          ESTABLISH NEW SAVE AREA
*
* ESTABLISH MAP TO SLSX RESPONSE AREA.
*
        USING SLX,R3
*
* LOAD HSC INTERFACE MODULE SLSXCAL.
*
        LOAD EP=SLSXCAL       LOAD SLSXCAL
        ST   R0,WSCALADR      SAVE SLSXCAL ROUTINE ADR
```

**Figure 66. Sample 7 - PGMI EJECT Request
(1 of 3)**

```

*
* USE SLSXREQ MACRO TO INVOKE EJECT OPTION.
*
          SLSXREQ EJECT,                                     +
              OPTION=SYNCH,                                 +
              XCALADR=WSCALADR,                             +
              VOLSER=VOLSER,                                 +
              MF=(E,W SLSXREQ)
          LTR   R15,R15                                     HSC AVAILABLE?
          BNZ   HSCNOTAV                                    NO, TELL OPERATOR
          LR    R3,R1                                       POINT TO START OF REPLY HEADER
          CLI   SLXCMDRC,SLXROK                             EJECT SUCCESSFUL?
          BNE   FUNCFAIL                                    NO, TELL OPERATOR WHY
          B     FUNCEXIT                                    EXIT

*
* HSC IS NOT AVAILABLE.
*
HSCNOTAV DS    0H
          WTO   'EJECT - HSC NOT AVAILABLE'
          B     FUNCEXIT                                    EXIT

*
* EJECT REQUEST FAILED.
*
FUNCFAIL DS    0H
          LA    R4,SLXCMDRC                                POINT TO FAILING RETURN CODE
          LA    R5,WFCMDRC                                RECEIVING AREA
          LA    R15,1                                       NUMBER OF BYTES TO CONVERT
          BAL   R2,CONVHTC                                CONVERT
          WTO   MF=(E,WTOQFAIL)                            TELL OPERATOR
          B     FUNCEXIT                                    EXIT

*
* RETURN TO CALLER.
*
FUNCXIT  DS    0H
          DELETE EP=SLSXCAL                                DELETE SLSXCAL
          L     R13,4(R13)                                  POINT TO PREV REG SAVE AREA
          L     R14,12(R13)                                 RESTORE REG 14
          LM    R0,R12,20(R13)                             RESTORE REGS 0 - 12
          BR    R14                                         RETURN TO CALLER

*
          TITLE 'EJECT - SERVICE ROUTINES (DATA CONVERSION) '
*
* CONVERT HEXADECIMAL DATA TO CHARACTER DATA.
*
CONVHTC  DS    0H
          ICM   R7,B'1000',0(R4)                           GET ONE HEX BYTE
          LA    R8,2                                         TWO HEX CHAR IN EACH BYTE

```

**Figure 66. Sample 7 - PGMI EJECT Request
(2 of 3)**

```

CHTCLOOP   DS    0H
           XR    R6,R6          CLEAR
           SLDL  R6,4          SHIFT HALF BYTE TO NEXT REGISTER
           STC   R6,0(R5)      SET IN RECEIVING AREA
           TR    0(1,R5),TRTAB TRANSLATE TO CHARACTER
           LA    R5,1(,R5)     BUMP TO NEXT RECEIVING BYTE
           BCT   R8,CHTCLOOP   DO FOR BOTH HEX CHAR IN BYTE
           LA    R4,1(,R4)     BUMP TO NEXT HEX BYTE
           BCT   R15,CONVHTC   DO FOR NUMBER OF HEX BYTES
           BR    R2            RETURN TO CALLER
TRTAB      DC    CL16'0123456789ABCDEF'
*
           TITLE 'EJECT - MISCELLANEOUS CONSTANTS AND EQUATES'
           LTORG
*
MAINSAVE   DS    9D            LINKAGE SAVE AREA
DWORD     DS    D             DOUBLEWORD WORK AREA
*
WSCALADR   DS    F            SLSXCAL ROUTINE ADR
*
VOLSER     DC    C'EDU228'     VOLUME SERIAL TO EJECT
*
WTOQFAIL   WTO   'EJECT - SLSXREQ FAILED, SLXCMDRC = XX',MF=L
WFCMDRC    EQU   WTOQFAIL+39
*
           TITLE 'EJECT - SLSXREQ DSECT MACRO'
           SLSXREQM ,
*
           END    EJECT

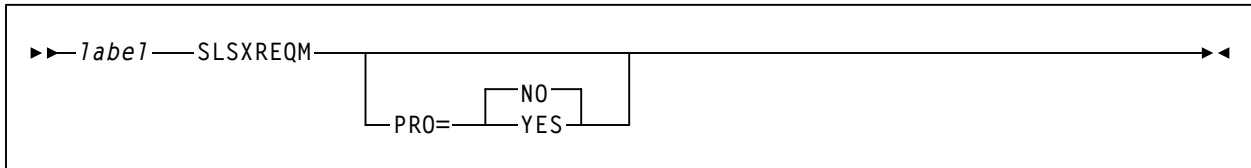
```

**Figure 66. Sample 7 - PGMI EJECT Request
(3 of 3)**

SLSXREQM Macro

The macro SLSXREQM must be specified in any assembly that uses the SLSXREQ macro. It generates symbols used by the SLSXREQ macro as well as providing mapping DSECTs of the response areas

Syntax



Parameters

PRO={NO|YES}

Specifies whether the prologue should be generated (YES) or not (NO). **The default is NO.**

Programmatic Interface Mapping (SLSXREQM) Macro

Table 99. SLSXREQM Record Format

Dec	Hex	Type	Length	Label	Description
0	(0)	STRUCTURE		SLSXREQM	USER INTERFACE
0	(0)	CHARACTER	4	SLSXHDR	EYECATCHER
'SLSX'	(E2D3E2E7)	CHAR CONST		SLSXID	IS AN SLSXREQ
4	(4)	SIGNED-FWORD	4	SLSXLEN	LENGTH OF CONTROL BLOCK
8	(8)	A-ADDR	1	SLSXVER	VERSION OF SLSXREQ
9	(09)	CONST		SLSXVN	CURRENT VERSION
'W'	(E6)	CHAR CONST		SLSXSP	SUB-POOL NUMBER
THE FOLLOWING FLAGS DEFINE THE TYPE OF PROCESSING REQUESTED					
9	(9)	A-ADDR	1	SLSXRT	REQUEST TYPE
0	(00)	CONST		SLSXNOOP	NOOP - NO OPERATION
1	(01)	CONST		SLSXQHSC	QHSC - IS HSC UP?
2	(02)	CONST		SLSXREST	RESET - DISMOUNT ALL VOL
3	(03)	CONST		SLSXREAD	READ - READ A RESPONSE
4	(04)	CONST		SLSXSTOP	STOP - STOP A PROCESS
5	(05)	CONST		SLSXRS05	RESERVED - VM ONLY
20	(14)	CONST		SLSXQCNF	QCONFIG - QUERY CONFIG
21	(15)	CONST		SLSXQDRV	QDRIVES - QUERY DRIVES
22	(16)	CONST		SLSXQDRL	QDRLIST - QUERY DRIVES
23	(17)	CONST		SLSXQSCR	QSCRATCH - QUERY SCRATCH
24	(18)	CONST		SLSXQVOL	QVOLUME - QUERY VOLUME
25	(19)	CONST		SLSXQEJT	QEJECT - QUERY EJECT TASK
26	(1A)	CONST		SLSXQCAP	QCAP - QUERY CAP CONFIG
27	(1B)	CONST		SLSXRS17	RESERVED - VM ONLY
28	(1C)	CONST		SLSXQRQS	QREQUEST QUERY REQUEST
29	(1D)	CONST		SLSXQDSN	QDSN - QUERY DATASET
40	(28)	CONST		SLSXMNT	MOUNT - MOUNT A VOLUME
41	(29)	CONST		SLSXMOVE	MOVE - MOVE A CARTRIDGE
42	(2A)	CONST		SLSXDMS	DISMOUNT - DISMOUNT A VOLUME
43	(2B)	CONST		SLSXEJCT	EJECT - EJECT A VOLUME
60	(3C)	CONST		SLSXSSCR	SELSCR - SELECT SCRATCH

Table 99. SLSXREQM Record Format

Dec	Hex	Type	Length	Label	Description
61	(3D)	CONST		SLSXSCRA	SCRATCH - SCRATCH A VOLUME
62	(3E)	CONST		SLSXUNSC	UNSCRATCH - UNSCRATCH A VOL
63	(3F)	CONST		SLSXRS63	RESERVED - VM ONLY
64	(40)	CONST		SLSXRS64	RESERVED - VM ONLY
70	(46)	CONST		SLSXVCI	VCI REQUEST
71	(47)	CONST		SLSXVCIR	READ VCI REQUEST
10	(A)	BITSTRING	1	SLSXFLG1	FLAG BYTE 1 (PGMI CONTROL1)
		1... X'80'		SLSXSYNC	OPTION=SYNC SPECIFIED
		.1.. X'40'		SLSXF140	RESERVED VM USER=OPTION
		.1. X'20'		SLSXF120	RESERVEDVM DIALOG OFF
		...1 X'10'		SLSXF110	RESERVED VM DIALOG ON
	 1... X'08'		SLSXF108	RESERVED VM NOTIFY=INSEDL
	1.. X'04'		SLSXF104	RESERVED VM NOTIFY=NOINSEDL
	1. X'02'		SLSXF102	RESERVED VM ACCT2
	1 X'01'		SLSXF101	RESERVEDVM ACCT1
11	(B)	HEXSTRING	1	SLSXFLG2	FLAG BYTE 2 (PGMI CONTROL 2)
12	(C)	BITSTRING	1	SLSXFLG3	FLAG BYTE3 (MOVEMENT CONTROL 1)
		1... X'80'		SLSXVHST	SLSXHOST CONTAINS A HOSTID
		.1.. X'40'		SLSXVACS	SLSXACS CONTAINS AN ACSID
		.1. X'20'		SLSXVLSM	SLSXLSMI CONTAINS THE LSMID
		...1 X'10'		SLSXVCAP	SLSXCAP CONTAINS CAP
	 1... X'08'		SLSXF308	RESERVED FUTURE USE
	1.. X'04'		SLSXVVOL	SLSXVOLS CONTAINS A VOLSER
	1. X'02'		SLSXVLST	SLSXLSTA CONTAINS A LIST ADR
	1 X'01'		SLSXVCNT	SLSXCNT CONTAINS LIST COUNT
13	(D)	BITSTRING	1	SLSXFLG4	FLAG BYTE 4 (MOVEMENT CONTROL 2)

Table 99. SLSXREQM Record Format

Dec	Hex	Type	Length	Label	Description
		1... X'80'		SLSXVTLM	SLSXTLSM CONTAINS TOLSM
		.1.. X'40'		SLSXVTPN	SLSXTPAN CONTAINS TOPANEL
		..1. X'20'		SLSXF420	RESERVED FUTURE USE
		...1 X'10'		SLSXF410	RESERVED FUTURE USE
	 1... X'08'		SLSXVPAN	SLSXPAN CONTAINS PANEL #
	1.. X'04'		SLSXVROW	SLSXROW CONTAINS ROW #
	1. X'02'		SLSXVCOL	SLSXCOL CONTAINS COLUMN #
	1 X'01'		SLSXVDRV	SLSXDRIV CONTAINS DEVICE NUMBER
14	(E)	HEXSTRING	1	SLSXFLG5	FLAG BYTE 5 (MOVEMENT CONTROL 3)
15	(F)	BITSTRING	1	SLSXFLG6	FLAG BYTE 6 (MISCELLANEOUS CONTROL 1)
		1... X'80'		SLSXPROT	PROTECT=YES SPECIFIED
		.1.. X'40'		SLSXSCR	SCRATCH=YES SPECIFIED
		..1. X'20'		SLSXVSCP	SLSXPOOL HAS A SCRATCH POOL NUM
		...1 X'10'		SLSXSUBN	SLSXSUBP CONTAINS TEXT
	 1... X'08'		SLSXVTKN	SLSXTKNO CONTAINS TOKEN NUM
	1.. X'04'		SLSXVTXT	SLSXTEXT CONTAINS TEXT
	1. X'02'		SLSXF602	RESERVED FUTURE USE
	1 X'01'		SLSXF601	RESERVED FUTURE USE
16	(10)	HEXSTRING	1	SLSXFLG7	FLAG BYTE 7 (MISCELLANEOUS CONTROL 2)
17	(11)	BITSTRING	1	SLSXLABT	LABEL TYPE
0	(00)	CONST		SLSXLLDT	LDT (LIBRARY DEFAULT TYPE)
1	(01)	CONST		SLSXLSL	SL (STANDARD LABEL)
2	(02)	CONST		SLSXLAL	AL (ANSI LABEL)
3	(03)	CONST		SLSXLNL	NL (NON-LABELED)
4	(04)	CONST		SLSXLNS	NSL (NON-STANDARD LABEL)
18	(12)	CHARACTER	8	-RESERVED-	RESERVED VM USER
26	(1A)	CHARACTER	8	-RESERVED-	RESERVED VM ACCT1
34	(22)	CHARACTER	8	-RESERVED-	RESERVED VM ACCT2
42	(2A)	HEXSTRING	2	-RESERVED-	

Table 99. SLSXREQM Record Format

Dec	Hex	Type	Length	Label	Description
44	(2C)	SIGNED-FWORD	4	SLSXRLEN	RESPONSE LENGTH
48	(30)	SIGNED-FWORD	4	SLSXTKNO	PGMI PASS THRU TOKEN NUMBER
52	(34)	A-ADDR	4	SLSXLSTA	ADDRESS OF LIST
56	(38)	SIGNED-HWORD	2	SLSXCNT	COUNT OF ELEMENTS IN LIST
58	(3A)	SIGNED-HWORD	2	SLSXLOFF	OFFSET, FROM START OF PARAMETER LIST TO START OF THE ELEMENT LIST AREA
60	(3C)	CHARACTER	6	SLSXVOLS	VOLSER FROM VOLSER= PARAMETER
66	(42)	CHARACTER	8	SLSXHOST	ASSOCIATED HOSTID
74	(4A)	AREA	4	SLSXALC	ACS / LSM / CAP IDENTIFICATION
74	(4A)	HEXSTRING	1	SLSXACS	ACS ID NUMBER
74	(4A)	HEXSTRING	2	SLSXLSMI	LSM ID NUMBER
74	(4A)	HEXSTRING	4	SLSXCAP	CAP-ID
74	(4A)	HEXSTRING	3	-RESERVED-	
77	(4D)	HEXSTRING	1	-RESERVED-	NOT IMPLEMENTED (ALWAYS X'00')
78	(4E)	HEXSTRING	1	SLSXPAN	CELL- PANEL
79	(4F)	HEXSTRING	1	SLSXROW	CELL- ROW
80	(50)	HEXSTRING	1	SLSXCOL	CELL- COLUMN
81	(51)	HEXSTRING	2	SLSXTLSM	TOLSM ID FOR MOVE FUNCTION
83	(53)	HEXSTRING	1	SLSXTPAN	"TO" PANEL FOR MOVE FUNCTION
84	(54)	A-ADDR	2	SLSXDRIV	DRIVE DEVICE NUMBER
86	(56)	A-ADDR	1	SLSXPOOL	SCRATCH POOL NUMBER
87	(57)	CHARACTER	32	SLSXTEXT	TEXT ASSOCIATED WITH REQUEST
119	(77)	CHARACTER	13	SLSXSUBP	SCRATCH SUBPOOL NAME
<p>TAPEREQ INPUT KEY VALUES. THE FOLLOWING VALUES ARE USED AS THE KEY IN SEARCHING THE CURRENT TAPEREQ PARAMETER FILE.</p>					
132	(84)	BITSTRING	1	SLSXFLG8	FLAG BYTE 8: (TAPEREQ CONTROL 1)
		1... X'80'		SLSXFJOB	SLSXJOBN PRESENT
		.1.. X'40'		SLSXFSTP	SLSXSTEP PRESENT

Table 99. SLSXREQM Record Format

Dec	Hex	Type	Length	Label	Description
		..1. X'20'		SLSXFPGM	SLSXPGMN PRESENT
		...1 X'10'		SLSXFDSN	SLSXDSN PRESENT
	 1... X'08'		SLSXFEXP	SLSXEXPD PRESENT
	1.. X'04'		SLSXFRET	SLSXRETP PRESENT
	1. X'02'		SLSXFVOL	SLSXVOLT PRESENT
133	(85)	OFFSET		SLSXTRI	TAPEREQ INPUT VALUES
133	(85)	CHARACTER	8	SLSXJOBN	STRING TO MATCH TAPEREQ JOBNAME VALUE
141	(8D)	CHARACTER	8	SLSXSTEP	STRING TO MATCH TAPEREQ STEPNAME VALUE
149	(95)	CHARACTER	8	SLSXPGMN	STRING TO MATCH TAPEREQ PROGNAME VALUE
157	(9D)	CHARACTER	44	SLSXDSN	STRING TO MATCH TAPEREQ DSN VALUE
201	(C9)	HEXSTRING	3	SLSXEXPD	VALUE TO MATCH TAPEREQ EXPDT VALUE
204	(CC)	HEXSTRING	2	SLSXRETP	VALUE TO MATCH TAPEREQ RETPD VALUE
206	(CE)	CHARACTER	1	SLSXVOLT	STRING TO MATCH TAPEREQ VOLTYPE VALUE
74	(4A)	LENGTH		SLSXTRIL	
<p>TAPEREQ OUTPUT VALUES. THE FOLLOWING VALUES ARE USED AS OVERRIDE (OR SPECIFIC) VALUES TO THE VALUES FOUND IN THE CURRENT TAPEREQ PARAMETER FILE.</p>					
207	(CF)	BITSTRING	1	SLSXFLG9	FLAG BYTE 9: (TAPEREQ CONTROL 2)
		1... X'80'		SLSXFREC	SLSXRECT PRESENT
		.1.. X'40'		SLSXFMED	SLSXMED PRESENT
		..1. X'20'		SLSXFMGT	SLSXMGMT PRESENT
208	(D0)	CHARACTER	8	SLSXRECT	RECORDING TECHNIQUE
216	(D8)	CHARACTER	8	SLSXMED	MEDIA
224	(E0)	SIGNED-FWORD	4	SLSXVCIP	POINTER TO VCI TEXT
228	(E4)	SIGNED-FWORD	2	SLSXVCIL	LENGTH OF VCI TEST
224	(E0)	SIGNED-FWORD	4	SLSXVCIT	VCI RESPONSE TOKEN
230	(E6)	CHARACTER	8	SLSXMGMT	MANAGEMENT CLASS
238	(EE)	HEXSTRING	242	-RESERVED-	RESERVED FOR FUTURE PARM EXPANSION
480	(1E0)	AREA	8	-RESERVED-	ALIGNMENT

Table 99. SLSXREQM Record Format

Dec	Hex	Type	Length	Label	Description
480	(1E0)	LENGTH		SLSXLN	LENGTH OF FIXED AREA OF SLSXREQ
480	(1E0)	AREA	1	SLSXLIST	ELEMENT LIST DESIGNATED BY LIST= PARAMETER BEGINS HERE (FIELD SLSXCNT CONTAINS NUMBER OF ELEMENTS IN THIS LIST).
6	(06)	CONST		SLSXLVSL	LENGTH OF EACH ELEMENT (VOLSER) IN THE LIST USED BY THE EJECT FUNCTION.
500	(1F4)	CONST		SLSXMVSL	MAXIMUM NUMBER OF ELEMENTS ALLOWED IN THE LIST USED BY THE EJECT, QCAP AND QEJECT FUNCTIONS.
4	(04)	CONST		SLSXLCAP	LENGTH OF EACH ELEMENT (CAP IDENTIFIER) IN THE LIST USED BY THE QCAP FUNCTION.
500	(1F4)	CONST		SLSXMCAP	MAXIMUM NUMBER OF ELEMENTS ALLOWED IN THE LIST USED BY THE QCAP FUNCTION.
4	(04)	CONST		SLSXLTK	LENGTH OF EACH ELEMENT (UNIQUE TOKEN) IN THE LIST USED BY THE QCAP FUNCTION.
500	(1F4)	CONST		SLSXMTOK	MAXIMUM NUMBER OF ELEMENTS ALLOWED IN THE LIST USED BY THE QEJECT/STOP FUNCTIONS.
REPLY HEADER					
0	(0)	STRUCTURE		SLX	
0	(0)	AREA	1	SLXRPLY	
0	(0)	CHARACTER	3	SLXHID	HEADER IDENTIFIER
'W'	(E6)	CHAR CONST		SLXSP	SUB-POOL NUMBER
3	(3)	A-ADDR	1	SLXCMDRC	RETURN CODE
0	(00)	CONST		SLXROK	REQUEST SUCCESSFUL
4	(04)	CONST		SLXRWARN	WITH WARNING SLXSRC WILL PROVIDE THE SPECIFIC REASON FOR THE WARNING
8	(08)	CONST		SLXRBADP	REQUEST FAILED - THE PARAMETER LIST (SLSXREQM) CONTAINED INVALID DATA (E.G. INCOMPATIBLE OPTIONS) SLXPEOFF (PARM ERROR OFFSET) WILL PROVIDE AN OFFSET OF THE SLSXREQM FIELD FOUND IN ERROR

Table 99. SLSXREQM Record Format

Dec	Hex	Type	Length	Label	Description
12	(C)	CONST		SLXRIERR	REQUEST FAILED - AN UNRECOVERABLE INTERNAL ERROR INTERNAL EROR OCCURRED WHILE PROCESSING THE REQUEST
16	(10)	CONST		SLXRFAIL	REQUEST FAILED - SLXSRC WILL PROVIDE THE SPECIFIC REASON FOR THE FAILURE
20	(14)	CONST		SLXRNHSC	REQUEST FAILED - HSC NOT AVAILABLE (MVS ONLY)
24	(18)	CONST		SLXRNAUT	REQUEST FAILED - USER NOT AUTHORIZED. THE REQUEST WAS FAILED BY SLSUX05 OR THE HSC DEFAULT AUTHORIZATION (MVS ONLY)
28	(1C)	CONST		SLXNTCB	REQUEST FAILED - THE CALLER WAS NOT IN TASK MODE (MVS ONLY)
32	(20)	CONST		SLXLOCKD	REQUEST FAILED - THE CALLER HELD AT LEAST ONE LOCK (MVS ONLY)
36	(24)	CONST		SLXTPROT	REQUEST FAILED - THE CALLER DID NOT HAVE FETCH/STORE AUTHORITY TO THE SLSXREQM PARAMETER LIST (MVS ONLY)
40	(28)	CONST		SLXNORSP	REQUEST FAILED - NO RESPONSE ELEMENT WITH THE SPECIFIED TOKEN EXISTED. (MVS ONLY)
44	(2C)	CONST		SLXRBADL	REQUEST FAILED; REPLY AREA PROVIDED BY REQUESTOR WAS TOO SMALL TO CONTAIN ALL REPLY DATA ASSOCIATED WITH THE REQUEST. IF FIELD SLXCRLN IS NON-ZERO, IT CONTAINS THE LENGTH VALUE THAT SHOULD BE SPECIFIED FOR THE REPLY AREA FOR THIS REQUEST. (VM ONLY)
48	(30)	CONST		SLXRNVCI	VCIRQST AND VCIRESP NOT SUPPORTED. EITHER VTCS IS NOT INSTALLED - OR - IS NOT AT THE REQUIRED LEVEL TO SUPPORT THE PGMI VCI REQUEST.
52	(34)	CONST		SLXREOV	END OF VCI RESPONSES.
56	(38)	CONST		SLXRNVN	VCI REQUEST NOT VALID. THE VCI COMMAND SUPPLIED ON THE VCIRQST STATEMENT IS NOT VALID.
60	(3C)	CONST		SLXRBTK	THE VCI TOKEN BEING USED TO OBTAIN VCI RESPONSES IS INVALID

Table 99. SLXREQM Record Format

Dec	Hex	Type	Length	Label	Description
4	(4)	A-ADDR	1	SLXVERS	REPLY VERSION CODE
9	(09)	CONST		SLXVCODE	VERSION 9 OF THE REPLY AREA
5	(5)	BITSTRING	1	SLXRFLG1	*RESPONSE FLAGS
		1... X'80'		SLXROKM	MORE RESPONSES CAN BE READ
6	(6)	HEXSTRING	2	-RESERVED-	RESERVED
8	(8)	SIGNED-FWORD	4	SLXSRC	FAILURE REASON CODE THESE REASON CODES ARE THE ACTUAL RETURN CODES FOR A GIVEN FUNCTION. THEY ARE DOCUMENTED IN THE HSC MESSAGES AND CODES GUIDE, CHAPTER 4 - HSC RETURN CODES.
32772	(8004)	CONST		SLXNOALS	HSC IS NOT ACTIVE
32788	(8014)	CONST		SLXQNOA	ASCOMM IS NOT ACTIVE
32792	(8018)	CONST		SLXINVOP	INVALID QUAB OPTION INTERNAL ERROR - CONTACT STK
32780	(800C)	CONST		SLXINVFC	INVALID FUNCTION CODE INTERNAL ERROR - CONTACT STK.
32784	(8010)	CONST		SLXNOLVT	NO LVT INTERNAL ERROR - CONTACT STK.
32804	(8024)	CONST		SLXTABND	ASCOMM SERVER TASK ABENDED
32818	(8032)	CONST		SLXTINTR	CURRENT TASK INTERRUPTED
32822	(8036)	CONST		SLXSANF	SEARCH ARGUMENT NOT FOUND
32826	(803A)	CONST		SLXMSTT	MIS-MATCHED TOKEN TYPES
32832	(8040)	CONST		SLXTRNF	TOKEN REQUEST AREA NOT FOUND
32848	(8050)	CONST		SLXSFUL	REPLY AREA SPACE FULL
32849	(8051)	CONST		SLXDVMM	DRIVE/MEDIA MISMATCH THE REQUESTED MEDIA (EITHER DIRECTLY VIA PGM MEDIA/RECTECH OR INDIRECTLY VIA TAPEREQ) IS NOT COMPATIBLE WITH THE DRIVE SPECIFIED IN THE PGM CALL
12	(C)	A-ADDR	4	SLXLEN	TOTAL RESPONSE LENGTH.
16	(10)	SIGNED-FWORD	4	SLXPEOFF	PARAMETER ERROR OFFSET
20	(14)	LENGTH		SLXHL	SLX HEADER LENGTH

Table 99. SLSXREQM Record Format

Dec	Hex	Type	Length	Label	Description
CONFIGURATION SUMMARY SECTION DIRECTORY					
20	(14)	SIGNED-FWORD	4	SLXXCFGN	NUMBER OF CONFIGURATION ELEMENTS PRESENT IN THIS REPLY
24	(18)	SIGNED-FWORD	4	SLXXCFGO	OFFSET TO CONFIGURATION SECTION FROM START OF REPLY, OR 0 IF REPLY DOESN'T CONTAIN ANY CONFIGURATION ELEMENTS
28	(1C)	SIGNED-FWORD	4	SLXXCFGL	LENGTH OF A CONFIGURATION ELEMENT, OR 0 IF REPLY DOESN'T CONTAIN ANY CONFIGURATION ELEMENTS
VOLUME INFORMATION SECTION DIRECTORY					
32	(20)	SIGNED-FWORD	4	SLXXVOLN	NUMBER OF VOLUME ELEMENTS PRESENT THIS REPLY
36	(24)	SIGNED-FWORD	4	SLXXVOLO	OFFSET TO VOLUME SECTION FROM START OF REPLY, OR 0 IF REPLY DOESN'T CONTAIN ANY VOLUME ELEMENTS
40	(28)	SIGNED-FWORD	4	SLXXVOLL	LENGTH OF A VOLUME ELEMENT, OR 0 IF REPLY DOESN'T CONTAIN ANY VOLUME ELEMENTS
DRIVE INFORMATION SECTION DIRECTORY					
44	(2C)	SIGNED-FWORD	4	SLXXDRVN	NUMBER OF DRIVE ELEMENTS PRESENT IN THIS REPLY
48	(30)	SIGNED-FWORD	4	SLXXDRVO	OFFSET TO DRIVE SECTION FROM START OF REPLY, OR 0 IF REPLY DOESN'T CONTAIN A DRIVE SECTION
52	(34)	SIGNED-FWORD	4	SLXXDRVL	LENGTH OF A DRIVE ELEMENTS OR 0 IF REPLY DOESN'T CONTAIN A DRIVE SECTION
LSM INFORMATION SECTION DIRECTORY					
56	(38)	SIGNED-FWORD	4	SLXXLSMN	NUMBER OF LSM ELEMENTS PRESENT IN THIS REPLY
60	(3C)	SIGNED-FWORD	4	SLXXLSMO	OFFSET TO LSM SECTION FROM START OF REPLY, OR 0 IF REPLY DOESN'T CONTAIN A LSM SECTION
64	(40)	SIGNED-FWORD	4	SLXXLSML	LENGTH OF AN LSM ELEMENT, OR 0 IF REPL DOESN'T CONTAIN AN LSM SECTION
MESSAGE TEXT SECTION DIRECTORY					

Table 99. SLSXREQM Record Format

Dec	Hex	Type	Length	Label	Description
68	(44)	SIGNED-FWORD	4	SLXXMSGN	NUMBER OF MESSAGE ELEMENTS PRESENT IN THIS REPLY
72	(48)	SIGNED-FWORD	4	SLXXMSGO	OFFSET TO MESSAGE SECTION, FROM START OF REPLY, OR 0 IF REPLY DOESN'T CONTAIN ANY MESSAGE ELEMENTS
76	(4C)	SIGNED-FWORD	4	SLXXMSGL	LENGTH OF A MESSAGE ELEMENT
QCAP INFORMATION SECTION DIRECTORY					
80	(50)	SIGNED-FWORD	4	SLXXCAPN	NUMBER OF CAP ELEMENTS PRESENT IN THIS REPLY
84	(54)	SIGNED-FWORD	4	SLXXCAPO	OFFSET TO CAP SECTION FROM START OF REPLY
88	(58)	SIGNED-FWORD	4	SLXXCAPL	LENGTH OF A CAP ELEMENT
QEJECT INFORMATION SECTION DIRECTORY					
92	(5C)	SIGNED-FWORD	4	SLXXQJTN	NUMBER OF QEJECT ELEMENTS PRESENT THIS REPLY
96	(60)	SIGNED-FWORD	4	SLXXQJTO	OFFSET TO QEJECT SECTION FROM START OF REPLY
100	(64)	SIGNED-FWORD	4	SLXXQJTL	LENGTH OF A QEJECT ELEMENT
STOP INFORMATION SECTION DIRECTORY					
104	(68)	SIGNED-FWORD	4	SLXXSTPN	NUMBER OF STOP ELEMENTS PRESENT IN THIS REPLY
108	(6C)	SIGNED-FWORD	4	SLXXSTPO	OFFSET TO STOP SECTION FROM START OF REPLY
112	(70)	SIGNED-FWORD	4	SLXXSTPL	LENGTH OF A STOP ELEMENT
QDSN INFORMATION SECTION DIRECTORY					
116	(74)	SIGNED-FWORD	4	SLXXQDSN	NUMBER OF QDSN ELEMENTS PRESENT IN THIS REPLY
120	(78)	SIGNED-FWORD	4	SLXXQDSO	OFFSET TO QDSN SECTION FROM START OF REPLY
124	(7C)	SIGNED-FWORD	4	SLXXQDSL	LENGTH OF A QDSN ELEMENT
VCI INFORMATION SECTION DIRECTORY					
128	(80)	SIGNED-FWORD	4	SLXXVCIN	NUMBER OF VCI ELEMENTS PRESENT IN THIS REPLY
132	(84)	SIGNED-FWORD	4	SLXXVCIO	OFFSET TO VCI SECTION FROM START OF REPLY
136	(88)	SIGNED-FWORD	4	SLXXVCIL	LENGTH OF A VCI ELEMENT

Table 99. SLSXREQM Record Format

Dec	Hex	Type	Length	Label	Description
140	(8C)	A-ADDR	4	-RESERVED-(9)	RESERVED FOR FUTURE ENTRIES
176	(B0)	AREA	8	SLXEND	LABEL FOR ADDRESSING NEXT AREA.
176	(B0)	LENGTH		SLXL	SLXLENGTH
<p>CONFIGURATION SUMMARY ELEMENT THIS ELEMENT APPEARS IN THE REPLY TO A QCONFIG REQUEST AND SUPPLIES SUMMARY INFORMATION ABOUT THE LIBRARY AND ABOUT REPLY LENGTHS NECESSARY FOR OTHER TYPES OF REQUESTS.</p>					
0	(0)	STRUCTURE		SLXSCFG	STANDARD
0	(0)	CHARACTER	3	SLXLID	ELEMENT IDENTIFIER
3	(3)	HEXSTRING	1	-RESERVED-	RESERVED
4	(4)	CHARACTER	8	SLXLHNAM	HOST ID
12	(C)	SIGNED-FWORD	4	SLXLHHBT	HOST PULSE VALUE
16	(10)	SIGNED-FWORD	4	SLXLRSTM	RESERVE TIMEOUT LIMIT
20	(14)	CHARACTER	8	SLXLQNAM	ENQ MAJOR NAME
28	(1C)	CHARACTER	8	-RESERVED-	RESERVED
36	(24)	CHARACTER	1	SLXLCMPF	COMMAND PREFIX CHARACTER
37	(25)	BITSTRING	1	SLXLSCLB	SCRATCH LABEL TYPE:
0	(00)	CONST		SLXLLBSL	
1	(01)	CONST		SLXLLBAL	ASCII
2	(02)	CONST		SLXLLBNL	NON-LABELED
3	(03)	CONST		SLXLLBNS	NON-STANDARD LABEL
		11.. ..1. X'C2'		SLXLLBBL	BYPASS LABEL (CHARACTER = B)
		11.1 .1.1 X'D5'		SLXLLBNA	LABEL INFO NA (CHARACTER = N)
38	(26)	A-ADDR	1	SLXLSMF	SMF RECORD TYPE
39	(27)	HEXSTRING	1	-RESERVED-	RESERVED
40	(28)	SIGNED-FWORD	4	SLXQMDR	LARGEST NUMBER OF DRIVES IN ANY ACS
44	(2C)	SIGNED-FWORD	4	SLXQDRCT	NUMBER OF DRIVES IN THE LIBRARY
48	(30)	SIGNED-FWORD	4	SLXQACNT	NUMBER OF ACSS IN THE LIBRARY
52	(34)	SIGNED-FWORD	4	SLXQLCNT	NUMBER OF LSMS IN THE LIBRARY

Table 99. SLSXREQM Record Format

Dec	Hex	Type	Length	Label	Description
56	(38)	SIGNED-FWORD	4	-RESERVED-(15)	RESERVED - VM LENGTHS
WARNING. THE FOLLOWING FIELD DOES NOT EXIST UNLESS THE VERSION IN SLXVERS IS GREATER THAN 2.					
116	(74)	A-ADDR	4	SLXQUCSA	ADDRESS OF SLSUXCSA.
120	(78)	A-ADDR	4	-RESERVED-	RESERVED VM
124	(7C)	SIGNED-FWORD	4	SLXQLCAP	NUMBER OF CAPS IN THE LIBRARY
128	(80)	SIGNED-FWORD	4	SLXEXLM0	ExLM R15
132	(84)	SIGNED-FWORD	4	SLXEXML1	ExLM R1
136	(88)	SIGNED-FWORD	4	SLXEXLM2	ExLM R2
140	(8C)	SIGNED-FWORD	4	-RESERVED-(5)	RESERVED - VM Z-FIELDS
160	(A0)	SIGNED-HWORD	2	SLXHSCV	HSC VERSION NUMBER
162	(A2)	HEXSTRING	6	-RESERVED-	ALIGN TO DOUBLE WORD
168	(A8)	LENGTH		SLXSCFGL	LENGTH
QDSN INFORMATION ELEMENT THIS ELEMENT APPEARS IN THE REPLY TO A QDSN REQUEST AND SUPPLIES SUMMARY INFORMATION ABOUT THE CURRENT REFERENCED DATASETS USED BY THE HSC.					
0	(0)	STRUCTURE		SLXDSNIM	DATASET INFORMATION MAP
0	(0)	CHARACTER	3	SLXQDID	SECTION IDENTIFIER
3	(3)	BITSTRING	1	SLXDSFLG	DATASET TYPE
1	(01)	CONST		SLXDSPRM	CDS PRIMARY
2	(02)	CONST		SLXDSSEC	CDS SECONDARY
3	(03)	CONST		SLXDSSBY	CDS STANDBY
4	(04)	CONST		SLXDVSAT	VOLUME ATTRIBUTES
5	(05)	CONST		SLXDSUAT	UNIT ATTRIBUTES
6	(06)	CONST		SLXDSTRQ	TAPEREQS
7	(07)	CONST		SLXDSPLB	PARMLIB
8	(08)	CONST		SLXDSJNP	PRIMARY JOURNAL
9	(09)	CONST		SLXDSJNA	ALTERNATE JOURNAL
9	(09)	CONST		SLXDSDMAX	MAX NUMBER OF QDS RETURNED
4	(4)	CHARACTER	44	SLXDSDNAM	DATASET NAME
48	(30)	CHARACTER	8	SLXDSDMBR	MEMBER NAME
56	(38)	CHARACTER	6	SLXDSDVOL	VOLUME NAME
62	(3E)	CHARACTER	8	SLXDSDUNT	UNIT NAME

Table 99. SLSXREQM Record Format

Dec	Hex	Type	Length	Label	Description
70	(46)	CHARACTER	2	-RESERVED-	RESERVED
72	(48)	CHARACTER	96	-RESERVED-	RESERVED
168	(A8)	AREA	8	-RESERVED-	ALIGN
168	(A8)	LENGTH		SLXDSNEL	LENGTH OF ONE DATASET ENTRY
CAP INFORMATION ELEMENT THIS ELEMENT SUPPLIES INFORMATION ABOUT A SINGLE LIBRARY CAP					
0	(0)	STRUCTURE		SLXSCAP	
0	(0)	CHARACTER	4	SLXCID	SECTION IDENTIFIER
4	(4)	HEXSTRING	1	SLXCACS	ACS ADDRESS
5	(5)	HEXSTRING	1	SLXCLSM	LSM ADDRESS
6	(6)	HEXSTRING	1	SLXCCAP	CAP NUMBER
7	(7)	HEXSTRING	1	-RESERVED-	RESERVED
8	(8)	AREA	2	SLXCSTAT	CAP STATUS
8	8	BITSTRING	1	SLXCSTB1	CAP STATUS
		1... .. X'80'		SLXCSTCA	CAP IS ACTIVE
		.1.. X'40'		SLXCSTNR	CAP NEEDS RECOVERY
		..1. X'20'		SLXCSTAM	CAP IS IN AUTOMATIC MODE
		...1 X'10'		SLXCSTCL	CAP IS LINKED
	 1... X'08'		SLXCSTCO	CAP IS ONLINE
9	(9)	BITSTRING	1	SLXCSTB2	CAP MODE
		1... .. X'80'		SLXCSTIE	CAP IS ENTERING
		.1.. X'40'		SLXCSTID	CAP IS DRAINING
		..1. X'20'		SLXCSTIJ	CAP IS EJECTING
		...1 X'10'		SLXCSTIC	CAP IS CLEANING
	 1... X'08'		SLXCSTII	CAP IS IDLE
10	(A)	BITSTRING	1	SLXCTYPE	TYPE OF CAP
		1... .. X'80'		SLXCTPC	PRIORITY CAP
	1 X'01'		SLXCTCIM	CIMARRON
	1. X'02'		SLXCTCLP	CLIPPER
	11 X'03'		SLXCTTWS	STANDARD CLIPPER
	1.. X'04'		SLXCTTWO	OPTIONAL CLIPPER
	1.1 X'05'		SLXCTTIM	(9740/TIMBERWOLF)

Table 99. SLSXREQM Record Format

Dec	Hex	Type	Length	Label	Description
12	(C)	SIGNED-HWORD	2	SLXCCELL	CELLS IN CAP
14	(E)	HEXSTRING	1	SLXCNROW	ROWS
15	(F)	HEXSTRING	1	SLXCNCOL	COLUMNS
16	(10)	HEXSTRING	1	SLXCCMAG	MAGAZINES
17	11	HEXSTRING	1	SLXCCMGC	CELLS IN MAGAZINE
18	(12)	CHARACTER	8	SLXCJOB	JOBNAME OF OWNER
26	(1A)	HEXSTRING	6	-RESERVED-	ALIGN TO DOUBLE WORD
32	(20)	LENGTH		SLXSCAPL	LENGTH
<p>QEJECT INFORMATION ELEMENT THIS ELEMENT SUPPLIES INFORMATION ABOUT A SINGLE EJECT VOLUME AND IS REPEATED FOR EACH VOLUME WITHIN AN EJECT LIST</p>					
0	(0)	STRUCTURE		SLXQJT	
0	(0)	CHARACTER	4	SLXQID	SECTION IDENTIFIER
4	(4)	HEXSTRING	4	SLXQJTT	TOKEN OF EJECT TASK
8	(8)	HEXSTRING	4	SLXQJTC	EJECT (ACS / LSM / CAP 00)
12	(C)	HEXSTRING	2	SLXQJTS	TARGETED VOLUME EJECT STATUS
65535	(FFFF)	CONST		SLXQJTN	VOLUME NOT PROCESSED YET
0	(00)	CONST		SLXQJTD	VOLUME HAS BEEN EJECTED
14	(E)	HEXSTRING	6	SLXQJTV	VOLUME NUMBER
20	(14)	HEXSTRING	4	-RESERVED-	ALIGN TO DOUBLE WORD
24	(18)	LENGTH		SLXQJTL	LENGTH
<p>STOP INFORMATION ELEMENT THIS ELEMENT SUPPLIES STATUS FOR A TOKEN OF A PGMI TASK REQUESTED TO BE STOPPED. THIS DEFINITION WILL BE REPEATED FOR EACH ELEMENT WITHIN A TASK STOP LIST</p>					
0	(0)	STRUCTURE		SLXSTP	
0	(0)	CHARACTER	4	SLXSID	SECTION IDENTIFIER
4	(4)	HEXSTRING	4	SLXSTPT	TOKEN NUMBER
8	(8)	HEXSTRING	1	SLXSTPY	TARGET PROCESS TYPE X'FF' PROCESS TYPE UNKNOWN
9	(9)	BITSTRING	1	SLXSTPS	TARGET PROCESS STOP STATUS
	 X'00'		SLXSTPK	PROCESS MARKED TO STOP
		111. 111. X'EE'		SLXSTPE	PROCESS DOES NOT SUPPORT STOP
		1111 1111 X'FF'		SLXSTPN	SLXSTPN PROCESS TOKEN NOT FOUND

Table 99. SLSXREQM Record Format

Dec	Hex	Type	Length	Label	Description
10	(A)	HEXSTRING	6	-RESERVED-	ALIGN TO DOUBLE WORD
16	(10)	LENGTH		SLXSTPL	LENGTH
<p>VOLUME INFORMATION ELEMENT THIS ELEMENT SUPPLIES INFORMATION ABOUT A SINGLE VOLUME AND IS REPEATED FOR EACH VOLUME ASSOCIATED WITH A REQUEST. THIS ELEMENT MAY APPEAR IN REPLIES TO THE FOLLOWING REQUESTS: QDRLIST - RETURN DRIVE INFORMATION, ORDERED BY PREFERENCE QVOLUME - RETURN VOLUME INFORMATION SELSCR - SELECT A SCRATCH VOLUME EJECT - EJECT VOLUMES</p>					
0	(0)	STRUCTURE		SLXSVOL	
0	(0)	CHARACTER	3	SLXVID	SECTION IDENTIFIER
3	(3)	BITSTRING	1	SLXVSTA	VOLUME STATUS:
		1... X'80'		SLXVILB	VOLUME IS IN LIBRARY
		.1.. X'40'		SLXVOHST	VOLUME IS IN USE BY ANOTHER HOST
		..1. X'20'		SLXVSCR	VOLUME IS CONSIDERED SCRATCH
		...1 X'10'		SLXVMAL	VOLUME IS IN MANUAL-MODE LSM
	 1... X'08'		SLXVDSC	VOLUME IS IN DISCONNECTED ACS
	1.. X'04'		SLXVMNT	VOLUME IS MOUNTED ON A DRIVE
	1. X'02'		SLXVERR	VOLUME IS 'ERRANT' (I.E. ITS LOCATION WITHIN THE LIBRARY IS UNCERTAIN) EQU X'01' RESERVED
	1 X'01'		SLXVTV	VOLUME IS A VTCS VIRTUAL VOLUME
4	(4)	CHARACTER	6	SLXVSER	VOLUME SERIAL
10	(A)	A-ADDR	1	SLXVLC	VOLUME LOCATION CODE:
0	(00)	CONST		SLXVUNK	LOCATION DATA UNAVAILABLE (SLXVLOC IS
1	(01)	CONST		SLXVCEL	LOCATION DATA IS A CELL ADDRESS
2	(02)	CONST		SLXVDRV	LOCATION DATA IS A DRIVE ADDRESS
11	(B)	AREA	5	SLXVLOC	VOLUME LOCATION DATA:
11	(B)	HEXSTRING	1	SLXVACS	ACS ADDRESS
12	(C)	HEXSTRING	1	SLXVLSM	LSM ADDRESS
13	(D)	HEXSTRING	3	SLXVPNL	PANEL, ROW, COL

Table 99. SLSXREQM Record Format

Dec	Hex	Type	Length	Label	Description
13	(D)	HEXSTRING	2	SLXVDRIV	DRIVE ADDRESS (0CUU)
15	(F)	BITSTRING	1	SLXVSTA2	MORE VOLUME STATUS: EQU X'E0' RESERVED
	1 X'10'		SLXVMLMU	VOLUME MEDIA TYPE CAME FROM LMU. EQU X'08' RESERVED.
	 1.. X'04'		SLXVMUNR	VOLUME MEDIA TYPE UNREADABLE.
	1. X'02'		SLXVMVLA	VOLUME MEDIA TYPE CAME FROM VOLATTR
	1 X'01'		SLXVMDFL	VOLUME MEDIA TYPE DEFAULT ASSIGNED.
16	(10)	AREA	8	SLXVTSSN	VTSS NAME
16	(10)	SIGNED-FWORD	4	SLXVDATI	HI-WORD OF TOD AT INSERTION
20	(14)	SIGNED-FWORD	4	SLXVDATL	HI-WORD OF TOD LAST SELECTION
24	(18)	SIGNED-FWORD	4	SLXVSCNT	SELECTION COUNT
28	(1C)	SIGNED-FWORD	4	SLXVDATD	HI-WORD OF TOD LAST MOUNT/DISMOUNT
32	(20)	CHARACTER	8	SLXVMED	TYPE OF MEDIA
40	(28)	AREA	8	-RESERVED-	ALIGN
40	(28)	LENGTH		SLXSVOLL	LENGTH OF SLXSVOL
<p>DRIVE INFORMATION ELEMENT THIS ELEMENT SUPPLIES INFORMATION ABOUT A SINGLE LIBRARY TAPE DRIVE AND IS REPEATED FOR EACH DRIVE ASSOCIATED WITH A REQUEST. THIS ELEMENT MAY APPEAR IN REPLIES TO THE FOLLOWING REQUESTS: QDRIVES - RETURN DRIVE AND LSM INFORMATION QDRLIST - RETURN DRIVE INFORMATION, ORDERED BY PREFERENCE</p>					
0	(0)	STRUCTURE		SLXSDRV	
0	(0)	CHARACTER	3	SLXDID	SECTION IDENTIFIER
3	(3)	BITSTRING	1	SLXDSTA	LIBRARY STATUS
		...1 X'10'		SLXDMANU	LSM IS IN MANUAL MODE
	 1.. X'08'		SLXDDISC	ACS IS DISCONNECTED
	1 X'01'		SLXDVRT	DRIVE IS VIRTUAL
4	(4)	HEXSTRING	1	SLXQDEAC	ACS ADDRESS
5	(5)	HEXSTRING	1	SLXQDELS	LSM ADDRESS
6	(6)	HEXSTRING	2	SLXQDECU	DRIVE ADDRESS (0CUA)
8	(8)	CHARACTER	8	SLXQDRT	RECORDING TECHNIQUE OF DRIVE

Table 99. SLSXREQM Record Format

Dec	Hex	Type	Length	Label	Description
16	(10)	AREA	8	-RESERVED-	ALIGN
16	(10)	LENGTH		SLXSDRVL	LENGTH OF SLSXDRV
<p>LSM INFORMATION ELEMENT THIS ELEMENT SUPPLIES INFORMATION ABOUT A SINGLE LSM (LIBRARY STORAGE MODULE) AND IS REPEATED FOR EACH LSM ASSOCIATED WITH A REQUEST. THIS ELEMENT MAY APPEAR IN REPLIES TO THE FOLLOWING REQUESTS: QDRIVES - RETURN DRIVE AND LSM INFORMATION QDRLIST - RETURN LSM INFORMATION FOR SCRATCH=YES QSCRATCH - RETURN LSM INFORMATION, ORDERED BY PREFERENCE</p>					
0	(0)	STRUCTURE		SLXSLSM	
0	(0)	CHARACTER	3	SLXMID	SECTION IDENTIFIER
3	(3)	BITSTRING	1	SLXMSTAT	LSM STATUS FLAGS:
		...1 X'10'		SLXMANUL	LSM IS IN MANUAL MODE
	 1... X'08'		SLXMDISC	LSM'S ACS IS DISCONNECTED
4	(4)	HEXSTRING	1	SLXMACS	ACS ADDRESS
5	(5)	HEXSTRING	1	SLXMLSM	LSM ADDRESS
6	(6)	A-ADDR	1	SLXMADJN	NUMBER OF ADJACENT LSMS
7	(7)	A-ADDR	1	SLXMADJI(4)	ADJACENT LSM INDICES (ONLY THE FIRST N IDS ARE VALID, WHERE N IS THE VALUE IN SLXMADJN)
11	(B)	HEXSTRING	1	-RESERVED-	RESERVED
12	(C)	SIGNED-FWORD	4	SLXMNSCR	SCRATCH COUNT FOR LSM
16	(10)	SIGNED-FWORD	4	SLXMTCEL	TOTAL CELLS IN LSM
20	(14)	SIGNED-FWORD	4	SLXMFCEL	LSM FREE CELL COUNT
24	(18)	LENGTH		SLXSLSML	LENGTH
<p>MESSAGE TEXT ELEMENT THIS ELEMENT SUPPLIES THE COMPLETE TEXT OF THE MESSAGE WHOSE BINARY MESSAGE ID NUMBER IS REPORTED IN HEADER FIELD SLXSRC. THIS ELEMENT MAY APPEAR IN REPLIES TO THE FOLLOWING REQUESTS: DISMOUNT - DISMOUNT A VOLUME MOUNT - MOUNT A VOLUME EJECT - EJECT VOLUMES</p>					
0	(0)	STRUCTURE		SLXSMSG	MESSAGE TEXT ELEMENT
0	(0)	CHARACTER	3	SLXGID	ELEMENT IDENTIFIER
3	(3)	CHARACTER	125	SLXGTEXT	TEXT OF A MESSAGE. FOR MOUNT AND DISMOUNT, THE MESSAGE NUMBER IS IN FIELD SLXSRC OF THE REPLY HEADER
128	(80)	AREA	8	-RESERVED-	ALIGN

Table 99. SLSXREQM Record Format

Dec	Hex	Type	Length	Label	Description
128	(80)	LENGTH		SLXSMSGL	LENGTH

Cross Reference

Name	Len	Offset Value
SLSXACS	000001	4A
SLSXALC	000004	4A
SLSXCAP	000004	4A
SLSXCNT	000002	38
SLSXCOL	000001	50
SLSXDRIV	000002	54
SLSXDSM	-	2A
SLSXDSN	000044	9D
SLSXEJCT	-	2B
SLSXEXPD	000003	C9
SLSXFDSN	-	10
SLSXFEXP	-	08
SLSXFJOB	-	80
SLSXFLG1	000001	0A
SLSXFLG2	000001	0B
SLSXFLG3	000001	0C
SLSXFLG4	000001	0D
SLSXFLG5	000001	0E
SLSXFLG6	000001	0F
SLSXFLG7	000001	10
SLSXFLG8	000001	84
SLSXFLG9	000001	CF
SLSXFMED	-	40
SLSXFMGT	-	20
SLSXFPGM	-	20
SLSXFREC	-	80
SLSXFRET	-	04
SLSXFSTP	-	40
SLSXFVOL	-	02
SLSXF101	-	01
SLSXF102	-	02

Name	Len	Offset Value
SLSXF104	-	04
SLSXF108	-	08
SLSXF110	-	10
SLSXF120	-	20
SLSXF140	-	40
SLSXF308	-	08
SLSXF410	-	10
SLSXF420	-	20
SLSXF601	-	01
SLSXF602	-	02
SLSXHDR	000004	00
SLSXHOST	000008	42
SLSXID	-	'CVAL'
SLSXJOB	000008	85
SLSXLABT	000001	11
SLSXLAL	-	02
SLSXLCAP	-	04
SLSXLEN	000004	04
SLSXLIST	000001	1E0
SLSXLDDT	-	00
SLSXLN	-	1E0
SLSXLNL	-	03
SLSXLNS	-	04
SLSXLOFF	000002	3A
SLSXLSSL	-	01
SLSXLSMI	000002	4A
SLSXLSTA	000004	34
SLSXLTK	-	04
SLSXLVSL	-	06
SLSXMCAP	-	1F4
SLSXMED	000008	D8
SLSXMGMT	000008	E6

Name	Len	Offset Value
SLSXMNT	-	28
SLSXMOVE	-	29
SLSXMTOK	-	1F4
SLSXMVSL	-	1F4
SLSXNOOP	-	00
SLSXPAN	000001	4E
SLSXPGMN	000008	95
SLSXPOOL	000001	56
SLSXPROT	-	80
SLSXQCAP	-	1A
SLSXQCNF	-	14
SLSXQDRL	-	16
SLSXQDRV	-	15
SLSXQDSN	-	1D
SLSXQEJT	-	19
SLSXQHSC	-	01
SLSXQRQS	-	1C
SLSXQSCR	-	17
SLSXQVOL	-	18
SLSXREAD	-	03
SLSXRECT	000008	D0
SLSXREST	-	02
SLSXRETP	000002	CC
SLSXRLEN	000004	2C
SLSXROW	000001	4F
SLSXRS05	-	05
SLSXRS17	-	1B
SLSXRS63	-	3F
SLSXRS64	-	40
SLSXRT	000001	09
SLSXSCR	-	40
SLSXSCRA	-	3D

Name	Len	Offset Value
SLSXSP	-	'W'
SLSXSSCR	-	3C
SLSXSTEP	000008	8D
SLSXSTOP	-	04
SLSXSUBN	-	10
SLSXSUBP	000013	77
SLSXSYNC	-	80
SLSXTEXT	000032	57
SLSXTKNO	000004	30
SLSXTLSM	000002	51
SLSXTPAN	000001	53
SLSXTRI	-	85
SLSXTRIL	-	4A
SLSXUNSC	-	3E
SLSXVACS	-	40
SLSXVCAP	-	10
SLSXVCI	-	46
SLSXVCIL	000002	E4
SLSXVCIP	000004	E0
SLSXVCIR	-	47
SLSXVCIT	000004	E0
SLSXVCNT	-	01
SLSXVCOL	-	02
SLSXVDRV	-	01
SLSXVER	000001	08
SLSXVHST	-	80
SLSXVLSM	-	20
SLSXVLST	-	02
SLSXVN	-	09
SLSXVOLS	000006	3C
SLSXVOLT	000001	CE
SLSXVPAN	-	08

Name	Len	Offset Value
SLSXVROW	-	04
SLSXVSCP	-	20
SLSXVTKN	-	08
SLSXVTLM	-	80
SLSXVTPN	-	40
SLSXVTXT	-	04
SLSXVVOL	-	04
SLXCACS	000001	04
SLXCCAP	000001	06
SLXCCELL	000002	0C
SLXCCMAG	000001	10
SLXCCMGC	000001	11
SLXCID	000004	00
SLXCJOB	000008	12
SLXCLSM	000001	05
SLXCMDRC	000001	03
SLXCNCOL	000001	0F
SLXCNROW	000001	0E
SLXCSTAM	-	20
SLXCSTAT	000002	08
SLXCSTB1	000001	08
SLXCSTB2	000001	09
SLXCSTCA	-	80
SLXCSTCL	-	10
SLXCSTCO	-	08
SLXCSTIC	-	10
SLXCSTID	-	40
SLXCSTIE	-	80
SLXCSTII	-	08
SLXCSTIJ	-	20
SLXCSTNR	-	40
SLXCTCIM	-	01

Name	Len	Offset Value
SLXCTCLP	-	02
SLXCTPC	-	80
SLXCTTIM	-	05
SLXCTTWO	-	04
SLXCTTWS	-	03
SLXCTYPE	000001	0A
SLXDDISC	-	08
SLXDID	000003	00
SLXDMANU	-	10
SLXDSFLG	000001	03
SLXDSJNA	-	09
SLXDSJNP	-	08
SLXDSDMAX	-	09
SLXDSDMBR	000008	30
SLXDSDNAM	000044	04
SLXDSDNEL	-	A8
SLXDSDPLB	-	07
SLXDSDPRM	-	01
SLXDSSBY	-	03
SLXDSSSEC	-	02
SLXDSTA	000001	03
SLXDSTRQ	-	06
SLXDSUAT	-	05
SLXDSDUNT	000008	3E
SLXDSDVAT	-	04
SLXDSDVOL	000006	38
SLXDSDVIRT	-	01
SLXDSDVMM	-	8051
SLXEND	000008	B0
SLXEXLM0	000004	80
SLXEXLM1	000004	84
SLXEXLM2	000004	88

Name	Len	Offset Value
SLXGID	000003	00
SLXGTEXT	000125	03
SLXHID	000003	00
SLXHL	-	14
SLXHSCV	000002	A0
SLXINVFC	-	800C
SLXINVOP	-	8018
SLXL	-	B0
SLXLCMPF	000001	24
SLXLEN	000004	0C
SLXLHHBT	000004	0C
SLXLHNAM	000008	04
SLXLID	000003	00
SLXLLBAL	-	01
SLXLLBBL	-	C2
SLXLLBNA	-	D5
SLXLLBNL	-	02
SLXLLBNS	-	03
SLXLLBSL	-	00
SLXLOCKD	-	20
SLXLQNAM	000008	14
SLXLRSTM	000004	10
SLXLSCLB	000001	25
SLXLSMF	000001	26
SLXMACS	000001	04
SLXMADJI	000001	07
SLXMADJN	000001	06
SLXMANUL	-	10
SLXMDISC	-	08
SLXMFCEL	000004	14
SLXMID	000003	00
SLXMLSM	000001	05

Name	Len	Offset Value
SLXMNSCR	000004	0C
SLXMSTAT	000001	03
SLXMSTT	-	803A
SLXMTCEL	000004	10
SLXNOALS	-	8004
SLXNOLVT	-	8010
SLXNORSP	-	28
SLXNTCB	-	1C
SLXPEOFF	000004	10
SLXQACNT	000004	30
SLXQDEAC	000001	04
SLXQDECU	000002	06
SLXQDELS	000001	05
SLXQDID	000003	00
SLXQDRCT	000004	2C
SLXQDRT	000008	08
SLXQID	000004	00
SLXQJTC	000004	08
SLXQJTD	-	00
SLXQJTL	-	18
SLXQJTN	-	FFFF
SLXQJTS	000002	0C
SLXQJTT	000004	04
SLXQJTV	000006	0E
SLXQLCAP	000004	7C
SLXQLCNT	000004	34
SLXQMDR	000004	28
SLXQNOA	-	8014
SLXQUCSA	000004	74
SLXRBADL	-	2C
SLXRBADP	-	08
SLXRB TOK	-	3C

Name	Len	Offset Value
SLXREOV	-	34
SLXRFAIL	-	10
SLXRFLG1	000001	05
SLXRIERR	-	0C
SLXRNAUT	-	18
SLXRNHSC	-	14
SLXRNVCI	-	30
SLXROK	-	00
SLXROKM	-	80
SLXRPLY	000001	00
SLXRVNV	-	38
SLXRWARN	-	04
SLXSANF	-	8036
SLXSCAPL	-	20
SLXSCFGL	-	A8
SLXSDRVL	-	10
SLXSFUL	-	8050
SLXSID	000004	00
SLXSLSML	-	18
SLXSMSGL	-	80
SLXSP	-	'W'
SLXSRC	000004	08
SLXSTPE	-	EE
SLXSTPK	-	00
SLXSTPL	-	10
SLXSTPN	-	FF
SLXSTPS	000001	09
SLXSTPT	000004	04
SLXSTPY	000001	08
SLXSVOLL	-	28
SLXTABND	-	8024
SLXTINTR	-	8032

Name	Len	Offset Value
SLXTPROT	-	24
SLXTRNF	-	8040
SLXVACS	000001	0B
SLXVCEL	-	01
SLXVCODE	-	09
SLXVDATD	000004	1C
SLXVDATI	000004	10
SLXVDATL	000004	14
SLXVDRIV	000002	0D
SLXVDRV	-	02
SLXVDSC	-	08
SLXVERR	-	02
SLXVERS	000001	04
SLXVID	000003	00
SLXVILB	-	80
SLXVLC	000001	0A
SLXVLOC	000005	0B
SLXVLSM	000001	0C
SLXVMAL	-	10
SLXVMDFL	-	01
SLXVMED	000008	20
SLXVMLMU	-	10
SLXVMNT	-	04
SLXVMUNR	-	04
SLXVMVLA	-	02
SLXVOHST	-	40
SLXVPNL	000003	0D
SLXVSCNT	000004	18
SLXVSCR	-	20
SLXVSER	000006	04
SLXVSTA	000001	03
SLXVSTA2	000001	0F

Name	Len	Offset Value
SLXVTSSN	000008	10
SLXVTV	-	01
SLXVUNK	-	00
SLXXCAPL	000004	58
SLXXCAPN	000004	50
SLXXCAPO	000004	54
SLXXCFGL	000004	1C
SLXXCFGN	000004	14
SLXXCFGO	000004	18
SLXXDRVL	000004	34
SLXXDRVN	000004	2C
SLXXDRVO	000004	30
SLXXLSML	000004	40
SLXXLSMN	000004	38
SLXXLSMO	000004	3C
SLXXMSGL	000004	4C
SLXXMSGN	000004	44
SLXXMSGO	000004	48
SLXXQDSL	000004	7C
SLXXQDSN	000004	74
SLXXQDSO	000004	78
SLXXQJTL	000004	64
SLXXQJTN	000004	5C
SLXXQJTO	000004	60
SLXXSTPL	000004	70
SLXXSTPN	000004	68
SLXXSTPO	000004	6C
SLXXVCIL	000004	88
SLXXVCIN	000004	80
SLXXVCIO	000004	84
SLXXVOLL	000004	28
SLXXVOLN	000004	20

Name	Len	Offset Value
SLXXVOLO	000004	24

Appendix J. Batch Application Program Interface (API)

Overview

The Batch API allows you to retrieve CDS information in batch mode. The CDS specified as input to the request does not have to be active nor does it have to be currently referenced by the HSC address space (the request can execute entirely in the user address space). In addition, the HSC does not have to be active to submit the request.

QCDS Request

The QCDS request reads records from the input CDS and provides information about various library elements (e.g., CAPs, drives, volumes, and so forth). QCDS requests are synchronous, meaning that multiple requests cannot be active at the same time.

QCDS does not interact with the HSC address space except when the request specifies automatic allocation of the CDS. In this case, the HSC executes a single query operation to obtain data set information for CDS dynamic allocation. All other request processing occurs in the user address space. QCDS requests are limited to a single task within the current job step.

How QCDS Functions

QCDS automatically creates a DCB and opens and closes an input CDS as required. The request opens the CDS only if no other library element record areas are currently open for that CDS. Conversely, QCDS closes the CDS only if all other record areas for that CDS are closed.



Note: Do not issue MVS I/O macros or instructions for an input CDS whenever any associated record area is open.

Invoking QCDS (SLSUREQ Macro)

QCDS requests are issued by the SLSUREQ macro. Results from the request are returned in a response area that contains a reply header describing the results and a set of library element records. The response area must be long enough to contain the reply header and at least one library element record of the requested type. A read request transfers as many whole records as possible without exceeding the response area capacity.



Note: To retrieve individual records from the response area, deblock those records using the record length constant settings provided in the SLUVxDAT record formats.

Refer to “Volume Report and Batch API Mapping Macros” on page 722 to see these layouts.

The SLSUREQM macro maps the SLSUREQ reply header, parameter list, and return code values. Refer to “SLSUREQM Macro” on page 979 to see the record layout.

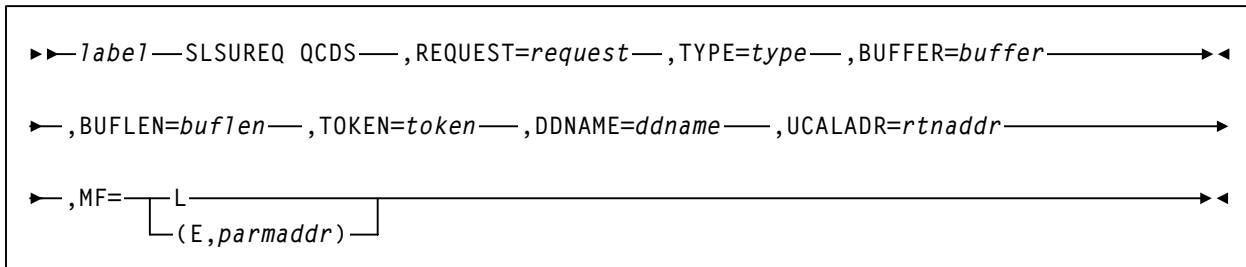
Reply header length is defined in SLSUREQM, and library element record lengths are defined in the SLUVxDAT macros. Return codes for each request (see “Return Codes” on page 967) are stored in register 15.

Addresses and Registers

- RX-type address: specifies an address that is valid in an RX-type instruction.
- Register (2) - (12): indicates that one of the general registers, 2 through 12, should be specified, enclosed in parentheses. The register must have been previously loaded with the value required by the parameter. Unused bits must be zeroed.
- Register (13) must point to a 72-byte MVS register save area when a QCDS request is issued.
- Register (15): stores QCDS request return codes.

Syntax

The syntax for the QCDS request is:



Parameters

label

label indicates a user-defined assembler label.

REQUEST

request indicates to access a library element record area.

OPEN

specifies to open a library element area and move to the first record of the area.

READ

specifies to retrieve the next group of library element records.

CLOSE

specifies to close a library element area.

This parameter is required.

TYPE

type indicates a library element record area type.

ACS

specifies the ACS/LSM record area

CAP

specifies the CAP record area

CDS

specifies the CDS information record area

CFG

specifies the configuration record area

DRV

specifies the drive record area

HST

specifies the host information record area

MVC

specifies the Multi-Volume Cartridge record area

STA

specifies the station record area

VOL

specifies the volume record area

VTV

specifies the Virtual Tape Volume record area

This parameter is required.

BUFFER

buffer indicates an RX-type fullword location or a register (2) - (12) containing the response area address for this READ request.

This parameter is required for the READ request but is ignored for OPEN and CLOSE requests.

BUFLEN

buflen indicates an RX-type fullword location or a register (2) - (12) containing the response area length for this READ request.

This parameter is required for the READ request but is ignored for OPEN and CLOSE requests.

TOKEN

token indicates an RX-type fullword location or a register (2) - (12) containing a fullword address that maintains QCDS state information for an input CDS.

The token value for an OPEN request must be zero when no associated CDS record areas are open. In this case, OPEN assigns a value to token that must be presented with all other QCDS requests for that CDS.

When all record areas of the CDS are closed, the token is no longer valid.

This parameter is required.

DDNAME

ddname indicates an RX-type address or a register (2) - (12) containing the address of the eight-character DDname of an input CDS. A DDname less than eight characters must be padded with trailing blanks.

Notes:

1. A CDS must be preallocated to *ddname* in the JCL or in a SVC 99 dynamic allocation request before issuing QCDS requests.
2. The input CDS does not need to be active or referenced by the HSC address space.
3. QCDS allows for multiple input CDSs, as long as each uses a unique *ddname* and specifies a different token for each open CDS. For example, an application can open two input CDSs and process them in an alternating, or interleaved, fashion.

This parameter is optional. If DDNAME is omitted, QCDS attempts to open the most recently updated CDS specified in the SLSCNTL, SLSCNTL2, or SLSSTBY DDnames for the current job step. If none of these DDnames is defined, QCDS tries to open an active CDS. In this case, the HSC address space must be active or the OPEN fails.

UCALADR

rnaddr indicates an RX-type fullword location, register (15), or a register (2) - (12) containing the address of the SLSUCAL routine.

This parameter is required. You must load the SLSUCAL module into storage before issuing a QCDS request.

MF

indicates either the list or execute form of the macro.

L

specifies the list form of the macro. This parameter generates a remote parameter list that can be referenced by the execute form of the macro.

Note: When **L** is specified, all other parameters are ignored.

E,parmaddr

specifies the execute form of the macro. parmaddr is an RX-type address or a register (1) - (12) containing the address of the remote parameter list.

This parameter is required.

QCDS Programming Considerations

- Only one instance of each library element record area can be open for each invocation.
- QCDS does not account for CDS switches for any open input CDS.
- The job step or task should define DDname SYSMDUMP to capture diagnostic information if an internal QCDS error occurs.
- Record order within a library element record area is unpredictable.

Return Codes

Invalid SLSUREQ requests and QCDS access requests provide return codes in register 15. Table 100 shows the list of return codes.

Table 100. Batch API Return Codes

Return Field Name:	Decimal Value and Description:
<i>Invalid SLSUREQ Requests:</i>	
SLURRQPL	1000 - SLSUREQ request failed: Invalid SLSUREQ parameter list.
SLURRQRT	1001 - SLSUREQ request failed: Invalid SLSUREQ request type.
SLURQCRT	1002 - SLSUREQ request failed: Invalid QCDS access request type.
<i>OPEN Return Codes:</i>	
SLUROPOK	0 - Record area was opened successfully.
SLUROPAO	4 - Open failed: Attempt to open a record area that is already open.
SLUROFIT	8 - Open failed: Invalid token value.
SLUROPPRA	12 - Open failed: Invalid record area type.

Table 100. Batch API Return Codes (Continued)

Return Field Name:	Decimal Value and Description:
SLUROPIO	16 - Open failed: I/O error while accessing the associated CDS.
SLUROPDD	20 - Open failed: An input CDS is not allocated to the designated DDname.
SLUROPNA	24 - Open failed: HSC address space not operational during automatic CDS allocation attempt.
SLUROPDA	28 - Open failed: Error during automatic CDS dynamic allocation operation.
READ Return Codes:	
SLURRDOK	0 - Successful read. One or more records were transferred to the response area and one or more additional records can be obtained by a subsequent READ request.
SLURRDEA	4 - Successful read. One or more records were transferred to the response area and no additional records can be read from the associated record area.
SLURRDIT	8 - Read failed: Invalid token value.
SLURRDRA	12 - Read failed: Invalid record area type.
SLURRDIO	16 - Read failed: I/O error while accessing the associated CDS.
SLURRDNO	20 - Read failed: Attempt to read a record area that is not currently open.
SLURRDBA	24 - Read failed: Attempt to read beyond the end of the record area.
SLURRDIB	28 - Read failed: Invalid response area buffer address.
SLURRDIL	32 - Read failed: Response area buffer length too short to contain both the reply header and at least one library element record.
CLOSE Return Codes:	
SLURCLOK	0 - Record area was closed successfully.
SLURCLAC	4 - Close failed: Attempt to close a record area that is already closed.
SLURCLIT	8 - Close failed: Invalid token value.
SLURCLRA	12 - Close failed: Invalid record area type.
SLURCLIO	16 - Close failed: I/O error while accessing the associated CDS.

Sample QCDS Requests

The following QCDS program samples detail two different scenarios:

- a request to open the current primary CDS
- a request to process two library element record area types.

Both of these examples can be found in the SAMPLIB data set distributed to customers. Error processing code has been omitted in the examples.

Sample 1 - Reading the Volume Record Area of the Current Primary CDS

This sample QCDS request uses automatic CDS allocation to open the current primary CDS. Automatic CDS allocation does not require JCL to identify the input CDS but does require an operational HSC address space.

After opening the CDS volume record area, the program reads groups of volume records into a 64 KB response area buffer.

```

QCDSVTV TITLE 'QCDS Read current primary CDS VTV record area'
*
*
* Function: Use QCDS to automatically allocate and Open the
*           current primary CDS. Issue SLSUREQ QCDS requests to
*           read all the VTV records.
*
* Attributes:
*   1. Problem state, user key.
*   2. Non-APF authorized.
*   3. AMODE 24, RMODE 24 (for below-the-line QSAM), reentrant.
*
* Notes:
*   The caller must have read access for the current primary
*   CDS.
*
**ENDPROLOGUE*****
      PRINT GEN
      ENTRY QCDSVTV
QCDSVTV CSECT
QCDSVTV AMODE 24           Below the line for QSAM (PUT macro).
QCDSVTV RMODE 24
*
* Save the caller's registers, establish CSECT addressability
* and create the module work area:
*
      STM  R14,R12,12(R13)  Save registers
      LR   R12,R15          Load base register R12
      USING QCDSVTV,R12    Declare CSECT base register R12
      GETMAIN R,LV=WKAREAL  Allocate module work area
      ST   R13,WKSAVE-WKAREA+4(,R1) Link new save area to old one
      ST   R1,8(,R13)      Link old save area to new one
      LR   R13,R1          Pointer to module work area
      USING WKAREA,R13     Addressability to module work area
*
* Load module SLSUCAL:
*
      LOAD EP=SLSUCAL      Load SLSUCAL into storage
      ST   R0,WKUCAL      Save SLSUCAL routine address
*
* Initialize the QCDS token and the SLSUREQ plist:
*
      XC   WKTOK,WKTOK     QCDS token initially zero
      LA   R0,WKQCDS      Pointer to SLSUREQ plist storage
      LA   R1,QCDSMLEN    Length of SLSUREQ plist
      LA   R14,QCDSMODL   Pointer to SLSUREQ plist model
      LR   R15,R1         Length of SLSUREQ plist model
      MVCL R0,R14         Initialize SLSUREQ plist storage
*

```

**Figure 67. Sample 1 - Automatic CDS Allocation
(1 of 4)**

```

MVC WKFLATDD(KFLATDDL),KFLATDD Initialize the working
LA R4,WKFLATDD storage version of the DCB from the
OPEN ((R4),(OUTPUT)) copy in the constants area.
*
* Use QCDS OPEN to automatically allocate the current primary CDS
* and open the VTV record area:
*
OPENVOL DS ØH Open CDS VTV record area:
SLSUREQ QCDS, +
REQUEST=OPEN, +
DDNAME==CL8'CDS1', +
TYPE=VTV, +
TOKEN=WKTOK, +
UCALADR=WKUCAL, +
MF=(E,WKQCD)
C R15,=A(SLUROPOK) Check for OPEN failure
BNE OPENERR Handle OPEN error
*
* Allocate response area buffer and map the response area:
*
L RØ,QCDSBLEN Load response area buffer length
GETMAIN R,LV=(Ø) Request storage
ST R1,WKBUFP Store pointer to response area
LR R1Ø,R1 Load pointer to response area
USING SLUR,R1Ø Map QCDS READ response area
*
* Outer loop - read CDS VTV record area in blocks:
*
READVOL DS ØH Read block of VTV records:
SLSUREQ QCDS, +
REQUEST=READ, +
DDNAME==CL8'CDS1', +
TYPE=VTV, +
BUFFER=WKBUFP, +
BUFLN=QCDSBLEN, +
TOKEN=WKTOK, +
UCALADR=WKUCAL, +
MF=(E,WKQCD)
ST R15,WKRDR C Save READ return code
C R15,=A(SLURRDEA) Check for READ failure
BH READERR Handle READ error
L R9,SLURQCDN Get number of VTV records
* present in this reply
L R7,SLURQCDO Offset to first VTV record
LA R8,SLURRPLY(R7) Pointer to first VTV record
USING SLUVTDAT,R8 Map VTV record
*

```

Figure 67. Sample 1 - Automatic CDS Allocation (2 of 4)

```

* Inner loop - process each VTV record in the response area:
*
VOLPROC DS    0H                Over all VTV records in reply:
*      ... process VTV record here ...
      PUT    WKFLATDD,((R8))
      LA     R8,VDRECLN(,R8)  Pointer to next VTV record
      BCT   R9,VOLPROC        Process next VTV record
CHECKEOA DS    0H                Check for more VTV records
      CLC   WKRDRCL=A(SLURRDEA) VTV end-of-area?
      BNE   READVOL           No, read more VTV records
*
* Close the CDS VTV record area:
*
CLOSEVOL DS    0H                Close VTV record area:
      LA     R4,WKFLATDD
      CLOSE ((R4))
      SLSUREQ QCDS,
      REQUEST=CLOSE,
      DDNAME==CL8'CDS1',
      TYPE=VTV,
      TOKEN=WKTOK,
      UCALADR=WKUCAL,
      MF=(E,WKQCDS)
      LTR   R15,R15            Check for CLOSE failure
      BNZ   CLOSEERR          Handle CLOSE error
      B     EXIT
READERR  WTO   'READ ERROR'
      B     EXIT
CLOSEERR WTO   'CLOSE ERROR'
      B     EXIT
*
* Clean up and return to caller:
*
OPENERR  WTO   'OPEN ERROR'
EXIT     DS    0H                Clean up and return to caller:
      DELETE EP=SLSUCAL      Unload SLSUCAL routine
      L     R0,QCDSBLEN      Load response area length
      L     R1,WKBUFP        Pointer to response area
      FREEMAIN R,A=(R1),LV=(R0) Release response area buffer
      LR   R1,R13            Pointer to module work area
      L     R13,4(,R13)      Restore caller's save area pointer
      FREEMAIN R,A=(R1),LV=WKAREAL Release module work area
      L     R14,12(,R13)     Restore return address
      LM   R0,R12,20(R13)    Restore caller's registers 0-12
      XR   R15,R15           Set return code zero
      BR   R14               Return to caller
*

```

Figure 67. Sample 1 - Automatic CDS Allocation
(3 of 4)


```

* Constants:
*
QCDSMODL SLSUREQ MF=L           SLSUREQ plist model
QCDSMLEN EQU *-QCDSMODL        Length of SLSUREQ plist model
QCDSBLEN DC F'655360'          QCDS READ response area buffer length
KFLATDD DCB DDNAME=VDRECDAT,DSORG=PS,MACRF=(PM),           +
              LRECL=VDRECLN,                               +
              BLKSIZE=VDRECLN*100,RECFM=FB
KFLATDDL EQU *-KFLATDD
*
* Module work area map:
*
WKAREA DSECT                    Module work area
WKSAVE DS 18F                    MVS register save area
WKUCAL DS A                       SLSUCAL routine address
WKTOK DS F                         QCDS request token
WKRDRC DS F                         QCDS READ return code
WKBUFP DS A                         QCDS READ response area buffer addr
WKQCDS DS XL(QCDSMLEN)            SLSUREQ plist storage
WKFLATDD DS XL(KFLATDDL)
WKAREAL EQU *-WKAREA              Length of module work area
*
* Mapping macros:
*
          SLSREGS ,                Register equates
          SLSUREQM ,               SLSUREQ mapping macro
          SLUVTDAT ,              VTV record mapping macro
          END QCDSVTV

```

Figure 67. Sample 1 - Automatic CDS Allocation
(4 of 4)

Sample 2 - Reading the ACS and DRV Record Areas Together

This sample QCDS request reads two different CDS record areas (ACS and DRV), alternating between the two. The job step JCL must include a DDNAME statement for the input CDS DDname (MVS1CDS in this example).

```

QACSDRV TITLE 'QCDS READ ACS AND DRIVE RECORD AREAS TOGETHER'
*
* QACSDRV - QCDS READ ACS AND DRIVE RECORD AREAS TOGETHER.
*
* FUNCTION: USE SEPARATE RESPONSE AREAS TO READ THE ACS AND DRV
*           RECORD AREAS IN AN ALTERNATING FASHION.
*           EACH RESPONSE AREA IS A 1KB BUFFER.
*
* ATTRIBUTES:
*   1. PROBLEM STATE, USER KEY.
*   2. NON-APF AUTHORIZED.
*   3. AMODE 31, RMODE ANY, REENTRANT.
*
* NOTES:
*   THE CALLER MUST HAVE READ ACCESS FOR THE INPUT CDS.
*
**ENDPROLOGUE*****
      PRINT GEN
      ENTRY QACSDRV
QACSDRV CSECT
QACSDRV AMODE 31
QACSDRV RMODE ANY
*
* SAVE THE CALLER'S REGISTERS, ESTABLISH CSECT ADDRESSABILITY
* AND ESTABLISH NEW REGISTER SAVE AREA:
*
      STM  R14,R12,12(R13)    SAVE REGISTERS
      LR   R12,R15           LOAD BASE REGISTER R12
      USING QACSDRV,R12     DECLARE CSECT BASE REGISTER R12
      GETMAIN R,LV=WKAREAL   ALLOCATE MODULE WORK AREA
      ST   R13,WKSAVE-WKAREA+4(,R1) LINK NEW SAVE AREA TO OLD ONE
      ST   R1,8(,R13)       LINK OLD SAVE AREA TO NEW ONE
      LR   R13,R1           POINTER TO MODULE WORK AREA
      USING WKAREA,R13      ADDRESSABILITY TO MODULE WORK AREA
*
* LOAD MODULE SLSUCAL:
*
      LOAD EP=SLSUCAL        LOAD SLSUCAL INTO STORAGE
      ST   R0,WKUCAL        SAVE SLSUCAL ROUTINE ADDRESS
*
* INITIALIZE THE QCDS TOKEN AND THE SLSUREQ PLIST:
*
      XC   WKTOK,WKTOK      QCDS TOKEN INITIALLY ZERO
      LA   R0,WKQCDS        POINTER TO SLSUREQ PLIST STORAGE
      LA   R1,QCDSMLN      LENGTH OF SLSUREQ PLIST
      LA   R14,QCDSMODL    POINTER TO SLSUREQ PLIST MODEL
      LR   R15,R1          LENGTH OF SLSUREQ PLIST MODEL
      MVCL R0,R14          INITIALIZE SLSUREQ PLIST STORAGE

```

Figure 68. Sample 2 - Reading ACS and DRV Together (1 of 4)

```

*
* OPEN ACS AND DRIVE RECORD AREAS AND MAP THE RESPONSE AREAS:
*
OPEN          DS  ØH          OPEN ACS AND DRIVE RECORD AREAS:
              SLSUREQ QCDS,   OPEN ACS RECORD AREA
              REQUEST=OPEN,
              TYPE=ACS,
              TOKEN=WKTOK,
              DDNAME=QCDSDD,
              UCALADR=WKUCAL,
              MF=(E,WKQCDS)
              SLSUREQ QCDS,   OPEN DRIVE RECORD AREA
              REQUEST=OPEN,
              TYPE=DRV,
              TOKEN=WKTOK,
              UCALADR=WKUCAL,
              MF=(E,WKQCDS)
              USING SLUR,R9   MAP QCDS READ RESPONSE AREA
*
* MAIN PROCESSING LOOP - INTERLEAVED PROCESSING OF ACS AND
* DRIVE RECORDS:
*
PROCESS       DS  ØH          MAIN PROCESSING LOOP:
              LA  R9,WKACSBUF  POINTER TO ACS RESPONSE AREA
              SLSUREQ QCDS,   READ ACS RECORD AREA
              REQUEST=READ,
              TYPE=ACS,
              BUFFER=(R9),
              BUFLN=QCDSBLEN,
              TOKEN=WKTOK,
              UCALADR=WKUCAL,
              MF=(E,WKQCDS)
              L   R7,SLURQCDO  OFFSET TO FIRST ACS RECORD
              LA  R11,SLURRPLY(R7) POINTER TO FIRST ACS RECORD
              USING SLUVADAT,R11 MAP ACS RECORD FORMAT
*
*           ... PROCESS ACS RECORDS ...
*
              LA  R9,WKDRVBUF  POINTER TO DRIVE RESPONSE AREA
              SLSUREQ QCDS,   READ DRIVE RECORD AREA
              REQUEST=READ,
              TYPE=DRV,
              BUFFER=(R9),
              BUFLN=QCDSBLEN,
              TOKEN=WKTOK,
              UCALADR=WKUCAL,
              MF=(E,WKQCDS)
              L   R7,SLURQCDO  OFFSET TO FIRST DRIVE RECORD
              LA  R1Ø,SLURRPLY(R7) POINTER TO FIRST DRIVE RECORD
              USING SLUVDDAT,R1Ø MAP DRIVE RECORD FORMAT
*
*           ... PROCESS DRIVE RECORDS ...

```

**Figure 68. Sample 2 - Reading ACS and DRV Together
(2 of 4)**

```

*
* CONDITIONALLY BRANCH TO CLOSE LABEL WHEN AN APPROPRIATE
* LOOP TERMINATION CONDITION HAS BEEN SATISFIED (NOT SHOWN).
*
          B      PROCESS          REPEAT MAIN PROCESSING LOOP
*
* CLOSE THE ACS AND DRIVE RECORD AREAS:
*
CLOSE     DS    ØH                CLOSE ACS AND DRIVE RECORD AREAS:
          SLSUREQ QCDS,          CLOSE THE ACS RECORD AREA
          REQUEST=CLOSE,
          TYPE=ACS,
          TOKEN=WKTOK,
          UCALADR=WKUCAL,
          MF=(E,WKQCDS)
          SLSUREQ QCDS,          CLOSE THE DRIVE RECORD AREA
          REQUEST=CLOSE,
          TYPE=DRV,
          TOKEN=WKTOK,
          UCALADR=WKUCAL,
          MF=(E,WKQCDS)
*
* CLEAN UP AND RETURN TO CALLER:
*
EXIT      DS    ØH                CLEAN UP AND RETURN TO CALLER:
          DELETE EP=SLSUCAL     UNLOAD SLSUCAL ROUTINE
          LR   R1,R13           POINTER TO MODULE WORK AREA
          L    R13,4(,R13)      RESTORE CALLER'S SAVE AREA
          FREEMAIN R,A=(R1),LV=WKAREAL RELEASE MODULE WORK AREA
          L    R14,12(,R13)     RESTORE RETURN ADDRESS
          LM   RØ,R12,2Ø(R13)   RESTORE CALLER'S REGISTERS Ø-12
          XR   R15,R15          SET ZERO RETURN CODE
          BR   R14              RETURN TO CALLER
*
* CONSTANTS:
*
QCDSMODL SLSUREQ MF=L          SLSUREQ PLIST MODEL
QCDSMLN  EQU  *-QCDSMODL      LENGTH OF SLSUREQ PLIST MODEL
QCDSDD   DC   CL8'MVS1CDS '    8-CHAR BLANK-PADDED CDS DDNAME
QCDSBLN  DC   F'1Ø24'         QCDS READ RESPONSE AREA BUFFER LENGTH
*
* MODULE WORK AREA MAP:
*
WKAREA   DSECT                MODULE WORK AREA
WKSAVE   DS    18F            MVS REGISTER SAVE AREA
WKUCAL   DS    A              SLSUCAL ROUTINE ADDRESS
WKTOK    DS    F              QCDS REQUEST TOKEN
WKQCDS   DS    XL(QCDSMLN)    SLSUREQ PLIST STORAGE
WKACSBUF DS    XL1Ø24         ACS RESPONSE AREA BUFFER
WKDRVBUF DS    XL1Ø24         DRV RESPONSE AREA BUFFER
WKAREAL  EQU  *-WKAREA       LENGTH OF MODULE WORK AREA

```

Figure 68. Sample 2- Reading ACS and DRV Together (3 of 4)

```

*
* MAPPING MACROS:
*
      SLSREGS                REGISTER EQUATES
      SLSUREQM ,            SLSUREQ MAPPING MACRO
      SLUVADAT ,           ACS RECORD MAPPING MACRO
      SLUVDDAT ,           DRV RECORD MAPPING MACRO
      END   QACSDRV

```

Figure 68. Sample 2 - Reading ACS and DRV Together (4 of 4)

Output Description

Each successful OPEN request returns the name of the input CDS in the SLSUREQ parameter list (SLSUREQM field SLSUQDSN).

Each successful READ request returns one or more library element records in the user-designated response area. Use the SLUR DSECT in the SLSUREQM macro to map the response area reply header. This header contains the number of library element records present within the response area.

Library element records are mapped by the SLUVxDAT macros. These macros are SMP/E-distributed and are discussed in “Volume Report and Batch API Mapping Macros” on page 722.

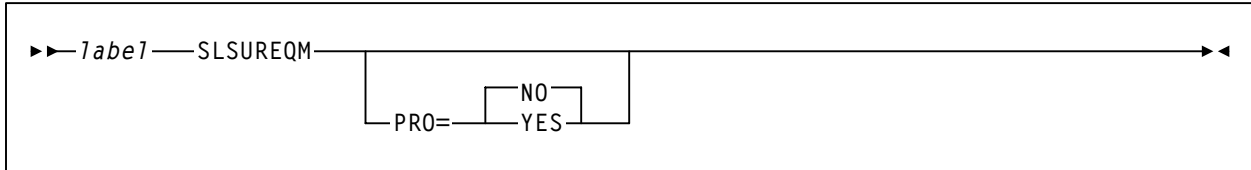
Table 101. Library Element Record Mapping

Request Entered:	Records Returned:
READ ACS	ACS/LSM records mapped by SLUVADAT macro.
READ CAP	CAP records mapped by SLUVPDAT macro.
READ CDS	CDS information records mapped by SLUVIDAT macro.
READ CFG	Configuration information records mapped by SLUVCDAT macro.
READ DRV	Drive records mapped by the SLUVDDAT macro.
READ HST	Host information records mapped by the SLUVHDAT macro.
READ STA	Station records mapped by the SLUVSDAT macro.
READ VOL	Volume records mapped by the SLUVVDAT macro.

SLSUREQM Macro

The SLSUREQM mapping macro must be specified in any assembly that uses the SLSUREQ macro.

Syntax



Parameters

PRO={NO|YES}

Specifies whether the prologue should be generated (YES) or not (NO). **The default is NO.**

Batch API Mapping (SLSUREQM) Macro

Table 102. SLSUREQM Record Format

Dec	Hex	Type	Length	Label	Description
MACRO: SLSUREQM - BATCH API USER INTERFACE MAPPING MACRO					
FUNCTION: THIS MACRO MAPS THE SLSUCAL PARAMETER LIST, REPLY HEADER, AND RETURN CODES.					
0	(0)	STRUCTURE		SLSUREQM	PARAMETER LIST
0	(0)	CHARACTER	4	SLSUHDR	EYE-CATCHER FIELD:
'SLSU'	(E2D3E2E4)	CHAR CONST		SLSUID	EYE-CATCHER VALUE
4	(4)	A-ADDR	1	SLSUVER	VERSION OF SLSUREQ:
4	(04)	CONST		SLSUVN	CURRENT VERSION
5	(5)	A-ADDR	1	SLSURT	REQUEST TYPE:
1	(01)	CONST		SLSUQCDS	QCDS REQUEST
6	(6)	A-ADDR	1	SLSUQC DT	QCDS REQUEST TYPE:
0	(00)	CONST		SLSUQCDO	OPEN REQUEST
1	(01)	CONST		SLSUQC DR	READ REQUEST
2	(02)	CONST		SLSUQC DC	CLOSE REQUEST
7	(7)	A-ADDR	1	SLSUQC DA	QCDS RECORD AREA:
0	(00)	CONST		SLSUACSA	ACS RECORD AREA
1	(01)	CONST		SLSUCAPA	CAP RECORD AREA
2	(02)	CONST		SLSUCDSA	CDS RECORD AREA
3	(03)	CONST		SLSUCFGA	CONFIGURATION RECORD AREA
4	(04)	CONST		SLSUDRVA	DRIVE RECORD AREA
5	(05)	CONST		SLSUHSTA	HOST RECORD AREA
6	(06)	CONST		SLSUSTAA	STATION RECORD AREA
7	(07)	CONST		SLSUVOLA	VOLUME RECORD AREA
8	(08)	CONST		SLSUMVCA	MVC RECORD AREA
9	(09)	CONST		SLSUVTVA	VTV RECORD AREA
10	(0A)	CONST		SLSUARAN	ABSOLUTE RECORD AREA NUMBER USED WHEN ALLOCATING STORAGE.
8	(8)	A-ADDR	4	SLSUQC DK	QCDS TOKEN POINTER

Table 102. SLSUREQM Record Format (Continued)

Dec	Hex	Type	Length	Label	Description
12	(C)	A-ADDR	4	SLSUQCDB	QCDS RESPONSE AREA BUFFER ADDRESS
16	(10)	SIGNED-FWORD	4	SLSUQCDL	QCDS RESPONSE AREA BUFFER LENGTH
20	(14)	A-ADDR	4	SLSUQCDD	QCDS INPUT CDS DDNAME POINTER
24	(18)	CHARACTER	44	SLSUQDSN	QCDS INPUT CDS DATA SET NAME
68	(44)	CHARACTER	256	-RESERVED-	RESERVED FOR FUTURE PARM EXPANSION
328	(148)	AREA	8	-RESERVED-	ALIGNMENT
328	(148)	LENGTH		SLSULN	LENGTH OF FIXED AREA OF SLSUREQM
SLSUREQ INVOCATION FAILURE RETURN CODES:					
1000	(3E8)	CONST		SLURRQPL	SLSUREQ REQUEST FAILED: INVALID SLSUREQ PARAMETER LIST.
1001	(3E9)	CONST		SLURRQRT	SLSUREQ REQUEST FAILED: INVALID SLSUREQ UTILITY REQUEST TYPE.
1002	(3EA)	CONST		SLURQCRT	SLSUREQ REQUEST FAILED: INVALID QCDS ACCESS REQUEST TYPE.
SLSUREQ RESPONSE AREA:					
0	(0)	STRUCTURE		SLUR	RESPONSE AREA
0	(0)	AREA	1	SLURRPLY	START OF REPLY HEADER
0	(0)	CHARACTER	4	SLURHDR	EYE-CATCHER FIELD:
'SLUR'	(E2D3E4D9)	CHAR CONST		SLURID	EYE-CATCHER VALUE
4	(4)	SIGNED-HWORD	2	SLURHSCV	HSC VERSION NUMBER
6	(6)	HEXSTRING	1	SLURVER	VERSION NUMBER OF SLSUREQM
7	(7)	HEXSTRING	1	-RESERVED-	***** RESERVED *****
8	(8)	SIGNED-FWORD	4	SLURQCDN	NUMBER OF QCDS LIBRARY ELEMENT RECORDS PRESENT IN THIS REPLY.

Table 102. SLSUREQM Record Format (Continued)

Dec	Hex	Type	Length	Label	Description
12	(C)	SIGNED-FWORD	4	SLURQCDO	OFFSET TO QCDS LIBRARY ELEMENT RECORD SECTION FROM START OF REPLY HEADER. QCDS OPEN RETURN CODES:
0	(00)	CONST		SLUROPOK	RECORD AREA WAS OPENED SUCCESSFULLY.
4	(04)	CONST		SLUROPAO	OPEN FAILED - ATTEMPT TO OPEN A RECORD AREA THAT IS ALREADY OPEN.
8	(08)	CONST		SLUROFIT	OPEN FAILED - INVALID TOKEN VALUE.
12	(0C)	CONST		SLUROPPA	OPEN FAILED - INVALID RECORD AREA TYPE.
16	(10)	CONST		SLUROPIO	OPEN FAILED - I/O ERROR WHILE ACCESSING THE ASSOCIATED CDS.
20	(14)	CONST		SLUROPPD	OPEN FAILED - AN INPUT CDS IS NOT ALLOCATED TO THE DESIGNATED DDNAME.
24	(18)	CONST		SLUROPPA	OPEN FAILED - HSC ADDRESS SPACE NOT OPERATIONAL DURING AUTOMATIC CDS ALLOCATION ATTEMPT.
28	(1C)	CONST		SLUROPPA	OPEN FAILED - ERROR DURING AUTOMATIC CDS DYNAMIC ALLOCATION OPERATION.
32	(20)	CONST		SLUROPPM	OPEN FAILED - DD PARAMETER MISSING
QCDS READ RETURN CODES:					
0	(00)	CONST		SLURRDOK	READ SUCCEEDED - ONE OR MORE RECORDS WERE TRANSFERRED TO THE RESPONSE AREA AND ONE OR MORE ADDITIONAL RECORDS CAN BE OBTAINED BY A SUBSEQUENT READ REQUEST.

Table 102. SLSUREQM Record Format (Continued)

Dec	Hex	Type	Length	Label	Description
4	(04)	CONST		SLURRDEA	READ SUCCEEDED - ONE OR MORE RECORDS WERE TRANSFERRED TO THE RESPONSE AREA AND NO ADDITIONAL RECORDS CAN BE READ FROM THE ASSOCIATED RECORD AREA.
8	(08)	CONST		SLURRDIT	READ FAILED - INVALID TOKEN VALUE.
12	(0C)	CONST		SLURRDRA	READ FAILED - INVALID RECORD AREA TYPE.
16	(10)	CONST		SLURRDIO	READ FAILED - I/O ERROR WHILE ACCESSING THE ASSOCIATED CDS.
20	(14)	CONST		SLURRDNO	READ FAILED - ATTEMPT TO READ A RECORD AREA THAT IS NOT CURRENTLY OPEN.
24	(18)	CONST		SLURRDBA	READ FAILED - ATTEMPT TO READ BEYOND THE END OF THE RECORD AREA.
28	(1C)	CONST		SLURRDIB	READ FAILED - INVALID RESPONSE AREA BUFFER ADDRESS.
32	(20)	CONST		SLURRDIL	READ FAILED - RESPONSE AREA BUFFER LENGTH TOO SHORT TO CONTAIN BOTH THE REPLY HEADER AND AT LEAST ONE LIBRARY ELEMENT RECORD.
QCDS CLOSE RETURN CODES:					
0	(00)	CONST		SLURCLOK	RECORD AREA WAS CLOSED SUCCESSFULLY.
4	(04)	CONST		SLURCLAC	CLOSE FAILED - ATTEMPT TO CLOSE A RECORD AREA THAT IS ALREADY CLOSED.
8	(08)	CONST		SLURCLIT	CLOSE FAILED - INVALID TOKEN VALUE.
12	(0C)	CONST		SLURCLRA	CLOSE FAILED - INVALID RECORD AREA TYPE.

Table 102. SLSUREQM Record Format (Continued)

Dec	Hex	Type	Length	Label	Description
16	(10)	CONST		SLURCLIO	CLOSE FAILED - I/O ERROR WHILE ACCESSING THE ASSOCIATED CDS.
16	(10)	LENGTH		SLURRHLN	LENGTH OF REPLY HEADER.
16	(10)	AREA	4	SLURFRS	START OF VARIABLE-LENGTH FORMATTED RECORD SEGMENT.

Cross Reference

Name	Len	Offset Value
SLSUACSA	-	00
SLSUARAN	-	0A
SLSUCAPA	-	01
SLSUCDSA	-	02
SLSUCFGA	-	03
SLSUDRVA	-	04
SLSUHDR	000004	00
SLSUHSTA	-	05
SLSUID	-	'CVAL'
SLSULN	-	148
SLSUMVCA	-	08
SLSUQCDA	000001	07
SLSUQCDB	000004	0C
SLSUQCDC	-	02
SLSUQCDD	000004	14
SLSUQC DK	000004	08
SLSUQC DL	000004	10
SLSUQC DO	-	00
SLSUQC DR	-	01

Name	Len	Offset Value
SLSUQCDS	-	01
SLSUQCDT	000001	06
SLSUQDSN	000044	18
SLSURT	000001	05
SLSUSTAA	-	06
SLSUVER	000001	04
SLSUVN	-	04
SLSUVOLA	-	07
SLSUVTVA	-	09
SLURCLAC	-	04
SLURCLIO	-	10
SLURCLIT	-	08
SLURCLOK	-	00
SLURCLRA	-	0C
SLURFRS	000004	10
SLURHDR	000004	00
SLURHSCV	000002	04
SLURID	-	'CVAL'
SLUOPAO	-	04
SLUOPDA	-	1C
SLUOPDD	-	14
SLUOPDM	-	20
SLUOPIO	-	10
SLUOPIT	-	08
SLUOPNA	-	18
SLUOPOK	-	00
SLUOPRA	-	0C
SLURQCDN	000004	08
SLURQCDO	000004	0C
SLURQCRT	-	3EA
SLURRDBA	-	18
SLURRDEA	-	04

Name	Len	Offset Value
SLURRDIB	-	1C
SLURRDIL	-	20
SLURRDIO	-	10
SLURRDIT	-	08
SLURRDNO	-	14
SLURRDOK	-	00
SLURRDRA	-	0C
SLURRHNL	-	10
SLURRPLY	000001	00
SLURRQPL	-	3E8
SLURRQRT	-	3E9
SLURVER	000001	06

Appendix K. Point-in-Time (PIT) Copy Utility

Overview

The HSC SLUADMIN BACKUP command uses IBM's Queued Sequential Access Method (QSAM) to create a copy of the HSC CDS and issues a hardware RESERVE against the CDS volume for the duration of the backup. While the RESERVE is held, other CDS activity, such as servicing tape mount and dismount requests, must wait for the backup to complete. Growth in the physical configuration of an automated tape library or use of VTCS increases the size of the CDS, causing an increase in the time it takes to backup the CDS. Increasing the frequency of CDS backups may help minimize recovery time but also aggravates the problem of tape mounts waiting for backups to complete.

The requirements of a solution to address this problem are to significantly reduce the time it takes to create a backup of the HSC CDS, providing significantly less disruption to tape operations, and insure that the backup of the HSC CDS is a consistent copy for a given point in time. The Point-In-Time (PIT) copy capabilities of various hardware and host software environments are used by the HSC SLUPCOPY utility to achieve these requirements.

Supported Point-In-Time Copy Methods

SLUPCOPY supports the following PIT copy methods:

- “Native” SnapShot (SIBBATCH)
- DFSMSdss SnapShot / DFSMSdss FlashCopy (ADRDSSU)
- FDR-invoked SnapShot (FDRSNAP)

SLUPCOPY Processing

During normal operation, HSC periodically issues a RESERVE on the Primary CDS volume. HSC also holds an allocation and a shared enqueue on all copies of the CDS while it is active, even at BASE service level. Any backup of the CDS is therefore “fuzzy” unless all updates to the CDS can be prevented during the time it takes to make a PIT copy. SLUPCOPY accomplishes this necessary serialization by acquiring the same RESERVE on the HSC CDS, but since the PIT copy can be created in seconds instead of minutes, the backup is significantly less disruptive to the operation of the HSC.

Why not just use SnapShot, DFSMSdss, or FDRSNAP directly? For the serialization of volumes, DFSMSdss issues a RESERVE using the SYSVTOC QNAME, so this only prevents VTOC updates and DADSM functions (Allocate, Delete, Extend, Rename, etc.) and “does not ensure integrity at the data set level.” See “Volume Serialization” in the *z/OS V1R8.0 DFSMS Storage Administration Reference (for DFSMSHsm, DFSMSdss, DFSMSdfp)*.

For the serialization of data sets, DFSMSdss issues an ENQ using the SYSDSN QNAME and the data set name as the RNAME. If the SHARE keyword is not specified, an exclusive ENQ is issued, but this will conflict with HSC's shared ENQ; if the SHARE keyword is specified, a shared ENQ is issued, but this is insufficient to insure data consistency.

A RESERVE on the HSC CDS is therefore required, but since SnapShot, DFSMSdss, and FDRSNAP cannot issue a RESERVE with the correct QNAME and RNAME, the only way to insure the consistency of the backup is for an application program (SLUPCOPY) to use the correct HSC QNAME and RNAME for the RESERVE/DEQ sequence and invoke the PIT copy while the RESERVE is held.

SLUPCOPY provides two functions:

- a COPY function that performs an actual PIT copy
- a TEST function that only simulates a PIT copy.

SLUPCOPY processing proceeds generally as follows:

1. OPEN, RESERVE, and READ the first 4K block of the HSC Primary CDS (the READ insures the RESERVE takes effect immediately in SYNCHRES=NO environments)
2. READ the second 4K block of the HSC Primary CDS
3. For the COPY function only, update the last backup date and time in the second block and WRITE the block back to the Primary CDS (see “Last Backup Date and Time Considerations” on page 1009 for a more detailed discussion on why these fields are updated).
4. LOAD and DELETE either SIBBATCH, ADRDSSU, or FDRSNAP to verify that the program is accessible via the system linklist
5. For the COPY function only, invoke SIBBATCH, ADRDSSU, or FDRSNAP to perform the PIT copy

6. DEQ and CLOSE the HSC CDS.
7. For the COPY function only, if the PIT copy is not successful, re-WRITE the second 4K block back to the Primary CDS to restore the last backup date and time to its original value

SLUPCOPY Return Codes

SLUPCOPY return codes are as follows:

0	Normal completion
4	Reserved (not currently issued)
8	JCL PARM= validation errors
12	Logic errors, data value errors, no match errors
16	IBM service failures
20	Operator requested abort of Point-In-Time copy

Frequently Asked Questions (FAQs)

- Will a 6.1 release of SLUPCOPY work on a HSC 6.2 system, and vice-versa?

At the moment, SLUPCOPY is HSC release-independent, so any version should work with any supported release of HSC, but over time there may be differences. The recommendation is to use the same release of SLUPCOPY as the HSC software release.

- The last backup date and time information is not shown for a DISPLAY CDS command. What's wrong?

The DISPLAY CDS enhancement is part of the SL8500 Partitioning PTF for HSC, contained in PTFs L1H13L6 for HSC 6.1 and L1H13LT for HSC 6.2.

- How do I prevent a SnapShot target data set from being allocated when running the PITSNP sample JCL using the TEST function?

Either comment out or dummy the OUTSNAP DD in the sample JCL, or use the PITSNP2 and PITSNPI2 members to dynamically allocate the target data set. Since the TEST function does not invoke the PIT copy program (SIBBATCH in this case) the target data set is never allocated.

General Requirements

- SLUPCOPY can be run only on z/OS systems; z/VM is not supported.
- SLUPCOPY can be run only on a z/OS system with an active HSC subsystem.
- SLUPCOPY must reside in an APF-authorized library, otherwise a System 13C abend with Reason Code 10 will occur.
- SLUPCOPY can execute from a STEPLIB (if all libraries in the concatenation are APF-authorized) or a link-listed library.
- Only one SLUPCOPY can be run at a time across all systems that share a given HSC CDS.
- SLUPCOPY must be link-edited as non-reentrant, non-reusable, and non-refreshable. If SLUPCOPY is ever link-edited as re-entrant, any attempted execution will result in a System 0C4 abend. If it becomes necessary to correct the link-edit attributes of SLUPCOPY, modify the following JCL to meet local job card standards and to specify the same data set name of the appropriate HSC library on the SLSLIB and SYSLMOD DD statements, then submit the job:

```
//JOBNAME JOB (ACCT),USER,  
// CLASS=A,MSGCLASS=1  
//*  
//S000001 EXEC PGM=IEWL,  
// PARM='SIZE=(400K,96K),LIST=ALL,XREF,NCAL,REUS(NONE)'  
//SLSLIB DD DISP=SHR,DSN=HSC.LIBRARY  
//SYSLMOD DD DISP=SHR,DSN=HSC.LIBRARY  
//SYSPRINT DD SYSOUT=*  
//SYSLIN DD *  
INCLUDE SLSLIB(SLUPCOPY)  
PAGE SLUPCOPY  
ENTRY SLUPCOPY  
SETCODE AC(1)  
MODE AMODE(24),RMODE(24)  
NAME SLUPCOPY(R) SLS610  
/*  
//
```

- The initial HSC 6.1 and 6.2 versions of SLUPCOPY are link-edited with page boundary alignment. If an IEBCOPY COPYMOD operation is attempted on the library containing SLUPCOPY, IEB175I and IEB19CI messages are issued and SLUPCOPY will not be successfully reblocked to the target library of the COPYMOD operation. To remove the page boundary alignment attribute of SLUPCOPY, modify the above JCL to meet local job card standards, specify the data set name of the source library of the COPYMOD operation on both the SLSLIB and SYSLMOD DD statements, remove the line containing the PAGE SLUPCOPY statement and then submit the job. After a successful link-edit, a rerun of the IEBCOPY COPYMOD operation should successfully copy and reblock SLUPCOPY, as indicated by an IEB19AI message.

General Considerations

- SLUPCOPY can be run as a batch job or as a started task; a started task may be preferable as this can avoid delays in waiting for a batch initiator to become available.
- All JCL PARM= options (AB, PC, and RR) are considered disabled unless explicitly specified (see “JCL Common to all PIT Copy Methods” on page 994 for more information about the JCL PARM= options). WTORs are not issued and operator interaction is not required for normal operation.
- If the RESERVE on the HSC CDS cannot be obtained within 10 seconds and the RR option is not specified, SLUPCOPY ends without performing a PIT copy. If the RR option is specified, reply Y to the WTOR to retry the RESERVE.
- For the COPY function, the OPEN, RESERVE, READs, WRITE, PIT copy, DEQ, and CLOSE of the CDS are performed unless the PC option is specified and the operator reply requested that the copy be aborted, or unless the RESERVE could not be obtained.
- For the TEST function, the OPEN, RESERVE, READs, DEQ, and CLOSE of the CDS are performed unless the PC option is specified and the operator reply requested that the copy be aborted, or unless the RESERVE could not be obtained. The WRITE and actual PIT copy execution are never performed.
- For both the COPY and TEST functions, a LOAD of ADRDSSU, SIBBATCH, or FDRSNAP is performed unless the PC option is specified and the operator reply requested that the copy be aborted, or unless the RESERVE could not be obtained.
- The system dump options for SYSMDUMP should include all of the following:

(NUC, SOA, LSQA, SWA, TRT, RGN, LPA, CSA, SUM, GRSQ)

The current SYSMDUMP options can be displayed using the D D,O system command.

- Do not put control statements in the SYSIN DD input that create a tape copy; this increases the time the HSC CDS RESERVE is held. If a tape copy is needed, pass the PIT disk copy to a second job step in the SLUPCOPY procedure JCL.

Operational Procedures (Not Required for DFSMSdss FlashCopy or FDRSNAP)

Verifying that the SnapShot and SVAA Libraries are in the System Linklist

Issue the following z/OS commands:

```
SETPROG LNKLST, TEST, NAME=CURRENT, MODNAME=SI BFVP  
SETPROG LNKLST, TEST, NAME=CURRENT, MODNAME=SI BLLAPI
```

If both modules are found, then the SnapShot and SVAA libraries are in the system linklist. If not found, the libraries need to be dynamically added to the system linklist using the procedure below.

Dynamically Adding SnapShot and SVAA Libraries to the System Linklist

To dynamically add the SnapShot and SVAA libraries to the system linklist, do the following:

1. Set up a PROGxx member in SYSx.PARMLIB that includes the SnapShot and SVAA libraries.
2. Activate the new linklist using a SET PROG=xx command and wait for the IEE536I response.
3. Issue a F LLA,REFRESH command to refresh the linklist and wait for the CSV210I response.
4. Issue a SETPROG LNKLST,UPDATE,ASID=01 command to refresh the Master Scheduler address space and wait for the CSV505I response (see sample console output below).

```
CSV500I LNKLST SET LLSETXX HAS BEEN ACTIVATED  
CSV505I ASID 0001 IS NOW USING THE CURRENT LNKLST SET  
IEE536I PROG      VALUE XX NOW IN EFFECT
```

```
F LLA, REFRESH  
CSV210I LIBRARY LOOKASIDE REFRESHED
```

```
SETPROG LNKLST, UPDATE, ASID=01  
CSV505I ASID 0001 IS NOW USING THE CURRENT LNKLST SET
```

Initializing SVAA

1. Start SVAA and wait for the SIB2906I initialization complete message.
2. Issue a C ANTMAIN command to restart the ANTMAIN address space. The ANTMAIN address space only needs to be restarted once after the SnapShot and SVAA libraries have been dynamically added to the system linklist.
3. An ANTM6001I SNAPSHOT WORKING SPACE DATASETS BEING REFRESHED message should be issued during the restart. This may be followed by an ANTM6002W ERROR REFRESHING SNAPSHOT WORKING SPACE DATASETS - RC=nnnn REAS=n message. The ANTM6002W message can be ignored because Concurrent Copy should not be used to perform the PIT copy.

JCL Common to all PIT Copy Methods

```
//PITCOPY PROC
//COPY EXEC PGM=SLUPCOPY,REGION=4M,PARM='SSSS,FFFF,MMM,00000000000000'
//STEPLIB DD DSN=HSC.LINKLIB,DISP=SHR
//SLSCNTL DD DSN=HSC.PRIMARY.CDS,DISP=SHR
//SLSVDI DD SYSOUT=*
//SYSPRINT DD SYSOUT=*
//SYSMDUMP DD DSN=HSC.SLUPCOPY.SYSMDUMP,DISP=(,DELETE,CATLG),
// UNIT=SYSALLDA,SPACE=(CYL,100,RLSE),VOL=SER=VVVVVV
//SYSIN DD DSN=HSC.LIB.CNTL(PITMMM),DISP=SHR
```

- A JCL PARM= parameter is required and must be specified as follows:

```
PARM='SSSS,FFFF,MMM,00000000000000'
```

- Subsystem name (SSSS) is required and must be specified in positions 1-4. This is the 4-character name that is specified in the IEFSSNxx member of SYSx.PARMLIB to define the HSC as a user of the z/OS Sub-System Interface (SSI)
- A “,” (comma) is required in positions 5 and 10.
- A function (FFFF) is required and must be specified in positions 6-9:
 - “COPY” performs an actual PIT copy
 - “TEST” simulates a PIT copy and outputs additional diagnostic messages
- A PIT copy method (MMM) is required and must be specified in positions 11-13:
 - “SNP” uses SIBBATCH (SnapShot)
 - “DSS” uses ADRDSSU (DFSMSdss)
 - “FDR” uses FDRSNAP
- Options (OOOOOOOOOOOOOO) are of course optional, and if specified, a comma is required in position 14.

One, two, or all three options can be specified in positions 15-27 in the form OPT(o₁,o₂,o₃), where o₁,o₂,o₃ are one or more of the following (the order of the options is irrelevant):

- “AB” enables an abend on occurrence of an eligible error condition (see the AB Option under “Advanced Diagnostic Techniques” on page 1015).

- “PC” enables the WTOR for an actual (SLS7090A) or simulated (7091A) PIT copy
- “RR” enables the WTOR for RESERVE retry (SLS7092A)

All JCL PARM= options are considered disabled unless explicitly specified. WTORs are not issued and operator interaction is not required for normal operation

Example: PARM=' HSCZ, COPY, SNP, OPT(RR, PC, AB) '

specifies that the HSC subsystem name is HSCZ, that an actual PIT copy is to be performed using native SnapShot, and that all options are to be enabled.

- A SLSCNTL DD is required and must specify the Primary HSC CDS name. The D CDS command can be used to display the CDS status. Use the data set name associated with the PRIVOL entry in the output of the command as the data set name for the SLSCNTL DD.
 - The JCL CDS name is compared to the in-memory CDS name of the HSC subsystem
 - If the Primary CDS is not specified, SLS7025I (identifying the Primary CDS) and SLS7014E (identifying the error) messages are issued
 - The JCL CDS name is also compared to self-describing information within the CDS
 - DISP=SHR is required on the SLSCNTL DD otherwise a conflict occurs and the PIT copy will have to be cancelled
- A SLSVDI DD is required.
 - A Vital Diagnostic Information report is generated if the AB option is specified and one of the eligible error conditions occurs
 - DCB characteristics are LRECL=132, BLKSIZE=27984, RECFM=FB
- Either a SYSPRINT or SYSTEM DD is required.
 - DFSMSdss and FDRSNAP require a SYSPRINT DD
 - SIBBATCH requires a SYSPRINT or SYSTEM DD; both can be specified if desired
- A SYSMDUMP DD is strongly recommended.
 - This machine-readable dump will speed up problem resolution
 - A primary space allocation of 100 cylinders with the RLSE parameter is recommended
 - Specify DISP=(,DELETE,CATLG) to delete the data set when there is no problem and to keep and catalog the data set when there is a problem

- If //SYSMDUMP DD DUMMY,... is present in the JCL, this suppresses all dumps, including SYSUDUMP, so comment out the SYSMDUMP DD instead of dummifying it out to allow a SYSUDUMP to be created
- A SYSIN DD is required for command input.

Although SLUPCOPY requires that the JCL include a DD statement for the Primary CDS, a PIT copy of all Primary, Secondary, and Standby CDSs can be created at the same time by specifying multiple commands in the SYSIN DD input (for SnapShot and FDRSNAP), or by specifying multiple data set names on the INCLUDE and RENUMC parameters of the DFSMSdss COPY command.

Native SnapShot JCL and Operational Requirements/Considerations

In the following JCL example, it is assumed that SIBBATCH is in the system linklist.

```
//PITSNP  PROC
//COPY    EXEC  PGM=SLUPCOPY,REGION=4M,PARM='SSSS,COPY,SNP,OPT(AB) '
//STEPLIB DD  DSN=HSC.LINKLIB,DISP=SHR
//SLSCNTL DD  DSN=HSC.PRIMARY.CDS,DISP=SHR
//SLSVDI  DD  SYSOUT=*
//SYSPRINT DD  SYSOUT=*
//SYSTEM  DD  SYSOUT=*
//SIBCTRAN DD  DSN=HSC.SACLINK,DISP=SHR
//CTRANS  DD  DSN=HSC.SACLINK,DISP=SHR
//SYSMDUMP DD  DSN=HSC.SLUPCOPY.SYSMDUMP,DISP=(,DELETE,CATLG),
//          UNIT=SYSALLDA,SPACE=(CYL,100,RLSE),VOL=SER=VVVVVV
//OUTSNAP DD  DSN=HSC.PITSNAP.CDS,
//          LIKE=HSC.PRIMARY.CDS,DISP=(,CATLG,DELETE),
//          VOL=SER=TTTTTT,UNIT=SYSALLDA,SPACE=(CYL,NNN)
//SYSIN   DD  DSN=HSC.LIB.CNTL(PITSNPI),DISP=SHR

HSC.LIB.CNTL(PITSNPI):

SNAP DATASET (INDDNAME(SLSCNTL) OUTDDNAME(OUTSNAP) -
HOSTCOPYMODE(SHARED) REPLACE(YES) TOLENQF(Y))
```

- The HSC CDS must reside on SVA hardware (with the SnapShot feature enabled) to be eligible for a native SnapShot operation.
- The source and target data sets must be on the same SVA, otherwise a physical copy is attempted.
- Both source and target volumes must be online.
- Volume or data set copy is supported, but a data set copy is recommended.
- See “Software Pre-Requisites” in Chapter 1 of *SVAA Version 3.1 for OS/390 Installation, Customization, and Maintenance* for the list of software pre-requisites for using SnapShot.
- No check is made for a minimum level of SIBBATCH.
- Verify that all necessary ECAM devices are online on the SVA subsystems containing the HSC CDSs.
- Verify that the SIBSTK00 member in SYSx.PARMLIB specifies the device addresses of all necessary online ECAM devices, otherwise a SIB1814E message will be issued indicating that the specified device is not a supported 3390-3 DASD, and SLUPCOPY will end with a RC=12.
- Verify that the SnapShot and SVAA libraries are in the system linklist, and if not, dynamically add them (see “Operational Procedures (Not Required for DFSMSdss FlashCopy or FDRSNAP)” on page 992).

- Initialize a SVAA subsystem before running SLUPCOPY (see “Operational Procedures (Not Required for DFSMSdss FlashCopy or FDRSNAP)” on page 992).

- If the SnapShot and SVAA libraries are not in the system linklist, the following message and a RC=12 is issued:

```
SLS7062E SIBBATCH LOAD FAILED. R1=00000806 R15=00000004
```

- A SVAA subsystem must have been initialized before a valid SnapShot PIT copy can be created. If SVAA is not initialized the following messages and a RC=12 is issued:

```
SIB1955S A SVAA VERSION 3.1 SUBSYSTEM HAS NOT BEEN INITIALIZED.  
SIB4300S THE SVAA SUBSYSTEM HAS NOT BEEN LOCATED.
```

- Either a SYSPRINT or SYSTEM DD is required.
 - If only a SYSPRINT DD is supplied, the SIB0764E message for the SYSTEM DD statement can be ignored.
 - If only a SYSTEM DD is supplied, the SIB0764E message for SYSPRINT DD statement can be ignored.
 - If both SYSPRINT and SYSTEM DD statements are supplied, output is directed to the SYSTEM DD.
 - If neither DD is provided, the PIT copy is not performed and SLUPCOPY ends with a RC=12.
- A SIBCTRAN or CTRANS DD is required if the SACLINK library is not in the system linklist.

If SAS/C transient libraries are present for other software products, remove the CTRANS DD and specify the SIBCTRAN DD only (See *SVAA Version 3.1 for OS/390 Installation, Customization, and Maintenance*).

- If not using the INDDNAME parameter, make sure that data set name on the SLSCNTL DD statement matches the data set name on the SOURCE parameter. Also, if not using the INDDNAME parameter, the HOSTCOPYMODE(SHARED) parameter is required on the SnapShot command, otherwise one of the following will occur (timestamp values will differ):

- If TOLENQF(Y) is specified:

```
SIB4701W Unable to obtain EXCLUSIVE control on datasetname.  
SIB4617I 09:35:00 SnapShot completed, rc=4.
```

- If TOLENQF(N) is specified (or defaulted to):

```

SIB4632E   Dynamic allocation failed; rc=4, reason=020C0000,
           smscode=00.
SIB4633I   IKJ56241I DATA SET datasetname NOT ALLOCATED+
SIB4633I   IKJ56241I DATA SET IS ALLOCATED TO ANOTHER JOB OR USER
SIB4627E   Unable to allocate the resource datasetname.
SIB4617I   09: 33: 53 SnapShot completed, rc=8.

```

- Both of the above result in a Point-In-Time copy invalid message (SLS7035E) and a RC=12
- If the SnapShot target data set is pre-allocated in an earlier job step, and the OUTDDNAME parameter is used, specify the HSC Primary CDS name on the LIKE= parameter on the OUTDDNAME DD statement to avoid the following:

```

SIB4720W   Target data set datasetname DSCB was updated.
SIB4617I   09: 20: 19 SnapShot completed, rc=4.

```

- The above causes SLUPCOPY to end with a Point-In-Time copy invalid message (SLS7035E) and a RC=12
- To dynamically allocate a target data set instead of static JCL allocation, remove the OUTDDNAME parameter and associated JCL DD statement, specify the target data set name using the TARGET parameter, and specify the target volume using the VOLUME parameter:

```

//PITSNP2 PROC
//COPY      EXEC PGM=SLUPCOPY,REGION=4M,PARM='SSSS,COPY,SNP,OPT(AB)'
//STEPLIB   DD DSN=HSC.LINKLIB,DISP=SHR
//SLSCNTL   DD DSN=HSC.PRIMARY.CDS,DISP=SHR
//SLSVDI    DD SYSOUT=*
//SYSPRINT  DD SYSOUT=*
//SYSTEM    DD SYSOUT=*
//SIBCTRAN  DD DSN=HSC.SACLINK,DISP=SHR
//CTRANS    DD DSN=HSC.SACLINK,DISP=SHR
//SYSDUMP   DD DSN=HSC.SLUPCOPY.SYSDUMP,DISP=(,DELETE,CATLG),
//           UNIT=SYSALLDA,SPACE=(CYL,100,RLSE),VOL=SER=VVVVVV
//SYSIN     DD DSN=HSC.LIB.CNTL(PITSNPI2),DISP=SHR

HSC.LIB.CNTL(PITSNPI2):

SNAP DATASET (INDDNAME(SLSCNTL) TARGET('HSC.PITSNAP.CDS') -
VOLUME(TTTTTT) HOSTCOPYMODE(SHARED) REPLACE(YES) TOLENQF(Y))

```

- This approach also conveniently avoids allocation of the target data set when using the TEST function to simulate a PIT copy.

- If the **VOLUME** parameter does not specify a volume on the same **SVA** hardware as the **CDS**, the following will occur:

```
SIB4762E  SnapShot is not supported between different SVAs.  
SIB4617I  11:45:42 SnapShot completed, rc=8.
```

- This results in a Point-In-Time copy invalid message (**SLS7035E**) and a **RC=12**.

DFSMSdss SnapShot JCL and Operational Requirements/Considerations

In the following JCL example, it is assumed that ADRDSSU is in the system linklist.

```
//PITDSS  PROC
//COPY    EXEC PGM=SLUPCOPY,REGION=4M,PARM='SSSS,COPY,DSS,OPT(AB) '
//STEPLIB DD DSN=HSC.LINKLIB,DISP=SHR
//SLSCNTL DD DSN=HSC.PRIMARY.CDS,DISP=SHR
//SLSVDI  DD SYSOUT=*
//SYSPRINT DD SYSOUT=*
//SYSMDUMP DD DSN=HSC.SLUPCOPY.SYSMDUMP,DISP=(,DELETE,CATLG),
//          UNIT=SYSALLDA,SPACE=(CYL,100,RLSE),VOL=SER=VVVVVV
//SYSIN   DD DSN=HSC.LIB.CNTL(PITDSSI),DISP=SHR
```

```
HSC.LIB.CNTL(PITDSSI):
```

```
  COPY -
  DATASET(INCLUDE(HSC.PRIMARY.CDS)) -
           RENUNC((HSC.PRIMARY.CDS, -
                   HSC.PITDSS.CDS)) -
  FASTREPLICATION(REQUIRED) -
  CANCELERROR -
  SHARE -
  TOL(ENQF) -
  TGTALLOC(CYL) -
  OUTDYNAM(TTTTT) -
  CATALOG
```

- The HSC CDS must reside on SVA hardware (with the SnapShot feature enabled) to be eligible for a DFSMSdss SnapShot operation.
- The source and target data sets must be on the same SVA, otherwise a physical copy is attempted.
- Both source and target volumes must be online.
- Volume or data set copy is supported, but a data set copy is recommended.
- DFSMSdss must be at DFSMS 1.3 or later (this corresponds roughly to OS/390 V1R3).
- As in the case of Native SnapShot, verify that all necessary ECAM devices are online, verify that the SIBSTK00 member is correct, verify/dynamically add the SnapShot and SVAA libraries to the system linklist, and initialize a SVAA subsystem.
- Make sure that the CDS name on the SLSCNTL DD matches the data set names on the INCLUDE parameter and the first RENUNC sub-parameter on the DFSMSdss COPY command.

- The SHARE parameter is required.

This avoids an ADR411W message and a RC=4 from the COPY, which then causes a Point-In-Time copy invalid message (SLS7035E) and a RC=12.

- The FASTREPLICATION(REQUIRED) parameter is strongly recommended.
 - FASTREPLICATION(PREFERRED) is the default for a COPY command; override the default to avoid performing a physical copy.
 - The FASTREPLICATION(REQUIRED) and CONCURRENT parameters are mutually exclusive.
 - The CONCURRENT parameter is strongly discouraged since it may result in a physical copy. Remember, this is supposed to be a Point-In-Time copy!
- The TOLERATE(ENQFAILURE) parameter is optional.

If specified, it makes no difference as long as the SHARE parameter is also specified.

DFSMSdss FlashCopy JCL and Operational Requirements/Considerations

In the following JCL example, it is assumed that ADRDSSU is in the system linklist.

```
//PITDSS  PROC
//COPY    EXEC  PGM=SLUPCOPY,REGION=4M,PARM='SSSS,COPY,DSS,OPT(AB) '
//STEPLIB DD  DSN=HSC.LINKLIB,DISP=SHR
//SLSCNTL DD  DSN=HSC.PRIMARY.CDS,DISP=SHR
//SLSVDI  DD  SYSOUT=*
//SYSPRINT DD SYSOUT=*
//SYSMDUMP DD DSN=HSC.SLUPCOPY.SYSMDUMP,DISP=(,DELETE,CATLG),
//          UNIT=SYSALLDA,SPACE=(CYL,100,RLSE),VOL=SER=VVVVVV
//SYSIN   DD  DSN=HSC.LIB.CNTL(PITDSSI),DISP=SHR
```

```
HSC.LIB.CNTL(PITDSSI):
```

```
  COPY -
  DATASET(INCLUDE(HSC.PRIMARY.CDS)) -
           RENUNC((HSC.PRIMARY.CDS, -
                   HSC.PITFLASH.CDS)) -
  FASTREPLICATION(REQUIRED) -
  CANCELERROR -
  SHARE -
  TOL(ENQF) -
  TGTALLOC(CYL) -
  OUTDYNAM(TTTTTT) -
  CATALOG
```

- The HSC CDS must reside on IBM hardware (with the FlashCopy feature enabled) to be eligible for a DFSMSdss FlashCopy operation.
- The source and target data sets must be on the same IBM disk subsystem, otherwise a physical copy is attempted.
- Both source and target volumes must be online.
- Volume or data set copy is supported, but a data set copy is recommended.
- DFSMSdss must be at DFSMS 1.3 or later (this corresponds roughly to OS/390 V1R3).
- See Chapter 2 of the *Implementing ESS Copy Services Redbook* for the complete list of FlashCopy pre-requisites.
 - FlashCopy Version 1 microcode only supports volume FlashCopy.
 - FlashCopy Version 2 microcode is required for data set FlashCopy.
- Make sure that the CDS name on the SLSCNTL DD matches the data set names on the INCLUDE parameter and the first RENUNC sub-parameter on the DFSMSdss COPY command.

- The SHARE parameter is required.

This avoids an ADR411W message and a RC=4 from the COPY, which then causes a Point-In-Time copy invalid message (SLS7035E) and a RC=12.

- The FASTREPLICATION(REQUIRED) parameter is strongly recommended.
 - FASTREPLICATION(PREFERRED) is the default for a COPY command; override the default to avoid performing a physical copy.
 - The FASTREPLICATION(REQUIRED) and CONCURRENT parameters are mutually exclusive.
 - The CONCURRENT parameter is strongly discouraged since it may result in a physical copy. Remember: this is supposed to be a Point-In-Time copy!
- The TOLERATE(ENQFAILURE) parameter is optional.

If specified, it makes no difference as long as the SHARE parameter is also specified.

- Keep it simple!
 - Use a background copy (the default) so that the FlashCopy relationship terminates automatically when the copy is complete.
 - Don't specify the FCNOCOPY or FCWITHDRAW parameters on the DFSMSdss COPY command.
 - Don't use an Incremental FlashCopy relationship since this is only supported at the volume level.
 - Don't use Persistent FlashCopy.
 - Don't use multiple FlashCopy relationships.
 - Don't use a FlashCopy Consistency Group.

FDRSNAP JCL and Operational Requirements/Considerations

In the following JCL example, it is assumed that FDRSNAP is in the system linklist.

```
//PITFDR  PROC
//COPY    EXEC  PGM=SLUPCOPY,REGION=4M,PARM='SSSS,COPY,FDR,OPT(AB) '
//STEPLIB DD  DSN=HSC.LINKLIB,DISP=SHR
//SLSCNTL DD  DSN=HSC.PRIMARY.CDS,DISP=SHR
//SLSVDI  DD  SYSOUT=*
//SYSPRINT DD SYSOUT=*
//SYSMDUMP DD DSN=HSC.SLUPCOPY.SYSMDUMP,DISP=(,DELETE,CATLG),
//          UNIT=SYSALLDA,SPACE=(CYL,100,RLSE),VOL=SER=VVVVVV
//TAPE1   DD  DUMMY
//SYSIN   DD  DSN=HSC.LIB.CNTL(PITFDRI),DISP=SHR

HSC.LIB.CNTL(PITFDRI):

      SNAP TYPE=FDR,DSNENQ=NONE,ENQ=OFF
      MOUNT VOL=TTTTTT,SNAPUNIT=DDDD
```

- The HSC CDS must reside on SVA hardware (with the SnapShot feature enabled) to be eligible for a FDRSNAP operation.
- Volume copy only is supported.
- No check is made for a minimum level of FDRSNAP.
- A dummied TAPE1 DD is required.
- The DSNENQ=NONE parameter is required.
 - This prevents FDRSNAP from issuing a SYSDSN ENQ on the HSC CDS.
 - If DSNENQ=NONE is not specified, the PIT copy is not performed and SLUPCOPY ends with a RC=12. A FDR158 message and a User 801 abend also occur, but these are issued by FDRSNAP, not SLUPCOPY.
- The ENQ=OFF parameter is strongly recommended.

This prevents FDRSNAP from issuing a SYSVTOC ENQ and RESERVE on the HSC CDS volume.

- The VOL parameter must specify the online device of the HSC CDS that is the SnapShot source.

- The SNAPUNIT parameter must specify the **offline** device that is the SnapShot target.
 - If the target device is not offline, FDRSNAP issues a User 502 abend and message FDR230 with Reason 8.
 - If the source and target devices are not in the same subsystem, FDRSNAP issues a User 502 abend and message FDR230 with Reason A.
 - The volume label of the target volume is not modified by FDRSNAP in this case.
- FDRSNAP is not normally used by itself; a second step is usually added to the procedure JCL to create an online backup of the offline PIT copy using FDR, FDRDSF, or FDRCOPY. Refer to Section 26 in the *Fast Dump Restore (FDR) User Manual* for more information

Restoring a PIT Copy

SLUPCOPY can only create PIT copies; it does not provide the ability to restore the PIT copies it creates. Use the recommended process listed below to restore a HSC CDS using a PIT copy.

Recommended Process

1. Shutdown HSC on all systems that use the damaged CDS.
2. Create a backup of the most current copy of the CDS by running a SLUADMIN BACKUP OPTION(COPY) job without the CDS parameter, and specify the data set names of the Primary, Secondary, and Standby CDSs on the SLSCNTL, SLSCNTL2, and SLSSTBY DD statements:

```
//*  
//* BACKUP WITHOUT CDS PARAMETER  
//*  
//BKUP EXEC PGM=SLUADMIN, PARM=MIXED, REGION=4096K  
//STEPLIB DD DSN=HSC.LINKLIB, DISP=SHR  
//*  
//SLSCNTL DD DSN=HSC.PRIMARY.CDS, DISP=SHR  
//SLSCNTL2 DD DSN=HSC.SECONDARY.CDS, DISP=SHR  
//SLSSTBY DD DSN=HSC.STANDBY.CDS, DISP=SHR  
//SLSPRINT DD SYSOUT=*  
//SYSUDUMP DD SYSOUT=*  
//SLSBKUP DD DSN=HSC.BACKUP.CDS,  
// SPACE=(CYL, NNN), DCB=BUFNO=24,  
// DISP=(,CATLG,DELETE),  
// UNIT=SYSALLDA, VOL=SER=VVVVVV  
//SLSIN DD *  
BACKUP OPTION(COPY)  
/*  
//
```

- Do not skip this step! This backup can be used to recover from any problems that might be encountered later.
3. Use the PIT copy as input to a SLUADMIN RESTORE APPLY(NO) GENERATE(NO) job, and specify the data set names of the Primary, Secondary, and Standby CDSs on the SLSCNTL, SLSCNTL2, and SLSSTBY DD statements (this example assumes journals are not used):

```

//*
//* RESTORE PIT COPY
//*
//REST    EXEC PGM=SLUADMIN,PARM=MIXED,REGION=4096K
//STEPLIB DD DSN=HSC.LINKLIB,DISP=SHR
//*
//SLSCNTL DD DSN=HSC.PRIMARY.CDS,DISP=SHR
//SLSCNTL2 DD DSN=HSC.SECONDARY.CDS,DISP=SHR
//SLSSTBY DD DSN=HSC.STANDBY.CDS,DISP=SHR
//*
//SLSBKUP DD DSN=HSC.PITCOPY.CDS,DISP=SHR
//SLSPRINT DD SYSOUT=*
//SYSUDUMP DD SYSOUT=*
//SLSIN   DD *
        RESTORE APPLY(NO) GENERATE(NO)
/*
//

```

- If using the Secondary and Standby CDSs, it is important to specify the data set names of the Secondary and Standby CDSs on the SLSCNTL2 and SLSSTBY DD statements. This avoids certain undesirable effects that lengthen the recovery process.
 - For example, assume a Primary, Secondary, and Standby CDS are in use and that the Primary CDS is damaged. This recommended restore process is followed except that the data set names of the Secondary and Standby CDSs are not specified on the SLSCNTL2 and SLSSTBY DD statements in the RESTORE job. After the restore, the HSC restart may produce the following effects:
 - The just-restored Primary CDS is copied to the old Standby CDS.
 - The old Standby CDS becomes the new Primary CDS.
 - The just-restored Primary CDS becomes a disabled Standby CDS.
 - The old Secondary CDS may also be disabled.
 - These effects are caused by a mismatch in the internal sequence numbers of CDS records between the restored Primary CDS and the unrestored Secondary and Standby CDSs. The CDS ENABLE and DISABLE commands can be used to re-enable the old data sets and adjust the CDSs back to their original order, but this will take time
4. Restart HSC on all systems that use this CDS.

Refer to the following for additional information about the restore process:

- “BACKup Utility” on page 202
- “REStore Utility” on page 287
- “CDS Recovery Capabilities” on page 379
- “Using CDS Rename/Relocate/Expand” on page 606.

Last Backup Date and Time Considerations

Each CDS contains values for the last backup date and time as well as the last restore date and time. Consequently, each CDS backup created by SLUADMIN BACKUP contains these values, and this information is updated within the backup copy to reflect the actual date and time of the backup. The DISPLAY CDS command in HSC 6.1 and later has been enhanced to display the last backup date and time and the last restore date and time of the CDSs currently in use.

SLUPCOPY does not in any way modify the PIT copy created by SnapShot, DFSMSDss, or FDRSNAP, but it does update the last backup date and time in the Primary CDS before performing the PIT copy so that the PIT copy contains the correct last backup date and time. In the event of an unsuccessful PIT copy, the last backup date and time in the Primary CDS is restored to the original value to maintain accuracy. If SLUPCOPY is cancelled by operator command after the last backup date and time in the Primary CDS is updated, SLUPCOPY cannot restore last backup date and time to the correct value.

Examples

Typical message sequences for last backup date and time processing are shown below (messages prior to 7072 are not shown in some examples).

Successful PIT copy

```
SLS7072I RESERVE SUCCESSFUL FOR SLSCNTL DD
SLS7073I CDS DHB READ SUCCESSFUL
SLS7021I JCL CDS NAME MATCHES DHB CDS NAME
SLS7170I CDS DPV READ SUCCESSFUL
SLS7106I ORIGINAL LAST BACKUP DATE AND TIME = 2007032913:10:13
SLS7171I CDS DPV WRITE SUCCESSFUL
SLS7107I UPDATED LAST BACKUP DATE AND TIME = 2007032914:07:09
SLS7074I ATTACH SUCCESSFUL
SLS7075I TCB USER CC=0000, SYSTEM CC=0000
SLS7076I DETACH SUCCESSFUL
SLS7077I MAINLINE DEQ SUCCESSFUL FOR SLSCNTL DD
SLS7078I MAINLINE CLOSE SUCCESSFUL FOR SLSCNTL DD
SLS7031I POINT-IN-TIME COPY SUCCESSFUL
SLS7111I SLUPCOPY VERSION 6.20 PROCESSING ENDS
```

No action is required since the PIT copy was successful; the last backup date and time in the Primary CDS reflects the date and time of the PIT copy.

Message 7180 (before OPEN and RESERVE)

An error occurs before the CDS is opened and reserved (and before the last backup date and time is updated, and before the PIT copy).

```
SLS7015I JCL CDS NAME MATCHES PRIMARY CDS NAME
SLS7081I ESTAE ROUTINE: SDWA PRESENT
SLS7180I ESTAE ROUTINE: DPV RESTORE NOT REQUIRED - DPV NEVER UPDATED
SLS7188I ESTAE ROUTINE: PROCESSING ENDS
IEA995I SYMPTOM DUMP OUTPUT 536
```

Message 7180 is issued indicating that the ESTAE recovery routine determined that the last backup date and time in the Primary CDS did not need to be restored to its original value because the Primary CDS was never updated.

Message 7180 (after OPEN but before RESERVE)

An error occurs after the CDS is opened but before the CDS is reserved (and before the last backup date and time is updated, and before the PIT copy)

```
SLS7015I JCL CDS NAME MATCHES PRIMARY CDS NAME
SLS7071I OPEN SUCCESSFUL FOR SLSCNTL DD
SLS7104I UCB LOCATED SUCCESSFULLY
SLS7081I ESTAE ROUTINE: SDWA PRESENT
SLS7180I ESTAE ROUTINE: DPV RESTORE NOT REQUIRED - DPV NEVER UPDATED
SLS7083I ESTAE ROUTINE: CLOSE SUCCESSFUL
SLS7188I ESTAE ROUTINE: PROCESSING ENDS
IEA995I SYMPTOM DUMP OUTPUT 593
```

Message 7180 is issued indicating that the ESTAE recovery routine determined that the last backup date and time in the Primary CDS did not need to be restored to its original value because the Primary CDS was never updated.

Message 7180 (after OPEN and RESERVE)

An error occurs after the CDS is opened and reserved (but before the last backup date and time is updated, and before the PIT copy)

```
SLS7072I RESERVE SUCCESSFUL FOR SLSCNTL DD
SLS7073I CDS DHB READ SUCCESSFUL
SLS7021I JCL CDS NAME MATCHES DHB CDS NAME
SLS7170I CDS DPV READ SUCCESSFUL
SLS7106I ORIGINAL LAST BACKUP DATE AND TIME = 2007032914:07:09
SLS7081I ESTAE ROUTINE: SDWA PRESENT
SLS7180I ESTAE ROUTINE: DPV RESTORE NOT REQUIRED - DPV NEVER UPDATED
SLS7082I ESTAE ROUTINE: DEQ SUCCESSFUL
SLS7083I ESTAE ROUTINE: CLOSE SUCCESSFUL
SLS7188I ESTAE ROUTINE: PROCESSING ENDS
IEA995I SYMPTOM DUMP OUTPUT 658
```

Message 7180 is issued indicating that the ESTAE recovery routine determined that the last backup date and time in the Primary CDS did not need to be restored to its original

value (as previously displayed by message 7106) because the Primary CDS was never updated.

Message 7182 / 7186

An error occurs after the last backup date and time is updated, but before the PIT copy

```
SLS7072I RESERVE SUCCESSFUL FOR SLSCNTL DD
SLS7073I CDS DHB READ SUCCESSFUL
SLS7021I JCL CDS NAME MATCHES DHB CDS NAME
SLS7170I CDS DPV READ SUCCESSFUL
SLS7106I ORIGINAL LAST BACKUP DATE AND TIME = 2007032914:07:09
SLS7171I CDS DPV WRITE SUCCESSFUL
SLS7107I UPDATED LAST BACKUP DATE AND TIME = 2007032914:10:53
SLS7081I ESTAE ROUTINE: SDWA PRESENT
SLS7182I ESTAE ROUTINE: DPV RESTORE REQUIRED
SLS7186I ESTAE ROUTINE: DPV RESTORE SUCCESSFUL
SLS7082I ESTAE ROUTINE: DEQ SUCCESSFUL
SLS7083I ESTAE ROUTINE: CLOSE SUCCESSFUL
SLS7188I ESTAE ROUTINE: PROCESSING ENDS
IEA995I SYMPTOM DUMP OUTPUT 724
```

Message 7182 is issued indicating that the last backup date and time in the Primary CDS needs to be restored to its original value (as previously displayed by message 7106).

Message 7186 is issued indicating that the ESTAE recovery routine successfully restored the last backup date and time in the Primary CDS to its original value and that no further action needs to be taken.

Message 7181

An error occurs after the last backup date and time is updated, and after the PIT copy

```
SLS7072I RESERVE SUCCESSFUL FOR SLSCNTL DD
SLS7073I CDS DHB READ SUCCESSFUL
SLS7021I JCL CDS NAME MATCHES DHB CDS NAME
SLS7170I CDS DPV READ SUCCESSFUL
SLS7106I ORIGINAL LAST BACKUP DATE AND TIME = 2007032914:07:09
SLS7171I CDS DPV WRITE SUCCESSFUL
SLS7107I UPDATED LAST BACKUP DATE AND TIME = 2007032914:11:35
SLS7074I ATTACH SUCCESSFUL
SLS7075I TCB USER CC=0000, SYSTEM CC=0000
SLS7081I ESTAE ROUTINE: SDWA PRESENT
SLS7181I ESTAE ROUTINE: DPV RESTORE NOT REQUIRED - PIT COPY SUCCESSFUL
SLS7082I ESTAE ROUTINE: DEQ SUCCESSFUL
SLS7083I ESTAE ROUTINE: CLOSE SUCCESSFUL
SLS7188I ESTAE ROUTINE: PROCESSING ENDS
IEA995I SYMPTOM DUMP OUTPUT 791
```

Message 7181 is issued indicating that the ESTAE recovery routine determined that the last backup date and time in the Primary CDS did not need to be restored to its original value (as previously displayed by message 7106) because even though the CDS was updated, the error occurred after a successful PIT copy.

Message 7172

The PIT copy is invalid (in this case, SVAA was not previously initialized)

```
SLS7072I RESERVE SUCCESSFUL FOR SLSCNTL DD
SLS7073I CDS DHB READ SUCCESSFUL
SLS7021I JCL CDS NAME MATCHES DHB CDS NAME
SLS7170I CDS DPV READ SUCCESSFUL
SLS7106I ORIGINAL LAST BACKUP DATE AND TIME = 2007032915: 44: 27
SLS7171I CDS DPV WRITE SUCCESSFUL
SLS7107I UPDATED LAST BACKUP DATE AND TIME = 2007032915: 45: 29
SLS7074I ATTACH SUCCESSFUL
SLS7075I TCB USER CC=0000, SYSTEM CC=000C
SLS7108I DPV RESTORE REQUIRED
SLS7172I CDS DPV RESTORE SUCCESSFUL
SLS7076I DETACH SUCCESSFUL
SLS7077I MAINLINE DEQ SUCCESSFUL FOR SLSCNTL DD
SLS7078I MAINLINE CLOSE SUCCESSFUL FOR SLSCNTL DD
SLS7035E POINT-IN-TIME COPY INVALID
SLS7111I SLUPCOPY VERSION 6.20 PROCESSING ENDS
```

Message 7172 is issued indicating that the date and time of the last backup in the Primary CDS is successfully restored to its original value (as previously displayed by message 7106) because the PIT copy is invalid.

SLUPCOPY Problem Reporting, Determination, and Resolution

Problem Reporting Procedure

Report SLUPCOPY problems and send all required SLUPCOPY output and the SYSMDUMP data set to StorageTek Support.

Common Problem Symptoms and Remedies

DFSMSDss SnapShot Problem Symptoms and Remedies

- Message ADR472E with Reason Code 08 indicating that DFSMSDss was unable to select a target volume:

Reason Code 08 indicates that the target data set name is a duplicate. Change the target data set name or use the REPLACE keyword, but if REPLACE is used, be sure the correct target data set name is specified to avoid overlaying the wrong data set.

- Message ADR918I with Return Code 5 plus message ADR938E indicating that fast replication could not be used, or message ADR918I with Return Code 3 and QFRVOLS Reason Code C8 plus message ADR938E indicating that fast replication could not be used:
 - Perform the procedure “Verifying that the SnapShot and SVAA Libraries are in the System Linklist” on page 992 to search for the SIBFVP and SIBLLAPI modules.
 - If both modules are found in the system linklist, issue the following command to determine if SVAA is initialized:

```
D GRS, RES=(SYSZSVAA, *)
```

 - If a NO REQUESTORS FOR RESOURCE SYSZSVAA * response is received, the problem is that SVAA is not initialized. Perform the procedure “Initializing SVAA” on page 993, then rerun the PIT copy.

- If the response indicates that SVAA is active, do the following:
 1. Issue a C ANTMAIN command to restart the ANTMAIN address space. The ANTMAIN address space only needs to be restarted once after the SnapShot and SVAA libraries have been dynamically added to the system linklist.
 2. An ANTM6001I SNAPSHOT WORKING SPACE DATASETS BEING REFRESHED message should be issued during the restart. This may be followed by an ANTM6002W ERROR REFRESHING SNAPSHOT WORKING SPACE DATASETS - RC=nnnn REAS=n message. The ANTM6002W message can be ignored because Concurrent Copy is strongly discouraged.
 3. Rerun the PIT copy.
- If both modules are not found in the system linklist, perform the procedure “Dynamically Adding SnapShot and SVAA Libraries to the System Linklist” on page 992, next perform “Initializing SVAA” on page 993, then rerun the PIT copy.
- Message ADR735W with Reason Code 14 and SDM diagnostic information 17A70000-00000000:

SnapShot and SVAA libraries are not in the system linklist. Perform the procedure “Dynamically Adding SnapShot and SVAA Libraries to the System Linklist” on page 992, next perform “Initializing SVAA” on page 993, then rerun the PIT copy.

Region Problem Symptoms and Remedies

Increase the REGION size (4 megabytes should be sufficient) on the SLUPCOPY step if the following messages are received (the module name will reflect the choice of PIT copy method):

```
IEW4000I  FETCH FOR MODULE ADRDSSU  FROM DDNAME -LNKLST-  FAILED
BECAUSE INSUFFICIENT STORAGE WAS AVAILABLE.
CSV031I  LIBRARY ACCESS FAILED FOR MODULE ADRDSSU , RETURN CODE 24,
REASON CODE 26080021, DDNAME *LNKLST*
SLS7060E  ADRDSSU LOAD FAILED. R1=00000106 R15=0000000C
```

Advanced Diagnostic Techniques

- If SLUPCOPY issues an error message but no abend, consider a rerun of SLUPCOPY with the AB option specified to:
 - Generate a User 555 abend and a machine-readable dump (an undummied SYSMDUMP DD must be present) for an eligible error conditions (see “AB Option” on page 1016).
 - Generate a Vital Diagnostic Information report.
- To prevent the possibility of a “hanging RESERVE” (a RESERVE without a corresponding DEQ) SLUPCOPY attempts to DEQ and CLOSE the Primary CDS when an eligible non-abend error condition occurs (see “AB Option” on page 1016). For abends other than the User 555, the ESTAE recovery routine in SLUPCOPY always attempts to DEQ and CLOSE the Primary CDS before control is returned to the operating system. If these attempts fail, the operating system itself should free these resources:
 - Per *MVS Programming: Authorized Assembler Services Reference*, under the “Restrictions” section for RESERVE, the operating system should DEQ the Primary CDS when the SLUPCOPY task ends.
 - Per *MVS Programming: Assembler Services Guide* under the “Freeing of Virtual Storage” section in Chapter 11, the operating system should CLOSE the Primary CDS when the SLUPCOPY task ends.

AB Option

If the AB option is specified, the occurrence of any of the following error conditions causes message SLS7112I to be issued, followed by a User 555 abend:

SLS7005E LOGIC ERROR - INVALID FUNCTION
SLS7006E CVTJESCT ADDRESS IS ZERO
SLS7007E JESSCT ADDRESS IS ZERO
SLS7008E SUBSYSTEM ssss NOT ACTIVE
SLS7009E ASCB NOT FOUND
SLS7012E DCV ADDRESS IS ZERO
SLS7013E DCV PRIMARY INFO ADDRESS IS ZERO
SLS7014E JCL CDS NAME DOES NOT MATCH PRIMARY CDS NAME
SLS7016E QNAME IS BLANK OR BINARY ZEROS
SLS7018E LVT ADDRESS IS ZERO
SLS7020E JCL CDS NAME DOES NOT MATCH DHB CDS NAME
SLS7022E DEB ADDRESS IS ZERO
SLS7023E UCB ADDRESS IS ZERO
SLS7024E SLSCNTL DD IS DUMMI ED
SLS7029E SUBSYSTEM ASID IS ZERO
SLS7035E POINT-IN-TIME COPY INVALID
SLS7050E ESTAE FAILED. R15=XXXXXXXX
SLS7051E RDJFCB FAILED. R15=XXXXXXXX
SLS7052E LOCASCB FAILED. R15=XXXXXXXX
SLS7053E ATTACH FAILED. R15=XXXXXXXX
SLS7054E OPEN FAILED. R15=XXXXXXXX
SLS7055E RESERVE FAILED. R1=XXXXXXXX R15=XXXXXXXX
SLS7056E CDS DHB READ FAILED. R15=XXXXXXXX
SLS7057E MAINLINE DEQ FAILED. R1=XXXXXXXX R15=XXXXXXXX
SLS7058E DETACH FAILED. R15=XXXXXXXX
SLS7059E MAINLINE CLOSE FAILED. R15=XXXXXXXX
SLS7060E ADRDSSU LOAD FAILED. R1=XXXXXXXX R15=XXXXXXXX
SLS7061E FDRSNAP LOAD FAILED. R1=XXXXXXXX R15=XXXXXXXX
SLS7062E SIBBATCH LOAD FAILED. R1=XXXXXXXX R15=XXXXXXXX
SLS7063E UNABLE TO ACQUIRE RESERVE
SLS7101E LVT ADDRESS DOES NOT POINT TO AN LVT
SLS7103E ASCB ADDRESS FROM HSC LVT IS ZERO
SLS7105E DPV EYECATCHER DOES NOT MATCH
SLS7110E MISSING DD: ddddddd
SLS7150E CDS DPV READ FAILED. R15=XXXXXXXX
SLS7151E CDS DPV WRITE FAILED. R15=XXXXXXXX
SLS7152E CDS DPV RESTORE FAILED. R15=XXXXXXXX

Vital Diagnostic Information

If the AB option is specified, and any of the preceding error conditions occurs, a Vital Diagnostic Information report is output as part of the SLUPCOPY output:

```
*****
* SLUPCOPY VERSION 6.20          COPYRIGHT 2006-2007 ORACLE, INC. ALL RIGHTS RESERVED          VITAL DIAGNOSTIC INFO *
*                               RUN DATE= 03/26/07  RUN TIME= 14:45:38
*
*   SYSTEM NAME= XXXX  JES NAME=  JES2    CVT PRODN= SP7.0.5  FMID= HBB7708  DFAR= 03010500  FT14= FF7F737F  FT56= A0300000 *
*   LPAR NAME=      JES TYPE=  JES2    ECVT PNAM= z/OS      VRM= 010500    PSEQ= 01010500
*   VM NAME= XXXXXMVS
*   SUBSYSTEM NAME= HSCX  LVT ADDR= 433B1000  SSCT ADDR= 00963124  SSVT= 433D40C0  SUSE= 433B1000  SUS2= 2445D4C7  FLG1= 40000000 *
*****
```

For a SLS7008E error, the HSC subsystem information will be blank. This is normal.

Required Diagnostic Information

All of the following information is required before a SLUPCOPY problem can be diagnosed.

- All SLUPCOPY output
 - JES log
 - JCL and substitution messages
 - Allocation/deallocation messages
 - SYSPRINT/SYSTEMM output
 - Vital Diagnostic Information report
 - System Name
 - LPAR Name (Blank if z/OS is running as a guest under z/VM)
 - VM Name (Non-blank if z/OS running as a guest under z/VM)
 - Operating System Type (includes Product name, FMID)
 - Operating System Release Level
 - JES Name and Type (JES2 or JES3)
 - DFSMS release level and feature bytes
 - HSC subsystem information
- The SLUPCOPY SYSDUMP data set
- The SYSLOG listing from 5 minutes before to 5 minutes after the problem occurred

Sample Output

Example 1 - Successful SnapShot PIT Copy

```
JES2 JOB LOG -- SYSTEM XXXX -- NODE XXXXXXXXX

13.01.25 JOB07746 ---- THURSDAY, 29 MAR 2007 ----
13.01.25 JOB07746 IRR010I USERID XXXX IS ASSIGNED TO THIS JOB.
13.01.25 JOB07746 ICH70001I XXXX LAST ACCESS AT 12:05:57 ON THURSDAY, MARCH 29, 2007
13.01.25 JOB07746 $HASP373 XXXXPSNP STARTED - INIT AA - CLASS A - SYS XXXX
13.01.26 JOB07746 IEF403I XXXXPSNP - STARTED - TIME=13.01.26
13.01.31 JOB07746 SLS7100I SLUPCOPY VERSION 6.20 PROCESSING BEGINS
13.01.31 JOB07746 SLS7028I HSC SUBSYSTEM NAME = HSCX
13.01.31 JOB07746 SLS7028I COPY FUNCTION IS IN EFFECT
13.01.31 JOB07746 SLS7028I SNAPSHOT METHOD IS IN EFFECT
13.01.31 JOB07746 SLS7028I RESERVE RETRY WTOR OPTION IS ENABLED
13.01.31 JOB07746 SLS7070I READ JFCB SUCCESSFUL FOR SLSCNTL DD
13.01.31 JOB07746 SLS7010I SSCVT LOCATED FOR SUBSYSTEM HSCX
13.01.31 JOB07746 SLS7011I ASCB FOR HSC JOB NAME HSCX HAS ASID 001D
13.01.31 JOB07746 SLS7102I HSC QNAME = HSCXLSQN
13.01.31 JOB07746 SLS7025I PRIMARY CDS NAME = XXXX.S05610.SLSCNTL
13.01.31 JOB07746 SLS7015I JCL CDS NAME MATCHES PRIMARY CDS NAME
13.01.31 JOB07746 SLS7071I OPEN SUCCESSFUL FOR SLSCNTL DD
13.01.31 JOB07746 SLS7104I UCB LOCATED SUCCESSFULLY
13.01.31 JOB07746 SLS7072I RESERVE SUCCESSFUL FOR SLSCNTL DD
13.01.31 JOB07746 SLS7073I CDS DHB READ SUCCESSFUL
13.01.31 JOB07746 SLS7021I JCL CDS NAME MATCHES DHB CDS NAME
13.01.31 JOB07746 SLS7170I CDS DPV READ SUCCESSFUL
13.01.31 JOB07746 SLS7106I ORIGINAL LAST BACKUP DATE AND TIME = 2007032815:08:35
13.01.31 JOB07746 SLS7171I CDS DPV WRITE SUCCESSFUL
13.01.31 JOB07746 SLS7107I UPDATED LAST BACKUP DATE AND TIME = 2007032913:01:31
13.01.31 JOB07746 SLS7074I ATTACH SUCCESSFUL
13.01.37 JOB07746 SLS7075I TCB USER CC=0000, SYSTEM CC=0000
13.01.37 JOB07746 SLS7076I DETACH SUCCESSFUL
13.01.37 JOB07746 SLS7077I MAINLINE DEQ SUCCESSFUL FOR SLSCNTL DD
13.01.37 JOB07746 SLS7078I MAINLINE CLOSE SUCCESSFUL FOR SLSCNTL DD
13.01.37 JOB07746 SLS7031I POINT-IN-TIME COPY SUCCESSFUL
13.01.37 JOB07746 SLS7111I SLUPCOPY VERSION 6.20 PROCESSING ENDS
13.01.38 JOB07746 - SYSTEM RELEASE: SP7.0.5 HBB7708
13.01.38 JOB07746 - --TIMINGS (MINS.)-- ----PAGING COUNTS---
13.01.38 JOB07746 -JOBNAME STEPNAME PROCSTEP RC EXCP CPU SRB CLOCK SERV PG PAGE SWAP VIO SWAPS
13.01.38 JOB07746 -XXXXPSNP COPY 00 627 .00 .00 .2 2675 0 0 0 0 0
13.01.38 JOB07746 IEF404I XXXXPSNP - ENDED - TIME=13.01.38
13.01.38 JOB07746 -XXXXPSNP ENDED. NAME-XXXXXXXXX TOTAL CPU TIME= .00 TOTAL ELAPSED TIME= .2
13.01.38 JOB07746 $HASP395 XXXXPSNP ENDED
0----- JES2 JOB STATISTICS -----
- 29 MAR 2007 JOB EXECUTION DATE
- 23 CARDS READ
- 143 SYSOUT PRINT RECORDS
- 0 SYSOUT PUNCH RECORDS
- 8 SYSOUT SPOOL KBYTES
- 0.20 MINUTES EXECUTION TIME
```

```

1 //XXXXPSNP JOB (XXXXXX),XXXXXXXX,                                JOB07746
  // CLASS=A,
  // MSGCLASS=1
  // *
  // *-----*//
  // * SNAPSHOT PIT COPY
  // *-----*//
2 //COPY      EXEC PGM=SLUPCOPY,REGION=4M,
  //          PARM='HSCX,COPY,SNP,OPT(RR) '
3 //STEPLIB   DD DSN=XXXX.LINKLIB,DISP=SHR
4 //SLSCNTL   DD DSN=XXXX.SOS610.SLSCNTL,DISP=SHR
5 //SYSPRINT  DD SYSOUT=*
6 //SYSTEM    DD SYSOUT=*
  // *TRANS   DD DSN=HSC.SACLINK,DISP=SHR
7 //SYSDUMP   DD DSN=XXXX.SOS610.SYSDUMP,DISP=(,DELETE,CATLG),
  //          UNIT=SYSALLDA,SPACE=(CYL,100,RLSE),VOL=SER=SW8D12
8 //OUTSNAP   DD DSN=XXXX.SOS610.SNAPPED,
  //          LIKE=XXXX.SOS610.SLSCNTL,DISP=(,CATLG,DELETE),
  //          VOL=SER=SW8D12,UNIT=SYSALLDA,SPACE=(CYL,25)
9 //SYSIN     DD *
ICH70001I XXXX      LAST ACCESS AT 12:05:57 ON THURSDAY, MARCH 29, 2007
IEF236I ALLOC. FOR XXXXPSNP COPY
IEF237I 3EC4 ALLOCATED TO STEPLIB
IEF237I 8A45 ALLOCATED TO SLSCNTL
IEF237I JES2 ALLOCATED TO SYSPRINT
IEF237I JES2 ALLOCATED TO SYSTEM
IGD100I 8D12 ALLOCATED TO DDNAME SYSDUMP DATACLAS (      )
IGD100I 8D12 ALLOCATED TO DDNAME OUTSNAP DATACLAS (      )
IEF237I JES2 ALLOCATED TO SYSIN
IEF237I 3D5C ALLOCATED TO SYS00001
IEF285I   SYS1.PARMLIB                                KEPT
IEF285I   VOL SER NOS= XXXXRS.
IEF237I 3D5C ALLOCATED TO SYS00002
IEF285I   SYS1.PARMLIB                                KEPT
IEF285I   VOL SER NOS= XXXXRS.
IEF237I 3D5C ALLOCATED TO SYS00003
IEF237I 8800 ALLOCATED TO SYS00004
IEF285I   SYS1.PARMLIB                                KEPT
IEF285I   VOL SER NOS= XXXXRS.
IEF237I 8A45 ALLOCATED TO SYS00005
IEF237I 8D12 ALLOCATED TO SYS00006
IEF237I 8D12 ALLOCATED TO SYS00007
IEF285I   SYS07088.T130135.RA000.XXXXPSNP.R0100577    KEPT
IEF285I   VOL SER NOS= SW8A45.
IEF285I   SYS07088.T130135.RA000.XXXXPSNP.R0100578    KEPT
IEF285I   VOL SER NOS= SW8D12.
IEF285I   SYS07088.T130136.RA000.XXXXPSNP.R0100579    KEPT
IEF285I   VOL SER NOS= SW8D12.
IEF285I   SYS07088.T130133.RA000.XXXXPSNP.R0100576    KEPT
IEF285I   VOL SER NOS= SW8800.
IEF142I XXXXPSNP COPY - STEP WAS EXECUTED - COND CODE 0000
IEF285I   XXXX.LINKLIB                                KEPT
IEF285I   VOL SER NOS= TS0020.
IEF285I   XXXX.SOS610.SLSCNTL                          KEPT
IEF285I   VOL SER NOS= SW8A45.
IEF285I   XXXX.XXXXPSNP.JOB07746.D0000102.?           SYSOUT
IEF285I   XXXX.XXXXPSNP.JOB07746.D0000103.?           SYSOUT
IEF285I   XXXX.SOS610.SYSDUMP                          DELETED
IEF285I   VOL SER NOS= SW8D12.
IEF285I   XXXX.SOS610.SNAPPED                          CATALOGED
IEF285I   VOL SER NOS= SW8D12.
IEF285I   XXXX.XXXXPSNP.JOB07746.D0000101.?           SYSIN
*****
*          DDNAME          DEVICE          DEVICE          EXCP          *
*          CLASS          ADDRESS          COUNT          *
*          -----          -----          -----          *
*          STEPLIB        DASD          3EC4          00000002        *
*          SLSCNTL        DASD          8A45          00000003        *
*          SYSPRINT       JES2          *           00000000        *
*          SYSTEM         JES2          *           00000000        *
*          SYSDUMP        DASD          8D12          00000000        *
*          OUTSNAP        DASD          8D12          00000000        *
*          SYSIN          JES2          *           00000000        *
*          SYS00001       DASD          3D5C          00000000        *
*          SYS00002       DASD          3D5C          00000000        *
*          SYS00003       DASD          3D5C          00000002        *
*          SYS00005       DASD          8A45          00000000        *
*          SYS00006       DASD          8D12          00000000        *
*          SYS00007       DASD          8D12          00000000        *
*          SYS00004       DASD          8800          00000000        *
*****

```

```
IEF373I STEP/COPY /START 2007088.1301
IEF374I STEP/COPY /STOP 2007088.1301 CPU 0MIN 00.11SEC SRB 0MIN 00.01SEC VIRT 680K SYS 324K EXT 2716K SYS 7536K
IEF375I JOB/XXXXPSNP/START 2007088.1301
IEF376I JOB/XXXXPSNP/STOP 2007088.1301 CPU 0MIN 00.11SEC SRB 0MIN 00.01SEC
1SIB0715I SVAA 3.1.0 (SIBBATCH) invoked on Thu Mar 29, 2007 13:01:33.
SIB0700I 13:01:33 /*****
SIB0700I 13:01:33 /* XXXX -- SIBSTK00 */
SIB0700I 13:01:33 /*****
SIB0700I 13:01:33 SET ECAMDEVICE(8800)

SIB0700I 13:01:34 SET SSNAME(SVAA)

SIB0715I SVAA 3.1.0 (SIBBATCH) invoked on Thu Mar 29, 2007 13:01:34.
SIB0700I 13:01:34 SNAP DATASET (INDDNAME(SLSCNTL) OUTDDNAME(OUTSNAP) -
SIB0700I 13:01:34 HOSTCOPYMODE(SHARED) REPLACE(YES) TOLLENQF(Y)
SIB4617I 13:01:37 SnapShot completed, rc=0.
```


Example 2 - Successful DFSMSdss FlashCopy PIT Copy on a JES3 System



Note: This is output from a pre-PTF developmental version of SLUPCOPY, so messages added since this version do not appear in the output.

```
//HSCFLASH JOB (XXXXXXX,XXXXXXX,XXXXXXX), *
//      MSGCLASS=T,REGION=0M, *
//      MSGLEVEL=(1,1),NOTIFY=XXXXXXX
//*MAIN CLASS=D22
//***** SLUPCOPY      CDS FLASHCOPY *****
//***** SLUPCOPY      CDS FLASHCOPY *****
//DFDSS EXEC PGM=SLUPCOPY,REGION=4M,
//      PARM='HSC0,COPY,DSS,OPT(AB)'
//STEPLIB DD DISP=SHR,DSN=DMMBASE.SLUPCOPY.LINKLIB
//SLSCNTL DD DISP=SHR,DSN=XXXXHSC.SLS.DBASEPRM
//SLSCNTL2 DD DISP=SHR,DSN=XXXXHSC.SLS.DBASESHD
//SYSPRINT DD SYSOUT=*
//SYSDUMP DD DSN=XXXXXXX.SLUPCOPY.SYSDUMP,DISP=(,CATLG),
//      SPACE=(CYL,(100,100),RLSE),UNIT=SYSALLDA
//SYSIN DD *
IAT6140 JOB ORIGIN FROM GROUP=ANYLOCAL, DSP=IR , DEVICE=INTRDR , 0000
13:06:00 ---- IAT6853 THE CURRENT DATE IS WEDNESDAY, 24 JAN 2007 ----
IRR010I USERID XXXXXX IS ASSIGNED TO THIS JOB.
13:06:01 IAT4401 LOCATE FOR STEP=DFDSS DD=STEPLIB DSN=DMMBASE.SLUPCOPY.LINKLIB
13:06:01 IAT4402 STORCLAS=BASE, MGMTCLAS=STANDARD
13:06:01 IAT4401 LOCATE FOR STEP=DFDSS DD=SLSCNTL DSN=XXXXHSC.SLS.DBASEPRM
13:06:01 IAT4402 STORCLAS=SCHSCDS, MGMTCLAS=MCRAPP
13:06:01 IAT4401 LOCATE FOR STEP=DFDSS DD=SLSCNTL2 DSN=XXXXHSC.SLS.DBASESHD
13:06:01 IAT4402 STORCLAS=SCHSCDS, MGMTCLAS=MCRAPP
13:06:01 IAT6312 THE FOLLOWING 000001 MESSAGES MAY BE LOGGED OUT OF SEQUENCE
13:06:01 ICH70001I XXXXXX LAST ACCESS AT 12:48:58 ON WEDNESDAY, JANUARY 24, 2007
13:06:01 IAT2000 JOB HSCFLASH (JOB23890) SELECTED D22 GRP=DEDICATE
13:06:01 ICH70001I XXXXXX LAST ACCESS AT 13:06:01 ON WEDNESDAY, JANUARY 24, 2007
13:06:01 IEF403I HSCFLASH - STARTED - TIME=13.06.01
13:06:01 SLS7100I SLUPCOPY VERSION X.XX PROCESSING BEGINS
13:06:01 SLS7028I HSC SUBSYSTEM NAME = HSC0
13:06:01 SLS7028I COPY FUNCTION IS IN EFFECT
13:06:01 SLS7028I DFSMSDSS METHOD IS IN EFFECT
13:06:01 SLS7028I ABEND OPTION IS ENABLED
13:06:01 SLS7070I READ JFCB SUCCESSFUL FOR SLSCNTL DD
13:06:01 SLS7010I SSCVT LOCATED FOR SUBSYSTEM HSC0
13:06:01 SLS7011I ASCB FOR HSC JOB NAME HSCD22 HAS ASID 0086
13:06:01 SLS7102I HSC QNAME = STKALSON
13:06:01 SLS7025I PRIMARY CDS NAME= XXXXHSC.SLS.DBASEPRM
13:06:01 SLS7015I JCL CDS NAME MATCHES PRIMARY CDS NAME
13:06:01 SLS7071I OPEN SUCCESSFUL FOR SLSCNTL DD
13:06:01 SLS7072I RESERVE SUCCESSFUL FOR SLSCNTL DD
13:06:01 SLS7073I READ SUCCESSFUL FOR SLSCNTL DD
13:06:01 SLS7021I JCL CDS NAME MATCHES DHB CDS NAME
13:06:01 SLS7074I ATTACH SUCCESSFUL
13:06:02 SLS7075I TCB USER CC=0000, SYSTEM CC=0000
13:06:02 SLS7076I DETACH SUCCESSFUL
13:06:02 SLS7077I MAINLINE DEQ SUCCESSFUL FOR SLSCNTL DD
13:06:02 SLS7078I MAINLINE CLOSE SUCCESSFUL FOR SLSCNTL DD
13:06:02 SLS7031I POINT-IN-TIME COPY SUCCESSFUL
13:06:02 SLS7111I SLUPCOPY VERSION X.XX PROCESSING ENDS
13:06:02 IEF404I HSCFLASH - ENDED - TIME=13.06.02
//HSCFLASH JOB (XXXXXXX,XXXXXXX,XXXXXXX), *
//      MSGCLASS=T,REGION=0M, *
//      MSGLEVEL=(1,1),NOTIFY=XXXXXXX
//*MAIN CLASS=D22
//***** SLUPCOPY      CDS FLASHCOPY *****
//***** SLUPCOPY      CDS FLASHCOPY *****
//DFDSS EXEC PGM=SLUPCOPY,REGION=4M,
//      PARM='HSC0,COPY,DSS,OPT(AB)'
//STEPLIB DD DISP=SHR,DSN=DMMBASE.SLUPCOPY.LINKLIB
//SLSCNTL DD DISP=SHR,DSN=XXXXHSC.SLS.DBASEPRM
//SLSCNTL2 DD DISP=SHR,DSN=XXXXHSC.SLS.DBASESHD
//SYSPRINT DD SYSOUT=*
//SYSDUMP DD DSN=XXXXXXX.SLUPCOPY.SYSDUMP,DISP=(,CATLG),
//      SPACE=(CYL,(100,100),RLSE),UNIT=SYSALLDA
//SYSIN DD *
/*
1 //HSCFLASH JOB (XXXXXXX,XXXXXXX,XXXXXXX), *
//      MSGCLASS=T,REGION=0M, *
//      MSGLEVEL=(1,1),NOTIFY=XXXXXXX
//*MAIN CLASS=D22
```

```

//***** SLUPCOPY      CDS FLASHCOPY
//*****
2 //DFDSS EXEC PGM=SLUPCOPY,REGION=4M,
// PARM='HSC0,COPY,DSS,OPT(AB)'
3 //STEPLIB DD DISP=SHR,DSN=DMMBASE.SLUPCOPY.LINKLIB
4 //SLSCNTL DD DISP=SHR,DSN=XXXXHSC.SLS.DBASEPRM
5 //SLSCNTL2 DD DISP=SHR,DSN=XXXXHSC.SLS.DBASESHD
6 //SYSPRINT DD SYSOUT=*
7 //SYSDUMP DD DSN=XXXXXXX.SLUPCOPY.SYSDUMP,DISP=(,CATLG),
// SPACE=(CYL,(100,100),RLSE),UNIT=SYSALLDA
8 //SYSIN DD *
ICH7000I XXXXXX LAST ACCESS AT 13:06:01 ON WEDNESDAY, JANUARY 24, 2007
IEF236I ALLOC. FOR HSCFLASH DFDSS
IGD103I SMS ALLOCATED TO DDNAME STEPLIB
IGD103I SMS ALLOCATED TO DDNAME SLSCNTL
IGD103I SMS ALLOCATED TO DDNAME SLSCNTL2
IEF237I JES3 ALLOCATED TO SYSPRINT
IGD101I SMS ALLOCATED TO DDNAME (SYSDUMP)
DSN (XXXXXXX.SLUPCOPY.SYSDUMP )
STORCLAS (SCSTD) MGMTCLAS (MCMINBU) DATACLAS ( )
VOL SER NOS= SIP037
IEF237I JES3 ALLOCATED TO SYSIN
SLS7100I SLUPCOPY VERSION X.XX PROCESSING BEGINS
SLS7028I HSC SUBSYSTEM NAME = HSC0
SLS7028I COPY FUNCTION IS IN EFFECT
SLS7028I DFSMSDSS METHOD IS IN EFFECT
SLS7028I ABEND OPTION IS ENABLED
SLS7070I READ JFCB SUCCESSFUL FOR SLSCNTL DD
SLS7010I SSCVT LOCATED FOR SUBSYSTEM HSC0
SLS7011I ASCB FOR HSC JOB NAME HSCD22 HAS ASID 0006
SLS7102I HSC QNAME = STKALSON
SLS7025I PRIMARY CDS NAME= XXXXHSC.SLS.DBASEPRM
SLS7015I JCL CDS NAME MATCHES PRIMARY CDS NAME
SLS7071I OPEN SUCCESSFUL FOR SLSCNTL DD
SLS7072I RESERVE SUCCESSFUL FOR SLSCNTL DD
SLS7073I READ SUCCESSFUL FOR SLSCNTL DD
SLS7021I JCL CDS NAME MATCHES DHB CDS NAME
SLS7074I ATTACH SUCCESSFUL
IEF237I 3679 ALLOCATED TO SYS0001
IGD101I SMS ALLOCATED TO DDNAME (SYS0002)
DSN (SYS07024.T130601.RA000.HSCFLASH.R0152617 )
STORCLAS (SCTEMP) MGMTCLAS ( ) DATACLAS ( )
VOL SER NOS= SIP023
IGD101I SMS ALLOCATED TO DDNAME (SYS0003)
DSN (SYS07024.T130601.RA000.HSCFLASH.R0152618 )
STORCLAS (SCTEMP) MGMTCLAS ( ) DATACLAS ( )
VOL SER NOS= SIP024
IGD101I SMS ALLOCATED TO DDNAME (SYS0004)
DSN (SYS07024.T130601.RA000.HSCFLASH.R0152619 )
STORCLAS (SCTEMP) MGMTCLAS ( ) DATACLAS ( )
VOL SER NOS= SIP036
IGD101I SMS ALLOCATED TO DDNAME (SYS0005)
DSN (SYS07024.T130601.RA000.HSCFLASH.R0152620 )
STORCLAS (SCTEMP) MGMTCLAS ( ) DATACLAS ( )
VOL SER NOS= D2PR02
IGD101I SMS ALLOCATED TO DDNAME (SYS0006)
DSN (SYS07024.T130601.RA000.HSCFLASH.R0152621 )
STORCLAS (SCTEMP) MGMTCLAS ( ) DATACLAS ( )
VOL SER NOS= SIP016
IGD101I SMS ALLOCATED TO DDNAME (SYS0007)
DSN (SYS07024.T130601.RA000.HSCFLASH.R0152622 )
STORCLAS (SCTEMP) MGMTCLAS ( ) DATACLAS ( )
VOL SER NOS= SIP005
IGD101I SMS ALLOCATED TO DDNAME (SYS0008)
DSN (SYS07024.T130601.RA000.HSCFLASH.R0152623 )
STORCLAS (SCTEMP) MGMTCLAS ( ) DATACLAS ( )
VOL SER NOS= SIP002
IGD101I SMS ALLOCATED TO DDNAME (SYS0009)
DSN (SYS07024.T130601.RA000.HSCFLASH.R0152624 )
STORCLAS (SCTEMP) MGMTCLAS ( ) DATACLAS ( )
VOL SER NOS= SIP027
IGD101I SMS ALLOCATED TO DDNAME (SYS0010)
DSN (SYS07024.T130601.RA000.HSCFLASH.R0152625 )
STORCLAS (SCTEMP) MGMTCLAS ( ) DATACLAS ( )
VOL SER NOS= SIP032
IGD101I SMS ALLOCATED TO DDNAME (SYS0011)
DSN (SYS07024.T130601.RA000.HSCFLASH.R0152626 )
STORCLAS (SCTEMP) MGMTCLAS ( ) DATACLAS ( )
VOL SER NOS= SIP025

```



```

1PAGE 0001      5695-DF175 DFSMSDSS V1R06.0 DATA SET SERVICES      2007.024 13:06
- COPY
  DATASET(INCLUDE(
    XXXXHSC.SLS.DBASEPRM
    XXXXHSC.SLS.DBASESHD
  )
  )
  RENU NC(
    (XXXXHSC.SLS.DBASEPRM,XXXXHSC.SLS.DBASEPRM.PER)
    (XXXXHSC.SLS.DBASESHD,XXXXHSC.SLS.DBASESHD.PER)
  )
  FASTREPLICATION(REQUIRED)
  CANCELERROR
  SHARE
  TOL(ENQF)
  TGTALLO C(CYL)
  OUTDYNAM(XX3679)
  CATALOG
ADR101I (R/I)-RI01 (01), TASKID 001 HAS BEEN ASSIGNED TO COMMAND 'COPY '
ADR109I (R/I)-RI01 (01), 2007.024 13:06:01 INITIAL SCAN OF USER CONTROL STATEMENTS COMPLETED.
ADR016I (001)-PRIME(01), RACF LOGGING OPTION IN EFFECT FOR THIS TASK
0ADR006I (001)-STEND(01), 2007.024 13:06:01 EXECUTION BEGINS
0ADR711I (001)-NEWS(01), DATA SET XXXXHSC.SLS.DBASEPRM HAS BEEN ALLOCATED WITH NEWNAME XXXXHSC.SLS.DBASEPRM.PER USING
STORCLAS
SCHSCDS, NO DATA CLAS, AND MGMTCLAS MCRAPP
0ADR806I (001)-T0MI (01), DATA SET XXXXHSC.SLS.DBASEPRM COPIED USING A FAST REPLICATION FUNCTION
0ADR711I (001)-NEWS(01), DATA SET XXXXHSC.SLS.DBASESHD HAS BEEN ALLOCATED WITH NEWNAME XXXXHSC.SLS.DBASESHD.PER USING
STORCLAS
SCHSCDS, NO DATA CLAS, AND MGMTCLAS MCRAPP
0ADR806I (001)-T0MI (01), DATA SET XXXXHSC.SLS.DBASESHD COPIED USING A FAST REPLICATION FUNCTION
0ADR801I (001)-DDDS (01), DATA SET FILTERING IS COMPLETE. 2 OF 2 DATA SETS WERE SELECTED: 0 FAILED SERIALIZATION AND 0 FAILED
FOR
OTHER REASONS.
0ADR454I (001)-DDDS (02), THE FOLLOWING DATA SETS WERE SUCCESSFULLY PROCESSED
0
0
0
0
0ADR006I (001)-STEND(02), 2007.024 13:06:02 EXECUTION ENDS
0ADR013I (001)-CLTSK(01), 2007.024 13:06:02 TASK COMPLETED WITH RETURN CODE 0000
0ADR012I (SCH)-DSSU (01), 2007.024 13:06:02 DFSMSDSS PROCESSING COMPLETE. HIGHEST RETURN CODE IS 0000

```

Example 3 - Successful DFSMSdss SnapShot PIT Copy

```

JES2 JOB LOG -- SYSTEM XXXX -- NODE XXXXXXXXX

13.02.47 JOB07747 ---- THURSDAY, 29 MAR 2007 ----
13.02.47 JOB07747 IRR010I USERID XXXX IS ASSIGNED TO THIS JOB.
13.02.48 JOB07747 ICH70001I XXXX LAST ACCESS AT 13:01:25 ON THURSDAY, MARCH 29, 2007
13.02.48 JOB07747 $HASP373 XXXXPDS STARTED - INIT AA - CLASS A - SYS XXXX
13.02.48 JOB07747 IEF403I XXXXPDS - STARTED - TIME=13.02.48
13.02.50 JOB07747 SLS7100I SLUPCOPY VERSION 6.20 PROCESSING BEGINS
13.02.50 JOB07747 SLS7028I HSC SUBSYSTEM NAME = HSCX
13.02.50 JOB07747 SLS7028I COPY FUNCTION IS IN EFFECT
13.02.50 JOB07747 SLS7028I DFSMSDSS METHOD IS IN EFFECT
13.02.50 JOB07747 SLS7028I PIT COPY WTOR OPTION IS ENABLED
13.02.50 JOB07747 SLS7028I ABEND OPTION IS ENABLED
13.02.50 JOB07747 SLS7028I RESERVE RETRY WTOR OPTION IS ENABLED
13.02.50 JOB07747 SLS7070I READ JFCB SUCCESSFUL FOR SLSCNTL DD
13.02.50 JOB07747 SLS7010I SSCVT LOCATED FOR SUBSYSTEM HSCX
13.02.50 JOB07747 SLS7011I ASCB FOR HSC JOB NAME HSCX HAS ASID 001D
13.02.50 JOB07747 SLS7102I HSC QNAME = HSCXLSQN
13.02.50 JOB07747 SLS7025I PRIMARY CDS NAME = XXXX.SOS610.SLSCNTL
13.02.50 JOB07747 SLS7015I JCL CDS NAME MATCHES PRIMARY CDS NAME
13.02.50 JOB07747 *0029 SLS7090A REPLY Y TO INITIATE POINT-IN-TIME COPY
13.02.53 JOB07747 R 29,Y
13.02.53 JOB07747 SLS7071I OPEN SUCCESSFUL FOR SLSCNTL DD
13.02.53 JOB07747 SLS7104I UCB LOCATED SUCCESSFULLY
13.02.53 JOB07747 SLS7072I RESERVE SUCCESSFUL FOR SLSCNTL DD
13.02.53 JOB07747 SLS7073I CDS DHB READ SUCCESSFUL
13.02.53 JOB07747 SLS7021I JCL CDS NAME MATCHES DHB CDS NAME
13.02.53 JOB07747 SLS7170I CDS DPV READ SUCCESSFUL
13.02.53 JOB07747 SLS7106I ORIGINAL LAST BACKUP DATE AND TIME = 2007032913:01:31
13.02.53 JOB07747 SLS7171I CDS DPV WRITE SUCCESSFUL
13.02.53 JOB07747 SLS7107I UPDATED LAST BACKUP DATE AND TIME = 2007032913:02:53
13.02.53 JOB07747 SLS7074I ATTACH SUCCESSFUL
13.03.10 JOB07747 SLS7075I TCB USER CC=0000, SYSTEM CC=0000
13.03.10 JOB07747 SLS7076I DETACH SUCCESSFUL
13.03.10 JOB07747 SLS7077I MAINLINE DEQ SUCCESSFUL FOR SLSCNTL DD
13.03.11 JOB07747 SLS7078I MAINLINE CLOSE SUCCESSFUL FOR SLSCNTL DD
13.03.11 JOB07747 SLS7031I POINT-IN-TIME COPY SUCCESSFUL
13.03.11 JOB07747 SLS7111I SLUPCOPY VERSION 6.20 PROCESSING ENDS
13.03.11 JOB07747 - SYSTEM RELEASE: SP7.0.5 HBB7708
13.03.11 JOB07747 -
13.03.11 JOB07747 -JOBNAME STEPNAME PROCSTEP RC EXCP CPU SRB CLOCK SERV PG PAGE SWAP VIO SWAPS
13.03.11 JOB07747 -XXXXPDS COPY 00 739 .00 .00 .3 3588 0 0 0 0
13.03.11 JOB07747 IEF404I XXXXPDS - ENDED - TIME=13.03.11
13.03.11 JOB07747 -XXXXPDS ENDED. NAME-XXXXXXXXX TOTAL CPU TIME= .00 TOTAL ELAPSED TIME= .3
13.03.11 JOB07747 $HASP395 XXXXPDS ENDED
0----- JES2 JOB STATISTICS -----
- 29 MAR 2007 JOB EXECUTION DATE
- 27 CARDS READ
- 171 SYSOUT PRINT RECORDS
- 0 SYSOUT PUNCH RECORDS
- 11 SYSOUT SPOOL KBYTES
- 0.39 MINUTES EXECUTION TIME
1 //XXXXPDS JOB (XXXXXX),XXXXXXXXX, JOB07747
// CLASS=A,
// MSGCLASS=1
//*
/*-----*/
/* DSS PIT COPY
/*-----*/
2 //COPY EXEC PGM=SLUPCOPY,REGION=4M,
// PARM='HSCX,COPY,DSS,OPT(PC,AB,RR)'
3 //STEPLIB DD DSN=XXXX.LINKLIB,DISP=SHR
4 //SLSCNTL DD DSN=XXXX.SOS610.SLSCNTL,DISP=SHR
5 //SYSPRINT DD SYSOUT=*
6 //SYSDUMP DD DSN=XXXX.SLUPCOPY.SYSDUMP,DISP=(,DELETE,CATLG),
// UNIT=SYSALLDA,SPACE=(CYL,100,RLSE),VOL=SER=SW8D12
7 //SYSIN DD *
ICH70001I XXXX LAST ACCESS AT 13:01:25 ON THURSDAY, MARCH 29, 2007
IEF236I ALLOC. FOR XXXXPDS COPY
IEF237I 3EC4 ALLOCATED TO STEPLIB
IEF237I 8A45 ALLOCATED TO SLSCNTL
IEF237I JES2 ALLOCATED TO SYSPRINT
IGD100I 8D12 ALLOCATED TO DDNAME SYSDUMP DATACLAS ( )
IEF237I JES2 ALLOCATED TO SYSIN
IEF237I 8D12 ALLOCATED TO SYS0001
IGD100I 3EF1 ALLOCATED TO DDNAME SYS0002 DATACLAS ( )
IGD100I 3DAC ALLOCATED TO DDNAME SYS0003 DATACLAS ( )
IGD100I 3CF1 ALLOCATED TO DDNAME SYS0004 DATACLAS ( )
IGD100I 3DAC ALLOCATED TO DDNAME SYS0005 DATACLAS ( )
IGD100I 3DAC ALLOCATED TO DDNAME SYS0006 DATACLAS ( )

```

```

IGD100I 3EF1 ALLOCATED TO DDNAME SYS00007 DATACLAS ( )
IGD100I 3EF1 ALLOCATED TO DDNAME SYS00008 DATACLAS ( )
IGD100I 3EF1 ALLOCATED TO DDNAME SYS00009 DATACLAS ( )
IGD100I 3CF1 ALLOCATED TO DDNAME SYS00010 DATACLAS ( )
IGD100I 3CF1 ALLOCATED TO DDNAME SYS00011 DATACLAS ( )
IEF237I 8A45 ALLOCATED TO SYS00012
IEF285I SYS07088.T130254.RA000.XXXXPDSS.R0100581 DELETED
IEF285I VOL SER NOS= WORK08.
IEF285I SYS07088.T130254.RA000.XXXXPDSS.R0100582 DELETED
IEF285I VOL SER NOS= WORK02.
IEF285I SYS07088.T130255.RA000.XXXXPDSS.R0100583 DELETED
IEF285I VOL SER NOS= WORK01.
IEF285I SYS07088.T130255.RA000.XXXXPDSS.R0100584 DELETED
IEF285I VOL SER NOS= WORK02.
IEF285I SYS07088.T130255.RA000.XXXXPDSS.R0100585 DELETED
IEF285I VOL SER NOS= WORK02.
IEF285I SYS07088.T130256.RA000.XXXXPDSS.R0100586 DELETED
IEF285I VOL SER NOS= WORK08.
IEF285I SYS07088.T130256.RA000.XXXXPDSS.R0100587 DELETED
IEF285I VOL SER NOS= WORK08.
IEF285I SYS07088.T130257.RA000.XXXXPDSS.R0100588 DELETED
IEF285I VOL SER NOS= WORK08.
IEF285I SYS07088.T130257.RA000.XXXXPDSS.R0100589 DELETED
IEF285I VOL SER NOS= WORK01.
IEF285I SYS07088.T130258.RA000.XXXXPDSS.R0100590 DELETED
IEF285I VOL SER NOS= WORK01.
IEF285I SYS07088.T130300.RA000.XXXXPDSS.R0100591 KEPT
IEF285I VOL SER NOS= SW8A45.
IEF285I SYS07088.T130253.RA000.XXXXPDSS.R0100580 KEPT
IEF285I VOL SER NOS= SW8D12.
IEF142I XXXXPDSS COPY - STEP WAS EXECUTED - COND CODE 0000
IEF285I XXXX.LINKLIB KEPT
IEF285I VOL SER NOS= TS0202.
IEF285I XXXX.SOS610.SLSCNTL KEPT
IEF285I VOL SER NOS= SW8A45.
IEF285I XXXX.XXXXPDSS.JOB07747.D0000102.? SYSOUT
IEF285I XXXX.SLUPCOPY.SYSMDUMP DELETED
IEF285I VOL SER NOS= SW8D12.
IEF285I XXXX.XXXXPDSS.JOB07747.D0000101.? SYSIN
*****
* DDNAME DEVICE DEVICE EXCP *
* CLASS ADDRESS COUNT *
*-----*
* STEPLIB DASD 3EC4 00000002 *
* SLSCNTL DASD 8A45 00000003 *
* SYSPRINT JES2 00000000 *
* SYSMDUMP DASD 8D12 00000000 *
* SYSIN JES2 00000000 *
* SYS00002 DASD 3EF1 00000000 *
* SYS00003 DASD 3DAC 00000000 *
* SYS00004 DASD 3CF1 00000000 *
* SYS00005 DASD 3DAC 00000000 *
* SYS00006 DASD 3DAC 00000000 *
* SYS00007 DASD 3EF1 00000000 *
* SYS00008 DASD 3EF1 00000000 *
* SYS00009 DASD 3EF1 00000000 *
* SYS00010 DASD 3CF1 00000000 *
* SYS00011 DASD 3CF1 00000000 *
* SYS00012 DASD 8A45 00000003 *
* SYS00001 DASD 8D12 00000003 *
*****
IEF373I STEP/COPY /START 2007088.1302
IEF374I STEP/COPY /STOP 2007088.1303 CPU 0MIN 00.15SEC SRB 0MIN 00.01SEC VIRT 1884K SYS 400K EXT 788K SYS 7484K
IEF375I JOB/XXXXPDSS/START 2007088.1302
IEF376I JOB/XXXXPDSS/STOP 2007088.1303 CPU 0MIN 00.15SEC SRB 0MIN 00.01SEC
1PAGE 0001 5695-DF175 DFSMSDSS V1R05.0 DATA SET SERVICES 2007.088 13:02
- COPY
DATASET(INCLUDE(XXXX.SOS610.SLSCNTL))
RENUNC((XXXX.SOS610.SLSCNTL,
XXXX.SOS610.DFSMSDSS))
FASTREPLICATION(REQUIRED)
CANCELERROR
SHARE
TOL(ENQF)
TGTTALOC(CYL)
OUTDYNAM(SW8D12)
CATALOG
ADR101I (R/I)-RI01 (01), TASKID 001 HAS BEEN ASSIGNED TO COMMAND 'COPY '
ADR109I (R/I)-RI01 (01), 2007.088 13:02:53 INITIAL SCAN OF USER CONTROL STATEMENTS COMPLETED.
ADR016I (001)-PRIME(01), RACF LOGGING OPTION IN EFFECT FOR THIS TASK
0ADR006I (001)-STEND(01), 2007.088 13:02:54 EXECUTION BEGINS
0ADR395I (001)-NEWDS(01), DATA SET XXXX.SOS610.SLSCNTL ALLOCATED WITH NEWNAME XXXX.SOS610.DFSMSDSS, ON VOLUME(S): SW8D12

```

```
0ADR806I (001)-T0MI (01), DATA SET XXXX.SOS610.SLSCNTL COPIED USING A FAST REPLICATION FUNCTION
0ADR465I (001)-CNVSM(01), DATA SET XXXX.SOS610.DFSMSDSS HAS BEEN CATALOGED IN CATALOG CATALOG.IVTSOCT1.TSOCAT
0ADR801I (001)-DDDS (01), DATA SET FILTERING IS COMPLETE. 1 OF 1 DATA SETS WERE SELECTED: 0 FAILED SERIALIZATION AND 0 FAILED FOR
OTHER REASONS.
0ADR454I (001)-DDDS (02), THE FOLLOWING DATA SETS WERE SUCCESSFULLY PROCESSED
0
XXXX.SOS610.SLSCNTL
0ADR006I (001)-STEND(02), 2007.088 13:03:10 EXECUTION ENDS
0ADR013I (001)-CLTSK(01), 2007.088 13:03:10 TASK COMPLETED WITH RETURN CODE 0000
0ADR012I (SCH)-DSSU (01), 2007.088 13:03:10 DFSMSDSS PROCESSING COMPLETE. HIGHEST RETURN CODE IS 0000
```

Example 4 - Successful FDRSNAP PIT Copy

```

JES2 JOB LOG -- SYSTEM XXXX -- NODE XXXXXXXXX

13.08.20 JOB07751 ---- THURSDAY, 29 MAR 2007 ----
13.08.20 JOB07751 IRR010I USERID XXXX IS ASSIGNED TO THIS JOB.
13.08.20 JOB07751 ICH70001I XXXX LAST ACCESS AT 13:06:20 ON THURSDAY, MARCH 29, 2007
13.08.20 JOB07751 $HASP373 XXXXPFDR STARTED - INIT AA - CLASS A - SYS XXXX
13.08.20 JOB07751 IEF403I XXXXPFDR - STARTED - TIME=13.08.20
13.08.22 JOB07751 SLS7100I SLUPCOPY VERSION 6.20 PROCESSING BEGINS
13.08.22 JOB07751 SLS7028I HSC SUBSYSTEM NAME = HSCX
13.08.22 JOB07751 SLS7028I COPY FUNCTION IS IN EFFECT
13.08.22 JOB07751 SLS7028I FDRSNAP METHOD IS IN EFFECT
13.08.22 JOB07751 SLS7028I RESERVE RETRY WTOR OPTION IS ENABLED
13.08.22 JOB07751 SLS7070I READ JFCB SUCCESSFUL FOR SLSCNTL DD
13.08.22 JOB07751 SLS7010I SSCVT LOCATED FOR SUBSYSTEM HSCX
13.08.22 JOB07751 SLS7011I ASCB FOR HSC JOB NAME HSCX HAS ASID 0010
13.08.22 JOB07751 SLS7102I HSC QNAME = HSCXLSQN
13.08.22 JOB07751 SLS7025I PRIMARY CDS NAME = XXXX.SOS610.SLSCNTL
13.08.22 JOB07751 SLS7015I JCL CDS NAME MATCHES PRIMARY CDS NAME
13.08.22 JOB07751 SLS7071I OPEN SUCCESSFUL FOR SLSCNTL DD
13.08.22 JOB07751 SLS7104I UCB LOCATED SUCCESSFULLY
13.08.22 JOB07751 SLS7072I RESERVE SUCCESSFUL FOR SLSCNTL DD
13.08.22 JOB07751 SLS7073I CDS DHB READ SUCCESSFUL
13.08.22 JOB07751 SLS7021I JCL CDS NAME MATCHES DHB CDS NAME
13.08.22 JOB07751 SLS7170I CDS DPV READ SUCCESSFUL
13.08.22 JOB07751 SLS7106I ORIGINAL LAST BACKUP DATE AND TIME = 2007032913:02:53
13.08.22 JOB07751 SLS7171I CDS DPV WRITE SUCCESSFUL
13.08.22 JOB07751 SLS7107I UPDATED LAST BACKUP DATE AND TIME = 2007032913:08:22
13.08.22 JOB07751 SLS7074I ATTACH SUCCESSFUL
13.08.23 JOB07751 SLS7075I TCB USER CC=0000, SYSTEM CC=0000
13.08.23 JOB07751 SLS7076I DETACH SUCCESSFUL
13.08.23 JOB07751 SLS7077I MAINLINE DEQ SUCCESSFUL FOR SLSCNTL DD
13.08.23 JOB07751 SLS7078I MAINLINE CLOSE SUCCESSFUL FOR SLSCNTL DD
13.08.23 JOB07751 SLS7031I POINT-IN-TIME COPY SUCCESSFUL
13.08.23 JOB07751 SLS7111I SLUPCOPY VERSION 6.20 PROCESSING ENDS
13.08.23 JOB07751 - SYSTEM RELEASE: SP7.0.5 HBB7708
13.08.23 JOB07751 - --TIMINGS (MINS.)--
13.08.23 JOB07751 -JOBNAME STEPNAME PROCSTEP RC EXCP CPU SRB CLOCK SERV PG PAGE SWAP VIO SWAPS
13.08.23 JOB07751 -XXXXPFDR COPY 00 134 .00 .00 .0 808 0 0 0 0 0
13.08.23 JOB07751 IEF404I XXXXPFDR - ENDED - TIME=13.08.23
13.08.23 JOB07751 -XXXXPFDR ENDED. NAME=XXXXXXXXX TOTAL CPU TIME= .00 TOTAL ELAPSED TIME= .0
13.08.23 JOB07751 $HASP395 XXXXPFDR ENDED
0----- JES2 JOB STATISTICS -----
- 29 MAR 2007 JOB EXECUTION DATE
- 19 CARDS READ
- 125 SYSOUT PRINT RECORDS
- 0 SYSOUT PUNCH RECORDS
- 8 SYSOUT SPOOL KBYTES
- 0.05 MINUTES EXECUTION TIME
1 //XXXXPFDR JOB (XXXXXX),XXXXXXXX, JOB07751
// CLASS=A,
// MSGCLASS=1
/**
/**-----*//
/** FDRSNAP PIT COPY
/**-----*//
2 //COPY EXEC PGM=SLUPCOPY,REGION=4M,
// PARM='HSCX,COPY,FDR,OPT(RR) '
3 //STEPLIB DD DSN=XXXX.LINKLIB,DISP=SHR
4 //SLSCNTL DD DSN=XXXX.SOS610.SLSCNTL,DISP=SHR
5 //SYSPRINT DD SYSOUT=*
6 //SYSMDUMP DD DSN=XXXX.SLUPCOPY.SYSMDUMP,DISP=(,DELETE,CATLG),
// UNIT=SYSALLDA,SPACE=(CYL,100,RLSE),VOL=SER=SW8D12
7 //TAPE1 DD DUMMY
8 //SYSIN DD *
ICH70001I XXXX LAST ACCESS AT 13:06:20 ON THURSDAY, MARCH 29, 2007
IEF236I ALLOC. FOR XXXXPFDR COPY
IEF237I 3EC4 ALLOCATED TO STEPLIB
IEF237I 8A45 ALLOCATED TO SLSCNTL
IEF237I JES2 ALLOCATED TO SYSPRINT
IGD100I 8D12 ALLOCATED TO DDNAME SYSMDUMP DATACLAS ( )
IEF237I DMY ALLOCATED TO TAPE1
IEF237I JES2 ALLOCATED TO SYSIN
IEF237I 8A45 ALLOCATED TO D#SW8A45
IEF237I 8A45 ALLOCATED TO T#SW8A45
IEF285I SYS07088.T130822.RA000.XXXXPFDR.R0100612 KEPT
IEF285I VOL SER NOS= SW8A45.
IEF285I SYS07088.T130822.RA000.XXXXPFDR.R0100613 KEPT
IEF285I VOL SER NOS= SW8A45.
IEF142I XXXXPFDR COPY - STEP WAS EXECUTED - COND CODE 0000
IEF285I XXXX.LINKLIB KEPT
IEF285I VOL SER NOS= TS0020.
IEF285I XXXX.SOS610.SLSCNTL KEPT

```



```

IEF285I VOL SER NOS= SW8A45.
IEF285I XXXX.XXXPFDR.JOB07751.D000102.?          SYSOUT
IEF285I XXXX.SLUPCOPY.SYSDUMP                    DELETED
IEF285I VOL SER NOS= SW8D12.
IEF285I XXXX.XXXPFDR.JOB07751.D000101.?          SYSIN
*****
*          DEVICE      DEVICE      EXCP          *
*          DDNAME      CLASS       ADDRESS    COUNT       *
*          -----      - - - - -  - - - - -  *
*          STEPLIB     DASD        3EC4      00000002    *
*          SLSCNTL     DASD        8A45      00000003    *
*          SYSPRINT     JES2          8012      00000000    *
*          SYSDUMP     DASD          8012      00000000    *
*          TAPE1       JES2          00000000    *
*          SYSIN       JES2          00000000    *
*          D#SW8A45    DASD        8A45      00000007    *
*          T#SW8A45    DASD        8A45      00000000    *
*****
IEF373I STEP/COPY /START 2007088.1308
IEF374I STEP/COPY /STOP 2007088.1308 CPU 0MIN 00.03SEC SRB 0MIN 00.00SEC VIRT 228K SYS 300K EXT 1800K SYS 7308K
IEF375I JOB/XXXXPFDR/START 2007088.1308
IEF376I JOB/XXXXPFDR/STOP 2007088.1308 CPU 0MIN 00.03SEC SRB 0MIN 00.00SEC
1FDR001 FDR INSTANT BACKUP - FDRSNAP VER. 5.4/30P - INNOVATION DATA PROCESSING DATE=2007.088 PAGE 1
0FDR303 CARD IMAGE -- SNAP TYPE=FDR,ENO=OFF
FDR303 CARD IMAGE -- MOUNT VOL=SW8A45,SNAPUNIT=8D14
0FDR040 VOLUME IN USE - 002 OPENED DCBS
FDR007 STARTING TIME OF SNAPSHOT DUMP -- 13.08.22 -- UNIT=3390 ,IN=D#SW8A45,OUTPUT=TAPE1
FDR231 FDRSNAP COMPLETED SUCCESSFULLY - VOL=SW8A45 TO SNAPUNIT=8D14
FDR007 ENDING TIME OF SNAPSHOT DUMP -- 13.08.23 -- UNIT=3390 ,IN=D#SW8A45,OUTPUT=TAPE1
0FDR122 OPERATION STATISTICS FOR 3390 VOLUME.....SW8A45
FDR122 CYLINDERS ON VOLUME.....3,339
FDR122 DATASETS PROCESSED.....5
FDR122 BYTES READ FROM DASD.....333,900
FDR122 DASD TRACKS BACKED UP.....45
FDR122 BACKUP BLOCKS WRITTEN.....0
FDR122 DASD EXCPS.....13
FDR122 BACKUP FILE EXCPS.....0
FDR122 CPU TIME (SECONDS).....0.006
FDR122 ELAPSED TIME (MINUTES).....0.1
FDR122 BACKUP TIME(EXCLUDING MOUNTS).....0.1
FDR122 BACKUP COPY 1 DUMMY DSN=NULLFILE
FDR002 FDR DUMP SUCCESSFULLY COMPLETED VOL=SW8A45
FDR999 FDR SUCCESSFULLY COMPLETED

```

Example 5 - Failed DFSMSdss SnapShot PIT Copy (SVAA not initialized)

```

JES2 JOB LOG -- SYSTEM XXXX -- NODE XXXXXXXXX

13.04.06 JOB07749 ---- THURSDAY, 29 MAR 2007 ----
13.04.06 JOB07749 IRR010I USERID XXXX IS ASSIGNED TO THIS JOB.
13.04.06 JOB07749 ICH70001I XXXX LAST ACCESS AT 13:02:53 ON THURSDAY, MARCH 29, 2007
13.04.07 JOB07749 $HASP373 XXXXPDS STARTED - INIT AA - CLASS A - SYS XXXX
13.04.07 JOB07749 IEF403I XXXXPDS - STARTED - TIME=13.04.07
13.04.09 JOB07749 SLS7100I SLUPCOPY VERSION 6.20 PROCESSING BEGINS
13.04.09 JOB07749 SLS7028I HSC SUBSYSTEM NAME = HSCX
13.04.09 JOB07749 SLS7028I COPY FUNCTION IS IN EFFECT
13.04.09 JOB07749 SLS7028I DFSMSDSS METHOD IS IN EFFECT
13.04.09 JOB07749 SLS7028I PIT COPY WTOR OPTION IS ENABLED
13.04.09 JOB07749 SLS7028I ABEND OPTION IS ENABLED
13.04.09 JOB07749 SLS7028I RESERVE RETRY WTOR OPTION IS ENABLED
13.04.09 JOB07749 SLS7070I READ JFCB SUCCESSFUL FOR SLSCNTL DD
13.04.09 JOB07749 SLS7010I SSCVT LOCATED FOR SUBSYSTEM HSCX
13.04.09 JOB07749 SLS7011I ASCB FOR HSC JOB NAME HSCX HAS ASID 001D
13.04.09 JOB07749 SLS7102I HSC QNAME = HSCXLSQN
13.04.09 JOB07749 SLS7025I PRIMARY CDS NAME = XXXX.SOS610.SLSCNTL
13.04.09 JOB07749 SLS7015I JCL CDS NAME MATCHES PRIMARY CDS NAME
13.04.09 JOB07749 *0030 SLS7090A REPLY Y TO INITIATE POINT-IN-TIME COPY
13.04.12 JOB07749 R 30,Y
13.04.12 JOB07749 SLS7071I OPEN SUCCESSFUL FOR SLSCNTL DD
13.04.12 JOB07749 SLS7104I UCB LOCATED SUCCESSFULLY
13.04.12 JOB07749 SLS7072I RESERVE SUCCESSFUL FOR SLSCNTL DD
13.04.12 JOB07749 SLS7073I CDS DHB READ SUCCESSFUL
13.04.12 JOB07749 SLS7021I JCL CDS NAME MATCHES DHB CDS NAME
13.04.12 JOB07749 SLS7170I CDS DPV READ SUCCESSFUL
13.04.12 JOB07749 SLS7106I ORIGINAL LAST BACKUP DATE AND TIME = 2007032913:02:53
13.04.13 JOB07749 SLS7171I CDS DPV WRITE SUCCESSFUL
13.04.13 JOB07749 SLS7107I UPDATED LAST BACKUP DATE AND TIME = 2007032913:04:13
13.04.13 JOB07749 SLS7074I ATTACH SUCCESSFUL
13.04.26 JOB07749 SLS7075I TCB USER CC=0000, SYSTEM CC=0008
13.04.26 JOB07749 SLS7108I DPV RESTORE REQUIRED
13.04.26 JOB07749 SLS7172I CDS DPV RESTORE SUCCESSFUL
13.04.26 JOB07749 SLS7076I DETACH SUCCESSFUL
13.04.26 JOB07749 SLS7077I MAINLINE DEQ SUCCESSFUL FOR SLSCNTL DD
13.04.26 JOB07749 SLS7078I MAINLINE CLOSE SUCCESSFUL FOR SLSCNTL DD
13.04.26 JOB07749 SLS7035E POINT-IN-TIME COPY INVALID
13.04.26 JOB07749 SLS7112I SLUPCOPY VERSION 6.20 ABENDED BY REQUEST
13.04.47 JOB07749 IEA995I SYMPTOM DUMP OUTPUT 975
975 USER COMPLETION CODE=0555
975 TIME=13.04.26 SEQ=00397 CPU=0000 ASID=002A
975 PSW AT TIME OF ERROR 078D1000 00008B22 ILC 2 INTC 0D
975 ACTIVE LOAD MODULE ADDRESS=00007000 OFFSET=00001B22
975 NAME=SLUPCOPY
975 DATA AT PSW 00008B1C - 00181610 0A0DBFBF B00050B0
975 GR 0: C0000000 1: C000022B
975 2: 00009A20 3: 006CFCCC
975 4: 00009488 5: 000097B3
975 6: 00009000 7: 0000E000
975 8: 006CFCCC 9: 00000064
975 A: 00008000 B: 0000AB4A
975 C: 00007000 D: 0000C000
975 E: 500080EE F: 00000000
975 END OF SYMPTOM DUMP
13.04.47 JOB07749 IEA993I SYSMDUMP TAKEN TO XXXX.SLUPCOPY.SYSMDUMP
13.04.47 JOB07749 IEF450I XXXXPDS COPY - ABEND=S000 U0555 REASON=00000000 977
977 TIME=13.04.47
13.04.48 JOB07749 - SYSTEM RELEASE: SP7.0.5 HBB7708
13.04.48 JOB07749 - --TIMINGS (MINS.)-- ----PAGING COUNTS---
13.04.48 JOB07749 -JOBNAME STEPNAME PROCSTEP RC EXCP CPU SRB CLOCK SERV PG PAGE SWAP VIO SWAPS
13.04.48 JOB07749 -XXXXPDS COPY U0555 12128 .01 .00 .6 18938 0 44 0 0 0
13.04.48 JOB07749 IEF404I XXXXPDS - ENDED - TIME=13.04.48
13.04.48 JOB07749 -XXXXPDS ENDED. NAME-XXXXXXXXX TOTAL CPU TIME= .01 TOTAL ELAPSED TIME= .6
13.04.48 JOB07749 $HASP395 XXXXPDS ENDED
0----- JES2 JOB STATISTICS -----
- 29 MAR 2007 JOB EXECUTION DATE
- 27 CARDS READ
- 221 SYSOUT PRINT RECORDS
- 0 SYSOUT PUNCH RECORDS
- 14 SYSOUT SPOOL KBYTES
- 0.68 MINUTES EXECUTION TIME
1 //XXXXPDS JOB (XXXXXXXX),XXXXXXXX, JOB07749
// CLASS=A,
// MSGCLASS=1
/**

```

```

/*-----*/
/* DSS PIT COPY
/*-----*/

2 //COPY EXEC PGM=SLUPCOPY,REGION=4M,
// PARM='HSCX,COPY,DSS,OPT(PC,AB,RR)'
3 //STEPLIB DD DSN=XXXX.LINKLIB,DISP=SHR
4 //SLSCNTL DD DSN=XXXX.SOS610.SLSCNTL,DISP=SHR
5 //SYSPRINT DD SYSOUT=*
6 //SYSDUMP DD DSN=XXXX.SLUPCOPY.SYSDUMP,DISP=(,DELETE,CATLG),
// UNIT=SYSALLDA,SPACE=(CYL,100,RLSE),VOL=SER=SW8D12
7 //SYSIN DD *

ICH70001I XXXX LAST ACCESS AT 13:02:53 ON THURSDAY, MARCH 29, 2007
IEF236I ALLOC. FOR XXXPDSS COPY
IEF237I 3EC4 ALLOCATED TO STEPLIB
IEF237I 8A45 ALLOCATED TO SLSCNTL
IEF237I JES2 ALLOCATED TO SYSPRINT
IGD100I 8D12 ALLOCATED TO DDNAME SYSDUMP DATACLAS ( )
IEF237I JES2 ALLOCATED TO SYSIN
IEF237I 8D12 ALLOCATED TO SYS00001
IGD100I 3CF1 ALLOCATED TO DDNAME SYS00002 DATACLAS ( )
IGD100I 3EF1 ALLOCATED TO DDNAME SYS00003 DATACLAS ( )
IGD100I 3DAC ALLOCATED TO DDNAME SYS00004 DATACLAS ( )
IGD100I 3EF1 ALLOCATED TO DDNAME SYS00005 DATACLAS ( )
IGD100I 3CF1 ALLOCATED TO DDNAME SYS00006 DATACLAS ( )
IGD100I 3DAC ALLOCATED TO DDNAME SYS00007 DATACLAS ( )
IGD100I 3EF1 ALLOCATED TO DDNAME SYS00008 DATACLAS ( )
IGD100I 3DAC ALLOCATED TO DDNAME SYS00009 DATACLAS ( )
IGD100I 3DAC ALLOCATED TO DDNAME SYS00010 DATACLAS ( )
IGD100I 3EF1 ALLOCATED TO DDNAME SYS00011 DATACLAS ( )
IEF237I 8A45 ALLOCATED TO SYS00012
IEF285I SYS07088.T130413.RA000.XXXPDSS.R0100595 DELETED
IEF285I VOL SER NOS= WORK01.
IEF285I SYS07088.T130414.RA000.XXXPDSS.R0100596 DELETED
IEF285I VOL SER NOS= WORK08.
IEF285I SYS07088.T130414.RA000.XXXPDSS.R0100597 DELETED
IEF285I VOL SER NOS= WORK02.
IEF285I SYS07088.T130414.RA000.XXXPDSS.R0100598 DELETED
IEF285I VOL SER NOS= WORK08.
IEF285I SYS07088.T130415.RA000.XXXPDSS.R0100599 DELETED
IEF285I VOL SER NOS= WORK01.
IEF285I SYS07088.T130415.RA000.XXXPDSS.R0100600 DELETED
IEF285I VOL SER NOS= WORK02.
IEF285I SYS07088.T130416.RA000.XXXPDSS.R0100601 DELETED
IEF285I VOL SER NOS= WORK08.
IEF285I SYS07088.T130416.RA000.XXXPDSS.R0100602 DELETED
IEF285I VOL SER NOS= WORK02.
IEF285I SYS07088.T130417.RA000.XXXPDSS.R0100603 DELETED
IEF285I VOL SER NOS= WORK02.
IEF285I SYS07088.T130417.RA000.XXXPDSS.R0100604 DELETED
IEF285I VOL SER NOS= WORK08.
IEF285I SYS07088.T130419.RA000.XXXPDSS.R0100605 KEPT
IEF285I VOL SER NOS= SW8A45.
IEF285I SYS07088.T130413.RA000.XXXPDSS.R0100594 KEPT
IEF285I VOL SER NOS= SW8D12.
IEA995I SYMPTOM DUMP OUTPUT

```

```

USER COMPLETION CODE=0555
TIME=13.04.26 SEQ=00397 CPU=0000 ASID=002A
PSW AT TIME OF ERROR 078D1000 00008B22 ILC 2 INTC 0D
ACTIVE LOAD MODULE ADDRESS=00007000 OFFSET=00001B22
NAME=SLUPCOPY
DATA AT PSW 00008B1C - 00181610 0A0DBFBF B00050B0
GR 0: C0000000 1: C000022B
2: 00009A20 3: 006CFCCC
4: 00009488 5: 000097B3
6: 00009000 7: 0000E000
8: 006CFCCC 9: 00000064
A: 00008000 B: 0000AB4A
C: 00007000 D: 0000C000
E: 500080EE F: 00000000
END OF SYMPTOM DUMP
IEA993I SYSDUMP TAKEN TO XXXX.SLUPCOPY.SYSDUMP
IEF472I XXXXPDS COPY - COMPLETION CODE - SYSTEM=000 USER=0555 REASON=00000000
IEF285I XXXX.LINKLIB KEPT
IEF285I VOL SER NOS= TS0020.
IEF285I XXXX.SOS610.SLSCNTL KEPT
IEF285I VOL SER NOS= SW8A45.
IEF285I XXXX.XXXXPDS.JOB07749.D0000102.? SYSOUT
IEF285I XXXX.SLUPCOPY.SYSDUMP CATALOGED
IEF285I VOL SER NOS= SW8D12.
IEF285I XXXX.XXXXPDS.JOB07749.D0000101.? SYSIN
*****
* DDNAME DEVICE DEVICE EXCP *
* CLASS ADDRESS COUNT *
* ----- *
* STEPLIB DASD 3EC4 00000002 *
* SLSCNTL DASD 8A45 00000004 *
* SYSPRINT JES2 00000000 *
* SYSDUMP DASD 8D12 00011417 *
* SYSIN JES2 00000000 *
* SYS00002 DASD 3CF1 00000000 *
* SYS00003 DASD 3EF1 00000000 *
* SYS00004 DASD 3DAC 00000000 *
* SYS00005 DASD 3EF1 00000000 *
* SYS00006 DASD 3CF1 00000000 *
* SYS00007 DASD 3DAC 00000000 *
* SYS00008 DASD 3EF1 00000000 *
* SYS00009 DASD 3DAC 00000000 *
* SYS00010 DASD 3DAC 00000000 *
* SYS00011 DASD 3EF1 00000000 *
* SYS00012 DASD 8A45 00000003 *
* SYS00001 DASD 8D12 00000003 *
*****
IEF373I STEP/COPY /START 2007088.1304
IEF374I STEP/COPY /STOP 2007088.1304 CPU 0MIN 00.65SEC SRB 0MIN 00.16SEC VIRT 1868K SYS 400K EXT 784K SYS 7484K
IEF375I JOB/XXXXPDS/START 2007088.1304
IEF376I JOB/XXXXPDS/STOP 2007088.1304 CPU 0MIN 00.65SEC SRB 0MIN 00.16SEC
1PAGE 0001 5695-DF175 DFSMSDSS V1R05.0 DATA SET SERVICES 2007.088 13:04
- COPY -
DATASET(INCLUDE(XXXX.SOS610.SLSCNTL)) -
RENUNC((XXXX.SOS610.SLSCNTL, -
XXXX.SOS610.DFSMSDSS)) -
FASTREPLICATION(REQUIRED) -
CANCELERROR -
SHARE -
TOL(ENQF) -
TGTTALOC(CYL) -
OUTDYNAM(SW8D12) -
CATALOG
ADR101I (R/I)-RI01 (01), TASKID 001 HAS BEEN ASSIGNED TO COMMAND 'COPY '
ADR109I (R/I)-RI01 (01), 2007.088 13:04:13 INITIAL SCAN OF USER CONTROL STATEMENTS COMPLETED.
ADR016I (001)-PRIME(01), RACF LOGGING OPTION IN EFFECT FOR THIS TASK
0ADR006I (001)-STEND(01), 2007.088 13:04:13 EXECUTION BEGINS
0ADR918I (001)-ALLO(04), FAST REPLICATION COULD NOT BE USED FOR DATA SET XXXX.SOS610.SLSCNTL, RETURN CODE 3
0 1 VOLUME WAS REJECTED FOR QFRVOLS VOLUME REASON CODE C8 - VOLUME NOT SNAPSHOT ELIGIBLE
0ADR938E (001)-ALLO(10), FASTREPLICATION(REQUIRED) WAS SPECIFIED BUT FAST REPLICATION COULD NOT BE USED FOR DATA SET
XXXX.SOS610.SLSCNTL
0ADR801I (001)-DDDS (01), DATA SET FILTERING IS COMPLETE. 1 OF 1 DATA SETS WERE SELECTED: 0 FAILED SERIALIZATION AND 0 FAILED FOR
OTHER REASONS.
0ADR455W (001)-DDDS (02), THE FOLLOWING DATA SETS WERE NOT SUCCESSFULLY PROCESSED
0 XXXX.SOS610.SLSCNTL
0ADR006I (001)-STEND(02), 2007.088 13:04:26 EXECUTION ENDS
0ADR013I (001)-CLTSK(01), 2007.088 13:04:26 TASK COMPLETED WITH RETURN CODE 0008
0ADR012I (SCH)-DSSU (01), 2007.088 13:04:26 DFSMSDSS PROCESSING COMPLETE. HIGHEST RETURN CODE IS 0008 FROM:
TASK 001

```

```
*****
* SLUPCOPY VERSION 6.20          COPYRIGHT 2006-2007 STORAGETEK ALL RIGHTS RESERVED          VITAL DIAGNOSTIC INFO
*
*                               RUN DATE= 03/29/07   RUN TIME= 13:04:26
*
*  SYSTEM NAME= XXXX      JES NAME= JES2      CVT PRODN= SP7.0.5   FMID= HBB7708   DFAR= 03010500   FT14= FF7F737F   FT56= A0300000
*    LPAR NAME=          JES TYPE= JES2      ECVT PNAM= z/OS       VRM= 010500     PSEQ= 01010500
*      VM NAME= XXXXXMVS                                PROC= P302A     CPID= FFXXXXXX2084
* SUBSYSTEM NAME= HSCX   LVT ADDR= 433B1000   SSCT ADDR= 00963124   SSVT= 433D40C0   SUSE= 433B1000   SUS2= 2445D4C7   FLG1= 40000000
*
*****
```

Example 6 - Failed DFSMSdss SnapShot PIT Copy (duplicate target data set)

```

JES2 JOB LOG -- SYSTEM XXXX -- NODE XXXXXXXX

13.10.38 JOB07755 ---- THURSDAY, 29 MAR 2007 ----
13.10.38 JOB07755 IRR010I USERID XXXX IS ASSIGNED TO THIS JOB.
13.10.38 JOB07755 ICH70001I XXXX LAST ACCESS AT 13:10:13 ON THURSDAY, MARCH 29, 2007
13.10.39 JOB07755 $HASP373 XXXXPDS STARTED - INIT AA - CLASS A - SYS XXXX
13.10.39 JOB07755 IEF403I XXXXPDS - STARTED - TIME=13.10.39
13.10.40 JOB07755 SLS7100I SLUPCOPY VERSION 6.20 PROCESSING BEGINS
13.10.40 JOB07755 SLS7028I HSC SUBSYSTEM NAME = HSCX
13.10.40 JOB07755 SLS7028I COPY FUNCTION IS IN EFFECT
13.10.40 JOB07755 SLS7028I DFSMSDSS METHOD IS IN EFFECT
13.10.40 JOB07755 SLS7028I PIT COPY WTOR OPTION IS ENABLED
13.10.40 JOB07755 SLS7028I ABEND OPTION IS ENABLED
13.10.40 JOB07755 SLS7028I RESERVE RETRY WTOR OPTION IS ENABLED
13.10.40 JOB07755 SLS7070I READ JFCB SUCCESSFUL FOR SLSCNTL DD
13.10.40 JOB07755 SLS7010I SSCVT LOCATED FOR SUBSYSTEM HSCX
13.10.40 JOB07755 SLS7011I ASCB FOR HSC JOB NAME HSCX HAS ASID 001D
13.10.40 JOB07755 SLS7102I HSC QNAME = HSCXLSQN
13.10.40 JOB07755 SLS7025I PRIMARY CDS NAME = XXXX.SOS610.SLSCNTL
13.10.40 JOB07755 SLS7015I JCL CDS NAME MATCHES PRIMARY CDS NAME
13.10.40 JOB07755 *0033 SLS7090A REPLY Y TO INITIATE POINT-IN-TIME COPY
13.10.48 JOB07755 R 33,Y
13.10.48 JOB07755 SLS7071I OPEN SUCCESSFUL FOR SLSCNTL DD
13.10.48 JOB07755 SLS7104I UCB LOCATED SUCCESSFULLY
13.10.48 JOB07755 SLS7072I RESERVE SUCCESSFUL FOR SLSCNTL DD
13.10.48 JOB07755 SLS7073I CDS DHB READ SUCCESSFUL
13.10.48 JOB07755 SLS7021I JCL CDS NAME MATCHES DHB CDS NAME
13.10.48 JOB07755 SLS7170I CDS DPV READ SUCCESSFUL
13.10.48 JOB07755 SLS7106I ORIGINAL LAST BACKUP DATE AND TIME = 2007032913:10:13
13.10.48 JOB07755 SLS7171I CDS DPV WRITE SUCCESSFUL
13.10.48 JOB07755 SLS7107I UPDATED LAST BACKUP DATE AND TIME = 2007032913:10:48
13.10.48 JOB07755 SLS7074I ATTACH SUCCESSFUL
13.11.04 JOB07755 SLS7075I TCB USER CC=0000, SYSTEM CC=0008
13.11.04 JOB07755 SLS7108I DPV RESTORE REQUIRED
13.11.04 JOB07755 SLS7172I CDS DPV RESTORE SUCCESSFUL
13.11.04 JOB07755 SLS7076I DETACH SUCCESSFUL
13.11.04 JOB07755 SLS7077I MAINLINE DEQ SUCCESSFUL FOR SLSCNTL DD
13.11.04 JOB07755 SLS7078I MAINLINE CLOSE SUCCESSFUL FOR SLSCNTL DD
13.11.04 JOB07755 SLS7035E POINT-IN-TIME COPY INVALID
13.11.04 JOB07755 SLS7112I SLUPCOPY VERSION 6.20 ABENDED BY REQUEST
13.11.19 JOB07755 IEA995I SYMPTOM DUMP OUTPUT 224
224 USER COMPLETION CODE=0555
224 TIME=13.11.04 SEQ=00401 CPU=0000 ASID=002A
224 PSW AT TIME OF ERROR 078D1000 00008B22 ILC 2 INTC 0D
224 ACTIVE LOAD MODULE ADDRESS=00007000 OFFSET=00001B22
224 NAME=SLUPCOPY
224 DATA AT PSW 00008B1C - 00181610 0A0DBFBF B00050B0
224 GR 0: C0000000 1: C000022B
224 2: 00009A20 3: 006CFCCC
224 4: 00009488 5: 000097B3
224 6: 00009000 7: 0000E000
224 8: 006CFCCC 9: 00000064
224 A: 00008000 B: 0000AB4A
224 C: 00007000 D: 0000C000
224 E: 500080EE F: 00000000
224 END OF SYMPTOM DUMP
13.11.19 JOB07755 IEA993I SYSMDUMP TAKEN TO XXXX.SLUPCOPY.SYSMDUMP
13.11.19 JOB07755 IEF450I XXXXPDS COPY - ABEND=S000 U0555 REASON=00000000 226
226 TIME=13.11.19

13.11.20 JOB07755 - SYSTEM RELEASE: SP7.0.5 HBB7708
13.11.20 JOB07755 - --TIMINGS (MINS.)-- ----PAGING COUNTS---
13.11.20 JOB07755 -JOBNAME STEPNAME PROCSTEP RC EXCP CPU SRB CLOCK SERV PG PAGE SWAP VIO SWAPS
13.11.20 JOB07755 -XXXXPDS COPY U0555 12228 .01 .00 .6 19504 0 44 0 0 0
13.11.20 JOB07755 IEF404I XXXXPDS - ENDED - TIME=13.11.20
13.11.20 JOB07755 -XXXXPDS ENDED. NAME-XXXXXXX TOTAL CPU TIME= .01 TOTAL ELAPSED TIME= .6
13.11.20 JOB07755 $HASP395 XXXXPDS ENDED

0----- JES2 JOB STATISTICS -----
- 29 MAR 2007 JOB EXECUTION DATE
- 27 CARDS READ
- 218 SYSOUT PRINT RECORDS
- 0 SYSOUT PUNCH RECORDS
- 14 SYSOUT SPOOL KBYTES
- 0.69 MINUTES EXECUTION TIME
1 //XXXXPDS JOB (XXXXXX),XXXXXXXX, JOB07755
// CLASS=A,MSGCLASS=1
//*
//*-----*//
//* DSS PIT COPY
//*-----*//

```

```

2 //COPY EXEC PGM=SLUPCOPY,REGION=4M,
// PARM='HSCX,COPY,DSS,OPT(PC,AB,RR)'
3 //STEPLIB DD DSN=XXXX.LINKLIB,DISP=SHR
4 //SLSCNTL DD DSN=XXXX.SOS610.SLSCNTL,DISP=SHR
5 //SYSPRINT DD SYSOUT=*
6 //SYSDUMP DD DSN=XXXX.SLUPCOPY.SYSDUMP,DISP=(,DELETE,CATLG),
// UNIT=SYSALLDA,SPACE=(CYL,100,RLSE),VOL=SER=SW8D12
7 //SYSIN DD *
ICH70001I XXXX LAST ACCESS AT 13:10:13 ON THURSDAY, MARCH 29, 2007
IEF236I ALLOC. FOR XXXXPDSS COPY
IEF237I 3EC4 ALLOCATED TO STEPLIB
IEF237I 0A45 ALLOCATED TO SLSCNTL
IEF237I JES2 ALLOCATED TO SYSPRINT
IGD100I 0D12 ALLOCATED TO DDNAME SYSDUMP DATACLAS ( )
IEF237I JES2 ALLOCATED TO SYSIN
IEF237I 0D12 ALLOCATED TO SYS00001
IGD100I 3DAC ALLOCATED TO DDNAME SYS00002 DATACLAS ( )
IGD100I 3EF1 ALLOCATED TO DDNAME SYS00003 DATACLAS ( )
IGD100I 3CF1 ALLOCATED TO DDNAME SYS00004 DATACLAS ( )
IGD100I 3CF1 ALLOCATED TO DDNAME SYS00005 DATACLAS ( )
IGD100I 3CF1 ALLOCATED TO DDNAME SYS00006 DATACLAS ( )
IGD100I 3EF1 ALLOCATED TO DDNAME SYS00007 DATACLAS ( )
IGD100I 3EF1 ALLOCATED TO DDNAME SYS00008 DATACLAS ( )
IGD100I 3DAC ALLOCATED TO DDNAME SYS00009 DATACLAS ( )
IGD100I 3DAC ALLOCATED TO DDNAME SYS00010 DATACLAS ( )
IGD100I 3EF1 ALLOCATED TO DDNAME SYS00011 DATACLAS ( )
IEF237I 0A45 ALLOCATED TO SYS00012
IEF285I SYS07088.T131049.RA000.XXXPDSS.R0100628 DELETED
IEF285I VOL SER NOS= WORK02.
IEF285I SYS07088.T131050.RA000.XXXPDSS.R0100629 DELETED
IEF285I VOL SER NOS= WORK08.
IEF285I SYS07088.T131050.RA000.XXXPDSS.R0100630 DELETED
IEF285I VOL SER NOS= WORK01.
IEF285I SYS07088.T131050.RA000.XXXPDSS.R0100631 DELETED
IEF285I VOL SER NOS= WORK01.
IEF285I SYS07088.T131051.RA000.XXXPDSS.R0100632 DELETED
IEF285I VOL SER NOS= WORK01.
IEF285I SYS07088.T131051.RA000.XXXPDSS.R0100633 DELETED
IEF285I VOL SER NOS= WORK08.
IEF285I SYS07088.T131052.RA000.XXXPDSS.R0100634 DELETED
IEF285I VOL SER NOS= WORK08.
IEF285I SYS07088.T131052.RA000.XXXPDSS.R0100635 DELETED
IEF285I VOL SER NOS= WORK02.
IEF285I SYS07088.T131053.RA000.XXXPDSS.R0100636 DELETED
IEF285I VOL SER NOS= WORK02.
IEF285I SYS07088.T131053.RA000.XXXPDSS.R0100637 DELETED
IEF285I VOL SER NOS= WORK08.
IEF285I SYS07088.T131055.RA000.XXXPDSS.R0100638 KEPT
IEF285I VOL SER NOS= SW8A45.
IEF285I SYS07088.T131049.RA000.XXXPDSS.R0100627 KEPT
IEF285I VOL SER NOS= SW8D12.
IEA995I SYMPTOM DUMP OUTPUT
USER COMPLETION CODE=0555
TIME=13.11.04 SEQ=00401 CPU=0000 ASID=002A
PSW AT TIME OF ERROR 078D1000 00008B22 ILC 2 INTC 0D
ACTIVE LOAD MODULE ADDRESS=00007000 OFFSET=00001B22
NAME=SLUPCOPY
DATA AT PSW 00008B1C - 00181610 0A0DBFBF B00050B0
GR 0: C0000000 1: C000022B
2: 00009A20 3: 006CFCCC
4: 00009488 5: 000097B3
6: 00009000 7: 0000E000
8: 006CFCCC 9: 00000064
A: 00008000 B: 0000AB4A
C: 00007000 D: 0000C000
E: 500080EE F: 00000000
END OF SYMPTOM DUMP
IEA993I SYSDUMP TAKEN TO XXXX.SLUPCOPY.SYSDUMP
IEF472I XXXXPDSS COPY - COMPLETION CODE - SYSTEM=000 USER=0555 REASON=00000000
IEF285I XXXX.LINKLIB KEPT
IEF285I VOL SER NOS= TS0020.
IEF285I XXXX.SOS610.SLSCNTL KEPT
IEF285I VOL SER NOS= SW8A45.
IEF285I XXXX.XXXPDSS.JOB07755.D0000102.? SYSOUT
IEF285I XXXX.SLUPCOPY.SYSDUMP CATALOGED
IEF285I VOL SER NOS= SW8D12.
IEF285I XXXX.XXXPDSS.JOB07755.D0000101.? SYSIN

```

```

*****
*                               DEVICE   DEVICE   EXCP   *
*                               CLASS   ADDRESS  COUNT  *
*-----*-----*-----*-----*
* STEPLIB      DASD      3EC4      00000002 *
* SLSCNTL      DASD      8A45      00000004 *
* SYSPRINT     JES2      8D12      00000000 *
* SYSDUMP      DASD      8D12      00011474 *
* SYSIN        JES2      3DAC      00000000 *
* SYS00002     DASD      3DAC      00000000 *
* SYS00003     DASD      3EF1      00000000 *
* SYS00004     DASD      3CF1      00000000 *
* SYS00005     DASD      3CF1      00000000 *
* SYS00006     DASD      3CF1      00000000 *
* SYS00007     DASD      3EF1      00000000 *
* SYS00008     DASD      3EF1      00000000 *
* SYS00009     DASD      3DAC      00000000 *
* SYS00010     DASD      3DAC      00000000 *
* SYS00011     DASD      3EF1      00000000 *
* SYS00012     DASD      8A45      00000003 *
* SYS00001     DASD      8D12      00000003 *
*****
IEF373I STEP/COPY /START 2007088.1310
IEF374I STEP/COPY /STOP 2007088.1311 CPU 0MIN 00.67SEC SRB 0MIN 00.16SEC VIRT 1868K SYS 400K EXT 788K SYS 7484K
IEF375I JOB/XXXXPSS/START 2007088.1310
IEF376I JOB/XXXXPSS/STOP 2007088.1311 CPU 0MIN 00.67SEC SRB 0MIN 00.16SEC
IPAGE 0001 5695-DF175 DFSMSDSS V1R05.0 DATA SET SERVICES 2007.088 13:10
- COPY
  DATASET(INCLUDE(XXXX.SOS610.SLSCNTL))
  RENUCL(XXXX.SOS610.SLSCNTL,
        XXXX.SOS610.DFSMSDSS))
  FASTREPLICATION(REQUIRED)
  CANCELERROR
  SHARE
  TOL(ENQF)
  TGTALLOCC(CYL)
  OUTDYNAM(SW8D12)
  CATALOG
ADR101I (R/I)-RI01 (01), TASKID 001 HAS BEEN ASSIGNED TO COMMAND 'COPY '
ADR109I (R/I)-RI01 (01), 2007.088 13:10:49 INITIAL SCAN OF USER CONTROL STATEMENTS COMPLETED.
ADR016I (001)-PRIME(01), RACF LOGGING OPTION IN EFFECT FOR THIS TASK
0ADR006I (001)-STEND(01), 2007.088 13:10:49 EXECUTION BEGINS
0ADR472E (001)-NEWDS(11), UNABLE TO SELECT A TARGET VOLUME FOR DATA SET XXXX.SOS610.SLSCNTL, 08
0ADR011I (001)-DDDS (01), DATA SET FILTERING IS COMPLETE. 1 OF 1 DATA SETS WERE SELECTED: 0 FAILED SERIALIZATION AND 0 FAILED FOR
OTHER REASONS.
0ADR455W (001)-DDDS (02), THE FOLLOWING DATA SETS WERE NOT SUCCESSFULLY PROCESSED
0 XXXX.SOS610.SLSCNTL
0ADR006I (001)-STEND(02), 2007.088 13:11:04 EXECUTION ENDS
0ADR013I (001)-CLTSK(01), 2007.088 13:11:04 TASK COMPLETED WITH RETURN CODE 0008
0ADR012I (SCH)-DSSU (01), 2007.088 13:11:04 DFSMSDSS PROCESSING COMPLETE. HIGHEST RETURN CODE IS 0008
FROM: TASK 001
*****
* SLUPCOPY VERSION 6.20 COPYRIGHT 2006-2007 ORACLE, INC. ALL RIGHTS RESERVED VITAL DIAGNOSTIC INFO
* RUN DATE= 03/29/07 RUN TIME= 13:11:04
*
* SYSTEM NAME= XXXX JES NAME= JES2 CVT PRDNN= SP7.0.5 FMID= HBB7708 DFAR= 03010500 FT14= FF7F737F FT56= A0300000
* LPAR NAME= JES TYPE= JES2 ECVT PNAME= z/OS VRM= 010500 PSEQ= 01010500
* VM NAME= XXXXVMVS PROC= P302A CPID= FFXXXXX2084
* SUBSYSTEM NAME= HSCX LVT ADDR= 433B1000 SSCT ADDR= 00963124 SSVT= 433D40C0 SUSE= 433B1000 SUS2= 2445D4C7 FLG1= 40000000
*****

```


Example 7 - Failed FDRSNAP PIT Copy (target volume not offline)

```

JES2 JOB LOG -- SYSTEM XXXX -- NODE XXXXXXXX

13.06.19 JOB07750 ---- THURSDAY, 29 MAR 2007 ----
13.06.19 JOB07750 IRR010I USERID XXXX IS ASSIGNED TO THIS JOB.
13.06.20 JOB07750 ICH70001I XXXX LAST ACCESS AT 13:04:13 ON THURSDAY, MARCH 29, 2007
13.06.20 JOB07750 $HASP373 XXXXPFRD STARTED - INIT AA - CLASS A - SYS XXXX
13.06.20 JOB07750 IEF403I XXXXPFRD - STARTED - TIME=13.06.20
13.06.22 JOB07750 SLS7100I SLUPCOPY VERSION 6.20 PROCESSING BEGINS
13.06.22 JOB07750 SLS7028I HSC SUBSYSTEM NAME = HSCX
13.06.22 JOB07750 SLS7028I COPY FUNCTION IS IN EFFECT
13.06.22 JOB07750 SLS7028I FDRSNAP METHOD IS IN EFFECT
13.06.22 JOB07750 SLS7028I RESERVE RETRY WTOR OPTION IS ENABLED
13.06.22 JOB07750 SLS7070I READ JFCB SUCCESSFUL FOR SLSCNTL DD
13.06.22 JOB07750 SLS7010I SSCVT LOCATED FOR SUBSYSTEM HSCX
13.06.22 JOB07750 SLS7011I ASCB FOR HSC JOB NAME HSCX HAS ASID 001D
13.06.22 JOB07750 SLS7102I HSC QNAME = HSCXLSQN
13.06.22 JOB07750 SLS7025I PRIMARY CDS NAME = XXXX.SOS610.SLSCNTL
13.06.22 JOB07750 SLS7015I JCL CDS NAME MATCHES PRIMARY CDS NAME
13.06.22 JOB07750 SLS7071I OPEN SUCCESSFUL FOR SLSCNTL DD
13.06.22 JOB07750 SLS7104I UCB LOCATED SUCCESSFULLY
13.06.22 JOB07750 SLS7072I RESERVE SUCCESSFUL FOR SLSCNTL DD
13.06.22 JOB07750 SLS7073I CDS DHB READ SUCCESSFUL
13.06.22 JOB07750 SLS7021I JCL CDS NAME MATCHES DHB CDS NAME
13.06.22 JOB07750 SLS7170I CDS DPV READ SUCCESSFUL
13.06.22 JOB07750 SLS7106I ORIGINAL LAST BACKUP DATE AND TIME = 2007032913:02:53
13.06.22 JOB07750 SLS7171I CDS DPV WRITE SUCCESSFUL
13.06.22 JOB07750 SLS7107I UPDATED LAST BACKUP DATE AND TIME = 2007032913:06:22
13.06.22 JOB07750 SLS7074I ATTACH SUCCESSFUL
13.06.40 JOB07750 IEA995I SYMPTOM DUMP OUTPUT 018
018 USER COMPLETION CODE=0502
018 TIME=13.06.22 SEQ=00398 CPU=0000 ASID=002A
018 PSW AT TIME OF ERROR 078D0000 80035A48 ILC 2 INTC 0D
018 ACTIVE LOAD MODULE ADDRESS=00034000 OFFSET=00001A48
018 NAME=FDRSNAPA
018 DATA AT PSW 00035A42 - 411001F6 0A0D9110 10104700
018 AR/GR 0: 8094FB3E/00000000 1: 00000000/000001F6
018 2: 00000000/006BFD20 3: 00000000/441B24B8
018 4: 00000000/006CDF44 5: 00000000/00029000
018 6: 00000000/00036C50 7: 00000000/00006604
018 8: 00000000/00006550 9: 00000000/00037000
018 A: 00000000/00036000 B: 00000000/80035A42
018 C: 00000000/00035000 D: 00000000/00034000
018 E: 00000000/80036ABE F: 00000000/00000000
018 END OF SYMPTOM DUMP
13.06.40 JOB07750 IEA993I SYSMDUMP TAKEN TO XXXX.SLUPCOPY.SYSMDUMP
13.06.40 JOB07750 SLS7075I TCB USER CC=0000, SYSTEM CC=0378
13.06.40 JOB07750 SLS7108I DPV RESTORE REQUIRED
13.06.40 JOB07750 SLS7172I CDS DPV RESTORE SUCCESSFUL
13.06.40 JOB07750 SLS7076I DETACH SUCCESSFUL
13.06.40 JOB07750 SLS7077I MAINLINE DEQ SUCCESSFUL FOR SLSCNTL DD
13.06.40 JOB07750 SLS7078I MAINLINE CLOSE SUCCESSFUL FOR SLSCNTL DD
13.06.40 JOB07750 SLS7035E POINT-IN-TIME COPY INVALID
13.06.40 JOB07750 SLS7111I SLUPCOPY VERSION 6.20 PROCESSING ENDS
13.06.41 JOB07750 - SYSTEM RELEASE: SP7.0.5 HBB7708
13.06.41 JOB07750 - --TIMINGS (MINS.)-- ---PAGING COUNTS---
13.06.41 JOB07750 -JOBNAME STEPNAME PROCSTEP RC EXCP CPU SRB CLOCK SERV PG PAGE SWAP VIO SWAPS
13.06.41 JOB07750 -XXXXPFDR COPY 12 12066 .00 .00 .3 17098 0 44 0 0 0
13.06.41 JOB07750 IEF404I XXXXPFRD - ENDED - TIME=13.06.41
13.06.41 JOB07750 -XXXXPFDR ENDED. NAME=XXXXXXXXX TOTAL CPU TIME= .00 TOTAL ELAPSED TIME= .3
13.06.41 JOB07750 $HASP395 XXXXPFRD ENDED
----- JES2 JOB STATISTICS -----
- 29 MAR 2007 JOB EXECUTION DATE
- 19 CARDS READ
- 149 SYSOUT PRINT RECORDS
- 0 SYSOUT PUNCH RECORDS
- 9 SYSOUT SPOOL KBYTES
- 0.35 MINUTES EXECUTION TIME
1 //XXXXPFDR JOB (XXXXXX),XXXXXXXXX, JOB07750
// CLASS=A,
// MSGCLASS=1
/**
/**-----**/
/** FDRSNAP PIT COPY
/**-----**/
2 //COPY EXEC PGM=SLUPCOPY,REGION=4M,
// PARM='HSCX,COPY,FDR,OPT(RR)'
3 //STEPLIB DD DSN=XXXX.LINKLIB,DISP=SHR
4 //SLSCNTL DD DSN=XXXX.SOS610.SLSCNTL,DISP=SHR
5 //SYSPRINT DD SYSOUT=*

```

```

IEA995I SYMPTOM DUMP OUTPUT
USER COMPLETION CODE=0502
TIME=13.06.22 SEQ=00398 CPU=0000 ASID=002A
PSW AT TIME OF ERROR 078D0000 80035A48 ILC 2 INTC 0D
ACTIVE LOAD MODULE ADDRESS=00034000 OFFSET=00001A48
NAME=FDRSNAPA
DATA AT PSW 00035A42 - 411001F6 0A0D9110 10104700
AR/GR 0: 8094FB3E/00000000 1: 00000000/000001F6
2: 00000000/006BFD20 3: 00000000/441B24B8
4: 00000000/006CDF44 5: 00000000/00029000
6: 00000000/00036C50 7: 00000000/00006604
8: 00000000/00006550 9: 00000000/00037000
A: 00000000/00036000 B: 00000000/80035A42
C: 00000000/00035000 D: 00000000/00034000
E: 00000000/80036ABE F: 00000000/00000000
END OF SYMPTOM DUMP
IEA993I SYSDUMP TAKEN TO XXXX.SLUPCOPY.SYSDUMP
IEF285I SYS07088.T130622.RA000.XXXPFDR.R0100609 KEPT
IEF285I VOL SER NOS= SW8A45.
IEF285I SYS07088.T130622.RA000.XXXPFDR.R0100610 KEPT
IEF285I VOL SER NOS= SW8A45.
IEF142I XXXPFDR COPY - STEP WAS EXECUTED - COND CODE 0012
IEF285I XXXX.LINKLIB KEPT
IEF285I VOL SER NOS= TS0020.
IEF285I XXXX.S0S610.SLSCNTL KEPT
IEF285I VOL SER NOS= SW8A45.
IEF285I XXXX.XXXPFDR.JOB07750.D0000102.? SYSOUT
IEF285I XXXX.SLUPCOPY.SYSDUMP DELETED
IEF285I VOL SER NOS= SW8D12.
IEF285I XXXX.XXXPFDR.JOB07750.D0000101.? SYSIN
*****
*          DEVICE          DEVICE          EXCP          *
*          DDNAME         CLASS          ADDRESS         COUNT          *
*          -----          -          -          -          *
*          STEPLIB        DASD          3EC4          00000002        *
*          SLSCNTL        DASD          8A45          00000004        *
*          SYSPRINT       JES2          00000000        *
*          SYSDUMP        DASD          8D12          00011927        *
*          TAPE1          JES2          00000000        *
*          SYSIN          JES2          00000000        *
*          D#SW8A45       DASD          8A45          00000004        *
*          T#SW8A45       DASD          8A45          00000000        *
*****
IEF373I STEP/COPY /START 2007088.1306
IEF374I STEP/COPY /STOP 2007088.1306 CPU 0MIN 00.57SEC SRB 0MIN 00.16SEC VIRT 228K SYS 300K EXT 1808K SYS 7356K
IEF375I JOB/XXXPFDR/START 2007088.1306
IEF376I JOB/XXXPFDR/STOP 2007088.1306 CPU 0MIN 00.57SEC SRB 0MIN 00.16SEC
1FDR001 FDR INSTANT BACKUP - FDRSNAP VER. 5.4/30P - INNOVATION DATA PROCESSING DATE=2007.088 PAGE 1
0FDR303 CARD IMAGE -- SNAP TYPE=FDR,ENQ=OFF
FDR303 CARD IMAGE -- MOUNT VOL=SW8A45,SNAPUNIT=8D14
0FDR040 VOLUME IN USE - 002 OPENED DCBS
FDR007 STARTING TIME OF SNAPSHOT DUMP -- 13.06.22 -- UNIT=3390 ,IN=D#SW8A45,OUTPUT=TAPE1
FDR230** FDRSNAP ERROR - UNIT=8D14 REASON=8 - TARGET UNIT IS NOT OFFLINE
FDR997** FDR ABNORMALLY TERMINATED VOL=SW8A45
FDR319** FDR OPERATION ABNORMALLY TERMINATED VOL=SW8A45 COMP CODE=S000 U0502
FDR998** FDR COMPLETED WITH ERRORS

```

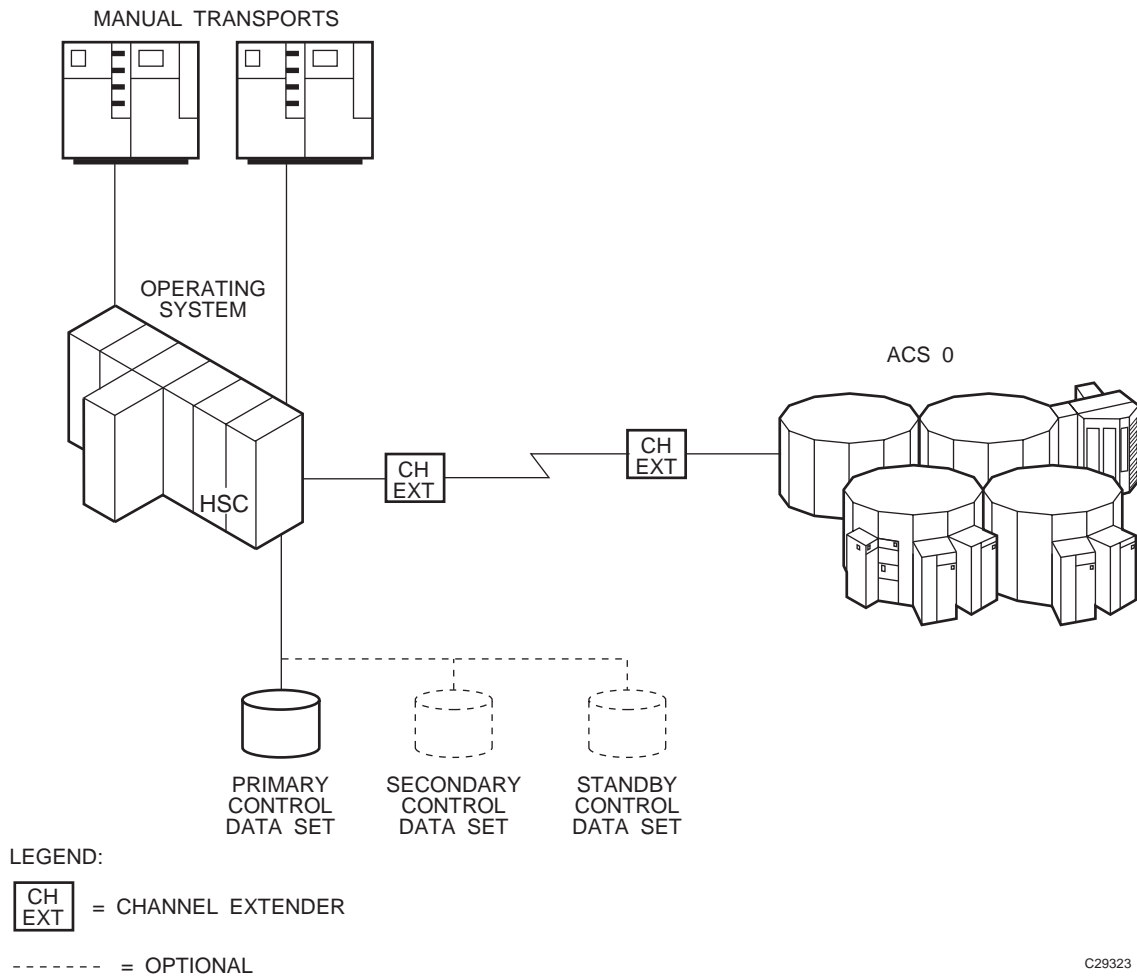
Appendix L. Remote-linked Libraries

Overview

This appendix contains illustrations of configurations for remote-linked libraries. In addition, programming and operational considerations for each of the configurations are presented.

Configuration 1

This configuration consists of one ACS remote-linked to one CPU. The primary, secondary, and standby control data sets all run on the one CPU.

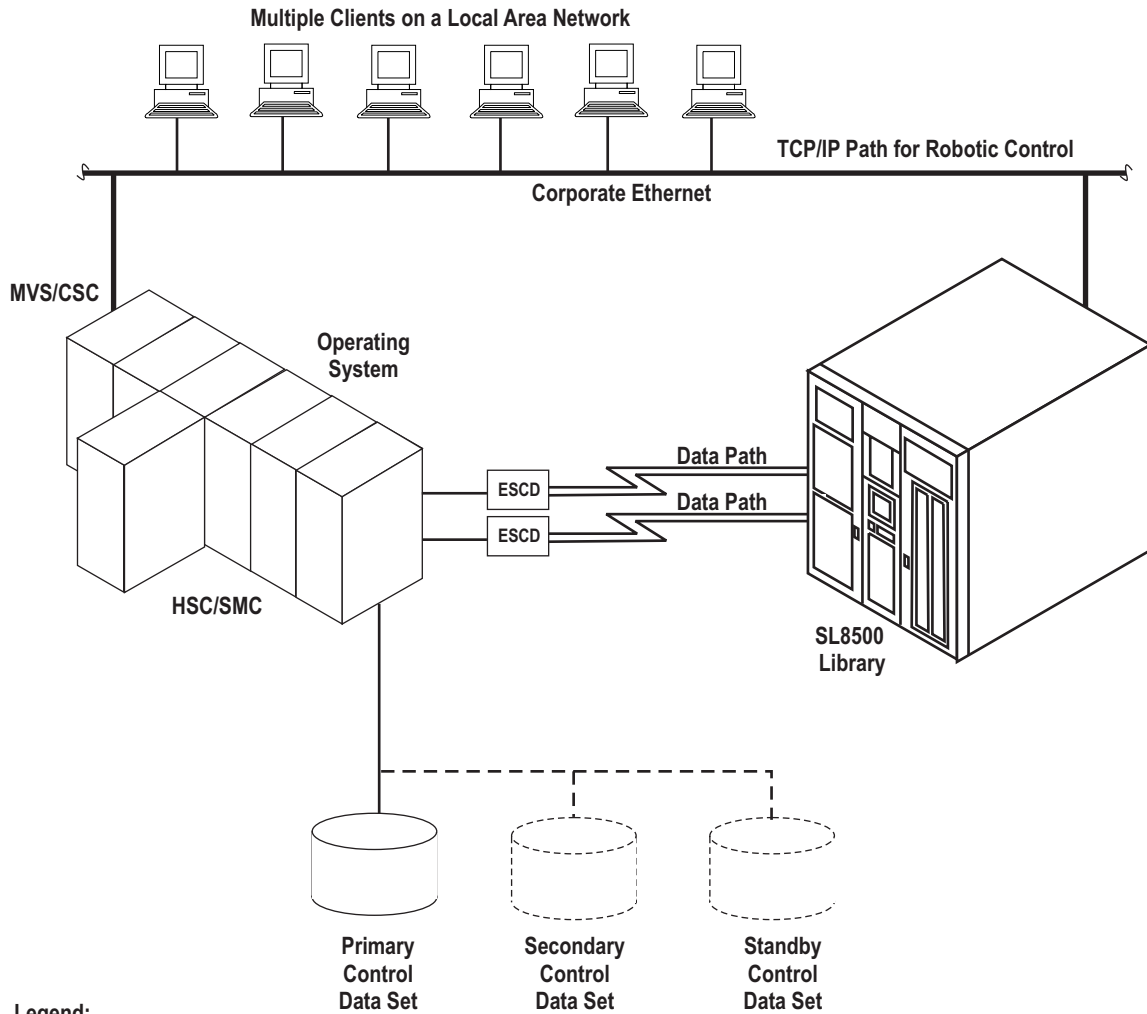


C29323

Figure 69. Configuration 1

Configuration 2

This configuration consists of one ACS remote-linked to one CPU. The primary, secondary, and standby control data sets all run on the one CPU.



Legend:

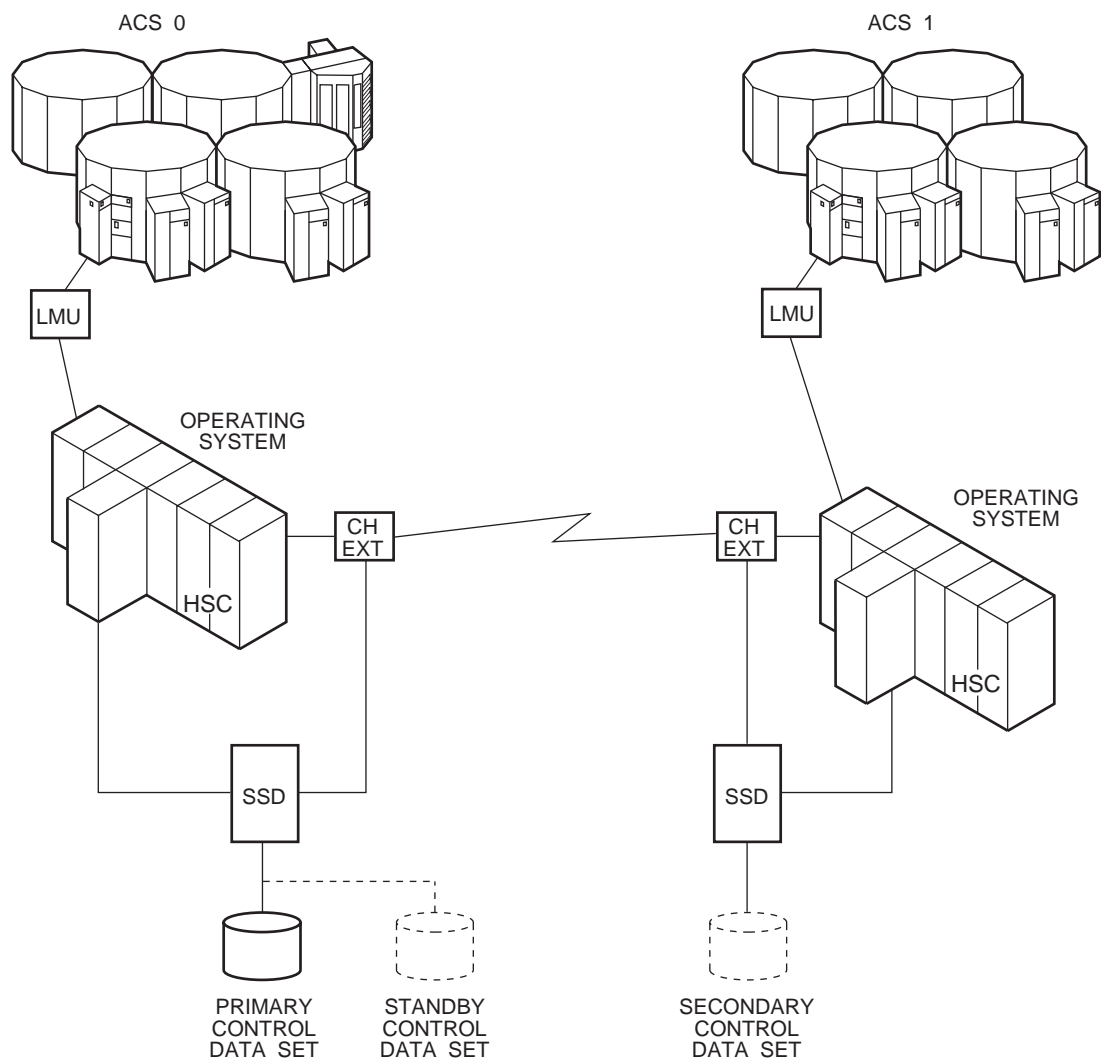
- ESCD = ESCON Director
- = Optional
- ↔ = Data Path
- = Ethernet (TCP/IP)

C51183

Figure 70. Configuration 2

Configuration 3

This configuration consists of one ACS local to one CPU that is remote-linked to another CPU with one ACS local to it. The primary and secondary control data sets run on separate SSDs each attached to separate CPUs. The standby control data set can be attached to either SSD.



LEGEND:

CH EXT = CHANNEL EXTENDER

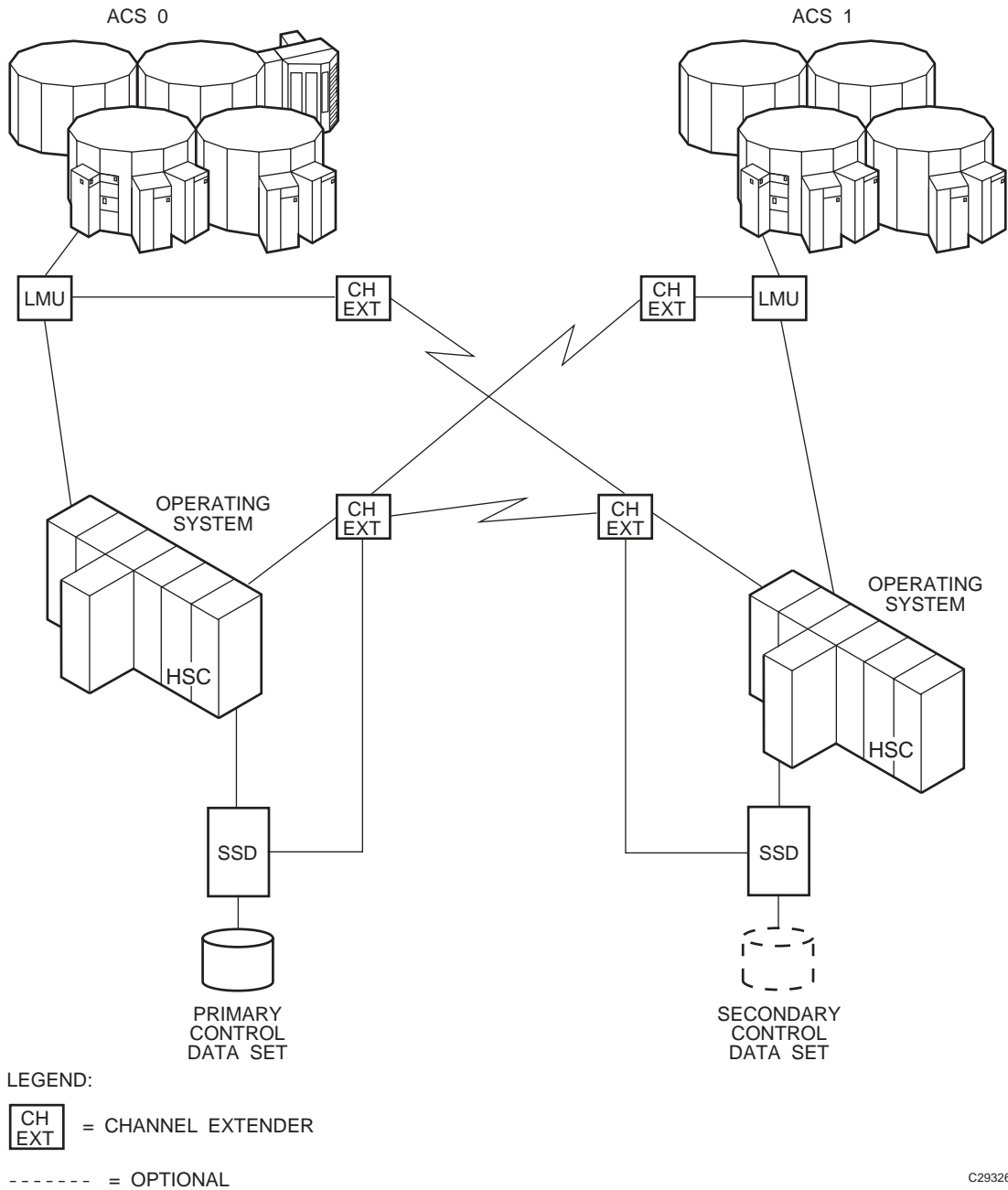
----- = OPTIONAL

C29325

Figure 71. Configuration 3

Configuration 4

This configuration consists of one ACS local to one CPU that is remote-linked to another CPU with one ACS local to it. The primary and secondary control data sets run on separate SSDs each attached to separate CPUs.

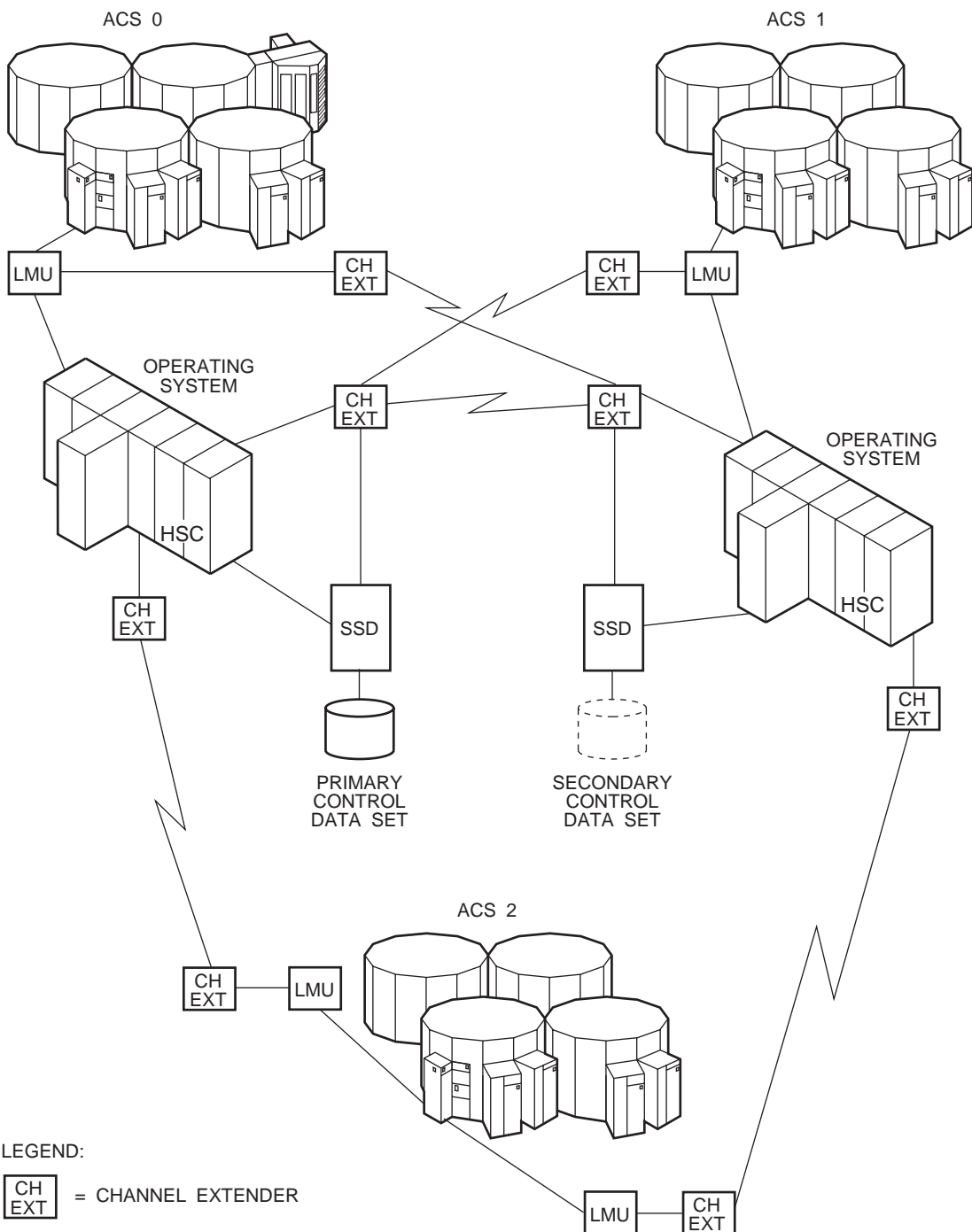


C29326

Figure 72. Configuration 4

Configuration 5

This configuration consists of one ACS local to one CPU that is remote-linked to another CPU with one ACS local to it. In addition, a third ACS is remote-linked to both CPUs. The primary and secondary control data sets run on separate SSDs each attached to separate CPUs.



C29327

Figure 73. Configuration 5

Programming and Operational Considerations

The following are programming and operational considerations that should be observed if you have libraries resembling any of the illustrated configurations. The HSC permits operation of these library configurations provided that some programming and operational precautions are observed.

These precautions are based on various functional restrictions described in following paragraphs. Table 103 lists the functions and the programming precautions that must be followed for associated configurations.

Table 103. Programming and Operation Precautions for Remote-linked Libraries

Function	Applicable Configuration(s)
Allocation	1 - 5
Resolving CDS issues after a remote-link failure	3 - 5
Restore involving journals from channel extended hosts	3 - 5
Control data set integrity	3 - 5

Allocation

Refer to the *SMC Configuration and Administration Guide* for information about allocation.

Resolving CDS Issues After a Remote-Link Failure

In configurations 3, 4, and 5, if there is a failure in the remote link while ACS1 has a hardware reserve issued against the primary CDS, ACS 0 is locked out and is not able to perform any automated tape services until the reserve is released. This problem can happen even if the two ACSs are not remote-linked.

The reserve can be released by disabling the remote-link interface. Operator intervention is required to disable the link.

Restore Involving Journals from Channel-Extended Hosts

In configurations 3, 4, and 5, if a restore of the control data set is needed, and the journaling option is invoked, all journal files must be obtained from every host that was included in the library LIBGEN. If all of the journals are not applied when the RESTore utility is executed, an accurate control data set may not be constructed during the restore operation.

Obtaining all journals from remote-linked hosts can be a problem if the link is down. Consequently, not all journals can be obtained to fully satisfy a successful restore of the control data set.

Careful planning must be done before executing the RESTore utility to make sure that journals are available from each host and that the remote link is fully operational when the restore operation is performed.

Control Data Set Integrity

In configurations 3, 4, and 5, the primary control data set and the secondary control data set are separated across a remote link. If the link is interrupted, the secondary data set becomes the primary control data set for ACS1.

The original primary control data set continues to operate for ACS 0 only. As the library operates, any updates occurring to either control data set after the link was severed causes the data sets to be unsynchronized. It is a difficult task to resynchronize the data for both data sets.

Possible solutions to resynchronize the data sets include:

- Execute the AUDIt utility and reconcile the differences between the primary control data set and the secondary data set. This solution is not recommended because of the time required to perform a full audit operation.
- Execute the BACKup utility, specifying OPTion(Analyze), immediately followed by the RESTore utility, specifying GENERate(YES). The BACKup utility performs error and comparison checking of records for the data sets and enables you to reconcile the differences. With this utility, you can make sure that the two data sets are properly synchronized. Library operation can be resumed at a high confidence level.
- Prior to reestablishing the link:
 1. Bring the HSC down.
 2. Reestablish the link.
 3. Run BACKup OPTion(Analyze) and RESTore GENERate(YES).
 4. Bring the HSC up.
 5. Use the discrepancy report produced by the backup to determine discrepancies between copies of the CDS.

Refer to Chapter 4, “Utility Functions” on page 143 and the AUDIt, BACKup, and RESTore utilities for detailed information.

Glossary

Terms are defined as they are used in the text. If you cannot find a term here, check the index.

A

AC— Alternating current.

access method— A technique for moving data between processor storage and I/O devices.

ACS— *See* Automated Cartridge System.

ACSid— An ACSid (*acs-id*) is a hexadecimal value from 00 through FF that identifies the LMU. An ACSid is the result of defining the SLIALIST macro during the library generation (LIBGEN) process. The first ACS listed in this macro acquires a hexadecimal identifier of 00, the second acquires a hexadecimal identifier of 01, and so forth, until all ACSs are identified.

allocation— The selection of a cartridge drive, either inside the library or outside (by the SMC software for SMC allocation, or MVS for MVS allocation without the HSC).

APF— Authorized Program Facility.

APPL— VTAM APPLID definition for the HSC.

archiving— The storage of backup files and associated journals, usually for a given period of time.

Automated Cartridge System (ACS)— The library subsystem consisting of one or two LMUs, and from 1 to 16 attached LSMs.

automated library— *See* library.

automatic mode— A relationship between an LSM and all attached hosts. LSMs operating in automatic mode handle cartridges without operator

intervention. This is the normal operating mode of an LSM that has been modified online.

B

basic direct access method (BDAM)— An access method used to directly retrieve or update particular blocks of a data set on a direct access device.

basic sequential access method (BSAM)— An access method for storing and retrieving data blocks in a continuous sequence, using either a sequential access or direct access device.

BDAM— *See* Basic direct access method.

beginning-of-tape (BOT)— The location on a tape where written data begins.

block— A collection of contiguous records recorded as a unit. Blocks are separated by interblock gaps, and each block may contain one or more records.

BOT— *See* beginning-of-tape.

BSAM— *See* Basic Sequential Access Method.

buffer— A routine or storage used to compensate for a difference in rate of data flow, or time of occurrence of events, when transferring data from one device to another.

C

CA-1 (TMS)— Computer Associates Tape Management

System— Third-party software by Computer Associates International, Inc.

CAP— *See* Cartridge Access Port.

capacity— *See* media capacity.

CAPid— A CAPid uniquely defines the location of a CAP by the LSM on which it resides. A CAPid is of the form *AAL:CC* where *AA* is the ACSid, *L* is the LSM number, and *CC* is the CAP number. Some commands and utilities permit an abbreviated CAPid format of *AAL*.

cartridge— The plastic housing around the tape. It is approximately 4 inches (100 mm) by 5 inches (125 mm) by 1 inch (25 mm). The tape is threaded automatically when loaded in a transport. A plastic leader block is attached to the tape for automatic threading. The spine of the cartridge contains a Tri-Optic label listing the VOLSER.

Cartridge Access Port (CAP)— An assembly which allows an operator to enter and eject cartridges during automated operations. The CAP is located on the access door of an LSM.

See also standard CAP, enhanced CAP, priority CAP, WolfCreek CAP, WolfCreek optional CAP, or TimberWolf CAP.

Cartridge Drive (CD)— A device containing two or four cartridge transports with associated power and pneumatic supplies.

Cartridge Scratch Loader— An optional feature for the Cartridge Drive. It allows the automatic loading of premounted tape cartridges or the manual loading of single tape cartridges.

cartridge system tape— Also known as a Standard tape. The basic tape cartridge media that can be used with 4480, 4490, or 9490 Cartridge Subsystems. They are visually identified by a one-color cartridge case.

CAW— *See* Channel Address Word.

CD— *See* Cartridge Drive.

CDRM— Cross Domain Resource Manager definition (if not using existing CDRMs).

CDRSC— Cross Domain Resource definition.

CDS— *See* control data set.

CE— Channel End.

CEL— Customer Emulation Lab. cell. A storage slot in the LSM that is used to store a tape cartridge.

Central Support Remote Center (CSRC)— *See* Remote Diagnostics Center.

CFT— Customer Field Test.

channel— A device that connects the host and main storage with the input and output control units.

Channel Address Word (CAW)— An area in storage that specifies the location in main storage where a channel program begins.

channel command— A command received by a CU from a channel.

Channel Status Word (CSW)— An area in storage that provides information about the termination of I/O operations.

check— Detection of an error condition.

CI— Converter/Interpreter (JES3).

connected mode— A relationship between a host and an ACS. In this mode, the host and an ACS are capable of communicating (at least one station to this ACS is online).

control data set (CDS)— The data set containing all configuration and volume information used by the host software to control the functions of the automated library. Also known as a library control data set.

See also Primary CDS, Secondary CDS, and Standby CDS.

control data set allocation map— A CDS subfile that marks individual blocks as used or free.

control data set data blocks— CDS blocks that contain information about the library and its configuration or environment.

control data set directory— A part of the CDS that maps its subdivision into subfiles.

control data set free blocks— CDS blocks available for future subfile expansion.

control data set pointer blocks— CDS blocks that contain pointers to map data blocks belonging to a subfile.

control data set recovery area— A portion of the CDS reserved for maintaining integrity for updates that affect multiple CDS blocks.

control data set subfile— A portion of the CDS consisting of Data Blocks and Pointer Blocks containing related information.

Control Unit (CU)— (1) A microprocessor-based unit situated logically between a host channel (or channels) and from two to sixteen transports. It functions to translate channel commands into transport commands, send transport status to the channel(s), and pass data between the channel(s) and transport(s). (2) A device that controls I/O operations for one or more devices. cross-host recovery. The ability for one host to perform recovery for another host that has failed.

CSE— Customer Service Engineer.

CSI— Consolidated System Inventory.

CSL— *See* Cartridge Scratch Loader.

CSRC— Central Support Remote Center (*See* Remote Diagnostics Center)

CST— (1) A value that can be specified on the MEDia parameter and that includes only standard capacity cartridge tapes. (2) An alias of Standard. (3) *See* Cartridge System Tape.

CSW— *See* Channel Status Word.

CU— *See* Control Unit.

D

DAE— Dump Analysis Elimination.

DASD— Direct access storage device.

data— Any representations such as characters or analog quantities to which meaning is, or might be, assigned.

Database Heartbeat record (DHB)— The record that contains the names of the control data sets recorded by the HSC and identifies the correct primary, secondary, and standby CDS.

data class— A collection of allocation and space attributes, defined by the storage administrator, that are used to create a data set.

data compaction— An algorithmic data-reduction technique that encodes data from the host and stores it in less space than unencoded data. The original data is recovered by an inverse process called decompression.

data-compaction ratio— The number of host data bytes mathematically divided by the number of encoded bytes. It is variable depending on the characteristics of the data being processed. The more random the data stream, the lower the opportunity to achieve compaction.

Data Control Block (DCB)— A control block used by access routines in storing and retrieving data.

data set— The major unit of data storage and retrieval, consisting of a collection of data in one of several prescribed arrangements and described by control information to which the system has access.

data streaming— A continuous stream of data being transmitted in character or binary-digit form, using a specified format.

DC— Direct current.

DCB— *See* Data Control Block.

DD3— A generic value that can be specified on the MEDia and RECtech parameters and includes all types of helical cartridges and recording techniques.

DD3A, DD3B, DD3C, DD3D— Values that can be specified on the MEDia parameter and include only the specified type of helical cartridge. Aliases are A, B, C, and D, respectively.

DDR— *See* Dynamic Device Reconfiguration.

default value— A value assumed when no value has been specified.

demand allocation— An MVS term meaning that a user has requested a specific unit.

device allocation— The HSC function of *influencing* the MVS device selection process to choose either a manual transport or a transport in a particular ACS, based on the location of the volume (specific requests) or the subpool rules in effect (scratch requests).

device group— A subset of the eligible devices. Device groups are defined by esoteric unit names but also may be created implicitly if common devices exist in different device groups.

device number— A four-digit hexadecimal number that uniquely identifies a device attached to a processor.

device separation— *See* drive exclusion.

DFP— Data Facility Product. A program that isolates applications from storage devices, storage management, and storage device hierarchy management.

DFSMS— Refers to an environment running MVS/ESA SP and DFSMS/MVS, DFSORT, and RACF. This environment helps automate and centralize the management of storage through a combination of hardware, software, and policies.

DFSMS ACS routine— A sequence of instructions for having the system assign data class, storage class, management class, and storage group for a data set.

DHB— *See* Database Heartbeat record.

directed allocation— *See* drive prioritization.

disconnected mode— A relationship between a host and an ACS. In this mode, the host and an ACS are not capable of communicating (there are no online stations to this ACS).

DOMed— Pertaining to a console message that was previously highlighted during execution, but is now at normal intensity.

drive exclusion— (previously referred to as *device separation*) refers to the Storage Management Component (SMC) function of excluding drives for an allocation request based on SMC exclusion criteria. *See the SMC Configuration and Administration Guide* for more information.

drive loaded— A condition of a transport in which a tape cartridge has been inserted in the transport, and the tape has been threaded to the beginning-of-tape position.

drive panel— A wall of an LSM that contains tape transports. Drive panels for T9840A transports have either 10 or 20 transports per panel; drive panels for

all other transports contain up to four transports per panel.

drive prioritization— (previously referred to as *directed allocation*) refers to the Storage Management Component (SMC) function of influencing selection of a particular drive based on allocation criteria, including volume location. *See the SMC Configuration and Administration Guide* for more information.

DRIVEid— A DRIVEid uniquely defines the location of a tape transport by its location within an LSM. A DRIVEid is of the form *AAL:PP:NN* where *AA* is the ACSid, *L* is the LSM number, *PP* is the panel where the drive is located, and *NN* is the drive number within the panel.

DSI— Dynamic System Interchange (JES3).

dual LMU— A hardware/ μ -software feature that provides a redundant LMU capability.

dual LMU HSC— HSC release 1.1.0 or later that automates a switch-over to the standby LMU in a dual LMU configuration.

dump— To write the contents of storage, or of a part of storage, usually from an internal storage to an external medium, for a specific purpose such as to allow other use of storage, as a safeguard against faults or errors, or in connection with debugging.

Dynamic Device Reconfiguration (DDR)— An MVS facility that allows a dismountable volume to be moved and repositioned if necessary, without abnormally terminating the job or repeating the initial program load procedure.

E

ECAP— *See* enhanced CAP.

ECART— (1) Cartridge system tape with a length of 1100 feet that can be used with 4490 and 9490 Cartridge Drives. These tapes are visually identified by a two-tone (black and tan) colored case. (2) A value that can be specified on the MEDIA parameter and that includes only 36-track enhanced capacity cartridge system tapes. (3) *See* Enhanced Capacity Cartridge System Tape.

ECCST— (1) A value that can be specified on the MEDia parameter and that includes only enhanced capacity cartridge system tapes. (2) An alias of ECART. (3) *See* Enhanced Capacity Cartridge System Tape.

EDL— *See* eligible device list.

EDTGEN— Eligible Device Table Generation. A process used to replace an installation-defined and named representation of the devices that are eligible for allocation.

EETape— *See* Extended Enhanced Tape.

Effective Recording Density— The number of user bytes per unit of length of the recording medium.

eject— The process where the LSM robot places a cartridge in a Cartridge Access Port (CAP) so the operator can remove it from the LSM.

eligible device list— (1) A group of transports that are available to satisfy an allocation request. (2) For JES2 and JES3, a list of devices representing the UNIT parameter specified by way of invoking JCL. The EDL can contain both library and nonlibrary transports depending on the I/O GEN.

enable— The modification of system, control unit, or device action through the change of a software module or a hardware switch (circuit jumper) position.

enhanced CAP (ECAP)— An enhanced CAP contains two forty-cell magazine-style CAPs and a one-cell priority CAP (PCAP). Each forty-cell CAP holds four removable magazines of ten cells each. An LSM access door with an enhanced CAP contains no cell locations for storing cartridges.

See also Cartridge Access Port, standard CAP, priority CAP, WolfCreek CAP, WolfCreek optional CAP, or TimberWolf CAP.

Enhanced Capacity Cartridge System Tape— Cartridge system tape with increased capacity that can be used with 4490 and 9490 Cartridge Drives. These tapes are visually identified by a two-tone (black and tan) housing.

EOF— End-of-File.

EOT— End-of-Tape marker.

EPO— Emergency Power Off.

EREP— Environmental Recording, Editing, Printing.

ERP— *See* error recovery procedures.

error recovery procedures (ERP)— Procedures designed to help isolate and, where possible, to recover from errors in equipment.

esoteric— A user-defined name that groups devices into classes.

ETAPE— (1) A value that can be specified on the MEDia parameter and that includes only enhanced capacity cartridge system tapes. (2) An alias of ECART. (3) *See* Enhanced Capacity Cartridge System Tape.

Extended Capacity Tape— *See* Enhanced Capacity Cartridge System Tape.

Extended Enhanced Tape (EETape)— A synonym for a ZCART, which is a cartridge that can only be used with a 9490EE drive. An EETape (ZCART) provides greater storage capacity than an ECART.

ExtendedStore Library— One or more LSMs with no Cartridge Drives (CDs) that are attached by pass-thru ports to other LSMs (with CDs) in an ACS. These LSMs provide archive storage for cartridges containing less active data sets. Cartridges can be entered and ejected directly into and out of this LSM though either a standard CAP or an enhanced CAP.

F

FDRPAS™— A product from Innovation Data Processing, Inc. that allows two disk devices to be non-disruptively swapped with each other.

FIFO— First in, first out.

file protected— Pertaining to a tape volume from which data can be read only. Data cannot be written on or erased from the tape.

format— The arrangement or layout of data on a data medium.

frozen panel— A panel to which cartridges cannot be moved. This restriction includes allocating new cartridge locations on a panel as a result of:

- a MOVE command, utility, or PGMI request
- cartridge entry into the ACS
- float, scratch dismount, or scratch redistribution processing.

G

GB— Gigabyte, billion (10^9) bytes.

GDG— Generation Data Group. An MVS data set naming convention. Sequence numbers are appended to the basic data set name to track the generations created for that data set.

GDG Separation— Occurs when a Generation Data Group gets separated because the volumes of different generations reside in different locations. Usually, all generations of a GDG are mounted on a single drive to reduce the number of drives needed for a job.

GTF— Generalized Trace Facility. An MVS facility used to trace software functions and events.

H

HDA— Head/disk assembly.

Helical— A generic value that can be specified on the RECTECH parameter and includes all helical transports.

HOSTid— A HOSTid is the host identifier specified in the HOSTID parameter of the SLILIBRY LIBGEN macro. The HOSTid is the SMF system identifier for both JES2 and JES3.

High Watermark Setup (HWS)— In JES3, a setting specified on the HWSNAME initialization statement that reduces the number of devices reserved for a job. JES3 accomplishes this task by assessing each jobstep to determine the maximum number of devices needed for each device type and reserving those devices.

Host Software Component (HSC)— That portion of the Automated Cartridge System which executes on host systems attached to an automated library. This component acts as the interface between the

operating system and the rest of the automated library.

host system— A data processing system that is used to prepare programs and the operating environments for use on another computer or controller.

HSC— *See* Host Software Component.

HWS— *See* High Watermark Setup.

I

ICRC— *See* Improved Cartridge Recording Capability.

ID— Identifier or identification.

IDAX— Interpreter Dynamic Allocation Exit. This is a subfunction of the DFSMS/MVS subsystem request (SSREQ 55) that the MVS JCL Interpreter and dynamic allocation functions issue for calling DFSMS ACS routines for management of the data set requested.

IDRC— Improved Data Recording Capability.

IML— *See* Initial Microprogram Load.

Improved Cartridge Recording Capability (ICRC)— An improved data recording mode that, when enabled, can increase the effective cartridge data capacity and the effective data rate when invoked.

index— A function performed by the cartridge scratch loader that moves cartridges down the input or output stack one cartridge position. A scratch loader can perform multiple consecutive indexes.

INISH deck— A set of JES3 initialization statements.

Initial Microprogram Load (IML)— A process that activates a machine reset and loads system programs to prepare a computer system for operation. Processors having diagnostic programs activate these programs at IML execution. Devices running μ -software reload the functional μ -software usually from a floppy diskette at IML execution.

Initial Program Load (IPL)— A process that activates a machine reset and loads system programs to prepare a computer system for operation. Processors having diagnostic programs activate these

programs at IPL execution. Devices running μ -software reload the functional μ -software usually from a floppy diskette at IPL execution.

initial value— A value assumed until explicitly changed. It must then be explicitly specified in another command to restore the initial value. An initial value for the HSC is the value in effect when the product is installed.

inline diagnostics— Diagnostic routines that test subsystem components while operating on a time-sharing basis with the functional μ -software in the subsystem component.

input stack— The part of the cartridge loader where cartridges are premounted.

intervention required— Manual action is needed.

IPL— *See* Initial Program Load.

ips— Inches per second.

IVP— Installation Verification Programs. A package of programs that is run by a user after the library is installed in order to verify that the library is functioning properly.

J

JCL— *See* Job Control Language.

Job Control Language— Problem-oriented language designed to express statements in a job that are used to identify the job or describe its requirements to an operating system.

journal— The log associated with journaling. The log (stored in a data set) contains a record of completed work and changes to the control data set since the last backup was created.

journaling— A technique for recovery that involves creating a backup control data set and maintaining a log of all changes (transactions) to that data set.

JST— Job Summary Table (JES3).

K

KB— Kilobyte, thousand (10^3) bytes.

keyword parameter— In command and utility syntax, operands that include keywords and their related values (*See* positional parameter).

Values are concatenated to the keyword either by an equal sign, “KEYWORD=value,” or by parentheses, “KEYWORD(value).” Keyword parameters can be specified in any order. The HSC accepts (tolerates) multiple occurrences of a keyword. The value assigned to a keyword reflects the last occurrence of a keyword within a command.

L

LAN— *See* Local Area Network.

LCU— *See* Library Control Unit.

LED— *See* Light Emitting Diode.

LIBGEN— The process of defining the configuration of the automated library to the host software.

library— An installation of one or more ACSs, attached cartridge drives, volumes placed into the ACSs, host software that controls and manages the ACSs and associated volumes, and the library control data set that describes the state of the ACSs.

library control data set— *See* control data set.

Library Control Unit (LCU)— The portion of the LSM that controls the picking, mounting, dismounting, and replacing of cartridges.

Library Management Unit (LMU)— The portion of the ACS that manages from one to sixteen LSMs and communicates with the host CPU.

Library Storage Module (LSM)— The storage area for cartridges plus the robot necessary to move the cartridges. The term LSM often means the LCU and LSM combined.

Light Emitting Diode (LED)— An electronic device used mainly as an indicator on status panels to show equipment on/off conditions.

Linear Tape Open (LTO)— A technology developed jointly by HP, IBM, and Seagate for new tape storage options. LTO technology is an open format, which means that users have multiple sources of products and media.

LMU— *See* Library Management Unit.

LMUPATH— An HSC control statement contained in the definition data set specified by the LMUPDEF command. An LMUPATH statement allows users to define network LMU attachments.

LMUPDEF— An HSC command used to load the definition data set that contains LMUPATH control statements.

load point— The beginning of the recording area on magnetic tape.

loader— *See* Cartridge Scratch Loader.

Local Area Network (LAN)— A computer network in which devices within the network can access each other for data transmission purposes. The LMU and attached LCUs are connected with a local area network.

logical ejection— The process of removing a volume from the control data set without physically ejecting it from its LSM location.

Logical End Of Tape— A point on the tape where written data normally ends.

LONG— (1) A value that can be specified on the MEDia parameter and that includes only enhanced capacity cartridge system tapes (not to be confused with LONGitud). (2) An alias of ECART. (3) *See* Enhanced Capacity Cartridge System Tape.

LONGitud— (1) A generic value that can be specified on the RECtech parameter and includes all 18-track and 36-track devices. (2) A generic value that can be specified on the MEDia parameter and includes all standard and enhanced capacity cartridge system tapes.

LSM— *See* Library Storage Module.

LSM_{id}— An LSM_{id} (*lsm-id*) is a hexadecimal value that consists of the ACS_{id} and LSM number separated by a colon (i.e., AA:LL, where AA is the ACS_{id} and LL is the LSM_{id}). The LSM_{id} differentiates an LSM from every other LSM in a library.

LSM number— A method used to identify an LSM. An LSM number is the result of defining the SLIACS macro LSM parameter during a LIBGEN.

The first LSM listed in this parameter acquires the LSM number of 00 (hexadecimal), the second LSM listed acquires a hexadecimal number of 01, and so forth, until all LSMs are identified (maximum of 24 or hexadecimal 17).

LTO— *See* Linear Tape Open.

LTO_x— A media type designating either an LTO data cartridge with a capacity between 10GB and 400GB or an LTO cleaning cartridge.

M

machine initiated maintenance— *See* ServiceTek.

magnetic recording— A technique of storing data by selectively magnetizing portions of a magnetizable material.

magnetic tape— A tape with a magnetizable surface layer on which data can be stored by magnetic recording.

magnetic tape drive— A mechanism for moving magnetic tape and controlling its movement.

maintenance facility— Hardware contained in the CU and LMU that allows a CSE and the RDC to run diagnostics, retrieve status, and communicate with respective units through their control panels.

management class— A collection of management attributes, assigned by the storage administrator, that are used to control the allocation and use of space by a data set.

manual mode— A relationship between an LSM and all attached hosts. LSMs operating in manual mode have been modified offline and require human assistance to perform cartridge operations.

master LMU— The LMU currently controlling the functional work of the ACS in a dual LMU configuration.

MB— Megabyte, million (10^6) bytes.

MDS— Main Device Scheduler (JES3).

MEDia— The parameter used to specify media type.

This is not to be confused with MEDIA1 or MEDIA2, which are values that can be specified on the MEDia parameter.

MEDIA1— (1) A value that can be specified on the MEDIA parameter and that includes only standard capacity cartridge tapes. (2) An alias of Standard.

MEDIA2— (1) A value that can be specified on the MEDIA parameter and that includes only enhanced capacity cartridge system tapes. (2) An alias of ECART. (3) *See* Enhanced Capacity Cartridge System Tape.

media capacity— The amount of data that can be contained on storage media and expressed in bytes of data.

media mismatch— A condition that occurs when the media value defined in a VOLATTR control statement does not match the media value recorded in the CDS VAR record.

micro-software— *See* μ -software under Symbols.

MIM— Multi-Image Manager. Third-party software by Computer Associates International, Inc.

mixed configurations— Installations containing cartridge drives under ACS control and cartridge drives outside of library control. These configurations cause the Host Software Component to alter allocation to one or the other.

MODEL— The parameter used to specify model number.

modem— Modulator/demodulator. An electronic device that converts computer digital data to analog data for transmission over a telecommunications line (telephone line). At the receiving end, the modem performs the inverse function.

monitor— A device that observes, records, and verifies selected system activities to determine significant departure from expected operation.

MSM— Multiple Sessions Management. Third-party software by Computer Associates International, Inc.

N

Near Continuous Operation (NCO) — Facilities and techniques that allow customers to make dynamic changes to the library that do not disrupt the library hardware and environment. In most cases,

users can perform these procedures without requiring the HSC to be terminated and restarted.

O

OCR— Optical Character Recognition.

operating system (OS)— Software that controls the execution of programs that facilitate overall system operation.

output stack— The part of the cartridge loader that receives and holds processed cartridges.

over-limit cleaning cartridge— A cleaning cartridge that has been used more than the value (limit) specified by either the MNTD MAXclean or VOLATTR MAXclean settings. This kind of cartridge may not be able to adequately clean a tape transport, however, it can be mounted and will attempt to execute the cleaning process. *See also* spent cleaning cartridge.

over-use cleaning cartridge— A cartridge that has a usage (select) count over the MAXclean value (*see* over-limit cleaning cartridge) or that has used up its cleaning surface (*see* spent cleaning cartridge).

P

paired-CAP mode— The two forty-cell CAPs in an enhanced CAP function in paired-CAP mode as a single eighty-cell CAP.

PARMLIB control statements— Parameter library (PARMLIB) control statements allow you to statically specify various operation parameters which take effect at HSC initialization. Identifying your system requirements and then specifying the appropriate control statements permits you to customize the HSC to your data center.

pass-thru port (PTP)— A mechanism that allows a cartridge to be passed from one LSM to another in a multiple LSM ACS.

PCAP— *See* priority CAP.

P/DAS— Peer-to-Peer Remote Copy Dynamic Address Switching. An IBM capability to non-disruptively swap PPRC volumes.

Peer-to-Peer Remote Copy (PPRC)— An IBM capability to mirror disk volumes from one storage subsystem to another.

physical end of tape— A point on the tape beyond which the tape is not permitted to move.

playground— The playground is a reserved area of cells where the robot deposits cartridges that it finds in its hands during LSM initialization. Normal LSM initialization recovery processing moves cartridges from the playground cells to either their home cells or their intended destinations, but under abnormal circumstances cartridges may be left in playground cells.

positional parameter— In command and utility syntax, operands that are identified by their position in the command string rather than by keywords (*See* keyword parameter).

Positional parameters must be entered in the order shown in the syntax diagram.

PowderHorn (9310) LSM— A high-performance LSM featuring a high-speed robot. The PowderHorn has a capacity of up to approximately 6000 cartridges.

PPRC— *See* Peer-to-Peer Remote Copy.

primary CDS— The active control data set. It contains the inventory of all cartridges in the library, the library configuration, information about library hardware and resource ownership across multiple processors, and serves as a vehicle of communication between HSCs running on multiple processors.

priority CAP (PCAP)— A one-cell CAP that is part of an enhanced CAP. A PCAP allows a user to enter or eject a single cartridge that requires immediate action.

See also Cartridge Access Port, standard CAP, enhanced CAP, WolfCreek CAP, WolfCreek optional CAP, or TimberWolf CAP.

Program Temporary Fix (PTF)— A unit of corrective maintenance delivered to a customer to repair a defect in a product, or a means of packaging a Small Programming Enhancement (SPE).

Program Update Tape (PUT)— A tape containing a collection of PTFs. PUTs are shipped to customers

on a regular basis under the conditions of the customer's maintenance license.

PTF— *See* Program Temporary Fix.

PTP— *See* pass-thru port.

PUT— *See* Program Update Tape.

Q

QSAM— *See* Queued Sequential Access Method.

Queued Sequential Access Method (QSAM)— An extended version of the basic sequential access method (BSAM). When this method is used, a queue is formed of input data blocks that are awaiting processing or output data blocks that have been processed and are awaiting transfer to auxiliary storage or to an output device.

R

RACF— *See* Resource Access Control Facility.

RDC— *See* Remote Diagnostics Center.

Recording Density— The number of bits in a single linear track measured per unit of length of the recording medium.

RECtech— The parameter used to specify recording technique.

RedWood— (1) The program name of the StorageTek transport that supports a helical recording technique. (2) *See* SD-3.

Remote Diagnostics Center (RDC)— The Remote Diagnostics Center at StorageTek. RDC operators can access and test StorageTek systems and software, through telecommunications lines, from remote customer installations. Also referred to as the Central Support Remote Center (CSRC).

Resource Access Control Facility (RACF)— Security software controlling access to data sets.

S

SCP— *See* System Control Program.

scratch tape subpool— A defined subset of all scratch tapes. Subpools are composed of one or more ranges of VOLSERS with similar physical

characteristics (type of volume {reel or cartridge}, reel size, length, physical location, etc.). Some installations may also subdivide their scratch pools by other characteristics, such as label type (AL, SL, NSL, NL).

The purpose of subpooling is to make sure that certain data sets are built only within particular ranges of volumes (for whatever reason the user desires). If a volume which does not belong to the required subpool is mounted for a particular data set, it is dismounted and the mount reissued.

SD-3— The model number of the StorageTek transport that supports a helical recording technique.

SDLT— *See* SuperDLT.

SDLTx— A media type designating an SDLT data cartridge with a capacity of either 125GB or 160GB.

secondary CDS— The optional duplicate copy of the primary CDS.

secondary recording— A technique for recovery involving maintaining both a control data set and a copy (secondary) of the control data set.

SEN — *See* Significant Event Notification.

SER— Software Enhancement Request.

ServiceTek (machine initiated maintenance)— A unique feature of the ACS in which an expert system monitors conditions and performance of subsystems and requests operator attention before a potential problem impacts operations. Customers can set maintenance threshold levels.

servo— A device that uses feedback from a sensing element to control mechanical motion.

Shared Tape Allocation Manager (STAM)— Third-party software by Computer Associates International, Inc.

Significant Event Notification (SEN) — An HSC facility that allows an application to request notification of specific HSC and VTCS events.

Silverton— *See* 4490 Cartridge Subsystem.

SL3000 library— *See* StreamLine (SL3000) library.

SL8500 library— *See* Streamline (SL8500) library.

Small Programming Enhancement (SPE)— A supplement to a released program that can affect several products or components.

SMC— Storage Management Component.

SMF— System Management Facility. An MVS facility used to record system actions which affect system functionality.

SMP— System Modification Program.

SMP/E— *See* System Modification Program Extended.

SMS— Storage Management Subsystem.

SPE— *See* Small Programming Enhancement.

special use cartridge— A generic description for a type of cartridge used on T9840A drives. These include:

- T9840A cleaning cartridge
- T9840A microcode load cartridge
- T9840A dump collection cartridge.

When an attempt is made to mount a special use cartridge, LMU error response code 1012 is generated.

The error code is defined as “load failure for special use cartridge.”

If the error code is received for a special use cleaning cartridge, it is either ejected or marked as unusable, and it is retained in the ACS (depending on the MNTD EJtauto setting). The HSC does not mount unusable cartridges.

spent cleaning cartridge— A cleaning cartridge that has exhausted its cleaning material and can no longer be used to clean tape transports. *See also* over-limit cleaning cartridge.

SSD— Solid state disk.

STAM— *See* Shared Tape Allocation Manager.

Standard— (1) A value that can be specified on the MEDIA parameter and that includes only standard capacity cartridge tapes. (2) *See* Cartridge System Tape.

standard CAP— A standard CAP has a capacity of twenty-one cartridges (three rows of seven cells

each). An LSM access door with a standard CAP contains cell locations for storing cartridges.

See also Cartridge Access Port, enhanced CAP, priority CAP, WolfCreek CAP, WolfCreek optional CAP, or TimberWolf CAP.

standard (4410) LSM— An LSM which provides a storage capacity of up to approximately 6000 cartridges.

standby— The status of a station that has been varied online but is connected to the standby LMU of a dual LMU ACS.

standby CDS— The optional data set that contains only one valid record, the Database Heartbeat (DHB). The DHB contains the names of the control data sets recorded by the HSC and is used to identify the correct primary, secondary, and standby CDS.

standby LMU— The redundant LMU in a dual LMU configuration that is ready to take over in case of a master LMU failure or when the operator issues the SWitch command.

station— A hardware path between the host computer and an LMU over which the HSC and LMU send control information.

STD— (1) A value that can be specified on the MEDia parameter and that includes only standard capacity cartridge tapes. (2) An alias of Standard.

STK1— A generic value that can be specified on the MEDia and RECtech parameters and includes all types of T9840A cartridges and recording techniques.

STK1R— Value that can be specified on the MEDia and RECtech parameters and includes only the specified type of T9840A cartridge or recording technique. STK1R can be abbreviated as R.

STK1U— Value that can be specified on the MEDia parameter and includes the specified types of T9840A, T9840B, and T9840C cleaning cartridges. STK1U can be abbreviated as U.

STK1Y— Value that can be specified on the MEDia parameter and includes only the specified type of T9840D cleaning cartridge. STK1Y can be abbreviated as Y.

STK2— A generic value that can be specified on the MEDia parameter and includes all types of 9940 cartridges and recording techniques.

STK2P— Value that can be specified on the MEDia and RECtech parameters and includes only the specified type of 9940 cartridge or recording technique. STK2P can be abbreviated as P.

STK2W— Value that can be specified on the MEDia parameter and includes only the specified type of 9940 cleaning cartridge. STK2W can be abbreviated as W.

storage class— A named list of storage attributes that identify performance goals and availability requirements for a data set.

storage group— A collection of storage volumes and attributes defined by the storage administrator.

Storage Management Component (SMC)— Required NCS software component that performs the allocation function for NCS, replacing the functions previously performed by HSC and MVS/CSC. The SMC resides on the MVS host with HSC and/or MVS/CSC, and communicates with these products to determine policies, volume locations, and drive ownership.

StreamLine (SL3000) library— A modular library that can scale from 200 to 4500 cartridges in mainframe, Windows, UNIX, and supercomputer environments. The SL3000 utilizes hot swap components and multiple robots.

StreamLine (SL8500) library— A modular library that can scale from 1,500 to over 200,000 cartridges in mainframe, Windows, UNIX, and supercomputer environments. The SL8500 utilizes hot swap components and multiple robots.

StreamLine CAP— The StreamLine CAP contains 3, 13-cell removable magazines. You can also add an optional CAP that has the same configuration.

SuperDLT— The next generation of DLT (Digital Linear Tape) products, which remains a standard for mid-range operating systems.

switchover— The assumption of master LMU functionality by the standby LMU.

SYNCSORT— Third-party software by Syncsort, Inc.; a sort, merge, copy utility program.

System Control Program— The general term to describe a program which controls access to system resources, and allocates those resources among executing tasks.

system-managed storage— Storage that is managed by the Storage Management Subsystem, which attempts to deliver required services for availability, performance, space, and security applications.

System Modification Program Extended— An IBM-licensed program used to install software and software maintenance.

T

T10000 Tape Drive— A cartridge tape drive that features a 500GB (T10000A) or 1TB (T10000B) cartridge capacity and data transfer rates up to 120MB/sec. In addition, the T10000 offers media reusability for at least two generations and device-based encryption.

tape cartridge— A container holding magnetic tape that can be processed without separating it from the container.

tape drive— A device that is used for moving magnetic tape and includes the mechanisms for writing and reading data to and from the tape.

tape unit— A device that contains tape drives and their associated power supplies and electronics.

TAPEREQ— An SMC control statement that is contained in the definition data set specified by the TREQDEF command. A TAPEREQ statement defines a specific tape request. It is divided into two parts, the input: job name, step name, program name, data set name, expiration date or retention period, and an indication for specific requests or nonspecific (scratch) requests; and the output: media type and recording technique capabilities.

TDMF™— Transparent Data Migration Facility. A product from Softek Storage Solutions Corp. that allows two disk devices to be non-disruptively swapped with each other.

Timberline— *See* 9490 Cartridge Subsystem.

Timberline EE— *See* 9490EE Cartridge Subsystem.

TimberWolf (9740) LSM— A high performance LSM that provides a storage capacity of up to 494 cartridges. Up to 10 drives (STD, 4490, 9490, 9490EE, T9840A, and SD-3) can be configured. TimberWolf LSMs can only attach to other TimberWolfs.

TimberWolf CAP— The TimberWolf CAP contains either a 10-cell removable magazine or a 14-cell permanent rack. It is not necessary to define a configuration; the HSC receives CAP information directly from the LMU.

See also Cartridge Access Port, standard CAP, enhanced CAP, priority CAP, WolfCreek CAP, or WolfCreek optional CAP.

TP— Tape-to-Print.

transaction— A short series of actions with the control data set. These actions are usually related to a specific function (e.g., Mount, ENter).

transport— An electromechanical device capable of threading tape from a cartridge, moving the tape across a read/write head, and writing data onto or reading data from the tape.

TREQDEF— An SMC command that is used to load the definition data set that contains TAPEREQ control statements.

Tri-Optic label— An external label attached to the spine of a cartridge that is both human and machine readable.

TT— Tape-to-Tape.

U

unit affinity— A request that all cartridges be mounted on a single drive (either for read or write purposes), usually to reduce the number of drives needed for a job.

unit parameter value— A JCL term meaning the value of a JCL UNIT parameter. The value can be a single address of a drive, an esoteric list, or a generic list.

UNITATTR— An SMC control statement that defines the transport’s media type and recording technique capabilities.

utilities— Utility programs. The programs that allow an operator to manage the resources of the library and to monitor overall library performance.

V

VAR— *See* Volume Attribute Record.

VAT— *See* Volume Attribute Table Entry.

Virtual Storage Manager (VSM)— A storage solution that virtualizes volumes and transports in a VTSS buffer in order to improve media and transport use.

Virtual Tape Control System (VTCS)— The primary host code for the Virtual Storage Manager (VSM) solution. This code operates in a separate address space, but communicates closely with HSC.

Virtual Tape Storage Subsystem (VTSS)— The DASD buffer containing virtual volumes (VTVs) and virtual drives (VTDs). The VTSS is a StorageTek RAID 6 hardware device with microcode that enables transport emulation. The RAID device can read and write “tape” data from/to disk, and can read and write the data from/to a real tape drive (RTD).

virtual thumbwheel— An HSC feature that allows read-only access to a volume that is not physically write-protected.

VOLATTR— An HSC control statement that is contained in the definition data set specified by the VOLDEF command. A VOLATTR statement defines to the HSC the media type and recording technique of the specified volumes.

VOLDEF— An HSC command that is used to load the definition data set that contains VOLATTR control statements.

VOLSER— A six-character alphanumeric label used to identify a tape volume.

volume— A data carrier that is mounted or dismounted as a unit. (*See* cartridge).

Volume Attribute Record (VAR)— An HSC internal record that contains the data base-resident information of a cartridge entered into the library.

Volume Attribute Table Entry (VAT)— An HSC internal table that contains entries to the intransit record token and the Volume Attribute Record (VAR). The VAT is used as the communications area for internal service calls.

W

WolfCreek (9360) LSM— A smaller capacity high-performance LSM. WolfCreek LSMs are available in 500, 750, and 1000 cartridge capacities (model numbers 9360-050, 9360-075, and 9360-100, respectively). WolfCreek LSMs can be connected by pass-thru ports to 4410, 9310, or other WolfCreek LSMs.

WolfCreek CAP— The standard WolfCreek CAP contains a 20-cell magazine-style CAP and a priority CAP (PCAP).

See also Cartridge Access Port, standard CAP, enhanced CAP, priority CAP, WolfCreek optional CAP, or TimberWolf CAP.

WolfCreek optional CAP— The WolfCreek optional CAP contains a 30-cell magazine-style CAP which is added to the standard WolfCreek CAP.

See also Cartridge Access Port, standard CAP, enhanced CAP, priority CAP, WolfCreek CAP, or TimberWolf CAP.

Write Tape Mark (WTM)— The operation performed to record a special magnetic mark on tape. The mark identifies a specific location on the tape.

WTM— *See* Write Tape Mark.

WTO— Write-to-Operator.

WTOR— Write-to-Operator with reply.

Z

ZCART— (1) Cartridge system tape with a length of 2200 feet that can be used only with 9490EE Cartridge Drives. (2) A value that can be specified on the MEDIA parameter and that includes only 36-track 9490EE cartridge system tapes. (3) *See also* Extended Enhanced Tape.

Symbols

μ-software— Microprogram. A sequence of microinstructions used to perform preplanned functions and implement machine instructions.

Numerics

18-track— A recording technique that uses 18 tracks on the tape. The tape is written in only the forward motion.

18track— A generic value that can be specified on the RECtech parameter and includes all 18-track transports.

3480— (1) A value that can be specified on the MEDia parameter and that includes only standard capacity cartridge tapes. (2) An alias of Standard.

3480X— The 3480 upgrade that supports ICRC.

3490— The IBM cartridge drive that replaced the 3480X and supports ICRC but not 36-track or long tape. It is equivalent to the IBM 3480X.

3490E— (1) The IBM cartridge drive that replaced the 3490 and supports ICRC, 36-track, and long tape. It reads 18-track but does not write 18-track. (2) A value that can be specified on the MEDia parameter and that includes only enhanced capacity cartridge system tapes. (3) An alias of ECART.

3590— The IBM cartridge drive that supports 128-track recording and holds 10GB of uncompressed data. It has the same form factor as a 3490E.

36-track— A recording technique that uses 36 tracks on the tape. 18 tracks of data are written in the forward motion and then an additional 18 tracks in the backward motion for a total of 36.

36track— A generic value that can be specified on the RECtech parameter and includes all 36-track transports.

36Atrack— A value that can be specified on the RECtech parameter and includes only 4490 (Silverton) 36-track transports.

36Btrack— A value that can be specified on the RECtech parameter and includes only 9490 (Timberline) 36-track transports.

36Ctrack— A value that can be specified on the RECtech parameter and includes only 9490EE (Timberline EE) transports.

4410 LSM— *See* standard LSM.

4480 Cartridge Subsystem— Cartridge tape transports that provide read/write capability for 18-track recording format. The StorageTek 4480 Cartridge Subsystem is equivalent to a 3480 device.

4490 Cartridge Subsystem— Cartridge tape transports that provide read/write capability for 36-track recording format and extended capacity tape. 4490 transports can also read data recorded in 18-track format. The StorageTek 4490 Cartridge Subsystem is equivalent to a 3490E device.

3000 library— *See* StreamLine (SL3000) library.

8500 library— *See* StreamLine (SL8500) library.

9310 LSM— *See* PowderHorn LSM.

9360 LSM— *See* WolfCreek LSM.

9490 Cartridge Subsystem— Cartridge tape transports that provide read/write capability for 36-track recording format and extended capacity tape and provide improved performance over the 4490 Cartridge Subsystem. 9490 transports can also read data recorded in 18-track format. The StorageTek 9490 Cartridge Subsystem offers better performance (faster data transfer rate, faster load/unload) than a 3490E device.

9490EE Cartridge Subsystem— A high-performance tape transport that provides read/write capability for Extended Enhanced tape (EETape) cartridges. It is functionally equivalent to the IBM 3490E device.

9740 LSM— *See* TimberWolf LSM.

T9840A Cartridge Subsystem— A high performance tape transport for enterprise and open systems environments that reads and writes T9840A cartridges. T9840As can be defined in 10-drive and 20-drive panel configurations. The T9840A can perform as a standalone subsystem with a cartridge scratch loader attached, or it can be attached to a StorageTek ACS.

T9840B—The StorageTek cartridge transport that reads and writes T9840B cartridges.

T9840C— The StorageTek cartridge transport that reads and writes T9840C cartridges.

T9840D— The StorageTek cartridge transport that reads and writes T9840D cartridges

T9940A— The StorageTek capacity-centric cartridge transport capable of reading and writing 60GB T9940A cartridges.

T9940B— The StorageTek capacity-centric cartridge transport capable of reading and writing 200GB T9940B cartridges.

Index

Numerics

- 4480 Cartridge Subsystem, defined 1061
- 4490 Cartridge Subsystem, defined 1061
- 9490 Cartridge Subsystem, defined 1061
- 9490EE Cartridge Subsystem, defined 1061

A

- ABEND dumps 373
- abends, Fault Analyzer-related 408
- access method, defined 1047
- ACS *See* Automated Cartridge System
- ACSid, defined 1047
- Activities Report utility
 - description 174
 - JCL
 - example 177
 - requirements 176
 - load module 168
 - output description
 - ACS section of report, description 182
 - move section of report, description 178
 - usage notes for ACS section of report 183
 - usage notes for move section of report 181
 - parameters 175
 - BEGIN 175
 - END 175
 - TODAY 175
 - performance considerations 387
 - syntax 174, 633
- adding a new SL8500 to the left of an existing SL8500 592
- adding a new SL8500 to the right of an existing SL8500 593
- adding and configuring SL8500s 591
- adding new stations to an ACS 64
- adding SL3000 expansion panels 588
- adding SL8500 expansion panels 587
- adding tape drives, dynamic hardware reconfiguration 583
- adding volumes to the CDS scratch list 143
- advantages of using View command 396

- allocated CAP, releasing 50
- allocation
 - ASM2 409
 - common allocation 22
 - control data set 85
 - device preferencing 34
 - GRS and MII 419
 - in remote-linked libraries 1045
 - MIM 409
 - of CDS 54
 - remote-linked libraries 1045
 - SMC 22
- Allocation (ALLOC) command and control statement 641
- allocation, defined 1047
- ALLOCDef SMC command, setting to ON, performance consideration 401
- analyzing library resource loading 174
- API functions
 - DISMOUNT 826
 - EJECT 829
 - MOUNT 833
 - MOVE 846
 - QCAP 849
 - QCONFIG 852
 - QDRIVES 854
 - QDRLIST 856
 - QDSN 870
 - QEJECT 872
 - QHSC 874
 - QSCRATCH 875
 - QVOLUME 886
 - READ 888
 - RESET 890
 - SCRATCH 892
 - SELSCR 894
 - STOP 907
 - UNSCRATCH 909
- archiving, stopping 400
- ASM2 409
- AUDI utility
 - action permitted during 187
 - description 185
 - function 187

- JCL
 - examples 198
 - requirements 197
- output description 200
- parameters
 - ACS 189
 - ALL 189
 - APPLY 189
 - CAP 195
 - COLumn 193
 - DIAGScan 197
 - EMPTYCel 196
 - INTRANs 197
 - LSM 190
 - PANel 190
 - ROW 191
- reconciling CDS in remote-linked libraries 1045
- syntax 189, 633
- using effectively 404
- auditing the SL3000 after expansion, dynamic hardware reconfiguration 599
- auditing the SL8500 after expansion, dynamic hardware reconfiguration 589
- authorization to use utility functions 168
- Automated Cartridge System (ACS)
 - HSC interaction with 6
 - library identification 615
 - mount of cartridges 6
 - new stations, adding 64
 - overview 1
 - robotics motion logging 763
 - statistics in Activities Report utility 182
- Automated Cartridge System (ACS), defined 1047
- automated tape transport cleaning 39
- automatic recognition of configuration changes 601
- automatic update from 4410 to 9310 LSM 601
- reasons for running 202
- reconciling CDS in remote-linked libraries 1046
- related utilities 214
- restarting 214
- running before invoking Set utility 325
- syntax 205, 634
- backup, CDS 143, 202
- backup, point-in-time 144
- balancing
 - library workload 403
 - scratch volumes in LSM 144, 389
 - volumes across an ACS 307
- Base service level
 - description 18
 - starting 21, 140
- Batch Application Program Interface (API)
 - overview 963
 - QCDS request
 - addresses and registers 964
 - function 963
 - invoking 963
 - output description 978
 - programming considerations 967
 - return codes 967
 - sample requests 969
 - syntax 964
 - SLSUREQM mapping macro 979
 - SLUVADAT, Flat File ACS/LSM Information DSECT 723
 - SLUVCDAT, Flat File Static Configuration Data DSECT 731
 - SLUVHDAT, Flat File Host Information DSECT 734
 - SLUVIDAT, Flat File CDS Information DSECT 737
 - SLUVSDAT, Flat File ACS Station Address DSECT 740
 - SLUVVDAT, Flat File Volume Data DSECT 742
- BDAM, defined 1047
- BSAM, defined 1047

B

- backup failure 214
- BACKUp utility
 - condition codes 211
 - description 202
 - function 202, 203
 - independent processing for CDSs, special considerations for 204
- JCL
 - examples 209
 - requirements 208
- load modules for utility commands 168
- output description 211
- parameters
 - CDS 206
 - OPTion 207
- performing backups, procedure 204

C

- CA-ASM2 409
- CAP Preference (CAPPref) command and control statement 641
- CAP *See* Cartridge Access Port
- CAPid, defined 1048
- CAPid, syntax requirements 616
- CAPPref command 59
- cartridge
 - defined 1048
 - ECART, defined 1050
 - over-limit cleaning cartridge, defined 1055
 - over-use cleaning cartridge, defined 1055
 - recovery 379
 - special use cartridge, defined 1057
 - spent cleaning cartridge, defined 1057
 - ZCART, defined 1060

- Cartridge Access Port (CAP)
 - automatic and manual operating mode 59
 - automatic mode 59
 - controlling CAP operating mode 59
 - defined 1048
 - ejecting cartridges through closest 400
 - exception processing 49
 - ID (syntax identifier) 615
 - manual mode 59
 - mode considerations 49
 - offline mode 59
 - online mode 59
 - operating mode, controlling 58
 - preference command 390
 - processing functions 48
 - releasing allocated 48
 - run-time recognition of 9740 configuration 601
 - setting CAP preference 401
 - standard, defined 1057
 - TimberWolf, defined 1059
 - types available 1
 - WolfCreek optional, defined 1060
 - WolfCreek, defined 1060
- Cartridge Drive (CD), defined 1048
- Cartridge Scratch Loader (CSL), defined 1048
- cartridges
 - automated dismount of 7
 - automated mount of 6
 - CAP exception processing 49
 - dismount processing 36
 - EJECT utility 232
 - ejecting from an ACS 48
 - ejecting through closest CAP 400
 - entering
 - in advance of mount message 402
 - into the library 48
 - loading
 - for later use in a newly installed LSM 397
 - immediate use in newly installed LSM 397
 - into library 397
 - mount processing for specific volumes 34
 - mount/dismount functions 34
 - movement statistics in Activities Report utility 178
 - movement, reasons for 350
 - moving within library 45
 - nearing end of life 398
 - read-only access using virtual thumbwheel function 37
 - redistributing during off-peak times 401
 - removing from library 49
 - scratch mount processing 35
 - volume/cell control functions 45
- CD *See* Cartridge Drive
- CDS *See* control data set
- CDS Disable command 55
- CDS Enable command 55
- CDS *See* control data set
- CDSDEF command and control statement
 - control information provided by 85
 - example 87
 - JRNDEF requirement for journaling 85
 - overview 85
 - parameters
 - DISABLE 87
 - DSNx 86
 - UNITx 87
 - VOLx 86
 - syntax 87, 629
- changing communications services 75
- changing panels 604
- changing the HSC library configuration 261
- changing unit addresses for tape drives, dynamic hardware reconfiguration 586
- changing/setting library configuration information 145, 323
- channel extender devices 1045
- CLean command 642
- cleaning cartridges
 - identifying 40
 - limits on use 41
 - managing 43
 - managing over-limit 42
 - managing over-use 42
 - spent 42
- cleaning media and drive compatibility 41
- cleaning tape transports (automated and manual) 39
- clearing a scratch list 144, 321
- comma separated values (CSV)
 - requesting output 148
 - SLUADMIN output 148
- command functions 57
- commands
 - CAP Preference 390
 - execution at base and full service levels 17
 - library identification 615
 - scratch parameters 389
 - specifying a CAPid 616
 - Switch command for dual LMU switchover 62
 - View command 395
 - XML tags 150
- common allocation, SMC 22
- COMMPath command 77
- communications
 - changing 75
 - defining 75
 - displaying current status 76
 - functions 74
 - host-to-host services 74
 - paths, switching 77
 - services (software requirements) 77

- software requirements 77
 - switching 77
 - types, description 74
 - Communications path (COMMPATH) command and control statement 642
 - communications services 74
 - components of the HSC 4
 - concurrent audit utilities 188
 - configuring remote-linked libraries 1040
 - connected mode, defined 1048
 - connections, dynamic LMU to TCP/IP addresses 66
 - consolidating multiple libraries and CDSs 260
 - continuation, control statements 84, 100, 622
 - control blocks for LIST command 376
 - control components of HSC 4
 - Control Data Set (CDS)
 - allocation map, defined 1048
 - data blocks, defined 1048
 - defined 1048
 - directory, defined 1048
 - free blocks, defined 1048
 - pointer blocks, defined 1048
 - recovery area, defined 1049
 - subfile, defined 1049
 - control data set (CDS)
 - allocation by user 54
 - database heartbeat record 54
 - defining secondary and standby 394
 - dynamic enable/disable by user 54
 - expanding 606
 - HSC performance and sharing in multiple library complex 411
 - integrity, remote-linked libraries 1046
 - library identification 615
 - maintenance of 173
 - merging 260
 - performing Set utility operations on 325
 - primary, defined 52
 - reassigning CDS names in database heartbeat record 54
 - reconfiguration 280, 284
 - recovery 52, 379
 - relocating 606
 - rename procedure 56
 - renaming 606
 - resolving issues after remote-link failure 1046
 - serializing 410
 - standby, defined 52
 - swapping 609
 - user control 53
 - using multiple copies 600
 - control data sets, renaming 56
 - control of HSC functions 11
 - control statement continuation conventions 84, 100, 622
 - control statements
 - CDS definition (CDSDEF) 85
 - continuation 84, 100, 622
 - EXECParam 88
 - Journal definition (JRNDEF) 90
 - LMU Path (LMUPATH) 101
 - LMUPDEF 105
 - maximum length 147, 232, 320
 - OPTion TITLE 108
 - Reconfiguration definition (RECDEF) 92
 - Scratch Subpool (SCRPOOL) 94
 - Scratch Subpool Definition (SCRPDEF) 110
 - specifying a CAPid 616
 - syntax conventions 146
 - Tape Request (TAPEREQ) 113
 - Tape request definition (TREQDEF) 113
 - Unit attribute (UNITATTR) 113
 - Unit attribute definition (UNITDEF) 113
 - Volume attribute (VOLATTR) 114
 - Volume attribute definition (VOLDEF) 127
 - Control Unit (CU), defined 1049
 - controlling initialization processing for utilities (SLUADMIN program) 147
 - controlling scratch volume activity 94
 - controlling the LSM operating mode 58
 - CONTROL-T Tape Management System 419
 - conventions
 - control statement 622
 - control statement syntax 146
 - utility syntax 146
 - copy CDS (with rename) 56
 - COUNT parameter 826, 830, 850, 873, 887, 896, 908
 - crashing test systems, avoiding 402
 - creating a new HSC configuration 261
 - creating utility reports 171
 - CST, defined 1049
 - CSV *See* comma separated values
 - CU *See* Control Unit
- ## D
- Data Facility Hierarchical Storage Manager (DFHSM) 407
 - data space considerations, Scratch Conversion utility 296
 - Database Decompile utility
 - description 215
 - function 215
 - JCL
 - example 216
 - requirements 216
 - load library restriction 215
 - output description 217
 - prerequisites 215

- reasons for running 215
- syntax 216, 634
- Database Heartbeat (DHB) record
 - reassigning CDS names in 54
 - reassigning CDSs using BACKUp/REStore 55
 - reassigning CDSs using CDS Enable/Disable 55
 - renaming CDSs 56
- Database Heartbeat (DHB) record, defined 1049
- DD statements, descriptions for START PROC 135
- decompile the control data set 215
- defining
 - communications between hosts 75
 - journal data set names at initialization 90
 - new CDSs for reconfiguration 92
 - new configuration to avoid future reconfiguration 603
 - planned ACSs with no stations 603
 - planned drives 604
 - scratch subpools 46
 - tape request attributes (TAPEREQ) 113
 - unit attributes (UNITATTR) 113
 - volume attributes (VOLATTR) 114
- definition data set control statements
 - LMU path (LMUPATH) 101
 - LMU path definition (LMUPDEF) 105
 - Option Title 108
 - overview 79
 - Scratch subpool (SCRPDEF) 110
 - summary descriptions 99
 - Tape request (TAPEREQ) 113
 - Tape request definition (TREQDEF) 113
 - Unit attribute (UNITATTR) 113
 - Unit attribute definition (UNITDEF) 113
 - Volume attribute (VOLATTR) 114
 - Volume attribute definition (VOLDEF) 127
- deleting volumes in a CDS scratch list 144
- device group, defined 1050
- device number, defined 1050
- DFHSM (Data Facility Hierarchical Storage Manager) 407
- DFP (Data Facility Product), defined 1050
- DFSMS
 - ACS routine, defined 1050
 - defined 1050
- DFSMSrmm, scratch subpools 407
- diagnostic commands, HSC 656
- diagnostic materials, gathering for service 383
- diagnostics
 - error recording data set records 374
 - overview 373
 - program dumps 373
- Dialog parameter 651
- directed allocation, defined 1050
- Directory Rebuild utility
 - description 230
 - function 230
 - JCL example 231
 - JCL requirements 231
 - output description 231
 - prerequisites 230
 - reasons for running 230
 - syntax 230, 634
- disabling user exits 58
- disconnected mode, defined 1050
- dismount
 - functions 34
 - of cartridges 7
 - processing 36
- DISMOUNT command 642
- DISMOUNT request, PGMI 826
- Display command 375, 378
- Display SEN command 799
- DOMed, defined 1050
- DRAin CAP command 648
- Drive 22
 - drive encryption
 - T10000 tape drive 28
 - T9840D drive 28
 - drive exclusion, defined 1050
 - drive loaded, defined 1050
 - drive panel, defined 1050
 - DRIVE parameter 834
 - drive prioritization, defined 1050
 - DRIVEid, defined 1050
 - drives, defining nonexistent (planned) 604
- dual IP connection 486
- dual IP connections 559
- dual LMU
 - description 62
 - environment 10
 - master LMU failure 62
 - operator control 62
 - results of LMU switch 63
 - standby, LMU failure 62
 - Switch command 62
 - switchover messages 63
- dual LMU, defined 1050
- dump
 - defined 1050
 - program 373
- Dynamic Device Reconfiguration (DDR), defined 1050
- dynamic hardware reconfiguration
 - adding a new SL8500 to the left of an existing SL8500 592
 - adding a new SL8500 to the right of an existing SL8500 593

- adding and configuring SL8500s 591
- adding tape drives 583
- adding/removing expansion panels 587, 588
- auditing the SL3000 after expansion 599
- auditing the SL8500 after expansion 589
- changing unit addresses for tape drives 586
- MODify CONFIG command 582
- modifying the HSC configuration using MERGEcds, new SL8500 added to the right 595
- modifying the HSC configuration using MODify CONFIG, new SL8500 added to the right 593
- modifying the HSC configuration, new SL8500 added to the left of an existing SL8500 592
- overview 51
- removing tape drives 584
- replacing tape drives 585
- requirements and recommendations 582
- starting 582

dynamic LMU connection 66

E

- ECART, defined 1050
- ECCST, defined 1051
- Eject Cartridge utility
 - description 232
 - JCL
 - examples 244
 - requirements 243
 - output description 245
 - parameters
 - CAP 242
 - MEDIA 235
 - RECtech 238
 - SCRTCH 234
 - SEQ 234
 - SUBpool 234
 - VOLCNT 234
 - VOLser 233
 - WAITcap 234, 241
 - syntax 233, 634
- eject cartridges
 - from an ACS 232
 - from the library 144
- EJect command 648
- EJect parameter 648
- EJECT request, PGMI 829
- eject, defined 1051
- ejecting cartridges
 - from the library 48
 - through closest CAP, performance consideration 400
- EJLimit parameter 651
- eligible device list, defined 1051
- eligible devices, how HSC and MVS determine 24

- enabling scratch subpools 46
- enabling user exits 58
- encryption
 - T10000 drive 28
 - T9840D drive 28
- Enhanced CAP (ECAP), defined 1051
- Enhanced Capacity Cartridge System Tape (ECCST), defined 1051
- ENTdup parameter 651
- ENter command 48, 649
- ENter parameter 648
- entering cartridges into the library 246
- Error Recording Data Set (ERDS) 373
- esoteric, defined 1051
- ETAPE, defined 1051
- event history, GTF tracing 373
- event notification 781
- examples
 - Activities Report utility 177
 - Activities Report, JCL to produce 177
 - adding new stations to an ACS 64
 - Audit utility 198
 - backup
 - primary CDS without journals, JCL 211
 - primary/secondary CDS with journals, JCL 210
 - running, JCL 209
 - CDSDEF control statement 87
 - clear scratch lists in the CDS, JCL to 321
 - Database Decompil utility 216
 - defining partitioned PARMLIB data sets 81
 - defining sequential PARMLIB data sets 81
 - Directory Rebuild utility 231
 - eject
 - five SD-3 scratch cartridges, JCL to 245
 - several volumes (with CAPid), JCL to 244
 - single standard scratch cartridge, JCL to 244
 - single volume, JCL to 244
 - Execparm control statement 89
 - initialize
 - cartridge 253
 - cartridge with TMS 4.9/5.0, JCL to 254
 - cartridge with TMS 5.1/5.2, JCL to 254
 - Journal Offload utility 258
 - JRNDEF command and control statement 91
 - LMUPDEF command and control statement 107
 - MERGEcds utility 267
 - Mount command with Readonly operand 38
 - Move utility 275
 - obtain control statements, JCL to 291
 - offload of journals, JCL for 258
 - Option Title control statement 108
 - options for report headings, JCL using 172
 - Performance Log Reblocker utility 277
 - PROC for START command 133

- produce Volume Report comparing VAR/VOLATTR, JCL to 364
- produce Volume Report using work files and scratch subpools, JCL to 364
- RECDEF control statement 93
- Reconfiguration utility 286
- replace utility 321
- scratch, JCL for update and activities report 146
- SCRPDEF command and control statement 112
- selective audit
 - 1 ACS, 2 LSMs w/CAPid, JCL for 198
 - with panel/discrepancy list, JCL for 199
- Set utility 344
- START PROC 133
- UNITDEF command and control statement 113
- unscratch cartridges, JCL to 321
- VOLATTR control statement 126
- VOLDEF control statement 107, 129
- Volume Report, JCL used for work files and scratch subpools 363

EXECParM control statement

- example 89
- overview 88
- parameters
 - Eid 88
 - Fid 89
 - HOSTID 89
 - MSGPRFX 88
- syntax 88, 629

Execute 786, 821

execute form, SLSXREQ macro 786, 821

expanding a CDS 606

Extended Enhanced Tape (EETape), defined 1051

ExtendedStore, Library, defined 1051

external components, HSC 4

F

- Fault Analyzer for z/OS, influence on NCS 408
- FDRPAS, defined 1051
- Float parameter 650
- freeze panel considerations
 - AUDIt utility 188
 - MERGEcds utility 261
 - MOVE utility 269
 - PGMI MOVE request 846
 - Reconfiguration utility 281
 - Scratch Redistribution utility 307
 - Volume Report utility 368
- freeze panel parameters
 - OFF 333
 - ON 333
- freezing a panel 604
- freezing an LSM or panel 333

- Full service level
 - description 18
 - starting HSC at 140
- functions
 - authorization 168
 - CAP processing 48
 - command 57
 - common recovery 606
 - configuration 17
 - control of HSC 16
 - host-to-host communication 74
 - HSC automatic 16
 - installation 17
 - mount and dismount 34
 - operable with base service level 18
 - operable with full service level 18
 - overview, HSC 15
 - primary utility 143
 - server functions 62
 - server, description 62
 - utilities, description 61
 - volume/cell control 45

G

- Generalized TRace Facility (GTF)
 - event and format IDs, specifying 88
 - LIBGEN macros from a CDS 215
 - scratch transactions from tape management systems 144
 - tracing 373
- Generation Data Groups (GDG) separation, defined 1052
- Global Resource Sharing (GRS) 419
- GRS serialization 410
- GRS serialization, considerations 412

H

- hardware, dynamic reconfiguration 51
- Helical, defined 1052
- high performance host-to-host communications method 393
- history, event (GTF tracing) 373
- Host Software Component (HSC)
 - ACS interaction with 6
 - ACS overview 1
 - architecture 4
 - batch utilities external component 4
 - operation command component 4
 - programmatic interface external component 5
 - automatic functions 16
 - base service level, starting 21
 - CAP processing 48
 - CDS performance and sharing in a multiple library complex 411
 - common allocation 24
 - common components 4

- control components 4
- control statements 629
- controls of functions
 - HSC control statements 11
 - macros 11
 - utilities 11
- creating a new configuration 261
- defined 1052
- defining
 - communications 75
 - defining CDSs at initialization 85
 - journal data set names at initialization 90
- description 1
- device preferencing 34
- diagnostic commands 656
 - Display 378
 - Llist 375
- dismount processing 36
- external components 4
- functions 3
- HSC/LMU software combinations 63
- initializing under the master subsystem 139
- initializing with SMC 17
- interaction with MVS to select devices 24
- mixing media types and recording techniques 24
- mount processing for specific volumes 34
- multiple library considerations 411
- operator commands
 - ALLOC 641
 - CAPPref 641
 - CDs 641
 - Clean 642
 - COMMPath 642
 - DISMount 642
 - DRAin 648
 - Eject 648
 - ENter 649
 - Journal 649
 - MNTD 650
 - MODify 649
 - MONITOR 649
 - MOUNT 650
 - MOVE 651
 - OPTion 651
 - RECover 652
 - RELease 652
 - SCRAtch 652
 - SRVlev 652
 - STOPMN 652
 - SWitch 653
 - TRace 653
 - TRACELKP 653
 - UEXIT 631, 654
 - UNSCRatch 653
 - Vary 654
 - VIew 655
 - Warn 655
- overview 15
- preinitializing as an MVS subsystem 138
- reconfiguration 280, 284
- relationship with SMC 1
- RESERVEs, converting to global enqueues 414
- RESERVEs, converting to global enqueues in a GRS environment 418
- RESERVEs, leaving in a GRS environment 415
- RESERVEs, leaving in an MIM/MII environment 416
- RESERVEs, maintaining 412, 413
- scratch
 - mount processing 35
 - threshold task, restart 47
- serializing CDSs 410
- server components 4
- service level
 - base 18
 - displaying 21
 - full 18
 - setting 21
- SMC requirement 135
- START procedure, creating 130
- starting
 - at base service level 140
 - at full service level 140
 - execution of 130
 - using the SSYS parameter 139
 - with PARM=INIT 138
- subsystem components 4
- support for SL8500 Near Continuous Operation 579
- support for the SL3000 library 515
- support for the SL8500 library 421
- swap processing 35
- switching communications paths 77
- tape transport cleaning 39
- thumbwheel (virtual) support 37
- user exits 12
- virtual thumbwheel support 37
- host system, defined 1052
- HOSTID parameter 827, 835, 851, 855, 858, 873, 890, 896, 908
- HOSTid, defined 1052
- HOSTID, syntax identifier and requirements 615
- host-to-host communication
 - control data set information passed 74
 - defining 75
 - description 74
 - designating COMMPath parameters 393
 - function 393
 - services, types of 74
 - setting high-performance method 393
 - software requirements 77
 - switching 77
 - VTAM recommendation 393
- HSC *See* Host Software Component

I

- identifying the definition data sets 99
- IEFSSNxx member 139
- implementing scratch subpool user exits 46
- Important 558
- Improved Cartridge Recording Capability (ICRC), defined 1052
- Index, defined 1052
- INISH deck, defined 1052
- Initial Microprogram Load (IML), defined 1052
- Initial Program Load (IPL), defined 1052
- initial value, defined 1053
- initialization/termination functions 17
- Initialize Cartridge utility
 - description 246
 - function 247
 - JCL examples 253
 - JCL requirements 251
 - output description 255
 - parameters
 - CAP 249
 - CNTLDD 251
 - OPTion 251
 - PROGram 250
 - VERIFY 251
 - syntax 249, 635
- initializing HSC and SMC 17
- input stack, defined 1053
- installation
 - base service level 140
 - example START command proc 133
 - full service, start 140
 - functions 17
 - issuing the START command 137
 - parameters for START command 130
 - proc for START command 130
- Installation Verification Programs (IVP), defined 1053
- interaction between the HSC and the ACS 6
- inventory cartridges in the library 144
- IP connections
 - dual 486, 559
 - multiple 505
 - multiple Redundant Electronics 507

J

- Job Control Language (JCL)
 - AUDIt utility 198
 - BACKup utility 209
 - Database Decompil utility 217
 - defined 1053
 - Directory Rebuild utility 231

- EJECT Cartridge utility 244
- example of running a copy backup 210
- Initialize Cartridge utility 253
- Journal Offload utility 258
- MERGEcds utility 267
- MOVE utility 275
- Reconfiguration utility 286
- RESTore utility 291
- Scratch Conversion utility 303
- Scratch Redistribution utility 317
- Scratch update utilities 321
- SET utility 344
- SLUADMIN utility 147
- UNSElect utility 347
- utility sample 146
- Volume Report 363

- Journal command 649
- Journal Offload utility
 - description 257
 - JCL
 - example 258
 - requirements 257
 - load module 169
 - output description 258
 - SPACE parameter in JCL 258
 - syntax 257, 635
- journaling, defined 1053
- journals
 - applying when restoring CDS 287
 - defining at initialization 90
- JRNDEF command and control statement
 - example 91
 - overview 90
 - parameters
 - DSNx 90
 - FULL 91
 - HOSTID 91
 - UNITx 91
 - VOLx 91
 - syntax 90, 629

K

- keyword parameter, defined 1053

L

- label descriptions for devices, output LIBGEN 144, 217
- LAN, defined 1053
- LC *See* Library Controller
- LCU *See* Library Control Unit
- LIBGEN
 - creating with SLUDBMAP 216
 - defined 1053
 - label descriptions for devices 217

- macros
 - SLIACS 625
 - SLIALIST 625
 - SLIDLIST 625
 - SLIDRIVS 625
 - SLIENDGN 626
 - SLLIBRY 626
 - SLILSM 627
 - SLIRCVRY 627
 - SLISTATN 628
- reconstructing 65
- library
 - activity, effect on performance 385
 - analyzing resource loading 174
 - balancing workload 403
 - defined 1053
 - loading cartridges into 397
 - monitoring activity and performance 387
 - monitoring cartridges nearing end of life 398
 - multiple HSC library complexes, serializing 411
 - operator commands
 - ALLOC 641
 - CAPPref 641
 - CDs 641
 - CLea 642
 - COMMPath 642
 - DISMoun 642
 - DRAin 648
 - EJect 648
 - ENter 649
 - Journal 649
 - MNTD 650
 - MODify 649
 - MONITOR 649
 - MOUNT 650
 - MOVE 651
 - OPTion 651
 - RECover 652
 - RELease 652
 - SCRAtch 652
 - SENter 652
 - SRVlev 652
 - STOPMN 652
 - SWitch 653
 - TRace 653
 - TRACELKP 653
 - UEXIT 631, 654
 - UNSCRatch 653
 - Vary 654
 - View 655
 - Warn 655
 - performance, View command 395
 - reducing scheduling contention 402
 - SET SMF 390
 - Switch command 63
- Library Control Unit (LCU), defined 1053
- Library Controller (LC), defining network attachments 101
- Library Management Unit (LMU)
 - defined 1053
 - dual functionality description 62
 - dual LMU environment 10
 - dynamic network connections to TCP/IP 66
 - HSC/LMU software combinations 63
 - LMU LAN interface error codes (0501-0512) 775
 - master LMU failure 62
 - operator control of dual 62
 - response codes 771
 - results of LMU switch 62
 - server functions 62
 - standby LMU failure 62
 - standby, defined 1058
 - switchover messages 63
- library modifications
 - reconfiguration
 - PROC 284
 - utility 280
 - START reconfiguration command 285
- library scheduling contention, reducing 403
- Library Storage Module (LSM)
 - automatic mode 58
 - automatic update from 4410 to 9310 601
 - controlling operating mode 58
 - defined 1053
 - hardware error codes (0801-0809) 778
 - logical error codes (0901-0977) 778
 - manual mode 58
 - models available 1
 - newly installed, loading cartridges for immediate use 397
 - newly installed, loading cartridges for later use 397
 - number, defined 1054
 - numbering for multiple SL8500s 591
 - robotic error codes (0701-0718) 777
 - standard (4410), defined 1058
 - TimberWolf (9740), defined 1059
 - using as a scratch loader in mixed ACS 405
 - using the View command to inspect LSM interior components
 - 59
 - WolfCreek (9360), defined 1060
- library utilities, overview 143
- List command 375
- list form, SLSXREQ macro 784, 821
- LIST parameter 830, 850
- listing location of volumes in an LSM 350
- listing physical location for volume controlled by a CDS 144
- LMU *See* Library Management Unit
- LMUPATH control statement
 - defined 1054
 - overview 101
 - parameters
 - ACS 102
 - LMUADDR 102
 - syntax 101, 630

LMUPDEF command and control statement

- defined 1054
- examples 107
- overview 105
- parameters 106
 - DSN 106
 - HOSTID 107
 - UNIT 107
 - VOLume 106
- syntax 106, 630

load modules for utility commands 168

loading cartridges into the library 397

logging ACS robotics motion 763

logical ejection, defined 1054

LOGREC records

- SLSSHLG1, LOGREC Host Communications Format 719
- SLSSLHDR, LOGREC Header Layout 686
- SLSSLLG1, LOGREC LMU Driver Format 695
- SLSSLLG2, LOGREC LMU Driver Format 700
- SLSSLLG3, LOGREC Host Communications Format 702
- SLSSLLG4, LOGREC LMU Driver Format 703
- SLSSLLG5, LOGREC Dual LMU Status Change 705
- SLSSLLG6, LOGREC Robotic Motion & Soft Fail Counts Record 708
- SLSSPSWI, LOGREC Primary/Shadow Switch Record 715
- SLSSRL00, LOGREC Recovery Record 717
- SLSSRL01, LOGREC Recovery Record 718
- SLSSVLG1, LOGREC Volume/Cell Force Unselect Record 691

LONGItud, defined 1054

LOWscr parameter 641

LSM *See* Library Storage Module

LSM parameter 830, 847, 850

LSMid, defined 1054

LSMpref parameter 641

LTYPE parameter 836, 867, 877, 897

M

macros

- SLSUREQ 979
- SLSXREQ 820
- SLSXREQM 820

manual mode

- controlling operating mode 58
- defined 1054

MANual parameter 641

manual tape transport cleaning 44

mapping macros

- SLSSBLOG, LOGREC Initialization/Termination Record 693
- SLSSBLOS, SMF LSM Operations Statistics 666

SLSSCAPJ, SMF CAP Eject Record 668

SLSSCAPN, SMF CAP Enter Record 669

SLSSDJLR, LOGREC Database/Journaling 713

SLSSFHDR, SMF Record Header 661

SLSSHLG1, LOGREC Host Communications Format 719

SLSSLHDR, LOGREC Header Layout 686

SLSSLLG1, LOGREC LMU Driver Format 695

SLSSLLG2, LOGREC LMU Driver Format 700

SLSSLLG3, LOGREC Host Communications Format 702

SLSSLLG4, LOGREC LMU Driver Format 703

SLSSLLG5, LOGREC Dual LMU Status Change 705

SLSSLLG6, LOGREC Robotic Motion & Soft Fail Counts Record 708

SLSSLSB, SMF LMU AHS Statistics Buffer 673

SLSSMF07, SMF Move Detail Record 675

SLSSMF08, SMF View Detail Record 683

SLSSMLSM, SMF Modify LSM Record 672

SLSSPSWI, LOGREC Primary/Shadow Switch Record 715

SLSSRL00, LOGREC Recovery Record 717

SLSSRL01, LOGREC Recovery Record 718

SLSSVLG1, LOGREC Volume/Cell Force Unselect Record 691

SLSSVSTA, SMF Vary Station Record 670

SLUVADAT, Flat File ACS/LSM Information DSECT 723

SLUVCDAT, Flat File Static Configuration Data DSECT 731

SLUVDDAT, Batch API Drive Information DSECT 754

SLUVHDAT, Flat File Host Information DSECT 734

SLUVIDAT, Flat File CDS Information DSECT 737

SLUVPDAT, Batch API CAP Information DSECT 758

SLUVSDAT, Flat File ACS Station Address DSECT 722

SLUVVDAT, Flat File Volume Data DSECT 742

master LMU

defined 1054

failure 62

matching VOLATTR and TAPEREQ Statements 34

MAXclean parameter 650

MEDIA and RECTech parameters, list 30

media capacity, defined 1055

media mismatch, defined 1055

Media Warranty Life (MWL), ejecting cartridges nearing end of life 398

MEDIA, defined 1054

MERGEcds utility

description 260

effective use of 602

function 261

JCL requirements 267

Merging additional data centers with the MERGEcds utility 263

parameters

ALL 265

VALIDate 265

syntax 265, 635

merging volume information 144

- MF parameter 784, 821
- MIM/MII serialization, considerations 412
- mismatched LIBGEN and CDS, recreating 215
- MNTD
 - AUtocln command 39
 - command 36
 - Float, setting to ON, performance consideration 400
 - syntax 650
- Model parameter 32
- MODEl, defined 1055
- MODify command 58, 649
- modifying
 - library configuration 281
 - LSMs online 136
 - the HSC configuration for a new SL8500 added to the left of an existing SL8500 592
 - the HSC configuration for a new SL8500 added to the right of an existing SL8500 593, 595
 - the library 280
- MONITOR command 649
- monitoring cartridges nearing end of life 398
- monitoring library activity and performance 387
- monitoring use of View command 396
- mount
 - cartridges 6
 - functions 34
 - of cartridges, virtual thumbwheel 37
 - processing 34
- Mount command
 - syntax 650
 - Virtual Thumbwheel support 38
- MOUNT request, PGMI 833
- move CDS (with rename) 56
- MOVE command 651
- MOVE request, PGMI 846
- MOVE utility
 - considerations 269
 - description 269
 - JCL examples 275
 - JCL requirements 275
 - moving a volume within the same LSM 275
 - moving several volumes from one LSM to another 275
 - output description 276
 - parameters
 - column 272
 - Flsm 270
 - Panel 270
 - row 271
 - TLsm 274
 - TPanel 274
 - Volume 274
 - syntax 270, 636

- moving volumes in the library 144, 269
- Multi-Image Integrity Manager (MII) 409
- multiple hosts startup considerations 137
- multiple IP connections 505
- multiple IP Redundant Electronics connections 507
- MWL *See* Media Warranty Life

N

- NCO *See* Near Continuous Operation
- Near Continuous Operation (NCO)
 - adding a new SL8500 to the left of an existing SL8500 592
 - adding a new SL8500 to the right of an existing SL8500 593
 - adding and configuring SL8500s 591
 - adding tape drives 583
 - adding/removing expansion panels 587, 588
 - auditing the SL3000 after expansion 599
 - auditing the SL8500 after expansion 589
 - changing unit addresses for tape drives 586
 - defined 1055
 - description 51
 - dynamic hardware reconfiguration for the SL3000 581
 - dynamic hardware reconfiguration for the SL8500 580
 - LSM numbering for multiple SL8500s 591
 - MODify CONFIG command 582
 - modifying the HSC configuration using the MERGEcds utility, new SL8500 added to the right 595
 - modifying the HSC configuration using the MODify CONFIG command, new SL8500 added to the right 593
 - modifying the HSC configuration, new SL8500 added to the left of an existing SL8500 592
 - operations that can be performed 51
 - overview 579
 - pre-installation recommendations before adding new SL8500s 591
 - removing tape drives 584
 - replacing tape drives 585
 - requirements and recommendations 582
 - starting dynamic hardware reconfiguration 582
 - where to find information about 51
- nonlibrary cartridges, entering before a mount message is issued 402
- nonproductive activities, scheduling 403
- normal HSC allocation processing 24

O

- offline operating mode 59
- offload journals 144
- offloading journals to a data set 257
- online operating mode 59
- operating mode, CAP 59
- operator commands

- CAP Preference 390
 - execution at base and full service levels 17
 - scratch parameters 389
 - TREQDEF 113
- operator control of library performance 386
- operator control of LMUs 62
- OPTion 651
- OPTion command and control statement 651
- OPTION parameter 829, 835, 846, 851, 852, 854, 857, 870, 872, 876, 890, 892, 895, 907, 909
- OPTion TITLE control statement
 - example 108
 - overview 108
 - parameters
 - TITLE 108
 - TRACE or TRACEF 108
 - syntax 108, 630
- options offered by PARMLIB control statements 82
- output stack, defined 1055
- over-limit cleaning cartridge
 - defined 1055
 - using and managing 42
- over-use cleaning cartridge
 - defined 1055
 - using and managing 42
- overview
 - ACS system 1
 - HSC control statements and HSC start procedure 79
 - HSC functions 15
 - performance considerations 385
 - software diagnostics and recovery 373
 - software interaction 407
 - utilities 143

P

- P/DAS, defined 1055
- Paired-CAP mode, defined 1055
- panels
 - changing 604
 - freezing 604
- parameters
 - Abend 91
 - ACS 102, 189, 308, 354, 654
 - Acs 653
 - ACSDRV 328
 - acs-id 189, 308, 329, 341, 354, 648, 649
 - AL 95, 302, 337
 - ALL 189, 265
 - ALLCdata 653
 - analyze 207
 - APPLY 189, 288
 - ASCend 355
 - AUTO 641
 - AUtocln 650
 - BALtol 309
 - BASE 130, 652
 - BEGIN 175
 - begin-date 175
 - begin-time 175
 - CAP 195, 242, 249, 649, 655
 - cap-id 195, 249, 641, 648, 649, 652
 - cap-list 242, 641, 648
 - cap-range 641
 - CDS 206
 - CDSDATA 358
 - CELL 655
 - CLNPRFX 329
 - cmdhex 329
 - CNTLDD 251
 - COLD 131
 - COLumn 193
 - column 272
 - column-list 193, 272
 - comp-list 653
 - comp-name 653
 - COMPRFX 329
 - Continue 91
 - copy 207
 - dataset.name 106, 111, 128
 - DATASET/DSN 128
 - DDname 653
 - dd-name 251
 - DELDISP 331
 - DELeTe 642
 - DEScend 356
 - devaddr 642, 650
 - dev-id 642
 - dev-list 642
 - dev-range 642
 - DIAGScan 197
 - Dialog 133, 651
 - DISABLE 87, 654
 - DISCmsg 651
 - Dismount 650
 - DRive 655
 - DSN 106, 111
 - DSn 641
 - DSNx 86, 90, 92
 - DUmp 653
 - Eid 88, 132
 - EJctauto 650
 - EJCTPAS 332
 - EJEct 251
 - EJEct 648
 - EJLimit 651
 - EMPTYCel 196
 - Enable 641, 654
 - END 175
 - end-date 175
 - end-time 176
 - ENTdup 651

ENter 648
 ERR 356
 EXCLude 358
 Fid 89, 132
 Float 650
 Flsm 270, 651
 FORACS 328, 341
 FORCE 347, 652
 FORHOST 329, 334, 335, 336, 341
 FORLSMID 334
 FORPANEL 334
 FREEZE 333
 FULL 91, 652
 Full 649
 GENerate 288
 gtfeid 88
 gtffid 89
 HOSTID 89, 91, 96, 107, 112, 129, 334, 641
 HOSTid 642
 host-id 112, 329, 335, 336, 341, 641, 642, 650, 652
 hostid 332
 HSCLEVEL 334
 IEHINITT 250
 INCLude 356
 INIT 131
 INS 355
 INTRANs 197
 JOBName 653
 LABEL 95
 LIBONLY 302
 libtype 342
 LIKEHOST 336
 LMUADDR 102
 LMUpath 642
 Load 654
 LOC 355
 LOWscr 641
 LSM 190, 308, 354, 649
 lsm-id 334, 641, 648, 649, 652
 lsm-list 190, 308, 354
 LSMpref 641
 MAJNAME 335
 MANual 641
 MAXclean 125, 650
 MEDEQUAL 357
 MEDia 117, 235, 310, 650, 655
 Member 132
 METHod 642
 MIXED 171, 302
 MMount 650
 MSGPRFX 88
 NAME 94
 NEWHOST 336
 newhost 334
 newpswd 332
 NL 95, 301, 337
 >NNLBDRV 336
 NOEXTernal 357
 NOHDR 171
 NONERR 356
 NONMEDEQ 357
 NONSCR 356
 NONSEL 356
 NOSCRTCH 331
 NOSORT 355
 NSL 95, 301, 337
 OFF 332, 653
 OFFline 649
 oldhost 334
 OLDPASS 332
 oldpswd 332
 ONline 649
 only 289
 OPTion 207, 251
 OUTput 653
 Output 651
 PANel 190
 Panel 270
 panel 274, 334, 651
 panel-list 190, 270
 parameter-name 251
 PARM= 130, 301
 PASSTHRU 650
 PGMI 649, 652
 PLayernd 655
 prefix 329
 preflue 641
 Primary 641
 primary 206
 PRIVAT 650
 prog-name 250
 PROGram 250
 PTP 655
 qname 335
 RANGE 95
 READable 356
 Readonly 650
 RECONFIG 133
 reconfig-procname 285
 RECTech 121, 238, 313, 655
 REpath 651
 RESET 132
 restart 208
 RMM 301
 ROW 191
 Row 271, 651
 row-list 191, 271
 SCR 356
 SCRatch 251, 649, 655
 Scratch 650
 SCRDISM 650
 SCRLABL 337
 SCRPOOL 301
 SCRTCH 234, 331, 648, 650
 SCRtech 641
 SEcndry 641
 SEL 355, 356
 SEQ 234

SERial 116
 Short 289
 SL 95, 301, 337
 SLISTATN 341
 SMC 301
 SMF 342
 SORT 355
 SSYS 131
 STandby 641
 STation 654
 Stepname 653
 SUBpool 234, 308, 359, 650, 655
 subpool-name 308
 SUL 302
 SUMMary 359
 SWAP 651
 SYSIN 251
 TCHNIQE 342
 THReshld 655
 Time 655
 TITLE 108
 TLMS 301
 TLsm 274, 651
 TMS 301
 TODAY 175, 176, 302
 tolerance-value 309
 TOTal 359
 TPanel 274, 651
 TRACE/TRACEF 108
 TYpe 653
 UNIT 107, 112, 129
 unitname 112
 UNITx 87, 91, 92
 Unload 650
 UNREADable 357
 USE 355
 VALIDate 265
 VERIFY 251
 Viewtime 651
 VOL 355
 VOLCNT 234
 VOLDATA 358
 VOLIST 358
 vol-list 233, 274, 321, 354, 648
 vol-range 354, 648
 VOLser 233, 321, 347, 354
 volser 106, 111, 116, 128, 347, 354, 642, 648, 650
 VOLume 106, 111, 128, 354
 Volume 274, 651
 VOLx 86, 91, 92
 VTAMpath 642
 WAITcap 234, 241
 Warnmsg 651
 XDDname 653
 yyddd1 302
 yyddd2 302
 yyyyddd1 302
 yyyyddd2 302
 parameters for reports 171
 PARMLIB control statements
 CDS definition (CDSDEF) 85
 defining 80
 example JCL defining partitioned PARMLIB data sets 81
 example JCL defining sequential PARMLIB data sets 81
 EXECParM 88
 IEFSSNxx member 139
 Journal definition (JRNDEF) 90
 members in SYS1.PARMLIB 80
 options offered 82
 overview 79
 processing 80
 REconfiguration definition (RECDEF) 92
 Scratch Subpool 94
 summary descriptions 82
 using to define static parameters 391
 partitioning
 SL3000
 adding a partition to the library procedure 530
 adding resources to a library procedure 548
 CAP considerations 519
 converting a non-partitioned library to a partitioned library procedure 527
 converting a partitioned library to a non-partitioned library procedure 538
 error recovery 557
 host group description 521
 LIBGEN considerations 519
 moving a partition from one host group to another host group 543
 partition description 521
 removing a partition from the library procedure 534
 removing resources from a library procedure 552
 requirements and prerequisites 517
 restrictions 518
 starting from scratch procedure 524
 varying the ACS online after a configuration change 556
 SL8500
 adding a partition to the library 451
 adding an LSM to a partition procedure 459
 allocated LSM description 441
 CAP considerations 440
 converting a non-partitioned ACS to a partitioned ACS procedure 443
 converting a partitioned ACS to a non-partitioned ACS procedure 445
 error recovery 479
 host group description 441
 LIBGEN considerations 439
 message changes 480
 moving an allocated LSM to another ACS partition 473
 moving the last allocated LSM to another ACS partition procedure 468
 overview 438
 partition description 441
 removing a partition from the library 447
 removing an LSM from a partition procedure 455

- removing the last LSM from an ACS partition procedure 463
- requirements and prerequisites 438
- restrictions 439
- starting from scratch procedure 442
- unallocated LSM description 441
- pass-thru port (PTP), defined 1055
- pass-thrus
 - scheduled 400
 - unavoidable 399
 - unnecessary 399
- Peer-to-Peer Remote Copy (PPRC), defined 1056
- performance considerations
 - Activities Report utility 387
 - advantages of using View command 396
 - balancing library workload 403
 - cartridges from the library, ejecting 398
 - cartridges into the library, loading 397
 - defining CAP preferences 390
 - defining secondary and standby CDSs 394
 - ejecting cartridges from the library 398
 - library activity 385
 - limiting view time 395
 - loading cartridges into the library 397
 - maintaining quantities of scratch cartridges 389
 - MERGEcds utility 602
 - monitoring
 - library activity 387
 - use of the View command 396
 - operator control 386
 - overview 385
 - PM2
 - ACS daily report 388
 - tape volume report 388
 - system programmer control 386
 - using the Set utility instead of LIBGEN/Reconfiguration 602
- Performance Log Reblocker utility
 - description 277
 - example 277
 - formatting data 404
 - load module 169
 - output description 278
 - using to format data 404
- Performance Measurement and Predictive Maintenance System (PM2)
 - ACS daily report 388
 - performance and error reporting reports 388
 - tape volume report 388
 - using 388
- PGMI *See* Programmatic Interface
- physical inventory of the library 144
- physical library inventory, performing 185
- playground, defined 1056
- PM2 *See* Performance Measurement and Predictive Maintenance System
- positional parameter, defined 1056
- PowderHorn (9310) LSM, defined 1056
- preferencing 34
- preinitializing the HSC as an MVS subsystem 138
- pre-installation recommendations for SL8500s 591
- preparing
 - performance log 144
 - performance log (SMF data) for the Activities Report utility 277
- prerequisites for
 - Backup utility 202
 - Database Decompile utility 215
 - Directory Rebuild utility 230
 - Restore utility 287
- primary CDS
 - defined 1056
 - description 202
- printing a library activities report 144
- printing a list of volumes/locations in an LSM 144
- priority CAP (PCAP), defined 1056
- procedure for START command 130
- procedures, dynamic hardware reconfiguration
 - adding tape drives 583
 - adding/removing expansion panels 587, 588
 - changing unit addresses for tape drives 586
 - modifying the HSC configuration for adding a new SL8500 to the left 592
 - modifying the HSC configuration for adding a new SL8500 to the right 593, 595
 - modifying the HSC configuration using MERGEcds 595
 - modifying the HSC configuration using MODify CONFIG 593
 - removing tape drives 584
 - replacing tape drives 585
 - running an audit after expansion 590, 599
- processing PARMLIB control statements 80
- producing a listing of volume locations in an LSM 349
- Programmatic Interface (PGMI)
 - description 78
 - execute form, SLSXREQ 786, 821
 - functions
 - DISMOUNT 826
 - EJECT 829
 - MOUNT 833
 - MOVE 846
 - QCAP 849
 - QCONFIG 852
 - QDRIVES 854
 - QDRLIST 856
 - QDSN 870
 - QEJECT 872
 - QHSC 874
 - QSCRATCH 875

- QVOLUME 886
- READ 888
- RESET 890
- SCRATCH 892
- SELSCR 894
- STOP 907
- UNSCRATCH 909
- List form, SLSXREQ 784, 821
- overview 813
- reason codes 825
- return codes 824
- SLSXREQ functions 817
- SLSXREQM macro 931
- Programmatic Interface functions, parameter list
 - ACSID 849, 855, 876, 896
 - COUNT 830, 850, 873, 887, 908
 - DRIVE 826, 834, 896
 - HOSTID 827, 835, 851, 855, 858, 890, 896
 - LIST 830, 850, 873, 908
 - LSM 830, 847, 850
 - LTYPE 836, 867, 877, 897
 - MF parameter 826, 829, 835, 846, 849, 852, 854, 857, 870, 872, 874, 875, 886, 888, 890, 892, 895, 907, 909
 - OPTION parameter 827, 829, 835, 846, 851, 852, 854, 857, 870, 872, 876, 886, 890, 892, 895, 907, 909
 - SCRATCH parameter 835, 866
 - SCRPOOL parameter 836, 866, 876, 896
 - SUBPOOL parameter 837, 867, 876, 897
 - TEXT parameter 831
 - VOLSER parameter 827, 830, 844, 847, 868, 887, 893, 910
 - XCALADR 827, 831, 835, 848, 851, 852, 855, 858, 870, 873, 874, 876, 887, 888, 891, 893, 896, 908, 910
- programming/operational considerations for remote-linked libraries 1045

Q

- QCAP request, PGMI 849
- QCONFIG request, PGMI 852
- QDRIVES request, PGMI 854
- QDRLIST request, PGMI 856
- QDSN request, PGMI 870
- QEJECT request, PGMI 872
- QHSC request, PGMI 874
- QSCRATCH request, PGMI 875
- Queued Sequential Access Method (QSAM), defined 1056
- QVOLUME request, PGMI 886

R

- RE *See* Redundant Electronics

- READ request, PGMI 888
- reason codes 825
- reassigning control data set names in database heartbeat record 54
- rebuilding the control data set 144, 230
- RECDEF control statement
 - example 93
 - interaction with CDSDEF control statement 92
 - overview 92
 - parameters
 - DSNx 92
 - VOLx 92
 - syntax 92, 630
 - UNITx 92
- Reconfiguration utility
 - description 280
 - function 281
 - I/O considerations 282
 - JCL example 286
 - load module 169
 - output description 286
 - PARMLIB example 286
 - reasons for running 280
 - reconfig-procname parameter 285
 - syntax 285, 636
- reconfiguration, copying volume information from one CDS to another 281
- reconfiguration, dynamic for the SL8500 library 51
- reconfiguring the library 280
- reconstructing a LIBGEN 65
- record formats
 - SLSMF07, SMF Move Detail Record 675
 - SLSMF08, SMF View Detail Record 683
 - SLSSBLOG, LOGREC Initialize/Termination Record 693
 - SLSSBLOS, SMF LSM Operations Statistics 666
 - SLSSCAPJ, SMF CAP Eject Record 668
 - SLSSCAPN, SMF CAP Enter Record 669
 - SLSSDJLR, LOGREC Database/Journaling 713
 - SLSSFHDR, SMF Record Header 661
 - SLSSHLG1, LOGREC Host Communications Format 719
 - SLSSLHDR, LOGREC Header Layout 686
 - SLSSLLG1, LOGREC LMU Driver Format 1 695
 - SLSSLLG1, LOGREC LMU Driver Format 2 700
 - SLSSLLG3, LOGREC Host Communications Format 702
 - SLSSLLG4, LOGREC LMU Driver Format 4 703
 - SLSSLLG5, LOGREC Dual LMU Status Change 705
 - SLSSLLG6, LOGREC Robotic Motion & Soft Fail Counts Record 708
 - SLSSLSB, SMF LMU AHS Statistics Buffer 673
 - SLSSPSWI, LOGREC Primary/Shadow Switch Record 715
 - SLSSRL00, LOGREC Recovery Record 1 717
 - SLSSRL01, LOGREC Recovery Record 718
 - SLSSVLG1, LOGREC Volume/Cell Force Unselect Record 691
 - SLSSVSTA, SMF Vary Station Record 670

- SLUVHDATA, Flat File Host Information DSECT 734
 - SLUVIDATA, Flat File CDS Information DSECT 737
 - SLUVPDATA, Batch API CAP Information DSECT 758
 - SLUVSDATA, Flat File ACS Station Address DSECT 740
 - SLUVVDATA, Flat File Volume Data DSECT 742
 - RECOVER Host command 652
 - recovery
 - CDS (control data set) 52
 - common recovery functions 606
 - control data set techniques 53
 - from control data set failures 379
 - journals, defined 52
 - primary control data set, defined 52
 - secondary control data set, defined 52
 - standby control data set, defined 52
 - recreating (restoring) the CDS 144
 - recreating a deleted, lost, or corrupted LIBGEN 144, 215
 - recreating the CDS from a backup copy 287
 - RECtech and MEDIA parameters, list 30
 - RECtech, defined 1056
 - redistributing cartridges during off-peak times, performance consideration 401
 - redistribution of scratch volumes 389
 - reducing
 - operator intervention 401
 - pass-thru activity 400
 - scheduling contention 402
 - Redundant Electronics (RE)
 - defining Library Controller attachments (LMUPATH) 101
 - multiple TCP/IP connections 484, 507
 - RELEASE CAP command 652
 - reloading user exits 58
 - relocating a CDS 606
 - Remote Diagnostics Center (RDC), defined 1056
 - removing expansion panels, dynamic hardware reconfiguration 587, 588
 - removing tape drives, dynamic hardware reconfiguration 584
 - renaming a CDS 606
 - renaming control data sets 56
 - REPLACE utility
 - description 320
 - JCL
 - example 321
 - requirements 321
 - load module 169
 - output description 322
 - parameters
 - vol-list 321
 - VOLser 321
 - syntax 320, 636
 - replacing tape drives, dynamic hardware reconfiguration 585
 - reports
 - Activities Report utility 174
 - AUDI utility 185
 - BACKUP utility 202
 - contents of 171
 - example of report headings 172
 - headings 171
 - Move utility 269
 - parameters controlling output
 - DATE 172
 - LINECNT 171
 - MIXED 171
 - NOHDR 171
 - XMLCase 172
 - XMLDate 172
 - PM2 ACS daily 388
 - PM2 for performance and error reporting 388
 - PM2 tape volume 388
 - Scratch Redistribution utility 389
 - utilities that create reports 171
 - Volume Report 349
 - RESET request, PGMI 890
 - resource serialization 410
 - restore
 - (recreate) the CDS 144
 - reconciling CDS in remote-linked libraries 1045
 - the CDS from a backup copy 287
 - RESTORE utility
 - description 287
 - discrepancy resolution 295
 - function 287
 - JCL
 - examples 291
 - requirements 289
 - load module 169
 - parameters
 - APPLY 288
 - GENERATE 288
 - output
 - description 293
 - prerequisites 287
 - processing CDSs independently 288
 - reasons for running 287
 - syntax 288
 - restricting access to utilities 168
 - return codes, SLUADMIN program 170
 - return specifications, PGMI 824
- ## S
- scheduled pass-thrus 400
 - scratch
 - mount processing 35
 - parameters operator command 389
 - threshold task, description 47

- threshold task, restart 47
- volumes
 - controlling 94
 - in LSM 389
 - insufficient in ACS 389
- SCRAtch command 652
- Scratch Conversion utility
 - data space considerations 296
 - description 296
 - JCL examples 303
 - JCL requirements 302
 - load module 169
 - output description 306
 - parameters
 - LIBONLY 302
 - MIXED 302
 - PARM 301
 - RMM 301
 - SCRPOOL 301
 - SMC 301
 - TLMS 301
 - TMS 301
 - TODAY 302
 - relationship with SMC SMCUDBX utility 296
 - SLUCONDB program 296
 - syntax 300, 637
- SCRATCH parameter 835, 866
- Scratch Redistribution utility
 - description 307
 - function 307
 - JCL example 317
 - JCL requirements 317
 - load module 169
 - output description 319
 - parameters
 - ACS 308
 - BALtol 309
 - LSM 308
 - MEDia 310
 - RECTech 313
 - SUBpool 308
 - performance tuning 389
 - syntax 308, 637
 - utilities that cannot be run concurrently with redistribution 307
- SCRATCH request, PGMI 892
- Scratch subpool control statement, syntax 631
- scratch subpools
 - defining using PARMLIB control statement 46
 - enabling using PARMLIB control statement 46
 - implementing using User Exits 01, 02, and 04 46
 - managing 46
 - specifying parameters using operator commands 47
- Scratch utility 637
 - description 320
 - JCL
 - example 321
 - requirements 321
 - output description 322
 - parameters
 - vol-list 321
 - VOLser 321
 - syntax 320
- scratching volumes 320
- SCRPDEF command and control statement
 - examples 112
 - overview 110
 - parameters 111
 - DSN 111
 - HOSTID 112
 - UNIT 112
 - VOLume 111
 - syntax 111, 631
- SCRPOol control statement
 - defining and enabling scratch subpools from 46
 - example 96
 - overview 94
 - parameters
 - HOSTID 96
 - LABEL 95
 - NAME 94
 - RANGE 95
 - syntax 94
- SCRPOOL parameter 836, 866, 876, 896
- SCRtech parameter 641
- secondary CDS
 - defined 1057
 - description 202
- security software, virtual thumbwheel 37
- SELSCR request, PGMI 894
- SEN *See* Significant Event Notification
- SENter command 652
- serialization
 - CA-MIM/MII considerations 412
 - CDS 410
 - GRS considerations 412
 - HSC CDS performance and sharing tips 411
 - HSC RESERVEs, converting to global enqueues 414
 - HSC RESERVEs, converting to global enqueues in a GRS environment 418
 - HSC RESERVEs, leaving in a GRS environment 415
 - HSC RESERVEs, leaving in an MIM/MII environment 416
 - HSC RESERVEs, maintaining 413
 - HSC RESERVEs, maintaining 412
 - multiple HSC library complex 411
 - resource 410
- server components of HSC 4
- service level, displaying/setting 21
- service levels
 - base 18

- description 17
- displaying current level 21
- effects of termination 18
- execution of commands at base and full 18
- execution of utilities at base and full 20
- full 18
- starting the HSC at base 21
- ServiceTek, defined 1057
- SET CLNPRFX procedure 329
- SET SMF command 390
- SET TCHNIQ procedure 343
- Set utility
 - ACS esoteric parameters
 - ACSDRV 328
 - FORACS 328
 - FORHOST 329
 - cleaning prefix 327
 - cleaning prefix parameters
 - CLNPRFX 329
 - considerations before running 325
 - delete disposition 327
 - delete disposition parameters
 - DELDISP 331
 - NOSCRTCH 331
 - SCRTCH 331
 - description 323
 - device numbers for drives parameters
 - FORLSMID 334
 - FORPANEL 334
 - drive host 327
 - drive host parameters
 - DRVHOST 332
 - hostid 332
 - OFF 332
 - eject password 327
 - eject password parameters
 - EJECTPAS 332
 - OLDPASS 332
 - freeze LSM/panel 333
 - function 325
 - host ID 327
 - host ID parameters
 - FORHOST 334
 - HOSTID 334
 - HSC command prefix parameters
 - COMPRFX 329
 - HSC level parameters
 - FORHOST 335
 - HSCLEVEL 334
 - JCL
 - examples 344
 - requirements 343
 - library station device numbers parameters
 - FORACS 341
 - FORHOST 341
 - SLISTATN 341
 - load module 169
 - MAJNAME parameter 335
 - new host parameters
 - LIKEHOST 336
 - NEWHOST 336
 - non-library drive esoteric parameters
 - FORHOST 336
 - NNLBDRV 336
 - options requiring HSC to be down 323
 - output description 345
 - parameters
 - LIKEHOST 336
 - NEWHOST 336
 - scratch label type parameters
 - AL 337
 - NL 337
 - NSL 337
 - SCRLABL 337
 - SL 337
 - set ACS station device numbers, JCL to 345
 - Set Device Numbers for Drives 337
 - parameters
 - FORHOST 339
 - FORLSMID 339
 - FORPANEL 339
 - SLIDRIVS 337
 - procedure 340
 - running with HSC active 340
 - set device numbers, JCL to 345
 - set host ID, JCL to 345
 - set nonlibrary drive esoteric, JCL to 345
 - SMF record type parameters
 - SMF 342
 - syntax 327, 638
 - TCHNIQ 342
 - using the Set utility instead of LIBGEN/reconfiguration 602
 - SETSYS command, DFHSM 407
 - setting CAP preference, performance consideration 401
 - setting communications services 75
 - setting high-performance host-to-host communications 393
 - setting HSC service level 21
 - setting MNTD SCRDISM to CURRENT, performance consideration 400
 - setting/changing library configuration information 145
 - Significant Event Notification (SEN)
 - defined 1057
 - Display SEN command 799
 - enabling 781
 - HSC Events XML tags 809
 - listener exit routine 794
 - macro interface 782
 - messages 802
 - OPTion command 781
 - overview 781
 - SLSXSEN macro 784
 - supported HSC and VTCS Events 800
 - using the SEN 781

- VTCS and HSC Events XML tags 804
- VTCS Events XML Tags 805
- SL3000 library
 - additional considerations before running the MODify CONFIG command 581
 - CAP description 195
 - column numbers 193
 - dual IP connections 559
 - dynamic hardware reconfiguration for 581
 - HSC support for the SL3000 515
 - media type and recording technique support 24, 117, 121, 235, 238, 310, 313, 837, 840, 858, 861, 877, 880, 898, 901
 - Near Continuous Operation (NCO)
 - adding/removing expansion panels 588
 - auditing after expansion 599
 - dynamic hardware reconfiguration, overview 581
 - panel numbers 190
 - partitioning
 - adding a partition to a library procedure 530
 - adding resources to a library procedure 548
 - CAP considerations 519
 - converting a non-partitioned library to a partitioned library procedure 527
 - converting a partitioned library to a non-partitioned library procedure 538
 - definition 521
 - error recovery 557
 - LIBGEN considerations 519
 - LibraryStation considerations 520
 - moving a partition from one host group to another host group procedure 543
 - MVS/CSC considerations 520
 - removing a partition from a library procedure 534
 - removing resources from a library procedure 552
 - requirements and prerequisites 517
 - restrictions 518
 - starting from scratch procedure 524
 - varying the ACS online after a configuration change 556
 - VM considerations 519
 - VTCS considerations 519
 - row numbers 192
 - sample configuration - one host IP, two SL3000 network connections 574
 - sample configuration - one mainframe IP address 570
 - sample configuration - two dedicated routes 564
 - SET SLIDRIVS procedure 340
 - TCP/IP communications
 - connections 558
 - shared networks 558
- SL8500 library
 - additional considerations before running the MODify CONFIG command 581
 - auditing panels 0 and 1 191
 - before configuring the HSC for the SL8500 422
 - CAP behavior 426
 - CAP description 195
 - column layout 424
 - column numbers 194
 - connecting to multiple Redundant Electronics environment
 - SL8500s in an ACS 507
 - connecting to multiple SL8500s in an ACS 505
 - connecting to the HSC 423
 - drive capacity 338
 - dual IP connection 486
 - dynamic hardware reconfiguration
 - description 51
 - where to find information about 51
 - dynamic hardware reconfiguration for 580
 - enter/eject operations 426
 - HSC support for Near Continuous Operation (NCO) 579
 - HSC support for the SL8500 421
 - internal addressing vs. HSC addressing 424
 - LSM addressing 424
 - media type and recording technique support 24, 117, 121, 235, 238, 310, 313, 837, 840, 858, 861, 877, 880, 898, 901
 - merging ACSs 427
 - configuring ACSs numbered left to right 428
 - configuring ACSs numbered right to left 427
 - merging ACSs using AUDIt 432
 - merging ACSs using MERGEcds 429
 - multiple IP connections 505
 - multiple TCP/IP Redundant Electronics connections 484
 - Near Continuous Operation (NCO)
 - adding a new SL8500 to the left of an existing SL8500 592
 - adding a new SL8500 to the right of an existing SL8500 593
 - adding and configuring new SL8500s 591
 - adding tape drives 583
 - adding/removing expansion panels 587
 - auditing after expansion 589
 - changing unit addresses for tape drives 586
 - dynamic hardware reconfiguration, overview 580
 - LSM numbering for multiple SL8500s 591
 - pre-installation recommendations before installing new SL8500s 591
 - removing tape drives 584
 - requirements/recommendations 582
 - starting dynamic hardware reconfiguration 582
 - swapping tape drives 585
 - panel addressing 424
 - panel numbers 191
 - partitioning
 - adding a partition to the library 451
 - adding an LSM to a partition 459
 - CAP considerations 440
 - converting a non-partitioned ACS to a partitioned ACS 443
 - converting a partitioned ACS to a non-partitioned ACS 445
 - definitions 441
 - Display command 483
 - error recovery 479
 - LIBGEN considerations 439
 - LibraryStation considerations 440
 - LMUPATH control statement 481

- message changes 480
- moving an allocated LSM to another ACS partition 473
- moving the last allocated LSM to another partition 468
- MVS/CSC considerations 440
- overview 438
- removing a partition from the library 447
- removing an LSM from a partition 455
- removing the last LSM from an ACS partition 463
- requirements and prerequisites 438
- restrictions 439
- SET FREEZE utility 482
- start from scratch procedure 442
- VM considerations 440
- VTCS considerations 440
- positioning new ACSs 434
- powering down the SL8500 513
- Redundant Electronics multiple TCP/IP connections 484, 507
- removing PTPs and splitting ACSs 433
- row numbering 425
- row numbers 192, 272
- sample configuration - one host IP, two network connections 500
- sample configuration - one SL8500 network dual redundant pair and two dual TCP/IP connections, four mainframe IP addresses 511
- sample configuration - one SL8500 network dual redundant pair connection, four mainframe IP addresses 509
- sample configuration - one SL8500 network single redundant pair connection, four mainframe IP addresses 507
- sample configuration - two dedicated routes 491
- SET SLIDRIVS procedure 340
- side numbering 425
- splitting an ACS using AUDIt 437
- splitting an ACS using MERGEcds 434
- standalone library 307
- TCP/IP communications
 - connections 484
 - shared networks 484
- two network connections - one mainframe IP address 496
- two network connections - two mainframe IP addresses 486
- verify SL8500 components are operational 422
- verifying components are operational 422
- vision system 59
- SLIACS macro 625
- SLIALIST macro 625
- SLIDLIST macro 625
- SLIDRIVS macro 625
- SLIENDGN macro 626
- SLILIBRY macro 626
- SLILSM macro 627
- SLIRCVRY macro 627
- SLISTATN macro 628
- SLSBPREI subsystem initialization routine 139
- SLSSBLOG, LOGREC Initialization/Termination Record 693
- SLSSBLOG, LOGREC Macro 693
- SLSSBLOS, SMF Macro 666
- SLSSCAPJ, SMF Macro 668
- SLSSCAPN, SMF Macro 669
- SLSSDJLR, LOGREC Database/Journaling 713
- SLSSDJLR, LOGREC Macro 713
- SLSSFHDR, SMF Macro 661
- SLSSHLG1, LOGREC Macro 719
- SLSSLHDR, LOGREC Macro 686
- SLSSLLG1, LOGREC Macro 695
- SLSSLLG2, LOGREC Macro 700
- SLSSLLG3, LOGREC Macro 702
- SLSSLLG4, LOGREC Macro 703
- SLSSLLG5, LOGREC Macro 705
- SLSSLLG6, LOGREC Macro 708
- SLSSLSB, SMF Macro 673
- SLSSMF07, SMF Macro 675
- SLSSMF08, SMF Macro 683
- SLSSMLSM, SMF Macro 672
- SLSSPSWI, LOGREC Macro 715
- SLSSRL00, LOGREC Macro 717
- SLSSRL01, LOGREC Macro 718
- SLSSVLG1, LOGREC Macro 691
- SLSSVSTA, SMF Macro 670
- SLSSYS DD statement for START PROC 135
- SLSUEXIT DD statement for START PROC 135
- SLSUX05 use with PGMI 819
- SLSXREQ functions 817
- SLSXREQM macro 931
- SLUACTV (Activities Report Module) load module 168
- SLUADMIN program
 - description 147
 - invoking 147
 - invoking the UNSElect utility, authorization for 346
 - output options for EJECT utility 232
 - output options for REPLace utility 320
 - output options for SCRAtch utility 320
 - output options for UNSCratch utility 320
 - output options for Volume Report utility 350
 - return codes 170
 - utility administrator program 147
- SLUAUDT (Audit utility) load module 168
- SLUBKUP (Backup utility) load module 168
- SLUCONDB (Scratch Conversion utility) load module 169
- SLUCONDB program
 - assembly and link edit JCL for 299

- assembly and link edit JCL for SLUDRCA1, SLUDRTL, SLUDRRMM 300
- link edit control statements for 298
- link edit control statements for SLUDRCA1, SLUDRTL, SLUDRRMM 299
- SLULINK load library 303
- SLUDBMAP (Database Decompile utility) load module 168
- SLUDRDIR (Directory Rebuild utility) load module 168
- SLUINCT (Initialize utility) load module 168
- SLUMERGE (MERGEcds utility) load module 168
- SLUMOVE (Move utility) load module 169
- SLUNSEL (Unselect utility) load module 169
- SLUOFFLD (Journal Offload utility) load module 169
- SLUPCOPY (Point-in-Time utility) load module 169
- SLUPERF (Performance Log Reblocker utility) load module 169
- SLURECON (Reconfiguration utility) load module 169
- SLURSTR (Restore utility) load module 169
- SLUSCRD (Scratch Redistribution utility) load module 169
- SLUSET (Set utility) load module 169
- SLUVADAT, Flat File ACS/LSM Information DSECT 723
- SLUVCDAT, Flat File Static Configuration Data DSECT 731
- SLUVDDAT, Batch API Drive Information DSECT 754
- SLUVHDAT, Flat File Host Information DSECT 734
- SLUVIDAT, Flat File CDS Information DSECT 737
- SLUVOLR (Volume Report utility) load module 169
- SLUVPDAT, Batch API CAP Information DSECT 758
- SLUVSDAT, Flat File ACS Station Address DSECT 740
- SLUVVDAT, Flat File Volume Data DSECT 742
- SMC *See* Storage Management Component
- SMF *See* System Management Facility
- software combinations, HSC/LMU 63
- software diagnostics and recovery 373
- special considerations for control data sets processing independently 288
- special use cartridge, defined 1057
- specifying
 - an identifying string for a definition data set 109
 - GTF event ID 88
 - GTF format ID 89
 - scratch subpool parameters using operator commands 47
 - tape request definition data set 113
 - the volume request definition data set 127
 - unit attributes 113
 - volume attributes 114
- spent cleaning cartridge
 - defined 1057
 - using and managing 42
- SRVlev command
 - function 21
 - syntax 652
- SSYS parameter, starting the HSC using 139
- stand-alone utilities 173
- standard (4410) LSM, defined 1058
- standard CAP, defined 1057
- standby CDS
 - defined 1058
 - description 202
- standby LMU
 - defined 1058
 - failure 62
- standby, defined 1058
- START command
 - example 133
 - issuing 137
 - multiple host considerations 137
 - purpose 137
- START procedure
 - creating 130
 - DD statement descriptions 135
 - parameters 130
 - SLSSYS DD statement 135
 - SLSUEXIT DD statement 135
 - syntax 130
- station, defined 1058
- Stop Monitoring (STOPMN) command 652
- STOP request, PGMI 907
- storage
 - class, defined 1058
 - group, defined 1058
- Storage Management Component (SMC)
 - allocation functions 22
 - common allocation 22
 - description 1
 - initialization with HSC 17
 - management of device preferencing 34
 - message handling 34
 - relationship with mount/dismount operations 34
 - SLUDRSMC program for scratch conversion 298
 - SMC SLUCONDDB parameter 301
 - SMCUDBX utility, used with Scratch Conversion utility 296
 - swap processing messages 35
 - user exits controlled 58
- subpool 0, description 94
- SUBPOOL parameter 837, 867, 876, 897
- subpools
 - defining using User Exit 03 46
 - enabling using User Exit 03 46
 - implementing using User Exits 01, 02, and 04 46
 - managing 46

- specifying parameters using operator commands 47
- summary of Set utility options 326
- Swap command and processing 35
- swapping a CDS 609
- SWitch command 62, 653
- switching communications paths 77
- switchover messages, LMU 63
- symbols, μ -software, defined 1061
- syntax
 - Activities Report utility 633
 - Allocation (ALLOC) command and control statement 641
 - AUDIIt utility 189
 - AUDIt utility 633
 - BACKUp utility 205, 634
 - CAP Preference (CAPPREF) command and control statement 641
 - CDS Definition (CDSDEF) control statement 86
 - CDS Enable/Disable command 641
 - CDSDEFcontrol statement 629
 - CLEAN command 642
 - Communications Path (COMMPATH) command and control statement 642
 - Database Decompile utility 216, 634
 - Directory Rebuild utility 230, 634
 - DISMOUNT command 642
 - DRAIN CAP command 648
 - Eject Cartridge utility 634
 - EJECT command 648
 - ENter command 649
 - EXECParM control statement 88, 629
 - flow diagram conventions 611
 - HSC START procedure 130
 - Initialize Cartridge utility 249, 635
 - Journal
 - definition (JRNDEF) command and control statement 90
 - offload utility 257
 - Journal command 649
 - Journal Offload utility 635
 - JRNDEF command and control statement 629
 - LMUPATH control statement 630
 - LMUPDEF command and control statement 630
 - MERGEcds utility 265, 635
 - MNTD (Mount/Dismount Options) command and control statement 650
 - MODify command 649
 - MONITOR command 649
 - Mount command 650
 - MOVE command 651
 - Move utility 270, 636
 - OPTion command and control statement 651
 - OPTion TITLE control statement 108, 630
 - RECDEF control statement 630
 - Reconfiguration CDS Definition control statement 92
 - Reconfiguration utility 285, 636
 - RECOVER Host command 652
 - RELEase CAP command 652
 - REPLace utility 636
 - RESTore utility 288
 - scratch
 - redistribution utility 308
 - update utilities 320
 - SCRATch command 652
 - Scratch Conversion utility 637
 - Scratch Redistribution utility 637
 - Scratch Subpool control statement 631
 - Scratch utility 637
 - SCRPDEF command and control statement 631
 - SENter command 652
 - Set
 - ACS esoteric utility 327
 - CDS recovery technique 328
 - cleaning prefix utility 327
 - device numbers for drives utility 328
 - drive host 327
 - eject password utility 327
 - host ID utility 327
 - HSC Command prefix utility 327
 - HSC level utility 327
 - library station device numbers utility 328
 - MAJNAME utility 327
 - non-library drive esoteric utility 327
 - scratch label type utility 327
 - SMF record type 328
 - Set utility 638
 - SLIACS macro 625
 - SLIALIST macro 625
 - SLIDLIST macro 625
 - SLIDRIVS macros 625
 - SLIENDGN macro 626
 - SLILIBRY 626
 - SLILSM 627
 - SLIRCVRY 627
 - SLISTATN macro 628
 - SLUCONDB utility 300
 - SRVlev (Service Level) command 652
 - Stop Monitoring (STOPMN) command 652
 - SWitch command 653
 - TRace command 653
 - TRACELKP operator command 653
 - UEXIT command and control statement 631
 - UNSCRatch operator command 653
 - UNSCRatch utility 320, 639
 - UNSElect utility 346, 639
 - User Exit command and control statement 654
 - Vary Station command 654
 - View command 655
 - VOLATTR control statement 632
 - volume attribute
 - (VOLATTR) control statement 116
 - definition (VOLDEF) command and control statement 128
 - Volume Report utility 353, 640
 - Warn command 655
- System Management Facility (SMF) Records

- mapping macros 753
 - SLSSBLOS, SMF LSM Operations Statistics 666
 - SLSSCAPJ, SMF CAP Eject Record 668
 - SLSSCAPN, SMF CAP Enter Record 669
 - SLSSFHDR, SMF Record Header 661
 - SLSSHLG1, SMF Modify LSM Record 719
 - SLSSLSB, SMF LMU AHS Statistics Buffer 673
 - SLSSMF07, SMF Move Detail Record 675
 - SLSSMF08, SMF View Detail Record 683
 - SLSSVSTA, SMF Vary Station Record 670
 - system operator commands, execution at base and full service levels 19
 - system programmer control of library performance 386
 - system utilities, execution at base and full service levels 20
- ## T
- T10000 tape drive
 - drive encryption 28
 - T9840A Cartridge Subsystem, defined 1061
 - T9840B Cartridge Subsystem, defined 1062
 - T9840C Cartridge Subsystem, defined 1062
 - T9840D tape drive
 - drive encryption 28
 - T9940A Cartridge Subsystem, defined 1062
 - T9940B Cartridge Subsystem, defined 1062
 - tape cartridges, controlling location 45
 - tape transport
 - automated cleaning 39
 - contention, reducing 403
 - manual cleaning 44
 - TAPEREQ control statement, overview 113
 - TCP/IP communications, important considerations 558
 - TCP/IP connections to the LMU 66
 - TimberWolf (9740) LSM, defined 1059
 - TimberWolf CAP, defined 1059
 - TRace operator command syntax 653
 - TRACELKP operator command syntax 653
 - tracing, GTF 373
 - transport, defined 1059
 - transports, defining nonexistent (planned) 604
 - TREQDEF command and control statement, overview 113
 - Tri-Optic label, defined 1059
- ## U
- UEXIT command and control statement
 - advantages 58
 - syntax 631
 - unauthorized libraries for utilities 168
 - unavoidable pass-thrus 399
 - Unicenter CA-MIM/MII serialization 410
 - Unified User Interface (UI), SLUADMIN output types 148
 - unit affinity, defined 1059
 - UNITATTR control statement, overview 113
 - UNITDEF command and control statement, overview 113
 - unnecessary pass-thrus 399
 - UNSCRatch operator command syntax 653
 - UNSCRATCH request, PGMI 909
 - UNSCratch utility 321
 - description 320
 - JCL example 321
 - output description 322
 - parameters
 - vol-list 321
 - VOLser 321
 - syntax 320, 639
 - unscratching volumes 320
 - UNSElect utility
 - description 346
 - JCL
 - example 347
 - requirements 347
 - load module 169
 - output description 347
 - parameters
 - FORCE 347
 - VOLser 347
 - syntax 346, 639
 - unselecting a volume 144, 346
 - unsynchronized CDSs, precautions against 204
 - updating the library CDS to match physical inventory of volumes 185
 - User Exit 03
 - defining scratch subpools from 46
 - enabling scratch subpools from 46
 - User Exit 05, use with PGMI 818
 - user exit command and control statement, syntax 654
 - user exit return codes, SLUADMIN program 170
 - user exits
 - enabling, disabling, reloading 58
 - introduction 12
 - USERUNITTABLE parameter, DFHSM 407
 - using
 - intermixed LSMs as scratch loaders 405
 - PARMLIB to define static parameters 391
 - performance log reblocker utility to format data 404
 - Performance Measurement and Predictive Maintenance System (PM2) 388
 - View command 395

View command to inspect LSM interior components 59

utilities

- Activities Report 174
- Activities Report utility 387
- AUDIt 185
- authorization to use 168
- BACKUp 202
- commands, load modules for 168
- controlling initialization processing 147
- Database Decompile 215
- description 61
- Directory Rebuild 230
- EJECT cartridge 232
- execution at base and full service levels 20
- function 61
- Initialize Cartridge 246
- invoking 158, 168
- JCL for utilities 146
- JCL sample for 146
- Journal Offload 257
- load modules 168
- MERGEcds 260
- MOVE 269
- overview 143
- performance considerations 387
- Performance Log Reblocker 277
- Reconfiguration 280
- REPLace 320
- reports created by 171
- RESTore 287
- restricting access 168
- SCRATch 320
- Scratch Conversion 296
- Scratch Redistribution 307
- SET Utility 323
- stand-alone 173
- syntax conventions 146
- UNSCratch 320
- UNSElect 346
- uses for 146
- Volume Report 349
- XML tags 150

utility functions 143

UI *See* Unified User Interface

V

Vary station command 654

View command 59, 655

View command and library performance 395

viewing interior components of an LSM 59

Virtual Thumbwheel (VTW)

- description 37

- Mount command support 38

- software security requirements 37

Virtual Thumbwheel, defined 1060

VOLATTR and TAPEREQ parameters, how they are processed 34

VOLATTR control statement

- example 126

- overview 114

- parameters

- MAXclean 125

- MEDia 117

- RECtech 121

- SERial 116

- syntax 116, 632

VOLDEF command and control statement

- examples 107, 129

- overview 127

- parameters

- DATASET/DSN 128

- HOSTID 129

- UNIT 129

- VOLume 128

- syntax 128

VOLSER

- defined 1060

- parameter 827, 830, 844, 847, 868, 887, 893, 910

volume

- attributes, defining to the HSC 99

- cell control functions 45

- request definition data set, specifying 127

- specifying 114

volume report records

- SLUVADAT, Flat File ACS/LSM Information DSECT 723

- SLUVCDAT, Flat File Static Configuration Data DSECT 731

- SLUVHDAT, Flat File Host Information DSECT 734

- SLUVIDAT, Flat File CDS Information DSECT 737

- SLUVSDAT, Flat File ACS Station Address DSECT 740

- SLUVVDAT, Flat File Volume Data DSECT 742

Volume Report utility

- description 349

- JCL

- examples 363

- requirements 361

- load module 169

- output description 365

- parameters

- ACS 354

- ASCend 355

- CDSDATA 358

- DEScend 356

- EXCLude 358

- INCLude 356

- LSM 354

- NOSORT 355

- SORT 355

- SUMMary 359

- VOLDATA 358

- VOLIST 358
- VOLser/VOLume 354
- SLSVA requirements 362
- syntax 353, 640
- volume, defined 1060
- VTW *See* Virtual Thumbwheel

W

- Warn command 655
- WolfCreek (9360) LSM, defined 1060
- WolfCreek CAP, defined 1060
- WolfCreek optional CAP, defined 1060

X

- XCALADR parameter 827, 831, 835, 848, 851, 852, 855,
 858, 870, 873, 874, 876, 887, 888, 891, 893, 896,
 908, 910
- XML
 - command and utility tags 149
 - data tag descriptions 150
 - requesting output 148
 - SLUADMIN output 148

Z

- ZCART, defined 1060

