

# StorageTek Enterprise Library Software

---

LCM Quick Reference

Version 7.0

**ORACLE**

Revision 02  
Part Number: E37174-02

Submit comments about this document to [STP\\_FEEDBACK\\_US@ORACLE.COM](mailto:STP_FEEDBACK_US@ORACLE.COM).

LCM Quick Reference

E37174-02

Copyright © 2012 Oracle and/or its affiliates. All rights reserved.

This software and related documentation are provided under a license agreement containing restrictions on use and disclosure and are protected by intellectual property laws. Except as expressly permitted in your license agreement or allowed by law, you may not use, copy, reproduce, translate, broadcast, modify, license, transmit, distribute, exhibit, perform, publish, or display any part, in any form, or by any means. Reverse engineering, disassembly, or decompilation of this software, unless required by law for interoperability, is prohibited.

The information contained herein is subject to change without notice and is not warranted to be error-free. If you find any errors, please report them to us in writing.

If this is software or related software documentation that is delivered to the U.S. Government or anyone licensing it on behalf of the U.S. Government, the following notice is applicable:

U.S. GOVERNMENT RIGHTS Programs, software, databases, and related documentation and technical data delivered to U.S. Government customers are "commercial computer software" or "commercial technical data" pursuant to the applicable Federal Acquisition Regulation and agency-specific supplemental regulations. As such, the use, duplication, disclosure, modification, and adaptation shall be subject to the restrictions and license terms set forth in the applicable Government contract, and, to the extent applicable by the terms of the Government contract, the additional rights set forth in FAR 52.227-19, Commercial Computer Software License (December 2007). Oracle USA, Inc., 500 Oracle Parkway, Redwood City, CA 94065.

This software or hardware is developed for general use in a variety of information management applications. It is not developed or intended for use in any inherently dangerous applications, including applications which may create a risk of personal injury. If you use this software or hardware in dangerous applications, then you shall be responsible to take all appropriate fail-safe, backup, redundancy, and other measures to ensure the safe use. Oracle Corporation and its affiliates disclaim any liability for any damages caused by use of this software or hardware in dangerous applications.

Oracle is a registered trademark of Oracle Corporation and/or its affiliates. Oracle and Java are registered trademarks of Oracle and/or its affiliates. Other names may be trademarks of their respective owners.

AMD, Opteron, the AMD logo, and the AMD Opteron logo are trademarks or registered trademarks of Advanced Micro Devices. Intel and Intel Xeon are trademarks or registered trademarks of Intel Corporation. All SPARC trademarks are used under license and are trademarks or registered trademarks of SPARC International, Inc. UNIX is a registered trademark licensed through X/Open Company, Ltd.

This software or hardware and documentation may provide access to or information on content, products, and services from third parties. Oracle Corporation and its affiliates are not responsible for and expressly disclaim all warranties of any kind with respect to third-party content, products, and services. Oracle Corporation and its affiliates will not be responsible for any loss, costs, or damages incurred due to your access to or use of third-party content, products, or services.

# Preface

---

Oracle's StorageTek™ Enterprise Library Software (ELS) is a solution consisting of the following base software:

- StorageTek™ Storage Management Component (SMC)  
(includes the product formerly known as StorageTek HTTP Server)
- StorageTek™ Host Software Component (HSC)
- StorageTek™ Virtual Tape Control Software (VTCS)
- StorageTek™ Concurrent Disaster Recovery Test (CDRT)

Additionally, the following software is provided with the ELS package:

- ELS Supportive Software:
  - StorageTek™ Library Content Manager (LCM) (formerly ExLM)  
(includes the product formerly known as Offsite Vault Feature)
  - StorageTek™ Enterprise Library Management Station Media Audit Tracker (ELMS MAT)
- Other Mainframe Software:
  - StorageTek™ Client System Component for MVS Environments (MVS/CSC)
  - StorageTek™ LibraryStation
  - Refer to the publication *Introducing ELS* for an overview of the ELS solution.

---

## Audience

This Quick Reference shows command and utility syntax and variable field values.

---

## Prerequisites

To perform the tasks described in this guide, you should already understand the following:

- MVS or OS/390 operating system
- LCM basic function and operation; for more information, see *LCM User's Guide*.

---

## Organization of This Publication

TABLE P-1 describes the contents of this publication.

**TABLE P-1** Organization of this Publication

Section	Contents
<a href="#">“LCM Control Statements” on page 1</a>	LCM control statement syntax
<a href="#">“LCM Operator Commands” on page 41</a>	LCM operator commands syntax
<a href="#">“LCM 7.0 Field Tables” on page 45</a>	LCM field tables descriptions

# Contents

---

**Preface** iii

Audience iii

Prerequisites iv

Organization of This Publication iv

**1. LCM Control Statements** 1

ACTION CONSOLIDATE 2

ACTION DRAIN 3

ACTION EJECT 4

ACTION EXPORT 5

ACTION MIGRATE 6

ACTION MOVE 7

ACTION RECALL 8

ACTION RECLAIM 9

ACTION SCRATCH 10

ACTION UNSCRATCH 11

ACTION VAULT ASSIGN 12

ACTION VAULT RELEASE 13

ACTION VAULT RETURN 14

DATASET 15

LOCATION 15

MANAGE PHYSICAL 16

MANAGE VIRTUAL 17

METHOD 17

OPTIONS 18

PULLLIST 19  
REPORT CELLCNT 19  
REPORT CONSOLIDATE 19  
REPORT DATASET 20  
REPORT EJECT 20  
REPORT ENTER 20  
REPORT EXPORT 21  
REPORT LSM 22  
REPORT MVC\_VTV 24  
REPORT MIGRATE 26  
REPORT MULTIPLE 26  
REPORT NONSCRCNT 27  
REPORT OPERATOR 27  
REPORT PHYSICAL 28  
REPORT RECALL 29  
REPORT SCRCNT 29  
REPORT SUMMARY 30  
REPORT VAULT 31  
REPORT VIRTUAL 32  
REPORT VOLUME 33  
REPORT VOLUME Continued 34  
SET METHOD 35  
SUBPOOL 35  
TMS CA1 36  
TMS COMMON 36  
TMS CTT 37  
TMS CUSTOM 37  
TMS OPEN 38  
TMS RMM 39  
TMS TLMS 40  
UNMANAGED 40

**2. LCM Operator Commands 41**

Using MVS Commands 41

Using the MVS MODIFY Command to Monitor and Control LCM Batch Jobs	41
Using the MVS STOP Command to Stop LCM	41
Using the MVS MODIFY Command to Monitor and Control LCM Agent	42
LCM Operator Commands	43
DISPLAY Command	43
PAUSE Command	43
REDIRECT Command	43
RESUME Command	44
<b>3. LCM 7.0 Field Tables</b>	<b>45</b>
ACTION Statement WHEN Fields	46
SET METHOD Statement WHEN Fields	77
REPORT LSM Statement Fields	106
REPORT MVC_VTV Statement Fields	109
REPORT VOLUME Statement Fields	110
General Fields	156
Fields Specific to TMS CA1	189
Fields Specific to TMS CTT	201
Fields Specific to TMS Custom	211
Fields Specific to TMS Open	217
Fields Specific to TMS TLMS	223





# Tables

---

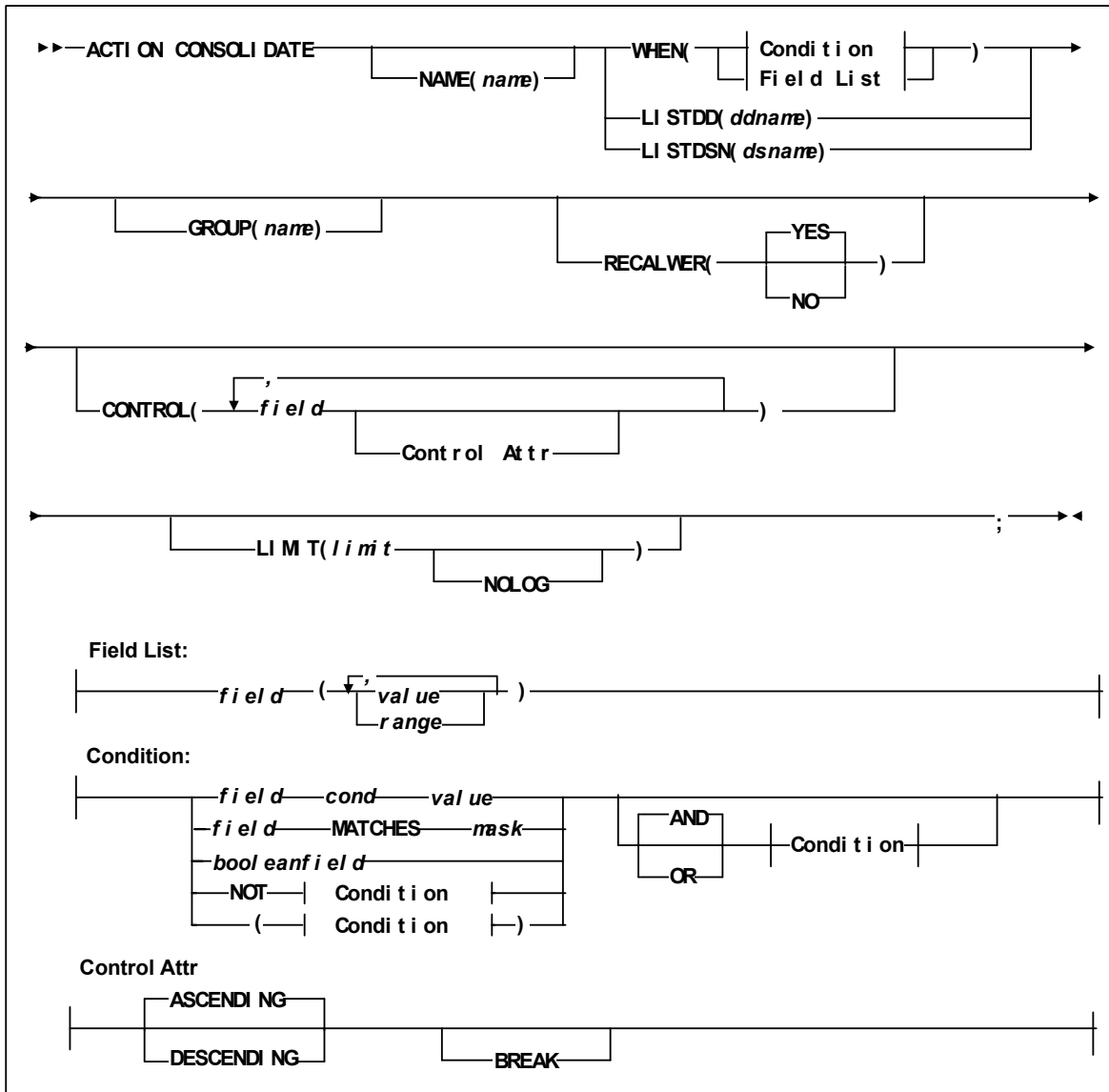
TABLE P-1	Organization of this Publication	iv
TABLE 3-1	ACTION Statement WHEN Fields	46
TABLE 3-2	SET METHOD Statement WHEN Fields	77
TABLE 3-3	REPORT LSM Statement Fields	106
TABLE 3-4	Additional REPORT MVC_VTV Statement Fields	109
TABLE 3-5	REPORT VOLUME Statement Fields	111
TABLE 3-6	General Fields	157
TABLE 3-7	Fields Specific to TMS CA1	189
TABLE 3-8	Fields Specific to TMS CTT	201
TABLE 3-9	Fields Specific to TMS Custom	211
TABLE 3-10	Fields Specific to TMS Open	217
TABLE 3-11	Fields Specific to TMS TLM	223
TABLE 3-12	Valid Formats for Date Fields	236
TABLE 3-13	Valid Formats for Time Fields	236



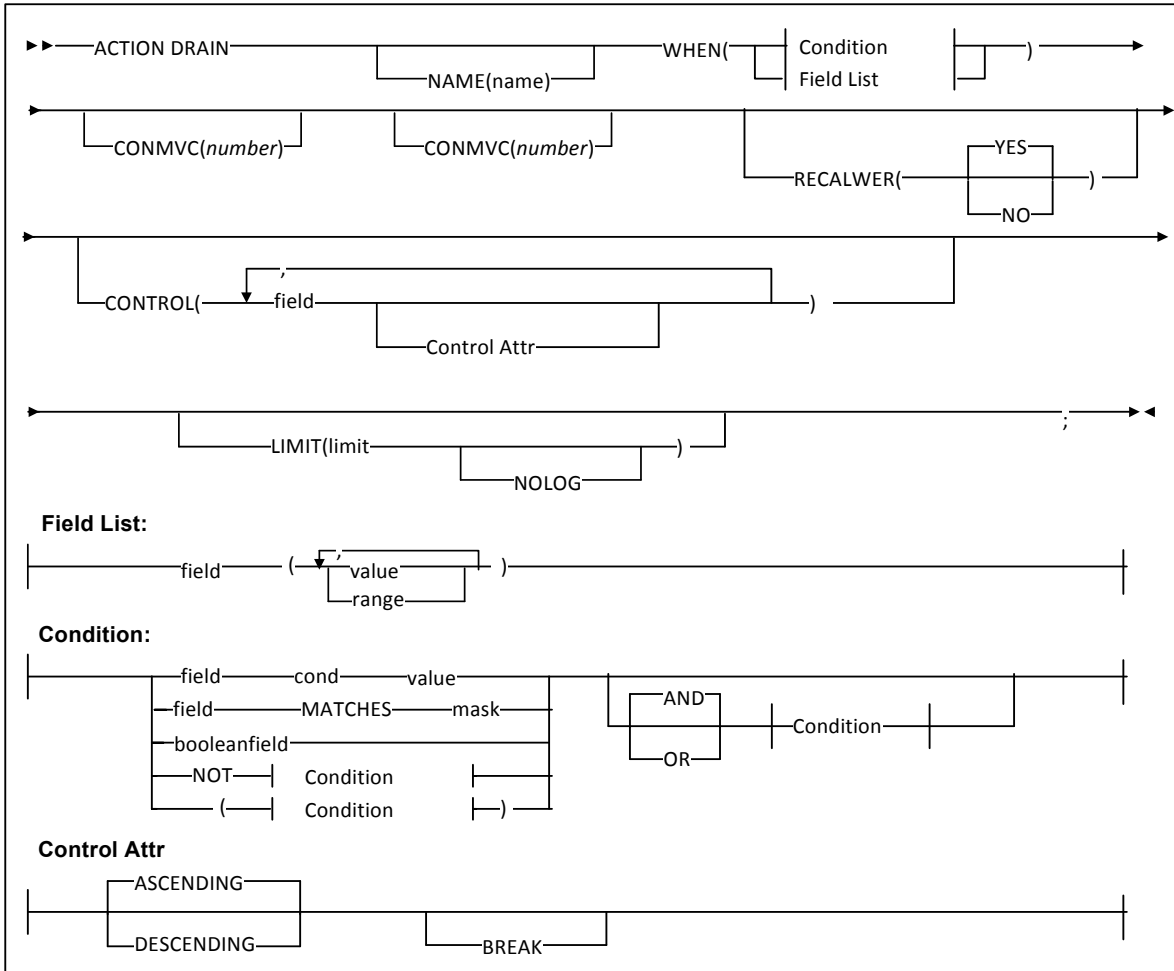
# LCM Control Statements

---

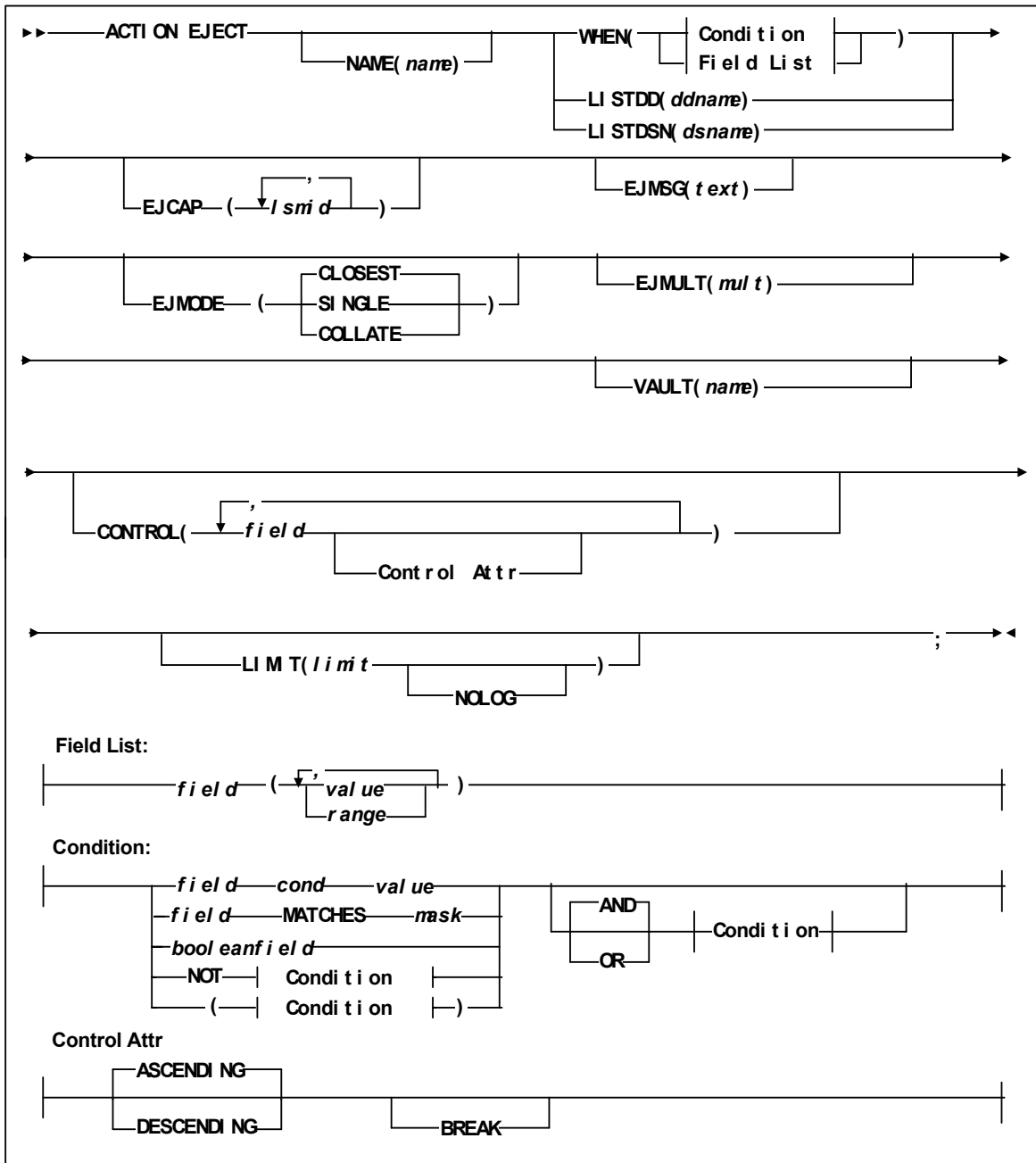
# ACTION CONSOLIDATE



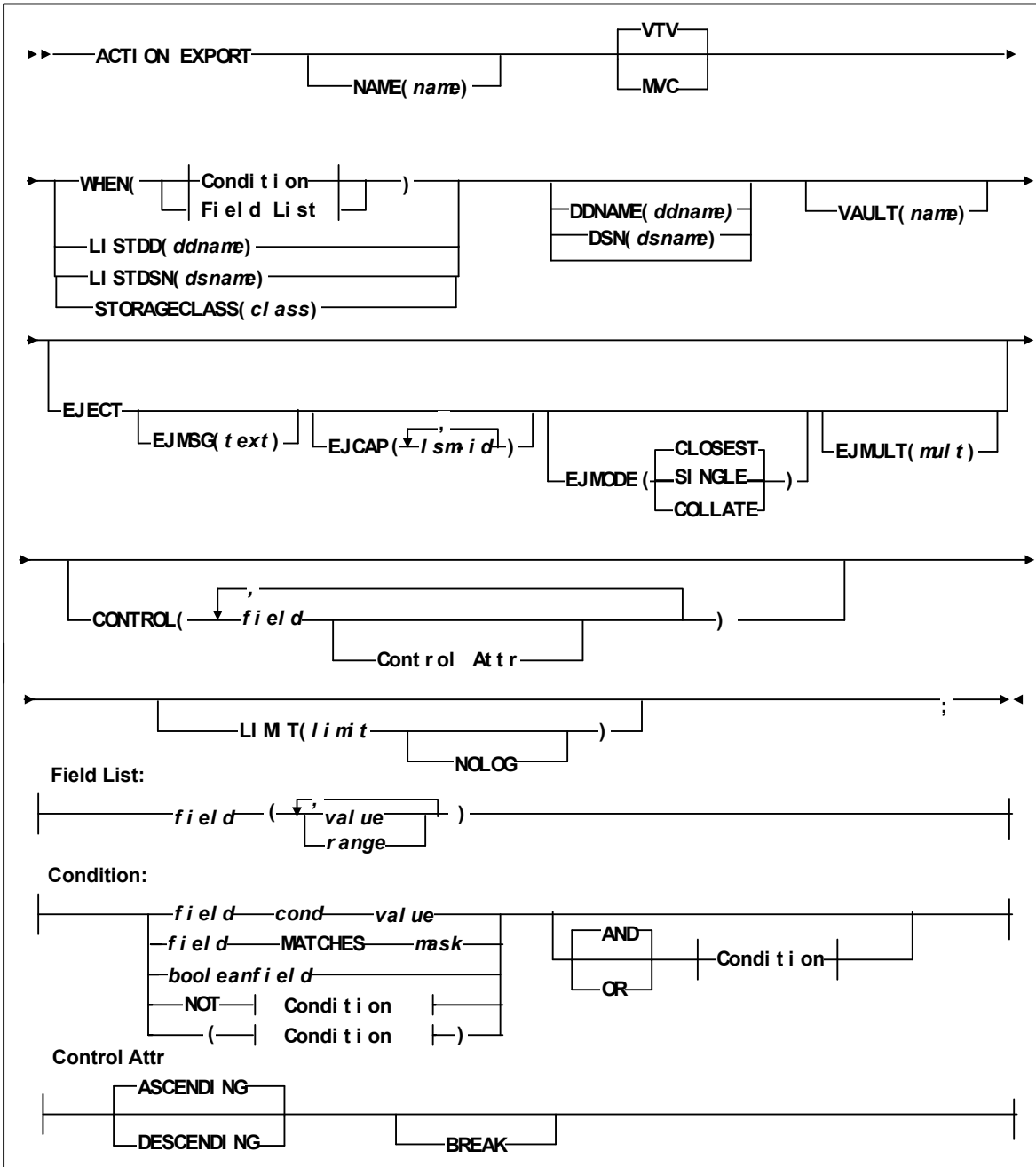
# ACTION DRAIN



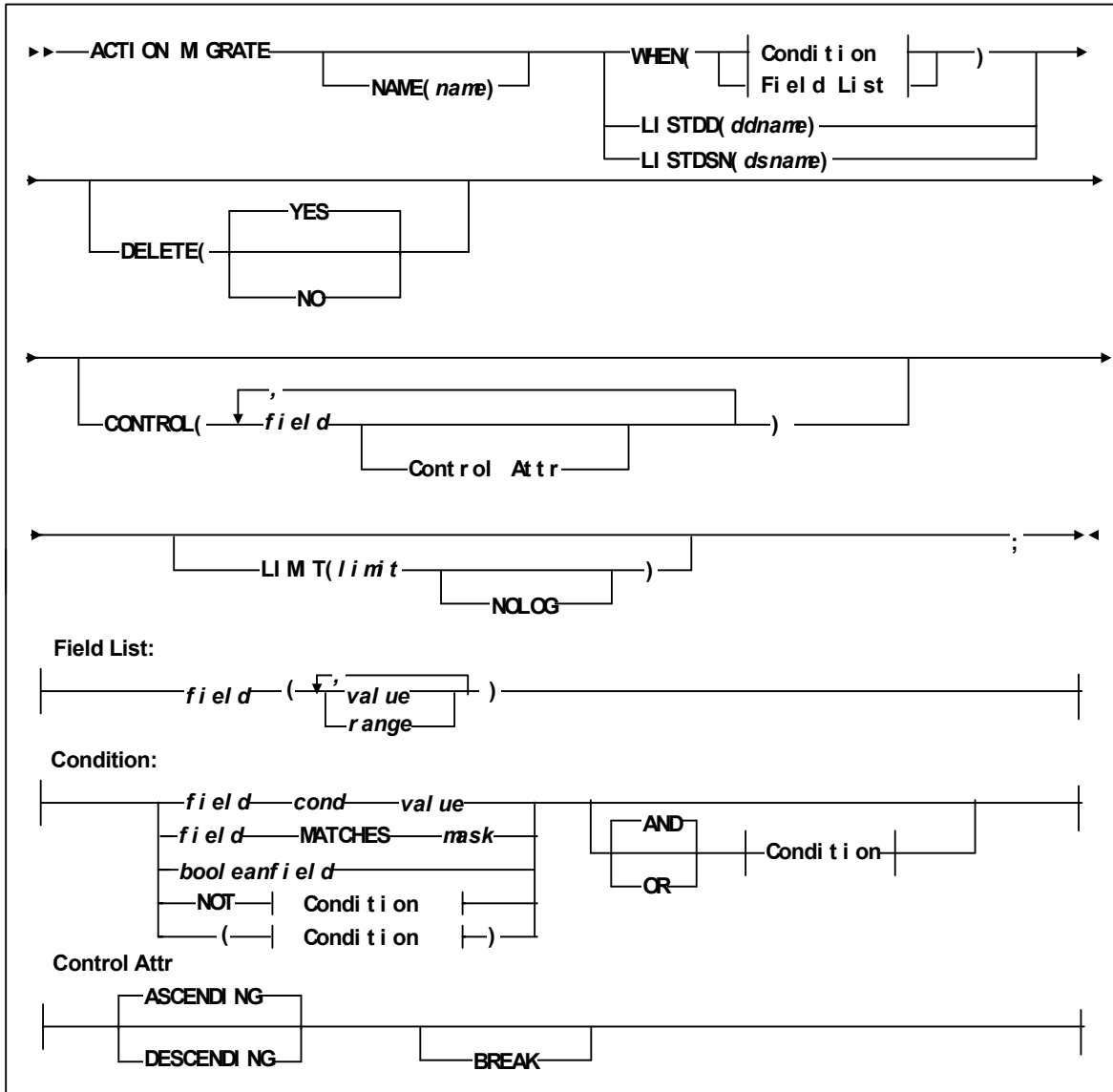
# ACTION EJECT



# ACTION EXPORT

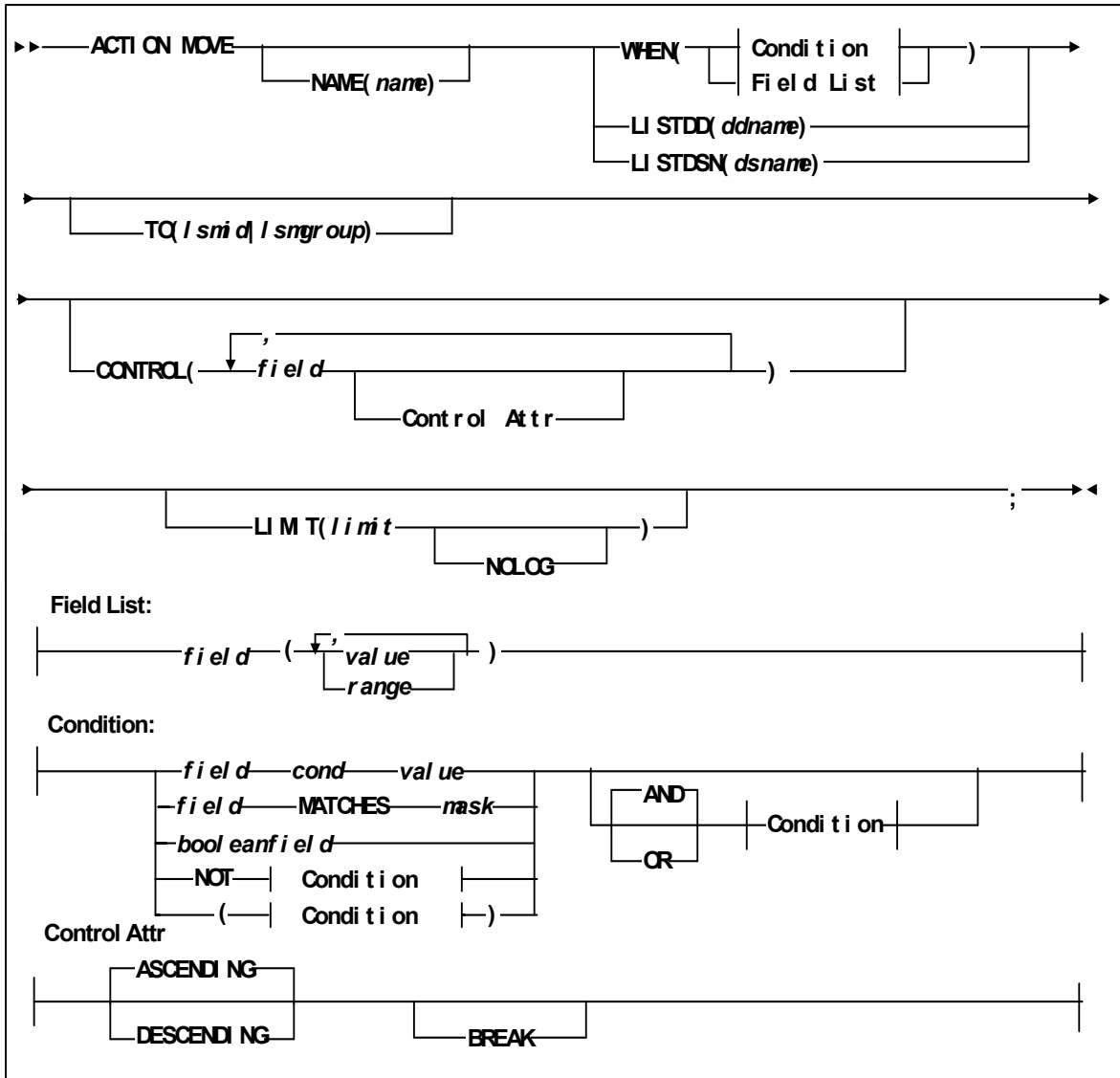


# ACTION MIGRATE

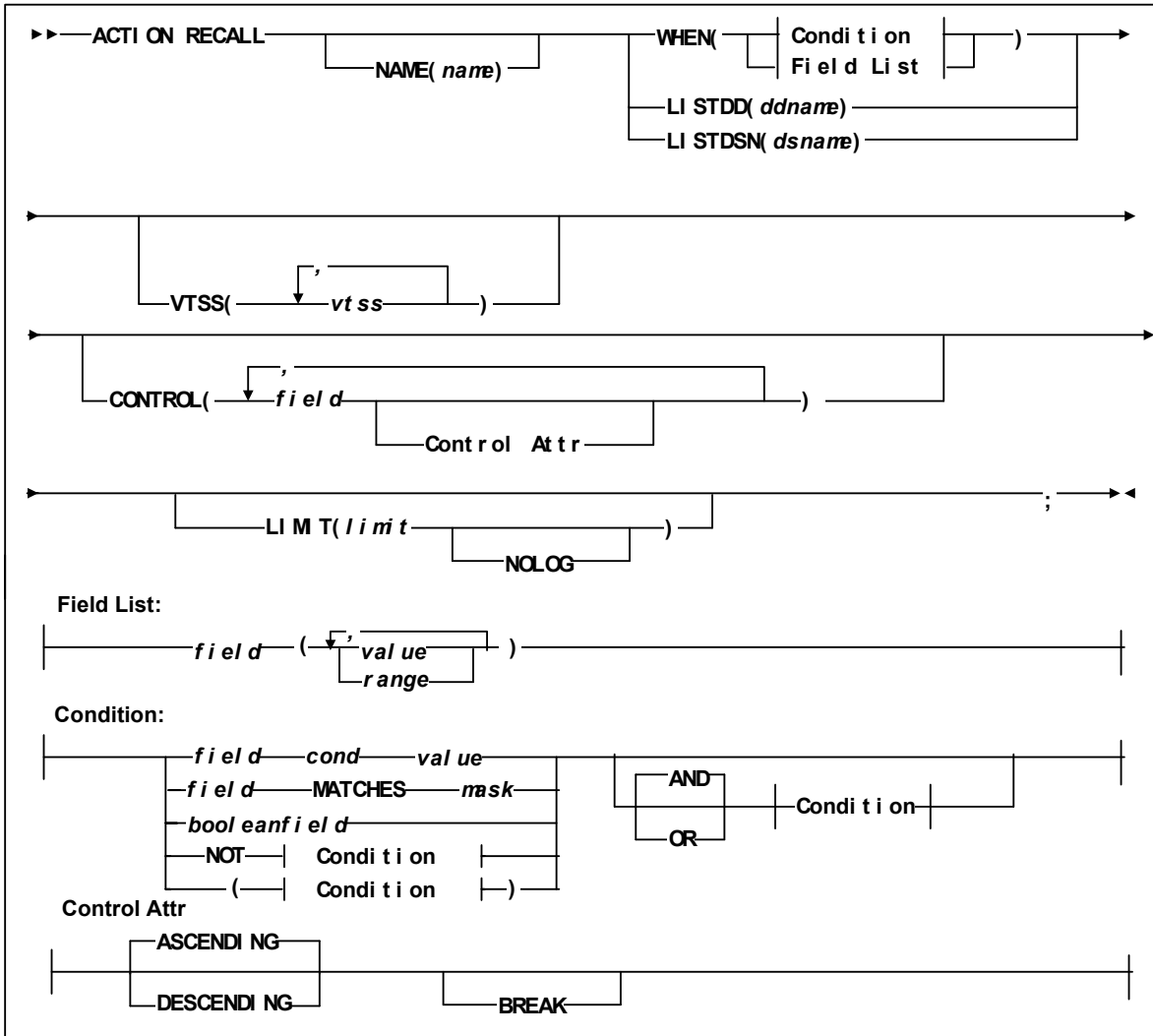




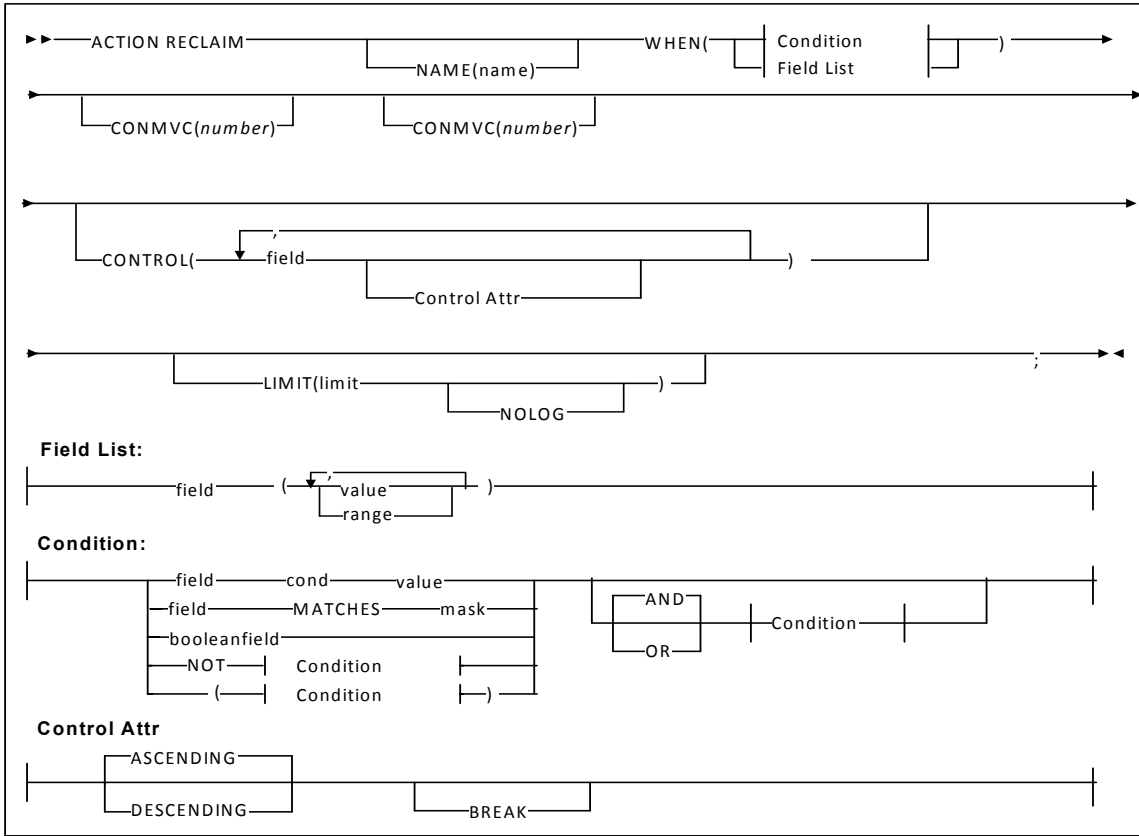
# ACTION MOVE



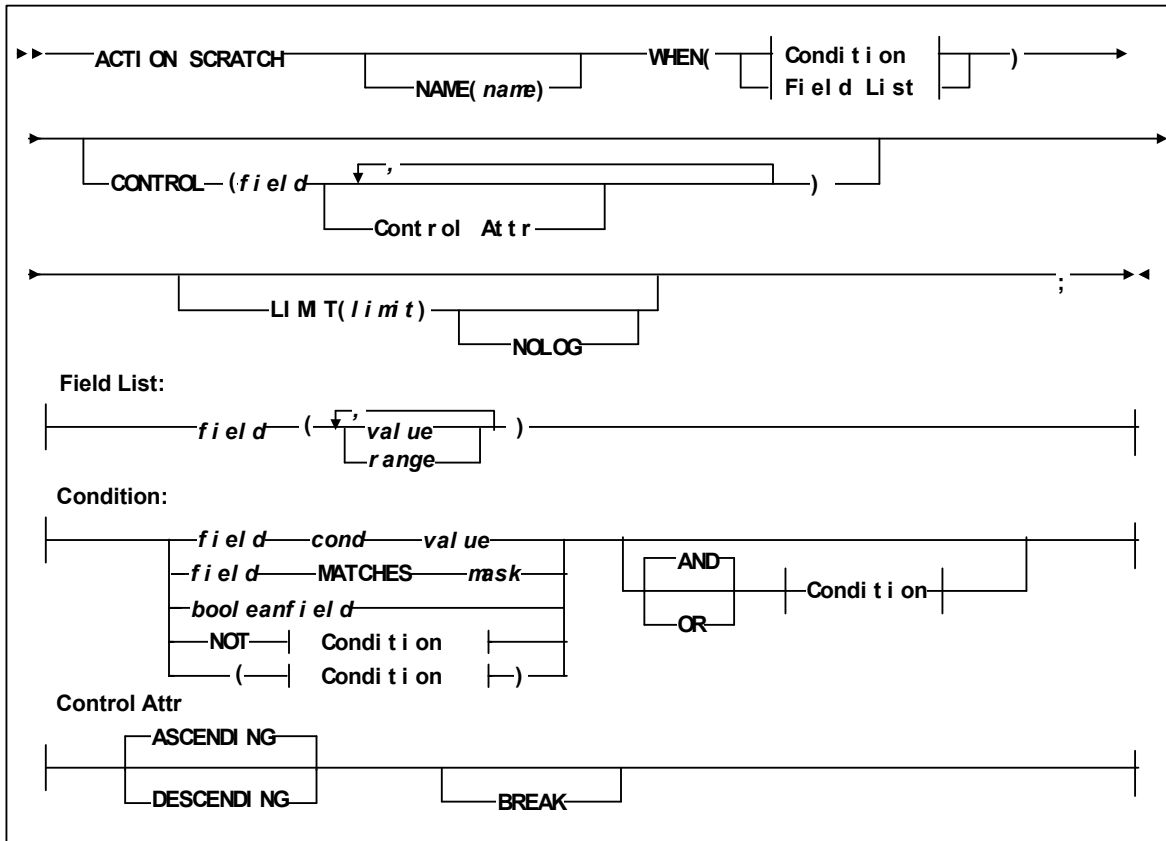
# ACTION RECALL



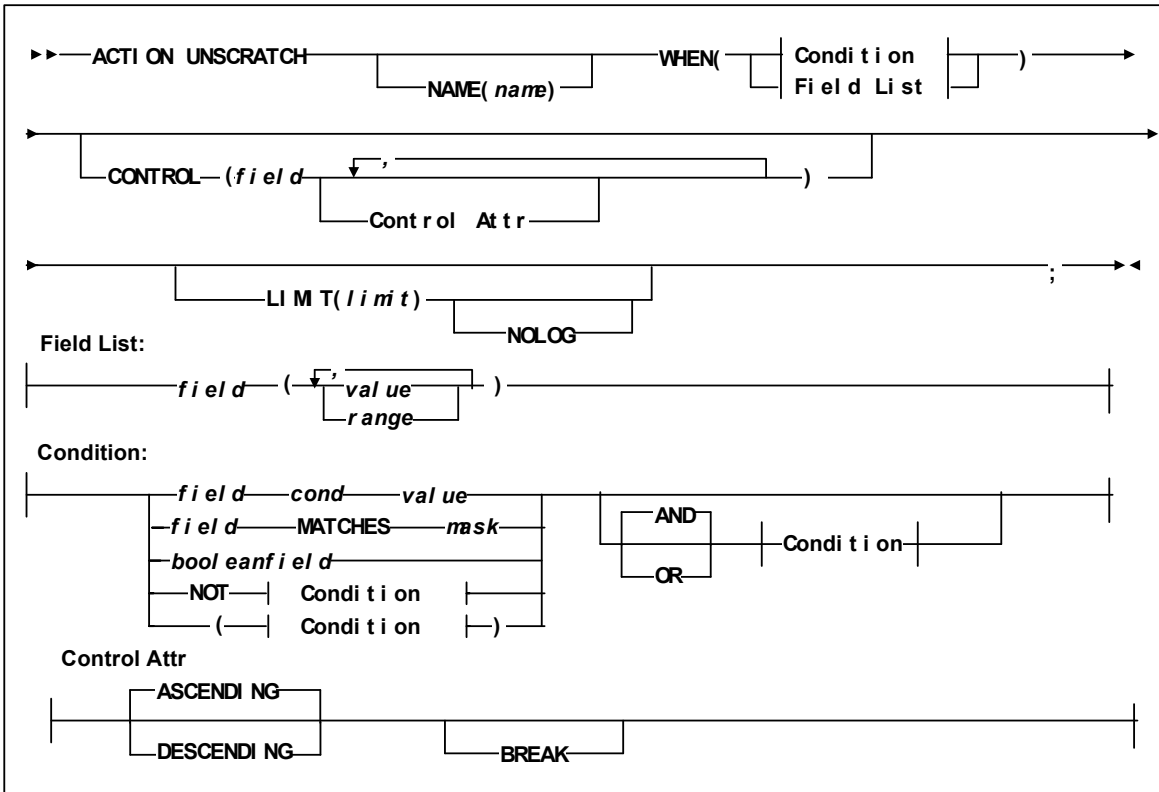
# ACTION RECLAIM



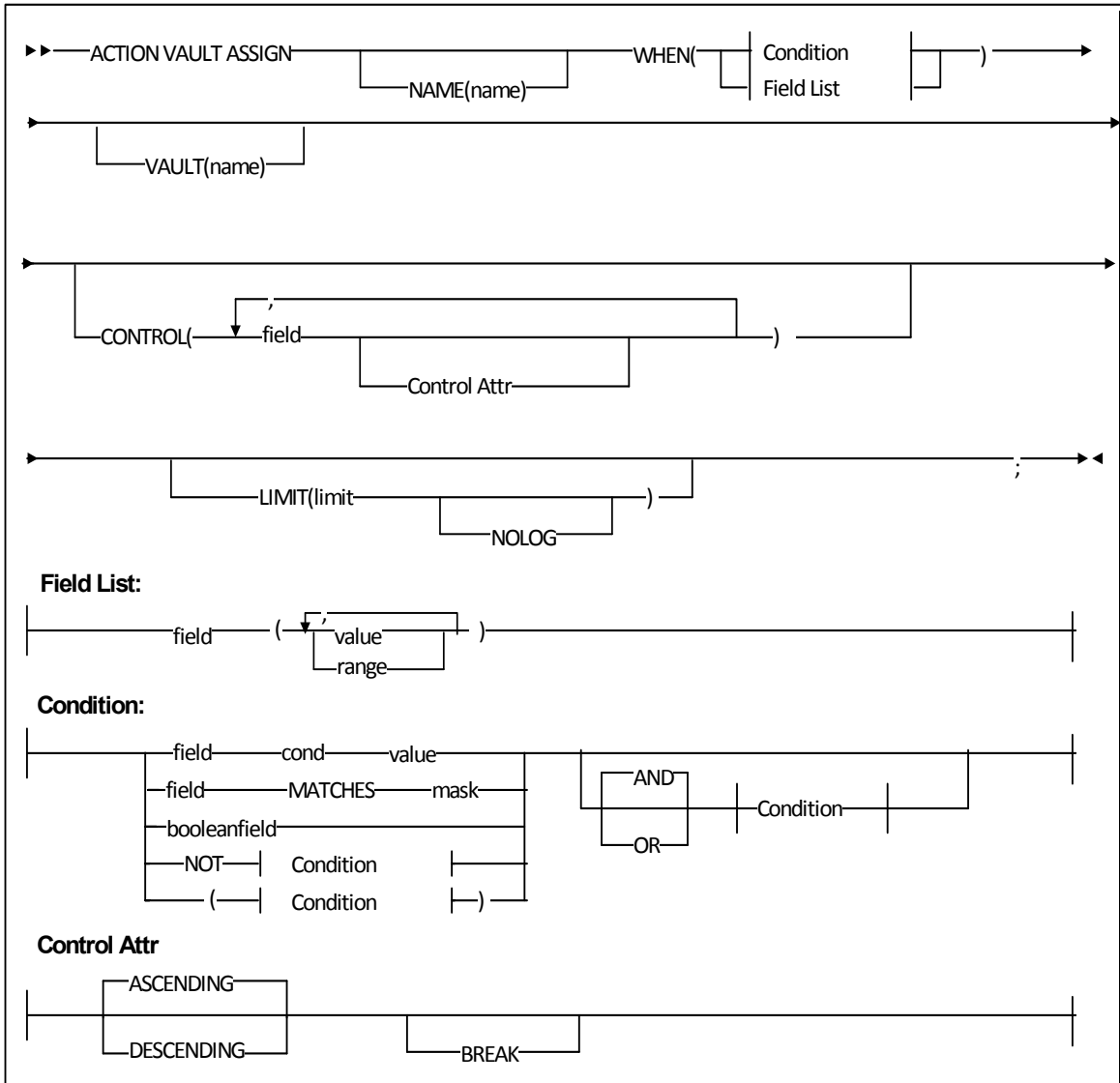
# ACTION SCRATCH



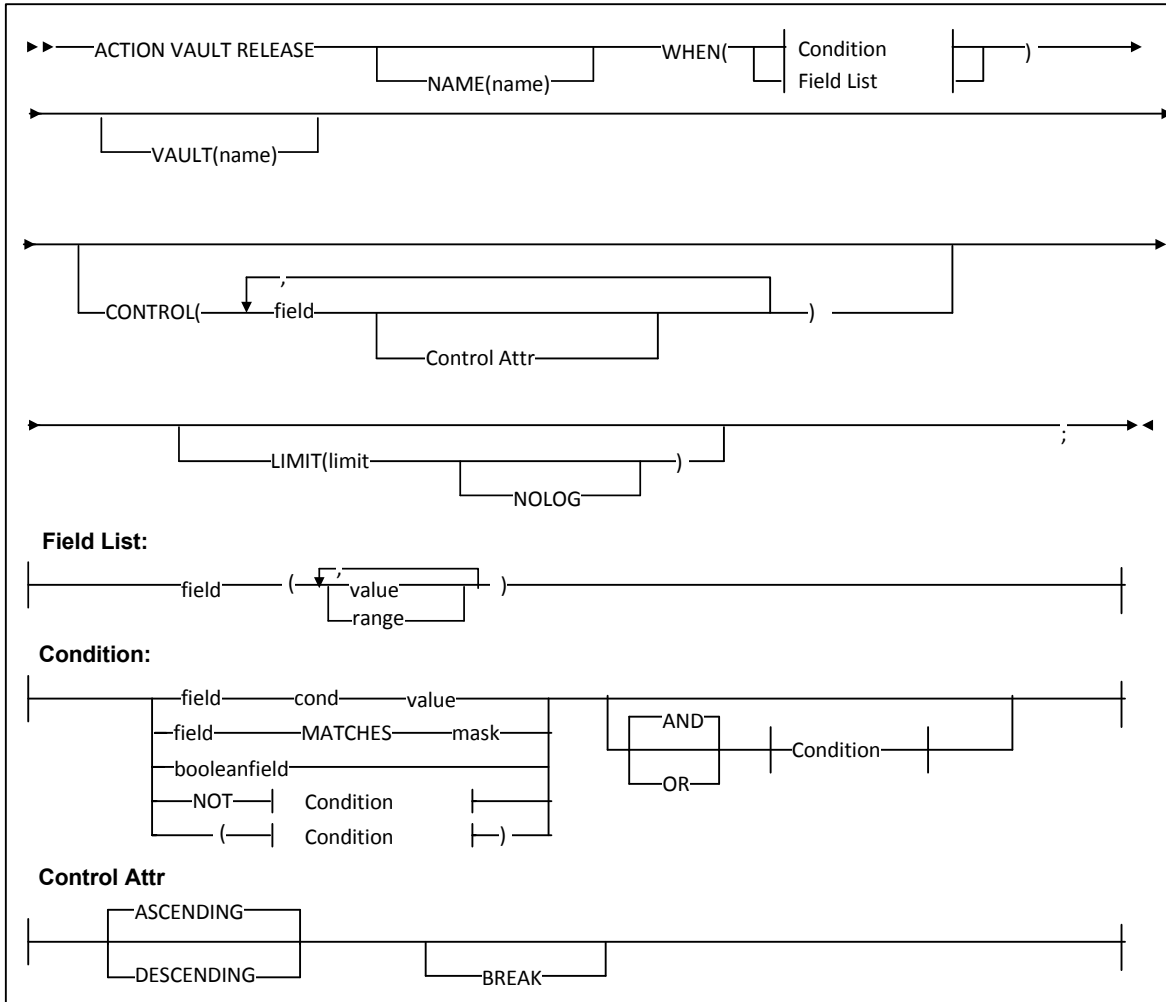
# ACTION UNSCRATCH



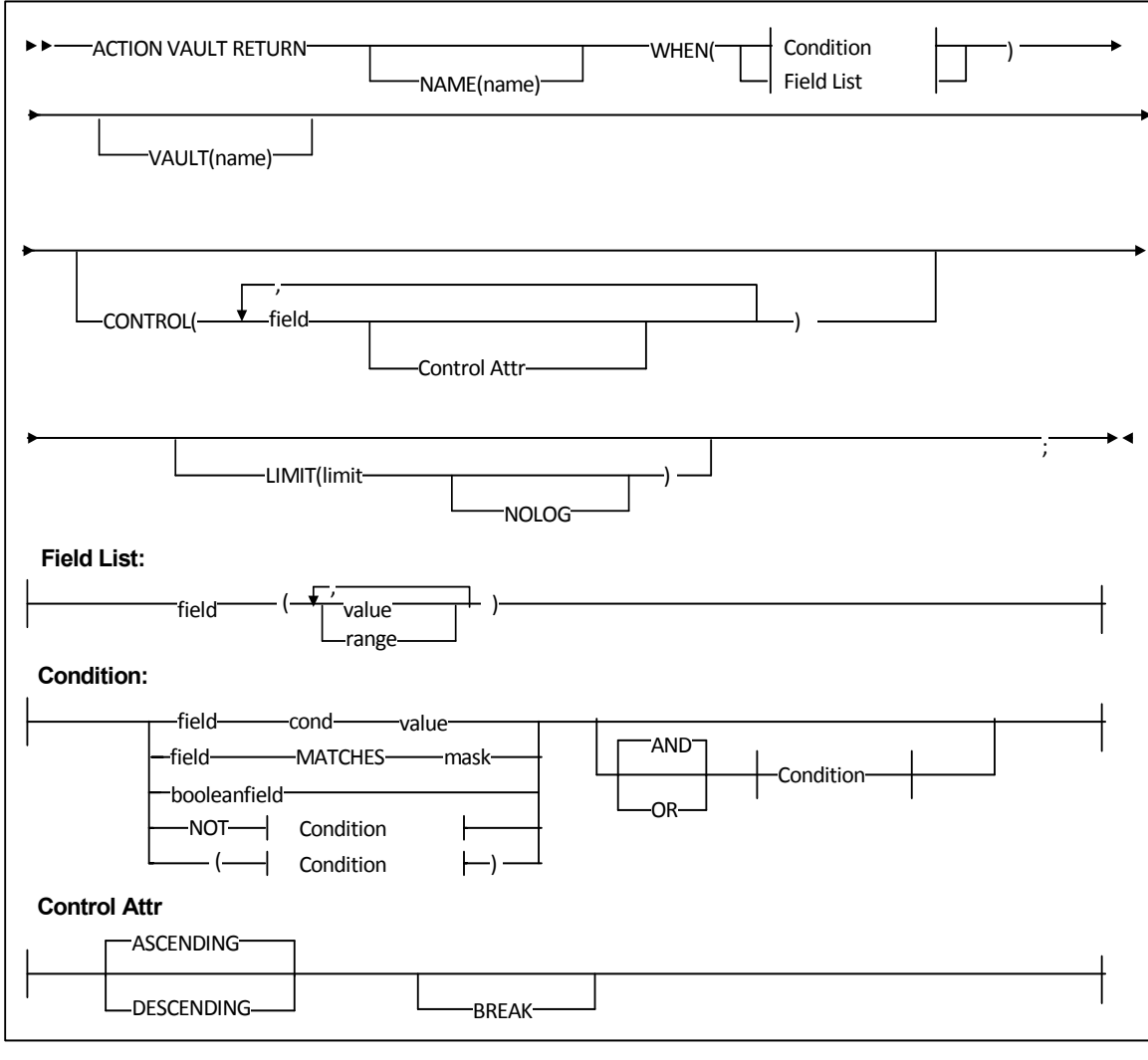
# ACTION VAULT ASSIGN



# ACTION VAULT RELEASE

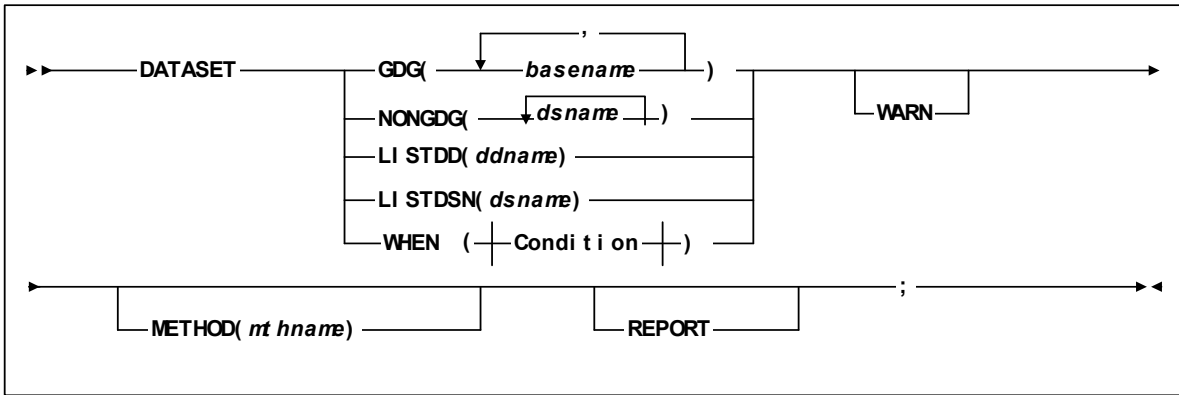


# ACTION VAULT RETURN

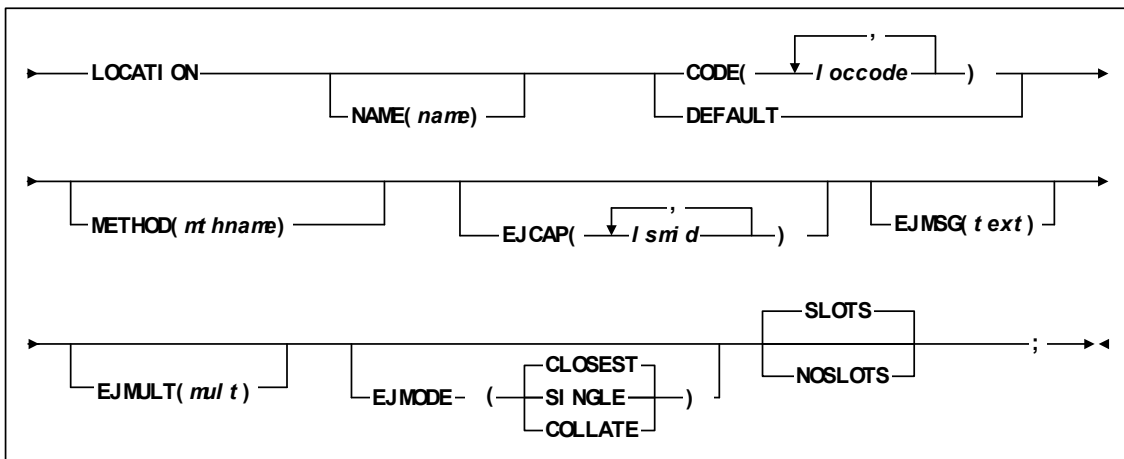




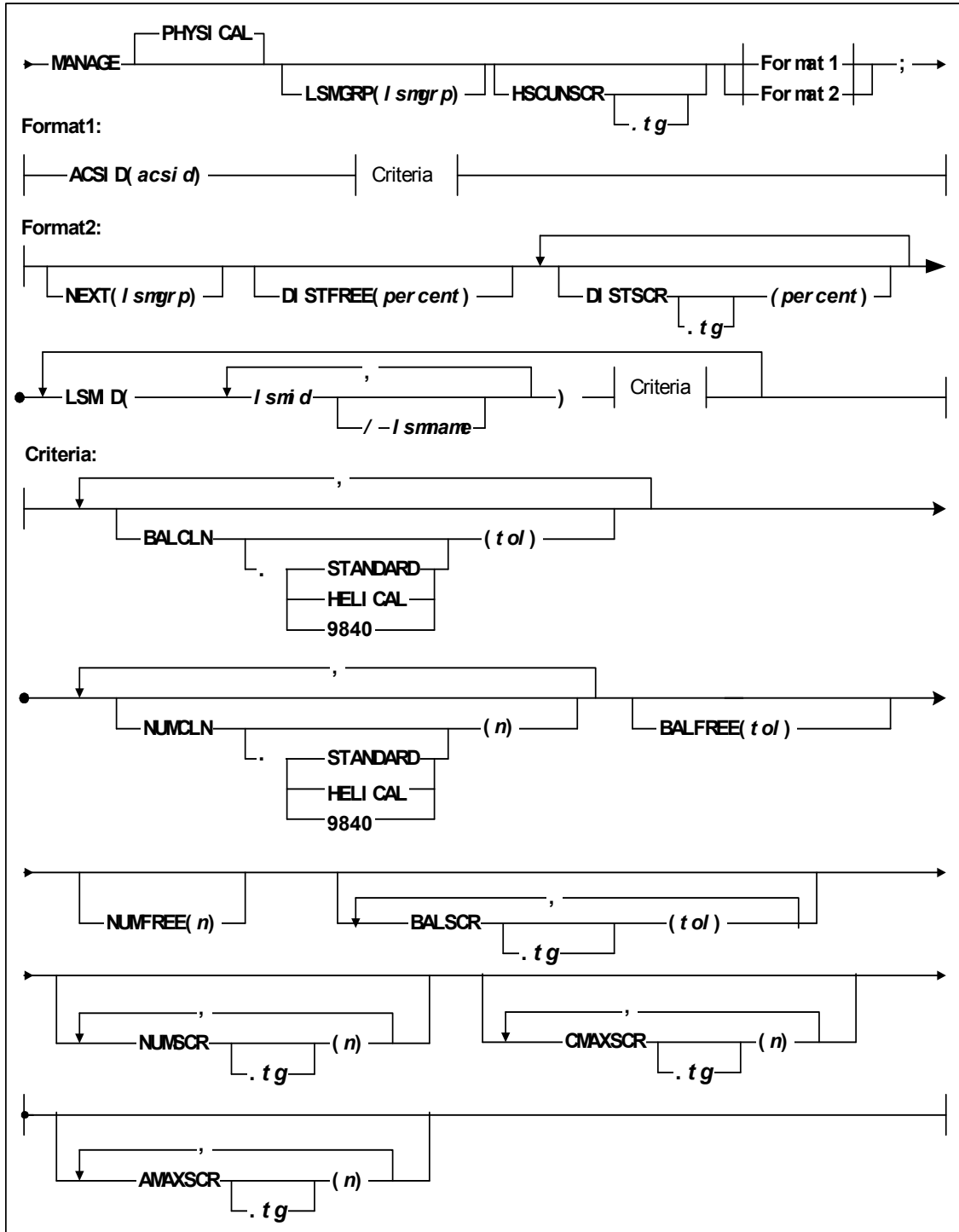
# DATASET



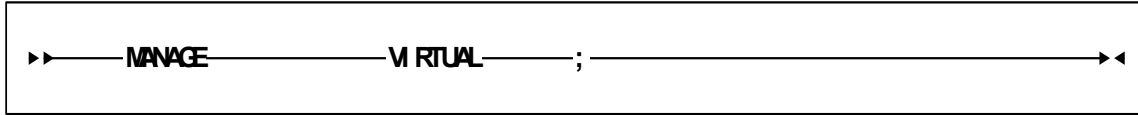
# LOCATION



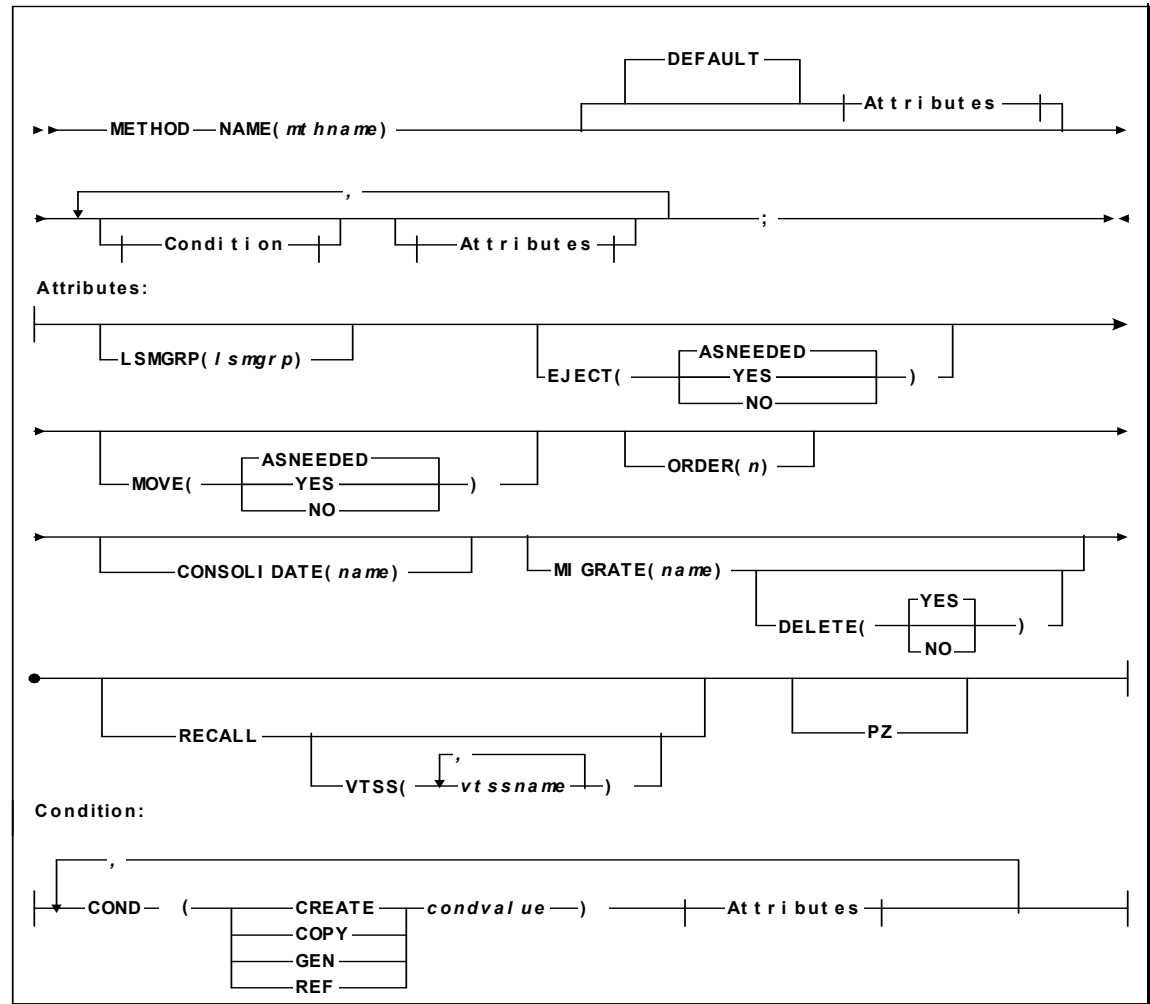
# MANAGE PHYSICAL



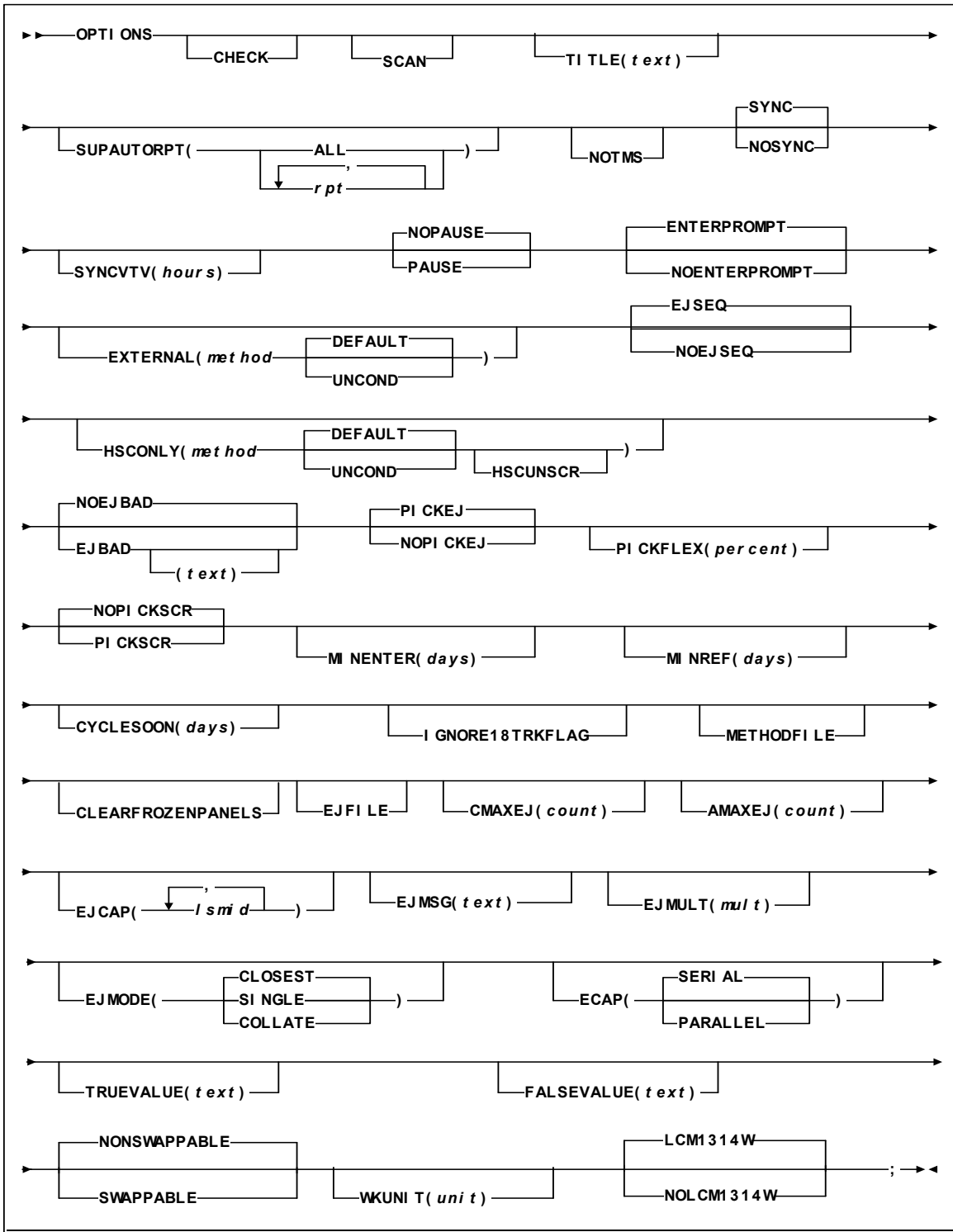
# MANAGE VIRTUAL



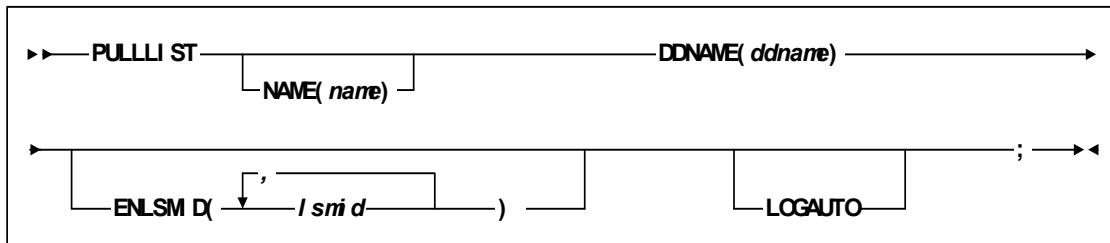
# METHOD



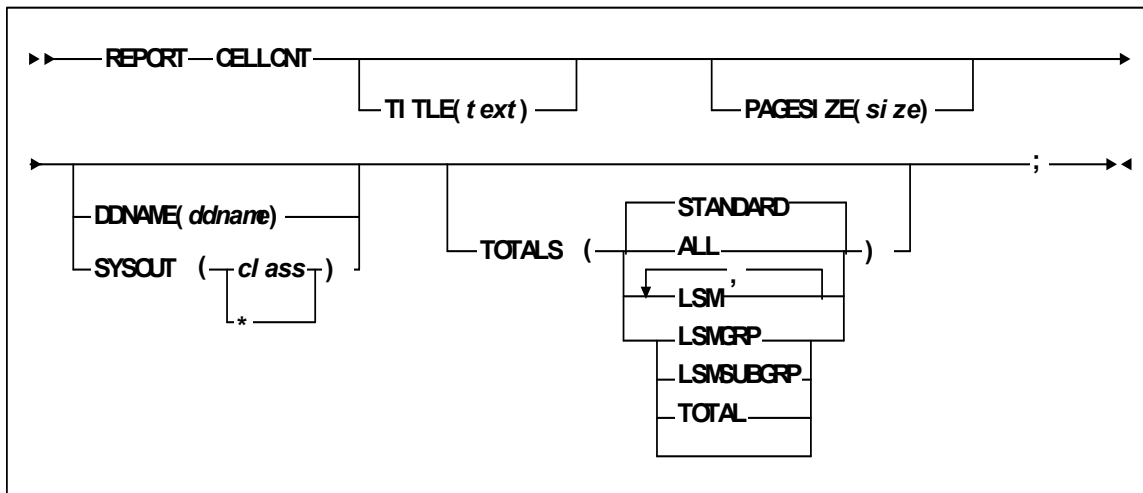
# OPTIONS



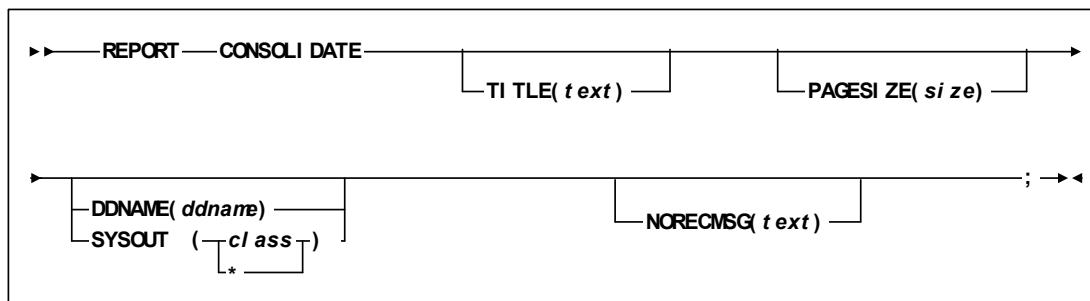
## PULLLIST



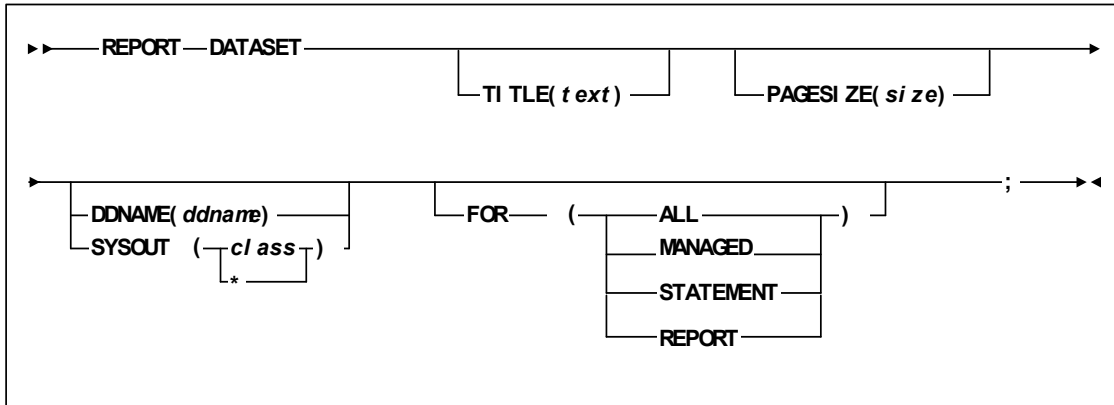
## REPORT CELLCNT



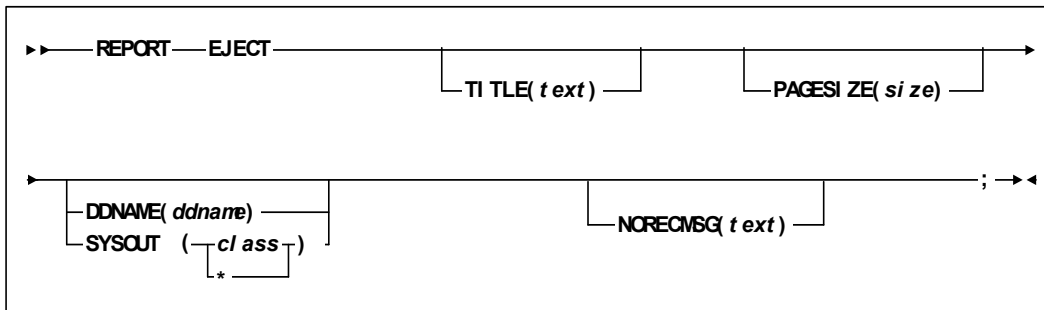
## REPORT CONSOLIDATE



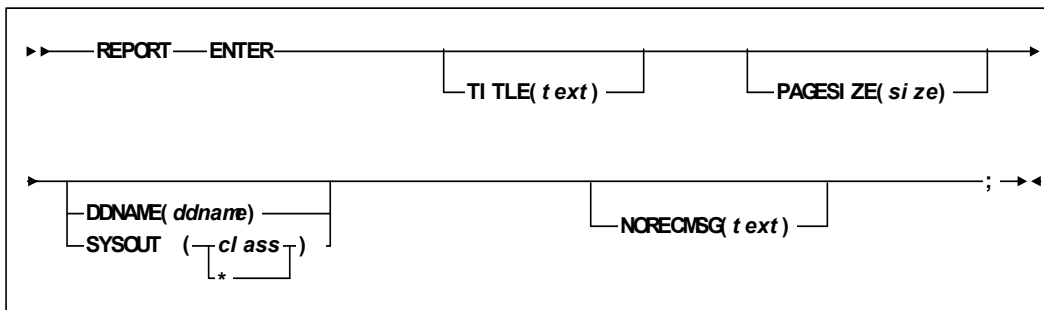
## REPORT DATASET



## REPORT EJECT

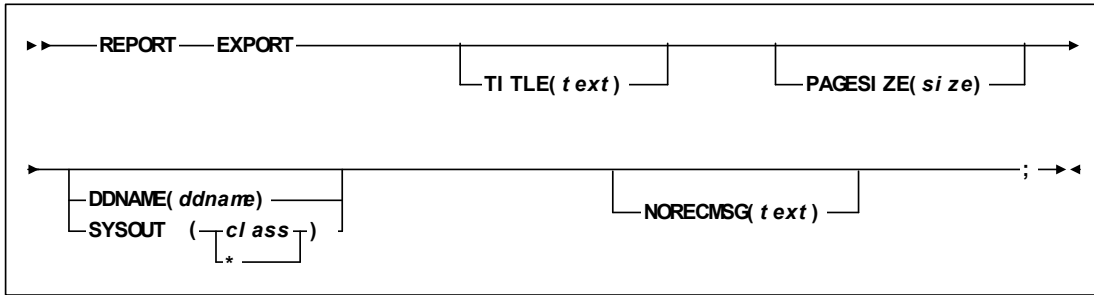


## REPORT ENTER

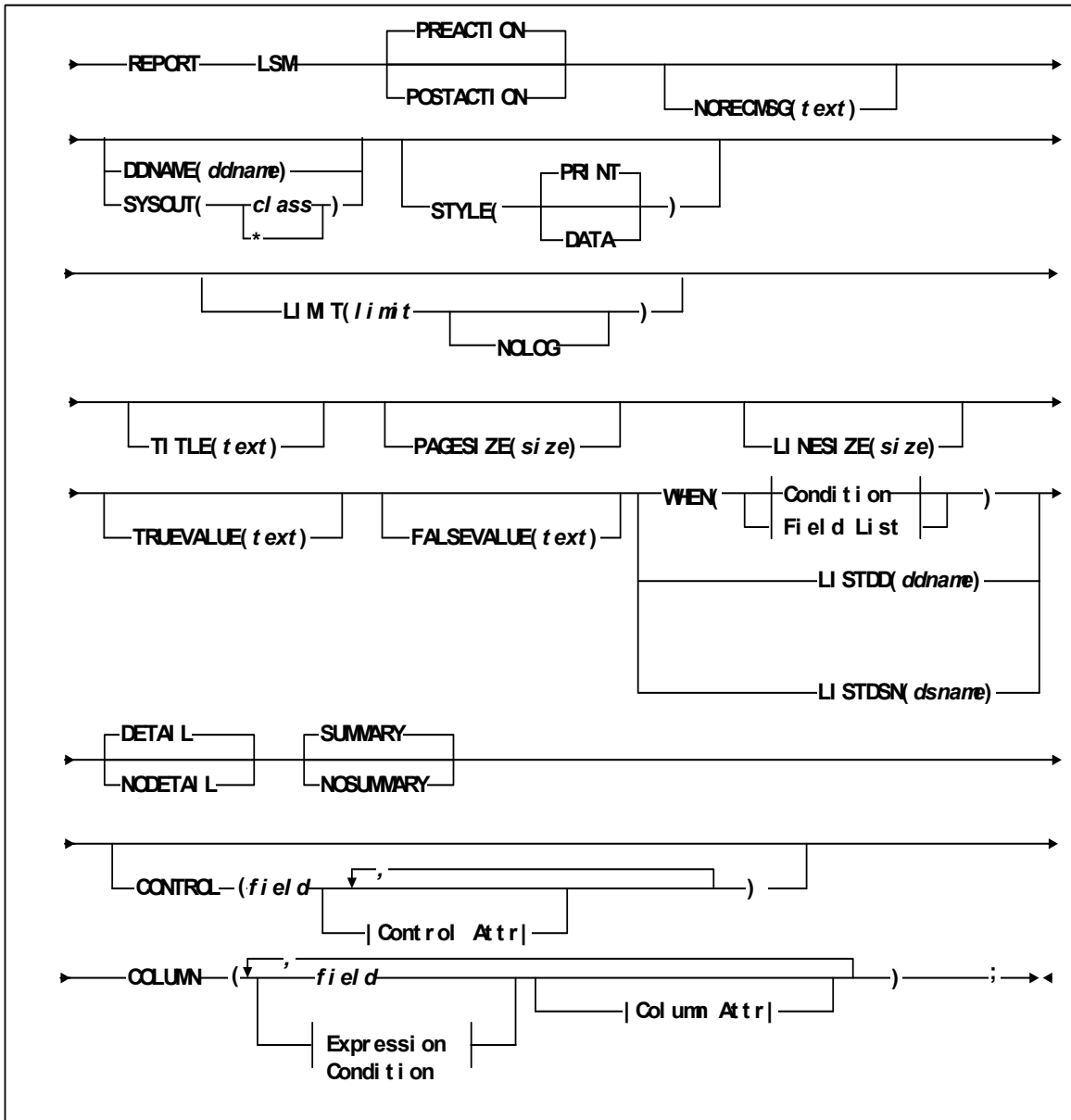


---

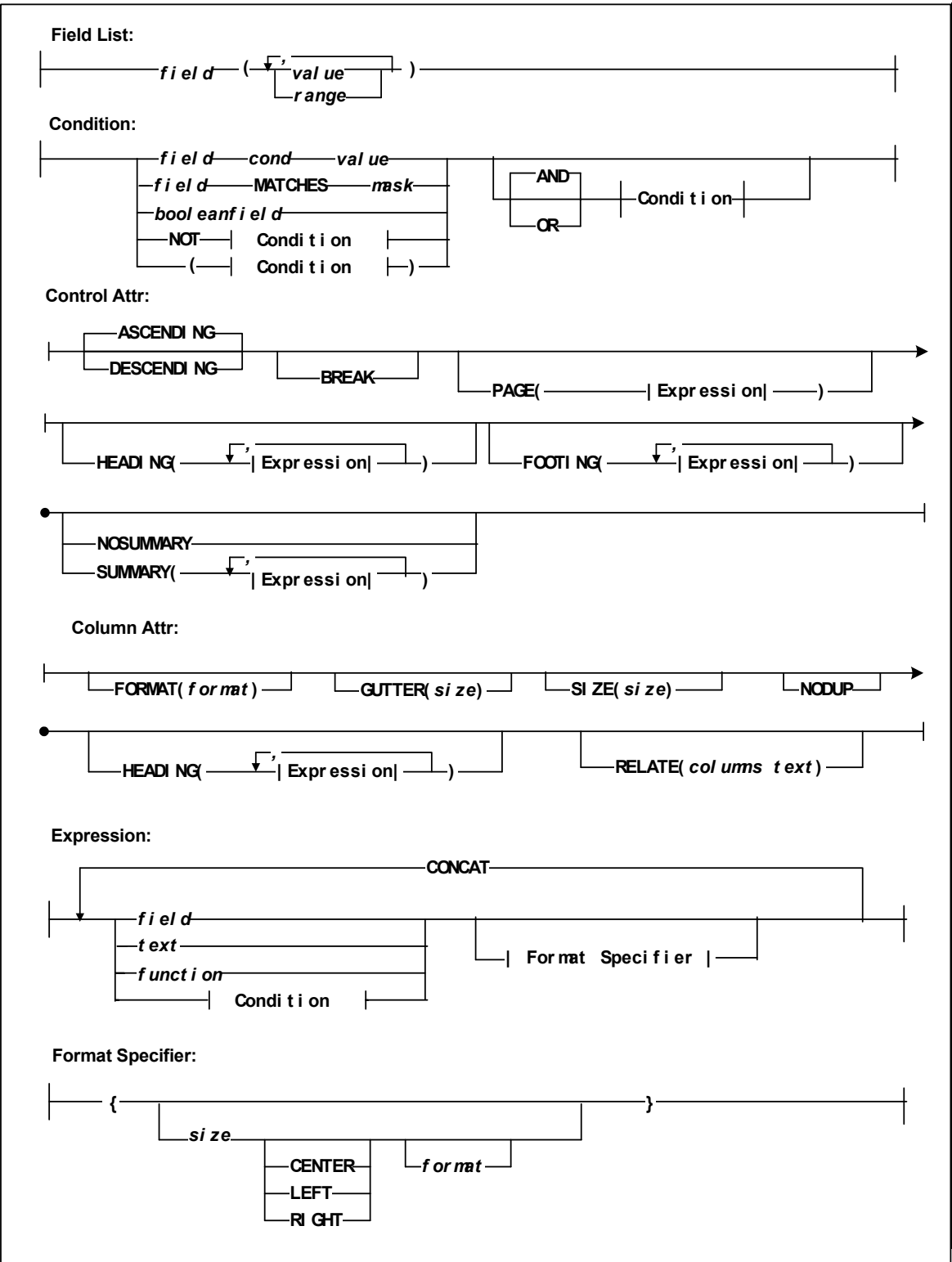
# REPORT EXPORT



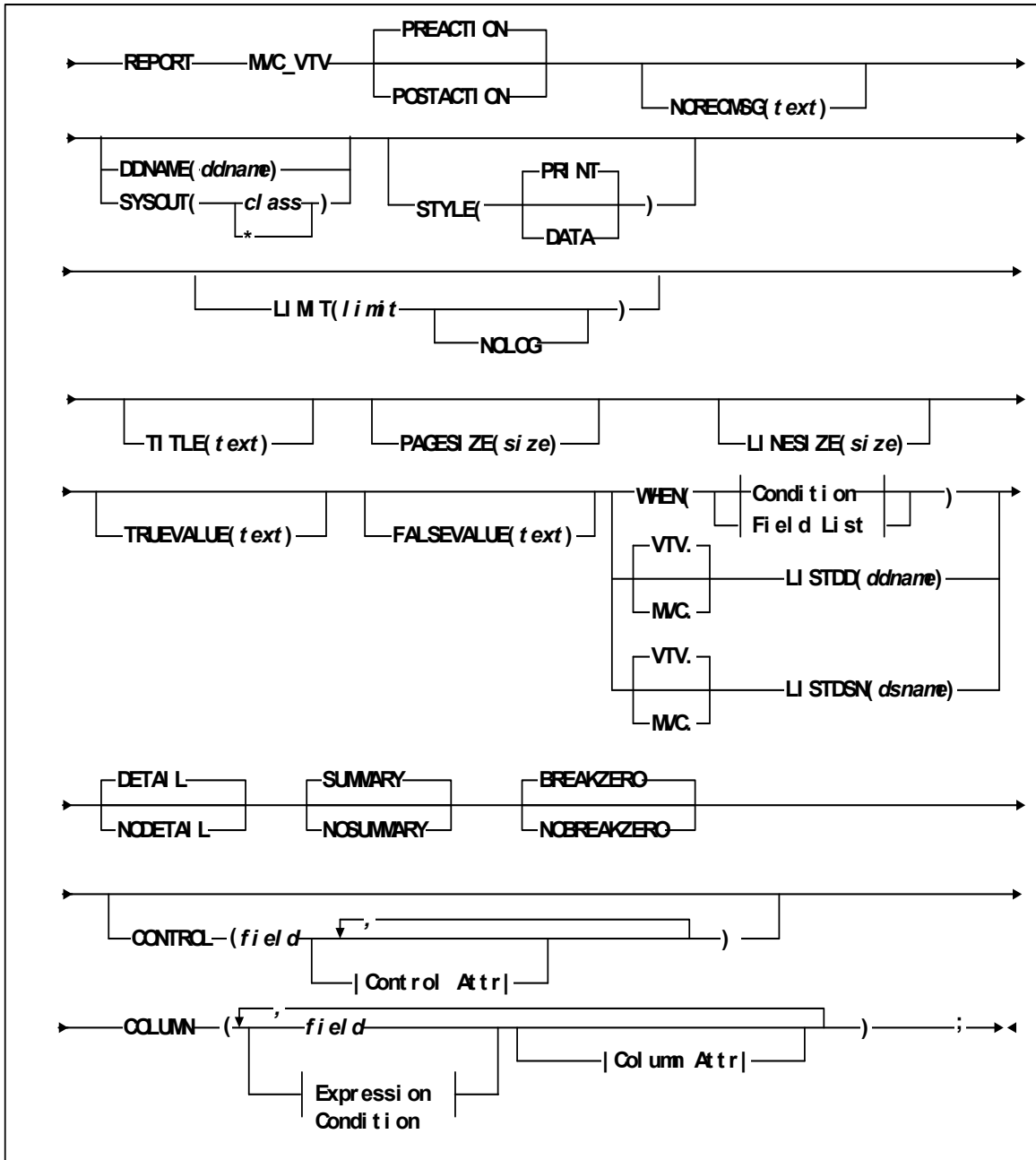
# REPORT LSM

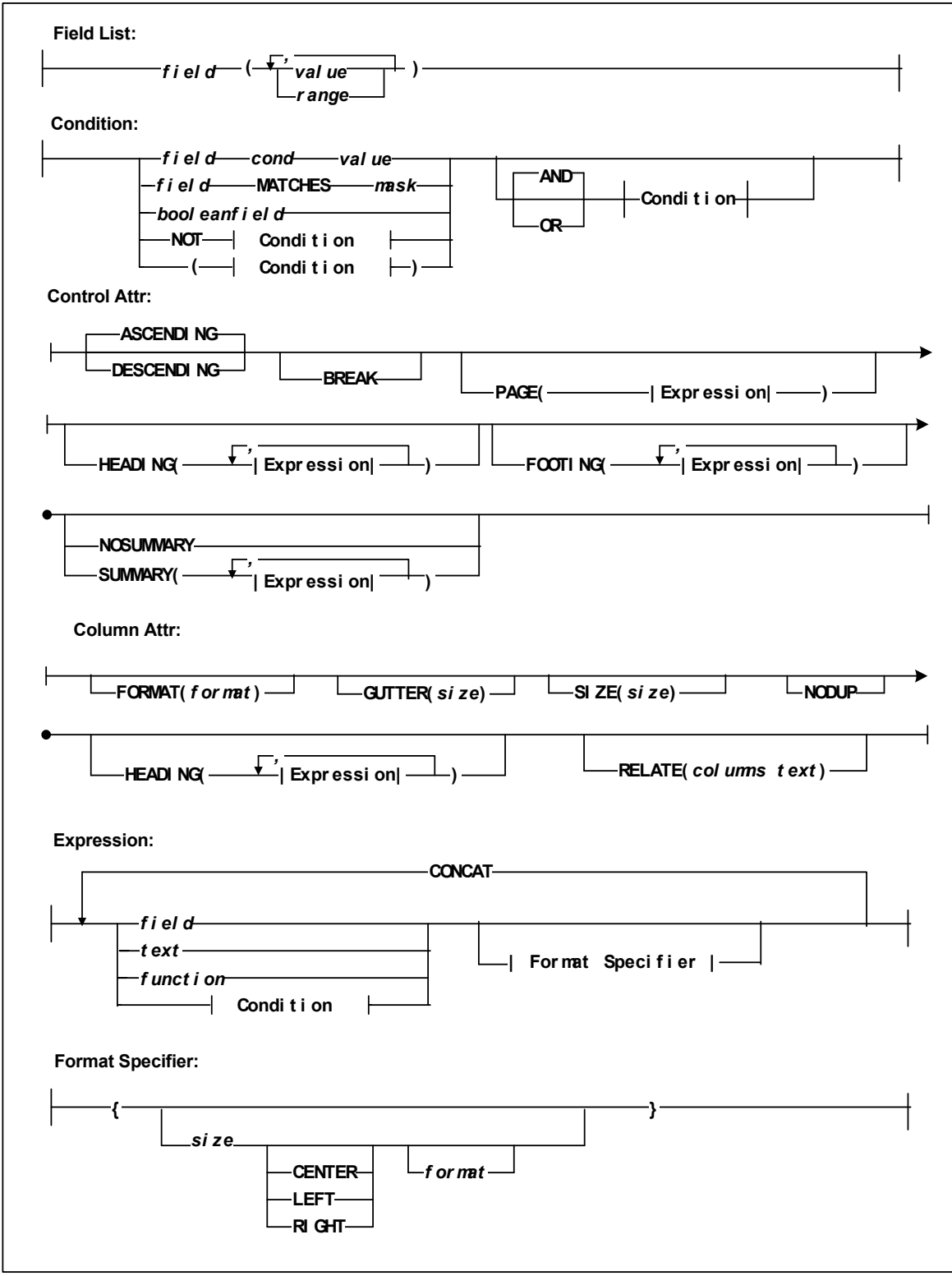




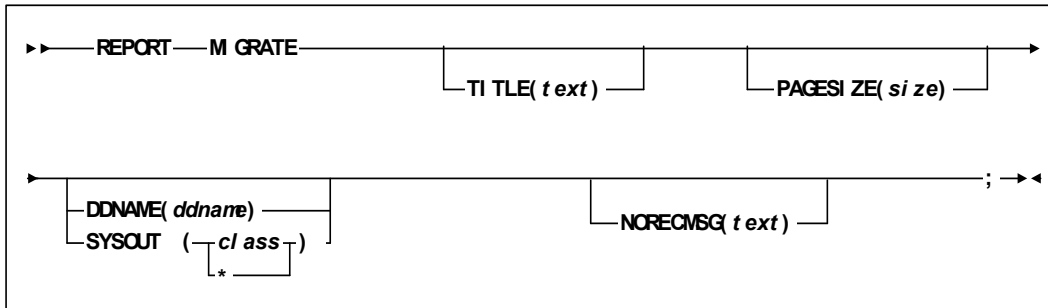


# REPORT MVC\_VTV

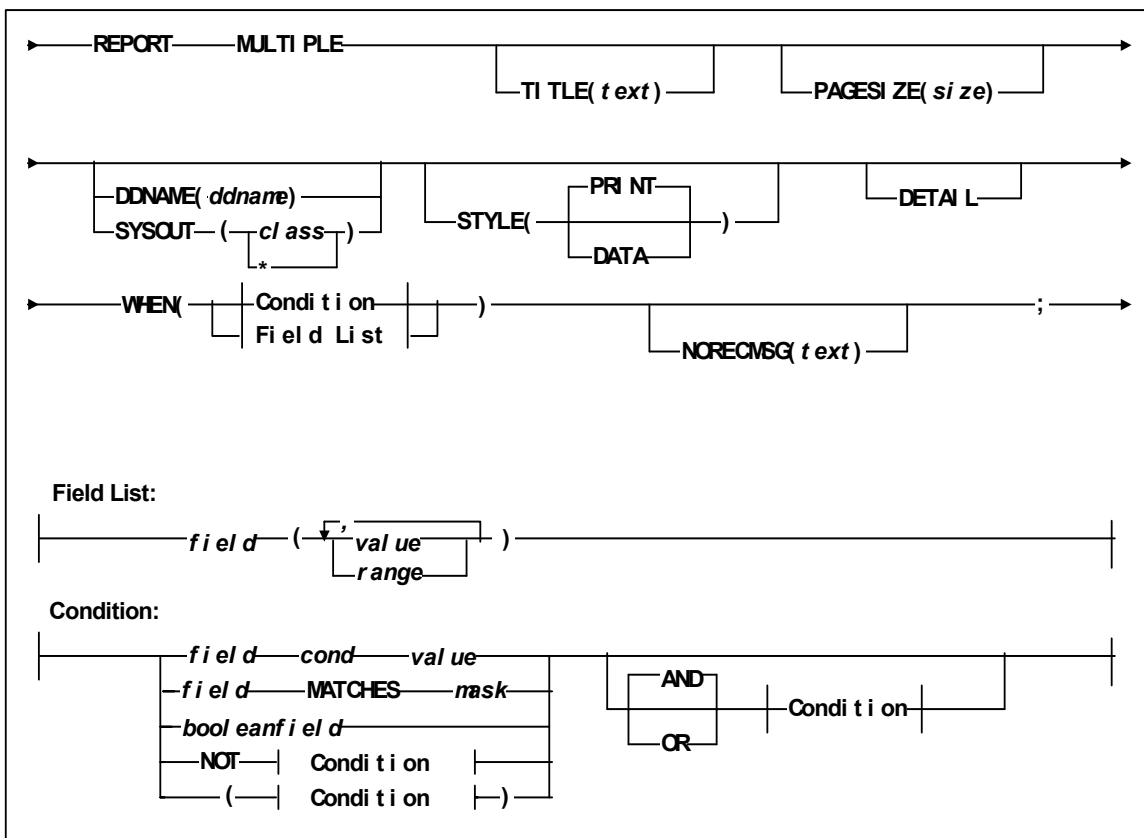




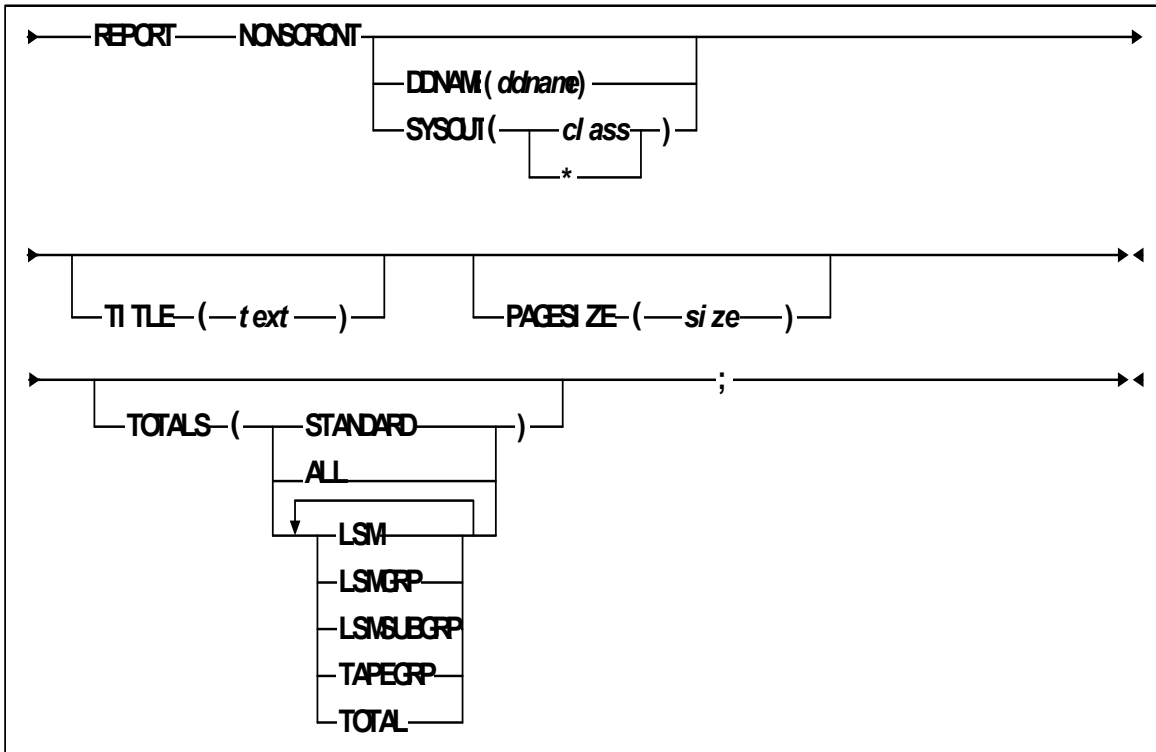
# REPORT MIGRATE



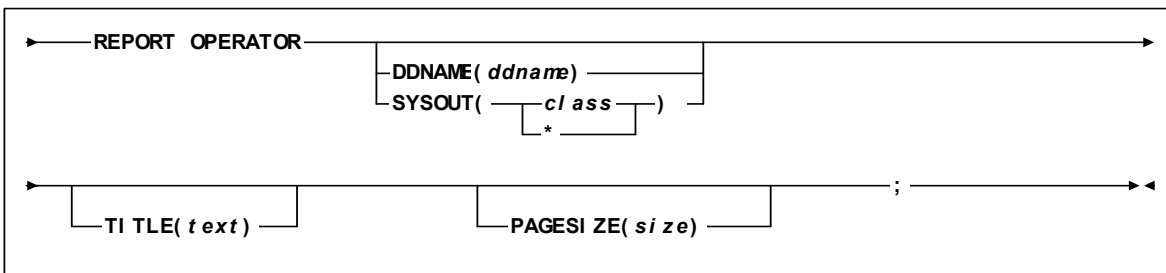
# REPORT MULTIPLE



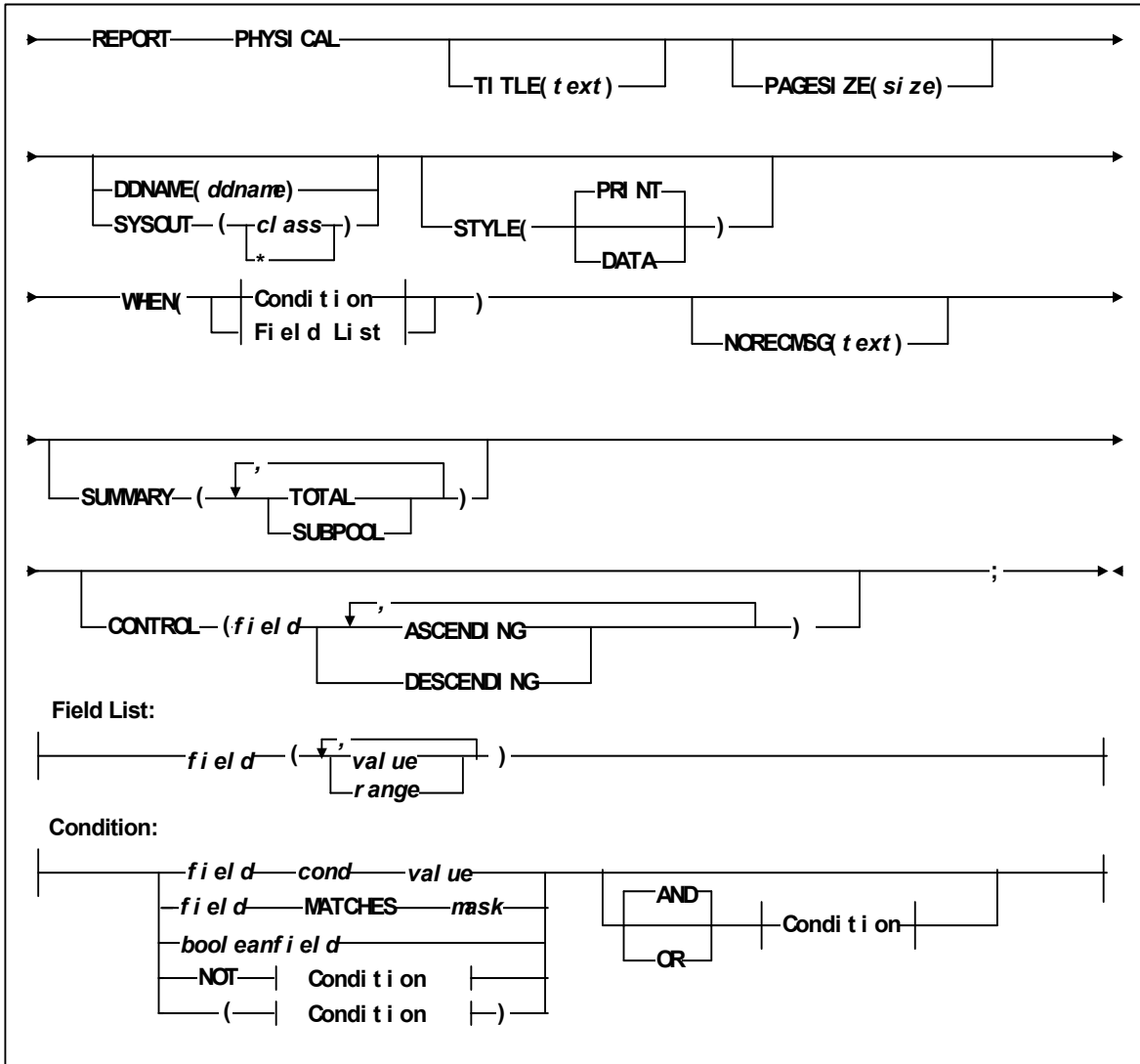
## REPORT NONSCRCNT



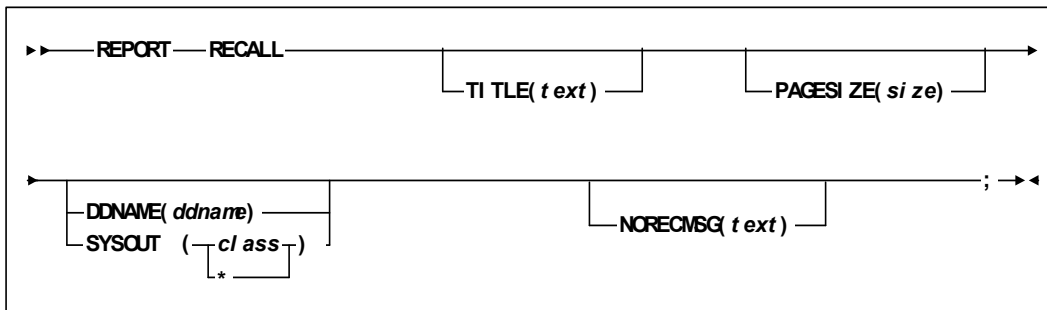
## REPORT OPERATOR



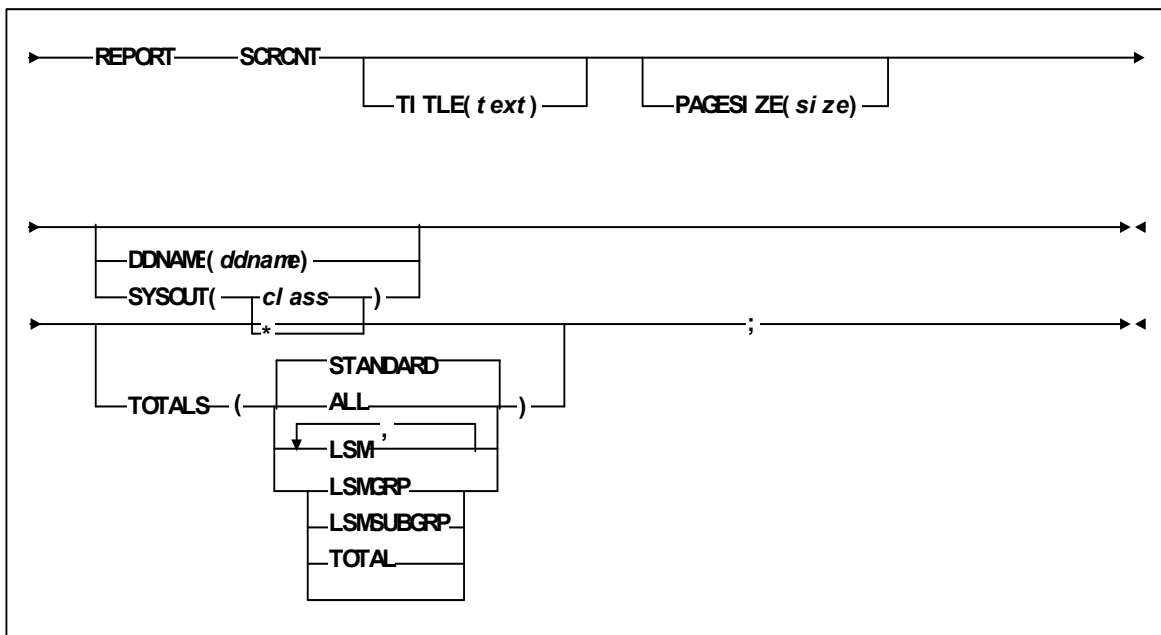
# REPORT PHYSICAL



# REPORT RECALL

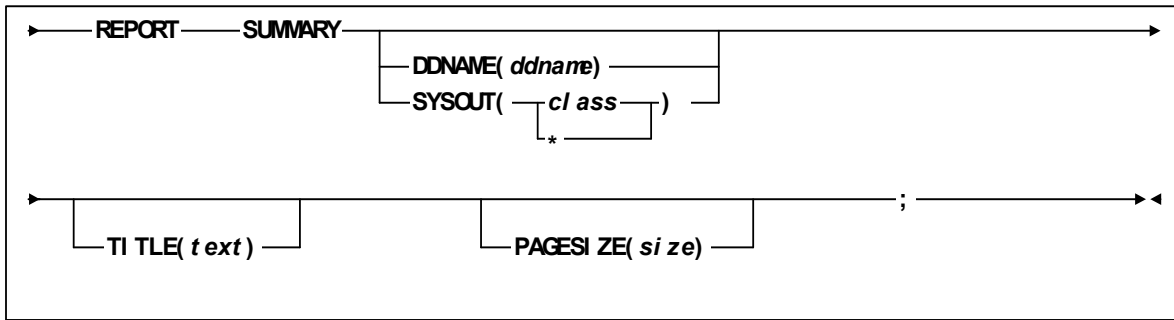


# REPORT SCRCNT



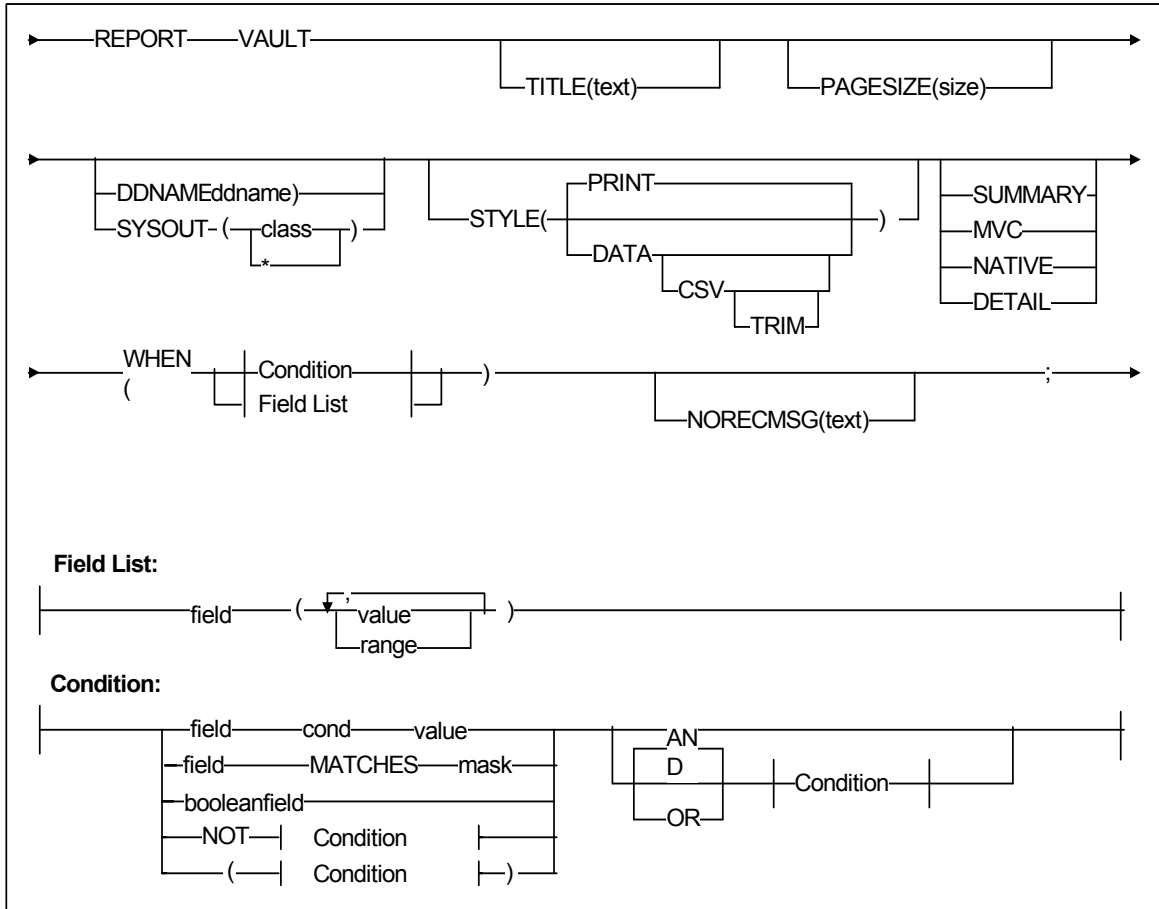
---

# REPORT SUMMARY

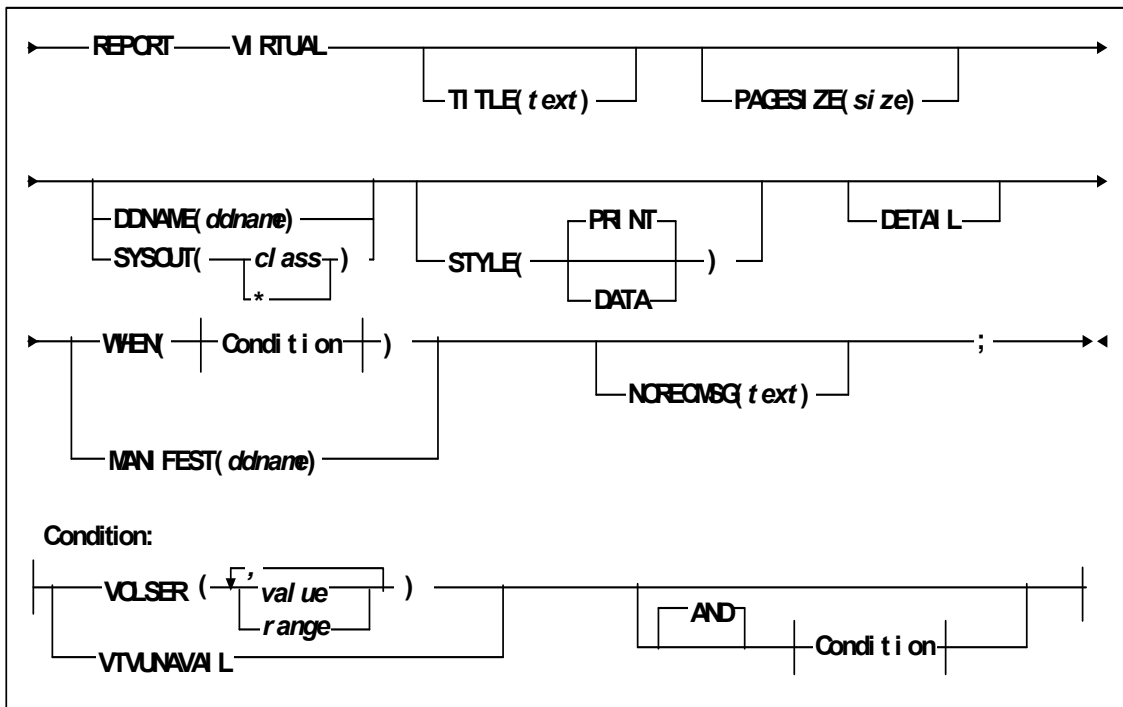




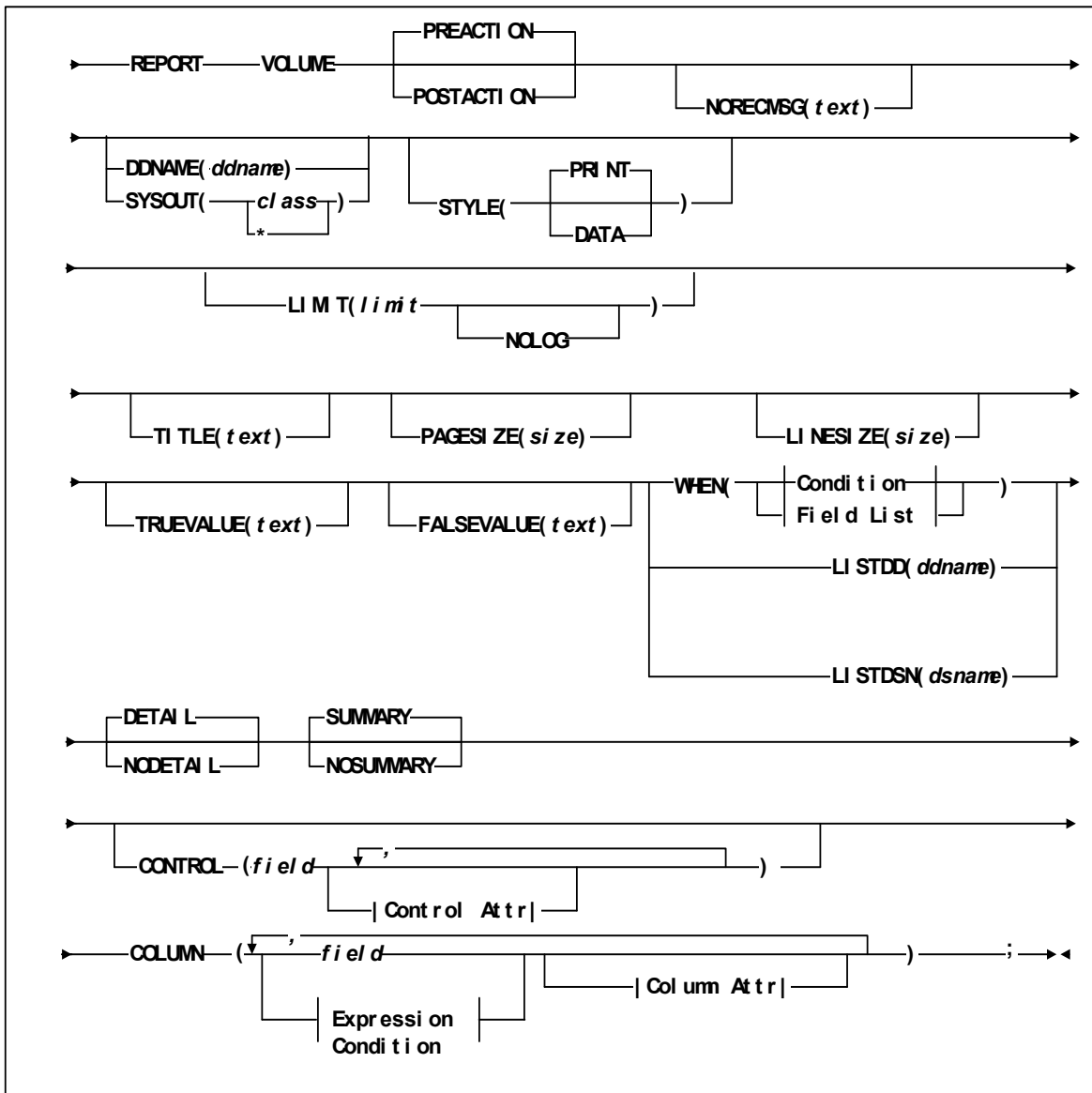
# REPORT VAULT



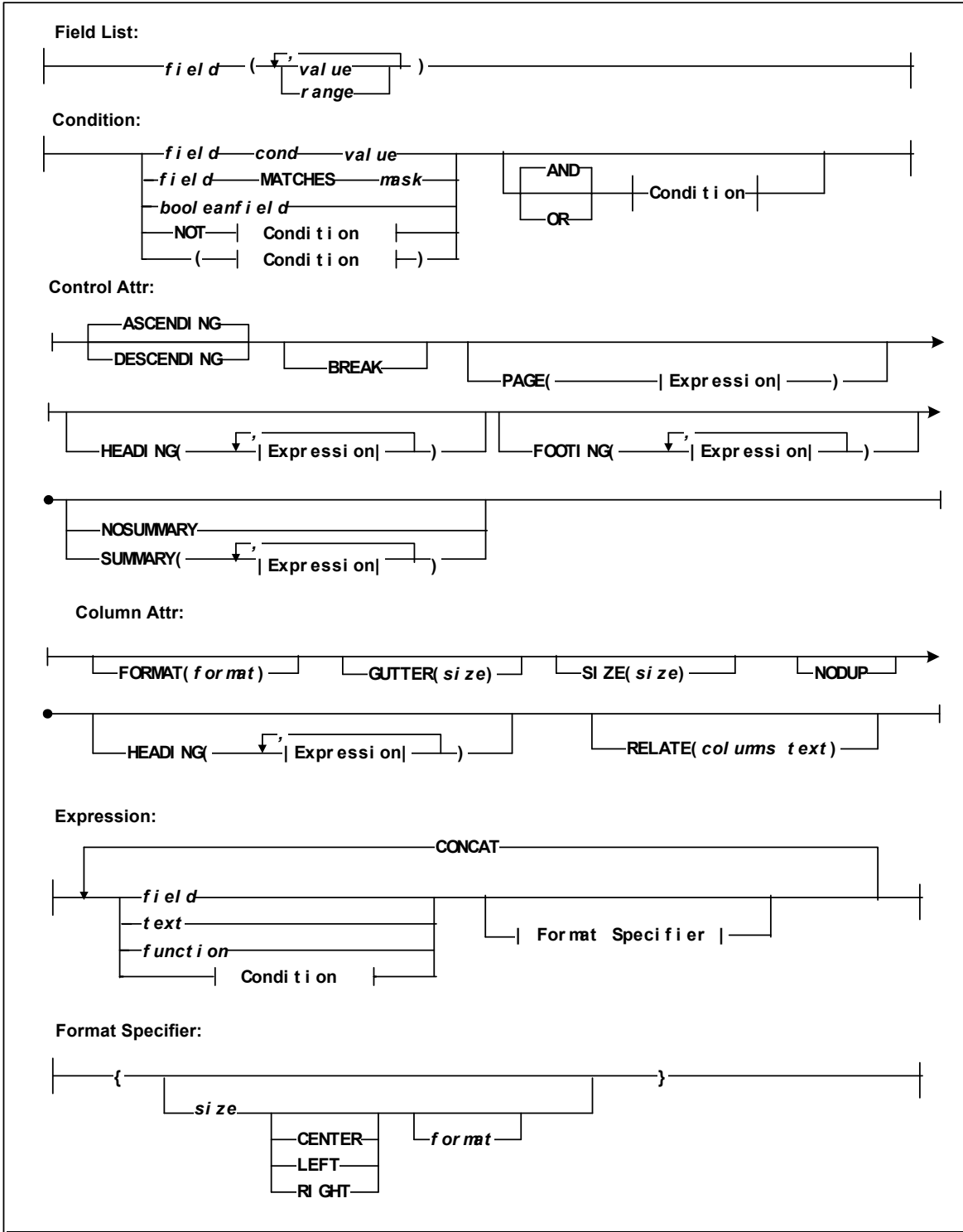
# REPORT VIRTUAL



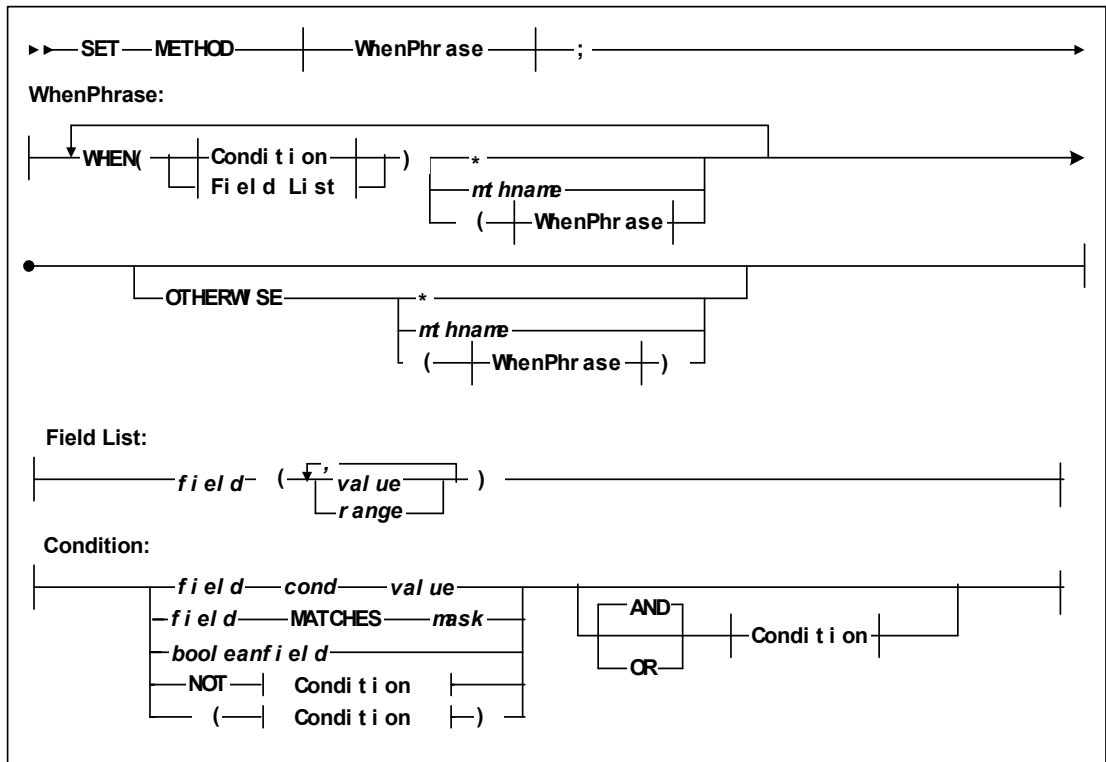
# REPORT VOLUME



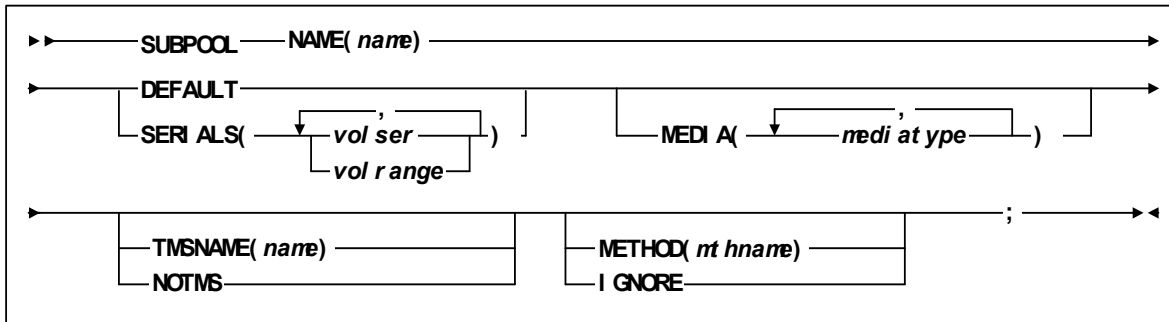
# REPORT VOLUME Continued



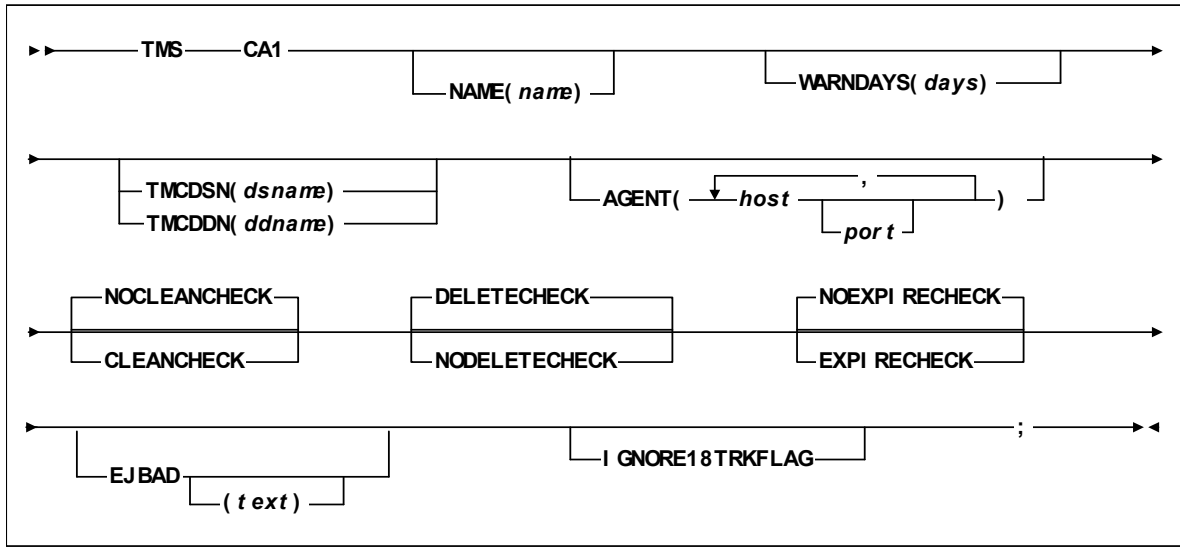
# SET METHOD



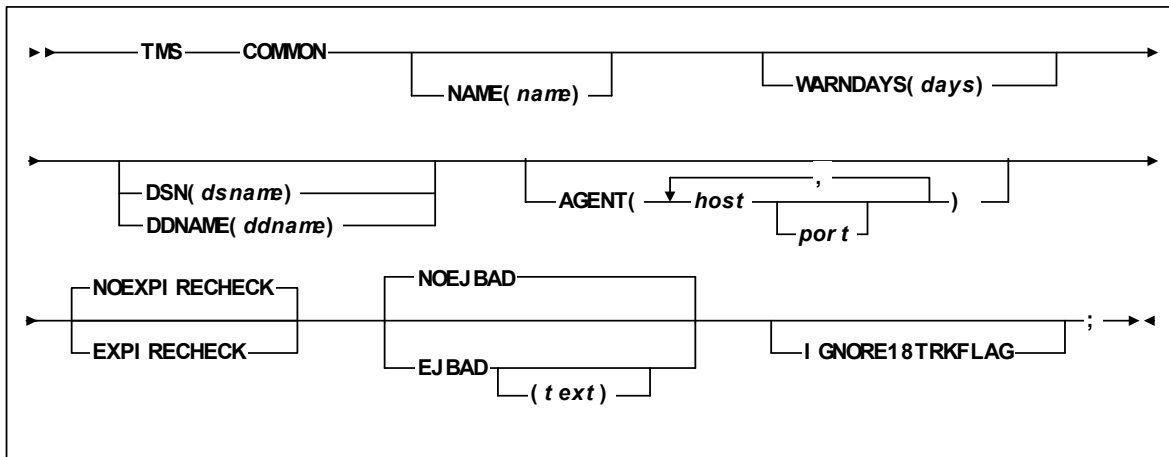
# SUBPOOL



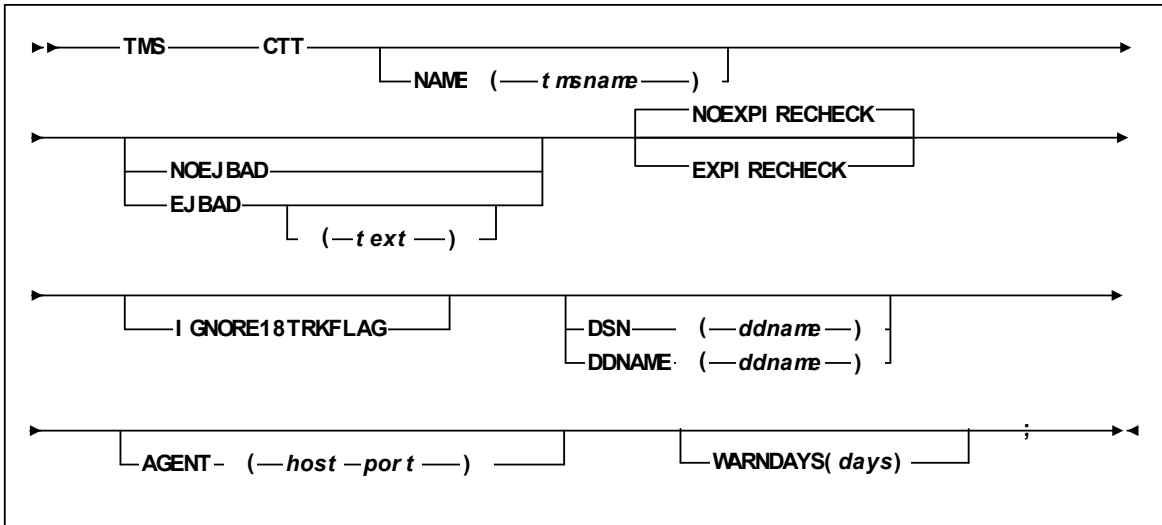
## TMS CA1



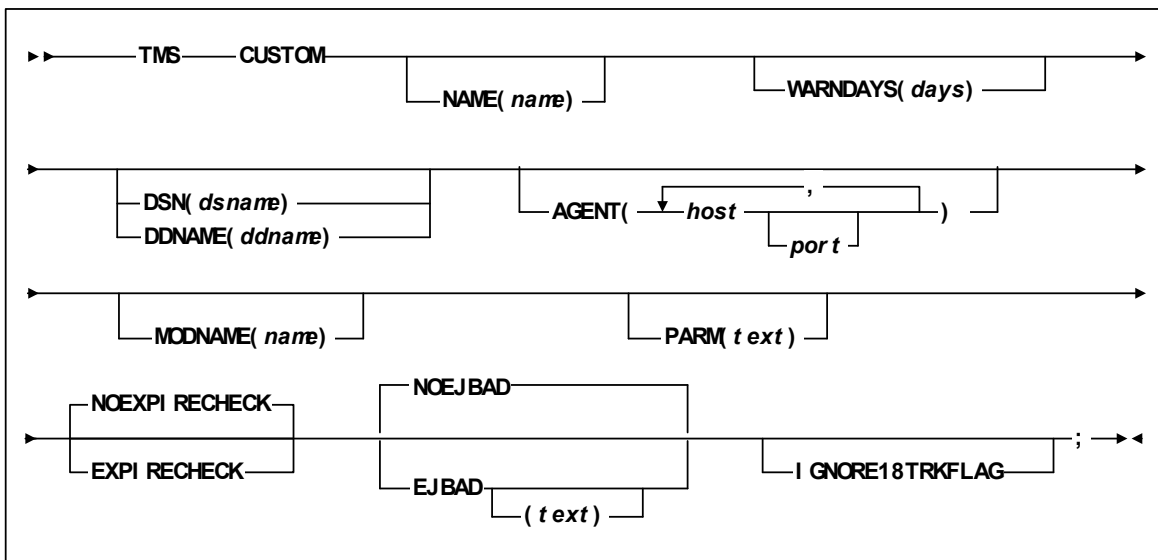
## TMS COMMON



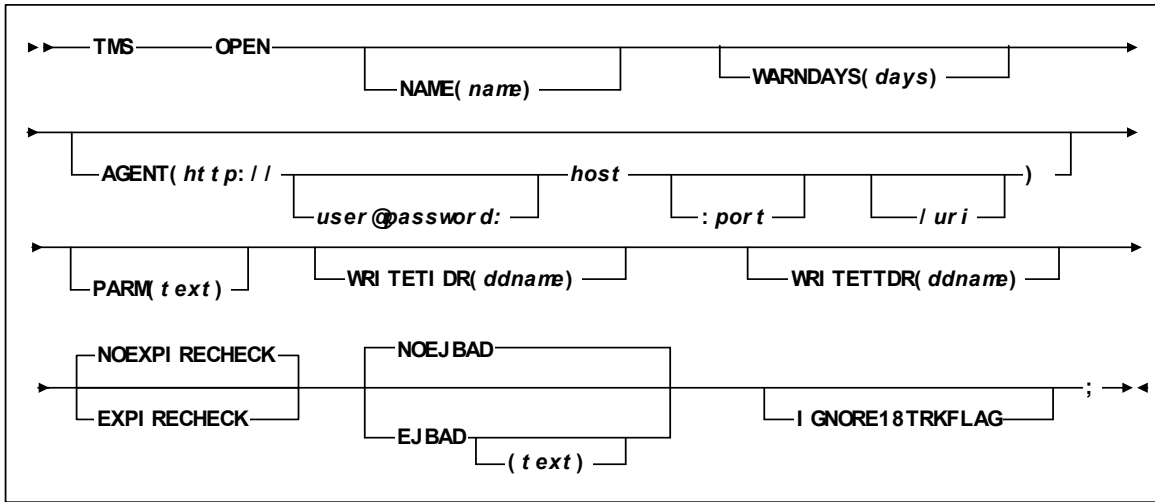
# TMS CTT



# TMS CUSTOM

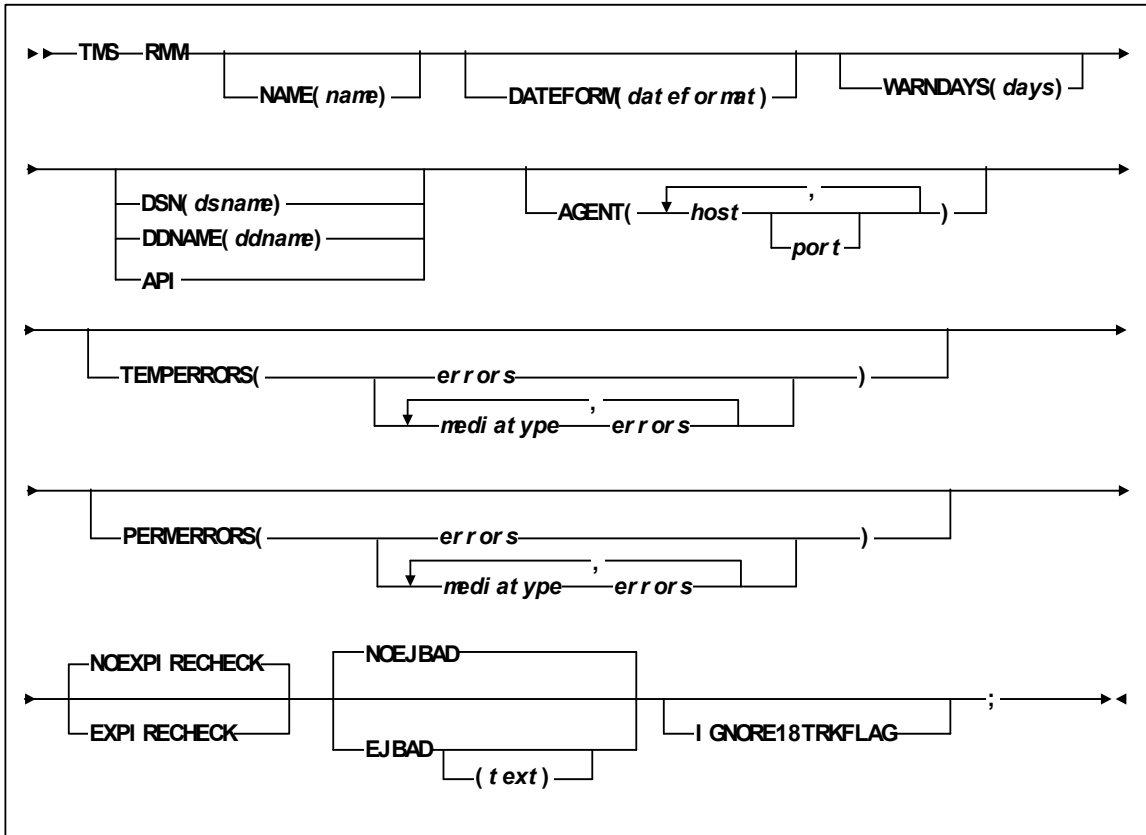


# TMS OPEN

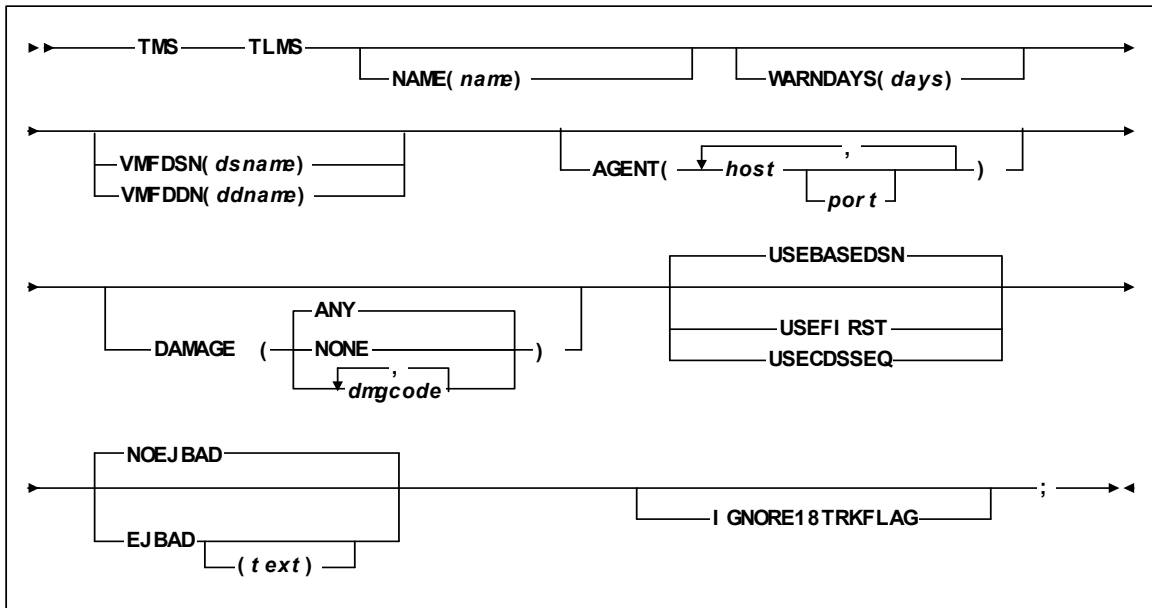




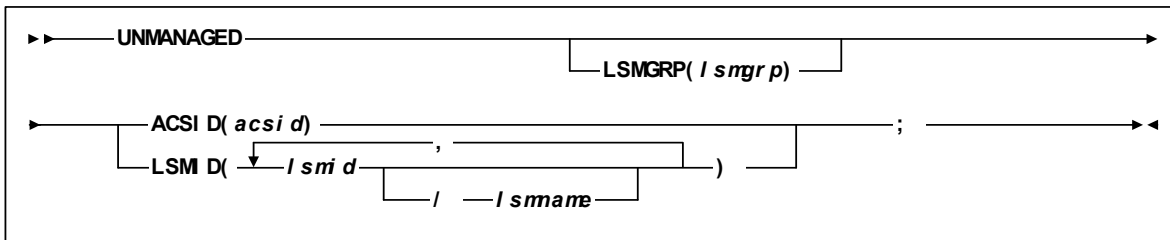
# TMS RMM



## TMS TLMS



## UNMANAGED



# LCM Operator Commands

---

---

## Using MVS Commands

### Using the MVS MODIFY Command to Monitor and Control LCM Batch Jobs

You use the MVS MODIFY command to issue the LCM Display, Pause, REDIRECT, and Resume commands.

For example, to display the status of CAP 000 for jobname LCM, enter:

```
f lcm,display cap 000
```

### Using the MVS STOP Command to Stop LCM

You can use the MVS STOP command to stop LCM. It will allow in-process operations to complete as follows:

- All volumes currently being ejected are placed in a CAP and must be removed before LCM stops.
- All volumes currently being moved are placed their destination cells before LCM will stop.
- All currently scheduled consolidations will complete.

For example, to stop jobname LCM:

```
p lcm
```

---

**Caution** – If you enter the STOP command a second time, LCM terminates immediately, without waiting for scheduled actions to complete.

---

## Using the MVS MODIFY Command to Monitor and Control LCM Agent

The LCM Agent also uses the MVS MODIFY command. For example, to display LCM Agent status, enter:

```
f lcmagent,display
```

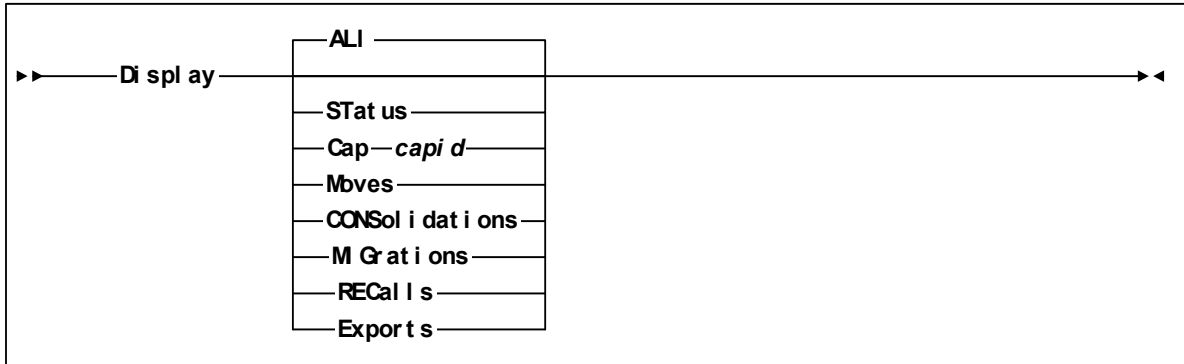
To change the LCM Agent maximum concurrent client connections, enter:

```
f lcmagent,maxconn nn
```

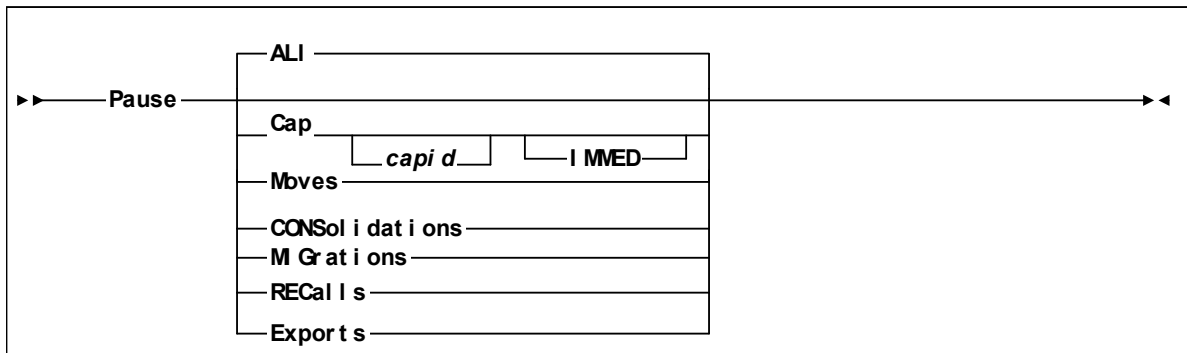
---

# LCM Operator Commands

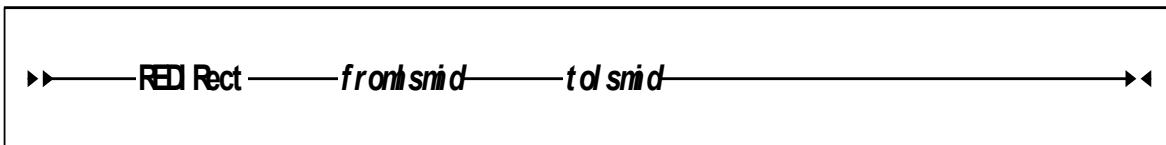
## DISPLAY Command



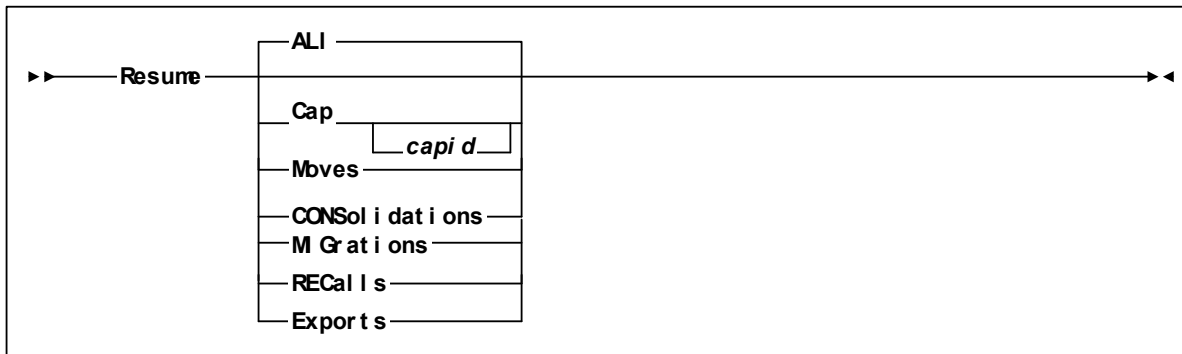
## PAUSE Command



## REDIRECT Command



# RESUME Command



## LCM 7.0 Field Tables

---

The following sections contain information about the LCM 7.1 Field Tables:

- “ACTION Statement WHEN Fields” on page 46
- “SET METHOD Statement WHEN Fields” on page 77
- “REPORT LSM Statement Fields” on page 106
- “REPORT MVC\_VTV Statement Fields” on page 109
- “REPORT VOLUME Statement Fields” on page 110
- “General Fields” on page 156
- “Fields Specific to TMS CA1” on page 189
- “Fields Specific to TMS CTT” on page 201
- “Fields Specific to TMS Custom” on page 211
- “Fields Specific to TMS Open” on page 217
- “Fields Specific to TMS TLMS” on page 223

# ACTION Statement WHEN Fields

**TABLE 3-1** ACTION Statement WHEN Fields

Field	Type	Source	Description
BAAbdflg	char	TLMS	TLMS-specific abend flag.
BAActive	int	TLMS	TLMS-specific active file count.
BAAscbse	char	TLMS	TLMS-specific associated base.
BAAscvol	char	TLMS	TLMS-specific associated volume.
BABlkcnt	int	TLMS	TLMS-specific block count.
BABlksiz	int	TLMS	TLMS-specific block size.
BABuydat	date	TLMS	TLMS-specific purchase date.
BACdsexp	date	TLMS	TLMS-specific highest IBM expiration date on volume.
BACdsflg	char	TLMS	TLMS-specific controlling data set flag.
BACdskep	date	TLMS	TLMS-specific highest keep date on volume.
BACdsseq	int	TLMS	TLMS-specific controlling data set sequence number.
BACHnvol	char	TLMS	TLMS-specific 1st volume in chain.
BACkptkn	char	TLMS	TLMS-specific check point taken (Y=Yes; B=No).
BAClncnt	int	TLMS	TLMS-specific cleanings since certified.
BAClndat	date	TLMS	TLMS-specific clean date.
BACpusmf	char	TLMS	TLMS-specific creation CPU SMF ID.
BACredat	date	TLMS	TLMS-specific create date.
BACreddn	char	TLMS	TLMS-specific creation ddname.
BACredev	char (alternate)	TLMS	TLMS-specific creation drive.
BACrejob	char	TLMS	TLMS-specific creation jobname.
BACrepgm	char	TLMS	TLMS-specific creation program name.
BACrestp	char	TLMS	TLMS-specific creation stepname.
BACretim	time	TLMS	TLMS-specific time of day the volume was created.



**TABLE 3-1** ACTION Statement WHEN Fields

<b>Field</b>	<b>Type</b>	<b>Source</b>	<b>Description</b>
BACrctcnt	int	TLMS	TLMS-specific total certifications.
BACrtdat	date	TLMS	TLMS-specific certification date.
BADamcde	char	TLMS	TLMS-specific damaged code.
BADen	char	TLMS	TLMS-specific density.
BADescde	char	TLMS	TLMS-specific destroyed code.
BADesdat	date	TLMS	TLMS-specific destroyed date.
BADsn	char	TLMS	TLMS-specific data set name.
BAErgcnt	int	TLMS	TLMS-specific current erase gaps on volume.
BAErgmax	int	TLMS	TLMS-specific max erase gaps on volume.
BAExpdat	date	TLMS	TLMS-specific IBM expiration date for data set.
BAFilcnt	int	TLMS	TLMS-specific file count.
BAFilseq	int	TLMS	TLMS-specific file sequence in chain.
BAFlg001	int	TLMS	TLMS-specific reserved for CA-1 FLG001.
BAFlg003	int	TLMS	TLMS-specific reserved for CA-1 FLG003.
BAFlg004	int	TLMS	TLMS-specific reserved for CA-1 FLG004.
BAFlg005	int	TLMS	TLMS-specific reserved for TLMS FLG005.
BAFlg006	int	TLMS	TLMS-specific reserved for TLMS FLG006.
BAKepdat	date	TLMS	TLMS-specific keep date for data set.
BALabtyp	char	TLMS	TLMS-specific label type.
BALasdat	date	TLMS	TLMS-specific last used date.
BALasdev	char (alternate)	TLMS	TLMS-specific last used drive.
BALasjob	char	TLMS	TLMS-specific last used jobname.
BALoc	char	TLMS	TLMS-specific volume location.
BALoscde	char	TLMS	TLMS-specific lost code.
BAMds1st	char (alternate)	TLMS	TLMS-specific multi-dataset first chain pointer.
BAMdslst	char (alternate)	TLMS	TLMS-specific multi-dataset last chain pointer.

**TABLE 3-1 ACTION Statement WHEN Fields**

<b>Field</b>	<b>Type</b>	<b>Source</b>	<b>Description</b>
BAMovdat	date	TLMS	TLMS-specific date volume moved.
BAMvlcnt	int	TLMS	TLMS-specific count of volumes in BAMvltab.
BAMvlseq1	int	TLMS	TLMS-specific multi-volume sequence number 1.
BAMvlseq2	int	TLMS	TLMS-specific multi-volume sequence number 2.
BAMvlseq3	int	TLMS	TLMS-specific multi-volume sequence number 3.
BAMvlseq4	int	TLMS	TLMS-specific multi-volume sequence number 4.
BAMvlseq5	int	TLMS	TLMS-specific multi-volume sequence number 5.
BAMvlvol1	char	TLMS	TLMS-specific multi-volume chain serial number 1.
BAMvlvol2	char	TLMS	TLMS-specific multi-volume chain serial number 2.
BAMvlvol3	char	TLMS	TLMS-specific multi-volume chain serial number 3.
BAMvlvol4	char	TLMS	TLMS-specific multi-volume chain serial number 4.
BAMvlvol5	char	TLMS	TLMS-specific multi-volume chain serial number 5.
BAOutsrv	char	TLMS	TLMS-specific out of service code. Contains BALoscde, BADamcde, and BADescde.
BARecsiz	int	TLMS	TLMS-specific logical record length.
BARederr	int	TLMS	TLMS-specific current temporary read errors.
BARfm	char	TLMS	TLMS-specific record format.
BARtncnt1	int	TLMS	TLMS-specific retention count for retention entry 1.
BARtncnt2	int	TLMS	TLMS-specific retention count for retention entry 2.
BARtncnt3	int	TLMS	TLMS-specific retention count for retention entry 3.
BARtncnt4	int	TLMS	TLMS-specific retention count for retention entry 4.
BARtncnt5	int	TLMS	TLMS-specific retention count for retention entry 5.
BARtncnt6	int	TLMS	TLMS-specific retention count for retention entry 6.
BARtndev	char	TLMS	TLMS-specific box or cabinet/slot.
BARtnLoc1	char	TLMS	TLMS-specific user retention location for retention entry 1.

**TABLE 3-1 ACTION Statement WHEN Fields**

Field	Type	Source	Description
BARtnLoc2	char	TLMS	TLMS-specific user retention location for retention entry 2.
BARtnLoc3	char	TLMS	TLMS-specific user retention location for retention entry 3.
BARtnLoc4	char	TLMS	TLMS-specific user retention location for retention entry 4.
BARtnLoc5	char	TLMS	TLMS-specific user retention location for retention entry 5.
BARtnLoc6	char	TLMS	TLMS-specific user retention location for retention entry 6.
BARtnptr	char	TLMS	TLMS-specific offset of active retention entry.
BARtnsrc	char	TLMS	TLMS-specific retention source. ' ' (blank) = No retention data; '1' = From RMF; '2' = From JCL; '3' = From manual update.
BARntyp1	char	TLMS	TLMS-specific user retention type for retention entry 1. '1' = Catalog control; '2' = Date control; '3' = Catalog and age; '4' = Cycle control; '5' = Age; '6' = Move immediate control; '7' = Manual control; '8' = Days since last used; '9' = Expiration date.
BARntyp2	char	TLMS	TLMS-specific user retention type for retention entry 2. '1' = Catalog control; '2' = Date control; '3' = Catalog and age; '4' = Cycle control; '5' = Age; '6' = Move immediate control; '7' = Manual control; '8' = Days since last used; '9' = Expiration date.
BARntyp3	char	TLMS	TLMS-specific user retention type for retention entry 3. '1' = Catalog control; '2' = Date control; '3' = Catalog and age; '4' = Cycle control; '5' = Age; '6' = Move immediate control; '7' = Manual control; '8' = Days since last used; '9' = Expiration date.
BARntyp4	char	TLMS	TLMS-specific user retention type for retention entry 4. '1' = Catalog control; '2' = Date control; '3' = Catalog and age; '4' = Cycle control; '5' = Age; '6' = Move immediate control; '7' = Manual control; '8' = Days since last used; '9' = Expiration date.
BARntyp5	char	TLMS	TLMS-specific user retention type for retention entry 5. '1' = Catalog control; '2' = Date control; '3' = Catalog and age; '4' = Cycle control; '5' = Age; '6' = Move immediate control; '7' = Manual control; '8' = Days since last used; '9' = Expiration date.
BARntyp6	char	TLMS	TLMS-specific user retention type for retention entry 6. '1' = Catalog control; '2' = Date control; '3' = Catalog and age; '4' = Cycle control; '5' = Age; '6' = Move immediate control; '7' = Manual control; '8' = Days since last used; '9' = Expiration date.
BAScrdat	date	TLMS	TLMS-specific date volume scratched.

**TABLE 3-1 ACTION Statement WHEN Fields**

Field	Type	Source	Description
BAScruid	char	TLMS	TLMS-specific scratched by ID. '1' = TRS; '2' = JCL; '3' = Manual; '4' = External data manager.
BaseName	char	TMS	The controlling data set name of the volume. If the data set is a member of a Generation Data Group, only the base name (no .GnnnnVnn) is included.
BASmsmgt	char	TLMS	TLMS-specific SMS management class
BASpcchn	char	TLMS	TLMS-specific special chaining (chained for moves).
BASpnflg	char	TLMS	TLMS-specific spanned data set flag (1=spanned).
BASrvscr	char	TLMS	TLMS-specific service/scratch indicator. '0' = Skipped segment record; '1' = In service/Non scratch; '2' = In service/Scratch; '3' = Out service/Non scratch; '4' = Out Service/Scratch.
BATaplen	int	TLMS	TLMS-specific tape length.
BATapmod	char	TLMS	TLMS-specific track recording technique.
BATaptyp	char	TLMS	TLMS-specific tape type.
BATrspro	char	TLMS	TLMS-specific TRS has processed this volume.
BAUnisrt	int	TLMS	TLMS-specific sort unique code.
BAUsebuy	int	TLMS	TLMS-specific uses since purchased.
BAUsecln	int	TLMS	TLMS-specific uses since cleaned.
BAUsecert	int	TLMS	TLMS-specific uses since certified.
BAUsr001	char	TLMS	TLMS-specific user data. (Defaults to job accounting - TCB).
BAUsr002	char	TLMS	TLMS-specific user data. (Defaults to programmer name - TCB).
BAUsr003	char	TLMS	TLMS-specific user data area.
BAVender	char	TLMS	TLMS-specific user updated manufacturer code.
BAVol1st	char (alternate)	TLMS	TLMS-specific multi-volume first volume serial number pointer.
BAVolcnt	int	TLMS	TLMS-specific volume count.
BAVollst	char (alternate)	TLMS	TLMS-specific multi-volume last chain pointer.
BAVolown	char	TLMS	TLMS-specific volume owner.

**TABLE 3-1** ACTION Statement WHEN Fields

Field	Type	Source	Description
BAVolsq	int	TLMS	TLMS-specific volume sequence number.
BAVolser	char	TLMS	TLMS-specific volume serial number
Classification CLS	char (alternate)	HSC, MVC, TMS, VTV	Classification of the volume.  BadScratch Volumes marked defective and scratch in TMS Clean Volumes with the HSC cleaning prefix Expired Volumes marked not scratch and expired in TMS NonScratch Volumes not scratch, badscratch, expired, or clean Scratch Volumes available for receiving new tape data sets
Clean CLN	bool	LCM	This volume is a cleaning cartridge.
Copy	int	TMS	Copy number of the volume. A value of 1 refers to the most recently created copy of the data set according to the tape management system, 2 refers to the next most recently created copy, and so on.
CreatingTMSDrive CTDRIVE	char (alternate)	TMS	The unit address of the tape drive on which the tape data set was created, printed as a hexadecimal character string.
CreationDate CDATE	date	MVC, TMS, VTV	The date the volume was created. The first available field of the following determines the creation date: CreationTMSDate, CreationVTVDate, CreationMVCDate.
CreationJobName CJOBNAME JOBNAME	char	TMS	The JCL job name that created the volume.
CreationMVCDate CMDATE	date	MVC	The date the volume was created as recorded by VSM.
CreationMVCTime CMTIME	time	MVC	The time of day the volume was created as recorded by VSM.
CreationStepName CSTEPNAME STEPNAME	char	TMS	The JCL step name that created the volume.
CreationTime CTIME	time	MVC, TMS, VTV	The time of day the volume was created. The first available field of the following determines the creation time: CreationTMSTime, CreationVTVTime, CreationMVCTime.
CreationTMSDate CTDATE	date	TMS	The date the volume was created as recorded in the associated tape management system.
CreationTMSTime CTTIME	time	TMS	The time of day the volume was created as recorded in the associated tape management system.
CreationVTVDate CVDATE	date	VTV	The date the volume was created as recorded by VSM.
CreationVTVTime CVTIME	time	VTV	The time of day the volume was created as recorded by VSM.

**TABLE 3-1** ACTION Statement WHEN Fields

Field	Type	Source	Description
CTAccount	char	ControlT	Control-T-specific accounting information
CTActiveds	int	ControlT	Control-T-specific number of active labels on volume.
CTBlksize	int	ControlT	Control-T-specific block size.
CTBlockct	int	ControlT	Control-T-specific block count.
CTBoxid	char	ControlT	Control-T-specific box ID.
CTChkindt	date	ControlT	Control-T-specific volume check-in date.
CTCIncount	int	ControlT	Control-T-specific clean count
CTCrecpu	char	ControlT	Control-T-specific creation CPU name.
CTCreddn	char	ControlT	Control-T-specific creation DD name.
CTCredt	date	ControlT	Control-T-specific creation date.
CTCrejbn	char	ControlT	Control-T-specific creation job name.
CTCrepgm	char	ControlT	Control-T-specific creation program name.
CTCrestep	char	ControlT	Control-T-specific creation stepname.
CTCretm	time	ControlT	Control-T-specific creation time
CTCreuad	char (alternate)	ControlT	Control-T-specific creation unit address.
CTDdsexpd1	date	ControlT	Control-T-specific first expiration date.
CTDdsexpd2	date	ControlT	Control-T-specific second expiration date.
CTDdsexpd3	date	ControlT	Control-T-specific third expiration date.
CTDeleted	bool	ControlT	Control-T-specific volume marked as deleted.
CTDsname	char	ControlT	Control-T-specific data set name.
CTDsvolser	char	ControlT	Control-T-specific first data set begins on volume.
CTDyndef	bool	ControlT	Control-T-specific volume dynamically added.
CTEdm	bool	ControlT	Control-T-specific volume managed by an External Data Manager.
CTExprtrn	date	ControlT	Control-T-specific expected return date from out location.
CTExtdel	bool	ControlT	Control-T-specific volume will be deleted when expired.

**TABLE 3-1** ACTION Statement WHEN Fields

<b>Field</b>	<b>Type</b>	<b>Source</b>	<b>Description</b>
CTExternal	bool	ControlT	Control-T-specific external volume.
CTFirstvol	char	ControlT	Control-T-specific first volume in the multi-volume group.
CTHold	bool	ControlT	Control-T-specific volume is in the main library due to recall operation.
CTInatl	bool	ControlT	Control-T-specific volume resides inside a robotic tape library.
CTInuse	bool	ControlT	Control-T-specific volume currently in use.
CTIoerprm	int	ControlT	Control-T-specific permanent read errors.
CTIoerpmc	int	ControlT	Control-T-specific permanent read errors since last clean.
CTIoertmp	int	ControlT	Control-T-specific temporary read errors.
CTIoertmpc	int	ControlT	Control-T-specific temporary read errors since last clean
CTIoewprm	int	ControlT	Control-T-specific permanent write errors.
CTIoewprm	int	ControlT	Control-T-specific permanent write errors since last clean.
CTIoewtmp	int	ControlT	Control-T-specific temporary write errors.
CTIoewtmpc	int	ControlT	Control-T-specific temporary write errors since last clean.
CTLaccdt	date	ControlT	Control-T-specific last access job date.
CTLaccjbn	char	ControlT	Control-T-specific last job name that accessed the volume.
CTLacctm	time	ControlT	Control-T-specific last access job time.
CTLblnum	int	ControlT	Control-T-specific highest label number on volume.
CTLbltyp	char	ControlT	Control-T-specific label type AL AUL BLP NL NSL SL SUL
CTLclndt	date	ControlT	Control-T-specific last clean date.

**TABLE 3-1** ACTION Statement WHEN Fields

<b>Field</b>	<b>Type</b>	<b>Source</b>	<b>Description</b>
CTLibrary	char	ControlT	Control-T-specific robotic tape library name.
CTLocation	char	ControlT	Control-T-specific current location of volume.
CTLocseq	int	ControlT	Control-T-specific current vault sequence number.
CTLrecl	int	ControlT	Control-T-specific record length.
CTManvlt	bool	ControlT	Control-T-specific volume manually moved to vault.
CTMedia	char	ControlT	Control-T-specific media name
CTMovedate	date	ControlT	Control-T-specific move date.
CTNextvol	char	ControlT	Control-T-specific next volume in the multi-volume group.
CTNostack	bool	ControlT	Control-T-specific volume cannot be a candidate for dynamic stacking.
CTOut	bool	ControlT	Control-T-specific volume outside the main library.
CTPendscr	bool	ControlT	Control-T-specific pending scratch status.
CTPendvlt	bool	ControlT	Control-T-specific pending vault.
CTPrevvol	char	ControlT	Control-T-specific previous volume in the multi-volume group.
CTPvlt	bool	ControlT	Control-T-specific potential vault.
CTRecall	bool	ControlT	Control-T-specific volume will recall back to main library.



**TABLE 3-1** ACTION Statement WHEN Fields

Field	Type	Source	Description
CTRecfm	char	ControlT	Control-T-specific record format. A B D F FB FBA FBM FBS M S U V VB VBA VBM VBS VS
CTRecfrom	char	ControlT	Control-T-specific vault name recalled from.
CTRecreate	bool	ControlT	Control-T-specific dataset recreated.
CTReturnvl	bool	ControlT	Control-T-specific volume returned from vault.
CTRetvltdt	date	ControlT	Control-T-specific date to return to vault.
CTScratch	bool	ControlT	Control-T-specific volume scratch status.
CTScrdt	date	ControlT	Control-T-specific volume scratch date.
CTSIname	char	ControlT	Control-T-specific SL name.
CTSlotnum	int	ControlT	Control-T-specific slot number
CTSmcmc	char	ControlT	Control-T-specific SMS management class.
CTSmssg	char	ControlT	Control-T-specific SMS storage group.
CTVabend	bool	ControlT	Control-T-specific incomplete data set on volume.
CTVault	char	ControlT	Control-T-specific first vault name.
CTVault2	char	ControlT	Control-T-specific second vault name.

**TABLE 3-1** ACTION Statement WHEN Fields

Field	Type	Source	Description
CTVault3	char	ControlT	Control-T-specific third vault name.
CTVaulted	bool	ControlT	Control-T-specific vaulted.
CTVendor	char	ControlT	Control-T-specific volume's vendor name
CTVformat	char	ControlT	Control-T-specific volume format
CTVfreekb	int	ControlT	Control-T-specific free kilo-bytes on volume.
CTVlrstrt	bool	ControlT	Control-T-specific volume processed under MVS restart.
CTVtentdt	date	ControlT	Control-T-specific vault entry date.
CTVltxpdt	date	ControlT	Control-T-specific vault expiration date.
CTVoledmid	char	ControlT	Control-T-specific volume's External Data Manager ID.
CTVolexcp	int	ControlT	Control-T-specific EXCP Count
CTVolexpdtd	date	ControlT	Control-T-specific volume expiration date.
CTVolodesc	char	ControlT	Control-T-specific volume user description.
CTVolowner	char	ControlT	Control-T-specific volume owner
CTVoleseq	int	ControlT	Control-T-specific volume sequence number in a multi-volume group.
CTVolser	char	ControlT	Control-T-specific volume serial number.
CTVolsnum	int	ControlT	Control-T-specific number volumes data set resides on.
CTVoltype	char	ControlT	Control-T-specific volume type. L P
CTVolusect	int	ControlT	Control-T-specific volume use count since last scratch.
CTVolusetc	int	ControlT	Control-T-specific volume use count.
CTVstkgrp	char	ControlT	Control-T-specific stacking group name.
CTVusedkb	int	ControlT	Control-T-specific Used kilo-bytes on volume.
CycleDate CYDATE	date	TMS	The date used by LCM for CYCLESOON processing. If missing, LCM does not perform CYCLESOON processing on this volume.

**TABLE 3-1 ACTION Statement WHEN Fields**

Field	Type	Source	Description
DataSetIdentifier DSID	char	TMS	The most specific matching data set identifier found for the data set name on the Data Set tab of the Methods folder (Explorer) or a DATASET statement (Parameter File).
DataSetName DSN	char	TMS	The controlling data set name of the volume. If the data set is a member of a Generation Data Group, the .GnnnnVnn qualifier is included.
DaysSinceCreation CDAYS	int	MVC, TMS, VTV	The number of days since the data set was created. The first available field of the following determines the days since creation: DaysSinceCreationTMS, DaysSinceCreationMVC, DaysSinceCreationVTV.
DaysSinceCreationMVC CMDAYS	int	MVC	The number of days since the data set was created as recorded by VSM.
DaysSinceCreationTMS CTDAYS	int	TMS	The number of days since the data set was created as recorded in the associated tape management system.
DaysSinceCreationVTV CVDAYS	int	VTV	The number of days since the data set was created as recorded by VSM.
DaysSinceEnter EDAYS	int	HSC	The number of days since the volume was entered into an LSM. If all volumes of a multi-volume data set are covered by the same Management Method, the most recent enter day for any volume is used by LCM for all volumes in the multi-volume data set.
DaysSinceLocation LDAYS LOCDAYS	int	TMS	The number of days since the tape was moved to a tape storage location.
DaysSinceMount MDAYS	int	HSC	The number of days since the HSC last mounted the volume.
DaysSinceReference RDAYS	int	HSC, MVC, TMS, VTV	The number of days since reference for the volume as used by LCM. The first available field of the following determines the reference day: DaysSinceReferenceTMS, DaysSinceReferenceVTV, DaysSinceReferenceMVC, DaysSinceMount, DaysSinceSelect. If all volumes of a multi-volume data set are covered by the same Management Method, the most recent reference day for any volume is used by LCM for all volumes in the multi-volume data set.
DaysSinceReferenceMVC RMDAYS	int	MVC	The number of days since reference as recorded by VSM for an MVC (Multiple Volume Cartridge)
DaysSinceReferenceTMS RTDAYS	int	TMS	The number of days since reference as recorded in the associated tape management system for volumes being treated as a unit (Multi-volume support).
DaysSinceReferenceVTV RVDAYS	int	VTV	The number of days since reference as recorded by VSM for a VTV (Virtual Tape Volume)
DaysSinceSelect SDAYS	int	HSC	The number of days since the volume was selected by the HSC.

**TABLE 3-1** ACTION Statement WHEN Fields

Field	Type	Source	Description
DaysTillCycle CYDAYS DAYSTILLEXP E XDAYS	int	TMS	The number of days LCM uses for CYCLESOON processing. If missing, LCM will not perform CYCLESOON processing on this volume.
Deleted	bool	TMS	The volume is marked deleted in the tape management system. Note: The value of this field is false for all volumes known to LCM unless: Explorer: The checkbox on the Deleted tab of the TMS object is not checked; Parameter File: the NODELETECHECK parameter is specified on the TMS statement.
Encrypted	bool	HSC	This field is valid only if LCM is running with NCS 6.2 or later. This volume is encrypted.
EnterDate ENDATE	date	HSC	The date the volume was entered into an LSM. If all volumes of a multi-volume data set are covered by the same Management Method, the most recent enter date of any volume is used by LCM for all volumes in the multi-volume data set.
EnterTime ENTIME	time	HSC	The time of day the volume was entered.
Errant	bool	HSC	The HSC has marked this volume errant. Requires HSC PTF L1H10CC (HSC 4.0) or L1H10CE (HSC 4.1) to produce accurate information.
ExLblReadable EXLBLRD	bool	HSC	The cartridge external label is OCR readable.
ExpireDate EXPDT XDATE	date	TMS	The date the volume will expire based on the expiration date in the tape management system. Special expire dates are: AGE/nnn - Expires nnn days from create or move date; CATLG - Expires when the data set name no longer exists in the MVS system catalog, regardless of the keep date; CATLG/nnn - Expires nnn days after creation and the data set no longer resides in the MVS catalog; CYCLE/nnn - Oldest data set expires after nnn cycles; FOREIGN - Foreign volume; LDATE/nnn - Expires nnn days after last used; MSG/nnn - TMS user-defined; PERM - Never expires; STATS/nnn - Never expires; USER/nnn - Never expires; ZEROS - CA-TLMS value was zeros; Julian date - Expires on the julian date.
ExternalLabel EXLBL	bool	HSC	The cartridge has an external label.
ExternallyManaged EXTERNAL	bool	TMS	The volume is defined to the tape management system, but its use is controlled by some other software system.
GDG	bool	TMS	The volume is a member of a Generation Data Group.
GDGWrap	bool	TMS	The volume is a member of a Generation Data Group where the Gnnnn number has wrapped from 9999 to 0001.
Generation GEN	int	TMS	The relative generation number + 1, based on the tape management system.
HoursSinceCreation VTV CVHOURS	int	VTV	The number of hours since creation as recorded by VSM for a VTV (Virtual Tape Volume).

**TABLE 3-1 ACTION Statement WHEN Fields**

<b>Field</b>	<b>Type</b>	<b>Source</b>	<b>Description</b>
HoursSinceReferenceVTV RVHOURS	int	VTV	The number of hours since reference as recorded by VSM for a VTV (Virtual Tape Volume).
HSCScratch HSCSCR	bool	HSC	The status recorded by the HSC for the volume is scratch.
InitialACSID IACSID	char (alternate)	HSC, MVC	The ACS ID in which the volume resided at the beginning of the LCM run.
InitialLSMCell ILSMCELL	char (alternate)	HSC	The coordinates of the LSM Cell where the volume resided at the beginning of the LCM run.
InitialLSMColumn ILSMCOL	int	HSC	The LSM Column number where the volume resided at the beginning of the LCM run.
InitialLSMGroup ILSMGRP	char (alternate)	LCM	The name of the LSM Group where the volume resided at the beginning of the LCM run.
InitialLSMID ILSMID	char (alternate)	HSC, MVC	The LSM ID where the volume resided at the beginning of the LCM run.
InitialLSMName ILSMNAME	char (alternate)	LCM	The Name of the LSM where the volume resided at the beginning of the LCM run.
InitialLSMPanel ILSMPNL	int	HSC	The LSM Panel number where the volume resided at the beginning of the LCM run.
InitialLSMPanelFrozen ILSMPNLFZ	bool	HSC	The volume resided in a frozen panel at the beginning of the LCM run.
InitialLSMRow ILSMROW	int	HSC	The LSM Row number where the volume resided at the beginning of the LCM run.
InLSM	bool	HSC, MVC	The volume is in an LSM at the beginning of an LCM run.
InManagedLSM INMANLSM	bool	LCM	The volume is in a MANAGED LSM at the beginning of an LCM run.
InTMS	bool	TMS	The volume is in a tape management system defined to LCM.
LastUsedTMSDrive LUTDRIVE	char (alternate)	TMS	The unit address of the tape drive on which the tape was last used, printed as a hexadecimal character string.
LocationCode LOCCODE	char	TMS	The identifier assigned to a tape volume by the tape management system to identify the intended storage location for that volume.
LocationDate LDATE LOCDATE	date	TMS	The date the volume was moved to the tape management system's tape storage location.
LocationName LOCNAME	char (alternate)	LCM	The name of the tape storage location. Location Names are not defined to the tape management system, but are assigned by LCM from tape management system information as specified by: Explorer: the Location object Codes tab; Parameter File: the Location statement Code parameter.

**TABLE 3-1** ACTION Statement WHEN Fields

Field	Type	Source	Description
Managed	bool	LCM	The volume is covered by a MANAGE statement.
ManagementClass MGMTCLAS	char (alternate)	TMS	The name of the SMS Management Class for the volume.
MaxUseCount	int	HSC	The maximum usage for a cleaning cartridge set by the VOLATTR Maxclean or MNTD Maxclean value.
MediaSource MEDIAS	char (alternate)	LCM	The source of information used to determine the volume's MediaType value.  DFLT The media type defaulted to Standard. HSCCDS The HSC Control Data Set. VOLDEF The VOLATTR statements contained in the file identified by the HSC VOLDEF parameter. VSMVTV VSM Virtual Tape Volume information.

**TABLE 3-1** ACTION Statement WHEN Fields

Field	Type	Source	Description
MediaType MEDIA MEDIAT	char (alternate)	HSC, MVC, VTV	The media type of the volume.  Standard Standard length 3480 cartridge. Long 3490E extended capacity cartridge. DD3A 10 Gb capacity helical cartridge. DD3B 25 Gb capacity helical cartridge. DD3C 50 Gb capacity helical cartridge. DD3D Cleaning cartridge for helical drives. STK1R 9840 data cartridge. STK1U Cleaning cartridge for 9840 transports. STK1Y Cleaning cartridge for 9840D transports. STK2P T9940A data cartridge. STK2W Cleaning cartridge for T9940 transports. T10000TT Smaller-capacity 1TB T10000C cartridge. T10000TS T10000 "sport" cartridge. T10000T1 Full-capacity 500GB T10000A or 1TB T10000B cartridge. T10000T2 Full-capacity 5TB T10000C cartridge. T10000CC T10000C cleaning cartridge. T10000CL T10000A, T10000B, or T10000C cleaning cartridge. T10000CT T10000A or T10000B cleaning cartridge. ZCART 9490EE ZCART media cartridge. LTO-100G LTO 100GB capacity cartridge. LTO-200G LTO 200GB capacity cartridge. LTO-35G LTO 35GB capacity cartridge. LTO-400G LTO 400GB capacity cartridge. LTO-400W LTO 400Gb capacity WORM cartridge. LTO-800G LTO 800GB capacity cartridge LTO-800W LTO 800GB capacity WORM cartridge LTO-1.5T LTO 1.5TB capacity cartridge. LTO-1.5W LTO Generation 5 WORM cartridge. LTO-2.5T LTO 2.5TB capacity cartridge. LTO-2.5W LTO Generation 5 WORM cartridge. LTO-CLN1 LTO cleaning type 1 cartridge. LTO-CLN2 LTO cleaning type 2 cartridge. LTO-CLNU LTO universal cleaning cartridge.

**TABLE 3-1 ACTION Statement WHEN Fields**

Field	Type	Source	Description
MediaType MEDIA MEDIAT			SDLT SDLT 160GB cartridge. SDLT-1 SDLT Generation 1 cartridge. SDLT-4 SDLT Generation 4 cartridge. SDLT-S2 SDLT Generation S2 cartridge. SDLT-S3 SDLT Generation S3 cartridge. SDLT-S4 SDLT Generation S4 cartridge. SDLTC SDLT cleaning cartridge. VIRTUAL Virtual Tape Volume (VTV) in the StorageTek Virtual Storage Manager system.
MethodName METHOD MTH MTHNAME	char (alternate)	LCM	The name of the Management Method assigned to this volume.
MountDate MDATE	date	HSC	The date the volume was last mounted in an LSM.
Mounted	bool	HSC	The volume is currently mounted.
MountTime MTIME	time	HSC	The time of day the volume was last mounted in an LSM.
MVC	bool	MVC	The volume is a Multiple Volume Cartridge for VSM.
MVCAudit	bool	MVC	This field is valid only if LCM is running with NCS 6.2 or later. The MVC is either being audited or the audit failed. If the audit failed, VTCS will not use the MVC for migration. To clear this condition, rerun the AUDIT against this MVC.
MVCAvailable MVC AVAIL	int	MVC	The percentage of the MVC available for use.
MVCBroken	bool	MVC	This field is valid only if LCM is running with NCS 6.2 or later. The MVC has an error that should be investigated. The error might not make the MVC unusable, but VTCS does not select the MVC for migration for 12 hours after this status has been set to true. After the 12 hour period, the MVC is least preferred for subsequent migrations, and recalls from the MVC can cause VTCS to drain it. This error condition can be accompanied by messages SLS6686, SLS6687, SLS6688, SLS6690 and/or SLS6693. Any of the following conditions can cause this MVC error: MVC corrupted by another job (other than VTCS/VTSS). Attempt to use a read-only MVC for migration. A DDR swap failure. An RTD failure.
MVCConsolidateDate	date	MVC	This field is valid only if LCM is running with NCS 6.2 or later. The date on which the MVC was consolidated as recorded by VSM.
MVCConsolidateTime	time	MVC	This field is valid only if LCM is running with NCS 6.2 or later. For a consolidation MVC, this field displays the time of the consolidation.



**TABLE 3-1 ACTION Statement WHEN Fields**

Field	Type	Source	Description
MVCConsolidation	bool	MVC	This field is valid only if LCM is running with NCS 6.2 or later. The MVC is a consolidation MVC.
MVCDataCheck	bool	MVC	This field is valid only if LCM is running with NCS 6.2 or later. A data check was reported for this MVC. VSM will not use this MVC again for migration.
MVCDraining	bool	MVC	This field is valid only if LCM is running with NCS 6.2 or later. The MVC is being drained because of one of: 1) an automatic drain or demand reclaim, 2) an explicit MVCDRain command, 3) The previous DRAIN request failed, in which case VTCS will not use the MVC for migration. To clear this condition, enter MVCDRain against MVC without the Eject option.
MVCEject	bool	MVC	This field is valid only if LCM is running with NCS 6.2 or later. The MVC is in the process of eject either because you issued MVCDRainEject or the MVC was ejected for update by a RACROUTE call. The MVC will not be used again for migration or recall. To clear this condition, use MVCDRain against MVC without the Eject option.
MVCExport	bool	MVC	This field is valid only if LCM is running with NCS 6.2 or later. The MVC is an export MVC.
MVCFragmented MVCFRAG	int	MVC	The percentage of the MVC that is not available due to fragmentation.
MVCFull	bool	MVC	This field is valid only if LCM is running with NCS 6.2 or later. There is no space available on the MVC.
MVCInitialized	bool	MVC	This field is valid only if LCM is running with NCS 6.2 or later. The MVC has been initialized.
MVCInUse	int	MVC	The percentage of the MVC used by valid Virtual Tape Volumes.
MVCInvalidMIR	bool	MVC	This field is valid only if LCM is running with NCS 6.2 or later. The MVC has an invalid MIR.
MVCLost	bool	MVC	This field is valid only if LCM is running with NCS 6.2 or later. The MVC was not mounted in response to the last mount request. The MVC can still be used for migration, but will not select the MVC for migration for 12 hours after it is marked lost. After the 12 hour period, the MVC will be least preferred. This condition will clear itself the next time that the MVC is mounted.
MVCMaximumReached	bool	MVC	This field is valid only if LCM is running with NCS 6.2 or later. The MVC has reached the maximum VTVs per MVC.

**TABLE 3-1 ACTION Statement WHEN Fields**

Field	Type	Source	Description
MVCMediaSize	int	MVC	This field is valid only if LCM is running with NCS 6.2 or later. The size in MB of the MVC. This is determined only after VTCS has used an MVC. "UNKNOWN" appears in this field until VTCS migrates a VTV to the MVC.
MVCMountDate	date	MVC	This field is valid only if LCM is running with NCS 6.2 or later. The date on which the MVC was mounted, as recorded by VTSS.
MVCMountTime	time	MVC	This field is valid only if LCM is running with NCS 6.2 or later. The time the MVC was last mounted, as recorded by VTSS.
MVCPoolName	char (alternate)	MVC	This field is valid only if LCM is running with NCS 6.2 or later. MVC Pool Name from the VTCS MVCPOOL control statement.
MVCReadOnly	bool	MVC	This field is valid only if LCM is running with NCS 6.2 or later. The MVC has been marked read-only.
MVCRetired	bool	MVC	This field is valid only if LCM is running with NCS 6.2 or later. The MVC is retired. VTCS will recall from, but not migrate to, the MVC. Replace the MVC as soon as possible.
MVCStorageClass MVCSTORCLASS STORAGECLASS STORCLAS	char	MVC	This field is valid only if LCM is running with NCS 6.2 or later. The VTCS Storage Class for the volume.
MVCUsableForMigration	bool	MVC	This field is valid only if LCM is running with NCS 6.2 or later. Indicates whether the MVC can be used for migration.
MVCUsed MVCTimesMount	int	MVC	The number of times the MVC has been mounted.
MVCVTSS	char	MVC	This field is valid only if LCM is running with NCS 6.2 or later. VTSS name where the MVC was last used.
MVCVTVCount MVCVTVCNT	int	MVC_VTV	The number of valid Virtual Tape Volumes on the MVC.
MVCWarrantyExpired	bool	MVC	This field is valid only if LCM is running with NCS 6.2 or later. The MVC's warranty has expired. VTCS continues to use the MVC. You should start making plans to replace the MVC when it reaches Retired state.
NonScratch NONSCR	bool	HSC, TMS	The volume is not classified as a scratch volume.
Notuseable NOUSE	bool	HSC	The HSC has marked this volume as not useable.
OnPullList ONPL	bool	LCM	The volume is on a Pull List.

**TABLE 3-1 ACTION Statement WHEN Fields**

Field	Type	Source	Description
OverMaxClean OverHSCMAXCLN	bool	HSC	The cleaning cartridge has exceeded its maximum usage count.
PermanentReadErrors	int	TMS	The number of permanent read errors for the volume.
PermanentWriteErrors	int	TMS	The number of permanent write errors for the volume.
PullListName PLNAME	char (alternate)	LCM	The name of the Pull List for the volume.
RecordingTechnique RecTech	char	HSC	The recording technique associated with a volume's media This is the method used to record data tracks on the tape surface for the volume.
ReferenceMVCDate RMDATE	date	MVC	The date on which the MVC was last referenced, as recorded by VSM.
ReferenceTMSDate RTDATE	date	TMS	The date of the last reference, as recorded in the associated tape management system, for volumes being treated as a unit (Multi-volume support).
ReferenceVTVDate RVDATE	date	VTV	The date on which the VTV was last referenced, as recorded by VSM.
ReferenceVTVTime RVTIME	time	VTV	The time of day the volume was last referenced, as recorded by VSM.
RunName	char (alternate)	LCM	The name of the Run object from the JCL EXEC statement Run PARM.
RunType	char (alternate)	LCM	The RunType from the JCL EXEC statement RunType PARM.
Scratch SCR	bool	HSC, MVC, Open, TMS, VTV	The volume is classified as a scratch volume by LCM.
Scratched SCRED	bool	LCM	LCM marked the volume as scratch in the HSC or VSM.
SelectCount SCOUNT	int	HSC	The number of times the volume has been selected by the HSC.
SelectDate SDATE	date	HSC	The date the volume was last selected in an LSM.
Selected	bool	HSC	The volume is currently selected.
SelectTime STIME	time	HSC	The time of day the volume was selected by the HSC.
Serial SER VOL VOLSER VOLUME	char	HSC, MVC, TMS, VTV	The 6-character identifier of a tape volume.
Serial1 SER1	char	TMS	The 6-character identifier of the first volume of the volume set associated with this volume.

**TABLE 3-1 ACTION Statement WHEN Fields**

Field	Type	Source	Description
Slot	char	TMS	The value assigned to a tape volume by the tape management system to pinpoint the storage place for the volume.
Subpool SP	char (alternate)	LCM	The name of the Subpool managing a group of volume serial numbers. This is defined in the LCM Subpool object (Explorer) or Subpool statement (Parameter File).
SubpoolId SPID	char (alternate)	HSC	Volume subpool ID from the HSC. This will be the 13-character name of the pool if using HSC SCRPOOL statements, or the 3-digit subpool index number if using SLSUX03.
SubpoolLabelType SPLBLTYP	char (alternate)	HSC	Volume subpool label type from the HSC.
TapeGroup TG	char (alternate)	LCM	The name of the tape group of a volume. Explorer: This is defined on the Media tab of the Subpool object. Parameter File: This is defined in the Media parameter of the Subpool statement.
TemporaryReadErrors	int	TMS	The number of temporary read errors for the volume.
TemporaryWriteErrors	int	TMS	The number of temporary write errors for the volume.
TM#Dsnbs	int	CA1	CA-1-specific number of data set name blocks.
TM128trk	bool	CA1	CA-1-specific recording technique. x'E8' indicates Trk 3590 cartridge tape.
TM18trk	bool	CA1	CA-1-specific recording technique. x'C0' indicates 3480 cartridge tape - 18 tracks.
TM3590	bool	CA1	CA-1-specific recording density. x'E8' indicates 3590 cartridge tape.
TM36Trk	bool	CA1	CA-1-specific recording technique. x'E0' indicates 3490 cartridge tape - 36 tracks.
TM36trk2	bool	CA1	CA-1-specific recording technique. x'E1' indicates 3490E cartridge tape - 36 tracks (extended length).
TM38000	bool	CA1	CA-1-specific recording density. x'E3' indicates 38K bpi (cartridge).
TM38KC	bool	CA1	CA-1-specific recording density. x'E7' indicates 38K bpi (cartridge-compacted).
TM9trk	bool	CA1	CA-1-specific recording technique. x'80' indicates nine track tape.
TMAabend	bool	CA1	CA-1-specific internal flag bit x'10'. Volume closed by abend.
TMActv1	char	CA1	CA-1-specific actual internal volser
TMActv2	char	CA1	CA-1-specific actual internal volser

**TABLE 3-1** ACTION Statement WHEN Fields

Field	Type	Source	Description
TMAcvoli	bool	CA1	CA-1-specific internal flag4 bit x'40'. Actual volser in use.
TMAdsnb	int	CA1	CA-1-specific address (relative to BASE in TMSCTL#2) of first DSNB record associated with this volume record.
TMAldsnb	int	CA1	CA-1-specific address (relative to BASE in TMSCTL#2) of last DSNB record associated with this volume record.
TMB1Dis	int	CA1	CA-1-specific B1 security disclosure label.
TMB1Int	int	CA1	CA-1-specific B1 security integrity label.
TMBadtap	bool	CA1	CA-1-specific internal flag3 bit x'80'. CA-9/R+ indicated bad tape, do not mount for scratch.
TMBlkcnt	int	CA1	CA-1-specific data set block count.
TMBlksi	int	CA1	CA-1-specific maximum block size.
TMBthdt	date	CA1	CA-1-specific date tape was first used.
TMCatlog	bool	CA1	CA-1-specific internal flag2 bit x'80'. Data set was on MVS catalog.
TMClean	bool	CA1	CA-1-specific internal flag bit x'08'. Volume listed to be cleaned.
TMClnct	int	CA1	CA-1-specific number of times tape cleaned.
TMClosed	bool	CA1	CA-1-specific internal flag bit x'40'. Volume closed normally.
TMCpgm	char	CA1	CA-1-specific creating program name.
TMCrtdt	date	CA1	CA-1-specific creation date.
TMCrtti	time	CA1	CA-1-specific creation time.
TMCruni	char (alternate)	CA1	CA-1-specific address of creation unit.
TMDatcln	date	CA1	CA-1-specific date tape was last cleaned.
TMDdname	char	CA1	CA-1-specific creating ddname.
TMDegau	bool	CA1	CA-1-specific internal flag4 bit x'10'. Tape has been degaussed.
TMDelet	bool	CA1	CA-1-specific internal flag bit x'02'. Volume in delete (inactive) status
TMDen	char (alternate)	CA1	CA-1-specific recording density.

**TABLE 3-1** ACTION Statement WHEN Fields

Field	Type	Source	Description
TMDfault	bool	CA1	CA-1-specific internal flag bit x'01'. Volume eligible for RDS override.
TMDfexu	bool	CA1	CA-1-specific internal flag3 bit x'04'. Default expiration date used at open output.
TMDsn	char	CA1	CA-1-specific data set name.
TMDsn17	char	CA1	CA-1-specific last 17 bytes of dsn.
TMDynam	bool	CA1	CA-1-specific internal flag3 bit x'10'. Controlled by CA-DYNAM/T.
TMEcatlg	bool	CA1	CA-1-specific internal flag2 bit x'08'. Expired from catalog control (TMSCTLG).
TMEcycle	bool	CA1	CA-1-specific internal flag2 bit x'04'. Expired from cycle control (TMSCYCLE).
TMEdmid	char	CA1	CA-1-specific external data manager id.
TMEdmtap	bool	CA1	CA-1-specific internal flag3 bit x'20'. Controlled by external data manager.
TMEldate	bool	CA1	CA-1-specific internal flag bit x'02'. Expired from LDATE control (TMSCLEAN).
TMErase	bool	CA1	CA-1-specific internal flag3 bit x'08'. Data set erase required.
TMEsms	bool	CA1	CA-1-specific internal flag4 bit x'80'. Tape expired by SMS max retention rules.
TMEtms	bool	CA1	CA-1-specific internal flag bit x'01'. Expired by TMS.
TMExpdt	date	CA1	CA-1-specific expiration date.
TMFilcpy	bool	CA1	CA-1-specific internal flag3 bit x'01'. Created by CA-1/Copycat.
TMFlag1	char (alternate)	CA1	CA-1-specific internal flag byte.
TMFlag2	char (alternate)	CA1	CA-1-specific internal flag byte.
TMFlag3	char (alternate)	CA1	CA-1-specific internal flag byte.
TMFlag4	char (alternate)	CA1	CA-1-specific internal flag byte.
TMFlag5	char (alternate)	CA1	CA-1-specific internal flag byte.
TMFlag6	char (alternate)	CA1	CA-1-specific internal flag byte.
TMFrsvol	char	CA1	CA-1-specific first volser of data set.

**TABLE 3-1 ACTION Statement WHEN Fields**

Field	Type	Source	Description
TMIntal	bool	CA1	CA-1-specific internal flag1 bit x'80'. Internal field changed by user.
TMInuse	bool	CA1	CA-1-specific internal flag4 bit x'02'. Tape is in use for RTS (Real Time Stacking).
TMIsctat	bool	CA1	CA-1-specific internal flag4 bit x'08'. File on OS catalog.
TMJobnm	char	CA1	CA-1-specific creating job name.
TMLasusd	date	CA1	CA-1-specific date last used.
TMLasusj	char	CA1	CA-1-specific job name which last used volume.
TMLasust	time	CA1	CA-1-specific time last used.
TMLpgm	char	CA1	CA-1-specific last used program name.
TMLrecl	int	CA1	CA-1-specific logical record length.
TMLtype	char	CA1	CA-1-specific tape label type. One of SL, SUL, NL, NSL, BLP, AL1, AU1, AL3, AU3.
TMNostak	bool	CA1	CA-1-specific internal flag4 bit x'01'. No further stacking allowed.
TMNrs	bool	CA1	CA-1-specific internal flag4 bit x'04'. Non-resident tape.
TMNxtVol	char	CA1	CA-1-specific next volser of data set.
TMOutar	char	CA1	CA-1-specific location id of out-of-area tape.
TMOudat	date	CA1	CA-1-specific date tape was marked out-of-area.
TMOuput	bool	CA1	CA-1-specific internal flag2 bit x'40'. Volume opened for output.
TMPrerrc	int	CA1	CA-1-specific number of permanent read errors since cleaned.
TMPrerri	int	CA1	CA-1-specific number of permanent read errors since initialized.
TMPrvvol	char	CA1	CA-1-specific previous volser of data set.
TMPrerrc	int	CA1	CA-1-specific number of permanent write errors since cleaned.
TMPrerri	int	CA1	CA-1-specific number of permanent write errors since initialized.
TMRecfm	char	CA1	CA-1-specific record format. One of V, VA, VS, VB, VBM, VBA, VBS, F, FM, FA, FS, FB, FBM, FBA, FBS, U.

**TABLE 3-1 ACTION Statement WHEN Fields**

<b>Field</b>	<b>Type</b>	<b>Source</b>	<b>Description</b>
TMRedwd1	bool	CA1	CA-1-specific recording technique. x'E4' indicates Redwood 12.5G capacity.
TMRedwd2	bool	CA1	CA-1-specific recording technique. x'E5' indicates Redwood 25G capacity.
TMRedwd3	bool	CA1	CA-1-specific recording technique. x'E6' indicates Redwood 50G capacity.
TMRelevm	bool	CA1	CA-1-specific internal flag3 bit x'40'. Tape released by external vault manager.
TMReuse	bool	CA1	CA-1-specific internal flag2 bit x'20'. Data set recreated.
TMRobid	int	CA1	CA-1-specific robotic device indicator.
TMRobty	int	CA1	CA-1-specific tape in robotic device.
TMSBad	bool	Open, TMS	The volume has been marked defective in the tape management system.
TMScrch	bool	CA1	CA-1-specific internal flag bit x'04'. Volume in scratch status.
TMSExpired	bool	Open, TMS	The volume is marked expired in the tape management system.
TMSlot	char	CA1	CA-1-specific vault slot number.
TMSmsmc	char	CA1	CA-1-specific SMS management class.
TMSName	char (alternate)	LCM	The name of the tape management system defined on the TMS statement.
TMSScratch TMSSCR	bool	TMS	The tape management system has the scratch flag set for this volume.
TMStack	bool	CA1	CA-1-specific internal flag5 bit x'80'. Tape has been used by RTS.
TMStpnam	char	CA1	CA-1-specific creating step name.
TMSUse	int	Open, TMS	The number of times the volume has been used.
TMTempds	bool	CA1	CA-1-specific internal flag2 bit x'10'. Temporary data set.
TMTrerrc	int	CA1	CA-1-specific number of temporary read errors since cleaned.
TMTrerri	int	CA1	CA-1-specific number of temporary read errors since initialized.
TMTrtch	char (alternate)	CA1	CA-1-specific recording technique.



**TABLE 3-1** ACTION Statement WHEN Fields

Field	Type	Source	Description
TMTwerrc	int	CA1	CA-1-specific number of temporary write errors since cleaned.
TMTwerri	int	CA1	CA-1-specific number of temporary write errors since initialized.
TMUcount	int	CA1	CA-1-specific number of times tape opened since birthdate.
TMUltif	bool	CA1	CA-1-specific internal flag3 bit x'02'. Additional files exist in volume set.
TMUpdate	bool	CA1	CA-1-specific internal flag bit x'20'. Volume record updated by user.
TMUsecln	int	CA1	CA-1-specific use count at last cleaning.
TMUser TMAcct	char	CA1	CA-1-specific user job accounting area.
TMUsuni	char (alternate)	CA1	CA-1-specific address of unit last used.
TMVabrch	int	CA1	CA-1-specific id of last CA-1 program to update record.
TMVacode	int	CA1	CA-1-specific audit code.
TMVacpu	char	CA1	CA-1-specific id of CPU used for last update.
TMVadate	date	CA1	CA-1-specific date of last update.
TMVafgl1	int	CA1	CA-1-specific audit flag.
TMVahook	int	CA1	CA-1-specific id of last intercept to update record.
TMVatime	time	CA1	CA-1-specific time of last update.
TMVauser	char	CA1	CA-1-specific id of last user to update record.
TMVendor	char	CA1	CA-1-specific tape vendor name.
TMVolsq	int	CA1	CA-1-specific volume sequence number.
TMVolser	char	CA1	CA-1-specific volume serial number.
TMVsr	bool	CA1	CA-1-specific internal flag4 bit x'20'. Vault specific request.
Unscratched UNSCRED	bool	LCM	LCM marked the volume as not scratch in the HSC or VSM.
UserBool1	bool	Custom, Open	User-defined Boolean field for a volume.
UserBool10	bool	Custom, Open	User-defined Boolean field for a volume.

**TABLE 3-1** ACTION Statement WHEN Fields

<b>Field</b>	<b>Type</b>	<b>Source</b>	<b>Description</b>
UserBool2	bool	Custom, Open	User-defined Boolean field for a volume.
UserBool3	bool	Custom, Open	User-defined Boolean field for a volume.
UserBool4	bool	Custom, Open	User-defined Boolean field for a volume.
UserBool5	bool	Custom, Open	User-defined Boolean field for a volume.
UserBool6	bool	Custom, Open	User-defined Boolean field for a volume.
UserBool7	bool	Custom, Open	User-defined Boolean field for a volume.
UserBool8	bool	Custom, Open	User-defined Boolean field for a volume.
UserBool9	bool	Custom, Open	User-defined Boolean field for a volume.
UserChar1	char	Custom, Open	User-defined character field for a volume.
UserChar10	char	Custom, Open	User-defined character field for a volume.
UserChar2	char	Custom, Open	User-defined character field for a volume.
UserChar3	char	Custom, Open	User-defined character field for a volume.
UserChar4	char	Custom, Open	User-defined character field for a volume.
UserChar5	char	Custom, Open	User-defined character field for a volume.
UserChar6	char	Custom, Open	User-defined character field for a volume.
UserChar7	char	Custom, Open	User-defined character field for a volume.
UserChar8	char	Custom, Open	User-defined character field for a volume.
UserChar9	char	Custom, Open	User-defined character field for a volume.
UserDate1	date	Custom, Open	User-defined date field for a volume.
UserDate10	date	Custom, Open	User-defined date field for a volume.
UserDate2	date	Custom, Open	User-defined date field for a volume.
UserDate3	date	Custom, Open	User-defined date field for a volume.
UserDate4	date	Custom, Open	User-defined date field for a volume.
UserDate5	date	Custom, Open	User-defined date field for a volume.
UserDate6	date	Custom, Open	User-defined date field for a volume.
UserDate7	date	Custom, Open	User-defined date field for a volume.

**TABLE 3-1** ACTION Statement WHEN Fields

Field	Type	Source	Description
UserDate8	date	Custom, Open	User-defined date field for a volume.
UserDate9	date	Custom, Open	User-defined date field for a volume.
UserInt1	int	Custom, Open	User-defined integer field for a volume.
UserInt10	int	Custom, Open	User-defined integer field for a volume.
UserInt2	int	Custom, Open	User-defined integer field for a volume.
UserInt3	int	Custom, Open	User-defined integer field for a volume.
UserInt4	int	Custom, Open	User-defined integer field for a volume.
UserInt5	int	Custom, Open	User-defined integer field for a volume.
UserInt6	int	Custom, Open	User-defined integer field for a volume.
UserInt7	int	Custom, Open	User-defined integer field for a volume.
UserInt8	int	Custom, Open	User-defined integer field for a volume.
UserInt9	int	Custom, Open	User-defined integer field for a volume.
UserTime1	time	Custom, Open	User-defined time field for a volume.
UserTime10	time	Custom, Open	User-defined time field for a volume.
UserTime2	time	Custom, Open	User-defined time field for a volume.
UserTime3	time	Custom, Open	User-defined time field for a volume.
UserTime4	time	Custom, Open	User-defined time field for a volume.
UserTime5	time	Custom, Open	User-defined time field for a volume.
UserTime6	time	Custom, Open	User-defined time field for a volume.
UserTime7	time	Custom, Open	User-defined time field for a volume.
UserTime8	time	Custom, Open	User-defined time field for a volume.
UserTime9	time	Custom, Open	User-defined time field for a volume.
VaultAssignmentDate	date	HSC	The Date the volume was first assigned to the External Vault.
VaultAssignmentTime	time	HSC	Time the volume was first assigned to the External Vault.
VaultName	char	HSC	The name of the vault.

**TABLE 3-1** ACTION Statement WHEN Fields

Field	Type	Source	Description
VaultReturnDate	date	HSC	The Date the volume can be returned to the External Vault.
VaultReturnTime	time	HSC	Time the volume can be returned to the External Vault.
VaultSlot	char	HSC	The assigned External Vault Slot value.
VolumeSequenceNumber VOLSEQ	int	TMS	The volume sequence number of the volume.
VTV	bool	VTV	The volume is a Virtual Tape Volume (VTV), as reported by VSM.
VTVCompressionPercentage	int	VTV	This field is valid only if LCM is running with NCS 6.2 or later. This is the difference between the uncompressed and compressed VTV size expressed as a percentage of the uncompressed VTV size. For example, if a 100MB VTV compresses to 40MB, then the compression percentage will be given as 60%. A compression of 0% indicates that no compression was possible on the VTV.
VTVConsolidated	bool	VTV	This field is valid only if LCM is running with NCS 6.2 or later. Indicates whether a VTV is currently consolidated.
VTVDuplexed	bool	VTV	The VTV has at least 2 copies.
VTVFenced	bool	VTV	This field is valid only if LCM is running with NCS 6.2 or later. The VTV's state is unknown to VTSS.
VTVInitialized	bool	VTV	This field is valid only if LCM is running with NCS 6.2 or later. The VTV has been initialized by VTSS.
VTVInvalid VTVDEL VTVDELETED VTVINV	bool	VTV	The VTV is invalid in VSM.
VTVManagementClass VTVMGMTCLAS VTVMGTCCLASS	char	VTV	The VSM management class for the VTV.
VTVMaximumSize	int	VTV	This field is valid only if LCM is running with NCS 6.2 or later. The maximum size of the VTV in megabytes.
VTVMigrated VTVMIG	bool	VTV	The VTV is migrated in VSM.
VTVMounted VTVMNTD	bool	VTV	The VTV is mounted according to VSM.
VTVMVCID1	char	VTV	The MVC volser on which the VTV resides.
VTVMVCID2	char	VTV	The MVC volser on which a duplicate or consolidation copy of the VTV resides. Note: If the VTV is consolidated during an LCM run, the value of this field will be updated after the consolidation is performed. The POSTACTION value will reflect the consolidation MVC for this VTV.

**TABLE 3-1 ACTION Statement WHEN Fields**

<b>Field</b>	<b>Type</b>	<b>Source</b>	<b>Description</b>
VTVMVCID3	char	VTV	The MVC volser on which a duplicate or consolidation copy of the VTV resides.
VTVMVCID4	char	VTV	The MVC volser on which a duplicate or consolidation copy of the VTV resides.
VTVNewCreate	bool	VTV	This field is valid only if LCM is running with NCS 6.2 or later. Indicates whether the VTV was newly created when it was last resident.
VTVOwningTapePlex	char	VTV	The owning TapePlex for this VTV.
VTVPageSize	char	VTV	The VTV Page Size  Large  Standard
VTVRecallDate	date	VTV	This field is valid only if LCM is running with NCS 6.2 or later. Date VTV was recalled to the VTSS buffer.
VTVRecallTime	time	VTV	This field is valid only if LCM is running with NCS 6.2 or later. Time VTV was recalled to the VTSS buffer.
VTVReplicationStatus	char	VTV	This field is valid only if LCM is running with NCS 6.2 or later. Status of VTV replication.  C Replication has completed. R Replication is required but not started S Replication has started
VTVResident	bool	VTV	This field is valid only if LCM is running with NCS 6.2 or later. Indicates whether a VTV is resident in a VTSS.
VTVScratch VTVSCR	bool	VTV	The VTV is scratch, as recorded by VSM.
VTVSizeCompressed	int	VTV	This field is valid only if LCM is running with NCS 6.2 or later. The actual compressed size of the VTV in megabytes.
VTVSizeUncompressed VTVMediaSize	int	VTV	This field is valid only if LCM is running with NCS 6.2 or later. The actual uncompressed size of the VTV in megabytes.
VTVTimesRead	int	VTV	This field is valid only if LCM is running with NCS 6.2 or later. The number of times the VTV has been read.

**TABLE 3-1** ACTION Statement WHEN Fields

Field	Type	Source	Description
VTVUnavailable VTVUNAVAIL	bool	VTV	This field is valid only if LCM is running with NCS 6.2 or later. The VTV is unavailable because it is either mounted, resident, or fenced according to VSM.
VTVVTSS	char	VTV	The Virtual Tape SubSystem (VTSS) in which the VTV resides.
WrongScratchStatus WRNGSCRST	bool	LCM	The scratch status indicator in the HSC CDS is incorrect. For volumes covered by HSCUNSCR (Explorer: "Set HSC-scratch indicators to OFF" on the Scratch tab of the Run object), the WrongScratchStatus flag indicates that the HSC UNSCRATCH request failed. For volumes not covered by HSCUNSCR, the WrongScratchStatus flag indicates that the scratch status recorded in the HSC CDS or in VSM does not agree with the scratch status in the TMS. This may occur for volumes when the Sync or SyncVTV option (Explorer: Sync tab of Run object) is not in effect or when the associated synchronization request fails. The LCM log file contains a message for each request failure. LCM does not set the WrongScratchStatus flag for volumes that are scratch in the TMS but are not scratch in the HSC or in VSM if they are in use at the time LCM attempts the unscratch operation. This is a normal situation that can occur between the time a tape is allocated and the time it is put back in a cell.

## SET METHOD Statement WHEN Fields

**TABLE 3-2** SET METHOD Statement WHEN Fields

Field	Type	Source	Description
BAAbdflg	char	TLMS	TLMS-specific abend flag.
BAActive	int	TLMS	TLMS-specific active file count.
BAAscbse	char	TLMS	TLMS-specific associated base.
BAAscvol	char	TLMS	TLMS-specific associated volume.
BABlkcnt	int	TLMS	TLMS-specific block count.
BABlksiz	int	TLMS	TLMS-specific block size.
BABuydat	date	TLMS	TLMS-specific purchase date.
BACdsexp	date	TLMS	TLMS-specific highest IBM expiration date on volume.
BACdsflg	char	TLMS	TLMS-specific controlling data set flag.
BACdskep	date	TLMS	TLMS-specific highest keep date on volume.
BACdsseq	int	TLMS	TLMS-specific controlling data set sequence number.
BACHnvol	char	TLMS	TLMS-specific 1st volume in chain.
BACkptkn	char	TLMS	TLMS-specific check point taken (Y=Yes; B=No).
BAClncnt	int	TLMS	TLMS-specific cleanings since certified.
BAClndat	date	TLMS	TLMS-specific clean date.
BACpusmf	char	TLMS	TLMS-specific creation CPU SMF ID.
BACredat	date	TLMS	TLMS-specific create date.
BACreddn	char	TLMS	TLMS-specific creation ddname.
BACredev	char (alternate)	TLMS	TLMS-specific creation drive.
BACrejob	char	TLMS	TLMS-specific creation jobname.
BACrepgm	char	TLMS	TLMS-specific creation program name.
BACrestp	char	TLMS	TLMS-specific creation stepname.
BACretim	time	TLMS	TLMS-specific time of day the volume was created.

**TABLE 3-2** SET METHOD Statement WHEN Fields

Field	Type	Source	Description
BACrtcnt	int	TLMS	TLMS-specific total certifications.
BACrtdat	date	TLMS	TLMS-specific certification date.
BADamcde	char	TLMS	TLMS-specific damaged code.
BADen	char	TLMS	TLMS-specific density.
BADescde	char	TLMS	TLMS-specific destroyed code.
BADesdat	date	TLMS	TLMS-specific destroyed date.
BADsn	char	TLMS	TLMS-specific data set name.
BAErgcnt	int	TLMS	TLMS-specific current erase gaps on volume.
BAErgmax	int	TLMS	TLMS-specific max erase gaps on volume.
BAExpdat	date	TLMS	TLMS-specific IBM expiration date for data set.
BAFilecnt	int	TLMS	TLMS-specific file count.
BAFileseq	int	TLMS	TLMS-specific file sequence in chain.
BAFlg001	int	TLMS	TLMS-specific reserved for CA-1 FLG001.
BAFlg003	int	TLMS	TLMS-specific reserved for CA-1 FLG003.
BAFlg004	int	TLMS	TLMS-specific reserved for CA-1 FLG004.
BAFlg005	int	TLMS	TLMS-specific reserved for TLMS FLG005.
BAFlg006	int	TLMS	TLMS-specific reserved for TLMS FLG006.
BAKepdat	date	TLMS	TLMS-specific keep date for data set.
BALabtyp	char	TLMS	TLMS-specific label type.
BALasdat	date	TLMS	TLMS-specific last used date.
BALasdev	char (alternate)	TLMS	TLMS-specific last used drive.
BALasjob	char	TLMS	TLMS-specific last used jobname.
BALoc	char	TLMS	TLMS-specific volume location.
BALoscde	char	TLMS	TLMS-specific lost code.
BAMds1st	char (alternate)	TLMS	TLMS-specific multi-dataset first chain pointer.
BAMdslst	char (alternate)	TLMS	TLMS-specific multi-dataset last chain pointer.



**TABLE 3-2** SET METHOD Statement WHEN Fields

Field	Type	Source	Description
BAMovdat	date	TLMS	TLMS-specific date volume moved.
BAMvlcnt	int	TLMS	TLMS-specific count of volumes in BAMvltab.
BAMvlseq1	int	TLMS	TLMS-specific multi-volume sequence number 1.
BAMvlseq2	int	TLMS	TLMS-specific multi-volume sequence number 2.
BAMvlseq3	int	TLMS	TLMS-specific multi-volume sequence number 3.
BAMvlseq4	int	TLMS	TLMS-specific multi-volume sequence number 4.
BAMvlseq5	int	TLMS	TLMS-specific multi-volume sequence number 5.
BAMvlvol1	char	TLMS	TLMS-specific multi-volume chain serial number 1.
BAMvlvol2	char	TLMS	TLMS-specific multi-volume chain serial number 2.
BAMvlvol3	char	TLMS	TLMS-specific multi-volume chain serial number 3.
BAMvlvol4	char	TLMS	TLMS-specific multi-volume chain serial number 4.
BAMvlvol5	char	TLMS	TLMS-specific multi-volume chain serial number 5.
BAOutsrv	char	TLMS	TLMS-specific out of service code. Contains BALoscde, BADamcde, and BADescde.
BARecsiz	int	TLMS	TLMS-specific logical record length.
BARederr	int	TLMS	TLMS-specific current temporary read errors.
BARfm	char	TLMS	TLMS-specific record format.
BARtncnt1	int	TLMS	TLMS-specific retention count for retention entry 1.
BARtncnt2	int	TLMS	TLMS-specific retention count for retention entry 2.
BARtncnt3	int	TLMS	TLMS-specific retention count for retention entry 3.
BARtncnt4	int	TLMS	TLMS-specific retention count for retention entry 4.
BARtncnt5	int	TLMS	TLMS-specific retention count for retention entry 5.
BARtncnt6	int	TLMS	TLMS-specific retention count for retention entry 6.
BARtndev	char	TLMS	TLMS-specific box or cabinet/slot.
BARtnLoc1	char	TLMS	TLMS-specific user retention location for retention entry 1.

**TABLE 3-2 SET METHOD Statement WHEN Fields**

Field	Type	Source	Description
BARtnLoc2	char	TLMS	TLMS-specific user retention location for retention entry 2.
BARtnLoc3	char	TLMS	TLMS-specific user retention location for retention entry 3.
BARtnLoc4	char	TLMS	TLMS-specific user retention location for retention entry 4.
BARtnLoc5	char	TLMS	TLMS-specific user retention location for retention entry 5.
BARtnLoc6	char	TLMS	TLMS-specific user retention location for retention entry 6.
BARtnptr	char	TLMS	TLMS-specific offset of active retention entry.
BARtnsrc	char	TLMS	TLMS-specific retention source. ' ' (blank) = No retention data; '1' = From RMF; '2' = From JCL; '3' = From manual update.
BARntyp1	char	TLMS	TLMS-specific user retention type for retention entry 1. '1' = Catalog control; '2' = Date control; '3' = Catalog and age; '4' = Cycle control; '5' = Age; '6' = Move immediate control; '7' = Manual control; '8' = Days since last used; '9' = Expiration date.
BARntyp2	char	TLMS	TLMS-specific user retention type for retention entry 2. '1' = Catalog control; '2' = Date control; '3' = Catalog and age; '4' = Cycle control; '5' = Age; '6' = Move immediate control; '7' = Manual control; '8' = Days since last used; '9' = Expiration date.
BARntyp3	char	TLMS	TLMS-specific user retention type for retention entry 3. '1' = Catalog control; '2' = Date control; '3' = Catalog and age; '4' = Cycle control; '5' = Age; '6' = Move immediate control; '7' = Manual control; '8' = Days since last used; '9' = Expiration date.
BARntyp4	char	TLMS	TLMS-specific user retention type for retention entry 4. '1' = Catalog control; '2' = Date control; '3' = Catalog and age; '4' = Cycle control; '5' = Age; '6' = Move immediate control; '7' = Manual control; '8' = Days since last used; '9' = Expiration date.
BARntyp5	char	TLMS	TLMS-specific user retention type for retention entry 5. '1' = Catalog control; '2' = Date control; '3' = Catalog and age; '4' = Cycle control; '5' = Age; '6' = Move immediate control; '7' = Manual control; '8' = Days since last used; '9' = Expiration date.
BARntyp6	char	TLMS	TLMS-specific user retention type for retention entry 6. '1' = Catalog control; '2' = Date control; '3' = Catalog and age; '4' = Cycle control; '5' = Age; '6' = Move immediate control; '7' = Manual control; '8' = Days since last used; '9' = Expiration date.
BAScrdat	date	TLMS	TLMS-specific date volume scratched.

**TABLE 3-2 SET METHOD Statement WHEN Fields**

Field	Type	Source	Description
BAScruid	char	TLMS	TLMS-specific scratched by ID. '1' = TRS; '2' = JCL; '3' = Manual; '4' = External data manager.
BaseName	char	TMS	The controlling data set name of the volume. If the data set is a member of a Generation Data Group, only the base name (no .GnnnnVnn) is included.
BASmsmgt	char	TLMS	TLMS-specific SMS management class
BASpcchn	char	TLMS	TLMS-specific special chaining (chained for moves).
BASpnflg	char	TLMS	TLMS-specific spanned data set flag (1=spanned).
BASrvscr	char	TLMS	TLMS-specific service/scratch indicator. '0' = Skipped segment record; '1' = In service/Non scratch; '2' = In service/Scratch; '3' = Out service/Non scratch; '4' = Out Service/Scratch.
BATaplen	int	TLMS	TLMS-specific tape length.
BATapmod	char	TLMS	TLMS-specific track recording technique.
BATaptyp	char	TLMS	TLMS-specific tape type.
BATrspro	char	TLMS	TLMS-specific TRS has processed this volume.
BAUnisrt	int	TLMS	TLMS-specific sort unique code.
BAUsebuy	int	TLMS	TLMS-specific uses since purchased.
BAUsecln	int	TLMS	TLMS-specific uses since cleaned.
BAUsecert	int	TLMS	TLMS-specific uses since certified.
BAUsr001	char	TLMS	TLMS-specific user data. (Defaults to job accounting - TCB).
BAUsr002	char	TLMS	TLMS-specific user data. (Defaults to programmer name - TCB).
BAUsr003	char	TLMS	TLMS-specific user data area.
BAVender	char	TLMS	TLMS-specific user updated manufacturer code.
BAVol1st	char (alternate)	TLMS	TLMS-specific multi-volume first volume serial number pointer.
BAVolcnt	int	TLMS	TLMS-specific volume count.
BAVollst	char (alternate)	TLMS	TLMS-specific multi-volume last chain pointer.
BAVolown	char	TLMS	TLMS-specific volume owner.

**TABLE 3-2** SET METHOD Statement WHEN Fields

Field	Type	Source	Description
BAVolsq	int	TLMS	TLMS-specific volume sequence number.
BAVolser	char	TLMS	TLMS-specific volume serial number
Classification CLS	char (alternate)	HSC, MVC, TMS, VTV	Classification of the volume.  BadScratch Volumes marked defective and scratch in TMS Clean Volumes with the HSC cleaning prefix Expired Volumes marked not scratch and expired in TMS NonScratch Volumes not scratch, badscratch, expired, or clean Scratch Volumes available for receiving new tape data sets
Copy	int	TMS	Copy number of the volume. A value of 1 refers to the most recently created copy of the data set according to the tape management system, 2 refers to the next most recently created copy, and so on.
CreatingTMSDrive CTDRIVE	char (alternate)	TMS	The unit address of the tape drive on which the tape data set was created, printed as a hexadecimal character string.
CreationDate CDATE	date	MVC, TMS, VTV	The date the volume was created. The first available field of the following determines the creation date: CreationTMSDate, CreationVTVDate, CreationMVCDate.
CreationJobName CJOBNAME JOBNAME	char	TMS	The JCL job name that created the volume.
CreationMVCDate CMDATE	date	MVC	The date the volume was created as recorded by VSM.
CreationMVCTime CMTIME	time	MVC	The time of day the volume was created as recorded by VSM.
CreationStepName CSTEPNAME STEPNAME	char	TMS	The JCL step name that created the volume.
CreationTime CTIME	time	MVC, TMS, VTV	The time of day the volume was created. The first available field of the following determines the creation time: CreationTMSTime, CreationVTVTime, CreationMVCTime.
CreationTMSDate CTDATE	date	TMS	The date the volume was created as recorded in the associated tape management system.
CreationTMSTime CTTIME	time	TMS	The time of day the volume was created as recorded in the associated tape management system.
CreationVTVDate CVDATE	date	VTV	The date the volume was created as recorded by VSM.
CreationVTVTime CVTIME	time	VTV	The time of day the volume was created as recorded by VSM.
CTAccount	char	ControlT	Control-T-specific accounting information

**TABLE 3-2** SET METHOD Statement WHEN Fields

Field	Type	Source	Description
CTActivateds	int	ControlT	Control-T-specific number of active labels on volume.
CTBlksize	int	ControlT	Control-T-specific block size.
CTBlockct	int	ControlT	Control-T-specific block count.
CTBoxid	char	ControlT	Control-T-specific box ID.
CTChkindt	date	ControlT	Control-T-specific volume check-in date.
CTCIncount	int	ControlT	Control-T-specific clean count
CTCrecpu	char	ControlT	Control-T-specific creation CPU name.
CTCreddn	char	ControlT	Control-T-specific creation DD name.
CTCredtd	date	ControlT	Control-T-specific creation date.
CTCrejbn	char	ControlT	Control-T-specific creation job name.
CTCrepgm	char	ControlT	Control-T-specific creation program name.
CTCrestep	char	ControlT	Control-T-specific creation stepname.
CTCretm	time	ControlT	Control-T-specific creation time
CTCreuad	char (alternate)	ControlT	Control-T-specific creation unit address.
CTDdsexpd1	date	ControlT	Control-T-specific first expiration date.
CTDdsexpd2	date	ControlT	Control-T-specific second expiration date.
CTDdsexpd3	date	ControlT	Control-T-specific third expiration date.
CTDeleted	bool	ControlT	Control-T-specific volume marked as deleted.
CTDsname	char	ControlT	Control-T-specific data set name.
CTDsvolser	char	ControlT	Control-T-specific first data set begins on volume.
CTDyndef	bool	ControlT	Control-T-specific volume dynamically added.
CTEdm	bool	ControlT	Control-T-specific volume managed by an External Data Manager.
CTExprtrn	date	ControlT	Control-T-specific expected return date from out location.
CTExtndel	bool	ControlT	Control-T-specific volume will be deleted when expired.
CTExternal	bool	ControlT	Control-T-specific external volume.

**TABLE 3-2** SET METHOD Statement WHEN Fields

Field	Type	Source	Description
CTFirstvol	char	ControlT	Control-T-specific first volume in the multi-volume group.
CTHold	bool	ControlT	Control-T-specific volume is in the main library due to recall operation.
CTInatl	bool	ControlT	Control-T-specific volume resides inside a robotic tape library.
CTInuse	bool	ControlT	Control-T-specific volume currently in use.
CTIoerprm	int	ControlT	Control-T-specific permanent read errors.
CTIoerpmc	int	ControlT	Control-T-specific permanent read errors since last clean.
CTIoertmp	int	ControlT	Control-T-specific temporary read errors.
CTIoertmpc	int	ControlT	Control-T-specific temporary read errors since last clean.
CTIoewprm	int	ControlT	Control-T-specific permanent write errors.
CTIoewpmc	int	ControlT	Control-T-specific permanent write errors since last clean.
CTIoewtmp	int	ControlT	Control-T-specific temporary write errors.
CTIoewtmpc	int	ControlT	Control-T-specific temporary write errors since last clean.
CTLaccdt	date	ControlT	Control-T-specific last access job date.
CTLaccjbn	char	ControlT	Control-T-specific last job name that accessed the volume.
CTLacctm	time	ControlT	Control-T-specific last access job time.
CTLblnum	int	ControlT	Control-T-specific highest label number on volume.
CTLbltyp	char	ControlT	Control-T-specific label type AL AUL BLP NL NSL SL SUL
CTLcndt	date	ControlT	Control-T-specific last clean date.

**TABLE 3-2** SET METHOD Statement WHEN Fields

<b>Field</b>	<b>Type</b>	<b>Source</b>	<b>Description</b>
CTLibrary	char	ControlT	Control-T-specific robotic tape library name.
CTLocation	char	ControlT	Control-T-specific current location of volume.
CTLocseq	int	ControlT	Control-T-specific current vault sequence number.
CTLrecl	int	ControlT	Control-T-specific record length.
CTManvlt	bool	ControlT	Control-T-specific volume manually moved to vault.
CTMedia	char	ControlT	Control-T-specific media name
CTMovedate	date	ControlT	Control-T-specific move date.
CTNextvol	char	ControlT	Control-T-specific next volume in the multi-volume group.
CTNostack	bool	ControlT	Control-T-specific volume cannot be a candidate for dynamic stacking.
CTOut	bool	ControlT	Control-T-specific volume outside the main library.
CTPendscr	bool	ControlT	Control-T-specific pending scratch status.
CTPendvlt	bool	ControlT	Control-T-specific pending vault.
CTPrevvol	char	ControlT	Control-T-specific previous volume in the multi-volume group.
CTPvlt	bool	ControlT	Control-T-specific potential vault.
CTRecall	bool	ControlT	Control-T-specific volume will recall back to main library.

**TABLE 3-2** SET METHOD Statement WHEN Fields

Field	Type	Source	Description
CTRecfm	char	ControlT	Control-T-specific record format. A B D F FB FBA FBM FBS M S U V VB VBA VBM VBS VS
CTRecfrom	char	ControlT	Control-T-specific vault name recalled from.
CTRecreate	bool	ControlT	Control-T-specific dataset recreated.
CTReturnvl	bool	ControlT	Control-T-specific volume returned from vault.
CTRetvltdt	date	ControlT	Control-T-specific date to return to vault.
CTScratch	bool	ControlT	Control-T-specific volume scratch status.
CTScrdt	date	ControlT	Control-T-specific volume scratch date.
CTSlname	char	ControlT	Control-T-specific SL name.
CTSlotnum	int	ControlT	Control-T-specific slot number
CTSmcmc	char	ControlT	Control-T-specific SMS management class.
CTSmssg	char	ControlT	Control-T-specific SMS storage group.
CTVabend	bool	ControlT	Control-T-specific incomplete data set on volume.
CTVault	char	ControlT	Control-T-specific first vault name.
CTVault2	char	ControlT	Control-T-specific second vault name.



**TABLE 3-2** SET METHOD Statement WHEN Fields

Field	Type	Source	Description
CTVault3	char	ControlT	Control-T-specific third vault name.
CTVaulted	bool	ControlT	Control-T-specific vaulted.
CTVendor	char	ControlT	Control-T-specific volume's vendor name
CTVformat	char	ControlT	Control-T-specific volume format
CTVfreekb	int	ControlT	Control-T-specific free kilo-bytes on volume.
CTVlrstrt	bool	ControlT	Control-T-specific volume processed under MVS restart.
CTVtentdt	date	ControlT	Control-T-specific vault entry date.
CTVltxpdt	date	ControlT	Control-T-specific vault expiration date.
CTVoledmid	char	ControlT	Control-T-specific volume's External Data Manager ID.
CTVolexcp	int	ControlT	Control-T-specific EXCP Count
CTVolexpdtdt	date	ControlT	Control-T-specific volume expiration date.
CTVolodesc	char	ControlT	Control-T-specific volume user description.
CTVolowner	char	ControlT	Control-T-specific volume owner
CTVoleseq	int	ControlT	Control-T-specific volume sequence number in a multi-volume group.
CTVolser	char	ControlT	Control-T-specific volume serial number.
CTVolsnum	int	ControlT	Control-T-specific number volumes data set resides on.
CTVoltype	char	ControlT	Control-T-specific volume type. L P
CTVolusect	int	ControlT	Control-T-specific volume use count since last scratch.
CTVolusetc	int	ControlT	Control-T-specific volume use count.
CTVstkgrp	char	ControlT	Control-T-specific stacking group name.
CTVusedkb	int	ControlT	Control-T-specific Used kilo-bytes on volume.
CycleDate CYDATE	date	TMS	The date used by LCM for CYCLESOON processing. If missing, LCM does not perform CYCLESOON processing on this volume.

**TABLE 3-2** SET METHOD Statement WHEN Fields

Field	Type	Source	Description
DataSetIdentifier DSID	char	TMS	The most specific matching data set identifier found for the data set name on the Data Set tab of the Methods folder (Explorer) or a DATASET statement (Parameter File).
DataSetName DSN	char	TMS	The controlling data set name of the volume. If the data set is a member of a Generation Data Group, the .GnnnnVnn qualifier is included.
DaysSinceCreation CDAYS	int	MVC, TMS, VTV	The number of days since the data set was created. The first available field of the following determines the days since creation: DaysSinceCreationTMS, DaysSinceCreationMVC, DaysSinceCreationVTV.
DaysSinceCreationMVC CMDAYS	int	MVC	The number of days since the data set was created as recorded by VSM.
DaysSinceCreationTMS CTDAYS	int	TMS	The number of days since the data set was created as recorded in the associated tape management system.
DaysSinceCreationVTV CVDAYS	int	VTV	The number of days since the data set was created as recorded by VSM.
DaysSinceEnter EDAYS	int	HSC	The number of days since the volume was entered into an LSM. If all volumes of a multi-volume data set are covered by the same Management Method, the most recent enter day for any volume is used by LCM for all volumes in the multi-volume data set.
DaysSinceLocation LDAYS LOCDAYS	int	TMS	The number of days since the tape was moved to a tape storage location.
DaysSinceMount MDAYS	int	HSC	The number of days since the HSC last mounted the volume.
DaysSinceReferenceMVC RMDAYS	int	MVC	The number of days since reference as recorded by VSM for an MVC (Multiple Volume Cartridge)
DaysSinceReferenceTMS RTDAYS	int	TMS	The number of days since reference as recorded in the associated tape management system for volumes being treated as a unit (Multi-volume support).
DaysSinceReferenceVTV RVDAYS	int	VTV	The number of days since reference as recorded by VSM for a VTV (Virtual Tape Volume)
DaysSinceSelect SDAYS	int	HSC	The number of days since the volume was selected by the HSC.
DaysTillCycle CYDAYS DAYSTILLEXP IRE XDAYS	int	TMS	The number of days LCM uses for CYCLESOON processing. If missing, LCM will not perform CYCLESOON processing on this volume.
Deleted	bool	TMS	The volume is marked deleted in the tape management system. Note: The value of this field is false for all volumes known to LCM unless: Explorer: The checkbox on the Deleted tab of the TMS object is not checked; Parameter File: the NODELETECHECK parameter is specified on the TMS statement.

**TABLE 3-2** SET METHOD Statement WHEN Fields

Field	Type	Source	Description
Encrypted	bool	HSC	This field is valid only if LCM is running with NCS 6.2 or later. This volume is encrypted.
EnterDate ENDATE	date	HSC	The date the volume was entered into an LSM. If all volumes of a multi-volume data set are covered by the same Management Method, the most recent enter date of any volume is used by LCM for all volumes in the multi-volume data set.
EnterTime ENTIME	time	HSC	The time of day the volume was entered.
Errant	bool	HSC	The HSC has marked this volume errant. Requires HSC PTF L1H10CC (HSC 4.0) or L1H10CE (HSC 4.1) to produce accurate information.
ExLblReadable EXLBLRD	bool	HSC	The cartridge external label is OCR readable.
ExpireDate EXPDT XDATE	date	TMS	The date the volume will expire based on the expiration date in the tape management system. Special expire dates are: AGE/nnn - Expires nnn days from create or move date; CATLG - Expires when the data set name no longer exists in the MVS system catalog, regardless of the keep date; CATLG/nnn - Expires nnn days after creation and the data set no longer resides in the MVS catalog; CYCLE/nnn - Oldest data set expires after nnn cycles; FOREIGN - Foreign volume; LDATE/nnn - Expires nnn days after last used; MSG/nnn - TMS user-defined; PERM - Never expires; STATS/nnn - Never expires; USER/nnn - Never expires; ZEROS - CA-TLMS value was zeros; Julian date - Expires on the julian date.
ExternalLabel EXLBL	bool	HSC	The cartridge has an external label.
ExternallyManaged EXTERNAL	bool	TMS	The volume is defined to the tape management system, but its use is controlled by some other software system.
GDG	bool	TMS	The volume is a member of a Generation Data Group.
GDGWrap	bool	TMS	The volume is a member of a Generation Data Group where the Gnnnn number has wrapped from 9999 to 0001.
Generation GEN	int	TMS	The relative generation number + 1, based on the tape management system.
HoursSinceCreationVTV CVHOURS	int	VTV	The number of hours since creation as recorded by VSM for a VTV (Virtual Tape Volume).
HoursSinceReferenceVTV RVHOURS	int	VTV	The number of hours since reference as recorded by VSM for a VTV (Virtual Tape Volume).
InitialACSID IACSID	char (alternate)	HSC, MVC	The ACS ID in which the volume resided at the beginning of the LCM run.
InitialLSMCell ILSMCELL	char (alternate)	HSC	The coordinates of the LSM Cell where the volume resided at the beginning of the LCM run.

**TABLE 3-2** SET METHOD Statement WHEN Fields

Field	Type	Source	Description
InitialLSMColumn ILSMCOL	int	HSC	The LSM Column number where the volume resided at the beginning of the LCM run.
InitialLSMGroup ILSMGRP	char (alternate)	LCM	The name of the LSM Group where the volume resided at the beginning of the LCM run.
InitialLSMID ILSMID	char (alternate)	HSC, MVC	The LSM ID where the volume resided at the beginning of the LCM run.
InitialLSMName ILSMNAME	char (alternate)	LCM	The Name of the LSM where the volume resided at the beginning of the LCM run.
InitialLSMPanel ILSMPNL	int	HSC	The LSM Panel number where the volume resided at the beginning of the LCM run.
InitialLSMPanelFrozen ILSMPNLFZ	bool	HSC	The volume resided in a frozen panel at the beginning of the LCM run.
InitialLSMRow ILSMROW	int	HSC	The LSM Row number where the volume resided at the beginning of the LCM run.
InTMS	bool	TMS	The volume is in a tape management system defined to LCM.
LastUsedTMSDrive LUTDRIVE	char (alternate)	TMS	The unit address of the tape drive on which the tape was last used, printed as a hexadecimal character string.
LocationCode LOCCODE	char	TMS	The identifier assigned to a tape volume by the tape management system to identify the intended storage location for that volume.
LocationDate LDATE LOCDATE	date	TMS	The date the volume was moved to the tape management system's tape storage location.
LocationName LOCNAME	char (alternate)	LCM	The name of the tape storage location. Location Names are not defined to the tape management system, but are assigned by LCM from tape management system information as specified by: Explorer: the Location object Codes tab; Parameter File: the Location statement Code parameter.
ManagementClass MGMTCLAS	char (alternate)	TMS	The name of the SMS Management Class for the volume.
MaxUseCount	int	HSC	The maximum usage for a cleaning cartridge set by the VOLATTR Maxclean or MNTD Maxclean value.
MediaSource MEDIAS	char (alternate)	LCM	The source of information used to determine the volume's MediaType value.  DFLT The media type defaulted to Standard. HSCCDS The HSC Control Data Set. VOLDEF The VOLATTR statements contained in the file identified by the HSC VOLDEF parameter. VSMVTV VSM Virtual Tape Volume information.

**TABLE 3-2** SET METHOD Statement WHEN Fields

Field	Type	Source	Description
MediaType MEDIA MEDIAT	char (alternate)	HSC, MVC, VTV	The media type of the volume.  Standard Standard length 3480 cartridge. Long 3490E extended capacity cartridge. DD3A 10 Gb capacity helical cartridge. DD3B 25 Gb capacity helical cartridge. DD3C 50 Gb capacity helical cartridge. DD3D Cleaning cartridge for helical drives. STK1R 9840 data cartridge. STK1U Cleaning cartridge for 9840 transports. STK1Y Cleaning cartridge for 9840D transports. STK2P T9940A data cartridge. STK2W Cleaning cartridge for T9940 transports. T10000TT Smaller-capacity 1TB T10000C cartridge. T10000TS T10000 "sport" cartridge. T10000T1 Full-capacity 500GB T10000A or 1TB T10000B cartridge. T10000T2 Full-capacity 5TB T10000C cartridge. T10000CC T10000C cleaning cartridge. T10000CL T10000A, T10000B, or T10000C cleaning cartridge. T10000CT T10000A or T10000B cleaning cartridge. ZCART 9490EE ZCART media cartridge. LTO-100G LTO 100GB capacity cartridge. LTO-200G LTO 200GB capacity cartridge. LTO-35G LTO 35GB capacity cartridge. LTO-400G LTO 400GB capacity cartridge. LTO-400W LTO 400Gb capacity WORM cartridge. LTO-800G LTO 800GB capacity cartridge LTO-800W LTO 800GB capacity WORM cartridge LTO-1.5T LTO 1.5TB capacity cartridge. LTO-1.5W LTO Generation 5 WORM cartridge. LTO-2.5T LTO 2.5TB capacity cartridge. LTO-2.5W LTO Generation 5 WORM cartridge. LTO-CLN1 LTO cleaning type 1 cartridge. LTO-CLN2 LTO cleaning type 2 cartridge. LTO-CLNU LTO universal cleaning cartridge.

**TABLE 3-2** SET METHOD Statement WHEN Fields

Field	Type	Source	Description
MediaType MEDIA MEDIAT			SDLT SDLT 160GB cartridge. SDLT-1 SDLT Generation 1 cartridge. SDLT-4 SDLT Generation 4 cartridge. SDLT-S2 SDLT Generation S2 cartridge. SDLT-S3 SDLT Generation S3 cartridge. SDLT-S4 SDLT Generation S4 cartridge. SDLTC SDLT cleaning cartridge. VIRTUAL Virtual Tape Volume (VTV) in the StorageTek Virtual Storage Manager system.
MethodName METHOD MTH MTHNAME	char (alternate)	LCM	The name of the Management Method assigned to this volume.
MountDate MDATE	date	HSC	The date the volume was last mounted in an LSM.
Mounted	bool	HSC	The volume is currently mounted.
MountTime MTIME	time	HSC	The time of day the volume was last mounted in an LSM.
MVC	bool	MVC	The volume is a Multiple Volume Cartridge for VSM.
MVCAudit	bool	MVC	This field is valid only if LCM is running with NCS 6.2 or later. The MVC is either being audited or the audit failed. If the audit failed, VTCS will not use the MVC for migration. To clear this condition, rerun the AUDIT against this MVC.
MVCAvailable MVCAVAIL	int	MVC	The percentage of the MVC available for use.
MVCBroken	bool	MVC	This field is valid only if LCM is running with NCS 6.2 or later. The MVC has an error that should be investigated. The error might not make the MVC unusable, but VTCS does not select the MVC for migration for 12 hours after this status has been set to true. After the 12 hour period, the MVC is least preferred for subsequent migrations, and recalls from the MVC can cause VTCS to drain it. This error condition can be accompanied by messages SLS6686, SLS6687, SLS6688, SLS6690 and/or SLS6693. Any of the following conditions can cause this MVC error: MVC corrupted by another job (other than VTCS/VTSS). Attempt to use a read-only MVC for migration. A DDR swap failure. An RTD failure.
MVCConsolidateDate	date	MVC	This field is valid only if LCM is running with NCS 6.2 or later. The date on which the MVC was consolidated as recorded by VSM.
MVCConsolidateTime	time	MVC	This field is valid only if LCM is running with NCS 6.2 or later. For a consolidation MVC, this field displays the time of the consolidation.

**TABLE 3-2 SET METHOD Statement WHEN Fields**

Field	Type	Source	Description
MVCConsolidation	bool	MVC	This field is valid only if LCM is running with NCS 6.2 or later. The MVC is a consolidation MVC.
MVCDataCheck	bool	MVC	This field is valid only if LCM is running with NCS 6.2 or later. A data check was reported for this MVC. VSM will not use this MVC again for migration.
MVCDraining	bool	MVC	This field is valid only if LCM is running with NCS 6.2 or later. The MVC is being drained because of one of: 1) an automatic drain or demand reclaim, 2) an explicit MVCDRain command, 3) The previous DRAIN request failed, in which case VTCS will not use the MVC for migration. To clear this condition, enter MVCDRain against MVC without the Eject option.
MVCEject	bool	MVC	This field is valid only if LCM is running with NCS 6.2 or later. The MVC is in the process of eject either because you issued MVCDRainEject or the MVC was ejected for update by a RACROUTE call. The MVC will not be used again for migration or recall. To clear this condition, use MVCDRain against MVC without the Eject option.
MVCExport	bool	MVC	This field is valid only if LCM is running with NCS 6.2 or later. The MVC is an export MVC.
MVCFragmented MVCFRAG	int	MVC	The percentage of the MVC that is not available due to fragmentation.
MVCFull	bool	MVC	This field is valid only if LCM is running with NCS 6.2 or later. There is no space available on the MVC.
MVCInitialized	bool	MVC	This field is valid only if LCM is running with NCS 6.2 or later. The MVC has been initialized.
MVCInUse	int	MVC	The percentage of the MVC used by valid Virtual Tape Volumes.
MVCInvalidMIR	bool	MVC	This field is valid only if LCM is running with NCS 6.2 or later. The MVC has an invalid MIR.
MVCLost	bool	MVC	This field is valid only if LCM is running with NCS 6.2 or later. The MVC was not mounted in response to the last mount request. The MVC can still be used for migration, but will not select the MVC for migration for 12 hours after it is marked lost. After the 12 hour period, the MVC will be least preferred. This condition will clear itself the next time that the MVC is mounted.
MVCMaximumReached	bool	MVC	This field is valid only if LCM is running with NCS 6.2 or later. The MVC has reached the maximum VTVs per MVC.

**TABLE 3-2 SET METHOD Statement WHEN Fields**

Field	Type	Source	Description
MVCMediaSize	int	MVC	This field is valid only if LCM is running with NCS 6.2 or later. The size in MB of the MVC. This is determined only after VTCS has used an MVC. "UNKNOWN" appears in this field until VTCS migrates a VTV to the MVC.
MVCMountDate	date	MVC	This field is valid only if LCM is running with NCS 6.2 or later. The date on which the MVC was mounted, as recorded by VTSS.
MVCMountTime	time	MVC	This field is valid only if LCM is running with NCS 6.2 or later. The time the MVC was last mounted, as recorded by VTSS.
MVCPoolName	char (alternate)	MVC	This field is valid only if LCM is running with NCS 6.2 or later. MVC Pool Name from the VTCS MVCPOOL control statement.
MVCReadOnly	bool	MVC	This field is valid only if LCM is running with NCS 6.2 or later. The MVC has been marked read-only.
MVCRetired	bool	MVC	This field is valid only if LCM is running with NCS 6.2 or later. The MVC is retired. VTCS will recall from, but not migrate to, the MVC. Replace the MVC as soon as possible.
MVCStorageClass MVCSTORCLASS STORAGECLASS STORCLAS	char	MVC	This field is valid only if LCM is running with NCS 6.2 or later. The VTCS Storage Class for the volume.
MVCUsableForMigration	bool	MVC	This field is valid only if LCM is running with NCS 6.2 or later. Indicates whether the MVC can be used for migration.
MVCUsed MVCTimesMount	int	MVC	The number of times the MVC has been mounted.
MVCVTSS	char	MVC	This field is valid only if LCM is running with NCS 6.2 or later. VTSS name where the MVC was last used.
MVCVTVCount MVCVTVCNT	int	MVC_VTV	The number of valid Virtual Tape Volumes on the MVC.
MVCWarrantyExpired	bool	MVC	This field is valid only if LCM is running with NCS 6.2 or later. The MVC's warranty has expired. VTCS continues to use the MVC. You should start making plans to replace the MVC when it reaches Retired state.
Notuseable NOUSE	bool	HSC	The HSC has marked this volume as not useable.
OnPullList ONPL	bool	LCM	The volume is on a Pull List.
OverMaxClean OverHSCMAXCLN	bool	HSC	The cleaning cartridge has exceeded its maximum usage count.



**TABLE 3-2 SET METHOD Statement WHEN Fields**

Field	Type	Source	Description
PermanentReadErrors	int	TMS	The number of permanent read errors for the volume.
PermanentWriteErrors	int	TMS	The number of permanent write errors for the volume.
PullListName PLNAME	char (alternate)	LCM	The name of the Pull List for the volume.
RecordingTechnique RecTech	char	HSC	The recording technique associated with a volume's media This is the method used to record data tracks on the tape surface for the volume.
ReferenceMVCDate RMDATE	date	MVC	The date on which the MVC was last referenced, as recorded by VSM.
ReferenceTMSDate RTDATE	date	TMS	The date of the last reference, as recorded in the associated tape management system, for volumes being treated as a unit (Multi-volume support).
ReferenceVTVTime RVTIME	time	VTV	The time of day the volume was last referenced, as recorded by VSM.
RunName	char (alternate)	LCM	The name of the Run object from the JCL EXEC statement Run PARM.
RunType	char (alternate)	LCM	The RunType from the JCL EXEC statement RunType PARM.
SelectDate SDATE	date	HSC	The date the volume was last selected in an LSM.
Selected	bool	HSC	The volume is currently selected.
SelectTime STIME	time	HSC	The time of day the volume was selected by the HSC.
Serial SER VOL VOLSER VOLUME	char	HSC, MVC, TMS, VTV	The 6-character identifier of a tape volume.
Serial1 SER1	char	TMS	The 6-character identifier of the first volume of the volume set associated with this volume.
Subpool SP	char (alternate)	LCM	The name of the Subpool managing a group of volume serial numbers. This is defined in the LCM Subpool object (Explorer) or Subpool statement (Parameter File).
SubpoolId SPID	char (alternate)	HSC	Volume subpool ID from the HSC. This will be the 13-character name of the pool if using HSC SCRPOOL statements, or the 3-digit subpool index number if using SLSUX03.
SubpoolLabelType SPLBLTYP	char (alternate)	HSC	Volume subpool label type from the HSC.
TapeGroup TG	char (alternate)	LCM	The name of the tape group of a volume. Explorer: This is defined on the Media tab of the Subpool object. Parameter File: This is defined in the Media parameter of the Subpool statement.
TemporaryReadErrors	int	TMS	The number of temporary read errors for the volume.

**TABLE 3-2 SET METHOD Statement WHEN Fields**

Field	Type	Source	Description
TemporaryWriteErrors	int	TMS	The number of temporary write errors for the volume.
TM#Dsnbs	int	CA1	CA-1-specific number of data set name blocks.
TM128trk	bool	CA1	CA-1-specific recording technique. x'E8' indicates Trk 3590 cartridge tape.
TM18trk	bool	CA1	CA-1-specific recording technique. x'C0' indicates 3480 cartridge tape - 18 tracks.
TM3590	bool	CA1	CA-1-specific recording density. x'E8' indicates 3590 cartridge tape.
TM36Trk	bool	CA1	CA-1-specific recording technique. x'E0' indicates 3490 cartridge tape - 36 tracks.
TM36trk2	bool	CA1	CA-1-specific recording technique. x'E1' indicates 3490E cartridge tape - 36 tracks (extended length).
TM38000	bool	CA1	CA-1-specific recording density. x'E3' indicates 38K bpi (cartridge).
TM38KC	bool	CA1	CA-1-specific recording density. x'E7' indicates 38K bpi (cartridge-compacted).
TM9trk	bool	CA1	CA-1-specific recording technique. x'80' indicates nine track tape.
TMAabend	bool	CA1	CA-1-specific internal flag bit x'10'. Volume closed by abend.
TMActv11	char	CA1	CA-1-specific actual internal volser
TMActv12	char	CA1	CA-1-specific actual internal volser
TMAcvoli	bool	CA1	CA-1-specific internal flag4 bit x'40'. Actual volser in use.
TMAdsnbn	int	CA1	CA-1-specific address (relative to BASE in TMSCTL#2) of first DSNB record associated with this volume record.
TMAldsnbn	int	CA1	CA-1-specific address (relative to BASE in TMSCTL#2) of last DSNB record associated with this volume record.
TMB1Dis	int	CA1	CA-1-specific B1 security disclosure label.
TMB1Int	int	CA1	CA-1-specific B1 security integrity label.
TMBadtap	bool	CA1	CA-1-specific internal flag3 bit x'80'. CA-9/R+ indicated bad tape, do not mount for scratch.
TMBlkcnt	int	CA1	CA-1-specific data set block count.
TMBlksi	int	CA1	CA-1-specific maximum block size.

**TABLE 3-2** SET METHOD Statement WHEN Fields

Field	Type	Source	Description
TMBthdt	date	CA1	CA-1-specific date tape was first used.
TMCatlg	bool	CA1	CA-1-specific internal flag2 bit x'80'. Data set was on MVS catalog.
TMClean	bool	CA1	CA-1-specific internal flag bit x'08'. Volume listed to be cleaned.
TMClnct	int	CA1	CA-1-specific number of times tape cleaned.
TMClosed	bool	CA1	CA-1-specific internal flag bit x'40'. Volume closed normally.
TMCpgm	char	CA1	CA-1-specific creating program name.
TMCrtdt	date	CA1	CA-1-specific creation date.
TMCrtti	time	CA1	CA-1-specific creation time.
TMCruni	char (alternate)	CA1	CA-1-specific address of creation unit.
TMDatcln	date	CA1	CA-1-specific date tape was last cleaned.
TMDdname	char	CA1	CA-1-specific creating ddname.
TMDegau	bool	CA1	CA-1-specific internal flag4 bit x'10'. Tape has been degaussed.
TMDelet	bool	CA1	CA-1-specific internal flag bit x'02'. Volume in delete (inactive) status
TMDen	char (alternate)	CA1	CA-1-specific recording density.
TMDfault	bool	CA1	CA-1-specific internal flag bit x'01'. Volume eligible for RDS override.
TMDfexu	bool	CA1	CA-1-specific internal flag3 bit x'04'. Default expiration date used at open output.
TMDsn	char	CA1	CA-1-specific data set name.
TMDsn17	char	CA1	CA-1-specific last 17 bytes of dsn.
TMDynam	bool	CA1	CA-1-specific internal flag3 bit x'10'. Controlled by CA-DYNAM/T.
TMEcatlg	bool	CA1	CA-1-specific internal flag2 bit x'08'. Expired from catalog control (TMSCTLG).
TMEcycle	bool	CA1	CA-1-specific internal flag2 bit x'04'. Expired from cycle control (TMSCYCLE).
TMEdmid	char	CA1	CA-1-specific external data manager id.

**TABLE 3-2** SET METHOD Statement WHEN Fields

Field	Type	Source	Description
TMEdmtap	bool	CA1	CA-1-specific internal flag3 bit x'20'. Controlled by external data manager.
TMEldate	bool	CA1	CA-1-specific internal flag bit x'02'. Expired from LDATE control (TMSCLEAN).
TMErase	bool	CA1	CA-1-specific internal flag3 bit x'08'. Data set erase required.
TMEsms	bool	CA1	CA-1-specific internal flag4 bit x'80'. Tape expired by SMS max retention rules.
TMEtms	bool	CA1	CA-1-specific internal flag bit x'01'. Expired by TMS.
TMExpdt	date	CA1	CA-1-specific expiration date.
TMFilcpy	bool	CA1	CA-1-specific internal flag3 bit x'01'. Created by CA-1/Copycat.
TMFlag1	char (alternate)	CA1	CA-1-specific internal flag byte.
TMFlag2	char (alternate)	CA1	CA-1-specific internal flag byte.
TMFlag3	char (alternate)	CA1	CA-1-specific internal flag byte.
TMFlag4	char (alternate)	CA1	CA-1-specific internal flag byte.
TMFlag5	char (alternate)	CA1	CA-1-specific internal flag byte.
TMFlag6	char (alternate)	CA1	CA-1-specific internal flag byte.
TMFrsvol	char	CA1	CA-1-specific first volser of data set.
TMIntal	bool	CA1	CA-1-specific internal flag1 bit x'80'. Internal field changed by user.
TMInuse	bool	CA1	CA-1-specific internal flag4 bit x'02'. Tape is in use for RTS (Real Time Stacking).
TMIsctat	bool	CA1	CA-1-specific internal flag4 bit x'08'. File on OS catalog.
TMJobnm	char	CA1	CA-1-specific creating job name.
TMLasusd	date	CA1	CA-1-specific date last used.
TMLasusj	char	CA1	CA-1-specific job name which last used volume.
TMLasust	time	CA1	CA-1-specific time last used.
TMLpgm	char	CA1	CA-1-specific last used program name.
TMLrecl	int	CA1	CA-1-specific logical record length.

**TABLE 3-2** SET METHOD Statement WHEN Fields

Field	Type	Source	Description
TMLtype	char	CA1	CA-1-specific tape label type. One of SL, SUL, NL, NSL, BLP, AL1, AU1, AL3, AU3.
TMNostak	bool	CA1	CA-1-specific internal flag4 bit x'01'. No further stacking allowed.
TMNrs	bool	CA1	CA-1-specific internal flag4 bit x'04'. Non-resident tape.
TMNxtVol	char	CA1	CA-1-specific next volser of data set.
TMOutar	char	CA1	CA-1-specific location id of out-of-area tape.
TMOudat	date	CA1	CA-1-specific date tape was marked out-of-area.
TMOuput	bool	CA1	CA-1-specific internal flag2 bit x'40'. Volume opened for output.
TMPrerrc	int	CA1	CA-1-specific number of permanent read errors since cleaned.
TMPrerri	int	CA1	CA-1-specific number of permanent read errors since initialized.
TMPrvvol	char	CA1	CA-1-specific previous volser of data set.
TMPrerrc	int	CA1	CA-1-specific number of permanent write errors since cleaned.
TMPrerri	int	CA1	CA-1-specific number of permanent write errors since initialized.
TMRecfm	char	CA1	CA-1-specific record format. One of V, VA, VS, VB, VBM, VBA, VBS, F, FM, FA, FS, FB, FBM, FBA, FBS, U.
TMRedwd1	bool	CA1	CA-1-specific recording technique. x'E4' indicates Redwood 12.5G capacity.
TMRedwd2	bool	CA1	CA-1-specific recording technique. x'E5' indicates Redwood 25G capacity.
TMRedwd3	bool	CA1	CA-1-specific recording technique. x'E6' indicates Redwood 50G capacity.
TMRelevm	bool	CA1	CA-1-specific internal flag3 bit x'40'. Tape released by external vault manager.
TMReuse	bool	CA1	CA-1-specific internal flag2 bit x'20'. Data set recreated.
TMRobid	int	CA1	CA-1-specific robotic device indicator.
TMRobty	int	CA1	CA-1-specific tape in robotic device.
TMScrtch	bool	CA1	CA-1-specific internal flag bit x'04'. Volume in scratch status.

**TABLE 3-2** SET METHOD Statement WHEN Fields

Field	Type	Source	Description
TMSlot	char	CA1	CA-1-specific vault slot number.
TMSmsmc	char	CA1	CA-1-specific SMS management class.
TMSName	char (alternate)	LCM	The name of the tape management system defined on the TMS statement.
TMStack	bool	CA1	CA-1-specific internal flag5 bit x'80'. Tape has been used by RTS.
TMStpnam	char	CA1	CA-1-specific creating step name.
TMTempds	bool	CA1	CA-1-specific internal flag2 bit x'10'. Temporary data set.
TMTrerrc	int	CA1	CA-1-specific number of temporary read errors since cleaned.
TMTrerri	int	CA1	CA-1-specific number of temporary read errors since initialized.
TMTrtch	char (alternate)	CA1	CA-1-specific recording technique.
TMTwerrc	int	CA1	CA-1-specific number of temporary write errors since cleaned.
TMTwerri	int	CA1	CA-1-specific number of temporary write errors since initialized.
TMUcount	int	CA1	CA-1-specific number of times tape opened since birthdate.
TMUltif	bool	CA1	CA-1-specific internal flag3 bit x'02'. Additional files exist in volume set.
TMUpdate	bool	CA1	CA-1-specific internal flag bit x'20'. Volume record updated by user.
TMUsecln	int	CA1	CA-1-specific use count at last cleaning.
TMUser TMAcct	char	CA1	CA-1-specific user job accounting area.
TMUsuni	char (alternate)	CA1	CA-1-specific address of unit last used.
TMVabtch	int	CA1	CA-1-specific id of last CA-1 program to update record.
TMVacode	int	CA1	CA-1-specific audit code.
TMVacpu	char	CA1	CA-1-specific id of CPU used for last update.
TMVadate	date	CA1	CA-1-specific date of last update.
TMVafgl	int	CA1	CA-1-specific audit flag.

**TABLE 3-2** SET METHOD Statement WHEN Fields

Field	Type	Source	Description
TMVahook	int	CA1	CA-1-specific id of last intercept to update record.
TMVatime	time	CA1	CA-1-specific time of last update.
TMVauser	char	CA1	CA-1-specific id of last user to update record.
TMVendor	char	CA1	CA-1-specific tape vendor name.
TMValseq	int	CA1	CA-1-specific volume sequence number.
TMVolser	char	CA1	CA-1-specific volume serial number.
TMVsr	bool	CA1	CA-1-specific internal flag4 bit x'20'. Vault specific request.
UserBool1	bool	Custom, Open	User-defined Boolean field for a volume.
UserBool10	bool	Custom, Open	User-defined Boolean field for a volume.
UserBool2	bool	Custom, Open	User-defined Boolean field for a volume.
UserBool3	bool	Custom, Open	User-defined Boolean field for a volume.
UserBool4	bool	Custom, Open	User-defined Boolean field for a volume.
UserBool5	bool	Custom, Open	User-defined Boolean field for a volume.
UserBool6	bool	Custom, Open	User-defined Boolean field for a volume.
UserBool7	bool	Custom, Open	User-defined Boolean field for a volume.
UserBool8	bool	Custom, Open	User-defined Boolean field for a volume.
UserBool9	bool	Custom, Open	User-defined Boolean field for a volume.
UserChar1	char	Custom, Open	User-defined character field for a volume.
UserChar10	char	Custom, Open	User-defined character field for a volume.
UserChar2	char	Custom, Open	User-defined character field for a volume.
UserChar3	char	Custom, Open	User-defined character field for a volume.
UserChar4	char	Custom, Open	User-defined character field for a volume.
UserChar5	char	Custom, Open	User-defined character field for a volume.
UserChar6	char	Custom, Open	User-defined character field for a volume.
UserChar7	char	Custom, Open	User-defined character field for a volume.

**TABLE 3-2** SET METHOD Statement WHEN Fields

<b>Field</b>	<b>Type</b>	<b>Source</b>	<b>Description</b>
UserChar8	char	Custom, Open	User-defined character field for a volume.
UserChar9	char	Custom, Open	User-defined character field for a volume.
UserDate1	date	Custom, Open	User-defined date field for a volume.
UserDate10	date	Custom, Open	User-defined date field for a volume.
UserDate2	date	Custom, Open	User-defined date field for a volume.
UserDate3	date	Custom, Open	User-defined date field for a volume.
UserDate4	date	Custom, Open	User-defined date field for a volume.
UserDate5	date	Custom, Open	User-defined date field for a volume.
UserDate6	date	Custom, Open	User-defined date field for a volume.
UserDate7	date	Custom, Open	User-defined date field for a volume.
UserDate8	date	Custom, Open	User-defined date field for a volume.
UserDate9	date	Custom, Open	User-defined date field for a volume.
UserInt1	int	Custom, Open	User-defined integer field for a volume.
UserInt10	int	Custom, Open	User-defined integer field for a volume.
UserInt2	int	Custom, Open	User-defined integer field for a volume.
UserInt3	int	Custom, Open	User-defined integer field for a volume.
UserInt4	int	Custom, Open	User-defined integer field for a volume.
UserInt5	int	Custom, Open	User-defined integer field for a volume.
UserInt6	int	Custom, Open	User-defined integer field for a volume.
UserInt7	int	Custom, Open	User-defined integer field for a volume.
UserInt8	int	Custom, Open	User-defined integer field for a volume.
UserInt9	int	Custom, Open	User-defined integer field for a volume.
UserTime1	time	Custom, Open	User-defined time field for a volume.
UserTime10	time	Custom, Open	User-defined time field for a volume.
UserTime2	time	Custom, Open	User-defined time field for a volume.
UserTime3	time	Custom, Open	User-defined time field for a volume.



**TABLE 3-2** SET METHOD Statement WHEN Fields

Field	Type	Source	Description
UserTime4	time	Custom, Open	User-defined time field for a volume.
UserTime5	time	Custom, Open	User-defined time field for a volume.
UserTime6	time	Custom, Open	User-defined time field for a volume.
UserTime7	time	Custom, Open	User-defined time field for a volume.
UserTime8	time	Custom, Open	User-defined time field for a volume.
UserTime9	time	Custom, Open	User-defined time field for a volume.
VaultAssignmentDate	date	HSC	The Date the volume was first assigned to the External Vault.
VaultAssignmentTime	time	HSC	Time the volume was first assigned to the External Vault.
VaultName	char	HSC	The name of the vault.
VaultReturnDate	date	HSC	The Date the volume can be returned to the External Vault.
VaultReturnTime	time	HSC	Time the volume can be returned to the External Vault.
VaultSlot	char	HSC	The assigned External Vault Slot value.
VolumeSequenceNumber VOLSEQ	int	TMS	The volume sequence number of the volume.
VTV	bool	VTV	The volume is a Virtual Tape Volume (VTV), as reported by VSM.
VTVCompressionPercentage	int	VTV	This field is valid only if LCM is running with NCS 6.2 or later. This is the difference between the uncompressed and compressed VTV size expressed as a percentage of the uncompressed VTV size. For example, if a 100MB VTV compresses to 40MB, then the compression percentage will be given as 60%. A compression of 0% indicates that no compression was possible on the VTV.
VTVConsolidated	bool	VTV	This field is valid only if LCM is running with NCS 6.2 or later. Indicates whether a VTV is currently consolidated.
VTVCopyTapePlex1	char	VTV	The first copy TapePlex for this VTV.
VTVCopyTapePlex2	char	VTV	The second copy TapePlex for this VTV.
VTVDuplexed	bool	VTV	The VTV has at least 2 copies.
VTVFenced	bool	VTV	This field is valid only if LCM is running with NCS 6.2 or later. The VTV's state is unknown to VTSS.

**TABLE 3-2** SET METHOD Statement WHEN Fields

Field	Type	Source	Description
VTVInitialized	bool	VTV	This field is valid only if LCM is running with NCS 6.2 or later. The VTV has been initialized by VTSS.
VTVInvalid VTVDEL VTVDELETED VTVINV	bool	VTV	The VTV is invalid in VSM.
VTVManagementClass VTVMGMTCLAS VTVMGTCLASS	char	VTV	The VSM management class for the VTV.
VTVMaximumSize	int	VTV	This field is valid only if LCM is running with NCS 6.2 or later. The maximum size of the VTV in megabytes.
VTVMigrated VTVMIG	bool	VTV	The VTV is migrated in VSM.
VTVMounted VTVMNTD	bool	VTV	The VTV is mounted according to VSM.
VTVMVCID1	char	VTV	The MVC volser on which the VTV resides.
VTVMVCID2	char	VTV	The MVC volser on which a duplicate or consolidation copy of the VTV resides. Note: If the VTV is consolidated during an LCM run, the value of this field will be updated after the consolidation is performed. The POSTACTION value will reflect the consolidation MVC for this VTV.
VTVMVCID3	char	VTV	The MVC volser on which a duplicate or consolidation copy of the VTV resides.
VTVMVCID4	char	VTV	The MVC volser on which a duplicate or consolidation copy of the VTV resides.
VTVNewCreate	bool	VTV	This field is valid only if LCM is running with NCS 6.2 or later. Indicates whether the VTV was newly created when it was last resident.
VTVOwnningTapePlex	char	VTV	The owning TapePlex for this VTV.
VTVPageSize	char	VTV	The VTV Page Size  Large  Standard
VTVRecallDate	date	VTV	This field is valid only if LCM is running with NCS 6.2 or later. Date VTV was recalled to the VTSS buffer.
VTVRecallTime	time	VTV	This field is valid only if LCM is running with NCS 6.2 or later. Time VTV was recalled to the VTSS buffer.

**TABLE 3-2** SET METHOD Statement WHEN Fields

Field	Type	Source	Description
VTVReplicationStatus	char	VTV	This field is valid only if LCM is running with NCS 6.2 or later. Status of VTV replication.  C Replication has completed. R Replication is required but not started S Replication has started
VTVResident	bool	VTV	This field is valid only if LCM is running with NCS 6.2 or later. Indicates whether a VTV is resident in a VTSS.
VTVScratch VTVSCR	bool	VTV	The VTV is scratch, as recorded by VSM.
VTVSizeCompressed	int	VTV	This field is valid only if LCM is running with NCS 6.2 or later. The actual compressed size of the VTV in megabytes.
VTVSizeUncompressed VTVMediaSize	int	VTV	This field is valid only if LCM is running with NCS 6.2 or later. The actual uncompressed size of the VTV in megabytes.
VTVTimesRead	int	VTV	This field is valid only if LCM is running with NCS 6.2 or later. The number of times the VTV has been read.
VTVUnavailable VTVUNAVAIL	bool	VTV	This field is valid only if LCM is running with NCS 6.2 or later. The VTV is unavailable because it is either mounted, resident, or fenced according to VSM.
VTVVTSS	char	VTV	The Virtual Tape SubSystem (VTSS) in which the VTV resides.

# REPORT LSM Statement Fields

**TABLE 3-3** REPORT LSM Statement Fields

Field	Type Size Summary	Source	Report Heading	Description
ACSID	char (alternate) 2 none	HSC	ACS ID	The 2-digit hexadecimal number assigned to the Automated Cartridge System.
AdditionalEnters ADDNLEN	int 7 sum	HSC	Additional Enters	The number of scratch volumes that need to be entered in addition to the number LCM has picked by volser.
CleanEnters CLNENTERS	int 7 sum	HSC	Clean Enters	The total number of cleaning cartridges that need to be entered into the LSM.
Enters	int 7 sum	HSC	Enters	The total number of volumes that need to be entered into the LSM.
FailedEjects FEJ	int 7 sum	HSC	Failed Ejects	The number of volumes that failed to be ejected from the LSM. This field is only meaningful on a POSTACTION report.
FailedMoveIns FMOVEINS	int 7 sum	HSC	Failed Move Ins	The number of volumes that failed to be moved into the LSM. This field is only meaningful on a POSTACTION report.
FailedMoveOuts FMOVEOUTS	int 7 sum	HSC	Failed Move Outs	The number of volumes that failed to be moved out of the LSM. This field is only meaningful on a POSTACTION report.
InitialAllVolumes IALLVOL	int 7 sum	HSC	Initial All Volumes	The total number of scratch and nonscratch volumes in the LSM at the beginning of the LCM run.
InitialClean ICLN	int 7 sum	HSC	Initial Clean	The number of cleaning cartridges in the LSM at the beginning of the LCM run.
InitialFreeCells IFCELL	int 7 sum	HSC	Initial Free Cells	The number of free cells in the LSM at the beginning of the LCM run.
InitialNonScratch INONSCR	int 7 sum	HSC	Initial Non Scratch	The total number of nonscratch volumes in the LSM at the beginning of the LCM run.
InitialScratch ISCR	int 7 sum	HSC	Initial Scratch	The total number of scratch volumes in the LSM at the beginning of the LCM run.
LSMGroup LSMGRP	char (alternate) 10 none	HSC	LSM Group	The LSM Group Name assigned to the volume by the Management Method.
LSMID	char (alternate) 5 none	HSC	LSM ID	The AA:LL form identifier (AA is the two-character hexadecimal ACS number and LL is the two-character hexadecimal LSM number) that uniquely identifies an LSM to a host system.

**TABLE 3-3** REPORT LSM Statement Fields

<b>Field</b>	<b>Type Size Summary</b>	<b>Source</b>	<b>Report Heading</b>	<b>Description</b>
LSMName	char (alternate) 10 none	HSC	LSM Name	The name given to the LSM by: Explorer: the LSM Names tab of the ACS object; Parameter File: the Lsmid parameter of a Manage or Unmanaged statement.
ManagedLSM MANLSM	bool See notes below. true	HSC	Managed LSM	The LSM is managed by this LCM run. This is specified by: Explorer: editing the properties of an LSM Group listed on the LSM Group tab of a Run object; Parameter File: coverage by a Manage statement.
PickedEnters PICKEDEN	int 7 sum	HSC	Picked Enters	The number of scratch volumes LCM has picked by volser to enter into the LSM.
PlannedClean PCLN	int 7 sum	HSC	Planned Clean	The planned number of cleaning cartridges in the LSM at the end of the LCM run.
PlannedEjects PEJ	int 7 sum	HSC	Planned Ejects	The projected number of volumes that will be ejected from the LSM.
PlannedFreeCells PFCELL	int 7 sum	HSC	Planned Free Cells	The total number of free cells projected to be in the LSM after all scheduled cartridge moves, ejects, and enters have been performed.
PlannedMoveIns PMOVEINS	int 7 sum	HSC	Planned Move Ins	The total number of volumes projected to be moved into the LSM.
PlannedMoveOuts PMOVEOUTS	int 7 sum	HSC	Planned Move Outs	The total number of volumes projected to be moved out of the LSM.
PlannedNonScratch PNONSCR	int 7 sum	HSC	Planned Non Scratch	The total number of nonscratch volumes LCM has projected to be in the LSM.
PlannedScratch PSCR	int 7 sum	HSC	Planned Scratch	Total number of scratch volumes LCM has projected to be in the LSM.
PullListEnters PLENTERS	int 7 sum	HSC	Pull List Enters	The total number of Pull List volumes that need to be entered into the LSM.
ScratchEnters SCRENTERS	int 7 sum	HSC	Scratch Enters	The total number of scratch volumes that need to be entered into the LSM.
StatusChanged STCHG	int 7 sum	HSC	Status Changed	The total number of volumes whose scratch status was changed in the HSC CDS by the LCM run. It is possible for the same volume to be scratched and unscratched in the same LCM run. However, this field is only incremented once per volume.
StatusErrant STERRANT	int 7 sum	HSC	Status Errant	The total number of volumes whose status was marked errant in the HSC CDS.
StatusExternalLabel STEXTLBL	int 7 sum	HSC	Status External Label	The total number of volumes whose status was marked as having an external label in the HSC CDS.

**TABLE 3-3** REPORT LSM Statement Fields

<b>Field</b>	<b>Type Size Summary</b>	<b>Source</b>	<b>Report Heading</b>	<b>Description</b>
StatusNoExternalLabel STNOEXTLBL	int 7 sum	HSC	Status No External Label	The total number of volumes whose status was marked as having no external label in the HSC CDS.
StatusNotUseable STNTUSBL	int 7 sum	HSC	Status Not Useable	The total number of volumes whose status was marked not useable in the HSC CDS.
StatusOverMaxClean STOVRMXCLN	int 7 sum	HSC	Status Over MaxClean	The total number of volumes whose status was marked over max clean in the HSC CDS.
StatusScratched STSCRED	int 7 sum	HSC	Status Scratched	The total number of volumes whose status was marked scratched in the HSC CDS.
StatusSelected STSELECT	int 7 sum	HSC	Status Selected	The total number of volumes whose status was marked selected in the HSC CDS.
StatusUnreadableLabel STUNRDLBL	int 7 sum	HSC	Status Unreadable Label	The total number of volumes whose status was marked as having an unreadable label in the HSC CDS.
StatusUnscratched STUNSCRED	int 7 sum	HSC	Status Unscratched	The total number of volumes whose status was marked unscratched in the HSC CDS.
StatusWrong STWRNG	int 7 sum	HSC	Status Wrong	The total number of volumes whose scratch status in the HSC CDS is not correct.
SuccessfulEjects SUCCEJ	int 7 sum	HSC	Successful Ejects	The number of volumes that were successfully ejected from the LSM. This field is only meaningful on a POSTACTION report.
SuccessfulMoveIns SUCCMOVEINS	int 7 sum	HSC	Successful Move Ins	The total number of volumes moved into the LSM. This field is only meaningful on a POSTACTION report.
SuccessfulMoveOuts SUCCMOVEOUTS	int 7 sum	HSC	Successful Move Outs	The total number of volumes moved out of the LSM. This field is only meaningful on a POSTACTION report.
VolumesIgnored VOLIGNRD	int 7 sum	HSC	Volumes Ignored	The total number of volumes ignored. This is determined by: Explorer: the TMS tab of the Subpool object; Parameter File: the Ignore parameter on the Subpool statement.

---

# REPORT MVC\_VTV Statement Fields

**TABLE 3-4** Additional REPORT MVC\_VTV Statement Fields

<b>Field</b>	<b>Type Size Summary</b>	<b>Source</b>	<b>Report Heading</b>	<b>Description</b>
MVCVTVBlockCount	int 6 sum	MVC_VTV	MVC VTV Block Count	The decimal number of blocks of data that the VTV occupies on the MVC.
MVCVTVBlockId	char (alternate) 8 none	MVC_VTV	MVC VTV Block ID	The logical block ID of the beginning of the VTV on the MVC.
MVCVTVConsolidationDate	date See notes below. none	MVC_VTV	MVC VTV Consolidation Date	The date on which the VTV was consolidated to the MVC as recorded by VSM.
MVCVTVMigrationDate	date See notes below. none	MVC_VTV	MVC VTV Migration Date	The date on which the VTV was migrated to the MVC as recorded by VSM.

---

## REPORT VOLUME Statement Fields



**TABLE 3-5** REPORT VOLUME Statement Fields

Field	Type Size Summary	Source	Report Heading	Description
Action ACT	char (alternate) 12 none	LCM	Action	<p>The action planned to be taken on the volume.</p> <p>Consolidate Planned to consolidate the virtual tape volume.</p> <p>Eject Planned to eject the volume.</p> <p>Enter Planned to enter the volume.</p> <p>Export Planned to export the virtual tape volume.</p> <p>Keep Planned to keep the volume in the initial LSM.</p> <p>Migrate Planned to migrate the virtual tape volume.</p> <p>Move Planned to move the volume.</p> <p>None No action planned.</p> <p>Recall Planned to recall the virtual tape volume.</p> <p>Reclaim Planned to reclaim space on the MVC.</p> <p>Scratch Planned to set the scratch status for the volume in the HSC CDS or VTCS to Scratch.</p> <p>Unscratch Planned to set the scratch status for the volume in the HSC CDS or VTCS to Not Scratch.</p>
ActionReason ACTRSN	char (alternate) 10 none	LCM	Action Reason	<p>The reason the action was chosen.</p> <p>Action Explorer: Instructed by Action tab of Run object. Parameter File: Instructed by Action statement.</p> <p>ClrFzPnl Explorer: The Action tab of the Run object caused this action to eject volumes frozen by the HSC. Parameter File: A ClearFrozenPanels parameter caused this action to eject volumes frozen by the HSC.</p> <p>EjBad Explorer: The Action tab of the Run object caused this action to eject defective volumes. Parameter File: An EjBad parameter caused this action to eject defective volumes.</p> <p>Method Explorer: A Method object condition caused LCM to perform this action. Parameter File: A Method statement attribute caused LCM to perform this action.</p> <p>Need LCM planned this action in order to meet criteria.</p> <p>PullList Explorer: A PullList object caused this action. Parameter File: A PullList statement caused this action.</p>

**TABLE 3-5** REPORT VOLUME Statement Fields

Field	Type Size Summary	Source	Report Heading	Description
ActionStatus ACTSTAT	char (alternate) 40 none	LCM	Action Status	The final status of an action. This field is only meaningful on a POSTACTION report.  Action performed successfully  Action was not necessary  LCM stop command was entered  No magazines in CAP  No room was available  not processed by VTCS  Reason is not known (see LCMLOG)  Reply to delay WTOR was ABORT or FAIL  Volume is in disconnected ACS  Volume is in manual mode LSM  Volume is in use by another host  Volume was errant when action attempted  Volume was mounted when action attempted  Volume was recently used or selected  VTCS error (see LCMLOG)  VTCS PGMI (SWSPGMI) not available  VTCS request failed  VTCS task ended unexpectedly
BAAbdflg	char 1 none	TLMS	TLMS Abend Flag	TLMS-specific abend flag.
BAActive	int 5 none	TLMS	TLMS File Count	TLMS-specific active file count.
BAAscbse	char 8 none	TLMS	TLMS Associated Base	TLMS-specific associated base.
BAAscvol	char 8 none	TLMS	TLMS Associated Volume	TLMS-specific associated volume.
BABlkcnt	int 5 none	TLMS	TLMS Block Count	TLMS-specific block count.
BABlksiz	int 5 none	TLMS	TLMS Block Size	TLMS-specific block size.
BABuydat	date See notes below. none	TLMS	TLMS Purchase Date	TLMS-specific purchase date.

**TABLE 3-5** REPORT VOLUME Statement Fields

<b>Field</b>	<b>Type Size Summary</b>	<b>Source</b>	<b>Report Heading</b>	<b>Description</b>
BACdsexp	date See notes below. none	TLMS	TLMS Highest Expire Date	TLMS-specific highest IBM expiration date on volume.
BACdsflg	char 1 none	TLMS	TLMS CDS Flag	TLMS-specific controlling data set flag.
BACdskep	date See notes below. none	TLMS	TLMS Highest Keep Date	TLMS-specific highest keep date on volume.
BACdsseq	int 5 none	TLMS	TLMS CDS Seq Num	TLMS-specific controlling data set sequence number.
BACHnvol	char 6 none	TLMS	TLMS 1st Volume In Chain	TLMS-specific 1st volume in chain.
BACKptkn	char 1 none	TLMS	TLMS Checkpoint Taken	TLMS-specific check point taken (Y=Yes; B=No).
BACIncnt	int 5 none	TLMS	TLMS Cleanings Since Cert	TLMS-specific cleanings since certified.
BACIndat	date See notes below. none	TLMS	TLMS Clean Date	TLMS-specific clean date.
BACpusmf	char 4 none	TLMS	TLMS Creation CPU SMFid	TLMS-specific creation CPU SMF ID.
BACredat	date See notes below. none	TLMS	TLMS Create Date	TLMS-specific create date.
BACreddn	char 8 none	TLMS	TLMS Creation Ddname	TLMS-specific creation ddname.
BACredev	char (alternate) 3 none	TLMS	TLMS Creation Drive	TLMS-specific creation drive.
BACrejob	char 8 none	TLMS	TLMS Creation Jobname	TLMS-specific creation jobname.
BACrepgm	char 8 none	TLMS	TLMS Creation Pgm	TLMS-specific creation program name.
BACrestp	char 8 none	TLMS	TLMS Creation Stepname	TLMS-specific creation stepname.
BACretim	time See notes below. none	TLMS	TLMS Creation Time	TLMS-specific time of day the volume was created.
BACrtcnt	int 5 none	TLMS	TLMS Total Certs	TLMS-specific total certifications.
BACrtdat	date See notes below. none	TLMS	TLMS Certification Date	TLMS-specific certification date.

**TABLE 3-5** REPORT VOLUME Statement Fields

<b>Field</b>	<b>Type Size Summary</b>	<b>Source</b>	<b>Report Heading</b>	<b>Description</b>
BADamcde	char 1 none	TLMS	TLMS Damaged Code	TLMS-specific damaged code.
BADen	char 1 none	TLMS	TLMS Density	TLMS-specific density.
BADescde	char 1 none	TLMS	TLMS Destroyed Code	TLMS-specific destroyed code.
BADesdat	date See notes below. none	TLMS	TLMS Destroyed Date	TLMS-specific destroyed date.
BADsn	char 44 none	TLMS	TLMS Data Set Name	TLMS-specific data set name.
BAErgcnt	int 5 none	TLMS	TLMS Current Erase gaps	TLMS-specific current erase gaps on volume.
BAErgmax	int 5 none	TLMS	TLMS Max Erase Gaps	TLMS-specific max erase gaps on volume.
BAExpdat	date See notes below. none	TLMS	TLMS Expire Date	TLMS-specific IBM expiration date for data set.
BAFilcnt	int 5 none	TLMS	TLMS File Count	TLMS-specific file count.
BAFileseq	int 5 none	TLMS	TLMS File Seq In Chain	TLMS-specific file sequence in chain.
BAFlg001	int 3 none	TLMS	TLMS Reserved CA-1 Flag1	TLMS-specific reserved for CA-1 FLG001.
BAFlg003	int 3 none	TLMS	TLMS Reserved CA-1 Flag3	TLMS-specific reserved for CA-1 FLG003.
BAFlg004	int 3 none	TLMS	TLMS Reserved CA-1 Flag4	TLMS-specific reserved for CA-1 FLG004.
BAFlg005	int 3 none	TLMS	TLMS Reserved TLMS Flag5	TLMS-specific reserved for TLMS FLG005.
BAFlg006	int 3 none	TLMS	TLMS Reserved TLMS Flag6	TLMS-specific reserved for TLMS FLG006.
BAKepdat	date See notes below. none	TLMS	TLMS Keep Date	TLMS-specific keep date for data set.
BALabtyp	char 1 none	TLMS	TLMS Label Type	TLMS-specific label type.
BALasdat	date See notes below. none	TLMS	TLMS Last Used Date	TLMS-specific last used date.

**TABLE 3-5** REPORT VOLUME Statement Fields

<b>Field</b>	<b>Type Size Summary</b>	<b>Source</b>	<b>Report Heading</b>	<b>Description</b>
BALasdev	char (alternate) 3 none	TLMS	TLMS Last Used Drive	TLMS-specific last used drive.
BALasjob	char 8 none	TLMS	TLMS Last Used Jobname	TLMS-specific last used jobname.
BALoc	char 2 none	TLMS	TLMS Volume Location	TLMS-specific volume location.
BALoscde	char 1 none	TLMS	TLMS Lost Code	TLMS-specific lost code.
BAMds1st	char (alternate) 8 none	TLMS	TLMS Multi-dsn First Ptr	TLMS-specific multi-dataset first chain pointer.
BAMds1st	char (alternate) 8 none	TLMS	TLMS Multi-dsn Last Ptr	TLMS-specific multi-dataset last chain pointer.
BAMovdat	date See notes below. none	TLMS	TLMS Date Moved	TLMS-specific date volume moved.
BAMvlcnt	int 5 none	TLMS	TLMS BAMvltab Volume Count	TLMS-specific count of volumes in BAMvltab.
BAMvlseq1	int 5 none	TLMS	TLMS Multi-vol Seq Num 1	TLMS-specific multi-volume sequence number 1.
BAMvlseq2	int 5 none	TLMS	TLMS Multi-vol Seq Num 2	TLMS-specific multi-volume sequence number 2.
BAMvlseq3	int 5 none	TLMS	TLMS Multi-vol Seq Num 3	TLMS-specific multi-volume sequence number 3.
BAMvlseq4	int 5 none	TLMS	TLMS Multi-vol Seq Num 4	TLMS-specific multi-volume sequence number 4.
BAMvlseq5	int 5 none	TLMS	TLMS Multi-vol Seq Num 5	TLMS-specific multi-volume sequence number 5.
BAMvlvol1	char 6 none	TLMS	TLMS Multi-vol Serial 1	TLMS-specific multi-volume chain serial number 1.
BAMvlvol2	char 6 none	TLMS	TLMS Multi-vol Serial 2	TLMS-specific multi-volume chain serial number 2.
BAMvlvol3	char 6 none	TLMS	TLMS Multi-vol Serial 3	TLMS-specific multi-volume chain serial number 3.
BAMvlvol4	char 6 none	TLMS	TLMS Multi-vol Serial 4	TLMS-specific multi-volume chain serial number 4.
BAMvlvol5	char 6 none	TLMS	TLMS Multi-vol Serial 5	TLMS-specific multi-volume chain serial number 5.

**TABLE 3-5** REPORT VOLUME Statement Fields

<b>Field</b>	<b>Type Size Summary</b>	<b>Source</b>	<b>Report Heading</b>	<b>Description</b>
BAOutsrv	char 4 none	TLMS	TLMS Out of Service Code	TLMS-specific out of service code. Contains BALoscde, BADamcde, and BADescde.
BARecsiz	int 5 none	TLMS	TLMS LRECL	TLMS-specific logical record length.
BARederr	int 5 none	TLMS	TLMS Temporary Read Errors	TLMS-specific current temporary read errors.
BARfm	char 3 none	TLMS	TLMS Record Format	TLMS-specific record format.
BARtncnt1	int 5 none	TLMS	TLMS Retention Count - 1	TLMS-specific retention count for retention entry 1.
BARtncnt2	int 5 none	TLMS	TLMS Retention Count - 2	TLMS-specific retention count for retention entry 2.
BARtncnt3	int 5 none	TLMS	TLMS Retention Count - 3	TLMS-specific retention count for retention entry 3.
BARtncnt4	int 5 none	TLMS	TLMS Retention Count - 4	TLMS-specific retention count for retention entry 4.
BARtncnt5	int 5 none	TLMS	TLMS Retention Count - 5	TLMS-specific retention count for retention entry 5.
BARtncnt6	int 5 none	TLMS	TLMS Retention Count - 6	TLMS-specific retention count for retention entry 6.
BARtndev	char 4 none	TLMS	TLMS Cabinet Slot	TLMS-specific box or cabinet/slot.
BARtnLoc1	char 2 none	TLMS	TLMS Retention Loc - 1	TLMS-specific user retention location for retention entry 1.
BARtnLoc2	char 2 none	TLMS	TLMS Retention Loc - 2	TLMS-specific user retention location for retention entry 2.
BARtnLoc3	char 2 none	TLMS	TLMS Retention Loc - 3	TLMS-specific user retention location for retention entry 3.
BARtnLoc4	char 2 none	TLMS	TLMS Retention Loc - 4	TLMS-specific user retention location for retention entry 4.
BARtnLoc5	char 2 none	TLMS	TLMS Retention Loc - 5	TLMS-specific user retention location for retention entry 5.
BARtnLoc6	char 2 none	TLMS	TLMS Retention Loc - 6	TLMS-specific user retention location for retention entry 6.
BARtnptr	char 1 none	TLMS	TLMS Retention Entry	TLMS-specific offset of active retention entry.

**TABLE 3-5** REPORT VOLUME Statement Fields

<b>Field</b>	<b>Type Size Summary</b>	<b>Source</b>	<b>Report Heading</b>	<b>Description</b>
BARtmsrc	char 1 none	TLMS	TLMS Retention Source	TLMS-specific retention source. '' (blank) = No retention data; '1' = From RMF; '2' = From JCL; '3' = From manual update.
BARtntyp1	char 1 none	TLMS	TLMS Retention Type - 1	TLMS-specific user retention type for retention entry 1. '1' = Catalog control; '2' = Date control; '3' = Catalog and age; '4' = Cycle control; '5' = Age; '6' = Move immediate control; '7' = Manual control; '8' = Days since last used; '9' = Expiration date.
BARtntyp2	char 1 none	TLMS	TLMS Retention Type - 2	TLMS-specific user retention type for retention entry 2. '1' = Catalog control; '2' = Date control; '3' = Catalog and age; '4' = Cycle control; '5' = Age; '6' = Move immediate control; '7' = Manual control; '8' = Days since last used; '9' = Expiration date.
BARtntyp3	char 1 none	TLMS	TLMS Retention Type - 3	TLMS-specific user retention type for retention entry 3. '1' = Catalog control; '2' = Date control; '3' = Catalog and age; '4' = Cycle control; '5' = Age; '6' = Move immediate control; '7' = Manual control; '8' = Days since last used; '9' = Expiration date.
BARtntyp4	char 1 none	TLMS	TLMS Retention Type - 4	TLMS-specific user retention type for retention entry 4. '1' = Catalog control; '2' = Date control; '3' = Catalog and age; '4' = Cycle control; '5' = Age; '6' = Move immediate control; '7' = Manual control; '8' = Days since last used; '9' = Expiration date.
BARtntyp5	char 1 none	TLMS	TLMS Retention Type - 5	TLMS-specific user retention type for retention entry 5. '1' = Catalog control; '2' = Date control; '3' = Catalog and age; '4' = Cycle control; '5' = Age; '6' = Move immediate control; '7' = Manual control; '8' = Days since last used; '9' = Expiration date.
BARtntyp6	char 1 none	TLMS	TLMS Retention Type - 6	TLMS-specific user retention type for retention entry 6. '1' = Catalog control; '2' = Date control; '3' = Catalog and age; '4' = Cycle control; '5' = Age; '6' = Move immediate control; '7' = Manual control; '8' = Days since last used; '9' = Expiration date.
BAScrdat	date See notes below. none	TLMS	TLMS Scratch Date	TLMS-specific date volume scratched.
BAScruid	char 1 none	TLMS	TLMS Scratched ID	TLMS-specific scratched by ID. '1' = TRS; '2' = JCL; '3' = Manual; '4' = External data manager.

**TABLE 3-5** REPORT VOLUME Statement Fields

<b>Field</b>	<b>Type Size Summary</b>	<b>Source</b>	<b>Report Heading</b>	<b>Description</b>
BaseName	char 44 none	TMS	Base Name	The controlling data set name of the volume. If the data set is a member of a Generation Data Group, only the base name (no .GnnnnVnn) is included.
BASmsmgt	char 8 none	TLMS	TLMS Mgmt Class	TLMS-specific SMS management class
BASpcchn	char 1 none	TLMS	TLMS Special Chaining	TLMS-specific special chaining (chained for moves).
BASpnflg	char 1 none	TLMS	TLMS Spanned Flag	TLMS-specific spanned data set flag (1=spanned).
BASrvscr	char 1 none	TLMS	TLMS Serv/Scr Indicator	TLMS-specific service/scratch indicator. '0' = Skipped segment record; '1' = In service/Non scratch; '2' = In service/Scratch; '3' = Out service/Non scratch; '4' = Out Service/Scratch.
BATaplen	int 5 none	TLMS	TLMS Tape Length	TLMS-specific tape length.
BATapmod	char 1 none	TLMS	TLMS Recording Technique	TLMS-specific track recording technique.
BATaptyp	char 2 none	TLMS	TLMS Tape Type	TLMS-specific tape type.
BATrspro	char 1 none	TLMS	TLMS TRS Processed	TLMS-specific TRS has processed this volume.
BAUnisrt	int 5 none	TLMS	TLMS Sort Unique	TLMS-specific sort unique code.
BAUsebuy	int 5 none	TLMS	TLMS Uses Since Purchased	TLMS-specific uses since purchased.
BAUsecln	int 5 none	TLMS	TLMS Uses Since Cleaned	TLMS-specific uses since cleaned.
BAUsecert	int 5 none	TLMS	TLMS Uses Since Certified	TLMS-specific uses since certified.
BAUsr001	char 15 none	TLMS	TLMS Job Accounting	TLMS-specific user data. (Defaults to job accounting - TCB).
BAUsr002	char 15 none	TLMS	TLMS Programmer Name	TLMS-specific user data. (Defaults to programmer name - TCB).
BAUsr003	char 29 none	TLMS	TLMS User Data	TLMS-specific user data area.
BAVender	char 8 none	TLMS	TLMS Manufacturer Code	TLMS-specific user updated manufacturer code.



**TABLE 3-5** REPORT VOLUME Statement Fields

<b>Field</b>	<b>Type Size Summary</b>	<b>Source</b>	<b>Report Heading</b>	<b>Description</b>
BAVol1st	char (alternate) 8 none	TLMS	TLMS Multi-vol First Ptr	TLMS-specific multi-volume first volume serial number pointer.
BAVolcnt	int 5 none	TLMS	TLMS Volume Count	TLMS-specific volume count.
BAVollst	char (alternate) 8 none	TLMS	TLMS Multi-Vol Last Ptr	TLMS-specific multi-volume last chain pointer.
BAVolown	char 8 none	TLMS	TLMS Volume Owner	TLMS-specific volume owner.
BAVolseq	int 5 none	TLMS	TLMS Volume Seq	TLMS-specific volume sequence number.
BAVolser	char 6 none	TLMS	TLMS Volume Serial	TLMS-specific volume serial number
Classification CLS	char (alternate) 10 none	HSC, MVC, TMS, VTV	Classification	Classification of the volume.  BadScratch Volumes marked defective and scratch in TMS Clean Volumes with the HSC cleaning prefix Expired Volumes marked not scratch and expired in TMS NonScratch Volumes not scratch, badscratch, expired, or clean Scratch Volumes available for receiving new tape data sets
Clean CLN	bool See notes below. true	LCM	Cleaning Cartridge	This volume is a cleaning cartridge.
ConsolidationGroupName CONSGRPNAME	char 8 none	MVC, VTV	Consolidation Group Name	The consolidation group name for the VTV.
Copy	int 4 none	TMS	Copy	Copy number of the volume. A value of 1 refers to the most recently created copy of the data set according to the tape management system, 2 refers to the next most recently created copy, and so on.
CreatingTMSDrive CTDRIVE	char (alternate) 4 none	TMS	Creating Drive	The unit address of the tape drive on which the tape data set was created, printed as a hexadecimal character string.
CreationDate CDATE	date See notes below. none	MVC, TMS, VTV	Creation Date	The date the volume was created. The first available field of the following determines the creation date: CreationTMSDate, CreationVTVDate, CreationMVCDate.
CreationJobName CJOBNAME JOBNAME	char 8 none	TMS	Creation Job Name	The JCL job name that created the volume.

**TABLE 3-5** REPORT VOLUME Statement Fields

<b>Field</b>	<b>Type Size Summary</b>	<b>Source</b>	<b>Report Heading</b>	<b>Description</b>
CreationMVCDate CMDATE	date See notes below. none	MVC	Creation MVC Date	The date the volume was created as recorded by VSM.
CreationMVCTime CMTIME	time See notes below. none	MVC	Creation MVC Time	The time of day the volume was created as recorded by VSM.
CreationStepName CSTEPNAME STEPNAME	char 8 none	TMS	Creation Step Name	The JCL step name that created the volume.
CreationTime CTIME	time See notes below. none	MVC, TMS, VTV	Creation Time	The time of day the volume was created. The first available field of the following determines the creation time: CreationTMSTime, CreationVTVTime, CreationMVCTime.
CreationTMSDate CTDATE	date See notes below. none	TMS	Creation TMS Date	The date the volume was created as recorded in the associated tape management system.
CreationTMSTime CTTIME	time See notes below. none	TMS	Creation TMS Time	The time of day the volume was created as recorded in the associated tape management system.
CreationVTVDate CVDATE	date See notes below. none	VTV	Creation VTV Date	The date the volume was created as recorded by VSM.
CreationVTVTime CVTIME	time See notes below. none	VTV	Creation VTV Time	The time of day the volume was created as recorded by VSM.
CTAccount	char 50 none	ControlT	ControlT Account Information	Control-T-specific accounting information
CTActiveds	int 4 none	ControlT	ControlT Active Labels	Control-T-specific number of active labels on volume.
CTBlksize	int 8 none	ControlT	ControlT Block Size	Control-T-specific block size.
CTBlockct	int 8 none	ControlT	ControlT Block Count	Control-T-specific block count.
CTBoxid	char 6 none	ControlT	ControlT Box ID	Control-T-specific box ID.
CTChkindt	date See notes below. none	ControlT	ControlT Checkin Date	Control-T-specific volume check-in date.
CTClncount	int 8 sum	ControlT	ControlT Clean Count	Control-T-specific clean count
CTCrecpu	char 8 none	ControlT	ControlT Create CPU Name	Control-T-specific creation CPU name.
CTCreddn	char 8 none	ControlT	ControlT Create DD Name	Control-T-specific creation DD name.

**TABLE 3-5 REPORT VOLUME Statement Fields**

<b>Field</b>	<b>Type Size Summary</b>	<b>Source</b>	<b>Report Heading</b>	<b>Description</b>
CTCred	date See notes below. none	ControlT	ControlT Creation Date	Control-T-specific creation date.
CTCrejbn	char 8 none	ControlT	ControlT Create Jobname	Control-T-specific creation job name.
CTCrepgm	char 8 none	ControlT	ControlT Create Program Name	Control-T-specific creation program name.
CTCrestep	char 8 none	ControlT	ControlT Create Stepname	Control-T-specific creation stepname.
CTCretm	time See notes below. none	ControlT	ControlT Creation Time	Control-T-specific creation time
CTCreuad	char (alternate) 4 none	ControlT	ControlT Create Unit Address	Control-T-specific creation unit address.
CTDdsexpd1	date See notes below. none	ControlT	ControlT First Expiration Date	Control-T-specific first expiration date.
CTDdsexpd2	date See notes below. none	ControlT	ControlT Second Expiration Date	Control-T-specific second expiration date.
CTDdsexpd3	date See notes below. none	ControlT	ControlT Third Expiration Date	Control-T-specific third expiration date.
CTDeleted	bool See notes below. none	ControlT	ControlT Deleted	Control-T-specific volume marked as deleted.
CTDsname	char 44 none	ControlT	ControlT Data Set Name	Control-T-specific data set name.
CTDsvolser	char 6 none	ControlT	ControlT First Data Set	Control-T-specific first data set begins on volume.
CTDyndef	bool See notes below. none	ControlT	ControlT Dynamically Defined	Control-T-specific volume dynamically added.
CTEdm	bool See notes below. none	ControlT	ControlT EDM	Control-T-specific volume managed by an External Data Manager.
CTExprtrn	date See notes below. none	ControlT	ControlT Return Date	Control-T-specific expected return date from out location.
CTExtdel	bool See notes below. none	ControlT	ControlT Expire Delete	Control-T-specific volume will be deleted when expired.
CTExternal	bool See notes below. none	ControlT	ControlT External Volume	Control-T-specific external volume.
CTFirstvol	char 6 none	ControlT	ControlT First Volume	Control-T-specific first volume in the multi-volume group.

**TABLE 3-5** REPORT VOLUME Statement Fields

<b>Field</b>	<b>Type Size Summary</b>	<b>Source</b>	<b>Report Heading</b>	<b>Description</b>
CTHold	bool See notes below. none	ControlT	ControlT Hold	Control-T-specific volume is in the main library due to recall operation.
CTInatl	bool See notes below. none	ControlT	ControlT Tape Library	Control-T-specific volume resides inside a robotic tape library.
CTInuse	bool See notes below. none	ControlT	ControlT In Use	Control-T-specific volume currently in use.
CTIoerprm	int 4 sum	ControlT	ControlT Permanent Read Errors	Control-T-specific permanent read errors.
CTIoerpmc	int 4 sum	ControlT	ControlT Perm Read Errors Clean	Control-T-specific permanent read errors since last clean.
CTIoertmp	int 4 sum	ControlT	ControlT Temporary Read Errors	Control-T-specific temporary read errors.
CTIoertmpc	int 4 sum	ControlT	ControlT Temp Read Errors Clean	Control-T-specific temporary read errors since last clean
CTIoewprm	int 4 sum	ControlT	ControlT Permanent Write Errors	Control-T-specific permanent write errors.
CTIoewpmc	int 4 sum	ControlT	ControlT Perm Write Errors Clean	Control-T-specific permanent write errors since last clean.
CTIoewtmp	int 4 sum	ControlT	ControlT Temporary Write Errors	Control-T-specific temporary write errors.
CTIoewtmpc	int 4 sum	ControlT	ControlT Temp Write Errors Clean	Control-T-specific temporary write errors since last clean.
CTLaccdt	date See notes below. none	ControlT	ControlT Job Date	Control-T-specific last access job date.
CTLacjbn	char 8 none	ControlT	ControlT Jobname	Control-T-specific last job name that accessed the volume.
CTLacctm	time See notes below. none	ControlT	ControlT Job Time	Control-T-specific last access job time.
CTLblnum	int 4 none	ControlT	ControlT Label Number	Control-T-specific highest label number on volume.

**TABLE 3-5** REPORT VOLUME Statement Fields

<b>Field</b>	<b>Type Size Summary</b>	<b>Source</b>	<b>Report Heading</b>	<b>Description</b>
CTLbltyp	char 3 none	ControlT	ControlT Label Type	Control-T-specific label type  AL  AUL  BLP  NL  NSL  SL  SUL
CTLcndt	date See notes below. none	ControlT	ControlT Clean Date	Control-T-specific last clean date.
CTLibrary	char 8 none	ControlT	ControlT Library	Control-T-specific robotic tape library name.
CTLocation	char 8 none	ControlT	ControlT Location	Control-T-specific current location of volume.
CTLocseq	int 4 none	ControlT	ControlT Sequence Number	Control-T-specific current vault sequence number.
CTLrecl	int 5 none	ControlT	ControlT Record Length	Control-T-specific record length.
CTManvlt	bool See notes below. none	ControlT	ControlT Manually Vaulted	Control-T-specific volume manually moved to vault.
CTMedia	char 8 none	ControlT	ControlT Media	Control-T-specific media name
CTMovedate	date See notes below. none	ControlT	ControlT Move Date	Control-T-specific move date.
CTNextvol	char 6 none	ControlT	ControlT Next Volume	Control-T-specific next volume in the multi-volume group.
CTNostack	bool See notes below. none	ControlT	ControlT No Stacking	Control-T-specific volume cannot be a candidate for dynamic stacking.
CTOut	bool See notes below. none	ControlT	ControlT Outside Library	Control-T-specific volume outside the main library.
CTPendscr	bool See notes below. none	ControlT	ControlT Pending Scratch	Control-T-specific pending scratch status.
CTPendvlt	bool See notes below. none	ControlT	ControlT Pending Vault	Control-T-specific pending vault.
CTPrevvol	char 6 none	ControlT	ControlT Previous Volume	Control-T-specific previous volume in the multi-volume group.

**TABLE 3-5** REPORT VOLUME Statement Fields

<b>Field</b>	<b>Type Size Summary</b>	<b>Source</b>	<b>Report Heading</b>	<b>Description</b>
CTPvlt	bool See notes below. none	ControlT	ControlT Potenial Vault	Control-T-specific potential vault.
CTRecall	bool See notes below. none	ControlT	ControlT Recall	Control-T-specific volume will recall back to main library.
CTRecfm	char 3 none	ControlT	ControlT Record Format	Control-T-specific record format.  A  B  D  F  FB  FBA  FBM  FBS  M  S  U  V  VB  VBA  VBM  VBS  VS
CTRecfrom	char 8 none	ControlT	ControlT Recalled From Vault	Control-T-specific vault name recalled from.
CTRecreate	bool See notes below. none	ControlT	ControlT Recreated	Control-T-specific dataset recreated.
CTReturnvl	bool See notes below. none	ControlT	ControlT Return From Vault	Control-T-specific volume returned from vault.
CTRetvltdt	date See notes below. none	ControlT	ControlT Return to Vault Date	Control-T-specific date to return to vault.
CTScratch	bool See notes below. none	ControlT	ControlT Scratch	Control-T-specific volume scratch status.
CTScrtdt	date See notes below. none	ControlT	ControlT Scratch Date	Control-T-specific volume scratch date.
CTSlname	char 6 none	ControlT	ControlT SL Name	Control-T-specific SL name.

**TABLE 3-5** REPORT VOLUME Statement Fields

<b>Field</b>	<b>Type Size Summary</b>	<b>Source</b>	<b>Report Heading</b>	<b>Description</b>
CTSlotnum	int 8 none	ControlT	ControlT Slot Number	Control-T-specific slot number
CTSmsmc	char 8 none	ControlT	ControlT SMS Management Class	Control-T-specific SMS management class.
CTSmsg	char 8 none	ControlT	ControlT SMS Storage Group	Control-T-specific SMS storage group.
CTVabend	bool See notes below. none	ControlT	ControlT Volume Abend	Control-T-specific incomplete data set on volume.
CTVault	char 8 none	ControlT	ControlT First Vault Name	Control-T-specific first vault name.
CTVault2	char 8 none	ControlT	ControlT Second Vault Name	Control-T-specific second vault name.
CTVault3	char 8 none	ControlT	ControlT Third Vault Name	Control-T-specific third vault name.
CTVaulted	bool See notes below. none	ControlT	ControlT Vaulted	Control-T-specific vaulted.
CTVendor	char 8 none	ControlT	ControlT Vendor	Control-T-specific volume's vendor name
CTVformat	char 8 none	ControlT	ControlT Volume Format	Control-T-specific volume format
CTVfreekb	int 8 none	ControlT	ControlT Free KB	Control-T-specific free kilo-bytes on volume.
CTVlrstrt	bool See notes below. none	ControlT	ControlT Restart	Control-T-specific volume processed under MVS restart.
CTVltentdt	date See notes below. none	ControlT	ControlT Entry Date	Control-T-specific vault entry date.
CTVltexptd	date See notes below. none	ControlT	ControlT Vault Expiration Date	Control-T-specific vault expiration date.
CTVoledmid	char 4 none	ControlT	ControlT EDM ID	Control-T-specific volume's External Data Manager ID.
CTVolexcp	int 8 sum	ControlT	ControlT EXCP Count	Control-T-specific EXCP Count
CTVolexptd	date See notes below. none	ControlT	ControlT Expire Date	Control-T-specific volume expiration date.
CTVolodesc	char 20 none	ControlT	ControlT Description	Control-T-specific volume user description.

**TABLE 3-5** REPORT VOLUME Statement Fields

<b>Field</b>	<b>Type Size Summary</b>	<b>Source</b>	<b>Report Heading</b>	<b>Description</b>
CTVolowner	char 8 none	ControlT	ControlT Owner	Control-T-specific volume owner
CTValseq	int 5 none	ControlT	ControlT Valseq Number	Control-T-specific volume sequence number in a multi-volume group.
CTVolser	char 6 none	ControlT	ControlT Volume Serial	Control-T-specific volume serial number.
CTVolsnum	int 4 none	ControlT	ControlT Number Of Volumes	Control-T-specific number volumes data set resides on.
CTVoltype	char 1 none	ControlT	ControlT Volume Type	Control-T-specific volume type.  L  P
CTVolusect	int 8 none	ControlT	ControlT Use Count Since Scratch	Control-T-specific volume use count since last scratch.
CTVolusetc	int 8 none	ControlT	ControlT Use Count	Control-T-specific volume use count.
CTVstkgpr	char 8 none	ControlT	ControlT Stacking Group	Control-T-specific stacking group name.
CTVusedkb	int 8 none	ControlT	ControlT Used KB	Control-T-specific Used kilo-bytes on volume.
CycleDate CYDATE	date See notes below. none	TMS	Cycle Date	The date used by LCM for CYCLESOON processing. If missing, LCM does not perform CYCLESOON processing on this volume.
DataSetIdentifier DSID	char 44 none	TMS	Data Set Identifier	The most specific matching data set identifier found for the data set name on the Data Set tab of the Methods folder (Explorer) or a DATASET statement (Parameter File).
DataSetName DSN	char 44 none	TMS	Data Set Name	The controlling data set name of the volume. If the data set is a member of a Generation Data Group, the .GnnnnVnn qualifier is included.
DataSetReport DSRPT	bool See notes below. true	LCM	Data Set Report	This volume is covered by the Data Set tab of the Methods folder (Explorer) or a DATASET statement (Parameter File) and is flagged for reporting.
DaysSinceCreation CDAYS	int 5 avg	MVC, TMS, VTV	Days Since Creation	The number of days since the data set was created. The first available field of the following determines the days since creation: DaysSinceCreationTMS, DaysSinceCreationMVC, DaysSinceCreationVTV.



**TABLE 3-5** REPORT VOLUME Statement Fields

<b>Field</b>	<b>Type Size Summary</b>	<b>Source</b>	<b>Report Heading</b>	<b>Description</b>
DaysSinceCreationMVC CMDAYS	int 5 avg	MVC	Days Since Creation MVC	The number of days since the data set was created as recorded by VSM.
DaysSinceCreationTMS CTDAYS	int 5 avg	TMS	Days Since Creation TMS	The number of days since the data set was created as recorded in the associated tape management system.
DaysSinceCreationVTV CVDAYS	int 5 avg	VTV	Days Since Creation VTV	The number of days since the data set was created as recorded by VSM.
DaysSinceEnter EDAYS	int 5 avg	HSC	Days Since Enter	The number of days since the volume was entered into an LSM. If all volumes of a multi-volume data set are covered by the same Management Method, the most recent enter day for any volume is used by LCM for all volumes in the multi-volume data set.
DaysSinceLocation LDAYS LOCDAYS	int 5 avg	TMS	Days Since Location	The number of days since the tape was moved to a tape storage location.
DaysSinceMount MDAYS	int 5 avg	HSC	Days Since Mount	The number of days since the HSC last mounted the volume.
DaysSinceReference RDAYS	int 5 avg	HSC, MVC, TMS, VTV	Days Since Ref.	The number of days since reference for the volume as used by LCM. The first available field of the following determines the reference day: DaysSinceReferenceTMS, DaysSinceReferenceVTV, DaysSinceReferenceMVC, DaysSinceMount, DaysSinceSelect. If all volumes of a multi-volume data set are covered by the same Management Method, the most recent reference day for any volume is used by LCM for all volumes in the multi-volume data set.
DaysSinceReferenceMVC RMDAYS	int 5 avg	MVC	Days Since Ref MVC	The number of days since reference as recorded by VSM for an MVC (Multiple Volume Cartridge)
DaysSinceReferenceTMS RTDAYS	int 5 avg	TMS	Days Since Ref TMS	The number of days since reference as recorded in the associated tape management system for volumes being treated as a unit (Multi-volume support).
DaysSinceReferenceVTV RVDAYS	int 5 avg	VTV	Days Since Ref VTV	The number of days since reference as recorded by VSM for a VTV (Virtual Tape Volume)
DaysSinceResidentVTV	int 5	VTCS	Days Since Resident	The number of days since the VTV has been resident in the VTSS buffer. This may be the number of days since the VTV was created or the last time it was recalled to the buffer.
DaysSinceSelect SDAYS	int 5 avg	HSC	Days Since Select	The number of days since the volume was selected by the HSC.

**TABLE 3-5** REPORT VOLUME Statement Fields

Field	Type Size Summary	Source	Report Heading	Description
DaysTillCycle CYDAYS DAYSTILLEXPIRE XDAYS	int 5 avg	TMS	Days Till Cycle	The number of days LCM uses for CYCLESOON processing. If missing, LCM will not perform CYCLESOON processing on this volume.
Deleted	bool See notes below. true	TMS	Deleted	The volume is marked deleted in the tape management system. Note: The value of this field is false for all volumes known to LCM unless: Explorer: The checkbox on the Deleted tab of the TMS object is not checked; Parameter File: the NODELETECHECK parameter is specified on the TMS statement.
EjectViaLSMGroup EJLSMGRP	char (alternate) 10 none	LCM	Eject Via LSM Group	The LSM Group from which LCM plans to eject the volume.
EjectViaLSMID EJLSMID	char (alternate) 5 none	LCM	Eject Via LSM ID	The LSM ID from which LCM plans to eject the volume.
EjectViaLSMName EJLSMNAME	char (alternate) 10 none	LCM	Eject Via LSM Name	The Name of the LSM from which LCM plans to eject the volume.
Encrypted	char 5	HSC	Encrypted	A value of 'Yes' indicates this volume is encrypted. 'No' indicates the volume is not encrypted. 'Unknown' indicates the encrypted status is not able to be determined.
EnterDate ENDATE	date See notes below. none	HSC	Enter Date	The date the volume was entered into an LSM. If all volumes of a multi-volume data set are covered by the same Management Method, the most recent enter date of any volume is used by LCM for all volumes in the multi-volume data set.
EnterTime ENTIME	time See notes below. none	HSC	Enter Time	The time of day the volume was entered.
Errant	bool See notes below. true	HSC	Errant	The HSC has marked this volume errant. Requires HSC PTF L1H10CC (HSC 4.0) or L1H10CE (HSC 4.1) to produce accurate information.
EXLbLReadable EXLBLRD	bool See notes below. true	HSC	External Label OCR Readable	The cartridge external label is OCR readable.

**TABLE 3-5** REPORT VOLUME Statement Fields

Field	Type Size Summary	Source	Report Heading	Description
ExpireDate EXPDT XDATE	date See notes below. none	TMS	Expire Date	The date the volume will expire based on the expiration date in the tape management system. Special expire dates are: AGE/nnn - Expires nnn days from create or move date; CATLG - Expires when the data set name no longer exists in the MVS system catalog, regardless of the keep date; CATLG/nnn - Expires nnn days after creation and the data set no longer resides in the MVS catalog; CYCLE/nnn - Oldest data set expires after nnn cycles; FOREIGN - Foreign volume; LDATE/nnn - Expires nnn days after last used; MSG/nnn - TMS user-defined; PERM - Never expires; STATS/nnn - Never expires; USER/nnn - Never expires; ZEROS - CA-TLMS value was zeros; Julian date - Expires on the julian date.
ExternalLabel EXLBL	bool See notes below. true	HSC	External Label	The cartridge has an external label.
ExternallyManaged EXTERNAL	bool See notes below. true	TMS	Externally Managed	The volume is defined to the tape management system, but its use is controlled by some other software system.
FrozenToLSMGroup	bool See notes below. true	LCM	Frozen To LSM Group	The volume has both EJECT(NO) and a specific LSMGRP assigned by its Management Method.
GDG	bool See notes below. true	TMS	GDG	The volume is a member of a Generation Data Group.
GDGWrap	bool See notes below. true	TMS	GDG Wrap	The volume is a member of a Generation Data Group where the Gnnnn number has wrapped from 9999 to 0001.
Generation GEN	int 5 none	TMS	Generation Number	The relative generation number + 1, based on the tape management system.
Held	bool See notes below. true	HSC, LCM, TMS	Held	The nonscratch volume will not be ejected because one of the Held flags was on. Possible held reasons are: Cyclesoon, Minenter, Minref, or Pulllist.
HeldForCycleSoon HCYLSOON	bool See notes below. true	TMS	Held For Cyclesoon	The nonscratch volume will not be ejected because the controlling data set is due to expire within a specified number of days. Controlled by: Explorer: Methods folder Limits tab; Parameter File: the CYCLESOON parameter on the OPTIONS statement.
HeldForMinEnter HMINENT	bool See notes below. true	HSC	Held For MinEnter	The nonscratch volume will not be ejected because it was entered into an LSM within a specified number of days. This is determined by: Explorer: Methods folder Limits tab; Parameter File: the MINENTER parameter on the OPTIONS statement.

**TABLE 3-5** REPORT VOLUME Statement Fields

Field	Type Size Summary	Source	Report Heading	Description
HeldForMinRef HMINREF	bool See notes below. true	HSC, MVC, TMS, VTV	Held For MinRef	The nonscratch volume will not be ejected because it has been referenced within a specified number of days. This is determined by: Explorer: Methods folder Limits tab; Parameter File: the MINREF parameter on the OPTIONS statement.
HeldForPullList HPULLLIST	bool See notes below. true	LCM	Held For PullList	The nonscratch volume will not be ejected because it was found on a Pull List.
HoursSinceCreationVTV CVHOURS	int 5 avg	VTV	Hours Since Creation VTV	The number of hours since creation as recorded by VSM for a VTV (Virtual Tape Volume).
HoursSinceReferenceVTV RVHOURS	int 5 avg	VTV	Hours Since Ref VTV	The number of hours since reference as recorded by VSM for a VTV (Virtual Tape Volume).
HSCScratch HSCSCR	bool See notes below. true	HSC	HSC Scratch	The status recorded by the HSC for the volume is scratch.
Ignored	bool See notes below. true	LCM	Ignored	LCM does not retain any tape management system information for this volume and will not eject or move this volume. This is determined by: Explorer: the TMS tab of the Subpool object; Parameter File: the IGNORE parameter on the SUBPOOL statement.
InitialACSID IACSID	char (alternate) 2 none	HSC, MVC	Initial ACS ID	The ACS ID in which the volume resided at the beginning of the LCM run.
InitialLSMCell ILSMCELL	char (alternate) 14 none	HSC	Initial LSM Cell	The coordinates of the LSM Cell where the volume resided at the beginning of the LCM run.
InitialLSMColumn ILSMCOL	int 2 none	HSC	Initial LSM Column	The LSM Column number where the volume resided at the beginning of the LCM run.
InitialLSMGroup ILSMGRP	char (alternate) 10 none	LCM	Initial LSM Group	The name of the LSM Group where the volume resided at the beginning of the LCM run.
InitialLSMID ILSMID	char (alternate) 5 none	HSC, MVC	Initial LSM ID	The LSM ID where the volume resided at the beginning of the LCM run.
InitialLSMName ILSMNAME	char (alternate) 10 none	LCM	Initial LSM Name	The Name of the LSM where the volume resided at the beginning of the LCM run.
InitialLSMPanel ILSMPNL	int 2 none	HSC	Initial LSM Panel	The LSM Panel number where the volume resided at the beginning of the LCM run.
InitialLSMPanelFrozen ILSMPNLFZ	bool See notes below. true	HSC	Initial LSM Panel Frozen	The volume resided in a frozen panel at the beginning of the LCM run.
InitialLSMRow ILSMROW	int 2 none	HSC	Initial LSM Row	The LSM Row number where the volume resided at the beginning of the LCM run.

**TABLE 3-5** REPORT VOLUME Statement Fields

<b>Field</b>	<b>Type Size Summary</b>	<b>Source</b>	<b>Report Heading</b>	<b>Description</b>
InLSM	bool See notes below. true	HSC, MVC	In LSM	The volume is in an LSM at the beginning of an LCM run.
InManagedLSM INMANLSM	bool See notes below. true	LCM	In Managed LSM	The volume is in a MANAGED LSM at the beginning of an LCM run.
InTMS	bool See notes below. true	TMS	In TMS	The volume is in a tape management system defined to LCM.
LastUsedTMSDrive LUTDRIVE	char (alternate) 4 none	TMS	Last Used Drive	The unit address of the tape drive on which the tape was last used, printed as a hexadecimal character string.
LocationCode LOCCODE	char 8 none	TMS	Location Code	The identifier assigned to a tape volume by the tape management system to identify the intended storage location for that volume.
LocationDate LDATE LOCDATE	date See notes below. none	TMS	Location Date	The date the volume was moved to the tape management system's tape storage location.
LocationName LOCNAME	char (alternate) 10 none	LCM	Location Name	The name of the tape storage location. Location Names are not defined to the tape management system, but are assigned by LCM from tape management system information as specified by: Explorer: the Location object Codes tab; Parameter File: the Location statement Code parameter.
LocationSequence LOCSEQ	int 5 none	LCM	Location Sequence	The number that LCM assigned to each location to determine the order that tapes at that location are ejected. Controlled by: Explorer: the Locations folder Order tab; Parameter File: the order of Location statements in the parameter file.
Managed	bool See notes below. true	LCM	Managed	The volume is covered by a MANAGE statement.
ManagedIndividually MANIND	bool See notes below. true	LCM	Managed Individually	The volume is managed individually, but is part of a multi-volume data set. This happens if all of the volumes in the volume set are not assigned the same Management Method.
ManagementClass MGMTCLAS	char (alternate) 8 none	TMS	Management Class	The name of the SMS Management Class for the volume.
MaxUseCount	int 4 none	HSC	Maximum Use Count	The maximum usage for a cleaning cartridge set by the VOLATTR Maxclean or MNTD Maxclean value.

**TABLE 3-5** REPORT VOLUME Statement Fields

<b>Field</b>	<b>Type Size Summary</b>	<b>Source</b>	<b>Report Heading</b>	<b>Description</b>
MediaSource MEDIAS	char (alternate) 6 none	LCM	Media Source	The source of information used to determine the volume's MediaType value.  DFLT The media type defaulted to Standard. HSCCDS The HSC Control Data Set. VOLDEF The VOLATTR statements contained in the file identified by the HSC VOLDEF parameter. VSMVTV VSM Virtual Tape Volume information.

**TABLE 3-5** REPORT VOLUME Statement Fields

Field	Type Size Summary	Source	Report Heading	Description
MediaType MEDIA MEDIAT	char (alternate) 8 none	HSC, MVC, VTV	Media Typ	The media type of the volume.  Standard Standard length 3480 cartridge. Long 3490E extended capacity cartridge. DD3A 10 Gb capacity helical cartridge. DD3B 25 Gb capacity helical cartridge. DD3C 50 Gb capacity helical cartridge. DD3D Cleaning cartridge for helical drives. STK1R 9840 data cartridge. STK1U Cleaning cartridge for 9840 transports. STK1Y Cleaning cartridge for 9840D transports. STK2P T9940A data cartridge. STK2W Cleaning cartridge for T9940 transports. T10000TT Smaller-capacity 1TB T10000C cartridge. T10000TS T10000 "sport" cartridge. T10000T1 Full-capacity 500GB T10000A or 1TB T10000B cartridge. T10000T2 Full-capacity 5TB T10000C cartridge. T10000CC T10000C cleaning cartridge. T10000CL T10000A, T10000B, or T10000C cleaning cartridge. T10000CT T10000A or T10000B cleaning cartridge. ZCART 9490EE ZCART media cartridge. LTO-100G LTO 100GB capacity cartridge. LTO-200G LTO 200GB capacity cartridge. LTO-35G LTO 35GB capacity cartridge. LTO-400G LTO 400GB capacity cartridge. LTO-400W LTO 400Gb capacity WORM cartridge. LTO-800G LTO 800GB capacity cartridge LTO-800W LTO 800GB capacity WORM cartridge LTO-1.5T LTO 1.5TB capacity cartridge. LTO-1.5W LTO Generation 5 WORM cartridge. LTO-2.5T LTO 2.5TB capacity cartridge. LTO-2.5W LTO Generation 5 WORM cartridge. LTO-CLN1 LTO cleaning type 1 cartridge. LTO-CLN2 LTO cleaning type 2 cartridge. LTO-CLNU LTO universal cleaning cartridge.

**TABLE 3-5** REPORT VOLUME Statement Fields

Field	Type Size Summary	Source	Report Heading	Description
MediaType MEDIA MEDIAT				SDLT SDLT 160GB cartridge. SDLT-1 SDLT Generation 1 cartridge. SDLT-4 SDLT Generation 4 cartridge. SDLT-S2 SDLT Generation S2 cartridge. SDLT-S3 SDLT Generation S3 cartridge. SDLT-S4 SDLT Generation S4 cartridge. SDLTC SDLT cleaning cartridge. VIRTUAL Virtual Tape Volume (VTV) in the StorageTek Virtual Storage Manager system.
MediaWarrantyLife MWL	int 3	HSC	Media Warranty Life	Percentage of media warranty life used, expressed in percentage from 0% to 254%.
MethodColumn MTHCOL	int 2 none	LCM	Method Column	The column in the LCM parameter file (generated when using the Explorer) in which the associated Management Method was coded. See also the MethodName and MethodLineNum fields.
MethodCondNum MTHCOND	int 4 none	LCM	Method Cond Num	Explorer: The number of the Condition of the Method object that applies to this volume. A value of zero indicates that the OTHERWISE attributes for the Method were applied. Parameter File: The occurrence of the Cond parameter on the Method statement that applies to this volume. A value of zero indicates that the default attributes for the Method were applied.
MethodEject MTHEJ	char (alternate) 8 none	LCM	Method Eject	The Eject attribute of the Management Method assigned to this volume.  ASNEEDED Eject this volume only when room is needed to meet free cell and/or volume management criteria. NO Never eject this volume. YES Always eject this volume.
MethodLineNum MTHLINE	int 5 none	LCM	Method Line Num	The line in the LCM parameter file (generated when using the Explorer) in which the associated Management Method was coded. See also the MethodName and MethodColumn fields.
MethodLSMGroup MTHLSMGRP	char (alternate) 10 none	LCM	Method LSM Group	The LSM Group assigned to this volume by its Management Method.
MethodName METHOD MTH MTHNAME	char (alternate) 10 none	LCM	Method Name	The name of the Management Method assigned to this volume.



**TABLE 3-5** REPORT VOLUME Statement Fields

<b>Field</b>	<b>Type Size Summary</b>	<b>Source</b>	<b>Report Heading</b>	<b>Description</b>
MethodOrder MTHORD	int 3 none	LCM	Method Order	The order in which the volume may be picked for ejection or demotion. This is determined by: Explorer: the Pick Order of the applicable Condition on the Conditions tab of the Method object; Parameter File: the Order(n) parameter of the Method statement.

**TABLE 3-5** REPORT VOLUME Statement Fields

Field	Type Size Summary	Source	Report Heading	Description
MethodReason MTHRSN	char (alternate) 10 none	LCM	Method Reason	<p>The reason that the associated Management Method was chosen.</p> <p>Clean Cleaning cartridge criteria.</p> <p>Dataset Explorer: A Data Set Identifier specified on the Methods folder Data Set tab applied to this volume. Parameter File: A Dataset statement applied to this volume.</p> <p>Default No specified condition applied to this volume.</p> <p>EjBad The tape management system indicated that this volume is defective and: Explorer: the Bad Scratch option on the Action tab of the Run object was checked; Parameter File: the Ejbad parameter on the Options statement was specified.</p> <p>External The volume is marked as externally managed in the tape management system.</p> <p>HSCOnly The tape volume is not in a tape management system.</p> <p>Ignore Explorer: The TMS tab of the Subpool object specified that LCM should not take actions such as sync, eject, and move for this volume's Subpool. Parameter File: The Ignore parameter on the Subpool statement applied to this volume.</p> <p>Location Explorer: The Location tab of the Methods folder specified that the volume should be ejected. Parameter File: A Location statement applied to this volume and specified a Management Method with the Eject attribute.</p> <p>LSMEject Explorer: A Method object with the Eject(Yes) attribute applied to this volume. Parameter File: An Eject(Yes) parameter on a Method statement applied to this volume.</p> <p>LSMNeverEj Explorer: A Method object with the Eject(No) attribute applied to this volume. Parameter File: An Eject(No) parameter on a Method statement applied to this volume.</p> <p>MethodFile Explorer: The file specified for Method Input on the File tab of the Run object had an entry for this volume. Parameter File: The file specified on the Methodfile parameter of the Options statement had an entry for this volume.</p> <p>Scratch Scratch criteria.</p> <p>SetMethod Explorer: The Advanced tab of the Methods folder or a Custom Action specified on the Action tab of the Run object applied to this volume. Parameter File: A Set Method statement applied to this volume.</p> <p>Subpool Explorer: Not applicable. Parameter File: A Subpool statement applied to this volume.</p>

**TABLE 3-5** REPORT VOLUME Statement Fields

Field	Type Size Summary	Source	Report Heading	Description
MethodUncond MTHUNCOND	bool See notes below. true	LCM	Method UNCOND	Explorer: This volume is externally managed and the External tab of the Methods folder indicated that the Method could not be overridden, or the volume's Method was set using the Method Input File and its entry included the U indicator. Parameter File: This volume's method was assigned using the Uncond keyword. Uncond may be specified for the External or HSCOnly options, and by the U indicator in the Methodfile.
MountDate MDATE	date See notes below. none	HSC	Mount Date	The date the volume was last mounted in an LSM.
Mounted	bool See notes below. true	HSC	Volume Currently Mounted	The volume is currently mounted.
MountTime MTIME	time See notes below. none	HSC	Mount Time	The time of day the volume was last mounted in an LSM.
MVC	bool See notes below. true	MVC	MVC	The volume is a Multiple Volume Cartridge for VSM.
MVCAudit	bool See notes below. true	MVC	MVC Audit	This field is valid only if LCM is running with NCS 6.2 or later. The MVC is either being audited or the audit failed. If the audit failed, VTCS will not use the MVC for migration. To clear this condition, rerun the AUDIT against this MVC.
MVCAvailable MVCAVAILABLE	int 3 none	MVC	MVC %Available	The percentage of the MVC available for use.
MVCBroken	bool See notes below. true	MVC	MVC Broken	This field is valid only if LCM is running with NCS 6.2 or later. The MVC has an error that should be investigated. The error might not make the MVC unusable, but VTCS does not select the MVC for migration for 12 hours after this status has been set to true. After the 12 hour period, the MVC is least preferred for subsequent migrations, and recalls from the MVC can cause VTCS to drain it. This error condition can be accompanied by messages SLS6686, SLS6687, SLS6688, SLS6690 and/or SLS6693. Any of the following conditions can cause this MVC error: MVC corrupted by another job (other than VTCS/VTSS). Attempt to use a read-only MVC for migration. A DDR swap failure. An RTD failure.
MVCConsolidateDate	date See notes below. none	MVC	MVC Consolidate Date	This field is valid only if LCM is running with NCS 6.2 or later. The date on which the MVC was consolidated as recorded by VSM.

**TABLE 3-5** REPORT VOLUME Statement Fields

Field	Type Size Summary	Source	Report Heading	Description
MVCConsolidateTime	time See notes below. none	MVC	MVC Consolidate Time	This field is valid only if LCM is running with NCS 6.2 or later. For a consolidation MVC, this field displays the time of the consolidation.
MVCConsolidation	bool See notes below. true	MVC	MVC Consolidation	This field is valid only if LCM is running with NCS 6.2 or later. The MVC is a consolidation MVC.
MVCDataCheck	bool See notes below. true	MVC	MVC Data Check	This field is valid only if LCM is running with NCS 6.2 or later. A data check was reported for this MVC. VSM will not use this MVC again for migration.
MVCDraining	bool See notes below. true	MVC	MVC Drained	This field is valid only if LCM is running with NCS 6.2 or later. The MVC is being drained because of one of: 1) an automatic drain or demand reclaim, 2) an explicit MVCDRain command, 3) The previous DRAIN request failed, in which case VTCS will not use the MVC for migration. To clear this condition, enter MVCDRain against MVC without the Eject option.
MVCEject	bool See notes below. true	MVC	MVC Eject	This field is valid only if LCM is running with NCS 6.2 or later. The MVC is in the process of eject either because you issued MVCDRainEject or the MVC was ejected for update by a RACROUTE call. The MVC will not be used again for migration or recall. To clear this condition, use MVCDRain against MVC without the Eject option.
MVCExport	bool See notes below. true	MVC	MVC Export	This field is valid only if LCM is running with NCS 6.2 or later. The MVC is an export MVC.
MVCFragmented MVCFRAG	int 3 none	MVC	MVC %Fragmented	The percentage of the MVC that is not available due to fragmentation.
MVCFull	bool See notes below. true	MVC	MVC Full	This field is valid only if LCM is running with NCS 6.2 or later. There is no space available on the MVC.
MVCInitialized	bool See notes below. true	MVC	MVC Initialized	This field is valid only if LCM is running with NCS 6.2 or later. The MVC has been initialized.
MVCInUse	int 3 none	MVC	MVC %In Use	The percentage of the MVC used by valid Virtual Tape Volumes.
MVCInvalidMIR	bool See notes below. true	MVC	MVC Invalid MIR	This field is valid only if LCM is running with NCS 6.2 or later. The MVC has an invalid MIR.
MVCLastDrainReclaimDate	date 10	VTCS	MVC Drain/Reclaim	Date the MVC was last drained or reclaimed.

**TABLE 3-5** REPORT VOLUME Statement Fields

<b>Field</b>	<b>Type Size Summary</b>	<b>Source</b>	<b>Report Heading</b>	<b>Description</b>
MVCLastDrainReclaimTime	time 8	VTCS	MVC Drain/Reclaim	Time the MVC was last drained or reclaimed.
MVCLost	bool See notes below. true	MVC	MVC Lost	This field is valid only if LCM is running with NCS 6.2 or later. The MVC was not mounted in response to the last mount request. The MVC can still be used for migration, but will not select the MVC for migration for 12 hours after it is marked lost. After the 12 hour period, the MVC will be least preferred. This condition will clear itself the next time that the MVC is mounted.
MVCMaximumReached	bool See notes below. true	MVC	MVC Maximum VTVs	This field is valid only if LCM is running with NCS 6.2 or later. The MVC has reached the maximum VTVs per MVC.
MVCMediaSize	int 9 sum	MVC	MVC Media Size (MB)	This field is valid only if LCM is running with NCS 6.2 or later. The size in MB of the MVC. This is determined only after VTCS has used an MVC. "UNKNOWN" appears in this field until VTCS migrates a VTV to the MVC.
MVCMountDate	date See notes below. none	MVC	Mount MVC Date	This field is valid only if LCM is running with NCS 6.2 or later. The date on which the MVC was mounted, as recorded by VTSS.
MVCMountTime	time See notes below. none	MVC	MVC Mount Time	This field is valid only if LCM is running with NCS 6.2 or later. The time the MVC was last mounted, as recorded by VTSS.
MVCPoolName	char (alternate) 13 none	MVC	MVC Pool Name	This field is valid only if LCM is running with NCS 6.2 or later. MVC Pool Name from the VTCS MVCPOOL control statement.
MVCProtected	bool	VTCS	MVC Protected	MVC is in VTCS protected status.
MVCReadOnly	bool See notes below. true	MVC	MVC Read Only	This field is valid only if LCM is running with NCS 6.2 or later. The MVC has been marked read-only.
MVCRetired	bool See notes below. true	MVC	MVC Retired	This field is valid only if LCM is running with NCS 6.2 or later. The MVC is retired. VTCS will recall from, but not migrate to, the MVC. Replace the MVC as soon as possible.
MVCStorageClass MVCSTORCLASS STORAGECLASS STORCLAS	char 8 none	MVC	MVC Storage Class	This field is valid only if LCM is running with NCS 6.2 or later. The VTCS Storage Class for the volume.
MVCUsableForMigration	bool See notes below. true	MVC	MVC Usable Migration	This field is valid only if LCM is running with NCS 6.2 or later. Indicates whether the MVC can be used for migration.

**TABLE 3-5** REPORT VOLUME Statement Fields

<b>Field</b>	<b>Type Size Summary</b>	<b>Source</b>	<b>Report Heading</b>	<b>Description</b>
MVCUsed ed MVCTimesMount	int 9 sum	MVC	MVC Used (MB)	The number of times the MVC has been mounted.
MVCVLEName	char 8	VTCS	MVC VLE Name	The Virtual Library Extension subsystem in which the MVC resides.
MVCVirtual	bool	VTCS	MVC Virtual	Indicates whether the MVC is virtual (exists as an image in a Virtual Library Extension subsystem).
MVCVTSS	char 8 none	MVC	MVC VTSS Last Mounted	This field is valid only if LCM is running with NCS 6.2 or later. VTSS name where the MVC was last used.
MVCVTVCount MVCVTVCNT	int 4 sum	MVC_VTV	MVC VTV Count	The number of valid Virtual Tape Volumes on the MVC.
MVCWarrantyExpired	bool See notes below. true	MVC	MVC Warranty Expired	This field is valid only if LCM is running with NCS 6.2 or later. The MVC's warranty has expired. VTCS continues to use the MVC. You should start making plans to replace the MVC when it reaches Retired state.
NonScratch NONSCR	bool See notes below. true	HSC, TMS	Non- Scratch	The volume is not classified as a scratch volume.
Notuseable NOUSE	bool See notes below. true	HSC	Not Useable	The HSC has marked this volume as not useable.
OnPullList ONPL	bool See notes below. true	LCM	On Pull List	The volume is on a Pull List.
OverMaxClean OverHSCMAXCLN	bool See notes below. true	HSC	Over MAXCLN	The cleaning cartridge has exceeded its maximum usage count.
PermanentReadErrors	int 5 sum	TMS	Permanent Read Errors	The number of permanent read errors for the volume.
PermanentWriteErrors	int 5 sum	TMS	Permanent Write Errors	The number of permanent write errors for the volume.
PlannedACSID PACSID	char (alternate) 2 none	LCM	Planned ACS ID	The ACS ID LCM has determined the volume should be in at the end of the LCM run. This is planned only. Check the ActionStatus field to determine if this is the final ACS ID.
PlannedLSMGroup PLSMGRP	char (alternate) 10 none	LCM	Planned LSM Group	The LSM Group LCM has determined the volume should be in at the end of the LCM run. This is planned only. Check the ActionStatus field to determine if this is the final LSM Group.
PlannedLSMID PLSMID	char (alternate) 5 none	LCM	Planned LSM ID	The LSM ID LCM has determined the volume should be in at the end of the LCM run. This is planned only. Check the ActionStatus field to determine if this is the final LSM ID.

**TABLE 3-5** REPORT VOLUME Statement Fields

<b>Field</b>	<b>Type Size Summary</b>	<b>Source</b>	<b>Report Heading</b>	<b>Description</b>
PlannedLSMName PLSMNAME	char (alternate) 10 none	LCM	Planned LSM Name	The LSM Name LCM has determined the volume should be in at the end of the LCM run. This is planned only. Check the ActionStatus field to determine if this is the final LSM Name.
PullListName PLNAME	char (alternate) 10 none	LCM	Pull List Name	The name of the Pull List for the volume.
RecordingTechnique RecTech	char 8 none	HSC	Recording Technique	The recording technique associated with a volume's media This is the method used to record data tracks on the tape surface for the volume.
ReferenceDate RDATE	date See notes below. none	HSC, TMS	Reference Date	The date of last reference for the volume. This is the value used by LCM. The first available field of the following determines the reference date: ReferenceTMSDate, ReferenceMVCDate, ReferenceVTVDate, MountDate, SelectDate. If all volumes of a multi-volume data set are covered by the same Management Method, the most recent reference date for any volume will be used by LCM for all volumes in the multi-volume data set.
ReferenceMVCDate RMDATE	date See notes below. none	MVC	Reference MVC Date	The date on which the MVC was last referenced, as recorded by VSM.
ReferenceTMSDate RTDATE	date See notes below. none	TMS	Reference TMS Date	The date of the last reference, as recorded in the associated tape management system, for volumes being treated as a unit (Multi-volume support).
ReferenceVTVDate RVDATE	date See notes below. none	VTV	Reference VTV Date	The date on which the VTV was last referenced, as recorded by VSM.
ReferenceVTVTime RVTIME	time See notes below. none	VTV	Reference VTV Time	The time of day the volume was last referenced, as recorded by VSM.
RunDate	date 10	LCM	Run Date	Start date for LCM run.
RunName	char (alternate) 10 none	LCM	Run Name	The name of the Run object from the JCL EXEC statement Run PARM.
RunTime	time 8	LCM	Run Time	Start time for LCM run.
RunType	char (alternate) 10 none	LCM	Run Type	The RunType from the JCL EXEC statement RunType PARM.
Scratch SCR	bool See notes below. true	HSC, MVC, Open, TMS, VTV	Scratch	The volume is classified as a scratch volume by LCM.
Scratched SCRED	bool See notes below. true	LCM	Scratched	LCM marked the volume as scratch in the HSC or VSM.
SelectCount SCOUNT	int 5 none	HSC	Select Count	The number of times the volume has been selected by the HSC.

**TABLE 3-5** REPORT VOLUME Statement Fields

<b>Field</b>	<b>Type Size Summary</b>	<b>Source</b>	<b>Report Heading</b>	<b>Description</b>
SelectDate SDATE	date See notes below. none	HSC	Select Date	The date the volume was last selected in an LSM.
Selected	bool See notes below. true	HSC	Volume Currently Selected	The volume is currently selected.
SelectTime STIME	time See notes below. none	HSC	Select Time	The time of day the volume was selected by the HSC.
Serial SER VOL VOLSER VOLUME	char 6 none	HSC, MVC, TMS, VTV	Volume Serial	The 6-character identifier of a tape volume.
Serial1 SER1	char 6 none	TMS	First Serial	The 6-character identifier of the first volume of the volume set associated with this volume.
SL8500Cell	char 24 none	HSC	SL8500 Cell	The physical cell location of a volume that resides in an SL8500 library. The value of this field is missing for volumes that do not reside in an SL8500.
Slot	char 8 none	TMS	Slot	The value assigned to a tape volume by the tape management system to pinpoint the storage place for the volume.
Subpool SP	char (alternate) 16 none	LCM	Subpool	The name of the Subpool managing a group of volume serial numbers. This is defined in the LCM Subpool object (Explorer) or Subpool statement (Parameter File).
SubpoolId SPID	char (alternate) 13 none	HSC	Subpool ID	Volume subpool ID from the HSC. This will be the 13-character name of the pool if using HSC SCRPOOL statements, or the 3-digit subpool index number if using SLSUX03.
SubpoolLabelType SPLBLTYP	char (alternate) 3 none	HSC	Subpool Label Type	Volume subpool label type from the HSC.
TapeGroup TG	char (alternate) 25 none	LCM	Tape Group	The name of the tape group of a volume. Explorer: This is defined on the Media tab of the Subpool object. Parameter File: This is defined in the Media parameter of the Subpool statement.
TemporaryReadErrors	int 5 sum	TMS	Temporary Read Errors	The number of temporary read errors for the volume.
TemporaryWriteErrors	int 5 sum	TMS	Temporary Write Errors	The number of temporary write errors for the volume.
TM#Dsnbs	int 3 none	CA1	CA1 Number DSN Blocks	CA-1-specific number of data set name blocks.



**TABLE 3-5** REPORT VOLUME Statement Fields

Field	Type Size Summary	Source	Report Heading	Description
TM128trk	bool See notes below. true	CA1	CA1 Trtch Tm128trk	CA-1-specific recording technique. x'E8' indicates Trk 3590 cartridge tape.
TM18trk	bool See notes below. true	CA1	CA1 Trtch Tm18trk	CA-1-specific recording technique. x'C0' indicates 3480 cartridge tape - 18 tracks.
TM3590	bool See notes below. true	CA1	CA1 Den TM3590	CA-1-specific recording density. x'E8' indicates 3590 cartridge tape.
TM36Trk	bool See notes below. true	CA1	CA1 Trtch Tm36trk	CA-1-specific recording technique. x'E0' indicates 3490 cartridge tape - 36 tracks.
TM36trk2	bool See notes below. true	CA1	CA1 Trtch Tm36trk2	CA-1-specific recording technique. x'E1' indicates 3490E cartridge tape - 36 tracks (extended length).
TM38000	bool See notes below. true	CA1	CA1 Den TM38000	CA-1-specific recording density. x'E3' indicates 38K bpi (cartridge).
TM38KC	bool See notes below. true	CA1	CA1 Den TM38KC	CA-1-specific recording density. x'E7' indicates 38K bpi (cartridge-compacted).
TM9trk	bool See notes below. true	CA1	CA1 Trtch Tm9trk	CA-1-specific recording technique. x'80' indicates nine track tape.
TMAabend	bool See notes below. true	CA1	CA1 Flag1 TMAabend	CA-1-specific internal flag bit x'10'. Volume closed by abend.
TMActv11	char 5 none	CA1	CA1 Actv11	CA-1-specific actual internal volser
TMActv12	char 1 none	CA1	CA1 Actv12	CA-1-specific actual internal volser
TMAcvoli	bool See notes below. true	CA1	CA1 Flag4 TMAcvoli	CA-1-specific internal flag4 bit x'40'. Actual volser in use.
TMAdsnb	int 8 none	CA1	CA1 Address First DSNB	CA-1-specific address (relative to BASE in TMSCTL#2) of first DSNB record associated with this volume record.
TMAldsnb	int 8 none	CA1	CA1 Address Last DSNB	CA-1-specific address (relative to BASE in TMSCTL#2) of last DSNB record associated with this volume record.
TMB1Dis	int 9 none	CA1	CA1 B1Dis	CA-1-specific B1 security disclosure label.
TMB1Int	int 9 none	CA1	CA1 B1Int	CA-1-specific B1 security integrity label.
TMBadtap	bool See notes below. true	CA1	CA1 Flag3 TMBadtap	CA-1-specific internal flag3 bit x'80'. CA- 9/R+ indicated bad tape, do not mount for scratch.

**TABLE 3-5** REPORT VOLUME Statement Fields

<b>Field</b>	<b>Type Size Summary</b>	<b>Source</b>	<b>Report Heading</b>	<b>Description</b>
TMBlkcnt	int 10 none	CA1	CA1 Block Count	CA-1-specific data set block count.
TMBlksi	int 5 none	CA1	CA1 Block Size	CA-1-specific maximum block size.
TMBthdt	date See notes below. none	CA1	CA1 Birth Date	CA-1-specific date tape was first used.
TMCatlog	bool See notes below. true	CA1	CA1 Flag2 TmCatlog	CA-1-specific internal flag2 bit x'80'. Data set was on MVS catalog.
TMClean	bool See notes below. true	CA1	CA1 Flag1 TmClean	CA-1-specific internal flag bit x'08'. Volume listed to be cleaned.
TMClnct	int 3 none	CA1	CA1 Clean Count	CA-1-specific number of times tape cleaned.
TMClosed	bool See notes below. true	CA1	CA1 Flag1 TmClosed	CA-1-specific internal flag bit x'40'. Volume closed normally.
TMCpgm	char 8 none	CA1	CA1 Create PGM	CA-1-specific creating program name.
TMCrtdt	date See notes below. none	CA1	CA1 Create Date	CA-1-specific creation date.
TMCrtti	time See notes below. none	CA1	CA1 Create Time	CA-1-specific creation time.
TMCruni	char (alternate) 4 none	CA1	CA1 Create Unit	CA-1-specific address of creation unit.
TMDatcln	date See notes below. none	CA1	CA1 Last Clean Date	CA-1-specific date tape was last cleaned.
TMDdname	char 8 none	CA1	CA1 Create Ddname	CA-1-specific creating ddname.
TMDegau	bool See notes below. true	CA1	CA1 Flag4 Degaussed	CA-1-specific internal flag4 bit x'10'. Tape has been degaussed.
TMDelet	bool See notes below. true	CA1	CA1 Flag1 Deleted	CA-1-specific internal flag bit x'02'. Volume in delete (inactive) status
TMDen	char (alternate) 2 none	CA1	CA1 Recording Density	CA-1-specific recording density.
TMDfault	bool See notes below. true	CA1	CA1 Flag1 Tmdfault	CA-1-specific internal flag bit x'01'. Volume eligible for RDS override.
TMDfexu	bool See notes below. true	CA1	CA1 Flag3 Tmdfexu	CA-1-specific internal flag3 bit x'04'. Default expiration date used at open output.

**TABLE 3-5** REPORT VOLUME Statement Fields

Field	Type Size Summary	Source	Report Heading	Description
TMDsn	char 44 none	CA1	CA1 Data Set Name	CA-1-specific data set name.
TMDsn17	char 17 none	CA1	CA1 DSN17	CA-1-specific last 17 bytes of dsn.
TMDynam	bool See notes below. true	CA1	CA1 Flag3 TmDynam	CA-1-specific internal flag3 bit x'10'. Controlled by CA-DYNAM/T.
TMEcatlg	bool See notes below. true	CA1	CA1 Flag2 TmEcatlg	CA-1-specific internal flag2 bit x'08'. Expired from catalog control (TMSCTLG).
TMEcycle	bool See notes below. true	CA1	CA1 Flag2 TmEcycle	CA-1-specific internal flag2 bit x'04'. Expired from cycle control (TMSCYCLE).
TMEdmid	char 4 none	CA1	CA1 EDM ID	CA-1-specific external data manager id.
TMEdmtp	bool See notes below. true	CA1	CA1 Flag3 TmEdmtp	CA-1-specific internal flag3 bit x'20'. Controlled by external data manager.
TMEldate	bool See notes below. true	CA1	CA1 Flag2 TmEldate	CA-1-specific internal flag bit x'02'. Expired from LDATE control (TMSCLEAN).
TMErase	bool See notes below. true	CA1	CA1 Flag3 TmErase	CA-1-specific internal flag3 bit x'08'. Data set erase required.
TMEsms	bool See notes below. true	CA1	CA1 Flag4 TmEsms	CA-1-specific internal flag4 bit x'80'. Tape expired by SMS max retention rules.
TMEtms	bool See notes below. true	CA1	CA1 Flag2 TmEtms	CA-1-specific internal flag bit x'01'. Expired by TMS.
TMEpdt	date See notes below. none	CA1	CA1 Expire Date	CA-1-specific expiration date.
TMFilpy	bool See notes below. true	CA1	CA1 Flag3 TmFilpy	CA-1-specific internal flag3 bit x'01'. Created by CA-1/Copycat.
TMFlag1	char (alternate) 2 none	CA1	CA1 Flag1	CA-1-specific internal flag byte.
TMFlag2	char (alternate) 2 none	CA1	CA1 Flag2	CA-1-specific internal flag byte.
TMFlag3	char (alternate) 2 none	CA1	CA1 Flag3	CA-1-specific internal flag byte.
TMFlag4	char (alternate) 2 none	CA1	CA1 Flag4	CA-1-specific internal flag byte.
TMFlag5	char (alternate) 2 none	CA1	CA1 Flag5	CA-1-specific internal flag byte.

**TABLE 3-5** REPORT VOLUME Statement Fields

Field	Type Size Summary	Source	Report Heading	Description
TMFlag6	char (alternate) 2 none	CA1	CA1 Flag6	CA-1-specific internal flag byte.
TMFrsvol	char 6 none	CA1	CA1 First Serial	CA-1-specific first volser of data set.
TMIntal	bool See notes below. true	CA1	CA1 Flag1 TmIntal	CA-1-specific internal flag1 bit x'80'. Internal field changed by user.
TMInuse	bool See notes below. true	CA1	CA1 Flag4 TmInuse	CA-1-specific internal flag4 bit x'02'. Tape is in use for RTS (Real Time Stacking).
TMlscat	bool See notes below. true	CA1	CA1 Flag4 Tmlscat	CA-1-specific internal flag4 bit x'08'. File on OS catalog.
TMJobnm	char 8 none	CA1	CA1 Creating Job Name	CA-1-specific creating job name.
TMLasusd	date See notes below. none	CA1	CA1 Last Used	CA-1-specific date last used.
TMLasusj	char 8 none	CA1	CA1 Last Job	CA-1-specific job name which last used volume.
TMLasust	time See notes below. none	CA1	CA1 Last Time	CA-1-specific time last used.
TMLpgm	char 8 none	CA1	CA1 Last PGM	CA-1-specific last used program name.
TMLrecl	int 5 none	CA1	CA1 LRECL	CA-1-specific logical record length.
TMLtype	char 3 none	CA1	CA1 Label	CA-1-specific tape label type. One of SL, SUL, NL, NSL, BLP, AL1, AU1, AL3, AU3.
TMNostak	bool See notes below. true	CA1	CA1 Flag4 TmNostak	CA-1-specific internal flag4 bit x'01'. No further stacking allowed.
TMNrs	bool See notes below. true	CA1	CA1 Flag4 TmNrs	CA-1-specific internal flag4 bit x'04'. Non-resident tape.
TMNxtVol	char 6 none	CA1	CA1 Next Serial	CA-1-specific next volser of data set.
TMOutar	char 4 none	CA1	CA1 Outcode	CA-1-specific location id of out-of-area tape.
TMOutdat	date See notes below. none	CA1	CA1 Outdate	CA-1-specific date tape was marked out-of-area.
TMOOutput	bool See notes below. true	CA1	CA1 Flag2 TmOutput	CA-1-specific internal flag2 bit x'40'. Volume opened for output.

**TABLE 3-5** REPORT VOLUME Statement Fields

<b>Field</b>	<b>Type Size Summary</b>	<b>Source</b>	<b>Report Heading</b>	<b>Description</b>
TMPerrrc	int 5 none	CA1	CA1 Perm Read Since Clean	CA-1-specific number of permanent read errors since cleaned.
TMPerrri	int 5 none	CA1	CA1 Perm Read Since Init	CA-1-specific number of permanent read errors since initialized.
TMPrvvol	char 6 none	CA1	CA1 Previous Serial	CA-1-specific previous volser of data set.
TMPwerrc	int 5 none	CA1	CA1 Perm Write Since Clean	CA-1-specific number of permanent write errors since cleaned.
TMPwerrri	int 5 none	CA1	CA1 Perm Write Since Init	CA-1-specific number of permanent write errors since initialized.
TMRecfm	char 3 none	CA1	CA1 RECFM	CA-1-specific record format. One of V, VA, VS, VB, VBM, VBA, VBS, F, FM, FA, FS, FB, FBM, FBA, FBS, U.
TMRedwd1	bool See notes below. true	CA1	CA1 Trtch TmRedwd1	CA-1-specific recording technique. x'E4' indicates Redwood 12.5G capacity.
TMRedwd2	bool See notes below. true	CA1	CA1 Trtch TmRedwd2	CA-1-specific recording technique. x'E5' indicates Redwood 25G capacity.
TMRedwd3	bool See notes below. true	CA1	CA1 Trtch TmRedwd3	CA-1-specific recording technique. x'E6' indicates Redwood 50G capacity.
TMRelevm	bool See notes below. true	CA1	CA1 Flag3 TmRelevm	CA-1-specific internal flag3 bit x'40'. Tape released by external vault manager.
TMReuse	bool See notes below. true	CA1	CA1 Flag2 TmReuse	CA-1-specific internal flag2 bit x'20'. Data set recreated.
TMRobid	int 2 none	CA1	CA1 Robid	CA-1-specific robotic device indicator.
TMRobty	int 2 none	CA1	CA1 Robty	CA-1-specific tape in robotic device.
TMSBad	bool See notes below. true	Open, TMS	TMS Bad	The volume has been marked defective in the tape management system.
TMScrsch	bool See notes below. true	CA1	CA1 Flag1 Scratch	CA-1-specific internal flag bit x'04'. Volume in scratch status.
TMSExpired	bool See notes below. true	Open, TMS	TMS Expired	The volume is marked expired in the tape management system.
TMSlot	char 8 none	CA1	CA1 Slot	CA-1-specific vault slot number.
TMSmsmc	char 8 none	CA1	CA1 SMS Mgt Class	CA-1-specific SMS management class.

**TABLE 3-5** REPORT VOLUME Statement Fields

<b>Field</b>	<b>Type Size Summary</b>	<b>Source</b>	<b>Report Heading</b>	<b>Description</b>
TMSName	char (alternate) 10 none	LCM	TMS Name	The name of the tape management system defined on the TMS statement.
TMSReel	bool See notes below. true	Open, TMS	TMS Reel	The volume is marked as a 9-track reel tape in the tape management system.
TMSScratch TMSSCR	bool See notes below. true	TMS	TMS Scratch	The tape management system has the scratch flag set for this volume.
TMStack	bool See notes below. true	CA1	CA1 Flag5 TmStack	CA-1-specific internal flag5 bit x'80'. Tape has been used by RTS.
TMStpnam	char 8 none	CA1	CA1 Creating Step	CA-1-specific creating step name.
TMSUse	int 5 none	Open, TMS	TMS Use Count	The number of times the volume has been used.
TMTempds	bool See notes below. true	CA1	CA1 Flag2 Temp DS	CA-1-specific internal flag2 bit x'10'. Temporary data set.
TMTrerrc	int 5 none	CA1	CA1 Temp Read Since Clean	CA-1-specific number of temporary read errors since cleaned.
TMTrerri	int 5 none	CA1	CA1 Temp Read Since Init	CA-1-specific number of temporary read errors since initialized.
TMTrtch	char (alternate) 2 none	CA1	CA1 TRTCH	CA-1-specific recording technique.
TMTwerrc	int 5 none	CA1	CA1 Temp Write Since Clean	CA-1-specific number of temporary write errors since cleaned.
TMTwerri	int 5 none	CA1	CA1 Temp Write Since Init	CA-1-specific number of temporary write errors since initialized.
TMUcount	int 5 none	CA1	CA1 Uses Since Birth	CA-1-specific number of times tape opened since birthdate.
TMUltif	bool See notes below. true	CA1	CA1 Flag3 TmUltif	CA-1-specific internal flag3 bit x'02'. Additional files exist in volume set.
TMUupdate	bool See notes below. true	CA1	CA1 Flag1 TmUpdate	CA-1-specific internal flag bit x'20'. Volume record updated by user.
TMUsecln	int 2 none	CA1	CA1 Uses Since Clean	CA-1-specific use count at last cleaning.
TMUser TMAcct	char 50 none	CA1	CA1 Acct	CA-1-specific user job accounting area.
TMUsuni	char (alternate) 4 none	CA1	CA1 Last Unit	CA-1-specific address of unit last used.

**TABLE 3-5** REPORT VOLUME Statement Fields

<b>Field</b>	<b>Type Size Summary</b>	<b>Source</b>	<b>Report Heading</b>	<b>Description</b>
TMVabatch	int 2 none	CA1	CA1 Batchid	CA-1-specific id of last CA-1 program to update record.
TMVacode	int 2 none	CA1	CA1 Aucode	CA-1-specific audit code.
TMVacpu	char 4 none	CA1	CA1 CPU ID	CA-1-specific id of CPU used for last update.
TMVadate	date See notes below. none	CA1	CA1 Last Update Date	CA-1-specific date of last update.
TMVaflg1	int 3 none	CA1	CA1 Auflag1	CA-1-specific audit flag.
TMVahook	int 3 none	CA1	CA1 Hookid	CA-1-specific id of last intercept to update record.
TMVatime	time See notes below. none	CA1	CA1 Last Update Time	CA-1-specific time of last update.
TMVauser	char 8 none	CA1	CA1 Userid	CA-1-specific id of last user to update record.
TMVendor	char 8 none	CA1	CA1 Vendor	CA-1-specific tape vendor name.
TMVolsq	int 3 none	CA1	CA1 Seq Num	CA-1-specific volume sequence number.
TMVolser	char 6 none	CA1	CA1 Volume Serial	CA-1-specific volume serial number.
TMVsr	bool See notes below. true	CA1	CA1 Flag4 TmVsr	CA-1-specific internal flag4 bit x'20'. Vault specific request.
Unscratched UNSCRED	bool See notes below. true	LCM	Unscratched	LCM marked the volume as not scratch in the HSC or VSM.
UserBool1	bool See notes below. true	Custom, Open	User-Defined Boolean Field 1	User-defined Boolean field for a volume.
UserBool10	bool See notes below. true	Custom, Open	User-Defined Boolean Field 10	User-defined Boolean field for a volume.
UserBool2	bool See notes below. true	Custom, Open	User-Defined Boolean Field 2	User-defined Boolean field for a volume.
UserBool3	bool See notes below. true	Custom, Open	User-Defined Boolean Field 3	User-defined Boolean field for a volume.
UserBool4	bool See notes below. true	Custom, Open	User-Defined Boolean Field 4	User-defined Boolean field for a volume.

**TABLE 3-5** REPORT VOLUME Statement Fields

<b>Field</b>	<b>Type Size Summary</b>	<b>Source</b>	<b>Report Heading</b>	<b>Description</b>
UserBool5	bool See notes below. true	Custom, Open	User-Defined Boolean Field 5	User-defined Boolean field for a volume.
UserBool6	bool See notes below. true	Custom, Open	User-Defined Boolean Field 6	User-defined Boolean field for a volume.
UserBool7	bool See notes below. true	Custom, Open	User-Defined Boolean Field 7	User-defined Boolean field for a volume.
UserBool8	bool See notes below. true	Custom, Open	User-Defined Boolean Field 8	User-defined Boolean field for a volume.
UserBool9	bool See notes below. true	Custom, Open	User-Defined Boolean Field 9	User-defined Boolean field for a volume.
UserChar1	char 20 none	Custom, Open	User-Defined Character Field 1	User-defined character field for a volume.
UserChar10	char 20 none	Custom, Open	User-Defined Character Field 10	User-defined character field for a volume.
UserChar2	char 20 none	Custom, Open	User-Defined Character Field 2	User-defined character field for a volume.
UserChar3	char 20 none	Custom, Open	User-Defined Character Field 3	User-defined character field for a volume.
UserChar4	char 20 none	Custom, Open	User-Defined Character Field 4	User-defined character field for a volume.
UserChar5	char 20 none	Custom, Open	User-Defined Character Field 5	User-defined character field for a volume.
UserChar6	char 20 none	Custom, Open	User-Defined Character Field 6	User-defined character field for a volume.
UserChar7	char 20 none	Custom, Open	User-Defined Character Field 7	User-defined character field for a volume.
UserChar8	char 20 none	Custom, Open	User-Defined Character Field 8	User-defined character field for a volume.
UserChar9	char 20 none	Custom, Open	User-Defined Character Field 9	User-defined character field for a volume.
UserDate1	date See notes below. none	Custom, Open	User-Defined Date Field 1	User-defined date field for a volume.
UserDate10	date See notes below. none	Custom, Open	User-Defined Date Field 10	User-defined date field for a volume.
UserDate2	date See notes below. none	Custom, Open	User-Defined Date Field 2	User-defined date field for a volume.



**TABLE 3-5** REPORT VOLUME Statement Fields

<b>Field</b>	<b>Type Size Summary</b>	<b>Source</b>	<b>Report Heading</b>	<b>Description</b>
UserDate3	date See notes below. none	Custom, Open	User-Defined Date Field 3	User-defined date field for a volume.
UserDate4	date See notes below. none	Custom, Open	User-Defined Date Field 4	User-defined date field for a volume.
UserDate5	date See notes below. none	Custom, Open	User-Defined Date Field 5	User-defined date field for a volume.
UserDate6	date See notes below. none	Custom, Open	User-Defined Date Field 6	User-defined date field for a volume.
UserDate7	date See notes below. none	Custom, Open	User-Defined Date Field 7	User-defined date field for a volume.
UserDate8	date See notes below. none	Custom, Open	User-Defined Date Field 8	User-defined date field for a volume.
UserDate9	date See notes below. none	Custom, Open	User-Defined Date Field 9	User-defined date field for a volume.
UserInt1	int 7 none	Custom, Open	User-Defined Integer Field 1	User-defined integer field for a volume.
UserInt10	int 7 none	Custom, Open	User-Defined Integer Field 10	User-defined integer field for a volume.
UserInt2	int 7 none	Custom, Open	User-Defined Integer Field 2	User-defined integer field for a volume.
UserInt3	int 7 none	Custom, Open	User-Defined Integer Field 3	User-defined integer field for a volume.
UserInt4	int 7 none	Custom, Open	User-Defined Integer Field 4	User-defined integer field for a volume.
UserInt5	int 7 none	Custom, Open	User-Defined Integer Field 5	User-defined integer field for a volume.
UserInt6	int 7 none	Custom, Open	User-Defined Integer Field 6	User-defined integer field for a volume.
UserInt7	int 7 none	Custom, Open	User-Defined Integer Field 7	User-defined integer field for a volume.
UserInt8	int 7 none	Custom, Open	User-Defined Integer Field 8	User-defined integer field for a volume.
UserInt9	int 7 none	Custom, Open	User-Defined Integer Field 9	User-defined integer field for a volume.
UserTime1	time See notes below. none	Custom, Open	User-Defined Time Field 1	User-defined time field for a volume.

**TABLE 3-5** REPORT VOLUME Statement Fields

<b>Field</b>	<b>Type Size Summary</b>	<b>Source</b>	<b>Report Heading</b>	<b>Description</b>
UserTime10	time See notes below. none	Custom, Open	User-Defined Time Field 10	User-defined time field for a volume.
UserTime2	time See notes below. none	Custom, Open	User-Defined Time Field 2	User-defined time field for a volume.
UserTime3	time See notes below. none	Custom, Open	User-Defined Time Field 3	User-defined time field for a volume.
UserTime4	time See notes below. none	Custom, Open	User-Defined Time Field 4	User-defined time field for a volume.
UserTime5	time See notes below. none	Custom, Open	User-Defined Time Field 5	User-defined time field for a volume.
UserTime6	time See notes below. none	Custom, Open	User-Defined Time Field 6	User-defined time field for a volume.
UserTime7	time See notes below. none	Custom, Open	User-Defined Time Field 7	User-defined time field for a volume.
UserTime8	time See notes below. none	Custom, Open	User-Defined Time Field 8	User-defined time field for a volume.
UserTime9	time See notes below. none	Custom, Open	User-Defined Time Field 9	User-defined time field for a volume.
VaultAssignmentDate	date See notes below. none	HSC	Vault Assignment Date	The Date the volume was first assigned to the External Vault.
VaultAssignmentTime	time See notes below. none	HSC	Vault Assignment Time	Time the volume was first assigned to the External Vault.
VaultName	char 8 none	HSC	Vault Name	The name of the vault.
VaultReturnDate	date See notes below. none	HSC	Vault Return Date	The Date the volume can be returned to the External Vault.
VaultReturnTime	time See notes below. none	HSC	Vault Return Time	Time the volume can be returned to the External Vault.
VaultSlot	char 10 none	HSC	Vault Slot	The assigned External Vault Slot value.
VolumeSequenceNumber VOLSEQ	int 3 none	TMS	Seq Num	The volume sequence number of the volume.
VTV	bool See notes below. true	VTV	VTV	The volume is a Virtual Tape Volume (VTV), as reported by VSM.

**TABLE 3-5** REPORT VOLUME Statement Fields

Field	Type Size Summary	Source	Report Heading	Description
VTVCompressionPercentage	int 2 avg	VTV	VTV Compression Percentage	This field is valid only if LCM is running with NCS 6.2 or later. This is the difference between the uncompressed and compressed VTV size expressed as a percentage of the uncompressed VTV size. For example, if a 100MB VTV compresses to 40MB, then the compression percentage will be given as 60%. A compression of 0% indicates that no compression was possible on the VTV.
VTVConsolidated	bool See notes below. true	VTV	VTV Consolidated	This field is valid only if LCM is running with NCS 6.2 or later. Indicates whether a VTV is currently consolidated.
VTVCopyTapePlex1	char 8 none	VTV	VTV Copy TapePlex 1	The first copy TapePlex for this VTV.
VTVCopyTapePlex2	char 8 none	VTV	VTV Copy TapePlex 2	The second copy TapePlex for this VTV.
VTVDuplexed	bool See notes below. true	VTV	VTV Duplexed	The VTV has at least 2 copies.
VTVEExportRejected1	bool	VTCS	VTV EExport Rejected1	Indicates whether the EExport to TapePlex1 was rejected.
VTVEExportRejected2	bool	VTCS	VTV EExport Rejected2	Indicates whether the EExport to TapePlex2 was rejected.
VTVEExportStatus	char 12	VTCS	VTV EExport Status	EExport Status of VTV
VTVEExportTapePlex1	char 8	VTCS	VTV EExport TapePlex1	The first EExport TapePlex for this VTV.
VTVEExportTapePlex12	char 8	VTCS	VTV EExport TapePlex2	The second EExport TapePlex for this VTV.
VTVFenced	bool See notes below. true	VTV	VTV Fenced	This field is valid only if LCM is running with NCS 6.2 or later. The VTV's state is unknown to VTSS.
VTVInitialized	bool See notes below. true	VTV	VTV Initialized	This field is valid only if LCM is running with NCS 6.2 or later. The VTV has been initialized by VTSS.
VTVInvalid VTVDEL VTVDELETED VTVINV	bool See notes below. true	VTV	VTV Invalid	The VTV is invalid in VSM.
VTVManagementClass VTVMGMTCLAS VTVMGTCLASS	char 8 none	VTV	VTV Management Class	The VSM management class for the VTV.
VTVMaximumSize	int 4 none	VTV	VTV Maximum Size (MB)	This field is valid only if LCM is running with NCS 6.2 or later. The maximum size of the VTV in megabytes.
VTVMigrated VTVMIG	bool See notes below. true	VTV	VTV Migrated	The VTV is migrated in VSM.

**TABLE 3-5** REPORT VOLUME Statement Fields

<b>Field</b>	<b>Type Size Summary</b>	<b>Source</b>	<b>Report Heading</b>	<b>Description</b>
VTVMounted VTVMNTD	bool See notes below. true	VTV	VTV Mounted	The VTV is mounted according to VSM.
VTVMVCID1	char 6 none	VTV	VTV MVC1	The MVC volser on which the VTV resides.
VTVMVCID2	char 6 none	VTV	VTV MVC2	The MVC volser on which a duplicate or consolidation copy of the VTV resides. Note: If the VTV is consolidated during an LCM run, the value of this field will be updated after the consolidation is performed. The POSTACTION value will reflect the consolidation MVC for this VTV.
VTVMVCID3	char 6 none	VTV	VTV MVC3	The MVC volser on which a duplicate or consolidation copy of the VTV resides.
VTVMVCID4	char 6 none	VTV	VTV MVC4	The MVC volser on which a duplicate or consolidation copy of the VTV resides.
VTVNewCreate	bool See notes below. true	VTV	VTV Newly Created	This field is valid only if LCM is running with NCS 6.2 or later. Indicates whether the VTV was newly created when it was last resident.
VTVOwningTapePlex	char 8 none	VTV	VTV Owning TapePlex	The owning TapePlex for this VTV.
VTVPageSize	char 8 none	VTV	VTV Page Size	The VTV Page Size  Large  Standard
VTVRecallDate	date See notes below. none	VTV	VTV Recall Date	This field is valid only if LCM is running with NCS 6.2 or later. Date VTV was recalled to the VTSS buffer.
VTVRecallTime	time See notes below. none	VTV	VTV Recall Time	This field is valid only if LCM is running with NCS 6.2 or later. Time VTV was recalled to the VTSS buffer.
VTVReplicationStatus	char 20	VTCS	VTV Replication Status	Status of VTV replication.
VTVReplicaVTSS	char 8	VTCS	VTV Replica VTSS	VTSS used for replication.
VTVResident	bool See notes below. true	VTV	VTV Resident	This field is valid only if LCM is running with NCS 6.2 or later. Indicates whether a VTV is resident in a VTSS.
VTVResidentDate	date 10	VTCS	VTV Resident Date	Date VTV was last resident in the VTSS buffer. This may be the number of days since the VTV was created or the last time it was recalled to the buffer
VTVScratch VTVSCR	bool See notes below. true	VTV	VTV Scratch	The VTV is scratch, as recorded by VSM.

**TABLE 3-5** REPORT VOLUME Statement Fields

<b>Field</b>	<b>Type Size Summary</b>	<b>Source</b>	<b>Report Heading</b>	<b>Description</b>
VTVSizeCompressed	int 4 sum	VTV	VTV Size Compressed (MB)	This field is valid only if LCM is running with NCS 6.2 or later. The actual compressed size of the VTV in megabytes.
VTVSizeUncompressed VTVMediaSize	int 4 sum	VTV	VTV Size Uncompressed (MB)	This field is valid only if LCM is running with NCS 6.2 or later. The actual uncompressed size of the VTV in megabytes.
VTVTimesRead	int 7 none	VTV	VTV Times Read	This field is valid only if LCM is running with NCS 6.2 or later. The number of times the VTV has been read.
VTVUnavailable VTVUNAVAIL	bool See notes below. true	VTV	VTV Unavailable	This field is valid only if LCM is running with NCS 6.2 or later. The VTV is unavailable because it is either mounted, resident, or fenced according to VSM.
VTVVTSS	char 8 none	VTV	VTV VTSS	The Virtual Tape SubSystem (VTSS) in which the VTV resides.
WrongScratchStatus WRNGSCRST	bool See notes below. true	LCM	Wrong Scratch Status	The scratch status indicator in the HSC CDS is incorrect. For volumes covered by HSCUNSCR (Explorer: "Set HSC-scratch indicators to OFF" on the Scratch tab of the Run object), the WrongScratchStatus flag indicates that the HSC UNSCRATCH request failed. For volumes not covered by HSCUNSCR, the WrongScratchStatus flag indicates that the scratch status recorded in the HSC CDS or in VSM does not agree with the scratch status in the TMS. This may occur for volumes when the Sync or SyncVTV option (Explorer: Sync tab of Run object) is not in effect or when the associated synchronization request fails. The LCM log file contains a message for each request failure. LCM does not set the WrongScratchStatus flag for volumes that are scratch in the TMS but are not scratch in the HSC or in VSM if they are in use at the time LCM attempts the unscratch operation. This is a normal situation that can occur between the time a tape is allocated and the time it is put back in a cell.

---

# General Fields

**TABLE 3-6** General Fields

Field	Type Size Summary	Where Available	Report Heading	Description
ACSID	char (alternate) 2 none	Custom LSM Report	ACS ID	The 2-digit hexadecimal number assigned to the Automated Cartridge System.
Action ACT	char (alternate) 12 none	Custom MVC_VTV Report Custom Volume Report	Action	<p>The action planned to be taken on the volume.</p> <p>Consolidate Planned to consolidate the virtual tape volume.</p> <p>Eject Planned to eject the volume.</p> <p>Enter Planned to enter the volume.</p> <p>Export Planned to export the virtual tape volume.</p> <p>Keep Planned to keep the volume in the initial LSM.</p> <p>Migrate Planned to migrate the virtual tape volume.</p> <p>Move Planned to move the volume.</p> <p>None No action planned.</p> <p>Recall Planned to recall the virtual tape volume.</p> <p>Reclaim Planned to reclaim space on the MVC.</p> <p>Scratch Planned to set the scratch status for the volume in the HSC CDS or VTCS to Scratch.</p> <p>Unscratch Planned to set the scratch status for the volume in the HSC CDS or VTCS to Not Scratch.</p>

**TABLE 3-6** General Fields

Field	Type Size Summary	Where Available	Report Heading	Description
ActionReason ACTRSN	char (alternate) 10 none	Custom MVC_VTV Report Custom Volume Report	Action Reason	<p>The reason the action was chosen.</p> <p>Action Explorer: Instructed by Action tab of Run object. Parameter File: Instructed by Action statement. ClrFzPnl Explorer: The Action tab of the Run object caused this action to eject volumes frozen by the HSC. Parameter File: A ClearFrozenPanels parameter caused this action to eject volumes frozen by the HSC.</p> <p>EjBad Explorer: The Action tab of the Run object caused this action to eject defective volumes. Parameter File: An EjBad parameter caused this action to eject defective volumes.</p> <p>Method Explorer: A Method object condition caused LCM to perform this action. Parameter File: A Method statement attribute caused LCM to perform this action.</p> <p>Need LCM planned this action in order to meet criteria.</p> <p>PullList Explorer: A PullList object caused this action. Parameter File: A PullList statement caused this action.</p>



**TABLE 3-6** General Fields

Field	Type Size Summary	Where Available	Report Heading	Description
ActionStatus ACTSTAT	char (alternate) 40 none	Custom MVC_VTV Report Custom Volume Report	Action Status	<p>The final status of an action. This field is only meaningful on a POSTACTION report.</p> <p>Action performed successfully</p> <p>Action was not necessary</p> <p>LCM stop command was entered</p> <p>No magazines in CAP</p> <p>No room was available</p> <p>not processed by VTCS</p> <p>Reason is not known (see LCMLOG)</p> <p>Reply to delay WTOR was ABORT or FAIL</p> <p>Volume is in disconnected ACS</p> <p>Volume is in manual mode LSM</p> <p>Volume is in use by another host</p> <p>Volume was errant when action attempted</p> <p>Volume was mounted when action attempted</p> <p>Volume was recently used or selected</p> <p>VTCS error (see LCMLOG)</p> <p>VTCS PGMI (SWSPGMI) not available</p> <p>VTCS request failed</p> <p>VTCS task ended unexpectedly</p>
AdditionalEnters ADDNLEN	int 7 sum	Custom LSM Report	Additional Enters	The number of scratch volumes that need to be entered in addition to the number LCM has picked by volser.
BaseName	char 44 none	Action Custom MVC_VTV Report Custom Volume Report Method Assignment	Base Name	The controlling data set name of the volume. If the data set is a member of a Generation Data Group, only the base name (no .GnnnnVnn) is included.

**TABLE 3-6** General Fields

<b>Field</b>	<b>Type Size Summary</b>	<b>Where Available</b>	<b>Report Heading</b>	<b>Description</b>
Classification CLS	char (alternate) 10 none	Action Custom MVC_VTV Report Custom Volume Report Method Assignment	Classification	Classification of the volume.  BadScratch Volumes marked defective and scratch in TMS Clean Volumes with the HSC cleaning prefix Expired Volumes marked not scratch and expired in TMS NonScratch Volumes not scratch, badscratch, expired, or clean Scratch Volumes available for receiving new tape data sets
Clean CLN	bool See notes below. true	Action Custom MVC_VTV Report Custom Volume Report	Cleaning Cartridge	This volume is a cleaning cartridge.
CleanEnters CLNENTERS	int 7 sum	Custom LSM Report	Clean Enters	The total number of cleaning cartridges that need to be entered into the LSM.
ConsolidationGroupName CONSGRPNAME	char 8 none	Custom MVC_VTV Report Custom Volume Report	Consolidation Group Name	The consolidation group name for the VTV.
Copy	int 4 none	Action Custom MVC_VTV Report Custom Volume Report Method Assignment	Copy	Copy number of the volume. A value of 1 refers to the most recently created copy of the data set according to the tape management system, 2 refers to the next most recently created copy, and so on.
CreatingTMSDrive CTDRIVE	char (alternate) 4 none	Action Custom MVC_VTV Report Custom Volume Report Method Assignment	Creating Drive	The unit address of the tape drive on which the tape data set was created, printed as a hexadecimal character string.
CreationDate CDATE	date See notes below. none	Action Custom MVC_VTV Report Custom Volume Report Method Assignment	Creation Date	The date the volume was created. The first available field of the following determines the creation date: CreationTMSDate, CreationVTVDate, CreationMVCDate.
CreationJobName CJOBNAME JOBNAME	char 8 none	Action Custom MVC_VTV Report Custom Volume Report Method Assignment	Creation Job Name	The JCL job name that created the volume.
CreationMVCDate CMDATE	date See notes below. none	Action Custom MVC_VTV Report Custom Volume Report Method Assignment	Creation MVC Date	The date the volume was created as recorded by VSM.

**TABLE 3-6** General Fields

<b>Field</b>	<b>Type Size Summary</b>	<b>Where Available</b>	<b>Report Heading</b>	<b>Description</b>
CreationMVCTime CMTIME	time See notes below. none	Action Custom MVC_VTV Report Custom Volume Report Method Assignment	Creation MVC Time	The time of day the volume was created as recorded by VSM.
CreationStepName CSTEPNAME STEPNAME	char 8 none	Action Custom MVC_VTV Report Custom Volume Report Method Assignment	Creation Step Name	The JCL step name that created the volume.
CreationTime CTIME	time See notes below. none	Action Custom MVC_VTV Report Custom Volume Report Method Assignment	Creation Time	The time of day the volume was created. The first available field of the following determines the creation time: CreationTMSTime, CreationVTVTime, CreationMVCTime.
CreationTMSDate CTDATE	date See notes below. none	Action Custom MVC_VTV Report Custom Volume Report Method Assignment	Creation TMS Date	The date the volume was created as recorded in the associated tape management system.
CreationTMSTime CTTIME	time See notes below. none	Action Custom MVC_VTV Report Custom Volume Report Method Assignment	Creation TMS Time	The time of day the volume was created as recorded in the associated tape management system.
CreationVTVDate CVDATE	date See notes below. none	Action Custom MVC_VTV Report Custom Volume Report Method Assignment	Creation VTV Date	The date the volume was created as recorded by VSM.
CreationVTVTime CVTIME	time See notes below. none	Action Custom MVC_VTV Report Custom Volume Report Method Assignment	Creation VTV Time	The time of day the volume was created as recorded by VSM.
CycleDate CYDATE	date See notes below. none	Action Custom MVC_VTV Report Custom Volume Report Method Assignment	Cycle Date	The date used by LCM for CYCLESOON processing. If missing, LCM does not perform CYCLESOON processing on this volume.
DataSetIdentifier DSID	char 44 none	Action Custom MVC_VTV Report Custom Volume Report Method Assignment	Data Set Identifier	The most specific matching data set identifier found for the data set name on the Data Set tab of the Methods folder (Explorer) or a DATASET statement (Parameter File).
DataSetName DSN	char 44 none	Action Custom MVC_VTV Report Custom Volume Report Method Assignment	Data Set Name	The controlling data set name of the volume. If the data set is a member of a Generation Data Group, the .GnnnnVnn qualifier is included.

**TABLE 3-6** General Fields

<b>Field</b>	<b>Type Size Summary</b>	<b>Where Available</b>	<b>Report Heading</b>	<b>Description</b>
DataSetReport DSRPT	bool See notes below. true	Custom MVC_VTV Report Custom Volume Report	Data Set Report	This volume is covered by the Data Set tab of the Methods folder (Explorer) or a DATASET statement (Parameter File) and is flagged for reporting.
DaysSinceCreation CDAYS	int 5 avg	Action Custom MVC_VTV Report Custom Volume Report Method Assignment	Days Since Creation	The number of days since the data set was created. The first available field of the following determines the days since creation: DaysSinceCreationTMS, DaysSinceCreationMVC, DaysSinceCreationVTV.
DaysSinceCreationMVC CMDAYS	int 5 avg	Action Custom MVC_VTV Report Custom Volume Report Method Assignment	Days Since Creation MVC	The number of days since the data set was created as recorded by VSM.
DaysSinceCreationTMS CTDAYS	int 5 avg	Action Custom MVC_VTV Report Custom Volume Report Method Assignment	Days Since Creation TMS	The number of days since the data set was created as recorded in the associated tape management system.
DaysSinceCreationVTV CVDAYS	int 5 avg	Action Custom MVC_VTV Report Custom Volume Report Method Assignment	Days Since Creation VTV	The number of days since the data set was created as recorded by VSM.
DaysSinceEnter EDAYS	int 5 avg	Action Custom MVC_VTV Report Custom Volume Report Method Assignment	Days Since Enter	The number of days since the volume was entered into an LSM. If all volumes of a multi-volume data set are covered by the same Management Method, the most recent enter day for any volume is used by LCM for all volumes in the multi-volume data set.
DaysSinceLocation LDAYS LOCDAYS	int 5 avg	Action Custom MVC_VTV Report Custom Volume Report Method Assignment	Days Since Location	The number of days since the tape was moved to a tape storage location.
DaysSinceMount MDAYS	int 5 avg	Action Custom MVC_VTV Report Custom Volume Report Method Assignment	Days Since Mount	The number of days since the HSC last mounted the volume.

**TABLE 3-6** General Fields

Field	Type Size Summary	Where Available	Report Heading	Description
DaysSinceReference RDAYS	int 5 avg	Action Custom MVC_VTV Report Custom Volume Report	Days Since Ref.	The number of days since reference for the volume as used by LCM. The first available field of the following determines the reference day: DaysSinceReferenceTMS, DaysSinceReferenceVTV, DaysSinceReferenceMVC, DaysSinceMount, DaysSinceSelect. If all volumes of a multi-volume data set are covered by the same Management Method, the most recent reference day for any volume is used by LCM for all volumes in the multi-volume data set.
DaysSinceReferenceMVC RMDAYS	int 5 avg	Action Custom MVC_VTV Report Custom Volume Report Method Assignment	Days Since Ref MVC	The number of days since reference as recorded by VSM for an MVC (Multiple Volume Cartridge)
DaysSinceReferenceTMS RTDAYS	int 5 avg	Action Custom MVC_VTV Report Custom Volume Report Method Assignment	Days Since Ref TMS	The number of days since reference as recorded in the associated tape management system for volumes being treated as a unit (Multi-volume support).
DaysSinceReferenceVTV RVDAYS	int 5 avg	Action Custom MVC_VTV Report Custom Volume Report Method Assignment	Days Since Ref VTV	The number of days since reference as recorded by VSM for a VTV (Virtual Tape Volume)
DaysSinceSelect SDAYS	int 5 avg	Action Custom MVC_VTV Report Custom Volume Report Method Assignment	Days Since Select	The number of days since the volume was selected by the HSC.
DaysTillCycle CYDAYS DAYSTILLEXP IRE XDAYS	int 5 avg	Action Custom MVC_VTV Report Custom Volume Report Method Assignment	Days Till Cycle	The number of days LCM uses for CYCLESOON processing. If missing, LCM will not perform CYCLESOON processing on this volume.
Deleted	bool See notes below. true	Action Custom MVC_VTV Report Custom Volume Report Method Assignment	Deleted	The volume is marked deleted in the tape management system. Note: The value of this field is false for all volumes known to LCM unless: Explorer: The checkbox on the Deleted tab of the TMS object is not checked; Parameter File: the NODELETECHECK parameter is specified on the TMS statement.
EjectViaLSMGroup EJLSMGRP	char (alternate) 10 none	Custom MVC_VTV Report Custom Volume Report	Eject Via LSM Group	The LSM Group from which LCM plans to eject the volume.
EjectViaLSMID EJLSMID	char (alternate) 5 none	Custom MVC_VTV Report Custom Volume Report	Eject Via LSM ID	The LSM ID from which LCM plans to eject the volume.

**TABLE 3-6** General Fields

<b>Field</b>	<b>Type Size Summary</b>	<b>Where Available</b>	<b>Report Heading</b>	<b>Description</b>
EjectViaLSMName EJLSMNAME	char (alternate) 10 none	Custom MVC_VTV Report Custom Volume Report	Eject Via LSM Name	The Name of the LSM from which LCM plans to eject the volume.
Encrypted	bool See notes below. true	Action Custom MVC_VTV Report Custom Volume Report Method Assignment	Encrypted	This field is valid only if LCM is running with NCS 6.2 or later. This volume is encrypted.
EnterDate ENDATE	date See notes below. none	Action Custom MVC_VTV Report Custom Volume Report Method Assignment	Enter Date	The date the volume was entered into an LSM. If all volumes of a multi- volume data set are covered by the same Management Method, the most recent enter date of any volume is used by LCM for all volumes in the multi-volume data set.
Enters	int 7 sum	Custom LSM Report	Enters	The total number of volumes that need to be entered into the LSM.
EnterTime ENTIME	time See notes below. none	Action Custom MVC_VTV Report Custom Volume Report Method Assignment	Enter Time	The time of day the volume was entered.
Errant	bool See notes below. true	Action Custom MVC_VTV Report Custom Volume Report Method Assignment	Errant	The HSC has marked this volume errant. Requires HSC PTF L1H10CC (HSC 4.0) or L1H10CE (HSC 4.1) to produce accurate information.
ExLblReadable EXLBLRD	bool See notes below. true	Action Custom MVC_VTV Report Custom Volume Report Method Assignment	External Label OCR Readable	The cartridge external label is OCR readable.
ExpireDate EXPDT XDATE	date See notes below. none	Action Custom MVC_VTV Report Custom Volume Report Method Assignment	Expire Date	The date the volume will expire based on the expiration date in the tape management system. Special expire dates are: AGE/nnn - Expires nnn days from create or move date; CATLG - Expires when the data set name no longer exists in the MVS system catalog, regardless of the keep date; CATLG/nnn - Expires nnn days after creation and the data set no longer resides in the MVS catalog; CYCLE/nnn - Oldest data set expires after nnn cycles; FOREIGN - Foreign volume; LDATE/nnn - Expires nnn days after last used; MSG/nnn - TMS user-defined; PERM - Never expires; STATS/nnn - Never expires; USER/nnn - Never expires; ZEROS - CA-TLMS value was zeros; Julian date - Expires on the julian date.

**TABLE 3-6** General Fields

<b>Field</b>	<b>Type Size Summary</b>	<b>Where Available</b>	<b>Report Heading</b>	<b>Description</b>
ExternalLabel EXLBL	bool See notes below. true	Action Custom MVC_VTV Report Custom Volume Report Method Assignment	External Label	The cartridge has an external label.
ExternallyManaged EXTERNAL	bool See notes below. true	Action Custom MVC_VTV Report Custom Volume Report Method Assignment	Externally Managed	The volume is defined to the tape management system, but its use is controlled by some other software system.
FailedEjects FEJ	int 7 sum	Custom LSM Report	Failed Ejects	The number of volumes that failed to be ejected from the LSM. This field is only meaningful on a POSTACTION report.
FailedMoveIns FMOVEINS	int 7 sum	Custom LSM Report	Failed Move Ins	The number of volumes that failed to be moved into the LSM. This field is only meaningful on a POSTACTION report.
FailedMoveOuts FMOVEOUTS	int 7 sum	Custom LSM Report	Failed Move Outs	The number of volumes that failed to be moved out of the LSM. This field is only meaningful on a POSTACTION report.
FrozenToLSMGroup	bool See notes below. true	Custom MVC_VTV Report Custom Volume Report	Frozen To LSM Group	The volume has both EJECT(NO) and a specific LSMGRP assigned by its Management Method.
GDG	bool See notes below. true	Action Custom MVC_VTV Report Custom Volume Report Method Assignment	GDG	The volume is a member of a Generation Data Group.
GDGWrap	bool See notes below. true	Action Custom MVC_VTV Report Custom Volume Report Method Assignment	GDG Wrap	The volume is a member of a Generation Data Group where the Gnnnn number has wrapped from 9999 to 0001.
Generation GEN	int 5 none	Action Custom MVC_VTV Report Custom Volume Report Method Assignment	Generation Number	The relative generation number + 1, based on the tape management system.
Held	bool See notes below. true	Custom MVC_VTV Report Custom Volume Report	Held	The nonscratch volume will not be ejected because one of the Held flags was on. Possible held reasons are: Cyclesoon, Minenter, Minref, or Pulllist.

**TABLE 3-6** General Fields

<b>Field</b>	<b>Type Size Summary</b>	<b>Where Available</b>	<b>Report Heading</b>	<b>Description</b>
HeldForCycleSoon HCYLSOON	bool See notes below. true	Custom MVC_VTV Report Custom Volume Report	Held For Cyclesoon	The nonscratch volume will not be ejected because the controlling data set is due to expire within a specified number of days. Controlled by: Explorer: Methods folder Limits tab; Parameter File: the CYCLESOON parameter on the OPTIONS statement.
HeldForMinEnter HMINENT	bool See notes below. true	Custom MVC_VTV Report Custom Volume Report	Held For MinEnter	The nonscratch volume will not be ejected because it was entered into an LSM within a specified number of days. This is determined by: Explorer: Methods folder Limits tab; Parameter File: the MINENTER parameter on the OPTIONS statement.
HeldForMinRef HMINREF	bool See notes below. true	Custom MVC_VTV Report Custom Volume Report	Held For MinRef	The nonscratch volume will not be ejected because it has been referenced within a specified number of days. This is determined by: Explorer: Methods folder Limits tab; Parameter File: the MINREF parameter on the OPTIONS statement.
HeldForPullList HPULLLIST	bool See notes below. true	Custom MVC_VTV Report Custom Volume Report	Held For PullList	The nonscratch volume will not be ejected because it was found on a Pull List.
HoursSinceCreationVTV CVHOURS	int 5 avg	Action Custom MVC_VTV Report Custom Volume Report Method Assignment	Hours Since Creation VTV	The number of hours since creation as recorded by VSM for a VTV (Virtual Tape Volume).
HoursSinceReferenceVTV RVHOURS	int 5 avg	Action Custom MVC_VTV Report Custom Volume Report Method Assignment	Hours Since Ref VTV	The number of hours since reference as recorded by VSM for a VTV (Virtual Tape Volume).
HSCScratch HSCSCR	bool See notes below. true	Action Custom MVC_VTV Report Custom Volume Report	HSC Scratch	The status recorded by the HSC for the volume is scratch.
Ignored	bool See notes below. true	Custom MVC_VTV Report Custom Volume Report	Ignored	LCM does not retain any tape management system information for this volume and will not eject or move this volume. This is determined by: Explorer: the TMS tab of the Subpool object; Parameter File: the IGNORE parameter on the SUBPOOL statement.
InitialACSID IACSID	char (alternate) 2 none	Action Custom MVC_VTV Report Custom Volume Report Method Assignment	Initial ACSID	The ACS ID in which the volume resided at the beginning of the LCM run.



**TABLE 3-6** General Fields

<b>Field</b>	<b>Type Size Summary</b>	<b>Where Available</b>	<b>Report Heading</b>	<b>Description</b>
InitialAllVolumes IALLVOL	int 7 sum	Custom LSM Report	Initial All Volumes	The total number of scratch and nonscratch volumes in the LSM at the beginning of the LCM run.
InitialClean ICLN	int 7 sum	Custom LSM Report	Initial Clean	The number of cleaning cartridges in the LSM at the beginning of the LCM run.
InitialFreeCells IFCELL	int 7 sum	Custom LSM Report	Initial Free Cells	The number of free cells in the LSM at the beginning of the LCM run.
InitialLSMCell ILSMCELL	char (alternate) 14 none	Action Custom MVC_VTV Report Custom Volume Report Method Assignment	Initial LSM Cell	The coordinates of the LSM Cell where the volume resided at the beginning of the LCM run.
InitialLSMColumn ILSMCOL	int 2 none	Action Custom MVC_VTV Report Custom Volume Report Method Assignment	Initial LSM Column	The LSM Column number where the volume resided at the beginning of the LCM run.
InitialLSMGroup ILSMGRP	char (alternate) 10 none	Action Custom MVC_VTV Report Custom Volume Report Method Assignment	Initial LSM Group	The name of the LSM Group where the volume resided at the beginning of the LCM run.
InitialLSMID ILSMID	char (alternate) 5 none	Action Custom MVC_VTV Report Custom Volume Report Method Assignment	Initial LSM ID	The LSM ID where the volume resided at the beginning of the LCM run.
InitialLSMName ILSMNAME	char (alternate) 10 none	Action Custom MVC_VTV Report Custom Volume Report Method Assignment	Initial LSM Name	The Name of the LSM where the volume resided at the beginning of the LCM run.
InitialLSMPanel ILSMPNL	int 2 none	Action Custom MVC_VTV Report Custom Volume Report Method Assignment	Initial LSM Panel	The LSM Panel number where the volume resided at the beginning of the LCM run.
InitialLSMPanelFrozen ILSMPNLFZ	bool See notes below. true	Action Custom MVC_VTV Report Custom Volume Report Method Assignment	Initial LSM Panel Frozen	The volume resided in a frozen panel at the beginning of the LCM run.
InitialLSMRow ILSMROW	int 2 none	Action Custom MVC_VTV Report Custom Volume Report Method Assignment	Initial LSM Row	The LSM Row number where the volume resided at the beginning of the LCM run.

**TABLE 3-6** General Fields

<b>Field</b>	<b>Type Size Summary</b>	<b>Where Available</b>	<b>Report Heading</b>	<b>Description</b>
InitialNonScratch INONSCR	int 7 sum	Custom LSM Report	Initial Non Scratch	The total number of nonscratch volumes in the LSM at the beginning of the LCM run.
InitialScratch ISCR	int 7 sum	Custom LSM Report	Initial Scratch	The total number of scratch volumes in the LSM at the beginning of the LCM run.
InLSM	bool See notes below. true	Action Custom MVC_VTV Report Custom Volume Report	In LSM	The volume is in an LSM at the beginning of an LCM run.
InManagedLSM INMANLSM	bool See notes below. true	Action Custom MVC_VTV Report Custom Volume Report	In Managed LSM	The volume is in a MANAGED LSM at the beginning of an LCM run.
InTMS	bool See notes below. true	Action Custom MVC_VTV Report Custom Volume Report Method Assignment	In TMS	The volume is in a tape management system defined to LCM.
LastUsedTMSDrive LUTDRIVE	char (alternate) 4 none	Action Custom MVC_VTV Report Custom Volume Report Method Assignment	Last Used Drive	The unit address of the tape drive on which the tape was last used, printed as a hexadecimal character string.
LocationCode LOCCODE	char 8 none	Action Custom MVC_VTV Report Custom Volume Report Method Assignment	Location Code	The identifier assigned to a tape volume by the tape management system to identify the intended storage location for that volume.
LocationDate LDATE LOCDATE	date See notes below. none	Action Custom MVC_VTV Report Custom Volume Report Method Assignment	Location Date	The date the volume was moved to the tape management system's tape storage location.
LocationName LOCNAME	char (alternate) 10 none	Action Custom MVC_VTV Report Custom Volume Report Method Assignment	Location Name	The name of the tape storage location. Location Names are not defined to the tape management system, but are assigned by LCM from tape management system information as specified by: Explorer: the Location object Codes tab; Parameter File: the Location statement Code parameter.
LocationSequence LOCSEQ	int 5 none	Custom MVC_VTV Report Custom Volume Report	Location Sequence	The number that LCM assigned to each location to determine the order that tapes at that location are ejected. Controlled by: Explorer: the Locations folder Order tab; Parameter File: the order of Location statements in the parameter file.

**TABLE 3-6** General Fields

<b>Field</b>	<b>Type Size Summary</b>	<b>Where Available</b>	<b>Report Heading</b>	<b>Description</b>
LSMGroup LSMGRP	char (alternate) 10 none	Custom LSM Report	LSM Group	The LSM Group Name assigned to the volume by the Management Method.
LSMID	char (alternate) 5 none	Custom LSM Report	LSM ID	The AA:LL form identifier (AA is the two-character hexadecimal ACS number and LL is the two-character hexadecimal LSM number) that uniquely identifies an LSM to a host system.
LSMName	char (alternate) 10 none	Custom LSM Report	LSM Name	The name given to the LSM by: Explorer: the LSM Names tab of the ACS object; Parameter File: the Lsmid parameter of a Manage or Unmanaged statement.
Managed	bool See notes below. true	Action Custom MVC_VTV Report Custom Volume Report	Managed	The volume is covered by a MANAGE statement.
ManagedIndividually MANIND	bool See notes below. true	Custom MVC_VTV Report Custom Volume Report	Managed Individually	The volume is managed individually, but is part of a multi-volume data set. This happens if all of the volumes in the volume set are not assigned the same Management Method.
ManagedLSM MANLSM	bool See notes below. true	Custom LSM Report	Managed LSM	The LSM is managed by this LCM run. This is specified by: Explorer: editing the properties of an LSM Group listed on the LSM Group tab of a Run object; Parameter File: coverage by a Manage statement.
ManagementClass MGMTCLAS	char (alternate) 8 none	Action Custom MVC_VTV Report Custom Volume Report Method Assignment	Management Class	The name of the SMS Management Class for the volume.
MaxUseCount	int 4 none	Action Custom MVC_VTV Report Custom Volume Report Method Assignment	Maximum Use Count	The maximum usage for a cleaning cartridge set by the VOLATTR Maxclean or MNTD Maxclean value.
MediaSource MEDIAS	char (alternate) 6 none	Action Custom MVC_VTV Report Custom Volume Report Method Assignment	Media Source	The source of information used to determine the volume's MediaType value.  DFLT The media type defaulted to Standard. HSCCDS The HSC Control Data Set. VOLDEF The VOLATTR statements contained in the file identified by the HSC VOLDEF parameter. VSMVTV VSM Virtual Tape Volume information.

**TABLE 3-6** General Fields

Field	Type Size Summary	Where Available	Report Heading	Description
MediaType MEDIA MEDIAT	char (alternate) 8 none	Action Custom MVC_VTV Report Custom Volume Report Method Assignment	Media Type	The media type of the volume.  Standard Standard length 3480 cartridge. Long 3490E extended capacity cartridge. DD3A 10 Gb capacity helical cartridge. DD3B 25 Gb capacity helical cartridge. DD3C 50 Gb capacity helical cartridge. DD3D Cleaning cartridge for helical drives. STK1R 9840 data cartridge. STK1U Cleaning cartridge for 9840 transports. STK1Y Cleaning cartridge for 9840D transports. STK2P T9940A data cartridge. STK2W Cleaning cartridge for T9940 transports. T10000TT Smaller-capacity 1TB T10000C cartridge. T10000TS T10000 "sport" cartridge. T10000T1 Full-capacity 500GB T10000A or 1TB T10000B cartridge. T10000T2 Full-capacity 5TB T10000C cartridge. T10000CC T10000C cleaning cartridge. T10000CL T10000A, T10000B, or T10000C cleaning cartridge. T10000CT T10000A or T10000B cleaning cartridge. ZCART 9490EE ZCART media cartridge. LTO-100G LTO 100GB capacity cartridge. LTO-200G LTO 200GB capacity cartridge. LTO-35G LTO 35GB capacity cartridge. LTO-400G LTO 400GB capacity cartridge. LTO-400W LTO 400Gb capacity WORM cartridge. LTO-800G LTO 800GB capacity cartridge LTO-800W LTO 800GB capacity WORM cartridge LTO-1.5T LTO 1.5TB capacity cartridge. LTO-1.5W LTO Generation 5 WORM cartridge.

**TABLE 3-6** General Fields

Field	Type Size Summary	Where Available	Report Heading	Description
MediaType MEDIA MEDIAT				LTO-2.5T LTO 2.5TB capacity cartridge. LTO-2.5W LTO Generation 5 WORM cartridge. LTO-CLN1 LTO cleaning type 1 cartridge. LTO-CLN2 LTO cleaning type 2 cartridge. LTO-CLNU LTO universal cleaning cartridge. SDLT SDLT 160GB cartridge. SDLT-1 SDLT Generation 1 cartridge. SDLT-4 SDLT Generation 4 cartridge. SDLT-S2 SDLT Generation S2 cartridge. SDLT-S3 SDLT Generation S3 cartridge. SDLT-S4 SDLT Generation S4 cartridge. SDLTC SDLT cleaning cartridge. VIRTUAL Virtual Tape Volume (VTV) in the StorageTek Virtual Storage Manager system.
MethodColumn MTHCOL	int 2 none	Custom MVC_VTV Report Custom Volume Report	Method Column	The column in the LCM parameter file (generated when using the Explorer) in which the associated Management Method was coded. See also the MethodName and MethodLineNum fields.
MethodCondNum MTHCOND	int 4 none	Custom MVC_VTV Report Custom Volume Report	Method Cond Num	Explorer: The number of the Condition of the Method object that applies to this volume. A value of zero indicates that the OTHERWISE attributes for the Method were applied. Parameter File: The occurrence of the Cond parameter on the Method statement that applies to this volume. A value of zero indicates that the default attributes for the Method were applied.
MethodEject MTHEJ	char (alternate) 8 none	Custom MVC_VTV Report Custom Volume Report	Method Eject	The Eject attribute of the Management Method assigned to this volume.  ASNEEDED Eject this volume only when room is needed to meet free cell and/or volume management criteria. NO Never eject this volume. YES Always eject this volume.
MethodLineNum MTHLINE	int 5 none	Custom MVC_VTV Report Custom Volume Report	Method Line Num	The line in the LCM parameter file (generated when using the Explorer) in which the associated Management Method was coded. See also the MethodName and MethodColumn fields.

**TABLE 3-6** General Fields

<b>Field</b>	<b>Type Size Summary</b>	<b>Where Available</b>	<b>Report Heading</b>	<b>Description</b>
MethodLSMGroup MTHLSMGRP	char (alternate) 10 none	Custom MVC_VTV Report Custom Volume Report	Method LSM Group	The LSM Group assigned to this volume by its Management Method.
MethodName METHOD MTH MTHNAME	char (alternate) 10 none	Action Custom MVC_VTV Report Custom Volume Report Method Assignment	Method Name	The name of the Management Method assigned to this volume.
MethodOrder MTHORD	int 3 none	Custom MVC_VTV Report Custom Volume Report	Method Order	The order in which the volume may be picked for ejection or demotion. This is determined by: Explorer: the Pick Order of the applicable Condition on the Conditions tab of the Method object; Parameter File: the Order(n) parameter of the Method statement.

TABLE 3-6 General Fields

Field	Type Size Summary	Where Available	Report Heading	Description
MethodReason MTHRSN	char (alternate) 10 none	Custom MVC_VTV Report Custom Volume Report	Method Reason	<p>The reason that the associated Management Method was chosen.</p> <p>Clean Cleaning cartridge criteria.</p> <p>Dataset Explorer: A Data Set Identifier specified on the Methods folder Data Set tab applied to this volume.</p> <p>Parameter File: A Dataset statement applied to this volume.</p> <p>Default No specified condition applied to this volume.</p> <p>EjBad The tape management system indicated that this volume is defective and: Explorer: the Bad Scratch option on the Action tab of the Run object was checked; Parameter File: the Ejbade parameter on the Options statement was specified.</p> <p>External The volume is marked as externally managed in the tape management system.</p> <p>HSCOnly The tape volume is not in a tape management system.</p> <p>Ignore Explorer: The TMS tab of the Subpool object specified that LCM should not take actions such as sync, eject, and move for this volume's Subpool. Parameter File: The Ignore parameter on the Subpool statement applied to this volume.</p> <p>Location Explorer: The Location tab of the Methods folder specified that the volume should be ejected. Parameter File: A Location statement applied to this volume and specified a Management Method with the Eject attribute.</p> <p>LSMEject Explorer: A Method object with the Eject(Yes) attribute applied to this volume. Parameter File: An Eject(Yes) parameter on a Method statement applied to this volume.</p> <p>LSMNeverEj Explorer: A Method object with the Eject(No) attribute applied to this volume. Parameter File: An Eject(No) parameter on a Method statement applied to this volume.</p> <p>MethodFile Explorer: The file specified for Method Input on the File tab of the Run object had an entry for this volume. Parameter File: The file specified on the Methodfile parameter of the Options statement had an entry for this volume.</p> <p>Scratch Scratch criteria.</p> <p>SetMethod Explorer: The Advanced tab of the Methods folder or a Custom Action specified on the Action tab of the Run object applied to this volume. Parameter File: A Set Method statement applied to this volume.</p> <p>Subpool Explorer: Not applicable. Parameter File: A Subpool statement applied to this volume.</p>

**TABLE 3-6** General Fields

<b>Field</b>	<b>Type Size Summary</b>	<b>Where Available</b>	<b>Report Heading</b>	<b>Description</b>
MethodUncond MTHUNCOND	bool See notes below. true	Custom MVC_VTV Report Custom Volume Report	Method UNCOND	Explorer: This volume is externally managed and the External tab of the Methods folder indicated that the Method could not be overridden, or the volume's Method was set using the Method Input File and its entry included the U indicator. Parameter File: This volume's method was assigned using the Uncond keyword. Uncond may be specified for the External or HSCOnly options, and by the U indicator in the Methodfile.
MountDate MDATE	date See notes below. none	Action Custom MVC_VTV Report Custom Volume Report Method Assignment	Mount Date	The date the volume was last mounted in an LSM.
Mounted	bool See notes below. true	Action Custom MVC_VTV Report Custom Volume Report Method Assignment	Volume Currently Mounted	The volume is currently mounted.
MountTime MTIME	time See notes below. none	Action Custom MVC_VTV Report Custom Volume Report Method Assignment	Mount Time	The time of day the volume was last mounted in an LSM.
MVC	bool See notes below. true	Action Custom MVC_VTV Report Custom Volume Report Method Assignment	MVC	The volume is a Multiple Volume Cartridge for VSM.
MVCAudit	bool See notes below. true	Action Custom MVC_VTV Report Custom Volume Report Method Assignment	MVC Audit	This field is valid only if LCM is running with NCS 6.2 or later. The MVC is either being audited or the audit failed. If the audit failed, VTCS will not use the MVC for migration. To clear this condition, rerun the AUDIT against this MVC.
MVCAvailable MVCAVAIL	int 3 none	Action Custom MVC_VTV Report Custom Volume Report Method Assignment	MVC %Available	The percentage of the MVC available for use.



**TABLE 3-6** General Fields

<b>Field</b>	<b>Type Size Summary</b>	<b>Where Available</b>	<b>Report Heading</b>	<b>Description</b>
MVCBroken	bool See notes below. true	Action Custom MVC_VTV Report Custom Volume Report Method Assignment	MVC Broken	This field is valid only if LCM is running with NCS 6.2 or later. The MVC has an error that should be investigated. The error might not make the MVC unusable, but VTCS does not select the MVC for migration for 12 hours after this status has been set to true. After the 12 hour period, the MVC is least preferred for subsequent migrations, and recalls from the MVC can cause VTCS to drain it. This error condition can be accompanied by messages SLS6686, SLS6687, SLS6688, SLS6690 and/or SLS6693. Any of the following conditions can cause this MVC error: MVC corrupted by another job (other than VTCS/VTSS). Attempt to use a read-only MVC for migration. A DDR swap failure. An RTD failure.
MVCConsolidateDate	date See notes below. none	Action Custom MVC_VTV Report Custom Volume Report Method Assignment	MVC Consolidate Date	This field is valid only if LCM is running with NCS 6.2 or later. The date on which the MVC was consolidated as recorded by VSM.
MVCConsolidateTime	time See notes below. none	Action Custom MVC_VTV Report Custom Volume Report Method Assignment	MVC Consolidate Time	This field is valid only if LCM is running with NCS 6.2 or later. For a consolidation MVC, this field displays the time of the consolidation.
MVCConsolidation	bool See notes below. true	Action Custom MVC_VTV Report Custom Volume Report Method Assignment	MVC Consolidation	This field is valid only if LCM is running with NCS 6.2 or later. The MVC is a consolidation MVC.
MVCDataCheck	bool See notes below. true	Action Custom MVC_VTV Report Custom Volume Report Method Assignment	MVC Data Check	This field is valid only if LCM is running with NCS 6.2 or later. A data check was reported for this MVC. VSM will not use this MVC again for migration.
MVCDraining	bool See notes below. true	Action Custom MVC_VTV Report Custom Volume Report Method Assignment	MVC Drained	This field is valid only if LCM is running with NCS 6.2 or later. The MVC is being drained because of one of: 1) an automatic drain or demand reclaim. 2) an explicit MVCDRain command, 3) The previous DRAIN request failed, in which case VTCS will not use the MVC for migration. To clear this condition, enter MVCDRain against MVC without the Eject option.

**TABLE 3-6** General Fields

<b>Field</b>	<b>Type Size Summary</b>	<b>Where Available</b>	<b>Report Heading</b>	<b>Description</b>
MVCEject	bool See notes below. true	Action Custom MVC_VTV Report Custom Volume Report Method Assignment	MVC Eject	This field is valid only if LCM is running with NCS 6.2 or later. The MVC is in the process of eject either because you issued MVCDRainEject or the MVC was ejected for update by a RACROUTE call. The MVC will not be used again for migration or recall. To clear this condition, use MVCDRain against MVC without the Eject option.
MVCExport	bool See notes below. true	Action Custom MVC_VTV Report Custom Volume Report Method Assignment	MVC Export	This field is valid only if LCM is running with NCS 6.2 or later. The MVC is an export MVC.
MVCFragmented MVCFRAG	int 3 none	Action Custom MVC_VTV Report Custom Volume Report Method Assignment	MVC %Fragmented	The percentage of the MVC that is not available due to fragmentation.
MVCFull	bool See notes below. true	Action Custom MVC_VTV Report Custom Volume Report Method Assignment	MVC Full	This field is valid only if LCM is running with NCS 6.2 or later. There is no space available on the MVC.
MVCInitialized	bool See notes below. true	Action Custom MVC_VTV Report Custom Volume Report Method Assignment	MVC Initialized	This field is valid only if LCM is running with NCS 6.2 or later. The MVC has been initialized.
MVCInUse	int 3 none	Action Custom MVC_VTV Report Custom Volume Report Method Assignment	MVC %In Use	The percentage of the MVC used by valid Virtual Tape Volumes.
MVCInvalidMIR	bool See notes below. true	Action Custom MVC_VTV Report Custom Volume Report Method Assignment	MVC Invalid MIR	This field is valid only if LCM is running with NCS 6.2 or later. The MVC has an invalid MIR.
MVCLastMigrateDate	Date		MVC Migrate Date	Last MVC Migrate Date
MVCLastMigrateTime	Time		MVC Migrate Time	Last MVC Migrate Time
MVCLost	bool See notes below. true	Action Custom MVC_VTV Report Custom Volume Report Method Assignment	MVC Lost	This field is valid only if LCM is running with NCS 6.2 or later. The MVC was not mounted in response to the last mount request. The MVC can still be used for migration, but will not select the MVC for migration for 12 hours after it is marked lost. After the 12 hour period, the MVC will be least preferred. This condition will clear itself the next time that the MVC is mounted.

**TABLE 3-6** General Fields

<b>Field</b>	<b>Type Size Summary</b>	<b>Where Available</b>	<b>Report Heading</b>	<b>Description</b>
MVCMaximumReached	bool See notes below. true	Action Custom MVC_VTV Report Custom Volume Report Method Assignment	MVC Maximum VTVs	This field is valid only if LCM is running with NCS 6.2 or later. The MVC has reached the maximum VTVs per MVC.
MVCMediaSize	int 9 sum	Action Custom MVC_VTV Report Custom Volume Report Method Assignment	MVC Media Size (MB)	This field is valid only if LCM is running with NCS 6.2 or later. The size in MB of the MVC. This is determined only after VTCS has used an MVC. "UNKNOWN" appears in this field until VTCS migrates a VTV to the MVC.
MVCMountDate	date See notes below. none	Action Custom MVC_VTV Report Custom Volume Report Method Assignment	Mount MVC Date	This field is valid only if LCM is running with NCS 6.2 or later. The date on which the MVC was mounted, as recorded by VTSS.
MVCMountTime	time See notes below. none	Action Custom MVC_VTV Report Custom Volume Report Method Assignment	MVC Mount Time	This field is valid only if LCM is running with NCS 6.2 or later. The time the MVC was last mounted, as recorded by VTSS.
MVCPoolName	char (alternate) 13 none	Action Custom MVC_VTV Report Custom Volume Report Method Assignment	MVC Pool Name	This field is valid only if LCM is running with NCS 6.2 or later. MVC Pool Name from the VTCS MVCPOOL control statement.
MVCReadOnly	bool See notes below. true	Action Custom MVC_VTV Report Custom Volume Report Method Assignment	MVC Read Only	This field is valid only if LCM is running with NCS 6.2 or later. The MVC has been marked read-only.
MVCRetired	bool See notes below. true	Action Custom MVC_VTV Report Custom Volume Report Method Assignment	MVC Retired	This field is valid only if LCM is running with NCS 6.2 or later. The MVC is retired. VTCS will recall from, but not migrate to, the MVC. Replace the MVC as soon as possible.
MVCStorageClass MVCSTORCLASS STORAGECLASS STORCLAS	char 8 none	Action Custom MVC_VTV Report Custom Volume Report Method Assignment	MVC Storage Class	This field is valid only if LCM is running with NCS 6.2 or later. The VTCS Storage Class for the volume.
MVCUsableForMigration	bool See notes below. true	Action Custom MVC_VTV Report Custom Volume Report Method Assignment	MVC Usable Migration	This field is valid only if LCM is running with NCS 6.2 or later. Indicates whether the MVC can be used for migration.
MVCUsed ed MVCTimesMount	int 9 sum	Action Custom MVC_VTV Report Custom Volume Report Method Assignment	MVC Used (MB)	The number of times the MVC has been mounted.

**TABLE 3-6** General Fields

<b>Field</b>	<b>Type Size Summary</b>	<b>Where Available</b>	<b>Report Heading</b>	<b>Description</b>
MVCVTSS	char 8 none	Action Custom MVC_VTV Report Custom Volume Report Method Assignment	MVC VTSS Last Mounted	This field is valid only if LCM is running with NCS 6.2 or later. VTSS name where the MVC was last used.
MVCWarrantyExpired	bool See notes below. true	Action Custom MVC_VTV Report Custom Volume Report Method Assignment	MVC Warranty Expired	This field is valid only if LCM is running with NCS 6.2 or later. The MVC's warranty has expired. VTCS continues to use the MVC. You should start making plans to replace the MVC when it reaches Retired state.
NonScratch NONSCR	bool See notes below. true	Action Custom MVC_VTV Report Custom Volume Report	Non- Scratch	The volume is not classified as a scratch volume.
Notuseable NOUSE	bool See notes below. true	Action Custom MVC_VTV Report Custom Volume Report Method Assignment	Not Useable	The HSC has marked this volume as not useable.
OnPullList ONPL	bool See notes below. true	Action Custom MVC_VTV Report Custom Volume Report Method Assignment	On Pull List	The volume is on a Pull List.
OverMaxClean OverHSCMAXCLN	bool See notes below. true	Action Custom MVC_VTV Report Custom Volume Report Method Assignment	Over MAXCLN	The cleaning cartridge has exceeded its maximum usage count.
PermanentReadErrors	int 5 sum	Action Custom MVC_VTV Report Custom Volume Report Method Assignment	Permanent Read Errors	The number of permanent read errors for the volume.
PermanentWriteErrors	int 5 sum	Action Custom MVC_VTV Report Custom Volume Report Method Assignment	Permanent Write Errors	The number of permanent write errors for the volume.
PickedEnters PICKEDEN	int 7 sum	Custom LSM Report	Picked Enters	The number of scratch volumes LCM has picked by volser to enter into the LSM.
PlannedACSID PACSID	char (alternate) 2 none	Custom MVC_VTV Report Custom Volume Report	Planned ACSID	The ACS ID LCM has determined the volume should be in at the end of the LCM run. This is planned only. Check the ActionStatus field to determine if this is the final ACS ID.

**TABLE 3-6** General Fields

<b>Field</b>	<b>Type Size Summary</b>	<b>Where Available</b>	<b>Report Heading</b>	<b>Description</b>
PlannedClean PCLN	int 7 sum	Custom LSM Report	Planned Clean	The planned number of cleaning cartridges in the LSM at the end of the LCM run.
PlannedEjects PEJ	int 7 sum	Custom LSM Report	Planned Ejects	The projected number of volumes that will be ejected from the LSM.
PlannedFreeCells PFCELL	int 7 sum	Custom LSM Report	Planned Free Cells	The total number of free cells projected to be in the LSM after all scheduled cartridge moves, ejects, and enters have been performed.
PlannedLSMGroup PLSMGRP	char (alternate) 10 none	Custom MVC_VTV Report Custom Volume Report	Planned LSM Group	The LSM Group LCM has determined the volume should be in at the end of the LCM run. This is planned only. Check the ActionStatus field to determine if this is the final LSM Group.
PlannedLSMID PLSMID	char (alternate) 5 none	Custom MVC_VTV Report Custom Volume Report	Planned LSM ID	The LSM ID LCM has determined the volume should be in at the end of the LCM run. This is planned only. Check the ActionStatus field to determine if this is the final LSM ID.
PlannedLSMName PLSMNAME	char (alternate) 10 none	Custom MVC_VTV Report Custom Volume Report	Planned LSM Name	The LSM Name LCM has determined the volume should be in at the end of the LCM run. This is planned only. Check the ActionStatus field to determine if this is the final LSM Name.
PlannedMoveIns PMOVEINS	int 7 sum	Custom LSM Report	Planned Move Ins	The total number of volumes projected to be moved into the LSM.
PlannedMoveOuts PMOVEOUTS	int 7 sum	Custom LSM Report	Planned Move Outs	The total number of volumes projected to be moved out of the LSM.
PlannedNonScratch PNONSCR	int 7 sum	Custom LSM Report	Planned Non Scratch	The total number of nonscratch volumes LCM has projected to be in the LSM.
PlannedScratch PSCR	int 7 sum	Custom LSM Report	Planned Scratch	Total number of scratch volumes LCM has projected to be in the LSM.
PullListEnters PLENTERS	int 7 sum	Custom LSM Report	Pull List Enters	The total number of Pull List volumes that need to be entered into the LSM.
PullListName PLNAME	char (alternate) 10 none	Action Custom MVC_VTV Report Custom Volume Report Method Assignment	Pull List Name	The name of the Pull List for the volume.

**TABLE 3-6** General Fields

<b>Field</b>	<b>Type Size Summary</b>	<b>Where Available</b>	<b>Report Heading</b>	<b>Description</b>
RecordingTechnique RecTech	char 8 none	Action Custom MVC_VTV Report Custom Volume Report Method Assignment	Recording Technique	The recording technique associated with a volume's media This is the method used to record data tracks on the tape surface for the volume.
ReferenceDate RDATE	date See notes below. none	Custom MVC_VTV Report Custom Volume Report	Reference Date	The date of last reference for the volume. This is the value used by LCM. The first available field of the following determines the reference date: ReferenceTMSDate, ReferenceMVCDate, ReferenceVTVDate, MountDate, SelectDate. If all volumes of a multi-volume data set are covered by the same Management Method, the most recent reference date for any volume will be used by LCM for all volumes in the multi-volume data set.
ReferenceMVCDate RMDATE	date See notes below. none	Action Custom MVC_VTV Report Custom Volume Report Method Assignment	Reference MVC Date	The date on which the MVC was last referenced, as recorded by VSM.
ReferenceTMSDate RTDATE	date See notes below. none	Action Custom MVC_VTV Report Custom Volume Report Method Assignment	Reference TMS Date	The date of the last reference, as recorded in the associated tape management system, for volumes being treated as a unit (Multi-volume support).
ReferenceVTVDate RVDATE	date See notes below. none	Action Custom MVC_VTV Report Custom Volume Report	Reference VTV Date	The date on which the VTV was last referenced, as recorded by VSM.
ReferenceVTVTime RVTIME	time See notes below. none	Action Custom MVC_VTV Report Custom Volume Report Method Assignment	Reference VTV Time	The time of day the volume was last referenced, as recorded by VSM.
RunName	char (alternate) 10 none	Action Custom MVC_VTV Report Custom Volume Report Method Assignment	Run Name	The name of the Run object from the JCL EXEC statement Run PARM.
RunType	char (alternate) 10 none	Action Custom MVC_VTV Report Custom Volume Report Method Assignment	Run Type	The RunType from the JCL EXEC statement RunType PARM.
Scratch SCR	bool See notes below. true	Action Custom MVC_VTV Report Custom Volume Report	Scratch	The volume is classified as a scratch volume by LCM.

**TABLE 3-6** General Fields

<b>Field</b>	<b>Type Size Summary</b>	<b>Where Available</b>	<b>Report Heading</b>	<b>Description</b>
Scatched SCRED	bool See notes below. true	Action Custom MVC_VTV Report Custom Volume Report	Scatched	LCM marked the volume as scratch in the HSC or VSM.
ScratchEnters SCRENTERS	int 7 sum	Custom LSM Report	Scratch Enters	The total number of scratch volumes that need to be entered into the LSM.
SelectCount SCOUNT	int 5 none	Action Custom MVC_VTV Report Custom Volume Report	Select Count	The number of times the volume has been selected by the HSC.
SelectDate SDATE	date See notes below. none	Action Custom MVC_VTV Report Custom Volume Report Method Assignment	Select Date	The date the volume was last selected in an LSM.
Selected	bool See notes below. true	Action Custom MVC_VTV Report Custom Volume Report Method Assignment	Volume Currently Selected	The volume is currently selected.
SelectTime STIME	time See notes below. none	Action Custom MVC_VTV Report Custom Volume Report Method Assignment	Select Time	The time of day the volume was selected by the HSC.
Serial SER VOL VOLSER VOLUME	char 6 none	Action Custom MVC_VTV Report Custom Volume Report Method Assignment	Volume Serial	The 6-character identifier of a tape volume.
Serial1 SER1	char 6 none	Action Custom MVC_VTV Report Custom Volume Report Method Assignment	First Serial	The 6-character identifier of the first volume of the volume set associated with this volume.
SL8500Cell	char 24 none	Custom MVC_VTV Report Custom Volume Report	SL8500 Cell	The physical cell location of a volume that resides in an SL8500 library. The value of this field is missing for volumes that do not reside in an SL8500.
Slot	char 8 none	Action Custom MVC_VTV Report Custom Volume Report	Slot	The value assigned to a tape volume by the tape management system to pinpoint the storage place for the volume.
StatusChanged STCHG	int 7 sum	Custom LSM Report	Status Changed	The total number of volumes whose scratch status was changed in the HSC CDS by the LCM run. It is possible for the same volume to be scratched and unscratched in the same LCM run. However, this field is only incremented once per volume.

**TABLE 3-6** General Fields

<b>Field</b>	<b>Type Size Summary</b>	<b>Where Available</b>	<b>Report Heading</b>	<b>Description</b>
StatusErrant STERRANT	int 7 sum	Custom LSM Report	Status Errant	The total number of volumes whose status was marked errant in the HSC CDS.
StatusExternalLabel STEXTLBL	int 7 sum	Custom LSM Report	Status External Label	The total number of volumes whose status was marked as having an external label in the HSC CDS.
StatusNoExternalLabel STNOEXTLBL	int 7 sum	Custom LSM Report	Status No External Label	The total number of volumes whose status was marked as having no external label in the HSC CDS.
StatusNotUseable STNTUSBL	int 7 sum	Custom LSM Report	Status Not Useable	The total number of volumes whose status was marked not useable in the HSC CDS.
StatusOverMaxClean STOVRMXCLN	int 7 sum	Custom LSM Report	Status Over MaxClean	The total number of volumes whose status was marked over max clean in the HSC CDS.
StatusScatched STSCRED	int 7 sum	Custom LSM Report	Status Scatched	The total number of volumes whose status was marked scatched in the HSC CDS.
StatusSelected STSELECT	int 7 sum	Custom LSM Report	Status Selected	The total number of volumes whose status was marked selected in the HSC CDS.
StatusUnreadableLabel STUNRDLBL	int 7 sum	Custom LSM Report	Status Unreadable Label	The total number of volumes whose status was marked as having an unreadable label in the HSC CDS.
StatusUnscratched STUNSCRED	int 7 sum	Custom LSM Report	Status Unscratched	The total number of volumes whose status was marked unscratched in the HSC CDS.
StatusWrong STWRNG	int 7 sum	Custom LSM Report	Status Wrong	The total number of volumes whose scratch status in the HSC CDS is not correct.
Subpool SP	char (alternate) 16 none	Action Custom MVC_VTV Report Custom Volume Report Method Assignment	Subpool	The name of the Subpool managing a group of volume serial numbers. This is defined in the LCM Subpool object (Explorer) or Subpool statement (Parameter File).
SubpoolId SPID	char (alternate) 13 none	Action Custom MVC_VTV Report Custom Volume Report Method Assignment	Subpool ID	Volume subpool ID from the HSC. This will be the 13-character name of the pool if using HSC SCRPOOL statements, or the 3-digit subpool index number if using SLSUX03.
SubpoolLabelType SPLBLTYP	char (alternate) 3 none	Action Custom MVC_VTV Report Custom Volume Report Method Assignment	Subpool Label Type	Volume subpool label type from the HSC.



**TABLE 3-6** General Fields

<b>Field</b>	<b>Type Size Summary</b>	<b>Where Available</b>	<b>Report Heading</b>	<b>Description</b>
SuccessfulEjects SUCCEJ	int 7 sum	Custom LSM Report	Successful Ejects	The number of volumes that were successfully ejected from the LSM. This field is only meaningful on a POSTACTION report.
SuccessfulMoveIns SUCCMOVEINS	int 7 sum	Custom LSM Report	Successful Move Ins	The total number of volumes moved into the LSM. This field is only meaningful on a POSTACTION report.
SuccessfulMoveOuts SUCCMOVEOUTS	int 7 sum	Custom LSM Report	Successful Move Outs	The total number of volumes moved out of the LSM. This field is only meaningful on a POSTACTION report.
TapeGroup TG	char (alternate) 25 none	Action Custom MVC_VTV Report Custom Volume Report Method Assignment	Tape Group	The name of the tape group of a volume. Explorer: This is defined on the Media tab of the Subpool object. Parameter File: This is defined in the Media parameter of the Subpool statement.
TemporaryReadErrors	int 5 sum	Action Custom MVC_VTV Report Custom Volume Report Method Assignment	Temporary Read Errors	The number of temporary read errors for the volume.
TemporaryWriteErrors	int 5 sum	Action Custom MVC_VTV Report Custom Volume Report Method Assignment	Temporary Write Errors	The number of temporary write errors for the volume.
TMSBad	bool See notes below. true	Action Custom MVC_VTV Report Custom Volume Report	TMS Bad	The volume has been marked defective in the tape management system.
TMSExpired	bool See notes below. true	Action Custom MVC_VTV Report Custom Volume Report	TMS Expired	The volume is marked expired in the tape management system.
TMSName	char (alternate) 10 none	Action Custom MVC_VTV Report Custom Volume Report Method Assignment	TMS Name	The name of the tape management system defined on the TMS statement.
TMSReel	bool See notes below. true	Custom MVC_VTV Report Custom Volume Report	TMS Reel	The volume is marked as a 9-track reel tape in the tape management system.
TMSScratch TMSSCR	bool See notes below. true	Action Custom MVC_VTV Report Custom Volume Report	TMS Scratch	The tape management system has the scratch flag set for this volume.

**TABLE 3-6** General Fields

<b>Field</b>	<b>Type Size Summary</b>	<b>Where Available</b>	<b>Report Heading</b>	<b>Description</b>
TMSUse	int 5 none	Action Custom MVC_VTV Report Custom Volume Report	TMS Use Count	The number of times the volume has been used.
Unscratched UNSCRED	bool See notes below. true	Action Custom MVC_VTV Report Custom Volume Report	Unscratched	LCM marked the volume as not scratch in the HSC or VSM.
VaultAssignmentDate	date See notes below. none	Action Custom MVC_VTV Report Custom Volume Report Method Assignment	Vault Assignment Date	The Date the volume was first assigned to the External Vault.
VaultAssignmentTime	time See notes below. none	Action Custom MVC_VTV Report Custom Volume Report Method Assignment	Vault Assignment Time	Time the volume was first assigned to the External Vault.
VaultName	char 8 none	Action Custom MVC_VTV Report Custom Volume Report Method Assignment	Vault Name	The name of the vault.
VaultReturnDate	date See notes below. none	Action Custom MVC_VTV Report Custom Volume Report Method Assignment	Vault Return Date	The Date the volume can be returned to the External Vault.
VaultReturnTime	time See notes below. none	Action Custom MVC_VTV Report Custom Volume Report Method Assignment	Vault Return Time	Time the volume can be returned to the External Vault.
VaultSlot	char 10 none	Action Custom MVC_VTV Report Custom Volume Report Method Assignment	Vault Slot	The assigned External Vault Slot value.
VaultSlotsAvailable	int	Action Custom MVC_VTV Report Custom Volume Report Method Assignment	Vault Slots Available	Vault slots available for <i>vaultname</i> as reported by ELS.
VaultSlotsInUse	int	Action Custom MVC_VTV Report Custom Volume Report Method Assignment	Vault Slots In Use	Vault slots available for <i>vaultname</i> as reported by ELS.

**TABLE 3-6** General Fields

Field	Type Size Summary	Where Available	Report Heading	Description
VolumeSequenceNumber VOLSEQ	int 3 none	Action Custom MVC_VTV Report Custom Volume Report Method Assignment	Seq Num	The volume sequence number of the volume.
VolumesIgnored VOLIGNRD	int 7 sum	Custom LSM Report	Volumes Ignored	The total number of volumes ignored. This is determined by: Explorer: the TMS tab of the Subpool object; Parameter File: the Ignore parameter on the Subpool statement.
VTV	bool See notes below. true	Action Custom MVC_VTV Report Custom Volume Report Method Assignment	VTV	The volume is a Virtual Tape Volume (VTV), as reported by VSM.
VTVCompressionPercentage	int 2 avg	Action Custom MVC_VTV Report Custom Volume Report Method Assignment	VTV Compression Percentage	This field is valid only if LCM is running with NCS 6.2 or later. This is the difference between the uncompressed and compressed VTV size expressed as a percentage of the uncompressed VTV size. For example, if a 100MB VTV compresses to 40MB, then the compression percentage will be given as 60%. A compression of 0% indicates that no compression was possible on the VTV.
VTVConsolidated	bool See notes below. true	Action Custom MVC_VTV Report Custom Volume Report Method Assignment	VTV Consolidated	This field is valid only if LCM is running with NCS 6.2 or later. Indicates whether a VTV is currently consolidated.
VTVCopyTapePlex1	char 8 none	Action Custom MVC_VTV Report Custom Volume Report Method Assignment	VTV Copy TapePlex 1	The first copy TapePlex for this VTV.
VTVCopyTapePlex2	char 8 none	Action Custom MVC_VTV Report Custom Volume Report Method Assignment	VTV Copy TapePlex 2	The second copy TapePlex for this VTV.
VTVDuplexed	bool See notes below. true	Action Custom MVC_VTV Report Custom Volume Report Method Assignment	VTV Duplexed	The VTV has at least 2 copies.
VTVFenced	bool See notes below. true	Action Custom MVC_VTV Report Custom Volume Report Method Assignment	VTV Fenced	This field is valid only if LCM is running with NCS 6.2 or later. The VTV's state is unknown to VTSS.

**TABLE 3-6** General Fields

<b>Field</b>	<b>Type Size Summary</b>	<b>Where Available</b>	<b>Report Heading</b>	<b>Description</b>
VTVInitialized	bool See notes below. true	Action Custom MVC_VTV Report Custom Volume Report Method Assignment	VTV Initialized	This field is valid only if LCM is running with NCS 6.2 or later. The VTV has been initialized by VTSS.
VTVInvalid VTVDEL VTVDELETED VTVINV	bool See notes below. true	Action Custom MVC_VTV Report Custom Volume Report Method Assignment	VTV Invalid	The VTV is invalid in VSM.
VTVManagementClass VTVMGMTCLAS VTVMGTCLASS	char 8 none	Action Custom MVC_VTV Report Custom Volume Report Method Assignment	VTV Management Class	The VSM management class for the VTV.
VTVMaximumSize	int 4 none	Action Custom MVC_VTV Report Custom Volume Report Method Assignment	VTV Maximum Size (MB)	This field is valid only if LCM is running with NCS 6.2 or later. The maximum size of the VTV in megabytes.
VTVMigrated VTVMIG	bool See notes below. true	Action Custom MVC_VTV Report Custom Volume Report Method Assignment	VTV Migrated	The VTV is migrated in VSM.
VTVMounted VTVMNTD	bool See notes below. true	Action Custom MVC_VTV Report Custom Volume Report Method Assignment	VTV Mounted	The VTV is mounted according to VSM.
VTVMVCID1	char 6 none	Action Custom MVC_VTV Report Custom Volume Report Method Assignment	VTV MVC1	The MVC volser on which the VTV resides.
VTVMVCID2	char 6 none	Action Custom MVC_VTV Report Custom Volume Report Method Assignment	VTV MVC2	The MVC volser on which a duplicate or consolidation copy of the VTV resides. Note: If the VTV is consolidated during an LCM run, the value of this field will be updated after the consolidation is performed. The POSTACTION value will reflect the consolidation MVC for this VTV.
VTVMVCID3	char 6 none	Action Custom MVC_VTV Report Custom Volume Report Method Assignment	VTV MVC3	The MVC volser on which a duplicate or consolidation copy of the VTV resides.
VTVMVCID4	char 6 none	Action Custom MVC_VTV Report Custom Volume Report Method Assignment	VTV MVC4	The MVC volser on which a duplicate or consolidation copy of the VTV resides.

**TABLE 3-6** General Fields

<b>Field</b>	<b>Type Size Summary</b>	<b>Where Available</b>	<b>Report Heading</b>	<b>Description</b>
VTVNewCreate	bool See notes below. true	Action Custom MVC_VTV Report Custom Volume Report Method Assignment	VTV Newly Created	This field is valid only if LCM is running with NCS 6.2 or later. Indicates whether the VTV was newly created when it was last resident.
VTVOwningTapePlex	char 8 none	Action Custom MVC_VTV Report Custom Volume Report Method Assignment	VTV Owning TapePlex	The owning TapePlex for this VTV.
VTVPageSize	char 8 none	Action Custom MVC_VTV Report Custom Volume Report Method Assignment	VTV Page Size	The VTV Page Size  Large  Standard
VTVRecallDate	date See notes below. none	Action Custom MVC_VTV Report Custom Volume Report Method Assignment	VTV Recall Date	This field is valid only if LCM is running with NCS 6.2 or later. Date VTV was recalled to the VTSS buffer.
VTVRecallTime	time See notes below. none	Action Custom MVC_VTV Report Custom Volume Report Method Assignment	VTV Recall Time	This field is valid only if LCM is running with NCS 6.2 or later. Time VTV was recalled to the VTSS buffer.
VTVReplicationStatus	char 14 none	Action Custom MVC_VTV Report Custom Volume Report Method Assignment	VTV Replication Status	This field is valid only if LCM is running with NCS 6.2 or later. Status of VTV replication.  C Replication has completed. R Replication is required but not started S Replication has started
VTVResident	bool See notes below. true	Action Custom MVC_VTV Report Custom Volume Report Method Assignment	VTV Resident	This field is valid only if LCM is running with NCS 6.2 or later. Indicates whether a VTV is resident in a VTSS.
VTVScratch VTVSCR	bool See notes below. true	Action Custom MVC_VTV Report Custom Volume Report Method Assignment	VTV Scratch	The VTV is scratch, as recorded by VSM.
VTVSizeCompressed	int 4 sum	Action Custom MVC_VTV Report Custom Volume Report Method Assignment	VTV Size Compressed (MB)	This field is valid only if LCM is running with NCS 6.2 or later. The actual compressed size of the VTV in megabytes.

**TABLE 3-6** General Fields

Field	Type Size Summary	Where Available	Report Heading	Description
VTVSizeUncompressed VTVMediaSize	int 4 sum	Action Custom MVC_VTV Report Custom Volume Report Method Assignment	VTV Size Uncompressed (MB)	This field is valid only if LCM is running with NCS 6.2 or later. The actual uncompressed size of the VTV in megabytes.
VTVTimesRead	int 7 none	Action Custom MVC_VTV Report Custom Volume Report Method Assignment	VTV Times Read	This field is valid only if LCM is running with NCS 6.2 or later. The number of times the VTV has been read.
VTVUnavailable VTVUNAVAIL	bool See notes below. true	Action Custom MVC_VTV Report Custom Volume Report Method Assignment	VTV Unavailable	This field is valid only if LCM is running with NCS 6.2 or later. The VTV is unavailable because it is either mounted, resident, or fenced according to VSM.
VTVVTSS	char 8 none	Action Custom MVC_VTV Report Custom Volume Report Method Assignment	VTV VTSS	The Virtual Tape SubSystem (VTSS) in which the VTV resides.
WrongScratchStatus WRNGSCRST	bool See notes below. true	Action Custom MVC_VTV Report Custom Volume Report	Wrong Scratch Status	The scratch status indicator in the HSC CDS is incorrect. For volumes covered by HSCUNSCR (Explorer: "Set HSC-scratch indicators to OFF" on the Scratch tab of the Run object), the WrongScratchStatus flag indicates that the HSC UNSCRATCH request failed. For volumes not covered by HSCUNSCR, the WrongScratchStatus flag indicates that the scratch status recorded in the HSC CDS or in VSM does not agree with the scratch status in the TMS. This may occur for volumes when the Sync or SyncVTV option (Explorer: Sync tab of Run object) is not in effect or when the associated synchronization request fails. The LCM log file contains a message for each request failure. LCM does not set the WrongScratchStatus flag for volumes that are scratch in the TMS but are not scratch in the HSC or in VSM if they are in use at the time LCM attempts the unscratch operation. This is a normal situation that can occur between the time a tape is allocated and the time it is put back in a cell.

# Fields Specific to TMS CA1

**TABLE 3-7** Fields Specific to TMS CA1

Field	Type Size Summary	Where Available	Report Heading	Description
TM#Dsnbs	int 3 none	Action Custom MVC_VTV Report Custom Volume Report Method Assignment	CA1 Number DSN Blocks	CA-1-specific number of data set name blocks.
TM128trk	bool See notes below. true	Action Custom MVC_VTV Report Custom Volume Report Method Assignment	CA1 Trtch Tm128trk	CA-1-specific recording technique. x'E8' indicates Trk 3590 cartridge tape.
TM18trk	bool See notes below. true	Action Custom MVC_VTV Report Custom Volume Report Method Assignment	CA1 Trtch Tm18trk	CA-1-specific recording technique. x'C0' indicates 3480 cartridge tape - 18 tracks.
TM3590	bool See notes below. true	Action Custom MVC_VTV Report Custom Volume Report Method Assignment	CA1 Den TM3590	CA-1-specific recording density. x'E8' indicates 3590 cartridge tape.
TM36Trk	bool See notes below. true	Action Custom MVC_VTV Report Custom Volume Report Method Assignment	CA1 Trtch Tm36trk	CA-1-specific recording technique. x'E0' indicates 3490 cartridge tape - 36 tracks.
TM36trk2	bool See notes below. true	Action Custom MVC_VTV Report Custom Volume Report Method Assignment	CA1 Trtch Tm36trk2	CA-1-specific recording technique. x'E1' indicates 3490E cartridge tape - 36 tracks (extended length).
TM38000	bool See notes below. true	Action Custom MVC_VTV Report Custom Volume Report Method Assignment	CA1 Den TM38000	CA-1-specific recording density. x'E3' indicates 38K bpi (cartridge).
TM38KC	bool See notes below. true	Action Custom MVC_VTV Report Custom Volume Report Method Assignment	CA1 Den TM38KC	CA-1-specific recording density. x'E7' indicates 38K bpi (cartridge-compacted).
TM9trk	bool See notes below. true	Action Custom MVC_VTV Report Custom Volume Report Method Assignment	CA1 Trtch Tm9trk	CA-1-specific recording technique. x'80' indicates nine track tape.

**TABLE 3-7** Fields Specific to TMS CA1

<b>Field</b>	<b>Type Size Summary</b>	<b>Where Available</b>	<b>Report Heading</b>	<b>Description</b>
TMAbend	bool See notes below. true	Action Custom MVC_VTV Report Custom Volume Report Method Assignment	CA1 Flag1 TmAbend	CA-1-specific internal flag bit x'10'. Volume closed by abend.
TMActv1	char 5 none	Action Custom MVC_VTV Report Custom Volume Report Method Assignment	CA1 Actv1	CA-1-specific actual internal volser
TMActv2	char 1 none	Action Custom MVC_VTV Report Custom Volume Report Method Assignment	CA1 Actv2	CA-1-specific actual internal volser
TMAcvoli	bool See notes below. true	Action Custom MVC_VTV Report Custom Volume Report Method Assignment	CA1 Flag4 TmAcvoli	CA-1-specific internal flag4 bit x'40'. Actual volser in use.
TMAdsnb	int 8 none	Action Custom MVC_VTV Report Custom Volume Report Method Assignment	CA1 Address First DSNB	CA-1-specific address (relative to BASE in TMSCTL#2) of first DSNB record associated with this volume record.
TMAldsnb	int 8 none	Action Custom MVC_VTV Report Custom Volume Report Method Assignment	CA1 Address Last DSNB	CA-1-specific address (relative to BASE in TMSCTL#2) of last DSNB record associated with this volume record.
TMB1Dis	int 9 none	Action Custom MVC_VTV Report Custom Volume Report Method Assignment	CA1 B1Dis	CA-1-specific B1 security disclosure label.
TMB1Int	int 9 none	Action Custom MVC_VTV Report Custom Volume Report Method Assignment	CA1 B1Int	CA-1-specific B1 security integrity label.
TMBadtap	bool See notes below. true	Action Custom MVC_VTV Report Custom Volume Report Method Assignment	CA1 Flag3 TmBadtap	CA-1-specific internal flag3 bit x'80'. CA-9/R+ indicated bad tape, do not mount for scratch.
TMBlkcnt	int 10 none	Action Custom MVC_VTV Report Custom Volume Report Method Assignment	CA1 Block Count	CA-1-specific data set block count.



**TABLE 3-7** Fields Specific to TMS CA1

<b>Field</b>	<b>Type Size Summary</b>	<b>Where Available</b>	<b>Report Heading</b>	<b>Description</b>
TMBiksi	int 5 none	Action Custom MVC_VTV Report Custom Volume Report Method Assignment	CA1 Block Size	CA-1-specific maximum block size.
TMBthdt	date See notes below. none	Action Custom MVC_VTV Report Custom Volume Report Method Assignment	CA1 Birth Date	CA-1-specific date tape was first used.
TMCatlog	bool See notes below. true	Action Custom MVC_VTV Report Custom Volume Report Method Assignment	CA1 Flag2 TmCatlog	CA-1-specific internal flag2 bit x'80'. Data set was on MVS catalog.
TMClean	bool See notes below. true	Action Custom MVC_VTV Report Custom Volume Report Method Assignment	CA1 Flag1 TmClean	CA-1-specific internal flag bit x'08'. Volume listed to be cleaned.
TMClnct	int 3 none	Action Custom MVC_VTV Report Custom Volume Report Method Assignment	CA1 Clean Count	CA-1-specific number of times tape cleaned.
TMClosed	bool See notes below. true	Action Custom MVC_VTV Report Custom Volume Report Method Assignment	CA1 Flag1 TmClosed	CA-1-specific internal flag bit x'40'. Volume closed normally.
TMCpgm	char 8 none	Action Custom MVC_VTV Report Custom Volume Report Method Assignment	CA1 Create PGM	CA-1-specific creating program name.
TMCrtdt	date See notes below. none	Action Custom MVC_VTV Report Custom Volume Report Method Assignment	CA1 Create Date	CA-1-specific creation date.
TMCrtti	time See notes below. none	Action Custom MVC_VTV Report Custom Volume Report Method Assignment	CA1 Create Time	CA-1-specific creation time.
TMCruni	char (alternate) 4 none	Action Custom MVC_VTV Report Custom Volume Report Method Assignment	CA1 Create Unit	CA-1-specific address of creation unit.

**TABLE 3-7** Fields Specific to TMS CA1

<b>Field</b>	<b>Type Size Summary</b>	<b>Where Available</b>	<b>Report Heading</b>	<b>Description</b>
TMDatcln	date See notes below. none	Action Custom MVC_VTV Report Custom Volume Report Method Assignment	CA1 Last Clean Date	CA-1-specific date tape was last cleaned.
TMDdname	char 8 none	Action Custom MVC_VTV Report Custom Volume Report Method Assignment	CA1 Create Ddname	CA-1-specific creating ddname.
TMDegau	bool See notes below. true	Action Custom MVC_VTV Report Custom Volume Report Method Assignment	CA1 Flag4 Degaussed	CA-1-specific internal flag4 bit x'10'. Tape has been degaussed.
TMDelet	bool See notes below. true	Action Custom MVC_VTV Report Custom Volume Report Method Assignment	CA1 Flag1 Deleted	CA-1-specific internal flag bit x'02'. Volume in delete (inactive) status
TMDen	char (alternate) 2 none	Action Custom MVC_VTV Report Custom Volume Report Method Assignment	CA1 Recording Density	CA-1-specific recording density.
TMDfault	bool See notes below. true	Action Custom MVC_VTV Report Custom Volume Report Method Assignment	CA1 Flag1 Tmdfault	CA-1-specific internal flag bit x'01'. Volume eligible for RDS override.
TMDfexu	bool See notes below. true	Action Custom MVC_VTV Report Custom Volume Report Method Assignment	CA1 Flag3 TmDfexu	CA-1-specific internal flag3 bit x'04'. Default expiration date used at open output.
TMDsn	char 44 none	Action Custom MVC_VTV Report Custom Volume Report Method Assignment	CA1 Data Set Name	CA-1-specific data set name.
TMDsn17	char 17 none	Action Custom MVC_VTV Report Custom Volume Report Method Assignment	CA1 DSN17	CA-1-specific last 17 bytes of dsn.
TMDynam	bool See notes below. true	Action Custom MVC_VTV Report Custom Volume Report Method Assignment	CA1 Flag3 TmDynam	CA-1-specific internal flag3 bit x'10'. Controlled by CA-DYNAM/T.

**TABLE 3-7** Fields Specific to TMS CA1

<b>Field</b>	<b>Type Size Summary</b>	<b>Where Available</b>	<b>Report Heading</b>	<b>Description</b>
TMEcatlg	bool See notes below. true	Action Custom MVC_VTV Report Custom Volume Report Method Assignment	CA1 Flag2 TmEcatlg	CA-1-specific internal flag2 bit x'08'. Expired from catalog control (TMSCTLG).
TMEcycle	bool See notes below. true	Action Custom MVC_VTV Report Custom Volume Report Method Assignment	CA1 Flag2 TmEcycle	CA-1-specific internal flag2 bit x'04'. Expired from cycle control (TMSCYCLE).
TMEdmid	char 4 none	Action Custom MVC_VTV Report Custom Volume Report Method Assignment	CA1 EDM ID	CA-1-specific external data manager id.
TMEdmtap	bool See notes below. true	Action Custom MVC_VTV Report Custom Volume Report Method Assignment	CA1 Flag3 TmEdmtap	CA-1-specific internal flag3 bit x'20'. Controlled by external data manager.
TMEldate	bool See notes below. true	Action Custom MVC_VTV Report Custom Volume Report Method Assignment	CA1 Flag2 TmEldate	CA-1-specific internal flag bit x'02'. Expired from LDATE control (TMSCLEAN).
TMErase	bool See notes below. true	Action Custom MVC_VTV Report Custom Volume Report Method Assignment	CA1 Flag3 TmErase	CA-1-specific internal flag3 bit x'08'. Data set erase required.
TMEsms	bool See notes below. true	Action Custom MVC_VTV Report Custom Volume Report Method Assignment	CA1 Flag4 TmEsms	CA-1-specific internal flag4 bit x'80'. Tape expired by SMS max retention rules.
TMEtms	bool See notes below. true	Action Custom MVC_VTV Report Custom Volume Report Method Assignment	CA1 Flag2 TmEtms	CA-1-specific internal flag bit x'01'. Expired by TMS.
TMExpdt	date See notes below. none	Action Custom MVC_VTV Report Custom Volume Report Method Assignment	CA1 Expire Date	CA-1-specific expiration date.
TMEilcpy	bool See notes below. true	Action Custom MVC_VTV Report Custom Volume Report Method Assignment	CA1 Flag3 TmIilcpy	CA-1-specific internal flag3 bit x'01'. Created by CA-1/Copycat.

**TABLE 3-7** Fields Specific to TMS CA1

<b>Field</b>	<b>Type Size Summary</b>	<b>Where Available</b>	<b>Report Heading</b>	<b>Description</b>
TMFlag1	char (alternate) 2 none	Action Custom MVC_VTV Report Custom Volume Report Method Assignment	CA1 Flag1	CA-1-specific internal flag byte.
TMFlag2	char (alternate) 2 none	Action Custom MVC_VTV Report Custom Volume Report Method Assignment	CA1 Flag2	CA-1-specific internal flag byte.
TMFlag3	char (alternate) 2 none	Action Custom MVC_VTV Report Custom Volume Report Method Assignment	CA1 Flag3	CA-1-specific internal flag byte.
TMFlag4	char (alternate) 2 none	Action Custom MVC_VTV Report Custom Volume Report Method Assignment	CA1 Flag4	CA-1-specific internal flag byte.
TMFlag5	char (alternate) 2 none	Action Custom MVC_VTV Report Custom Volume Report Method Assignment	CA1 Flag5	CA-1-specific internal flag byte.
TMFlag6	char (alternate) 2 none	Action Custom MVC_VTV Report Custom Volume Report Method Assignment	CA1 Flag6	CA-1-specific internal flag byte.
TMFrsvol	char 6 none	Action Custom MVC_VTV Report Custom Volume Report Method Assignment	CA1 First Serial	CA-1-specific first volser of data set.
TMIntal	bool See notes below. true	Action Custom MVC_VTV Report Custom Volume Report Method Assignment	CA1 Flag1 TmIntal	CA-1-specific internal flag1 bit x'80'. Internal field changed by user.
TMInuse	bool See notes below. true	Action Custom MVC_VTV Report Custom Volume Report Method Assignment	CA1 Flag4 TmInuse	CA-1-specific internal flag4 bit x'02'. Tape is in use for RTS (Real Time Stacking).
TMlscat	bool See notes below. true	Action Custom MVC_VTV Report Custom Volume Report Method Assignment	CA1 Flag4 Tmlscat	CA-1-specific internal flag4 bit x'08'. File on OS catalog.

**TABLE 3-7** Fields Specific to TMS CA1

<b>Field</b>	<b>Type Size Summary</b>	<b>Where Available</b>	<b>Report Heading</b>	<b>Description</b>
TMJobnm	char 8 none	Action Custom MVC_VTV Report Custom Volume Report Method Assignment	CA1 Creating Job Name	CA-1-specific creating job name.
TMLasusd	date See notes below. none	Action Custom MVC_VTV Report Custom Volume Report Method Assignment	CA1 Last Used	CA-1-specific date last used.
TMLasusj	char 8 none	Action Custom MVC_VTV Report Custom Volume Report Method Assignment	CA1 Last Job	CA-1-specific job name which last used volume.
TMLasust	time See notes below. none	Action Custom MVC_VTV Report Custom Volume Report Method Assignment	CA1 Last Time	CA-1-specific time last used.
TMLpgm	char 8 none	Action Custom MVC_VTV Report Custom Volume Report Method Assignment	CA1 Last PGM	CA-1-specific last used program name.
TMLrecl	int 5 none	Action Custom MVC_VTV Report Custom Volume Report Method Assignment	CA1 LRECL	CA-1-specific logical record length.
TMLtype	char 3 none	Action Custom MVC_VTV Report Custom Volume Report Method Assignment	CA1 Label	CA-1-specific tape label type. One of SL, SUL, NL, NSL, BLP, AL1, AU1, AL3, AU3.
TMNostak	bool See notes below. true	Action Custom MVC_VTV Report Custom Volume Report Method Assignment	CA1 Flag4 TmNostak	CA-1-specific internal flag4 bit x'01'. No further stacking allowed.
TMNrs	bool See notes below. true	Action Custom MVC_VTV Report Custom Volume Report Method Assignment	CA1 Flag4 TmNrs	CA-1-specific internal flag4 bit x'04'. Non-resident tape.
TMNxtVol	char 6 none	Action Custom MVC_VTV Report Custom Volume Report Method Assignment	CA1 Next Serial	CA-1-specific next volser of data set.

**TABLE 3-7** Fields Specific to TMS CA1

<b>Field</b>	<b>Type Size Summary</b>	<b>Where Available</b>	<b>Report Heading</b>	<b>Description</b>
TMOutar	char 4 none	Action Custom MVC_VTV Report Custom Volume Report Method Assignment	CA1 Outcode	CA-1-specific location id of out-of-area tape.
TMOudat	date See notes below. none	Action Custom MVC_VTV Report Custom Volume Report Method Assignment	CA1 Outdate	CA-1-specific date tape was marked out-of-area.
TMOuput	bool See notes below. true	Action Custom MVC_VTV Report Custom Volume Report Method Assignment	CA1 Flag2 TmOutput	CA-1-specific internal flag2 bit x'40'. Volume opened for output.
TMPrrrc	int 5 none	Action Custom MVC_VTV Report Custom Volume Report Method Assignment	CA1 Perm Read Since Clean	CA-1-specific number of permanent read errors since cleaned.
TMPrrri	int 5 none	Action Custom MVC_VTV Report Custom Volume Report Method Assignment	CA1 Perm Read Since Init	CA-1-specific number of permanent read errors since initialized.
TMPrvvol	char 6 none	Action Custom MVC_VTV Report Custom Volume Report Method Assignment	CA1 Previous Serial	CA-1-specific previous volser of data set.
TMPwrrc	int 5 none	Action Custom MVC_VTV Report Custom Volume Report Method Assignment	CA1 Perm Write Since Clean	CA-1-specific number of permanent write errors since cleaned.
TMPwrrri	int 5 none	Action Custom MVC_VTV Report Custom Volume Report Method Assignment	CA1 Perm Write Since Init	CA-1-specific number of permanent write errors since initialized.
TMRcfm	char 3 none	Action Custom MVC_VTV Report Custom Volume Report Method Assignment	CA1 RECFM	CA-1-specific record format. One of V, VA, VS, VB, VBM, VBA, VBS, F, FM, FA, FS, FB, FBM, FBA, FBS, U.
TMRdwd1	bool See notes below. true	Action Custom MVC_VTV Report Custom Volume Report Method Assignment	CA1 Trtch TmRedwd1	CA-1-specific recording technique. x'E4' indicates Redwood 12.5G capacity.

**TABLE 3-7** Fields Specific to TMS CA1

<b>Field</b>	<b>Type Size Summary</b>	<b>Where Available</b>	<b>Report Heading</b>	<b>Description</b>
TMRedwd2	bool See notes below. true	Action Custom MVC_VTV Report Custom Volume Report Method Assignment	CA1 Trtch TmRedwd2	CA-1-specific recording technique. 'E5' indicates Redwood 25G capacity.
TMRedwd3	bool See notes below. true	Action Custom MVC_VTV Report Custom Volume Report Method Assignment	CA1 Trtch TmRedwd3	CA-1-specific recording technique. 'E6' indicates Redwood 50G capacity.
TMRelevm	bool See notes below. true	Action Custom MVC_VTV Report Custom Volume Report Method Assignment	CA1 Flag3 TmRelevm	CA-1-specific internal flag3 bit '40'. Tape released by external vault manager.
TMReuse	bool See notes below. true	Action Custom MVC_VTV Report Custom Volume Report Method Assignment	CA1 Flag2 TmReuse	CA-1-specific internal flag2 bit '20'. Data set recreated.
TMRobid	int 2 none	Action Custom MVC_VTV Report Custom Volume Report Method Assignment	CA1 Robid	CA-1-specific robotic device indicator.
TMRobty	int 2 none	Action Custom MVC_VTV Report Custom Volume Report Method Assignment	CA1 Robty	CA-1-specific tape in robotic device.
TMScrтч	bool See notes below. true	Action Custom MVC_VTV Report Custom Volume Report Method Assignment	CA1 Flag1 Scrтч	CA-1-specific internal flag bit '04'. Volume in scratch status.
TMSlot	char 8 none	Action Custom MVC_VTV Report Custom Volume Report Method Assignment	CA1 Slot	CA-1-specific vault slot number.
TMSmsmc	char 8 none	Action Custom MVC_VTV Report Custom Volume Report Method Assignment	CA1 SMS Mgt Class	CA-1-specific SMS management class.
TMStack	bool See notes below. true	Action Custom MVC_VTV Report Custom Volume Report Method Assignment	CA1 Flag5 TmStack	CA-1-specific internal flag5 bit '80'. Tape has been used by RTS.

**TABLE 3-7** Fields Specific to TMS CA1

<b>Field</b>	<b>Type Size Summary</b>	<b>Where Available</b>	<b>Report Heading</b>	<b>Description</b>
TMStpnam	char 8 none	Action Custom MVC_VTV Report Custom Volume Report Method Assignment	CA1 Creating Step	CA-1-specific creating step name.
TMTempds	bool See notes below. true	Action Custom MVC_VTV Report Custom Volume Report Method Assignment	CA1 Flag2 Temp DS	CA-1-specific internal flag2 bit x'10'. Temporary data set.
TMTrerrc	int 5 none	Action Custom MVC_VTV Report Custom Volume Report Method Assignment	CA1 Temp Read Since Clean	CA-1-specific number of temporary read errors since cleaned.
TMTrerri	int 5 none	Action Custom MVC_VTV Report Custom Volume Report Method Assignment	CA1 Temp Read Since Init	CA-1-specific number of temporary read errors since initialized.
TMTrtch	char (alternate) 2 none	Action Custom MVC_VTV Report Custom Volume Report Method Assignment	CA1 TRTCH	CA-1-specific recording technique.
TMTwerrc	int 5 none	Action Custom MVC_VTV Report Custom Volume Report Method Assignment	CA1 Temp Write Since Clean	CA-1-specific number of temporary write errors since cleaned.
TMTwerri	int 5 none	Action Custom MVC_VTV Report Custom Volume Report Method Assignment	CA1 Temp Write Since Init	CA-1-specific number of temporary write errors since initialized.
TMUcount	int 5 none	Action Custom MVC_VTV Report Custom Volume Report Method Assignment	CA1 Uses Since Birth	CA-1-specific number of times tape opened since birthdate.
TMUltif	bool See notes below. true	Action Custom MVC_VTV Report Custom Volume Report Method Assignment	CA1 Flag3 TmUltif	CA-1-specific internal flag3 bit x'02'. Additional files exist in volume set.
TMUpdate	bool See notes below. true	Action Custom MVC_VTV Report Custom Volume Report Method Assignment	CA1 Flag1 TmUpdate	CA-1-specific internal flag bit x'20'. Volume record updated by user.



**TABLE 3-7** Fields Specific to TMS CA1

<b>Field</b>	<b>Type Size Summary</b>	<b>Where Available</b>	<b>Report Heading</b>	<b>Description</b>
TMUsecln	int 2 none	Action Custom MVC_VTV Report Custom Volume Report Method Assignment	CA1 Uses Since Clean	CA-1-specific use count at last cleaning.
TMUser TMAcct	char 50 none	Action Custom MVC_VTV Report Custom Volume Report Method Assignment	CA1 Acct	CA-1-specific user job accounting area.
TMUsuni	char (alternate) 4 none	Action Custom MVC_VTV Report Custom Volume Report Method Assignment	CA1 Last Unit	CA-1-specific address of unit last used.
TMVabrch	int 2 none	Action Custom MVC_VTV Report Custom Volume Report Method Assignment	CA1 Batchid	CA-1-specific id of last CA-1 program to update record.
TMVacode	int 2 none	Action Custom MVC_VTV Report Custom Volume Report Method Assignment	CA1 Aucode	CA-1-specific audit code.
TMVacpu	char 4 none	Action Custom MVC_VTV Report Custom Volume Report Method Assignment	CA1 CPU ID	CA-1-specific id of CPU used for last update.
TMVadate	date See notes below. none	Action Custom MVC_VTV Report Custom Volume Report Method Assignment	CA1 Last Update Date	CA-1-specific date of last update.
TMVafgl	int 3 none	Action Custom MVC_VTV Report Custom Volume Report Method Assignment	CA1 Auflag1	CA-1-specific audit flag.
TMVahook	int 3 none	Action Custom MVC_VTV Report Custom Volume Report Method Assignment	CA1 Hookid	CA-1-specific id of last intercept to update record.
TMVatime	time See notes below. none	Action Custom MVC_VTV Report Custom Volume Report Method Assignment	CA1 Last Update Time	CA-1-specific time of last update.

**TABLE 3-7** Fields Specific to TMS CA1

<b>Field</b>	<b>Type Size Summary</b>	<b>Where Available</b>	<b>Report Heading</b>	<b>Description</b>
TMVuser	char 8 none	Action Custom MVC_VTV Report Custom Volume Report Method Assignment	CA1 Userid	CA-1-specific id of last user to update record.
TMVendor	char 8 none	Action Custom MVC_VTV Report Custom Volume Report Method Assignment	CA1 Vendor	CA-1-specific tape vendor name.
TMVseq	int 3 none	Action Custom MVC_VTV Report Custom Volume Report Method Assignment	CA1 Seq Num	CA-1-specific volume sequence number.
TMVlser	char 6 none	Action Custom MVC_VTV Report Custom Volume Report Method Assignment	CA1 Volume Serial	CA-1-specific volume serial number.
TMVsr	bool See notes below. true	Action Custom MVC_VTV Report Custom Volume Report Method Assignment	CA1 Flag4 TmVsr	CA-1-specific internal flag4 bit x'20'. Vault specific request.

# Fields Specific to TMS CTT

**TABLE 3-8** Fields Specific to TMS CTT

Field	Type Size Summary	Where Available	Report Heading	Description
CTAccount	char 50 none	Action Custom MVC_VTV Report Custom Volume Report Method Assignment	ControlT Account Information	Control-T-specific accounting information
CTActiveds	int 4 none	Action Custom MVC_VTV Report Custom Volume Report Method Assignment	ControlT Active Labels	Control-T-specific number of active labels on volume.
CTBlksize	int 8 none	Action Custom MVC_VTV Report Custom Volume Report Method Assignment	ControlT Block Size	Control-T-specific block size.
CTBlockct	int 8 none	Action Custom MVC_VTV Report Custom Volume Report Method Assignment	ControlT Block Count	Control-T-specific block count.
CTBoxid	char 6 none	Action Custom MVC_VTV Report Custom Volume Report Method Assignment	ControlT Box ID	Control-T-specific box ID.
CTChkindt	date See notes below. none	Action Custom MVC_VTV Report Custom Volume Report Method Assignment	ControlT Checkin Date	Control-T-specific volume check-in date.
CTClncount	int 8 sum	Action Custom MVC_VTV Report Custom Volume Report Method Assignment	ControlT Clean Count	Control-T-specific clean count
CTCrecpu	char 8 none	Action Custom MVC_VTV Report Custom Volume Report Method Assignment	ControlT Create CPU Name	Control-T-specific creation CPU name.
CTCreddn	char 8 none	Action Custom MVC_VTV Report Custom Volume Report Method Assignment	ControlT Create DD Name	Control-T-specific creation DD name.

**TABLE 3-8** Fields Specific to TMS CTT

<b>Field</b>	<b>Type Size Summary</b>	<b>Where Available</b>	<b>Report Heading</b>	<b>Description</b>
CTCredt	date See notes below. none	Action Custom MVC_VTV Report Custom Volume Report Method Assignment	ControlT Creation Date	Control-T-specific creation date.
CTCrejbn	char 8 none	Action Custom MVC_VTV Report Custom Volume Report Method Assignment	ControlT Create Jobname	Control-T-specific creation job name.
CTCrepgm	char 8 none	Action Custom MVC_VTV Report Custom Volume Report Method Assignment	ControlT Create Program Name	Control-T-specific creation program name.
CTCrestep	char 8 none	Action Custom MVC_VTV Report Custom Volume Report Method Assignment	ControlT Create Stepname	Control-T-specific creation stepname.
CTCretm	time See notes below. none	Action Custom MVC_VTV Report Custom Volume Report Method Assignment	ControlT Creation Time	Control-T-specific creation time
CTCreuad	char (alternate) 4 none	Action Custom MVC_VTV Report Custom Volume Report Method Assignment	ControlT Create Unit Address	Control-T-specific creation unit address.
CTDdsexpd1	date See notes below. none	Action Custom MVC_VTV Report Custom Volume Report Method Assignment	ControlT First Expiration Date	Control-T-specific first expiration date.
CTDdsexpd2	date See notes below. none	Action Custom MVC_VTV Report Custom Volume Report Method Assignment	ControlT Second Expiration Date	Control-T-specific second expiration date.
CTDdsexpd3	date See notes below. none	Action Custom MVC_VTV Report Custom Volume Report Method Assignment	ControlT Third Expiration Date	Control-T-specific third expiration date.
CTDeleted	bool See notes below. none	Action Custom MVC_VTV Report Custom Volume Report Method Assignment	ControlT Deleted	Control-T-specific volume marked as deleted.

**TABLE 3-8** Fields Specific to TMS CTT

<b>Field</b>	<b>Type Size Summary</b>	<b>Where Available</b>	<b>Report Heading</b>	<b>Description</b>
CTDsname	char 44 none	Action Custom MVC_VTV Report Custom Volume Report Method Assignment	ControlT Data Set Name	Control-T-specific data set name.
CTDsvolser	char 6 none	Action Custom MVC_VTV Report Custom Volume Report Method Assignment	ControlT First Data Set	Control-T-specific first data set begins on volume.
CTDyndef	bool See notes below. none	Action Custom MVC_VTV Report Custom Volume Report Method Assignment	ControlT Dynamically Defined	Control-T-specific volume dynamically added.
CTEdm	bool See notes below. none	Action Custom MVC_VTV Report Custom Volume Report Method Assignment	ControlT EDM	Control-T-specific volume managed by an External Data Manager.
CTExprtrn	date See notes below. none	Action Custom MVC_VTV Report Custom Volume Report Method Assignment	ControlT Return Date	Control-T-specific expected return date from out location.
CTExtdel	bool See notes below. none	Action Custom MVC_VTV Report Custom Volume Report Method Assignment	ControlT Expire Delete	Control-T-specific volume will be deleted when expired.
CTExternal	bool See notes below. none	Action Custom MVC_VTV Report Custom Volume Report Method Assignment	ControlT External Volume	Control-T-specific external volume.
CTFirstvol	char 6 none	Action Custom MVC_VTV Report Custom Volume Report Method Assignment	ControlT First Volume	Control-T-specific first volume in the multi-volume group.
CTHold	bool See notes below. none	Action Custom MVC_VTV Report Custom Volume Report Method Assignment	ControlT Hold	Control-T-specific volume is in the main library due to recall operation.
CTInatl	bool See notes below. none	Action Custom MVC_VTV Report Custom Volume Report Method Assignment	ControlT Tape Library	Control-T-specific volume resides inside a robotic tape library.

**TABLE 3-8** Fields Specific to TMS CTT

<b>Field</b>	<b>Type Size Summary</b>	<b>Where Available</b>	<b>Report Heading</b>	<b>Description</b>
CTInuse	bool See notes below. none	Action Custom MVC_VTV Report Custom Volume Report Method Assignment	ControlT In Use	Control-T-specific volume currently in use.
CTIoerprm	int 4 sum	Action Custom MVC_VTV Report Custom Volume Report Method Assignment	ControlT Permanent Read Errors	Control-T-specific permanent read errors.
CTIoerpmc	int 4 sum	Action Custom MVC_VTV Report Custom Volume Report Method Assignment	ControlT Perm Read Errors Clean	Control-T-specific permanent read errors since last clean.
CTIoertmp	int 4 sum	Action Custom MVC_VTV Report Custom Volume Report Method Assignment	ControlT Temporary Read Errors	Control-T-specific temporary read errors.
CTIoertmpc	int 4 sum	Action Custom MVC_VTV Report Custom Volume Report Method Assignment	ControlT Temp Read Errors Clean	Control-T-specific temporary read errors since last clean
CTIoewprm	int 4 sum	Action Custom MVC_VTV Report Custom Volume Report Method Assignment	ControlT Permanent Write Errors	Control-T-specific permanent write errors.
CTIoewpmc	int 4 sum	Action Custom MVC_VTV Report Custom Volume Report Method Assignment	ControlT Perm Write Errors Clean	Control-T-specific permanent write errors since last clean.
CTIoewtmp	int 4 sum	Action Custom MVC_VTV Report Custom Volume Report Method Assignment	ControlT Temporary Write Errors	Control-T-specific temporary write errors.
CTIoewtmpc	int 4 sum	Action Custom MVC_VTV Report Custom Volume Report Method Assignment	ControlT Temp Write Errors Clean	Control-T-specific temporary write errors since last clean.
CTLaccdt	date See notes below. none	Action Custom MVC_VTV Report Custom Volume Report Method Assignment	ControlT Job Date	Control-T-specific last access job date.

**TABLE 3-8** Fields Specific to TMS CTT

<b>Field</b>	<b>Type Size Summary</b>	<b>Where Available</b>	<b>Report Heading</b>	<b>Description</b>
CTLacjbn	char 8 none	Action Custom MVC_VTV Report Custom Volume Report Method Assignment	ControlT Jobname	Control-T-specific last job name that accessed the volume.
CTLacctm	time See notes below. none	Action Custom MVC_VTV Report Custom Volume Report Method Assignment	ControlT Job Time	Control-T-specific last access job time.
CTLblnum	int 4 none	Action Custom MVC_VTV Report Custom Volume Report Method Assignment	ControlT Label Number	Control-T-specific highest label number on volume.
CTLbltyp	char 3 none	Action Custom MVC_VTV Report Custom Volume Report Method Assignment	ControlT Label Type	Control-T-specific label type  AL  AUL  BLP  NL  NSL  SL  SUL
CTLcndt	date See notes below. none	Action Custom MVC_VTV Report Custom Volume Report Method Assignment	ControlT Clean Date	Control-T-specific last clean date.
CTLlibrary	char 8 none	Action Custom MVC_VTV Report Custom Volume Report Method Assignment	ControlT Library	Control-T-specific robotic tape library name.
CTLlocation	char 8 none	Action Custom MVC_VTV Report Custom Volume Report Method Assignment	ControlT Location	Control-T-specific current location of volume.
CTLocseq	int 4 none	Action Custom MVC_VTV Report Custom Volume Report Method Assignment	ControlT Sequence Number	Control-T-specific current vault sequence number.
CTLrecl	int 5 none	Action Custom MVC_VTV Report Custom Volume Report Method Assignment	ControlT Record Length	Control-T-specific record length.

**TABLE 3-8** Fields Specific to TMS CTT

<b>Field</b>	<b>Type Size Summary</b>	<b>Where Available</b>	<b>Report Heading</b>	<b>Description</b>
CTManvlt	bool See notes below. none	Action Custom MVC_VTV Report Custom Volume Report Method Assignment	ControlT Manually Vaulted	Control-T-specific volume manually moved to vault.
CTMedia	char 8 none	Action Custom MVC_VTV Report Custom Volume Report Method Assignment	ControlT Media	Control-T-specific media name
CTMovedate	date See notes below. none	Action Custom MVC_VTV Report Custom Volume Report Method Assignment	ControlT Move Date	Control-T-specific move date.
CTNextvol	char 6 none	Action Custom MVC_VTV Report Custom Volume Report Method Assignment	ControlT Next Volume	Control-T-specific next volume in the multi-volume group.
CTNostack	bool See notes below. none	Action Custom MVC_VTV Report Custom Volume Report Method Assignment	ControlT No Stacking	Control-T-specific volume cannot be a candidate for dynamic stacking.
CTOut	bool See notes below. none	Action Custom MVC_VTV Report Custom Volume Report Method Assignment	ControlT Outside Library	Control-T-specific volume outside the main library.
CTPendscr	bool See notes below. none	Action Custom MVC_VTV Report Custom Volume Report Method Assignment	ControlT Pending Scratch	Control-T-specific pending scratch status.
CTPendvlt	bool See notes below. none	Action Custom MVC_VTV Report Custom Volume Report Method Assignment	ControlT Pending Vault	Control-T-specific pending vault.
CTPrevvol	char 6 none	Action Custom MVC_VTV Report Custom Volume Report Method Assignment	ControlT Previous Volume	Control-T-specific previous volume in the multi-volume group.
CTPvlt	bool See notes below. none	Action Custom MVC_VTV Report Custom Volume Report Method Assignment	ControlT Potential Vault	Control-T-specific potential vault.



**TABLE 3-8** Fields Specific to TMS CTT

<b>Field</b>	<b>Type Size Summary</b>	<b>Where Available</b>	<b>Report Heading</b>	<b>Description</b>
CTRecall	bool See notes below. none	Action Custom MVC_VTV Report Custom Volume Report Method Assignment	ControlT Recall	Control-T-specific volume will recall back to main library.
CTRecfm	char 3 none	Action Custom MVC_VTV Report Custom Volume Report Method Assignment	ControlT Record Format	Control-T-specific record format.  A  B  D  F  FB  FBA  FBM  FBS  M  S  U  V  VB  VBA  VBM  VBS  VS
CTRecfrom	char 8 none	Action Custom MVC_VTV Report Custom Volume Report Method Assignment	ControlT Recalled From Vault	Control-T-specific vault name recalled from.
CTRecreate	bool See notes below. none	Action Custom MVC_VTV Report Custom Volume Report Method Assignment	ControlT Recreated	Control-T-specific dataset recreated.
CTReturnvl	bool See notes below. none	Action Custom MVC_VTV Report Custom Volume Report Method Assignment	ControlT Return From Vault	Control-T-specific volume returned from vault.
CTRetvltdt	date See notes below. none	Action Custom MVC_VTV Report Custom Volume Report Method Assignment	ControlT Return to Vault Date	Control-T-specific date to return to vault.

**TABLE 3-8** Fields Specific to TMS CTT

<b>Field</b>	<b>Type Size Summary</b>	<b>Where Available</b>	<b>Report Heading</b>	<b>Description</b>
CTScratch	bool See notes below. none	Action Custom MVC_VTV Report Custom Volume Report Method Assignment	ControlT Scratch	Control-T-specific volume scratch status.
CTScrtdt	date See notes below. none	Action Custom MVC_VTV Report Custom Volume Report Method Assignment	ControlT Scratch Date	Control-T-specific volume scratch date.
CTSLname	char 6 none	Action Custom MVC_VTV Report Custom Volume Report Method Assignment	ControlT SL Name	Control-T-specific SL name.
CTSlotnum	int 8 none	Action Custom MVC_VTV Report Custom Volume Report Method Assignment	ControlT Slot Number	Control-T-specific slot number
CTSmismc	char 8 none	Action Custom MVC_VTV Report Custom Volume Report Method Assignment	ControlT SMS Management Class	Control-T-specific SMS management class.
CTSmisssg	char 8 none	Action Custom MVC_VTV Report Custom Volume Report Method Assignment	ControlT SMS Storage Group	Control-T-specific SMS storage group.
CTVabend	bool See notes below. none	Action Custom MVC_VTV Report Custom Volume Report Method Assignment	ControlT Volume Abend	Control-T-specific incomplete data set on volume.
CTVault	char 8 none	Action Custom MVC_VTV Report Custom Volume Report Method Assignment	ControlT First Vault Name	Control-T-specific first vault name.
CTVault2	char 8 none	Action Custom MVC_VTV Report Custom Volume Report Method Assignment	ControlT Second Vault Name	Control-T-specific second vault name.
CTVault3	char 8 none	Action Custom MVC_VTV Report Custom Volume Report Method Assignment	ControlT Third Vault Name	Control-T-specific third vault name.

**TABLE 3-8** Fields Specific to TMS CTT

<b>Field</b>	<b>Type Size Summary</b>	<b>Where Available</b>	<b>Report Heading</b>	<b>Description</b>
CTVaulted	bool See notes below. none	Action Custom MVC_VTV Report Custom Volume Report Method Assignment	ControlT Vaulted	Control-T-specific vaulted.
CTVendor	char 8 none	Action Custom MVC_VTV Report Custom Volume Report Method Assignment	ControlT Vendor	Control-T-specific volume's vendor name
CTVformat	char 8 none	Action Custom MVC_VTV Report Custom Volume Report Method Assignment	ControlT Volume Format	Control-T-specific volume format
CTVfreekb	int 8 none	Action Custom MVC_VTV Report Custom Volume Report Method Assignment	ControlT Free KB	Control-T-specific free kilo-bytes on volume.
CTVlrstrt	bool See notes below. none	Action Custom MVC_VTV Report Custom Volume Report Method Assignment	ControlT Restart	Control-T-specific volume processed under MVS restart.
CTVltentdt	date See notes below. none	Action Custom MVC_VTV Report Custom Volume Report Method Assignment	ControlT Entry Date	Control-T-specific vault entry date.
CTVltexpdt	date See notes below. none	Action Custom MVC_VTV Report Custom Volume Report Method Assignment	ControlT Vault Expiration Date	Control-T-specific vault expiration date.
CTVoledmid	char 4 none	Action Custom MVC_VTV Report Custom Volume Report Method Assignment	ControlT EDM ID	Control-T-specific volume's External Data Manager ID.
CTVolexcp	int 8 sum	Action Custom MVC_VTV Report Custom Volume Report Method Assignment	ControlT EXCP Count	Control-T-specific EXCP Count
CTVolexpdtd	date See notes below. none	Action Custom MVC_VTV Report Custom Volume Report Method Assignment	ControlT Expire Date	Control-T-specific volume expiration date.

**TABLE 3-8** Fields Specific to TMS CTT

<b>Field</b>	<b>Type Size Summary</b>	<b>Where Available</b>	<b>Report Heading</b>	<b>Description</b>
CTVolodesc	char 20 none	Action Custom MVC_VTV Report Custom Volume Report Method Assignment	ControlT Description	Control-T-specific volume user description.
CTVowner	char 8 none	Action Custom MVC_VTV Report Custom Volume Report Method Assignment	ControlT Owner	Control-T-specific volume owner
CTVoleq	int 5 none	Action Custom MVC_VTV Report Custom Volume Report Method Assignment	ControlT Voleq Number	Control-T-specific volume sequence number in a multi-volume group.
CTVoler	char 6 none	Action Custom MVC_VTV Report Custom Volume Report Method Assignment	ControlT Volume Serial	Control-T-specific volume serial number.
CTVolsnum	int 4 none	Action Custom MVC_VTV Report Custom Volume Report Method Assignment	ControlT Number Of Volumes	Control-T-specific number volumes data set resides on.
CTVoltype	char 1 none	Action Custom MVC_VTV Report Custom Volume Report Method Assignment	ControlT Volume Type	Control-T-specific volume type.  L  P
CTVolusect	int 8 none	Action Custom MVC_VTV Report Custom Volume Report Method Assignment	ControlT Use Count Since Scratch	Control-T-specific volume use count since last scratch.
CTVolusetc	int 8 none	Action Custom MVC_VTV Report Custom Volume Report Method Assignment	ControlT Use Count	Control-T-specific volume use count.
CTVstkgp	char 8 none	Action Custom MVC_VTV Report Custom Volume Report Method Assignment	ControlT Stacking Group	Control-T-specific stacking group name.
CTVusedkb	int 8 none	Action Custom MVC_VTV Report Custom Volume Report Method Assignment	ControlT Used KB	Control-T-specific Used kilo-bytes on volume.

# Fields Specific to TMS Custom

**TABLE 3-9** Fields Specific to TMS Custom

Field	Type Size Summary	Where Available	Report Heading	Description
UserBool1	bool See notes below. true	Action Custom MVC_VTV Report Custom Volume Report Method Assignment	User-Defined Boolean Field 1	User-defined Boolean field for a volume.
UserBool10	bool See notes below. true	Action Custom MVC_VTV Report Custom Volume Report Method Assignment	User-Defined Boolean Field 10	User-defined Boolean field for a volume.
UserBool2	bool See notes below. true	Action Custom MVC_VTV Report Custom Volume Report Method Assignment	User-Defined Boolean Field 2	User-defined Boolean field for a volume.
UserBool3	bool See notes below. true	Action Custom MVC_VTV Report Custom Volume Report Method Assignment	User-Defined Boolean Field 3	User-defined Boolean field for a volume.
UserBool4	bool See notes below. true	Action Custom MVC_VTV Report Custom Volume Report Method Assignment	User-Defined Boolean Field 4	User-defined Boolean field for a volume.
UserBool5	bool See notes below. true	Action Custom MVC_VTV Report Custom Volume Report Method Assignment	User-Defined Boolean Field 5	User-defined Boolean field for a volume.
UserBool6	bool See notes below. true	Action Custom MVC_VTV Report Custom Volume Report Method Assignment	User-Defined Boolean Field 6	User-defined Boolean field for a volume.
UserBool7	bool See notes below. true	Action Custom MVC_VTV Report Custom Volume Report Method Assignment	User-Defined Boolean Field 7	User-defined Boolean field for a volume.
UserBool8	bool See notes below. true	Action Custom MVC_VTV Report Custom Volume Report Method Assignment	User-Defined Boolean Field 8	User-defined Boolean field for a volume.

**TABLE 3-9** Fields Specific to TMS Custom

<b>Field</b>	<b>Type Size Summary</b>	<b>Where Available</b>	<b>Report Heading</b>	<b>Description</b>
UserBool9	bool See notes below. true	Action Custom MVC_VTV Report Custom Volume Report Method Assignment	User-Defined Boolean Field 9	User-defined Boolean field for a volume.
UserChar1	char 20 none	Action Custom MVC_VTV Report Custom Volume Report Method Assignment	User-Defined Character Field 1	User-defined character field for a volume.
UserChar10	char 20 none	Action Custom MVC_VTV Report Custom Volume Report Method Assignment	User-Defined Character Field 10	User-defined character field for a volume.
UserChar2	char 20 none	Action Custom MVC_VTV Report Custom Volume Report Method Assignment	User-Defined Character Field 2	User-defined character field for a volume.
UserChar3	char 20 none	Action Custom MVC_VTV Report Custom Volume Report Method Assignment	User-Defined Character Field 3	User-defined character field for a volume.
UserChar4	char 20 none	Action Custom MVC_VTV Report Custom Volume Report Method Assignment	User-Defined Character Field 4	User-defined character field for a volume.
UserChar5	char 20 none	Action Custom MVC_VTV Report Custom Volume Report Method Assignment	User-Defined Character Field 5	User-defined character field for a volume.
UserChar6	char 20 none	Action Custom MVC_VTV Report Custom Volume Report Method Assignment	User-Defined Character Field 6	User-defined character field for a volume.
UserChar7	char 20 none	Action Custom MVC_VTV Report Custom Volume Report Method Assignment	User-Defined Character Field 7	User-defined character field for a volume.
UserChar8	char 20 none	Action Custom MVC_VTV Report Custom Volume Report Method Assignment	User-Defined Character Field 8	User-defined character field for a volume.

**TABLE 3-9** Fields Specific to TMS Custom

<b>Field</b>	<b>Type Size Summary</b>	<b>Where Available</b>	<b>Report Heading</b>	<b>Description</b>
UserChar9	char 20 none	Action Custom MVC_VTV Report Custom Volume Report Method Assignment	User-Defined Character Field 9	User-defined character field for a volume.
UserDate1	date See notes below. none	Action Custom MVC_VTV Report Custom Volume Report Method Assignment	User-Defined Date Field 1	User-defined date field for a volume.
UserDate10	date See notes below. none	Action Custom MVC_VTV Report Custom Volume Report Method Assignment	User-Defined Date Field 10	User-defined date field for a volume.
UserDate2	date See notes below. none	Action Custom MVC_VTV Report Custom Volume Report Method Assignment	User-Defined Date Field 2	User-defined date field for a volume.
UserDate3	date See notes below. none	Action Custom MVC_VTV Report Custom Volume Report Method Assignment	User-Defined Date Field 3	User-defined date field for a volume.
UserDate4	date See notes below. none	Action Custom MVC_VTV Report Custom Volume Report Method Assignment	User-Defined Date Field 4	User-defined date field for a volume.
UserDate5	date See notes below. none	Action Custom MVC_VTV Report Custom Volume Report Method Assignment	User-Defined Date Field 5	User-defined date field for a volume.
UserDate6	date See notes below. none	Action Custom MVC_VTV Report Custom Volume Report Method Assignment	User-Defined Date Field 6	User-defined date field for a volume.
UserDate7	date See notes below. none	Action Custom MVC_VTV Report Custom Volume Report Method Assignment	User-Defined Date Field 7	User-defined date field for a volume.
UserDate8	date See notes below. none	Action Custom MVC_VTV Report Custom Volume Report Method Assignment	User-Defined Date Field 8	User-defined date field for a volume.

**TABLE 3-9** Fields Specific to TMS Custom

<b>Field</b>	<b>Type Size Summary</b>	<b>Where Available</b>	<b>Report Heading</b>	<b>Description</b>
UserDate9	date See notes below. none	Action Custom MVC_VTV Report Custom Volume Report Method Assignment	User-Defined Date Field 9	User-defined date field for a volume.
UserInt1	int 7 none	Action Custom MVC_VTV Report Custom Volume Report Method Assignment	User-Defined Integer Field 1	User-defined integer field for a volume.
UserInt10	int 7 none	Action Custom MVC_VTV Report Custom Volume Report Method Assignment	User-Defined Integer Field 10	User-defined integer field for a volume.
UserInt2	int 7 none	Action Custom MVC_VTV Report Custom Volume Report Method Assignment	User-Defined Integer Field 2	User-defined integer field for a volume.
UserInt3	int 7 none	Action Custom MVC_VTV Report Custom Volume Report Method Assignment	User-Defined Integer Field 3	User-defined integer field for a volume.
UserInt4	int 7 none	Action Custom MVC_VTV Report Custom Volume Report Method Assignment	User-Defined Integer Field 4	User-defined integer field for a volume.
UserInt5	int 7 none	Action Custom MVC_VTV Report Custom Volume Report Method Assignment	User-Defined Integer Field 5	User-defined integer field for a volume.
UserInt6	int 7 none	Action Custom MVC_VTV Report Custom Volume Report Method Assignment	User-Defined Integer Field 6	User-defined integer field for a volume.
UserInt7	int 7 none	Action Custom MVC_VTV Report Custom Volume Report Method Assignment	User-Defined Integer Field 7	User-defined integer field for a volume.
UserInt8	int 7 none	Action Custom MVC_VTV Report Custom Volume Report Method Assignment	User-Defined Integer Field 8	User-defined integer field for a volume.



**TABLE 3-9** Fields Specific to TMS Custom

<b>Field</b>	<b>Type Size Summary</b>	<b>Where Available</b>	<b>Report Heading</b>	<b>Description</b>
UserInt9	int 7 none	Action Custom MVC_VTV Report Custom Volume Report Method Assignment	User-Defined Integer Field 9	User-defined integer field for a volume.
UserTime1	time See notes below. none	Action Custom MVC_VTV Report Custom Volume Report Method Assignment	User-Defined Time Field 1	User-defined time field for a volume.
UserTime10	time See notes below. none	Action Custom MVC_VTV Report Custom Volume Report Method Assignment	User-Defined Time Field 10	User-defined time field for a volume.
UserTime2	time See notes below. none	Action Custom MVC_VTV Report Custom Volume Report Method Assignment	User-Defined Time Field 2	User-defined time field for a volume.
UserTime3	time See notes below. none	Action Custom MVC_VTV Report Custom Volume Report Method Assignment	User-Defined Time Field 3	User-defined time field for a volume.
UserTime4	time See notes below. none	Action Custom MVC_VTV Report Custom Volume Report Method Assignment	User-Defined Time Field 4	User-defined time field for a volume.
UserTime5	time See notes below. none	Action Custom MVC_VTV Report Custom Volume Report Method Assignment	User-Defined Time Field 5	User-defined time field for a volume.
UserTime6	time See notes below. none	Action Custom MVC_VTV Report Custom Volume Report Method Assignment	User-Defined Time Field 6	User-defined time field for a volume.

**TABLE 3-9** Fields Specific to TMS Custom

<b>Field</b>	<b>Type Size Summary</b>	<b>Where Available</b>	<b>Report Heading</b>	<b>Description</b>
UserTime7	time See notes below. none	Action Custom MVC_VTV Report Custom Volume Report Method Assignment	User-Defined Time Field 7	User-defined time field for a volume.
UserTime8	time See notes below. none	Action Custom MVC_VTV Report Custom Volume Report Method Assignment	User-Defined Time Field 8	User-defined time field for a volume.
UserTime9	time See notes below. none	Action Custom MVC_VTV Report Custom Volume Report Method Assignment	User-Defined Time Field 9	User-defined time field for a volume.

# Fields Specific to TMS Open

**TABLE 3-10** Fields Specific to TMS Open

<b>Field</b>	<b>Type Size Summary</b>	<b>Where Available</b>	<b>Report Heading</b>	<b>Description</b>
Scratch SCR	bool See notes below. true	Action Custom MVC_VTV Report Custom Volume Report	Scratch	The volume is classified as a scratch volume by LCM.
TMSBad	bool See notes below. true	Action Custom MVC_VTV Report Custom Volume Report	TMS Bad	The volume has been marked defective in the tape management system.
TMSExpired	bool See notes below. true	Action Custom MVC_VTV Report Custom Volume Report	TMS Expired	The volume is marked expired in the tape management system.
TMSReel	bool See notes below. true	Custom MVC_VTV Report Custom Volume Report	TMS Reel	The volume is marked as a 9-track reel tape in the tape management system.
TMSUse	int 5 none	Action Custom MVC_VTV Report Custom Volume Report	TMS Use Count	The number of times the volume has been used.
UserBool1	bool See notes below. true	Action Custom MVC_VTV Report Custom Volume Report Method Assignment	User-Defined Boolean Field 1	User-defined Boolean field for a volume.
UserBool10	bool See notes below. true	Action Custom MVC_VTV Report Custom Volume Report Method Assignment	User-Defined Boolean Field 10	User-defined Boolean field for a volume.
UserBool2	bool See notes below. true	Action Custom MVC_VTV Report Custom Volume Report Method Assignment	User-Defined Boolean Field 2	User-defined Boolean field for a volume.
UserBool3	bool See notes below. true	Action Custom MVC_VTV Report Custom Volume Report Method Assignment	User-Defined Boolean Field 3	User-defined Boolean field for a volume.
UserBool4	bool See notes below. true	Action Custom MVC_VTV Report Custom Volume Report Method Assignment	User-Defined Boolean Field 4	User-defined Boolean field for a volume.

**TABLE 3-10** Fields Specific to TMS Open

<b>Field</b>	<b>Type Size Summary</b>	<b>Where Available</b>	<b>Report Heading</b>	<b>Description</b>
UserBool5	bool See notes below. true	Action Custom MVC_VTV Report Custom Volume Report Method Assignment	User-Defined Boolean Field 5	User-defined Boolean field for a volume.
UserBool6	bool See notes below. true	Action Custom MVC_VTV Report Custom Volume Report Method Assignment	User-Defined Boolean Field 6	User-defined Boolean field for a volume.
UserBool7	bool See notes below. true	Action Custom MVC_VTV Report Custom Volume Report Method Assignment	User-Defined Boolean Field 7	User-defined Boolean field for a volume.
UserBool8	bool See notes below. true	Action Custom MVC_VTV Report Custom Volume Report Method Assignment	User-Defined Boolean Field 8	User-defined Boolean field for a volume.
UserBool9	bool See notes below. true	Action Custom MVC_VTV Report Custom Volume Report Method Assignment	User-Defined Boolean Field 9	User-defined Boolean field for a volume.
UserChar1	char 20 none	Action Custom MVC_VTV Report Custom Volume Report Method Assignment	User-Defined Character Field 1	User-defined character field for a volume.
UserChar10	char 20 none	Action Custom MVC_VTV Report Custom Volume Report Method Assignment	User-Defined Character Field 10	User-defined character field for a volume.
UserChar2	char 20 none	Action Custom MVC_VTV Report Custom Volume Report Method Assignment	User-Defined Character Field 2	User-defined character field for a volume.
UserChar3	char 20 none	Action Custom MVC_VTV Report Custom Volume Report Method Assignment	User-Defined Character Field 3	User-defined character field for a volume.
UserChar4	char 20 none	Action Custom MVC_VTV Report Custom Volume Report Method Assignment	User-Defined Character Field 4	User-defined character field for a volume.

**TABLE 3-10** Fields Specific to TMS Open

<b>Field</b>	<b>Type Size Summary</b>	<b>Where Available</b>	<b>Report Heading</b>	<b>Description</b>
UserChar5	char 20 none	Action Custom MVC_VTV Report Custom Volume Report Method Assignment	User-Defined Character Field 5	User-defined character field for a volume.
UserChar6	char 20 none	Action Custom MVC_VTV Report Custom Volume Report Method Assignment	User-Defined Character Field 6	User-defined character field for a volume.
UserChar7	char 20 none	Action Custom MVC_VTV Report Custom Volume Report Method Assignment	User-Defined Character Field 7	User-defined character field for a volume.
UserChar8	char 20 none	Action Custom MVC_VTV Report Custom Volume Report Method Assignment	User-Defined Character Field 8	User-defined character field for a volume.
UserChar9	char 20 none	Action Custom MVC_VTV Report Custom Volume Report Method Assignment	User-Defined Character Field 9	User-defined character field for a volume.
UserDate1	date See notes below. none	Action Custom MVC_VTV Report Custom Volume Report Method Assignment	User-Defined Date Field 1	User-defined date field for a volume.
UserDate10	date See notes below. none	Action Custom MVC_VTV Report Custom Volume Report Method Assignment	User-Defined Date Field 10	User-defined date field for a volume.
UserDate2	date See notes below. none	Action Custom MVC_VTV Report Custom Volume Report Method Assignment	User-Defined Date Field 2	User-defined date field for a volume.
UserDate3	date See notes below. none	Action Custom MVC_VTV Report Custom Volume Report Method Assignment	User-Defined Date Field 3	User-defined date field for a volume.
UserDate4	date See notes below. none	Action Custom MVC_VTV Report Custom Volume Report Method Assignment	User-Defined Date Field 4	User-defined date field for a volume.

**TABLE 3-10** Fields Specific to TMS Open

<b>Field</b>	<b>Type Size Summary</b>	<b>Where Available</b>	<b>Report Heading</b>	<b>Description</b>
UserDate5	date See notes below. none	Action Custom MVC_VTV Report Custom Volume Report Method Assignment	User-Defined Date Field 5	User-defined date field for a volume.
UserDate6	date See notes below. none	Action Custom MVC_VTV Report Custom Volume Report Method Assignment	User-Defined Date Field 6	User-defined date field for a volume.
UserDate7	date See notes below. none	Action Custom MVC_VTV Report Custom Volume Report Method Assignment	User-Defined Date Field 7	User-defined date field for a volume.
UserDate8	date See notes below. none	Action Custom MVC_VTV Report Custom Volume Report Method Assignment	User-Defined Date Field 8	User-defined date field for a volume.
UserDate9	date See notes below. none	Action Custom MVC_VTV Report Custom Volume Report Method Assignment	User-Defined Date Field 9	User-defined date field for a volume.
UserInt1	int 7 none	Action Custom MVC_VTV Report Custom Volume Report Method Assignment	User-Defined Integer Field 1	User-defined integer field for a volume.
UserInt10	int 7 none	Action Custom MVC_VTV Report Custom Volume Report Method Assignment	User-Defined Integer Field 10	User-defined integer field for a volume.
UserInt2	int 7 none	Action Custom MVC_VTV Report Custom Volume Report Method Assignment	User-Defined Integer Field 2	User-defined integer field for a volume.
UserInt3	int 7 none	Action Custom MVC_VTV Report Custom Volume Report Method Assignment	User-Defined Integer Field 3	User-defined integer field for a volume.
UserInt4	int 7 none	Action Custom MVC_VTV Report Custom Volume Report Method Assignment	User-Defined Integer Field 4	User-defined integer field for a volume.

**TABLE 3-10** Fields Specific to TMS Open

<b>Field</b>	<b>Type Size Summary</b>	<b>Where Available</b>	<b>Report Heading</b>	<b>Description</b>
UserInt5	int 7 none	Action Custom MVC_VTV Report Custom Volume Report Method Assignment	User-Defined Integer Field 5	User-defined integer field for a volume.
UserInt6	int 7 none	Action Custom MVC_VTV Report Custom Volume Report Method Assignment	User-Defined Integer Field 6	User-defined integer field for a volume.
UserInt7	int 7 none	Action Custom MVC_VTV Report Custom Volume Report Method Assignment	User-Defined Integer Field 7	User-defined integer field for a volume.
UserInt8	int 7 none	Action Custom MVC_VTV Report Custom Volume Report Method Assignment	User-Defined Integer Field 8	User-defined integer field for a volume.
UserInt9	int 7 none	Action Custom MVC_VTV Report Custom Volume Report Method Assignment	User-Defined Integer Field 9	User-defined integer field for a volume.
UserTime1	time See notes below. none	Action Custom MVC_VTV Report Custom Volume Report Method Assignment	User-Defined Time Field 1	User-defined time field for a volume.
UserTime10	time See notes below. none	Action Custom MVC_VTV Report Custom Volume Report Method Assignment	User-Defined Time Field 10	User-defined time field for a volume.
UserTime2	time See notes below. none	Action Custom MVC_VTV Report Custom Volume Report Method Assignment	User-Defined Time Field 2	User-defined time field for a volume.
UserTime3	time See notes below. none	Action Custom MVC_VTV Report Custom Volume Report Method Assignment	User-Defined Time Field 3	User-defined time field for a volume.
UserTime4	time See notes below. none	Action Custom MVC_VTV Report Custom Volume Report Method Assignment	User-Defined Time Field 4	User-defined time field for a volume.

**TABLE 3-10** Fields Specific to TMS Open

<b>Field</b>	<b>Type Size Summary</b>	<b>Where Available</b>	<b>Report Heading</b>	<b>Description</b>
UserTime5	time See notes below. none	Action Custom MVC_VTV Report Custom Volume Report Method Assignment	User-Defined Time Field 5	User-defined time field for a volume.
UserTime6	time See notes below. none	Action Custom MVC_VTV Report Custom Volume Report Method Assignment	User-Defined Time Field 6	User-defined time field for a volume.
UserTime7	time See notes below. none	Action Custom MVC_VTV Report Custom Volume Report Method Assignment	User-Defined Time Field 7	User-defined time field for a volume.
UserTime8	time See notes below. none	Action Custom MVC_VTV Report Custom Volume Report Method Assignment	User-Defined Time Field 8	User-defined time field for a volume.
UserTime9	time See notes below. none	Action Custom MVC_VTV Report Custom Volume Report Method Assignment	User-Defined Time Field 9	User-defined time field for a volume.



# Fields Specific to TMS TLMS

**TABLE 3-11** Fields Specific to TMS TLM

Field	Type Size Summary	Where Available	Report Heading	Description
BAAbdfg	char 1 none	Action Custom MVC_VTV Report Custom Volume Report Method Assignment	TLMS Abend Flag	TLMS-specific abend flag.
BAActive	int 5 none	Action Custom MVC_VTV Report Custom Volume Report Method Assignment	TLMS File Count	TLMS-specific active file count.
BAAscbs	char 8 none	Action Custom MVC_VTV Report Custom Volume Report Method Assignment	TLMS Associated Base	TLMS-specific associated base.
BAAscvol	char 8 none	Action Custom MVC_VTV Report Custom Volume Report Method Assignment	TLMS Associated Volume	TLMS-specific associated volume.
BABlkcnt	int 5 none	Action Custom MVC_VTV Report Custom Volume Report Method Assignment	TLMS Block Count	TLMS-specific block count.
BABlksiz	int 5 none	Action Custom MVC_VTV Report Custom Volume Report Method Assignment	TLMS Block Size	TLMS-specific block size.
BABuydat	date See notes below. none	Action Custom MVC_VTV Report Custom Volume Report Method Assignment	TLMS Purchase Date	TLMS-specific purchase date.
BACdsexp	date See notes below. none	Action Custom MVC_VTV Report Custom Volume Report Method Assignment	TLMS Highest Expire Date	TLMS-specific highest IBM expiration date on volume.
BACdsflg	char 1 none	Action Custom MVC_VTV Report Custom Volume Report Method Assignment	TLMS CDS Flag	TLMS-specific controlling data set flag.

**TABLE 3-11** Fields Specific to TMS TLM

<b>Field</b>	<b>Type Size Summary</b>	<b>Where Available</b>	<b>Report Heading</b>	<b>Description</b>
BACdskep	date See notes below. none	Action Custom MVC_VTV Report Custom Volume Report Method Assignment	TLMS Highest Keep Date	TLMS-specific highest keep date on volume.
BACdsseq	int 5 none	Action Custom MVC_VTV Report Custom Volume Report Method Assignment	TLMS CDS Seq Num	TLMS-specific controlling data set sequence number.
BACHnvol	char 6 none	Action Custom MVC_VTV Report Custom Volume Report Method Assignment	TLMS 1st Volume In Chain	TLMS-specific 1st volume in chain.
BACkptkn	char 1 none	Action Custom MVC_VTV Report Custom Volume Report Method Assignment	TLMS Checkpoint Taken	TLMS-specific check point taken (Y=Yes; B=No).
BAClnct	int 5 none	Action Custom MVC_VTV Report Custom Volume Report Method Assignment	TLMS Cleanings Since Cert	TLMS-specific cleanings since certified.
BACln-dat	date See notes below. none	Action Custom MVC_VTV Report Custom Volume Report Method Assignment	TLMS Clean Date	TLMS-specific clean date.
BACpusmf	char 4 none	Action Custom MVC_VTV Report Custom Volume Report Method Assignment	TLMS Creation CPU SMFid	TLMS-specific creation CPU SMF ID.
BACredat	date See notes below. none	Action Custom MVC_VTV Report Custom Volume Report Method Assignment	TLMS Create Date	TLMS-specific create date.
BACreddn	char 8 none	Action Custom MVC_VTV Report Custom Volume Report Method Assignment	TLMS Creation Ddname	TLMS-specific creation ddname.
BACredev	char (alternate) 3 none	Action Custom MVC_VTV Report Custom Volume Report Method Assignment	TLMS Creation Drive	TLMS-specific creation drive.

**TABLE 3-11** Fields Specific to TMS TLM

<b>Field</b>	<b>Type Size Summary</b>	<b>Where Available</b>	<b>Report Heading</b>	<b>Description</b>
BACrejob	char 8 none	Action Custom MVC_VTV Report Custom Volume Report Method Assignment	TLMS Creation Jobname	TLMS-specific creation jobname.
BACrepgm	char 8 none	Action Custom MVC_VTV Report Custom Volume Report Method Assignment	TLMS Creation Pgm	TLMS-specific creation program name.
BACrestp	char 8 none	Action Custom MVC_VTV Report Custom Volume Report Method Assignment	TLMS Creation Stepname	TLMS-specific creation stepname.
BACretim	time See notes below. none	Action Custom MVC_VTV Report Custom Volume Report Method Assignment	TLMS Creation Time	TLMS-specific time of day the volume was created.
BACrtcnt	int 5 none	Action Custom MVC_VTV Report Custom Volume Report Method Assignment	TLMS Total Certs	TLMS-specific total certifications.
BACrtdat	date See notes below. none	Action Custom MVC_VTV Report Custom Volume Report Method Assignment	TLMS Certification Date	TLMS-specific certification date.
BADamcde	char 1 none	Action Custom MVC_VTV Report Custom Volume Report Method Assignment	TLMS Damaged Code	TLMS-specific damaged code.
BADen	char 1 none	Action Custom MVC_VTV Report Custom Volume Report Method Assignment	TLMS Density	TLMS-specific density.
BADescde	char 1 none	Action Custom MVC_VTV Report Custom Volume Report Method Assignment	TLMS Destroyed Code	TLMS-specific destroyed code.
BADesdat	date See notes below. none	Action Custom MVC_VTV Report Custom Volume Report Method Assignment	TLMS Destroyed Date	TLMS-specific destroyed date.

**TABLE 3-11** Fields Specific to TMS TLM

<b>Field</b>	<b>Type Size Summary</b>	<b>Where Available</b>	<b>Report Heading</b>	<b>Description</b>
BADsn	char 44 none	Action Custom MVC_VTV Report Custom Volume Report Method Assignment	TLMS Data Set Name	TLMS-specific data set name.
BAErgcnt	int 5 none	Action Custom MVC_VTV Report Custom Volume Report Method Assignment	TLMS Current Erase gaps	TLMS-specific current erase gaps on volume.
BAErgmax	int 5 none	Action Custom MVC_VTV Report Custom Volume Report Method Assignment	TLMS Max Erase Gaps	TLMS-specific max erase gaps on volume.
BAExpdat	date See notes below. none	Action Custom MVC_VTV Report Custom Volume Report Method Assignment	TLMS Expire Date	TLMS-specific IBM expiration date for data set.
BAFilcnt	int 5 none	Action Custom MVC_VTV Report Custom Volume Report Method Assignment	TLMS File Count	TLMS-specific file count.
BAFileseq	int 5 none	Action Custom MVC_VTV Report Custom Volume Report Method Assignment	TLMS File Seq In Chain	TLMS-specific file sequence in chain.
BAFlg001	int 3 none	Action Custom MVC_VTV Report Custom Volume Report Method Assignment	TLMS Reserved CA-1 Flag1	TLMS-specific reserved for CA-1 FLG001.
BAFlg003	int 3 none	Action Custom MVC_VTV Report Custom Volume Report Method Assignment	TLMS Reserved CA-1 Flag3	TLMS-specific reserved for CA-1 FLG003.
BAFlg004	int 3 none	Action Custom MVC_VTV Report Custom Volume Report Method Assignment	TLMS Reserved CA-1 Flag4	TLMS-specific reserved for CA-1 FLG004.
BAFlg005	int 3 none	Action Custom MVC_VTV Report Custom Volume Report Method Assignment	TLMS Reserved TLMS Flag5	TLMS-specific reserved for TLMS FLG005.

**TABLE 3-11** Fields Specific to TMS TLM

<b>Field</b>	<b>Type Size Summary</b>	<b>Where Available</b>	<b>Report Heading</b>	<b>Description</b>
BAFlg006	int 3 none	Action Custom MVC_VTV Report Custom Volume Report Method Assignment	TLMS Reserved TLMS Flag6	TLMS-specific reserved for TLMS FLG006.
BAKepdat	date See notes below. none	Action Custom MVC_VTV Report Custom Volume Report Method Assignment	TLMS Keep Date	TLMS-specific keep date for data set.
BALabtyp	char 1 none	Action Custom MVC_VTV Report Custom Volume Report Method Assignment	TLMS Label Type	TLMS-specific label type.
BALasdat	date See notes below. none	Action Custom MVC_VTV Report Custom Volume Report Method Assignment	TLMS Last Used Date	TLMS-specific last used date.
BALasdev	char (alternate) 3 none	Action Custom MVC_VTV Report Custom Volume Report Method Assignment	TLMS Last Used Drive	TLMS-specific last used drive.
BALasjob	char 8 none	Action Custom MVC_VTV Report Custom Volume Report Method Assignment	TLMS Last Used Jobname	TLMS-specific last used jobname.
BALoc	char 2 none	Action Custom MVC_VTV Report Custom Volume Report Method Assignment	TLMS Volume Location	TLMS-specific volume location.
BALoscde	char 1 none	Action Custom MVC_VTV Report Custom Volume Report Method Assignment	TLMS Lost Code	TLMS-specific lost code.
BAMds1st	char (alternate) 8 none	Action Custom MVC_VTV Report Custom Volume Report Method Assignment	TLMS Multi-dsn First Ptr	TLMS-specific multi-dataset first chain pointer.
BAMds1st	char (alternate) 8 none	Action Custom MVC_VTV Report Custom Volume Report Method Assignment	TLMS Multi-dsn Last Ptr	TLMS-specific multi-dataset last chain pointer.

**TABLE 3-11** Fields Specific to TMS TLM

<b>Field</b>	<b>Type Size Summary</b>	<b>Where Available</b>	<b>Report Heading</b>	<b>Description</b>
BAMovdat	date See notes below. none	Action Custom MVC_VTV Report Custom Volume Report Method Assignment	TLMS Date Moved	TLMS-specific date volume moved.
BAMvlcnt	int 5 none	Action Custom MVC_VTV Report Custom Volume Report Method Assignment	TLMS BAMvltab Volume Count	TLMS-specific count of volumes in BAMvltab.
BAMvlseq1	int 5 none	Action Custom MVC_VTV Report Custom Volume Report Method Assignment	TLMS Multi-vol Seq Num 1	TLMS-specific multi-volume sequence number 1.
BAMvlseq2	int 5 none	Action Custom MVC_VTV Report Custom Volume Report Method Assignment	TLMS Multi-vol Seq Num 2	TLMS-specific multi-volume sequence number 2.
BAMvlseq3	int 5 none	Action Custom MVC_VTV Report Custom Volume Report Method Assignment	TLMS Multi-vol Seq Num 3	TLMS-specific multi-volume sequence number 3.
BAMvlseq4	int 5 none	Action Custom MVC_VTV Report Custom Volume Report Method Assignment	TLMS Multi-vol Seq Num 4	TLMS-specific multi-volume sequence number 4.
BAMvlseq5	int 5 none	Action Custom MVC_VTV Report Custom Volume Report Method Assignment	TLMS Multi-vol Seq Num 5	TLMS-specific multi-volume sequence number 5.
BAMvlvol1	char 6 none	Action Custom MVC_VTV Report Custom Volume Report Method Assignment	TLMS Multi-vol Serial 1	TLMS-specific multi-volume chain serial number 1.
BAMvlvol2	char 6 none	Action Custom MVC_VTV Report Custom Volume Report Method Assignment	TLMS Multi-vol Serial 2	TLMS-specific multi-volume chain serial number 2.
BAMvlvol3	char 6 none	Action Custom MVC_VTV Report Custom Volume Report Method Assignment	TLMS Multi-vol Serial 3	TLMS-specific multi-volume chain serial number 3.

**TABLE 3-11** Fields Specific to TMS TLM

<b>Field</b>	<b>Type Size Summary</b>	<b>Where Available</b>	<b>Report Heading</b>	<b>Description</b>
BAMv1vol4	char 6 none	Action Custom MVC_VTV Report Custom Volume Report Method Assignment	TLMS Multi-vol Serial 4	TLMS-specific multi-volume chain serial number 4.
BAMv1vol5	char 6 none	Action Custom MVC_VTV Report Custom Volume Report Method Assignment	TLMS Multi-vol Serial 5	TLMS-specific multi-volume chain serial number 5.
BAOutsrv	char 4 none	Action Custom MVC_VTV Report Custom Volume Report Method Assignment	TLMS Out of Service Code	TLMS-specific out of service code. Contains BALoscde, BADamcde, and BADescde.
BARecsiz	int 5 none	Action Custom MVC_VTV Report Custom Volume Report Method Assignment	TLMS LRECL	TLMS-specific logical record length.
BARederr	int 5 none	Action Custom MVC_VTV Report Custom Volume Report Method Assignment	TLMS Temporary Read Errors	TLMS-specific current temporary read errors.
BARfm	char 3 none	Action Custom MVC_VTV Report Custom Volume Report Method Assignment	TLMS Record Format	TLMS-specific record format.
BARtncnt1	int 5 none	Action Custom MVC_VTV Report Custom Volume Report Method Assignment	TLMS Retention Count - 1	TLMS-specific retention count for retention entry 1.
BARtncnt2	int 5 none	Action Custom MVC_VTV Report Custom Volume Report Method Assignment	TLMS Retention Count - 2	TLMS-specific retention count for retention entry 2.
BARtncnt3	int 5 none	Action Custom MVC_VTV Report Custom Volume Report Method Assignment	TLMS Retention Count - 3	TLMS-specific retention count for retention entry 3.
BARtncnt4	int 5 none	Action Custom MVC_VTV Report Custom Volume Report Method Assignment	TLMS Retention Count - 4	TLMS-specific retention count for retention entry 4.

**TABLE 3-11** Fields Specific to TMS TLM

<b>Field</b>	<b>Type Size Summary</b>	<b>Where Available</b>	<b>Report Heading</b>	<b>Description</b>
BARtncnt5	int 5 none	Action Custom MVC_VTV Report Custom Volume Report Method Assignment	TLMS Retention Count - 5	TLMS-specific retention count for retention entry 5.
BARtncnt6	int 5 none	Action Custom MVC_VTV Report Custom Volume Report Method Assignment	TLMS Retention Count - 6	TLMS-specific retention count for retention entry 6.
BARtndev	char 4 none	Action Custom MVC_VTV Report Custom Volume Report Method Assignment	TLMS Cabinet Slot	TLMS-specific box or cabinet/slot.
BARtnLoc1	char 2 none	Action Custom MVC_VTV Report Custom Volume Report Method Assignment	TLMS Retention Loc - 1	TLMS-specific user retention location for retention entry 1.
BARtnLoc2	char 2 none	Action Custom MVC_VTV Report Custom Volume Report Method Assignment	TLMS Retention Loc - 2	TLMS-specific user retention location for retention entry 2.
BARtnLoc3	char 2 none	Action Custom MVC_VTV Report Custom Volume Report Method Assignment	TLMS Retention Loc - 3	TLMS-specific user retention location for retention entry 3.
BARtnLoc4	char 2 none	Action Custom MVC_VTV Report Custom Volume Report Method Assignment	TLMS Retention Loc - 4	TLMS-specific user retention location for retention entry 4.
BARtnLoc5	char 2 none	Action Custom MVC_VTV Report Custom Volume Report Method Assignment	TLMS Retention Loc - 5	TLMS-specific user retention location for retention entry 5.
BARtnLoc6	char 2 none	Action Custom MVC_VTV Report Custom Volume Report Method Assignment	TLMS Retention Loc - 6	TLMS-specific user retention location for retention entry 6.
BARtnptr	char 1 none	Action Custom MVC_VTV Report Custom Volume Report Method Assignment	TLMS Retention Entry	TLMS-specific offset of active retention entry.



**TABLE 3-11** Fields Specific to TMS TLM

<b>Field</b>	<b>Type Size Summary</b>	<b>Where Available</b>	<b>Report Heading</b>	<b>Description</b>
BARtmsrc	char 1 none	Action Custom MVC_VTV Report Custom Volume Report Method Assignment	TLMS Retention Source	TLMS-specific retention source. '' (blank) = No retention data; '1' = From RMF; '2' = From JCL; '3' = From manual update.
BARtntyp1	char 1 none	Action Custom MVC_VTV Report Custom Volume Report Method Assignment	TLMS Retention Type - 1	TLMS-specific user retention type for retention entry 1. '1' = Catalog control; '2' = Date control; '3' = Catalog and age; '4' = Cycle control; '5' = Age; '6' = Move immediate control; '7' = Manual control; '8' = Days since last used; '9' = Expiration date.
BARtntyp2	char 1 none	Action Custom MVC_VTV Report Custom Volume Report Method Assignment	TLMS Retention Type - 2	TLMS-specific user retention type for retention entry 2. '1' = Catalog control; '2' = Date control; '3' = Catalog and age; '4' = Cycle control; '5' = Age; '6' = Move immediate control; '7' = Manual control; '8' = Days since last used; '9' = Expiration date.
BARtntyp3	char 1 none	Action Custom MVC_VTV Report Custom Volume Report Method Assignment	TLMS Retention Type - 3	TLMS-specific user retention type for retention entry 3. '1' = Catalog control; '2' = Date control; '3' = Catalog and age; '4' = Cycle control; '5' = Age; '6' = Move immediate control; '7' = Manual control; '8' = Days since last used; '9' = Expiration date.
BARtntyp4	char 1 none	Action Custom MVC_VTV Report Custom Volume Report Method Assignment	TLMS Retention Type - 4	TLMS-specific user retention type for retention entry 4. '1' = Catalog control; '2' = Date control; '3' = Catalog and age; '4' = Cycle control; '5' = Age; '6' = Move immediate control; '7' = Manual control; '8' = Days since last used; '9' = Expiration date.
BARtntyp5	char 1 none	Action Custom MVC_VTV Report Custom Volume Report Method Assignment	TLMS Retention Type - 5	TLMS-specific user retention type for retention entry 5. '1' = Catalog control; '2' = Date control; '3' = Catalog and age; '4' = Cycle control; '5' = Age; '6' = Move immediate control; '7' = Manual control; '8' = Days since last used; '9' = Expiration date.
BARtntyp6	char 1 none	Action Custom MVC_VTV Report Custom Volume Report Method Assignment	TLMS Retention Type - 6	TLMS-specific user retention type for retention entry 6. '1' = Catalog control; '2' = Date control; '3' = Catalog and age; '4' = Cycle control; '5' = Age; '6' = Move immediate control; '7' = Manual control; '8' = Days since last used; '9' = Expiration date.
BAScrdat	date See notes below. none	Action Custom MVC_VTV Report Custom Volume Report Method Assignment	TLMS Scratch Date	TLMS-specific date volume scratched.
BAScruid	char 1 none	Action Custom MVC_VTV Report Custom Volume Report Method Assignment	TLMS Scratched ID	TLMS-specific scratched by ID. '1' = TRS; '2' = JCL; '3' = Manual; '4' = External data manager.

**TABLE 3-11** Fields Specific to TMS TLM

<b>Field</b>	<b>Type Size Summary</b>	<b>Where Available</b>	<b>Report Heading</b>	<b>Description</b>
BASmsgmt	char 8 none	Action Custom MVC_VTV Report Custom Volume Report Method Assignment	TLMS Mgmt Class	TLMS-specific SMS management class
BASpchn	char 1 none	Action Custom MVC_VTV Report Custom Volume Report Method Assignment	TLMS Special Chaining	TLMS-specific special chaining (chained for moves).
BASpnflg	char 1 none	Action Custom MVC_VTV Report Custom Volume Report Method Assignment	TLMS Spanned Flag	TLMS-specific spanned data set flag (1=spanned).
BASrvscr	char 1 none	Action Custom MVC_VTV Report Custom Volume Report Method Assignment	TLMS Serv/Scr Indicator	TLMS-specific service/scratch indicator. '0' = Skipped segment record; '1' = In service/Non scratch; '2' = In service/Scratch; '3' = Out service/Non scratch; '4' = Out Service/Scratch.
BATaplen	int 5 none	Action Custom MVC_VTV Report Custom Volume Report Method Assignment	TLMS Tape Length	TLMS-specific tape length.
BATapmod	char 1 none	Action Custom MVC_VTV Report Custom Volume Report Method Assignment	TLMS Recording Technique	TLMS-specific track recording technique.
BATaptyp	char 2 none	Action Custom MVC_VTV Report Custom Volume Report Method Assignment	TLMS Tape Type	TLMS-specific tape type.
BATrspro	char 1 none	Action Custom MVC_VTV Report Custom Volume Report Method Assignment	TLMS TRS Processed	TLMS-specific TRS has processed this volume.
BAUnisrt	int 5 none	Action Custom MVC_VTV Report Custom Volume Report Method Assignment	TLMS Sort Unique	TLMS-specific sort unique code.
BAUsebuy	int 5 none	Action Custom MVC_VTV Report Custom Volume Report Method Assignment	TLMS Uses Since Purchased	TLMS-specific uses since purchased.

**TABLE 3-11** Fields Specific to TMS TLM

<b>Field</b>	<b>Type Size Summary</b>	<b>Where Available</b>	<b>Report Heading</b>	<b>Description</b>
BAUsecln	int 5 none	Action Custom MVC_VTV Report Custom Volume Report Method Assignment	TLMS Uses Since Cleaned	TLMS-specific uses since cleaned.
BAUseclt	int 5 none	Action Custom MVC_VTV Report Custom Volume Report Method Assignment	TLMS Uses Since Certified	TLMS-specific uses since certified.
BAUsr001	char 15 none	Action Custom MVC_VTV Report Custom Volume Report Method Assignment	TLMS Job Accounting	TLMS-specific user data. (Defaults to job accounting - TCB).
BAUsr002	char 15 none	Action Custom MVC_VTV Report Custom Volume Report Method Assignment	TLMS Programmer Name	TLMS-specific user data. (Defaults to programmer name - TCB).
BAUsr003	char 29 none	Action Custom MVC_VTV Report Custom Volume Report Method Assignment	TLMS User Data	TLMS-specific user data area.
BAVender	char 8 none	Action Custom MVC_VTV Report Custom Volume Report Method Assignment	TLMS Manufacturer Code	TLMS-specific user updated manufacturer code.
BAVol1st	char (alternate) 8 none	Action Custom MVC_VTV Report Custom Volume Report Method Assignment	TLMS Multi-vol First Ptr	TLMS-specific multi-volume first volume serial number pointer.
BAVolcnt	int 5 none	Action Custom MVC_VTV Report Custom Volume Report Method Assignment	TLMS Volume Count	TLMS-specific volume count.
BAVollst	char (alternate) 8 none	Action Custom MVC_VTV Report Custom Volume Report Method Assignment	TLMS Multi-Vol Last Ptr	TLMS-specific multi-volume last chain pointer.

**TABLE 3-11** Fields Specific to TMS TLM

<b>Field</b>	<b>Type Size Summary</b>	<b>Where Available</b>	<b>Report Heading</b>	<b>Description</b>
BAVolown	char 8 none	Action Custom MVC_VTV Report Custom Volume Report Method Assignment	TLMS Volume Owner	TLMS-specific volume owner.
BAVoleq	int 5 none	Action Custom MVC_VTV Report Custom Volume Report Method Assignment	TLMS Volume Seq	TLMS-specific volume sequence number.
BAVolser	char 6 none	Action Custom MVC_VTV Report Custom Volume Report Method Assignment	TLMS Volume Serial	TLMS-specific volume serial number



## Valid Formats for Date/Time Fields

**TABLE 3-12** Valid Formats for Date Fields

Type	Size	Example
yyddd	5	97248
ccyyddd	7	1997248
yy.ddd	6	97.248
ccyy.ddd	8	1997.248
mm/dd/yy	8	09/05/97
mm/dd/ccyy	10	09/05/1997
yy-mm-dd	8	97-09-05
yyyy-mm-dd	10	2000-09-05 This is the default.
dd_mmm_yy	9	09 Sep 97
dd_mmm_ccyy	11	09 Sep 1997
ddmmyy	7	09Sep98
ddmmccyy	9	09Sep1997
textdate	18	September 9, 1997
textdaydate	29	Wednesday, September 10, 1997

**TABLE 3-13** Valid Formats for Time Fields

Type	Size	Example
hh:mm	5	22:21
hh:mm:ss	8	22:21:32 This is the default.
hh:mm:ss_pm	11	10:21:32 PM