

NOTES: UNLESS OTHERWISE SPECIFIED

REVISIONS			
REV	DESCRIPTION	DATE	APPROVED
A	RELEASE PER ECN #12783	4/22/03	D. GRIFFITH
B	REVISED PER ECO #12973	8/20/03	D. GRIFFITH
C	REVISED PER ECO #13150	10/24/03	D. GRIFFITH
D	REVISED PER ECO #13263	12/18/03	D. GRIFFITH
E	REVISED PER ECO #13404	2/24/04	D. GRIFFITH
F	REVISED PER ECO #13679	07/21/04	BRYAN
G	REVISED PER ECO #14057	11/22/04	BRYAN

DOCUMENT CONTROL  
PRODUCTION RELEASED

- 20 SERIAL EXPANSION CARD, 870-2708-01, SALES ORDER LINE ITEM.
- 21 ETHERNET CARD, 870-2706-XX, SALES ORDER LINE ITEM.
- 22 REMOVE ADHESIVE BACKING AND ATTACH LABEL IN RECESSED AREA.
- 23 OPERATING KEY (ITEM 73) NOT SHOWN. KEY TO BE PACKAGED AND SHIPPED WITH ASSEMBLY.

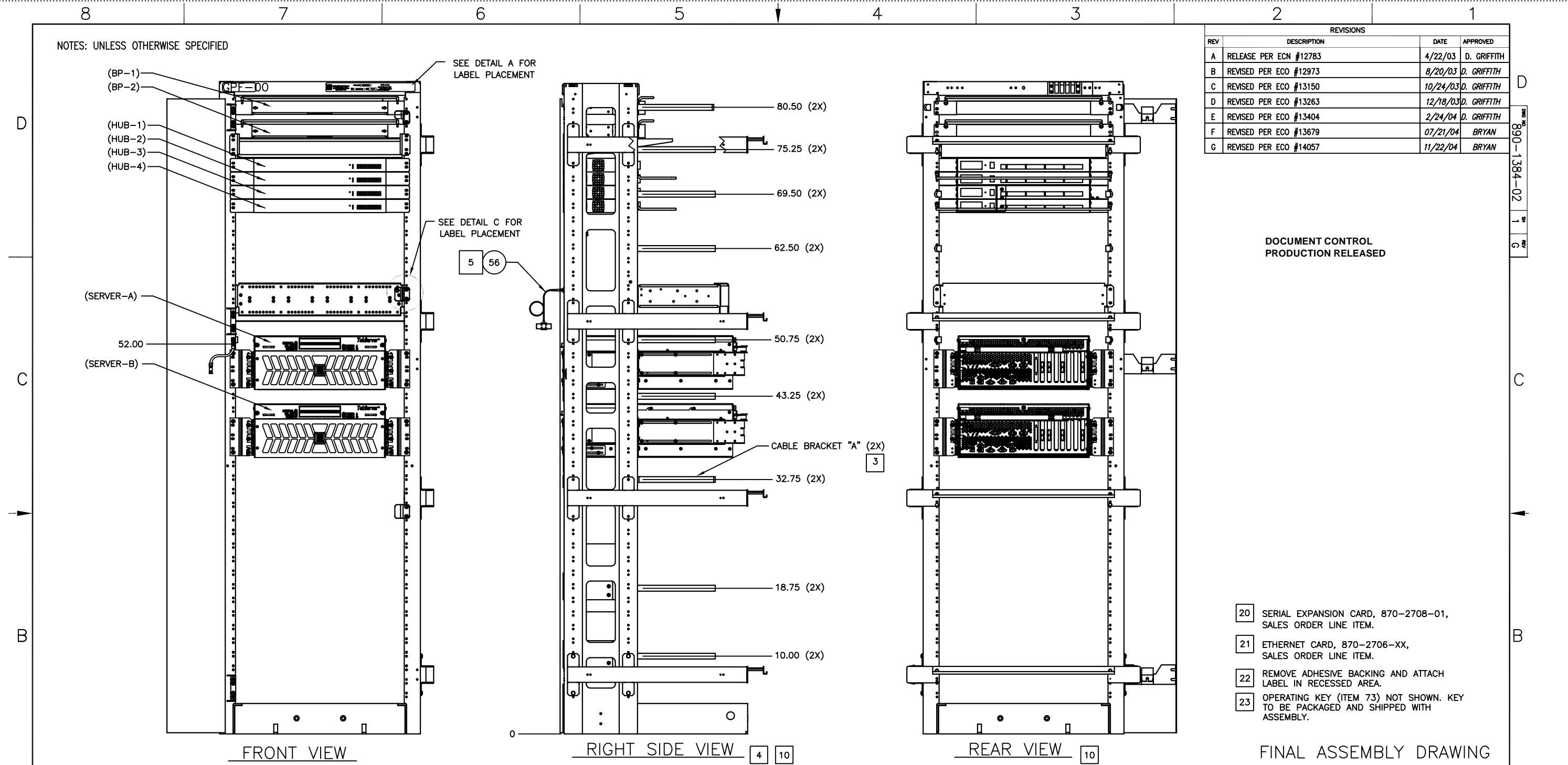
FINAL ASSEMBLY DRAWING  
MAXIMUM CONFIGURATION  
SEE SEPARATE PARTS LIST

TABULATION BLOCK			
PART NO.	APPLICATION		
890-1801-01	HEAVY DUTY FRAME FOR TEKSERVERS MPS		
TEKELEC		26580 W. Agoura Road, Calabasas, California 91302	
GEN DWG_HEAVY DUTY FRAME MPS W/TEKSERVER			
SIZE	DIVISION	DRAWING NO.	REV.
D	NSD	890-1384-02	G
SCALE: 1/6 FILE NAME: 890-1384-02_REV_G.DWG SHEET 1 OF 5			

UNLESS OTHERWISE SPECIFIED:  
DO NOT SCALE DRAWING.  
DIMENSIONS ARE IN INCHES.  
INTERPRET DIMENSIONS IN ACCORDANCE WITH ASME Y14.5M-1994.  
DRAWING TO CONFORM TO TEKELEC SPECIFICATION 907-0168-01.  
DEBURR AND BREAK SHARP EDGES AND CORNERS .005-.015.  
MACHINED SURFACE FINISH 125  
DECIMAL TOLERANCES:  
XX" ±.02 XXX" ±.005  
ANGLE TOLERANCE: ± 1'

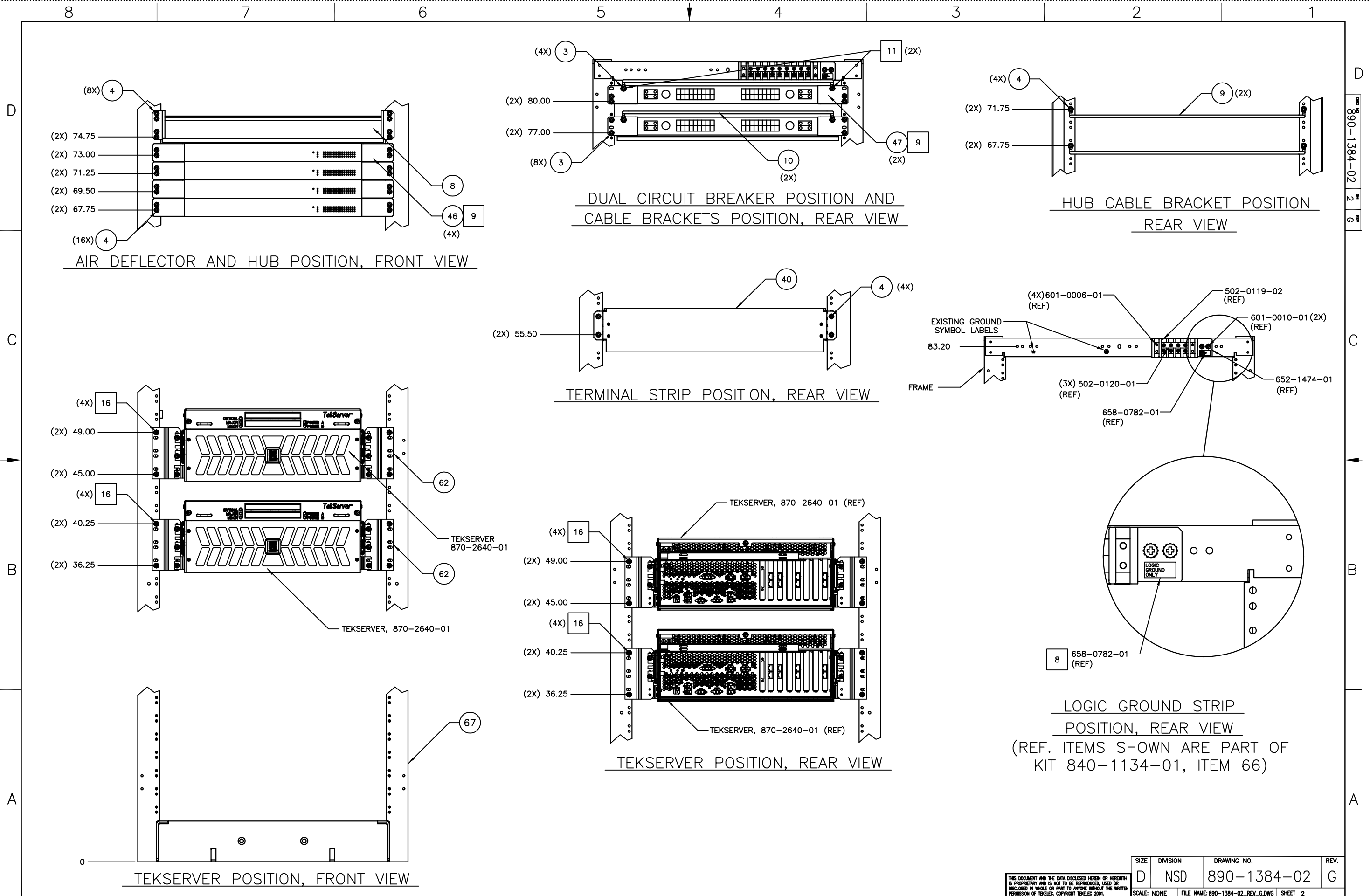
APPROVALS	DATE
DRAWN BY S. LYLE	4/11/03
CHECKED J. MYERS	4/15/03
APPROVED D. GRIFFITH	4/15/03

THIRD ANGLE PROJECTION



- 1) NO ADDITIONS, DELETIONS, SUBSTITUTIONS OR MODIFICATIONS WITHOUT PRIOR WRITTEN TEKELEC APPROVAL.
- 2) TORQUE ALL FASTENERS IN ACCORDANCE WITH TEKELEC SPECIFICATION 906-0008-01.
- 3) REFER TO SHEET 3, DETAIL B.
- 4) FOR LOCATING INDIVIDUAL PARTS, USE DIMENSION SHOWN.
- 5) DO NOT INSTALL. SHIP UNASSEMBLED AND PACKED WITH UNIT.
- 6) LABEL SHOWN IS HALF OF ITEM 34. POSITION HORIZONTALLY AS SHOWN.
- 7) REFER TO INTERCONNECT DIAGRAM (ITEM 51) FOR LOCATION OF CABLES. CABLES (EXCEPT ITEM 35) NOT SHOWN. USE CABLE TIE MOUNT (ITEM 55) FOR CABLE ROUTING, QUANTITY AS REQUIRED.
- 8) LOCATE APPROXIMATELY AS SHOWN.
- 9) A QUANTITY OF 8 SCREWS (ITEM 3) ARE NEEDED TO ATTACH THE GROUND CABLES FOR THE CIRCUIT BREAKERS AND THE HUBS TO THE FRAME. THESE SCREWS ARE NOT SHOWN.
- 10) SHOWN WITH REAR NEBS PANELS (ITEM 13) REMOVED FOR CLARITY.
- 11) MOUNT STRAIN RELIEF BRACKET (ITEM 10) ON TOP OF BREAKER PANEL BRACKET AT THIS POSITION, USING ITEM 3 SCREWS AS SHOWN.
- 12) DELETED
- 13) REFER TO FRONT VIEW (SHEET 1) FOR MODULE IDENTIFICATION AND LOCATION.
- 14) UNLESS OTHERWISE SPECIFIED, ITEMS NOT SHOWN TO BE SHIPPED PACKED WITH UNIT EXCEPT FOR ITEMS WITH BOM QUANTITY OF 0 (REFERENCE DOCUMENTS).
- 15) RACK DOLLY, FOR SHIPPING ONLY. TO BE REMOVED DURING INSTALLATION.
- 16) MOUNTING SCREWS ARE PART OF SLIDE MOUNTING KIT, PART NUMBER 804-1706-01 (ITEM 62).
- 17) MODEM CARD, 870-2707-01, SALES ORDER LINE ITEM.

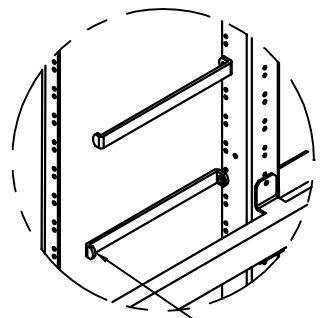
- 18) INSTALL PCI CARDS (SHOWN) AND HARD DRIVES (870-2721-02, NOT SHOWN, SALES ORDER LINE ITEM) PER SUB-ASSEMBLY INSTRUCTIONS IN TEKSERVER (870-2640-01, SALES ORDER LINE ITEM) ASSEMBLY DOCUMENTS.
- 19) PART OF SLIDE MOUNTING KIT (ITEM 62). QUANTITIES SHOWN ARE FOR ONE TEKSERVER MOUNTING.



SIZE	DIVISION	DRAWING NO.	REV.
D	NSD	890-1384-02	G
SCALE: NONE		FILE NAME: 890-1384-02_REV_G.DWG	SHEET 2

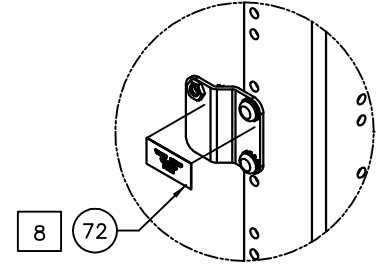
THIS DOCUMENT AND THE DATA DISCLOSED HEREIN OR HEREWITH IS PROPRIETARY AND IS NOT TO BE REPRODUCED, USED OR DISCLOSED IN WHOLE OR PART TO ANYONE WITHOUT THE WRITTEN PERMISSION OF TEKELEC. COPYRIGHT TEKELEC. 2001.

8 7 6 5 4 3 2 1

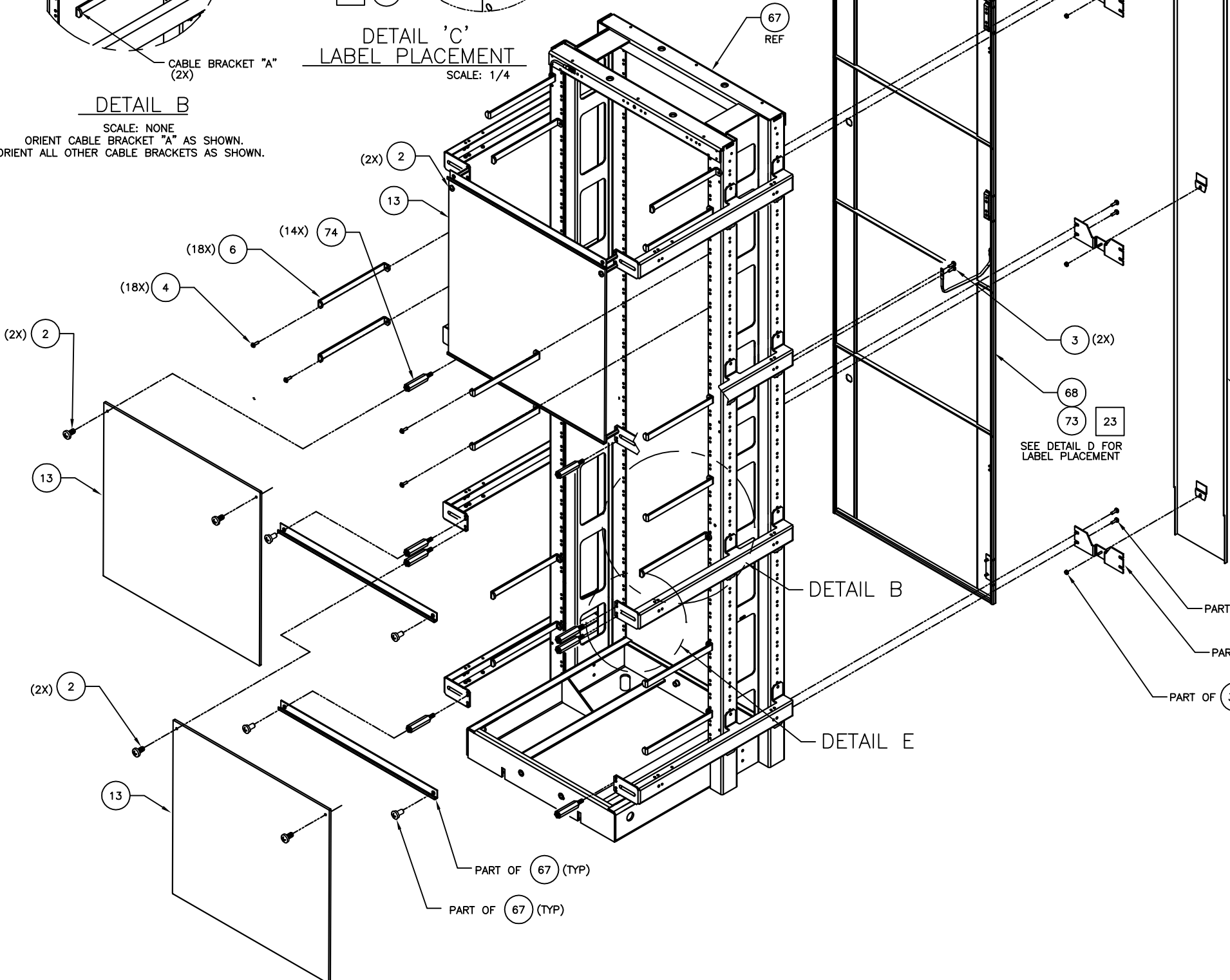


DETAIL B

SCALE: NONE  
ORIENT CABLE BRACKET "A" AS SHOWN.  
ORIENT ALL OTHER CABLE BRACKETS AS SHOWN.

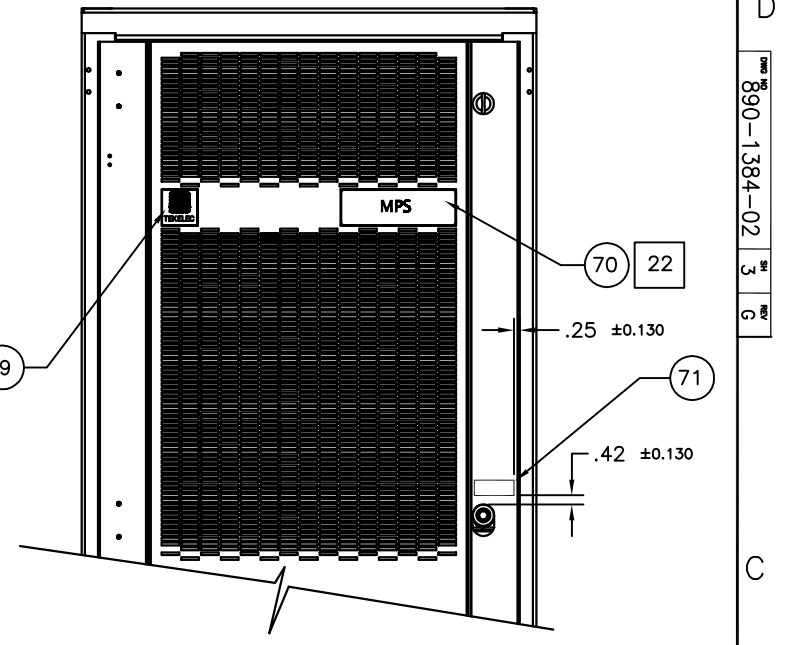


DETAIL 'C'  
LABEL PLACEMENT  
SCALE: 1/4

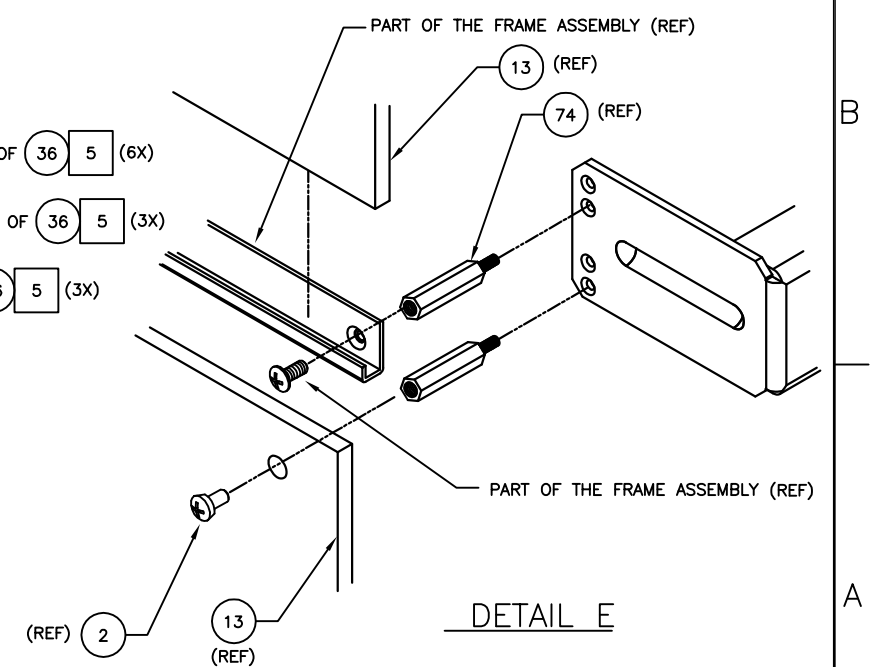


EXPLODED ISOMETRIC VIEW OF VARIOUS FRAME ITEMS (UPPER RT. REAR)

SCALE: NONE



DETAIL D  
DOOR LABEL PLACEMENT



DETAIL E

DWG NO. 890-1384-02  
REV. 3

C

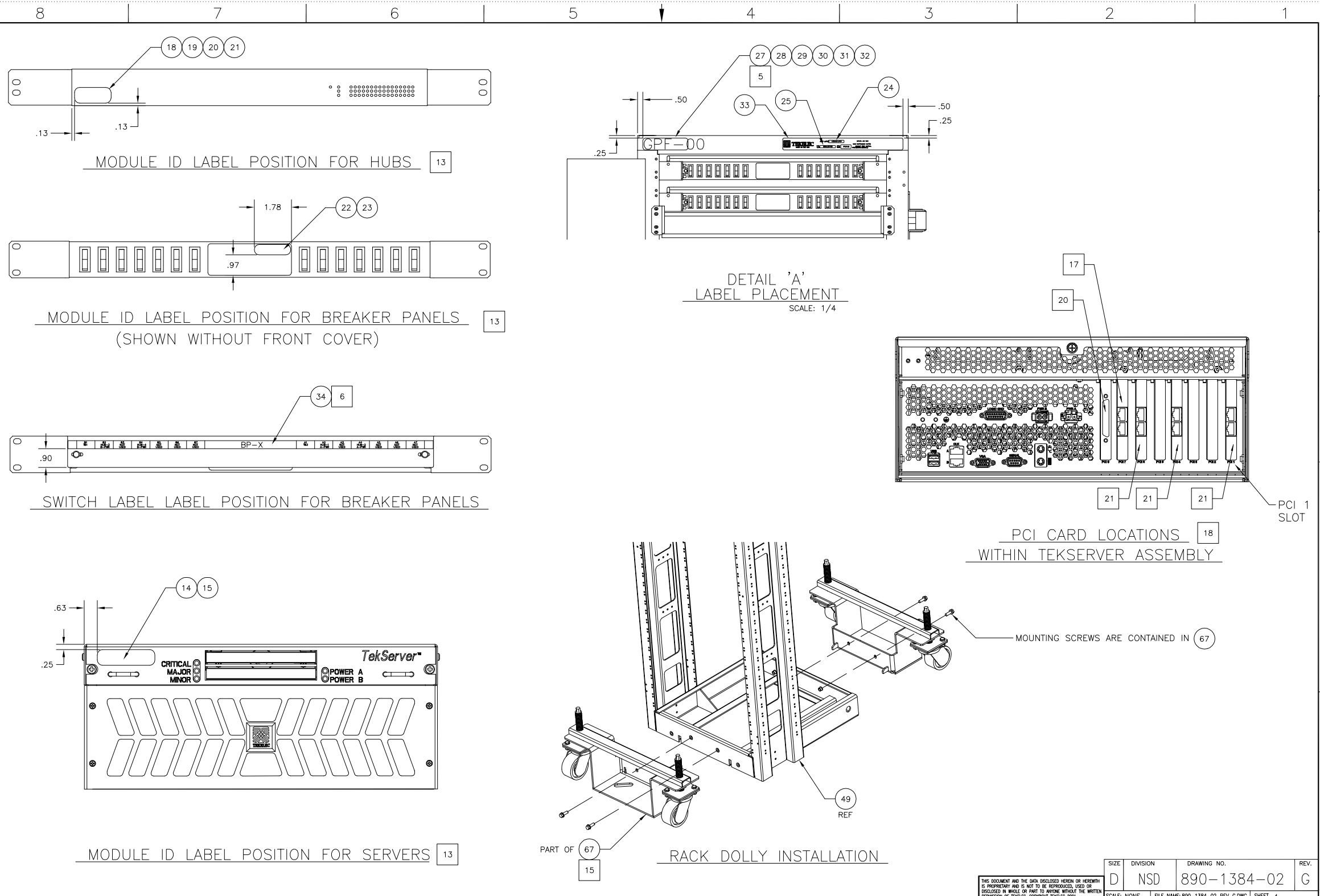
B

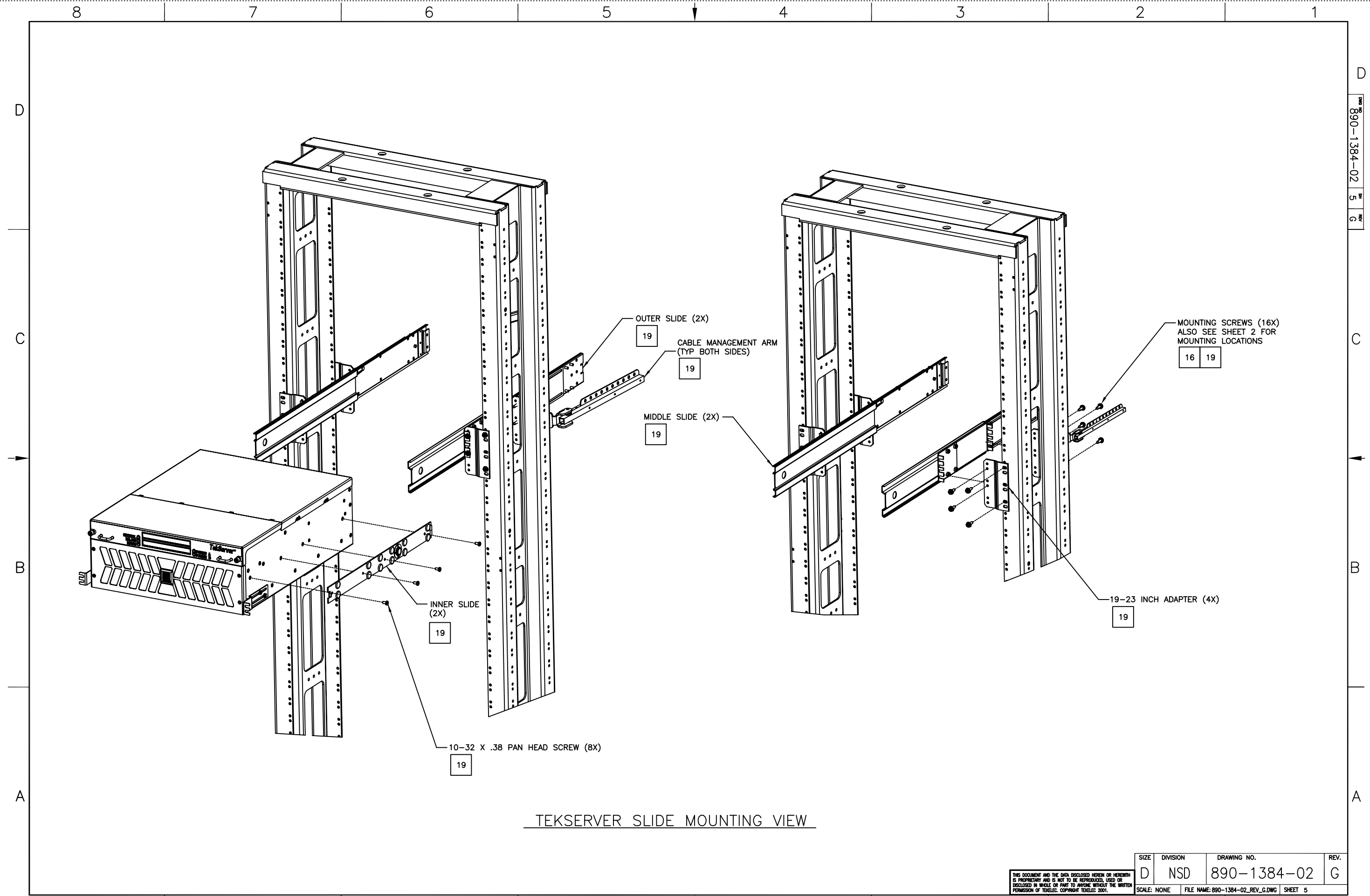
A

SIZE	DIVISION	DRAWING NO.	REV.
D	NSD	890-1384-02	G

SCALE: NONE FILE NAME: 890-1384-02\_REV\_G.DWG SHEET 3

8 7 6 5 4 3 2 1





TEKSERVER SLIDE MOUNTING VIEW

D  
 890-1384-02  
 5  
 6

C  
 B  
 A

A

SIZE	DIVISION	DRAWING NO.	REV.
D	NSD	890-1384-02	G
SCALE: NONE		FILE NAME: 890-1384-02_REV_G.DWG	SHEET 5