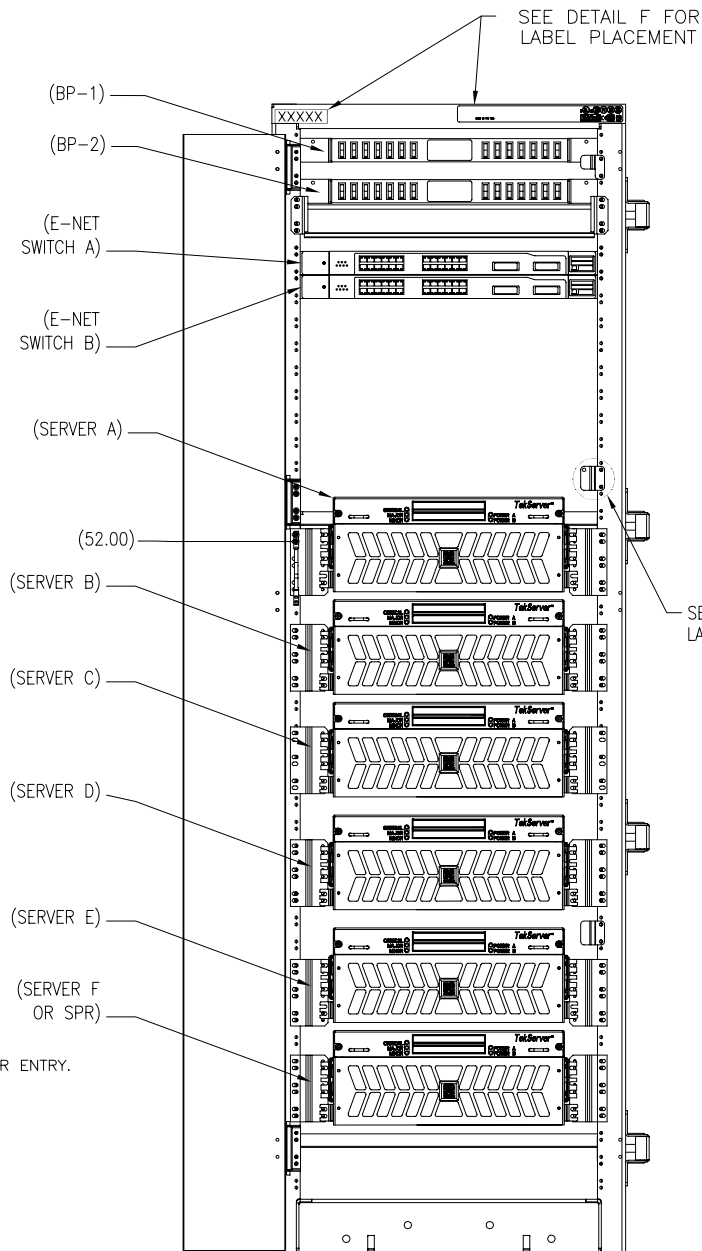
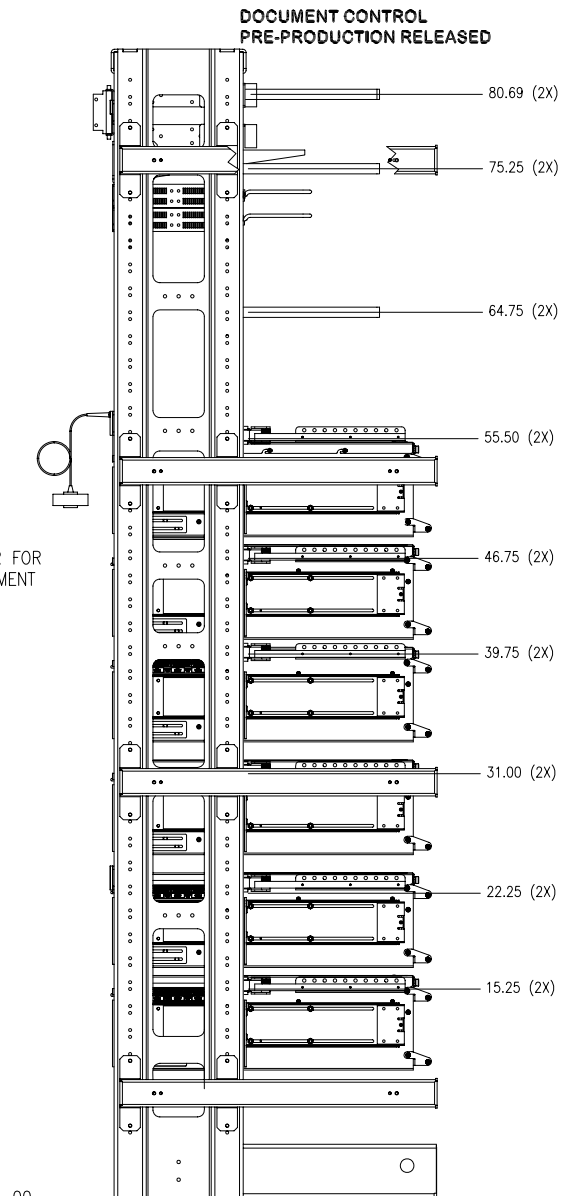


NOTES: UNLESS OTHERWISE SPECIFIED

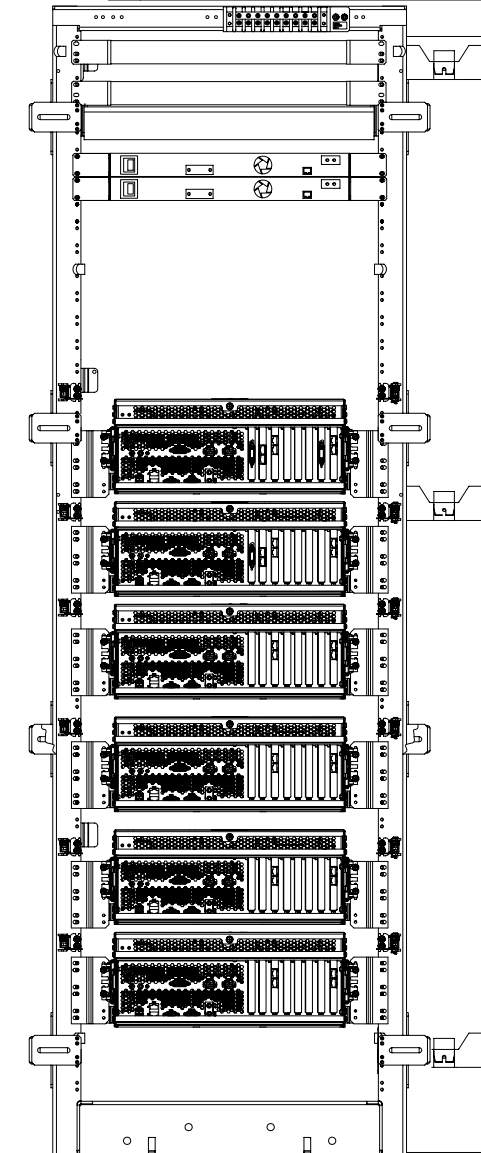
- 1) NO ADDITIONS, DELETIONS, SUBSTITUTIONS OR MODIFICATIONS WITHOUT PRIOR WRITTEN TEKELEC APPROVAL.
- 2) TORQUE ALL FASTENERS IN ACCORDANCE WITH TEKELEC SPECIFICATION 906-0008-01.
- 3) REFER TO INTERCONNECT DIAGRAM (ITEM 36) FOR CABLE CONNECTIONS.
- 4 FOR LOCATING INDIVIDUAL PARTS, USE DIMENSION SHOWN.
- 5 DO NOT INSTALL. SHIP UNASSEMBLED AND PACKED WITH UNIT.
- 6 LABEL SHOWN IS HALF OF BREAKER ID. POSITION HORIZONTALLY AS SHOWN.
- 7) UNLESS OTHERWISE SPECIFIED, ITEMS NOT SHOWN TO BE SHIPPED PACKED WITH UNIT.
- 8 LOCATE APPROXIMATELY AS SHOWN.
- 9 A QUANTITY OF 6 SCREWS (ITEM 3) ARE NEEDED TO ATTACH THE CIRCUIT BREAKER GROUND CABLES AND SWITCH GROUND CABLES. THESE SCREWS ARE NOT SHOWN.
- 10 MOUNTING SCREWS ARE PART OF SLIDE MOUNTING KIT (P/N 804-1706-01).
- 11 MOUNTED ON TOP OF BREAKER PANEL (ITEM 31) AT THIS POSITION.
- 12 INSTALL OPTIONAL COMPONENTS AS REQUIRED.
- 13 DELETED
- 14 ATTACH CHASSIS GROUND CABLE WITH SUPPLIED NUTS AND 2 SCREWS (ITEM 3), BOTH NOT SHOWN.
- 15 RACK DOLLY, FOR SHIPPING ONLY. TO BE REMOVED DURING INSTALLATION.
- 16 SERVER TO BE MOUNTED ALIGNED WITH THE TOP OF THE SLIDE ADAPTER BRACKETS AS SHOWN.
- 17 INSTALL "NOT USED" LABELS (PART OF ITEM 41) AS REQ'D OVER POSITIONS ON BREAKER PANEL LABEL WHERE EQUIPMENT IS NOT INSTALLED. SINGLE LABEL SHOWN.
- 18 REMOVE ADHESIVE BACKING AND ATTACH LABEL IN RECESSED AREA.
- 19 OPERATING KEY (ITEM 49) NOT SHOWN. KEY TO BE PACKAGED AND SHIPPED WITH ASSEMBLY.
- 20 PRODUCT LABEL, CONFIGURABLE ITEM TO BE CHOSEN AT ORDER ENTRY.
- 21 SERVER C'S SLIDE MOUNTING BRACKETS ARE ATTACHED OFFSET ON THE FRAME MOUNTING HOLES.



FRONT VIEW



RIGHT SIDE VIEW



REAR VIEW

FINAL ASSEMBLY DRAWING  
MAXIMUM CONFIGURATION  
SEE SEPARATE PARTS LIST

UNLESS OTHERWISE SPECIFIED:  
DO NOT SCALE DRAWING.  
DIMENSIONS ARE IN INCHES.  
INTERPRET DIMENSIONS IN ACCORDANCE WITH ASME Y14.5M-1994.  
DRAWING TO CONFORM TO TEKELEC SPECIFICATION 907-0169-01.  
DEBURR AND BREAK SHARP EDGES AND CORNERS .005-.015.  
MACHINED SURFACE FINISH  
DECIMAL TOLERANCES:  
.XX = ±.02 .XXX = ±.005  
ANGLE TOLERANCE: ± 1°

THIS DOCUMENT AND THE DATA DISCLOSED HEREIN OR HERETHIN IS PROPRIETARY AND IS NOT TO BE REPRODUCED, USED OR DISCLOSED IN WHOLE OR PART TO ANYONE WITHOUT THE WRITTEN PERMISSION OF TEKELEC. COPYRIGHT TEKELEC 2001.

APPROVALS	DATE
DRAWN BY J. MYERS	7/30/03
CHECKED S. LYTLE	8/14/03
APPROVED D. GRIFFITH	8/14/03

TEKELEC 26580 W. Agoura Road, Calabasas, California 91302

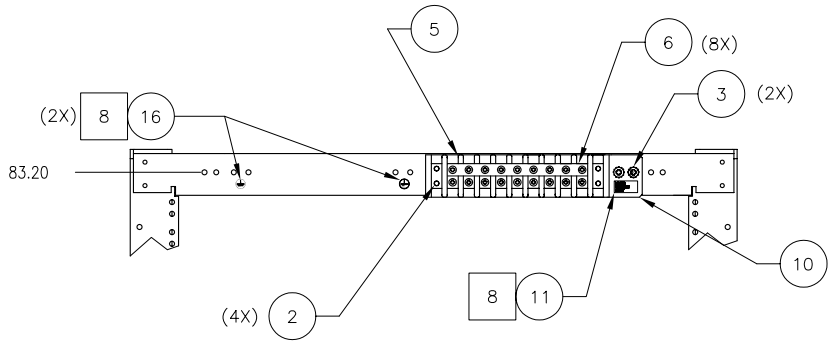
DWG\_GENERIC\_  
TEKWARE NETWORK ELEMENT

SIZE	DIVISION	DRAWING NO.	REV.
D	NSD	890-1809-01	H

SCALE: 1/6 FILE NAME: 890-1809-01\_H.DWG SHEET 1 OF 4

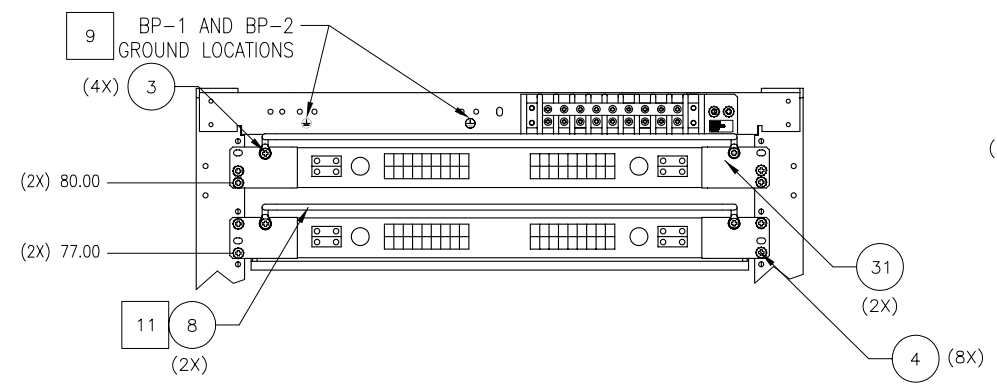
8 7 6 5 4 3 2 1

D



LOGIC GROUND STRIP AND FRAME  
GROUND LABEL POSITIONS, REAR VIEW  
DETAIL A

C



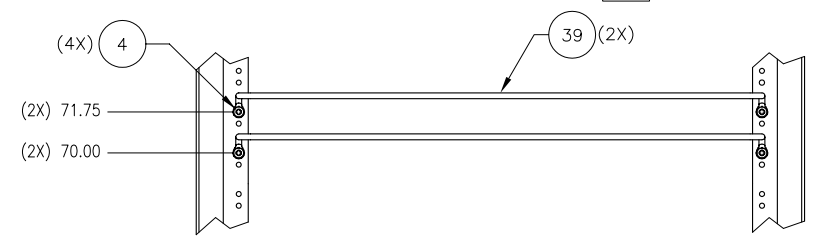
DUAL CIRCUIT BREAKER POSITIONS,  
CABLE BRACKET POSITIONS REAR VIEW  
DETAIL B

B



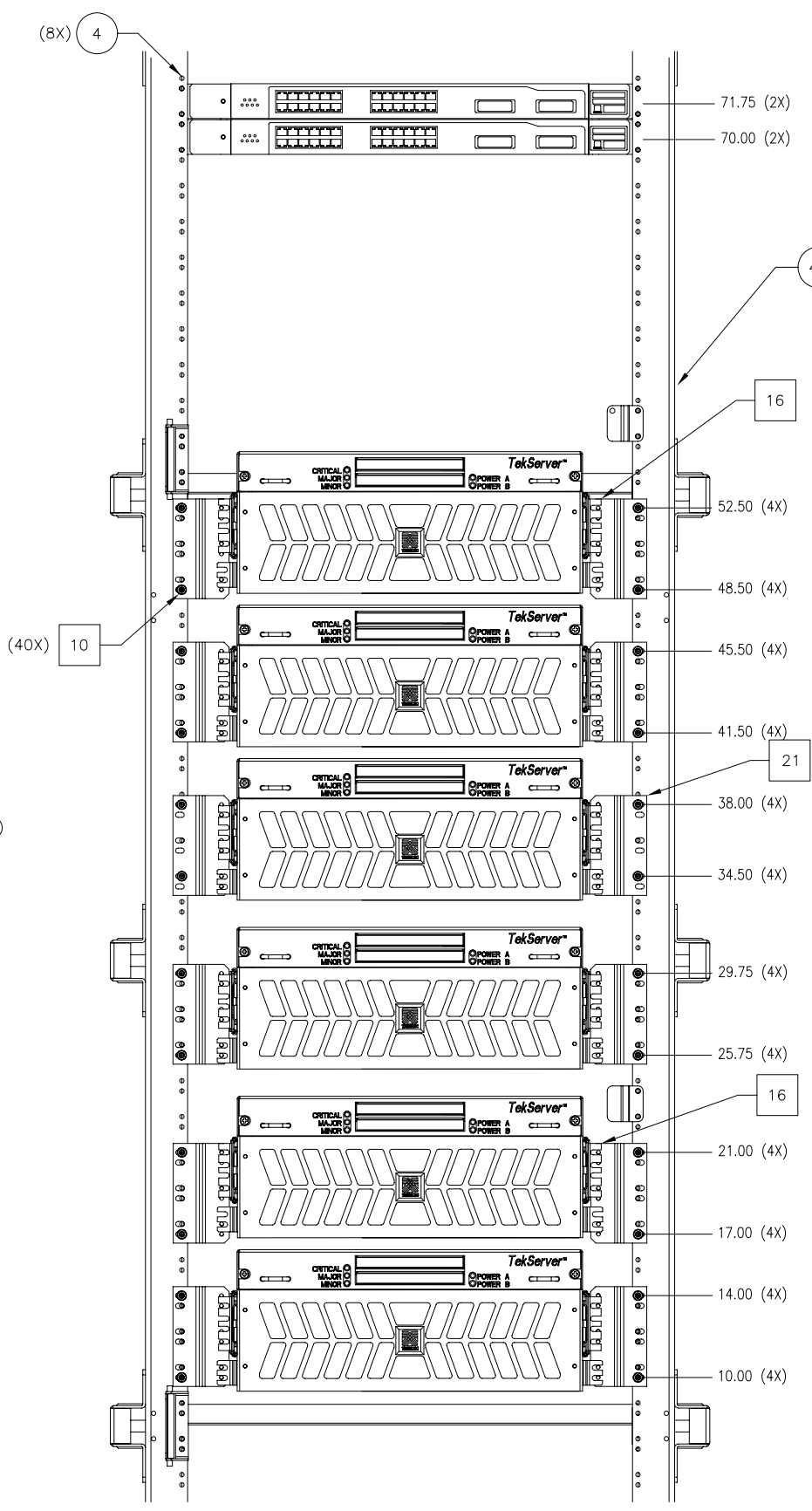
AIR DEFLECTOR POSITION, FRONT VIEW  
DETAIL C

(4X)



SWITCH CABLE BRACKET POSITION, REAR VIEW  
DETAIL D

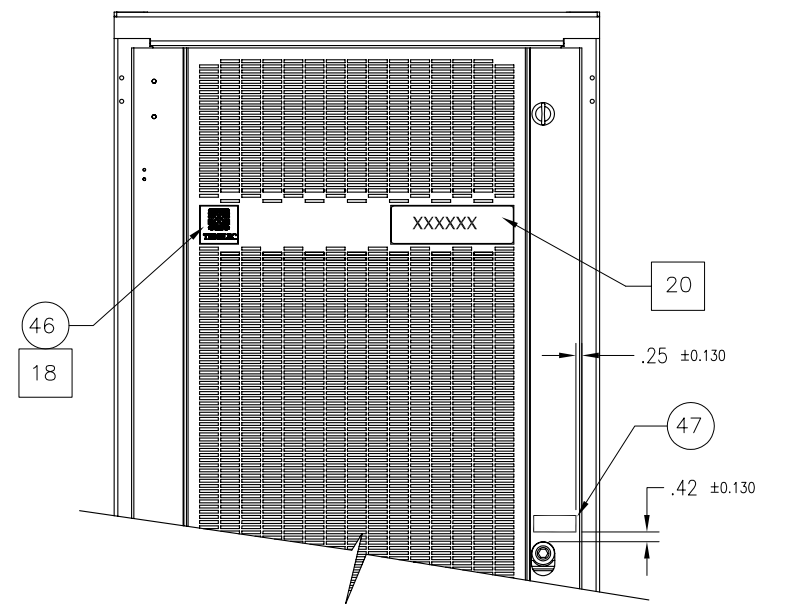
A



SERVER POSITION, FRONT VIEW  
DETAIL E

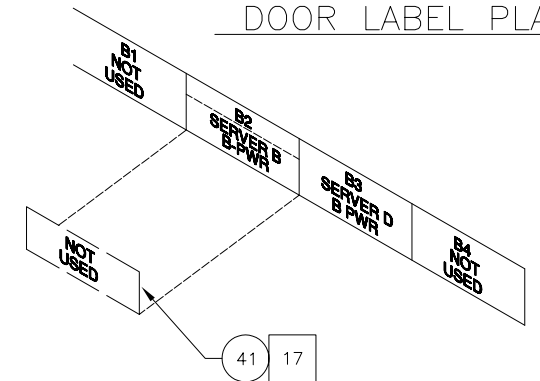
DWG NO. 890-1809-01  
 2  
 H

C



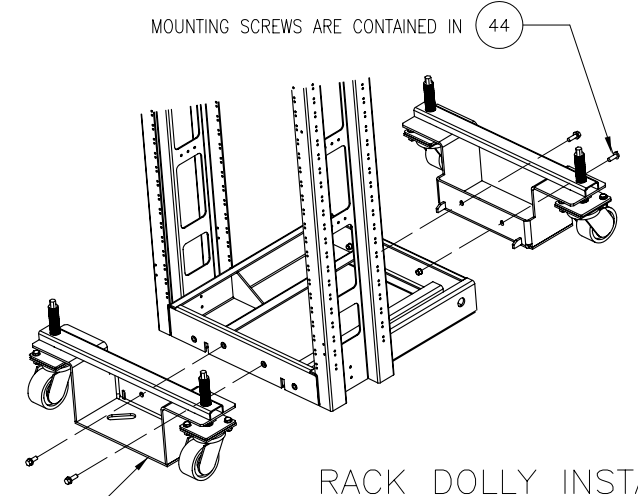
DETAIL N  
DOOR LABEL PLACEMENT

V



NOT USED LABEL  
PLACEMENT VIEW  
SCALE: NONE

B



RACK DOLLY INSTALLATION

A

PART OF 44 15

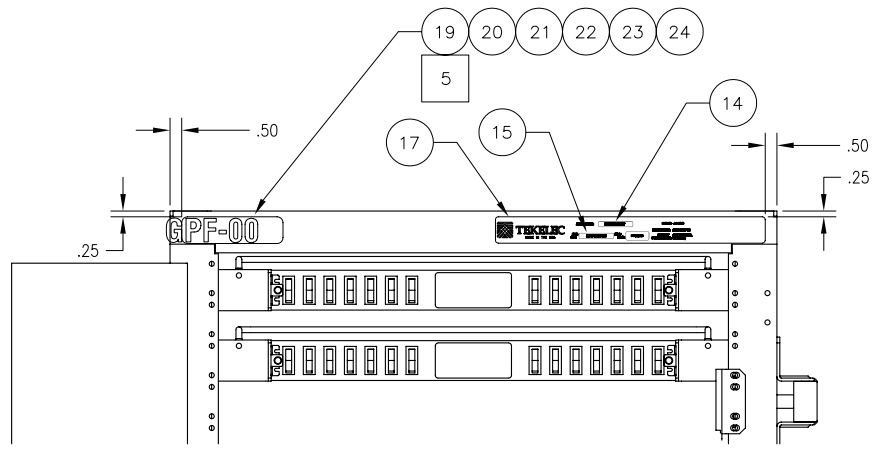
SIZE	DIVISION	DRAWING NO.	REV.
D	NSD	890-1809-01	H
SCALE: NONE		FILE NAME: 890-1809-01_H.DWG	SHEET 2 OF 4

8 7 6 5 4 3 2 1

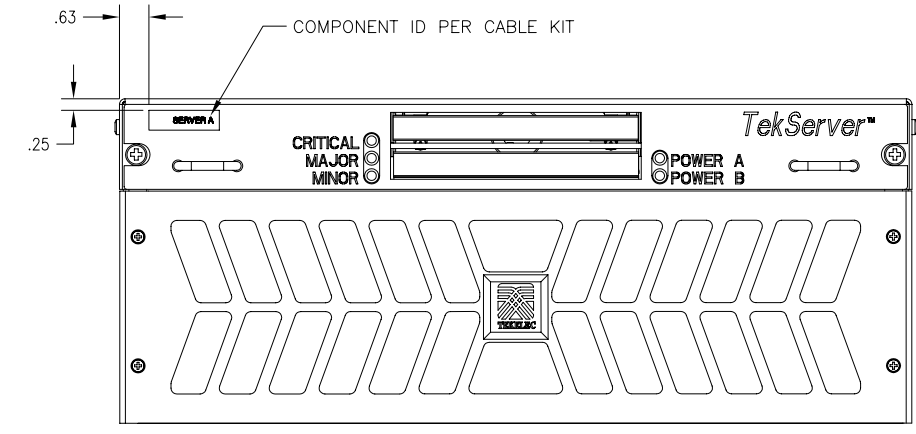
8 7 6 5 4 3 2 1

D  
C  
B  
A

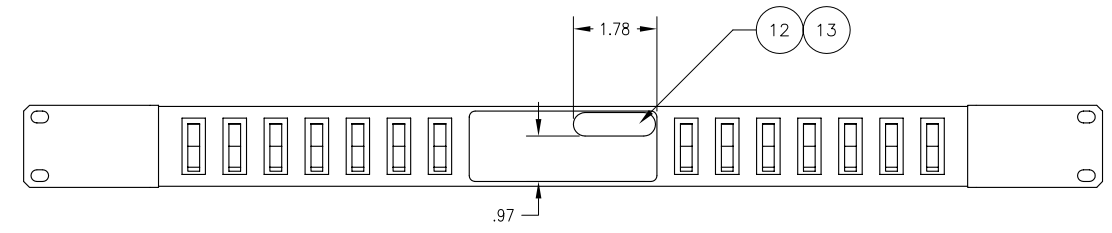
D  
C  
B  
A



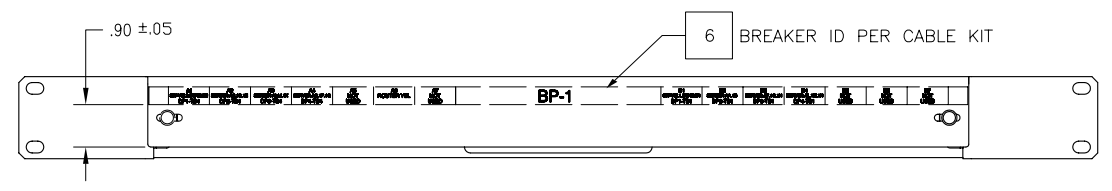
FRAME LABEL  
PLACEMENT  
DETAIL F



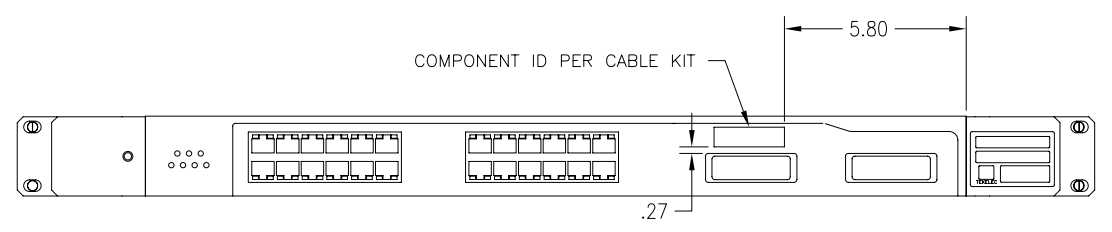
LABEL POSITION FOR  
SERVER ID  
DETAIL K



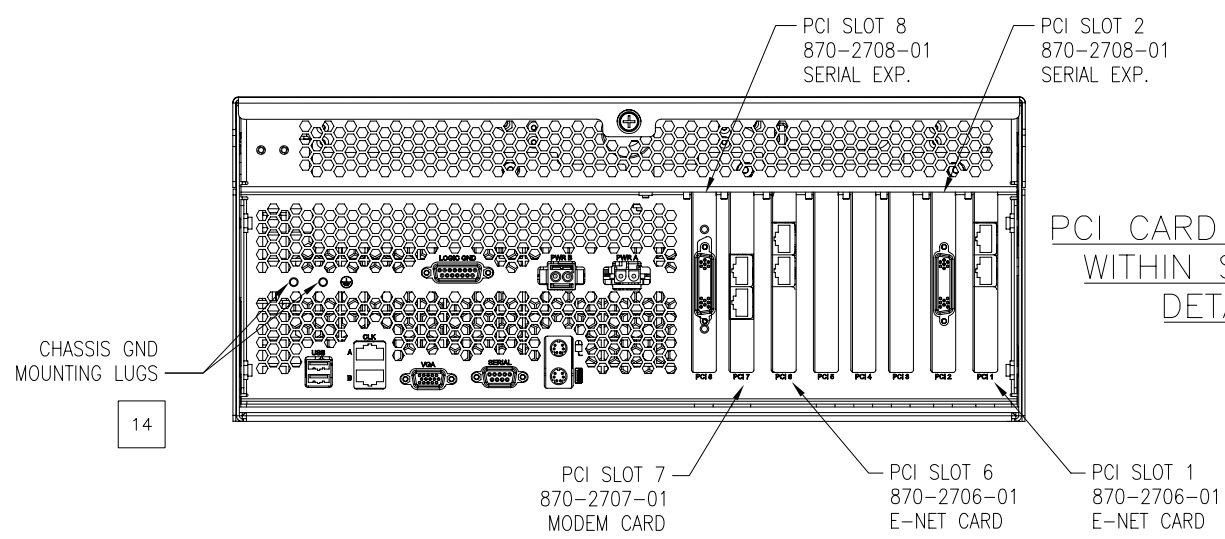
LABEL POSITION  
FOR BP ID  
DETAIL G  
(SHOWN WITHOUT COVER)



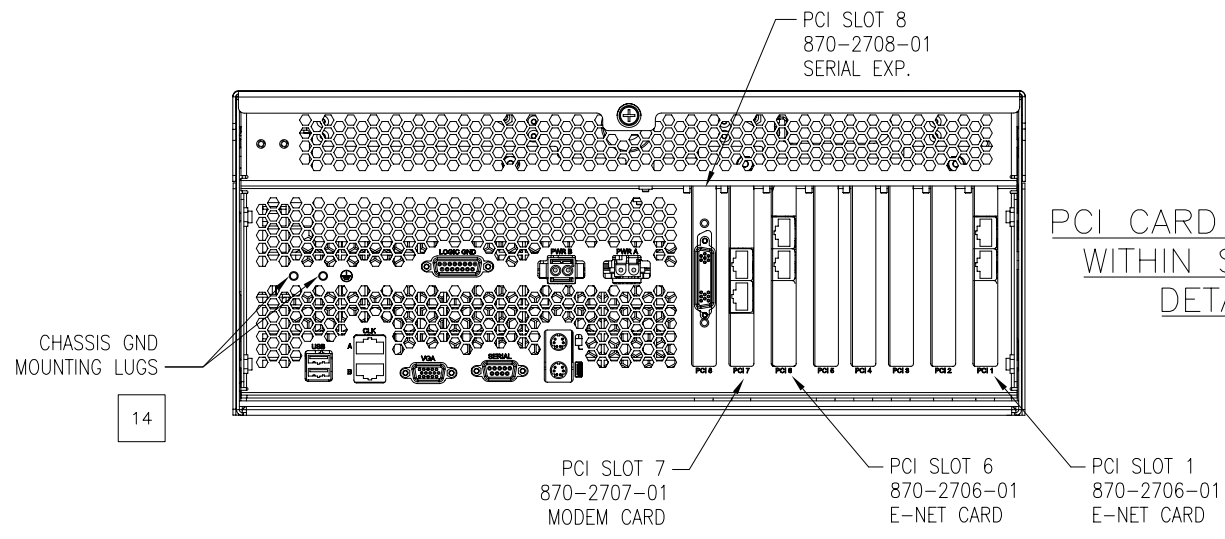
LABEL POSITION FOR  
BREAKER SWITCHES  
DETAIL H



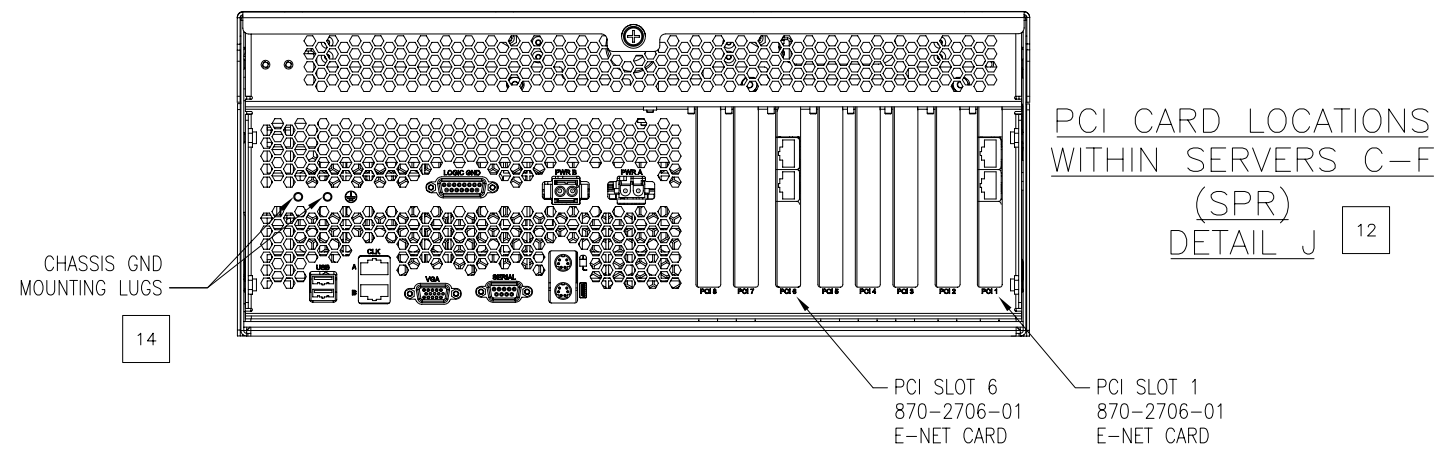
LABEL POSITION FOR  
SWITCHES  
DETAIL I



PCI CARD LOCATIONS  
WITHIN SERVER A  
DETAIL L 12



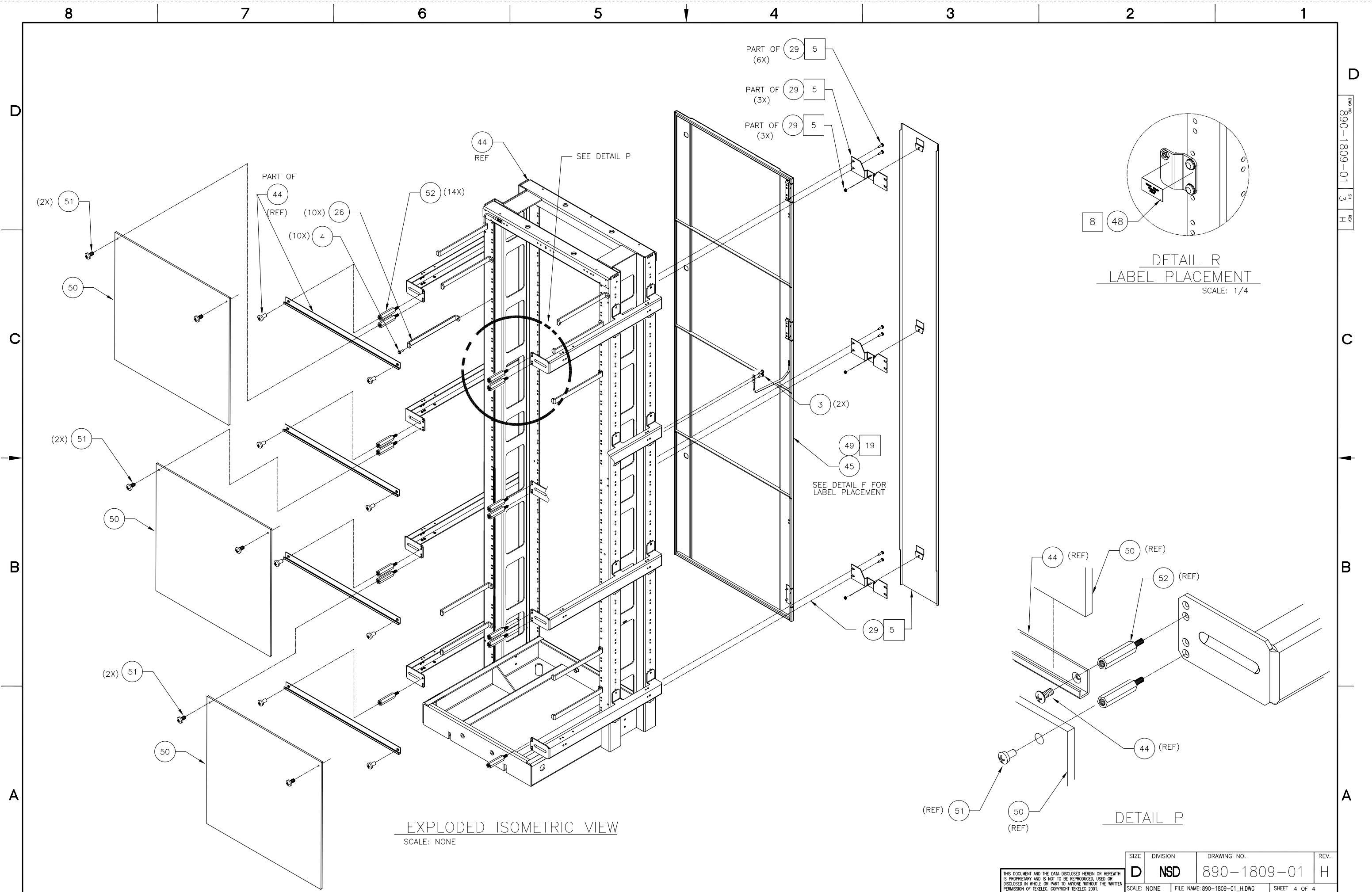
PCI CARD LOCATIONS  
WITHIN SERVER B  
DETAIL M 12



PCI CARD LOCATIONS  
WITHIN SERVERS C-F  
(SPR)  
DETAIL J 12

SIZE	DIVISION	DRAWING NO.	REV.
D	NSD	890-1809-01	H
SCALE: NONE	FILE NAME: 890-1809-01_H.DWG	SHEET 3 OF 4	

8 7 6 5 4 3 2 1



EXPLODED ISOMETRIC VIEW  
SCALE: NONE

DETAIL R  
LABEL PLACEMENT  
SCALE: 1/4

DETAIL P

THIS DOCUMENT AND THE DATA DISCLOSED HEREIN OR HEREWITH IS PROPRIETARY AND IS NOT TO BE REPRODUCED, USED OR DISCLOSED IN WHOLE OR PART TO ANYONE WITHOUT THE WRITTEN PERMISSION OF TEKELEC. COPYRIGHT TEKELEC 2001.			
SIZE	DIVISION	DRAWING NO.	REV.
D	NSD	890-1809-01	H
SCALE: NONE	FILE NAME: 890-1809-01_H.DWG	SHEET 4 OF 4	