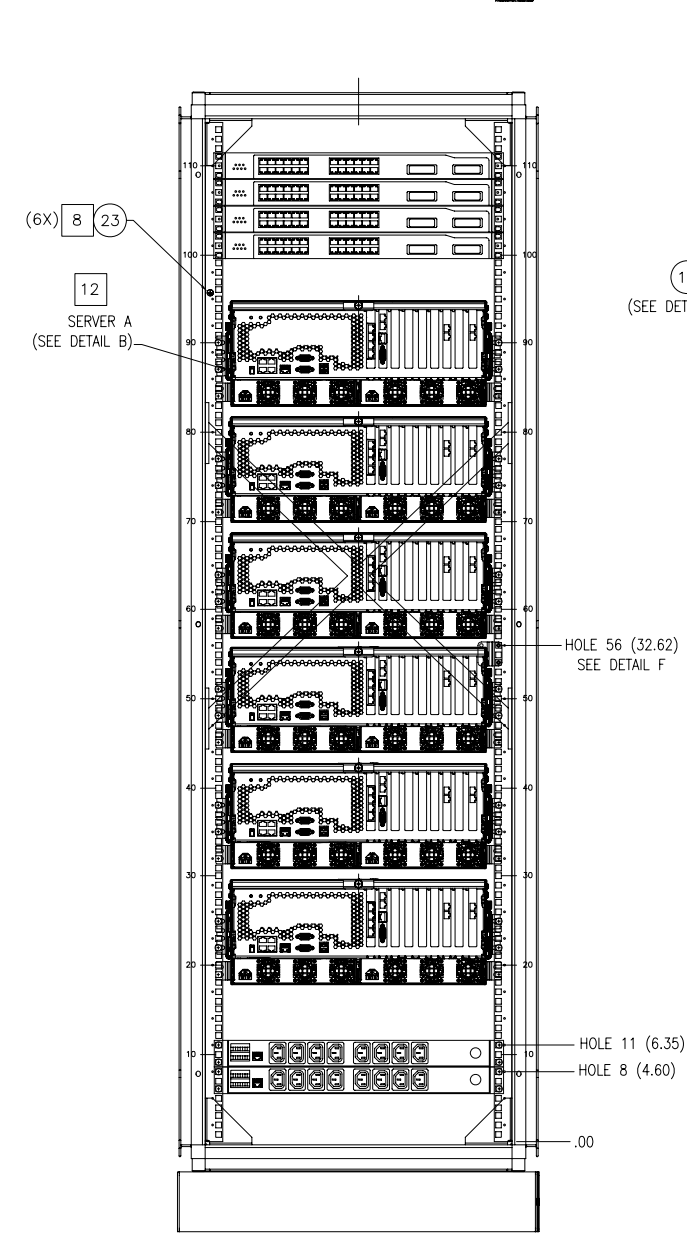


8 7 6 5 4 3 2 1

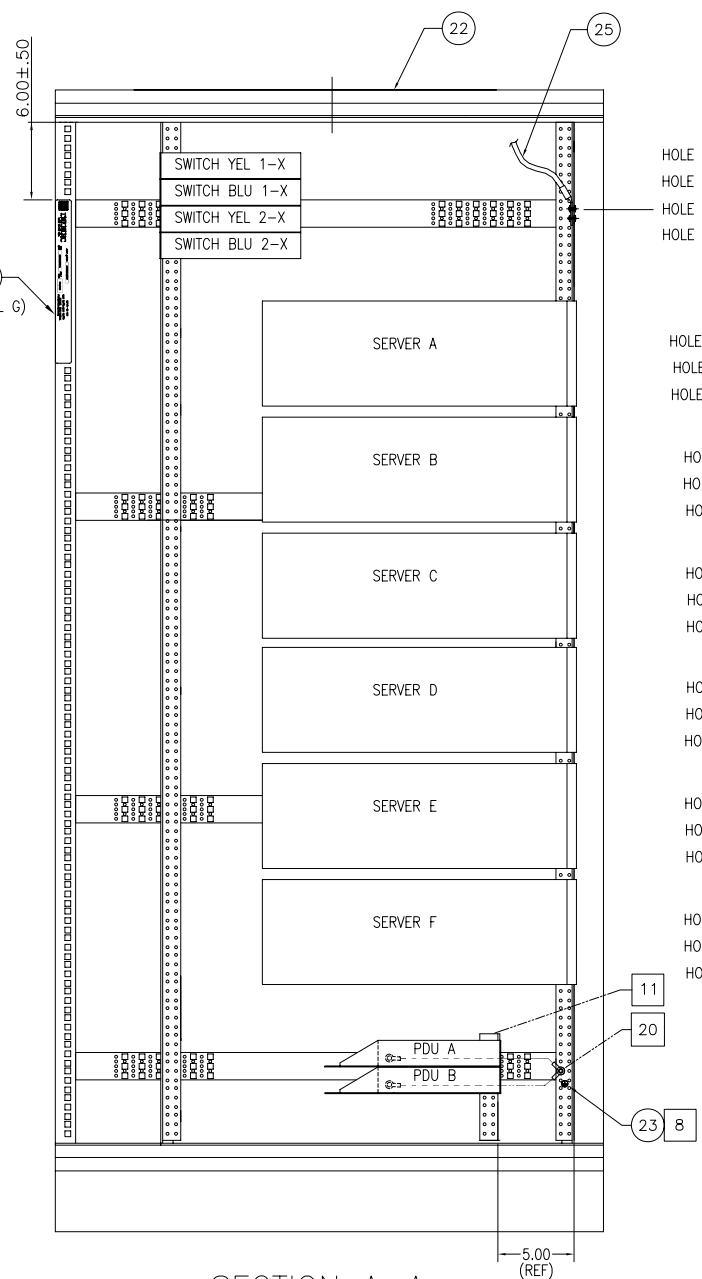
REVISIONS			
REV	DESCRIPTION	DATE	APPROVED
A	RELEASE PER ECN # 15813	04/10/06	BRYAN

NOTES: UNLESS OTHERWISE SPECIFIED

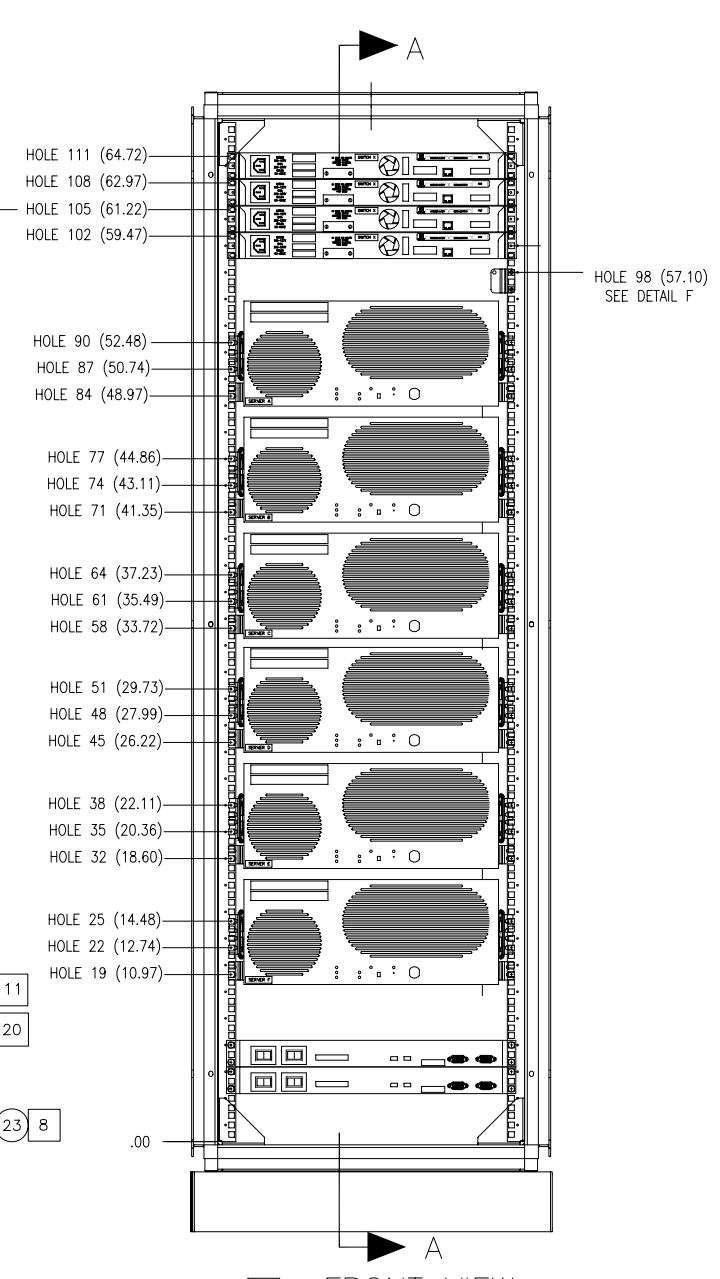
- 1) NO ADDITIONS, DELETIONS, SUBSTITUTIONS OR MODIFICATIONS WITHOUT PRIOR WRITTEN TEKELEC APPROVAL.
- 2) TORQUE ALL FASTENERS IN ACCORDANCE WITH TEKELEC SPECIFICATION 906-0008-01.
- 3) REFER TO INTERCONNECT DIAGRAM (ITEM 21) FOR CABLE CONNECTIONS.
- 4) FOR LOCATING INDIVIDUAL PARTS, USE DIMENSION SHOWN.
- 5) WRIST STRAP ASSEMBLY (ITEM 16, NOT SHOWN) IS LEFT UNASSEMBLED AND SHIPPED WITH UNIT.
- 6) NOT USED.
- 7) UNLESS OTHERWISE SPECIFIED, ITEMS NOT SHOWN TO BE SHIPPED PACKED WITH UNIT.
- 8) LOCATE APPROXIMATELY AS SHOWN.
- 9) CABINET MOUNTING HARDWARE IS SUPPLIED WITH CABINET (ITEM 22). THERE IS A QUANTITY OF 50 CAPTIVE NUTS (6mm) AND 100 PHILLIPS PAN HEAD SCREWS 6mm x 16mm. THE CAPTIVE NUTS SHOULD BE INSTALLED FROM THE INSIDE OF THE CABINET AND ARE USED TO SECURE ALL COMPONENTS AND ASSOCIATED HARDWARE TO THE VERTICAL MOUNTING RAILS AS SHOWN IN DETAIL D. SHIP UNUSED NUTS AND SCREWS WITH UNIT.
- 10) USING BLANK LABEL PN 903-0122-01 ADD THE FOLLOWING PRINTING TO THE LABEL: (SEE DETAIL K) AND INSTALL IT OVER EXISTING TEXT ON LABEL.  
"7200 WATTS"
- 11) INTERMEDIATE VERTICAL RAIL IS FOR MOUNTING PDU UNITS.
- 12) INSTALL OPTIONAL COMPONENTS AS REQUIRED. THIS IS A CONFIGURABLE SYSTEM. THE SALES ORDER WILL SPECIFY THE PART NUMBER'S AND QUANTITIES. MAX CONFIGURATION IS SHOWN. (SEE SYSTEM INTERCONNECT FOR ADDITIONAL DETAILS)
- 13) REMOVE AND DISCARD TAB SUPPLIED WITH WRIST STRAP GROUND POINT (NOT SHOWN).
- 14) ATTACH SERVER CHASSIS GROUND CABLE WITH MOUNTING HARDWARE SUPPLIED WITH CABINET TWO NUTS AND TWO SCREWS, (REF. DETAIL "D").
- 15) RACK DOLLY, FOR SHIPPING ONLY. TO BE REMOVED DURING INSTALLATION.
- 16) USING BLANK LABEL PN 617-0011-01 ADD THE FOLLOWING PRINTING TO THE LABEL: (SEE DETAIL J) AND INSTALL IT OVER EXISTING TEXT ON LABEL.  
220 - 240 VAC  
47-63 HZ
- 17) ITEM 6 IS USED TO LABEL CABLES. SEE SYSTEM INTERCONNECT FOR INFORMATION TO PRINT LABELS.
- 18) OPERATING KEYS FOR SERVERS AND CABINET NOT SHOWN. KEYS TO BE PACKAGED AND SHIPPED WITH ASSEMBLY AND LABELED.
- 19) INSTALLATION MOUNTING KIT ITEM 28 NOT SHOWN TO BE PACKAGED AND SHIPPED WITH CABINET.
- 20) REMOVE RAIL MOUNTING SCREW AND SECURE THE FRAME GROUND CABLES FROM PDU A AND B.
- 21) LOCATE APPROPRIATE FRAME LABEL APPROXIMATELY AS SHOWN. SHIP LOOSE. INSTALL IN THE FIELD.



4 REAR VIEW  
(SHOWN WITH DOOR REMOVED)  
MAXIMUM CONFIGURATION



SECTION A-A



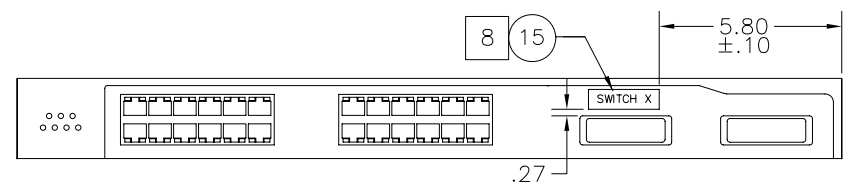
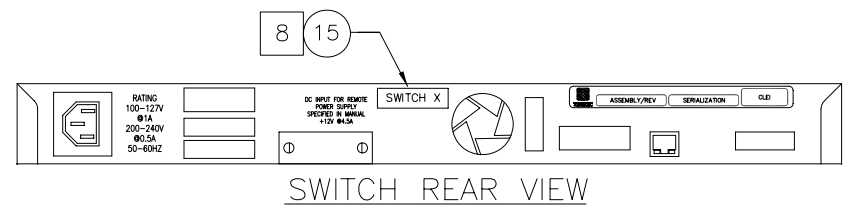
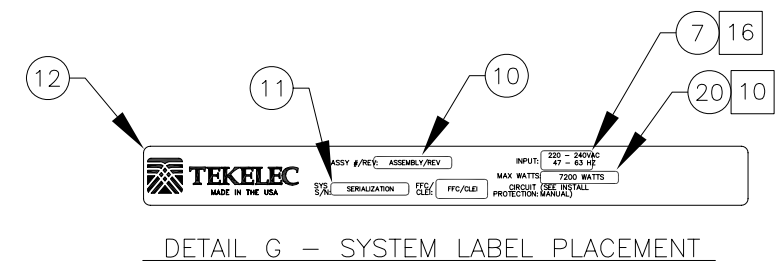
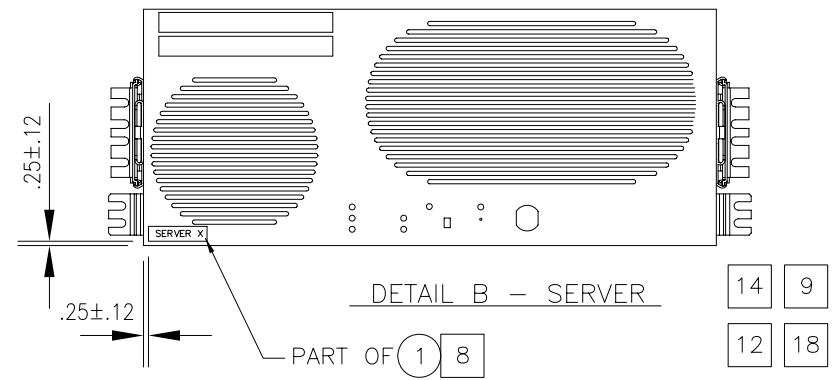
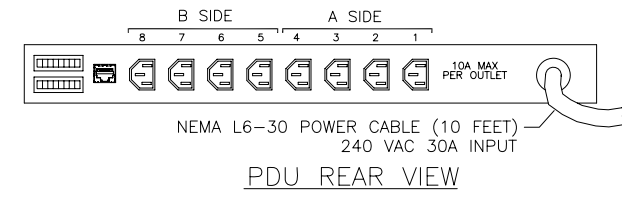
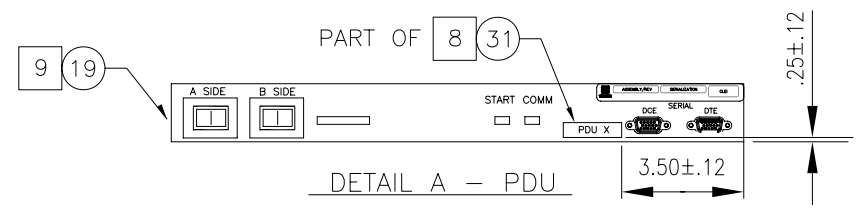
4 FRONT VIEW  
(SHOWN WITH DOORS REMOVED)

SEE SEPARATE PARTS LIST

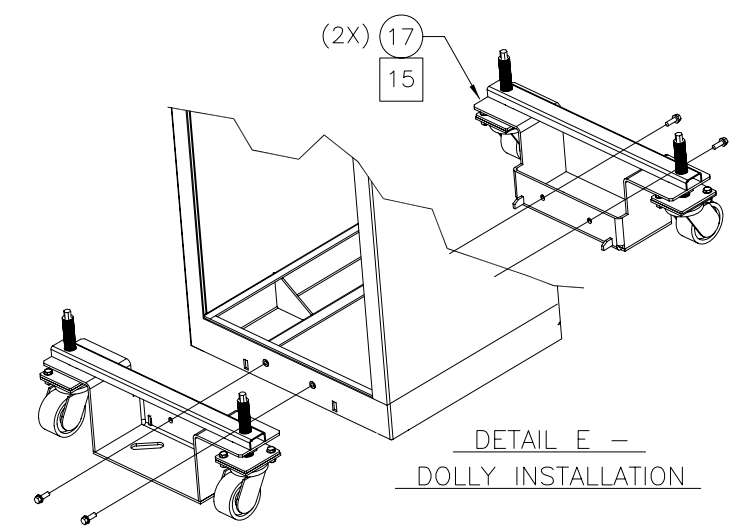
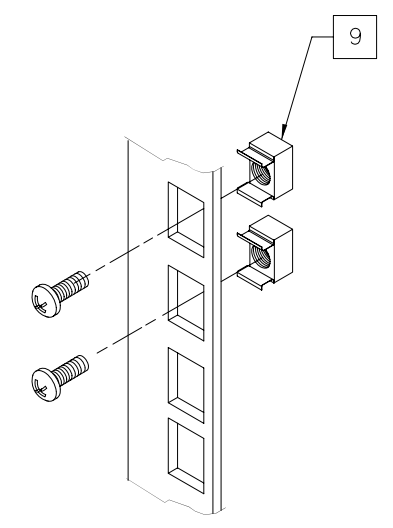
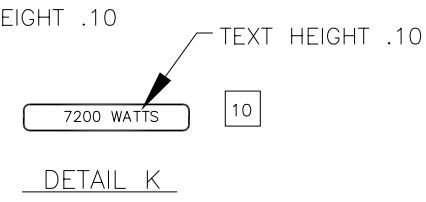
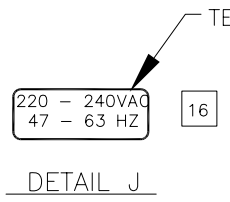
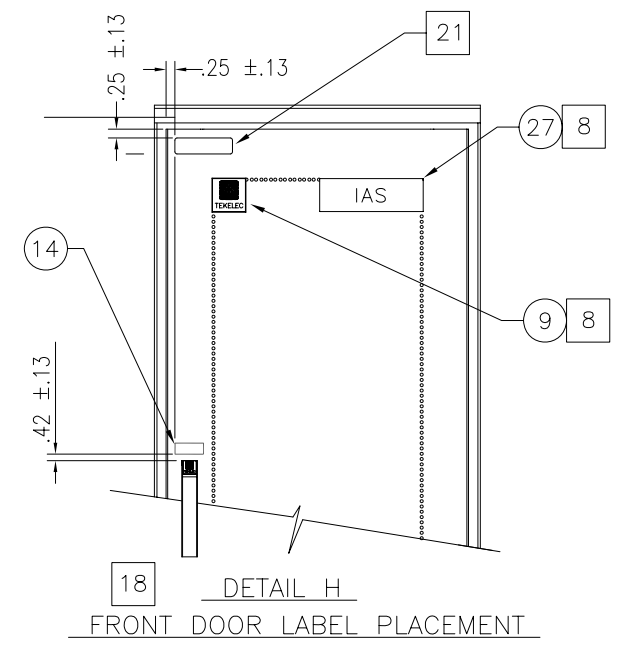
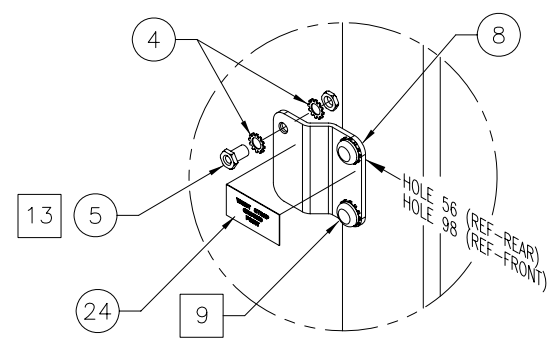
<small>UNLESS OTHERWISE SPECIFIED: DO NOT SCALE DRAWING. DIMENSIONS ARE IN INCHES. INTERPRET DIMENSIONS IN ACCORDANCE WITH ASME Y14.5M-1994. DRAWING TO CONFORM TO TEKELEC SPECIFICATION 907-0169-01. DEBURR AND BREAK SHARP EDGES AND CORNERS .005-.015. MACHINED SURFACE FINISH 12.5 ✓ DECIMAL TOLERANCES: .XX ± .XXX ± ANGLE TOLERANCE: ± 1°</small>	APPROVALS	DATE	<b>TEKELEC</b> 26580 W. Agoura Road, Calabasas, California 91302	
	DRAWN BY	H.HASTINGS		01/19/06
	CHECKED	BRYAN		03/20/06
	APPROVED	M.BRYAN		03/20/06
FINISH	NEXT ASSY	USED ON	DWG_GEN_ASSY_ IMF/PMF AC FRAME	
THIRD ANGLE PROJECTION	APPLICATION	MATERIAL	SIZE: D DIVISION: CSSG DRAWING NO.: 890-0097-01 REV.: A SCALE: NONE FILE NAME: SHEET 1 OF 2	

8 7 6 5 4 3 2 1

8 7 6 5 4 3 2 1



SWITCH YEL & BLU, 1 & 2  
PN 870-2758-02



SIZE	DIVISION	DRAWING NO.	REV.
D	CSSG	890-0097-01	A
SCALE: NONE		FILE NAME:	SHEET 2 OF 2

THIS DOCUMENT AND THE DATA DISCLOSED HEREIN OR HEREWITH IS PROPRIETARY AND IS NOT TO BE REPRODUCED, USED OR DISCLOSED IN WHOLE OR PART TO ANYONE WITHOUT THE WRITTEN PERMISSION OF TEXELEC. COPYRIGHT TEXELEC 2001.

8 7 6 5 4 3 2 1

D  
890-0097-01  
2  
A  
C  
B  
A