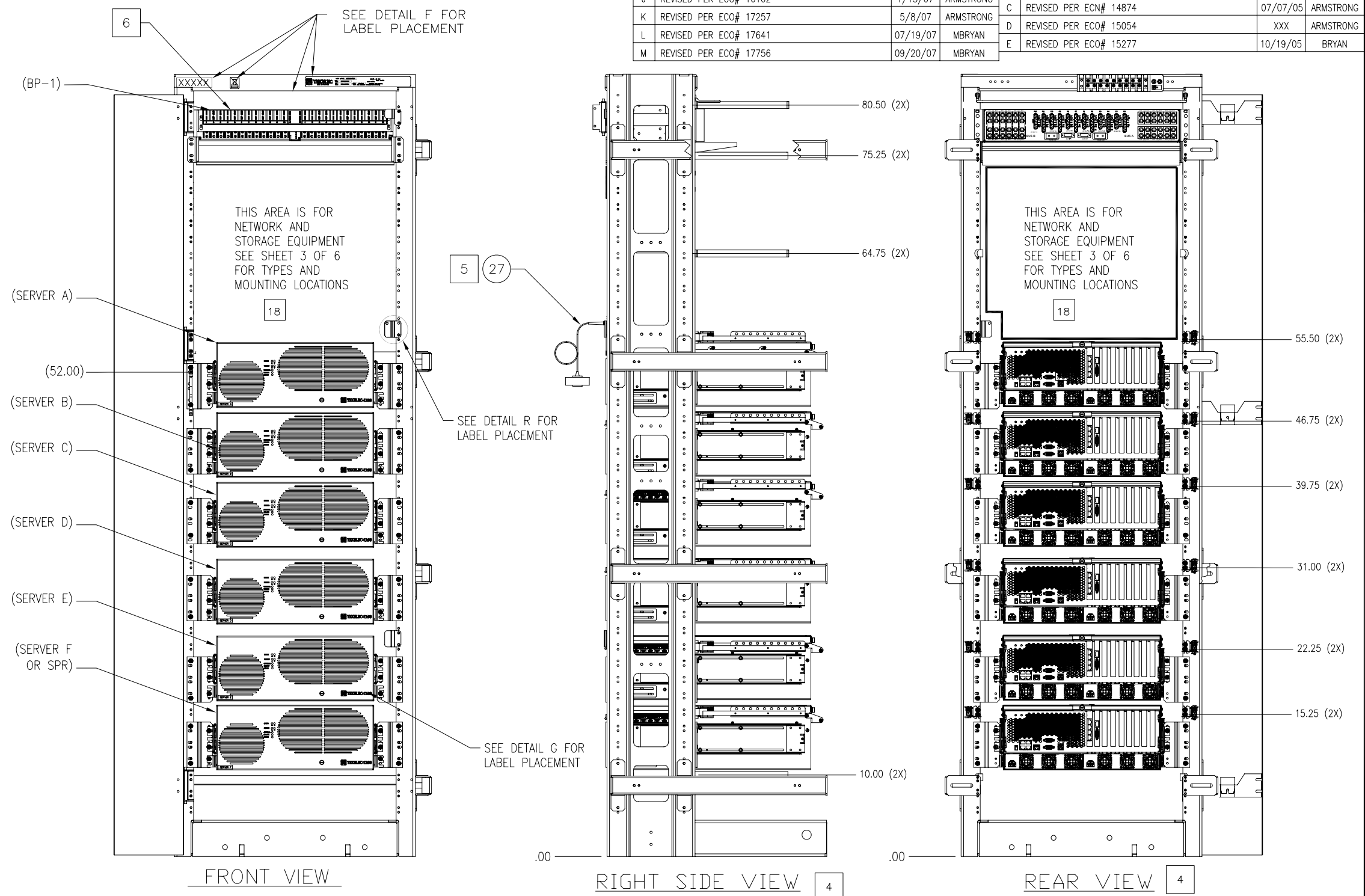


REVISED PER ECO#		DATE	BY	REVISIONS			
REV	DESCRIPTION	DATE	APPROVED	REV	DESCRIPTION	DATE	APPROVED
N	REVISED PER ECO# 17924	10/17/07	ARMSTRONG	F	REVISED PER ECO# 15458	04/10/06	ARMSTRONG
P	REVISED PER ECO# 18496	5/1/08	HENSLEY	G	REVISED PER ECO# 16155	6/20/06	ARMSTRONG
R	REVISED PER ECO# 18551	6/02/08	ARMSTRONG	H	REVISED PER ECO# 16287	7/25/06	ARMSTRONG
				J	REVISED PER ECO# 16102	1/15/07	ARMSTRONG
				K	REVISED PER ECO# 17257	5/8/07	ARMSTRONG
				L	REVISED PER ECO# 17641	07/19/07	MBRYAN
				M	REVISED PER ECO# 17756	09/20/07	MBRYAN
A	RELEASE PER ECN #14634	5/26/05	ARMSTRONG				
B	REVISED PER ECN# 14814	6/21/05	ARMSTRONG				
C	REVISED PER ECN# 14874	07/07/05	ARMSTRONG				
D	REVISED PER ECO# 15054	XXX	ARMSTRONG				
E	REVISED PER ECO# 15277	10/19/05	BRYAN				

- NOTES: UNLESS OTHERWISE SPECIFIED
- NO ADDITIONS, DELETIONS, SUBSTITUTIONS OR MODIFICATIONS WITHOUT PRIOR WRITTEN TEKELEC APPROVAL.
 - TORQUE ALL FASTENERS IN ACCORDANCE WITH TEKELEC SPECIFICATION 906-0008-01.
 - REFER TO INTERCONNECT DIAGRAM (ITEM 36) FOR CABLE CONNECTIONS.
 - FOR LOCATING INDIVIDUAL PARTS, USE DIMENSION SHOWN.
 - DO NOT INSTALL. SHIP UNASSEMBLED AND PACKED WITH UNIT.
 - APPLY MAIN CIRCUIT BREAKER LABEL ITEM 13 TO COVER OF ITEM 31, ALIGN LABEL FLUSH WITH TOP AND CENTERED WITH KEYHOLE SLOTS.
 - DELETED.
 - LOCATE APPROXIMATELY AS SHOWN.
 - TO ATTACH THE CIRCUIT BREAKER GROUND CABLES AND SWITCH GROUND CABLES THE FOLLOWING SCREWS ARE REQUIRED: (THESE SCREWS ARE NOT SHOWN)

TWO SWITCH SYSTEM: QUANTITY OF 6 SCREWS (ITEM 3) ARE REQUIRED.

FOUR SWITCH SYSTEM: QUANTITY OF 12 SCREWS (ITEM 3) ARE REQUIRED.
 - MOUNTING SCREWS ARE PART OF SLIDE MOUNTING KIT (P/N 804-1706-R01).
 - USING ITEMS 32 AND 33 APPLY PROPER COMPONENT DESIGNATION TO MAIN BREAKER PANEL LABEL (ITEM 13). REFER TO SYSTEM INTERCONNECT (ITEM 35) FOR BREAKER LAYOUT AND DESCRIPTIONS.
 - ATTACH CHASSIS GROUND CABLE WITH SUPPLIED NUTS AND 2 SCREWS (ITEM 3), BOTH NOT SHOWN.
 - RACK DOLLY, FOR SHIPPING ONLY. TO BE REMOVED DURING INSTALLATION.
 - SERVER MOUNTED ALIGNED WITH THE TOP OF THE SLIDE ADAPTER BRACKETS AS SHOWN.
 - REMOVE ADHESIVE BACKING AND ATTACH LABEL IN RECESSED AREA.
 - OPERATING KEY (ITEM 49) SECURE KEY TO OUTSIDE OF DOOR USING TY-WRAPS APPROX AS SHOWN IN DETAIL N.
 - IF THERE IS NO ITEM 1 ON BOM THE PRODUCT DOOR LABEL IS A CONFIGURABLE ITEM AND TO BE CHOSEN AT ORDER ENTRY.
 - INSTALL OPTIONAL COMPONENTS AS REQUIRED. THIS IS A CONFIGURABLE SYSTEM AND THE SALES ORDER WILL SPECIFY THE PART NUMBER'S AND QUANTITIES. LOCATING DIMENSIONS FOR NETWORK AND STORAGE COMPONENTS ARE SHOWN ON SHEET 3 OF 5. SEE SYSTEM INTERCONNECT FOR ADDITIONAL DETAILS AND PART NUMBERS.
 - DELETED
 - INSTALL THE NAS CHASSIS GROUND CABLE FROM THE NAS POWER INPUT MARKED GROUND TO THE SIDE OF THE SHELF. SECURE GROUND CABLES TO THE SHELF USING (ITEM 52) 10-32 SCREWS.
 - THE SALES ORDER WILL LIST THE QUANTITY OF SWITCHES REQUIRED FOR THE DIFFERENT SYSTEM TYPES. SEE SHEET 4 FOR REFERENCE VIEWS OF THE DIFFERENT SYSTEM TYPES.
 - SERVER C'S SLIDE MOUNTING BRACKETS ARE ATTACHED OFFSET ON THE FRAME MOUNTING HOLES.
 - THIS ASSEMBLY HAS BEEN DESIGNED IN ACCORDANCE WITH TEKELEC SPECIFICATION 906-0017-01 "SPECIFICATION, DESIGN, ELECTRO/MECHANICAL ASSEMBLIES, NSD".
 - THIS ASSEMBLY SHALL BE FABRICATED IN ACCORDANCE WITH TEKELEC SPECIFICATION 906-0018-01 "SPECIFICATION, FABRICATION, ELECTRO/MECHANICAL ASSEMBLIES, NSD".
 - THIS PART SHALL MEET THE REQUIREMENTS SPECIFICATION 907-0943-01, "SPECIFICATION, TEKELEC COSMETIC STANDARDS". ALL SURFACES CLASS C EXCEPT AS NOTED.
 - ATTACH LABEL TO MOUNTING BRACKET EAR (PART OF SWITCH ASSEMBLY) APPROXIMATELY AS SHOWN.
 - PMF SYSTEMS (PN 890-0212-01 OR 890-0216-01) WILL ONLY HAVE A YELLOW SWITCH USE LOCATING DIMENSIONS SHOWN FOR YELLOW SWITCH.



FRONT VIEW

RIGHT SIDE VIEW 4

REAR VIEW 4

DOCUMENT CONTROL
PENDING NEW PART RELEASED

UNLESS OTHERWISE SPECIFIED:
DO NOT SCALE DRAWING.
DIMENSIONS ARE IN INCHES.
INTERPRET DIMENSIONS IN ACCORDANCE WITH ASME Y14.5M-1994.
DRAWING TO CONFORM TO TEKELEC SPECIFICATION 907-0169-01.
DEBURR AND BREAK SHARP EDGES AND CORNERS .005-.015.
MACHINED SURFACE FINISH 125 ✓
DECIMAL TOLERANCES:
.XX = ±.02 .XXX = ±.005
ANGLE TOLERANCE: ± 1°

APPROVALS	DATE
DRAWN BY M.BRYAN	4/11/05
CHECKED BEAUCHAMP	5/15/05
APPROVED ARMSTRONG	5/15/05
FINISH	MATERIAL

TEKELEC 5200 Paramount Parkway
Morrisville, NC 27560

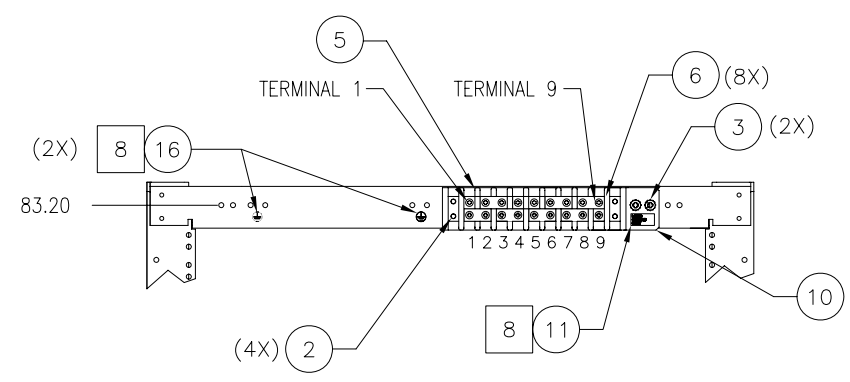
DWG_GEN_ T1100 FRAME ASSEMBLY

SIZE D	DIVISION GPS	DRAWING NO. 890-1839-01	REV. R
SCALE: 1/6	FILE NAME: 890-1839-01_R.DWG	SHEET 1	OF 6

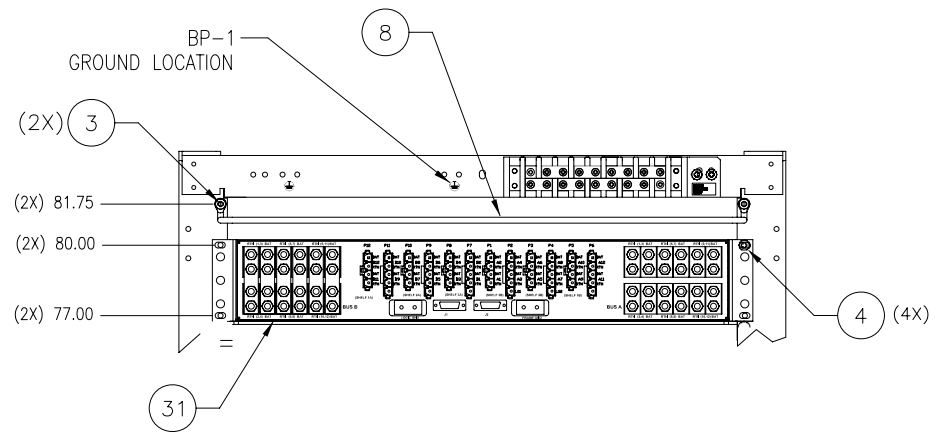
8 7 6 5 4 3 2 1

D
C
B
A

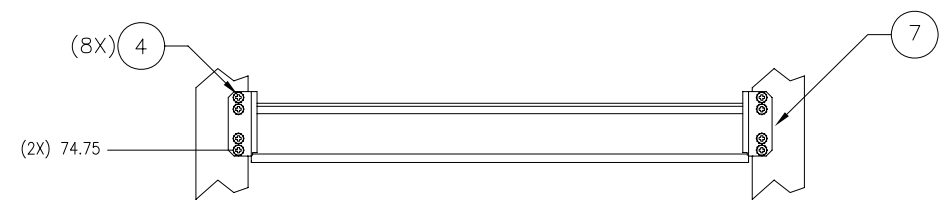
D
C
B
A



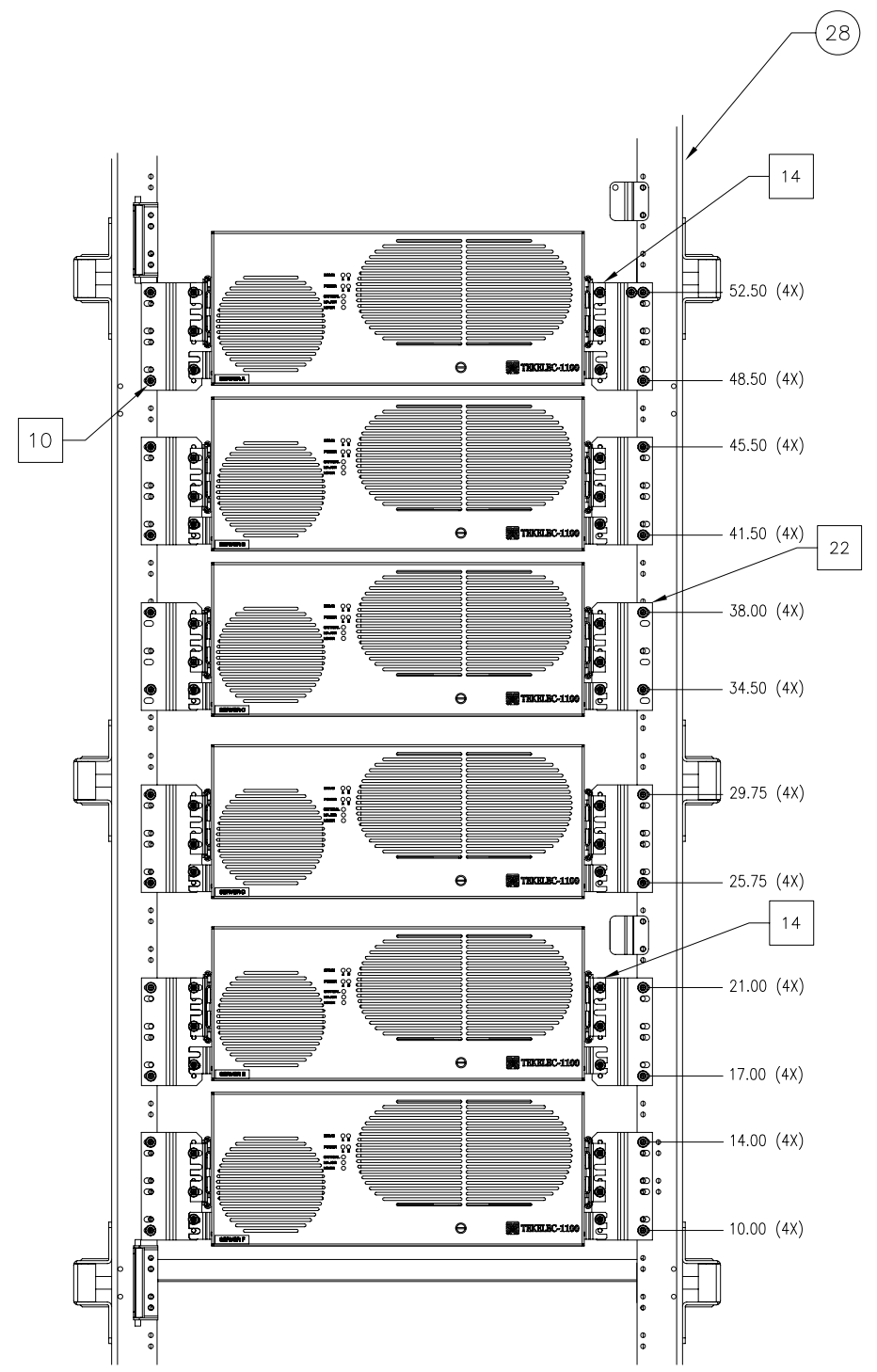
LOGIC GROUND STRIP AND FRAME
GROUND LABEL POSITIONS, REAR VIEW
DETAIL A



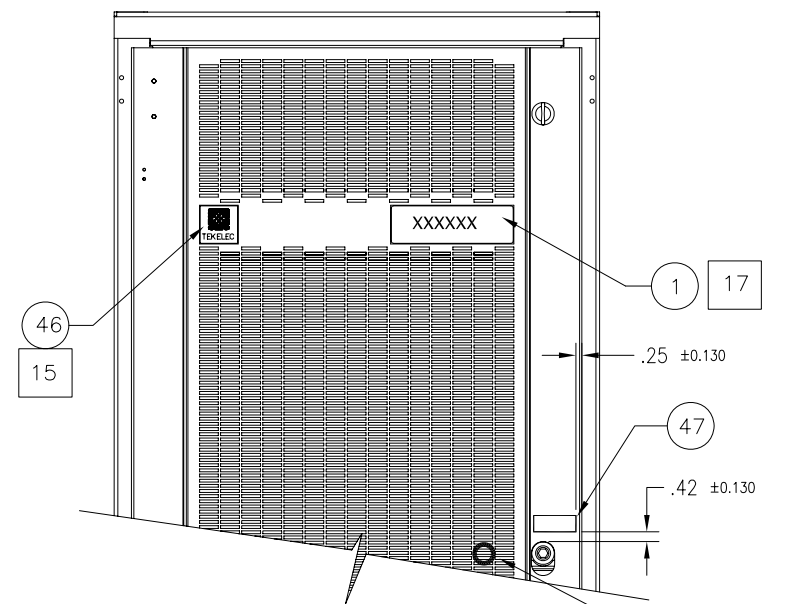
CIRCUIT BREAKER POSITION,
CABLE BRACKET POSITIONS REAR VIEW
DETAIL B 4



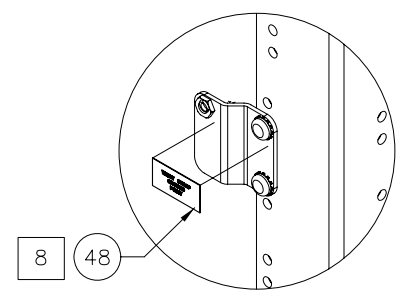
AIR DEFLECTOR POSITION, FRONT VIEW
DETAIL C 4



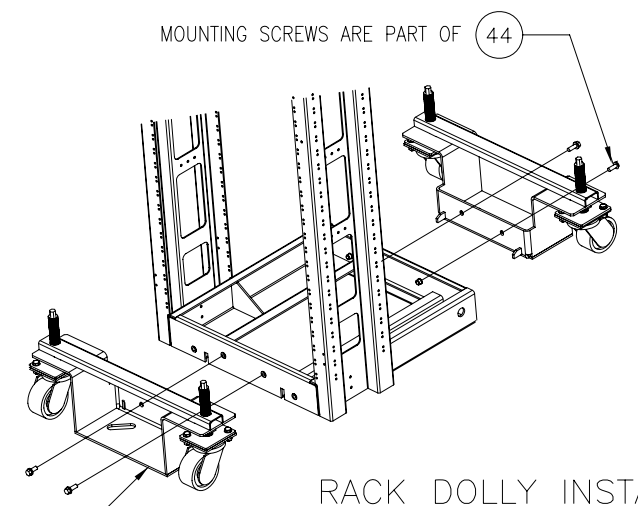
SERVER POSITION, FRONT VIEW
DETAIL E 4 12
(TYPICAL FRONT AND REAR)
(SEE DETAIL G FOR LABEL PLACEMENT)



DETAIL N
DOOR LABEL PLACEMENT



DETAIL R
LABEL PLACEMENT
SCALE: 1/4



RACK DOLLY INSTALLATION

SIZE	DIVISION	DRAWING NO.	REV.
D	GPS	890-1839-01	R
SCALE: NONE	FILE NAME: 890-1839-01_R.DWG	SHEET 2 OF 6	

8

7

6

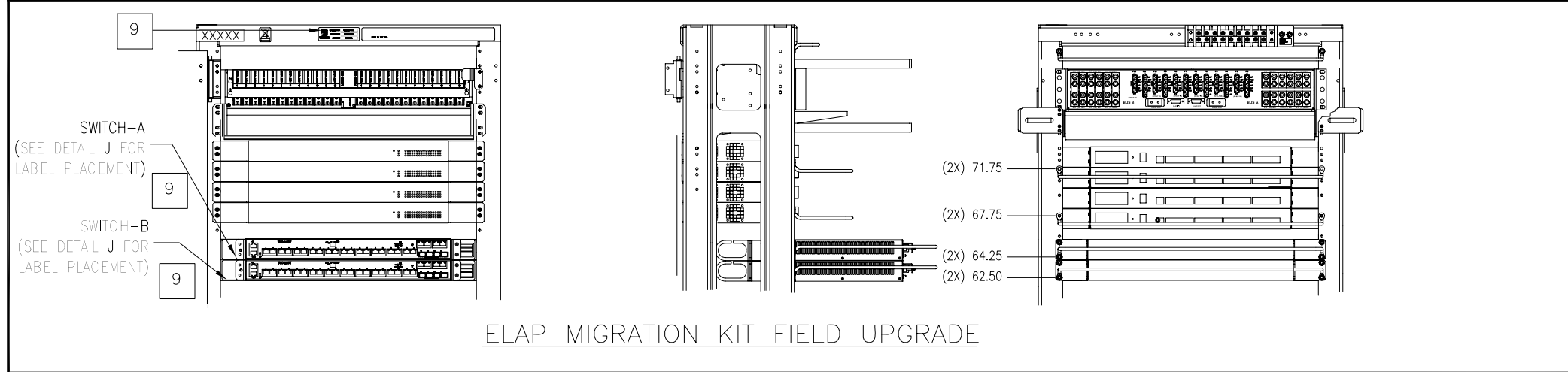
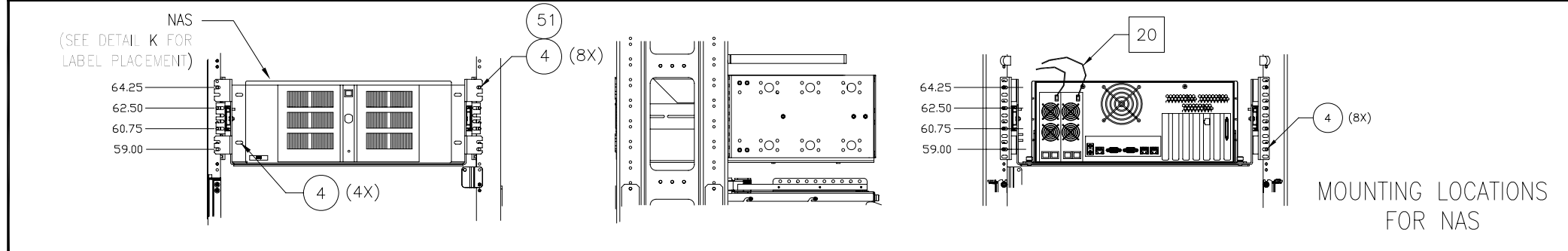
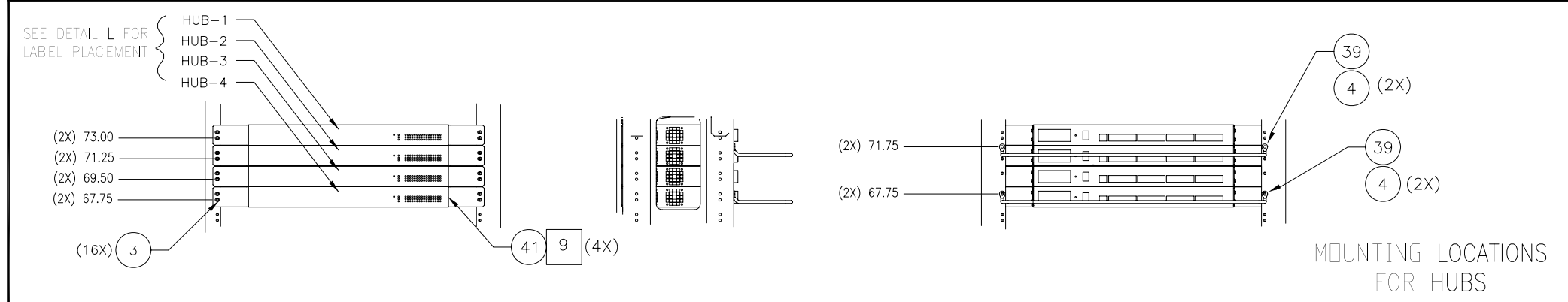
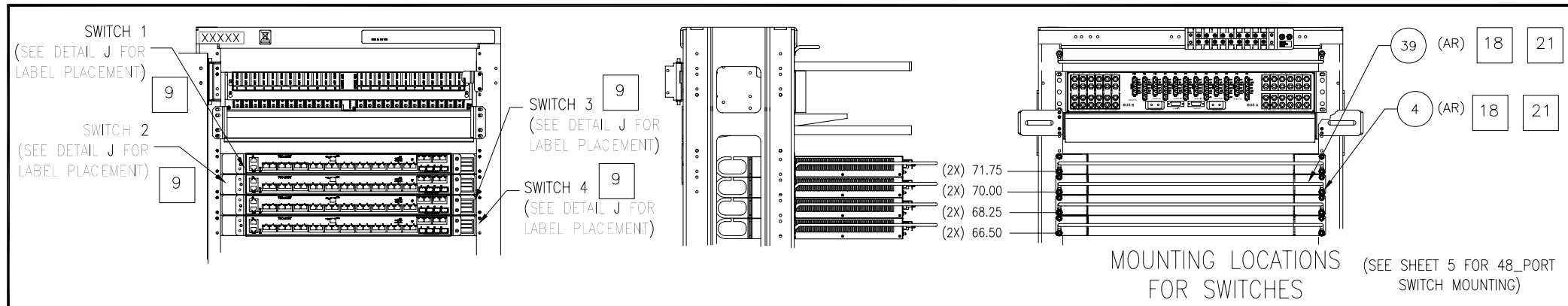
5

4

3

2

1



FRONT VIEW

RIGHT SIDE VIEW

REAR VIEW

NETWORK AND STORAGE EQUIPMENT MOUNTING LOCATIONS

18

SIZE	DIVISION	DRAWING NO.	REV.
D	GPS	890-1839-01	R
SCALE: NONE		FILE NAME: 890-1839-01_R.DWG	SHEET 3 OF 6

8

7

6

5

4

3

2

1

D

C

B

A

D

C

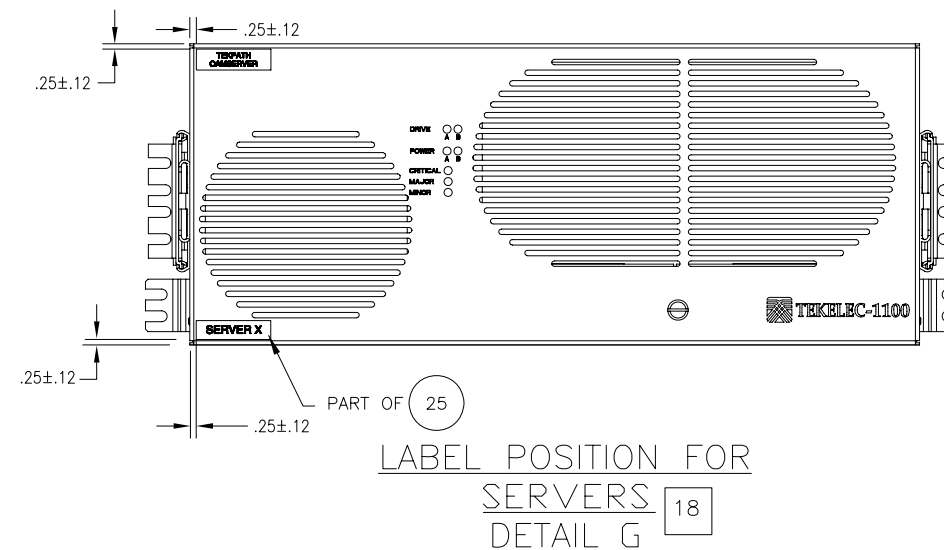
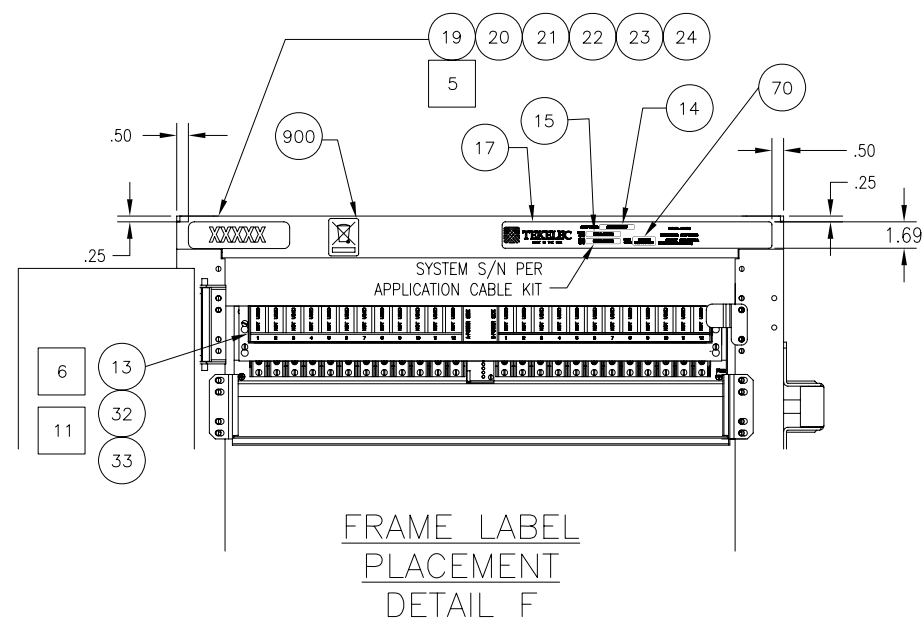
B

A

890-1839-01 3 R

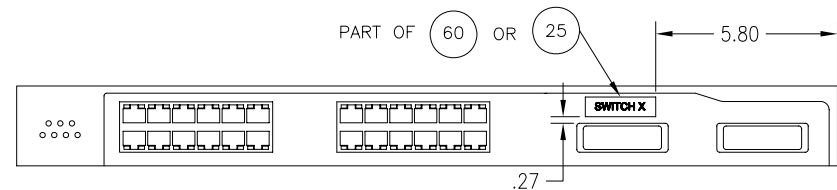
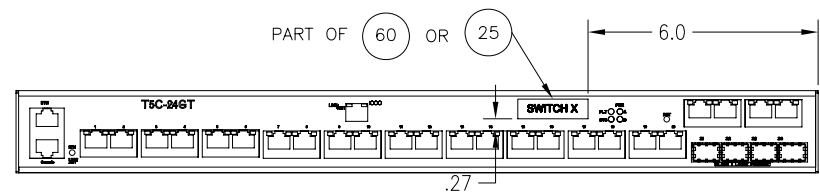
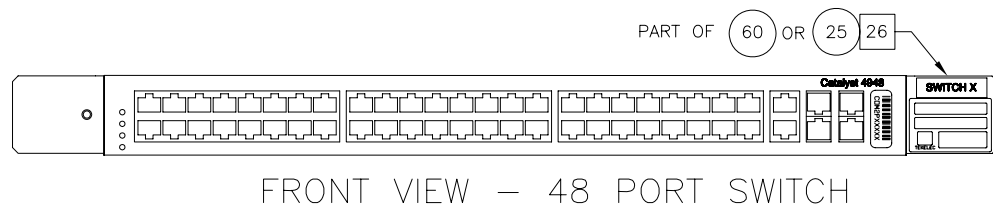
8 7 6 5 4 3 2 1

D

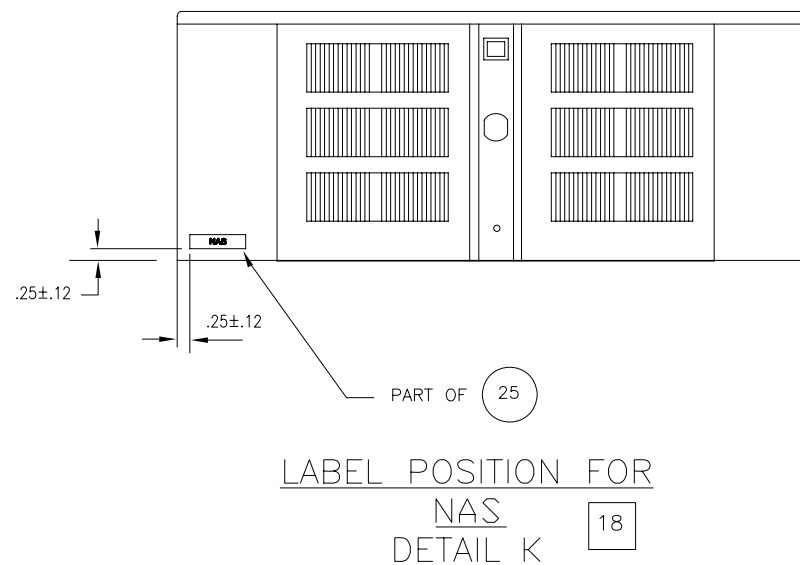


C

B



LABEL POSITION FOR SWITCHES DETAIL J 18



A

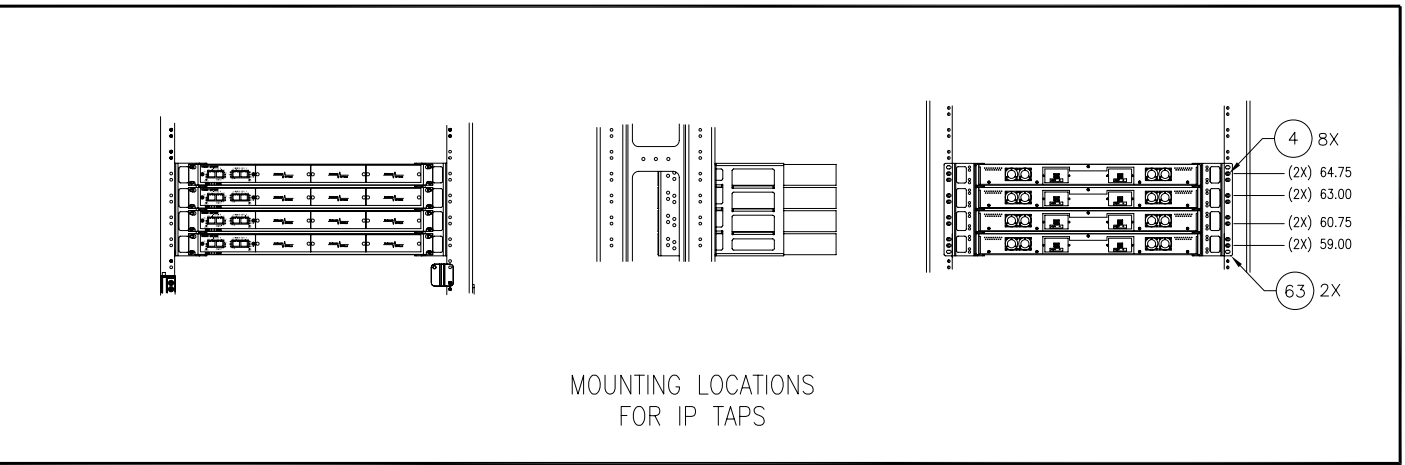
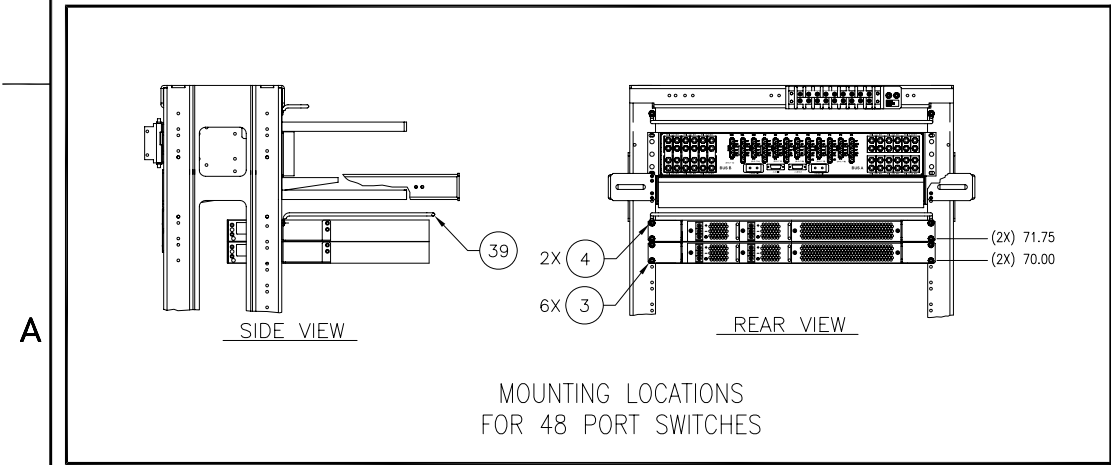
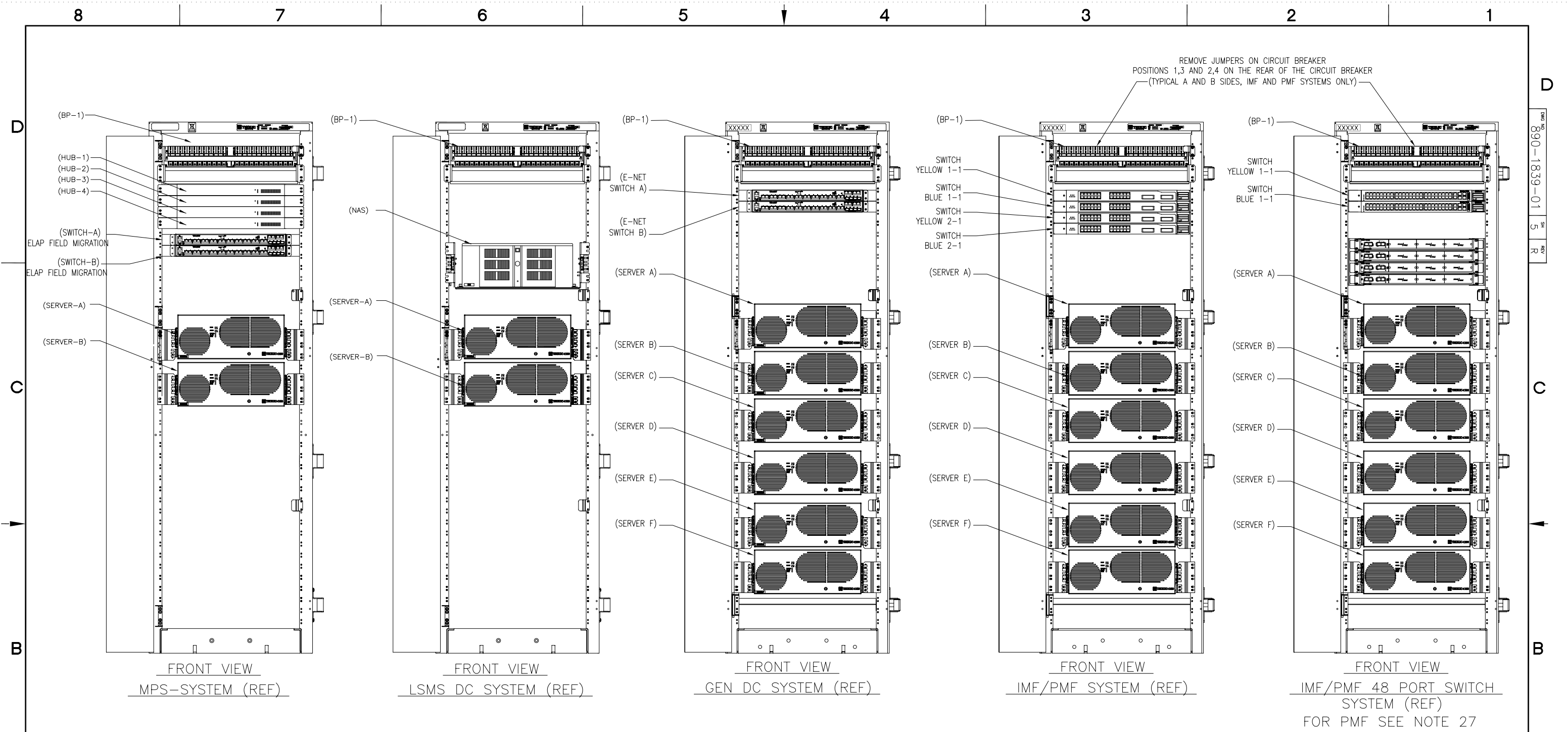
A

SIZE	DIVISION	DRAWING NO.	REV.
D	GPS	890-1839-01	R
SCALE: NONE		FILE NAME: 890-1839-01_R.DWG	SHEET 4 OF 6

THIS DOCUMENT AND THE DATA DISCLOSED HEREIN OR HEREMITH IS PROPRIETARY AND IS NOT TO BE REPRODUCED, USED OR DISCLOSED IN WHOLE OR PART TO ANYONE WITHOUT THE WRITTEN PERMISSION OF TEKLEBC. COPYRIGHT TEKLEBC 2008.

8 7 6 5 4 3 2 1

DWG NO. 890-1839-01 SHEET 4 REV R

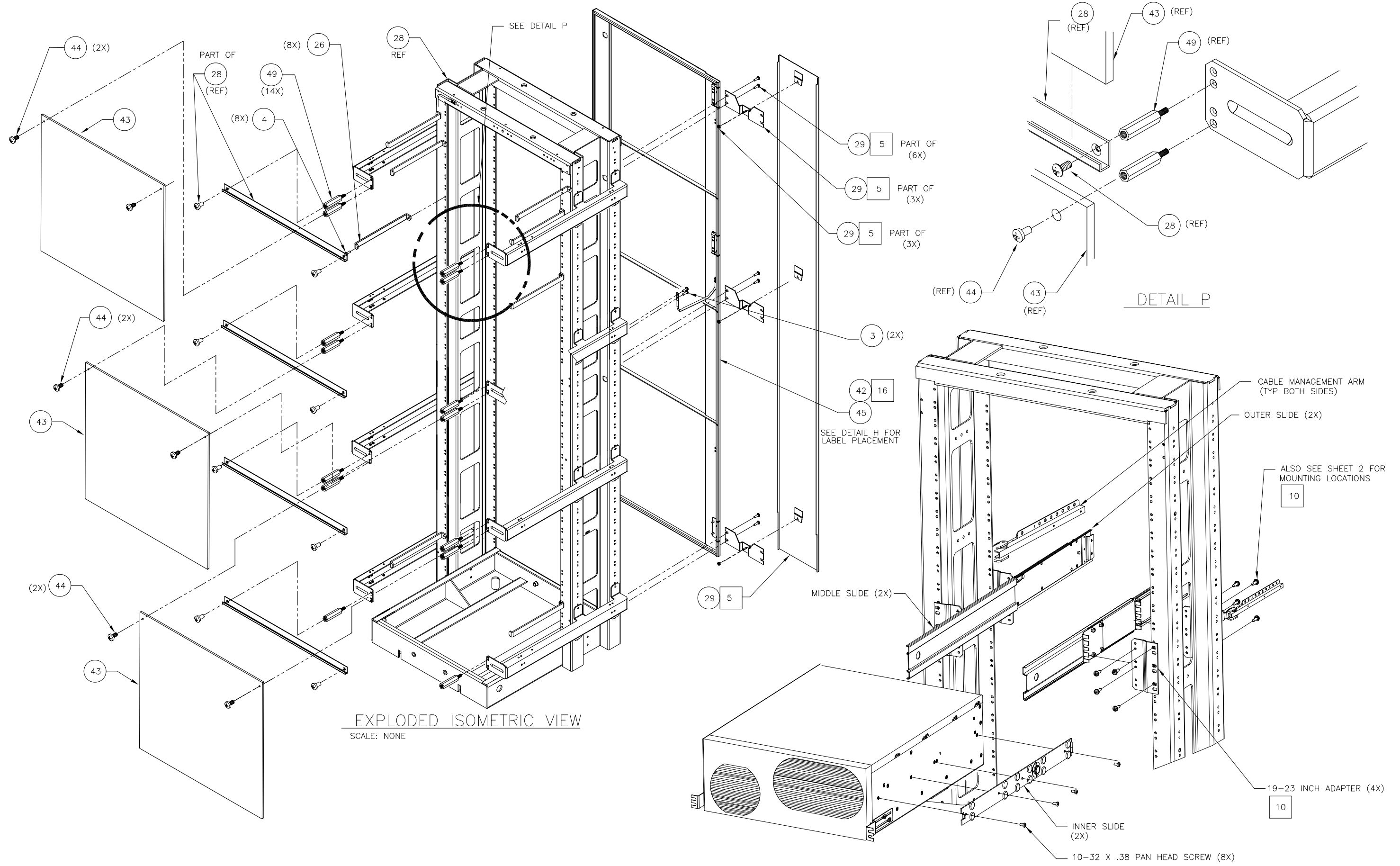


SIZE	DIVISION	DRAWING NO.	REV.
D	GPS	890-1839-01	R
SCALE: NONE	FILE NAME: 890-1839-01_R.DWG	SHEET 5 OF 6	

8 7 6 5 4 3 2 1

D
C
B
A

D
C
B
A



EXPLODED ISOMETRIC VIEW
SCALE: NONE

TEKSERVER SLIDE MOUNTING VIEW

SIZE	DIVISION	DRAWING NO.	REV.
D	GPS	890-1839-01	R
SCALE: NONE		FILE NAME: 890-1839-01_R.DWG	SHEET 6 OF 6

8 7 6 5 4 3 2 1