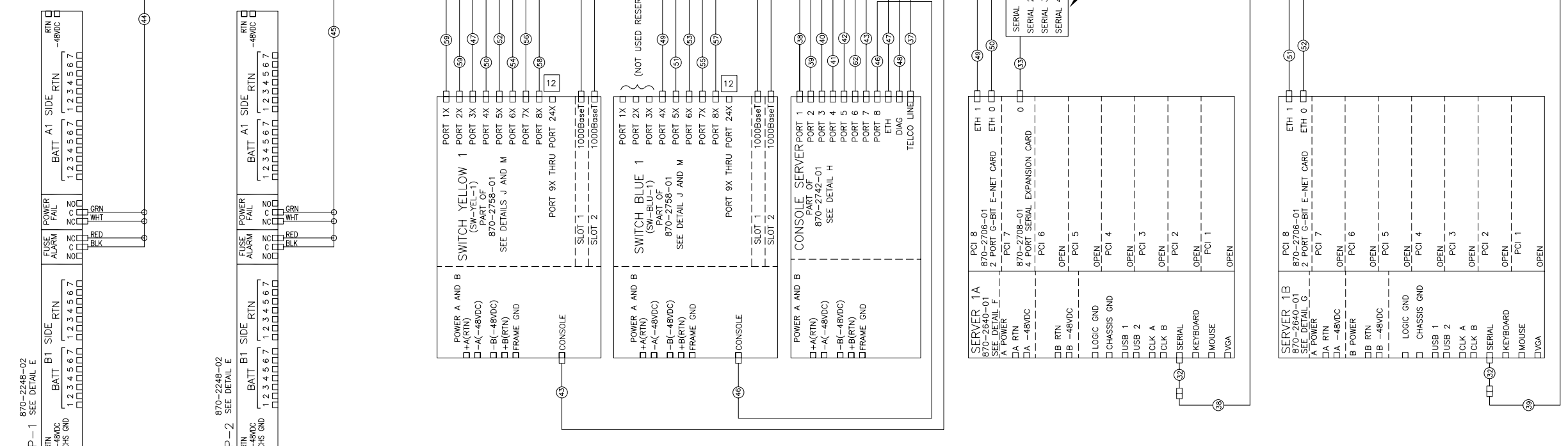


- NOTES: UNLESS OTHERWISE SPECIFIED
- INSTALL ALL CABLE ASSEMBLIES WITH DRESSED BEND RADII IN ACCORDANCE WITH TEKELEC CABLE BEND RADIUS SPECIFICATION 906-0020-01.
  - ALL INTERCONNECTION POINTS SHALL BE STRAIN RELIEVED BY POSITIVE MECHANICAL FEATURES OR FASTENERS FOR LENGTH CONFIGURATIONS.
  - THIS DIAGRAM AND ALL PART NUMBERS SHOWN ARE FOR REFERENCE ONLY. REFERENCE CABLE PART NUMBERS WITH XX FOR THE DASH NUMBER ARE LENGTHS THAT ARE SITE SPECIFIC.
  - NO ADDITIONS, DELETIONS, SUBSTITUTIONS OR MODIFICATIONS WITHOUT PRIOR WRITTEN TEKELEC APPROVAL.
  - SEE TEKELEC P/N 820-2410-01 FOR CURRENT HARDWARE LIST.
  - ALL POWER CABLES ARE CONNECTED WITH THE RED LEAD TO -48VDC TERMINAL AND THE BLACK LEAD TO RETURN TERMINAL.
  - 48 VDC, RTN, AND GND PRIMARY CABLING EXITING THE FRAME SHALL BE 6 AWG. SEE TABLES D, E AND F FOR LENGTH CONFIGURATIONS.
  - 4-PORT SERIAL CABLE, SUPPLIED WITH PCI SERIAL CARD. PORT NUMBERS 1 THRU 4 ARE LOCATED ON THE FOUR DB-9 CONNECTORS. PORT 0 IS THE DB-44 CONNECTOR THAT INTERFACES WITH THE PCI SERIAL CARD.
  - USE LABEL PN 617-0009-01 TO MAKE LABEL SET FOR FROM AND TO ON CABLES INDICATED IN TABLES A, B, G, H, J & K. EACH CABLE INDICATED WILL REQUIRE 2 LABELS ONE AS SHOWN IN THE TABLES AND ONE WITH FROM AND TWO REVERSED AS SHOWN IN DETAIL K. PERMANENTLY PRINT LABELS WITH .09 HIGH BLACK CHARACTERS. CENTER TEXT APPROXIMATELY AS SHOWN. MAX 23 CHARACTERS PER LINE. SEE DETAIL L FOR PLACEMENT OF LABELS ON CABLES. CABLES IDENTIFIED AS FIELD LABEL WILL BE LABELED AT INSTALLATION.
  - FRAME LABEL KITS PN 840-1137-02 AND 840-1137-03 CONTAIN A QUANTITY OF 4 GBIC MODULES. WHEN EXPANDING TO THE SECOND OR THIRD FRAME THE SWITCHES REQUIRE AN GBIC MODULE IN EACH SWITCH (SEE SHEET 2 DIAGRAM "A").
  - THE SECOND AND THIRD FRAME WILL NOT CONNECT TO THE CUSTOMERS NETWORK THE ONLY CONNECTION TO THE CUSTOMERS NETWORK WILL BE THROUGH FRAME 1. (SEE SHEET 2 DIAGRAM "A").

DOCUMENT CONTROL  
PRODUCTION RELEASED

REVISIONS			
LTR	DESCRIPTION	DATE	APPROVED
A	RELEASED PER ECN # 13333	12/18/03	D. GRIFFITH
B	REVISED PER ECN# 13465	3/3/04	GRIFFITH
C	REVISED PER ECN# 13547	3/30/04	GRIFFITH
D	REVISED PER ECN# 13609	4/22/04	M.BRYAN
E	REVISED PER ECN# 13567	09/16/04	M.BRYAN
F	REVISED PER ECN# 15815	03/28/06	M.BRYAN
G	REVISED PER ECN# 15874	04/27/06	M.BRYAN
H	REVISED PER ECN# 18098	XXXXXX	ARMSTRONG



12 ESP SYSTEM USE PORTS 9X-17X FOR THE LINK CABLES (ITEM 60) TO CONNECT TO EAGLE. THIS IS TYPICAL FOR BOTH THE 2950 SWITCHES YELLOW AND BLUE. PORTS 18X-24X ARE RESERVED ON THE ESP SYSTEM.  
IMF SYSTEM USE PORTS 9X-24X FOR THE LINK CABLES (ITEM 60) TO CONNECT TO EAGLE. THIS IS TYPICAL FOR BOTH THE 2950 SWITCHES YELLOW AND BLUE.

DATA CONNECTIONS AND CABLES

UNLESS OTHERWISE SPECIFIED, DO NOT SCALE DRAWING. DIMENSIONS ARE IN INCHES. INTERPRET DIMENSIONS IN ACCORDANCE WITH ANSI Y14.5M-82. DEBURR AND BREAK SHARP EDGES .005-.015. MACHINED SURFACE FINISH TOLERANCES: .xxx ± .03, .xxxx ± 0.10.

STANDARD HOLE TOLERANCES:	
HOLE DIA	TOLERANCES
.013 THRU .125	+0.04 -0.01
.126 THRU .250	+0.05 -0.01
.251 THRU .500	+0.06 -0.01
.501 THRU .750	+0.08 -0.01
.751 THRU 1.000	+0.10 -0.01
1.001 THRU 2.000	+0.12 -0.01

CONTRACT NO.	
APPROVALS	DATE
DRAWN M.BRYAN	12/12/03
CHECKED BEAUCHAMP	12/12/03
APPROVED D. GRIFFITH	12/18/03
APPLICATION	
FINISH	MATERIAL

**TEKELEC** 26580 W. Agoura Road, Calabasas, California 91302

INTERCONNECT DIAGRAM  
ESP/IMF/PMF T1000 SYSTEM

SIZE	CAGE CODE	DRAWING NO.	REV.
D		892-0057-01	H

SCALE: NONE FILE NAME: SHEET 1 OF 7

THIS DOCUMENT AND THE DATA DISCLOSED HEREIN OR HEREWITH IS PROPRIETARY AND IS NOT TO BE REPRODUCED, USED OR DISCLOSED IN WHOLE OR PART TO ANYONE WITHOUT THE WRITTEN PERMISSION OF TEKELEC. COPYRIGHT, TEKELEC 1996.

REVISIONS			
LTR	DESCRIPTION	DATE	APPROVED

892-0057-01  
 2  
 H

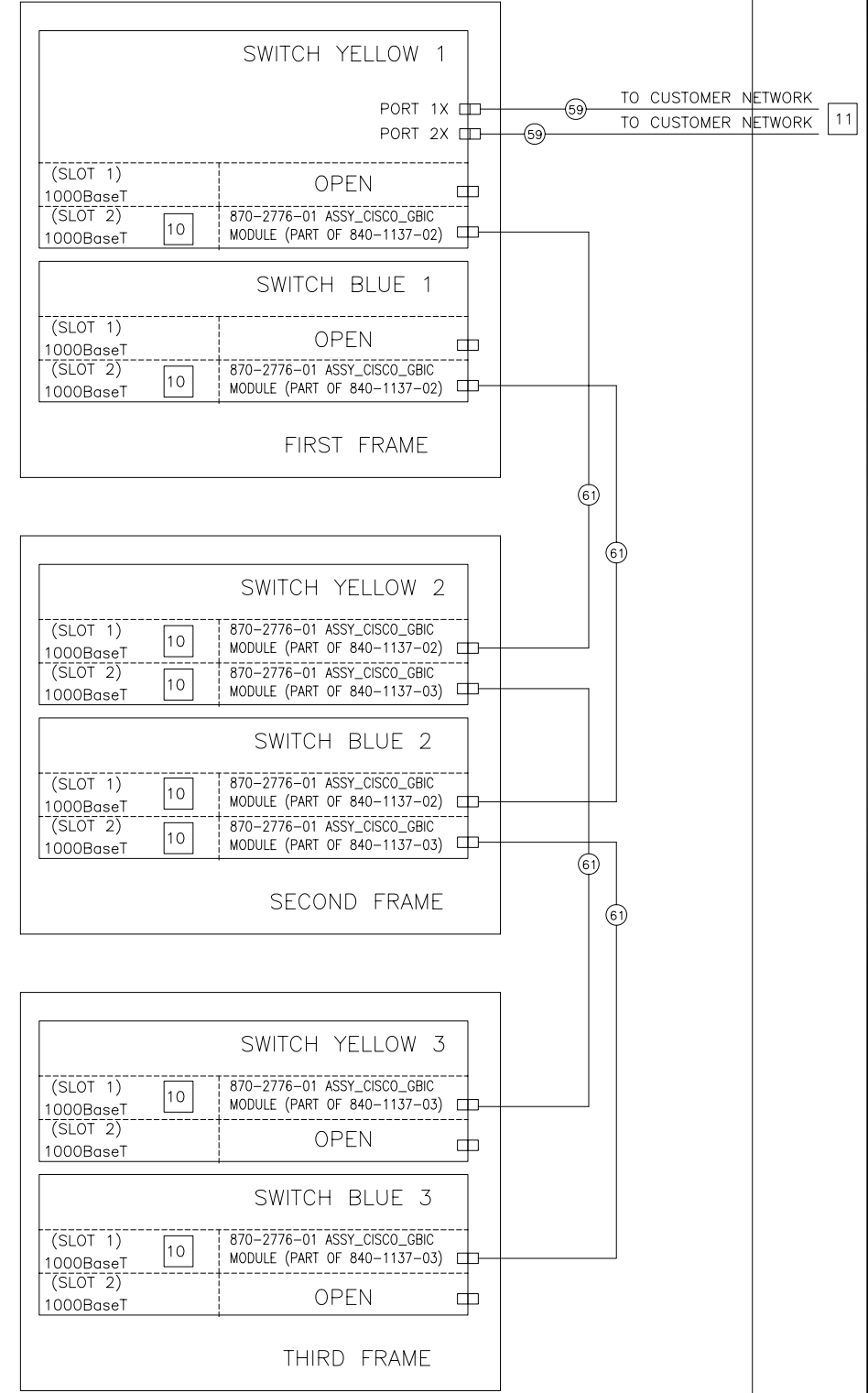
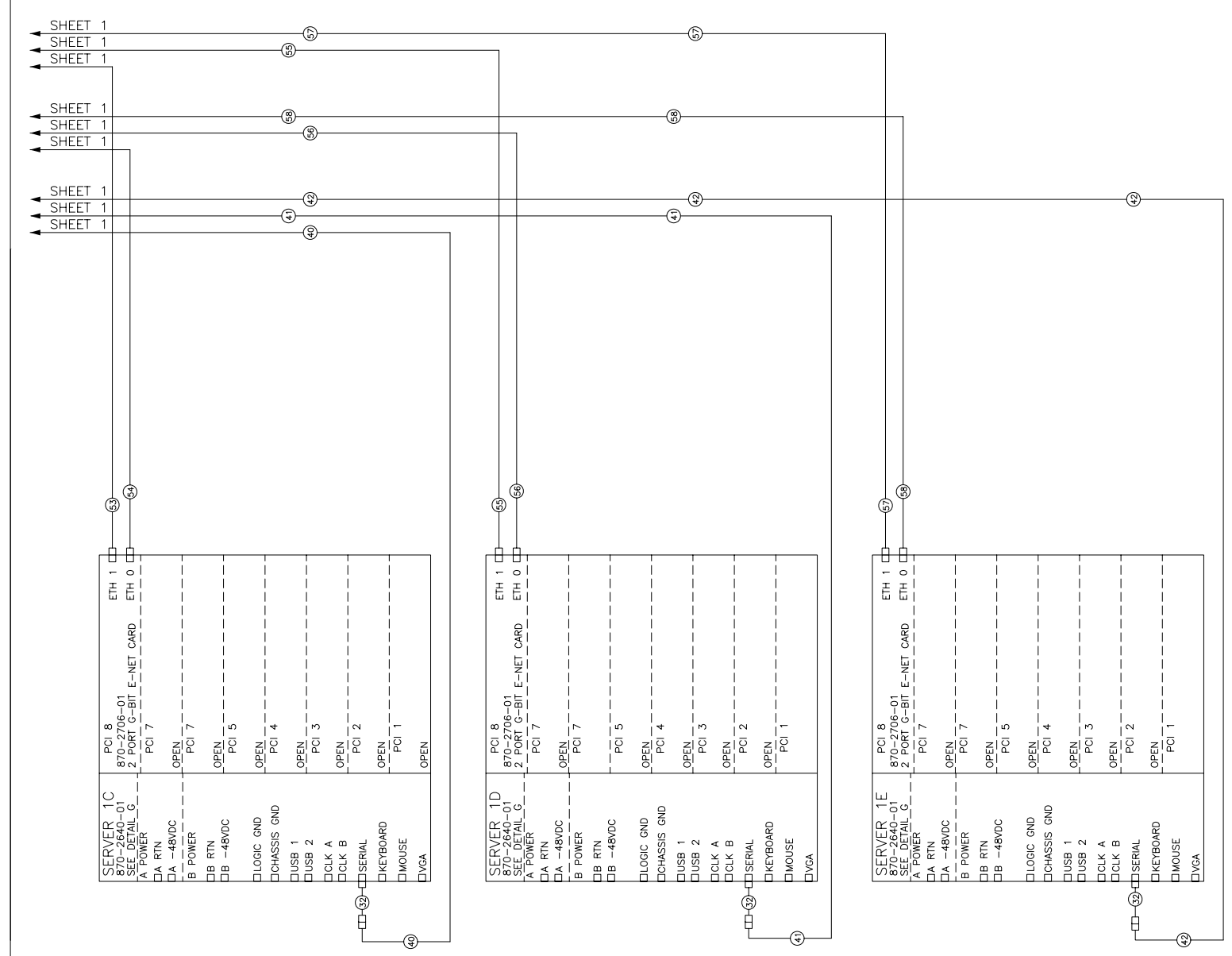
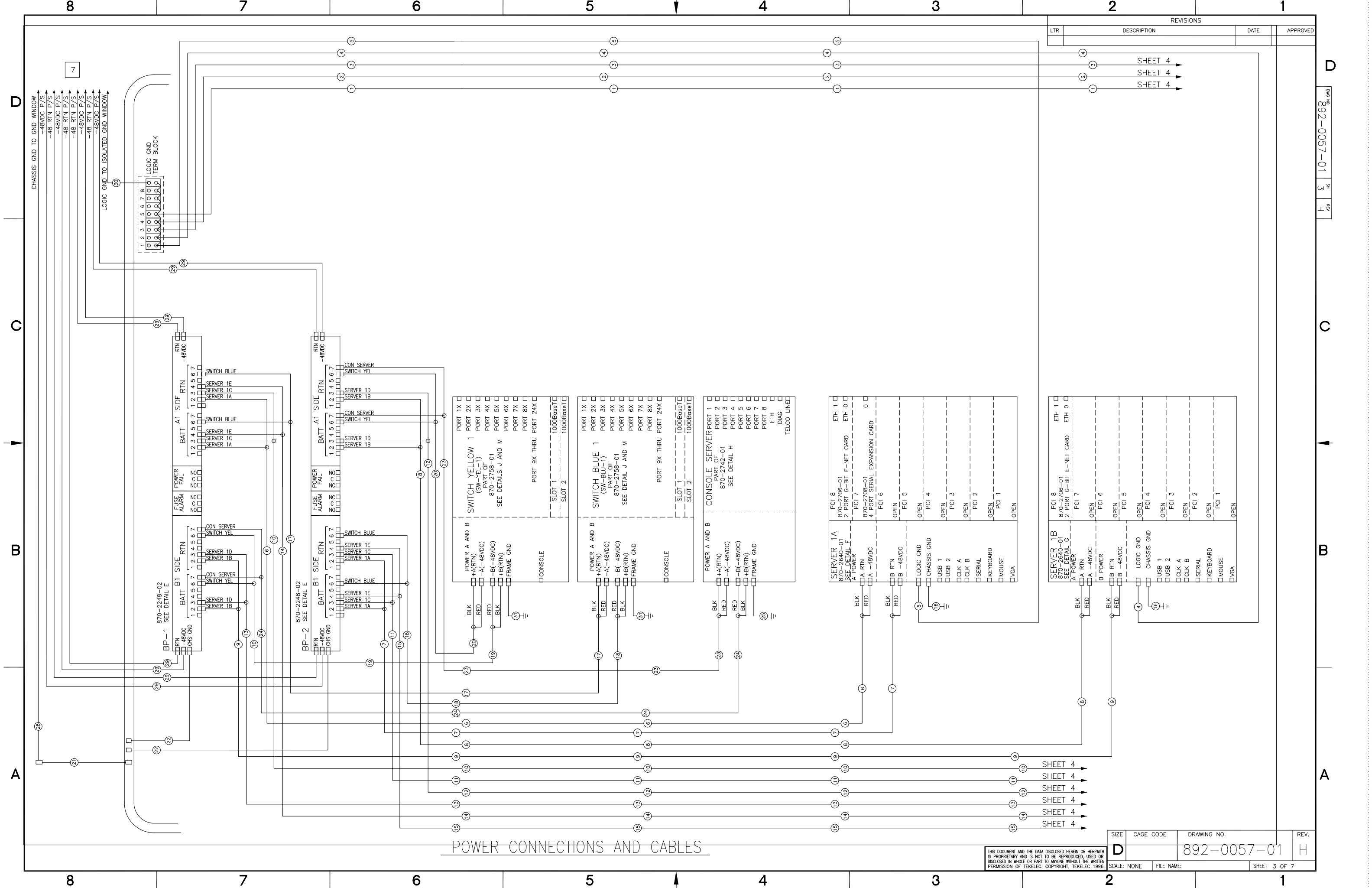


DIAGRAM "A"  
 1500 LINK INTERCONNECTION  
 (NOT APPLICABLE FOR PMF SYSTEMS)

DATA CONNECTIONS AND CABLES

SIZE	CAGE CODE	DRAWING NO.	REV.
D		892-0057-01	H

THIS DOCUMENT AND THE DATA DISCLOSED HEREIN OR HEREWITH IS PROPRIETARY AND IS NOT TO BE REPRODUCED, USED OR DISCLOSED IN WHOLE OR PART TO ANYONE WITHOUT THE WRITTEN PERMISSION OF TEKELEC. COPYRIGHT, TEKELEC 1996.



REVISIONS			
LTR	DESCRIPTION	DATE	APPROVED

SHEET 4  
SHEET 4  
SHEET 4

892-0057-01 3 H

POWER CONNECTIONS AND CABLES

SIZE	CAGE CODE	DRAWING NO.	REV.
D		892-0057-01	H
SCALE: NONE	FILE NAME:	SHEET 3 OF 7	

THIS DOCUMENT AND THE DATA DISCLOSED HEREIN OR HEREWITH IS PROPRIETARY AND IS NOT TO BE REPRODUCED, USED OR DISCLOSED IN WHOLE OR PART TO ANYONE WITHOUT THE WRITTEN PERMISSION OF TEKELEC. COPYRIGHT, TEKELEC 1996.



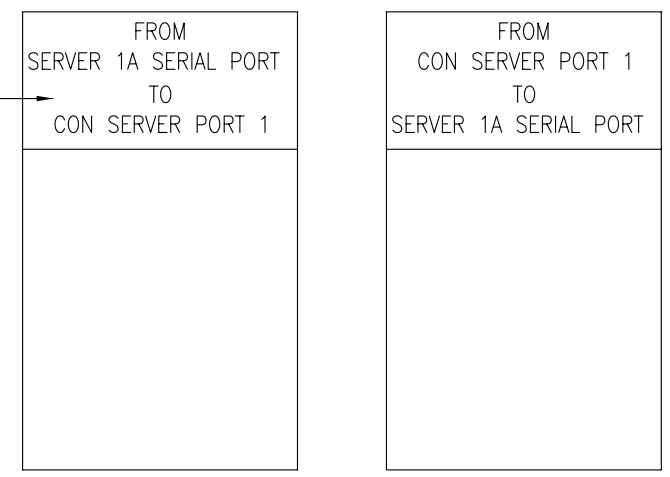
REVISIONS			
LTR	DESCRIPTION	DATE	APPROVED

TABLE A - POWER CABLE PART NUMBERS

ITEM NO.	TEKELEC P/N	QTY	LENGTH	RUN LIST AND LABEL INFORMATION FOR FROM AND TO	LABEL REQUIRED
1	830-0989-05	1	116.00 INCHES	FROM: LOGIC GND TERM BLK 5 / TO: SERVER 1E LOGIC GND	YES
2	830-0989-04	1	106.00 INCHES	FROM: LOGIC GND TERM BLK 4 / TO: SERVER 1D LOGIC GND	YES
3	830-0989-03	1	99.00 INCHES	FROM: LOGIC GND TERM BLK 3 / TO: SERVER 1C LOGIC GND	YES
4	830-0989-02	1	92.00 INCHES	FROM: LOGIC GND TERM BLK 2 / TO: SERVER 1B LOGIC GND	YES
5	830-0989-01	1	86.00 INCHES	FROM: LOGIC GND TERM BLK 1 / TO: SERVER 1A LOGIC GND	YES
6	830-0988-01	1	96.00 INCHES	FROM: SERVER 1A - A PWR / TO: BP1-2A	YES
7	830-0988-02	1	87.00 INCHES	FROM: SERVER 1A - B PWR / TO: BP2-2B	YES
8	830-0988-03	1	100.00 INCHES	FROM: SERVER 1B - A PWR / TO: BP2-2A	YES
9	830-0988-04	1	97.00 INCHES	FROM: SERVER 1B - B PWR / TO: BP1-2B	YES
10	830-0988-05	1	110.00 INCHES	FROM: SERVER 1C - A PWR / TO: BP1-3A	YES
11	830-0988-06	1	101.00 INCHES	FROM: SERVER 1C - B PWR / TO: BP2-3B	YES
12	830-0988-07	1	114.00 INCHES	FROM: SERVER 1D - A PWR / TO: BP2-3A	YES
13	830-0988-08	1	111.00 INCHES	FROM: SERVER 1D - B PWR / TO: BP1-3B	YES
14	830-0988-09	1	128.00 INCHES	FROM: SERVER 1E - A PWR / TO: BP1-4A	YES
15	830-0988-10	1	119.00 INCHES	FROM: SERVER 1E - B PWR / TO: BP2-4B	YES
16	830-0927-01	5	48.00 INCHES	FROM: FRAME GROUND / TO: SERVER 1A FROM: FRAME GROUND / TO: SERVER 1B FROM: FRAME GROUND / TO: SERVER 1C FROM: FRAME GROUND / TO: SERVER 1D FROM: FRAME GROUND / TO: SERVER 1E	YES
17	830-1013-01	1	41.00 INCHES	FROM: SWITCH BLUE A PWR / TO: BP1-6A	NO
18	830-1013-04	1	30.00 INCHES	FROM: SWITCH BLUE B PWR / TO: BP2-6B	NO
19	830-1013-02	1	32.00 INCHES	FROM: SWITCH YELLOW B PWR / TO: BP1-6B	NO
20	830-1013-03	1	37.00 INCHES	FROM: SWITCH YELLOW A PWR / TO: BP2-6A	NO
21	830-0715-03	1	84.00 INCHES	FROM: FRAME GROUND / TO: GROUND WINDOW	NO
22	830-0830-01	2	N/A	FROM: CIRCUIT BREAKER / TO: FRAME GND	NO
23	830-0868-27	1	41.00 INCHES	FROM: CON SERVER A PWR / TO: BP2-7A	YES
24	830-0868-28	1	37.00 INCHES	FROM: CON SERVER B PWR / TO: BP1-7B	YES
25	830-1015-02	1	18.00	FROM: CONSOLE SERVER / TO: FRAME GND	YES
28	CHASSIS GND (FIELD ROUTED)	1	SITE SPECIFIC	SEE TABLE F	FIELD LABEL
29	-48VDC AND 48V RTN (FIELD ROUTED)	8	SITE SPECIFIC	SEE TABLE E	FIELD LABEL
30	LOGIC GROUND	1	SITE SPECIFIC	SEE TABLE D	FIELD LABEL
31	830-1015-01	2	22.00 INCHES	FROM: YELLOW AND BLUE SWITCH / TO: FRAME GROUND	NO

TABLE B - DATA CABLE PART NUMBERS

ITEM NO.	TEKELEC P/N	QUANTITY	LENGTH	RUN LIST AND LABEL INFORMATION FOR FROM AND TO	LABEL REQUIRED
32	830-1011-01	5	NA	ADAPTER FROM MAIN SERIAL PORTS ON SERVER 1A-1E	NO
33	870-2708-01	1	NA	4 PORT SERIAL CABLE SUPPLIED WITH PCI CARD	NO
34	830-1012-01	1	NA	ADAPTER FROM SERVER 1A, PCI SLOT 7, SERIAL CARD PORT 2	NO
35	NOT USED				NO
36	NOT USED				NO
37	830-0680-01	1	25 FT	RJ11 TO RJ11 PHONE LINE	NO
38	830-1005-06	1	6.00 FEET	CONSOLE CABLE RJ45 TO RJ45 STRAIGHT THRU FROM: SERVER 1A SERIAL PORT / TO: CON SERVER PORT 1	YES
39	830-1005-06	1	6.00 FEET	CONSOLE CABLE RJ45 TO RJ45 STRAIGHT THRU FROM: SERVER 1B SERIAL PORT / TO: CON SERVER PORT 2	YES
40	830-1005-07	1	7.00 FEET	CONSOLE CABLE RJ45 TO RJ45 STRAIGHT THRU FROM: SERVER 1C SERIAL PORT / TO: CON SERVER PORT 3	YES
41	830-1005-08	1	8.00 FEET	CONSOLE CABLE RJ45 TO RJ45 STRAIGHT THRU FROM: SERVER 1D SERIAL PORT / TO: CON SERVER PORT 4	YES
42	830-1005-08	1	8.00 FEET	CONSOLE CABLE RJ45 TO RJ45 STRAIGHT THRU FROM: SERVER 1E SERIAL PORT / TO: CON SERVER PORT 5	YES
43	830-0990-03	1	3.00 FEET	CONSOLE CABLE RJ45 TO RJ45 FROM: SW YELLOW CONSOLE PORT / TO: CON SERVER PORT 7	YES
44	830-0961-01	1	72.00 INCHES	SERIAL - ALARM CABLE DB9 TO SPADE TERMINALS FROM: SERVER 1A SLOT 7 PORT 3 / TO: BP1 ALARM	YES
45	830-0961-01	1	72.00 INCHES	SERIAL - ALARM CABLE DB9 TO SPADE TERMINALS FROM: SERVER 1A SLOT 7 PORT 4 / TO: BP2 ALARMS	YES
46	830-0990-03	1	3.00 FEET	CONSOLE CABLE RJ45 TO RJ45 FROM: SW BLUE CONSOLE PORT / TO: CON SERVER PORT 8	YES
47	830-0724-65	1	3.00 FEET	RJ45 TO RJ45 STRAIGHT THRU FROM: SW YELLOW PORT 3X / TO: CON SERVER ETH PORT	YES
48	830-1005-02	1	2.00 FEET	CONSOLE CABLE RJ45 TO RJ45 STRAIGHT THRU FROM: CON SERVER DIAG PORT / TO: SERVER 1A SLOT 7 PORT 2	YES
49	830-0889-03	1	6.00 FEET	RJ45 TO RJ45 STRAIGHT THRU - BLUE FROM: SERVER 1A SLOT 8 ETH 1 / TO: SWITCH BLUE PORT 4X	YES
50	830-0888-03	1	6.00 FEET	RJ45 TO RJ45 STRAIGHT THRU - YELLOW FROM: SERVER 1A SLOT 8 ETH 0 / TO: SWITCH YELLOW PORT 4X	YES
51	830-0889-05	1	7.00 FEET	RJ45 TO RJ45 STRAIGHT THRU - BLUE FROM: SERVER 1B SLOT 8 ETH 1 / TO: SWITCH BLUE PORT 5X	YES
52	830-0888-05	1	7.00 FEET	RJ45 TO RJ45 STRAIGHT THRU - YELLOW FROM: SERVER 1B SLOT 8 ETH 0 / TO: SWITCH YELLOW PORT 5X	YES
53	830-0889-06	1	8.00 FEET	RJ45 TO RJ45 STRAIGHT THRU - BLUE FROM: SERVER 1C SLOT 8 ETH 1 / TO: SWITCH BLUE PORT 6X	YES
54	830-0888-06	1	8.00 FEET	RJ45 TO RJ45 STRAIGHT THRU - YELLOW FROM: SERVER 1C SLOT 8 ETH 0 / TO: SWITCH YELLOW PORT 6X	YES
55	830-0889-06	1	8.00 FEET	RJ45 TO RJ45 STRAIGHT THRU - BLUE FROM: SERVER 1D SLOT 8 ETH 1 / TO: SWITCH BLUE PORT 7X	YES
56	830-0888-06	1	8.00 FEET	RJ45 TO RJ45 STRAIGHT THRU - YELLOW FROM: SERVER 1D SLOT 8 ETH 0 / TO: SWITCH YELLOW PORT 7X	YES
57	830-0889-07	1	10.00 FEET	RJ45 TO RJ45 STRAIGHT THRU - BLUE FROM: SERVER 1E SLOT 8 ETH 1 / TO: SWITCH BLUE PORT 8X	YES
58	830-0888-07	1	10.00 FEET	RJ45 TO RJ45 STRAIGHT THRU - YELLOW FROM: SERVER 1E SLOT 8 ETH 0 / TO: SWITCH YELLOW PORT 8X	YES
59	830-0724-XX	2	SITE SPECIFIC	TO CUSTOMER NETWORK - RJ45 STRAIGHT THRU	FIELD LABEL
60	830-0788-XX	AR	SITE SPECIFIC	YELLOW AND BLUE SWITCHES PORTS TO EAGLE SEE NOTE 12	FIELD LABEL
61	830-0724-XX	2	SITE SPECIFIC	YELLOW AND BLUE SWITCHES EXTENSION FRAME 1000 BASET	FIELD LABEL
62	CUSTOMER SUPPLIED	1	SITE SPECIFIC	TO CUSTOMER SUPPLIED TERMINAL	FIELD LABEL



EXAMPLE OF TEXT SHOWN IN TABLES

EXAMPLE WITH TEXT REVERSED FROM FIRST LABEL

DETAIL K 9

CABLE LABEL EXAMPLE USING CABLE ITEM NO. 38

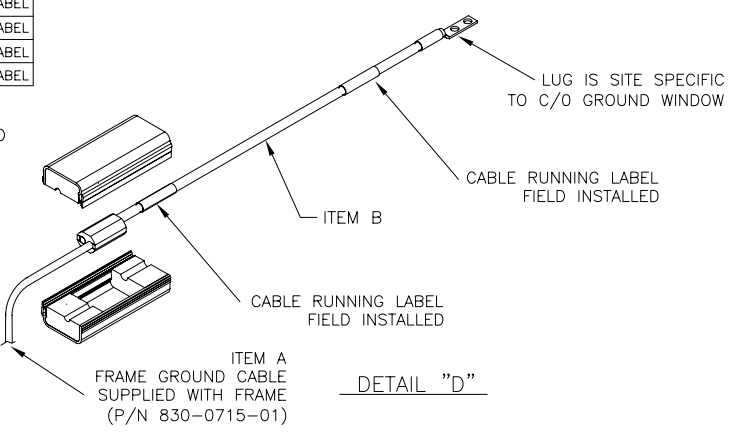
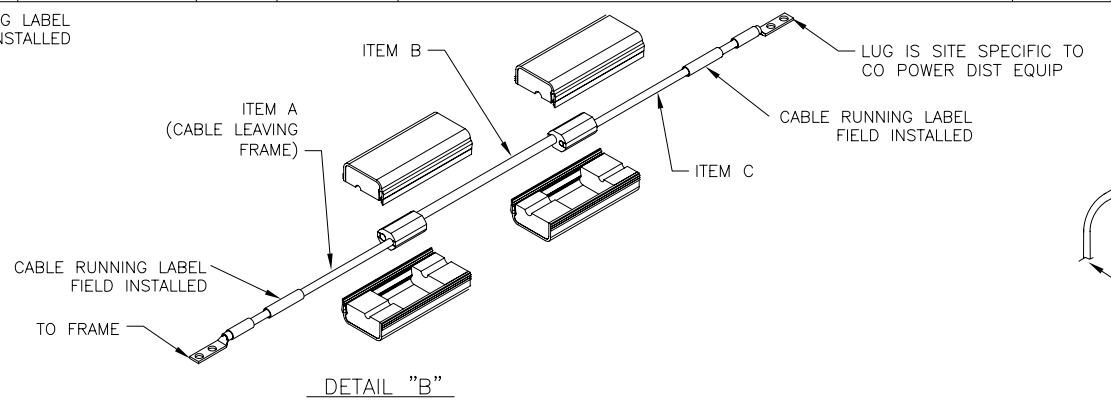
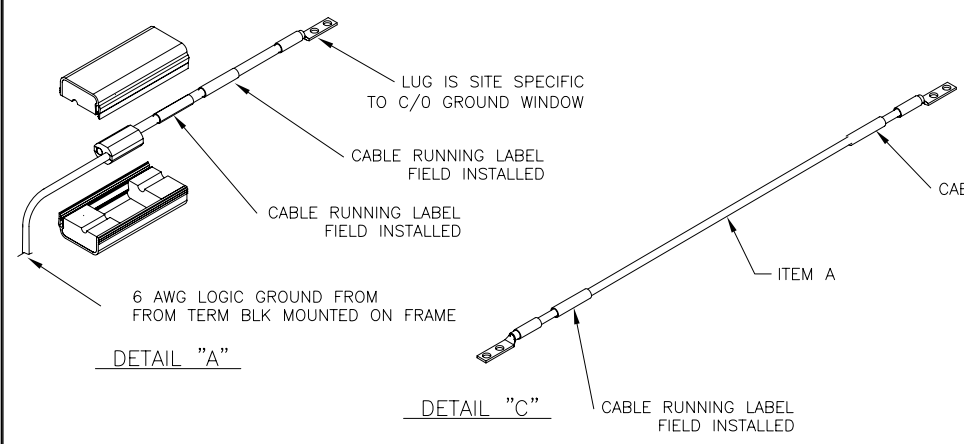


TABLE D - LOGIC GROUND CABLING

DISTANCE	PRIMARY CABLE PART NUMBER	CABLE AWG	TERMINAL LUG P/N	HEAT SHRINK PART NUMBER	COMMENT	REF. DETAIL
0' - 40'	690-0131-01	6	502-0085-01	804-0228-01	CABLE LENGTH IS SITE-SPECIFIC	C
40' - 160'	690-0108-07	1/0	804-0977-01	804-0229-01	CABLE LENGTH IS SITE-SPECIFIC	A

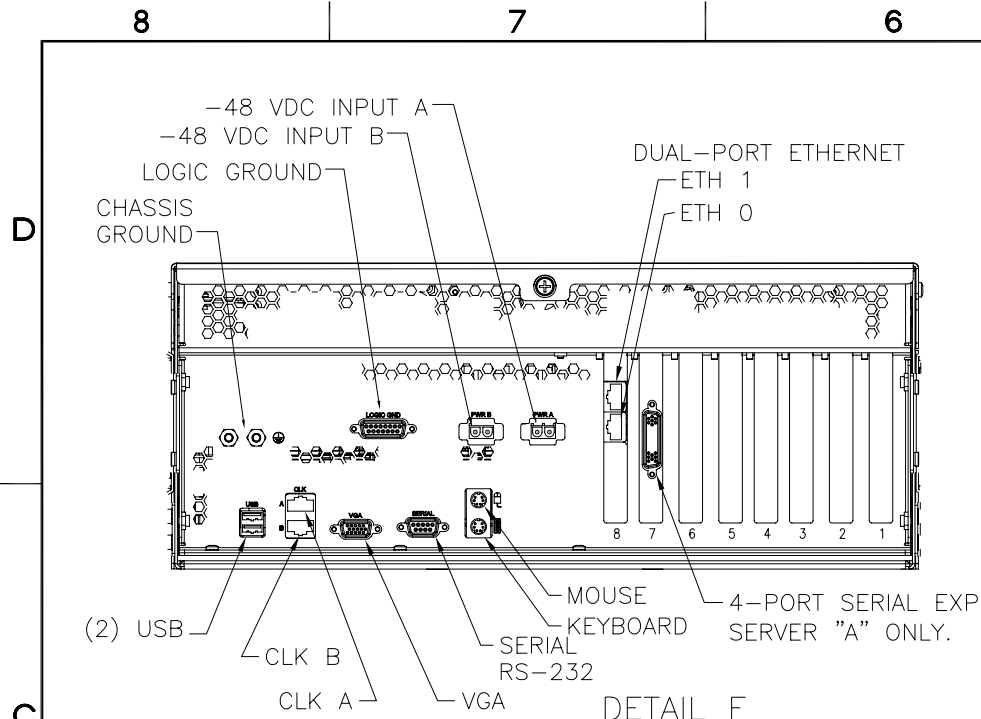
TABLE E - 48VDC & 48VRTN CABLING COMPONENTS

DISTANCE	ITEM A				ITEM B		ITEM C	HALF TAP SPLICE P/N	HTAP SOFT COVER P/N	COMMENT	REF. DETAIL
	CABLE P/N	CABLE AWG	TERMINAL LUG P/N	HEAT SHRINK P/N	CABLE P/N	CABLE AWG	CABLE CONSTRUCTION				
0' - 40'	690-0108-01	6	502-0085-01	804-0228-01	N/A	--	N/A	NONE REQUIRED	NONE REQUIRED	CABLE LENGTH IS SITE-SPECIFIC	C
40' - 65'	690-0108-01	6	502-0085-01	804-0228-01	690-0108-04	4	SITE SPECIFIC	T&B 63125	T&B HTC40	CABLE LENGTH IS SITE-SPECIFIC	B
65' - 100'	690-0108-01	6	502-0085-01	804-0228-01	690-0108-06	2	SITE SPECIFIC	T&B 63125	T&B HTC40	CABLE LENGTH IS SITE-SPECIFIC, HTAPPED STUBS <= 10' EACH END	B
100' - 160'	690-0108-01	6	502-0085-01	804-0228-01	690-0108-03	1/0	SITE SPECIFIC	T&B 63125	T&B HTC40	CABLE LENGTH IS SITE-SPECIFIC, HTAPPED STUBS <= 10' EACH END	B

TABLE F - SYSTEM FRAME GROUND CABLING

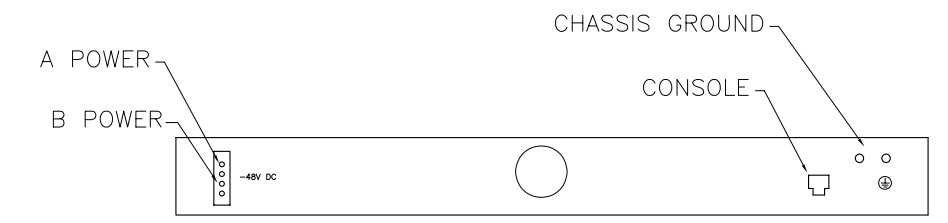
DISTANCE	CABLE P/N	CABLE AWG	ITEM A (830-0715-01 SUPPLIED WITH FRAME)		ITEM B		HTAP (A TO B CONNECTION) H TAP P/N	COMMENT	REF. DETAIL
			TERMINAL LUG P/N	HEAT SHRINK P/N	CABLE P/N	CABLE AWG			
0' - 40'	690-0131-01	6	502-0085-01	804-0228-01	690-0131-01	6	804-0865-01	CABLE LENGTH IS SITE-SPECIFIC	D
40' - 160'	690-0108-01	6	502-0085-01	804-0228-01	690-0108-07	1/0	804-0865-01	CABLE LENGTH IS SITE-SPECIFIC	D

REVISIONS			
LTR	DESCRIPTION	DATE	APPROVED

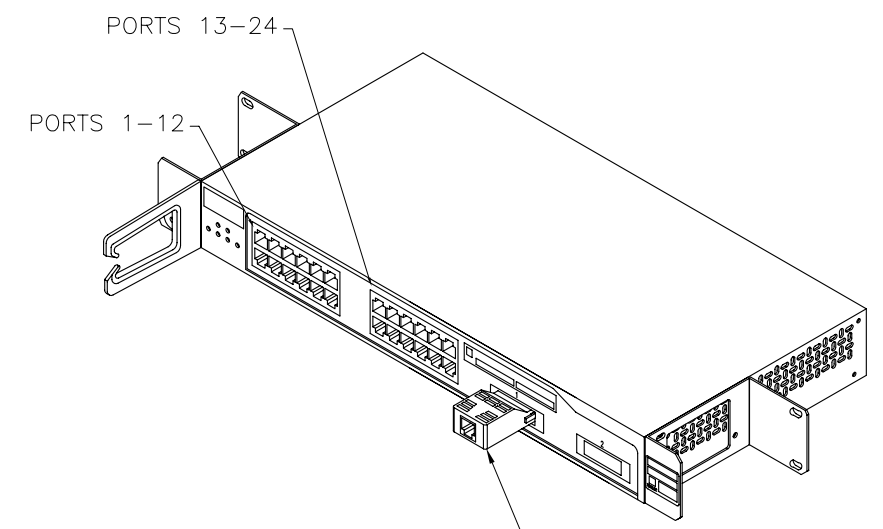


**TABLE C**

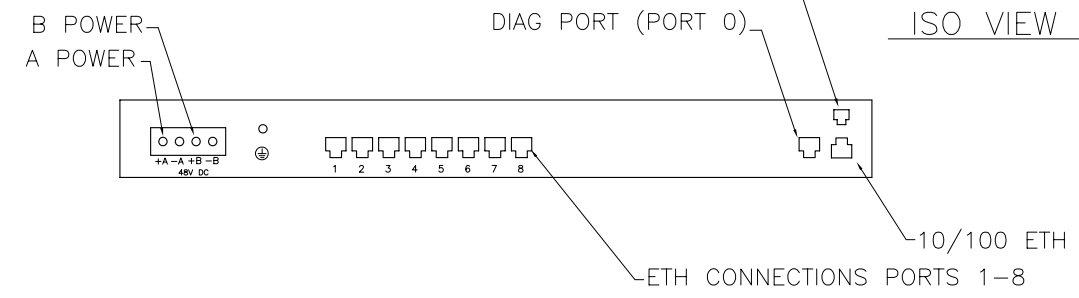
PCI SLOT	BIT	MHZ	CARD	PART NUMBER
1	64	133	PROBE INTERFACE (PMF SYSTEMS)	(SEE DETAIL N, SHT.4)
2	64	66	PROBE INTERFACE (PMF SYSTEMS)	(SEE DETAIL N, SHT.4)
3	64	66	PROBE INTERFACE (PMF SYSTEMS)	(SEE DETAIL N, SHT.4)
4	64	66	PROBE INTERFACE (PMF SYSTEMS)	(SEE DETAIL N, SHT.4)
5	64	66	PROBE INTERFACE (PMF SYSTEMS)	(SEE DETAIL N, SHT.4)
6	64	133	PROBE INTERFACE (PMF SYSTEMS)	(SEE DETAIL N, SHT.4)
7	32	33	4 PORT SERIAL (SERVER A ONLY)	870-2708-XX
8	32	33	DUAL-PORT ETHERNET	870-2706-XX



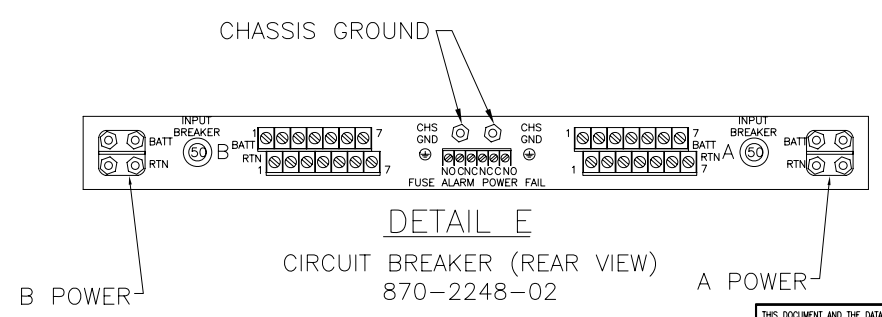
**DETAIL J**  
REAR VIEW-SWITCH  
870-2758-01



**DETAIL M**  
ISO VIEW OF THE FRONT-SWITCH  
870-2758-01



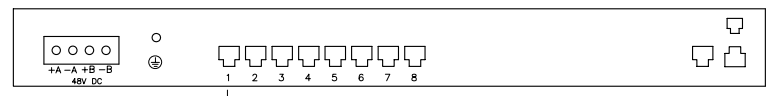
**DETAIL H**  
REAR VIEW- CONSOLE SERVER  
870-2742-01



**DETAIL E**  
CIRCUIT BREAKER (REAR VIEW)  
870-2248-02

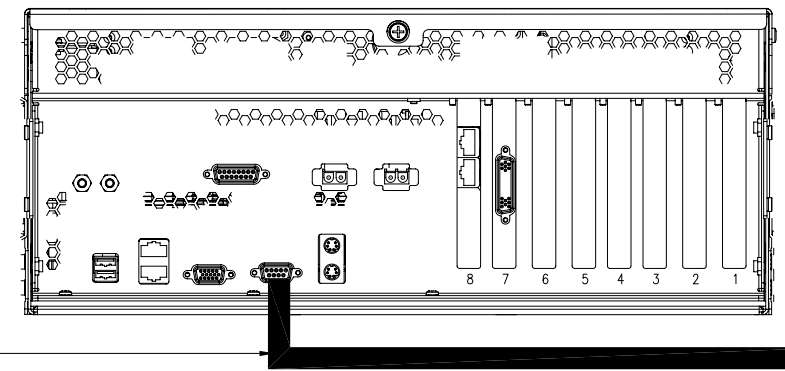
SERVER (REAR VIEW) 870-2640-01 W/ PCI CARDS:  
(SEE TABLE C FOR PCI CARD P/N'S & LOCATIONS)

FROM  
SERVER 1A SERIAL PORT  
TO  
CON SERVER PORT 1



CONSOLE SERVER (REAR VIEW)

SERVER 1A (REAR VIEW)



**DETAIL L**  
CABLE LABEL PLACEMENT DETAIL  
TYPICAL FOR ALL CABLES  
INDICATED IN TABLES A AND B  
USING CABLE ITEM NO. 38

FROM  
CON SERVER PORT 1  
TO  
SERVER 1A SERIAL PORT

THIS DOCUMENT AND THE DATA DISCLOSED HEREIN OR HEREWIT IS PROPRIETARY AND IS NOT TO BE REPRODUCED, USED OR DISCLOSED IN WHOLE OR PART TO ANYONE WITHOUT THE WRITTEN PERMISSION OF TEKELEC. COPYRIGHT, TEKELEC. 1996.

SIZE	CAGE CODE	DRAWING NO.	REV.
D		892-0057-01	H
SCALE: NONE		FILE NAME:	SHEET 6 OF 7

892-0057-01 7 H REV

REVISIONS

TABLE G - POWER CABLE PART NUMBERS (SECOND FRAME)

Table with columns: ITEM NO., TEKELEC P/N, QTY, LENGTH, RUN LIST AND LABEL INFORMATION FOR FROM AND TO, LABEL REQUIRED. Contains 31 rows of power cable specifications.

TABLE J - POWER CABLE PART NUMBERS (THIRD FRAME)

Table with columns: ITEM NO., TEKELEC P/N, QTY, LENGTH, RUN LIST AND LABEL INFORMATION FOR FROM AND TO, LABEL REQUIRED. Contains 31 rows of power cable specifications.

REVISIONS table with columns: LTR, DESCRIPTION, DATE, APPROVED.

D 892-0057-01 7 H

TABLE H - DATA CABLE PART NUMBERS (SECOND FRAME)

Table with columns: ITEM NO., TEKELEC P/N, QUANTITY, LENGTH, RUN LIST AND LABEL INFORMATION FOR FROM AND TO, LABEL REQUIRED. Contains 62 rows of data cable specifications.

TABLE K - DATA CABLE PART NUMBERS (THIRD FRAME)

Table with columns: ITEM NO., TEKELEC P/N, QUANTITY, LENGTH, RUN LIST AND LABEL INFORMATION FOR FROM AND TO, LABEL REQUIRED. Contains 62 rows of data cable specifications.

Table with columns: SIZE, CAGE CODE, DRAWING NO., REV. Contains drawing identification information.

THIS DOCUMENT AND THE DATA DISCLOSED HEREIN OR HEREWITH IS PROPRIETARY AND IS NOT TO BE REPRODUCED, USED OR DISCLOSED IN WHOLE OR PART TO ANYONE WITHOUT THE WRITTEN PERMISSION OF TEKELEC. COPYRIGHT, TEKELEC 1996.

D

C

B

A

C

B

A