

4

3

2

1

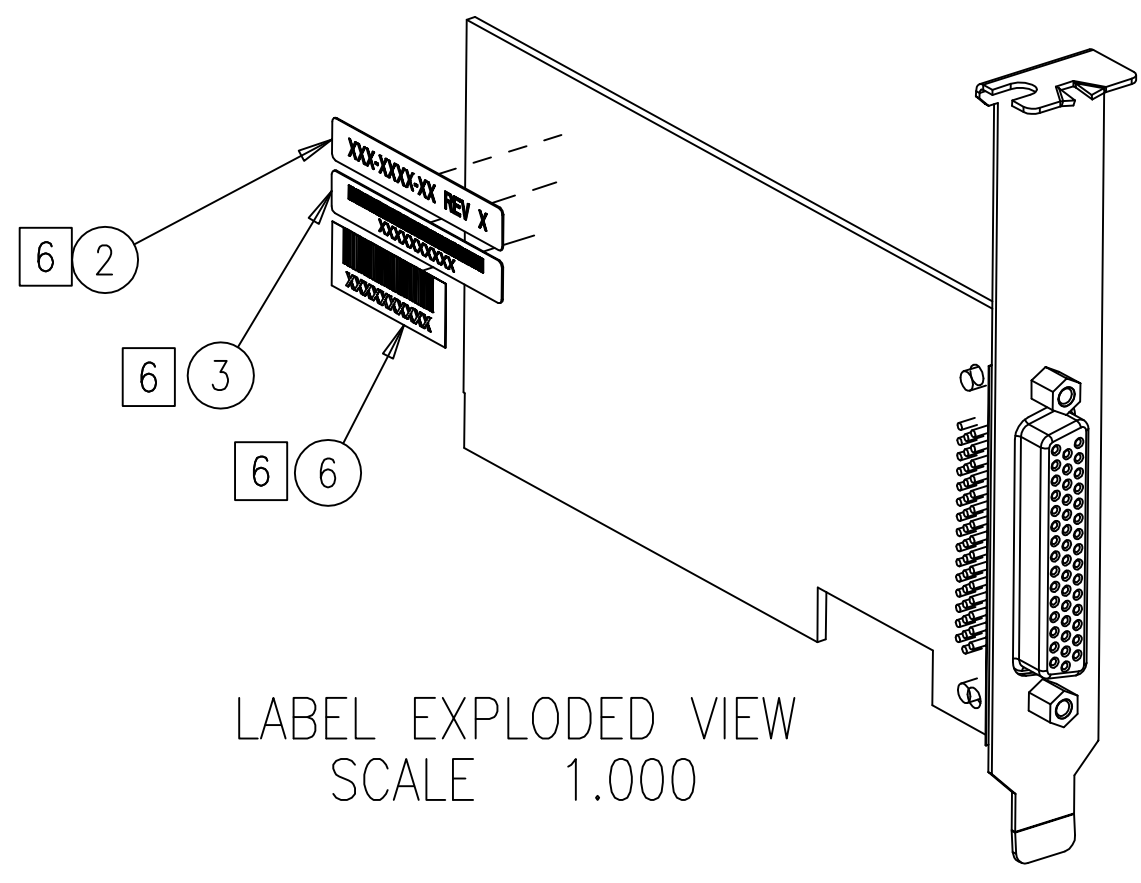
REVISIONS

REV	DESCRIPTION	DATE	APPROVED
B	RELEASED PER ECO# 13099	9/16/03	D. GRIFFITH
C	RELEASED PER ECO# 13400	3/17/04	M. BRYAN

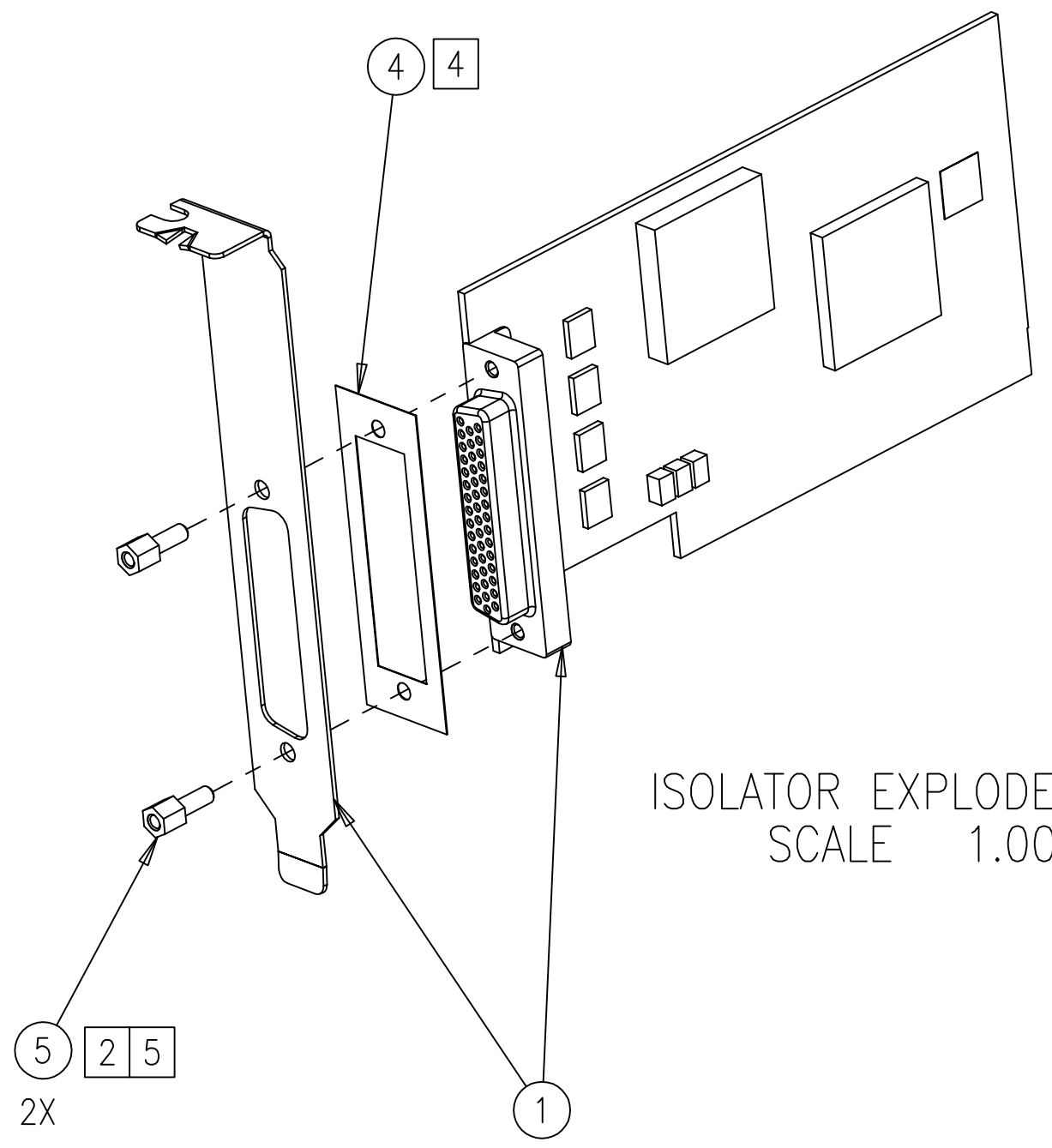
NOTES: UNLESS OTHERWISE SPECIFIED

- 1) NO ADDITIONS, DELETIONS, MODIFICATIONS OR SUBSTITUTIONS WITHOUT PRIOR WRITTEN TEKELEC APPROVAL.
- 2) TORQUE FASTENERS TO 10 IN-OZ.
- 3) DUPLICATE LABELS (ITEMS 2, 3 AND 6) TO BE PACKED FOR APPLICATION TO CONFIGURATION LABEL AT NEXT LEVEL OF ASSEMBLY.
- 4) APPLY ISOLATOR (ITEM 4) TO FACEPLATE AS SHOWN.
- 5) DISCARD ORIGINAL JACKSCREWS AND REPLACE WITH ITEM 5.
- 6) LOCATE APPROXIMATELY AS SHOWN.

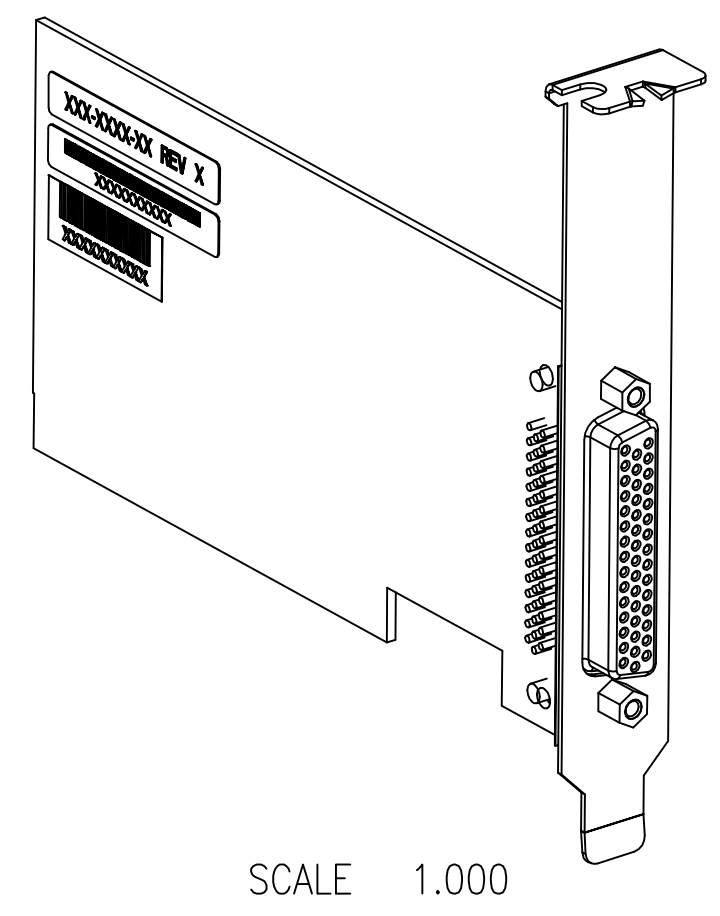
DOCUMENT CONTROL
PRODUCTION RELEASED



LABEL EXPLODED VIEW
SCALE 1.000

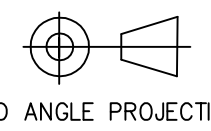


ISOLATOR EXPLODED VIEW
SCALE 1.000



SCALE 1.000

UNLESS OTHERWISE SPECIFIED
DO NOT SCALE DRAWING.
DIMENSIONS ARE IN INCHES.
INTERPRET DIMENSIONS IN ACCORD-
ANCE WITH ASME Y14.5M-1994
DRAWING TO CONFORM TO TEKELEC
SPECIFICATION 907-0169-01.
DEBURR AND BREAK SHARP EDGES
AND CORNERS .005-.015.
MACHINED SURFACE FINISH
DECIMAL TOLERANCES:
.XX ± .XXX ± -
ANGLE TOLERANCE ± 1°



THIRD ANGLE PROJECTION

THIS DOCUMENT AND THE DATA DISCLOSED HEREIN OR HEREWITH IS PROPRIETARY AND IS NOT TO BE REPRODUCED, USED OR DISCLOSED IN WHOLE OR PART TO ANYONE WITHOUT THE WRITTEN PERMISSION OF TEKELEC, COPYRIGHT 2002.	
APPROVALS	DATE
DRAWN BY J. MYERS	9/2/03
CHECKED BY S. LITTLE	9/10/03
APPROVED BY D. GRIFFITH	9/10/03
NEXT ASSY	USED ON
APPLICATION	
FINISH	
MATERIAL	

		TEKELEC		26580 W. Agoura Road, Calabasas, California 91302	
ASSY_PCI INTERFACE_QUAD SERIAL EXPAN_ASYNC_RS-232/422/485 UNIV_TEKSERVER					
SIZE	DIVISION	DRAWING NO.		REV.	
C	NSD	870-2708-01		C	
SCALE: 1.000	FILE NAME:	870-2708-01_C		SHEET 1 OF 1	

DWG NO
870-2708-01
SH
1
REV
C