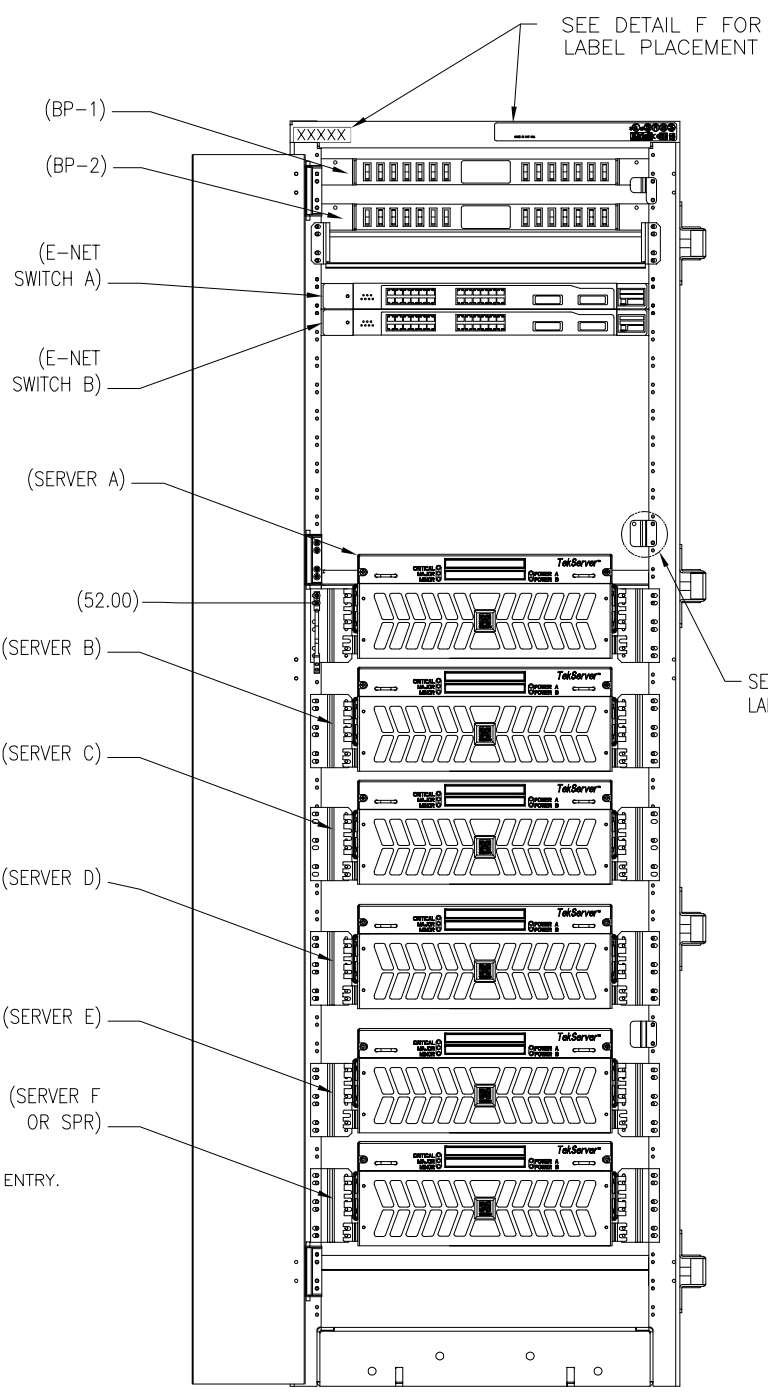


REVISIONS			
REV	DESCRIPTION	DATE	APPROVED
D	REVISED PER ECN #14060	11/22/04	M.BRYAN
E	REVISED PER ECN #14057	11/23/04	M.BRYAN
F	REVISED PER ECN #14228	2/23/05	M.BRYAN
G	REVISED PER ECN #14993	09/08/05	ARMSTRONG

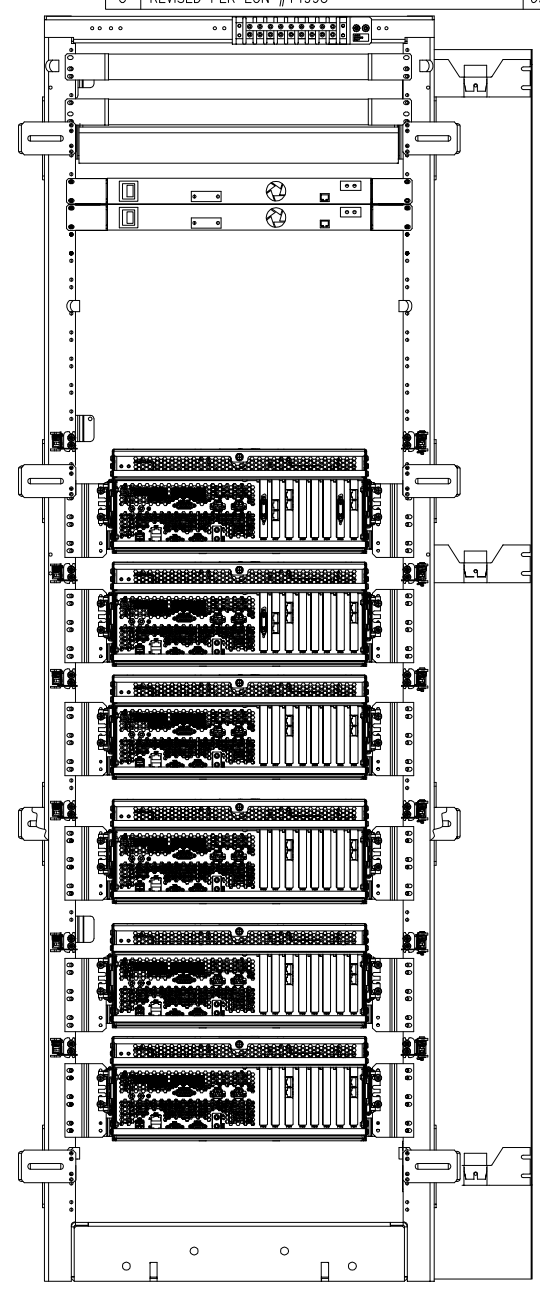
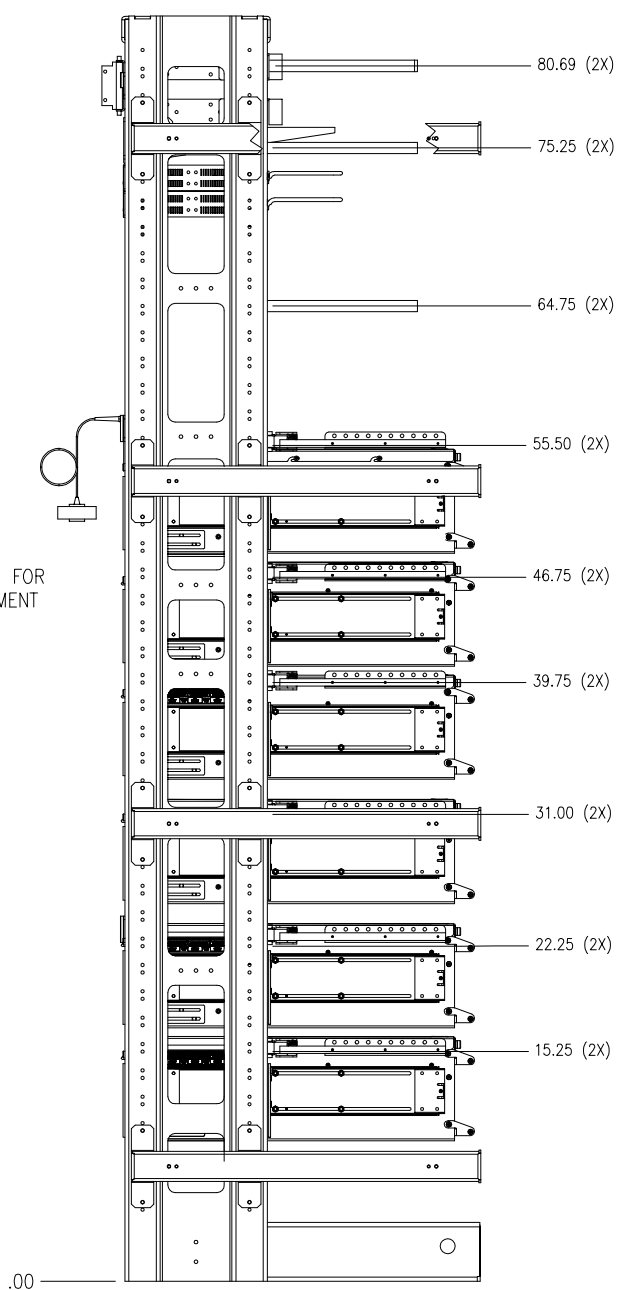
NOTES: UNLESS OTHERWISE SPECIFIED

- 1) NO ADDITIONS, DELETIONS, SUBSTITUTIONS OR MODIFICATIONS WITHOUT PRIOR WRITTEN TEKELEC APPROVAL.
- 2) TORQUE ALL FASTENERS IN ACCORDANCE WITH TEKELEC SPECIFICATION 906-0008-01.
- 3) REFER TO INTERCONNECT DIAGRAM (ITEM 36) FOR CABLE CONNECTIONS.
- 4 FOR LOCATING INDIVIDUAL PARTS, USE DIMENSION SHOWN.
- 5 DO NOT INSTALL. SHIP UNASSEMBLED AND PACKED WITH UNIT.
- 6 LABEL SHOWN IS HALF OF BREAKER ID. POSITION HORIZONTALLY AS SHOWN.
- 7) UNLESS OTHERWISE SPECIFIED, ITEMS NOT SHOWN TO BE SHIPPED PACKED WITH UNIT.
- 8 LOCATE APPROXIMATELY AS SHOWN.
- 9 A QUANTITY OF 6 SCREWS (ITEM 3) ARE NEEDED TO ATTACH THE CIRCUIT BREAKER GROUND CABLES AND SWITCH GROUND CABLES. THESE SCREWS ARE NOT SHOWN.
- 10 MOUNTING SCREWS ARE PART OF SLIDE MOUNTING KIT (P/N 804-1706-01).
- 11 MOUNTED ON TOP OF BREAKER PANEL (ITEM 31) AT THIS POSITION.
- 12 INSTALL OPTIONAL COMPONENTS AS REQUIRED.
- 13 DELETED
- 14 ATTACH CHASSIS GROUND CABLE WITH SUPPLIED NUTS AND 2 SCREWS (ITEM 3), BOTH NOT SHOWN.
- 15 RACK DOLLY, FOR SHIPPING ONLY. TO BE REMOVED DURING INSTALLATION.
- 16 SERVER TO BE MOUNTED ALIGNED WITH THE TOP OF THE SLIDE ADAPTER BRACKETS AS SHOWN.
- 17 INSTALL "NOT USED" LABELS (PART OF ITEM 41) AS REQ'D OVER POSITIONS ON BREAKER PANEL LABEL WHERE EQUIPMENT IS NOT INSTALLED. SINGLE LABEL SHOWN.
- 18 REMOVE ADHESIVE BACKING AND ATTACH LABEL IN RECESSED AREA.
- 19 OPERATING KEY (ITEM 49) NOT SHOWN. KEY TO BE PACKAGED AND SHIPPED WITH ASSEMBLY.
- 20 PRODUCT LABEL, CONFIGURABLE ITEM TO BE CHOSEN AT ORDER ENTRY.



SEE DETAIL F FOR LABEL PLACEMENT

SEE DETAIL R FOR LABEL PLACEMENT



DOCUMENT CONTROL  
PRODUCTION RELEASED

FRONT VIEW

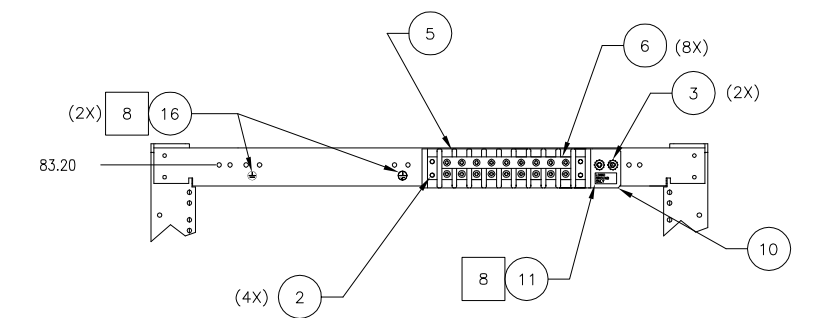
RIGHT SIDE VIEW

REAR VIEW

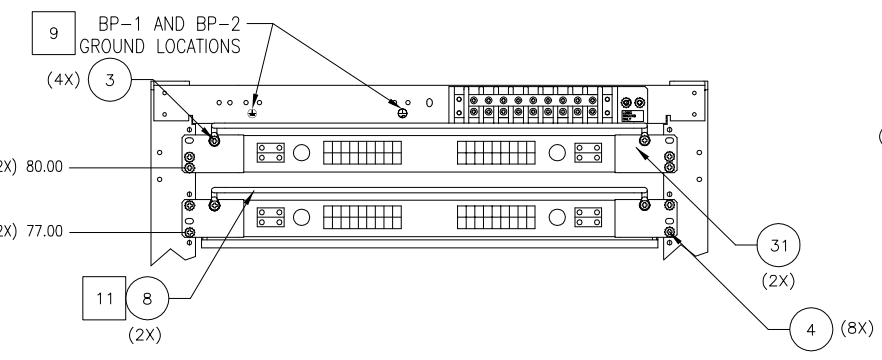
FINAL ASSEMBLY DRAWING  
MAXIMUM CONFIGURATION  
SEE SEPARATE PARTS LIST

UNLESS OTHERWISE SPECIFIED: DO NOT SCALE DRAWING. DIMENSIONS ARE IN INCHES. INTERPRET DIMENSIONS IN ACCORDANCE WITH ASME Y14.5M-1994. DRAWING TO CONFORM TO TEKELEC SPECIFICATION 907-0169-01. DEBURR AND BREAK SHARP EDGES AND CORNERS .005-.015. MACHINED SURFACE FINISH ✓ DECIMAL TOLERANCES: .XX = ±.02 XXX = ±.005 ANGLE TOLERANCE: ± 1'	APPROVALS	DATE	26580 W. Agoura Road, Calabasas, California 91302	
	DRAWN BY	J. MYERS		7/30/03
	CHECKED	S. LYTLE		8/14/03
	APPROVED	D. GRIFFITH		8/14/03
NEXT ASSY	USED ON	APPLICATION	DWG_GENERIC_ TEKWARE NETWORK ELEMENT	
FINISH	MATERIAL	SIZE	DIVISION: NSD DRAWING NO.: 890-1809-01 REV.: G	
THIRD ANGLE PROJECTION		SCALE: 1/6	FILE NAME: 890-1809-01_G.DWG SHEET 1 OF 4	

8 7 6 5 4 3 2 1



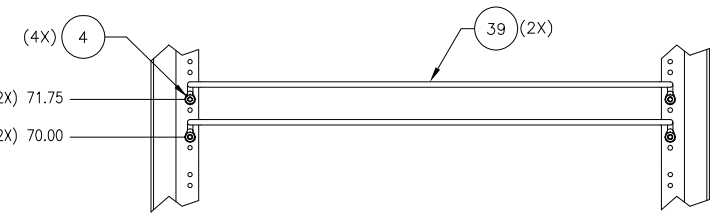
LOGIC GROUND STRIP AND FRAME  
GROUND LABEL POSITIONS, REAR VIEW  
DETAIL A



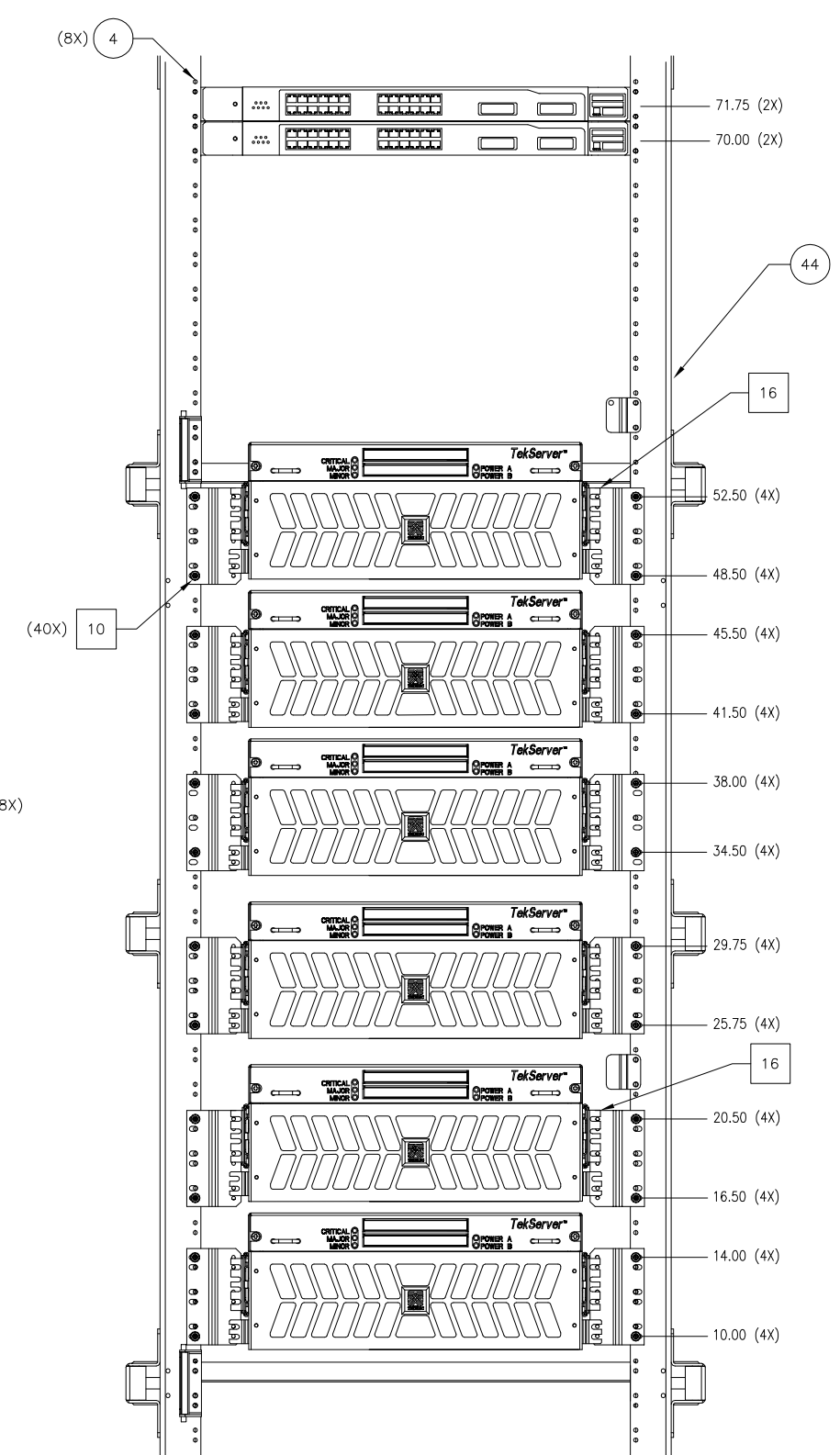
DUAL CIRCUIT BREAKER POSITIONS,  
CABLE BRACKET POSITIONS REAR VIEW  
DETAIL B 4



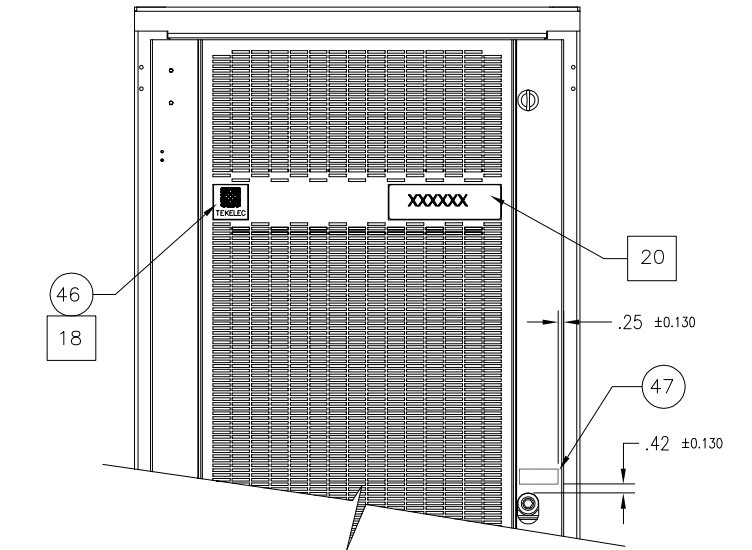
AIR DEFLECTOR POSITION, FRONT VIEW  
DETAIL C 4



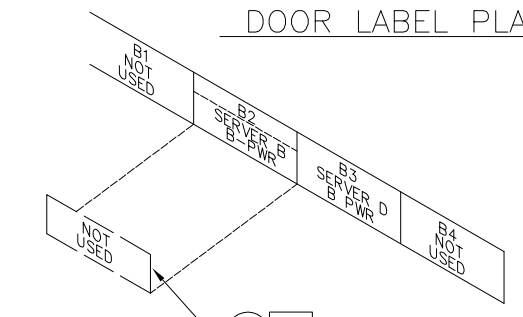
SWITCH CABLE BRACKET POSITION, REAR VIEW  
DETAIL D



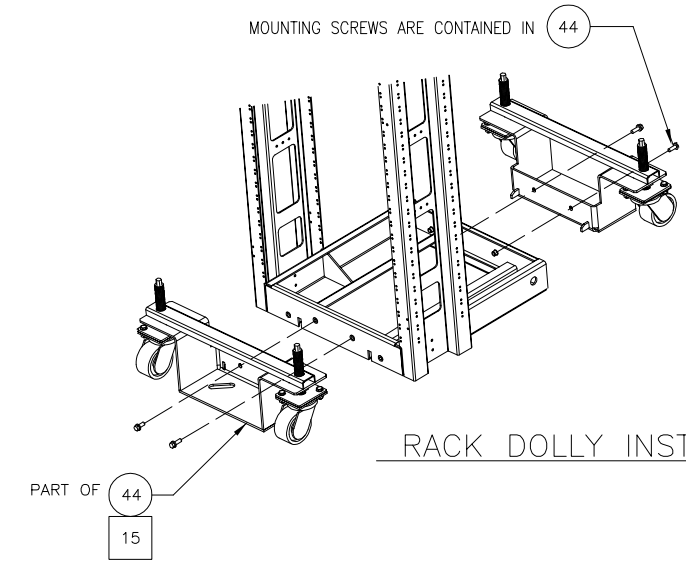
SERVER POSITION, FRONT VIEW  
DETAIL E



DETAIL N  
DOOR LABEL PLACEMENT



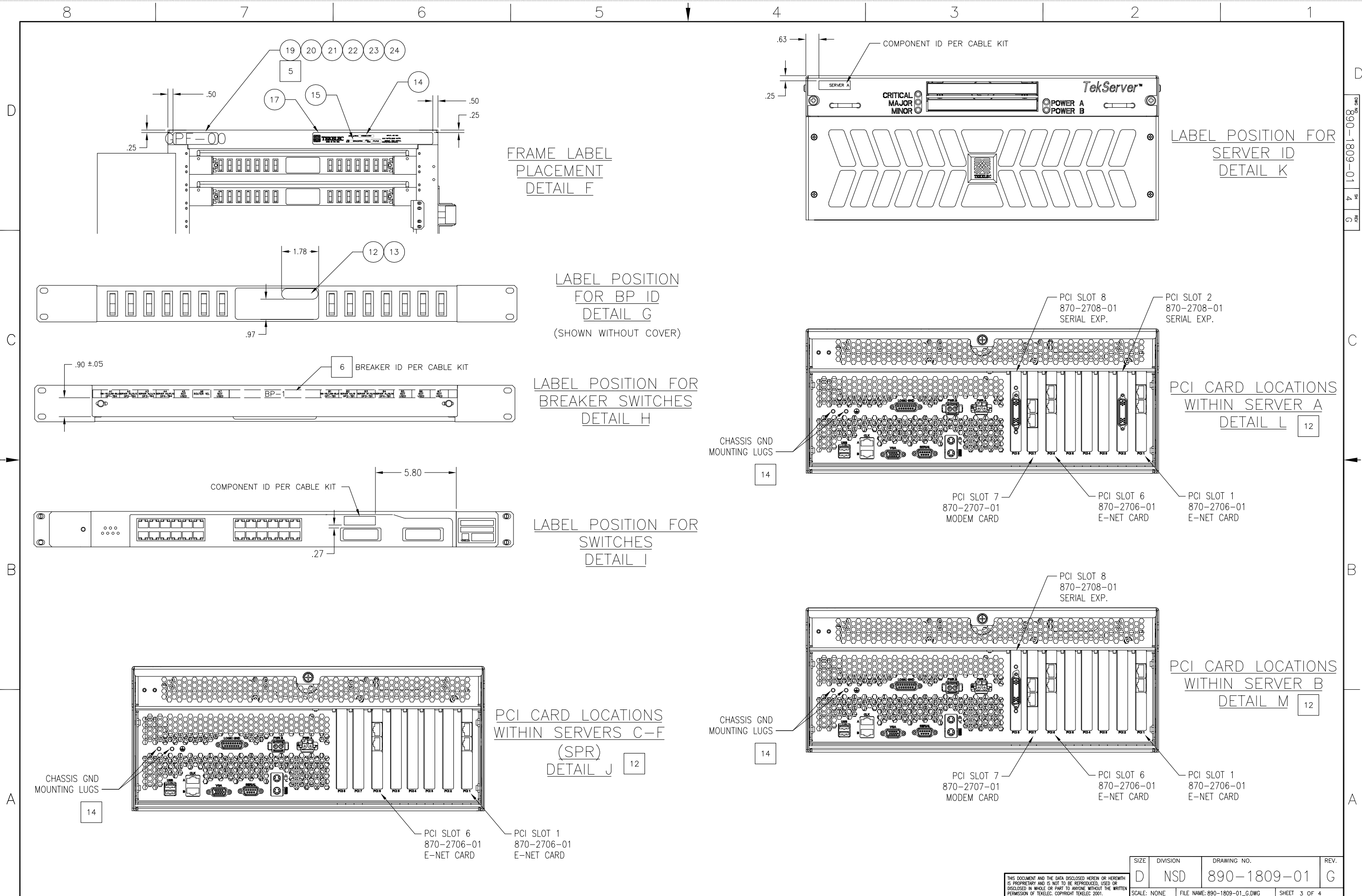
NOT USED LABEL  
PLACEMENT VIEW  
SCALE: NONE



RACK DOLLY INSTALLATION

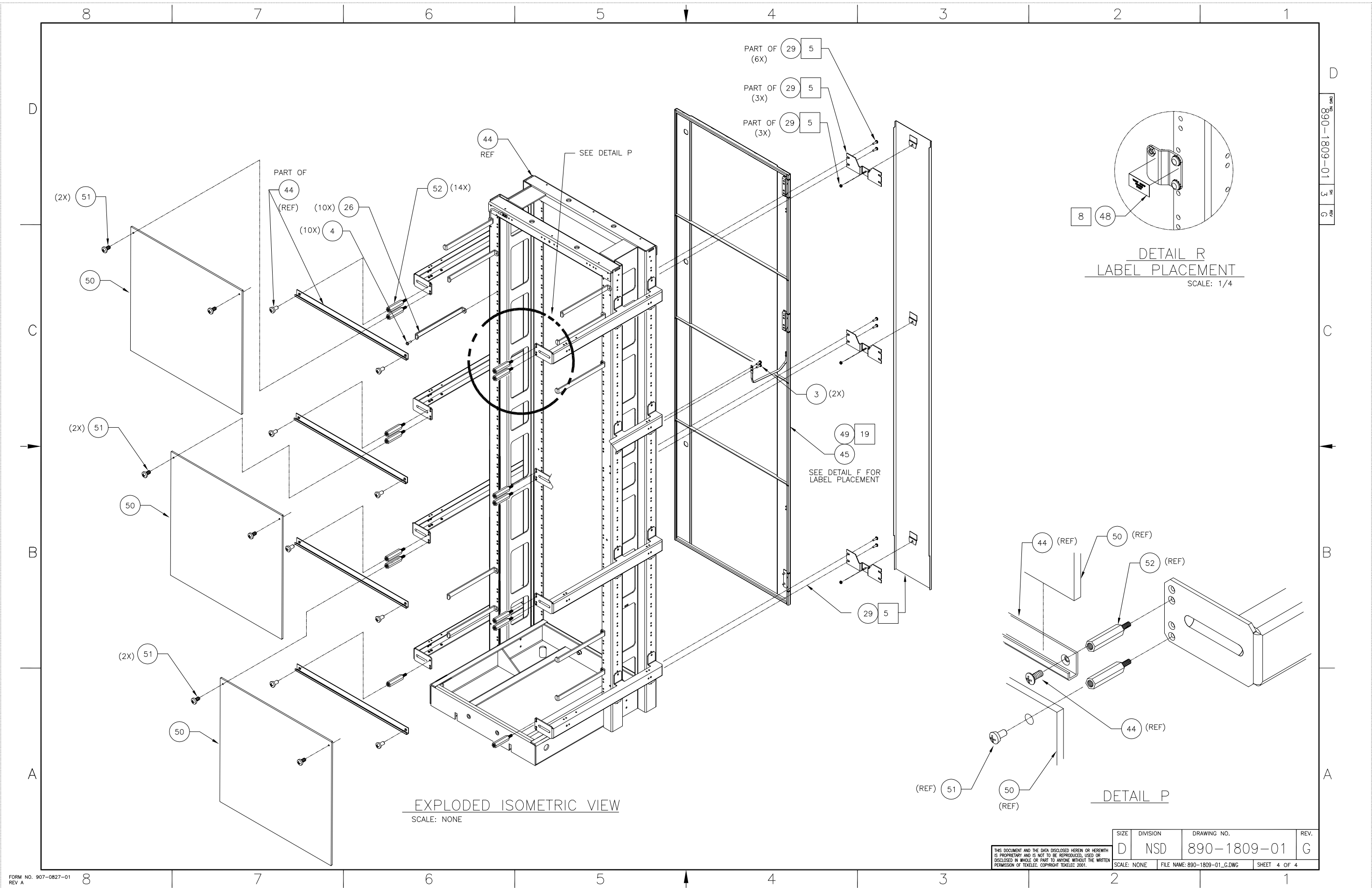
D  
 890-1809-01 2 SH 6 REV  
 C  
 B  
 A

SIZE	DIVISION	DRAWING NO.	REV.
D	NSD	890-1809-01	G
SCALE: NONE		FILE NAME: 890-1809-01_G.DWG	SHEET 2 OF 4



THIS DOCUMENT AND THE DATA DISCLOSED HEREIN OR HEREWITH IS PROPRIETARY AND IS NOT TO BE REPRODUCED, USED OR DISCLOSED IN WHOLE OR PART TO ANYONE WITHOUT THE WRITTEN PERMISSION OF TEKELC. COPYRIGHT TEKELC 2001.

SIZE	DIVISION	DRAWING NO.	REV.
D	NSD	890-1809-01	G
SCALE: NONE		FILE NAME: 890-1809-01_G.DWG	SHEET 3 OF 4



PART OF (6X) 29 5

PART OF (3X) 29 5

PART OF (3X) 29 5

PART OF (REF) 44

(10X) 26

(10X) 4

44 REF

SEE DETAIL P

3 (2X)

49 19

45

SEE DETAIL F FOR LABEL PLACEMENT

8 48

DETAIL R  
LABEL PLACEMENT  
SCALE: 1/4

44 (REF)

50 (REF)

52 (REF)

44 (REF)

50 (REF)

51 (REF)

50 (REF)

DETAIL P

SIZE	DIVISION	DRAWING NO.	REV.
D	NSD	890-1809-01	G
SCALE: NONE		FILE NAME: 890-1809-01_G.DWG	SHEET 4 OF 4