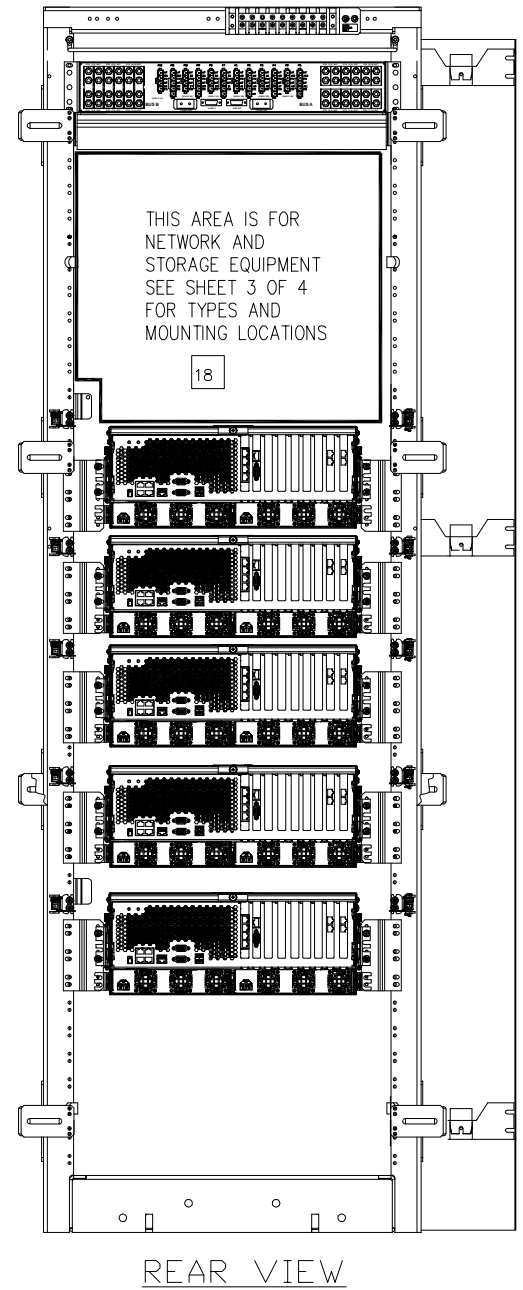
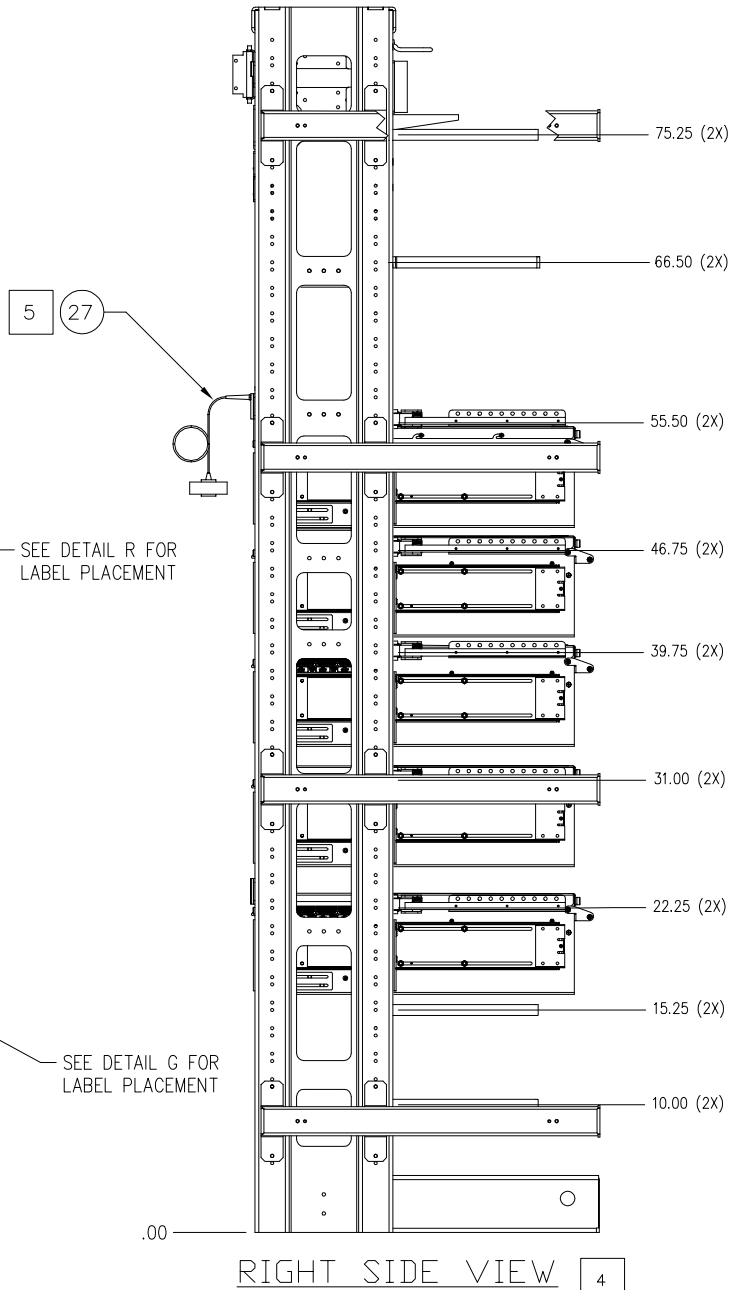
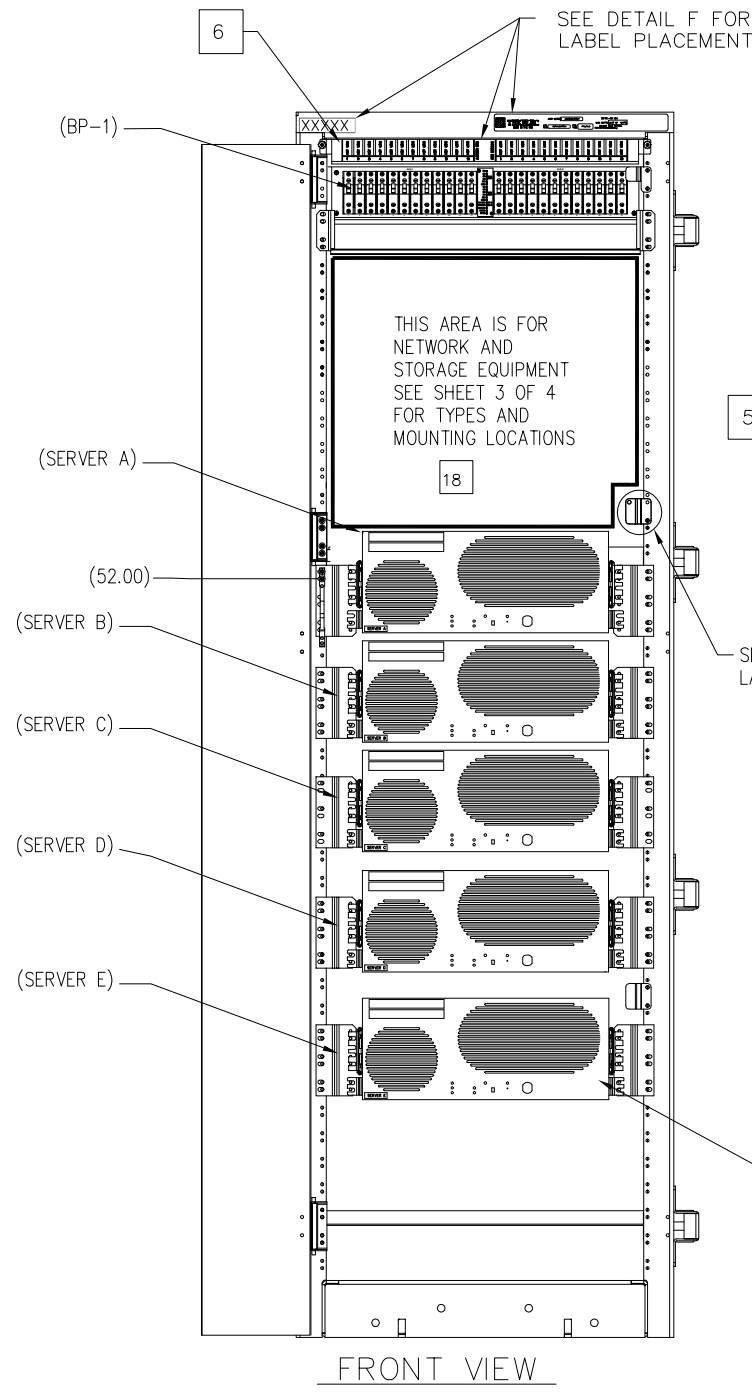


8 7 6 5 4 3 2 1

NOTES: UNLESS OTHERWISE SPECIFIED

- 1) NO ADDITIONS, DELETIONS, SUBSTITUTIONS OR MODIFICATIONS WITHOUT PRIOR WRITTEN TEKELEC APPROVAL.
- 2) TORQUE ALL FASTENERS IN ACCORDANCE WITH TEKELEC SPECIFICATION 906-0008-01.
- 3) REFER TO INTERCONNECT DIAGRAM (ITEM 36) FOR CABLE CONNECTIONS.
- 4) FOR LOCATING INDIVIDUAL PARTS, USE DIMENSION SHOWN.
- 5) DO NOT INSTALL. SHIP UNASSEMBLED AND PACKED WITH UNIT.
- 6) APPLY MAIN CIRCUIT BREAKER LABEL ITEM 13 TO MOUNTING PLATE ITEM 9, ALIGN LABEL FLUSH WITH TOP AND LEFT SIDE OF MOUNTING PLATE.
- 7) UNLESS OTHERWISE SPECIFIED, ITEMS NOT SHOWN TO BE SHIPPED PACKED WITH UNIT.
- 8) LOCATE APPROXIMATELY AS SHOWN.
- 9) A QUANTITY OF 6 SCREWS (ITEM 3) ARE NEEDED TO ATTACH THE CIRCUIT BREAKER GROUND CABLES AND SWITCH GROUND CABLES. THESE SCREWS ARE NOT SHOWN.
- 10) MOUNTING SCREWS ARE PART OF SLIDE MOUNTING KIT (P/N 804-1706-01).
- 11) USING ITEMS 32 AND 33 APPLY PROPER COMPONENT DESIGNATION TO MAIN BREAKER PANEL LABEL (ITEM 13). REFER TO SYSTEM INTERCONNECT (ITEM 35) FOR BREAKER LAYOUT AND DESCRIPTIONS.
- 12) ATTACH CHASSIS GROUND CABLE WITH SUPPLIED NUTS AND 2 SCREWS (ITEM 3), BOTH NOT SHOWN.
- 13) RACK DOLLY, FOR SHIPPING ONLY. TO BE REMOVED DURING INSTALLATION.
- 14) SERVER A MOUNTED ALIGNED WITH THE TOP OF THE SLIDE ADAPTER BRACKETS AS SHOWN.
- 15) REMOVE ADHESIVE BACKING AND ATTACH LABEL IN RECESSED AREA.
- 16) OPERATING KEY (ITEM 49) NOT SHOWN. KEY TO BE PACKAGED AND SHIPPED WITH ASSEMBLY.
- 17) IF THERE IS NO ITEM 1 ON BOM THE PRODUCT DOOR LABEL IS A CONFIGURABLE ITEM AND TO BE CHOSEN AT ORDER ENTRY.
- 18) INSTALL OPTIONAL COMPONENTS AS REQUIRED. THIS IS A CONFIGURABLE SYSTEM AND THE SALES ORDER WILL SPECIFY THE PART NUMBER'S AND QUANTITIES. LOCATING DIMENSIONS FOR NETWORK AND STORAGE COMPONENTS ARE SHOWN ON SHEET 3 OF 5. SEE SYSTEM INTERCONNECT FOR ADDITIONAL DETAILS AND PART NUMBERS.
- 19) USING BLANK LABEL ITEM 14 ADD THE FOLLOWING PRINTING TO THE LABEL: (SEE DETAIL D) AND INSTALL IT OVER EXISTING TEXT ON LABEL.
3600 WATTS
- 20) INSTALL THE NAS CHASSIS GROUND CABLE FROM THE NAS POWER INPUT MARKED GROUND TO THE SIDE OF THE SHELF. SECURE GROUND CABLES TO THE SHELF USING (ITEM 52) 10-32 SCREWS.

REVISIONS			
REV	DESCRIPTION	DATE	APPROVED
A	RELEASE PER ECN #14634	XXXX	ARMSTRONG
B	REVISED PER ECN# 14814	XXXX	ARMSTRONG
C	REVISED PER ECN# 14874	07/07/05	ARMSTRONG



FRONT VIEW

RIGHT SIDE VIEW 4

REAR VIEW

FINAL ASSEMBLY DRAWING
MAXIMUM CONFIGURATION
SEE SEPARATE PARTS LIST

DOCUMENT CONTROL
PRODUCTION RELEASED

UNLESS OTHERWISE SPECIFIED: DO NOT SCALE DRAWING. DIMENSIONS ARE IN INCHES. INTERPRET DIMENSIONS IN ACCORDANCE WITH ASME Y14.5M-1994. DRAWING TO CONFORM TO TEKELEC SPECIFICATION 907-0169-01. DEBURR AND BREAK SHARP EDGES AND CORNERS .005-.015. MACHINED SURFACE FINISH 125 ✓ DECIMAL TOLERANCES: .XX= ±.02 .XXX= ±.005 ANGLE TOLERANCE: ± 1°		THIS DOCUMENT AND THE DATA DISCLOSED HEREIN OR HEREWITH IS PROPRIETARY AND IS NOT TO BE REPRODUCED, USED OR DISCLOSED IN WHOLE OR PART TO ANYONE WITHOUT THE WRITTEN PERMISSION OF TEKELEC. COPYRIGHT TEKELEC 2001.	
APPROVALS		DATE	
DRAWN BY M.BRYAN		4/11/05	
CHECKED BEAUCHAMP		5/15/05	
APPROVED ARMSTRONG		5/15/05	
NEXT ASSY	USED ON	APPLICATION	MATERIAL

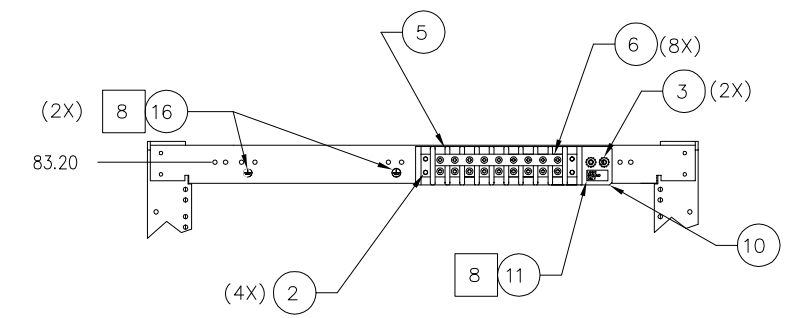
TEKELEC 26580 W. Agoura Road,
Calabasas, California 91302

DWG_GEN_
T1100 FRAME ASSEMBLY

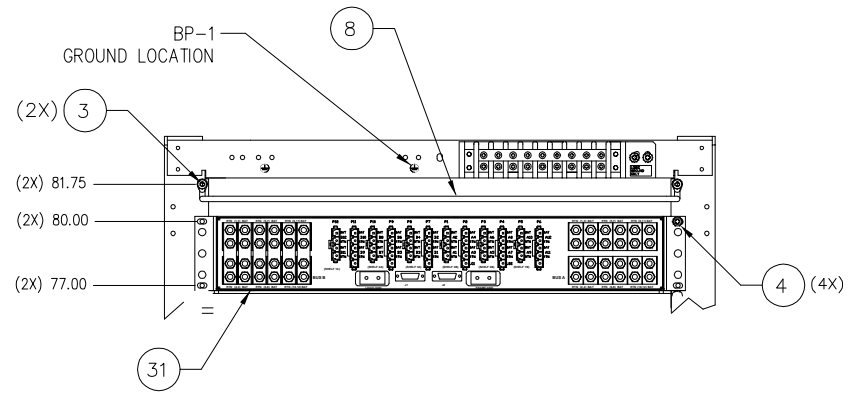
SIZE	DIVISION	DRAWING NO.	REV.
D	NSD	890-1839-01	C

SCALE: 1/6 FILE NAME: 890-1839-01_REV_C.DWG SHEET 1 OF 5

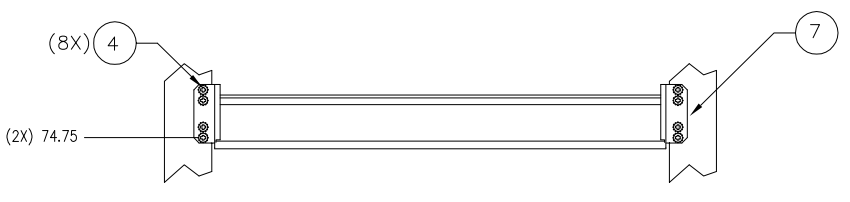
8 7 6 5 4 3 2 1



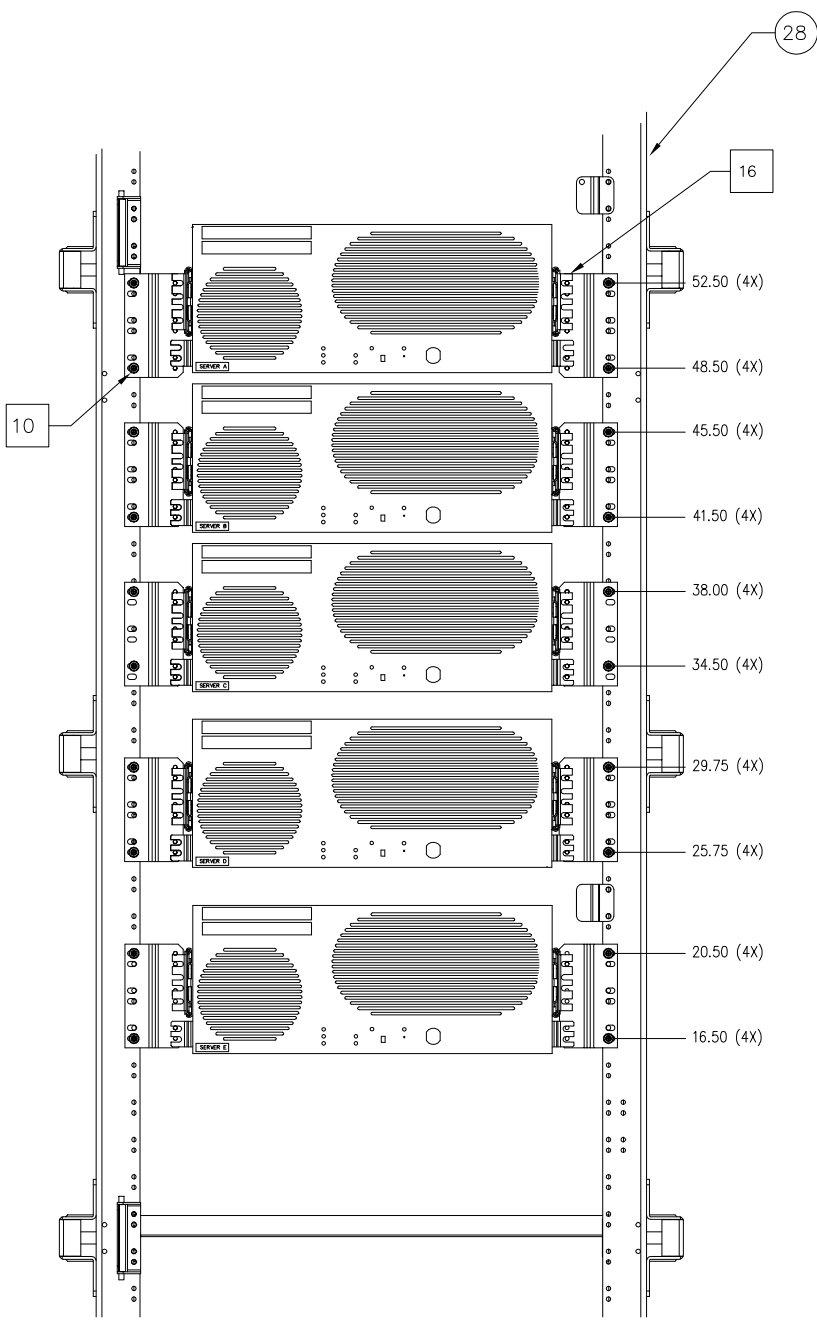
LOGIC GROUND STRIP AND FRAME
GROUND LABEL POSITIONS, REAR VIEW
DETAIL A



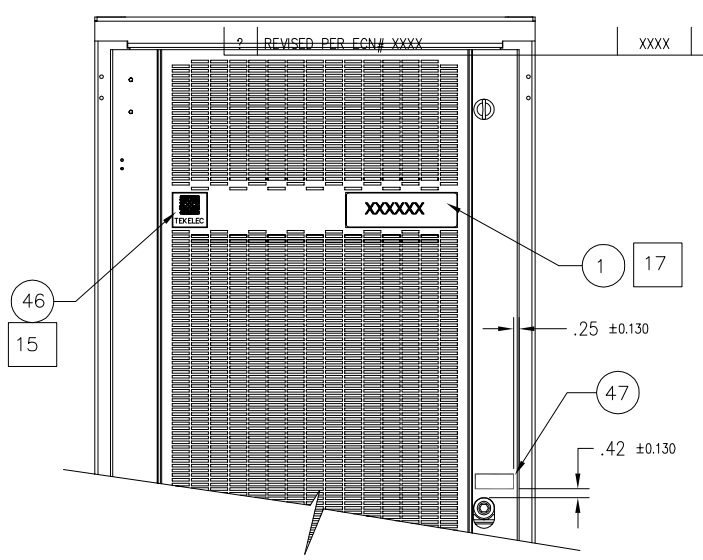
CIRCUIT BREAKER POSITION,
CABLE BRACKET POSITIONS REAR VIEW
DETAIL B



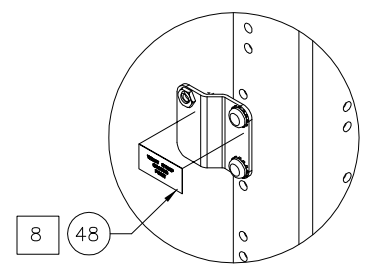
AIR DEFLECTOR POSITION, FRONT VIEW
DETAIL C



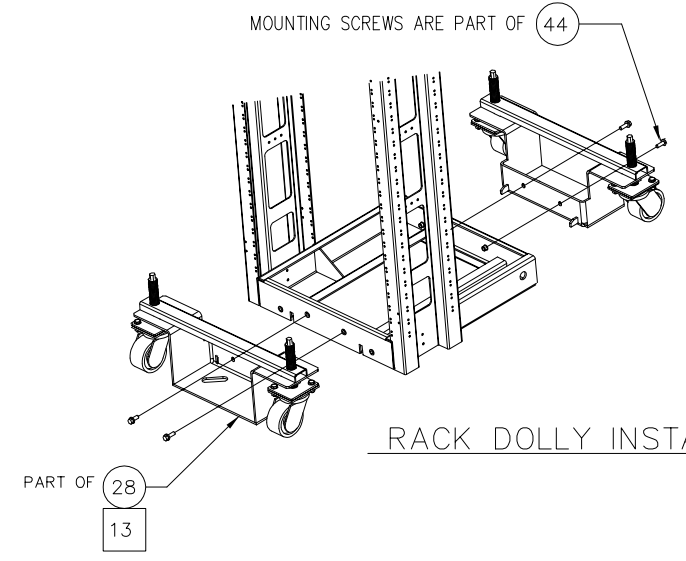
SERVER POSITION, FRONT VIEW
DETAIL E
(TYPICAL FRONT AND REAR)
(SEE DETAIL G FOR LABEL PLACEMENT)



DETAIL N
DOOR LABEL PLACEMENT



DETAIL R
LABEL PLACEMENT
SCALE: 1/4



RACK DOLLY INSTALLATION

SIZE	DIVISION	DRAWING NO.	REV.
D	NSD	890-1839-01	C
SCALE: NONE		FILE NAME: 890-1839-01_REV_C.DWG	SHEET 2 OF 5

THIS DOCUMENT AND THE DATA DISCLOSED HEREIN OR HEREWITH IS PROPRIETARY AND IS NOT TO BE REPRODUCED, USED OR DISCLOSED IN WHOLE OR PART TO ANYONE WITHOUT THE WRITTEN PERMISSION OF TELELEC. COPYRIGHT TELELEC 2001.

890-1839-01
2
C

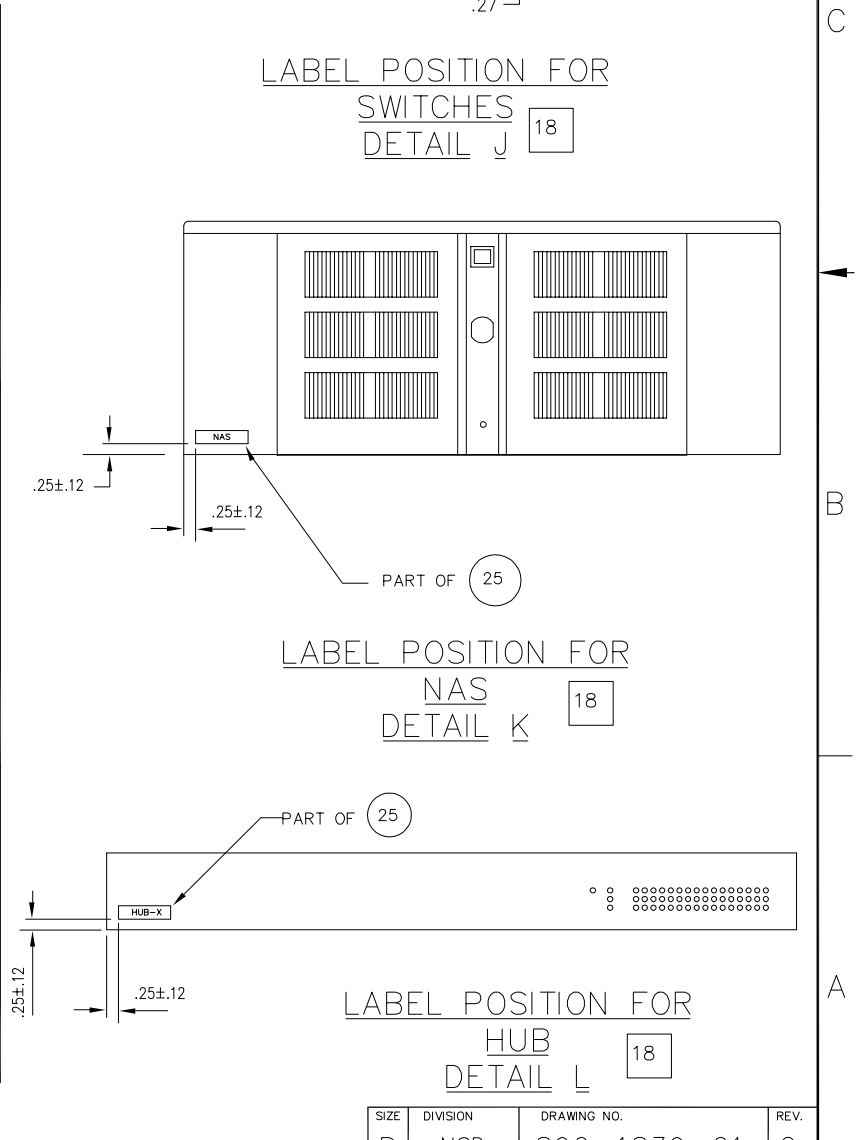
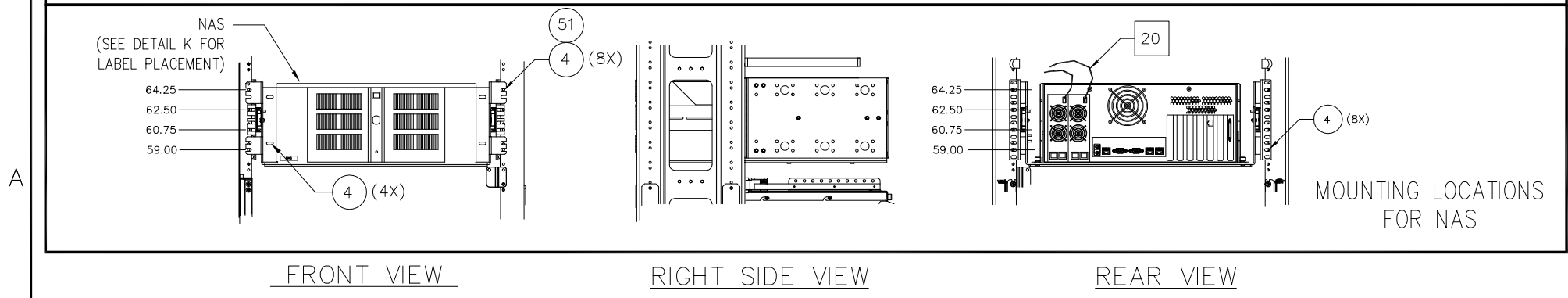
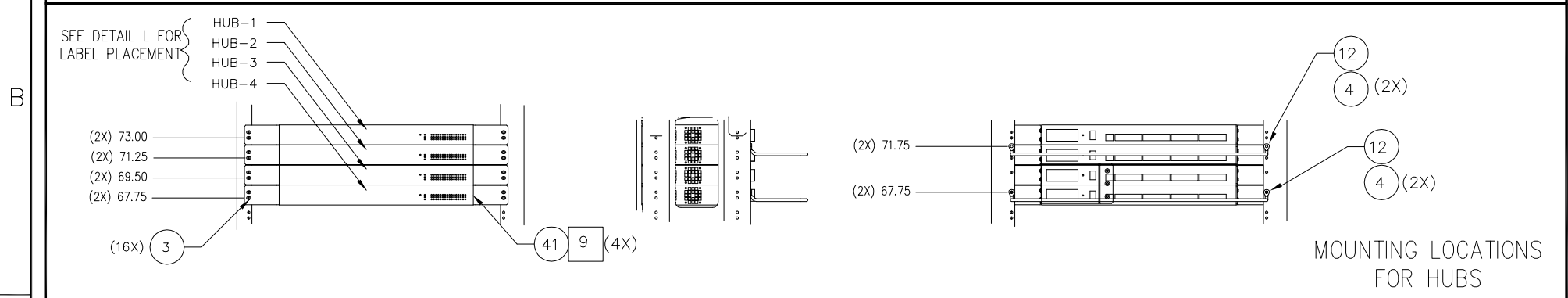
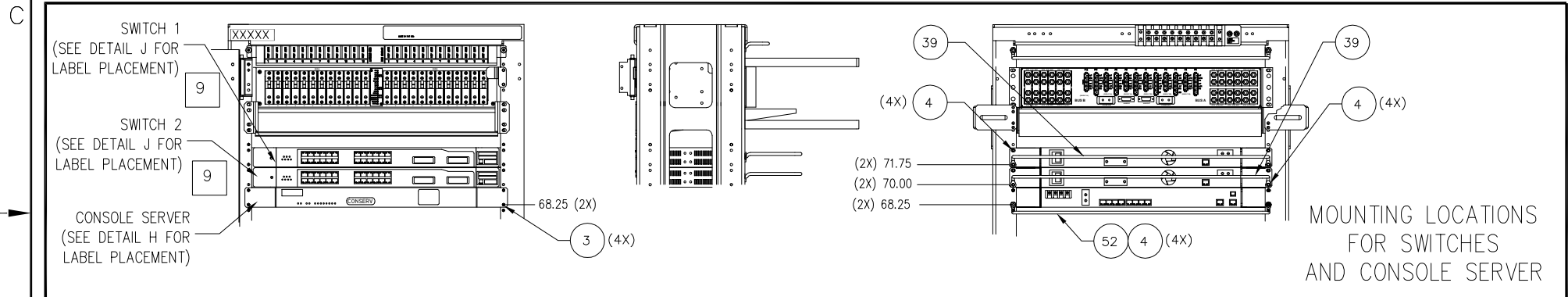
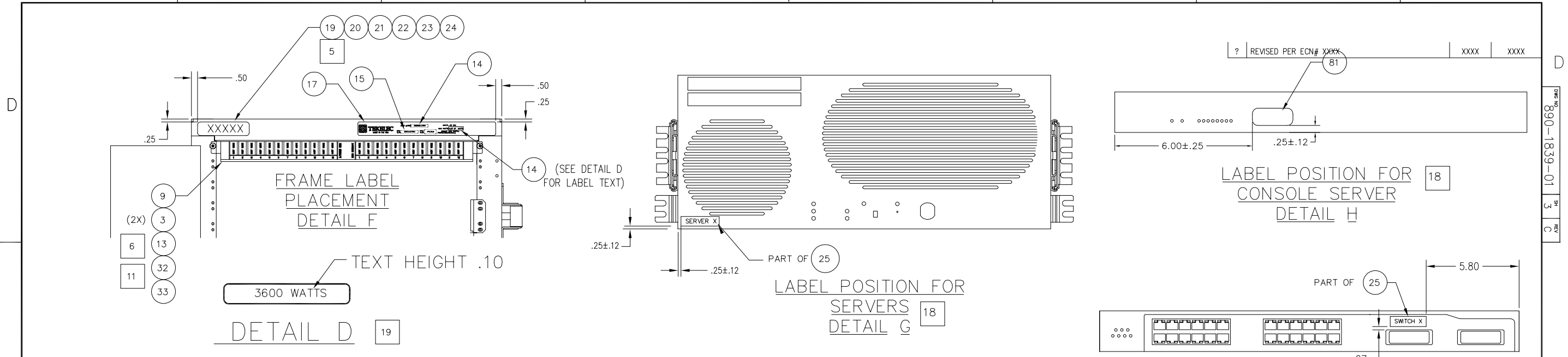
C

B

A

8 7 6 5 4 3 2 1

890-1839-01
3
C



FRONT VIEW RIGHT SIDE VIEW REAR VIEW

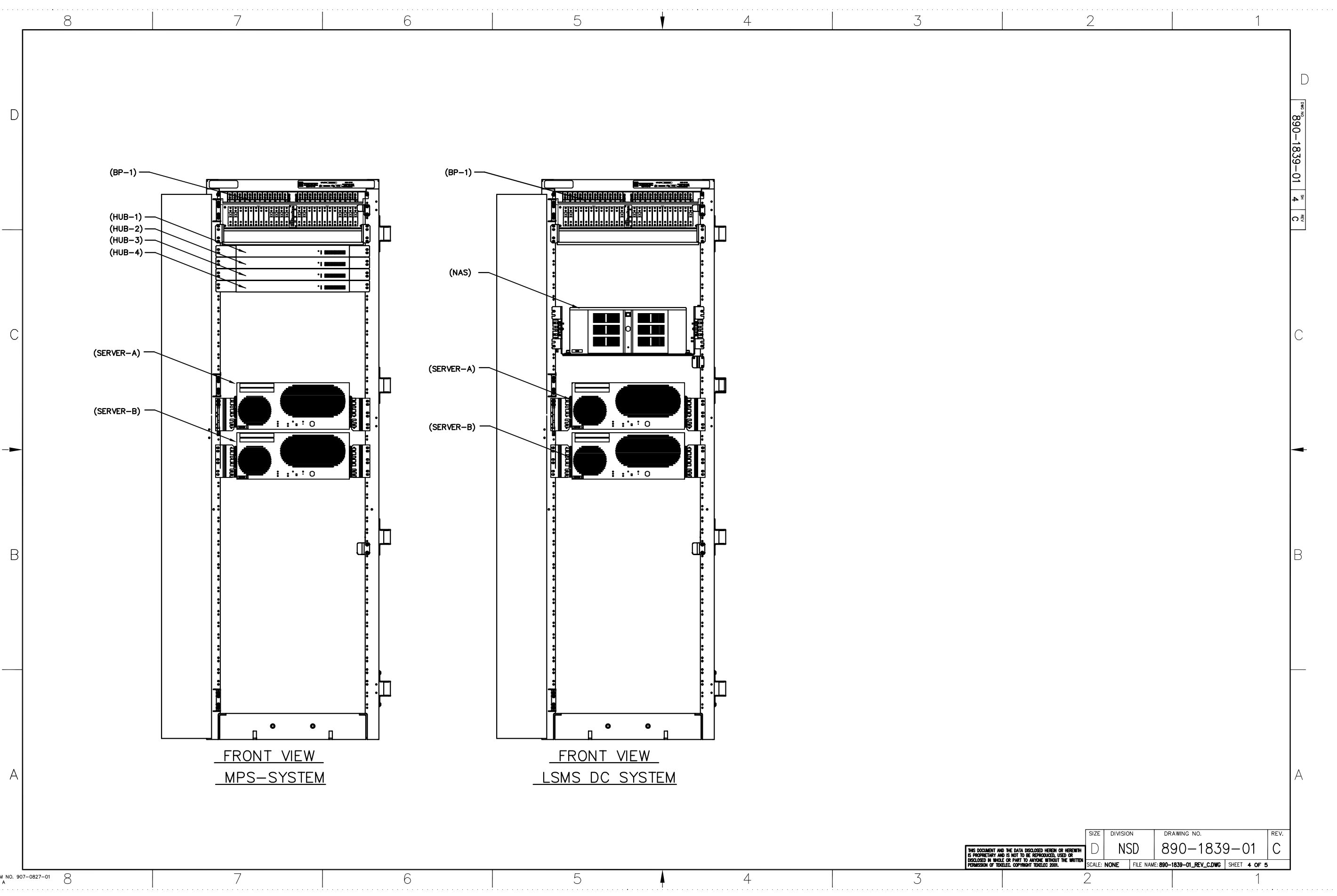
NETWORK AND STORAGE EQUIPMENT MOUNTING LOCATIONS 18

SIZE	DIVISION	DRAWING NO.	REV.
D	NSD	890-1839-01	C

THIS DOCUMENT AND THE DATA DISCLOSED HEREIN OR HEREWITH IS PROPRIETARY AND IS NOT TO BE REPRODUCED, USED OR DISCLOSED IN WHOLE OR PART TO ANYONE WITHOUT THE WRITTEN PERMISSION OF TEXELC. COPYRIGHT TEXELC 2009.

SCALE: NONE FILE NAME: 890-1839-01_REV_CDWG SHEET 3 OF 5

8 7 6 5 4 3 2 1

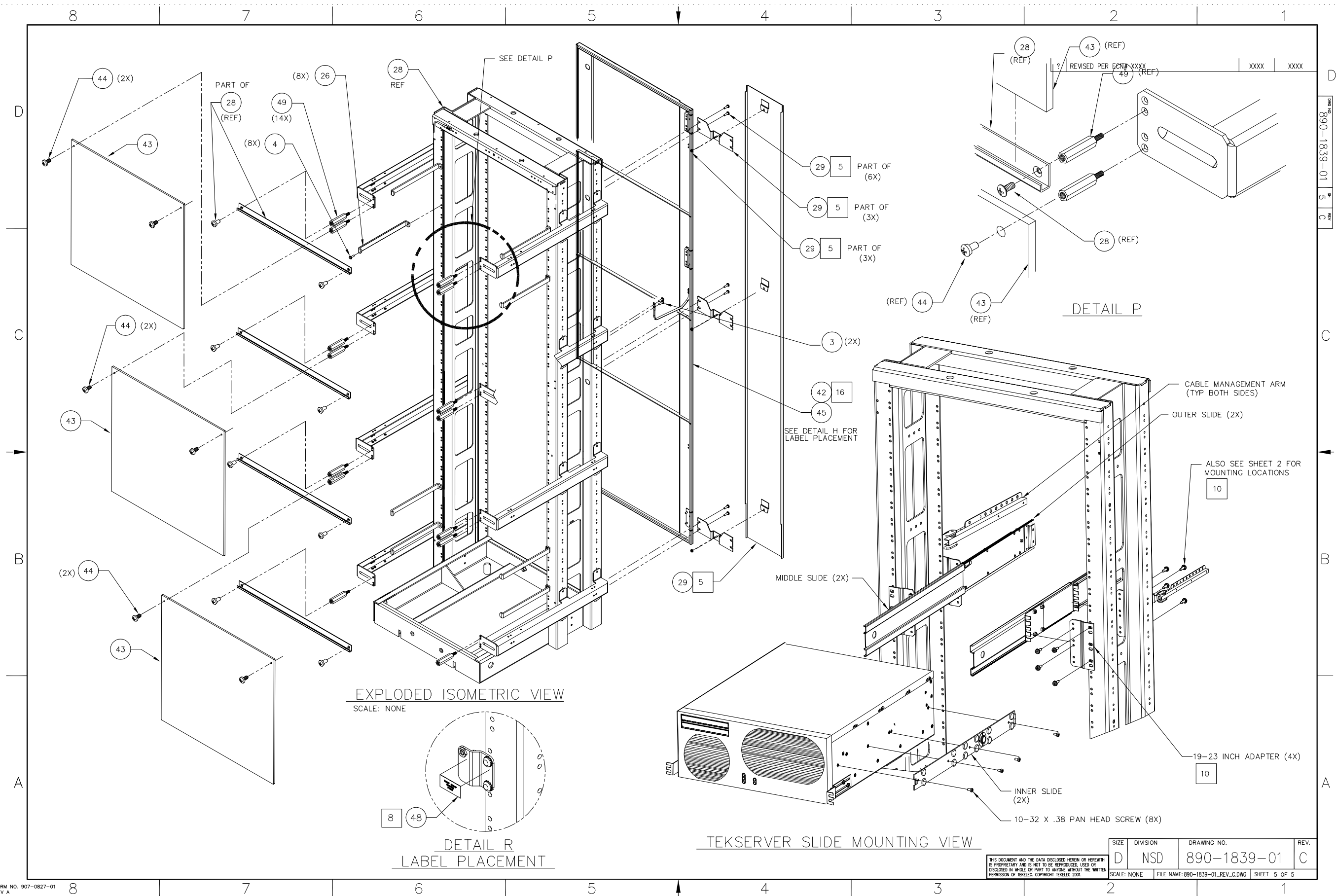


FRONT VIEW
MPS-SYSTEM

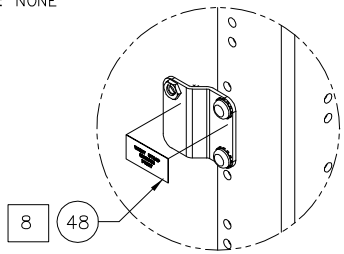
FRONT VIEW
LSMS DC SYSTEM

FORM NO. 890-1839-01 4 C

<small>THIS DOCUMENT AND THE DATA DISCLOSED HEREIN OR HEREWITH IS PROPRIETARY AND IS NOT TO BE REPRODUCED, USED OR DISCLOSED IN WHOLE OR PART TO ANYONE WITHOUT THE WRITTEN PERMISSION OF TEXELC. COPYRIGHT TEXELC 2001.</small>	SIZE	DIVISION	DRAWING NO.	REV.
	D	NSD	890-1839-01	C
SCALE: NONE		FILE NAME: 890-1839-01_REV_C.DWG		SHEET 4 OF 5



EXPLODED ISOMETRIC VIEW
SCALE: NONE



DETAIL R
LABEL PLACEMENT

DETAIL P

TEKSERVER SLIDE MOUNTING VIEW

THIS DOCUMENT AND THE DATA DISCLOSED HEREIN OR HEREWITH IS PROPRIETARY AND IS NOT TO BE REPRODUCED, USED OR DISCLOSED IN WHOLE OR PART TO ANYONE WITHOUT THE WRITTEN PERMISSION OF TEKLEC. COPYRIGHT TEKLEC 2001.

SIZE	DIVISION	DRAWING NO.	REV.
D	NSD	890-1839-01	C
SCALE: NONE	FILE NAME: 890-1839-01_REV_C.DWG	SHEET 5 OF 5	

890-1839-01
5
C
D
C
B
A