

**Oracle® Communications
EAGLE**

Database Administration Manual - SS7

Release 45.0

910-6674-001 Revision B

February 2014

Oracle® Communications Database Administration Manual - SS7, Release 45.0

Copyright © 1993, 2014, Oracle and/or its affiliates. All rights reserved.

This software and related documentation are provided under a license agreement containing restrictions on use and disclosure and are protected by intellectual property laws. Except as expressly permitted in your license agreement or allowed by law, you may not use, copy, reproduce, translate, broadcast, modify, license, transmit, distribute, exhibit, perform, publish, or display any part, in any form, or by any means. Reverse engineering, disassembly, or decompilation of this software, unless required by law for interoperability, is prohibited.

The information contained herein is subject to change without notice and is not warranted to be error-free. If you find any errors, please report them to us in writing.

If this is software or related documentation that is delivered to the U.S. Government or anyone licensing it on behalf of the U.S. Government, the following notice is applicable:

U.S. GOVERNMENT RIGHTS Programs, software, databases, and related documentation and technical data delivered to U.S. Government customers are "commercial computer software" or "commercial technical data" pursuant to the applicable Federal Acquisition Regulation and agency-specific supplemental regulations. As such, the use, duplication, disclosure, modification, and adaptation shall be subject to the restrictions and license terms set forth in the applicable Government contract, and, to the extent applicable by the terms of the Government contract, the additional rights set forth in FAR 52.227-19, Commercial Computer Software License (December 2007). Oracle America, Inc., 500 Oracle Parkway, Redwood City, CA 94065.

This software or hardware is developed for general use in a variety of information management applications. It is not developed or intended for use in any inherently dangerous applications, including applications that may create a risk of personal injury. If you use this software or hardware in dangerous applications, then you shall be responsible to take all appropriate fail-safe, backup, redundancy, and other measures to ensure its safe use. Oracle Corporation and its affiliates disclaim any liability for any damages caused by use of this software or hardware in dangerous applications.

Oracle and Java are registered trademarks of Oracle and/or its affiliates. Other names may be trademarks of their respective owners.

Intel and Intel Xeon are trademarks or registered trademarks of Intel Corporation. All SPARC trademarks are used under license and are trademarks or registered trademarks of SPARC International, Inc. AMD, Opteron, the AMD logo, and the AMD Opteron logo are trademarks or registered trademarks of Advanced Micro Devices. UNIX is a registered trademark of The Open Group.

This software or hardware and documentation may provide access to or information on content, products, and services from third parties. Oracle Corporation and its affiliates are not responsible for and expressly disclaim all warranties of any kind with respect to third-party content, products, and services. Oracle Corporation and its affiliates will not be responsible for any loss, costs, or damages incurred due to your access to or use of third-party content, products, or services.

Table of Contents

Chapter 1: Introduction.....	14
Overview.....	15
Scope and Audience.....	15
Manual Organization.....	15
Documentation Admonishments.....	16
Customer Care Center.....	16
Emergency Response.....	19
Related Publications.....	19
Documentation Availability, Packaging, and Updates.....	19
Locate Product Documentation on the Customer Support Site.....	20
Maintenance and Administration Subsystem.....	20
EAGLE 5 ISS Database Partitions.....	21
Chapter 2: Configuring Destination Tables.....	24
Introduction.....	25
Point Code Formats.....	26
14-Bit ITU National Point Code Formats.....	32
ITU National Duplicate Point Codes.....	36
Proxy Point Codes.....	41
Changing the Proxy Point Code Quantity.....	43
Changing the DPC Quantity.....	47
Activating the ITU National and International Spare Point Code Support Feature.....	59
Spare Point Code Feature Migration Plan.....	63
Multiple Point Code Support.....	71
Adding a Secondary Point Code.....	77
Removing a Secondary Point Code.....	83
Adding a Point Code to the Self-Identification of the EAGLE 5 ISS.....	88
Changing the Self-Identification of the EAGLE 5 ISS.....	92
Cluster Routing and Management Diversity (CRMD).....	114
Nested Cluster Routing.....	125
Adding a Cluster Point Code.....	131
Changing the Attributes of a Cluster Point Code.....	144
Network Routing.....	155
Adding a Network Routing Point Code.....	160

Adding a Destination Point Code.....	168
Removing a Destination Point Code.....	187
Changing a Destination Point Code.....	200
Changing the Group Code Assigned to a 14-Bit ITU National Point Code.....	217
Chapter 3: SS7 Configuration.....	220
Introduction.....	223
Enabling the Large System # Links Controlled Feature.....	223
Adding a SS7 Linkset.....	229
ITU SLS Enhancement.....	251
ITU TFR Procedures.....	257
Per-Linkset Random SLS.....	258
Verifying the Gateway Screening Configuration for a Linkset.....	259
Configuring the MTP Restart Feature.....	264
Configuring the 5-Bit to 8-Bit SLS Conversion Feature.....	268
Using Proxy Point Codes and Secondary Point Codes when Adding a Linkset.....	271
Activating the SLS Bit Rotation by Incoming Linkset Feature.....	278
Configuring the RSLs8 Value for ANSI Linksets.....	282
Removing a Linkset Containing SS7 Signaling Links.....	284
Changing an SS7 Linkset.....	297
Verifying the New Adjacent Point Code or New Secondary Point Code for a Linkset.....	316
Using the MULTGC Parameter when Changing the Attributes of a Linkset.....	325
Configuring an ITU Linkset with a Secondary Adjacent Point Code (SAPC).....	330
Adding an SS7 Signaling Link.....	339
Removing an SS7 Signaling Link.....	347
Adding a Route Containing an SS7 DPC.....	353
Adding a Route Containing a Cluster Point Code.....	364
Adding a Route Containing an IPGWx Linkset.....	370
Removing a Route.....	377
Changing a Route.....	392
Changing Level 2 Timers.....	402
Changing Level 3 Timers.....	409
Changing a Signaling Link Test Message.....	413
Configuring Circular Route Detection.....	415
Configuring the TFA/TFR Pacing Rate.....	418
Configuring the Frequency of RST Messages on Low Priority Routes.....	419
Adding Remote Loopback Points.....	422
Removing Remote Loopback Points.....	426
Changing Remote Loopback Points.....	428
Configuring the System for Random SLS Generation.....	430

Configuring the Options for the TDM Global Timing Interface.....	438
Configuring the Restricted Linkset Option.....	442
Configuring the Options for Handling TFCs on ITU-I and ITU-N Networks.....	446
Changing the High-Capacity Card Temperature Alarm Thresholds.....	447
Activating the Origin-Based MTP Routing Feature.....	450
Configuring the Origin-Based MTP Routing SCCP OPC Option.....	458
Adding an Exception Route Entry.....	460
Removing a Route Exception Entry.....	481
Changing a Route Exception Entry.....	488
Activating the Circular Route Auto-Recovery Feature.....	499
Turning Off the Circular Route Auto-Recovery Feature	502
Activating the Enhanced Far-End Loopback Detection Feature.....	504
Turning Off the Enhanced Far-End Loopback Detection Feature	508
Activating the Multiple Linksets to Single Adjacent PC (MLS) Feature.....	509
Configuring the ITU Linkset NI Mapping Options.....	514
Configuring the Option for Handling Message Priorities for Messages Crossing into ITU-I and ITU-N Networks.....	518
Activating the 6-Way Loadsharing on Routesets Feature.....	520

Chapter 4: Point Code and CIC Translation Configuration.....524

Introduction.....	525
Changing the Point Code and CIC Translation Quantity.....	526
Adding a Point Code and CIC Translation Entry.....	529
Removing a Point Code and CIC Translation Entry.....	537
Configuring the Point Code and CIC Translation STP Option.....	539
Configuring the Point Code and CIC Translation Linkset Option.....	541

Appendix A: E1 Interface.....545

Introduction.....	546
E1 Interface Configuration Procedures.....	551
Adding a LIM-E1 Card.....	551
Removing a LIM-E1 Card.....	556
Adding Channelized and non-Channel Bridged E1 Ports.....	558
Adding Channel Bridged E1 Ports.....	564
Adding Unchannelized E1 Ports.....	571
Removing the E1 Interface Parameters.....	579
Changing the Attributes of a Channelized E1 Port.....	581
Changing the Attributes of an Unchannelized E1 Port.....	586
Making a Channel Bridged E1 Port from a Channelized E1 Port.....	589
Making a Non-Channel Bridged E1 Port from a Channel Bridged E1 Port.....	598

Adding an E1 Signaling Link.....	602
Appendix B: T1 Interface.....	617
Introduction.....	618
Determining the Configuration.....	622
T1 Interface Configuration Procedures.....	624
Adding a LIM-T1 Card.....	624
Removing a LIM-T1 Card.....	629
Adding Channelized and non-Channel Bridged T1 Ports.....	630
Adding Channel Bridged T1 Ports.....	636
Adding Unchannelized T1 Ports.....	642
Removing the T1 Interface Parameters.....	649
Changing the Attributes of a Channelized T1 Port.....	651
Changing the Attributes of an Unchannelized T1 Port.....	655
Making a Channel Bridged T1 Port from a Channelized T1 Port.....	659
Making a Non-Channel Bridged T1 Port from a Channel Bridged T1 Port.....	668
Adding a T1 Signaling Link.....	672
Appendix C: ATM Signaling Link Configuration.....	683
Introduction.....	684
Overview of the ATM High-Speed Signaling Link LIM Operation.....	689
ATM High-Speed Signaling Link Testing Capability.....	698
Large MSUs.....	706
Unsolicited Messages.....	707
ATM High-Speed Signaling Link Configuration.....	710
Adding an ATM High-Speed LIM.....	710
Changing the Three Links per E5-ATM Card Quantity.....	715
Adding an ATM High-Speed Signaling Link.....	720
Changing an ATM High-Speed Signaling Link Parameter Set.....	743
Appendix D: Reference Information.....	749
Requirements for EAGLE 5 ISSs Containing more than 1200 Signaling Links.....	750
Determining the Number of High-Speed and Low-Speed Signaling Links.....	750
Glossary.....	752

List of Figures

Figure 1: EAGLE 5 ISS Database Partitions (E5-Based Control Cards).....	22
Figure 2: Mixed Network with ANSI, ITU-I, and ITU-N Nodes.....	25
Figure 3: Network Example #1.....	36
Figure 4: Network Example #2.....	38
Figure 5: Network for Conversion.....	40
Figure 6: Context of the Proxy Point Code in the Network.....	42
Figure 7: Example of an Existing Network that is not using the ITU National and International Spare Point Code Support Feature.....	65
Figure 8: Stage One - ITU National and International Spare Point Code Support Feature Provisioned on All Nodes.....	67
Figure 9: Stage Two - All Traffic Merged onto a Third Linkset.....	69
Figure 10: Stage Three - All Traffic Merged onto Linkset LS9.....	71
Figure 11: Replacing the First STP Pair.....	73
Figure 12: Replacing a Second STP Pair.....	74
Figure 13: Multiple Linkset Example.....	75
Figure 14: Cluster Routing and Management Diversity.....	115
Figure 15: Cluster Management.....	121
Figure 16: Home Cluster Example.....	123
Figure 17: Nested Cluster Routing Sample Configuration.....	128
Figure 18: Example of Network Routing Reliability.....	156
Figure 19: Potential Routing Network Failure.....	157
Figure 20: ITU ISUP Routing Label with CIC.....	251
Figure 21: Example of Bit Rotation.....	253

Figure 22: SLS creation Using “Other CIC Bit”	254
Figure 23: Random SLS Mapping to a Combined Linkset.....	433
Figure 24: Random SLS Mapping to a Single Linkset.....	433
Figure 25: ISDN User Part Message Parts.....	452
Figure 26: E1/T1 MIM Block Diagram.....	547
Figure 27: HC-MIM or E5-E1T1 Block Diagram.....	548
Figure 28: Channel Bridging.....	550
Figure 29: E1/T1 MIM Block Diagram.....	618
Figure 30: HC MIM or E5-E1T1 Block Diagram.....	619
Figure 31: Channel Bridging.....	621
Figure 32: High-Speed Link Protocol Model for CCS Network Elements.....	685
Figure 33: ATM High-Speed Signaling Link Protocol Stack vs. Tekelec Implementation in the EAGLE 5 ISS.....	686
Figure 34: Frame Formats for High-Speed and Low-Speed Signaling Link Protocol Stacks.....	687
Figure 35: ATM Protocol Encapsulation.....	688
Figure 36: Functional Block Diagram of ATM High-Speed Signaling Link.....	690
Figure 37: E1 Frame Structure.....	693
Figure 38: CRC-4 Multiframe Structure.....	694
Figure 39: ATM Cell Mapping into E1 Frames.....	695
Figure 40: ANSI ATM High-Speed Signaling Link Loopback Support.....	701
Figure 41: E1 ATM High-Speed Signaling Link Loopback Support.....	702

List of Tables

Table 1: Admonishments.....	16
Table 2: Point Code Format.....	31
Table 3: 14-Bit ITU National Point Code Values.....	32
Table 4: Proxy Point Code Quantities and Part Numbers.....	42
Table 5: Proxy Point Code Quantities and Part Numbers.....	44
Table 6: Maximum Point Code Quantities.....	116
Table 7: Maximum Alias Point Code Quantities.....	117
Table 8: Example Cluster Routing Information.....	121
Table 9: Home Cluster Routing Information.....	123
Table 10: Routing Models	125
Table 11: Routing Table for Nested Cluster 5-5-*......	128
Table 12: Routing Table for Full Point Code Member 5-5-1.....	129
Table 13: Example of Nested Cluster Routing Failure and Recovery Actions	129
Table 14: Reception of an RSx Message.....	159
Table 15: Reception of an RCx Message.....	159
Table 16: Destination Point Code Type and Alias Point Code Type Combinations.....	172
Table 17: Maximum Alias Point Code Quantities.....	174
Table 18: Destination Point Code Type and Alias Point Code Type Combinations.....	203
Table 19: Maximum Alias Point Code Quantities.....	206
Table 20: Linkset Parameters.....	229
Table 21: Actions of the National Spare for Network Indicator Feature.....	232
Table 22: Adding a Linkset Parameter Combinations.....	242

Table 23: ITU SLS Bit Rotation.....	254
Table 24: ANSI Linkset Incoming Bit Rotation Rules.....	255
Table 25: ANSI SLS Bit Rotation.....	256
Table 26: Route Management Messages Sent on Status Transition.....	258
Table 27: MTP Restart Signaling Link Alignment Delay.....	265
Table 28: Signaling Link Selector (SLS) Conversion (ANSI Linksets Only).....	269
Table 29: Linkset Parameters.....	297
Table 30: Actions of the National Spare for Network Indicator Feature.....	300
Table 31: Changing a Linkset Parameter Combinations.....	311
Table 32: Secondary Adjacent Point Code Configuration Table.....	331
Table 33: Signaling Link Parameters.....	339
Table 34: SS7 Signaling Link Parameter Combinations.....	340
Table 35: Level 2 Timer Sets.....	403
Table 36: Level 2 Timer Values - Low-Speed ANSI Signaling Links.....	403
Table 37: Level 2 Timer Values - Low-Speed ITU Signaling Links.....	404
Table 38: Level 2 Timer Values - ITU-N High-Speed Signaling Links for China.....	405
Table 39: Level 2 Timer Values - ITU-N High-Speed Signaling Links for Areas other than China.....	406
Table 40: Level 2 Timer Values - Unchannelized T1 High-Speed Signaling Links.....	407
Table 41: Loopback Point Configuration Table.....	423
Table 42: ITU Random SLS Rules.....	431
Table 43: ANSI Random SLS Rules.....	432
Table 44: Failure Scenarios for a 32-Link Combined Linkset.....	435
Table 45: High Capacity Thermal Limits.....	448
Table 46: Add Exception Route Parameter Combinations.....	470

Table 47: Remove Exception Route Parameter Combinations.....	483
Table 48: Change Exception Route Parameter Combinations.....	495
Table 49: Network Indicator Mapping Rules.....	515
Table 50: PCT Quantities and Part Numbers.....	526
Table 51: ENT-PCT Parameters.....	530
Table 52: Functional Overview of the E1 and Channel Card.....	548
Table 53: Channel Bridging E1 Port Pairing.....	550
Table 54: E1 Card Part Numbers.....	552
Table 55: HC-MIM Card Locations.....	552
Table 56: Card Removal Procedures	553
Table 57: Maximum Number of E1 Ports.....	560
Table 58: E1 Interface Parameter Combinations.....	563
Table 59: Channel Bridging Ports.....	565
Table 60: Channel Bridged E1 Port Combinations.....	569
Table 61: SE-HSL SLK QuantityPart Numbers.....	575
Table 62: Unchannelized E1 Port Parameter Combinations.....	578
Table 63: E1 Interface Parameter Combinations	584
Table 64: Unchannelized E1 Port Parameter Combinations	588
Table 65: Channel Bridging Ports.....	590
Table 66: Channel Bridged E1 Port Parameter Combinations	596
Table 67: Non-Channel Bridged E1 Port Parameter Combinations	601
Table 68: E1 Signaling Link Configuration Table.....	605
Table 69: E1 Signaling Link Parameter Combinations.....	610
Table 70: Functional Overview of the T1 and Channel Card.....	619
Table 71: Channel Bridging T1 Port Pairing.....	621

Table 72: T1 Signaling Link Configuration Form.....	623
Table 73: T1 Card Part Numbers.....	624
Table 74: HC-MIM Card Locations.....	625
Table 75: Card Removal Procedures.....	626
Table 76: Maximum Number of T1 Ports.....	632
Table 77: T1 Interface Parameter Combinations.....	635
Table 78: Channel Bridging Ports.....	637
Table 79: Channel Bridged T1 Port Combinations.....	641
Table 80: ST-HSL-A SLK Quantity Part Numbers.....	646
Table 81: Unchannelized T1 Port Parameter Combinations.....	648
Table 82: T1 Interface Parameter Combinations	654
Table 83: Unchannelized T1 Port Parameter Combinations	657
Table 84: Channel Bridging Ports.....	660
Table 85: Channel Bridged T1 Port Parameter Combinations	666
Table 86: Non-Channel Bridged T1 Port Parameter Combinations	670
Table 87: T1 Signaling Link Parameter Combinations.....	678
Table 88: Link Proving Differences Between ITU and ANSI.....	697
Table 89: ATM High-Speed Signaling Link Loopback Support.....	699
Table 90: High-Speed Signaling Link vs. Low-Speed Signaling Link Unavailability Reasons by Priority	703
Table 91: High-Speed Signaling Link State Transition Alignment Events.....	705
Table 92: High-Speed Signaling Link Transmitted/Received Alignment PDUs.....	705
Table 93: High-Speed Signaling Link Special Level 1 Alignment Events.....	706
Table 94: Signaling Link Unsolicited Alarm Messages.....	707
Table 95: Loopback Test UIMs.....	709

Table 96: ATM High-Speed LIM Card Type and Card Application Combinations.....	711
Table 97: Example Card Configuration.....	711
Table 98: 3 Links per E5-ATM Card Quantities and Part Numbers.....	715
Table 99: ATM Signaling Link Cable Lengths.....	721
Table 100: ATM High-Speed Signaling Link Parameter Combinations.....	722

Chapter 1

Introduction

Topics:

- *Overview.....15*
- *Scope and Audience.....15*
- *Manual Organization.....15*
- *Documentation Admonishments.....16*
- *Customer Care Center.....16*
- *Emergency Response.....19*
- *Related Publications.....19*
- *Documentation Availability, Packaging, and Updates.....19*
- *Locate Product Documentation on the Customer Support Site.....20*
- *Maintenance and Administration Subsystem.....20*
- *EAGLE 5 ISS Database Partitions.....21*

Chapter 1, Introduction, contains general information about the database and the organization of this manual.

Overview

The *Database Administration Manual – SS7* describes the procedures used to configure the EAGLE 5 ISS and its database to implement the SS7 protocol.

Note: Database administration privileges are password restricted. Only those persons with access to the command class “Database Administration” can execute the administrative functions. Other command classes and the commands allowed by those classes are listed in the *Commands Manual*.

Throughout this manual, these terms are used to refer to either the original card or the EPM-B version or other replacement version of the card unless one of the card types is specifically required.

- E5-ENET - the original E5-ENET or the E5-ENET-B card
- E5-ATM - the original E5-ATM or the E5-ATM-B card
- E5-IPSM - the original E5-IPSM or the E5-ENET-B card that is running the IPSHC GPL
- E5-SM4G - the original E5-SM4G or the E5-SM8G-B card (not an EPM-B card)
- MCPM - the original MCPM or the E5-MCPM-B card

Scope and Audience

This manual is intended for database administration personnel or translations personnel responsible for configuring the EAGLE 5 ISS and its database to implement the SS7 protocol.

Manual Organization

Throughout this document, the terms database and system software are used. Database refers to all data that can be administered by the user, including shelves, cards, links, routes, global title translation tables, and gateway screening tables. System software refers to data that cannot be administered by the user, including generic program loads (GPLs).

This document is organized into these sections:

Introduction contains general information about the database and the organization of this manual.

Configuring Destination Tables describes the methods for configuring destination point codes (DPCs) in the database of the EAGLE 5 ISS. The cluster routing and management diversity feature is also discussed in this section.

SS7 Configuration describes the procedures necessary to configure the EAGLE 5 ISS to support the SS7 network.

Point Code and CIC Translation Configuration describes the procedures necessary to configure the Point Code and CIC Translation feature.

E1 Interface contains general information about the E1 interface and how to provision it.

T1 Interface contains general information about the T1 interface and how to provision it.

[ATM Signaling Link Configuration](#) contains general information about the ATM high-speed signaling links and how to provision them.





[Reference Information](#) contains the following information that is used by more than one procedure in this manual:

- [Requirements for EAGLE 5 ISSs Containing more than 1200 Signaling Links](#)
- [Determining the Number of High-Speed and Low-Speed Signaling Links](#)

Documentation Admonishments

Admonishments are icons and text throughout this manual that alert the reader to assure personal safety, to minimize possible service interruptions, and to warn of the potential for equipment damage.

Table 1: Admonishments

Icon	Description
 DANGER	Danger: (This icon and text indicate the possibility of <i>personal injury</i> .)
 WARNING	Warning: (This icon and text indicate the possibility of <i>equipment damage</i> .)
 CAUTION	Caution: (This icon and text indicate the possibility of <i>service interruption</i> .)
 TOPPLE	Topple: (This icon and text indicate the possibility of <i>personal injury and equipment damage</i> .)

Customer Care Center

The Tekelec Customer Care Center is your initial point of contact for all product support needs. A representative takes your call or email, creates a Customer Service Request (CSR) and directs your requests to the Tekelec Technical Assistance Center (TAC). Each CSR includes an individual tracking number. Together with TAC Engineers, the representative will help you resolve your request.

The Customer Care Center is available 24 hours a day, 7 days a week, 365 days a year, and is linked to TAC Engineers around the globe.

Tekelec TAC Engineers are available to provide solutions to your technical questions and issues 7 days a week, 24 hours a day. After a CSR is issued, the TAC Engineer determines the classification of the trouble. If a critical problem exists, emergency procedures are initiated. If the problem is not critical, normal support procedures apply. A primary Technical Engineer is assigned to work on the CSR and provide a solution to the problem. The CSR is closed when the problem is resolved.

Tekelec Technical Assistance Centers are located around the globe in the following locations:

Tekelec - Global

Email (All Regions): support@tekelec.com

- **USA and Canada**

Phone:

1-888-367-8552 (toll-free, within continental USA and Canada)

1-919-460-2150 (outside continental USA and Canada)

TAC Regional Support Office Hours:

8:00 a.m. through 5:00 p.m. (GMT minus 5 hours), Monday through Friday, excluding holidays

- **Caribbean and Latin America (CALA)**

Phone:

+1-919-460-2150

TAC Regional Support Office Hours (except Brazil):

10:00 a.m. through 7:00 p.m. (GMT minus 6 hours), Monday through Friday, excluding holidays

- **Argentina**

Phone:

0-800-555-5246 (toll-free)

- **Brazil**

Phone:

0-800-891-4341 (toll-free)

TAC Regional Support Office Hours:

8:00 a.m. through 5:48 p.m. (GMT minus 3 hours), Monday through Friday, excluding holidays

- **Chile**

Phone:

1230-020-555-5468

- **Colombia**

Phone:

01-800-912-0537

- **Dominican Republic**

Phone:

1-888-367-8552

- **Mexico**

Phone:

001-888-367-8552

- **Peru**

Phone:

0800-53-087

- **Puerto Rico**

Phone:

1-888-367-8552

- **Venezuela**

Phone:

0800-176-6497

- **Europe, Middle East, and Africa**

Regional Office Hours:

8:30 a.m. through 5:00 p.m. (GMT), Monday through Friday, excluding holidays

- **Signaling**

Phone:

+44 1784 467 804 (within UK)

- **Software Solutions**

Phone:

+33 3 89 33 54 00

- **Asia**

- **India**

Phone:

+91-124-465-5098 or +1-919-460-2150

TAC Regional Support Office Hours:

10:00 a.m. through 7:00 p.m. (GMT plus 5 1/2 hours), Monday through Saturday, excluding holidays

- **Singapore**

Phone:

+65 6796 2288

TAC Regional Support Office Hours:

9:00 a.m. through 6:00 p.m. (GMT plus 8 hours), Monday through Friday, excluding holidays

Emergency Response

In the event of a critical service situation, emergency response is offered by the Tekelec Customer Care Center 24 hours a day, 7 days a week. The emergency response provides immediate coverage, automatic escalation, and other features to ensure that the critical situation is resolved as rapidly as possible.

A critical situation is defined as a problem with the installed equipment that severely affects service, traffic, or maintenance capabilities, and requires immediate corrective action. Critical situations affect service and/or system operation resulting in one or several of these situations:

- A total system failure that results in loss of all transaction processing capability
- Significant reduction in system capacity or traffic handling capability
- Loss of the system's ability to perform automatic system reconfiguration
- Inability to restart a processor or the system
- Corruption of system databases that requires service affecting corrective actions
- Loss of access for maintenance or recovery operations
- Loss of the system ability to provide any required critical or major trouble notification

Any other problem severely affecting service, capacity/traffic, billing, and maintenance capabilities may be defined as critical by prior discussion and agreement with the Tekelec Customer Care Center.

Related Publications

For information about additional publications that are related to this document, refer to the *Related Publications* document. The *Related Publications* document is published as a part of the *Release Documentation* and is also published as a separate document on the Tekelec Customer Support Site.

Documentation Availability, Packaging, and Updates

Tekelec provides documentation with each system and in accordance with contractual agreements. For General Availability (GA) releases, Tekelec publishes a complete EAGLE 5 ISS documentation set. For Limited Availability (LA) releases, Tekelec may publish a documentation subset tailored to specific feature content or hardware requirements. Documentation Bulletins announce a new or updated release.

The Tekelec EAGLE 5 ISS documentation set is released on an optical disc. This format allows for easy searches through all parts of the documentation set.

The electronic file of each manual is also available from the [Tekelec Customer Support](#) site. This site allows for 24-hour access to the most up-to-date documentation, including the latest versions of Feature Notices.

Printed documentation is available for GA releases on request only and with a lead time of six weeks. The printed documentation set includes pocket guides for commands and alarms. Pocket guides may also be ordered separately. Exceptions to printed documentation are:

- Hardware or Installation manuals are printed without the linked attachments found in the electronic version of the manuals.
- The Release Notice is available only on the Customer Support site.

Note: Customers may print a reasonable number of each manual for their own use.

Documentation is updated when significant changes are made that affect system operation. Updates resulting from Severity 1 and 2 Problem Reports (PRs) are made to existing manuals. Other changes are included in the documentation for the next scheduled release. Updates are made by re-issuing an electronic file to the customer support site. Customers with printed documentation should contact their Sales Representative for an addendum. Occasionally, changes are communicated first with a Documentation Bulletin to provide customers with an advanced notice of the issue until officially released in the documentation. Documentation Bulletins are posted on the Customer Support site and can be viewed per product and release.

Locate Product Documentation on the Customer Support Site

Access to Tekelec's Customer Support site is restricted to current Tekelec customers only. This section describes how to log into the Tekelec Customer Support site and locate a document. Viewing the document requires Adobe Acrobat Reader, which can be downloaded at www.adobe.com.

1. Log into the [Tekelec Customer Support](#) site.

Note: If you have not registered for this new site, click the **Register Here** link. Have your customer number available. The response time for registration requests is 24 to 48 hours.

2. Click the **Product Support** tab.
3. Use the Search field to locate a document by its part number, release number, document name, or document type. The Search field accepts both full and partial entries.
4. Click a subject folder to browse through a list of related files.
5. To download a file to your location, right-click the file name and select **Save Target As**.

Maintenance and Administration Subsystem

The Maintenance and Administration Subsystem (MAS) is the central management point for the EAGLE 5. The MAS provides user interface, maintenance communication, peripheral services, alarm processing, system disk interface, and measurements. Management and redundancy are provided by use of two separate subsystem processors.

The MAS resides on two separate sets of Maintenance and Administration Subsystem Processor (MASP) cards and a Maintenance Disk and Alarm card (collectively referred to as control cards). The control cards are located in slots 1113 through 1118 of the EAGLE 5 control shelf. The control cards must be E5-based cards.

E5-based Control Cards

The E5-based set of EAGLE 5 control cards consists of the following cards:

- Two Maintenance and Administration Subsystem Processor cards (E5-MASP) cards. Each dual-slot E5-MASP card is made up of the following two modules:
 - Maintenance Communication Application Processor (E5-MCAP) card
 - Terminal Disk Module (E5-TDM) card
- One Maintenance Disk and Alarm card (E5-MDAL card)

Maintenance Communication Application Processor (E5-MCAP) Card

The E5-MCAP card contains the Communications Processor and Applications Processor and provides connections to the IMT bus. The card controls the maintenance and database administration activity and performs both application and communication processing. E5-MCAP cards are located in slots 1113 and 1115 of the control shelf.

Each E5-MCAP card contains two USB ports. One latched USB port is used with removable flash media (“thumb drives”), and one flush-mounted USB port is used with a plug-in flash drive. The removable media drive in the latched USB port is used to install and back up customer data. The flush-mounted USB port is used for upgrade and could be used for disaster recovery.

Terminal Disk Module (E5-TDM) Card

The E5-TDM card provides the Terminal Processor for the 16 I/O ports, and interfaces to the Maintenance Disk and Alarm (E5-MDAL) card and fixed disk storage. The E5-TDM card also distributes Composite Clocks and High Speed Master clocks throughout the EAGLE 5, and distributes Shelf ID to the EAGLE 5. Each E5-TDM card contains one fixed SATA drive that is used to store primary and backup system databases, measurements, and Generic Program Loads (GPLs). E5-TDM cards are located in slots 1114 and 1116 of the control shelf.

Maintenance Disk and Alarm (E5-MDAL) Card

The E5-MDAL card processes alarm requests and provides fan control. There is only one E5-MDAL card in a control card set. Critical, major, and minor system alarms are provided for up to 6 individual frames. In addition to the 3 system alarms, the E5-MDAL card provides the system audible alarm. The E5-MDAL card provides control of fans on a per-frame basis, and allows for each fan relay to be set individually. The E5-MDAL card is located in slots 1117 and 1118 of the control shelf.

EAGLE 5 ISS Database Partitions

The data that the EAGLE 5 uses to perform its functions are stored in two separate areas: the fixed disk drives, and the removable cartridge. The following sections describe these areas and data that is stored on them. These areas and their partitions are shown in [Figure 1: EAGLE 5 ISS Database Partitions \(E5-Based Control Cards\)](#).

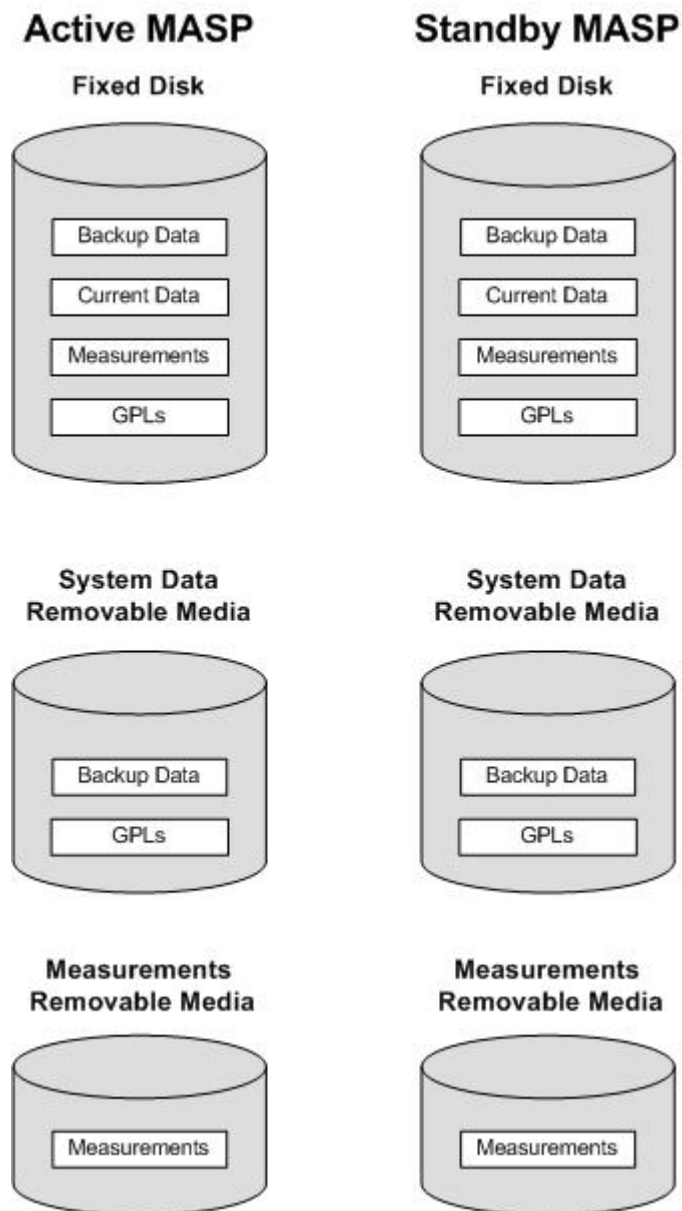


Figure 1: EAGLE 5 ISS Database Partitions (E5-Based Control Cards)

Fixed Disk Drive

There are two fixed disk drives on the EAGLE 5. The fixed disk drives contain the “master” set of data and programs for the EAGLE 5. The two fixed disk drives are located on the terminal disk modules (E5-TDMs). Both disks have the same files. The data stored on the fixed disks is partially replicated on the various cards in the EAGLE 5. Changes made during database administration sessions are sent to the appropriate cards.

The data on the fixed disks can be viewed as four partitions.

- Current partition

- Backup partition
- Measurements partition
- Generic program loads (GPLs) partition

The data which can be administered by users is stored in two partitions on the fixed disk, a current database partition which has the tables which are changed by on-line administration, and a backup database partition which is a user-controlled copy of the current partition.

All of the on-line data administration commands affect the data in the current partition. The purpose of the backup partition is to provide the users with a means of rapidly restoring the database to a known good state if there has been a problem while changing the current partition.

A full set of GPLs is stored on the fixed disk, in the GPL partition. There is an approved GPL and a trial GPL for each type of GPL in this set and a utility GPL, which has only an approved version. Copies of these GPLs are downloaded to the EAGLE 5 cards. The GPL provides each card with its functionality. For example, the `ss7ansi` GPL provides MTP functionality for link interface modules (LIMs).

Measurement tables are organized as a single partition on the fixed disk. These tables are used as holding areas for the measurement counts.

Removable Media

The removable media is used with the E5-MCAP card portion of the E5-MASP in card locations 1113 and 1115.

The removable media is used for two purposes.

- To hold an off-line backup copy of the administered data and system GPLs
- To hold a copy of the measurement tables

Because of the size of the data stored on the fixed disk drives on the E5-TDMs, a single removable media cannot store all of the data in the database, GPL and measurements partitions.

To use a removable media to hold the system data, it must be formatted for system data. To use a removable media to hold measurements data, it must be formatted for measurements data. The EAGLE 5 provides the user the ability to format a removable media for either of these purposes. A removable media can be formatted on the EAGLE 5 by using the `format-disk` command. More information on the `format-disk` command can be found in *Commands Manual*. More information on the removable media drives can be found in *Hardware*.

Additional and preformatted removable media are available from the [Customer Care Center](#).

Configuring Destination Tables

Topics:

- *Introduction.....25*
- *Point Code Formats.....26*
- *14-Bit ITU National Point Code Formats.....32*
- *ITU National Duplicate Point Codes.....36*
- *Proxy Point Codes.....41*
- *Changing the Proxy Point Code Quantity.....43*
- *Changing the DPC Quantity.....47*
- *Activating the ITU National and International Spare Point Code Support Feature.....59*
- *Spare Point Code Feature Migration Plan.....63*
- *Multiple Point Code Support.....71*
- *Adding a Secondary Point Code.....77*
- *Removing a Secondary Point Code.....83*
- *Adding a Point Code to the Self-Identification of the EAGLE 5 ISS.....88*
- *Changing the Self-Identification of the EAGLE 5 ISS.....92*
- *Cluster Routing and Management Diversity (CRMD).....114*
- *Nested Cluster Routing.....125*
- *Adding a Cluster Point Code.....131*
- *Changing the Attributes of a Cluster Point Code.....144*
- *Network Routing.....155*
- *Adding a Network Routing Point Code.....160*
- *Adding a Destination Point Code.....168*
- *Removing a Destination Point Code.....187*
- *Changing a Destination Point Code.....200*
- *Changing the Group Code Assigned to a 14-Bit ITU National Point Code.....217*

Chapter 2, Configuring Destination Tables, describes the methods for configuring destination point codes (DPCs) in the database of the EAGLE 5 ISS. The cluster routing and management diversity feature is also discussed in this section.

Introduction

The SS7 network configuration for the EAGLE 5 ISS requires linksets and routes. These entities use point codes, and these point codes must be defined in the destination point code table of the database. A destination is a node in any network that is uniquely identified by a point code in conjunction with a network indicator. The destination is always the node's true point code.

The EAGLE 5 ISS supports three types of networks and nodes to carry SS7 traffic, using TCP/IP technology:

- ANSI
- ITU International (ITU-I)
- ITU National (ITU-N)

When nodes in different networks wish to communicate, each node must have its own true point code and an alternate point code for each of the network types involved. For example, if node 1 in an ANSI network, node 2 in an ITU-N network, and node 3 in an ITU-I network wish to communicate with each other, node 1 must have an ANSI true point code and one alternate point code each for the ITU-N and ITU-I network. Node 2 must have an ITU-N true point code and one alternate point code each for the ANSI and ITU-I network. Node 3 must have an ITU-I true point code and one alternate point code each for the ANSI and ITU-N network.

Figure 2: Mixed Network with ANSI, ITU-I, and ITU-N Nodes shows an example of a mixed network with ANSI, ITU-I, and ITU-N nodes. Each node has one true point code and two alternate point codes.

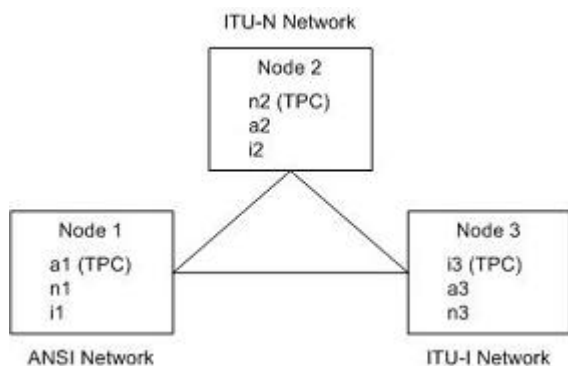


Figure 2: Mixed Network with ANSI, ITU-I, and ITU-N Nodes

The node's true point code is also called the destination point code.

This chapter discusses the method for configuring destination point codes (DPCs) in the database of the EAGLE 5 ISS. Destination point codes can be one of five types:

- Full point codes used for SS7 routing. A full point code is a point code containing numbers in each portion of the point code, for example, 111-011-100. The full point code can be in one of three formats, ANSI, ITU international, or ITU national. See the [Point Code Formats](#) section for more information on the point code formats. The EAGLE 5 ISS must have a full point code for each network type (ANSI, ITU-N, ITU-I) it is connected to.
- Secondary point codes, used by the Multiple Point Code Support feature. A secondary point code is a point code assigned to a full point code and used as if they were the actual EAGLE 5 ISS point code. Secondary point codes can be in one of three formats: ANSI, ITU international, or ITU national.

The format of the secondary point code must be the same as the format of the full destination point code. See the [Multiple Point Code Support](#) section for more information on secondary point codes.

- Cluster destination point codes, used by the cluster routing and management (CRMD) feature and nested cluster routing feature. A cluster point code is an ANSI point code containing numbers in the network identifier and network cluster portions of the point code, and an asterisk (*) in the network cluster member field of the point code, for example, 111-011-*. See the [Cluster Routing and Management Diversity \(CRMD\)](#) section and the [Nested Cluster Routing](#) section for more information on cluster point codes.
- Network routing point codes, used by the network routing feature. A network routing point code is an ANSI point code containing a number in the network identifier portion of the point code, and asterisks (*) in the network cluster and network cluster member portions of the point code, for example, 111-*-*. See the [Network Routing](#) section for information on network routing point codes.
- Proxy point codes, used by the Proxy Point Code feature. A proxy point code is a point code that assumes the point code of another node in order to ease the migration of deploying an STP in a network with direct-connect links into other networks. See the [Proxy Point Codes](#) section for more information about proxy point codes.

The Cluster Routing and Management Diversity (CRMD) feature, the nested cluster routing feature, the multiple point code support feature, and the network routing features are also discussed in this section.

In order to complete the definition of linksets and routes, destination point codes are required to be in the database. Even though linksets use adjacent point codes, the adjacent point code of a linkset must be defined in the destination point code table of the database.

The procedures shown in this chapter use a variety of commands. If more information on these commands is needed, go to the *Commands Manual* to find the required information.

Point Code Formats

The EAGLE 5 ISS supports three different point code formats:

- ANSI point codes
- ITU International point codes
- ITU National point codes (both 14-bit ITU-N point codes and 24-bit ITU-N point codes).

ANSI Point Codes

ANSI point codes are made up of three groups of digits called the network indicator (NI), network cluster (NC), and network cluster member (NCM). The values for ANSI point codes depends on the value of the `pctype` parameter of the `chg-sid` command, either `ansi` or `other`. If the `pctype` parameter is set to `ansi`, the ANSI rules for the ANSI point code are used to define the point code. The range of values for an ANSI point code with the `pctype=ansi` parameter are:

- NI – 001-255
- NC – 001-255 (if ni = 001-005) or 000-255, * (if ni = 006-255)
- NCM – 000-255, *

The `pctype=other` parameter specifies that the ANSI point codes do not meet ANSI standards. The range of values for ANSI point codes with the `pctype=other` parameter are:

- NI – 000-255

- NC – 000-255, *
- NCM – 000-255, *

The asterisk (*) point code value indicates a single cluster address for a cluster point code (for example, 20-2-*) or a network routing destination (21-*-*). For more information on cluster point codes, see the *Cluster Routing and Management Diversity (CRMD)* section. For more information on network routing point codes, see the *Network Routing* section.

A double asterisk (**) and triple asterisk (***) can also be used for the NC and NCM fields of the ANSI point code, but for only the `rtrv-dstn`, `rept-stat-dstn`, `rtrv-rte`, and `rept-stat-rte` commands.

A double asterisk in the NCM field of a point code (for example, 20-2-**) produces a summary report that shows all point code destinations or routes residing in the given cluster (20-2). This does not include the cluster point code, if the cluster point code (for example, 20-2-*) is provisioned. The following examples (`rtrv-dstn` and `rtrv-rte`) are reports generated using two asterisks in the NCM field of a point code.

`rtrv-dstn:dpca=20-2-**`

```

rlghncxa03w 09-05-28 21:16:37 GMT EAGLE5 41.0.0
  DPCA          CLLI          BEI  ELEI  ALIASI          ALIASN/N24  DMN
  020-002-045  rlghncbb100 no  ---  -----  -----  SS7
  020-002-050  rlghncbb100 no  ---  -----  -----  SS7

Destination table is (11 of 2000) 1% full
Alias table is (5 of 8000) 1% full

```

`rtrv-rte:dpca=20-2-**`

```

rlghncxa03w 07-05-28 21:16:37 GMT EAGLE5 37.0.0
  DPCA          ALIASI          ALIASN/N24  LSN      RC      APCA
  020-002-045  -----  -----  lsn1     15     020-002-045
                                     lsn2     20     020-003-036
                                     lsn3     25     001-001-002
                                     RTX:No   CLLI=-----
  020-002-050  -----  -----  lsn4     15     020-002-050
                                     lsn3     20     001-001-002
                                     lsn2     25     020-003-036
                                     RTX:No   CLLI=-----

```

A double asterisk in the NC field of a network routing point code (for example, 21-**-*) produces a summary report that shows all point code destinations or routes that are members of the given network (network 21). This does not include the specified network routing point code (for example, 21-*-*). The following examples (`rtrv-dstn` and `rtrv-rte`) are reports using two asterisks in the NC field of a network routing point code.

`rtrv-dstn:dpca=21-**-*`

```

rlghncxa03w 09-05-28 21:16:37 GMT EAGLE5 41.0.0
  DPCA          CLLI          BEI  ELEI  ALIASI          ALIASN/N24  DMN
  021-002-045  rlghncbb101 no  ---  -----  -----  SS7
  021-002-050  rlghncbb101 no  ---  -----  -----  SS7

Destination table is (11 of 2000) 1% full
Alias table is (5 of 8000) 1% full

```

```
rtrv-rte:dpca=21-**-*
```

```
rlghncxa03w 07-05-28 21:16:37 GMT EAGLE5 37.0.0
  DPCA          ALIASI          ALIASN/N24      LSN           RC           APCA
  021-002-045  -----
                                lsn10         15           021-002-045
                                lsn20         20           021-003-036
                                lsn30         25           010-001-002
                                RTX:No       CLLI=-----
  021-002-050  -----
                                lsn40         15           021-002-050
                                lsn30         20           010-001-002
                                lsn20         25           021-003-036
                                RTX:No       CLLI=-----
  021-005-*    -----
                                lsn40         15           021-002-050
                                lsn30         20           010-001-002
                                lsn20         25           021-003-036
                                RTX:No       CLLI=-----
```

Three asterisks in the NCM field of a point code produces a summary report that shows all point code destinations or routes residing in the given network cluster along with the specified cluster point code, if the cluster point code (for example, 20-2-*) is provisioned. The following examples (`rtrv-dstn` and `rtrv-rte`) are reports using three asterisks in the NCM field of a point code.

```
rtrv-dstn:dpca=20-2-***
```

```
rlghncxa03w 09-05-17 16:00:32 GMT EAGLE5 41.0.0
  DPCA          CLLI          BEI  ELEI  ALIASI          ALIASN/N24      DMN
  020-002-*    rlghncbb000 no --- -----
  020-002-045  rlghncbb100 no --- -----
  020-002-050  rlghncbb100 no --- -----
                                -----
                                -----
Destination table is (11 of 2000) 1% full
Alias table is (5 of 8000) 1% full
```

```
rtrv-rte:dpca=20-2-***
```

```
rlghncxa03w 07-05-28 21:16:37 GMT EAGLE5 37.0.0
  DPCA          ALIASI          ALIASN/N24      LSN           RC           APCA
  020-002-045  -----
                                lsn1          15           020-002-045
                                lsn2          20           020-003-036
                                lsn3          25           001-001-002
                                RTX:No       CLLI=-----
  020-002-050  -----
                                lsn4          15           020-002-050
                                lsn3          20           001-001-002
                                lsn2          25           020-003-036
                                RTX:No       CLLI=-----
  020-002-*    -----
                                lsn4          15           020-002-050
                                lsn3          20           001-001-002
                                lsn2          25           020-003-036
                                RTX:No       CLLI=-----
```

Three asterisks in the NC field of the point code produces a summary report that shows all point code destinations or routes residing in the given network along with the specified network routing point code. The following examples (`rtrv-dstn` and `rtrv-rte`) are reports using three asterisks in the NC field of a network routing point code.


```
rtrv-dstn:dpca=21-***-*
```

```
rlghncxa03w 09-05-17 16:00:32 GMT EAGLE5 41.0.0
  DPCA          CLLI          BEI  ELEI  ALIASI          ALIASN/N24  DMN
  021-**-*      rlghncbb001 yes  yes  -----  -----  SS7
  021-002-045   rlghncbb101 no   ---  -----  -----  SS7
  021-002-050   rlghncbb101 no   ---  -----  -----  SS7

Destination table is (11 of 2000) 1% full
Alias table is (5 of 8000) 1% full
```

```
rtrv-rte:dpca=21-***-*
```

```
rlghncxa03w 07-05-28 21:16:37 GMT EAGLE5 37.0.0

  DPCA          ALIASI          ALIASN/N24  LSN          RC          APCA
  021-002-045   -----  -----  lsn10        15          021-002-045
                                     lsn20        20          021-003-036
                                     lsn30        25          010-001-002
                                     RTX:No      CLLI=-----
  021-002-050   -----  -----  lsn40        15          021-002-050
                                     lsn30        20          010-001-002
                                     lsn20        25          021-003-036
                                     RTX:No      CLLI=-----
  021-005-*     -----  -----  lsn40        15          021-002-050
                                     lsn30        20          010-001-002
                                     lsn20        25          021-003-036
                                     RTX:No      CLLI=-----
  021-**-*     -----  -----  lsn30        20          010-001-002
                                     lsn20        25          021-003-036
                                     lsn40        35          021-002-050
                                     RTX:No      CLLI=-----
```

The following rules apply to provisioning ANSI point code if the `pctype=ansi` parameter is specified with the `chg-sid` command:

- The NI value of 0 is not allowed (for example, `dpc=0-1-1` and `dpc=0-0-0` are not valid point codes).
- If the NI value is 1, 2, 3, 4, or 5, then the nc value cannot be 0 (for example, `dpc=5-0-1` is rejected).
- If the NI value is 1, 2, 3, 4, or 5, then network routing point codes are not allowed (for example, `dpc=4-**-*` is rejected).

The following rules apply to provisioning ANSI point code if the `pctype=other` parameter is specified with the `chg-sid` command:

- The NI value of 0 is allowed, however `dpc=0-0-0` is rejected (for example, `dpc=0-1-1` is accepted).
- The NC value can be 0 for all values of NI (for example, `dpc=5-0-1` is accepted).
- Network routing point codes are allowed for all values of ni (for example, `dpc=4-**-*` is accepted).

An ANSI point code containing all zeros is not a valid point code and cannot be entered into the database.

ITU International Point Codes

The ITU international point codes are made up of three groups of digits called zone, area, and id. The range of values for ITU International point codes are:

- ZONE – 0-7
- AREA – 000-255
- ID – 0-7

An ITU international point code containing all zeros is not a valid point code and cannot be entered into the database.

14-Bit ITU National Point Codes

The 14-bit ITU national point code is either a 1- to 5-digit number, or 2, 3, or 4 numbers separated by dashes. 14-bit ITU national point codes can also have group codes assigned to them if the ITU National Duplicate Point Code feature is on. The group code is a two-character field ranging from AA to ZZ that is entered as the last subfield of a 14-bit ITU national point code and is separated by a dash from the rest of the point code. If the ITU National Duplicate Point Code feature is on, the format of a 14-bit ITU national point code is either a 1- to 5-digit number with a group code (for example, 11567-aa), or 2, 3, or 4 numbers separated by dashes with a group code (for example, 5-15-10-3-aa).

For more information on the format of 14-bit ITU national point code formats, see the [14-Bit ITU National Point Code Formats](#) section.

For more information on the ITU National Duplicate Point Code feature and group codes, see the [ITU National Duplicate Point Codes](#) section.

24-Bit ITU National Point Codes

A 24-bit ITU national point code is made up of three segments separated by dashes. Each segment contains three digits and corresponds to 8 bits of the point code. The range of values for 24-bit ITU national point codes are:

- Main Signaling Area (MSA) – 000-255
- Sub Signaling Area (SSA) – 000-255
- Signaling Point (SP) – 000-255

A 24-bit ITU international point code containing all zeros is not a valid point code and cannot be entered into the database.

Spare Point Codes

The provisioning of spare point codes allows the EAGLE 5 ISS to process messages that contain either the International Spare or National Spare network indicator values. Spare point codes can be provisioned only if the ITU National and International Spare Point Code (PC) Support feature is enabled. Only ITU-I and 14-bit ITU-N point codes can be provisioned as spare point codes.

Spare point codes are shown with the prefix “s-” with the point code value. This allows the destination point code table to contain two point code entries with the same value, one a spare point code and one a non-spare point code. For example, the destination point code table contains these point code entries, 2-034-5 and s-2-034-5. Point code 2-034-5 is a non-spare ITU-I point code and point code s-2-034-5 is a spare ITU-I point code.

Private Point Codes

Private point codes are used for internal routing in the EAGLE 5 ISS. Private point codes can be used for internal point codes for the End Office feature, and for adjacent point codes for IPGWx linksets.

Private point codes are shown with the prefix “p-” with the point code value. This allows the destination point code table to contain two point code entries with the same value, one private and one not private. For example, the destination point code table contains these point code entries, 002-002-002 and p-002-002-002. Point code 002-002-002 is a non-private point code that is used for configuring linksets and routes from the EAGLE 5 ISS to external nodes in the network. Point code p-002-002-002 is a private point code and is not known to the external nodes in the network.

By using private point codes for internal routing, these point code values are not known outside of the EAGLE 5 ISS and do not use a point code value for network configuration.

There can be private point codes for all point code types: ANSI, ITU-I, ITU-I Spare, 14-bit ITU-N, 14-bit ITU-N Spare, and 24-bit ITU-N.

Point Code Usage

The ANSI are used in ANSI networks. The ITU international point codes are used in ITU international networks. The ITU national point codes are used in ITU national networks. ITU national point codes can be either 14-bit ITU national point codes, or 24-bit ITU national point codes. [Table 2: Point Code Format](#) shows a sample destination point code for each type of network.

Table 2: Point Code Format

Network Type	Point Code Format
ANSI	001-002-003
ITU International	7-255-7
14-bit ITU National	14-Bit ITU National Point Code Formats
24-bit ITU National	001-002-003

To enter an ITU international point code, a 14-bit ITU national point code or a 24-bit ITU national point code, either as a DPC or as an alias point code, the self ID of the EAGLE 5 ISS must be defined for these networks. Verify this with the `rtrv-sid` command. If point code values are shown in the `PCI` field of the output of the `rtrv-sid` command, then ITU international point codes can be entered. If point code values are shown in the `PCN` field of the output of the `rtrv-sid` command, then the 14-bit ITU national point codes can be entered. If point code values are shown in the `PCN24` field of the output of the `rtrv-sid` command, then 24-bit ITU national point codes can be entered. If a value is shown in the `PCN` field, then a value cannot be entered in the `PCN24` field. If a value is shown in the `PCN24` field, then a value cannot be entered in the `PCN` field.

A destination is defined with a mandatory true point code of one format, and two optional alias point codes that are of the other two formats. Alias point codes are used to provide alternate point codes for a particular destination. The true point code must be of the same format as the point code used for the self ID of the EAGLE 5 ISS and must match the format of the point code used for the destination node. For example, if the destination node uses an ANSI point code, then the true point code must be an ANSI point code.

A destination can have up to two alias point codes. A destination alias point code type must not match that destination's true point code type. If both alias point codes are defined, the point code types of the aliases must not match.

The point code type (ANSI, ITU international, ITU national) is specified by different parameters. A letter that indicates the point code type is appended to the parameter that specifies the point codes. The appended letters are as follows.

“A” – indicates an ANSI point code, for example, `dpca`

“I” – indicates an ITU international point code, for example, `dpci`

“N” – indicates a 14-bit ITU national point code, for example, `dpcn`

“N24” – indicates a 24-bit ITU national point code, for example, `dpcn24`

The ANSI point codes can also be specified by a point code parameter without the letter “A” appended to it, for example, `dpca`.

14-Bit ITU National Point Code Formats

The format of a 14-bit ITU national point code is defined by the `npcfmt i` parameter of the `chg-stpopts` command. This parameter defines how the 14-bit ITU national point code is entered into the database, and how it is displayed in any EAGLE 5 ISS outputs (command outputs or unsolicited outputs).

The 14-bit ITU national point code can be either a single number, up to five digits, or two, three, or four numbers separated by dashes. The 14-bit ITU national point code is a 14-bit integer. The values used by the `npcfmt i` parameter of the `chg-stpopts` command defines the number of bits that make up each part of the point code format, if the 14-bit ITU national point code is made up of two, three, or four numbers.

If the 14-bit ITU national point code format has less than four numbers, the parts of the point code format not being used must be specified as zero (0). All four parts of the point code format must be specified with the `npcfmt i` parameter, no matter how many numbers the point code format will contain, and the sum of the values of all four parts of the point code format must be 14 (for example, `NPCFMTI=7-7-0-0`, `NPCFMTI=0-6-8-0`, `NPCFMTI=0-0-4-10`, `NPCFMTI=3-8-3-0`, `NPCFMTI=14-0-0-0`).

If the database contains 14-bit ITU national point codes of a particular format, and the format is changed with the `npcfmt i` parameter of the `chg-stpopts` command, the format of the 14-bit ITU national point codes in the database will be changed to the new format.

The values of the parts of the 14-bit ITU national point code are defined in [Table 3: 14-Bit ITU National Point Code Values](#).

Table 3: 14-Bit ITU National Point Code Values

NPCFMTI Parameter Values	0	1	2	3	4
Range of Values	The segment is not used.	0-1	0-3	0-7	0-15

NPCFMTI Parameter Values	5	6	7	8	9
Range of Values	0-31	0-63	0-127	0-255	0-511
NPCFMTI Parameter Values	10	11	12	13	14
Range of Values	0-1023	0-2047	0-4095	0-8191	0-16383

A 14-bit ITU national point code containing all zeros is a valid point code and can be entered into the database.

When the EAGLE 5 ISS is delivered to the user, the format of the 14-bit ITU national point code is set to 14-0-0-0 (a single number containing up to five digits). If the 14-bit ITU national point code is a single number, the value of the point code is from 1 to 16383.

To change the format of a 14-bit ITU national point code, perform [Changing the Format of 14-Bit ITU National Point Codes](#). The example used in this procedure changes the format of the 14-bit ITU national point code from 14-0-0-0 to 4-4-4-2.

Changing the Format of 14-Bit ITU National Point Codes



CAUTION

Caution: Changing the formats of the 14-bit ITU national point codes will change how any existing 14-bit ITU national point codes are displayed in the database.

1. Display the existing values for the `npcfmti` parameter by entering the `rtrv-stpopts` command. The value for the `npcfmti` parameter is shown in the NPCFMTI field. This is an example of the possible output.

```
rlghncxa03w 07-05-17 16:02:05 GMT EAGLE5 37.0.0
STP OPTIONS
-----
NPCFMTI      14-0-0-0
```

Note: The `rtrv-stpopts` command output contains other fields that are not used by this procedure. If you wish to see all the fields displayed by the `rtrv-stpopts` command, see the `rtrv-stpopts` command description in the *Commands Manual*.

2. Change the value of the `npcfmti` parameter. For this example, enter this command.

```
chg-stpopts:npcfmti=4-4-4-2
```

When this command has successfully completed, this message should appear.

```
rlghncxa03w 07-05-07 00:22:57 GMT EAGLE5 37.0.0
CHG-STPOPTS: MASP A - COMPLTD
```

Note: The parameters of the `chg-stpopts` command are optional. For any parameters not specified with the `chg-stpopts` command, the values for these parameters are not changed.

3. Verify the changes using the `rtrv-stpopts` command. This is an example of the possible output.

```
rlghncxa03w 07-05-17 16:02:05 GMT EAGLE5 37.0.0
STP OPTIONS
-----
NPCFMTI          4-4-4-2
```

Note: The `rtrv-stpopts` command output contains other fields that are not used by this procedure. If you wish to see all the fields displayed by the `rtrv-stpopts` command, see the `rtrv-stpopts` command description in the *Commands Manual*.

4. Back up the new changes, using the `chg-db:action=backup:dest=fixed` command. These messages should appear; the active Maintenance and Administration Subsystem Processor (MASP) appears first.

```
BACKUP (FIXED) : MASP A - Backup starts on active MASP.
BACKUP (FIXED) : MASP A - Backup on active MASP to fixed disk complete.
BACKUP (FIXED) : MASP A - Backup starts on standby MASP.
BACKUP (FIXED) : MASP A - Backup on standby MASP to fixed disk complete.
```

Examples of Different 14-Bit ITU National Point Code Formats

A 14-bit ITU national point code whose format is 3-8-3-0, results in a point code containing three numbers separated by dashes. Because the fourth part of the format is zero, the point code format contains only three numbers. Using [Table 3: 14-Bit ITU National Point Code Values](#) as a guide, the range of values for this point code format are from 0-000-1 to 7-255-7.

A 14-bit ITU national point code whose format is 2-8-3-1, results in a point code containing four numbers separated by dashes. Using [Table 3: 14-Bit ITU National Point Code Values](#) as a guide, the range of values for this point code format are from 0-000-0-1 to 3-255-7-1.

A 14-bit ITU national point code whose format is 7-0-7-0 results in a point code containing two numbers separated by dashes. Because the second and fourth parts of the format are zero, the point code format contains only two numbers. Using [Table 3: 14-Bit ITU National Point Code Values](#) as a guide, the range of values for this point code format are from 000-001 to 127-127.

A 14-bit ITU national point code whose format is 14-0-0-0 results in a point code containing a single number, containing up to five digits. Using [Table 3: 14-Bit ITU National Point Code Values](#) as a guide, the range of values for this point code format are from 1 to 16383.

Exception

The format defined by the `npcfmt i` parameter of the `chg-stpopts` command applies to all database entities that use 14-bit ITU national point codes, except gateway screening. Gateway screening allows the 14-bit ITU national point code to be displayed and entered in the database only as a single number. If the EAGLE 5 ISS is using a format for the 14-bit ITU national point code other than a single number, the point code will have to be converted from its current format to a single number in order to be used by gateway screening.

Converting Single Number 14-Bit ITU National Point Codes

To convert a single number ITU national point code to a multiple part ITU national point code, perform these steps. For this example, the 14-bit ITU national point codes 14781 and 695 are converted to point codes using the 3-8-3-0 format.

1. The point code is converted to a binary number. This can be done with most scientific calculators.
 - The number 14781 converts to the binary number 11100110111101.
 - The number 695 converts to the binary number 1010110111.

Note: Make sure the binary number contains 14 digits. If it does not, add leading zeros to the binary number to bring the total number of digits in the number to 14.

In this example, the binary equivalent for the decimal number 695 (1010110111) contains 10 digits, so four zeros must be added to the beginning of the binary number. The resulting binary number is now 00001010110111.

2. Divide the binary number into the number of parts required by the format of the 14-bit ITU national point code. For this example, the format is 3-8-3-0. Since the last part of the point code format is 0, the point code format contains only three parts. Divide the point code into three parts: the first part of the point code contains the first three digits of the 14-digit binary number, the second part of the point code contains the next eight digits of the 14-digit binary number, and the third part of the point code contains the last three digits of the 14-digit binary number.

For this example, the binary numbers would be divided like this:

- 11100110111101 = 111 00110111 101
 - 00001010110111 = 000 01010110 111
3. Convert each part of the point code into a decimal number, using the same scientific calculator used in step 1, and separate each part of the point code with dashes. The results are as follows.
 - 111 00110111 101 = 7-55-5
 - 000 01010110 111 = 0-86-7

When the 14-bit ITU national point codes are converted from single numbers to multiple-part point codes, the resulting value of the multiple-part point code depends on the point code format specified by the `npcfmt i` parameter of the `chg-stpopts` command. When converting the single-number point code 14781 to the point code format 3-8-3-0, the resulting point code value is 7-55-5. If point code 14781 is converted to the point code format 4-4-4-2, the resulting point code value is 14-6-15-1.

Converting Multiple-Part 14-Bit ITU National Point Codes

To convert multiple-part 14-bit ITU national point codes to a single number, perform these steps. For this example, the 14-bit ITU national point codes 7-55-5 and 0-86-7, using the 3-8-3-0 point code format, are converted into a single number.

1. Convert each part of the point code into a binary number using a scientific calculator. The results are as follows.
 - 7-55-5 = 111 00110111 101
 - 0-86-7 = 000 01010110 111
2. Combine each part of the point code into a single binary number as follows.
 - 111 00110111 101 = 11100110111101

- 000 01010110 111 = 00001010110111

Note: If the binary number has any zeros at the beginning of the number, remove these zeros, as they are not necessary.

In this example, the binary equivalent for the point code 0-86-7 (00001010110111) contains four zeros at the beginning of the binary number. When the leading zeros are removed from the binary number, the resulting binary number is now 1010110111.

3. Convert the binary number to a decimal number using the same scientific calculator used in step 1.
 - The binary number 11100110111101 converts to the decimal number 14781.
 - The binary number 1010110111 converts to the decimal number 695.

ITU National Duplicate Point Codes

Note:

This feature applies only to 14-bit ITU national spare and non-spare point codes.

This feature allows an EAGLE 5 ISS mated pair to route traffic for two or more countries that may have overlapping point code values. For example, in the network shown in [Figure 3: Network Example #1](#), both Country 1 and Country 2 have SSPs with a PC value of 2047.

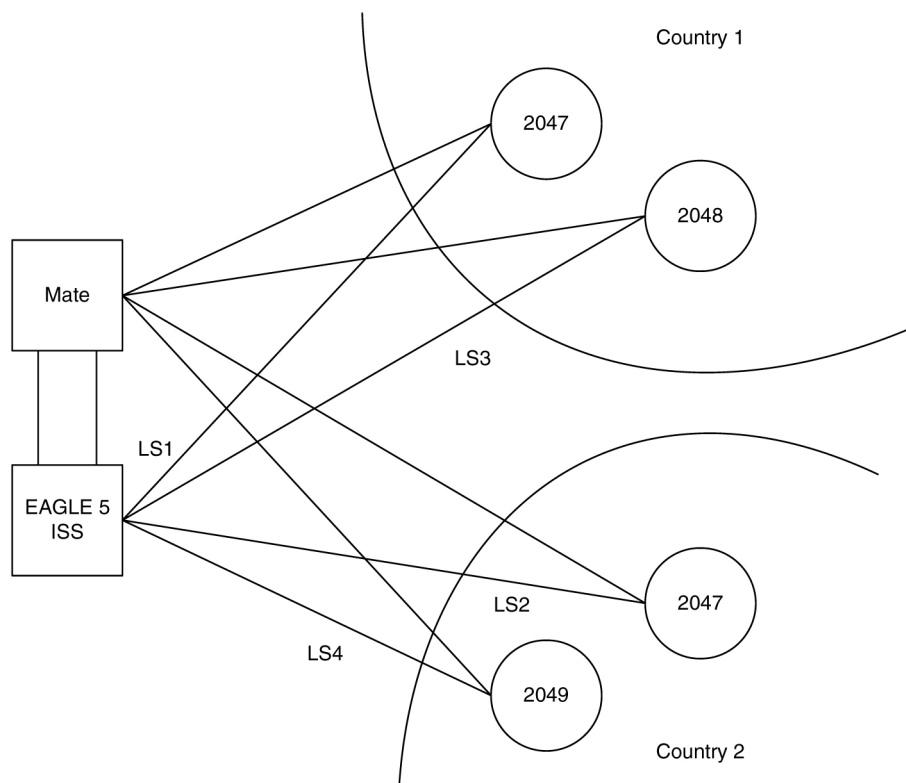


Figure 3: Network Example #1

Group Codes

Users must divide their ITU-National destinations into groups. These groups will likely be based on Country. However, one group could have multiple countries within it, or a single country could be divided into multiple groups. The requirements for these groups are:

- No duplicate point codes are allowed within a group.
- ITU-National traffic from a group must be destined for a PC within the same group.
- The user must assign a unique two-letter group code to each group.

For example, in the network shown in [Figure 4: Network Example #2](#), Country 1 can only have 1 point code with a value of 2047. Traffic coming from SSP 2047 in Country 1 can only be destined to other nodes within Country 1. In this example, the user assigns a group code of 1 to Country 1, and a group code of 2 to Country 2.

When the user enters an ITU-National point code, they must also enter the group code, using the format “point code - group code”. This group code must be used for any command that uses an ITU-N point code.

For example, to provision the EAGLE 5 ISS for the network shown in [Figure 4: Network Example #2](#), the user would enter these commands:

```
ent-dstn:dpcn=2047-aa
ent-dstn:dpcn=2048-aa
ent-dstn:dpcn=2047-ab
ent-dstn:dpcn=2049-ab
ent-ls:lsn=LS1:apcn=2047-aa
ent-ls:lsn=LS2:apcn=2047-ab
ent-ls:lsn=LS3:apcn=2048-aa
ent-ls:lsn=LS4:apcn=2049-ab
```

Group Code aa

The following special rules apply to group code aa:

- ITU-N MSUs received on an ITU-I linkset are assigned group code of aa.
- ITU-N destinations entered before this feature is turned on are assigned group code of aa when the ITUDUPPC feature bit is turned on.

Normal Operation

When an ITU-N message arrives at the EAGLE 5 ISS, the EAGLE 5 ISS creates an internal point code based on the 14 bit PC in the message, and the group code assigned to the incoming linkset.

For example, when a message arrives on LS3 with DPC of 2047, the EAGLE 5 ISS maps that to an internal point code of 2047-aa, because LS3 has a group code of aa. The EAGLE 5 ISS then routes the message to LS1, which is the route for 2047-aa.

When a message arrives on LS4 with DPC of 2047, the EAGLE 5 ISS maps that to an internal point code of 2047-ab, because LS4 uses group code ab. The EAGLE 5 ISS then routes the message to LS2, which is the route for 2047-ab.

C Linksets

For each group defined, a separate C-linkset must be defined. This C-linkset is used as the alternate route for point codes in the group.

For example, in [Figure 4: Network Example #2](#), LSC1 is used for point codes in Group fr. Its adjacent point code is 6201-fr, and is used as the alternate route for 6217-fr, 6218-fr, and 6223-fr.

LSC2 is used for point codes in Group ge. Its adjacent point code is group 4169-ge, and is used as the alternate route for 6200-ge, 6209-ge, and 6217-ge.

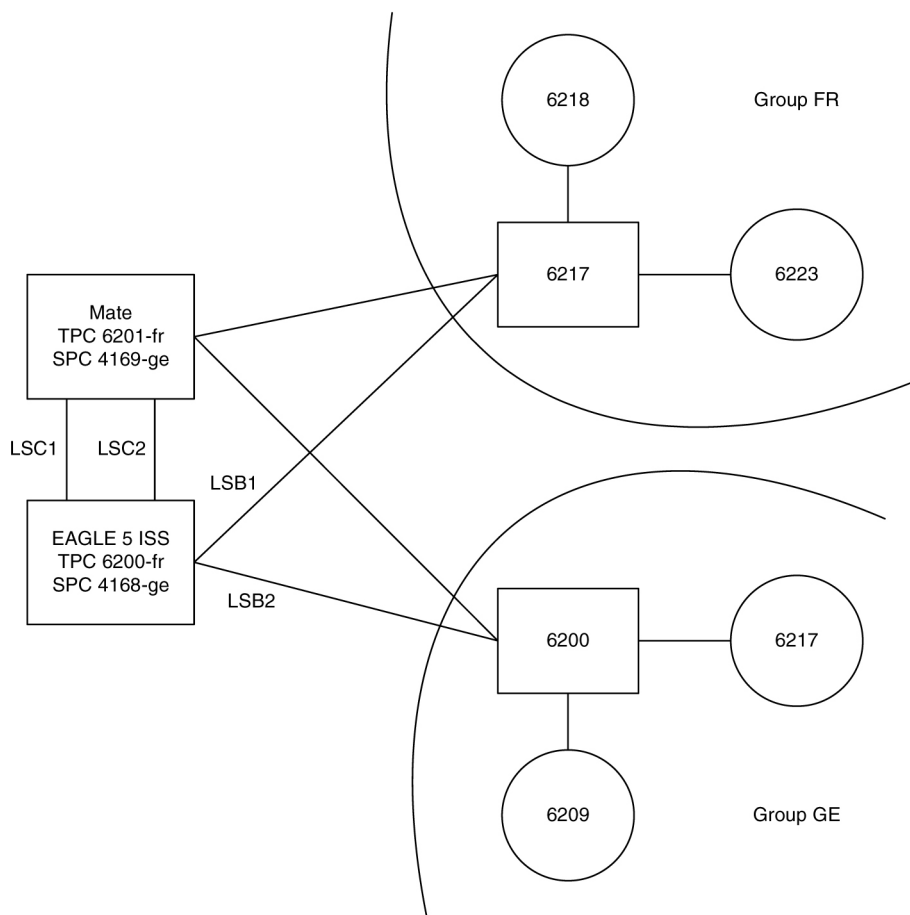


Figure 4: Network Example #2

For example, to provision the EAGLE 5 ISS for the network shown in [Figure 5: Network for Conversion](#), the user would enter these commands:

```
ent-dstn:dpcn=6201-fr (Mate's true PC)
ent-dstn:dpcn=4169-ge (Mate's secondary PC)
ent-dstn:dpcn=6217-fr (Group fr destinations)
```

```

ent-dstn:dpcn=6218-fr
ent-dstn:dpcn=6223-fr
ent-dstn:dpcn=6200-ge (Group ge destinations)
ent-dstn:dpcn=6217-ge
ent-dstn:dpcn=6209-ge
ent-ls:lsn=LSC1:apcn=6201-fr:lst=C (C linkset used by Group fr)
ent-ls:lsn=LSC2:apcn=4169-ge:lst=C (C linkset used by Group ge)
ent-ls:lsn=LSB1:apcn=6217-fr:lst=B
ent-ls:lsn=LSB2:apcn=6200-ge:lst=B
ent-rte:dpcn=6217-fr:lsn=LSB1:rc=10 (primary route for a Group fr destination)
ent-rte:dpcn=6217-fr:lsn=LSC1:rc=20 (alternate route for a Group fr destination)
ent-rte:dpcn=6217-ge:lsn=LSB2:rc=10 (primary route for a Group ge destination)
ent-rte:dpcn=6217-ge:lsn=LSC2:rc=20 (alternate route for a Group ge destination)

```

Receiving an ITU-National MSU on an ITU-International Linkset

It is possible for the EAGLE 5 ISS to receive ITU-National MSUs on an ITU-International linkset. A linkset is considered an ITU-International linkset if its adjacent point code is an ITU-International PC. An MSU is ITU-National if it is received on an ITU linkset (National or International), and the NIC field in the SIO is set to 2 (National).

ITU-International linksets do not have a group code. ITU-National MSUs received on ITU-International linksets will be assigned a group code of aa.

Existing ITU National Destinations

Any ITU-National destinations that were entered before Release 26.05 or before the ITU National Duplicate Point Codes feature was turned on will be assigned the group code of aa.

Interaction with Other Features

Gateway Screening

For example, in the network in [Figure 4: Network Example #2](#), if the user wanted to screen out MSU coming from 6217 in Group ge, but allow MSUs coming from 6217 in Group fr, he or she could assign different screensets to LSB1 and LSB2. The screenset assigned to LSB1 would allow MSUs from OPC 6217. The screenset assigned to LSB2 would block MSUs from OPC 6217.

Multiple Point Codes

The Multiple Point Codes feature (see [Multiple Point Code Support](#)) must be on in order to turn on the ITU National Duplicate Point Codes feature. For every group that is used, the user must provision either a True PC or Secondary Point Code, using the `chg-sid` command.

For example, in the network in [Figure 4: Network Example #2](#), two groups are used having group codes of fr and ge. An ITU-National True Point Code is entered for group fr, and an ITU-National Secondary Point code is entered for group ge.

Conversion between ITU-N and ITU-I or ANSI

Each ITU-N destination and group code can have its own ITU-I or ANSI alias PC. Each ITU-I or ANSI node can be assigned one ITU-N destination. For conversion from ITU-I or ANSI to ITU-N to succeed, the ITU-N alias of the sending node must have the same group code as the destination's group code. So each ITU-I or ANSI node can only send and receive messages from one ITU-N group.

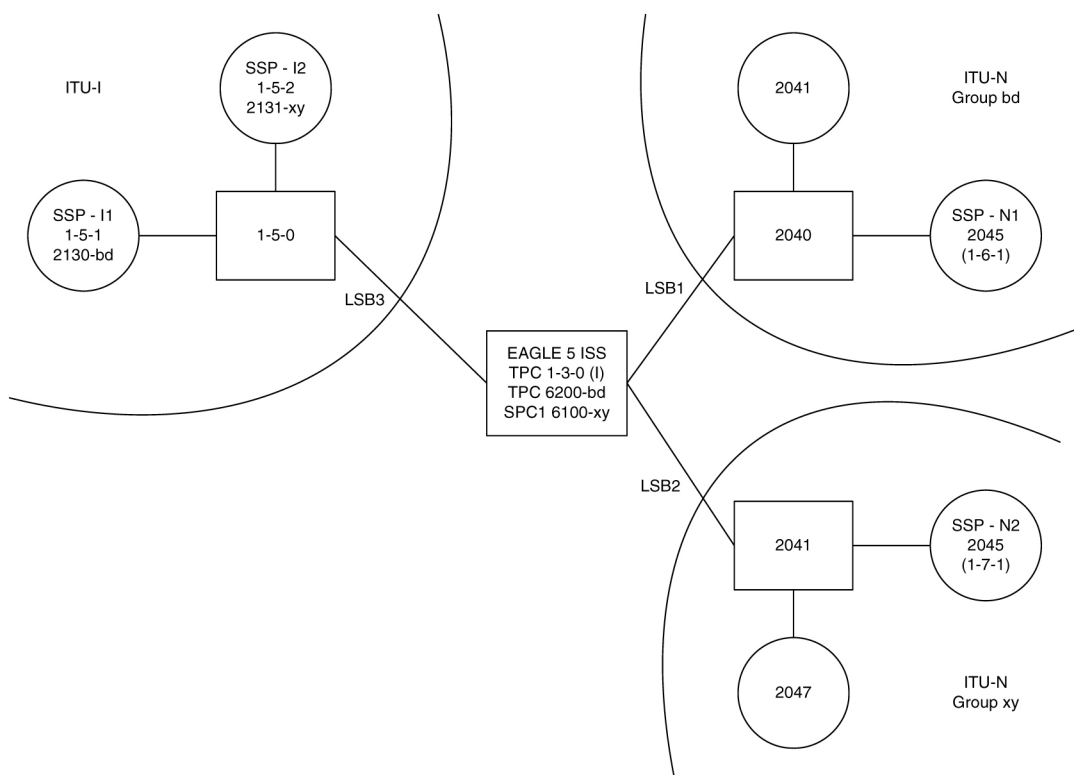


Figure 5: Network for Conversion

In *Figure 5: Network for Conversion*, SSP-N1 (2045-bd) is assigned ITU-I alias 1-6-1, and SSP-N2 (2045-xy) is assigned ITU-I alias 1-7-1. SSP-I1 is assigned ITU-N alias 2130-bd and SSP-I2 is assigned ITU-N alias 2131-xy. In this example, SSP-I1 can exchange traffic with nodes in group bd, but not nodes in group xy. SSP-I2 can exchange traffic with nodes in group xy, but not nodes in group bd.

SSP-I1 (1-5-1) can send to SSP-N1 by using the ITU-I alias 1-6-1, But if SSP-I1 tries to send to 2045-xy by using the ITU-I alias 1-7-1, conversion will fail, and the EAGLE 5 ISS will generate UIM 1091 (Indicating OPC conversion failed).

SSP-N1 can send traffic to SSP-I1, but SSP-N2 cannot send traffic to SSP-I1. SSP-N1 sends an ITU-N MSU with DPC set to 2130. The EAGLE 5 ISS assigns a group code of bd to the MSU based on the incoming linkset. The EAGLE 5 ISS then looks up 2130-bd, determines that this is an alias for ITU-I 1-5-1, and routes the MSU to SSP-I1.

If SSP-N2 sends an ITU-N MSU with DPC set to 2130, the EAGLE 5 ISS assigns a group code of xy to the MSU based on the incoming linkset. The EAGLE 5 ISS then looks up 2130-xy, does not find a match, and discards the MSU.

To provision the SSP-N1, SSP-N2, SSP-I1, and SSP-I2 in the network shown in *Figure 5: Network for Conversion*, the following commands are used:

```
ent-dstn:dpcn=2045-bd:aliasi=1-6-1
ent-dstn:dpcn=2045-xy:aliasi=1-7-1
ent-dstn:dpci=1-5-1:aliasn=2130-bd
ent-dstn:dpci=1-5-2:aliasn=2131-xy
ent-rte:dpcn=2045-bd:lsn=LSB1:rc=10
ent-rte:dpcn=2045-xy:lsn=LSB2:rc=10
ent-rte:dpci=1-5-1:lsn=LSB3:rc=10
ent-rte:dpci=1-5-2:lsn=LSB3:rc=10
```

Limitations

The ITU National Duplicate Point Code feature has the following limitations:

- Duplicate Point Codes are only supported for ITU-National Destinations.
- ITU-National traffic from a group must be destined for a PC within the same group.
- No duplicate point codes are allowed within a group.
- For each group that is provisioned, a separate ITU-N C-linkset must be provisioned.
- It is not possible to change a destination's group code. If the user wants to move a destination from one group to another, the user must provision a new destination that uses the new group code and delete the old destination.
- If conversion between ITU-N and ITU-I or ANSI is used, only 1 ITU-N group can send traffic to a specific ANSI or ITU-I node.

Proxy Point Codes

The Proxy Point Code feature allows the EAGLE 5 ISS to assume the point codes of other nodes in order to ease the migration of deploying an STP in a network with direct-connect links into other networks. For example, if a foreign network SS7 node is directly connected to an SS7 node in the home network, an EAGLE 5 ISS can be deployed so that the transition is transparent to the foreign node. The foreign node can still behave as if it is connected to the original node in the home network. EAGLE 5 ISS will provide routing connectivity in the home network to the foreign node and will allow the foreign node to connect to the home network.

In the examples in *Figure 6: Context of the Proxy Point Code in the Network*, foreign network Node A connects to home network Node B. Normally, STP C would connect between them, requiring both Node A and Node B to use STP C as the APC. With this feature, Node A does not require any modifications, as STP C provides a proxy point code B. The configuration in this example assume that the self point code of the STP is C.

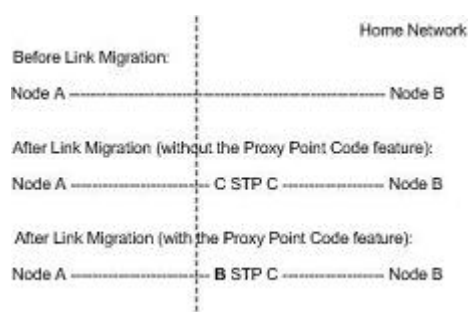


Figure 6: Context of the Proxy Point Code in the Network

A proxy point code can be any of these types of point codes:

- ANSI
- ITU-I
- ITU-I Spare
- 14-bit ITU-N
- 14-bit ITU-N Spare
- 24-bit ITU-N

A proxy point code must be a full point code and cannot be a cluster point code or a network routing point code. Private point codes and secondary point codes cannot be used as a proxy point code.

The following types of signaling links can be assigned to a linkset whose adjacent point code is a proxy point code:

- LSL
- ATM-HSL (LIM-ATM and E1-ATM are supported)
- SE-HSL
- M2PA.

Feature Provisioning Requirements

The EAGLE 5 ISS can contain a maximum of 100 proxy point codes. The proxy point code quantity is enabled in groups of 10 proxy point codes with the `enable-ctrl-feat` command and these part numbers shown in [Table 4: Proxy Point Code Quantities and Part Numbers](#).

Table 4: Proxy Point Code Quantities and Part Numbers

Part Number	Proxy Point Code Quantity
893-0187-01	10
893-0187-02	20
893-0187-03	30
893-0187-04	40
893-0187-05	50
893-0187-06	60
893-0187-07	70
893-0187-08	80

Part Number	Proxy Point Code Quantity
893-0187-09	90
893-0187-10	100

Once a proxy point code quantity has been enable, the quantity cannot be decreased.

A temporary feature access key cannot be used to enabled a proxy point code quantity.

Once a proxy point code quantity has been enabled, the proxy point codes are provisioned in the database with the `ent-dstn` command and the `prx` parameter. Other point codes can use a proxy point code that is already provisioned in the database. These point codes are provisioned with the `ent-dstn` command and the `ppc` parameter.

After the proxy point code has been provisioned in the database, a linkset using the proxy point code can be provisioned in the database. This linkset, referred to as a proxy linkset, is provisioned using the `ent-ls` command with the adjacent point code of the linkset, the `lst=prx` parameter, and the `ppc` parameter. The `ppc` parameter value is the proxy point code provisioned with the `ent-dstn` command.

A proxy linkset has the same characteristics as an A linkset.

A proxy point code can be assigned to a maximum of 10 linksets.

Secondary adjacent point codes are not supported on a proxy linkset.

A proxy point code cannot be used as the adjacent point code of an IPGWx linkset.

To provision the Proxy Point Code feature, perform these procedures.

1. Enable a proxy point code quantity using the `enable-ctrl-feat` command. Perform [Changing the Proxy Point Code Quantity](#). Once a proxy point code quantity is enabled, the Proxy Point Code feature is enabled and turned on. The `chg-ctrl-feat` command cannot be used to turn the Proxy Point Code feature on.
2. Provision the proxy point code using the `ent-dstn` command with the `prx` and `ppc` parameters. Perform [Adding a Destination Point Code](#).
3. Provision the proxy linkset using the `ent-ls` command with the `lst=prx` and `ppc` parameters. Perform [Adding a SS7 Linkset](#).

Changing the Proxy Point Code Quantity

This procedure is used to increase the number of proxy point codes that are allowed in the EAGLE 5 ISS. The EAGLE 5 ISS can contain a maximum of 100 proxy point codes.

The `enable-ctrl-feat` command enables the proxy point code quantity, in groups of 10 proxy point codes, by specifying the part number for the proxy point code quantity and the proxy point code quantity's feature access key with these parameters:

`:fak` – The feature access key supplied by Tekelec. The feature access key contains 13 alphanumeric characters and is not case sensitive. If you do not have the feature access key for the proxy point code quantity you wish to enable, contact your Tekelec Sales Representative or Account Representative.

`:partnum` – The Tekelec-issued part number for the proxy point code quantity shown in the following table:

Table 5: Proxy Point Code Quantities and Part Numbers

Part Number	Proxy Point Code Quantity
893018701	10
893018702	20
893018703	30
893018704	40
893018705	50
893018706	60
893018707	70
893018708	80
893018709	90
893018710	100

The `enable-ctrl-feat` command requires a valid serial number for the EAGLE 5 ISS to be configured in the database, and that this serial number is locked. This can be verified with the `rtrv-serial-num` command. The EAGLE 5 ISS is shipped with a serial number in the database, but the serial number is not locked. The serial number can be changed, if necessary, and locked once the EAGLE 5 ISS is on-site, by using the `ent-serial-num` command. The `ent-serial-num` command uses these parameters.

`:serial` - The serial number assigned to the EAGLE 5 ISS. The serial number is not case sensitive.

`:lock` - Specifies whether or not the serial number is locked. This parameter has only one value, `yes`, which locks the serial number. Once the serial number is locked, it cannot be changed.

Note: To enter and lock the EAGLE 5 ISS's serial number, the `ent-serial-num` command must be entered twice, once to add the correct serial number to the database with the `serial` parameter, then again with the `serial` and the `lock=yes` parameters to lock the serial number. You should verify that the serial number in the database is correct before locking the serial number. The serial number can be found on a label affixed to the control shelf (shelf 1100).

Once the proxy point code quantity is enabled with the `enable-ctrl-feat` command, the proxy point code is also turned on. The `chg-ctrl-feat` command is not necessary to turn on the proxy point code quantity.

1. Display the features that are enabled by entering the `rtrv-ctrl-feat` command.

The following is an example of the possible output.

```
rlghncxa03w 07-05-28 21:15:37 GMT EAGLE5 37.0.0
The following features have been permanently enabled:
```

Feature Name	Partnum	Status	Quantity
Command Class Management	893005801	on	----
LNP Short Message Service	893006601	on	----
Intermed GTT Load Sharing	893006901	on	----
XGTT Table Expansion	893006101	on	4000000


```

XMAP Table Expansion      893007710  on    3000
Large System # Links     893005901  on    1500
Routesets                 893006401  on    6000
HC-MIM SLK Capacity      893012707  on     64

```

The following features have been temporarily enabled:

```

Feature Name           Partnum  Status  Quantity  Trial Period Left
Zero entries found.

```

The following features have expired temporary keys:

```

Feature Name           Partnum
Zero entries found.

```

If a proxy point code quantity is shown in the `rtrv-ctrl-feat` output, continue the procedure with [Step 6](#).

If the `rtrv-ctrl-feat` output in [Step 1](#) shows any controlled features, continue the procedure with [Step 6](#). If the `rtrv-ctrl-feat` output shows only the HC-MIM SLK Capacity feature with a quantity of 64, [Step 2](#) through [Step 5](#) must be performed.

If a proxy point code quantity is not shown in the `rtrv-ctrl-feat` output, continue the procedure with [Step 2](#).

2. Display the serial number in the database with the `rtrv-serial-num` command.

This is an example of the possible output.

```

rlghncxa03w 07-05-28 21:15:37 GMT EAGLE5 37.0.0
System serial number = nt00001231
System serial number is not locked.
rlghncxa03w 07-10-28 21:15:37 GMT EAGLE5 37.0.0
Command Completed

```

Note: If the serial number is correct and locked, continue the procedure with [Step 6](#). If the serial number is correct but not locked, continue the procedure with [Step 5](#). If the serial number is not correct, but is locked, a proxy point code quantity cannot be enabled and the remainder of this procedure cannot be performed. Contact the Customer Care Center to get an incorrect and locked serial number changed. Refer to [Customer Care Center](#) for the contact information. The serial number can be found on a label affixed to the control shelf (shelf 1100).

3. Enter the correct serial number into the database using the `ent-serial-num` command with the `serial` parameter.

For this example, enter this command.

```
ent-serial-num:serial=<EAGLE 5 ISS's correct serial number>
```

When this command has successfully completed, the following message should appear.

```

rlghncxa03w 07-05-28 21:15:37 GMT EAGLE5 37.0.0
ENT-SERIAL-NUM:  MASP A - COMPLTD

```

4. Verify that the serial number entered into [Step 3](#) was entered correctly using the `rtrv-serial-num` command.

This is an example of the possible output.

```
rlghncxa03w 07-05-28 21:15:37 GMT EAGLE5 37.0.0
System serial number = nt00001231
System serial number is not locked.
rlghncxa03w 07-05-28 21:15:37 GMT EAGLE5 37.0.0
Command Completed
```

If the serial number was not entered correctly, repeat [Step 3](#) and [Step 4](#) and re-enter the correct serial number.

5. Lock the serial number in the database by entering the `ent-serial-num` command with the serial number shown in [Step 2](#), if the serial number shown in [Step 2](#) is correct, or with the serial number shown in [Step 4](#), if the serial number was changed in [Step 3](#), and with the `lock=yes` parameter.

For this example, enter this command.

```
ent-serial-num:serial=<EAGLE 5 ISS's serial number>:lock=yes
```

When this command has successfully completed, the following message should appear.

```
rlghncxa03w 07-05-28 21:15:37 GMT EAGLE5 37.0.0
ENT-SERIAL-NUM: MASP A - COMPLTD
```

6. Enable a proxy point code quantity with the `enable-ctrl-feat` command specifying the part number for the proxy point code quantity and the feature access key.

For this example, enter this command.

```
enable-ctrl-feat:partnum=893018703:fak=<30 proxy point codes feature
access key>
```

Note: A temporary feature access key cannot be specified to enable the proxy point code quantity.

Note: The values for the feature access key (the `fak` parameter) are provided by Tekelec. If you do not have the feature access key for the proxy point code quantity you wish to enable, contact your Tekelec Sales Representative or Account Representative.

When the `enable-ctrl-feat` command has successfully completed, this message should appear.

```
rlghncxa03w 07-05-28 21:15:37 GMT EAGLE5 37.0.0
ENABLE-CTRL-FEAT: MASP B - COMPLTD
```

7. Verify the changes by entering the `rtrv-ctrl-feat` command with the proxy point code quantity part number specified in [Step 6](#).

For this example, enter this command.

```
rtrv-ctrl-feat:partnum=893018703
```

The following is an example of the possible output.

```
rlghncxa03w 07-05-28 21:15:37 GMT EAGLE5 37.0.0
The following features have been permanently enabled:
```

```

Feature Name          Partnum   Status  Quantity
Proxy Point Code     893018703 on      30

```

The following features have been temporarily enabled:

```

Feature Name          Partnum   Status  Quantity   Trial Period Left
Zero entries found.

```

The following features have expired temporary keys:

```

Feature Name          Partnum
Zero entries found.

```

8. Back up the new changes, using the `chg-db:action=backup:dest=fixed` command.

These messages should appear; the active Maintenance and Administration Subsystem Processor (MASP) appears first.

```

BACKUP (FIXED): MASP A - Backup starts on active MASP.
BACKUP (FIXED): MASP A - Backup on active MASP to fixed disk complete.
BACKUP (FIXED): MASP A - Backup starts on standby MASP.
BACKUP (FIXED): MASP A - Backup on standby MASP to fixed disk complete.

```

Changing the DPC Quantity

This procedure is used to increase the number of DPCs that are allowed in the EAGLE 5 ISS beyond what is currently shown in the `ent-dstn`, `dlt-dstn`, `chg-dstn`, and `rtrv-dstn` outputs. The EAGLE 5 ISS can contain a maximum of one of these quantities: 2000 (system default), 5000, 6000, 7000, 8000, or 10,000 DPCs.

To have more than 2000 DPCs in the EAGLE 5 ISS, the 5000 Routes feature must be turned on using the `chg-feat` command. Turning on the 5000 Routes features allows the EAGLE 5 ISS to contain a maximum of 5000 DPCs. To have more than 5000 DPCs in the EAGLE 5 ISS, either 6000, 7000, 8000, or 10,000 routesets must be enabled using the `enable-ctrl-feat` command, in addition to having the 5000 Routes feature turned on. Enabling 6000, 7000, 8000, or 10,000 routesets allows the EAGLE 5 ISS to contain a maximum of 6000, 7000, 8000, or 10,000 DPCs. The `rtrv-ctrl-feat` command shows whether or not 6000, 7000, 8000, or 10,000 routesets are enabled. The `rtrv-feat` command shows whether or not the 5000 Routes feature is turned on.

Note: Once the 5000 Routes feature is turned on with the `chg-feat` command, it cannot be turned off.

The 5000 Routes feature must be purchased before you turn this feature on with the `chg-feat` command. If you are not sure if you have purchased the 5000 Routes feature, contact your Tekelec Sales Representative or Account Representative.

Once the maximum DPC quantity is set, the actual number of DPCs allowed in the EAGLE 5 ISS is configured using the `mtpdpcq` parameter of the `chg-stpopts` command. The `rtrv-stpopts` command output, as well as the outputs of the `ent-dstn`, `dlt-dstn`, `chg-dstn`, and `rtrv-dstn` commands, shows the actual number of DPCs allowed in the EAGLE 5 ISS.

If the Cluster Routing and Management Diversity feature is turned on, (shown by the entry `CRMD =` on in the `rtrv-feat` output) the `mtpxlq` parameter is also shown in the `rtrv-stpopts` output. The `mtpxlq` parameter defines the maximum number of entries that the exception list (x-list) for the Cluster Routing and Management Diversity feature can contain. The value of the `mtpxlq` parameter of the `chg-stpopts` command can also be changed to more than 2000 destination point codes. For more information on exception lists, see the "Exception Lists (X-lists)" in the [Cluster Routing and Management Diversity \(CRMD\)](#) section.

The `enable-ctrl-feat` command enables 6000, 7000, 8000, or 10,000 routesets by inputting the part number for the routeset quantity and the routeset quantity's feature access key with these parameters.

`:partnum` – The Tekelec-issued part number for the routeset quantity:

- For 6000 routesets - 893006401
- For 7000 routesets - 893006402
- For 8000 routesets - 893006403
- For 10,000 routesets - 893006405

`:fak` – The feature access key supplied by Tekelec. The feature access key contains 13 alphanumeric characters and is not case sensitive.

Note: The values for the feature access key (the `fak` parameter) are provided by Tekelec. If you do not have the feature access key for the routeset quantity you wish to enable, contact your Tekelec Sales Representative or Account Representative.

The `enable-ctrl-feat` command requires a valid serial number for the EAGLE 5 ISS to be configured in the database, and that this serial number is locked. This can be verified with the `rtrv-serial-num` command. The EAGLE 5 ISS is shipped with a serial number in the database, but the serial number is not locked. The serial number can be changed, if necessary, and locked once the EAGLE 5 ISS is on-site, by using the `ent-serial-num` command. The `ent-serial-num` command uses these parameters.

`:serial` – The serial number assigned to the EAGLE 5 ISS. The serial number is not case sensitive.

`:lock` – Specifies whether or not the serial number is locked. This parameter has only one value, `yes`, which locks the serial number. Once the serial number is locked, it cannot be changed.

Note: To enter and lock the EAGLE 5 ISS's serial number, the `ent-serial-num` command must be entered twice, once to add the correct serial number to the database with the `serial` parameter, then again with the `serial` and the `lock=yes` parameters to lock the serial number. You should verify that the serial number in the database is correct before locking the serial number. The serial number can be found on a label affixed to the control shelf (shelf 1100).

To enable 7000 or 8000 routesets, the DPC table can contain no more than 8000 alias point codes. To enable 10,000 routesets, the DPC table can contain no more than 10,000 alias point codes. The number of alias point codes configured in the EAGLE 5 ISS is shown in the output of the `ent-dstn`, `dlt-dstn`, `chg-dstn`, and `rtrv-dstn` command outputs in one of two ways, depending on whether or not the Cluster Routing and Management Diversity feature is on or off.

If the Cluster Routing and Management Diversity feature is off.

```
rlghncxa03w 07-05-17 16:02:05 GMT EAGLE5 37.0.0
Destination table is (10 of 8000) 1% full
Alias table is (8 of 8000) 1% full
RTRV-DSTN: MASP A - COMPLTD
```

If the Cluster Routing and Management Diversity feature is on.

```
rlghncxa03w 07-05-17 16:02:05 GMT EAGLE5 37.0.0
DESTINATION ENTRIES ALLOCATED: 8000
  FULL DPC(s): 9
  EXCEPTION DPC(s): 0
  NETWORK DPC(s): 0
  CLUSTER DPC(s): 1
  TOTAL DPC(s): 10
  CAPACITY (% FULL): 1%
ALIASES ALLOCATED: 8000
  ALIASES USED: 8
  CAPACITY (% FULL): 1%
X-LIST ENTRIES ALLOCATED: 500
RTRV-DSTN: MASP A - COMPLTD
```

To set the alias point code quantity below 8000 if 7000 or 8000 routesets will be enabled, or 10,000 if 10,000 routesets will be enabled, perform the [Changing a Destination Point Code](#) procedure. The alias point codes are removed using this procedure.

The routeset quantities (6000, 7000, 8000, or 10,000) cannot be temporarily enabled (with a temporary feature access key) and cannot be disabled with the `chg-ctrl-feat` command and the `status=off` parameter. The routeset quantity cannot be decreased to a smaller quantity once a quantity is enabled. For example, if the current routeset quantity of the EAGLE 5 ISS is 7000 routesets, the quantity cannot be reduced to 6000 routesets.

Once any of these routeset quantities are enabled with the `enable-ctrl-feat` command, they are also activated. The `chg-ctrl-feat` command is not necessary to activate these routeset quantities.

To enable 10,000 routesets, the EAGLE 5 ISS can contain only E5-based control cards. Refer to [Maintenance and Administration Subsystem](#) for more information about the control cards.

1. Display the DPC quantity currently allowed in the EAGLE 5 ISS by entering the `rtrv-stpopts` command.

The DPC quantity is displayed in the `MTPDPCQ` field of the output. This is an example of the possible output.

```
rlghncxa03w 07-05-17 16:02:05 GMT EAGLE5 37.0.0
STP OPTIONS
-----
MTPDPCQ          1750
```

Note: The `rtrv-stpopts` command output contains other fields that are not used by this procedure. If you wish to see all the fields displayed by the `rtrv-stpopts` command, see the `rtrv-stpopts` command description in the *Commands Manual*.

The `MTPDPCQ` value cannot exceed one of these totals depending on the features that are enabled or turned on.

- 2000 – if the 5000 Routes feature is not on, and 6000, 7000, 8000, or 10,000 routesets are not enabled.
- 5000 – if the 5000 Routes feature is on, and 6000, 7000, 8000, or 10,000 routesets are not enabled.
- 6000 – if 6000 routesets are enabled.
- 7000 – if 7000 routesets are enabled.
- 8000 – if 8000 routesets are enabled.

- 10,000 – if 10,000 routesets are enabled.

If the Cluster Routing and Management Diversity feature is on, the `MTPXLQ` field will be shown in the `rtrv-stpopts` command output. The `MTPXLQ` field shows the maximum number of entries the exception list (x-list) can contain. The sum of the `MTPDPCQ` and `MTPXLQ` values cannot exceed one of these totals depending on the features that are enabled or turned on.

- 2500 – if the 5000 Routes feature is not on, and 6000, 7000, 8000, or 10,000 routesets are not enabled.
- 5500 – if the 5000 Routes feature is on, and 6000, 7000, 8000, or 10,000 routesets are not enabled.
- 6500 – if 6000 routesets are enabled.
- 7500 – if 7000 routesets are enabled.
- 8500 – if 8000 routesets are enabled.
- 10,500 – if 10,000 routesets are enabled.

For more information on the Cluster Routing and Management Diversity feature, see the [Cluster Routing and Management Diversity \(CRMD\)](#) section.

Perform one of the following steps based on the `MTPDPCQ` value (or `MTPDPCQ` and `MTPXLQ` values) shown in the `rtrv-stpopts` output. The values shown in parentheses are the sum of the `MTPDPCQ` and `MTPXLQ` values.

- 8001 - 10,000 (8501 - 10,500) – 10,000 routesets are enabled. The only action that can be performed is to change the DPC quantity using the `chg-stpopts` command. This is the maximum number of routesets the EAGLE 5 ISS can have. Continue the procedure with [Step 14](#) to change the DPC quantity. If you do not wish to change the DPC quantity, this procedure is finished.
 - 7001 - 8000 (7501 - 8500) – 8000 routesets are enabled. To enable the 10,000 routeset quantity, continue the procedure with [Step 11](#). If you wish to change the DPC quantity and not enable 10,000 routesets, continue the procedure with [Step 14](#). If you do not wish to enable 10,000 routesets or change the DPC quantity, this procedure is finished.
 - 6001 - 7000 (6501 - 7500) – 7000 routesets are enabled. To enable the 8000 routeset quantity, continue the procedure with [Step 12](#). To enable the 10,000 routeset quantity, continue the procedure with [Step 11](#). If you wish to change the DPC quantity and not enable 8000 or 10,000 routesets, continue the procedure with [Step 14](#). If you do not wish to enable 8000 or 10,000 routesets or change the DPC quantity, this procedure is finished.
 - 5001 - 6000 (5501 - 6500) – 6000 routesets are enabled. To enable 7000, 8000, 10,000 routesets, continue the procedure with [Step 10](#). If you wish to change the DPC quantity and not enable 7000, 8000, or 10,000 routesets, continue the procedure with [Step 14](#). If you do not wish to enable 7000, 8000, or 10,000 routesets or change the DPC quantity, this procedure is finished.
 - 2001 - 5000 (2501 - 5500) – The 5000 Routes feature is on. To enable 6000, 7000, 8000, or 10,000 routesets, perform [Step 2](#). If you wish to change the DPC quantity and not enable 6000, 7000, 8000, or 10,000 routesets, continue the procedure with [Step 14](#). If you do not wish to enable 6000, 7000, 8000, or 10,000 routesets or change the DPC quantity, this procedure is finished.
 - 2000 or less (2500 or less) – Continue the procedure with [Step 2](#).
2. Verify that 6000, 7000, 8000, or 10,000 routesets are enabled by entering the `rtrv-ctrl-feat` command.

The following is an example of the possible output.

```
rlghncxa03w 07-05-28 21:15:37 GMT EAGLE5 37.0.0
The following features have been permanently enabled:
```

Feature Name	Partnum	Status	Quantity
Command Class Management	893005801	on	----
LNP Short Message Service	893006601	on	----
Intermed GTT Load Sharing	893006901	on	----
XGTT Table Expansion	893006101	on	4000000
XMAP Table Expansion	893007710	on	3000
Large System # Links	893005901	on	1500
Routesets	893006401	on	6000
HC-MIM SLK Capacity	893012707	on	64

The following features have been temporarily enabled:

Feature Name	Partnum	Status	Quantity	Trial Period Left
Zero entries found.				

The following features have expired temporary keys:

Feature Name	Partnum
Zero entries found.	

If 10,000 routesets are enabled, the Routesets row appears in the `rtrv-ctrl-feat` output with a quantity of 10,000. The only action that can be performed is to change the DPC quantity using the `chg-stpopts` command. This is the maximum number of routesets the EAGLE 5 ISS can have. Continue the procedure with [Step 14](#) to change the DPC quantity. If you do not wish to change the DPC quantity, this procedure is finished.

If 8000 routesets are enabled, the Routesets row appears in the `rtrv-ctrl-feat` output with a quantity of 8000. To enable 10,000 routesets, continue the procedure with [Step 11](#). If you wish to change the DPC quantity and not enable 10,000 routesets, continue the procedure with [Step 14](#). If you do not wish to enable 10,000 routesets or change the DPC quantity, this procedure is finished.

If 7000 routesets are enabled, the Routesets row appears in the `rtrv-ctrl-feat` output with a quantity of 7000. To enable 8000 routesets, continue the procedure with [Step 12](#). To enable 10,000 routesets, continue the procedure with [Step 11](#). If you wish to change the DPC quantity and not enable 8000 or 10,000 routesets, continue the procedure with [Step 14](#). If you do not wish to enable 8000 or 10,000 routesets or change the DPC quantity, this procedure is finished.

If 6000 routesets are enabled, the Routesets row appears in the `rtrv-ctrl-feat` output with a quantity of 6000. To enable 7000, 8000, or 10,000 routesets, continue the procedure with [Step 10](#). If you wish to change the DPC quantity and not enable 7000, 8000, or 10,000 routesets, continue the procedure with [Step 14](#). If you do not wish to enable 7000, 8000, or 10,000 routesets or change the DPC quantity, this procedure is finished.

If 6000, 7000, 8000, or 10,000 routesets are not enabled, continue the procedure with [Step 3](#).

3. Enter the `rtrv-feat` command to verify that the 5000 Routes feature is turned on.

If the 5000 Routes feature is on, the `DSTN5000 = on` entry appears in the output.

Note: The `rtrv-feat` command output contains other fields that are not used by this procedure. If you wish to see all the fields displayed by the `rtrv-feat` command, see the `rtrv-feat` command description in the *Commands Manual*.

If the 5000 Routes feature is not on, and you do not wish to turn the 5000 Routes feature on, or enable 6000, 7000, 8000, or 10,000 routesets, the only action that can be performed is to change the DPC quantity using the `chg-stpopts` command. However the DPC quantity can be no greater than 2000 DPCs (2500 DPCs if the `rtrv-stpopts` output in [Step 1](#) contains the `MTPDPCQ` and

MTPXLQ parameters). Continue the procedure with [Step 14](#) to change the DPC quantity. If you do not wish to change the DPC quantity, this procedure is finished.

If the 5000 Routes feature is not on, and you wish to turn the 5000 Routes feature on, or enable 6000, 7000, 8000, or 10,000 routesets, continue the procedure with [Step 4](#).

If the 5000 Routes feature is on, continue the procedure with [Step 6](#).

4. Turn the 5000 Routes feature on by entering this command.

```
chg-feat:DSTN5000=on
```

Note: Once the 5000 Routes feature is turned on with the `chg-feat` command, it cannot be turned off.

The 5000 Routes feature must be purchased before you turn this feature on with the `chg-feat` command. If you are not sure if you have purchased the 5000 Routes feature, contact your Tekelec Sales Representative or Account Representative.

When the `chg-feat` has successfully completed, this message appears.

```
rlghncxa03w 07-05-28 11:43:04 GMT EAGLE5 37.0.0
CHG-FEAT: MASP A - COMPLTD
```

5. Verify that the 5000 Routes feature is turned on, by entering the `rtrv-feat` command.

If the 5000 Routes feature is on, the `DSTN5000 = on` appears in the command output.

Note: The `rtrv-feat` command output contains other fields that are not used by this procedure. If you wish to see all the fields displayed by the `rtrv-feat` command, see the `rtrv-feat` command description in the *Commands Manual*.

If 6000, 7000, 8000, or 10,000 routesets are not being enabled, the only action that can be performed is to change the DPC quantity. If you wish to change the DPC quantity and not enable 6000, 7000, 8000, or 10,000 routesets, continue the procedure with [Step 14](#). If you do not wish to enable 6000, 7000, 8000, or 10,000 routesets or change the DPC quantity, this procedure is finished.

If 6000, 7000, 8000, or 10,000 routesets are being enabled, the serial number of the EAGLE 5 ISS must be in the database and the serial number must be locked. If the `rtrv-ctrl-feat` output in [Step 2](#) shows any features in addition to the HC-MIM SLK Capacity feature with a quantity of 64, the serial number is in the database and it is locked. Continue the procedure by performing one of these steps.

- If 6000 routesets are being enabled, continue the procedure with [Step 12](#).
- If 7000, 8000, or 10,000 routesets are being enabled, continue the procedure with [Step 10](#).

The HC-MIM SLK Capacity feature with a quantity of 64 is shown in the `rtrv-ctrl-feat` output in [Step 2](#) whether or not the serial number of the EAGLE 5 ISS is in the database or whether or not the serial number is locked. If the `rtrv-ctrl-feat` output shows only the HC-MIM SLK Capacity feature with a quantity of 64, the status of the serial number must be verified. Continue the procedure with [Step 6](#).

6. Display the serial number in the database with the `rtrv-serial-num` command.

This is an example of the possible output.

```
rlghncxa03w 07-05-28 21:15:37 GMT EAGLE5 37.0.0
System serial number = nt00001231
System serial number is not locked.
rlghncxa03w 07-10-28 21:15:37 GMT EAGLE5 37.0.0
Command Completed
```

Note: If the serial number is correct and locked, continue the procedure with [Step 12](#) if 6000 routesets are being enabled. Continue the procedure with [Step 10](#) if 7000, 8000, or 10,000 routesets are being enabled. If the serial number is correct but not locked, continue the procedure with [Step 9](#). If the serial number is not correct, but is locked, 6000, 7000, 8000, or 10,000 routesets cannot be enabled and the remainder of this procedure cannot be performed. Contact the Customer Care Center to get an incorrect and locked serial number changed. Refer to the [Customer Care Center](#) section for the contact information. The serial number can be found on a label affixed to the control shelf (shelf 1100).

7. Enter the correct serial number into the database using the `ent-serial-num` command with the `serial` parameter.

For this example, enter this command.

```
ent-serial-num:serial=<EAGLE 5 ISS's correct serial number>
```

When this command has successfully completed, the following message should appear.

```
rlghncxa03w 07-05-28 21:15:37 GMT EAGLE5 37.0.0
ENT-SERIAL-NUM: MASP A - COMPLTD
```

8. Verify that the serial number entered in [Step 7](#) was entered correctly using the `rtrv-serial-num` command.

This is an example of the possible output.

```
rlghncxa03w 07-05-28 21:15:37 GMT EAGLE5 37.0.0
System serial number = nt00001231
System serial number is not locked.
rlghncxa03w 07-05-28 21:15:37 GMT EAGLE5 37.0.0
Command Completed
```

If the serial number was not entered correctly, repeat [Step 7](#) and [Step 8](#) and re-enter the correct serial number.

9. Lock the serial number in the database by entering the `ent-serial-num` command with the serial number shown in [Step 6](#), if the serial number shown in [Step 6](#) is correct, or with the serial number shown in [Step 8](#), if the serial number was changed in [Step 7](#), and with the `lock=yes` parameter.

For this example, enter this command.

```
ent-serial-num:serial=<EAGLE 5 ISS's serial number>:lock=yes
```

When this command has successfully completed, the following message should appear.

```
rlghncxa03w 07-05-28 21:15:37 GMT EAGLE5 37.0.0
ENT-SERIAL-NUM: MASP A - COMPLTD
```

If 6000 routesets are not being enabled, continue the procedure with [Step 12](#).

If 7000 routesets are currently enabled, and 8000 or 10,000 routesets are being enabled, continue the procedure with [Step 12](#).

If 5000 or 6000 routesets are currently enabled and 7000, 8000, or 10,000 routesets are being enabled, continue the procedure with [Step 10](#).

10. Verify the number of alias point codes configured in the EAGLE 5 ISS by entering the `rtrv-dstn` command with the `msar=only` parameter.

To enable 7000 or 8000 routesets, the EAGLE 5 ISS can have no more than 8000 alias point codes.

To enable 10,000 routesets, the EAGLE 5 ISS can have no more than 10,000 alias point codes.

The `msar=only` parameter displays only the maximum numbers of different types of point codes the EAGLE 5 ISS can have and the actual numbers of the different types of point codes that are configured in the EAGLE 5 ISS.

```
rtrv-dstn:msar=only
```

One of two types of outputs are displayed, depending on whether or not the Cluster Routing and Management Diversity feature is on or off.

If the Cluster Routing and Management Diversity feature is off:

```
rlghncxa03w 07-05-17 16:02:05 GMT EAGLE5 37.0.0
Destination table is (10 of 8000) 1% full
Alias table is (8 of 8000) 1% full
RTRV-DSTN: MASP A - COMPLTD
```

If the Cluster Routing and Management Diversity feature is on:

```
rlghncxa03w 07-05-17 16:02:05 GMT EAGLE5 37.0.0
DESTINATION ENTRIES ALLOCATED: 8000
  FULL DPC(s): 9
  EXCEPTION DPC(s): 0
  NETWORK DPC(s): 0
  CLUSTER DPC(s): 1
  TOTAL DPC(s): 10
  CAPACITY (% FULL): 1%
ALIASES ALLOCATED: 8000
  ALIASES USED: 8
  CAPACITY (% FULL): 1%
X-LIST ENTRIES ALLOCATED: 500
RTRV-DSTN: MASP A - COMPLTD
```

If 7000 or 8000 routesets are being enabled and the EAGLE 5 ISS contains more than 8000 alias point codes, perform the [Changing a Destination Point Code](#) procedure to reduce the number of alias point codes to an amount below 8000.

If 10,000 routesets are being enabled and the EAGLE 5 ISS contains more than 10,000 alias point codes, perform the [Changing a Destination Point Code](#) procedure to reduce the number of alias point codes to an amount below 10,000.

When this step has been completed, continue the procedure by performing one of these steps.

- If 7000 or 8000 routesets are being enabled, continue the procedure with [Step 12](#).
- If 10,000 routesets are being enabled, continue the procedure with [Step 11](#).

11. Display the control cards in the EAGLE 5 ISS by entering this command.

```
rtrv-stp:gpl=oamhc
```

This is an example of the possible output.

```
rlghncxa03w 10-12-01 16:07:48 GMT EAGLE5 43.0.0

Card  Part Number  Rev Serial Number  Type  DB  APPL  GPL Version
----  -
1113  870-2903-01  C   10206255064  E5MCAP  1024M  OAMHC  132-018-000
1115  870-2903-01  C   10206255165  E5MCAP  1024M  OAMHC  132-018-000

Command Completed.
```

To enable 10,000 routesets, E5-MCAP cards must be installed in card locations 1113 and 1115. If E5-MCAP cards are not shown in either card location 1113 or 1115, install the E5-MCAP cards in card locations 1113 or 1115 as required. Contact the Customer Care Center before installing the E5-MCAP cards. Refer to the [Customer Care Center](#) section for the contact information.

After the E5-MCAP cards have been installed, or if E5-MCAP cards are shown in card locations 1113 and 1115 in the `rtrv-stp` output, continue the procedure with [Step 12](#).

12. Enable the routeset quantity with the `enable-ctrl-feat` command specifying the part number for the routeset quantity and the feature access key.

- To enable 6000 routesets, enter this command.

```
enable-ctrl-feat:partnum=893006401:fak=<6000 Routesets feature access key>
```

- To enable 7000 routesets, enter this command.

```
enable-ctrl-feat:partnum=893006402:fak=<7000 Routesets feature access key>
```

- To enable 8000 routesets, enter this command.

```
enable-ctrl-feat:partnum=893006403:fak=<8000 Routesets feature access key>
```

- To enable 10,000 routesets, enter this command.

```
enable-ctrl-feat:partnum=893006405:fak=<10,000 Routesets feature access key>
```

Note: A temporary feature access key cannot be specified to enable the routeset quantity.

Note: The values for the feature access key (the fak parameter) are provided by Tekelec. If you do not have the feature access key for the routeset quantity you wish to enable, contact your Tekelec Sales Representative or Account Representative.

When the enable-ctrl-feat command has successfully completed, this message should appear.

```
rlghncxa03w 07-05-28 21:15:37 GMT EAGLE5 37.0.0
ENABLE-CTRL-FEAT: MASP B - COMPLTD
```

13. Verify the changes by entering the rtrv-ctrl-feat command with the routeset quantity part number specified in [Step 12](#).

- If 6000 routesets was enabled, enter this command.

```
rtrv-ctrl-feat:partnum=893006401
```

The following is an example of the possible output.

```
rlghncxa03w 07-05-28 21:15:37 GMT EAGLE5 37.0.0
The following features have been permanently enabled:
```

Feature Name	Partnum	Status	Quantity
Routesets	893006401	on	6000

```
The following features have been temporarily enabled:
```

Feature Name	Partnum	Status	Quantity	Trial Period Left
Zero entries found.				

```
The following features have expired temporary keys:
```

Feature Name	Partnum
Zero entries found.	

- If 7000 routesets was enabled, enter this command.

```
rtrv-ctrl-feat:partnum=893006402
```

The following is an example of the possible output.

```
rlghncxa03w 07-05-28 21:15:37 GMT EAGLE5 37.0.0
The following features have been permanently enabled:
```

Feature Name	Partnum	Status	Quantity
Routesets	893006402	on	7000

```
The following features have been temporarily enabled:
```

Feature Name	Partnum	Status	Quantity	Trial Period Left
Zero entries found.				

```
The following features have expired temporary keys:
```

Feature Name	Partnum
Zero entries found.	

- If 8000 routesets was enabled, enter this command.

```
rtrv-ctrl-feat:partnum=893006403
```

The following is an example of the possible output.

```
rlghncxa03w 07-05-28 21:15:37 GMT EAGLE5 37.0.0
The following features have been permanently enabled:

Feature Name          Partnum    Status   Quantity
Routesets             893006403 on       8000

The following features have been temporarily enabled:

Feature Name          Partnum    Status   Quantity   Trial Period Left
Zero entries found.

The following features have expired temporary keys:

Feature Name          Partnum
Zero entries found.
```

- If 10,000 routesets was enabled, enter this command.

```
rtrv-ctrl-feat:partnum=893006405
```

The following is an example of the possible output.

```
rlghncxa03w 10-12-28 21:15:37 GMT EAGLE5 42.0.0
The following features have been permanently enabled:

Feature Name          Partnum    Status   Quantity
Routesets             893006405 on       10000

The following features have been temporarily enabled:

Feature Name          Partnum    Status   Quantity   Trial Period Left
Zero entries found.

The following features have expired temporary keys:

Feature Name          Partnum
Zero entries found.
```

Continue the procedure by performing one of these steps.

- If the DPC quantity or exception list quantity are not being changed, continue the procedure with [Step 16](#).
 - If the DPC quantity or exception list quantity are being changed, continue the procedure with [Step 14](#).
- 14.** Change the maximum number of destination point codes that the EAGLE 5 ISS can contain by entering the `chg-stpopts` command with the `mtpdpcq` parameter.
- The values that can be specified with the `mtpdpcq` parameter is shown in the following list.
- 500 to 2000 – if the 5000 Routes feature is not on, and 6000, 7000, 8000, or 10,000 routesets are not enabled.
 - 500 to 5000 – if the 5000 Routes feature is on, and 6000, 7000, 8000, or 10,000 routesets are not enabled.

- 500 to 6000 – if 6000 routesets are enabled.
- 500 to 7000 – if 7000 routesets are enabled.
- 500 to 8000 – if 8000 routesets are enabled.
- 500 to 10000 – if 10000 routesets are enabled.

For this example, enter this command.

```
chg-stpopts:mtpdpcq=7350
```

When this command has successfully completed, this message should appear.

```
rlghncxa03w 07-05-07 00:22:57 GMT EAGLE5 37.0.0
CHG-STPOPTS: MASP A - COMPLTD
```

If the MTPXLQ field (the exception list quantity) is shown in the `rtrv-stpopts` output in [Step 1](#), and you wish to change only the MTPXLQ value, enter the `chg-stpopts` command with the `mtpxlq` parameter. For example, if you wish to change the exception list quantity to 1000 point codes, enter this command. `chg-stpopts:mtpxlq=1000`.

Both the exception list quantity and the maximum of destination point codes can be changed, by entering the `chg-stpopts` command with both the `mtpdpcq` and `mtpxlq` parameters. For example, if you wish to change the exception list quantity to 1000 point codes and the maximum number of point codes to 6200, enter this command.

```
chg-stpopts:mtpxlq=1000:mtpdpcq=6750
```

When specifying the `mtpxlq` parameter with the `chg-stpopts` command, the resulting sum of the MTPDPCQ and MTPXLQ values cannot be greater than the values shown in the following list.

- 2500 – if the 5000 Routes feature is not on, and 6000, 7000, 8000, or 10,000 routesets are not enabled. The range of values for the `mtpdpcq` and `mtpxlq` parameters is from 500 to 2000.
- 5500 – if the 5000 Routes feature is on, and 6000, 7000, 8000, or 10,000 routesets are not enabled. The range of values for the `mtpdpcq` and `mtpxlq` parameters is from 500 to 5000.
- 6500 – if 6000 routesets are enabled. The range of values for the `mtpdpcq` and `mtpxlq` parameters is from 500 to 6000.
- 7500 – if 7000 routesets are enabled. The range of values for the `mtpdpcq` parameter is from 500 to 7000. The range of values for the `mtpxlq` parameters is from 500 to 6000.
- 8500 – if 8000 routesets are enabled. The range of values for the `mtpdpcq` parameter is from 500 to 8000. The range of values for the `mtpxlq` parameters is from 500 to 6000.
- 10500 – if 10000 routesets are enabled. The range of values for the `mtpdpcq` and `mtpxlq` parameters is from 500 to 10,000.

15. Verify the changes using the `rtrv-stpopts` command.

This is an example of the possible output.

```
rlghncxa03w 07-05-17 16:02:05 GMT EAGLE5 37.0.0
STP OPTIONS
-----
MTPDPCQ           7350
```

Note: The `rtrv-stpopts` command output contains other fields that are not used by this procedure. If you wish to see all the fields displayed by the `rtrv-stpopts` command, see the `rtrv-stpopts` command description in the *Commands Manual*.

If the `mtpxlq` parameter was specified in [Step 14](#), the `mtpxlq` parameter value will be shown in the `MTPXLQ` field of the `rtrv-stpopts` command output.

16. Back up the new changes, using the `chg-db:action=backup:dest=fixed` command.

These messages should appear; the active Maintenance and Administration Subsystem Processor (MASP) appears first.

```
BACKUP (FIXED): MASP A - Backup starts on active MASP.
BACKUP (FIXED): MASP A - Backup on active MASP to fixed disk complete.
BACKUP (FIXED): MASP A - Backup starts on standby MASP.
BACKUP (FIXED): MASP A - Backup on standby MASP to fixed disk complete.
```

Activating the ITU National and International Spare Point Code Support Feature

This feature allows ITU international (ITU-I) and 14-bit ITU national (ITU-N) spare point codes to be provisioned in the database. To provision these point codes, the ITU National and International Spare Point Code Support feature must be enabled with the `enable-ctrl-feat` command. Turning this feature on with the `chg-ctrl-feat` command allows the EAGLE 5 ISS to route messages using ITU-I and 14-bit ITU-N spare point codes.

The `enable-ctrl-feat` command enables the ITU National and International Spare Point Code Support feature by inputting the feature's access key and the feature's part number with these parameters:

`:fak` – The feature access key provided by Tekelec. The feature access key contains 13 alphanumeric characters and is not case sensitive.

`:partnum` – The Tekelec-issued part number of the ITU National and International Spare Point Code Support feature, 893013601.

Once this feature is enabled, it is permanently enabled. This feature cannot be enabled with a temporary feature access key.

The `enable-ctrl-feat` command requires that the database contain a valid serial number for the EAGLE 5 ISS, and that this serial number is locked. This can be verified with the `rtrv-serial-num` command. The EAGLE 5 ISS is shipped with a serial number in the database, but the serial number is not locked. The serial number can be changed, if necessary, and locked once the EAGLE 5 ISS is on-site, with the `ent-serial-num` command. The `ent-serial-num` command uses these parameters.

`:serial` – The serial number assigned to the EAGLE 5 ISS. The serial number is not case sensitive.

`:lock` – Specifies whether or not the serial number is locked. This parameter has only one value, `yes`, which locks the serial number. Once the serial number is locked, it cannot be changed.

Note: To enter and lock the EAGLE 5 ISS's serial number, the `ent-serial-num` command must be entered twice, once to add the correct serial number to the database with the `serial` parameter, then again with the `serial` and the `lock=yes` parameters to lock the serial number. You should verify that the serial number in the database is correct before locking the serial number. The serial number can be found on a label affixed to the control shelf (shelf 1100).

The `chg-ctrl-feat` command uses these parameters:

`:partnum` – The Tekelec-issued part number of the ITU National and International Spare Point Code Support feature, 893013601.

`:status=on` – used to turn the ITU National and International Spare Point Code Support on.

The status of the controlled features in the EAGLE 5 ISS is shown with the `rtrv-ctrl-feat` command.

Once the ITU National and International Spare Point Code Support is enabled, ITU-I or 14-bit ITU-N spare point codes can be added to the EAGLE 5 ISS. To do this, perform these procedures to provision these database entities.

- To add spare point codes to the self identification of the EAGLE 5 ISS - [Adding a Point Code to the Self-Identification of the EAGLE 5 ISS](#) procedure
- To change the self identification of the EAGLE 5 ISS to include spare point codes - [Changing the Self-Identification of the EAGLE 5 ISS](#) procedure.
- To add spare point codes to the DPC table - [Adding a Destination Point Code](#) procedure.
- To use spare point codes as the adjacent point code of a linkset - [Adding a SS7 Linkset](#) .
- To add signaling links to the linkset - [Adding an SS7 Signaling Link](#) procedure.
- To use spare point codes as the DPC of a route - Perform one of the “Adding a Route” procedures in [SS7 Configuration](#).

1. Display the controlled features in the database by entering the `rtrv-ctrl-feat` command.

This is an example of the possible output.

```
rlghncxa03w 07-05-28 11:43:04 GMT EAGLE5 37.0.0
The following features have been permanently enabled:

Feature Name           Partnum    Status    Quantity
SCCP Conversion       893012001  on       ----
EIR                   893012301  on       ----
GSM Map Screening (GMS) 893013201  on       ----
HC-MIM SLK Capacity   893012707  on       64

The following features have been temporarily enabled:

Feature Name           Partnum    Status    Quantity    Trial Period Left
Zero entries found.

The following features have expired temporary keys:

Feature Name           Partnum
Zero entries found.
```

If the ITU National and International Spare Point Code Support feature is enabled, the entry Spare Point Code Support is shown in the permanently enabled section of the `rtrv-ctrl-feat` output. If the status of the ITU National and International Spare Point Code Support feature is on, no further action can be performed.

If the ITU National and International Spare Point Code Support is enabled but not turned on (shown by the entry `off` in the `Status` column), continue the procedure with [Step 7](#).

If the ITU National and International Spare Point Code Support is not enabled, continue the procedure with [Step 2](#) .

2. Display the serial number in the database with the `rtrv-serial-num` command.

Note: If the `rtrv-ctrl-feat` output in [Step 1](#) shows any controlled features, continue the procedure with [Step 6](#). If the `rtrv-ctrl-feat` output shows only the HC-MIMSLK Capacity feature with a quantity of 64, [Step 2](#) through [Step 5](#) must be performed.

This is an example of the possible output.

```
rlghncxa03w 07-05-28 21:15:37 GMT EAGLE5 37.0.0
System serial number = nt00001231

System serial number is not locked.

rlghncxa03w 07-05-28 21:15:37 GMT EAGLE5 37.0.0
Command Completed
```

Note: If the serial number is correct and locked, continue the procedure with [Step 6](#). If the serial number is correct but not locked, continue the procedure with [Step 5](#). If the serial number is not correct, but is locked, this feature cannot be enabled and the remainder of this procedure cannot be performed. Contact the Customer Care Center to get an incorrect and locked serial number changed. Refer to [Customer Care Center](#) for the contact information. The serial number can be found on a label affixed to the control shelf (shelf 1100).

3. Enter the correct serial number into the database using the `ent-serial-num` command with the `serial` parameter.

For this example, enter this command.

```
ent-serial-num:serial=<EAGLE 5 ISS's correct serial number>
```

When this command has successfully completed, the following message should appear.

```
rlghncxa03w 07-05-28 21:15:37 GMT EAGLE5 37.0.0
ENT-SERIAL-NUM: MASP A - COMPLTD
```

4. Verify that the serial number entered into [Step 3](#) was entered correctly using the `rtrv-serial-num` command.

This is an example of the possible output.

```
rlghncxa03w 07-05-28 21:15:37 GMT EAGLE5 37.0.0
System serial number = nt00001231

System serial number is not locked.

rlghncxa03w 07-05-28 21:15:37 GMT EAGLE5 37.0.0
Command Completed
```

If the serial number was not entered correctly, repeat [Step 3](#) and [Step 4](#) and re-enter the correct serial number.

5. Lock the serial number in the database by entering the `ent-serial-num` command with the serial number shown in [Step 2](#), if the serial number shown in [Step 2](#) is correct, or with the serial number shown in [Step 4](#), if the serial number was changed in [Step 3](#), and with the `lock=yes` parameter.

For this example, enter this command.

```
ent-serial-num:serial=<EAGLE 5 ISS's serial number>:lock=yes
```

When this command has successfully completed, the following message should appear.

```
rlghncxa03w 07-05-28 21:15:37 GMT EAGLE5 37.0.0
ENT-SERIAL-NUM: MASP A - COMPLTD
```

6. Enable the ITU National and International Spare Point Code Support feature by entering the `enable-ctrl-feat` command.

For this example, enter this command.

```
enable-ctrl-feat:partnum=893013601:fak=<ITU National and International
Spare Point Code Support feature access key>
```

Note: The values for the feature access key (the `fak` parameter) are provided by Tekelec. If you do not have the feature access key for the ITU National and International Spare Point Code Support feature, contact your Tekelec Sales Representative or Account Representative.

When the `enable-ctrl-feat` command has successfully completed, this message should appear.

```
rlghncxa03w 07-05-28 21:15:37 GMT EAGLE5 37.0.0
ENABLE-CTRL-FEAT: MASP A - COMPLTD
```

7. Turn the ITU National and International Spare Point Code Support feature on by entering the `chg-ctrl-feat` command with the part number used in [Step 6](#) and the `status=on` parameter.



Caution: Once the ITU National and International Spare Point Code Support feature is turned on, it cannot be turned off.

CAUTION

For this example, enter this command.

```
chg-ctrl-feat:partnum=893013601:status=on
```

When this command has successfully completed, the following message should appear.

```
rlghncxa03w 07-05-28 21:15:37 GMT EAGLE5 37.0.0
CHG-CTRL-FEAT: MASP A - COMPLTD
```

8. Verify the changes by entering the `rtrv-ctrl-feat` command.

This is an example of the possible output.

```
rlghncxa03w 07-05-28 21:15:37 GMT EAGLE5 37.0.0
The following features have been permanently enabled:
```

Feature Name	Partnum	Status	Quantity
Spare Point Code Support	893013601	on	----

```
The following features have been temporarily enabled:
```

Feature Name	Partnum	Status	Quantity	Trial Period Left
Zero entries found.				

```
The following features have expired temporary keys:
```

```
Feature Name          Partnum
Zero entries found.
```

9. Back up the new changes, using the `chg-db:action=backup:dest=fixed` command.

These messages should appear; the active Maintenance and Administration Subsystem Processor (MASP) appears first.

```
BACKUP (FIXED): MASP A - Backup starts on active MASP.
BACKUP (FIXED): MASP A - Backup on active MASP to fixed disk complete.
BACKUP (FIXED): MASP A - Backup starts on standby MASP.
BACKUP (FIXED): MASP A - Backup on standby MASP to fixed disk complete.
```

10. To begin adding ITU-I or 14-bit ITU-N spare point codes, perform the [Adding a Point Code to the Self-Identification of the EAGLE 5 ISS](#) procedure.

Note: Before executing this procedure, make sure you have purchased the ITU National and International Spare Point Code Support feature. If you are not sure if you have purchased the ITU National and International Spare Point Code Support feature, contact your Tekelec Sales Representative or Account Representative.

Spare Point Code Feature Migration Plan

This section describes how to migrate a signaling network that uses the Duplicate Point Code feature to support a National Spare network to a signaling network that uses the ITU National and International Spare Point Code Support feature to support a National Spare network

Terminology

The term “enabled” refers to entering the `enable-ctrl-feat` command to provision the ITU National and International Spare Point Code Support feature.

The term “turn on” refers to entering the `chg-ctrl-feat` command to change the ITU National and International Spare Point Code Support feature status to on. After this feature is turned on, all MSU processing is performed using the ITU National and International Spare Point Code Support feature rules.

APC refers to the adjacent point code of a linkset. The APC is the point code of the adjacent node to which messages are routed. The APC can be one of these types of point codes:

- ANSI point code
- ITU-International point code
- ITU-International spare point code
- 14-bit ITU-National point code
- 14-bit ITU-National spare point code
- 24-bit ITU-National point code.

For more information on these point code types, see the [Point Code Formats](#) section.

SAPC refers to the secondary adjacent point code that is assigned to a linkset. For more information on secondary adjacent point codes, see the [Configuring an ITU Linkset with a Secondary Adjacent Point Code \(SAPC\)](#) procedure.

National traffic refers to traffic whose messages contain the national network indicator value 2 (NI=10_{binary}).

National Spare traffic refers to traffic whose messages contain the national spare network indicator value 3 (NI=11_{binary}).

Assumptions

The examples used to illustrate the migration process use these assumptions.

- The group code aa is assigned to the point codes that are assigned to the nodes handling messages that contain the national network indicator value 2 (NI=10_{binary}).
- The group code ab is assigned to the point codes that are assigned to the nodes handling messages that contain the national spare network indicator value 3 (NI=11_{binary}).
- Only two nodes support the duplicate point code feature: STP 1 and STP 2.
- Between pairs of nodes, separate linksets exist for group aa and group ab. In this case, separate linksets exist between STP 1 and STP 2.
- The nodes are migrated to the ITU National and International Spare Point Code Support feature, one at a time, in three stages.
 - Stage one involves upgrading all the nodes to the new software load, enabling the ITU National and International Spare Point Code Support feature for provisioning, and provisioning each node with the required point codes and routes.
 - Stage two involves turning on the ITU National and International Spare Point Code Support feature on an adjacent pair of EAGLE 5 ISSs, one pair of nodes at a time, and changing the routing between these EAGLE 5 ISSs to use a single linkset.
 - Stage three removes the components that are no longer needed after the migration has been completed.
- After the migration process is complete, a single linkset will remain between pairs of nodes. Each linkset will carry both National and National Spare traffic.
- A third linkset containing high-speed signaling links will be created to support both the National and National Spare traffic. The other two linksets will be removed later.
- Prior to merging both National and National Spare traffic for an adjacent pair of nodes onto a single linkset, the customer and Tekelec will need to determine whether more links must be added to the linkset to support the higher traffic volume. If the linkset has already reached its limit of 16 links, and more links are required, the customer and Tekelec will decide whether the customer must deploy high-speed signaling links.
- The nis parameter value for all linksets whose point code suffix is ab is set to on.
- After an EAGLE 5 ISS has been upgraded to the ITU National and International Spare Point Code Support feature, the point codes that will be assigned to these nodes will have to be provisioned with the same group codes that are currently assigned to these nodes.
- The routes for the National Spare traffic must be provisioned before the ITU National and International Spare Point Code Support feature is turned on for a node.
- The customer should not lose any traffic during the migration.

Figure 7: Example of an Existing Network that is not using the ITU National and International Spare Point Code Support Feature shows an example network that is not using the ITU National and International Spare Point Code Support feature.

Note: For the figures shown in this section, a point code that is prefaced with “s” indicates a spare point code, and a point code that is not prefaced with an “s” indicates a non-spare point code. If a linkset includes an APC (adjacent point code) or SAPC that is prefaced with “s,” the linkset supports traffic to and from ITU-National spare point codes. If the linkset includes an APC or SAPC that is not prefaced with “s,” the linkset supports traffic to and from ITU-National point codes. A linkset that includes both ITU-National and ITU-National spare APC and SAPCs supports both national and national spare traffic. Point codes that are labeled within the STP nodes represent true and secondary EAGLE 5 ISS point codes.

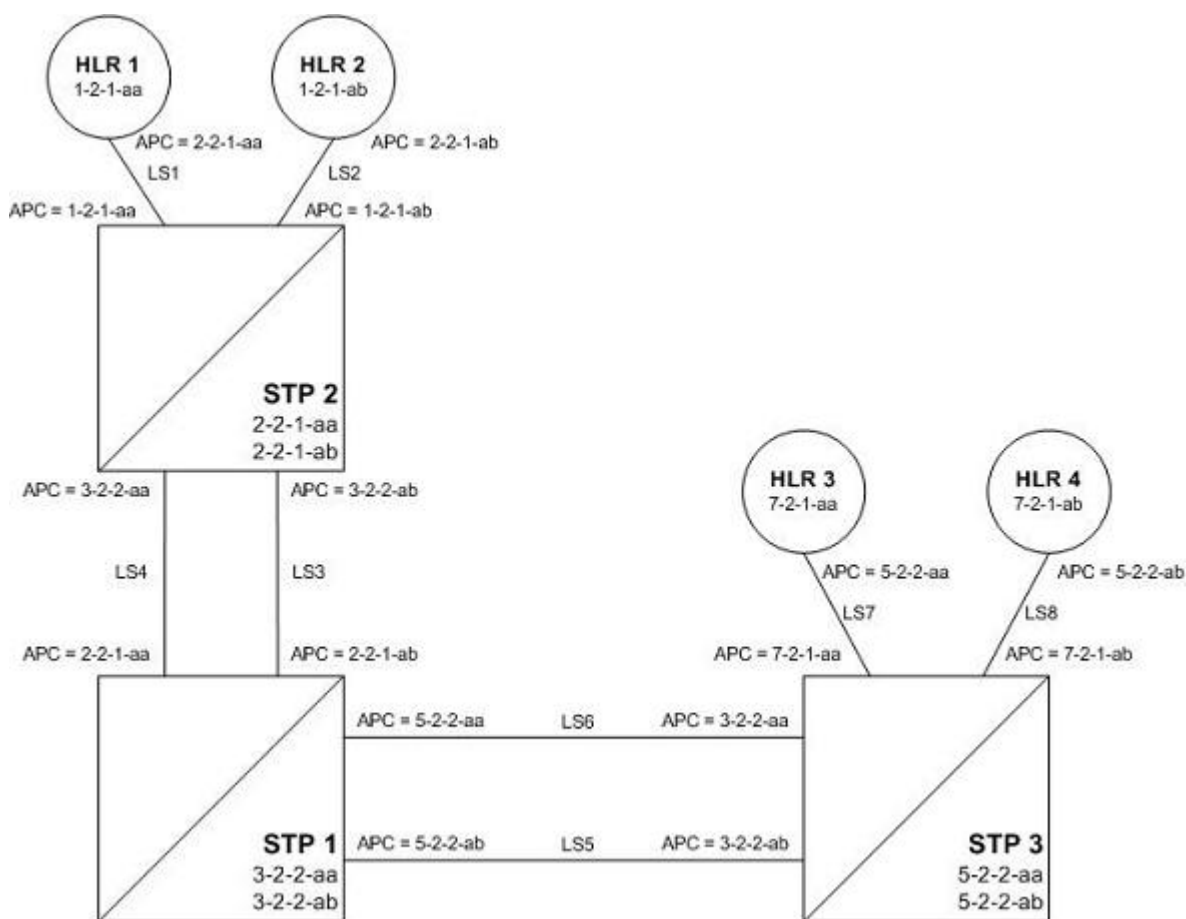


Figure 7: Example of an Existing Network that is not using the ITU National and International Spare Point Code Support Feature

Stage One

Figure 8: Stage One - ITU National and International Spare Point Code Support Feature Provisioned on All Nodes shows an example network. The items shown in bold are items that are added during this stage of the migration procedure.

The following steps are performed for each node shown in Figure 8: Stage One - ITU National and International Spare Point Code Support Feature Provisioned on All Nodes, one at a time, as part of this stage of the migration procedure.

1. Upgrade each EAGLE 5 ISS shown in Figure 8: Stage One - ITU National and International Spare Point Code Support Feature Provisioned on All Nodes to the software release that contains the ITU National

and International Spare Point Code Support feature by performing the appropriate upgrade procedure.

2. Enable the ITU National and International Spare Point Code Support feature on each EAGLE 5 ISS shown in *Figure 8: Stage One - ITU National and International Spare Point Code Support Feature Provisioned on All Nodes*, by performing the *Activating the ITU National and International Spare Point Code Support Feature* procedure. Do not turn the feature on at this time.

Note: Provisioning for the ITU National and International Spare Point Code Support feature can be performed once the feature is enabled. Message processing based on this feature is not performed until the feature is turned on.

3. Add a new true ITU-National spare point code in the self identification table of each EAGLE 5 ISS by performing the *Adding a Point Code to the Self-Identification of the EAGLE 5 ISS* procedure at each EAGLE 5 ISS. For example, add these point codes:
 - Point code s-3-2-2-ab to STP 1
 - Point code s-2-2-1-ab to STP 2
 - Point code s-5-2-2-ab to STP 3.
4. Add one secondary ITU-National spare point code to each EAGLE 5 ISS by performing the *Adding a Secondary Point Code* procedure. For example, add these point codes:
 - Point code s-0-0-1-ab to STP 2
 - Point code s-0-0-2-ab to STP 1
 - Point code s-0-0-3-ab to STP 3.
5. Add a secondary adjacent ITU-National spare point code (SAPC) to the linksets whose APCs have the “ab” suffix by performing the *Configuring an ITU Linkset with a Secondary Adjacent Point Code (SAPC)* procedure. For example, add these secondary adjacent point codes:
 - SAPC s-0-0-1-ab for linkset LS3 in STP 1
 - SAPC s-0-0-2-ab for linkset LS3 in STP 2
 - SAPC s-5-2-2-ab for linkset LS5 in STP 1
 - SAPC s-3-2-2-ab for linkset LS5 in STP 3
 - SAPC s-1-2-1-ab for linkset LS2 in STP 2
 - SAPC s-7-2-1-ab for linkset LS8 in STP 3.

This provisioning must be done before National Spare traffic can be routed over the linksets whose APCs have the “ab” suffix using the ITU National and International Spare Point Code Support feature. As a result of this provisioning, linksets LS2, LS3, LS5, and LS8 can support traffic to and from ITU-National spare point codes as well as ITU-National point codes.

6. Provision the routes for the ITU-National spare point codes provisioned in step 5 by performing one of these procedures as required.
 - *Adding a Route Containing an SS7 DPC*
 - *Adding a Route Containing an IPGWx Linkset*

For example, provision a route to point code s-1-2-1-ab on LS3 at STP 1.

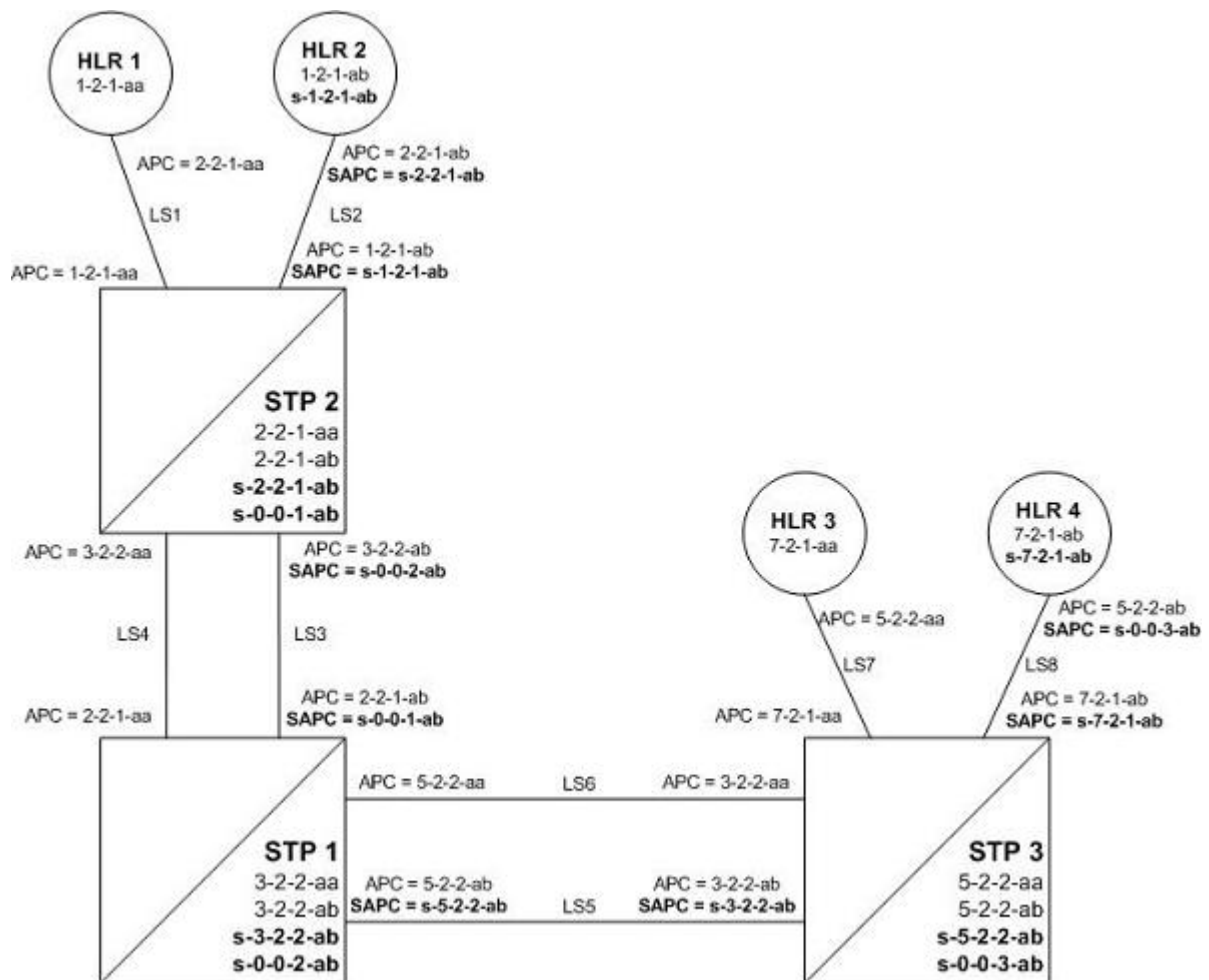


Figure 8: Stage One - ITU National and International Spare Point Code Support Feature Provisioned on All Nodes

After Stage One has been completed, as indicated in *Figure 8: Stage One - ITU National and International Spare Point Code Support Feature Provisioned on All Nodes*, linksets LS2, LS3, LS5, and LS8 are capable of supporting traffic to and from both ITU-National and ITU-National spare point codes. Routing decisions, however, are still made using the Duplicate Point Code rules, as the ITU National and International Spare Point Code Support feature has not been turned on.

Stage Two

After stage one is completed for all nodes, the network continues to have the same linksets that it had before this process was started. The same messages are routed over the same linksets, except the new feature is used for routing on select adjacent nodes (STP 1 and STP 2 in this example). This is shown in *Figure 9: Stage Two - All Traffic Merged onto a Third Linkset* when the feature is turned on for STP 1 and STP 2. Items in bold are added during this stage.

1. Turn on MSU processing on STP 1 by turning on the ITU National and International Spare Point Code Support feature. Perform the *Activating the ITU National and International Spare Point Code Support Feature* procedure on STP 1 to turn the spare point code feature on.

At this point, messages arriving at STP 1 with the DPC 1-2-1-aa that contain the national spare network indicator value 3 (NI=11_{binary}) are routed using linkset LS3 with the new route provisioned in step 6 of Stage One of this procedure (point code s-1-2-1-ab on LS3 at STP 1).

Messages arriving with DPC 1-2-1-ab that contain the national network indicator value 2 (NI=10_{binary}) will continue to be routed using linkset LS4.

Since the ITU National and International Spare Point Code Support feature has not been turned on for STP 2 and STP 3, these nodes continue to route traffic according to the Duplicate Point Code feature rules.

2. Turn on MSU processing on STP 2 by turning on the ITU National and International Spare Point Code Support feature. Perform the [Activating the ITU National and International Spare Point Code Support Feature](#) procedure on STP 2 to turn the spare point code feature on.

At this point, messages arriving at STP 2 with DPC 7-2-1-ab that contain the national spare network indicator value 3 (NI=11_{binary}) are routed using linkset LS5 with the new route provisioned in step 6 of Stage One of this procedure (point code s-7-2-1-ab on LS5 at STP 2).

Messages arriving with DPC 7-2-1-aa that contain the national network indicator value 2 (NI=10_{binary}) will continue to be routed using linkset LS6.

3. Set the nis parameter value for linkset LS3 to off by performing [Changing an SS7 Linkset](#).
4. Create secondary ITU-National point code 2-2-2-aa on STP 2 and secondary ITU-National point code 3-2-3-aa on STP 1 by performing the [Adding a Secondary Point Code](#) procedure on STP 1 and STP 2.
5. Create a third linkset, LS9, that contains high-speed signaling links with these APC and SAPC values:
 - The APC for linkset LS9 on STP 2 is 3-2-3-aa
 - The APC for linkset LS9 on STP 1 is 2-2-2-aa
 - The SAPC for linkset LS9 on STP 2 is s-3-2-2-ab
 - The SAPC for linkset LS9 on STP 1 is s-2-2-1-ab.

Create linkset LS9 by performing one of these procedures as required:

- [Adding a SS7 Linkset](#)
- "Configuring an IPGWx Linkset" in the *Database Administration Manual - IP7 Secure Gateway*.
- "Adding an IPSG M2PA Linkset" in the *Database Administration Manual - IP7 Secure Gateway*.
- "Adding an IPSG M3UA Linkset" in the *Database Administration Manual - IP7 Secure Gateway*.

The traffic from linksets LS3 and LS4 will be merged onto linkset LS9. Linkset LS9 will be the only linkset that will remain between STP 1 and STP 2 after the migration is complete.

6. Provision linkset LS9 to use high-speed signaling links by performing one of these procedures as required:
 - [Adding an ATM High-Speed Signaling Link](#)
 - "Adding an IPLIMx Signaling Link" procedure in the *Database Administration Manual - IP7 Secure Gateway*
 - "Adding an IPGWx Signaling Link procedure in the *Database Administration Manual - IP7 Secure Gateway*
 - "Adding an IPSG M2PA Signaling Link" in the *Database Administration Manual - IP7 Secure Gateway*.
 - "Adding an IPSG M3UA Signaling Link" in the *Database Administration Manual - IP7 Secure Gateway*.

Make sure that enough slots are available to support these cards.

7. Change the routes on STP 1 to s-1-2-1-ab and 1-2-1-aa so that all National and National Spare traffic uses linkset LS9 by performing the *Changing a Route* procedure. At this point, incoming National Spare traffic to STP 1 still uses linkset LS3, and incoming National Spare traffic to STP 1 still uses linkset LS4 until the routes on STP 2 are changed so that all National and National Spare traffic uses linkset LS9.
8. Provision routes on the adjacent nodes to include the new true and secondary point codes that were added to STP 1 and STP 2. Perform one of these procedures as required.
 - *Adding a Route Containing an SS7 DPC*
 - *Adding a Route Containing an IPGWx Linkset.*

All traffic (National and National Spare) should now be flowing on linkset LS9.

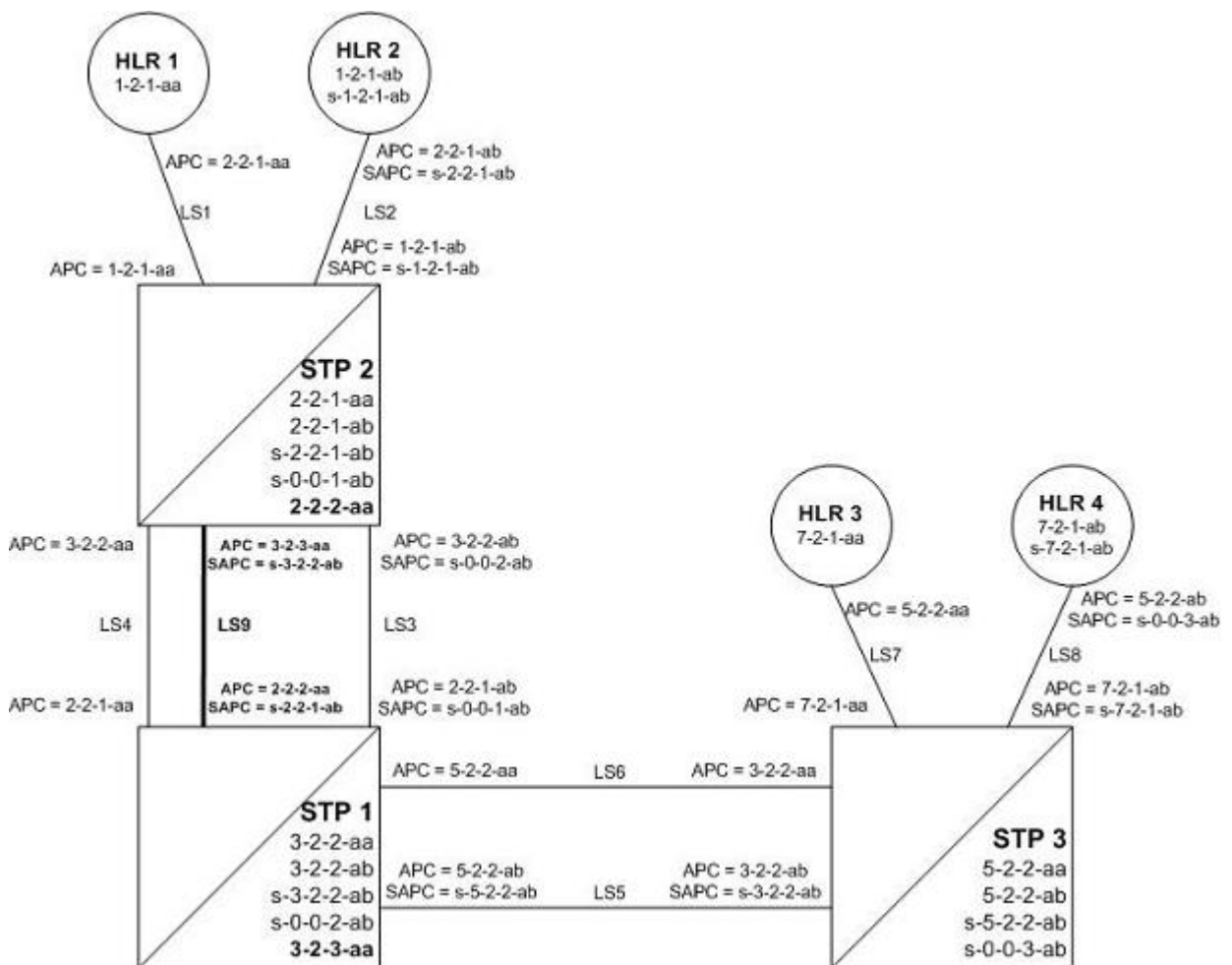


Figure 9: Stage Two - All Traffic Merged onto a Third Linkset

In *Figure 9: Stage Two - All Traffic Merged onto a Third Linkset*, all traffic between STP 1 and STP 2 is routed over linkset LS9, using the national spare network indicator value 3 (NI=11_{binary}) and the national network indicator value 2 (NI=10_{binary}) to select the route. Note that linkset LS3 and linkset LS4 are not being used.

Stage Three - Removing Unused Components

The unused components that resulted from the migration need to be removed.

1. Perform the *Removing a Linkset Containing SS7 Signaling Links* procedure to remove the unused linksets. For this example, remove linksets LS3 and LS4.
2. Perform the *Removing a Destination Point Code* procedure to remove the point codes that were the APCs of the unused linksets. For this example, remove point codes 3-2-2-aa and 3-2-2-ab from STP 2, and 2-2-1-aa and 2-2-1-ab from STP 1.
3. Perform the *Removing a Secondary Point Code* procedure to remove the unused secondary point codes. For this example, remove secondary point codes s-0-0-1-ab from STP 2 and s-0-0-2-ab from STP 1.
4. Perform the *Changing the Self-Identification of the EAGLE 5 ISS* procedure to remove any unused true point codes. For this example, remove point code 2-2-1-ab from STP 2.

At this point, after all affected linksets have been merged, the situation looks like *Figure 10: Stage Three - All Traffic Merged onto Linkset LS9*. Both National and National Spare traffic between STP 2 and STP 1 are sent over linkset LS9. Traffic between STP 1 and STP 3 continues to route over linkset LS6 for ITU-National point code/group code aa and over linkset LS5 for ITU-National spare point code/group code ab. This is because the ITU National and International Spare Point Code Support feature has been turned on for STP 1 but not for STP 3, so the routes have not been changed between STP 1 and STP 3.

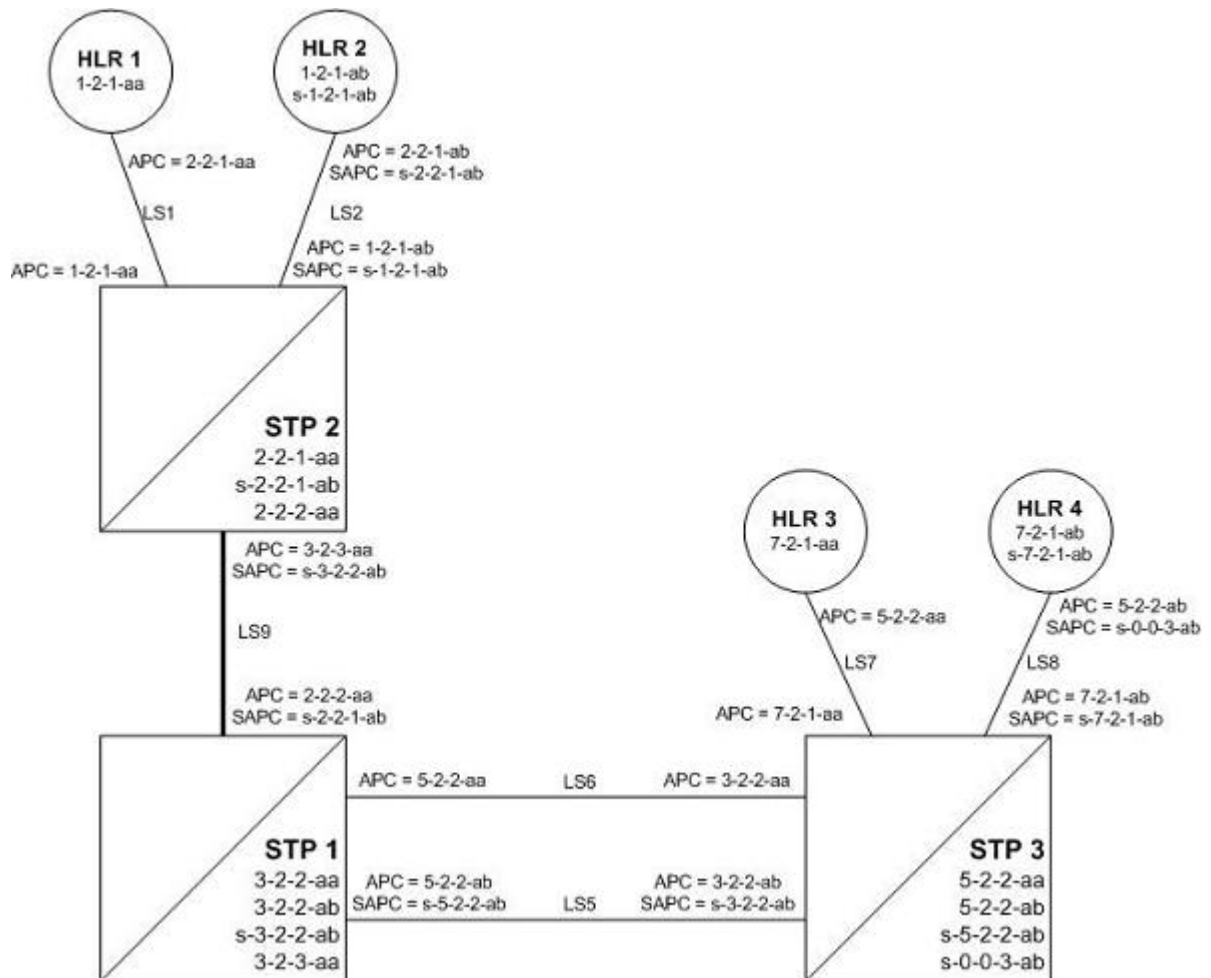


Figure 10: Stage Three - All Traffic Merged onto Linkset LS9

Multiple Point Code Support

Currently, the EAGLE 5 ISS supports six true point codes:

- ANSI point code
- ITU international point code
- ITU international spare point code
- 14-bit ITU national point code
- 14-bit ITU national spare point code
- 24-bit ITU national point code.

Note: The ITU national point code can be either 14-bit ITU national - spare and non-spare - or 24-bit ITU national. Both 14-bit ITU national and 24-bit national point codes cannot be present in the EAGLE 5 ISS at the same time.

In addition, the EAGLE 5 ISS supports up to 96 capability point codes, each of which can be designated as either ANSI, ITU-I (spare and non-spare), 14-bit ITU-N (spare and non-spare), or 24-bit ITU-N. Each capability point code defined on an EAGLE 5 ISS node can be used for routing messages to that node. For various reasons, customers might need the EAGLE 5 ISS to support more than one true point code in a particular domain.

There are three main reasons driving this feature:

- Some customers desire to collapse multiple existing STP's into one EAGLE 5 ISS. This can present problems in that end offices and other nodes may not be controlled by the carrier making reprovisioning of these network elements difficult. Multiple Point Code (MPC) support is designed to allow the EAGLE 5 ISS to assume more than one point code for SS7 routing. MPC support is different in concept from capability point codes in that provisioning and routing will use secondary point codes as if they were the actual point code of the EAGLE 5 ISS.
- Several customers in the international market want to deploy a single STP pair in multiple national (ITU-N) networks. This may not be possible without the MPC feature, as these operators are often forced to use a unique point code assigned by each national regulator of these target countries.
- Customers may require additional links between two nodes beyond the number of links permitted by the protocol. For example, the maximum number of links between two nodes in an ITU network is 16. The MPC feature can allow for additional linksets between these nodes, increasing the number of links that can be used.

This feature adds the ability to support Secondary Point Codes (SPCs) in addition to the true point codes used by the EAGLE 5 ISS in any of the three domains ANSI, ITU-N (14-bit or 24-bit) and ITU-I. Secondary point codes are used by provisioning and routing as if they are the true point code of the EAGLE 5 ISS. SPCs are supported for any type of link (A, B, C, D, etc.). There is no effect on provisioning capability point codes as a result of this feature.

In addition to the one True Point Code (TPC) already supported for each of the ANSI, ITU-N (14-bit or 24-bit) and ITU-I domains, the EAGLE 5 ISS support a pool of 40 Secondary Point Codes (SPC), each of which may be assigned as either ANSI, ITU-I, 14-bit ITU-N, or 24-bit ITU-N (not to exceed a total of 40 in one EAGLE 5 ISS). SPCs can be used in the same ways that true PCs are used.

Replacing Two STP Pairs with One Pair

The following example shows how an EAGLE 5 ISS pair can replace two existing STP pairs. In this example, each EAGLE 5 ISS in the pair uses one true point code and one secondary point code.

As shown in [Figure 11: Replacing the First STP Pair](#), a new EAGLE 5 ISS first replaces one existing STP pair. In this case, EAGLE 5 ISS's true point code is set to the true point code of the old STP. The adjacent nodes are cut over to the EAGLE 5 ISS pair. The adjacent nodes do not need to be reconfigured.

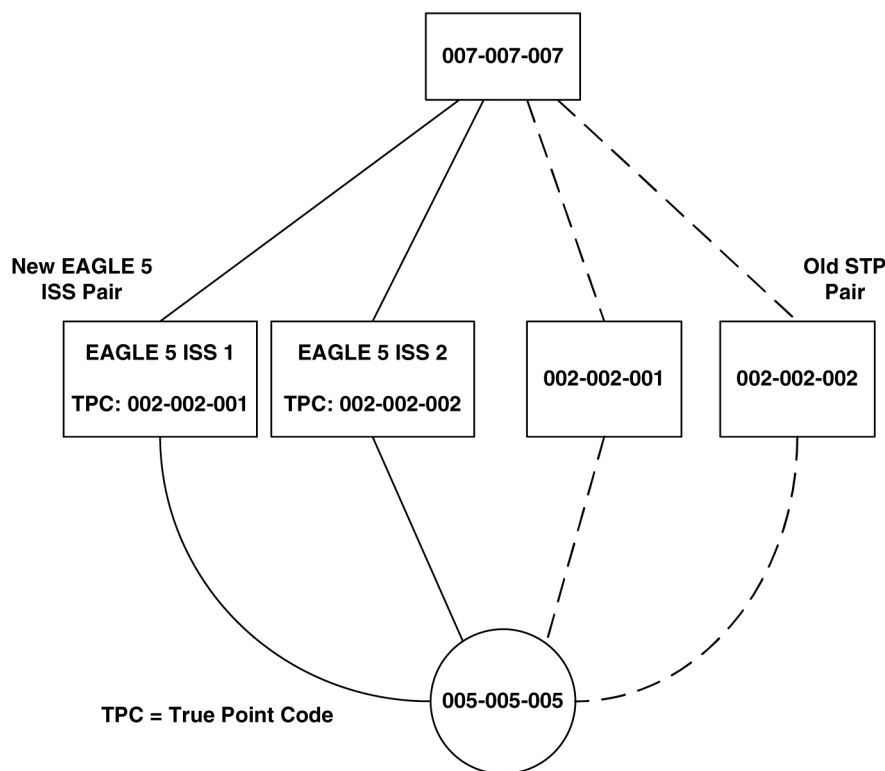


Figure 11: Replacing the First STP Pair

Next, a second STP pair is replaced with the EAGLE 5 ISS pair. As shown in [Figure 12: Replacing a Second STP Pair](#), an SSP and an STP are being “re-homed” from an old STP pair to a new EAGLE 5 ISS pair. In this example, the STP (003-003-003) is reconfigured with new routes to recognize that it is now connected to EAGLE 5 ISS 1 and EAGLE 5 ISS 2 instead of 001-001-001 and 001-001-002. STP 003-003-003, if not an EAGLE 5 ISS with Multiple Point Codes, may not be able to support more than one linkset to the same point code. See [Multiple Linksets between Two Nodes](#) section for a description of this capability. The interconnecting device (STP or SSP) can use either the TPC or SPC as the device requires.

At EAGLE 5 ISS 1, the user would configure the secondary point code 001-001-001, using the `ent-spc` command. The user would also configure a route to 001-001-002 over the C-linkset. The user would then configure point code 004-004-004 in the EAGLE 5 ISS's database to indicate that this point code uses the secondary point code 001-001-001, instead of the EAGLE 5 ISS's true point code (`chg-dstn:dpc=004-004-004:spc=001-001-001`). This last step would be repeated for all other adjacent SSPs and SCPs that are re-homed from the old STP Pair to the new EAGLE 5 ISS Pair.

Similarly, at EAGLE 5 ISS 2, the user would configure the secondary point code 001-001-002, and configure a route over the C-link to 001-001-001. The user would also configure point code 004-004-004 in EAGLE 5 ISS 2's database to indicate that this point code uses the secondary point code 001-001-002, instead of the EAGLE 5 ISS's true point code.

When EAGLE 5 ISS 1 receives a message from the SSP destined for 001-001-001, the EAGLE 5 ISS processes the message as if the message was sent to the EAGLE 5 ISS's true point code.

When EAGLE 5 ISS 1 generates a message (for example, network management, link test messages, or GTT messages) that is destined for 004-004-004, EAGLE 5 ISS 1 puts the OPC 001-001-001 in the message. When EAGLE 5 ISS 1 generates a message that is destined for 003-003-003 or 005-005-005, it

puts the OPC 002-002-001 in the message. When EAGLE 5 ISS 1 generates GTT and SCMG messages that are destined for non-adjacent point codes, it includes the OPC 002-002-001 in the message.

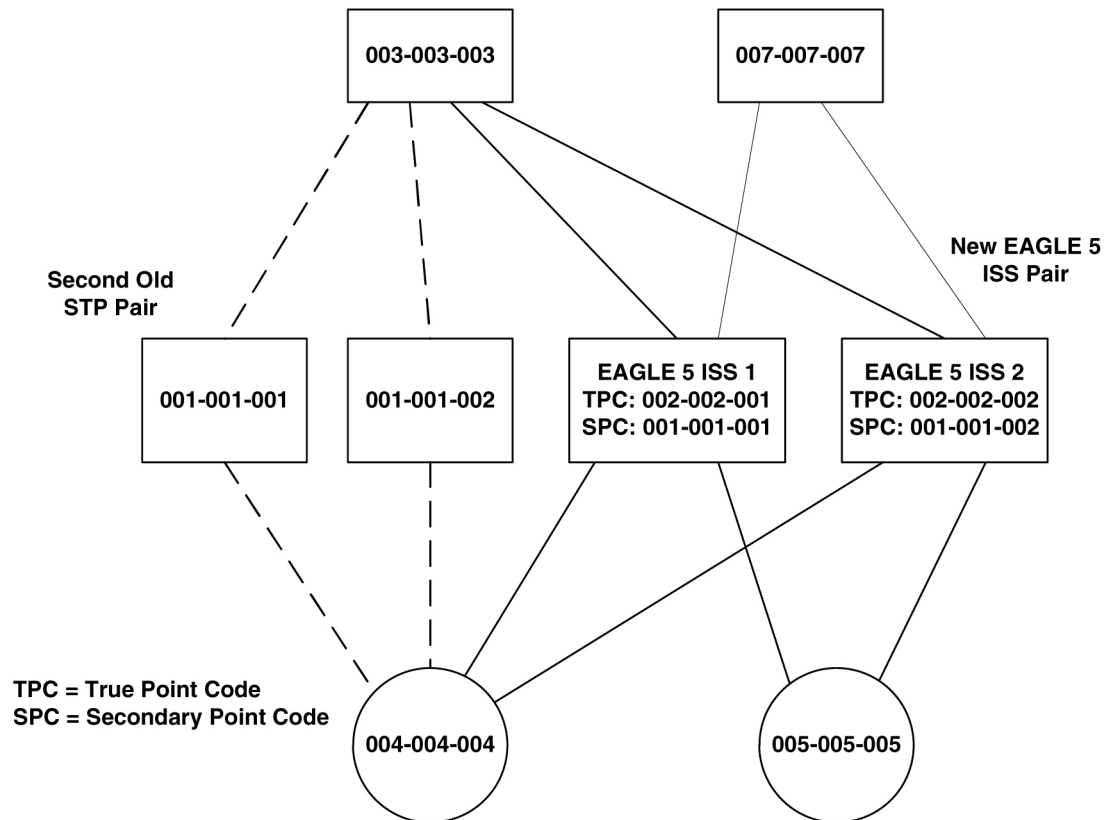


Figure 12: Replacing a Second STP Pair

Multiple Linksets between Two Nodes

With this feature, it is possible to configure multiple linksets between two nodes, if the adjacent node also supports Multiple Point Codes. The EAGLE 5 ISS continues to enforce the rule that each linkset must have a different adjacent point code.

One reason for provisioning multiple linksets between two nodes is to increase the number of links that can be configured between STP pairs. For example, in [Figure 13: Multiple Linkset Example](#), the EAGLE 5 ISS is connected to an STP pair that supports multiple point codes. Without this feature, only 16 ITU links can be configured between the EAGLE 5 ISS and the STP pair (8 links in LS1 and 8 links in LS2). In this example, two linksets are added, increasing the number of links to 32 (8 links in each of LS1, LS2, LS3, and LS4).

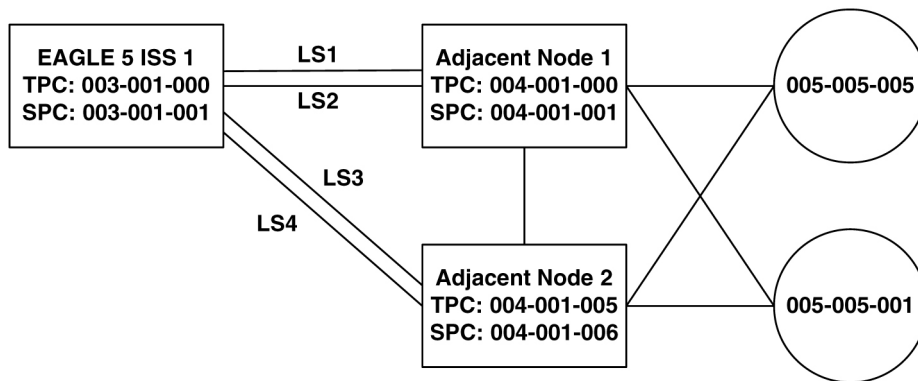


Figure 13: Multiple Linkset Example

In this example, the adjacent point code (APC) for LS1 is 4-1-0 and the APC for LS2 is 4-1-1. 4-1-1 is assigned an SPC of 3-1-1. So adjacent, Adj Node1 sees LS1 as having an APC of 3-1-0, and LS2 as having an APC of 3-1-1.

To load balance over these 4 linksets, half the destinations that use the STP pair can be assigned LS1 and LS3 as a combined linkset. The other half of the destinations can be assigned LS2 and LS4 as a combined linkset.

The commands to provision EAGLE 5 ISS1 for the network shown in [Figure 13: Multiple Linkset Example](#) are:

```

chg-sid:pc=3-1-0
ent-spc=3-1-1
ent-dstn:dpc=4-1-0
ent-dstn:dpc=4-1-1:spc=3-1-1
ent-dstn:dpc=4-1-5
ent-dstn:dpc=4-1-6:spc=3-1-1
ent-dstn:dpc=5-5-1
ent-dstn:dpc=5-5-5
ent-ls:lsn=ls1:apc=4-1-0
ent-ls:lsn=ls2:apc=4-1-1
ent-ls:lsn=ls3:apc=4-1-5
ent-ls:lsn=ls4:apc=4-1-6
ent-rte:dpc=4-1-0:lsn=ls1:rc=10
ent-rte:dpc=4-1-1:lsn=ls2:rc=10
ent-rte:dpc=4-1-5:lsn=ls3:rc=10
ent-rte:dpc=4-1-6:lsn=ls4:rc=10
ent-rte:dpc=5-5-1:lsn=ls1:rc=10
ent-rte:dpc=5-5-1:lsn=ls3:rc=10
  
```

```
ent-rte:dpc=5-5-5:lsn=ls2:rc=10
```

```
ent-rte:dpc=5-5-5:lsn=ls4:rc=10
```

Local Number Portability

Note: Local number portability supports only ANSI point codes.

The EAGLE 5 ISS allows only the true point code to be entered into the mated application table. Also, the EAGLE 5 ISS continues to allow the user to enter translations to the true point code. However, the EAGLE 5 ISS does not allow the user to enter translation to a secondary point code.

If a node sends a `rt-on-gt` query, the node should set the query's DPC to the EAGLE 5 ISS's capability point code. If a node sends an `rt-on-ssn` query, the node should set the query's DPC to the true point code or secondary point code used by that node. If the node has a secondary point code, then the query's DPC is set to the secondary point code. If the node does not have a secondary point code, then the query's DPC is set to the true point code.

rt-on-gt Queries from a Node That Uses Secondary Point Codes

Nodes that send `rt-on-gt` queries should use the capability point code, regardless of whether these nodes use a true or a secondary point code.

1. The node sends a query containing this information:
 - The DPC is the capability point code of the EAGLE 5 ISS's LNP subsystem.
 - The routing indicator in the called party address is GT.
 - The point code in the calling party address is the node's point code.
2. The result of the translation contains this information:
 - The DPC is the EAGLE 5 ISS's true point code.
 - The routing indicator in the called party address is SSN.
 - The subsystem number in the calling party address is the LNP subsystem number.
3. The LNP subsystem sends a reply with this information:
 - The DPC is the calling party address' point code.
 - The OPC is the EAGLE 5 ISS's secondary point code.
 - The routing indicator in the called party address is SSN.

In this case, if the local subsystem fails or is taken offline, the EAGLE 5 ISS sends a response method TFP containing this information:

- The DPC is the node's point code.
- The OPC is the EAGLE 5 ISS's secondary point code.
- The concerned point code is the EAGLE 5 ISS's capability point code.

This TFP causes the node to divert traffic to the mate.

If a node sends an `rt-on-gt` query to either the EAGLE 5 ISS's true point code or a secondary point code, the EAGLE 5 ISS cannot divert traffic to the mate. In this case, the EAGLE 5 ISS does not send a TFP concerning the secondary point code or the true point code, so the node will not divert traffic to the mate.

rt-on-ssn queries from a Node That Uses Secondary Point Codes

It is possible that nodes using a secondary point code will send `rt-on-ssn` queries. In this case, these nodes should send the queries to the secondary point code. The EAGLE 5 ISS will accept `rt-on-ssn` queries from these nodes if the DPC is the true point code or a secondary point code. However, SCCP management will not work correctly if the `rt-on-ssn` queries do not use the true point code or a secondary point code associated with the sending node.

1. Nodes send queries to the EAGLE 5 ISS with this information:
 - The DPC is the EAGLE 5 ISS's secondary point code.
 - The routing indicator in the called party address is SSN.
 - The subsystem number in the called party address is the LNP subsystem number.
 - The subsystem number is the LNP subsystem number.
 - The point code in the calling party address is the node's point code.
2. The LNP subsystem sends a reply with this information:
 - The DPC is the point code in the calling party address.
 - The OPC is the secondary point code.
 - The routing indicator in the called party address is SSN.
 - The point code in the calling party address is the secondary point code.

In this case, if the EAGLE 5 ISS's LNP subsystem fails or is taken offline, the EAGLE 5 ISS broadcasts an SSP (assuming that the node is in the concerned point code group) with this information:

- The DPC is the node's point code.
- The OPC is the secondary point code.
- The affected point code is the secondary point code.
- The affected subsystem number is the LNP subsystem number.

Limitations

The same adjacent point code cannot be used for two different links.

Local EAGLE 5 ISS subsystems (for example, LNP) must use the True Point Code.

Adding a Secondary Point Code

This procedure is used to add a secondary point code to the database using the `ent-spc` command.

The `ent-spc` command uses only one parameter: `spc/spca/spci/spcn/spcn24` – the secondary point code.

Note: See [Point Code Formats](#) for a definition of the point code types that are used on the EAGLE 5 ISS and for a definition of the different formats that can be used for ITU national point codes.

The secondary point code must be a full point code. Cluster and network routing point codes cannot be specified as a secondary point code.

The Multiple Point Code Support feature must be on to configure secondary point codes in the database. This can be verified with the entry `MPC = on` in the `rt-rv-feat` command output. If the Multiple Point Code Support feature is not turned on, enter the `chg-feat :mpc=on` command.

Note: Once the Multiple Point Code Support feature is turned on with the `chg-feat` command, it cannot be turned off.

The Multiple Point Code Support feature must be purchased before you turn this feature on with the `chg-feat` command. If you are not sure if you have purchased the Multiple Point Code Support feature, contact your Tekelec Sales Representative or Account Representative.

The database can contain up to 40 secondary point codes.

The secondary point code cannot be defined in the database as the true point code of the EAGLE 5 ISS, a capability point code, a destination point code, or an alias point code. The true point code and capability point codes are shown in the `rtrv-sid` command output. The destination point codes and alias point codes are shown in the `rtrv-dstn` command output.

The secondary point code cannot be shown in the `rtrv-pct` output as an EPC (emulated point code) value.

For the examples in this procedure, these secondary point codes are being added to the database:

ANSI secondary point code = 010-100-010

ITU secondary international point code = 4-100-1

14-bit ITU secondary national point code = 14-15-12-1

The format of the 14-bit ITU national point codes used in these examples is 4-4-4-2.

Canceling the RTRV-DSTN Command

Because the `rtrv-dstn` command used in this procedure can output information for a long period of time, the `rtrv-dstn` commands can be canceled and the output to the terminal stopped. There are three ways that the `rtrv-dstn` command can be canceled:

- Press the F9 function key on the keyboard at the terminal where the `rtrv-dstn` command was entered.
- Enter the `canc-cmd` without the `trm` parameter at the terminal where the `rtrv-dstn` command was entered.
- Enter the `canc-cmd:trm=<xx>`, where `<xx>` is the terminal where the `rtrv-dstn` command was entered, from another terminal other than the terminal where the `rtrv-dstn` command was entered. To enter the `canc-cmd:trm=<xx>` command, the terminal must allow Security Administration commands to be entered from it and the user must be allowed to enter Security Administration commands. The terminal's permissions can be verified with the `rtrv-secu-trm` command. The user's permissions can be verified with the `rtrv-user` or `rtrv-secu-user` commands.

For more information about the `canc-cmd` command, refer to the *Commands Manual*.

1. Display the current secondary point codes, using the `rtrv-spc` command.

This is an example of the possible output.

```
rlghncxa03w 07-05-17 16:02:05 GMT EAGLE5 37.0.0
SPC (Secondary Point Codes)

SPCA
  001-010-010
  002-010-010
  003-010-010
```

```

SPC-I
    1-253-5
    2-254-6
    3-255-7

SPC-N
    10-01-11-1
    13-02-12-0

SPC-N24

none

Secondary Point Code table is (8 of 40) 20% full

```

If the secondary point code table is full, shown by the entry `Secondary Point Code table is (40 of 40) 100% full`, go to the [Removing a Secondary Point Code](#) procedure and remove a secondary point code from the database.

If error message `E3867 Cmd Rej: MPC feature must be enabled` is displayed, the EAGLE 5 ISS has detected that the multiple point code support feature is off and the `rtrv-spc` command will not display any data. Continue the procedure with [Step 2](#) to verify that the multiple point code support feature is off.

2. Verify whether or not the multiple point code support feature is on, by entering the `rtrv-feat` command.

If the multiple point code support feature is on, the `MPC` field should be set to `on`. For this example, the multiple point code support feature is off.

Note: The `rtrv-feat` command output contains other fields that are not used by this procedure. If you wish to see all the fields displayed by the `rtrv-feat` command, see the `rtrv-feat` command description in the *Commands Manual*.

If the multiple point code support feature is on, continue the procedure with [Step 4](#).

If the `rtrv-feat` command output shows that the multiple point code support feature is on, but error message `E3867` was displayed when the `rtrv-spc` command was entered, contact the Customer Care Center. Refer to [Customer Care Center](#) for the contact information.

If group codes are to be assigned to the ITU-N secondary point code, and none are currently displayed in the `rtrv-spc` command output, the ITU National Duplicate Point Code feature must be on. This is shown by the entry `ITUDUPPC = on` in the `rtrv-feat` command output.

3. Turn the multiple point code support feature on by entering this command.

```
chg-feat :mpc=on
```

Note: Once the multiple point code support feature is turned on with the `chg-feat` command, it cannot be turned off.

The multiple point code support feature must be purchased before you turn this feature on with the `chg-feat` command. If you are not sure if you have purchased the multiple point code support feature, contact your Tekelec Sales Representative or Account Representative.

When the `chg-feat` has successfully completed, this message should appear.

```
rlghncxa03w 07-05-07 00:57:31 GMT EAGLE5 37.0.0
CHG-FEAT: MASP A - COMPLTD
```

Note: If group codes are shown for the 14-bit ITU-N secondary point codes in the `rtrv-spc` command output, if 24-bit ITU-N secondary point codes are being configured, or the ITU National Duplicate Point Code feature is on, continue the procedure with [Step 5](#).

- Turn the ITU National Duplicate Point Code feature on by entering this command.

```
chg-feat:ituduppc=on
```

Note: Once the ITU National Duplicate Point Code feature is turned on with the `chg-feat` command, it cannot be turned off.

The ITU National Duplicate Point Code feature must be purchased before you turn this feature on with the `chg-feat` command. If you are not sure if you have purchased the ITU National Duplicate Point Code feature, contact your Tekelec Sales Representative or Account Representative.

When the `chg-feat` has successfully completed, this message should appear.

```
rlghncxa03w 07-05-07 00:57:31 GMT EAGLE5 37.0.0
CHG-FEAT: MASP A - COMPLTD
```

- Display the self-identification of the EAGLE 5 ISS using the `rtrv-sid` command to verify the point code values in the self-identification of the EAGLE 5 ISS, and to verify the point code types defined in the EAGLE 5 ISS.

This is an example of the possible output.

```
rlghncxa03w 07-05-10 11:43:04 GMT EAGLE5 37.0.0
PCA          PCI          PCN          CLLI          PCTYPE
100-100-100  3-75-7         7-9-8-1     rlghncxa03w  OTHER

CPCA
002-002-002    002-002-003    002-002-004    002-002-005
002-002-006    002-002-007    002-002-008    002-002-009
004-002-001    004-003-003    050-060-070

CPCA (LNP)
005-005-002    005-005-004    005-005-005

CPCI
1-002-1        1-002-2        1-002-3        1-002-4
2-001-1        7-222-7

CPCN
2-0-10-3       2-0-11-0       2-0-11-2       2-0-12-1
2-2-3-3        2-2-4-0        10-14-10-1
```

To enter an ANSI secondary code with the `ent-spc` command, a point code must be shown in the PCA field of the `rtrv-sid` command output.

To enter an ITU-I secondary point code with the `ent-spc` command, a point code must be shown in the PCI field of the `rtrv-sid` command output.

To enter a 14-bit ITU-N secondary point code with the `ent-spc` command, a point code must be shown in the `PCN` field of the `rtrv-sid` command output.

To enter a 24-bit ITU-N secondary point code with the `ent-spc` command, a point code must be shown in the `PCN24` field of the `rtrv-sid` command output.

If the required type of point code is shown in the `rtrv-spc` output in [Step 1](#) or is shown in the `rtrv-sid` output in this step, continue the procedure with [Step 6](#).

If the required type of point code is not shown in the `PCA`, `PCI`, `PCN`, or `PCN24` fields of the `rtrv-sid` command output, go to the [Adding a Point Code to the Self-Identification of the EAGLE 5 ISS](#) procedure and add the required point codes.

6. Display the current destination point codes using the `rtrv-dstn` command.

This is an example of the possible output.

```
rlghncxa03w 10-12-10 11:43:04 GMT EAGLE5 43.0.0
Extended Processing Time may be Required

  DPCA          CLLI          BEI  ELEI    ALIASI          ALIASN/N24    DMN
030-045-*      rlghncbb010  yes  yes  -----          -----          SS7
111-011-*      rlghncbb000  yes  yes  -----          -----          SS7
240-012-004    rlghncbb001  yes  ---    1-111-1          10-13-9-3       SS7
240-012-005    rlghncbb002  yes  ---    1-112-2          10-13-10-0      SS7
240-012-006    rlghncbb003  yes  ---    1-112-3          10-13-10-1      SS7
240-012-008    -----      yes  ---    1-113-5          10-13-10-2      SS7

  DPCI          CLLI          BEI  ELEI    ALIASA          ALIASN/N24    DMN
2-131-1        rlghncbb023  no   ---    222-210-000      11-11-8-1       SS7
2-131-2        -----      no   ---    222-211-001      11-11-8-2       SS7
2-131-3        -----      no   ---    222-211-002      11-11-8-3       SS7

  DPCN          CLLI          BEI  ELEI    ALIASA          ALIASI          DMN
10-15-2-3      rlghncbb013  no   ---    222-200-200      2-121-1          SS7
10-15-3-0      rlghncbb013  no   ---    222-200-201      2-121-2          SS7

DESTINATION ENTRIES ALLOCATED:    2000
  FULL DPC(s):                      9
  EXCEPTION DPC(s):                  0
  NETWORK DPC(s):                    0
  CLUSTER DPC(s):                    2
  TOTAL DPC(s):                      11
  CAPACITY (% FULL):                 1%
ALIASES ALLOCATED:                 8000
  ALIASES USED:                      18
  CAPACITY (% FULL):                 1%
X-LIST ENTRIES ALLOCATED:          500
RTRV-DSTN: MASP A - COMPLTD
```

7. Display the PCT entries by entering the `rtrv-pct` command.

This is an example of the possible output.

```
rlghncxa03w 10-12-17 16:02:05 GMT EAGLE5 43.0.0

  EPCA          FILTPCA          REALPCA    SI  SSN  RELCAUSE
001-001-001    *                240-012-006  5  ---  10
```

```

ECICS = 10          ECICE = 20
RCICS = 30          RCICE = 40

EPCI              FILTPCI          REALPCI          SI  SSN  RELCAUSE
1-001-2           2-131-2          2-131-3          3   10   ---

ECICS = -----  ECICE = -----
RCICS = -----  RCICE = -----

EPCN              FILTPCN          REALPCN          SI  SSN  RELCAUSE
13-11-14-1       *                   10-15-2-3       *   ---  ---

ECICS = -----  ECICE = -----
RCICS = -----  RCICE = -----

Unique EPC      is 3 of 250
Unique RealPC  is 3 of 250

PCT table is (3 of 1000) 1% full.

```

8. Display the existing values for the `npcfmt i` parameter by entering the `rtrv-stpopts` command.

The value for the `npcfmt i` parameter is shown in the `NPCFMTI` field. This is an example of the possible output.

```

rlghncxa03w 07-05-17 16:02:05 GMT  EAGLE5 37.0.0
STP OPTIONS
-----
NPCFMTI      4-4-4-2

```

Note: The `rtrv-stpopts` command output contains other fields that are not used by this procedure. If you wish to see all the fields displayed by the `rtrv-stpopts` command, see the `rtrv-stpopts` command description in the *Commands Manual*.

If you wish to change the format of the 14-bit ITU national point codes, go to the [14-Bit ITU National Point Code Formats](#) section. Changing the formats of the 14-bit ITU national point codes will change how any existing 14-bit ITU national point codes are displayed in the database.

9. Add the secondary point code, using the `ent-spc` command.

The secondary point code being added in this procedure cannot match any of the point code values shown in the `rtrv-sid` output in [Step 5](#), and any of the DPC or alias point code values shown in the `rtrv-dstn` output in [Step 6](#).

The secondary point code being added in this procedure cannot match the EPC (emulated point code) value shown in the `rtrv-pct` output in [Step 7](#).

For this example, enter these commands.

```

ent-spc:spca=010-100-010
ent-spc:spci=4-100-1
ent-spc:spcn=14-15-12-1

```

When each of these commands has successfully completed, this is an example of the message that should appear.

```
rlghncxa03w 07-05-17 15:35:05 GMT EAGLE5 37.0.0
Destination table is (11 of 40) 28% full
ENT-SPC: MASP A - COMPLTD
```

10. Verify the changes using the `rtrv-spc` command.

This is an example of the possible output.

```
rlghncxa03w 07-05-17 16:02:05 GMT EAGLE5 37.0.0
SPC (Secondary Point Codes)

SPCA
    001-010-010
    002-010-010
    003-010-010
    010-100-010

SPC-I
    1-253-5
    2-254-6
    3-255-7
    4-100-1

SPC-N
    10-01-11-1
    13-02-12-0
    14-15-12-1

SPC-N24

none

Secondary Point Code table is (11 of 40) 28% full
```

11. Back up the new changes, using the `chg-db:action=backup:dest=fixed` command.

These messages should appear; the active Maintenance and Administration Subsystem Processor (MASP) appears first.

```
BACKUP (FIXED) : MASP A - Backup starts on active MASP.
BACKUP (FIXED) : MASP A - Backup on active MASP to fixed disk complete.
BACKUP (FIXED) : MASP A - Backup starts on standby MASP.
BACKUP (FIXED) : MASP A - Backup on standby MASP to fixed disk complete.
```

Removing a Secondary Point Code

This procedure is used to remove a secondary point code from the database using the `dlt-spc` command.

The `dlt-spc` command uses only one parameter: `spc/spca/spci/spcn/spcn24` – the secondary point code.

Note: See [Point Code Formats](#) for a definition of the point code types that are used on the EAGLE 5 ISS and for a definition of the different formats that can be used for ITU national point codes.

The secondary point code being removed from the database must be in the database, but cannot be referenced by any destination point codes or by any linksets. Entering the `rtrv-dstn` command with either the `spca`, `spci`, `spcn`, or `spcn24`, depending on the point code type of the secondary point code being removed from the database, shows the destination point codes that are referencing the secondary point code being removed from the database.

Entering the `rtrv-ls` command with either the `spca`, `spci`, `spcn`, or `spcn24`, depending on the point code type of the secondary point code being removed from the database, shows the linksets that are referencing the secondary point code being removed from the database.

For the example in this procedure, secondary point code 010-100-010 is being removed from the database.

Canceling the RTRV-DSTN Command

Because the `rtrv-dstn` command used in this procedure can output information for a long period of time, the `rtrv-dstn` commands can be canceled and the output to the terminal stopped. There are three ways that the `rtrv-dstn` command can be canceled:

- Press the F9 function key on the keyboard at the terminal where the `rtrv-dstn` command was entered.
- Enter the `canc-cmd` without the `trm` parameter at the terminal where the `rtrv-dstn` command was entered.
- Enter the `canc-cmd:trm=<xx>`, where `<xx>` is the terminal where the `rtrv-dstn` command was entered, from another terminal other than the terminal where the `rtrv-dstn` command was entered. To enter the `canc-cmd:trm=<xx>` command, the terminal must allow Security Administration commands to be entered from it and the user must be allowed to enter Security Administration commands. The terminal's permissions can be verified with the `rtrv-secu-trm` command. The user's permissions can be verified with the `rtrv-user` or `rtrv-secu-user` commands.

For more information about the `canc-cmd` command, refer to the *Commands Manual*.

1. Display the secondary point codes in the database, using the `rtrv-spc` command. This is an example of the possible output.

```
rlghncxa03w 07-05-17 16:02:05 GMT EAGLE5 37.0.0
SPC (Secondary Point Codes)

SPCA
    001-010-010
    002-010-010
    003-010-010
    010-100-010

SPC-I
    1-253-5
    2-254-6
    3-255-7
    4-100-1
```



```

SPC-N
    10-01-11-1
    13-02-12-0
    14-15-12-1

SPC-N24
none

Secondary Point Code table is (11 of 40) 28% full

```

2. Display the destination point codes that reference the secondary point code being removed from the database using the `rtrv-dstn` command with either the `spca`, `spci`, or `spcn` parameters.

For this example, enter this command.

```
rtrv-dstn:spca=010-100-010
```

This is an example of the possible output.

```

rlghncxa03w 09-05-17 16:02:05 GMT EAGLE5 41.0.0

SPCA   =   010-100-010

      DPCA          CLLI          BEI ELEI    ALIASI          ALIASN/N24    DMN
      240-012-004   rlghncbb001 yes ---    1-111-1        10-13-9-3    SS7
      240-012-005   rlghncbb002 yes ---    1-112-2        10-13-10-0   SS7

Destination table is (16 of 2000) 1% full
Alias table is (9 of 8000) 1% full
RTRV-DSTN: MASP A - COMPLTD

```

- If no DPCs are shown in this step, skip step 3 and go to step 4.
 - If DPCs are shown in this step, continue the procedure with step 3.
3. Remove the reference to the secondary point code using the `chg-dstn` command and specifying the destination point codes shown in step 2 with either the `dpca`, `dpci`, or `dpcn` parameters, and with either the `spca=none`, `spci=none`, or `spcn=none` parameters, depending on the type of point codes being used. For this example, enter these commands.

```
chg-dstn:dpca=240-012-004:spca=none
```

```
chg-dstn:dpca=240-012-005:spca=none
```

When this command has successfully completed, and the cluster routing and management diversity feature is turned off (`CRMD = off` in the `rtrv-feat` command output), this message should appear.

```

rlghncxa03w 07-05-17 15:35:05 GMT EAGLE5 37.0.0
Destination table is (16 of 2000) 1% full
CHG-DSTN: MASP A - COMPLTD

```

If the cluster routing and management diversity feature is turned on (CRMD = on in the rtrv-feat command output), this message should appear when each command has successfully completed.

```
rlghncxa03w 07-5-17 15:35:05 GMT EAGLE5 37.0.0
DESTINATION ENTRIES ALLOCATED: 2000
  FULL DPC(s): 14
  EXCEPTION DPC(s): 0
  NETWORK DPC(s): 0
  CLUSTER DPC(s): 2
  TOTAL DPC(s): 16
  CAPACITY (% FULL): 1%
ALIASES ALLOCATED: 8000
  ALIASES USED: 8
  CAPACITY (% FULL): 1%
X-LIST ENTRIES ALLOCATED: 500
CHG-DSTN: MASP A - COMPLTD
```

After this step has been performed, skip steps 4 and 5 and go to step 6.

4. Display the status of the Multiple Linksets to Single APC feature by entering this command.

```
rtrv-ctrl-feat:partnum=893019701
```

This is an example of the possible output.

```
rlghncxa03w 07-05-28 21:15:37 GMT EAGLE5 37.0.0
The following features have been permanently enabled:

Feature Name          Partnum    Status    Quantity
Multiple Linkset to APC 893019701 on        ----

The following features have been temporarily enabled:

Feature Name          Partnum    Status    Quantity    Trial Period Left
Zero entries found.

The following features have expired temporary keys:

Feature Name          Partnum
Zero entries found.
```

If the Multiple Linksets to Single APC feature is enabled and turned on, continue the procedure with step 5.

If the Multiple Linksets to Single APC feature is not enabled or turned on, skip step 5 and go to step 6.

5. Display the linksets that reference the secondary point code that is being removed by entering the rtrv-ls command with the secondary point code value.

For this example, enter this command.

```
rtrv-ls:spca=010-100-010
```

This is an example of the possible output.

```
rlghncxa03w 07-05-28 21:15:37 GMT EAGLE5 37.0.0
SPCA = 010-100-010
```

LSN	APCA (SS7)	SCRN	L3T	SLT	SET	BEI	LST	LNKS	ACT	MES	DIS	SLSCI	NIS
lsn1	002-002-002	none	1	1	no	A	2	off	off	off	no	off	
lsn2	003-003-003	none	1	1	no	A	3	off	off	off	no	off	

Link set table is (12 of 1024) 1% full.

If linksets are shown in this step, these linksets must be removed before the secondary point code can be removed. Perform the [Removing a Linkset Containing SS7 Signaling Links](#) procedure to remove the linksets. After the linksets have been removed, continue the procedure with step 6.

If no linksets are shown in this step, continue the procedure with step 6.

- Remove the secondary point code, using the `dlt-spc` command. For this example, enter this command.

```
dlt-spc:spca=010-100-010
```

When this command has successfully completed, this is an example of the message that should appear.

```
rlghncxa03w 07-05-17 15:35:05 GMT EAGLE5 37.0.0
Destination table is (10 of 40) 25% full
DLT-SPC: MASP A - COMPLTD
```

- Verify the changes using the `rtrv-spc` command specifying the secondary point code specified in step 6.

For this example, enter this command.

```
rtrv-spc:spca=010-100-010
```

When this command has successfully completed, this is an example of the message that should appear.

```
rlghncxa03w 07-05-17 16:02:05 GMT EAGLE5 37.0.0
SPC (Secondary Point Codes)

Secondary Point Code specified is not provisioned

Secondary Point Code table is (10 of 40) 25% full
```

- Back up the new changes, using the `chg-db:action=backup:dest=fixed` command. These messages should appear; the active Maintenance and Administration Subsystem Processor (MASP) appears first.

```
BACKUP (FIXED) : MASP A - Backup starts on active MASP.
BACKUP (FIXED) : MASP A - Backup on active MASP to fixed disk complete.
BACKUP (FIXED) : MASP A - Backup starts on standby MASP.
BACKUP (FIXED) : MASP A - Backup on standby MASP to fixed disk complete.
```

Adding a Point Code to the Self-Identification of the EAGLE 5 ISS

This procedure is used to add a true point code to the self-identification of the EAGLE 5 ISS using the `ent-sid` command. Adding the point code using this procedure instead of the [Changing the Self-Identification of the EAGLE 5 ISS](#) procedure does not require the EAGLE 5 ISS to be re-initialized after the point code is added.

However, if you wish to add a capability point code, change an existing true point code, change the CLLI value, or the `pctype` parameter value in the self-identification, the [Changing the Self-Identification of the EAGLE 5 ISS](#) procedure must be used.

The `ent-sid` command uses these parameters:

```
:pc/pca – ANSI point code
:pci – ITU-I or ITU-I spare point code
:pcn – 14-bit ITU-N or 14-bit ITU-N spare point code
:pcn24 – 24-bit ITU-N point code
```

Note: See [Point Code Formats](#) for a definition of the point code types that are used on the EAGLE 5 ISS and for a definition of the different formats that can be used for ITU national point codes.

The network type of the point code being added in this procedure cannot be the same as the network type of any point codes shown in `PCA`, `PCI`, `PCN`, or `PCN24` columns in the `rtrv-sid` output. For example, if an ANSI point code is shown in the `rtrv-sid` output (a point code in the `PCA` column), then the `pc/pca` parameter cannot be specified in this procedure.

However, the self-identification can contain both spare and non-spare point codes for the `PCI` and `PCN` values. If the `rtrv-sid` output contains an ITU-I point code, but does not contain an ITU-I spare point code, the `pci` parameter can be specified with an ITU-I spare point code value. If spare and non-spare point codes are shown for the `PCI` value, then the `pci` parameter cannot be specified in this procedure. This is also true for 14-bit ITU-N and 14-bit ITU-N spare point codes.

The point code of the EAGLE 5 ISS cannot match the capability point codes of the EAGLE 5 ISS or any destination point codes or alias point codes. Capability point codes are shown in the `rtrv-sid` output. Destination point codes and alias point codes are shown in the `rtrv-dstn` output.

The point code of the EAGLE 5 ISS must be a full point code and cannot be a cluster point code. The point code containing all zeros cannot be used as a value for these parameters.

The point code value for the `pcn` parameter (either 14-bit ITU-N or 14-bit ITU-N spare point code) must match the format defined by the `NPCFMTI` parameter of the `rtrv-stpopts` output. If group codes are shown for the 14-bit ITU-N point codes in the `rtrv-sid` output, then a group code must be specified with the `pcn` parameter value. The group code must match the group codes shown in the `rtrv-sid` or `rtrv-spc` outputs.

1. Display the self-identification of the EAGLE 5 ISS using the `rtrv-sid` command.

This is an example of the possible output.

```
rlghncxa03w 07-05-10 11:43:04 GMT EAGLE5 37.0.0
  PCA          PCI          PCN          CLLI          PCTYPE
  001-001-001  1-200-6          10-13-9-3    rlghncxa03w   OTHER
```

CPCA			
002-002-002	002-002-003	002-002-004	002-002-005
002-002-006	002-002-007	002-002-008	002-002-009
004-002-001	004-003-003	050-060-070	
CPCA (LNP)			
005-005-002	005-005-004	005-005-005	
CPCI			
1-002-1	1-002-2	1-002-3	1-002-4
2-001-1	7-222-7		
CPCN			
2-0-10-3	2-0-11-0	2-0-11-2	2-0-12-1
2-2-3-3	2-2-4-0	10-14-10-1	

If the network type of the point code being added in this procedure matches the network types of the point codes shown in the PCA, PCI, PCN, or PCN24 columns, this procedure cannot be performed. Perform the [Changing the Self-Identification of the EAGLE 5 ISS](#) procedure to change the point codes shown in these columns.

Note: If an ITU-I or 14-bit ITU-N spare point code is displayed in the `rtrv-sid` output in step 1, or if an ITU-I or 14-bit ITU-N spare point code is not being added in this procedure, skip step 2 and go to step 3.

2. Verify whether or not the ITU National and International Spare Point Code Support feature is enabled by entering the `rtrv-ctrl-feat` command with the part number of this feature.

Enter this command.

```
rtrv-ctrl-feat:partnum=893013601
```

This is an example of the possible output.

```
rlghncxa03w 07-05-28 21:15:37 GMT EAGLE5 37.0.0
The following features have been permanently enabled:
```

Feature Name	Partnum	Status	Quantity
Spare Point Code Support	893013601	on	----

The following features have been temporarily enabled:

Feature Name	Partnum	Status	Quantity	Trial Period Left
Zero entries found.				

The following features have expired temporary keys:

Feature Name	Partnum
Zero entries found.	

If the ITU National and International Spare Point Code Support feature is not enabled, perform the [Activating the ITU National and International Spare Point Code Support Feature](#) procedure to enable the ITU National and International Spare Point Code Support feature.

Note: If the `pcn` parameter is not being used in this procedure, skip this step and step 4, and go to step 5.

3. Display the existing values for the `npcfmt i` parameter, by entering the `rtrv-stpopts` command.

The value for the `npcfmti` parameter is shown in the `NPCFMTI` field. This is an example of the possible output.

```
rlghncxa03w 07-05-17 16:02:05 GMT EAGLE5 37.0.0
STP OPTIONS
-----
NPCFMTI          4-4-4-2
```

Note: The `rtrv-stpopts` command output contains other fields that are not used by this procedure. If you wish to see all the fields displayed by the `rtrv-stpopts` command, see the `rtrv-stpopts` command description in the *Commands Manual*.

Note: If the `rtrv-sid` output in step 1 shows group codes assigned to the 14-bit ITU-N point codes, then a group code must be assigned to the `pcn` parameter value specified in this procedure. This group code must be shown in either the `rtrv-sid` output or the `rtrv-spc` output. If the group code being assigned to the `pcn` parameter value is shown in the `rtrv-sid` output, skip step 4 and go to step 5.

4. Display the secondary point codes in the database, using the `rtrv-spc` command.

This is an example of the possible output.

```
rlghncxa03w 07-05-07 11:43:04 GMT EAGLE5 37.0.0
SPC (Secondary Point Codes)

SPCA
    001-010-010
    002-010-010
    003-010-010
    010-100-010

SPC-I
    1-253-5
    2-254-6
    3-255-7
    4-100-1

SPC-N
    10-01-11-1
    13-02-12-0
    14-15-12-1

SPC-N24
none
```

5. Verify whether or not the point code being added in this procedure is a DPC value in the DPC table by entering the `rtrv-dstn` command and specifying the point code value that is being added in this procedure. For this example, enter these commands.

```
rtrv-dstn:dpci=s-3-75-7
rtrv-dstn:dpcn=s-7-9-8-1
```

When each of these commands have been executed, the following output is displayed showing that the specified point code is not in the DPC table.

```
rlghncxa03w 09-05-28 21:16:37 GMT EAGLE5 41.0.0
No destinations meeting the requested criteria were found
Destination table is (22 of 2000) 1% full
Alias table is (18 of 8000) 1% full
```

6. Verify whether or not the point code being added in this procedure is an alias point code in the DPC table by entering the `rtrv-dstn` command and specifying the point code value that is being added in this procedure. For this example, enter these commands.

```
rtrv-dstn:aliasi=s-3-75-7
rtrv-dstn:aliasn=s-7-9-8-1
```

When each of these commands have been executed, the following output is displayed showing that the specified point code is not an alias point code in the DPC table.

```
rlghncxa03w 09-05-28 21:16:37 GMT EAGLE5 41.0.0
No destinations meeting the requested criteria were found
Destination table is (22 of 2000) 1% full
Alias table is (18 of 8000) 1% full
```

If the point code specified in steps 5 and 6 is shown in the DPC table, choose another point code to add to the self-identification and repeat steps 5 and 6.

If the point code specified in steps 5 and 6 is not shown in the DPC table, go to step 7.

7. Add the point code to the self-identification of the EAGLE 5 ISS using the `ent-sid` command with the `pca`, `pai`, `pcn`, or `pcn24` parameters and according to these rules.
 - If the `pcn` parameter is specified with the `ent-sid` command, the `pcn24` parameter cannot be specified.
 - If the `pcn24` parameter is specified with the `ent-sid` command, the `pcn` parameter cannot be specified.
 - For `pcn` parameter values, the format of the point code must match the format defined by the `NPCFMTI` parameter of the `rtrv-stpopts` output. If group codes are shown in the `rtrv-sid` output in step 1, a group code must be assigned to the `pcn` parameter value being added in this procedure. This group code must be shown either in the `rtrv-sid` or `rtrv-spc` output.
 - The point code values must be full point codes.
 - The ITU National and International Spare Point Code Support feature must be enabled to specify an ITU-I or 14-bit ITU-N spare point code.
 - The point code specified in this procedure cannot be defined as a capability point code.
 - See "ANSI Point Codes" in the [Point Code Formats](#) section for information about entering ANSI point codes.

For this example, enter this command.

```
ent-sid:pci=s-3-75-7:pcn=s-7-9-8-1
```

When this command has successfully completed, this message should appear.

```
rlghncxa03w 07-05-07 09:17:40 GMT EAGLE5 37.0.0
ENT-SID: MASP A - COMPLTD
```

8. Verify the changes using the `rtrv-sid` command.

This is an example of the possible output.

```
rlghncxa03w 07-05-10 11:43:04 GMT EAGLE5 37.0.0
PCA          PCI          PCN          CLLI          PCTYPE
001-001-001  1-200-6        10-13-9-3    rlghncxa03w  OTHER
              s-3-75-7        s-7-9-8-1
CPCA
002-002-002  002-002-003    002-002-004  002-002-005
002-002-006  002-002-007    002-002-008  002-002-009
004-002-001  004-003-003    050-060-070
CPCA (LNP)
005-005-002  005-005-004    005-005-005  006-006-006
CPCI
1-002-1      1-002-2        1-002-3      1-002-4
2-001-1      7-222-7
CPCN
2-0-10-3    2-0-11-0      2-0-11-2     2-0-12-1
2-2-3-3     2-2-4-0      10-14-10-1
```

9. Back up the new changes, using the `chg-db:action=backup:dest=fixed` command.

These messages should appear; the active Maintenance and Administration Subsystem Processor (MASP) appears first.

```
BACKUP (FIXED) : MASP A - Backup starts on active MASP.
BACKUP (FIXED) : MASP A - Backup on active MASP to fixed disk complete.
BACKUP (FIXED) : MASP A - Backup starts on standby MASP.
BACKUP (FIXED) : MASP A - Backup on standby MASP to fixed disk complete.
```

Changing the Self-Identification of the EAGLE 5 ISS

This procedure is used to change the self-identification of the EAGLE 5 ISS using the `chg-sid` command. The self-identification of the EAGLE 5 ISS is a set of point codes made up of a true point code (PC) and a capability point code (CPC) for each network type to which the EAGLE 5 ISS is connected. A capability point code identifies a group of nodes that have similar capabilities, for example, global title translation.



Caution: Use this procedure only during periods of low traffic. If the EAGLE 5 ISS's point code, defined by the `pc/pca/pci/pcn/pcn24` parameter, is changed with the procedure, the EAGLE 5 ISS must be reinitialized with the `init-sys` command. The `init-sys` command reboots the entire EAGLE 5 ISS and reloads all cards with the updated self-identification information.

The `strdev` value of the `chg-stpopts` command can be used to turn on the Persistent Device States (PDS) feature. If PDS is on, the current device states for cards, signaling links, and terminals are restored after the `init-sys` command has executed. Refer to the `chg-stpopts` command description in the *Commands Manual* for more information about PDS.

Note: If the `PCA`, `PCI`, `PCN`, or `PCN24` fields in the `rtrv-sid` output do not contain any values, and you only wish to add these values, it is recommended that the [Adding a Point Code to the Self-Identification of the EAGLE 5 ISS](#) procedure be used to add these values instead of using this procedure as the [Adding a Point Code to the Self-Identification of the EAGLE 5 ISS](#) procedure does not require the EAGLE 5 ISS to be re-initialized after the point code value is added.

The `chg-sid` command uses these parameters:

`:pc/pca/pci/pcn/pcn24` – The point code used to uniquely identify the EAGLE 5 ISS or, with the value `none`, the point code is defined by the `pc/pca/pcn24` parameter is removed from the database. Removing the `pci` or `pcn` value should be done by using the `npci` or `npcn` parameters.

`:cpc/cpca/cpci/cpcn/cpcn24` – The point code used to identify a group of functionally related nodes in the signaling network to which the EAGLE 5 ISS belongs. This point code is called the capability point code.

`:ncpc/ncpca/ncpci/ncpcn/ncpcn24` – The new capability point code that replaces an existing capability point code in the database or, with the value `none`, removes an existing capability point code from the database.

`:npci/npcn` – The new ITU-I (`npci`) or 14-bit ITU-N (`npcn`) point code used to uniquely identify the EAGLE 5 ISS that replaces an existing `pci` or `pcn` parameter value, with the value `none`, removes an existing `pci` or `pcn` parameter value from the database. The `npci/npcn` parameter values cannot be equal to any `cpc` or `pc` parameter values. The `pci` parameter must be specified if the `npci` parameter is specified. The `pcn` parameter must be specified if the `npcn` parameter is specified. The new ITU-I or 14-bit ITU-N point code values (`npci/npcn`) must be the same type as the `pci/pcn` parameter value. For example, if the `pci` value is a non-spare point code, the `npci` value must be a non-spare point code. If the `pci` value is a spare point code, the `npci` value must be a spare point code.

Note: See [Point Code Formats](#) for a definition of the point code types that are used on the EAGLE 5 ISS and for a definition of the different formats that can be used for ITU national point codes.

`:clli` – The Common Language Location Identifier assigned to the EAGLE 5 ISS

`:pctype` – Point code type, either `ansi` or `other`.

`:cpctype` – the type of capability point code: `STP`, `LNP`, `INP`, `EIR`, `GPORT`, `GFLEX`, `MNP`, `VFLEX`, `ATINPQ`, `AIQ`.

The self-identification of the EAGLE 5 ISS can consist of an ANSI point code, an ITU international non-spare point code, an ITU international spare point code, a 14-bit ITU national non-spare point code, a 14-bit ITU national spare point code, or a 24-bit ITU national point code, or combinations of these types of point codes. The self-identification of the EAGLE 5 ISS cannot have both a 14-bit ITU-N point code (spare or non-spare) and a 24-bit ITU-N point code.

The self-identification of the EAGLE 5 ISS must contain point codes whose formats match the network the EAGLE 5 ISS is connected to. For example, if the EAGLE 5 ISS is connected to an ANSI network, the self-identification of the EAGLE 5 ISS must contain an ANSI point code. If the EAGLE 5 ISS is connected to an ITU international network, the self-identification of the EAGLE 5 ISS must contain an ITU international point code. If the EAGLE 5 ISS is connected to an ITU national network, the self-identification of the EAGLE 5 ISS must contain either a 14-bit or a 24-bit ITU national point code.

The self-identification of the EAGLE 5 ISS can contain capability point codes. A capability point code is used by the SS7 protocol to identify a group of functionally related nodes in the signaling network. The self-identification of the EAGLE 5 ISS can contain up to 96 capability point codes which can be all one point code network type, or a mixture of all three point code network types.

The EAGLE 5 ISS can contain an ANSI capability point code, an ITU national capability point code (spare or non-spare), and either a 14-bit (spare or non-spare) or a 24-bit ITU-N capability point code.

Note: The self-identification of the EAGLE 5 ISS cannot contain private point codes, and private point codes cannot be assigned as capability point codes.

ITU international and 14-bit ITU national spare point codes can be specified only if the ITU National and International Spare Point Code Support feature is enabled. The status of this feature can be verified by entering the `rtrv-ctrl-feat` command. If the ITU National and International Spare Point Code Support feature is not enabled, perform the [Activating the ITU National and International Spare Point Code Support Feature](#) to enable the ITU National and International Spare Point Code Support feature.

The self-identification of the EAGLE 5 ISS can also contain a CLLI, the common language location identifier of the EAGLE 5 ISS.

The CLLI of the EAGLE 5 ISS cannot match the CLLI of any destination point code. Use the `rtrv-dstn` command to verify the CLLIs of the destination point codes in the database.

If the CLLI of the Eagle 5 ISS is changed and the SEAS over IP feature is enabled and turned on, the CCSMR configuration must be updated with the new CLLI. Perform the procedures in the "SEAS over IP Configuration Procedures" chapter in the *Database Administration Manual - System Management* to update the CCSMR configuration.

If the CLLI of the EAGLE 5 ISS is to be changed, and the Eagle Support for Integrated Sentinel (E5IS) feature is on, the EISCOPY option must be off before the `chg-sid` command is executed. The value of the EISCOPY option can be verified with the `rtrv-eisopts` command. After the `chg-sid` command is executed, the EISCOPY option must be changed back to on.

Capability point codes are specified with the `cpctype` parameter with the capability point code parameters, `cpc/cpca/cpci/cpcn/cpcn24`, or the new capability point code parameters, `ncpc/ncpca/ncpci/ncpcn/ncpcn24`. The EAGLE 5 ISS supports these types of capability point codes.

- STP capability point codes are specified with the `cpctype=stp` parameter. STP capability point codes can be any point code type. STP capability point codes can be specified regardless of which features are enabled or turned on.
- LNP capability point codes are specified with the `cpctype=lnp` parameter. LNP capability point codes can be only ANSI point codes, specified with either the `cpc`, `cpca`, `ncpc`, or `ncpca` parameters. The LNP feature must be enabled to specify the `cpctype=lnp` parameter. This can be verified with the `rtrv-ctrl-feat` command. If the LNP feature is enabled, the entry `LNP TNs` is shown in the `rtrv-ctrl-feat` command output with a quantity greater than zero.

If any of these capability point codes are shown in the `rtrv-sid` output: INP, EIR, G-Port, G-Flex, MNP, V-Flex, ATINPQ; then LNP capability point codes cannot be provisioned. If any of these features are enabled, and turned on if required: INP, ANSI-41 INP Query, EIR, G-Port, A-Port,

G-Flex, IS41 GSM Migration, V-Flex, ATINP; then LNP capability point codes cannot be provisioned. If the LNP feature is not enabled, perform the procedures in the *ELAP Administration and LNP Feature Activation* manual to enable the LNP feature.

- INP capability point codes are specified with the `cpctype=inp` parameter. INP capability point codes can be either an ITU-I, 14-bit ITU-N, or 24-bit ITU-N point code, specified with either the `cpcci`, `cpcn`, `cpcn24`, `ncpci`, `ncpcn`, or `ncpcn24` parameters. The INP or ANSI-41 INP Query feature must be enabled and turned on to specify the `cpctype=inp` parameter. Enter the `rtrv-ctrl-feat` command to verify whether or not the INP or ANSI-41 INP Query feature is enabled and turned on.

If LNP capability point codes are shown in the `rtrv-sid` output, or the LNP feature is enabled, INP capability point codes cannot be provisioned. If either the INP or ANSI-41 INP Query feature is not enabled or turned on, perform the procedures in the *Feature Manual - INP/AINPQ* to enable and turn on the INP or ANSI-41 INP Query feature.

- EIR capability point codes are specified with the `cpctype=eir` parameter. EIR capability point codes can be either an ITU-I, 14-bit ITU-N, or 24-bit ITU-N point code, specified with either the `cpcci`, `cpcn`, `cpcn24`, `ncpci`, `ncpcn`, or `ncpcn24` parameters. The EIR feature must be enabled and turned on to specify the `cpctype=eir` parameter. Enter the `rtrv-ctrl-feat` command to verify whether or not the EIR feature is enabled and turned on.

If LNP capability point codes are shown in the `rtrv-sid` output, or the LNP feature is enabled, EIR capability point codes cannot be provisioned. If the EIR feature is not enabled or turned on, perform the procedures in the *Feature Manual - EIR* to enable and turn on the EIR feature.

- G-Flex capability point codes are specified with the `cpctype=gflex` parameter. G-Flex capability point codes can be any point code type. The G-Flex feature must be enabled and turned on to specify the `cpctype=gflex` parameter. Enter the `rtrv-ctrl-feat` command to verify whether or not the G-Flex feature is enabled and turned on. If LNP capability point codes are shown in the `rtrv-sid` output, or if the LNP feature is enabled, G-Flex capability point codes cannot be provisioned. If the G-Flex feature is not enabled or turned on, perform the procedures in the *Feature Manual - G-Flex C7 Relay* to enable and turn the G-Flex feature on.
- G-Port capability point codes are specified with the `cpctype=gport` parameter. G-Port capability point codes can be any point code type. The G-Port feature must be enabled to specify the `cpctype=gport` parameter. Enter the `rtrv-ctrl-feat` command to verify whether or not the G-Port feature is enabled. If LNP or MNP capability point codes are shown in the `rtrv-sid` output, or the LNP, A-Port, or IS41 GSM Migration features are enabled, G-Port capability point codes cannot be provisioned. If the G-Port feature is not enabled, perform the procedures in the *Feature Manual - G-Port* to enable the G-Port feature.
- MNP capability point codes are specified with the `cpctype=mnnp` parameter. MNP capability point codes can be any point code type. The A-Port feature or IS41 GSM Migration feature must be enabled to specify the `cpctype=mnnp` parameter. Enter the `rtrv-ctrl-feat` command to verify whether or not the A-Port feature or IS41 GSM Migration feature is enabled. If LNP or G-Port capability point codes are shown in the `rtrv-sid` output, or the LNP or G-Port features are enabled, MNP capability point codes cannot be provisioned. If the A-Port feature is not enabled, perform the procedures in the *Feature Manual - A-Port* to enable the A-Port feature. If the IS41 GSM Migration feature is not enabled, perform the procedures in the *Feature Manual - IS41 GSM Migration* to enable the IS41 GSM Migration feature.
- V-Flex capability point codes are specified with the `cpctype=vflex` parameter. V-Flex capability point codes can be any point code type. The V-Flex feature must be enabled and turned on to specify the `cpctype=vflex` parameter. Enter the `rtrv-ctrl-feat` command to verify whether or not the V-Flex feature enabled and turned on. If LNP capability point codes are shown in the

`rtrv-sid` output, or the LNP feature is enabled, V-Flex capability point codes cannot be provisioned. If the V-Flex feature is not enabled or turned on, perform the procedures in the *Feature Manual - V-Flex* to enable and turn on the V-Flex feature.

- ATINPQ capability point codes are specified with the `cpctype=atinpq` parameter. ATINPQ capability point codes can be either an ANSI, ITU-I, or 14-bit ITU-N point code, specified with either the `cpc/cpca`, `cpci`, `cpcn`, `ncpc/ncpca`, `ncpci`, or `ncpcn` parameters.

The ATINP feature must be enabled to specify the `cpctype=atinpq` parameter. Enter the `rtrv-ctrl-feat` command to verify whether or not the ATINP feature is enabled. If LNP capability point codes are shown in the `rtrv-sid` output, or the LNP feature is enabled, ATINPQ capability point codes cannot be provisioned. If the ATINP feature is not enabled, perform the procedures in the *Feature Manual - ATINP* to enable the ATINP feature.

- AIQ capability point codes are specified with the `cpctype=aiq` parameter. AIQ capability point codes can be either an ANSI, ITU-I, or 14-bit ITU-N point code, specified with either the `cpc/cpca`, `cpci`, `cpcn`, `ncpc/ncpca`, `ncpci`, or `ncpcn` parameters.

The ANSI41 AIQ feature must be enabled to specify the `cpctype=aiq` parameter. Enter the `rtrv-ctrl-feat` command to verify whether or not the ANSI41 AIQ feature is enabled. AIQ capability point codes can be specified regardless of which features, other than the ANSI41 AIQ feature, are enabled or turned on. If the ANSI41 AIQ feature is not enabled, perform the procedures in the *Feature Manual - Analyzed Information Features* to enable the ANSI41 AIQ feature.

The `pctype` parameter of the `chg-sid` command determines the format of point codes (but not the ITU international or ITU national point codes) that can be used on the EAGLE 5 ISS, `ansi` and `other`. The value `ansi` means the EAGLE 5 ISS supports point codes that meet the ANSI standard. The value `other` means that the EAGLE 5 ISS supports point codes that do not meet the ANSI standard. The `pctype` parameter does not apply to ITU international or ITU national point codes. See the “ANSI Point Codes” in the *Point Code Formats* section for more information about ANSI point codes.

This procedure causes a change in the routing information for this node. Make sure that all other nodes that route messages to this node are notified of these changes.

The point code of the EAGLE 5 ISS cannot match the capability point codes of the EAGLE 5 ISS. The point code of the EAGLE 5 ISS and the capability point codes of the EAGLE 5 ISS are shown in [Step 1](#).

The point code and capability point codes of the EAGLE 5 ISS cannot match any destination point codes. Use the `rtrv-dstn` command to display the destination point codes in the database.

The point code and capability point codes of the EAGLE 5 ISS cannot be defined as a destination point code of a route. Use the `rtrv-rte` command to display the destination point codes of the routes in the database.

The point code and capability point codes of the EAGLE 5 ISS cannot match any emulated point code (EPC) values that are shown in the `rtrv-pct` output

The point code of the EAGLE 5 ISS or the capability point codes, specified by the `pc/pca/pci/pcn/pcn24`, `cpc/cpca/cpci/cpcn/cpcn24` or `ncpc/ncpca/ncpci/ncpcn/ncpcn24` parameters, must be a full point code and cannot be a cluster point code. A point code containing all zeros cannot be used as a value for ANSI (`pc/pca`, `cpc/cpca`, `ncpc/ncpca`) and ITU-I (`pci`, `cpci`, `ncpci`) parameters. A point code containing all zeros can be used as a value for 14-bit ITU-N (`pcn`, `cpcn`, `ncpcn`) and 24-bit ITU-N (`pcn24`, `cpcn24`, `ncpcn24`) parameters.

If either the `cpctype` parameter or the capability point code parameter (`cpc/cpca/cpci/cpcn/cpcn24`) are specified, the other parameter must be specified.

If the new capability point code parameter (`ncpc/ncpca/ncpci/ncpcn/ncpcn24`) is specified, the capability point code parameter (`cpc/cpca/cpci/cpcn/cpcn24`) and the `cpctype` parameters must be specified.

Only one of the new capability point code parameters (`ncpc/ncpca/ncpci/ncpcn/ncpcn24`) can be specified with the `chg-sid` command.

The new capability point code (`ncpc/ncpca/ncpci/ncpcn/ncpcn24`) must be of the same point code type as the capability point code (`cpc/cpca/cpci/cpcn/cpcn24`) specified in the command. For example, if an ITU international capability point code (`cpci`) is being replaced, then only the `ncpci` parameter can be specified.

The point code of the EAGLE 5 ISS cannot be changed if it is referenced in the mated application table. Enter the `rtrv-map` command to verify if the EAGLE 5 ISS's point code is being referenced in the mated application table. The EAGLE 5 ISS's point code would be shown in the `PCA`, `PCI`, `PCN`, `PCN24`, `MPCA`, `MPCI`, `MPCN`, or `MPCN24` fields of the `rtrv-map` command output. If the EAGLE 5 ISS's point code is referenced by the mated application table, perform the Removing a Mated Application procedure in the *Database Administration Manual - Global Title Translation*, and remove the mated applications that reference the EAGLE 5 ISS's point code.

The destination point codes and alias point codes are shown in the `DPCA`, `DPCI`, `DPCN`, `DPCN24`, `ALIASA`, `ALIASI`, `ALIASN`, and `ALIASN24` fields in the `rtrv-dstn` command output. Secondary point codes are shown in the `SPCA`, `SPCI`, `SPCN`, and `SPCN24` fields in the `rtrv-spc` command output. The EAGLE 5 ISS's point code and capability point codes are displayed in the `PCA`, `PCI`, `PCN`, `PCN24`, `CPCA`, `CPCI`, `CPCN`, and `CPCN24` fields in the `rtrv-sid` command output. The EAGLE 5 ISS's true point code and capability point codes cannot be shown in either the `rtrv-dstn` or `rtrv-spc` command outputs.

To assign group codes to a 14-bit ITU-N point code, the ITU duplicate point code and multiple point code support features must be on. If the ITU National Duplicate Point Code feature is on, the entry `ITUDUPPC = on` is shown in the `rtrv-feat` command output. If the multiple point code support feature is on, the entry `MPC = on` is shown in the `rtrv-feat` command output. For more information on using group codes with 14-bit ITU-N point codes, see the *ITU National Duplicate Point Codes* section.

Note: Once the ITU duplicate point code and multiple point code support features are turned on with the `chg-feat` command, they cannot be turned off.

The ITU duplicate point code and multiple point code support features must be purchased before you turn this feature on with the `chg-feat` command. If you are not sure if you have purchased the ITU duplicate point code and multiple point code support features, contact your Tekelec Sales Representative or Account Representative.

If you wish to specify the `pcn24` parameter with the `chg-sid` command and the `rtrv-sid` output shows the `PCN` field, the 14-bit ITU-N point code value, shown in the `PCN` field must be removed with the `npcn=none` parameter before the `pcn24` parameter value can be specified by the `chg-sid` command. If the `PCN` field contains both spare and non-spare point code values, both the spare and non-spare 14-bit ITU-N point code values must be removed before the `pcn24` parameter can be specified. If no value is shown in the `PCN` field, specifying the `npcn=none` parameter is not necessary.

If you wish to specify the `pcn` parameter with the `chg-sid` command and the `rtrv-sid` output shows the `PCN24` field, the 24-bit ITU-N point code value, shown in the `PCN24` field must be removed with the `pcn24=none` parameter before the `pcn` parameter value can be specified by the `chg-sid`

command. If no value is shown in the PCN24 field, specifying the `pcn24=none` parameter is not necessary.

When the EAGLE 5 ISS is initially installed, the self-identification of the EAGLE 5 ISS must be configured before any destination point codes can be configured in the database.

For the examples in this procedure, the self-identification of the EAGLE 5 ISS is being changed to these values:

ANSI point code = 100-100-100

ITU international point code = 3-75-7

14-bit ITU national point code = 7-9-8-1

LNP capability point code = 006-006-006

The format of the 14-bit ITU national point codes used in these examples is 4-4-4-2.

Canceling the RTRV-DSTN, RTRV-MAP, and RTRV-RTE Commands

Because the `rtrv-dstn`, `rtrv-map`, and `rtrv-rte` commands used in this procedure can output information for a long period of time, the `rtrv-dstn`, `rtrv-map`, and `rtrv-rte` commands can be canceled and the output to the terminal stopped. There are three ways that the `rtrv-dstn`, `rtrv-map`, and `rtrv-rte` commands can be canceled:

- Press the F9 function key on the keyboard at the terminal where the `rtrv-dstn`, `rtrv-map`, or `rtrv-rte` command was entered.
- Enter the `canc-cmd` without the `trm` parameter at the terminal where the `rtrv-dstn`, `rtrv-map`, or `rtrv-rte` command was entered.
- Enter the `canc-cmd:trm=<xx>`, where `<xx>` is the terminal where the `rtrv-dstn`, `rtrv-map`, or `rtrv-rte` command was entered, from another terminal other than the terminal where the `rtrv-dstn`, `rtrv-map`, and `rtrv-rte` commands were entered. To enter the `canc-cmd:trm=<xx>` command, the terminal must allow Security Administration commands to be entered from it and the user must be allowed to enter Security Administration commands. The terminal's permissions can be verified with the `rtrv-secu-trm` command. The user's permissions can be verified with the `rtrv-user` or `rtrv-secu-user` commands.

For more information about the `canc-cmd` command, refer to the *Commands Manual*.

1. Display the self-identification of the EAGLE 5 ISS using the `rtrv-sid` command.

This is an example of the possible output.

```

rlghncxa03w 08-09-10 11:43:04 GMT EAGLE5 39.2.0
  PCA          PCI          PCN          CLLI          PCTYPE
  001-001-001  1-200-6        10-13-9-3    rlghncxa03w  OTHER

  CPCA
  002-002-002          002-002-003          002-002-004          002-002-005
  002-002-006          002-002-007          002-002-008          002-002-009
  004-002-001          004-003-003          050-060-070

  CPCA (LNP)
  005-005-002          005-005-004          005-005-005

  CPCI
  1-002-1          1-002-2          1-002-3          1-002-4

```

2-001-1	7-222-7		
CPCN			
2-0-10-3	2-0-11-0	2-0-11-2	2-0-12-1
2-2-3-3	2-2-4-0	10-14-10-1	

Continue the procedure by performing one of these steps.

- If only the CLLI or CLLI and PCTYPE values are being changed, continue the procedure with [Step 11](#).
 - If only the PCTYPE value is being changed, continue the procedure with [Step 19](#).
 - If point codes will be specified in this procedure, continue the procedure by performing one of these steps.
 - If 14-bit or 24-bit ITU-N point codes will be specified, continue the procedure with [Step 2](#).
 - If 14-bit or 24-bit ITU-N point codes will not be specified, continue the procedure with [Step 5](#).
2. If you wish to specify the `pcn24` parameter with the `chg-sid` command and the `rtrv-sid` output shows the PCN field, the 14-bit ITU-N point code value, shown in the PCN field must be removed with the `npcn=none` parameter before the `pcn24` parameter value can be specified by the `chg-sid` command.

Before the `npcn=none` parameter can be specified, any ITU-N point codes shown in the `rtrv-dstn` output must be removed. If no value is shown in the PCN field, then performing this step is not necessary. If the PCN field contains a point code, perform the [Removing a Destination Point Code](#) procedure to remove the ITU-N point codes. After the ITU-N point codes have been removed, enter this command.

```
chg-sid:pcn=<current PCN value>:npcn=none
```

If the PCN field contains both spare and non-spare point code values, both the spare and non-spare 14-bit ITU-N point code values must be removed from the `rtrv-dstn` and `rtrv-sid` outputs before the `pcn24` parameter can be specified.

After the PCN value has been removed, continue the procedure with [Step 6](#).

If you wish to specify the `pcn` parameter with the `chg-sid` command and the `rtrv-sid` output shows the PCN24 field, the 24-bit ITU-N point code value, shown in the PCN24 field must be removed with the `pcn24=none` parameter before the `pcn` parameter value can be specified by the `chg-sid` command.

Before the `pcn24=none` parameter can be specified, any ITU-N24 point codes shown in the `rtrv-dstn` output must be removed. If no value is shown in the PCN24 field, then performing this step is not necessary. If the PCN24 field contains a point code, perform the [Removing a Destination Point Code](#) procedure to remove the ITU-N24 point codes. After the ITU-N24 point codes have been removed, enter this command.

```
chg-sid:pcn24=none
```

After the PCN24 value has been removed, continue the procedure with [Step 3](#).

When the `chg-sid` command has successfully completed, this message should appear.

```
rlghncxa03w 06-05-07 09:17:40 GMT EAGLE5 39.2.0
CHG-SID: MASP A - COMPLTD
```


A caution message is displayed indicating that the EAGLE5 ISS needs to be reinitialized.

```
CAUTION: SYSTEM SITE ID HAS BEEN CHANGED, MANUAL RE-INITIALIZATION IS NEEDED
```

3. Display the existing values for the `npcfmt i` parameter, by entering the `rtrv-stpopts` command.

The value for the `npcfmt i` parameter is shown in the `NPCFMTI` field. This is an example of the possible output.

```
rlghncxa03w 08-09-17 16:02:05 GMT EAGLE5 39.2.0
STP OPTIONS
-----
NPCFMTI          4-4-4-2
```

Note: The `rtrv-stpopts` command output contains other fields that are not used by this procedure. If you wish to see all the fields displayed by the `rtrv-stpopts` command, see the `rtrv-stpopts` command description in the *Commands Manual*.

If you wish to change the format of the 14-bit ITU national point codes, go to the [14-Bit ITU National Point Code Formats](#) section. Changing the formats of the 14-bit ITU national point codes will change how any existing 14-bit ITU national point codes are displayed in the database.

After this step has been performed, continue the procedure by performing one of these steps.

- If group codes are shown in the `rtrv-sid` output, continue the procedure with [Step 5](#).
 - If group codes are not shown in the `rtrv-sid` output, and group codes will not be specified with the 14-bit ITU-N point codes, continue the procedure with [Step 5](#).
 - If group codes are not shown in the `rtrv-sid` output, and group codes will be specified with the 14-bit ITU-N point codes, continue the procedure with [Step 4](#).
4. Enter the `rtrv-feat` command to verify that the Multiple Point Code Support and ITU Duplicate Point Code Support features are on.

If the Multiple Point Code Support feature is on, the `MPC` field should be set to `on`. If the ITU Duplicate Point Code Support feature is on, the `ITUDUPPC` field should be set to `on`. For this example, these features are off.

Note: The `rtrv-feat` command output contains other fields that are not used by this procedure. If you wish to see all the fields displayed by the `rtrv-feat` command, see the `rtrv-feat` command description in the *Commands Manual*.

If the ITU Duplicate Point Code Support feature is off and the Multiple Point Code feature is on, enter this command.

```
chg-feat:ituduppc=on
```

If both features are off, enter this command.

```
chg-feat:mpc=on:ituduppc=on
```

When the `chg-feat` has successfully completed, this message should appear.

```
rlghncxa03w 08-09-07 00:57:31 GMT EAGLE5 39.2.0
CHG-FEAT: MASP A - COMPLTD
```


- If spare point codes are being specified in this procedure, the ITU National and International Spare Point Code Support feature must be enabled.

Note: If an ITU-I or 14-bit ITU-N spare point code is displayed in the `rtrv-sid` output in [Step 1](#), or if an ITU-I or 14-bit ITU-N spare point code is not being specified in this procedure, continue the procedure with [Step 6](#). The `rtrv-ctrl-feat` command shows the status of the ITU National and International Spare Point Code Support feature.

Enter the `rtrv-ctrl-feat` command with the part number of this feature.

Enter this command.

```
rtrv-ctrl-feat:partnum=893013601
```

This is an example of the possible output.

```
rlghncxa03w 08-09-28 21:15:37 GMT EAGLE5 39.2.0
The following features have been permanently enabled:
```

Feature Name	Partnum	Status	Quantity
Spare Point Code Support	893013601	on	----

The following features have been temporarily enabled:

Feature Name	Partnum	Status	Quantity	Trial Period Left
Zero entries found.				

The following features have expired temporary keys:

Feature Name	Partnum
Zero entries found.	

If the ITU National and International Spare Point Code Support feature is not enabled, perform the [Activating the ITU National and International Spare Point Code Support Feature](#) procedure to enable the ITU National and International Spare Point Code Support feature.

- The point codes specified in this procedure cannot be shown in the `rtrv-dstn` command output.

Display the point codes in the destination point code table by using the `rtrv-dstn` command. This is an example of the possible output.

```
rlghncxa03w 10-12-10 11:43:04 GMT EAGLE5 43.0.0
Extended Processing Time may be Required
```

DPCA	CLLI	BEI	ELEI	ALIASI	ALIASN/N24	DMN
001-002-003	ls04c1li	yes	---	-----	-----	SS7
002-002-002	ls01c1li	no	---	-----	-----	SS7
002-007-008	ls06c1li	yes	---	-----	-----	SS7
003-003-003	ls03c1li	yes	---	-----	-----	SS7
004-004-004	ls02c1li	yes	---	-----	-----	SS7
179-100-087	-----	yes	---	-----	-----	SS7
200-050-176	-----	yes	---	-----	-----	SS7
240-007-000	-----	yes	---	-----	-----	SS7
240-012-004	rlghncbb001	yes	---	1-111-1	10-13-9-3	SS7
240-012-005	rlghncbb002	yes	---	1-112-2	10-13-10-0	SS7
240-012-006	rlghncbb003	yes	---	1-112-3	10-13-10-1	SS7
240-012-008	-----	yes	---	1-113-5	10-13-10-2	SS7
DPCI	CLLI	BEI	ELEI	ALIASA	ALIASN/N24	DMN

```

2-131-1      rlghncbb023 no --- 222-210-000 11-11-8-1 SS7
2-131-2      ----- no --- 222-211-001 11-11-8-2 SS7
2-131-3      ----- no --- 222-211-002 11-11-8-3 SS7
3-150-4      lsi7c1li  yes --- ----- SS7

DPCN        CLLI        BEI  ELEI    ALIASA        ALIASI        DMN
10-6-15-1   lsn5c1li  yes --- ----- SS7
10-15-2-3   rlghncbb013 no --- 222-200-200 2-121-1 SS7
10-15-3-0   rlghncbb013 no --- 222-200-201 2-121-2 SS7

Destination table is (19 of 2000) 1% full
Alias table is (18 of 8000) 1% full

```

7. The point codes specified in this procedure cannot be shown in the `rtrv-pct` output as an emulated point code (EPC). Display the PCT entries by entering the `rtrv-pct` command.

This is an example of the possible output.

```

rlghncxa03w 10-12-17 16:02:05 GMT EAGLE5 43.0.0

  EPCA          FILTPCA          REALPCA          SI  SSN  RELCAUSE
  001-001-001  *                    240-012-006    5  ---  10

  ECICS = 10          ECICE = 20
  RCICS = 30          RCICE = 40

  EPCI          FILTPCI          REALPCI          SI  SSN  RELCAUSE
  1-001-2      2-131-2          2-131-3         3  10  ---

  ECICS = -----  ECICE = -----
  RCICS = -----  RCICE = -----

  EPCN          FILTPCN          REALPCN          SI  SSN  RELCAUSE
  13-11-14-1   *                    10-15-2-3      *  ---  ---

  ECICS = -----  ECICE = -----
  RCICS = -----  RCICE = -----

Unique EPC      is 3 of 250
Unique RealPC  is 3 of 250

PCT table is (3 of 1000) 1% full.

```

Continue the procedure by performing one of these steps.

- If the `pc/pca/pci/pcn/pcn24` parameter value is not being changed, continue the procedure with [Step 10](#).
 - If the `pc/pca/pci/pcn/pcn24` parameter value is being changed to another point code value, continue the procedure with [Step 9](#).
 - If the `pc/pca/pci/pcn/pcn24` parameter value is being removed, continue the procedure with [Step 8](#).
8. For the EAGLE 5 ISS to have point codes of a particular network type (ANSI, ITU-I, or ITU-N), a point code of that same type must be defined by the `pc/pca/pci/pcn/pcn24` parameter of the `chg-sid` command.

To remove a point code defined by the `pc/pca/pci/pcn/pcn24` parameter, all point codes of the same network type as the point code being removed in this procedure must be removed from the database.

If the `rtrv-dstn` output in [Step 6](#) shows that there are no point codes of the same network type as the point code being removed, continue the procedure with [Step 11](#).

If the `rtrv-dstn` output in [Step 6](#) shows that there are point codes of the same network type as the point code being removed, perform the [Removing a Destination Point Code](#) procedure and remove the point codes shown in the `rtrv-dstn` output in [Step 6](#) that are the same network type as the point code being removed in this procedure.

After this step is performed, continue the procedure with [Step 11](#).

9. Display the mated applications in the database, using the `rtrv-map` command.

This is an example of the possible output.

```
rlghncxa03w 09-07-07 00:34:31 GMT EAGLE5 41.1.0

PCA          Mate PCA          SSN RC  MULT SRM  MRC  GRP  NAME  SSO
255-001-000          250 10  SOL  *N   *N   GRP01  ON
255-001-000          251 10  SHR  *Y   *Y   GRP01  OFF
253-001-002          254 10  SHR  *Y   *Y   GRP01  OFF
255-001-000          252 10  SOL  *Y   *Y   GRP01  ON
255-001-000          253 10  SHR  *N   *N   GRP01  OFF
253-001-004          254 10  SHR  *N   *N   GRP01  OFF
255-001-001          255 10  DOM  YES  YES  GRP01  ON
253-001-005          254 20  DOM  YES  YES  GRP01  ON
255-001-001          250 10  DOM  YES  YES  GRP01  OFF
253-001-001          254 20  DOM  YES  YES  GRP01  OFF
255-001-002          251 10  SHR  *Y   *Y   GRP01  OFF
255-001-002          254 10  SHR  *Y   *Y   GRP01  OFF
255-001-002          252 10  DOM  YES  YES  GRP01  ON
255-001-003          254 20  DOM  YES  YES  GRP01  ON
255-001-002          253 10  SHR  *Y   *Y   GRP01  ON
255-001-004          254 10  SHR  *Y   *Y   GRP01  ON

PCI          Mate PCI          SSN RC  MULT SRM  MRC  GRP  NAME  SSO
2-001-2          255 10  DOM  NO   NO   GRP03  OFF
2-001-1          254 20  DOM  NO   NO   GRP03  OFF

PCN          Mate PCN          SSN RC  MULT SRM  MRC  GRP  NAME  SSO
0-5-6-3          253 10  SHR  NO   *Y   GRP05  OFF
1-5-10-3          254 10  SHR  NO   *N   GRP05  OFF

MAP TABLE IS (20 of 1024) 2 % FULL
```

If the EAGLE 5 ISS's point code is shown in the `rtrv-map` command output (in the `PCA`, `PCI`, `PCN`, `PCN24`, `MPCA`, `MPCI`, `MCPN`, or `MPCN24` fields), perform the [Removing a Mated Application](#) procedure

in the *Database Administration Manual - Global Title Translation*, and remove the EAGLE 5 ISS's point code from the mated application table.

10. Display the secondary point codes in the database, using the `rtrv-spc` command.

This is an example of the possible output.

```
rlghncxa03w 08-09-07 11:43:04 GMT  EAGLE5 39.2.0
SPC (Secondary Point Codes)
SPCA
    001-010-010
    002-010-010
    003-010-010
    010-100-010
SPC-I
    1-253-5
    2-254-6
    3-255-7
    4-100-1
SPC-N
    10-01-11-1
    13-02-12-0
    14-15-12-1
SPC-N24
none
Secondary Point Code table is (11 of 40) 28% full
```

If the EAGLE 5 ISS's point code or capability point code that is being configured in this procedure is shown in [Step 6](#) or [Step 10](#), choose another point code to configure with this procedure.

Continue the procedure by performing one of these steps.

- If the `clli` parameter value is not being changed, continue the procedure with [Step 15](#).
- If the `clli` parameter value is being changed, continue the procedure with [Step 11](#).

11. Enter the `rtrv-feat` command, or examine the `rtrv-feat` output in [Step 4](#), if [Step 4](#) was performed, to verify that the Eagle Support for Integrated Sentinel feature is on.

If the Eagle Support for Integrated Sentinel feature is on, the `E5IS` field should be set to on.

Note: The `rtrv-feat` command output contains other fields that are not used by this procedure. If you wish to see all the fields displayed by the `rtrv-feat` command, see the `rtrv-feat` command description in the *Commands Manual*.

Continue the procedure by performing one of these steps.

- If the Eagle Support for Integrated Sentinel feature is not on, continue the procedure with [Step 15](#).
- If the Eagle Support for Integrated Sentinel feature is on, continue the procedure with [Step 12](#).

12. Display the `EISCOPY` option by entering the `rtrv-eisopts` command.

This is an example of the possible output.

```
rlghncxa03w 10-07-07 11:43:04 GMT  EAGLE5 42.0.0
EIS OPTIONS
-----
EISCOPY = ON
```

```
FAST COPY OPTIONS
-----
FCGPL = IPSP          FCMODE = FCOPY
FCGPL = IPGHC         FCMODE = FCOPY
-----
```

Continue the procedure by performing one of these steps.

- If the EISCOPY option is off, continue the procedure with [Step 15](#).
- If the EISCOPY option is on, continue the procedure by performing one of these steps..
 - If the FCMODE value for all the GPLs shown in the `rtrv-eisopts` output is OFF, continue the procedure with [Step 15](#).
 - If the FCMODE value for any of the GPLs shown in the `rtrv-eisopts` output is STC or FCOPY, continue the procedure with [Step 13](#).

13. Change the FCMODE values for all the GPLs shown in [Step 12](#) to OFF by entering this command.

```
chg-eisopts:fcmode=off:fcgpl=all
```

When the `chg-eisopts` has successfully completed, this message should appear.

```
rlghncxa03w 10-07-07 11:43:04 GMT  EAGLE5 42.0.0
CHG-EISOPTS: MASP A - COMPLTD
```

14. Turn the EISCOPY option off by entering the `chg-eisopts` command with the `eiscopy=off` parameter.



CAUTION

Caution: Changing the EISCOPY option to `off` will disable the Eagle Support for Integrated Sentinel feature.

When the `chg-eisopts` has successfully completed, this message should appear.

```
rlghncxa03w 08-09-07 11:43:04 GMT  EAGLE5 39.2.0
CHG-EISOPTS: MASP A - COMPLTD
```

Continue the procedure by performing one of these steps.

- If capability point codes will not be provisioned in this procedure, continue the procedure with [Step 19](#).
 - If capability point codes will be provisioned in this procedure, continue the procedure with [Step 15](#).
15. To add a particular type of CPC, only one CPC type (the `cpctype` parameter) can be specified with the `chg-sid` command, and the feature corresponding to the CPC type must be enabled or turned on.

The EAGLE 5 ISS supports these types of CPCs.

- STP CPCs - no feature is required to be enabled or turned on to specify STP CPCs. If you wish to add an STP CPC, continue the procedure with [Step 19](#).
- LNPCPCs - If you wish to add an LNP CPC and LNP CPCs are shown in the `rtrv-sid` output in [Step 1](#), continue the procedure with [Step 19](#). If only STP CPCs are shown in the `rtrv-sid`

- output in [Step 1](#), continue the procedure with [Step 18](#). If any of these CPCs are shown in the `rtrv-sid` output in [Step 1](#): INP, G-Port, G-Flex, EIR, MNP, V-Flex, ATINPQ, LNP CPCs cannot be added.
- INP CPCs - If you wish to add an INP CPC and INP CPCs are shown in the `rtrv-sid` output in [Step 1](#), continue the procedure with [Step 19](#). If INP and LNP CPCs are not shown in the `rtrv-sid` output in [Step 1](#), continue the procedure with [Step 16](#). If LNP CPCs are shown in the `rtrv-sid` output in [Step 1](#), INP CPCs cannot be added.
 - G-Flex CPCs - If you wish to add a G-Flex CPC and G-Flex CPCs are shown in the `rtrv-sid` output in [Step 1](#), continue the procedure with [Step 19](#). If G-Flex and LNP CPCs are not shown in the `rtrv-sid` output in [Step 1](#), continue the procedure with [Step 16](#). If LNP CPCs are shown in the `rtrv-sid` output in [Step 1](#), G-Flex CPCs cannot be added.
 - MNP CPCs - If you wish to add an MNP CPC and MNP CPCs are shown in the `rtrv-sid` output in [Step 1](#), continue the procedure with [Step 19](#). If MNP and LNP CPCs are not shown in the `rtrv-sid` output in [Step 1](#), continue the procedure with [Step 16](#). If LNP CPCs are shown in the `rtrv-sid` output in [Step 1](#), MNP CPCs cannot be added.
 - EIR CPCs - If you wish to add an EIR CPC and EIR CPCs are shown in the `rtrv-sid` output in [Step 1](#), continue the procedure with [Step 19](#). If EIR and LNP CPCs are not shown in the `rtrv-sid` output in [Step 1](#), continue the procedure with [Step 16](#). If LNP CPCs are shown in the `rtrv-sid` output in [Step 1](#), EIR CPCs cannot be added.
 - V-Flex CPCs - If you wish to add a V-Flex CPC and V-Flex CPCs are shown in the `rtrv-sid` output in [Step 1](#), continue the procedure with [Step 19](#). If V-Flex and LNP CPCs are not shown in the `rtrv-sid` output in [Step 1](#), continue the procedure with [Step 16](#). If LNP CPCs are shown in the `rtrv-sid` output in [Step 1](#), V-Flex CPCs cannot be added.
 - ATINPQ CPCs - If you wish to add an ATINPQ CPC and ATINPQ CPCs are shown in the `rtrv-sid` output in [Step 1](#), continue the procedure with [Step 19](#). If ATINPQ and LNP CPCs are not shown in the `rtrv-sid` output in [Step 1](#), continue the procedure with [Step 16](#). If LNP CPCs are shown in the `rtrv-sid` output in [Step 1](#), ATINPQ CPCs cannot be added.
 - G-Port CPCs - If you wish to add a G-Port CPC and G-Port CPCs are shown in the `rtrv-sid` output in [Step 1](#), continue the procedure with [Step 19](#). If G-Port, MNP, and LNP CPCs are not shown in the `rtrv-sid` output in [Step 1](#), continue the procedure with [Step 17](#). If LNP or MNP CPCs are shown in the `rtrv-sid` output in [Step 1](#), G-Port CPCs cannot be added.
 - AIQ CPCs - If you wish to add an AIQ CPC and AIQ CPCs are shown in the `rtrv-sid` output in [Step 1](#), continue the procedure with [Step 19](#). If AIQ CPCs are not shown in the `rtrv-sid` output in [Step 1](#), continue the procedure with [Step 16](#).
16. To specify these types of CPCs: INP, G-Flex, MNP, EIR, V-Flex, ATINPQ, AIQ, the following features must be enabled, and turned on if necessary.
- INP CPCs - the INP or ANSI-41 INP Query features must be enabled and turned on.
 - G-Flex CPCs - the G-Flex feature must be enabled and turned on.
 - EIR CPCs - the EIR feature must be enabled and turned on.
 - MNP CPCs - the A-Port or IS41 GSM Migration features must be enabled.
 - V-Flex CPCs - the V-Flex feature must be enabled and turned on.
 - ATINPQ CPCs - the ATINP feature must be enabled.
 - AIQ CPCs - the ANSI41 AIQ feature must be enabled.

Enter the `rtrv-ctrl-feat` command to verify the status of the feature required for the CPC that is being added. This is an example of the possible output.

```
rlghncxa03w 08-09-28 21:15:37 GMT EAGLE5 39.2.0
```

The following features have been permanently enabled:

Feature Name	Partnum	Status	Quantity
Command Class Management	893005801	on	----
Intermed GTT Load Sharing	893006901	on	----
XGTT Table Expansion	893006101	on	4000000
XMAP Table Expansion	893007710	on	3000
Large System # Links	893005901	on	1500
Routesets	893006401	on	6000
HC-MIM SLK Capacity	893012707	on	64

The following features have been temporarily enabled:

Feature Name	Partnum	Status	Quantity	Trial Period Left
Zero entries found.				

The following features have expired temporary keys:

Feature Name	Partnum
Zero entries found.	

If the LNP feature is enabled, LNP, AIQ, or STP CPCs can be specified in this procedure. If an AIQ CPC will be provisioned, continue with this step. If an LNP or STP CPC will be provisioned, continue the procedure with [Step 19](#).

If the feature that is required for the CPC that is being added is enabled, and turned on if required, continue the procedure with [Step 19](#).

If the feature that is required for the CPC that is being added is not enabled, or turned on if required, perform the procedures in one of the following manuals to enable, and turn on if required, the feature required to support the CPC that is being added.

- INP CPCs - *Feature Manual – INP/AINPQ* – to enable and turn on the INP or ANSI-41 INP Query features.
- G-Flex CPCs - *Feature Manual – G-Flex C7 Relay* – to enable and turn on the G-Flex feature.
- EIR CPCs - *Feature Manual – EIR* – to enable and turn on the EIR feature.
- MNP CPCs - *Feature Manual – A-Port* to enable the A-Port feature, or *Feature Manual - IS41 GSM Migration* – to enable the IS41 GSM Migration feature.

Note: If G-Port CPCs are shown in the `rtrv-sid` output, when the A-Port or IS41 GSM Migration features are enabled, the G-Port CPCs are changed to MNP CPCs.

- V-Flex CPCs - *Feature Manual – V-Flex* – to enable and turn on the V-Flex Feature.
- ATINPQ CPCs - *Feature Manual – ATINP* – to enable the ATINP feature.
- AIQ CPCs - *Feature Manual – Analyzed Information Features* – to enable the ANSI41 AIQ feature.

After the required feature has been enabled, and turned on if required, continue the procedure with [Step 19](#).

17. To provision G-Port CPCs, the G-Port feature must be enabled. Verify that the G-Port feature is enabled by entering the `rtrv-ctrl-feat` command. This is an example of the possible output.

```
rlghncxa03w 08-09-28 21:15:37 GMT EAGLE5 39.2.0
The following features have been permanently enabled:

Feature Name          Partnum    Status    Quantity
Command Class Management 893005801  on       ----
```

```

Intermed GTT Load Sharing 893006901 on ----
XGTT Table Expansion      893006101 on 4000000
XMAP Table Expansion      893007710 on 3000
Large System # Links      893005901 on 1500
Routesets                  893006401 on 6000
HC-MIM SLK Capacity       893012707 on 64

```

The following features have been temporarily enabled:

Feature Name	Partnum	Status	Quantity	Trial Period Left
Zero entries found.				

The following features have expired temporary keys:

Feature Name	Partnum
Zero entries found.	

If G-Port feature is enabled, continue the procedure with [Step 19](#).

If the G-Port feature is not enabled, perform the procedures in the *Feature Manual - G-Port* to enable the G-Port feature. After the G-Port feature has been enabled, continue the procedure with [Step 19](#).

If the LNP feature is enabled, LNP, AIQ, or STP CPCs can be specified in this procedure. If an AIQ CPC will be provisioned, continue the procedure with [Step 16](#). If an LNP or STP CPC will be provisioned, continue the procedure with [Step 19](#).

If either the A-Port or IS41 GSM Migration features are enabled, G-Port CPCs cannot be provisioned. If you wish to provision other types of CPCs, go back to [Step 15](#) and select another type of CPC to provision. If you do not wish to provision other CPCs, continue the procedure with [Step 19](#) to provision the self identification without provisioning CPCs.

18. To provision LNP CPCs, the LNP feature must be enabled. Verify that the LNP feature is enabled by entering the `rtrv-ctrl-feat` command. This is an example of the possible output.

```

rlghncxa03w 08-09-28 21:15:37 GMT EAGLE5 39.2.0
The following features have been permanently enabled:

```

Feature Name	Partnum	Status	Quantity
Command Class Management	893005801	on	----
LNP Short Message Service	893006601	on	----
Intermed GTT Load Sharing	893006901	on	----
XGTT Table Expansion	893006101	on	4000000
XMAP Table Expansion	893007710	on	3000
Large System # Links	893005901	on	1500
Routesets	893006401	on	6000
HC-MIM SLK Capacity	893012707	on	64

The following features have been temporarily enabled:

Feature Name	Partnum	Status	Quantity	Trial Period Left
Zero entries found.				

The following features have expired temporary keys:

Feature Name	Partnum
Zero entries found.	

If the LNP feature is enabled, continue the procedure with [Step 19](#).

If the LNP feature is not enabled and none of the features shown in [Step 16](#) or [Step 17](#) are enabled, except ANSI41 AIQ, and turned on if required, perform the procedures in the *ELAP Administration and LNP Feature Activation* manual to enable the LNP feature. After the LNP feature has been enabled, continue the procedure with [Step 19](#). AIQ CPCs can be provisioned regardless of which features are enabled or turned on. The ANSI41 AIQ feature must be enabled to provision AIQ CPCs.

If any of the features shown in [Step 16](#) or [Step 17](#) are enabled, and turned on if required, except ANSI41 AIQ, LNP CPCs cannot be specified. If you wish to provision CPCs for the features that are enabled, and turned on if required, go back to [Step 15](#) and select another type of CPC to provision. If you do not wish to provision other CPCs, continue the procedure with [Step 19](#) to provision the self identification without provisioning CPCs.

19. Change the value of the self-identification of the EAGLE 5 ISS, using the `chg-sid` command.

For this example, the point code of the EAGLE 5 ISS is being changed to these values:

- ANSI point code = 100-100-100
- ITU international point code = 3-75-7
- ITU national point code = 7-9-8-1
- LNP capability point code = 006-006-006

To make these changes, enter this command.

```
chg-sid:pca=100-100-100:pci=3-75-7:pcn=7-9-8-1
:cpca=006-006-006:cpctype=lnp
```

If you wish to configure network routing point codes using the network indicator values 1 through 5, the `pcn` parameter value must be `other`. For more information on network routing point codes, see the [Network Routing](#) section.

When this command has successfully completed, this message should appear.

```
rlghncxa03w 08-09-07 09:17:40 GMT EAGLE5 39.2.0
CHG-SID: MASP A - COMPLTD
```

If any of the `pc`/`pca`/`pci`/`pcn`/`pcn24` parameters are changed, the EAGLE 5 ISS needs to be reinitialized. A caution message is displayed indicating that the EAGLE 5 ISS needs to be reinitialized.

```
CAUTION: SYSTEM SITE ID HAS BEEN CHANGED, MANUAL RE-INITIALIZATION IS NEEDED
```

If the CLI value has been changed, and the SEAS over IP feature is enabled and turned on, shown in the `rtrv-ctrl-feat` output, this caution messages appears.

```
CAUTION: System CLI has changed, CCSMR re-configuration required
```

If the gateway screening redirect function's DPC is the `pc`/`pca`/`pci`/`pcn`/`pcn24` parameter value and this parameter value was changed in this step, this caution message appears.

```
CAUTION: SYSTEM SITE ID WAS REFERENCED BY THE REDIRECT FUNCTION'S DPC
```

Continue the procedure by performing one of these steps.

- If the `pc/pca/pci/pcn/pcn24` and `clli` parameters were not changed, continue the procedure with [Step 27](#).
- If the `clli` parameter was changed, but the `pc/pca/pci/pcn/pcn24` was not changed, continue the procedure by performing one of these steps.
 - If this caution message, CAUTION: System CLLI has changed, CCSMR re-configuration required, appeared after the `chg-sid` command was performed, continue the procedure with [Step 23](#).
 - If the caution message did not appear after the `chg-sid` command was performed, continue the procedure with one of these steps.
 - If the EISCOPY option was changed in [Step 14](#), continue the procedure with [Step 24](#).
 - If the EISCOPY option was not changed in [Step 14](#), continue the procedure with [Step 27](#).
- If the `pc/pca/pci/pcn/pcn24` parameter was changed, continue the procedure by performing one of these steps.
 - If you wish to change the RSTRDEV STP option, continue the procedure with [Step 20](#).
 - If you do not wish to change the RSTRDEV STP option, continue the procedure with [Step 21](#).

20. Enter the `rtrv-stpopts` command to display the setting of the `rstrdev` parameter.

[Step 21](#) instructs you to enter the `init-sys` command.

If you do not want the EAGLE 5 ISS to restore previous device states after the `init-sys` command has executed and `RSTRDEV` value is on in the `rtrv-stpopts` output, enter the `chg-stpopts:off=rstrdev` command.

If you want the EAGLE 5 ISS to restore previous device states after the `init-sys` command has executed, and `RSTRDEV` value is off in the `rtrv-stpopts` output, enter the `chg-stpopts:on=rstrdev` command.

Continue with [Step 21](#).



Caution: The `init-sys` command causes a complete EAGLE 5 ISS reload, and should only be used during periods of low traffic. Using this command ensures the updated self-identification information is loaded onto all cards, but will interrupt service.



Caution: The `rstrdev` value of the `chg-stpopts` command can be used to turn on the Persistent Device States (PDS) feature. When PDS is turned off and the `init-sys` command executes, the EAGLE 5 ISS does not retain the manually initiated state (for example, OOS-MT-DSBLD) for the signaling links, cards, or terminals. After the command executes, the EAGLE 5 ISS attempts to bring all provisioned signaling links, cards, and terminals on-line, including those that were previously out of service. You will need to manually put each device back into its previous state after the EAGLE 5 ISS is back on-line. It is, therefore, advisable to print or electronically capture the output of the `rept-stat-slk`, `rept-stat-card`, and `rept-stat-trm` commands for reference prior to issuing the `init-sys` command. To restore a device to its previous state, issue the appropriate inhibit/deactivate command listed in the *Commands Manual* in the Related Commands section for each of the above `rept-stat` commands. When PDS is turned on using the `chg-stpopts:on=rstrdev` command,

the EAGLE 5 ISS restores the previous device states of signaling links, terminals, and cards after the `init-sys` command has executed.

21. Reinitialize the EAGLE 5 ISS by entering the `init-sys` command.

Note: The `init-sys` command must be entered twice within 30 seconds for the EAGLE 5 ISS to be re-initialized. If the `init-sys` command is not executed twice within 30 seconds, the attempt to re-initialize the EAGLE 5 ISS is aborted.

When the `init-sys` command is first entered, this message should appear.

```
rlghncxa03w 08-09-28 07:05:01 GMT EAGLE5 39.2.0
CAUTION: This command causes a complete system reload, and
will result in traffic loss.
Re-enter command within 30 seconds to confirm.
```

When the `init-sys` command is re-entered within the 30 second time limit, this message should appear.

```
rlghncxa03w 08-09-28 07:05:17 GMT EAGLE5 39.2.0
Init System command issued at terminal #3
```

From the time that the `init-sys` command is accepted, you must wait approximately two minutes before you can perform [Step 22](#) (logging onto the EAGLE 5 ISS). If the EAGLE 5 ISS terminal is in the VT-100/VT-320 mode, the terminal display will be refreshed with non-zero alarm counts. During this 2-minute interval, an intermediate screen refresh is caused by the MASP's role change from active to standby, and from standby to active. This screen refresh is typically a partial refresh, and the alarm indicators are set to zero.

If you are logged into the EAGLE 5 ISS in the KSR mode, the only response you will receive indicating that you are now able to log into the EAGLE 5 ISS is UAM 0009, MASP became active. UAM 0009 could be issued twice due to possible transient MASP role change (switching from active to standby).

Following the execution of the `init-sys` command, the MASP that was active before the `init-sys` command was entered will be the active MASP when the EAGLE 5 ISS has finished reinitializing.

22. Log into the EAGLE 5 ISS using the `login` command (or the `act-user` command).

This is an example of the messages that appear when the login session has successfully completed.

```
NOTICE: This is a private computer system.
Unauthorized access or use may lead to prosecution.
0 LOGIN failures since last successful LOGIN
Last successful LOGIN was on port 4 on 04-06-02 @ 09:34:56
```

If the `clli` parameter was not changed in [Step 19](#), continue the procedure by performing one of these steps.

- If the CAUTION: SYSTEM SITE ID WAS REFERENCED BY THE REDIRECT FUNCTION'S DPC message was displayed in [Step 19](#), continue the procedure with [Step 26](#).
- If the CAUTION: SYSTEM SITE ID WAS REFERENCED BY THE REDIRECT FUNCTION'S DPC message was not displayed in [Step 19](#), continue the procedure with [Step 27](#).

If this caution message, CAUTION: System CLI has changed, CCSMR re-configuration required, appeared in [Step 19](#), continue the procedure with [Step 23](#). If the caution message did not appear in [Step 19](#), continue the procedure by performing one of these steps.

- If the EISCOPY option was changed in [Step 14](#), continue the procedure with [Step 24](#).
- If the EISCOPY option was not changed in [Step 14](#), continue the procedure by performing one of these steps.
 - If the CAUTION: SYSTEM SITE ID WAS REFERENCED BY THE REDIRECT FUNCTION'S DPC message was displayed in [Step 19](#), continue the procedure with [Step 26](#).
 - If the CAUTION: SYSTEM SITE ID WAS REFERENCED BY THE REDIRECT FUNCTION'S DPC message was not displayed in [Step 19](#), continue the procedure with [Step 27](#).

23. Perform the procedures in the "SEAS Over IP Configuration Procedures" chapter in the *Database Administration Manual - System Management* to re-configure the CCSMRs with the new CLI information.

After the CCSMRs have been re-configured, continue the procedure by performing one of these steps.

- If the EISCOPY option was changed in [Step 14](#), continue the procedure with [Step 24](#).
- If the EISCOPY option was not changed in [Step 14](#), continue the procedure by performing one of these steps.
 - If the CAUTION: SYSTEM SITE ID WAS REFERENCED BY THE REDIRECT FUNCTION'S DPC message was displayed in [Step 19](#), continue the procedure with [Step 26](#).
 - If the CAUTION: SYSTEM SITE ID WAS REFERENCED BY THE REDIRECT FUNCTION'S DPC message was not displayed in [Step 19](#), continue the procedure with [Step 27](#).

24. Turn the EISCOPY option on by entering the `chg-eisopts` command with the `eiscopy=on` parameter.



Caution: The Eagle Support for the Integrated Sentinel feature will be disabled if this step is not performed.

When the `chg-eisopts` has successfully completed, this message should appear.

```
rlghncxa03w 08-09-28 07:05:01 GMT EAGLE5 39.2.0
CHG-EISOPTS: MASP A - COMPLTD
```

After the EISCOPY option has been changed, continue the procedure by performing one of these steps.

- If the FCMODE value was changed in [Step 13](#), continue the procedure with [Step 25](#).
- If [Step 13](#) was not performed, continue the procedure by performing one of these steps.
 - If the CAUTION: SYSTEM SITE ID WAS REFERENCED BY THE REDIRECT FUNCTION'S DPC message was displayed in [Step 19](#), continue the procedure with [Step 26](#).
 - If the CAUTION: SYSTEM SITE ID WAS REFERENCED BY THE REDIRECT FUNCTION'S DPC message was not displayed in [Step 19](#), continue the procedure with [Step 27](#).

25. Change the FCMODE values that were changed in [Step 13](#) to the values that were displayed in [Step 12](#) by entering the `chg-eisopts` command with the `fcmode` and `fcgpl` parameter values that were displayed in [Step 12](#). If all the GPL values were changed in [Step 13](#), the `gpl=all` parameter can be specified with the `chg-eisopts` command.

For this example, enter this command.

```
chg-eisopts:fcmode=fcopy:fcgpl=all
```

When the `chg-eisopts` has successfully completed, this message should appear.

```
rlghncxa03w 10-07-28 07:05:01 GMT EAGLE5 42.0.0
CHG-EISOPTS: MASP A - COMPLTD
```

Continue the procedure by performing one of these steps.

- If the CAUTION: SYSTEM SITE ID WAS REFERENCED BY THE REDIRECT FUNCTION'S DPC message was displayed in [Step 19](#), continue the procedure with [Step 26](#).
 - If the CAUTION: SYSTEM SITE ID WAS REFERENCED BY THE REDIRECT FUNCTION'S DPC message was not displayed in [Step 19](#), continue the procedure with [Step 27](#).
26. If the point code of the EAGLE 5 ISS or capability point code is referenced by the gateway screening redirect function and the gateway screening redirect function is enabled, the gateway screening redirect function's DPC must be changed to reference the new EAGLE 5 ISS's point code.

Use the `chg-gws-redirect` command to change the gateway screening redirect function's DPC. Perform the Changing the Gateway Screening Redirect Parameters procedure in the *Database Administration Manual - Features* to change the gateway screening redirect function's DPC.

27. Verify the changes using the `rtrv-sid` command.

This is an example of the possible output.

```
rlghncxa03w 08-09-10 11:43:04 GMT EAGLE5 39.2.0
PCA          PCI          PCN          CLLI          PCTYPE
100-100-100  3-75-7         7-9-8-1     rlghncxa03w  OTHER

CPCA
002-002-002  002-002-003   002-002-004  002-002-005
002-002-006  002-002-007   002-002-008  002-002-009
004-002-001  004-003-003   050-060-070

CPCA (LNP)
005-005-002  005-005-004   005-005-005  006-006-006

CPCI
1-002-1      1-002-2       1-002-3      1-002-4
2-001-1      7-222-7

CPCN
2-0-10-3    2-0-11-0      2-0-11-2     2-0-12-1
2-2-3-3     2-2-4-0       10-14-10-1
```

28. Back up the new changes, using the `chg-db:action=backup:dest=fixed` command.

These messages should appear; the active Maintenance and Administration Subsystem Processor (MASP) appears first.

```
BACKUP (FIXED) : MASP A - Backup starts on active MASP.  
BACKUP (FIXED) : MASP A - Backup on active MASP to fixed disk complete.  
BACKUP (FIXED) : MASP A - Backup starts on standby MASP.  
BACKUP (FIXED) : MASP A - Backup on standby MASP to fixed disk complete.
```

Cluster Routing and Management Diversity (CRMD)

The Cluster Routing and Management Diversity feature eliminates the need for a full point code entry in the routing table to route to every signaling point in every network. The Cluster Routing and Management Diversity feature allows the EAGLE 5 ISS to configure one routeset to a entire cluster of destinations. This feature also allows the EAGLE 5 ISS to manage and switch traffic to more end nodes.

A cluster is defined as a group of signaling points whose point codes have identical values for the network and cluster fields of the point codes. A cluster entry in the routing table is shown with an asterisk (*) in the member field of the point code, for example, 111-011-*. With this feature, ANSI destination point codes can be specified as either a full point code, for example, 123-043-045, or as a cluster of signaling point codes, for example, 111-011-*.

Note: Cluster entries can only be provisioned as ANSI destination point codes. Cluster entries cannot be provisioned for ITU international or ITU national destination point codes. The ANSI alias point code for an ITU international or ITU national destination point code must be a full point code.

The Cluster Routing and Management Diversity feature allows provisioning of clusters, as well as of full point codes that belong to the same cluster as destination point codes (*Figure 14: Cluster Routing and Management Diversity*). The point codes 111-011-*, 111-011-005 and 111-011-045 entries can be provisioned. In *Figure 14: Cluster Routing and Management Diversity*, the cluster destination point code 111-011-* represents all the point codes of the cluster except for point codes 111-011-005 and 111-011-045. Cluster entries in the destination point code table can also be used as a DPC for a route. A group of such routes with varying relative cost forms a routeset to a cluster, just like a routeset to a full point code.

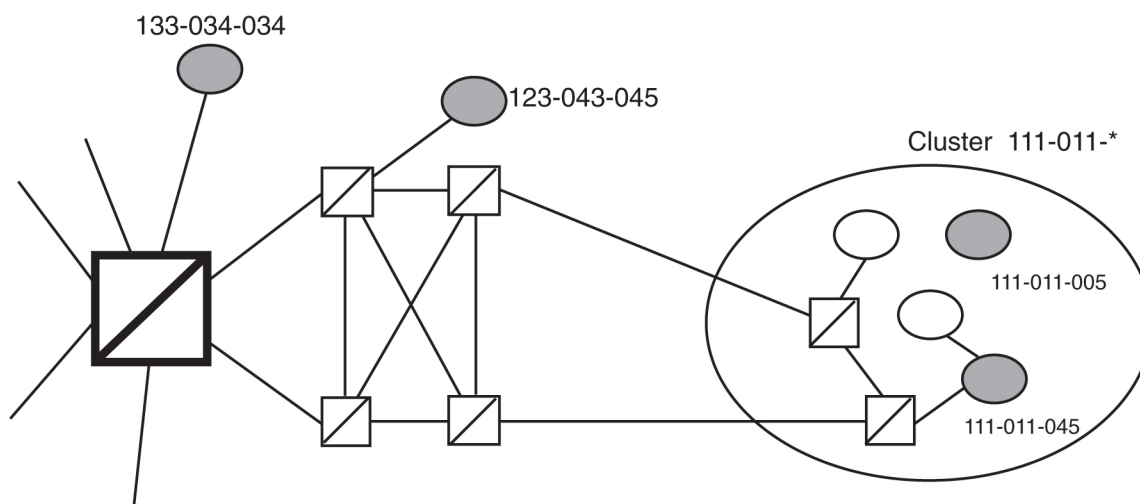


Figure 14: Cluster Routing and Management Diversity

Exception Lists (X-lists)

An exception list for a cluster is a list of point codes in a cluster whose routes are more restricted than other routes to that cluster. The term “more restricted” is used when comparing the route status of a cluster member to the route status of the cluster. A `PROHIBITED` status is more restrictive than a `RESTRICTED` status, and a `RESTRICTED` status is more restrictive than an `ALLOWED` status.

This list contains point codes that are not assigned to any individual routeset, and the only routeset to that node is through a cluster routeset. The exception list is a dynamic list that changes when the status of the cluster routesets changes.

The EAGLE 5 ISS allows users to specify whether exception list entries need to be created on a per cluster basis. For each cluster, the user can specify an exception list exclusion indicator (ELEI) when configuring the cluster point code with the `ent-dstn` command. When the ELEI is `yes`, the EAGLE 5 ISS does not create exception list entries or remove any existing exception list entries for the given cluster. When the ELEI is `no`, the EAGLE 5 ISS creates and removes exception list entries. When the ELEI is `no`, it is not guaranteed that there will be space available to create each and every possible exception list entry for provisioned cluster entries. All such exception list entries must compete for available exception list space.

Exception list entries are stored as an extension of the Destination Point Code table. The Destination Point Code table can contain a maximum number of entries, as shown in [Table 6: Maximum Point Code Quantities](#). The EAGLE 5 ISS allows the user to specify the number of entries reserved for the exception list. [Table 6: Maximum Point Code Quantities](#) also shows the number of entries that can be reserved for the exception list and the number of entries that are reserved for configured destinations (the full, cluster point codes, and network routing point codes).

Table 6: Maximum Point Code Quantities

Feature Status	Maximum DPC Quantity	Number of Entries Reserved for the Exception List	Maximum Number of Full, Cluster, and Network Routing Point Codes
The 5000 Routes feature is off and 6000, 7000, 8000, or 10,000 routesets are not enabled	2500	500 - 2000	2500 minus the number of entries reserved for the exception list.
The 5000 Routes feature is on and 6000, 7000, 8000, or 10,000 routesets are not enabled	5500	500 - 5000	5500 minus the number of entries reserved for the exception list.
6000 routesets are enabled	6500	500 - 6000	6500 minus the number of entries reserved for the exception list.
7000 routesets are enabled	7500	500 - 6000	7500 minus the number of entries reserved for the exception list.
8000 routesets are enabled	8500	500 - 6000	8500 minus the number of entries reserved for the exception list.
10,000 routesets are enabled	10500	500 - 10000	10500 minus the number of entries reserved for the exception list.

The outputs of the `ent-dstn`, `dlt-dstn`, `chg-dstn`, and `rtrv-dstn` commands display this destination point code usage information.

- The number of configured full point codes
- The number of configured cluster point codes
- The number of configured network routing point codes
- The sum of configured destinations (full, network routing, and cluster point codes)
- The number of DPCs the EAGLE 5 ISS may contain (full, network routing, and cluster point codes). This number is the value of the `chg-stpopts` command's `mtpdpcq` parameter. The `mtpdpcq` parameter value is not always the maximum number of entries minus the number reserved for the exception list. This calculation determines the maximum number of DPCs the EAGLE 5 ISS may contain. The `mtpdpcq` parameter value of the `chg-stpopts` command determines the actual number of DPCs the EAGLE 5 ISS can have, and can be set to an amount less than the maximum.
- The number of entries reserved for exception list. This number is the value of the `chg-stpopts` command's `mtpxlq` parameter.
- The maximum number of alias point codes that can be in the EAGLE 5 ISS. The EAGLE 5 ISS can contain the quantities of alias point codes shown in [Table 7: Maximum Alias Point Code Quantities](#) depending the features that are enabled or turned on.

Table 7: Maximum Alias Point Code Quantities

Feature Status	Maximum Alias Point Code Quantity
The 5000 Routes feature is off and 6000, 7000, 8000, or 10,000 routesets are not enabled	12000
The 5000 Routes feature is on and 6000, 7000, 8000, or 10,000 routesets are not enabled	12000
6000 routesets are enabled	12000
7000 routesets are enabled	8000
8000 routesets are enabled	8000
10,000 routesets are enabled	10000

- The number of alias point codes configured in the EAGLE 5 ISS.

Exception list entries have an expiration timer. There is a single EAGLE 5 ISS-wide expiration timer value for exception list entries. The exception list expiration timer, the size of the exception list, and the percentage of occupancy that generates a minor alarm can be configured with the `chg-stpopts` command. The values are shown in these fields of the `rtrv-stpopts` command output:

`MTPXLQ` = the maximum number of entries the exception list (x-list) can contain.

`MTPXLET` = the maximum amount of time the EAGLE 5 ISS will maintain an unreferenced exception list (x-list) entry

`MTPXLOT` = the exception list (x-list) occupancy threshold (in terms of percentage of space available). If this threshold is exceeded, the EAGLE 5 ISS raises a minor alarm. The percentage of occupancy refers to the number of exception list entries as compared to the maximum number of entries the exception list can hold. For example, if there are 1500 entries configured for the exception list and the exception list contains 1000 entries, the percentage of the exception list space being used is 66%. If this threshold is exceeded, the EAGLE 5 ISS raises a minor alarm.

The EAGLE 5 ISS raises a major alarm when the exception list becomes completely full and the EAGLE 5 ISS fails to create any more exception list entries.

`MTPDPCQ` = the maximum number of destination point codes that can be configured in the EAGLE 5 ISS.

The sum of the `MTPDPCQ` and `MTPXLQ` values (the maximum DPC quantity) cannot exceed the totals shown in [Table 6: Maximum Point Code Quantities](#) depending on the features that are enabled or turned on.

An exception list entry's timer is restarted when an exception list entry gets created, updated, or used for routing. This expiration timer (the `mtpxlet` parameter in the `chg-stpopts` command) can be set from a minimum of 20 minutes to a maximum of 24 hours. The default value for the expiration timer upon EAGLE 5 ISS start-up is 60 minutes. If the timer expires before it is restarted, the exception list entry is removed. The expiration timer allows the EAGLE 5 ISS to save resources, if the exception list entry is sitting idle for a long time.

An exception list entry can be created for three distinct set of conditions.

1. The first set of conditions creates exception list entries based on the status of the route (allowed, restricted, or prohibited), and these entries are marked as "exception list due to routing."

2. The EAGLE 5 ISS creates an exception list entry to maintain the congestion status of a non-provisioned, cluster-routed destination point code. These entries are marked "exception list due to congestion."
3. The EAGLE 5 ISS also creates an exception list to prohibit routing to a member of a cluster when circular routing to that member is detected. These exception list entries are marked "exception list due to circular routing."

An exception list entry for a particular cluster can be removed from the exception list when these conditions are met.

1. The status of all routes to the specified point code changes to a status that is less or equally restrictive than the corresponding status of the cluster's routes. This can happen for two reasons.
 - A `dact-rstst` command was issued.
 - A network management message (TFA or TFR) was received indicating the new status of the route to the specified point code.
2. The expiration timer for the exception list entry expires.
3. When a `chg-dstn` command is issued and changes the ELEI to `yes` for the cluster, and the EAGLE 5 ISS removes all exception list entries created for that cluster.
4. The `chg-stpopts` command was issued with the `mtpxlet` parameter, and the new value for the `mtpxlet` parameter was smaller than the original value. This command can change the allocation of routing table entries for the exception list. If the size of the exception list is reduced and the number of entries in the exception list is now greater than the new value of the `mtpxlet` parameter, the EAGLE 5 ISS will remove excess exception list entries at random.
5. When the user allows a circular routed "exception list due to circular routing" entry.
6. When congestion abates for an "exception list due to routing" entry.

Cluster Routing

When the EAGLE 5 ISS receives an MSU to route, the routing function looks for the MSU's destination point code as a full point code entry in the routing table. If found, the full point code entry is used to find the corresponding routeset and the outgoing route. If a full point code entry is not found, the routing function uses the destination point code's network and cluster values to find a cluster entry to which the destination point code belongs. If found, the cluster entry is used to find the corresponding routeset and the outgoing route. If neither a full point code entry or cluster point code entry is found, the EAGLE 5 ISS generates UAM 1004, "MTP rcvd unknown DPC."

Compatibility with Non-Cluster Routing Nodes

It is possible that not all of the nodes in the network that the EAGLE 5 ISS is operating in are cluster routing nodes. In such a situation, those nodes not doing cluster routing will interpret TCx messages, and apply them to each individual point code belonging to the concerned cluster. This may cause an inconsistency in the status records for exception-listed point codes in different nodes. In order to avoid this situation, the EAGLE 5 ISS takes these steps:

1. After broadcasting a TCR message for a cluster, the EAGLE 5 ISS stops any level 3 T8 timers running for exception-listed members of the cluster, and enables TFPs for the cluster's exception-listed (prohibited) member point codes by stopping the level 3 T8 timer. This allows TFPs to be sent for prohibited members immediately after a TCR is broadcast.
2. After broadcasting a TCA message for a cluster, the EAGLE 5 ISS enables a one-time TFR for the cluster's exception-listed (restricted) member point codes by stopping the level 3 T18 timer, and enables the TFPs for the cluster's exception-listed (prohibited) member point codes by stopping

the level 3 T8 timer. This allows TFPs to be sent for prohibited members, and TFRs for restricted members, immediately after a TCA is broadcast.

Cluster Management and the ITU Network

ITU SS7 networks do not use the concepts of clusters of point codes and cluster network management messages. The EAGLE 5 ISS does not generate TCx messages toward ITU nodes. When the EAGLE 5 ISS is acting as gateway between an ITU network and an ANSI network, during the broadcast phase of TCx messages, the EAGLE 5 ISS does not send TCx messages to adjacent ITU point codes. It is possible that messages may be lost in such a case. In order to reduce message loss and quickly notify the sending ITU node about the status, the EAGLE 5 ISS enables TFPs or TFRs immediately (with the level 3 T8 or T18 timers stopped) and relies on the TFPs or TFRs to convey the status information.

While sending response method network management messages in response to a received MSU, the EAGLE 5 ISS checks the MSU's originating point code. If the MSU's originating point code is an ITU point code, a TFX message is returned.

Cluster Management When the Cluster Routing Feature is Turned Off

The Cluster Routing and Management Diversity feature is an optional feature that is turned off by default. To use the Cluster Routing and Management Diversity feature, it must be turned on by entering the appropriate command. Once this feature is turned on, it cannot be turned off. If this feature is turned off, the EAGLE 5 ISS does not send any cluster management messages or allow cluster destination point codes to be added to the destination point code table. The EAGLE 5 ISS is capable of processing incoming cluster management messages, even though the feature is turned off. When a cluster management message is received, the EAGLE 5 ISS treats this message as though network management messages were received for each full point code, configured in the destination point code table, that belongs to that cluster.

Cluster Routing and Management Diversity Rules

These rules apply to the Cluster Routing and Management Diversity feature.

- If the provisioned number of exception list entries are already created, the EAGLE 5 ISS will not create any more exception list entries. The EAGLE 5 ISS raises an alarm in advance of such an occurrence, and pegs each occurrence of failure-to-create an exception list entry.
- All adjacent point codes for linksets must be full point codes.
- All entries in the remote point code table must be a full point code.
- The EAGLE 5 ISS maintains the congestion status of only 100 destinations, including full point codes and point codes to which cluster routing is performed.
- When the cluster routing feature is turned on, and the EAGLE 5 ISS receives an MSU and does not find a route with a full point code, a cluster route, or any other full point code route belonging to the cluster, the EAGLE 5 ISS will generate a TCP response.
- When the cluster routing feature is turned off, and the EAGLE 5 ISS receives an MSU and does not find a route with a full point code, the EAGLE 5 ISS will generate a TFP response.

When the EAGLE 5 ISS is used as an ITU-ANSI gateway STP.

- The EAGLE 5 ISS does not broadcast TCx messages toward the ITU nodes. Messages could be lost until the response method is initiated. It is recommended that the cluster routing feature not be turned on when the EAGLE 5 ISS is an ITU gateway STP.
- Cluster destination point codes cannot have ITU alias point codes.

All ANSI alias point codes specified for real ITU point codes are required to be full point codes.

The point code specified in the `ent-map` command must use a full point code, and that full point code must be in the routing table.

The point code specified in the `ent-gtt` and `ent-cspc` commands can use either a full point code or a cluster point code, but these point codes must be in the routing table.

The EAGLE 5 ISS allows cluster routing for subsequent global title (GTT) messages. The EAGLE 5 ISS also sends subsystem status messages to concerned point codes using a cluster route. The EAGLE 5 ISS does not generate MTP status messages for point codes that the EAGLE 5 ISS is routing clusters to, so all point codes in the mated application table must be full point codes.

Gateway screening verifies the concerned point code in TFX/RSx messages received by the EAGLE 5 ISS. Gateway screening passes a TFX/RSx message through the MTP-affected destination test, if the concerned point code has either a full point code route or a cluster route.

Gateway screening verifies the concerned point code in TCx/RCx messages received by the EAGLE 5 ISS. Gateway screening passes a TCx/RCx message through the MTP-affected destination test, if the concerned point code has either a cluster route for a concerned cluster or a member route for any of the members of the concerned cluster.

If a point code is in the routing table as an exception-listed point code and the user enters a command (`ent-dstn`) to configure that same point code as a full point code, the exception-listed point code attribute is changed to a full point code attribute, and the exception-list related information from the cluster entry is updated.

When a cluster destination point code is removed from the EAGLE 5 ISS's database, all related exception-listed point codes of that cluster are removed.

The EAGLE 5 ISS implements these protocol features that are non-preferred options.

- The EAGLE 5 ISS broadcasts a TFP, when a full point code is prohibited and these conditions apply.
 - The corresponding cluster is not provisioned.
 - All other full point codes belonging to the same cluster are prohibited on the same route.
- The EAGLE 5 ISS responds with a TFP, when a message is received for an inaccessible point code and the corresponding cluster does not exist.
- Upon receiving a TCR message for a cluster that is not configured, the EAGLE 5 ISS marks all individually configured members of that cluster as restricted, and starts the RSR procedure for them.
- Upon receiving a TCP message for a cluster that is not provisioned, the EAGLE 5 ISS marks all individually configured members of that cluster as prohibited, and starts the RSP procedure for them.
- The EAGLE 5 ISS stops the level 3 T8 and T18 timers, after broadcasting a TCA for prohibited and restricted members of the clusters. These members can be exception-listed point codes or full point codes.
- The EAGLE 5 ISS stops the level 3 T8 timers after broadcasting a TCR for prohibited members of the clusters. These members can be exception-listed point codes or full point codes.

The route assigned to a full point code DPC cannot be removed from the database if that DPC is a member of a cluster point code in the database.

If a route assigned to a cluster point code is removed from the database, all routes to any members of that cluster are also removed from the database.

Cluster Routing and Management Diversity Example

This section shows an example of the Cluster Routing and Management Diversity feature, and lists the network events affecting the EAGLE 5 ISS. This example is based on [Figure 15: Cluster Management](#) and [Table 8: Example Cluster Routing Information](#).

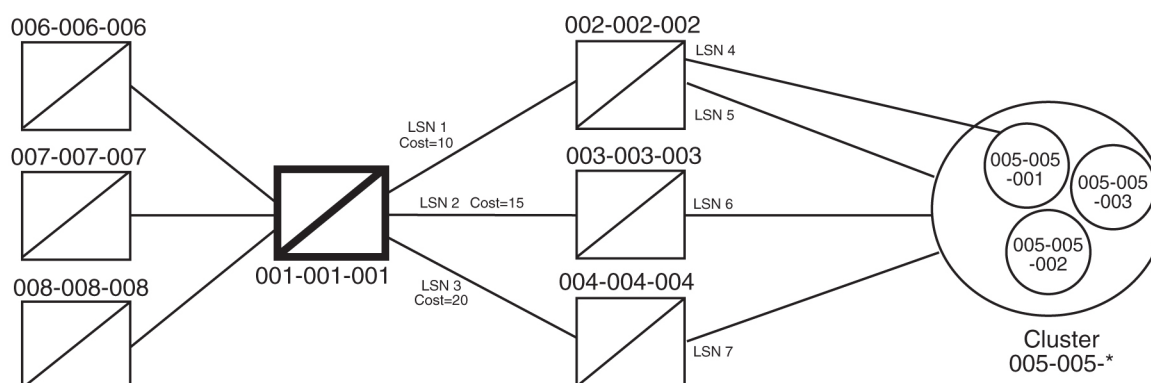


Figure 15: Cluster Management

Table 8: Example Cluster Routing Information

	Route Table for Destination 005-005-001	Route Table for Cluster 005-005-*
1	LSN 1, Cost=10	LSN 1, Cost=10
2	LSN 2, Cost=15	LSN 2, Cost=15
3	LSN 3, Cost=20	LSN 3, Cost=20

When the normal routes, linksets LSN 1 and LSN 2, become available, the EAGLE 5 ISS sends a preventive TFP for destination 005-005-001 and a preventive TCP for cluster 005-005-* to node 002-002-002, and starts routing messages to destination 005-005-001 and cluster 005-005-* using linkset LSN 1. The EAGLE 5 ISS broadcasts TFAs about destination 005-005-001 and TCAs about cluster 005-005-* to all other adjacent nodes.

1. When linkset LSN 4 fails, node 002-002-002 sends a TFP for destination 005-005-001 to the EAGLE 5 ISS. Linkset LSN 4 is prohibited from carrying traffic from the EAGLE 5 ISS to destination 005-005-001. The EAGLE 5 ISS stops using linkset LSN 1 to send traffic to destination 005-005-001, performs forced rerouting, starts level 3 timer T11 for destination 005-005-001, and starts using linkset LSN 2 to send messages to destination 005-005-001. The EAGLE 5 ISS generates preventive TFPs about destination 005-005-001 to node 002-002-003. The preventive TCP for cluster 005-005-* sent to node 002-002-002 remains in effect.

When the level 3 timer T11 for destination 005-005-001 expires, TFRs are broadcast for destination 005-005-001 to nodes 004-004-004, 006-006-006, 007-007-007, and 008-008-008. Destination 005-005-001 is restricted.

2. When linkset LSN 5 fails, node 002-002-002 sends a TCP for cluster 005-005-* to the EAGLE 5 ISS. Linkset LSN 5 is prohibited from carrying traffic from the EAGLE 5 ISS to cluster 005-005-*. The EAGLE 5 ISS stops using linkset LSN 1 to send traffic to cluster 005-005-*, performs forced rerouting, starts the level 3 timer T11 for cluster 005-005-*, and starts using linkset LSN 2 to send messages

- to cluster 005-005-*. The EAGLE 5 ISS sends preventive TCPs for cluster 005-005-* on linkset LSN 2. The EAGLE 5 ISS sends a TCR for cluster 005-005-* on linkset LSN 1, to allow cluster 005-005-* and destination 005-005-001 to send messages back to the EAGLE 5 ISS on linkset LSN 1. When the level 3 timer T11 for cluster 005-005-* expires, the EAGLE 5 ISS sends a TCR for cluster 005-005-* to nodes 004-004-004, 006-006-006, 007-007-007, and 008-008-008. Cluster 005-005-* is restricted.
3. When linkset LSN 6 fails, node 003-003-003 sends a TCP for cluster 005-005-* to the EAGLE 5 ISS. The EAGLE 5 ISS performs forced rerouting, sends a preventive TFP for destination 005-005-001 and a TCP for destination 005-005-001 to node 004-004-004, and starts using linkset LSN 3 for sending messages to destination 005-005-001 and cluster 005-005-*.
 4. When linkset LSN 7 fails, node 004-004-004 sends a TCP for cluster 005-005-* to EAGLE 5 ISS. The EAGLE 5 ISS cannot send traffic to either destination 005-005-001 or cluster 005-005-*. The EAGLE 5 ISS broadcasts TCPs for cluster 005-005-* to nodes 002-002-002, 003-003-003, 004-004-004, 006-006-006, 007-007-007, and 008-008-008. Cluster 005-005-* and destination 005-005-001 are inaccessible.
 5. When linkset LSN 7 recovers, node 004-004-004 sends a TCA for cluster 005-005-* to the EAGLE 5 ISS. The EAGLE 5 ISS sends a preventive TCP for cluster 005-005-* to node 004-004-004, and starts using linkset LSN 3 to send traffic to cluster 005-005-*. The EAGLE 5 ISS sends a TCR for cluster 005-005-* to node 002-002-002. This allows cluster 005-005-* to send messages back to the EAGLE 5 ISS on linkset LSN 3. The EAGLE 5 ISS sends a preventive TCP for cluster 005-005-* to nodes 003-003-003 and 004-004-004. The EAGLE 5 ISS sends a TCR for cluster 005-005-* to nodes 006-006-006, 007-007-007, and 008-008-008. The EAGLE 5 ISS enables response method for destination 005-005-001, and starts a routeset test for destination 005-005-001 on linkset LSN 3. Cluster 005-005-* is restricted.
 6. When linkset LSN 6 recovers, node 003-003-003 sends a TCA for cluster 005-005-* to the EAGLE 5 ISS. The EAGLE 5 ISS performs controlled rerouting on cluster 005-005-*, sends a preventive TCP for cluster 005-005-* to node 003-003-003, and starts using linkset LSN 2 to send traffic to cluster 005-005-*. The EAGLE 5 ISS sends a TCR for cluster 005-005-* to node 004-004-004. The EAGLE 5 ISS starts a routeset test for destination 005-005-001 on linkset LSN 2.
 7. When linkset LSN 5 recovers, node 002-002-002 sends a TCA for cluster 005-005-* to the EAGLE 5 ISS. The EAGLE 5 ISS performs controlled rerouting, and starts using linkset LSN 1 to send traffic to cluster 005-005-*. The EAGLE 5 ISS sends a preventive TCP for cluster 005-005-* to node 002-002-002. The EAGLE 5 ISS broadcasts a TCA for cluster 005-005-* to nodes 003-003-003, 004-004-004, 006-006-006, 007-007-007, and 008-008-008. The EAGLE 5 ISS enables response method for destination 005-005-001, and starts a routeset test for destination 005-005-001 on linkset LSN 1. Cluster 005-005-* is allowed.
 8. In response to the routeset test, node 004-004-004 sends a TFA for destination 005-005-001 to the EAGLE 5 ISS. The EAGLE 5 ISS performs controlled rerouting, and starts using linkset LSN 3 to send traffic to destination 005-005-001. The EAGLE 5 ISS sends a preventive TFP for destination 005-005-001 to nodes 003-003-003 and 004-004-004. The EAGLE 5 ISS sends a TFR for destination 005-005-001 to node 002-002-002 that allows destination 005-005-001 to send messages back to the EAGLE 5 ISS on linkset LSN 1. The EAGLE 5 ISS broadcasts a TFR for destination 005-005-001 to nodes 006-006-006, 007-007-007, and 008-008-008. Destination 005-005-001 is restricted.
 9. In response to the routeset test, node 003-003-003 sends a TFA for destination 005-005-001 to the EAGLE 5 ISS. The EAGLE 5 ISS performs controlled rerouting and starts using linkset LSN 2 to send traffic to destination 005-005-001. The EAGLE 5 ISS sends a preventive TFP for destination 005-005-001 to node 003-003-003. The EAGLE 5 ISS sends a TFR for destination 005-005-001 to node 004-004-004.
 10. In response to the routeset test, node 002-002-002 sends a TFA for destination 005-005-001 to the EAGLE 5 ISS. The EAGLE 5 ISS performs controlled rerouting, and starts using linkset LSN 1 to send traffic to destination 005-005-001. The EAGLE 5 ISS sends a preventive TFP for destination

005-005-001 to node 002-002-002. The EAGLE 5 ISS sends a TFA for destination 005-005-001 to nodes 003-003-003, 004-004-004, 006-006-006, 007-007-007, and 008-008-008. Destination 005-005-001 is allowed.

Home Cluster Example

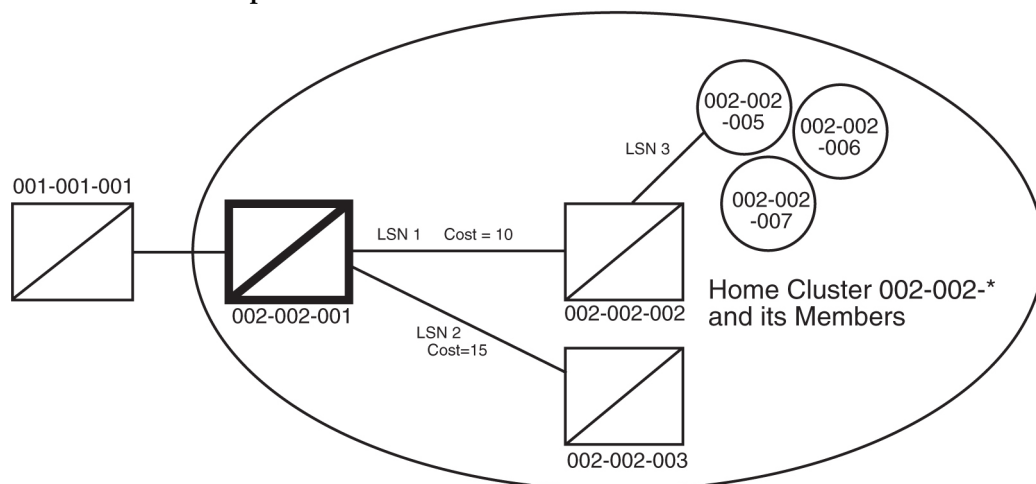


Figure 16: Home Cluster Example

Table 9: Home Cluster Routing Information

	Route table for Destination 002-002-005	Route table for cluster 002-002-*
1	LSN 1, Cost=10	LSN 1, Cost=10
2	LSN 2, Cost=15	LSN 2, Cost=15

A home cluster is a cluster point code that contains either the true point code or any capability point code of the EAGLE 5 ISS. For example, if the EAGLE 5 ISS’s true point code or any capability point code is 002-002-001 and a cluster 002-002-* is configured, then the cluster 002-002-* is a home cluster.

Provisioning a home cluster causes a profound impact on network management, regarding the home cluster as well as members of the cluster. These impacts are:

- Because the EAGLE 5 ISS is one of the accessible members of the home cluster, the EAGLE 5 ISS never transmits TCP or TCR messages regarding the home cluster, except for these:
 - Preventive TCP – when starting to route to the cluster through an adjacent node
 - Broadcast TCR – when the EAGLE 5 ISS starts routing on an alternate route for the entire cluster
 - Back Routing TCR – to allow adjacent nodes on normal routes to route through the EAGLE 5 ISS, when the cluster is not accessible on the normal route
 - Broadcast TCP – when the cluster (except the EAGLE 5 ISS itself) becomes inaccessible
- If individual members are provisioned for the home cluster, the EAGLE 5 ISS properly generates network management messages for these nodes, except that no TFRs can be sent from those members being routed on the alternate route to the EAGLE 5 ISS.

- Network management replies to the routeset test, and the response method generates the correct network management messages for the home cluster, its members, and unprovisioned member point codes.
- When the entire home cluster is being routed on the alternate route, the EAGLE 5 ISS generates a full point code response method TFR reply. In such a case, the EAGLE 5 ISS generates only one TFR for the very first member of the cluster for which MSU is received on each signaling link to that cluster.
- When the home cluster is inaccessible, the EAGLE 5 ISS generates one response TFP, at an interval equal to the value of the level 3 timer T8 for the members of the home cluster. If the EAGLE 5 ISS keeps receiving traffic for the home cluster, the EAGLE 5 ISS sends response TFPs for all members of the cluster.

This makes network management unreliable for the home cluster and its members.

When the normal routes, linksets LSN 1 and LSN 2, become available, the EAGLE 5 ISS sends a preventive TFP for destination 002-002-005 to node 002-002-002, and starts sending messages to destination 002-002-005 and cluster 002-002-* using linkset LSN 1. No preventive messages are sent for cluster 002-002-*. The EAGLE 5 ISS broadcasts a TFA for destination 002-002-005 and a TCA for cluster 002-002-* to all other adjacent nodes.

1. Node 002-002-002 sends an MSU containing the destination point code 002-002-006 on linkset LSN 1. The EAGLE 5 ISS responds with a response preventive TFP for destination 002-002-006 to node 002-002-002.
2. When linkset LSN 3 fails, node 002-002-002 sends a TFP for destination 002-002-005 to the EAGLE 5 ISS. The EAGLE 5 ISS stops using linkset LSN 1 to send traffic to destination 002-002-005, performs forced rerouting, starts the level 3 timer T11 for destination 002-002-005, and starts using linkset LSN 2 to send traffic to destination 002-002-005. The EAGLE 5 ISS generates a preventive TFP for destination 002-002-005 to node 002-002-003. When the level 3 timer T11 for destination 002-002-005 expires, TFRs for destination 002-002-005 are broadcast to nodes 002-002-003 and 001-001-001. Destination 002-002-005 is restricted.
3. Node 002-002-002 sends an MSU containing the destination point code 002-002-005 on linkset LSN 1. The EAGLE 5 ISS responds with a response preventive TFP for destination 002-002-005 to node 002-002-002, because no member of a home cluster is allowed to route messages back to the EAGLE 5 ISS.
4. When linkset LSN 1 fails, the EAGLE 5 ISS stops using linkset LSN 1 to send traffic to cluster 002-002-*, performs forced rerouting, starts the level 3 timer T11 for cluster 002-002-*, and starts using linkset LSN 2 to send traffic to cluster 002-002-*. Cluster 002-002-* is restricted. No preventive or broadcast messages are sent, and no member of the cluster is allowed to send messages back to the EAGLE 5 ISS.
5. Node 001-001-001 sends an MSU containing the destination point code 002-002-006. The EAGLE 5 ISS responds with a response TFR for destination 002-002-006 to node 001-001-001. The MSU is routed on linkset LSN 2.
6. Node 001-001-001 sends an MSU containing the destination point code 002-002-005. The EAGLE 5 ISS responds with a response TFR for destination 002-002-005 to node 001-001-001. The MSU is routed on linkset LSN 2.
7. Node 001-001-001 sends an MSU containing the destination point code 002-002-007 and receives no response. The MSU is routed on linkset LSN 2.
8. When linkset LSN 2 fails, destination 002-002-005 and cluster 002-002-* are prohibited. The EAGLE 5 ISS broadcasts a TFP for destination 002-002-005 to node 001-001-001.
9. Node 001-001-001 sends an MSU containing the destination point code 002-002-007. The EAGLE 5 ISS responds with a TFP for destination 002-002-007 to node 001-001-001, and starts the level 3 timer T8 for cluster 002-002-*.

10. Node 001-001-001 sends an MSU containing the destination point code 002-002-006, and receives no response until the level 3 timer T8 expires.
11. Node 001-001-001 sends an MSU containing the destination point code 002-002-005. The EAGLE 5 ISS responds with a TFP for destination 002-002-005 to node 001-001-001, and starts the level 3 timer T8 for destination 002-002-005.
12. Node 001-001-001 sends an MSU containing the destination point code 002-002-006. After the level 3 timer T8 for cluster 002-002-* expires, the EAGLE 5 ISS responds with a TFP for destination 002-002-006 to node 001-001-001, and starts the level 3 timer T8 for cluster 002-002-*.

Nested Cluster Routing

When a node is switching traffic to remote (non-adjacent) nodes, it is possible that an STP is using at least one route that is different from the other members of a cluster. Typically, this occurs when the node is directly connected to the member of a cluster, such as when an STP has A-links or E-links that are connected to a member. The nested cluster routing feature provides a mechanism that allows both cluster and member routes to be provisioned in the same cluster.

Nested Clusters and Cluster Members

The cluster routing and management feature requires that routes to a cluster and members of that cluster be in the same routeset. With the nested cluster routing feature, however, users can have certain members of the provisioned cluster with different full point code routesets. This different routeset may be totally different, partially different, or exactly the same.

With the nested cluster routing feature, routes to these members can be changed, deleted, or added. Deletion of a full point code route entry within a cluster will result in the member using the cluster entry for routing. Deletion of a cluster route entry will not delete the full point code route entry. This holds true even if the full point code entry and the cluster have the same route.

The EAGLE 5 ISS sends cluster network management messages (TCA, TCR, TCP) based on the least restrictive of the cluster's routeset status, and the routeset status of any full point code entries within the cluster.

The nested cluster routing feature provides a new routing model. The EAGLE 5 ISS allows several routing models. [Table 10: Routing Models](#) describes coupling between the cluster and its members. Coupling describes the relationship between the cluster and member routes.

Table 10: Routing Models

System Routing Model	Characteristics	Issues and Resolution
Full Point Code Routing (FPR) No coupling	The EAGLE 5 ISS behaves as a full point code router when the Cluster Routing and Management Diversity feature is off. Only full point code destinations are provisioned. The EAGLE 5 ISS never generates TCx messages concerning clusters of	No issues. There is no coupling between cluster status and member statuses due to the lack of clusters.

System Routing Model	Characteristics	Issues and Resolution
	provisioned members. Received TCx messages are applied to all members of the concerned cluster.	
Cluster Routing (CR) No coupling NCAI=No	With the Cluster Routing and Management Diversity feature on, the EAGLE 5 ISS allows the provisioning of cluster destinations. For cluster destinations, only cluster destinations are provisioned. The EAGLE 5 ISS generates TCx messages only for provisioned cluster destinations. All received TCx messages are applied to concerned cluster entry, if it exists. Otherwise, it is applied to all individual members.	No issues. There is no coupling between cluster status and member status due to the lack of members belonging to provisioned cluster.
Cluster Routing and Management Diversity (CRMD) Full coupling NCAI=No	In this mode, the EAGLE 5 ISS allows provisioning of clusters as well as members of same clusters. Here cluster and member have the same routeset, and they are fully coupled. All TCx messages are applied to members, and TCx messages generated by the EAGLE 5 ISS reflect member status. In this mode, the member status cannot be less restrictive than the cluster.	No issues regarding network management message generation and processing. Cluster and members cannot have a different routeset, and thus E-links cannot be provisioned for members of a cluster.
Nested Cluster Routing No coupling NCAI=Yes	In this mode, if the <code>ncai</code> parameter is <code>yes</code> (provided both the nested cluster routing and the Cluster Routing and Management Diversity features are on), the user can enter a cluster routeset, then enter a different routeset for a member of that cluster. In this case, member routeset status can be less restricted than cluster routeset status.	There is an issue regarding broadcasting network management messages. Because members can be less restricted than the cluster, the broadcast of cluster messages (TCA, TCR, TCP) is based on the least restrictive of the following: <ul style="list-style-type: none"> • The cluster's routeset status. • The routeset status of any full point code entries within the cluster. • Also, when the <code>ncai</code> parameter is <code>yes</code>, the EAGLE

System Routing Model	Characteristics	Issues and Resolution
		5 ISS does not generate preventive TCP messages.

Administration

The nested cluster routing feature is provisioned using the `ncai` parameter of either the `ent-dstn` or `chg-dstn` commands. The `ncai` parameter can only be specified for cluster point codes.

In order to specify the `ncai` parameter, both the Cluster Routing and Management Diversity and the nested cluster routing features must be on. If the `ncai` parameter is `yes`, the EAGLE 5 ISS allows certain members of the provisioned cluster to have a different full point code routeset.

If the `ncai` parameter is `no`, standard command-handler rules apply (any full point code routeset within a cluster must have the same routeset as the cluster). If `ncai` parameter is `yes`, new command-handler rules apply (full point code routeset can be different from the cluster routeset).

[Figure 17: Nested Cluster Routing Sample Configuration](#) provides an example of provisioning a nested cluster and its associated members.

Nested Cluster Routing Rules of Operations

The following rules apply to nested clusters (cluster entries with the `ncai` parameter set to `yes`):

1. The EAGLE 5 ISS allows the user to enter a full point code routeset entry even if the point code is a member of a cluster that has a different routeset. For example, in [Figure 17: Nested Cluster Routing Sample Configuration](#), the provisioned member 5-5-1 has a different routeset than the cluster's routeset.
2. When the EAGLE 5 ISS broadcasts network management messages relating to the cluster, the EAGLE 5 ISS uses the least restricted of the following to determine which cluster message (TCA, TCR, TCP) to send:
 - The cluster's routeset status
 - The routeset status of any full point code entries within the cluster

For example, in [Figure 17: Nested Cluster Routing Sample Configuration](#), if linkset LSB fails, a TCP message for cluster 5-5-* is not broadcast because the least restrictive status of provisioned member 5-5-1 is allowed.

3. The EAGLE 5 ISS does not send preventive TCPs when it begins routing toward a nested cluster. The EAGLE 5 ISS sends response-method preventive TFPs if it receives an MSU and there is danger of circular routing. For example, in [Figure 17: Nested Cluster Routing Sample Configuration](#), the EAGLE 5 ISS does not send a preventive TCP for cluster 5-5-* when routing to cluster 5-5-* over linkset LSB. However, if the EAGLE 5 ISS receives an MSU on linkset LSB destined for node 5-5-2, the EAGLE 5 ISS discards the MSU and sends a TFP to node B concerning node 5-5-2.

Note: The EAGLE 5 ISS will still send preventive TFPs when it starts routing toward a full point code member of a nested cluster.

4. The EAGLE 5 ISS replies to RCx cluster routeset test messages, using the less restrictive routeset status as indicated in rule #2.
5. The EAGLE 5 ISS replies to RSx full point code routeset messages, using the full point code's routeset status and the danger of circular routing.

6. Response method TFP or TFR is used when the cluster destination is more restrictive than a full point code member. The modified TFP response method will send no more than one TFP per cluster member during the time period defined by the level 3 T8 timer. The modified TFR response method sends no more than one response TFR per cluster member.

Nested Cluster Routing Example

Figure 17: *Nested Cluster Routing Sample Configuration* provide an example of nested cluster routing. Table 11: *Routing Table for Nested Cluster 5-5-** and Table 12: *Routing Table for Full Point Code Member 5-5-1* show the routing tables for the cluster point code and one of the members of the cluster point code. Table 13: *Example of Nested Cluster Routing Failure and Recovery Actions* shows what actions the EAGLE 5 ISS takes when the linksets in a nested cluster configuration fail and recover. The actions in Table 13: *Example of Nested Cluster Routing Failure and Recovery Actions* are based on the example nested cluster routing configuration shown in Figure 17: *Nested Cluster Routing Sample Configuration*.

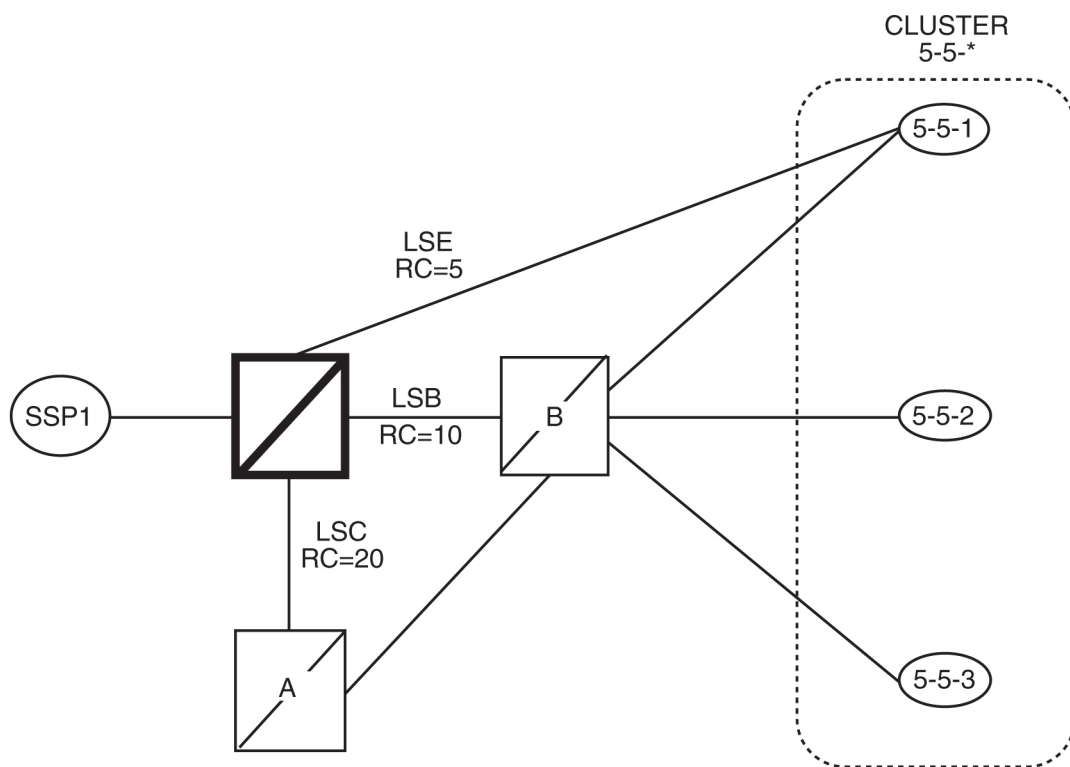


Figure 17: Nested Cluster Routing Sample Configuration

Table 11: Routing Table for Nested Cluster 5-5-*

Linkset Name	Route DPC	Cost Value of the Route
LSB	5-5-*	10
LSC	5-5-*	20

Table 12: Routing Table for Full Point Code Member 5-5-1

Linkset Name	Route DPC	Cost Value of the Route
LSE	5-5-1	5
LSB	5-5-1	10
LSC	5-5-1	20

Table 13: Example of Nested Cluster Routing Failure and Recovery Actions

Event	Action
All linksets are up and all routes are available.	The EAGLE 5 ISS does not send a preventive TCP for cluster 5-5-* to node B because cluster 5-5-* is a nested cluster. Messages are routed to SSP 5-5-1 using linkset LSE and to cluster 5-5-* using linkset LSB. The EAGLE 5 ISS broadcasts TCAs concerning cluster 5-5-* to nodes SSP1, SSP 5-5-1, node A, and node B.
The linkset between node B and SSP 5-5-2 fails. Node B sends a TFP concerning SSP 5-5-2.	The EAGLE 5 ISS creates an x-list entry for point code 5-5-2 and marks it prohibited on linkset LSB. The EAGLE 5 ISS broadcasts TFPs to SSP1, SSP 5-5-1 and node A and sends response method TFP concerning point code 5-5-2. The EAGLE 5 ISS starts an RSP for SSP 5-5-2 on linkset LSB.
The linkset between node B and SSP 5-5-1 fails. Node B sends a TFP for SSP 5-5-1 to the EAGLE 5 ISS.	The EAGLE 5 ISS marks full point code 5-5-1 as prohibited on linkset LSB. The EAGLE 5 ISS routes the traffic to SSP 5-5-1 using linkset LSE. The EAGLE 5 ISS starts an RSP for SSP 5-5-1 on linkset LSB.
The linkset between node B and SSP 5-5-2 recovers, and node B sends a TFA for SSP 5-5-2 to the EAGLE 5 ISS.	The EAGLE 5 ISS removes point code 5-5-2 from the exception list. The status of linkset LSB is changed from prohibited to allowed. Traffic is routed to SSP 5-5-2 using linkset LSB. The EAGLE 5 ISS broadcasts a TFA concerning SSP 5-5-2 to SSP1, SSP 5-5-1 and node A. The EAGLE 5 ISS sends a preventive TFP concerning SSP 5-5-2 to node B.
The linkset between node B and SSP 5-5-1 recovers, and node B sends a TFA concerning SSP 5-5-1 to the EAGLE 5 ISS.	The EAGLE 5 ISS marks full point code 5-5-1 as allowed on linkset LSB.
Linkset LSB fails.	The EAGLE 5 ISS stops using linkset LSB to send traffic to cluster 5-5-*. Linkset LSB is marked prohibited, forced rerouting is performed, level 3

Event	Action
	timer T11 for cluster 5-5-* is started, and starts using linkset LSC to send traffic to cluster 5-5-*. The EAGLE 5 ISS marks cluster 5-5-* restricted on linkset LSC for all members of cluster 5-5-* except full point code 5-5-1. When level 3 timer T11 expires, a TFR response method is sent for all members of cluster 5-5-* except full point code 5-5-1.
SSP1 sends an MSU with DPC=5-5-2.	The EAGLE 5 ISS responds with TFR concerning SSP 5-5-2 to SSP1. The MSU is routed on linkset LSC.
SSP1 sends an MSU with DPC=5-5-1.	The EAGLE 5 ISS routes the MSU to SSP 5-5-1 using linkset LSE.
Linkset LSB recovers.	The EAGLE 5 ISS stops using linkset LSC to send traffic to cluster 5-5-*, performs controlling rerouting on cluster 5-5-*, marks cluster 5-5-* as allowed on linkset LSB, and starts routing traffic to cluster 5-5-* using linkset LSB.
The SSP sends a routeset test (RSR) concerning SSP 5-5-2 to the EAGLE 5 ISS.	The EAGLE 5 ISS responds with a TFA concerning SSP 5-5-2.
Linkset LSC fails.	The EAGLE 5 ISS stops using linkset LSC to send traffic to cluster 5-5-* or full point code 5-5-1, and marks cluster 5-5-* and full point code 5-5-1 as prohibited on linkset LSC.
Linkset LSC recovers.	The EAGLE 5 ISS marks cluster 5-5-* and full point code 5-5-1 as allowed on linkset LSC.
Linkset LSE fails.	The EAGLE 5 ISS stops using linkset LSE to send traffic to SSP-5-5-1, marks SSP 5-5-1 as prohibited on linkset LSE, performs forced rerouting, starts level 3 timer T11 concerning SSP 5-5-1, sends preventive TFP concerning SSP 5-5-1 to node B, and starts using linkset LSB to send traffic to full point code 5-5-1. The EAGLE 5 ISS marks full point code 5-5-1 as restricted on linkset LSB. When level 3 timer T11 expires, a TFR concerning SSP 5-5-1 is sent to SSP1 and node A.
SSP1 sends an MSU with the DPC 5-5-2.	The EAGLE 5 ISS routes the MSU to SSP 5-5-2 using linkset LSB.
SSP1 sends an MSU with the DPC 5-5-1.	The EAGLE 5 ISS responds with a TFR concerning SSP 5-5-1 to SSP1. The MSU is routed to SSP 5-5-1 using linkset LSB.

Event	Action
Linkset LSE recovers.	The EAGLE 5 ISS stops using linkset LSB to send traffic to SSP 5-5-1, performs controlling rerouting on full point code 5-5-1, marks full point code 5-5-1 as allowed on linkset LSE, and starts routing traffic to full point code 5-5-1 using linkset LSE. The EAGLE 5 ISS broadcasts a TFA for SSP 5-5-1 to SSP1, node A, and node B.

Limitations of the Nested Cluster Routing Feature

The EAGLE 5 ISS only supports a maximum of 200 nested cluster destinations. This limit does not apply to non-nested clusters (clusters with the `ncai` parameter set to `no`).

If a cluster is more restricted than a member, the EAGLE 5 ISS broadcasts the status of the least restricted member, and relies on response method for members of the cluster that do not have a full point code entry.

The EAGLE 5 ISS does not broadcast preventive TCPs for nested cluster destinations. Because the EAGLE 5 ISS does not send preventive TCPs when it begins routing toward a nested cluster, circular routing can occur. The EAGLE 5 ISS sends response method TFPs if it receives an MSU when there is a danger of circular routing.

Adding a Cluster Point Code

This procedure is used to add a cluster point code for the Cluster Routing and Management Diversity (CRMD) feature, and nested cluster point codes for the nested cluster routing feature to the database, using the `ent-dstn` command.

To change the attributes of an existing cluster point code, go to the [Changing the Attributes of a Cluster Point Code](#) procedure.

Note: Cluster entries can only be provisioned as ANSI destination point codes. Cluster entries cannot be provisioned for ITU international or ITU national destination point codes, and cannot be provisioned as a proxy point code. The ANSI alias point code for an ITU international or ITU national destination point code must be a full point code. An ANSI private point code must be a full point code.

To remove a cluster point code from the database, go to the [Removing a Destination Point Code](#) procedure.

The Cluster Routing and Management Diversity feature must be turned on.

The `ent-dstn` command uses these parameters:

`:dpc/dpca` – The destination point code being added to the database.

Note: See [Point Code Formats](#) for a definition of the point code types that are used on the EAGLE 5 ISS.

Note: Alias point codes (`aliasi/aliasn/aliasn24`) and secondary point codes (`spc/spca`) cannot be specified for a cluster point code.

`:c11i` – The Common Language Location Identifier assigned to this point code.

:domain – The network in which the destination entity or node exists, SS7.

Note: Specifying :domain=ss7 is the only valid entry for cluster destinations.

:bei – Broadcast exception indicator that indicates whether transfer-prohibited (TFP) messages will be broadcast from this node. The bei=yes parameter means TFPs will not be broadcast. The bei=no parameter means TFPs will be broadcast.

:ipgwapc– (ANSI networks only)IP Gateway Adjacent Point Code indicator. Specify ipgwapc=yes to provide SS7 linkset definition compatibility for gateway connections to IP-SCPs. The default is ipgwapc=no.

:elei – For cluster point codes only. Specifies whether or not the EAGLE 5 ISS maintains a dynamic status exception list for each cluster route that may be used to reach the member signaling points making up the cluster. The elei=yes parameter means the EAGLE 5 ISS does not maintain an exception list for the cluster point code specified by the dpc parameter. The elei=no parameter means the EAGLE 5 ISS does maintain an exception list for the cluster point code specified by the dpc parameter. The default value for the elei parameter is no.

:ncai – The nested-cluster-allowed indicator specifies whether or not the route to the cluster point code can be different from the route to a point code that is a member of the cluster point code. A point code is a member of a cluster point code if it has the same network identifier (NI) and network cluster (NC) values as the cluster point code. This parameter can be specified only for cluster point codes.

If the ncai parameter value is yes, the cluster point code is a nested cluster point code. Point codes that are members of this cluster point code can be assigned to routesets that are different from the routeset assigned to the cluster point code.

If the ncai parameter value is no, the cluster point code is not a nested cluster point code. Point codes that are members of this cluster point code must be assigned to the same routeset assigned to the cluster point code.

The default value for the ncai parameter is no.

See the [Nested Cluster Routing](#) section for more information on the nested cluster routing feature.

:nprst - NM bits reset. This parameter specifies whether the NM bits in an ITU IAM message should be set to 00. This parameter has two values.

- off - Do not set NM bits to 00 in an ITU IAM message if the nptype option value in the rtrv-tifopts output is nm.
- on - Set the NM bits to 00 in an ITU IAM message if the nptype option value in the rtrv-tifopts output is nm.

The default value for this parameter is off.

:rcause - Release cause. This parameter specifies the condition that triggers the sending of a Release message. This parameter has these values.

- 0 - 127
- none - use the values specified for the rcausenp and rcausepfx parameters in the rtrv-tifopts output.

The default value for this parameter is none.

If the rlcopc parameter value in the rtrv-tifopts output is on and a value of 0-127 is specified for the rcause parameter, then the rcause parameter value overrides the values specified for the rcausenp and rcausepfx parameters in the rtrv-tifopts output.

:`splitiam` - This parameter specifies how and when to split an ITU IAM message into one IAM message and one SAM message. This parameter has these values.

- 15-31 - The maximum number of CdPN digits allowed in the IAM message before the splitting occurs. The remaining digits, up to a total of 32, are encoded in the SAM message.
- none - the value specified for the `splitiam` parameter in the `rtrv-tifopts` output is used to determine when to split the IAM message.

The default value for this parameter is none.

To specify the `nprst` or `rcause` parameters, the TIF Number Portability feature, part number 893018901, must be enabled. To specify the `splitiam` parameter, at least one of these features must be enabled.

- TIF Number Portability - part number 893018901
- TIF SCS Forwarding - part number 893022201
- TIF Simple Number Substitution - part number 893024001
- TIF Additional Subscriber Data - part number 893024501
- TIF Generic Routing Number - part number 893025501

The status of these features is shown in the `rtrv-ctrl-feat` output. Perform the procedures in *Feature Manual - TIF* to enable these features.

:`sccpmsgcnv` - The `sccpmsgcnv` parameter controls SCCP UDT(S)/XUDT(S) message conversion for the specified destination. This parameter can be specified only if the XUDT UDT Conversion feature is enabled and turned on. The `rtrv-ctrl-feat` output shows the status of the XUDT UDT Conversion feature. If the XUDT UDT Conversion feature is not enabled or turned on, perform the "Activating the XUDT UDT Conversion Feature" procedure in *Database Administration Manual - Global Title Translation* to enable and turn on the XUDT UDT Conversion feature. This parameter contains these values.

- none - SCCP UDT(S)/XUDT(S) message conversion is not required on messages for the destination. This value is the default value for this parameter.
- udt2xudt - All UDT(S) messages for the destination are converted to XUDT(S) messages.
- xudt2udt - All non-segmented XUDT(S) messages for the destination are converted to UDT(S) messages. Segmented XUDT(S) messages for the destination are not converted to UDT(S) messages.
- sxudt2udt - All segmented and non-segmented XUDT(S) messages for the destination are converted to UDT(S) messages.

The `ent-dstn` command also contains the `homescp` and `homesmsc` parameters. The values for these parameters are `yes` and `no`. The value `no` is the default value for these parameters. The value `yes` for these parameters cannot be specified for a cluster point code. To specify the value `yes` for these parameters, perform the [Adding a Destination Point Code](#) or [Changing a Destination Point Code](#) procedures.

To add a cluster point code to the database, the Cluster Routing and Management Diversity feature must be on. The `ncai` parameter can be specified for the cluster point code only if both the Cluster Routing and Management Diversity and nested cluster routing features are on. This is shown by the entries `CRMD = on` (for the Cluster Routing and Management Diversity feature) and `NCR = on` (for the nested cluster routing feature) in the `rtrv-feat` command output.

The domain of the cluster point code must be SS7 (`domain=ss7`).

To enter an ANSI point code, an ANSI self ID for the EAGLE 5 ISS must be defined. This can be verified with the `rtrv-sid` command. The ANSI self ID is shown in the `PCA` field in the `rtrv-sid` command

output. If no values are shown in the PCA field of the `rtrv-sid` command output, go to [Changing the Self-Identification of the EAGLE 5 ISS](#) procedure to add the ANSI Self ID of the EAGLE 5 ISS.

The actual number of destination point codes that can be configured in the database is set by the `mtpdpcq` parameter of the `chg-stpopts` command, and is shown in the MTPDPCQ field in the `rtrv-stpopts` command output. See [Step 13](#).

If the 5000 Routes feature is not on, and 6000, 7000, 8000, or 10,000 routesets are not enabled, the sum of the `mtpdpcq` and `mtpxlq` parameters cannot exceed 2500. The range of values for the `mtpdpcq` and `mtpxlq` parameters is 500 to 2000.

If the 5000 Routes feature is on, and 6000, 7000, 8000, or 10,000 routesets are not enabled the sum of the `mtpdpcq` and `mtpxlq` parameters cannot exceed 5500. The range of values for the `mtpdpcq` and `mtpxlq` parameters is 500 to 5000.

If 6000 routesets are enabled, the sum of the `mtpdpcq` and `mtpxlq` parameters cannot exceed 6500. The range of values for the `mtpdpcq` and `mtpxlq` parameters is 500 to 6000.

If 7000 routesets are enabled, the sum of the `mtpdpcq` and `mtpxlq` parameters cannot exceed 7500. The range of values for the `mtpdpcq` parameter is 500 to 7000. The range of values for the `mtpxlq` parameter is 500 to 6000.

If 8000 routesets are enabled, the sum of the `mtpdpcq` and `mtpxlq` parameters cannot exceed 8500. The range of values for the `mtpdpcq` parameter is 500 to 8000. The range of values for the `mtpxlq` parameter is 500 to 6000.

If 10,000 routesets are enabled, the sum of the `mtpdpcq` and `mtpxlq` parameters cannot exceed 10500. The range of values for the `mtpdpcq` and `mtpxlq` parameters is 500 to 10,000.

Note: For more information on the destination point code quantities, go to the [Changing the DPC Quantity](#) procedure.

If the `ncai` parameter value is `yes`, the EAGLE 5 ISS can have a maximum of 200 nested cluster point codes in the database.

The value of the `clli` parameter cannot be in the DPC table and cannot match the CLLI of the EAGLE 5 ISS. Verify this by entering the `rtrv-dstn` and the `rtrv-sid` commands, shown in [Step 3](#) and [Step 4](#). If the value of the `clli` parameter matches any CLLI values in either of these outputs, choose another value for the `clli` parameter that does not match any CLLIs shown in either of these command outputs.

If the PCTYPE field of the `rtrv-sid` command output contains the entry ANSI, and the network value of the destination point codes specified by the `ent-dstn` command, is from 0 to 5, the cluster value of that point code must be from 1 to 255. If the network value of that point code is from 6 to 255, the cluster value of that point code must be from 0 to 255.

To add a cluster point code to the database when the database contains point codes that are members of the cluster, the linkset type used by the routes to the member point codes must be either B, C, or D. For example, you wish to add the cluster point code 004-004-* and the database contains point codes 004-004-001 and 004-004-002. When cluster point code is added, point codes 004-004-001 and 004-004-002 would become members of the cluster point code 004-004-*. If point codes 004-004-001 or 004-004-002 are the destination point codes of routes, and the linkset type of these routes are either A or E, the cluster point code 004-004-* cannot be added to the database. The linkset type of these routes must be changed to either B, C, or D to add cluster point code 004-004-* to the database. To change the linkset type of a linkset, perform the [Changing an SS7 Linkset](#) procedure.

The examples in this procedure are used to enter the cluster point code 111-011-* and the nested cluster point code 030-045-*.

Canceling the RTRV-DSTN Command

Because the `rtrv-dstn` command used in this procedure can output information for a long period of time, the `rtrv-dstn` command can be canceled and the output to the terminal stopped. There are three ways that the `rtrv-dstn` command can be canceled:

- Press the F9 function key on the keyboard at the terminal where the `rtrv-dstn` command was entered.
- Enter the `canc-cmd` without the `trm` parameter at the terminal where the `rtrv-dstn` command was entered.
- Enter the `canc-cmd:trm=<xx>`, where `<xx>` is the terminal where the `rtrv-dstn` command was entered, from another terminal other than the terminal where the `rtrv-dstn` command was entered. To enter the `canc-cmd:trm=<xx>` command, the terminal must allow Security Administration commands to be entered from it and the user must be allowed to enter Security Administration commands. The terminal's permissions can be verified with the `rtrv-secu-trm` command. The user's permissions can be verified with the `rtrv-user` or `rtrv-secu-user` commands.

For more information about the `canc-cmd` command, refer to the *Commands Manual*.

1. Display the current destination point codes in the database, using the `rtrv-dstn` command.

This is an example of the possible output.

```

rlghncxa03w 10-12-10 11:43:04 GMT EAGLE5 43.0.0
Extended Processing Time may be Required

  DPCA          CLLI          BEI  ELEI    ALIASI          ALIASN/N24    DMN
  002-002-002   -----   no  ---  -----   -----   SS7
  020-002-045   rlghncbb100 no  ---  -----   -----   SS7
  020-002-050   rlghncbb100 no  ---  -----   -----   SS7
  030-045-001   -----   yes ---  -----   -----   SS7
  111-011-001   -----   yes ---  -----   -----   SS7
  240-012-005   rlghncbb002 yes ---  1-112-2     11112     SS7
  240-012-006   rlghncbb003 yes ---  1-112-3     11113     SS7

  DPCI          CLLI          BEI  ELEI    ALIASA          ALIASN/N24    DMN
  2-131-1       rlghncbb023 no  ---  222-210-000  12001     SS7
  2-131-2       -----   no  ---  222-211-001  12002     SS7

  DPCN          CLLI          BEI  ELEI    ALIASA          ALIASI          DMN
  11211         rlghncbb013 no  ---  222-200-200  2-121-1    SS7
  11212         rlghncbb013 no  ---  222-200-201  2-121-2    SS7

DESTINATION ENTRIES ALLOCATED:  2000
  FULL DPC(s):                   11
  EXCEPTION DPC(s):              0
  NETWORK DPC(s):                0
  CLUSTER DPC(s):                0
  TOTAL DPC(s):                  11
  CAPACITY (% FULL):             1%
ALIASES ALLOCATED:              8000
  ALIASES USED:                   12
  CAPACITY (% FULL):             1%
X-LIST ENTRIES ALLOCATED:       500
RTRV-DSTN: MASP A - COMPLTD

```

If the addition of the cluster point code will not exceed the current DPC capacity shown in the `rtrv-dstn` output, continue the procedure with [Step 2](#).

If the addition of the cluster point code will exceed the current DPC capacity, and the current capacity is less than 10,000 (or 10,500 if the `DESTINATION ENTRIES ALLOCATED` and `X-LIST ENTRIES ALLOCATED` fields are shown in the `rtrv-dstn` output), perform the [Changing the DPC Quantity](#) procedure to change the DPC quantity. Continue the procedure with [Step 2](#).

If the addition of the cluster point code will exceed the current DPC capacity, and the current capacity is 10,000 (or 10,500 if the `DESTINATION ENTRIES ALLOCATED` and `X-LIST ENTRIES ALLOCATED` fields are shown in the `rtrv-dstn` output), perform the [Removing a Destination Point Code](#) procedure to remove a DPC or perform the [Removing a Route Exception Entry](#) procedure to remove an exception route. Continue the procedure with [Step 2](#).

Note: If the `rtrv-dstn` output in [Step 1](#) shows any cluster point codes, and nested cluster point codes are not being configured in this procedure, continue the procedure with [Step 3](#).

Note: If cluster point codes are not shown in the `rtrv-dstn` output in [Step 1](#), but ANSI point codes are shown in [Step 1](#), continue the procedure with [Step 3](#).

2. Display the self-identification of the EAGLE 5 ISS using the `rtrv-sid` command. This is an example of the possible output..

```

rlghncxa03w 07-05-10 11:43:04 GMT EAGLE5 37.0.0
PCA          PCI          PCN          CLLI          PCTYPE
010-020-030  0-123-1          12-0-14-1    rlghncxa03w  OTHER

CPCA
002-002-002    002-002-003      002-002-004    002-002-005
002-002-006    002-002-007      002-002-008    002-002-009
004-002-001    004-003-003      050-060-070

CPCI
1-001-1        1-001-2          1-001-3          1-001-4
1-002-1        1-002-2          1-002-3          1-002-4
2-001-1        7-222-7

CPCN
2-0-10-3      2-0-11-0          2-0-11-2          2-0-12-1
2-2-3-3      2-2-4-0          10-14-10-1

```

If the PCA field does not contain an entry, perform the [Changing the Self-Identification of the EAGLE 5 ISS](#) procedure and add an ANSI point code to the self identification of the EAGLE 5 ISS.

Note: If the `DESTINATION ENTRIES ALLOCATED` and `X-LIST ENTRIES ALLOCATED` fields are shown in the `rtrv-dstn` output in [Step 1](#), and nested cluster point codes are not being configured in this procedure, continue the procedure with [Step 6](#).

3. Verify that the Cluster Routing and Management Diversity feature is turned on, by entering the `rtrv-feat` command. If nested cluster point codes are to be configured in the database, the nested cluster routing feature must be turned on. If the Cluster Routing and Management Diversity feature is turned on, the `CRMD` field should be set to `on`. If the nested cluster routing feature is turned on, the `NCR` field should be set to `on`. In this example, both features are off.

Note: The `rtrv-feat` command output contains other fields that are not used by this procedure. If you wish to see all the fields displayed by the `rtrv-feat` command, see the `rtrv-feat` command description in the [Commands Manual](#).

- Turn the Cluster Routing and Management Diversity feature on by entering this command.

```
chg-feat:crmd=on
```

Note: If the Cluster Routing and Management Diversity feature is on, shown by the `CRMD = on` entry in the `rtrv-feat` command output in [Step 3](#), continue the procedure with [Step 5](#).

Note: Once the Cluster Routing and Management Diversity feature is turned on with the `chg-feat` command, it cannot be turned off.

The Cluster Routing and Management Diversity feature must be purchased before you turn this feature on with the `chg-feat` command. If you are not sure if you have purchased the Cluster Routing and Management Diversity feature, contact your Sales Representative or Account Representative.

When this command has successfully completed, this message should appear.

```
rlghncxa03w 07-05-10 11:43:04 GMT EAGLE5 37.0.0
CHG-FEAT: MASP A - COMPLTD
```

If nested cluster point codes are being added to the database or the `ncai` parameter is specified for the cluster point code and the nested cluster routing feature is on, shown by the `NCR = on` entry in the `rtrv-feat` command output in [Step 3](#), and DPCs are shown in the `rtrv-dstn` output that are members of the cluster point code that is being added, continue the procedure with [Step 6](#). If the `rtrv-dstn` output does not show any DPCs that are members of the cluster point code being added, continue the procedure with [Step 9](#).

If nested cluster point codes are being added to the database or the `ncai` parameter is specified for the cluster point code and the nested cluster routing feature is off, continue the procedure with [Step 5](#).

- Turn the nested cluster routing feature on by entering this command.

```
chg-feat:ncr=on
```

Note: Once the nested cluster routing feature is turned on with the `chg-feat` command, it cannot be turned off.

The nested cluster routing feature must be purchased before you turn this feature on with the `chg-feat` command. If you are not sure if you have purchased the nested cluster routing feature, contact your Sales Representative or Account Representative.

When this command has successfully completed, this message should appear.

```
rlghncxa03w 07-05-10 11:43:04 GMT EAGLE5 37.0.0
CHG-FEAT: MASP A - COMPLTD
```

Note: If the `rtrv-dstn` output does not show any DPCs that are members of the cluster point code being added in this procedure, continue the procedure with [Step 9](#).

- The cluster point code cannot be added to the database if the database contains member point codes assigned to routes that are assigned to linksets whose linkset type is either A or E.

Enter the `rtrv-rte` command with one of the DPCs that is a member of the cluster point code being added in this procedure. For this example, enter these commands.

```
rtrv-rte:dpca=111-011-001
```

This is an example of the possible output.

```
rlghncxa03w 07-05-17 15:35:05 GMT EAGLE5 37.0.0
  DPCA          ALIASI          ALIASN/N24      LSN          RC          APCA
  111-011-001  -----          -----          lsn2         10         111-011-001
                                     RTX:No      CLLI=-----
```

```
rtrv-rte:dPCA=030-045-001
```

This is an example of the possible output.

```
rlghncxa03w 07-05-17 15:35:05 GMT EAGLE5 37.0.0
  DPCA          ALIASI          ALIASN/N24      LSN          RC          APCA
  030-045-001  -----          -----          lsn3         10         030-045-001
                                     RTX:No      CLLI=-----
```

If the DPC specified in this step is the DPC of a route, continue the procedure with [Step 7](#).

If the DPC specified in this step is not the DPC of a route, repeat this step for other DPCs, shown in the `rtrv-dstn` output, that are members of the cluster point code being added in this procedure.

If all the DPCs that are members of the cluster point code being added have been displayed, and none of these DPCs are DPCs of routes, continue the procedure with [Step 9](#).

7. Enter the `rtrv-ls` command with the linkset name shown in the `rtrv-rte` output in [Step 6](#).

The linkset name is shown in the LSN column of the `rtrv-rte` output. For this example, enter these commands.

```
rtrv-ls:lsn=lsn2
```

This is an example of the possible output.

```
rlghncxa03w 09-05-17 15:35:05 GMT EAGLE5 41.0.0

LSN          APCA  (SS7)  SCRN  SET  SET  BEI  LST  LNKS  GWS  GWS  GWS
lsn2         111-011-001  none  1    1    no  B    2    off  off  off  no  off

          CLLI          TFATCABMLQ  MTPRSE  ASL8
          -----          ---          no

RANDSLS
off

IPSG  IPGWAPC  GTTMODE          CGGTMOD
no    no      CdPA          no

          L2T          PCR  PCR
          SET  BPS    ECM  N1  N2
          1    56000  BASIC  ---  ----
          1    56000  BASIC  ---  ----
```

Link set table is (6 of 1024) 1% full.

```
rtrv-ls:lsn=lsn3
```

This is an example of the possible output.

```

rlghncxa03w 09-05-17 15:35:05 GMT  EAGLE5 41.0.0

LSN                APCA  (SS7)  L3T SLT          GWS GWS GWS
lsn3              030-045-001  none 1  1  no  B  2  off off off no  off

                CLLI          TFATCABMLQ MTPRSE ASL8
                ----- 1          ---  no

RANDSLS
off

IPSG  IPGWAPC  GTTMODE          CGGTMOD
no    no      CdPA          no

                L2T          PCR  PCR
                SET  BPS    ECM  N1  N2
1103 B      0  LIMDS0  1  56000  BASIC  ---  -----
1104 B      1  LIMDS0  1  56000  BASIC  ---  -----

```

Link set table is (6 of 1024) 1% full.

If the linkset type of the linkset is either A or E, perform [Changing an SS7 Linkset](#) to change the linkset type to B, C, or D.

If all the DPCs that are members of the cluster point code being added have not been displayed in [Step 6](#), repeat [Step 6](#) and [Step 7](#).

After all the linksets whose APCs are members of the cluster point code that is being added, and the linkset type of these linksets shown in this step is B, C, or D, or the linkset type was changed, continue the procedure by performing one of these steps.

- If the `nprst`, `rcause`, or `splitiam` parameters will not be specified for the cluster point code, continue the procedure with [Step 9](#).
- If the `nprst`, `rcause`, or `splitiam` parameters will be specified for the cluster point code, continue the procedure with [Step 8](#).

8. Display the features that are enabled by entering the `rtrv-ctrl-feat` command. This is an example of the possible output.

```

rlghncxa03w 10-12-17 15:35:05 GMT  EAGLE5 43.0.0
The following features have been permanently enabled:

Feature Name          Partnum  Status  Quantity
HC-MIM SLK Capacity  893012707  on      64
TIF Number Portability  893018901  off     ----
XUDT UDT Conversion  893035301  on      ----

The following features have been temporarily enabled:

Feature Name          Partnum  Status  Quantity  Trial Period Left
Zero entries found.

The following features have expired temporary keys:

```

Feature Name	Partnum
Zero entries found.	

To specify the `nprst` or `rcause` parameters, the TIF Number Portability feature, part number 893018901, must be enabled. To specify the `splitiam` parameter, at least one of these features must be enabled.

- TIF Number Portability - part number 893018901
- TIF SCS Forwarding - part number 893022201
- TIF Simple Number Substitution - part number 893024001
- TIF Additional Subscriber Data - part number 893024501
- TIF Generic Routing Number - part number 893025501

Perform the procedures in the *Feature Manual - TIF* to enable these features as required.

- Continue the procedure by performing one of these steps.
 - Continue the procedure with [Step 11](#) if any of these conditions are present.
 - The `sccpmsgcnv` parameter will not be specified for the cluster point code.
 - The `sccpmsgcnv` parameter will be specified for the cluster point code and the `rtrv-ctrl-feat` output in this step shows that the XUDT UDT Conversion feature is enabled and turned on. If the `rtrv-ctrl-feat` output in this step shows that the XUDT UDT Conversion feature is not enabled or turned on, perform the "Activating the XUDT UDT Conversion Feature" procedure in the *Database Administration Manual - Global Title Translation* to enable and turn on the XUDT UDT Conversion feature.
 - Continue the procedure with [Step 10](#) if the `sccpmsgcnv` parameter will be specified for the cluster point code and [Step 8](#) was not performed.

- Enter this command to verify the status of the XUDT UDT Conversion feature.

```
rtrv-ctrl-feat:partnum=893035301
```

This is an example of the possible output.

```
rlghncxa03w 10-12-17 15:35:05 GMT EAGLE5 43.0.0
The following features have been permanently enabled:
```

Feature Name	Partnum	Status	Quantity
XUDT UDT Conversion	893035301	on	----

```
The following features have been temporarily enabled:
```

Feature Name	Partnum	Status	Quantity	Trial Period Left
Zero entries found.				

```
The following features have expired temporary keys:
```

Feature Name	Partnum
Zero entries found.	

If the XUDT UDT Conversion feature is not enabled or turned on, perform the "Activating the XUDT UDT Conversion Feature" procedure in the *Database Administration Manual - Global Title Translation* to enable and turn on the XUDT UDT Conversion feature.

If the XUDT UDT Conversion feature is enabled and turned on, or the "Activating the XUDT UDT Conversion Feature" procedure was performed in this step, continue the procedure with [Step 11](#).

11. Add the cluster point code to the database, by using the `ent-dstn` command.

For this example, enter these commands.

```
ent-dstn:dPCA=111-011-*:clli=rlghncbb000:bei=yes:elei=yes:domain=ss7
ent-dstn:dPCA=030-045-*:clli=rlghncbb010:bei=yes:elei=yes
:domain=ss7:ncai=yes
ent-dstn:dPCA=100-075-*:bei=yes:elei=yes:ncai=yes:nprst=on:rcause=15
:splitiam=10:scppmsgcnv=udt2xudt
```

When these commands have successfully completed, this message should appear.

```
rlghncxa03w 09-05-17 15:35:05 GMT EAGLE5 41.0.0
DESTINATION ENTRIES ALLOCATED: 2000
  FULL DPC(s): 12
  EXCEPTION DPC(s): 0
  NETWORK DPC(s): 0
  CLUSTER DPC(s): 3
  TOTAL DPC(s): 15
  CAPACITY (% FULL): 1%
ALIASES ALLOCATED: 8000
  ALIASES USED: 12
  CAPACITY (% FULL): 1%
X-LIST ENTRIES ALLOCATED: 500
ENT-DSTN: MASP A - COMPLTD
```

12. Verify the changes using the `rtrv-dstn` command and specifying the DPC that was entered in [Step 11](#).

For this example, enter these commands.

```
rtrv-dstn:dPCA=111-011-*
```

This is an example of the possible output.

```
rlghncxa03w 10-12-28 21:16:37 GMT EAGLE5 43.0.0

  DPCA          CLLI          BEI ELEI  ALIASI          ALIASN/N24      DMN
  111-011-*     rlghncbb000  yes yes  -----          -----          SS7

  SPCA          NCAI          RCAUSE NPRST SPLITIAM HMSMSC HMSCP SCCPMSGCNV
  -----          no          none  off  none      no      no      none

DESTINATION ENTRIES ALLOCATED: 2000
  FULL DPC(s): 12
  EXCEPTION DPC(s): 0
  NETWORK DPC(s): 0
  CLUSTER DPC(s): 3
  TOTAL DPC(s): 15
  CAPACITY (% FULL): 1%
ALIASES ALLOCATED: 8000
  ALIASES USED: 12
  CAPACITY (% FULL): 1%
X-LIST ENTRIES ALLOCATED: 500
RTRV-DSTN: MASP A - COMPLTD
```

```
rtrv-dstn:dpca=030-045-*
```

This is an example of the possible output.

```
rlghncxa03w 10-12-28 21:16:37 GMT EAGLE5 43.0.0

DPCA          CLLI          BEI ELEI  ALIASI          ALIASN/N24  DMN
030-045-*    rlghncbb010  yes yes  -----          -----          SS7

SPCA          NCAI          RCAUSE NPRST  SPLITIAM HMSMSC HMSCP  SCCPMSGCNV
-----          no          none  off  none      no      no      none

DESTINATION ENTRIES ALLOCATED:  2000
  FULL DPC(s):                   12
  EXCEPTION DPC(s):              0
  NETWORK DPC(s):                0
  CLUSTER DPC(s):                3
  TOTAL DPC(s):                  15
  CAPACITY (% FULL):             1%
ALIASES ALLOCATED:              8000
  ALIASES USED:                   12
  CAPACITY (% FULL):             1%
X-LIST ENTRIES ALLOCATED:       500
RTRV-DSTN:  MASP A - COMPLTD
```

```
rtrv-dstn:dpca=100-075-*
```

```
rlghncxa03w 10-12-28 21:16:37 GMT EAGLE5 43.0.0

DPCA          CLLI          BEI ELEI  ALIASI          ALIASN/N24  DMN
100-075-*    -----          yes yes  -----          -----          SS7

SPCA          NCAI          RCAUSE NPRST  SPLITIAM HMSMSC HMSCP  SCCPMSGCNV
-----          yes          15    on    10      no      no      udt2xudt

DESTINATION ENTRIES ALLOCATED:  2000
  FULL DPC(s):                   12
  EXCEPTION DPC(s):              0
  NETWORK DPC(s):                0
  CLUSTER DPC(s):                3
  TOTAL DPC(s):                  15
  CAPACITY (% FULL):             1%
ALIASES ALLOCATED:              8000
  ALIASES USED:                   12
  CAPACITY (% FULL):             1%
X-LIST ENTRIES ALLOCATED:       500
RTRV-DSTN:  MASP A - COMPLTD
```

Note: If you do not wish to change the exception list parameters for the Cluster Routing and Management Diversity feature, continue the procedure with [Step 16](#).

- The parameters for the exception list for the Cluster Routing and Management Diversity feature can be changed from the default settings by using the `chg-stpopts` command. The parameters of the `chg-stpopts` command that control the exception point-code list are:

`mtpxlq` = the maximum number of entries the exception list (x-list) can contain

`mtpxlet` = the maximum amount of time the EAGLE 5 ISS will maintain an unreferenced exception list (x-list) entry, expressed in the format `hhmm`, where `hh` is the number of hours, and `mm` is the number of minutes.

`mtpxlot` = the exception list (x-list) occupancy threshold (in terms of percentage of space available). If this threshold is exceeded, the EAGLE 5 ISS raises a minor alarm.

`mtpdpcq` = the maximum number of destination point codes that can be configured on the EAGLE 5 ISS

Note: The sum of the `MTPDPCQ` and `MTPXLQ` value's cannot exceed one of these totals depending on the features that are enabled or turned on:

- 2500 – if the 5000 Routes feature is not on, and 6000, 7000, or 8000 routesets are not enabled. The range of values for the `mtpdpcq` and `mtpxlq` parameters is 500 to 2000.
- 5500 – if the 5000 Routes feature is on, but 6000, 7000, or 8000 routesets are not enabled. The range of values for the `mtpdpcq` and `mtpxlq` parameters is 500 to 5000.
- 6500 – if 6000 routesets are enabled. The range of values for the `mtpdpcq` and `mtpxlq` parameters is 500 to 6000.
- 7500 – if 7000 routesets are enabled. The range of values for the `mtpdpcq` parameter is 500 to 7000. The range of values for the `mtpxlq` parameter is 500 to 6000.
- 8500 – if 8000 routesets are enabled. The range of values for the `mtpdpcq` parameter is 500 to 8000. The range of values for the `mtpxlq` parameter is 500 to 6000.
- 10,500 – if 10,000 routesets are enabled. The range of values for the `mtpdpcq` and `mtpxlq` parameters is 500 to 10,000.

Display the existing values for the exception list parameters, by entering the `rtrv-stpopts` command. This is an example of the possible output.

```
rlghncxa03w 07-05-17 16:02:05 GMT EAGLE5 37.0.0
STP OPTIONS
-----
MTPXLQ          500
MTPXLET         0100
MTPXLOT         90%
MTPDPCQ        2000
```

Note: The `rtrv-stpopts` command output contains other fields that are not used by this procedure. If you wish to see all the fields displayed by the `rtrv-stpopts` command, see the `rtrv-stpopts` command description in the *Commands Manual*.

Note: If the Cluster Routing and Management Diversity was turned on in this procedure, the `MTPXLQ`, `MTPXLET`, and `MTPXLOT` parameters are shown with these default values.

- `MTPXLQ` – 500
- `MTPXLET` – 0100
- `MTPXLOT` – 90%

The `MTPDPCQ` value is not changed when the Cluster Routing and Management Diversity is turned on.

14. If you wish to change the exception list parameters or the `mtpdpcq` value, enter the `chg-stpopts` command.

Note: If the DPC quantity or the exception list quantity is being changed in this step, both the `mtpdpcq` and `mtpxlq` parameters do have to be specified in this step unless the resulting sum of

themtpdpcq andmtpxlq parameters would exceed the totals shown in [Step 12](#). For example, the currentmtpdpcq value is 4000 and the currentmtpxlq value is 1500, resulting in a sum of 5500, and only the 5000 Routes feature is on. To change either value, both parameters must be specified and the sum of the new values cannot exceed 5500. If in this example, the currentmtpdpcq value is 3000 and the currentmtpxlq value is 1500, resulting in a sum of 4500, either parameter value can be changed without specifying the other parameter as long as the sum of the values does not exceed 5500.

For this example, change the DPC quantity value to 1750, the exception list size to 750, the exception list timer to 1 hour and 30 minutes (90 minutes), and the exception list occupancy threshold to 75%. Enter this command.

```
chg-stpopts:mtpdpcq=1750:mtpxlq=750:mtpxlet=0130:mtpxlot=75
```

When this command has successfully completed, this message should appear.

```
rlghncxa03w 07-05-17 15:35:05 GMT EAGLE5 37.0.0
CHG-STPOPTS: MASP A - COMPLTD
```

15. Verify the changes using the rtrv-stpopts command.

This is an example of the possible output.

```
rlghncxa03w 07-05-17 16:02:05 GMT EAGLE5 37.0.0
STP OPTIONS
-----
MTPXLQ           750
MTPXLET          0130
MTPXLOT           75%
MTPDPCQ          1750
```

Note: Thertrv-stpopts command output contains other fields that are not used by this procedure. If you wish to see all the fields displayed by thertrv-stpopts command, see thertrv-stpopts command description in the *Commands Manual*.

16. Back up the new changes, using the chg-db:action=backup:dest=fixed command.

These messages should appear; the active Maintenance and Administration Subsystem Processor (MASP) appears first.

```
BACKUP (FIXED) : MASP A - Backup starts on active MASP.
BACKUP (FIXED) : MASP A - Backup on active MASP to fixed disk complete.
BACKUP (FIXED) : MASP A - Backup starts on standby MASP.
BACKUP (FIXED) : MASP A - Backup on standby MASP to fixed disk complete.
```

Changing the Attributes of a Cluster Point Code

This procedure is used to change the attributes of a cluster point code in the database, using the chg-dstn command.

Note: Cluster entries can be provisioned only as ANSI destination point codes. Cluster entries cannot be provisioned for ITU international or ITU national destination point codes, and cannot be provisioned as a proxy point code. The ANSI alias point code for an ITU international or ITU national destination point code must be a full point code. An ANSI private point code must be a full point code.

To add a new cluster point code to the database, perform the [Adding a Cluster Point Code](#) procedure.

To remove a cluster point code from the database, perform the [Removing a Destination Point Code](#) procedure.

The cluster point code to be changed must be in the database.

The `chg-dstn` command uses these parameters:

`:dpc/dpca` – The destination point code in the database being changed

Note: See [Point Code Formats](#) for a definition of the point code types that are used on the EAGLE 5 ISS.

Note: Alias point codes (`aliasi/aliasn/aliasn24`) and secondary point codes (`spc/spca`) cannot be specified for a cluster point code.

`:c11i` – The Common Language Location Identifier assigned to this point code

`:domain` – The network in which the destination entity or node exists- SS7.

`:bei` – Broadcast exception indicator that indicates whether transfer-prohibited (TFP) messages will be broadcast from this node. The `bei=yes` parameter means TFPs will not be broadcast. The `bei=no` parameter means TFPs will be broadcast.

`:ipgwapc` – (ANSI networks only) IP Gateway Adjacent Point Code indicator. Specify `ipgwapc=yes` to provide SS7 linkset definition compatibility for gateway connections to IP-SCPs. The default is `ipgwapc=no`.

`:elei` – For cluster point codes only. Specifies whether or not the EAGLE 5 ISS maintains a dynamic status exception list for each cluster route that may be used to reach the member signaling points making up the cluster. The `elei=yes` parameter means the EAGLE 5 ISS does not maintain an exception list for the cluster point code specified by the `dpc` parameter. The `elei=no` parameter means the EAGLE 5 ISS does maintain an exception list for the cluster point code specified by the `dpc` parameter.

`:ncai` – The nested-cluster-allowed indicator specifies whether or not the route to the cluster point code can be different from the route to a point code that is a member of the cluster point code. A point code is a member of a cluster point code if it has the same network identifier (NI) and network cluster (NC) values as the cluster point code. This parameter can be specified only for cluster point codes.

If the `ncai` parameter value is `yes`, the cluster point code is a nested cluster point code. Point codes that are members of this cluster point code can be assigned to routesets that are different from the routeset assigned to the cluster point code.

If the `ncai` parameter value is `no`, the cluster point code is not a nested cluster point code. Point codes that are members of this cluster point code must be assigned to the same routeset assigned to the cluster point code.

Refer to the [Nested Cluster Routing](#) section for more information on the nested cluster routing feature.

`:nprst` – NM bits reset. This parameter specifies whether the NM bits in an ITU IAM message should be set to 00. This parameter has two values.

- `off` - Do not set NM bits to 00 in an ITU IAM message if the `nptype` option value in the `rtrv-tifopts` output is `nm`.
- `on` - Set the NM bits to 00 in an ITU IAM message if the `nptype` option value in the `rtrv-tifopts` output is `nm`.

The default value for this parameter is `off`.

`:rcause` - Release cause. This parameter specifies the condition that triggers the sending of a Release message. This parameter has these values.

- `0 - 127`
- `none` - use the values specified for the `rcausenp` and `rcausepfx` parameters in the `rtrv-tifopts` output.

The default value for this parameter is `none`.

If the `rlcopc` parameter value in the `rtrv-tifopts` output is `on` and a value of 0-127 is specified for the `rcause` parameter, then the `rcause` parameter value overrides the values specified for the `rcausenp` and `rcausepfx` parameters in the `rtrv-tifopts` output.

`:splitiam` - This parameter specifies how and when to split an ITU IAM message into one IAM message and one SAM message. This parameter has these values.

- `15-31` - The maximum number of CdPN digits allowed in the IAM message before the splitting occurs. The remaining digits, up to a total of 32, are encoded in the SAM message.
- `none` - the value specified for the `splitiam` parameter in the `rtrv-tifopts` output is used to determine when to split the IAM message.

The default value for this parameter is `none`.

To specify the `nprst` or `rcause` parameters, the TIF Number Portability feature, part number 893018901, must be enabled. To specify the `splitiam` parameter, at least one of these features must be enabled.

- TIF Number Portability - part number 893018901
- TIF SCS Forwarding - part number 893022201
- TIF Simple Number Substitution - part number 893024001
- TIF Additional Subscriber Data - part number 893024501
- TIF Generic Routing Number - part number 893025501

The status of these features is shown in the `rtrv-ctrl-feat` output. Perform the procedures in the *Feature Manual - TIF* to enable these features.

`:sccpmsgcnv` - The `sccpmsgcnv` parameter controls SCCP UDT(S)/XUDT(S) message conversion for the specified destination. This parameter can be specified only if the XUDT UDT Conversion feature is enabled and turned on. The `rtrv-ctrl-feat` output shows the status of the XUDT UDT Conversion feature. If the XUDT UDT Conversion feature is not enabled or turned on, perform the "Activating the XUDT UDT Conversion Feature" procedure in the *Database Administration Manual - Global Title Translation* to enable and turn on the XUDT UDT Conversion feature. This parameter contains these values.

- `none` - SCCP UDT(S)/XUDT(S) message conversion is not performed on messages for the destination.
- `udt2xudt` - All UDT(S) messages for the destination are converted to XUDT(S) messages.
- `xudt2udt` - All non-segmented XUDT(S) messages for the destination are converted to UDT(S) messages. Segmented XUDT(S) messages for the destination are not converted to UDT(S) messages.

- `sxudt2udt` - All segmented and non-segmented XUDT(S) messages for the destination are converted to UDT(S) messages.

The `chg-dstn` command also contains the `homescp` and `homesmsc` parameters. The values for these parameters are `yes` and `no`. The value `no` is the system default value for these parameters. The value `yes` for these parameters cannot be specified for a cluster point code. To specify the value `yes` for these parameters, perform the [Adding a Destination Point Code](#) or [Changing a Destination Point Code](#) procedures.

The value of the `clli` parameter cannot be in the DPC table and cannot match the CLLI of the EAGLE 5 ISS. Verify this by entering the `rtrv-dstn` and the `rtrv-sid` commands, shown in [Step 1](#) and [Step 3](#). If the value of the `clli` parameter matches any CLLI values in either of these outputs, choose another value for the `clli` parameter that does not match any CLLIs shown in either of these command outputs.

If a nested cluster point code is changed to a non-nested cluster point code (the value of the `ncai` parameter is changed from `yes` to `no`), any point codes that are members of this point code must be assigned to the same routeset as the cluster point code.

The `elei` (exception list exclusion indicator) parameter can be specified only for a cluster destination point code. Cluster destination point codes and the `elei` parameter can be specified only if the Cluster Routing and Management Diversity feature is turned on. Verify this with the `rtrv-feat` command. If the Cluster Routing and Management Diversity feature is turned on, the `CRMD` field should be set to `on`. If the Cluster Routing and Management Diversity feature is not turned on, enter the `chg-feat:crmd=on` command. For more information on the Cluster Routing and Management Diversity feature, refer to the [Cluster Routing and Management Diversity \(CRMD\)](#) section.

The `ncai` parameter can be specified only if the Nested Cluster Routing feature is on. This can be verified with the entry `NCR = on` in the `rtrv-feat` command output. If the nested cluster routing feature is not turned on, enter the `chg-feat:ncr=on` command. For more information on the nested cluster routing feature, refer to the [Nested Cluster Routing](#) section.

Note: Once the Cluster Routing and Management Diversity and nested cluster routing features are turned on with the `chg-feat` command, they cannot be turned off.

The Cluster Routing and Management Diversity and nested cluster routing features must be purchased before you turn these features on with the `chg-feat` command. If you are not sure if you have purchased the Cluster Routing and Management Diversity and nested cluster routing features, contact your Tekelec Sales Representative or Account Representative.

The examples in this procedure are used to change the attributes of the cluster point code 030-003-*

Canceling the RTRV-DSTN and RTRV-RTE Commands

Because the `rtrv-dstn` and `rtrv-rte` commands used in this procedure can output information for a long period of time, the `rtrv-dstn` and `rtrv-rte` commands can be canceled and the output to the terminal stopped. There are three ways that the `rtrv-dstn` and `rtrv-rte` commands can be canceled:

- Press the `F9` function key on the keyboard at the terminal where the `rtrv-dstn` or `rtrv-rte` command was entered.
- Enter the `canc-cmd` without the `trm` parameter at the terminal where the `rtrv-dstn` or `rtrv-rte` command was entered.
- Enter the `canc-cmd:trm=<xx>`, where `<xx>` is the terminal where the `rtrv-dstn` or `rtrv-rte` command was entered, from another terminal other than the terminal where the `rtrv-dstn` or `rtrv-rte` command was entered. To enter the `canc-cmd:trm=<xx>` command, the terminal

must allow Security Administration commands to be entered from it and the user must be allowed to enter Security Administration commands. The terminal's permissions can be verified with the `rtrv-secu-trm` command. The user's permissions can be verified with the `rtrv-user` or `rtrv-secu-user` commands.

For more information about the `canc-cmd` command, refer to the *Commands Manual*.

1. Display the current destination point codes, using the `rtrv-dstn` command.

This is an example of the possible output.

```
rlghncxa03w 10-12-10 11:43:04 GMT EAGLE5 43.0.0
Extended Processing Time may be Required

  DPCA          CLLI          BEI  ELEI    ALIASI          ALIASN/N24    DMN
020-002-*      rlghncbb000  yes  yes  -----          -----          SS7
240-012-004    rlghncbb001  yes  ---   1-111-1          10-13-9-3      SS7
240-012-005    rlghncbb002  yes  ---   1-112-2          10-13-10-0     SS7
240-012-006    rlghncbb003  yes  ---   1-112-3          10-13-10-1     SS7
240-012-007    -----      yes  ---   1-117-3          10-13-11-1     SS7
240-012-008    -----      yes  ---   1-113-5          10-13-10-2     SS7
030-003-*      rlghncbb333  yes  yes  -----          -----          SS7
030-003-100    rlghncbb334  yes  ---   1-112-3          10-13-10-1     SS7
030-003-200    rlghncbb335  yes  ---   1-117-3          10-13-11-1     SS7
030-003-225    rlghncbb336  yes  ---  -----          -----          SS7

  DPCI          CLLI          BEI  ELEI    ALIASA          ALIASN/N24    DMN
2-131-1        rlghncbb023  no   ---   222-210-000     11-11-8-1      SS7
2-131-2        -----      no   ---   222-211-001     11-11-8-2      SS7
2-131-3        -----      no   ---   222-211-002     11-11-8-3      SS7
4-163-5        -----      no   ---   250-200-007     15-11-5-1      SS7

  DPCN          CLLI          BEI  ELEI    ALIASA          ALIASI          DMN
7-9-10-1       -----      no   ---   210-090-100     1-75-6          SS7
10-15-2-3      rlghncbb013  no   ---   222-200-200     2-121-1         SS7
10-15-3-0      rlghncbb013  no   ---   222-200-201     2-121-2         SS7

DESTINATION ENTRIES ALLOCATED:    2000
  FULL DPC(s):                      20
  EXCEPTION DPC(s):                  0
  NETWORK DPC(s):                     0
  CLUSTER DPC(s):                     2
  TOTAL DPC(s):                       22
  CAPACITY (% FULL):                  1%
ALIASES ALLOCATED:                  8000
  ALIASES USED:                        28
  CAPACITY (% FULL):                  1%
X-LIST ENTRIES ALLOCATED:           500
RTRV-DSTN: MASP A - COMPLTD
```

If the CLLI value for the cluster point code is not being changed in this procedure, continue the procedure with [Step 3](#).

If the CLLI value for the cluster point code is being changed in this procedure, continue the procedure with [Step 2](#).

2. Display the self-identification of the EAGLE 5 ISS using the `rtrv-sid` command.

This is an example of the possible output.

```

rlghncxa03w 07-05-10 11:43:04 GMT EAGLE5 37.0.0
  PCA          PCI          PCN          CLLI          PCTYPE
  010-020-030  0-123-1      12-0-14-1    rlghncxa03w  OTHER
  CPCA
  002-002-002      002-002-003      002-002-004      002-002-005
  002-002-006      002-002-007      002-002-008      002-002-009
  004-002-001      004-003-003      050-060-070
  CPCI
  1-001-1          1-001-2          1-001-3          1-001-4
  1-002-1          1-002-2          1-002-3          1-002-4
  2-001-1          7-222-7
  CPCN
  2-0-10-3        2-0-11-0        2-0-11-2        2-0-12-1
  2-2-3-3        2-2-4-0        10-14-10-1

```

If the CLLI value for the cluster point code is being changed in this procedure, that CLLI value cannot be shown in the CLLI fields of either the `rtrv-dstn` ([Step 1](#)) or the `rtrv-sid` command outputs.

3. Display the attributes of the cluster point code being changed, by entering the `rtrv-dstn` command and specifying the cluster point code that is being changed.

For this example, enter this command.

```
rtrv-dstn:dpca=030-003-*
```

This is an example of the possible output.

```

rlghncxa03w 10-12-28 21:16:37 GMT EAGLE5 43.0.0
  DPCA          CLLI          BEI  ELEI  ALIASI          ALIASN/N24  DMN
  030-003-*    rlghncbb333  yes  yes  -----          -----          SS7
  SPCA          NCAI          RCAUSE  NPRST  SPLITIAM  HMSMSC  HMSCP  SCCPMSGCNV
  -----          yes          none    off    none      no      no      none
  DESTINATION ENTRIES ALLOCATED:  2000
  FULL DPC(s):                    20
  EXCEPTION DPC(s):                0
  NETWORK DPC(s):                  0
  CLUSTER DPC(s):                  2
  TOTAL DPC(s):                    22
  CAPACITY (% FULL):               1%
  ALIASES ALLOCATED:                8000
  ALIASES USED:                     28
  CAPACITY (% FULL):               1%
  X-LIST ENTRIES ALLOCATED:        500
  RTRV-DSTN: MASP A - COMPLTD

```

Continue the procedure by performing one of these steps.

- If the `nprst`, `rcause`, `splitiam`, `sccpmsgcnv`, or `ncai` parameter values will not be changed, continue the procedure with [Step 10](#).

- If only the `ncai` parameter value will be changed, continue the procedure by performing one of these steps.
 - If the current `ncai` parameter value is `no`, continue the procedure with [Step 8](#).
 - If the current `ncai` parameter value is `yes`, continue the procedure with [Step 6](#).
 - If the `sccpmsgcnv` parameter value will be changed and the `nprst`, `rcause`, or `splitiam` parameter values will not be changed, continue the procedure with [Step 5](#).
 - If the `nprst`, `rcause`, or `splitiam` parameter value will be changed, continue the procedure with [Step 4](#).
4. Display the features that are enabled by entering the `rtrv-ctrl-feat` command. This is an example of the possible output.

```
rlghncxa03w 10-12-17 15:35:05 GMT EAGLE5 43.0.0
The following features have been permanently enabled:
```

Feature Name	Partnum	Status	Quantity
HC-MIM SLK Capacity	893012707	on	64
TIF Number Portability	893018901	off	----
XUDT UDT Conversion	893035301	on	----

```
The following features have been temporarily enabled:
```

Feature Name	Partnum	Status	Quantity	Trial Period	Left
Zero entries found.					

```
The following features have expired temporary keys:
```

Feature Name	Partnum
Zero entries found.	

To specify the `nprst` or `rcause` parameters, the TIF Number Portability feature, part number 893018901, must be enabled. To specify the `splitiam` parameter, at least one of these features must be enabled.

- TIF Number Portability - part number 893018901
- TIF SCS Forwarding - part number 893022201
- TIF Simple Number Substitution - part number 893024001
- TIF Additional Subscriber Data - part number 893024501
- TIF Generic Routing Number - part number 893025501

Perform the procedures in the *Feature Manual - TIF* to enable these features as required.

Continue the procedure by performing one of these steps.

- If the `sccpmsgcnv` or `ncai` parameter values will not be changed, continue the procedure with [Step 10](#).
- If only the `ncai` parameter value will be changed, continue the procedure by performing one of these steps.
 - If the current `ncai` parameter value is `no`, continue the procedure with [Step 8](#).
 - If the current `ncai` parameter value is `yes`, continue the procedure with [Step 6](#).
- If the `sccpmsgcnv` parameter value will be changed, continue the procedure with [Step 5](#).

5. To specify the `sccpmsgcnv` parameter the XUDT UDT Conversion feature must be enabled and turned on.

If [Step 4](#) was performed and the `rtrv-ctrl-feat` output in [Step 4](#) shows that the XUDT UDT Conversion feature is enabled and turned on, continue the procedure by performing one of these steps.

- If the `ncai` parameter values will not be changed, continue the procedure with [Step 10](#).
- If the `ncai` parameter value will be changed, continue the procedure by performing one of these steps.
 - If the current `ncai` parameter value is `no`, continue the procedure with [Step 8](#).
 - If the current `ncai` parameter value is `yes`, continue the procedure with [Step 6](#).

If [Step 4](#) was performed and the `rtrv-ctrl-feat` output in [Step 4](#) shows that the XUDT UDT Conversion feature is not enabled and turned on, perform the "Activating the XUDT UDT Conversion Feature" procedure in the *Database Administration Manual - Global Title Translation* to enable and turn on the XUDT UDT Conversion feature.

If [Step 4](#) was not performed, enter this command to verify the status of the XUDT UDT Conversion feature.

```
rtrv-ctrl-feat:partnum=893035301
```

This is an example of the possible output.

```
rlghncxa03w 10-12-17 15:35:05 GMT EAGLE5 43.0.0
The following features have been permanently enabled:

Feature Name           Partnum   Status  Quantity
XUDT UDT Conversion   893035301 on      ----

The following features have been temporarily enabled:

Feature Name           Partnum   Status  Quantity   Trial Period Left
Zero entries found.

The following features have expired temporary keys:

Feature Name           Partnum
Zero entries found.
```

If the `rtrv-ctrl-feat` output in this step shows that the XUDT UDT Conversion feature is not enabled or turned on, perform the "Activating the XUDT UDT Conversion Feature" procedure in the *Database Administration Manual - Global Title Translation* to enable and turn on the XUDT UDT Conversion feature.

If the `rtrv-ctrl-feat` output in this step shows that the XUDT UDT Conversion feature is enabled and turned on, or the "Activating the XUDT UDT Conversion Feature" procedure was performed in this step, continue the procedure by performing one of these steps.

- If the `ncai` parameter values will not be changed, continue the procedure with [Step 10](#).
- If the `ncai` parameter value will be changed, continue the procedure by performing one of these steps.
 - If the current `ncai` parameter value is `no`, continue the procedure with [Step 8](#).

- If the current `ncai` parameter value is `yes`, continue the procedure with [Step 6](#).
6. Enter the `rtrv-dstn` command with the cluster point code being changed, but with three asterisks for the network-cluster member value of the cluster point code instead of one asterisk.

For this example, enter this command.

```
rtrv-dstn:dpca=030-003-***
```

This is an example of the possible output.

```
rlghncxa03w 09-05-28 21:16:37 GMT EAGLE5 41.0.0

  DPCA          CLLI          BEI ELEI    ALIASI          ALIASN/N24    DMN
  030-003-*    rlghncbb333  yes yes  -----        -----        SS7
  030-003-100  rlghncbb334  yes no   1-112-3        10-13-10-1    SS7
  030-003-200  rlghncbb335  yes no   1-117-3        10-13-11-1    SS7
  030-003-225  rlghncbb336  yes no  -----        -----        SS7

Destination table is (20 of 2000) 1% full
Alias table is (28 of 8000) 1% full
RTRV-DSTN: MASP A - COMPLTD
```

If the cluster point code does not have any member point codes in the database, continue the procedure with [Step 8](#).

If the cluster point code has member point codes in the database, continue the procedure with [Step 7](#).

7. Display the routes to the members of the cluster point code, shown in [Step 6](#), in the database using the `rtrv-rte` command with the DPC values shown in [Step 6](#) for the members of the cluster point code.

For this example, enter these commands.

```
rtrv-rte:dpca=030-003-100
```

This is an example of the possible output.

```
rlghncxa03w 07-05-07 11:43:04 GMT EAGLE5 37.0.0

  DPCA          ALIASI          ALIASN/N24    LSN          RC    APCA
  030-003-100    1-112-3        10-13-10-1    1s000300    10    030-003-100

                                RTX:No  CLLI=rlghncbb334
```

```
rtrv-rte:dpca=030-003-200
```

This is an example of the possible output.

```
rlghncxa03w 07-05-07 11:43:04 GMT EAGLE5 37.0.0

  DPCA          ALIASI          ALIASN/N24    LSN          RC    APCA
  030-003-200    1-117-3        10-13-11-1    1s000301    10    10 030-003-200

                                RTX:No  CLLI=rlghncbb335
```

```
rtrv-rte:dpca=030-003-225
```

This is an example of the possible output.

```
rlghncxa03w 07-05-07 11:43:04 GMT EAGLE5 37.0.0
DPCA          ALIASI          ALIASN/N24      LSN           RC           APCA
030-003-225  -----          -----          ls000301     10          030-003-300
RTX:No      CLLI=rlghncbb336
```

If the NCAI parameter is being changed from YES to NO, the routes to the point codes that are members of the cluster point code being changed must be removed from the database. Perform the [Removing a Route](#) procedure to remove these routes from the database. For this example, the routes to point codes 030-003-100, 030-003-200, and 030-003-225 must be removed. Continue the procedure with [Step 10](#).

- Verify that the nested cluster routing feature is on with the `rtrv-feat` command.

If the nested cluster routing feature is turned on, the NCR field should be set to on. In this example, the nested cluster routing feature is off.

Note: The `rtrv-feat` command output contains other fields that are not used by this procedure. If you wish to see all the fields displayed by the `rtrv-feat` command, see the `rtrv-feat` command description in the *Commands Manual*.

If the nested cluster routing feature is on, continue the procedure with [Step 10](#).

If the nested cluster routing feature is off, continue the procedure with [Step 9](#).

- Turn the nested cluster routing feature on by entering this command.

```
chg-feat:ncr=on
```

Note: Once the nested cluster routing feature is turned on with the `chg-feat` command, it cannot be turned off.

The nested cluster routing feature must be purchased before you turn this feature on with the `chg-feat` command. If you are not sure if you have purchased the nested cluster routing features, contact your Tekelec Sales Representative or Account Representative.

When this command has successfully completed, this message should appear.

```
rlghncxa03w 07-05-10 11:43:04 GMT EAGLE5 37.0.0
CHG-FEAT: MASP A - COMPLTD
```

- Change the attributes of the cluster point code, using the `chg-dstn` command.

If the `rcause`, `nprst`, and `splitiam` parameters will be specified for the cluster point code, one or more of the features shown in [Step 4](#) must be enabled.

If the `sccpmsgcnv` parameter will be specified for the cluster point code, the XUDT UDT Conversion feature, shown in the `rtrv-ctrl-feat` output in either [Step 4](#) or [Step 5](#), must be enabled.

For this example, enter this command.

```
chg-dstn:dpca=030-003-*:clli=ls09clli:ncai=no:elei=no:nprst=on:rcause=5
:splitiam=20:sccpmsgcnv=xudt2udt
```

When this command has successfully completed, this message should appear.

```
rlghncxa03w 07-05-17 15:35:05 GMT EAGLE5 37.0.0

DESTINATION ENTRIES ALLOCATED: 2000
  FULL DPC(s): 20
  EXCEPTION DPC(s): 0
  NETWORK DPC(s): 0
  CLUSTER DPC(s): 2
  TOTAL DPC(s): 22
  CAPACITY (% FULL): 1%
ALIASES ALLOCATED: 8000
  ALIASES USED: 28
  CAPACITY (% FULL): 1%
X-LIST ENTRIES ALLOCATED: 500
CHG-DSTN: MASP A - COMPLTD
```

11. Verify the changes using the `rtrv-dstn` command, and specifying the cluster point code that was entered in [Step 10](#) with the `dpca` parameter.

For this example, enter this command.

```
rtrv-dstn:dpca=030-003-*
```

This is an example of the possible output.

```
rlghncxa03w 10-12-28 21:16:37 GMT EAGLE5 43.0.0

  DPCA          CLLI          BEI ELEI  ALIASI          ALIASN/N24  DMN
  030-003-*     ls09clli     yes no  -----          -----          SS7

  SPCA          NCAI          RCAUSE NPRST SPLITIAM HMSMSC HMSCP SCCPMSGCNV
  -----          no           5    on    20    no    no    xudt2udt

DESTINATION ENTRIES ALLOCATED: 2000
  FULL DPC(s): 20
  EXCEPTION DPC(s): 0
  NETWORK DPC(s): 0
  CLUSTER DPC(s): 2
  TOTAL DPC(s): 22
  CAPACITY (% FULL): 1%
ALIASES ALLOCATED: 8000
  ALIASES USED: 28
  CAPACITY (% FULL): 1%
X-LIST ENTRIES ALLOCATED: 500
RTRV-DSTN: MASP A - COMPLTD
```

12. Back up the new changes, using the `chg-db:action=backup:dest=fixed` command.

These messages should appear; the active Maintenance and Administration Subsystem Processor (MASP) appears first.

```
BACKUP (FIXED) : MASP A - Backup starts on active MASP.
BACKUP (FIXED) : MASP A - Backup on active MASP to fixed disk complete.
BACKUP (FIXED) : MASP A - Backup starts on standby MASP.
BACKUP (FIXED) : MASP A - Backup on standby MASP to fixed disk complete.
```

Network Routing

Network routing allows the user to provision a single routeset that can be used for all MSUs destined to members of that network. The advantages of network routing are:

- Reduces the number of entries in the route table
- Allows routing to members of a network without having to add those members to the route table

A EAGLE 5 ISS user can connect to a remote network by provisioning a single route table element. As the remote network grows, the EAGLE 5 ISS user does not have to add new route table entries for each new point code in the remote network.

Note: Network routing can be used only with ANSI point codes. A network routing point code cannot be provisioned as a proxy point code.

Types of Routing Strategies Available

The EAGLE 5 ISS currently allows a user to provision two types of routing strategies:

- Full point code routing
- Network/cluster routing (also called cluster routing)

This feature allows the user to provision a third type of routing strategy, network routing.

It is possible to provision full point code entries, cluster entries, and network entries for members of the same network. Any overlaps in the routing strategies are handled by a specific searching hierarchy.

All of these route table entries can coexist:

- 8-1-1 – A full point code entry
- 8-1-* – A cluster entry
- 8-*-* – A network entry

The searching hierarchy tries to match against a full point code entry first, followed by a cluster entry, and finally a network entry. In the preceding example, when the EAGLE 5 ISS routes an MSU destined for 8-1-1, it uses the full point code entry; when the EAGLE 5 ISS routes an MSU destined for 8-1-2 it uses the cluster entry; and when the EAGLE 5 ISS routes an MSU destined for 8-2-2, it uses the network entry.

Applications

Network routing is very useful when the destination node is very far away from the source node. The reliability of network routing increases when the destination is further away. Notice that in [Figure 18: Example of Network Routing Reliability](#), routing from network A is more reliable to nodes in network C than to nodes in network B.

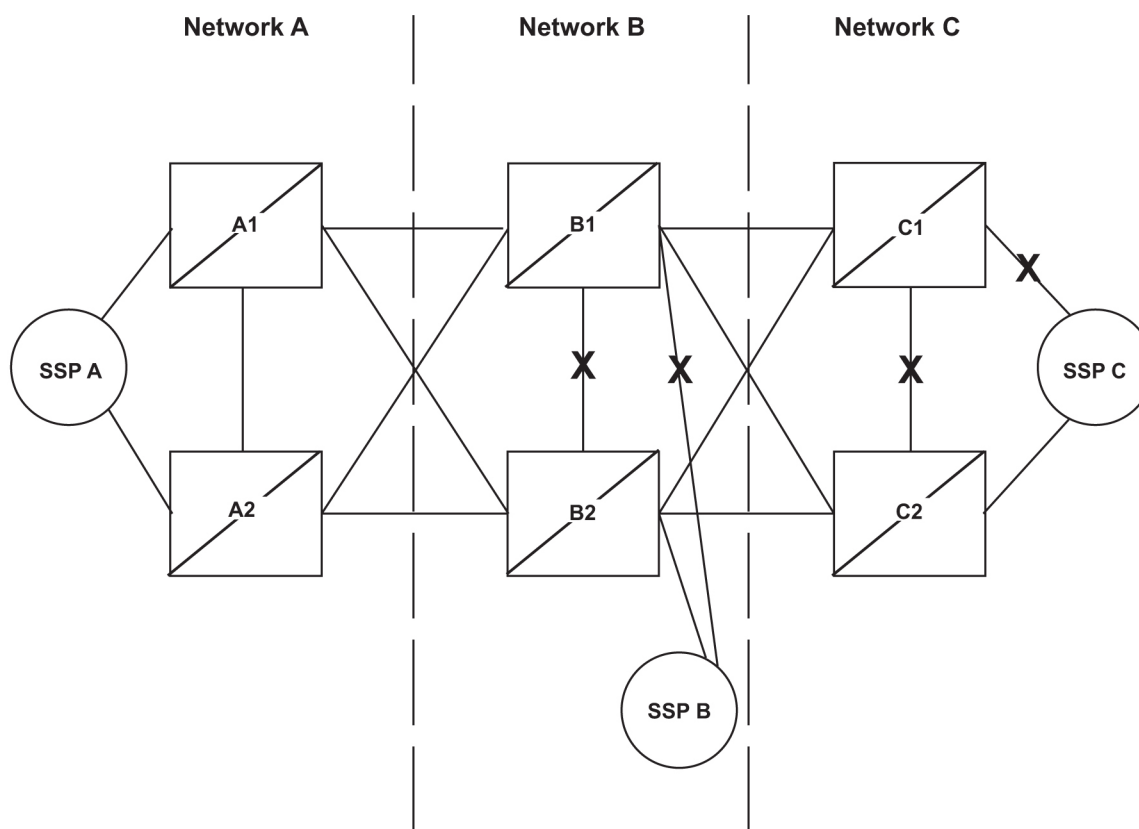


Figure 18: Example of Network Routing Reliability

If the nodes in network A use network routing for network C, network A can still route traffic to SSP C, even if two linksets fail. In this example, one of the A-linksets to SSP C and the C-linkset between node C1 and node C2 fail. In this case, the EAGLE 5 ISS in network A continues to route half its traffic to node B1, and half to node B2. Node B1 and node B2 (which do not use network routing) route all traffic for SSP C through node C2.

If the nodes in network A use network routing for network B, traffic going to SSP B may be lost if two linksets fail. In this example, one of the A-linksets to SSP B and the C-linkset between node B1 and node B2 fail. In this case, the EAGLE 5 ISS in network A continues to route half its traffic to node B1, and half to node B2. Traffic for SSP B routed through node B1 is discarded, resulting in message loss.

Route Availability

A route is one path to a destination. A routeset is a list of paths to a destination. Route availability consists of two parts:

- Local availability
- Remote availability

Remote availability is affected by TFX network management messages. Local availability is affected by linkset failures and recoveries. TFX messages do not affect point codes accessed by network route entries. Therefore, for network route entries, route availability consists of only local availability. The highest priority linkset available for traffic is used for routing MSUs, regardless of the remote availability of that route.

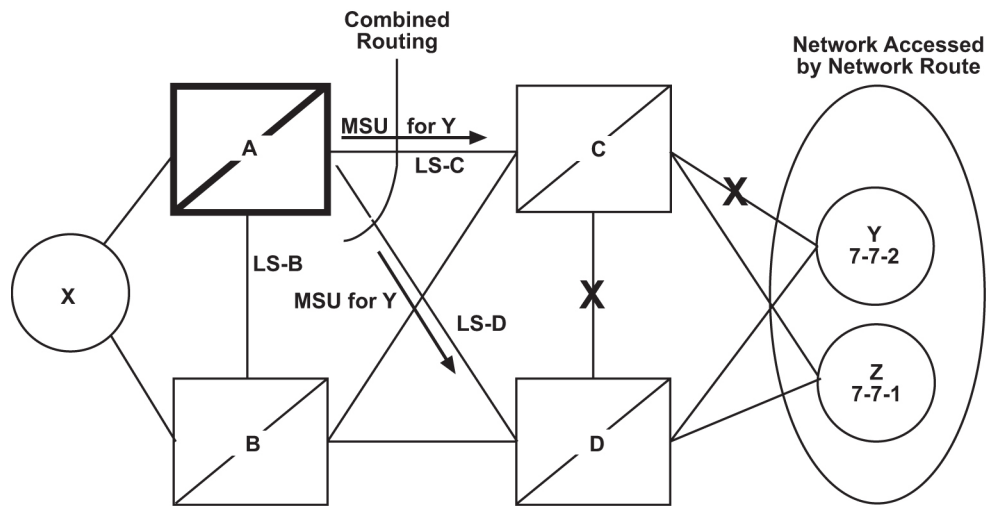


Figure 19: Potential Routing Network Failure

In the example in [Figure 19: Potential Routing Network Failure](#), linksets LS-C and LS-D form a combined route to network route 7-7-*. Because 7-7-* is a network route, the EAGLE 5 ISS always considers the non-adjacent status of the routes to be allowed. In the example shown, the EAGLE 5 ISS routes traffic destined to 7-7-1 over LS-C and LS-D. The EAGLE 5 ISS ignores TFPs concerning 7-7-1 or TCPs concerning 7-7-*.

Point Code Availability

A point code that is accessed by a network route entry is considered available if there is any linkset in the routeset that is available for traffic.

Local Link Congestion

This feature has no impact on the generation of TFC messages. A TFC is generated concerning point code X-Y-Z, even if X-Y-Z is routed using a network route entry.

Remote Congestion

Because the EAGLE 5 ISS has global title capabilities, it is possible for the EAGLE 5 ISS to receive a TFC concerning a point code that is accessed by a network route entry. Network route entries are not affected by TFC messages.

Broadcast Transfer Messages

The EAGLE 5 ISS does not broadcast TFX messages for network route entries.

Response Method Transfer Messages

The EAGLE 5 ISS sends response method TFX messages for network routes as follows:

- Prohibited Network Routes

If the EAGLE 5 ISS receives an MSU that is accessed by a network route entry, and that network route is Prohibited, the EAGLE 5 ISS sends a response method TFP or TCP message, as follows:

- If there is a full point code defined in the same cluster as the MSU (for example, 8-*-* and 8-1-1 are defined in the EAGLE 5 ISS's routing table, and MSU is destined for 8-1-2), the EAGLE 5 ISS sends a TFP with concerned point code set to the MSU's DPC.
- Otherwise, the EAGLE 5 ISS sends a TCP with concerned point code set to the cluster of the MSU's DPC.

The EAGLE 5 ISS sends response method TCPs or TFPs at a rate of one TCP or TFP per signaling link during the level 3 T8 timer period for each network route.

For example, in *Figure 19: Potential Routing Network Failure*, the network route for 7-*-* becomes Prohibited due to the failure of LS-B, LS-C, and LS-D. When the EAGLE 5 ISS receives an MSU from X destined for 7-7-1, the EAGLE 5 ISS sends a response method TCP concerning 7-7-*. When the EAGLE 5 ISS receives an MSU from X destined for 7-8-2, the EAGLE 5 ISS sends a response method TCP concerning 7-8-*.

- System Detects Danger of Circular Routing

If the EAGLE 5 ISS receives an MSU that is accessed by a network route entry, and the EAGLE 5 ISS detects danger of circular routing, the EAGLE 5 ISS sends a response method TFP or TCP message, as follows:

- If there is a full point code defined in the same cluster as the MSU (for example, 8-*-* and 8-1-1 are defined in the EAGLE 5 ISS's routing table, and the MSU is destined for 8-1-2), the EAGLE 5 ISS sends a TFP with concerned point code set to the MSU's DPC.
- Otherwise, the EAGLE 5 ISS sends a TCP with concerned point code set to the cluster of the MSU's DPC.

The EAGLE 5 ISS sends response method TCPs at a rate of one TCP per signaling link during the level 3 T8 timer period for each network route.

For example, in *Figure 19: Potential Routing Network Failure*, all linksets are available. If the EAGLE 5 ISS receives an MSU from node C destined for 7-7-1, the EAGLE 5 ISS detects danger of circular routing, and sends a response method TCP concerning 7-7-*. The EAGLE 5 ISS also discards the MSU.

- Restricted Network Routes

If the EAGLE 5 ISS receives an MSU that is accessed by a network route entry, and that network route is Restricted, the EAGLE 5 ISS sends a one-time response method TFR or TCR message, as follows:

- If there is a full point code defined in the same cluster as the MSU (for example, 8-*-* and 8-1-1 are defined in the EAGLE 5 ISS's routing table, and MSU is destined for 8-1-2), the EAGLE 5 ISS sends a TFR with concerned point code set to the MSU's DPC.
- Otherwise, the EAGLE 5 ISS sends a TCR with concerned point code set to the cluster of the MSU's DPC.

For example, in *Figure 19: Potential Routing Network Failure*, the network route for 7-*-* becomes Restricted due to the failure of LS-C and LS-D. When the EAGLE 5 ISS receives an MSU from X destined for 7-7-1, the EAGLE 5 ISS sends a response method TCR concerning 7-7-*, then routes the MSU over LS-B. When the EAGLE 5 ISS next receives an MSU from X destined for 7-8-2, the EAGLE 5 ISS does not send a response, and routes the MSU over LS-B.

Reception of Transfer Messages

The EAGLE 5 ISS does not apply received transfer messages to a network route.

For example, in [Figure 19: Potential Routing Network Failure](#), if the EAGLE 5 ISS receives a TFP concerning 7-7-1, it has no effect on the routing status of 7-*-*. The EAGLE 5 ISS continues to send MSUs destined to 7-*-*, including MSUs destined to 7-7-1, on LS-C.

As another example, if the EAGLE 5 ISS receives a TCP concerning 7-8-*, it has no effect on the routing status of 7-*-*. The EAGLE 5 ISS continues to send MSUs destined to 7-*-*, including MSUs destined to 7-8-2, on LS-C.

Reception of an RSx Message

If a routeset test (RSP or RSR) is received, a full point code reply (TFx) is generated. The responses to RSP/RSR have been changed according to [Table 14: Reception of an RSx Message](#). Note that the searching hierarchy applies.

Table 14: Reception of an RSx Message

Concerned Point Code is:	Result
Found by a full point code match	No change to existing rules.
Found by a cluster match	No change to existing rules.
Found by a network match	Send a TFx message based on the current routeset status. <ul style="list-style-type: none"> • Send a TFP if danger of circular routing. Otherwise: <ul style="list-style-type: none"> • Send a TFA if the network route is Allowed. • Send a TFR if the network route is Restricted. • Send a TFP if the network route is Prohibited.
Not found	No change to existing rules. Send a TFP.

Reception of an RCx Message

If a routeset cluster test (RCP or RCR) is received, a cluster reply (TCx) is generated. The responses to RCP/RCR have been changed according to [Table 15: Reception of an RCx Message](#). Note that the searching hierarchy applies.

Table 15: Reception of an RCx Message

Concerned Point Code is:	Result
Found by a cluster match	No change to existing rules.
Found by a network match	Send a TCx message based on the current routeset status.

Concerned Point Code is:	Result
	<ul style="list-style-type: none"> Send a TCP if danger of circular routing. Otherwise: <ul style="list-style-type: none"> Send a TCA if the network route is Allowed. Send a TCR if the network route is Restricted. Send a TCP if the network route is Prohibited.
Not found	No change to existing rules. Send a TCP.

Administration

The network routing feature must be on, before a network routing point code can be provisioned in the database. This can be verified with the entry `NRT = on` in the output of the `rt-rv-feat` command. If the network routing feature is not on, `NRT = off`, it must be turned on with the `chg-feat` command using the `nrt=on` parameter. Once the network routing feature is on, the network routing point code can be provisioned in the database like any other destination point code. Routes can then be assigned to the network routing point code like any other destination point code. For more information on provisioning network routing point codes, see the [Adding a Network Routing Point Code](#) procedure.

Note: Once the network routing feature is turned on using the `chg-feat` command, it cannot be turned off. When using the network routing feature, limited network management is provided for point codes not covered by full point code routing, cluster routing, or nested cluster routing.

The network routing feature must be purchased before you turn this feature on with the `chg-feat` command. If you are not sure if you have purchased the network routing feature, contact your Tekelec Sales Representative or Account Representative.

Adding a Network Routing Point Code

This procedure is used to add a destination point code to the database, using the `ent-dstn` command.

To change the attributes of an existing network routing point code, perform the [Changing a Destination Point Code](#) procedure.

To remove a network routing point code from the database, perform the [Removing a Destination Point Code](#) procedure.

The `ent-dstn` command uses these parameters.

`:dpc/dpca` – The destination point code being added to the database

Note: See [Point Code Formats](#) for a definition of the point code types that are used on the EAGLE 5 ISS. Alias point codes (`aliasi/aliasn/aliasn24`) and secondary point codes (`spc/spca`) cannot be specified for a network routing point code. An ANSI/private point code must be a full point code.

`:clli` – The Common Language Location Identifier assigned to this point code.

`:domain` – The network in which the destination entity or node exists, SS7.

The network routing point code must be in the SS7 domain (`domain=ss7`) and can only be an ANSI point code. ITU point codes cannot be specified as network routing point codes.

`:nprst` - NM bits reset. This parameter specifies whether the NM bits in an ITU IAM message should be set to 00. This parameter has two values.

- `off` - Do not set NM bits to 00 in an ITU IAM message if the `nptype` option value in the `rtrv-tifopts` output is `nm`.
- `on` - Set the NM bits to 00 in an ITU IAM message if the `nptype` option value in the `rtrv-tifopts` output is `nm`.

The default value for this parameter is `off`.

`:rcause` - Release cause. This parameter specifies the condition that triggers the sending of a Release message. This parameter has these values.

- `0 - 127`
- `none` - use the values specified for the `rcausenp` and `rcausepfx` parameters in the `rtrv-tifopts` output.

The default value for this parameter is `none`.

If the `rlcopc` parameter value in the `rtrv-tifopts` output is `on` and a value of 0-127 is specified for the `rcause` parameter, then the `rcause` parameter value overrides the values specified for the `rcausenp` and `rcausepfx` parameters in the `rtrv-tifopts` output.

`:splitiam` - This parameter specifies how and when to split an ITU IAM message into one IAM message and one SAM message. This parameter has these values.

- `15-31` - The maximum number of CdPN digits allowed in the IAM message before the splitting occurs. The remaining digits, up to a total of 32, are encoded in the SAM message.
- `none` - the value specified for the `splitiam` parameter in the `rtrv-tifopts` output is used to determine when to split the IAM message.

The default value for this parameter is `none`.

To specify the `nprst` or `rcause` parameters, the TIF Number Portability feature, part number 893018901, must be enabled. To specify the `splitiam` parameter, at least one of these features must be enabled.

- TIF Number Portability - part number 893018901
- TIF SCS Forwarding - part number 893022201
- TIF Simple Number Substitution - part number 893024001
- TIF Additional Subscriber Data - part number 893024501
- TIF Generic Routing Number - part number 893025501

The status of these features is shown in the `rtrv-ctrl-feat` output. Perform the procedures in the *Feature Manual - TIF* to enable these features.

`:sccpmsgcnv` - The `sccpmsgcnv` parameter controls SCCP UDT(S)/XUDT(S) message conversion for the specified destination. This parameter can be specified only if the XUDT UDT Conversion feature is enabled and turned on. The `rtrv-ctrl-feat` output shows the status of the XUDT UDT Conversion feature. If the XUDT UDT Conversion feature is not enabled or turned on, perform the "Activating the XUDT UDT Conversion Feature" procedure in the *Database Administration Manual - Global Title*

Translation to enable and turn on the XUDT UDT Conversion feature. This parameter contains these values.

- none - SCCP UDT(S)/XUDT(S) message conversion is not required on messages for the destination. This value is the default value for this parameter.
- udt2xudt - All UDT(S) messages for the destination are converted to XUDT(S) messages.
- xudt2udt - All non-segmented XUDT(S) messages for the destination are converted to UDT(S) messages. Segmented XUDT(S) messages for the destination are not converted to UDT(S) messages.
- sxudt2udt - All segmented and non-segmented XUDT(S) messages for the destination are converted to UDT(S) messages.

These parameters cannot be specified with a network routing point code.

ncai	spc	elei	bei	ipgwapc	ppc	prx
------	-----	------	-----	---------	-----	-----

The `ent-dstn` command also contains the `homescp` and `homesmsc` parameters. The values for these parameters are `yes` and `no`. The value `no` is the default value for these parameters. The value `yes` for these parameters cannot be specified for a network routing point code. To specify the value `yes` for these parameters, perform the [Adding a Destination Point Code](#) or [Changing a Destination Point Code](#) procedures.

The value of the `clli` parameter cannot be in the DPC table and cannot match the CLLI of the EAGLE 5 ISS. Verify this by entering the `rtrv-dstn` and the `rtrv-sid` commands, shown in [Step 1](#) and [Step 2](#). If the value of the `clli` parameter matches any CLLI values in either of these outputs, choose another value for the `clli` parameter that does not match any CLLIs shown in either of these command outputs.

To enter the `dpc/dpca` parameter with the `ent-dstn` command, a point code must be defined in the PCA field of the self ID of the EAGLE 5 ISS. Verify this with the `rtrv-sid` command.

If no value is shown in the PCA field in the `rtrv-sid` command output, the self-identification of the EAGLE 5 ISS must be updated with an ANSI point code. Go to [Changing the Self-Identification of the EAGLE 5 ISS](#) procedure to change the self-identification of the EAGLE 5 ISS.

Note: To enter a network routing point code with the network indicator values 1 through 5, the `pctype` parameter value of the `chg-sid` command must be set to `other`. If you attempt to add a network routing point code with the network indicator values 1 through 5 and the `pctype` parameter value is `ansi`, the `ent-dstn` command will be rejected with this error message.

```
E2169 Cmd Rej: Point code out of range
```

Destination point codes must be unique in the database.

The actual number of destination point codes that can be configured in the database is set by the `mtpdpcq` parameter of the `chg-stpopts` command, and is shown in the `MTPDPCQ` field in the `rtrv-stpopts` command output.

If the 5000 Routes feature is not on, and 6000, 7000, 8000, or 10,000 routesets are not enabled, a maximum of 2000 destination point codes can be configured in the database.

If the 5000 Routes feature is on, and 6000, 7000, 8000, or 10,000 routesets are not enabled, a maximum of 5000 destination point codes can be configured in the database.

If 6000 routesets are enabled, a maximum of 6000 destination point codes can be configured in the database.

If 7000 routesets are enabled, a maximum of 7000 destination point codes can be configured in the database.

If 8000 routesets are enabled, a maximum of 8000 destination point codes can be configured in the database.

If 10,000 routesets are enabled, a maximum of 10,000 destination point codes can be configured in the database.

Note: For more information on the destination point code quantities, refer to the [Changing the DPC Quantity](#) procedure.

The examples in this procedure are used to add the network routing point code 007-**-* to the database.

Canceling the RTRV-DSTN Command

Because the `rtrv-dstn` command used in this procedure can output information for a long period of time, the `rtrv-dstn` command can be canceled and the output to the terminal stopped. There are three ways that the `rtrv-dstn` command can be canceled:

- Press the F9 function key on the keyboard at the terminal where the `rtrv-dstn` command was entered.
- Enter the `canc-cmd` without the `trm` parameter at the terminal where the `rtrv-dstn` command was entered.
- Enter the `canc-cmd:trm=<xx>`, where `<xx>` is the terminal where the `rtrv-dstn` command was entered, from another terminal other than the terminal where the `rtrv-dstn` command was entered. To enter the `canc-cmd:trm=<xx>` command, the terminal must allow Security Administration commands to be entered from it and the user must be allowed to enter Security Administration commands. The terminal's permissions can be verified with the `rtrv-secu-trm` command. The user's permissions can be verified with the `rtrv-user` or `rtrv-secu-user` commands.

For more information about the `canc-cmd` command, refer to the *Commands Manual*.

1. Display the current destination point codes using the `rtrv-dstn` command.

This is an example of the possible output.

```
rlghncxa03w 10-12-10 11:43:04 GMT EAGLE5 43.0.0
Extended Processing Time may be Required
```

DPCA	CLLI	BEI	ELEI	ALIASI	ALIASN/N24	DMN
001-002-003	ls04clli	yes	---	-----	-----	SS7
030-045-*	rlghncbb010	yes	yes	-----	-----	SS7
111-011-*	rlghncbb000	yes	yes	-----	-----	SS7
240-012-004	rlghncbb001	yes	---	1-111-1	10-13-9-3	SS7
240-012-005	rlghncbb002	yes	---	1-112-2	10-13-10-0	SS7
240-012-006	rlghncbb003	yes	---	1-112-3	10-13-10-1	SS7
240-012-008	-----	yes	---	1-113-5	10-13-10-2	SS7
DPCI	CLLI	BEI	ELEI	ALIASA	ALIASN/N24	DMN
2-131-1	rlghncbb023	no	---	222-210-000	11-11-8-1	SS7
2-131-2	-----	no	---	222-211-001	11-11-8-2	SS7
2-131-3	-----	no	---	222-211-002	11-11-8-3	SS7
DPCN	CLLI	BEI	ELEI	ALIASA	ALIASI	DMN

10-15-2-3	rlghncbb013	no	---	222-200-200	2-121-1	SS7
10-15-3-0	rlghncbb013	no	---	222-200-201	2-121-2	SS7
DESTINATION ENTRIES ALLOCATED: 6000						
FULL DPC(s): 14						
EXCEPTION DPC(s): 0						
NETWORK DPC(s): 0						
CLUSTER DPC(s): 2						
TOTAL DPC(s): 16						
CAPACITY (% FULL): 1%						
ALIASES ALLOCATED: 8000						
ALIASES USED: 18						
CAPACITY (% FULL): 1%						
X-LIST ENTRIES ALLOCATED: 500						
RTRV-DSTN: MASP A - COMPLTD						

If the addition of the network routing point code will not exceed the current DPC capacity shown in the `rtrv-dstn` output, continue the procedure with [Step 2](#).

If the addition of the network routing point code will exceed the current DPC capacity, and the current capacity is less than 10,000 (or 10,500 if the `DESTINATION ENTRIES ALLOCATED` and `X-LIST ENTRIES ALLOCATED` fields are shown in the `rtrv-dstn` output), perform the [Changing the DPC Quantity](#) procedure to change the DPC quantity. Continue the procedure with [Step 2](#).

If the addition of the network routing point code will exceed the current DPC capacity, and the current capacity is 10,000 (or 10,500 if the `DESTINATION ENTRIES ALLOCATED` and `X-LIST ENTRIES ALLOCATED` fields are shown in the `rtrv-dstn` output), perform the [Removing a Destination Point Code](#) procedure to remove a DPC or perform the [Removing a Route Exception Entry](#) procedure to remove an exception route. Continue the procedure with [Step 2](#).

2. Verify that the network routing feature is on, by entering the `rtrv-feat` command.

If the network routing feature is on, the `NRT` field should be set to `on`. For this example, the network routing feature is off.

Note: The `rtrv-feat` command output contains other fields that are not used by this procedure. If you wish to see all the fields displayed by the `rtrv-feat` command, see the `rtrv-feat` command description in the *Commands Manual*.

If the network routing feature is on, continue the procedure with [Step 4](#).

3. If the network routing feature is not on, shown by the `NRT = off` entry in the `rtrv-feat` command output of [Step 2](#), turn the network routing feature on by entering this command.

```
chg-feat:nrt=on
```

Note: Once the network routing feature is turned on with the `chg-feat` command, it cannot be turned off.

The network routing feature must be purchased before you turn this feature on with the `chg-feat` command. If you are not sure if you have purchased the network routing feature, contact your Tekelec Sales Representative or Account Representative.

When the `chg-feat` has successfully completed, this message should appear.

```
rlghncxa03w 07-05-07 00:57:31 GMT EAGLE5 37.0.0
CHG-FEAT: MASP A - COMPLTD
```


Continue the procedure by performing one of these steps.

- If you wish to enter a network routing point code with the network indicator values 1 through 5, and the network indicator values 1 through 5 are not shown in the `rtrv-dstn` output in [Step 1](#), perform [Step 4](#) to verify the `pctype` value.
- If ANSI point codes are not shown in the `rtrv-dstn` output in [Step 1](#), perform [Step 4](#) to verify that an ANSI point code is assigned to the self-identification of the EAGLE 5 ISS.
- If the `rtrv-dstn` output in [Step 1](#) shows ANSI point codes or shows ANSI point codes that contain the network indicator values 1 through 5, or you do not wish to provision a network routing point code with the network indicator values 1 through 5, continue the procedure by performing one of these steps.
 - If the `nprst`, `rcause`, or `splitiam` parameters will not be specified for the cluster point code, continue the procedure with [Step 6](#).
 - If the `nprst`, `rcause`, or `splitiam` parameters will be specified for the cluster point code, continue the procedure with [Step 5](#).

4. Display the self-identification of the EAGLE 5 ISS using the `rtrv-sid` command.

This is an example of the possible output.

```
rlghncxa03w 07-05-10 11:43:04 GMT EAGLE5 37.0.0

PCA          PCI          PCN          CLLI          PCTYPE
100-100-100  3-75-7       7-9-8-1     rlghncxa03w  OTHER

CPCA
002-002-002  002-002-003  002-002-004  002-002-005
002-002-006  002-002-007  002-002-008  002-002-009
004-002-001  004-003-003  050-060-070

CPCA (LNP)
005-005-002  005-005-004  005-005-005

CPCI
1-002-1      1-002-2      1-002-3      1-002-4
2-001-1      7-222-7

CPCN
2-0-10-3    2-0-11-0    2-0-11-2    2-0-12-1
2-2-3-3     2-2-4-0     10-14-10-1
```

To enter an ANSI destination point code with the `ent-dstn` command, a point code must be shown in the `PCA` field of the `rtrv-sid` command output.

If the required point code is not shown in the `PCA` field of the `rtrv-sid` command output, perform the [Changing the Self-Identification of the EAGLE 5 ISS](#) procedure to configure the required point codes.

To enter a network routing point code with the network indicator values 1 through 5, the `pctype` parameter value of the `chg-sid` command must be set to `other`. If you wish to enter a network routing point code with a network indicator value 1 through 5, and the `pctype` parameter value is `ansi`, perform the [Changing the Self-Identification of the EAGLE 5 ISS](#) procedure to change the `pctype` value to `other`.

Continue the procedure by performing one of these steps.

- If the `nprst`, `rcause`, or `splitiam` parameters will not be specified for the cluster point code, continue the procedure with [Step 6](#).
 - If the `nprst`, `rcause`, or `splitiam` parameters will be specified for the cluster point code, continue the procedure with [Step 5](#).
5. Display the features that are enabled by entering the `rtrv-ctrl-feat` command. This is an example of the possible output.

```
rlghncxa03w 09-05-17 15:35:05 GMT EAGLE5 41.0.0
The following features have been permanently enabled:
```

Feature Name	Partnum	Status	Quantity
HC-MIM SLK Capacity	893012707	on	64
TIF Number Portability	893018901	off	----

```
The following features have been temporarily enabled:
```

Feature Name	Partnum	Status	Quantity	Trial Period Left
Zero entries found.				

```
The following features have expired temporary keys:
```

Feature Name	Partnum
Zero entries found.	

To specify the `nprst` or `rcause` parameters, the TIF Number Portability feature, part number 893018901, must be enabled. To specify the `splitiam` parameter, at least one of these features must be enabled.

- TIF Number Portability - part number 893018901
- TIF SCS Forwarding - part number 893022201
- TIF Simple Number Substitution - part number 893024001
- TIF Additional Subscriber Data - part number 893024501
- TIF Generic Routing Number - part number 893025501

Perform the procedures in the *Feature Manual - TIF* to enable these features as required.

6. Continue the procedure by performing one of these steps.
- Continue the procedure with [Step 8](#) if any of these conditions are present.
 - The `sccpmsgcnv` parameter will not be specified for the cluster point code.
 - The `sccpmsgcnv` parameter will be specified for the cluster point code and the `rtrv-ctrl-feat` output in this step shows that the XUDT UDT Conversion feature is enabled and turned on. If the `rtrv-ctrl-feat` output in this step shows that the XUDT UDT Conversion feature is not enabled or turned on, perform the "Activating the XUDT UDT Conversion Feature" procedure in the *Database Administration Manual - Global Title Translation* to enable and turn on the XUDT UDT Conversion feature.
 - Continue the procedure with [Step 7](#) if the `sccpmsgcnv` parameter will be specified for the cluster point code and [Step 5](#) was not performed.
7. Enter this command to verify the status of the XUDT UDT Conversion feature.

```
rtrv-ctrl-feat:partnum=893035301
```

This is an example of the possible output.

```
rlghncxa03w 10-12-17 15:35:05 GMT EAGLE5 43.0.0
The following features have been permanently enabled:
```

Feature Name	Partnum	Status	Quantity
XUDT UDT Conversion	893035301	on	----

The following features have been temporarily enabled:

Feature Name	Partnum	Status	Quantity	Trial Period Left
Zero entries found.				

The following features have expired temporary keys:

Feature Name	Partnum
Zero entries found.	

If the XUDT UDT Conversion feature is not enabled or turned on, perform the "Activating the XUDT UDT Conversion Feature" procedure in the *Database Administration Manual - Global Title Translation* to enable and turn on the XUDT UDT Conversion feature.

If the XUDT UDT Conversion feature is enabled and turned on, or the "Activating the XUDT UDT Conversion Feature" procedure was performed in this step, continue the procedure with [Step 8](#).

8. Add the network routing destination point code, using the ent-dstn command.

For this example, enter this command.

```
ent-dstn:dPCA=007-*-*:rCause=50:nPrst=on:splitiam=25:sccpmsgcnv=sxudt2udt
```

When this command has successfully completed, and the Cluster Routing and Management Diversity feature is turned off (shown with the CRMD = off entry in the rtrv-feat command output), this message should appear.

```
rlghncxa03w 07-05-17 15:35:05 GMT EAGLE5 37.0.0
Destination table is (17 of 2000) 1% full
ENT-DSTN: MASP A - COMPLTD
```

If the Cluster Routing and Management Diversity feature is turned on (CRMD = on in the rtrv-feat command output), this message should appear when each command has successfully completed.

```
rlghncxa03w 07-05-17 15:35:05 GMT EAGLE5 37.0.0
DESTINATION ENTRIES ALLOCATED: 6000
  FULL DPC(s): 14
  EXCEPTION DPC(s): 0
  NETWORK DPC(s): 1
  CLUSTER DPC(s): 2
  TOTAL DPC(s): 17
  CAPACITY (% FULL): 1%
ALIASES ALLOCATED: 8000
  ALIASES USED: 18
  CAPACITY (% FULL): 1%
```

```
X-LIST ENTRIES ALLOCATED:          500
ENT-DSTN: MASP A - COMPLTD
```

9. Verify the changes using the `rtrv-dstn` command and specifying the DPC that was entered in [Step 8](#).

For this example, enter this command.

```
rtrv-dstn:dpca=007-*-*
```

This is an example of the possible output.

```
rlghncxa03w 10-12-28 21:16:37 GMT EAGLE5 43.0.0

  DPCA          CLLI          BEI ELEI  ALIASI          ALIASN/N24  DMN
  007-*-*      -----  yes --- -----  -----  SS7

  SPCA          NCAI          RCAUSE NPRST SPLITIAM HMSMSC HMSCP  SCCPMSGCNV
  -----  ----          50    on   25          no    no    sxudt2udt

Destination table is (14 of 2000) 1% full
Alias table is (18 of 8000) 1% full
```

10. Back up the new changes, using the `chg-db:action=backup:dest=fixed` command.

These messages should appear; the active Maintenance and Administration Subsystem Processor (MASP) appears first.

```
BACKUP (FIXED) : MASP A - Backup starts on active MASP.
BACKUP (FIXED) : MASP A - Backup on active MASP to fixed disk complete.
BACKUP (FIXED) : MASP A - Backup starts on standby MASP.
BACKUP (FIXED) : MASP A - Backup on standby MASP to fixed disk complete.
```

Adding a Destination Point Code

This procedure is used to add a destination point code to the database, using the `ent-dstn` command.

The `ent-dstn` command uses these parameters:

`:dpc/dpca/dpci/dpcn/dpcn24` – The destination point code being added to the database

`:aliasa/aliasi/aliasn/aliasn24` – The alternate destination point code. Two optional alias addresses can be defined.

`:ppc/ppca/ppci/ppcn/ppcn24` – The proxy point code that is assigned to the destination point code.

Note: See [Point Code Formats](#) for a definition of the point code types that are used on the EAGLE 5 ISS and for a definition of the different formats that can be used for ITU national point codes. A private point code cannot be used as an alias point code.

`:clli` – The Common Language Location Identifier assigned to this point code

`:domain` – The network in which the destination entity or node exists, SS7.

: `ipgwapc` – IP Gateway Adjacent Point Code indicator. Specify `ipgwapc=yes` to provide SS7 linkset definition compatibility for gateway connections to IP-SCPs. The default is `ipgwapc=no`.

: `bei` – Broadcast exception indicator that indicates whether transfer-prohibited (TFP) messages will be broadcast from this node. The `bei=yes` parameter means TFPs will not be broadcast. The `bei=no` parameter means TFPs will be broadcast.

: `spc/spca/spci/spcn/spcn24` – The secondary point code as defined by the `ent-spc` command. The secondary point code allows the EAGLE 5 ISS to use another point code in addition to the one defined by the `dpc`, `dpca`, `dpci`, `dpcn`, or `dpcn24` parameters of the `ent-dstn` command for SS7 routing purposes. Refer to the [Multiple Point Code Support](#) section for more information on secondary point codes. A private point code cannot be used as a secondary point code.

: `prx` – This parameter specified whether or not the destination point code is proxy point code. This parameter has two values, `yes` or `no`. If the `prx` parameter value is `yes`, the destination point code is a proxy point code. If the `prx` parameter value is `no`, the destination point code is not a proxy point code.

The `ppc` and `prx` parameters can be specified only if a quantity of proxy point codes is enabled. Proxy point code quantities are enabled in groups of 10. The enabled quantity of proxy point codes is shown in the `rtrv-ctrl-feat` output. If no proxy point code quantity is shown in the `rtrv-ctrl-feat` output, or the proxy point code quantity needs to be increased, up to a maximum quantity of 100 proxy point codes, perform the [Changing the Proxy Point Code Quantity](#) procedure.

The `ppc` parameter assigns a proxy point code to a destination point code. The proxy point code value must be provisioned in the database. The destination point code must be a full point code, in the SS7 domain, and cannot be a private point code. The destination point code cannot have the `ipgwapc=yes` parameter value assigned. The destination point code and proxy point code must be the same network type. For example, if the destination point code is an ANSI point code, the proxy point code must be an ANSI point code. If the destination point code and proxy point code are 14-bit ITU-N point codes with a group code, the group code values for both the destination point code and the proxy point code must be the same. The `spc` and `ppc` parameters cannot be specified together in the same `ent-dstn` command line.

The `prx` parameter specifies whether or not the destination point code specified with the `ent-dstn` command is a proxy point code. The destination point code value must be a full point code, in the SS7 domain, and cannot be a private point code. The destination point code value cannot have the `ipgwapc=yes` parameter value assigned.

: `nprst` – NM bits reset. This parameter specifies whether the NM bits in an ITU IAM message should be set to 00. This parameter has two values.

- `off` - Do not set NM bits to 00 in an ITU IAM message if the `nptype` option value in the `rtrv-tifopts` output is `nm`.
- `on` - Set the NM bits to 00 in an ITU IAM message if the `nptype` option value in the `rtrv-tifopts` output is `nm`.

The default value for this parameter is `off`.

: `rcause` – Release cause. This parameter specifies the condition that triggers the sending of a Release message. This parameter has these values.

- 0 - 127
- `none` - use the values specified for the `rcausenp` and `rcausepfx` parameters in the `rtrv-tifopts` output.

The default value for this parameter is none.

If the `rlcopc` parameter value in the `rtrv-tiopts` output is on and a value of 0-127 is specified for the `rcause` parameter, then the `rcause` parameter value overrides the values specified for the `rcausenp` and `rcausepfx` parameters in the `rtrv-tiopts` output.

`:splitiam` - This parameter specifies how and when to split an ITU IAM message into one IAM message and one SAM message. This parameter has these values.

- 15-31 - The maximum number of CdPN digits allowed in the IAM message before the splitting occurs. The remaining digits, up to a total of 32, are encoded in the SAM message.
- none - the value specified for the `splitiam` parameter in the `rtrv-tiopts` output is used to determine when to split the IAM message.

The default value for this parameter is none.

To specify the `nprst` or `rcause` parameters, the TIF Number Portability feature, part number 893018901, must be enabled. To specify the `splitiam` parameter, at least one of these features must be enabled.

- TIF Number Portability - part number 893018901
- TIF SCS Forwarding - part number 893022201
- TIF Simple Number Substitution - part number 893024001
- TIF Additional Subscriber Data - part number 893024501
- TIF Generic Routing Number - part number 893025501

The status of these features is shown in the `rtrv-ctrl-feat` output. Perform the procedures in the *Feature Manual - TIF* to enable these features.

`:homescp` - This parameter specifies whether the destination point code should be considered a home SCP when performing SCCP processing for messages that have no global title address digits (the global title indicator (GTI) is set to zero). This parameter cannot be specified for a cluster point code or a network routing point code. These are the values for this parameter.

- yes- the specified DPC is considered a home SCP.
- no - the specified DPC is not considered a home SCP. This is the default value.

`:homesmsc` - This parameter specifies whether the destination point code (DPC) should be considered a home SMSC when performing SCCP processing for messages that have no global title address digits (the global title indicator (GTI) is set to zero). This parameter cannot be specified for a cluster point code or a network routing point code. These are the values for this parameter.

- yes- the specified DPC is considered a home SMSC.
- no - the specified DPC is not considered a home SMSC. This is the default value.

`:sccpmsgcnv` - The `sccpmsgcnv` parameter controls SCCP UDT(S)/XUDT(S) message conversion for the specified destination. This parameter can be specified only if the XUDT UDT Conversion feature is enabled and turned on. The `rtrv-ctrl-feat` output shows the status of the XUDT UDT Conversion feature. If the XUDT UDT Conversion feature is not enabled or turned on, perform the "Activating the XUDT UDT Conversion Feature" procedure in the *Database Administration Manual - Global Title Translation* to enable and turn on the XUDT UDT Conversion feature. This parameter contains these values.

- none - SCCP UDT(S)/XUDT(S) message conversion is not required on messages for the destination. This value is the default value for this parameter.

- `udt2xudt` - All UDT(S) messages for the destination are converted to XUDT(S) messages.
- `xudt2udt` - All non-segmented XUDT(S) messages for the destination are converted to UDT(S) messages. Segmented XUDT(S) messages for the destination are not converted to UDT(S) messages.
- `sxudt2udt` - All segmented and non-segmented XUDT(S) messages for the destination are converted to UDT(S) messages.

The `elei` and `ncai` parameters cannot be specified in this procedure. To use these parameters to provision a destination point code, perform the [Adding a Cluster Point Code](#) procedure.

Secondary point codes must be a full point code. A secondary point code can only be assigned to a full point code. The network type of the secondary point code must match the network type of the DPC. The secondary point code used in this procedure must be configured in the database with the `ent-spc` command. The secondary point codes are shown in the `SPCA`, `SPC-I`, `SPC-N`, and `SPC-N24` fields of the `rtrv-spc` command output. If the desired secondary point code is not shown in the output of the `rtrv-spc` command, perform the [Adding a Secondary Point Code](#) procedure to configure the desired point code as a secondary point code.

The value of the `clli` parameter cannot be in the DPC table and cannot match the CLLI of the EAGLE 5 ISS. Verify this by entering the `rtrv-dstn` and the `rtrv-sid` commands, shown in steps 1 and 5 of the procedure that follows. If the value of the `clli` parameter matches any CLLI values in either of these outputs, choose another value for the `clli` parameter that does not match any CLLIs shown in either of these command outputs.

To enter point codes of any network type (ANSI, ITU-I, 14-bit ITU-N, or 24-bit ITU-N) into the database with the `ent-dstn` command, the self ID of the EAGLE 5 ISS must be defined for these networks. Verify this with the `rtrv-sid` command.

If a point code value is shown in the `PCA` column of the `rtrv-sid` command, then ANSI point codes can be specified with the `ent-dstn` command.

If a point code value is shown in the `PCI` column of the output of the `rtrv-sid` command, then ITU-I point codes can be specified with the `ent-dstn` command. The `PCI` column of the `rtrv-sid` output can contain spare and non-spare point code values. To provision ITU-I non-spare point codes in this procedure, the `rtrv-sid` output must contain an ITU-I non-spare point code in the `PCI` column. To provision ITU-I spare point codes in this procedure, the `rtrv-sid` output must contain an ITU-I spare point code in the `PCI` column.

If a point code value is shown in the `PCN` column of the output of the `rtrv-sid` command, then 14-bit ITU-N point codes can be specified with the `ent-dstn` command. The `PCN` column of the `rtrv-sid` output can contain spare and non-spare point code values. To provision 14-bit ITU-N non-spare point codes in this procedure, the `rtrv-sid` output must contain a 14-bit ITU-N non-spare point code in the `PCN` column. To provision 14-bit ITU-N spare point codes in this procedure, the `rtrv-sid` output must contain a 14-bit ITU-N spare point code in the `PCN` column.

If a point code value is shown in the `PCN24` column of the output of the `rtrv-sid` command, then 24-bit ITU-N point codes can be specified with the `ent-dstn` command.

If no values are shown in the `PCA`, `PCI`, `PCN`, or `PCN24` columns in the `rtrv-sid` command output, the self-identification of the EAGLE 5 ISS must be updated with an ANSI point code, ITU international point code, 14-bit ITU national point code, or a 24-bit ITU national point code. Perform the [Adding a Point Code to the Self-Identification of the EAGLE 5 ISS](#) procedure to add the necessary point codes to the self-identification of the EAGLE 5 ISS.

Note: The EAGLE 5 ISS can contain 14-bit ITU national point codes or 24-bit ITU national point codes, but both at the same time.

Private point codes cannot be specified in the self-identification of the EAGLE 5 ISS, therefore, private point codes can be added as long as the self identification of the EAGLE 5 ISS contains a point code with the same network type as the private point code being added in this procedure. The ITU National and International Spare Point Code Support feature does not have to be enabled to add a private point code. A proxy point code cannot be used as a value when specifying a private point code.

The type of alias point code that can be provisioned with the `ent-dstn` command is dependent on the type of DPC that is being provisioned. [Table 16: Destination Point Code Type and Alias Point Code Type Combinations](#) shows the DPC and alias point type combinations that can be used with the `ent-dstn` command.

Table 16: Destination Point Code Type and Alias Point Code Type Combinations

DPC Type	Alias Point Code Type (See Notes 1 - 4)	Alias Point Code Type (See Notes 1 - 4)	DPC TYPE	Alias Point Code Type (See Notes 1 - 4)	Alias Point Code Type (See Notes 1 - 4)
ANSI	no alias specified	no alias specified	ITU-I	no alias specified	no alias specified
	ITU-I	no alias specified		ANSI	no alias specified
	ITU-I	ITU-N		ANSI	ITU-N
	ITU-I	ITU-N Spare		ANSI	ITU-N Spare
	ITU-I	ITU-N24		ANSI	ITU-N24
	ITU-I Spare	no alias specified		ITU-I Spare	no alias specified
	ITU-I Spare	ITU-N		ITU-I Spare	ITU-N
	ITU-I Spare	ITU-N Spare		ITU-I Spare	ITU-N Spare
	ITU-I Spare	ITU-N24		ITU-I Spare	ITU-N24
	ITU-N	no alias specified		ITU-N	no alias specified
	ITU-N Spare	no alias specified		ITU-N (Note 6)	ITU-N Spare (Note 6)
	ITU-N24	no alias specified		ITU-N Spare	no alias specified
ITU-I Spare	no alias specified	no alias specified	ITU-N24	no alias specified	
	ANSI	no alias specified	ITU-N	no alias specified	
	ANSI	ITU-N		ANSI	no alias specified
	ANSI	ITU-N Spare		ANSI	ITU-I

DPC Type	Alias Point Code Type (See Notes 1 - 4)	Alias Point Code Type (See Notes 1 - 4)	DPC TYPE	Alias Point Code Type (See Notes 1 - 4)	Alias Point Code Type (See Notes 1 - 4)	
	ANSI	ITU-N24		ANSI	ITU-I Spare	
	ITU-I	no alias specified		ITU-I	no alias specified	
	ITU-I	ITU-N		ITU-I (Note 5)	ITU-I Spare (Note 5)	
	ITU-I	ITU-N Spare		ITU-I Spare	no alias specified	
	ITU-I	ITU-N24		ITU-N Spare	no alias specified	
	ITU-N	no alias specified		ITU-N Spare	ITU-I	
	ITU-N (Note 6)	ITU-N Spare (Note 6)		ITU-N Spare	ITU-I Spare	
	ITU-N Spare	no alias specified		ITU-N24	no alias specified	no alias specified
	ITU-N24	no alias specified			ANSI	no alias specified
ITU-N Spare	no alias specified	no alias specified		ANSI	ITU-I	
	ANSI	no alias specified		ANSI	ITU-I Spare	
	ANSI	ITU-I		ITU-I	no alias specified	
	ANSI	ITU-I Spare		ITU-I Spare	no alias specified	
	ITU-I	no alias specified				
	ITU-I (Note 5)	ITU-I Spare (Note 5)				
	ITU-I Spare	no alias specified				
	ITU-N	no alias specified				
	ITU-N	ITU-I				
ITU-N	ITU-I Spare					

DPC Type	Alias Point Code Type (See Notes 1 - 4)	Alias Point Code Type (See Notes 1 - 4)	DPC TYPE	Alias Point Code Type (See Notes 1 - 4)	Alias Point Code Type (See Notes 1 - 4)
Notes:					
<ol style="list-style-type: none"> ANSI alias point codes are specified with the <code>aliasa</code> parameter. ITU-I and ITU-I Spare alias point codes are specified with the <code>aliasi</code> parameter. ITU-N and ITU-N Spare alias point codes are specified with the <code>aliasn</code> parameter. ITU-N24 alias point codes are specified with the <code>aliasn24</code> parameter. To specify the ITU-I and ITU-I Spare alias point codes for the DPC, both point code values are specified with the <code>aliasi</code> parameter and the values are separated by a comma. For example, to specify the alias point codes 2-005-7 and s-3-002-1, the <code>aliasi</code> parameter is specified like <code>this;aliasi=2-005-7,s-3-002-1</code>. The <code>aliasa</code> and <code>aliasn</code> parameters cannot be specified for the DPC. To specify the ITU-N and ITU-N Spare alias point codes for the DPC, both point code values are specified with the <code>aliasn</code> parameter and the values are separated by a comma. For example, to specify the alias point codes 00010 and s-00020, the <code>aliasn</code> parameter is specified like <code>this;aliasn=00010,s-00020</code>. The <code>aliasa</code> and <code>aliasi</code> parameters cannot be specified for the DPC. 					

Alias point codes can only be specified for full point code entries, and must be full point codes.

ANSI alias point codes cannot be a member of a cluster point code that is already in the database. A point code is a member of a cluster point code if it has the same network identifier (NI) and network cluster (NC) values as the cluster point code.

The EAGLE 5 ISS can contain the quantities of alias point codes shown in [Table 17: Maximum Alias Point Code Quantities](#) depending the features that are enabled or turned on.

Table 17: Maximum Alias Point Code Quantities

Feature Status	Maximum Alias Point Code Quantity
The 5000 Routes feature is off and 6000, 7000, 8000, or 10,000 routesets are not enabled	12000
The 5000 Routes feature is on and 6000, 7000, 8000, or 10,000 routesets are not enabled	12000
6000 routesets are enabled	12000
7000 routesets are enabled	8000
8000 routesets are enabled	8000
10,000 routesets are enabled	10000

Destination point codes and alias point codes must be unique in the database. A point code can be defined as a true destination point code, an alias point code, the self ID of the EAGLE 5 ISS, or the capability point code of the EAGLE 5 ISS. The self IDs and capability point codes of the EAGLE 5 ISS can be verified with the `rtrv-sid` command.

If the `PCTYPE` field of the `rtrv-sid` command output contains the entry `ANSI`, and the network value of the destination point code specified by the `ent-dstn` command is from 0 to 5, the cluster value of that point code must be from 1 to 255. If the network value of that point code is from 6 to 255, the cluster value of that point code must be from 0 to 255.

The actual number of destination point codes that can be configured in the database is set by the `mtpdpcq` parameter of the `chg-stpopts` command, and is shown in the `MTPDPCQ` field in the `rtrv-stpopts` command output.

If the 5000 Routes feature is not on, and 6000, 7000, 8000, or 10,000 routesets are not enabled, a maximum of 2000 destination point codes can be configured in the database.

If the 5000 Routes feature is on, and 6000, 7000, 8000, or 10,000 routesets are not enabled, a maximum of 5000 destination point codes can be configured in the database.

If 6000 routesets are enabled, a maximum of 6000 destination point codes can be configured in the database.

If 7000 routesets are enabled, a maximum of 7000 destination point codes can be configured in the database.

If 8000 routesets are enabled, a maximum of 8000 destination point codes can be configured in the database.

If 10,000 routesets are enabled, a maximum of 10,000 destination point codes can be configured in the database.

Note: For more information on the destination point code quantities, refer to the [Changing the DPC Quantity](#) procedure.

If ITU-N point codes are specified with the `ent-dstn` command, the format of the point code values must match the format shown in the `NPCFMTI` field of the `rtrv-stpopts` command output. For more information, refer to the [14-Bit ITU National Point Code Formats](#) section.

Canceling the `RTRV-DSTN` Command

Because the `rtrv-dstn` command used in this procedure can output information for a long period of time, the `rtrv-dstn` command can be canceled and the output to the terminal stopped. There are three ways that the `rtrv-dstn` command can be canceled:

- Press the `F9` function key on the keyboard at the terminal where the `rtrv-dstn` command was entered
- Enter the `canc-cmd` without the `trm` parameter at the terminal where the `rtrv-dstn` command was entered
- Enter the `canc-cmd:trm=<xx>`, where `<xx>` is the terminal where the `rtrv-dstn` command was entered, from another terminal other than the terminal where the `rtrv-dstn` command was entered. To enter the `canc-cmd:trm=<xx>` command, the terminal must allow Security Administration commands to be entered from it and the user must be allowed to enter Security Administration commands. The terminal's permissions can be verified with the `rtrv-secu-trm` command. The user's permissions can be verified with the `rtrv-user` or `rtrv-secu-user` commands.

For more information about the `canc-cmd` command, refer to the *Commands Manual*.

1. Display the current destination point codes, using the `rtrv-dstn` command.

This is an example of the possible output.

```

rlghncxa03w 10-12-10 11:43:04 GMT EAGLE5 43.0.0
Extended Processing Time may be Required

  DPCA          CLLI          BEI  ELEI    ALIASI          ALIASN/N24    DMN
001-002-003    ls04clli        yes --- -----          -----          SS7
030-045-*      rlghncbb010    yes yes -----          -----          SS7
111-011-*      rlghncbb000    yes yes -----          -----          SS7
240-012-004    rlghncbb001    yes --- 1-111-1        10-13-9-3-fr    SS7
240-012-005    rlghncbb002    yes --- 1-112-2        10-13-10-0-ge   SS7
240-012-006    rlghncbb003    yes --- 1-112-3        10-13-10-1-fr   SS7
240-012-008    -----        yes --- 1-113-5        10-13-10-2-ge   SS7

  DPCI          CLLI          BEI  ELEI    ALIASA          ALIASN/N24    DMN
2-131-1        rlghncbb023    no --- 222-210-000    11-11-8-1-ge    SS7
2-131-2        -----        no --- 222-211-001    11-11-8-2-fr    SS7
2-131-3        -----        no --- 222-211-002    11-11-8-3-ge    SS7

  DPCN          CLLI          BEI  ELEI    ALIASA          ALIASI          DMN
10-15-2-3-fr   rlghncbb013    no --- 222-200-200    2-121-1          SS7
10-15-2-3-ge   rlghncbb013    no --- 222-100-200    2-100-1          SS7
10-15-3-0-fr   rlghncbb013    no --- 222-200-201    2-121-2          SS7
10-15-3-0-ge   rlghncbb013    no --- 222-100-201    2-100-2          SS7

DESTINATION ENTRIES ALLOCATED: 2000
  FULL DPC(s): 18
  EXCEPTION DPC(s): 0
  NETWORK DPC(s): 0
  CLUSTER DPC(s): 2
  TOTAL DPC(s): 20
  CAPACITY (% FULL): 1%
ALIASES ALLOCATED: 8000
  ALIASES USED: 22
  CAPACITY (% FULL): 1%
X-LIST ENTRIES ALLOCATED: 500
RTRV-DSTN: MASP A - COMPLTD

```

If a quantity of proxy point codes is enabled, the number of proxy point codes that are provisioned in the database are shown at the end of the `rtrv-dstn` output as shown in this example.

```

DESTINATION ENTRIES ALLOCATED: 2000
  FULL DPC(s): 18
  EXCEPTION DPC(s): 0
  NETWORK DPC(s): 0
  CLUSTER DPC(s): 2
  Proxy DPC (s) 1
  TOTAL DPC(s): 20
  CAPACITY (% FULL): 1%
ALIASES ALLOCATED: 8000
  ALIASES USED: 22
  CAPACITY (% FULL): 1%
X-LIST ENTRIES ALLOCATED: 500
RTRV-DSTN: MASP A - COMPLTD

```

- To add the new DPC, these entities must be checked depending on how the DPC will be provisioned. Perform the commands and procedures as required depending on how the DPC will be provisioned. The addition of the new DPC cannot exceed the current capacity shown in the `DESTINATION ENTRIES ALLOCATED` or the `Destination` table row of the `rtrv-dstn` output. If the current

capacity will be exceeded by adding the new DPC, and the maximum capacity is shown in the `rtrv-dstn` output: 10,000 if the `DESTINATION ENTRIES ALLOCATED` and `X-LIST ENTRIES ALLOCATED` rows are not shown in the `rtrv-dstn` output, or 10,500 if the `DESTINATION ENTRIES ALLOCATED` and `X-LIST ENTRIES ALLOCATED` rows are shown in the `rtrv-dstn` output, perform [Removing a Destination Point Code](#) or [Removing a Route Exception Entry](#) to remove an existing DPC or exception route entry.

If the maximum capacity is not shown in the `rtrv-dstn` output, perform [Changing the DPC Quantity](#) to increase the number of DPCs that can be in the database.

The type of point code being added, ANSI, ITU-I, ITU-N, ITU-N24 must be shown in the `rtrv-dstn` output or the `rtrv-sid` output. If the point code type is not shown in the `rtrv-dstn` output, perform the `rtrv-sid` command in [Step 3](#). If the point code type is not shown in `rtrv-dstn` and `rtrv-sid`, perform [Adding a Point Code to the Self-Identification of the EAGLE 5 ISS](#) to add a point code of the desired point code type.

If the new DPC will be a 14-bit ITU-N point code, and a group code will be assigned to the point code, the group code must be defined in `rtrv-sid` output in [Step 3](#), `rtrv-dstn` output in [Step 1](#), or `rtrv-spc` output in [Step 4](#). If the group code is not shown in either of these outputs, perform [Adding a Point Code to the Self-Identification of the EAGLE 5 ISS](#) to add an entry with the desired group code. If the group code will be different from the ones shown in the `rtrv-sid` or `rtrv-dstn` outputs, perform [Adding a Secondary Point Code](#) to add a secondary point code with the desired group code.

If a secondary point code will be specified with the DPC, the secondary point code must be shown in the `rtrv-spc` output in [Step 4](#). If the secondary point code is not shown in the `rtrv-spc` output, perform [Adding a Secondary Point Code](#) to add the desired secondary point code.

If the `clli` parameter will be specified with the DPC, the `clli` parameter value cannot be shown in the `rtrv-sid` or `rtrv-dstn` outputs. Enter the `rtrv-sid` command in [Step 3](#) to verify the `CLLI` value in the self-identification of the EAGLE 5 ISS.

The format of a 14-bit ITU-N DPC must match the format defined by the `NPCFMTI` value in the `rtrv-stpopts` output. Enter the `rtrv-stpopts` in [Step 5](#) to verify the `NPCFMTI` value. If you wish to change the format, perform [14-Bit ITU National Point Code Formats](#).

To specify an alias point code with the DPC, adding the new alias point code cannot exceed the maximum alias point code quantity shown in the `ALIASES ALLOCATED:` or the `Alias` table row in the `rtrv-dstn` output. If the maximum alias point code quantity will be exceeded, perform [Changing a Destination Point Code](#) to remove enough alias point codes to allow the new alias point code to be added.

If the `nprst` or `rcause` parameters will be specified with the DPC, the TIF Number Portability feature must be enabled. Enter the `rtrv-ctrl-feat` command in [Step 6](#) to verify that the feature is enabled. If the feature is not enabled, perform the procedures in *Feature Manual - TIF* to enable the TIF Number Portability feature.

If the `splitiam` parameter will be specified with the DPC, at least one of these features must be enabled.

- TIF Number Portability
- TIF SCS Forwarding
- TIF Simple Number Substitution
- TIF Additional Subscriber Data
- TIF Generic Routing Number

Enter the `rtrv-ctrl-feat` command in [Step 6](#) to verify if any of these features are enabled.

If none of these features are enabled, perform the procedures in *Feature Manual - TIF* to enable one or more of these features.

If the `prx=yes` or `ppc` parameters will be specified with the DPC, the Proxy Point Code feature must be enabled. The addition of the proxy point code with the `prx=yes` parameter cannot exceed the enabled proxy point code quantity, shown in the `PPC` table or `PROXY DPC(s)` row of the `rtrv-dstn` output. Enter the `rtrv-ctrl-feat` command in [Step 6](#) to verify if a proxy point code quantity is enabled. If a proxy point code quantity is enabled, the Proxy Point Code feature is enabled. To enable the Proxy Point Code feature or increase the proxy point code quantity, perform [Changing the Proxy Point Code Quantity](#). If the enabled quantity is 100, and 100 proxy point codes are in the database, no more proxy point codes can be added.

The `ppc` parameter assigns an existing proxy point code to the DPC. Enter the `rtrv-dstn:prx=yes` command in [Step 7](#) to verify that the proxy point code is in the database.

The `sccpmsgcnv` parameter specifies the kind of conversion performed on messages for the specified destination. This parameter can be specified only if the XUDT UDT Conversion feature is enabled and turned on. Enter the `rtrv-ctrl-feat` command in [Step 6](#) to verify that the XUDT UDT Conversion feature is enabled and turned on. If the XUDT UDT Conversion feature is not enabled or turned on, perform the "Activating the XUDT UDT Conversion Feature" procedure in the *Database Administration Manual - Global Title Translation* to enable and turn on the XUDT UDT Conversion feature.

After the required entities have been verified and provisioned, continue the procedure with [Step 8](#).

3. Display the self-identification of the EAGLE 5 ISS using the `rtrv-sid` command.

This is an example of the possible output.

```

rlghncxa03w 06-10-10 11:43:04 GMT EAGLE5 36.0.0
PCA          PCI          PCN          CLLI          PCTYPE
100-100-100  3-75-7         7-9-8-1-fr   rlghncxa03w   OTHER

CPCA
002-002-002      002-002-003      002-002-004      002-002-005
002-002-006      002-002-007      002-002-008      002-002-009
004-002-001      004-003-003      050-060-070

CPCA (LNP)
005-005-002      005-005-004      005-005-005

CPCI
1-002-1          1-002-2          1-002-3          1-002-4
2-001-1          7-222-7

CPCN
2-0-10-3-fr     2-0-11-0-fr     2-0-11-2-fr     2-0-12-1-fr
2-2-3-3-fr     2-2-4-0-fr     10-14-10-1-fr

```

4. Display the secondary point codes in the database with the `rtrv-spc` command.

This is an example of the possible output.

```
rlghncxa03w 06-10-17 16:02:05 GMT EAGLE5 36.0.0
SPC (Secondary Point Codes)
SPCA
    001-010-010
    002-010-010
    003-010-010
    010-100-010
SPC-I
    1-253-5
    2-254-6
    3-255-7
    4-100-1
SPC-N
    10-1-11-1-ge
    13-2-12-0-ge
    14-15-12-1-ge
SPC-N24
none
Secondary Point Code table is (11 of 40) 28% full
```

5. Display the existing values for the `npcfmt i` parameter by entering the `rtrv-stpopts` command.

The value for the `npcfmt i` parameter is shown in the `NPCFMTI` field. This is an example of the possible output.

```
rlghncxa03w 06-10-17 16:02:05 GMT EAGLE5 36.0.0
STP OPTIONS
-----
NPCFMTI          4-4-4-2
```

Note: The `rtrv-stpopts` command output contains other fields that are not used by this procedure. If you wish to see all the fields displayed by the `rtrv-stpopts` command, see the `rtrv-stpopts` command description in the *Commands Manual*.

6. Display the features that are enabled by entering the `rtrv-ctrl-feat` command..

The following is an example of the possible output.

```
rlghncxa03w 06-10-28 21:15:37 GMT EAGLE5 36.0.0
The following features have been permanently enabled:

Feature Name          Partnum   Status   Quantity
Command Class Management 893005801 on       ----
LNP Short Message Service 893006601 on       ----
Intermed GTT Load Sharing 893006901 on       ----
XGTT Table Expansion    893006101 on       4000000
XMAP Table Expansion    893007710 on       3000
Large System # Links    893005901 on       1500
Routesets              893006401 on       6000
HC-MIM SLK Capacity     893012707 on       64

The following features have been temporarily enabled:

Feature Name          Partnum   Status   Quantity   Trial Period Left
Zero entries found.
```

The following features have expired temporary keys:

Feature Name	Partnum
Zero entries found.	

7. Display the proxy point codes in the database by entering this command.

```
rtrv-dstn:prx=yes
```

This is an example of the possible output.

```
rlghncxa03w 09-05-28 21:15:37 GMT EAGLE5 41.0.0
PRX = yes
      DPCA          CLLI          BEI ELEI   ALIASI          ALIASN/N24   DMN
      002-002-002   ----- no  ---  -----          -----          SS7
Destination table is (18 of 2000) 1% full
Alias table is (22 of 8000) 1% full
PPC table is (1 of 10) 10% full
```

If the desired proxy point code is shown in the `rtrv-dstn` output, perform *Substep c* of *Step 8* to assign the proxy point code to the destination point code with the `ppc` parameter.

If the desired proxy point code is not shown in the `rtrv-dstn` output, add the proxy point code by performing *Substep b* of *Step 8* with the `prx=yes` parameter. After the new proxy point code has been added, perform *Substep c* of *Step 8* again to assign the proxy point code to the destination point code with the `ppc` parameter.

8. Add the destination point code, using the `ent-dstn` command.

- If proxy point codes are not being provisioned in this procedure, perform *Substep a*.
 - If a new proxy point code is being provisioned with the `prx=yes` parameter, perform *Substep b*.
 - If a proxy point code is being assigned to a destination point code, perform *Substep c*.
- a) Add the destination point code to the database without specifying the `prx` or `ppc` parameters. If alias point codes will be assigned to the DPC, [Table 16: Destination Point Code Type and Alias Point Code Type Combinations](#) shows the DPC and alias point type combinations that can be used with the `ent-dstn` command.

```
ent-dstn:dPCA=240-012-007:bei=yes:aliasi=1-117-3:aliasn=10-13-11-1-fr
:spca=001-010-010:homespc=yes:homesmsc=yes:sccpmsgcnv=xudt2udt
ent-dstn:dPCA=240-012-006:spca=002-010-010
ent-dstn:dpci=4-163-5:bei=no:aliasa=250-200-007:domain=ss7:spci=2-254-6
ent-dstn:dpcn=7-9-10-1-fr:bei=no:aliasa=210-090-100
:aliasi=1-75-6:domain=ss7
ent-dstn:dpcn=7-9-10-1-ge:bei=no:aliasa=210-100-100:aliasi=2-175-6
:domain=ss7:spcn=13-02-12-0-ge
ent-dstn:dpci=3-002-1:aliasn=9-12-2-1-fr,s-8-11-3-0-ge
ent-dstn:dpcn=10-11-1-3-fr:aliasi=3-125-0,s-4-135-3
```



```
ent-dstn:dpcn=6-10-7-9-ge:bei=no:aliasa=211-100-100:aliasi=3-175-6
:spcn=13-02-12-1-ge:rcause=15:nprst=on:splitiam=20
```

- b) To add a new proxy point code to the database, specify the `ent-dstn` command with the `prx=yes` parameter.

For this example, enter this command.

```
ent-dstn:dpca=003-003-003:prx=yes
```

Note: The point code being added as a proxy point code must be a full point code, in the SS7 domain, and cannot be a private point code. The point code cannot have the `ipgwapc=yes` parameter value assigned.

- c) To assign a proxy point code to a destination point code, specify the `ent-dstn` command with the `ppc` parameter.

For this example, enter this command.

```
ent-dstn:dpca=004-004-004:ppca=003-003-003
```

The following rules apply to assigning proxy point codes to destination point codes.

- The destination point code must be a full point code and cannot be a private point code.
- The destination point code cannot have the `ipgwapc=yes` parameter value assigned.
- The destination point code and proxy point code must be the same network type. For example, if the destination point code is an ANSI point code, the proxy point code must be an ANSI point code.
- If the destination point code and proxy point code are 14-bit ITU-N point codes with a group code, the group code values for both the destination point code and the proxy point code must be the same.

When the `ent-dstn` command has successfully completed, and the Cluster Routing and Management Diversity feature is turned off (shown with the `CRMD = off` entry in the `rtrv-feat` command output), and no proxy point code quantity is enabled, this message should appear.

```
rlghncxa03w 09-05-17 15:35:05 GMT EAGLE5 41.0.0
Destination table is (27 of 2000) 1% full
Alias table is (27 of 12000) 1% full
ENT-DSTN: MASP A - COMPLTD
```

If the Cluster Routing and Management Diversity feature is turned on (`CRMD = on` in the `rtrv-feat` command output), and no proxy point code quantity is enabled, this message should appear.

```
rlghncxa03w 09-05-17 15:35:05 GMT EAGLE5 41.0.0
DESTINATION ENTRIES ALLOCATED:    2000
  FULL DPC(s):                    27
  EXCEPTION DPC(s):                0
  NETWORK DPC(s):                  0
  CLUSTER DPC(s):                  2
  TOTAL DPC(s):                    29
  CAPACITY (% FULL):               1%
ALIASES ALLOCATED:                8000
  ALIASES USED:                    31
  CAPACITY (% FULL):               1%
```

```
X-LIST ENTRIES ALLOCATED:      500
ENT-DSTN: MASP A - COMPLTD
```

If a proxy point code quantity is enabled and the Cluster Routing and Management Diversity feature is turned off (shown with the `CRMD = off` entry in the `rtrv-feat` command output), this message should appear.

```
rlghncxa03w 09-05-17 15:35:05 GMT EAGLE5 41.0.0
Destination table is (29 of 2000) 1% full
Alias table is (27 of 12000) 1% full
PPC table is (2 of 10) 20% full
ENT-DSTN: MASP A - COMPLTD
```

If the Cluster Routing and Management Diversity feature is turned on (`CRMD = on` in the `rtrv-feat` command output), and a proxy point code quantity is enabled, this message should appear.

```
rlghncxa03w 09-05-17 15:35:05 GMT EAGLE5 41.0.0
DESTINATION ENTRIES ALLOCATED:  2000
  FULL DPC(s):                   25
  EXCEPTION DPC(s):              0
  NETWORK DPC(s):                0
  CLUSTER DPC(s):                2
  Proxy DPC(s):                  2
  TOTAL DPC(s):                  29
  CAPACITY (% FULL):             1%
ALIASES ALLOCATED:              8000
  ALIASES USED:                   27
  CAPACITY (% FULL):             1%
X-LIST ENTRIES ALLOCATED:      500
ENT-DSTN: MASP A - COMPLTD
```

9. Verify the changes using the `rtrv-dstn` command with the DPC that was entered in [Step 8](#).

For this example, enter these commands.

```
rtrv-dstn:dpca=240-012-007
```

This is an example of the possible output.

```
rlghncxa03w 10-12-28 21:16:37 GMT EAGLE5 43.0.0

  DPCA          CLLI          BEI ELEI  ALIASI          ALIASN/N24  DMN
  240-012-007  -----  yes ---  1-117-3        10-13-11-1-fr SS7

  SPCA          NCAI PRX          RCAUSE NPRST SPLITIAM HMSMSC HMSCP  SCCPMSGCNV
  001-010-010  ---- no          none  off  none          yes   yes   xudt2udt

DESTINATION ENTRIES ALLOCATED:  2000
  FULL DPC(s):                   25
  EXCEPTION DPC(s):              0
  NETWORK DPC(s):                0
  CLUSTER DPC(s):                2
  Proxy DPC(s):                  2
  TOTAL DPC(s):                  29
  CAPACITY (% FULL):             1%
ALIASES ALLOCATED:              8000
```

```

ALIASES USED:                27
CAPACITY (% FULL):           1%
X-LIST ENTRIES ALLOCATED:    500
RTRV-DSTN: MASP A - COMPLTD

```

```
rtrv-dstn:dpca=240-012-006
```

This is an example of the possible output.

```

rlghncxa03w 10-12-28 21:16:37 GMT EAGLE5 43.0.0

DPCA          CLLI          BEI ELEI   ALIASI          ALIASN/N24      DMN
240-012-006   rlghncbb003  yes ---    1-112-3        10-13-10-1-fr  SS7

SPCA          NCAI PRX      RCAUSE NPRST  SPLITIAM HMSMSC HMSCP  SCCPMSGCNV
002-010-010   ---- no      none  off   none    no    no    none

DESTINATION ENTRIES ALLOCATED:  2000
FULL DPC(s):                      25
EXCEPTION DPC(s):                  0
NETWORK DPC(s):                    0
CLUSTER DPC(s):                    2
Proxy DPC(s):                       2
TOTAL DPC(s):                       29
CAPACITY (% FULL):                  1%
ALIASES ALLOCATED:                  8000
ALIASES USED:                        27
CAPACITY (% FULL):                  1%
X-LIST ENTRIES ALLOCATED:          500
RTRV-DSTN: MASP A - COMPLTD

```

```
rtrv-dstn:dpci=4-163-5
```

This is an example of the possible output.

```

rlghncxa03w 10-12-28 21:16:37 GMT EAGLE5 43.0.0

DPCI          CLLI          BEI ELEI   ALIASA          ALIASN/N24      DMN
4-163-5       ----- no ---    250-200-007   -----        SS7

SPCI          NCAI PRX      RCAUSE NPRST  SPLITIAM HMSMSC HMSCP  SCCPMSGCNV
2-154-6       ---- no      none  off   none    no    no    none

DESTINATION ENTRIES ALLOCATED:  2000
FULL DPC(s):                      25
EXCEPTION DPC(s):                  0
NETWORK DPC(s):                    0
CLUSTER DPC(s):                    2
Proxy DPC(s):                       2
TOTAL DPC(s):                       29
CAPACITY (% FULL):                  1%
ALIASES ALLOCATED:                  8000
ALIASES USED:                        27
CAPACITY (% FULL):                  1%
X-LIST ENTRIES ALLOCATED:          500
RTRV-DSTN: MASP A - COMPLTD

```

```
rtrv-dstn:dpcn=7-9-10-1-fr
```

This is an example of the possible output.

```
rlghncxa03w 10-12-28 21:16:37 GMT EAGLE5 43.0.0

DPCN          CLLI          BEI ELEI    ALIASA          ALIASI          DMN
7-9-10-1-fr   ----- no   ---    210-090-100    1-75-6          SS7

SPCN          NCAI PRX      RCAUSE NPRST  SPLITIAM HMSMSC HMSSCP SCCPMSGCNV
-----      ---- no      none  off   none      no      no      none

DESTINATION ENTRIES ALLOCATED:  2000
FULL DPC(s):                    25
EXCEPTION DPC(s):                0
NETWORK DPC(s):                  0
CLUSTER DPC(s):                  2
Proxy DPC(s):                    2
TOTAL DPC(s):                    29
CAPACITY (% FULL):               1%
ALIASES ALLOCATED:                8000
ALIASES USED:                     27
CAPACITY (% FULL):                1%
X-LIST ENTRIES ALLOCATED:         500
RTRV-DSTN: MASP A - COMPLTD
```

```
rtrv-dstn:dpcn=7-9-10-1-ge
```

This is an example of the possible output.

```
rlghncxa03w 10-12-28 21:16:37 GMT EAGLE5 43.0.0

DPCN          CLLI          BEI ELEI    ALIASA          ALIASI          DMN
7-9-10-1-ge   ----- no   ---    210-100-100    2-175-6          SS7

SPCN          NCAI PRX      RCAUSE NPRST  SPLITIAM HMSMSC HMSSCP SCCPMSGCNV
-----      ---- no      none  off   none      no      no      none

DESTINATION ENTRIES ALLOCATED:  2000
FULL DPC(s):                    25
EXCEPTION DPC(s):                0
NETWORK DPC(s):                  0
CLUSTER DPC(s):                  2
Proxy DPC(s):                    2
TOTAL DPC(s):                    29
CAPACITY (% FULL):               1%
ALIASES ALLOCATED:                8000
ALIASES USED:                     27
CAPACITY (% FULL):                1%
X-LIST ENTRIES ALLOCATED:         500
RTRV-DSTN: MASP A - COMPLTD
```

```
rtrv-dstn:dpca=003-003-003
```

This is an example of the possible output.

```
rlghncxa03w 10-12-28 21:16:37 GMT EAGLE5 43.0.0

DPCA          CLLI          BEI ELEI    ALIASI          ALIASN/N24      DMN
003-003-003   ----- no   ---   -----          -----          SS7
```

```

SPCA          NCAI PRX      RCAUSE NPRST SPLITIAM HMSMSC HMSCP SCCPMSGCNV
-----      ---- yes, 1   none   off   none     no     no     none

DESTINATION ENTRIES ALLOCATED:  2000
FULL DPC(s):                    25
EXCEPTION DPC(s):                0
NETWORK DPC(s):                  0
CLUSTER DPC(s):                  2
Proxy DPC(s):                    2
TOTAL DPC(s):                    29
CAPACITY (% FULL):               1%
ALIASES ALLOCATED:                8000
ALIASES USED:                     27
CAPACITY (% FULL):               1%
X-LIST ENTRIES ALLOCATED:        500
RTRV-DSTN: MASP A - COMPLTD

```

```
rtrv-dstn:dpca=004-004-004
```

This is an example of the possible output.

```

rlghncxa03w 10-12-28 21:16:37 GMT EAGLE5 43.0.0

DPCA          CLLI          BEI ELEI  ALIASI          ALIASN/N24  DMN
004-004-004  -----      no  ---  -----      -----      SS7

PPCA          NCAI PRX      RCAUSE NPRST SPLITIAM HMSMSC HMSCP SCCPMSGCNV
003-003-003  ---- no      none   off   none     no     no     none

DESTINATION ENTRIES ALLOCATED:  2000
FULL DPC(s):                    25
EXCEPTION DPC(s):                0
NETWORK DPC(s):                  0
CLUSTER DPC(s):                  2
Proxy DPC(s):                    2
TOTAL DPC(s):                    29
CAPACITY (% FULL):               1%
ALIASES ALLOCATED:                8000
ALIASES USED:                     27
CAPACITY (% FULL):               1%
X-LIST ENTRIES ALLOCATED:        500
RTRV-DSTN: MASP A - COMPLTD

```

```
rtrv-dstn:dpca=3-002-1
```

This is an example of the possible output.

```

rlghncxa03w 10-12-28 21:16:37 GMT EAGLE5 43.0.0

DPCI          CLLI          BEI ELEI  ALIASN          ALIASN          DMN
3-002-1      -----      no  ---  9-12-2-1-fr    s-8-11-3-0-ge  SS7

SPCI          NCAI PRX      RCAUSE NPRST SPLITIAM HMSMSC HMSCP SCCPMSGCNV
-----      ---- no      none   off   none     no     no     none

DESTINATION ENTRIES ALLOCATED:  2000
FULL DPC(s):                    25
EXCEPTION DPC(s):                0
NETWORK DPC(s):                  0
CLUSTER DPC(s):                  2

```

```

Proxy DPC(s):                2
TOTAL DPC(s):                29
CAPACITY (% FULL):          1%
ALIASES ALLOCATED:          8000
ALIASES USED:                27
CAPACITY (% FULL):          1%
X-LIST ENTRIES ALLOCATED:   500
RTRV-DSTN: MASP A - COMPLTD

```

```
rtrv-dstn:dpcn=10-11-1-3-fr
```

This is an example of the possible output.

```

rlghncxa03w 10-12-28 21:16:37 GMT EAGLE5 43.0.0

DPCN          CLLI          BEI ELEI    ALIASI          ALIASI          DMN
10-11-1-3-fr  ----- no ---    3-125-0        s-4-135-3      SS7

SPCN          NCAI PRX      RCAUSE NPRST  SPLITIAM HMSMSC HMSSCP SCCPMSGCNV
----- ---- no      none  off   none      no      no      none

DESTINATION ENTRIES ALLOCATED:  2000
FULL DPC(s):                    25
EXCEPTION DPC(s):                0
NETWORK DPC(s):                  0
CLUSTER DPC(s):                  2
Proxy DPC(s):                    2
TOTAL DPC(s):                    29
CAPACITY (% FULL):               1%
ALIASES ALLOCATED:              8000
ALIASES USED:                    27
CAPACITY (% FULL):               1%
X-LIST ENTRIES ALLOCATED:       500
RTRV-DSTN: MASP A - COMPLTD

```

```
rtrv-dstn:dpcn=6-10-7-9-ge
```

This is an example of the possible output.

```

rlghncxa03w 10-12-28 21:16:37 GMT EAGLE5 43.0.0

DPCN          CLLI          BEI ELEI    ALIASA          ALIASI          DMN
6-10-7-9-ge  ----- no ---    211-100-100    3-175-6        SS7

SPCN          NCAI PRX      RCAUSE NPRST  SPLITIAM HMSMSC HMSSCP SCCPMSGCNV
----- ---- no      15   on   20      no      no      none

DESTINATION ENTRIES ALLOCATED:  2000
FULL DPC(s):                    25
EXCEPTION DPC(s):                0
NETWORK DPC(s):                  0
CLUSTER DPC(s):                  2
Proxy DPC(s):                    2
TOTAL DPC(s):                    29
CAPACITY (% FULL):               1%
ALIASES ALLOCATED:              8000
ALIASES USED:                    27
CAPACITY (% FULL):               1%

```

```
X-LIST ENTRIES ALLOCATED:          500
RTRV-DSTN: MASP A - COMPLTD
```

10. Back up the new changes, using the `chg-db:action=backup:dest=fixed` command.

These messages should appear; the active Maintenance and Administration Subsystem Processor (MASP) appears first.

```
BACKUP (FIXED) : MASP A - Backup starts on active MASP.
BACKUP (FIXED) : MASP A - Backup on active MASP to fixed disk complete.
BACKUP (FIXED) : MASP A - Backup starts on standby MASP.
BACKUP (FIXED) : MASP A - Backup on standby MASP to fixed disk complete.
```

Removing a Destination Point Code

This procedure is used to remove a destination point code from the database, using the `dlt-dstn` command.

The `dlt-dstn` command uses this parameter:

`:dpc/dpca/dpci/dpcn/dpcn24` – The destination point code being removed from the database

Note: See [Point Code Formats](#) for a definition of the point code types that are used on the EAGLE 5 ISS and for a definition of the different formats that can be used for ITU national point codes.

The destination point code to be removed must exist in the database, but cannot be assigned to any routes. Enter the `rtrv-rte` command to see if the destination point code to be removed is assigned to any routes. If the destination point code is assigned to any routes, perform [Removing a Route](#) to remove these routes.

The destination point code cannot be defined as an adjacent point code for a linkset. Enter the `rtrv-ls` to see if the destination point code to be removed is defined as an adjacent point code for a linkset. If the destination point code is defined as an adjacent point code for a linkset, perform [Removing a Linkset Containing SS7 Signaling Links](#).

The destination point code cannot be removed if all of these conditions are present:

- The destination point code is a member of a cluster point code. This is shown by entering the `rtrv-dstn` command and specifying the destination point code with three asterisks (***) for the network cluster member value of the destination point code instead of the actual network cluster value of the destination point code.
- The NCAI value of the cluster point code is no. This is shown by entering the `rtrv-dstn` command and specifying the cluster point code.
- The destination point code is the DPC of an exception route. This is shown by entering the `rtrv-rtx` command and specifying the destination point code that is being removed.

If the destination point code meets these conditions, perform the [Removing a Route Exception Entry](#) procedure to remove the exception route entries that reference the DPC that is being removed.

The destination point code cannot be in the mated relay node (MRN) table. Verify this by entering the `rtrv-mrn` command, specifying the destination point code being removed from the database. If the destination point code is shown in the `rtrv-mrn` command output, remove the point code from the

MRN table, by performing the Removing an MRN Group or MRN Group Entry" procedure in the *Database Administration Manual – Global Title Translation*.

The destination point code cannot be in the mated application (MAP) table. Verify this by entering the `rtrv-map` command, specifying the destination point code being removed from the database. If the destination point code is shown in the `rtrv-map` command output, remove the point code from the MAP table, by performing the Removing a Mated Application" procedure in the *Database Administration Manual – Global Title Translation*.

The destination point code cannot be defined as an end office internal point code. Verify this by entering the `rtrv-rmt-appl` command. If the destination point code is shown in the `rtrv-rmt-appl` command output, perform the "Removing an End Node Internal Point Code" procedure in the *Database Administration Manual - IP Secure Gateway* to remove the internal point code.

If the point code being removed in this procedure is a proxy point code, the proxy point code cannot be removed if the proxy point code is assigned to a destination point code or assigned to a linkset. Proxy point codes are shown in the `rtrv-dstn:dpc=<DPC value>` output with the entry `PRX=yes`. To verify if the proxy point code is assigned to a destination point code, enter the `rtrv-dstn` command with the `ppc` parameter equal to the proxy point code value. This will display all the destination point codes that reference the proxy point code. These destination point codes must be removed before the proxy point code can be removed.

To verify if the proxy point code is assigned to a linkset, enter the `rtrv-ls` command with the `ppc` parameter equal to the proxy point code value. This will display all the linksets that reference the proxy point code. These linksets must be removed before the proxy point code can be removed.

Canceling the RTRV-DSTN and RTRV-LS Commands

Because the `rtrv-dstn` and `rtrv-ls` commands used in this procedure can output information for a long period of time, the `rtrv-dstn` and `rtrv-ls` commands can be canceled and the output to the terminal stopped. There are three ways that the `rtrv-dstn` and `rtrv-ls` commands can be canceled:

- Press the F9 function key on the keyboard at the terminal where the `rtrv-dstn` or `rtrv-ls` command was entered
- Enter the `canc-cmd` without the `trm` parameter at the terminal where the `rtrv-dstn` or `rtrv-ls` command was entered
- Enter the `canc-cmd:trm=<xx>`, where `<xx>` is the terminal where the `rtrv-dstn` or `rtrv-ls` command was entered, from another terminal other than the terminal where the `rtrv-dstn` or `rtrv-ls` command was entered. To enter the `canc-cmd:trm=<xx>` command, the terminal must allow Security Administration commands to be entered from it and the user must be allowed to enter Security Administration commands. The terminal's permissions can be verified with the `rtrv-secu-trm` command. The user's permissions can be verified with the `rtrv-user` or `rtrv-secu-user` commands.

For more information about the `canc-cmd` command, go to the *Commands Manual*.

1. Display the current destination point codes, using the `rtrv-dstn` command.

This is an example of the possible output.

```
rlghncxa03w 10-12-17 16:02:05 GMT EAGLE5 43.0.0
Extended Processing Time may be Required

DPCA          CLLI          BEI ELEI    ALIASI          ALIASN/N24    DMN
000-005-000  -----  yes --- -----  -----  SS7
```


000-007-000	-----	yes	---	-----	-----	SS7
001-001-001	-----	yes	---	-----	-----	SS7
001-001-002	-----	yes	---	-----	-----	SS7
001-207-000	-----	yes	---	-----	-----	SS7
002-002-002	-----	yes	---	-----	-----	SS7
002-004-100	-----	yes	---	-----	-----	SS7
003-003-003	-----	yes	---	-----	-----	SS7
004-004-004	-----	yes	---	-----	-----	SS7
007-*-*	-----	yes	---	-----	-----	SS7
007-007-007	-----	yes	---	-----	-----	SS7
008-001-001	-----	yes	---	-----	-----	SS7
008-001-003	-----	yes	---	-----	-----	SS7
008-001-004	-----	yes	---	-----	-----	SS7
008-001-005	-----	yes	---	-----	-----	SS7
008-001-006	-----	yes	---	-----	-----	SS7
008-001-007	-----	yes	---	-----	-----	SS7
008-001-008	-----	yes	---	-----	-----	SS7
030-045-*	rlghncbb010	yes	yes	-----	-----	SS7
111-011-*	rlghncbb000	yes	yes	-----	-----	SS7
240-012-*	rlghncbb000	yes	yes	-----	-----	SS7
240-012-004	rlghncbb001	yes	---	1-111-1	10-13-9-3-fr	SS7
240-012-005	rlghncbb002	yes	---	1-112-2	10-13-10-0-ge	SS7
240-012-006	rlghncbb003	yes	---	1-112-3	10-13-10-1-fr	SS7
240-012-007	-----	yes	---	1-117-3	10-13-11-1-fr	SS7
240-012-008	-----	yes	---	1-113-5	10-13-10-2-ge	SS7
DPCI	CLLI	BEI	ELEI	ALIASA	ALIASN/N24	DMN
0-015-0	-----	no	---	-----	-----	SS7
0-017-0	-----	no	---	-----	-----	SS7
1-011-1	-----	no	---	-----	-----	SS7
1-011-2	-----	no	---	-----	-----	SS7
1-207-0	-----	no	---	-----	-----	SS7
2-131-1	rlghncbb023	no	---	222-210-000	11-11-8-1-ge	SS7
2-131-2	-----	no	---	222-211-001	11-11-8-2-fr	SS7
2-131-3	-----	no	---	222-211-002	11-11-8-3-ge	SS7
3-003-3	-----	no	---	-----	-----	SS7
4-163-5	-----	no	---	250-200-007	-----	SS7
DPCN	CLLI	BEI	ELEI	ALIASA	ALIASI	DMN
7-9-10-1-fr	-----	no	---	210-090-100	1-75-6	SS7
7-9-10-1-ge	-----	no	---	210-100-100	2-175-6	SS7
10-12-0-0-fr	-----	no	---	-----	-----	SS7
10-15-2-3-fr	rlghncbb013	no	---	222-200-200	2-121-1	SS7
10-15-2-3-ge	rlghncbb013	no	---	222-100-200	2-100-1	SS7
10-15-3-0-fr	rlghncbb013	no	---	222-200-201	2-121-2	SS7
10-15-3-0-ge	rlghncbb013	no	---	222-100-201	2-100-2	SS7
DESTINATION ENTRIES ALLOCATED:	2000					
FULL DPC(s):	38					
EXCEPTION DPC(s):	3					
NETWORK DPC(s):	1					
CLUSTER DPC(s):	3					
TOTAL DPC(s):	45					
CAPACITY (% FULL):	2%					
ALIASES ALLOCATED:	8000					
ALIASES USED:	29					
CAPACITY (% FULL):	1%					
X-LIST ENTRIES ALLOCATED:	500					
RTRV-DSTN: MASP A - COMPLTD						

If a quantity of proxy point codes is enabled, the number of proxy point codes that are provisioned in the database are shown at the end of the `rtrv-dstn` output as shown in this example.

```
DESTINATION ENTRIES ALLOCATED: 2000
  FULL DPC(s): 38
  EXCEPTION DPC(s): 3
  NETWORK DPC(s): 1
  CLUSTER DPC(s): 3
  Proxy DPC (s) 2
  TOTAL DPC(s): 47
  CAPACITY (% FULL): 2%
ALIASES ALLOCATED: 8000
  ALIASES USED: 29
  CAPACITY (% FULL): 1%
X-LIST ENTRIES ALLOCATED: 500
RTRV-DSTN: MASP A - COMPLTD
```

2. Verify whether or not the DPC to be removed from the database is a DPC of a route, by entering the `rtrv-rte` command with the DPC that is to be removed from the database. For this example, enter these commands.

```
rtrv-rte:dpca=240-012-007
```

This is an example of the possible output.

```
rlghncxa03w 07-05-17 16:02:05 GMT EAGLE5 37.0.0
  DPCA          ALIASI          ALIASN/N24      LSN            RC      APCA
  240-012-007   1-117-3          10-13-11-1-fr  ls04          10     240-012-007
                                     ls02          20     004-004-004
                                     ls03          30     003-003-003
                                     RTX:No      CLLI=ls04clli
```

```
rtrv-rte:dpca=002-002-002
```

```
rlghncxa03w 07-05-17 16:02:05 GMT EAGLE5 37.0.0
  DPCA          ALIASI          ALIASN/N24      LSN            RC      APCA
  002-002-002   -----          -----          ls20          10     002-002-002
                                     RTX:No      CLLI=-----
```

If the DPC being removed from the database is a DPC of a route, perform the [Removing a Route](#) procedure to remove the route from the database.

3. Verify whether or not the DPC to be removed from the database is an APC of a linkset, by entering the `rtrv-ls` command. This is an example of the possible output.

```
rlghncxa03w 07-05-10 11:43:04 GMT EAGLE5 37.0.0
  LSN          APCA      (SS7)  SCRN  SET  SET  BEI  LST  LNKS  GWS  GWS  GWS  SLSCI  NIS
  ele2         001-207-000  none  1    1    no  B    6    off  off  off  no    off
  ls1305       000-005-000  none  1    1    no  A    1    off  off  off  no    off
  ls1307       000-007-000  none  1    1    no  A    1    off  off  off  no    off
  elm1s1       001-001-001  none  1    1    no  A    7    off  off  off  no    off
  elm1s2       001-001-002  none  1    1    no  A    7    off  off  off  no    off
  ls01         002-004-100  none  1    1    no  A    1    off  off  off  no    off
```

```

ls20          002-002-002  none 1  1  no  PRX 1  off off off no  off

                L3T SLT
LSN           APCI   (SS7)  SCRN SET SET BEI LST LNKS ACT MES DIS SLSCI NIS
ele2i        1-207-0  none 1  1  no  B   4  off off off --- on
ls1315       0-015-0  none 1  1  no  A   1  off off off --- off
ls1317       0-017-0  none 1  1  no  A   1  off off off --- on
elm2s1       1-011-1  none 1  1  no  A   7  off off off --- off
elm2s2       1-011-2  none 1  1  no  A   7  off off off --- off

```

Link set table is (11 of 1024) 1% full.

Perform the [Removing a Linkset Containing SS7 Signaling Links](#) procedure to remove the linkset from the database.

- Verify that the GTT feature is on, by entering the `rtrv-feat` command. If the GTT feature is on, the GTT field should be set to on.

Note: The `rtrv-feat` command output contains other fields that are not used by this procedure. If you wish to see all the fields displayed by the `rtrv-feat` command, see the `rtrv-feat` command description in the *Commands Manual*.

If the GTT feature is off, continue the procedure with [Step 8](#).

If the GTT feature is on, continue the procedure with [Step 5](#).

- Display the mated applications in the database, using the `rtrv-map` command and the DPC being removed from the database. For this example, enter these commands.

```
rtrv-map:pca=244-012-007
```

This is an example of the possible output.

```

rlghncxa03w 10-07-25 09:42:31 GMT EAGLE5 42.0.0

PCA          Mate PCA      SSN RC MULT SRM MRC GRP NAME SSO
244-012-007          252 10 SOL *N *N GRP01  OFF

MAP TABLE IS (5 of 1024) 1 % FULL

```

```
rtrv-map:pca=002-002-002
```

This is an example of the possible output.

```

rlghncxa03w 10-07-25 09:42:31 GMT EAGLE5 42.0.0

PCA          Mate PCA      SSN RC MULT SRM MRC GRP NAME SSO
002-002-002          254 10 SOL *N *N GRP01  OFF

MAP TABLE IS (5 of 1024) 1 % FULL

```

If the DPC is shown in the `rtrv-map` command output (in the PCA, PCI, PCN, PCN24, MPCA, MPC1, MCPN, or MPCN24 fields), go to the "Removing a Mated Application" procedure in the *Database Administration Manual - Global Title Translation*, and remove the remove the point code from the mated application that references the DPC.

If no entries are shown in the `rtrv-map` output, or the "Removing a Mated Application" procedure was performed in this step, continue the procedure with [Step 6](#).

6. Verify that the IGTTLS feature is enabled, by entering the `rtrv-ctrl-feat` command with the IGTTLS part number. Enter this command.

```
rtrv-ctrl-feat:partnum=893006901
```

The following is an example of the possible output.

```
rlghncxa03w 07-05-28 21:15:37 GMT EAGLE5 37.0.0
The following features have been permanently enabled:

Feature Name                Partnum    Status    Quantity
Intermed GTT Load Sharing  893006901  on        ----

The following features have been temporarily enabled:
Feature Name                Partnum    Status    Quantity    Trial Period Left

Zero entries found.
The following features have expired temporary keys:

Feature Name                Partnum
Zero entries found.
```

- If the `rtrv-ctrl-feat` output in [Step 6](#) shows that the IGTTLS feature is not enabled, continue the procedure with [Step 8](#).
 - If the `rtrv-ctrl-feat` output in [Step 6](#) shows that the IGTTLS feature is enabled, continue the procedure with [Step 7](#).
7. Verify whether or not the DPC is in the mated relay node table using the `rtrv-mrn` command, specifying the destination point code being removed from the database. For this example, enter these commands.

```
rtrv-mrn:pca=244-012-007
```

This is an example of the possible output.

```
rlghncxa03w 09-05-07 00:34:31 GMT EAGLE5 41.0.0

      PC          RC
      007-007-007  10
      008-001-001  20
      240-012-007  30
      008-001-003  40
      008-001-004  50
      008-001-005  60
      008-001-006  70
      008-001-007  80
      008-001-008  90

MRN table is (39 of 3000) 1% full.
```

```
rtrv-mrn:pca=002-002-002
```

This is an example of the possible output.

```
rlghncxa03w 10-07-07 00:34:31 GMT EAGLE5 42.0.0
```

```

PC          RC
002-002-002 10
009-001-001 20
009-001-003 40
009-001-004 50
009-001-005 60
009-001-006 70
009-001-007 80
009-001-008 90

```

```
MRN table is (39 of 3000) 1% full.
```

If the destination point code is shown in the `rtrv-mrn` command output, remove the point code from the MRN table, by executing the "Removing an MRN Group or MRN Group Entry" procedure in the *Database Administration Manual – Global Title Translation*.

8. Verify whether or not the DPC is defined as an end office internal point code using the `rtrv-rmt-appl` command. This is an example of the possible output.

```

rlghncxa03w 09-05-28 09:12:36 GMT EAGLE5 41.0.0
IPCA          SI SSN
003-003-003  3 100, 110-119, 200
              5

IPCI          SI SSN
3-003-3      3 5, 50-100, 250
              5

IPCN          SI SSN
10-12-0-0-fr 3 250
              5

IPC24        SI SSN

```

If the destination point code is shown in the `rtrv-rmt-appl` command output, go to the "Removing an End Node Internal Point Code" procedure in the *Database Administration Manual - IP Secure Gateway* to remove the internal point code.

9. If the point code being removed in this procedure is a proxy point code, the proxy point code cannot be removed if the proxy point code is assigned to a destination point code or assigned to a linkset. Proxy point codes are shown in the `rtrv-dstn` output with the entry `PRX=yes`.
 - a) If the number of proxy point codes is not shown in `rtrv-dstn` output in [Step 1](#), there are no proxy codes in the database. Continue the procedure by performing one of these steps.
 - Continue the procedure with [Step 15](#) if the destination point code is not an ANSI point code.
 - Continue the procedure with [Step 12](#) if the destination point code is an ANSI point code.
 - b) If the number of proxy point codes are shown in `rtrv-dstn` output in [Step 1](#), verify whether or not the DPC being removed is a proxy point code. Display the DPC being removed in this procedure using the `rtrv-dstn` command specifying the point code being removed. For this example, enter this command.

```
rtrv-dstn:dpca=002-002-002
```

This is an example of the possible output.

```

rlghncxa03w 10-12-28 21:16:37 GMT EAGLE5 43.0.0

DPCA          CLLI          BEI  ELEI    ALIASI          ALIASN/N24    DMN
002-002-002  ----- no   --- -----          -----          SS7

PPCA          NCAI PRX      RCAUSE NPRST  SPLITIAM HMSMSC HMSSCP SCCPMSGCNV
-----      ---- yes    15     on    17         no     no     none

DESTINATION ENTRIES ALLOCATED:  2000
FULL DPC(s):                    38
EXCEPTION DPC(s):                3
NETWORK DPC(s):                  1
CLUSTER DPC(s):                  3
Proxy DPC (s):                   2
TOTAL DPC(s):                    47
CAPACITY (% FULL):               2%
ALIASES ALLOCATED:               8000
ALIASES USED:                    29
CAPACITY (% FULL):               1%
X-LIST ENTRIES ALLOCATED:       500
RTRV-DSTN: MASP A - COMPLTD

```

- If the DPC is a proxy point code, shown by the value YES in the PRX column, continue the procedure with [Step 10](#).
- If the DPC is not a proxy point code, continue the procedure by performing one of these steps.
 - Continue the procedure with [Step 15](#) if the destination point code is not an ANSI point code.
 - Continue the procedure with [Step 12](#) if the destination point code is an ANSI point code.

10. Display the linksets in the database that have the proxy point code assigned to them by entering the `rtrv-ls` command with the `ppc` parameter. The `ppc` parameter value is the proxy point code being removed in this procedure. For this example, enter this command.

```
rtrv-ls:ppc=002-002-002
```

This is an example of the possible output.

```

rlghncxa03w 07-05-28 21:16:37 EDT EAGLE5 37.0.0

PPCA = 002-002-002

LSN          APCA   (SS7)  SCR N SET SET BEI LST LNKS ACT MES DIS SLSCI NIS
ls1305      000-005-000 none 1  1  no  A   1  off off off no  off
elm1s2      001-001-002 none 1  1  no  A   7  off off off no  off

Link set table is (10 of 1024) 1% full.

```

The linksets displayed in this step have the proxy point code assigned to them. Perform the [Removing a Linkset Containing SS7 Signaling Links](#) procedure to remove these linksets. After the linksets have been removed, continue the procedure with [Step 11](#).

If no linksets are displayed in this step, then no linksets have the proxy point code assigned to them. Continue the procedure with [Step 11](#).

11. Display the point codes in the database that have the proxy point code assigned to them by entering the `rtrv-dstn` command with the `ppc` parameter. The `ppc` parameter value is the proxy point code being removed in this procedure. For this example, enter this command.

```
rtrv-dstn:ppc=002-002-002
```

This is an example of the possible output.

```
rlghncxa03w 09-05-28 21:16:37 EDT EAGLE5 41.0.0
PPCA      =      002-002-002

   DPCA          CLLI          BEI  ELEI    ALIASI          ALIASN/N24    DMN
   000-005-000  ----- no   ---  -----  -----  SS7
   001-001-002  ----- no   ---  -----  -----  SS7

Destination table is (42 of 2000) 2% full
Alias table is (29 of 8000) 1% full
PPC table is (2 of 10) 10% full
```

If no point codes are displayed in this step, then no point codes have the proxy point code assigned to them. Continue the procedure by performing one of these steps.

- Continue the procedure with [Step 15](#) if the destination point code is not an ANSI point code.
- Continue the procedure with [Step 12](#) if the destination point code is an ANSI point code.

If point codes are displayed in this step, these point codes have the proxy point code assigned to them. Remove these point codes by entering the `dlt-dstn` with the point code value shown in the `rtrv-dstn` output.

For this example, enter these commands.

```
dlt-dstn:dpca=000-005-000
```

```
dlt-dstn:dpca=001-001-002
```

When the `dlt-dstn` command has successfully completed, and the Cluster Routing and Management Diversity feature is turned off (`CRMD = off` in the `rtrv-feat` command output), this message should appear.

```
rlghncxa03w 09-05-17 15:35:05 GMT EAGLE5 41.0.0
Destination table is (40 of 2000) 2% full
PPC table is (2 of 10) 20% full
DLT-DSTN: MASP A - COMPLTD
```

If the Cluster Routing and Management Diversity feature is turned on (`CRMD = on` in the `rtrv-feat` command output), this is an example of the message that should appear when the `dlt-dstn` command has successfully completed.

```
rlghncxa03w 09-05-17 15:35:05 GMT EAGLE5 41.0.0
DESTINATION ENTRIES ALLOCATED: 2000
  FULL DPC(s): 36
  EXCEPTION DPC(s): 3
  NETWORK DPC(s): 1
  CLUSTER DPC(s): 3
  Proxy DPC (s) 2
  TOTAL DPC(s): 45
```

```

CAPACITY (% FULL):          2%
ALIASES ALLOCATED:          8000
ALIASES USED:                29
CAPACITY (% FULL):          1%
X-LIST ENTRIES ALLOCATED:    500
RTRV-DSTN: MASP A - COMPLTD

```

After the point codes have been removed, continue the procedure by performing one of these steps.

- Continue the procedure with [Step 15](#) if the destination point code is not an ANSI point code.
- Continue the procedure with [Step 12](#) if the destination point code is an ANSI point code.

12. Verify whether or not the destination point code is a member of a cluster point code by entering the `rtrv-dstn` command with these parameters and values.

- The `dpca` parameter containing the network and cluster values of the destination point code.
- Three asterisks (***) for the network-cluster member value of the point code.

For this example, enter these commands.

```
rtrv-dstn:dpca=240-012-***
```

This is an example of the possible output.

```

rlghncxa03w 10-12-17 16:00:32 GMT EAGLE5 43.0.0
  DPCA          CLLI          BEI ELEI  ALIASI          ALIASN/N24  DMN
  240-012-*    rlghncbb000 yes yes  -----      -----      SS7
  240-012-004  rlghncbb001 yes ---  1-111-1      10-13-9-3-fr SS7
  240-012-005  rlghncbb002 yes ---  1-112-2      10-13-10-0-ge SS7
  240-012-006  rlghncbb003 yes ---  1-112-3      10-13-10-1-fr SS7
  240-012-007  ----- yes ---  1-117-3      10-13-11-1-fr SS7
  240-012-008  ----- yes ---  1-113-5      10-13-10-2-ge SS7

Destination table is (45 of 2000) 2% full
Alias table is (29 of 8000) 1% full

```

```
rtrv-dstn:dpca=002-002-***
```

This is an example of the possible output.

```

rlghncxa03w 10-12-17 16:00:32 GMT EAGLE5 43.0.0
  DPCA          CLLI          BEI ELEI  ALIASI          ALIASN/N24  DMN
  002-002-002  ----- yes ---  -----      -----      SS7

Destination table is (45 of 2000) 2% full
Alias table is (29 of 8000) 1% full

```

Continue the procedure by performing one of these steps.

- Continue the procedure with [Step 15](#) if the destination point code is not a member of the cluster point code.
- Continue the procedure with [Step 13](#) if the destination point code is a member of a cluster point code.

13. Display the attributes of the cluster point code shown in [Step 12](#) by entering the `rtrv-dstn` command with the cluster point code shown in [Step 12](#).

For this example, enter this command.


```
rtrv-dstn:dpca=240-012-*
```

This is an example of the possible output.

```
rlghncxa03w 10-12-17 16:00:32 GMT EAGLE5 43.0.0
  DPCA          CLLI          BEI ELEI  ALIASI          ALIASN/N24  DMN
  240-012-*    rlghncbb000 yes yes  -----  -----  SS7

  SPCA          NCAI          RCAUSE NPRST SPLITIAM HMSMSC HMSCP  SCCPMSGCNV
  -----  no          none  off  none  no  no  none

Destination table is (45 of 2000) 2% full
Alias table is (29 of 8000) 1% full
```

Continue the procedure by performing one of these steps.

- Continue the procedure with [Step 15](#) if the NCAI value of the cluster point code is *yes*.
- Continue the procedure with [Step 14](#) if the NCAI value of the cluster point code is *no*.

14. Display the route exception table entries referencing the destination point code by entering the `rtrv-rtx` command with the destination point code that is being removed in this procedure. For this example, enter these commands.

```
rtrv-rtx:dpca=240-012-007
```

This is an example of the possible output.

```
rlghncxa03w 10-12-07 00:34:31 GMT EAGLE5 43.0.0
  DPCA          RTX-CRITERIA          LSN          RC          APC
  240-012-007  OPCA
  007-007-007          ls01          1          002-004-100

DESTINATION ENTRIES ALLOCATED: 2000
  FULL DPC(s): 38
  EXCEPTION DPC(s): 3
  NETWORK DPC(s): 1
  CLUSTER DPC(s): 3
  TOTAL DPC(s): 45
  CAPACITY (% FULL): 1%
ALIASES ALLOCATED: 8000
  ALIASES USED: 29
  CAPACITY (% FULL): 1%
X-LIST ENTRIES ALLOCATED: 500
```

```
rtrv-rtx:dpca=002-002-002
```

This is an example of the possible output.

```
rlghncxa03w 10-12-07 00:34:31 GMT EAGLE5 43.0.0
  DPCA          RTX-CRITERIA          LSN          RC          APC
  002-002-002  OPCA
  007-007-007          ls01          1          002-004-100

DESTINATION ENTRIES ALLOCATED: 2000
```

```

FULL DPC(s):                38
EXCEPTION DPC(s):          3
NETWORK DPC(s):            1
CLUSTER DPC(s):           3
TOTAL DPC(s):              45
CAPACITY (% FULL):        1%
ALIASES ALLOCATED:         8000
ALIASES USED:              29
CAPACITY (% FULL):        1%
X-LIST ENTRIES ALLOCATED:  500

```

If the destination point code that is being removed in this procedure is not shown in the `rtrv-rtx` output, continue the procedure with [Step 15](#).

If the destination point code that is being removed in this procedure is shown in the `rtrv-rtx` output, perform the [Removing a Route Exception Entry](#) procedure to remove all the route exception table entries shown in this step. After the exception routes have been removed, continue the procedure with [Step 15](#).

15. Remove the destination point code from the database, using the `dlt-dstn` command. For this example, enter these commands.

```
dlt-dstn:dpca=240-012-007
```

```
dlt-dstn:dpca=002-002-002
```

When the `dlt-dstn` command has successfully completed, and the Cluster Routing and Management Diversity feature is turned off (`CRMD = off` in the `rtrv-feat` command output), this message should appear.

```

rlghncxa03w 09-05-17 15:35:05 GMT EAGLE5 41.0.0
Destination table is (41 of 2000) 2% full
DLT-DSTN: MASP A - COMPLTD

```

If the Cluster Routing and Management Diversity feature is turned on (`CRMD = on` in the `rtrv-feat` command output), this is an example of the message that should appear when the `dlt-dstn` command has successfully completed.

```

rlghncxa03w 09-05-17 15:35:05 GMT EAGLE5 41.0.0
DESTINATION ENTRIES ALLOCATED:  2000
FULL DPC(s):                    36
EXCEPTION DPC(s):               1
NETWORK DPC(s):                 1
CLUSTER DPC(s):                 3
TOTAL DPC(s):                   41
CAPACITY (% FULL):              2%
ALIASES ALLOCATED:              8000
ALIASES USED:                   27
CAPACITY (% FULL):              1%
X-LIST ENTRIES ALLOCATED:       500
DLT-DSTN: MASP A - COMPLTD

```

If a proxy point code quantity is enabled and the Cluster Routing and Management Diversity feature is turned off (shown with the `CRMD = off` entry in the `rtrv-feat` command output), this message should appear.

```
rlghncxa03w 09-05-17 15:35:05 GMT EAGLE5 41.0.0
Destination table is (41 of 2000) 2% full
Alias table is (27 of 12000) 1% full
PPC table is (1 of 10) 10% full
DLT-DSTN: MASP A - COMPLTD
```

If the Cluster Routing and Management Diversity feature is turned on (`CRMD = on` in the `rtrv-feat` command output), and a proxy point code quantity is enabled, this message should appear.

```
rlghncxa03w 09-05-17 15:35:05 GMT EAGLE5 41.0.0
DESTINATION ENTRIES ALLOCATED: 2000
  FULL DPC(s): 33
  EXCEPTION DPC(s): 0
  NETWORK DPC(s): 1
  CLUSTER DPC(s): 2
  Proxy DPC (s) 1
  TOTAL DPC(s): 37
  CAPACITY (% FULL): 2%
ALIASES ALLOCATED: 8000
  ALIASES USED: 27
  CAPACITY (% FULL): 1%
X-LIST ENTRIES ALLOCATED: 500
DLT-DSTN: MASP A - COMPLTD
```

16. Verify the changes using the `rtrv-dstn` command with the DPC specified in [Step 15](#). For this example, enter these commands.

```
rtrv-dstn:dpca=240-012-007
```

```
rtrv-dstn:dpca=002-002-002
```

This is an example of the possible output for both of these commands.

```
rlghncxa03w 09-05-17 16:02:05 GMT EAGLE5 41.0.0
No destinations meeting the requested criteria were found
Destination table is (36 of 2000) 2% full
Alias table is (27 of 8000) 1% full
```

17. Back up the new changes, using the `chg-db:action=backup:dest=fixed` command. These messages should appear; the active Maintenance and Administration Subsystem Processor (MASP) appears first.

```
BACKUP (FIXED) : MASP A - Backup starts on active MASP.
BACKUP (FIXED) : MASP A - Backup on active MASP to fixed disk complete.
BACKUP (FIXED) : MASP A - Backup starts on standby MASP.
BACKUP (FIXED) : MASP A - Backup on standby MASP to fixed disk complete.
```

Changing a Destination Point Code

This procedure is used to change the attributes of a full destination point code in the database, using the `chg-dstn` command.

To change the attributes of a cluster point code, go to the [Changing the Attributes of a Cluster Point Code](#) procedure.

This procedure cannot be used to change a true point code (`dpc/dpca/dpci/dpcn/dpcn24`), or a proxy point code value assigned to a DPC. To change a true point code or a proxy point code value assigned to a DPC, the destination point code must be removed, then re-entered. Perform the [Removing a Destination Point Code](#) procedure to remove the point code from the database. To add the new point code, perform one of these procedures:

- Cluster point code – [Adding a Cluster Point Code](#)
- Network routing point code – [Adding a Network Routing Point Code](#)
- All other point codes – [Adding a Destination Point Code](#)

Note: To add a proxy point code, the point code cannot be a cluster point code or a network routing point code.

The destination point code to be changed must be in the database.

The `chg-dstn` command uses these parameters:

`:dpc/dpca/dpci/dpcn/dpcn24` – The destination point code in the database being changed

`:aliasa/aliasi/aliasn/aliasn24` – The alternate destination point code. Two optional alias addresses can be defined.

Note: See [Point Code Formats](#) for a definition of the point code types that are used on the EAGLE 5 ISS and for a definition of the different formats that can be used for ITU national point codes. A private point code cannot be used as an alias point code.

`:clli` – The Common Language Location Identifier assigned to this point code

`:bei` – Broadcast exception indicator that indicates whether transfer-prohibited (TFP) messages will be broadcast from this node. The `bei=yes` parameter means TFPs will not be broadcast. The `bei=no` parameter means TFPs will be broadcast.

`:spc/spca/spci/spcn/spcn24` – The secondary point code as defined by the `ent-spc` command. The secondary point code allows the EAGLE 5 ISS to use another point code in addition to the one defined by the `dpc`, `dpca`, `dpci`, `dpcn`, or `dpcn24` parameters of the `chg-dstn` command for SS7 routing purposes. See the [Multiple Point Code Support](#) section for more information on secondary point codes. A private point code cannot be used as a secondary point code.

`:prx` – This parameter specified whether or not the destination point code is proxy point code. This parameter has two values, `yes` or `no`. If the `prx` parameter value is `yes`, the destination point code is a proxy point code. If the `prx` parameter value is `no`, the destination point code is not a proxy point code. To specify the `prx=yes` parameter, the destination point code value must be a full point code, in the SS7 domain, and cannot be a private point code. The destination point code value cannot have the `ipgwapc=yes` parameter value assigned.

To specify the `prx=no` parameter, the proxy point code cannot be assigned to a destination point code or assigned to a linkset. Proxy point codes are shown in the `rtrv-dstn:dpc=<DPC being changed>` output with the entry `PRX=yes`. To verify if the proxy point code is assigned to a destination point

code, enter the `rtrv-dstn` command with the `ppc` parameter equal to the proxy point code value. This will display all the destination point codes that reference the proxy point code. These destination point codes must be removed before the `prx=no` parameter can be specified..

To verify if the proxy point code is assigned to a linkset, enter the `rtrv-ls` command with the `ppc` parameter equal to the proxy point code value. This will display all the linksets that reference the proxy point code. These linksets must be removed before the proxy point code can be removed.

`:nprst` - NM bits reset. This parameter specifies whether the NM bits in an ITU IAM message should be set to 00. This parameter has two values.

- `off` - Do not set NM bits to 00 in an ITU IAM message if the `nptype` option value in the `rtrv-tifopts` output is `nm`.
- `on` - Set the NM bits to 00 in an ITU IAM message if the `nptype` option value in the `rtrv-tifopts` output is `nm`.

The default value for this parameter is `off`.

`:rcause` - Release cause. This parameter specifies the condition that triggers the sending of a Release message. This parameter has these values.

- 0 - 127
- `none` - use the values specified for the `rcausenp` and `rcausepfx` parameters in the `rtrv-tifopts` output.

The default value for this parameter is `none`.

If the `rlcopc` parameter value in the `rtrv-tifopts` output is `on` and a value of 0-127 is specified for the `rcause` parameter, then the `rcause` parameter value overrides the values specified for the `rcausenp` and `rcausepfx` parameters in the `rtrv-tifopts` output.

`:splitiam` - This parameter specifies how and when to split an ITU IAM message into one IAM message and one SAM message. This parameter has these values.

- 15-31 - The maximum number of CdPN digits allowed in the IAM message before the splitting occurs. The remaining digits, up to a total of 32, are encoded in the SAM message.
- `none` - the value specified for the `splitiam` parameter in the `rtrv-tifopts` output is used to determine when to split the IAM message.

The default value for this parameter is `none`.

To specify the `nprst` or `rcause` parameters, the TIF Number Portability feature, part number 893018901, must be enabled. To specify the `splitiam` parameter, at least one of these features must be enabled.

- TIF Number Portability - part number 893018901
- TIF SCS Forwarding - part number 893022201
- TIF Simple Number Substitution - part number 893024001
- TIF Additional Subscriber Data - part number 893024501
- TIF Generic Routing Number - part number 893025501

The status of these features is shown in the `rtrv-ctrl-feat` output. Perform the procedures in the *Feature Manual - TIF* to enable these features.

`:homescp` - This parameter specifies whether the destination point code should be considered a home SCP when performing SCCP processing for messages that have no global title address digits (the

global title indicator (GTI) is set to zero). This parameter cannot be specified for a cluster point code or a network routing point code. These are the values for this parameter.

- yes- the specified DPC is considered a home SCP.
- no - the specified DPC is not considered a home SCP.

:homesmsc - This parameter specifies whether the destination point code (DPC) should be considered a home SMSC when performing SCCP processing for messages that have no global title address digits (the global title indicator (GTI) is set to zero). This parameter cannot be specified for a cluster point code or a network routing point code. These are the values for this parameter.

- yes- the specified DPC is considered a home SMSC.
- no - the specified DPC is not considered a home SMSC.

:sccpmsgcnv - The sccpmsgcnv parameter controls SCCP UDT(S)/XUDT(S) message conversion for the specified destination. This parameter can be specified only if the XUDT UDT Conversion feature is enabled and turned on. The `rtrv-ctrl-feat` output shows the status of the XUDT UDT Conversion feature. If the XUDT UDT Conversion feature is not enabled or turned on, perform the "Activating the XUDT UDT Conversion Feature" procedure in the *Database Administration Manual - Global Title Translation* to enable and turn on the XUDT UDT Conversion feature. This parameter contains these values.

- none - SCCP UDT(S)/XUDT(S) message conversion is not required on messages for the destination.
- udt2xudt - All UDT(S) messages for the destination are converted to XUDT(S) messages.
- xudt2udt - All non-segmented XUDT(S) messages for the destination are converted to UDT(S) messages. Segmented XUDT(S) messages for the destination are not converted to UDT(S) messages.
- sxudt2udt - All segmented and non-segmented XUDT(S) messages for the destination are converted to UDT(S) messages.

The `elei` and `ncai` parameters cannot be specified in this procedure. To use these parameters to provision a destination point code, perform the [Changing the Attributes of a Cluster Point Code](#) procedure.

Secondary point codes must be a full point code. A secondary point code can only be assigned to a full point code in the SS7 domain. Secondary point codes cannot be assigned to DPCs that have proxy point codes assigned to them. The same secondary point code value cannot be assigned to DPCs and to linksets. The network type of the secondary point code must match the network type of the destination point code. The secondary point code used in this procedure must be configured in the database with the `ent-spc` command. The secondary point codes are shown in the `SPCA`, `SPC-I`, `SPC-N`, and `SPC-N24` fields of the `rtrv-spc` command output. If the desired secondary point code is not shown in the output of the `rtrv-spc` command, perform the [Adding a Secondary Point Code](#) procedure to configure the desired point code as a secondary point code.

If a secondary point code is assigned to the destination point code, the group code of the 14-bit ITU-N destination point code must match the group code of the secondary point code. Otherwise, the group code of the destination point code must match the group code assigned to the EAGLE 5 ISS's true 14-bit ITU-N point code, shown in the `PCN` field of the `rtrv-sid` output.

The value `none` for the `spca`, `spci`, `spcn`, or `spcn24` parameters removes the assignment of the current secondary point code and leaves the destination point code without a secondary point code.

The value of the `clli` parameter cannot be in the destination point code table and cannot match the CLLI of the EAGLE 5 ISS. Verify this by entering the `rtrv-dstn` and the `rtrv-sid` commands. If the value of the `clli` parameter matches any CLLI values in either of these outputs, choose another value for the `clli` parameter that does not match any CLLIs shown in either of these command outputs.

To enter point codes of any network type (ANSI, ITU-I, or ITU-N - 14-bit or 24-bit) into the database with the `chg-dstn` command, the self ID of the EAGLE 5 ISS must be defined for these networks. Verify this with the `rtrv-sid` command.

If a point code value is shown in the `PCA` field of the `rtrv-sid` command, then ANSI point codes can be specified with the `chg-dstn` command.

If a point code value is shown in the `PCI` field of the output of the `rtrv-sid` command, then ITU-I point codes can be specified with the `chg-dstn` command. The `PCI` column of the `rtrv-sid` output can contain spare and non-spare point code values. To provision ITU-I non-spare point codes in this procedure, the `rtrv-sid` output must contain an ITU-I non-spare point code in the `PCI` column. To provision ITU-I spare point codes in this procedure, the `rtrv-sid` output must contain an ITU-I spare point code in the `PCI` column.

If a point code value is shown in the `PCN` field of the output of the `rtrv-sid` command, then 14-bit ITU-N point codes can be specified with the `chg-dstn` command. The `PCN` column of the `rtrv-sid` output can contain spare and non-spare point code values. To provision 14-bit ITU-N non-spare point codes in this procedure, the `rtrv-sid` output must contain a 14-bit ITU-N non-spare point code in the `PCN` column. To provision 14-bit ITU-N spare point codes in this procedure, the `rtrv-sid` output must contain a 14-bit ITU-N spare point code in the `PCN` column.

If a point code value is shown in the `PCN24` field of the output of the `rtrv-sid` command, then 24-bit ITU-N point codes can be specified with the `chg-dstn` command.

If no values are shown in the `PCA`, `PCI`, `PCN`, or `PCN24` fields in the `rtrv-sid` command output, the self-identification of the EAGLE 5 ISS must be updated with an ANSI point code, ITU international point code or a 14-bit ITU national point code. Perform the [Changing the Self-Identification of the EAGLE 5 ISS](#) procedure to change the self-identification of the EAGLE 5 ISS.

Note: The EAGLE 5 ISS can contain 14-bit ITU national point codes or 24-bit ITU national point codes, but both at the same time.

Private point codes cannot be specified in the self-identification of the EAGLE 5 ISS, therefore, private point codes can be added as long as the self identification of the EAGLE 5 ISS contains a point code with the same network type as the private point code being added in this procedure. The ITU National and International Spare Point Code Support feature does not have to be enabled to add a private point code.

The type of alias point code that can be provisioned with the `chg-dstn` command is dependent on the type of DPC that is being provisioned. [Table 18: Destination Point Code Type and Alias Point Code Type Combinations](#) shows the DPC and alias point type combinations that can be used with the `chg-dstn` command.

Table 18: Destination Point Code Type and Alias Point Code Type Combinations

DPC Type	Alias Point Code Type (See Notes 1 - 7)	Alias Point Code Type (See Notes 1 - 7)	DPC TYPE	Alias Point Code Type (See Notes 1 - 7)	Alias Point Code Type (See Notes 1 - 7)
ANSI	no alias specified	no alias specified	ITU-I	no alias specified	no alias specified
	ITU-I	no alias specified		ANSI	no alias specified

DPC Type	Alias Point Code Type (See Notes 1 - 7)	Alias Point Code Type (See Notes 1 - 7)	DPC TYPE	Alias Point Code Type (See Notes 1 - 7)	Alias Point Code Type (See Notes 1 - 7)
	ITU-I	ITU-N		ANSI	ITU-N
	ITU-I	ITU-N Spare		ANSI	ITU-N Spare
	ITU-I	ITU-N24		ANSI	ITU-N24
	ITU-I Spare	no alias specified		ITU-I Spare	no alias specified
	ITU-I Spare	ITU-N		ITU-I Spare	ITU-N
	ITU-I Spare	ITU-N Spare		ITU-I Spare	ITU-N Spare
	ITU-I Spare	ITU-N24		ITU-I Spare	ITU-N24
	ITU-N	no alias specified		ITU-N	no alias specified
	ITU-N Spare	no alias specified		ITU-N (Note 9)	ITU-N Spare (Note 9)
	ITU-N24	no alias specified		ITU-N Spare	no alias specified
ITU-I Spare	no alias specified	no alias specified	ITU-N	ITU-N24	no alias specified
	ANSI	no alias specified		no alias specified	no alias specified
	ANSI	ITU-N		ANSI	no alias specified
	ANSI	ITU-N Spare		ANSI	ITU-I
	ANSI	ITU-N24		ANSI	ITU-I Spare
	ITU-I	no alias specified		ITU-I	no alias specified
	ITU-I	ITU-N		ITU-I (Note 8)	ITU-I Spare (Note 8)
	ITU-I	ITU-N Spare		ITU-I Spare	no alias specified
	ITU-I	ITU-N24		ITU-N Spare	no alias specified
	ITU-N	no alias specified		ITU-N Spare	ITU-I
	ITU-N (Note 9)	ITU-N Spare (Note 9)		ITU-N Spare	ITU-I Spare

DPC Type	Alias Point Code Type (See Notes 1 - 7)	Alias Point Code Type (See Notes 1 - 7)	DPC TYPE	Alias Point Code Type (See Notes 1 - 7)	Alias Point Code Type (See Notes 1 - 7)
	ITU-N Spare	no alias specified	ITU-N24	no alias specified	no alias specified
	ITU-N24	no alias specified		ANSI	no alias specified
ITU-N Spare	no alias specified	no alias specified		ANSI	ITU-I
	ANSI	no alias specified		ANSI	ITU-I Spare
	ANSI	ITU-I	ITU-I	no alias specified	
	ANSI	ITU-I Spare	ITU-I Spare	no alias specified	
	ITU-I	no alias specified			
	ITU-I (Note 8)	ITU-I Spare (Note 8)			
	ITU-I Spare	no alias specified			
	ITU-N	no alias specified			
ITU-N	ITU-I				
ITU-N	ITU-I Spare				

Notes:

- ANSI alias point codes are specified with the `aliasa` parameter.
- ITU-I and ITU-I Spare alias point codes are specified with the `aliasi` parameter.
- ITU-N and ITU-N Spare alias point codes are specified with the `aliasn` parameter.
- ITU-N24 alias point codes are specified with the `aliasn24` parameter.
- If the alias point code parameter is not specified, the parameter's value is not changed.
- If the value `none` is specified for an alias point code parameter, the current value for that parameter is removed from the DPC.
- The new alias point code value replaces the current alias point code value that is assigned to the DPC.
- To specify the ITU-I and ITU-I Spare alias point codes for the DPC, both point code values are specified with the `aliasi` parameter and the values are separated by a comma. For example, to specify the alias point codes 2-005-7 and s-3-002-1, the `aliasi` parameter is specified like this: `aliasi=2-005-7,s-3-002-1`. The `aliasa` and `aliasn` parameters cannot be specified for the DPC.

DPC Type	Alias Point Code Type (See Notes 1 - 7)	Alias Point Code Type (See Notes 1 - 7)	DPC TYPE	Alias Point Code Type (See Notes 1 - 7)	Alias Point Code Type (See Notes 1 - 7)
9. To specify the ITU-N and ITU-N Spare alias point codes for the DPC, both point code values are specified with the <code>aliasn</code> parameter and the values are separated by a comma. For example, to specify the alias point codes 00010 and s-00020, the <code>aliasn</code> parameter is specified like <code>this;aliasn=00010,s-00020</code> . The <code>aliasa</code> and <code>aliasi</code> parameters cannot be specified for the DPC.					

Alias point codes can only be specified for full point code entries and must be full point codes.

Destination point codes and alias point codes must be unique in the database. A point code cannot be defined as a true destination point code and an alias point code.

The EAGLE 5 ISS can contain the quantities of alias point codes shown in [Table 19: Maximum Alias Point Code Quantities](#) depending the features that are enabled or turned on.

Table 19: Maximum Alias Point Code Quantities

Feature Status	Maximum Alias Point Code Quantity
The 5000 Routes feature is off and 6000, 7000, 8000, or 10,000 routesets are not enabled	12000
The 5000 Routes feature is on and 6000, 7000, 8000, or 10,000 routesets are not enabled	12000
6000 routesets are enabled	12000
7000 routesets are enabled	8000
8000 routesets are enabled	8000
10,000 routesets are enabled	10000

If either the `dpcn` or `aliasn` parameters are specified with the `chg-dstn` command, the format of the 14-bit ITU-N point code values must match the format shown in the `NPCFMTI` field of the `rtrv-stpopts` command output. For more information, refer to the [14-Bit ITU National Point Code Formats](#) section.

Canceling the RTRV-DSTN Command

Because the `rtrv-dstn` command used in this procedure can output information for a long period of time, the `rtrv-dstn` command can be canceled and the output to the terminal stopped. There are three ways that the `rtrv-dstn` command can be canceled:

- Press the F9 function key on the keyboard at the terminal where the `rtrv-dstn` command was entered
- Enter the `canc-cmd` without the `trm` parameter at the terminal where the `rtrv-dstn` command was entered
- Enter the `canc-cmd:trm=<xx>`, where `<xx>` is the terminal where the `rtrv-dstn` command was entered, from another terminal other than the terminal where the `rtrv-dstn` command was entered. To enter the `canc-cmd:trm=<xx>` command, the terminal must allow Security Administration commands to be entered from it and the user must be allowed to enter Security

Administration commands. The terminal's permissions can be verified with the `rtrv-secu-trm` command. The user's permissions can be verified with the `rtrv-user` or `rtrv-secu-user` commands.

For more information about the `canc-cmd` command, refer to the *Commands Manual*.

1. Display the current destination point codes using the `rtrv-dstn` command.

This is an example of the possible output.

```
rlghncxa03w 10-12-10 11:43:04 GMT EAGLE5 43.0.0
Extended Processing Time may be Required

DPCA          CLLI          BEI  ELEI    ALIASI          ALIASN/N24    DMN
007-*-*      ----- yes --- -----
030-045-*    rlghncbb010  yes yes -----
111-011-*    rlghncbb000  yes yes -----
240-012-004  rlghncbb001  yes --- 1-111-1      10-13-9-3-fr  SS7
240-012-005  rlghncbb002  yes --- 1-112-2      10-13-10-0-ge SS7
240-012-006  rlghncbb003  yes --- 1-112-3      10-13-10-1-fr SS7
240-012-007  ----- yes --- 1-117-3      10-13-11-1-fr SS7
240-012-008  ----- yes --- 1-113-5      10-13-10-2-ge SS7

DPCI          CLLI          BEI  ELEI    ALIASA          ALIASN/N24    DMN
2-131-1      rlghncbb023  no --- 222-210-000   11-11-8-1-ge  SS7
2-131-2      ----- no --- 222-211-001   11-11-8-2-fr  SS7
2-131-3      ----- no --- 222-211-002   11-11-8-3-ge  SS7
4-163-5      ----- no --- 250-200-007   -----       SS7

DPCN          CLLI          BEI  ELEI    ALIASA          ALIASI          DMN
7-9-10-1-fr  ----- no --- 210-090-100   1-75-6         SS7
7-9-10-1-ge  ----- no --- 210-100-100   2-175-6        SS7
10-15-2-3-fr rlghncbb013  no --- 222-200-200   2-121-1        SS7
10-15-2-3-ge rlghncbb013  no --- 222-100-200   2-100-1        SS7
10-15-3-0-fr rlghncbb013  no --- 222-200-201   2-121-2        SS7
10-15-3-0-ge rlghncbb013  no --- 222-100-201   2-100-2        SS7

DESTINATION ENTRIES ALLOCATED: 2000
FULL DPC(s): 21
EXCEPTION DPC(s): 0
NETWORK DPC(s): 1
CLUSTER DPC(s): 2
TOTAL DPC(s): 24
CAPACITY (% FULL): 1%
ALIASES ALLOCATED: 8000
ALIASES USED: 29
CAPACITY (% FULL): 1%
X-LIST ENTRIES ALLOCATED: 500
RTRV-DSTN: MASP A - COMPLTD
```

If a quantity of proxy point codes is enabled, the number of proxy point codes that are provisioned in the database are shown at the end of the `rtrv-dstn` output as shown in this example.

```
DESTINATION ENTRIES ALLOCATED: 2000
FULL DPC(s): 31
EXCEPTION DPC(s): 0
NETWORK DPC(s): 1
CLUSTER DPC(s): 2
Proxy DPC (s) 2
TOTAL DPC(s): 36
```

```

CAPACITY (% FULL):          1%
ALIASES ALLOCATED:          8000
ALIASES USED:                22
CAPACITY (% FULL):          1%
X-LIST ENTRIES ALLOCATED:    500
RTRV-DSTN: MASP A - COMPLTD

```

This procedure cannot be used to change the DPC value (dpc/dpca/dpci/dpcn/dpcn24). To change the DPC value, the destination point code must be removed, then re-entered. Perform the [Removing a Destination Point Code](#) procedure to remove the point code from the database. To add the new point code, perform one of these procedures.

- Cluster point code – [Adding a Cluster Point Code](#)
- Network routing point code – [Adding a Network Routing Point Code](#)
- All other point codes – [Adding a Destination Point Code](#)

If the DPC value is not being changed, continue the procedure with [Step 2](#).

2. Display all the attributes of the point code being changed, using the rtrv-dstn command with either the dpca, dpci, dpcn, or dpcn24 parameters.

For this example, enter this command.

```
rtrv-dstn:dpca=240-012-007
```

This is an example of the possible output.

```

rlghncxa03w 10-12-28 21:16:37 GMT EAGLE5 43.0.0

DPCA          CLLI          BEI ELEI    ALIASI          ALIASN/N24    DMN
240-012-007  ----- yes ---    1-117-3        10-13-11-1-fr SS7

SPCA          NCAI PRX        RCAUSE NPRST  SPLITIAM HMSMSC HMSSCP SCCPMSGCNV
----- ---- no      none  off   none      no    no    none

DESTINATION ENTRIES ALLOCATED:  2000
FULL DPC(s):                    21
EXCEPTION DPC(s):                0
NETWORK DPC(s):                  1
CLUSTER DPC(s):                  2
TOTAL DPC(s):                    24
CAPACITY (% FULL):              1%
ALIASES ALLOCATED:              8000
ALIASES USED:                    29
CAPACITY (% FULL):              1%
X-LIST ENTRIES ALLOCATED:        500
RTRV-DSTN: MASP A - COMPLTD

```

If a proxy point code is assigned to the DPC, and you wish to change the proxy point code assigned to the DPC, the DPC must be removed, then re-entered with the new proxy point code value. Perform the [Removing a Destination Point Code](#) procedure to remove the point code from the database. To add the new point code, perform one of these procedures.

- Cluster point code – [Adding a Cluster Point Code](#)
- Network routing point code – [Adding a Network Routing Point Code](#)
- All other point codes – [Adding a Destination Point Code](#)

If a proxy point code is not assigned to the DPC, continue the procedure with [Step 3](#).

3. To change the attributes of a DPC, these entities must be checked depending on how the attributes of the DPC will be changed. Perform these commands and procedures as required depending on how the attributes of the DPC will be changed.

The type of point code being added, ANSI, ITU-I, ITU-N, ITU-N24 must be shown in the `rtrv-dstn` output or the `rtrv-sid` output. If the point code type is not shown in the `rtrv-dstn` output, perform the `rtrv-sid` command in [Step 4](#). If the point code type is not shown in the `rtrv-dstn` and `rtrv-sid` outputs, perform the [Adding a Point Code to the Self-Identification of the EAGLE 5 ISS](#) procedure to add a point code of the desired point code type.

If the new point code will be a 14-bit ITU-N point code, and a group code will be assigned to the point code, the group code must be defined in `rtrv-sid` output in [Step 4](#), `rtrv-dstn` output in [Step 1](#), or `rtrv-spc` output in [Step 5](#). If the group code is not shown in either of these outputs, perform the [Adding a Point Code to the Self-Identification of the EAGLE 5 ISS](#) procedure to add an entry with the desired group code. If the group code will be different from the ones shown in the `rtrv-sid` or `rtrv-dstn` outputs, perform the [Adding a Secondary Point Code](#) procedure to add a secondary point code with the desired group code.

If a secondary point code value will be changed, the new secondary point code must be shown in the `rtrv-spc` output in [Step 5](#). If the new secondary point code is shown in the `rtrv-spc` output, and the Multiple Linksets to Single Adjacent PC feature is enabled and turned on, the new secondary point code cannot be the secondary point code of a linkset. Enter the `rtrv-ctrl-feat` command in [Step 8](#) to verify if the Multiple Linksets to Single Adjacent PC feature is enabled and turned on. If the Multiple Linksets to Single Adjacent PC feature is enabled and turned on, enter the `rtrv-ls` command in [Step 6](#) with the `spc/spca/spci/spcn/spcn24` parameter with the new secondary point code value from the `rtrv-spc` output. If the secondary point code is not shown in the `rtrv-spc` output, perform the [Adding a Secondary Point Code](#) procedure to add the desired secondary point code. The `spc/spca/spci/spcn/spcn24` parameter cannot be specified for a DPC that contains a proxy point code, shown the `PPCA/PPCI/PPCN/PPCN24` field when the individual DPC is displayed.

If the `clli` parameter value will be changed, the new `clli` parameter value cannot be shown in the `rtrv-sid` or `rtrv-dstn` outputs. Enter the `rtrv-sid` command in [Step 4](#) to verify the `CLLI` value in the self-identification of the EAGLE 5 ISS.

The format of a 14-bit ITU-N point code must match the format defined by the `NPCFMTI` value in the `rtrv-stpopts` output. Enter the `rtrv-stpopts` in [Step 7](#) to verify the `NPCFMTI` value. If you wish to change the format, perform [14-Bit ITU National Point Code Formats](#).

To specify an alias point code with the DPC, specifying the new alias point code cannot exceed the maximum alias point code quantity shown in the `ALIASES ALLOCATED:` or the `Alias` table row in the `rtrv-dstn` output. If the maximum alias point code quantity will be exceeded, remove enough alias point codes to allow the new alias point code to be added. Enter the `chg-dstn` command with the DPC that contains the alias point code that is being removed and with the `aliasa/aliasi/aliasn/aliasn24=none` parameter. Enter this command as needed to remove the required number of alias point codes.

If the `nprst` or `rcause` parameters will be specified with the DPC, the TIF Number Portability feature must be enabled. If the current `rcause` value is `none` and the current `nprst` value is `off`, enter the `rtrv-ctrl-feat` command in [Step 8](#) to verify that the feature is enabled. If the feature is not enabled, perform the procedures in [Feature Manual - TIF](#) to enable the TIF Number Portability feature.

If the `splitiam` parameter will be specified with the DPC, at least one of these features must be enabled.

- TIF Number Portability
- TIF SCS Forwarding
- TIF Simple Number Substitution
- TIF Additional Subscriber Data
- TIF Generic Routing Number

If the current `splitiam` value is `none`, enter the `rtrv-ctrl-feat` command in [Step 8](#) to verify if any of these features are enabled. If none of these features are enabled, perform the procedures in *Feature Manual - TIF* to enable one or more of these features.

If the `prx=yes` parameter will be specified with the DPC, the Proxy Point Code feature must be enabled. The addition of the proxy point code with the `prx=yes` parameter cannot exceed the enabled proxy point code quantity, shown in the `PPC` table or `PROXY DPC(s)` row of the `rtrv-dstn` output. Enter the `rtrv-ctrl-feat` command in [Step 8](#) to verify if a proxy point code quantity is enabled. If a proxy point code quantity is enabled, the Proxy Point Code feature is enabled. To enable the Proxy Point Code feature or increase the proxy point code quantity, perform the [Changing the Proxy Point Code Quantity](#) procedure. The `prx=yes` parameter cannot be specified for the DPC if any of these conditions are present.

- If the enabled quantity is 100 and 100 proxy point codes are in the database.
- If the DPC is a private point code, a cluster point code, a network routing point code, or the adjacent point code of an IPGWx linkset. The private point codes, cluster point codes, and network routing point codes are shown in the `rtrv-dstn` output. Display the linkset with the `rtrv-ls` command in [Step 10](#), then re-enter the `rtrv-ls` command in [Step 11](#) with the name of the linkset that has the DPC as its adjacent point code to verify if the linkset is an IPGWx linkset.

If the current `PRX` value is `yes`, the `PRX` value cannot be changed if the DPC is referenced by other point codes as a proxy point code. Enter the `rtrv-dstn` command in [Step 9](#) with the `ppc/ppca/ppci/ppcn/ppcn24` parameter and the DPC that is being changed to verify if the proxy point code is referenced by other point codes. Perform the [Removing a Destination Point Code](#) procedure to remove the point code that reference the proxy point code.

The `sccpmsgcnv` parameter specifies the kind of conversion performed on messages for the specified destination. This parameter can be specified only if the XUDT UDT Conversion feature is enabled and turned on. Enter the `rtrv-ctrl-feat` command in [Step 8](#) to verify that the XUDT UDT Conversion feature is enabled and turned on. If the XUDT UDT Conversion feature is not enabled or turned on, perform the "Activating the XUDT UDT Conversion Feature" procedure in the *Database Administration Manual - Global Title Translation* to enable and turn on the XUDT UDT Conversion feature.

After the required entities have been verified and provisioned, continue the procedure with [Step 12](#).

4. Display the EAGLE 5 ISS self-identification, using the `rtrv-sid` command.

This is an example of the possible output.

```
rlghncxa03w 07-05-10 11:43:04 GMT EAGLE5 37.0.0
PCA          PCI          PCN          CLLI          PCTYPE
100-100-100  3-75-7        7-9-8-1-fr   rlghncxa03w  OTHER

CPCA
002-002-002      002-002-003      002-002-004      002-002-005
```

002-002-006	002-002-007	002-002-008	002-002-009
004-002-001	004-003-003	050-060-070	
CPCA (LNP)			
005-005-002	005-005-004	005-005-005	
CPCI			
1-002-1	1-002-2	1-002-3	1-002-4
2-001-1	7-222-7		
CPCN			
2-0-10-3-fr	2-0-11-0-fr	2-0-11-2-fr	2-0-12-1-fr
2-2-3-3-fr	2-2-4-0-fr	10-14-10-1-fr	

5. Display the secondary point codes in the database with the `rtrv-spc` command.

This is an example of the possible output.

```
rlghncxa03w 07-05-17 16:02:05 GMT EAGLE5 37.0.0
SPC (Secondary Point Codes)
SPCA
  001-010-010
  002-010-010
  003-010-010
  010-100-010
SPC-I
  1-253-5
  2-254-6
  3-255-7
  4-100-1
SPC-N
  10-1-11-1-ge
  13-2-12-0-ge
  14-15-12-1-ge
SPC-N24
none
Secondary Point Code table is (11 of 40) 28% full
```

6. A secondary point code cannot be added to a DPC if that secondary point code is assigned to any linksets.

Display the linksets that have the secondary point code assigned to them by entering the `rtrv-ls` command with either the `spc/spca`, `spci`, `spcn`, or `spcn24` parameters.

For this example, enter this command.

```
rtrv-ls:spca=010-100-010
```

This is an example of the possible output.

```
rlghncxa03w 07-05-19 17:06:08 EST 37.5.0
SPCA = 010-100-010
LSN          APCA   (SS7)  SCR N SET SET BEI LST LNKS ACT MES DIS SLSCI NIS
lsn1         000-007-000 none 1  1  no PRX 0  off off off no  off
lsn2         001-001-001 none 1  1  no PRX 0  off off off no  off
Link set table is (11 of 1024) 1% full.
```

7. Display the existing values for the `npcfmt i` parameter by entering the `rtrv-stpopts` command.

The value for the `npcfmt i` parameter is shown in the `NPCFMTI` field. This is an example of the possible output.

```
rlghncxa03w 07-05-17 16:02:05 GMT EAGLE5 37.0.0
STP OPTIONS
-----
NPCFMTI          4-4-4-2
```

Note: The `rtrv-stpopts` command output contains other fields that are not used by this procedure. If you wish to see all the fields displayed by the `rtrv-stpopts` command, see the `rtrv-stpopts` command description in the *Commands Manual*.

8. Display the features that are enabled by entering the `rtrv-ctrl-feat` command.

The following is an example of the possible output.

```
rlghncxa03w 07-05-28 21:15:37 GMT EAGLE5 37.0.0
The following features have been permanently enabled:
```

Feature Name	Partnum	Status	Quantity
Command Class Management	893005801	on	----
LNP Short Message Service	893006601	on	----
Intermed GTT Load Sharing	893006901	on	----
XGTT Table Expansion	893006101	on	4000000
XMAP Table Expansion	893007710	on	3000
Large System # Links	893005901	on	1500
Routesets	893006401	on	6000
HC-MIM SLK Capacity	893012707	on	64

The following features have been temporarily enabled:

Feature Name	Partnum	Status	Quantity	Trial Period Left
Zero entries found.				

The following features have expired temporary keys:

Feature Name	Partnum
Zero entries found.	

9. Display the point codes in the database that have the proxy point code assigned to them by entering the `rtrv-dstn` command with the `ppc/ppca/ppci/ppcn/ppcn24` parameter. The `ppc/ppca/ppci/ppcn/ppcn24` parameter value is the proxy point code being removed in this procedure. For this example, enter this command.

```
rtrv-dstn:ppca=002-002-002
```

This is an example of the possible output.

```
rlghncxa03w 09-05-28 21:16:37 EDT EAGLE5 41.0.0

DPCA          CLLI          BEI ELEI    ALIASI          ALIASN/N24    DMN
000-005-000  ----- no  --- -----          -----          SS7
PRX = no      PPC =      002-002-002

001-001-002  ----- no  --- -----          -----          SS7
```



```

PRX = no      PPC =      002-002-002

Destination table is (11 of 2000) 1% full
Alias table is (0 of 12000) 0% full
PPC table is (2 of 10) 20% full

```

10. Display the linksets in the database by entering the `rtrv-ls` command. This is an example of the possible output.

```

rlghncxa03w 07-05-10 11:43:04 GMT EAGLE5 37.0.0

      L3T SLT
LSN      APCA      (SS7)  SCRN SET SET BEI LST LNKS ACT MES DIS SLSCI NIS
ele2     001-207-000  none 1  1  no  B   6   off off off no  off
ls1305   000-005-000  none 1  1  no  A   1   off off off no  off
ls1307   000-007-000  none 1  1  no  A   1   off off off no  off
elm1s1   001-001-001  none 1  1  no  A   7   off off off no  off
elm1s2   001-001-002  none 1  1  no  A   7   off off off no  off
lsn10    240-012-007  none 1  1  no  A   1   off off off no  off
ls20     002-002-002  none 1  1  no  PRX 1   off off off no  off

      L3T SLT
LSN      APCI      (SS7)  SCRN SET SET BEI LST LNKS ACT MES DIS SLSCI NIS
ele2i    1-207-0      none 1  1  no  B   4   off off off ---  on
ls1315   0-015-0      none 1  1  no  A   1   off off off ---  off
ls1317   0-017-0      none 1  1  no  A   1   off off off ---  on
elm2s1   1-011-1      none 1  1  no  A   7   off off off ---  off
elm2s2   1-011-2      none 1  1  no  A   7   off off off ---  off

Link set table is (10 of 1024) 1% full.

```

11. Display the attributes of the linkset shown in [Step 10](#) whose APC is the DPC being changed by entering the `rtrv-ls` command with the `lsn` parameter.

For this example, enter this command.

```
rtrv-ls:lsn=lsn10
```

This is an example of the possible output.

```

rlghncxa03w 07-05-28 21:16:37 EDT EAGLE5 37.0.0

      L3T SLT
LSN      APCA      (SS7)  SCRN SET SET BEI LST LNKS ACT MES DIS SLSCI NIS
lsn10    240-012-007  none 1  1  no  A   1   off off off no  off

      CLLI      TFATCABMLQ MTPRSE ASL8
----- 1 --- no

      IPGWAPC MATELSN IPTPS LSUSEALM SLKUSEALM GTTMODE
yes ----- 200 100 % 80 % CdPA

      LOC PORT SLC TYPE
1211 A 0 SS7IPGW

Link set table is (10 of 1024) 1% full.

```

12. Change the destination point code using the `chg-dstn` command.

If alias point code values will be changed, [Table 18: Destination Point Code Type and Alias Point Code Type Combinations](#) shows the DPC and alias point type combinations that can be used with the `chg-dstn` command.

For this example, enter these commands.

```
chg-dstn:dpca=240-012-007:clli=1s09clli:bei=no:aliasi=2-66-1
:aliasn=0-10-13-3-fr:spca=003-010-010:homescp=yes:homesmsc=yes:scpmsgcnv=udt2xudt
chg-dstn:dpci=2-131-2:aliasn=8-10-2-0-fr,s-9-11-1-3-fr
chg-dstn:dpcn=10-15-3-0-fr:aliasi=3-150-7,s-3-125-2
```

If the point code is being changed to a proxy point code, the `prx=yes` parameter must be specified. The point code cannot be a private point code, cannot have the `ipgwapc=yes` parameter assigned, and cannot be a cluster or network routing point code.

If the point code is being changed from a proxy point code to a non-proxy point code, the `prx=no` parameter must be specified. The proxy point code cannot be assigned to a linkset or to other destination point codes.

An SPC cannot be assigned to a destination point code if the SPC is assigned to a linkset.

If the `aliasn` parameter is specified with the `chg-dstn` command, make sure that the format of the ITU national alias point code matches the format shown in the `NPCFMTI` field of the `rtrv-stpopts` command output shown in [Step 7](#) or with the format that was defined when the procedure in the [14-Bit ITU National Point Code Formats](#) section was performed in [Step 3](#).

When this command has successfully completed, and the Cluster Routing and Management Diversity feature is turned off (`CRMD = off` in the `rtrv-feat` command output), and no proxy point code quantity is enabled, this message should appear.

```
rlghncxa03w 07-05-17 15:35:05 GMT EAGLE5 37.0.0
Destination table is (24 of 2000) 1% full
Alias table is (29 of 8000) 1% full
CHG-DSTN: MASP A - COMPLTD
```

If the Cluster Routing and Management Diversity feature is turned on (`CRMD = on` in the `rtrv-feat` command output), and no proxy point code quantity is enabled, this message should appear when each command has successfully completed.

```
rlghncxa03w 07-05-17 15:35:05 GMT EAGLE5 37.0.0
DESTINATION ENTRIES ALLOCATED: 2000
  FULL DPC(s): 21
  EXCEPTION DPC(s): 0
  NETWORK DPC(s): 1
  CLUSTER DPC(s): 2
  TOTAL DPC(s): 24
  CAPACITY (% FULL): 1%
ALIASES ALLOCATED: 8000
  ALIASES USED: 29
  CAPACITY (% FULL): 1%
X-LIST ENTRIES ALLOCATED: 500
CHG-DSTN: MASP A - COMPLTD
```

If a proxy point code quantity is enabled and the Cluster Routing and Management Diversity feature is turned off (shown with the `CRMD = off` entry in the `rtrv-feat` command output), this message should appear.

```
rlghncxa03w 06-10-17 15:35:05 GMT EAGLE5 36.0.0
Destination table is (24 of 2000) 1% full
Alias table is (29 of 12000) 1% full
PPC table is (2 of 10) 20% full
ENT-DSTN: MASP A - COMPLTD
```

If the Cluster Routing and Management Diversity feature is turned on (`CRMD = on` in the `rtrv-feat` command output), and a proxy point code quantity is enabled, this message should appear.

```
rlghncxa03w 06-10-17 15:35:05 GMT EAGLE5 36.0.0
DESTINATION ENTRIES ALLOCATED: 2000
  FULL DPC(s): 24
  EXCEPTION DPC(s): 0
  NETWORK DPC(s): 0
  CLUSTER DPC(s): 2
  Proxy DPC(s): 2
  TOTAL DPC(s): 28
  CAPACITY (% FULL): 1%
ALIASES ALLOCATED: 8000
  ALIASES USED: 27
  CAPACITY (% FULL): 1%
X-LIST ENTRIES ALLOCATED: 500
ENT-DSTN: MASP A - COMPLTD
```

13. Verify the changes using the `rtrv-dstn` command, and specifying the destination point code that was entered in [Step 12](#).
 - a) If an ANSI destination point code was changed in [Step 12](#), use the `dpca` parameter to display the attributes of the destination point code.
 - b) If an ITU international destination point code was changed in [Step 12](#), use the `dpcli` parameter to display the attributes of the destination point code.
 - c) If a 14-bit ITU national destination point code was changed in [Step 12](#), use the `dpcln` parameter to display the attributes of the destination point code.
 - d) If a 24-bit ITU national destination point code was changed in [Step 12](#), use the `dpcln24` parameter to display the attributes of the destination point code.

For this example, enter these commands.

```
rtrv-dstn:dpca=240-012-007
```

This is an example of the possible output.

```
rlghncxa03w 10-12-28 21:16:37 GMT EAGLE5 43.0.0

  DPCA          CLLI          BEI ELEI    ALIASI          ALIASN/N24    DMN
  240-012-007   ls09clli       no  ---      2-66-1         0-10-13-3-fr  SS7

  SPCA          NCAI PRX       RCAUSE NPRST  SPLITIAM HMSMSC HMSCP SCCPMSGCNV
  003-010-010   ---- no        none  off   none         yes   yes   udt2xudt

DESTINATION ENTRIES ALLOCATED: 2000
```

```

FULL DPC(s):                21
EXCEPTION DPC(s):          0
NETWORK DPC(s):            1
CLUSTER DPC(s):           2
TOTAL DPC(s):              24
CAPACITY (% FULL):        1%
ALIASES ALLOCATED:         8000
ALIASES USED:              29
CAPACITY (% FULL):        1%
X-LIST ENTRIES ALLOCATED:  500
RTRV-DSTN: MASP A - COMPLTD

```

```
rtrv-dstn:dpci=2-131-2
```

This is an example of the possible output.

```

rlghncxa03w 10-12-28 21:16:37 GMT EAGLE5 43.0.0

DPCI          CLLI          BEI ELEI    ALIASN          ALIASN          DMN
2-131-2      ----- no ---    8-10-2-0-fr    s-9-11-1-3-fr  SS7

SPCI          NCAI PRX      RCAUSE NPRST  SPLITIAM HMSMSC HMSCP  SCCPMSGCNV
-----      ---- no      none  off   none    no    no    none

DESTINATION ENTRIES ALLOCATED:  2000
FULL DPC(s):                    21
EXCEPTION DPC(s):              0
NETWORK DPC(s):                1
CLUSTER DPC(s):               2
TOTAL DPC(s):                  24
CAPACITY (% FULL):             1%
ALIASES ALLOCATED:             8000
ALIASES USED:                  29
CAPACITY (% FULL):             1%
X-LIST ENTRIES ALLOCATED:      500
RTRV-DSTN: MASP A - COMPLTD

```

```
rtrv-dstn:dpcn=10-15-3-0-fr
```

This is an example of the possible output.

```

rlghncxa03w 10-12-28 21:16:37 GMT EAGLE5 43.0.0

DPCN          CLLI          BEI ELEI    ALIASI          ALIASI          DMN
10-15-3-0-fr  rlgncbb013 no ---    3-150-7        s-3-125-2      SS7

SPCN          NCAI PRX      RCAUSE NPRST  SPLITIAM HMSMSC HMSCP  SCCPMSGCNV
-----      ---- no      none  off   none    no    no    none

DESTINATION ENTRIES ALLOCATED:  2000
FULL DPC(s):                    21
EXCEPTION DPC(s):              0
NETWORK DPC(s):                1
CLUSTER DPC(s):               2
TOTAL DPC(s):                  24
CAPACITY (% FULL):             1%
ALIASES ALLOCATED:             8000
ALIASES USED:                  29
CAPACITY (% FULL):             1%

```

```
X-LIST ENTRIES ALLOCATED:          500
RTRV-DSTN: MASP A - COMPLTD
```

14. Back up the new changes, using the `chg-db:action=backup:dest=fixed` command.

These messages should appear; the active Maintenance and Administration Subsystem Processor (MASP) appears first.

```
BACKUP (FIXED) : MASP A - Backup starts on active MASP.
BACKUP (FIXED) : MASP A - Backup on active MASP to fixed disk complete.
BACKUP (FIXED) : MASP A - Backup starts on standby MASP.
BACKUP (FIXED) : MASP A - Backup on standby MASP to fixed disk complete.
```

Changing the Group Code Assigned to a 14-Bit ITU National Point Code

This procedure is used to change the group code that is assigned to a 14-bit ITU national point code. The 14-bit ITU national point code to be changed must be in the database.

To change a group code assigned to a ITU national point code, a duplicate point code with the new group code must be configured in the database with a route, linkset, and signaling link to the new destination. Then the 14-bit ITU national point code with the old group code with its route can be removed from the database.

The `chg-dstn` command cannot be used to change the group code assigned to 14-bit ITU national point codes.

The examples in this procedure are used to remove the group code assigned to ITU national destination point code 7-9-10-1-aa to 7-9-10-1-de. The format of the 14-bit ITU national point codes used in these examples is 4-4-4-2.

Canceling the `RTRV-DSTN` and `RTRV-RTE` Commands

Because the `rtrv-dstn` and `rtrv-rte` commands used in this procedure can output information for a long period of time, the `rtrv-dstn` and `rtrv-rte` commands can be canceled and the output to the terminal stopped. There are three ways that the `rtrv-dstn` and `rtrv-rte` commands can be canceled:

- Press the F9 function key on the keyboard at the terminal where the `rtrv-dstn` or `rtrv-rte` command was entered
- Enter the `canc-cmd` without the `trm` parameter at the terminal where the `rtrv-dstn` or `rtrv-rte` command was entered
- Enter the `canc-cmd:trm=<xx>`, where `<xx>` is the terminal where the `rtrv-dstn` or `rtrv-rte` command was entered, from another terminal other than the terminal where the `rtrv-dstn` or `rtrv-rte` command was entered. To enter the `canc-cmd:trm=<xx>` command, the terminal must allow Security Administration commands to be entered from it and the user must be allowed to enter Security Administration commands. The terminal's permissions can be verified with the `rtrv-secu-trm` command. The user's permissions can be verified with the `rtrv-user` or `rtrv-secu-user` commands.

For more information about the `canc-cmd` command, refer to the *Commands Manual*.

1. Display all the attributes of the 14-bit ITU national point code whose group code is being changed, using the `rtrv-dstn` command with the `dpcn` parameter.

For this example, enter this command.

```
rtrv-dstn:dpcn=7-9-10-1-aa
```

This is an example of the possible output.

```
rlghncxa03w 10-12-28 21:16:37 GMT EAGLE5 43.0.0
DPCN          CLLI          BEI  ELEI    ALIASA          ALIASI          DMN
7-9-10-1-aa  -----  no   ---    210-090-100    1-75-6          SS7
SPCA          NCAI          RCAUSE NPRST  SPLITIAM HMSMSC HMSSCP SCCPMSGCNV
13-2-12-0-aa no          none  off   none         no         no         none
Destination table is (17 of 2000) 1% full
Alias table is (8 of 8000) 1% full
RTRV-DSTN: MASP A - COMPLTD
```

2. Display the route configuration of the 14-bit ITU national point code specified in [Step 1](#), by entering the `rtrv-rte` command with the `dpcn` parameter.

For this example, enter this command.

```
rtrv-rte:dpcn=7-9-10-1-aa
```

This is an example of the possible output.

```
rlghncxa03w 07-05-17 16:02:05 GMT EAGLE5 37.0.0
DPCN          ALIASA          ALIASI  LSN          RC    APC
7-9-10-1-aa    210-090-100    1-75-6  1s04         10    10-4-15-1-aa
                                     1s02         20    12-11-2-0-aa
                                     1s03         30    8-1-15-2-aa
RTX:No  CLLI=1s04c11i
```

3. Go to the [Removing a Destination Point Code](#) procedure and add the duplicate ITU national point code with the new group code.

For this example, the new point code is 7-9-10-1-de.

4. Go to the [Removing a Destination Point Code](#) procedure and remove the 14-bit ITU national point code with the old group code, specified in [Step 1](#) and [Step 2](#).

This procedure will also remove the route to the point code with the old group code, the linkset used by this route, and the signaling links in that linkset. Record the configuration of the signaling links in the linkset. This information will be used to restore these signaling links in [Step 6](#).

Note: If the DPC specified in [Step 2](#) is not the adjacent point code of a linkset, shown in the APCN field of the `rtrv-rte` output, continue the procedure with [Substep b of Step 7](#).

5. Perform the [Adding a SS7 Linkset](#) procedure to add a new linkset to the database containing the 14-bit ITU national point code with the new group code specified in [Step 3](#) as the APC of the linkset.

6. Perform the *Adding an SS7 Signaling Link* procedure to add the signaling links that were removed by the *Removing a Destination Point Code* procedure in step 4 and specifying the linkset name of the linkset that was added in *Step 5*.
7. If the DPC specified in *Step 2* is the adjacent point code of a linkset and a new linkset was created in *Step 5*, then perform *Substep a*. If the DPC specified in *Step 2* is not the adjacent point code of a linkset, then perform *Substep b*. Do not perform *Substep a* and *Substep b*.
 - a) Perform one of the “Adding a Route” procedures in Chapter 3 to add the route to the 14-bit ITU national point code with the new group code specifying the name of the linkset created in step 5 and the 14-bit ITU national point code with the new group code from *Step 3*.
 - b) Perform one of the “Adding a Route” procedures in Chapter 3 to add the route to the 14-bit ITU national point code with the new group code specifying the 14-bit ITU national point code with the new group code from *Step 3*.
8. Back up the new changes, using the `chg-db:action=backup:dest=fixed` command.

These messages should appear; the active Maintenance and Administration Subsystem Processor (MASP) appears first.

```
BACKUP (FIXED) : MASP A - Backup starts on active MASP.  
BACKUP (FIXED) : MASP A - Backup on active MASP to fixed disk complete.  
BACKUP (FIXED) : MASP A - Backup starts on standby MASP.  
BACKUP (FIXED) : MASP A - Backup on standby MASP to fixed disk complete.
```

Chapter 3

SS7 Configuration

Topics:

- *Introduction.....223*
- *Enabling the Large System # Links Controlled Feature.....223*
- *Adding a SS7 Linkset.....229*
- *ITU SLS Enhancement.....251*
- *ITU TFR Procedures.....257*
- *Per-Linkset Random SLS.....258*
- *Verifying the Gateway Screening Configuration for a Linkset.....259*
- *Configuring the MTP Restart Feature.....264*
- *Configuring the 5-Bit to 8-Bit SLS Conversion Feature.....268*
- *Using Proxy Point Codes and Secondary Point Codes when Adding a Linkset.....271*
- *Activating the SLS Bit Rotation by Incoming Linkset Feature.....278*
- *Configuring the RSLS8 Value for ANSI Linksets.....282*
- *Removing a Linkset Containing SS7 Signaling Links.....284*
- *Changing an SS7 Linkset.....297*
- *Verifying the New Adjacent Point Code or New Secondary Point Code for a Linkset.....316*
- *Using the MULTGC Parameter when Changing the Attributes of a Linkset.....325*
- *Configuring an ITU Linkset with a Secondary Adjacent Point Code (SAPC).....330*
- *Adding an SS7 Signaling Link.....339*
- *Removing an SS7 Signaling Link.....347*
- *Adding a Route Containing an SS7 DPC.....353*
- *Adding a Route Containing a Cluster Point Code.....364*

Chapter 3, SS7 Configuration, describes the procedures necessary to configure the EAGLE 5 ISS to support the SS7 network.

- *Adding a Route Containing an IPGWx Linkset.....370*
- *Removing a Route.....377*
- *Changing a Route.....392*
- *Changing Level 2 Timers.....402*
- *Changing Level 3 Timers.....409*
- *Changing a Signaling Link Test Message.....413*
- *Configuring Circular Route Detection.....415*
- *Configuring the TFA/TFR Pacing Rate.....418*
- *Configuring the Frequency of RST Messages on Low Priority Routes.....419*
- *Adding Remote Loopback Points.....422*
- *Removing Remote Loopback Points.....426*
- *Changing Remote Loopback Points.....428*
- *Configuring the System for Random SLS Generation.....430*
- *Configuring the Options for the TDM Global Timing Interface.....438*
- *Configuring the Restricted Linkset Option.....442*
- *Configuring the Options for Handling TFCs on ITU-I and ITU-N Networks.....446*
- *Changing the High-Capacity Card Temperature Alarm Thresholds.....447*
- *Activating the Origin-Based MTP Routing Feature.....450*
- *Configuring the Origin-Based MTP Routing SCCP OPC Option.....458*
- *Adding an Exception Route Entry.....460*
- *Removing a Route Exception Entry.....481*
- *Changing a Route Exception Entry.....488*
- *Activating the Circular Route Auto-Recovery Feature.....499*
- *Turning Off the Circular Route Auto-Recovery Feature502*
- *Activating the Enhanced Far-End Loopback Detection Feature.....504*
- *Turning Off the Enhanced Far-End Loopback Detection Feature508*
- *Activating the Multiple Linksets to Single Adjacent PC (MLS) Feature.....509*
- *Configuring the ITU Linkset NI Mapping Options.....514*
- *Configuring the Option for Handling Message Priorities for Messages Crossing into ITU-I and ITU-N Networks.....518*

- [Activating the 6-Way Loadsharing on Routesets Feature.....520](#)

Introduction

This chapter contains the procedures necessary to configure the EAGLE 5 ISS to support the SS7 network. These items are configured to support the SS7 network.

- Linksets, including linksets for these features:
 - MTP restart
 - 5-Bit to 8-Bit SLS conversion
 - ITUSLS enhancement
 - Configuring the option for determining how the EAGLE 5 ISS routes messages over restricted linksets and routes - the restricted linkset option.
 - Configuring the options for determining how the EAGLE 5 ISS handles TFC messages from ITU-I and ITU-N networks.
- Signaling links
- Routes
- Level 2 timers
- Level 3 timers
- Signaling link test messages
- The rate that TFA and TFP messages are sent
- Circular route detection
- The frequency that signaling-route-set-test (RST) messages are sent for lower priority routes
- Remote loopback points for the link fault sectionalization feature
- Options for the TDM Global Timing Interface
- Changing the high-capacity card temperature alarm thresholds.

Enabling the Large System # Links Controlled Feature

This procedure is used to enable the Large System # Links controlled feature using the feature's part number and a feature access key.

The feature access key for the Large System # Links controlled feature is based on the feature's part number and the serial number of the EAGLE 5 ISS, making the feature access key site-specific.

This feature allows the EAGLE 5 ISS to contain a maximum of either 1500, 2000, or 2800 signaling links.

The `enable-ctrl-feat` command enables the controlled feature by inputting the controlled feature's access key and the controlled feature's part number with these parameters:

`: fak` – The feature access key provided by Tekelec. The feature access key contains 13 alphanumeric characters and is not case sensitive.

`: partnum` – The Tekelec-issued part number associated with the signaling link quantity being enabled:

- 893005901 for the 1500 signaling link quantity
- 893005910 for the 2000 signaling link quantity.
- 893005911 for the 2800 signaling link quantity.

The `enable-ctrl-feat` command requires that the database contain a valid serial number for the EAGLE 5 ISS, and that this serial number is locked. This can be verified with the `rtrv-serial-num` command. The EAGLE 5 ISS is shipped with a serial number in the database, but the serial number is not locked. The serial number can be changed, if necessary, and locked once the EAGLE 5 ISS is on-site, by using the `ent-serial-num` command. The `ent-serial-num` command uses these parameters.

`:serial` – The serial number assigned to the EAGLE 5 ISS. The serial number is not case sensitive.

`:lock` – Specifies whether or not the serial number is locked. This parameter has only one value, `yes`, which locks the serial number. Once the serial number is locked, it cannot be changed.

Note: To enter and lock the EAGLE 5 ISS's serial number, the `ent-serial-num` command must be entered twice, once to add the correct serial number to the database with the `serial` parameter, then again with the `serial` and the `lock=yes` parameters to lock the serial number. You should verify that the serial number in the database is correct before locking the serial number. The serial number can be found on a label affixed to the control shelf (shelf 1100).

This feature cannot be temporarily enabled (with the temporary feature access key).

Once this feature is enabled with the `enable-ctrl-feat` command, the feature is also activated. The `chg-ctrl-feat` command is not necessary to activate the feature.

This feature cannot be turned off with the `chg-ctrl-feat` command and the `status=off` parameter.

Hardware Supported for Signaling Link Quantities Greater than 2000

This hardware is the only hardware that is supported for an EAGLE 5 ISS containing 2001 to 2800 signaling links.

- HC-MIM
- E5-E1/T1
- E5-ATM
- E5-SM4G
- E5-ENET
- E5-based control cards
- Single-Slot EDCM or E5-SLAN card for the STPLAN feature
- Single-Slot EDCM or E5-STC card for the EAGLE 5 Integrated Monitoring Support feature

To increase the signaling link quantity to more than 2000 signaling links, HIPR or HIPR2 cards must be installed into card locations 9 and 10 in each shelf in the EAGLE 5 ISS. Enter the `rept-stat-gpl:gpl=hipr` command to verify whether or not HIPR cards are installed in the EAGLE 5 ISS shelves. Enter the `rept-stat-gpl:gpl=hipr2` command to verify whether or not HIPR2 cards are installed in the EAGLE 5 ISS shelves.

1. Display the status of the Large System # Links controlled feature by entering the `rtrv-ctrl-feat` command.

The following is an example of the possible output.

```
rlghncxa03w 06-10-28 21:15:37 GMT EAGLE5 36.0.0
The following features have been permanently enabled:

Feature Name           Partnum    Status   Quantity
Command Class Management 893005801  on      ----
LNP Short Message Service 893006601  on      ----
Intermed GTT Load Sharing 893006901  on      ----
```

```

XGTT Table Expansion      893006101  on    400000
XMAP Table Expansion      893007710  off   ----
Routesets                 893006401  on    6000
HC-MIM SLK Capacity      893012707  on    64

```

The following features have been temporarily enabled:

```

Feature Name              Partnum    Status    Quantity    Trial Period Left
Zero entries found.

```

The following features have expired temporary keys:

```

Feature Name              Partnum
Zero entries found.

```

If the `rtrv-ctrl-feat` output shows that the controlled feature is enabled for the desired quantity or for a quantity that is greater than the desired quantity, no further action is necessary. This procedure does not need to be performed.

If the `rtrv-ctrl-feat` output in [Step 1](#) shows any controlled features, or if the Large System # Links controlled feature is enabled for a quantity that is less than the desired quantity, continue the procedure by performing one of these steps.

- If the enabled quantity will be 1500, continue the procedure with [Step 9](#).
- If the enabled quantity will be 2000 or 2800, continue the procedure with [Step 6](#).

Note: If the `rtrv-ctrl-feat` output shows only the HC-MIM SLK Capacity feature with a quantity of 64, [Step 2](#) through [Step 5](#) must be performed.

2. Display the serial number in the database with the `rtrv-serial-num` command.

This is an example of the possible output.

```

rlghncxa03w 06-10-28 21:15:37 GMT EAGLE5 36.0.0
System serial number = nt00001231

System serial number is not locked.

rlghncxa03w 06-10-28 21:15:37 GMT EAGLE5 36.0.0
Command Completed

```

If the serial number is correct and locked, continue the procedure by performing one of these steps.

- If the enabled quantity will be 1500, continue the procedure with [Step 9](#).
- If the enabled quantity will be 2000 or 2800, continue the procedure with [Step 6](#).

If the serial number is correct but not locked, continue the procedure with [Step 5](#).

If the serial number is not correct, but is locked, this feature cannot be enabled and the remainder of this procedure cannot be performed. Contact the Customer Care Center to get an incorrect and locked serial number changed. Refer to [Customer Care Center](#) for the contact information. The serial number can be found on a label affixed to the control shelf (shelf 1100).

3. Enter the correct serial number into the database using the `ent-serial-num` command with the `serial` parameter.

For this example, enter this command.

```
ent-serial-num:serial=<EAGLE 5 ISS's correct serial number>
```

When this command has successfully completed, the following message should appear.

```
rlghncxa03w 06-10-28 21:15:37 GMT EAGLE5 36.0.0
ENT-SERIAL-NUM: MASP A - COMPLTD
```

4. Verify that the serial number entered into [Step 3](#) was entered correctly using the `rtrv-serial-num` command.

This is an example of the possible output.

```
rlghncxa03w 06-10-28 21:15:37 GMT EAGLE5 36.0.0
System serial number = nt00001231

System serial number is not locked.

rlghncxa03w 06-10-28 21:15:37 GMT EAGLE5 36.0.0
Command Completed
```

If the serial number was not entered correctly, repeat [Step 3](#) and [Step 4](#) and re-enter the correct serial number.

5. Lock the serial number in the database by entering the `ent-serial-num` command with the serial number shown in [Step 2](#), if the serial number shown in [Step 2](#) is correct, or with the serial number shown in [Step 4](#), if the serial number was changed in [Step 3](#), and with the `lock=yes` parameter.

For this example, enter this command.

```
ent-serial-num:serial=<EAGLE 5 ISS's serial number>:lock=yes
```

When this command has successfully completed, the following message should appear.

```
rlghncxa03w 06-10-28 21:15:37 GMT EAGLE5 36.0.0
ENT-SERIAL-NUM: MASP A - COMPLTD
```

Continue the procedure by performing one of these steps.

- If the enabled quantity will be 1500, continue the procedure with [Step 9](#).
- If the enabled quantity will be 2000 or 2800, continue the procedure with [Step 6](#).

6. Verify that HIPR cards are installed in card locations 9 and 10 in each shelf of the EAGLE 5 ISS.

Enter this command.

```
rept-stat-gpl:gpl=hipr
```

This is an example of the possible output.

```
rlghncxa03w 06-10-01 11:40:26 GMT EAGLE5 36.0.0
GPL          CARD          RUNNING          APPROVED          TRIAL
HIPR         1109          126-002-000     126-002-000     126-003-000
HIPR         1110          126-002-000     126-002-000     126-003-000
HIPR         1209          126-002-000     126-002-000     126-003-000
HIPR         1210          126-002-000     126-002-000     126-003-000
HIPR         1309          126-002-000     126-002-000     126-003-000
```

```

HIPR      1310      126-002-000      126-002-000      126-003-000
HIPR      2109      126-002-000      126-002-000      126-003-000
HIPR      2110      126-002-000      126-002-000      126-003-000
Command Completed

```

If HIPR cards are installed in each the shelf in the EAGLE 5 ISS, continue the procedure with [Step 8](#).

If HIPR cards are not installed on each shelf in the EAGLE 5 ISS, continue the procedure with [Step 7](#).

- Verify that HIPR2 cards are installed in card locations 9 and 10 in each shelf of the EAGLE 5 ISS. Enter this command.

```
rept-stat-gpl:gpl=hipr2
```

This is an example of the possible output.

```

rlghncxa03w 09-07-01 11:40:26 GMT EAGLE5 41.1.0
GPL          CARD          RUNNING          APPROVED          TRIAL
HIPR2       1109       126-002-000     126-002-000     126-003-000
HIPR2       1110       126-002-000     126-002-000     126-003-000
HIPR2       1209       126-002-000     126-002-000     126-003-000
HIPR2       1210       126-002-000     126-002-000     126-003-000
HIPR2       1309       126-002-000     126-002-000     126-003-000
HIPR2       1310       126-002-000     126-002-000     126-003-000
HIPR2       2109       126-002-000     126-002-000     126-003-000
HIPR2       2110       126-002-000     126-002-000     126-003-000
Command Completed

```

If HIPR2 cards are installed at the card locations 9 and 10 on the shelf where the E5-SLAN card is to be installed, continue the procedure with [Step 8](#).

If HIPR or HIPR2 cards are not installed at the card locations 9 and 10 on the shelf where the E5-SLAN card is to be installed, refer to the *Installation Manual - EAGLE 5 ISS* to install the HIPR or HIPR2 cards. Once the HIPR or HIPR2 cards have been installed, continue the procedure with [Step 8](#).

- Before the 2000 or 2800 signaling link quantity can be enabled, make sure the EAGLE 5 ISS is configured with the hardware shown in the *“Hardware Supported for Signaling Link Quantities Greater than 2000”* section.

If hardware other than the hardware shown in the *“Hardware Supported for Signaling Link Quantities Greater than 2000”* section is installed and provisioned, contact the Customer Care Center before enabling the 2000 or 2800 signaling link quantity. Refer to *Customer Care Center* for the contact information.

- Enable the Large System # Links controlled feature for the desired quantity with the `enable-ctrl-feat` command specifying the part number corresponding to the new quantity of signaling links and the feature access key.

To increase the number of signaling links the EAGLE 5 ISS can contain to 1500, enter this command.

```
enable-ctrl-feat:partnum=893005901:fak=<feature access key>
```

To increase the number of signaling links the EAGLE 5 ISS can contain to 2000, enter this command.

```
enable-ctrl-feat:partnum=893005910:fak=<feature access key>
```

To increase the number of signaling links the EAGLE 5 ISS can contain to 2800, enter this command.

```
enable-ctrl-feat:partnum=893005911:fak=<feature access key>
```

Note: A temporary feature access key cannot be specified to enable this feature.

Note: The values for the feature access key (the fak parameter) are provided by Tekelec. If you do not have the feature access key for the feature you wish to enable, contact your Tekelec Sales Representative or Account Representative.

When the enable-ctrl-feat command has successfully completed, this message should appear.

```
rlghncxa03w 06-10-28 21:15:37 GMT EAGLE5 36.0.0
ENABLE-CTRL-FEAT: MASP B - COMPLTD
```

10. Verify the changes by entering the rtrv-ctrl-feat command with the part number specified in [Step 9](#).

If the 1500 signaling link quantity was enabled in [Step 9](#), enter this command.

```
rtrv-ctrl-feat:partnum=893005901
```

The following is an example of the possible output.

```
rlghncxa03w 06-10-28 21:15:37 GMT EAGLE5 36.0.0
The following features have been permanently enabled:

Feature Name          Partnum    Status  Quantity
Large System # Links  893005901  on      1500

The following features have been temporarily enabled:

Feature Name          Partnum    Status  Quantity    Trial Period Left
Zero entries found.

The following features have expired temporary keys:

Feature Name          Partnum
Zero entries found.
```

If the 2000 signaling link quantity was enabled in [Step 9](#), enter this command.

```
rtrv-ctrl-feat:partnum=893005910
```

The following is an example of the possible output.

```
rlghncxa03w 06-10-28 21:15:37 GMT EAGLE5 36.0.0
The following features have been permanently enabled:

Feature Name          Partnum    Status  Quantity
Large System # Links  893005910  on      2000

The following features have been temporarily enabled:

Feature Name          Partnum    Status  Quantity    Trial Period Left
Zero entries found.

The following features have expired temporary keys:
```



```
Feature Name          Partnum
Zero entries found.
```

If the 2800 signaling link quantity was enabled in [Step 9](#), enter this command.

```
rtrv-ctrl-feat:partnum=893005911
```

The following is an example of the possible output.

```
rlghncxa03w 09-07-28 21:15:37 GMT EAGLE5 41.1.0
The following features have been permanently enabled:

Feature Name          Partnum    Status  Quantity
Large System # Links  893005911  on      2800

The following features have been temporarily enabled:

Feature Name          Partnum    Status  Quantity    Trial Period Left
Zero entries found.

The following features have expired temporary keys:

Feature Name          Partnum
Zero entries found.
```

11. Back up the new changes using the `chg-db:action=backup:dest=fixed` command.

These messages should appear, the active Maintenance and Administration Subsystem Processor (MASP) appears first.

```
BACKUP (FIXED) : MASP A - Backup starts on active MASP.
BACKUP (FIXED) : MASP A - Backup on active MASP to fixed disk complete.
BACKUP (FIXED) : MASP A - Backup starts on standby MASP.
BACKUP (FIXED) : MASP A - Backup on standby MASP to fixed disk complete.
```

Adding a SS7 Linkset

This procedure is used to add SS7 linksets to the Eagle 5 ISS using the `ent-ls` command and the following parameters shown in [Table 20: Linkset Parameters](#).

Table 20: Linkset Parameters

lsn	apc/apca/apci/ apcn/apcn24	ppc/ppca/ppci/ ppcn/ppcn24	spc/spca/spci/ spcn/spcn24	apcntype
lst	clli	sltset	l3tset	scrn
gwsa	gwsn	gwsd	bei	nis
itutfr	mtprse	slsci	asl8	slrsrb
slsocbit	multgc	ggtmode	randsls	cggtmode

islsrsb				
---------	--	--	--	--

The `ent -ls` command contains other optional parameters that are not used this procedure. These parameters are discussed in more detail in the *Commands Manual* or in these sections.

- The "Configuring a Linkset for the GSM MAP Screening Feature" procedure in the *Database Administration Manual - Features*.
- These procedures in the *Database Administration Manual - IP7 Secure Gateway*
 - Configuring an IPGWx Linkset
 - Adding a Mate IPGWx Linkset to another IPGWx Linkset
 - Adding an IPSP M3UA Linkset
 - Adding an IPSP M2PA Linkset

`:lsn` – The name of the linkset. The linkset name can contain up to 10 characters, with the first character being a letter. However, the SEAS interface supports only eight characters. If this linkset is displayed on the SEAS interface and the linkset name contains more than eight characters, only the first eight characters in the linkset name are shown. If this linkset name contains more than eight characters, and is specified with the linkset commands on the SEAS interface, only the first eight characters can be specified.

`:apc/apca/apci/apcn/apcn24` – Adjacent point code – the point code identifying the node that is next to the EAGLE 5 ISS. The adjacent point code can be one of the following types of point codes:

- `:apc/apca` – ANSI point code
- `:apci` – ITU-I point code, ITU-I spare point code
- `:apcn` – 14-bit ITU-N point code, 14-bit ITU-N spare point code
- `:apcn24` – 24-bit ITU-N point code

`:ppc/ppca/ppci/ppcn/ppcn24` – Proxy point code used for proxy linksets. Proxy point codes can be used only if a quantity of proxy point codes (shown in the `rtrv-ctrl-feat` output) is enabled. The proxy point code can be one of the following types of point codes:

- `:ppc/ppca` – ANSI point code
- `:ppci` – ITU-I point code, ITU-I spare point code
- `:ppcn` – 14-bit ITU-N point code, 14-bit ITU-N spare point code
- `:ppcn24` – 24-bit ITU-N point code

`:spc/spca/spci/spcn/spcn24` – Secondary point code used for multiple linksets that have the same APC. Secondary point codes can be used only if the Multiple Linksets to Single Adjacent PC feature is enabled and turned on (shown in the `rtrv-ctrl-feat` output). The secondary point code can be one of the following types of point codes:

- `:spc/spca` – ANSI point code
- `:spci` – ITU-I point code, ITU-I spare point code
- `:spcn` – 14-bit ITU-N point code, 14-bit ITU-N spare point code
- `:spcn24` – 24-bit ITU-N point code

Note: Refer to [Point Code Formats](#) for a definition of the point code types that are used on the EAGLE 5 ISS and for a definition of the different formats that can be used for ITU national point codes. Private point codes can be assigned only to IPGWx linksets. The procedures for configuring IPGWx linksets are in the *Database Administration Manual - IP7 Secure Gateway*.

:`apcntype` – Specifies whether or not the linkset containing either a 14-bit ITU-N adjacent point code or a 24-bit ITU-N adjacent point code is being used in China (`apcntype=itunchina`) or in countries other than China (`apcntype=itun`). Signaling links in linksets with the `apcntype=itunchina` parameter are handled according to the specifications in *YD/N 068-1997, Technical Specification of National No.7 Signaling System - Message Transfer Part (MTP)*. Signaling links in linksets with the `apcntype=itun` parameter are handled according to the specifications in *ITU-T Q.2210 (07/96), Switching and Signaling, Broadband ISDN- Signaling Network Protocols*. The default value for the `apcntype` parameter is `itun`.

Linksets shown in section of the `rtrv-ls` output with the LSN (CHINA) column (and with either the APCN or APCN24 column) have the `apcntype=itunchina` parameter assigned to them.

Linksets shown in section of the `rtrv-ls` output with the LSN column (and with either the APCN or APCN24 column) have the `apcntype=itun` parameter assigned to them.

:`lst` – The linkset type of the specified linkset

:`clli` – The Common Language Location Identifier assigned to this point code. The value of the `clli` parameter is only displayed in the `rtrv-ls` command output when a specific linkset is being displayed with the `rtrv-ls:lsn=<linkset name>` command.

:`sltset` – The signaling link test message record to be associated with the linkset.

:`l3tset` – The level 3 timer set table. This parameter identifies which level three timer set is to be assigned to this linkset.

:`scrn` – The name of the screenset to be assigned to this linkset if gateway screening is to be used.

:`gwsa` – Gateway screening action determines whether gateway screening (GWS) is on or off for the specified link set.

:`gwsn` – Gateway screening messaging is used to turn on or off the display of messages generated for each screened message. When an MSU is rejected by gateway screening, a message is output to alert personnel of the event.

:`gwsd` – Gateway screening MSU discard is used to turn on or off the discarding of MSUs that bypass the gateway screening function due to load shedding. Also use this parameter with the `redirect` function; MSUs that cannot be screened are discarded if you specify `gwsd=on`.

:`bei` – The broadcast exception indicator. This parameter indicates whether TFP (transfer prohibited) messages are allowed to be broadcast on the linkset. The `yes` parameter means TFPs are not broadcast. The `no` parameter means TFPs are broadcast.

:`nis` – specifies whether the National Spare for Network Indicator feature is on or off for the specific linkset. This feature allows the linkset to use the national spare value (3) for the network indicator code field in the service information octet (SIO) of the MSU for ANSI linksets and ITU national linksets (linksets containing either 14-bit ITU-N point codes or 24-bit ITU-N point codes). This parameter cannot be specified for ITU international linksets. The default value for the `nis` parameter is `off`.

For MSUs on incoming linksets, only those MSUs having the network indicator code values shown in [Table 21: Actions of the National Spare for Network Indicator Feature](#) are allowed into the EAGLE 5 ISS.

For MSUs on outgoing linksets, the network indicator code value in the MSU is changed to either the national network indicator code value (2) or the national spare network indicator code value (3). If the `nis` parameter is set to `off`, the network indicator code value is set to 2.

These actions are summarized in [Table 21: Actions of the National Spare for Network Indicator Feature](#).

The actions described for this parameter apply only if the ITU National and International Spare Point Code Support feature is not enabled.

If the ITU National and International Spare Point Code Support feature is enabled, the `n.is` parameter value is ignored for ITU-I and 14-bit ITU-N linksets. All the network indicator values are permitted on ITU-I and ITU-N linksets, and the network indicator value for transmission is based on the International/National and Spare/Non-Spare status of the DPC of the message.

Having the ITU National and International Spare Point Code Support feature enabled has no effect on ANSI and 24-bit ITU-N linksets. The `n.is` parameter value determines which incoming network indicator spare bit values to permit, and what network indicator spare bit value should be transmitted.

Table 21: Actions of the National Spare for Network Indicator Feature

Linkset Type	Feature Disabled	Feature Enabled
Incoming ANSI Linkset	MSUs containing the national network indicator code (2) are allowed into the EAGLE 5 ISS.	MSUs containing these network indicator code values are allowed into the EAGLE 5 ISS. <ul style="list-style-type: none"> • National Network Indicator Code (2) • National Spare Network Indicator Code (3)
Outgoing ANSI Linkset	The network indicator code value in the MSU is set to the national network indicator code (2).	The network indicator code value in the MSU is set to the national spare network indicator code (3).
Incoming ITU National Linkset	MSUs containing these network indicator code values are allowed into the EAGLE 5 ISS. <ul style="list-style-type: none"> • International Network Indicator Code (0) • National Network Indicator Code (2) 	MSUs containing these network indicator code values are allowed into the EAGLE 5 ISS. <ul style="list-style-type: none"> • International Network Indicator Code (0) • National Network Indicator Code (2) • National Spare Network Indicator Code (3)
Outgoing ITU National Linkset	The network indicator code value in the MSU is set to the national network indicator code (2).	The network indicator code value in the MSU is set to the national spare network indicator code (3).

`:itutfr` – specifies whether or not ITUTFR (transfer restricted) procedures are being used on the linkset. This parameter applies only to linksets with ITU national adjacent point codes (linksets containing either 14-bit ITU-N point codes or 24-bit ITU-N point codes) and can be specified only for linksets with ITU national adjacent point codes. TFR procedures are used to redirect traffic away from a node that is having problems routing traffic to a destination. When a node determines that a destination is restricted, the node sends a TFR message informing the adjacent nodes about the destination's status. When a destination is restricted, the node should not be used to route messages to the destination even though it still has limited capability to do so. The values for this parameter are either `on` (ITUTFR procedures are enabled) or `off` (ITUTFR procedures are disabled). For more information about using the `itutfr` parameter, refer to [ITU TFR Procedures](#).

`:mtrpse` – shows if the node adjacent to the EAGLE 5 ISS is equipped with the MTP restart capability. The `mtrpse=yes` parameter can only be specified if the MTP restart feature is turned on for ANSI

linksets (MTPRS = on in the `rtrv-feat` command output), or if the ITUMTP restart is on for ITU linksets (ITUMTPRS=on in the `rtrv-feat` command output). If the MTP restart feature is not turned on, the value of the `mtprese` parameter defaults to no. The value of the `mtprese` parameter value is not dependent on the value of the `mtpersi` parameter (the MTP restart indicator) in the `chg-stpopts` command. The value of the `mtprese` parameter is only displayed in the `rtrv-ls` command output when a specific linkset is being displayed with the `rtrv-ls:lsn=<linkset name>` command. For more information on MTP Restart feature, refer to [Configuring the MTP Restart Feature](#).

`:slsci` – indicates whether the 5-bit to 8-bit SLS conversion feature is used to select signaling links for outgoing messages on the specified link set. If the `slsci=yes` parameter is specified, the EAGLE 5 ISS replaces any 5-bit SLS values contained in received messages with a random 8-bit value before they are used by the EAGLE 5 ISS to select the outgoing signaling link in that linkset. The 5-bit to 8-bit SLS conversion is also controlled by the `slscnv` parameter of the `chg-stpopts` command. The `slscnv` parameter of the `chg-stpopts` command has three values: `on`, `off`, and `perls`. The `slsci` parameter can only be specified for linksets with ANSI SS7 adjacent point codes.

`:asl8` – shows if the node adjacent to the EAGLE 5 ISS is sending MSUs with 8-bit SLSs. If the `asl8=yes` parameter is specified with the `lst=a` parameter (a linkset containing access signaling links), this indicates that the originator of the MSUs is generating 8-bit SLSs. For other linkset types, the `asl8=yes` parameter indicates that the adjacent node is converting 5-bit SLSs to 8-bit SLSs. The SLS in MSUs received by the EAGLE 5 ISS on a linkset that has the `asl8=yes` parameter assigned to it will not be converted. These MSUs are assumed to contain 8-bit SLSs. If the `asl8=no` parameter is specified for the linkset, the SLS will be converted to an 8-bit SLS. The `asl8` parameter can only be specified for linksets with ANSI SS7 adjacent point codes. The value of the `asl8` parameter is only displayed in the `rtrv-ls` command output when a specific linkset is being displayed with the `rtrv-ls:lsn=<linkset name>` command. For more information on the `slsci` and `asl8` parameters and 5-bit to 8-bit SLS conversion, refer to [Configuring the 5-Bit to 8-Bit SLS Conversion Feature](#).

`:slsrbs` – selects which bit (1 - 4) of the SLS field to use as the least significant bit for signaling link selection in the link set for all messages on outgoing ITU linksets.

`:islrsbs` – selects which bit of the SLS field, 1 - 5 for an ANSI linkset or 1 - 4 for an ITU linkset, to use as the least significant bit for signaling link selection in the link set for all messages on ANSI and ITU linksets on incoming linksets. The `:islrsbs` value for an ANSI linkset can be 1 - 8, but can be only 1 - 5 when adding an ANSI linkset. If you wish to use the values 6, 7, or 8 for the `islrsbs` parameter, the `rsls8` value for the linkset must be `yes`. Perform these procedures after adding the linkset.

- [Configuring the RLS8 Value for ANSI Linksets](#) – to change the `rsls8` value for the linkset to `yes`.
- [Changing an SS7 Linkset](#) – to change the `islrsbs` value.

`:slsobit` – selects which bit (5 - 16) of the SLS field to use as the most significant bit for signaling link selection in the link set for all ITU messages.

Note: For more information on the `slsrbs`, `islrsbs`, and `slsobit` parameters and ITUSLS enhancement, refer to [ITU SLS Enhancement](#).

`:multgc` – specifies whether multiple group codes (for 14-bit ITU-N point codes) are supported for the linkset. When this parameter value is `yes`, secondary adjacent point codes whose group codes are different from the adjacent point code of the linkset can be assigned to the linkset. If the parameter value is `no`, the group code of the secondary adjacent point code must be the same as the group code of the linkset's adjacent point code. For more information on secondary adjacent point codes, refer to [Configuring an ITU Linkset with a Secondary Adjacent Point Code \(SAPC\)](#).

This parameter only applies to linksets whose adjacent point codes are either ITU international point codes or ITU national point codes. All the signaling links in this linkset must be assigned to cards running the IPLIMI application. For more information on assigning signaling links to cards running the IPLIMI application, go to the “Adding an IP Signaling Link” procedure in the *Database Administration Manual - IP7 Secure Gateway*.

The ITU duplicate point code feature must be on before this parameter can be specified. Verify this with the `rtrv-feat` command. If the ITU duplicate point code feature is turned on, the `ITUDUPPC` field should be set to `on`. If the ITU duplicate point code feature is not turned on, enter the `chg-feat:ituduppc=on` command.

Note: Once the ITU duplicate point code feature is turned on with the `chg-feat` command, it cannot be turned off.

The ITU duplicate point code feature must be purchased before you turn the feature on with the `chg-feat` command. If you are not sure if you have purchased the ITU duplicate point code feature, contact your Tekelec Sales Representative or Account Representative.

`:gttmode` – The GTT mode assigned to the linkset when performing global title translation on the specified linkset. The values for this parameter are:

- `sysdf1t` – the value of the `df1tgttmode` parameter shown in the `rtrv-sccpopts` command output.
- `cd` - CdPA GTT only
- `cg` - CgPA GTT only
- `acdc` - Advanced CdPA GTT, CdPA GTT
- `acdcgc` - Advanced CdPA GTT, CgPA GTT, CdPA GTT
- `acdcdcg` - Advanced CdPA GTT, CdPA GTT, CgPA GTT
- `cgacdc` - CgPAGTT, Advanced CdPA GTT, CdPA GTT
- `cgcd` - CgPAGTT, CdPA GTT
- `cdc` - CdPA GTT, CgPA GTT
- `fc` - Flexible Linkset Optional Based Routing (FLOBR) CdPA only
- `fcg` - FLOBR CgPA only
- `fcdfcg` - FLOBR CdPA, FLOBR CgPA
- `fcgfc` - FLOBR CgPA, FLOBR CdPA

The default value for this parameter is `sysdf1t`. For more information on using the `gttmode` parameter, refer to the Origin-Based SCCP Routing Feature section or the Flexible Linkset Optional Based Routing section in the *Database Administration Manual - Global Title Translation*.

To use the values `cg`, `acdc`, `acdcgc`, `acdcdcg`, `cgacdc`, or `cgcd` for the `gttmode` parameter, the Origin-Based SCCP Routing feature must be enabled and turned on.

To use the values `fc`, `fcg`, `fcdfcg`, or `fcgfc` for the `gttmode` parameter, the Flexible Linkset Optional Based Routing feature must be enabled and turned on.

`:randsls` – The random SLS value assigned to the linkset. This parameter is used to apply random SLS generation for the specified linkset. The `randsls` parameter has three values:

- `off` – Random SLS generation is not applied to the specified linkset.
- `class0` – Random SLS generation is applied to only Class 0 SCCP messages on either incoming ANSI or outgoing ITU linksets.
- `all` – Random SLS generation is applied to both Class 0 and Class 1 SCCP messages on outgoing ITU linksets, or to Class 0 SCCP messages and ISUP messages on ANSI linksets.

For more information about random SLS generation on a specific linkset, refer to [Per-Linkset Random SLS](#).

`:cggmod` - The calling party GT modification indicator. This parameter specifies whether or not calling party global title modification is required. The values for this parameter are `yes` (calling party global title modification is required) or `no` (calling party global title modification is not required). The default value for the `cggmod` parameter is `no`. This parameter can be specified only if the AMGTT or AMGTT CgPA Upgrade feature is enabled. Enter the `rtrv-ctrl-feat` command to verify that either the AMGTT or AMGTT CgPA Upgrade feature is enabled. If the AMGTT or AMGTT CgPA Upgrade feature is not enabled, perform the "Activating the Advanced GT Modification Feature" procedure in the *Database Administration Manual - Global Title Translation* procedure to enable the required feature. For more information about the Advanced GT Modification feature, refer to the "Advanced GT Modification Feature" section in the *Database Administration Manual - Global Title Translation*.

The linkset also contains the `tfatcabmlq` parameter, whose value is shown in the `rtrv-ls:lsn=<linkset name>` command. The `tfatcabmlq` parameter exists only in the `chg-ls` command and not the `ent-ls` command, because no links are assigned to the linkset when the linkset is first created with the `ent-ls` command. The default value for the `tfatcabmlq` parameter (`tfatcabmlq=0`) is entered for the linkset, and shown in the `rtrv-ls` output as 1, when a new linkset is added to the database.

The EAGLE 5 ISS can contain 1024 linksets, with a maximum of 255 of these linksets being gateway linksets. A gateway linkset is a linkset that contains routes to a different network.

The linkset to be added cannot be in the database. This can be verified in step 1 of this procedure.

The adjacent point code (APC) must be defined in the database, must be in the SS7 domain and cannot match the point code or capability point code of the EAGLE 5 ISS. This can be verified in steps 2 and 3 of this procedure. The domain of the point code is shown in the `DMN` field in the output of the `rtrv-dstn` command (step 3). The point code of the EAGLE 5 ISS is shown in the `PCA`, `PCN`, `PCN24`, or `PCI` fields and the capability point code of the EAGLE 5 ISS are shown in the `CPCA`, `CPCN`, `CPCN24`, or `CPCI` fields in the output of the `rtrv-sid` command (step 2). The adjacent point code must be a full point code and cannot be a cluster point code or a network routing point code.

If the APC is not in the destination point code table, perform [Adding a Destination Point Code](#) and add the APC to the destination point code table.

The `ent-ls` command has a parameter, `gwsd`, that can allow the discarding of messages that should have gone through the gateway screening process, but did not. The `gwsd` parameter is only intended to be used with the Database Transport Access (DTA) feature. If you are not using the DTA feature, the `gwsd` parameter should not be specified or should be set to `no` (`gwsd=no`).

The `gwsa`, `gwsn`, and `gwsd` parameters can only be specified if the `scrn` parameter is specified. If the `scrn` parameter is specified, the gateway screening screen set name specified by this parameter must also be defined as a gateway screening screen set entity. This can be verified with the `rtrv-scrset` command.



CAUTION

Caution: When Gateway Screening is in the screen test mode, as defined by the linkset parameters `gwsa=off` and `gwsn=on`, the gateway screening action in the gateway screening stop action set specified by the `actname` parameter of the gateway screening screen set at the end of the gateway screening process will be performed.

To help manage congestion on signaling links, the EAGLE 5 ISS starts the level 3 T31 timer whenever a signaling link goes into congestion level 1 or congestion level 2. The congestion level that is associated with the level 3 T31 timer is set using the `chg-stpopts` command with the `mtpt31ctl` parameter

and is displayed with the `MTPT31CTL` field in the `rtrv-stpopts` command output. When the level 3 timer T31 and the `chg-stpopts` command are first introduced to the EAGLE 5 ISS, the system default value for the `mtpt31ctl` parameter of the `chg-stpopts` command is 1, for congestion level 1, and the system default value for the level 3 T31 timer is 60 seconds. To change the value of the level 3 T31 timer, perform [Changing Level 3 Timers](#). To change value of the `mtpt31ctl` parameter, enter the either `chg-stpopts:mtpt31ctl=1` or the `chg-stpopts:mtpt31ctl=2` command, depending on the current value of the `mtpt31ctl` parameter.

To help prevent the signaling link in the linkset from oscillating in out of service, the EAGLE 5 ISS starts the level 3 T32 timer. When the EAGLE 5 ISS begins restoring an out of service signaling link, the EAGLE 5 ISS starts the level 3 T32 timer. If the signaling link fails to get back into service before the level 3 T32 expires, the EAGLE 5 ISS does not attempt to continue to bring the signaling link into service until the level 3 T32 timer expires. Once the level 3 T32 timer expires, the EAGLE 5 ISS attempts to restore the signaling link into service. When the level 3 timer T32 is first introduced to the EAGLE 5 ISS, the default value for the level 3 T32 timer is 60 seconds. To change the value of the level 3 T32 timer, perform [Changing Level 3 Timers](#).

The word `SEAS` cannot be used as a value for the `scrn` parameter of the `ent-ls` command. The word `SEAS` is used in the `rtrv-ls` command output, in the `SCRN` field, to show gateway linksets created on the `SEAS` interface. A gateway linkset combines the functions of a gateway screening screen set and an SS7 linkset specifying the `gwsa=on` and `scrn` parameters. Like a EAGLE 5 ISS gateway screening screen set, a gateway linkset defines the screening references that are to be used to screen the messages on the linkset. It also defines the linkset whose messages are to be screened. A gateway linkset can only be configured from a `SEAS` terminal and not from a EAGLE 5 ISS terminal.

If the `clli` parameter is specified with the `ent-ls` command, the value of the `clli` parameter must match the `CLLI` value of the adjacent point code of the linkset. The `CLLI` value of the adjacent point code is shown in the `CLLI` field of the `rtrv-dstn` command.

If the `randsls` parameter of the `chg-stpopts` command is set to either `all` or `class0`, a maximum of 16 links continues to be supported in a single linkset to a destination. However, it is now possible to have up to 32 links in a combined linkset to a destination, with a maximum of 16 links per linkset. The 32 links is a change from the current EAGLE 5 ISS maximum of only 16 links per combined linkset, which is due to ITU protocol restrictions. If more than 16 links are used in a combined linkset, the operator needs to be aware that a maximum of 16 links can be used by non-Random SLS traffic over the linkset. The non-Random SLS traffic continues to operate under the rules of the ITU protocol. For more information on the Random SLS Generation feature, perform [Configuring the System for Random SLS Generation](#).

Canceling the `RTRV-LS` and `RTRV-DSTN` Commands

Because the `rtrv-ls` and `rtrv-dstn` commands used in this procedure can output information for a long period of time, the `rtrv-ls` and `rtrv-dstn` commands can be canceled and the output to the terminal stopped. There are three ways that the `rtrv-ls` and `rtrv-dstn` commands can be canceled.

- Press the `F9` function key on the keyboard at the terminal where the `rtrv-ls` or `rtrv-dstn` commands were entered.
- Enter the `canc-cmd` without the `trm` parameter at the terminal where the `rtrv-ls` or `rtrv-dstn` commands were entered.
- Enter the `canc-cmd:trm=<xx>`, where `<xx>` is the terminal where the `rtrv-ls` or `rtrv-dstn` commands were entered, from another terminal other than the terminal where the `rtrv-ls` or `rtrv-dstn` commands were entered. To enter the `canc-cmd:trm=<xx>` command, the terminal must allow Security Administration commands to be entered from it and the user must be allowed

to enter Security Administration commands. The terminal's permissions can be verified with the `rtrv-secu-trm` command. The user's permissions can be verified with the `rtrv-user` or `rtrv-secu-user` commands.

For more information about the `canc-cmd` command, go to the *Commands Manual*.

1. Display the current linkset configuration using the `rtrv-ls` command.

This is an example of the possible output.

```
rlghncxa03w 08-12-10 11:43:04 GMT EAGLE5 40.0.0

                L3T SLT
LSN            APCA  (SS7)  SCRN SET SET BEI LST LNKS ACT MES DIS SLSCI NIS
ele2           001-207-000  none 1  1  no  B   6   off off off no   off
ls1305         001-005-000  none 1  1  no  A   1   off off off no   off
ls1307         001-007-000  none 1  1  no  A   1   off off off no   off
elm1s1         001-001-003  none 1  1  no  A   7   off off off no   off
elm1s2         001-001-002  none 1  1  no  A   7   off off off no   off

                L3T SLT
LSN            APCI  (SS7)  SCRN SET SET BEI LST LNKS ACT MES DIS SLSCI NIS
ele2i          1-207-0    none 1  1  no  B   4   off off off ---  on
ls1315         0-015-0    none 1  1  no  A   1   off off off ---  off
ls1317         0-017-0    none 1  1  no  A   1   off off off ---  on
elm2s1         1-011-1    none 1  1  no  A   7   off off off ---  off
elm2s2         1-011-2    none 1  1  no  A   7   off off off ---  off

Link set table is (10 of 1024) 1% full.
```

If the APC of the new linkset will be an APC that is currently assigned to an existing linkset, continue the procedure with [Step 5](#).

If the APC of the new linkset will not be an APC that is currently assigned to an existing linkset, continue the procedure with [Step 2](#).

2. Display the point code and capability point code of the EAGLE 5 ISS by using the `rtrv-sid` command.

This is an example of the possible output.

```
rlghncxa03w 08-12-10 11:43:04 GMT EAGLE5 40.0.0
PCA          PCI          PCN          CLLI          PCTYPE
001-001-001  1-200-6          13482        rlghncxa03w   OTHER

CPCA
002-002-002          002-002-003          002-002-004          002-002-005
002-002-006          002-002-007          002-002-008          002-002-009
004-002-001          004-003-003          144-212-003

CPCA (LNP)
005-005-002          005-005-004          005-005-005

CPCI
1-001-1          1-001-2          1-001-3          1-001-4

CPCN
02091          02092          02094          02097
02191          02192          11177
```

3. Display the point codes in the destination point code table by using the `rtrv-dstn` command.

This is an example of the possible output.

```
rlghncxa03w 10-12-10 11:43:04 GMT EAGLE5 43.0.0
Extended Processing Time may be Required
```

DPCA	CLLI	BEI	ELEI	ALIASI	ALIASN/N24	DMN
001-002-003	ls04clli	yes	---	-----	-----	SS7
002-002-100	ls01clli	no	---	-----	-----	SS7
002-007-008	ls06clli	yes	---	-----	-----	SS7
002-009-003	-----	no	---	-----	-----	SS7
002-250-010	-----	no	---	-----	-----	SS7
003-003-003	ls03clli	yes	---	-----	-----	SS7
003-020-100	-----	no	---	-----	-----	SS7
004-004-004	ls02clli	yes	---	-----	-----	SS7
004-030-200	-----	no	---	-----	-----	SS7
009-002-003	-----	no	---	-----	-----	SS7
179-100-087	-----	yes	---	-----	-----	SS7
200-050-176	-----	yes	---	-----	-----	SS7
240-007-000	-----	yes	---	-----	-----	SS7
240-012-004	rlghncbb001	yes	---	1-111-1	11111	SS7
240-012-005	rlghncbb002	yes	---	1-112-2	11112	SS7
240-012-006	rlghncbb003	yes	---	1-112-3	11113	SS7
240-012-008	-----	yes	---	1-113-5	11114	SS7
DPCI	CLLI	BEI	ELEI	ALIASA	ALIASN/N24	DMN
2-131-1	rlghncbb023	no	---	222-210-000	12001	SS7
2-131-2	-----	no	---	222-211-001	12002	SS7
2-131-3	-----	no	---	222-211-002	12003	SS7
3-150-4	lsi7clli	yes	---	-----	-----	SS7
DPCN	CLLI	BEI	ELEI	ALIASA	ALIASI	DMN
10685	lsn5clli	yes	---	-----	-----	SS7
11211	rlghncbb013	no	---	222-200-200	2-121-1	SS7
11212	rlghncbb013	no	---	222-200-201	2-121-2	SS7

```
Destination table is (24 of 2000) 1% full
Alias table is (18 of 8000) 1% full
```

If the adjacent point code is not shown in the `rtrv-dstn` command output, go to the [Adding a Destination Point Code](#) procedure and add the adjacent point code to the destination point code table. After the adjacent point code has been added, continue the procedure with [Step 5](#).

If the adjacent point code is shown in the `rtrv-dstn` command output, continue the procedure with [Step 4](#).

4. The APC of the linkset cannot be the DPC of any exception route.

Verify that the adjacent point code of the linkset is not the DPC of any exception route by entering the `rtrv-rtx` command with the `dpc/dpca/dpci/dpcn/dpcn24` parameter. The `dpc/dpca/dpci/dpcn/dpcn24` parameter value is the adjacent point code value that will be specified for the linkset.

For this example, enter this command.

```
rtrv-rtx:dpca=002-009-009
```

This is an example of the possible output.

```

rlghncxa03w 08-12-10 11:43:04 GMT EAGLE5 40.0.0
  DPCA          RTX-CRITERIA          LSN          RC          APC
  002-009-009   OPCA
                   007-008-009          ls1305        20          001-005-000
                   008-008-100         ls1307        40          001-007-000
DESTINATION ENTRIES ALLOCATED:    2000
  FULL DPC(s):                    13
  EXCEPTION DPC(s):                5
  NETWORK DPC(s):                  0
  CLUSTER DPC(s):                  1
  TOTAL DPC(s):                    19
  CAPACITY (% FULL):               1%
ALIASES ALLOCATED:                12000
  ALIASES USED:                    0
  CAPACITY (% FULL):               0%
X-LIST ENTRIES ALLOCATED:         500

```

For this example, the `rtrv-rtx` command is entered with the following `dpc/dpca/dpci/dpcn/dpcn24` parameter values:

- `dpca=002-007-008`
- `dpca=009-002-002`
- `dpca=179-100-087`
- `dpca=200-050-176`
- `dpci=3-150-4`
- `dpcn=10685`
- `dpcn=12543`

In this example, these point codes are not the DPC of a route exception table entry. If the adjacent point code of the linkset is not the DPC of a route exception table entry, no entries are displayed in the `rtrv-rtx` output, but a summary of the point code quantities is displayed, as shown in the following output example.

```

rlghncxa03w 08-12-10 11:43:04 GMT EAGLE5 40.0.0
  DESTINATION ENTRIES ALLOCATED:    2000
  FULL DPC(s):                    15
  EXCEPTION DPC(s):                5
  NETWORK DPC(s):                  0
  CLUSTER DPC(s):                  1
  TOTAL DPC(s):                    21
  CAPACITY (% FULL):               1%
ALIASES ALLOCATED:                12000
  ALIASES USED:                    0
  CAPACITY (% FULL):               0%
X-LIST ENTRIES ALLOCATED:         500

```

If the point code specified in this step is shown in the DPCA column in this step, the point code value cannot be used as an adjacent point code unless one of two actions are taken:

- Choose another adjacent point code value and repeat this procedure from [Step 2](#).
- Remove all the entries displayed in this step by performing the [Removing a Route Exception Entry](#) procedure.

5. To specify the following optional parameters for the linkset, the feature that corresponds to the parameters must be shown as turned on in the `rtrv-feat` output, or enabled, and turned on if required, in the `rtrv-ctrl-feat` output, or other database entities that correspond to the parameters must be configured in the database.

Perform the procedure, shown in the following list, that corresponds to the parameters that you wish to specify for the linkset.

- `scrn, gwsa, gwsn, gwsd` – [Verifying the Gateway Screening Configuration for a Linkset](#)
- `mtprse` – [Configuring the MTP Restart Feature](#)
- `slsci, asl8` – [Configuring the 5-Bit to 8-Bit SLS Conversion Feature](#). These parameters only apply to ANSI linksets.
- `:islrsrb` – [Activating the SLS Bit Rotation by Incoming Linkset Feature](#). If you wish to use the values 6, 7, or 8 for the `islrsrb` parameter of an ANSI linkset, the `rsls8` value for the linkset must be `yes`. Perform these procedures after adding the linkset.
 - [Configuring the RLS8 Value for ANSI Linksets](#) – to change the `rsls8` value for the linkset to `yes`.
 - [Changing an SS7 Linkset](#) – to change the `islrsrb` value.
- `gttmode` – If the value for this parameter will be `cg, acdcd, acdcg, acdcg, cgacdcd, cgcd, or cdcg`, perform the "Activating the Origin-Based SCCP Routing Feature" in the *Database Administration Manual – Global Title Translation*. The Origin-Based SCCP Routing feature must be enabled and turned on. If the value for this parameter will be `fgd, fcg, fcgfgd, or fgdfcg`, perform the "Activating the Flexible Linkset Optional Based Routing Feature" procedure in the *Database Administration Manual – Global Title Translation*. The Flexible Linkset Optional Based Routing feature must be enabled and turned on.
- `randsls` – [Configuring the System for Random SLS Generation](#). The value of the `randsls` parameter of the `chg-stpopts` command must be `perls`.
- `cgttmode` - "Activating the Advanced GT Modification Feature" in the *Database Administration Manual – Global Title Translation*. Either the AMGTT or AMGTT CgPA Upgrade feature must be enabled.
- `ppc/ppca/ppci/ppcn/ppcn24, spc/spca/spci/spcn/spcn24` – [Using Proxy Point Codes and Secondary Point Codes when Adding a Linkset](#).

If you do not wish to specify the parameters shown in this list for the new linkset, continue the procedure by performing one of these steps.

- If the `slsocbit` parameter will be specified for the new linkset, continue the procedure with [Step 6](#).
 - If the `multgc` parameter will be specified for the new linkset and the `slsocbit` parameter will not be specified for the new linkset, continue the procedure with [Step 8](#).
 - If the `slsocbit` and `multgc` parameters will not be specified for the new linkset, continue the procedure with [Step 10](#).
6. To use the `slsocbit` parameter with either the `ent-ls` command, the Use of the Other CIC Bit feature must be on.

Enter the `rtrv-feat` command to verify that either of this feature is on. The entry `SLSOCB = on` in the `rtrv-feat` command output shows that this feature is on. In this example, the Use of the Other CIC Bit feature is off.

Note: The `rtrv-feat` command output contains other fields that are not used by this procedure. If you wish to see all the fields displayed by the `rtrv-feat` command, refer to the `rtrv-feat` command description in the *Commands Manual*.

If the Use of the Other CIC Bit feature is on (`SLSOCB = on`), continue the procedure by performing one of these steps.

- If the `multgc` parameter will be specified for the new linkset, continue the procedure with [Step 8](#).
- If the `multgc` parameter will not be specified for the new linkset, continue the procedure with [Step 10](#).

7. Turn the Use of the Other CIC Bit feature is on feature on by entering this command.

```
chg-feat:slsocb=on
```

Note: Once the Use of the Other CIC Bit feature is turned on with the `chg-feat` command, it cannot be turned off.

The Use of the Other CIC Bit feature must be purchased before you turn the feature on with the `chg-feat` command. If you are not sure if you have purchased the Use of the Other CIC Bit feature, contact your Tekelec Sales Representative or Account Representative.

When this command has successfully completed, this message should appear.

```
rlghncxa03w 08-12-10 11:43:04 GMT EAGLE5 40.0.0
CHG-FEAT: MASP A - COMPLTD
```

Continue the procedure by performing one of these steps.

- If the `multgc` parameter will be specified for the new linkset, continue the procedure by performing one of these steps.
 - If the `rtrv-feat` command was performed in [Step 6](#), continue the procedure with [Step 9](#).
 - If the `rtrv-feat` command was not performed in [Step 6](#), continue the procedure with [Step 8](#).
 - If the `multgc` parameter will not be specified for the new linkset, continue the procedure with [Step 10](#).
8. To specify the `multgc=yes` parameter with the `ent-ls` command, the ITU Duplicate Point Code feature must be on.

For the ITU Duplicate Point Code feature to be on, the Multiple Point Code feature must be on. Enter the `rtrv-feat` command to verify that either of these features are on. The entry `MPC = on` in the `rtrv-feat` command output shows that the Multiple Point Code feature is on. The entry `ITUDUPPC = on` in the `rtrv-feat` command output shows that the ITU Duplicate Point Code feature is on. In this example, both features are off.

Note: The `rtrv-feat` command output contains other fields that are not used by this procedure. If you wish to see all the fields displayed by the `rtrv-feat` command, refer to the `rtrv-feat` command description in the *Commands Manual*.

If the ITU Duplicate Point Code feature is on (`ITUDUPPC = on`), continue the procedure with [Step 10](#).

If the ITU Duplicate Point Code feature is not on (`ITUDUPPC = off`), continue the procedure with [Step 9](#).

- Turn the ITU Duplicate Point Code feature on, and the Multiple Point Code feature if necessary, by entering one of these commands.

To turn the ITU Duplicate Point Code feature on only.

```
chg-feat:ituduppc=on
```

To turn both the ITU Duplicate Point Code and Multiple Point Code features on.

```
chg-feat:mpc=on:ituduppc=on.
```

Note: Once the ITU Duplicate Point Code and Multiple Point Code features are turned on with the `chg-feat` command, they cannot be turned off.

The ITU Duplicate Point Code and Multiple Point Code features must be purchased before you turn either of these features on with the `chg-feat` command. If you are not sure if you have purchased these features, contact your Tekelec Sales Representative or Account Representative.

When this command has successfully completed, this message should appear.

```
rlghncxa03w 08-12-10 11:43:04 GMT EAGLE5 40.0.0
CHG-FEAT: MASP A - COMPLTD
```

- Add the new linkset to the database using the `ent-ls` command. Use [Table 22: Adding a Linkset Parameter Combinations](#) as a guide for the parameters that can be specified with the `ent-ls` command.

Table 22: Adding a Linkset Parameter Combinations

ANSI Adjacent Point Code	ITU-I Adjacent Point Code	ITU-N Adjacent Point Code	ITU-N24 Adjacent Point Code
Mandatory Parameters			
:lsn=<the name of the linkset>	:lsn=<the name of the linkset>	:lsn=<the name of the linkset>	:lsn=<the name of the linkset>
:apc/apca=<the ANSI adjacent point code of the linkset> See Notes 1 and 2.	:apci=<the ITU-I adjacent point code of the linkset> See Notes 1 and 2.	:apcn=<the ITU-N adjacent point code of the linkset> See Notes 1 and 2.	:apcn24=<the ITU-N24 adjacent point code of the linkset> See Notes 1 and 2.
:lst=<a, b, c, d, e, prx> See Note 12.	:lst=<a, b, c, d, e, prx> See Note 12.	:lst=<a, b, c, d, e, prx> See Note 12.	:lst=<a, b, c, d, e, prx> See Note 12.
Optional Parameters			
:cli=<the CLI value>	:cli=<the CLI value>	:cli=<the CLI value>	:cli=<the CLI value>
:bei=<yes, no>	:bei=<yes, no>	:bei=<yes, no>	:bei=<yes, no>

ANSI Adjacent Point Code	ITU-I Adjacent Point Code	ITU-N Adjacent Point Code	ITU-N24 Adjacent Point Code
:scrn=<the name of the Gateway Screening screen set> See Note 3.	:scrn=<the name of the Gateway Screening screen set> See Note 3.	:scrn=<the name of the Gateway Screening screen set> See Note 3.	:scrn=<the name of the Gateway Screening screen set> See Note 3.
:gwsa=<on, off> See Notes 4 and 5.	:gwsa=<on, off> See Notes 4 and 5.	:gwsa=<on, off> See Notes 4 and 5.	:gwsa=<on, off> See Notes 4 and 5.
:gwsn=<on, off> See Notes 4 and 5.	:gwsn=<on, off> See Notes 4 and 5.	:gwsn=<on, off> See Notes 4 and 5.	:gwsn=<on, off> See Notes 4 and 5.
:gwsd=<on, off> See Notes 4 and 5.	:gwsd=<on, off> See Notes 4 and 5.	:gwsd=<on, off> See Notes 4 and 5.	:gwsd=<on, off> See Notes 4 and 5.
:l3tset=1	:l3tset=1	:l3tset=1	:l3tset=1
:asl8=<yes, no> See Note 6.	:mtrprse=<yes, no> See Note 15.	:mtrprse=<yes, no> See Note 15.	:mtrprse=<yes, no> See Note 15.
:slsci=<yes, no> See Note 6.	:slsocbit=<5 - 16, none> See Notes 17 and 18.	:slsocbit=<5 - 16, none> See Notes 17 and 18.	:slsocbit=<5 - 16, none> See Notes 17 and 18.
:mtrprse=<yes, no> See Note 15.	:slrsrb=<1 - 4> See Note 18.	:slrsrb=<1 - 4> See Note 18.	:slrsrb=<1 - 4> See Note 18.
:sltset=<1 - 20>	:sltset=<1 - 20>	:sltset=<1 - 20>	:sltset=<1 - 20>
:nis=<on, off>	:nis=off	:nis=<on, off>	:nis=<on, off>
:gttmode=<sysdflt, cd, acdcd, cgacdcd, acdcdcg, acdcdcg, cgd, cdcg, cg, fcd, fcg, fcdfcg, fcgfcg> See Note 16.	:gttmode=<sysdflt, cd, acdcd, cgacdcd, acdcdcg, acdcdcg, cgd, cdcg, cg, fcd, fcg, fcdfcg, fcgfcg> See Note 16.	:gttmode=<sysdflt, cd, acdcd, cgacdcd, acdcdcg, acdcdcg, cgd, cdcg, cg, fcd, fcg, fcdfcg, fcgfcg> See Note 16.	:gttmode=<sysdflt, cd, acdcd, cgacdcd, acdcdcg, acdcdcg, cgd, cdcg, cg, fcd, fcg, fcdfcg, fcgfcg> See Note 16.
:spc/spca=<the ANSI secondary point code> See Notes 9 and 11.	:spci=<the ITU-I secondary point code> See Notes 9 and 11.	:spcn=<the ITU-N secondary point code> See Notes 9 and 11.	:spcn24=<the ITU-N24 secondary point code> See Notes 9 and 11.
:ppc/ppca=<the ANSI proxy point code> See Notes 10, 11, and 12.	:ppci=<the ITU-I proxy point code> See Notes 10, 11, and 12.	:ppcn=<the ITU-N proxy point code> See Notes 10, 11, and 12.	:ppcn24=<the ITU-N24 proxy point code> See Notes 10, 11, and 12.
:cggtmod=<yes, no>	:cggtmod=<yes, no>	:cggtmod=<yes, no>	:cggtmod=<yes, no>

ANSI Adjacent Point Code	ITU-I Adjacent Point Code	ITU-N Adjacent Point Code	ITU-N24 Adjacent Point Code
See Note 13.	See Note 13.	See Note 13.	See Note 13.
:islsrsb=<1 - 5> See Note 14.	:islsrsb=<1 - 4> See Note 14.	:islsrsb=<1 - 4> See Note 14.	:islsrsb=<1 - 4> See Note 14.
:randsls=<all, class0, off> See Note 8.	:itutfr=<on, off>	:itutfr=<on, off>	:itutfr=<on, off>
	:multgc=<yes, no> See Note 7.	:multgc=<yes, no> See Note 7.	:multgc=<yes, no> See Note 7.
	:randsls=<all, class0, off> See Note 8.	:randsls=<all, class0, off> See Note 8.	:randsls=<all, class0, off> See Note 8.
		:apcntype=<itun, itunchina>	:apcntype=<itun, itunchina>

Notes:

1. The adjacent point code must be a full point code, cannot be an alias point code, and must be shown in the `rtrv-dstn` output. Private point codes cannot be used as an adjacent point code in this procedure. Private point codes can be assigned only to IPGWx linksets. The procedures for configuring IPGWx linksets are in the *Database Administration Manual - IP7 Secure Gateway*.
2. The adjacent point code cannot be shown in the `rtrv-sid` output as the system's point code or any capability point codes.
3. If a gateway screening screen set is assigned to the linkset, the gateway screening screen set must be in the database – shown in [Verifying the Gateway Screening Configuration for a Linkset](#).
4. The `gwsa`, `gwsn`, and `gwsd` parameters can be specified only if the `scrn` parameter is specified.



CAUTION

Caution: When Gateway Screening is in the screen test mode, as defined by the linkset parameters `gwsa=off` and `gwsn=on`, the gateway screening action in the gateway screening stop action set specified by the `actname` parameter of the gateway screening screen set at the end of the gateway screening process will be performed.

5. The `gwsd=on` parameter can be specified only with the `gwsa=on` parameter.
6. Refer to [Table 28: Signaling Link Selector \(SLS\) Conversion \(ANSI Linksets Only\)](#) for the combinations of the `asl8` and `slsci` parameters, and the `slscnv` STP option, and the results that these combinations produce. The `asl8` and `slsci` values for two linksets that are in a combined linkset should be the same.
7. The `multgc=yes` parameter can be specified only if the linkset being added will contain signaling links assigned to the IPLIMI application, and only for linksets with ITU-I or 14-bit ITU-N APCs. The `multgc=yes` parameter can be specified only if the ITU National Duplicate Point Code (ITUDUPPC) and Multiple Point Code Support (MPC) features are turned on.

ANSI Adjacent Point Code	ITU-I Adjacent Point Code	ITU-N Adjacent Point Code	ITU-N24 Adjacent Point Code
<p>8. It is recommended that when configuring <code>randsls</code> values on two linksets that are in a combined linkset that the <code>randsls</code> values for these linksets are the same. If these values are not the same, undesired SLS distribution of the traffic on these linksets may result.</p> <p>9. The <code>spc/spca/spci/spcn/spcn24</code> parameter can be specified only if the Multiple Linksets to Single PC feature is enabled and turned on.</p> <p>10. The <code>ppc/ppca/ppci/ppcn/ppcn24</code> parameter can be specified only if a proxy point code quantity is enabled.</p> <p>11. A linkset may not contain both secondary point codes (<code>spc/spca/spci/spcn/spcn24</code>) and proxy point codes (<code>ppc/ppca/ppci/ppcn/ppcn24</code>).</p> <p>12. If the linkset type for the linkset is <code>prx</code>, the first time that the APC for this linkset is specified, a proxy point code must be assigned to the APC of the linkset and that proxy point code must be specified for the linkset.</p> <p>13. The <code>cggtmod</code> parameter can be specified only if either the AMGTT or AMGTT CgPA Upgrade feature is enabled.</p> <p>14. The <code>islsrsb</code> parameter can be specified only if the SLS Bit Rotation by Incoming Linkset feature is enabled. If you wish to use the values 6, 7, or 8 for the <code>islsrsb</code> parameter of an ANSI linkset, the <code>rsls8</code> value for the linkset must be <code>yes</code>. Perform these procedures after adding the linkset.</p> <ul style="list-style-type: none"> • Configuring the RSL8 Value for ANSI Linksets – to change the <code>rsls8</code> value for the linkset to <code>yes</code>. • Changing an SS7 Linkset – to change the <code>islsrsb</code> value. <p>15. The <code>mtprse</code> parameter can be specified only if the ANSI or ITU MTP Restart feature is turned on.</p> <p>16. The <code>gttmode</code> parameter can be specified only if the Origin-Based SCCP Routing feature is enabled and turned on, or the Flexible Linkset Optional Based Routing feature is enabled and turned on. If the value for this parameter will be <code>cg</code>, <code>acdc</code>, <code>acdcgdc</code>, <code>acdcgdcg</code>, <code>cgacdc</code>, <code>cgcd</code>, or <code>cdcg</code>, the Origin-Based SCCP Routing feature must be enabled and turned on. If the value for this parameter will be <code>fc</code>, <code>fcg</code>, <code>fcgfc</code>, or <code>fcdfcg</code>, the Flexible Linkset Optional Based Routing feature must be enabled and turned on.</p> <p>17. The <code>slosbit</code> parameter can be specified only if the SLSOCB feature is turned on.</p> <p>18. When two linksets are used as a combined linkset, both linksets should use the same <code>slsrsb</code> and <code>slosbit</code> values.</p>			

For this example, enter these commands.

```
ent-ls:lsn=ls05:apca=002-009-009:lst=a:scrn=scr2:gwsa=on
:gws=off:gwsd=on:bei=no:sltset=1:nis=off
```

```
ent-ls:lsn=ls06:apca=002-007-008:lst=a:scrn=scr4:gwsa=on
:gws=off:gwsd=off:bei=yes:sltset=4:nis=on
```

```
ent-ls:lsn=ls07:apca=009-002-002:lst=a:scrn=scr2:gwsa=on
:gws=off:gwsd=on:bei=no:sltset=1:nis=off:gttmode=cg
```

```
ent-ls:lsn=atmansi0:apca=179-100-087:lst=a:scrn=scr2:gwsa=on
:gws=off:gwsd=off:bei=yes:sltset=16:nis=off
```

```
ent-ls:lsn=atmansil:apca=200-050-176:lst=a:scrn=scr1:gwsa=on
:gwsd=off:clli=rlghnccc001:bei=no:sltset=9:nis=off:islsrsb=3

ent-ls:lsn=lsi7:apci=3-150-4:lst=a:scrn=scr1:gwsa=on:gwsd=off:sltset=2
:gttmode=acdcgcd:randsls=all

ent-ls:lsn=lsn5:apcn=10685:lst=a:scrn=scr3:gwsa=on
:gwsd=off:sltset=2:itutfr=on

ent-ls:lsn=lsn6:apcn=12543:lst=a:scrn=scr3:gwsa=on
:gwsd=off:sltset=3:itutfr=on:apcntype=itunchina:randsls=class0
```

To provision a proxy linkset for this example, enter this command.

```
ent-ls:lsn=lsnpxyl:apca=004-004-004:lst=prx:ppca=002-002-002
```

To provision a linkset with an existing APC that is not a proxy linkset, for this example enter this command.

```
ent-ls:lsn=lsnmls1:apca=001-001-002:lst=a:spca=021-021-021
```

To provision a linkset with an existing APC that is a proxy linkset, for this example enter this command.

```
ent-ls:lsn=lsnmls2:apca=001-001-002:lst=prx:ppca=002-002-002
```

When each of these commands have successfully completed, this message should appear.

```
rlghncxa03w 08-12-17 16:23:21 GMT EAGLE5 40.0.0
Link set table is ( 19 of 1024) 2% full
ENT-LS: MASP A - COMPLTD
```

11. Verify the changes using the `rtrv-ls` command specifying the linkset name specified in [Step 10](#) with the `lsn` parameter.

For this example, enter these commands.

```
rtrv-ls:lsn=ls05
```

This is an example of the possible output.

```
rlghncxa03w 09-05-17 11:43:04 GMT EAGLE5 41.0.0

LSN              APCA  (SS7)  L3T SLT          GWS GWS GWS
ls05             002-009-003  scr2 1  1  no a  0  on off on no  off
                SPCA          CLLI          TFATCABMLQ MTPRSE ASL8
                -----
                1          no      no

RANDSLS
off

ISLSRSB RSLs8
1      no

IPSG  IPGWAPC  GTTMODE          CGGTMOD
no    no      CdPA          no

Link set table is ( 20 of 1024) 2% full
```

```
rtrv-ls:lsn=ls06
```

This is an example of the possible output.

```
rlghncxa03w 09-05-17 11:43:04 GMT EAGLE5 41.0.0

LSN          APCA   (SS7)  SCRNL3T SLT          GWS GWS GWS
ls06         002-007-008 scr4 1  4  no  a  0  on  off  off  no  on
              SPCA          CLLI          TFATCABMLQ MTPRSE ASL8
              -----  ls06c1li          1          no  no

RANDSLS
off

ISLSRSB RLSL8
1      no

IPSG  IPGWAPC  GTTMODE          CGGTMOD
no    no      CdPA          no

Link set table is ( 20 of 1024) 2% full
```

```
rtrv-ls:lsn=ls07
```

This is an example of the possible output.

```
rlghncxa03w 09-05-17 11:43:04 GMT EAGLE5 41.0.0

LSN          APCA   (SS7)  SCRNL3T SLT          GWS GWS GWS
ls07         009-002-003 scr2 1  1  no  a  0  on  off  on  no  off
              SPCA          CLLI          TFATCABMLQ MTPRSE ASL8
              -----  ls06c1li          1          no  no

RANDSLS
off

ISLSRSB RLSL8
1      no

IPSG  IPGWAPC  GTTMODE          CGGTMOD
no    no      CdPA          no

Link set table is ( 20 of 1024) 2% full
```

```
rtrv-ls:lsn=atmansio
```

This is an example of the possible output.

```
rlghncxa03w 09-05-17 11:43:04 GMT EAGLE5 41.0.0

LSN          APCA   (SS7)  SCRNL3T SLT          GWS GWS GWS
atmansio    179-100-087 scr2 1  16 yes a  0  on  off  off  no  off
              SPCA          CLLI          TFATCABMLQ MTPRSE ASL8
```

```

----- ls06clli      1          no      no

RANDSLS
off

ISLSRSB RLSLS8
1          no

IPSG  IPGWAPC  GTTMODE          CGGTMOD
no    no      CdPA              no

Link set table is ( 20 of 1024)  2% full
    
```

rtrv-ls:lsn=atmansil

This is an example of the possible output.

```

rlghncxa03w 09-05-17 11:43:04 GMT EAGLE5 41.0.0

LSN          APCA      (SS7)  L3T SLT          GWS GWS GWS
atmansil    200-050-176  scr1 1  9  no a  0  on off off no  off

          SPCA          CLLI          TFATCABMLQ MTPRSE ASL8
----- rlghnccc001  1          no      no

RANDSLS
off

ISLSRSB RLSLS8
3          no

IPSG  IPGWAPC  GTTMODE          CGGTMOD
no    no      CdPA              no

Link set table is ( 20 of 1024)  2% full
    
```

rtrv-ls:lsn=lsi7

This is an example of the possible output.

```

rlghncxa03w 08-12-17 11:43:04 GMT EAGLE5 40.0.0

LSN          APCI      (SS7)  L3T SLT          GWS GWS GWS
lsi7         3-150-4  scr1 1  2  no a  0  on off off no  off

          SPCI          CLLI          TFATCABMLQ MTPRSE ASL8
----- -----  1          no      ---

SLSOCBIT SLSRSB RANDSLS ITUTFR
none     1      all      off

ISLSRSB
1

IPSG  IPGWAPC  GTTMODE          CGGTMOD
no    no      AdvCdPA,CgPA,CdPA no

Link set table is ( 20 of 1024)  2% full
    
```

```
rtrv-ls:lsn=lsn5
```

This is an example of the possible output.

```
rlghncxa03w 08-12-17 11:43:04 GMT EAGLE5 40.0.0

LSN          APCN   (SS7)  SCRNL3T SLT          GWS GWS GWS
lsn5         10685          scr3  1  2  no  a  0  on  off  off  no  off

          SPCN          CLLI          TFATCABMLQ  MTPRSE  ASL8
          -----  lsn5clli          1          no  ---

SLSOCBIT SLSRSB RANDSLS ITUTFR
none      1      off      on

ISLSRSB
1

IPSG  IPGWAPC  GTTMODE          CGGTMOD
no    no          CdPA          no

Link set table is ( 20 of 1024) 2% full
```

```
rtrv-ls:lsn=lsn6
```

This is an example of the possible output.

```
rlghncxa03w 08-12-17 11:43:04 GMT EAGLE5 40.0.0

LSN (CHINA)  APCN   (SS7)  SCRNL3T SLT          GWS GWS GWS
lsn6         12543          scr3  1  3  no  A  0  on  off  off  ---  off

          SPCN          CLLI          TFATCABMLQ  MTPRSE  ASL8
          -----  -----  1          ---  ---

SLSOCBIT SLSRSB RANDSLS ITUTFR
none      1      off      on

ISLSRSB
1

IPSG  IPGWAPC  GTTMODE          CGGTMOD
no    no          CdPA          no

Link set table is ( 20 of 1024) 2% full
```

If a proxy linkset was provisioned in [Step 10](#), for this example, enter this command.

```
rtrv-ls:lsn=lsnpxyl
```

This is an example of the possible output.

```
rlghncxa03w 09-05-14 09:24:36 EST 41.0.0

          L3T SLT          GWS GWS GWS
```

```

LSN          APCA   (SS7)  SCRN SET SET BEI LST LNKS ACT MES DIS SLSCI NIS
lsnpxy1     004-004-004  none 1  1  no  PRX 0   off off off no   off

           SPCA           CLLI           TFATCABMLQ MTPRSE ASL8
           002-002-002  ----- 1           ---   no

RANDSLS
off

ISLSRSB RLS8
1       no

IPSG   IPGWAPC  GTTMODE           CGGTMOD
no     no       CdPA           no

Link set table is (9 of 1024) 1% full.

```

If linkset was provisioned in [Step 10](#) with an existing APC that is not a proxy linkset, for this example, enter this command.

```
rtrv-ls:lsn=lsnmls1
```

This is an example of the possible output.

```

rlghncxa03w 09-05-14 09:24:36 EST 41.0.0

           L3T SLT           GWS GWS GWS
LSN          APCA   (SS7)  SCRN SET SET BEI LST LNKS ACT MES DIS SLSCI NIS
lsnmls1     001-001-001  none 1  1  no  A  0   off off off no   off

           SPCA           CLLI           TFATCABMLQ MTPRSE ASL8
           021-021-021  ----- 1           ---   no

RANDSLS
off

ISLSRSB RLS8
1       no

IPSG   IPGWAPC  GTTMODE           CGGTMOD
no     no       CdPA           no

Link set table is (9 of 1024) 1% full.

```

If linkset was provisioned in [Step 10](#) with an existing APC that is a proxy linkset, for this example, enter this command.

```
rtrv-ls:lsn=lsnmls2
```

This is an example of the possible output.

```

rlghncxa03w 09-05-14 09:24:36 EST 41.0.0

           L3T SLT           GWS GWS GWS
LSN          APCA   (SS7)  SCRN SET SET BEI LST LNKS ACT MES DIS SLSCI NIS
lsnmls2     001-001-002  none 1  1  no  PRX 0   off off off no   off

```

```

          PPCA          CLLI          TFATCABMLQ MTPRSE ASL8
          002-002-002  -----          1          ---          no

RANDSLS
off

ISLSRSB RLSL8
1          no

IPSG  IPGWAPC  GTTMODE          CGGTMOD
no    no      CdPA          no

Link set table is (9 of 1024) 1% full.
    
```

12. Back up the new changes using the `chg-db:action=backup:dest=fixed` command.

These messages should appear, the active Maintenance and Administration Subsystem Processor (MASP) appears first.

```

BACKUP (FIXED) : MASP A - Backup starts on active MASP.
BACKUP (FIXED) : MASP A - Backup on active MASP to fixed disk complete.
BACKUP (FIXED) : MASP A - Backup starts on standby MASP.
BACKUP (FIXED) : MASP A - Backup on standby MASP to fixed disk complete.
    
```

ITU SLS Enhancement

The ITU SLS Enhancement gives customers the ability to modify the method the EAGLE 5 ISS distributes traffic across SS7 links.

The EAGLE 5 ISS uses the least significant bit of the SLS to load share between linksets of a combined linkset. ITU ISUP messages use a SLS that is obtained from the lower 4 bits of the CIC field representing the circuit being used. *Figure 20: ITU ISUP Routing Label with CIC* shows the ITU ISUP routing label with the CIC field.

16	15	14	13	12	11	10	9	8	7	6	5	4	3	2	1	Bit Location
DPC															Routing Label word 1	
SLS (CIC)			OPC												Routing Label word 2	
Spare			"Other" CIC bits (bits 5-16)												ISUP CIC (cont.)	

Figure 20: ITU ISUP Routing Label with CIC

CIC selection can be determined based on an odd or even method where a SSP uses either all odd CICs, or all even CICs, to help prevent "glaring" (that is, 2 SSPs attempting to seize the same trunk at the same time). This causes the least significant bit of the SLS to be fixed. If the least significant bit is fixed, inadequate load sharing occurs for the SS7 network. This situation can also occur within a single linkset (international), since the EAGLE 5 ISS also uses the lower 4 bits of the SLS (containing a fixed least significant bit) to select a link within a linkset.

This enhancement provides the user three options for addressing the problem:

- **Bit Rotation** – The EAGLE 5 ISS rotates the 4 bits of the SLS, thus changing the least significant bit of the SLS. If selected, this option is applied to all ITU messages. This option is set with the `s1srsb` parameter of either the `ent-ls` or `chg-ls` commands. This action takes place on the outgoing linkset. More information on this option can be found in [Bit Rotation](#).
- **Use of Other CIC Bit** – The EAGLE 5 ISS derives the SLS from the bits 2 through 4 of the CIC to serve as the three lower bits of SLS, and one other bit of the CIC to serve as the most significant bit of the SLS. If selected, this option is only applied to ITU ISUP messages. This option is set with the `s1socbit` parameter of either the `ent-ls` or `chg-ls` commands. More information on this option can be found in [Use of the Other CIC Bit](#).

Before the Use of the Other CIC Bit option can be set, the Other CIC Bit Used feature must be turned on with the `chg-feat` command and the `s1socb=on` parameter. This can be verified with the `SLSOCB = on` entry of the `rtrv-feat` command output.

The `s1srsb` and `s1socbit` parameters can only be specified for linksets that contain either an ITU international or ITU national adjacent point code (either a 14-bit or 24-bit ITU-N adjacent point code).

The value of the `s1srsb` and `s1socbit` parameters are only displayed in the `rtrv-ls` command output when a specific linkset is being displayed with the `rtrv-ls:lsn=<linkset name>` command.

Note: When two linksets are used as a combined linkset, both linksets should use the same `s1srsb` and `s1socbit` values.

Note: If the `randsls` parameter of the `chg-stpopts` command, a system-wide option, is set to either `all` or `class0`, the EAGLE 5 ISS uses the Random SLS Generation feature to perform load sharing between ITU linksets. The `s1srsb` parameter value is ignored. However, the `ent-ls` and `chg-ls` commands allow the `s1srsb` parameter value to be specified. For more information on the Random SLS Generation feature, refer to [Configuring the System for Random SLS Generation](#).

- **Incoming Bit Rotation** - The EAGLE 5 ISS changes the least significant bit of the SLS on ANSI and ITU messages on incoming linksets by rotating the 4 bits of the SLS. This option is set with the `is1srsb` parameter of either the `ent-ls` or `chg-ls` commands. More information on this option can be found in [Incoming Bit Rotation](#).

Only the link selection algorithm is modified by this feature, not the actual SLS field of the message (that is, the SLS value received by the EAGLE 5 ISS is the SLS value sent by the EAGLE 5 ISS).

Bit Rotation

To alleviate the situation of the EAGLE 5 ISS selecting the same linkset of a combined linkset, the customer can apply the bit rotation option. Bit rotation can be used, on a per linkset basis, to ensure the EAGLE 5 ISS does not use the static least significant bit (always 0 or always 1) in the received SLS for linkset selection.

When defining a link set using the `ent-ls` or `chg-ls` commands, the customer will be able to select which bit (1-4) of the SLS field to use as the least significant bit for link set selection. This rotation only affects the 4 bits of the SLS during linkset selection, as follows:

- If bit 4 is selected, bit locations 4 3 2 1 will be rotated to 3 2 1 4.
For example: SLS = 0110 becomes Rotated SLS = 1100. SLS = 1011 becomes Rotated SLS = 0111
- If bit 3 is selected, bit locations 4 3 2 1 will be rotated to 2 1 4 3.
For example: SLS = 0110 becomes Rotated SLS = 1001. SLS = 1011 becomes Rotated SLS = 1110

- If bit 2 selected, bit locations 4 3 2 1 will be rotated to 1 4 3 2.
For example: SLS = 0110 becomes Rotated SLS = 0011. SLS = 1011 becomes Rotated SLS = 1101
- If bit 1 is selected, no rotation is performed, since bit 1 is the existing least significant bit. Bit 1 is the default value.

Figure 21: Example of Bit Rotation shows an example of bit rotation.

- 1) Customer has selected bit 2 as the "Rotated LSB"
- 2) Received CIC contains the following bits with SLS = 1001

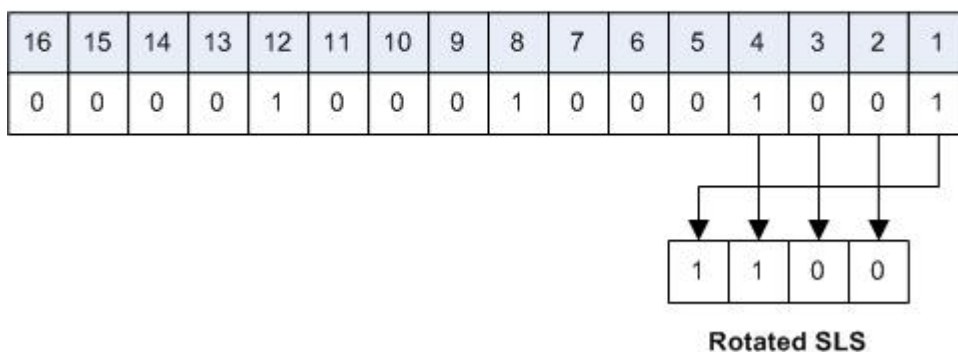


Figure 21: Example of Bit Rotation

After the SLS is rotated, the existing algorithm for selecting a linkset and signaling link is performed, and the message is sent out the selected link. Note that the SLS is modified only for the link selection algorithm, and is not modified in the outgoing message.

Use of bit rotation alone does not guarantee an even distribution of ITU-ISUP messages across all links within a linkset. The EAGLE 5 ISS uses all 4 bits of the SLS to determine the actual link to route messages. Since the static bit is simply rotated within the SLS, all possible values of the SLS field will still not be realized. A second option, Use of the Other CIC Bit, must be applied to guarantee even distribution across all links within the linkset.

Use of the Other CIC Bit

The Use of the Other CIC Bit option can be applied by the customer to alleviate the problem of the EAGLE 5 ISS not load sharing between all links within a linkset. When defining a linkset with the `chg-ls` or `ent-ls` command, the user can specify whether the Use of the Other CIC Bit option is to be used during link selection. If the option is to be used, the customer can also specify which bit (bits 5 through 16 of CIC) is to be used as the "other CIC bit".

During link selection, the specified bit acts as the most significant bit of the new SLS, and bits 2 through 4 of the received CIC become the least significant bits of the new SLS.

Figure 22: SLS creation Using "Other CIC Bit" shows how the new SLS field is generated using the "other CIC bit."

- 1) Customer has selected bit 9 as the "other CIC bit"
- 2) Received CIC contains the following bits

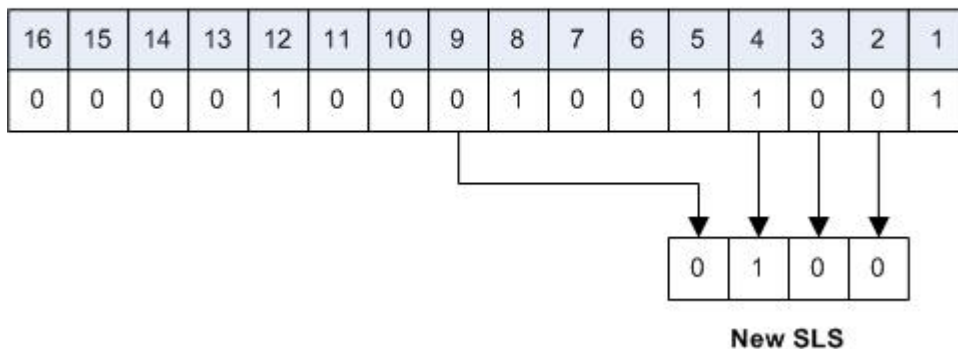


Figure 22: SLS creation Using "Other CIC Bit"

After the SLS is generated using the "other CIC bit", the existing algorithm for selecting a linkset and signaling link is performed, and the message is sent out from the selected link. Note that the SLS is modified only for the link selection algorithm, and is not modified in the outgoing message.

Incoming Bit Rotation

Incoming Bit Rotation is set on the incoming linkset, where the existing SLS bit rotation option is set on the outgoing linkset. The algorithm used for rotating the SLS bits on outgoing linksets is also used on incoming linksets. This method provides additional capability to fairly distribute traffic across links and linksets, however it still does not guarantee an even distribution of messages for all set of input SLS values. Rotating SLS Bits on outgoing linksets is supported only for ITU linksets. Rotating SLS bits on incoming linksets is supported for ANSI and ITU linksets. For ITU linksets, the SLS value is only four bits and all four bits are considered for bit rotation. [Table 23: ITU SLS Bit Rotation](#) shows examples of bit rotation for ITU linksets.

Table 23: ITU SLS Bit Rotation

Incoming ITU SLS Value	Least Significant Bit Being Rotated	Rotated SLS Value
0110	2	0011
1110	3	1011
0010	1	0010
1101	4	1011

For ANSI linksets, which may have a five or eight bit SLS value, the full five or eight bits are considered for link and linkset selection. [Table 24: ANSI Linkset Incoming Bit Rotation Rules](#) shows the rules that apply to rotating the SLS bit value in an ANSI linkset.

Table 24: ANSI Linkset Incoming Bit Rotation Rules

Rule	Incoming Linkset ASL8 Value	Incoming Linkset RSL8 Value	ISLSRSB Values	SLSCNV/Outgoing Linkset SLSCI Value	Incoming SLS Bit Rotation (ISLSBR)
1	No	No	1 - 5	No	The least significant 5 bits of the SLS are considered for rotation.
2	No	No	1 - 5	Yes	The least significant 5 bits of the SLS are considered for rotation.
3	No	Yes	1 - 8	No	No incoming SLS bit rotation is performed. The 5-Bit to 8-Bit SLS Conversion feature must be turned on to perform incoming SLS bit rotation.
4	No	Yes	1 - 8	Yes	The 8 bit SLS value is obtained after the 5-bit to 8-bit SLS conversion is performed is considered for rotation.
5	Yes	No	1 - 5	N/A	The least significant 5 bits of the SLS are considered for rotation.
6	Yes	Yes	1 - 8	N/A	The 8-bit SLS value is considered for rotation.

Rotating the SLS bits on ANSI linksets is based on the combination of the ASL8, RSL8, SLSCNV/SLSCI, and ISLSRSB parameter values.

The ASL8 parameter value for the incoming linkset specifies whether the adjacent node is sending messages with a 5-bit SLS or an 8-bit SLS.

If the ASL8 parameter value for the incoming linkset is No, and the global SLSCNV/SLSCI parameter value for the outgoing linkset is Yes, the the 5-Bit to 8-Bit SLS Conversion feature is applied to the incoming 5-bit SLS value.

The RLS8 parameter value for the incoming linkset specifies the number of SLS bits to be considered for rotation. If the RLS8 value is Yes, 8 bits are considered for rotation. If the RLS8 value is No, the least significant 5 bits of the SLS are considered for rotation. If the ASL8 value is No, the RLS8 value is Yes, and the STPCNV/SLSCI value is No, then no rotation is performed. See [Table 25: ANSI SLS Bit Rotation](#).

Table 25: ANSI SLS Bit Rotation

Incoming ANSI SLS	Incoming Linkset RLS8 Value	Least Significant Bit Being Rotated	Outgoing ANSI SLS	Rotated SLS	Rule Applied
11000110	No	Bit 2	11000110	11000011	5
01011110	Yes	Bit 7	01011110	01111001	6
10010	No	Bit 4	101 10010	1010 1010	2
10010	Yes	Bit 8	101 10010	01100 101	4
01101	No	Bit 4	01101	10101	1
01101	Yes	Bit 7	01101	No Rotation	3

The digits shown in bold show the digits that were added to the SLS value by the 5-Bit to 8-Bit SLS Conversion feature. The SLS bits are rotated in this manner.

1. All the bits to the right side of the bit chosen to the the least significant bit are removed as a block.
2. The remaining bits are right justified.
3. The block of digits that was removed in step 1 is inserted to the left of the bits that were right justified in step 2.

The new SLS value created after the SLS bits have been rotated is used for linkset and signaling link selection.

Combining the Bit Rotation, Use of the Other CIC Bit, Incoming Bit Rotation, and Random SLS Options

The Bit Rotation, Use of the Other CIC Bit, Incoming Bit Rotation, or Random SLS option, can be applied to provide an even distribution of ITU and ANSI messages sent by the EAGLE 5 ISS. If these options have been activated for a given linkset, the SLS field is processed in the following order.

1. If the RANDSLS value (system-wide or on the incoming linkset) is on, then an 8-bit random SLS value is generated.
2. If the Random SLS option is applied and the system-wide SLSREPLACE value is on, the randomly generated SLS value is replaced. Go to step 5.
3. If the global SLSCNV/SLSCI value for the outgoing linkset is on, the 5-bit ANSI SLS value is converted to an 8-bit SLS value using the 5-Bit to 8-bit SLS Conversion feature.

4. If the Random SLS option is not applied, the converted SLS value is modified using the Incoming Bit Rotation option.
5. The modified SLS value is used by the existing linkset and signaling link selection algorithm to select a linkset and a signaling link.
6. If the linkset type of the outgoing linkset is C (1st=c), the SLS value is modified using the standard fifth bit rotation, replaced in the MSU, and sent to the selected signaling link.

ITU TFR Procedures

Receiving TFR Messages

If ITU TFR procedures have been enabled for the linkset and a TFR message is received on that linkset, the EAGLE 5 ISS marks the route to the destination as restricted and performs controlled rerouting of the messages that are destined for the destination specified in the TFR message.

If ITU TFR procedures have not been enabled for the linkset and a TFR message is received on that linkset, the TFR message is converted to a TFA (transfer allowed) message and traffic is routed to the destination specified in the TFR message. When this condition is present and a TFR is received on this linkset, UIM 1233 is displayed showing that a TFR was received on a linkset that does not support the TFR procedure.

When a TFR message is received for a route that is already prohibited, and no alternative route exists, the traffic to the concerned node is restarted toward the signaling point from which the TFR message was received.

Invalid TFR messages

The TFR message is ignored under any of these conditions:

- The TFR message is not from an adjacent point code.
- The point code specified in the TFR message is being sent from that same point code.
- The TFR message is from an unknown destination.
- The TFR message is from an adjacent point code, but the adjacent point code is not the route for concerned point code.
- If the route to the concerned point code is already restricted.
- The route to concerned point code not found or is unavailable.

Sending TFR Messages

The EAGLE 5 ISS must send a TFR message containing the affected point code (restricted destination) to all accessible adjacent nodes, whose linkset has the TFR procedure enabled, when the following conditions are in effect:

- When long term failure occurs on the ITU-N linkset (primary) used to route messages to the affected point code. Long term failure occurs when all links of a linkset remain unavailable for more than the amount of time specified by level 3 timer T11.
- While waiting for “long term failure” to be determined, if congestion (or “danger of congestion”) is detected on an alternate linkset used to route messages to the affected point code, then TFRs are sent immediately without waiting for level 3 timer T11 to expire. For example: level 3 timer T11 is set to 30 seconds, the links of the linkset to the adjacent node fail and MSUs are now sent out the

alternate linkset. Within 10 seconds of the failure, congestion is detected on the alternate linkset, so TFR messages are sent to each adjacent point code (if linkset has ITUTFR procedures enabled) for each destination (affected point code) routed through that node.

- When an adjacent node becomes accessible by an alternate route, the EAGLE 5 ISS sends a TFR for each destination that is restricted to the node.
- During restarts, TFRs are broadcast to all accessible adjacent nodes for each restricted destination.

Unlike the ANSI network, the ITU national network does not use response method TFR messages. The ITU national network only uses broadcast method TFR messages that are sent to all adjacent nodes under the conditions described above.

Note: In ANSI networks, response method TFRs are sent to adjacent nodes in response to a MSU, when that node continues to send MSUs after a broadcast method TFR has already been sent.

The EAGLE 5 ISS maintains the status (allowed, restricted, or prohibited) for all destinations. XREF shows the type of message sent when a destination transitions from one status to another.

Table 26: Route Management Messages Sent on Status Transition

Status Transition	ITUTFR Procedures Enabled	ITUTFR Procedures Disabled
Prohibited to Restricted	TFR	TFA
Allowed to Restricted	TFR	None
Restricted to Prohibited	TFP	TFP
Restricted to Allowed	TFA	None

Per-Linkset Random SLS

To achieve load balancing of outgoing traffic on ITU linksets, linksets that have either an ITU-I, 14-bit ITU-N, or 24-bit ITU-N adjacent point code assigned, the EAGLE 5 ISS currently uses the Random SLS option to generate a new SLS (signaling link selector) value. The randomly generated SLS value is used to select an outgoing signaling link and linkset. Random SLS generation applies to either Class 0 SCCP messages or to both Class 0 and Class 1 SCCP messages. The Random SLS option is configured using the `randsls` parameter of the `chg-stpopts` command. Refer to [Configuring the System for Random SLS Generation](#) for more information on configuring the Random SLS option.

This method of selecting outgoing signaling links and linksets is applied system-wide to all ITU linksets. This may cause problems for some end nodes that may have specific requirements for handling incoming SCCP messages, such as sequencing of Class 1 SCCP messages.

The Per-Linkset Random SLS feature provides the ability to apply Random SLS generation to Class 0 and Class 1 SCCP messages on specific outgoing ITU linksets and to Class 0 SCCP messages and ISUP messages on specific incoming ANSI linksets. The `randsls` parameter of either the `ent-ls` or `chg-ls` command applies this feature to the linkset. The `randsls` parameter has three values:



- `off` – Random SLS generation is not applied to the specified linkset.
- `class0` – Random SLS generation is applied to only Class 0 SCCP messages.

- `all` – Random SLS generation is applied to both Class 0 and Class 1 SCCP messages on a specific outgoing ITU linksets, and to both Class 0 SCCP and ISUP messages on specific ANSI linksets.

When per-linkset random SLS is applied to ANSI linksets, linksets that have ANSI adjacent point codes, the SLS of the message is replaced with a randomly generated SLS, only if the `slsreplace` parameter value is set to `yes`. The `slsreplace` parameter value is shown in the `rtrv-ss7opts` output. If the `slsreplace` parameter value is `no`, the EAGLE 5 ISS uses the randomly generated SLS to select the signaling link, but the message retains the original SLS. If the linkset's `asl8` or `slsci` parameter value is `off`, or the `chg-stpopts slscnv` parameter is `off`, a 5-bit SLS is placed in the message. The three most significant bits of the SLS are zeroes. If the linkset's `asl8` or `slsci` parameter value is `on`, or the `slscnv` parameter of the `chg-stpopts` command is `on`, an 8-bit SLS is placed in the message. The linkset's `asl8` parameter value is not used for internal linkset and signaling link selection. The linkset's `asl8` parameter applies only to incoming linksets. The linkset's `slsci` parameter applies only to outgoing linksets. The randomly generated SLS value is used for internal linkset and signaling link selection. When an ANSI to ITU conversion takes place, the randomly generated SLS value for the incoming ANSI linkset is used for internal linkset and signaling link selection and Random SLS generation on outgoing linkset is not performed.

The `randsls` parameter is optional. If the `randsls` parameter is not specified when adding a linkset with the `ent-ls` command, the value of the `randsls` parameter is `off`. If the `randsls` parameter is not specified when changing a linkset with the `chg-ls` command, the value of the `randsls` parameter is not changed.

The value of the `randsls` parameter assigned to the linkset is displayed in the `RANDSLS` column of the `rtrv-ls` command output. The `RANDSLS` column is displayed only when a specific linkset is being displayed with the `rtrv-ls:lsn=<linkset name>` command. All linksets having a particular `randsls` value can be displayed by entering the `rtrv-ls` command with the `randsls` parameter with one of these values:

- `off` – Displays the linksets where random SLS generation is disabled.
- `class0` – Displays the linksets where random SLS generation for Class 0 SCCP traffic is enabled.
- `all` – Displays the linksets where random SLS generation for Class 0 and Class 1 SCCP traffic on a specific outgoing ITU linksets is enabled , and Class 0 SCCP and ISUP messages on specific incoming ANSI linksets is enabled. .

For random SLS generation to be performed on a specific linkset, the `randsls` parameter value for that linkset must be set to either `class0` or `all`. The system-wide random SLS STP option `randsls` must be set to `perls` using the `chg-stpopts` command with the `randsls=perls` parameter. Refer to [Configuring the System for Random SLS Generation](#) for more information on configuring the system-wide Random SLS option, and, if Random SLS is applied to ANSI linksets, to configure the SS7 option for replacing the SLS in the message with the randomly generated SLS.

It is recommended that when configuring `randsls` values on two linksets that are in a combined linkset that the `randsls` values for these linksets are the same. If these values are not the same, undesired SLS distribution of the traffic on these linksets may result.

Verifying the Gateway Screening Configuration for a Linkset

This procedure is used to verify that the screen set that will be assigned to the linkset, and its associated screens, is in the database.

1. Display the current linkset configuration using the `rtrv-ls` command.

This is an example of the possible output.

```
rlghncxa03w 08-12-10 11:43:04 GMT EAGLE5 40.0.0

          L3T SLT
LSN      APCA   (SS7)  SCRN SET SET BEI LST LNKS ACT MES DIS SLSCI NIS
ele2     001-207-000 none 1 1 no B 6 off off off no off
ls04     001-002-003 scr2 1 1 no a 4 off off off yes off
ls1305   001-005-000 none 1 1 no A 1 off off off no off
ls1307   001-007-000 none 1 1 no A 1 off off off no off
elm1s1   001-001-003 none 1 1 no A 7 off off off no off
elm1s2   001-001-002 none 1 1 no A 7 off off off no off

          L3T SLT
LSN      APCI   (SS7)  SCRN SET SET BEI LST LNKS ACT MES DIS SLSCI NIS
ele2i    1-207-0 none 1 1 no B 4 off off off --- on
ls1315   0-015-0 none 1 1 no A 1 off off off --- off
ls1317   0-017-0 none 1 1 no A 1 off off off --- on
elm2s1   1-011-1 none 1 1 no A 7 off off off --- off
elm2s2   1-011-2 none 1 1 no A 7 off off off --- off

Link set table is (10 of 1024) 1% full.
```

A screenset that is assigned to another linkset can be assigned to the new linkset or the linkset that is being changed. If you wish to use a screenset shown in the `rtrv-ls` output, continue the procedure by performing one of these actions.

- If you wish to examine the content of the screen set, continue the procedure with the [Step 3](#).
- If you do not wish to examine the content of the screen set, and the screen set is being assigned to a new linkset, this procedure is finished. If the screen set is being assigned to an existing linkset, continue the procedure with [Step 5](#).

If you do not wish to use a screenset shown in the `rtrv-ls` output, continue the procedure with the [Step 2](#).

2. Verify that the gateway screening screen set that is to be assigned to the linkset is in the database by entering the `rtrv-scrset` command.

This is an example of the possible output.

```
rlghncxa03w 08-12-28 16:37:05 GMT EAGLE5 40.0.0
ENTIRE GWS DATABASE IS 1% FULL
CDPA + AFTPC TABLES ARE 1% FULL
SCREEN SET TABLE IS (12 OF 255) 5% FULL
THERE ARE 0 SEAS SCREEN SETS USED ( prefix 00nn )
THERE ARE 12 EAGLE SCREEN SETS USED

SCRN  NSFI   NSR/ACT  FULL  RULES  TABLES  DESTFLD
fld1  OPC    fld2     1%    5      4        NO
gws1  OPC    gws4     1%    9      7        NO
gws2  BLKOPC gws5     1%    5      4        NO
ls01  SIO    ls02     1%    3      3        YES
scr1  OPC    opc1     1%    13     10       YES
scr2  OPC    opc2     2%    75     22       YES
scr3  OPC    opc3     2%    75     22       YES
scr4  OPC    opc1     51%   2075   22       NO
scr5  OPC    opc1     51%   2075   22       YES
```


scr6	OPC	opc1	51%	2075	22	NO
ss28	OPC	opc1	51%	2075	22	YES
wrđ1	SIO	iec	1%	6	5	YES

If you wish to examine the contents of a particular screen set, continue the procedure with [Step 3](#).

If you do not wish to examine the content of the screen set, and the screen set is being assigned to a new linkset, this procedure is finished. If the screen set is being assigned to an existing linkset, continue the procedure with [Step 5](#).

If the screen set is being assigned to a new linkset, this procedure is finished. If the screen set is being assigned to an existing linkset, continue the procedure with [Step 5](#).

3. Enter the `rtrv-scrset` command specifying a screen set name shown in the `SCRN` field of either the `rtrv-scrset` command executed in [Step 2](#) or the `rtrv-ls` command executed in [Step 1](#).

For this example, enter this command.

```
rtrv-scrset:scrn=scr1
```

This is an example of the possible output.

```
rlghncxa03w 08-12-14 16:39:04 GMT EAGLE5 40.0.0
SCRN  NSFI    NSR/ACT  RULES  DESTFLD
scr1   OPC     opc1     1      Y
      BLKDPC  bkd2     2
      CGPA   cgp1     3
      TT     tt1      1
      TT     tt2      1
      TT     tt3      1
      CDPA  cdp1     1
      CDPA  cdp2     1
      CDPA  cdp3     1
      AFTPC end1      1
```

The output of this command shows the screens that make up the screen set. These screens can be examined by entering the gateway screening retrieve command corresponding to the value in the `NSFI` field and specifying the screening reference name shown in the `NSR/ACT` field.

If you wish to examine the content of these screens, continue the procedure with [Step 4](#).

If you do not wish to examine the content of these screens, and the screen set is being assigned to a new linkset, this procedure is finished. If the screen set is being assigned to an existing linkset, continue the procedure with [Step 5](#).

4. Enter the gateway screening retrieve command corresponding to the value in the `NSFI` field and specifying the screening reference name shown in the `NSR/ACT` field

For this example, enter these commands.

```
rtrv-scr-opc:sr=opc1
```

The following is an example of the possible output.

```
rlghncxa03w 08-12-25 15:30:30 GMT EAGLE5 40.0.0
SCREEN = ALLOWED OPC
SR  NI    NC    NCM    NSFI  NSR/ACT
opc1 001    001    001    BLKOPC bkd2
```

```
rtrv-scr-blkdp:sr=bkd2
```

The following is an example of the possible output.

```
rlghncxa03w 08-12-25 15:30:30 GMT EAGLE5 40.0.0
SCREEN = BLOCKED OPC
SR   NI      NC      NCM      NSF1     NSR/ACT
bkd2 002      002      002      FAIL     -----
bkd2 C        C        C        CGPA     cgp1
```

```
rtrv-scr-cgpa:sr=cgp1
```

The following is an example of the possible output.

```
rlghncxa03w 08-12-25 15:30:30 GMT EAGLE5 40.0.0
SCREEN = ALLOWED CGPA
SR   NI      NC      NCM      SSN      RI      SCCPMT  NSF1     NSR/ACT
cgp1 007      007      007      250      SSN 017    TT       tt1
cgp1 007      007      008      50       SSN 017    TT       tt2
cgp1 007      007      009      75       SSN 017    TT       tt3
```

```
rtrv-scr-tt:sr=tt1
```

The following is an example of the possible output.

```
rlghncxa03w 08-12-25 15:30:30 GMT EAGLE5 40.0.0
SCREEN = ALLOWED TT
SR   TYPE     NSF1     NSR/ACT
tt1  250      CDPA     cdp1
```

```
rtrv-scr-tt:sr=tt2
```

The following is an example of the possible output.

```
rlghncxa03w 08-12-25 15:30:30 GMT EAGLE5 40.0.0
SCREEN = ALLOWED TT
SR   TYPE     NSF1     NSR/ACT
tt2  50       CDPA     cdp2
```

```
rtrv-scr-tt:sr=tt3
```

The following is an example of the possible output.

```
rlghncxa03w 08-12-25 15:30:30 GMT EAGLE5 40.0.0
SCREEN = ALLOWED TT
SR   TYPE     NSF1     NSR/ACT
tt3  100      CDPA     cdp3
```

```
rtrv-scr-cdpa:sr=cdp1
```

The following is an example of the possible output.

```
rlghncxa03w 08-12-25 15:30:30 GMT EAGLE5 40.0.0
SCREEN = ALLOWED CDPA
```

```
SR      NI      NC      NCM      SSN      SCMGFID  NSFI      NSR/ACT
cdp1   007      007      007      001      100      AFTPC     end1
```

```
rtrv-scr-cdpa:sr=cdp2
```

The following is an example of the possible output.

```
rlghncxa03w 08-12-25 15:30:30 GMT  EAGLE5 40.0.0
SCREEN = ALLOWED CDPA
SR      NI      NC      NCM      SSN      SCMGFID  NSFI      NSR/ACT
cdp2   007      007      008      001      120      AFTPC     end1
```

```
rtrv-scr-cdpa:sr=cdp3
```

The following is an example of the possible output.

```
rlghncxa03w 08-12-25 15:30:30 GMT  EAGLE5 40.0.0
SCREEN = ALLOWED CDPA
SR      NI      NC      NCM      SSN      SCMGFID  NSFI      NSR/ACT
cdp3   007      007      009      001      150      AFTPC     end1
```

```
rtrv-scr-aftpc:sr=end1
```

The following is an example of the possible output.

```
rlghncxa03w 08-12-25 15:30:30 GMT  EAGLE5 40.0.0
SCREEN = ALLOWED AFTPC
SR      NI      NC      NCM      SSN      NSFI      NSR/ACT
end1   008      008      008      250      STOP      -----
```

If you do not wish to assign this screen set to the linkset, perform the "Adding a Screen Set" procedure in the *Database Administration Manual - Gateway Screening* to add the desired screen set to the database.

If the screen set is being assigned to a new linkset, this procedure is finished. If the screen set is being assigned to an existing linkset, continue the procedure with [Step 5](#).

- Remove the existing screen set assignment from the linkset by entering the `chg-ls` command with the name of the linkset and the `scrn=none` parameter.

For this example, enter this command.

```
chg-ls:lsn=ls04:scrn=none
```

When this command has successfully completed, this message should appear.

```
rlghncxa03w 08-12-17 16:23:21 GMT  EAGLE5 40.0.0
Link set table is ( 19 of 1024) 2% full
CHG-LS: MASP A - COMPLTD
```

- Verify the changes using the `rtrv-ls` command specifying the linkset name specified in [Step 5](#) with the `lsn` parameter.

For this example, enter this command.

```
rtrv-ls:lsn=ls04
```

This is an example of the possible output.

```
rlghncxa03w 09-10-17 11:43:04 GMT EAGLE5 41.1.0

LSN              APCA      (SS7)  SCRN  L3T  SLT          GWS  GWS  GWS
ls04             001-002-003  none  1    1    no  a    4    off off off  yes  off

CLLI             TFATCABMLQ  MTPRSE  ASL8
ls04clli        2          no      no

IPGWAPC  MATELSN      IPTPS  LSUSEALM  SLKUSEALM  GTTMODE
no        -----  ---    ---      ---      CdPA

LOC  LINK  SLC  TYPE      L2T          PCR  PCR
      SET  BPS   ECM   N1   N2
1205  b    0   LIMDS0   1    56000  BASIC  ---  -----
1213  b    1   LIMDS0   1    56000  BASIC  ---  -----
1211  a    2   LIMDS0   1    56000  BASIC  ---  -----
1207  b    3   LIMDS0   1    56000  BASIC  ---  -----

Link set table is ( 19 of 1024)  2% full
```

7. Back up the new changes using the `chg-db:action=backup:dest=fixed` command.

These messages should appear, the active Maintenance and Administration Subsystem Processor (MASP) appears first.

```
BACKUP (FIXED) : MASP A - Backup starts on active MASP.
BACKUP (FIXED) : MASP A - Backup on active MASP to fixed disk complete.
BACKUP (FIXED) : MASP A - Backup starts on standby MASP.
BACKUP (FIXED) : MASP A - Backup on standby MASP to fixed disk complete.
```

This procedure is finished.

Configuring the MTP Restart Feature

This procedure is used to configure the MTP Restart feature with the following commands and parameters.

- `chg-feat - mtprs=on` (to turn on MTP Restart for ANSI signaling links) and `itumtptrs=on` (to turn on MTP Restart for ITU signaling links)
- `chg-stpopts`
 - `on=mtprsi` - to enable the MTP Restart process, or `off=mtprsi`, to disable the MTP Restart process. When the `on=mtprsi` parameter is specified for the `chg-stpopts` command, the value `yes` is shown in the `MTPRSI` field of the `rtrv-stpopts` output. When the `off=mtprsi` parameter is specified for the `chg-stpopts` command, the value `no` is shown in the `MTPRSI` field of the `rtrv-stpopts` output. The system default value for this option is `no`.
 - `mtprsit` - the MTP restart isolation timer - 2000 to 900000 milliseconds. The system default value is 5000 milliseconds.

The MTP restart feature is applied to the signaling links in a linkset by specifying the `mtprse=yes` parameter of the `ent-ls` or `chg-ls` commands. Perform [Adding a SS7 Linkset](#) or [Changing an SS7 Linkset](#) to specify the `mtprse` value for a linkset.

If the MTP restart feature is turned on, the alignment of all signaling links is delayed until all the LIMs containing signaling links are in service. This allows the EAGLE 5 ISS to be restored to network service in an orderly fashion and allows all the LIMs containing signaling links to participate in the MTP restart process. The amount of time that the alignment of the signaling links is delayed is dependent on the number of LIMs and DCMs in the EAGLE 5 ISS and is shown in [Table 27: MTP Restart Signaling Link Alignment Delay](#). [Table 27: MTP Restart Signaling Link Alignment Delay](#) shows an example of MTP signaling link alignment delay for LIMs.

Note: The MTP restart feature can be used on linksets containing non-IP signaling links, IP signaling links with the `ipliml2=m2pa` parameter, or IPSSG signaling links with the `ipsg=yes` and `adapter=m2pa` parameters.

Table 27: MTP Restart Signaling Link Alignment Delay

Number of LIMs Containing Signaling Links	Signaling Link Alignment Delay
1 to 64	62 seconds
64 to 127	97 seconds
128 to 191	132 seconds
192 or more	167 seconds

If the ANSI MTP restart feature is on (`MTPRS = on` in the `rtrv-feat` command output), the `mtprsi` parameter is set to `yes`, and at least one ANSI linkset has the `mtprse` parameter set to `yes`, the EAGLE 5 ISS starts these level 3 timers; T22, T23, T24, T25, T26, T28, T29, and T30 to control the behavior of the MTP restart feature. These timers control when the TRA and TRW network management messages are sent to the nodes adjacent to the EAGLE 5 ISS when the EAGLE 5 ISS is going through the MTP restart process. When these timers are first introduced to the EAGLE 5 ISS, the system default values for these timers are:

- T22 - 10 seconds
- T23 - 10 seconds
- T24 - 10 seconds
- T25 - 30 seconds
- T26 - 12 seconds
- T28 - 3 seconds
- T29 - 60 seconds
- T30 - 30 seconds.

To change the values of these timers, perform [Changing Level 3 Timers](#).

If the ITU MTP restart feature is on (`ITUMTPRS = on` in the `rtrv-feat` command output), the `mtprsi` parameter is set to `yes`, and at least one ITU linkset has the `mtprse` parameter set to `yes`, the EAGLE 5 ISS starts these level 3 timers; IT18, IT19, IT20, and IT21 to control the behavior of the ITU MTP restart feature. These timers control when the TRA and TRW network management messages are sent to the nodes adjacent to the EAGLE 5 ISS when the EAGLE 5 ISS is going through the MTP

restart process. When these timers are first introduced to the EAGLE 5 ISS, the default values for these timers are:

- IT18 - 50 seconds
- IT19 - 67 seconds
- IT20 - 59 seconds
- IT21 - 63 seconds.

To change the values of these timers, perform [Changing Level 3 Timers](#).

If both the ANSI and ITU MTP restart features are on, the `mtparsi` parameter is set to `yes`, and at least one ANSI and ITU linkset has the `mtparse` parameter set to `yes`, the EAGLE 5 ISS starts the level 3 timers for both the ANSI and ITU MTP restart features to control the behavior of both the ANSI and ITU MTP restart features.

1. If you wish to use either the ANSI MTP restart feature or the ITU MTP restart feature, enter the `rtrv-feat` command to verify that either of these features are on.

The entry `MTPRS = on` in the `rtrv-feat` command output shows that the ANSI MTP restart feature is on. The entry `ITUMTPRS = on` in the `rtrv-feat` command output shows that the ITU MTP restart feature is on. In this example, both features are off.

Note: The `rtrv-feat` command output contains other fields that are not used by this procedure. If you wish to see all the fields displayed by the `rtrv-feat` command, see the `rtrv-feat` command description in the *Commands Manual*.

If both the ANSI and ITU MTP restart feature are on, continue the procedure with [Step 4](#).

If you are not going to turn the ANSI MTP restart feature on, or if the output of the `rtrv-feat` command in this step shows that the ANSI MTP restart feature is on (shown by the `MTPRS = on` entry), continue the procedure with [Step 3](#).

2. Turn the ANSI MTP restart feature on by entering this command.

```
chg-feat:mtprs=on
```

Note: Once the ANSI MTP restart feature is turned on with the `chg-feat` command, it cannot be turned off.

The ANSI MTP restart feature must be purchased before you turn the feature on with the `chg-feat` command. If you are not sure if you have purchased the ANSI MTP restart feature, contact your Tekelec Sales Representative or Account Representative.

When this command has successfully completed, this message should appear.

```
rlghncxa03w 06-10-10 11:43:04 GMT EAGLE5 36.0.0
CHG-FEAT: MASP A - COMPLTD
```

Note: If you are not going to turn the ITUMTP restart feature on, or if the output of the `rtrv-feat` command in [Step 1](#) shows that the ITU MTP restart feature is on (shown by the `ITUMTPRS = on` entry), continue the procedure with [Step 4](#).

3. Turn the ITU MTP restart feature on by entering this command.

```
chg-feat:itumtprs=on
```

Note: Once the ITU MTP restart feature is turned on with the `chg-feat` command, it cannot be turned off.

The ITU MTP restart feature must be purchased before you turn the feature on with the `chg-feat` command. If you are not sure if you have purchased the ITU MTP restart feature, contact your Tekelec Sales Representative or Account Representative.

When this command has successfully completed, this message should appear.

```
rlghncxa03w 06-10-10 11:43:04 GMT EAGLE5 36.0.0
CHG-FEAT: MASP A - COMPLTD
```

4. Enter the `rtrv-stpopts` command to display the value of the `MTPRSI` and `MTPRSIT` fields. This is an example of the possible output.

```
rlghncxa03w 06-10-17 16:02:05 GMT EAGLE5 36.0.0
STP OPTIONS
-----
MTPRSI                no
MTPRSIT               5000
```

Note: The `rtrv-stpopts` command output contains other fields that are not used by this procedure. If you wish to see all the fields displayed by the `rtrv-stpopts` command, see the `rtrv-stpopts` command description in the *Commands Manual*.

To change the value of the `MTPRSI` or the `MTPRSIT` fields, continue the procedure with [Step 5](#).

If you do not wish to change the value of the `MTPRSI` or the `MTPRSIT` fields, continue the procedure with [Step 7](#).

5. Change the `MTPRSI` or `MTPRSIT` values by entering the `chg-stpopts` command with one or more of these parameters.
 - `:on=mtprsi` - to enable the MTP restart process.
 - `:off=mtprsi` - to disable the MTP restart process.
 - `:mtprsit` - to specify a new value for the MTP restart isolation timer.

For this example, enter this command.

```
chg-stpopts:on=mtprsi:mtprsit=7500
```

For this example, the MTP restart process is enabled and the value of the MTP restart isolation timer is changed.

When the `chg-stpopts` command has successfully completed, this message should appear.

```
rlghncxa03w 06-10-07 00:22:57 GMT EAGLE5 36.0.0
CHG-STPOPTS: MASP A - COMPLTD
```

6. Verify the changes using the `rtrv-stpopts` command.

This is an example of the possible output.

```
rlghncxa03w 06-10-17 16:02:05 GMT EAGLE5 36.0.0
STP OPTIONS
-----
MTPRSI                yes
MTPRSIT               7500
```

Note: The `rtrv-stpopts` command output contains other fields that are not used by this procedure. If you wish to see all the fields displayed by the `rtrv-stpopts` command, see the `rtrv-stpopts` command description in the *Commands Manual*.

7. Back up the new changes using the `chg-db:action=backup:dest=fixed` command.

These messages should appear, the active Maintenance and Administration Subsystem Processor (MASP) appears first.

```
BACKUP (FIXED) : MASP A - Backup starts on active MASP.
BACKUP (FIXED) : MASP A - Backup on active MASP to fixed disk complete.
BACKUP (FIXED) : MASP A - Backup starts on standby MASP.
BACKUP (FIXED) : MASP A - Backup on standby MASP to fixed disk complete.
```

Configuring the 5-Bit to 8-Bit SLS Conversion Feature

This procedure is used to configure the 5-Bit to 8-Bit SLS Conversion feature using the `chg-stpopts` command with the `slscnv` parameter.

The `slscnv` parameter of the `chg-stpopts` command has three values: `on`, `off`, and `perls`.

- `slscnv=on` – 5-bit to 8-bit conversion is performed on all linksets in the EAGLE 5 ISS, regardless of what the value of the `slsci` parameter of the `ent-ls` or `chg-ls` command is for the specific linkset. If the `asl8=yes` parameter of either the `ent-ls` or `chg-ls` commands is assigned to the linkset, no SLS conversion is performed.
- `slscnv=off` – 5-bit to 8-bit conversion is not performed on the linksets in the EAGLE 5 ISS, regardless of what the value of the `slsci` parameter of the `ent-ls` or `chg-ls` command is for the specific linkset.
- `slscnv=perls` – 5-bit to 8-bit SLS conversion is only performed on the MSUs arriving at the EAGLE 5 ISS on linksets that have the `asl8=no` parameter assigned to them, and leaving the EAGLE 5 ISS on linksets that have the `slsci=yes` parameter assigned to them. The `asl8` and `slsci` parameters are configured with either the `ent-ls` or `chg-ls` commands.

5-Bit to 8-Bit SLS conversion is performed based on the values assigned to the `slsci` and `asl8` parameters for the linkset and the `slscnv` parameter of the `chg-stpopts` command.

Note: The `slsci` and `asl8` parameters can be specified only for linksets containing ANSI adjacent point codes.

The `slsci` parameter indicates whether the 5-bit to 8-bit SLS conversion feature is used to select signaling links for outgoing messages on the specified link set. If the `slsci=yes` parameter is specified, the EAGLE 5 ISS replaces any 5-bit SLS values contained in received messages with a random 8-bit value before they are used by the EAGLE 5 ISS to select the outgoing signaling link in that linkset. The 5-bit to 8-bit SLS conversion is also controlled by the `slscnv` parameter of the `chg-stpopts` command.

The `asl8` parameter shows if the node adjacent to the EAGLE 5 ISS is sending MSUs with 8-bit SLSs. If the `asl8=yes` parameter is specified with the `lst=a` parameter (a linkset containing access signaling links), this indicates that the originator of the MSUs is generating 8-bit SLSs. For other linkset types, the `asl8=yes` parameter indicates that the adjacent node is converting 5-bit SLSs to 8-bit SLSs. The SLS in MSUs received by the EAGLE 5 ISS on a linkset that has the `asl8=yes` parameter assigned to

it will not be converted. These MSUs are assumed to contain 8-bit SLSs. If the `as18=no` parameter is specified for the linkset, the SLS will be converted to an 8-bit SLS. The value of the `as18` parameter is only displayed in the `rtrv-ls` command output when a specific linkset is being displayed with the `rtrv-ls:lsn=<linkset name>` command.

The interaction between the `slsci` and `as18` parameters of the `ent-ls` command and the `slscnv` parameter of the `chg-stpopts` command is shown in [Table 28: Signaling Link Selector \(SLS\) Conversion \(ANSI Linksets Only\)](#).

Table 28: Signaling Link Selector (SLS) Conversion (ANSI Linksets Only)

CHG-STPOPTSSLSCNV Parameter Value	Outgoing Linkset SLSCI Parameter Value	Incoming Linkset ASL8 Parameter Value	Result
ON	Not Applicable	YES	The adjacent node is sending 8-bit SLSs. No SLS conversion is performed on MSUs received on this linkset.
ON	Not Applicable	NO	The adjacent node is not sending 8-bit SLSs. 5-bit to 8-bit SLS conversion on MSUs received on this linkset.
OFF	Not Applicable	YES	The adjacent node is sending 8-bit SLSs. No SLS conversion is performed on any linksets.
OFF	Not Applicable	NO	The adjacent node is not sending 8-bit SLSs. 5-bit to 8-bit SLS conversion is not performed on all linksets.
PERLS*	YES	YES	The adjacent node is sending 8-bit SLSs. No SLS conversion is performed.
PERLS*	YES	NO	The adjacent node is not sending 8-bit SLSs. 5-bit to 8-bit SLS conversion is performed.
PERLS*	NO	YES	The adjacent node is sending 8-bit SLSs. No SLS conversion is performed.

CHG-STPOPTSSLSCNV Parameter Value	Outgoing Linkset SLSCI Parameter Value	Incoming Linkset ASL8 Parameter Value	Result
PERLS*	NO	NO	The adjacent node is not sending 8-bit SLSs. 5-bit to 8-bit SLS conversion is not performed.
*When the <code>slscnv=perls</code> parameter is specified with the <code>chg-stpopts</code> command, 5-bit to 8-bit SLS conversion is only performed on the MSUs arriving at the EAGLE 5 ISS on linksets that have the <code>asl8=no</code> parameter of the <code>ent-ls</code> command assigned to them, and leaving the EAGLE 5 ISS on linksets that have the <code>slsci=yes</code> parameter of the <code>ent-ls</code> command assigned to them.			

When a 5-bit ANSI SLS is converted to an 8-bit ANSI SLS, the three most significant bits of the SLS are set using a function of originating point code and incoming signaling link. This ensures that MSUs with the same originating point code, SLS, and incoming signaling link will always have the same SLS after the conversion, guaranteeing that the MSUs arrive at the destination in the same sequence that they were sent.

5-bit to 8-bit SLS conversion is performed under these conditions.

- The incoming linkset is an ANSI linkset, a linkset containing an ANSI adjacent point code.
- The `asl8=no` parameter of the `ent-ls` or `chg-ls` command is assigned to the incoming linkset.
- The outgoing linkset is an ANSI linkset.
- The `slscnv=on` parameter of the `chg-stpopts` command is specified
- The `slscnv=perls` parameter of the `chg-stpopts` command is specified and `slsci=yes` parameter of the `ent-ls` or `chg-ls` command assigned to the outgoing linkset.
- The three most significant bits of the SLS in the MSU are zero.

All ANSI MSUs originating from the EAGLE 5 ISS have an 8-bit SLS.

The EAGLE 5 ISS also converts ANSI SLSs to ITU SLSs, and ITU SLSs to ANSI SLSs.

When an ITU SLS is converted to an ANSI SLS, the ITU SLS is always converted to an ANSI 5-bit SLS. If the MSU containing the converted SLS is rerouted because of a link outage, the SLS may be converted from a 5-bit SLS to an 8-bit SLS.

When an ANSI SLS is converted to an ITU SLS, the ANSI SLS is always converted to an ITU 4-bit SLS.

The EAGLE 5 ISS does not convert a 4-bit ITU SLS to an 8-bit ANSI SLS.

The 5-bit to 8-bit SLS conversion takes place during the routing process, after the linkset is selected, but before the signaling link is selected. The ITU to ANSI SLS conversion takes place during the ANSI to ITU MSU conversion and after the outgoing signaling link is chosen.

1. Display the existing value for the `slscnv` parameter by entering the `rtrv-stpopts` command.

The value for the `slscnv` parameter is shown in the `SLSCNV` field. This is an example of the possible output.

```
rlghncxa03w 08-12-17 16:02:05 GMT EAGLE5 40.0.0
STP OPTIONS
-----
SLSCNV                on
```

Note: The `rtrv-stpopts` command output contains other fields that are not used by this procedure. If you wish to see all the fields displayed by the `rtrv-stpopts` command, see the `rtrv-stpopts` command description in the *Commands Manual*.

If the `slscnv` parameter is not being changed, no further action is necessary. The procedure is finished.

If you wish to change the `slscnv` parameter value, continue the procedure with [Step 2](#).

2. Change the `slscnv` parameter value using the `chg-stpopts` command.

For this example, the value of the `slscnv` parameter is being changed from `on` to `perls`. Enter this command: `chg-stpopts:slscnv=perls`. When this command has successfully completed, this message should appear.

```
rlghncxa03w 08-12-07 00:22:57 GMT EAGLE5 40.0.0
CHG-STPOPTS: MASP A - COMPLTD
```

3. Verify the changes using the `rtrv-stpopts` command.

This is an example of the possible output.

```
rlghncxa03w 08-12-17 16:02:05 GMT EAGLE5 40.0.0
STP OPTIONS
-----
SLSCNV          perls
```

Note: The `rtrv-stpopts` command output contains other fields that are not used by this procedure. If you wish to see all the fields displayed by the `rtrv-stpopts` command, see the `rtrv-stpopts` command description in the *Commands Manual*.

4. Back up the new changes using the `chg-db:action=backup:dest=fixed` command.

These messages should appear, the active Maintenance and Administration Subsystem Processor (MASP) appears first.

```
BACKUP (FIXED) : MASP A - Backup starts on active MASP.
BACKUP (FIXED) : MASP A - Backup on active MASP to fixed disk complete.
BACKUP (FIXED) : MASP A - Backup starts on standby MASP.
BACKUP (FIXED) : MASP A - Backup on standby MASP to fixed disk complete.
```

Using Proxy Point Codes and Secondary Point Codes when Adding a Linkset

This procedure is used to verify that the following items are configured in the database.

- Proxy point codes for adding proxy linksets
- Secondary point codes for adding multiple linksets with the same adjacent point code.

To add a proxy linkset, a proxy point code must be assigned to the APC of the linkset, a proxy point code must be assigned to the linkset with the `ppc/ppca/ppci/ppcn/ppcn24` parameter, and the linkset type must be `prx`. A quantity of proxy point codes must be enabled with the `enable-ctrl-feat` command before a proxy point code and a proxy linkset can be added. The first time a proxy linkset is added, the proxy point code that is assigned to the linkset must be the same proxy point code that is assigned to the APC of the proxy linkset. A maximum of 10 linksets can be added using the same proxy point code. For more information on proxy point codes, refer to [Proxy Point Codes](#).

To add more than one linkset with the same APC, the Multiple Linksets to Single Adjacent PC feature must be enabled and turned on. The database can contain a maximum of six linksets that have the same APC. If the linkset is not a proxy linkset (linkset types A, B, C, D, or E), a secondary point code (shown in the `rtrv-spc` output) must be specified with the linkset. The network type and format of the secondary point code must be the same as the APC of the linkset. Secondary point codes can also be assigned to the APC of the linkset when the point code is added in the database with the `ent-dstn` or `chg-dstn` commands. The secondary point code that is assigned to the linkset with the `spc/spca/spci/spcn/spcn24` parameter cannot be the same secondary point code that is assigned to the APC of the linkset.

If the linkset is a proxy linkset (linkset type PRX), a proxy point code (shown in the `rtrv-dstn` output) must be specified with the linkset. The proxy point code is assigned to the linkset with the `ppc/ppca/ppci/ppcn/ppcn24` parameter. The network type and format of the proxy point code must be the same as the APC of the linkset. If proxy linksets are added, the database must contain one proxy linkset with a proxy point code assigned to the APC of the linkset and the same proxy point code must be assigned to the linkset. The proxy point code that is assigned to the other proxy linksets using this APC cannot be the same as the proxy point code that is assigned to the APC of the linkset.

1. Display the current linkset configuration using the `rtrv-ls` command.

This is an example of the possible output.

```

rlghncxa03w 08-12-10 11:43:04 GMT EAGLE5 40.0.0

                L3T SLT                GWS GWS GWS
LSN            APCA  (SS7)  SCRN SET SET BEI LST LNKS ACT MES DIS SLSCI NIS
ele2           001-207-000  none 1  1  no  B   6  off off off no  off
ls1305        001-005-000  none 1  1  no  A   1  off off off no  off
ls1307        001-007-000  none 1  1  no  A   1  off off off no  off
elm1s1        001-001-003  none 1  1  no  A   7  off off off no  off
elm1s2        001-001-002  none 1  1  no  A   7  off off off no  off

                L3T SLT                GWS GWS GWS
LSN            APCI  (SS7)  SCRN SET SET BEI LST LNKS ACT MES DIS SLSCI NIS
ele2i          1-207-0     none 1  1  no  B   4  off off off ---  on
ls1315         0-015-0     none 1  1  no  A   1  off off off ---  off
ls1317         0-017-0     none 1  1  no  A   1  off off off ---  on
elm2s1         1-011-1     none 1  1  no  A   7  off off off ---  off
elm2s2         1-011-2     none 1  1  no  A   7  off off off ---  off

Link set table is (10 of 1024) 1% full.

```

If the APC of the linkset is not being assigned to more than one linkset and a proxy linkset is being added, continue the procedure with [Step 8](#).

If the APC of the linkset is not being assigned to more than one linkset, and a proxy linkset is not being added, this procedure is finished.

If the APC of the linkset is being assigned to more than one linkset, and multiple linksets with the same APC are shown in the `rtrv-ls` output in [Step 1](#), continue the procedure with [Step 3](#).

If the APC of the linkset is being assigned to more than one linkset, and multiple linksets with the same APC are not shown in the `rtrv-ls` output in [Step 1](#), continue the procedure with [Step 2](#).

2. Verify whether or not the Multiple Linksets to Single Adjacent PC feature is enabled and turned on by entering this command.

```
rtrv-ctrl-feat:partnum=893017901
```

This is an example of the possible output.

```
rlghncxa03w 08-12-21 15:48:20 EST 40.0.0
The following features have been permanently enabled:

Feature Name          Partnum  Status Quantity
Multiple Linkset to APC 893019701 on      ----

The following features have been temporarily enabled:

Feature Name          Partnum  Status Quantity  Trial Period Left
Zero entries found.

The following features have expired temporary keys:

Feature Name          Partnum
Zero entries found.
```

If the Multiple Linksets to Single Adjacent PC feature is not enabled or turned on, perform [Activating the Multiple Linksets to Single Adjacent PC \(MLS\) Feature](#) to enable and turn on this feature. After this feature has been enabled and turned on, continue the procedure with [Step 3](#).

If the Multiple Linksets to Single Adjacent PC feature is enabled and turned on, continue the procedure with [Step 3](#).

3. Display the linksets that contain the APC for the new linkset by entering the `rtrv-ls` command with the APC of the linkset. For this example, enter this command.

```
rtrv-ls:apca=001-001-002
```

This is an example of the possible output.

```
rlghncxa03w 08-12-22 08:09:26 EST 40.0.0
APCA    =    001-001-002

LSN          SPCA          L3T SLT          GWS GWS GWS
elm1s2      020-020-021  none 1 1  no  A  7  off off off no  off

Link set table is (10 of 1024) 1% full.
```

The maximum number of linksets that can use the same APC is six. If six linksets are shown in this step, the specified APC cannot be used with the new linkset. Select another APC from the `rtrv-ls` output in [Step 1](#) and repeat this step.

If one to five linksets are shown in this step and the linksets are proxy linksets (1st=prx), continue the procedure with [Step 6](#).

If one to five linksets are shown in this step and the linksets are not proxy linksets, continue the procedure with [Step 4](#).

- To use an APC for more than one linkset, a secondary point code must be assigned to the linkset. The secondary point code that will be assigned to the new linkset cannot be assigned to any of the linksets shown in [Step 3](#).

The secondary point code that will be assigned to the linkset cannot be assigned to the APC of this linkset. Verify this by entering the `rtrv-dstn` command with the APC of the linkset shown in [Step 3](#). For this example, enter this command.

```
rtrv-dstn:dpca=001-001-002
```

This is an example of the possible output.

```
rlghncxa03w 10-12-22 08:09:26 EST 43.0.0

  DPCA          CLLI          BEI ELEI  ALIASI          ALIASN/N24      DMN
  001-001-002  -----  no  ---  -----  -----  SS7

  SPCA          NCAI PRX      RCAUSE NPRST SPLITIAM HMSMSC HMSCP SCCPMSGCNV
  020-020-020  ---- no      none  off  none      no      no      none

Destination table is (37 of 2000) 2% full
Alias table is (0 of 12000) 0% full
PPC table is (13 of 20) 65% full
```

If a secondary point code is shown in this step, this secondary point code cannot be assigned to the new linkset.

Continue the procedure with [Step 5](#).

- Display the secondary point codes by entering the `rtrv-spc` command. This is an example of the possible output.

```
rlghncxa03w 08-12-22 09:39:30 EST 40.0.0
SPC (Secondary Point Codes)

SPCA
  020-020-020
  020-020-021
  021-021-021
  022-022-022
  026-026-026
  026-026-027
  026-026-028
  026-026-029
  200-010-000

SPC-I

none

SPC-N
  00002

SPC-N24
```

```
none
```

```
Secondary Point Code table is (10 of 40) 25% full.
```

If the desired secondary point code is shown in this step, this procedure is finished.

If the desired secondary point code is not shown in this step, perform [Adding a Secondary Point Code](#) to add the desired secondary point code. The network type of the new secondary point code must be the same as the APC of the linkset. After the secondary point code has been added, this procedure is finished.

- To use an APC for more than one proxy linkset, a proxy point code must be assigned to the linkset. The proxy point code that will be assigned to the new linkset cannot be assigned to any of the linksets shown in [Step 3](#).

The proxy point code that will be assigned to the linkset must be in the database. Verify the proxy point codes in the database by entering the `rtrv-dstn:prx=yes` command.

This is an example of the possible output.

```
rlghncxa03w 09-05-22 08:09:26 EST 41.0.0
PRX = yes

  DPCA          CLLI          BEI  ELEI    ALIASI          ALIASN/N24    DMN
  002-002-002  ----- no  --- -----  -----  SS7
  006-006-006  ----- no  --- -----  -----  SS7
  050-050-050  ----- no  --- -----  -----  SS7
  100-100-100  ----- no  --- -----  -----  SS7
  100-100-101  ----- no  --- -----  -----  SS7
  100-100-102  ----- no  --- -----  -----  SS7
  100-100-103  ----- no  --- -----  -----  SS7
  100-100-104  ----- no  --- -----  -----  SS7
  200-001-001  ----- no  --- -----  -----  SS7
  200-001-002  ----- no  --- -----  -----  SS7

  DPCI          CLLI          BEI  ELEI    ALIASA          ALIASN/N24    DMN
  2-003-4      ----- no  --- -----  -----  SS7

  DPCN          CLLI          BEI  ELEI    ALIASA          ALIASI          DMN
  00003        ----- no  --- -----  -----  SS7
  00004        ----- no  --- -----  -----  SS7

Destination table is (37 of 2000) 2% full
Alias table is (0 of 12000) 0% full
PPC table is (13 of 20) 65% full
```

If the desired proxy point code is not shown in this step, perform [Adding a Destination Point Code](#) to add the desired proxy point code. The network type of the new proxy point code must be the same as the APC of the linkset. After the proxy point code has been added, this procedure is finished.

If the desired proxy point code is shown in this step, continue the procedure with [Step 7](#).

- A proxy point code can be assigned to a maximum of 10 linksets. Verify how many linksets are using the proxy point code by entering the `rtrv-dstn` command with the proxy point code shown in [Step 6](#). For this example, enter this command.

```
rtrv-dstn:dpca=002-002-002
```

This is an example of the possible output.

```
rlghncxa03w 10-12-22 10:08:11 EST 43.0.0

  DPCA          CLLI          BEI ELEI    ALIASI          ALIASN/N24    DMN
  002-002-002  ----- no  --- -----          -----          SS7

  SPCA          NCAI PRX      RCAUSE NPRST  SPLITIAM HMSMSC HMSSCP SCCPMSGCNV
  026-026-029  ---- yes, 1  none   off   none       no      no      none

Destination table is (37 of 2000) 2% full
Alias table is (0 of 12000) 0% full
PPC table is (13 of 20) 65% full
```

The number of linksets using the proxy point code is the number shown in the PRX column. If 10 linksets are using the proxy point code, this proxy point code cannot be assigned to any other linkset. Repeat [Step 6](#) and [Step 7](#).

If the number of linksets using the proxy point code is from 0 to 9, this procedure is finished.

8. To add a proxy linkset, a linkset whose linkset type is PRX, a quantity of proxy point codes must be enabled. Verify whether or not a quantity of proxy point codes is enabled by entering the `rtrv-ctrl-feat` command.

Note: If proxy linksets are shown in the `rtrv-ls` output in [Step 1](#), then a quantity of proxy point codes has been enabled. If proxy linksets are shown in the `rtrv-ls` output in [Step 1](#), this step does not have to be performed. Continue the procedure with [Step 9](#).

This is an example of the possible output.

```
rlghncxa03w 08-12-22 10:58:06 EST 40.0.0
The following features have been permanently enabled:

Feature Name                Partnum  Status  Quantity
HC-MIM SLK Capacity         893012707 on      64
Origin-Based MTP Routing    893014201 on      ----
Multiple Linkset to APC     893019701 on      ----
Proxy Point Code            893018702 on      20

The following features have been temporarily enabled:

Feature Name                Partnum  Status  Quantity  Trial Period Left
Zero entries found.

The following features have expired temporary keys:

Feature Name                Partnum
Zero entries found.
```

If a quantity of proxy point codes is enabled, continue the procedure with [Step 9](#).

If a quantity of proxy point codes is not enabled, perform [Changing the Proxy Point Code Quantity](#) to enable a quantity of proxy point codes. After the quantity of proxy point codes is enabled, perform [Adding a Destination Point Code](#) to add the desired proxy point code to the database, then assign the proxy point code to the destination point code that will be the APC of the proxy linkset. After [Adding a Destination Point Code](#) has been performed, this procedure is finished.

9. The APC of a proxy linkset must be a destination point code that contains a proxy point code. Verify the proxy point codes in the database by entering the `rtrv-dstn:prx=yes` command.

This is an example of the possible output.

```
rlghncxa03w 09-05-22 08:09:26 EST 41.0.0
PRX = yes

  DPCA          CLLI          BEI  ELEI    ALIASI          ALIASN/N24    DMN
  002-002-002  ----- no  --- -----
  006-006-006  ----- no  --- -----
  050-050-050  ----- no  --- -----
  100-100-100  ----- no  --- -----
  100-100-101  ----- no  --- -----
  100-100-102  ----- no  --- -----
  100-100-103  ----- no  --- -----
  100-100-104  ----- no  --- -----
  200-001-001  ----- no  --- -----
  200-001-002  ----- no  --- -----

  DPCI          CLLI          BEI  ELEI    ALIASA          ALIASN/N24    DMN
  2-003-4      ----- no  --- -----

  DPCN          CLLI          BEI  ELEI    ALIASA          ALIASI          DMN
  00003        ----- no  --- -----
  00004        ----- no  --- -----

Destination table is (37 of 2000) 2% full
Alias table is (0 of 12000) 0% full
PPC table is (13 of 20) 65% full
```

10. Display the attributes of the proxy point that will be added to the proxy linkset by entering the `rtrv-dstn` command with a proxy point code shown in [Step 9](#). For this example, enter this command.

```
rtrv-dstn:ppca=002-002-002
```

This is an example of the possible output.

```
rlghncxa03w 09-05-22 13:57:23 EST 41.0.0
PPCA = 002-002-002

  DPCA          CLLI          BEI  ELEI    ALIASI          ALIASN/N24    DMN
  004-004-004  ----- no  --- -----

Destination table is (37 of 2000) 2% full
Alias table is (0 of 12000) 0% full
PPC table is (13 of 20) 65% full
```

If destination point codes are displayed in this step, continue the procedure with [Step 11](#).

If destination are not shown in this step, then the proxy point code is not assigned to any destination point codes. Perform [Adding a Destination Point Code](#) to assign the proxy point code to a destination point code. The network type of the proxy point code must be the same as the APC of the linkset. After the proxy point code has been assigned to a destination point code, this procedure is finished.

11. A proxy point code can be assigned to a maximum of 10 linksets. Verify how many linksets are using the proxy point code by entering the `rtrv-dstn` command with the proxy point code shown in [Step 10](#). For this example, enter this command.

```
rtrv-dstn:dpca=002-002-002
```

This is an example of the possible output.

```
rlghncxa03w 10-12-22 10:08:11 EST 43.0.0

  DPCA          CLLI          BEI  ELEI    ALIASI          ALIASN/N24    DMN
  002-002-002  -----  no  ---  -----  -----  SS7

  SPCA          NCAI  PRX          RCAUSE  NPRST  SPLITIAM  HMSMSC  HMSCP  SCCPMSGCNV
  026-026-029  ----  yes, 1  none   off   none      no      no     none

Destination table is (37 of 2000) 2% full
Alias table is (0 of 12000) 0% full
PPC table is (13 of 20) 65% full
```

The number of linksets using the proxy point code is the number shown in the `PRX` column. If 10 linksets are using the proxy point code, this proxy point code cannot be assigned to any other linkset. Repeat [Step 10](#) and [Step 11](#).

If the number of linksets using the proxy point code is from 0 to 9, this procedure is finished.

Activating the SLS Bit Rotation by Incoming Linkset Feature

This procedure is used to enable and turn on the SLS Bit Rotation by Incoming Linkset feature using the feature's part number and a feature access key.

The feature access key for the SLS Bit Rotation by Incoming Linkset feature is based on the features part number and the serial number of the EAGLE 5 ISS, making the feature access key site-specific.

The `enable-ctrl-feat` command enables the feature by inputting the feature access key and the feature part number with these parameters:

:fak – The feature access key provided by Tekelec.

:partnum – The Tekelec-issued part number of the SLS Bit Rotation by Incoming Linkset feature, 893026501.

Once this feature is enabled, it is permanently enabled. This feature cannot be enabled with a temporary feature access key.

The `enable-ctrl-feat` command requires a valid serial number for the EAGLE 5 ISS to be configured in the database, and that this serial number is locked. This can be verified with the `rtrv-serial-num` command. The EAGLE 5 ISS is shipped with a serial number in the database, but the serial number is not locked. The serial number can be changed, if necessary, and locked once the EAGLE 5 ISS is on-site, by using the `ent-serial-num` command. The `ent-serial-num` command uses these parameters.

:serial – The serial number assigned to the EAGLE 5 ISS. The serial number is not case sensitive.

:lock – Specifies whether or not the serial number is locked. This parameter has only one value, *yes*, which locks the serial number. Once the serial number is locked, it cannot be changed.

Note: To enter and lock the EAGLE 5 ISS's serial number, the *ent-serial-num* command must be entered twice, once to add the correct serial number to the database with the *serial* parameter, then again with the *serial* and the *lock=yes* parameters to lock the serial number. You should verify that the serial number in the database is correct before locking the serial number. The serial number can be found on a label affixed to the control shelf (shelf 1100).

The *chg-ctrl-feat* command uses these parameters:

:partnum – The Tekelec-issued part number of the SLS Bit Rotation by Incoming Linkset feature, 893026501.

:status=on – used to turn the SLS Bit Rotation by Incoming Linkset feature on.

Once the SLS Bit Rotation by Incoming Linkset feature has been turned on, it cannot be turned off.

The status of the SLS Bit Rotation by Incoming Linkset feature is shown with the *rtrv-ctrl-feat* command.

1. Display the controlled features in the database by entering the *rtrv-ctrl-feat* command. This is an example of the possible output.

```
rlghncxa03w 08-12-28 11:43:04 GMT EAGLE5 40.0.0
The following features have been permanently enabled:
```

Feature Name	Partnum	Status	Quantity
SCCP Conversion	893012001	on	----
EIR	893012301	on	----
GSM Map Screening (GMS)	893013201	on	----
HC-MIM SLK Capacity	893012707	on	64

```
The following features have been temporarily enabled:
```

Feature Name	Partnum	Status	Quantity	Trial Period Left
Zero entries found.				

```
The following features have expired temporary keys:
```

Feature Name	Partnum
Zero entries found.	

If the SLS Bit Rotation by Incoming Linkset feature is enabled, the entry *ISLSBR* is shown in the permanently enabled section of the *rtrv-ctrl-feat* output. If the status of the SLS Bit Rotation by Incoming Linkset feature is on, no further action can be performed.

If the SLS Bit Rotation by Incoming Linkset feature is enabled but not turned on, continue the procedure with [Step 7](#).

If the SLS Bit Rotation by Incoming Linkset feature is not enabled, continue the procedure by performing one of these steps.

- If the *rtrv-ctrl-feat* output in [Step 1](#) shows any controlled features in addition to the HC-MIM SLK Capacity feature with a quantity of 64, continue the procedure with [Step 6](#).
- If the *rtrv-ctrl-feat* output shows only the HC-MIM SLK Capacity feature with a quantity of 64, continue the procedure with [Step 2](#).

2. Display the serial number in the database with the `rtrv-serial-num` command.

This is an example of the possible output.

```
rlghncxa03w 08-12-28 11:43:04 GMT EAGLE5 40.0.0
System serial number = nt00001231

System serial number is not locked.

rlghncxa03w 08-12-28 11:43:04 GMT EAGLE5 40.0.0
Command Completed
```

Continue the procedure by performing one of these actions.

- If the serial number is correct and locked, continue the procedure with [Step 6](#).
 - If the serial number is correct but not locked, continue the procedure with [Step 5](#).
 - If the serial number is not correct, but is locked, the SLS Bit Rotation by Incoming Linkset feature cannot be enabled and the remainder of this procedure cannot be performed. Contact the Customer Care Center to get an incorrect and locked serial number changed. Refer to [Customer Care Center](#) for the contact information. The serial number can be found on a label affixed to the control shelf (shelf 1100).
3. Enter the correct serial number into the database using the `ent-serial-num` command with the `serial` parameter.

For this example, enter this command.

```
ent-serial-num:serial=<EAGLE 5 ISS's correct serial number>
```

When this command has successfully completed, the following message should appear.

```
rlghncxa03w 08-12-28 11:43:04 GMT EAGLE5 40.0.0
ENT-SERIAL-NUM: MASP A - COMPLTD
```

4. Verify that the serial number entered into [Step 3](#) was entered correctly using the `rtrv-serial-num` command.

This is an example of the possible output.

```
rlghncxa03w 08-12-28 11:43:04 GMT EAGLE5 40.0.0
System serial number = nt00001231

System serial number is not locked.

rlghncxa03w 08-12-28 11:43:04 GMT EAGLE5 40.0.0
Command Completed
```

If the serial number was not entered correctly, repeat [Step 3](#) and [Step 4](#) to re-enter the correct serial number.

5. Lock the serial number in the database by entering the `ent-serial-num` command with the serial number shown in [Step 2](#), if the serial number shown in [Step 2](#) is correct, or with the serial number shown in [Step 4](#), if the serial number was changed in [Step 3](#), and with the `lock=yes` parameter.

For this example, enter this command.

```
ent-serial-num:serial=<EAGLE 5 ISS's serial number>;lock=yes
```

When this command has successfully completed, the following message should appear.

```
rlghncxa03w 08-12-28 11:43:04 GMT EAGLE5 40.0.0
ENT-SERIAL-NUM: MASP A - COMPLTD
```

6. Enable the SLS Bit Rotation by Incoming Linkset feature by entering the `enable-ctrl-feat` command. For this example, enter this command.

```
enable-ctrl-feat:partnum=893026501:fak= <SLS Bit Rotation by Incoming
Linkset feature access key>
```

Note: The values for the feature access key (the `fak` parameter) are provided by Tekelec. If you do not have the feature access key for the SLS Bit Rotation by Incoming Linkset feature, contact your Tekelec Sales Representative or Account Representative.

When the `enable-ctrl-feat` command has successfully completed, this message should appear.

```
rlghncxa03w 08-12-28 11:43:04 GMT EAGLE5 40.0.0
ENABLE-CTRL-FEAT: MASP B - COMPLTD
```

7. Turn the SLS Bit Rotation by Incoming Linkset feature on by entering the `chg-ctrl-feat` command with the part number used in [Step 6](#) and the `status=on` parameter.

For this example, enter this command.

```
chg-ctrl-feat:partnum=893026501:status=on
```

When this command has successfully completed, the following message should appear.

```
rlghncxa03w 08-12-28 11:43:04 GMT EAGLE5 40.0.0
CHG-CTRL-FEAT: MASP A - COMPLTD
```

8. Verify the changes by entering this command.

```
rtrv-ctrl-feat:partnum=893026501
```

The following is an example of the possible output.

```
rlghncxa03w 08-12-28 11:43:04 GMT EAGLE5 40.0.0
The following features have been permanently enabled:

Feature Name          Partnum    Status    Quantity
ISLSBR                893026501  on        ----

The following features have been temporarily enabled:

Feature Name          Partnum    Status    Quantity    Trial Period Left
Zero entries found.

The following features have expired temporary keys:

Feature Name          Partnum
Zero entries found.
```

- Back up the new changes, using the `chg-db:action=backup:dest=fixed` command.

These messages should appear; the active Maintenance and Administration Subsystem Processor (MASP) appears first.

```
BACKUP (FIXED): MASP A - Backup starts on active MASP.
BACKUP (FIXED): MASP A - Backup on active MASP to fixed disk complete.
BACKUP (FIXED): MASP A - Backup starts on standby MASP.
BACKUP (FIXED): MASP A - Backup on standby MASP to fixed disk complete.
```

Configuring the RSLs8 Value for ANSI Linksets

This procedure is used to configure the RSLs8 value for ANSI linksets feature using the `chg-lsopts` command with the `lsn` and `rsls8` parameters.

The `rsls8` parameter specifies how many bits of the SLS for messages on ANSI linksets are considered for bit rotation. The `rsls8` parameter of the `chg-lsopts` command has two values.

- `yes` - 8 bits of the SLS are considered for bit rotation.
- `no` - 5 bits of the SLS are considered for bit rotation.

The `lsn` parameter specifies the name of the linkset that is being changed, specified in either [Adding a SS7 Linkset](#) or [Changing an SS7 Linkset](#).

The `rsls8` parameter can be specified only if the SLS Bit Rotation by Incoming Linkset feature is enabled. Perform [Activating the SLS Bit Rotation by Incoming Linkset Feature](#) to enable the SLS Bit Rotation by Incoming Linkset feature.

The value of the `rsls8` parameter is shown in the RSLs8 column of the `rtrv-ls` output. The RSLs8 column is shown when the `lsn` parameter is specified with the `rtrv-ls` command, and is displayed only for ANSI linksets.

Refer to [ITU SLS Enhancement](#) for information on how the `rsls8` parameter value is used with SLS bit rotation.

- Display the RSLs8 value of the linkset that is being changed by entering the `rtrv-ls` with the name of the ANSI linkset that is being changed. For this example, enter this command

```
rtrv-ls:lsn=atmansil
```

This is an example of the possible output.

```
rlghncxa03w 09-05-17 11:43:04 GMT EAGLE5 41.0.0

LSN          APCA  (SS7)  SCRNL3T SLT          GWS GWS GWS
atmansil    200-050-176  scr1 1  9  no  a  0  on  off  off  no  off

          SPCA          CLLI          TFATCABMLQ MTPRSE ASL8
          -----  rlgnc001  1          no    no

RANDSLs
off
```

```

ISLSRSB RLS8
1      no

IPSG   IPGWAPC   GTTMODE           CGGTMOD
no     no       CdPA              no

```

```
Link set table is ( 20 of 1024) 2% full
```

If the RLS8 column is not shown in the `rtrv-ls` output, the SLS Bit Rotation by Incoming Linkset feature is not enabled. Perform [Activating the SLS Bit Rotation by Incoming Linkset Feature](#) to enable the SLS Bit Rotation by Incoming Linkset feature. After the SLS Bit Rotation by Incoming Linkset feature is enabled, the RLS8 value for the linkset is set to no.

If you do not wish to change the RLS8 value for the linkset, this procedure does not need to be performed.

If you wish to change the RLS8 value, continue the procedure with [Step 2](#).

2. Change the `rls8` parameter value using the `chg-lsopts` command.

If the current RLS8 value is no, for this example, enter this command

```
chg-lsopts:lsn=atmansil:rls8=yes
```

If the current RLS8 value is yes, for this example, enter this command

```
chg-lsopts:lsn=atmansil:rls8=no
```

When this command has successfully completed, this message should appear.

```

rlghncxa03w 09-05-07 00:22:57 GMT EAGLE5 41.0.0
CHG-LSOPTS: MASP A - COMPLTD

```

3. Verify the changes by entering the `rtrv-ls` command with the name of the linkset that was specified in [Step 3](#).

```
rtrv-ls:lsn=atmansil
```

This is an example of the possible output.

```

rlghncxa03w 09-05-17 11:43:04 GMT EAGLE5 41.0.0

LSN          APCA   (SS7)   SCRN  SET  SET  BEI  LST  LNKS  ACT  MES  DIS  SLSCI  NIS
atmansil    200-050-176  scr1  1   9   no  a   0   on  off  off  no   off

          SPCA          CLLI          TFATCABMLQ  MTPRSE  ASL8
          -----  rlghnccc001  1          no      no

RANDSL8
off

ISLSRSB RLS8
1      yes

IPSG   IPGWAPC   GTTMODE           CGGTMOD
no     no       CdPA              no

```

```
Link set table is ( 20 of 1024) 2% full
```

4. Back up the new changes using the `chg-db:action=backup:dest=fixed` command.

These messages should appear, the active Maintenance and Administration Subsystem Processor (MASP) appears first.

```
BACKUP (FIXED) : MASP A - Backup starts on active MASP.
BACKUP (FIXED) : MASP A - Backup on active MASP to fixed disk complete.
BACKUP (FIXED) : MASP A - Backup starts on standby MASP.
BACKUP (FIXED) : MASP A - Backup on standby MASP to fixed disk complete.
```

Removing a Linkset Containing SS7 Signaling Links

This procedure is used to remove a linkset containing SS7 signaling links from the database using the `dlt-ls` command.

The `dlt-ls` command has only one parameter, `lsn`, which is the name of the linkset to be removed from the database.

The linkset to be removed must exist in the database.

To remove a linkset, all links associated with the linkset must be removed.

The linkset to be removed cannot be referenced by a routeset.

If the Flexible Linkset Optional Based Routing feature is enabled and turned on, and the linkset is referenced by a GTT selector, the linkset cannot be removed.

To remove an IPGWx linkset, a linkset containing signaling links assigned to cards running either the SS7IPGW or IPGWI applications, the IPGWx linkset cannot be the mate of another IPGWx linkset.

A proxy linkset whose APC is assigned to more than one proxy linkset cannot be removed if the linkset contains the proxy point code (shown in the `PPCA/PPCI/PPCN/PPCN24` field in the `rtrv-ls:apc/apca/apci/apcn/apcn24=<APC of the linkset>` output) that is also assigned to the APC of the linkset. The proxy point code assigned to the APC of the linkset is shown in the `rtrv-dstn:dpc/dpca/dpci/dpcn/dpcn24=<APC of the linkset>` output. The linksets that do not contain the proxy point code that is assigned to the APC of the linkset must be removed before the linkset containing proxy point code that is assigned to the APC of the linkset can be removed.

Canceling the RTRV-LS Command

Because the `rtrv-ls` command used in this procedure can output information for a long period of time, the `rtrv-ls` command can be canceled and the output to the terminal stopped. There are three ways that the `rtrv-ls` command can be canceled.

- Press the F9 function key on the keyboard at the terminal where the `rtrv-ls` command was entered.
- Enter the `canc-cmd` without the `trm` parameter at the terminal where the `rtrv-ls` command was entered.

- Enter the `canc-cmd:trm=<xx>`, where `<xx>` is the terminal where the `rtrv-ls` command was entered, from another terminal other than the terminal where the `rtrv-ls` command was entered. To enter the `canc-cmd:trm=<xx>` command, the terminal must allow Security Administration commands to be entered from it and the user must be allowed to enter Security Administration commands. The terminal's permissions can be verified with the `rtrv-secu-trm` command. The user's permissions can be verified with the `rtrv-user` or `rtrv-secu-user` commands.

For more information about the `canc-cmd` command, go to the *Commands Manual*.

1. Display the current linkset configuration using the `rtrv-ls` command. This is an example of the possible output.

```
rlghncxa03w 07-05-10 11:43:04 GMT EAGLE5 37.0.0

LSN          APCA   (SS7)   L3T  SLT          GWS  GWS  GWS
ele2         001-207-000  none 1  1  no  B   6  off off off no  off
ls1          240-012-004  scr1 1  1  yes a   4  off off off yes off
ls1305       000-005-000  none 1  1  no  A   1  off off off no  off
ls1307       000-007-000  none 1  1  no  A   1  off off off no  off
elm1s1       001-001-001  none 1  1  no  A   7  off off off no  off
elm1s2       001-001-002  none 1  1  no  A   7  off off off no  off
lsgw1103     003-002-004  none 1  1  no  A   1  off off off no  off
lsn150       150-001-002  none 1  1  no  PRX 1  off off off no  off
lsn151       150-001-002  none 1  1  no  PRX 1  off off off no  off

LSN          APCI   (SS7)   L3T  SLT          GWS  GWS  GWS
ele2i        1-207-0      none 1  1  no  B   4  off off off --- on
ls1315       0-015-0      none 1  1  no  A   1  off off off --- off
ls1317       0-017-0      none 1  1  no  A   1  off off off --- on
elm2s1       1-011-1      none 1  1  no  A   7  off off off --- off
elm2s2       1-011-2      none 1  1  no  A   7  off off off --- off

Link set table is (14 of 1024) 1% full.
```

If the linkset being removed is a proxy linkset (LST=PRX), and more than one linkset is shown in the `rtrv-ls` output that contains the APC of the linkset being removed, continue the procedure with [Step 2](#).

If the linkset being removed is not a proxy linkset, or is a proxy linkset whose APC is not used by more than one linkset, continue the procedure with [Step 4](#).

2. Display the linksets that contain the APC of the linkset being removed by entering the `rtrv-ls` command with the APC of the linkset. For this example, enter this command.

```
rtrv-ls:apca=150-001-002
```

This is an example of the possible output.

```
rlghncxa03w 07-08-23 11:09:57 EST 37.0.0

APCA   =   150-001-002

LSN          PPCA          L3T  SLT          GWS  GWS  GWS
lsn150       150-001-001  none 1  1  no  PRX 1  off off off no  off
lsn151       150-001-004  none 1  1  no  PRX 1  off off off no  off
```

```
Link set table is (14 of 1024) 1% full.
```

3. Display the attributes of the APC of the linkset being removed by entering the `rtrv-dstn` command with the APC of the linkset. For this example, enter this command.

```
rtrv-dstn:dpca=150-001-002
```

This is an example of the possible output.

```
tekelecstp 10-12-15 09:22:39 EST 43.0.0

  DPCA          CLLI          BEI ELEI  ALIASI          ALIASN/N24  DMN
  150-001-002  ----- no  --- -----          -----  SS7

  PPCA          NCAI PRX          RCAUSE NPRST SPLITIAM HMSMSC HMSCP SCCPMSGCNV
  150-001-001  ---- no          none  off  none          no    no    none

Destination table is (14 of 2000) 1% full
Alias table is (0 of 12000) 0% full
PPC table is (2 of 10) 20% full
```

A proxy linkset whose APC is assigned to more than one proxy linkset cannot be removed if the linkset contains the proxy point code (shown in the PPCA/PPCI/PPCN/PPCN24 field in [Step 2](#)) that is also assigned to the APC of the linkset (shown in [Step 3](#)). The linksets that do not contain the proxy point code that is assigned to the APC of the linkset must be removed before the linkset containing proxy point code that is assigned to the APC of the linkset can be removed.

4. Display the signaling links in that linkset being removed using the `rtrv-ls` command, specifying the linkset name of the linkset you wish to remove from the database. For this example, enter these commands.

```
rtrv-ls:lsn=ls1
```

This is an example of the possible output.

```
rlghncxa03w 09-07-17 11:43:04 GMT EAGLE5 41.1.0

LSN          APCA  (SS7)  SCRN SET SET  BEI LST LNKS ACT MES DIS SLSCI NIS
ls1          240-012-004  scr1 1 1  yes a 4  off off off yes  off

          SPCA          CLLI          TFATCABMLQ MTPRSE ASL8
          -----  rlghncbb001  2          no    no

          IPGWAPC MATELSN          IPTPS LSUSEALM SLKUSEALM GTTMODE
          no          -----  ---  ---  ---          CdPA

          LOC  LINK  SLC  TYPE          L2T          PCR  PCR
          SET  BPS  ECM  N1  N2
          1205 b  0  LIMDS0  1  56000  BASIC  ---  -----
          1213 b  1  LIMDS0  1  56000  BASIC  ---  -----
          1211 a  2  LIMDS0  1  56000  BASIC  ---  -----
          1207 b  3  LIMDS0  1  56000  BASIC  ---  -----

Link set table is ( 14 of 1024) 1% full
```

```
rtrv-ls:lsn=lsgw1103
```

This is an example of the possible output.

```
rlghncxa03w 07-05-17 11:43:04 GMT EAGLE5 37.0.0

LSN          APCA  (SS7)  L3T SLT          GWS GWS GWS
lsgw1103     003-002-004  none 1  1  no  A  1  off off off no  off

          SPCA          CLLI          TFATCABMLQ MTPRSE ASL8
          -----          -----          1          no      no

IPGWAPC MATELSN      IPTPS LSUSEALM SLKUSEALM GTTMODE
yes      -----      10000 70      % 70      % CdPA

LOC  LINK  SLC  TYPE
1103 A    0    SS7IPGW

Link set table is ( 14 of 1024) 1% full
```

```
rtrv-ls:lsn=lsn151
```

This is an example of the possible output.

```
rlghncxa03w 09-07-23 13:10:34 EST 41.1.0

LSN          APCA  (SS7)  L3T SLT          GWS GWS GWS
lsn151       150-001-002  none 1  1  no  PRX 1  off off off no  off

          PPCA          CLLI          TFATCABMLQ MTPRSE ASL8
          150-001-004  -----          1          no      no

IPGWAPC MATELSN      IPTPS LSUSEALM SLKUSEALM GTTMODE
no      -----      ----  ---      ---      CdPA

          L2T          PCR  PCR
LOC  LINK  SLC  TYPE  SET  BPS  ECM  N1  N2
2105 A    0    LIMDS0  1    56000  BASIC ---  ---

Link set table is (14 of 1024) 1% full.
```

5. Display the routes in the database by using the `rtrv-rte` command, specifying the name of the linkset you wish to remove. For this example, enter these commands.

```
rtrv-rte:lsn=ls1
```

This is an example of the possible output.

```
rlghncxa03w 07-05-10 11:43:04 GMT EAGLE5 37.0.0
LSN          DPC
RC
ls1          240-012-004  10
```

```
rtrv-rte:lsn=lsgw1103
```

This is an example of the possible output.

```
rlghncxa03w 07-05-10 11:43:04 GMT EAGLE5 37.0.0
LSN          DPC
RC
lsgw1103     003-002-004   10
```

```
rtrv-rte:lsn=lsn151
```

This is an example of the possible output.

```
rlghncxa03w 07-05-10 11:43:04 GMT EAGLE5 37.0.0
LSN          DPC
RC
lsn151       150-001-002   10
```

If any routes reference the linkset to be removed, remove these routes by performing the [Removing a Route](#) procedure.

- Deactivate the signaling links in the linkset using the `dact-slk` command. For this example, enter these commands.

```
dact-slk:loc=1205:link=b
dact-slk:loc=1207:link=b
dact-slk:loc=1211:link=a
dact-slk:loc=1213:link=b
dact-slk:loc=1103:link=a
dact-slk:loc=2105:link=a
```

When each of these commands have successfully completed, this message should appear.

```
rlghncxa03w 07-05-07 08:41:12 GMT EAGLE5 37.0.0
Deactivate Link message sent to card
```

- Verify that the linkset is out-of-service maintenance disabled (OOS-MT-DSBLD) using the `rept-stat-ls` command, specifying the linkset name. For this example, enter these commands.

```
rept-stat-ls:lsn=ls1
```

This is an example of the possible output.

```
rlghncxa03w 07-05-23 13:35:08 GMT EAGLE5 37.0.0
LSN          APCA          PST          SST          AST
ls1          240-012-004   OOS-MT-DSBLD Prohibit     -----
  SPCA       = -----
  ALARM STATUS = No Alarms
  SCRSET     = scr1
  GWSA      = ----
  GWSM      = ----
  GWSA      = ----
  SLC SLK   SST          SLC SLK   SST
  0  1205,B Unavail     8  ----,-  UEQ
```

```

1 1213,B Unavail      9  ----,- UEQ
2 1211,A Unavail     10 ----,- UEQ
3 1207,B Unavail     11 ----,- UEQ
4 ----,- UEQ         12 ----,- UEQ
5 ----,- UEQ         13 ----,- UEQ
6 ----,- UEQ         14 ----,- UEQ
7 ----,- UEQ         15 ----,- UEQ
Command Completed.

```

```
rept-stat-ls:lsn=lsgw1103
```

This is an example of the possible output.

```

rlghncxa03w 07-05-23 13:35:08 GMT EAGLE5 37.0.0
LSN          APCA          PST          SST          AST
lsgw1103     003-002-004      OOS-MT-DSBLD Prohibit     -----
SPCA        = -----
ALARM STATUS = No Alarms
SCRSET      = scr1
GWSA       = ----
GWSM       = ----
GWSD       = ----
SLC SLK     SST          SLC SLK     SST
0 1103,A Unavail      8  ----,- UEQ
1  ----,- UEQ         9  ----,- UEQ
2  ----,- UEQ        10  ----,- UEQ
3  ----,- UEQ        11  ----,- UEQ
4  ----,- UEQ        12  ----,- UEQ
5  ----,- UEQ        13  ----,- UEQ
6  ----,- UEQ        14  ----,- UEQ
7  ----,- UEQ        15  ----,- UEQ
Command Completed.

```

```
rept-stat-ls:lsn=lsn151
```

This is an example of the possible output.

```

rlghncxa03w 07-05-23 13:35:08 GMT EAGLE5 37.0.0
LSN          APCA          PST          SST          AST
lsn151       150-001-002      OOS-MT-DSBLD Prohibit     -----
PPCA        = 150-001-004
ALARM STATUS = No Alarms
SCRSET      = ----
GWSA       = ----
GWSM       = ----
GWSD       = ----
SLC SLK     SST          SLC SLK     SST
0 2105,A Unavail      8  ----,- UEQ
1  ----,- UEQ         9  ----,- UEQ
2  ----,- UEQ        10  ----,- UEQ
3  ----,- UEQ        11  ----,- UEQ
4  ----,- UEQ        12  ----,- UEQ
5  ----,- UEQ        13  ----,- UEQ
6  ----,- UEQ        14  ----,- UEQ
7  ----,- UEQ        15  ----,- UEQ
Command Completed.

```

- If any signaling links in the linkset are the last signaling link on a card, the card must be placed out of service before that signaling link can be removed. Verify this by entering the `rtrv-slk`

command and specifying each of the card locations shown in the output of [Step 4](#). Do not specify the link parameter. For this example, enter these commands.

```
rtrv-slk:loc=1205
```

This is an example of the possible output.

```
rlghncxa03w 09-07-19 21:17:04 GMT EAGLE5 41.1.0
                L2T                PCR PCR
LOC LINK LSN      SLC TYPE    SET  BPS    ECM  N1  N2
1205 B   ls1      0  LIMDS0    1   56000  BASIC ---  ----
```

```
rtrv-slk:loc=1207
```

This is an example of the possible output.

```
rlghncxa03w 09-07-19 21:17:04 GMT EAGLE5 41.1.0
                L2T                PCR PCR
LOC LINK LSN      SLC TYPE    SET  BPS    ECM  N1  N2
1207 A   ls3      1  LIMDS0    1   56000  BASIC ---  ----
1207 B   ls1      3  LIMDS0    1   56000  BASIC ---  ----
```

```
rtrv-slk:loc=1211
```

This is an example of the possible output.

```
rlghncxa03w 09-07-17 11:43:04 GMT EAGLE5 41.1.0
                L2T                PCR PCR
LOC LINK LSN      SLC TYPE    SET  BPS    ECM  N1  N2
1211 A   ls1      2  LIMDS0    1   56000  BASIC ---  ----
1211 B   ls2      0  LIMDS0    1   56000  BASIC ---  ----
```

```
rtrv-slk:loc=1213
```

This is an example of the possible output.

```
rlghncxa03w 09-07-19 21:17:04 GMT EAGLE5 41.1.0
                L2T                PCR PCR
LOC LINK LSN      SLC TYPE    SET  BPS    ECM  N1  N2
1213 A   ls2      1  LIMDS0    1   56000  BASIC ---  ----
1213 B   ls1      1  LIMDS0    1   56000  BASIC ---  ----
```

```
rtrv-slk:loc=1103
```

This is an example of the possible output.

```
rlghncxa03w 07-05-19 21:17:04 GMT EAGLE5 37.0.0
LOC LINK LSN      SLC TYPE
1103 A   lsn1      0  SS7IPGW
```

```
rtrv-slk:loc=2105
```

This is an example of the possible output.

```
rlghncxa03w 09-07-19 21:17:04 GMT EAGLE5 41.1.0
                L2T                PCR PCR
LOC LINK LSN          SLC TYPE      SET  BPS    ECM  N1  N2
2105 A   lsn151      0  LIMDS0    1   56000  BASIC --- ---
```

9. If the output of [Step 8](#) shows that any of the signaling links in the specified linkset are the last signaling links on the card, place that card out of service by using the `rmv-card` command, specifying the card location to be taken out of service. For this example, enter these commands.

```
rmv-card:loc=1205
```

When this command has successfully completed, this message should appear.

```
rlghncxa03w 07-05-07 11:11:28 GMT EAGLE5 37.0.0
Card has been inhibited.
```

```
rmv-card:loc=1103
```

When this command has successfully completed, this message should appear.

```
rlghncxa03w 07-05-07 11:11:28 GMT EAGLE5 37.0.0
Card has been inhibited.
```

```
rmv-card:loc=2105
```

When this command has successfully completed, this message should appear.

```
rlghncxa03w 07-05-07 11:11:28 GMT EAGLE5 37.0.0
Card has been inhibited.
```

10. Remove all links in the linkset using the `dlt-slk` command. For this example, enter these commands.

```
dlt-slk:loc=1205:link=b
```

```
dlt-slk:loc=1207:link=b
```

```
dlt-slk:loc=1211:link=a
```

```
dlt-slk:loc=1213:link=b
```

```
dlt-slk:loc=1103:link=a
```

```
dlt-slk:loc=2105:link=a
```

When each of these commands have successfully completed, this message should appear.

```
rlghncxa03w 07-05-07 08:41:17 GMT EAGLE5 37.0.0
DLT-SLK: MASP A - COMPLTD
```

Note: If the signaling links removed in this step were not assigned to either the SS7IPGW or IPGWI applications, continue the procedure with [Step 14](#).

11. Display the IPGWx linksets by entering the `rept-stat-iptps` command.

This is an example of the possible output.

```
rlghncxa03w 10-07-19 21:16:37 GMT EAGLE5 42.0.0
IP TPS USAGE REPORT
```

	THRESH	CONFIG/ RSVD	CONFIG/ MAX		TPS	PEAK	PEAKTIMESTAMP
LSN							
lsgw1101	80%	----	10000	TX:	7200	7600	04-06-10 11:40:04
				RCV:	7200	7600	04-06-10 11:40:04
lsgw1103	80%	----	10000	TX:	6700	7600	04-06-10 11:40:04
				RCV:	6500	7600	04-06-10 11:40:04
lsgw1105	80%	----	10000	TX:	7300	7450	04-06-10 11:40:04
				RCV:	7300	7450	04-06-10 11:40:04

```
-----
Command Completed.
```

12. Enter the `rtrv-ls` command with one of the linkset names shown in [Step 11](#). This is to verify if the linkset being removed in this procedure is a mate to another IPGWx linkset.

Repeat this step until all the linksets in [Step 11](#) have been displayed, or a linkset is found that has the linkset being removed as a mate. For this example, enter this command.

```
rtrv-ls:lsn=lsgw1105
```

This is an example of the possible output.

```
rlghncxa03w 07-05-17 11:43:04 GMT EAGLE5 37.0.0
```

LSN	APCA	(SS7)	SCRN	SET	SET	BEI	LST	LNKS	ACT	MES	DIS	SLSCI	NIS
lsgw1105	009-002-003		none	1	1	no	A	1	off	off	off	no	off

```

CLLI          TFATCABMLQ MTPRSE ASL8
-----          1          no    no

IPGWAPC MATELSN      IPTPS LSUSEALM SLKUSEALM GTTMODE
yes      lsgw1103    10000 70      % 70      % CdPA

LOC  LINK  SLC  TYPE
1105 A    0    SS7IPGW

Link set table is ( 14 of 1024) 1% full
```

Note: If the `rtrv-ls` output in this step shows that the linkset being removed is not the mate of another IPGWx linkset, continue the procedure with [Step 14](#).

13. Remove the mate linkset assignment shown in [Step 12](#) by performing the “Configuring a Mate IPGWx Linkset” procedure in the *Database Administration Manual - IP Secure Gateway* using these parameters.

:lsn = the name of the linkset shown in the LSN field in [Step 12](#).

:mate_lsn = the name of the linkset shown in the MATELSN field in [Step 12](#).


```
:action=delete
```

14. Display any entries in the route exception table whose linkset name is the name of the linkset being removed in this procedure. Enter the `rtrv-rtx` command with the `lsn` parameter. For this example, enter this command.

Remove all the entries displayed in this step by performing the [Removing a Route Exception Entry](#) procedure.

```
rtrv-rtx:lsn=ls1
```

This is an example of the possible output.

```
rlghncxa03w 07-05-10 11:43:04 GMT EAGLE5 37.0.0

  DPCA          RTX-CRITERIA          LSN          RC          APC

  240-012-006   OPCA
                008-008-008          ls1          40          240-012-004

DESTINATION ENTRIES ALLOCATED:    2000
  FULL DPC(s):                    15
  EXCEPTION DPC(s):                5
  NETWORK DPC(s):                  0
  CLUSTER DPC(s):                  1
  TOTAL DPC(s):                    21
  CAPACITY (% FULL):               1%
ALIASES ALLOCATED:                12000
  ALIASES USED:                    0
  CAPACITY (% FULL):               0%
X-LIST ENTRIES ALLOCATED:         500
```

```
rtrv-rtx:lsn=ls1
```

This is an example of the possible output.

```
rlghncxa03w 07-05-10 11:43:04 GMT EAGLE5 37.0.0

DESTINATION ENTRIES ALLOCATED:    2000
  FULL DPC(s):                    15
  EXCEPTION DPC(s):                5
  NETWORK DPC(s):                  0
  CLUSTER DPC(s):                  1
  TOTAL DPC(s):                    21
  CAPACITY (% FULL):               1%
ALIASES ALLOCATED:                12000
  ALIASES USED:                    0
  CAPACITY (% FULL):               0%
X-LIST ENTRIES ALLOCATED:         500
```

```
rtrv-rtx:lsn=ls1
```

This is an example of the possible output.

```
rlghncxa03w 07-05-10 11:43:04 GMT EAGLE5 37.0.0

DESTINATION ENTRIES ALLOCATED:    2000
  FULL DPC(s):                    15
```

```

EXCEPTION DPC(s):          5
NETWORK DPC(s):           0
CLUSTER DPC(s):           1
TOTAL DPC(s):             21
CAPACITY (% FULL):        1%
ALIASES ALLOCATED:        12000
ALIASES USED:              0
CAPACITY (% FULL):        0%
X-LIST ENTRIES ALLOCATED: 500

```

If the linkset being removed in this procedure is not assigned to a route exception table entry, no entries are displayed in the `rtrv-rtx` output, but a summary of the point code quantities is displayed.

If the name of the linkset being removed in this procedure shown in the LSN column in this step, perform one of these procedures:

- a) Change the name of the linkset in the entries displayed in this step by performing the [Changing a Route Exception Entry](#) procedure.
- b) Remove all the entries displayed in this step by performing the [Removing a Route Exception Entry](#) procedure.

15. If the Flexible Linkset Optional Based Routing feature is enabled and turned on, and the linkset is referenced by any GTT selectors, the linkset cannot be removed.

If the linkset contains the entries `fcc`, `fcg`, `fccfcg`, or `fcgfcg` in the GTTMODE column of the `rtrv-ls` output in [Step 4](#), the Flexible Linkset Optional Based Routing feature is enabled and turned on. Continue the procedure with [Step 17](#).

If the linkset does not contain the entries `fcc`, `fcg`, `fccfcg`, or `fcgfcg` in the GTTMODE column of the `rtrv-ls` output in [Step 4](#), continue the procedure with [Step 16](#).

16. Verify whether or not the Flexible Linkset Optional Based Routing feature is enabled and turned on by entering this command.

```
rtrv-ctrl-feat:partnum=893027701
```

This is an example of the possible output.

```

rlghncxa03w 09-05-10 11:43:04 GMT EAGLE5 41.0.0
The following features have been permanently enabled:

```

```

Feature Name          Partnum  Status  Quantity
Flex Lset Optnl Based Rtg 893027701 on      ----

```

```
The following features have been temporarily enabled:
```

```

Feature Name          Partnum  Status  Quantity  Trial Period Left
Zero entries found.

```

```
The following features have expired temporary keys:
```

```

Feature Name          Partnum
Zero entries found.

```

If the Flexible Linkset Optional Based Routing feature is enabled and turned on, continue the procedure with [Step 17](#).

If the Flexible Linkset Optional Based Routing feature is not enabled or not turned on, continue the procedure with [Step 18](#).

17. Display the GTT selectors that contain the linkset that is being removed by entering the `rtrv-gttset` command with the name of the linkset. For this example, enter these commands.

```
rtrv-gttset:lsn=ls1
```

This is an example of the possible output.

```
rlghncxa03w 09-05-10 11:43:04 GMT EAGLE5 41.0.0

GTI          CG          CDPA          CGPA
ANSI TT NP    NAI  SSN SELID LSN  GTTSET      GTTSET
2    180 --    ---  any none  ls1  -----    (--- ) cdgta4  (cdgta)

GTI          CG          CDPA          CGPA
INTL TT NP    NAI  SSN SELID LSN  GTTSET      GTTSET

GTI          CG          CDPA          CGPA
NATL TT NP    NAI  SSN SELID LSN  GTTSET      GTTSET

GTI          CG          CDPA          CGPA
N24  TT NP    NAI  SSN SELID LSN  GTTSET      GTTSET
```

```
rtrv-gttset:lsn=lsgw1103
```

This is an example of the possible output.

```
rlghncxa03w 09-05-10 11:43:04 GMT EAGLE5 41.0.0

GTI          CG          CDPA          CGPA
ANSI TT NP    NAI  SSN SELID LSN  GTTSET      GTTSET
2    170 --    ---  any none  lsgw1103  -----    (--- ) cdgta4  (cdgta)

GTI          CG          CDPA          CGPA
INTL TT NP    NAI  SSN SELID LSN  GTTSET      GTTSET

GTI          CG          CDPA          CGPA
NATL TT NP    NAI  SSN SELID LSN  GTTSET      GTTSET

GTI          CG          CDPA          CGPA
N24  TT NP    NAI  SSN SELID LSN  GTTSET      GTTSET
```

```
rtrv-gttset:lsn=lsn151
```

This is an example of the possible output.

```
rlghncxa03w 09-05-10 11:43:04 GMT EAGLE5 41.0.0
```

```

GTI          CG          CDPA          CGPA
ANSI TT NP      NAI  SSN SELID LSN    GTTSET      GTTSET
2    160 --      --- any none lsn151  ----- (--- ) cdgta4 (cdgta)

GTI          CG          CDPA          CGPA
INTL TT NP      NAI  SSN SELID LSN    GTTSET      GTTSET

GTI          CG          CDPA          CGPA
NATL TT NP      NAI  SSN SELID LSN    GTTSET      GTTSET

GTI          CG          CDPA          CGPA
N24  TT NP      NAI  SSN SELID LSN    GTTSET      GTTSET

```

If GTT selectors are shown in the `rtrv-gttset` output, perform the "Removing a GTT Selector" procedure in the *Database Administration Manual - Global Title Translation* to remove all entries shown in this step. After the GTT selectors have been removed, continue the procedure with [Step 18](#).

If GTT selectors are not shown in the `rtrv-gttset` output, continue the procedure with [Step 18](#).

18. Remove the linkset using the `dlt-ls` command. For this example, enter these commands.

```

dlt-ls:lsn=lsn1
dlt-ls:lsn=lsgw1103
dlt-ls:lsn=lsn151

```

When each of these commands have successfully completed, this message should appear.

```

rlghncxa03w 07-05-17 16:03:12 GMT EAGLE5 37.0.0
Link set table is ( 23 of 1024) 2% full
DLT-LS: MASP A - COMPLTD

```

19. Verify the changes using the `rtrv-ls` command with the linkset name used in [Step 18](#).

For this example, enter these commands.

```

rtrv-ls:lsn=lsn1
rtrv-ls:lsn=lsgw1103
rtrv-ls:lsn=lsn151

```

If the removal of the linkset was successful, the following message is displayed.

```

rlghncxa03w 09-07-10 11:43:04 GMT EAGLE5 41.1.0
No matching entry found.
Link set table is (11 of 1024) 1% full.

```

Continue the procedure with [Step 20](#) if the linkset that was removed in has any of these attributes.

- The linkset was not a proxy linkset.
- The linkset was a proxy linkset whose APC was assigned to only the proxy linkset that was removed in [Step 18](#).

- The linkset was a proxy linkset and:
 - The APC of this linkset is assigned to more than one linkset.
 - The linkset did not contain the proxy point code that was assigned to the APC of the linkset.
 - The linkset that contains the proxy point code that is assigned to the APC of the linkset will not be removed from the database.

If you wish to remove the proxy linkset that contains the proxy point code that is also assigned to the APC of the linkset, and the database contains other linksets that are assigned to this APC, these other linksets must be removed before the proxy linkset that contains the proxy point code that is also assigned to the APC of the linkset can be removed. Repeat this procedure from [Step 2](#) to remove these linksets. After these linksets have been removed, perform this procedure again from [Step 2](#) to remove the proxy linkset that contains the proxy point code that is also assigned to the APC of the linkset.

20. Back up the new changes using the `chg-db:action=backup:dest=fixed` command. These messages should appear, the active Maintenance and Administration Subsystem Processor (MASP) appears first.

```
BACKUP (FIXED) : MASP A - Backup starts on active MASP.
BACKUP (FIXED) : MASP A - Backup on active MASP to fixed disk complete.
BACKUP (FIXED) : MASP A - Backup starts on standby MASP.
BACKUP (FIXED) : MASP A - Backup on standby MASP to fixed disk complete.
```

Changing an SS7 Linkset

This procedure is used to change the attributes of a SS7 linksets to the Eagle 5 ISS using the `chg-ls` command and the following parameters shown in [Table 29: Linkset Parameters](#).

Table 29: Linkset Parameters

lsn	nlsn	apc/apca/apci/ apcn/apcn24	spc/spca/spci/ spcn/spcn24	apcntype	lst
cli	sltset	l3tset	scrn	gwsa	gwsn
gwsd	bei	tfatcabmlq	nis	itutfr	mtprse
slsci	asl8	slsrsb	slsobit	multgc	ggtmode
randsls	cggmod	islrsb			

:lsn – The name of the linkset

:nlsn – The new name of the linkset

The linkset name can contain up to 10 characters, with the first character being a letter. However, the SEAS interface supports only eight characters. If this linkset is displayed on the SEAS interface and the linkset name contains more than eight characters, only the first eight characters in the

linkset name are shown. If this linkset name contains more than eight characters, and is specified with the linkset commands on the SEAS interface, only the first eight characters can be specified.

:apc/apca/apci/apcn/apcn24 – Adjacent point code – the point code identifying the node that is next to the EAGLE 5 ISS. The adjacent point code can be one of the following types of point codes:

- :apc/apca – ANSI point code
- :apci – ITU-I point code, ITU-I spare point code
- :apcn – 14-bit ITU-N point code, 14-bit ITU-N spare point code
- :apcn24 – 24-bit ITU-N point code

:spc/spca/spci/spcn/spcn24 – Secondary point code used for multiple linksets that have the same APC, or the value none. If the value none is specified, the existing secondary point code that is assigned to the linkset is removed. Secondary point codes can be used only if the Multiple Linksets to Single Adjacent PC feature is enabled and turned on (shown in the `rtrv-ctrl-feat` output). The secondary point code can be one of the following types of point codes:

- :spc/spca – ANSI point code
- :spci – ITU-I point code, ITU-I spare point code
- :spcn – 14-bit ITU-N point code, 14-bit ITU-N spare point code
- :spcn24 – 24-bit ITU-N point code

Note: Refer to [Point Code Formats](#) for a definition of the point code types that are used on the EAGLE 5 ISS and for a definition of the different formats that can be used for ITU national point codes. Private point codes can be assigned only to IPGWx linksets. The procedures for configuring IPGWx linksets are in the *Database Administration Manual - IP7 Secure Gateway*.

:apcntype – Specifies whether or not the linkset containing either a 14-bit ITU-N adjacent point code or a 24-bit ITU-N adjacent point code is being used in China (`apcntype=itunchina`) or in countries other than China (`apcntype=itun`). Signaling links in linksets with the `apcntype=itunchina` parameter are handled according to the specifications in *YD/N 068-1997, Technical Specification of National No.7 Signaling System - Message Transfer Part (MTP)*. Signaling links in linksets with the `apcntype=itun` parameter are handled according to the specifications in *ITU-T Q.2210 (07/96), Switching and Signaling, Broadband ISDN- Signaling Network Protocols*. The default value for the `apcntype` parameter is `itun`.

Linksets shown in section of the `rtrv-ls` output with the LSN (CHINA) column (and with either the APCN or APCN24 column) have the `apcntype=itunchina` parameter assigned to them.

Linksets shown in section of the `rtrv-ls` output with the LSN column (and with either the APCN or APCN24 column) have the `apcntype=itun` parameter assigned to them.

:lst – The linkset type of the specified linkset

:clli – The Common Language Location Identifier assigned to this point code. The value of the `clli` parameter is only displayed in the `rtrv-ls` command output when a specific linkset is being displayed with the `rtrv-ls:lsn=<linkset name>` command.

:sltset – The signaling link test message record to be associated with the linkset.

:l3tset – The level 3 timer set table. This parameter identifies which level three timer set is to be assigned to this linkset. Currently, only one is supported.

:scrn – The name of the screenset to be assigned to this linkset if gateway screening is to be used.

:gwsa – Gateway screening action determines whether gateway screening (GWS) is on or off for the specified link set.

:*gws*m – Gateway screening messaging is used to turn on or off the display of messages generated for each screened message. When an MSU is rejected by gateway screening, a message is output to alert personnel of the event.

:*gws*d – Gateway screening MSU discard is used to turn on or off the discarding of MSUs that bypass the gateway screening function due to load shedding. Also use this parameter with the *redirect* function; MSUs that cannot be screened are discarded if you specify *gwsd=on*.

:*bei* – The broadcast exception indicator. This parameter indicates whether TFP (transfer prohibited) messages are allowed to be broadcast on the linkset. The *yes* parameter means TFPs are not broadcast. The *no* parameter means TFPs are broadcast.

:*tfatcabmlq* – the TFA/TCA broadcast minimum link quantity shows the minimum number of signaling links in the given link set (or in the combined link set in which it resides) that must be available for traffic. When the number of signaling links in the specified linkset is equal to or greater than the value of the *tfatcabmlq* parameter, the status of the routes that use the specified linkset is set to allowed and can carry traffic. Otherwise, these routes are restricted. The value of the *tfatcabmlq* parameter cannot exceed the total number of signaling links contained in the linkset. The system default value for the *tfatcabmlq* parameter is 0.

The value of the *tfatcabmlq* parameter is only displayed in the *rtrv-ls* command output when a specific linkset is being displayed with the *rtrv-ls:lsn=<linkset name>* command.

The *tfatcabmlq* parameter exists only in the *chg-ls* command and not the *ent-ls* command, because no links are assigned to the linkset when the linkset is first created with the *ent-ls* command. The default value for the *tfatcabmlq* parameter (*tfatcabmlq=0*) is entered for the linkset, and shown in the *rtrv-ls* output as 1, when a new linkset is added to the database.

When the *tfatcabmlq* parameter value is 0, the EAGLE 5 ISS broadcasts TFAs/TCAs only when 1/2 of the links in the linkset (or in the combined link set in which it resides) become available. The *tfatcabmlq* parameter value displayed in the *rtrv-ls* output is 1/2 of the number of signaling links contained in the linkset. If the number of signaling links in the linkset is an odd number, the *tfatcabmlq* parameter value is rounded up to the next whole number. As signaling links are added or removed from the linkset, the *tfatcabmlq* parameter value will be changed automatically.

When the *lst=c* parameter is specified, or when the current (unchanged) LST value is C, the *tfatcabmlq* parameter cannot be specified unless the LSRESTRICT SS7 option is on. The state of the LSRESTRICT SS7 option is shown in the *rtrv-ss7opts* output.

:*nis* – specifies whether the National Spare for Network Indicator feature is on or off for the specific linkset. This feature allows the linkset to use the national spare value (3) for the network indicator code field in the service information octet (SIO) of the MSU for ANSI linksets and ITU national linksets (linksets containing either 14-bit ITU-N point codes or 24-bit ITU-N point codes). This parameter cannot be specified for ITU international linksets. The default value for the *nis* parameter is *off*.

For MSUs on incoming linksets, only those MSUs having the network indicator code values shown in [Table 30: Actions of the National Spare for Network Indicator Feature](#) are allowed into the EAGLE 5 ISS.

For MSUs on outgoing linksets, the network indicator code value in the MSU is changed to either the national network indicator code value (2) or the national spare network indicator code value (3). If the *nis* parameter is set to *off*, the network indicator code value is set to 2.

These actions are summarized in [Table 30: Actions of the National Spare for Network Indicator Feature](#). The actions described for this parameter apply only if the ITU National and International Spare Point Code Support feature is not enabled.

If the ITU National and International Spare Point Code Support feature is enabled, the `n.i.s` parameter value is ignored for ITU-I and 14-bit ITU-N linksets. All the network indicator values are permitted on ITU-I and ITU-N linksets, and the network indicator value for transmission is based on the International/National and Spare/Non-Spare status of the DPC of the message.

Having the ITU National and International Spare Point Code Support feature enabled has no effect on ANSI and 24-bit ITU-N linksets. The `n.i.s` parameter value determines which incoming network indicator spare bit values to permit, and what network indicator spare bit value should be transmitted.

Table 30: Actions of the National Spare for Network Indicator Feature

Linkset Type	Feature Disabled	Feature Enabled
Incoming ANSI Linkset	MSUs containing the national network indicator code (2) are allowed into the EAGLE 5 ISS.	MSUs containing these network indicator code values are allowed into the EAGLE 5 ISS. <ul style="list-style-type: none"> • National Network Indicator Code (2) • National Spare Network Indicator Code (3)
Outgoing ANSI Linkset	The network indicator code value in the MSU is set to the national network indicator code (2).	The network indicator code value in the MSU is set to the national spare network indicator code (3).
Incoming ITU National Linkset	MSUs containing these network indicator code values are allowed into the EAGLE 5 ISS. <ul style="list-style-type: none"> • International Network Indicator Code (0) • National Network Indicator Code (2) 	MSUs containing these network indicator code values are allowed into the EAGLE 5 ISS. <ul style="list-style-type: none"> • International Network Indicator Code (0) • National Network Indicator Code (2) • National Spare Network Indicator Code (3)
Outgoing ITU National Linkset	The network indicator code value in the MSU is set to the national network indicator code (2).	The network indicator code value in the MSU is set to the national spare network indicator code (3).

`:itutfr` – specifies whether or not ITU TFR (transfer restricted) procedures are being used on the linkset. This parameter applies only to linksets with ITU national adjacent point codes (linksets containing either 14-bit ITU-N point codes or 24-bit ITU-N point codes) and can be specified only for linksets with ITU national adjacent point codes. TFR procedures are used to redirect traffic away from a node that is having problems routing traffic to a destination. When a node determines that a destination is restricted, the node sends a TFR message informing the adjacent nodes about the destination's status. When a destination is restricted, the node should not be used to route messages to the destination even though it still has limited capability to do so. The values for this parameter are

either on (ITU TFR procedures are enabled) or off (ITU TFR procedures are disabled). For more information on the `itutfr` parameter and ITUTFR procedures, refer to [ITU TFR Procedures](#).

`:mtpmse` – shows if the node adjacent to the EAGLE 5 ISS is equipped with the MTP restart capability. The `mtpmse=yes` parameter can only be specified if the MTP restart feature is turned on for ANSI linksets (`MTPRS = on` in the `rtrv-feat` command output), or if the ITU MTP restart is on for ITU linksets (`ITUMTPRS=on` in the `rtrv-feat` command output). If the MTP restart feature is not turned on, the value of the `mtpmse` parameter defaults to `no`. The value of the `mtpmse` parameter value is not dependent on the value of the `mtpmsi` parameter (the MTP restart indicator) in the `chg-stpopts` command. The value of the `mtpmse` parameter is only displayed in the `rtrv-ls` command output when a specific linkset is being displayed with the `rtrv-ls:lsn=<linkset name>` command. For more information on the `mtpmse` parameter and MTP restart, refer to [Configuring the MTP Restart Feature](#).

`:slsci` – indicates whether the 5-bit to 8-bit SLS conversion feature is used to select signaling links for outgoing messages on the specified link set. If the `slsci=yes` parameter is specified, the EAGLE 5 ISS replaces any 5-bit SLS values contained in received messages with a random 8-bit value before they are used by the EAGLE 5 ISS to select the outgoing signaling link in that linkset. The 5-bit to 8-bit SLS conversion is also controlled by the `slscnv` parameter of the `chg-stpopts` command. The `slscnv` parameter of the `chg-stpopts` command has three values: `on`, `off`, and `perl`s. The `slsci` parameter can only be specified for linksets with ANSI SS7 adjacent point codes.

`:asl8` – shows if the node adjacent to the EAGLE 5 ISS is sending MSUs with 8-bit SLSs. If the `asl8=yes` parameter is specified with the `lst=a` parameter (a linkset containing access signaling links), this indicates that the originator of the MSUs is generating 8-bit SLSs. For other linkset types, the `asl8=yes` parameter indicates that the adjacent node is converting 5-bit SLSs to 8-bit SLSs. The SLS in MSUs received by the EAGLE 5 ISS on a linkset that has the `asl8=yes` parameter assigned to it will not be converted. These MSUs are assumed to contain 8-bit SLSs. If the `asl8=no` parameter is specified for the linkset, the SLS will be converted to an 8-bit SLS. The `asl8` parameter can only be specified for linksets with ANSI SS7 adjacent point codes. The value of the `asl8` parameter is only displayed in the `rtrv-ls` command output when a specific linkset is being displayed with the `rtrv-ls:lsn=<linkset name>` command.

For more information on the `slsci` and `asl8` parameters and 5-bit to 8-bit conversion, refer to [Configuring the 5-Bit to 8-Bit SLS Conversion Feature](#).

`:slsrbs` – selects which bit (1 - 4) of the SLS field to use as the least significant bit for signaling link selection in the link set for all ITU messages on outgoing ITU linksets.

`:islrsbs` – selects which bit of the SLS field, 1 - 8 for an ANSI linkset or 1 - 4 for an ITU linkset, to use as the least significant bit for signaling link selection in the link set for all messages on ANSI and ITU linksets on incoming linksets. If you wish to use the values 6, 7, or 8 for the `islrsbs` parameter of a ANSI linkset, the `rsls8` value for the linkset must be `yes`. Perform [Configuring the RSLs8 Value for ANSI Linksets](#) to change the `rsls8` value for the linkset to `yes`.

`:slsobit` – selects which bit (5 - 16) of the SLS field to use as the most significant bit for signaling link selection in the link set for all ITU messages.

For more information on the `slsrbs`, `islrsbs`, and `slsobit` parameters and ITU SLS enhancement, refer to [ITU SLS Enhancement](#).

`:multgc` – specifies whether multiple group codes are supported for the linkset. When this parameter value is `yes`, secondary adjacent point codes whose group codes are different from the adjacent point code of the linkset can be assigned to the linkset. If the parameter value is `no`, the group code of the secondary adjacent point code must be the same as the group code of the linkset's adjacent point code.

For more information on secondary adjacent point codes, go to the [Configuring an ITU Linkset with a Secondary Adjacent Point Code \(SAPC\)](#) procedure.

This parameter only applies to linksets whose adjacent point codes are either ITU international point codes or 14-bit ITU national point codes. All the signaling links in this linkset must be assigned to cards running the IPLIMI application. For more information on assigning signaling links to cards running the IPLIMI application, perform the Adding an IPLIMx Signaling Link procedure in the *Database Administration Manual - IP7 Secure Gateway*.

The ITU duplicate point code feature must be on before this parameter can be specified. Verify this with the `rttrv-feat` command. If the ITU duplicate point code feature is turned on, the `ITUDUPPC` field should be set to `on`. If the ITU duplicate point code feature is not turned on, enter the `chg-feat:ituduppc=on` command.

Note: Once the ITU duplicate point code feature is turned on with the `chg-feat` command, it cannot be turned off.

The ITU duplicate point code feature must be purchased before you turn the feature on with the `chg-feat` command. If you are not sure if you have purchased the ITU duplicate point code feature, contact your Tekelec Sales Representative or Account Representative.

`:gttmode` – The GTT mode assigned to the linkset when performing global title translation on the specified linkset. The values for this parameter are:

- `sysdf1t` – the value of the `df1tgttmode` parameter shown in the `rttrv-sccpopts` command output.
- `cd` - CdPAGTT only
- `cg` - CgPA GTT only
- `acdc` - Advanced CdPA GTT, CdPA GTT
- `acdcgc` - Advanced CdPA GTT, CgPA GTT, CdPA GTT
- `acdcdcg` - Advanced CdPA GTT, CdPA GTT, CgPA GTT
- `cgacdc` - CgPA GTT, Advanced CdPA GTT, CdPA GTT
- `cgcd` - CgPA GTT, CdPA GTT
- `cdc` - CdPA GTT, CgPA GTT
- `fc` - Flexible Linkset Optional Based Routing (FLOBR) CdPA only
- `fcg` - FLOBR CgPA only
- `fcdfcg` - FLOBR CdPA, FLOBR CgPA
- `fcgfc` - FLOBR CgPA, FLOBR CdPA

For more information on using the `gttmode` parameter, refer to the Origin-Based SCCP Routing Feature section or the Flexible Linkset Optional Based Routing section in the *Database Administration Manual - Global Title Translation*.

To use the values `cg`, `acdc`, `acdcgc`, `acdcdcg`, `cgacdc`, or `cgcd` for the `gttmode` parameter, the Origin-Based SCCP Routing feature must be enabled and turned on.

To use the values `fc`, `fcg`, `fcdfcg`, or `fcgfc` for the `gttmode` parameter, the Flexible Linkset Optional Based Routing feature must be enabled and turned on.

`:randsls` – The random SLS value assigned to the linkset. This parameter is used to apply random SLS generation for the specified linkset.

The `randsls` parameter has three values:

- `off` – Random SLS generation is not applied to the specified linkset.
- `class0` – Random SLS generation is applied to only Class 0 SCCP messages on either incoming ANSI or outgoing ITU linksets.

- `all` – Random SLS generation is applied to both Class 0 and Class 1 SCCP messages on outgoing ITU linksets, or to Class 0 SCCP messages and ISUP messages on ANSI linksets.

For more information about random SLS generation on a specific linkset, refer to [Per-Linkset Random SLS](#).

`:cggtmod` - The calling party GT modification indicator. This parameter specifies whether or not calling party global title modification is required. The values for this parameter are `yes` (calling party global title modification is required) or `no` (calling party global title modification is not required). This parameter can be specified only if the AMGTT or AMGTT CgPA Upgrade feature is enabled. Enter the `rtrv-ctrl-feat` command to verify that either the AMGTT or AMGTT CgPA Upgrade feature is enabled. If the AMGTT or AMGTT CgPA Upgrade feature is not enabled, perform the "Activating the Advanced GT Modification Feature" procedure in the *Database Administration Manual - Global Title Translation* procedure to enable the required feature. For more information about the Advanced GT Modification feature, refer to the "Advanced GT Modification Feature" section in the *Database Administration Manual - Global Title Translation*.

The EAGLE 5 ISS can contain 1024 linksets, with a maximum of 255 of these linksets being gateway linksets. A gateway linkset is a linkset that contains routes to a different network.

The linkset to be changed must exist in the database.

If the adjacent point code (APC) is changed, the new APC must be in the destination point code table and must be defined as a true point code in the destination point code table and cannot be an alias point code. The domain and point code type of the new APC must be the same as the APC being changed. For example, if the current adjacent point code is an ITU-I point code, the new adjacent point code must be an ITU-I point code. The new APC of the linkset cannot match the self ID of the EAGLE 5 ISS. The new APC must be a full point code and cannot be a cluster point code or a network routing point code.

Linksets containing E1 ATM signaling links cannot contain 24-bit ITU-N APCs or SAPCs. E1 ATM signaling links are identified by the value `LIME1ATM` in the `TYPE` column of the `rtrv-ls:lsn=<linkset name>` output.

The signaling link configuration of the linkset can be verified by entering the `rtrv-ls:lsn=<linkset name>` command.

Use the `rtrv-dstn` command to verify that the new APC is in the destination point code table and to verify the domain of the new APC. If the new APC is not shown in the `rtrv-dstn` command output, go to the [Adding a Destination Point Code](#) procedure and add the APC to the destination point code table.

To change the APC of a linkset, all signaling links in the linkset must be in the OOS-MT-DSBLD state.

The `gwsa`, `gwsn`, and `gwsd` parameters can only be specified if the `scrn` parameter is defined. Enter the `rtrv-ls` command to verify that the `scrn` parameter is defined for the specified linkset. If the `scrn` parameter is defined, a gateway screening screen set name is shown in the `SCRN` field of the output. This gateway screening screen set name must also be defined as a gateway screening screen set entity. This can be verified with the `rtrv-scrset` command.



Caution: When Gateway Screening is in the screen test mode, as defined by the linkset parameters `gwsa=off` and `gwsn=on`, the gateway screening action in the gateway screening stop action set specified by the `actname` parameter of the gateway screening screen set at the end of the gateway screening process will be performed.

The `chg-ls` command has a parameter, `gwsd`, that can allow the discarding of messages that should have gone through the gateway screening process, but could not. The `gwsd` parameter is only intended

to be used with the database transport access (DTA) feature. If you are not using the DTA feature, the `gwsd` parameter should not be specified or should be set to `no` (`gwsd=no`).

If the `gwsa=off` parameter is specified, then the `gwsd=off` parameter must be specified.

To help manage congestion on signaling links, the EAGLE 5 ISS starts the level 3 T31 timer whenever a signaling link goes into congestion level 1 or congestion level 2. The congestion level that is associated with the level 3 T31 timer is set using the `chg-stpopts` command with the `mtpt31ctl` parameter and is displayed with the `MTPT31CTL` field in the `rtrv-stpopts` command output. When the level 3 timer T31 and the `chg-stpopts` command are first introduced to the EAGLE 5 ISS, the system default value for the `mtpt31ctl` parameter of the `chg-stpopts` command is 1, for congestion level 1, and the system default value for the level 3 T31 timer is 60 seconds. To change the value of the level 3 T31 timer, perform [Changing Level 3 Timers](#). To change value of the `mtpt31ctl` parameter, enter the either `chg-stpopts:mtpt31ctl=1` or the `chg-stpopts:mtpt31ctl=2` command, depending on the current value of the `mtpt31ctl` parameter.

To help prevent the signaling link in the linkset from oscillating in out of service, the EAGLE 5 ISS starts the level 3 T32 timer. When the EAGLE 5 ISS begins restoring an out of service signaling link, the EAGLE 5 ISS starts the level 3 T32 timer. If the signaling link fails to get back into service before the level 3 T32 expires, the EAGLE 5 ISS does not attempt to continue to bring the signaling link into service until the level 3 T32 timer expires. Once the level 3 T32 timer expires, the EAGLE 5 ISS attempts to restore the signaling link into service. When the level 3 timer T32 is first introduced to the EAGLE 5 ISS, the system default value for the level 3 T32 timer is 60 seconds. To change the value of the level 3 T32 timer, perform [Changing Level 3 Timers](#).

The word `SEAS` cannot be used as a value for the `scrn` parameter of the `chg-ls` command. The word `SEAS` is used in the `rtrv-ls` command output, in the `SCRN` field, to show gateway linksets created on the `SEAS` interface. A gateway linkset combines the functions of a gateway screening screen set and an SS7 linkset specifying the `gwsa=on` and `scrn` parameters. Like an EAGLE 5 ISS gateway screening screen set, a gateway linkset defines the screening references that are to be used to screen the messages on the linkset. It also defines the linkset whose messages are to be screened. A gateway linkset can only be configured from a `SEAS` terminal and not from an EAGLE 5 ISS terminal.

If the `clli` parameter is specified with the `chg-ls` command, the value of the `clli` parameter must match the `CLLI` value of the adjacent point code of the linkset. The `CLLI` value of the adjacent point code is shown in the `CLLI` field of the `rtrv-dstn` command.

The `clli` parameter can only be specified with the `apc` or `apca` parameters.

If the `randsls` parameter of the `chg-stpopts` command is set to either `all` or `class0`, a maximum of 16 links continues to be supported in a single linkset to a destination. However, it is now possible to have up to 32 links in a combined linkset to a destination, with a maximum of 16 links per linkset. The 32 links is a change from the current EAGLE 5 ISS maximum of only 16 links per combined linkset, which is due to ITU protocol restrictions. If more than 16 links are used in a combined linkset, the operator needs to be aware that a maximum of 16 links can be used by non-Random SLS traffic over the linkset. The non-Random SLS traffic continues to operate under the rules of the ITU protocol. For more information on the Random SLS Generation feature, refer to [Configuring the System for Random SLS Generation](#).

To provision more than one linkset with the same APC, the Multiple Linksets to Single Adjacent PC feature must be enabled and turned on. The database can contain a maximum of six linksets that have the same APC. If the linkset is not a proxy linkset (linkset types A, B, C, D, or E), a secondary point code (shown in the `rtrv-spc` output) must be specified with the linkset. The network type and format of the secondary point code must be the same as the APC of the linkset. Secondary point codes can also be assigned to the APC of the linkset when the point code is provisioned in the database with the

ent-dstn or chg-dstn commands. The secondary point codes that are assigned to the linksets that have the same APC must be unique for each linkset and cannot be the same as the secondary point code that is assigned to the APC of the linksets.

The secondary point code that is assigned to a linkset can be removed from the linkset by specifying the value none for the spc/spca/spci/spcn/spcn24 parameter. A secondary point code can be removed from only one of the linksets in a group of linksets that have the same APC.

If the linkset is a proxy linkset (linkset type PRX), the APC and linkset type of the linkset cannot be changed. A secondary point code and a secondary adjacent point code cannot be specified for a proxy linkset.

Other Optional Parameters

The chg-ls command contains other optional parameters that are not used this procedure. These parameters are discussed in more detail in the *Commands Manual* or in these sections.

- [Configuring an ITU Linkset with a Secondary Adjacent Point Code \(SAPC\)](#)
- The "Configuring a Linkset for the GSM MAP Screening Feature" procedure in the *Database Administration Manual - Features*.
- These procedures in the *Database Administration Manual - IP7 Secure Gateway*
 - Configuring an IPGWx Linkset
 - Adding a Mate IPGWx Linkset to another IPGWx Linkset
 - Removing a Mate IPGWx Linkset from another IPGWx Linkset
 - Changing an IPSP M3UA Linkset
 - Changing an IPSP M2PA Linkset

If you wish to change the attributes of IPSP linksets, perform one of these procedures in the *Database Administration Manual - IP7 Secure Gateway*

- Changing an IPSP M3UA Linkset
- Changing an IPSP M2PA Linkset

The gsmscrn parameter is used for the GSM MAP Screening feature. To configure an SS7 linkset for the GSM MAP Screening feature, perform the "Configuring a Linkset for the GSM MAP Screening Feature," in Chapter 5, "GSM MAP Screening Configuration," in the *Database Administration Manual - Features*.

The network indicator (NI) value of messages on ITU-I or ITU-N linksets can be changed to other values by entering the icnimap and ognimap parameters of the chg-lsopts command. Perform [Configuring the ITU Linkset NI Mapping Options](#) to change these values for the ITU-I or ITU-N linksets.

Canceling the RTRV-LS Command

Because the rtrv-ls command used in this procedure can output information for a long period of time, the rtrv-ls command can be canceled and the output to the terminal stopped. There are three ways that the rtrv-ls command can be canceled.

- Press the F9 function key on the keyboard at the terminal where the rtrv-ls command was entered.
- Enter the cancel-cmd without the trm parameter at the terminal where the rtrv-ls command was entered.
- Enter the cancel-cmd:trm=<xx>, where <xx> is the terminal where the rtrv-ls command was entered, from another terminal other than the terminal where the rtrv-ls command was entered. To enter the cancel-cmd:trm=<xx> command, the terminal must allow Security Administration

commands to be entered from it and the user must be allowed to enter Security Administration commands. The terminal's permissions can be verified with the `rtrv-secu-trm` command. The user's permissions can be verified with the `rtrv-user` or `rtrv-secu-user` commands.

For more information about the `canc-cmd` command, go to the *Commands Manual*.

1. Display the current linkset configuration using the `rtrv-ls` command.

This is an example of the possible output.

```
rlghncxa03w 08-12-10 11:43:04 GMT EAGLE5 40.0.0

          L3T SLT          GWS GWS GWS
LSN      APCA   (SS7)  SCRN SET SET BEI LST LNKS ACT MES DIS SLSCI NIS
ele2     001-207-000  none 1  1  no  B   6   off off off no   off
elm1s1   001-001-001  none 1  1  no  A   7   off off off no   off
elm1s2   001-001-002  none 1  1  no  A   7   off off off no   off
ls04     001-002-003  scr2 1  1  no  a   4   off off off yes  off
ls1305   000-005-000  none 1  1  no  A   1   off off off no   off
ls1307   000-007-000  none 1  1  no  A   1   off off off no   off

          L3T SLT          GWS GWS GWS
LSN      APCI   (SS7)  SCRN SET SET BEI LST LNKS ACT MES DIS SLSCI NIS
ele2i    1-207-0     none 1  1  no  B   4   off off off ---  on
ls1315   0-015-0     none 1  1  no  A   1   off off off ---  off
ls1317   0-017-0     none 1  1  no  A   1   off off off ---  on
elm2s1   1-011-1     none 1  1  no  A   7   off off off ---  off
elm2s2   1-011-2     none 1  1  no  A   7   off off off ---  off

          L3T SLT          GWS GWS GWS
LSN      APCN   (SS7)  SCRN SET SET BEI LST LNKS ACT MES DIS SLSCI NIS
lsn5     11520      scr3 1  1  no  a   3   on  off off ---  on
lsn6     11211      scr3 1  1  no  a   3   on  off off ---  on

Link set table is (10 of 1024) 1% full.
```

2. Display the attributes of the linkset that is being changed by entering the `rtrv-ls` command with the name of the linkset shown in [Step 1](#). For this example, enter these commands.

```
rtrv-ls:lsn=ls04
```

This is an example of the possible output.

```
rlghncxa03w 09-07-17 11:43:04 GMT EAGLE5 41.1.0

          L3T SLT          GWS GWS GWS
LSN      APCA   (SS7)  SCRN SET SET BEI LST LNKS ACT MES DIS SLSCI NIS
ls04     001-002-003  scr2 1  1  no  a   4   off off off yes  off

          SPCA          CLLI          TFATCABMLQ MTPRSE ASL8
-----
                2          ---      no

RANDSLS
off

IPSG  IPGWAPC  GTTMODE          CGGTMOD
no    no      CdPA          no

          L2T          PCR  PCR
LOC  LINK SLC TYPE  SET  BPS  ECM  N1  N2
```



```

1205 b 0 LIMDS0 1 56000 BASIC --- -----
1213 b 1 LIMDS0 1 56000 BASIC --- -----
1211 a 2 LIMDS0 1 56000 BASIC --- -----
1207 b 3 LIMDS0 1 56000 BASIC --- -----

```

Link set table is (24 of 1024) 2% full

```
rtrv-ls:lsn=lsn5
```

This is an example of the possible output.

```

rlghncxa03w 09-07-17 11:43:04 GMT EAGLE5 41.1.0

LSN          APCN    (SS7)  SCRNL3T SLT  BEI  LST  LNKS  GWS  GWS  GWS
lsn5         11211          scr3  1  1  no  a  3  on  off  off  ---  on

          CLLI          TFATCABMLQ  MTPRSE  ASL8
lsn5clli  1          no  ---

SLSOCSBIT  SLSRSB  RANDSLS  ITUTFR  ICNIMAP          OGNIMAP
none       1      off  off  itun2ituns  ituns2itun

IPSG  IPGWAPC  GTTMODE          CGGTMOD
no    no    CdPA          no

          L2T          PCR  PCR
LOC  LINK  SLC  TYPE  SET  BPS  ECM  N1  N2
2106 b  0  LIMDS0  1  56000  BASIC  ---  -----
2114 b  1  LIMDS0  1  56000  BASIC  ---  -----
2112 a  2  LIMDS0  1  56000  BASIC  ---  -----

Link set table is ( 24 of 1024) 2% full

```

Continue the procedure by performing one of these actions.

- If the adjacent point code (APC) or secondary point code (SPC) assigned to the linkset is being changed, perform [Verifying the New Adjacent Point Code or New Secondary Point Code for a Linkset](#). After [Verifying the New Adjacent Point Code or New Secondary Point Code for a Linkset](#) has been performed, continue the procedure with [Step 3](#).
 - If the adjacent point code (APC) or secondary point code (SPC) assigned to the linkset is not being changed, continue the procedure with [Step 3](#).
3. To specify the following optional parameters for the linkset, the feature that corresponds to the parameters must be shown as turned on in the `rtrv-feat` output, or enabled, and turned on if required, in the `rtrv-ctrl-feat` output, or other database entities that correspond to the parameters must be configured in the database.

Perform the procedure, shown in the following list, that corresponds to the parameters that you wish to specify for the linkset.

- `scrn`, `gwsa`, `gwsn`, `gwsd` – [Verifying the Gateway Screening Configuration for a Linkset](#)
- `mtpmse` – [Configuring the MTP Restart Feature](#)
- `slsci`, `asl8` – [Configuring the 5-Bit to 8-Bit SLS Conversion Feature](#). These parameters only apply to ANSI linksets.
- `:islsrsb` – [Activating the SLS Bit Rotation by Incoming Linkset Feature](#). If you wish to use the values 6, 7, or 8 for the `islsrsb` parameter of an ANSI linkset, the `rsls8` value for the linkset

must be yes. Perform [Configuring the RSLs8 Value for ANSI Linksets](#) to change the `rsls8` value for the linkset to yes.

- `gttmode` – If the value for this parameter will be `cg`, `acdc`, `acdcg`, `acdcg`, `cgacdc`, `cgcd`, or `cdcg`, perform the "Activating the Origin-Based SCCP Routing Feature" in the *Database Administration Manual – Global Title Translation*. The Origin-Based SCCP Routing feature must be enabled and turned on. If the value for this parameter will be `fc`, `fcg`, `fcgfc`, or `fcdfcg`, perform the "Activating the Flexible Linkset Optional Based Routing Feature" procedure in the *Database Administration Manual – Global Title Translation*. The Flexible Linkset Optional Based Routing feature must be enabled and turned on.
- `randsls` – [Configuring the System for Random SLS Generation](#). The value of the `randsls` parameter of the `chg-stpopts` command must be `perls`.
- `cgttmode` - "Activating the Advanced GT Modification Feature" in the *Database Administration Manual – Global Title Translation*. Either the AMGTT or AMGTT CgPA Upgrade feature must be enabled.
- `multgc` - [Using the MULTGC Parameter when Changing the Attributes of a Linkset](#). This parameter applies only to linksets with ITU-I and 14-bit ITU-N adjacent point codes.

After the necessary procedures shown in this step have been performed, or if you do not wish to specify the parameters shown in this list for the linkset, continue the procedure by performing one of these steps.

- If the `slsobit` parameter will be specified for the linkset, continue the procedure with [Step 4](#).
 - If the `tfatcabmlq` parameter will be specified for the linkset and the `slsobit` parameter will not be specified for the linkset, continue the procedure with [Step 6](#).
 - If the linkset type of an ANSI linkset is being changed, and the `slsobit` and `tfatcabmlq` parameters will not be specified for the linkset, continue the procedure with [Step 9](#).
 - If the `slsobit` and `tfatcabmlq` parameters will not be specified for the new linkset, and the linkset type of an ANSI linkset will not be changed, continue the procedure with [Step 10](#).
4. To use the `slsobit` parameter with either the `chg-ls` command, the Use of the Other CIC Bit feature must be on.

Enter the `rtrv-feat` command to verify that either of this feature is on. The entry `SLSOCB = on` in the `rtrv-feat` command output shows that this feature is on. In this example, the Use of the Other CICBit feature is off

Note: The `rtrv-feat` command output contains other fields that are not used by this procedure. If you wish to see all the fields displayed by the `rtrv-feat` command, refer to `rtrv-feat` command description in the *Commands Manual*.

If the Use of the Other CIC Bit feature is off (`SLSOCB = off`), continue the procedure with [Step 5](#).

If the Use of the Other CIC Bit feature is on (`SLSOCB = on`), continue the procedure by performing one of these steps.

- If the `tfatcabmlq` parameter will be specified for the linkset and the `slsobit` parameter will not be specified for the linkset, continue the procedure with [Step 6](#).
- If the linkset type of an ANSI linkset is being changed, and the `tfatcabmlq` parameter will not be specified for the linkset, continue the procedure with [Step 9](#).
- If the `tfatcabmlq` parameter will not be specified for the new linkset, and the linkset type of an ANSI linkset will not be changed, continue the procedure with [Step 10](#).

- Turn the Use of the Other CIC Bit feature is on feature on by entering this command.

```
chg-feat:slsob=on
```

Note: Once the Use of the Other CIC Bit feature is turned on with the `chg-feat` command, it cannot be turned off.

The Use of the Other CIC Bit feature must be purchased before you turn the feature on with the `chg-feat` command. If you are not sure if you have purchased the Use of the Other CIC Bit feature, contact your Tekelec Sales Representative or Account Representative.

When this command has successfully completed, this message should appear.

```
rlghncxa03w 08-12-10 11:43:04 GMT EAGLE5 40.0.0
CHG-FEAT: MASP A - COMPLTD
```

Continue the procedure by performing one of these steps.

- If the `tfatcabmlq` parameter will be specified for the linkset and the `slsobit` parameter will not be specified for the linkset, continue the procedure with [Step 6](#).
 - If the linkset type of an ANSI linkset is being changed, and the `tfatcabmlq` parameter will not be specified for the linkset, continue the procedure with [Step 9](#).
 - If the `tfatcabmlq` parameter will not be specified for the new linkset, and the linkset type of an ANSI linkset will not be changed, continue the procedure with [Step 10](#).
- If the linkset type of the linkset (shown in the LST column in the `rtrv-ls` output) is C, or will be changed to C in this procedure, the linkset's `tfatcabmlq` parameter value can be changed only if the `LSRESTRICTSS7` option is ON.

If the linkset's `tfatcabmlq` parameter value is being changed, or if the linkset type will be changed to C, continue the procedure with [Step 7](#).

If the linkset's `tfatcabmlq` parameter value is not being changed, or if the linkset type will be changed to or will remain (if unchanged) A, B, D, or E, continue the procedure by performing one of these steps.

- If the linkset type of an ANSI linkset is being changed, continue the procedure with [Step 9](#).
- If the linkset type of an ANSI linkset is not being be changed, continue the procedure with [Step 10](#).

Note: The linkset type of a proxy linkset (`LST=PRX`) cannot be changed. If the linkset is a proxy linkset, continue the procedure with [Step 10](#).

- Display the existing value for the `lsrestrict` parameter by entering the `rtrv-ss7opts` command.

This is an example of the possible output.

```
rlghncxa03w 08-12-17 16:02:05 GMT EAGLE5 40.0.0
SS7 OPTIONS
-----
LSRESTRICT          off
```

Note: The `rtrv-ss7opts` command output contains other fields that are not used by this procedure. If you wish to see all the fields displayed by the `rtrv-ss7opts` command, refer to the `rtrv-ss7opts` command description in the *Commands Manual*.

If the `lsrestrict` parameter value shown in this step is `off`, continue the procedure with [Step 8](#).

If the `lsrestrict` parameter value shown in this step is `on`, continue the procedure by performing one of these steps.

- If the linkset type of an ANSI linkset is being changed, continue the procedure with [Step 9](#).
- If the linkset type of an ANSI linkset is not being be changed, continue the procedure with [Step 10](#).

8. Change the value of the `lsrestrict` parameter to `on` by entering this command.

```
chg-ss7opts:lsrestrict=on
```

When this command has successfully completed, this message should appear.

```
rlghncxa03w 08-12-07 00:22:57 GMT EAGLE5 40.0.0
CHG-SS7OPTS: MASP A - COMPLTD
```



Caution: Turning the `lsrestrict` option on changes the way the EAGLE 5 ISS routes messages by using the state of the route along with the cost of the route to determine the preferred route to use. With this option on, the preferred route is not the absolute lowest cost available route in the routeset. A route is considered available if its status is either `Allowed` or `Restricted`. If the state of the absolute lowest cost route in the routeset is `Restricted`, the preferred route is the lowest cost route in the routeset whose status is `Allowed`. Make sure that you wish to have the EAGLE 5 ISS route messages in this manner before turning the `lsrestrict` option on.

Continue the procedure by performing one of these steps.

- If the linkset type of an ANSI linkset is being changed, continue the procedure with [Step 9](#).
- If the linkset type of an ANSI linkset is not being be changed, continue the procedure with [Step 10](#).

9. If the linkset type of the ANSI linkset is being changed, and the linkset is assigned to a route whose DPC is a cluster point code or a network routing point code, the new linkset type must be either B, C, or D. Display the routes that the linkset is assigned to by entering the `rtrv-rte` command with the `lsn` parameter and the name of the linkset that is being changed.

For this example, enter this command.

```
rtrv-rte:lsn=ls04
```

This is an example of the possible output.

```
rlghncxa03w 08-12-01 19:58:14 EST 40.0.0
LSN          DPC          RC
ls04         003-003-*    1
             003-003-004  1
             003-003-006  1
             003-003-007  1
```

10. Deactivate the signaling links in the linkset using the `dact-slk` command.

For this example, enter these commands.

```
dact-slk:loc=1205:link=b
```

```
dact-slk:loc=1207:link=b
dact-slk:loc=1211:link=a
dact-slk:loc=1213:link=b
dact-slk:loc=2105:link=b
dact-slk:loc=2111:link=a
dact-slk:loc=2113:link=b
```

When each of these commands have successfully completed, this message should appear.

```
rlghncxa03w 08-12-07 08:41:12 GMT EAGLE5 40.0.0
Deactivate Link message sent to card
```

11. Change the linkset database using the `chg-ls` command. Use [Table 31: Changing a Linkset Parameter Combinations](#) as a guide for the parameters that can be specified with the `chg-ls` command.


Table 31: Changing a Linkset Parameter Combinations

ANSI Adjacent Point Code	ITU-I Adjacent Point Code	ITU-N Adjacent Point Code	ITU-N24 Adjacent Point Code
Mandatory Parameter			
:lsn=<the name of the linkset>	:lsn=<the name of the linkset>	:lsn=<the name of the linkset>	:lsn=<the name of the linkset>
Optional Parameters			
:apc/apca=<the ANSI adjacent point code of the linkset> See Notes 1, 2, and 18.	:apci=<the ITU-I adjacent point code of the linkset> See Notes 1, 2, and 18.	:apcn=<the ITU-N adjacent point code of the linkset> See Notes 1, 2, and 18.	:apcn24=<the ITU-N24 adjacent point code of the linkset> See Notes 1, 2, and 18.
:lst=<a, b, c, d, e> See Notes 15 and 19.	:lst=<a, b, c, d, e> See Note 15.	:lst=<a, b, c, d, e> See Note 15.	:lst=<a, b, c, d, e> See Note 15.
:cli=<the CLI value>	:cli=<the CLI value>	:cli=<the CLI value>	:cli=<the CLI value>
:bei=<yes, no>	:bei=<yes, no>	:bei=<yes, no>	:bei=<yes, no>
:scrn=<the name of the Gateway Screening screen set> See Note 3.	:scrn=<the name of the Gateway Screening screen set> See Note 3.	:scrn=<the name of the Gateway Screening screen set> See Note 3.	:scrn=<the name of the Gateway Screening screen set> See Note 3.
:gwsa=<on, off> See Notes 4 and 5.	:gwsa=<on, off> See Notes 4 and 5.	:gwsa=<on, off> See Notes 4 and 5.	:gwsa=<on, off> See Notes 4 and 5.
:gwsm=<on, off> See Notes 4 and 5.	:gwsm=<on, off> See Notes 4 and 5.	:gwsm=<on, off> See Notes 4 and 5.	:gwsm=<on, off> See Notes 4 and 5.
:gwsd=<on, off>	:gwsd=<on, off>	:gwsd=<on, off>	:gwsd=<on, off>

ANSI Adjacent Point Code	ITU-I Adjacent Point Code	ITU-N Adjacent Point Code	ITU-N24 Adjacent Point Code
	:randsls=<all, class0, off> See Note 7.	:randsls=<all, class0, off> See Note 7.	:randsls=<all, class0, off> See Note 7.
		:apcntype=<itun, itunchina>	:apcntype=<itun, itunchina>

Notes:

- The adjacent point code must be a full point code, cannot be an alias point code, and must be shown in the `rtrv-dstn` output. This is shown in [Verifying the New Adjacent Point Code or New Secondary Point Code for a Linkset](#). Private point codes cannot be used as an adjacent point code in this procedure. Private point codes can be assigned only to IPGWx linksets. The procedures for configuring IPGWx linksets are in the *Database Administration Manual - IP7 Secure Gateway*.
- The adjacent point code cannot be shown in the `rtrv-sid` output as the system's point code or any capability point codes - shown in [Verifying the New Adjacent Point Code or New Secondary Point Code for a Linkset](#).
- If a gateway screening screen set is assigned to the linkset, the gateway screening screen set must be in the database – shown in [Verifying the Gateway Screening Configuration for a Linkset](#).
- The `gwsa`, `gwsn`, and `gwsd` parameters can be specified only if the `scrn` parameter is specified.



CAUTION: When Gateway Screening is in the screen test mode, as defined by the linkset parameters `gwsa=off` and `gwsn=on`, the gateway screening action in the gateway screening stop action set specified by the `actname` parameter of the gateway screening screen set at the end of the gateway screening process will be performed.

- The `gwsd=on` parameter can be specified only with the `gwsa=on` parameter.
- Refer to [Table 28: Signaling Link Selector \(SLS\) Conversion \(ANSI Linksets Only\)](#) for the combinations of the `asl8` and `slsci` parameters, and the `slscnv` STP option, and the results that these combinations produce. The `asl8` and `slsci` values for two linksets that are in a combined linkset should be the same.
- It is recommended that when configuring `randsls` values on two linksets that are in a combined linkset that the `randsls` values for these linksets are the same. If these values are not the same, undesired SLS distribution of the traffic on these linksets may result.
- The `spc/spca/spci/spcn/spcn24` parameter can be specified only if the Multiple Linksets to Single PC feature is enabled and turned on.
- A linkset may not contain both secondary point codes (`spc/spca/spci/spcn/spcn24`) and proxy point codes (`ppc/ppca/ppci/ppcn/ppcn24`).
- The `cggtmod` parameter can be specified only if either the AMGTT or AMGTT CgPA Upgrade feature is enabled.
- The `islsrsb` parameter can be specified only if the SLS Bit Rotation by Incoming Linkset feature is enabled. If you wish to use the values 6, 7, or 8 for the `islsrsb` parameter of an ANSI linkset, the `rsls8` value for the linkset must be `yes`. Perform [Configuring the RLS8 Value for ANSI Linksets](#) to change the `rsls8` value for the linkset to `yes`.
- The `mtprse` parameter can be specified only if the ANSI or ITU MTP Restart feature is turned on.

ANSI Adjacent Point Code	ITU-I Adjacent Point Code	ITU-N Adjacent Point Code	ITU-N24 Adjacent Point Code
<p>13. The <code>gtmode</code> parameter can be specified only if the Origin-Based SCCP Routing feature is enabled and turned on, or the Flexible Linkset Optional Based Routing feature is enabled and turned on. If the value for this parameter will be <code>cg</code>, <code>acdc</code>, <code>acdcg</code>, <code>acdcg</code>, <code>cgacdc</code>, <code>cgcd</code>, or <code>cdcg</code>, the Origin-Based SCCP Routing feature must be enabled and turned on. If the value for this parameter will be <code>fgd</code>, <code>fcg</code>, <code>fcgfgd</code>, or <code>fgdfcg</code>, the Flexible Linkset Optional Based Routing feature must be enabled and turned on.</p> <p>14. The <code>slocbit</code> parameter can be specified only if the SLSOCB feature is turned on.</p> <p>15. If the <code>lst=c</code> parameter is specified, or if the current (unchanged) <code>lst</code> value for the linkset is <code>c</code>, the <code>tfatcabmlq</code> parameter cannot be specified unless the <code>LSRESTRICT</code> value shown in the <code>rtrv-ss7opts</code> output is on.</p> <p>16. The value of the <code>tfatcabmlq</code> parameter cannot exceed the number of signaling links assigned to the linkset.</p> <p>17. The <code>multgc=yes</code> parameter can be specified in this procedure only if the signaling links in the linkset are assigned to the IPLIMI application, and only for linksets with ITU-I or 14-bit ITU-N APCs.</p> <p>18. If the adjacent point code is being changed, the point code type of the new adjacent point code must be the same as the current adjacent point code. For example, if the current adjacent point code is an ITU-I point code, the new adjacent point code must be an ITU-I point code.</p> <p>19. If the linkset type of the ANSI linkset is being changed, and the linkset is assigned to a route whose DPC is a cluster point code or a network routing point code, the new linkset type must be either B, C, or D.</p> <p>20. When two linksets are used as a combined linkset, both linksets should use the same <code>srsrb</code> and <code>slocbit</code> values.</p>			

For this example, enter these commands.

```
chg-ls:lsn=ls04:apca=240-070-000:scrn=scr7:gwsa=on:nis=on
chg-ls:lsn=lsn5:apcn=10685:itutfr=on:randsls=class0
```

When each of these commands has successfully completed, this message should appear.

```
rlghncxa03w 08-12-07 08:38:45 GMT EAGLE5 40.0.0
Link set table is ( 24 of 1024) 2% full
CHG-LS: MASP A - COMPLTD
```

12. Verify the changes using the `rtrv-ls` command, specifying the linkset name that was changed in [Step 11](#).

For this example, enter these commands.

```
rtrv-ls:lsn=ls04
```

This is an example of the possible output.

```
rlghncxa03w 09-07-17 11:43:04 GMT EAGLE5 41.1.0

LSN          APCA   (SS7)  SCRN  SET  SET  BEI  LST  LNKS  ACT  MES  DIS  SLSCI  NIS
ls04         240-070-000  scr7  1    1    no   a    4    on  off  off  yes   on
```

```

CLLI          TFATCABMLQ MTPRSE ASL8
ls04c11i      2          no      no

RANDSLS
off

ISLSRSB RLSLS8
1          no

IPGWAPC MATELSN      IPTPS LSUSEALM SLKUSEALM GTTMODE
no      ----- ---      ---      ---      CdPA

LOC  LINK  SLC  TYPE      L2T      BPS      ECM      PCR      PCR
SET  BPS      ECM      N1      N2
1205 b    0    LIMDS0  1      56000  BASIC  ---  -----
1213 b    1    LIMDS0  1      56000  BASIC  ---  -----
1211 a    2    LIMDS0  1      56000  BASIC  ---  -----
1207 b    3    LIMDS0  1      56000  BASIC  ---  -----

Link set table is ( 24 of 1024)  2% full

```

```
rtrv-ls:lsn=lsn5
```

This is an example of the possible output.

```

rlghncxa03w 09-07-17 11:43:04 GMT EAGLE5 41.1.0

LSN          APCN      (SS7)      L3T SLT      GWS GWS GWS
lsn5         10685      scr3 1    1    no  a    3    on  off  off  ---  on

CLLI          TFATCABMLQ MTPRSE ASL8
lsn5c11i      1          no      ---

SLSOCCBIT SLSRSB RANDSLS ITUTFR ICNIMAP      OGNIMAP
none        1          class0 on      itun2ituns  ituns2itun

ISLSRSB
1

IPSG IPGWAPC GTTMODE      CGGTMOD
no    no      CdPA          no

LOC  LINK  SLC  TYPE      L2T      BPS      ECM      PCR      PCR
SET  BPS      ECM      N1      N2
1206 b    0    LIMDS0  1      56000  BASIC  ---  -----
1214 b    1    LIMDS0  1      56000  BASIC  ---  -----
1212 a    2    LIMDS0  1      56000  BASIC  ---  -----

Link set table is ( 24 of 1024)  2% full

```

13. Activate the signaling links that were deactivated in [Step 10](#) using the `act-slk` command.

For this example, enter these commands.

```

act-slk:loc=1205:link=b
act-slk:loc=1207:link=b
act-slk:loc=1211:link=a
act-slk:loc=1213:link=b

```

```
act-slk:loc=2105:link=b
act-slk:loc=2111:link=a
act-slk:loc=2113:link=b
```

When each of these commands have successfully completed, this message should appear.

```
rlghncxa03w 08-12-07 08:41:12 GMT EAGLE5 40.0.0
Activate Link message sent to card
```

14. Back up the new changes using the `chg-db:action=backup:dest=fixed` command.

These messages should appear, the active Maintenance and Administration Subsystem Processor (MASP) appears first.

```
BACKUP (FIXED) : MASP A - Backup starts on active MASP.
BACKUP (FIXED) : MASP A - Backup on active MASP to fixed disk complete.
BACKUP (FIXED) : MASP A - Backup starts on standby MASP.
BACKUP (FIXED) : MASP A - Backup on standby MASP to fixed disk complete.
```

Verifying the New Adjacent Point Code or New Secondary Point Code for a Linkset

This procedure is used to verify that the new adjacent point code or new secondary point code for a linkset whose attributes are being changed is in the database.

If the linkset is a proxy linkset (linkset type PRX), the APC and linkset type of the linkset cannot be changed. A secondary point code and a secondary adjacent point code cannot be specified for a proxy linkset.

If the adjacent point code (APC) is changed, the new APC must be in the destination point code table and must be defined as a true point code in the destination point code table and cannot be an alias point code. The domain and point code type of the new APC must be the same as the APC being changed. For example, if the current adjacent point code is an ITU-I point code, the new adjacent point code must be an ITU-I point code. The new APC of the linkset cannot match the self ID of the EAGLE 5 ISS. The new APC must be a full point code and cannot be a cluster point code or a network routing point code.

Linksets containing E1 ATM signaling links cannot contain 24-bit ITU-N APCs or SAPCs. E1 ATM signaling links are identified by the value `LIME1ATM` in the `TYPE` column of the `rtrv-ls:lsn=<linkset name>` output.

Use the `rtrv-dstn` command to verify that the new APC is in the destination point code table and to verify the domain of the new APC. If the new APC is not shown in the `rtrv-dstn` command output, perform [Adding a Destination Point Code](#) to add the APC to the destination point code table.

To provision more than one linkset with the same APC, the Multiple Linksets to Single Adjacent PC feature must be enabled and turned on. The database can contain a maximum of six linksets that have the same APC. If the linkset is not a proxy linkset (linkset types A, B, C, D, or E), a secondary point code (shown in the `rtrv-spc` output) must be specified with the linkset. The network type and format

of the secondary point code must be the same as the APC of the linkset. Secondary point codes can also be assigned to the APC of the linkset when the point code is provisioned in the database with the `ent-dstn` or `chg-dstn` commands. The secondary point codes that are assigned to the linksets that have the same APC must be unique for each linkset and cannot be the same as the secondary point code that is assigned to the APC of the linksets.

The secondary point code that is assigned to a linkset can be removed from the linkset by specifying the value `none` for the `spc/spca/spci/spcn/spcn24` parameter. A secondary point code can be removed from only one of the linksets in a group of linksets that have the same APC.

Canceling the `RTRV-LS` and `RTRV-DSTN` Commands

Because the `rtrv-ls` and `rtrv-dstn` commands used in this procedure can output information for a long period of time, the `rtrv-ls` and `rtrv-dstn` commands can be canceled and the output to the terminal stopped. There are three ways that the `rtrv-ls` and `rtrv-dstn` commands can be canceled.

- Press the F9 function key on the keyboard at the terminal where the `rtrv-ls` or `rtrv-dstn` commands were entered.
- Enter the `canc-cmd` without the `trm` parameter at the terminal where the `rtrv-ls` or `rtrv-dstn` commands were entered.
- Enter the `canc-cmd:trm=<xx>`, where `<xx>` is the terminal where the `rtrv-ls` or `rtrv-dstn` commands were entered, from another terminal other than the terminal where the `rtrv-ls` or `rtrv-dstn` commands were entered. To enter the `canc-cmd:trm=<xx>` command, the terminal must allow Security Administration commands to be entered from it and the user must be allowed to enter Security Administration commands. The terminal's permissions can be verified with the `rtrv-secu-trm` command. The user's permissions can be verified with the `rtrv-user` or `rtrv-secu-user` commands.

For more information about the `canc-cmd` command, go to the *Commands Manual*.

1. Perform one of the following steps.

The APC and linkset type for a proxy linkset (`LST=PRX`) cannot be changed. A secondary point code and a secondary adjacent point code cannot be specified for a proxy linkset. If the attributes of a proxy linkset (`LST=PRX`) are being changed, This procedure is finished.

If you wish to change the APC of a linkset to an APC that is assigned to another linkset and multiple linksets with the same APC are shown in the `rtrv-ls` output, continue the procedure with [Step 3](#). If multiple linksets with the same APC are not shown in the `rtrv-ls` output, continue the procedure with [Step 2](#).

If you wish to change the secondary point code that is assigned to a linkset and multiple linksets with the same APC are shown in the `rtrv-ls` output, continue the procedure with [Step 3](#). If multiple linksets with the same APC are not shown in the `rtrv-ls` output, continue the procedure with [Step 2](#).

If you wish to change the APC of a linkset to an APC that is not assigned to another linkset or do not wish to change the secondary point code that is assigned to a linkset, output, continue the procedure with [Step 12](#).

2. Verify whether or not the Multiple Linksets to Single Adjacent PC feature is enabled and turned on by entering this command.

```
rtrv-ctrl-feat:partnum=893017901
```

This is an example of the possible output.

```
rlghncxa03w 08-12-17 11:43:04 GMT EAGLE5 40.0.0
The following features have been permanently enabled:
```

Feature Name	Partnum	Status	Quantity
Multiple Linkset to APC	893019701	on	----

The following features have been temporarily enabled:

Feature Name	Partnum	Status	Quantity	Trial Period Left
Zero entries found.				

The following features have expired temporary keys:

Feature Name	Partnum
Zero entries found.	

If the Multiple Linksets to Single Adjacent PC feature is not enabled or turned on, perform [Activating the Multiple Linksets to Single Adjacent PC \(MLS\) Feature](#) to enable and turn on this feature. After this feature has been enabled and turned on, and the APC of the linkset is being changed, continue the procedure with [Step 3](#). If only the secondary point code that is assigned to the linkset is being changed, continue the procedure with [Step 4](#).

If the Multiple Linksets to Single Adjacent PC feature is enabled and turned on, and the APC of the linkset is being changed, continue the procedure with [Step 3](#). If only the secondary point code that is assigned to the linkset is being changed, continue the procedure with [Step 4](#).

3. A maximum of six linksets can be assigned to an APC. Verify the number of linksets that are assigned to the new APC of the linkset that is being changed by entering the `rtrv-ls` command with the new APC of the linkset. For this example, enter this command.

```
rtrv-ls:apca=002-002-002
```

This is an example of the possible output.

```
rlghncxa03w 08-12-17 11:43:04 GMT EAGLE5 40.0.0
APCA    =    002-002-002

          L3T SLT          GWS GWS GWS
LSN      SPCA      SCRN SET SET BEI LST LNKS ACT MES DIS SLSCI NIS
lsn2     001-001-002 none 1  1  no  A  2  off off off no  off
lsn40    020-020-021 none 1  1  no  A  2  off off off no  off
lsn41    021-021-021 none 1  1  no  A  2  off off off no  off
lsn42    022-022-022 none 1  1  no  A  3  off off off no  off
```

```
Link set table is (29 of 1024) 3% full.
```

If six linksets are shown in this step, choose another APC for the linkset from the `rtrv-ls` output [Step 1](#) (in [Changing an SS7 Linkset](#)) and repeat this step.

If one to five linksets are shown in this step, continue this procedure with [Step 4](#).

4. Display the linkset that is being changed by entering the `rtrv-ls` command with the name of the linkset. For this example, enter this command.

```
rtrv-ls:lsn=ls04
```

This is an example of the possible output.

```
rlghncxa03w 09-07-17 11:43:04 GMT EAGLE5 41.1.0

LSN          APCA      (SS7)  L3T SLT          GWS GWS GWS
ls04         001-002-003  scr2 1  1  no  a  4  off off off  yes  off

          SPCA          CLLI          TFATCABMLQ  MTPRSE  ASL8
          -----          -----          2          ---    no

IPGWAPC  MATELSN      IPTPS  LSUSEALM  SLKUSEALM  GTTMODE
no        -----          ---    ---    ---          CdPA

          L2T          PCR  PCR
          SET  BPS    ECM  N1  N2
1205  b    0  LIMDS0  1  56000  BASIC  ---  ---
1213  b    1  LIMDS0  1  56000  BASIC  ---  ---
1211  a    2  LIMDS0  1  56000  BASIC  ---  ---
1207  b    3  LIMDS0  1  56000  BASIC  ---  ---

Link set table is ( 24 of 1024)  2% full
```

To use the APC displayed in [Step 3](#), the secondary point code assigned to the linkset shown in this step cannot be shown in [Step 3](#), unless the secondary point code that is assigned to the linkset shown in this step is changed. If you wish to change the secondary point code assigned to linkset shown in this step, continue the procedure with [Step 6](#).

If you do not wish to change the secondary point code assigned to linkset shown in this step, choose another APC for the linkset from the `rtrv-ls` output in [Step 1](#) (in [Changing an SS7 Linkset](#)) and repeat this procedure from [Step 2](#).

If the secondary point code assigned to the linkset shown in this step is not shown in [Step 3](#), continue the procedure with [Step 5](#).

5. Display the new APC of the linkset by entering the `rtrv-dstn` command with the new APC of the linkset specified in [Step 3](#). For this example, enter this command.

```
rtrv-dstn:dpca=002-002-002
```

This is an example of the possible output.

```
rlghncxa03w 10-12-17 11:43:04 GMT EAGLE5 43.0.0

DPCA          CLLI          BEI ELEI  ALIASI          ALIASN/N24  DMN
002-002-002  -----          no  ---  -----          -----  SS7

SPCA          NCAI PRX      RCAUSE  NPRST  SPLITIAM  HMSMSC  HMSCP  SCCPMSCGNV
020-020-020  ---- no      none  off  none      no      no      none

Destination table is (37 of 2000)  2% full
Alias table is (0 of 12000)  0% full
PPC table is (13 of 20)  65% full
```

To use the APC displayed in this step, the secondary point code assigned to the linkset shown in [Step 4](#) cannot be shown in this step, unless the secondary point code that is assigned to the linkset shown in this step is changed. If you wish to change the secondary point code assigned to the linkset shown in this step, continue the procedure with [Step 6](#).

If you do not wish to change the secondary point code assigned to the linkset shown in this step, choose another APC for the linkset from the `rtrv-ls` output in [Step 1](#) (in [Changing an SS7 Linkset](#)) and repeat this procedure from [Step 2](#).

If the secondary point code assigned to the linkset shown in [Step 4](#) is not shown in this step, the new APC for the linkset can be used. However, the secondary point code that is assigned to the linkset can also be changed. If you wish to change the secondary point code and the APC, continue the procedure with [Step 6](#). If you only wish to change the APC of the linkset, continue the procedure with [Step 13](#).

- To change the secondary point code that is assigned to the linkset, verify the secondary point code by displaying the linkset that is being changed by entering the `rtrv-ls` command with the name of the linkset. For this example, enter this command.

Note: If [Step 4](#) was performed, this step does need to be performed.

```
rtrv-ls:lsn=ls04
```

This is an example of the possible output.

```
rlghncxa03w 09-07-17 11:43:04 GMT EAGLE5 41.1.0

LSN          APCA   (SS7)  SCRNL3T SLT  BEI  LST LNKS  GWS GWS GWS
ls04         001-002-003 scr2 1  1  no  a   4   off off off yes off
          SPCA          CLLI          TFATCABMLQ MTPRSE  ASL8
          -----  -----  2          ---   no

          IPGWAPC MATELSN          IPTPS LSUSEALM SLKUSEALM GTTMODE
          no          -----  ---  ---  ---          CdPA

          L2T          PCR  PCR
          LOC  LINK  SLC  TYPE  SET  BPS  ECM  N1  N2
          1205 b    0   LIMDS0  1   56000 BASIC ---  ---
          1213 b    1   LIMDS0  1   56000 BASIC ---  ---
          1211 a    2   LIMDS0  1   56000 BASIC ---  ---
          1207 b    3   LIMDS0  1   56000 BASIC ---  ---

Link set table is ( 24 of 1024) 2% full
```

If a secondary point code is not assigned to the linkset, continue the procedure with [Step 8](#).

If a secondary point code is assigned to the linkset, the secondary point code can be changed to another secondary point code value or can be removed from the linkset. If you wish to change the secondary point code to another secondary point code value, continue the procedure with [Step 8](#). If you wish to remove the secondary point code value from the linkset, continue the procedure with [Step 7](#).

- Only one linkset can be assigned to an APC that does not have a secondary point code. Verify the secondary point codes of the linksets that are assigned to the APC specified in [Step 6](#) by entering the `rtrv-ls` command with the APC of the linkset specified in [Step 6](#). For this example, enter this command.

```
rtrv-ls:apca=001-002-003
```

This is an example of the possible output.

```
rlghncxa03w 08-12-17 11:43:04 GMT EAGLE5 40.0.0
APCA      =      001-002-003

LSN          SPCA          L3T SLT          GWS GWS GWS
ls04      ----- scr2 1    1    no  a    4    off off off yes  off

Link set table is (29 of 1024) 3% full.
```

If one linkset is shown in this step that does not have a secondary point code, then no secondary point codes can be removed from any of the linksets shown in this step. The secondary point code value can be changed to another secondary point code value. If you wish to change the secondary point code value to another secondary point code value, continue the procedure with [Step 8](#).

If all the linksets shown in this step have a secondary point code, then the secondary point code from one of these linksets can be removed. If the APC of the linkset is also being changed ([Step 3](#), [Step 4](#), [Step 5](#) were performed), continue the procedure with [Step 13](#). If the APC of the linkset is not being changed, this procedure is finished..

8. Display the secondary point codes by entering the `rtrv-spc` command. This is an example of the possible output.

```
rlghncxa03w 08-12-17 11:43:04 GMT EAGLE5 40.0.0
SPC (Secondary Point Codes)

SPCA
  020-020-020
  020-020-021
  021-021-021
  022-022-022
  026-026-026
  026-026-027
  026-026-028
  026-026-029
  200-010-000

SPC-I
none

SPC-N
  00002

SPC-N24
none

Secondary Point Code table is (10 of 40) 25% full.
```

If the desired secondary point code is shown in this step, continue the procedure with [Step 9](#).

If the desired secondary point code is not shown in this step, perform [Adding a Secondary Point Code](#) to add the desired secondary point code. The network type of the new secondary point code must be the same as the APC of the linkset. If the APC of the linkset is being changed, after the secondary

point code has been added, continue the procedure with [Step 13](#). If the APC of the linkset is not being changed, after the secondary point code has been added, this procedure is finished..

- Verify the secondary point codes of the linksets that are assigned to the APC specified in [Step 6](#) by entering the `rtrv-ls` command with the APC of the linkset specified in [Step 6](#). For this example, enter this command.

```
rtrv-ls:apca=001-002-003
```

This is an example of the possible output.

```
rlghncxa03w 08-12-17 11:43:04 GMT EAGLE5 40.0.0
APCA      =      001-002-003

                L3T SLT                GWS GWS GWS
LSN          SPCA          SCR2 SET SET BEI LST LNKS ACT MES DIS SLSCI NIS
ls04        ----- scr2 1  1  no  a  4  off off off yes  off

Link set table is (29 of 1024) 3% full.
```

- Display the APC of the linkset by entering the `rtrv-dstn` command with the APC of the linkset specified in [Step 9](#). For this example, enter this command.

```
rtrv-dstn:dpca=001-002-003
```

This is an example of the possible output.

```
rlghncxa03w 10-12-17 11:43:04 GMT EAGLE5 43.0.0

DPCA          CLLI          BEI ELEI  ALIASI          ALIASN/N24  DMN
001-002-003  ----- no  --- -----          -----  SS7

SPCA          NCAI PRX          RCAUSE NPRST SPLITIAM HMSMSC HMSCP SCCPMSGCNV
-----      ---- no          none  off  none          no    no    none

Destination table is (37 of 2000) 2% full
Alias table is (0 of 12000) 0% full
PPC table is (13 of 20) 65% full
```

The new secondary point code that will be assigned to the linkset cannot be shown in the `rtrv-ls` output in [Step 9](#) or in the `rtrv-dstn` output in this step. If the new secondary point code is not shown in [Step 8](#) and [Step 9](#), and the APC of the linkset is being changed, continue the procedure with [Step 13](#). If the APC of the linkset is not being changed, and the new secondary point code is not shown in [Step 8](#) and [Step 9](#), this procedure is finished.

If the new secondary point code is shown in the `rtrv-ls` output in [Step 9](#) or in the `rtrv-dstn` output in this step, this secondary point code value cannot be used. Repeat this procedure from [Step 8](#) and choose another secondary point code value.

- Display the point code and capability point code of the EAGLE 5 ISS by using the `rtrv-sid` command.

This is an example of the possible output.

```
rlghncxa03w 08-12-17 11:43:04 GMT EAGLE5 40.0.0
```

PCA	PCI	PCN	CLLI	PCTYPE
001-001-001	1-200-6	13482	rlghncxa03w	OTHER
CPCA				
002-002-002	002-002-003	002-002-004	002-002-005	
002-002-006	002-002-007	002-002-008	002-002-009	
004-002-001	004-003-003	144-212-003		
CPCA (LNP)				
005-005-002	005-005-004	005-005-005		
CPCI				
1-001-1	1-001-2	1-001-3	1-001-4	
CPCN				
02091	02092	02094	02097	
02191	02192	11177		

12. Display the point codes in the destination point code table by using the `rtrv-dstn` command.

This is an example of the possible output.

```
rlghncxa03w 10-12-10 11:43:04 GMT EAGLE5 43.0.0
Extended Processing Time may be Required
```

DPCA	CLLI	BEI	ELEI	ALIASI	ALIASN/N24	DMN
001-002-003	ls04clli	yes	---	-----	-----	SS7
002-002-100	ls01clli	no	---	-----	-----	SS7
002-007-008	ls06clli	yes	---	-----	-----	SS7
002-009-003	-----	no	---	-----	-----	SS7
002-250-010	-----	no	---	-----	-----	SS7
003-003-003	ls03clli	yes	---	-----	-----	SS7
003-020-100	-----	no	---	-----	-----	SS7
004-004-004	ls02clli	yes	---	-----	-----	SS7
004-030-200	-----	no	---	-----	-----	SS7
009-002-003	-----	no	---	-----	-----	SS7
179-100-087	-----	yes	---	-----	-----	SS7
200-050-176	-----	yes	---	-----	-----	SS7
240-007-000	-----	yes	---	-----	-----	SS7
240-012-004	rlghncbb001	yes	---	1-111-1	11111	SS7
240-012-005	rlghncbb002	yes	---	1-112-2	11112	SS7
240-012-006	rlghncbb003	yes	---	1-112-3	11113	SS7
240-012-008	-----	yes	---	1-113-5	11114	SS7
DPCI	CLLI	BEI	ELEI	ALIASA	ALIASN/N24	DMN
2-131-1	rlghncbb023	no	---	222-210-000	12001	SS7
2-131-2	-----	no	---	222-211-001	12002	SS7
2-131-3	-----	no	---	222-211-002	12003	SS7
3-150-4	lsi7clli	yes	---	-----	-----	SS7
DPCN	CLLI	BEI	ELEI	ALIASA	ALIASI	DMN
11520	lsn5clli	yes	---	-----	-----	SS7
11211	rlghncbb013	no	---	222-200-200	2-121-1	SS7
11212	rlghncbb013	no	---	222-200-201	2-121-2	SS7

```
Destination table is (22 of 2000) 1% full
Alias table is (18 of 8000) 1% full
```

If the adjacent point code is not shown in the `rtrv-dstn` command output, perform the [Adding a Destination Point Code](#) procedure to add the adjacent point code to the destination point code table. After the adjacent point code has been added, this procedure is finished.

If the adjacent point code is shown in the `rtrv-dstn` output, continue the procedure with [Step 13](#).

13. The new APC of the linkset cannot be the DPC of any exception route.

Verify that the new adjacent point code of the linkset is not the DPC of any exception route by entering the `rtrv-rtx` command with the `dpc/dpca/dpci/dpcn/ dpcn24` parameter. The `dpc/dpca/dpci/dpcn/dpcn24` parameter value is the adjacent point code value that will be specified for the linkset. For this example, enter these commands.

```
rtrv-rtx:dpca=240-070-000
```

This is an example of the possible output.

```
rlghncxa03w 08-12-17 11:43:04 GMT EAGLE5 40.0.0
  DPCA          RTX-CRITERIA          LSN          RC          APC
  240-070-000   OPCA
                   007-008-009                   e1e2         20         001-207-000

DESTINATION ENTRIES ALLOCATED:    2000
  FULL DPC(s):                      13
  EXCEPTION DPC(s):                  5
  NETWORK DPC(s):                    0
  CLUSTER DPC(s):                    1
  TOTAL DPC(s):                      19
  CAPACITY (% FULL):                 1%
ALIASES ALLOCATED:                 12000
  ALIASES USED:                      0
  CAPACITY (% FULL):                 0%
X-LIST ENTRIES ALLOCATED:          500
```

```
rtrv-rtx:dpcn=10685
```

This is an example of the possible output.

```
rlghncxa03w 08-12-17 11:43:04 GMT EAGLE5 40.0.0
  DPCN          RTX-CRITERIA          LSN          RC          APC
  10685         OPCN
                   6543                   lsn6         20         11211

DESTINATION ENTRIES ALLOCATED:    2000
  FULL DPC(s):                      13
  EXCEPTION DPC(s):                  5
  NETWORK DPC(s):                    0
  CLUSTER DPC(s):                    1
  TOTAL DPC(s):                      19
  CAPACITY (% FULL):                 1%
ALIASES ALLOCATED:                 12000
  ALIASES USED:                      0
  CAPACITY (% FULL):                 0%
X-LIST ENTRIES ALLOCATED:          500
```


If the adjacent point code of the linkset is not the DPC of a route exception table entry, no entries are displayed in the `rtrv-rtx` output, but a summary of the point code quantities is displayed, as shown in the following output example.

```
rlghncxa03w 08-12-17 11:43:04 GMT EAGLE5 40.0.0

  DESTINATION ENTRIES ALLOCATED:    2000
    FULL DPC(s):                    15
    EXCEPTION DPC(s):                5
    NETWORK DPC(s):                  0
    CLUSTER DPC(s):                  1
    TOTAL DPC(s):                    21
    CAPACITY (% FULL):                1%
  ALIASES ALLOCATED:                12000
    ALIASES USED:                    0
    CAPACITY (% FULL):                0%
  X-LIST ENTRIES ALLOCATED:         500
```

If the point code specified in this step is shown in the `DPCA` column in this step, the point code value cannot be used as an adjacent point code unless one of two actions are taken:

- Choose another adjacent point code value and repeat [Step 11](#), [Step 12](#), and [Step 13](#).
- Remove all the entries displayed in this step by performing [Removing a Route Exception Entry](#). After the route exception entries have been removed, this procedure is finished.

Using the MULTGC Parameter when Changing the Attributes of a Linkset

This procedure is used to verify that the following items are configured in the database.

- The ITU Duplicate Point Code feature is turned on.
- If the `multgc` parameter value is being changed to `no`, and the linkset contains more than one 14-bit ITU-N secondary adjacent point code, all but one of these secondary adjacent point codes must be removed from the linkset.

The `multgc` parameter only applies to linksets whose adjacent point codes are either ITU international point codes or 14-bit ITU national point codes. All the signaling links in this linkset must be assigned to cards running the IPLIMI or IPGWI applications, or the linkset must be an IPSP M2PA linkset. The linkset cannot be a proxy linkset.

Canceling the RTRV-LS Command

Because the `rtrv-ls` command used in this procedure can output information for a long period of time, the `rtrv-ls` command can be canceled and the output to the terminal stopped. There are three ways that the `rtrv-ls` command can be canceled.

- Press the F9 function key on the keyboard at the terminal where the `rtrv-ls` command was entered.
- Enter the `canc-cmd` without the `trm` parameter at the terminal where the `rtrv-ls` command was entered.
- Enter the `canc-cmd:trm=<xx>`, where `<xx>` is the terminal where the `rtrv-ls` command was entered, from another terminal other than the terminal where the `rtrv-ls` command was entered. To enter the `canc-cmd:trm=<xx>` command, the terminal must allow Security Administration commands to be entered from it and the user must be allowed to enter Security Administration

commands. The terminal's permissions can be verified with the `rtrv-secu-trm` command. The user's permissions can be verified with the `rtrv-user` or `rtrv-secu-user` commands.

For more information about the `canc-cmd` command, go to the *Commands Manual*.

1. Display the current linkset configuration using the `rtrv-ls` command.

This is an example of the possible output.

```
rlghncxa03w 06-10-10 11:43:04 GMT EAGLE5 36.0.0

          L3T SLT          GWS GWS GWS
LSN      APCA  (SS7)  SCRN SET SET BEI LST LNKS ACT MES DIS SLSCI NIS
ele2     001-207-000  none 1  1  no  B   6   off off off no   off
elm1s1   001-001-001  none 1  1  no  A   7   off off off no   off
elm1s2   001-001-002  none 1  1  no  A   7   off off off no   off
ls04     001-002-003  scr2 1  1  no  a   4   off off off yes  off
ls1305   000-005-000  none 1  1  no  A   1   off off off no   off
ls1307   000-007-000  none 1  1  no  A   1   off off off no   off

          L3T SLT          GWS GWS GWS
LSN      APCI  (SS7)  SCRN SET SET BEI LST LNKS ACT MES DIS SLSCI NIS
ele2i    1-207-0     none 1  1  no  B   4   off off off ---  on
ls1315   0-015-0     none 1  1  no  A   1   off off off ---  off
ls1317   0-017-0     none 1  1  no  A   1   off off off ---  on
elm2s1   1-011-1     none 1  1  no  A   7   off off off ---  off
elm2s2   1-011-2     none 1  1  no  A   7   off off off ---  off

          L3T SLT          GWS GWS GWS
LSN      APCN  (SS7)  SCRN SET SET BEI LST LNKS ACT MES DIS SLSCI NIS
lsn4     11520-aa  scr3 1  1  no  a   3   on  off off ---  on
lsn5     11211-aa  scr3 1  1  no  a   1   on  off off ---  on

Link set table is (10 of 1024) 1% full.
```

2. Display the current linkset configuration of the linkset to be changed using the `rtrv-ls` command with the linkset name.

For this example, enter these commands.

```
rtrv-ls:lsn=lsn5
```

This is an example of the possible output.

```
rlghncxa03w 06-10-17 11:43:04 GMT EAGLE5 36.0.0

          L3T SLT          GWS GWS GWS
LSN      APCN  (SS7)  SCRN SET SET BEI LST LNKS ACT MES DIS SLSCI NIS
lsn5     11211-aa  scr3 1  1  no  a   1   on  off off ---  on

          SPCN          CLLI          TFATCABMLQ MTPRSE ASL8
          -----          -
          1              1              no      ---

          SLSRSB RANDSL S MULTGC ITUTFR
          1      off   no    off

          IPSG  IPGWAPC  GTTMODE          CGGTMOD
          no    no      CdPA          no

          LOC  LINK  SLC  TYPE          IPLIML2
          1105 A    0    IPLIMI    M2PA
```

```

SAPCI
5-005-5

SAPCN
11213-de
12114-fr
12115-uk

Link set table is ( 24 of 1024)  2% full

```

The `multgc` parameter can be specified only for linksets with either ITU-I or 14-bit ITU-N APCs. The linkset can contain only signaling links assigned to the IPLIMI or IPGWI applications, or must be an IPSP M2PA linkset. The linkset cannot be a proxy linkset; a linkset whose linkset type is PRX (1st=prx). If the shown in this step does not meet this criteria, the `multgc` parameter value for this linkset cannot be changed. This procedure is finished.

If the linkset does meet the criteria described in the previous paragraph, continue the procedure by performing one of these steps.

- To change the `multgc` parameter value, the ITU Duplicate Point Code feature must be turned on. If the `MULTGC` column is shown in the `rtrv-ls` output in this step, the ITU Duplicate Point Code feature is turned on. If the `MULTGC` column is not shown in the `rtrv-ls` output in this step, continue the procedure with [Step 3](#).
 - If the `MULTGC` column is shown in the `rtrv-ls` output in this step, and the `multgc` parameter value will be changed to `no`, continue the procedure with [Step 5](#).
 - If the `MULTGC` column is shown in the `rtrv-ls` output in this step, and the `multgc` parameter value will be changed to `yes`, this procedure is finished.
3. To specify the `multgc=yes` parameter with the `chg-ls` command, the ITU Duplicate Point Code feature must be on.

For the ITU Duplicate Point Code feature to be on, the Multiple Point Code feature must be on. Enter the `rtrv-feat` command to verify that either of these features are on. The entry `MPC = on` in the `rtrv-feat` command output shows that the Multiple Point Code feature is on.

Note: The `rtrv-feat` command output contains other fields that are not used by this procedure. If you wish to see all the fields displayed by the `rtrv-feat` command, see the `rtrv-feat` command description in the *Commands Manual*.

4. Turn the ITU Duplicate Point Code feature on, and the Multiple Point Code feature if necessary, by entering one of these commands.
- To turn the ITU Duplicate Point Code feature on only.


```
chg-feat:ituduppc=on
```
 - To turn both the ITU Duplicate Point Code and Multiple Point Code features on.


```
chg-feat:mpc=on:ituduppc=on
```

Note: Once the ITU Duplicate Point Code and Multiple Point Code features are turned on with the `chg-feat` command, they cannot be turned off.

The ITU Duplicate Point Code and Multiple Point Code features must be purchased before you turn either of these features on with the `chg-feat` command. If you are not sure if you have purchased these features, contact your Tekelec Sales Representative or Account Representative.

When this command has successfully completed, this message should appear.

```
rlghncxa03w 06-10-10 11:43:04 GMT EAGLE5 36.0.0
CHG-FEAT: MASP A - COMPLTD
```

This procedure is finished.

5. If the `multgc` parameter value is changed to `no`, the linkset can contain only one secondary adjacent point code.

An ITU international linkset can contain only one 14-bit ITU national secondary adjacent point code. If the ITU international linkset contains more than one 14-bit ITU national secondary adjacent point code, all but one of these 14-bit ITU national secondary adjacent point codes must be removed from the linkset. An ITU national linkset can contain only one ITU international secondary adjacent point code. All 14-bit ITU-N secondary adjacent point codes must be removed from the linkset. All routes to these secondary adjacent point codes must be removed from the database before the secondary adjacent point codes can be removed.

Display the routes using the secondary adjacent point code being removed from the linkset with the `rtrv-rte` command, specifying the secondary adjacent point code being removed as the value of the `dpc` parameter.

For this example, enter these commands.

```
rtrv-rte:dpcn=11213-de
```

This is an example of the possible output.

```
rlghncxa03w 06-10-07 11:43:04 GMT EAGLE5 36.0.0
DPCN          ALIASA          ALIASI  LSN          RC      APC
11213-de      -----
RTX:No      CLLI=-----
```

```
rtrv-rte:dpcn=12114-fr
```

This is an example of the possible output.

```
rlghncxa03w 06-10-07 11:43:04 GMT EAGLE5 36.0.0
DPCN          ALIASA          ALIASI  LSN          RC      APC
12114-fr      -----
RTX:No      CLLI=-----
```

```
rtrv-rte:dpcn=12115-uk
```

This is an example of the possible output.

```
rlghncxa03w 06-10-07 11:43:04 GMT EAGLE5 36.0.0
DPCN          ALIASA          ALIASI  LSN          RC      APC
12115-uk      -----
RTX:No      CLLI=-----
```

If the secondary adjacent point code is assigned to a route, that route must be removed from the database. Perform [Removing a Route](#) to remove the route from the database.

- Remove the secondary adjacent point codes specified in [Step 5](#) from the linkset with the `chg-ls` command with the `sapcn` and the `action=delete` parameters.

For this example, enter these commands.

```
chg-ls:lsn=lsn5:sapcn=11213-de:action=delete
chg-ls:lsn=lsn5:sapcn=12114-fr:action=delete
chg-ls:lsn=lsn5:sapcn=12115-uk:action=delete
```

When the `chg-ls` command has successfully completed, this message should appear.

```
rlghncxa03w 06-10-17 16:23:21 GMT EAGLE5 36.0.0
Link set table is ( 13 of 255) 5% full
CHG-LS: MASP A - COMPLTD
```

- Verify that the SAPCs have been removed from the linkset by entering the `rtrv-ls` command with the name of the linkset specified in [Step 6](#).

For this example, enter these commands.

```
rtrv-ls:lsn=lsn5
```

This is an example of the possible output.

```
rlghncxa03w 06-10-17 11:43:04 GMT EAGLE5 36.0.0

LSN                APCN      (SS7)  L3T SLT          GWS GWS GWS
lsn5                11211-aa  scr3 1  1  no a  1  on off off --- on
                   SPCN          CLLI          TFATCABMLQ MTPRSE ASL8
                   -----
                   1          no          ---

SLSRSB RANDSLS MULTGC ITUTFR
1      off    no    off

IPSG  IPGWAPC  GTTMODE          CGGTMOD
no    no      CdPA          no

LOC  LINK  SLC  TYPE      IPLIML2
1105 A    0   IPLIMI  M2PA

SAPCI
5-005-5

Link set table is ( 24 of 1024) 2% full
```

- Back up the new changes using the `chg-db:action=backup:dest=fixed` command.

These messages should appear, the active Maintenance and Administration Subsystem Processor (MASP) appears first.

```
BACKUP (FIXED) : MASP A - Backup starts on active MASP.
BACKUP (FIXED) : MASP A - Backup on active MASP to fixed disk complete.
BACKUP (FIXED) : MASP A - Backup starts on standby MASP.
BACKUP (FIXED) : MASP A - Backup on standby MASP to fixed disk complete.
```

Configuring an ITU Linkset with a Secondary Adjacent Point Code (SAPC)

This procedure is used to configure a secondary adjacent point code for SS7 ITU linksets using the `lsn`, `sapci`, `sapcn`, `sapcn24`, and `action` parameters of the `chg-ls` command. Only these parameters can be specified in this procedure. The `chg-ls` command contains other parameters.

These parameters are discussed in more detail in the *Commands Manual* or in these sections.

- [Changing an SS7 Linkset](#)
- The "Configuring a Linkset for the GSM MAP Screening Feature" procedure in the *Database Administration Manual - Features*.
- These procedures in the *Database Administration Manual - IP7 Secure Gateway*
 - Configuring an IPGWx Linkset
 - Adding a Mate IPGWx Linkset to another IPGWx Linkset
 - Removing a Mate IPGWx Linkset from another IPGWx Linkset
 - Adding an IPSP M3UA Linkset
 - Addingn IPSP M2PA Linkset

Note: A secondary adjacent point code cannot be assigned to a proxy linkset. A proxy linkset is a linkset whose linkset type is `PRX`. A secondary adjacent point code cannot be assigned to a linkset that contains an IPSP-M3UA linkset. An IPSP-M3UA linkset is a linkset that contains the `ipsp=yes` and `adapter=m3ua` parameter values.

The secondary adjacent point code is used to enhance the network management in the ITU international and ITU national nodes when messages from different countries to be routed over the same linkset.

The `lsn` parameter specifies the name of the linkset being changed.

The `sapci` parameter specifies the ITU international secondary adjacent point code.

The `sapcn` parameter specifies a 14-bit ITU national secondary adjacent point code.

The `sapcn24` parameter specifies a 24-bit ITU national secondary adjacent point code.

The `action` parameter specifies whether the secondary adjacent point code (`sapci`, `sapcn`, or `sapcn24`) is being added (`action=add`) to the linkset or removed (`action=delete`) from the linkset.

While the `multgc` parameter is not specified with the `chg-ls` command in this procedure, in addition to specifying whether or not multiple group codes are supported for the linkset, its value does help determine how secondary adjacent point codes are configured in the linkset.

When this parameter value is `yes`, and the APC of the linkset is a 14-bit ITU national point code, the linkset can contain one 14-bit ITU national secondary adjacent point code for each group code in the EAGLE 5 ISS, and one ITU international secondary adjacent point code. If the APC of the linkset is ITU international, the linkset can contain either one 14-bit ITU national secondary adjacent point code for each group code in the EAGLE 5 ISS, or only one 24-bit ITU national secondary adjacent point code, but no ITU international secondary adjacent point codes.

If the APC of the linkset is a 24-bit ITU national point code, the linkset contains only one ITU international secondary adjacent point code.

If the `multgc` parameter value is `no`, the linkset can contain only one secondary adjacent point code. An ITU international linkset can contain either a 14-bit ITU-N point code or a 24-bit ITU-N point code.

An ITU national linkset, a linkset containing either a 14-bit APC or a 24-bit APC, can contain only an ITU international secondary adjacent point code.

The secondary adjacent point codes must be defined in the destination point code table and can be assigned only to linksets with ITU international or ITU national adjacent point codes, except linksets containing E1 ATM signaling links cannot contain 24-bit ITU national secondary adjacent point codes. Secondary adjacent point codes can be non-spare, spare, private, or private spare point codes. Private and private spare point codes can be specified only for IPGWI linksets (linksets containing IPGWI signaling links).

The secondary adjacent point code parameters (`sapci`, `sapcn`, or `sapcn24`) and the `action` parameter must be specified together.

You cannot delete an SAPC with the `action` parameter when routes exist for its SS7 domain.

The values of the `multgc`, `sapci`, `sapcn`, and `sapcn24` parameters are only displayed in the `rtrv-ls` command output when a specific linkset is being displayed with the `rtrv-ls:lsn=<linkset name>` command.

This examples used in this procedure are based on the information shown in [Table 32: Secondary Adjacent Point Code Configuration Table](#).

Table 32: Secondary Adjacent Point Code Configuration Table

Linkset Names	SAPCI	SAPCN	ACTION
lsi3	N/A	11212-ge	add
lsn5	4-75-7	N/A	add
lsn3	3-150-5	N/A	delete

Canceling the RTRV-LS and RTRV-DSTN Commands

Because the `rtrv-ls` and `rtrv-dstn` commands used in this procedure can output information for a long period of time, the `rtrv-ls` and `rtrv-dstn` commands can be canceled and the output to the terminal stopped. There are three ways that the `rtrv-ls` and `rtrv-dstn` commands can be canceled.

- Press the F9 function key on the keyboard at the terminal where the `rtrv-ls` or `rtrv-dstn` commands were entered.
- Enter the `canc-cmd` without the `trm` parameter at the terminal where the `rtrv-ls` or `rtrv-dstn` commands were entered.
- Enter the `canc-cmd:trm=<xx>`, where `<xx>` is the terminal where the `rtrv-ls` or `rtrv-dstn` commands were entered, from another terminal other than the terminal where the `rtrv-ls` or `rtrv-dstn` commands were entered. To enter the `canc-cmd:trm=<xx>` command, the terminal must allow Security Administration commands to be entered from it and the user must be allowed to enter Security Administration commands. The terminal's permissions can be verified with the `rtrv-secu-trm` command. The user's permissions can be verified with the `rtrv-user` or `rtrv-secu-user` commands.

For more information about the `canc-cmd` command, go to the *Commands Manual*.

1. Display the current linkset configuration using the `rtrv-ls` command.

This is an example of the possible output.

```

rlghncxa03w 06-10-10 11:43:04 GMT EAGLE5 36.0.0

LSN          APCA  (SS7)  SCRNL3T SLT  BEI LST LNKS  GWS GWS GWS  ACT MES DIS SLSCI NIS
ele2         001-207-000 none 1 1  no B 6  off off off no  off
ls1305       000-005-000 none 1 1  no A 1  off off off no  off
ls1307       000-007-000 none 1 1  no A 1  off off off no  off
elm1s1       001-001-001 none 1 1  no A 7  off off off no  off
elm1s2       001-001-002 none 1 1  no A 7  off off off no  off

LSN          APCI  (SS7)  SCRNL3T SLT  BEI LST LNKS  GWS GWS GWS  ACT MES DIS SLSCI NIS
ele2i        1-207-0  none 1 1  no B 4  off off off ---  on
ls1315       0-015-0  none 1 1  no A 1  off off off ---  off
ls1317       0-017-0  none 1 1  no A 1  off off off ---  on
elm2s1       1-011-1  none 1 1  no A 7  off off off ---  off
elm2s2       1-011-2  none 1 1  no A 7  off off off ---  off
lsi3         1-111-3  scr3 1 3  yes c 1  off off off ---  ---

LSN          APCN  (SS7)  SCRNL3T SLT  BEI LST LNKS  GWS GWS GWS  ACT MES DIS SLSCI NIS
lsn3         11113-ge scr3 1 3  yes c 1  on  off off ---  off
lsn5         10685-fr scr1 1 3  yes a 1  off off off ---  off

Link set table is (10 of 1024) 1% full.

```

Note: A secondary adjacent point code cannot be assigned to a proxy linkset. A proxy linkset is a linkset whose linkset type is PRX. Choose a linkset whose linkset type is not PRX and continue the procedure with [Step 2](#).

2. Display the current linkset configuration of the linkset to be changed using the `rtrv-ls` command with the linkset name.

For this example, enter this command.

```
rtrv-ls:lsn=lsi3
```

This is an example of the possible output.

```

rlghncxa03w 06-10-17 11:43:04 GMT EAGLE5 36.0.0

LSN          APCI  (SS7)  SCRNL3T SLT  BEI LST LNKS  GWS GWS GWS  ACT MES DIS SLSCI NIS
lsi3         1-111-3  scr3 1 3  yes c 1  off off off ---  ---

CLLI          TFATCABMLQ MTPRSE ASL8  SLSOCPBIT SLSRSB MULTGC
----- 1          no    ---  none      7      yes

ITUTFR RANDSLs
off      all

IPGWAPC MATELSN  IPTPS LSUSEALM SLKUSEALM GTTMODE
yes      ----- 100  100  % 80      % CdPA

LOC  LINK SLC TYPE
1317 A  0  IPGWI

SAPCN

```



```

11211-uk
Link set table is ( 13 of 255) 5% full

```

```
rtrv-ls:lsn=lsn3
```

This is an example of the possible output.

```

rlghncxa03w 06-10-17 11:43:04 GMT EAGLE5 36.0.0

LSN          APCN    (SS7)   SCR3  L3T  SLT      BEI  LST  LNKS  ACT  MES  DIS  SLSCI  NIS
lsn3         11113-ge  scr3  1    3    yes  c    1    on  off  off  ---   off

          CLLI          TFATCABMLQ  MTPRSE  ASL8  SLSOCPBIT  SLSRSB  MULTGC
          -----  1          no      ---   none      7       yes

ITUTFR  RANDSLS
off     off

IPGWAPC  MATELSN    IPTPS  LSUSEALM  SLKUSEALM  GTTMODE
no       -----  ---   ---       ---       CdPA

LOC  LINK  SLC  TYPE      IPLIML2
1301 A    0    IPLIMI    M2PA

SAPCI
3-150-5
SAPCN
11213-de
Link set table is ( 13 of 255) 5% full

```

```
rtrv-ls:lsn=lsn5
```

This is an example of the possible output.

```

rlghncxa03w 06-10-17 11:43:04 GMT EAGLE5 36.0.0

LSN          APCN    (SS7)   SCR1  L3T  SLT      BEI  LST  LNKS  ACT  MES  DIS  SLSCI  NIS
lsn5         10685-fr  scr1  1    3    yes  a    1    off off off  ---   off

          CLLI          TFATCABMLQ  MTPRSE  ASL8  SLSOCPBIT  SLSRSB  MULTGC
          -----  1          no      ---   none      7       no

ITUTFR  RANDSLS
off     off

IPGWAPC  MATELSN    IPTPS  LSUSEALM  SLKUSEALM  GTTMODE
no       -----  ---   ---       ---       CdPA

LOC  LINK  SLC  TYPE      IPLIML2
1201 A    0    IPLIMI    M2PA

Link set table is ( 13 of 255) 5% full

```

If 24-bit ITU-N secondary adjacent point codes are being added to the linkset, and the linkset specified in this step contains E1 ATM signaling links, choose another linkset from [Step 1](#) and repeat this step. Linksets containing E1 ATM signaling links cannot have 24-bit ITU-N secondary adjacent point codes.

If the desired linkset is an IPSP-M3UA linkset, choose another linkset from [Step 1](#) and repeat this step. Secondary adjacent point codes cannot be assigned to IPSP-M3UA linksets.

Note: If you are not adding any secondary adjacent point codes to the linkset, continue the procedure with [Step 5](#).

3. Display the point code and capability point code of the EAGLE 5 ISS by using the `rtrv-sid` command.

This is an example of the possible output.

```
rlghncxa03w 06-10-10 11:43:04 GMT EAGLE5 36.0.0
PCA          PCI          PCN          CLLI          PCTYPE
001-001-001  3-150-4      12345-uk    rlghncxa03w  OTHER

CPCA
002-002-002      002-002-003      002-002-004      002-002-005
002-002-006      002-002-007      002-002-008      002-002-009
004-002-001      004-003-003      144-212-003

CPCI
1-001-1          1-001-2          1-001-3          1-001-4

CPCN
02091-uk        02092-uk        02094-uk        02097-uk
02191-uk        02192-uk        11177-uk
```

4. Display the point codes in the destination point code table by using the `rtrv-dstn` command.

This is an example of the possible output.

```
rlghncxa03w 10-12-10 11:43:04 GMT EAGLE5 43.0.0
Extended Processing Time may be Required

DPCA          CLLI          BEI  ELEI  ALIASI          ALIASN/N24  DMN
001-002-003  ls04c11i     yes  ---  -----  -----  SS7
001-002-003  ls04c11i     yes  ---  -----  -----  SS7
002-002-100  ls01c11i     no   ---  -----  -----  SS7
002-007-008  ls06c11i     yes  ---  -----  -----  SS7
002-009-003  -----     no   ---  -----  -----  SS7
002-250-010  -----     no   ---  -----  -----  SS7
003-003-003  ls03c11i     yes  ---  -----  -----  SS7
003-020-100  -----     no   ---  -----  -----  SS7
004-004-004  ls02c11i     yes  ---  -----  -----  SS7
004-030-200  -----     no   ---  -----  -----  SS7
009-002-003  -----     no   ---  -----  -----  SS7
179-100-087  -----     yes  ---  -----  -----  SS7
200-050-176  -----     yes  ---  -----  -----  SS7
240-007-000  -----     yes  ---  -----  -----  SS7
240-012--004 rlghncbb001  yes  ---  1-111-1      11111      SS7
240-012-005  rlghncbb002  yes  ---  1-112-2      11112      SS7
240-012-008  -----     yes  ---  1-113-5      11114      SS7

DPCI          CLLI          BEI  ELEI  ALIASA          ALIASN/N24  DMN
2-131-1      rlghncbb023  no   ---  222-210-000  12001      SS7
2-131-2      -----     no   ---  222-211-001  12002      SS7
2-131-3      -----     no   ---  222-211-002  12003      SS7
3-150-4      lsi7c11i     yes  ---  -----  -----  SS7

DPCN          CLLI          BEI  ELEI  ALIASA          ALIASI          DMN
```

```

10685      lsn5c1li   yes --- -----
11211      rlghncbb013 no --- 222-200-200 2-121-1 SS7
11212      rlghncbb013 no --- 222-200-201 2-121-2 SS7

```

Destination table is (23 of 2000) 1% full
Alias table is (18 of 8000) 1% full

If a secondary adjacent point code is being added to the linkset, and the secondary adjacent point code is not shown in the `rtrv-dstn` command output, go to the [Adding a Destination Point Code](#) procedure procedures and add the secondary adjacent point code to the destination point code table.

Note: If a secondary adjacent point code is being added, and a new point code was added in [Step 4](#), continue the procedure with [Step 6](#).

5. Display the routes using the secondary adjacent point code being added to the linkset or being removed from the linkset with the `rtrv-rte` command, specifying the secondary adjacent point code as the value of the `dpci` parameter.

For this example, enter this command.

```
rtrv-rte:dpci=3-150-5
```

This is an example of the possible output.

```

rlghncxa03w 06-10-07 11:43:04 GMT EAGLE5 36.0.0
DPCI          ALIASN/N24          ALIASA          LSN          RC          APC
3-150-5 -----
                                           lsn3          10          3-150-5
                                           RTX:No      CLLI=-----

```

If the secondary adjacent point code is not the DPCI of a route, the point code entry is displayed in the `rtrv-rte` output, but the LSN, RC, and APC columns contain dashes, as shown in the following output example.

```

rlghncxa03w 06-10-10 11:43:04 GMT EAGLE5 36.0.0
DPCI          ALIASN/N24          ALIASA          LSN          RC          APC
3-150-5 -----
                                           -----
                                           RTX:No      CLLI=-----

```

If the point code specified in this step is shown in the DPCA/DPCI/DPCN/ DPCN24 columns in this step, and the secondary adjacent point code is being added to the linkset, the point code value cannot be used as a secondary adjacent point code unless one of two actions are taken:

- Choose another secondary adjacent point code value and repeat [Step 3](#), [Step 4](#), and [Step 5](#).
- Remove all the entries displayed in this step by performing the [Removing a Route](#) procedure.

If the point code specified in this step is shown in the DPCA/DPCI/DPCN/ DPCN24 columns in this step, and the secondary adjacent point code is removed from the linkset, the routes shown in this step must be removed from the database. Perform the [Removing a Route](#) procedure to remove the routes from the database.

Note: If you are adding only ITU-I or 24-bit ITU-N secondary adjacent point codes, continue the procedure with [Step 7](#).

6. Display the secondary point codes in the destination point code table to verify any group codes that are assigned to 14-bit ITU-N secondary point codes in the database by using the `rtrv-spc` command.

This is an example of the possible output.

```
rlghncxa03w 06-10-17 16:02:05 GMT EAGLE5 36.0.0
SPC (Secondary Point Codes)

SPCA
    001-010-010
    002-010-010
    003-010-010
    010-100-010

SPC-I
    1-253-5
    2-254-6
    3-255-7
    4-100-1

SPC-N
    5175-de
    6744-uk
    7673-ge
    7673-fr

SPC-N24
Secondary Point Code table is (12 of 40) 30% full
```

7. Perform one of these steps to configure the linkset with a secondary adjacent point code.
 - a) To add the secondary adjacent point code to the linkset, enter the `chg-ls` command with these parameters.

```
:lsn=<linkset name being changed>
```

```
:action=add
```

```
:sapci=<ITU-I secondary adjacent point code being added>
```

or

```
:sapcn=<14-bit ITU-N secondary adjacent point code being added
```

or

```
:sapcn24=<24-bit ITU-N secondary adjacent point code being added>
```

If the value of the `multgc` parameter is `yes`, and the APC of the linkset is a 14-bit ITU national point code, the linkset can contain one 14-bit ITU national secondary adjacent point code for each group code in the EAGLE 5 ISS, and one ITU international secondary adjacent point code. If the APC of the linkset is an ITU international point code, the linkset can contain either one 14-bit ITU national secondary adjacent point code for each group code in the EAGLE 5 ISS, or one 24-bit ITU national secondary adjacent point code, but no ITU international secondary adjacent point codes. If the APC of the linkset is a 24-bit ITU national point code, the linkset contains only one ITU international secondary adjacent point code. The output of the `rtrv-dstn` command in [Step 4](#) and the `rtrv-spc` command in [Step 5](#) shows the group codes in the database.

If the value of the `multgc` parameter is `no`, the linkset can contain only one secondary adjacent point code. An ITU international linkset can contain either a 14-bit ITU-N point code or a 24-bit ITU-N point code. An ITU national linkset, a linkset containing either a 14-bit APC or a 24-bit APC, can contain only an ITU international secondary adjacent point code.

Secondary adjacent point codes can be non-spare, spare, private, or private spare point codes. Private and private spare point codes can be specified only for IPGWI linksets (linksets containing IPGWI signaling links).

- b) To remove the secondary adjacent point code from the linkset, enter the `chg-ls` command with these parameters.
- ```
:lsn=<linkset name being changed>
:action=delete
:sapci=<ITU-I secondary adjacent point code being removed>
```
- or
- ```
:sapcn=<14-bit ITU-N secondary adjacent point code being added>
```
- or
- ```
:sapcn24=<24-bit ITU-N secondary adjacent point code being added>
```
- c) If only one secondary adjacent point code can be assigned to the linkset, and that secondary adjacent point code is being replaced, perform step **b** to remove the existing secondary adjacent point code, then perform step **a** to add the new secondary adjacent point code.

For this example, enter these commands.

```
chg-ls:lsn=lsi3:sapcn=11212-ge:action=add
chg-ls:lsn=lsn3:sapci=4-75-7:action=add
chg-ls:lsn=lsn5:sapci=3-150-5:action=delete
```

When the `chg-ls` command has successfully completed, this message should appear.

```
rlghncxa03w 06-10-17 16:23:21 GMT EAGLE5 36.0.0
Link set table is (13 of 255) 5% full
CHG-LS: MASP A - COMPLTD
```

8. Verify the changes using the `rtrv-ls` command specifying the linkset name specified in [Step 7](#) with the `lsn` parameter.

For this example, enter these commands.

```
rtrv-ls:lsn=lsi3
```

This is an example of the possible output.

```
rlghncxa03w 06-10-17 11:43:04 GMT EAGLE5 36.0.0

LSN APCI (SS7) SCR3 L3T SLT BEI LST LNKS ACT MES DIS SLSCI NIS
lsi3 1-111-3 scr3 1 3 yes c 1 off off off --- ---

 CLI TFATCABMLQ MTPRSE ASL8 SLSOCBIT SLRSRB MULTGC
 ----- 1 no --- none 7 yes

 ITUTFR RANDSLS
 off all

 IPGWAPC MATELSN IPTPS LSUSEALM SLKUSEALM GTTMODE
 yes ----- 100 100 % 80 % CdPA
```

```

 LOC LINK SLC TYPE
 1317 A 0 IPGWI

 SAPCN
 11211-uk
 11212-ge
Link set table is (13 of 255) 5% full

```

```
rtrv-ls:lsn=lsn3
```

This is an example of the possible output.

```

rlghncxa03w 06-10-17 11:43:04 GMT EAGLE5 36.0.0

 LSN APCN (SS7) SCRNL3T SLT GWS GWS GWS
 lsn3 11113-ge scr3 1 3 yes c 1 on off off --- off

 CLLI TFATCABMLQ MTPRSE ASL8 SLSOCBIT SLRSRB MULTGC
 ----- 1 no --- none 7 yes

 ITUTFR RANDSLS
 off off

 IPGWAPC MATELSN IPTPS LSUSEALM SLKUSEALM GTTMODE
 no ----- --- --- --- CdPA

 LOC LINK SLC TYPE IPLIML2
 1301 A 0 IPLIMI M2PA

 SAPCN
 11213-de
Link set table is (13 of 255) 5% full

```

```
rtrv-ls:lsn=lsn5
```

This is an example of the possible output.

```

rlghncxa03w 06-10-17 11:43:04 GMT EAGLE5 36.0.0

 LSN APCN (SS7) SCRNL3T SLT GWS GWS GWS
 lsn5 10685-fr scr1 1 3 yes a 1 off off off --- off

 CLLI TFATCABMLQ MTPRSE ASL8 SLSOCBIT SLRSRB MULTGC
 ----- 1 no --- none 7 no

 ITUTFR RANDSLS
 off off

 IPGWAPC MATELSN IPTPS LSUSEALM SLKUSEALM GTTMODE
 no ----- --- --- --- CdPA

 LOC LINK SLC TYPE IPLIML2
 1201 A 0 IPLIMI M2PA

 SAPCI
 4-75-7
Link set table is (13 of 255) 5% full

```

9. Back up the new changes using the `chg-db:action=backup:dest=fixed` command.

These messages should appear, the active Maintenance and Administration Subsystem Processor (MASP) appears first.

```
BACKUP (FIXED) : MASP A - Backup starts on active MASP.
BACKUP (FIXED) : MASP A - Backup on active MASP to fixed disk complete.
BACKUP (FIXED) : MASP A - Backup starts on standby MASP.
BACKUP (FIXED) : MASP A - Backup on standby MASP to fixed disk complete.
```

## Adding an SS7 Signaling Link

This procedure is used to add an ANSI SS7 low-speed signaling link to an MPL card using the `ent-slk` command with these parameters shown in [Table 33: Signaling Link Parameters](#).

**Table 33: Signaling Link Parameters**

|     |        |       |
|-----|--------|-------|
| loc | link   | lsn   |
| slc | l2tset | bps   |
| ecm | pcrn1  | pcrn2 |

The `ent-slk` command contains other optional parameters that are not used this procedure. These parameters are discussed in more detail in the *Commands Manual* or in these sections. These sections are also used to configure ITU signaling links.

- These procedures in this manual.
  - The [Adding an E1 Signaling Link](#) procedure
  - The [Adding a T1 Signaling Link](#) procedure
  - The [Adding an ATM High-Speed Signaling Link](#) procedure.
- These procedures in the *Database Administration Manual - IP7 Secure Gateway*
  - Adding an IPGWx Signaling Link
  - Adding an IPLIMx Signaling Link
  - Adding an IPSP M3UA Signaling Link
  - Adding an IPSP M2PA Signaling Link

:loc – The card location of the LIM that the SS7 signaling link will be assigned to.

:link – The signaling link on the card specified in the loc parameter.

:lsn – The name of the linkset that will contain the signaling link.

:slc – The signaling link code. The SLC must be unique within the linkset. It must be the same at both the EAGLE 5 ISS location and the distant node.

:l2tset – The level 2 timer set table. A signaling link may be assigned to any of the thirty tables. The type of linkset the signaling link is assigned to and the LIM's application determines the value of the l2tset parameter. The level 2 timer set tables are defined in [Changing Level 2 Timers](#).

:bps – The transmission rate for the link in bits per second.

:ecm – Error correction method

:pcrn1 – The threshold of the number of MSUs available for retransmission. If the error correction method being used is PCR (:ecm=pcr), and this threshold is reached, no new MSUs or FISUs are sent. The retransmission cycle is continued up to the last MSU entered into the retransmission buffer in the order in which they were originally transmitted.

:pcrn2 – The threshold of the number of MSU octets available for retransmission. If the error correction method being used is PCR (:ecm=pcr), and this threshold is reached, no new MSUs or FISUs are sent. The retransmission cycle is continued up to the last MSU entered into the retransmission buffer in the order in which they were originally transmitted.

These items must be configured in the database before an SS7 signaling link can be added:

- Shelf – see "Adding a Shelf in the *Database Administration Manual - System Management*
- Card – see "Adding an SS7 LIM" in the *Database Administration Manual - System Management*
- Destination Point Code – see [Adding a Destination Point Code](#)
- Linkset – [Adding a SS7 Linkset](#).

Verify that the link has been physically installed (all cable connections have been made).

To configure the EAGLE 5 ISS to perform circular routing detection test on the signaling links, perform the [Configuring Circular Route Detection](#) procedure.

**Note:** Circular route detection is not supported in ITU networks.

To provision a EAGLE 5 ISS with more than 1200 signaling links, the EAGLE 5 ISS must have certain levels of hardware installed. See the [Requirements for EAGLE 5 ISSs Containing more than 1200 Signaling Links](#) section for more information on these hardware requirements.

The EAGLE 5 ISS can contain a mixture of low-speed, E1, T1, ATM high-speed, and IP signaling links. The [Determining the Number of High-Speed and Low-Speed Signaling Links](#) section describes how to determine the quantities of the different types of signaling links the EAGLE 5 ISS can have.

### SS7 Signaling Link Parameter Combinations

[Table 34: SS7 Signaling Link Parameter Combinations](#) shows the parameters and values that can be used to provision an ANSI SS7 signaling link.

**Table 34: SS7 Signaling Link Parameter Combinations**

| MPL Signaling Link (See Note 1)                                                   |
|-----------------------------------------------------------------------------------|
| <b>Mandatory Parameters</b>                                                       |
| :loc = location of the MPL with the SS7ANSI application and the LIMDS0 card type. |
| :link = A, A1, A2, A3, B, B1, B2, or B3 (See Note 4)                              |
| :lsn = linkset name (See Note 3)                                                  |
| :slc = 0 - 15                                                                     |
| <b>Optional Parameters</b>                                                        |
| :bps = 56000                                                                      |



| MPL Signaling Link (See Note 1)                                                                                                                                                                                                                                                                                                                                                                                                                                                                                                                                                                                                                                                                                                                                                                                                                                                                                                                                                                                                                                                                   |
|---------------------------------------------------------------------------------------------------------------------------------------------------------------------------------------------------------------------------------------------------------------------------------------------------------------------------------------------------------------------------------------------------------------------------------------------------------------------------------------------------------------------------------------------------------------------------------------------------------------------------------------------------------------------------------------------------------------------------------------------------------------------------------------------------------------------------------------------------------------------------------------------------------------------------------------------------------------------------------------------------------------------------------------------------------------------------------------------------|
| default value = 56000                                                                                                                                                                                                                                                                                                                                                                                                                                                                                                                                                                                                                                                                                                                                                                                                                                                                                                                                                                                                                                                                             |
| :l2tset = <a href="#">Table 35: Level 2 Timer Sets</a>                                                                                                                                                                                                                                                                                                                                                                                                                                                                                                                                                                                                                                                                                                                                                                                                                                                                                                                                                                                                                                            |
| :ecm = basic or pcr<br>default value = basic                                                                                                                                                                                                                                                                                                                                                                                                                                                                                                                                                                                                                                                                                                                                                                                                                                                                                                                                                                                                                                                      |
| :pcrn1 = 1 - 127 (See Note 2)<br>default value = 76                                                                                                                                                                                                                                                                                                                                                                                                                                                                                                                                                                                                                                                                                                                                                                                                                                                                                                                                                                                                                                               |
| :pcrn2 = 300 - 35500 (See Note 2)<br>default value = 3800                                                                                                                                                                                                                                                                                                                                                                                                                                                                                                                                                                                                                                                                                                                                                                                                                                                                                                                                                                                                                                         |
| Notes: <ol style="list-style-type: none"> <li>This procedure is not used to configure ATM, IP, E1, or T1 signaling links. To configure these types of links, perform one of these procedures:               <ul style="list-style-type: none"> <li>E1 signaling links – <a href="#">Adding an E1 Signaling Link</a>.</li> <li>T1 signaling links – <a href="#">Adding a T1 Signaling Link</a>.</li> <li>ATM signaling links – <a href="#">Adding an ATM High-Speed Signaling Link</a>.</li> <li>IP signaling links – "Adding an IPLIMx Signaling Link," "Adding an IPGWX Signaling Link," "Adding an IPSP M3UA Signaling Link," or "Adding an IPSP M2PA Signaling Link" procedures in the <i>Database Administration Manual - IP7 Secure Gateway</i>.</li> </ul> </li> <li>These parameters can be specified only with the ecm=pcr parameter.</li> <li>The linkset adjacent point code type must be ANSI. The domain of the linkset adjacent point code must be SS7.</li> <li>The port parameter can be used in place of the link parameter to specify the signaling link on the card.</li> </ol> |

### Canceling the REPT-STAT-SLK and RTRV-SLK Commands

Because the rept-stat-slk and rtrv-slk commands used in this procedure can output information for a long period of time, the rept-stat-slk and rtrv-slk commands can be canceled and the output to the terminal stopped. There are three ways that the rept-stat-slk and rtrv-slk commands can be canceled.

- Press the F9 function key on the keyboard at the terminal where the rept-stat-slk or rtrv-slk commands were entered.
- Enter the canc-cmd without the trm parameter at the terminal where the rept-stat-slk or rtrv-slk commands were entered.
- Enter the canc-cmd:trm=<xx>, where <xx> is the terminal where the rept-stat-slk or rtrv-slk commands were entered, from another terminal other than the terminal where the rept-stat-slk or rtrv-slk commands were entered. To enter the canc-cmd:trm=<xx> command, the terminal must allow Security Administration commands to be entered from it and the user must be allowed to enter Security Administration commands. The terminal's permissions can be verified with the rtrv-secu-trm command. The user's permissions can be verified with the rtrv-user or rtrv-secu-user commands.

For more information about the `canc-cmd` command, go to the *Commands Manual*.

1. Display the maximum number of signaling links the EAGLE 5 ISS can have and the number of signaling links that are currently provisioned by entering the `rtrv-tbl-capacity` command.

This is an example of the possible output.

```
rlghncxa03w 09-07-19 21:16:37 GMT EAGLE5 41.1.0
SLK table is (7 of 1200) 1% full
```

**Note:** The `rtrv-tbl-capacity` command output contains other fields that are not used by this procedure. If you wish to see all the fields displayed by the `rtrv-tbl-capacity` command, refer to the `rtrv-tbl-capacity` command description in the *Commands Manual*.

If the addition of the new signaling link will exceed the maximum number of signaling links the EAGLE 5 ISS can have (in this example, the maximum number of signaling links is 1200), and the maximum number of signaling links is 2800, this procedure cannot be performed. The EAGLE 5 ISS cannot contain more than 2800 signaling links.

If the addition of the new signaling link will exceed the maximum number of signaling links the EAGLE 5 ISS can have, and the maximum number of signaling links is less than 2800, perform the [Enabling the Large System # Links Controlled Feature](#) procedure to enable the desired quantity of signaling links. After the new quantity of signaling links has been enabled, continue the procedure with [Step 2](#).

If the addition of the new signaling link will not exceed the maximum number of signaling links the EAGLE 5 ISS can have, continue the procedure with [Step 2](#).

2. Display the current signaling link configuration using the `rtrv-slk` command. This is an example of the possible output.

```
rlghncxa03w 09-07-19 21:16:37 GMT EAGLE5 41.1.0

LOC LINK LSN SLC TYPE L2T BPS ECM PCR PCR
 SET BPS ECM N1 N2
1201 B lsa1 0 LIMDS0 1 56000 BASIC --- -----
1203 B lsa2 0 LIMDS0 1 56000 BASIC --- -----
1205 A lsa3 0 LIMDS0 3 56000 BASIC --- -----
1207 A lsn1207a 0 LIMDS0 1 56000 BASIC --- -----
1207 B lsn1207b 0 LIMDS0 1 56000 BASIC --- -----
1214 A lsn1214a 0 LIMDS0 2 56000 BASIC --- -----
1214 B lsa3 1 LIMDS0 3 56000 BASIC --- -----

SLK table is (7 of 1200) 1% full.
```

3. Display the cards in the database using the `rtrv-card` command. This is an example of the possible output.

```
rlghncxa03w 09-10-28 09:12:36 GMT EAGLE5 41.1.0
CARD TYPE APPL LSET NAME LINK SLC LSET NAME LINK SLC
1101 DSM VSCCP
1102 TSM GLS
1113 GSPM OAM
1114 TDM-A
1115 GSPM OAM
```

```

1116 TDM-B
1117 MDAL
1201 LIMDS0 SS7ANSI lsa1 B 0
1202 LIMDS0 SS7ANSI
1203 LIMDS0 SS7ANSI lsa2 B 0
1205 LIMDS0 SS7ANSI lsa3 A 0
1207 LIMDS0 SS7ANSI lsn1207a A 0 lsn1207b B 0
1214 LIMDS0 SS7ANSI lsn1214a A 0 lsa3 B 1
1302 LIMATM ATMANSI
1305 LIMATM ATMANSI
1311 LIMDS0 SS7ANSI
1318 LIMATM ATMANSI

```

If the required card is not in the database, go to the "Adding an SS7 LIM" procedure in the *Database Administration Manual - System Management* and add the card to the database.

4. Display the current linkset configuration using the `rtrv-ls` command. This is an example of the possible output.

```

rlghncxa03w 09-10-10 11:43:04 GMT EAGLE5 41.1.0
 L3T SLT
LSN APCA (SS7) SCRN SET SET BEI LST LNKS ACT MES DIS SLSCI NIS
lsn01 000-005-000 none 1 1 no A 0 off off off no off
lsn02 000-007-000 none 1 1 no A 0 off off off no off
lsa1 001-207-000 none 1 1 no B 1 off off off no off
lsa2 001-002-001 none 1 1 no A 1 off off off no off
lsa3 001-001-003 none 1 1 no A 2 off off off no off
lsn1207a 001-003-002 none 1 1 no A 1 off off off no off
lsn1207b 001-004-002 none 1 1 no A 1 off off off no off
lsn1214a 001-005-002 none 1 1 no A 1 off off off no off

```

Link set table is (8 of 1024) 1% full.

If the desired linkset is not in the database, perform [Adding a SS7 Linkset](#) to add the linkset to the database. After the linkset has been added to the database, continue the procedure with [Step 6](#).

If the desired linkset is in the database, continue the procedure with [Step 5](#).

5. Display the attributes of the linkset that will contain the new signaling link by entering the `rtrv-ls` command with the name of the linkset shown in [Step 4](#). For this example, enter these commands.

```
rtrv-ls:lsn=ls1305
```

This is an example of the possible output.

```

rlghncxa03w 09-10-10 11:43:04 GMT EAGLE5 41.1.0
 L3T SLT
LSN APCA (SS7) SCRN SET SET BEI LST LNKS ACT MES DIS SLSCI NIS
ls01 000-005-000 none 1 1 no A 0 off off off no off
 SPCA CLLI TFATCABMLQ MTPRSE ASL8

 1 --- no
 RANDSLS
 off
 IPSG IPGWAPC GTTMODE CGGTMOD
 no no CdPA no

```

```
Link set table is (8 of 1024) 1% full.
```

```
rtrv-ls:lsn=ls1307
```

This is an example of the possible output.

```
rlghncxa03w 09-10-10 11:43:04 GMT EAGLE5 41.1.0

LSN APCA (SS7) SCRNR L3T SLT GWS GWS GWS
ls02 000-007-000 none 1 1 no A 0 off off off no off

 SPCA CLLI TFATCABMLQ MTPRSE ASL8
 ----- ----- 1 --- no

RANDSLS
off

IPSG IPGWAPC GTTMODE CGGTMOD
no no CdPA no

Link set table is (8 of 1024) 1% full.
```

The signaling link cannot be assigned to a linkset whose IPSG or IPGWAPC values are yes. If either the IPSG or IPGWAPC value for the linkset is yes, repeat the procedure from [Step 4](#) and choose another linkset.

If the IPSG and IPGWAPC values for the linkset are no, continue the procedure with [Step 6](#).

6. Add the signaling link to the database using the `ent-slk` command. Use [Table 34: SS7 Signaling Link Parameter Combinations](#) as a guide for the parameters that can be specified with the `ent-slk` command. For this example, enter these commands.

```
ent-slk:loc=1201:link=a:lsn=ls01:slc=0:l2tset=1
ent-slk:loc=1202:link=b:lsn=ls02:slc=0:l2tset=2
ent-slk:loc=1311:link=a:lsn=ls01:slc=2:l2tset=1
ent-slk:loc=1311:link=a1:lsn=ls05:slc=2:l2tset=5
ent-slk:loc=1311:link=b:lsn=ls03:slc=2:l2tset=3
ent-slk:loc=1311:link=b1:lsn=ls07:slc=1:l2tset=7
```

When each of these commands have successfully completed, this message should appear.

```
rlghncxa03w 06-10-07 08:29:03 GMT EAGLE5 36.0.0
ENT-SLK: MASP A - COMPLTD
```

**Note:** If adding the new signaling link will result in more than 700 signaling links in the database and the OAMHCMEAS value in the `rtrv-measopts` output is on, the scheduled UI measurement reports will be disabled.

7. Verify the changes using the `rtrv-slk` command and specifying the card location specified in [Step 6](#). For this example, enter these commands.

```
rtrv-slk:loc=1201
```

This is an example of the possible output.

```
rlghncxa03w 09-07-10 11:43:04 GMT EAGLE5 41.1.0

LOC LINK LSN SLC TYPE L2T PCR PCR
 SET BPS ECM N1 N2
1201 A ls01 0 LIMDS0 1 56000 BASIC --- -----
1201 B lsa1 0 LIMDS0 1 56000 BASIC --- -----
```

```
rtrv-slk:loc=1202
```

This is an example of the possible output.

```
rlghncxa03w 09-07-10 11:43:04 GMT EAGLE5 41.1.0

LOC LINK LSN SLC TYPE L2T PCR PCR
 SET BPS ECM N1 N2
1202 B ls02 0 LIMDS0 2 56000 BASIC --- -----
```

```
rtrv-slk:loc=1311
```

This is an example of the possible output.

```
rlghncxa03w 09-07-10 11:43:04 GMT EAGLE5 41.1.0

LOC LINK LSN SLC TYPE L2T PCR PCR
 SET BPS ECM N1 N2
1311 A ls01 2 LIMDS0 1 56000 BASIC --- -----
1311 A1 ls05 2 LIMDS0 5 56000 BASIC --- -----
1311 B ls03 2 LIMDS0 3 56000 BASIC --- -----
1311 B1 ls07 1 LIMDS0 7 56000 BASIC --- -----
```

If any of the cards shown in this step contain the first signaling link on a card, continue the procedure with [Step 8](#).

If signaling links were assigned to all the cards shown in this step when [Step 6](#) was performed, continue the procedure with [Step 9](#).

- Bring the cards into service with the `rst-card` command, specifying the location of the card specified in [Step 7](#). For this example, enter these commands.

```
rst-card:loc=1202
```

```
rst-card:loc=1311
```

When each of these commands have successfully completed, this message should appear.

```
rlghncxa03w 06-10-23 13:05:05 GMT EAGLE5 36.0.0
Card has been allowed.
```

- Activate all signaling links on the cards using the `act-slk` command, specifying the card location and signaling link specified in [Step 6](#). For this example, enter these commands.

```
act-slk:loc=1201:link=a
```

```
act-slk:loc=1202:link=b
act-slk:loc=1311:link=a
act-slk:loc=1311:link=a1
act-slk:loc=1311:link=b
act-slk:loc=1311:link=b1
```

When each of these commands have successfully completed, this message should appear.

```
rlghncxa03w 06-10-07 08:31:24 GMT EAGLE5 36.0.0
Activate Link message sent to card
```

10. Check the status of the signaling links added in [Step 6](#) using the `rept-stat-slk` command with the card location and signaling link. The state of each signaling link should be in service normal (IS-NR) after the link has completed alignment (shown in the PST field). For this example, enter these commands.

```
rept-stat-slk:loc=1201:link=a
```

This is an example of the possible output.

```
rlghncxa03w 08-12-23 13:06:25 GMT EAGLE5 40.0.0
SLK LSN CLLI PST SST AST
1201,A ls01 ls01clli IS-NR Avail ----
 ALARM STATUS = No Alarms
 UNAVAIL REASON = --
```

```
rept-stat-slk:loc=1202:link=b
```

This is an example of the possible output.

```
rlghncxa03w 08-12-23 13:06:25 GMT EAGLE5 40.0.0
SLK LSN CLLI PST SST AST
1202,B ls02 ls02clli IS-NR Avail ----
 ALARM STATUS = No Alarms
 UNAVAIL REASON = --
```

```
rept-stat-slk:loc=1311:link=a
```

This is an example of the possible output.

```
rlghncxa03w 08-12-23 13:06:25 GMT EAGLE5 40.0.0
SLK LSN CLLI PST SST AST
1311,A ls01 ls01clli IS-NR Avail ----
 ALARM STATUS = No Alarms
 UNAVAIL REASON = --
```

```
rept-stat-slk:loc=1311:link=a1
```

This is an example of the possible output.

```
rlghncxa03w 08-12-23 13:06:25 GMT EAGLE5 40.0.0
```

```

SLK LSN CLLI PST SST AST
1311,A1 ls05 ls05clli IS-NR Avail ----
 ALARM STATUS = No Alarms
 UNAVAIL REASON = --

```

```
rept-stat-slk:loc=1311:link=b
```

This is an example of the possible output.

```

rlghncxa03w 08-12-23 13:06:25 GMT EAGLE5 40.0.0
SLK LSN CLLI PST SST AST
1311,B ls03 ls03clli IS-NR Avail ----
 ALARM STATUS = No Alarms
 UNAVAIL REASON = --

```

```
rept-stat-slk:loc=1311:link=b1
```

This is an example of the possible output.

```

rlghncxa03w 08-12-23 13:06:25 GMT EAGLE5 40.0.0
SLK LSN CLLI PST SST AST
1311,B1 ls07 ls07clli IS-NR Avail ----
 ALARM STATUS = No Alarms
 UNAVAIL REASON = --

```

- Back up the new changes using the `chg-db:action=backup:dest=fixed` command. These messages should appear, the active Maintenance and Administration Subsystem Processor (MASP) appears first.

```

BACKUP (FIXED) : MASP A - Backup starts on active MASP.
BACKUP (FIXED) : MASP A - Backup on active MASP to fixed disk complete.
BACKUP (FIXED) : MASP A - Backup starts on standby MASP.
BACKUP (FIXED) : MASP A - Backup on standby MASP to fixed disk complete.

```

## Removing an SS7 Signaling Link

This procedure is used to remove an SS7 low-speed, ATM, E1, E1 high-speed, or T1 signaling link from the database using the `dlt-slk` command. To remove other types of signaling links from the database, go to one of these procedures.

The link to be removed must exist in the database. This can be verified in [Step 1](#).

The `dlt-slk` command uses these parameters.

`:loc` – The card location of the LIM that the SS7 signaling link is assigned to.

`:link` – The signaling link on the card specified in the `loc` parameter.

`:force` – This parameter must be used to remove the last link in a linkset without having to remove all of the routes that referenced the linkset.

The `tfatcabmlq` parameter (TFA/TCA Broadcast Minimum Link Quantity), assigned to linksets, shows the minimum number of links in the given linkset (or in the combined link set in which it resides) that must be available for traffic. When the number of signaling links in the specified linkset is equal to or greater than the value of the `tfatcabmlq` parameter, the status of the routes that use the specified linkset is set to allowed and can carry traffic. Otherwise, these routes are restricted. The value of the `tfatcabmlq` parameter cannot exceed the total number of signaling links contained in the linkset.

If the linkset type of the linkset that contains the signaling link that is being removed is either A, B, D, E, or PRX, the signaling link can be removed regardless of the `tfatcabmlq` parameter value of the linkset and regardless of the `LSRESTRICT` option value. When a signaling link in one of these types of linksets is removed, the `tfatcabmlq` parameter value of the linkset is decreased automatically.

If the linkset type of the linkset that contains the signaling link that is being removed is C, the signaling link can be removed only:

- If the `LSRESTRICT` option is off. The `LSRESTRICT` option value is shown in the `rtrv-ss7opts` output.
- If the `LSRESTRICT` option is on and the number of signaling links assigned to the linkset will be equal to or greater than the value of the `tfatcabmlq` parameter value of the linkset after the signaling link is removed.

The `tfatcabmlq` parameter value of the linkset is shown in the `TFATCABMLQ` column of the `rtrv-ls:lsn=<linkset name>` output. The `tfatcabmlq` parameter value can be a fixed value (1 to 16) or 0. If the `tfatcabmlq` parameter value of the linkset is a fixed value, the number of signaling links that are in the linkset after the signaling link is removed must be equal to or greater than the `tfatcabmlq` parameter value of the linkset.

If the `tfatcabmlq` parameter value is 0, the signaling link can be removed. When the `tfatcabmlq` parameter value is 0, the value displayed in the `TFATCABMLQ` column of the `rtrv-ls` output is 1/2 of the number of signaling links contained in the linkset. If the number of signaling links in the linkset is an odd number, the `tfatcabmlq` parameter value is rounded up to the next whole number. As the signaling links are removed, the `tfatcabmlq` parameter value of the linkset is decreased automatically.

The signaling link cannot be removed from the database if link fault sectionalization (LFS) tests are being performed on it. This can be verified using the `rept-stat-lfs` command.

### Canceling the `RTRV-SLK` Command

Because the `rtrv-slk` command used in this procedure can output information for a long period of time, the `rtrv-slk` command can be canceled and the output to the terminal stopped. There are three ways that the `rtrv-slk` command can be canceled.

- Press the F9 function key on the keyboard at the terminal where the `rtrv-slk` command was entered.
- Enter the `canc-cmd` without the `trm` parameter at the terminal where the `rtrv-slk` command was entered.
- Enter the `canc-cmd:trm=<xx>`, where `<xx>` is the terminal where the `rtrv-slk` command was entered, from another terminal other than the terminal where the `rtrv-slk` command was entered. To enter the `canc-cmd:trm=<xx>` command, the terminal must allow Security Administration commands to be entered from it and the user must be allowed to enter Security Administration commands. The terminal's permissions can be verified with the `rtrv-secu-trm` command. The user's permissions can be verified with the `rtrv-user` or `rtrv-secu-user` commands.



For more information about the `canc-cmd` command, go to the *Commands Manual*.

1. Display the current link configuration using the `rtrv-slk` command. This is an example of the possible output.

```
rlghncxa03w 09-07-19 21:16:37 GMT EAGLE5 41.1.0
```

| LOC  | LINK | LSN      | SLC | TYPE   | L2T<br>SET | BPS   | ECM   | PCR<br>N1 | PCR<br>N2 |
|------|------|----------|-----|--------|------------|-------|-------|-----------|-----------|
| 1201 | A    | ls01     | 0   | LIMDS0 | 1          | 56000 | BASIC | ---       | -----     |
| 1201 | B    | lsa1     | 0   | LIMDS0 | 1          | 56000 | BASIC | ---       | -----     |
| 1202 | B    | ls02     | 0   | LIMDS0 | 2          | 56000 | BASIC | ---       | -----     |
| 1203 | A    | ls03     | 0   | LIMDS0 | 3          | 56000 | BASIC | ---       | -----     |
| 1203 | B    | lsa2     | 0   | LIMDS0 | 1          | 56000 | BASIC | ---       | -----     |
| 1204 | B    | ls01     | 1   | LIMDS0 | 1          | 56000 | BASIC | ---       | -----     |
| 1205 | A    | lsa3     | 0   | LIMDS0 | 4          | 56000 | BASIC | ---       | -----     |
| 1206 | A    | ls02     | 1   | LIMDS0 | 2          | 56000 | BASIC | ---       | -----     |
| 1207 | A    | lsn1207a | 0   | LIMDS0 | 1          | 56000 | BASIC | ---       | -----     |
| 1207 | B    | lsn1207b | 0   | LIMDS0 | 1          | 56000 | BASIC | ---       | -----     |
| 1208 | B    | ls03     | 1   | LIMDS0 | 3          | 56000 | BASIC | ---       | -----     |
| 1212 | A    | ls04     | 0   | LIMDS0 | 4          | 56000 | BASIC | ---       | -----     |
| 1213 | B    | ls05     | 0   | LIMDS0 | 5          | 56000 | BASIC | ---       | -----     |
| 1214 | A    | lsn1214a | 0   | LIMDS0 | 2          | 56000 | BASIC | ---       | -----     |
| 1214 | B    | lsa3     | 1   | LIMDS0 | 4          | 56000 | BASIC | ---       | -----     |
| 1215 | A    | ls05     | 1   | LIMDS0 | 5          | 56000 | BASIC | ---       | -----     |
| 1301 | B    | ls06     | 0   | LIMDS0 | 6          | 56000 | BASIC | ---       | -----     |
| 1304 | B    | ls06     | 1   | LIMDS0 | 6          | 56000 | BASIC | ---       | -----     |
| 1308 | A    | ls06     | 2   | LIMDS0 | 6          | 56000 | BASIC | ---       | -----     |
| 1311 | A    | ls01     | 2   | LIMDS0 | 1          | 56000 | BASIC | ---       | -----     |
| 1311 | A1   | ls05     | 2   | LIMDS0 | 5          | 56000 | BASIC | ---       | -----     |
| 1311 | B    | ls03     | 2   | LIMDS0 | 3          | 56000 | BASIC | ---       | -----     |
| 1311 | B1   | ls07     | 1   | LIMDS0 | 7          | 56000 | BASIC | ---       | -----     |
| 1313 | A    | ls07     | 0   | LIMDS0 | 7          | 56000 | BASIC | ---       | -----     |
| 1315 | A    | lsn5     | 0   | LIMDS0 | 11         | 56000 | BASIC | ---       | -----     |
| 1317 | A    | lsi7     | 0   | LIMDS0 | 11         | 56000 | BASIC | ---       | -----     |

| LOC  | LINK | LSN      | SLC | TYPE   | LP<br>SET | BPS     | ATM<br>TSEL | VCI | VPI | LL |
|------|------|----------|-----|--------|-----------|---------|-------------|-----|-----|----|
| 1302 | A    | atmansio | 0   | LIMATM | 3         | 1544000 | EXTERNAL    | 35  | 15  | 0  |
| 1305 | A    | atmansil | 0   | LIMATM | 4         | 1544000 | INTERNAL    | 100 | 20  | 2  |
| 1318 | A    | atmansio | 1   | LIMATM | 9         | 1544000 | LINE        | 150 | 25  | 4  |

| LOC  | LINK | LSN     | SLC | TYPE     | LP<br>SET | BPS    | ATM<br>TSEL | VCI | VPI | E1ATM<br>CRC4 | SI | SN |
|------|------|---------|-----|----------|-----------|--------|-------------|-----|-----|---------------|----|----|
| 2101 | A    | atmitul | 0   | LIME1ATM | 5         | 2.048M | LINE        | 150 | 2   | ON            | 1  | 20 |
| 2105 | A    | atmitul | 1   | LIME1ATM | 5         | 2.048M | LINE        | 35  | 15  | ON            | 2  | 15 |

SLK table is (31 of 1200) 3% full

2. Display the linkset that contains the signaling link that is being removed by entering the `rtrv-ls` command with the name of the linkset shown in the LSN column of the `rtrv-slk` output.

For this example, enter this command.

```
rtrv-ls:lsn=ls04
```

This is an example of the possible output.

```
rlghncxa03w 10-07-17 11:43:04 GMT EAGLE5 42.0.0
```

| L3T | SLT | GWS | GWS | GWS |
|-----|-----|-----|-----|-----|
|     |     |     |     |     |

```

LSN APCA (SS7) SCRNL SET SET BEI LST LNKS ACT MES DIS SLSCI NIS
ls04 002-009-003 scr2 1 1 no a 1 on off on no off

 SPCA CLLI TFATCABMLQ MTPRSE ASL8

 1 no no

RANDSLS
off

ISLSRSB RLSLS8
1 no

IPSG IPGWAPC GTTMODE CGGTMOD
no no CdPA no

 L2T PCR PCR
 SET BPS ECM N1 N2
 1 56000 BASIC ---- -
 1212 A 0 LIMDS0

Link set table is (20 of 1024) 2% full

```

If the linkset type of the linkset is A, B, D, E, or PRX, continue the procedure with [Step 5](#).

If the linkset type of the linkset is C, continue the procedure with [Step 3](#).

3. Display the LSRESTRICT option value by entering the `rtrv-ss7opts` command.

This is an example of the possible output.

```

rlghncxa03w 10-07-30 15:09:00 GMT 42.0.0

SS7 OPTIONS

LSRESTRICT on

```

**Note:** The `rtrv-feat` command output contains other fields that are not used by this procedure. If you wish to see all the fields displayed by the `rtrv-feat` command, refer to the `rtrv-feat` command description in the *Commands Manual*.

The signaling link cannot be removed, if the LSRESTRICT option is on and the number of signaling links assigned to the linkset will be less than the value of the `tfatcabmlq` parameter value of the linkset if the signaling link is removed.

If the LSRESTRICT option is on and the number of signaling links assigned to the linkset will be equal to or greater than the value of the `tfatcabmlq` parameter value of the linkset if the signaling link is removed, continue the procedure with [Step 5](#).

If the LSRESTRICT option is on and the number of signaling links assigned to the linkset will be less than the value of the `tfatcabmlq` parameter value of the linkset if the signaling link is removed, the signaling link cannot be removed unless the `tfatcabmlq` parameter value of the linkset is changed to 0. Continue the procedure with [Step 4](#).

If the LSRESTRICT value is off, continue the procedure with [Step 5](#).

4. Change the `tfatcabmlq` parameter value of the linkset to 0 by entering the `chg-ls` command with the name of the linkset that contains the signaling link that is being removed and the `tfatcabmlq` parameters. For this example, enter this command.

```
chg-ls:lsn=ls17:tfatcabmlq=0
```

When this command has successfully completed, this message should appear.

```
rlghncxa03w 10-07-07 08:41:12 GMT EAGLE5 42.0.0
Link set table is (20 of 1024) 2% full.
CHG-LS: MASP A - COMPLTD
```

5. Enter the `rept-stat-lfs` command to verify whether or not a link fault sectionalization test is being performed on the signaling link to be removed from the database. This is an example of the possible output.

```
rlghncxa03w 06-10-07 08:41:12 GMT EAGLE5 36.0.0
SLK LBP PATTERN MAX-ERRORS BIT_ERRORS MAX-TIME TEST-TIME
1201,A 5 B0247 56 30 01:00:00 00:00:50
1202,A 3 B511 56 27 01:00:00 00:01:05
1203,A 1 OCTET 56 12 01:00:00 00:02:07
1204,A 6 ALTERNATE 56 28 01:00:00 00:04:08
1205,A 2 B0247 56 36 01:00:00 00:03:05
1206,A 1 B0247 56 15 01:00:00 00:06:06
1207,A 3 B0247 56 19 01:00:00 00:02:04
1208,A 5 B0247 56 23 01:00:00 00:04:01
1208,B1 4 B0247 56 23 01:00:00 00:08:01
```

**Note:** If the `rept-stat-lfs` command output in [Step 5](#) shows that no LFS tests are being performed on the signaling link to be removed from the database, continue the procedure with [Step 7](#).

6. Deactivate the LFS test being performed on the signaling link using the `dact-lbp` command, specifying the location signaling link being removed.

For this example, enter this command.

```
dact-lbp:loc=1212:link=a
```

When this command has successfully completed, this message should appear.

```
rlghncxa03w 06-10-07 08:41:12 GMT EAGLE5 36.0.0
LOC = 1212 LINK = A
CLEAR STATUS = PASS, loop-back was cleared.
```

7. Deactivate the link to be removed using the `dact-slk` command, using the output from [Step 1](#) to obtain the card location and signaling link information of the signaling link to be removed.

For this example, enter this command.

```
dact-slk:loc=1212:link=a
```

When this command has successfully completed, this message should appear.

```
rlghncxa03w 06-10-07 08:41:12 GMT EAGLE5 36.0.0
Deactivate Link message sent to card
```

8. Verify that the link is out of service - maintenance disabled (OOS-MT-DSBLD) using the `rept-stat-slk` command with the card location and signaling link.

For this example, enter this command.

```
rept-stat-slk:loc=1212:link=a
```

This is an example of the possible output.

```
rlghncxa03w 06-10-23 13:06:25 GMT EAGLE5 36.0.0
SLK LSN CLLI PST SST AST
1212,A ls04 ls04clli OOS-MT Unavail ----
ALARM STATUS = * 0235 REPT-LNK-MGTINH: local inhibited
UNAVAIL REASON = LI
```

9. If the signaling link to be removed is the last signaling link on a card, the card must be inhibited before the signaling link is removed. Before entering the `dlt-slk` command, enter the `rmv-card` command and specify the location of the card to be inhibited. The card location is shown in the output of `rept-stat-slk` command executed in [Step 8](#). If the signaling link to be removed is not the last signaling link on the card, continue the procedure with [Step 10](#).

In the example used for this procedure, the signaling link is the last signaling link on the card and must be inhibited. Enter this command.

```
rmv-card:loc=1212
```

When this command has successfully completed, this message should appear.

```
rlghncxa03w 06-10-07 08:41:12 GMT EAGLE5 36.0.0
Card has been inhibited.
```

10. Remove the signaling link from the EAGLE 5 ISS using the `dlt-slk` command. If there is only one signaling link in the linkset, the `force=yes` parameter must be specified to remove the signaling link.

In the example used in this procedure, the signaling link is the last signaling link in the linkset. Enter this command.

```
dlt-slk:loc=1212:link=a:force=yes
```

When this command has successfully completed, this message should appear.

```
rlghncxa03w 06-10-07 08:41:17 GMT EAGLE5 36.0.0
DLT-SLK: MASP A - COMPLTD
```

**Note:** If removing the signaling link will result in 700 or less signaling links in the database and the `OAMHCMEAS` value in the `rtrv-measopts` output is on, the scheduled UI measurement reports will be enabled.

11. Verify the changes using the `rtrv-slk` command. This is an example of the possible output.

```
rlghncxa03w 09-05-19 21:16:37 GMT EAGLE5 41.0.0
 L2T L1 PCR PCR
```

```

LOC LINK LSN SLC TYPE SET BPS MODE TSET ECM N1 N2
1201 A ls01 0 LIMDS0 1 56000 --- --- BASIC --- ---
1201 B lsa1 0 LIMDS0 1 56000 --- --- BASIC --- ---
1202 B ls02 0 LIMDS0 2 56000 --- --- BASIC --- ---
1203 A ls03 0 LIMDS0 3 56000 --- --- BASIC --- ---
1203 B lsa2 0 LIMDS0 1 56000 --- --- BASIC --- ---
1204 B ls01 1 LIMDS0 1 56000 --- --- BASIC --- ---
1205 A lsa3 0 LIMDS0 4 56000 --- --- BASIC --- ---
1206 A ls02 1 LIMDS0 2 56000 --- --- BASIC --- ---
1207 A lsn1207a 0 LIMDS0 1 56000 --- --- BASIC --- ---
1207 B lsn1207b 0 LIMDS0 1 56000 --- --- BASIC --- ---
1208 B ls03 1 LIMDS0 3 56000 --- --- BASIC --- ---
1213 B ls05 0 LIMDS0 5 56000 --- --- BASIC --- ---
1214 A lsn1214a 0 LIMDS0 2 56000 --- --- BASIC --- ---
1214 B lsa3 1 LIMDS0 4 56000 --- --- BASIC --- ---
1215 A ls05 1 LIMDS0 5 56000 --- --- BASIC --- ---
1301 B ls06 0 LIMDS0 6 56000 --- --- BASIC --- ---
1304 B ls06 1 LIMDS0 6 56000 --- --- BASIC --- ---
1308 A ls06 2 LIMDS0 6 56000 --- --- BASIC --- ---
1311 A ls01 2 LIMDS0 1 56000 --- --- BASIC --- ---
1311 A1 ls05 2 LIMDS0 5 56000 --- --- BASIC --- ---
1311 B ls03 2 LIMDS0 3 56000 --- --- BASIC --- ---
1311 B1 ls07 1 LIMDS0 7 56000 --- --- BASIC --- ---
1313 A ls07 0 LIMDS0 7 56000 --- --- BASIC --- ---
1315 A lsn5 0 LIMDS0 11 56000 --- --- BASIC --- ---
1317 A lsi7 0 LIMDS0 11 56000 --- --- BASIC --- ---

LOC LINK LSN SLC TYPE LP ATM
SET BPS TSEL VCI VPI LL
1302 A atmansi0 0 LIMATM 3 1544000 EXTERNAL 35 15 0
1305 A atmansi1 0 LIMATM 4 1544000 INTERNAL 100 20 2
1318 A atmansi0 1 LIMATM 9 1544000 LINE 150 25 4

LOC LINK LSN SLC TYPE LP ATM E1ATM
SET BPS TSEL VCI VPI CRC4 SI SN
2101 A atmitul 0 LIME1ATM 5 2.048M LINE 150 2 ON 1 20
2105 A atmitul 1 LIME1ATM 5 2.048M LINE 35 15 ON 2 15

SLK table is (31 of 1200) 3% full

```

- Back up the new changes using the `chg-db:action=backup:dest=fixed` command. These messages should appear, the active Maintenance and Administration Subsystem Processor (MASP) appears first.

```

BACKUP (FIXED) : MASP A - Backup starts on active MASP.
BACKUP (FIXED) : MASP A - Backup on active MASP to fixed disk complete.
BACKUP (FIXED) : MASP A - Backup starts on standby MASP.
BACKUP (FIXED) : MASP A - Backup on standby MASP to fixed disk complete.

```

## Adding a Route Containing an SS7 DPC

This procedure is used to add a route containing an SS7 DPC to the database using the `ent-rte` command. The routes configured in this procedure do not contain cluster point codes as DPCs, or IPGWx linksets. These routes are configured in these procedures:

- [Adding a Route Containing a Cluster Point Code](#)

- [Adding a Route Containing an IPGWx Linkset](#)

The `ent-rte` command uses these parameters.

`:dpc/dpca/dpci/dpcn/dpcn24` – The destination point code of the node that the traffic is being sent to.

**Note:** See [Point Code Formats](#) for a definition of the point code types that are used on the EAGLE 5 ISS and for a definition of the different formats that can be used for ITU national point codes.

`:lcn` – The name of the linkset that will carry the traffic to the node specified by the destination point code.

`:rc` – The relative cost (priority) for this route.

`:force` – This parameter allows a route to be added to the database even if the linkset to be assigned to the route does not have any signaling links in it.

These items must be configured in the database before a route can be added in this procedure:

- Destination point code (DPC) – see one of these procedures depending on the type of point code required:
  - For a Network Routing DPC – see [Adding a Network Routing Point Code](#).
  - For all other DPCs – see [Adding a Destination Point Code](#)
- Linkset – see [Adding a SS7 Linkset](#)
- Link – see [Adding an SS7 Signaling Link](#).

The linkset assigned to this route must have an adjacent point code (APC) in the SS7 domain. The domain of the DPC is shown in the `DMN` field in the output of the `rtrv-dstn` command.

The DPC of the route must be of the same format as the APC of the linkset being added to the route. That is, routes containing ANSI DPCs must have linksets with ANSI APCs; routes containing ITU-I DPCs must have linksets with ITU-I APCs; routes containing 14-bit ITU-N DPCs must have linksets with 14-bit ITU-N APCs; routes containing 24-bit ITU-N DPCs must have linksets with 24-bit ITU-N APCs. The DPC of the route must be defined as a true point code in the `rtrv-dstn` output. Alias point codes and secondary point codes cannot be used. True point codes are shown in the output of the `rtrv-dstn` command in the `DPCA`, `DPCI`, `DPCN`, or `DPCN24` fields. Private point codes cannot be used as the DPC of a route in this procedure. Routes that have private point codes as the DPC of a route can contain only IPGWx linksets. Perform the [Adding a Route Containing an IPGWx Linkset](#) procedure to add routes containing IPGWx linksets.

The DPC of the route is the destination point code to be reached by the route and is shown in the output of the `rtrv-rte` command in the `DPCA`, `DPCI`, `DPCN`, or `DPCN24` fields.

The `APCA`, `APCI`, `APCN`, and `APCN24` fields in the output of the `rtrv-rte` command show the point code of the node that is directly adjacent to the node in the route.

A linkset can only be entered once as a route for each DPC.

A maximum of six routes can be defined for each DPC.

If the 6-Way Loadsharing on Routesets feature is enabled and turned on, a maximum of six routes in the routeset can be assigned the same relative cost value. It is recommended that the routeset be provisioned with a group of four routes that have the same relative cost value and another group of two routes that have the same relative cost value. Three or five routes in the routeset that have the same relative cost value can be provisioned, but the odd number makes it more difficult to distribute the route traffic evenly. Six routes in the routeset that have the same relative cost value can be

provisioned, but this does not allow for any backup routes and also offers the worst chance for congestion and queuing issues during network failures. If the 6-Way Loadsharing on Routesets feature is not enabled or not turned on, a maximum of two linksets can be assigned the same relative cost value. The relative cost value of the route is defined by the `rc` parameter of the `ent-rte` command and is shown in the `RC` field in the output of the `rtrv-rte` command.

The `force=yes` parameter must be specified if the specified linkset has no signaling links assigned to it. Otherwise, each linkset must have at least one signaling link assigned to it.

The ANSI DPC (DPC/DPCA) of the route can use either a full point code or a network routing point code. ITU DPCs (DPCI, DPCN, and DPCN24) must use full point codes. For more information on network routing point codes, go to the [Network Routing](#) section.

If the DPC of the route is a network routing point code, only linksets, specified with either the `lsn` or `nlsn` parameters, whose linkset type is either B, C, or D can be assigned to the route. The linkset type is shown in the `LST` field of the `rtrv-ls` command output. If the linkset type of the desired linkset is either A, E, or PRX, one of three actions must be taken.

- Choose another linkset with the linkset type B, C, or D.
- Change the linkset type of an existing linkset - perform the [Changing an SS7 Linkset](#) procedure.
- Add a new linkset to the database with the necessary signaling links and the linkset type B, C, or D.
  1. Perform the [Adding a SS7 Linkset](#) procedure to add the linkset.
  2. If the necessary signaling links are not in the database, go to the [Adding an SS7 Signaling Link](#) procedure and add the signaling links to the database.

If the DPC of the route is a member of a cluster point code, and the nested cluster allowed indicator (`ncai` parameter of either the `ent-dstn` or `chg-dstn` command) is set to `no`, then the route to the DPC must be the same as the route to the cluster point code. If the nested cluster allowed indicator is set to `yes`, the route to the member of the cluster does not have to be the same as the route to the cluster point code. For more information, see the [Nested Cluster Routing](#) section.

For routes containing 14-bit ITU National DPCs with group codes, if the linkset assigned to the route has the `MULTGC` value set to `yes`, then 14-bit ITU National DPCs with group codes that are different from the linkset APC group code can be assigned to the route. If the `MULTGC` value is set to `no`, then only 14-bit ITU National DPCs with group codes that are the same as the linkset APC group code can be assigned to the route.

When a new route is being added and the DPC of that route contains a proxy point code, the first route assigned to this DPC must be a linkset whose linkset type is PRX and must have a proxy point code assigned to the linkset. The proxy point code that is assigned to the linkset must be the proxy point code that is assigned to the DPC of the route. After this route has been added, other routes can be added to this DPC. The linksets for these routes can contain proxy point codes, but do not have to contain proxy point codes.

### Canceling the RTRV-LS, RTRV-DSTN, and RTRV-RTE Commands

Because the `rtrv-ls`, `rtrv-dstn`, and `rtrv-rte` commands used in this procedure can output information for a long period of time, the `rtrv-ls`, `rtrv-dstn`, and `rtrv-rte` commands can be canceled and the output to the terminal stopped. There are three ways that the `rtrv-ls`, `rtrv-dstn`, and `rtrv-rte` commands can be canceled.

- Press the F9 function key on the keyboard at the terminal where the `rtrv-ls`, `rtrv-dstn`, or `rtrv-rte` commands were entered.

- Enter the `canc-cmd` without the `trm` parameter at the terminal where the `rtrv-ls`, `rtrv-dstn`, or `rtrv-rte` commands were entered.
- Enter the `canc-cmd:trm=<xx>`, where `<xx>` is the terminal where the `rtrv-ls`, `rtrv-dstn`, or `rtrv-rte` commands were entered, from another terminal other than the terminal where the `rtrv-ls`, `rtrv-dstn`, or `rtrv-rte` commands were entered. To enter the `canc-cmd:trm=<xx>` command, the terminal must allow Security Administration commands to be entered from it and the user must be allowed to enter Security Administration commands. The terminal's permissions can be verified with the `rtrv-secu-trm` command. The user's permissions can be verified with the `rtrv-user` or `rtrv-secu-user` commands.

For more information about the `canc-cmd` command, go to the *Commands Manual*.

1. Display the current route configuration using the `rtrv-rte` command. This is an example of the possible output.

```
rlghncxa03w 10-12-10 11:43:04 GMT EAGLE5 43.0.0
Extended Processing Time may be Required
```

| DPCA        | ALIASI      | ALIASN/N24  | LSN      | RC        | APCA        |
|-------------|-------------|-------------|----------|-----------|-------------|
| 140-012-004 | 1-111-1     | 10-13-12-1  | ls000001 | 10        | 240-012-002 |
|             |             |             | ls000002 | 10        | 240-012-002 |
|             |             |             | ls000003 | 20        | 240-012-002 |
|             |             |             | ls000004 | 30        | 240-012-002 |
|             |             |             | ls000005 | 40        | 240-012-002 |
|             |             |             | ls000006 | 50        | 240-012-002 |
|             |             |             | RTX:No   | CLLI=dp1  |             |
| 140-012-005 | 1-111-2     | 10-13-12-2  | ls000001 | 10        | 240-012-002 |
|             |             |             | ls000002 | 10        | 240-012-002 |
|             |             |             | ls000003 | 20        | 240-012-002 |
|             |             |             | ls000004 | 30        | 240-012-002 |
|             |             |             | ls000005 | 40        | 240-012-002 |
|             |             |             | ls000006 | 50        | 240-012-002 |
|             |             |             | RTX:No   | CLLI=dp2  |             |
| DPCI        | ALIASN/N24  | ALIASA      | LSN      | RC        | APC         |
| 2-234-5     | 11-13-3-3   | 240-111-111 | ls100001 | 10        | 1-234-5     |
|             |             |             | ls100002 | 10        | 1-234-6     |
|             |             |             | ls100003 | 20        | 1-234-7     |
|             |             |             | ls100004 | 30        | 1-234-1     |
|             |             |             | ls100005 | 40        | 1-234-2     |
|             |             |             | ls100006 | 50        | 1-234-3     |
|             |             |             | RTX:No   | CLLI=idp1 |             |
| DPCN        | ALIASA      | ALIASI      | LSN      | RC        | APC         |
| 12-12-13-3  | 011-222-111 | 0-001-1     | ls200001 | 10        | 10-13-9-3   |
|             |             |             | ls200002 | 10        | 10-13-10-0  |
|             |             |             | ls200003 | 20        | 10-13-10-1  |
|             |             |             | ls200004 | 30        | 10-13-10-2  |
|             |             |             | ls200005 | 40        | 10-13-10-3  |
|             |             |             | ls200006 | 50        | 10-13-11-0  |
|             |             |             | RTX:No   | CLLI=ndp1 |             |
| DPCN24      | ALIASA      | ALIASI      | LSN      | RC        | APC         |

If the destination point code of the route being added in this procedure is not shown in the `rtrv-rte` output, perform one of these procedures in Chapter 2 to add the destination point code of the route to the destination point code table.

- For a Network Routing DPC – [Adding a Network Routing Point Code](#).
- For all other DPCs – [Adding a Destination Point Code](#).

After the new DPC has been added, continue the procedure by performing one of these steps.



- If a proxy point code was assigned to the new DPC that was added, continue this procedure with [Step 2](#).
- If a proxy point code was not assigned to the new DPC that was added, continue the procedure by performing one of these steps.
  - If no more than two routes in the routeset will have the same relative cost value, and the new DPC is a member of a cluster, continue the procedure with [Step 6](#).
  - If no more than two routes in the routeset will have the same relative cost value, and the new DPC is not a member of a cluster, continue the procedure with [Step 7](#).
  - If more than two routes in the routeset will have the same relative cost value, and routesets that contain more than two routes with the same relative cost value are shown in the `rtrv-rte` output, continue the procedure by performing one of these steps.
    - If the new DPC is a member of a cluster, continue the procedure with [Step 6](#).
    - If the new DPC is not a member of a cluster, continue the procedure with [Step 7](#).
  - If more than two routes in the routeset will have the same relative cost value, and routesets that contain more than two routes with the same relative cost value are not shown in the `rtrv-rte` output, continue the procedure with [Step 5](#).

If the destination point code of the route being added in this procedure is shown in the `rtrv-rte` output, continue the procedure by performing one of these steps.

- If the DPC that you wish to add the route to contains six routes, no more routes can be added to this DPC. A DPC of a route can contain a maximum of six routes. Choose another DPC to add the routes to and repeat this step.
  - If the DPC that you wish to add the route to is a network routing point code, or already has at least one route assigned to it, continue the procedure by performing one of these steps.
    - If no more than two routes in the routeset will have the same relative cost value, and the DPC is a member of a cluster, continue the procedure with [Step 6](#).
    - If no more than two routes in the routeset will have the same relative cost value, and the DPC is not a member of a cluster, continue the procedure with [Step 7](#).
    - If more than two routes in the routeset will have the same relative cost value, and routesets that contain more than two routes with the same relative cost value are shown in the `rtrv-rte` output, continue the procedure by performing one of these steps.
      - If the DPC is a member of a cluster, continue the procedure with [Step 6](#).
      - If the DPC is not a member of a cluster, continue the procedure with [Step 7](#).
    - If more than two routes in the routeset will have the same relative cost value, and routesets that contain more than two routes with the same relative cost value are not shown in the `rtrv-rte` output, continue the procedure with [Step 5](#).
  - If the DPC that you wish to add the route to is not a network routing point code, and has no routes assigned to it, continue this procedure with [Step 2](#).
2. The first route to a DPC that contains a proxy point code must be a linkset whose linkset type is `PRX`. This linkset must contain the proxy point code that is assigned to the DPC of the route..

Verify if the DPC of the route contains a proxy point code by entering the `rtrv-dstn` command with the DPC of the route. For this example, enter this command.

```
rtrv-dstn:dpca=003-003-003
```

This is an example of the possible output.

```
rlghncxa03w 10-12-15 09:22:39 EST 43.0.0

DPCA CLLI BEI ELEI ALIASI ALIASN/N24 DMN
003-003-003 ----- no --- ----- ----- SS7

PPCA NCAI PRX RCAUSE NPRST SPLITIAM HMSMSC HMSCP SCCPMSGCNV
010-010-010 ---- no none off none no no none

Destination table is (14 of 2000) 1% full
Alias table is (0 of 12000) 0% full
PPC table is (2 of 10) 20% full
```

If a proxy point code is not shown in this step, continue the procedure by performing one of these steps.

- If no more than two routes in the routeset will have the same relative cost value, and the DPC is a member of a cluster, continue the procedure with [Step 6](#).
- If no more than two routes in the routeset will have the same relative cost value, and the DPC is not a member of a cluster, continue the procedure with [Step 7](#).
- If more than two routes in the routeset will have the same relative cost value, and routesets that contain more than two routes with the same relative cost value are shown in the `rtrv-rte` output, continue the procedure by performing one of these steps.
  - If the DPC is a member of a cluster, continue the procedure with [Step 6](#).
  - If the DPC is not a member of a cluster, continue the procedure with [Step 7](#).
- If more than two routes in the routeset will have the same relative cost value, and routesets that contain more than two routes with the same relative cost value are not shown in the `rtrv-rte` output, continue the procedure with [Step 5](#).

If a proxy point code is shown in this step, continue this procedure with [Step 3](#).

3. Display the linksets that contain the proxy point code that is assigned to the DPC of the route by entering the `rtrv-ls` command with the proxy point code. For this example, enter this command.

```
rtrv-ls:ppca=010-010-010
```

This is an example of the possible output.

```
rlghncxa03w 07-08-15 09:50:20 EST 37.0.0

PPCA = 010-010-010

LSN APCA (SS7) SCR N SET SET BEI LST LNKS GWS GWS GWS SLSCI NIS
lsn3 003-003-003 none 1 1 no PRX 2 off off off no off
lsn5 012-012-012 none 1 1 no PRX 2 off off off no off
lsn15 015-015-015 none 1 1 no PRX 2 off off off no off

Link set table is (11 of 1024) 1% full.
```

The linkset that is being assigned to the DPC of the route must be shown in this step. The APC of this linkset must be the same as the DPC of the route. If this linkset is not shown in this step, perform the [Adding a SS7 Linkset](#) procedure to add a linkset that contains these attributes.

- The APC of the linkset must be the same as the DPC of the route.
- The linkset type must be PRX.
- The proxy point code that is assigned to the DPC of the route must be assigned to the linkset.

After the linkset has been added, continue the procedure with [Step 4](#).

If a linkset is shown in this step whose APC is the same as the DPC of the route, continue the procedure with [Step 4](#).

4. Add the route containing the proxy linkset (the linkset type is PRX) using the `ent-rte` command. For this example, enter this command.

```
ent-rte:dpca=003-003-003:lsn=lsn3:rc=10
```

When this command has successfully completed, this message should appear.

```
rlghncxa03w 06-10-07 08:28:30 GMT EAGLE5 36.0.0
ENT-RTE: MASP A - COMPLTD
```

Other routes can be added to this DPC. If you wish to add more routes, continue the procedure by performing one of these steps.

- If no more than two routes in the routeset will have the same relative cost value, and the DPC is a member of a cluster, continue the procedure with [Step 6](#).
- If no more than two routes in the routeset will have the same relative cost value, and the DPC is not a member of a cluster, continue the procedure with [Step 7](#).
- If more than two routes in the routeset will have the same relative cost value, and routesets that contain more than two routes with the same relative cost value are shown in the `rtrv-rte` output, continue the procedure by performing one of these steps.
  - If the DPC is a member of a cluster, continue the procedure with [Step 6](#).
  - If the DPC is not a member of a cluster, continue the procedure with [Step 7](#).
- If more than two routes in the routeset will have the same relative cost value, and routesets that contain more than two routes with the same relative cost value are not shown in the `rtrv-rte` output, continue the procedure with [Step 5](#).

If you do not wish to add more routes to this DPC, continue the procedure with [Step 10](#).

5. For a routeset to have more than two routes with the same relative cost value, the 6-Way Loadsharing on Routesets feature must be enabled and turned on.

To verify the status of the 6-Way Loadsharing on Routesets feature, enter this command.

```
rtrv-ctrl-feat:partnum=893019801
```

The following is an example of the possible output.

```
rlghncxa03w 09-05-28 21:15:37 GMT EAGLE5 41.0.0
The following features have been permanently enabled:

Feature Name Partnum Status Quantity
6-Way LS on Routesets 893019801 on ----

The following features have been temporarily enabled:

Feature Name Partnum Status Quantity Trial Period Left
```

```
Zero entries found.
```

```
The following features have expired temporary keys:
```

```
Feature Name Partnum
Zero entries found.
```

If the 6-Way Loadsharing on Routesets feature is not enabled or not turned on, perform the [Activating the 6-Way Loadsharing on Routesets Feature](#) procedure to enable and turn on the 6-Way Loadsharing on Routesets feature.

After the 6-Way Loadsharing on Routesets feature has been enabled and turned on, or if the `rtrv-ctrl-feat` output shows that the 6-Way Loadsharing on Routesets feature is enabled and turned on, continue this procedure by performing one of these steps.

- If the DPC is a member of a cluster, continue the procedure with [Step 6](#).
  - If the DPC is not a member of a cluster, continue the procedure with [Step 7](#).
6. Display the `ncai` parameter value assigned to the cluster point code using the `rtrv-dstn` command and specifying the cluster point code. If the `ncai` parameter value is `no`, then the route to the DPC must be the same as the route to the cluster point code. If the `ncai` parameter value is `yes`, the route to the member of the cluster does not have to be the same as the route to the cluster point code. The `ncai` value is shown in the `NCAI` field of the `rtrv-dstn` output. For this example, enter this command.

```
rtrv-dstn:dpca=111-011-*
```

This is an example of the possible output.

```
rlghncxa03w 10-12-28 21:16:37 GMT EAGLE5 43.0.0

 DPCA CLLI BEI ELEI ALIASI ALIASN/N24 DMN
 111-011-* rlghncbb000 yes yes ----- ----- SS7

 SPCA NCAI RCAUSE NPRST SPLITIAM HMSMSC HMSCP SCCPMSGCNV
 ----- yes none off none no no none

Destination table is (12 of 2000) 1% full
Alias table is (18 of 8000) 1% full
```

If the `ncai` parameter value of the cluster point code is `no`, and you wish to change the `ncai` parameter value to `yes`, perform the [Changing the Attributes of a Cluster Point Code](#) procedure. If the `ncai` parameter value of the cluster point code is `no`, and you do not wish to change the `ncai` parameter value to `yes`, add a new DPC for the route by performing either the [Adding a Destination Point Code](#) procedure or the [Adding a Network Routing Point Code](#) procedure.

7. Verify that the required linkset for the route is in the database by displaying the linksets in the database with the `rtrv-ls` command.

This is an example of the possible output.

```
rlghncxa03w 06-10-10 11:43:04 GMT EAGLE5 36.0.0

 L3T SLT GWS GWS GWS
LSN APCA (SS7) SCRN SET SET BEI LST LNKS ACT MES DIS SLSCI NIS
ele2 001-207-000 none 1 1 no B 6 off off off no off
```

```

ls1305 000-005-000 none 1 1 no A 1 off off off no off
ls1307 000-007-000 none 1 1 no A 1 off off off no off
lsn7 002-002-002 none 1 1 no C 8 off off off no off
elm1s1 001-001-001 none 1 1 no A 7 off off off no off
elm1s2 001-001-002 none 1 1 no A 7 off off off no off

```

```

LSN APCI (SS7) L3T SLT GWS GWS GWS
SCRN SET SET BEI LST LNKS ACT MES DIS SLSCI NIS
ele2i 1-207-0 none 1 1 no B 4 off off off --- on
ls1315 0-015-0 none 1 1 no A 1 off off off --- off
ls1317 0-017-0 none 1 1 no A 1 off off off --- on
ls7890 7-089-0 none 1 2 no B 1 off off off --- off
elm2s1 1-011-1 none 1 1 no A 7 off off off --- off
elm2s2 1-011-2 none 1 1 no A 7 off off off --- off

```

Link set table is (12 of 1024) 1% full.

If the required linkset is not in the database, perform the [Adding a SS7 Linkset](#) procedure to add the linkset to the database with the `ipgwapc=no` parameter value. The APC of the linkset cannot be a private point code. Continue the procedure with [Step 8](#).

8. Display each linkset being assigned to the route to verify the `multgc` and `ipgwapc` parameter values with the `rtrv-ls` command, specifying the name of the linkset that will be assigned to the route.

If the `multgc` linkset parameter value is `yes`, then 14-bit ITU National DPCs with group codes that are different from the linkset APC group code can be assigned to the route. If the `multgc` value is set to `no`, then only 14-bit ITU National DPCs with group codes that are the same as the linkset APC group code can be assigned to the route. The `multgc` value is shown in the `MULTGC` field of the `rtrv-ls` output. Linksets that have the `ipgwapc=yes` parameter value are assigned to routes using the [Adding a Route Containing an IPGWx Linkset](#) procedure. If the linkset displayed in this step contains the `ipgwapc=yes` parameter, repeat this step with another linkset shown in [Step 7](#). If all the linksets have been displayed, and the `ipgwapc` value for all the linksets is `yes`, add the desired linkset by performing [Adding a SS7 Linkset](#) with the `ipgwapc=no` parameter value. The APC of the linkset cannot be a private point code.

For this example, enter the following commands.

```
rtrv-ls:lsn=lsn7
```

This is an example of the possible output.

```

rlghncxa03w 09-07-17 11:43:04 GMT EAGLE5 41.1.0

LSN APCA (SS7) L3T SLT GWS GWS GWS
scrn set set beI LST LNKS ACT MES DIS SLSCI NIS
lsn7 002-002-002 none 1 1 no C 8 off off off no off

CLLI TFATCABMLQ MTPRSE ASL8
----- 4 --- no

IPGWAPC MATELSN IPTPS LSUSEALM SLKUSEALM GTTMODE
no ----- --- --- --- C&PA

LOC PORT SLC TYPE L2T SET BPS ECM PCR PCR
1211 A 0 LIMDS0 1 56000 BASIC --- -----
1211 B 1 LIMDS0 1 56000 BASIC --- -----

```

```

1211 A1 2 LIMDS0 1 56000 BASIC --- -----
1211 A2 3 LIMDS0 1 56000 BASIC --- -----
1211 B2 4 LIMDS0 1 56000 BASIC --- -----
1211 B1 5 LIMDS0 1 56000 BASIC --- -----
1211 B3 6 LIMDS0 1 56000 BASIC --- -----
1211 A3 7 LIMDS0 1 56000 BASIC --- -----

```

Link set table is (12 of 1024) 1% full.

```
rtrv-ls:lsn=ls7890
```

```

rlghncxa03w 09-07-17 11:43:04 GMT EAGLE5 41.1.0

LSN APCI (SS7) L3T SLT GWS GWS GWS
ls7890 7-089-0 none 1 2 no B 1 off off off --- off

CLLI TFATCABMLQ MTPRSE ASL8 SLSOCBIT SLRSRB MULTGC
dtaclli 1 no --- none 1 no

ITUTFR
off

IPGWAPC MATELSN IPTPS LSUSEALM SLKUSEALM GTTMODE
no ----- --- --- --- CdPA

 L2T PCR PCR
 SET BPS ECM N1 N2
LOC PORT SLC TYPE 11 56000 BASIC --- -----
1103 A 0 LIMDS0

```

Link set table is (12 of 1024) 1% full.

9. Add the route using the `ent-rte` command. For this example, enter these commands.

```

ent-rte:dpca=002-002-200:lsn=lsn7:rc=10
ent-rte:dpci=7-089-0:lsn=ls7890:rc=20
ent-rte:dpca=003-003-003:lsn=lsn7:rc=20

```

These are the rules that apply to adding a route.

- The `force=yes` parameter must be specified if the linkset being assigned to the route has no signaling links assigned to it. Otherwise, each linkset must have at least one signaling link assigned to it.
- A route can contain a maximum of six linksets.
- A maximum of two linksets can be assigned the same `rc` parameter value, if the 6-Way Loadsharing on Routesets feature is not enabled or turned on. If the 6-Way Loadsharing on Routesets feature is enabled and turned on, a maximum of six linksets in the route can have the same `rc` parameter value.
- If the DPC of the route is a member of a cluster point code, and the nested cluster allowed indicator (`ncai` parameter of either the `ent-dstn` or `chg-dstn` command) is set to `no`, then the route to the DPC must be the same as the route to the cluster point code. If the nested cluster allowed indicator is set to `yes`, the route to the member of the cluster does not have to be the same as the route to the cluster point code.
- For routes containing 14-bit ITU National DPCs with group codes, if the linkset assigned to the route has the `MULTGC` value set to `yes`, then 14-bit ITU National DPCs with group codes that

are different from the linkset APC group code can be assigned to the route. If the `MULTGC` value is set to `no`, then only 14-bit ITU National DPCs with group codes that are the same as the linkset APC group code can be assigned to the route.

- The DPC of the route must be of the same format as the APC of the linkset being added to the route. That is, routes containing ANSI DPCs must have linksets with ANSI APCs; routes containing ITU-I DPCs must have linksets with ITU-I APCs; routes containing 14-bit ITU-N DPCs must have linksets with 14-bit ITU-N APCs; routes containing 24-bit ITU-N DPCs must have linksets with 24-bit ITU-N APCs. The DPC of the route must be defined as a true point code in the `rtrv-dstn` output. Alias point codes and secondary point codes cannot be used. True point codes are shown in the output of the `rtrv-dstn` command in the `DPCA`, `DPCI`, `DPCN`, or `DPCN24` fields.
- Private point codes can be specified as the DPC of a route only if the linkset assigned to the route is an IPGWx linkset (a linkset that has the `ipgwapc=yes` parameter assigned to it).
- If the DPC of the route is a network routing point code, the link set type of the linkset assigned to the route must be either B, C, or D.

When each of these commands have successfully completed, this message should appear.

```
rlghncxa03w 06-10-07 08:28:30 GMT EAGLE5 36.0.0
ENT-RTE: MASP A - COMPLTD
```

10. Verify the changes using the `rtrv-rte` command, specifying the destination point code of the route.

For this example, enter these commands.

```
rtrv-rte:dPCA=002-002-200
```

This is an example of the possible output.

```
rlghncxa03w 06-10-07 11:43:04 GMT EAGLE5 36.0.0

DPCA ALIASI ALIASN/N24 LSN RC APCA
002-002-002 ----- ----- ls7 10 002-002-002
 RTX:No CLLI=-----
```

```
rtrv-rte:dPCI=7-089-0:lsn=ls7890:rc=20
```

This is an example of the possible output.

```
rlghncxa03w 06-10-07 11:43:04 GMT EAGLE5 36.0.0

DPCI ALIASN/N24 ALIASA LSN RC APC
7-089-0 ----- ----- ls7890 10 7-089-0
 RTX:No CLLI=dtaclli
```

```
rtrv-rte:dPCA=003-003-003
```

This is an example of the possible output.

```
rlghncxa03w 06-10-07 11:43:04 GMT EAGLE5 36.0.0

DPCA ALIASI ALIASN/N24 LSN RC APCA
```

```

003-003-003 ----- lsn3 10 003-003-003
 lsn7 20 002-002-002
 RTX:No CLLI=-----

```

11. Back up the new changes using the `chg-db:action=backup:dest=fixed` command.

These messages should appear, the active Maintenance and Administration Subsystem Processor (MASP) appears first.

```

BACKUP (FIXED) : MASP A - Backup starts on active MASP.
BACKUP (FIXED) : MASP A - Backup on active MASP to fixed disk complete.
BACKUP (FIXED) : MASP A - Backup starts on standby MASP.
BACKUP (FIXED) : MASP A - Backup on standby MASP to fixed disk complete.

```

## Adding a Route Containing a Cluster Point Code

This procedure is used to add a route to the database containing a cluster point code as the DPC of the route using the `ent-rte` command. Routes that do not contain a cluster point code as the DPC of the route are configured in these procedures:

- [Adding a Route Containing an SS7 DPC](#)
- [Adding a Route Containing an IPGWx Linkset](#)

The `ent-rte` command uses these parameters.

`:dpc/dpca` – The destination point code (cluster point code) of the node that the traffic is being sent to.

**Note:** See [Point Code Formats](#) for a definition of the point code types that are used on the EAGLE 5 ISS.

`:lsn` – The name of the linkset that will carry the traffic to the node specified by the destination point code.

`:rc` – The relative cost (priority) for this route.

`:force` – This parameter allows a route to be added to the database even if the linkset to be assigned to the route does not have any signaling links in it.

These items must be configured in the database before a route can be added:

- Destination point code (DPC) – see [Adding a Cluster Point Code](#)
- Linkset – see [Adding a SS7 Linkset](#)
- Link – see [Adding an SS7 Signaling Link](#)

The linkset assigned to this route must have an adjacent point code (APC) in the SS7 domain. The domain of the DPC is shown in the `DMN` field in the output of the `rtrv-dstn` command.

The DPC of the route must be of the same format as the APC of the linkset being added to the route. That is, routes containing ANSI DPCs must have linksets with ANSI APCs; routes containing ITU-I DPCs must have linksets with ITU-I APCs; routes containing 14-bit ITU-N DPCs must have linksets with 14-bit ITU-N APCs; routes containing 24-bit ITU-N DPCs must have linksets with 24-bit ITU-N APCs. The DPC of the route must be defined as a true point code in the `rtrv-dstn` output. Alias



point codes and secondary point codes cannot be used. True point codes are shown in the output of the `rtrv-dstn` command in the `DPCA`, `DPCI`, `DPCN`, or `DPCN24` fields. Private point codes cannot be used as the DPC of a route in this procedure. Routes that have private point codes as the DPC of a route can contain only IPGWx linksets. Perform the [Adding a Route Containing an IPGWx Linkset](#) procedure to add routes containing IPGWx linksets.

The DPC of the route is the destination point code to be reached by the route and is shown in the output of the `rtrv-rte` command in the `DPCA`, `DPCI`, `DPCN`, or `DPCN24` fields.

The `APCA`, `APCI`, `APCN`, and `APCN24` fields in the output of the `rtrv-rte` command show the point code of the node that is directly adjacent to the node in the route.

A linkset can only be entered once as a route for each DPC.

A maximum of six routes can be defined for each DPC.

If the 6-Way Loadsharing on Routesets feature is enabled and turned on, a maximum of six routes in the routeset can be assigned the same relative cost value. It is recommended that the routeset be provisioned with a group of four routes that have the same relative cost value and another group of two routes that have the same relative cost value. Three or five routes in the routeset that have the same relative cost value can be provisioned, but the odd number makes it more difficult to distribute the route traffic evenly. Six routes in the routeset that have the same relative cost value can be provisioned, but this does not allow for any backup routes and also offers the worst chance for congestion and queuing issues during network failures. If the 6-Way Loadsharing on Routesets feature is not enabled or not turned on, a maximum of two linksets can be assigned the same relative cost value. The relative cost value of the route is defined by the `rc` parameter of the `ent-rte` command and is shown in the `RC` field in the output of the `rtrv-rte` command.

The `force=yes` parameter must be specified if the specified linkset has no signaling links assigned to it. Otherwise, each linkset must have at least one signaling link assigned to it.

If the DPC of the route is a cluster point code, only linksets whose linkset type is either B, C, or D can be assigned to the route. The linkset type is shown in the `LST` field of the `rtrv-ls` command output. If the linkset type of the desired linkset is either A, E, or PRX, one of three actions must be taken.

- Choose another linkset with the linkset type B, C, or D.
- Change the linkset type of an existing linkset – perform the [Changing an SS7 Linkset](#) procedure.
- Add a new linkset to the database with the necessary signaling links and the linkset type B, C, or D.
  1. Perform the [Adding a SS7 Linkset](#) procedure to add the linkset.
  2. If the necessary signaling links are not in the database, perform the [Adding an SS7 Signaling Link](#) procedure to add the signaling links to the database.

#### Canceling the `RTRV-LS`, `RTRV-DSTN`, and `RTRV-RTE` Commands

Because the `rtrv-ls`, `rtrv-dstn`, and `rtrv-rte` commands used in this procedure can output information for a long period of time, the `rtrv-ls`, `rtrv-dstn`, and `rtrv-rte` commands can be canceled and the output to the terminal stopped. There are three ways that the `rtrv-ls`, `rtrv-dstn`, and `rtrv-rte` commands can be canceled.

- Press the `F9` function key on the keyboard at the terminal where the `rtrv-ls`, `rtrv-dstn`, or `rtrv-rte` commands were entered.
- Enter the `canc-cmd` without the `trm` parameter at the terminal where the `rtrv-ls`, `rtrv-dstn`, or `rtrv-rte` commands were entered.

- Enter the `canc-cmd:trm=<xx>`, where `<xx>` is the terminal where the `rtrv-ls`, `rtrv-dstn`, or `rtrv-rte` commands were entered, from another terminal other than the terminal where the `rtrv-ls`, `rtrv-dstn`, or `rtrv-rte` commands were entered. To enter the `canc-cmd:trm=<xx>` command, the terminal must allow Security Administration commands to be entered from it and the user must be allowed to enter Security Administration commands. The terminal's permissions can be verified with the `rtrv-secu-trm` command. The user's permissions can be verified with the `rtrv-user` or `rtrv-secu-user` commands.

For more information about the `canc-cmd` command, go to the *Commands Manual*.

1. Display the current route configuration using the `rtrv-rte` command.

This is an example of the possible output.

```
rlghncxa03w 10-12-10 11:43:04 GMT EAGLE5 43.0.0
Extended Processing Time may be Required

 DPCA ALIASI ALIASN/N24 LSN RC APCA
 140-012-004 1-111-1 10-13-12-1 ls000001 10 240-012-002
 ls000002 10 240-012-002
 ls000003 20 240-012-002
 ls000004 30 240-012-002
 ls000005 40 240-012-002
 ls000006 50 240-012-002
 RTX:No CLLI=dp1
 140-012-005 1-111-2 10-13-12-2 ls000001 10 240-012-002
 ls000002 10 240-012-002
 ls000003 20 240-012-002
 ls000004 30 240-012-002
 ls000005 40 240-012-002
 ls000006 50 240-012-002
 RTX:No CLLI=dp2
 DPCI ALIASN/N24 ALIASA LSN RC APC
 2-234-5 11-13-3-3 240-111-111 ls100001 10 1-234-5
 ls100002 10 1-234-6
 ls100003 20 1-234-7
 ls100004 30 1-234-1
 ls100005 40 1-234-2
 ls100006 50 1-234-3
 RTX:No CLLI=idp1
 DPCN ALIASA ALIASI LSN RC APC
 12-12-13-3 011-222-111 0-001-1 ls200001 10 10-13-9-3
 ls200002 10 10-13-10-0
 ls200003 20 10-13-10-1
 ls200004 30 10-13-10-2
 ls200005 40 10-13-10-3
 ls200006 50 10-13-11-0
 RTX:No CLLI=ndp1
 DPCN24 ALIASA ALIASI LSN RC APC
```

If the cluster point code of the route being added in this procedure is not shown in the `rtrv-rte` output, perform the [Adding a Cluster Point Code](#) procedure and add the cluster point code. Continue the procedure with [Step 3](#).

If the cluster point code of the route being added in this procedure is shown in the `rtrv-rte` output, continue the procedure with [Step 2](#).

2. Display the `ncai` parameter value assigned to the cluster point code using the `rtrv-dstn` command and specifying the cluster point code. If the `ncai` parameter value is `no`, then the route to the DPC

must be the same as the route to the cluster point code. If the `ncai` parameter value is `yes`, the route to the member of the cluster does not have to be the same as the route to the cluster point code. The `ncai` value is shown in the `NCAI` field of the `rtrv-dstn` output. For this example, enter this command.

```
rtrv-dstn:dpca=111-011-*
```

This is an example of the possible output.

```
rlghncxa03w 10-12-28 21:16:37 GMT EAGLE5 43.0.0

 DPCA CLLI BEI ELEI ALIASI ALIASN/N24 DMN
 111-011-* rlghncbb000 yes yes ----- ----- SS7

 SPCA NCAI RCAUSE NPRST SPLITIAM HMSMSC HMSCP SCCPMSGCNV
 ----- yes none off none no no none

Destination table is (12 of 2000) 1% full
Alias table is (18 of 8000) 1% full
```

3. Verify that the required linkset for the route is in the database by displaying the linksets in the database with the `rtrv-ls` command.

This is an example of the possible output.

```
rlghncxa03w 06-10-10 11:43:04 GMT EAGLE5 36.0.0

 L3T SLT GWS GWS GWS
LSN APCA (SS7) SCR SET SET BEI LST LNKS ACT MES DIS SLSCI NIS
ele2 001-207-000 none 1 1 no B 6 off off off no off
ls1305 000-005-000 none 1 1 no A 1 off off off no off
ls1307 000-007-000 none 1 1 no A 1 off off off no off
lsn7 002-002-002 none 1 1 no C 8 off off off no off
elm1s1 001-001-001 none 1 1 no A 7 off off off no off
elm1s2 001-001-002 none 1 1 no A 7 off off off no off

 L3T SLT GWS GWS GWS
LSN APCI (SS7) SCR SET SET BEI LST LNKS ACT MES DIS SLSCI NIS
ele2i 1-207-0 none 1 1 no B 4 off off off --- on
ls1315 0-015-0 none 1 1 no A 1 off off off --- off
ls1317 0-017-0 none 1 1 no A 1 off off off --- on
ls7890 7-089-0 none 1 2 no B 1 off off off --- off
elm2s1 1-011-1 none 1 1 no A 7 off off off --- off
elm2s2 1-011-2 none 1 1 no A 7 off off off --- off

Link set table is (12 of 1024) 1% full.
```

The route containing a cluster point code can have only linksets with the linkset types B, C, or D assigned to it. If the required linkset is not in the database, perform the [Adding a SS7 Linkset](#) procedure to add the linkset to the database with the `ipgwapc=no` parameter value and with the linkset types B, C, or D. The APC of the linkset cannot be a private point code. Continue the procedure with [Step 5](#).

If the linkset that will be added to the route is shown in the `rtrv-ls` output and is a B-, C-, or D-type linkset, continue the procedure with [Step 4](#).

4. Display each linkset being assigned to the route to verify the `ipgwapc` parameter values with the `rtrv-ls` command, specifying the name of the linkset that will be assigned to the route.

The `ipgwapc` linkset parameter value is `yes`, the DPC of the route cannot be a cluster point code. The `ipgwapc` value is shown in the `IPGWAPC` field of the `rtrv-ls` output.

If the linkset displayed in this step contains the `ipgwapc=yes` parameter, repeat this step with another linkset shown in [Step 3](#). If all the linksets have been displayed, and the `ipgwapc` value for all the linksets is `yes`, add the desired linkset by performing the [Adding a SS7 Linkset](#) procedure with the `ipgwapc=no` parameter value and with the linkset types B, C, or D. The APC of the linkset cannot be a private point code.

For this example, enter the following command.

```
rtrv-ls:lsn=lsn7
```

This is an example of the possible output.

```
rlghncxa03w 09-07-17 11:43:04 GMT EAGLE5 41.1.0

LSN APCA (SS7) SCR N SET SET BEI LST LNKS ACT MES DIS SLSCI NIS
lsn7 002-002-002 none 1 1 no C 8 off off off no off

 CLLI TFATCABMLQ MTPRSE ASL8
 ----- 4 --- no

 IPGWAPC MATELSN IPTPS LSUSEALM SLKUSEALM GTTMODE
 no ----- --- --- --- CdPA

 LOC PORT SLC TYPE L2T
 SET BPS ECM PCR PCR
 1211 A 0 LIMDS0 1 56000 BASIC --- -----
 1211 B 1 LIMDS0 1 56000 BASIC --- -----
 1211 A1 2 LIMDS0 1 56000 BASIC --- -----
 1211 A2 3 LIMDS0 1 56000 BASIC --- -----
 1211 B2 4 LIMDS0 1 56000 BASIC --- -----
 1211 B1 5 LIMDS0 1 56000 BASIC --- -----
 1211 B3 6 LIMDS0 1 56000 BASIC --- -----
 1211 A3 7 LIMDS0 1 56000 BASIC --- -----

Link set table is (12 of 1024) 1% full.
```

5. For a routeset to have more than two routes with the same relative cost value, the 6-Way Loadsharing on Routesets feature must be enabled and turned on.

To verify the status of the 6-Way Loadsharing on Routesets feature, enter this command.

```
rtrv-ctrl-feat:partnum=893019801
```

The following is an example of the possible output.

```
rlghncxa03w 09-05-28 21:15:37 GMT EAGLE5 41.0.0
The following features have been permanently enabled:

Feature Name Partnum Status Quantity
6-Way LS on Routesets 893019801 on ----

The following features have been temporarily enabled:
```

```
Feature Name Partnum Status Quantity Trial Period Left
Zero entries found.
```

The following features have expired temporary keys:

```
Feature Name Partnum
Zero entries found.
```

If the 6-Way Loadsharing on Routesets feature is not enabled or not turned on, perform [Activating the 6-Way Loadsharing on Routesets Feature](#) to enable and turn on the 6-Way Loadsharing on Routesets feature.

After the 6-Way Loadsharing on Routesets feature has been enabled and turned on, or if the `rtrv-ctrl-feat` output shows that the 6-Way Loadsharing on Routesets feature is enabled and turned on, continue this procedure with [Step 6](#).

6. Add the route using the `ent-rte` command specifying the cluster point code as the DPC of the route.

For this example, enter this command.

```
ent-rte:dpca=111-011-*:lsn=lsn7:rc=10
```

When this command has successfully completed, this message should appear.

```
rlghncxa03w 06-10-07 08:28:30 GMT EAGLE5 36.0.0
ENT-RTE: MASP A - COMPLTD
```

7. Verify the changes using the `rtrv-rte` command, specifying the destination point code of the route.

For this example, enter these commands.

```
rtrv-rte:dpca=111-011-*
```

This is an example of the possible output.

```
rlghncxa03w 09-05-07 11:43:04 GMT EAGLE5 41.0.0

 DPCA ALIASI ALIASN/N24 RTX CLLI
 LSN RC APCA
111-011-* ----- ----- No -----
 lsn7 10 002-002-002
```

8. Back up the new changes using the `chg-db:action=backup:dest=fixed` command.

These messages should appear, the active Maintenance and Administration Subsystem Processor (MASP) appears first.

```
BACKUP (FIXED) : MASP A - Backup starts on active MASP.
BACKUP (FIXED) : MASP A - Backup on active MASP to fixed disk complete.
BACKUP (FIXED) : MASP A - Backup starts on standby MASP.
BACKUP (FIXED) : MASP A - Backup on standby MASP to fixed disk complete.
```

## Adding a Route Containing an IPGWx Linkset

This procedure is used to add a route to the database containing an IPGWx linkset using the `ent-rte` command. Routes that do not contain IPGWx linksets are configured in these procedures.

- [Adding a Route Containing an SS7 DPC](#)
- [Adding a Route Containing a Cluster Point Code](#)

The `ent-rte` command uses these parameters.

`:dpc/dpca/dpci/dpcn/dpcn24` – The destination point code of the node that the traffic is being sent to.

**Note:** See [Point Code Formats](#) for a definition of the point code types that are used on the EAGLE 5 ISS and for a definition of the different formats that can be used for ITU national point codes.

`:lsn` – The name of the linkset that will carry the traffic to the node specified by the destination point code.

`:rc` – The relative cost (priority) for this route.

`:force` – This parameter allows a route to be added to the database even if the linkset to be assigned to the route does not have any signaling links in it.

These items must be configured in the database before a route can be added:

- Destination point code (DPC) – see [Adding a Destination Point Code](#). The DPC of the route can be a private point code, but does not have to be.
- Linkset – see the “Configuring an IPGWx Linkset” procedure in the *Database Administration Manual - IP Secure Gateway*.
- Link – see the “Adding an IPGWx Signaling Link” procedure in the *Database Administration Manual - IP Secure Gateway*.

The linkset assigned to this route must have an adjacent point code (APC) in the SS7 domain and must contain the `ipgwapc=yes` parameter value. The domain of the DPC is shown in the `DMN` field in the output of the `rtrv-dstn` command. The `ipgwapc` parameter value is shown in the output of the `rtrv-ls:lsn=<linkset name>` command.

The DPC of the route must be the APC of the linkset, or the SAPC assigned to the linkset. The DPC of the route must be of the same format as the APC of the linkset being added to the route. That is, a routes containing ANSI DPC must have a linkset with an ANSI APC; a route containing an ITU-I DPC must have a linkset with an ITU-I APC; a route containing a 14-bit ITU-N DPC must have a linkset with a 14-bit ITU-N APC; a route containing a 24-bit ITU-N DPC must have a linkset with a 24-bit ITU-N APC. The DPC of the route must be defined as a true point code in the `rtrv-dstn` output. Cluster point codes, network routing point codes, alias point codes, and secondary point codes cannot be used. True point codes are shown in the output of the `rtrv-dstn` command in the `DPCA`, `DPCI`, `DPCN`, or `DPCN24` fields. The DPC of the route cannot be a proxy point code. A proxy point code or secondary point code cannot be assigned to the DPC of the route. A secondary point code cannot be assigned to the linkset.

For a linkset with an ITU APC, if that linkset has an SAPC assigned to it, the SAPC of that linkset can be specified as the DPC of the route. The format of the SAPC can be different from the APC of the linkset. For example, an IPGWx linkset has an ITU-I APC and an ITU-N SAPC is assigned to the linkset.

The DPC of the route can be either the ITU-I APC of the linkset or the ITU-N SAPC assigned to the linkset.

The DPC of the route is the destination point code to be reached by the route and is shown in the output of the `rtrv-rte` command in the `DPCA`, `DPCI`, `DPCN`, or `DPCN24` fields.

The `APCA`, `APCI`, `APCN`, and `APCN24` fields in the output of the `rtrv-rte` command show the point code of the node that is directly adjacent to the node in the route.

The route containing an IPGWx linkset can contain only one linkset.

The `force=yes` parameter must be specified if the specified linkset has no signaling links assigned to it. Otherwise, each linkset must have at least one signaling link assigned to it.

If the DPC of the route is a member of a cluster point code, and the nested cluster allowed indicator (`ncai` parameter of either the `ent-dstn` or `chg-dstn` command) is set to `no`, then the route to the DPC must be the same as the route to the cluster point code. If the nested cluster allowed indicator is set to `yes`, the route to the member of the cluster does not have to be the same as the route to the cluster point code. For more information, see the [Nested Cluster Routing](#) section.

For routes containing 14-bit ITU National DPCs with group codes, if the linkset assigned to the route has the `MULTGC` value set to `yes`, then 14-bit ITU National DPCs with group codes that are different from the linkset APC group code can be assigned to the route. If the `MULTGC` value is set to `no`, then only 14-bit ITU National DPCs with group codes that are the same as the linkset APC group code can be assigned to the route.

### Canceling the `RTRV-LS`, `RTRV-DSTN`, and `RTRV-RTE` Commands

Because the `rtrv-ls`, `rtrv-dstn`, and `rtrv-rte` commands used in this procedure can output information for a long period of time, the `rtrv-ls`, `rtrv-dstn`, and `rtrv-rte` commands can be canceled and the output to the terminal stopped. There are three ways that the `rtrv-ls`, `rtrv-dstn`, and `rtrv-rte` commands can be canceled.

- Press the F9 function key on the keyboard at the terminal where the `rtrv-ls`, `rtrv-dstn`, or `rtrv-rte` commands were entered.
- Enter the `canc-cmd` without the `trm` parameter at the terminal where the `rtrv-ls`, `rtrv-dstn`, or `rtrv-rte` commands were entered.
- Enter the `canc-cmd:trm=<xx>`, where `<xx>` is the terminal where the `rtrv-ls`, `rtrv-dstn`, or `rtrv-rte` commands were entered, from another terminal other than the terminal where the `rtrv-ls`, `rtrv-dstn`, or `rtrv-rte` commands were entered. To enter the `canc-cmd:trm=<xx>` command, the terminal must allow Security Administration commands to be entered from it and the user must be allowed to enter Security Administration commands. The terminal's permissions can be verified with the `rtrv-secu-trm` command. The user's permissions can be verified with the `rtrv-user` or `rtrv-secu-user` commands.

For more information about the `canc-cmd` command, go to the *Commands Manual*.

1. Display the current route configuration using the `rtrv-rte` command.

This is an example of the possible output.

```
rlghncxa03w 10-12-10 11:43:04 GMT EAGLE5 43.0.0
Extended Processing Time may be Required
```

| DPCA        | ALIASI  | ALIASN/N24 | LSN      | RC | APCA        |
|-------------|---------|------------|----------|----|-------------|
| 140-012-004 | 1-111-1 | 10-13-12-1 | 1s000001 | 10 | 240-012-002 |
|             |         |            | 1s000002 | 10 | 240-012-002 |

```

ls000003 20 240-012-002
ls000004 30 240-012-002
ls000005 40 240-012-002
ls000006 50 240-012-002
RTX:No CLLI=dp1
140-012-005 1-111-2 10-13-12-2 ls000001 10 240-012-002
ls000002 10 240-012-002
ls000003 20 240-012-002
ls000004 30 240-012-002
ls000005 40 240-012-002
ls000006 50 240-012-002
RTX:No CLLI=dp2
p-004-004-004 ----- 11-12-10-3 -----
RTX:No CLLI=-----
DPCI ALIASN/N24 ALIASA LSN RC APC
2-234-5 11-13-3-3 240-111-111 ls100001 10 1-234-5
ls100002 10 1-234-6
ls100003 20 1-234-7
ls100004 30 1-234-1
ls100005 40 1-234-2
ls100006 50 1-234-3
RTX:No CLLI=idp1
DPCN ALIASA ALIASI LSN RC APC
12-12-13-3 011-222-111 0-001-1 ls200001 10 10-13-9-3
ls200002 10 10-13-10-0
ls200003 20 10-13-10-1
ls200004 30 10-13-10-2
ls200005 40 10-13-10-3
ls200006 50 10-13-11-0
RTX:No CLLI=ndp1
DPCN24 ALIASA ALIASI LSN RC APC

```

If the destination point code of the route being added in this procedure is not shown in the `rtrv-rte` output, perform the [Adding a Destination Point Code](#) procedure and add the destination point code of the route to the destination point code table. This point code can be a private point code, but does not have to be a private point code. The DPC of the route cannot be a proxy point code. A proxy point code or secondary point code cannot be assigned to the DPC of the route. After the point code is added, continue the procedure with [Step 3](#).

If the point code that will be assigned to the route is shown in the `rtrv-rte` output, but has a route assigned to it, that point code cannot be used as the DPC of the route being added in this procedure. Choose another point code and repeat this step.

If the RC, LSN, and APC columns in the `rtrv-rte` output contain dashes for the given point code, a route is not assigned to the point code.

If the point code that will be assigned to the route is shown in the `rtrv-rte` output, but does not have a route assigned to it, continue the procedure with [Step 2](#).

**Note:** If cluster point codes are not shown in [Step 1](#), or if the DPC of the route being added is not a member of the cluster point code, continue the procedure with [Step 4](#).

2. Enter the `rtrv-dstn` command with the DPC of the route. For this example, enter this command.

```
rtrv-dstn:dpca=004-004-004
```

This is an example of the possible output.

```
rlghncxa03w 10-12-28 21:16:37 GMT EAGLE5 43.0.0
```



```

DPCA CLLI BEI ELEI ALIASI ALIASN/N24 DMN
004-004-004 ----- no --- -----

PPCA NCAI PRX RCAUSE NPRST SPLITIAM HMSMSC HMSCP SCCPMSGCNV
010-010-010 ---- no none off none no no none

Destination table is (14 of 2000) 1% full
Alias table is (0 of 12000) 0% full
PPC table is (2 of 10) 20% full

```

The DPC of the route cannot be a proxy point code. A proxy point code or secondary point code cannot be assigned to the DPC of the route. If any of these conditions are shown in the `rtrv-dstn` output, either choose another point code shown in [Step 1](#) and repeat this procedure, or perform the [Adding a Destination Point Code](#) procedure and add the destination point code of the route to the destination point code table. This point code can be a private point code, but does not have to be a private point code. The DPC of the route cannot be a proxy point code. A proxy point code or secondary point code cannot be assigned to the DPC of the route.

**Note:** If cluster point codes are not shown in [Step 1](#), or if the DPC of the route being added is not a member of the cluster point code, continue the procedure with [Step 4](#).

3. Display the `ncai` parameter value assigned to the cluster point code using the `rtrv-dstn` command and specifying the cluster point code.

If the `ncai` parameter value is `no`, then the route to the DPC must be the same as the route to the cluster point code. If the `ncai` parameter value is `yes`, the route to the member of the cluster does not have to be the same as the route to the cluster point code. The `ncai` value is shown in the `NCAI` field of the `rtrv-dstn` output. For this example, enter this command.

```
rtrv-dstn:dpca=111-011-*
```

This is an example of the possible output.

```

rlghncxa03w 10-12-28 21:16:37 GMT EAGLE5 43.0.0

DPCA CLLI BEI ELEI ALIASI ALIASN/N24 DMN
111-011-* rlghncbb000 yes yes -----

SPCA NCAI RCAUSE NPRST SPLITIAM HMSMSC HMSCP SCCPMSGCNV
----- yes none off none no no none

Destination table is (12 of 2000) 1% full
Alias table is (18 of 8000) 1% full

```

If the `ncai` parameter value of the cluster point code is `no`, and you wish to change the `ncai` parameter value to `yes`, perform the [Changing the Attributes of a Cluster Point Code](#) procedure. If the `ncai` parameter value of the cluster point code is `no`, and you do not wish to change the `ncai` parameter value to `yes`, add a new DPC for the route by performing the [Adding a Destination Point Code](#) procedure. The DPC of the route cannot be a proxy point code. A proxy point code or secondary point code cannot be assigned to the DPC of the route.

- Verify that the required linkset for the route is in the database by displaying the linksets in the database with the `rtrv-ls` command. This is an example of the possible output.

```
rlghncxa03w 06-10-10 11:43:04 GMT EAGLE5 36.0.0

LSN APCA (SS7) SCRNL3T SLT BEI LST LNKS GWS GWS GWS SLSCI NIS
ele2 001-207-000 none 1 1 no B 6 off off off no off
ls1305 000-005-000 none 1 1 no A 1 off off off no off
ls1307 000-007-000 none 1 1 no A 1 off off off no off
lsn4 p-004-004-004 none 1 1 no A 6 off off off no off
elm1s1 001-001-001 none 1 1 no A 7 off off off no off
elm1s2 001-001-002 none 1 1 no A 7 off off off no off

LSN APCI (SS7) SCRNL3T SLT BEI LST LNKS GWS GWS GWS SLSCI NIS
ele2i 1-207-0 none 1 1 no B 4 off off off --- on
ls1315 0-015-0 none 1 1 no A 1 off off off --- off
ls1317 0-017-0 none 1 1 no A 1 off off off --- on
elm2s1 1-011-1 none 1 1 no A 7 off off off --- off
elm2s2 1-011-2 none 1 1 no A 7 off off off --- off

Link set table is (11 of 1024) 1% full.
```

If the point code chosen in [Step 1](#) is not shown as the APC of a linkset, perform the “Configuring an IPGWx Linkset” procedure in the *Database Administration Manual - IP Secure Gateway* and add the IPGWx linkset to the database. After the IPGWx linkset has been added, continue the procedure with [Step 7](#).

If the point code chosen in [Step 1](#) is shown as the APC of a linkset, continue the procedure with [Step 5](#).

- Display each linkset being assigned to the route to verify the `multgc` and `ipgwapc` parameter values with the `rtrv-ls` command, specifying the name of the linkset that will be assigned to the route.

If the `multgc` linkset parameter value is `yes`, then 14-bit ITU National DPCs with group codes that are different from the linkset APC group code can be assigned to the route. If the `multgc` value is set to `no`, then only 14-bit ITU National DPCs with group codes that are the same as the linkset APC group code can be assigned to the route. The `multgc` value is shown in the `MULTGC` field of the `rtrv-ls` output.

If the `ipgwapc` parameter value for the linkset is `yes`, continue the procedure with [Step 6](#).

If the `ipgwapc` parameter value for the linkset is `no`, the linkset and point code cannot be assigned to the route. Either select another point code and repeat this procedure from [Step 1](#), or add the desired linkset by performing the “Configuring an IPGWx Linkset” procedure in the *Database Administration Manual - IP Secure Gateway* and add the IPGWx linkset to the database. After the IPGWx linkset has been added, continue the procedure with [Step 7](#).

For this example, enter the following commands.

```
rtrv-ls:lsn=lsn4
```

This is an example of the possible output.

```
rlghncxa03w 06-10-11 11:06:27 GMT EAGLE5 36.0.0
```

```

 L3T SLT GWS GWS GWS
LSN APCA (SS7) SCR N SET SET BEI LST LNKS ACT MES DIS SLSCI NIS
lsn4 p-004-004-004 none 1 1 no A 6 off off off no off

 CLLI TFATCABMLQ MTPRSE ASL8
 ----- 3 no no

IPGWAPC MATELSN IPTPS LSUSEALM SLKUSEALM GTTMODE
yes ----- 100 100 % 80 % CdPA

LOC PORT SLC TYPE
1107 A 0 SS7IPGW
1205 A 1 SS7IPGW
1305 A 2 SS7IPGW
1303 A 3 SS7IPGW
1307 A 4 SS7IPGW
1311 A 5 SS7IPGW

```

Link set table is (16 of 1024) 1% full.

6. Only one linkset can be assigned to a route containing an IPGWx linkset.

Verify that the linkset that will be assigned to the route is not assigned to any existing routes. Enter the `rtrv-rte` command with the name of the linkset that you wish to assign to the route. For this example, enter this command.

```
rtrv-rte:lsn=lsn4
```

If the linkset is not assigned to a route, no entries are displayed in the `rtrv-rte` output as shown in the following output example.

```
rlghncxa03w 06-10-11 11:06:27 GMT EAGLE5 36.0.0
LSN DPC RC
```

If the linkset is assigned to a route, add the desired linkset by perform the “Configuring an IPGWx Linkset” procedure in the *Database Administration Manual - IP Secure Gateway* and add the IPGWx linkset to the database. After the IPGWx linkset has been added, continue the procedure with [Step 7](#).

If the linkset is not assigned to a route, continue the procedure with [Step 7](#).

7. Add the route using the `ent-rte` command with the IPGWx linkset.

These are the rules that apply to adding a route.

- The `force=yes` parameter must be specified if the linkset being assigned to the route has no signaling links assigned to it. Otherwise, each linkset must have at least one signaling link assigned to it.
- A route can contain only one linkset.
- If the DPC of the route is a member of a cluster point code, and the nested cluster allowed indicator (`ncai` parameter of either the `ent-dstn` or `chg-dstn` command) is set to `no`, then the route to the DPC must be the same as the route to the cluster point code. If the nested cluster allowed indicator is set to `yes`, the route to the member of the cluster does not have to be the same as the route to the cluster point code.
- For routes containing 14-bit ITU National DPCs with group codes, if the linkset assigned to the route has the `MULTGC` value set to `yes`, then 14-bit ITU National DPCs with group codes that

are different from the linkset APC group code can be assigned to the route. If the `MULTGC` value is set to `no`, then only 14-bit ITU National DPCs with group codes that are the same as the linkset APC group code can be assigned to the route.

- The DPC of the route must be the APC of the linkset, or the SAPC assigned to the linkset. The DPC of the route must be of the same format as the APC of the linkset being added to the route. That is, a route containing an ANSI DPC must have a linkset with an ANSI APC; a route containing an ITU-I DPC must have a linkset with an ITU-I APC; a route containing a 14-bit ITU-N DPC must have a linkset with a 14-bit ITU-N APC; a route containing a 24-bit ITU-N DPC must have a linkset with a 24-bit ITU-N APC. The DPC of the route must be defined as a true point code in the `rtrv-dstn` output. Cluster point codes, network routing point codes, alias point codes, secondary point codes, and proxy point codes cannot be used. True point codes are shown in the output of the `rtrv-dstn` command in the `DPCA`, `DPCI`, `DPCN`, or `DPCN24` fields. For a linkset with an ITU APC, if that linkset has an SAPC assigned to it, the DPC of the route can be either the APC of the linkset or the SAPC assigned to the linkset. The format of the SAPC can be different from the APC of the linkset. For a linkset with an ITU APC, if that linkset does not have an SAPC assigned to it, the DPC of the route must be the APC of the linkset.
- Private point codes can be specified as the DPC of a route only if the linkset assigned to the route is an IPGWx linkset (a linkset that has the `ipgwapc=yes` parameter assigned to it).

```
ent-rte:dpca=p-004-004-004:lsn=lsn4:rc=10
```

When this command has successfully completed, this message should appear.

```
rlghncxa03w 06-10-07 08:28:30 GMT EAGLE5 36.0.0
ENT-RTE: MASP A - COMPLTD
```

8. Verify the changes using the `rtrv-rte` command, specifying the destination point code of the route.

For this example, enter this command.

```
rtrv-rte:dpca=p-004-004-004
```

This is an example of the possible output.

```
rlghncxa03w 06-10-07 11:43:04 GMT EAGLE5 36.0.0
DPCA ALIASI ALIASN/N24 LSN RC APCA
p-004-004-004 ----- 11-12-10-3 lsn4 10 p-004-004-004
RTX:No CLLI=-----
```

9. Back up the new changes using the `chg-db:action=backup:dest=fixed` command.

These messages should appear, the active Maintenance and Administration Subsystem Processor (MASP) appears first.

```
BACKUP (FIXED) : MASP A - Backup starts on active MASP.
BACKUP (FIXED) : MASP A - Backup on active MASP to fixed disk complete.
BACKUP (FIXED) : MASP A - Backup starts on standby MASP.
BACKUP (FIXED) : MASP A - Backup on standby MASP to fixed disk complete.
```

## Removing a Route

This procedure is used to remove a route from the database using the `dlt-rte` command.

The `dlt-rte` command uses these parameters.

`:dpc/dpca/dpci/dpcn/dpcn24` – The destination point code of the node shown in the `rtrv-rte` output.

**Note:** See [Point Code Formats](#) for a definition of the point code types that are used on the EAGLE 5 ISS and for a definition of the different formats that can be used for ITU national point codes.

`:lsn` – The name of the linkset that carries the traffic bound for the node specified by the destination point code.

`:all` – Are all routes associated with the DPC to be removed

The route to be removed must exist in the database. This can be verified in [Step 1](#).

The last route to a DPC cannot be removed if it is referenced by a mated application or concerned signaling point code group. If this condition exists, the command to remove the route from the database is rejected. Before removing the last route to a DPC from the database, enter the `rtrv-cspc` and `rtrv-map` commands to verify if the DPC to the route being removed from the database is referenced by either mated applications or concerned signaling point code groups. If `rtrv-cspc` command output shows a reference to the DPC of the route being removed by this procedure (in the `PCA`, `PCI`, `PCN`, or `PCN24` fields), perform the "Removing Concerned Signaling Point Codes" procedure in the *Database Administration Manual – Global Title Translation*. If the `rtrv-map` command output shows a reference to the DPC of the route being removed by this procedure (shown in the `PCA`, `PCI`, `PCN`, or `PCN24` fields), perform the "Removing a Mated Application" procedure in the *Database Administration Manual – Global Title Translation*.

The last route to a DPC cannot be removed if it is referenced by a route exception table entry. Use the `rtrv-rtx` command with the DPC value to display the route exception entries that reference the DPC of the route being removed. If route exception table entries reference the DPC of the route being removed, perform the [Removing a Route Exception Entry](#) procedure to remove the route exception table entries that reference the DPC of the route being removed.

The last route to a DPC cannot be removed if that route is referenced by the gateway screening redirect function's DPC parameter. Use the `rtrv-gws-redirect` command to verify the DPC used for the gateway screening redirect function. If the gateway screening redirect function is referencing the destination of the route to be removed from the database, change the gateway screening redirect function's DPC with the "Changing the Gateway Screening Redirect Parameters" procedures in the *Database Administration Manual – Features*. The gateway screening redirect function can also be disabled by using the "Disabling the Gateway Screening Redirect Function" procedure in the *Database Administration Manual – Features*.

The last route to a DPC cannot be removed if it is referenced in the `rtrv-pct` output as either a `REALPC` or `FILTPC` value. Perform the [Removing a Point Code and CIC Translation Entry](#) procedure to remove the point code and CIC entries that reference the DPC of the route.

Either the `lsn` or `all=yes` parameters must be specified with the `dlt-rte` command. If the `all=no` parameter is specified, the `lsn` parameter must be specified. If the `lsn` parameter is specified, the linkset must be defined in the database as a route to the specified route DPC. The linkset name is shown in the `LSN` field of the `rtrv-rte` command output.

The route assigned to a full point code DPC cannot be removed from the database if that DPC is a member of a cluster point code in the database if the network cluster allowed indicator (`ncai` parameter of either the `ent-dstn` or `chg-dstn` command) is set to `no`. If the nested cluster allowed indicator is set to `yes`, the route to the full point code DPC that is a member of a cluster point code can be removed from the database, but the route to the cluster point code will not be removed from the database, even if the cluster point code and the full point code are assigned to the same route. When the route to the member of the cluster point code is removed from the database, the member of the cluster point code assumes all the attributes of the cluster point code and will use the same routes that are assigned to the cluster point code.

If a route assigned to a cluster point code is removed from the database, all routes to any members of that cluster are also removed from the database if the network cluster allowed indicator is set to `no`. If the nested cluster allowed indicator is set to `yes`, the route to the cluster point code can be removed from the database, but any routes to any point codes that are members of the cluster point code remain in the database, even if the cluster point code and its members are assigned to the same route. For more information, refer to the [Nested Cluster Routing](#) section.

The destination point code of the route being removed from the database cannot be in the mated relay node (MRN) table. Verify this by entering the `rtrv-mrn` command, specifying the destination point code of the route being removed from the database. If the destination point code of the route is shown in the `rtrv-mrn` command output, remove the point code from the MRN table, by performing the "Removing an MRN Group or MRN Group Entry" procedure in the *Database Administration Manual – Global Title Translation*.

The destination point code of the route being removed from the database cannot be referenced by a global title translation entry shown in the `rtrv-gtt` or `rtrv-gta` outputs. Verify this by entering the `rtrv-gtt` or `rtrv-gta` command, specifying the destination point code of the route being removed from the database. If the destination point code of the route is shown in the `rtrv-gtt` output, remove the global title translation entry by performing the "Removing a Global Title Translation" procedure in the *Database Administration Manual – Global Title Translation*. If the destination point code of the route is shown in the `rtrv-gta` output, remove the global title translation entry by performing the "Removing Global Title Address Information" procedure in the *Database Administration Manual – Global Title Translation*.

The destination point code of the route being removed from the database cannot be shown in the `rtrv-ppsopts` output. Verify this by entering the `rtrv-ppsopts` command. Any references to the destination point code the `rtrv-ppsopts` output are removed in [Step 12](#).

If the APC of the linkset assigned to the route being removed is the same as the DPC of the route, this route cannot be removed if a proxy point code is assigned to the DPC of the route, and the linkset assigned to this route contains these attributes:

- The `LST=PRX` parameter value
- The proxy point code that is assigned to the DPC of the route is also assigned to the linkset.

If the DPC of the route contains a proxy point code and the linkset contains the value `PRX` for the linkset type (`LST`) and the proxy point code value assigned to the route DPC, and there are other routes assigned to this DPC, the other routes to this DPC must be removed before this route can be removed with the `dlt-rte` command.

The examples in this procedure are used to remove all routes to DPC 003-003-003 from the database.

#### Canceling the `RTRV-RTE` Command

Because the `rtrv-rte` command used in this procedure can output information for a long period of time, the `rtrv-rte` command can be canceled and the output to the terminal stopped. There are three ways that the `rtrv-rte` command can be canceled.

- Press the F9 function key on the keyboard at the terminal where the `rtrv-rte` command was entered.
- Enter the `canc-cmd` without the `trm` parameter at the terminal where the `rtrv-rte` command was entered.
- Enter the `canc-cmd:trm=<xx>`, where `<xx>` is the terminal where the `rtrv-rte` command was entered, from another terminal other than the terminal where the `rtrv-rte` command was entered. To enter the `canc-cmd:trm=<xx>` command, the terminal must allow Security Administration commands to be entered from it and the user must be allowed to enter Security Administration commands. The terminal's permissions can be verified with the `rtrv-secu-trm` command. The user's permissions can be verified with the `rtrv-user` or `rtrv-secu-user` commands.

For more information about the `canc-cmd` command, go to the *Commands Manual*.

1. Display the current route configuration using the `rtrv-rte` command. This is an example of the possible output.

```

rlghncxa03w 10-12-10 11:43:04 GMT EAGLE5 43.0.0
Extended Processing Time may be Required

 DPCA ALIASI ALIASN/N24 LSN RC APCA
001-002-003 ----- ----- ls04 10 001-002-003
 RTX:No CLLI=ls04c11i
002-002-100 ----- ----- ls01 10 002-002-100
 ls02 20 004-004-004
 ls03 30 003-003-003
 RTX:No CLLI=ls01c11i
002-007-008 ----- ----- ls06 10 002-007-008
 RTX:No CLLI=ls06c11i
002-009-003 ----- ----- ls05 10 002-009-003
 RTX:No CLLI=-----
003-003-003 ----- ----- ls03 10 003-003-003
 ls01 20 002-002-100
 ls02 30 004-004-004
 RTX:No CLLI=ls03c11i
004-004-004 ----- ----- ls02 10 004-004-004
 ls01 20 002-002-100
 ls03 30 003-003-003
 RTX:No CLLI=ls02c11i
009-002-003 ----- ----- ls07 10 009-002-003
 RTX:No CLLI=-----
140-012-004 1-111-1 11121 ls000001 10 240-012-002
 ls000002 10 240-012-003
 ls000003 20 240-012-004
 ls000004 30 240-012-005
 ls000005 40 240-012-006
 ls000006 50 240-012-007
 RTX:No CLLI=dp1
140-012-005 1-111-2 11122 ls000001 10 240-012-002
 ls000002 10 240-012-003
 ls000003 20 240-012-004
 ls000004 30 240-012-005
 ls000005 40 240-012-006
 ls000006 50 240-012-007
 RTX:No CLLI=dp2
179-100-087 ----- ----- atmansi0 10 179-100-087
 RTX:No CLLI=-----

```

```

200-050-176 -----
 atmansil 10 200-050-176
 RTX:No CLLI=-----

DPCI ALIASN/N24 ALIASA LSN RC APC
2-234-5 11-13-3-3 240-111-111 ls100001 10 1-234-5
 ls100002 10 1-234-6
 ls100003 20 1-234-7
 ls100004 30 1-234-1
 ls100005 40 1-234-2
 ls100006 50 1-234-3
 RTX:No CLLI=idp1
3-150-4 -----
 lsi7 10 3-150-4
 RTX:No CLLI=lsi7clli

DPCN ALIASA ALIASI LSN RC APC
10685 -----
 lsn5 10 10685
 RTX:No CLLI=lsi5clli
13111 011-222-111 0-001-1 ls200001 10 11111
 ls200002 10 11112
 ls200003 20 11113
 ls200004 30 11114
 ls200005 40 11115
 ls200006 50 11116
 RTX:No CLLI=ndp1

DPCN24 ALIASA ALIASI LSN RC APC

```

- Verify that the GTT feature is on, by entering the `rtrv-feat` command. If the GTT feature is on, the GTT field should be set to on.

**Note:** The `rtrv-feat` command output contains other fields that are not used by this procedure. If you wish to see all the fields displayed by the `rtrv-feat` command, see the `rtrv-feat` command description in the *Commands Manual*.

If the GTT feature is off, continue the procedure with [Step 13](#).

If the GTT feature is on, continue the procedure with [Step 3](#).

- Display the mated applications in the database, using the `rtrv-map` command and the DPC of the route being removed from the database. For this example, enter this command.

```
rtrv-map:pca=003-003-003
```

This is an example of the possible output.

```

rlghncxa03w 09-07-25 09:42:31 GMT EAGLE5 41.1.0

PCA Mate PCA SSN RC MULT SRM MRC GRP NAME SSO
003-003-003 252 10 SOL *N *N GRP01 OFF

MAP TABLE IS (5 of 1024) 1 % FULL

```

If the DPC of the route is shown in the `rtrv-map` command output (in the PCA, PCI, PCN, PCN24, MPCA, MPC1, MCPN, or MPCN24 fields), perform the "Removing a Mated Application" procedure in the *Database Administration Manual - Global Title Translation*, to remove the remove the point code from the mated application that references the DPC of the route.

- Display the group names in the database using the `rtrv-cspc` command.



This is an example of the possible output.

```
rlghncxa03w 06-10-07 00:27:31 GMT EAGLE5 36.0.0
CSPC GRP NETWORK PERCENT FULL
GRP01 ANSI 3%
GRP02 ITU-I 81%
GRP03 ITU-N 54%
GRP04 ANSI 42%
GRP05 ANSI 15%
GRP10 ANSI 15%
GRP15 ANSI 15%
```

5. Display the point codes in the CSPC group shown in [Step 4](#), in the GRP NAME field, using the `rtrv-cspc` command with the CSPC group name whose point codes are the same network type as the DPC of the route being removed.

Repeat this step until all CSPC groups with the same network type as the DPC of the route have been displayed. For this example, enter this command.

```
rtrv-cspc:grp=grp01
```

This is an example of the possible output.

```
rlghncxa03w 06-10-07 00:28:31 GMT EAGLE5 36.0.0
CSPC GRP PC TYPE
GRP01 003-003-003 A
009-009-009 A
```

If the DPC of the route is in the CSPC group, perform the "Removing Concerned Signaling Point Codes" procedure in the *Database Administration Manual - Global Title Translation* to remove the point code from the CSPC group that references the DPC of the route.

6. Display the status of the Intermediate GTT Load Sharing (IGTTLS) controlled feature by entering this command.

```
rtrv-ctrl-feat:partnum=893006901
```

The following is an example of the possible output.

```
rlghncxa03w 06-10-28 21:15:37 GMT EAGLE5 36.0.0
The following features have been permanently enabled:
Feature Name Partnum Status Quantity
INTERMED GTT LOAD SHARING 893006901 off ----

The following features have been temporarily enabled:
Feature Name Partnum Status Quantity Trial Period Left
Zero entries found.

The following features have expired temporary keys:
Feature Name Partnum
Zero entries found.
```

If the IGTTLS feature is not enabled, continue the procedure with [Step 8](#).

If the IGTTLS feature is enabled, continue the procedure with [Step 7](#).

7. Display the mated relay node (MRN) groups in the database, using the `rtrv-mrn` command, specifying the destination point code of the route that is being removed from the database. For this example, enter this command.

```
rtrv-mrn:pca=003-003-003
```

This is an example of the possible output.

```
rlghncxa03w 10-07-07 00:34:31 GMT EAGLE5 42.0.0
```

| PC          | RC |
|-------------|----|
| 003-003-003 | 10 |
| 008-001-001 | 20 |
| 240-012-007 | 30 |
| 008-001-003 | 40 |
| 008-001-004 | 50 |
| 008-001-005 | 60 |
| 008-001-006 | 70 |
| 008-001-007 | 80 |
| 008-001-008 | 90 |

```
MRN table is (39 of 3000) 1% full.
```

If the DPC of the route is not shown in the `rtrv-mrn` output in this step, continue the procedure with [Step 8](#).

If the DPC of the route is shown in the `rtrv-mrn` output in this step, perform the "Removing an MRN Group or MRN Group Entry" procedure in the *Database Administration Manual - Global Title Translation*, and remove the remove the point code from the MRN group that references the DPC of the route. After the point code has been removed from the MRN group, continue the procedure with [Step 8](#).

8. Display the translation types in the database using the `rtrv-tt` command.

This is an example of the possible output.

```
rlghncxa03w 10-07-25 09:42:31 GMT EAGLE5 42.0.0
```

| TYPEA | TTN  | NDGT |
|-------|------|------|
| 1     | lidb | 5    |
| 2     | c800 | 10   |
| 3     | d700 | 6    |
| 5     | scp1 | 6    |
| 10    | scp2 | 6    |
| 15    | scp3 | 3    |

| ALIAS | TYPEA |
|-------|-------|
| 30    | 5     |
| 40    | 10    |
| 50    | 3     |
| 65    | 3     |

| TYPEI | TTN   | NDGT |
|-------|-------|------|
| 105   | itudb | 8    |

| ALIAS | TYPEI |
|-------|-------|
| 7     | 105   |

| TYPEN | TTN | NDGT |
|-------|-----|------|
|-------|-----|------|

```
120 dbitu 7
ALIAS TYPEN
8 120
```

9. Display the global title translations in the database using the `rtrv-gtt` command specifying a translation type from the `rtrv-tt` command output shown in [Step 8](#), and the DPC of the route from the database.

For this example, enter this command.

```
rtrv-gtt:typea=10:pca=003-003-003
```

This is an example of the possible output.

```
rlghncxa03w 10-07-25 09:43:31 GMT EAGLE5 42.0.0
TYPEA TTN NDGT
10 scp2 6

GTT TABLE IS 10 % FULL (27000 of 269999)

START GTA END GTA XLAT RI PC
615370 615380 DPCSSN SSN 003-003-003
 MAPSET=6 SSN=254 NGT=---
```

Command Retrieved 1 Entries

Repeat this step for each translation type shown in [Step 8](#).

If the `rtrv-gtt` output shows any entries, perform the "Removing a Global Title Translation" procedure in the *Database Administration Manual - Global Title Translation* to remove the entries shown in this step.

If the `rtrv-gtt` output shows no entries or the "Removing a Global Title Translation" procedure was performed, continue the procedure with [Step 10](#).

10. Display the GTT sets in the database using the `rtrv-gttset` command.

This is an example of the possible output.

```
rlghncxa03w 10-07-07 00:27:31 GMT EAGLE5 42.0.0
GTTSN NETDOM NDGT
lidb ansi 10
t800 ansi 10
si000 itu 15
imsi itu 15
abcd1234 itu 12

GTT-SET table is (5 of 2000) 1% full.
```

11. Display the global title address (GTA) information for a GTT set from [Step 10](#).

Use the `rtrv-gta` command with the `gttsn` parameter value shown in [Step 10](#), and with the DPC of the route that is being removed from the database. For this example, enter this command.

```
rtrv-gta:gttsn=t800:pca=003-003-003
```

This is an example of the possible output.

```
rlghncxa03w 10-07-07 00:27:31 GMT EAGLE5 42.0.0
GTTSN NETDOM NDGT
t800 ansi 10
GTA TABLE IS 1 % FULL (17 of 269999)

START GTA END GTA XLAT RI PC
3365840000 3365849999 dpc ssn 003-003-003
 MAPSET=6 SSN=0 CCGT=no NTT=---
```

Command Retrieved 1 Entries

Repeat this step for each GTT set name type shown in [Step 10](#).

If the `rtrv-gta` output shows any entries, perform the "Removing Global Title Address Information" procedure in the *Database Administration Manual - Global Title Translation* to remove the entries shown in this step.

If the `rtrv-gta` output shows no entries or the "Removing Global Title Address Information" procedure was performed, continue the procedure with [Step 12](#).

12. Enter the `rtrv-ppsopts` command to verify that the DPC of the route is not shown in the `rtrv-ppsopts` output. This is an example of the possible output.

```
rlghncxa03w 10-07-20 09:07:58 GMT EAGLE5 42.0.0
Prepaid SMS Options

BPARTYCHK = OFF
PPT PCA/PCI/PCN SSN RI Set ID

1 PCI: 1-001-1 25 SSN DFLT
2 ----- NONE GT DFLT
3 ----- NONE GT DFLT
4 PCI: 003-003-003 30 GT 1
5 ----- NONE GT DFLT
6 ----- NONE GT DFLT
7 ----- NONE GT DFLT
8 PCI: 1-001-1 75 SSN 1
9 ----- NONE GT DFLT
10 ----- NONE GT DFLT
11 ----- NONE GT DFLT
12 ----- NONE GT DFLT
13 ----- NONE GT DFLT
14 ----- NONE GT DFLT
15 ----- NONE GT DFLT
16 ----- NONE GT DFLT
17 ----- NONE GT DFLT
18 ----- NONE GT DFLT
19 ----- NONE GT DFLT
20 ----- NONE GT DFLT
21 ----- NONE GT DFLT
22 ----- NONE GT DFLT
23 ----- NONE GT DFLT
24 ----- NONE GT DFLT
25 ----- NONE GT DFLT
26 ----- NONE GT DFLT
27 ----- NONE GT DFLT
28 ----- NONE GT DFLT
29 ----- NONE GT DFLT
```

```

30 ----- NONE GT DFLT
31 ----- NONE GT DFLT
32 ----- NONE GT DFLT

GTA

NONE
NONE
NONE
NONE
NONE
NONE
NONE
NONE
NONE
NONE
NONE
NONE
NONE
NONE
NONE
NONE
NONE
NONE
NONE
NONE
NONE
NONE
NONE
NONE
NONE
NONE
NONE
NONE
NONE
NONE
NONE
NONE
NONE
NONE
NONE

```

**Note:** If the Flexible GTT Load Sharing feature is not enabled, the Set ID column is not displayed in the `rtrv-ppsopts` output.

If the `rtrv-ppsopts` output shows any entries that reference the DPC of the route, remove the reference using the `chg-ppsopts` command with the prepaid portability type (the PPT value) that contains the reference and either the `pci=none` or `pcn=none` parameters (depending on the type of point code the prepaid portability type contains).

```
chg-ppsopts:ppt=4:pci=none
```

This is an example of the possible output.

```

rlghncxa03w 07-05-20 09:07:58 GMT EAGLE5 37.0.0
CHG-PPSOPTS: MASP A - COMPLTD

```

Repeat this step for other entries shown in the `rtrv-ppsopts` output that reference the DPC of the route.

13. Verify whether or not the DPC of the route is referenced by the gateway screening redirect function by entering the `rtrv-gws-redirect` command.

The following is an example of the possible output.

```
rlghncxa03w 09-05-07 00:17:31 GMT EAGLE5 41.0.0
ENABLED DPCA RI SSN TT GTA
on 003-003-003 GT 15 225 9105551212
```

If the DPC of the route is shown in the DPC field, perform the "Changing the Gateway Screening Redirect Parameters" procedure in the *Database Administration Manual - Features* to change the gateway screening redirect function's DPC.

14. If the APC of the linkset assigned to the route being removed is the same as the DPC of the route, this route cannot be removed if a proxy point code is assigned to the DPC of the route, and the linkset assigned to this route contains these attributes.

- The LST=PRX parameter value
- The proxy point code that is assigned to the DPC of the route is also assigned to the linkset.

A quantity of proxy point codes must be enabled for a proxy point code to be assigned to the DPC of the route and to the linkset, and for the linkset type to be PRX (LST=PRX). Enter this command to verify whether or not a proxy point code quantity is enabled.

```
rtrv-ctrl-feat:partnum=893018701
```

The following is an example of the possible output.

```
rlghncxa03w 06-10-28 21:15:37 GMT EAGLE5 36.0.0
The following features have been permanently enabled:

Feature Name Partnum Status Quantity
Proxy Point Code 893018701 on 20

The following features have been temporarily enabled:

Feature Name Partnum Status Quantity Trial Period Left
Zero entries found.

The following features have expired temporary keys:

Feature Name Partnum
Zero entries found.
```

If a proxy point code quantity is not enabled, continue the procedure by performing one of these steps.

- If the route that is being removed is not the last route to the DPC, continue the procedure by performing one of these steps.
  - If the DPC of the route is not an ANSI point code, continue the procedure with one of these steps.
    - Perform [Step 19](#) if the RTX value of the route, shown in [Step 1](#) is yes.
    - Perform [Step 21](#) if the RTX value of the route is no.
  - If the DPC of the route is an ANSI point code, continue the procedure with [Step 18](#).
- If the route that is being removed is the last route to the DPC, continue the procedure with [Step 17](#).

If a proxy point code quantity is enabled, continue the procedure with [Step 15](#).

15. Verify if a proxy point code is assigned to the DPC of the route. Enter the `rtrv-dstn` command with the DPC of the route. For this example, enter this command.

```
rtrv-dstn:dpca=003-003-003
```

The following is an example of the possible output.

```
rlghncxa03w 10-12-14 09:13:33 GMT EAGLE5 43.0.0

 DPCA CLLI BEI ELEI ALIASI ALIASN/N24 DMN
 003-003-003 rlghncbb334 no --- 1-112-3 10-13-10-1 SS7

 PPCA NCAI PRX RCAUSE NPRST SPLITIAM HMSMSC HMSCP SCCPMSGCNV
 010-010-010 ---- no none off none no no none

Destination table is (13 of 2000) 1% full
Alias table is (0 of 12000) 0% full
PPC table is (2 of 10) 20% full
```

If a proxy point code is not assigned to the DPC of the route, continue the procedure by performing one of these steps.

- If the route that is being removed is not the last route to the DPC, continue the procedure by performing one of these steps.
  - If the DPC of the route is not an ANSI point code, continue the procedure with one of these steps.
    - Perform [Step 19](#) if the RTX value of the route, shown in [Step 1](#) is yes.
    - Perform [Step 21](#) if the RTX value of the route is no.
  - If the DPC of the route is an ANSI point code, continue the procedure with [Step 18](#).
- If the route that is being removed is the last route to the DPC, continue the procedure with [Step 17](#).

If a proxy point code is assigned to the DPC of the route, continue the procedure with [Step 16](#).

16. Verify the attributes of the linkset assigned to the route being removed by entering the `rtrv-ls` command with the name of the linkset. For this example, enter this command.

```
rtrv-ls:lsn=ls03
```

The following is an example of the possible output.

```
rlghncxa03w 07-08-14 09:24:36 EST 37.0.0

LSN APCA (SS7) L3T SLT GWS GWS GWS
ls03 003-003-003 none 1 1 no PRX 0 off off off no off

 PPCA CLLI TFATCABMLQ MTPRSE ASL8
 010-010-010 ----- 1 --- no

 IPGWAPC MATELSN IPTPS LSUSEALM SLKUSEALM GTTMODE
 no ----- --- --- --- CdPA

Link set table is (9 of 1024) 1% full.
```

If the linkset contains the value PRX for the linkset type (LST) and the proxy point code value shown in [Step 15](#), the other routes to this DPC must be removed before this route can be removed in [Step 21](#).

Whether or not the linkset contains the PRX linkset type and the proxy point code value shown in [Step 15](#), continue the procedure by performing one of these steps.

- If the route that is being removed is not the last route to the DPC, continue the procedure by performing one of these steps.
  - If the DPC of the route is not an ANSI point code, continue the procedure with one of these steps.
    - Perform [Step 19](#) if the RTX value of the route, shown in [Step 1](#) is yes.
    - Perform [Step 21](#) if the RTX value of the route is no.
  - If the DPC of the route is an ANSI point code, continue the procedure with [Step 18](#).
- If the route that is being removed is the last route to the DPC, continue the procedure with [Step 17](#).

**17. Display the PCT (point code and CIC translation) entries by entering the `rtrv-pct` command.**

This is an example of the possible output.

```
rlghncxa03w 10-12-17 16:02:05 GMT EAGLE5 43.0.0

 EPCA FILTPCA REALPCA SI SSN RELCAUSE
 001-001-001 * 002-002-002 5 --- 10

 ECICS = 10 ECICE = 20
 RCICS = 30 RCICE = 40

 001-001-001 * 003-003-003 5 --- 20

 ECICS = 70 ECICE = 80
 RCICS = 90 RCICE = 90

 006-006-006 003-003-003 020-020-020 3 200 ---

 ECICS = ----- ECICE = -----
 RCICS = ----- RCICE = -----

 007-007-007 009-009-009 008-008-008 3 135 ---

 ECICS = ----- ECICE = -----
 RCICS = ----- RCICE = -----

 007-007-007 010-010-010 008-008-008 5 --- 50

 ECICS = 200 ECICE = 224
 RCICS = 300 RCICE = 324

 EPCI FILTPCI REALPCI SI SSN RELCAUSE
 1-001-2 2-002-2 2-002-2 3 10 ---

 ECICS = ----- ECICE = -----
 RCICS = ----- RCICE = -----

 EPCN FILTPCN REALPCN SI SSN RELCAUSE
 00300 * 00200 * --- ---
```



```

ECICS = ----- ECICE = -----
RCICS = ----- RCICE = -----

Unique EPC is 4 of 250
Unique RealPC is 5 of 250

PCT table is (6 of 1000) 1% full.

```

If the DPC of the route is shown in the `rtrv-pct` output, perform the [Removing a Point Code and CIC Translation Entry](#) procedure to remove the PCT entries whose REALPC or FILTPC values are the DPC of the route.

If the DPC of the route is not shown in the `rtrv-pct` output, or the [Removing a Point Code and CIC Translation Entry](#) procedure was performed, continue the procedure by performing one of these steps.

- If the DPC of the route is not an ANSI point code, continue the procedure with one of these steps.
  - Perform [Step 19](#) if the RTX value of the route, shown in [Step 1](#) is yes.
  - Perform [Step 21](#) if the RTX value of the route is no.
- If the DPC of the route is an ANSI point code, continue the procedure with [Step 18](#).

18. Verify whether or not the DPC of the route is a member of a cluster point code by entering the `rtrv-rte` command with these parameters and values.

- The `dpca` parameter containing the network and cluster values of the DPC of the route.
- Three asterisks (\*\*\*) for the network-cluster member value of the point code.
- The `mode=full` parameter.

For this example, enter this command.

```
rtrv-rte:dpca=003-003-***:mode=full
```

This is an example of the possible output.

```

rlghncxa03w 10-12-17 16:00:32 GMT EAGLE5 43.0.0

DPCA ALIASI ALIASN/N24 RTX CLLI
 ----- -----
 LSN
003-003-* ----- -----
 No
 1 002-002-002
 2 003-003-003
003-003-003 1-112-3 10-13-10-1 Yes
 1 002-002-002
 2 003-003-003

 OPCA
 011-011-011 ls3 1 004-004-004
003-003-200 1-117-3 10-13-11-1 Yes
 1 002-002-002
 2 003-003-003

 OPCA
 010-010-010 ls3 1 004-004-004

```

```

003-003-225 -----
 ls1
 ls2
 Yes
 1
 2

 002-002-002
 003-003-003

```

If the DPC of the route is not a member of a cluster point code, continue the procedure by performing one of these steps.

- Perform [Step 19](#) if the RTX value of the route, shown in RTX field of the `rtrv-rte` output in [Step 1](#), is `yes` and the last route to the DPC of the route is being removed.
- Perform [Step 21](#) if these either of these conditions are present.
  - The RTX value of the route is `no`.
  - The RTX value of the route is `yes` and the last route to the DPC is not being removed.

If the DPC of the route is a member of a cluster point code, continue the procedure with [Step 20](#).

19. Display the route exception table entries referencing the DPC of the route by entering the `rtrv-rtx` command with the DPC of the route being removed in this procedure. For this example, enter this command.

```
rtrv-rtx:dpca=003-003-003
```

```

rlghncxa03w 10-12-07 00:34:31 GMT EAGLE5 43.0.0

 DPCA RTX-CRITERIA LSN RC APC

 003-003-003 OPCA
 007-007-007 ls01 1 002-002-100

DESTINATION ENTRIES ALLOCATED: 2000
 FULL DPC(s): 40
 EXCEPTION DPC(s): 1
 TOTAL DPC(s): 41
 CAPACITY (% FULL): 1%
ALIASES ALLOCATED: 12000
 ALIASES USED: 0
 CAPACITY (% FULL): 0%

```

If the DPC of the route being removed in this procedure is shown in the `rtrv-rtx` output, perform the [Removing a Route Exception Entry](#) procedure to remove all the route exception table entries shown in this step. After the exception routes have been removed, continue the procedure with [Step 21](#).

20. Display the attributes of the cluster point code by entering the `rtrv-dstn` command with the cluster point code value shown in [Step 18](#). For this example, enter this command.

```
rtrv-dstn:dpca=003-003-*
```

This is an example of the possible output.

```

rlghncxa03w 10-12-28 21:16:37 GMT EAGLE5 43.0.0

 DPCA CLLI BEI ELEI ALIASI ALIASN/N24 DMN
 003-003-* rlghncbb333 yes no ----- ----- SS7

```

```

 SPCA NCAI RCAUSE NPRST SPLITIAM HMSMSC HMSCP SCCPMSGCNV
 ----- -- -
 no none off none no no none

Destination table is (11 of 2000) 1% full
Alias table is (6 of 8000) 1% full

```

To remove all the routes to the cluster point code and all the routes to the members of the cluster point code (shown in [Step 18](#)) with the `all=yes` parameter of the `dlt-rte` command, the `NCAI` value of the cluster point code must be `no`. Perform the [Changing the Attributes of a Cluster Point Code](#) procedure to change the `NCAI` value of the cluster point code to `no` if required. The `RTX=yes` value in the `rtrv-rte` output shows that exception routes reference the DPC of the route. To remove the routes to the members of the cluster point code, the exception routes that reference the DPC of the routes must be removed. Perform the [Removing a Route Exception Entry](#) procedure to remove the exception routes shown in the `rtrv-rte` output in [Step 18](#). After the `NCAI` value has been verified and changed in necessary, and any exception routes have been removed if necessary, continue the procedure with [Step 21](#) specifying the cluster point code that was specified in this step and with the `all=yes` parameter.

To remove all the routes to the cluster point code and without removing all the routes to the members of the cluster point code (shown in [Step 18](#)) with the `all=yes` parameter of the `dlt-rte` command, the `NCAI` value of the cluster point code must be `yes`. Perform the [Changing the Attributes of a Cluster Point Code](#) procedure to change the `NCAI` value of the cluster point code to `yes` if required. After the `NCAI` value has been verified and changed in necessary, continue the procedure with [Step 21](#) specifying the cluster point code that was specified in this step and with the `all=yes` parameter.

To remove a single route to the cluster point code or a route to a member of the cluster point code (shown in [Step 18](#)) with the `lsn` parameter of the `dlt-rte` command, the `NCAI` value of the cluster point code must be `yes`. Perform the [Changing the Attributes of a Cluster Point Code](#) procedure to change the `NCAI` value of the cluster point code to `yes` if required. The `RTX=yes` value in the `rtrv-rte` output shows that exception routes reference the DPC of the route. To remove the last route to the member of the cluster point code, the exception routes that reference the DPC of the route must be removed. Perform the [Removing a Route Exception Entry](#) procedure to remove the exception routes shown in the `rtrv-rte` output in [Step 18](#). After the `NCAI` value has been verified and changed in necessary, and any exception routes have been removed if necessary, continue the procedure with [Step 21](#) specifying the DPC of the route and with the `lsn` parameter.

21. Remove the routes from the database using the `dlt-rte` command. For this example, enter this command.

```
dlt-rte:dpca=003-003-003:all=yes
```

A specific route to a DPC can be removed from the database. To do this, specify the `lsn` parameter instead of the `all` parameter and the linkset name of the route you wish to remove. For this example, enter this command.

```
dlt-rte:dpca=003-003-003:lsn=ls03
```

If the linkset contains the value `PRX` for the linkset type (`LST`) (shown in [Step 16](#)) and the proxy point code value shown in [Step 15](#), the other routes to this DPC must be removed before this route can be removed in this step. For this example, enter the `dlt-rte` command with the `lsn` parameter to remove the linksets `ls01` and `ls02` from route DPC 003-003-003, before removing linkset `ls03`. For this example, enter these commands.

```
dlt-rte:dpca=003-003-003:lsn=ls01
```

```
dlt-rte:dpca=003-003-003:lsn=ls02
```

```
dlt-rte:dpca=003-003-003:lsn=ls03
```

If the NCAI field value in [Step 20](#) is no, and was not changed, enter the `dlt-rte` command specifying the cluster point code as the value of the `dpca` parameter. For this example, enter this command.

```
dlt-rte:dpca=003-003-*:all=yes
```

When either of these commands have successfully completed, this message should appear.

```
rlghncxa03w 06-10-07 08:45:54 GMT EAGLE5 36.0.0
DLT-RTE: MASP A - COMPLTD
```

22. Verify the changes using the `rtrv-rte` command, specifying the destination point code of the route. For this example, enter this command.

```
rtrv-rte:dpc=003-003-003
```

If all routes to the DPC were removed in [Step 21](#), this is an example of the possible output.

```
rlghncxa03w 06-10-10 11:43:04 GMT EAGLE5 36.0.0
DPCA ALIASI ALIASN/N24 LSN RC APCA
003-003-003 -----
 RTX:No CLLI=ls03c11i
```

If a specific route to the DPC was removed in [Step 21](#), this is an example of the possible output.

```
rlghncxa03w 06-10-10 11:43:04 GMT EAGLE5 36.0.0
DPCA ALIASI ALIASN/N24 LSN RC APCA
003-003-003 -----
 ls01 20 002-002-002
 ls02 30 004-004-004
 RTX:No CLLI=ls03c11i
```

23. Back up the new changes using the `chg-db:action=backup:dest=fixed` command. These messages should appear, the active Maintenance and Administration Subsystem Processor (MASP) appears first.

```
BACKUP (FIXED) : MASP A - Backup starts on active MASP.
BACKUP (FIXED) : MASP A - Backup on active MASP to fixed disk complete.
BACKUP (FIXED) : MASP A - Backup starts on standby MASP.
BACKUP (FIXED) : MASP A - Backup on standby MASP to fixed disk complete.
```

## Changing a Route

This procedure is used to change the relative cost of a route or the linkset assigned to a route in the database using the `chg-rte` command.

The `chg-rte` command uses these parameters.

:dpc/dpca/dpci/dpcn/dpcn24 – The destination point code of the node that the traffic is bound for.

**Note:** See [Point Code Formats](#) for a definition of the point code types that are used on the EAGLE 5 ISS and for a definition of the different formats that can be used for ITU national point codes.

:l`lsn` – The name of the linkset that is currently assigned to the route.

:rc – The relative cost (priority) for this route.

:n`lsn` – The name of the new linkset that will carry the traffic bound for the node specified by the destination point code.

The route to be changed must exist in the database. This can be verified in [Step 1](#).

If the DPC of the route being changed is a private point code, or if the `ipgwapc` parameter of the linkset assigned to the route is `yes`, the route is an IPGWx route (a route that contains an IPGWx linkset). The IPGWx route can contain only one linkset. The DPC of an IPGWx route must either be the APC of the IPGWx linkset or the SAPC assigned to the IPGWx linkset. The DPC of the route cannot be changed. The SAPC can be assigned to only one linkset. As a result, the linkset assigned to the IPGWx route cannot be changed. Only the `rc` parameter value assigned to the route can be changed.

The examples in this procedure are used to change the relative cost assigned to the linkset `ls01` for the route to DPC `003-003-003` in the database to change the name of linkset `ls01` to `lsa2`.

### Changing Routes Other than IPGWx Routes

If the 6-Way Loadsharing on Routesets feature is enabled and turned on, a maximum of six routes in the routeset can be assigned the same relative cost value. It is recommended that the routeset be provisioned with a group of four routes that have the same relative cost value and another group of two routes that have the same relative cost value. Three or five routes in the routeset that have the same relative cost value can be provisioned, but the odd number makes it more difficult to distribute the route traffic evenly. Six routes in the routeset that have the same relative cost value can be provisioned, but this does not allow for any backup routes and also offers the worst chance for congestion and queuing issues during network failures. If the 6-Way Loadsharing on Routesets feature is not enabled or not turned on, a maximum of two linksets can be assigned the same relative cost value. The relative cost value of the route is defined by the `rc` parameter of the `chg-rte` command and is shown in the `RC` field in the output of the `rtrv-rte` command.

The ANSI DPC (DPC/DPCA) of the route can use either a full point code, a cluster point code, or a network routing point code. ITU DPCs (DPCI and DPCN - 14-bit or 24-bit DPCNs) must use full point codes. For more information on full and cluster point codes, go to the [Cluster Routing and Management Diversity \(CRMD\)](#) section. For more information on network routing point codes, go to the [Network Routing](#) section.

The DPC of the route must be of the same format as the APC of the linkset being added to the route. That is, routes containing ANSI DPCs must have linksets with ANSI APCs; routes containing ITU-I DPCs must have linksets with ITU-I APCs; routes containing 14-bit ITU-N DPCs must have linksets with 14-bit ITU-N APCs; routes containing 24-bit ITU-N DPCs must have linksets with 24-bit ITU-N APCs. The DPC of the route must be defined as a true point code in the `rtrv-dstn` output. Alias point codes and secondary point codes cannot be used. True point codes are shown in the output of the `rtrv-dstn` command in the `DPCA`, `DPCI`, `DPCN`, or `DPCN24` fields.

Either the `nlsn` or `rc` parameters, or both, must be specified with the `chg-rte` command. If neither of these parameters are specified, the command is rejected.

The linkset specified by the `nlsn` parameter must be in the database and must contain at least one signaling link. This can be verified with the `rtrv-ls` command and specifying the name of the linkset with the `lsn` parameter.

If the DPC of the route is a cluster point code or a network routing point code, only linksets, specified with either the `lsn` or `nlsn` parameters, whose linkset type is either B, C, or D can be assigned to the route. The linkset type is shown in the `LST` field of the `rtrv-ls` command output. If the linkset type of the desired linkset is either A, E, or PRX, one of three actions must be taken.

- Choose another linkset with the linkset type B, C, or D.
- Change the linkset type of an existing linkset – perform the [Changing an SS7 Linkset](#) procedure.
- Add a new linkset to the database with the necessary signaling links and the linkset type B, C, or D.
  1. Perform the [Adding a SS7 Linkset](#) procedure to add the linkset.
  2. If the necessary signaling links are not in the database, go to the [Adding an SS7 Signaling Link](#) procedure and add the signaling links to the database.

If the DPC of the route is a member of a cluster point code, and the nested cluster allowed indicator (`ncai` parameter of either the `ent-dstn` or `chg-dstn` command) is set to `no`, then all destinations in the cluster have the same route as the cluster point code, with the same attributes as the route to the cluster point code. If the nested cluster allowed indicator is set to `yes`, then the routes to the members of the cluster point code, and the attributes of these routes, can be different from the route to the cluster point code. For more information, see the [Nested Cluster Routing](#) section.

If the APC of the linkset assigned to the route and the DPC of the route are the same, the name of the linkset cannot be changed in this procedure if the linkset and the DPC of the route contain these attributes.

- The DPC of the route contains a proxy point code.
- The linkset type of the linkset is PRX (a proxy linkset) and the proxy point code that is assigned to the DPC of the route is also assigned to the linkset.

These attributes can be verified by entering the `rtrv-dstn` command with the DPC of the route and the `rtrv-ls` command with the linkset name assigned to the route. If these attributes are present and you wish to change the name of the linkset, perform the [Removing a Route](#) procedure to remove the linkset from the DPC of the route. To remove a proxy linkset from the DPC of the route, all the linksets assigned to the DPC must be removed. After the linksets have been removed from the DPC, Add the new linkset to the DPC of the route by performing the [Adding a Route Containing an SS7 DPC](#) procedure.

### Canceling the `RTRV-LS` and `RTRV-RTE` Commands

Because the `rtrv-ls` and `rtrv-rte` commands used in this procedure can output information for a long period of time, the `rtrv-ls` and `rtrv-rte` commands can be canceled and the output to the terminal stopped. There are three ways that the `rtrv-ls` and `rtrv-rte` commands can be canceled.

- Press the `F9` function key on the keyboard at the terminal where the `rtrv-ls` or `rtrv-rte` commands were entered.
- Enter the `canc-cmd` without the `trm` parameter at the terminal where the `rtrv-ls` or `rtrv-rte` commands were entered.
- Enter the `canc-cmd:trm=<xx>`, where `<xx>` is the terminal where the `rtrv-ls` or `rtrv-rte` commands were entered, from another terminal other than the terminal where the `rtrv-ls` or `rtrv-rte` commands were entered. To enter the `canc-cmd:trm=<xx>` command, the terminal must allow Security Administration commands to be entered from it and the user must be allowed to enter Security Administration commands. The terminal's permissions can be verified with the

rtrv-secu-trm command. The user's permissions can be verified with the rtrv-user or rtrv-secu-user commands.

For more information about the canc-cmd command, go to the *Commands Manual*.

1. Display the current route configuration using the rtrv-rte command.

This is an example of the possible output.

```

rlghncxa03w 10-12-10 11:43:04 GMT EAGLE5 43.0.0
Extended Processing Time may be Required

DPCA ALIASI ALIASN/N24 LSN RC APCA
001-002-003 -----
002-002-100 -----
002-007-008 -----
002-009-003 -----
003-003-003 -----
004-004-004 -----
009-002-003 -----
140-012-004 1-111-1 11121
140-012-005 1-111-2 11122
179-100-087 -----
200-050-176 -----

DPCI ALIASN/N24 ALIASA LSN RC APC
2-234-5 11-13-3-3 240-111-111 ls100001 10 1-234-5
ls100002 10 1-234-6
ls100003 20 1-234-7
ls100004 30 1-234-1
ls100005 40 1-234-2
ls100006 50 1-234-3
3-150-4 -----
DPCN ALIASA ALIASI LSN RC APC
10685 -----
lsn5 10 10685

```

|        |             |         |          |        |               |
|--------|-------------|---------|----------|--------|---------------|
| 13111  | 011-222-111 | 0-001-1 |          | RTX:No | CLLI=lsi5clli |
|        |             |         | ls200001 | 10     | 11111         |
|        |             |         | ls200002 | 10     | 11112         |
|        |             |         | ls200003 | 20     | 11113         |
|        |             |         | ls200004 | 30     | 11114         |
|        |             |         | ls200005 | 40     | 11115         |
|        |             |         | ls200006 | 50     | 11116         |
| DPCN24 | ALIASA      | ALIASI  | LSN      | RTX:No | CLLI=ndpl     |
|        |             |         |          | RC     | APC           |

If the DPC of the route being changed is a private point code, the route is an IPGWx route (a route that contains an IPGWx linkset). The DPC of an IPGWx route must either be the APC of the IPGWx linkset or the SAPC assigned to the IPGWx linkset. The DPC of the route cannot be changed. The SAPC can be assigned to only one linkset. As a result, the linkset assigned to the IPGWx route cannot be changed. Only the rc parameter value assigned to the route can be changed. If you wish to change the rc parameter value, continue the procedure with [Step 9](#).

If you do not wish to change the rc parameter value, this procedure cannot be performed.

If the DPC of the route being changed is not a private point code, the route contains two or more linksets, and the rc parameter values of the routes are being changed, continue the procedure performing one of these steps.

- If no more than two routes in the routeset will have the same relative cost value, continue the procedure by performing one of these steps.
  - If the linkset name will not be changed, continue the procedure with [Step 9](#).
  - If the linkset name will be changed, continue the procedure by performing one of these steps.
    - if the APC of the linkset and the DPC of the route are the same. continue the procedure with [Step 4](#).
    - If the APC of the linkset and the DPC of the route are not the same, continue the procedure with [Step 6](#).
- If more than two routes in the routeset will have the same relative cost value, continue the procedure by performing one of these steps.
  - If routesets that contain more than two routes with the same relative cost value are shown in the rtrv-rte output, continue the procedure by performing one of these steps.
    - If the linkset name will not be changed, continue the procedure with [Step 9](#).
    - If the linkset name will be changed, continue the procedure by performing one of these steps.
      - if the APC of the linkset and the DPC of the route are the same. continue the procedure with [Step 4](#).
      - If the APC of the linkset and the DPC of the route are not the same, continue the procedure with [Step 6](#).
  - If routesets that contain more than two routes with the same relative cost value are not shown in the rtrv-rte output, continue the procedure with [Step 3](#).

If the DPC of the route being changed is not a private point code, and the route contains only one linkset, continue the procedure with [Step 2](#) to verify the ipgwapc value assigned to the linkset.



2. Display the linkset assigned to the route by entering the `rtrv-ls` command with the name of the linkset.

For this example, enter this command.

```
rtrv-ls:lsn=ls04
```

This is an example of the possible output.

```
rlghncxa03w 06-10-17 11:43:04 GMT EAGLE5 36.0.0

LSN APCA (SS7) SCRN SET SET BEI LST LNKS ACT MES DIS SLSCI NIS
ls04 001-002-003 none 1 1 no A 1 off off off --- on

 CLLI TFATCABMLQ MTPRSE ASL8
ls04clli 1 no ---

 IPGWAPC MATELSN IPTPS LSUSEALM SLKUSEALM GTTMODE
yes ----- 100 100 % 80 % CdPA

 LOC LINK SLC TYPE
1303 A 0 SS7IPGW

Link set table is (10 of 1024) 1% full.
```

If the `ipgwapc` parameter value of the linkset is `yes`, the route is an IPGW<sub>x</sub> route (a route that contains an IPGW<sub>x</sub> linkset). The DPC of an IPGW<sub>x</sub> route must either be the APC of the IPGW<sub>x</sub> linkset or the SAPC assigned to the IPGW<sub>x</sub> linkset. The DPC of the route cannot be changed. The SAPC can be assigned to only one linkset. As a result, the linkset assigned to the IPGW<sub>x</sub> route cannot be changed. Only the `rc` parameter value assigned to the route can be changed. If you wish to change the `rc` parameter value, continue the procedure with [Step 9](#).

If you do not wish to change the `rc` parameter value, this procedure cannot be performed.

If the `ipgwapc` parameter value of the linkset is `no`, continue the procedure by performing one of these step.

- If no more than two routes in the routeset will have the same relative cost value, continue the procedure by performing one of these steps.
  - If the linkset name will not be changed, continue the procedure with [Step 9](#).
  - If the linkset name will be changed, continue the procedure by performing one of these steps.
    - if the APC of the linkset and the DPC of the route are the same. continue the procedure with [Step 4](#).
    - If the APC of the linkset and the DPC of the route are not the same, continue the procedure with [Step 6](#).
- If more than two routes in the routeset will have the same relative cost value, continue the procedure by performing one of these steps.
  - If routesets that contain more than two routes with the same relative cost value are shown in the `rtrv-rte` output, continue the procedure by performing one of these steps.
    - If the linkset name will not be changed, continue the procedure with [Step 9](#).
    - If the linkset name will be changed, continue the procedure by performing one of these steps.

- if the APC of the linkset and the DPC of the route are the same. continue the procedure with [Step 4](#).
  - If the APC of the linkset and the DPC of the route are not the same, continue the procedure with [Step 6](#).
- If routesets that contain more than two routes with the same relative cost value are not shown in the `rtrv-rte` output, continue the procedure with [Step 3](#).
3. For a routeset to have more than two routes with the same relative cost value, the 6-Way Loadsharing on Routesets feature must be enabled and turned on.

To verify the status of the 6-Way Loadsharing on Routesets feature, enter this command.

```
rtrv-ctrl-feat:partnum=893019801
```

The following is an example of the possible output.

```
rlghncxa03w 09-05-28 21:15:37 GMT EAGLE5 41.0.0
The following features have been permanently enabled:

Feature Name Partnum Status Quantity
6-Way LS on Routesets 893019801 on ----

The following features have been temporarily enabled:

Feature Name Partnum Status Quantity Trial Period Left
Zero entries found.

The following features have expired temporary keys:

Feature Name Partnum
Zero entries found.
```

If the 6-Way Loadsharing on Routesets feature is not enabled or not turned on, perform [Activating the 6-Way Loadsharing on Routesets Feature](#) to enable and turn on the 6-Way Loadsharing on Routesets feature.

After the 6-Way Loadsharing on Routesets feature has been enabled and turned on, or if the `rtrv-ctrl-feat` output shows that the 6-Way Loadsharing on Routesets feature is enabled and turned on, continue this procedure by performing one of these steps.

- If the linkset name will not be changed, continue the procedure with [Step 9](#).
  - If the linkset name will be changed, continue the procedure by performing one of these steps.
    - if the APC of the linkset and the DPC of the route are the same. continue the procedure with [Step 4](#).
    - If the APC of the linkset and the DPC of the route are not the same, continue the procedure with [Step 6](#).
4. Display the attributes of the linkset whose DPC is the same as the DPC of the route by entering the `rtrv-ls` command with the name of the linkset. For this example, enter this command.

```
rtrv-ls:lsn=ls02
```

This is an example of the possible output.

```
rlghncxa03w 07-08-14 09:24:36 GMT EAGLE5 37.0.0

LSN APCA (SS7) L3T SLT GWS GWS GWS
ls02 004-004-004 none 1 1 no PRX 1 off off off no off

 PPCA CLLI TFATCABMLQ MTPRSE ASL8
 010-010-010 ----- 1 --- no

 IPGWAPC MATELSN IPTPS LSUSEALM SLKUSEALM GTTMODE
 no ----- --- --- --- CdPA

Link set table is (9 of 1024) 1% full.
```

If the linkset type is PRX, continue the procedure with [Step 5](#).

If the linkset type is not PRX, continue the procedure with [Step 6](#).

5. Display the DPC of the route by entering the `rtrv-dstn` command with the DPC of the route. For this example, enter this command.

```
rtrv-dstn:dpca=004-004-004
```

This is an example of the possible output.

```
rlghncxa03w 10-12-15 09:22:39 GMT EAGLE5 43.0.0

DPCA CLLI BEI ELEI ALIASI ALIASN/N24 DMN
004-004-004 ----- no --- ----- ----- SS7

PPCA NCAI PRX RCAUSE NPRST SPLITIAM HMSMSC HMSCP SCCPMSGCNV
010-010-010 ---- no none off none no no none

Destination table is (14 of 2000) 1% full
Alias table is (0 of 12000) 0% full
PPC table is (2 of 10) 20% full
```

If the linkset shown in [Step 4](#) does not contain the proxy point code shown in this step, continue the procedure with [Step 6](#).

If the linkset shown in [Step 4](#) contains the proxy point code shown in this step, the linkset name cannot be changed in this procedure. If you wish to change the linkset name, perform the [Removing a Route](#) procedure to remove the linkset from the DPC of the route. To remove a proxy linkset from the DPC of the route, all the linksets assigned to the DPC must be removed. After the linksets have been removed from the DPC, Add the new linkset to the DPC of the route by performing the [Adding a Route Containing an SS7 DPC](#) procedure. However, the RC value for this linkset can be changed. If you wish to change the RC value for this linkset, repeat this procedure from [Step 3](#).

6. Display the linksets in the database with the `rtrv-ls` command.

This is an example of the possible output.

```
rlghncxa03w 06-10-10 11:43:04 GMT EAGLE5 36.0.0

 L3T SLT GWS GWS GWS
```

```

LSN APCA (SS7) SCRN SET SET BEI LST LNKS ACT MES DIS SLSCI NIS
ele2 001-207-000 none 1 1 no B 6 off off off no off
ls1305 000-005-000 none 1 1 no A 1 off off off no off
ls1307 000-007-000 none 1 1 no A 1 off off off no off
elm1s1 001-001-001 none 1 1 no A 7 off off off no off
elm1s2 001-001-002 none 1 1 no A 7 off off off no off

```

```

LSN APCI (SS7) SCRN SET SET BEI LST LNKS ACT MES DIS SLSCI NIS
ele2i 1-207-0 none 1 1 no B 4 off off off --- on
ls1315 0-015-0 none 1 1 no A 1 off off off --- off
ls1317 0-017-0 none 1 1 no A 1 off off off --- on
elm2s1 1-011-1 none 1 1 no A 7 off off off --- off
elm2s2 1-011-2 none 1 1 no A 7 off off off --- off

```

Link set table is (10 of 1024) 1% full.

If the new linkset to be added to the route is not shown in the `rtrv-ls` output, and the DPC of the route is not an ANSI point code, add the new linkset by performing the [Adding a SS7 Linkset](#) procedure.

After the new linkset has been added, or if the new linkset is shown in the `rtrv-ls` output, continue the procedure by performing one of these steps.

- If the DPC of the route is not a cluster point code, continue the procedure with [Step 8](#).
- If the DPC of the route is a cluster point code, continue the procedure with [Step 7](#).

7. Display the `ncai` parameter value assigned to the cluster point code using the `rtrv-dstn` command and specifying the cluster point code.

If the `ncai` parameter value is `no`, then the route to the DPC must be the same as the route to the cluster point code. If the `ncai` parameter value is `yes`, the route to the member of the cluster does not have to be the same as the route to the cluster point code. The `ncai` value is shown in the `NCAI` field of the `rtrv-dstn` output. For this example, enter this command.

```
rtrv-dstn:dPCA=111-011-*
```

This is an example of the possible output.

```

rlghncxa03w 10-12-28 21:16:37 GMT EAGLE5 43.0.0

 DPCA CLLI BEI ELEI ALIASI ALIASN/N24 DMN
 111-011-* rlghncbb000 yes yes ----- ----- SS7

 SPCA NCAI RCAUSE NPRST SPLITIAM HMSMSC HMSCP SCCPMSGCNV
 ----- ---- none off none no no none

Destination table is (12 of 2000) 1% full
Alias table is (6 of 8000) 1% full

```

**Note:** If the DPC of the route is not a cluster point code or a 14-bit ITU-N point code with group codes, continue the procedure with [Step 9](#).

8. Display each linkset being assigned to the route to verify the `multgc` parameter value with the `rtrv-ls` command, specifying the name of the linkset that will be assigned to the route.

If the `multgc` linkset parameter value is `yes`, then 14-bit ITU National DPCs with group codes that are different from the linkset APC group code can be assigned to the route. If the `multgc`

value is set to no, then only 14-bit ITU National DPCs with group codes that are the same as the linkset APC group code can be assigned to the route. The `multgc` value is shown in the `MULTGC` field of the `rtrv-ls` output.

For this example, enter the following command.

```
rtrv-ls:lsn=ele2i
```

This is an example of the possible output.

```
rlghncxa03w 06-10-10 11:43:04 GMT EAGLE5 36.0.0

LSN APCI (SS7) L3T SLT GWS GWS GWS
ele2i 1-202-0 none 1 1 no B 10 off off off --- on

CLLI TFATCABMLQ MTPRSE ASL8 SLSOCBIT SLRSRB MULTGC
----- 5 no --- none 1 no

ITUTFR
off

IPGWAPC MATELSN IPTPS LSUSEALM SLKUSEALM GTTMODE
no ----- --- --- --- CdPA

LOC LINK SLC TYPE IPLIML2
1311 A 0 IPLIMI M2PA
1313 A 1 IPLIMI M2PA
1311 B 2 IPLIMI M2PA
1313 B 3 IPLIMI M2PA

SAPCN
03664

Link set table is (10 of 1024) 1% full.
```

#### 9. Change the route configuration in the database using the `chg-rte` command.

For this example, enter this command.

```
chg-rte:dpca=003-003-003:lsn=ls01:rc=50:nlsn=lsa2
```

These are the rules that apply to adding a route.

- An IPGWx route can contain only one linkset, and only the `rc` parameter value for an IPGWx route can be changed. For an SS7 route other than an IPGWx route, a maximum of two linksets can be assigned the same `rc` parameter value, if the 6-Way Loadsharing on Routesets feature is not enabled or turned on. If the 6-Way Loadsharing on Routesets feature is enabled and turned on, a maximum of six linksets in the route can have the same `rc` parameter value.
- If the DPC of the route is a cluster point code or a network routing point code, the link set type of the linkset assigned to the route must be either B, C, or D.
- If the DPC of the route is a member of a cluster point code, and the nested cluster allowed indicator (`ncai` parameter of either the `ent-dstn` or `chg-dstn` command) is set to no, then the route to the DPC must be the same as the route to the cluster point code. If the nested cluster allowed indicator is set to yes, the route to the member of the cluster does not have to be the same as the route to the cluster point code.
- For routes containing 14-bit ITU National DPCs with group codes, if the linkset assigned to the route has the `MULTGC` value set to yes, then the group code of the linkset's APC can be different

from the group code of the route's DPC. If the MULTGTC value is set to no, then the group code of the linkset's APC must be the same as the group code of the route's DPC.

- If the DPC of the route is a cluster point code, the linksets that will be assigned to the route, with the nlsn parameter, cannot specify the ipgwapc=yes parameter.
- The DPC of the route must be of the same format as the APC of the linkset being added to the route. That is, routes containing ANSI DPCs must have linksets with ANSI APCs; routes containing ITU-I DPCs must have linksets with ITU-I APCs; routes containing 14-bit ITU-N DPCs must have linksets with 14-bit ITU-N APCs; routes containing 24-bit ITU-N DPCs must have linksets with 24-bit ITU-N APCs.

When this command has successfully completed, this message should appear.

```
rlghncxa03w 06-10-07 08:45:54 GMT EAGLE5 36.0.0
CHG-RTE: MASP A - COMPLTD
```

10. Verify the changes using the rtrv-rte command, specifying the destination point code of the route or the name of the routeset assigned to the route.

For this example, enter this command.

```
rtrv-rte:dpca=003-003-003
```

This is an example of the possible output.

```
rlghncxa03w 06-10-07 11:43:04 GMT EAGLE5 36.0.0
 DPCA ALIASI ALIASN/N24 LSN RC APCA
 003-003-003 ----- ----- ls03 10 003-003-003
 ls01 20 002-002-100
 ls02 30 004-004-004
 RTX:No CLLI=ls03clli
```

11. Back up the new changes using the chg-db:action=backup:dest=fixed command.

These messages should appear, the active Maintenance and Administration Subsystem Processor (MASP) appears first.

```
BACKUP (FIXED) : MASP A - Backup starts on active MASP.
BACKUP (FIXED) : MASP A - Backup on active MASP to fixed disk complete.
BACKUP (FIXED) : MASP A - Backup starts on standby MASP.
BACKUP (FIXED) : MASP A - Backup on standby MASP to fixed disk complete.
```

## Changing Level 2 Timers

This procedure is used to change the values of a level 2 timer set using the chg-l2t command.

The l2tset parameter specifies the level 2 timer set that is being changed. The EAGLE 5 ISS contains 35 level 2 timer sets that signaling links can be assigned to. Level 2 timer sets are assigned to different types of signaling links as shown in [Table 35: Level 2 Timer Sets](#).

Table 35: Level 2 Timer Sets

| Level 2 Timer Set (12tset<br>Parameter Value) | Default Level 2 Timer Set Value<br>for Signaling Links | Type of Signaling Link                                         |
|-----------------------------------------------|--------------------------------------------------------|----------------------------------------------------------------|
| 1 - 10                                        | 1                                                      | Low-speed ANSI signaling links                                 |
| 11 - 20                                       | 11                                                     | Low-speed ITU signaling links                                  |
| 21 - 25                                       | 21                                                     | ITU-N high-speed signaling<br>links for China                  |
| 26 - 30                                       | 26                                                     | ITU-N high-speed signaling<br>links for areas other than China |
| 31 - 35                                       | 31                                                     | Unchannelized T1 high-speed<br>signaling links                 |

Each level 2 timer set contains seven timers. These tables define the timers and their values.

- [Table 36: Level 2 Timer Values - Low-Speed ANSI Signaling Links](#)
- [Table 37: Level 2 Timer Values - Low-Speed ITU Signaling Links](#)
- [Table 38: Level 2 Timer Values - ITU-N High-Speed Signaling Links for China](#)
- [Table 39: Level 2 Timer Values - ITU-N High-Speed Signaling Links for Areas other than China](#)
- [Table 40: Level 2 Timer Values - Unchannelized T1 High-Speed Signaling Links](#)

Table 36: Level 2 Timer Values - Low-Speed ANSI Signaling Links

| Level 2 Timers                                          | Level 2 Timer Sets 1 - 10 (in milliseconds) |
|---------------------------------------------------------|---------------------------------------------|
| Timer 1 – Aligned ready (t1 parameter)                  | 5000 - 20000<br>System Default - 13000      |
| Timer 2 – Not aligned (t2 parameter)                    | 5000 - 30000<br>System Default - 11500      |
| Timer 3 – Aligned (t3 parameter)                        | 5000 - 20000<br>System Default - 11500      |
| Timer 4 – Normal proving period (t4npp<br>parameter)    | 500 - 5000<br>System Default - 2300         |
| Timer 4 – Emergency proving period (t4epp<br>parameter) | 200 - 1000<br>System Default - 600          |
| Timer 5 – Sending SIB (t5 parameter)                    | 40 - 500<br>System Default - 100            |
| Timer 6 – Remote congestion (t6 parameter )             | 1000 - 10000<br>System Default - 4000       |

| Level 2 Timers                                                                                                                                                                                                                                                                                                                                                                                                                                                                                                                                                                                                                                                       | Level 2 Timer Sets 1 - 10 (in milliseconds) |
|----------------------------------------------------------------------------------------------------------------------------------------------------------------------------------------------------------------------------------------------------------------------------------------------------------------------------------------------------------------------------------------------------------------------------------------------------------------------------------------------------------------------------------------------------------------------------------------------------------------------------------------------------------------------|---------------------------------------------|
| Timer 7 – Excessive delay of acknowledgment ( $t_7$ parameter)                                                                                                                                                                                                                                                                                                                                                                                                                                                                                                                                                                                                       | 200 - 3000<br>System Default - 1500         |
| NODATA - See the Notes.                                                                                                                                                                                                                                                                                                                                                                                                                                                                                                                                                                                                                                              | 100 - 500<br>System Default - 100           |
| <b>Notes:</b> <ol style="list-style-type: none"> <li>1. The NODATA timer specifies the amount of time that must pass with no transmissions on a signaling link before the EAGLE 5 ISS interprets the condition as a signaling link failure or a terminal equipment failure and initiates changeover procedures.</li> <li>2. The <code>nodata</code> timer value applies only to signaling links assigned to cards running the <code>ss7hc</code> and <code>ss7ml</code> GPLs. The value of the <code>nodata</code> timer for signaling links assigned to cards running the <code>ss7ansi</code> and <code>ccs7itu</code> GPLs is set at 500 milliseconds.</li> </ol> |                                             |

Table 37: Level 2 Timer Values - Low-Speed ITU Signaling Links

| Level 2 Timers                                                 | Level 2 Timer Sets 11 - 20 (in milliseconds) |
|----------------------------------------------------------------|----------------------------------------------|
| Timer 1 – Aligned ready ( $t_1$ parameter)                     | 40000 - 50000<br>System Default - 40000      |
| Timer 2 – Not aligned ( $t_2$ parameter)                       | 5000 - 150000<br>System Default - 30000      |
| Timer 3 – Aligned ( $t_3$ parameter)                           | 1000 - 2000<br>System Default - 2000         |
| Timer 4 – Normal proving period ( $t_{4npp}$ parameter)        | 7500 - 9500<br>System Default - 8200         |
| Timer 4 – Emergency proving period ( $t_{4epp}$ parameter)     | 400 - 600<br>System Default - 500            |
| Timer 5 – Sending SIB ( $t_5$ parameter)                       | 80 - 120<br>System Default - 100             |
| Timer 6 – Remote congestion ( $t_6$ parameter )                | 3000 - 6000<br>System Default - 4000         |
| Timer 7 – Excessive delay of acknowledgment ( $t_7$ parameter) | 500 - 2000<br>System Default - 1500          |
| NODATA - See the Notes.                                        | 100 - 500<br>System Default - 100            |



| Level 2 Timers                                                                                                                                                                                                                                                                                                                                                                                                                                                                                                                                                                                                            | Level 2 Timer Sets 11 - 20 (in milliseconds) |
|---------------------------------------------------------------------------------------------------------------------------------------------------------------------------------------------------------------------------------------------------------------------------------------------------------------------------------------------------------------------------------------------------------------------------------------------------------------------------------------------------------------------------------------------------------------------------------------------------------------------------|----------------------------------------------|
| <p><b>Notes:</b></p> <ol style="list-style-type: none"> <li>1. The NODATA timer specifies the amount of time that must pass with no transmissions on a signaling link before the EAGLE 5 ISS interprets the condition as a signaling link failure or a terminal equipment failure and initiates changeover procedures.</li> <li>2. The nodata timer value applies only to signaling links assigned to cards running the <i>ss7hc</i> and <i>ss7ml</i> GPLs. The value of the nodata timer for signaling links assigned to cards running the <i>ss7ansi</i> and <i>ccs7itu</i> GPLs is set at 500 milliseconds.</li> </ol> |                                              |

Table 38: Level 2 Timer Values - ITU-N High-Speed Signaling Links for China

| Level 2 Timers                                                                                                                                                                                                                                                                                                                    | Level 2 Timer Sets 21 - 25 (in milliseconds) |
|-----------------------------------------------------------------------------------------------------------------------------------------------------------------------------------------------------------------------------------------------------------------------------------------------------------------------------------|----------------------------------------------|
| Timer 1 – Aligned ready ( $t_1$ parameter)                                                                                                                                                                                                                                                                                        | 25000 - 350000<br>System Default - 150000    |
| Timer 2 – Not aligned ( $t_2$ parameter)                                                                                                                                                                                                                                                                                          | 5000 - 150000<br>System Default - 130000     |
| Timer 3 – Aligned ( $t_3$ parameter)                                                                                                                                                                                                                                                                                              | 1000 - 2000<br>System Default - 1000         |
| Timer 4 – Normal proving period ( $t_{4npp}$ parameter)                                                                                                                                                                                                                                                                           | 3000 - 70000<br>System Default - 30000       |
| Timer 4 – Emergency proving period ( $t_{4epp}$ parameter)                                                                                                                                                                                                                                                                        | 400 - 600<br>System Default - 500            |
| Timer 5 – Sending SIB ( $t_5$ parameter)                                                                                                                                                                                                                                                                                          | 80 - 120<br>System Default - 100             |
| Timer 6 – Remote congestion ( $t_6$ parameter )                                                                                                                                                                                                                                                                                   | 3000 - 6000<br>System Default - 5000         |
| Timer 7 – Excessive delay of acknowledgment ( $t_7$ parameter)                                                                                                                                                                                                                                                                    | 500 - 2000<br>System Default - 800           |
| NODATA - See the Notes.                                                                                                                                                                                                                                                                                                           | 100 - 500<br>System Default - 100            |
| <p><b>Notes:</b></p> <ol style="list-style-type: none"> <li>1. The NODATA timer specifies the amount of time that must pass with no transmissions on a signaling link before the EAGLE 5 ISS interprets the condition as a signaling link failure or a terminal equipment failure and initiates changeover procedures.</li> </ol> |                                              |

| Level 2 Timers                                                                                                                                                                                                                                                                                                                   | Level 2 Timer Sets 21 - 25 (in milliseconds) |
|----------------------------------------------------------------------------------------------------------------------------------------------------------------------------------------------------------------------------------------------------------------------------------------------------------------------------------|----------------------------------------------|
| 2. The <code>nodata</code> timer value applies only to signaling links assigned to cards running the <code>ss7hc</code> and <code>ss7ml</code> GPLs. The value of the <code>nodata</code> timer for signaling links assigned to cards running the <code>ss7ansi</code> and <code>ccs7itu</code> GPLs is set at 500 milliseconds. |                                              |

Table 39: Level 2 Timer Values - ITU-N High-Speed Signaling Links for Areas other than China

| Level 2 Timers                                                                                                                                                                                                                                                                                                                   | Level 2 Timer Sets 26 - 30 (in milliseconds) |
|----------------------------------------------------------------------------------------------------------------------------------------------------------------------------------------------------------------------------------------------------------------------------------------------------------------------------------|----------------------------------------------|
| Timer 1 – Aligned ready ( <code>t1</code> parameter)                                                                                                                                                                                                                                                                             | 25000 - 350000<br>System Default - 300000    |
| Timer 2 – Not aligned ( <code>t2</code> parameter)                                                                                                                                                                                                                                                                               | 5000 - 150000<br>System Default - 130000     |
| Timer 3 – Aligned ( <code>t3</code> parameter)                                                                                                                                                                                                                                                                                   | 1000 - 2000<br>System Default - 1000         |
| Timer 4 – Normal proving period ( <code>t4npp</code> parameter)                                                                                                                                                                                                                                                                  | 3000 - 70000<br>System Default - 30000       |
| Timer 4 – Emergency proving period ( <code>t4epp</code> parameter)                                                                                                                                                                                                                                                               | 400 - 600<br>System Default - 500            |
| Timer 5 – Sending SIB ( <code>t5</code> parameter)                                                                                                                                                                                                                                                                               | 80 - 120<br>System Default - 100             |
| Timer 6 – Remote congestion ( <code>t6</code> parameter)                                                                                                                                                                                                                                                                         | 3000 - 6000<br>System Default - 5000         |
| Timer 7 – Excessive delay of acknowledgment ( <code>t7</code> parameter)                                                                                                                                                                                                                                                         | 500 - 2000<br>System Default - 800           |
| NODATA - See the Notes.                                                                                                                                                                                                                                                                                                          | 100 - 500<br>System Default - 100            |
| <b>Notes:</b>                                                                                                                                                                                                                                                                                                                    |                                              |
| 1. The NODATA timer specifies the amount of time that must pass with no transmissions on a signaling link before the EAGLE 5 ISS interprets the condition as a signaling link failure or a terminal equipment failure and initiates changeover procedures.                                                                       |                                              |
| 2. The <code>nodata</code> timer value applies only to signaling links assigned to cards running the <code>ss7hc</code> and <code>ss7ml</code> GPLs. The value of the <code>nodata</code> timer for signaling links assigned to cards running the <code>ss7ansi</code> and <code>ccs7itu</code> GPLs is set at 500 milliseconds. |                                              |

**Table 40: Level 2 Timer Values - Unchannelized T1 High-Speed Signaling Links**

| Level 2 Timers                                                                                                                                                                                                                                                                                                                                                                                                                                                                                                                                                                                       | Level 2 Timer Sets 31- 35 (in milliseconds) |
|------------------------------------------------------------------------------------------------------------------------------------------------------------------------------------------------------------------------------------------------------------------------------------------------------------------------------------------------------------------------------------------------------------------------------------------------------------------------------------------------------------------------------------------------------------------------------------------------------|---------------------------------------------|
| Timer 1 – Aligned ready ( $t_1$ parameter)                                                                                                                                                                                                                                                                                                                                                                                                                                                                                                                                                           | 16000 - 151000<br>System Default - 151000   |
| Timer 2 – Not aligned ( $t_2$ parameter)                                                                                                                                                                                                                                                                                                                                                                                                                                                                                                                                                             | 5000 - 14000<br>System Default - 14000      |
| Timer 3 – Aligned ( $t_3$ parameter)                                                                                                                                                                                                                                                                                                                                                                                                                                                                                                                                                                 | 5000 - 14000<br>System Default - 14000      |
| Timer 4 – Normal proving period ( $t_{4npp}$ parameter)                                                                                                                                                                                                                                                                                                                                                                                                                                                                                                                                              | 3000 - 30000<br>System Default - 30000      |
| Timer 4 – Emergency proving period ( $t_{4epp}$ parameter)                                                                                                                                                                                                                                                                                                                                                                                                                                                                                                                                           | 3000 - 10000<br>System Default - 3000       |
| Timer 5 – Sending SIB ( $t_5$ parameter)                                                                                                                                                                                                                                                                                                                                                                                                                                                                                                                                                             | 80 - 120<br>System Default - 80             |
| Timer 6 – Remote congestion ( $t_6$ parameter )                                                                                                                                                                                                                                                                                                                                                                                                                                                                                                                                                      | 3000 - 6000<br>System Default - 3000        |
| Timer 7 – Excessive delay of acknowledgment ( $t_7$ parameter)                                                                                                                                                                                                                                                                                                                                                                                                                                                                                                                                       | 500 - 2000<br>System Default - 500          |
| NODATA - See the Notes.                                                                                                                                                                                                                                                                                                                                                                                                                                                                                                                                                                              | 100 - 500<br>System Default - 100           |
| <b>Notes:</b>                                                                                                                                                                                                                                                                                                                                                                                                                                                                                                                                                                                        |                                             |
| <ol style="list-style-type: none"> <li>1. The NODATA timer specifies the amount of time that must pass with no transmissions on a signaling link before the EAGLE 5 ISS interprets the condition as a signaling link failure or a terminal equipment failure and initiates changeover procedures.</li> <li>2. The nodata timer value applies only to signaling links assigned to cards running the <i>ss7hc</i> and <i>ss7ml</i> GPLs. The value of the nodata timer for signaling links assigned to cards running the <i>ss7ansi</i> and <i>ccs7itu</i> GPLs is set at 500 milliseconds.</li> </ol> |                                             |

The examples in this procedure are used to change the values of the level 2 timer set number 2.

1. Display the values of the level 2 timer set you wish to change.

Use the `rtrv-12t` command, specifying the level 2 timer set to be changed. For this example, enter this command.

```
rtrv-12t:12tset=2
```

**Note:** Timer sets are individual sets of timer configurations; each link is assigned one of these timer sets. This allows different links to have different level 2 timer settings. This is an example of the possible output.

```
rlghncxa03w 06-10-07 08:39:46 GMT EAGLE5 39.0.0
L2T TIMERS (IN SECONDS)
L2TSET T1 T2 T3 T4NPP T4EPP T5 T6 T7 NODATA
2 10.0 20.0 20.0 5.0 1.00 0.50 10.0 3.0 0.10
```

2. Change the values of the level 2 timer in this set using the `chg-l2t` command.

Refer to these tables for the values that can be used with the `chg-l2t` command. For this example, the values of the level 2 timer set number 2 that are being changed are T2 and T6. To change these two values, enter this command.

- [Table 36: Level 2 Timer Values - Low-Speed ANSI Signaling Links](#)
- [Table 37: Level 2 Timer Values - Low-Speed ITU Signaling Links](#)
- [Table 38: Level 2 Timer Values - ITU-N High-Speed Signaling Links for China](#)
- [Table 39: Level 2 Timer Values - ITU-N High-Speed Signaling Links for Areas other than China](#)
- [Table 40: Level 2 Timer Values - Unchannelized T1 High-Speed Signaling Links](#)

```
chg-l2t:l2tset=2:t2=15000:t6=5000:nodata=200
```

When this command has successfully completed, this message should appear.

```
rlghncxa03w 06-10-07 08:39:36 GMT EAGLE5 36.0.0
CHG-L2T: MASP A - COMPLTD
```



**CAUTION**

**Caution:** If the `nodata` parameter value is greater than 200 milliseconds, this message appears.

**WARNING:** If `NODATA` timer value is greater than 200 ms, links could go into congestion before link failure is declared.

3. Verify the changes using the `rtrv-l2t` command, specifying the level 2 timer set that has been changed.

For this example, enter this command.

```
rtrv-l2t:l2tset=2
```

This is an example of the possible output.

```
rlghncxa03w 06-10-07 08:39:46 GMT EAGLE5 39.0.0
L2T TIMERS (IN SECONDS)
L2TSET T1 T2 T3 T4NPP T4EPP T5 T6 T7 NODATA
2 10.0 15.0 20.0 5.0 1.00 0.50 5.0 3.0 0.20
```

4. Back up the new changes using the `chg-db:action=backup:dest=fixed` command.

These messages should appear, the active Maintenance and Administration Subsystem Processor (MASP) appears first.

```
BACKUP (FIXED) : MASP A - Backup starts on active MASP.
BACKUP (FIXED) : MASP A - Backup on active MASP to fixed disk complete.
BACKUP (FIXED) : MASP A - Backup starts on standby MASP.
BACKUP (FIXED) : MASP A - Backup on standby MASP to fixed disk complete.
```

## Changing Level 3 Timers

This procedure is used to change the values of the level 3 timers using the `chg-l3t` command. The level 3 timers apply to both ANSI and ITU linksets, except as noted for the specific timer.

**Note:** Only one level 3 timer set exists.

The level 3 timers are defined as follows:

:t1 – Timer 1 – Delay to avoid message mis-sequencing on changeover. Values - 100-2000 milliseconds; system default value - 800 milliseconds.

:t2 – Timer 2 – Waiting for changeover acknowledgment. Values - 100-3000 milliseconds; system default value - 1400 milliseconds.

:t3 – Timer 3 – Time controlled diversion – delay to avoid mis-sequencing on changeback. Values - 100 - 2000 milliseconds; system default value - 800 milliseconds.

:t4 – Timer 4 – Waiting for changeback acknowledgment (1st attempt). Values - 100-2000 milliseconds; system default value - 800 milliseconds.

:t5 – Timer 5 – Waiting for changeback acknowledgment (2nd attempt). Values - 100-2000 milliseconds; system default value - 800 milliseconds.

:t6 – Timer 6 – Delay to avoid message mis-sequencing on controlled rerouting. Values - 100-2000 milliseconds; system default values - 800 milliseconds. If the 6-Way Loadsharing on Routesets feature is enabled and turned on, it is recommended that the value for this timer is set to 100 milliseconds. Enter the `rtrv-ctrl-feat:partnum=893019801` command to verify the status of the 6-Way Loadsharing on Routesets feature.

:t7 – Timer 7 – Waiting for signaling data link connection acknowledgment. Values - 100-3000 milliseconds; system default value - 1000 milliseconds.

:t8 – Timer 8 – Transfer-prohibited (TFP) inhibited timer (transient solution). Values - 500-2000 milliseconds; system default value - 800 milliseconds.

:t10 – Timer 10 – Waiting to repeat signaling-route-set-test (SRST) message. Values - 20000-90000 milliseconds; system default value - 30000 milliseconds.

:t11 – Timer 11 – Transfer-restricted timer. Values - 1000-90000 milliseconds; system default - 30000 milliseconds.

:t12 – Timer 12 – Waiting for uninhibit acknowledgment. Values - 100-2000 milliseconds; system default value - 800 milliseconds.

:t13 – Timer 13 – Waiting for force uninhibit. Values - 100-2000 milliseconds; system default value - 800 milliseconds.

:t14 – Timer 14 – Waiting for inhibition acknowledgment. Values - 200-4000 milliseconds; system default value - 2000 milliseconds.

:t15 – Timer 15 – Waiting to repeat signaling route set congestion test (RSCT). Values - 200-4000 milliseconds; system default value - 3000 milliseconds.

:t16 – Timer 16 – Waiting for route set congestion (RSC) status update. Values - 200-3000 milliseconds; system default value - 1400 milliseconds.

:t17 – Timer 17 – Delay to avoid oscillation of initial alignment failure and link restart. Values - 500-2000 milliseconds; system default value - 800 milliseconds.

:t18 – Timer 18 – ANSI linksets – Repeat TFR once by response method. Values - 2000-20000 milliseconds; system default value - 10000 milliseconds.

:it18 – Timer 18 – ITU linksets – Timer within a signaling point whose MTP restarts to supervise the receipt of routing information and activation of the link and linkset. Values - 19000-50000 milliseconds; system default value - 50000 milliseconds.

:t19 – Timer 19 – ANSI linksets – Failed link craft referral timer. Values - 30000-600000 milliseconds; system default value - 480000 milliseconds.

:it19 – Timer 19 – ITU linksets – Supervision timer during MTP restart to avoid ping of TFP, TFR1, and TRA messages. Values - 67000-69000 milliseconds; system default value - 67000 milliseconds.

:t20 – Timer 20 – ANSI linksets – Waiting to repeat local inhibit test. The value of the t20 parameter overwrites the value of the it22 parameter. Values - 90000-120000 milliseconds; system default value - 90000 milliseconds.

:it20 – Timer 20 – ITU linksets – Overall MTP restart timer at the signaling point whose MTP restarts. Values - 59000-61000 milliseconds; system default value - 59000 milliseconds.

:it20 – Timer 20 – ITU linksets – Waiting to repeat local inhibit test (it22 parameter). Values - 59000-61000 milliseconds; system default value - 59000 milliseconds.

:t21 – Timer 21 – ANSI linksets – Waiting to repeat remote inhibit test. The value of the t21 parameter overwrites the value of the it23 parameter. Values - 90000-120000 milliseconds; system default value - 90000 milliseconds.

:it21 – Timer 21 – ITU linksets – Overall MTP restart timer at a signaling point adjacent to one whose MTP restarts. Values - 63000-65000 milliseconds; system default value - 63000 milliseconds.

:t22 – Timer 22 – ANSI linksets – the amount of time the restarting node waits for the signaling links to become available. This parameter is used when the MTP restart feature is turned on. Values - 10000-60000 milliseconds; system default value - 10000 milliseconds.

:it22 – Timer 22 – ITU linksets – Waiting to repeat local inhibit test. The value of the it22 parameter overwrites the value of the t20 parameter. Values - 180000-360000 milliseconds; system default value - 90000 milliseconds.

:t23 – Timer 23 – ANSI linksets – the amount of time the restarting node waits to receive the TRA message. This parameter is used when the MTP restart feature is turned on. Values - 9000-100000 milliseconds; system default value - 10000 milliseconds.

:it23 – Timer 23 – ITU linksets – Waiting to repeat remote inhibit test. The value of the it23 parameter overwrites the value of the t21 parameter. Values - 180000-360000 milliseconds; system default value - 90000 milliseconds.

:  $t_{24}$  – Timer 24 – ANSI linksets – the amount of time the restarting node waits to broadcast all TRA messages. This parameter is used when the MTP restart feature is turned on. Values - 9000-60000 milliseconds; system default value - 10000 milliseconds.

:  $t_{25}$  – Timer 25 – ANSI linksets – the amount of time the adjacent node waits for the TRA message. This parameter is used when the MTP restart feature is turned on. Values - 30000-35000 milliseconds; system default value - 30000 milliseconds.

:  $t_{26}$  – Timer 26 – ANSI linksets – the amount of time the restarting node waits to repeat the TRW message. This parameter is used when the MTP restart feature is turned on. Values - 12000-15000 milliseconds; system default value - 12000 milliseconds.

:  $t_{28}$  – Timer 28 – ANSI linksets – the amount of time the adjacent node waits for the TRW message. This parameter is used when the MTP restart feature is turned on. Values - 3000-35000 milliseconds; system default value - 3000 milliseconds.

:  $t_{29}$  – Timer 29 – ANSI linksets – this timer is started when a TRA message is sent in response to an unexpected TRA/TRW message or when the MTP restart process has completed. Any TRA/TRW messages received while the T29 timer is running are ignored. This parameter is used when the MTP restart feature is turned on. Values - 60000-65000 milliseconds; system default value - 60000 milliseconds.

:  $t_{30}$  – Timer 30 – ANSI linksets – the amount of time between sending TFPs/TFRs in response to an unexpected TRA/TRW message. This parameter is used when the MTP restart feature is turned on. Values - 30000-35000 milliseconds; system default values - 30000 milliseconds.

:  $t_{31}$  – Timer 31 – ANSI linksets – False link congestion detection timer. Values - 10000-120000 milliseconds; system default value - 60000 milliseconds.

:  $t_{32}$  – Timer 32 – ANSI linksets – Link oscillation timer - Procedure A. Values - 60000-120000 milliseconds; system default values - 60000 milliseconds.

It is possible that a problem on a signaling link can cause one signaling link in a linkset to go into congestion, even though the traffic on the linkset is not high enough to cause congestion. For example, if a link has a large number of retransmissions, the throughput of the signaling link could drop enough to cause congestion on that signaling link. To help prevent this from happening, the EAGLE 5 ISS starts the level 3 T31 timer whenever a signaling link goes into congestion. If the signaling link remains in the same congestion state until the level 3 T31 timer expires, the signaling link is removed from service. The signaling link becomes unaligned, then the alignment procedure is started.

The congestion level that starts the level 3 T31 timer can be set to either congestion level 1 or congestion level 2 using the `chg-stpopts` command with the `mtpt31ctl` parameter. This congestion level can be verified with the `rtrv-stpopts` command and is shown in the `MTPT31CTL` field. The level 3 T31 timer is started when the signaling link reaches this congestion level or a higher level. An increase in congestion level or abatement to a lower congestion level restarts the timer. When the congestion level goes below the congestion level configured in the `chg-stpopts` command, the level 3 T31 timer is stopped. If the level 3 T31 timer expires and the signaling link's congestion level has not changed, the signaling link is restarted.

For example, if the level 3 T31 timer is set at 60 seconds and a signaling link goes into congestion level 1, the level 3 T31 timer is started. If, after 45 seconds, the signaling link's congestion increases to level 2, the timer is restarted to 60 seconds. If the signaling link remains at congestion level 2 for 60 seconds, the signaling link is taken out of service and it becomes unaligned. Then the alignment procedure is started, and the EAGLE 5 ISS attempts to realign the signaling link. The level 3 T31 timer can only be assigned to ANSI SS7 linksets and signaling links.

The level 3 T32 timer helps to prevent a signaling link from oscillating in and out of service. When the EAGLE 5 ISS begins restoring an out of service signaling link, the EAGLE 5 ISS starts the level 3 T32

timer. If the signaling link fails to get back into service before the level 3 T32 expires, the EAGLE 5 ISS does not attempt to continue to bring the signaling link into service until the level 3 T32 timer expires. Once the level 3 T32 timer expires, the EAGLE 5 ISS attempts to restore the signaling link into service.

The level 3 T32 timer is only started after a signaling link fails, not when a signaling link is manually deactivated. When a signaling link is manually taken out of service using the `dact-slk` command, the level 3 T32 timer is stopped, if it is running. When the signaling link is brought back into service using the `act-slk` command, the level 3 T32 timer is not started. The level 3 T32 timer is not started when a new signaling link is first aligned. The level 3 T32 timer can only be assigned to ANSI SS7 linksets and signaling links.

The `l3tset` parameter specifies the level 3 timer set. For any level 3 timer parameters not specified with the `chg-l3t` command, the values for those parameters are not changed.

1. Display the values for the level 3 timer set using the `rtrv-l3t` command.

This is an example of the possible output.

```
rlghncxa03w 06-10-17 16:03:12 GMT EAGLE5 36.0.0
LEVEL 3 TIMERS (IN SECONDS)

L3TSET T1 T2 T3 T4 T5 T6 T7
 1 2.0 3.0 2.0 2.0 2.0 2.0 3.0

 T8 T9 T10 T11 T12 T13 T14
 2.0 -- 90.0 90.0 2.0 2.0 4.0

 T15 T16 T17 T18 IT18 T19 IT19
 4.0 3.0 2.0 20.0 19.0 600.0 67.0

 T20/IT22 IT20 T21/IT23 IT21 T22 T23 T24
 120.0 59.0 120.0 63.0 10.0 10.0 10.0

 T25 T26 T27 T28 T29 T30 T31
 30.0 12.0 -- 3.0 60.0 30.0 60.0

 T32
 60.0
```

2. Change the values of the level 3 timer set using the `chg-l3t` command.

For this example, the level 3 timer values that are being changed are T10, T11, T19, T20, and T21. To change these timer values, enter this command.

```
chg-l3t:l3tset=1:t10=40000:t11=50000t19=480000:t20=100000:t21=100000
```

When this command has successfully completed, this message should appear.

```
rlghncxa03w 06-10-07 08:41:51 GMT EAGLE5 36.0.0
CHG-L3T: MASP A - COMPLTD
```

3. Verify the changes using the `rtrv-l3t` command.

This is an example of the possible output.

```
rlghncxa03w 06-10-17 16:03:12 GMT EAGLE5 36.0.0
LEVEL 3 TIMERS (IN SECONDS)
```



| L3TSET | T1       | T2   | T3       | T4   | T5   | T6    | T7   |
|--------|----------|------|----------|------|------|-------|------|
| 1      | 2.0      | 3.0  | 2.0      | 2.0  | 2.0  | 2.0   | 3.0  |
|        | T8       | T9   | T10      | T11  | T12  | T13   | T14  |
|        | 2.0      | --   | 40.0     | 50.0 | 2.0  | 2.0   | 4.0  |
|        | T15      | T16  | T17      | T18  | IT18 | T19   | IT19 |
|        | 4.0      | 3.0  | 2.0      | 20.0 | 19.0 | 480.0 | 67.0 |
|        | T20/IT22 | IT20 | T21/IT23 | IT21 | T22  | T23   | T24  |
|        | 100.0    | 59.0 | 100.0    | 63.0 | 10.0 | 10.0  | 10.0 |
|        | T25      | T26  | T27      | T28  | T29  | T30   | T31  |
|        | 30.0     | 12.0 | --       | 3.0  | 60.0 | 30.0  | 60.0 |
|        | T32      |      |          |      |      |       |      |
|        | 60.0     |      |          |      |      |       |      |

4. Back up the new changes using the `chg-db:action=backup:dest=fixed` command.

These messages should appear, the active Maintenance and Administration Subsystem Processor (MASP) appears first.

```
BACKUP (FIXED) : MASP A - Backup starts on active MASP.
BACKUP (FIXED) : MASP A - Backup on active MASP to fixed disk complete.
BACKUP (FIXED) : MASP A - Backup starts on standby MASP.
BACKUP (FIXED) : MASP A - Backup on standby MASP to fixed disk complete.
```

## Changing a Signaling Link Test Message

This procedure is used to change an SLTM (signaling link test message) using the `chg-slt` command.

The `chg-slt` command uses these parameters.

- :sltset – The signaling link test message record number in the SLTM table.
- :t1 – The T1 timer for repeating the SLTM after a failure
- :t2 – The T2 timer for the SLTM period
- :enabled – Enables the signaling link test message.
- :mode – The SLTM mode to be used when sending test messages.
- :pattern – The test pattern to be sent with a signaling link test message.

1. Display the SLTM record to be changed using the `rtrv-slt` command.

This is an example of the possible output.

```
rlghncxa03w 06-10-07 00:21:24 GMT EAGLE5 36.0.0
SLTM PARAMETERS
SLTSET T1 T2 MODE ENABLED PATTERN
1 9.0 60.0 SPECIAL ON AA2233445566778899AABBCCDDEEFF
```

```

2 12.0 30.0 SPECIAL OFF F01234BCDE
3 4.0 50.0 REGULAR ON CC2233445566778899AABBCCDDEEFF
4 6.0 90.0 SPECIAL OFF BB23446789BCABEFG
5 6.0 90.0 SPECIAL OFF BB23446789BCABEFG
6 6.0 90.0 SPECIAL OFF BB23446789BCABEFG
7 6.0 90.0 SPECIAL OFF BB23446789BCABEFG
8 6.0 90.0 SPECIAL OFF BB23446789BCABEFG
9 6.0 90.0 REGULAR OFF BB23446789BCABEFG
10 6.0 90.0 REGULAR OFF BB23446789BCABEFG
11 6.0 90.0 REGULAR OFF BB23446789BCABEFG
12 4.0 50.0 SPECIAL ON FFEEDDCCBBAA998877665544332211
13 4.0 50.0 SPECIAL ON EE22334455
14 6.0 90.0 SPECIAL ON AABBCDD
15 6.0 90.0 REGULAR ON AABBCDD
16 6.0 90.0 REGULAR ON AABBCDD
17 6.0 90.0 REGULAR ON AABBCDD
18 6.0 90.0 SPECIAL ON AABBCDD
19 6.0 90.0 SPECIAL ON AABBCDD
20 6.0 90.0 SPECIAL ON AABBCDD

```

2. Change the SLTM record using the `chg-slt` command.

For this example, signaling link test message 2 is being changed to these values:

T1 = 10.0

T2 = 50.0

MODE = REGULAR

ENABLED = ON

PATTERN = AB987654321

To make these changes, enter this command.

```

chg-slt:sltset=2:t1=10.0:t2=50.0:mode=regular:enabled=on
:pattern=ab987654321

```

When this command has successfully completed, this message should appear.

```

rlghncxa03w 06-10-07 00:22:57 GMT EAGLE5 36.0.0
CHG-SLT: MASP A - COMPLTD

```

3. Verify the changes using the `rtrv-slt` command, specifying the SLTM record.

This is an example of the possible output.

```

rlghncxa03w 06-10-07 00:23:35 GMT EAGLE5 36.0.0
SLTM PARAMETERS
SLTSET T1 T2 MODE ENABLED PATTERN
2 10.0 50.0 REGULAR ON AB987654321

```

4. Back up the new changes using the `chg-db:action=backup:dest=fixed` command.

These messages should appear, the active Maintenance and Administration Subsystem Processor (MASP) appears first.

```
BACKUP (FIXED) : MASP A - Backup starts on active MASP.
BACKUP (FIXED) : MASP A - Backup on active MASP to fixed disk complete.
BACKUP (FIXED) : MASP A - Backup starts on standby MASP.
BACKUP (FIXED) : MASP A - Backup on standby MASP to fixed disk complete.
```

## Configuring Circular Route Detection

**Note:** Circular route detection is not supported in ITU networks.

This procedure is used to configure the EAGLE 5 ISS to detect circular routing with the `chg-stpopts` command. The `chg-stpopts` command uses these parameters to detect circular routing in the EAGLE 5 ISS.

`:on=mtplti` - to turn on the circular routing detection feature.

`:off=mtplti` - to turn off the circular routing detection feature.

`:mtpltctdpcq` - the number of DPCs that the circular route test message is sent to.

`:mtpltst` - the duration of the circular route test detection procedures, in milliseconds (the MTPLTST timer).

These parameters are optional. For any parameters not specified with the `chg-stpopts` command, the values for these parameters are not changed.

When the `on=mtplti` parameter is specified for the `chg-stpopts` command, the value `yes` is shown in the `MTPLTI` field of the `rtrv-stpopts` output. When the `off=mtplti` parameter is specified for the `chg-stpopts` command, the value `no` is shown in the `MTPLTI` field of the `rtrv-stpopts` output.

The system default values, shown in the `rtrv-stpopts` output, for these parameters are:

- `MTPLTI` - `yes`
- `MTPLTCTDPCQ` - 3
- `MTPLTST` - 10000.

For this example, the circular route detection procedures remain enabled, the number of most frequently occurring DPCs is changed from 3 to 6, and the duration of the circular route detection procedures is changed from 10000 milliseconds to 18000 milliseconds.

The EAGLE 5 ISS automatically tests for circular routing when congestion occurs on an ANSI signaling link. The circular route detection test cannot be performed for ITU signaling links. If the routing data is configured incorrectly, or is corrupted, MSUs could be routed in an endless circular route. The incorrect routing data could be on the EAGLE 5 ISS or at a remote node. With the addition of cluster routing and E links, the danger of circular routing is greater.

The EAGLE 5 ISS starts the test when a signaling link reaches onset congestion threshold 1. The EAGLE 5 ISS only runs the test for one signaling link per linkset. If a second signaling link in the same linkset goes into congestion, the EAGLE 5 ISS does not start a new test. Each time the signaling link's congestion level increases, the test is restarted. The LIM that contains the congested signaling link determines which DPCs have the most MSUs transmitted on the signaling link. The LIM then transmits a circular

routing test message to the DPCs that have sent the most MSUs. The number of DPCs that the circular route test message is sent to is from 3 to 10. A circular routing test message is a routeset congestion test message with priority of 3.

If any LIM receives one of the test messages before the MTPLTST timer expires, the EAGLE 5 ISS performs these actions.

- Marks the destination as prohibited due to circular routing.
- Broadcasts TFPs for the destination.
- Reports that circular routing was detected for the destination.
- Raises a critical alarm.

The destination remains prohibited until it is manually allowed using the `rst-dstn` (reset destination) command.

If the destination is a cluster point code entry in the routing table, then an exception list (x-list) entry is created for the destination. If the cluster has the exception list exclusion indicator set to yes (meaning do not create x-lists for that cluster), then an x-list is not created, an UAM is generated, and a critical alarm is raised for the cluster. The critical alarm can be cleared by entering the `rst-dstn` command for the cluster.

If an x-list entry needs to be created, but the provisioned number of x-lists are already used, extra buffer space, equal to 100 entries in the routing table, is used to create the x-list. If this extra buffer space is also full, no x-list is created, a UAM is generated, and a critical alarm is raised for the cluster.

When a point code is prohibited due to circular routing, the EAGLE 5 ISS ignores TFX/TCx management messages for that point code. The EAGLE 5 ISS does not send routeset test messages for the point code. The EAGLE 5 ISS discards any MSUs received for the point code and sends response method TFPs or TCPs.

When EAGLE 5 ISS detects circular routing for a destination, it sets the circular routing flag for the destination in the routing table. The `rst-dstn` command clears this flag. Once the circular routing flag is cleared, the status of the destination depends on what type of entry is used.

- If the destination is a member of a cluster for which EAGLE 5 ISS performs full point code routing only, all routes to the destination are marked as allowed and the destination's status is allowed. The EAGLE 5 ISS broadcasts TFAs for the destination.
- If the destination has a full point code entry in the routing table, and there is also an entry for the point code's cluster, then each route used by the point code that is also used by the cluster entry assumes the status of the route for the cluster entry. Each route used by the point code that is not used by the cluster assumes the status of the cluster's route set. The EAGLE 5 ISS then determines the point codes route set status and broadcasts TFA/TFR if the point code becomes allowed or restricted.

If the `rst-dstn` command is entered for an x-list entry with the circular routing flag set, the x-list entry is deleted. The point code's status becomes the same as the cluster entry's status.

If Circular Route Auto-Recovery is enabled and turned on, and circular routing because of far-end loopback is detected, the status of the destination marked as prohibited is automatically cleared. Refer to the [Activating the Circular Route Auto-Recovery Feature](#) procedure for more information.

1. Display the existing values for the circular route test parameters by entering the `rtrv-stpopts` command.

The value for the circular route test parameters is shown in the `MTPLTI`, `MTPLTCTDPCQ`, `MTPLTST` fields. This is an example of the possible output.

```
rlghncxa03w 06-10-17 16:02:05 GMT EAGLE5 36.0.0
STP OPTIONS

MTPLTI no
MTPLTCTDPCQ 3
MTPLTST 10000
```

**Note:** The `rtrv-stpopts` command output contains other fields that are not used by this procedure. If you wish to see all the fields displayed by the `rtrv-stpopts` command, see the `rtrv-stpopts` command description in the *Commands Manual*.

- Change the circular routing detection parameters by entering the `chg-stpopts` command with at least one of these parameters..
  - `on=mtplti` - if the current `MTPLTI` value is `no`.
  - `off=mtplti` - if the current `MTPLTI` value is `yes`.
  - `mtpltctdpcq`
  - `mtpltst`

For this example, enter this command.

```
chg-stpopts:mtpltctdpcq=6:mtpltst=18000:on=mtplti
```

When this command has successfully completed, this message should appear.

```
rlghncxa03w 06-10-07 00:22:57 GMT EAGLE5 36.0.0
CHG-STPOPTS: MASP A - COMPLTD
```

- Verify the changes using the `rtrv-stpopts` command.

This is an example of the possible output.

```
rlghncxa03w 06-10-17 16:02:05 GMT EAGLE5 36.0.0
STP OPTIONS

MTPLTI yes
MTPLTCTDPCQ 6
MTPLTST 18000
```

**Note:** The `rtrv-stpopts` command output contains other fields that are not used by this procedure. If you wish to see all the fields displayed by the `rtrv-stpopts` command, see the `rtrv-stpopts` command description in the *Commands Manual*.

- Back up the new changes using the `chg-db:action=backup:dest=fixed` command.

These messages should appear, the active Maintenance and Administration Subsystem Processor (MASP) appears first.

```
BACKUP (FIXED) : MASP A - Backup starts on active MASP.
BACKUP (FIXED) : MASP A - Backup on active MASP to fixed disk complete.
```

```
BACKUP (FIXED) : MASP A - Backup starts on standby MASP.
BACKUP (FIXED) : MASP A - Backup on standby MASP to fixed disk complete.
```

## Configuring the TFA/TFR Pacing Rate

**Note:** The pacing rate feature is not supported in ITU networks.

This procedure is used to configure the rate that the EAGLE 5 ISS sends the TFR and TFA messages, or the pacing rate. The pacing rate is configured with the `tfatfrpr` parameter of the `chg-stpopts` command. The value of the `tfatfrpr` parameter is from 0 to 1 second and can be set in 0.1 second intervals. When the `chg-stpopts` command is first introduced to the EAGLE 5 ISS, the default value for the `tfatfrpr` parameter is 1 second. A value of 0 for the `tfatfrpr` parameter indicates that the pacing should stop. The pacing of TFR/TCR is stopped and all remaining TFR/TCR are broadcast at once if the current alternate route used to route traffic to the affected point code is in danger of congestion. The value of the `tfatfrpr` parameter in the `chg-stpopts` command is entered and displayed in the `rtrv-stpopts` command output in milliseconds.

For this example, the TFA/TFR pacing rate is changed from 1 second to 0.5 seconds (1000 milliseconds to 500 milliseconds).

When the status of the route is changed to allowed (when the route was restricted) or restricted (when the route was prohibited), a burst of rerouted traffic can occur on that route, thus congesting the route. To help keep this from happening, the EAGLE 5 ISS can control the rate that it broadcasts TFR and TFA messages to adjacent signaling points. This can regulate the amount of traffic the adjacent signaling points can send to the EAGLE 5 ISS when the route becomes allowed or restricted.

The TFA/TCA and TFR/TCR messages for each affected point code are sent in groups of 20%. For each time period defined by the pacing rate, a group of 20% of the messages that are to be sent to the adjacent signaling points are broadcast to those signaling points.

This feature applies only to ANSI signaling links. The pacing is not done toward ITU networks.

If the destination becomes inaccessible or accessible before all of the TFR/TCR messages are broadcasted, then the remaining TFR/TCR messages are not sent.

TFA/TFC messages for multiple affected destinations are sent in parallel.

1. Display the existing values for the TFA/TFR pacing rate parameter by entering the `rtrv-stpopts` command. The value for the TFA/TFR pacing rate parameter is shown in the `TFATFRPR` field, and is shown in milliseconds. This is an example of the possible output.

```
rlghncxa03w 06-10-17 16:02:05 GMT EAGLE5 36.0.0
STP OPTIONS

TFATFRPR 1000
```

**Note:** The `rtrv-stpopts` command output contains other fields that are not used by this procedure. If you wish to see all the fields displayed by the `rtrv-stpopts` command, see the `rtrv-stpopts` command description in the *Commands Manual*.

2. Change the TFA/TFR pacing rate parameter. For this example, enter this command.

```
chg-stpopts:tfatfrpr=500
```

When this command has successfully completed, this message should appear.

```
rlghncxa03w 06-10-07 00:22:57 GMT EAGLE5 36.0.0
CHG-STPOPTS: MASP A - COMPLTD
```

3. Verify the changes using the `rtrv-stpopts` command. This is an example of the possible output.

```
rlghncxa03w 06-10-17 16:02:05 GMT EAGLE5 36.0.0
STP OPTIONS

TFATFRPR 500
```

**Note:** The `rtrv-stpopts` command output contains other fields that are not used by this procedure. If you wish to see all the fields displayed by the `rtrv-stpopts` command, see the `rtrv-stpopts` command description in the *Commands Manual*.

4. Back up the new changes using the `chg-db:action=backup:dest=fixed` command. These messages should appear, the active Maintenance and Administration Subsystem Processor (MASP) appears first.

```
BACKUP (FIXED) : MASP A - Backup starts on active MASP.
BACKUP (FIXED) : MASP A - Backup on active MASP to fixed disk complete.
BACKUP (FIXED) : MASP A - Backup starts on standby MASP.
BACKUP (FIXED) : MASP A - Backup on standby MASP to fixed disk complete.
```

## Configuring the Frequency of RST Messages on Low Priority Routes

This procedure is used to configure the frequency that signaling-route-set-test messages are sent for routes of lower priority than the current route. The frequency is configured with these parameters of the `chg-stpopts` command.

`:on=mtplprst` - to turn on the routeset test message for lower priority routes capability. The EAGLE 5 ISS sends routeset test messages at intervals specified by the value of the `mtpt10alt` parameter.

`:off=mtplprst` - to turn off the routeset test message for lower priority routes capability. The EAGLE 5 ISS does not send routeset test messages for the lower priority routes.

`:mtpt10alt` - the timer to control the frequency that the routeset test messages are sent. The values for this parameter are from 20000 to 10,000,000 milliseconds (20 - 10,000 seconds).

The value of the `mtpt10alt` parameter must be equal to or greater than the value of the level 3 T10 timer.

When the `on=mtplprst` parameter is specified for the `chg-stpopts` command, the value `yes` is shown in the `MTPLPRST` field of the `rtrv-stpopts` output. When the `off=mtplprst` parameter is specified for the `chg-stpopts` command, the value `no` is shown in the `MTPLPRST` field of the `rtrv-stpopts` output.

The system default values, shown in the `rtrv-stpopts` output, for these parameters are:

- MTPLPRST - yes
- MTPT10ALT - equal to the value of the level 3 T10 timer. The value of the level 3 T10 timer is shown in the T10 field of the `rtrv-13t` command output..

If the Origin-Based MTP Routing feature is enabled and turned on, the `off=mtplprst` parameter cannot be specified with the `chg-stpopts` command. The status of the Origin-Based MTP Routing feature is shown in the `rtrv-ctrl-feat` command output.

These parameters of the `chg-stpopts` command are optional. For any parameters not specified with the `chg-stpopts` command, the values for these parameters are not changed.

For this example, the sending the signaling-route-set-test messages for the low priority routes is turned on, and the frequency of sending these messages is changed from 30,000 milliseconds to 120,000 milliseconds (30 seconds to 120 seconds).

1. Display the current MTPLPRST and MTPT10ALT values by entering the `rtrv-stpopts` command.

The MTPT10ALT value is shown in milliseconds. This is an example of the possible output.

```
rlghncxa03w 06-10-17 16:02:05 GMT EAGLE5 36.0.0
STP OPTIONS

MTPLPRST no
MTPT10ALT 30000
```

**Note:** The `rtrv-stpopts` command output contains other fields that are not used by this procedure. If you wish to see all the fields displayed by the `rtrv-stpopts` command, see the `rtrv-stpopts` command description in the *Commands Manual*.

If the MTPLPRST value is not being changed, or if the MTPLPRST value is being changed from `no` to `yes`, continue the procedure with [Step 3](#).

If the MTPLPRST value is being changed from `yes` to `no`, continue the procedure with [Step 2](#).

2. Display the status of the Origin-Based MTP Routing feature by entering this command.

```
rtrv-ctrl-feat:partnum=893014201
```

This is an example of the possible output.

```
rlghncxa03w 06-10-28 21:15:37 GMT EAGLE5 36.0.0
The following features have been permanently enabled:

Feature Name Partnum Status Quantity
MTP Origin-Based Routing 893014201 off ----

The following features have been temporarily enabled:

Feature Name Partnum Status Quantity Trial Period Left
Zero entries found.

The following features have expired temporary keys:

Feature Name Partnum
Zero entries found.
```

If the Origin-Based MTP Routing feature is enabled and turned on, shown with entry `on` in the Status column, the MTPLPRST value cannot be changed to `no`.



3. Display the values for the level 3 timer set using the `rtrv-l3t` command.

The values of the level 3 timers are shown in seconds. This is an example of the possible output.

```
rlghncxa03w 06-10-17 16:03:12 GMT EAGLE5 36.0.0
LEVEL 3 TIMERS (IN SECONDS)

L3TSET T1 T2 T3 T4 T5 T6 T7
 1 2.0 3.0 2.0 2.0 2.0 2.0 3.0

 T8 T9 T10 T11 T12 T13 T14
 2.0 -- 90.0 90.0 2.0 2.0 4.0

 T15 T16 T17 T18 IT18 T19 IT19
 4.0 3.0 2.0 20.0 19.0 600.0 67.0

 T20/IT22 IT20 T21/IT23 IT21 T22 T23 T24
 120.0 59.0 120.0 63.0 10.0 10.0 10.0

 T25 T26 T27 T28 T29 T30 T31
 30.0 12.0 -- 3.0 60.0 30.0 60.0

 T32
 60.0
```

4. Change the `MTPLPRST` or `MTPT10ALT` values by entering the `chg-stpopts` command with at least one of these parameters.

- `on=mtplprst` - if the current `MTPLPRST` value is no.
- `off=mtplprst` - if the current `MTPLPRST` value is yes.
- `mtpt10alt`

For this example, enter this command.

```
chg-stpopts:on=mtplprst:mtpt10alt=120000
```

When this command has successfully completed, this message should appear.

```
rlghncxa03w 06-10-07 00:22:57 GMT EAGLE5 36.0.0
CHG-STPOPTS: MASP A - COMPLTD
```

5. Verify the changes using the `rtrv-stpopts` command.

This is an example of the possible output.

```
rlghncxa03w 06-10-17 16:02:05 GMT EAGLE5 36.0.0
STP OPTIONS

MTPLPRST yes
MTPT10ALT 120000
```

**Note:** The `rtrv-stpopts` command output contains other fields that are not used by this procedure. If you wish to see all the fields displayed by the `rtrv-stpopts` command, see the `rtrv-stpopts` command description in the *Commands Manual*.

6. Back up the new changes using the `chg-db:action=backup:dest=fixed` command.

These messages should appear, the active Maintenance and Administration Subsystem Processor (MASP) appears first.

```
BACKUP (FIXED) : MASP A - Backup starts on active MASP.
BACKUP (FIXED) : MASP A - Backup on active MASP to fixed disk complete.
BACKUP (FIXED) : MASP A - Backup starts on standby MASP.
BACKUP (FIXED) : MASP A - Backup on standby MASP to fixed disk complete.
```

## Adding Remote Loopback Points

This procedure is used to add remote loopback points to be used by the link fault sectionalization feature to the database, using the `ent-lbp` command. The `ent-lbp` command uses these parameters.

`:loc` – The card location of the signaling link to be tested.

`:link` – The signaling link on the card specified in the `loc` parameter to be tested.

`:lbp` – Identifies the far-end loopback point that lies along a SS7 signaling link path between the EAGLE 5 ISS up to and including the target device.

`:clli` – The CLLI code or other mnemonic identifier used to describe the specified loopback point.

`:rle` – The remote link element to be looped back for testing.

`:rep` – The number of link elements of the same type, not including the target device, that lies between the EAGLE 5 ISS and the link element to be tested.

`:lfst` – The type of link fault sectionalization loopback test to be performed.

To add remote loopback points to the database, the link fault sectionalization feature must be turned on.

The DS0 and network element interface (NEI) link elements do not support non-latching loopbacks

If the remote link element to be tested is a network element interface (NEI), the value of the `rep` parameter must be zero.

The `rep` parameter can only be specified for a link fault sectionalization latching loopback test

The signaling link being tested can be assigned to one of these card types as defined by the `type` parameter of the `ent-card` command:

- `limds0` (multi-port LIM - P/N 870-2061-XX)
- `limt1` (E1/T1 MIM - P/N 870-2198-XX, HC MIM - P/N 870-2671-XX, or E5-E1T1 - P/N 870-1873-XX)
- `limch` (E1/T1 MIM - configured as a T1 channel card - P/N 870-2198-XX)

Any signaling link can be selected for testing, as long as the signaling link being tested is equipped. The LIMs must be assigned to either the `ss7ansi` or `ccs7itu` application. Use the `rtrv-card` command to verify the card type and the application.

The specified loopback point cannot already be in the database.

The loopback point ID value cannot exceed a previously defined network element interface loopback point value.

Only one network element interface loopback point can be defined for each SS7 signaling link.

A network element interface (NEI) loopback point must be defined as the terminating SS7 signaling link component.

The value specified for the `rep` parameter must be greater than the value of the `rep` parameter assigned to the previous loopback point and less than any `rep` parameter values for any subsequent loopback points, if any are defined. For example, the signaling link on card 1215, link B, has 5 loopback points defined (see the `rtrv-lbp` command output in step 2). The value of the `rep` parameter used for loopback point 5 must be greater than the `rep` parameter value used for loopback point 3, and less than the `rep` parameter value used for loopback point 7.

The link fault sectionalization feature must be turned on. Verify this by entering the `rtrv-feat` command. If the link fault sectionalization feature is off, shown by the entry `LFS = off` in the output of the `rtrv-feat` command, it can be turned on by entering the `chg-feat:lfs=on` command.

**Note:** Once the link fault sectionalization feature is turned on with the `chg-feat` command, it cannot be turned off.

The link fault sectionalization feature must be purchased before you turn the feature on with the `chg-feat` command. If you are not sure if you have purchased the link fault sectionalization feature, contact your Tekelec Sales Representative or Account Representative.

Refer to Appendix A of the *Commands Manual* for a summary of loopback testing commands and functions.

The examples used in this procedure are based on the example network shown in [Table 41: Loopback Point Configuration Table](#).

**Table 41: Loopback Point Configuration Table**

| SLK LOC | SLK LINK | LBP | RLE | REP | LFST |
|---------|----------|-----|-----|-----|------|
| 1204    | B        | 3   | DS0 | 0   | LLT  |
|         |          | 6   | DS0 | 4   | LLT  |
|         |          | 9   | NEI | 0   | LLT  |

#### Canceling the RTRV-SLK Command

Because the `rtrv-slk` command used in this procedure can output information for a long period of time, the `rtrv-slk` command can be canceled and the output to the terminal stopped. There are three ways that the `rtrv-slk` command can be canceled.

- Press the F9 function key on the keyboard at the terminal where the `rtrv-slk` command was entered.
- Enter the `canc-cmd` without the `trm` parameter at the terminal where the `rtrv-slk` command was entered.
- Enter the `canc-cmd:trm=<xx>`, where `<xx>` is the terminal where the `rtrv-slk` command was entered, from another terminal other than the terminal where the `rtrv-slk` command was entered. To enter the `canc-cmd:trm=<xx>` command, the terminal must allow Security Administration commands to be entered from it and the user must be allowed to enter Security Administration commands. The terminal's permissions can be verified with the `rtrv-secu-trm` command. The user's permissions can be verified with the `rtrv-user` or `rtrv-secu-user` commands.

For more information about the `canc-cmd` command, go to the *Commands Manual*.

1. Display the signaling links in the database by entering the `rtrv-slk` command.

This is an example of the possible output.

```
rlghncxa03w 09-07-19 21:16:37 GMT EAGLE5 41.1.0
```

| LOC  | LINK | LSN      | SLC | TYPE   | L2T<br>SET | BPS   | ECM   | PCR<br>N1 | PCR<br>N2 |
|------|------|----------|-----|--------|------------|-------|-------|-----------|-----------|
| 1201 | A    | ls01     | 0   | LIMDS0 | 1          | 56000 | BASIC | ---       | -----     |
| 1201 | B    | lsa1     | 0   | LIMDS0 | 1          | 56000 | BASIC | ---       | -----     |
| 1202 | B    | ls02     | 0   | LIMDS0 | 2          | 56000 | BASIC | ---       | -----     |
| 1203 | A    | ls03     | 0   | LIMDS0 | 3          | 56000 | BASIC | ---       | -----     |
| 1203 | B    | lsa2     | 0   | LIMDS0 | 1          | 56000 | BASIC | ---       | -----     |
| 1204 | B    | ls01     | 1   | LIMDS0 | 1          | 56000 | BASIC | ---       | -----     |
| 1205 | A    | lsa3     | 0   | LIMDS0 | 4          | 56000 | BASIC | ---       | -----     |
| 1206 | A    | ls02     | 1   | LIMDS0 | 2          | 56000 | BASIC | ---       | -----     |
| 1207 | A    | lsn1207a | 0   | LIMDS0 | 1          | 56000 | BASIC | ---       | -----     |
| 1207 | B    | lsn1207b | 0   | LIMDS0 | 1          | 56000 | BASIC | ---       | -----     |
| 1208 | B    | ls03     | 1   | LIMDS0 | 3          | 56000 | BASIC | ---       | -----     |
| 1212 | A    | ls04     | 0   | LIMDS0 | 4          | 56000 | BASIC | ---       | -----     |
| 1213 | B    | ls05     | 0   | LIMDS0 | 5          | 56000 | BASIC | ---       | -----     |
| 1214 | A    | lsn1214a | 0   | LIMDS0 | 2          | 56000 | BASIC | ---       | -----     |
| 1214 | B    | lsa3     | 1   | LIMDS0 | 4          | 56000 | BASIC | ---       | -----     |
| 1215 | A    | ls05     | 1   | LIMDS0 | 5          | 56000 | BASIC | ---       | -----     |
| 1301 | B    | ls06     | 0   | LIMDS0 | 6          | 56000 | BASIC | ---       | -----     |
| 1304 | B    | ls06     | 1   | LIMDS0 | 6          | 56000 | BASIC | ---       | -----     |
| 1308 | A    | ls06     | 2   | LIMDS0 | 6          | 56000 | BASIC | ---       | -----     |
| 1311 | A    | ls01     | 2   | LIMDS0 | 1          | 56000 | BASIC | ---       | -----     |
| 1311 | A1   | ls05     | 2   | LIMDS0 | 5          | 56000 | BASIC | ---       | -----     |
| 1311 | B    | ls03     | 2   | LIMDS0 | 3          | 56000 | BASIC | ---       | -----     |
| 1311 | B1   | ls07     | 1   | LIMDS0 | 7          | 56000 | BASIC | ---       | -----     |
| 1313 | A    | ls07     | 0   | LIMDS0 | 7          | 56000 | BASIC | ---       | -----     |
| 1315 | A    | lsn5     | 0   | LIMDS0 | 11         | 56000 | BASIC | ---       | -----     |
| 1317 | A    | lsi7     | 0   | LIMDS0 | 11         | 56000 | BASIC | ---       | -----     |

| LOC  | LINK | LSN      | SLC | TYPE   | LP<br>SET | BPS     | ATM<br>TSEL | VCI | VPI | LL |
|------|------|----------|-----|--------|-----------|---------|-------------|-----|-----|----|
| 1302 | A    | atmansio | 0   | LIMATM | 3         | 1544000 | EXTERNAL    | 35  | 15  | 0  |
| 1305 | A    | atmansil | 0   | LIMATM | 4         | 1544000 | INTERNAL    | 100 | 20  | 2  |
| 1318 | A    | atmansio | 1   | LIMATM | 9         | 1544000 | LINE        | 150 | 25  | 4  |

| LOC  | LINK | LSN     | SLC | TYPE     | LP<br>SET | BPS    | ATM<br>TSEL | VCI | VPI | CRC4 | SI | SN |
|------|------|---------|-----|----------|-----------|--------|-------------|-----|-----|------|----|----|
| 2101 | A    | atmitul | 0   | LIME1ATM | 5         | 2.048M | LINE        | 150 | 2   | ON   | 1  | 20 |
| 2105 | A    | atmitul | 1   | LIME1ATM | 5         | 2.048M | LINE        | 35  | 15  | ON   | 2  | 15 |

SLK table is (31 of 1200) 3% full

2. Display the existing loopback point values by entering the `rtrv-lbp` command.

This is an example of the possible output.

```
rlghncxa03w 06-10-17 16:02:05 GMT EAGLE5 36.0.0
```

| LOC  | LINK | LBP | RLE | REP | CLLI      |
|------|------|-----|-----|-----|-----------|
| 1201 | A    | 1   | DS0 | 0   | ----- LLT |
|      |      | 7   | OCU | 0   | ----- NLT |
|      |      | 9   | NEI | 0   | ----- LLT |

```

1203 B 2 DS0 0 ----- LLT
 3 DS0 4 ----- LLT
 4 NEI 0 ----- LLT
1207 B 1 DS0 0 ----- LLT
 6 NEI 0 ----- LLT
1215 A 1 DS0 0 ----- LLT
 3 DS0 4 ----- LLT
 5 DS0 5 ----- LLT
 7 DS0 8 ----- LLT
 9 NEI 0 ----- LLT

```

3. Add the loopback point to the database, using the `ent-lbp` command.

For this example, enter these commands.

```
ent-lbp:loc=1204:link=b:lbp=3:rle=ds0:rep=0:lfst=llt
```

```
ent-lbp:loc=1204:link=b:lbp=6:rle=ds0:rep=4:lfst=llt
```

```
ent-lbp:loc=1204:link=b:lbp=9:rle=nei:rep=0:lfst=llt
```

When each of these commands have completed, this message should appear.

```

rlghncxa03w 06-10-07 00:22:57 GMT EAGLE5 36.0.0
ENT-LBP: MASP A - COMPLTD

```

4. Verify the changes using the `rtrv-lbp` command.

This is an example of the possible output.

```

rlghncxa03w 06-10-17 16:02:05 GMT EAGLE5 36.0.0
LOC LINK LBP RLE REP CLLI LFST
1201 A 1 DS0 0 ----- LLT
 7 OCU 0 ----- NLT
 9 NEI 0 ----- LLT

1203 B 2 DS0 0 ----- LLT
 3 DS0 4 ----- LLT
 4 NEI 0 ----- LLT
1204 B 3 DS0 0 ----- LLT
 6 DS0 4 ----- LLT
 9 NEI 0 ----- LLT
1207 B 1 DS0 0 ----- LLT
 6 NEI 0 ----- LLT
1215 A 1 DS0 0 ----- LLT
 3 DS0 4 ----- LLT
 5 DS0 5 ----- LLT
 7 DS0 8 ----- LLT
 9 NEI 0 ----- LLT

```

5. Back up the new changes using the `chg-db:action=backup:dest=fixed` command.

These messages should appear, the active Maintenance and Administration Subsystem Processor (MASP) appears first.

```

BACKUP (FIXED) : MASP A - Backup starts on active MASP.
BACKUP (FIXED) : MASP A - Backup on active MASP to fixed disk complete.

```

```
BACKUP (FIXED) : MASP A - Backup starts on standby MASP.
BACKUP (FIXED) : MASP A - Backup on standby MASP to fixed disk complete.
```

## Removing Remote Loopback Points

This procedure is used to remove remote loopback points used by the link fault sectionalization feature from the database, using the `dlt-lbp` command. The `dlt-lbp` command uses these parameters.

`:loc` – The card location of the signaling link to be tested.

`:link` – The signaling link on the card specified in the `loc` parameter.

`:lbp` – Identifies the far-end loopback point that lies along a SS7 signaling link path between the EAGLE 5 ISS up to and including the target device.

`:all` – Are all loopback points for the specified signaling link to be removed

The specified loopback point must be in the database.

Either the `lbp` or `all` parameters must be specified, but not both.

This examples used in this procedure are used to remove the remote loopback point 5 on the signaling link assigned to card 1215, link B.

1. Display the existing loopback point values by entering the `rt rv-lbp` command. This is an example of the possible output.

```
rlghncxa03w 06-10-17 16:02:05 GMT EAGLE5 36.0.0
LOC LINK LBP RLE REP CLLI LFST
1201 A 1 DS0 0 ----- LLT
 7 OCU 0 ----- NLT
 9 NEI 0 ----- LLT

1203 B 2 DS0 0 ----- LLT
 3 DS0 4 ----- LLT
 4 NEI 0 ----- LLT

1204 B 3 DS0 0 ----- LLT
 6 DS0 4 ----- LLT
 9 NEI 0 ----- LLT

1207 B 1 DS0 0 ----- LLT
 6 NEI 0 ----- LLT

1215 A 1 DS0 0 ----- LLT
 3 DS0 4 ----- LLT
 5 DS0 5 ----- LLT
 7 DS0 8 ----- LLT
 9 NEI 0 ----- LLT
```

2. Remove the loopback point from the database, using the `dlt-lbp` command. For this example, enter this command.

```
dlt-lbp:loc=1215:link=b:lbp=5
```

If all the loopback points on the signaling link are to be removed from the database, enter this command.

```
dlt-lbp:loc=1215:link=b:all=yes
```

When the command has completed, this message should appear.

```
rlghncxa03w 06-10-07 00:22:57 GMT EAGLE5 36.0.0
DLT-LBP: MASP A - COMPLTD
```

3. Verify the changes using the `rtrv-lbp` command. This is an example of the possible output.

```
rlghncxa03w 06-10-17 16:02:05 GMT EAGLE5 36.0.0
LOC LINK LBP RLE REP CLLI LFST
1201 A 1 DS0 0 ----- LLT
 7 OCU 0 ----- NLT
 9 NEI 0 ----- LLT
1203 B 2 DS0 0 ----- LLT
 3 DS0 4 ----- LLT
 4 NEI 0 ----- LLT
1204 B 3 DS0 0 ----- LLT
 6 DS0 4 ----- LLT
 9 NEI 0 ----- LLT
1207 B 1 DS0 0 ----- LLT
 6 NEI 0 ----- LLT
1215 A 1 DS0 0 ----- LLT
 3 DS0 4 ----- LLT
 7 DS0 8 ----- LLT
 9 NEI 0 ----- LLT
```

If the `all=yes` parameter was specified in step 2, this is an example of the possible output.

```
rlghncxa03w 06-10-17 16:02:05 GMT EAGLE5 36.0.0
LOC LINK LBP RLE REP CLLI LFST
1201 A 1 DS0 0 ----- LLT
 7 OCU 0 ----- NLT
 9 NEI 0 ----- LLT
1203 B 2 DS0 0 ----- LLT
 3 DS0 4 ----- LLT
 4 NEI 0 ----- LLT
1204 B 3 DS0 0 ----- LLT
 6 DS0 4 ----- LLT
 9 NEI 0 ----- LLT
1207 B 1 DS0 0 ----- LLT
 6 NEI 0 ----- LLT
```

4. Back up the new changes using the `chg-db:action=backup:dest=fixed` command. These messages should appear, the active Maintenance and Administration Subsystem Processor (MASP) appears first.

```
BACKUP (FIXED) : MASP A - Backup starts on active MASP.
BACKUP (FIXED) : MASP A - Backup on active MASP to fixed disk complete.
BACKUP (FIXED) : MASP A - Backup starts on standby MASP.
BACKUP (FIXED) : MASP A - Backup on standby MASP to fixed disk complete.
```

## Changing Remote Loopback Points

This procedure is used to change the values of the remote loopback points to be used by the link fault sectionalization feature in the database, using the `chg-lbp` command. The `chg-lbp` command uses these parameters.

`:loc` – The card location of the signaling link to be tested.

`:link` – The signaling link on the card specified in the `loc` parameter.

`:lbp` – Identifies the far-end loopback point that lies along a SS7 signaling link path between the EAGLE 5 ISS up to and including the target device.

`:clli` – The CLI code or other mnemonic identifier used to describe the specified loopback point.

`:rle` – The remote link element to be looped back for testing.

`:rep` – The number of link elements of the same type, not including the target device, that lies between the EAGLE 5 ISS and the link element to be tested.

`:lfst` – The type of link fault sectionalization loopback test to be performed.

The DS0 and network element interface (NEI) link elements do not support non-latching loopbacks

If the remote link element to be tested is a network element interface (NEI), the value of the `rep` parameter must be zero.

The `rep` parameter can only be specified for a link fault sectionalization latching loopback test

The specified loopback point must be in the database.

The loopback point ID value cannot exceed a previously defined network element interface loopback point value.

Only one network element interface loopback point can be defined for each SS7 signaling link.

A network element interface (NEI) loopback point must be defined as the terminating SS7 signaling link component.

The value specified for the `rep` parameter must be greater than the value of the `rep` parameter assigned to the previous loopback point and less than any `rep` parameter values for any subsequent loopback points, if any are defined. For example, the signaling link on card 1215, link B, has 5 loopback points defined (see the `rtrv-lbp` command output in step 1). The value of the `rep` parameter used for loopback point 5 must be greater than the `rep` parameter value used for loopback point 3, and less than the `rep` parameter value used for loopback point 7.



Refer to Appendix A of the *Commands Manual* for a summary of loopback testing commands and functions.

1. Display the existing loopback point values by entering the `rtrv-lbp` command.

This is an example of the possible output.

```
rlghncxa03w 06-10-17 16:02:05 GMT EAGLE5 36.0.0
LOC LINK LBP RLE REP CLLI LFST
1201 A 1 DS0 0 ----- LLT
 7 OCU 0 ----- NLT
 9 NEI 0 ----- LLT

1203 B 2 DS0 0 ----- LLT
 3 DS0 4 ----- LLT
 4 NEI 0 ----- LLT
1204 B 3 DS0 0 ----- LLT
 6 DS0 4 ----- LLT
 9 NEI 0 ----- LLT
1207 B 1 DS0 0 ----- LLT
 6 NEI 0 ----- LLT
1215 A 1 DS0 0 ----- LLT
 3 DS0 4 ----- LLT
 5 DS0 5 ----- LLT
 7 DS0 8 ----- LLT
 9 NEI 0 ----- LLT
```

2. Change the loopback point values in the database, using the `chg-lbp` command.

For this example, enter this command.

```
chg-lbp:loc=1204:link=b:lbp=6:rle=csu:rep=10
```

When the command has completed, this message should appear.

```
rlghncxa03w 06-10-07 00:22:57 GMT EAGLE5 36.0.0
CHG-LBP: MASP A - COMPLTD
```

3. Verify the changes using the `rtrv-lbp` command.

This is an example of the possible output.

```
rlghncxa03w 06-10-17 16:02:05 GMT EAGLE5 36.0.0
LOC LINK LBP RLE REP CLLI LFST
1201 A 1 DS0 0 ----- LLT
 7 OCU 0 ----- NLT
 9 NEI 0 ----- LLT

1203 B 2 DS0 0 ----- LLT
 3 DS0 4 ----- LLT
 4 NEI 0 ----- LLT
1204 B 3 DS0 0 ----- LLT
 6 CSU 10 ----- LLT
 9 NEI 0 ----- LLT
1207 B 1 DS0 0 ----- LLT
 6 NEI 0 ----- LLT
1215 A 1 DS0 0 ----- LLT
 3 DS0 4 ----- LLT
 5 DS0 5 ----- LLT
```

```

7 DSO 8 ----- LLT
9 NEI 0 ----- LLT

```

4. Back up the new changes using the `chg-db:action=backup:dest=fixed` command.



These messages should appear, the active Maintenance and Administration Subsystem Processor (MASP) appears first.

```





BACKUP (FIXED) : MASP A - Backup starts on active MASP.
BACKUP (FIXED) : MASP A - Backup on active MASP to fixed disk complete.
BACKUP (FIXED) : MASP A - Backup starts on standby MASP.
BACKUP (FIXED) : MASP A - Backup on standby MASP to fixed disk complete.



```

## Configuring the System for Random SLS Generation

The Random SLS Generation feature can alleviate problems of the EAGLE 5 ISS not load-sharing between all links within a linkset.  This feature is available for both ITU and ANSI traffic. 


The ITU protocol uses a 4 bit Signaling Link Selection (SLS) field with no modification of SLS values by intermediate nodes and a one-to-one mapping of SLS values to signaling links. These rules can be overly restrictive in situations where they are not necessary.

 For both ITU and ANSI , the feature allows the user to have the EAGLE 5 ISS ignore the incoming SLS value and randomly generate a new 8-bit SLS value to select an outgoing linkset and a link.  For ITU only , the original 4-bit SLS value is not changed and is still contained in the outgoing message.

The newly generated SLS is used for link selection only.  For ANSI, the original SLS value in the outgoing MSU can be replaced with the SLS value generated by the feature. This is done by appropriately setting `SS7OPTS:SLSREPLACE` parameter. 

Messages destined for a particular destination are randomly distributed across all the links to that destination using an internally generated random 8-bit SLS. This means that this feature does not follow the ITU protocol requiring that all messages with the same SLS value must use the same signaling link. Also, correct sequencing of Class 1 messages is not guaranteed. Random SLS generation applies to all Class 0 and Class 1 SCCP messages.

This feature is implemented with one of these values for the `randsls` parameter of the `chg-stpopts` command.

- `class0` – Applies the Random SLS feature to Class 0 ITU SCCP messages and associated service. For example, Random SLS Generation would apply to Class 0 UDT, XU DT, and UDTS, XU DTS messages. Class 1 messages would still use the standard ITU method for link selection.
- `all` – Applies the Random SLS feature to all ITU SCCP messages
- `off` – Turns off the Random SLS feature.
- `perls` – Applies the Random SLS feature on a specific linkset instead of applying the Random SLS feature system-wide.  To use the `randsls` with ANSI, the value for `randsls` must be specified as

**perls.**  For more information about random SLS generation on a specific linkset, refer to [Per-Linkset Random SLS](#).



**Caution:** If the `randsls` parameter value of the `chg-stpopts` command is `all`, thus activating the Random SLS feature for Class 1 ITUSCCP messages, and the value of the `class1seq` parameter of the `chg-sccopts` command is `on`, there is no guarantee that UDT/XUDTITU Class 1 messages are delivered to the remote node in the order in which they were received. To ensure that Class 1 UDT/XUDTITU messages are delivered to the remote node in the order in which they were received, the `randsls` parameter value should be set to either `off` or `class0` if the value of the `class1seq` parameter of the `chg-sccopts` command is `on`.

For ITU linksets, this feature is available as a system-wide option as well as on a per-linkset basis. For ANSI linksets, this feature is available only on a per-linkset basis. The Random SLS feature is applied to incoming messages on ITU linksets as shown in [Table 42: ITU Random SLS Rules](#).

**Table 42: ITU Random SLS Rules**

| System-Wide RANDSLS Value (in the RTRV-STPOPTS Output) | RANDSLS Value for the Outgoing Linkset | Random SLS Action                                                                           |
|--------------------------------------------------------|----------------------------------------|---------------------------------------------------------------------------------------------|
| OFF                                                    | N/A                                    | The Random SLS feature is not applied on any ITU message.                                   |
| ALL                                                    | N/A                                    | The Random SLS feature is applied on all ITU SCCP messages.                                 |
| CLASS0                                                 | N/A                                    | The Random SLS feature is applied on all ITU SCCP CLASS0 messages.                          |
| PERLS                                                  | OFF                                    | The Random SLS feature is not applied on any ITU message on the specified linkset.          |
| PERLS                                                  | ALL                                    | The Random SLS feature is applied on all ITU SCCP messages on the specified linkset.        |
| PERLS                                                  | CLASS0                                 | The Random SLS feature is applied on all ITU SCCP CLASS0 messages on the specified linkset. |

The Random SLS feature is applied to incoming messages on ANSI linksets as shown in [Table 43: ANSI Random SLS Rules](#).

Table 43: ANSI Random SLS Rules

| System-Wide RANDSLS Value (in the RTRV-STPOPTS Output) | RANDSLS Value for the Incoming Linkset | Random SLS Action                                                                            |
|--------------------------------------------------------|----------------------------------------|----------------------------------------------------------------------------------------------|
| OFF                                                    | N/A                                    | The Random SLS feature is not applied on any ANSI message.                                   |
| ALL                                                    | N/A                                    | The Random SLS feature is not applied on any ANSI message.                                   |
| CLASS0                                                 | N/A                                    | The Random SLS feature is not applied on any ANSI message.                                   |
| PERLS                                                  | OFF                                    | The Random SLS feature is not applied on any ANSI message on the specified linkset.          |
| PERLS                                                  | ALL                                    | The Random SLS feature is applied on ANSI SCCP and ISUP messages on the specified linkset.   |
| PERLS                                                  | CLASS0                                 | The Random SLS feature is applied on all ANSI SCCP CLASS0 messages on the specified linkset. |

The settings for this feature are independent of the ITU SLS Enhancement feature settings for individual linksets. These settings are defined by the `slsocbit` (Use of the Other CIC BIT capability) and `slsrsb` (SLS Bit Rotation capability) parameters of the `ent-ls` and `chg-ls` commands. The `randsls` parameter, however, overrides the `slsrsb` parameter for SCCP messages. If the `randsls` parameter value is `perls`, the `randsls` parameter also overrides the `islsrsb` (SLS Bit Rotation on Incoming Linksets) parameter of the `ent-ls` and `chg-ls` commands for Class 0 SCCP messages and ISUP messages on ANSI linksets. These parameters are described in greater detail in the *Commands Manual* and in *ITU SLS Enhancement*. Note that the `ent-ls` or `chg-ls` commands do not prevent the user from provisioning the `slsrsb` or `islsrsb` parameters.

With the implementation of this feature, a maximum of 16 links continues to be supported in a single linkset to a destination. However, it is now possible to have up to 32 links in a combined linkset to a destination, with a maximum of 16 links per linkset. The 32 links is a change from the current EAGLE 5 ISS maximum of only 16 links per combined linkset, which is due to ITU protocol restrictions. If more than 16 links are used in a combined linkset, the operator needs to be aware that a maximum of 16 links can be used by non-Random SLS traffic over the linkset. The non-Random SLS traffic continues to operate under the rules of the ITU protocol.

*Figure 23: Random SLS Mapping to a Combined Linkset* shows an example of a combined linkset from node A to nodes B and C, with 8 links per linkset. Since 8 bits allows for values 0-255 (decimal), the figure shows how these values are internally mapped to the links of the combined linkset. For ease of reading, not all values are shown.

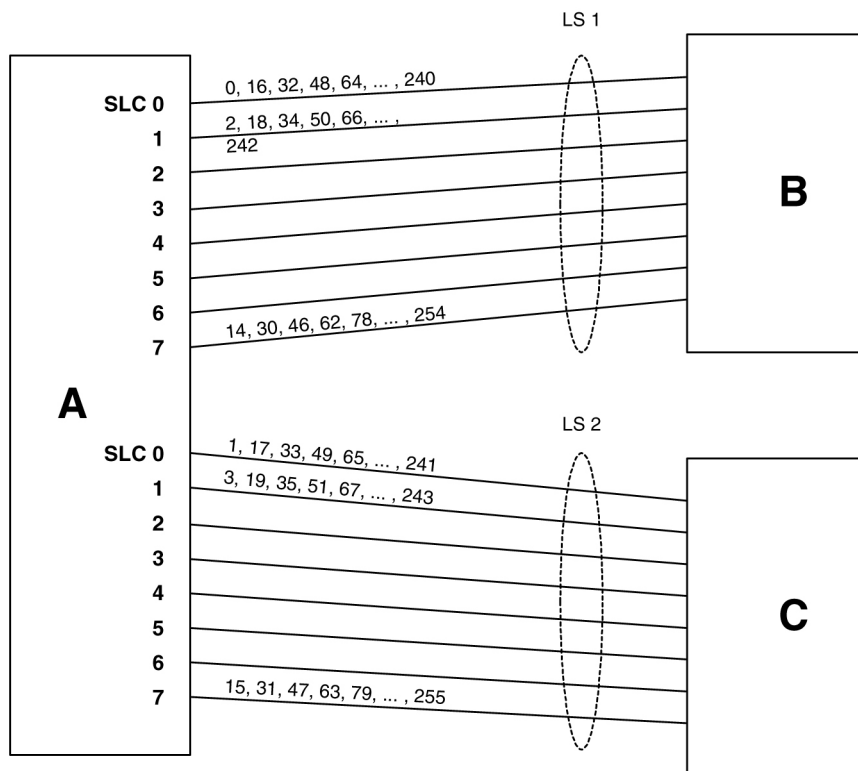


Figure 23: Random SLS Mapping to a Combined Linkset

Figure 24: Random SLS Mapping to a Single Linkset shows the mapping for a 4-link single linkset between nodes D and E. When an MSU is to be transmitted, a random 8 bit SLS is generated internally and a link is selected according to this predetermined mapping.

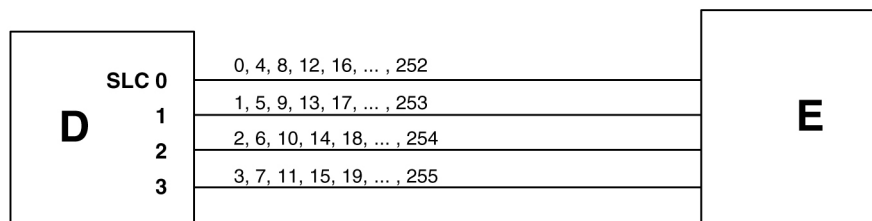


Figure 24: Random SLS Mapping to a Single Linkset

The 4 bit SLS in the outgoing message is equal to the SLS that the EAGLE 5 ISS received. There is no change to the SLS value in the SS7 message.

In a non-failure condition, the process for mapping the internally generated SLS values to SLC (Signaling Link Code) values for specific links is as follows:

1. A “random” 8-bit SLS value is generated. In reality, a single table of 256 unique SLS values, initially generated in random order, exists in the EAGLE 5 ISS. A counter is maintained for each linkset in the EAGLE 5 ISS that causes the linkset to cycle through the random values in the table as messages are routed out on that linkset. For a combined linkset, the counter for the first linkset in the EAGLE 5 ISS’s linkset table is used.

2. For a combined linkset, the first bit is used to select the linkset and then is ignored when selecting the SLC. For a single linkset, the first bit is used when selecting the SLC. In all cases, the fifth bit is ignored when selecting the SLC. This is due to internal ANSI-based processing in the EAGLE 5 ISS.
3. The changed SLS value (with fifth and possibly also first bits ignored) is then divided by the number of links in the linkset (not a combined linkset) and the remainder gives the SLC value. For example, in *Figure 23: Random SLS Mapping to a Combined Linkset*, the SLS value 78 is mapped to SLC 7 in linkset LS1 as follows:
  - a. The binary equivalent for decimal number 78 is 01001110.
  - b. The fifth bit is ignored leaving the binary number 0101110.
  - c. The least significant bit is used to select linkset LS1 and is then ignored, leaving the binary number 010111.
  - d. The decimal equivalent of the binary number 010111 is 23. When the number 23 is divided by the number of links in the linkset, in this example, eight, a remainder of seven remains, thus SLC 7 on linkset LS1 is chosen for the outgoing message.

In the example shown in *Figure 24: Random SLS Mapping to a Single Linkset*, the SLS value 78 is mapped to SLC 2 in LS1 (the only linkset) as follows:

- a. The binary equivalent for decimal number 78 is 01001110.
- b. The fifth bit is ignored leaving the binary number 0101110.
- c. The decimal equivalent of the binary number 0101110 is 46. When the number 46 is divided by the number of links in the linkset, in this example, four, a remainder of two remains, thus SLC 2 on linkset LS1 is chosen for the outgoing message.

*Table 44: Failure Scenarios for a 32-Link Combined Linkset* shows the mapping for a combined linkset with 16 links in each linkset. This table is discussed in more detail in the next section.

### Link failure scenarios

In any situation where a link is failed, SLS values that were mapped to that link are remapped to other links of the linkset or combined linkset. This is done in the reverse order that the SLS values were originally mapped to links, of course skipping the failed link. Subsequent link failures will have their SLS values, along with SLS values from the prior failures, remapped in the same way. The odd/even mapping rule for combined linksets does not apply to the remapped SLS values under failure conditions. This is to continue to achieve the best possible load balance across all links. No MSUs should be discarded in any case.

For example, *Table 44: Failure Scenarios for a 32-Link Combined Linkset* shows how the internal 8-bit SLS values are distributed for a combined linkset with 16 links per linkset. It also shows what happens when one or two of the links fail. As this example shows, the SLS values that are identical after the fifth bit is dropped (for example, 0 and 16, 192 and 208, etc.) are remapped to the same link. This is why in this example the 8 different SLS values from the first failed link are remapped to only 4 links and not 8.

Table 44: Failure Scenarios for a 32-Link Combined Linkset

| Linkset/SLC | Normal SLS Mapping               | SLS Mapping for Single Link Failure | SLS Mapping for Dual Link Failure |
|-------------|----------------------------------|-------------------------------------|-----------------------------------|
| LS1/0       | 0 16 64 80 128 144 192<br>208    | Failed                              | Failed                            |
| LS1/1       | 2 18 66 82 130 146 194<br>210    | Same as Normal SLS Mapping          | Same as Normal SLS Mapping        |
| LS1/7       | 14 30 78 94 142 158 206<br>222   | Same as Normal SLS Mapping          | Same as Normal SLS Mapping        |
| LS1/8       | 32 48 96 112 160 176 224<br>240  | Same as Normal SLS Mapping          | Same as Normal SLS Mapping        |
| LS1/9       | 34 50 98 114 162 178 226<br>242  | Same as Normal SLS Mapping          | Same as Normal SLS Mapping        |
| LS1/12      | 40 56 104 120 168 184<br>232 248 | Same as Normal SLS Mapping          | 40 56 ... 248 225 241             |
| LS1/13      | 42 58 106 122 170 186<br>234 250 | Same as Normal SLS Mapping          | 42 58 ... 250 161 177             |
| LS1/14      | 44 60 108 124 172 188<br>236 252 | 44 60 ... 252 192 208               | 44 60 ... 252 97 113              |
| LS1/15      | 46 62 110 126 174 190<br>238 254 | 46 62 ... 254 64 80                 | 46 62 ... 254 33 49               |
| LS2/0       | 1 17 65 81 129 145 193<br>208    | Same as Normal SLS Mapping          | Same as Normal SLS Mapping        |
| LS2/7       | 15 31 79 95 143 159 207<br>223   | Same as Normal SLS Mapping          | Same as Normal SLS Mapping        |
| LS2/8       | 33 49 97 113 161 177 225<br>241  | Same as Normal SLS Mapping          | Failed                            |
| LS2/12      | 41 57 105 121 169 185<br>233 249 | Same as Normal SLS Mapping          | 41 57 ... 249 192 208             |
| LS2/13      | 43 59 107 123 171 187<br>235 251 | Same as Normal SLS Mapping          | 43 59 ... 251 128 144             |
| LS2/14      | 45 61 109 125 173 189<br>237 253 | 45 61 ... 253 128 144               | 45 61 ... 253 64 80               |
| LS2/15      | 47 63 111 127 175 191<br>239 255 | 47 63 ... 255 0 16                  | 47 63 ... 255 0 16                |

Because of the large number of internal SLS values being remapped across the relatively small number of links, traffic is essentially evenly distributed across the remaining links. This is true in all cases, regardless of the original number of links or the number of failed links.

1. Display the existing values for the `randsls` parameter by entering the `rtrv-stpopts` command. The value for the `randsls` parameter is shown in the `RANDSLS` field. This is an example of the possible output.

```
rlghncxa03w 06-10-17 16:02:05 GMT EAGLE5 36.0.0
STP OPTIONS

RANDSLS class0
```

**Note:** The `rtrv-stpopts` command output contains other fields that are not used by this procedure. If you wish to see all the fields displayed by the `rtrv-stpopts` command, see the `rtrv-stpopts` command description in the *Commands Manual*.

If the `randsls=all` parameter will not be specified with the `chg-stpopts` command, continue the procedure with [Step 5](#).

If the `randsls=all` parameter will be specified with the `chg-stpopts` command, continue the procedure with [Step 2](#).

2. Verify the value of the `class1seq` parameter of the `chg-sccpopts` command by entering the `rtrv-sccpopts` command. This is an example of the possible output.

```
rlghncxa03w 06-10-17 16:02:05 GMT EAGLE5 36.0.0
SCCP OPTIONS

CLASS1SEQ on
```

If the value of the `class1seq` parameter is `on`, the `randsls=all` parameter of the `chg-stpopts` command should not be used. The `class1seq=on` parameter allows UDT/XUDT Class 1 ITU messages to be delivered to the remote node in the order that they were received. Using the `randsls=all` parameter with the `class1seq=on` parameter does not guarantee that UDT/XUDT Class 1 ITU messages are delivered to the remote node in the order that they were received.

If you wish to continue delivering UDT/XUDT Class 1 ITU messages to the remote node in the order that they were received, or if the value of the `class1seq` parameter of the `chg-sccpopts` command is `off`, continue the procedure with [Step 5](#).

If you do not wish to continue delivering UDT/XUDT Class 1 ITU messages to the remote node in the order that they were received, continue the procedure with [Step 3](#).

3. Change the value of the `class1seq` parameter of the `chg-sccpopts` command by entering this command.

```
chg-sccpopts:class1seq=off
```

When this command has successfully completed, this message should appear.

```
rlghncxa03w 06-10-07 00:22:57 GMT EAGLE5 36.0.0
CHG-SCCPOPTS: MASP A - COMPLTD
```



- Verify the changes by entering the `rtrv-sccpopts` command. This is an example of the possible output.

```
rlghncxa03w 08-12-17 16:02:05 GMT EAGLE5 40.0.0
SCCP OPTIONS

CLASS1SEQ off
```

- Change the `randsls` parameter value. For this example, enter this command.

```
chg-stpopts:randsls=all
```

When this command has successfully completed, this message should appear.

```
rlghncxa03w 06-10-07 00:22:57 GMT EAGLE5 36.0.0
CHG-STPOPTS: MASP A - COMPLTD
```

- Verify the changes using the `rtrv-stpopts` command. This is an example of the possible output.

```
rlghncxa03w 06-10-17 16:02:05 GMT EAGLE5 36.0.0
STP OPTIONS

RANDSLS all
```

**Note:** The `rtrv-stpopts` command output contains other fields that are not used by this procedure. If you wish to see all the fields displayed by the `rtrv-stpopts` command, see the `rtrv-stpopts` command description in the *Commands Manual*.

If the `randsls` parameter value is `off`, `all`, or `class0`, continue the procedure with [Step 10](#).

If the `randsls` parameter value is `perls`, continue the procedure by performing one of these steps.

- If Random SLS will not be applied to ANSI linksets, continue the procedure with [Step 10](#).
- If Random SLS will be applied to ANSI linksets, continue the procedure with [Step 7](#).

- Verify the value of the `slsreplace` parameter by entering the `rtrv-ss7opts` command. This is an example of the possible output.

```
rlghncxa03w 08-12-17 16:02:05 GMT EAGLE5 40.0.0
SS7 OPTIONS

SLSREPLACE no
```

**Note:** The `rtrv-ss7opts` command output contains other fields that are not used by this procedure. If you wish to see all the fields displayed by the `rtrv-ss7opts` command, see the `rtrv-ss7opts` command description in the *Commands Manual*.

If the `slsreplace` parameter value is `yes`, continue the procedure with [Step 10](#).

If the `slsreplace` parameter value is `no`, continue the procedure with [Step 8](#).

- Change the `slsreplace` parameter value. For this example, enter this command.

```
chg-ss7opts:slsreplace=yes
```

When this command has successfully completed, this message should appear.

```
rlghncxa03w 08-12-07 00:22:57 GMT EAGLE5 40.0.0
CHG-SS7OPTS: MASP A - COMPLTD
```

9. Verify the changes using the `rtrv-ss7opts` command. This is an example of the possible output.

```
rlghncxa03w 08-12-17 16:02:05 GMT EAGLE5 40.0.0
SS7 OPTIONS

SLSREPLACE yes
```

**Note:** The `rtrv-ss7opts` command output contains other fields that are not used by this procedure. If you wish to see all the fields displayed by the `rtrv-ss7opts` command, see the `rtrv-ss7opts` command description in the *Commands Manual*.

10. Back up the new changes using the `chg-db:action=backup:dest=fixed` command. These messages should appear, the active Maintenance and Administration Subsystem Processor (MASP) appears first.

```
BACKUP (FIXED) : MASP A - Backup starts on active MASP.
BACKUP (FIXED) : MASP A - Backup on active MASP to fixed disk complete.
BACKUP (FIXED) : MASP A - Backup starts on standby MASP.
BACKUP (FIXED) : MASP A - Backup on standby MASP to fixed disk complete.
```

## Configuring the Options for the TDM Global Timing Interface

This procedure is used to configure the options for the TDM Global Timing Interface using the `chg-clkopts` command with the following parameters.

`:clock` - the clock that is being updated. This parameter has three values.

- `primary` - the primary clock
- `secondary` - the secondary clock
- `all` - both the primary and secondary clocks

`:hsclksrc` - the source of the high-speed master clock.

- `rs422` - T1 (1544 KHz) or E1 (2048 KHz) RS-422 clock interface
- `t1framed` - T1 framed clocking as defined in ANSIT1.101, *Synchronization Interface Standard, 1999*.
- `t1unframed` - T1 unframed clocking as defined in ANSIT1.102, *Digital Hierarchy Electrical Signals, 1987*.
- `e1framed` - E1 framed clocking as defined in section 9 of ITU-T Recommendation G.703, *Physical/Electrical Characteristics of Hierarchical Digital Interfaces, October 1998*.
- `e1unframed` - E1 unframed clocking as defined in section 13 of ITU-T Recommendation G.703, *Physical/Electrical Characteristics of Hierarchical Digital Interfaces, October 1998*.

:hsc1k11 – sets the gain of the LIU (line interface unit) of the TDM when the hsc1ksrc parameter value is either t1framed, t1unframed, e1framed, or e1unframed.

- longhaul – high gain for the LIU
- shorthaul – low gain for the LIU



**Caution:** Changing these options changes the external master clock source for all E1, T1, ANSIATM, or E1ATM high-speed signaling links using external timing.

#### CAUTION

:force - allows the hsc1ksrc parameter to be changed if the status of the high-speed clocks is valid. The force parameter must be specified when the EAGLE 5 ISS contains valid high-speed clocks. The force parameter can be specified only if the hsc1ksrc parameter is specified. The force parameter has only one value - yes. The status of the high-speed clocks is shown by the rept-stat-clk command.

When the EAGLE 5 ISS is delivered to the user, the values of the hsc1ksrc and hsc1k11 parameters are set to these values:

- hsc1ksrc – rs422
- hsc1k11 – longhaul

Either of these values can be changed only if the part number of both TDMs in card locations 1114 and 1116 is 870-0774-15 or later. If the part numbers of the TDMs are not correct, the TDMs with the incorrect part numbers must be replaced with TDM part number 870-0774-15 or later. If the TDM is being replaced with the E5-TDMs, the GPSM-II cards in card locations 1113 and 1115 and the TDMs in card locations 1114 and 1116 must be replaced with E5-MASP cards.



**Caution:** Contact the Customer Care Center, Refer to [Customer Care Center](#) for the contact information, before replacing the TDMs.

#### CAUTION

If the EAGLE 5 ISS does not contain LIMDS0 cards, but contains TDM part numbers 870-0774-15 or later, the clock source for the TSC (Time Slot Counter) synchronization feature used by the EAGLE 5 Integrated Monitoring Support feature can be generated from the high-speed master clock source. An external BITS clock is not required.

If an external BITS clock is connected to a EAGLE 5 ISS without LIMDS0 cards, but with TDM part numbers 870-0774-15 or later, the external BITS clock is used as the clock source for the TSC (Time Slot Counter) synchronization feature. If the external BITS clock fails, the clock source for the TSC synchronization feature is generated from the high-speed master clock source.

If LIMDS0 cards are present in the EAGLE 5 ISS, the external BITS clock is required for timing of the DS0 signaling links and for TSC (Time Slot Counter) synchronization used by the Integrated Sentinel . If the EAGLE 5 ISS also contains TDM part numbers 870-0774-15 or later along with the LIMDS0 cards, this procedure can be used to select the source of the high-speed master clock for the high-speed links using external timing. The high-speed master clock source cannot be used to generate the clock source for any low-speed links and for the TSC (Time Slot Counter) synchronization feature.

1. Display the existing values for the hsc1ksrc and hsc1k11 parameters by entering the rtrv-clkopts command.

The value for the `hsclksrc` and `hsclkll` parameters is shown in the `HSCLKSRC` and `HSCLKLL` fields. This is an example of the possible output.

```
rlghncxa03w 09-02-17 16:02:05 GMT EAGLE5 40.1.0
CLK OPTIONS

PRIMARY

HSCLKSRC rs422
HSCLKLL longhaul

SECONDARY

HSCLKSRC rs422
HSCLKLL longhaul
```

If either the `HSCLKSRC` or `HSCLKLL` values in this step are not the system default values for these parameters (`HSCLKSRC` - RS422, `HSCLKLL` - LONGHAUL), continue this procedure with [Step 3](#).

If the `HSCLKSRC` and `HSCLKLL` values in this step are the system default values for these parameters, continue this procedure with [Step 2](#).

2. Visually verify the part numbers of the TDMs in card location 1114 and 1116.

To change these options, the part number of both TDMs must be 870-0774-15 or later. If the part number of one or both TDMs is not 870-0774-15 or later, the TDM with the incorrect part number must be replaced with TDMs with the correct part number.



### CAUTION

**Caution:** Contact the Customer Care Center, refer to [Customer Care Center](#) for the contact information, before replacing the TDMs.

3. Verify the status of the high-speed clocks by entering the `rept-stat-clk` command.

This is an example of the possible output.

```
rlghncxa03w 08-06-01 11:34:04 GMT EAGLE5 39.0.0
COMPOSITE PST SST AST
 SYSTEM CLOCK IS-NR Active -----
ALARM STATUS = No Alarms.
 Primary Comp Clk 1114 (CLK A) IS-NR Active -----
 Primary Comp Clk 1116 (CLK B) IS-NR Active -----
 Secondary Comp Clk 1114 (CLK A) IS-NR Idle -----
 Secondary Comp Clk 1116 (CLK B) IS-NR Idle -----

Clock Using Bad
CLK A 9 0
CLK B 0 0
CLK I 0 --

HIGH SPEED PST SST AST
 SYSTEM CLOCK IS-NR Idle -----
ALARM STATUS = No Alarms.
 Primary HS Clk 1114 (HS CLK A) IS-NR Active -----
 Primary HS Clk 1116 (HS CLK B) IS-NR Active -----
 Secondary HS Clk 1114 (HS CLK A) IS-NR Idle -----
 Secondary HS Clk 1116 (HS CLK B) IS-NR Idle -----
```

```

HS CLK TYPE 1114 = RS422
HS CLK LINELEN 1114 = LONGHAUL
HS CLK TYPE 1116 = RS422
HS CLK LINELEN 1116 = LONGHAUL

```

| Clock    | Using | Bad |
|----------|-------|-----|
| HS CLK A | 2     | 0   |
| HS CLK B | 0     | 0   |
| HS CLK I | 0     | --  |

```
Command Completed
```

If the `rept-stat-clk` output does not show any high-speed clocks (HIGH SPEED SYSTEM CLOCK, Primary HS Clk, Secondary HS Clk, HS CLK TYPE, and HS CLK LINELEN fields), the EAGLE 5 ISS does not contain any cards that are capable of using high-speed master timing.

4. Change either the `hsclksrc` or `hsclk11` parameter values, or both parameter values.

To change the primary and secondary clocks, for this example, enter this command.

```
chg-clkopts:clock=all:hsclksrc=t1unframed:hsclk11=shorthaul:force=yes
```

To change only the primary clock, for this example, enter this command.

```
chg-clkopts:clock=primary:hsclksrc=t1unframed:hsclk11=shorthaul:force=yes
```

To change only the secondary clock, for this example, enter this command.

```
chg-clkopts:clock=secondary:hsclksrc=t1unframed:hsclk11=shorthaul:force=yes
```

The `clock=primary` and `clock=secondary` parameters can be specified only if the EAGLE 5 ISS contains E5-MASP cards (part number 870-2903-xx).

**Note:** If the `rept-stat-clk` output in [Step 3](#) shows valid high-speed clocks, and the `hsclksrc` parameter is specified with the `chg-clkopts` command, the `force=yes` parameter must be specified with the `chg-clkopts` command.



**Caution:** Changing these options changes the external master clock source for all E1, T1, ANSIATM, or E1ATM high-speed signaling links using external timing. A clock outage can occur and traffic on these signaling links can be lost if the new source clock type does not match the source clock that these signaling links are actually using.

When this command has successfully completed, this message should appear.

```

rlghncxa03w 09-02-07 00:22:57 GMT EAGLE5 40.1.0
CHG-CLKOPTS: MASP A - COMPLTD

```

5. Verify the changes using the `rtrv-clkopts` command.

This is an example of the possible output.

```

rlghncxa03w 09-02-17 16:02:05 GMT EAGLE5 40.1.0
CLK OPTIONS

```

```

PRIMARY

HSCLKSRC t1unframed
HSCLKLL shorthaul

SECONDARY

HSCLKSRC t1unframed
HSCLKLL shorthaul

```

6. Back up the new changes using the `chg-db:action=backup:dest=fixed` command.

These messages should appear, the active Maintenance and Administration Subsystem Processor (MASP) appears first.

```

BACKUP (FIXED) : MASP A - Backup starts on active MASP.
BACKUP (FIXED) : MASP A - Backup on active MASP to fixed disk complete.
BACKUP (FIXED) : MASP A - Backup starts on standby MASP.
BACKUP (FIXED) : MASP A - Backup on standby MASP to fixed disk complete.

```

## Configuring the Restricted Linkset Option

This procedure is used to configure the restricted linkset option using the `chg-ss7opts` command with the `lsrestrict` parameter. The `lsrestrict` parameter has two values:

- `on` – enables the `lsrestrict` option
- `off` – disables the `lsrestrict` option.

When a large linkset (a linkset containing more than three links) first becomes available, there may not be enough available links to carry the normal amount of traffic on the linkset. The EAGLE 5 ISS sends response method TFA/TFRs when the number of links within a linkset, specified by the `tfatcabmlq` parameter for that linkset, are active and available to carry traffic. This was designed to prevent congestion on the newly available linksets. Internally in the EAGLE 5 ISS, if a single link within a lower cost route is active, the EAGLE 5 ISS attempts to route traffic over the lower cost route. If no traffic or small amounts of traffic are arriving due to the issuance of a TFR, then no congestion should occur.

However, this behavior applies only to traffic destined for remote nodes and not to traffic destined for the EAGLE 5 ISS itself. Typically, messages that are global title routed are destined for the EAGLE 5 ISS's true, secondary or capability point code. The existing congestion prevention mechanism does not prevent traffic destined for EAGLE 5 ISS to be controlled by the linkset's `tfatcabmlq` parameter. This is because TFX messages have an affected point code field that is the far end destination point code and not the EAGLE 5 ISS's point code, so traffic destined for EAGLE 5 ISS continues to arrive for the restricted destination. It is not feasible to place EAGLE 5 ISS's point code in the affected destination field as this would affect all traffic destined for EAGLE 5 ISS and not just traffic over a specific route.

With the `lsrestrict=off` option, the EAGLE 5 ISS continues to route traffic in this manner.

The `lsrestrict=on` option enhances the EAGLE 5 ISS's existing behavior of the linkset's `tfatcabmlq` parameter and allow the state of the route combined with the cost value of the route to determine the preferred route to use.

Turning the `lsrestrict` option on changes the way the EAGLE 5 ISS routes messages by using the state of the route along with the cost of the route to determine the preferred route to use. With this option on, the preferred route is not the absolute lowest cost available route in the routeset. A route is considered available if its status is either Allowed or Restricted. If the state of the absolute lowest cost route in the routeset is Restricted, the preferred route is the lowest cost route in the routeset whose status is Allowed. Make sure that you wish to have the EAGLE 5 ISS route messages in this manner before turning the `lsrestrict` option on.

In previous releases, a C linkset's `tfatcabmlq` parameter is not configurable and set to 1 (the linkset is allowed when the first link is available). This is because the C linkset is designed for message trafficking between the mate STP's and would allow these messages to be transferred as soon as the first link in the C linkset was available. The `lsrestrict=on` option allows the `tfatcabmlq` parameter value for a C linkset to be from 0 to 16, just as any other linkset.

With the `lsrestrict=off` option, the `tfatcabmlq` parameter value for a C linkset is set to 1 and cannot be changed.

When a linkset that was previously prohibited becomes restricted (that is, the number of links that became available is less than the required number of links as specified by the linkset's `tfatcabmlq` parameter) the following events occur when the `lsrestrict` option is on:

1. The EAGLE 5 ISS does not broadcast TFAs.
2. Point codes that were previously prohibited and use the linkset as a lower cost route are marked restricted. The EAGLE 5 ISS continues to broadcast TFRs.
3. Point codes that were previously restricted and use the linkset as a least cost route remain restricted. The EAGLE 5 ISS does not broadcast any TFX message. For these point codes, RSRT will respond to RSP messages with a TFR, and will not respond to RSR messages.
4. The EAGLE 5 ISS marks the linkset as restricted.
5. If a higher cost route is available, the EAGLE 5 ISS routes the traffic over the higher cost route.

Once the required number of links are available for the linkset, the following events occur when the `lsrestrict` option is on:

1. The EAGLE 5 ISS marks the previously prohibited/restricted point codes as allowed that use the linkset as a lower cost route (unless the point code's nonadjacent status is prohibited).
2. The EAGLE 5 ISS does not broadcast TFAs for the newly allowed point codes, but responds to RSR/RSP messages with a TFA.
3. The EAGLE 5 ISS marks the linkset as allowed. The appropriate changeback procedures are performed and traffic is processed normally.

### Canceling the `RTRV-LS` Command

Because the `rtrv-ls` command used in this procedure can output information for a long period of time, the `rtrv-ls` command can be canceled and the output to the terminal stopped. There are three ways that the `rtrv-ls` command can be canceled.

- Press the F9 function key on the keyboard at the terminal where the `rtrv-ls` command was entered.
- Enter the `cancel-cmd` without the `trm` parameter at the terminal where the `rtrv-ls` command was entered.
- Enter the `cancel-cmd:trm=<xx>`, where `<xx>` is the terminal where the `rtrv-ls` command was entered, from another terminal other than the terminal where the `rtrv-ls` command was entered. To enter the `cancel-cmd:trm=<xx>` command, the terminal must allow Security Administration commands to be entered from it and the user must be allowed to enter Security Administration

commands. The terminal's permissions can be verified with the `rtrv-secu-trm` command. The user's permissions can be verified with the `rtrv-user` or `rtrv-secu-user` commands.

For more information about the `canc-cmd` command, go to the *Commands Manual*.

1. Display the existing value for the `lsrestrict` parameter by entering the `rtrv-ss7opts` command. This is an example of the possible output.

```
rlghncxa03w 06-10-17 16:02:05 GMT EAGLE5 36.0.0

SS7 OPTIONS

LSRESTRICT off
```

**Note:** The `rtrv-ss7opts` command output contains other fields that are not used by this procedure. If you wish to see all the fields displayed by the `rtrv-ss7opts` command, see the `rtrv-ss7opts` command description in the *Commands Manual*.

**Note:** If the `lsrestrict` parameter value in step 1 is `off`, skip steps 2 and 3, and go to step 4.

2. Display the linksets in the database by entering the `rtrv-ls` command. This is an example of the possible output.

```
rlghncxa03w 06-10-10 11:43:04 GMT EAGLE5 36.0.0

LSN APCA (SS7) SCRN L3T SLT BEI LST LNKS GWS GWS GWS SLSCI NIS
ele2 001-207-000 none 1 1 no B 6 off off off no off
ls05 002-009-003 scr2 1 1 no C 4 on off on no off
ls1305 000-005-000 none 1 1 no A 1 off off off no off
ls1307 000-007-000 none 1 1 no A 1 off off off no off
elm1s1 001-001-001 none 1 1 no A 7 off off off no off
elm1s2 001-001-002 none 1 1 no A 7 off off off no off

LSN APCI (SS7) SCRN L3T SLT BEI LST LNKS GWS GWS GWS SLSCI NIS
ele2i 1-207-0 none 1 1 no B 4 off off off --- on
ls1315 0-015-0 none 1 1 no A 1 off off off --- off
ls1317 0-017-0 none 1 1 no A 1 off off off --- on
elm2s1 1-011-1 none 1 1 no A 7 off off off --- off
elm2s2 1-011-2 none 1 1 no A 7 off off off --- off

Link set table is (11 of 1024) 1% full.
```

**Note:** If there are no C linksets (linksets with the value C in the LST column) shown in the `rtrv-ls` output in step 2, skip step 3 and go to step 4.

3. Change the `tfatcabmlq` parameter value for one of the C linksets shown in step 2 to 0 using the `chg-ls` command. For this example, enter this command.

```
chg-ls:lsn=ls05:tfatcabmlq=0
```

When this command has successfully completed, this message should appear.

```
rlghncxa03w 06-10-07 08:38:45 GMT EAGLE5 36.0.0
Link set table is (11 of 1024) 1% full
CHG-LS: MASP A - COMPLTD
```



After the `chg-ls` command has been performed, repeat step 3 with the name of another C linkset shown in step 2.

When all the C linksets have been changed, go to step 4.

**Note:** When the `tfatcabmlq` parameter is set to 0, its value in the `rtrv-ls:lsn=<linkset name>` output is shown as 1/2 of the number of signaling links contained in the linkset.

4. Change the value of the `lsrestrict` parameter.

If the current value of the `lsrestrict` parameter is off, enter this command.

```
chg-ss7opts:lsrestrict=on
```

If the current value of the `lsrestrict` parameter is on, enter this command.

```
chg-ss7opts:lsrestrict=off
```

When this command has successfully completed, this message should appear.

```
rlghncxa03w 06-10-07 00:22:57 GMT EAGLE5 36.0.0
CHG-SS7OPTS: MASP A - COMPLTD
```



CAUTION

**Caution:** Turning the `lsrestrict` option on changes the way the EAGLE 5 ISS routes messages by using the state of the route along with the cost of the route to determine the preferred route to use. With this option on, the preferred route is not the absolute lowest cost available route in the routeset. A route is considered available if its status is either Allowed or Restricted. If the state of the absolute lowest cost route in the routeset is Restricted, the preferred route is the lowest cost route in the routeset whose status is Allowed. Make sure that you wish to have the EAGLE 5 ISS route messages in this manner before turning the `lsrestrict` option on.

5. Verify the changes using the `rtrv-ss7opts` command. This is an example of the possible output.

```
rlghncxa03w 06-10-17 16:02:05 GMT EAGLE5 36.0.0

SS7 OPTIONS

LSRESTRICT on
```

**Note:** The `rtrv-ss7opts` command output contains other fields that are not used by this procedure. If you wish to see all the fields displayed by the `rtrv-ss7opts` command, see the `rtrv-ss7opts` command description in the *Commands Manual*.

6. Back up the new changes using the `chg-db:action=backup:dest=fixed` command. These messages should appear, the active Maintenance and Administration Subsystem Processor (MASP) appears first.

```
BACKUP (FIXED) : MASP A - Backup starts on active MASP.
BACKUP (FIXED) : MASP A - Backup on active MASP to fixed disk complete.
BACKUP (FIXED) : MASP A - Backup starts on standby MASP.
BACKUP (FIXED) : MASP A - Backup on standby MASP to fixed disk complete.
```

## Configuring the Options for Handling TFCs on ITU-I and ITU-N Networks

This procedure is used to configure the options for handling TFCs on ITU-I and ITU-N networks using the `chg-ss7opts` command with these two parameters:

`:discardtfc` – This parameter specifies that the EAGLE 5 ISS discards TFC traffic received from an ITU-I network (`discardtfc=on`), or does not discard TFC traffic received from an ITU-I network (`discardtfc=off`). The system default value for this parameter is `off`.

`:discardtfcn` – This parameter specifies that the EAGLE 5 ISS discards TFC traffic received from an ITU-N network (`discardtfcn=on`), or does not discard TFC traffic received from an ITU-N network (`discardtfcn=off`). The system default value for this parameter is `off`.

1. Display the existing values for the `discardtfc` and `discardtfcn` parameters by entering the `rtrv-ss7opts` command.

This is an example of the possible output.

```
rlghncxa03w 06-10-17 16:02:05 GMT EAGLE5 36.0.0
SS7 OPTIONS

DISCARDTFCI off
DISCARDTFCN off
```

**Note:** The `rtrv-ss7opts` command output contains other fields that are not used by this procedure. If you wish to see all the fields displayed by the `rtrv-ss7opts` command, see the `rtrv-ss7opts` command description in the *Commands Manual*.

2. Change the value of the `discardtfc` and `discardtfcn` parameters.

The values of these parameters is either `on` or `off`. The value specified in this step cannot be the same as the value shown in step 1.

If you wish to change the value of the `discardtfc` parameter, specify the `discardtfc` parameter with the `chg-ss7opts` command. For this example, enter this command.

```
chg-ss7opts:discardtfc=on
```

If you wish to change the value of the `discardtfcn` parameter, specify the `discardtfcn` parameter with the `chg-ss7opts` command. For this example, enter this command.

```
chg-ss7opts:discardtfcn=on
```

If you wish to change the value of both the `discardtfc` and `discardtfcn` parameters, specify the `discardtfc` and `discardtfcn` parameters with the `chg-ss7opts` command. For this example, enter this command.

```
chg-ss7opts:discardtfc=on:discardtfcn=on
```

When this command has successfully completed, this message should appear.

```
rlghncxa03w 06-10-07 00:22:57 GMT EAGLE5 36.0.0
CHG-SS7OPTS: MASP A - COMPLTD
```

3. Verify the changes using the `rtrv-ss7opts` command.

This is an example of the possible output.

```
rlghncxa03w 06-10-17 16:02:05 GMT EAGLE5 36.0.0
SS7 OPTIONS

DISCARDTFCI on
DISCARDTFCN on
```

**Note:** The `rtrv-ss7opts` command output contains other fields that are not used by this procedure. If you wish to see all the fields displayed by the `rtrv-ss7opts` command, see the `rtrv-ss7opts` command description in the *Commands Manual*.

4. Back up the new changes using the `chg-db:action=backup:dest=fixed` command.

These messages should appear, the active Maintenance and Administration Subsystem Processor (MASP) appears first.

```
BACKUP (FIXED) : MASP A - Backup starts on active MASP.
BACKUP (FIXED) : MASP A - Backup on active MASP to fixed disk complete.
BACKUP (FIXED) : MASP A - Backup starts on standby MASP.
BACKUP (FIXED) : MASP A - Backup on standby MASP to fixed disk complete.
```

## Changing the High-Capacity Card Temperature Alarm Thresholds

This procedure is used to change the temperature alarm thresholds for high-capacity cards (shown in [Table 45: High Capacity Thermal Limits](#)) using the `chg-th-alm` command and these parameters.

`:thermallv1` – The temperature threshold, specified as a percentage of the card’s thermal shutdown temperature, at which major alarm UAM 0078 is generated. UAM 0078 is generated to alert the user that corrective action needs to be performed to prevent the high-capacity cards from overheating. If the high-capacity card is E5-SLAN, E5-STC, E5-SM4G, E5-TSM, E5-MCPM-B, or E5-IPSM card, the state of the card is not changed. If the high-capacity card is an HC MIM, E5-E1T1, E5-ENET card, or E5-ATM card, the state of the card is changed to IS-ANR (in service-abnormal).

For the following cards, these actions occur when `thermallv1` temperature threshold is reached:

|                                           |                                                               |
|-------------------------------------------|---------------------------------------------------------------|
| <b>E5-ENET-B running ERTHC GPL</b>        | Alarm raised; no additional actions.                          |
| <b>E5-ENET-B running SLANHC GPL</b>       | Alarm raised; no additional actions.                          |
| <b>E5-ATM-B running ATMHC GPL</b>         | Alarm raised. PST/SST of card transitions to IS-ANR/Restrict. |
| <b>E5-ENET-B running IPSHC GPL</b>        | Alarm raised; no additional actions. .                        |
| <b>E5-ENET-B running IPSG GPL</b>         | Alarm raised; no additional actions.                          |
| <b>E5-ENET-B running IPLIMx/IPGWx GPL</b> | Alarm raised; no additional actions.                          |
| <b>E5-MCPM-B running MCPHC GPL</b>        | Alarm raised; no additional actions.                          |

The values for this parameter are 73 to 92. The system default value for this parameter is 92.

:thermallv2 – The temperature threshold, specified as a percentage of the card's maximum operating temperature, at which critical alarm UAM 0077 is generated. When this threshold is reached, the high-capacity cards shed their traffic load, accept no more traffic, and the state of the cards is changed to IS-ANR (in service-abnormal). The values for this parameter are 74 to 100. The system default value for this parameter is 100.

For EPM-B cards, when the thermallv1 temperature threshold is reached, critical alarm 0077 is raised and the following additional actions occur:

- E5-ENET-B running ERTHC GPL** Outstanding grant requests will be completed but no new grant requests will be accepted. The card's state transitions "in-service abnormal."
- E5-ENET-B running SLANHC GPL** Outstanding grant requests will be completed but no new grant requests will be accepted. The card's state transitions "in-service abnormal."
- E5-ATM-B running ATMHC GPL** PST/SST of card remains IS-ANR/Restrict.
- E5-ENET-B running IPSHC GPL** Auto inhibits all telnet terminals allowed by user on that card and sets their status to OOS-MT-DSBLD/MEA. Sets card state to out-of-service, maintenance fault.
- E5-ENET-B running IPSG GPL** Outstanding grant requests will be completed but no new grant requests will be accepted.
- E5-ENET-B running IPLIMx/IPGWx GPL** Outstanding grant requests will be completed but no new grant requests will be accepted.
- E5-MCPM-B running MCPHC GPL** PST/SST of card transitions to IS-ANR/Restrict . If card is primary MCP, role change arbitration is initiated.

For more information on UAM 0078 and UAM 077, go to go to the *Unsolicited Alarm and Information Messages Manual* .

[Table 45: High Capacity Thermal Limits](#) shows the maximum thermal operating limit of temperatures of these cards at selected threshold levels.

**Table 45: High Capacity Thermal Limits**

| High Capacity Card | High Capacity Card's Temperature at the Maximum Thermal Operating Limit (thermallv2 = 100%) | High Capacity Card Temperatures at Selected Threshold Levels |          |          |          |          |
|--------------------|---------------------------------------------------------------------------------------------|--------------------------------------------------------------|----------|----------|----------|----------|
|                    |                                                                                             | 95%                                                          | 90%      | 85%      | 80%      | 75%      |
| HC-MIM             | 82° C                                                                                       | 77.9° C                                                      | 73.8° C  | 69.7° C  | 65.6° C  | 61.5° C  |
|                    | 179.6° F                                                                                    | 172.2° F                                                     | 164.8° F | 157.5° F | 150.1° F | 147.2° F |
| E5-ENET            | 95° C                                                                                       | 90.25° C                                                     | 85.5° C  | 80.75° C | 76° C    | 71.25° C |

|           |        |          |          |          |          |          |
|-----------|--------|----------|----------|----------|----------|----------|
| E5-E1T1   | 203° F | 194.5° F | 185.9° F | 177.4° F | 168.8° F | 160.3° F |
| E5-STC    |        |          |          |          |          |          |
| E5-SLAN   |        |          |          |          |          |          |
| E5-IPSM   |        |          |          |          |          |          |
| E5-TSM    |        |          |          |          |          |          |
| E5-ATM    |        |          |          |          |          |          |
| E5-SM4G   | 90° C  | 85.5° C  | 81° C    | 76.5° C  | 72° C    | 67.5° C  |
| E5-MASP   | 194° F | 185.9° F | 177.8° F | 169.7° F | 161.6° F | 153.5° F |
| E5-ENET-B |        |          |          |          |          |          |
| E5-ATM-B  |        |          |          |          |          |          |
| E5-SM8G-B |        |          |          |          |          |          |
| E5-MCPM-B |        |          |          |          |          |          |

The `chg-th-alm` command contains other optional parameters. These parameters are not shown here because they are not necessary to provision the high-capacity card temperature alarm thresholds. These parameters are explained in more detail in the *Commands Manual*.

1. Display the current high-capacity card temperature alarm thresholds in the database by entering the `rtrv-th-alm` command.

This is an example of the possible output.

```
rlghncxa03w 06-10-28 09:12:36 GMT EAGLE5 36.0.0
Thermal Alarm Level 1: 92%
Thermal Alarm Level 2: 100%
RTRV-TH-ALM: MASP A - COMPLTD.
```

**Note:** The `rtrv-th-alm` command output contains other fields that are not used in this procedure. If you wish to see all the fields displayed by the `rtrv-th-alm` command, see the `rtrv-th-alm` command description in the *Commands Manual*.

2. Change the temperature alarm thresholds by entering the `chg-th-alm` command with at least one of the temperature alarm threshold parameters.

The `thermallv2` parameter value shown in the `rtrv-th-alm` output after the `chg-th-alm` command has been executed must be greater than the `thermallv1` parameter value shown in the `rtrv-th-alm` output.

If a temperature alarm threshold parameter is not specified with the `chg-th-alm` command, that parameter value will not be changed. The system default values for the temperature alarm threshold parameters are:

- `:thermallv1 = 92`
- `:thermallv2 = 100`

For this example, enter this command.

```
chg-th-alm:thermallv1=74:thermallv2=80
```

When this command has successfully completed, this message should appear.

```
rlghncxa03w 06-10-28 09:12:36 GMT EAGLE5 36.0.0
CHG-TH-ALM: MASP A - COMPLTD
```

3. Verify the changes using the `rtrv-th-alm` command.

This is an example of the possible output.

```
rlghncxa03w 06-10-28 09:12:36 GMT EAGLE5 36.0.0
Thermal Alarm Level 1: 70%
Thermal Alarm Level 2: 80%
RTRV-TH-ALM: MASP A - COMPLTD.
```

**Note:** The `rtrv-th-alm` command output contains other fields that are not used in this procedure. If you wish to see all the fields displayed by the `rtrv-th-alm` command, see the `rtrv-th-alm` command description in the *Commands Manual*.

4. Backup the new changes using the `chg-db:action=backup:dest=fixed` command.

These messages should appear, the active Maintenance and Administration Subsystem Processor (MASP) appears first.

```
BACKUP (FIXED) : MASP A - Backup starts on active MASP.
BACKUP (FIXED) : MASP A - Backup on active MASP to fixed disk complete.
BACKUP (FIXED) : MASP A - Backup starts on standby MASP.
BACKUP (FIXED) : MASP A - Backup on standby MASP to fixed disk complete.
```

## Activating the Origin-Based MTP Routing Feature

This procedure is used to enable and turn on the Origin-Based MTP Routing feature using the feature's part number and a feature access key.

The feature access key for the Origin-Based MTP Routing feature is based on the feature's part number and the serial number of the EAGLE 5 ISS, making the feature access key site-specific.

The `enable-ctrl-feat` command enables the feature by inputting the feature's access key and the feature's part number with these parameters:

: fak – The feature access key provided by Tekelec.

: partnum – The Tekelec-issued part number of the Origin-Based MTP Routing feature, 893014201.

Once this feature is enabled, it is permanently enabled. This feature cannot be enabled with a temporary feature access key.

The `enable-ctrl-feat` command requires that the database contain a valid serial number for the EAGLE 5 ISS, and that this serial number is locked. This can be verified with the `rtrv-serial-num` command. The EAGLE 5 ISS is shipped with a serial number in the database, but the serial number is not locked. The serial number can be changed, if necessary, and locked once the EAGLE 5 ISS is on-site, with the `ent-serial-num` command. The `ent-serial-num` command uses these parameters.

:serial – The serial number assigned to the EAGLE 5 ISS. The serial number is not case sensitive.

:lock – Specifies whether or not the serial number is locked. This parameter has only one value, *yes*, which locks the serial number. Once the serial number is locked, it cannot be changed.

**Note:** To enter and lock the EAGLE 5 ISS's serial number, the `ent-serial-num` command must be entered twice, once to add the correct serial number to the database with the `serial` parameter, then again with the `serial` and the `lock=yes` parameters to lock the serial number. You should verify that the serial number in the database is correct before locking the serial number. The serial number can be found on a label affixed to the control shelf (shelf 1100).

The `chg-ctrl-feat` command uses these parameters:

:partnum – The Tekelec-issued part number of the Origin-Based MTP Routing feature, 893014201.

:status=*on* – used to turn the Origin-Based MTP Routing feature on.

The status of the controlled features in the EAGLE 5 ISS is shown with the `rtrv-ctrl-feat` command.

To turn the Origin-Based MTP Routing feature on with the `chg-ctrl-feat` command, the STP option `MTPLPRST` must be set to *yes*. This can be verified by performing the `rtrv-stpopts` command.

Perform the [Configuring the Frequency of RST Messages on Low Priority Routes](#) procedure to change the `MTPLPRST` option value, if necessary.

Once the Origin-Based MTP Routing feature is enabled and turned on, provisioning for the Origin-Based MTP Routing feature can be performed. Perform these procedures to provision the Origin-Based MTP Routing feature.

- [Configuring the Origin-Based MTP Routing SCCP OPC Option](#)
- [Adding an Exception Route Entry](#)

### Origin-Based MTP Routing Feature

Origin-Based MTP Routing provides greater flexibility and control over the EAGLE 5 ISS routing mechanisms by enabling the user to selectively route traffic to the same destination through different networks depending on various classes of exception routes. The classes of exception routes are shown in the following list.

- DPC and OPC - an exception route using the DPC (destination point code) and OPC (originating point code) in the message to determine how the message will be routed.
- DPC and the originating linkset - an exception route using the DPC and the name of the linkset carrying incoming traffic to the EAGLE 5 ISS to determine how the message will be routed.
- DPC and CIC - an exception route using the DPC and CIC (circuit identification code) in the message to determine how the message will be routed.
- DPC and SI - an exception route using the DPC and SI (service indicator) value in the message to determine how the message will be routed.
- DPC - an exception route using only the DPC in the message to determine how the message will be routed.

The DPC of a route coupled with an exception route class and exception route criteria creates a new destination for the route and also creates an additional entry in the EAGLE 5 ISS's routing table. The number of entries in the EAGLE 5 ISS's routing table is the number of DPCs provisioned with the `ent-dstn` command plus the number of exception route entries provisioned with the `ent-rtx` command.

The number of entries in the EAGLE 5 ISS's routing table cannot exceed the number of DPCs allocated in the routing table, shown in the `DESTINATION ENTRIES ALLOCATED:` row of the `rtrv-rtx` and `rtrv-dstn` output. The EAGLE 5 ISS can contain a maximum of 10,000 entries in the routing table.

The total number of entries provisioned in the routing table is shown in the TOTAL DPC(s) : row of the `rtrv-dstn` or `rtrv-rtx` output.

All other properties of a routeset apply to exception routesets with respect to provisioning (routes and route costs) and alarming with the exception of network management, which is discussed in the "Network Management and Exception Routes" section.

### Exception Route Processing Order and Route Costs

The processing order of exception routes is pre-defined. The exception class list in the "Network Management and Exception Routes" section also shows the order that the classes of exception routes are processed.

If a particular route has two exception routes, a DPC and OPC and a DPC and CIC exception route, the DPC and OPC exception route is used first since it is processed before the DPC and CIC exception route.

To determine the priority of exception routes, a relative cost value is assigned to each exception route. The relative cost values are used only within an exception route class. The DPC of the exception route contains multiple entries exception route class value, for example multiple entries with the same DPC and OPC value. The relative cost value determines the order in which the exception routes with the same DPC and OPC values are used to route the messages.

For example, DPC A contains the following exception routes:

- OPC = B: RC=20: LSN=LSB
- OPC = B: RC=20: LSN=LSC
- OPC = B: RC=30: LSN=LSD
- SI = 3: RC=10: LSN=LS3

When an SCCP message is received from Node B, the exception route mechanism splits traffic matching exception routes OPC = B between the linksets LSB and LSC, treating it as a combined linkset, since both entries have the same relative cost value. When both linksets LSB and LSC are not available, traffic is switched to linkset LSD. Even through the SI=3 exception route has a lower relative cost value than the other exception routes for DPC A, the SI=3 exception route is used to route the messages only when the linksets LSB, LSC, and LSD are not available.

### CIC Handling

Exception routes can be provisioned based on a single CIC value or a range of CIC values in an ISUP message. The only value used by this feature for all CIC triggers will be the CIC value placed after the routing label and not any CIC value placed within the mandatory fixed, variable or optional parts of the message. *Figure 25: ISDN User Part Message Parts* shows the location of this value within the message.

|                             |
|-----------------------------|
| Routing Label               |
| Circuit Identification Code |
| Message Type Code           |
| Mandatory Fixed Part        |
| Mandatory Variable Part     |
| Optional Part               |

Figure 25: ISDN User Part Message Parts



Since this feature will not consider any CIC value placed within the mandatory fixed, variable or optional part, messages within ISUP that are applied over a range of circuits (GRS, CGB, CGU, etc.) may be mishandled. Because of this, the user must consider how maintenance is handled before CIC ranging is used in order to ensure that circuit maintenance is performed properly.

For example, if a GRS is sent where the CIC field is 5 and the range field is 10, this implies that circuits 5 to 15 should be reset. If an exception route is provisioned for CIC 5, it would take the path (if available) provisioned since the CIC value in the message matches the one that is provisioned. However, if the exception route provisioned is 6, the CGU will not take the path provisioned even though 6 is within the range specified by the GRS message.

### **Network Management and Exception Routes**

The Origin-Based MTP Routing operates on an end-to-end scheme, and not a point-to-point scheme. As a result, adjacent point codes cannot have exception routes. Correct network handling is critical for the EAGLE 5 ISS and other routing mechanisms to operate properly. Imposing exception routes over adjacent point codes introduces a large element of risk since elements of the network may receive point code and link events late, impacting routing to those and other destinations.

When considering the impact that exception routing could have on the network, the following restrictions are in place to ensure network sanity:

- Adjacent point codes cannot not have exception routes.
- Exception routes do not factor into the status of a destination. A destination's status is defined only by the standard routes entered.
- If all the DPC-based routes to a destination are unavailable, then the status of the destination is listed as prohibited even if there are exception routes available.
- Preventative and broadcast Tfx or TCx are not sent based on the status of exception routes. If an exception route is unavailable, the next exception route is chosen ending with the standard provisioned routes.

### **Congestion Handling and Origin-Based Routing**

Since the only identifying characteristic of a TFC message is the capability point code (CPC), the EAGLE 5 ISS is unable to determine if the node or the route used to reach that destination is congested. Normally, the EAGLE 5 ISS would list the destination as congested since there was only one routeset to that destination.

With the Origin-Based MTP Routing feature, there is no longer only one routeset to a destination, but many. However, due to the inexact nature of the TFC, the EAGLE 5 ISS is still unable to determine if an exception route, a normal route, or the node itself that is congested. Thus, once a TFC is received regarding a node within exception routes provisioned against it, the EAGLE 5 ISS lists all routesets to that destination as congested.

To ensure that the EAGLE 5 ISS has the correct congestion status of the destination, the EAGLE 5 ISS sends an RCT regarding that destination over each impacted route and not just the normal route. This ensures that the destination does not "bounce" in and out of congestion. The EAGLE 5 ISS starts level 3 timer T15 at the beginning of the broadcast and level 3 timer T16 at the completion.

If the EAGLE 5 ISS receives a TFC regarding that destination in response to the poll, the EAGLE 5 ISS maintains the congestion level against it, even if it was received over a linkset which is part of an exception routeset and not the normal routeset. This is because the EAGLE 5 ISS can not rely on the incoming linkset of the TFC to identify the route that is congested since the adjacent nodes routing provisioning may be different the EAGLE 5 ISS.

### **Circular Route Detection and Origin-Based Routing**

Normally, if the EAGLE 5 ISS detects that traffic originated from a route is to be sent back over the same route, it changes the status of the DPC to prohibited so that the linkset does not enter into congestion and potentially impact other valid routes. However, with Origin-Based MTP Routing, this can occur since there are some situations where this is the desired action. In order to reduce the impact to the true route of the DPC, the EAGLE 5 ISS prohibits only the impacted route to a destination, and not the destination itself.

This ensures that only the exception route provisioned in this manner is impacted if circular routing is detected and allow all other remaining traffic to reach the DPC.

However, since this is an abnormal routing condition, the EAGLE 5 ISS requires the use of the `force=yes` parameter when entering an exception route where the ILSN and the LSN parameters values are the same

If circular routing is detected on an exception route, enter the `rst-dstn` command to clear this condition.

### Gateway Nodes and Exception Routes

Exception routes can be provisioned across networks, where the OPC and DPC do not exist within the same network type (ANSI, ITU-I or ITU-N). However, exception routes can be provisioned only through using full point code values, not alias or cluster point code values. This allows the user to understand which exception routes apply without trying to remember what aliases are provisioned for specific point codes.

Because of MTP conversion restrictions it is necessary that each OPC that is used within a gateway exception routeset must have an alias point code entry in the destination table for the network that the DPC of the exception route resides in. If the alias point code is not present, then the EAGLE 5 ISS is not able to route messages across networks.

### SCCP Handling

With SCCP messaging, there are three possible OPC values that may be used; the OPC originally in the routing header, the EAGLE 5 ISS true point code, and the CGPA OPC (determined by whether the CGPA portion of the message is `route-on-dpcssn` or `route-on-gt`). To provide the option on which criteria to use, Origin-Based MTP Routing provides an SCCP option (`MOBRSCCPOPC`) which has three values:

- `mtp` – The original OPC in the message is used as the OPC value to use for routing the SCCP message.
- `sccp` – If the CGPA portion of the message is `route-on-dpcssn`, the point code in the CGPA portion of the message, if the CGPA portion of the message is `route-on-dpcssn`, is used as the OPC value to use for routing the SCCP message. If the CGPA portion of the message is `route-on-gt`, the MTP option, the original OPC in the message, is used as the OPC value to use for routing the SCCP message.
- `tpc` – The EAGLE 5 ISS's true point code is used as the OPC value to use for routing the SCCP message.

The `MOBRSCCPOPC` option is provisioned with the `chg-sccpopts` command.

If traffic truly originates from the EAGLE 5 ISS (for example, a UDTS), then the `ilsn` parameter of an exception route is not used in evaluating which exception route to use, if any. This is because the traffic was generated by the EAGLE 5 ISS and did not enter through any linkset.

UDTS/XUDTS messages generated by the EAGLE 5 ISS and messages undergoing global title translation are routed over OPC exception routes. However, other messages originated by the EAGLE 5 ISS, for example, response messages generated by the EAGLE 5 ISS SCCP services/subsystems, do not use

OPC exception routes. These messages are routed using other exception criteria, for example, SI based exception routes, if these exception routes are defined. If these exception routes are not defined, normal routing is applied to these messages.

1. Display the controlled features in the database by entering the `rtrv-ctrl-feat` command.

This is an example of the possible output.

```
rlghncxa03w 06-10-28 11:43:04 GMT EAGLE5 36.0.0
The following features have been permanently enabled:

Feature Name Partnum Status Quantity
SCCP Conversion 893012001 on ----
EIR 893012301 on ----
GSM Map Screening (GMS) 893013201 on ----
HC-MIM SLK Capacity 893012707 on 64

The following features have been temporarily enabled:

Feature Name Partnum Status Quantity Trial Period Left
Zero entries found.

The following features have expired temporary keys:

Feature Name Partnum
Zero entries found.
```

If the Origin-Based MTP Routing feature is enabled, the entry `MTP Origin-Based Routing` is shown in the permanently enabled section of the `rtrv-ctrl-feat` output. If the status of the Origin-Based MTP Routing feature is on, no further action can be performed.

If the Origin-Based MTP Routing feature is not enabled, continue the procedure with [Step 2](#).

If the `rtrv-ctrl-feat` output in [Step 1](#) shows any controlled features, continue the procedure with [Step 6](#). If the `rtrv-ctrl-feat` output shows only the HC-MIM SLK Capacity feature with a quantity of 64, [Step 2](#) through [Step 5](#) must be performed.

If the Origin-Based MTP Routing feature is enabled but not turned on, continue the procedure with [Step 7](#).

2. Display the serial number in the database with the `rtrv-serial-num` command.

This is an example of the possible output.

```
rlghncxa03w 06-10-28 21:15:37 GMT EAGLE5 36.0.0
System serial number = nt00001231

System serial number is not locked, yet.
```

**Note:** If the serial number is correct and locked, continue the procedure with [Step 6](#). If the serial number is correct but not locked, continue the procedure with [Step 5](#). If the serial number is not correct, but is locked, this feature cannot be enabled and the remainder of this procedure cannot be performed. Contact the Customer Care Center to get an incorrect and locked serial number changed. Refer to [Customer Care Center](#) for the contact information. The serial number can be found on a label affixed to the control shelf (shelf 1100).

3. Enter the correct serial number into the database using the `ent-serial-num` command with the `serial` parameter.

For this example, enter this command.

```
ent-serial-num:serial=<EAGLE 5 ISS's correct serial number>
```

When this command has successfully completed, the following message should appear.

```
rlghncxa03w 06-10-28 21:15:37 GMT EAGLE5 36.0.0
ENT-SERIAL-NUM: MASP A - COMPLTD
```

4. Verify that the serial number entered into [Step 3](#) was entered correctly using the `rtrv-serial-num` command.

This is an example of the possible output.

```
rlghncxa03w 06-10-28 21:15:37 GMT EAGLE5 36.0.0
System serial number = nt00001231

System serial number is not locked, yet.
```

If the serial number was not entered correctly, repeat [Step 2](#) and [Step 3](#) and re-enter the correct serial number.

5. Lock the serial number in the database by entering the `ent-serial-num` command with the serial number shown in [Step 2](#), if the serial number shown in [Step 2](#) is correct, or with the serial number shown in [Step 4](#), if the serial number was changed in [Step 3](#), and with the `lock=yes` parameter.

For this example, enter this command.

```
ent-serial-num:serial=<EAGLE 5 ISS's serial number>:lock=yes
```

When this command has successfully completed, the following message should appear.

```
rlghncxa03w 06-10-28 21:15:37 GMT EAGLE5 36.0.0
ENT-SERIAL-NUM: MASP A - COMPLTD
```

6. Enable the Origin-Based MTP Routing feature by entering the `enable-ctrl-feat` command.

For this example, enter this command.

```
enable-ctrl-feat:partnum=893014201:fak=<Origin-Based MTP Routing feature
access key>
```

**Note:** The values for the feature access key (the `fak` parameter) are provided by Tekelec. If you do not have the feature access key for the Origin-Based MTP Routing feature, contact your Tekelec Sales Representative or Account Representative.

When the `enable-ctrl-feat` command has successfully completed, this message should appear.

```
rlghncxa03w 06-10-28 21:15:37 GMT EAGLE5 36.0.0
ENABLE-CTRL-FEAT: MASP A - COMPLTD
```

7. Display the existing value for the `mtplprst` parameter by entering the `rtrv-stpopts` command. The value for the `mtplprst` parameter is shown in the `MTPLPRST` field.

This is an example of the possible output.

```
rlghncxa03w 06-10-17 16:02:05 GMT EAGLE5 36.0.0
STP OPTIONS

MTPLPRST no
```

**Note:** The `rtrv-stpopts` command output contains other fields that are not used by this procedure. If you wish to see all the fields displayed by the `rtrv-stpopts` command, see the `rtrv-stpopts` command description in the *Commands Manual*.

8. Turn the Origin-Based MTP Routing feature on by entering the `chg-ctrl-feat` command with the part number used in [Step 6](#) and the `status=on` parameter.



**Caution:** Once the Origin-Based MTP Routing feature is turned on, it cannot be turned off.

#### CAUTION

For this example, enter this command.

```
chg-ctrl-feat:partnum=893014201:status=on
```

When this command has successfully completed, the following message should appear.

```
rlghncxa03w 06-10-28 21:15:37 GMT EAGLE5 36.0.0
CHG-CTRL-FEAT: MASP A - COMPLTD
```

9. Verify the changes by entering this command.

```
rtrv-ctrl-feat:partnum=893014201
```

This is an example of the possible output.

```
rlghncxa03w 06-10-28 21:15:37 GMT EAGLE5 36.0.0
The following features have been permanently enabled:

Feature Name Partnum Status Quantity
MTP Origin-Based Routing 893014201 on ----

The following features have been temporarily enabled:

Feature Name Partnum Status Quantity Trial Period Left
Zero entries found.

The following features have expired temporary keys:

Feature Name Partnum
Zero entries found.
```

10. Back up the new changes, using the `chg-db:action=backup:dest=fixed` command.

These messages should appear; the active Maintenance and Administration Subsystem Processor (MASP) appears first.

```
BACKUP (FIXED): MASP A - Backup starts on active MASP.
BACKUP (FIXED): MASP A - Backup on active MASP to fixed disk complete.
BACKUP (FIXED): MASP A - Backup starts on standby MASP.
BACKUP (FIXED): MASP A - Backup on standby MASP to fixed disk complete.
```

## Configuring the Origin-Based MTP Routing SCCP OPC Option

This procedure is used to configure the option that determines which of the three OPC values can be used to route SCCP messages for the Origin-Based MTP Routing feature. The option is configured with the `mobrscppopc` parameter of the `chg-sccpopts` command. The `mobrscppopc` parameter has three values:

`mtp` – The original OPC in the message is used as the OPC value to use for routing the SCCP message.

`sccp` – If the CGPA portion of the message is `route-on-dpcssn`, the point code in the CGPA portion of the message, if the CGPA portion of the message is `route-on-dpcssn`, is used as the OPC value to use for routing the SCCP message. If the CGPA portion of the message is `route-on-gt`, the MTP option, the original OPC in the message, is used as the OPC value to use for routing the SCCP message.

`tpc` – The EAGLE 5 ISS's true point code is used as the OPC value to use for routing the SCCP message.

If traffic originated from the Eagle, (for example, a UDTS message) then the incoming linkset name (`ilsn` parameter) of the exception route is not used in evaluating which exception route to use, if any. This is because since the traffic was generated by the Eagle it did not enter through any linkset.

The current value of the `mobrscppopc` parameter is shown in the `MOBRSCCPOPC` field in the `rtrv-sccpopts` command output.

The `mobrscppopc` parameter can be specified with the `chg-sccpopts` command, and the `MOBRSCCPOPC` field in the `rtrv-sccpopts` command output is displayed only if the Origin-Based MTP Routing feature is enabled and turned on. If the `MOBRSCCPOPC` field is not shown in the `rtrv-sccpopts` command output, perform the [Activating the Origin-Based MTP Routing Feature](#) procedure to enable and turn on the Origin-Based MTP Routing feature.

1. Display the existing value for the `mobrscppopc` parameter by entering the `rtrv-sccpopts` command.

If the Origin-Based MTP Routing feature is not enabled and turned on, this is an example of the possible output.

```
rlghncxa03w 06-10-17 16:02:05 GMT EAGLE5 36.0.0

SCCP OPTIONS

CLASS1SEQ off
DFLTGTTMODE CdPA
```

If the Origin-Based MTP Routing feature is enabled and turned on, this is an example of the possible output.

```
rlghncxa03w 06-10-17 16:02:05 GMT EAGLE5 36.0.0
SCCP OPTIONS

CLASS1SEQ off
DFLTGTTMODE CdPA
MOBRSCCPOPC MTP
```

**Note:** The `rtrv-sccopts` command output contains other fields that are not used by this procedure. If you wish to see all the fields displayed by the `rtrv-sccopts` command, see the `rtrv-sccopts` command description in the *Commands Manual*.

If the `MOBRSCCPOPC` field is not shown in the `rtrv-sccopts` command output, perform the [Activating the Origin-Based MTP Routing Feature](#) procedure to enable and turn on the Origin-Based MTP Routing feature.

## 2. Change the `mobrscpopc` parameter value.

The value of the `mobrscpopc` parameter must be different from the value shown in the `rtrv-sccopts` output in step 1.

If you wish to use original OPC in the message is used as the OPC value to use for routing the SCCP message, enter this command.

```
chg-sccopts:mobrscpopc=mtp
```

If you wish to use the point code in the CGPA portion of the message is used as the OPC value to use for routing the SCCP message (when the CGPA portion of the message is route-on-dpcsn), enter this command.

```
chg-sccopts:mobrscpopc=sccp
```

If you wish to use the EAGLE 5 ISS's true point code is used as the OPC value to use for routing the SCCP message, enter this command.

```
chg-sccopts:mobrscpopc=tpc
```

```
rlghncxa03w 06-10-07 00:22:57 GMT EAGLE5 36.0.0
CHG-SCCPOPTS: MASP A - COMPLTD
```

## 3. Verify the changes using the `rtrv-sccopts` command.

This is an example of the possible output.

```
rlghncxa03w 06-10-17 16:02:05 GMT EAGLE5 36.0.0
SCCP OPTIONS

CLASS1SEQ off
DFLTGTTMODE CdPA
MOBRSCCPOPC MTP
```

**Note:** The `rtrv-sccopts` command output contains other fields that are not used by this procedure. If you wish to see all the fields displayed by the `rtrv-sccopts` command, see the `rtrv-sccopts` command description in the *Commands Manual*.

4. Back up the new changes using the `chg-db:action=backup:dest=fixed` command.

These messages should appear, the active Maintenance and Administration Subsystem Processor (MASP) appears first.

```
BACKUP (FIXED) : MASP A - Backup starts on active MASP.
BACKUP (FIXED) : MASP A - Backup on active MASP to fixed disk complete.
BACKUP (FIXED) : MASP A - Backup starts on standby MASP.
BACKUP (FIXED) : MASP A - Backup on standby MASP to fixed disk complete.
```

## Adding an Exception Route Entry

This procedure is used to add an exception route to the database using the `ent-rtx` command. The `ent-rtx` command uses these parameters.

`:dpc/dpca/dpci/dpcn/dpcn24` – The destination point code of the node that the traffic is being sent to.

`:opc/opca/opci/opcn/opcn24` – The originating point code of the node sending traffic to the EAGLE 5 ISS.

**Note:** See [Point Code Formats](#) for a definition of the point code types that are used on the EAGLE 5 ISS and for a definition of the different formats that can be used for ITU national point codes.

`:ilsn` – The name of the linkset carrying incoming traffic to the EAGLE 5 ISS.

`:lsn` – The name of the linkset that will carry the traffic to the node specified by the destination point code.

`:si` – The service indicator value that will be assigned to the exception route. The value of the `si` parameter is 3 to 15.

`:cic` – The circuit identification code (CIC) value that will be assigned to an exception route containing a single CIC entry or the CIC value that begins a range of CICs that will be assigned to the exception route. The value of the `cic` parameter is 0 to 16383.

`:ecic` – The circuit identification code value that ends the range of CICs that will be assigned to the exception route. The value of the `ecic` parameter is 0 to 16383.

`:rc` – The relative cost value (priority) that will be assigned to the exception route. The value of the `rc` parameter is 0 to 99.

`:force` – This parameter allows an exception route to be added to the database even if the `ilsn` parameter value is the same as the `lsn` parameter value. This parameter has only one value, `yes`.

The combinations of these parameters that can be used with the `ent-rtx` command are shown in [Table 46: Add Exception Route Parameter Combinations](#).

To add an exception route to the database, the Origin-Based MTP Routing feature must be enabled and turned on. If error message E4584 is displayed after the `rtrv-rtx` command is executed, the Origin-Based MTP Routing feature is not enabled or turned on.

```
E4584 Cmd Rej: MTP Origin Based Routing Feature must be ON
```



If the Origin-Based MTP Routing feature is not enabled or turned on, perform the [Activating the Origin-Based MTP Routing Feature](#) procedure to enable, if required, and turn on the Origin-Based MTP Routing feature.

The DPC value assigned to the exception route must be assigned to a route. If the required route is not shown in the `rtrv-rte` output, perform one of these procedures to add the required route.

- [Adding a Route Containing an SS7 DPC](#)
- [Adding a Route Containing a Cluster Point Code](#)
- [Adding a Route Containing an IPGWx Linkset](#)

The names of the linksets required specified for the `lsn` and `ilsn` parameters must be provisioned in the database. This can be verified by entering the `rtrv-ls` command. If the required linkset is not in the database, perform one of these procedures to add the linkset.

- [Adding a SS7 Linkset](#)
- "Configuring an IPGWx Linkset," "Adding an IPSG M2PA Linkset," or "Adding an IPSG M3UA Linkset" procedures in the *Database Administration Manual - IP Secure Gateway*.

The linkset must be added according to the rules shown in the ["Adding Linksets for Exception Routes"](#) section.

### Adding Linksets for Exception Routes

The linkset must be added according to the following rules:

- If the `dpc` value of the exception route entry is an ANSI point code, the adjacent point code of the `lsn` value must be an ANSI point code.
- If the exception route is an OPC-based exception route, the `opc` parameter value cannot be the adjacent point code of the linkset that is specified by the `lsn` parameter value.
- If the `dpc` value of the exception route entry is an ITU-I point code, the adjacent point code of the `lsn` value must be an ITU-I point code. If the linkset contains an SAPC (secondary adjacent point code), the adjacent point code of the `lsn` value can be either an ITU-N or ITU-N24 point code if the `sapc` value is an ITU-I point code. If the adjacent point code of the `lsn` value is an ITU-N point code with a group code, when the exception route is added, the group code of the adjacent point code of the linkset does not have to be the same as the group code of the `opc` value. If an ITU-N linkset is specified for the `ilsn` parameter, the group code of the adjacent point code of the `ilsn` value does not have to match the group code of the adjacent point code of the `lsn` value.
- If the `dpc` value of the exception route entry is an ITU-N point code, the adjacent point code of the `lsn` value must be an ITU-N point code.
  - If the `dpc` value of the exception route entry is an ITU-N point code with no group code assigned to the ITU-N point code, the adjacent point code of the `lsn` value or the adjacent point code of all the linksets in the routeset can be an ITU-I point code if the `sapc` (secondary adjacent point code) value is an ITU-N point code.
  - If the `dpc` value of the exception route entry is an ITU-N point code with a group code, the adjacent point code of the `lsn` value can be an ITU-I point code if the `sapc` value is an ITU-N point code. When the exception route is added, the group code of the `dpc` value and the `opc` value must be the same. The group code of the adjacent point code of the `lsn` value and the `ilsn` value must be the same. The group code of the `dpc` value must be the same as the group code of either the adjacent point code of the `lsn` value or the `sapc` (secondary adjacent point code) assigned to the `lsn` value.
- If the `dpc` value of the exception route entry is an ITU-N24 point code, the adjacent point code of the `lsn` value must be an ITU-N24 point code. If the linkset contains an SAPC (secondary adjacent

point code), the adjacent point code of the `lsn` value can be an ITU-I point code if the `sapc` value is an ITU-N24 point code.

The SAPC values assigned to the linksets can be verified by entering the `rtrv-ls:lsn=<linkset name>` command.

1. Display the exception routes in the database by entering the `rtrv-rtx` command.

This is an example of the possible output.

```
rlghncxa03w 08-02-11 11:43:04 GMT EAGLE5 38.0.0

 DPCA RTX-CRITERIA LSN RC APC
 003-003-003 OPCA
 009-009-009 lsn1 3 002-002-002
 010-010-010 lsn1 2 002-002-002
 ILSN
 lsn3 lsn2 2 002-002-003
 lsn4 lsn2 1 002-002-003
 CIC - ECIC
 15 15 lsn2 1 002-002-003
 17 17 lsn2 7 002-002-003
 18 30 lsn1 8 002-002-002
 SI
 3 lsn2 5 002-002-003
 5 lsn2 5 002-002-003

 DPCI RTX-CRITERIA LSN RC APC
 0-123-7 OPCI
 1-222-3 lsn3 10 1-234-5
 1-222-4 lsn3 11 1-234-5
 1-222-5 lsn4 11 2-145-6

DESTINATION ENTRIES ALLOCATED: 2000
 FULL DPC(s): 20
 EXCEPTION DPC(s): 12
 TOTAL DPC(s): 32
 CAPACITY (% FULL): 2%
ALIASES ALLOCATED: 12000
 ALIASES USED: 0
 CAPACITY (% FULL): 0%
```

If the `rtrv-rtx` output contains any entries, the Origin-Based MTP Routing feature is enabled. Continue the procedure with [Step 3](#).

If error message E4584 is displayed after the `rtrv-rtx` command is executed, the Origin-Based MTP Routing feature is not turned on.

```
E4584 Cmd Rej: MTP Origin Based Routing Feature must be ON
```

If error message E4584 is displayed, perform the [Activating the Origin-Based MTP Routing Feature](#) procedure to enable, if required, and turn on the Origin-Based MTP Routing feature. After the Origin-Based MTP Routing feature is turned on, continue the procedure with [Step 2](#).

2. Display the number of DPCs currently in the database and the number of DPCs that EAGLE 5 ISS can contain by entering the `rtrv-dstn` command with the `msar=only` parameter.

This is an example of the possible output.

```
rlghncxa03w 08-02-11 11:43:04 GMT EAGLE5 38.0.0
DESTINATION ENTRIES ALLOCATED: 2000
 FULL DPC(s): 20
 EXCEPTION DPC(s): 12
 TOTAL DPC(s): 32
 CAPACITY (% FULL): 2%
ALIASES ALLOCATED: 12000
 ALIASES USED: 0
 CAPACITY (% FULL): 0%
```

- The number of entries in the EAGLE 5 ISS routing table consists of the number of DPCs provisioned by the `ent-dstn` command and the number of exception routes provisioned by `ent-rtx` command.

The number of entries in the EAGLE 5 ISS's routing table cannot exceed the number of DPCs allocated in the routing table, shown in the `DESTINATION ENTRIES ALLOCATED:` row of the `rtrv-rtx` and `rtrv-dstn` output. The EAGLE 5 ISS can contain a maximum of 10,000 entries in the routing table. The total number of entries provisioned in the routing table is shown in the `TOTAL DPC(s):` row of the `rtrv-dstn` or `rtrv-rtx` output. If adding the new exception route entry would exceed the number of DPCs allocated in the routing table, perform one of these actions:

- Increase the number of DPCs allocated in the routing table by performing the [Changing the DPC Quantity](#) procedure.
- Remove enough entries from the routing table to allow the addition of the new exception routes by performing either the [Removing a Destination Point Code](#) procedure or the [Removing a Route Exception Entry](#) procedure.

After either these actions are performed, continue the procedure with [Step 4](#).

**Note:** If adding the new exception route entry would exceed the number of DPCs allocated in the routing table and neither of these actions are performed, this procedure cannot be performed. If the number of DPCs provisioned in the routing table is 10,000, the only action that can be performed that would allow the addition of new exception routes is to remove existing entries from the routing table.

If adding the new exception route entry would not exceed the number of DPCs allocated in the routing table, continue the procedure with [Step 4](#).

- Display the routes in the database by entering the `rtrv-rte` command.

If the new exception route entry will be added to an existing DPC shown in the `rtrv-rtx` output, continue the procedure with [Step 5](#).

This is an example of the possible output.

```
rlghncxa03w 10-12-10 11:43:04 GMT EAGLE5 43.0.0
Extended Processing Time may be Required

 DPCA ALIASI ALIASN/N24 LSN RC APCA
 002-002-002 -----
 RTX:No CLLI=-----
 002-002-003 -----
 RTX:No CLLI=-----
 003-003-003 -----
 lsn1 1 002-002-002
 lsn2 2 002-002-003
 RTX:Yes CLLI=-----
```

```

004-004-004 -----
005-005-005 -----
006-006-006 -----
DPCI ALIASN/N24 ALIASA LSN RTX:No CLLI=-----
0-123-7 -----
1-234-5 -----
2-145-6 -----
3-025-6 -----
1-100-5 -----
4-139-4 -----
DPCN ALIASA ALIASI LSN RTX:No CLLI=-----
00002 -----
00003 -----
00004 -----
11302 -----
12567 -----
09852 -----
DPCN24 ALIASA ALIASI LSN RTX:No CLLI=-----

```

The DPC value assigned to the exception route must be assigned to a route. If the required route is not shown in the `rtrv-rte` output, perform one of these procedures to add the required route.

- [Adding a Route Containing an SS7 DPC](#)
- [Adding a Route Containing a Cluster Point Code](#)
- [Adding a Route Containing an IPGWx Linkset](#)

After the required routes have been configured, continue the procedure with [Step 5](#).

5. Display the linksets in the database by entering the `rtrv-ls` command.

This is an example of the possible output.

```

rlghncxa03w 06-10-10 11:43:04 GMT EAGLE5 38.0.0

 L3T SLT GWS GWS GWS
LSN APCA (SS7) SCRN SET SET BEI LST LNKS ACT MES DIS SLSCI NIS
lsn1 002-002-002 none 1 1 no B 2 off off off no off
lsn2 002-002-003 none 1 1 no B 3 off off off no off
lsn11 004-004-004 none 1 1 no B 1 off off off no off
lsn12 005-005-005 none 1 1 no B 4 off off off no off

```

```

 L3T SLT
LSN APCI (SS7) SCRN SET SET BEI LST LNKS GWS GWS GWS
lsn3 1-234-5 none 1 2 no B 2 off off off --- off
lsn4 2-145-6 none 1 2 no B 2 off off off --- off
lsn13 1-100-5 none 1 2 no B 1 off off off --- off
lsn14 4-139-4 none 1 2 no B 1 off off off --- off

```

```

 L3T SLT
LSN APCN (SS7) SCRN SET SET BEI LST LNKS GWS GWS GWS
lsn5 00002 none 1 2 no B 2 off off off --- off
lsn6 00003 none 1 2 no B 2 off off off --- off
lsn15 11302 none 1 2 no B 2 off off off --- off
lsn16 12567 none 1 2 no B 2 off off off --- off

```

Link set table is (12 of 1024) 1% full.

If the required linkset is not in the database, perform one of these procedures to add the linkset.

- [Adding a SS7 Linkset](#)
- “Configuring an IPGWx Linkset,” “Adding an IPSP M2PA Linkset,” or “Adding an IPSP M3UA Linkset” procedures in the *Database Administration Manual - IP Secure Gateway*.

The linkset must be added according to the rules shown in the [“Adding Linksets for Exception Routes”](#) section.

**Note:** If the DPC exception route entry is an ANSI DPC, the adjacent point code of the `lsn` value must be an ANSI point code. If the DPC exception route entry is an ANSI DPC, continue the procedure with [Step 7](#).

6. Display the linkset that will be assigned to the exception route entry by entering the `rtrv-ls` command with the name of the linkset.

For this example, enter these commands.

```
rtrv-ls:lsn=lsn13
```

This is an example of the possible output.

```

rlghncxa03w 08-02-11 11:43:04 GMT EAGLE5 38.0.0

 L3T SLT
LSN APCI (SS7) SCRN SET SET BEI LST LNKS GWS GWS GWS
lsn13 1-100-5 none 1 2 no B 1 off off off --- off

 CLLI TFATCABMLQ MTPRSE ASL8 SLSOCBIT SLRSRB MULTGC
 ----- 1 no --- none 7 no

 ITUTFR RANDSLS
 off all

 IPGWAPC MATELSN IPTPS LSUSEALM SLKUSEALM GTTMODE
 no ----- --- --- --- CdPA

 LOC LINK SLC TYPE IPLIML2
 1301 A 0 IPLIMI M2PA

 SAPCN
 11211
Link set table is (12 of 1024) 1% full.

```

```
rtrv-ls:lsn=lsn16
```

This is an example of the possible output.

```
rlghncxa03w 08-02-11 11:43:04 GMT EAGLE5 38.0.0

LSN APCI (SS7) L3T SLT GWS GWS GWS
lsn16 12567 none 1 2 no B 2 off off off --- off
SCRN SET SET BEI LST LNKS ACT MES DIS SLSCI NIS

 CLLI TFATCABMLQ MTPRSE ASL8 SLSOCSBIT SLSRSB MULTGC
 ----- 1 no --- none 7 no

 ITUTFR RANDSLS
 off all

 IPGWAPC MATELSN IPTPS LSUSEALM SLKUSEALM GTTMODE
 no ----- --- --- --- CdPA

LOC LINK SLC TYPE IPLIML2
1301 A 0 IPLIMI M2PA

SAPCI
5-067-1
Link set table is (12 of 1024) 1% full.
```

If the linkset does not meet the criteria shown in the *"Adding Linksets for Exception Routes"* section, either choose another linkset from the `rtrv-ls` output in [Step 5](#) and repeat this step, or add a new linkset by performing one of these procedures:

- [Adding a SS7 Linkset](#)
- "Configuring an IPGWx Linkset," "Adding an IPSG M2PA Linkset," or "Adding an IPSG M3UA Linkset" procedures in the *Database Administration Manual - IP Secure Gateway*.

The linkset must be added according to the rules shown in the *"Adding Linksets for Exception Routes"* section. After this step is performed, continue the procedure by performing one of these steps.

- If no more than two entries in the exception route will contain the same exception route criteria, except for the linkset name, continue the procedure with [Step 14](#).
- If more than two entries in the exception route will contain the same exception route criteria, except for the linkset name, continue the procedure by performing one of these steps.
  - If more than two entries in an exception route that contain the same exception route criteria, except for the linkset name, are shown in the `rtrv-rtx` command in [Step 1](#), continue the procedure with [Step 14](#).
  - If more than two entries in an exception route that contain the same exception route criteria, except for the linkset name, are not shown in the `rtrv-rtx` command in [Step 1](#), continue the procedure with [Step 13](#).

7. Display the DPCs in the database by entering the `rtrv-dstn` command.

**Note:** If cluster point codes are displayed in the `rtrv-rtx` or `rtrv-rte` outputs, skip this step and continue the procedure with [Step 8](#).

This is an example of the possible output.

```

rlghncxa03w 10-12-10 11:43:04 GMT EAGLE5 43.0.0
Extended Processing Time may be Required

 DPCA CLLI BEI ELEI ALIASI ALIASN/N24 DMN
 002-002-002 ----- no --- ----- ----- SS7
 002-002-003 ----- no --- ----- ----- SS7
 003-003-003 ----- no --- ----- ----- SS7
 004-004-004 ----- no --- ----- ----- SS7
 005-005-005 ----- no --- ----- ----- SS7
 006-006-006 ----- no --- ----- ----- SS7

 DPCI CLLI BEI ELEI ALIASA ALIASN/N24 DMN
 1-234-5 ----- no --- ----- ----- SS7
 2-145-6 ----- no --- ----- ----- SS7
 0-123-7 ----- no --- ----- ----- SS7
 3-025-6 ----- no --- ----- ----- SS7
 1-100-5 ----- no --- ----- ----- SS7
 4-139-4 ----- no --- ----- ----- SS7
 5-067-1 ----- no --- ----- ----- SS7

 DPCN CLLI BEI ELEI ALIASA ALIASI DMN
 00002 ----- no --- ----- ----- SS7
 00003 ----- no --- ----- ----- SS7
 00004 ----- no --- ----- ----- SS7
 09852 ----- no --- ----- ----- SS7
 11211 ----- no --- ----- ----- SS7
 11302 ----- no --- ----- ----- SS7
 12567 ----- no --- ----- ----- SS7

DESTINATION ENTRIES ALLOCATED: 2000
 FULL DPC(s): 20
 EXCEPTION DPC(s): 12
 TOTAL DPC(s): 32
 CAPACITY (% FULL): 2%
ALIASES ALLOCATED: 12000
 ALIASES USED: 0
 CAPACITY (% FULL): 0%

```

If a cluster point code is not shown in the `rtrv-dstn` output, continue the procedure with [Step 12](#).

If a cluster point code is shown in the `rtrv-dstn` output, and the DPC of the exception route is not a member of a cluster point code, continue the procedure with [Step 12](#).

If a cluster point code is shown in the `rtrv-dstn` output, and the DPC of the exception route is a member of a cluster point code, continue the procedure with [Step 8](#).

8. Display the cluster point code by entering the `rtrv-dstn` command with the cluster point code.

For this example, enter this command.

```
rtrv-dstn:dpca=010-010-*
```

This is an example of the possible output.

```

rlghncxa03w 10-12-10 11:43:04 GMT EAGLE5 43.0.0

 DPCA CLLI BEI ELEI ALIASI ALIASN/N24 DMN

```

```

010-010-* ----- no no -----
SPCA NCAI RCAUSE NPRST SPLITIAM HMSMSC HMSCP SCCPMSGCNV
----- yes none off none no no none
Destination table is (33 of 2000) 1% full
Alias table is (0 of 12000) 0% full

```

The DPC of an exception route cannot be a member of a cluster point code unless the NCAI value of the cluster point code is *yes*. If the NCAI value of the cluster point code is *yes*, continue the procedure with [Step 12](#).

If the NCAI value of the cluster point code is *no*, continue the procedure with [Step 9](#).

- Verify that the NCR (Nested Cluster Routing) feature is on by entering the `rtrv-feat` command.

The entry `NCR = on` in the `rtrv-feat` command output shows that the NCR feature is on.

**Note:** The `rtrv-feat` command output contains other fields that are not used by this procedure. If you wish to see all the fields displayed by the `rtrv-feat` command, see the `rtrv-feat` command description in the *Commands Manual*.

If the NCR feature is on, continue the procedure with [Step 11](#).

If the NCR feature is off, continue the procedure with [Step 10](#).

- Turn the NCR feature on by entering this command.

```
chg-feat:ncr=on
```

**Note:** Once the NCR feature is turned on with the `chg-feat` command, it cannot be turned off.

The NCR feature must be purchased before you turn the feature on with the `chg-feat` command. If you are not sure if you have purchased the NCR feature, contact your Tekelec Sales Representative or Account Representative.

When this command has successfully completed, this message should appear.

```

rlghncxa03w 06-10-10 11:43:04 GMT EAGLE5 38.0.0
CHG-FEAT: MASP A - COMPLTD

```

- Change the NCAI value for the cluster point code from *no* to *yes* by entering the `chg-dstn` command with the cluster point code and the `ncai=yes` parameter. For this example, enter this command.

```
chg-dstn:dpca=010-010-*:ncai=yes
```

When this command has successfully completed, this message should appear.

```

rlghncxa03w 08-02-11 15:35:05 GMT EAGLE5 38.0.0
DESTINATION ENTRIES ALLOCATED: 2000
 FULL DPC(s): 20
 EXCEPTION DPC(s): 12
 NETWORK DPC(s): 0
 CLUSTER DPC(s): 1
 TOTAL DPC(s): 33
 CAPACITY (% FULL): 1%
ALIASES ALLOCATED: 12000
 ALIASES USED: 0
 CAPACITY (% FULL): 0%

```



```
X-LIST ENTRIES ALLOCATED: 500
CHG-DSTN: MASP A - COMPLTD
```

**Note:** If the `opc/opca` parameter will not be specified with the `ent-rtx` command, continue the procedure with [Step 12](#).

- The `opc/opca` value of the exception route can be specified with the network cluster and network cluster member values of the point code as asterisks (\*).

If the network cluster and network cluster member values of the `opc/opca` value will not be specified as asterisks, continue the procedure by performing one of the steps shown at the end of this step.

If the network cluster and network cluster member values of the `opc/opca` value will be specified as asterisks, and the network indicator value of the `opc/opca` value is 6 or greater, continue the procedure by performing one of the steps shown at the end of this step.

If the network cluster and network cluster member values of the `opc/opca` value will be specified as asterisks, and the network indicator value of the `opc/opca` value will be 1 through 5, the `PCTYPE` value shown in the `rtrv-sid` output must be `OTHER`. Enter the `rtrv-sid` command to verify the `PCTYPE` value.

This is an example of the possible output.

```
rlghncxa03w 06-10-10 11:43:04 GMT EAGLE5 38.0.0

 PCA PCI PCN CLLI PCTYPE
 001-001-001 1-001-1 00001 rlghncxa03w OTHER

 CPCA
 002-002-004 002-002-005 002-002-006 002-002-007
 002-002-008 002-002-009 004-002-001 004-003-003
 050-060-070

 CPCI
 1-001-2 1-001-3 1-001-4 1-002-1
 1-002-2 1-002-3 1-002-4 2-001-1
 7-222-7

 CPCN
 00050 00060 00070 00100
 00080 00090
```

If the `PCTYPE` value shown in the `rtrv-sid` output is `OTHER`, continue the procedure by performing one of the steps shown at the end of this step.

If the `PCTYPE` value shown in the `rtrv-sid` output is `ANSI`, Change the `PCTYPE` value of the self-identification of the EAGLE 5 ISS to `OTHER` by performing the [Changing the Self-Identification of the EAGLE 5 ISS](#) procedure. After the `PCTYPE` value is changed, continue the procedure by performing one of the steps shown at the end of this step.

Continue the procedure by performing one of these steps.

- If no more than two entries in the exception route will contain the same exception route criteria, except for the linkset name, continue the procedure with [Step 14](#).
- If more than two entries in the exception route will contain the same exception route criteria, except for the linkset name, continue the procedure by performing one of these steps.

- If more than two entries in an exception route that contain the same exception route criteria, except for the linkset name, are shown in the `rtrv-rtx` command in [Step 1](#), continue the procedure with [Step 14](#).
  - If more than two entries in an exception route that contain the same exception route criteria, except for the linkset name, are not shown in the `rtrv-rtx` command in [Step 1](#), continue the procedure with [Step 13](#).
13. For an exception route to have more than two entries with the same exception route criteria, except for the linkset name (the `lsn` parameter value), the 6-Way Loadsharing on Routesets feature must be enabled and turned on.

To verify the status of the 6-Way Loadsharing on Routesets feature, enter this command.

```
rtrv-ctrl-feat:partnum=893019801
```

The following is an example of the possible output.

```
rlghncxa03w 09-05-28 21:15:37 GMT EAGLE5 41.0.0
The following features have been permanently enabled:

Feature Name Partnum Status Quantity
6-Way LS on Routesets 893019801 on ----

The following features have been temporarily enabled:

Feature Name Partnum Status Quantity Trial Period Left
Zero entries found.

The following features have expired temporary keys:

Feature Name Partnum
Zero entries found.
```

If the 6-Way Loadsharing on Routesets feature is not enabled or not turned on, perform the [Activating the 6-Way Loadsharing on Routesets Feature](#) procedure to enable and turn on the 6-Way Loadsharing on Routesets feature.

After the 6-Way Loadsharing on Routesets feature has been enabled and turned on, or if the `rtrv-ctrl-feat` output shows that the 6-Way Loadsharing on Routesets feature is enabled and turned on, continue this procedure with [Step 14](#).

14. Add the exception route entry by entering the `ent-rtx` command and specifying the parameter combinations shown in [Table 46: Add Exception Route Parameter Combinations](#) for the exception route criteria being assigned to the exception route.

**Table 46: Add Exception Route Parameter Combinations**

| OPC- Based Exception Lists | ILSN- Based Exception Lists | SI- Based Exception Lists | Single CIC- Based Exception Lists | Range of CICs- Based Exception Lists |
|----------------------------|-----------------------------|---------------------------|-----------------------------------|--------------------------------------|
| :dpc/dpca/<br>dpci/dpcn/   | :dpc/dpca/<br>dpci/dpcn/    | :dpc/dpca/<br>dpci/dpcn/  | :dpc/dpca/<br>dpci/dpcn/          | :dpc/dpca/<br>dpci/dpcn/             |

| OPC- Based Exception Lists                                                                                                                                                                                                                                                                                                                                                                                                                                                                                                                                                                                                                                                                                                                                                                                                                                                                                                                                                                                                                                                                                                                                                                                           | ILSN- Based Exception Lists                                                                           | SI- Based Exception Lists                                                                             | Single CIC- Based Exception Lists                                                                     | Range of CICs- Based Exception Lists                                                                  |
|----------------------------------------------------------------------------------------------------------------------------------------------------------------------------------------------------------------------------------------------------------------------------------------------------------------------------------------------------------------------------------------------------------------------------------------------------------------------------------------------------------------------------------------------------------------------------------------------------------------------------------------------------------------------------------------------------------------------------------------------------------------------------------------------------------------------------------------------------------------------------------------------------------------------------------------------------------------------------------------------------------------------------------------------------------------------------------------------------------------------------------------------------------------------------------------------------------------------|-------------------------------------------------------------------------------------------------------|-------------------------------------------------------------------------------------------------------|-------------------------------------------------------------------------------------------------------|-------------------------------------------------------------------------------------------------------|
| dpcn24 = DPC of the exception route shown in the rtrv-rtx or rtrv-rte outputs (See Notes 1, 2, 3, and 5)                                                                                                                                                                                                                                                                                                                                                                                                                                                                                                                                                                                                                                                                                                                                                                                                                                                                                                                                                                                                                                                                                                             | dpcn24 = DPC of the exception route shown in the rtrv-rtx or rtrv-rte outputs (See Notes 1, 2, and 3) | dpcn24 = DPC of the exception route shown in the rtrv-rtx or rtrv-rte outputs (See Notes 1, 2, and 3) | dpcn24 = DPC of the exception route shown in the rtrv-rtx or rtrv-rte outputs (See Notes 1, 2, and 3) | dpcn24 = DPC of the exception route shown in the rtrv-rtx or rtrv-rte outputs (See Notes 1, 2, and 3) |
| :opc/opca/<br>opci/opcn/<br>opcn24 = OPC value of the exception route (See Notes 5, 6, and 9)                                                                                                                                                                                                                                                                                                                                                                                                                                                                                                                                                                                                                                                                                                                                                                                                                                                                                                                                                                                                                                                                                                                        | :lsn = incoming linkset name shown in the rtrv-ls output (See Notes 4 and 6)                          | :si = service indicator, 3 - 15                                                                       | :cic = circuit identification code, 0 - 16383 (See Note 8)                                            | :cic = the circuit identification code value beginning a range of CICs, 0 - 16383 (See Note 8)        |
| :lsn = linkset name shown in the rtrv-ls output (See Notes 4 and 6)                                                                                                                                                                                                                                                                                                                                                                                                                                                                                                                                                                                                                                                                                                                                                                                                                                                                                                                                                                                                                                                                                                                                                  | :lsn = linkset name shown in the rtrv-ls output (See Notes 5, 6, and 9)                               | :lsn = linkset name shown in the rtrv-ls output (See Note 4)                                          | :lsn = linkset name shown in the rtrv-ls output (See Note 4)                                          | :ecic = the circuit identification code value ending a range of CICs, 0 - 16383 (See Notes 7 and 8)   |
| :rc = 0 - 99                                                                                                                                                                                                                                                                                                                                                                                                                                                                                                                                                                                                                                                                                                                                                                                                                                                                                                                                                                                                                                                                                                                                                                                                         | :rc = 0 - 99                                                                                          | :rc = 0 - 99                                                                                          | :rc = 0 - 99                                                                                          | :lsn = linkset name shown in the rtrv-ls output (See Note 4)                                          |
| :force=yes (See Note 6)                                                                                                                                                                                                                                                                                                                                                                                                                                                                                                                                                                                                                                                                                                                                                                                                                                                                                                                                                                                                                                                                                                                                                                                              | :force=yes (See Note 6)                                                                               |                                                                                                       |                                                                                                       | :rc = 0 - 99                                                                                          |
| Notes:                                                                                                                                                                                                                                                                                                                                                                                                                                                                                                                                                                                                                                                                                                                                                                                                                                                                                                                                                                                                                                                                                                                                                                                                               |                                                                                                       |                                                                                                       |                                                                                                       |                                                                                                       |
| <p>1. The DPC of an exception route entry can contain only a maximum of two entries with the same RC value and with either the same OPC value, the same ILSN value, the same SI value, the same CIC value, or range of CIC values if the 6-Way Loadsharing on Routesets feature is not enabled or turned on. If the 6-Way Loadsharing on Routesets feature is enabled and turned on, the DPC of an exception route entry can contain more than two entries with the same RC value and with either the same OPC value, the same ILSN value, the same SI value, the same CIC value, or range of CIC values, the LSN value for each entry must be different.</p> <p>2. Each DPC can contain a maximum of six entries with either the same OPC value, the same ILSN value, the same SI value, or the same range of CIC values. The LSN value for each entry must be different. If the 6-Way Loadsharing on Routesets feature is not enabled or turned on, the DPC of a route exception entry can contain only one entry with a single CIC value. If the 6-Way Loadsharing on Routesets feature is enabled and turned on, the DPC of a route exception entry can contain more than one entry with a single CIC value.</p> |                                                                                                       |                                                                                                       |                                                                                                       |                                                                                                       |

| OPC- Based Exception Lists                                                                                                                                                                                                                                                                                                                                                                                                                                                                                                                                                                                                                                                                                                                                                                                                                                                                                                                                                                                                                                                                                                                                                                                                                                  | ILSN- Based Exception Lists | SI- Based Exception Lists | Single CIC- Based Exception Lists | Range of CICs- Based Exception Lists |
|-------------------------------------------------------------------------------------------------------------------------------------------------------------------------------------------------------------------------------------------------------------------------------------------------------------------------------------------------------------------------------------------------------------------------------------------------------------------------------------------------------------------------------------------------------------------------------------------------------------------------------------------------------------------------------------------------------------------------------------------------------------------------------------------------------------------------------------------------------------------------------------------------------------------------------------------------------------------------------------------------------------------------------------------------------------------------------------------------------------------------------------------------------------------------------------------------------------------------------------------------------------|-----------------------------|---------------------------|-----------------------------------|--------------------------------------|
| <p>4. The linksets specified in this step must meet the criteria shown in the <a href="#">"Adding Linksets for Exception Routes"</a> section.</p> <p>5. The DPC value cannot be the same as the OPC value.</p> <p>6. The <code>force=yes</code> parameter must be used if the LSN and ILSN values are the same, or if the OPC value is the same as the APC of the linkset specified by the <code>lsn</code> parameter.</p> <p>7. The <code>ecic</code> parameter value must be greater than the <code>cic</code> parameter value.</p> <p>8. The range of CIC values cannot overlap an existing range of CIC values. A single CIC value cannot be within a range of CIC values provisioned for another exception route entry. The <code>cic</code> or <code>ecic</code> values cannot be the same as any single CIC values provisioned for another exception route entry.</p> <p>9. Asterisks can be used as the values for the network cluster and network cluster member portions of an ANSI point code value for the <code>opc/opca</code> parameter. For example, the <code>opc/opca</code> value could be <code>004-004*</code> or <code>007-*-*</code>. An <code>opc/opca</code> value containing all asterisks (<code>*-*</code>) is not allowed.</p> |                             |                           |                                   |                                      |

For this example, enter these commands.

```
ent-rtx:dpca=006-006-006:opca=125-150-175:lsn=lsn11:rc=10
ent-rtx:dpca=006-006-006:opci=2-103-1:lsn=lsn11:rc=20
ent-rtx:dpca=006-006-006:ilsn=lsn12:lsn=lsn11:rc=11
ent-rtx:dpca=006-006-006:ilsn=lsn13:lsn=lsn11:rc=12
ent-rtx:dpca=006-006-006:si=5:lsn=lsn12:rc=10
ent-rtx:dpca=006-006-006:cic=250:lsn=lsn12:rc=15
ent-rtx:dpca=006-006-006:cic=300:ecic=500:lsn=lsn12:rc=25
ent-rtx:dpci=3-025-6:opca=135-102-089:lsn=lsn13:rc=10
ent-rtx:dpci=3-025-6:opci=4-054-0:lsn=lsn13:rc=15
ent-rtx:dpci=3-025-6:opcn=00503:lsn=lsn13:rc=45
ent-rtx:dpci=3-025-6:ilsn=lsn2:lsn=lsn14:rc=20
ent-rtx:dpci=3-025-6:ilsn=lsn4:lsn=lsn13:rc=25
ent-rtx:dpci=3-025-6:ilsn=lsn16:lsn=lsn16:rc=50:force=yes
ent-rtx:dpci=3-025-6:si=3:lsn=lsn13:rc=30
ent-rtx:dpci=3-025-6:cic=100:lsn=lsn14:rc=35
ent-rtx:dpci=3-025-6:cic=50:ecic=75:lsn=lsn13:rc=40
ent-rtx:dpcn=09852:opca=127-063-048:lsn=lsn15:rc=10
ent-rtx:dpcn=09852:opci=3-037-1:lsn=lsn16:rc=15
ent-rtx:dpcn=09852:opcn=00409:lsn=lsn13:rc=20
```

```

ent-rtx:dpcn=09852:ilsn=lsn13:lsn=lsn15:rc=25
ent-rtx:dpcn=09852:ilsn=lsn4:lsn=lsn16:rc=30
ent-rtx:dpcn=09852:si=4:lsn=lsn15:rc=35
ent-rtx:dpcn=09852:cic=1000:lsn=lsn16:rc=40
ent-rtx:dpcn=09852:cic=2000:ecic=3000:lsn=lsn15:rc=45

```

When each of these commands have successfully completed, this message should appear.

```

rlghncxa03w 08-02-11 08:28:30 GMT EAGLE5 38.0.0
ENT-RTX: MASP A - COMPLTD

```

15. Verify the changes using the `rtrv-rtx` command, specifying these parameters depending on the exception route criteria specified in [Step 14](#).

- If the `opc/opca/opci/opcn/opcn24` parameter was specified in [Step 14](#) - enter these parameters and values specified in [Step 14](#) with the `rtrv-rtx` command - `dpc/dpca/dpci/dpcn/dpcn24`, `opc/opca/opci/opcn/opcn24`, and `lsn`.
- If the `ilsn` parameter was specified in [Step 14](#) - enter these parameters and values specified in [Step 14](#) with the `rtrv-rtx` command - `dpc/dpca/dpci/dpcn/dpcn24`, `ilsn`, and `lsn`.
- If the `si` parameter was specified in [Step 14](#) - enter these parameters and values specified in [Step 14](#) with the `rtrv-rtx` command - `dpc/dpca/dpci/dpcn/dpcn24`, `si`, and `lsn`.
- If only the `cic` parameter was specified in [Step 14](#) - enter these parameters and values specified in [Step 14](#) with the `rtrv-rtx` command - `dpc/dpca/dpci/dpcn/dpcn24`, `cic`, and `lsn`.
- If the `cic` and `ecic` parameters were specified in [Step 14](#) - enter these parameters and values specified in [Step 14](#) with the `rtrv-rtx` command - `dpc/dpca/dpci/dpcn/dpcn24`, `cic`, `ecic`, and `lsn`.

For this example, enter these commands.

```
rtrv-rtx:dpca=006-006-006:opca=125-150-175:lsn=lsn11
```

```

rlghncxa03w 08-02-11 08:28:30 GMT EAGLE5 38.0.0

 DPCA RTX-CRITERIA LSN RC APC
 006-006-006 OPCA
 125-150-175 lsn11 10 004-004-004

DESTINATION ENTRIES ALLOCATED: 2000
 FULL DPC(s): 20
 EXCEPTION DPC(s): 36
 TOTAL DPC(s): 56
 CAPACITY (% FULL): 3%
ALIASES ALLOCATED: 12000
 ALIASES USED: 0
 CAPACITY (% FULL): 0%

```

```
rtrv-rtx:dpca=006-006-006:opci=2-103-1:lsn=lsn11
```

```
rlghncxa03w 08-02-11 08:28:30 GMT EAGLE5 38.0.0
```

```

DPCA RTX-CRITERIA LSN RC APC
006-006-006 OPCI
 2-103-1 lsn11 20 004-004-004

DESTINATION ENTRIES ALLOCATED: 2000
FULL DPC(s): 20
EXCEPTION DPC(s): 36
TOTAL DPC(s): 56
CAPACITY (% FULL): 3%
ALIASES ALLOCATED: 12000
ALIASES USED: 0
CAPACITY (% FULL): 0%

```

```
rtrv-rtx:dpca=006-006-006:ilsn=lsn12:lsn=lsn11
```

```

rlghncxa03w 08-02-11 08:28:30 GMT EAGLE5 38.0.0

DPCA RTX-CRITERIA LSN RC APC
006-006-006 ILSN
 lsn12 lsn11 11 004-004-004

DESTINATION ENTRIES ALLOCATED: 2000
FULL DPC(s): 20
EXCEPTION DPC(s): 36
TOTAL DPC(s): 56
CAPACITY (% FULL): 3%
ALIASES ALLOCATED: 12000
ALIASES USED: 0
CAPACITY (% FULL): 0%

```

```
rtrv-rtx:dpca=006-006-006:ilsn=lsn13:lsn=lsn11
```

```

rlghncxa03w 08-02-11 08:28:30 GMT EAGLE5 38.0.0

DPCA RTX-CRITERIA LSN RC APC
006-006-006 ILSN
 lsn13 lsn11 12 004-004-004

DESTINATION ENTRIES ALLOCATED: 2000
FULL DPC(s): 20
EXCEPTION DPC(s): 36
TOTAL DPC(s): 56
CAPACITY (% FULL): 3%
ALIASES ALLOCATED: 12000
ALIASES USED: 0
CAPACITY (% FULL): 0%

```

```
rtrv-rtx:dpca=006-006-006:si=5:lsn=lsn12
```

```

rlghncxa03w 08-02-11 08:28:30 GMT EAGLE5 38.0.0

DPCA RTX-CRITERIA LSN RC APC
006-006-006 SI
 5 lsn12 10 005-005-005

```

```

DESTINATION ENTRIES ALLOCATED: 2000
 FULL DPC(s): 20
 EXCEPTION DPC(s): 36
 TOTAL DPC(s): 56
 CAPACITY (% FULL): 3%
ALIASES ALLOCATED: 12000
 ALIASES USED: 0
 CAPACITY (% FULL): 0%

```

```
rtrv-rtx:dpca=006-006-006:cic=250:lsn=lsn12
```

```
rlghncxa03w 08-02-11 08:28:30 GMT EAGLE5 38.0.0
```

| DPCA        | RTX-CRITERIA          | LSN   | RC | APC         |
|-------------|-----------------------|-------|----|-------------|
| 006-006-006 | CIC - ECIC<br>250 250 | lsn12 | 15 | 005-005-005 |

```

DESTINATION ENTRIES ALLOCATED: 2000
 FULL DPC(s): 20
 EXCEPTION DPC(s): 36
 TOTAL DPC(s): 56
 CAPACITY (% FULL): 3%
ALIASES ALLOCATED: 12000
 ALIASES USED: 0
 CAPACITY (% FULL): 0%

```

```
rtrv-rtx:dpca=006-006-006:cic=300:ecic=500:lsn=lsn12
```

```
rlghncxa03w 08-02-11 08:28:30 GMT EAGLE5 38.0.0
```

| DPCA        | RTX-CRITERIA          | LSN   | RC | APC         |
|-------------|-----------------------|-------|----|-------------|
| 006-006-006 | CIC - ECIC<br>250 250 | lsn12 | 15 | 005-005-005 |

```

DESTINATION ENTRIES ALLOCATED: 2000
 FULL DPC(s): 20
 EXCEPTION DPC(s): 36
 TOTAL DPC(s): 56
 CAPACITY (% FULL): 3%
ALIASES ALLOCATED: 12000
 ALIASES USED: 0
 CAPACITY (% FULL): 0%

```

```
rtrv-rtx:dpca=3-025-6:opca=135-102-089:lsn=lsn13
```

```
rlghncxa03w 08-02-11 08:28:30 GMT EAGLE5 38.0.0
```

| DPCI    | RTX-CRITERIA        | LSN   | RC | APC     |
|---------|---------------------|-------|----|---------|
| 3-025-6 | OPCA<br>135-102-089 | lsn13 | 10 | 1-100-5 |

```

DESTINATION ENTRIES ALLOCATED: 2000
 FULL DPC(s): 20
 EXCEPTION DPC(s): 36

```

```

TOTAL DPC(s): 56
CAPACITY (% FULL): 3%
ALIASES ALLOCATED: 12000
ALIASES USED: 0
CAPACITY (% FULL): 0%

```

```
rtrv-rtx:dpci=3-025-6:opci=4-054-0:lsn=lsn13
```

```
rlghncxa03w 08-02-11 08:28:30 GMT EAGLE5 38.0.0
```

| DPCI    | RTX-CRITERIA    | LSN   | RC | APC     |
|---------|-----------------|-------|----|---------|
| 3-025-6 | OPCI<br>4-054-0 | lsn13 | 15 | 1-100-5 |

```

DESTINATION ENTRIES ALLOCATED: 2000
FULL DPC(s): 20
EXCEPTION DPC(s): 36
TOTAL DPC(s): 56
CAPACITY (% FULL): 3%
ALIASES ALLOCATED: 12000
ALIASES USED: 0
CAPACITY (% FULL): 0%

```

```
rtrv-rtx:dpci=3-025-6:opcn=00503:lsn=lsn13
```

```
rlghncxa03w 08-02-11 08:28:30 GMT EAGLE5 38.0.0
```

| DPCI    | RTX-CRITERIA  | LSN   | RC | APC     |
|---------|---------------|-------|----|---------|
| 3-025-6 | OPCN<br>00503 | lsn11 | 15 | 1-100-5 |

```

DESTINATION ENTRIES ALLOCATED: 2000
FULL DPC(s): 20
EXCEPTION DPC(s): 36
TOTAL DPC(s): 56
CAPACITY (% FULL): 3%
ALIASES ALLOCATED: 12000
ALIASES USED: 0
CAPACITY (% FULL): 0%

```

```
rtrv-rtx:dpci=3-025-6:ilsn=lsn2:lsn=lsn14
```

```
rlghncxa03w 08-02-11 08:28:30 GMT EAGLE5 38.0.0
```

| DPCI    | RTX-CRITERIA | LSN   | RC | APC     |
|---------|--------------|-------|----|---------|
| 3-025-6 | ILSN<br>lsn2 | lsn14 | 45 | 4-139-4 |

```

DESTINATION ENTRIES ALLOCATED: 2000
FULL DPC(s): 20
EXCEPTION DPC(s): 36
TOTAL DPC(s): 56
CAPACITY (% FULL): 3%
ALIASES ALLOCATED: 12000

```



```
ALIASES USED: 0
CAPACITY (% FULL): 0%
```

```
rtrv-rtx:dpci=3-025-6:ilsn=lsn4:lsn=lsn13
```

```
rlghncxa03w 08-02-11 08:28:30 GMT EAGLE5 38.0.0
```

| DPCI    | RTX-CRITERIA | LSN   | RC | APC     |
|---------|--------------|-------|----|---------|
| 3-025-6 | ILSN<br>lsn4 | lsn13 | 25 | 1-100-5 |

```
DESTINATION ENTRIES ALLOCATED: 2000
FULL DPC(s): 20
EXCEPTION DPC(s): 36
TOTAL DPC(s): 56
CAPACITY (% FULL): 3%
ALIASES ALLOCATED: 12000
ALIASES USED: 0
CAPACITY (% FULL): 0%
```

```
rtrv-rtx:dpci=3-025-6:ilsn=lsn16:lsn=lsn16
```

```
rlghncxa03w 08-02-11 08:28:30 GMT EAGLE5 38.0.0
```

| DPCI    | RTX-CRITERIA  | LSN   | RC | APC   |
|---------|---------------|-------|----|-------|
| 3-025-6 | ILSN<br>lsn16 | lsn16 | 50 | 12567 |

```
DESTINATION ENTRIES ALLOCATED: 2000
FULL DPC(s): 20
EXCEPTION DPC(s): 36
TOTAL DPC(s): 56
CAPACITY (% FULL): 3%
ALIASES ALLOCATED: 12000
ALIASES USED: 0
CAPACITY (% FULL): 0%
```

```
rtrv-rtx:dpci=3-025-6:si=3:lsn=lsn13
```

```
rlghncxa03w 08-02-11 08:28:30 GMT EAGLE5 38.0.0
```

| DPCI    | RTX-CRITERIA | LSN   | RC | APC     |
|---------|--------------|-------|----|---------|
| 3-025-6 | SI<br>3      | lsn13 | 30 | 1-100-5 |

```
DESTINATION ENTRIES ALLOCATED: 2000
FULL DPC(s): 20
EXCEPTION DPC(s): 36
TOTAL DPC(s): 56
CAPACITY (% FULL): 3%
ALIASES ALLOCATED: 12000
ALIASES USED: 0
CAPACITY (% FULL): 0%
```

```
rtrv-rtx:dpci=3-025-6:cic=100:lsn=lsn14
```

```
rlghncxa03w 08-02-11 08:28:30 GMT EAGLE5 38.0.0

 DPCI RTX-CRITERIA LSN RC APC
 3-025-6 CIC - ECIC
 100 100 lsn14 35 4-139-4

DESTINATION ENTRIES ALLOCATED: 2000
 FULL DPC(s): 20
 EXCEPTION DPC(s): 36
 TOTAL DPC(s): 56
 CAPACITY (% FULL): 3%
ALIASES ALLOCATED: 12000
 ALIASES USED: 0
 CAPACITY (% FULL): 0%
```

```
rtrv-rtx:dpci=3-025-6:cic=50:ecic=75:lsn=lsn13
```

```
rlghncxa03w 08-02-11 08:28:30 GMT EAGLE5 38.0.0

 DPCI RTX-CRITERIA LSN RC APC
 3-025-6 CIC - ECIC
 50 75 lsn13 40 1-100-5

DESTINATION ENTRIES ALLOCATED: 2000
 FULL DPC(s): 20
 EXCEPTION DPC(s): 36
 TOTAL DPC(s): 56
 CAPACITY (% FULL): 3%
ALIASES ALLOCATED: 12000
 ALIASES USED: 0
 CAPACITY (% FULL): 0%
```

```
rtrv-rtx:dpcn=09852:opca=127-063-048:lsn=lsn15
```

```
rlghncxa03w 08-02-11 08:28:30 GMT EAGLE5 38.0.0

 DPCN RTX-CRITERIA LSN RC APC
 09852 OPCA
 127-063-048 lsn15 10 11302

DESTINATION ENTRIES ALLOCATED: 2000
 FULL DPC(s): 20
 EXCEPTION DPC(s): 36
 TOTAL DPC(s): 56
 CAPACITY (% FULL): 3%
ALIASES ALLOCATED: 12000
 ALIASES USED: 0
 CAPACITY (% FULL): 0%
```

```
rtrv-rtx:dpcn=09852:opci=3-037-1:lsn=lsn16
```

```
rlghncxa03w 08-02-11 08:28:30 GMT EAGLE5 38.0.0
```

```

DPCN RTX-CRITERIA LSN RC APC
09852 OPCI
 3-037-1 lsn16 15 12567

DESTINATION ENTRIES ALLOCATED: 2000
FULL DPC(s): 20
EXCEPTION DPC(s): 36
TOTAL DPC(s): 56
CAPACITY (% FULL): 3%
ALIASES ALLOCATED: 12000
ALIASES USED: 0
CAPACITY (% FULL): 0%

```

```
rtrv-rtx:dpcn=09852:opcn=00409:lsn=lsn13
```

```

rlghncxa03w 08-02-11 08:28:30 GMT EAGLE5 38.0.0

DPCN RTX-CRITERIA LSN RC APC
09852 OPCN
 00409 lsn13 20 1-100-5

DESTINATION ENTRIES ALLOCATED: 2000
FULL DPC(s): 20
EXCEPTION DPC(s): 36
TOTAL DPC(s): 56
CAPACITY (% FULL): 3%
ALIASES ALLOCATED: 12000
ALIASES USED: 0
CAPACITY (% FULL): 0%

```

```
rtrv-rtx:dpcn=09852:ilsn=lsn13:lsn=lsn15
```

```

rlghncxa03w 08-02-11 08:28:30 GMT EAGLE5 38.0.0

DPCN RTX-CRITERIA LSN RC APC
09852 ILSN
 lsn13 lsn15 25 11302

DESTINATION ENTRIES ALLOCATED: 2000
FULL DPC(s): 20
EXCEPTION DPC(s): 36
TOTAL DPC(s): 56
CAPACITY (% FULL): 3%
ALIASES ALLOCATED: 12000
ALIASES USED: 0
CAPACITY (% FULL): 0%

```

```
rtrv-rtx:dpcn=09852:ilsn=lsn4:lsn=lsn16
```

```

rlghncxa03w 08-02-11 08:28:30 GMT EAGLE5 38.0.0

DPCN RTX-CRITERIA LSN RC APC
09852 ILSN

```

```

 lsn4 lsn16 30 12567
DESTINATION ENTRIES ALLOCATED: 2000
 FULL DPC(s): 20
 EXCEPTION DPC(s): 36
 TOTAL DPC(s): 56
 CAPACITY (% FULL): 3%
ALIASES ALLOCATED: 12000
 ALIASES USED: 0
 CAPACITY (% FULL): 0%

```

rtrv-rtx:dpcn=09852:si=4:lsn=lsn15

```

rlghncxa03w 08-02-11 08:28:30 GMT EAGLE5 38.0.0
 DPCN RTX-CRITERIA LSN RC APC
 09852 SI
 4 lsn15 35 11302
DESTINATION ENTRIES ALLOCATED: 2000
 FULL DPC(s): 20
 EXCEPTION DPC(s): 36
 TOTAL DPC(s): 56
 CAPACITY (% FULL): 3%
ALIASES ALLOCATED: 12000
 ALIASES USED: 0
 CAPACITY (% FULL): 0%

```

rtrv-rtx:dpcn=09852:cic=1000:lsn=lsn16

```

rlghncxa03w 08-02-11 08:28:30 GMT EAGLE5 38.0.0
 DPCN RTX-CRITERIA LSN RC APC
 09852 CIC - ECIC
 1000 lsn16 40 12567
DESTINATION ENTRIES ALLOCATED: 2000
 FULL DPC(s): 20
 EXCEPTION DPC(s): 36
 TOTAL DPC(s): 56
 CAPACITY (% FULL): 3%
ALIASES ALLOCATED: 12000
 ALIASES USED: 0
 CAPACITY (% FULL): 0%

```

rtrv-rtx:dpcn=09852:cic=2000:ecic=3000:lsn=lsn15

```

rlghncxa03w 08-02-11 08:28:30 GMT EAGLE5 38.0.0
 DPCN RTX-CRITERIA LSN RC APC
 09852 CIC - ECIC
 2000 3000 lsn15 45 11302
DESTINATION ENTRIES ALLOCATED: 2000
 FULL DPC(s): 20

```

```

EXCEPTION DPC(s) : 36
TOTAL DPC(s) : 56
CAPACITY (% FULL) : 3%
ALIASES ALLOCATED : 12000
ALIASES USED : 0
CAPACITY (% FULL) : 0%

```

16. Back up the new changes using the `chg-db:action=backup:dest=fixed` command.

These messages should appear, the active Maintenance and Administration Subsystem Processor (MASP) appears first.

```

BACKUP (FIXED) : MASP A - Backup starts on active MASP.
BACKUP (FIXED) : MASP A - Backup on active MASP to fixed disk complete.
BACKUP (FIXED) : MASP A - Backup starts on standby MASP.
BACKUP (FIXED) : MASP A - Backup on standby MASP to fixed disk complete.

```

## Removing a Route Exception Entry

This procedure is used to remove an exception route from the database using the `dlt-rtx` command. The `dlt-rtx` command uses these parameters.

`:dpc/dpca/dpci/dpcn/dpcn24` – The destination point code of the node that the traffic is being sent to.

`:opc/opca/opci/opcn/opcn24` – The originating point code of the node sending traffic to the EAGLE 5 ISS.

`:ilsn` – The name of the linkset carrying incoming traffic to the EAGLE 5 ISS.

`:lsn` – The name of the linkset carrying the traffic to the node specified by the destination point code.

`:si` – The service indicator value assigned to the exception route.

`:cic` – The circuit identification code value assigned to an exception route containing a single CIC entry or the CIC value that begins a range of CICs assigned to the exception route.

`:ecic` – The circuit identification code value that ends the range of CICs assigned to the exception route.

`:all` – This parameter, along with the `force=yes` parameter, allows all the exception routes containing the exception route criteria, OPC, ILSN, SI, CIC, CIC and ECIC, to be removed from the database. This parameter has only one value, `yes`.

`:force` – This parameter, along with the `all=yes` parameter, allows all the exception routes containing the exception route criteria, OPC, ILSN, SI, CIC, CIC and ECIC, to be removed from the database. This parameter has only one value, `yes`.

The values of all the parameters specified for the `dlt-rtx` command, except the `all=yes` and `force=yes` parameters, must be shown in the `rtrv-rtx` output and must be assigned to the specified `dpc/dpca/dpci/dpcn/dpcn24` value.

The combinations of these parameters that can be used with the `dlt-rtx` command are shown in [Table 47: Remove Exception Route Parameter Combinations](#).

1. Display the exception routes in the database by entering the `rtrv-rtx` command. This is an example of the possible output.

```

rlghncxa03w 06-10-07 11:43:04 GMT EAGLE5 36.0.0

 DPCA RTX-CRITERIA LSN RC APC
 003-003-003 OPCA
 009-009-009 lsn1 3 002-002-002
 010-010-010 lsn1 2 002-002-002
 010-010-010 lsn2 10 002-002-003
 ILSN
 lsn3 lsn2 2 002-002-003
 lsn4 lsn2 1 002-002-003
 lsn4 lsn1 10 002-002-002
 CIC - ECIC
 15 15 lsn2 1 002-002-003
 17 17 lsn2 7 002-002-003
 17 17 lsn1 10 002-002-002
 18 30 lsn1 8 002-002-002
 18 30 lsn2 10 002-002-003
 SI
 3 lsn2 5 002-002-003
 3 lsn1 10 002-002-002
 5 lsn2 5 002-002-003
 006-006-006 OPCA
 125-150-175 lsn11 10 004-004-004
 OPCI
 2-103-1 lsn11 20 004-004-004
 ILSN
 lsn12 lsn11 11 004-004-004
 lsn13 lsn11 12 004-004-004
 CIC - ECIC
 250 250 lsn12 15 005-005-005
 300 500 lsn12 25 005-005-005
 SI
 5 lsn12 10 005-005-005
 DPCI RTX-CRITERIA LSN RC APC
 0-123-7 OPCI
 1-222-3 lsn3 10 1-234-5
 1-222-4 lsn3 11 1-234-5
 1-222-5 lsn4 11 2-145-6
 3-025-6 OPCA
 135-102-089 lsn13 10 1-100-5
 OPCI
 4-054-0 lsn13 15 1-100-5
 OPCN
 00503 lsn11 15 1-100-5
 ILSN

```

|                                     |              |  |       |    |         |
|-------------------------------------|--------------|--|-------|----|---------|
|                                     | lsn2         |  | lsn14 | 45 | 4-139-4 |
|                                     | lsn4         |  | lsn13 | 25 | 1-100-5 |
|                                     | lsn16        |  | lsn16 | 50 | 12567   |
|                                     | CIC - ECIC   |  |       |    |         |
|                                     | 100 100      |  | lsn14 | 35 | 4-139-4 |
|                                     | 50 75        |  | lsn13 | 40 | 1-100-5 |
|                                     | SI           |  |       |    |         |
|                                     | 3            |  | lsn13 | 30 | 1-100-5 |
| DPCN                                | RTX-CRITERIA |  | LSN   | RC | APC     |
| 09852                               | OPCA         |  |       |    |         |
|                                     | 127-063-048  |  | lsn15 | 10 | 11302   |
|                                     | OPCI         |  |       |    |         |
|                                     | 3-037-1      |  | lsn16 | 15 | 12567   |
|                                     | OPCN         |  |       |    |         |
|                                     | 00409        |  | lsn13 | 20 | 1-100-5 |
|                                     | ILSN         |  |       |    |         |
|                                     | lsn13        |  | lsn15 | 25 | 11302   |
|                                     | lsn4         |  | lsn16 | 30 | 12567   |
|                                     | CIC - ECIC   |  |       |    |         |
|                                     | 1000 1000    |  | lsn16 | 40 | 12567   |
|                                     | 2000 3000    |  | lsn15 | 45 | 11302   |
|                                     | SI           |  |       |    |         |
|                                     | 4            |  | lsn15 | 35 | 11302   |
| DESTINATION ENTRIES ALLOCATED: 2000 |              |  |       |    |         |
| FULL DPC(s): 20                     |              |  |       |    |         |
| EXCEPTION DPC(s): 41                |              |  |       |    |         |
| TOTAL DPC(s): 61                    |              |  |       |    |         |
| CAPACITY (% FULL): 3%               |              |  |       |    |         |
| ALIASES ALLOCATED: 12000            |              |  |       |    |         |
| ALIASES USED: 0                     |              |  |       |    |         |
| CAPACITY (% FULL): 0%               |              |  |       |    |         |

- Remove the exception route entry by entering the `dlt-rtx` command and specifying the parameter combinations shown in [Table 47: Remove Exception Route Parameter Combinations](#) for the exception route criteria being assigned to the exception route.

**Table 47: Remove Exception Route Parameter Combinations**

| Exception Route Criteria                                                                                              |                                                                                                                       |                                                                                                                       |                                                                                                                       |                                                                                                                       |
|-----------------------------------------------------------------------------------------------------------------------|-----------------------------------------------------------------------------------------------------------------------|-----------------------------------------------------------------------------------------------------------------------|-----------------------------------------------------------------------------------------------------------------------|-----------------------------------------------------------------------------------------------------------------------|
| :dpc/dpca/<br>dpci/dpcn/<br>dpcn24 = DPC of<br>the exception<br>route shown in<br>the <code>rtrv-rtx</code><br>output | :dpc/dpca/<br>dpci/dpcn/<br>dpcn24 = DPC of<br>the exception<br>route shown in<br>the <code>rtrv-rtx</code><br>output | :dpc/dpca/<br>dpci/dpcn/<br>dpcn24 = DPC of<br>the exception<br>route shown in<br>the <code>rtrv-rtx</code><br>output | :dpc/dpca/<br>dpci/dpcn/<br>dpcn24 = DPC of<br>the exception<br>route shown in<br>the <code>rtrv-rtx</code><br>output | :dpc/dpca/<br>dpci/dpcn/<br>dpcn24 = DPC of<br>the exception<br>route shown in<br>the <code>rtrv-rtx</code><br>output |

| Exception Route Criteria                                                                                                                                                                                                                                                                                                                                                                                                                                                                                                                               |                                                                                                 |                                                                                                 |                                                                                                          |                                                                                                                                           |
|--------------------------------------------------------------------------------------------------------------------------------------------------------------------------------------------------------------------------------------------------------------------------------------------------------------------------------------------------------------------------------------------------------------------------------------------------------------------------------------------------------------------------------------------------------|-------------------------------------------------------------------------------------------------|-------------------------------------------------------------------------------------------------|----------------------------------------------------------------------------------------------------------|-------------------------------------------------------------------------------------------------------------------------------------------|
| :opc/opca/<br>opci/opcn/<br>opc24 = OPC<br>value of the<br>exception route<br>assigned to the<br>DPC value                                                                                                                                                                                                                                                                                                                                                                                                                                             | :lsn = incoming<br>linkset name of<br>the exception<br>route assigned to<br>the DPC value       | :si = service<br>indicator value of<br>the exception<br>route assigned to<br>the DPC value      | :cic = circuit<br>identification code<br>value of the<br>exception route<br>assigned to the<br>DPC value | :cic = the circuit<br>identification code<br>value beginning a<br>range of CICs of<br>the exception<br>route assigned to<br>the DPC value |
| :lsn = linkset<br>name of the<br>exception route<br>assigned to the<br>DPC value (See<br>Notes)                                                                                                                                                                                                                                                                                                                                                                                                                                                        | :lsn = linkset<br>name of the<br>exception route<br>assigned to the<br>DPC value (See<br>Notes) | :lsn = linkset<br>name of the<br>exception route<br>assigned to the<br>DPC value (See<br>Notes) | :lsn = linkset<br>name shown of<br>the exception<br>route assigned to<br>the DPC value<br>(See Notes)    | :ecic = the circuit<br>identification code<br>value ending a<br>range of CICs of<br>the exception<br>route assigned to<br>the DPC value   |
| :force=yes (See<br>Notes)                                                                                                                                                                                                                                                                                                                                                                                                                                                                                                                              | :force=yes (See<br>Notes)                                                                       | :force=yes (See<br>Notes)                                                                       | :force=yes (See<br>Notes)                                                                                | :lsn = linkset<br>name shown of<br>the exception<br>route assigned to<br>the DPC value<br>(See Notes)                                     |
| :all=yes (See<br>Notes)                                                                                                                                                                                                                                                                                                                                                                                                                                                                                                                                | :all=yes (See<br>Notes)                                                                         | :all=yes (See<br>Notes)                                                                         | :all=yes (See<br>Notes)                                                                                  | :force=yes (See<br>Notes)                                                                                                                 |
|                                                                                                                                                                                                                                                                                                                                                                                                                                                                                                                                                        |                                                                                                 |                                                                                                 |                                                                                                          | :all=yes (See<br>Notes)                                                                                                                   |
| <p>Note:</p> <ol style="list-style-type: none"> <li>1. The all=yes and force=yes parameter cannot be specified with the lsn parameter. If the all=yes parameter is specified, the force=yes parameter must be specified.</li> <li>2. If the exception route entry being removed contains only one entry for the specified exception route criteria, the all=yes and force=yes parameters can be specified, but do not have to be specified. If the all=yes and force=yes parameters are not specified, the lsn parameter must be specified.</li> </ol> |                                                                                                 |                                                                                                 |                                                                                                          |                                                                                                                                           |

For this example, enter these commands to remove a single entry for a specific exception route criteria.

```
dlt-rtx:dpca=003-003-003:opca=010-010-010:lsn=lsn1
```

```
dlt-rtx:dpca=003-003-003:ilsn=lsn4:lsn=lsn2
```

```
dlt-rtx:dpca=003-003-003:cic=17:lsn=lsn2
```

```
dlt-rtx:dpca=003-003-003:cic=18:ecic=30:lsn=lsn2
```

```
dlt-rtx:dpca=003-003-003:si=3:lsn=lsn1
```



To remove all the entries for a specific exception route criteria, for this example enter these commands.

```
dlt-rtx:dpca=003-003-003:opca=010-010-010:all=yes:force=yes
```

```
dlt-rtx:dpca=003-003-003:ilsn=lsn4:all=yes:force=yes
```

```
dlt-rtx:dpca=003-003-003:cic=17:all=yes:force=yes
```

```
dlt-rtx:dpca=003-003-003:cic=18:ecic=30:all=yes:force=yes
```

```
dlt-rtx:dpca=003-003-003:si=3:all=yes:force=yes
```

When each of these commands have successfully completed, this message should appear.

```
rlghncxa03w 06-10-07 08:28:30 GMT EAGLE5 36.0.0
DLT-RTX: MASP A - COMPLTD
```

3. Verify the changes using the `rtrv-rtx` command, specifying these parameters depending on the parameters specified in [Step 2](#).
  - a) If the `ilsn` and `lsn` parameters were specified in [Step 2](#) - enter these parameters and values specified in [Step 2](#) with the `rtrv-rtx` command - `dpc/dpca/dpci/dpcn/dpcn24,ilsn,` and `lsn`.
  - b) If the `si` and `lsn` parameters were specified in [Step 2](#) - enter these parameters and values specified in [Step 2](#) with the `rtrv-rtx` command - `dpc/dpca/dpci/dpcn/dpcn24,si,` and `lsn`.
  - c) If only the `cic` and `lsn` parameters were specified in [Step 2](#) - enter these parameters and values specified in [Step 2](#) with the `rtrv-rtx` command - `dpc/dpca/dpci/dpcn/dpcn24,cic,` and `lsn`.
  - d) If the `cic` and `ecic` and `lsn` parameters were specified in [Step 2](#) - enter these parameters and values specified in [Step 2](#) with the `rtrv-rtx` command - `dpc/dpca/dpci/dpcn/dpcn24,cic,ecic,` and `lsn`.
  - e) If the `opc/opca/opci/opcn/opcn24,all=yes,` and `force=yes` parameters were specified in [Step 2](#) - enter these parameters and values specified in [Step 2](#) with the `rtrv-rtx` command - `dpc/dpca/dpci/dpcn/dpcn24` and `opc/opca/opci/opcn/opcn24`.
  - f) If the `ilsn,all=yes,` and `force=yes` parameters were specified in [Step 2](#) - enter these parameters and values specified in [Step 2](#) with the `rtrv-rtx` command - `dpc/dpca/dpci/dpcn/dpcn24` and `ilsn`.
  - g) If the `si,all=yes,` and `force=yes` parameters were specified in [Step 2](#) - enter these parameters and values specified in [Step 2](#) with the `rtrv-rtx` command - `dpc/dpca/dpci/dpcn/dpcn24` and `si`.
  - h) If only the `cic,all=yes,` and `force=yes` parameters were specified in [Step 2](#) - enter these parameters and values specified in [Step 2](#) with the `rtrv-rtx` command - `dpc/dpca/dpci/dpcn/dpcn24` and `cic`.
  - i) If the `cic,ecic,all=yes,` and `force=yes` parameters were specified in [Step 2](#) - enter these parameters and values specified in [Step 2](#) with the `rtrv-rtx` command - `dpc/dpca/dpci/dpcn/dpcn24,cic,` and `ecic`.

For this example, if a single entry for the specified exception route criteria was removed in step 2, enter these commands.

```
rtrv-rtx:dpca=003-003-003:opca=010-010-010:lsn=lsn1
```

```
rlghncxa03w 06-10-07 08:28:30 GMT EAGLE5 36.0.0
```

```
DESTINATION ENTRIES ALLOCATED: 2000
FULL DPC(s): 20
EXCEPTION DPC(s): 31
TOTAL DPC(s): 51
CAPACITY (% FULL): 3%
ALIASES ALLOCATED: 12000
ALIASES USED: 0
CAPACITY (% FULL): 0%
```

```
rtrv-rtx:dpca=003-003-003:ilsn=lsn4:lsn=lsn2
```

```
rlghncxa03w 06-10-07 08:28:30 GMT EAGLE5 36.0.0
```

```
DESTINATION ENTRIES ALLOCATED: 2000
FULL DPC(s): 20
EXCEPTION DPC(s): 31
TOTAL DPC(s): 51
CAPACITY (% FULL): 3%
ALIASES ALLOCATED: 12000
ALIASES USED: 0
CAPACITY (% FULL): 0%
```

```
rtrv-rtx:dpca=003-003-003:cic=17:lsn=lsn2
```

```
rlghncxa03w 06-10-07 08:28:30 GMT EAGLE5 36.0.0
```

```
DESTINATION ENTRIES ALLOCATED: 2000
FULL DPC(s): 20
EXCEPTION DPC(s): 31
TOTAL DPC(s): 51
CAPACITY (% FULL): 3%
ALIASES ALLOCATED: 12000
ALIASES USED: 0
CAPACITY (% FULL): 0%
```

```
rtrv-rtx:dpca=003-003-003:cic=18:ecic=30:lsn=lsn2
```

```
rlghncxa03w 06-10-07 08:28:30 GMT EAGLE5 36.0.0
```

```
DESTINATION ENTRIES ALLOCATED: 2000
FULL DPC(s): 20
EXCEPTION DPC(s): 31
TOTAL DPC(s): 51
CAPACITY (% FULL): 3%
ALIASES ALLOCATED: 12000
ALIASES USED: 0
CAPACITY (% FULL): 0%
```

```
rtrv-rtx:dpca=003-003-003:si=3:lsn=lsn1
```

```
rlghncxa03w 06-10-07 08:28:30 GMT EAGLE5 36.0.0
DESTINATION ENTRIES ALLOCATED: 2000
```

```

FULL DPC(s): 20
EXCEPTION DPC(s): 31
TOTAL DPC(s): 51
CAPACITY (% FULL): 3%
ALIASES ALLOCATED: 12000
ALIASES USED: 0
CAPACITY (% FULL): 0%

```

For this example, if multiple entries for a specific exception route criteria were removed in step 2, enter these commands.

```
rtrv-rtx:dpca=003-003-003:opca=010-010-010
```

```

rlghncxa03w 06-10-07 08:28:30 GMT EAGLE5 36.0.0

DESTINATION ENTRIES ALLOCATED: 2000
FULL DPC(s): 20
EXCEPTION DPC(s): 26
TOTAL DPC(s): 46
CAPACITY (% FULL): 2%
ALIASES ALLOCATED: 12000
ALIASES USED: 0
CAPACITY (% FULL): 0%

```

```
rtrv-rtx:dpca=003-003-003:ilsn=lsn4
```

```

rlghncxa03w 06-10-07 08:28:30 GMT EAGLE5 36.0.0

DESTINATION ENTRIES ALLOCATED: 2000
FULL DPC(s): 20
EXCEPTION DPC(s): 26
TOTAL DPC(s): 46
CAPACITY (% FULL): 2%
ALIASES ALLOCATED: 12000
ALIASES USED: 0
CAPACITY (% FULL): 0%

```

```
rtrv-rtx:dpca=003-003-003:cic=17
```

```

rlghncxa03w 06-10-07 08:28:30 GMT EAGLE5 36.0.0

DESTINATION ENTRIES ALLOCATED: 2000
FULL DPC(s): 20
EXCEPTION DPC(s): 26
TOTAL DPC(s): 46
CAPACITY (% FULL): 2%
ALIASES ALLOCATED: 12000
ALIASES USED: 0
CAPACITY (% FULL): 0%

```

```
rtrv-rtx:dpca=003-003-003:cic=18:ecic=30
```

```

rlghncxa03w 06-10-07 08:28:30 GMT EAGLE5 36.0.0

DESTINATION ENTRIES ALLOCATED: 2000
FULL DPC(s): 20

```

```

EXCEPTION DPC(s): 26
TOTAL DPC(s): 46
CAPACITY (% FULL): 2%
ALIASES ALLOCATED: 12000
ALIASES USED: 0
CAPACITY (% FULL): 0%

```

```
rtrv-rtx:dpca=003-003-003:si=3
```

```

rlghncxa03w 06-10-07 08:28:30 GMT EAGLE5 36.0.0

DESTINATION ENTRIES ALLOCATED: 2000
FULL DPC(s): 20
EXCEPTION DPC(s): 26
TOTAL DPC(s): 46
CAPACITY (% FULL): 2%
ALIASES ALLOCATED: 12000
ALIASES USED: 0
CAPACITY (% FULL): 0%

```

4. Back up the new changes using the `chg-db:action=backup:dest=fixed` command. These messages should appear, the active Maintenance and Administration Subsystem Processor (MASP) appears first.

```

BACKUP (FIXED) : MASP A - Backup starts on active MASP.
BACKUP (FIXED) : MASP A - Backup on active MASP to fixed disk complete.
BACKUP (FIXED) : MASP A - Backup starts on standby MASP.
BACKUP (FIXED) : MASP A - Backup on standby MASP to fixed disk complete.

```

## Changing a Route Exception Entry

This procedure is used to change the attributes of an exception route in the database using the `chg-rtx` command. The attributes of the exception route that can be changed are the linkset (`lsn` parameter) and the relative cost (`rc` parameter) of the exception route.

The `chg-rtx` command uses these parameters.

`:dpc/dpca/dpci/dpcn/dpcn24` – The destination point code of the node that the traffic is being sent to.

`:opc/opca/opci/opcn/opcn24` – The originating point code of the node sending traffic to the EAGLE 5 ISS.

`:ilsn` – The name of the linkset carrying incoming traffic to the EAGLE 5 ISS.

`:lsn` – The name of the linkset that carries the traffic to the node specified by the destination point code.

`:si` – The service indicator value assigned to the exception route.

`:cic` – The circuit identification code value assigned to an exception route containing a single CIC entry or the CIC value that begins a range of CICs assigned to the exception route.

:*ecic* – The circuit identification code value that ends the range of CICs assigned to the exception route.

:*rc* – The new relative cost value (priority) that will be assigned to the exception route. The value of the *rc* parameter is 0 to 99.

:*nlsn* – The name of the new linkset that will carry the traffic to the node specified by the destination point code.

:*force* – This parameter allows the exception route to be changed even if the *ilsn* parameter value is the same as the *nlsn* parameter value. This parameter has only one value, *yes*.

The values of all the parameters specified for the *chg-rtx* command, except the *rc*, *nlsn*, and *force=yes* parameters, must be shown in the *rtrv-rtx* output and must be assigned to the specified *dpc/dpca/dpci/dpcn/dpcn24* value.

The combinations of these parameters that can be used with the *chg-rtx* command are shown in [Table 48: Change Exception Route Parameter Combinations](#).

The names of the linksets required specified for the *nlsn* parameter must be provisioned in the database. This can be verified by entering the *rtrv-ls* command. If the required linkset is not in the database, perform one of these procedures to add the linkset.

- [Adding a SS7 Linkset](#)
- "Adding an X.25 Linkset" procedure in the *Database Administration Manual - Features*
- "Configuring an IPGWx Linkset," "Adding an IPSG M2PA Linkset," or "Adding an IPSG M3UA Linkset" procedures in the *Database Administration Manual - IP Secure Gateway*.

The linkset must be added according to the rules shown in the ["Adding Linksets for Exception Routes"](#) section.

### Adding Linksets for Exception Routes

The linkset must be added according to the following rules:

- If the *dpc* value of the exception route entry is an ANSI point code, the adjacent point code of the new linkset must be an ANSI point code.
- If the exception route is an OPC-based exception route, the *opc* parameter value cannot be the adjacent point code of the linkset that is specified by the *lsn* parameter value.
- If the *dpc* value of the exception route entry is an ITU-I point code, the adjacent point code of the new linkset must be an ITU-I point code. If the linkset contains an SAPC (secondary adjacent point code), the adjacent point code of the new linkset can be either an ITU-N or ITU-N24 point code if the *sapc* value is an ITU-I point code. If the adjacent point code of the *nlsn* value is an ITU-N point code with a group code, when the exception route is changed, the group code of the adjacent point code of the new linkset does not have to be the same as the group code of the *opcn* value. If an ITU-N linkset is specified for the *ilsn* parameter, the group code of the adjacent point code of the *ilsn* value does not have to match the group code of the adjacent point code of the *nlsn* value.
- If the adjacent point code of the *nlsn* value is an ITU-N point code with a group code, when the exception route is changed, the group code of the adjacent point code of the new linkset does not have to be the same as the group code of the *opcn* value. If an ITU-N linkset is specified for the *ilsn* parameter, the group code of the adjacent point code of the *ilsn* value does not have to match the group code of the adjacent point code of the *nlsn* value.
- If the *dpc* value of the exception route entry is an ITU-N point code, the adjacent point code of the *nlsn* value must be an ITU-N point code.

- If the `dpc` value of the exception route entry is an ITU-N point code with no group code assigned to the ITU-N point code, the adjacent point code of the `nlsn` value or the adjacent point code of all the linksets in the routeset can be an ITU-I point code if the `sapc` (secondary adjacent point code) value is an ITU-N point code.
- If the `dpc` value of the exception route entry is an ITU-N point code with a group code, the adjacent point code of the `nlsn` value can be an ITU-I point code if the `sapc` value is an ITU-N point code. When the exception route is changed, the group code of the adjacent point code of the `nlsn` value and the `ilsn` value must be the same. The group code of the `dpcn` value must be the same as the group code of either the adjacent point code of the `nlsn` value or the `sapc` (secondary adjacent point code) assigned to the `nlsn` value.
- If the `dpc` value of the exception route entry is an ITU-N24 point code, the adjacent point code of the `lsn` value must be an ITU-N24 point code. If the linkset contains an SAPC (secondary adjacent point code), the adjacent point code of the `lsn` value can be an ITU-I point code if the `sapc` value is an ITU-N24 point code.

The SAPC values assigned to the linksets can be verified by entering the `rtrv-ls:lsn=<linkset name>` command.

1. Display the exception routes in the database by entering the `rtrv-rtx` command.

This is an example of the possible output.

```

rlghncxa03w 07-05-07 11:43:04 GMT EAGLE5 37.0.0
 DPCA RTX-CRITERIA LSN RC APC
 003-003-003 OPCA
 009-009-009 lsn1 3 002-002-002
 010-010-010 lsn1 2 002-002-002
 010-010-010 lsn2 10 002-002-003
 ILSN
 lsn3 lsn2 2 002-002-003
 lsn4 lsn2 1 002-002-003
 lsn4 lsn1 10 002-002-002
 CIC - ECIC
 15 15 lsn2 1 002-002-003
 17 17 lsn2 7 002-002-003
 17 17 lsn1 10 002-002-002
 18 30 lsn1 8 002-002-002
 18 30 lsn2 10 002-002-003
 SI
 3 lsn2 5 002-002-003
 3 lsn1 10 002-002-002
 5 lsn2 5 002-002-003
 006-006-006 OPCA
 125-150-175 lsn11 10 004-004-004
 OPCI
 2-103-1 lsn11 20 004-004-004
 ILSN
 lsn12 lsn11 11 004-004-004
 lsn13 lsn11 12 004-004-004
 CIC - ECIC

```

|                                |              |       |    |             |
|--------------------------------|--------------|-------|----|-------------|
|                                | 250 250      | lsn12 | 15 | 005-005-005 |
|                                | 300 500      | lsn12 | 25 | 005-005-005 |
|                                | SI           |       |    |             |
|                                | 5            | lsn12 | 10 | 005-005-005 |
| DPCI                           | RTX-CRITERIA | LSN   | RC | APC         |
| 0-123-7                        | OPCI         |       |    |             |
|                                | 1-222-3      | lsn3  | 10 | 1-234-5     |
|                                | 1-222-4      | lsn3  | 11 | 1-234-5     |
|                                | 1-222-5      | lsn4  | 11 | 2-145-6     |
| 3-025-6                        | OPCA         |       |    |             |
|                                | 135-102-089  | lsn13 | 10 | 1-100-5     |
|                                | OPCI         |       |    |             |
|                                | 4-054-0      | lsn13 | 15 | 1-100-5     |
|                                | OPCN         |       |    |             |
|                                | 00503        | lsn11 | 15 | 1-100-5     |
|                                | ILSN         |       |    |             |
|                                | lsn2         | lsn14 | 45 | 4-139-4     |
|                                | lsn4         | lsn13 | 25 | 1-100-5     |
|                                | lsn16        | lsn16 | 50 | 12567       |
|                                | CIC - ECIC   |       |    |             |
|                                | 100 100      | lsn14 | 35 | 4-139-4     |
|                                | 50 75        | lsn13 | 40 | 1-100-5     |
|                                | SI           |       |    |             |
|                                | 3            | lsn13 | 30 | 1-100-5     |
| DPCN                           | RTX-CRITERIA | LSN   | RC | APC         |
| 09852                          | OPCA         |       |    |             |
|                                | 127-063-048  | lsn15 | 10 | 11302       |
|                                | OPCI         |       |    |             |
|                                | 3-037-1      | lsn16 | 15 | 12567       |
|                                | OPCN         |       |    |             |
|                                | 00409        | lsn13 | 20 | 1-100-5     |
|                                | ILSN         |       |    |             |
|                                | lsn13        | lsn15 | 25 | 11302       |
|                                | lsn4         | lsn16 | 30 | 12567       |
|                                | CIC - ECIC   |       |    |             |
|                                | 1000 1000    | lsn16 | 40 | 12567       |
|                                | 2000 3000    | lsn15 | 45 | 11302       |
|                                | SI           |       |    |             |
|                                | 4            | lsn15 | 35 | 11302       |
| DESTINATION ENTRIES ALLOCATED: |              | 2000  |    |             |
| FULL DPC(s):                   |              | 20    |    |             |
| EXCEPTION DPC(s):              |              | 41    |    |             |
| TOTAL DPC(s):                  |              | 61    |    |             |
| CAPACITY (% FULL):             |              | 3%    |    |             |
| ALIASES ALLOCATED:             |              | 12000 |    |             |
| ALIASES USED:                  |              | 0     |    |             |
| CAPACITY (% FULL):             |              | 0%    |    |             |

The DPC of an exception route entry can contain only a maximum of two entries with the same RC value and with either the same OPC value, the same ILSN value, the same single CIC value, the same range of CIC values, or the same SI value. The LSN value for each entry must be different. The DPC of an exception route entry can contain only one entry with a single CIC value. Continue the procedure by performing one of these steps.

- If no more than two entries in the exception route will contain the same exception route criteria, except for the linkset name, continue the procedure with [Step 3](#).
  - If more than two entries in the exception route will contain the same exception route criteria, except for the linkset name, continue the procedure by performing one of these steps.
    - If more than two entries in an exception route that contain the same exception route criteria, except for the linkset name, are shown in this step, continue the procedure with [Step 3](#).
    - If more than two entries in an exception route that contain the same exception route criteria, except for the linkset name, are not shown in this step, continue the procedure with [Step 2](#).
2. For an exception route to have more than two entries with the same exception route criteria, except for the linkset name (the `lsn` parameter value), the 6-Way Loadsharing on Routesets feature must be enabled and turned on.

To verify the status of the 6-Way Loadsharing on Routesets feature, enter this command.

```
rtrv-ctrl-feat:partnum=893019801
```

The following is an example of the possible output.

```
rlghncxa03w 09-05-28 21:15:37 GMT EAGLE5 41.0.0
The following features have been permanently enabled:

Feature Name Partnum Status Quantity
6-Way LS on Routesets 893019801 on ----

The following features have been temporarily enabled:

Feature Name Partnum Status Quantity Trial Period Left
Zero entries found.

The following features have expired temporary keys:

Feature Name Partnum
Zero entries found.
```

If the 6-Way Loadsharing on Routesets feature is not enabled or not turned on, perform [Activating the 6-Way Loadsharing on Routesets Feature](#) to enable and turn on the 6-Way Loadsharing on Routesets feature.

After the 6-Way Loadsharing on Routesets feature has been enabled and turned on, or if the `rtrv-ctrl-feat` output shows that the 6-Way Loadsharing on Routesets feature is enabled and turned on, continue this procedure by performing one of these steps.

- If only the relative cost of the exception route (`rc` parameter) is being changed, continue the procedure with [Step 5](#).
  - If the name of the linkset that will be specified for the `lsn` parameter is shown in the `rtrv-rtx` output, continue the procedure with [Step 4](#). If the name of the linkset is not shown in the `rtrv-rtx` output, continue the procedure with [Step 3](#).
3. Display the linksets in the database by entering the `rtrv-ls` command.



This is an example of the possible output.

```

rlghncxa03w 06-10-10 11:43:04 GMT EAGLE5 36.0.0

 L3T SLT GWS GWS GWS
LSN APCA (SS7) SCR� SET SET BEI LST LNKS ACT MES DIS SLSCI NIS
lsn1 002-002-002 none 1 1 no B 2 off off off no off
lsn2 002-002-003 none 1 1 no B 3 off off off no off
lsn11 004-004-004 none 1 1 no B 1 off off off no off
lsn12 005-005-005 none 1 1 no B 4 off off off no off

 L3T SLT GWS GWS GWS
LSN APCI (SS7) SCR� SET SET BEI LST LNKS ACT MES DIS SLSCI NIS
lsn3 1-234-5 none 1 2 no B 2 off off off --- off
lsn4 2-145-6 none 1 2 no B 2 off off off --- off
lsn13 1-100-5 none 1 2 no B 1 off off off --- off
lsn14 4-139-4 none 1 2 no B 1 off off off --- off

 L3T SLT GWS GWS GWS
LSN APCN (SS7) SCR� SET SET BEI LST LNKS ACT MES DIS SLSCI NIS
lsn5 00002 none 1 2 no B 2 off off off --- off
lsn6 00003 none 1 2 no B 2 off off off --- off
lsn15 11302 none 1 2 no B 2 off off off --- off
lsn16 12567 none 1 2 no B 2 off off off --- off

Link set table is (12 of 1024) 1% full.

```

If the required linkset is shown in the `rtrv-ls` output, continue the procedure with [Step 4](#).

If the required linkset is not in the database, (see the ["Adding Linksets for Exception Routes"](#) section), perform one of these procedures to add the linkset.

- a) [Adding a SS7 Linkset](#)
- b) "Adding an X.25 Linkset" procedure in the *Database Administration Manual - Features*
- c) "Configuring an IPGWx Linkset," "Adding an IPSG M2PA Linkset," or "Adding an IPSG M3UA Linkset" procedures in the *Database Administration Manual - IP Secure Gateway*.

The linkset must be added according to the rules shown in the ["Adding Linksets for Exception Routes"](#) section. After the new linkset has been added, continue the procedure with [Step 5](#).

**Note:** If the DPC exception route entry is an ANSIDPC, the adjacent point code of the `lsn` value must be an ANSI point code. If the DPC exception route entry is an ANSIDPC, continue the procedure with [Step 5](#).

4. Display the linkset that will be assigned to the exception route entry by entering the `rtrv-ls` command with the name of the linkset.

For this example, enter these commands.

```
rtrv-ls:lsn=lsn13
```

This is an example of the possible output.

```

rlghncxa03w 06-10-17 11:43:04 GMT EAGLE5 36.0.0

 L3T SLT GWS GWS GWS
LSN APCI (SS7) SCR� SET SET BEI LST LNKS ACT MES DIS SLSCI NIS

```

```

lsn13 1-100-5 none 1 2 no B 1 off off off --- off
 CLLI TFATCABMLQ MTPRSE ASL8 SLSOCBIT SLSRSB MULTGC
 ----- 1 no --- none 7 no

 ITUTFR RANDSLS
 off all

 IPGWAPC MATELSN IPTPS LSUSEALM SLKUSEALM GTTMODE
 no ----- --- --- --- CdPA

 LOC LINK SLC TYPE IPLIML2
 1301 A 0 IPLIMI M2PA

 SAPCN
 11211
Link set table is (12 of 1024) 1% full.

```

```
rtrv-ls:lsn=lsn16
```

This is an example of the possible output.

```

rlghncxa03w 06-10-17 11:43:04 GMT EAGLE5 36.0.0

LSN APCI (SS7) L3T SLT GWS GWS GWS
lsn16 12567 none 1 2 no B 2 off off off --- off
 CLLI TFATCABMLQ MTPRSE ASL8 SLSOCBIT SLSRSB MULTGC
 ----- 1 no --- none 7 no

 ITUTFR RANDSLS
 off all

 IPGWAPC MATELSN IPTPS LSUSEALM SLKUSEALM GTTMODE
 no ----- --- --- --- CdPA

 LOC LINK SLC TYPE IPLIML2
 1301 A 0 IPLIMI M2PA

 SAPCI
 5-067-1
Link set table is (12 of 1024) 1% full.

```

If the linkset does not meet the criteria shown in the "Adding Linksets for Exception Routes" section, either choose another linkset with an ITU-I, ITU-N, or ITU-N24 adjacent point code from the `rtrv-ls` output in [Step 3](#) and repeat [Step 4](#), or add a new linkset by performing one of these procedures:

- a) [Adding a SS7 Linkset](#)
- b) "Configuring an IPGWx Linkset," "Adding an IPSG M2PA Linkset," or "Adding an IPSG M3UA Linkset" procedures in the *Database Administration Manual - IP Secure Gateway*.

The linkset must be added according to the rules shown in the ["Adding Linksets for Exception Routes"](#) section.

5. Change the exception route entry by entering the `chg-rtx` command and specifying the parameter combinations shown in [Table 48: Change Exception Route Parameter Combinations](#) for the exception route criteria being assigned to the exception route.

Table 48: Change Exception Route Parameter Combinations

| Exception Route Criteria                                                                                                                                                                     |                                                                                                        |                                                                                                        |                                                                                                        |                                                                                                                               |
|----------------------------------------------------------------------------------------------------------------------------------------------------------------------------------------------|--------------------------------------------------------------------------------------------------------|--------------------------------------------------------------------------------------------------------|--------------------------------------------------------------------------------------------------------|-------------------------------------------------------------------------------------------------------------------------------|
| :dpc/dpca/<br>dpci/dpcn/<br>dpcn24 = DPC of<br>the exception<br>route being<br>changed (See<br>Note 1)                                                                                       | :dpc/dpca/<br>dpci/dpcn/<br>dpcn24 = DPC of<br>the exception<br>route being<br>changed (See<br>Note 1) | :dpc/dpca/<br>dpci/dpcn/<br>dpcn24 = DPC of<br>the exception<br>route being<br>changed (See<br>Note 1) | :dpc/dpca/<br>dpci/dpcn/<br>dpcn24 = DPC of<br>the exception<br>route being<br>changed (See<br>Note 1) | :dpc/dpca/<br>dpci/dpcn/<br>dpcn24 = DPC of<br>the exception<br>route being<br>changed (See<br>Note 1)                        |
| :opc/opca/<br>opci/opcn/<br>opc24 = OPC<br>value of the<br>exception route<br>being changed.<br>(See Note 3)                                                                                 | :ilsn = incoming<br>linkset name of<br>the exception<br>route being<br>changed (See<br>Note 3)         | :si = service<br>indicator value of<br>the exception<br>route being<br>changed                         | :cic = circuit<br>identification code<br>value of the<br>exception route<br>being changed              | :cic = the circuit<br>identification code<br>value beginning a<br>range of CICs of<br>the exception<br>route being<br>changed |
| :lsn = linkset<br>name of the<br>exception route<br>being changed                                                                                                                            | :lsn = linkset<br>name of the<br>exception route<br>being changed                                      | :lsn = linkset<br>name of the<br>exception route<br>being changed                                      | :lsn = linkset<br>name shown of<br>the exception<br>route being<br>changed                             | :ecic = the circuit<br>identification code<br>value ending a<br>range of CICs of<br>the exception<br>route being<br>changed   |
| :nlsn = new<br>linkset name<br>shown in the<br>rtrv-ls output<br>(See Notes 2, 3, 4,<br>and 6)                                                                                               | :nlsn = new<br>linkset name<br>shown in the<br>rtrv-ls output<br>(See Notes 2, 3, 4,<br>and 6)         | :nlsn = new<br>linkset name<br>shown in the<br>rtrv-ls output<br>(See Notes 2, 4,<br>and 6)            | :nlsn = new<br>linkset name<br>shown in the<br>rtrv-ls output<br>(See Notes 2, 4,<br>and 6)            | :lsn = linkset<br>name shown of<br>the exception<br>route being<br>changed                                                    |
| :rc = new relative<br>cost value, 0 - 99<br>(See Notes 4 and<br>5)                                                                                                                           | :rc = new relative<br>cost value, 0 - 99<br>(See Notes 4 and<br>5)                                     | :rc = new relative<br>cost value, 0 - 99<br>(See Notes 4 and<br>5)                                     | :rc = new relative<br>cost value, 0 - 99<br>(See Notes 4 and<br>5)                                     | :nlsn = new<br>linkset name<br>shown in the<br>rtrv-ls output<br>(See Notes 2, 4,<br>and 6)                                   |
| :force=yes (See<br>Note 3)                                                                                                                                                                   | :force=yes (See<br>Note 3)                                                                             |                                                                                                        |                                                                                                        | :rc = new relative<br>cost value, 0 - 99<br>(See Notes 4 and<br>5)                                                            |
| Notes:                                                                                                                                                                                       |                                                                                                        |                                                                                                        |                                                                                                        |                                                                                                                               |
| 1. The DPC of an exception route entry can contain only a maximum of two entries with the same RC value and with either the same OPC value, the same ILSN value, the same SI value, the same |                                                                                                        |                                                                                                        |                                                                                                        |                                                                                                                               |

| Exception Route Criteria |
|--------------------------|
|--------------------------|

|                                                                                                                                                                                                                                                                                                                                                                                                                                                                  |
|------------------------------------------------------------------------------------------------------------------------------------------------------------------------------------------------------------------------------------------------------------------------------------------------------------------------------------------------------------------------------------------------------------------------------------------------------------------|
| <p>CIC value, or range of CIC values if the 6-Way Loadsharing on Routesets feature is not enabled or turned on. If the 6-Way Loadsharing on Routesets feature is enabled and turned on, the DPC of an exception route entry can contain more than two entries with the same RC value and with either the same OPC value, the same ILSN value, the same SI value, the same CIC value, or range of CIC values, the LSN value for each entry must be different.</p> |
|------------------------------------------------------------------------------------------------------------------------------------------------------------------------------------------------------------------------------------------------------------------------------------------------------------------------------------------------------------------------------------------------------------------------------------------------------------------|

- |                                                                                                                                                                                                                                                                                                                                                                                                                                                                                                                                                                                                                                                                                                                                                                                                                    |
|--------------------------------------------------------------------------------------------------------------------------------------------------------------------------------------------------------------------------------------------------------------------------------------------------------------------------------------------------------------------------------------------------------------------------------------------------------------------------------------------------------------------------------------------------------------------------------------------------------------------------------------------------------------------------------------------------------------------------------------------------------------------------------------------------------------------|
| <ol style="list-style-type: none"> <li>2. The new linkset specified in this step must meet the criteria shown in the <i>"Adding Linksets for Exception Routes"</i> section.</li> <li>3. The <code>force=yes</code> parameter must be used if the LSN and ILSN values are the same, or if the OPC value is the same as the APC of the linkset specified by the <code>lsn</code> parameter.</li> <li>4. The <code>nlsn</code> or <code>rc</code> parameters, or both parameters, must be specified with the <code>chg-rtx</code> command.</li> <li>5. The new <code>rc</code> parameter value must be different from the current <code>rc</code> parameter value.</li> <li>6. The <code>nlsn</code> parameter value cannot be currently assigned to the DPC of the exception route that is being changed.</li> </ol> |
|--------------------------------------------------------------------------------------------------------------------------------------------------------------------------------------------------------------------------------------------------------------------------------------------------------------------------------------------------------------------------------------------------------------------------------------------------------------------------------------------------------------------------------------------------------------------------------------------------------------------------------------------------------------------------------------------------------------------------------------------------------------------------------------------------------------------|

For this example, enter these commands.

```
chg-rtx:dPCA=003-003-003:opca=009-009-009:lsn=lsn1:nlsn=lsn2 :rc=20
chg-rtx:dpci=0-123-7:ilsn=lsn4:lsn=13:nlsn=lsn16
chg-rtx:dpci=0-123-7:cic=50:ecic=75:lsn=lsn13:rc=20
chg-rtx:dpcn=09852:cic=1000:lsn=lsn16:rc=45
chg-rtx:dpcn=09852:si=4:lsn=lsn15:nlsn=lsn16:rc=50
chg-rtx:dpcn=09852:ilsn=lsn13:nlsn=lsn13:force=yes
```

When each of these commands have successfully completed, this message should appear.

```
rlghncxa03w 06-10-07 08:28:30 GMT EAGLE5 36.0.0
CHG-RTX: MASP A - COMPLTD
```

**Note:** If the linkset name was changed in [Step 5](#), the `lsn` value for the `rtrv-rtx` command must be the `nlsn` value specified in [Step 5](#).

6. Verify the changes using the `rtrv-rtx` command, specifying these parameters depending on the exception route criteria specified in [Step 5](#).
  - a) If the `opc/opca/opci/opcn/opcn24` parameter was specified in [Step 5](#) - enter these parameters and values specified in [Step 5](#) with the `rtrv-rtx` command - `dpc/dPCA/dpci/dpcn/dpcn24`, `opc/opca/opci/opcn/opcn24`, and `lsn`.
  - b) If the `ilsn` parameter was specified in [Step 5](#) - enter these parameters and values specified in [Step 5](#) with the `rtrv-rtx` command - `dpc/dPCA/dpci/dpcn/dpcn24`, `ilsn`, and `lsn`.
  - c) If the `si` parameter was specified in [Step 5](#) - enter these parameters and values specified in [Step 5](#) with the `rtrv-rtx` command - `dpc/dPCA/dpci/dpcn/dpcn24`, `si`, and `lsn`.
  - d) If only the `cic` parameter was specified in [Step 5](#) - enter these parameters and values specified in [Step 5](#) with the `rtrv-rtx` command - `dpc/dPCA/dpci/dpcn/dpcn24`, `cic`, and `lsn`.

- e) If the `cic` and `ecic` parameters were specified in [Step 5](#) - enter these parameters and values specified in [Step 5](#) with the `rtrv-rtx` command - `dpc/dpca/dpci/dpcn/dpcn24`, `cic`, `ecic`, and `lsn`.

For this example, enter these commands.

```
rtrv-rtx:dpca=003-003-003:opca=009-009-009:lsn=lsn2
```

```
rlghncxa03w 06-10-07 08:28:30 GMT EAGLE5 36.0.0

 DPCA RTX-CRITERIA LSN RC APC
 003-003-003 OPCA
 009-009-009 lsn2 20 002-002-003

DESTINATION ENTRIES ALLOCATED: 2000
 FULL DPC(s): 20
 EXCEPTION DPC(s): 36
 TOTAL DPC(s): 56
 CAPACITY (% FULL): 3%
ALIASES ALLOCATED: 12000
 ALIASES USED: 0
 CAPACITY (% FULL): 0%
```

```
rtrv-rtx:dpci=3-025-6:ilsn=lsn4:lsn=lsn16
```

```
rlghncxa03w 06-10-07 08:28:30 GMT EAGLE5 36.0.0

 DPCI RTX-CRITERIA LSN RC APC
 3-025-6 ILSN
 lsn4 lsn16 25 12567

DESTINATION ENTRIES ALLOCATED: 2000
 FULL DPC(s): 20
 EXCEPTION DPC(s): 36
 TOTAL DPC(s): 56
 CAPACITY (% FULL): 3%
ALIASES ALLOCATED: 12000
 ALIASES USED: 0
 CAPACITY (% FULL): 0%
```

```
rtrv-rtx:dpci=3-025-6:cic=50:ecic=75:lsn=lsn13
```

```
rlghncxa03w 06-10-07 08:28:30 GMT EAGLE5 36.0.0

 DPCI RTX-CRITERIA LSN RC APC
 3-025-6 CIC - ECIC
 50 75 lsn13 20 1-100-5

DESTINATION ENTRIES ALLOCATED: 2000
 FULL DPC(s): 20
 EXCEPTION DPC(s): 36
 TOTAL DPC(s): 56
 CAPACITY (% FULL): 3%
ALIASES ALLOCATED: 12000
```

```
ALIASES USED: 0
CAPACITY (% FULL): 0%
```

```
rtrv-rtx:dpcn=09852:ilsn=lsn13:lsn=13
```

```
rlghncxa03w 06-10-07 08:28:30 GMT EAGLE5 36.0.0
```

| DPCN  | RTX-CRITERIA  | LSN   | RC | APC     |
|-------|---------------|-------|----|---------|
| 09852 | ILSN<br>lsn13 | lsn13 | 25 | 1-100-5 |

```

DESTINATION ENTRIES ALLOCATED: 2000
FULL DPC(s): 20
EXCEPTION DPC(s): 36
TOTAL DPC(s): 56
CAPACITY (% FULL): 3%
ALIASES ALLOCATED: 12000
ALIASES USED: 0
CAPACITY (% FULL): 0%
```

```
rtrv-rtx:dpcn=09852:si=4:lsn=lsn16
```

```
rlghncxa03w 06-10-07 08:28:30 GMT EAGLE5 36.0.0
```

| DPCN  | RTX-CRITERIA | LSN   | RC | APC   |
|-------|--------------|-------|----|-------|
| 09852 | SI<br>4      | lsn16 | 50 | 12567 |

```

DESTINATION ENTRIES ALLOCATED: 2000
FULL DPC(s): 20
EXCEPTION DPC(s): 36
TOTAL DPC(s): 56
CAPACITY (% FULL): 3%
ALIASES ALLOCATED: 12000
ALIASES USED: 0
CAPACITY (% FULL): 0%
```

```
rtrv-rtx:dpcn=09852:cic=1000:lsn=lsn16
```

```
rlghncxa03w 06-10-07 08:28:30 GMT EAGLE5 36.0.0
```

| DPCN  | RTX-CRITERIA       | LSN   | RC | APC   |
|-------|--------------------|-------|----|-------|
| 09852 | CIC - ECIC<br>1000 | lsn16 | 45 | 12567 |

```

DESTINATION ENTRIES ALLOCATED: 2000
FULL DPC(s): 20
EXCEPTION DPC(s): 36
TOTAL DPC(s): 56
CAPACITY (% FULL): 3%
ALIASES ALLOCATED: 12000
ALIASES USED: 0
CAPACITY (% FULL): 0%
```

7. Back up the new changes using the `chg-db:action=backup:dest=fixed` command.

These messages should appear, the active Maintenance and Administration Subsystem Processor (MASP) appears first.

```
BACKUP (FIXED) : MASP A - Backup starts on active MASP.
BACKUP (FIXED) : MASP A - Backup on active MASP to fixed disk complete.
BACKUP (FIXED) : MASP A - Backup starts on standby MASP.
BACKUP (FIXED) : MASP A - Backup on standby MASP to fixed disk complete.
```

## Activating the Circular Route Auto-Recovery Feature

This procedure is used to enable and turn on the Circular Route Auto-Recovery feature using the feature's part number and a feature access key.

The feature access key for the Circular Route Auto-Recovery feature is based on the features part number and the serial number of the EAGLE 5 ISS, making the feature access key site-specific.

The `enable-ctrl-feat` command enables the feature by inputting the features access key and the features part number with these parameters:

`: fak` – The feature access key provided by Tekelec.

`: partnum` – The Tekelec-issued part number of the Circular Route Auto-Recovery feature, 893017601.

Once this feature is enabled, it is permanently enabled. This feature cannot be enabled with a temporary feature access key.

The `enable-ctrl-feat` command requires a valid serial number for the EAGLE 5 ISS to be configured in the database, and that this serial number is locked. This can be verified with the `rtrv-serial-num` command. The EAGLE 5 ISS is shipped with a serial number in the database, but the serial number is not locked. The serial number can be changed, if necessary, and locked once the EAGLE 5 ISS is on-site, by using the `ent-serial-num` command. The `ent-serial-num` command uses these parameters.

`: serial` – The serial number assigned to the EAGLE 5 ISS. The serial number is not case sensitive.

`: lock` – Specifies whether or not the serial number is locked. This parameter has only one value, `yes`, which locks the serial number. Once the serial number is locked, it cannot be changed.

**Note:** To enter and lock the EAGLE 5 ISS's serial number, the `ent-serial-num` command must be entered twice, once to add the correct serial number to the database with the `serial` parameter, then again with the `serial` and the `lock=yes` parameters to lock the serial number. You should verify that the serial number in the database is correct before locking the serial number. The serial number can be found on a label affixed to the control shelf (shelf 1100).

The `chg-ctrl-feat` command uses these parameters:

`: partnum` – The Tekelec-issued part number of the Circular Route Auto-Recovery feature, 893017601.

`: status=on` – used to turn the Circular Route Auto-Recovery feature on.

The status of the Circular Route Auto-Recovery feature is shown with the `rtrv-ctrl-feat` command.

Once the Circular Route Auto-Recovery feature has been turned on, it can be turned off. For more information on turning off the Circular Route Auto-Recovery feature, go to the [Turning Off the Circular Route Auto-Recovery Feature](#) procedure.

Once the Circular Route Auto-Recovery feature has been turned on, it automatically clears CRD when Far End Loopback is detected.

1. Display the controlled features in the database by entering the `rtrv-ctrl-feat` command. This is an example of the possible output.

```
rlghncxa03w 07-03-28 11:43:04 GMT EAGLE5 35.6.0
The following features have been permanently enabled:
```

| Feature Name            | Partnum   | Status | Quantity |
|-------------------------|-----------|--------|----------|
| SCCP Conversion         | 893012001 | on     | ----     |
| EIR                     | 893012301 | on     | ----     |
| GSM Map Screening (GMS) | 893013201 | on     | ----     |
| HC-MIM SLK Capacity     | 893012707 | on     | 64       |

```
The following features have been temporarily enabled:
```

| Feature Name        | Partnum | Status | Quantity | Trial Period Left |
|---------------------|---------|--------|----------|-------------------|
| Zero entries found. |         |        |          |                   |

```
The following features have expired temporary keys:
```

| Feature Name        | Partnum |
|---------------------|---------|
| Zero entries found. |         |

If the Circular Route Auto-Recovery feature is enabled, the entry `Circ Route Auto-Recovery` is shown in the permanently enabled section of the `rtrv-ctrl-feat` output. If the status of the Circular Route Auto-Recovery feature is on, no further action can be performed.

If the Circular Route Auto-Recovery feature is enabled but not turned on, skips steps 2 through 6 and go to step 7.

If the Circular Route Auto-Recovery feature is not enabled, go to step 2.

**Note:** If the `rtrv-ctrl-feat` output in step 1 shows any controlled features, skip steps 2 through 5, and go to step 6. If the `rtrv-ctrl-feat` output shows only HC-MIM SLK Capacity feature with a quantity of 64, steps 2 through 5 must be performed.

2. Display the serial number in the database with the `rtrv-serial-num` command.

This is an example of the possible output.

```
rlghncxa03w 07-05-28 21:15:37 GMT EAGLE5 37.0.0
System serial number = nt00001231
```

```
System serial number is not locked.
```

```
rlghncxa03w 07-10-28 21:15:37 GMT EAGLE5 37.0.0
Command Completed
```

**Note:** If the serial number is correct and locked, skip steps 4, 5, and 6, and go to step 7. If the serial number is correct but not locked, skip steps 4 and 5, and go to step 6. If the serial number is not correct, but is locked, the Circular Route Auto-Recovery feature cannot be enabled and the remainder of this procedure cannot be performed. Contact the Customer Care Center to get an incorrect and locked serial number changed. Refer to [Customer Care Center](#) for the contact information. The serial number can be found on a label affixed to the control shelf (shelf 1100).



3. Enter the correct serial number into the database using the `ent-serial-num` command with the `serial` parameter.

For this example, enter this command.

```
ent-serial-num:serial=<EAGLE 5 ISS's correct serial number>
```

When this command has successfully completed, the following message should appear.

```
rlghncxa03w 07-05-28 21:15:37 GMT EAGLE5 37.0.0
ENT-SERIAL-NUM: MASP A - COMPLTD
```

4. Verify that the serial number entered into step 3 was entered correctly using the `rtrv-serial-num` command.

This is an example of the possible output.

```
rlghncxa03w 07-05-28 21:15:37 GMT EAGLE5 37.0.0
System serial number = nt00001231

System serial number is not locked.

rlghncxa03w 07-05-28 21:15:37 GMT EAGLE5 37.0.0
Command Completed
```

If the serial number was not entered correctly, repeat steps 3 and 4 and re-enter the correct serial number.

5. Lock the serial number in the database by entering the `ent-serial-num` command with the serial number shown in step 2, if the serial number shown in step 2 is correct, or with the serial number shown in step 4, if the serial number was changed in step 3, and with the `lock=yes` parameter.

For this example, enter this command.

```
ent-serial-num:serial=<EAGLE 5 ISS's serial number>:lock=yes
```

When this command has successfully completed, the following message should appear.

```
rlghncxa03w 07-05-28 21:15:37 GMT EAGLE5 37.0.0
ENT-SERIAL-NUM: MASP A - COMPLTD
```

6. Enable the Circular Route Auto-Recovery feature by entering the `enable-ctrl-feat` command. For this example, enter this command.

```
enable-ctrl-feat:partnum=893017603:fak= <Circular Route Auto-Recovery
feature access key>
```

**Note:** The values for the feature access key (the `fak` parameter) are provided by Tekelec. If you do not have the feature access key for the Circular Route Auto-Recovery feature, contact your Tekelec Sales Representative or Account Representative.

When the `enable-ctrl-feat` command has successfully completed, this message should appear.

```
rlghncxa03w 07-05-28 21:15:37 GMT EAGLE5 37.0.0
ENABLE-CTRL-FEAT: MASP B - COMPLTD
```

- Turn the Circular Route Auto-Recovery feature on by entering the `chg-ctrl-feat` command with the part number used in step 6 and the `status=on` parameter.

For this example, enter this command.

```
chg-ctrl-feat:partnum=893017601:status=on
```

When this command has successfully completed, the following message should appear.

```
rlghncxa03w 07-03-28 21:15:37 GMT EAGLE5 35.6.0
CHG-CTRL-FEAT: MASP A - COMPLTD
```

- Verify the changes by entering this command.

```
rtrv-ctrl-feat:partnum=893017601
```

The following is an example of the possible output.

```
rlghncxa03w 07-05-28 21:15:37 GMT EAGLE5 37.0.0
The following features have been permanently enabled:

Feature Name Partnum Status Quantity
Circ Route Auto-Recovery 893017601 on ----

The following features have been temporarily enabled:

Feature Name Partnum Status Quantity Trial Period Left
Zero entries found.

The following features have expired temporary keys:

Feature Name Partnum
Zero entries found.
```

- Back up the new changes, using the `chg-db:action=backup:dest=fixed` command.

These messages should appear; the active Maintenance and Administration Subsystem Processor (MASP) appears first.

```
BACKUP (FIXED): MASP A - Backup starts on active MASP.
BACKUP (FIXED): MASP A - Backup on active MASP to fixed disk complete.
BACKUP (FIXED): MASP A - Backup starts on standby MASP.
BACKUP (FIXED): MASP A - Backup on standby MASP to fixed disk complete.
```

## Turning Off the Circular Route Auto-Recovery Feature

This procedure is used to turn off the Circular Route Auto-Recovery feature using the `chg-ctrl-feat` command.

The `chg-ctrl-feat` command uses these parameters:

`:partnum` – The Tekelec-issued part number of the Circular Route Auto-Recovery feature, 893017601.

`:status=off` – used to turn off the Circular Route Auto-Recovery feature.

The status of the Circular Route Auto-Recovery feature must be on and is shown with the `rtrv-ctrl-feat` command.



### CAUTION

**Caution:** Circular Route Auto-Recovery will not be performed if the Circular Route Auto-Recovery feature is turned off.

1. Display the status of the Circular Route Auto-Recovery feature by entering the `rtrv-ctrl-feat:partnum=893017601` command. The following is an example of the possible output.

```
rlghncxa03w 07-03-28 11:43:04 GMT EAGLE5 35.6.0
The following features have been permanently enabled:
```

| Feature Name             | Partnum   | Status | Quantity |
|--------------------------|-----------|--------|----------|
| Circ Route Auto-Recovery | 893017601 | on     | ----     |

The following features have been temporarily enabled:

| Feature Name        | Partnum | Status | Quantity | Trial Period Left |
|---------------------|---------|--------|----------|-------------------|
| Zero entries found. |         |        |          |                   |

The following features have expired temporary keys:

| Feature Name        | Partnum |
|---------------------|---------|
| Zero entries found. |         |

If the status of the Circular Route Auto-Recovery feature is off, or if the Circular Route Auto-Recovery feature is not enabled, this procedure cannot be performed.

2. Turn off the Circular Route Auto-Recovery feature by entering the `chg-ctrl-feat` command with the `status=off` parameter.

For this example, enter this command.

```
chg-ctrl-feat:partnum=893017601:status=off
```

When this command has successfully completed, the following message should appear.

```
rlghncxa03w 07-03-28 21:15:37 GMT EAGLE5 35.6.0
CHG-CTRL-FEAT: MASP A - COMPLTD
```

3. Verify that the Circular Route Auto-Recovery feature has been turned off by using the `rtrv-ctrl-feat:partnum=893017601` command. The following is an example of the possible output.

```
rlghncxa03w 07-05-28 21:15:37 GMT EAGLE5 37.0.0
The following features have been permanently enabled:
```

| Feature Name             | Partnum   | Status | Quantity |
|--------------------------|-----------|--------|----------|
| Circ Route Auto-Recovery | 893017601 | off    | ----     |

The following features have been temporarily enabled:

| Feature Name        | Partnum | Status | Quantity | Trial Period Left |
|---------------------|---------|--------|----------|-------------------|
| Zero entries found. |         |        |          |                   |

The following features have expired temporary keys:

```
Feature Name Partnum
Zero entries found.
```

4. Back up the new changes, using the `chg-db:action=backup:dest=fixed` command.

These messages should appear; the active Maintenance and Administration Subsystem Processor (MASP) appears first.

```
BACKUP (FIXED): MASP A - Backup starts on active MASP.
BACKUP (FIXED): MASP A - Backup on active MASP to fixed disk complete.
BACKUP (FIXED): MASP A - Backup starts on standby MASP.
BACKUP (FIXED): MASP A - Backup on standby MASP to fixed disk complete.
```

## Activating the Enhanced Far-End Loopback Detection Feature

This procedure is used to enable and turn on the Enhanced Far-End Loopback Detection feature using the feature's part number and a feature access key.

The feature access key for the Enhanced Far-End Loopback Detection feature is based on the features part number and the serial number of the EAGLE 5 ISS, making the feature access key site-specific.

The `enable-ctrl-feat` command enables the feature by inputting the features access key and the features part number with these parameters:

`: fak` – The feature access key provided by Tekelec.

`: partnum` – The Tekelec-issued part number of the Enhanced Far-End Loopback Detection feature, 893017601.

Once this feature is enabled, it is permanently enabled. This feature cannot be enabled with a temporary feature access key.

The `enable-ctrl-feat` command requires a valid serial number for the EAGLE 5 ISS to be configured in the database, and that this serial number is locked. This can be verified with the `rtrv-serial-num` command. The EAGLE 5 ISS is shipped with a serial number in the database, but the serial number is not locked. The serial number can be changed, if necessary, and locked once the EAGLE 5 ISS is on-site, by using the `ent-serial-num` command. The `ent-serial-num` command uses these parameters.

`: serial` – The serial number assigned to the EAGLE 5 ISS. The serial number is not case sensitive.

`: lock` – Specifies whether or not the serial number is locked. This parameter has only one value, `yes`, which locks the serial number. Once the serial number is locked, it cannot be changed.

**Note:** To enter and lock the EAGLE 5 ISS's serial number, the `ent-serial-num` command must be entered twice, once to add the correct serial number to the database with the `serial` parameter, then again with the `serial` and the `lock=yes` parameters to lock the serial number. You should verify that the serial number in the database is correct before locking the serial number. The serial number can be found on a label affixed to the control shelf (shelf 1100).

The `chg-ctrl-feat` command uses these parameters:

:partnum – The Tekelec-issued part number of the Circular Route Auto-Recovery feature, 893018101.  
 :status=on – used to turn the Enhanced Far-End Loopback Detection feature on.

The status of the Enhanced Far-End Loopback Detection feature is shown with the `rtrv-ctrl-feat` command.

Once the Enhanced Far-End Loopback Detection feature has been turned on, it can be turned off. For more information on turning off the Enhanced Far-End Loopback Detection feature, go to the [Turning Off the Enhanced Far-End Loopback Detection Feature](#) procedure.

Once the Enhanced Far-End Loopback Detection feature has been turned on, it significantly decreases the time required to take a link out of service. Whenever a trigger event occurs that indicates that Far-End Loopback may have occurred, the EAGLE 5 ISS will send an SLTM within 250 milliseconds after the trigger event has occurred. Normal processing of this SLTM will take the link out of service if the same SLTM is received at the OPC. The Enhanced Far-End Loopback feature will fail the link as quickly as possible. This rapid failure will prevent the EAGLE 5 ISS from marking DPCs as CRD-prohibited.

1. Display the controlled features in the database by entering the `rtrv-ctrl-feat` command. This is an example of the possible output.

```
rlghncxa03w 07-03-28 11:43:04 GMT EAGLE5 35.6.0
The following features have been permanently enabled:
```

| Feature Name            | Partnum   | Status | Quantity |
|-------------------------|-----------|--------|----------|
| SCCP Conversion         | 893012001 | on     | ----     |
| EIR                     | 893012301 | on     | ----     |
| GSM Map Screening (GMS) | 893013201 | on     | ----     |
| HC-MIM SLK Capacity     | 893012707 | on     | 64       |

```
The following features have been temporarily enabled:
```

| Feature Name        | Partnum | Status | Quantity | Trial Period Left |
|---------------------|---------|--------|----------|-------------------|
| Zero entries found. |         |        |          |                   |

```
The following features have expired temporary keys:
```

| Feature Name        | Partnum |
|---------------------|---------|
| Zero entries found. |         |

If the Enhanced Far-End Loopback Detection feature is enabled, the entry Enhanced Far-End Loopback is shown in the permanently enabled section of the `rtrv-ctrl-feat` output. If the status of the Enhanced Far-End Loopback Detection feature is on, no further action can be performed.

If the Enhanced Far-End Loopback Detection feature is enabled but not turned on, skips steps 2 through 6 and go to step 7.

If the Enhanced Far-End Loopback Detection feature is not enabled, go to step 2.

**Note:** If the `rtrv-ctrl-feat` output in step 1 shows any controlled features, skip steps 2 through 5, and go to step 6. If the `rtrv-ctrl-feat` output shows only the HC-MIM SLK Capacity feature with a quantity of 64, steps 2 through 5 must be performed.

2. Display the serial number in the database with the `rtrv-serial-num` command.

This is an example of the possible output.

```
rlghncxa03w 07-05-28 21:15:37 GMT EAGLE5 37.0.0
System serial number = nt00001231

System serial number is not locked.

rlghncxa03w 07-10-28 21:15:37 GMT EAGLE5 37.0.0
Command Completed
```

**Note:** If the serial number is correct and locked, skip steps 4, 5, and 6, and go to step 7. If the serial number is correct but not locked, skip steps 4 and 5, and go to step 6. If the serial number is not correct, but is locked, the Circular Route Auto-Recovery feature cannot be enabled and the remainder of this procedure cannot be performed. Contact the Customer Care Center to get an incorrect and locked serial number changed. Refer to [Customer Care Center](#) for the contact information. The serial number can be found on a label affixed to the control shelf (shelf 1100).

3. Enter the correct serial number into the database using the `ent-serial-num` command with the `serial` parameter.

For this example, enter this command.

```
ent-serial-num:serial=<EAGLE 5 ISS's correct serial number>
```

When this command has successfully completed, the following message should appear.

```
rlghncxa03w 07-05-28 21:15:37 GMT EAGLE5 37.0.0
ENT-SERIAL-NUM: MASP A - COMPLTD
```

4. Verify that the serial number entered into step 3 was entered correctly using the `rtrv-serial-num` command.

This is an example of the possible output.

```
rlghncxa03w 07-05-28 21:15:37 GMT EAGLE5 37.0.0
System serial number = nt00001231

System serial number is not locked.

rlghncxa03w 07-05-28 21:15:37 GMT EAGLE5 37.0.0
Command Completed
```

If the serial number was not entered correctly, repeat steps 3 and 4 and re-enter the correct serial number.

5. Lock the serial number in the database by entering the `ent-serial-num` command with the serial number shown in step 2, if the serial number shown in step 2 is correct, or with the serial number shown in step 4, if the serial number was changed in step 3, and with the `lock=yes` parameter.

For this example, enter this command.

```
ent-serial-num:serial=<EAGLE 5 ISS's serial number>:lock=yes
```

When this command has successfully completed, the following message should appear.

```
rlghncxa03w 07-05-28 21:15:37 GMT EAGLE5 37.0.0
ENT-SERIAL-NUM: MASP A - COMPLTD
```

6. Enable the Enhanced Far-End Loopback Detection feature by entering the `enable-ctrl-feat` command. For this example, enter this command.

```
enable-ctrl-feat:partnum=893018103:fak= <Enhanced Far-End Loopback
Detection feature access key>
```

**Note:** The values for the feature access key (the `fak` parameter) are provided by Tekelec. If you do not have the feature access key for the Enhanced Far-End Loopback Detection feature, contact your Tekelec Sales Representative or Account Representative.

When the `enable-ctrl-feat` command has successfully completed, this message should appear.

```
rlghncxa03w 07-05-28 21:15:37 GMT EAGLE5 37.0.0
ENABLE-CTRL-FEAT: MASP B - COMPLTD
```

7. Turn the Enhanced Far-End Loopback Detection feature on by entering the `chg-ctrl-feat` command with the part number used in step 6 and the `status=on` parameter.

For this example, enter this command.

```
chg-ctrl-feat:partnum=893018101:status=on
```

When this command has successfully completed, the following message should appear.

```
rlghncxa03w 07-03-28 21:15:37 GMT EAGLE5 35.6.0
CHG-CTRL-FEAT: MASP A - COMPLTD
```

8. Verify the changes by entering this command.

```
rtrv-ctrl-feat:partnum=893018101
```

The following is an example of the possible output.

```
rlghncxa03w 07-05-28 21:15:37 GMT EAGLE5 37.0.0
The following features have been permanently enabled:

Feature Name Partnum Status Quantity
Enhanced Far-End Loopback 893018101 on ----

The following features have been temporarily enabled:

Feature Name Partnum Status Quantity Trial Period Left
Zero entries found.

The following features have expired temporary keys:

Feature Name Partnum
Zero entries found.
```

9. Back up the new changes, using the `chg-db:action=backup:dest=fixed` command.

These messages should appear; the active Maintenance and Administration Subsystem Processor (MASP) appears first.

```
BACKUP (FIXED): MASP A - Backup starts on active MASP.
BACKUP (FIXED): MASP A - Backup on active MASP to fixed disk complete.
BACKUP (FIXED): MASP A - Backup starts on standby MASP.
BACKUP (FIXED): MASP A - Backup on standby MASP to fixed disk complete.
```

## Turning Off the Enhanced Far-End Loopback Detection Feature

This procedure is used to turn off the Enhanced Far-End Loopback Detection feature using the `chg-ctrl-feat` command.

The `chg-ctrl-feat` command uses these parameters:

`:partnum` – The Tekelec-issued part number of the Enhanced Far-End Loopback Detection feature, 893018101.

`:status=off` – used to turn off the Enhanced Far-End Loopback Detection feature.

The status of the Enhanced Far-End Loopback Detection feature must be on and is shown with the `rtrv-ctrl-feat` command.



**Caution:** Enhanced Far-End Loopback Detection will not be performed if the Enhanced Far-End Loopback Detection feature is turned off.

### CAUTION

1. Display the status of the Enhanced Far-End Loopback Detection feature by entering the `rtrv-ctrl-feat:partnum=893018101` command. The following is an example of the possible output.

```
rlghncxa03w 07-03-28 11:43:04 GMT EAGLE5 35.6.0
The following features have been permanently enabled:
```

| Feature Name              | Partnum   | Status | Quantity |
|---------------------------|-----------|--------|----------|
| Enhanced Far-End Loopback | 893018101 | on     | ----     |

The following features have been temporarily enabled:

| Feature Name        | Partnum | Status | Quantity | Trial Period Left |
|---------------------|---------|--------|----------|-------------------|
| Zero entries found. |         |        |          |                   |

The following features have expired temporary keys:

| Feature Name        | Partnum |
|---------------------|---------|
| Zero entries found. |         |

If the status of the Enhanced Far-End Loopback Detection feature is off, or if the Enhanced Far-End Loopback Detection feature is not enabled, this procedure cannot be performed.

2. Turn off the Enhanced Far-End Loopback Detection feature by entering the `chg-ctrl-feat` command with the `status=off` parameter.

For this example, enter this command.



```
chg-ctrl-feat:partnum=893018101:status=off
```

When this command has successfully completed, the following message should appear.

```
rlghncxa03w 07-03-28 21:15:37 GMT EAGLE5 35.6.0
CHG-CTRL-FEAT: MASP A - COMPLTD
```

3. Verify that the Enhanced Far-End Loopback Detection feature has been turned off by using the `rtrv-ctrl-feat:partnum=893018101` command. The following is an example of the possible output.

```
rlghncxa03w 07-05-28 21:15:37 GMT EAGLE5 37.0.0
The following features have been permanently enabled:

Feature Name Partnum Status Quantity
Enhanced Far-End Loopback 893018101 on ----

The following features have been temporarily enabled:

Feature Name Partnum Status Quantity Trial Period Left
Zero entries found.

The following features have expired temporary keys:

Feature Name Partnum
Zero entries found.
```

4. Back up the new changes, using the `chg-db:action=backup:dest=fixed` command.

These messages should appear; the active Maintenance and Administration Subsystem Processor (MASP) appears first.

```
BACKUP (FIXED): MASP A - Backup starts on active MASP.
BACKUP (FIXED): MASP A - Backup on active MASP to fixed disk complete.
BACKUP (FIXED): MASP A - Backup starts on standby MASP.
BACKUP (FIXED): MASP A - Backup on standby MASP to fixed disk complete.
```

## Activating the Multiple Linksets to Single Adjacent PC (MLS) Feature

This procedure is used to enable and turn on the Multiple Linksets to Single Adjacent PC (MLS) feature with the `enable-ctrl-feat` and `chg-ctrl-feat` commands.

The `enable-ctrl-feat` command enables the Multiple Linksets to Single Adjacent PC (MLS) feature by specifying the part number and feature access key for this feature with these parameters:

`:fak` – The feature access key supplied by Tekelec. The feature access key contains 13 alphanumeric characters and is not case sensitive. If you do not have the feature access key for the proxy point code quantity you wish to enable, contact your Tekelec Sales Representative or Account Representative.

`:partnum` – The Tekelec-issued part number for the Multiple Linksets to Single Adjacent PC (MLS), 893019701.

The `enable-ctrl-feat` command requires a valid serial number for the EAGLE 5 ISS to be configured in the database, and that this serial number is locked. This can be verified with the `rtrv-serial-num` command. The EAGLE 5 ISS is shipped with a serial number in the database, but the serial number is not locked. The serial number can be changed, if necessary, and locked once the EAGLE 5 ISS is on-site, by using the `ent-serial-num` command. The `ent-serial-num` command uses these parameters.

`:serial` – The serial number assigned to the EAGLE 5 ISS. The serial number is not case sensitive.

`:lock` – Specifies whether or not the serial number is locked. This parameter has only one value, `yes`, which locks the serial number. Once the serial number is locked, it cannot be changed.

**Note:** To enter and lock the EAGLE 5 ISS's serial number, the `ent-serial-num` command must be entered twice, once to add the correct serial number to the database with the `serial` parameter, then again with the `serial` and the `lock=yes` parameters to lock the serial number. You should verify that the serial number in the database is correct before locking the serial number. The serial number can be found on a label affixed to the control shelf (shelf 1100).

To enable the Multiple Linksets to Single Adjacent PC (MLS) feature, the Multiple Point Code feature must be turned on using the `chg-feat` command. The `rtrv-feat` command shows whether or not the Multiple Point Code feature is turned on.

**Note:** Once the Multiple Point Code feature is turned on with the `chg-feat` command, it cannot be turned off.

The Multiple Point Code feature must be purchased before you turn this feature on with the `chg-feat` command. If you are not sure if you have purchased the Multiple Point Code feature, contact your Tekelec Sales Representative or Account Representative.

The `chg-ctrl-feat` command uses these parameters:

`:partnum` – The Tekelec-issued part number of the Multiple Linksets to Single Adjacent PC (MLS) feature, 893019701.

`:status=on` – used to turn the Multiple Linksets to Single Adjacent PC (MLS) feature on.

The status of this feature in the EAGLE 5 ISS is shown with the `rtrv-ctrl-feat` command.

After this feature is enabled and turned on, an adjacent point code can be assigned to a maximum of six linksets.

1. Display the features that are enabled by entering the `rtrv-ctrl-feat` command.

The following is an example of the possible output.

```
rlghncxa03w 07-05-28 21:15:37 GMT EAGLE5 37.0.0
The following features have been permanently enabled:

Feature Name Partnum Status Quantity
Command Class Management 893005801 on ----
LNP Short Message Service 893006601 on ----
Intermed GTT Load Sharing 893006901 on ----
XGTT Table Expansion 893006101 on 4000000
XMAP Table Expansion 893007710 on 3000
Large System # Links 893005901 on 1500
Routesets 893006401 on 6000
HC-MIM SLK Capacity 893012707 on 64

The following features have been temporarily enabled:
```

```
Feature Name Partnum Status Quantity Trial Period Left
Zero entries found.
```

The following features have expired temporary keys:

```
Feature Name Partnum
Zero entries found.
```

If the Multiple Linksets to Single Adjacent PC (MLS) feature is enabled and turned on, the entry MLS is shown in the permanently enabled section of the `rtrv-ctrl-feat` output. If the status of the Origin-Based MTP Routing feature is on, no further action can be performed.

If the Multiple Linksets to Single Adjacent PC (MLS) feature is enabled but not turned on, continue the procedure with [Step 9](#).

If the Multiple Linksets to Single Adjacent PC (MLS) feature is not enabled, continue the procedure with [Step 2](#).

2. Enter the `rtrv-feat` command and verify that the Multiple Point Code feature is turned on.

If the Multiple Point Code feature is on, the `MPC = on` entry appears in the output.

**Note:** The `rtrv-feat` command output contains other fields that are not used by this procedure. If you wish to see all the fields displayed by the `rtrv-feat` command, see the `rtrv-feat` command description in the *Commands Manual*.

If the Multiple Point Code feature is not on, continue the procedure with [Step 3](#).

If the Multiple Point Code feature is on, continue the procedure with [Step 4](#).

If the `rtrv-ctrl-feat` output in [Step 1](#) shows any controlled features, continue the procedure with [Step 8](#). If the `rtrv-ctrl-feat` output shows only the HC-MIM SLK Capacity feature with a quantity of 64, [Step 4](#) through [Step 7](#) must be performed.

3. Turn the Multiple Point Code feature on by entering this command.

```
chg-feat:mpc=on
```

**Note:** Once the Multiple Point Code feature is turned on with the `chg-feat` command, it cannot be turned off.

The Multiple Point Code feature must be purchased before you turn this feature on with the `chg-feat` command. If you are not sure if you have purchased the Multiple Point Code feature, contact your Tekelec Sales Representative or Account Representative.

When the `chg-feat` has successfully completed, this message appears.

```
rlghncxa03w 07-05-28 11:43:04 GMT EAGLE5 37.0.0
CHG-FEAT: MASP A - COMPLTD
```

Continue the procedure with [Step 4](#).

If the `rtrv-ctrl-feat` output in [Step 1](#) shows any controlled features, continue the procedure with [Step 8](#). If the `rtrv-ctrl-feat` output shows only the HC-MIM SLK Capacity feature with a quantity of 64, [Step 4](#) through [Step 7](#) must be performed.

4. Display the serial number in the database with the `rtrv-serial-num` command.

This is an example of the possible output.

```
rlghncxa03w 07-05-28 21:15:37 GMT EAGLE5 37.0.0
System serial number = nt00001231

System serial number is not locked, yet.
```

**Note:** If the serial number is correct and locked, continue the procedure with [Step 8](#). If the serial number is correct but not locked, continue the procedure with [Step 7](#). If the serial number is not correct, but is locked, the Multiple Linksets to Single Adjacent PC (MLS) feature cannot be enabled and the remainder of this procedure cannot be performed. Contact the Customer Care Center to get an incorrect and locked serial number changed. Refer to [Customer Care Center](#) for the contact information. The serial number can be found on a label affixed to the control shelf (shelf 1100).

5. Enter the correct serial number into the database using the `ent-serial-num` command with the `serial` parameter.

For this example, enter this command.

```
ent-serial-num:serial=<EAGLE 5 ISS's correct serial number>
```

When this command has successfully completed, the following message should appear.

```
rlghncxa03w 07-05-28 21:15:37 GMT EAGLE5 37.0.0
ENT-SERIAL-NUM: MASP A - COMPLTD
```

6. Verify that the serial number entered into [Step 5](#) was entered correctly using the `rtrv-serial-num` command.

This is an example of the possible output.

```
rlghncxa03w 07-05-28 21:15:37 GMT EAGLE5 37.0.0
System serial number = nt00001231

System serial number is not locked, yet.
```

If the serial number was not entered correctly, repeat [Step 5](#) and [Step 6](#) and re-enter the correct serial number.

7. Lock the serial number in the database by entering the `ent-serial-num` command with the serial number shown in [Step 4](#), if the serial number shown in [Step 4](#) is correct, or with the serial number shown in [Step 6](#), if the serial number was changed in [Step 5](#), and with the `lock=yes` parameter.

For this example, enter this command.

```
ent-serial-num:serial=<EAGLE 5 ISS's serial number>:lock=yes
```

When this command has successfully completed, the following message should appear.

```
rlghncxa03w 07-05-28 21:15:37 GMT EAGLE5 37.0.0
ENT-SERIAL-NUM: MASP A - COMPLTD
```

8. Enable the Multiple Linksets to Single Adjacent PC (MLS) feature with the `enable-ctrl-feat` command specifying the part number for the Multiple Linksets to Single Adjacent PC (MLS) feature and the feature access key.

For this example, enter this command.

```
enable-ctrl-feat:partnum=893019701:fak=<Multiple Linksets to Single
Adjacent PC (MLS) feature access key>
```

**Note:** A temporary feature access key cannot be specified to enable the Multiple Linksets to Single Adjacent PC (MLS) feature.

**Note:** The values for the feature access key (the `fak` parameter) are provided by Tekelec. If you do not have the feature access key for the Multiple Linksets to Single Adjacent PC (MLS) feature you wish to enable, contact your Tekelec Sales Representative or Account Representative.

When the `enable-ctrl-feat` command has successfully completed, this message should appear.

```
rlghncxa03w 07-05-28 21:15:37 GMT EAGLE5 37.0.0
ENABLE-CTRL-FEAT: MASP B - COMPLTD
```

9. Turn the Multiple Linksets to Single Adjacent PC (MLS) feature on by entering the `chg-ctrl-feat` command with the part number used in [Step 8](#) and the `status=on` parameter.



**Caution:** Once the Multiple Linksets to Single Adjacent PC (MLS) feature is turned on, it cannot be turned off.

#### CAUTION

For this example, enter this command.

```
chg-ctrl-feat:partnum=893019701:status=on
```

When this command has successfully completed, the following message should appear.

```
rlghncxa03w 06-10-28 21:15:37 GMT EAGLE5 36.0.0
CHG-CTRL-FEAT: MASP A - COMPLTD
```

10. Verify the changes by entering the `rtrv-ctrl-feat` command with the routeset quantity part number specified in [Step 9](#).

For this example, enter this command.

```
rtrv-ctrl-feat:partnum=893019701
```

The following is an example of the possible output.

```
rlghncxa03w 07-05-28 21:15:37 GMT EAGLE5 37.0.0
The following features have been permanently enabled:

Feature Name Partnum Status Quantity
Multiple Linkset to APC 893019701 on ----

The following features have been temporarily enabled:

Feature Name Partnum Status Quantity Trial Period Left
Zero entries found.
```

```
The following features have expired temporary keys:
```

```
Feature Name Partnum
Zero entries found.
```

#### 11. Back up the new changes, using the `chg-db:action=backup:dest=fixed` command.

These messages should appear; the active Maintenance and Administration Subsystem Processor (MASP) appears first.

```
BACKUP (FIXED): MASP A - Backup starts on active MASP.
BACKUP (FIXED): MASP A - Backup on active MASP to fixed disk complete.
BACKUP (FIXED): MASP A - Backup starts on standby MASP.
BACKUP (FIXED): MASP A - Backup on standby MASP to fixed disk complete.
```

## Configuring the ITU Linkset NI Mapping Options

This procedure is used to configure the network indicator (NI) mapping options for an ITU-I or ITU-N linkset. These options are configured with the `chg-lsopts` command and these parameters.

`:lsn` - The name of the ITU-I or ITU-N linkset.

`:icnimap` - This parameter specifies the type of network indicator (NI) mapping for incoming MSUs on the linkset. The NI value in the incoming MSU is changed to the value specified by the `icnimap` parameter before processing the message. The values for this parameter are: `itui2ituis`, `ituis2itui`, `itun2ituns`, `ituns2itun`, or `none`.

- `itui2ituis` - Map the ITU international network indicator value to the ITU international spare network indicator value
- `ituis2itui` - Map the ITU international spare network indicator value to the ITU international network indicator value
- `itun2ituns` - Map the ITU national network indicator value to the ITU national spare network indicator value
- `ituns2itun` - Map the ITU national spare network indicator value to the ITU national network indicator value
- `none` - network indicator mapping is not performed on the specified linkset.

The value of the `icnimap` parameter for the linkset is not changed if the `icnimap` parameter is not specified with the `chg-lsopts` command. The system default value for the `icnimap` parameter is `none`.

`:ognimap` - This parameter specifies the type of network indicator (NI) mapping for outgoing MSUs on the linkset. The NI value in the processed MSU is changed to the value specified by the `ognimap` parameter for that linkset before routing the message to its intended destination. The values for this parameter are: `itui2ituis`, `ituis2itui`, `itun2ituns`, `ituns2itun`, or `none`.

- `itui2ituis` - Map the ITU international network indicator value to the ITU international spare network indicator value
- `ituis2itui` - Map the ITU international spare network indicator value to the ITU international network indicator value

- `itun2ituns` - Map the ITU national network indicator value to the ITU national spare network indicator value
- `ituns2itun` - Map the ITU national spare network indicator value to the ITU national network indicator value
- `none` - network indicator mapping is not performed on the specified linkset.

The value of the `ognimap` parameter for the linkset is not changed if the `ognimap` parameter is not specified with the `chg-lsopts` command. The system default value for the `ognimap` parameter is `none`.

To specify the `icnimap` and `ognimap` parameters, the ITU National and International Spare Point Code Support feature must be enabled. Refer to the [Activating the ITU National and International Spare Point Code Support Feature](#) procedure for information about enabling the ITU National and International Spare Point Code Support feature. Values for the `icnimap` and `ognimap` parameters other than `none` can be specified only for linksets that have ITU-I or 14-bit ITU-N adjacent point codes. If either the `icnimap` or `ognimap` parameters are specified for the `chg-lsopts` command, both parameters must be specified for the `chg-lsopts` command. The network indicator mapping value for incoming messages on the linkset must be compatible with the network indicator mapping value for the outgoing messages on the linkset. For example, if the `icnimap=itui2ituis` parameter is specified for the linkset, the `ognimap=ituis2itui` parameter must be specified for the linkset. [Table 49: Network Indicator Mapping Rules](#) shows the relationship between the `icnimap` and `ognimap` parameter values.

**Table 49: Network Indicator Mapping Rules**

| ICNIMAP Parameter Value | OGNIMAP Parameter Value |
|-------------------------|-------------------------|
| ITUI2ITUIS              | ITUIS2ITUI              |
| ITUIS2ITUI              | ITUI2ITUIS              |
| ITUN2ITUNS              | ITUNS2ITUN              |
| ITUNS2ITUN              | ITUN2ITUNS              |
| NONE                    | NONE                    |

The values of the `icnimap` and `ognimap` parameters are shown in the `ICNIMAP` and `OGNIMAP` columns of the `rtrv-ls` output. The `ICNIMAP` and `OGNIMAP` columns are shown only if the linkset name (`lsn` parameter) is specified with the `rtrv-ls` command, the ITU National and International Spare Point Code Support feature is enabled, and if the adjacent point code of the linkset is either an ITU-I or ITU-N point code.

1. Display the linksets that are provisioned in the database by entering the `rtrv-ls` command.

The following is an example of the possible output.

```

rlghncxa03w 08-08-10 11:43:04 GMT EAGLE5 39.0.0

 L3T SLT GWS GWS GWS
LSN APCA (SS7) SCRN SET SET BEI LST LNKS ACT MES DIS SLSCI NIS
ele2 001-207-000 none 1 1 no B 6 off off off no off
elm1s1 001-001-001 none 1 1 no A 7 off off off no off
elm1s2 001-001-002 none 1 1 no A 7 off off off no off
ls04 001-002-003 scr2 1 1 no a 4 off off off yes off
ls1305 000-005-000 none 1 1 no A 1 off off off no off
ls1307 000-007-000 none 1 1 no A 1 off off off no off

```

```

 L3T SLT
LSN APCI (SS7) SCRN SET SET BEI LST LNKS GWS GWS GWS
ele2i 1-207-0 none 1 1 no B 4 off off off --- on
ls1315 0-015-0 none 1 1 no A 1 off off off --- off
ls1317 0-017-0 none 1 1 no A 1 off off off --- on
elm2s1 1-011-1 none 1 1 no A 7 off off off --- off
elm2s2 1-011-2 none 1 1 no A 7 off off off --- off

```

```

 L3T SLT
LSN APCN (SS7) SCRN SET SET BEI LST LNKS GWS GWS GWS
lsn5 11520 scr3 1 1 no a 3 on off off --- on
lsn6 11211 scr3 1 1 no a 3 on off off --- on

```

Link set table is (10 of 1024) 1% full.

This procedure can be performed only on ITU-I or ITU-N linksets. An ITU-I linkset is a linkset whose adjacent point code is shown in the APCI column of the `rtrv-ls` output. An ITU-N linkset is a linkset whose adjacent point code is shown in the APCN column of the `rtrv-ls` output. If no ITU-I or ITU-N linksets are shown in this step, this procedure cannot be performed.

If ITU-I or ITU-N linksets are shown in this step, continue the procedure with [Step 2](#).

2. Display one of the ITU-I or ITU-N linksets shown in [Step 1](#) by entering the `rtrv-ls` command with the name of one of the ITU-I or ITU-N linksets shown in [Step 1](#). For this example, enter this command.

```
rtrv-ls:lsn=lsn5
```

The following is an example of the possible output.

```

rlghncxa03w 09-07-17 11:43:04 GMT EAGLE5 41.1.0

 L3T SLT
LSN APCN (SS7) SCRN SET SET BEI LST LNKS GWS GWS GWS
lsn5 11211 scr3 1 1 no a 3 on off off --- on

 CLLI TFATCABMLQ MTPRSE ASL8 SLSOCBIT SLRSRB ITUTFR
lsn5c11i 1 no --- none 1 off

 RANDSLS ICNIMAP OGNIMAP
 off none none

 IPGWAPC MATELSN IPTPS LSUSEALM SLKUSEALM GTTMODE
 no ----- --- --- --- CdPA

 L2T
 LOC LINK SLC TYPE SET BPS ECM PCR PCR
 2105 b 0 LIMDS0 1 56000 BASIC --- -----
 2113 b 1 LIMDS0 1 56000 BASIC --- -----
 2111 a 2 LIMDS0 1 56000 BASIC --- -----

Link set table is (24 of 1024) 2% full

```

The ITU NI mapping options are shown in the ICNIMAP and OGNIMAP columns in the `rtrv-ls` output. The ITU National and International Spare Point Support feature must be enabled for these columns to appear in the `rtrv-ls` output.

- If the ICNIMAP and OGNIMAP columns are shown in the `rtrv-ls` output, continue the procedure with [Step 3](#).



- If the ICNIMAP and OGNIMAP columns are not shown in the `rtrv-ls` output, the ITU National and International Spare Point Code Support feature must be enabled. Perform the [Activating the ITU National and International Spare Point Code Support Feature](#) procedure to enable the ITU National and International Spare Point Code Support feature. After the ITU National and International Spare Point Code Support feature has been enabled, continue the procedure with [Step 3](#).
3. Configure the ITU network indicator mapping options for the linkset displayed in [Step 2](#) by entering the `chg-lsopts` command.

For this example, enter this command.

```
chg-lsopts:lsn=lsn5:icnimap=itun2ituns:ognimap=ituns2itun
```

**Note:** The network indicator mapping value for incoming messages on the linkset must be compatible with the network indicator mapping value for the outgoing messages on the linkset. For example, if the `icnimap=itui2ituis` parameter is specified for the linkset, the `ognimap=ituis2itui` parameter must be specified for the linkset. [Table 49: Network Indicator Mapping Rules](#) shows the relationship between the `icnimap` and `ognimap` parameter values. The `icnimap` and `ognimap` parameter values entered in this step must be entered according to the relationships shown in [Table 49: Network Indicator Mapping Rules](#).

When this command has successfully completed, the following message should appear.

```
rlghncxa03w 08-08-28 21:18:37 GMT EAGLE5 39.0.0
Link set table is (13 of 1024) 1% full.
CHG-LSOPTS: MASP A - COMPLTD
```

4. Verify the changes by entering the `rtrv-ls` command with the name of the linkset specified in [Step 3](#). For this example, enter this command.

```
rtrv-ls:lsn=lsn5
```

The following is an example of the possible output.

```
rlghncxa03w 09-07-17 11:43:04 GMT EAGLE5 41.1.0

LSN APCN (SS7) SCR3 L3T SLT BEI LST LNKS ACT MES DIS SLSCI NIS
lsn5 11211 scr3 1 1 no a 3 on off off --- on

 CLLI TFATCABMLQ MTPRSE ASL8 SLSOEBIT SLSRSB ITUTFR
lsn5c1li 1 no --- none 1 off

RANDSLS ICNIMAP OGNIMAP
off itun2ituns ituns2itun

IPGWAPC MATELSN IPTPS LSUSEALM SLKUSEALM GTTMODE
no ----- --- --- --- CdPA

 L2T
 SET BPS ECM PCR PCR
 LOC LINK SLC TYPE SET BPS ECM N1 N2
2105 b 0 LIMDS0 1 56000 BASIC --- ---
2113 b 1 LIMDS0 1 56000 BASIC --- ---
2111 a 2 LIMDS0 1 56000 BASIC --- ---

Link set table is (24 of 1024) 2% full
```

5. Back up the new changes using the `chg-db:action=backup:dest=fixed` command. These messages should appear, the active Maintenance and Administration Subsystem Processor (MASP) appears first.

```
BACKUP (FIXED) : MASP A - Backup starts on active MASP.
BACKUP (FIXED) : MASP A - Backup on active MASP to fixed disk complete.
BACKUP (FIXED) : MASP A - Backup starts on standby MASP.
BACKUP (FIXED) : MASP A - Backup on standby MASP to fixed disk complete.
```

## Configuring the Option for Handling Message Priorities for Messages Crossing into ITU-I and ITU-N Networks

This procedure is used to configure the option for handling the priority value of messages that cross into ITU-I and ITU-N networks using the `chg-ss7opts` command with these two parameters.

`:msgpri2itui` – This parameter specifies the priority value for messages that cross into an ITU-I network. The values for this parameter are:

- `dflt` - The priority value for an MTP-routed message is set to 0. A message routed by Global Title Translation retains the priority value set by the incoming message.
- `0 - 3` - The priority value for any message crossing into an ITU-I network is changed to this parameter value.

The system default value for the `msgpri2itui` parameter is `dflt`.

`:msgpri2itun` – This parameter specifies the priority value for messages that cross into an ITU-N or ITU-N24 network. The values for this parameter are:

- `dflt` - The priority value for an MTP-routed message is set to 0. A message routed by Global Title Translation retains the priority value set by the incoming message.
- `0 - 3` - The priority value for any message crossing into an ITU-N or ITU-N24 network is changed to this parameter value. Messages crossing into an ANSI network are not affected.

The system default value for the `msgpri2itun` parameter is `dflt`.

These parameters are optional, but at least one of these parameters must be specified in this procedure. If a parameter is not specified, its value is not changed.

1. Display the existing values for the `msgpri2itui` and `msgpri2itun` parameters by entering the `rtrv-ss7opts` command.

This is an example of the possible output.

```
rlghncxa03w 09-03-17 16:02:05 GMT EAGLE5 40.1.0

SS7 OPTIONS

MSGPRI2ITUI dflt
MSGPRI2ITUN dflt
```

**Note:** The `rtrv-ss7opts` command output contains other fields that are not used by this procedure. If you wish to see all the fields displayed by the `rtrv-ss7opts` command, see the `rtrv-ss7opts` command description in the *Commands Manual*.

2. Change the value of the `msgpri2itui` and `msgpri2itun` parameters.

The value specified in this step cannot be the same as the value shown in [Step 1](#).

If you wish to change the value of the `msgpri2itui` parameter, specify the `msgpri2itui` parameter with the `chg-ss7opts` command. For this example, enter this command.

```
chg-ss7opts:msgpri2itui=1
```

If you wish to change the value of the `msgpri2itun` parameter, specify the `msgpri2itun` parameter with the `chg-ss7opts` command. For this example, enter this command.

```
chg-ss7opts:msgpri2itun=2
```

If you wish to change the value of both the `msgpri2itui` and `msgpri2itun` parameters, specify the `msgpri2itui` and `msgpri2itun` parameters with the `chg-ss7opts` command. For this example, enter this command.

```
chg-ss7opts:msgpri2itui=1:msgpri2itun=2
```

When this command has successfully completed, this message should appear.

```
rlghncxa03w 09-03-07 00:22:57 GMT EAGLE5 40.1.0
CHG-SS7OPTS: MASP A - COMPLTD
```

3. Verify the changes using the `rtrv-ss7opts` command.

This is an example of the possible output.

```
rlghncxa03w 09-03-17 16:02:05 GMT EAGLE5 40.1.0

SS7 OPTIONS

MSGPRI2ITUI 1
MSGPRI2ITUN 2
```

**Note:** The `rtrv-ss7opts` command output contains other fields that are not used by this procedure. If you wish to see all the fields displayed by the `rtrv-ss7opts` command, see the `rtrv-ss7opts` command description in the *Commands Manual*.

4. Back up the new changes using the `chg-db:action=backup:dest=fixed` command.

These messages should appear, the active Maintenance and Administration Subsystem Processor (MASP) appears first.

```
BACKUP (FIXED) : MASP A - Backup starts on active MASP.
BACKUP (FIXED) : MASP A - Backup on active MASP to fixed disk complete.
BACKUP (FIXED) : MASP A - Backup starts on standby MASP.
BACKUP (FIXED) : MASP A - Backup on standby MASP to fixed disk complete.
```

## Activating the 6-Way Loadsharing on Routesets Feature

This procedure is used to enable and turn on the 6-Way Loadsharing on Routesets feature with the `enable-ctrl-feat` and `chg-ctrl-feat` commands.

The `enable-ctrl-feat` command enables the 6-Way Loadsharing on Routesets feature by specifying the part number and feature access key for this feature with these parameters:

`: fak` – The feature access key supplied by Tekelec. The feature access key contains 13 alphanumeric characters and is not case sensitive. If you do not have the feature access key for the proxy point code quantity you wish to enable, contact your Tekelec Sales Representative or Account Representative.

`: partnum` – The Tekelec-issued part number for the 6-Way Loadsharing on Routesets feature, 893019801.

The `enable-ctrl-feat` command requires a valid serial number for the EAGLE 5 ISS to be configured in the database, and that this serial number is locked. This can be verified with the `rtrv-serial-num` command. The EAGLE 5 ISS is shipped with a serial number in the database, but the serial number is not locked. The serial number can be changed, if necessary, and locked once the EAGLE 5 ISS is on-site, by using the `ent-serial-num` command. The `ent-serial-num` command uses these parameters.

`: serial` – The serial number assigned to the EAGLE 5 ISS. The serial number is not case sensitive.

`: lock` – Specifies whether or not the serial number is locked. This parameter has only one value, `yes`, which locks the serial number. Once the serial number is locked, it cannot be changed.

**Note:** To enter and lock the EAGLE 5 ISS's serial number, the `ent-serial-num` command must be entered twice, once to add the correct serial number to the database with the `serial` parameter, then again with the `serial` and the `lock=yes` parameters to lock the serial number. You should verify that the serial number in the database is correct before locking the serial number. The serial number can be found on a label affixed to the control shelf (shelf 1100).

The `chg-ctrl-feat` command uses these parameters:

`: partnum` – The Tekelec-issued part number of the 6-Way Loadsharing on Routesets feature, 893019801.

`: status=on` – used to turn the 6-Way Loadsharing on Routesets feature on.



**Caution:** Once the 6-Way Loadsharing on Routesets feature is turned on, it cannot be turned off.

### CAUTION

The status of this feature in the EAGLE 5 ISS is shown with the `rtrv-ctrl-feat` command.

After this feature is enabled and turned on, a maximum of six routes in a routeset can be assigned the same relative cost value.

1. Display the features that are enabled by entering the `rtrv-ctrl-feat` command.

The following is an example of the possible output.

```
rlghncxa03w 09-05-28 21:15:37 GMT EAGLE5 41.0.0
The following features have been permanently enabled:
```

| Feature Name              | Partnum   | Status | Quantity |
|---------------------------|-----------|--------|----------|
| Command Class Management  | 893005801 | on     | ----     |
| LNP Short Message Service | 893006601 | on     | ----     |
| Intermed GTT Load Sharing | 893006901 | on     | ----     |
| XGTT Table Expansion      | 893006101 | on     | 4000000  |
| XMAP Table Expansion      | 893007710 | on     | 3000     |
| Large System # Links      | 893005901 | on     | 1500     |
| Routesets                 | 893006401 | on     | 6000     |
| HC-MIM SLK Capacity       | 893012707 | on     | 64       |

The following features have been temporarily enabled:

| Feature Name        | Partnum | Status | Quantity | Trial Period Left |
|---------------------|---------|--------|----------|-------------------|
| Zero entries found. |         |        |          |                   |

The following features have expired temporary keys:

| Feature Name        | Partnum |
|---------------------|---------|
| Zero entries found. |         |

If the 6-Way Loadsharing on Routesets feature is enabled and turned on, the entry 6-Way LS on Routesets is shown in the permanently enabled section of the `rtrv-ctrl-feat` output. If the status of the 6-Way Loadsharing on Routesets feature is on, no further action can be performed.

If the 6-Way Loadsharing on Routesets feature is enabled but not turned on, continue the procedure with [Step 7](#).

If the 6-Way Loadsharing on Routesets feature is not enabled, continue the procedure with [Step 2](#).

**Note:** If the `rtrv-ctrl-feat` output in this step shows any controlled features, continue the procedure with [Step 6](#). If the `rtrv-ctrl-feat` output shows only the HC-MIM SLK Capacity feature with a quantity of 64, [Step 2](#) through [Step 5](#) must be performed.

2. Display the serial number in the database with the `rtrv-serial-num` command.

This is an example of the possible output.

```
rlghncxa03w 09-05-28 21:15:37 GMT EAGLE5 41.0.0
System serial number = nt00001231
```

```
System serial number is not locked, yet.
```

**Note:** If the serial number is correct and locked, continue the procedure with [Step 6](#). If the serial number is correct but not locked, continue the procedure with [Step 5](#). If the serial number is not correct, but is locked, the 6-Way Loadsharing on Routesets feature cannot be enabled and the remainder of this procedure cannot be performed. Contact the Customer Care Center to get an incorrect and locked serial number changed. Refer to [Customer Care Center](#) for the contact information. The serial number can be found on a label affixed to the control shelf (shelf 1100).

3. Enter the correct serial number into the database using the `ent-serial-num` command with the `serial` parameter.

For this example, enter this command.

```
ent-serial-num:serial=<EAGLE 5 ISS's correct serial number>
```

When this command has successfully completed, the following message should appear.

```
rlghncxa03w 09-05-28 21:15:37 GMT EAGLE5 41.0.0
ENT-SERIAL-NUM: MASP A - COMPLTD
```

4. Verify that the serial number entered into [Step 3](#) was entered correctly using the `rtrv-serial-num` command.

This is an example of the possible output.

```
rlghncxa03w 09-05-28 21:15:37 GMT EAGLE5 41.0.0
System serial number = nt00001231
System serial number is not locked, yet.
```

If the serial number was not entered correctly, repeat [Step 3](#) and [Step 4](#) and re-enter the correct serial number.

5. Lock the serial number in the database by entering the `ent-serial-num` command with the serial number shown in [Step 2](#), if the serial number shown in [Step 2](#) is correct, or with the serial number shown in [Step 4](#), if the serial number was changed in [Step 3](#), and with the `lock=yes` parameter.

For this example, enter this command.

```
ent-serial-num:serial=<EAGLE 5 ISS's serial number>:lock=yes
```

When this command has successfully completed, the following message should appear.

```
rlghncxa03w 09-05-28 21:15:37 GMT EAGLE5 41.0.0
ENT-SERIAL-NUM: MASP A - COMPLTD
```

6. Enable the 6-Way Loadsharing on Routesets feature with the `enable-ctrl-feat` command specifying the part number for the 6-Way Loadsharing on Routesets feature and the feature access key.

For this example, enter this command.

```
enable-ctrl-feat:partnum=893019801:fak=<6-Way Loadsharing on Routesets
feature access key>
```

**Note:** A temporary feature access key cannot be specified to enable the 6-Way Loadsharing on Routesets feature.

**Note:** The values for the feature access key (the `fak` parameter) are provided by Tekelec. If you do not have the feature access key for the 6-Way Loadsharing on Routesets feature, contact your Tekelec Sales Representative or Account Representative.

When the `enable-ctrl-feat` command has successfully completed, this message should appear.

```
rlghncxa03w 09-05-28 21:15:37 GMT EAGLE5 41.0.0
ENABLE-CTRL-FEAT: MASP B - COMPLTD
```

7. Turn the 6-Way Loadsharing on Routesets feature on by entering the `chg-ctrl-feat` command with the part number used in [Step 6](#) and the `status=on` parameter.



**Caution:** Once the 6-Way Loadsharing on Routesets feature is turned on, it cannot be turned off.

### CAUTION

For this example, enter this command.

```
chg-ctrl-feat:partnum=893019801:status=on
```

When this command has successfully completed, the following message should appear.

```
rlghncxa03w 09-05-28 21:15:37 GMT EAGLE5 41.0.0
CHG-CTRL-FEAT: MASP A - COMPLTD
```

- Verify the changes by entering the `rtrv-ctrl-feat` command with the routeset quantity part number specified in [Step 7](#).

For this example, enter this command.

```
rtrv-ctrl-feat:partnum=893019801
```

The following is an example of the possible output.

```
rlghncxa03w 09-05-28 21:15:37 GMT EAGLE5 41.0.0
The following features have been permanently enabled:

Feature Name Partnum Status Quantity
6-Way LS on Routesets 893019801 on ----

The following features have been temporarily enabled:

Feature Name Partnum Status Quantity Trial Period Left
Zero entries found.

The following features have expired temporary keys:

Feature Name Partnum
Zero entries found.
```

- Back up the new changes, using the `chg-db:action=backup:dest=fixed` command.

These messages should appear; the active Maintenance and Administration Subsystem Processor (MASP) appears first.

```
BACKUP (FIXED): MASP A - Backup starts on active MASP.
BACKUP (FIXED): MASP A - Backup on active MASP to fixed disk complete.
BACKUP (FIXED): MASP A - Backup starts on standby MASP.
BACKUP (FIXED): MASP A - Backup on standby MASP to fixed disk complete.
```

## Point Code and CIC Translation Configuration

---

### Topics:

- *Introduction.....525*
- *Changing the Point Code and CIC Translation Quantity.....526*
- *Adding a Point Code and CIC Translation Entry.....529*
- *Removing a Point Code and CIC Translation Entry.....537*
- *Configuring the Point Code and CIC Translation STP Option.....539*
- *Configuring the Point Code and CIC Translation Linkset Option.....541*

This chapter describes the procedures necessary to configure the Point Code and CIC Translation feature.



## Introduction

The Point Code and CIC Translation (PCT) feature allows the EAGLE 5 ISS to change the destination point code (DPC) and originating point code (OPC) of an MTP-routed MSU to previously configured values. This functionality allows external networks to continue using the old point codes by emulating and mapping them to the new real point codes within the networks. The feature can also be used to change the circuit identifier code (CIC) for the MSU.

24-bit ITU-N point codes, spare point codes, and private point codes are not supported by PCT entries.

Network nodes can send and receive traffic to and from the emulated point code (EPC) without knowing the real point code that is being emulated by the emulated point code. This ability allows the real point code to be changed transparently from the rest of the network, which can continue using the emulated point code to route traffic.

For each incoming MTP-routed MSU, a DPC lookup is performed if the PCT feature is applied either by using the global setting defined by the `chg-stpopts` command or using the setting for the incoming linkset defined by the `chg-lsopts` command. If a translation is found during the DPC lookup, then the DPC of the MSU is replaced by the real point code as the MSU is received by the EAGLE 5 ISS. If the matching translation also contains provisioning for CIC translations, then the CIC of the MSU is changed to the value from the real CIC range.

If no matching translation is found during the DPC lookup, the OPC lookup is performed. If a translation is found during the OPC lookup, then the OPC of the MSU is replaced by the emulated point code as the MSU leaves the EAGLE 5 ISS. If the matching translation also contains provisioning for CIC translations, then the CIC of the MSU is changed to the value from the emulated CIC range. The OPC lookup is also performed on MTP-routed MSUs which are processed by the service module after feature processing has completed but before the service module sends the MSUs to an outbound LIM for routing. The OPC lookup is performed only on MSUs whose OPC is not the EAGLE 5 ISS's point code, a capability point code, or a secondary point code.

To provision the PCT feature, these procedures must be performed.

- *Changing the Point Code and CIC Translation Quantity* - Used to enable the number of PCT entries that the EAGLE 5 ISS can contain. The EAGLE 5 ISS can contain a maximum of 1000 PCT entries.
- *Adding a Point Code and CIC Translation Entry* - Used to add a PCT entry to the database.
- *Configuring the Point Code and CIC Translation STP Option* - Used to configure a system-wide option for controlling the behavior of the PCT feature. This option has three values.
  - `on` - The PCT feature is applied to all MSUs.
  - `off` - The PCT feature is not applied to any MSUs. This is the default value for this option.
  - `lset` - The PCT feature is applied to incoming MSUs or outgoing MSUs on a linkset whose PCT option value is `on`.
- *Configuring the Point Code and CIC Translation Linkset Option* - Used to configure the PCT value for a specific linkset when the system-wide option is set to `lset`. This option has two values.
  - `on` - The PCT feature is applied to incoming MSUs or outgoing MSUs on a linkset.
  - `off` - The PCT feature is not applied to incoming MSUs or outgoing MSUs on a linkset. This is the default value for this option.
- *Removing a Point Code and CIC Translation Entry* - used to remove a PCT entry from the database.

## Changing the Point Code and CIC Translation Quantity

This procedure is used to increase the number of PCT (point code and CIC translations) entries that are allowed in the EAGLE 5 ISS. The EAGLE 5 ISS can contain a maximum of 1000 PCT entries.

The `enable-ctrl-feat` command enables the PCT quantity by specifying the part number for the PCT quantity and the PCT quantity's feature access key with these parameters.

`: fak` – The feature access key supplied by Tekelec. The feature access key contains 13 alphanumeric characters and is not case sensitive. If you do not have the feature access key for the PCT quantity you wish to enable, contact your Tekelec Sales Representative or Account Representative.

`: partnum` – The Tekelec-issued part number for the PCT quantity shown in [Table 50: PCT Quantities and Part Numbers](#).

**Table 50: PCT Quantities and Part Numbers**

| Part Number | PCT Quantity |
|-------------|--------------|
| 893037201   | 25           |
| 893037202   | 50           |
| 893037203   | 75           |
| 893037204   | 100          |
| 893037205   | 150          |
| 893037206   | 200          |
| 893037207   | 250          |
| 893037208   | 1000         |

The `enable-ctrl-feat` command requires a valid serial number for the EAGLE 5 ISS to be configured in the database, and that this serial number is locked. This can be verified with the `rtrv-serial-num` command. The EAGLE 5 ISS is shipped with a serial number in the database, but the serial number is not locked. The serial number can be changed, if necessary, and locked once the EAGLE 5 ISS is on-site, by using the `ent-serial-num` command. The `ent-serial-num` command uses these parameters.

`: serial` – The serial number assigned to the EAGLE 5 ISS. The serial number is not case sensitive.

`: lock` – Specifies whether or not the serial number is locked. This parameter has only one value, `yes`, which locks the serial number. Once the serial number is locked, it cannot be changed.

**Note:** To enter and lock the EAGLE 5 ISS's serial number, the `ent-serial-num` command must be entered twice, once to add the correct serial number to the database with the `serial` parameter, then again with the `serial` and the `lock=yes` parameters to lock the serial number. You should verify that the serial number in the database is correct before locking the serial number. The serial number can be found on a label affixed to the control shelf (shelf 1100).

Once the PCT quantity is enabled with the `enable-ctrl-feat` command, the PCT quantity is also turned on. The `chg-ctrl-feat` command is not necessary to turn on the PCT quantity.

1. Display the features that are enabled by entering the `rtrv-ctrl-feat` command.

The following is an example of the possible output.

```
rlghncxa03w 10-12-28 21:15:37 GMT EAGLE5 43.0.0
The following features have been permanently enabled:

Feature Name Partnum Status Quantity
Command Class Management 893005801 on ----
LNP Short Message Service 893006601 on ----
Intermed GTT Load Sharing 893006901 on ----
XGTT Table Expansion 893006101 on 4000000
XMAP Table Expansion 893007710 on 3000
Large System # Links 893005901 on 1500
Routesets 893006401 on 6000
HC-MIM SLK Capacity 893012707 on 64

The following features have been temporarily enabled:

Feature Name Partnum Status Quantity Trial Period Left
Zero entries found.

The following features have expired temporary keys:

Feature Name Partnum
Zero entries found.
```

If a PCT quantity is shown in the `rtrv-ctrl-feat` output, and the enabled quantity is 1000, this procedure cannot be performed. The EAGLE 5 ISS can contain a maximum of 1000 PCT entries.

If a PCT quantity is shown in the `rtrv-ctrl-feat` output, and the enabled quantity is less than 1000, continue the procedure with [Step 6](#).

If a PCT quantity is not shown in the `rtrv-ctrl-feat` output, continue the procedure by performing one of these steps.

- If the `rtrv-ctrl-feat` output in [Step 1](#) shows any controlled features, continue the procedure with [Step 6](#).
- If the `rtrv-ctrl-feat` output shows only the HC-MIM SLK Capacity feature with a quantity of 64, [Step 2](#) through [Step 5](#) must be performed. Continue the procedure with [Step 2](#).

2. Display the serial number in the database with the `rtrv-serial-num` command.

This is an example of the possible output.

```
rlghncxa03w 10-12-28 21:15:37 GMT EAGLE5 43.0.0
System serial number = nt00001231
System serial number is not locked.
rlghncxa03w 10-12-28 21:15:37 GMT EAGLE5 43.0.0
Command Completed
```

**Note:** If the serial number is correct and locked, continue the procedure with [Step 6](#). If the serial number is correct but not locked, continue the procedure with [Step 5](#). If the serial number is not correct, but is locked, a PCT quantity cannot be enabled and the remainder of this procedure cannot be performed. Contact the Customer Care Center to get an incorrect and locked serial number changed. Refer to the [Customer Care Center](#) section for the contact information. The serial number can be found on a label affixed to the control shelf (shelf 1100).

3. Enter the correct serial number into the database using the `ent-serial-num` command with the `serial` parameter.

For this example, enter this command.

```
ent-serial-num:serial=<EAGLE 5 ISS's correct serial number>
```

When this command has successfully completed, the following message should appear.

```
rlghncxa03w 10-12-28 21:15:37 GMT EAGLE5 43.0.0
ENT-SERIAL-NUM: MASP A - COMPLTD
```

4. Verify that the serial number entered into [Step 3](#) was entered correctly using the `rtrv-serial-num` command.

This is an example of the possible output.

```
rlghncxa03w 10-12-28 21:15:37 GMT EAGLE5 43.0.0
System serial number = nt00001231
System serial number is not locked.
rlghncxa03w 10-12-28 21:15:37 GMT EAGLE5 43.0.0
Command Completed
```

If the serial number was not entered correctly, repeat [Step 3](#) and [Step 4](#) and re-enter the correct serial number.

5. Lock the serial number in the database by entering the `ent-serial-num` command with the serial number shown in [Step 2](#), if the serial number shown in [Step 2](#) is correct, or with the serial number shown in [Step 4](#), if the serial number was changed in [Step 3](#), and with the `lock=yes` parameter.

For this example, enter this command.

```
ent-serial-num:serial=<EAGLE 5 ISS's serial number>:lock=yes
```

When this command has successfully completed, the following message should appear.

```
rlghncxa03w 10-12-28 21:15:37 GMT EAGLE5 43.0.0
ENT-SERIAL-NUM: MASP A - COMPLTD
```

6. Enable a PCT quantity with the `enable-ctrl-feat` command specifying the part number for the point code, shown in [Table 50: PCT Quantities and Part Numbers](#), and CIC translation quantity and the feature access key.

For this example, enter this command.

```
enable-ctrl-feat:partnum=893037203:fak=<feature access key for 75 PCT
entries>
```

**Note:** A temporary feature access key cannot be specified to enable the routeset quantity.

**Note:** The values for the feature access key (the `fak` parameter) are provided by Tekelec. If you do not have the feature access key for the PCT quantity you wish to enable, contact your Tekelec Sales Representative or Account Representative.

When the `enable-ctrl-feat` command has successfully completed, this message should appear.

```
rlghncxa03w 10-12-28 21:15:37 GMT EAGLE5 43.0.0
ENABLE-CTRL-FEAT: MASP B - COMPLTD
```

7. Verify the changes by entering the `rtrv-ctrl-feat` command with the PCT quantity part number specified in [Step 6](#).

For this example, enter this command.

```
rtrv-ctrl-feat:partnum=893037203
```

The following is an example of the possible output.

```
rlghncxa03w 10-12-28 21:15:37 GMT EAGLE5 43.0.0
The following features have been permanently enabled:
```

| Feature Name         | Partnum   | Status | Quantity |
|----------------------|-----------|--------|----------|
| PC & CIC Translation | 893037203 | on     | 75       |

```
The following features have been temporarily enabled:
```

| Feature Name        | Partnum | Status | Quantity | Trial Period Left |
|---------------------|---------|--------|----------|-------------------|
| Zero entries found. |         |        |          |                   |

```
The following features have expired temporary keys:
```

| Feature Name        | Partnum |
|---------------------|---------|
| Zero entries found. |         |

8. Back up the new changes, using the `chg-db:action=backup:dest=fixed` command.

These messages should appear; the active Maintenance and Administration Subsystem Processor (MASP) appears first.

```
BACKUP (FIXED): MASP A - Backup starts on active MASP.
BACKUP (FIXED): MASP A - Backup on active MASP to fixed disk complete.
BACKUP (FIXED): MASP A - Backup starts on standby MASP.
BACKUP (FIXED): MASP A - Backup on standby MASP to fixed disk complete.
```

## Adding a Point Code and CIC Translation Entry

This procedure is used to add a PCT (point code and CIC translation) entry to the database, using the `ent-pct` command.

The `ent-pct` command uses the parameters shown in [Table 51: ENT-PCT Parameters](#).

Table 51: ENT-PCT Parameters

| Parameter                          | Range of Values                                                                                  | Type of Parameter | Default Values | Description                                                                                        |
|------------------------------------|--------------------------------------------------------------------------------------------------|-------------------|----------------|----------------------------------------------------------------------------------------------------|
| EPC/EPCA/<br>EPCI/EPCN             | ANSI, ITU-I, or<br>14-bit ITU-N Point<br>Code                                                    | Mandatory         | N/A            | Emulated point<br>code. See Notes 1<br>through 8.                                                  |
| REALPC/REALPCA/<br>REALPCI/REALPCN | ANSI, ITU-I, or<br>14-bit ITU-N Point<br>Code                                                    | Mandatory         | N/A            | Real point code.<br>See Notes 1<br>through 9.                                                      |
| FILTPC/FILTPCA/<br>FILTPCI/FILTPCN | ANSI, ITU-I, 14-bit<br>ITU-N Point Code,<br>or wildcard (*)                                      | Optional          | wildcard (*)   | Filter point code.<br>See Notes 2<br>through 5, 8<br>through 11, and 25.                           |
| SI                                 | 0 (Network<br>Management)<br>3 (SCCP)<br>4 (TUP)<br>5 (ISUP)<br>13 (ANSI Q.BICC)<br>wildcard (*) | Optional          | wildcard (*)   | Service indicator<br>value. See Notes 24<br>and 25.                                                |
| ECICS                              | See Note 12                                                                                      | Optional          | wildcard (*)   | Start value of a<br>range of emulated<br>CIC values. See<br>Notes 13, 19, 20,<br>and 25.           |
| ECICE                              | See Note 12                                                                                      | Optional          | wildcard (*)   | End value of a<br>range of emulated<br>CIC values. See<br>Notes 13, 14, 17,<br>18, 19, 20, and 25. |
| RCICS                              | See Note 12                                                                                      | Optional          | wildcard (*)   | Start value of a<br>range of real CIC<br>values. See Notes<br>13, 15, 19, 20, and<br>25.           |
| RCICE                              | See Note 12                                                                                      | Optional          | wildcard (*)   | End value of a<br>range of real CIC<br>values. See Notes<br>13, 14, 16, 18, 19,<br>20, and 25.     |
| RELCAUSE                           | 0 - 127                                                                                          | Optional          | 0              | Release cause<br>value. See Notes 21<br>and 22.                                                    |

| Parameter | Range of Values         | Type of Parameter | Default Values | Description                            |
|-----------|-------------------------|-------------------|----------------|----------------------------------------|
| SSN       | 0 - 255 or wildcard (*) | Optional          | wildcard (*)   | Subsystem number. See Notes 23 and 25. |

## Notes:

1. The ANSI point code value must be a full point code and not a cluster point code or a network routing point code.
2. The point code value cannot be shown in the `rtrv-sid` output.
3. ITU-I and 14-bit ITU-N point code values cannot be a spare point code. None of the point code values can be a private point code.
4. The network type of the emulated point code, real point code, and filter point code (if specified) values must be the same.
5. The group code of the 14-bit ITU-N emulated point code, real point code, and filter point code (if specified) values must be the same.
6. There can be a maximum of 100 PCT entries that use the same emulated point code value. There can be a maximum of 100 PCT entries that use the same real point code value.
7. A maximum of 250 different emulated point code values can be used in all the PCT entries that are provisioned. A maximum of 250 different real point code values can be used in all the PCT entries that are provisioned.
8. Duplicate entries with these key combinations are not allowed.
  - emulated point code + filter point code + service indicator + subsystem number/(range of emulated CIC values)
  - real point code + filter point code + service indicator + subsystem number/(range of real CIC values)
9. The real point code and filter point code value must be shown in the `DPC` column of the `rtrv-rte` output. There must be at least one route assigned the `DPC` value.
10. The ANSI filter point code values can be a full point code, a cluster point code, or a network routing point code.
11. Only one filter point code value can be specified with the PCT entry, either an ANSI filter point code (`filtpc/filtpca`), an ITU-I filter point code (`filtpci`), or a 14-bit ITU-N filter point code (`filtpcn`).
12. These are the values for the `ECICS`, `ECICE`, `RCICS`, and `RCICE` parameter values.
  - Service indicator value 4 - 0 to 4095 or wildcard (\*).
  - Service indicator value 5 (with an ITU point code) - 0 to 4095 or wildcard (\*).
  - Service indicator value 5 (with an ANSI point code) - 0 to 16383 or wildcard (\*).
  - Service indicator value 13 - 0 to 4294967295 or wildcard (\*).
13. The service indicator parameter with a value of 4, 5, or 13 must be specified.
14. If the `ECICE` parameter is specified, the `ECICS` parameter must be specified. If the `RCICE` parameter is specified, the `RCICS` parameter must be specified.
15. If the `RCICS` parameter is specified, the `ECICS` parameter must be specified.
16. If the `ECICS`, `ECICE`, and `RCICS` parameters are specified, the `RCICE` parameter must be specified.
17. If the `ECICS`, `RCICS`, and `RCICE` parameters are specified, the `ECICE` parameter must be specified.
18. The value of the `ECICE` parameter must be greater or equal to the `ECICS` parameter value. The value of the `RCICE` parameter must be greater or equal to the `RCICS` parameter value.

| Parameter                                                                                                                                                                                                                                                                                                                                                                                                                                                                                                                                                                                                                                                                                                                                                                                                                                                                                                                                                                                                                                                                                                            | Range of Values | Type of Parameter | Default Values | Description |
|----------------------------------------------------------------------------------------------------------------------------------------------------------------------------------------------------------------------------------------------------------------------------------------------------------------------------------------------------------------------------------------------------------------------------------------------------------------------------------------------------------------------------------------------------------------------------------------------------------------------------------------------------------------------------------------------------------------------------------------------------------------------------------------------------------------------------------------------------------------------------------------------------------------------------------------------------------------------------------------------------------------------------------------------------------------------------------------------------------------------|-----------------|-------------------|----------------|-------------|
| <p>19. If a range of emulated CIC and real CIC values are specified, the difference between the ECICS and ECICE values must be the same as the difference between the RCICS and RCICE values. Where CIC translations are not applied uniformly across a trunk group, it is recommended that the CIC should be provisioned in ranges such that a trunk is not split across PCT translations.</p> <p>20. If the <code>epc/epca/epci/epcn</code> parameter value is equal to the <code>realpc/realpca/realpci/realpcn</code> parameter value, the range of emulated CIC values cannot be the same as the range of real CIC values.</p> <p>21. The service indicator parameter value must be either 5 or 13.</p> <p>22. The ECICS parameter must be specified.</p> <p>23. The service indicator parameter value must be 3.</p> <p>24. If the service indicator value is 0 or wildcard (*), only the emulated point code, real point code, and filter point code parameters can be specified.</p> <p>25. The wildcard (*) value indicates that the parameter is not part of the key to find the matching translation.</p> |                 |                   |                |             |

To add a PCT entry, a PCT quantity must be enabled. Adding the new PCT entry cannot exceed the enabled PCT quantity. The enabled PCT quantity is shown in the `rtrv-pct` output. The EAGLE 5 ISS can contain a maximum of 1000 PCT entries. Perform the [Changing the Point Code and CIC Translation Quantity](#) procedure to enable the required PCT quantity if adding the new PCT entry will exceed the enabled PCT quantity and the current PCT quantity is less than 1000.

#### Canceling the `RTRV-RTE` Command

Because the `rtrv-rte` command used in this procedure can output information for a long period of time, the `rtrv-rte` command can be canceled and the output to the terminal stopped. There are three ways that the `rtrv-rte` command can be canceled.

- Press the F9 function key on the keyboard at the terminal where the `rtrv-rte` command was entered
- Enter the `canc-cmd` without the `trm` parameter at the terminal where the `rtrv-rte` command was entered
- Enter the `canc-cmd:trm=<xx>`, where `<xx>` is the terminal where the `rtrv-rte` command was entered, from another terminal other than the terminal where the `rtrv-rte` command was entered. To enter the `canc-cmd:trm=<xx>` command, the terminal must allow Security Administration commands to be entered from it and the user must be allowed to enter Security Administration commands. The terminal's permissions can be verified with the `rtrv-secu-trm` command. The user's permissions can be verified with the `rtrv-user` or `rtrv-secu-user` commands.

For more information about the `canc-cmd` command, refer to the *Commands Manual*.

1. Display the current PCT entries by entering the `rtrv-pct` command.

This is an example of the possible output.

```
rlghncxa03w 10-12-17 16:02:05 GMT EAGLE5 43.0.0

 EPCA FILTPCA REALPCA SI SSN RELCAUSE
 001-001-001 * 002-002-002 5 --- 10

 ECICS = 10 ECICE = 20
 RCICS = 30 RCICE = 40
```



```

EPCI FILTPCI REALPCI SI SSN RELCAUSE
1-001-2 2-002-2 2-002-2 3 10 ---

ECICS = ----- ECICE = -----
RCICS = ----- RCICE = -----

EPCN FILTPCN REALPCN SI SSN RELCAUSE
04-11-0-fr * 0-6-4-0-fr * --- ---

ECICS = ----- ECICE = -----
RCICS = ----- RCICE = -----

Unique EPC is 3 of 250
Unique RealPC is 3 of 250

PCT table is (3 of 1000) 1% full.

```

If adding the PCT entry will exceed the enabled PCT quantity and the enabled PCT quantity is 1000, this procedure cannot be performed.

If adding the PCT entry will exceed the enabled PCT quantity and the enabled PCT quantity is less than 1000, perform the [Changing the Point Code and CIC Translation Quantity](#) procedure to enable the new PCT quantity. The new quantity must be greater than the current enabled quantity.

If adding the PCT entry will not exceed the enabled PCT quantity, or the [Changing the Point Code and CIC Translation Quantity](#) procedure has been performed, continue the procedure by performing one of these steps.

- If no entries are displayed in the `rtrv-pct` output, continue the procedure with [Step 3](#).
  - If entries are displayed in the `rtrv-pct` output, continue the procedure with [Step 2](#).
2. There can be a maximum of 100 PCT entries that use the same emulated point code value. There can be a maximum of 100 PCT entries that use the same real point code value.

The EAGLE 5 ISS contain a maximum of 250 unique emulated point code values and 250 unique real point code values.

If adding the new PCT entry will not exceed these maximum quantities, continue the procedure with [Step 3](#).

If adding the new PCT entry will exceed these maximum quantities, the new PCT entry must contain one or more of these point code values, depending on the quantity that will be exceeded.

- If the EAGLE 5 ISS contains 100 PCT entries that use the same emulated point code value, a different emulated point code value must be used for the new PCT entry.
  - If the EAGLE 5 ISS contains 100 PCT entries that use the same real point code value, a different real point code value must be used for the new PCT entry.
  - If the EAGLE 5 ISS contains a maximum of 250 unique emulated point code values, the new entry must contain one of these emulated point code values.
  - If the EAGLE 5 ISS contains a maximum of 250 unique real point code values, the new entry must contain one of these real point code values.
  - Continue the procedure with [Step 3](#)
3. Display the self-identification of the EAGLE 5 ISS using the `rtrv-sid` command.

This is an example of the possible output.

```

rlghncxa03w 10-12-10 11:43:04 GMT EAGLE5 43.0.0
PCA PCI PCN CLLI PCTYPE
100-100-100 3-75-7 7-9-8-1-fr rlghncxa03w OTHER

CPCA
102-002-002 102-002-003 102-002-004 102-002-005
102-002-006 102-002-007 102-002-008 102-002-009
004-002-001 004-003-003 050-060-070

CPCA (LNP)
005-005-002 005-005-004 005-005-005

CPCI
1-002-1 1-002-2 1-002-3 1-002-4
2-001-1 7-222-7

CPCN
0-1-9-0-fr 0-1-11-2-fr 0-1-14-0-fr 0-2-0-2-fr
0-3-2-0=fr 0-3-7-0-fr 0-3-12-0-fr

```

The emulated point code, real point code, or filter point code values cannot be shown in the `rtrv-sid` output.

4. Display the current secondary point codes, using the `rtrv-spc` command.

This is an example of the possible output.

```

rlghncxa03w 10-12-17 16:02:05 GMT EAGLE5 43.0.0
SPC (Secondary Point Codes)

SPCA
 001-010-010
 002-010-010
 003-010-010

SPC-I
 1-253-5
 2-254-6
 3-255-7

SPC-N
 10-01-11-1-fr
 13-02-12-0-fr

SPC-N24

none

Secondary Point Code table is (8 of 40) 20% full

```

The emulated point code, real point code, and filter point code values cannot be shown in the `rtrv-spc` output.

5. Display the current route configuration using the `rtrv-rte` command. This is an example of the possible output.

```

rlghncxa03w 10-12-07 11:43:04 GMT EAGLE5 43.0.0
Extended Processing Time may be Required

 DPCA ALIASI ALIASN/N24 LSN RC APCA
 140-012-004 1-111-1 10-13-12-1-fr ls000001 10 240-012-002
 ls000002 10 240-012-002
 ls000003 20 240-012-002
 ls000004 30 240-012-002
 ls000005 40 240-012-002
 ls000006 50 240-012-002
 RTX:No CLLI=dp1
 140-012-005 1-111-2 10-13-12-2-fr ls000001 10 240-012-002
 ls000002 10 240-012-002
 ls000003 20 240-012-002
 ls000004 30 240-012-002
 ls000005 40 240-012-002
 ls000006 50 240-012-002
 RTX:No CLLI=dp2
 DPCI ALIASN/N24 ALIASA LSN RC APC
 2-234-5 11-13-3-3-fr 240-111-111 ls100001 10 1-234-5
 ls100002 10 1-234-6
 ls100003 20 1-234-7
 ls100004 30 1-234-1
 ls100005 40 1-234-2
 ls100006 50 1-234-3
 RTX:No CLLI=idp1
 DPCN ALIASA ALIASI LSN RC APC
 12-12-13-3-fr 011-222-111 0-001-1 ls200001 10 10-13-9-3
 ls200002 10 10-13-10-0
 ls200003 20 10-13-10-1
 ls200004 30 10-13-10-2
 ls200005 40 10-13-10-3
 ls200006 50 10-13-11-0
 RTX:No CLLI=ndp1

 DPCN24 ALIASA ALIASI LSN RC APC

```

The real point code value, and the filter point code value if a point code value is specified for the filter point code parameter, must be the DPC of a routeset that contains at least one route.

The real point code value must be a full point code and cannot be a spare point code, a private point code, or a 24-bit ITU-N point code.

The filter point code value can be a full point code, a cluster point code, or a network routing point code. The filter point code value cannot be a spare point code, a private point code, or a 24-bit ITU-N point code.

The emulated point code, real point code, and filter point code values must be the same network type, either ANSI, ITU-I, or a 14-bit ITU-N point codes.

If the 14-bit ITU-N point codes contain group codes, the group codes of the emulated point code, real point code, and filter point code values must be the same.

If the required point codes for the PCT entry are not shown in the `rtrv-rte` output, perform one of these procedures to add the routes with the required point code values.

- [Adding a Route Containing an SS7 DPC](#)
- [Adding a Route Containing a Cluster Point Code](#)

- [Adding a Route Containing an IPGWx Linkset](#)

If the required point codes for the PCT entry are shown in the `rtrv-rte` output, or one of the Adding a Route procedures was performed, continue the procedure with [Step 6](#).

6. Add the PCT entry by entering the `ent-pct` command.

The `epc/epca/epci/epcn` and `realpc/realpca/realpci/realpcn` must be specified with the `ent-pct` command. All other parameters are optional.

The values for the `ent-pct` parameters and the rules for specifying these parameters are shown in [Table 51: ENT-PCT Parameters](#).

For this example, enter these commands.

```
ent-pct:epca=007-007-007:realpca=008-008-008:filtpca=009-009-009:si=3:ssn=135
```

```
ent-pct:epca=007-007-007:realpca=008-008-008:filtpca=010-010-010:si=5
:ecics=200:ecice=224:rcics=300:rcice=324:relcause=50
```

When each of these commands have successfully completed, this message should appear.

```
rlghncxa03w 10-12-17 15:35:05 GMT EAGLE5 43.0.0
ENT-PCT: MASP A - COMPLTD
```

7. Verify the changes using the `rtrv-pct` command with the parameters and values that were entered in [Step 6](#).

For this example, enter these commands.

```
rtrv-pct:epca=007-007-007:realpca=008-008-008:filtpca=009-009-009:si=3:ssn=135
```

This is an example of the possible output.

```
rlghncxa03w 10-12-17 16:02:05 GMT EAGLE5 43.0.0

 EPCA FILTPCA REALPCA SI SSN RELCAUSE
 007-007-007 009-009-009 008-008-008 3 135 ---

 ECICS = ----- ECICE = -----
 RCICS = ----- RCICE = -----

Unique EPC is 4 of 250
Unique RealPC is 4 of 250

PCT table is (5 of 1000) 1% full.
```

```
rtrv-pct:epca=007-007-007:realpca=008-008-008:filtpca=010-010-010:si=5
:ecics=200:ecice=224:rcics=200:rcice=224:relcause=50
```

This is an example of the possible output.

```
rlghncxa03w 10-12-17 16:02:05 GMT EAGLE5 43.0.0

 EPCA FILTPCA REALPCA SI SSN RELCAUSE
 007-007-007 010-010-010 008-008-008 5 --- 50

 ECICS = 200 ECICE = 224
```

```

RCICS = 300 RCICE = 324

Unique EPC is 4 of 250
Unique RealPC is 4 of 250

PCT table is (5 of 1000) 1% full.
```

8. Back up the new changes using the `chg-db:action=backup:dest=fixed` command. These messages should appear; the active Maintenance and Administration Subsystem Processor (MASP) appears first.

```

BACKUP (FIXED) : MASP A - Backup starts on active MASP.
BACKUP (FIXED) : MASP A - Backup on active MASP to fixed disk complete.
BACKUP (FIXED) : MASP A - Backup starts on standby MASP.
BACKUP (FIXED) : MASP A - Backup on standby MASP to fixed disk complete.
```

## Removing a Point Code and CIC Translation Entry

This procedure is used to remove a PCT (point code and CIC translation) entry from the database, using the `dlt-pct` command.

The `dlt-pct` command uses these parameters.

- :epc/epca/epci/epcn – The emulated point code of the PCT entry shown in the EPCA, EPCI or EPCN columns.
- :realpc/realpca/realpci/realpcn – The real point code of the PCT entry shown in the REALPCA, REALPCI or REALPCN columns.
- :filtpc/filtpca/filtpci/filtpcn – The filter point code of the PCT entry shown in the FILTPCA, FILTPCI or FILTPCN columns.
- :si – The service indicator value of the PCT entry shown in the SI column.
- :ssn – The subsystem number value of the PCT entry shown in the SSN column.
- :ecics – The emulated CIC start value of the PCT entry shown in the ECICS field.
- :ecice – The emulated CIC end value of the PCT entry shown in the ECICE field.
- :rcics – The real CIC start value of the PCT entry shown in the RCICS field.
- :rcice – The real CIC end value of the PCT entry shown in the RCICE field.

The PCT entry that is being removed must exist in the database. The values for the parameters of the PCT entry must be entered as shown in the `rtrv-pct` output. If dashes are shown in a field or column, the field or column has no value and the parameter that corresponds to that field or column cannot be specified with the `dlt-pct` command.

1. Display the PCT entries by entering the `rtrv-pct` command.

This is an example of the possible output.

```

rlghncxa03w 10-12-17 16:02:05 GMT EAGLE5 43.0.0

 EPCA FILTPCA REALPCA SI SSN RELCAUSE
 001-001-001 * 002-002-002 5 --- 10

 ECICS = 10 ECICE = 20
 RCICS = 30 RCICE = 40

 EPCI FILTPCI REALPCI SI SSN RELCAUSE
 1-001-2 2-002-2 2-002-2 3 10 ---

 ECICS = ----- ECICE = -----
 RCICS = ----- RCICE = -----

 EPCN FILTPCN REALPCN SI SSN RELCAUSE
 00300 * 00200 * --- ---

 ECICS = ----- ECICE = -----
 RCICS = ----- RCICE = -----

Unique EPC is 3 of 250
Unique RealPC is 3 of 250

PCT table is (3 of 1000) 1% full.

```

If no entries are shown in the `rtrv-pct` output, this procedure cannot be performed.

If entries are shown in the `rtrv-pct` output, continue the procedure with [Step 2](#).

- Remove the PCT entry from the database using the `dlt-pct` command with the values shown in the columns and fields of the PCT entry, shown in [Step 1](#), that is being removed. For this example, enter this command.

```
dlt-pct:epca=001-001-001:realpca=002-002-002:filtpca=*:si=5:ecics=10
:ecice=20:rcics=30:rcice=40
```

When the `dlt-pct` command has successfully completed, this message should appear.

```

rlghncxa03w 10-12-17 15:35:05 GMT EAGLE5 43.0.0
DLT-PCT: MASP A - COMPLTD

```

- Verify the changes using the `rtrv-pct` command with the parameters and values specified in [Step 2](#). For this example, enter this command.

```
rtrv-pct:epca=001-001-001:realpca=002-002-002:filtpca=*:si=5:ecics=10
:ecice=20:rcics=30:rcice=40
```

This message should appear.

```
E5401 Cmd Rej: Single translation entry not found
```

4. Back up the new changes, using the `chg-db:action=backup:dest=fixed` command. These messages should appear; the active Maintenance and Administration Subsystem Processor (MASP) appears first.

```
BACKUP (FIXED) : MASP A - Backup starts on active MASP.
BACKUP (FIXED) : MASP A - Backup on active MASP to fixed disk complete.
BACKUP (FIXED) : MASP A - Backup starts on standby MASP.
BACKUP (FIXED) : MASP A - Backup on standby MASP to fixed disk complete.
```

## Configuring the Point Code and CIC Translation STP Option

This procedure is used to configure the STP option for the PCT (Point Code and CIC Translation) feature using the `chg-stpopts` command with the `pct` parameter. The `pct` parameter has three values.

- `on` – The PCT feature is applied to all MSUs.
- `off` – The PCT feature is not applied to any MSUs.
- `lset` – The PCT feature is applied to incoming MSUs or outgoing MSUs on a linkset whose PCT option value is `on`.

The default value for the `pct` parameter is `off`.

The value of the `pct` parameter is shown in the `PCT` field of the `rtrv-stpopts` output. The `PCT` field of the `rtrv-stpopts` is shown only if a PCT quantity is enabled.

1. Display the features that are enabled by entering the `rtrv-ctrl-feat` command.

The following is an example of the possible output.

```
rlghncxa03w 10-12-28 21:15:37 GMT EAGLE5 43.0.0
The following features have been permanently enabled:

Feature Name Partnum Status Quantity
Command Class Management 893005801 on ----
LNP Short Message Service 893006601 on ----
Intermed GTT Load Sharing 893006901 on ----
XGTT Table Expansion 893006101 on 4000000
XMAP Table Expansion 893007710 on 3000
Large System # Links 893005901 on 1500
Routesets 893006401 on 6000
HC-MIM SLK Capacity 893012707 on 64

The following features have been temporarily enabled:

Feature Name Partnum Status Quantity Trial Period Left
Zero entries found.

The following features have expired temporary keys:

Feature Name Partnum
Zero entries found.
```

If a PCT quantity is not enabled, perform the [Changing the Point Code and CIC Translation Quantity](#) procedure to enable a PCT quantity. The value of the `PCT` field in the `rtrv-stpopts` output is

set to the default value `off`. After the [Changing the Point Code and CIC Translation Quantity](#) procedure has been performed, continue the procedure with [Step 3](#).

If a PCT quantity is enabled, continue the procedure with [Step 2](#).

2. Display the existing value for the `pct` parameter by entering the `rtrv-stpopts` command. This is an example of the possible output.

```
rlghncxa03w 10-12-17 16:02:05 GMT EAGLE5 43.0.0
STP OPTIONS

PCT off
```

**Note:** The `rtrv-stpopts` command output contains other fields that are not used by this procedure. If you wish to see all the fields displayed by the `rtrv-stpopts` command, see the `rtrv-stpopts` command description in the *Commands Manual*.

3. Change the value of the `pct` parameter. Enter one of these commands.
  - a) To change the `pct` parameter value to `off`, enter this command.
 

```
chg-stpopts:pct=off
```
  - b) To change the `pct` parameter value to `on`, enter this command.
 

```
chg-stpopts:pct=on
```
  - c) To change the `pct` parameter value to `lset`, enter this command.
 

```
chg-stpopts:pct=lset
```

When this command has successfully completed, this message should appear.

```
rlghncxa03w 10-12-17 16:02:05 GMT EAGLE5 43.0.0
CHG-STPOPTS: MASP A - COMPLTD
```

4. Verify the changes using the `rtrv-stpopts` command. This is an example of the possible output.

```
rlghncxa03w 10-12-17 16:02:05 GMT EAGLE5 43.0.0
STP OPTIONS

PCT lset
```

**Note:** The `rtrv-stpopts` command output contains other fields that are not used by this procedure. If you wish to see all the fields displayed by the `rtrv-stpopts` command, see the `rtrv-stpopts` command description in the *Commands Manual*.

5. Back up the new changes using the `chg-db:action=backup:dest=fixed` command. These messages should appear, the active Maintenance and Administration Subsystem Processor (MASP) appears first.

```
BACKUP (FIXED) : MASP A - Backup starts on active MASP.
BACKUP (FIXED) : MASP A - Backup on active MASP to fixed disk complete.
BACKUP (FIXED) : MASP A - Backup starts on standby MASP.
BACKUP (FIXED) : MASP A - Backup on standby MASP to fixed disk complete.
```



## Configuring the Point Code and CIC Translation Linkset Option

This procedure is used to configure the PCT (point code and CIC translation) option for a linkset using the `chg-lsopsts` command with the `pct` and `lsn` parameters.

The `pct` parameter has two values.

- `on` – The PCT feature is applied to incoming MSUs or outgoing MSUs on a linkset.
- `off` – The PCT feature is not applied to incoming MSUs or outgoing MSUs on a linkset.

The default value for the `pct` parameter is `off`.

The `lsn` parameter value is the name of the linkset that is being changed. The `lsn` value is shown in the LSN column of the `rtrv-ls` output.

The value of the `pct` parameter of the linkset can be changed only if a PCT quantity is enabled. The `pct` parameter value the linkset will effect the linkset's traffic only if the PCT value in the `rtrv-stpopts` output is `lset`.

The value of the `pct` parameter of the linkset is shown when an individual linkset is displayed by entering the `rtrv-ls:lsn=<linkset name>` command. The `pct` parameter value is shown in the PCT column.

### Canceling the RTRV-LS Command

Because the `rtrv-ls` command used in this procedure can output information for a long period of time, the `rtrv-ls` command can be canceled and the output to the terminal stopped. There are three ways that the `rtrv-ls` command can be canceled.

- Press the F9 function key on the keyboard at the terminal where the `rtrv-ls` command was entered.
- Enter the `canc-cmd` without the `trm` parameter at the terminal where the `rtrv-ls` command was entered.
- Enter the `canc-cmd:trm=<xx>`, where `<xx>` is the terminal where the `rtrv-ls` command was entered, from another terminal other than the terminal where the `rtrv-ls` command was entered. To enter the `canc-cmd:trm=<xx>` command, the terminal must allow Security Administration commands to be entered from it and the user must be allowed to enter Security Administration commands. The terminal's permissions can be verified with the `rtrv-secu-trm` command. The user's permissions can be verified with the `rtrv-user` or `rtrv-secu-user` commands.

For more information about the `canc-cmd` command, go to the *Commands Manual*.

1. Display the features that are enabled by entering the `rtrv-ctrl-feat` command.

The following is an example of the possible output.

```
rlghncxa03w 10-12-28 21:15:37 GMT EAGLE5 43.0.0
The following features have been permanently enabled:
```

| Feature Name              | Partnum   | Status | Quantity |
|---------------------------|-----------|--------|----------|
| Command Class Management  | 893005801 | on     | ----     |
| LNP Short Message Service | 893006601 | on     | ----     |
| Intermed GTT Load Sharing | 893006901 | on     | ----     |
| XGTT Table Expansion      | 893006101 | on     | 4000000  |
| XMAP Table Expansion      | 893007710 | on     | 3000     |

```

Large System # Links 893005901 on 1500
Routesets 893006401 on 6000
HC-MIM SLK Capacity 893012707 on 64

```

The following features have been temporarily enabled:

```

Feature Name Partnum Status Quantity Trial Period Left
Zero entries found.

```

The following features have expired temporary keys:

```

Feature Name Partnum
Zero entries found.

```

If a PCT quantity is not enabled, perform the [Changing the Point Code and CIC Translation Quantity](#) procedure to enable a PCT quantity. The PCT value for all linksets is set to the default value `off` and the value of the PCT field in the `rtrv-stpopts` output is set to the default value `off`. After the [Changing the Point Code and CIC Translation Quantity](#) procedure has been performed, continue the procedure with [Step 2](#).

If a PCT quantity is enabled, continue the procedure with [Step 2](#).

2. Display the linksets in the database by entering the `rtrv-ls` command. This is an example of the possible output.

```

rlghncxa03w 10-12-10 11:43:04 GMT EAGLE5 43.0.0
 L3T SLT GWS GWS GWS
LSN APCA (SS7) SCRNLST SET BEI LST LNKS ACT MES DIS SLSCI NIS
ele2 001-207-000 none 1 1 no B 6 off off off no off
ls05 002-009-003 scr2 1 1 no C 4 on off on no off
ls1305 000-005-000 none 1 1 no A 1 off off off no off
ls1307 000-007-000 none 1 1 no A 1 off off off no off
elm1s1 001-001-001 none 1 1 no A 7 off off off no off
elm1s2 001-001-002 none 1 1 no A 7 off off off no off

 L3T SLT GWS GWS GWS
LSN APCI (SS7) SCRNLST SET BEI LST LNKS ACT MES DIS SLSCI NIS
ele2i 1-207-0 none 1 1 no B 4 off off off --- on
ls1315 0-015-0 none 1 1 no A 1 off off off --- off
ls1317 0-017-0 none 1 1 no A 1 off off off --- on
elm2s1 1-011-1 none 1 1 no A 7 off off off --- off
elm2s2 1-011-2 none 1 1 no A 7 off off off --- off

Link set table is (11 of 1024) 1% full.

```

3. Display the attributes of the linkset that is being changed by entering the `rtrv-ls` command with the name of the linkset shown in [Step 2](#). For this example, enter these commands.

```
rtrv-ls:lsn=ls05
```

This is an example of the possible output.

```

rlghncxa03w 10-12-17 11:43:04 GMT EAGLE5 43.0.0
 L3T SLT GWS GWS GWS
LSN APCA (SS7) SCRNLST SET BEI LST LNKS ACT MES DIS SLSCI NIS
ls05 002-009-003 scr2 1 1 no C 4 on off on no off

```

```

 SPCA CLLI TFATCABMLQ MTPRSE ASL8
 ----- -
 2 --- no

RANDSLS
off

IPSG IPGWAPC GTTMODE CGGTMOD PCT
no no CdPA no off

 L2T PCR PCR
 SET BPS ECM N1 N2
LOC LINK SLC TYPE SET BPS ECM N1 N2
1205 b 0 LIMDS0 1 56000 BASIC --- -----
1213 b 1 LIMDS0 1 56000 BASIC --- -----
1211 a 2 LIMDS0 1 56000 BASIC --- -----
1207 b 3 LIMDS0 1 56000 BASIC --- -----

Link set table is (24 of 1024) 2% full

```

4. Change the PCT value of the linkset by entering one of these commands. The new PCT value of the linkset must be different from the current value.

a) To change the `pct` parameter value to `off`, enter this command.

```
chg-lsopts:lsn=ls05:pct=off
```

b) To change the `pct` parameter value to `on`, enter this command.

```
chg-lsopts:lsn=ls05:pct=on
```

When this command has successfully completed, this message should appear.

```

rlghncxa03w 10-12-07 00:22:57 GMT EAGLE5 43.0.0
Link set table is (24 of 1024) 2% full.
CHG-LSOPTS: MASP A - COMPLTD

```

5. Verify the changes by entering the `rtrv-ls` command with the name of the linkset that was specified in [Step 4](#). For this example, enter this command.

This is an example of the possible output.

```

rlghncxa03w 10-12-17 11:43:04 GMT EAGLE5 43.0.0

 L3T SLT GWS GWS GWS
LSN APCA (SS7) SCR N SET SET BEI LST LNKS ACT MES DIS SLSCI NIS
ls05 002-009-003 scr2 1 1 no C 4 on off on no off

 SPCA CLLI TFATCABMLQ MTPRSE ASL8
 ----- -
 2 --- no

RANDSLS
off

IPSG IPGWAPC GTTMODE CGGTMOD PCT
no no CdPA no on

 L2T PCR PCR
 SET BPS ECM N1 N2
LOC LINK SLC TYPE SET BPS ECM N1 N2
1205 b 0 LIMDS0 1 56000 BASIC --- -----
1213 b 1 LIMDS0 1 56000 BASIC --- -----
1211 a 2 LIMDS0 1 56000 BASIC --- -----

```

```

 1207 b 3 LIMDS0 1 56000 BASIC --- -----
Link set table is (24 of 1024) 2% full

```

The PCT value of the linkset will have no effect on the linkset's traffic unless the PCT value shown in the `rtrv-stpopts` output ([Step 6](#)) is `lset`.

6. Display the existing value for the `pct` parameter by entering the `rtrv-stpopts` command. This is an example of the possible output.

```

rlghncxa03w 10-12-17 16:02:05 GMT EAGLE5 43.0.0
STP OPTIONS

PCT lset

```

**Note:** The `rtrv-stpopts` command output contains other fields that are not used by this procedure. If you wish to see all the fields displayed by the `rtrv-stpopts` command, see the `rtrv-stpopts` command description in the *Commands Manual*.

If the PCT value is `lset`, continue the procedure with [Step 7](#).

If the PCT value is either `on` or `off`, perform one of these actions.

- If you wish to change the PCT value to `lset`, perform the [Configuring the Point Code and CIC Translation STP Option](#) procedure. This procedure is finished.
  - If you do not wish to change the PCT value to `lset`, continue the procedure with [Step 7](#)
7. Back up the new changes using the `chg-db:action=backup:dest=fixed` command. These messages should appear, the active Maintenance and Administration Subsystem Processor (MASP) appears first.

```

BACKUP (FIXED) : MASP A - Backup starts on active MASP.
BACKUP (FIXED) : MASP A - Backup on active MASP to fixed disk complete.
BACKUP (FIXED) : MASP A - Backup starts on standby MASP.
BACKUP (FIXED) : MASP A - Backup on standby MASP to fixed disk complete.

```

# Appendix

# A

## E1 Interface

---

### Topics:

- *Introduction.....546*
- *E1 Interface Configuration Procedures.....551*
- *Adding a LIM-E1 Card.....551*
- *Removing a LIM-E1 Card.....556*
- *Adding Channelized and non-Channel Bridged E1 Ports.....558*
- *Adding Channel Bridged E1 Ports.....564*
- *Adding Unchannelized E1 Ports.....571*
- *Removing the E1 Interface Parameters.....579*
- *Changing the Attributes of a Channelized E1 Port.....581*
- *Changing the Attributes of an Unchannelized E1 Port.....586*
- *Making a Channel Bridged E1 Port from a Channelized E1 Port.....589*
- *Making a Non-Channel Bridged E1 Port from a Channel Bridged E1 Port.....598*
- *Adding an E1 Signaling Link.....602*

Appendix A, E1 Interface, contains general information about the E1 interface and how to provision it.

## Introduction

The E1 interface terminates or distributes E1 facility signals for the purpose of processing the SS7 signaling links carried by the E1 carrier. The E1 interface can be either a an E1/T1 MIM card, an HC-MIM, or an E5-E1T1 card as shown in [Figure 26: E1/T1 MIM Block Diagram](#), and [Figure 27: HC-MIM or E5-E1T1 Block Diagram](#). The E1/T1 MIM, or HC-MIM, or E5-E1T1 card can also be used as a T1 interface. This appendix describes how an E1 interface is configured using either the the E1/T1 MIM card, or HC-MIM, or E5-E1T1 card. The T1 interface configuration is described in [T1 Interface](#).

**Note:** The procedures in this appendix are used only to configure E1 signaling links on the E1/T1MIM card, HC-MIM, or E5-E1T1 card. To configure an E1 high-speed signaling link (on the LIME1ATM card), go to the [Adding an ATM High-Speed Signaling Link](#) procedure.

The E1/T1 MIM card contains up to eight signaling links and allows the EAGLE 5 ISS to contain more than 500 signaling links.

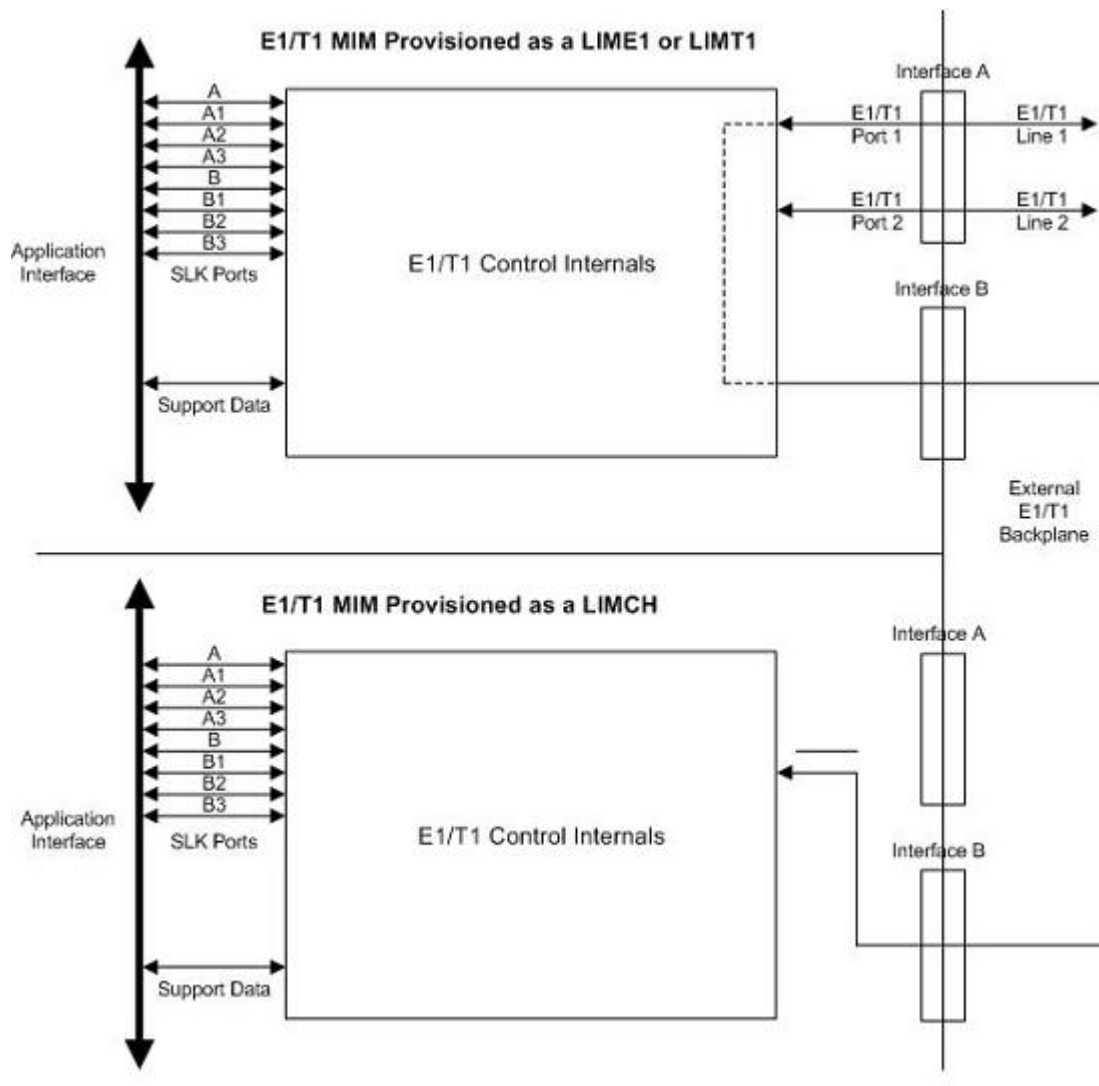


Figure 26: E1/T1 MIM Block Diagram

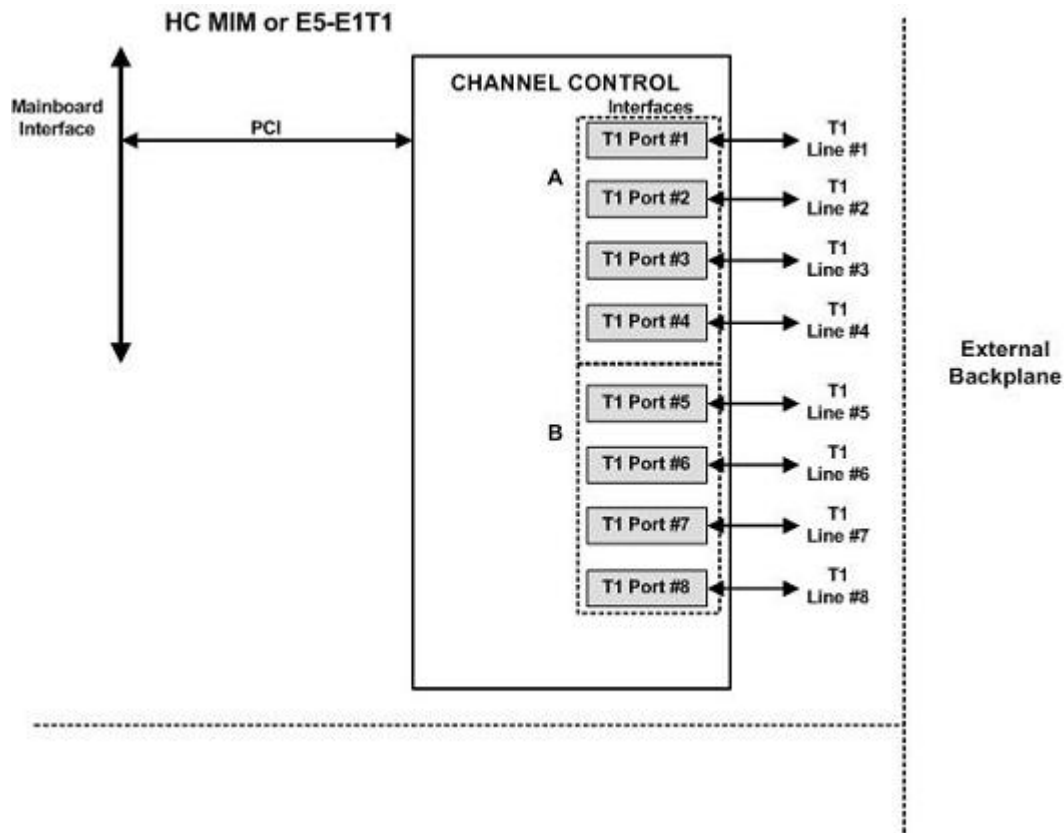


Figure 27: HC-MIM or E5-E1T1 Block Diagram

Table 52: *Functional Overview of the E1 and Channel Card* provides an overview of the functions of the E1 card and the channel card.

Table 52: Functional Overview of the E1 and Channel Card

| Card    | Function                                                                                                                                                                                                                                                                                                                                                                                                                     |
|---------|------------------------------------------------------------------------------------------------------------------------------------------------------------------------------------------------------------------------------------------------------------------------------------------------------------------------------------------------------------------------------------------------------------------------------|
| E1      | <ul style="list-style-type: none"> <li>Connectivity of both E1 interfaces to a 120 Ohm or 75 Ohm E1 interface. An external adapter is required for the 75 Ohm interface.</li> <li>Processing up to a total of eight (only two if an E1T1 MIM is being used) time slots from the E1 interfaces</li> <li>Interface E1 port 1 through an external backplane to channel cards for processing of additional time slots</li> </ul> |
| Channel | <ul style="list-style-type: none"> <li>Processing up to eight (only two if an E1T1 MIM configured as a channel card is being used) time slots from the E1 interface</li> <li>Interface through an external backplane to an E1 card to process up to eight (only two if an</li> </ul>                                                                                                                                         |



| Card | Function                                                        |
|------|-----------------------------------------------------------------|
|      | E1T1 MIM configured as a channel card is being used) time slots |

### Configured as an E1 Card

Configured as an E1 card, two separate and independent E1 inputs can be terminated on an E1 card. If an E1/T1 MIM is being used, one to eight bi-directional channels are extracted from the E1 inputs and processed as SS7 signaling links. Implemented as E1 Link Interface Modules, up to thirty two separate and independent E1 inputs can be terminated in an Extension Shelf. The E1 card can support signaling links transmitting at either 56 kbps or 64 kbps.

### Configured as a Channel Card

In an Extension shelf equipped with an E1 cabling backplane, an E1 card terminates one or two E1 inputs and connects the E1 port 1 input to one of eight available busses on the E1 cabling backplane. Channel cards also connected to the E1 cabling backplane are able to extract any eight signaling channels from the same E1 port 1 input. In this manner, up to 31 E1 channels can be used for signaling - the 32<sup>nd</sup> channel is reserved for E1 synchronization. The E1 card can support signaling links transmitting at either 56 kbps or 64 kbps.

**Note:** An HC-MIM or E5-E1T1 card cannot be used as a channel card.

### High Capacity Multi-Channel Interface Module (HC-MIM) and Eagle 5 - E1 T1 Interface (E5-E1T1)

The High Capacity Multi-Channel Interface Module (HC-MIM) and Eagle 5 - E1 T1 Interface (E5-E1T1) provide access to eight E1 ports residing on backplane connectors A and B. Each data stream consists of 31 E1 DS0 signaling links assigned in a time-division multiplex manner. Each channel occupies a unique timeslot in the data stream and can be selected as a local signaling link on the interface card. A maximum of 64 E1 signaling links can be assigned to an HC-MIM. A maximum of 32 E1 signaling links can be assigned to an E5-E1T1 card.

To support the processing of signaling channels that are intermixed on trunks with voice or data channels, the HC-MIM and E5-E1T1 card allows E1 ports to be channel bridged. This allows better utilization of E1 bandwidth without dedicating entire trunks to signaling.

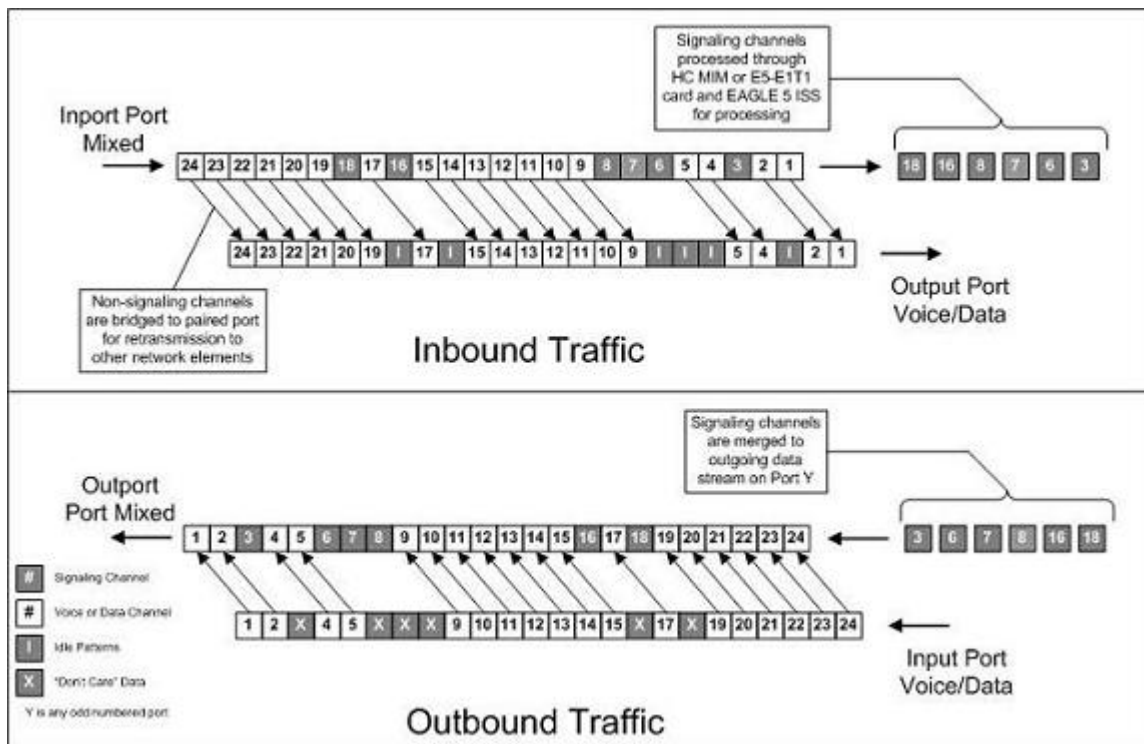


Figure 28: Channel Bridging

Channel bridging is implemented by pairing odd and even E1 ports. The E1 port selected for channel bridging is the odd numbered port (1, 3, 5, 7). When the E1 port is selected for channel bridging, it is paired with its adjacent even numbered port (2, 4, 6, 8) as shown in [Table 53: Channel Bridging E1 Port Pairing](#).

Table 53: Channel Bridging E1 Port Pairing

| Odd Numbered E1 Port (Bridging Master) | Even Numbered E1 Port Bridged to the Odd Numbered E1 Port (Bridging Slave) |
|----------------------------------------|----------------------------------------------------------------------------|
| 1                                      | 2                                                                          |
| 3                                      | 4                                                                          |
| 5                                      | 6                                                                          |
| 7                                      | 8                                                                          |

By pairing E1 ports, the adjacent even numbered E1 port could be used to allow data received on the bridging master (odd) E1 port to reach downstream network elements. This interface is a bi-directional interface so data is also able to enter the bridging slave (even) E1 port and leave the EAGLE 5 ISS through the bridging master (odd) E1 port. There is a 1 to 1 correspondence between the timeslots on the bridging master and slave E1 ports.

In order to use channel bridging without facility errors, both E1 ports (bridging master and slave) must be synchronous (timed off the same clock source). This may be accomplished in one of the following ways:

- The bridging master E1 port and the bridging slave E1 port use timing recovered from each other (using the `eltssel=recovered` parameter with either the `ent-e1` or `chg-e1` command). When provisioning channel bridged E1 port, only the bridging master E1 port is provisioned with the `ent-e1` or `chg-e1` command. The bridging slave E1 port is automatically provisioned with the same attributes as the bridging master E1 port.
- Both the bridging master and slave E1 ports are using an external clock source (using the `eltssel=external` parameter when provisioning the channel bridged E1 port with either the `ent-e1` or `chg-e1` command).

Any other methods used for timing could cause problems on the E1 trunk and are not supported.

Idle patterns on the shadow channels, that is, the timeslots located on the bridging slave E1 port that have been not been dropped from the bridging master E1 port, are provided by the EAGLE 5 ISS. All other idle timeslots that are not dropped by the EAGLE 5 ISS must contain an idle pattern provided by the remote network elements connected to both E1 ports (bridging master and slave). Without these patterns on the idle timeslots, instability of the E1 signaling link may occur.

Provisioning of signaling links on the bridging slave E1 port is not allowed while the bridging master E1 port is channel bridged.

## E1 Interface Configuration Procedures

This appendix contains these procedures because they contain information specific to the E1 Interface:

- [Adding a LIM-E1 Card](#)
- [Removing a LIM-E1 Card](#)
- [Adding Channelized and non-Channel Bridged E1 Ports](#)
- [Adding Channel Bridged E1 Ports](#)
- [Adding Unchannelized E1 Ports](#)
- [Removing the E1 Interface Parameters](#)
- [Changing the Attributes of a Channelized E1 Port](#)
- [Changing the Attributes of an Unchannelized E1 Port](#)
- [Making a Channel Bridged E1 Port from a Channelized E1 Port](#)
- [Making a Non-Channel Bridged E1 Port from a Channel Bridged E1 Port](#)
- [Adding an E1 Signaling Link](#)

Procedures for configuring the linksets and routes, for removing SS7 signaling links (which includes E1 signaling links), and for configuring the HC MIM temperature alarms are contained in [SS7 Configuration](#) interface, therefore, are not included in this appendix.

The procedures contained in this appendix use a variety of commands. If more information on these commands is needed, go to the *Commands Manual* to find the required information.

### Adding a LIM-E1 Card

The LIM-E1 card is provisioned as either an E1 card or a channel card in the database using the `ent-card` command. The card being provisioned in the database can be one of these cards shown in [Table 54: E1 Card Part Numbers](#).

**Table 54: E1 Card Part Numbers**

| Card Type | Part Number |
|-----------|-------------|
| E1/T1MIM  | 870-2198-XX |
| HC- MIM   | 870-2671-XX |
| E5-E1T1   | 870-1873-XX |

The `ent-card` command uses these parameters.

`:loc` – The location of the card being added to the database.

**Note:** The HC-MIM can be inserted only in a odd-numbered card location. The HC-MIM will not power up if it is inserted in an even-numbered card location. All the E1 backplane cabling should be removed from the B connector for the slot that the HC-MIM will occupy.

The HC-MIM occupies two card locations, so the even numbered card location adjacent to the odd numbered slot where the HC-MIM has been inserted must be empty, as shown in [Table 55: HC-MIM Card Locations](#). The HC-MIM is connected to the network through the odd numbered card slot connector.

**Table 55: HC-MIM Card Locations**

| Location of the HC-MIM | Empty Card Location | Location of the HC-MIM | Empty Card Location |
|------------------------|---------------------|------------------------|---------------------|
| Slot 01                | Slot 02             | Slot 11                | Slot 12             |
| Slot 03                | Slot 04             | Slot 13                | Slot 14             |
| Slot 05                | Slot 06             | Slot 15                | Slot 16             |
| Slot 07                | Slot 08             | Slot 17                | Slot 18             |

The E1, E1/T1 MIM and E5-E1T1 cards occupy one card location. These cards can be placed in any card location except for even numbered card locations whose adjacent odd numbered card location is occupied by a card that occupies two card locations.

`:type` – The type of card being added to the database. For this procedure, the value of this parameter is `lime1` (E1 card) or `limch` (channel card).

**Note:** The HC-MIM and E5-E1T1 card cannot be provisioned as a channel card.

`:appl` – The application software that is assigned to the card. For this procedure, the value of this parameter is either `ccs7itu` or `ss7ansi`.

The shelf to which the card is to be added must already be in the database. This can be verified with the `rtrv-shlf` command. If the shelf is not in the database, see the Adding a Shelf procedure in the *Database Administration Manual - System Management*.

The examples in this procedure are used to add the LIM-E1 cards in card locations 1201, 1202, 1203, 1204, 1211, and 1212 to the database.

1. Display the cards in the EAGLE 5 ISS using the `rtrv-card` command.

```

rlghncxa03w 09-05-28 09:12:36 GMT EAGLE5 41.0.0
CARD TYPE APPL LSET NAME LINK SLC LSET NAME LINK SLC
1102 TSM GLS
1113 GSPM OAM
1114 TDM-A
1115 GSPM OAM
1116 TDM-B
1117 MDAL
1316 DCM STPLAN

```

The cards should be distributed throughout the EAGLE 5 ISS for proper power distribution. Refer to the *Installation Manual - EAGLE 5 ISS* for the shelf power distribution.

2. Verify that the correct hardware has been installed on the EAGLE 5 ISS to support the E1 card as shown in the *Installation Manual - EAGLE 5 ISS*.
3. Physically verify that the E1 card has been installed into the card location that will be specified in [step 6](#).

If the E1 card is an HC-MIM, make sure the HC-MIM is installed according to the card location requirements shown in [Table 55: HC-MIM Card Locations](#). If a card is installed and provisioned in the even numbered card location adjacent to the desired odd numbered card, either choose another card location to install and provision the HC-MIM, or remove the card in the even-numbered card location by performing the appropriate procedure shown in [Table 56: Card Removal Procedures](#).

**Note:** Channel cards must be installed in the same shelf as the E1 card that is servicing the timeslots on those channel cards.

**Table 56: Card Removal Procedures**

| Card Application                  | Procedure                                                                                                                                                                                                                    |
|-----------------------------------|------------------------------------------------------------------------------------------------------------------------------------------------------------------------------------------------------------------------------|
| SS7ANSI, ATMANSI, CCS7ITU, ATMITU | "Removing an SS7 LIM" in Chapter 4, "System Configuration Procedures" in the <i>Database Administration Manual - System Management</i> .<br><a href="#">Removing a LIM-E1 Card</a><br><a href="#">Removing a LIM-T1 Card</a> |
| VSCCP                             | Removing a Service Module in Chapter 2 in the <i>Database Administration Manual - Global Title Translation</i>                                                                                                               |
| GLS                               | Removing a GLS Card in Chapter 2, Gateway Screening (GWS) Overview, in the <i>Database Administration Manual - Gateway Screening</i>                                                                                         |
| STPLAN                            | "Removing an STP LAN Card" in the <i>Database Administration Manual - Features</i>                                                                                                                                           |
| IPLIM, IPLIMI, SS7IPGW, IPGWI     | "Removing an IPLIMx Card" or Removing an IPGWx Card" in the <i>Database Administration Manual - IP7 Secure Gateway</i>                                                                                                       |

| Card Application | Procedure                                                                                                                             |
|------------------|---------------------------------------------------------------------------------------------------------------------------------------|
| IPSG             | "Removing an IPSG Card" in the <i>Database Administration Manual - IP7 Secure Gateway</i>                                             |
| EROUTE           | "Removing an STC Card" in the <i>Database Administration Manual - Features</i>                                                        |
| MCP              | "Removing an MCPM" in Chapter 4, "System Configuration Procedures" in the <i>Database Administration Manual - System Management</i> . |
| IPS              | "Removing an IPSM" in Chapter 4, "System Configuration Procedures" in the <i>Database Administration Manual - System Management</i> . |

**Note:** If the E1 card being added in this procedure is not an HC-MIM or E5-E1T1 card, continue the procedure with [Step 7](#).

- If the card is an EPM-B based card (E5-E1T1-B), enter the `rtrv-stpopts` command to verify whether or not the MFC option is on. If the card is not an EPM-B based card, continue the procedure with [Step 5](#)

This is an example of the possible output.

```
rlghncxa03w 11-10-17 16:02:05 GMT EAGLE5 44.0.0
STP OPTIONS

MFC off
```

The `rtrv-stpopts` command output contains other fields that are not used by this procedure. To see all fields displayed by the `rtrv-stpopts` command, see the `rtrv-stpopts` command description in the *Commands Manual*.

If the MFC option is off, perform the Configuring the MFC Option procedure in *Database Administration - System Management* to turn on the MFC option.

If the MFC option is on or the MFC Option procedure in *Database Administration - System Management* was performed in this step, continue the procedure with [Step 5](#).

- The Fan feature must be turned on. Enter the `rtrv-feat` command to verify that the Fan feature is on.

If the Fan feature is on, shown in the `rtrv-feat` output in this step, the FAN field should be set to on.

The `rtrv-feat` command output contains other fields that are not used by this procedure. To see all fields displayed by the `rtrv-feat` command, see the `rtrv-feat` command description in the *Commands Manual*.

If the Fan feature is on, continue the procedure with [Step 7](#).

If the Fan feature is off, continue the procedure with [Step 6](#).

6. Turn the Fan feature on by entering this command.

```
chg-feat:fan=on
```

**Note:** Once the Fan feature is turned on with the `chg-feat` command, it cannot be turned off.

When the `chg-feat` has successfully completed, this message appears.

```
rlghncxa03w 11-10-28 11:43:04 GMT EAGLE5 44.0.0
CHG-FEAT: MASP A - COMPLTD
```

7. Add the card using the `ent-card` command. If the LIM-E1 card is an HC-MIM, the HC-MIM can be only in a odd-numbered card location, and cannot be provisioned as a channel card. The E5-E1T1 card cannot be provisioned as a channel card. The E1/T1MIM and E5-E1T1 cards occupy only one card location. These cards can be placed in any card location except for even numbered card locations whose adjacent odd numbered card location is occupied by a card that occupies two card locations.

For this example, enter these commands.

```
ent-card:loc=1201:type=lime1:appl=ccs7itu
```

```
ent-card:loc=1202:type=limch:appl=ccs7itu
```

```
ent-card:loc=1203:type=lime1:appl=ccs7itu
```

```
ent-card:loc=1204:type=limch:appl=ccs7itu
```

```
ent-card:loc=1211:type=lime1:appl=ccs7itu
```

```
ent-card:loc=1212:type=limch:appl=ccs7itu
```

When each of these commands have successfully completed, this message should appear.

```
rlghncxa03w 06-10-12 09:12:36 GMT EAGLE5 36.0.0
ENT-CARD: MASP A - COMPLTD
```

8. Verify the changes using the `rtrv-card` command with the card location specified in [Step 7](#).

For this example, enter these commands.

```
rtrv-card:loc=1201
```

```
rlghncxa03w 06-10-28 09:12:36 GMT EAGLE5 36.0.0
CARD TYPE APPL LSET NAME LINK SLC LSET NAME LINK SLC
1201 LIME1 CCS7ITU
```

```
rtrv-card:loc=1202
```

```
rlghncxa03w 06-10-28 09:12:36 GMT EAGLE5 36.0.0
CARD TYPE APPL LSET NAME LINK SLC LSET NAME LINK SLC
1202 LIMCH CCS7ITU
```

```
rtrv-card:loc=1203
```

```
rlghncxa03w 06-10-28 09:12:36 GMT EAGLE5 36.0.0
```

```
CARD TYPE APPL LSET NAME LINK SLC LSET NAME LINK SLC
1203 LIME1 CCS7ITU
```

```
rtrv-card:loc=1204
```

```
rlghncxa03w 06-10-28 09:12:36 GMT EAGLE5 36.0.0
CARD TYPE APPL LSET NAME LINK SLC LSET NAME LINK SLC
1204 LIMCH CCS7ITU
```

```
rtrv-card:loc=1211
```

```
rlghncxa03w 06-10-28 09:12:36 GMT EAGLE5 36.0.0
CARD TYPE APPL LSET NAME LINK SLC LSET NAME LINK SLC
1211 LIME1 CCS7ITU
```

```
rtrv-card:loc=1212
```

```
rlghncxa03w 06-10-28 09:12:36 GMT EAGLE5 36.0.0
CARD TYPE APPL LSET NAME LINK SLC LSET NAME LINK SLC
1212 LIMCH CCS7ITU
```

9. Back up the new changes using the `chg-db:action=backup:dest=fixed` command.

These messages should appear, the active Maintenance and Administration Subsystem Processor (MASP) appears first.

```
BACKUP (FIXED) : MASP A - Backup starts on active MASP.
BACKUP (FIXED) : MASP A - Backup on active MASP to fixed disk complete.
BACKUP (FIXED) : MASP A - Backup starts on standby MASP.
BACKUP (FIXED) : MASP A - Backup on standby MASP to fixed disk complete.
```

## Removing a LIM-E1 Card

This procedure is used to remove either an E1 card or a channel card from the database using the `dlt-card` command. The card being removed must exist in the database.

If an E1 card is being removed, then no E1 interfaces can be assigned to the card. This can be verified with the `rtrv-e1` command. Go to the [Removing the E1 Interface Parameters](#) procedure to remove the E1 interfaces assigned to the E1 card being removed from the database.

If only a channel card is being removed from the database, then no SS7 signaling links can be assigned to the card. This can be verified with the `rtrv-slk` command. Go to the [Removing an SS7 Signaling Link](#) procedure to remove the signaling links assigned to the channel card being removed from the database.



**CAUTION**

**Caution:** If the E1 card or channel card is the last SS7LIM in service, removing this card from the database will cause SS7 traffic to be lost and isolate the EAGLE 5 ISS from the network.

The examples in this procedure are used to remove the E1 cards in card locations 1202 and 1203.

1. Display the cards in the database using the `rtrv-card` command.

```
rlghncxa03w 09-05-28 09:12:36 GMT EAGLE5 41.0.0
CARD TYPE APPL LSET NAME LINK SLC LSET NAME LINK SLC
1102 TSM GLS
1113 GSPM OAM
1114 TDM-A
1115 GSPM OAM
1116 TDM-B
1117 MDAL
1201 LIME1 CCS7ITU lsne12 A 0
1202 LIMCH CCS7ITU lsne12 A 1
1203 LIME1 CCS7ITU lsne13
1204 LIMCH CCS7ITU lsne13
1211 LIME1 CCS7ITU lsne145 A 0
1212 LIMCH CCS7ITU lsne145 A 1 lsne145 A2 2
1316 DCM STPLAN
```

**Note:** If an E1 card is being removed from the database, skip step 2 and go to step 3.

2. Display the signaling links on the channel card you wish to remove by entering the `rtrv-slk` command, specifying the card location shown in the `rtrv-card` command output. For this example, enter this command.

```
rtrv-slk:loc=1202
```

```
rlghncxa03w 06-10-19 21:17:04 GMT EAGLE5 36.0.0

LOC LINK LSN SLC TYPE L2T PCR PCR E1 E1
1202 A lsne12 1 LIMCH 1 64000 BASIC --- ---- 1201 2 1
```

Go to the [Removing an SS7 Signaling Link](#) procedure to remove the signaling links assigned to the channel card.

**Note:** If only a channel card is being removed from the database, skip step 3 and go to step 4.

3. Display the E1 interfaces assigned to the E1 card being removed from the database using the `rtrv-e1` command with no parameters.

```
rlghncxa03w 06-10-19 21:17:04 GMT EAGLE5 36.0.0

E1
LOC PORT CRC4 CAS ENCODE E1TSEL SI SN CHANBRDG LINK MINSU
1201 2 ON OFF HDB3 LINE 0 0 ----- CHAN ----
1203 1 OFF ON HDB3 EXTERNAL 3 6 ----- CHAN ----
```

Go to the [Removing the E1 Interface Parameters](#) procedure to remove the E1 interfaces assigned to the E1 card.

- Remove the card using the `dlt-card` command. The `dlt-card` command has only one parameter, `loc`, which is the location of the card. For this example, enter these commands.

```
dlt-card:loc=1201
```

```
dlt-card:loc=1203
```

- Verify the changes using the `rtrv-card` command specifying the card that was removed in step 4. For this example, enter these commands.

```
rtrv-card:loc=1201
```

```
rtrv-card:loc=1202
```

When these commands have successfully completed, this message should appear.

```
E2144 Cmd Rej: Location invalid for hardware configuration
```

- Back up the new changes using the `chg-db:action=backup:dest=fixed` command. These messages should appear, the active Maintenance and Administration Subsystem Processor (MASP) appears first.

```
BACKUP (FIXED) : MASP A - Backup starts on active MASP.
BACKUP (FIXED) : MASP A - Backup on active MASP to fixed disk complete.
BACKUP (FIXED) : MASP A - Backup starts on standby MASP.
BACKUP (FIXED) : MASP A - Backup on standby MASP to fixed disk complete.
```

## Adding Channelized and non-Channel Bridged E1 Ports

The channelized and non-channel bridged E1 ports are provisioned in the database using the `ent-e1` command using these parameters.

`:loc` – The location of the E1 card (card type `lime1`) that is servicing the E1 signaling link. The location of a channel card (card type `limch`) cannot be specified for this parameter.

`:e1port` – The E1 port on the E1 card used to service the E1 signaling link. The `e1port` value cannot already be assigned to the E1 card specified by the `loc` parameter.

`:crc4` – Specifies whether or not CRC4 is enabled on the E1 signaling link. The default value is on (`crc4=on`).

`:cas` – Specifies whether CAS or CCS is used on the E1 signaling link. CAS is enabled with the `cas=on` parameter. CCS is enabled with the `cas=off` parameter. The default value is CCS enabled (`cas=off`). The `cas=on` parameter cannot be specified for an HC-MIM or an E5-E1T1 card.

`:encode` – Specifies the type of encoding or decoding that is used on the E1 signaling link, either HDB3 or AMI. The default value is HDB3 encoding (`encode=hdb3`). AMI encoding can be specified only for an E1/T1 MIM, an HC-MIM, or an E5-E1T1 card.

`:e1tsel` – The timing source for the E1 signaling link, master (`external`), slave (`line`), or recovered. The default value is slave timing (`e1tsel=line`).

The recovered timing source can be used only with the `chanbrdg=on` parameter and cannot be used in this procedure.

**Note:** To use an external high-speed master clock source other than RS-422, TDMs 870-0774-15 or later must be installed in card locations 1114 and 1116, and the TDM Global Timing Interface options must be configured. For more information, see [Configuring the Options for the TDM Global Timing Interface](#).

:`si` – Specifies the value of the two spare international bits of NFAS data, from 0 to 3. The default value is 0 (`si=0`).

:`sn` – Specifies the value of the five spare national bits of NFAS data, from 0 to 31. The default value is 0 (`sn=0`).

The `ent-e1` command contains other parameters that are not used in this procedure. These parameters and their usage are described in these sections:

- `eltsel=recovered`, `chanbrdg`, and `force=yes` – [Adding Channel Bridged E1 Ports](#).
- `linkclass` and `minsurate` – [Adding Unchannelized E1 Ports](#).

The E1 card specified in this procedure must be in the database. This can be verified with the `rtrv-card` command.

If the `cas=on` parameter is specified with the `ent-e1` command, timeslot 16 cannot be used when the E1 signaling link is provisioned with the `ent-slk` command in [Adding an E1 Signaling Link](#).

The E1 card cannot contain channelized and unchannelized E1 ports.

1. Display the existing E1 interfaces in the database using the `rtrv-e1` command with no parameters. This is an example of the possible output.

```
rlghncxa03w 06-10-19 21:17:04 GMT EAGLE5 36.0.0
```

| E1   |      |      |     |        |          |    |    |          |            |            |
|------|------|------|-----|--------|----------|----|----|----------|------------|------------|
| LOC  | PORT | CRC4 | CAS | ENCODE | E1TSEL   | SI | SN | CHANBRDG | LINK CLASS | MINSU RATE |
| 1201 | 1    | ON   | OFF | HDB3   | EXTERNAL | 2  | 6  | -----    | CHAN       | ----       |
| 1201 | 2    | ON   | OFF | HDB3   | EXTERNAL | 3  | 5  | -----    | CHAN       | ----       |
| 1202 | 1    | ON   | OFF | HDB3   | EXTERNAL | 1  | 10 | -----    | CHAN       | ----       |
| 1203 | 1    | ON   | OFF | HDB3   | EXTERNAL | 1  | 11 | -----    | CHAN       | ----       |
| 1203 | 2    | ON   | OFF | HDB3   | EXTERNAL | 3  | 7  | -----    | CHAN       | ----       |
| 1204 | 1    | ON   | OFF | HDB3   | EXTERNAL | 3  | 8  | -----    | CHAN       | ----       |
| 1211 | 2    | ON   | OFF | HDB3   | EXTERNAL | 0  | 0  | -----    | CHAN       | ----       |
| 1212 | 1    | ON   | OFF | HDB3   | EXTERNAL | 1  | 1  | -----    | CHAN       | ----       |
| 1213 | 1    | ON   | OFF | HDB3   | EXTERNAL | 2  | 2  | -----    | CHAN       | ----       |
| 1213 | 5    | ON   | OFF | HDB3   | EXTERNAL | 3  | 3  | -----    | CHAN       | ----       |

Continue the procedure by performing one of these substeps.

- a) If the E1 card that the E1 port is being assigned to in this procedure is not shown in the `rtrv-e1` output, or if the E1 card has unchannelized E1 ports assigned to it, continue the procedure with [Step 2](#) to verify if there are any E1 cards in the database that have no E1 ports assigned to them.
- b) If the `rtrv-e1` output shows that the E1 card has channel bridged E1 ports assigned to it, or that E1 ports 3, 4, 5, 6, 7, or 8 are assigned to the E1 card, the E1 card is an HC MIM or an E5-E1T1 card. Continue the procedure with [Step 8](#) to add the E1 port with the parameters allowed for an HC MIM or an E5-E1T1 card.
- c) If the `rtrv-e1` output shows that the E1 card does not have channel bridged E1 ports assigned to it, or that E1 ports 3, 4, 5, 6, 7, or 8 are not assigned to the E1 card, verify the type of E1 card that the E1 port will be assigned to. The E1 card types and their part numbers are shown in

*Table 54: E1 Card Part Numbers.* If the E1 card is an E1/T1 MIM, continue the procedure with [Step 8](#) to add the E1 port with the parameters allowed for an E1/T1 MIM. If the E1 card is an HC MIM or an E5-E1T1 card, continue the procedure by performing one of these steps.

- If the E1 cards shown in this step are on the same shelf as the card that will contain the E1 port that is being added, and these cards have E1 ports 3 through 8 provisioned, contain channel bridged E1 ports, or unchannelized E1 ports, continue the procedure with [Step 8](#).
  - If the E1 cards shown in this step are not on the same shelf as the card that will contain the E1 port that is being added, continue the procedure with [Step 3](#).
  - If the E1 cards shown in this step are on the same shelf as the card that will contain the E1 port that is being added, and these cards do not have E1 ports 3 through 8 provisioned, do not contain channel bridged E1 ports, or do not have unchannelized E1 ports, continue the procedure with [Step 3](#).
- d) If the E1 card you wish to use in this procedure has all the E1 ports that are allowed to be assigned to it, select another E1 card to add the E1 port to, or continue the procedure with [Step 2](#) to verify if there are any E1 cards in the database that have no E1 ports assigned to them. [Table 57: Maximum Number of E1 Ports](#) shows the number of E1 ports that are allowed for the different E1 card types.

**Table 57: Maximum Number of E1 Ports**

| E1 Card Types | Maximum Number of E1 Ports |
|---------------|----------------------------|
| E1/T1 MIM     | 2                          |
| HC MIM        | 8                          |
| E5-E1T1       | 8                          |

2. Display the cards in the EAGLE 5 ISS using the `rtrv-card` command. This is an example of the possible output.

```

rlghncxa03w 09-05-28 09:12:36 GMT EAGLE5 41.0.0
CARD TYPE APPL LSET NAME LINK SLC LSET NAME LINK SLC
1102 TSM GLS
1113 GSPM OAM
1114 TDM-A
1115 GSPM OAM
1116 TDM-B
1117 MDAL
1201 LIME1 CCS7ITU lsn1 A 13 lsn1 B 12
1202 LIMCH CCS7ITU lsn1 A 0 lsn1 B 8
1203 LIME1 CCS7ITU lsn1 A1 4 lsn1 B1 9
1204 LIMCH CCS7ITU lsn1 A2 5 lsn1 A3 6
1211 LIME1 CCS7ITU lsn1 A 14
1212 LIMCH CCS7ITU lsn1 A 10 lsn1 B 11
1213 LIME1 CCS7ITU lsn1 A4 1 lsn1 A5 7
 lsn1 B5 2 lsn1 A6 3
1316 DCM STPLAN

```

Continue the procedure by performing one of these substeps.

- a) If the desired E1 card is not shown in the `rtrv-card` output, perform [Adding a LIM-E1 Card](#) to add the desired E1 card. If you wish to assign E1 ports 3, 4, 5, 6, 7, or 8 to the E1 card, the E1

card being added must be an HC MIM or an E5-E1T1 card. If the new E1 card is an E1/T1 MIM, continue the procedure with [Step 8](#) to add the E1 port with the parameters allowed for an E1/T1 MIM.

- b) If the desired E1 card is shown in the `rtrv-card` output, verify the type of E1 card that the E1 port will be assigned to. The E1 card types and their part numbers are shown in [Table 54: E1 Card Part Numbers](#). If the E1 card is an E1/T1 MIM, continue the procedure with [Step 8](#) to add the E1 port with the parameters allowed for an E1/T1 MIM.
  - c) If the E1 card that will be used in this procedure is an HC MIM or an E5-E1T1 card, continue the procedure by performing one of these steps.
    - If E1 cards are shown in [Step 1](#) that are on the same shelf as the card that will contain the E1 port that is being added, and these cards have E1 ports 3 through 8 provisioned, contain channel bridged E1 ports, or unchannelized E1 ports, continue the procedure with [Step 8](#) to add the E1 port with the parameters allowed for an HC MIM or an E5-E1T1 card.
    - If no E1 cards, shown in [Step 1](#), are not on the same shelf as the card that will contain the E1 port that is being added, continue the procedure with [Step 3](#).
    - If E1 cards are shown in [Step 1](#) that are on the same shelf as the card that will contain the E1 port that is being added, and these cards do not have E1 ports 3 through 8 provisioned, do not contain channel bridged E1 ports, or do not have unchannelized E1 ports, continue the procedure with [Step 3](#).
3. Verify that HIPR cards are installed in card locations 9 and 10 in the shelf containing the HC MIM or E5-E1T1 card that will contain the E1 port being added in this procedure by entering this command.

```
rept-stat-gpl:gpl=hipr
```

This is an example of the possible output.

```
rlghncxa03w 09-05-01 11:40:26 GMT EAGLE5 41.0.0
GPL CARD RUNNING APPROVED TRIAL
HIPR 1109 126-002-000 126-002-000 126-003-000
HIPR 1110 126-002-000 126-002-000 126-003-000
HIPR 1209 126-002-000 126-002-000 126-003-000
HIPR 1210 126-002-000 126-002-000 126-003-000
HIPR 1309 126-002-000 126-002-000 126-003-000
HIPR 1310 126-002-000 126-002-000 126-003-000
HIPR 2109 126-002-000 126-002-000 126-003-000
HIPR 2110 126-002-000 126-002-000 126-003-000
Command Completed
```

If HIPR cards are installed in the shelf containing the HC MIM or E5-E1T1 card, continue the procedure by performing one of these steps.

- If the card is an E5-E1T1 card, continue the procedure with [Step 8](#).
- If the card is an HC MIM, continue the procedure with [Step 5](#).

If HIPR cards are not installed on the shelf containing the HC MIM or E5-E1T1 card, continue the procedure with [Step 4](#).

4. Verify that HIPR2 cards are installed in card locations 9 and 10 in the shelf containing the HC MIM or E5-E1T1 card that will contain the E1 port being added in this procedure by entering this command.

```
rept-stat-gpl:gpl=hipr2
```

This is an example of the possible output.

```

rlghncxa03w 09-07-05 08:12:53 GMT 41.1.0
GPL CARD RUNNING APPROVED TRIAL
HIPR2 1109 126-002-000 126-002-000 126-003-000
HIPR2 1110 126-002-000 126-002-000 126-003-000
HIPR2 1209 126-002-000 126-002-000 126-003-000
HIPR2 1210 126-002-000 126-002-000 126-003-000
HIPR2 1309 126-002-000 126-002-000 126-003-000
HIPR2 1310 126-002-000 126-002-000 126-003-000
HIPR2 2109 126-002-000 126-002-000 126-003-000
HIPR2 2110 126-002-000 126-002-000 126-003-000
Command Completed

```

If HIPR2 cards are installed in the shelf containing the HC MIM or E5-E1T1 card, continue the procedure by performing one of these steps.

- If the card is an E5-E1T1 card, continue the procedure with [Step 8](#).
- If the card is an HC MIM, continue the procedure with [Step 5](#).

If HIPR or HIPR2 cards are not installed on the shelf containing the HC MIM or E5-E1T1 card, go to the *Installation Manual - EAGLE 5 ISS* and install the HIPR or HIPR2 cards. Once the HIPR or HIPR2 cards have been installed, continue the procedure by performing one of these steps.

- If the card is an E5-E1T1 card, continue the procedure with [Step 8](#).
- If the card is an HC MIM, continue the procedure with [Step 5](#).

5. Verify whether or not that the Fan feature is on, by entering the `rtrv-feat` command. If the Fan feature is on, the entry `FAN = on` appears in the `rtrv-feat` command output.

**Note:** The `rtrv-feat` command output contains other fields that are not used by this procedure. If you wish to see all the fields displayed by the `rtrv-feat` command, see the `rtrv-feat` command description in the *Commands Manual*.

If the Fan feature is on, continue the procedure with [Step 8](#).

If the Fan feature is off, continue the procedure with [Step 6](#).

6. Turn the Fan feature on by entering this command.

```
chg-feat : fan=on
```

**Note:** Once the Fan feature is turned on with the `chg-feat` command, it cannot be turned off.

The Fan feature must be purchased before you turn this feature on with the `chg-feat` command. If you are not sure if you have purchased the Fan feature, contact your Tekelec Sales Representative or Account Representative.

When the `chg-feat` has successfully completed, this message appears.

```

rlghncxa03w 09-05-28 11:43:04 GMT EAGLE5 41.0.0
CHG-FEAT: MASP A - COMPLTD

```

7. The shelf containing the HC MIM being added in this procedure must have fans installed. Verify whether or not fans are installed on the shelf.

If the fans are installed, continue the procedure with [Step 8](#).

If the fans are not installed on the shelf containing the HC MIM, go to the *Installation Manual - EAGLE 5 ISS* and install the fans. After the fans have been installed and tested, continue the procedure with [Step 8](#).

8. Add the new E1 interface information to the database using the `ent -e1` command and the parameter combinations shown in [Table 58: E1 Interface Parameter Combinations](#), based on the type of E1 card being used.

**Table 58: E1 Interface Parameter Combinations**

| E1/T1 MIM                                                                                                                                                                                                                                   | HC-MIM or an E5 E1T1 Card without Channel Bridging |
|---------------------------------------------------------------------------------------------------------------------------------------------------------------------------------------------------------------------------------------------|----------------------------------------------------|
| Mandatory Parameters                                                                                                                                                                                                                        |                                                    |
| :loc=location of the E1card                                                                                                                                                                                                                 | :loc=location of the E1 card                       |
| :e1port=1, 2                                                                                                                                                                                                                                | :e1port=1, 2, 3, 4, 5, 6, 7, 8                     |
| Optional Parameters                                                                                                                                                                                                                         |                                                    |
| :cas = on, off<br>Default value = off                                                                                                                                                                                                       | :cas=off<br>Default value = off                    |
| :crc4=on, off<br>Default value = on                                                                                                                                                                                                         | :crc4=on, off<br>Default value = on                |
| :encode=ami, hdb3<br>Default value = hdb3                                                                                                                                                                                                   | :encode=ami, hdb3<br>Default value = hdb3          |
| :si=0 - 3<br>Default value = 0                                                                                                                                                                                                              | :si=0 - 3<br>Default value = 0                     |
| :sn=0 - 31<br>Default value = 0                                                                                                                                                                                                             | :sn=0 - 31<br>Default value = 0                    |
| :e1tsel=line, external<br>Default value = line                                                                                                                                                                                              | :e1tsel=line, external<br>Default value = line     |
| Notes:                                                                                                                                                                                                                                      |                                                    |
| 1. Channel cards cannot be specified with the <code>ent -e1</code> command.                                                                                                                                                                 |                                                    |
| 2. To configure the E1 port for master timing, use the <code>e1tsel=external</code> parameter.                                                                                                                                              |                                                    |
| 3. The <code>linkclass=chan</code> parameter configures a channelized E1 port. Specifying the <code>linkclass=chan</code> parameter in this procedure is unnecessary as this is the default value for the <code>linkclass</code> parameter. |                                                    |

For this example, enter these commands.

```
ent-e1:loc=1203:e1port=2:encode=hdb3:e1tsel=line:si=1:sn=7
```

```
ent-e1:loc=1211:e1port=2:crc4=on:encode=hdb3:e1tsel=line
```

9. Verify the changes using the `rtrv-e1` command specifying the card location and the `e1port` value specified in [Step 8](#). For this example, enter these commands.

```
rtrv-e1:loc=1203:e1port=2
```

```
rlghncxa03w 06-10-28 09:12:36 GMT EAGLE5 36.0.0
```

| LOC  | E1<br>PORT | CRC4 | CAS   | ENCODE | E1TSEL | SI   | SN    | CHANBRDG | LINK<br>CLASS | MINSU<br>RATE |
|------|------------|------|-------|--------|--------|------|-------|----------|---------------|---------------|
| 1203 | 2          | OFF  | OFF   | HDB3   | LINE   | 1    | 7     | -----    | CHAN          | ----          |
| TS0  | (N/A)      | TS8  | ----- | TS16   | -----  | TS24 | ----- |          |               |               |
| TS1  | -----      | TS9  | ----- | TS17   | -----  | TS25 | ----- |          |               |               |
| TS2  | -----      | TS10 | ----- | TS18   | -----  | TS26 | ----- |          |               |               |
| TS3  | -----      | TS11 | ----- | TS19   | -----  | TS27 | ----- |          |               |               |
| TS4  | -----      | TS12 | ----- | TS20   | -----  | TS28 | ----- |          |               |               |
| TS5  | -----      | TS13 | ----- | TS21   | -----  | TS29 | ----- |          |               |               |
| TS6  | -----      | TS14 | ----- | TS22   | -----  | TS30 | ----- |          |               |               |
| TS7  | -----      | TS15 | ----- | TS23   | -----  | TS31 | ----- |          |               |               |

```
rtrv-e1:loc=1211:e1port=2
```

```
rlghncxa03w 06-10-28 09:12:36 GMT EAGLE5 36.0.0
```

| LOC  | E1<br>PORT | CRC4 | CAS   | ENCODE | E1TSEL | SI   | SN    | CHANBRDG | LINK<br>CLASS | MINSU<br>RATE |
|------|------------|------|-------|--------|--------|------|-------|----------|---------------|---------------|
| 1211 | 2          | ON   | OFF   | HDB3   | LINE   | 0    | 0     | -----    | CHAN          | ----          |
| TS0  | (N/A)      | TS8  | ----- | TS16   | -----  | TS24 | ----- |          |               |               |
| TS1  | -----      | TS9  | ----- | TS17   | -----  | TS25 | ----- |          |               |               |
| TS2  | -----      | TS10 | ----- | TS18   | -----  | TS26 | ----- |          |               |               |
| TS3  | -----      | TS11 | ----- | TS19   | -----  | TS27 | ----- |          |               |               |
| TS4  | -----      | TS12 | ----- | TS20   | -----  | TS28 | ----- |          |               |               |
| TS5  | -----      | TS13 | ----- | TS21   | -----  | TS29 | ----- |          |               |               |
| TS6  | -----      | TS14 | ----- | TS22   | -----  | TS30 | ----- |          |               |               |
| TS7  | -----      | TS15 | ----- | TS23   | -----  | TS31 | ----- |          |               |               |

10. Back up the new changes using the `chg-db:action=backup:dest=fixed` command. These messages should appear, the active Maintenance and Administration Subsystem Processor (MASP) appears first.

```
BACKUP (FIXED) : MASP A - Backup starts on active MASP.
BACKUP (FIXED) : MASP A - Backup on active MASP to fixed disk complete.
BACKUP (FIXED) : MASP A - Backup starts on standby MASP.
BACKUP (FIXED) : MASP A - Backup on standby MASP to fixed disk complete.
```

## Adding Channel Bridged E1 Ports

The channel bridged E1 ports are provisioned in the database using the `ent-e1` command using these parameters.



:loc – The location of the E1 card (card type `lime1`) that is servicing the E1 signaling link. The E1 card must be an HC-MIM or an E5-E1T1 card. The location of a channel card (card type `limch`) cannot be specified for this parameter.

:elport – The E1 port on the E1 card used to service the E1 signaling link. The `elport` value cannot already be assigned to the E1 card specified by the `loc` parameter.

:crc4 – Specifies whether or not CRC4 is enabled on the E1 signaling link. The default value is `on` (`crc4=on`).

:cas – Specifies whether CAS or CCS is used on the E1 signaling link. CAS is enabled with the `cas=on` parameter. CCS is enabled with the `cas=off` parameter. The default value is CCS enabled (`cas=off`). The `cas=on` parameter cannot be specified for an HC-MIM or an E5-E1T1 card.

:encode – Specifies the type of encoding or decoding that is used on the E1 signaling link, either HDB3 or AMI. The default value is HDB3 encoding (`encode=hdb3`).

:eltsel – The timing source for the E1 signaling link, master (`external`) or recovered. The default value is slave timing (`eltsel=line`) which cannot be used for a channel bridged E1 port.

The `recovered` timing source can be used only with the `chanbrdg=on` parameter and uses the even numbered member of the bridged-pair as a clock source, ensuring that port in the pair can recover the timing from its partner.

**Note:** To use an external high-speed master clock source other than RS-422, TDMs 870-0774-15 or later must be installed in card locations 1114 and 1116, and the TDM Global Timing Interface options must be configured. For more information, see [Configuring the Options for the TDM Global Timing Interface](#).

:si – Specifies the value of the two spare international bits of NFAS data, from 0 to 3. The default value is 0 (`si=0`).

:sn – Specifies the value of the five spare national bits of NFAS data, from 0 to 31. The default value is 0 (`sn=0`).

:force=yes – Required when the even numbered E1 port being channel bridged is provisioned in the database before this procedure is performed.

:chanbrdg – Specifies whether or not the odd numbered E1 port specified in this procedure is channel bridged to its adjacent even numbered E1 port. [Table 59: Channel Bridging Ports](#) shows the E1 ports that can be specified with the `chanbrdg=on` parameter and the even-numbered E1 ports that are bridged to the odd numbered E1 port.

**Table 59: Channel Bridging Ports**

| Odd Numbered E1 Port | Even Numbered Bridged E1 Port |
|----------------------|-------------------------------|
| 1                    | 2                             |
| 3                    | 4                             |
| 5                    | 6                             |
| 7                    | 8                             |

The `ent-e1` command contains the `linkclass` and `minsurate` parameters that are not used in this procedure. These parameters and their usage are described in [Adding Unchannelized E1 Ports](#).

The E1 card specified in this procedure must be in the database. This can be verified with the `rtrv-card` command.

The E1 card cannot contain channelized and un-channelized E1 ports.

1. Display the cards in the EAGLE 5 ISS using the `rtrv-card` command.

```
rlghncxa03w 09-05-28 09:12:36 GMT EAGLE5 41.0.0
CARD TYPE APPL LSET NAME LINK SLC LSET NAME LINK SLC
1102 TSM GLS
1113 GSPM OAM
1114 TDM-A
1115 GSPM OAM
1116 TDM-B
1117 MDAL
1201 LIME1 CCS7ITU lsn1 A 13 lsn1 B 12
1202 LIMCH CCS7ITU lsn1 A 0 lsn1 B 8
1203 LIME1 CCS7ITU lsn1 A1 4 lsn1 B1 9
1204 LIMCH CCS7ITU lsn1 A2 5 lsn1 A3 6
1211 LIME1 CCS7ITU lsn1 A 14
1212 LIMCH CCS7ITU lsn1 A 10 lsn1 B 11
1213 LIME1 CCS7ITU lsn1 A4 1 lsn1 A5 7
 lsn1 B5 2 lsn1 A6 3
1316 DCM STPLAN
```

If there no LIME1 cards shown in the `rtrv-card` output, perform [Adding a LIM-E1 Card](#) to add an HC-MIM or an E5-E1T1 card to the database. Continue the procedure with [Step 2](#).

If LIME1 cards are shown in the `rtrv-card` output, continue the procedure with [Step 2](#).

2. Display the existing E1 interfaces in the database using the `rtrv-e1` command with no parameters. This is an example of the possible output.

```
rlghncxa03w 06-10-19 21:17:04 GMT EAGLE5 36.0.0

 E1
LOC PORT CRC4 CAS ENCODE E1TSEL SI SN CHANBRDG CLASS MINSU
1201 1 ON OFF HDB3 EXTERNAL 2 6 ----- CHAN ----
1201 2 ON OFF HDB3 EXTERNAL 3 5 ----- CHAN ----
1202 1 ON OFF HDB3 EXTERNAL 1 10 ----- CHAN ----
1203 1 ON OFF HDB3 EXTERNAL 1 11 ----- CHAN ----
1203 2 ON OFF HDB3 EXTERNAL 3 7 ----- CHAN ----
1204 1 ON OFF HDB3 EXTERNAL 3 8 ----- CHAN ----
1211 2 ON OFF HDB3 EXTERNAL 0 0 ----- CHAN ----
1212 1 ON OFF HDB3 EXTERNAL 1 1 ----- CHAN ----
1213 1 ON OFF HDB3 EXTERNAL 2 2 ----- CHAN ----
1213 5 ON OFF HDB3 EXTERNAL 3 3 ----- CHAN ----
```

Continue the procedure by performing one of these substeps.

- a) If the `rtrv-e1` output shows that the E1 card has E1 ports 3, 4, 5, 6, 7, or 8 assigned to it, or that E1 ports on the E1 card are channel bridged, continue this procedure with [Step 3](#).
- b) Channel bridged E1 ports cannot be added to an E1 card containing unchannelized E1 ports. If the E1 card contains unchannelized E1 ports, choose another E1 card from [Step 1](#) and repeat this step, or add a new HC-MIM or an E5-E1T1 card by performing [Adding a LIM-E1 Card](#).
- c) If the `rtrv-e1` output shows that the E1 card does not have E1 ports 3, 4, 5, 6, 7, or 8 assigned to it, or that E1 ports on the E1 card are not channel bridged, verify that the E1 card that the channel bridged E1 port will be assigned to is an HC-MIM or an E5-E1T1 card. The part number

of the HC-MIM is 870-2671-XX. The part number of the E5-E1T1 is 870-1873-XX. If the E1 card is not an HC-MIM or an E5-E1T1 card, add a new HC-MIM or an E5-E1T1 card by performing [Adding a LIM-E1 Card](#).

- If an existing E1 card is being used in this procedure continue the procedure with [Step 3](#).
- If an HC-MIM or an E5-E1T1 card was added in this substep or substep b, continue the procedure by performing one of these steps.
  - If the E1 cards shown in this step are on the same shelf as the card that will contain the E1 port that is being added, and these cards have E1 ports 3 through 8 provisioned, contain channel bridged E1 ports, or unchannelized E1 ports, continue the procedure with [Step 9](#).
  - If the E1 cards shown in this step are not on the same shelf as the card that will contain the E1 port that is being added, continue the procedure with [Step 4](#).
  - If the E1 cards shown in this step are on the same shelf as the card that will contain the E1 port that is being added, and these cards do not have E1 ports 3 through 8 provisioned, do not contain channel bridged E1 ports, or do not have unchannelized E1 ports, continue the procedure with [Step 4](#).

3. Display the E1 signaling links in the EAGLE 5 ISS by entering this command.

```
rtrv-slk:class=e1
```

This is an example of the possible output.

```
rlghncxa03w 06-10-19 21:17:04 GMT EAGLE5 36.0.0
```

| LOC  | LINK | LSN  | SLC | TYPE  | L2T<br>SET | BPS   | ECM   | PCR<br>N1 | PCR<br>N2 | E1<br>LOC | E1<br>PORT | TS |
|------|------|------|-----|-------|------------|-------|-------|-----------|-----------|-----------|------------|----|
| 1201 | A    | lsn1 | 13  | LIME1 | 1          | 56000 | BASIC | ---       | -----     | 1201      | 2          | 25 |
| 1201 | B    | lsn1 | 12  | LIME1 | 1          | 56000 | BASIC | ---       | -----     | 1201      | 1          | 20 |
| 1202 | A    | lsn1 | 0   | LIMCH | 1          | 56000 | BASIC | ---       | -----     | 1201      | 1          | 5  |
| 1202 | B    | lsn1 | 8   | LIMCH | 1          | 56000 | BASIC | ---       | -----     | 1201      | 1          | 1  |
| 1203 | A1   | lsn1 | 4   | LIME1 | 1          | 56000 | BASIC | ---       | -----     | 1203      | 2          | 20 |
| 1203 | B1   | lsn1 | 9   | LIME1 | 1          | 56000 | BASIC | ---       | -----     | 1203      | 1          | 2  |
| 1204 | A2   | lsn1 | 5   | LIMCH | 1          | 56000 | BASIC | ---       | -----     | 1203      | 1          | 21 |
| 1204 | A3   | lsn1 | 6   | LIMCH | 1          | 56000 | BASIC | ---       | -----     | 1203      | 1          | 22 |
| 1211 | A    | lsn1 | 14  | LIME1 | 1          | 56000 | BASIC | ---       | -----     | 1211      | 1          | 7  |
| 1212 | A    | lsn1 | 10  | LIMCH | 1          | 56000 | BASIC | ---       | -----     | 1211      | 1          | 28 |
| 1212 | B    | lsn1 | 11  | LIMCH | 1          | 56000 | BASIC | ---       | -----     | 1211      | 1          | 25 |
| 1213 | A4   | lsn1 | 1   | LIME1 | 1          | 56000 | BASIC | ---       | -----     | 1213      | 1          | 17 |
| 1213 | A5   | lsn1 | 7   | LIME1 | 1          | 56000 | BASIC | ---       | -----     | 1213      | 5          | 23 |
| 1213 | B5   | lsn1 | 2   | LIME1 | 1          | 56000 | BASIC | ---       | -----     | 1213      | 1          | 24 |
| 1213 | A6   | lsn1 | 3   | LIME1 | 1          | 56000 | BASIC | ---       | -----     | 1213      | 5          | 19 |

If an even numbered E1 port is to be channel bridged, and that E1 port is assigned to signaling links, these signaling links must be removed before the E1 port can be channel bridged. Perform [Removing an SS7 Signaling Link](#) and remove these signaling links. After the signaling links have been removed, continue the procedure with [Step 4](#).

If the even numbered E1 port to be channel bridged is not assigned to signaling links, continue the procedure with [Step 4](#).

4. Verify that HIPR cards are installed in card locations 9 and 10 in the shelf containing the HC-MIM or E5-E1T1 card that will contain the E1 port being added in this procedure by entering this command.

```
rept-stat-gpl:gpl=hipr
```

This is an example of the possible output.

```
rlghncxa03w 09-05-01 11:40:26 GMT EAGLE5 41.0.0
GPL CARD RUNNING APPROVED TRIAL
HIPR 1109 126-002-000 126-002-000 126-003-000
HIPR 1110 126-002-000 126-002-000 126-003-000
HIPR 1209 126-002-000 126-002-000 126-003-000
HIPR 1210 126-002-000 126-002-000 126-003-000
HIPR 1309 126-002-000 126-002-000 126-003-000
HIPR 1310 126-002-000 126-002-000 126-003-000
HIPR 2109 126-002-000 126-002-000 126-003-000
HIPR 2110 126-002-000 126-002-000 126-003-000
Command Completed
```

If HIPR cards are installed in the shelf containing the HC-MIM or E5-E1T1 card, continue the procedure by performing one of these steps.

- If the card is an E5-E1T1 card, continue the procedure with [Step 9](#).
- If the card is an HC-MIM, continue the procedure with [Step 6](#).

If HIPR cards are not installed on the shelf containing the HC MIM or E5-E1T1 card, continue the procedure with [Step 5](#).

5. Verify that HIPR2 cards are installed in card locations 9 and 10 in the shelf containing the HC MIM or E5-E1T1 card that will contain the E1 port being added in this procedure by entering this command.

```
rept-stat-gpl:gpl=hipr2
```

This is an example of the possible output.

```
rlghncxa03w 09-07-05 08:12:53 GMT 41.1.0
GPL CARD RUNNING APPROVED TRIAL
HIPR2 1109 126-002-000 126-002-000 126-003-000
HIPR2 1110 126-002-000 126-002-000 126-003-000
HIPR2 1209 126-002-000 126-002-000 126-003-000
HIPR2 1210 126-002-000 126-002-000 126-003-000
HIPR2 1309 126-002-000 126-002-000 126-003-000
HIPR2 1310 126-002-000 126-002-000 126-003-000
HIPR2 2109 126-002-000 126-002-000 126-003-000
HIPR2 2110 126-002-000 126-002-000 126-003-000
Command Completed
```

If HIPR2 cards are installed in the shelf containing the HC MIM or E5-E1T1 card, continue the procedure by performing one of these steps.

- If the card is an E5-E1T1 card, continue the procedure with [Step 9](#).
- If the card is an HC MIM, continue the procedure with [Step 6](#).

If HIPR or HIPR2 cards are not installed on the shelf containing the HC MIM or E5-E1T1 card, go to the *Installation Manual - EAGLE 5 ISS* and install the HIPR or HIPR2 cards. Once the HIPR or HIPR2 cards have been installed, continue the procedure by performing one of these steps.

- If the card is an E5-E1T1 card, continue the procedure with [Step 9](#).
- If the card is an HC MIM, continue the procedure with [Step 6](#).

6. Verify whether or not that the Fan feature is on, by entering the `rtrv-feat` command. If the Fan feature is on, the entry `FAN = on` appears in the `rtrv-feat` command output.

**Note:** The `rtrv-feat` command output contains other fields that are not used by this procedure. If you wish to see all the fields displayed by the `rtrv-feat` command, see the `rtrv-feat` command description in the *Commands Manual*.

If the Fan feature is on, continue the procedure with [Step 9](#).

If the Fan feature is off, continue the procedure with [Step 7](#).

7. Turn the Fan feature on by entering this command.

```
chg-feat:fan=on
```

**Note:** Once the Fan feature is turned on with the `chg-feat` command, it cannot be turned off.

The Fan feature must be purchased before you turn this feature on with the `chg-feat` command. If you are not sure if you have purchased the Fan feature, contact your Tekelec Sales Representative or Account Representative.

When the `chg-feat` has successfully completed, this message appears.

```
rlghncxa03w 09-05-28 11:43:04 GMT EAGLE5 41.0.0
CHG-FEAT: MASP A - COMPLTD
```

8. The shelf containing the HC-MIM being added in this procedure must have fans installed. Verify whether or not fans are installed on the shelf.

If the fans are installed, continue the procedure with [Step 9](#).

If the fans are not installed on the shelf containing the HC-MIM, go to the *Installation Manual - EAGLE 5 ISS* and install the fans. After the fans have been installed and tested, continue the procedure with [Step 9](#).

9. Add the new E1 interface information to the database using the `ent -e1` command and the parameter combinations shown in [Table 60: Channel Bridged E1 Port Combinations](#).

**Table 60: Channel Bridged E1 Port Combinations**

| Mandatory Parameters                |                                 |
|-------------------------------------|---------------------------------|
| :loc=location of the E1 card        | :e1tsel=external, recovered     |
| :e1port=1, 3, 5, 7                  | :chanbrdg=on                    |
| Optional Parameters                 |                                 |
| :cas=off<br>Default value = off     | :si=0 - 3<br>Default value = 0  |
| :crc4=on, off<br>Default value = on | :sn=0 - 31<br>Default value = 0 |
| :encode=ami, hdb3                   | :force=yes                      |

|                                                                                                                                                                                                                                                                                                             |
|-------------------------------------------------------------------------------------------------------------------------------------------------------------------------------------------------------------------------------------------------------------------------------------------------------------|
| Default value = hdb3                                                                                                                                                                                                                                                                                        |
| Notes:                                                                                                                                                                                                                                                                                                      |
| 1. Channel cards cannot be specified with the ent-e1 command.                                                                                                                                                                                                                                               |
| 2. To configure the E1 port for master timing, use the eltssel=external parameter.                                                                                                                                                                                                                          |
| 3. The linkclass=chan parameter configures a channelized E1 port. Specifying the linkclass=chan parameter in this procedure is unnecessary as this is the default value for the linkclass parameter.                                                                                                        |
| 4. The E1 card cannot contain channelized and un-channelized E1 ports.                                                                                                                                                                                                                                      |
| 5. The force=yes parameter must be used when the even numbered port being channel bridged is shown in the rtrv-e1 output in <a href="#">Step 2</a> . If the even numbered port being channel bridged is not shown in the rtrv-e1 output in <a href="#">Step 2</a> , the force=yes parameter cannot be used. |

For this example, enter these commands.

```
ent-e1:loc=1301:elport=1:encode=hdb3:eltssel=external:si=1:sn=7:chanbrdg=on
ent-e1:loc=1303:elport=1:crc4=on:encode=hdb3:eltssel=recovered:chanbrdg=on
```

10. Verify the changes using the rtrv-e1 command specifying the card location and the elport value specified in [Step 9](#) . For this example, enter these commands.

```
rtrv-e1:loc=1301:elport=1
```

```
rlghncxa03w 06-10-28 09:12:36 GMT EAGLE5 36.0.0
```

| E1   |       |      |       |        |          |      |       |          | LINK  | MINSU |
|------|-------|------|-------|--------|----------|------|-------|----------|-------|-------|
| LOC  | PORT  | CRC4 | CAS   | ENCODE | E1TSEL   | SI   | SN    | CHANBRDG | CLASS | RATE  |
| 1301 | 1     | OFF  | OFF   | HDB3   | EXTERNAL | 1    | 7     | MASTER   | CHAN  | ----  |
| TS0  | (N/A) | TS8  | ----- | TS16   | -----    | TS24 | ----- |          |       |       |
| TS1  | ----- | TS9  | ----- | TS17   | -----    | TS25 | ----- |          |       |       |
| TS2  | ----- | TS10 | ----- | TS18   | -----    | TS26 | ----- |          |       |       |
| TS3  | ----- | TS11 | ----- | TS19   | -----    | TS27 | ----- |          |       |       |
| TS4  | ----- | TS12 | ----- | TS20   | -----    | TS28 | ----- |          |       |       |
| TS5  | ----- | TS13 | ----- | TS21   | -----    | TS29 | ----- |          |       |       |
| TS6  | ----- | TS14 | ----- | TS22   | -----    | TS30 | ----- |          |       |       |
| TS7  | ----- | TS15 | ----- | TS23   | -----    | TS31 | ----- |          |       |       |

```
rtrv-e1:loc=1303:elport=1
```

```
rlghncxa03w 06-10-28 09:12:36 GMT EAGLE5 36.0.0
```

| E1   |       |      |       |        |           |      |       |          | LINK  | MINSU |
|------|-------|------|-------|--------|-----------|------|-------|----------|-------|-------|
| LOC  | PORT  | CRC4 | CAS   | ENCODE | E1TSEL    | SI   | SN    | CHANBRDG | CLASS | RATE  |
| 1303 | 1     | ON   | OFF   | HDB3   | RECOVERED | 0    | 0     | MASTER   | CHAN  | ----  |
| TS0  | (N/A) | TS8  | ----- | TS16   | -----     | TS24 | ----- |          |       |       |
| TS1  | ----- | TS9  | ----- | TS17   | -----     | TS25 | ----- |          |       |       |
| TS2  | ----- | TS10 | ----- | TS18   | -----     | TS26 | ----- |          |       |       |
| TS3  | ----- | TS11 | ----- | TS19   | -----     | TS27 | ----- |          |       |       |
| TS4  | ----- | TS12 | ----- | TS20   | -----     | TS28 | ----- |          |       |       |
| TS5  | ----- | TS13 | ----- | TS21   | -----     | TS29 | ----- |          |       |       |

```

TS6 ----- TS14 ----- TS22 ----- TS30 -----
TS7 ----- TS15 ----- TS23 ----- TS31 -----

```

11. Back up the new changes using the `chg-db:action=backup:dest=fixed` command. These messages should appear, the active Maintenance and Administration Subsystem Processor (MASP) appears first.

```

BACKUP (FIXED) : MASP A - Backup starts on active MASP.
BACKUP (FIXED) : MASP A - Backup on active MASP to fixed disk complete.
BACKUP (FIXED) : MASP A - Backup starts on standby MASP.
BACKUP (FIXED) : MASP A - Backup on standby MASP to fixed disk complete.

```

## Adding Unchannelized E1 Ports

The E1 interface parameters are provisioned in the database using the `ent-e1` command using these parameters.

`:loc` – The location of the E1 card (card type `lime1`) that is servicing the E1 signaling link. The E1 card must be an HC-MIM or an E5-E1T1 card. The location of a channel card (card type `limch`) cannot be specified for this parameter.

`:e1port` – The E1 port on the E1 card used to service the E1 signaling link. The `e1port` value cannot already be assigned to the E1 card specified by the `loc` parameter.

`:crc4` – Specifies whether or not CRC4 is enabled on the E1 signaling link. The default value is on (`crc4=on`).

`:cas` – Specifies whether CAS or CCS is used on the E1 signaling link. CAS is enabled with the `cas=on` parameter. CCS is enabled with the `cas=off` parameter. The default value is CCS enabled (`cas=off`). The `cas=on` parameter cannot be specified for an HC-MIM or an E5-E1T1 card.

`:encode` – Specifies the type of encoding or decoding that is used on the E1 signaling link, either HDB3 or AMI. The default value is HDB3 encoding (`encode=hdb3`).

`:e1tsel` – The timing source for the E1 signaling link, master (`external`) or slave (`line`). The default value is slave timing (`e1tsel=line`).

**Note:** To use an external high-speed master clock source other than RS-422, TDMs 870-0774-15 or later must be installed in card locations 1114 and 1116, and the TDM Global Timing Interface options must be configured. For more information, see [Configuring the Options for the TDM Global Timing Interface](#).

`:si` – Specifies the value of the two spare international bits of NFAS data, from 0 to 3. The default value is 0 (`si=0`).

`:sn` – Specifies the value of the five spare national bits of NFAS data, from 0 to 31. The default value is 0 (`sn=0`).

`:linkclass` – Indicates whether the E1 port supports channelized (`linkclass=chan`) or un-channelized (`linkclass=unchan`) E1 signaling links.

`:minsurate` – Specifies the minimum number of signaling units (FISUs and LSSUs) per second that are transmitted on the outbound E1 signaling link during idle periods or when there is an unused

portion of the link's bandwidth. The value of this parameter is from 500 to 2000 signaling units per second, with the default value of 1000 signaling units per second. The `minsrate` parameter can be specified only when an unchannelized E1 port (`linkclass=unchan` parameter) is being configured.

The `ent-e1` command contains the `e1tsel=recovered`, `chanbrdg`, and `force=yes` parameters. These parameters are not used in this procedure. These parameters and their usage are described in [Adding Channel Bridged E1 Ports](#).

The E1 card specified in this procedure must be in the database. This can be verified with the `rtrv-card` command.

1. Display the cards in the EAGLE 5 ISS using the `rtrv-card` command.

```
rlghncxa03w 09-05-28 09:12:36 GMT EAGLE5 41.0.0
CARD TYPE APPL LSET NAME LINK SLC LSET NAME LINK SLC
1102 TSM GLS
1113 GSFP OAM
1114 TDM-A
1115 GSFP OAM
1116 TDM-B
1117 MDAL
1201 LIME1 CCS7ITU lsn1 A 13 lsn1 B 12
1202 LIMCH CCS7ITU lsn1 A 0 lsn1 B 8
1203 LIME1 CCS7ITU lsn1 A1 4 lsn1 B1 9
1204 LIMCH CCS7ITU lsn1 A2 5 lsn1 A3 6
1211 LIME1 CCS7ITU lsn1 A 14
1212 LIMCH CCS7ITU lsn1 A 10 lsn1 B 11
1213 LIME1 CCS7ITU lsn1 A4 1 lsn1 A5 7
1316 DCM STPLAN
1213 LIME1 CCS7ITU lsn1 B5 2 lsn1 A6 3
```

If there no LIME1 cards shown in the `rtrv-card` output, perform [Adding a LIM-E1 Card](#) and add an HC-MIM or an E5-E1T1 card to the database. After the card has been added, continue the procedure with [Step 2](#).

2. Display the existing E1 interfaces in the database using the `rtrv-e1` command with no parameters.

This is an example of the possible output.

```
rlghncxa03w 06-10-19 21:17:04 GMT EAGLE5 36.0.0
E1
LOC PORT CRC4 CAS ENCODE E1TSEL SI SN CHANBRDG CLASS MINSU
1201 1 ON OFF HDB3 EXTERNAL 2 6 ----- CHAN ----
1201 2 ON OFF HDB3 EXTERNAL 3 5 ----- CHAN ----
1202 1 ON OFF HDB3 EXTERNAL 1 10 ----- CHAN ----
1203 1 ON OFF HDB3 EXTERNAL 1 11 ----- CHAN ----
1203 2 ON OFF HDB3 EXTERNAL 3 7 ----- CHAN ----
1204 1 ON OFF HDB3 EXTERNAL 3 8 ----- CHAN ----
1211 2 ON OFF HDB3 EXTERNAL 0 0 ----- CHAN ----
1212 1 ON OFF HDB3 EXTERNAL 1 1 ----- CHAN ----
1213 1 ON OFF HDB3 EXTERNAL 2 2 ----- CHAN ----
1213 5 ON OFF HDB3 EXTERNAL 3 3 ----- CHAN ----
```

[Table 61: SE-HSL SLK QuantityPart Numbers](#) shows the maximum number of unchannelized E1 ports that the EAGLE 5 ISS can contain. If the `rtrv-e1` output contains the maximum number of unchannelized E1 ports, no other unchannelized E1 ports can be added and this procedure cannot be performed.



If no E1 ports are assigned to the E1 card you wish to use in this procedure, verify that the E1 card is an HC-MIM or an E5-E1T1 card. The part number of the HC-MIM is 870-2671-XX. The part number of the E5-E1T1 card is 870-1873-XX. If the E1 card is not an HC-MIM or an E5-E1T1 card, either select another E1 card from the `rtrv-e1` output, or add a new HC-MIM by performing [Adding a LIM-E1 Card](#).

If the E1 card is an HC-MIM or an E5-E1T1 card, and contains no unchannelized E1 ports, continue the procedure with [Step 3](#).

If E1 ports are assigned to the E1 card you wish to use in this procedure, and the E1 ports on the E1 card are channelized, unchannelized E1 ports cannot be assigned to this E1 card. Unchannelized E1 ports cannot be assigned to an E1 card that contains channelized E1 ports. If the E1 ports on the E1 card are channelized, either select another E1 card from the `rtrv-e1` output, or add a new HC-MIM or an E5-E1T1 card by performing [Adding a LIM-E1 Card](#). If all the E1 ports shown in the `rtrv-e1` output are channelized, add a new HC-MIM or an E5-E1T1 card by performing [Adding a LIM-E1 Card](#).

An HC-MIM can contain a maximum of two unchannelized E1 ports. An E5-E1T1 card can contain only one unchannelized E1 port. If the E1 card you wish to use contains two unchannelized E1 ports, the E1 card is an HC-MIM. No additional unchannelized E1 port cannot be added to this E1 card. If the E1 card you wish to use contains one unchannelized E1 port, verify that the E1 card is an HC-MIM or an E5-E1T1 card. The part number of the HC-MIM is 870-2671-XX. The part number of the E5-E1T1 card is 870-1873-XX. If the E1 card is an HC-MIM with only one unchannelized E1 port assigned, the unchannelized E1 port can be added to this card. Continue the procedure with [Step 3](#). If the E1 card is an E5-E1T1 card, the unchannelized E1 port cannot be added to this E1 card.

If the unchannelized E1 port cannot be added to this card, repeat [Step 1](#) and [Step 2](#) to select another E1 card to add the unchannelized E1 port to, or add a new HC-MIM or E5-E1T1 by performing [Adding a LIM-E1 Card](#).

3. Display the status of the SE-HSL SLK Capacity feature by entering the `rtrv-ctrl-feat` command.

```
rlghncxa03w 06-10-28 21:15:37 GMT EAGLE5 36.0.0
The following features have been permanently enabled:

Feature Name Partnum Status Quantity
HC-MIM SLK Capacity 893012707 on 64
Command Class Management 893005801 on ----
LNP Short Message Service 893006601 on ----
Intermed GTT Load Sharing 893006901 on ----
XGTT Table Expansion 893006101 on 400000
XMAP Table Expansion 893007701 on 3000

The following features have been temporarily enabled:

Feature Name Partnum Status Quantity Trial Period Left
Zero entries found.

The following features have expired temporary keys:

Feature Name Partnum
Zero entries found.
```

Continue the procedure by performing one of these substeps.

- a) If an SE-HSLSLK quantity is not enabled, continue the procedure with [Step 4](#).

**Note:** If the `rtrv-ctrl-feat` output in this step shows any controlled features, continue the procedure with [Step 8](#). If the `rtrv-ctrl-feat` output shows only the HC-MIM SLK Capacity feature with a quantity of 64, [Step 4](#) through [Step 7](#) must be performed.

- b) If an SE-HSL SLK quantity is enabled, the entry `SE-HSL SLK Capacity` is shown in the `rtrv-ctrl-feat` output with one of the quantities shown in [Table 61: SE-HSL SLK QuantityPart Numbers](#). This quantity is the number of unchannelized E1 signaling links, and the number of unchannelized E1 ports, the EAGLE 5 ISS can contain. If the addition of the unchannelized E1 port in this procedure will not exceed the enabled SE-HSL SLK quantity, continue the procedure by performing one of these steps.
    - If E1 cards are shown in the `rtrv-e1` output in [Step 2](#) and these cards are on the same shelf as the card that will contain the E1 port that is being added, and these cards have E1 ports 3 through 8 provisioned, contain channel bridged E1 ports, or unchannelized E1 ports, continue the procedure with [Step 15](#).
    - If E1 cards are shown in the `rtrv-e1` output in [Step 2](#) and these cards are not on the same shelf as the card that will contain the E1 port that is being added, continue the procedure with [Step 10](#).
    - If E1 cards are shown in the `rtrv-e1` output in [Step 2](#) and these cards are on the same shelf as the card that will contain the E1 port that is being added, and these cards do not have E1 ports 3 through 8 provisioned, do not contain channel bridged E1 ports, or do not have unchannelized E1 ports, continue the procedure with [Step 10](#).
  - c) If an SE-HSL SLK quantity is enabled, and the addition of the unchannelized E1 port in this procedure will exceed the enabled SE-HSL SLK quantity, increase the enabled SE-HSL SLK quantity by performing [Step 8](#).
4. Display the serial number in the database with the `rtrv-serial-num` command.

```
rlghncxa03w 06-10-28 21:15:37 GMT EAGLE5 36.0.0
System serial number = nt00001231

System serial number is not locked, yet.
```

**Note:** If the serial number is correct and locked, continue the procedure with [Step 8](#). If the serial number is correct but not locked, continue the procedure with [Step 7](#). If the serial number is not correct, but is locked, the SE-HSL SLK quantity cannot be enabled and the remainder of this procedure cannot be performed. Contact the Customer Care Center to get an incorrect and locked serial number changed. Refer to [Customer Care Center](#) for the contact information. The serial number can be found on a label affixed to the control shelf (shelf 1100).

5. Enter the correct serial number into the database using the `ent-serial-num` command with the `serial` parameter.
 

For this example, enter this command.

```
ent-serial-num:serial=<EAGLE 5 ISS's correct serial number>
```
6. Verify that the serial number entered in [Step 5](#) was entered correctly using the `rtrv-serial-num` command.

This is an example of the possible output.

```
rlghncxa03w 06-10-28 21:15:37 GMT EAGLE5 36.0.0
System serial number = nt00001231

System serial number is not locked, yet.
```

If the serial number was not entered correctly, repeat [Step 4](#) and [Step 5](#) and re-enter the correct serial number.

- Lock the serial number in the database by entering the `ent-serial-num` command with the serial number shown in [Step 4](#), if the serial number shown in [Step 4](#) is correct, or with the serial number shown in [Step 6](#), if the serial number was changed in [Step 5](#), and with the `lock=yes` parameter.

For this example, enter this command.

```
ent-serial-num:serial=<EAGLE 5 ISS's serial number>:lock=yes
```

- Enable the SE-HSL SLK quantity by entering the `enable-ctrl-feat` command specifying the part number for the desired SE-HSL SLK quantity and the feature access key.

The SE-HSL SLK quantity part numbers are shown in [Table 61: SE-HSL SLK QuantityPart Numbers](#).

**Table 61: SE-HSL SLK QuantityPart Numbers**

| SE-HSL SLK Quantity | Part Number |
|---------------------|-------------|
| 4                   | 893013001   |
| 8                   | 893013002   |
| 16                  | 893013003   |
| 24                  | 893013004   |
| 32                  | 893013005   |
| 40                  | 893013006   |
| 48                  | 893013007   |
| 56                  | 893013008   |
| 64                  | 893013009   |
| 72                  | 893013010   |
| 80                  | 893013011   |

For this example, enter this command.

```
enable-ctrl-feat:partnum=893013001:fak=<feature access key>
```

**Note:** A temporary feature access key cannot be specified to enable the unchanneled E1 signaling link quantity.

**Note:** The value for the feature access key (the fak parameter) is provided by Tekelec. If you do not have the feature access key for the unchannelized E1 signaling link quantity, contact your Tekelec Sales Representative or Account Representative.

- Verify the changes by entering the `rtrv-ctrl-feat` command with the unchannelized E1 signaling link quantity (SE-HSLSLK Capacity feature) part number specified in [Step 8](#).

Enter this command.

```
rtrv-ctrl-feat:partnum=893013001
```

```
rlghncxa03w 06-10-28 21:15:37 GMT EAGLE5 36.0.0
The following features have been permanently enabled:

Feature Name Partnum Status Quantity
SE-HSL SLK Capacity 893013001 on 4

The following features have been temporarily enabled:

Feature Name Partnum Status Quantity Trial Period Left
Zero entries found.

The following features have expired temporary keys:

Feature Name Partnum
Zero entries found.
```

Continue the procedure by performing one of these steps.

- If E1 cards are shown in the `rtrv-e1` output in [Step 2](#) and these cards are on the same shelf as the card that will contain the E1 port that is being added, and these cards have E1 ports 3 through 8 provisioned, contain channel bridged E1 ports, or unchannelized E1 ports, continue the procedure with [Step 15](#).
  - If E1 cards are shown in the `rtrv-e1` output in [Step 2](#) and these cards are not on the same shelf as the card that will contain the E1 port that is being added, continue the procedure with [Step 10](#).
  - If E1 cards are shown in the `rtrv-e1` output in [Step 2](#) and these cards are on the same shelf as the card that will contain the E1 port that is being added, and these cards do not have E1 ports 3 through 8 provisioned, do not contain channel bridged E1 ports, or do not have unchannelized E1 ports, continue the procedure with [Step 10](#).
- Verify that HIPR cards are installed in card locations 9 and 10 in the shelf containing the HC-MIM or E5-E1T1 card that will contain the E1 port being added in this procedure by entering this command.

```
rept-stat-gpl:gpl=hipr
```

```
rlghncxa03w 09-05-01 11:40:26 GMT EAGLE5 41.0.0
GPL CARD RUNNING APPROVED TRIAL
HIPR 1109 126-002-000 126-002-000 126-003-000
HIPR 1110 126-002-000 126-002-000 126-003-000
HIPR 1209 126-002-000 126-002-000 126-003-000
HIPR 1210 126-002-000 126-002-000 126-003-000
HIPR 1309 126-002-000 126-002-000 126-003-000
HIPR 1310 126-002-000 126-002-000 126-003-000
HIPR 2109 126-002-000 126-002-000 126-003-000
```

```

HIPR 2110 126-002-000 126-002-000 126-003-000
Command Completed

```

If HIPR cards are installed in the shelf containing the HC-MIM or E5-E1T1 card, continue the procedure by performing one of these steps.

- If the card is an E5-E1T1 card, continue the procedure with [Step 15](#).
- If the card is an HC-MIM, continue the procedure with [Step 12](#).

If HIPR cards are not installed on the shelf containing the HC MIM or E5-E1T1 card, continue the procedure with [Step 11](#).

11. Verify that HIPR2 cards are installed in card locations 9 and 10 in the shelf containing the HC MIM or E5-E1T1 card that will contain the E1 port being added in this procedure by entering this command.

```
rept-stat-gpl:gpl=hipr2
```

This is an example of the possible output.

```

rlghncxa03w 09-07-05 08:12:53 GMT 41.1.0
GPL CARD RUNNING APPROVED TRIAL
HIPR2 1109 126-002-000 126-002-000 126-003-000
HIPR2 1110 126-002-000 126-002-000 126-003-000
HIPR2 1209 126-002-000 126-002-000 126-003-000
HIPR2 1210 126-002-000 126-002-000 126-003-000
HIPR2 1309 126-002-000 126-002-000 126-003-000
HIPR2 1310 126-002-000 126-002-000 126-003-000
HIPR2 2109 126-002-000 126-002-000 126-003-000
HIPR2 2110 126-002-000 126-002-000 126-003-000
Command Completed

```

If HIPR2 cards are installed in the shelf containing the HC MIM or E5-E1T1 card, continue the procedure by performing one of these steps.

- If the card is an E5-E1T1 card, continue the procedure with [Step 15](#).
- If the card is an HC MIM, continue the procedure with [Step 12](#).

If HIPR or HIPR2 cards are not installed on the shelf containing the HC MIM or E5-E1T1 card, go to the *Installation Manual - EAGLE 5 ISS* and install the HIPR or HIPR2 cards. Once the HIPR or HIPR2 cards have been installed, continue the procedure by performing one of these steps.

- If the card is an E5-E1T1 card, continue the procedure with [Step 15](#).
- If the card is an HC MIM, continue the procedure with [Step 12](#).

12. Verify whether or not that the Fan feature is on, by entering the `rtrv-feat` command. If the Fan feature is on, the entry `FAN = on` appears in the `rtrv-feat` command output.

**Note:** The `rtrv-feat` command output contains other fields that are not used by this procedure. If you wish to see all the fields displayed by the `rtrv-feat` command, see the `rtrv-feat` command description in the *Commands Manual*.

If the Fan feature is on, continue the procedure with [Step 15](#).

If the Fan feature is off, continue the procedure with [Step 13](#).

13. Turn the Fan feature on by entering this command.

```
chg-feat:fan=on
```

**Note:** Once the Fan feature is turned on with the `chg-feat` command, it cannot be turned off.

The Fan feature must be purchased before you turn this feature on with the `chg-feat` command. If you are not sure if you have purchased the Fan feature, contact your Tekelec Sales Representative or Account Representative.

When the `chg-feat` has successfully completed, this message appears.

```
r1ghncxa03w 09-05-28 11:43:04 GMT EAGLE5 41.0.0
CHG-FEAT: MASP A - COMPLTD
```

14. The shelf containing the HC-MIM being added in this procedure must have fans installed. Verify whether or not fans are installed on the shelf.

If the fans are installed, continue the procedure with [Step 15](#).

If the fans are not installed on the shelf containing the HC-MIM, go to the *Installation Manual - EAGLE 5 ISS* and install the fans. After the fans have been installed and tested, continue the procedure with [Step 15](#).

15. Add the unchannelized E1 port to the database using the `ent-e1` command and the parameter combinations shown in [Table 62: Unchannelized E1 Port Parameter Combinations](#).

**Table 62: Unchannelized E1 Port Parameter Combinations**

| Mandatory Parameters                                |                                     |                                                |
|-----------------------------------------------------|-------------------------------------|------------------------------------------------|
| :loc=card location of the HC-MIM or an E5-E1T1 card | :linkclass=unchan                   | :e1port=1, 2, 3, 4, 5, 6, 7, 8                 |
| Optional Parameters                                 |                                     |                                                |
| :cas=off<br>Default value = off                     | :crc4=on, off<br>Default value = on | :e1tsel=line, external<br>Default value = line |
| :encode=ami, hdb3<br>Default value = hdb3           | :si=0 - 3<br>Default value = 0      | :sn=0 - 31<br>Default value = 0                |
| :minsurate=500 - 2000<br>Default value = 1000       |                                     |                                                |

For this example, enter these commands.

```
ent-e1:loc=1305:e1port=2:encode=hdb3:e1tsel=line:si=1:sn=7
:linkclass=unchan
```

```
ent-e1:loc=1307:e1port=2:crc4=on:encode=hdb3:e1tsel=external
:linkclass=unchan
```

16. Verify the changes using the `rtrv-e1` command specifying the card location and the `e1port` value specified in [Step 15](#).

For this example, enter these commands.

```
rtrv-e1:loc=1305:elport=2
```

```
rlghncxa03w 06-10-28 09:12:36 GMT EAGLE5 36.0.0
E1
LOC PORT CRC4 CAS ENCODE E1TSEL SI SN CHANBRDG LINK MINSU
1305 2 OFF OFF HDB3 LINE 1 7 ----- UNCHAN 1000
```

```
rtrv-e1:loc=1307:elport=2
```

```
rlghncxa03w 06-10-28 09:12:36 GMT EAGLE5 36.0.0
E1
LOC PORT CRC4 CAS ENCODE E1TSEL SI SN CHANBRDG LINK MINSU
1307 2 ON OFF HDB3 EXTERNAL 0 0 ----- UNCHAN 1000
```

17. Back up the new changes using the `chg-db:action=backup:dest=fixed` command.

These messages should appear, the active Maintenance and Administration Subsystem Processor (MASP) appears first.

```
BACKUP (FIXED) : MASP A - Backup starts on active MASP.
BACKUP (FIXED) : MASP A - Backup on active MASP to fixed disk complete.
BACKUP (FIXED) : MASP A - Backup starts on standby MASP.
BACKUP (FIXED) : MASP A - Backup on standby MASP to fixed disk complete.
```

## Removing the E1 Interface Parameters

This procedure is used to remove an E1 interface from the database using the `dlt-e1` command using these parameters.

`:loc` – The location of the E1 card (card type `lime1`) containing the E1 interface being removed.

`:elport` – The E1 port on the E1 card containing the E1 interface being removed.

The E1 interface to be removed must exist in the database. This can be verified in step 1.

To remove the E1 interface information contained on an E1 card, all signaling links serviced by that E1 card must be removed from the database. This can be verified with the `rtrv-e1` command, specifying the card location and `E1PORT` on the E1 card, and the `rtrv-slk` command, specifying the location of any cards (E1 or channel cards) shown in the `rtrv-e1` output. If there are any signaling links being serviced by the E1 card, go to the [Removing an SS7 Signaling Link](#) procedure and remove these signaling links.

Even numbered E1 ports cannot be removed if the even numbered E1 port is channel bridged. Remove the corresponding odd numbered E1 port (see [Table 55: HC-MIM Card Locations](#)) to remove the even numbered channel bridged E1 port.

1. Display the existing E1 interfaces in the database using the `rtrv-e1` command with no parameters.

```
rlghncxa03w 06-10-19 21:17:04 GMT EAGLE5 36.0.0
```

| LOC  | E1<br>PORT | CRC4 | CAS | ENCODE | E1TSEL   | SI | SN | CHANBRDG | LINK<br>CLASS | MINSU<br>RATE |
|------|------------|------|-----|--------|----------|----|----|----------|---------------|---------------|
| 1201 | 2          | ON   | OFF | HDB3   | EXTERNAL | 3  | 5  | -----    | CHAN          | ----          |
| 1203 | 2          | OFF  | OFF | HDB3   | LINE     | 1  | 7  | -----    | CHAN          | ----          |
| 1211 | 2          | ON   | OFF | HDB3   | LINE     | 0  | 0  | -----    | CHAN          | ----          |

If the E1 port being removed is an even numbered E1 port and is channel bridged, select the corresponding odd numbered E1 port to remove (see [Table 55: HC-MIM Card Locations](#)) and go to step 2.

If the even numbered E1 port is not channel bridged, it can be removed with the `dlt-e1` command. go to step 2.

2. Display the timeslots that are serviced by the E1 card containing the E1 interface information to be removed using the `rtrv-e1` command specifying the card location and the `e1port` value from step 1. For this example, enter this command.

```
rtrv-e1:loc=1201:e1port=2
```

```
rlghncxa03w 06-10-28 09:12:36 GMT EAGLE5 36.0.0
```

| LOC  | E1<br>PORT | CRC4 | CAS   | ENCODE | E1TSEL   | SI   | SN    | CHANBRDG | LINK<br>CLASS | MINSU<br>RATE |
|------|------------|------|-------|--------|----------|------|-------|----------|---------------|---------------|
| 1201 | 2          | ON   | OFF   | HDB3   | EXTERNAL | 3    | 5     | -----    | CHAN          | ----          |
| TS0  | (N/A)      | TS8  | ----- | TS16   | -----    | TS24 | ----- |          |               |               |
| TS1  | 1201,A     | TS9  | ----- | TS17   | -----    | TS25 | ----- |          |               |               |
| TS2  | -----      | TS10 | ----- | TS18   | -----    | TS26 | ----- |          |               |               |
| TS3  | -----      | TS11 | ----- | TS19   | -----    | TS27 | ----- |          |               |               |
| TS4  | -----      | TS12 | ----- | TS20   | -----    | TS28 | ----- |          |               |               |
| TS5  | 1202,A     | TS13 | ----- | TS21   | -----    | TS29 | ----- |          |               |               |
| TS6  | -----      | TS14 | ----- | TS22   | -----    | TS30 | ----- |          |               |               |
| TS7  | -----      | TS15 | ----- | TS23   | -----    | TS31 | ----- |          |               |               |

If this step shows any timeslots that are serviced by the E1 card, go to the [Removing an SS7 Signaling Link](#) procedure and remove the timeslots and signaling links serviced by the E1 card.

3. Remove the E1 interface information to the database using the `dlt-e1` command specifying the card location of the E1 card and the E1PORT on that card. For this example, enter these commands.

```
dlt-e1:loc=1201:e1port=2
```

4. Verify the changes using the `rtrv-e1` command with the card location and the `e1port` value specified in [Step 3](#).

For this example, enter this command.

```
rtrv-e1:loc=1201:e1port=2
```

```
rlghncxa03w 10-04-19 21:17:04 GMT EAGLE5 42.0.0
E4055 Cmd Rej: The E1PORT at the specified location is not equipped
```



5. Back up the new changes using the `chg-db:action=backup:dest=fixed` command. These messages should appear, the active Maintenance and Administration Subsystem Processor (MASP) appears first.

```
BACKUP (FIXED) : MASP A - Backup starts on active MASP.
BACKUP (FIXED) : MASP A - Backup on active MASP to fixed disk complete.
BACKUP (FIXED) : MASP A - Backup starts on standby MASP.
BACKUP (FIXED) : MASP A - Backup on standby MASP to fixed disk complete.
```

## Changing the Attributes of a Channelized E1 Port

This procedure is used to change the attributes of a channelized E1 port using the `chg-e1` command. A channelized E1 port is an E1 port whose `LINKCLASS` value is `CHAN`, shown in the `LINKCLASS` column in the `rtrv-e1` output. Other actions can be performed on E1 ports. To perform these actions on the E1 ports, perform one of these procedures.

- To change the attributes of an unchannelized E1 port - [Changing the Attributes of an Unchannelized E1 Port](#)
- To make a channel bridged E1 port from a channelized E1 port - [Making a Channel Bridged E1 Port from a Channelized E1 Port](#)
- To make a non-channel bridged E1 port from a channel bridged E1 port - [Making a Non-Channel Bridged E1 Port from a Channel Bridged E1 Port](#)

To change the attributes of a channelized E1 port, these parameters are used with the `chg-e1` command.

`:loc` – The location of the E1 card (card type `lime1`) that is servicing the E1 signaling link. The location of a channel card (card type `limch`) cannot be specified for this parameter. The E1 card can be either an E1/T1 MIM, an HC-MIM, or an E5-E1T1 card.

`:e1port` – The E1 port being changed in this procedure.

`:crc4` – Specifies whether or not CRC4 is enabled on the E1 signaling link.

`:cas` – Specifies whether CAS or CCS is used on the E1 signaling link. CAS is enabled with the `cas=on` parameter. CCS is enabled with the `cas=off` parameter. The `cas=on` parameter cannot be specified for an HC-MIM, or an E5-E1T1 card.

`:encode` – Specifies the type of encoding or decoding that is used on the E1 signaling link, either HDB3 or AMI. AMI encoding can be specified only for an E1/T1 MIM, an HC-MIM, or an E5-E1T1 card.

`:e1tsel` – The timing source for the E1 signaling link, master timing (`external`), slave timing (`line`), or recovered.

The `recovered` timing source can be used only with the `chanbrdg=on` parameter and uses the even numbered member of the bridged-pair as a clock source, ensuring that port in the pair can recover the timing from its partner.

**Note:** To use an external high-speed master clock source other than RS-422, TDMs 870-0774-15 or later must be installed in card locations 1114 and 1116, and the TDM Global Timing Interface options must be configured. For more information, see [Configuring the Options for the TDM Global Timing Interface](#).

:si – Specifies the value of the two spare international bits of NFAS data, from 0 to 3.

:sn – Specifies the value of the five spare national bits of NFAS data, from 0 to 31.

The E1 card specified in this procedure must be in the database. This can be verified with the `rtrv-e1` command.

If either the `crc4`, `cas`, `encode`, or `e1tsel` values are being changed, all the signaling links serviced by the E1 card must be taken out of service.

If the signaling link being serviced by the E1 card is using timeslot 16, the `cas=on` parameter cannot be specified with the `chg-e1` command.

1. Display the existing E1 interfaces in the database using the `rtrv-e1` command with no parameters.

```
rlghncxa03w 09-05-19 21:17:04 GMT EAGLE5 41.0.0
 E1
LOC PORT CRC4 CAS ENCODE E1TSEL SI SN CHANBRDG CLASS MINSU
1201 2 ON OFF HDB3 EXTERNAL 3 5 ----- CHAN ----
1203 2 OFF OFF HDB3 LINE 1 7 ----- CHAN ----
1211 2 ON OFF HDB3 LINE 0 0 ----- CHAN ----
```

A channelized E1 port is an E1 port whose `LINKCLASS` value is `CHAN`.

If there are no channelized E1 ports shown in the `rtrv-e1` output, this procedure cannot be performed.

If there are channelized E1 ports shown in the `rtrv-e1` output, continue the procedure by performing one of these steps.

- If the `crc4`, `cas`, `encode`, or `e1tsel` parameters are being changed in this procedure, continue the procedure with [Step 2](#).
- If the `crc4`, `cas`, `encode`, or `e1tsel` parameters are not being changed in this procedure, continue the procedure by performing one of these steps.
  - If the E1 port is channel bridged (the entry `MASTER` is shown in the `CHANBRDG` column for the odd numbered E1 port in the `rtrv-e1` output), or if E1 ports 3 through 8 are assigned to the E1 card, the card is either an HC-MIM or an E5-E1T1 card. Continue the procedure with [Step 7](#).
  - If the E1 port is not channel bridged, or if E1 ports 3 through 8 are not assigned to the E1 card, continue the procedure with [Step 6](#) to verify the type of E1 card that the E1 port is assigned to.

2. Display the timeslots that are serviced by the E1 card containing the E1port that is being changed using the `rtrv-e1` command specifying the card location and the `e1port` value from [Step 1](#).

For this example, enter this command.

```
rtrv-e1:loc=1201:e1port=2
```

```
rlghncxa03w 09-05-28 09:12:36 GMT EAGLE5 41.0.0
 E1
LOC PORT CRC4 CAS ENCODE E1TSEL SI SN CHANBRDG CLASS MINSU
1201 2 ON OFF HDB3 EXTERNAL 3 5 ----- CHAN ----

TS0 (N/A) TS8 ----- TS16 ----- TS24 -----
```

```

TS1 1201,A TS9 ----- TS17 ----- TS25 -----
TS2 ----- TS10 ----- TS18 ----- TS26 -----
TS3 ----- TS11 ----- TS19 ----- TS27 -----
TS4 ----- TS12 ----- TS20 ----- TS28 -----
TS5 1202,A TS13 ----- TS21 ----- TS29 -----
TS6 ----- TS14 ----- TS22 ----- TS30 -----
TS7 ----- TS15 ----- TS23 ----- TS31 -----

```

3. Display the signaling links that are assigned to the E1 card by entering the `rtrv-slk` command with the card location specified in [Step 2](#). For this example, enter this command.

```
rtrv-slk:loc=1201
```

```

rlghncxa03w 09-05-19 21:17:04 GMT EAGLE5 41.0.0
 L2T PCR PCR E1 E1
LOC LINK LSN SLC TYPE SET BPS ECM N1 N2 LOC PORT TS
1201 A lsn1 13 LIME1 1 56000 BASIC --- ---- 1201 2 25
1201 B lsn1 12 LIME1 1 56000 BASIC --- ---- 1201 1 20

```

4. Check the status of the signaling links shown in [Step 3](#) using the `rept-stat-slk` command with the card location and signaling link.

For this example, enter these commands.

```
rept-stat-slk:loc=1201:link=a
```

```

rlghncxa03w 09-05-23 13:06:25 GMT EAGLE5 41.0.0
SLK LSN CLLI PST SST AST
1201,A lsn1 ----- IS-NR Avail ----
ALARM STATUS = No Alarms
UNAVAIL REASON = --
E1 status = 1201, RCVRY-E1F:FAC-E1 Port 2 available

```

```
rept-stat-slk:loc=1201:link=b
```

```

rlghncxa03w 09-05-23 13:06:25 GMT EAGLE5 41.0.0
SLK LSN CLLI PST SST AST
1201,B lsn1 ----- IS-NR Avail ----
ALARM STATUS = No Alarms
UNAVAIL REASON = --
E1 status = 1201, RCVRY-E1F:FAC-E1 Port 1 available

```

If all the signaling links shown in this step are out of service, continue the procedure by performing one of these steps.

- If the E1 port is channel bridged (the entry MASTER is shown in the CHANBRDG column for the odd numbered E1 port in the `rtrv-e1` output), or if E1 ports 3 through 8 are assigned to the E1 card, the card is either an HC-MIM or an E5-E1T1 card. Continue the procedure with [Step 7](#).
- If the E1 port is not channel bridged, or if E1 ports 3 through 8 are not assigned to the E1 card, continue the procedure with [Step 6](#) to verify the type of E1 card that the E1 port is assigned to.

If any of the signaling links shown in this step are in service, continue the procedure with [Step 5](#).

- Deactivate the in service signaling links shown in [Step 4](#) using the `dact-slk` command.

For this example, enter these commands.

```
dact-slk:loc=1201:link=a
```

```
dact-slk:loc=1201:link=b
```

After the signaling links have been deactivated, continue the procedure by performing one of these steps.

- If the E1 port is channel bridged (the entry `MASTER` is shown in the `CHANBRDG` column for the odd numbered E1 port in the `rtrv-e1` output), or if E1 ports 3 through 8 are assigned to the E1 card, the card is either an HC-MIM or an E5-E1T1 card. Continue the procedure with [Step 7](#).
  - If the E1 port is not channel bridged, or if E1 ports 3 through 8 are not assigned to the E1 card, continue the procedure with [Step 6](#) to verify the type of E1 card that the E1 port is assigned to.
- Display the LIME1 cards in the database by entering this command.

```
rtrv-stp:type=lime1
```

```
rlghncxa03w 09-05-30 11:07:17 EST EAGLE 41.0.0
```

| Card | Part Number | Rev | Serial Number | Type  | DB   | APPL    | GPL Version |
|------|-------------|-----|---------------|-------|------|---------|-------------|
| 1201 | 870-2671-02 | C   | 10145689323   | LIME1 | 512M | SS7ANSI | 126-034-000 |
| 1203 | 870-1873-01 | C   | 10345690569   | LIME1 | 512M | SS7ANSI | 126-034-000 |
| 1211 | 870-1873-01 | C   | 10346790570   | LIME1 | 512M | SS7ANSI | 126-034-000 |

Command Completed.

The part numbers and the card types of the E1 cards are shown in [Table 54: E1 Card Part Numbers](#).

- Change the E1 port using the `chg-e1` command and the parameter combinations shown in [Table 63: E1 Interface Parameter Combinations](#), based on the type of E1 card being used.

**Table 63: E1 Interface Parameter Combinations**

| E1/T1MIM                                        | Non-Channel Bridged E1 Ports<br>- HC-MIM or E5-E1T1 Card           | Channel Bridged E1 Ports -<br>HC-MIM or E5-E1T1 Card   |
|-------------------------------------------------|--------------------------------------------------------------------|--------------------------------------------------------|
| <b>Mandatory Parameters</b>                     |                                                                    |                                                        |
| :loc=location of the E1 card                    | :loc=location of the E1 card                                       | :loc=location of the E1 card                           |
| :e1port=E1 port being changed,<br>either 1 or 2 | :e1port=E1 port being changed,<br>either 1, 2, 3, 4, 5, 6, 7, or 8 | :e1port=E1 port being changed,<br>either 1, 3, 5, or 7 |
| <b>Optional Parameters</b>                      |                                                                    |                                                        |
| :cas=on, off (See the Note)                     | :cas=off                                                           | :cas=off                                               |
| :crc4=on, off                                   | :crc4=on, off                                                      | :crc4=on, off                                          |
| :encode=ami, hdb3                               | :encode=ami, hdb3                                                  | :encode=ami, hdb3                                      |

| E1/T1MIM                                                                                                              | Non-Channel Bridged E1 Ports<br>- HC-MIM or E5-E1T1 Card | Channel Bridged E1 Ports -<br>HC-MIM or E5-E1T1 Card |
|-----------------------------------------------------------------------------------------------------------------------|----------------------------------------------------------|------------------------------------------------------|
| :si=0 - 3                                                                                                             | :si=0 - 3                                                | :si=0 - 3                                            |
| :sn=0 - 31                                                                                                            | :sn=0 - 31                                               | :sn=0 - 31                                           |
| :e1tsel=line, external                                                                                                | :e1tsel=line, external                                   | :e1tsel=external, recovered                          |
| Note: If timeslot 16 is being used for the signaling link that is assigned to the E1 port, the cas value must be off. |                                                          |                                                      |

For this example, enter this command.

```
chg-e1:loc=1201:e1port=2:crc4=off:encode=hdb3:si=1:sn=9
```

- Verify the changes using the `rtrv-e1` command specifying the card location and the `e1port` value specified in [Step 7](#).

For this example, enter this command.

```
rtrv-e1:loc=1201:e1port=2
```

```
rlghncxa03w 09-05-28 09:12:36 GMT EAGLE5 41.0.0
```

| E1   |        |      |       |        |          |      |       |          | LINK  | MINSU |
|------|--------|------|-------|--------|----------|------|-------|----------|-------|-------|
| LOC  | PORT   | CRC4 | CAS   | ENCODE | E1TSEL   | SI   | SN    | CHANBRDG | CLASS | RATE  |
| 1201 | 2      | OFF  | OFF   | HDB3   | EXTERNAL | 1    | 9     | -----    | CHAN  | ----  |
| TS0  | (N/A)  | TS8  | ----- | TS16   | -----    | TS24 | ----- |          |       |       |
| TS1  | 1201,A | TS9  | ----- | TS17   | -----    | TS25 | ----- |          |       |       |
| TS2  | -----  | TS10 | ----- | TS18   | -----    | TS26 | ----- |          |       |       |
| TS3  | -----  | TS11 | ----- | TS19   | -----    | TS27 | ----- |          |       |       |
| TS4  | -----  | TS12 | ----- | TS20   | -----    | TS28 | ----- |          |       |       |
| TS5  | 1202,A | TS13 | ----- | TS21   | -----    | TS29 | ----- |          |       |       |
| TS6  | -----  | TS14 | ----- | TS22   | -----    | TS30 | ----- |          |       |       |
| TS7  | -----  | TS15 | ----- | TS23   | -----    | TS31 | ----- |          |       |       |

If the signaling links were not deactivated in [Step 5](#), continue the procedure with [Step 10](#).

If the signaling links were deactivated in [Step 5](#), continue the procedure with [Step 9](#).

- Activate the signaling links that were deactivated in [Step 5](#) using the `act-slk` command.

For this example, enter these commands.

```
act-slk:loc=1201:link=a
```

```
act-slk:loc=1201:link=b
```

When each of these commands have successfully completed, this message should appear.

```
rlghncxa03w 09-05-07 08:41:12 GMT EAGLE5 41.0.0
Activate Link message sent to card
```

- Back up the new changes using the `chg-db:action=backup:dest=fixed` command.

These messages should appear, the active Maintenance and Administration Subsystem Processor (MASP) appears first.

```
BACKUP (FIXED) : MASP A - Backup starts on active MASP.
BACKUP (FIXED) : MASP A - Backup on active MASP to fixed disk complete.
BACKUP (FIXED) : MASP A - Backup starts on standby MASP.
BACKUP (FIXED) : MASP A - Backup on standby MASP to fixed disk complete.
```

## Changing the Attributes of an Unchannelized E1 Port

This procedure is used to change the attributes of an unchannelized E1 port using the `chg-e1` command. An unchannelized E1 port is an E1 port whose `LINKCLASS` value is `UNCHAN`, shown in the `LINKCLASS` column in the `rtrv-e1` output. Other actions can be performed on E1 ports. To perform these actions on the E1 ports, perform one of these procedures.

- To change the attributes of a channelized E1 port - [Changing the Attributes of a Channelized E1 Port](#)
- To make a channel bridged E1 port from a channelized E1 port - [Making a Channel Bridged E1 Port from a Channelized E1 Port](#)
- To make a non-channel bridged E1 port from a channel bridged E1 port - [Making a Non-Channel Bridged E1 Port from a Channel Bridged E1 Port](#)

To change the attributes of an unchannelized E1 port, these parameters are used with the `chg-e1` command.

`:loc` – The location of the E1 card that contains the unchannelized E1 port (card type `lime1`) that is servicing the E1 signaling link. The location of a channel card (card type `limch`) cannot be specified for this parameter. The E1 card can be either an HC-MIM or an E5-E1T1 card.

`:e1port` – The E1 port being changed in this procedure.

`:crc4` – Specifies whether or not CRC4 is enabled on the E1 signaling link.

`:cas` – Specifies whether CAS or CCS is used on the E1 signaling link. CAS is enabled with the `cas=on` parameter. CCS is enabled with the `cas=off` parameter. For an unchannelized E1 port, the `cas` value must be `off`.

`:encode` – Specifies the type of encoding or decoding that is used on the E1 signaling link, either HDB3 or AMI.

`:eltsel` – The timing source for the E1 signaling link, master (`external`) or slave (`line`).

**Note:** To use an external high-speed master clock source other than RS-422, TDMs 870-0774-15 or later must be installed in card locations 1114 and 1116, and the TDM Global Timing Interface options must be configured. For more information, see [Configuring the Options for the TDM Global Timing Interface](#).

`:si` – Specifies the value of the two spare international bits of NFAS data, from 0 to 3.

`:sn` – Specifies the value of the five spare national bits of NFAS data, from 0 to 31.

`:minsurate` – Specifies the minimum number of signaling units (FISUs and LSSUs) per second that are transmitted on the outbound E1 signaling link during idle periods or when there is an unused

portion of the link's bandwidth. The value of this parameter is from 500 to 2000 signaling units per second, with the default value of 1000 signaling units per second.

The E1 card specified in this procedure must be in the database. This can be verified with the `rtrv-e1` command.

If either the `crc4`, `cas`, `encode`, or `e1tsel` values are being changed, all the signaling links serviced by the E1 card must be taken out of service.

1. Display the existing E1 interfaces in the database using the `rtrv-e1` command with no parameters.

```
rlghncxa03w 09-05-19 21:17:04 GMT EAGLE5 41.0.0

 E1
LOC PORT CRC4 CAS ENCODE E1TSEL SI SN CHANBRDG LINK MINSU
1201 2 ON --- HDB3 EXTERNAL 3 5 ----- UNCHAN 1300
1203 2 OFF --- HDB3 LINE 1 7 ----- CHAN ----
1211 2 ON --- HDB3 LINE 0 0 ----- CHAN ----
```

An unchannelized E1 port is an E1 port whose `LINKCLASS` value is `UNCHAN`.

If there are no unchannelized E1 ports shown in the `rtrv-e1` output, this procedure cannot be performed.

If there are unchannelized E1 ports shown in the `rtrv-e1` output, continue the procedure by performing one of these steps.

- If the `crc4`, `cas`, `encode`, or `e1tsel` parameters are being changed in this procedure, continue the procedure with [Step 2](#).
- If the `crc4`, `cas`, `encode`, or `e1tsel` parameters are not being changed in this procedure, continue the procedure with [Step 5](#).

2. Display the signaling links that are assigned to the E1 card by entering the `rtrv-slk` command with the card location shown in [Step 1](#). For this example, enter this command.

```
rtrv-slk:loc=1201
```

```
rlghncxa03w 09-05-19 21:17:04 GMT EAGLE5 41.0.0

LOC LINK LSN SLC TYPE L2T PCR PCR E1 E1
1201 A lsn1 13 LIME1 1 56000 BASIC --- ---- 1201 2 25
```

3. Check the status of the signaling links shown in [Step 2](#) using the `rept-stat-slk` command with the card location and signaling link.

For this example, enter these commands.

```
rept-stat-slk:loc=1201:link=a
```

```
rlghncxa03w 09-05-23 13:06:25 GMT EAGLE5 41.0.0
SLK LSN CLLI PST SST AST
1201,A lsn1 ----- IS-NR Avail ----
ALARM STATUS = No Alarms
UNAVAIL REASON = --
E1 status = 1201, RCVRY-E1F:FAC-E1 Port 2 available
```

If all the signaling links shown in this step are out of service, continue the procedure with [Step 5](#).

If any of the signaling links shown in this step are in service, continue the procedure with [Step 4](#).

4. Deactivate the signaling links shown in [Step 3](#) using the `dact-slk` command.

For this example, enter this command.

```
dact-slk:loc=1201:link=a
```

5. Change the E1 port using the `chg-e1` command and the parameter combinations shown in [Table 64: Unchannelized E1 Port Parameter Combinations](#).

**Table 64: Unchannelized E1 Port Parameter Combinations**

| Mandatory Parameters                                            |
|-----------------------------------------------------------------|
| :loc=location of the E1 card                                    |
| :e1port=E1 port being changed, either 1, 2, 3, 4, 5, 6, 7, or 8 |
| Optional Parameters                                             |
| :cas=off                                                        |
| :crc4=on, off                                                   |
| :encode=ami, hdb3                                               |
| :si=0 - 3                                                       |
| :sn=0 - 31                                                      |
| :e1tsel=line, external                                          |
| :minsurate=500 - 2000                                           |

For this example, enter this command.

```
chg-e1:loc=1201:e1port=2:crc4=off:encode=hdb3:si=1:sn=9
```

6. Verify the changes using the `rtrv-e1` command specifying the card location and the `e1port` value specified in [Step 5](#).

For this example, enter these commands.

```
rtrv-e1:loc=1201:e1port=2
```

```
rlghncxa03w 09-05-28 09:12:36 GMT EAGLE5 41.0.0
```

| E1   |      |      |     |        |          |    |    |          | LINK   | MINSU |
|------|------|------|-----|--------|----------|----|----|----------|--------|-------|
| LOC  | PORT | CRC4 | CAS | ENCODE | E1TSEL   | SI | SN | CHANBRDG | CLASS  | RATE  |
| 1201 | 2    | OFF  | --- | HDB3   | EXTERNAL | 1  | 9  | -----    | UNCHAN | 1300  |

If the signaling links were not deactivated in [Step 4](#), continue the procedure with [Step 8](#).

If the signaling links were deactivated in [Step 4](#), continue the procedure with [Step 7](#).



7. Activate the signaling links that were deactivated in [Step 4](#) using the `act-slk` command.

For this example, enter this command.

```
act-slk:loc=1201:link=a
```

8. Back up the new changes using the `chg-db:action=backup:dest=fixed` command. These messages should appear, the active Maintenance and Administration Subsystem Processor (MASP) appears first.

```
BACKUP (FIXED) : MASP A - Backup starts on active MASP.
BACKUP (FIXED) : MASP A - Backup on active MASP to fixed disk complete.
BACKUP (FIXED) : MASP A - Backup starts on standby MASP.
BACKUP (FIXED) : MASP A - Backup on standby MASP to fixed disk complete.
```

## Making a Channel Bridged E1 Port from a Channelized E1 Port

This procedure is used to make a channel bridged E1 port from a channelized E1 port that is not channel bridged using the `chg-e1` command. A channelized E1 port is an E1 port whose `LINKCLASS` value is `CHAN`, shown in the `LINKCLASS` column in the `rtrv-e1` output. A non-channel bridged E1 port is an odd numbered E1 port that contains dashes in the `CHANBRDG` column in the `rtrv-e1` output. Other actions can be performed on E1 ports. To perform these actions on the E1 ports, perform one of these procedures.

- To change the attributes of a channelized E1 port - [Changing the Attributes of a Channelized E1 Port](#)
- To change the attributes of an unchannelized E1 port - [Changing the Attributes of an Unchannelized E1 Port](#)
- To make a non-channel bridged E1 port from a channel bridged E1 port - [Making a Non-Channel Bridged E1 Port from a Channel Bridged E1 Port](#)

To make a channel bridged E1 port from a channelized E1 port, these parameters are used with the `chg-e1` command.

`:loc` – The location of the E1 card (card type `lime1`) that contains the odd numbered channelized E1 port. The location of a channel card (card type `limch`) cannot be specified for this parameter. The E1 card can be either an HC-MIM, or an E5-E1T1 card.

`:e1port` – The E1 port being changed in this procedure. Only the odd numbered E1 ports, 1, 3, 5, or 7, can be specified for a channel bridged E1 port.

`:crc4` – Specifies whether or not CRC4 is enabled on the E1 signaling link.

`:cas` – Specifies whether CAS or CCS is used on the E1 signaling link. CAS is enabled with the `cas=on` parameter. CCS is enabled with the `cas=off` parameter. For a channel bridged E1 port, the `cas` parameter value must be `off`.

`:encode` – Specifies the type of encoding or decoding that is used on the E1 signaling link, either HDB3 or AMI.

`:eltsel` – The timing source for the E1 signaling link, master (`external`) or recovered.

The `recovered` timing source uses the even numbered member of the bridged-pair as a clock source, ensuring that port in the pair can recover the timing from its partner.

**Note:** To use an external high-speed master clock source other than RS-422, TDMs 870-0774-15 or later must be installed in card locations 1114 and 1116, and the TDM Global Timing Interface options must be configured. For more information, see the [Configuring the Options for the TDM Global Timing Interface](#) procedure.

:si – Specifies the value of the two spare international bits of NFAS data, from 0 to 3.

:sn – Specifies the value of the five spare national bits of NFAS data, from 0 to 31.

:chanbrdg – Specifies whether or not the odd numbered E1 port specified in this procedure is channel bridged to its adjacent even numbered E1 port. [Table 65: Channel Bridging Ports](#) shows the E1 ports that can be specified with the chanbrdg=on parameter and the even-numbered E1 ports that are bridged to the odd numbered E1 port.

**Table 65: Channel Bridging Ports**

| Odd Numbered E1 Port | Even Numbered Bridged E1 Port |
|----------------------|-------------------------------|
| 1                    | 2                             |
| 3                    | 4                             |
| 5                    | 6                             |
| 7                    | 8                             |

:force=yes – required when the even numbered E1 port being channel bridged is provisioned in the database before this procedure is performed.

The E1 card specified in this procedure must be in the database. This can be verified with the `rtrv-e1` command.

If either the `crc4`, `cas`, `encode`, or `e1tsel` values are being changed, all the signaling links serviced by the E1 card must be taken out of service.

1. Display the existing E1 ports in the database using the `rtrv-e1` command with no parameters.

```

r1ghncxa03w 09-05-19 21:17:04 GMT EAGLE5 41.0.0
E1
LOC PORT CRC4 CAS ENCODE E1TSEL SI SN CHANBRDG LINKCLASS MINSU
1201 1 ON OFF HDB3 EXTERNAL 3 5 ----- CHAN ----
1201 2 ON OFF HDB3 EXTERNAL 3 5 ----- CHAN ----
1203 2 OFF OFF HDB3 LINE 1 7 ----- CHAN ----
1211 2 ON OFF HDB3 LINE 0 0 ----- CHAN ----

```

A channelized E1 port is an E1 port whose LINKCLASS value is CHAN.

If there are no odd numbered channelized E1 ports that are not channel bridged shown in the `rtrv-e1` output, this procedure cannot be performed.

If odd numbered channelized E1 ports that are not channel bridged are shown in the `rtrv-e1` output, continue the procedure by performing one of these steps.

- If the E1 card contains channel bridged E1 ports, or contains E1 ports 3 through 8, continue the procedure with by performing one of these steps.

- If the `crc4`, `cas`, `encode`, or `eltsel` parameters are not being changed in this procedure, continue the procedure by performing one of these steps.
  - If E1 cards are shown in the `rtrv-e1` output in [Step 1](#) that are on the same shelf as the card that contains the E1 port that is being changed, and these cards have E1 ports 3 through 8 provisioned, contain channel bridged E1 ports, or unchannelized E1 ports, continue the procedure by performing one of these steps.
    - If the adjacent E1 port is provisioned (see [Table 65: Channel Bridging Ports](#)), continue the procedure with [Step 12](#).
    - If the adjacent E1 port is not provisioned, continue the procedure with [Step 13](#).
  - If E1 cards are not shown in the `rtrv-e1` output in [Step 1](#) that are on the same shelf as the card that will contain the E1 port that is being added, continue the procedure with [Step 7](#).
  - If E1 cards are shown in the `rtrv-e1` output in [Step 1](#) that are on the same shelf as the card that contains the E1 port that is being changed, and these cards do not have E1 ports 3 through 8 provisioned, do not contain channel bridged E1 ports, or do not have unchannelized E1 ports, continue the procedure with [Step 7](#).
- If the `crc4`, `cas`, `encode`, or `eltsel` parameters are being changed in this procedure, continue the procedure with [Step 3](#).
- If the E1 card does not contain channel bridged E1 ports, or does not contain E1 ports 3 through 8, continue the procedure with [Step 2](#).

2. Display the LIME1 cards in the database by entering this command.

```
rtrv-stp:type=lime1
```

```
rlghncxa03w 09-05-30 11:07:17 EST EAGLE 41.0.0
```

| Card | Part Number | Rev | Serial Number | Type  | DB   | APPL    | GPL Version |
|------|-------------|-----|---------------|-------|------|---------|-------------|
| 1201 | 870-2671-02 | C   | 10145689323   | LIME1 | 512M | SS7ANSI | 126-034-000 |
| 1203 | 870-1873-01 | C   | 10345690569   | LIME1 | 512M | SS7ANSI | 126-034-000 |
| 1211 | 870-1873-01 | C   | 10346790570   | LIME1 | 512M | SS7ANSI | 126-034-000 |

```
Command Completed.
```

The part numbers and the card types of the E1 cards are shown in [Table 54: E1 Card Part Numbers](#).

If the E1 card is an E1/T1 MIM, this card cannot be used in this procedure, Choose another E1 port on another HC-MIM or E5-E1t1 card and repeat this procedure from [Step 1](#). If no HC-MIMs or E5-E1T1 cards are present in the EAGLE 5 ISS, this procedure cannot be performed.

If the E1 card is either an HC-MIM card or an E5-E1T1 card, continue the procedure by performing one of these steps.

- If the `crc4`, `cas`, `encode`, or `eltsel` parameters are not being changed in this procedure, continue the procedure by performing one of these steps.
  - If E1 cards are shown in the `rtrv-e1` output in [Step 1](#) that are on the same shelf as the card that contains the E1 port that is being changed, and these cards have E1 ports 3 through 8 provisioned, contain channel bridged E1 ports, or unchannelized E1 ports, continue the procedure by performing one of these steps.

- If the adjacent E1 port is provisioned (see [Table 65: Channel Bridging Ports](#)), continue the procedure with [Step 12](#).
  - If the adjacent E1 port is not provisioned, continue the procedure with [Step 13](#).
  - If E1 cards are not shown in the `rtrv-e1` output in [Step 1](#) that are on the same shelf as the card that will contain the E1 port that is being added, continue the procedure with [Step 7](#).
  - If E1 cards are shown in the `rtrv-e1` output in [Step 1](#) that are on the same shelf as the card that contains the E1 port that is being changed, and these cards do not have E1 ports 3 through 8 provisioned, do not contain channel bridged E1 ports, or do not have unchannelized E1 ports, continue the procedure with [Step 7](#).
  - If the `crc4`, `cas`, `encode`, or `e1tsel` parameters are being changed in this procedure, continue the procedure with [Step 3](#).
3. Display the timeslots that are serviced by the E1 card containing the E1 port being changed using the `rtrv-e1` command specifying the card location and the `e1port` value from [Step 1](#).

For this example, enter this command.

```
rtrv-e1:loc=1201:e1port=1
```

```
rlghncxa03w 09-05-28 09:12:36 GMT EAGLE5 41.0.0
```

| LOC  | E1 PORT | CRC4 | CAS   | ENCODE | E1TSEL   | SI   | SN    | CHANBRDG | LINK CLASS | MINSU RATE |
|------|---------|------|-------|--------|----------|------|-------|----------|------------|------------|
| 1201 | 1       | ON   | OFF   | HDB3   | EXTERNAL | 3    | 5     | -----    | CHAN       | ----       |
| TS0  | (N/A)   | TS8  | ----- | TS16   | -----    | TS24 | ----- |          |            |            |
| TS1  | 1201,A  | TS9  | ----- | TS17   | -----    | TS25 | ----- |          |            |            |
| TS2  | -----   | TS10 | ----- | TS18   | -----    | TS26 | ----- |          |            |            |
| TS3  | -----   | TS11 | ----- | TS19   | -----    | TS27 | ----- |          |            |            |
| TS4  | -----   | TS12 | ----- | TS20   | -----    | TS28 | ----- |          |            |            |
| TS5  | 1202,A  | TS13 | ----- | TS21   | -----    | TS29 | ----- |          |            |            |
| TS6  | -----   | TS14 | ----- | TS22   | -----    | TS30 | ----- |          |            |            |
| TS7  | -----   | TS15 | ----- | TS23   | -----    | TS31 | ----- |          |            |            |

4. Display the signaling links that are assigned to the E1 card by entering the `rtrv-slk` command with the card location specified in [Step 3](#). For this example, enter this command.

```
rtrv-slk:loc=1201
```

```
rlghncxa03w 09-05-19 21:17:04 GMT EAGLE5 41.0.0
```

| LOC  | LINK | LSN  | SLC | TYPE  | L2T SET | BPS   | ECM   | PCR N1 | PCR N2 | E1 LOC | E1 PORT | TS |
|------|------|------|-----|-------|---------|-------|-------|--------|--------|--------|---------|----|
| 1201 | A    | lsn1 | 13  | LIME1 | 1       | 56000 | BASIC | ---    | -----  | 1201   | 2       | 25 |
| 1201 | B    | lsn1 | 12  | LIME1 | 1       | 56000 | BASIC | ---    | -----  | 1201   | 1       | 20 |

5. Check the status of the signaling links shown in [Step 3](#) using the `rept-stat-slk` command with the card location and signaling link.

For this example, enter these commands.

```
rept-stat-slk:loc=1201:link=a
```

```
rlghncxa03w 09-05-23 13:06:25 GMT EAGLE5 41.0.0
SLK LSN CLLI PST SST AST
1201,A lsn1 ----- IS-NR Avail ----
ALARM STATUS = No Alarms
UNAVAIL REASON = --
E1 status = 1201, RCVRY-E1F:FAC-E1 Port 2 available
```

```
rept-stat-slk:loc=1201:link=b
```

```
rlghncxa03w 09-05-23 13:06:25 GMT EAGLE5 41.0.0
SLK LSN CLLI PST SST AST
1201,B lsn1 ----- IS-NR Avail ----
ALARM STATUS = No Alarms
UNAVAIL REASON = --
E1 status = 1201, RCVRY-E1F:FAC-E1 Port 1 available
```

If all the signaling links shown in this step are out of service, continue the procedure by performing one of these steps.

- If E1 cards are shown in the `rtrv-e1` output in [Step 1](#) that are on the same shelf as the card that contains the E1 port that is being changed, and these cards have E1 ports 3 through 8 provisioned, contain channel bridged E1 ports, or unchannelized E1 ports, continue the procedure by performing one of these steps.
  - If the adjacent E1 port is provisioned (see [Table 65: Channel Bridging Ports](#)), continue the procedure with [Step 12](#).
  - If the adjacent E1 port is not provisioned, continue the procedure with [Step 13](#).
- If E1 cards are not shown in the `rtrv-e1` output in [Step 1](#) that are on the same shelf as the card that will contain the E1 port that is being added, continue the procedure with [Step 7](#).
- If E1 cards are shown in the `rtrv-e1` output in [Step 1](#) that are on the same shelf as the card that contains the E1 port that is being changed, and these cards do not have E1 ports 3 through 8 provisioned, do not contain channel bridged E1 ports, or do not have unchannelized E1 ports, continue the procedure with [Step 7](#).

If any of the signaling links shown in this step are in service, continue the procedure with [Step 6](#).

6. Deactivate the signaling links shown in [Step 5](#) using the `dact-slk` command.

For this example, enter these commands.

```
dact-slk:loc=1201:link=a
```

```
dact-slk:loc=1201:link=b
```

Continue the procedure by performing one of these steps.

- If E1 cards are shown in the `rtrv-e1` output in [Step 1](#) that are on the same shelf as the card that contains the E1 port that is being changed, and these cards have E1 ports 3 through 8 provisioned, contain channel bridged E1 ports, or unchannelized E1 ports, continue the procedure by performing one of these steps.
  - If the adjacent E1 port is provisioned (see [Table 65: Channel Bridging Ports](#)), continue the procedure with [Step 12](#).
  - If the adjacent E1 port is not provisioned, continue the procedure with [Step 13](#).

- If E1 cards are not shown in the `rtrv-e1` output in [Step 1](#) that are on the same shelf as the card that will contain the E1 port that is being added, continue the procedure with [Step 7](#).
  - If E1 cards are shown in the `rtrv-e1` output in [Step 1](#) that are on the same shelf as the card that contains the E1 port that is being changed, and these cards do not have E1 ports 3 through 8 provisioned, do not contain channel bridged E1 ports, or do not have unchannelized E1 ports, continue the procedure with [Step 7](#).
7. Verify that HIPR cards are installed in card locations 9 and 10 in the shelf containing the HC-MIM or E5-E1T1 card that will contain the E1 port being changed in this procedure by entering this command.

```
rept-stat-gpl:gpl=hipr
```

```
rlghncxa03w 09-05-01 11:40:26 GMT EAGLE5 41.0.0
GPL CARD RUNNING APPROVED TRIAL
HIPR 1109 126-002-000 126-002-000 126-003-000
HIPR 1110 126-002-000 126-002-000 126-003-000
HIPR 1209 126-002-000 126-002-000 126-003-000
HIPR 1210 126-002-000 126-002-000 126-003-000
HIPR 1309 126-002-000 126-002-000 126-003-000
HIPR 1310 126-002-000 126-002-000 126-003-000
HIPR 2109 126-002-000 126-002-000 126-003-000
HIPR 2110 126-002-000 126-002-000 126-003-000
Command Completed
```

If HIPR cards are installed in the shelf containing the HC-MIM or E5-E1T1 card, continue the procedure by performing one of these steps.

- If the card is an E5-E1T1 card, continue the procedure by performing one of these steps.
  - If the adjacent E1 port is provisioned (see [Table 65: Channel Bridging Ports](#)), continue the procedure with [Step 12](#).
  - If the adjacent E1 port is not provisioned, continue the procedure with [Step 13](#).
- If the card is an HC-MIM, continue the procedure with [Step 9](#).

If HIPR cards are not installed on the shelf containing the HC-MIM or E5-E1T1 card, go to the and install the HIPR cards. Once the HIPR cards have been installed, continue the procedure by performing one of these steps.

- If the card is an E5-E1T1 card, continue the procedure by performing one of these steps.
  - If the adjacent E1 port is provisioned (see [Table 65: Channel Bridging Ports](#)), continue the procedure with [Step 12](#).
  - If the adjacent E1 port is not provisioned, continue the procedure with [Step 13](#).
- If the card is an HC-MIM, continue the procedure with [Step 9](#).

If HIPR cards are not installed on the shelf containing the HC MIM or E5-E1T1 card, continue the procedure with [Step 8](#).

8. Verify that HIPR2 cards are installed in card locations 9 and 10 in the shelf containing the HC MIM or E5-E1T1 card that will contain the E1 port being changed in this procedure by entering this command.

```
rept-stat-gpl:gpl=hipr2
```

This is an example of the possible output.

```

rlghncxa03w 09-07-05 08:12:53 GMT 41.1.0
GPL CARD RUNNING APPROVED TRIAL
HIPR2 1109 126-002-000 126-002-000 126-003-000
HIPR2 1110 126-002-000 126-002-000 126-003-000
HIPR2 1209 126-002-000 126-002-000 126-003-000
HIPR2 1210 126-002-000 126-002-000 126-003-000
HIPR2 1309 126-002-000 126-002-000 126-003-000
HIPR2 1310 126-002-000 126-002-000 126-003-000
HIPR2 2109 126-002-000 126-002-000 126-003-000
HIPR2 2110 126-002-000 126-002-000 126-003-000
Command Completed

```

If HIPR2 cards are installed in the shelf containing the HC MIM or E5-E1T1 card, continue the procedure by performing one of these steps.

- If the card is an E5-E1T1 card, continue the procedure by performing one of these steps.
  - If the adjacent E1 port is provisioned (see [Table 65: Channel Bridging Ports](#)), continue the procedure with [Step 12](#).
  - If the adjacent E1 port is not provisioned, continue the procedure with [Step 13](#).
- If the card is an HC-MIM, continue the procedure with [Step 9](#).

If HIPR or HIPR2 cards are not installed on the shelf containing the HC MIM or E5-E1T1 card, go to the *Installation Manual - EAGLE 5 ISS* and install the HIPR or HIPR2 cards. Once the HIPR or HIPR2 cards have been installed, continue the procedure by performing one of these steps.

- If the card is an E5-E1T1 card, continue the procedure by performing one of these steps.
    - If the adjacent E1 port is provisioned (see [Table 65: Channel Bridging Ports](#)), continue the procedure with [Step 12](#).
    - If the adjacent E1 port is not provisioned, continue the procedure with [Step 13](#).
  - If the card is an HC-MIM, continue the procedure with [Step 9](#).
9. Verify whether or not that the Fan feature is on, by entering the `rtrv-feat` command. If the Fan feature is on, the entry `FAN = on` appears in the `rtrv-feat` command output.

**Note:** The `rtrv-feat` command output contains other fields that are not used by this procedure. If you wish to see all the fields displayed by the `rtrv-feat` command, see the `rtrv-feat` command description in the *Commands Manual*.

If the Fan feature is on, continue the procedure by performing one of these steps.

- If the adjacent E1 port is provisioned (see [Table 65: Channel Bridging Ports](#)), continue the procedure with [Step 12](#).
- If the adjacent E1 port is not provisioned, continue the procedure with [Step 13](#).

If the Fan feature is off, continue the procedure with [Step 10](#).

10. Turn the Fan feature on by entering this command.

```
chg-feat : fan=on
```

**Note:** Once the Fan feature is turned on with the `chg-feat` command, it cannot be turned off.

The Fan feature must be purchased before you turn this feature on with the `chg-feat` command. If you are not sure if you have purchased the Fan feature, contact your Tekelec Sales Representative or Account Representative.

11. The shelf containing the HC-MIM being added in this procedure must have fans installed. Verify whether or not fans are installed on the shelf.

If the fans are not installed on the shelf containing the HC-MIM, go to the *Installation Manual - EAGLE 5 ISS* and install the fans.

After the fans have been installed and tested, or if the fans were already installed. continue the procedure by performing one of these steps.

- If the adjacent E1 port is provisioned (see [Table 65: Channel Bridging Ports](#)), continue the procedure with [Step 12](#).
- If the adjacent E1 port is not provisioned, continue the procedure with [Step 13](#).

12. Display the E1 signaling links in the database by entering this command.

```
rtrv-slk:class=e1
```

```
rlghncxa03w 09-05-19 21:17:04 GMT EAGLE5 41.0.0
LOC LINK LSN SLC TYPE SET BPS ECM PCR PCR E1 E1
 N1 N2 LOC PORT TS
1201 A lsn1 13 LIME1 1 56000 BASIC --- ----- 1201 2 25
1201 B lsn1 12 LIME1 1 56000 BASIC --- ----- 1201 1 20
1202 A lsn1 0 LIMCH 1 56000 BASIC --- ----- 1201 1 5
1202 B lsn1 8 LIMCH 1 56000 BASIC --- ----- 1201 1 1
1203 A1 lsn1 4 LIME1 1 56000 BASIC --- ----- 1203 2 20
1203 B1 lsn1 9 LIME1 1 56000 BASIC --- ----- 1203 1 2
1204 A2 lsn1 5 LIMCH 1 56000 BASIC --- ----- 1203 1 21
1204 A3 lsn1 6 LIMCH 1 56000 BASIC --- ----- 1203 1 22
1211 A lsn1 14 LIME1 1 56000 BASIC --- ----- 1211 1 7
1212 A lsn1 10 LIME1 1 56000 BASIC --- ----- 1211 1 28
1212 B lsn1 11 LIMCH 1 56000 BASIC --- ----- 1211 1 25
1213 A4 lsn1 1 LIME1 1 56000 BASIC --- ----- 1213 1 17
1213 A5 lsn1 7 LIME1 1 56000 BASIC --- ----- 1213 5 23
1213 B5 lsn1 2 LIME1 1 56000 BASIC --- ----- 1213 1 24
1213 A6 lsn1 3 LIME1 1 56000 BASIC --- ----- 1213 5 19
```

If an even numbered E1 port is to be channel bridged, and that E1 port is assigned to signaling links, these signaling links must be removed before the E1 port can be channel bridged. Perform [Removing an SS7 Signaling Link](#) to remove these signaling links. After the signaling links have been removed, continue the procedure with [Step 13](#).

If the even numbered E1 port to be channel bridged is not assigned to signaling links, continue the procedure with [Step 13](#).

13. Change the E1 port using the `chg-e1` command and the parameter combinations shown in [Table 66: Channel Bridged E1 Port Parameter Combinations](#).

**Table 66: Channel Bridged E1 Port Parameter Combinations**

| Mandatory Parameters         |
|------------------------------|
| :loc=location of the E1 card |



|                                                                                                                                                                                                                                                                                                                                                                                                                                                                                                                     |
|---------------------------------------------------------------------------------------------------------------------------------------------------------------------------------------------------------------------------------------------------------------------------------------------------------------------------------------------------------------------------------------------------------------------------------------------------------------------------------------------------------------------|
| :e1port=E1 port being changed, either 1, 3, 5, or 7                                                                                                                                                                                                                                                                                                                                                                                                                                                                 |
| :chanbrdg=on                                                                                                                                                                                                                                                                                                                                                                                                                                                                                                        |
| <b>Optional Parameters</b>                                                                                                                                                                                                                                                                                                                                                                                                                                                                                          |
| :cas=off                                                                                                                                                                                                                                                                                                                                                                                                                                                                                                            |
| :crc4=on, off                                                                                                                                                                                                                                                                                                                                                                                                                                                                                                       |
| :encode=ami, hdb3                                                                                                                                                                                                                                                                                                                                                                                                                                                                                                   |
| :si=0 - 3                                                                                                                                                                                                                                                                                                                                                                                                                                                                                                           |
| :sn=0 - 31                                                                                                                                                                                                                                                                                                                                                                                                                                                                                                          |
| :e1tsel=external, recovered (See Note 1)                                                                                                                                                                                                                                                                                                                                                                                                                                                                            |
| :force=yes (See Note 2)                                                                                                                                                                                                                                                                                                                                                                                                                                                                                             |
| Notes:<br>1. The e1tsel value must be either external or recovered. If the current e1tsel parameter value is line, the e1tsel parameter value for the E1 port being channel bridged must be changed.<br>2. The force=yes parameter must be used when the even numbered port being channel bridged is shown in the rtrv-e1 output in <a href="#">Step 1</a> . If the even numbered port being channel bridged is not shown in the rtrv-e1 output in <a href="#">Step 1</a> , the force=yes parameter cannot be used. |

For this example, enter this command.

```
chg-e1:loc=1201:e1port=1:crc4=off:encode=ami:si=1:sn=9:chanbrdg=on:force=yes
```

14. Verify the changes using the rtrv-e1 command specifying the card location and the e1port value specified in [Step 13](#).

For this example, enter these commands.

```
rtrv-e1:loc=1201:e1port=1
```

```
rlghncxa03w 09-05-28 09:12:36 GMT EAGLE5 41.0.0
```

| LOC  | E1 PORT | CRC4 | CAS   | ENCODE | E1TSEL   | SI   | SN    | CHANBRDG | LINK CLASS | MINS RATE |
|------|---------|------|-------|--------|----------|------|-------|----------|------------|-----------|
| 1201 | 1       | OFF  | OFF   | AMI    | EXTERNAL | 1    | 9     | MASTER   | CHAN       | ----      |
| TS0  | (N/A)   | TS8  | ----- | TS16   | -----    | TS24 | ----- |          |            |           |
| TS1  | 1201,A  | TS9  | ----- | TS17   | -----    | TS25 | ----- |          |            |           |
| TS2  | -----   | TS10 | ----- | TS18   | -----    | TS26 | ----- |          |            |           |
| TS3  | -----   | TS11 | ----- | TS19   | -----    | TS27 | ----- |          |            |           |
| TS4  | -----   | TS12 | ----- | TS20   | -----    | TS28 | ----- |          |            |           |
| TS5  | 1202,A  | TS13 | ----- | TS21   | -----    | TS29 | ----- |          |            |           |
| TS6  | -----   | TS14 | ----- | TS22   | -----    | TS30 | ----- |          |            |           |
| TS7  | -----   | TS15 | ----- | TS23   | -----    | TS31 | ----- |          |            |           |

If the signaling links were not deactivated in [Step 6](#), continue the procedure with [Step 16](#).

If the signaling links were deactivated in [Step 6](#), continue the procedure with [Step 15](#).

15. Activate the signaling links that were deactivated in [Step 6](#) using the `act-slk` command.

For this example, enter these commands.

```
act-slk:loc=1201:link=a
act-slk:loc=1202:link=a
```

16. Back up the new changes using the `chg-db:action=backup:dest=fixed` command.

These messages should appear, the active Maintenance and Administration Subsystem Processor (MASP) appears first.

```
BACKUP (FIXED) : MASP A - Backup starts on active MASP.
BACKUP (FIXED) : MASP A - Backup on active MASP to fixed disk complete.
BACKUP (FIXED) : MASP A - Backup starts on standby MASP.
BACKUP (FIXED) : MASP A - Backup on standby MASP to fixed disk complete.
```

## Making a Non-Channel Bridged E1 Port from a Channel Bridged E1 Port

This procedure is used to make a non-channel bridged E1 port from a channel bridged E1 port using the `chg-e1` command. A channel bridged E1 port is an odd numbered E1 port that contains the entry MASTER in the CHANBRDG column in the `rtvr-e1` output. Other actions can be performed on E1 ports. To perform these actions on the E1 ports, perform one of these procedures.

- To change the attributes of a channelized E1 port - [Changing the Attributes of a Channelized E1 Port](#)
- To change the attributes of an unchannelized E1 port - [Changing the Attributes of an Unchannelized E1 Port](#)
- To make a channel bridged E1 port from a channelized E1 port that is not channel bridged - [Making a Channel Bridged E1 Port from a Channelized E1 Port](#)

To make a non-channel bridged E1 port from a channel bridged E1 port, these parameters are used with the `chg-e1` command.

`:loc` – The location of the E1 card (card type `1ime1`) that contains the channel bridged E1 port. The location of a channel card (card type `1imch`) cannot be specified for this parameter. The E1 card can be either an HC-MIM or an E5-E1T1 card.

`:e1port` – The E1 port being changed in this procedure. Only the odd numbered E1 ports, 1, 3, 5, or 7, can be specified for a channel bridged E1 port.

`:crc4` – Specifies whether or not CRC4 is enabled on the E1 signaling link.

`:cas` – Specifies whether CAS or CCS is used on the E1 signaling link. CAS is enabled with the `cas=on` parameter. CCS is enabled with the `cas=off` parameter. Only HC-MIMs or e5-E1T1 cards can contain channel bridged E1 ports. For HC-MIMs or e5-E1T1 cards, the `cas` parameter value must be `off`.

`:encode` – Specifies the type of encoding or decoding that is used on the E1 signaling link, either HDB3 or AMI.

`:e1tsel` – The timing source for the E1 signaling link, master (`external`) or slave (`line`). If the `e1tsel` value for the channel bridged E1 port is `recovered`, the `e1tsel` value must be changed to

either `line` or `external` when the channel bridged E1 port is changed to a non-channel bridged E1 port.

**Note:** To use an external high-speed master clock source other than RS-422, TDMs 870-0774-15 or later must be installed in card locations 1114 and 1116, and the TDM Global Timing Interface options must be configured. For more information, see [Configuring the Options for the TDM Global Timing Interface](#).

:`si` – Specifies the value of the two spare international bits of NFAS data, from 0 to 3.

:`sn` – Specifies the value of the five spare national bits of NFAS data, from 0 to 31.

:`chanbrdg=off` – Specifies that the odd numbered E1 port specified in this procedure is not channel bridged to its adjacent even numbered E1 port.

The E1 card specified in this procedure must be in the database. This can be verified with the `rtrv-e1` command.

If either the `crc4`, `cas`, `encode`, or `e1tsel` values are being changed, all the signaling links serviced by the E1 card must be taken out of service.

1. Display the existing E1 interfaces in the database using the `rtrv-e1` command with no parameters.

```
rlghncxa03w 09-05-19 21:17:04 GMT EAGLE5 41.0.0
```

| LOC  | E1<br>PORT | CRC4 | CAS | ENCODE | E1TSEL   | SI | SN | CHANBRDG | LINK<br>CLASS | MINSU<br>RATE |
|------|------------|------|-----|--------|----------|----|----|----------|---------------|---------------|
| 1201 | 1          | ON   | OFF | HDB3   | EXTERNAL | 1  | 9  | MASTER   | CHAN          | ----          |
| 1201 | 2          | ON   | OFF | HDB3   | EXTERNAL | 1  | 9  | SLAVE    | CHAN          | ----          |
| 1203 | 2          | OFF  | OFF | HDB3   | LINE     | 1  | 7  | -----    | CHAN          | ----          |
| 1211 | 2          | ON   | OFF | HDB3   | LINE     | 0  | 0  | -----    | CHAN          | ----          |

A channel bridged E1 port is an odd numbered E1 port that contains the entry `MASTER` in the `CHANBRDG` column in the `rtrv-e1` output.

If there are no channel bridged E1 ports shown in the `rtrv-e1` output, this procedure cannot be performed.

If channel bridged E1 ports shown in the `rtrv-e1` output, continue the procedure by performing one of these steps.

- If the `crc4`, `cas`, `encode`, or `e1tsel` parameters are not being changed in this procedure, continue the procedure with [Step 6](#).
- If the `crc4`, `cas`, `encode`, or `e1tsel` parameters are being changed in this procedure, continue the procedure with [Step 2](#).

2. Display the timeslots that are serviced by the E1 card containing the E1 interface information to be changed using the `rtrv-e1` command specifying the card location and the `e1port` value of the channel bridged E1 port from [Step 1](#).

For this example, enter this command.

```
rtrv-e1:loc=1201:e1port=1
```

```
rlghncxa03w 09-05-28 09:12:36 GMT EAGLE5 41.0.0
```

| LOC | E1<br>PORT | CRC4 | CAS | ENCODE | E1TSEL | SI | SN | CHANBRDG | LINK<br>CLASS | MINSU<br>RATE |
|-----|------------|------|-----|--------|--------|----|----|----------|---------------|---------------|
|-----|------------|------|-----|--------|--------|----|----|----------|---------------|---------------|

```

1201 1 ON OFF HDB3 EXTERNAL 1 9 MASTER CHAN ----
TS0 (N/A) TS8 ----- TS16 ----- TS24 -----
TS1 1201,A TS9 ----- TS17 ----- TS25 -----
TS2 ----- TS10 ----- TS18 ----- TS26 -----
TS3 ----- TS11 ----- TS19 ----- TS27 -----
TS4 ----- TS12 ----- TS20 ----- TS28 -----
TS5 1202,A TS13 ----- TS21 ----- TS29 -----
TS6 ----- TS14 ----- TS22 ----- TS30 -----
TS7 ----- TS15 ----- TS23 ----- TS31 -----

```

3. Display the signaling links that are assigned to the E1 card by entering the `rtrv-slkc` command with the card location specified in [Step 2](#). For this example, enter this command.

```
rtrv-slkc:loc=1201
```

```

rlghncxa03w 09-05-19 21:17:04 GMT EAGLE5 41.0.0
LOC LINK LSN SLC TYPE SET BPS ECM N1 N2 LOC PORT TS
1201 B lsn1 12 LIME1 1 56000 BASIC --- ---- 1201 1 20

```

4. Check the status of the signaling links shown in [Step 3](#) using the `rept-stat-slkc` command with the card location and signaling link.

For this example, enter these commands.

```
rept-stat-slkc:loc=1201:link=b
```

```

rlghncxa03w 09-05-23 13:06:25 GMT EAGLE5 41.0.0
SLK LSN CLLI PST SST AST
1201,B lsn1 ----- IS-NR Avail ----
ALARM STATUS = No Alarms
UNAVAIL REASON = --
E1 status = 1201, RCVRY-E1F:FAC-E1 Port 1 available

```

If all the signaling links shown in this step are out of service, continue the procedure with [Step 6](#).

If any of the signaling links shown in this step are in service, continue the procedure with [Step 5](#).

5. Deactivate the signaling links shown in [Step 4](#) using the `dact-slkc` command.

For this example, enter this command.

```
dact-slkc:loc=1201:link=b
```

When this command has successfully completed, this message should appear.

```

rlghncxa03w 09-05-07 08:41:12 GMT EAGLE5 41.0.0
Deactivate Link message sent to card

```

6. Change the E1 port using the `chg-e1` command and the parameter combinations shown in [Table 67: Non-Channel Bridged E1 Port Parameter Combinations](#).

Table 67: Non-Channel Bridged E1 Port Parameter Combinations

| Mandatory Parameters                                                                                                           |
|--------------------------------------------------------------------------------------------------------------------------------|
| :loc=location of the E1 card                                                                                                   |
| :e1port=E1 port being changed, either 1, 3, 5, or 7                                                                            |
| :chanbrdg=off                                                                                                                  |
| Optional Parameters                                                                                                            |
| :cas=off                                                                                                                       |
| :crc4=on, off                                                                                                                  |
| :encode=ami, hdb3                                                                                                              |
| :si=0 - 3                                                                                                                      |
| :sn=0 - 31                                                                                                                     |
| :e1tsel=line, external. If the current e1tsel value is recovered, the e1tsel value must be changed to either line or external. |

For this example, enter this command.

```
chg-e1:loc=1201:e1port=1:crc4=off:encode=ami:si=2:sn=6:chanbrdg=off
```

**Note:** When the chanbrdg=off parameter is specified with the chg-e1 command, the even numbered E1 port that was channel bridged to the E1 port specified in this step is removed from the database.

- Verify the changes using the rtrv-e1 command specifying the card location and the e1port value specified in [Step 6](#).

For this example, enter these commands.

```
rtrv-e1:loc=1201:e1port=1
```

```
rlghncxa03w 09-05-28 09:12:36 GMT EAGLE5 41.0.0
```

| LOC  | E1<br>PORT | CRC4 | CAS   | ENCODE | E1TSEL   | SI   | SN    | CHANBRDG | LINK<br>CLASS | MINSU<br>RATE |
|------|------------|------|-------|--------|----------|------|-------|----------|---------------|---------------|
| 1201 | 1          | OFF  | OFF   | AMI    | EXTERNAL | 2    | 6     | -----    | CHAN          | ----          |
| TS0  | (N/A)      | TS8  | ----- | TS16   | -----    | TS24 | ----- |          |               |               |
| TS1  | 1201,A     | TS9  | ----- | TS17   | -----    | TS25 | ----- |          |               |               |
| TS2  | -----      | TS10 | ----- | TS18   | -----    | TS26 | ----- |          |               |               |
| TS3  | -----      | TS11 | ----- | TS19   | -----    | TS27 | ----- |          |               |               |
| TS4  | -----      | TS12 | ----- | TS20   | -----    | TS28 | ----- |          |               |               |
| TS5  | 1202,A     | TS13 | ----- | TS21   | -----    | TS29 | ----- |          |               |               |
| TS6  | -----      | TS14 | ----- | TS22   | -----    | TS30 | ----- |          |               |               |
| TS7  | -----      | TS15 | ----- | TS23   | -----    | TS31 | ----- |          |               |               |

If the signaling links were not deactivated in [Step 5](#), continue the procedure with [Step 9](#).

If the signaling links were deactivated in [Step 5](#), continue the procedure with [Step 8](#).

8. Activate the signaling links that were deactivated in [Step 5](#) using the `act-slk` command.

For this example, enter these commands.

```
act-slk:loc=1201:link=b
```

9. Back up the new changes using the `chg-db:action=backup:dest=fixed` command.

These messages should appear, the active Maintenance and Administration Subsystem Processor (MASP) appears first.

```
BACKUP (FIXED) : MASP A - Backup starts on active MASP.
BACKUP (FIXED) : MASP A - Backup on active MASP to fixed disk complete.
BACKUP (FIXED) : MASP A - Backup starts on standby MASP.
BACKUP (FIXED) : MASP A - Backup on standby MASP to fixed disk complete.
```

## Adding an E1 Signaling Link

This procedure is used to add an E1 signaling link to the database using the `ent-slk` command and these parameters.

`:loc` – The card location of the card that the E1 signaling link will be assigned to.

`:link` – The signaling link on the card specified in the `loc` parameter.

`:lsn` – The name of the linkset that will contain the signaling link.

`:slc` – The signaling link code. The SLC must be unique within the linkset. It must be the same at both the EAGLE 5 ISS location and the distant node.

`:bps` – The transmission rate for the link in bits per second.

`:ecm` – Error correction method, either `basic` or `pcr`. The default value for this parameter is `basic`.

`:pcrn1` – The threshold of the number of MSUs available for retransmission. If the error correction method being used is PCR (`:ecm=pcr`), and this threshold is reached, no new MSUs or FISUs are sent. The retransmission cycle is continued up to the last MSU entered into the retransmission buffer in the order in which they were originally transmitted.

`:pcrn2` – The threshold of the number of MSU octets available for retransmission. If the error correction method being used is PCR (`:ecm=pcr`), and this threshold is reached, no new MSUs or FISUs are sent. The retransmission cycle is continued up to the last MSU entered into the retransmission buffer in the order in which they were originally transmitted.

`:ts` – The timeslot on the E1 card or channel card being used for the E1 signaling link.

`:elport` – The E1 port on the E1 card that is servicing the timeslot selected for the E1 signaling link.

`:elloc` – The location of the E1 card servicing the timeslot selected for the E1 signaling link. This parameter can be specified only when provisioning E1 signaling links on channel cards.

`:l2tset` – The level 2 timer set table assigned to the E1 signaling link. The type of linkset the E1 signaling link is assigned to and the E1 card's application determines the value of the `l2tset` parameter. The level 2 timer set tables are defined in [Changing Level 2 Timers](#).

The `ent-slk` command contains other optional parameters that can be used to configure a signaling link. These parameters are not shown here because they are not necessary to provision an E1 signaling link. These parameters are explained in more detail in [Adding an SS7 Signaling Link](#), or in the `ent-slk` command description in the *Commands Manual*.

These items must be configured in the database before an E1 signaling link can be added:

- Shelf – see [Adding a Shelf](#) in the *Database Administration Manual - System Management*
- E1 Card (card type `lime1`) or ChannelCard (card type `limch`) running either the `ss7ansior` or `ccs7itu` applications – see [Adding a LIM-E1 Card](#) procedure
- Destination Point Code – see the [Adding a Destination Point Code](#) procedure.
- Linkset – [Adding a SS7 Linkset](#).

Verify that the link has been physically installed (all cable connections have been made).

Timeslot 16 (`ts=16`) cannot be specified for an E1 signaling link if the E1 interface servicing this link has CAS enabled. This is shown by the entry on in the `CAS` field of the `rtrv-e1` output.

If the E1 signaling link is assigned to a channel card (card type `limch`), the `e1port` parameter cannot be specified. The `e1port` parameter value defaults to 1.

All E1 signaling links in a linkset can use either the 56000 or 64000 transmission rate. The transmission rate for the E1 signaling links in the linkset do not have to be the same.

The values for the `ts` parameter must be from 1 to 31.

The linkset must be in the database. The number of signaling links in a linkset cannot exceed 16. This can be verified with the `rtrv-ls` command.

The APC of the linkset assigned to the signaling link must be in the SS7 domain. Use the `rtrv-dstn` command to verify the domain of the APC of the linkset.

The `pcrn1` or `pcrn2` parameters can only be specified if the `ecm=pcr` parameter is specified.

If the E1 signaling link is being assigned to an unchannelized E1 port (shown by the entry `UNCHAN` in the `LINKCLASS` field in the `rtrv-e1` output), you cannot specify the `ts` parameter. An E1 signaling link containing an unchannelized E1 port can be assigned only to an HC-MIM or an E5-E1T1 card. A maximum of two E1 signaling links containing an unchannelized E1 port can be assigned to an HC-MIM. The `link` parameter value for these links must be either `a` or `b`. A maximum of one E1 signaling link containing an unchannelized E1 port can be assigned to an E5-E1T1 card. The `link` parameter value for this link must be `a`. The transmission rate (`bps` parameter) for an unchannelized E1 signaling link is 1984000 bits per second. The `bps` parameter is optional, and if not specified with the `ent-slk` command, the `bps` parameter value defaults to 1984000 bits per seconds.

If the E1 signaling link is being assigned to a channel bridged E1 port (shown by the entries `MASTER` or `SLAVE` in the `CHANBRDG` field in the `rtrv-e1` output), the E1 port value for the signaling link must be the odd numbered ( `MASTER` ) E1 port.

If the E1 card is not an HC-MIM or an E5-E1T1 card, a maximum of 2 or 8 E1 signaling links can be assigned to the card. The range of `link` parameter values is dependent on the type of E1 card the signaling link is assigned to. If the E1 card is an E1/T1MIM, the `link` parameter values are `A - A3`, or `B - B3`, allowing a maximum of 8 signaling links on the card.

If the E1 signaling link is being assigned to a channelized E1 port (shown by the entry `CHAN` in the `LINKCLASS` field in the `rtrv-e1` output) on an HC-MIM, the `link` parameter values are `A - A31` or `B - B31`. An HC-MIM can contain a maximum of 64 channelized E1 signaling links. If signaling links `A16` to `A31`, or `B16` to `B31` will be assigned to the card, the `FAN` feature must be turned on. The status

of the FAN feature is shown in the `rtrv-feat` command output. The shelf containing the HC-MIM being added in this procedure must have fans installed. If the fans are not installed on the shelf containing the HC-MIM, go to the *Installation Manual - EAGLE 5 ISS* and install the fans.

If the E1 signaling link is being assigned to a channelized E1 port (shown by the entry `CHAN` in the `LINKCLASS` field in the `rtrv-e1` output) on an E5-E1T1 card, the `link` parameter values are A - A15 or B - B15. An E5-E1T1 card can contain a maximum of 32 channelized E1 signaling links.

To configure the EAGLE 5 ISS to perform circular routing detection test on the signaling links, perform the *Configuring Circular Route Detection* procedure.

**Note:** Circular route detection is not supported in ITU networks.

To provision a EAGLE 5 ISS with more than 1200 signaling links, the EAGLE 5 ISS must have certain levels of hardware installed. See the *Requirements for EAGLE 5 ISSs Containing more than 1200 Signaling Links* section for more information on these hardware requirements.

The EAGLE 5 ISS can contain a mixture of low-speed, E1, T1, ATM high-speed, and IP signalling links. The *Determining the Number of High-Speed and Low-Speed Signaling Links* section describes how to determine the quantities of the different types of signaling links the EAGLE 5 ISS can have.

### Configuring Signaling Links on LIM-E1 Cards

The main consideration for the provisioning of LIM-E1 cards into the EAGLE 5 ISS is to determine the number of LIM-E1 cards existing in the network and the equipment needed for expanding the signaling link capacity of the EAGLE 5 ISS. To utilize the flexibility of the E1 interface feature, you may want to determine the minimum number of LIM-E1 cards needed to process the total number of SS7 links and then consider diversity for reliability reasons.

Use the following points as guidelines when considering diversity for E1:

- If possible, no two LIM-E1 cards containing links from a common link set should be on the same E1/dual port ChannelCard.
- If possible, no two LIM-E1 cards containing links from a common link set should be on adjacent E1/dual port Channel Cards where they are powered from the same fuse position.
- If possible, no two LIM-E1 cards containing links from a common link set should be terminated on the same shelf because of the shelf clock cabling, and is only an issue if using master clocking sync to the network
- If possible, no two links in a link set should arrive at the EAGLE 5 ISS on the same LIM-E1 card.
- If possible, for link sets containing more than two links, you should minimize the number of links in that link set on any given LIM-E1 card.

As an example, consider a network consisting of 30 LIM-E1 cards with a total number of 100 links where the largest link set size is 8. The most efficient way to provision the EAGLE 5 ISS would be to have 4 extension shelves equipped with the E1 Cabling Backplane, 1 E1Card, and 12 Channel Cards per shelf. Utilizing 1 "B" bus on each shelf, 25 signaling links would be terminated on each shelf for a total of 100. *This is also the minimum number of LIM-E1 Cards required for this example.*

With the same example but using the third and fifth bullets above as a consideration, the EAGLE 5 ISS would be provisioned with 8 extension shelves equipped with the E1 Cabling Backplane. Four of the shelves would be equipped with 1 E1Card and 6 Channel Cards, and the other 4 shelves would be equipped with 1 E1Card and 5 Channel Cards. *Since the largest link set size is 8, a total of 8 LIM-E1 Cards is required.* Utilizing 1 "B" bus on each shelf, 13 signaling links would be terminated on each shelf with 6 Channel Cards, and 12 signaling links would be terminated on each shelf with 5 Channel Cards.

### Example Signaling Link Configuration



This examples used in this procedure are based on [Table 68: E1 Signaling Link Configuration Table](#).

**Table 68: E1 Signaling Link Configuration Table**

| SLKLOC | SLK LINK | LSN     | SLC | TYPE  | BPS     | TS  | E1PORT | E1LOC |
|--------|----------|---------|-----|-------|---------|-----|--------|-------|
| 1201   | A        | LSNE12  | 0   | LIME1 | 64000   | 1   | 2      | N/A   |
| 1202   | A        | LSNE12  | 1   | LIMCH | 64000   | 5   | 1      | 1201  |
| 1203   | A        | LSNE13  | 0   | LIME1 | 64000   | 8   | 2      | N/A   |
| 1204   | A        | LSNE13  | 1   | LIMCH | 64000   | 12  | 1      | 1203  |
| 1211   | A        | LSNE145 | 0   | LIME1 | 56000   | 10  | 2      | N/A   |
| 1212   | A        | LSNE145 | 1   | LIMCH | 56000   | 14  | 1      | 1211  |
| 1212   | A        | LSNE145 | 2   | LIMCH | 56000   | 20  | 1      | 1211  |
| 1301   | A        | LSN6    | 0   | LIME1 | 1984000 | N/A | 4      | N/A   |
| 1303   | B        | LSN7    | 0   | LIME1 | 1984000 | N/A | 7      | N/A   |

#### Canceling the REPT-STAT-SLK and RTRV-SLK Commands

Because the `rept-stat-slk` and `rtrv-slk` commands used in this procedure can output information for a long period of time, the `rept-stat-slk` and `rtrv-slk` commands can be canceled and the output to the terminal stopped. There are three ways that the `rept-stat-slk` and `rtrv-slk` commands can be canceled.

- Press the F9 function key on the keyboard at the terminal where the `rept-stat-slk` or `rtrv-slk` commands were entered.
- Enter the `canc-cmd` without the `trm` parameter at the terminal where the `rept-stat-slk` or `rtrv-slk` commands were entered.
- Enter the `canc-cmd:trm=<xx>`, where `<xx>` is the terminal where the `rept-stat-slk` or `rtrv-slk` commands were entered, from another terminal other than the terminal where the `rept-stat-slk` or `rtrv-slk` commands were entered. To enter the `canc-cmd:trm=<xx>` command, the terminal must allow Security Administration commands to be entered from it and the user must be allowed to enter Security Administration commands. The terminal's permissions can be verified with the `rtrv-secu-trm` command. The user's permissions can be verified with the `rtrv-user` or `rtrv-secu-user` commands.

For more information about the `canc-cmd` command, go to the *Commands Manual*.

1. Display the cards in the database using the `rtrv-card` command.

```
rlghncxa03w 09-05-28 09:12:36 GMT EAGLE5 41.0.0
CARD TYPE APPL LSET NAME LINK SLC LSET NAME LINK SLC
1102 TSM GLS
1113 GSPM OAM
1114 TDM-A
1115 GSPM OAM
1116 TDM-B
```

```

1117 MDAL
1201 LIME1 CCS7ITU
1202 LIMCH CCS7ITU
1203 LIME1 CCS7ITU
1204 LIMCH CCS7ITU
1211 LIME1 CCS7ITU
1212 LIMCH CCS7ITU
1316 DCM STPLAN

```

If the required E1 card or channel card is not in the database, perform [Adding a LIM-E1 Card](#) to add the required cards to the database.

2. Display the current linkset configuration using the `rtrv-ls` command.

```

rlghncxa03w 06-10-10 11:43:04 GMT EAGLE5 36.0.0
 L3T SLT GWS GWS GWS
LSN APCA (SS7) SCRNM SET SET BEI LST LNKS ACT MES DIS SLSCI NIS
lsnt145 150-075-038 scr4 1 1 yes a 0 on on off --- ---
lsnt265 200-150-067 scr2 1 1 yes a 3 on on off --- ---

 L3T SLT GWS GWS GWS
LSN APCI (SS7) SCRNM SET SET BEI LST LNKS ACT MES DIS SLSCI NIS
lsne12 2-150-7 scr1 1 1 no a 2 on on off --- ---
lsne145 4-049-3 scr1 1 1 no a 3 on on off --- ---
sp5 1-111-3 scr3 1 3 yes c 1 off off off --- ---
sp6 1-111-1 scr1 1 1 yes a 1 off off off --- ---
sp7 1-111-2 scr2 1 2 no a 2 on on on --- ---

 L3T SLT GWS GWS GWS
LSN APCN (SS7) SCRNM SET SET BEI LST LNKS ACT MES DIS SLSCI NIS
lsne13 14950 scr1 1 1 no a 2 on on off --- off
nsp1 11111 scr1 1 1 yes a 2 off off off --- off
nsp3 11112 scr2 1 2 no a 1 on on on --- off
nsp4 11113 scr3 1 3 yes c 1 off off off --- off

Link set table is (11 of 1024) 1% full

```

If the desired linkset is not in the database, perform [Adding a SS7 Linkset](#) to add the linkset to the database. After the linkset has been added to the database, continue the procedure with [Step 4](#).

If the desired linkset is in the database, continue the procedure with [Step 3](#).

3. Display the attributes of the linkset that will contain the new signaling link by entering the `rtrv-ls` command with the name of the linkset shown in [Step 2](#). For this example, enter these commands.

```
rtrv-ls:lsn=lsne12
```

```

rlghncxa03w 08-12-10 11:43:04 GMT EAGLE5 40.0.0
 L3T SLT GWS GWS GWS
LSN APCI (SS7) SCRNM SET SET BEI LST LNKS ACT MES DIS SLSCI NIS
lsne12 2-150-7 scr1 1 1 yes A 2 on on off no off

 SPCI CLLI TFATCABMLQ MTPRSE ASL8

 2 --- ---

SLSRSB RANDSLS ITUTFR
1 off off

```

```

IPSG IPGWAPC GTTMODE CGGTMOD
no no CdPA no

 L2T
LOC LINK SLC TYPE SET BPS ECM PCR PCR E1 E1
1201 A1 2 LIME1 11 56000 BASIC --- ---- 1201 2 20
1201 B 3 LIME1 11 56000 BASIC --- ---- 1201 2 10

Link set table is (11 of 1024) 1% full.

```

rtrv-ls:lsn=lsnel3

```

rlghncxa03w 08-12-10 11:43:04 GMT EAGLE5 40.0.0

 L3T SLT GWS GWS GWS
LSN APCN (SS7) SCRNLST LNKS ACT MES DIS SLSCI NIS
lsnel3 14950 scr1 1 1 no A 2 on on off no off

 SPCN CLLI TFATCABMLQ MTPRSE ASL8
----- ----- 1 --- ---

SLSRSB RANDSLS ITUTFR
1 off off

IPSG IPGWAPC GTTMODE CGGTMOD
no no CdPA no

 L2T
LOC LINK SLC TYPE SET BPS ECM PCR PCR E1 E1
1203 A1 2 LIME1 11 56000 BASIC --- ---- 1203 2 4
1203 A3 3 LIME1 11 56000 BASIC --- ---- 1203 2 3

Link set table is (11 of 1024) 1% full.

```

rtrv-ls:lsn=lsnel45

```

rlghncxa03w 08-12-10 11:43:04 GMT EAGLE5 40.0.0

 L3T SLT GWS GWS GWS
LSN APCI (SS7) SCRNLST LNKS ACT MES DIS SLSCI NIS
lsnel45 4-049-3 scr1 1 1 yes A 3 on on off no off

 SPCI CLLI TFATCABMLQ MTPRSE ASL8
----- ----- 2 --- ---

SLSRSB RANDSLS ITUTFR
1 off off

IPSG IPGWAPC GTTMODE CGGTMOD
no no CdPA no

 L2T
LOC LINK SLC TYPE SET BPS ECM PCR PCR E1 E1
1211 A1 3 LIME1 11 56000 BASIC --- ---- 1211 2 17
1211 B 4 LIME1 11 56000 BASIC --- ---- 1211 2 13
1211 B1 5 LIME1 11 56000 BASIC --- ---- 1211 2 2

Link set table is (11 of 1024) 1% full.

```

The signaling link cannot be assigned to a linkset whose IPSG or IPGWAPC values are yes. If either the IPSG or IPGWAPC value for the linkset is yes, repeat the procedure from [Step 2](#) and choose another linkset.

If the IPSG and IPGWAPC values for the linkset are no, continue the procedure with [Step 4](#).

4. Display the current signaling link configuration using the `rtrv-slk` command.

```
rlghncxa03w 09-07-19 21:16:37 GMT EAGLE5 41.1.0
LOC LINK LSN SLC TYPE L2T SET BPS ECM PCR PCR
1201 A e3m1s1 0 LIMDS0 1 56000 BASIC ---- -----
1201 B e3m1s2 0 LIMDS0 1 56000 BASIC ---- -----
1202 A e3m1s1 1 LIMDS0 1 56000 BASIC ---- -----
1202 B e3m1s2 1 LIMDS0 1 56000 BASIC ---- -----
1203 A e3m1s1 2 LIMDS0 1 56000 BASIC ---- -----
1203 B e3m1s2 2 LIMDS0 1 56000 BASIC ---- -----
1204 A e3m1s1 3 LIMDS0 1 56000 BASIC ---- -----
1204 B e3m1s2 3 LIMDS0 1 56000 BASIC ---- -----
1205 A e3m1s1 4 LIMDS0 1 56000 BASIC ---- -----
1205 B e3m1s2 4 LIMDS0 1 56000 BASIC ---- -----
1206 A e3m1s1 5 LIMDS0 1 56000 BASIC ---- -----
1206 B e3m1s2 5 LIMDS0 1 56000 BASIC ---- -----
1207 A e3m1s1 6 LIMDS0 1 56000 BASIC ---- -----
1207 B e3m1s2 6 LIMDS0 1 56000 BASIC ---- -----
1211 A e3m2s1 0 LIMDS0 11 56000 BASIC ---- -----
1211 B e3m2s2 0 LIMDS0 11 56000 BASIC ---- -----
1212 A e3m2s1 1 LIMDS0 11 56000 BASIC ---- -----
1212 B e3m2s2 1 LIMDS0 11 56000 BASIC ---- -----
1213 A e3m2s1 2 LIMDS0 11 56000 BASIC ---- -----
1213 B e3m2s2 2 LIMDS0 11 56000 BASIC ---- -----
1214 A e3m2s1 3 LIMDS0 11 56000 BASIC ---- -----
1214 B e3m2s2 3 LIMDS0 11 56000 BASIC ---- -----
1215 A e3m2s1 4 LIMDS0 11 56000 BASIC ---- -----
1215 B e3m2s2 4 LIMDS0 11 56000 BASIC ---- -----
1216 A e3m2s1 5 LIMDS0 11 56000 BASIC ---- -----
1216 B e3m2s2 5 LIMDS0 11 56000 BASIC ---- -----
1217 A e3m2s1 6 LIMDS0 11 56000 BASIC ---- -----
1217 B e3m2s2 6 LIMDS0 11 56000 BASIC ---- -----

SLK TABLE is (28 of 1200) 2% full.
```

If the addition of the new signaling link will exceed the maximum number of signaling links the EAGLE 5 ISS can have (in this example, the maximum number of signaling links is 1200), and the maximum number of signaling links is 2800, this procedure cannot be performed. The EAGLE 5 ISS cannot contain more than 2800 signaling links.

If the addition of the new signaling link will exceed the maximum number of signaling links the EAGLE 5 ISS can have, and the maximum number of signaling links is less than 2800, perform the [Enabling the Large System # Links Controlled Feature](#) procedure to enable the desired quantity of signaling links.

If the addition of the new signaling link will not exceed the maximum number of signaling links the EAGLE 5 ISS can have, or if a new signaling link quantity was enabled, continue the procedure by performing one of these steps.

- If the signaling link will be assigned to a channel card (LIMCH), continue the procedure with [Step 10](#).
- If the signaling link will be assigned to a LIME1 card, continue the procedure with [Step 5](#).

5. Display the E1 interfaces that will be assigned to the E1 signaling link using the `rtrv-e1` command with no parameters.

```
rlghncxa03w 06-10-19 21:17:04 GMT EAGLE5 36.0.0
E1
LOC PORT CRC4 CAS ENCODE E1TSEL SI SN CHANBRDG CLASS RATE
1201 2 ON OFF HDB3 LINE 0 0 ----- CHAN ----
1203 1 OFF ON HDB3 EXTERNAL 3 6 ----- CHAN ----
1211 2 ON OFF HDB3 LINE 0 0 ----- CHAN ----
```

If the desired E1 port and E1 card combination is shown in the `rtrv-e1` output, continue the procedure with [Step 6](#).

If the desired E1 port and E1 card combination is not shown in the `rtrv-e1` output, add the E1 port and E1 card combination to the database by performing the one of these procedures:

- [Adding Channelized and non-Channel Bridged E1 Ports](#)
- [Adding Channel Bridged E1 Ports](#)
- [Adding Unchannelized E1 Ports](#).

After the desired E1 port and E1 card combination has been added to the database, continue the procedure with [Step 6](#).

6. Verify the card type of the card that will contain the new E1 signaling link by entering this command.

```
rtrv-stp:type=lime1
```

```
rlghncxa03w 08-12-30 11:07:17 EST EAGLE 40.0.0
Card Part Number Rev Serial Number Type DB APPL GPL Version
---- -
1201 870-2671-02 C 10145689323 LIME1 512M SS7ANSI 126-034-000
1203 870-1873-01 C 10345690569 LIME1 512M SS7ANSI 126-034-000
1211 870-1873-01 C 10346790570 LIME1 512M SS7ANSI 126-034-000
1301 870-2671-02 C 10145689327 LIME1 512M SS7ANSI 126-033-000
1303 870-1873-01 C 10345691349 LIME1 512M SS7ANSI 126-033-000

Command Completed.
```

The E1 card types and their part numbers are shown in [Table 54: E1 Card Part Numbers](#).

If the new E1 signaling link will be assigned to an E1T1 MIM, or E5-E1T1 card, continue the procedure with [Step 10](#).

If the new E1 signaling link will be assigned to an HC-MIM, and the link parameter value of the new signaling link is A-A15 or B-B15, continue the procedure with [Step 10](#).

If the new E1 signaling link will be assigned to an HC-MIM, and the link parameter value of the new signaling link is A16-A31 or B16-B31, continue the procedure by performing one of these steps.

- If the link parameter values A16-A31 or B16-B31 are shown in the `rtrv-slk` output in [Step 4](#), and the new signaling link will be assigned to a card on the same shelf as the cards that contain the link parameter values A16-A31 or B16-B31, continue the procedure with [Step 10](#).
- If the link parameter values A16-A31 or B16-B31 are shown in the `rtrv-slk` output in [Step 4](#), and the new signaling link will be assigned to a card that is not on the same shelf as the cards

the contain the link parameter values A16-A31 or B16-B31, continue the procedure with [Step 9](#).

- If the link parameter values A16-A31 or B16-B31 are not shown in the `rtrv-slk` output in [Step 4](#), continue the procedure with [Step 7](#).

7. Verify whether or not that the Fan feature is on, by entering the `rtrv-feat` command.

If the Fan feature is on, the entry `FAN = on` appears in the `rtrv-feat` command output.

**Note:** The `rtrv-feat` command output contains other fields that are not used by this procedure. If you wish to see all the fields displayed by the `rtrv-feat` command, see the `rtrv-feat` command description in the *Commands Manual*.

If the Fan feature is on, continue the procedure with [Step 9](#).

8. Turn the Fan feature on by entering this command.

```
chg-feat : fan=on
```

**Note:** Once the Fan feature is turned on with the `chg-feat` command, it cannot be turned off.

The Fan feature must be purchased before you turn this feature on with the `chg-feat` command. If you are not sure if you have purchased the Fan feature, contact your Tekelec Sales Representative or Account Representative.

9. The shelf containing the HC-MIM being added in this procedure must have fans installed. Verify whether or not fans are installed on the shelf.

If the fans are installed, continue the procedure with [Step 10](#).

If the fans are not installed on the shelf containing the HC-MIM, go to the *Installation Manual - EAGLE 5 ISS* and install the fans. Once the fans have been installed and tested, [Step 10](#). The fans must be working properly before an HC-MIM can be placed in the EAGLE 5 ISS.

10. Add the E1 signaling links using the `ent-slk` command.

Enter the `ent-slk` command with the parameter combinations shown in [Table 69: E1 Signaling Link Parameter Combinations](#).

**Table 69: E1 Signaling Link Parameter Combinations**

| E1 Signaling Links assigned to a Channel Card | E1 Signaling Links assigned to an E1/T1 MIM | E1 Signaling Links assigned to an HC-MIM with a Channelized E1 Port | E1 Signaling Links assigned to an HC-MIM with an Unchannelized E1 Port | E1 Signaling Links assigned to an E5-E1T1 Card with a Channelized E1 Port | E1 Signaling Links assigned to an E5-E1T1 Card with an Unchannelized E1 Port |
|-----------------------------------------------|---------------------------------------------|---------------------------------------------------------------------|------------------------------------------------------------------------|---------------------------------------------------------------------------|------------------------------------------------------------------------------|
| <b>Mandatory Parameters</b>                   |                                             |                                                                     |                                                                        |                                                                           |                                                                              |
| :loc=<the location of the channel card>       | :loc=<the location of the LIME1 card>       | :loc=<the location of the LIME1 card>                               | :loc=<the location of the LIME1 card>                                  | :loc=<the location of the LIME1 card>                                     | :loc=<the location of the LIME1 card>                                        |
| :link=A - A3, B - B3                          | :link=A - A3, B - B3                        | :link=A - A31, B - B31 (See Note 2)                                 | :link=A or B                                                           | :link=A - A15, B - B15                                                    | :link=A                                                                      |

| E1 Signaling Links assigned to a Channel Card                                                                                                                       | E1 Signaling Links assigned to an E1/T1 MIM              | E1 Signaling Links assigned to an HC-MIM with a Channelized E1 Port | E1 Signaling Links assigned to an HC-MIM with an Unchannelized E1 Port | E1 Signaling Links assigned to an E5-E1T1 Card with a Channelized E1 Port | E1 Signaling Links assigned to an E5-E1T1 Card with an Unchannelized E1 Port |
|---------------------------------------------------------------------------------------------------------------------------------------------------------------------|----------------------------------------------------------|---------------------------------------------------------------------|------------------------------------------------------------------------|---------------------------------------------------------------------------|------------------------------------------------------------------------------|
| :lsn=<the name of the linkset>                                                                                                                                      | :lsn=<the name of the linkset>                           | :lsn=<the name of the linkset>                                      | :lsn=<the name of the linkset>                                         | :lsn=<the name of the linkset>                                            | :lsn=<the name of the linkset>                                               |
| :slc= 0 - 15                                                                                                                                                        | :slc= 0 - 15                                             | :slc= 0 - 15                                                        | :slc= 0 - 15                                                           | :slc= 0 - 15                                                              | :slc= 0 - 15                                                                 |
| :e1loc=<the location of the LIME1 card>                                                                                                                             | :e1port= 1 or 2                                          | :e1port= 1 - 8                                                      | :e1port= 1 - 8                                                         | :e1port= 1 - 8                                                            | :e1port= 1 - 8                                                               |
| :ts= 1 - 31 (See Note 1)                                                                                                                                            | :ts= 1 - 31 (See Note 1)                                 | :ts= 1 - 31                                                         |                                                                        | :ts= 1 - 31                                                               |                                                                              |
| Optional Parameters                                                                                                                                                 |                                                          |                                                                     |                                                                        |                                                                           |                                                                              |
| :bps=56000, 64000<br>Default value = 56000                                                                                                                          | :bps=56000, 64000<br>Default value = 56000               | :bps=56000, 64000<br>Default value = 56000                          | :bps=1984000<br>Default value = 19840000                               | :bps=56000, 64000<br>Default value = 56000                                | :bps=1984000<br>Default value = 19840000                                     |
| :ecm=basic, pcr<br>Default value = basic                                                                                                                            | :ecm=basic, pcr<br>Default value = basic                 | :ecm=basic, pcr<br>Default value = basic                            | :ecm=basic, pcr<br>Default value = basic                               | :ecm=basic, pcr<br>Default value = basic                                  | :ecm=basic, pcr<br>Default value = basic                                     |
| :pcrn1= 1 - 127 (See Note 3)<br>Default value = 76                                                                                                                  | :pcrn1= 1 - 127 (See Note 3)<br>Default value = 76       | :pcrn1= 1 - 127 (See Note 3)<br>Default value = 76                  | :pcrn1= 1 - 127 (See Note 3)<br>Default value = 76                     | :pcrn1= 1 - 127 (See Note 3)<br>Default value = 76                        | :pcrn1= 1 - 1023 (See Note 3)<br>Default value = 608                         |
| :pcrn2=300 - 35500 (See Note 3)<br>Default value = 3800                                                                                                             | :pcrn2=300 - 35500 (See Note 3)<br>Default value = 3800  | :pcrn2=300 - 35500 (See Note 3)<br>Default value = 3800             | :pcrn2=300 - 35500 (See Note 3)<br>Default value = 3800                | :pcrn2=300 - 35500 (See Note 3)<br>Default value = 3800                   | :pcrn2=7200 - 287744 (See Note 3)<br>Default value = 32224                   |
| :l2tset=See <a href="#">Table 35: Level 2 Timer Sets</a>                                                                                                            | :l2tset=See <a href="#">Table 35: Level 2 Timer Sets</a> | :l2tset=See <a href="#">Table 35: Level 2 Timer Sets</a>            | :l2tset=See <a href="#">Table 35: Level 2 Timer Sets</a>               | :l2tset=See <a href="#">Table 35: Level 2 Timer Sets</a>                  | :l2tset=See <a href="#">Table 35: Level 2 Timer Sets</a>                     |
| Notes:                                                                                                                                                              |                                                          |                                                                     |                                                                        |                                                                           |                                                                              |
| 1. Timeslot 16 cannot be used if the E1 interface, defined by the e1loc and e1port parameter values, has CAS enabled (cas=on). This is shown in the rtrv-e1 output. |                                                          |                                                                     |                                                                        |                                                                           |                                                                              |

| E1 Signaling Links assigned to a Channel Card                                                                    | E1 Signaling Links assigned to an E1/T1 MIM | E1 Signaling Links assigned to an HC-MIM with a Channelized E1 Port | E1 Signaling Links assigned to an HC-MIM with an Unchannelized E1 Port | E1 Signaling Links assigned to an E5-E1T1 Card with a Channelized E1 Port | E1 Signaling Links assigned to an E5-E1T1 Card with an Unchannelized E1 Port |
|------------------------------------------------------------------------------------------------------------------|---------------------------------------------|---------------------------------------------------------------------|------------------------------------------------------------------------|---------------------------------------------------------------------------|------------------------------------------------------------------------------|
| 2. If the Fan feature is not turned on, the link parameter values for an E1 signaling link are A - A15, B - B15. |                                             |                                                                     |                                                                        |                                                                           |                                                                              |
| 3. The pcrn1 and pcrn2 parameters can be specified only if the ecm=pcr parameter is specified.                   |                                             |                                                                     |                                                                        |                                                                           |                                                                              |

If the E1 signaling link is being assigned to an unchannelized E1 port (shown by the entries UNCHAN in the LINKCLASS field in the `rtrv-e1` output), you cannot specify the `ts` parameter. The transmission rate (`bps` parameter) for an unchannelized E1 signaling link is 1984000 bits per second. The `bps` parameter is optional, and if not specified with the `ent-slk` command, the `bps` parameter value defaults to 1984000 bits per seconds. It is recommended that unchannelized E1 signaling links are assigned to linksets that do not contain other types of signaling links.

For this example, enter these commands.

```
ent-slk:loc=1201:link=a:lsn=lsne12:slc=2:bps=64000:ts=1:elport=2
ent-slk:loc=1202:link=a:lsn=lsne12:slc=3:bps=64000:ts=5:elloc=1201
ent-slk:loc=1203:link=a:lsn=lsne13:slc=2:bps=64000:ts=8:elport=2
ent-slk:loc=1204:link=a:lsn=lsne13:slc=3:bps=64000:ts=12:elloc=1203
ent-slk:loc=1211:link=a:lsn=lsne145:slc=3:bps=56000:ts=10:elport=2
ent-slk:loc=1212:link=a:lsn=lsne145:slc=4:bps=56000:ts=14:elloc=1211
ent-slk:loc=1212:link=a2:lsn=lsne145:slc=5:bps=56000:ts=20:elloc=1211
ent-slk:loc=1301:link=a:lsn=lsn6:slc=0:elport=4
ent-slk:loc=1303:link=b:lsn=lsn7:slc=0:elport=7
```

**Note:** If adding the new signaling link will result in more than 700 signaling links in the database and the OAMHCMEAS value in the `rtrv-measopts` output is on, the scheduled UI measurement reports will be disabled.

11. Verify the changes using the `rtrv-slk` command, specifying the card location and signaling link entered in [Step 10](#).

For this example, enter these commands.

```
rtrv-slk:loc=1201
```

```
rlghncxa03w 08-12-19 21:17:04 GMT EAGLE5 40.0.0
LOC LINK LSN SLC TYPE L2T SET BPS ECM N1 N2 E1 E1
1201 A lsne12 2 LIME1 1 64000 BASIC --- --- 1201 2 1
```



rtrv-slk:loc=1202

```
rlghncxa03w 08-12-19 21:17:04 GMT EAGLE5 40.0.0
 L2T PCR PCR E1 E1
LOC LINK LSN SLC TYPE SET BPS ECM N1 N2 LOC PORT TS
1202 A lsne12 3 LIMCH 1 64000 BASIC --- ----- 1201 1 5
```

rtrv-slk:loc=1203

```
rlghncxa03w 08-12-19 21:17:04 GMT EAGLE5 40.0.0
 L2T PCR PCR E1 E1
LOC LINK LSN SLC TYPE SET BPS ECM N1 N2 LOC PORT TS
1203 A lsne13 2 LIME1 1 64000 BASIC --- ----- 1203 2 8
```

rtrv-slk:loc=1204

```
rlghncxa03w 08-12-19 21:17:04 GMT EAGLE5 40.0.0
 L2T PCR PCR E1 E1
LOC LINK LSN SLC TYPE SET BPS ECM N1 N2 LOC PORT TS
1204 A lsne13 3 LIMCH 1 64000 BASIC --- ----- 1203 1 12
```

rtrv-slk:loc=1211

```
rlghncxa03w 08-12-19 21:17:04 GMT EAGLE5 40.0.0
 L2T PCR PCR E1 E1
LOC LINK LSN SLC TYPE SET BPS ECM N1 N2 LOC PORT TS
1211 A lsne145 3 LIME1 1 56000 BASIC --- ----- 1211 2 10
```

rtrv-slk:loc=1212

```
rlghncxa03w 08-12-19 21:17:04 GMT EAGLE5 40.0.0
 L2T PCR PCR E1 E1
LOC LINK LSN SLC TYPE SET BPS ECM N1 N2 LOC PORT TS
1212 A lsne145 4 LIMCH 1 56000 BASIC --- ----- 1211 1 14
1212 A2 lsne145 5 LIMCH 1 56000 BASIC --- ----- 1211 1 20
```

rtrv-slk:loc=1301

```
rlghncxa03w 06-10-19 21:17:04 GMT EAGLE5 36.0.0
 L2T PCR PCR E1 E1
LOC LINK LSN SLC TYPE SET BPS ECM N1 N2 LOC PORT TS
1301 A lsn6 0 LIME1 1 1.984M BASIC --- ----- 1301 4 --
```

rtrv-slk:loc=1303

```
rlghncxa03w 06-10-19 21:17:04 GMT EAGLE5 36.0.0
 L2T PCR PCR E1 E1
LOC LINK LSN SLC TYPE SET BPS ECM N1 N2 LOC PORT TS
1303 B lsn7 0 LIME1 1 1.984M BASIC --- ----- 1303 7 --
```

If any of the cards shown in this step contain the first signaling link on a card, continue the procedure with [Step 12](#).

If signaling links were assigned to all the cards shown in this step when [Step 10](#) was performed, continue the procedure with [Step 13](#).

12. Bring the cards into service with the `rst-card` command, specifying the card location specified in [Step 11](#) . For this example, enter these commands.

```
rst-card:loc=1202
rst-card:loc=1204
rst-card:loc=1212
rst-card:loc=1301
rst-card:loc=1303
```

When each of these commands have successfully completed, this message should appear.

```
rlghncxa03w 06-10-23 13:05:05 GMT EAGLE5 36.0.0
Card has been allowed.
```

13. Activate all signaling links on the cards using the `act-slk` command, specifying the card location and signaling link specified in [Step 11](#) . For this example, enter these commands.

```
act-slk:loc=1201:link=a
act-slk:loc=1202:link=a
act-slk:loc=1203:link=a
act-slk:loc=1204:link=a
act-slk:loc=1211:link=a
act-slk:loc=1212:link=a
act-slk:loc=1212:link=a2
act-slk:loc=1301:link=a
act-slk:loc=1303:link=b
```

When each of these commands have successfully completed, this message should appear.

```
rlghncxa03w 06-10-07 08:31:24 GMT EAGLE5 36.0.0
Activate Link message sent to card
```

14. Check the status of the signaling links added in [Step 10](#) using the `rept-stat-slk` command with the card location and signaling link. The state of each signaling link should be in service normal (IS-NR) after the link has completed alignment (shown in the PST field). For this example, enter these commands.

```
rept-stat-slk:loc=1201:link=a
```

```
rlghncxa03w 06-10-23 13:06:25 GMT EAGLE5 36.0.0
```

```

SLK LSN CLLI PST SST AST
1201,A lsne12 ----- IS-NR Avail ----
ALARM STATUS = No Alarms
UNAVAIL REASON = --
E1 status = 1201, RCVRY-E1F:FAC-E1 Port 2 available

```

```
rept-stat-slk:loc=1202:link=a
```

```

rlghncxa03w 06-10-23 13:06:25 GMT EAGLE5 36.0.0
SLK LSN CLLI PST SST AST
1202,A lsne12 ----- IS-NR Avail ----
ALARM STATUS = No Alarms
UNAVAIL REASON = --
E1 status = 1201, RCVRY-E1F:FAC-E1 Port 1 available

```

```
rept-stat-slk:loc=1203:link=a
```

```

rlghncxa03w 06-10-23 13:06:25 GMT EAGLE5 36.0.0
SLK LSN CLLI PST SST AST
1203,A lsne12 ----- IS-NR Avail ----
ALARM STATUS = No Alarms
UNAVAIL REASON = --
E1 status = 1203, RCVRY-E1F:FAC-E1 Port 2 available

```

```
rept-stat-slk:loc=1204:link=a
```

```

rlghncxa03w 06-10-23 13:06:25 GMT EAGLE5 36.0.0
SLK LSN CLLI PST SST AST
1204,A lsne12 ----- IS-NR Avail ----
ALARM STATUS = No Alarms
UNAVAIL REASON = --
E1 status = 1203, RCVRY-E1F:FAC-E1 Port 1 available

```

```
rept-stat-slk:loc=1211:link=a
```

```

rlghncxa03w 06-10-23 13:06:25 GMT EAGLE5 36.0.0
SLK LSN CLLI PST SST AST
1211,A lsne145 ----- IS-NR Avail ----
ALARM STATUS = No Alarms
UNAVAIL REASON = --
E1 status = 1211, RCVRY-E1F:FAC-E1 Port 2 available

```

```
rept-stat-slk:loc=1212:link=a
```

```

rlghncxa03w 06-10-23 13:06:25 GMT EAGLE5 36.0.0
SLK LSN CLLI PST SST AST
1212,A lsne145 ----- IS-NR Avail ----
ALARM STATUS = No Alarms
UNAVAIL REASON = --
E1 status = 1211, RCVRY-E1F:FAC-E1 Port 1 available

```

```
rept-stat-slk:loc=1212:link=a2
```

```
rlghncxa03w 06-10-23 13:06:25 GMT EAGLE5 36.0.0
SLK LSN CLLI PST SST AST
1212,A2 lsn6145 ----- IS-NR Avail ----
ALARM STATUS = No Alarms
UNAVAIL REASON = --
E1 status = 1211, RCVRY-E1F:FAC-E1 Port 1 available
```

```
rept-stat-slk:loc=1301:link=a
```

```
rlghncxa03w 06-10-23 13:06:25 GMT EAGLE5 36.0.0
SLK LSN CLLI PST SST AST
1303,A lsn6 ----- IS-NR Avail ----
ALARM STATUS = No Alarms
UNAVAIL REASON = --
E1 status = 1301, RCVRY-E1F:FAC-E1 Port 4 available
```

```
rept-stat-slk:loc=1303:link=b
```

```
rlghncxa03w 06-10-23 13:06:25 GMT EAGLE5 36.0.0
SLK LSN CLLI PST SST AST
1303,B lsn7 ----- IS-NR Avail ----
ALARM STATUS = No Alarms
UNAVAIL REASON = --
E1 status = 1303, RCVRY-E1F:FAC-E1 Port 7 available
```

**15. Back up the new changes using the `chg-db:action=backup:dest=fixed` command.**

These messages should appear, the active Maintenance and Administration Subsystem Processor (MASP) appears first.

```
BACKUP (FIXED) : MASP A - Backup starts on active MASP.
BACKUP (FIXED) : MASP A - Backup on active MASP to fixed disk complete.
BACKUP (FIXED) : MASP A - Backup starts on standby MASP.
BACKUP (FIXED) : MASP A - Backup on standby MASP to fixed disk complete.
```

# Appendix B

## T1 Interface

---

### Topics:

- *Introduction.....618*
- *Determining the Configuration.....622*
- *T1 Interface Configuration Procedures.....624*
- *Adding a LIM-T1 Card.....624*
- *Removing a LIM-T1 Card.....629*
- *Adding Channelized and non-Channel Bridged T1 Ports.....630*
- *Adding Channel Bridged T1 Ports.....636*
- *Adding Unchannelized T1 Ports.....642*
- *Removing the T1 Interface Parameters.....649*
- *Changing the Attributes of a Channelized T1 Port.....651*
- *Changing the Attributes of an Unchannelized T1 Port.....655*
- *Making a Channel Bridged T1 Port from a Channelized T1 Port.....659*
- *Making a Non-Channel Bridged T1 Port from a Channel Bridged T1 Port.....668*
- *Adding a T1 Signaling Link.....672*

Appendix B, T1 Interface, contains general information about the T1 interface and how to provision it.

## Introduction

The T1 interface terminates or distributes T1 facility signals for the purpose of processing the SS7 signaling links carried by the T1 carrier. The T1 interface can be either an E1/T1 MIM or an HC-MIM, or an E5-E1T1 card as shown in *Figure 29: E1/T1 MIM Block Diagram* and *Figure 30: HC MIM or E5-E1T1 Block Diagram*. The E1/T1 MIM, HC-MIM, or E5-E1T1 card can also be used as an E1 interface. This appendix describes how the T1 interface is configured. The E1 interface configuration is described in *E1 Interface*. The E1/T1 MIM contain up to eight signaling links and allows the EAGLE 5 ISS to contain more than 500 signaling links.

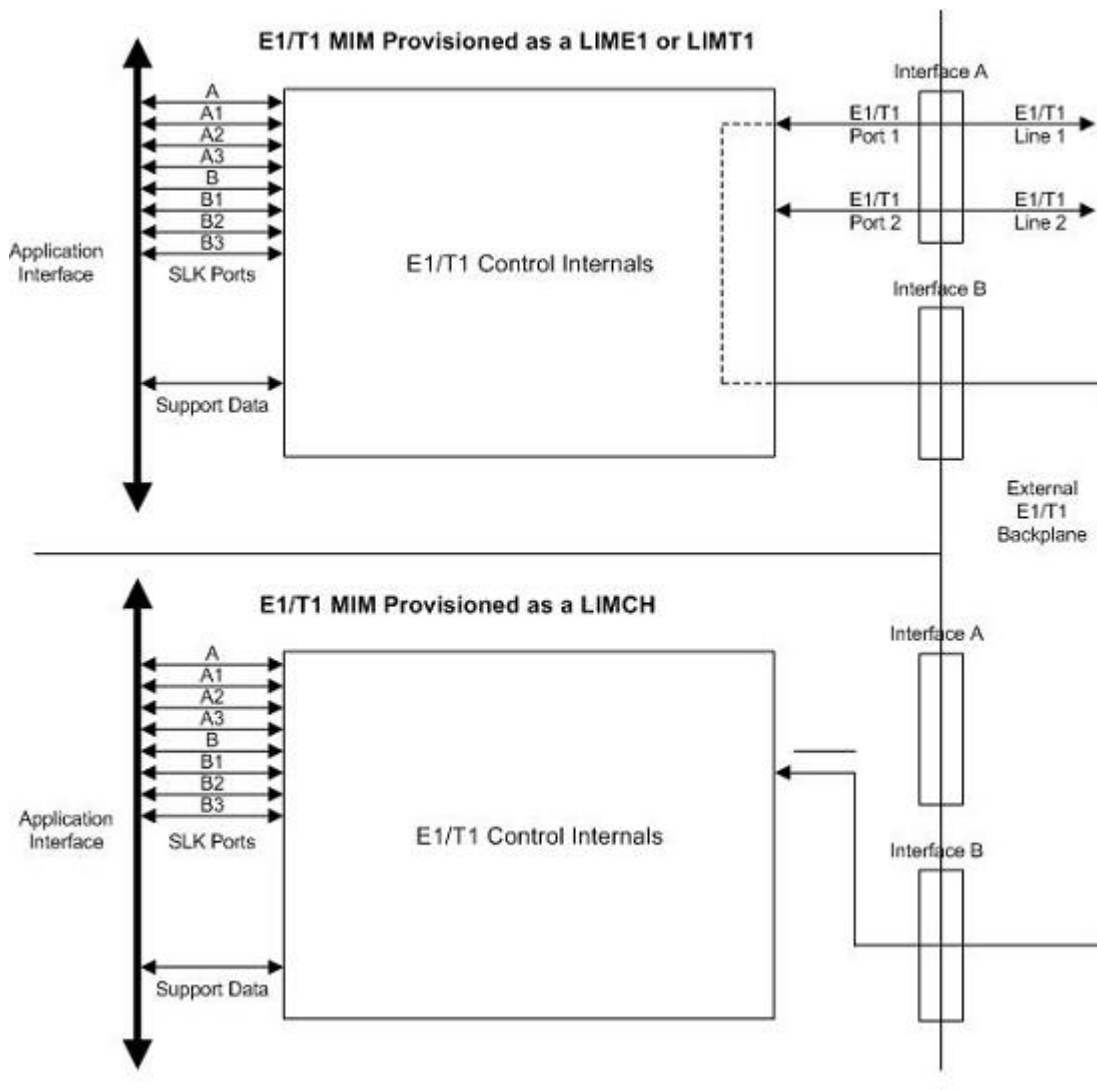


Figure 29: E1/T1 MIM Block Diagram

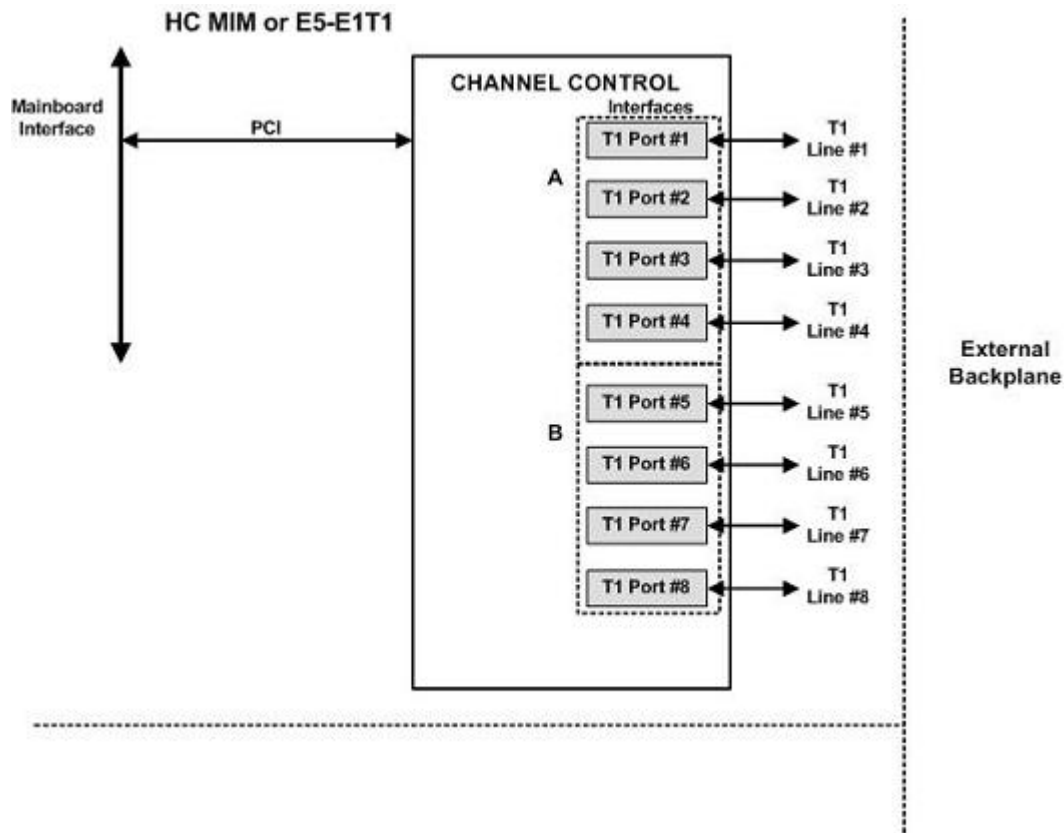


Figure 30: HC MIM or E5-E1T1 Block Diagram

Table 70: *Functional Overview of the T1 and Channel Card* provides an overview of the functions of the T1 card and the channel card.

Table 70: Functional Overview of the T1 and Channel Card

| Card    | Function                                                                                                                                                                                                                                                                                                   |
|---------|------------------------------------------------------------------------------------------------------------------------------------------------------------------------------------------------------------------------------------------------------------------------------------------------------------|
| T1      | <ul style="list-style-type: none"> <li>Connectivity of both T1 interfaces to a 100 Ohm interface.</li> <li>Processing of a total of eight time slots from the T1 interfaces</li> <li>Interface T1 port 1 through an external backplane to channel cards for processing of additional time slots</li> </ul> |
| Channel | <ul style="list-style-type: none"> <li>Processing of eight time slots from the T1 interface</li> <li>Interface through an external backplane to a T1 card to process eight time slots</li> </ul>                                                                                                           |

**Configured as a T1 Card**

Configured as a T1 card, two separate and independent T1 inputs can be terminated on a T1/channel card. From one or two bi-directional T1 facility inputs, one to eight bi-directional channels are extracted and processed as SS7 signaling links. Implemented as T1 Link Interface Modules, up to 24 separate and independent T1 inputs can be terminated in an extension shelf. The transmission rate of signaling links on the MIM card must be 56 kbps.

**Configured as a Channel Card**

In an extension shelf equipped with the T1 backplane, a T1 configured card terminates one or two T1 inputs and connects the T1 port 1 input to one of eight available busses on the T1 cabling backplane. Other T1 cards configured as channel cards also connected to the T1 cabling backplane are able to extract any eight signaling channels from the same T1 port 1 input. The transmission rate of signaling links on the MIM card configured as a channel card must be 56 kbps.

**Note:** An HCMIM or an E5-E1T1 card cannot be used as a channel card.

**High Capacity Multi-Channel Interface Module (HC-MIM) and Eagle 5 - E1 T1 Interface (E5-E1T1)**

The High Capacity Multi-Channel Interface Module (HC-MIM) and Eagle 5 - E1 T1 Interface (E5-E1T1) provides access to eight T1 ports residing on backplane connectors A and B. Each data stream consists of 24 T1 DS0 signaling links assigned in a time-division multiplex manner. Each channel occupies a unique timeslot in the data stream and can be selected as a local signaling link on the interface card. A maximum of 64 T1 signaling links can be assigned to an HC-MIM. A maximum of 32 T1 signaling links can be assigned to an E5-E1T1 card.

To support the processing of signaling channels that are intermixed on trunks with voice or data channels, the HC-MIM and E5-E1T1 card allows T1 ports to be channel bridged. This allows better utilization of T1 bandwidth without dedicating entire trunks to signaling.



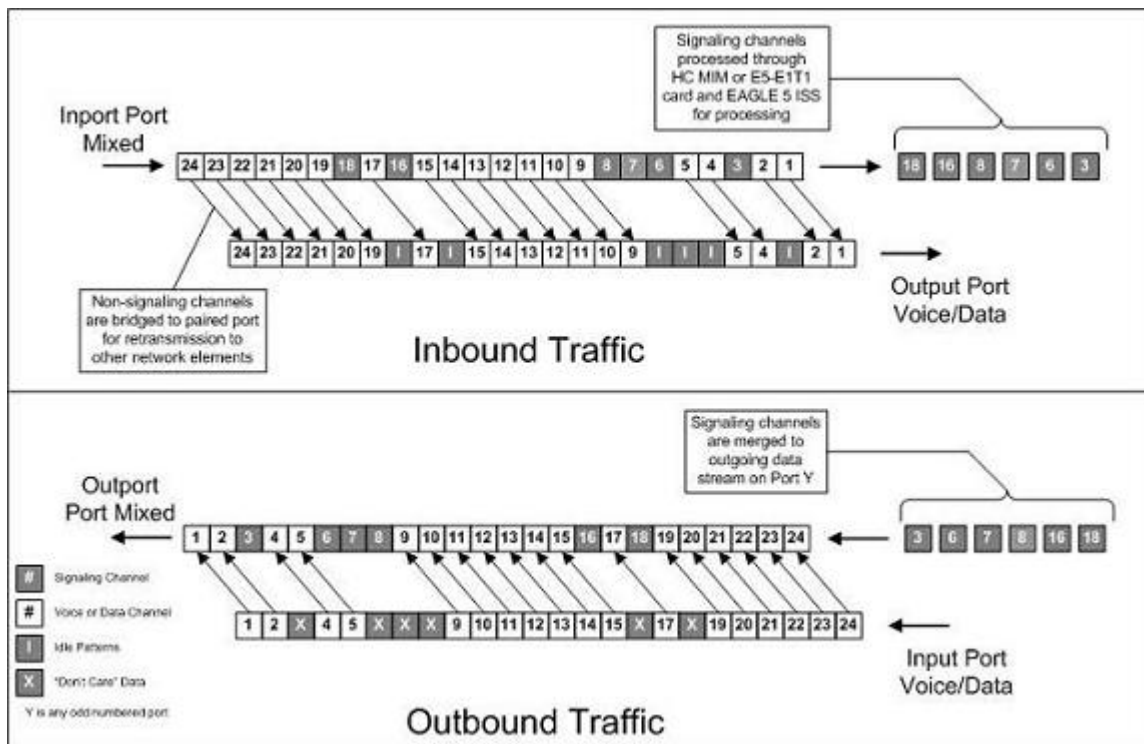


Figure 31: Channel Bridging

Channel bridging is implemented by pairing odd and even T1 ports. The T1 port selected for channel bridging is the odd numbered port (1, 3, 5, 7). When the T1 port is selected for channel bridging, it is paired with its adjacent even numbered port (2, 4, 6, 8) as shown in [Table 71: Channel Bridging T1 Port Pairing](#).

Table 71: Channel Bridging T1 Port Pairing

| Odd Numbered T1 Port (Bridging Master) | Even Numbered T1 Port Bridged to the Odd Numbered T1 Port (Bridging Slave) |
|----------------------------------------|----------------------------------------------------------------------------|
| 1                                      | 2                                                                          |
| 3                                      | 4                                                                          |
| 5                                      | 6                                                                          |
| 7                                      | 8                                                                          |

By pairing T1 ports, the adjacent even numbered T1 port could be used to allow data received on the bridging master (odd) T1 port to reach downstream network elements. This interface is a bi-directional interface so data is also able to enter the bridging slave (even) T1 port and leave the EAGLE 5 ISS through the bridging master (odd) T1 port. There is a 1 to 1 correspondence between the timeslots on the bridging master and slave T1 ports.

In order to use channel bridging without facility errors, both T1 ports (bridging master and slave) must be synchronous (timed off the same clock source). This may be accomplished in one of the following ways:

- The bridging master T1 port and the bridging slave T1 port use timing recovered from each other (using the `tltsel=recovered` parameter with either the `ent-t1` or `chg-t1` command). When provisioning channel bridged T1 port, only the bridging master T1 port is provisioned with the `ent-t1` or `chg-t1` command. The bridging slave T1 port is automatically provisioned with the same attributes as the bridging master T1 port.
- Both the bridging master and slave T1 ports are using an external clock source (using the `tltsel=external` parameter when provisioning the channel bridged T1 port with either the `ent-t1` or `chg-t1` command).

Any other methods used for timing could cause problems on the T1 trunk and are not be supported.

Idle patterns on the shadow channels, that is, the timeslots located on the bridging slave T1 port that have been not been dropped from the bridging master T1 port, are provided by the EAGLE 5 ISS. All other idle timeslots that are not dropped by the EAGLE 5 ISS must contain an idle pattern provided by the remote network elements connected to both T1 ports (bridging master and slave). Without these patterns on the idle timeslots, instability of the T1 signaling link may occur.

Provisioning of signaling links on the bridging slave T1 port is not allowed while the bridging master T1 port is channel bridged.

## Determining the Configuration

### External Interface Descriptions

The T1 backplane provides a method for extending individual T1 channels from the T1-configured cards to any channel-configured cards in use. Note the following issues regarding the T1 backplane:

- Only one T1-configured card may be plugged into each bus on the backplane.
- When installing non-T1 cards on the shelf equipped with the T1 interface backplane, ensure that none of the slots to be used are cabled to the T1 interface backplane. If a non-T1 card is installed in a slot that is connected to the T1 backplane, all T1 cards on that bus may fail.
- Only one T1 card may be connected (via the B port) to each bus of the T1 backplane, and all SS7 links derived from any particular T1 must be processed on the same shelf on which the incoming T1 is terminated.
- Due to cable congestion, Tekelec does not recommend use of the T1 cabling backplane on the control shelf.
- If the control shelf is used, a maximum of 20 T1 interfaces can be utilized in the control shelf.

Descriptions of the T1 hardware and the procedures for installing the T1 hardware are contained in the *Hardware Manual - EAGLE 5 ISS* and *Installation Manual - EAGLE 5 ISS*.

The procedure for removing a T1 signaling link is the same as removing an SS7 signaling link, so to remove a T1 signaling link from the database, go to the [Removing an SS7 Signaling Link](#) procedure.

### Possible Configurations

The T1 backplane was designed to allow the maximum number of possible customer setups. It allows the customer to choose between several levels of diversity and convenience. Configurations depend on the number of cards configured as T1 cards versus the number of cards configured as channel

cards. The level of diversity required by the customer also affects the configuration requirements. Note that all signals labeled "T1 input" may be one or two T1 ports depending on the cable used.

### Support of Two T1 Ports

The E1/T1 MIM will support two T1 ports, which are independently configurable. On a T1 card, T1 port 1 will support channel cards. The second port of that T1 card will only support up to a maximum of eight time slots and will not support channel cards.

### Clocking Options

Each T1 interface must independently operate in one of two clocking modes. When configured as a channel card, a T1 card is required for the channel card's clocking source.

- Slave Timing - The default receive clock on the LIM-T1 card will be used as the source of the transmit clock.
- Master Timing - The transmit clock of the LIM-T1 card. The Master Timing feature allows a T1 signaling link to take its high-speed clock reference directly from an external high-speed master clock source.

### Support of T1 Framing Options

The T1 interfaces independently support either the SF (superframe format) or ESF (extended superframe format) T1 framing options. Selection of these options is made by the `framing` parameter of either the `ent-t1` or `chg-t1` commands.

### LIM-T1 Card to Channel Card Interface

Whether the T1 card is operating as a T1 card or a channel card, the card will map any eight channels from the T1 interfaces to an HDLC controller (ports A, B, A1, A2, A3, B1, B2, B3). These eight channels could be dropped either both from T1 port 1 or one from T1 port 1 and the other from T1 port 2. When the T1 card is configured as a T1 card, it will support the external T1 cabling backplane interface from T1 port 1 (*T1 port 2 will not have this capability*) to additional T1 cards, within the same shelf, configured as channel cards. Idle time slots not assigned to a T1 card or a channel card will be filled with a one's pattern.

### T1 Configuration Form

Use the form provided below to record your T1 configuration. An example of the required input is shown in italics under each column heading.

Table 72: T1 Signaling Link Configuration Form

| Card Location and Port<br>(1201 A) | Timeslot (1) | T1 Number (1) | T1 Card Location (1201) | Adjacent Point Code (4001) | Linkset (STIME) | SLC (1) |
|------------------------------------|--------------|---------------|-------------------------|----------------------------|-----------------|---------|
|                                    |              |               |                         |                            |                 |         |
|                                    |              |               |                         |                            |                 |         |
|                                    |              |               |                         |                            |                 |         |
|                                    |              |               |                         |                            |                 |         |
|                                    |              |               |                         |                            |                 |         |
|                                    |              |               |                         |                            |                 |         |
|                                    |              |               |                         |                            |                 |         |
|                                    |              |               |                         |                            |                 |         |
|                                    |              |               |                         |                            |                 |         |
|                                    |              |               |                         |                            |                 |         |
|                                    |              |               |                         |                            |                 |         |
|                                    |              |               |                         |                            |                 |         |
|                                    |              |               |                         |                            |                 |         |
|                                    |              |               |                         |                            |                 |         |
|                                    |              |               |                         |                            |                 |         |
|                                    |              |               |                         |                            |                 |         |

| Card Location and Port (1201 A) | Timeslot (1) | T1 Number (1) | T1 Card Location (1201) | Adjacent Point Code (4001) | Linkset (STIME) | SLC (1) |
|---------------------------------|--------------|---------------|-------------------------|----------------------------|-----------------|---------|
|                                 |              |               |                         |                            |                 |         |
|                                 |              |               |                         |                            |                 |         |
|                                 |              |               |                         |                            |                 |         |
|                                 |              |               |                         |                            |                 |         |
|                                 |              |               |                         |                            |                 |         |
|                                 |              |               |                         |                            |                 |         |
|                                 |              |               |                         |                            |                 |         |

## T1 Interface Configuration Procedures

This appendix contains these procedures because they contain information specific to the T1 Interface:

- [Adding a LIM-T1 Card](#)
- [Removing a LIM-T1 Card](#)
- [Adding Channelized and non-Channel Bridged T1 Ports](#)
- [Adding Channel Bridged T1 Ports](#)
- [Adding Unchannelized T1 Ports](#)
- [Removing the T1 Interface Parameters](#)
- [Changing the Attributes of a Channelized T1 Port](#)
- [Changing the Attributes of an Unchannelized E1 Port](#)
- [Making a Channel Bridged T1 Port from a Channelized T1 Port](#)
- [Making a Non-Channel Bridged T1 Port from a Channel Bridged T1 Port](#)
- [Adding a T1 Signaling Link](#)

Procedures for configuring the linksets and routes, for removing SS7 signaling links (which includes T1 signaling links), and for configuring the HC MIM temperature alarms are contained in [SS7 Configuration](#). These procedures contain no information that is specific to the T1 interface, therefore, are not included in this appendix.

The procedures contained in this appendix use a variety of commands. If more information on these commands is needed, go to the *Commands Manual* to find the required information.

## Adding a LIM-T1 Card

The LIM-T1 card is provisioned as either a T1 card or a channel card in the database using the `ent-card` command. The card being provisioned in the database can be one of these cards shown in [Table 73: T1 Card Part Numbers](#).

**Table 73: T1 Card Part Numbers**

| Card Type | Part Number |
|-----------|-------------|
| E1/T1MIM  | 870-2198-XX |
| HC-MIM    | 870-2671-XX |

| Card Type | Part Number |
|-----------|-------------|
| E5-E1T1   | 870-1873-XX |

The `ent-card` command uses these parameters.

`:loc` – The location of the card being added to the database.

**Note:** The HC-MIM can be inserted in an odd-numbered card location only. The HC-MIM will not power up if it is inserted in an even-numbered card location. All T1 backplane cabling should be removed from the B connector for the slot that the HC-MIM will occupy.

The HC-MIM occupies two card locations, so the even numbered card location adjacent to the odd numbered slot where the HC-MIM has been inserted must be empty, as shown in [Table 74: HC-MIM Card Locations](#). The HC-MIM is connected to the network through the odd numbered card slot connector.

**Table 74: HC-MIM Card Locations**

| Location of the HC-MIM | Empty Card Location | Location of the HC-MIM | Empty Card Location |
|------------------------|---------------------|------------------------|---------------------|
| Slot 01                | Slot 02             | Slot 11                | Slot 12             |
| Slot 03                | Slot 04             | Slot 13                | Slot 14             |
| Slot 05                | Slot 06             | Slot 15                | Slot 16             |
| Slot 07                | Slot 08             | Slot 17                | Slot 18             |

The E1/T1 MIM and E5-E1T1 card occupies one card location. These cards can be placed in any card location except for even numbered card locations whose adjacent odd numbered card location is occupied by a card that occupies two card locations.

`:type` – The type of card being added to the database. For this procedure, the value of this parameter is `limt1` (T1 card) or `limch` (channel card).

**Note:** The HC-MIM and E5-E1T1 card cannot be provisioned as a channel card.

`:appl` – The application software that is assigned to the card. For this procedure, the value of this parameter is either `ccs7itu` or `ss7ansi`.

`:force` – Allow the LIM to be added to the database even if there are not enough service modules in the EAGLE 5 ISS to support the number of LIMs in the EAGLE 5 ISS. This parameter is obsolete and is no longer used.

The shelf to which the card is to be added must already be in the database. This can be verified with the `rtrv-shlf` command. If the shelf is not in the database, see the Adding a Shelf procedure in the *Database Administration Manual - System Management*.

The examples in this procedure are used to add the LIM-T1 cards in card locations 1215 and 1216 to the database.

1. Display the cards in the EAGLE 5 ISS using the `rtrv-card` command.

```
rlghncxa03w 09-05-28 09:12:36 GMT EAGLE5 41.0.0
```

| CARD | TYPE   | APPL    | LSET NAME | LINK | SLC | LSET NAME | LINK | SLC |
|------|--------|---------|-----------|------|-----|-----------|------|-----|
| 1102 | TSM    | GLS     |           |      |     |           |      |     |
| 1113 | GSPM   | OAM     |           |      |     |           |      |     |
| 1114 | TDM-A  |         |           |      |     |           |      |     |
| 1115 | GSPM   | OAM     |           |      |     |           |      |     |
| 1116 | TDM-B  |         |           |      |     |           |      |     |
| 1117 | MDAL   |         |           |      |     |           |      |     |
| 1201 | LIMDS0 | SS7ANSI | lsne12    | A    | 0   |           |      |     |
| 1202 | LIMDS0 | SS7ANSI | lsne12    | A    | 1   |           |      |     |
| 1203 | LIMDS0 | SS7ANSI | lsne13    | A    | 0   |           |      |     |
| 1204 | LIMDS0 | SS7ANSI | lsne13    | A    | 1   |           |      |     |
| 1207 | LIMT1  | SS7ANSI | lsnt265   | A    | 0   |           |      |     |
| 1208 | LIMCH  | SS7ANSI | lsnt265   | A    | 1   | lsnt265   | A2   | 2   |
| 1211 | LIMT1  | CCS7ITU | lsne145   | A    | 0   |           |      |     |
| 1212 | LIMCH  | CCS7ITU | lsne145   | A    | 1   | lsne145   | A2   | 2   |
| 1316 | DCM    | STPLAN  |           |      |     |           |      |     |

The cards should be distributed throughout the EAGLE 5 ISS for proper power distribution. Refer to the *Installation Manual - EAGLE 5 ISS* for the shelf power distribution.

2. Verify that the correct hardware has been installed on the EAGLE 5 ISS to support the LIM-T1 card as shown in the *Installation Manual - EAGLE 5 ISS*.
3. Physically verify that the T1 card has been installed into the card location that will be specified in [Step 7](#).

If the T1 card is an HC-MIM, make sure the HC-MIM is installed according to the card location requirements shown in [Table 74: HC-MIM Card Locations](#). If a card is installed and provisioned in the even-numbered card location adjacent to the desired odd numbered card, choose another card location to install and provision the HC-MIM, or remove the card in the even-numbered card location by performing the appropriate procedure shown in [Table 75: Card Removal Procedures](#).

**Note:** Channel cards must be installed in the same shelf as the T1 card that is servicing the timeslots on those channel cards.

**Table 75: Card Removal Procedures**

| Card Application                  | Procedure                                                                                                                                                                                                                    |
|-----------------------------------|------------------------------------------------------------------------------------------------------------------------------------------------------------------------------------------------------------------------------|
| SS7ANSI, ATMANSI, CCS7ITU, ATMITU | "Removing an SS7 LIM" in Chapter 4, "System Configuration Procedures" in the <i>Database Administration Manual - System Management</i> .<br><a href="#">Removing a LIM-E1 Card</a><br><a href="#">Removing a LIM-T1 Card</a> |
| VSCCP                             | Removing a Service Module in in the <i>Database Administration Manual - Global Title Translation</i>                                                                                                                         |
| GLS                               | Removing a GLS Card in Chapter 2, Gateway Screening (GWS) Overview, in the <i>Database Administration Manual - Gateway Screening</i>                                                                                         |
| STPLAN                            | "Removing an STP LAN Card" in the <i>Database Administration Manual - Features</i>                                                                                                                                           |

| Card Application              | Procedure                                                                                                                             |
|-------------------------------|---------------------------------------------------------------------------------------------------------------------------------------|
| IPLIM, IPLIMI, SS7IPGW, IPGWI | "Removing an IPLIMx Card" or Removing an IPGWx Card" in the <i>Database Administration Manual - IP7 Secure Gateway</i>                |
| IPSG                          | "Removing an IPSG Card" in the <i>Database Administration Manual - IP7 Secure Gateway</i>                                             |
| EROUTE                        | "Removing an STC Card" in the <i>Database Administration Manual - Features</i>                                                        |
| MCP                           | "Removing an MCPM" in Chapter 4, "System Configuration Procedures" in the <i>Database Administration Manual - System Management</i> . |
| IPS                           | "Removing an IPSM" in Chapter 4, "System Configuration Procedures" in the <i>Database Administration Manual - System Management</i> . |

- If the card is an EPM-B based card (E5-E1T1-B), enter the `rtrv-stpopts` command to verify whether or not the MFC option is on. If the card is not an EPM-B based card, continue the procedure with [Step 5](#)

This is an example of the possible output.

```
rlghncxa03w 11-10-17 16:02:05 GMT EAGLE5 44.0.0
STP OPTIONS

MFC off
```

The `rtrv-stpopts` command output contains other fields that are not used by this procedure. To see all fields displayed by the `rtrv-stpopts` command, see the `rtrv-stpopts` command description in the *Commands Manual*.

If the MFC option is off, perform the Configuring the MFC Option procedure in *Database Administration - System Management* to turn on the MFC option.

If the MFC option is on or the MFC Option procedure in *Database Administration - System Management* was performed in this step, continue the procedure with [Step 5](#).

- The Fan feature must be turned on. Enter the `rtrv-feat` command to verify that the Fan feature is on.

If the Fan feature is on, shown in the `rtrv-feat` output in this step, the FAN field should be set to on.

The `rtrv-feat` command output contains other fields that are not used by this procedure. To see all fields displayed by the `rtrv-feat` command, see the `rtrv-feat` command description in the *Commands Manual*.

If the Fan feature is on, continue the procedure with [Step 7](#).

If the Fan feature is off, continue the procedure with [Step 6](#).

- Turn the Fan feature on by entering this command.

```
chg-feat:fan=on
```

**Note:** Once the Fan feature is turned on with the `chg-feat` command, it cannot be turned off.

When the `chg-feat` has successfully completed, this message appears.

```
rlghncxa03w 11-10-28 11:43:04 GMT EAGLE5 44.0.0
CHG-FEAT: MASP A - COMPLTD
```

- Add the card using the `ent-card` command. If the LIM-T1 card is an HC-MIM, the HC-MIM can be only in a odd-numbered card location, and cannot be provisioned as a channel card.

For this example, enter these commands.

```
ent-card:loc=1215:type=limt1:appl=ss7ansi
ent-card:loc=1216:type=limch:appl=ss7ansi
```

- Verify the changes using the `rtrv-card` command with the card location specified in [Step 7](#).

For this example, enter these commands.

```
rtrv-card:loc=1215
```

```
rlghncxa03w 06-10-28 09:12:36 GMT EAGLE5 36.0.0
CARD TYPE APPL LSET NAME LINK SLC LSET NAME LINK SLC
1215 LIMT1 SS7ANSI
```

```
rtrv-card:loc=1216
```

```
rlghncxa03w 06-10-28 09:12:36 GMT EAGLE5 36.0.0
CARD TYPE APPL LSET NAME LINK SLC LSET NAME LINK SLC
1216 LIMCH SS7ANSI
```

- Back up the new changes using the `chg-db:action=backup:dest=fixed` command.

These messages should appear, the active Maintenance and Administration Subsystem Processor (MASP) appears first.

```
BACKUP (FIXED) : MASP A - Backup starts on active MASP.
BACKUP (FIXED) : MASP A - Backup on active MASP to fixed disk complete.
BACKUP (FIXED) : MASP A - Backup starts on standby MASP.
BACKUP (FIXED) : MASP A - Backup on standby MASP to fixed disk complete.
```



## Removing a LIM-T1 Card

This procedure is used to remove either a T1 card or a channel card from the database using the `dlc-card` command. The card being removed must exist in the database.

If a T1 card is being removed, then no T1 interfaces can be assigned to the card. This can be verified with the `rtrv-t1` command. Go to the [Removing the T1 Interface Parameters](#) procedure to remove the T1 interfaces assigned to the T1 card being removed from the database.

If only a channel card is being removed from the database, then no SS7 signaling links can be assigned to the card. This can be verified with the `rtrv-slk` command. Go to the [Removing an SS7 Signaling Link](#) procedure to remove the signaling links assigned to the channel card being removed from the database.



### CAUTION

**Caution:** If the T1 card or channel card is the last SS7LIM in service, removing this card from the database will cause SS7 traffic to be lost and isolate the EAGLE 5 ISS from the network.

The examples in this procedure are used to remove the T1 cards in card locations 1207 and 1208.

1. Display the cards in the database using the `rtrv-card` command. This is an example of the possible output.

```
rlghncxa03w 09-05-28 09:12:36 GMT EAGLE5 41.0.0
CARD TYPE APPL LSET NAME LINK SLC LSET NAME LINK SLC
1102 TSM GLS
1113 GSPM OAM
1114 TDM-A
1115 GSPM OAM
1116 TDM-B
1117 MDAL
1207 LIMT1 SS7ANSI lsnt265 A 0
1208 LIMCH SS7ANSI lsnt265 A 1 lsnt265 A2 2
1211 LIME1 CCS7ITU lsne145 A 0
1212 LIMCH CCS7ITU lsne145 A 1 lsne145 A2 2
1215 LIMT1 SS7ANSI lsnt145 A 0
1216 LIMCH SS7ANSI lsnt145 A 1 lsnt145 A2 2
1316 DCM STPLAN
```

**Note:** If a T1 card is being removed from the database, skip step 2 and go to step 3.

2. Display the signaling links on the channel card you wish to remove by entering the `rtrv-slk` command, specifying the card location shown in the `rtrv-card` command output. For this example, enter this command.

```
rtrv-slk:loc=1208
```

```
rlghncxa03w 06-10-19 21:17:04 GMT EAGLE5 36.0.0
LOC LINK LSN SLC TYPE L2T SET BPS ECM PCR PCR T1 T1
1208 A lsnt265 1 LIMCH 1 56000 BASIC --- ---- 1207 1 6
1208 A2 lsnt265 2 LIMCH 1 56000 BASIC --- ---- 1207 1 17
```

Go to the [Removing an SS7 Signaling Link](#) procedure to remove the signaling links assigned to the channel card.

**Note:** If only a channel card is being removed from the database, skip step 3 and go to step 4.

3. Display the T1 interfaces assigned to the T1 card being removed from the database using the `rtrv-t1` command with no parameters.

```
rlghncxa03w 09-05-19 21:17:04 GMT EAGLE5 41.0.0

 T1
LOC PORT ENCODE T1TSEL FRAMING LL CHANBRDG CLASS MINSU
1207 1 AMI EXTERNAL ESF 50 ----- CHAN ----
1215 2 B8ZS LINE SF 100 ----- CHAN ----
```

Go to the [Removing the T1 Interface Parameters](#) procedure to remove the T1 interfaces assigned to the T1 card.

4. Remove the card using the `dlt-card` command. The `dlt-card` command has only one parameter, `loc`, which is the location of the card. For this example, enter these commands.

```
dlt-card:loc=1207
```

```
dlt-card:loc=1208
```

5. Verify the changes using the `rtrv-card` command specifying the card that was removed in step 4. For this example, enter these commands.

```
rtrv-card:loc=1207
```

```
rtrv-card:loc=1208
```

When these commands have successfully completed, this message should appear.

```
E2144 Cmd Rej: Location invalid for hardware configuration
```

6. Back up the new changes using the `chg-db:action=backup:dest=fixed` command. These messages should appear, the active Maintenance and Administration Subsystem Processor (MASP) appears first.

```
BACKUP (FIXED) : MASP A - Backup starts on active MASP.
BACKUP (FIXED) : MASP A - Backup on active MASP to fixed disk complete.
BACKUP (FIXED) : MASP A - Backup starts on standby MASP.
BACKUP (FIXED) : MASP A - Backup on standby MASP to fixed disk complete.
```

## Adding Channelized and non-Channel Bridged T1 Ports

The channelized and non-channel bridged T1 ports are provisioned in the database using the `ent-t1` command using these parameters.

`:loc` – The location of the T1 card (card type `limt1`) that is servicing the T1 signaling link. The location of a channel card (card type `limch`) cannot be specified for this parameter.

:t1port – The T1 port on the T1 card used to service the T1 signaling link. The t1port value cannot already be assigned to the T1 card specified by the loc parameter.

:encode – Specifies the type of encoding or decoding that is used on the T1 signaling link, either B8ZS or AMI. The default value is B8ZS encoding (encode=b8zs).

:t1tsel – The timing source for the T1 signaling link, master (external), slave (line), or recovered. The default value is slave timing (t1tsel=line).

The recovered timing source can be used only with the chanbrdg=on parameter and cannot be used in this procedure.

**Note:** To use an external high-speed master clock source other than RS-422, TDMs 870-0774-15 or later must be installed in card locations 1114 and 1116, and the TDM Global Timing Interface options must be configured. For more information, refer to [Configuring the Options for the TDM Global Timing Interface](#).

:framing – Specifies the framing format to be used on the T1 signaling link, either sf or esf. The default value is sf (framing=sf).

:ll – The length of the cable, in feet, used for the T1 signaling link. The value of the ll parameter is from 0 to 655. The default value for this parameter is 133.

The ent-t1 command contains other parameters that are not used in this procedure. These parameters and their usage are described in these sections:

- t1tsel=recovered, chanbrdg, and force=yes – [Adding Channel Bridged T1 Ports](#).
- framing=esfperf, linkclass, and minsurate – [Adding Unchannelized T1 Ports](#).

The T1 card specified in this procedure must be in the database. This can be verified with the rtrv-card command.

The T1 card cannot contain channelized and unchannelized T1 ports.

1. Display the existing T1 interfaces in the database using the rtrv-t1 command with no parameters.

```
rlghncxa03w 09-05-19 21:17:04 GMT EAGLE5 41.0.0

 T1
LOC PORT ENCODE T1TSEL FRAMING LL CHANBRDG LINK MINSU
1207 1 AMI3 EXTERNAL ESF 50 ----- CLASS RATE
 CHAN -----
```

Continue the procedure by performing one of these substeps.

- a) If the T1 card that the T1 port is being assigned to in this procedure is not shown in the rtrv-t1 output, or if the T1 card has unchannelized T1 ports assigned to it, continue the procedure with [Step 2](#) to verify if there are any T1 cards in the database that have no T1 ports assigned to them.
- b) If the rtrv-t1 output shows that the T1 card has channel bridged T1 ports assigned to it, or that T1 ports 3, 4, 5, 6, 7, or 8 are assigned to the T1 card, the T1 card is an HC-MIM or an E5-E1T1 card. Continue the procedure with [Step 8](#) to add the T1 port with the parameters allowed for an HC-MIM or an E5-E1T1 card.
- c) If the rtrv-t1 output shows that the T1 card does not have channel bridged T1 ports assigned to it, or that T1 ports 3, 4, 5, 6, 7, or 8 are not assigned to the T1 card, verify the type of T1 card that the T1 port will be assigned to. The T1 card types and their part numbers are shown in [Table 73: T1 Card Part Numbers](#). If the T1 card is an E1/T1 MIM, continue the procedure with

[Step 8](#) to add the T1 port with the parameters allowed for an E1/T1 MIM. If the T1 card is an HC-MIM or an E5-E1T1 card, continue the procedure by performing one of these steps.

- If the T1 cards shown in this step are on the same shelf as the card that will contain the T1 port that is being added, and these cards have T1 ports 3 through 8 provisioned, contain channel bridged T1 ports, or unchannelized T1 ports, continue the procedure with [Step 8](#).
  - If the T1 cards shown in this step are not on the same shelf as the card that will contain the T1 port that is being added, continue the procedure with [Step 3](#).
  - If the T1 cards shown in this step are on the same shelf as the card that will contain the T1 port that is being added, and these cards do not have T1 ports 3 through 8 provisioned, do not contain channel bridged T1 ports, or do not have unchannelized T1 ports, continue the procedure with [Step 3](#).
- d) If the T1 card you wish to use in this procedure has all the T1 ports that are allowed to be assigned to it, select another T1 card to add the T1 port to, or continue the procedure with [Step 2](#) to verify if there are any T1 cards in the database that have no T1 ports assigned to them. [Table 76: Maximum Number of T1 Ports](#) shows the number of T1 ports that are allowed for the different T1 card types.

**Table 76: Maximum Number of T1 Ports**

| T1 Card Types | Maximum Number of T1 Ports |
|---------------|----------------------------|
| E1/T1 MIM     | 2                          |
| HC-MIM        | 8                          |
| E5-E1T1       | 8                          |

2. Display the cards in the EAGLE 5 ISS using the `rtrv-card` command.

```

rlghncxa03w 09-05-28 09:12:36 GMT EAGLE5 41.0.0
CARD TYPE APPL LSET NAME LINK SLC LSET NAME LINK SLC
1102 TSM GLS
1113 GSMP OAM
1114 TDM-A
1115 GSMP OAM
1116 TDM-B
1117 MDAL
1207 LIMT1 SS7ANSI lsnt265 A 0
1208 LIMCH SS7ANSI lsnt265 A 1 lsnt265 A2 2
1211 LIME1 CCS7ITU lsne145 A 0
1212 LIMCH CCS7ITU lsne145 A 1 lsne145 A2 2
1215 LIMT1 SS7ANSI
1216 LIMCH SS7ANSI
1316 DCM STPLAN

```

Continue the procedure by performing one of these substeps.

- a) If the desired T1 card is not shown in the `rtrv-card` output, perform [Adding a LIM-T1 Card](#) to add the desired T1 card. If you wish to assign T1 ports 3, 4, 5, 6, 7, or 8 to the T1 card, the T1 card being added must be an HC-MIM or an E5-T1T1 card. If the new T1 card is an E1/T1 MIM, continue the procedure with [Step 8](#) to add the T1 port with the parameters allowed for an E1/T1 MIM.

- b) If the desired T1 card is shown in the `rtvr-card` output, verify the type of T1 card that the T1 port will be assigned to. The T1 card types and their part numbers are shown in [Table 73: T1 Card Part Numbers](#). If the T1 card is an E1/T1 MIM, continue the procedure with [Step 8](#) to add the T1 port with the parameters allowed for an E1/T1 MIM.
  - c) If the T1 card that will be used in this procedure is an HC-MIM or an E5-E1T1 card, continue the procedure by performing one of these steps.
    - If T1 cards are shown in [Step 1](#) that are on the same shelf as the card that will contain the T1 port that is being added, and these cards have T1 ports 3 through 8 provisioned, contain channel bridged T1 ports, or unchannelized T1 ports, continue the procedure with [Step 8](#) to add the T1 port with the parameters allowed for an HC-MIM or an E5-E1T1 card.
    - If no T1 cards, shown in [Step 1](#), are not on the same shelf as the card that will contain the T1 port that is being added, continue the procedure with [Step 3](#).
    - If T1 cards are shown in [Step 1](#) that are on the same shelf as the card that will contain the T1 port that is being added, and these cards do not have T1 ports 3 through 8 provisioned, do not contain channel bridged T1 ports, or do not have unchannelized T1 ports, continue the procedure with [Step 3](#).
3. Verify that HIPR cards are installed in card locations 9 and 10 in the shelf containing the HC-MIM or E5-E1T1 card that will contain the T1 port being added in this procedure by entering this command.

```
rept-stat-gpl:gpl=hipr
```

This is an example of the possible output.

```
rlghncxa03w 09-05-01 11:40:26 GMT EAGLE5 41.0.0
GPL CARD RUNNING APPROVED TRIAL
HIPR 1109 126-002-000 126-002-000 126-003-000
HIPR 1110 126-002-000 126-002-000 126-003-000
HIPR 1209 126-002-000 126-002-000 126-003-000
HIPR 1210 126-002-000 126-002-000 126-003-000
HIPR 1309 126-002-000 126-002-000 126-003-000
HIPR 1310 126-002-000 126-002-000 126-003-000
HIPR 2109 126-002-000 126-002-000 126-003-000
HIPR 2110 126-002-000 126-002-000 126-003-000
Command Completed
```

If HIPR cards are installed in the shelf containing the HC-MIM or E5-E1T1 card, continue the procedure by performing one of these steps.

- If the card is an E5-E1T1 card, continue the procedure with [Step 8](#).
- If the card is an HC-MIM, continue the procedure with [Step 5](#).

If HIPR cards are not installed on the shelf containing the HC MIM or E5-E1T1 card, continue the procedure with [Step 4](#).

4. Verify that HIPR2 cards are installed in card locations 9 and 10 in the shelf containing the HC MIM or E5-E1T1 card that will contain the T1 port being added in this procedure by entering this command.

```
rept-stat-gpl:gpl=hipr2
```

This is an example of the possible output.

```

rlghncxa03w 09-07-05 08:12:53 GMT 41.1.0
GPL CARD RUNNING APPROVED TRIAL
HIPR2 1109 126-002-000 126-002-000 126-003-000
HIPR2 1110 126-002-000 126-002-000 126-003-000
HIPR2 1209 126-002-000 126-002-000 126-003-000
HIPR2 1210 126-002-000 126-002-000 126-003-000
HIPR2 1309 126-002-000 126-002-000 126-003-000
HIPR2 1310 126-002-000 126-002-000 126-003-000
HIPR2 2109 126-002-000 126-002-000 126-003-000
HIPR2 2110 126-002-000 126-002-000 126-003-000
Command Completed

```

If HIPR2 cards are installed in the shelf containing the HC MIM or E5-E1T1 card, continue the procedure by performing one of these steps.

- If the card is an E5-E1T1 card, continue the procedure with [Step 8](#).
- If the card is an HC MIM, continue the procedure with [Step 5](#).

If HIPR or HIPR2 cards are not installed on the shelf containing the HC MIM or E5-E1T1 card, go to the *Installation Manual - EAGLE 5 ISS* and install the HIPR or HIPR2 cards. Once the HIPR or HIPR2 cards have been installed, continue the procedure by performing one of these steps.

- If the card is an E5-E1T1 card, continue the procedure with [Step 8](#).
- If the card is an HC MIM, continue the procedure with [Step 5](#).

5. Verify whether or not that the Fan feature is on, by entering the `rtrv-feat` command. If the Fan feature is on, the entry `FAN = on` appears in the `rtrv-feat` command output.

**Note:** The `rtrv-feat` command output contains other fields that are not used by this procedure. If you wish to see all the fields displayed by the `rtrv-feat` command, see the `rtrv-feat` command description in the *Commands Manual*.

If the Fan feature is on, continue the procedure with [Step 8](#).

If the Fan feature is off, continue the procedure with [Step 6](#).

6. Turn the Fan feature on by entering this command.

```
chg-feat : fan=on
```

**Note:** Once the Fan feature is turned on with the `chg-feat` command, it cannot be turned off.

The Fan feature must be purchased before you turn this feature on with the `chg-feat` command. If you are not sure if you have purchased the Fan feature, contact your Tekelec Sales Representative or Account Representative.

7. The shelf containing the HC-MIM being added in this procedure must have fans installed. Verify whether or not fans are installed on the shelf.

If the fans are installed, continue the procedure with [Step 8](#).

If the fans are not installed on the shelf containing the HC-MIM, go to the *Installation Manual - EAGLE 5 ISS* and install the fans. After the fans have been installed and tested, continue the procedure with [Step 8](#).

8. Add the new T1 interface information to the database using the `ent-t1` command and the parameter combinations shown in *Table 77: T1 Interface Parameter Combinations*, based on the type of T1 card being used.

**Table 77: T1 Interface Parameter Combinations**

| E1/T1 MIM                                                                                                                                                                                                                                   | HC-MIM or an E5-E1T1 Card without Channel Bridging |
|---------------------------------------------------------------------------------------------------------------------------------------------------------------------------------------------------------------------------------------------|----------------------------------------------------|
| Mandatory Parameters                                                                                                                                                                                                                        |                                                    |
| :loc=location of the T1 card                                                                                                                                                                                                                | :loc=location of the T1 card                       |
| :t1port=1, 2                                                                                                                                                                                                                                | :t1port=1, 2, 3, 4, 5, 6, 7, 8                     |
| Optional Parameters                                                                                                                                                                                                                         |                                                    |
| :encode=ami, b8zs<br>Default value = b8zs                                                                                                                                                                                                   | :encode=ami, b8zs<br>Default value = b8zs          |
| :framing=sf, esf<br>Default value = sf                                                                                                                                                                                                      | :framing=sf, esf<br>Default value = sf             |
| :ll=0 - 655<br>Default value = 133                                                                                                                                                                                                          | :ll=0 - 655<br>Default value = 133                 |
| :t1tsel=line, external<br>Default value = line                                                                                                                                                                                              | :t1tsel=line, external<br>Default value = line     |
| Notes:                                                                                                                                                                                                                                      |                                                    |
| 1. Channel cards cannot be specified with the <code>ent-t1</code> command.                                                                                                                                                                  |                                                    |
| 2. To configure the T1 port for master timing, use the <code>t1tsel=external</code> parameter.                                                                                                                                              |                                                    |
| 3. The <code>linkclass=chan</code> parameter configures a channelized T1 port. Specifying the <code>linkclass=chan</code> parameter in this procedure is unnecessary as this is the default value for the <code>linkclass</code> parameter. |                                                    |

For this example, enter these commands.

```
ent-t1:loc=1215:t1port=2:encode=b8zs:t1tsel=line:framing=sf:ll=100
```

9. Verify the changes using the `rtrv-t1` command specifying the card location and the `t1port` value specified in *Step 8*. For this example, enter this command.

```
rtrv-t1:loc=1215:t1port=2
```

```
rlghncxa03w 09-05-28 09:12:36 GMT EAGLE5 41.0.0
```

```

 T1
LOC PORT ENCODE T1TSEL FRAMING LL CHANBRDG LINK MINSU
1215 2 B8ZS LINE SF 100 ----- CLASS RATE
 CHAN -----

```

```

TS1 ----- TS9 ----- TS17 -----
TS2 ----- TS10 ----- TS18 -----
TS3 ----- TS11 ----- TS19 -----
TS4 ----- TS12 ----- TS20 -----
TS5 ----- TS13 ----- TS21 -----
TS5 ----- TS14 ----- TS22 -----
TS7 ----- TS15 ----- TS23 -----
TS8 ----- TS16 ----- TS24 -----

```

10. Back up the new changes using the `chg-db:action=backup:dest=fixed` command. These messages should appear, the active Maintenance and Administration Subsystem Processor (MASP) appears first.

```

BACKUP (FIXED) : MASP A - Backup starts on active MASP.
BACKUP (FIXED) : MASP A - Backup on active MASP to fixed disk complete.
BACKUP (FIXED) : MASP A - Backup starts on standby MASP.
BACKUP (FIXED) : MASP A - Backup on standby MASP to fixed disk complete.

```

## Adding Channel Bridged T1 Ports

The channel bridged T1 ports are provisioned in the database using the `ent-t1` command using these parameters.

`:loc` – The location of the T1 card (card type `limt1`) that is servicing the T1 signaling link. The T1 card must be an HC MIM or an E5-E1T1 card. The location of a channel card (card type `limch`) cannot be specified for this parameter.

`:t1port` – The T1 port on the T1 card used to service the T1 signaling link. The `t1port` value cannot already be assigned to the T1 card specified by the `loc` parameter.

`:encode` – Specifies the type of encoding or decoding that is used on the T1 signaling link, either B8ZS or AMI. The default value is B8ZS encoding (`encode=b8zs`).

`:t1tsel` – The timing source for the T1 signaling link, master (`external`) or recovered. The default value is slave timing (`t1tsel=line`) which cannot be used for a channel bridged t1 port.

The `recovered` timing source can be used only with the `chanbrdg=on` parameter and uses the even numbered member of the bridged-pair as a clock source, ensuring that port in the pair can recover the timing from its partner.

**Note:** To use an external high-speed master clock source other than RS-422, TDMs 870-0774-15 or later must be installed in card locations 1114 and 1116, and the TDM Global Timing Interface options must be configured. For more information, see [Configuring the Options for the TDM Global Timing Interface](#).

`:framing` – Specifies the framing format to be used on the T1 signaling link, either `sf` or `esf`. The default value is `sf` (`framing=sf`).

`:l1` – The length of the cable, in feet, used for the T1 signaling link. The value of the `l1` parameter is from 0 to 655. The default value for this parameter is 133.



:force=yes – Required when the even numbered T1 port being channel bridged is provisioned in the database before this procedure is performed.

:chanbrdg – Specifies whether or not the odd numbered T1 port specified in this procedure is channel bridged to its adjacent even numbered T1 port. [Table 78: Channel Bridging Ports](#) shows the T1 ports that can be specified with the chanbrdg=on parameter and the even-numbered T1 ports that are bridged to the odd numbered T1 port.

**Table 78: Channel Bridging Ports**

| Odd Numbered T1 Port | Even Numbered Bridged T1 Port |
|----------------------|-------------------------------|
| 1                    | 2                             |
| 3                    | 4                             |
| 5                    | 6                             |
| 7                    | 8                             |

The ent-t1 command contains the framing=esfperf, linkclass, and minsurate parameters that are not used in this procedure. These parameters and their usage are described in [Adding Unchannelized T1 Ports](#).

The T1 card specified in this procedure must be in the database. This can be verified with the rtrv-card command.

The T1 card cannot contain channelized and un-channelized T1 ports.

1. Display the cards in the EAGLE 5 ISS using the rtrv-card command.

```
rlghncxa03w 09-05-28 09:12:36 GMT EAGLE5 41.0.0
CARD TYPE APPL LSET NAME LINK SLC LSET NAME LINK SLC
1102 TSM GLS
1113 GSMP OAM
1114 TDM-A
1115 GSMP OAM
1116 TDM-B
1117 MDAL
1207 LIMT1 SS7ANSI lsnt265 A 0
1208 LIMCH SS7ANSI lsnt265 A 1 lsnt265 A2 2
1211 LIME1 CCS7ITU lsne145 A 0
1212 LIMCH CCS7ITU lsne145 A 1 lsne145 A2 2
1215 LIMT1 SS7ANSI
1216 LIMCH SS7ANSI
1316 DCM STPLAN
```

If there are no LIMT1 cards shown in the rtrv-card output, perform [Adding a LIM-T1 Card](#) to add an HC-MIM or E5-E1T1 card to the database. Continue the procedure with [Step 2](#).

If LIMT1 cards are shown in the rtrv-card output, continue the procedure with [Step 2](#).

2. Display the existing T1 interfaces in the database using the rtrv-t1 command with no parameters.

```
rlghncxa03w 09-05-19 21:17:04 GMT EAGLE5 41.0.0
```

| LOC  | T1<br>PORT | ENCODE | T1TSEL   | FRAMING | LL | CHANBRDG | LINK<br>CLASS | MINSU<br>RATE |
|------|------------|--------|----------|---------|----|----------|---------------|---------------|
| 1207 | 1          | AMI    | EXTERNAL | ESF     | 50 | -----    | CHAN          | ----          |

Channel bridged T1 ports cannot be added to a T1 card containing unchannelized T1 ports. If the T1 card contains unchannelized T1 ports, choose another T1 card from [Step 1](#) and repeat this step, or add a new H- MIM or an E5-E1T1 card by performing [Adding a LIM-T1 Card](#).

If the `rtrv-t1` output shows that the T1 card has T1 ports 3, 4, 5, 6, 7, or 8 assigned to it, or that T1 ports on the T1 card are channel bridged, continue the procedure with [Step 3](#).

If the `rtrv-t1` output shows that the T1 card does not have T1 ports 3, 4, 5, 6, 7, or 8 assigned to it, or that T1 ports on the T1 card are not channel bridged, verify that the T1 card that the channel bridged T1 port will be assigned to is an HC-MIM or an E5-E1T1 card. The part number of the HC-MIM is 870-2671-XX. The part number of the E5-E1T1 is 870-1873-XX. If the T1 card is not an H- MIM or an E5-E1T1 card, add a new H- MIM or an E5-E1T1 card by performing [Adding a LIM-T1 Card](#).

After the new HC-MIM or E5-E1T1 card has been added, continue the procedure with [Step 9](#).

Continue the procedure by performing one of these substeps.

- a) If the `rtrv-t1` output shows that the T1 card has T1 ports 3, 4, 5, 6, 7, or 8 assigned to it, or that T1 ports on the T1 card are channel bridged, continue this procedure with [Step 3](#).
- b) Channel bridged T1 ports cannot be added to an T1 card containing unchannelized T1 ports. If the T1 card contains unchannelized T1 ports, choose another T1 card from [Step 1](#) and repeat this step, or add a new HC-MIM or an E5-E1T1 card by performing [Adding a LIM-T1 Card](#).
- c) If the `rtrv-t1` output shows that the T1 card does not have T1 ports 3, 4, 5, 6, 7, or 8 assigned to it, or that T1 ports on the T1 card are not channel bridged, verify that the T1 card that the channel bridged T1 port will be assigned to is an HC-MIM or an E5-E1T1 card. The part number of the HC-MIM is 870-2671-XX. The part number of the E5-E1T1 is 870-1873-XX. If the T1 card is not an HC-MIM or an E5-E1T1 card, add a new HC-MIM or an E5-E1T1 card by performing [Adding a LIM-T1 Card](#).
  - If an existing T1 card is being used in this procedure continue the procedure with [Step 3](#).
  - If an HC-MIM or an E5-E1T1 card was added in this substep or substep b, continue the procedure by performing one of these steps.
    - If the T1 cards shown in this step are on the same shelf as the card that will contain the T1 port that is being added, and these cards have T1 ports 3 through 8 provisioned, contain channel bridged T1 ports, or unchannelized T1 ports, continue the procedure with [Step 9](#).
    - If the T1 cards shown in this step are not on the same shelf as the card that will contain the T1 port that is being added, continue the procedure with [Step 4](#).
    - If the T1 cards shown in this step are on the same shelf as the card that will contain the T1 port that is being added, and these cards do not have T1 ports 3 through 8 provisioned, do not contain channel bridged T1 ports, or do not have unchannelized T1 ports, continue the procedure with [Step 4](#).

3. Display the T1 signaling links in the EAGLE 5 ISS by entering this command.

```
rtrv-slk:class=t1
```

```
rlghncxa03w 09-05-19 21:17:04 GMT EAGLE5 41.0.0
L2T PCR PCR T1 T1
LOC LINK LSN SLC TYPE SET BPS ECM N1 N2 LOC PORT TS
1207 A lsnt256 0 LIMT1 1 56000 BASIC --- ----- 1207 2 2
1208 A lsnt256 1 LIMCH 1 56000 BASIC --- ----- 1207 1 4
1208 A2 lsnt256 2 LIMCH 1 56000 BASIC --- ----- 1207 1 6
```

If an even numbered T1 port is to be channel bridged, and that T1 port is assigned to signaling links, these signaling links must be removed before the T1 port can be channel bridged. Perform [Removing an SS7 Signaling Link](#) to remove these signaling links. After the signaling links have been removed, continue the procedure with [Step 4](#).

If the even numbered T1 port to be channel bridged is not assigned to signaling links, continue the procedure with [Step 4](#).

4. Verify that HIPR cards are installed in card locations 9 and 10 in the shelf containing the HC-MIM or E5-E1T1 card that will contain the T1 port being added in this procedure by entering this command.

```
rept-stat-gpl:gpl=hipr
```

```
rlghncxa03w 09-05-01 11:40:26 GMT EAGLE5 41.0.0
GPL CARD RUNNING APPROVED TRIAL
HIPR 1109 126-002-000 126-002-000 126-003-000
HIPR 1110 126-002-000 126-002-000 126-003-000
HIPR 1209 126-002-000 126-002-000 126-003-000
HIPR 1210 126-002-000 126-002-000 126-003-000
HIPR 1309 126-002-000 126-002-000 126-003-000
HIPR 1310 126-002-000 126-002-000 126-003-000
HIPR 2109 126-002-000 126-002-000 126-003-000
HIPR 2110 126-002-000 126-002-000 126-003-000
Command Completed
```

If HIPR cards are installed in the shelf containing the HC-MIM or E5-E1T1 card, continue the procedure by performing one of these steps.

- If the card is an E5-E1T1 card, continue the procedure with [Step 9](#).
- If the card is an HC-MIM, continue the procedure with [Step 6](#).

If HIPR cards are not installed on the shelf containing the HC MIM or E5-E1T1 card, continue the procedure with [Step 5](#).

5. Verify that HIPR2 cards are installed in card locations 9 and 10 in the shelf containing the HC MIM or E5-E1T1 card that will contain the T1 port being added in this procedure by entering this command.

```
rept-stat-gpl:gpl=hipr2
```

This is an example of the possible output.

```
rlghncxa03w 09-07-05 08:12:53 GMT 41.1.0
GPL CARD RUNNING APPROVED TRIAL
HIPR2 1109 126-002-000 126-002-000 126-003-000
HIPR2 1110 126-002-000 126-002-000 126-003-000
```

|                   |      |             |             |             |
|-------------------|------|-------------|-------------|-------------|
| HIPR2             | 1209 | 126-002-000 | 126-002-000 | 126-003-000 |
| HIPR2             | 1210 | 126-002-000 | 126-002-000 | 126-003-000 |
| HIPR2             | 1309 | 126-002-000 | 126-002-000 | 126-003-000 |
| HIPR2             | 1310 | 126-002-000 | 126-002-000 | 126-003-000 |
| HIPR2             | 2109 | 126-002-000 | 126-002-000 | 126-003-000 |
| HIPR2             | 2110 | 126-002-000 | 126-002-000 | 126-003-000 |
| Command Completed |      |             |             |             |

If HIPR2 cards are installed in the shelf containing the HC MIM or E5-E1T1 card, continue the procedure by performing one of these steps.

- If the card is an E5-E1T1 card, continue the procedure with [Step 9](#).
- If the card is an HC MIM, continue the procedure with [Step 6](#).

If HIPR or HIPR2 cards are not installed on the shelf containing the HC MIM or E5-E1T1 card, go to the *Installation Manual - EAGLE 5 ISS* and install the HIPR or HIPR2 cards. Once the HIPR or HIPR2 cards have been installed, continue the procedure by performing one of these steps.

- If the card is an E5-E1T1 card, continue the procedure with [Step 9](#).
- If the card is an HC MIM, continue the procedure with [Step 6](#).

6. Verify whether or not that the Fan feature is on, by entering the `rtrv-feat` command. If the Fan feature is on, the entry `FAN = on` appears in the `rtrv-feat` command output.

**Note:** The `rtrv-feat` command output contains other fields that are not used by this procedure. If you wish to see all the fields displayed by the `rtrv-feat` command, see the `rtrv-feat` command description in the *Commands Manual*.

If the Fan feature is on, continue the procedure with [Step 9](#).

If the Fan feature is off, continue the procedure with [Step 7](#).

7. Turn the Fan feature on by entering this command.

```
chg-feat : fan=on
```

**Note:** Once the Fan feature is turned on with the `chg-feat` command, it cannot be turned off.

The Fan feature must be purchased before you turn this feature on with the `chg-feat` command. If you are not sure if you have purchased the Fan feature, contact your Tekelec Sales Representative or Account Representative.

When the `chg-feat` has successfully completed, this message appears.

```
rlghncxa03w 09-05-28 11:43:04 GMT EAGLE5 41.0.0
CHG-FEAT: MASP A - COMPLTD
```

8. The shelf containing the HC-MIM being added in this procedure must have fans installed. Verify whether or not fans are installed on the shelf.

If the fans are installed, continue the procedure with [Step 9](#).

If the fans are not installed on the shelf containing the HC-MIM, go to the *Installation Manual - EAGLE 5 ISS* and install the fans. After the fans have been installed and tested, continue the procedure with [Step 9](#).

9. Add the new T1 interface information to the database using the `ent-t1` command and the parameter combinations shown in [Table 79: Channel Bridged T1 Port Combinations](#).

**Table 79: Channel Bridged T1 Port Combinations**

| Mandatory Parameters                                                                                                                                                                                                                                                                                                                                                                                                                                                                                                                                                                                                                                                                                                                                                                                                                         |                                    |
|----------------------------------------------------------------------------------------------------------------------------------------------------------------------------------------------------------------------------------------------------------------------------------------------------------------------------------------------------------------------------------------------------------------------------------------------------------------------------------------------------------------------------------------------------------------------------------------------------------------------------------------------------------------------------------------------------------------------------------------------------------------------------------------------------------------------------------------------|------------------------------------|
| :loc=location of the T1 card                                                                                                                                                                                                                                                                                                                                                                                                                                                                                                                                                                                                                                                                                                                                                                                                                 | :t1tsel=external, recovered        |
| :t1port=1, 3, 5, 7                                                                                                                                                                                                                                                                                                                                                                                                                                                                                                                                                                                                                                                                                                                                                                                                                           | :chanbrdg=on                       |
| Optional Parameters                                                                                                                                                                                                                                                                                                                                                                                                                                                                                                                                                                                                                                                                                                                                                                                                                          |                                    |
| :framing=sf, esf<br>Default value = sf                                                                                                                                                                                                                                                                                                                                                                                                                                                                                                                                                                                                                                                                                                                                                                                                       | :ll=0 - 655<br>Default value = 133 |
| :encode=ami, b8zs<br>Default value = b8zs                                                                                                                                                                                                                                                                                                                                                                                                                                                                                                                                                                                                                                                                                                                                                                                                    | :force=yes                         |
| <p>Notes:</p> <ol style="list-style-type: none"> <li>Channel cards (LIMCH card type) cannot be specified with the ent-t1 command.</li> <li>To configure the T1 port for master timing, use the t1tsel=external parameter.</li> <li>The linkclass=chan parameter configures a channelized T1 port. Specifying the linkclass=chan parameter in this procedure is unnecessary as this is the default value for the linkclass parameter.</li> <li>The T1 card cannot contain channelized and un-channelized T1 ports.</li> <li>The force=yes parameter must be used when the even numbered port being channel bridged is shown in the rtrv-t1 output in <a href="#">Step 2</a>. If the even numbered port being channel bridged is not shown in the rtrv-t1 output in <a href="#">Step 2</a>, the force=yes parameter cannot be used.</li> </ol> |                                    |

For this example, enter these commands.

```
ent-t1:loc=1215:t1port=1:encode=b8zs:t1tsel=external:chanbrdg=on
```

```
ent-t1:loc=1217:t1port=1:encode=ami:t1tsel=recovered :chanbrdg=on
```

10. Verify the changes using the rtrv-t1 command specifying the card location and the t1port value specified in [Step 9](#). For this example, enter these commands.

```
rtrv-t1:loc=1215:t1port=1
```

```
rlghncxa03w 09-05-28 09:12:36 GMT EAGLE5 41.0.0
```

| LOC  | T1 PORT | ENCODE | T1TSEL   | FRAMING | LL    | CHANBRDG | LINK CLASS | MINSU RATE |
|------|---------|--------|----------|---------|-------|----------|------------|------------|
| 1215 | 1       | B8ZS   | EXTERNAL | SF      | 133   | MASTER   | CHAN       | ----       |
| TS1  | -----   | TS9    | -----    | TS17    | ----- |          |            |            |
| TS2  | -----   | TS10   | -----    | TS18    | ----- |          |            |            |
| TS3  | -----   | TS11   | -----    | TS19    | ----- |          |            |            |
| TS4  | -----   | TS12   | -----    | TS20    | ----- |          |            |            |
| TS5  | -----   | TS13   | -----    | TS21    | ----- |          |            |            |
| TS5  | -----   | TS14   | -----    | TS22    | ----- |          |            |            |
| TS7  | -----   | TS15   | -----    | TS23    | ----- |          |            |            |
| TS8  | -----   | TS16   | -----    | TS24    | ----- |          |            |            |

```
rtrv-t1:loc=1217:t1port=1
```

This is an example of the possible output.

```
rlghncxa03w 09-05-28 09:12:36 GMT EAGLE5 41.0.0

 T1
LOC PORT ENCODE T1TSEL FRAMING LL CHANBRDG LINK MINSU
1217 1 AMI RECOVERED SF 133 MASTER CLASS RATE
 CHAN -----
TS1 ----- TS9 ----- TS17 -----
TS2 ----- TS10 ----- TS18 -----
TS3 ----- TS11 ----- TS19 -----
TS4 ----- TS12 ----- TS20 -----
TS5 ----- TS13 ----- TS21 -----
TS5 ----- TS14 ----- TS22 -----
TS7 ----- TS15 ----- TS23 -----
TS8 ----- TS16 ----- TS24 -----
```

11. Back up the new changes using the `chg-db:action=backup:dest=fixed` command. These messages should appear, the active Maintenance and Administration Subsystem Processor (MASP) appears first.

```
BACKUP (FIXED) : MASP A - Backup starts on active MASP.
BACKUP (FIXED) : MASP A - Backup on active MASP to fixed disk complete.
BACKUP (FIXED) : MASP A - Backup starts on standby MASP.
BACKUP (FIXED) : MASP A - Backup on standby MASP to fixed disk complete.
```

## Adding Unchannelized T1 Ports

An unchannelized T1 port is provisioned in the database using the `ent-t1` command with these parameters.

`:loc` – The location of the T1 card (card type `limt1`) that is servicing the T1 signaling link. The T1 card must be an E5-E1T1 card. The location of a channel card (card type `limch`) cannot be specified for this parameter.

`:t1port` – The T1 port on the T1 card used to service the T1 signaling link. The `t1port` value cannot already be assigned to the T1 card specified by the `loc` parameter.

`:encode` – Specifies the type of encoding or decoding that is used on the T1 signaling link, either B8ZS or AMI. The default value is B8ZS encoding (`encode=b8zs`).

`:t1tsel` – The timing source for the T1 signaling link, master (`external`) or slave (`line`). The default value is slave timing (`t1tsel=line`).

The `recovered` timing source can be used only with the `chanbrdg=on` parameter and cannot be used in this procedure.

**Note:** To use an external high-speed master clock source other than RS-422, TDMs 870-0774-15 or later must be installed in card locations 1114 and 1116, and the TDM Global Timing Interface options must be configured. For more information, refer to [Configuring the Options for the TDM Global Timing Interface](#).

:framing – Specifies the framing format to be used on the T1 signaling link, either *sf*, *esf*, or *esfperf*. The *esfperf* value enables T1 performance monitoring for low level reports embedded in the transmit data stream of a T1 interface configured for ESF framing. The default value is *sf* (framing=*sf*).

:ll – The length of the cable, in feet, used for the T1 signaling link. The value of the ll parameter is from 0 to 655. The default value for this parameter is 133.

:linkclass=*unchan* – Indicates that the T1 port supports un-channelized T1 signaling links.

:minsurate – Specifies the minimum number of signaling units (FISUs and LSSUs) per second that are transmitted on the outbound T1 signaling link during idle periods or when there is an unused portion of the link's bandwidth. The value of this parameter is from 400 to 1600 signaling units per second, with the default value of 1000 signaling units per second. The *minsurate* parameter can be specified only when an unchannelized T1 port (*linkclass=unchan* parameter) is being configured.

The *ent-t1* command contains the *t1tsel=recovered*, *chanbrdg*, and *force=yes* parameters. These parameters are not used in this procedure. These parameters and their usage are described in [Adding Channel Bridged T1 Ports](#).

The T1 card specified in this procedure must be in the database. This can be verified with the *rtrv-card* command.

1. Display the cards in the EAGLE 5 ISS using the *rtrv-card* command.

```
rlghncxa03w 09-05-28 09:12:36 GMT EAGLE5 41.0.0
CARD TYPE APPL LSET NAME LINK SLC LSET NAME LINK SLC
1102 TSM GLS
1113 GSPM OAM
1114 TDM-A
1115 GSPM OAM
1116 TDM-B
1117 MDAL
1201 LIMT1 CCS7ITU lsn1 A 13 lsn1 B 12
1202 LIMCH CCS7ITU lsn1 A 0 lsn1 B 8
1203 LIMT1 CCS7ITU lsn1 A1 4 lsn1 B1 9
1204 LIMCH CCS7ITU lsn1 A2 5 lsn1 A3 6
1211 LIMT1 CCS7ITU lsn1 A 14
1212 LIMCH CCS7ITU lsn1 A 10 lsn1 B 11
1213 LIMT1 CCS7ITU lsn1 A4 1 lsn1 A5 7
 lsn1 B5 2 lsn1 A6 3
1316 DCM STPLAN
```

If there no LIMT1 cards shown in the *rtrv-card* output, perform [Adding a LIM-T1 Card](#) to add an E5-E1T1 card to the database. After the card has been added, continue the procedure with [Step 2](#)

2. Display the existing T1 interfaces in the database using the *rtrv-t1* command with no parameters.

```
rlghncxa03w 09-05-19 21:17:04 GMT EAGLE5 41.0.0

 T1
LOC PORT ENCODE T1TSEL FRAMING LL CHANBRDG LINK MINSU
1201 1 AMI EXTERNAL ESF 50 ----- CHAN ----
1201 2 B8ZS EXTERNAL ESF 50 ----- CHAN ----
1202 1 B8ZS EXTERNAL ESF 50 ----- CHAN ----
1203 1 B8ZS EXTERNAL ESF 50 ----- CHAN ----
1203 2 B8ZS EXTERNAL ESF 50 ----- CHAN ----
```

|      |   |      |          |     |    |       |      |      |
|------|---|------|----------|-----|----|-------|------|------|
| 1204 | 1 | B8ZS | EXTERNAL | ESF | 50 | ----- | CHAN | ---- |
| 1211 | 2 | B8ZS | EXTERNAL | ESF | 50 | ----- | CHAN | ---- |
| 1212 | 1 | B8ZS | EXTERNAL | ESF | 50 | ----- | CHAN | ---- |
| 1213 | 1 | B8ZS | EXTERNAL | ESF | 50 | ----- | CHAN | ---- |
| 1213 | 5 | B8ZS | EXTERNAL | ESF | 50 | ----- | CHAN | ---- |

The EAGLE 5 ISS can contain a maximum of 180 unchannelized T1 ports. If the `rtrv-t1` output shows that there are 180 unchannelized T1 ports, no other unchannelized T1 ports can be added and this procedure cannot be performed.

If no T1 ports are assigned to the T1 card you wish to use in this procedure, verify that the T1 card is an E5-E1T1 card. The part number of the E5-E1T1 card is 870-1873-XX. An E5-E1T1 card can contain only one unchannelized T1 port. No other types of T1 ports can be assigned to a T1 card that contains an unchannelized T1 port. If the T1 card is not an E5-E1T1 card, either select another T1 card from the `rtrv-t1` output, or add a new E5-E1T1 by performing [Adding a LIM-T1 Card](#). If the T1 card is an E5-E1T1 card, and contains no T1 ports, continue the procedure with [Step 3](#).

If the unchannelized T1 port cannot be added to this card, repeat [Step 1](#) and [Step 2](#) to select another T1 card to add the unchannelized T1 port to, or add a new E5-E1T1 by performing [Adding a LIM-T1 Card](#).

3. Display the status of the ST-HSL-A SLK Capacity feature by entering the `rtrv-ctrl-feat` command.

The following is an example of the possible output.

```
rlghncxa03w 09-05-28 21:15:37 GMT EAGLE5 41.0.0
The following features have been permanently enabled:

Feature Name Partnum Status Quantity
HC-MIM SLK Capacity 893012707 on 64
Command Class Management 893005801 on ----
LNP Short Message Service 893006601 on ----
Intermed GTT Load Sharing 893006901 on ----
XGTT Table Expansion 893006101 on 400000
XMAP Table Expansion 893007701 on 3000

The following features have been temporarily enabled:

Feature Name Partnum Status Quantity Trial Period Left
Zero entries found.

The following features have expired temporary keys:

Feature Name Partnum
Zero entries found.
```

Continue the procedure by performing one of these substeps.

- a) If an ST-HSL-A SLK quantity is not enabled, continue the procedure with [Step 4](#).

**Note:** If the `rtrv-ctrl-feat` output shows only the HC-MIM SLK Capacity feature with a quantity of 64, [Step 4](#) through [Step 7](#) must be performed. If the `rtrv-ctrl-feat` output in this step shows any other controlled features, continue the procedure with [Step 8](#).

- b) If an ST-HSL-A SLK quantity is enabled, the entry ST-HSL-A SLK Capacity is shown in the `rtrv-ctrl-feat` output with a quantity of 4 to 180 in increments of 8. The quantities that can



be provisioned and their part numbers are shown in [Table 80: ST-HSL-A SLK Quantity Part Numbers](#). This quantity is the number of unchannelized T1 signaling links, and the number of unchannelized T1 ports, the EAGLE 5 ISS can contain. If the addition of the unchannelized T1 port in this procedure will not exceed the enabled ST-HSL-A SLK quantity, continue the procedure by performing one of these steps.

- If T1 cards are shown in the `rtrv-t1` output in [Step 2](#) and these cards are on the same shelf as the card that will contain the T1 port that is being added, and these cards have T1 ports 3 through 8 provisioned, contain channel bridged T1 ports, or unchannelized T1 ports, continue the procedure with [Step 12](#).
  - If T1 cards are shown in the `rtrv-t1` output in [Step 2](#) and these cards are not on the same shelf as the card that will contain the T1 port that is being added, continue the procedure with [Step 10](#).
  - If T1 cards are shown in the `rtrv-t1` output in [Step 2](#) and these cards are on the same shelf as the card that will contain the T1 port that is being added, and these cards do not have T1 ports 3 through 8 provisioned, do not contain channel bridged T1 ports, or do not have unchannelized T1 ports, continue the procedure with [Step 10](#).
- c) If an ST-HSL-A SLK quantity is enabled, and the addition of the unchannelized T1 port in this procedure will exceed the enabled ST-HSL-A SLK quantity, increase the enabled ST-HSL-A SLK quantity by performing [Step 8](#).
4. Display the serial number in the database with the `rtrv-serial-num` command.

```
rlghncxa03w 09-05-28 21:15:37 GMT EAGLE5 41.0.0
System serial number = nt00001231

System serial number is not locked, yet.
```

**Note:** If the serial number is correct and locked, continue the procedure with [Step 8](#). If the serial number is correct but not locked, continue the procedure with [Step 7](#). If the serial number is not correct, but is locked, the ST-HSL-A SLK quantity cannot be enabled and the remainder of this procedure cannot be performed. Contact the Customer Care Center to get an incorrect and locked serial number changed. Refer to [Customer Care Center](#) for the contact information. The serial number can be found on a label affixed to the control shelf (shelf 1100).

5. Enter the correct serial number into the database using the `ent-serial-num` command with the `serial` parameter.

For this example, enter this command.

```
ent-serial-num:serial=<EAGLE 5 ISS's correct serial number>
```

6. Verify that the serial number entered in [Step 5](#) was entered correctly using the `rtrv-serial-num` command.

```
rlghncxa03w 09-05-28 21:15:37 GMT EAGLE5 41.0.0
System serial number = nt00001231

System serial number is not locked, yet.
```

If the serial number was not entered correctly, repeat [Step 4](#) and [Step 5](#) and re-enter the correct serial number.

- Lock the serial number in the database by entering the `ent-serial-num` command with the serial number shown in [Step 4](#), if the serial number shown in [Step 4](#) is correct, or with the serial number shown in [Step 6](#), if the serial number was changed in [Step 5](#), and with the `lock=yes` parameter.

For this example, enter this command.

```
ent-serial-num:serial=<EAGLE 5 ISS's serial number>:lock=yes
```

- Enable an ST-HSL-A SLK quantity by entering the `enable-ctrl-feat` command specifying the part number for the desired ST-HSL-A SLK quantity and the feature access key.

The ST-HSL-A SLK quantity part numbers are shown in [Table 80: ST-HSL-A SLK Quantity Part Numbers](#).

**Table 80: ST-HSL-A SLK Quantity Part Numbers**

| ST-HSL-A SLK Quantity | Part Number | ST-HSL-A SLK Quantity | Part Number |
|-----------------------|-------------|-----------------------|-------------|
| 4                     | 893027301   | 96                    | 893027313   |
| 8                     | 893027302   | 104                   | 893027314   |
| 16                    | 893027303   | 112                   | 893027315   |
| 24                    | 893027304   | 120                   | 893027316   |
| 32                    | 893027305   | 128                   | 893027317   |
| 40                    | 893027306   | 136                   | 893027318   |
| 48                    | 893027307   | 144                   | 893027319   |
| 56                    | 893027308   | 152                   | 893027320   |
| 64                    | 893027309   | 160                   | 893027321   |
| 72                    | 893027310   | 168                   | 893027322   |
| 80                    | 893027311   | 176                   | 893027323   |
| 88                    | 893027312   | 180                   | 893027324   |

For this example, enter this command.

```
enable-ctrl-feat:partnum=893027301:fak=<feature access key>
```

**Note:** A temporary feature access key cannot be specified to enable the ST-HSL-A SLK quantity quantity.

**Note:** The value for the feature access key (the `fak` parameter) is provided by Tekelec. If you do not have the feature access key for the ST-HSL-A SLK quantity, contact your Tekelec Sales Representative or Account Representative.

- Verify the changes by entering the `rtrv-ctrl-feat` command with the ST-HSL-A SLK quantity part number specified in [Step 8](#).

Enter this command.

```
rtrv-ctrl-feat:partnum=893027301
```

The following is an example of the possible output.

```
rlghncxa03w 09-05-28 21:15:37 GMT EAGLE5 41.0.0
The following features have been permanently enabled:

Feature Name Partnum Status Quantity
ST-HSL-A SLK Capacity 893027301 on 4

The following features have been temporarily enabled:

Feature Name Partnum Status Quantity Trial Period Left
Zero entries found.

The following features have expired temporary keys:

Feature Name Partnum
Zero entries found.
```

Continue the procedure by performing one of these steps.

- If T1 cards are shown in the `rtrv-t1` output in [Step 2](#) and these cards are on the same shelf as the card that will contain the T1 port that is being added, and these cards have T1 ports 3 through 8 provisioned, contain channel bridged T1 ports, or unchannelized T1 ports, continue the procedure with [Step 12](#).
  - If T1 cards are shown in the `rtrv-t1` output in [Step 2](#) and these cards are not on the same shelf as the card that will contain the T1 port that is being added, continue the procedure with [Step 10](#).
  - If T1 cards are shown in the `rtrv-t1` output in [Step 2](#) and these cards are on the same shelf as the card that will contain the T1 port that is being added, and these cards do not have T1 ports 3 through 8 provisioned, do not contain channel bridged T1 ports, or do not have unchannelized T1 ports, continue the procedure with [Step 10](#).
10. Verify that HIPR cards are installed in card locations 9 and 10 in the shelf containing the E5-E1T1 card that will contain the T1 port being added in this procedure by entering this command.

```
rept-stat-gpl:gpl=hipr
```

This is an example of the possible output.

```
rlghncxa03w 09-05-01 11:40:26 GMT EAGLE5 41.0.0
GPL CARD RUNNING APPROVED TRIAL
HIPR 1109 126-002-000 126-002-000 126-003-000
HIPR 1110 126-002-000 126-002-000 126-003-000
HIPR 1209 126-002-000 126-002-000 126-003-000
HIPR 1210 126-002-000 126-002-000 126-003-000
HIPR 1309 126-002-000 126-002-000 126-003-000
HIPR 1310 126-002-000 126-002-000 126-003-000
HIPR 2109 126-002-000 126-002-000 126-003-000
HIPR 2110 126-002-000 126-002-000 126-003-000
Command Completed
```

If HIPR cards are installed in the shelf containing the E5-E1T1 card, continue the procedure with [Step 12](#).

If HIPR cards are not installed on the shelf containing the E5-E1T1 card, continue the procedure with [Step 11](#).

- Verify that HIPR2 cards are installed in card locations 9 and 10 in the shelf containing the E5-E1T1 card that will contain the T1 port being added in this procedure by entering this command.

```
rept-stat-gpl:gpl=hipr2
```

This is an example of the possible output.

```
rlghncxa03w 09-07-05 08:12:53 GMT 41.1.0
GPL CARD RUNNING APPROVED TRIAL
HIPR2 1109 126-002-000 126-002-000 126-003-000
HIPR2 1110 126-002-000 126-002-000 126-003-000
HIPR2 1209 126-002-000 126-002-000 126-003-000
HIPR2 1210 126-002-000 126-002-000 126-003-000
HIPR2 1309 126-002-000 126-002-000 126-003-000
HIPR2 1310 126-002-000 126-002-000 126-003-000
HIPR2 2109 126-002-000 126-002-000 126-003-000
HIPR2 2110 126-002-000 126-002-000 126-003-000
Command Completed
```

If HIPR2 cards are installed in the shelf containing the E5-E1T1 card, continue the procedure with [Step 12](#).

If HIPR or HIPR2 cards are not installed on the shelf containing the E5-E1T1 card, go to the *Installation Manual - EAGLE 5 ISS* and install the HIPR or HIPR2 cards. Once the HIPR or HIPR2 cards have been installed, continue the procedure with [Step 12](#).

- Add the unchannelized T1 port to the database using the `ent-t1` command and the parameter combinations shown in [Table 81: Unchannelized T1 Port Parameter Combinations](#).

**Table 81: Unchannelized T1 Port Parameter Combinations**

| Mandatory Parameters                            |                                                |                                    |
|-------------------------------------------------|------------------------------------------------|------------------------------------|
| :loc=card location of the E5-E1T1 card          | :linkclass=unchan                              | :t1port=1, 2, 3, 4, 5, 6, 7, 8     |
| Optional Parameters                             |                                                |                                    |
| :encode=ami, b8zs<br>Default value = b8zs       | :t1tsel=line, external<br>Default value = line | :ll=0 - 655<br>Default value = 133 |
| :framing=sf, esf, esfperf<br>Default value = sf | :minsurate=400 - 1600<br>Default value = 1000  |                                    |

For this example, enter these commands.

```
ent-t1:loc=1305:t1port=2:encode=b8zs:t1tsel=line:framing=esfperf:ll=200
:minsurate=1200:linkclass=unchan
```

```
ent-t1:loc=1307:t1port=2:encode=ami:t1tsel=external:linkclass=unchan
```

13. Verify the changes using the `rtrv-t1` command specifying the card location and the `t1port` value specified in [Step 12](#).

For this example, enter these commands.

```
rtrv-t1:loc=1305:t1port=2
```

```
rlghncxa03w 09-05-28 09:12:36 GMT EAGLE5 41.0.0

 T1
LOC PORT ENCODE T1TSEL FRAMING LL CHANBRDG LINK MINSU
1305 2 B8ZS LINE ESFPERF 200 ----- UNCHAN 1200
```

```
rtrv-t1:loc=1307:t1port=2
```

```
rlghncxa03w 09-05-28 09:12:36 GMT EAGLE5 41.0.0

 T1
LOC PORT ENCODE T1TSEL FRAMING LL CHANBRDG LINK MINSU
1307 2 AMI EXTERNAL SF 133 ----- UNCHAN 1000
```

14. Back up the new changes using the `chg-db:action=backup:dest=fixed` command.

These messages should appear, the active Maintenance and Administration Subsystem Processor (MASP) appears first.

```
BACKUP (FIXED) : MASP A - Backup starts on active MASP.
BACKUP (FIXED) : MASP A - Backup on active MASP to fixed disk complete.
BACKUP (FIXED) : MASP A - Backup starts on standby MASP.
BACKUP (FIXED) : MASP A - Backup on standby MASP to fixed disk complete.
```

## Removing the T1 Interface Parameters

This procedure is used to remove a T1 interface from the database using the `dlr-t1` command using these parameters.

`:loc` – The location of the T1 card (card type `limt1`) containing the T1 interface being removed.

`:t1port` – The T1 port on the T1 card containing the T1 interface being removed.

The T1 interface to be removed must exist in the database. This can be verified in step 1.

To remove the T1 interface information contained on a T1 card, all signaling links serviced by that T1 card must be removed from the database. This can be verified with the `rtrv-t1` command, specifying the card location and `t1port` value on the T1 card, and the `rtrv-slk` command, specifying the location of any cards (T1 or channel cards) shown in the `rtrv-t1` output. If there are any signaling links being serviced by the T1 card, go to the [Removing an SS7 Signaling Link](#) procedure and remove these signaling links.

Even numbered T1 ports cannot be removed if the even numbered T1 port is channel bridged. Remove the corresponding odd numbered T1 port (see [Table 74: HC-MIM Card Locations](#)) to remove the even numbered channel bridged T1 port.

1. Display the existing T1 interfaces in the database using the `rtrv-t1` command with no parameters.

```
rlghncxa03w 09-05-19 21:17:04 GMT EAGLE5 41.0.0

 T1
LOC PORT ENCODE T1TSEL FRAMING LL CHANBRDG LINK MINSU
1207 1 AMI EXTERNAL ESF 50 ----- CHAN ----
1215 2 B8ZS LINE SF 100 ----- CHAN ----
```

If the T1 port being removed is an even numbered T1 port and is channel bridged, select the corresponding odd numbered T1 port to remove (see [Table 74: HC-MIM Card Locations](#)) and go to step 2.

If the even numbered T1 port is not channel bridged, it can be removed with the `dlt-t1` command. go to step 2.

2. Display the timeslots that are serviced by the T1 card containing the T1 interface information to be removed using the `rtrv-t1` command specifying the card location and the `t1port` value from step 1. For this example, enter this command.

```
rtrv-t1:loc=1207:t1port=1
```

```
rlghncxa03w 09-05-28 09:12:36 GMT EAGLE5 41.0.0

 T1
LOC PORT ENCODE T1TSEL FRAMING LL CHANBRDG LINK MINSU
1103 1 B8ZS LINE SF 133 ----- CHAN ----

TS1 ----- TS9 ----- TS17 1208,A2
TS2 1207,A TS10 ----- TS18 -----
TS3 ----- TS11 ----- TS19 -----
TS4 ----- TS12 ----- TS20 -----
TS5 ----- TS13 ----- TS21 -----
TS6 1208,A TS14 ----- TS22 -----
TS7 ----- TS15 ----- TS23 -----
TS8 ----- TS16 ----- TS24 -----
```

If this step shows any timeslots that are serviced by the T1 card, go to the [Removing an SS7 Signaling Link](#) procedure and remove the timeslots and signaling links serviced by the T1 card.

3. Remove the T1 interface information to the database using the `dlt-t1` command specifying the card location of the T1 card and the T1 port on that card. For this example, enter these commands.

```
dlt-t1:loc=1207:t1port=1
```

4. Verify the changes using the `rtrv-t1` command with the card location and the `t1port` value specified in [Step 3](#).

For this example, enter this command.

```
rtrv-t1:loc=1207:t1port=1
```

```
rlghncxa03w 10-04-19 21:17:04 GMT EAGLE5 42.0.0
E2737 Cmd Rej: The T1PORT at the specified location is not equipped
```

5. Back up the new changes using the `chg-db:action=backup:dest=fixed` command. These messages should appear, the active Maintenance and Administration Subsystem Processor (MASP) appears first.

```
BACKUP (FIXED) : MASP A - Backup starts on active MASP.
BACKUP (FIXED) : MASP A - Backup on active MASP to fixed disk complete.
BACKUP (FIXED) : MASP A - Backup starts on standby MASP.
BACKUP (FIXED) : MASP A - Backup on standby MASP to fixed disk complete.
```

## Changing the Attributes of a Channelized T1 Port

This procedure is used to change the attributes of a channelized T1 port using the `chg-t1` command. A channelized T1 port is a T1 port whose `LINKCLASS` value is `CHAN`, shown in the `LINKCLASS` column in the `rtrv-t1` output. Other actions can be performed on T1 ports. To perform these actions on the T1 ports, perform one of these procedures.

- To change the attributes of an unchannelized T1 port - [Changing the Attributes of an Unchannelized T1 Port](#)
- To make a channel bridged T1 port from a channelized T1 port - [Making a Channel Bridged T1 Port from a Channelized T1 Port](#)
- To make a non-channel bridged T1 port from a channel bridged T1 port - [Making a Non-Channel Bridged T1 Port from a Channel Bridged T1 Port](#)

To change the attributes of a channelized T1 port, these parameters are used with the `chg-t1` command.

`:loc` – The location of the T1 card (card type `limt1`) that contains the T1 port that is being changed. The location of a channel card (card type `limch`) cannot be specified for this parameter. The T1 card can be either an E1/T1 MIM, an HC-MIM, or an E5-E1T1 card.

`:t1port` – The T1 port being changed in this procedure.

`:encode` – Specifies the type of encoding or decoding that is used on the T1 signaling link, either B8ZS or AMI.

`:t1tsel` – The timing source for the T1 signaling link, master (`external`), slave (`line`), or recovered.

The `recovered` timing source can be used only with the `chanbrdg=on` parameter and uses the even numbered member of the bridged-pair as a clock source, ensuring that port in the pair can recover the timing from its partner.

**Note:** To use an external high-speed master clock source other than RS-422, TDMs 870-0774-15 or later must be installed in card locations 1114 and 1116, and the TDM Global Timing Interface options must be configured. For more information, see [Configuring the Options for the TDM Global Timing Interface](#).

`:framing` – Specifies the framing format to be used on the T1 signaling link, either `sf` or `esf`.

`:l1` – The length of the cable, in feet, used for the T1 signaling link. The value of the `l1` parameter is from 0 to 655.

The T1 card specified in this procedure must be in the database. This can be verified with the `rtrv-t1` command.

If either the `encode`, `t1tsel`, `framing`, or `ll` values are being changed, all the signaling links serviced by the T1 card must be taken out of service.

1. Display the existing T1 interfaces in the database using the `rtrv-t1` command with no parameters.

```
rlghncxa03w 09-05-19 21:17:04 GMT EAGLE5 41.0.0
```

| T1   |      |        |          |         |     | LINK     |       | MINS |      |
|------|------|--------|----------|---------|-----|----------|-------|------|------|
| LOC  | PORT | ENCODE | T1TSEL   | FRAMING | LL  | CHANBRDG | CLASS |      | RATE |
| 1201 | 2    | B8ZS   | EXTERNAL | SF      | 133 | -----    | CHAN  |      | ---- |
| 1203 | 2    | B8ZS   | LINE     | SF      | 133 | -----    | CHAN  |      | ---- |
| 1211 | 2    | B8ZS   | LINE     | SF      | 133 | -----    | CHAN  |      | ---- |

A channelized T1 port is a T1 port whose `LINKCLASS` value is `CHAN`.

If there are no channelized T1 ports shown in the `rtrv-t1` output, this procedure cannot be performed.

If there are channelized T1 ports shown in the `rtrv-t1` output, continue the procedure with [Step 2](#).

**Note:** At least one of the optional parameters `encode`, `t1tsel`, `framing`, or `ll` must be specified. If none of these parameters are specified with the `chg-t1` command, this procedure cannot be performed.

2. Display the timeslots that are serviced by the T1 card containing the T1 port that is being changed using the `rtrv-t1` command specifying the card location and the `tlport` value from [Step 1](#).

For this example, enter this command.

```
rtrv-t1:loc=1201:tlport=2
```

```
rlghncxa03w 09-05-28 09:12:36 GMT EAGLE5 41.0.0
```

| T1   |        |        |          |         |     | LINK     |       | MINS |      |
|------|--------|--------|----------|---------|-----|----------|-------|------|------|
| LOC  | PORT   | ENCODE | T1TSEL   | FRAMING | LL  | CHANBRDG | CLASS |      | RATE |
| 1201 | 2      | B8ZS   | EXTERNAL | SF      | 133 | -----    | CHAN  |      | ---- |
| TS1  | 1201,A |        | TS9      | -----   |     | TS17     | ----- |      |      |
| TS2  | -----  |        | TS10     | -----   |     | TS18     | ----- |      |      |
| TS3  | -----  |        | TS11     | -----   |     | TS19     | ----- |      |      |
| TS4  | -----  |        | TS12     | -----   |     | TS20     | ----- |      |      |
| TS5  | 1202,A |        | TS13     | -----   |     | TS21     | ----- |      |      |
| TS6  | -----  |        | TS14     | -----   |     | TS22     | ----- |      |      |
| TS7  | -----  |        | TS15     | -----   |     | TS23     | ----- |      |      |
| TS8  | -----  |        | TS16     | -----   |     | TS24     | ----- |      |      |

3. Display the signaling links that are assigned to the T1 card by entering the `rtrv-slk` command with the card location specified in [Step 2](#). For this example, enter this command.

```
rtrv-slk:loc=1201
```

```
rlghncxa03w 09-05-19 21:17:04 GMT EAGLE5 41.0.0
```

|      |      |      |     |       |     | L2T   |       | PCR |       | T1   |      | T1 |  |
|------|------|------|-----|-------|-----|-------|-------|-----|-------|------|------|----|--|
| LOC  | LINK | LSN  | SLC | TYPE  | SET | BPS   | ECM   | N1  | N2    | LOC  | PORT | TS |  |
| 1201 | A    | lsn1 | 13  | LIMT1 | 1   | 56000 | BASIC | --- | ----- | 1201 | 2    | 10 |  |



```
1201 B lsn1 12 LIMT1 1 56000 BASIC --- ----- 1201 1 9
```

4. Check the status of the signaling links shown in [Step 3](#) using the `rept-stat-slk` command with the card location and signaling link.

For this example, enter these commands.

```
rept-stat-slk:loc=1201:link=a
```

```
rlghncxa03w 09-05-23 13:06:25 GMT EAGLE5 41.0.0
SLK LSN CLLI PST SST AST
1201,A lsn1 ----- IS-NR Avail ----
ALARM STATUS = No Alarms
UNAVAIL REASON = --
T1 status = 1201, RCVRY-T1F:FAC-T1 Port 2 available
```

```
rept-stat-slk:loc=1201:link=b
```

```
rlghncxa03w 09-05-23 13:06:25 GMT EAGLE5 41.0.0
SLK LSN CLLI PST SST AST
1201,B lsn1 ----- IS-NR Avail ----
ALARM STATUS = No Alarms
UNAVAIL REASON = --
T1 status = 1201, RCVRY-T1F:FAC-T1 Port 1 available
```

If all the signaling links shown in this step are out of service, continue the procedure by performing one of these steps.

- If the T1 port is channel bridged (the entry MASTER is shown in the CHANBRDG column for the odd numbered T1 port in the `rtrv-t1` output), or if T1 ports 3 through 8 are assigned to the T1 card, the card is either an HC MIM or an E5-E1T1 card. Continue the procedure with [Step 7](#).
- If the T1 port is not channel bridged, or if T1 ports 3 through 8 are not assigned to the T1 card, continue the procedure with [Step 6](#) to verify the type of T1 card that the T1 port is assigned to.

If any of the signaling links shown in this step are in service, continue the procedure with [Step 5](#).

5. Deactivate the signaling links shown in [Step 4](#) using the `dact-slk` command.

For this example, enter these commands.

```
dact-slk:loc=1201:link=a
```

```
dact-slk:loc=1201:link=b
```

When each of these commands have successfully completed, this message should appear.

```
rlghncxa03w 09-05-07 08:41:12 GMT EAGLE5 41.0.0
Deactivate Link message sent to card
```

After the signaling links have been deactivated, continue the procedure by performing one of these steps.

- If the T1 port is channel bridged (the entry MASTER is shown in the CHANBRDG column for the odd numbered T1 port in the `rtrv-t1` output), or if T1 ports 3 through 8 are assigned to the

T1 card, the card is either an HC-MIM or an E5-E1T1 card. Continue the procedure with [Step 7](#).

- If the T1 port is not channel bridged, or if T1 ports 3 through 8 are not assigned to the T1 card, continue the procedure with [Step 6](#) to verify the type of T1 card that the T1 port is assigned to.

6. Display the LIMT1 cards in the database by entering this command.

```
rtrv-stp:type=limt1
```

```
rlghncxa03w 09-05-30 11:07:17 EST EAGLE 41.0.0

Card Part Number Rev Serial Number Type DB APPL GPL Version
---- -
1201 870-2671-02 C 10145689323 LIMT1 512M SS7ANSI 126-034-000
1203 870-1873-01 C 10345690569 LIMT1 512M SS7ANSI 126-034-000
1211 870-1873-01 C 10346790570 LIMT1 512M SS7ANSI 126-034-000

Command Completed.
```

The part numbers and the card types of the T1 cards are shown in [Table 73: T1 Card Part Numbers](#).

7. Change the T1 port using the `chg-t1` command and the parameter combinations shown in [Table 82: T1 Interface Parameter Combinations](#), based on the type of T1 card being used.

**Table 82: T1 Interface Parameter Combinations**

| E1/T1MIM                                        | Non-Channel Bridged T1 Ports<br>- HC-MIM or E5-E1T1 Card           | Channel Bridged T1 Ports -<br>HC-MIM or E5-E1T1 Card   |
|-------------------------------------------------|--------------------------------------------------------------------|--------------------------------------------------------|
| <b>Mandatory Parameters</b>                     |                                                                    |                                                        |
| :loc=location of the T1 card                    | :loc=location of the T1 card                                       | :loc=location of the T1 card                           |
| :t1port=T1 port being changed,<br>either 1 or 2 | :t1port=T1 port being changed,<br>either 1, 2, 3, 4, 5, 6, 7, or 8 | :t1port=T1 port being changed,<br>either 1, 3, 5, or 7 |
| <b>Optional Parameters</b>                      |                                                                    |                                                        |
| :encode=ami, b8zs                               | :encode=ami, b8zs                                                  | :encode=ami, b8zs                                      |
| :t1tsel=line, external                          | :t1tsel=line, external                                             | :t1tsel=external, recovered                            |
| :framing=sf, esf                                | :framing=sf, esf                                                   | :framing=sf, esf                                       |
| :ll=0 - 655                                     | :ll=0 - 655                                                        | :ll=0 - 655                                            |

For this example, enter this command.

```
chg-t1:loc=1201:t1port=2:encode=ami:encode=line:framing=esf:ll=200
```

8. Verify the changes using the `rtrv-t1` command specifying the card location and the `t1port` value specified in [Step 7](#).

For this example, enter these commands.

```
rtrv-t1:loc=1201:t1port=2
```

```
rlghncxa03w 09-05-28 09:12:36 GMT EAGLE5 41.0.0
```

| LOC  | T1<br>PORT | ENCODE | T1TSEL | FRAMING | LL    | CHANBRDG | LINK<br>CLASS | MINS<br>RATE |
|------|------------|--------|--------|---------|-------|----------|---------------|--------------|
| 1201 | 2          | AMI    | LINE   | ESF     | 200   | -----    | CHAN          | ----         |
| TS1  | 1201,A     | TS9    | -----  | TS17    | ----- |          |               |              |
| TS2  | -----      | TS10   | -----  | TS18    | ----- |          |               |              |
| TS3  | -----      | TS11   | -----  | TS19    | ----- |          |               |              |
| TS4  | -----      | TS12   | -----  | TS20    | ----- |          |               |              |
| TS5  | 1202,A     | TS13   | -----  | TS21    | ----- |          |               |              |
| TS6  | -----      | TS14   | -----  | TS22    | ----- |          |               |              |
| TS7  | -----      | TS15   | -----  | TS23    | ----- |          |               |              |
| TS8  | -----      | TS16   | -----  | TS24    | ----- |          |               |              |

If the signaling links were not deactivated in [Step 5](#), continue the procedure with [Step 10](#).

If the signaling links were deactivated in [Step 5](#), continue the procedure with [Step 9](#).

9. Activate the signaling links that were deactivated in [Step 5](#) using the `act-slk` command.

For this example, enter these commands.

```
act-slk:loc=1201:link=a
```

```
act-slk:loc=1201:link=b
```

When each of these commands have successfully completed, this message should appear.

```
rlghncxa03w 09-05-07 08:41:12 GMT EAGLE5 41.0.0
Activate Link message sent to card
```

10. Back up the new changes using the `chg-db:action=backup:dest=fixed` command.

These messages should appear, the active Maintenance and Administration Subsystem Processor (MASP) appears first.

```
BACKUP (FIXED) : MASP A - Backup starts on active MASP.
BACKUP (FIXED) : MASP A - Backup on active MASP to fixed disk complete.
BACKUP (FIXED) : MASP A - Backup starts on standby MASP.
BACKUP (FIXED) : MASP A - Backup on standby MASP to fixed disk complete.
```

## Changing the Attributes of an Unchannelized T1 Port

This procedure is used to change the attributes of an unchannelized T1 port using the `chg-t1` command. An unchannelized T1 port is a T1 port whose `LINKCLASS` value is `UNCHAN`, shown in the `LINKCLASS` column in the `rtrv-t1` output. Other actions can be performed on T1 ports. To perform these actions on the T1 ports, perform one of these procedures.

- To change the attributes of a channelized T1 port - [Changing the Attributes of a Channelized T1 Port](#)

- To make a channel bridged T1 port from a channelized T1 port - [Making a Channel Bridged T1 Port from a Channelized T1 Port](#)
- To make a non-channel bridged T1 port from a channel bridged T1 port - [Making a Non-Channel Bridged T1 Port from a Channel Bridged T1 Port](#)

To change the attributes of an unchannelized T1 port, these parameters are used with the `chg-t1` command.

`:loc` – The location of the T1 card (card type `limt1`) that is servicing the T1 signaling link. The location of a channel card (card type `limch`) cannot be specified for this parameter. The T1 card can be either an HC-MIM or an E5-E1T1 card.

`:t1port` – The T1 port being changed in this procedure.

`:encode` – Specifies the type of encoding or decoding that is used on the T1 signaling link, either B8ZS or AMI.

`:t1tsel` – The timing source for the T1 signaling link, master (`external`) or slave (`line`).

**Note:** To use an external high-speed master clock source other than RS-422, TDMs 870-0774-15 or later must be installed in card locations 1114 and 1116, and the TDM Global Timing Interface options must be configured. For more information, see [Configuring the Options for the TDM Global Timing Interface](#).

`:framing` – Specifies the framing format to be used on the T1 signaling link, either `sf`, `esf`, or `esfperf`.

`:ll` – The length of the cable, in feet, used for the T1 signaling link. The value of the `ll` parameter is from 0 to 655.

`:minsurate` – Specifies the minimum number of signaling units (FISUs and LSSUs) per second that are transmitted on the outbound T1 signaling link during idle periods or when there is an unused portion of the link's bandwidth. The value of this parameter is from 400 to 1600 signaling units per second, with the default value of 1000 signaling units per second. The `minsurate` parameter can be specified only for an unchannelized T1 port (`linkclass=unchan` parameter).

The T1 card specified in this procedure must be in the database. This can be verified with the `rtrv-t1` command.

If either the `encode`, `t1tsel`, `framing`, or `ll` values are being changed, all the signaling links serviced by the T1 card must be taken out of service.

1. Display the existing T1 interfaces in the database using the `rtrv-t1` command with no parameters.

```
rlghncxa03w 09-05-19 21:17:04 GMT EAGLE5 41.0.0
```

| T1   |      |        |          |         |     |          | LINK   | MINS |
|------|------|--------|----------|---------|-----|----------|--------|------|
| LOC  | PORT | ENCODE | T1TSEL   | FRAMING | LL  | CHANBRDG | CLASS  | RATE |
| 1201 | 2    | B8ZS   | EXTERNAL | SF      | 133 | -----    | UNCHAN | 1200 |
| 1203 | 2    | B8ZS   | LINE     | SF      | 133 | -----    | CHAN   | ---- |
| 1211 | 2    | B8ZS   | LINE     | SF      | 133 | -----    | CHAN   | ---- |

An unchannelized T1 port is an T1 port whose `LINKCLASS` value is `UNCHAN`.

If there are no unchannelized T1 ports shown in the `rtrv-t1` output, this procedure cannot be performed.

If there are unchannelized T1 ports shown in the `rtrv-t1` output, continue the procedure by performing one of these steps.

- If the `encode`, `t1tsel`, `framing`, or `l1` parameters are being changed in this procedure, continue the procedure with [Step 2](#).
  - If the `encode`, `t1tsel`, `framing`, or `l1` parameters are not being changed in this procedure, continue the procedure with [Step 5](#).
2. Display the signaling links that are assigned to the T1 card by entering the `rtrv-slk` command with the card location shown in [Step 1](#). For this example, enter this command.

```
rtrv-slk:loc=1201
```

```
rlghncxa03w 09-05-19 21:17:04 GMT EAGLE5 41.0.0

LOC LINK LSN SLC TYPE L2T PCR PCR E1 E1
1201 A lsn1 13 LIMT1 1 56000 BASIC --- ---- 1201 2 10
```

3. Check the status of the signaling links shown in [Step 2](#) using the `rept-stat-slk` command with the card location and signaling link.

For this example, enter these commands.

```
rept-stat-slk:loc=1201:link=a
```

```
rlghncxa03w 09-05-23 13:06:25 GMT EAGLE5 41.0.0
SLK LSN CLLI PST SST AST
1201,A lsn1 ----- IS-NR Avail ----
ALARM STATUS = No Alarms
UNAVAIL REASON = --
T1 status = 1201, RCVRY-T1F:FAC-T1 Port 2 available
```

If all the signaling links shown in this step are out of service, continue the procedure with [Step 5](#).

If any of the signaling links shown in this step are in service, continue the procedure with [Step 4](#).

4. Deactivate the signaling links shown in [Step 3](#) using the `dact-slk` command.

For this example, enter these commands.

```
dact-slk:loc=1201:link=a
```

When this command has successfully completed, this message should appear.

```
rlghncxa03w 09-05-07 08:41:12 GMT EAGLE5 41.0.0
Deactivate Link message sent to card
```

5. Change the T1 port using the `chg-t1` command and the parameter combinations shown in [Table 83: Unchannelized T1 Port Parameter Combinations](#).

**Table 83: Unchannelized T1 Port Parameter Combinations**

| Mandatory Parameters                                            |
|-----------------------------------------------------------------|
| :loc=location of the T1 card                                    |
| :t1port=T1 port being changed, either 1, 2, 3, 4, 5, 6, 7, or 8 |

| Optional Parameters       |
|---------------------------|
| :encode=ami, b8zs         |
| :t1tsel=line, external    |
| :framing=sf, esf, esfperf |
| :ll=0 - 655               |
| :minsurate=400 - 1600     |

For this example, enter this command.

```
rlghncxa03w 09-05-19 21:17:04 GMT EAGLE5 41.0.0
```

| T1   |      |        |          |         |     |          | LINK   | MINS |
|------|------|--------|----------|---------|-----|----------|--------|------|
| LOC  | PORT | ENCODE | T1TSEL   | FRAMING | LL  | CHANBRDG | CLASS  | RATE |
| 1201 | 2    | B8ZS   | EXTERNAL | SF      | 133 | -----    | UNCHAN | 1200 |
| 1203 | 2    | B8ZS   | LINE     | SF      | 133 | -----    | CHAN   | ---- |
| 1211 | 2    | B8ZS   | LINE     | SF      | 133 | -----    | CHAN   | ---- |

```
chg-t1:loc=1201:t1port=2:encode=ami:t1tsel=line:framing=esfperf:ll=300:minsurate=700
```

- Verify the changes using the `rtrv-t1` command specifying the card location and the `t1port` value specified in [Step 5](#).

For this example, enter these commands.

```
rtrv-t1:loc=1201:t1port=2
```

```
rlghncxa03w 09-05-28 09:12:36 GMT EAGLE5 41.0.0
```

| T1   |      |        |        |          |     |          | LINK   | MINS |
|------|------|--------|--------|----------|-----|----------|--------|------|
| LOC  | PORT | ENCODE | T1TSEL | FRAMING  | LL  | CHANBRDG | CLASS  | RATE |
| 1201 | 2    | AMI    | LINE   | ESF PERF | 300 | -----    | UNCHAN | 700  |

If the signaling links were not deactivated in [Step 4](#), continue the procedure with [Step 8](#).

If the signaling links were deactivated in [Step 4](#), continue the procedure with [Step 7](#).

- Activate the signaling links that were deactivated in [Step 4](#) using the `act-slk` command.

For this example, enter this command.

```
act-slk:loc=1201:link=a
```

```
rlghncxa03w 09-05-07 08:41:12 GMT EAGLE5 41.0.0
Activate Link message sent to card
```

- Back up the new changes using the `chg-db:action=backup:dest=fixed` command.

These messages should appear, the active Maintenance and Administration Subsystem Processor (MASP) appears first.

```
BACKUP (FIXED) : MASP A - Backup starts on active MASP.
BACKUP (FIXED) : MASP A - Backup on active MASP to fixed disk complete.
BACKUP (FIXED) : MASP A - Backup starts on standby MASP.
BACKUP (FIXED) : MASP A - Backup on standby MASP to fixed disk complete.
```

## Making a Channel Bridged T1 Port from a Channelized T1 Port

This procedure is used to make a channel bridged T1 port from a channelized T1 port that is not channel bridged using the `chg-t1` command. A channelized T1 port is a T1 port whose `LINKCLASS` value is `CHAN`, shown in the `LINKCLASS` column in the `rtrv-t1` output. A non-channel bridged T1 port is an odd numbered T1 port that contains dashes in the `CHANBRDG` column in the `rtrv-t1` output. Other actions can be performed on T1 ports. To perform these actions on the T1 ports, perform one of these procedures.

- To change the attributes of a channelized T1 port - [Changing the Attributes of a Channelized T1 Port](#)
- To change the attributes of an unchannelized T1 port - [Changing the Attributes of an Unchannelized T1 Port](#)
- To make a non-channel bridged T1 port from a channel bridged T1 port - [Making a Non-Channel Bridged T1 Port from a Channel Bridged T1 Port](#)

To make a channel bridged T1 port from a channelized T1 port, these parameters are used with the `chg-t1` command.

`:loc` – The location of the T1 card (card type `limt1`) that contains the odd numbered channelized T1 port. The location of a channel card (card type `limch`) cannot be specified for this parameter. The T1 card can be either an HC-MIM or an E5-E1T1 card.

`:t1port` – The T1 port being changed in this procedure. Only the odd numbered T1 ports, 1, 3, 5, or 7, can be specified for a channel bridged T1 port.

`:encode` – Specifies the type of encoding or decoding that is used on the T1 signaling link, either B8ZS or AMI.

`:t1tsel` – The timing source for the T1 signaling link, master (external) or recovered.

The `recovered` timing source can be used only with the `chanbrdg=on` parameter and uses the even numbered member of the bridged-pair as a clock source, ensuring that port in the pair can recover the timing from its partner.

**Note:** To use an external high-speed master clock source other than RS-422, TDMs 870-0774-15 or later must be installed in card locations 1114 and 1116, and the TDM Global Timing Interface options must be configured. For more information, see [Configuring the Options for the TDM Global Timing Interface](#).

`:framing` – Specifies the framing format to be used on the T1 signaling link, either `sf` or `esf`. The default value is `sf` (`framing=sf`).

`:l1` – The length of the cable, in feet, used for the T1 signaling link. The value of the `l1` parameter is from 0 to 655.

:chanbrdg – Specifies whether or not the odd numbered T1 port specified in this procedure is channel bridged to its adjacent even numbered T1 port. *Table 84: Channel Bridging Ports* shows the T1 ports that can be specified with the chanbrdg=on parameter and the even-numbered T1 ports that are bridged to the odd numbered T1 port.

**Table 84: Channel Bridging Ports**

| Odd Numbered T1 Port | Even Numbered Bridged T1 Port |
|----------------------|-------------------------------|
| 1                    | 2                             |
| 3                    | 4                             |
| 5                    | 6                             |
| 7                    | 8                             |

:force=yes – required when the even numbered T1 port being channel bridged is provisioned in the database before this procedure is performed.

The T1 card specified in this procedure must be in the database. This can be verified with the rtrv-t1 command.

If either the encode, t1tsel, framing, or ll values are being changed, all the signaling links serviced by the T1 card must be taken out of service.

1. Display the existing T1 ports in the database using the rtrv-t1 command with no parameters.

```
rlghncxa03w 09-05-19 21:17:04 GMT EAGLE5 41.0.0
```

| LOC  | T1<br>PORT | ENCODE | T1TSEL   | FRAMING | LL  | CHANBRDG | LINK<br>CLASS | MINS<br>RATE |
|------|------------|--------|----------|---------|-----|----------|---------------|--------------|
| 1201 | 1          | B8ZS   | EXTERNAL | SF      | 133 | -----    | CHAN          | ----         |
| 1201 | 2          | B8ZS   | EXTERNAL | SF      | 133 | -----    | CHAN          | ----         |
| 1203 | 2          | B8ZS   | LINE     | SF      | 133 | -----    | CHAN          | ----         |
| 1211 | 2          | B8ZS   | LINE     | SF      | 133 | -----    | CHAN          | ----         |

A channelized T1 port is an T1 port whose LINKCLASS value is CHAN.

If there are no odd numbered channelized T1 ports that are not channel bridged shown in the rtrv-t1 output, this procedure cannot be performed.

If odd numbered channelized T1 ports that are not channel bridged are shown in the rtrv-t1 output, continue the procedure by performing one of these steps.

- If the T1 card contains channel bridged T1 ports, or contains T1 ports 3 through 8, continue the procedure with by performing one of these steps.
  - If the encode, t1tsel, framing, or ll parameters are not being changed in this procedure, continue the procedure by performing one of these steps.
  - If T1 cards are shown in the rtrv-t1 output in *Step 1* that are on the same shelf as the card that contains the T1 port that is being changed, and these cards have T1 ports 3 through 8 provisioned, contain channel bridged T1 ports, or unchannelized T1 ports, continue the procedure by performing one of these steps.



- If the adjacent T1 port is provisioned (see [Table 84: Channel Bridging Ports](#)), continue the procedure with [Step 12](#).
  - If the adjacent T1 port is not provisioned, continue the procedure with [Step 13](#).
  - If T1 cards are not shown in the `rtrv-t1` output in [Step 1](#) that are on the same shelf as the card that will contain the T1 port that is being added, continue the procedure with [Step 7](#).
  - If T1 cards are shown in the `rtrv-t1` output in [Step 1](#) that are on the same shelf as the card that contains the T1 port that is being changed, and these cards do not have T1 ports 3 through 8 provisioned, do not contain channel bridged T1 ports, or do not have unchannelized T1 ports, continue the procedure with [Step 7](#).
  - If the `encode`, `t1tsel`, `framing`, or `ll` parameters are being changed in this procedure, continue the procedure with [Step 3](#).
  - If the T1 card does not contain channel bridged T1 ports, or does not contain T1 ports 3 through 8, continue the procedure with [Step 2](#).
2. Display the LIMT1 cards in the database by entering this command.

```
rtrv-stp:type=limt1
```

```
rlghncxa03w 09-05-30 11:07:17 EST EAGLE 41.0.0
```

| Card | Part Number | Rev | Serial Number | Type  | DB   | APPL    | GPL Version |
|------|-------------|-----|---------------|-------|------|---------|-------------|
| 1201 | 870-2671-02 | C   | 10145689323   | LIMT1 | 512M | SS7ANSI | 126-034-000 |
| 1203 | 870-1873-01 | C   | 10345690569   | LIMT1 | 512M | SS7ANSI | 126-034-000 |
| 1211 | 870-1873-01 | C   | 10346790570   | LIMT1 | 512M | SS7ANSI | 126-034-000 |

Command Completed.

The part numbers and the card types of the T1 cards are shown in [Table 73: T1 Card Part Numbers](#).

If the T1 card is an E1/T1 MIM, this card cannot be used in this procedure. Choose another T1 port on another HC-MIM or E5-E1t1 card and repeat this procedure from [Step 1](#). If no HC-MIMs or E5-E1T1 cards are present in the EAGLE 5 ISS, this procedure cannot be performed.

If the T1 card is either an HC-MIM card or an E5-E1T1 card, continue the procedure by performing one of these steps.

- If the `encode`, `t1tsel`, `framing`, or `ll` parameters are not being changed in this procedure, continue the procedure by performing one of these steps.
  - If T1 cards are shown in the `rtrv-t1` output in [Step 1](#) that are on the same shelf as the card that contains the T1 port that is being changed, and these cards have T1 ports 3 through 8 provisioned, contain channel bridged T1 ports, or unchannelized T1 ports, continue the procedure by performing one of these steps.
    - If the adjacent T1 port is provisioned (see [Table 84: Channel Bridging Ports](#)), continue the procedure with [Step 12](#).
    - If the adjacent T1 port is not provisioned, continue the procedure with [Step 13](#).
  - If T1 cards are not shown in the `rtrv-t1` output in [Step 1](#) that are on the same shelf as the card that contains the T1 port that is being changed, continue the procedure with [Step 7](#).

- If T1 cards are shown in the `rtrv-t1` output in [Step 1](#) that are on the same shelf as the card that contains the T1 port that is being changed, and these cards do not have T1 ports 3 through 8 provisioned, do not contain channel bridged T1 ports, or do not have unchannelized T1 ports, continue the procedure with [Step 7](#).
  - If the `encode`, `t1tsel`, `framing`, or `ll` parameters are being changed in this procedure, continue the procedure with [Step 3](#).
3. Display the timeslots that are serviced by the T1 card containing the T1 port being changed using the `rtrv-t1` command specifying the card location and the `t1port` value from [Step 1](#).

For this example, enter this command.

```
rtrv-t1:loc=1201:t1port=1
```

```
rlghncxa03w 09-05-28 09:12:36 GMT EAGLE5 41.0.0
```

| LOC  | T1 PORT | ENCODE | T1TSEL   | FRAMING | LL    | CHANBRDG | LINK CLASS | MINS RATE |
|------|---------|--------|----------|---------|-------|----------|------------|-----------|
| 1201 | 1       | B8ZS   | EXTERNAL | SF      | 133   | -----    | CHAN       | ----      |
| TS1  | 1201,A  | TS9    | -----    | TS17    | ----- |          |            |           |
| TS2  | -----   | TS10   | -----    | TS18    | ----- |          |            |           |
| TS3  | -----   | TS11   | -----    | TS19    | ----- |          |            |           |
| TS4  | -----   | TS12   | -----    | TS20    | ----- |          |            |           |
| TS5  | 1202,A  | TS13   | -----    | TS21    | ----- |          |            |           |
| TS6  | -----   | TS14   | -----    | TS22    | ----- |          |            |           |
| TS7  | -----   | TS15   | -----    | TS23    | ----- |          |            |           |
| TS8  | -----   | TS16   | -----    | TS24    | ----- |          |            |           |

4. Display the signaling links that are assigned to the T1 card by entering the `rtrv-slk` command with the card location specified in [Step 3](#). For this example, enter this command.

```
rtrv-slk:loc=1201
```

```
rlghncxa03w 09-05-19 21:17:04 GMT EAGLE5 41.0.0
```

| LOC  | LINK | LSN  | SLC | TYPE  | SET | BPS   | ECM   | PCR N1 | PCR N2 | E1 LOC | E1 PORT | TS |
|------|------|------|-----|-------|-----|-------|-------|--------|--------|--------|---------|----|
| 1201 | A    | lsn1 | 13  | LIMT1 | 1   | 56000 | BASIC | ---    | -----  | 1201   | 2       | 25 |
| 1201 | B    | lsn1 | 12  | LIMT1 | 1   | 56000 | BASIC | ---    | -----  | 1201   | 1       | 20 |

5. Check the status of the signaling links shown in [Step 3](#) using the `rept-stat-slk` command with the card location and signaling link.

For this example, enter these commands.

```
rept-stat-slk:loc=1201:link=a
```

```
rlghncxa03w 09-05-23 13:06:25 GMT EAGLE5 41.0.0
```

| SLK            | LSN  | CLLI                                      | PST   | SST   | AST  |
|----------------|------|-------------------------------------------|-------|-------|------|
| 1201,A         | lsn1 | -----                                     | IS-NR | Avail | ---- |
| ALARM STATUS   |      | = No Alarms                               |       |       |      |
| UNAVAIL REASON |      | = --                                      |       |       |      |
| T1 status      |      | = 1201, RCVRY-T1F:FAC-T1 Port 2 available |       |       |      |

```
rept-stat-slk:loc=1201:link=b
```

```
rlghncxa03w 09-05-23 13:06:25 GMT EAGLE5 41.0.0
SLK LSN CLLI PST SST AST
1201,B lsn1 ----- IS-NR Avail ----
 ALARM STATUS = No Alarms
 UNAVAIL REASON = --
 T1 status = 1201, RCVRY-T1F:FAC-T1 Port 1 available
```

If all the signaling links shown in this step are out of service, continue the procedure by performing one of these steps.

- If T1 cards are shown in the `rtrv-t1` output in [Step 1](#) that are on the same shelf as the card that contains the T1 port that is being changed, and these cards have T1 ports 3 through 8 provisioned, contain channel bridged T1 ports, or unchannelized T1 ports, continue the procedure by performing one of these steps.
  - If the adjacent T1 port is provisioned (see [Table 84: Channel Bridging Ports](#)), continue the procedure with [Step 12](#).
  - If the adjacent T1 port is not provisioned, continue the procedure with [Step 13](#).
- If T1 cards are not shown in the `rtrv-t1` output in [Step 1](#) that are on the same shelf as the card that will contain the T1 port that is being added, continue the procedure with [Step 7](#).
- If T1 cards are shown in the `rtrv-t1` output in [Step 1](#) that are on the same shelf as the card that contains the T1 port that is being changed, and these cards do not have T1 ports 3 through 8 provisioned, do not contain channel bridged T1 ports, or do not have unchannelized T1 ports, continue the procedure with [Step 7](#).

If any of the signaling links shown in this step are in service, continue the procedure with [Step 6](#).

6. Deactivate the signaling links shown in [Step 5](#) using the `dact-slk` command.

For this example, enter these commands.

```
dact-slk:loc=1201:link=a
```

```
dact-slk:loc=1201:link=b
```

When each of these commands have successfully completed, this message should appear.

```
rlghncxa03w 09-05-07 08:41:12 GMT EAGLE5 41.0.0
Deactivate Link message sent to card
```

Continue the procedure by performing one of these steps.

- If T1 cards are shown in the `rtrv-t1` output in [Step 1](#) that are on the same shelf as the card that contains the T1 port that is being changed, and these cards have T1 ports 3 through 8 provisioned, contain channel bridged T1 ports, or unchannelized T1 ports, continue the procedure by performing one of these steps.
  - If the adjacent T1 port is provisioned (see [Table 84: Channel Bridging Ports](#)), continue the procedure with [Step 12](#).
  - If the adjacent T1 port is not provisioned, continue the procedure with [Step 13](#).
- If T1 cards are not shown in the `rtrv-t1` output in [Step 1](#) that are on the same shelf as the card that will contain the T1 port that is being added, continue the procedure with [Step 7](#).

- If T1 cards are shown in the `rtrv-t1` output in [Step 1](#) that are on the same shelf as the card that contains the T1 port that is being changed, and these cards do not have T1 ports 3 through 8 provisioned, do not contain channel bridged T1 ports, or do not have unchannelized T1 ports, continue the procedure with [Step 7](#).
7. Verify that HIPR cards are installed in card locations 9 and 10 in the shelf containing the HC-MIM or E5-E1T1 card that will contain the T1 port being changed in this procedure by entering this command.

```
rept-stat-gpl:gpl=hipr
```

This is an example of the possible output.

```
rlghncxa03w 09-05-01 11:40:26 GMT EAGLE5 41.0.0
GPL CARD RUNNING APPROVED TRIAL
HIPR 1109 126-002-000 126-002-000 126-003-000
HIPR 1110 126-002-000 126-002-000 126-003-000
HIPR 1209 126-002-000 126-002-000 126-003-000
HIPR 1210 126-002-000 126-002-000 126-003-000
HIPR 1309 126-002-000 126-002-000 126-003-000
HIPR 1310 126-002-000 126-002-000 126-003-000
HIPR 2109 126-002-000 126-002-000 126-003-000
HIPR 2110 126-002-000 126-002-000 126-003-000
Command Completed
```

If HIPR cards are installed in the shelf containing the HC-MIM or E5-E1T1 card, continue the procedure by performing one of these steps.

- If the card is an E5-E1T1 card, continue the procedure by performing one of these steps.
  - If the adjacent T1 port is provisioned (see [Table 84: Channel Bridging Ports](#)), continue the procedure with [Step 12](#).
  - If the adjacent T1 port is not provisioned, continue the procedure with [Step 13](#).
- If the card is an HC-MIM, continue the procedure with [Step 9](#).

If HIPR cards are not installed on the shelf containing the HC MIM or E5-E1T1 card, continue the procedure with [Step 8](#).

8. Verify that HIPR2 cards are installed in card locations 9 and 10 in the shelf containing the HC MIM or E5-E1T1 card that will contain the T1 port being changed in this procedure by entering this command.

```
rept-stat-gpl:gpl=hipr2
```

This is an example of the possible output.

```
rlghncxa03w 09-07-05 08:12:53 GMT 41.1.0
GPL CARD RUNNING APPROVED TRIAL
HIPR2 1109 126-002-000 126-002-000 126-003-000
HIPR2 1110 126-002-000 126-002-000 126-003-000
HIPR2 1209 126-002-000 126-002-000 126-003-000
HIPR2 1210 126-002-000 126-002-000 126-003-000
HIPR2 1309 126-002-000 126-002-000 126-003-000
HIPR2 1310 126-002-000 126-002-000 126-003-000
HIPR2 2109 126-002-000 126-002-000 126-003-000
HIPR2 2110 126-002-000 126-002-000 126-003-000
Command Completed
```

If HIPR2 cards are installed in the shelf containing the HC-MIM or E5-E1T1 card, continue the procedure by performing one of these steps.

- If the card is an E5-E1T1 card, continue the procedure by performing one of these steps.
  - If the adjacent T1 port is provisioned (see [Table 84: Channel Bridging Ports](#)), continue the procedure with [Step 12](#).
  - If the adjacent T1 port is not provisioned, continue the procedure with [Step 13](#).
- If the card is an HC-MIM, continue the procedure with [Step 9](#).

If HIPR or HIPR2 cards are not installed on the shelf containing the HC-MIM or E5-E1T1 card, go to the *Installation Manual - EAGLE 5 ISS* and install the HIPR or HIPR2 cards. Once the HIPR or HIPR2 cards have been installed, continue the procedure by performing one of these steps.

- If the card is an E5-E1T1 card, continue the procedure by performing one of these steps.
    - If the adjacent T1 port is provisioned (see [Table 84: Channel Bridging Ports](#)), continue the procedure with [Step 12](#).
    - If the adjacent T1 port is not provisioned, continue the procedure with [Step 13](#).
  - If the card is an HC-MIM, continue the procedure with [Step 9](#).
9. Verify whether or not that the Fan feature is on, by entering the `rtrv-feat` command. If the Fan feature is on, the entry `FAN = on` appears in the `rtrv-feat` command output.

**Note:** The `rtrv-feat` command output contains other fields that are not used by this procedure. If you wish to see all the fields displayed by the `rtrv-feat` command, see the `rtrv-feat` command description in the *Commands Manual*.

If the Fan feature is on, continue the procedure by performing one of these steps.

- If the adjacent T1 port is provisioned (see [Table 84: Channel Bridging Ports](#)), continue the procedure with [Step 12](#).
- If the adjacent T1 port is not provisioned, continue the procedure with [Step 13](#).

If the Fan feature is off, continue the procedure with [Step 10](#).

10. Turn the Fan feature on by entering this command.

```
chg-feat : fan=on
```

**Note:** Once the Fan feature is turned on with the `chg-feat` command, it cannot be turned off.

The Fan feature must be purchased before you turn this feature on with the `chg-feat` command. If you are not sure if you have purchased the Fan feature, contact your Tekelec Sales Representative or Account Representative.

When the `chg-feat` has successfully completed, this message appears.

```
rlghncxa03w 09-05-28 11:43:04 GMT EAGLE5 41.0.0
CHG-FEAT: MASP A - COMPLTD
```

11. The shelf containing the HC-MIM being added in this procedure must have fans installed. Verify whether or not fans are installed on the shelf.

If the fans are not installed on the shelf containing the HC-MIM, go to the *Installation Manual - EAGLE 5 ISS* and install the fans.

After the fans have been installed and tested, or if the fans were already installed, continue the procedure by performing one of these steps.

- If the adjacent T1 port is provisioned (see [Table 84: Channel Bridging Ports](#)), continue the procedure with [Step 12](#).
- If the adjacent T1 port is not provisioned, continue the procedure with [Step 13](#).

**12.** Display the T1 signaling links in the database by entering this command.

```
rtrv-slk:class=t1
```

```
rlghncxa03w 09-05-19 21:17:04 GMT EAGLE5 41.0.0
L2T
PCR PCR T1 T1
LOC LINK LSN SLC TYPE SET BPS ECM N1 N2 LOC PORT TS
1201 A lsn1 13 LIMT1 1 56000 BASIC --- ----- 1201 2 25
1201 B lsn1 12 LIMT1 1 56000 BASIC --- ----- 1201 1 20
1202 A lsn1 0 LIMCH 1 56000 BASIC --- ----- 1201 1 5
1202 B lsn1 8 LIMCH 1 56000 BASIC --- ----- 1201 1 1
1203 A1 lsn1 4 LIMT1 1 56000 BASIC --- ----- 1203 2 20
1203 B1 lsn1 9 LIMT1 1 56000 BASIC --- ----- 1203 1 2
1204 A2 lsn1 5 LIMCH 1 56000 BASIC --- ----- 1203 1 21
1204 A3 lsn1 6 LIMCH 1 56000 BASIC --- ----- 1203 1 22
1211 A lsn1 14 LIMT1 1 56000 BASIC --- ----- 1211 1 7
1212 A lsn1 10 LIMCH 1 56000 BASIC --- ----- 1211 1 28
1212 B lsn1 11 LIMCH 1 56000 BASIC --- ----- 1211 1 25
1213 A4 lsn1 1 LIMT1 1 56000 BASIC --- ----- 1213 1 17
1213 A5 lsn1 7 LIMT1 1 56000 BASIC --- ----- 1213 5 23
1213 B5 lsn1 2 LIMT1 1 56000 BASIC --- ----- 1213 1 24
1213 A6 lsn1 3 LIMT1 1 56000 BASIC --- ----- 1213 5 19
```

If an even numbered T1 port is to be channel bridged, and that T1 port is assigned to signaling links, these signaling links must be removed before the T1 port can be channel bridged. Perform [Removing an SS7 Signaling Link](#) to remove these signaling links. After the signaling links have been removed, continue the procedure with [Step 13](#).

If the even numbered T1 port to be channel bridged is not assigned to signaling links, continue the procedure with [Step 13](#).

**13.** Change the T1 port using the `chg-t1` command and the parameter combinations shown in [Table 85: Channel Bridged T1 Port Parameter Combinations](#).

**Table 85: Channel Bridged T1 Port Parameter Combinations**

| Mandatory Parameters                                |  |
|-----------------------------------------------------|--|
| :loc=location of the T1 card                        |  |
| :t1port=T1 port being changed, either 1, 3, 5, or 7 |  |
| :chanbrdg=on                                        |  |
| Optional Parameters                                 |  |
| :encode=ami, b8zs                                   |  |
| :t1tsel=external, recovered (See Note 1)            |  |

|                                                                                                                                                                                                                                                                                                                                                                                                                                                                                                                                                                                                                                                         |
|---------------------------------------------------------------------------------------------------------------------------------------------------------------------------------------------------------------------------------------------------------------------------------------------------------------------------------------------------------------------------------------------------------------------------------------------------------------------------------------------------------------------------------------------------------------------------------------------------------------------------------------------------------|
| :framing=sf, esf                                                                                                                                                                                                                                                                                                                                                                                                                                                                                                                                                                                                                                        |
| :ll=0 - 655                                                                                                                                                                                                                                                                                                                                                                                                                                                                                                                                                                                                                                             |
| :force=yes (See Note 2)                                                                                                                                                                                                                                                                                                                                                                                                                                                                                                                                                                                                                                 |
| Notes:<br>1. The <code>t1tsel</code> value must be either <code>external</code> or <code>recovered</code> . If the current <code>t1tsel</code> parameter value is <code>line</code> , the <code>t1tsel</code> parameter value for the T1 port being channel bridged must be changed.<br>2. The <code>force=yes</code> parameter must be used when the even numbered port being channel bridged is shown in the <code>rtrv-t1</code> output in <a href="#">Step 1</a> . If the even numbered port being channel bridged is not shown in the <code>rtrv-t1</code> output in <a href="#">Step 1</a> , the <code>force=yes</code> parameter cannot be used. |

For this example, enter this command.

```
chg-t1:loc=1201:t1port=1:encode=ami:t1tsel=recovered:framing=esf:ll=300:chanbrdg=on
```

14. Verify the changes using the `rtrv-t1` command specifying the card location and the `t1port` value specified in [Step 13](#).

For this example, enter this command.

```
rtrv-t1:loc=1201:t1port=1
```

```
rlghncxa03w 09-05-28 09:12:36 GMT EAGLE5 41.0.0
```

| LOC  | T1 PORT | ENCODE | T1TSEL    | FRAMING | LL    | CHANBRDG | LINK CLASS | MINS RATE |
|------|---------|--------|-----------|---------|-------|----------|------------|-----------|
| 1201 | 1       | AMI    | RECOVERED | ESF     | 300   | MASTER   | CHAN       | ----      |
| TS1  | 1201,A  | TS9    | -----     | TS17    | ----- |          |            |           |
| TS2  | -----   | TS10   | -----     | TS18    | ----- |          |            |           |
| TS3  | -----   | TS11   | -----     | TS19    | ----- |          |            |           |
| TS4  | -----   | TS12   | -----     | TS20    | ----- |          |            |           |
| TS5  | 1202,A  | TS13   | -----     | TS21    | ----- |          |            |           |
| TS6  | -----   | TS14   | -----     | TS22    | ----- |          |            |           |
| TS7  | -----   | TS15   | -----     | TS23    | ----- |          |            |           |
| TS8  | -----   | TS16   | -----     | TS24    | ----- |          |            |           |

If the signaling links were not deactivated in [Step 6](#), continue the procedure with [Step 16](#).

If the signaling links were deactivated in [Step 6](#), continue the procedure with [Step 15](#).

15. Activate the signaling links that were deactivated in [Step 6](#) using the `act-slk` command.

For this example, enter these commands.

```
act-slk:loc=1201:link=a
```

```
act-slk:loc=1201:link=b
```

When each of these commands have successfully completed, this message should appear.

```
rlghncxa03w 09-05-07 08:41:12 GMT EAGLE5 41.0.0
Activate Link message sent to card
```

16. Back up the new changes using the `chg-db:action=backup:dest=fixed` command.

These messages should appear, the active Maintenance and Administration Subsystem Processor (MASP) appears first.

```
BACKUP (FIXED) : MASP A - Backup starts on active MASP.
BACKUP (FIXED) : MASP A - Backup on active MASP to fixed disk complete.
BACKUP (FIXED) : MASP A - Backup starts on standby MASP.
BACKUP (FIXED) : MASP A - Backup on standby MASP to fixed disk complete.
```

## Making a Non-Channel Bridged T1 Port from a Channel Bridged T1 Port

This procedure is used to make a non-channel bridged T1 port from a channel bridged T1 port using the `chg-t1` command. A channel bridged T1 port is an odd numbered T1 port that contains the entry `MASTER` in the `CHANBRDG` column in the `rtrv-t1` output. Other actions can be performed on T1 ports. To perform these actions on the T1 ports, perform one of these procedures.

- To change the attributes of a channelized T1 port - [Changing the Attributes of a Channelized T1 Port](#)
- To change the attributes of an unchannelized T1 port - [Changing the Attributes of an Unchannelized T1 Port](#)
- To make a channel bridged T1 port from a channelized T1 port that is not channel bridged - [Making a Channel Bridged T1 Port from a Channelized T1 Port](#)

To make a non-channel bridged T1 port from a channel bridged T1 port, these parameters are used with the `chg-t1` command.

`:loc` – The location of the T1 card (card type `limt1`) that contains the channel bridged T1 port. The location of a channel card (card type `limch`) cannot be specified for this parameter. The T1 card can be either an HC-MIM or an E5-E1T1 card.

`:t1port` – The T1 port being changed in this procedure. Only the odd numbered T1 ports, 1, 3, 5, or 7, can be specified for a channel bridged T1 port.

`:encode` – Specifies the type of encoding or decoding that is used on the T1 signaling link, either B8ZS or AMI.

`:t1tsel` – The timing source for the T1 signaling link, master (`external`) or slave (`line`). If the `t1tsel` value for the channel bridged T1 port is `recovered`, the `t1tsel` value must be changed to either `line` or `external` when the channel bridged T1 port is changed to a non-channel bridged T1 port.

**Note:** To use an external high-speed master clock source other than RS-422, TDMs 870-0774-15 or later must be installed in card locations 1114 and 1116, and the TDM Global Timing Interface options must be configured. For more information, see [Configuring the Options for the TDM Global Timing Interface](#).

`:chanbrdg=off` – Specifies that the odd numbered T1 port specified in this procedure is not channel bridged to its adjacent even numbered T1 port.

The T1 card specified in this procedure must be in the database. This can be verified with the `rtrv-t1` command.



If either the `encode`, `t1tsel`, `framing`, or `ll` values are being changed, all the signaling links serviced by the T1 card must be taken out of service.

1. Display the existing T1 interfaces in the database using the `rtrv-t1` command with no parameters.

```
rlghncxa03w 09-05-19 21:17:04 GMT EAGLE5 41.0.0
```

| T1   |      |        |          |         |     |          | LINK  | MINS |
|------|------|--------|----------|---------|-----|----------|-------|------|
| LOC  | PORT | ENCODE | T1TSEL   | FRAMING | LL  | CHANBRDG | CLASS | RATE |
| 1201 | 1    | B8ZS   | EXTERNAL | SF      | 133 | MASTER   | CHAN  | ---- |
| 1201 | 2    | B8ZS   | EXTERNAL | SF      | 133 | SLAVE    | CHAN  | ---- |
| 1203 | 2    | B8ZS   | LINE     | SF      | 133 | -----    | CHAN  | ---- |
| 1211 | 2    | B8ZS   | LINE     | SF      | 133 | -----    | CHAN  | ---- |

A channel bridged T1 port is an odd numbered T1 port that contains the entry MASTER in the CHANBRDG column in the `rtrv-t1` output.

If there are no channel bridged T1 ports shown in the `rtrv-t1` output, this procedure cannot be performed.

If channel bridged T1 ports shown in the `rtrv-t1` output, continue the procedure by performing one of these steps.

- If the `encode`, `t1tsel`, `framing`, or `ll` parameters are not being changed in this procedure, continue the procedure with [Step 6](#).
  - If the `encode`, `t1tsel`, `framing`, or `ll` parameters are being changed in this procedure, continue the procedure with [Step 2](#).
2. Display the timeslots that are serviced by the T1 card containing the T1 interface information to be changed using the `rtrv-t1` command specifying the card location and the `t1port` value from [Step 1](#).

For this example, enter this command.

```
rtrv-t1:loc=1201:t1port=1
```

```
rlghncxa03w 09-05-28 09:12:36 GMT EAGLE5 41.0.0
```

| T1   |        |        |          |         |       |          | LINK  | MINS |
|------|--------|--------|----------|---------|-------|----------|-------|------|
| LOC  | PORT   | ENCODE | T1TSEL   | FRAMING | LL    | CHANBRDG | CLASS | RATE |
| 1201 | 1      | B8ZS   | EXTERNAL | SF      | 133   | MASTER   | CHAN  | ---- |
| TS1  | 1201,A | TS9    | -----    | TS17    | ----- |          |       |      |
| TS2  | -----  | TS10   | -----    | TS18    | ----- |          |       |      |
| TS3  | -----  | TS11   | -----    | TS19    | ----- |          |       |      |
| TS4  | -----  | TS12   | -----    | TS20    | ----- |          |       |      |
| TS5  | 1202,A | TS13   | -----    | TS21    | ----- |          |       |      |
| TS6  | -----  | TS14   | -----    | TS22    | ----- |          |       |      |
| TS7  | -----  | TS15   | -----    | TS23    | ----- |          |       |      |
| TS8  | -----  | TS16   | -----    | TS24    | ----- |          |       |      |

3. Display the signaling links that are assigned to the T1 card by entering the `rtrv-slk` command with the card location specified in [Step 2](#). For this example, enter this command.

```
rtrv-slk:loc=1201
```

```
rlghncxa03w 09-05-19 21:17:04 GMT EAGLE5 41.0.0
L2T PCR PCR E1 E1
LOC LINK LSN SLC TYPE SET BPS ECM N1 N2 LOC PORT TS
1201 B lsn1 12 LIMT1 1 56000 BASIC --- ----- 1201 1 10
```

4. Check the status of the signaling links shown in [Step 3](#) using the `rept-stat-slk` command with the card location and signaling link.

For this example, enter these commands.

```
rept-stat-slk:loc=1201:link=b
```

```
rlghncxa03w 09-05-23 13:06:25 GMT EAGLE5 41.0.0
SLK LSN CLLI PST SST AST
1201,B lsn1 ----- IS-NR Avail ----
ALARM STATUS = No Alarms
UNAVAIL REASON = --
T1 status = 1201, RCVRY-T1F:FAC-T1 Port 1 available
```

If all the signaling links shown in this step are out of service, continue the procedure with [Step 6](#).

If any of the signaling links shown in this step are in service, continue the procedure with [Step 5](#).

5. Deactivate the signaling links shown in [Step 4](#) using the `dact-slk` command.

For this example, enter these commands.

```
dact-slk:loc=1201:link=b
```

When this command has successfully completed, this message should appear.

```
rlghncxa03w 09-05-07 08:41:12 GMT EAGLE5 41.0.0
Deactivate Link message sent to card
```

6. Change the T1 port using the `chg-t1` command and the parameter combinations shown in [Table 86: Non-Channel Bridged T1 Port Parameter Combinations](#).

**Table 86: Non-Channel Bridged T1 Port Parameter Combinations**

| Mandatory Parameters                                |
|-----------------------------------------------------|
| :loc=location of the T1 card                        |
| :t1port=T1 port being changed, either 1, 3, 5, or 7 |
| :chanbrdg=off                                       |
| Optional Parameters                                 |
| :encode=ami, b8zs                                   |
| :framing=sf, esf                                    |

```
:ll=0 - 655
```

```
:t1tsel=line, external. If the current t1tsel value is recovered, the t1tsel value must be
changed to either line or external.
```

For this example, enter this command.

```
chg-t1:loc=1201:t1port=1:encode=ami:framing=esf:ll=500:t1tsel=line:chanbrdg=off
```

**Note:** When the `chanbrdg=off` parameter is specified with the `chg-t1` command, the even numbered T1 port that was channel bridged to the T1 port specified in this step is removed from the database.

- Verify the changes using the `rtrv-t1` command specifying the card location and the `t1port` value specified in [Step 6](#).

For this example, enter these commands.

```
rtrv-t1:loc=1201:t1port=1
```

```
rlghncxa03w 09-05-28 09:12:36 GMT EAGLE5 41.0.0
```

| LOC  | T1 PORT | ENCODE | T1TSEL | FRAMING | LL    | CHANBRDG | LINK CLASS | MINS RATE |
|------|---------|--------|--------|---------|-------|----------|------------|-----------|
| 1201 | 1       | AMI    | LINE   | ESF     | 500   | -----    | CHAN       | ----      |
| TS1  | 1201,A  | TS9    | -----  | TS17    | ----- |          |            |           |
| TS2  | -----   | TS10   | -----  | TS18    | ----- |          |            |           |
| TS3  | -----   | TS11   | -----  | TS19    | ----- |          |            |           |
| TS4  | -----   | TS12   | -----  | TS20    | ----- |          |            |           |
| TS5  | 1202,A  | TS13   | -----  | TS21    | ----- |          |            |           |
| TS6  | -----   | TS14   | -----  | TS22    | ----- |          |            |           |
| TS7  | -----   | TS15   | -----  | TS23    | ----- |          |            |           |
| TS8  | -----   | TS16   | -----  | TS24    | ----- |          |            |           |

If the signaling links were not deactivated in [Step 5](#), continue the procedure with [Step 9](#).

If the signaling links were deactivated in [Step 5](#), continue the procedure with [Step 8](#).

- Activate the signaling links that were deactivated in [Step 5](#) using the `act-slk` command.

For this example, enter these commands.

```
act-slk:loc=1201:link=b
```

When this command has successfully completed, this message should appear.

```
rlghncxa03w 09-05-07 08:41:12 GMT EAGLE5 41.0.0
Activate Link message sent to card
```

- Back up the new changes using the `chg-db:action=backup:dest=fixed` command.

These messages should appear, the active Maintenance and Administration Subsystem Processor (MASP) appears first.

```
BACKUP (FIXED) : MASP A - Backup starts on active MASP.
BACKUP (FIXED) : MASP A - Backup on active MASP to fixed disk complete.
```

```
BACKUP (FIXED) : MASP A - Backup starts on standby MASP.
BACKUP (FIXED) : MASP A - Backup on standby MASP to fixed disk complete.
```

## Adding a T1 Signaling Link

This procedure is used to add a T1 signaling link to the database using the `ent-slk` command and these parameters.

`:loc` – The card location of the card that the T1 signaling link will be assigned to.

`:link` – The signaling link on the card specified in the `loc` parameter.

`:lsn` – The name of the linkset that will contain the signaling link.

`:slc` – The signaling link code. The SLC must be unique within the linkset. It must be the same at both the EAGLE 5 ISS location and the distant node.

`:bps` – The transmission rate for the link in bits per second.

`:ecm` – Error correction method, either `basic` or `pcr`. The default value for this parameter is `basic`.

`:pcrn1` – The threshold of the number of MSUs available for retransmission. If the error correction method being used is PCR (`:ecm=pcr`), and this threshold is reached, no new MSUs or FISUs are sent. The retransmission cycle is continued up to the last MSU entered into the retransmission buffer in the order in which they were originally transmitted.

`:pcrn2` – The threshold of the number of MSU octets available for retransmission. If the error correction method being used is PCR (`:ecm=pcr`), and this threshold is reached, no new MSUs or FISUs are sent. The retransmission cycle is continued up to the last MSU entered into the retransmission buffer in the order in which they were originally transmitted.

`:ts` – The timeslot on the T1 card or channel card being used for the T1 signaling link.

`:t1port` – The T1 port on the T1 card that is servicing the timeslot selected for the T1 signaling link.

`:t1loc` – The location of the T1 card servicing the timeslot selected for the T1 signaling link. This parameter can be specified only when provisioning T1 signaling links on channel cards.

`:l2tset` – The level 2 timer set table assigned to the T1 signaling link. The type of linkset the T1 signaling link is assigned to and the T1 card's application determines the value of the `l2tset` parameter. The level 2 timer set tables are defined in the [Changing Level 2 Timers](#) procedure.

The `ent-slk` command contains other optional parameters that can be used to configure a signaling link. These parameters are not shown here because they are not necessary to provision a T1 signaling link. These parameters are explained in more detail in the [Adding an SS7 Signaling Link](#) procedure, or in the `ent-slk` command description in the *Commands Manual*.

These items must be configured in the database before a T1 signaling link can be added:

- Shelf – see "Adding a Shelf" in the *Database Administration Manual - System Management*
- T1 Card (card type `limt1`) or ChannelCard (card type `limch`) running either the `ss7ansi` or `ccs7itu` applications – see [Adding a LIM-T1 Card](#) procedure
- Destination Point Code – see the [Adding a Destination Point Code](#) procedure.
- Linkset – [Adding a SS7 Linkset](#) .

Verify that the link has been physically installed (all cable connections have been made).

T1 port 2 (`t1port=2`) cannot be specified when the T1 signaling link is assigned to a channel card (card type `limch`).

The value of the `bps` parameter must be either 56000 or 64000.

The values for the `ts` parameter must be from 1 to 24.

The linkset must be in the database. The number of signaling links in a linkset cannot exceed 16. This can be verified with the `rtrv-ls` command.

The APC of the linkset assigned to the signaling link must be in the SS7 domain. Use the `rtrv-dstn` command to verify the domain of the APC of the linkset.

The `pcrn1` or `pcrn2` parameters can only be specified if the `ecm=pcr` parameter is specified.

If the T1 signaling link is being assigned to an unchannelized T1 port (shown by the entry UNCHAN in the LINKCLASS field in the `rtrv-t1` output), you cannot specify the `ts` parameter. A T1 signaling link containing an unchannelized T1 port can be assigned only to an E5-E1T1 card. A maximum of one T1 signaling link containing an unchannelized T1 port can be assigned to an E5-E1T1 card. The `link` parameter value for this link must be `a`. The transmission rate (`bps` parameter) for an unchannelized T1 signaling link is 1536000 bits per second. The `bps` parameter is optional, and if not specified with the `ent-slk` command, the `bps` parameter value defaults to 1536000 bits per seconds.

If the T1 signaling link is being assigned to a channel bridged T1 port (shown by the entries MASTER or SLAVE in the CHANBRDG field in the `rtrv-t1` output), the T1 port value for the signaling link must be the odd numbered (MASTER) T1 port.

If the T1 card is an E1/T1 MIM, a maximum of 8 T1 signaling links can be assigned to the card. The range of `link` parameter values is dependent on the type of T1 card the signaling link is assigned to. The `link` parameter values for T1 signaling links assigned to E1/T1 MIMs are A - A3, or B - B3, allowing a maximum of 8 signaling links on the card.

If the T1 signaling link is being assigned to a channelized T1 port (shown by the entry CHAN in the LINKCLASS field in the `rtrv-t1` output) on an HC-MIM, a maximum of 64 T1 signaling links can be assigned to the card. The `link` parameter values for T1 signaling links assigned to HC-MIMs are A - A31, or B - B31. If signaling links A16 to A31, or B16 to B31 will be assigned to the card, the FAN feature must be turned on. The status of the FAN feature is shown in the `rtrv-feat` command output. The shelf containing the HC-MIM being added in this procedure must have fans installed. If the fans are not installed on the shelf containing the HC-MIM, go to the *Installation Manual - EAGLE 5 ISS* and install the fans.

If the T1 signaling link is being assigned to a channelized T1 port (shown by the entry CHAN in the LINKCLASS field in the `rtrv-t1` output) on an E5-E1T1 card, a maximum of 32 T1 signaling links can be assigned to the card. The `link` parameter values for T1 signaling links assigned to E5-E1T1 cards are A - A15 or B - B15.

To configure the EAGLE 5 ISS to perform circular routing detection test on the signaling links, perform the [Configuring Circular Route Detection](#) procedure.

**Note:** Circular route detection is not supported in ITU networks.

To provision a EAGLE 5 ISS with more than 1200 signaling links, the EAGLE 5 ISS must have certain levels of hardware installed. See the [Requirements for EAGLE 5 ISSs Containing more than 1200 Signaling Links](#) section for more information on these hardware requirements.

The EAGLE 5 ISS can contain a mixture of low-speed, E1, T1, ATM high-speed, and IP signaling links. The [Determining the Number of High-Speed and Low-Speed Signaling Links](#) section describes how to determine the quantities of the different types of signaling links the EAGLE 5 ISS can have.

### Canceling the REPT-STAT-SLK and RTRV-SLK Commands

Because the `rept-stat-slk` and `rtrv-slk` commands used in this procedure can output information for a long period of time, the `rept-stat-slk` and `rtrv-slk` commands can be canceled and the output to the terminal stopped. There are three ways that the `rept-stat-slk` and `rtrv-slk` commands can be canceled.

- Press the F9 function key on the keyboard at the terminal where the `rept-stat-slk` or `rtrv-slk` commands were entered.
- Enter the `canc-cmd` without the `trm` parameter at the terminal where the `rept-stat-slk` or `rtrv-slk` commands were entered.
- Enter the `canc-cmd:trm=<xx>`, where `<xx>` is the terminal where the `rept-stat-slk` or `rtrv-slk` commands were entered, from another terminal other than the terminal where the `rept-stat-slk` or `rtrv-slk` commands were entered. To enter the `canc-cmd:trm=<xx>` command, the terminal must allow Security Administration commands to be entered from it and the user must be allowed to enter Security Administration commands. The terminal's permissions can be verified with the `rtrv-secu-trm` command. The user's permissions can be verified with the `rtrv-user` or `rtrv-secu-user` commands.

For more information about the `canc-cmd` command, go to the *Commands Manual*.

1. Display the cards in the database using the `rtrv-card` command.

```
rlghncxa03w 09-05-28 09:12:36 GMT EAGLE5 41.0.0
CARD TYPE APPL LSET NAME LINK SLC LSET NAME LINK SLC
1102 TSM GLS
1113 GSPM OAM
1114 TDM-A
1115 GSPM OAM
1116 TDM-B
1117 MDAL
1207 LIMT1 SS7ANSI lsnt265 A 0
1208 LIMCH SS7ANSI lsnt265 A 1 lsnt265 A2 2
1211 LIME1 CCS7ITU lsne145 A 0
1212 LIMCH CCS7ITU lsne145 A 1 lsne145 A2 2
1215 LIMT1 SS7ANSI
1216 LIMCH SS7ANSI
1316 DCM STPLAN
```

If the required T1 card or channel card is not in the database, perform [Adding a LIM-T1 Card](#) to add the required cards to the database.

2. Display the current linkset configuration using the `rtrv-ls` command. This is an example of the possible output.

```
rlghncxa03w 06-10-10 11:43:04 GMT EAGLE5 36.0.0

LSN APCA (SS7) SCR4 L3T SLT GWS GWS GWS
lsnt145 150-075-038 scr4 1 1 yes a 0 on on off --- ---
lsnt265 200-150-067 scr2 1 1 yes a 3 on on off --- ---

L3T SLT GWS GWS GWS
```

```

LSN APCI (SS7) SCRNR SET SET BEI LST LNKS ACT MES DIS SLSCI NIS
lsne12 2-150-7 scr1 1 1 no a 2 on on off --- ---
lsne145 4-049-3 scr1 1 1 no a 3 on on off --- ---
sp5 1-111-3 scr3 1 3 yes c 1 off off off --- ---
sp6 1-111-1 scr1 1 1 yes a 1 off off off --- ---
sp7 1-111-2 scr2 1 2 no a 2 on on on --- ---

```

```

LSN APCN (SS7) SCRNR L3T SLT GWS GWS GWS
lsne13 14950 scr1 1 1 no a 2 on on off --- off
nsp1 11111 scr1 1 1 yes a 2 off off off --- off
nsp3 11112 scr2 1 2 no a 1 on on on --- off
nsp4 11113 scr3 1 3 yes c 1 off off off --- off

```

Link set table is ( 11 of 1024) 1% full

If the desired linkset is not in the database, perform [Adding a SS7 Linkset](#) to add the linkset to the database. After the linkset has been added to the database, continue the procedure with [Step 4](#).

If the desired linkset is in the database, continue the procedure with [Step 3](#).

3. Display the attributes of the linkset that will contain the new signaling link by entering the `rtrv-ls` command with the name of the linkset shown in [Step 2](#). For this example, enter this command.

```
rtrv-ls:lsn=lsnt145
```

This is an example of the possible output.

```

rlghncxa03w 08-12-10 11:43:04 GMT EAGLE5 40.0.0

LSN APCA (SS7) SCRNR L3T SLT GWS GWS GWS
lsnt145 150-075-038 scr4 1 1 yes a 0 on on off --- ---

 SPCA CLLI TFATCABMLQ MTPRSE ASL8
 ----- ----- 1 --- no

RANDSLS
off

IPSG IPGWAPC GTTMODE CGGTMOD
no no CdPA no

```

Link set table is (11 of 1024) 1% full.

The signaling link cannot be assigned to a linkset whose `IPSG` or `IPGWAPC` values are yes. If either the `IPSG` or `IPGWAPC` value for the linkset is yes, repeat the procedure from [Step 2](#) and choose another linkset.

If the `IPSG` and `IPGWAPC` values for the linkset are no, continue the procedure with [Step 4](#).

4. Display the current signaling link configuration using the `rtrv-slk` command. This is an example of the possible output.

```

rlghncxa03w 09-07-19 21:16:37 GMT EAGLE5 41.1.0

LOC LINK LSN SLC TYPE SET BPS ECM PCR PCR
1201 A e3m1s1 0 LIMDS0 1 56000 BASIC ---- -----

```

```

1201 B e3m1s2 0 LIMDS0 1 56000 BASIC ---- -
1202 A e3m1s1 1 LIMDS0 1 56000 BASIC ---- -
1202 B e3m1s2 1 LIMDS0 1 56000 BASIC ---- -
1203 A e3m1s1 2 LIMDS0 1 56000 BASIC ---- -
1203 B e3m1s2 2 LIMDS0 1 56000 BASIC ---- -
1204 A e3m1s1 3 LIMDS0 1 56000 BASIC ---- -
1204 B e3m1s2 3 LIMDS0 1 56000 BASIC ---- -
1205 A e3m1s1 4 LIMDS0 1 56000 BASIC ---- -
1205 B e3m1s2 4 LIMDS0 1 56000 BASIC ---- -
1206 A e3m1s1 5 LIMDS0 1 56000 BASIC ---- -
1206 B e3m1s2 5 LIMDS0 1 56000 BASIC ---- -
1213 A e3m2s1 2 LIMDS0 11 56000 BASIC ---- -
1213 B e3m2s2 2 LIMDS0 11 56000 BASIC ---- -
1214 A e3m2s1 3 LIMDS0 11 56000 BASIC ---- -
1214 B e3m2s2 3 LIMDS0 11 56000 BASIC ---- -
1215 A e3m2s1 4 LIMDS0 11 56000 BASIC ---- -
1215 B e3m2s2 4 LIMDS0 11 56000 BASIC ---- -
1216 A e3m2s1 5 LIMDS0 11 56000 BASIC ---- -
1216 B e3m2s2 5 LIMDS0 11 56000 BASIC ---- -
1217 A e3m2s1 6 LIMDS0 11 56000 BASIC ---- -
1217 B e3m2s2 6 LIMDS0 11 56000 BASIC ---- -

LOC LINK LSN SLC TYPE L2T PCR PCR E1 E1
SET BPS ECM N1 N2 LOC PORT TS
1211 A lsne145 0 LIME1 1 56000 BASIC --- - 1211 2 10
1212 A lsne145 1 LIMCH 1 56000 BASIC --- - 1211 1 14
1212 A2 lsne145 2 LIMCH 1 56000 BASIC --- - 1211 1 20

LOC LINK LSN SLC TYPE L2T PCR PCR T1 T1
SET BPS ECM N1 N2 LOC PORT TS
1207 A lsnt265 0 LIMT1 1 56000 BASIC --- - 1207 2 2
1208 A lsnt265 1 LIMCH 1 56000 BASIC --- - 1207 1 6
1208 A2 lsnt265 2 LIMCH 1 56000 BASIC --- - 1207 1 17

SLK TABLE is (28 of 1200) 2% full.

```

If the addition of the new signaling link will exceed the maximum number of signaling links the EAGLE 5 ISS can have (in this example, the maximum number of signaling links is 1200), and the maximum number of signaling links is 2800, this procedure cannot be performed. The EAGLE 5 ISS cannot contain more than 2800 signaling links.

If the addition of the new signaling link will exceed the maximum number of signaling links the EAGLE 5 ISS can have, and the maximum number of signaling links is less than 2800, perform the [Enabling the Large System # Links Controlled Feature](#) procedure to enable the desired quantity of signaling links.

If the addition of the new signaling link will not exceed the maximum number of signaling links the EAGLE 5 ISS can have, or if a new signaling link quantity was enabled, continue the procedure by performing one of these steps.

- If the signaling link will be assigned to a channel card (LIMCH), continue the procedure with [Step 10](#).
  - If the signaling link will be assigned to a LIMT1 card, continue the procedure with [Step 5](#).
5. Display the T1 interfaces that will be assigned to the T1 signaling link using the `rtrv-t1` command with no parameters.

```
rlghncxa03w 09-05-19 21:17:04 GMT EAGLE5 41.0.0
```



| T1   |      |        |          |         |     |          | LINK  | MINSU |
|------|------|--------|----------|---------|-----|----------|-------|-------|
| LOC  | PORT | ENCODE | T1TSEL   | FRAMING | LL  | CHANBRDG | CLASS | RATE  |
| 1207 | 1    | AMI    | EXTERNAL | ESF     | 50  | -----    | CHAN  | ----  |
| 1215 | 2    | B8ZS   | LINE     | SF      | 100 | -----    | CHAN  | ----  |

If the desired T1 port and T1 card combination is shown in the `rtrv-e1` output, continue the procedure with [Step 6](#).

If the desired T1 port and T1 card combination is not shown in the `rtrv-t1` output, add the T1 port and T1 card combination to the database by performing one of these procedures.

- [Adding Channelized and non-Channel Bridged T1 Ports](#)
- [Adding Channel Bridged T1 Ports](#)
- [Adding Unchannelized T1 Ports](#)

After the desired T1 port and T1 card combination has been added to the database, continue the procedure with [Step 6](#).

6. Verify the card type of the card that will contain the new T1 signaling link by entering this command.

```
rtrv-stp:type=limt1
```

```
rlghncxa03w 08-12-30 11:07:17 EST EAGLE 40.0.0
```

| Card | Part Number | Rev | Serial Number | Type  | DB   | APPL    | GPL Version |
|------|-------------|-----|---------------|-------|------|---------|-------------|
| ---  | -----       | --- | -----         | ---   | --   | ----    | -----       |
| 1207 | 870-2671-02 | C   | 10145689323   | LIMT1 | 512M | SS7ANSI | 126-034-000 |
| 1215 | 870-1873-01 | C   | 10345690569   | LIMT1 | 512M | SS7ANSI | 126-034-000 |

Command Completed.

The T1 card types and their part numbers are shown in [Table 73: T1 Card Part Numbers](#).

If the new T1 signaling link will be assigned to a E1/T1 MIM or E5-E1T1 card, continue the procedure with [Step 10](#).

If the new E1 signaling link will be assigned to an HC-MIM, and the link parameter value of the new signaling link is A-A15 or B-B15, continue the procedure with [Step 10](#).

If the new E1 signaling link will be assigned to an HC-MIM, and the link parameter value of the new signaling link is A16-A31 or B16-B31, continue the procedure by performing one of these steps.

- If the link parameter values A16-A31 or B16-B31 are shown in the `rtrv-slk` output in [Step 4](#), and the new signaling link will be assigned to a card on the same shelf as the cards the contain the link parameter values A16-A31 or B16-B31, continue the procedure with [Step 10](#).
- If the link parameter values A16-A31 or B16-B31 are shown in the `rtrv-slk` output in [Step 4](#), and the new signaling link will be assigned to a card that is not on the same shelf as the cards the contain the link parameter values A16-A31 or B16-B31, continue the procedure with [Step 9](#).
- If the link parameter values A16-A31 or B16-B31 are not shown in the `rtrv-slk` output in [Step 4](#), continue the procedure with [Step 7](#).

7. Verify whether or not that the Fan feature is on, by entering the `rtrv-feat` command. If the Fan feature is on, the entry `FAN = on` appears in the `rtrv-feat` command output.

**Note:** The `rtv-feat` command output contains other fields that are not used by this procedure. If you wish to see all the fields displayed by the `rtv-feat` command, see the `rtv-feat` command description in the *Commands Manual*.

If the Fan feature is on, continue the procedure with [Step 9](#).

- Turn the Fan feature on by entering this command.

```
chg-feat:fan=on
```

**Note:** Once the Fan feature is turned on with the `chg-feat` command, it cannot be turned off.

The Fan feature must be purchased before you turn this feature on with the `chg-feat` command. If you are not sure if you have purchased the Fan feature, contact your Tekelec Sales Representative or Account Representative.

- The shelf containing the HC-MIM being added in this procedure must have fans installed. Verify whether or not fans are installed on the shelf.

If the fans are installed, continue the procedure with [Step 10](#).

If the fans are not installed on the shelf containing the HC-MIM, go to the *Installation Manual - EAGLE 5 ISS* and install the fans. Once the fans have been installed and tested, [Step 10](#). The fans must be working properly before an HC-MIM can be placed in the EAGLE 5 ISS.

- Add the T1 signaling links using the `ent-slk` command.

Enter the `ent-slk` command with the parameter combinations shown in [Table 87: T1 Signaling Link Parameter Combinations](#).

**Table 87: T1 Signaling Link Parameter Combinations**

| T1 Signaling Links assigned to a Channel Card | T1 Signaling Links assigned to an E1/T1 MIM | T1 Signaling Links assigned to an HC-MIM | T1 Signaling Links assigned to an E5-E1T1 Card with a Channelized T1 Port | T1 Signaling Links assigned to an E5-E1T1 Card with an Unchannelized T1 Port |
|-----------------------------------------------|---------------------------------------------|------------------------------------------|---------------------------------------------------------------------------|------------------------------------------------------------------------------|
| <b>Mandatory Parameters</b>                   |                                             |                                          |                                                                           |                                                                              |
| :loc=<the location of the channel card>       | :loc=<the location of the LIMT1 card>       | :loc=<the location of the LIMT1 card>    | :loc=<the location of the LIMT1 card>                                     | :loc=<the location of the LIMT1 card>                                        |
| :link=A - A3, B - B3                          | :link=A - A3, B - B3                        | :link=A - A31, B - B31 (See Note 1)      | :link=A - A15, B - B15                                                    | :link=a                                                                      |
| :lsn=<the name of the linkset>                | :lsn=<the name of the linkset>              | :lsn=<the name of the linkset>           | :lsn=<the name of the linkset>                                            | :lsn=<the name of the linkset>                                               |
| :slc= 0 - 15                                  | :slc= 0 - 15                                | :slc= 0 - 15                             | :slc= 0 - 15                                                              | :slc= 0 - 15                                                                 |
| :t1loc=<the location of the LIMT1 card>       | :t1port= 1 or 2                             | :t1port= 1 - 8                           | :t1port= 1 - 8                                                            | :t1port= 1 - 8                                                               |
| :ts= 1 - 24                                   | :ts= 1 - 24                                 | :ts= 1 - 24                              | :ts= 1 - 24                                                               |                                                                              |

| T1 Signaling Links assigned to a Channel Card                                                                   | T1 Signaling Links assigned to an E1/T1 MIM                | T1 Signaling Links assigned to an HC-MIM                   | T1 Signaling Links assigned to an E5-E1T1 Card with a Channelized T1 Port | T1 Signaling Links assigned to an E5-E1T1 Card with an Unchannelized T1 Port |
|-----------------------------------------------------------------------------------------------------------------|------------------------------------------------------------|------------------------------------------------------------|---------------------------------------------------------------------------|------------------------------------------------------------------------------|
| <b>Optional Parameters</b>                                                                                      |                                                            |                                                            |                                                                           |                                                                              |
| :bps=56000, 64000<br>Default value = 56000                                                                      | :bps=56000, 64000<br>Default value = 56000                 | :bps=56000, 64000<br>Default value = 56000                 | :bps=56000, 64000<br>Default value = 56000                                | :bps=1536000<br>Default value = 1536000                                      |
| :ecm=basic, pcr<br>Default value = basic                                                                        | :ecm=basic, pcr<br>Default value = basic                   | :ecm=basic, pcr<br>Default value = basic                   | :ecm=basic, pcr<br>Default value = basic                                  | :ecm=basic, pcr<br>Default value = basic                                     |
| :pcrn1= 1 - 127<br>(See Note 2)<br>Default value = 76                                                           | :pcrn1= 1 - 127<br>(See Note 2)<br>Default value = 76      | :pcrn1= 1 - 127<br>(See Note 2)<br>Default value = 76      | :pcrn1= 1 - 127<br>(See Note 2)<br>Default value = 76                     | :pcrn1= 1 - 1023<br>(See Note 2)<br>Default value = 608                      |
| :pcrn2=300 - 35500<br>(See Note 2)<br>Default value = 3800                                                      | :pcrn2=300 - 35500<br>(See Note 2)<br>Default value = 3800 | :pcrn2=300 - 35500<br>(See Note 2)<br>Default value = 3800 | :pcrn2=300 - 35500<br>(See Note 2)<br>Default value = 3800                | :pcrn2=7200 - 287744 (See Note 2)<br>Default value = 32224                   |
| :l2tset=See <a href="#">Table 35: Level 2 Timer Sets</a>                                                        | :l2tset=See <a href="#">Table 35: Level 2 Timer Sets</a>   | :l2tset=See <a href="#">Table 35: Level 2 Timer Sets</a>   | :l2tset=See <a href="#">Table 35: Level 2 Timer Sets</a>                  | :l2tset=See <a href="#">Table 35: Level 2 Timer Sets</a>                     |
| Notes:                                                                                                          |                                                            |                                                            |                                                                           |                                                                              |
| 1. If the Fan feature is not turned on, the link parameter values for a T1 signaling link are A - A15, B - B15. |                                                            |                                                            |                                                                           |                                                                              |
| 2. The pcrn1 and pcrn2 parameters can be specified only if the ecm=pcr parameter is specified.                  |                                                            |                                                            |                                                                           |                                                                              |

For this example, enter these commands.

```
ent-slk:loc=1215:link=a:lsn=lsnt145:slc=0:bps=56000:ts=3:t1port=2
ent-slk:loc=1216:link=a:lsn=lsnt145:slc=1:bps=56000:ts=11:t1loc=1215
ent-slk:loc=1216:link=a2:lsn=lsnt145:slc=2:bps=56000:ts=19:t1loc=1215
ent-slk:loc=2211:link=a:t1port=1:lsn=lsnt1:slc=0:ecm=pcr:pcrn1=90:pcrn2=9000
```

**Note:** If adding the new signaling link will result in more than 700 signaling links in the database and the OAMHCMEAS value in the rtrv-measopts output is on, the scheduled UI measurement reports will be disabled.

11. Verify the changes using the `rtrv-slk` command, specifying the card location and signaling link entered in [Step 10](#). This is an example of the possible output.

```
rtrv-slk:loc=1215
```

```
rlghncxa03w 06-10-19 21:17:04 GMT EAGLE5 36.0.0
```

| LOC  | LINK | LSN     | SLC | TYPE  | L2T SET | BPS   | ECM   | PCR N1 | PCR N2 | T1 LOC | T1 PORT | TS |
|------|------|---------|-----|-------|---------|-------|-------|--------|--------|--------|---------|----|
| 1215 | A    | lsnt145 | 0   | LIMT1 | 1       | 56000 | BASIC | ---    | -----  | 1215   | 2       | 3  |

```
rtrv-slk:loc=1216
```

```
rlghncxa03w 06-10-19 21:17:04 GMT EAGLE5 36.0.0
```

| LOC  | LINK | LSN     | SLC | TYPE  | L2T SET | BPS   | ECM   | PCR N1 | PCR N2 | T1 LOC | T1 PORT | TS |
|------|------|---------|-----|-------|---------|-------|-------|--------|--------|--------|---------|----|
| 1216 | A    | lsnt145 | 1   | LIMCH | 1       | 56000 | BASIC | ---    | -----  | 1215   | 1       | 11 |
| 1216 | A2   | lsnt145 | 2   | LIMCH | 1       | 56000 | BASIC | ---    | -----  | 1215   | 1       | 19 |

```
rtrv-slk:loc=2211
```

```
rlghncxa03w 09-05-19 21:17:04 GMT EAGLE5 41.0.0
```

| LOC  | LINK | LSN   | SLC | TYPE  | L2T SET | BPS    | ECM | PCR N1 | PCR N2 | T1 LOC | T1 PORT | TS |
|------|------|-------|-----|-------|---------|--------|-----|--------|--------|--------|---------|----|
| 2211 | A    | lsnt1 | 0   | LIMT1 | 31      | 1.536M | PCR | 90     | 9000   | 2211   | 1       | 1  |

If any of the cards shown in this step contain the first signaling link on a card, continue the procedure with [Step 12](#).

If signaling links were assigned to all the cards shown in this step when [Step 10](#) was performed, continue the procedure with [Step 13](#).

12. Bring the cards into service with the `rst-card` command, specifying the card location specified in [Step 10](#). For this example, enter these commands.

```
rst-card:loc=1215
```

```
rst-card:loc=1216
```

```
rst-card:loc=2211
```

When each of these commands have successfully completed, this message should appear.

```
rlghncxa03w 06-10-23 13:05:05 GMT EAGLE5 36.0.0
Card has been allowed.
```

13. Activate all signaling links on the cards using the `act-slk` command, specifying the card location and signaling link specified in [Step 10](#). For this example, enter these commands.

```
act-slk:loc=1215:link=a
```

```
act-slk:loc=1216:link=a
```

```
act-slk:loc=1216:link=a2
```

```
act-slk:loc=2211:link=a
```

When each of these commands have successfully completed, this message should appear.

```
rlghncxa03w 06-10-07 08:31:24 GMT EAGLE5 36.0.0
Activate Link message sent to card
```

14. Check the status of the signaling links added in [Step 10](#) using the `rept-stat-slk` command with the card location and signaling link. The state of each signaling link should be in service normal (IS-NR) after the link has completed alignment (shown in the PST field). For this example, enter these commands.

```
rept-stat-slk:loc=1215:link=a
```

```
rlghncxa03w 06-10-23 13:06:25 GMT EAGLE5 36.0.0
SLK LSN CLLI PST SST AST
1215,A lsnt145 ----- IS-NR Avail ----
ALARM STATUS = No Alarms
UNAVAIL REASON = --
T1 status = 1215, RCVRY-T1F:FAC-T1 Port 2 available
```

```
rept-stat-slk:loc=1216:link=a
```

```
rlghncxa03w 06-10-23 13:06:25 GMT EAGLE5 36.0.0
SLK LSN CLLI PST SST AST
1216,A lsnt145 ----- IS-NR Avail ----
ALARM STATUS = No Alarms
UNAVAIL REASON = --
T1 status = 1215, RCVRY-T1F:FAC-T1 Port 1 available
```

```
rept-stat-slk:loc=1216:link=a2
```

```
rlghncxa03w 06-10-23 13:06:25 GMT EAGLE5 36.0.0
SLK LSN CLLI PST SST AST
1216,A2 lsnt145 ----- IS-NR Avail ----
ALARM STATUS = No Alarms
UNAVAIL REASON = --
T1 status = 1215, RCVRY-T1F:FAC-T1 Port 1 available
```

```
rept-stat-slk:loc=2211:link=a
```

```
rlghncxa03w 06-10-23 13:06:25 GMT EAGLE5 36.0.0
SLK LSN CLLI PST SST AST
2211,A lsnt1 ----- IS-NR Avail ----
ALARM STATUS = No Alarms
UNAVAIL REASON = --
T1 status = 2211, RCVRY-T1F:FAC-T1 Port 1 available
```

15. Back up the new changes using the `chg-db:action=backup:dest=fixed` command. These messages should appear, the active Maintenance and Administration Subsystem Processor (MASP) appears first.

```
BACKUP (FIXED) : MASP A - Backup starts on active MASP.
BACKUP (FIXED) : MASP A - Backup on active MASP to fixed disk complete.
BACKUP (FIXED) : MASP A - Backup starts on standby MASP.
BACKUP (FIXED) : MASP A - Backup on standby MASP to fixed disk complete.
```

# Appendix C

## ATM Signaling Link Configuration

---

### Topics:

- *Introduction.....684*
- *Overview of the ATM High-Speed Signaling Link LIM Operation.....689*
- *ATM High-Speed Signaling Link Testing Capability.....698*
- *Large MSUs.....706*
- *Unsolicited Messages.....707*
- *ATM High-Speed Signaling Link Configuration.....710*
- *Adding an ATM High-Speed LIM.....710*
- *Changing the Three Links per E5-ATM Card Quantity.....715*
- *Adding an ATM High-Speed Signaling Link...720*
- *Changing an ATM High-Speed Signaling Link Parameter Set.....743*

Appendix C, ATM Signaling Link Configuration, contains general information about the ATM high-speed signaling links and how to provision them.

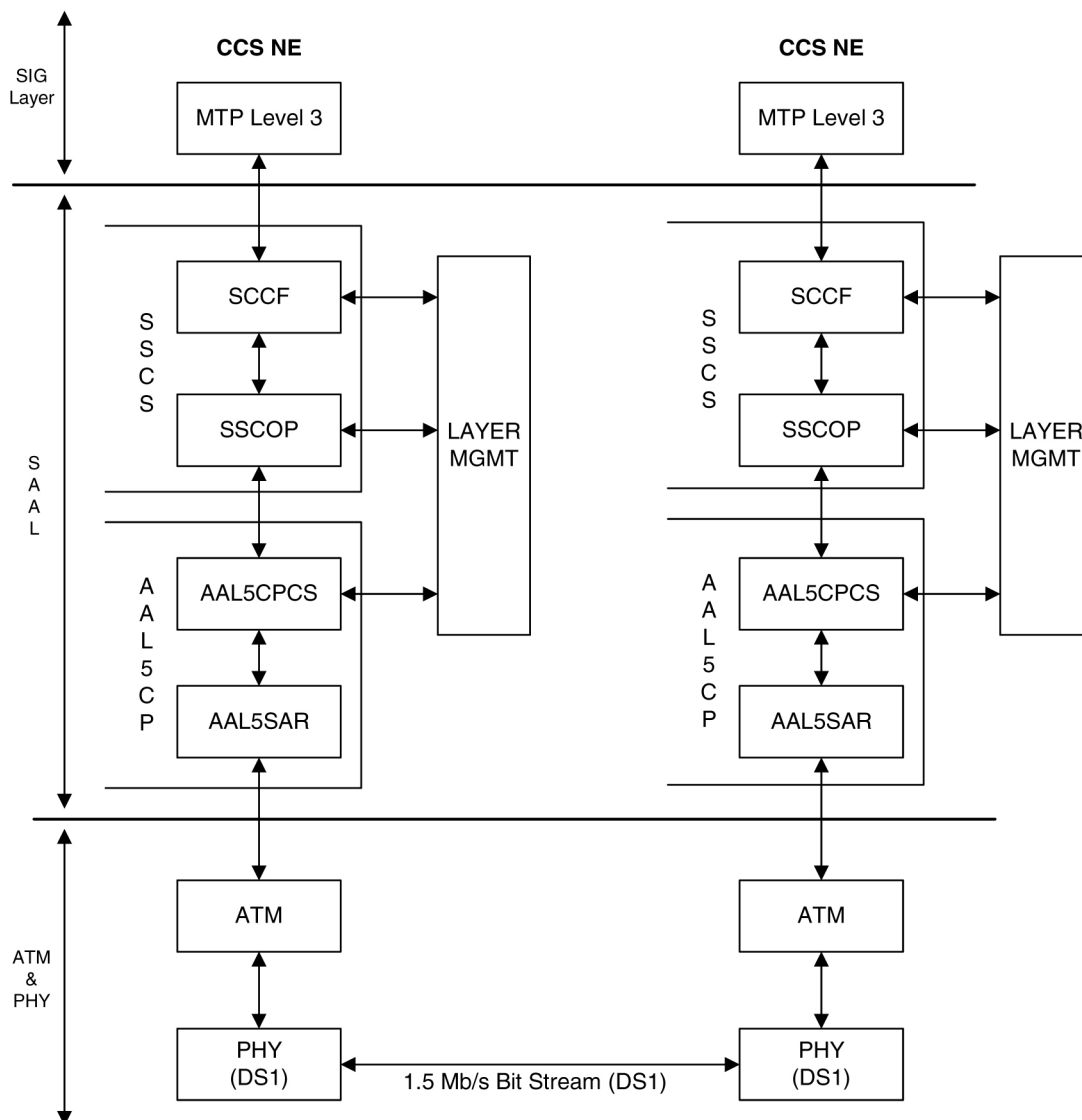
## Introduction

ATM (Asynchronous Transfer Mode) is a transport mechanism that uses virtual connections for transporting information across the network. The ATM layer uses the VPI and VCI fields to define multiple Virtual Channel Connections (VCC). Within each VCC, the PTI field is used to distinguish one type of traffic from another. A true ATM switch can support multiple VPI/VCI combinations. The EAGLE 5 ISS supports only a single VPI/VCI combination.

ATM is a specific packet-oriented transfer mode that uses an asynchronous time division multiplexing technique to multiplex information flow in fixed blocks, called cells. ATM replaces MTP-1 (Signaling Data Link Functions) and MTP-2 (Signaling Link Functions) in the SS7 protocol stack.

Signaling data link functions (MTP-1) are provided by an appropriate physical layer in combination with the ATM layer, signaling link functions (MTP-2) are provided by the Signaling ATM Adaptation Layer (SAAL), and the signaling network functions are provided by MTP level 3. [Figure 32: High-Speed Link Protocol Model for CCS Network Elements](#) illustrates the high-speed link protocol model for CCS NEs.





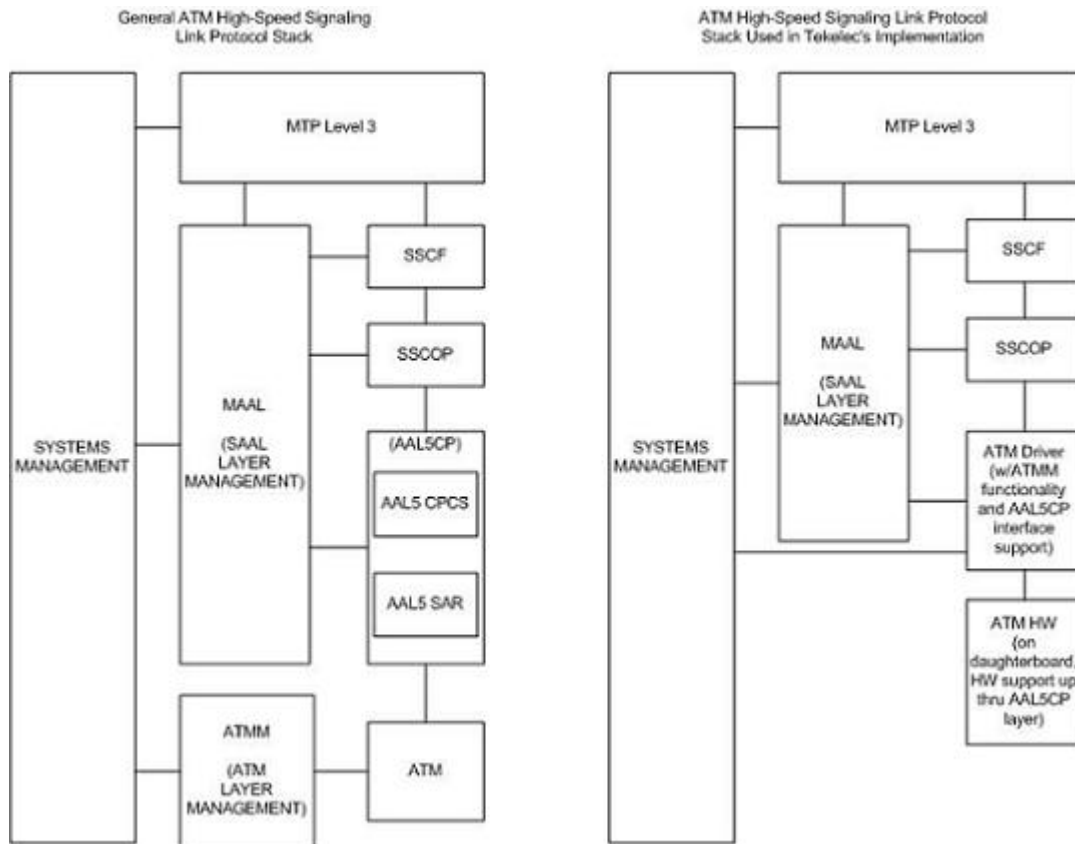
**Figure 32: High-Speed Link Protocol Model for CCS Network Elements**

*Figure 33: ATM High-Speed Signaling Link Protocol Stack vs. Tekelec Implementation in the EAGLE 5 ISS* illustrates some slight differences between the SAAL and ATM layers and the actual protocol stack used in the Tekelec implementation. These differences are as a result of 3 reasons:

- The AATM hardware provides AAL5CP protocol support (primarily segmentation and reassembly of User Data PDUs), thus providing the AAL5CP functionality in hardware not software. The AATM hardware also provides CRC10 support for OAM F5 ATM cell flows.
- The ATM driver is not a defined block in the protocol model, but is needed in the Tekelec implementation to control and interface with the AATM hardware. The ATM driver provides the software interface to the hardware AAL5CP functionality. The ATM driver also provides the ATMM (ATM Layer Management) functions that are supported in the EAGLE 5 ISS.

- As a part of providing ATM (MTP-level 2 equivalent) functionality into the existing EAGLE 5 ISS software (based on MTP-3 and MTP- 2, not MTP-3 and SAAL), some of the interfaces to and from MTP level 3 will be to and from MAAL (rather than SSCF handling all MTP-3 interaction).

The EAGLE 5 ISS implements an ANSI ATM high-speed signaling link, transmitting at a rate of 1.544 Mbps, and an E1 ATM high-speed signaling link, transmitting at a rate of 2.048 Mbps. Most of the ANSI and E1 ATM implementations are the same, but there are a few differences. The descriptions in this appendix apply to both implementations. Any differences between ANSI and E1 ATM are noted.



**Figure 33: ATM High-Speed Signaling Link Protocol Stack vs. Tekelec Implementation in the EAGLE 5 ISS**

Another way of viewing the high-speed signaling link implementation is to consider the frame formats of the data that is relevant at the various protocol stack layers. [Figure 34: Frame Formats for High-Speed and Low-Speed Signaling Link Protocol Stacks](#) illustrates the differences between the frame formats for high-speed signaling link layers versus the frame formats for traditional (MTP-2 & MTP-1) low-speed signaling link layers.

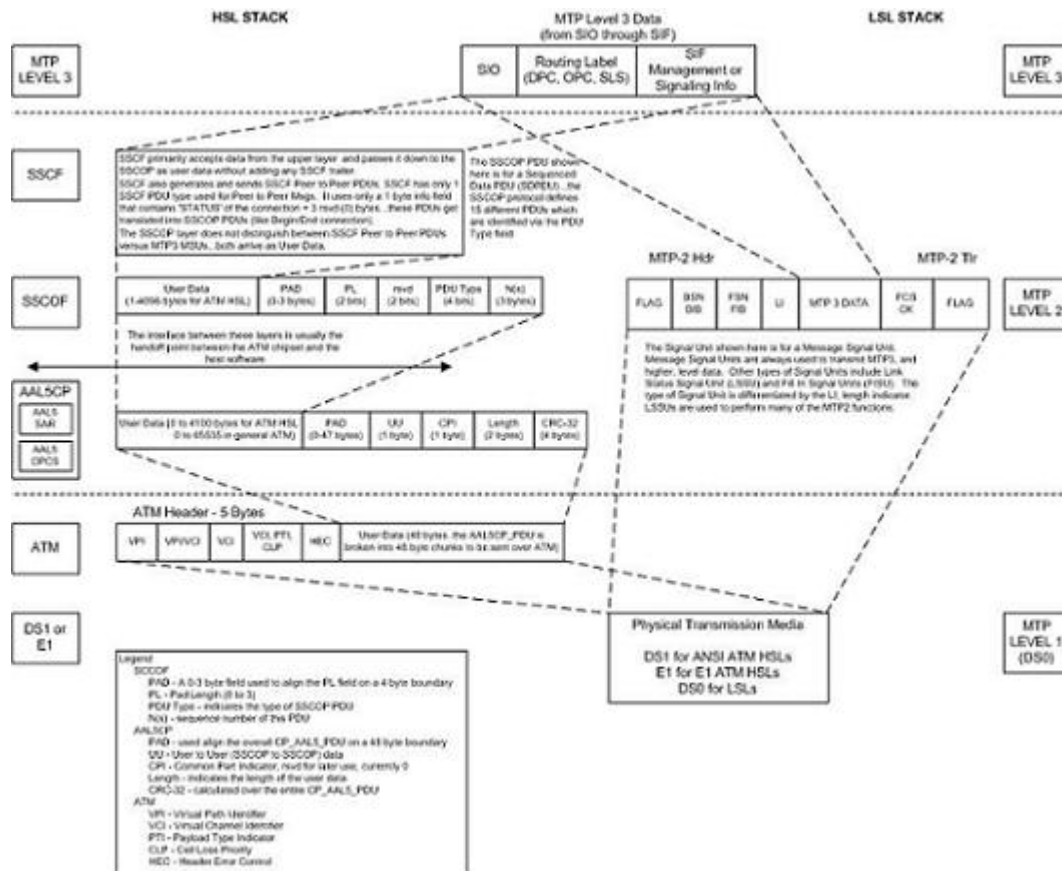


Figure 34: Frame Formats for High-Speed and Low-Speed Signaling Link Protocol Stacks

Based on [Figure 34: Frame Formats for High-Speed and Low-Speed Signaling Link Protocol Stacks](#), the following conclusions can be made regarding the ATM traffic and how ATM is used to carry MTP3 data:

- The ATM layer uses the VPI and VCI fields to define multiple Virtual Channel Connections (VCC). Within each VCC, the PTI field is used to distinguish 1 type of traffic from another. A true ATM switch can support multiple VPI/VCI combinations. The EAGLE 5 ISS high-speed signaling link implementation needs to support only a single VPI/VCI combination.
- The ATM stack contains built in fields that are used to check the integrity of the data that is received across the T1 connection. The ATM cell HEC field and the AAL5CP CRC-32 fields are used for data integrity.
- MTP3 data (or MSUs) is transferred as User Data at the ATM cell level. A single MSU will require 1 or more ATM cells to transfer that MSU.
- A significant amount of ATM protocol overhead is involved in transferring MSUs. The overhead includes:
  - ATM cell headers
  - AAL5CP layer pad bytes and trailer
  - SSCOP layer pad bytes and trailer

- In addition to transferring MSUs, the ATM stack is capable of transferring
  - SSCOP Peer to Peer Messages - these are used primarily for connection setup and tear down and the acknowledgment of transferred data
  - SSCF Peer to Peer Messages - these are used primarily for high-speed signaling link alignment and proving

### ATM Protocol Encapsulation

Two main types of data are delivered using ATM: SDUs and OAM cells. SDUs provide peer-to-peer information and user data (MSUs). OAM cells are used for operations and maintenance of the ATM connection. *Figure 35: ATM Protocol Encapsulation* provides the data encapsulation through the ATM stack. MTP3 is a user of SSCF and passes all PDUs directly to it.

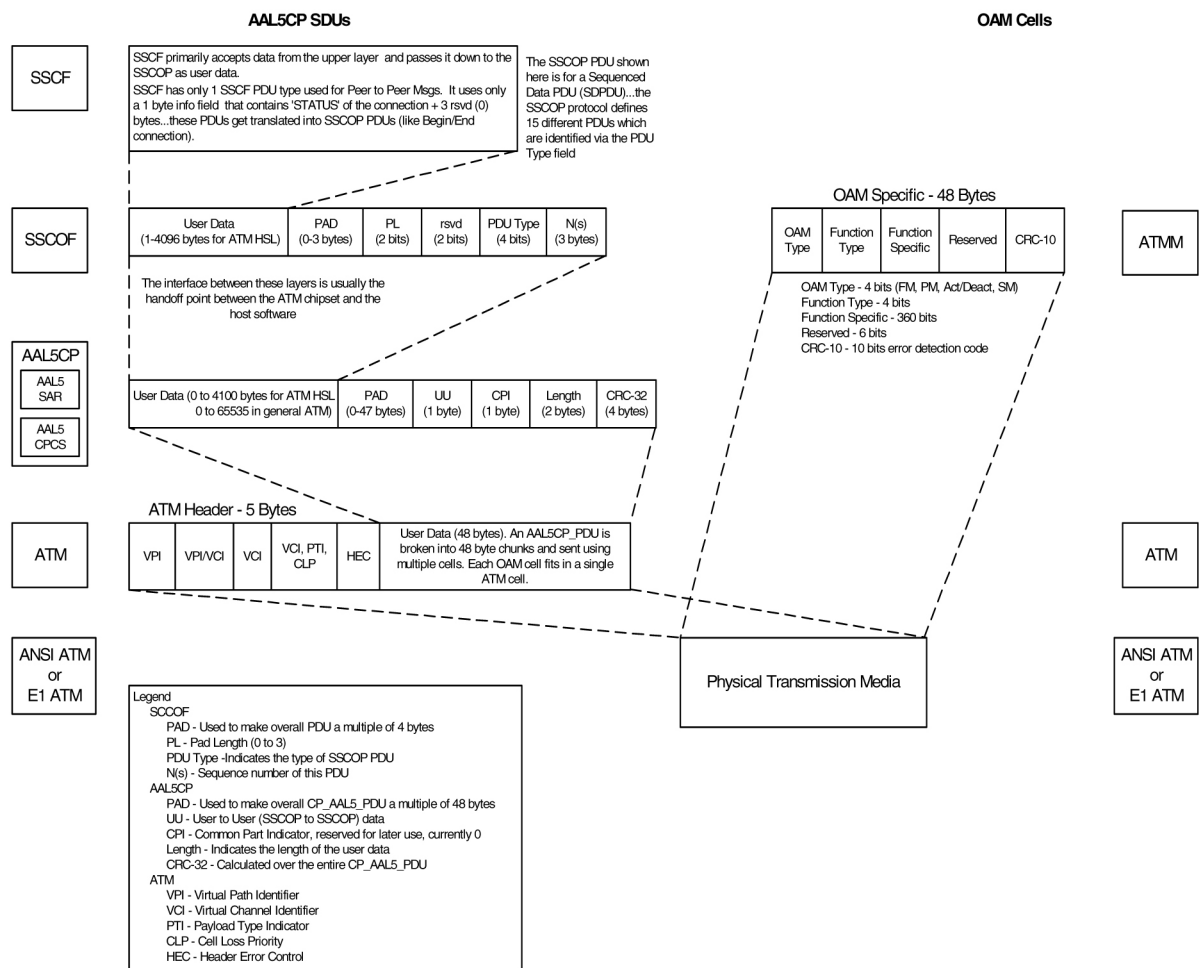


Figure 35: ATM Protocol Encapsulation

### Payload Scrambling

Payload scrambling uses the  $x^{43} + 1$  scrambling function.

### Idle Cells

Idle cells uses the following 5-byte header format:

0x00 0x00 0x00 0x01 0x52.

The content of the information field shall be 0x6A repeated 48 times.

Since idle cells are transmitted on VPI=0, VCI=0, they are immediately discarded by the receiving end.

## Overview of the ATM High-Speed Signaling Link LIM Operation

To other cards in the EAGLE 5 ISS, the ANSI ATM and E1 ATM high-speed signaling link cards look and operate similar to any other LIMs (with the exception of subtle differences related to load balancing for SCCP traffic), but has the potential for increased data throughput with respect to traditional EAGLE 5 ISS LIMs.

The ANSI and E1 ATM high-speed signaling link cards can perform gateway screening, copy and redirect, conversion and any of the other EAGLE 5 ISS features that any other LIM can perform (with the exception of link fault sectionalization).

A functional block diagram of the ATM high-speed signaling link is shown in [Figure 36: Functional Block Diagram of ATM High-Speed Signaling Link](#).

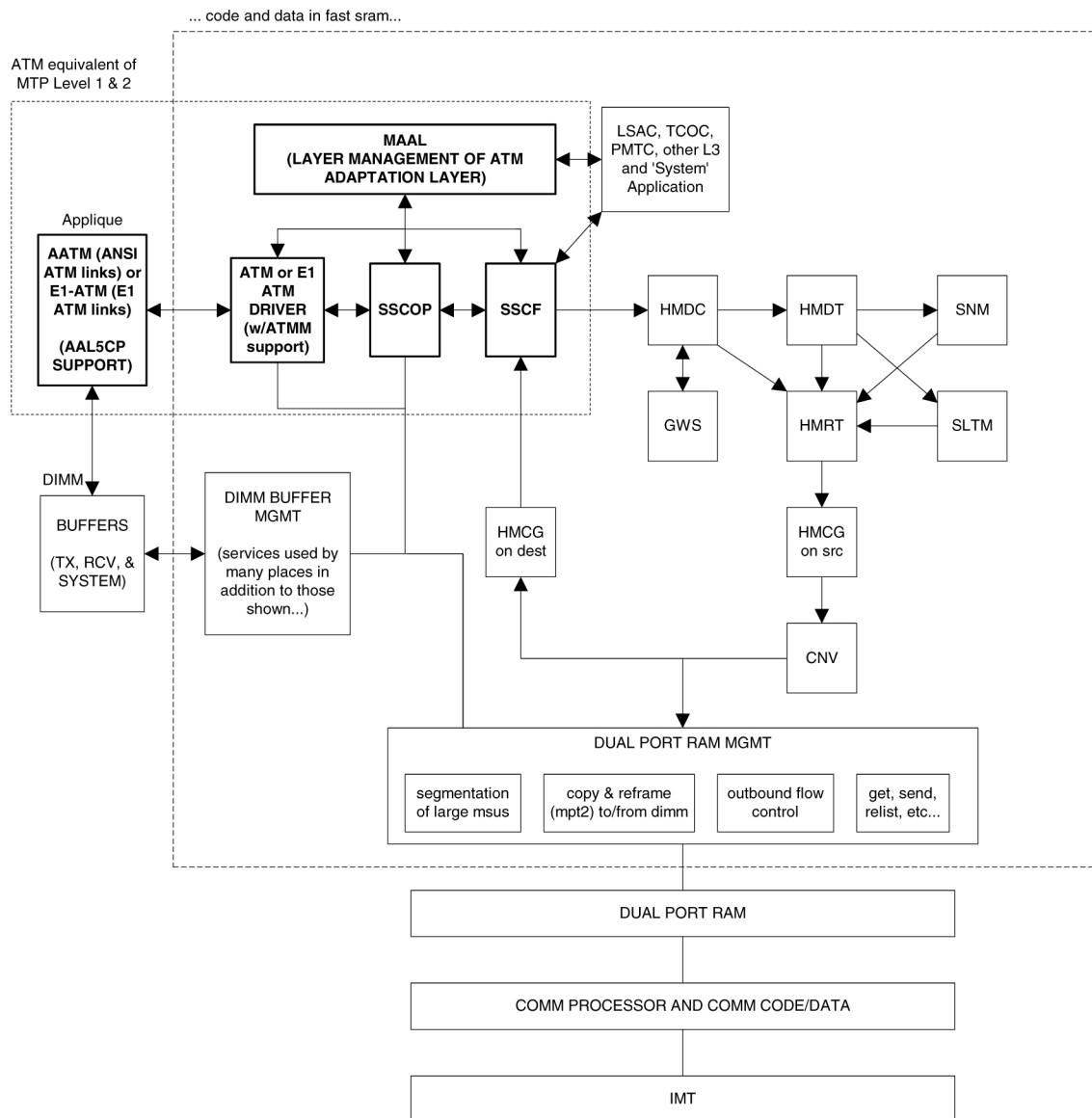


Figure 36: Functional Block Diagram of ATM High-Speed Signaling Link

The following sections provide more details for each of the new applications/processes (indicated by the bold boxes in *Figure 36: Functional Block Diagram of ATM High-Speed Signaling Link*) required for the ATM high-speed signaling link implementation. These sections will include information such as:

- the specification(s) that defines the layer
- highlights of the functionality provided by the application/process (what problems are being solved here)
- any limitations/restrictions from specifications that apply to the EAGLE 5 ISS implementation
- other information as appropriate

## Applique

### ANSI ATM

The ANSI ATM hardware consists of an AATM applique connected to an HCAP or HCAP-T main assembly. The AATM hardware provides the following functionality:

- support for the DS1, ATM, and AAL5CP layers of the ATM high-speed signaling link protocol stack as indicated in [Figure 32: High-Speed Link Protocol Model for CCS Network Elements](#).
- DS1 Layer support
  - generate DS1 signals
  - support for DS1 defect reporting:
    - LOS
    - LOF
    - LCD
    - In-band AIS signals
  - support for loopback testing at the DS1 level
  - support for DS1 performance measurements and performance monitoring
- ATM Layer support
  - idle cell insertion/removal
  - provide adequate indications of ATM layer errors:
    - invalid ATM header patterns
    - unsupported VPI/VCI combinations
    - unsupported PTI values
    - cells discarded due to header error control
    - out of cell delineation anomalies
  - header error control field to be automatically inserted/checked by the hardware
  - CLP field of cells received is made available to software
  - ability to DMA received cells directly to DIMM receive buffers
  - ability to DMA cells to transmit directly from DIMM transmit buffers
  - needs to support interleaved transmit/reception of data from different VPI/VCI combinations, or from OAM F5 flows as opposed to user data flows, these need to each be passed to higher layers using different queues or data structures
  - congestion indications for cells are made available to software; software can set the congestion indications for outbound traffic.
- OAM F5 cell support

- only end to End OAM F5 cells for a VCC need to be supported
- shall support generation (outbound) and processing (inbound) of OAM cell types for VCC F5 flows
- shall indicate reception of these cells in a distinct manner from user data cells
- provide CRC-10 checking/generation for these frames
- AAL5CP Layer support
  - perform the segmentation/reassembly required for user data cells and ability to pass user data to/from the SSCOP in an efficient manner (whether this is via some linked list of ATM cells that together make up 1 AAL5CP\_PDU, or via regrouping ATM cells as they arrive into 1 continuous AAL5CP\_PDU is implementation dependent).
  - provide CRC-32 generation/checking for AAL5CP\_PDUs
  - should stuff outbound AAL5CP\_PDUs with 0 in the CPI field
  - appropriate error checking and indications for errors
    - CRC errors
    - Length errors
    - CPI errors
  - some fields of the AAL5CP\_PDU need to be passed to/from the higher layers
    - UU
    - CLP
    - Congestion indication

## E1 ATM

The E1 ATM hardware consists of an E1 ATM applique connected to an HCAP or HCAP-T main assembly. The E1 ATM hardware performs the same functions as the ANSI ATM hardware, with these exceptions:

- support for the E1, ATM, and AAL5CP layers of the ATM high-speed signaling link protocol stack as indicated in [Figure 36: Functional Block Diagram of ATM High-Speed Signaling Link](#).
- E1 layer support
  - Support CRC-4
  - Support Si and Sn insertion in Channel 0
  - Support E1 defect reporting:
    - LOS
    - LOF
    - LCD



- OAM F5 cell support - only end-to-end OAM F5 cells for a VCC are required to be supported

**E1 Overview**

This section provides an overview of E1, its protocol and characteristics.

**Frame Structure**

E1 is a 2.048 Mbps interface. It has a frame structure of 256 bits that is repeated at a rate of 8 KHz. The 256-bit frame is broken into 32 eight-bit time timeslots, numbered 0 to 31, as shown in [Figure 37: E1 Frame Structure](#). Timeslots can also be referred to as channels.

|                 |                   |            |            |       |             |             |
|-----------------|-------------------|------------|------------|-------|-------------|-------------|
| align frame     | Si 0 0 1 1 0 1 1  | timeslot 1 | timeslot 2 | ..... | timeslot 30 | timeslot 31 |
| non-align frame | Si 1 A SnSnSnSnSn | timeslot 1 | timeslot 2 | ..... | timeslot 30 | timeslot 31 |
| align frame     | Si 0 0 1 1 0 1 1  | timeslot 1 | timeslot 2 | ..... | timeslot 30 | timeslot 31 |
| non-align frame | Si 1 A SnSnSnSnSn | timeslot 1 | timeslot 2 | ..... | timeslot 30 | timeslot 31 |

Si - International Usage Spare Bit  
 Sn - National Usage Spare Bit  
 A - Alarm Bit

**Figure 37: E1 Frame Structure**

**Timeslot 0**

Timeslot 0 is used for frame alignment and CRC functions. Alternating frames contain the Frame Alignment Signal (FAS), X0011011, where X is supplied from the International Usage Spare Bit information (Si). Frames without the FAS carry Si, Alarm, and Sn information. Bit 1 is set to 1 to prevent accidental emulation of the FAS.

Si is reserved for international usage. CRC-4 specified below is one specific use. If no use is specified, Si should be set to 1. Sn is a 5-bit field (value 0 – 31). ‘A’ is an alarm bit. If set, it indicates a remote alarm indication.

**CRC-4**

A CRC-4 multi-frame structure is shown in [Figure 38: CRC-4 Multiframe Structure](#). CRC-4 uses timeslot 0 primarily to aid in frame alignment validation but can be used to monitor error performance as well. A CRC multi-frame consists of timeslot 0 information from 16 consecutive frames. Each CRC-4 multi-frame is divided into 2 eight-frame sub-multi-frames (SMF).

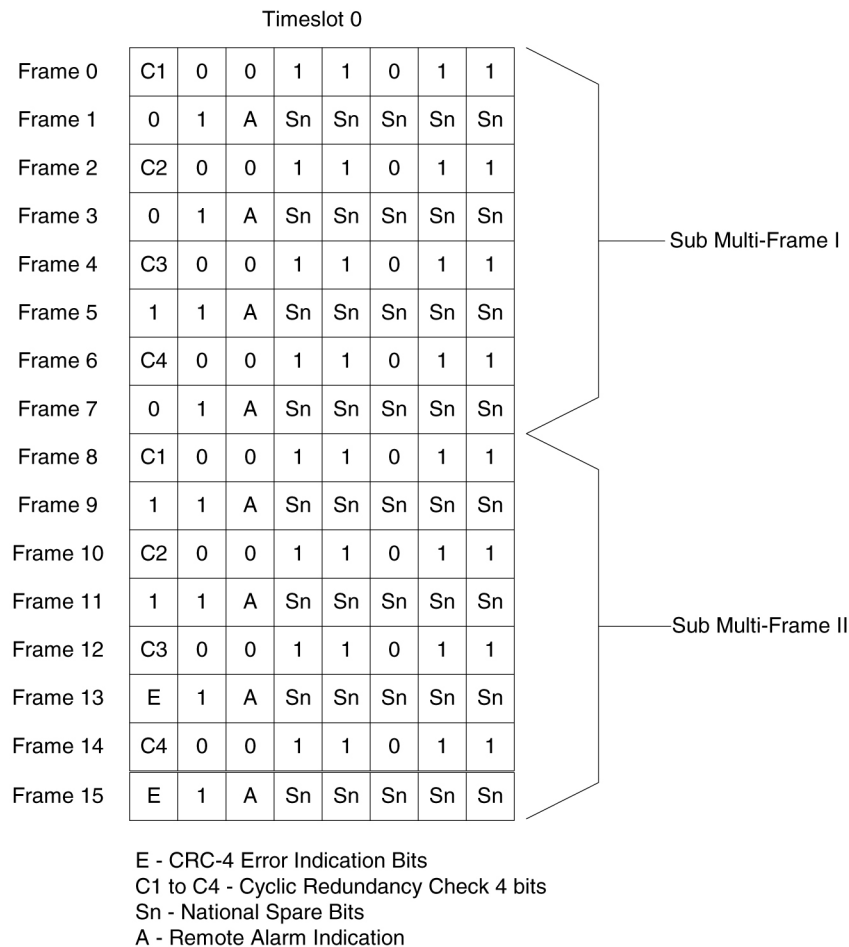
Bit 1 is used to carry 3 different pieces of information:

- A multi-frame alignment word is a repeating 6-bit code (001011) that is located in frames 1,3,5,7,9, and 11.
- A 4-bit CRC code word (C1, C2, C3, C4), which is a data check on the previous 8 E1 frames. The check covers the data for all 32 timeslots. (8 frames \* 256 bits/frame = 2048 bits) Each SMF has its own code word. The code word for SMF I is in frames 0, 2, 4 and 6. The code word for SMF II is in frames 8, 10, 12, and 14.
- E (CRC-4 Error indication) bits, present in frames 13 and 15.

The Alarm Indication Signal is received in Channel 0, Bit 3 of the non-alignment frame. If this bit is set, it indicates a Remote Alarm Indication. As with the ANSI ATM, this condition is ignored.

Bits 2 through 8 follow the standard E1 frame structure.

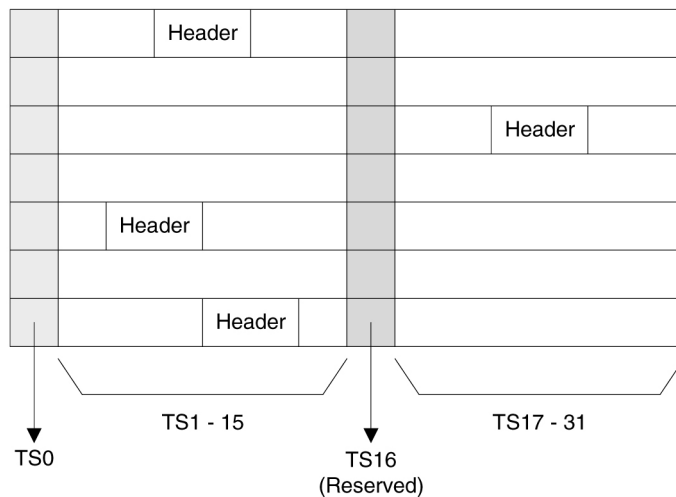
If CRC-4 in on, the provisioned Si information is not used. Instead, bit 0 is used for CRC4 information, CRC4 error reporting, and for multiframe alignment (see [Figure 38: CRC-4 Multiframe Structure](#)).



**Figure 38: CRC-4 Multiframe Structure**

**ATM Mapping into E1**

Data channels 1 – 15 and 17 - 31 carries the data for a single ATM channel, as shown in [Figure 39: ATM Cell Mapping into E1 Frames](#). Note that the ATM cell size does not map directly over the E1 frame format, so the ATM cell can start in any data channel. The data is octet-aligned.



**Figure 39: ATM Cell Mapping into E1 Frames**

### ATM Driver

The ATM driver is a software module, residing as part of the ATMANSI or ATMITU applications, that provides the code required to interface between the AATM hardware and the SSCOP layer and ATM Layer Management interfaces. The primary functions of the driver include:

- initialization and control of the AATM hardware
- interface between AATM hardware signals and data structures and the relevant messages/data to/from the SSCOP and ATM Layer Management layers
- provide the DIMM buffer management interface required for the AATM hardware for user data received and transmitted (that is, provide free receive buffer lists for the AATM hardware after grabbing buffers from DIMM mgmt, provide information detailing where to transmit user data from, etc.)
- some of the functions listed above in the AATM hardware section (such as providing separate 'receive channels' for OAM F5 vs. user data cells to/from higher levels) may actually be performed in this layer based on the actual ATM hardware solution selected
- the only type of AAL service needed is for AAL Type 5 (AAL5)
- the AATM hardware and ATM driver together make up the common part of the SAAL layer, also known as the Common Part Convergence Sublayer (CPCS) or AAL5CP, when the AAL type in question is AAL5.

### E1 ATM Driver

The E1 ATM driver is a software module that provides the interface between the E1 ATM hardware, the SSCOP layer, and ATM Layer Management Module. The E1 ATM driver exists only in the ATMITU application. The basic structure is based upon the ANSI ATM driver present in the ATMANSI application. The primary changes to the existing ANSI ATM driver include:

- initialization and control of the new E1 ATM appliqué.

- remove T1 support of 4 Kbps data link (BOCs, including performance reports and T1 loopback tests)
- verify correct E1 ATM appliqué is installed and reboot if not

### SSCOP

The primary task of the SSCOP (Service Specific Connection Oriented Protocol) is to provide assured data delivery between AAL connection endpoints. The SSCOP is 1 of 2 parts (the other being the SSCF) of the Service Specific part of the SAAL layer (also known as the SSCS, the Service Specific Convergence Sublayer of the SAAL). The other part of the SAAL Layer is the CPCS (which was just mentioned in the ATM driver). Breaking the SSCS into 2 sublayers allows a common connection oriented protocol with error recovery (the SSCOP) to provide a generic reliable data transfer service for different AAL interfaces defined by different SSCF layers. The primary functions of the SSCOP layer include:

- transfer of user data with sequence integrity
- error correction by selective retransmission
- flow control
- connection control
- error reporting to layer management
- connection maintenance in the prolonged absence of data transfer
- local data retrieval by the user of the SSCOP
- error detection of protocol control information
- status reporting

### SSCF

The primary task of the SSCF (Service Specific Coordination Function) is to map the services provided by the lower layers of the SAAL to the needs of a specific higher layer user. For the ATM high-speed signaling link, the higher layer user is the MTP-3 protocol.

- maps signals/primitives from MTP-3 (SSCF user) to SSCOP, and vice versa.
- performs local retrieve function, required by the changeover order.
- flow control on transmit direction (SSCF notifies the user of congestion levels)
- maintains and controls the link status
- generates necessary reports to ATM Layer Management (primarily the cause for the release of the SSCOP connection)
- implements some SSCF to SSCF, peer to peer messages primarily related to connection establishment and release
- controls local and remote processor outage and recovery
- controls the alignment procedure

For an E1 ATM high-speed signaling link, the link proving default values are significantly different compared to an ANSI ATM high-speed signaling link. [Table 88: Link Proving Differences Between ITU and ANSI](#) illustrates the different link proving values.

**Table 88: Link Proving Differences Between ITU and ANSI**

| CHG-ATM-LPS Parameter Name | Description                                         | E1 ATM Default Values | ANSI ATM Default Values |
|----------------------------|-----------------------------------------------------|-----------------------|-------------------------|
| N1                         | Number of PDUs sent during link proving             | 1000                  | 64552                   |
| TmrT2                      | Time to attempt link proving                        | 30 sec                | 120 sec                 |
| maxnrp                     | Maximum number of retransmitted PDUs during proving | 0                     | 1                       |
| TmrT3                      | Time between proving PDUs                           | 925 sec               | 925 sec                 |

The time required for normal ANSI proving is approximately 60 seconds ( $925 \text{ sec/pdu} * 64552 \text{ PDUs} = 60 \text{ seconds}$ ). This time is greater than TmrT2 value for an E1 ATM high-speed signaling link (30 seconds), so a link with E1 ATM defaults would have gone out of service before a link with ANSI ATM defaults finishes proving. Thus, great care must be taken to ensure that compatible proving numbers are assigned to a signaling link.

### ATM and SAAL Layer Management Interfaces

The primary task of the ATM and SAAL layer management layers is to map requests and indications between the system management for the EAGLE 5 ISS and the individual ATM, AAL5CP, SSCOP, and SSCF layers. This functionality is actually achieved using two management modules, which both interface to the system management.

### ATM Layer Management

ATM layer management is achieved with the ATMM (ATM layer management module). The ATMM provides a supporting role for system management functions which include fault, performance, configuration, security and resource management functions. It is the job of the system management to coordinate with different layers locally to perform all tasks associated with these functions. The ATMM entity uses two types of interactions with the ATM entity to perform its functions. The first type of interaction is for the exchange of info between the ATM and ATMM entity. The second type of interaction is for peer to peer communication between ATMM entities (between the two nodes on both ends of the high-speed signaling link). This second interaction is achieved by sending and receiving and processing OAM F5 cells in the ATM high-speed signaling link implementation. The primary functions provided by the ATMM for an ANSI ATM high-speed signaling link include:

- OAM F5 fault management: includes alarm surveillance, loopback using OAM cells, and continuity check
- OAM F5 performance management: includes activation and deactivation of performance monitoring, forward and backward monitoring and reporting of performance to system management.

**Note:**

The general ATMM layer is capable of performing performance management functionality. The ATMM layer implemented by ATM high-speed signaling link does not support this capability.

The primary functions provided by the ATMM for an E1 ATM high-speed signaling link include only OAM F5 fault management: loopback by OAM cells. All other forms of OAM F5 management and OAM F5 performance management are not supported.

**SAAL Layer Management**

The SAAL layer management includes interfaces to and from AAL5CP, SSCOP, SSCF, and system management. SAAL layer management supports the following functions:

- error processing for these layers
- error monitoring for in-service links
- detection of excessive time with no credit
- detection of closely spaced SSCOP recoveries
- measurements
- duration of presence in the in-service state
- signaling link failures
- signaling link restoration
- handling of processor outage conditions
- management of signaling link proving

## ATM High-Speed Signaling Link Testing Capability

**Local Loopback Support**

There are five link testing capabilities for an ATM high-speed signaling link. All five of these tests can be used for an ANSI ATM high-speed signaling link; three of these tests can be used for an E1 ATM high-speed signaling link. [Table 89: ATM High-Speed Signaling Link Loopback Support](#) gives a description of each test and shows which the type of ATM high-speed signaling link each test can be used. [Figure 40: ANSI ATM High-Speed Signaling Link Loopback Support](#) and [Figure 41: E1 ATM High-Speed Signaling Link Loopback Support](#) show diagrams of each test.

Table 89: ATM High-Speed Signaling Link Loopback Support

| Loopback Type | ANSI ATM High-Speed Signaling Link | E1 High-Speed High-Speed Signaling Link | When can the Loopback Test be Performed                                                               | How does the Loopback test Work                                                                                                    | What is Tested (Assume Near End Unless Specified)                                                                                              |
|---------------|------------------------------------|-----------------------------------------|-------------------------------------------------------------------------------------------------------|------------------------------------------------------------------------------------------------------------------------------------|------------------------------------------------------------------------------------------------------------------------------------------------|
| SLTC          | Yes                                | Yes                                     | When the link is in service and activated                                                             | MTP-3 exchanges SLTM/SLTA messages with remote MTP-3. Appears as normal MSU traffic to SSCF and SSCOP.                             | MTP-3 layer, ATM protocol stack (near end and far end), and wire                                                                               |
| OAM           | Yes                                | Yes                                     | When the link is connected to a remote STP. The state of the link is either activated or deactivated. | ATM driver exchanges OAM F5 Loopback cells with remote ATM driver. One OAM cell per request with a maximum of three attempts made. | ATM driver (near end and far end) and wire                                                                                                     |
| LXVR          | Yes                                | Yes                                     | When the link is deactivated.                                                                         | MTP-3 attempts to align link. If alignment fails, test fails. Appears as normal alignment request to SSCF and SSCOP.               | SSCF, SSCOP, ATM driver and T1 hardware (for an ANSI ATM high-speed link) or E1 hardware (for an E1 ATM high-speed signaling link) on near end |
| Payload       | Yes                                | No                                      | When the link is deactivated, connected to remote STP and no Yellow Alarm BOC is being transmitted.   | MTP-3 attempts to align link. If alignment fails, test fails. Appears as normal alignment                                          | SSCF, SSCOP, ATM driver (near end only) and T1 hardware (near end and far end) and wire                                                        |

| Loopback Type | ANSI ATM High-Speed Signaling Link | E1 High-Speed High-Speed Signaling Link | When can the Loopback Test be Performed                                                                | How does the Loopback test Work                                                                                      | What is Tested (Assume Near End Unless Specified)                                       |
|---------------|------------------------------------|-----------------------------------------|--------------------------------------------------------------------------------------------------------|----------------------------------------------------------------------------------------------------------------------|-----------------------------------------------------------------------------------------|
|               |                                    |                                         |                                                                                                        | request to SSCF and SSCOP.                                                                                           |                                                                                         |
| Line          | Yes                                | No                                      | When the link is deactivated and connected to remote STP and no Yellow Alarm BOC is being transmitted. | MTP-3 attempts to align link. If alignment fails, test fails. Appears as normal alignment request to SSCF and SSCOP. | SSCF, SSCOP, ATM driver (near end only) and T1 hardware (near end and far end) and wire |



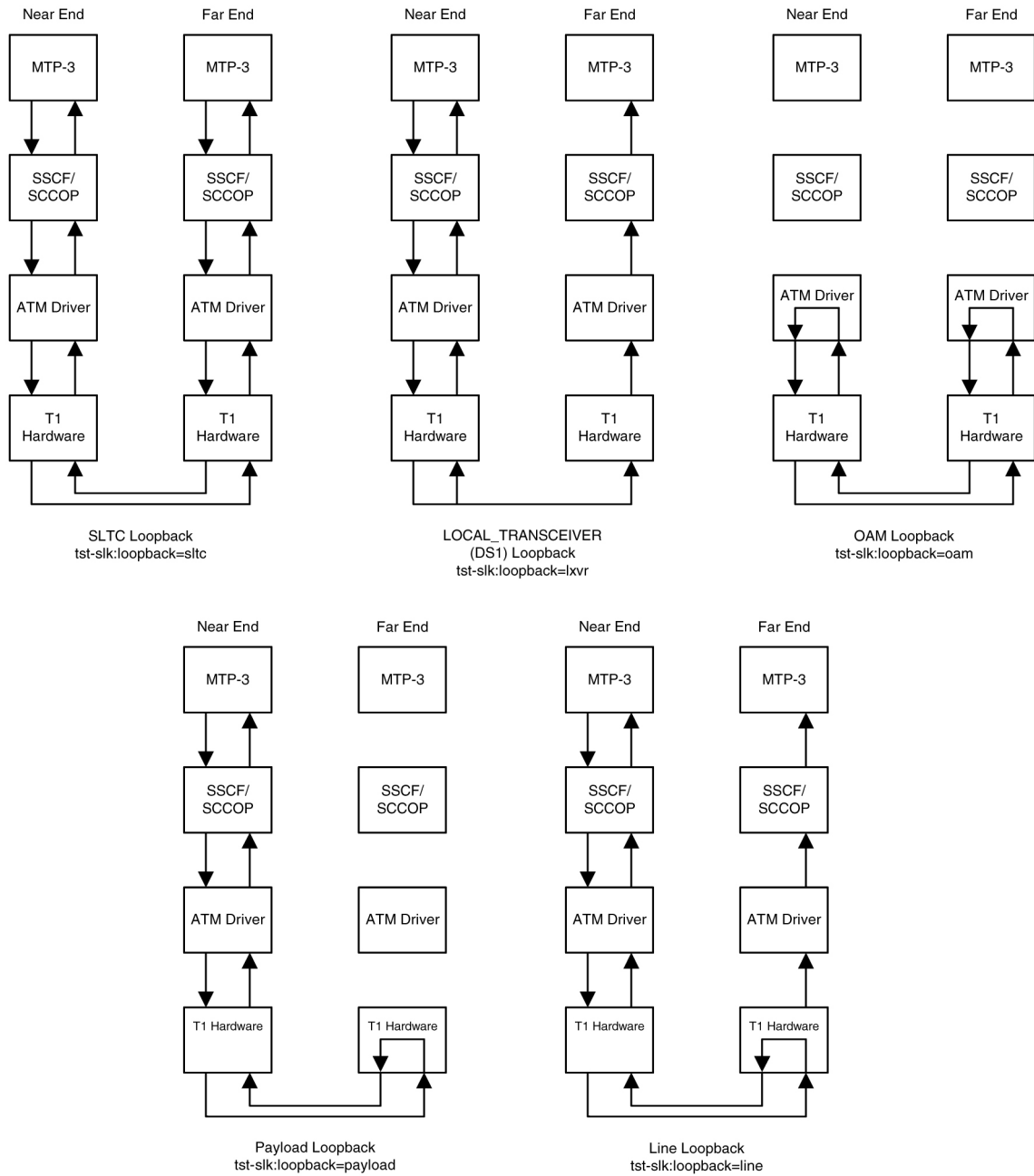


Figure 40: ANSI ATM High-Speed Signaling Link Loopback Support

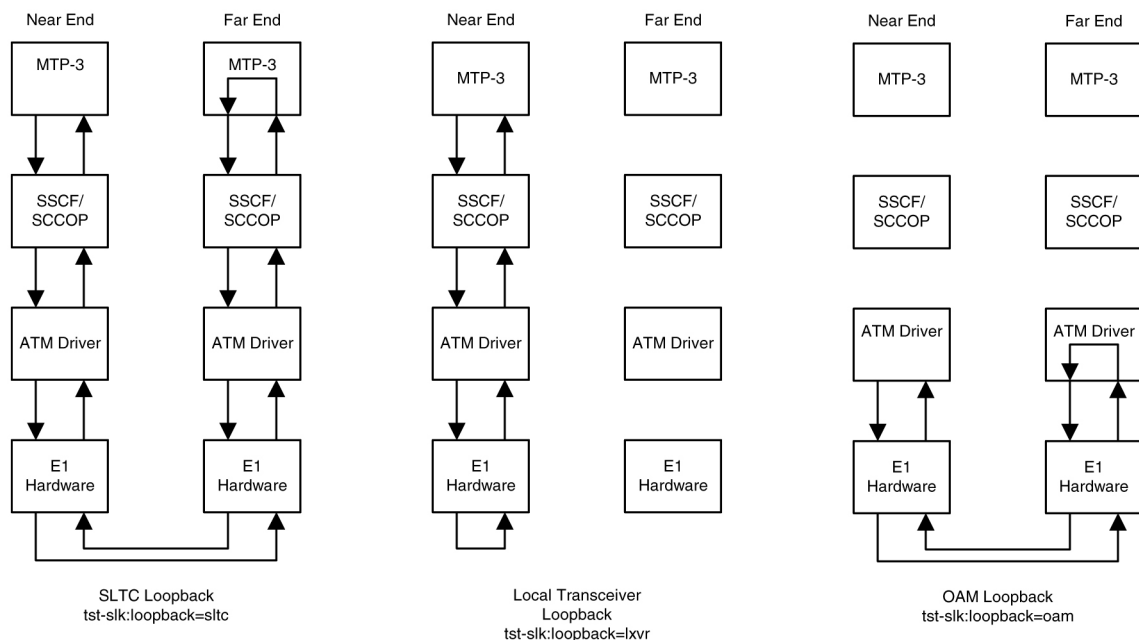


Figure 41: E1 ATM High-Speed Signaling Link Loopback Support

### Remote Loopback Support

The LIM containing the ATM high-speed signaling link must provide remote loopback support so that the EAGLE 5 ISS can act as the far end STP as shown in [Figure 40: ANSI ATM High-Speed Signaling Link Loopback Support](#) or [Figure 41: E1 ATM High-Speed Signaling Link Loopback Support](#). The support provided for ATM high-speed signaling link cards is identical to low-speed signaling link cards by providing the same initialization and detection capabilities.

- **initialization** - The MTP-3 layer, independent of hardware interface, allows remote loopbacks when the link is deactivated. Upon receiving a bit-oriented code for a line or payload loopback, the ATM high-speed signaling link reprograms the AATM hardware if MTP-3 has determined a remote loopback is allowed.
- **detection** - Every 500 ms, the hardware is read to determine if remote loopback is in progress and the maintenance block is updated. This generates a UAM to the local node. For DS1 links, an AATM hardware register is read to determine if the T1 layer is currently configured for remote loopback.

### Link Status Logging Capability

The Enhanced Link Diagnostics capability stores link status information. The link status information is divided into 2 categories: service data and alignment data. Currently, each logging routine can store up to 69 events, all of which can be displayed using the `rept-stat-slk` command. The service data and alignment data categories are described in the following sections.

### Service Data Category

Service events and their timestamps are buffered during transitions between the In-Service/Data Transfer Ready states and all other states. This buffer contains a history of the link failure reasons (as seen from Level 2's point of view) and the subsequent realignments. Each entry in the buffer is either the link failure reason and time, or the time the link came back in service. [Table 90: High-Speed Signaling Link vs. Low-Speed Signaling Link Unavailability Reasons by Priority](#) provides a list of all high-speed

signaling link failure reasons, however, not all of these failures will show up in the service data. Several types of failure that are recognized by Level 3 (like Changeover Order Received or Failed SLT) are mapped to a Stop Commanded event at Level 2. If the history indicates the link did not realign after the failure, the alignment data buffer shows the reason the link was unable to be realigned.

The service data history contains only the high-speed signaling link failure reason as seen by Level 2. As highlighted above, the actual failure reason can be hidden from the Level 2 Service Data if it is an event that is detected by level 3. For example, there are many reasons why Level 3 sends a Stop command to Level 2, such as link deactivated by user, changeover order received, false link congestion, etc. Therefore, the service data should only be used as a guide in determining a link failure.

**Table 90: High-Speed Signaling Link vs. Low-Speed Signaling Link Unavailability Reasons by Priority**

| High-Speed Signaling Link Unavailability Reason | Low-Speed Signaling Link Unavailability Reason |
|-------------------------------------------------|------------------------------------------------|
| Remote Loopback                                 | Remote Loopback                                |
| LOS                                             |                                                |
| LOF                                             |                                                |
| LCD                                             |                                                |
| Too Many Interrupts                             | Too Many Interrupts                            |
|                                                 | Stopped Receiving Data                         |
| ISERM threshold exceeded                        |                                                |
|                                                 | SUERM                                          |
| Remote Out of Service                           |                                                |
| Remote Protocol Error                           |                                                |
| Remote Management Initiated                     |                                                |
| Remote Processor Outage                         |                                                |
| Local Processor Outage                          |                                                |
| Timer_No_Credit expired                         |                                                |
| Timer_No_Response expired                       |                                                |
|                                                 | T1 expired(ready, not ready)                   |
|                                                 | T3 expired                                     |
|                                                 | T2 expired                                     |
|                                                 | Exceeded Proving Period Count                  |

| High-Speed Signaling Link Unavailability Reason | Low-Speed Signaling Link Unavailability Reason |
|-------------------------------------------------|------------------------------------------------|
|                                                 | SIO received                                   |
|                                                 | SIN received                                   |
|                                                 | SIE received                                   |
|                                                 | SIOS received                                  |
|                                                 | SIPO received                                  |
|                                                 | RC/BSNR link failure                           |
|                                                 | RC/FIBR link failure                           |
|                                                 | T6 expired                                     |
|                                                 | T7 expired                                     |
| COO Received                                    | COO Received                                   |
| False SLK Congestion                            | False SLK Congestion                           |
| SLK Restart Delayed                             | SLK Restart Delayed                            |
| Far End Loopback                                | Far End Loopback                               |
| Link Not Aligned (default)                      | Link Not Aligned (default)                     |
| Remote Blocked                                  | Remote Blocked                                 |
| Local Blocked                                   | Local Blocked                                  |
| Remote Inhibited                                | Remote Inhibited                               |
| Local Inhibited                                 | Local Inhibited                                |

### Alignment Data Category

Alignment events are buffered at all times when link is not in service. Only the first unique occurrence of an event and its timestamp is buffered. High-speed signaling link alignment events are divided into:

- SSCOP, SSCF and MAAL state transitions
- SSCOP and SSCF transmitted PDUs
- SSCOP and SSCF received PDUs
- Special level 1 events.

*Table 91: High-Speed Signaling Link State Transition Alignment Events, Table 92: High-Speed Signaling Link Transmitted/Received Alignment PDUs, and Table 93: High-Speed Signaling Link Special Level 1 Alignment Events* list all the possible alignment events sorted by event type.

**Table 91: High-Speed Signaling Link State Transition Alignment Events**

| SSCOP                     | SSCF                              | MAAL          |
|---------------------------|-----------------------------------|---------------|
| Idle                      | OOS Idle                          | OOS           |
| Outgoing Conn. Pending    | OOS ODP                           | Alignment     |
| Incoming Conn. Pending    | Alignment Idle                    | Proving       |
| Outgoing Disc. Pending    | Alignment OCP                     | Aligned/Ready |
| Outgoing Resync Pending   | Alignment ODP                     | In Service    |
| Incoming Resync Pending   | Proving Data Transfer Ready       |               |
| Outgoing Recovery Pending | Aligned/Ready Data Transfer Ready |               |
| Recovery Response Pending | In Service/Data Transfer Ready    |               |
| Incoming Recovery Pending |                                   |               |
| Data Transfer Ready       |                                   |               |

**Table 92: High-Speed Signaling Link Transmitted/Received Alignment PDUs**

| SSCOP | SSCF                     |
|-------|--------------------------|
| BGN   | Out of Service           |
| BGAK  | Processor Outage         |
| END   | In Service               |
| ENDAK | Normal                   |
| RS    | Emergency                |
| RSAK  | Alignment Not Successful |
| BGREJ | Mgmt Initiated           |
| SD    | Protocol Error           |
| ER    | Proving Not Successful   |
| POLL  |                          |
| STAT  |                          |
| USTAT |                          |
| UD    |                          |

| SSCOP | SSCF |
|-------|------|
| MD    |      |
| ERAK  |      |

Table 93: High-Speed Signaling Link Special Level 1 Alignment Events

| Special Events      |
|---------------------|
| LCD                 |
| LCD Cleared         |
| LOF                 |
| LOF Cleared         |
| LOS                 |
| LOS Cleared         |
| Too Many Interrupts |
| Stop Commanded      |

### Display of Buffered Data

The buffered data are displayed using the `rept-stat-slk` command. All events are buffered with the day and time of the event. The buffered timestamp is displayed in a day of year and time of day format (YY-MM-DD HH:MM:SS.sss). The time of day and day of year are passed to the LIM card when polling for the maintenance block. A timer on the LIM card, with a 5 millisecond granularity, provides the millisecond portion of the time displayed. The user has the ability to request either alignment data, service data or both be displayed. A maximum of 69 service and/or alignment events are displayed. However, the user has the ability to display only the last 10 alignment events. See the *Commands Manual* for a description of the `rept-stat-slk` command.

## Large MSUs

As shown in [Figure 34: Frame Formats for High-Speed and Low-Speed Signaling Link Protocol Stacks](#), a general purpose implementation of the ATM high-speed signaling link protocol stack would allow for large MSUs to be transferred across an ANSI or E1 ATM high-speed signaling link. The SSCOP layer can handle user data from SSCF that is up to 4096 bytes long. Since the SSCF layer does not add a trailer to MTP3 data, the ATM protocol stack is able to transfer MTP3 data packets up to 4096 bytes. When the SSCOP trailer is added, 4100 bytes of user data are handed to the AAL5CP layer.

These MSU sizes are much larger than the MTP3 data size currently supported by a low-speed signaling link. Currently, the largest MSU transferred on a low-speed signaling link is 279 bytes (2 flag bytes, 3 level 2 header bytes, 2 FCS bytes, and 272 bytes of MTP3 data). A large MSU is any MSU that contains 273 to 4096 bytes of MTP data.

The ATM high-speed signaling link (ANSI or E1) does not support large MSUs. Either UIM 1172 or 1173 is generated when a large MSU is received. See the [UIMs](#) section for more information on these UIMs.

## Unsolicited Messages

There are two types of unsolicited messages that are generated, alarm messages (UAMs) and information messages (UIMs).

### Link Unavailability UAMs

The signaling link UAM format includes a CLASS output. This identifies the corresponding link as either an MTP2 or SAAL link class (the SAAL link class is used for high-speed signaling links).

Example:

```

0044.0200 SLK 1201,A sp1 RCVRY-LKF: link available
 SLC=01 FECLLI=A1234567890 CLASS=SAAL

0044.0200 SLK 1202,A sp2 RCVRY-LKF: link available
 SLC=01 FECLLI=A1234567890 CLASS=MTP2

```

[Table 90: High-Speed Signaling Link vs. Low-Speed Signaling Link Unavailability Reasons by Priority](#) provides a summary of high-speed signaling link and low-speed signaling link unavailable reasons listed from highest priority to lowest.

[Table 94: Signaling Link Unsolicited Alarm Messages](#) shows the UAMs that correspond link failures on an high-speed signaling link. All signaling link alarms have a severity level of major, except for UAM 200, which shows that the link failure has been cleared. All alarms are output to the Link Maintenance output group.

**Table 94: Signaling Link Unsolicited Alarm Messages**

| Link Failure                                          | UAM Number | UAM Text                                 |
|-------------------------------------------------------|------------|------------------------------------------|
| Recovery: Link Available                              | 0200       | RCVRY-LKF: link available                |
| Failure: Remote NE Loopback                           | 0201       | REPT-LKF: remote NE loopback             |
| Failure: Hardware Problems                            | 0202       | REPT-LKF: HWP - too many link interrupts |
| Failure: Failed Remote FE Loopback                    | 0202       | REPT-LKF: remote FE loopback             |
| Failure: MTP3 Changeover Order (COO) Message Received | 0218       | REPT-LKF: COO - rcvd changeover order    |
| Management Inhibit: Remote                            | 0234       | REPT-LKF: RMI remote inhibited           |

| Link Failure                                           | UAM Number | UAM Text                                  |
|--------------------------------------------------------|------------|-------------------------------------------|
| Management Inhibit: Local                              | 0235       | REPT-LINK-MGTINH: local inhibited         |
| Failure: Unresolved - Default failure reason           | 0236       | REPT-LKF: not aligned                     |
| Failure: False Congestion Restart                      | 0236       | REPT-LKF: false congestion restart        |
| Failure: MTP Link Restart Delayed                      | 0236       | REPT-LKF: MTP link restart delayed        |
| Excessive Duration of Far End Receiving Congestion     | 0237       | REPT-LKF: LM Timer NO-CREDIT expired      |
| Excessive Delay of Acknowledgment                      | 0238       | REPT-LKF: XDA - Timer NO-RESPONSE expired |
| Local Processor Outage(management initiated)           | 0239       | REPT-LKF: MBL - local processor outage    |
| SSCF Remote Release: Remote Processor Outage           | 0240       | REPT-LKF: rcvd SSCOP END-proc. outage     |
| SSCF Remote Release: Out of Service                    | 0241       | REPT-LKF: rcvd SSCOP END-out of service   |
| SSCF Remote Release: Protocol Error                    | 0242       | REPT-LKF: rcvd SSCOP END-protocol error   |
| SSCF Remote Release: Management Initiated              | 0243       | REPT-LKF: rcvd SSCOP END-mgmt initiated   |
| Facility Outage - DS1 Loss of Signal failure           | 0244       | REPT-LKF: FAC - DS1 LOS failure           |
| Facility Outage - DS1 Loss of Frame failure            | 0245       | REPT-LKF: FAC - DS1 LOF failure           |
| Facility Outage - DS1 Loss of Cell Delineation failure | 0246       | REPT-LKF: FAC - DS1 LCD failure           |
| Excessive In Service Error Rate                        | 0247       | REPT-LKF: XER - ISERM threshold exceeded  |

### UIMs

There are two types UIMs generated with ATM high-speed signaling links, UIMs for large MSUs and UIMs for the loopback tests. UIMs 1172 and 1173 are generated for MTP MSUs (1172) and SCCP MSUs (1173).



The large MSUs are discarded at the receiving ATM high-speed signaling link rather than the outbound link.

#### UIM 1172 Example

```
0018.1172 CARD 1103 INFO REPT-OVSZMSG: MTP MSU too large to route.
 LEN=279 SIO=03 DPC=001-001-001 OPC=002-002-002
 LSN=A1234567
 Report Date: 97-10-30 Time: 16:27:19
```

#### UIM 1173 Example

```
0018.1173 CARD 1103 INFO REPT-OVSZMSG: SCCP MSU too large to route.
 LEN=279 SIO=03 DPC=001-001-001 OPC=002-002-002 MSG TYPE=09
 CDPA: AI=8B PC=003-003-003 SSN=005 TT=250 ADDR=1234567890
 CGPA: AI=8B PC=004-004-004 SSN=006 TT=251 ADDR=0123456789
 LSN=A1234567
 Report Date: 97-10-30 Time: 16:27:19
```

The UIMs shown in [Table 95: Loopback Test UIMs](#) are generated when loopback tests performed on the ATM high-speed signaling link are completed.

**Table 95: Loopback Test UIMs**

| UIM # | Severity | Message Text         | UIM is Generated When ...                                                                                                                                         |
|-------|----------|----------------------|-------------------------------------------------------------------------------------------------------------------------------------------------------------------|
| 1156  | None     | Loopback success     | loopback test passes.                                                                                                                                             |
| 1157  | None     | Loopback failed      | loopback test failed.                                                                                                                                             |
| 1158  | None     | Loopback aborted     | request to activate link is received while running a loopback.                                                                                                    |
| 1159  | None     | Loopback in progress | loopback request received while the same loopback test is already in progress.                                                                                    |
| 1170  | None     | Loopback prevented   | loopback setup was not performed because the specified type of loopback requires a BOC to be transmitted and this function was prevented from transmitting a BOC. |
| 1171  | None     | Loopback invalid     | loopback setup was not performed because invalid parameters were provided.                                                                                        |

## ATM High-Speed Signaling Link Configuration

An ATM high-speed signaling link is configured using these commands:

- `ent-card` - Used to add either the ANSIATM or E1ATMLIMs
- `ent-slk` - Used to add the signaling link
- `chg-atm-lps` - Used to change the ATM signaling link parameters. The ATM signaling link parameters control the behavior of the ATM high-speed signaling links. These parameters are not configured with the `ent-slk` command and are assigned default values when the ATM high-speed signaling link is added to the database.

To configure an ATM high-speed signaling link, perform these procedures:

- [Adding an ATM High-Speed LIM](#)
- [Adding an ATM High-Speed Signaling Link](#)
- [Changing an ATM High-Speed Signaling Link Parameter Set](#).

Procedures for configuring the linksets and routes, and for removing SS7 signaling links (which includes ATM high-speed signaling links), are contained in [SS7 Configuration](#). The procedure for removing the LIM containing the ATM high-speed signaling link is contained in the *Database Administration Manual - System Management*. These procedures contain no information that is specific to ATM high-speed signaling links, therefore, are not included in this appendix.

The procedures contained in this appendix use a variety of commands. If more information on these commands is needed, go to the *Commands Manual* to find the required information.

### Adding an ATM High-Speed LIM

This procedure is used to add an ATM high-speed LIM to the database using the `ent-card` command.

The `ent-card` command uses these parameters.

`:loc` – The location of the card being added to the database.

`:type` – The type of card being added to the database.

`:appl` – The application software that is assigned to the card.

`:force` – If the global title translation feature is on, the `force=yes` parameter allows the LIM to be added to the database even if the current SCCP transactions-per-second threshold is unable to support the additional SCCP transaction-per-second capacity created by adding the LIM. This parameter is obsolete and is no longer used.

[Table 96: ATM High-Speed LIM Card Type and Card Application Combinations](#) shows the valid card type (`type`) and card application (`appl`) combinations for the ATM high-speed LIMs being added to the database and the names and part numbers of the hardware. This can be used to verify that the ATM high-speed LIM being added to the database matches the card physically installed in the EAGLE 5 ISS. See the [Determining the Number of High-Speed and Low-Speed Signaling Links](#) section for information on the maximum number of ATM high-speed LIMs that can be configured in the database.

Table 96: ATM High-Speed LIM Card Type and Card Application Combinations

| Card Name | Part Number | Card Type (:type) | Application Type (:appl) |
|-----------|-------------|-------------------|--------------------------|
| LIM-ATM   | 870-1293-XX | limatm            | atmansi                  |
| E1-ATM    | 870-2455-XX | lime1atm          | atmitu                   |
| E5-ATM    | 870-1872-01 | limatm            | atmansi                  |
|           |             | lime1tam          | atmitu                   |

The shelf to which the card is to be added, must already be in the database. This can be verified with the `rtrv-shlf` command. If the shelf is not in the database, go to the Adding a Shelf procedure in the *Database Administration Manual - System Management* and add the shelf.

The examples in this procedure are used to add the cards shown in [Table 97: Example Card Configuration](#) to the database.

Table 97: Example Card Configuration

| Card Type         | Application | Card Location |
|-------------------|-------------|---------------|
| limatm            | atmansi     | 1318          |
| lime1atm          | atmitu      | 2101          |
| limatm (E5-ATM)   | atmansi     | 2207          |
| lime1atm (E5-ATM) | atmitu      | 2205          |

**Note:** If an E5-ATM is being added as the ATM high-speed LIM, verify the temperature alarm threshold settings for the E5-ATM card by performing the [Changing the High-Capacity Card Temperature Alarm Thresholds](#) procedure.

1. Display the cards in the database using the `rtrv-card` command.

This is an example of the possible output.

```
rlghncxa03w 09-05-28 09:12:36 GMT EAGLE5 41.0.0
CARD TYPE APPL LSET NAME LINK SLC LSET NAME LINK SLC
1102 TSM GLS
1113 GSPM OAM
1114 TDM-A
1115 GSPM OAM
1116 TDM-B
1117 MDAL
1201 LIMDS0 SS7ANSI sp2 A 0 sp1 B 0
1203 LIMDS0 SS7ANSI sp3 A 0
1204 LIMDS0 SS7ANSI sp3 A 1
1206 LIMDS0 SS7ANSI nsp3 A 1 nsp4 B 1
1216 DCM STPLAN
1301 DSM VSCCP
1308 LIMDS0 SS7ANSI sp6 A 1 sp7 B 0
1314 LIMDS0 SS7ANSI sp7 A 1 sp5 B 1
1317 DCM STPLAN
```

The cards should be distributed throughout the EAGLE 5 ISS for proper power distribution. Refer to the *Installation Manual - EAGLE 5 ISS* for the shelf power distribution.

2. Using [Table 96: ATM High-Speed LIM Card Type and Card Application Combinations](#) as a reference, verify that the card has been physically installed into the proper location.
  - If an E5-ATM card is not being provisioned in this procedure, continue the procedure with [Step 8](#).
  - If an E5-ATM card is being provisioned in this procedure, continue the procedure with [Step 3](#).
3. Verify that HIPR cards are installed at card locations 9 and 10 in the shelf where the E5-ATM card will be installed. Enter this command.

```
rept-stat-gpl:gpl=hipr
```

This is an example of the possible output.

```
rlghncxa03w 07-05-01 11:40:26 GMT EAGLE5 37.0.0
GPL CARD RUNNING APPROVED TRIAL
HIPR 1109 126-002-000 126-002-000 126-003-000
HIPR 1110 126-002-000 126-002-000 126-003-000
HIPR 1209 126-002-000 126-002-000 126-003-000
HIPR 1210 126-002-000 126-002-000 126-003-000
HIPR 1309 126-002-000 126-002-000 126-003-000
HIPR 1310 126-002-000 126-002-000 126-003-000
HIPR 2109 126-002-000 126-002-000 126-003-000
HIPR 2110 126-002-000 126-002-000 126-003-000
Command Completed
```

If HIPR cards are installed at card locations 9 and 10 in the shelf where the E5-ATM card will be installed, continue the procedure with [Step 8](#).

If HIPR cards are not installed at card locations 9 and 10 in the shelf where the E5-ATM card will be installed, continue the procedure with [Step 4](#).

4. Verify that HIPR2 cards are installed at card locations 9 and 10 in the shelf where the E5-ATM card will be installed. Enter this command..

```
rept-stat-gpl:gpl=hipr2
```

This is an example of the possible output.

```
rlghncxa03w 09-07-05 08:12:53 GMT 41.1.0
GPL CARD RUNNING APPROVED TRIAL
HIPR2 1109 126-002-000 126-002-000 126-003-000
HIPR2 1110 126-002-000 126-002-000 126-003-000
HIPR2 1209 126-002-000 126-002-000 126-003-000
HIPR2 1210 126-002-000 126-002-000 126-003-000
HIPR2 1309 126-002-000 126-002-000 126-003-000
HIPR2 1310 126-002-000 126-002-000 126-003-000
HIPR2 2109 126-002-000 126-002-000 126-003-000
HIPR2 2110 126-002-000 126-002-000 126-003-000
Command Completed
```

If HIPR2 cards are installed at card locations 9 and 10 in the shelf where the E5-ATM card will be installed, continue the procedure with [Step 8](#).

If HIPR or HIPR2 cards are not installed at card locations 9 and 10 in the shelf where the E5-ATM card will be installed, go to the *Installation Manual - EAGLE 5 ISS* and install the HIPR or HIPR2 cards. Once the HIPR or HIPR2 cards have been installed, continue the procedure with [Step 8](#).

5. If the card is an EPM-B based card (E5-ATM-B), enter the `rtrv-stpopts` command to verify whether or not the MFC option is on. If the card is not an EPM-B based card, continue the procedure with [Step 6](#)

This is an example of the possible output.

```
rlghncxa03w 11-10-17 16:02:05 GMT EAGLE5 44.0.0
STP OPTIONS

MFC off
```

The `rtrv-stpopts` command output contains other fields that are not used by this procedure. To see all fields displayed by the `rtrv-stpopts` command, see the `rtrv-stpopts` command description in the *Commands Manual*.

If the MFC option is off, perform the Configuring the MFC Option procedure in *Database Administration - System Management* to turn on the MFC option.

If the MFC option is on or the MFC Option procedure in *Database Administration - System Management* was performed in this step, continue the procedure with [Step 8](#).

6. The Fan feature must be turned on. If the fan feature is off, enter the `rtrv-feat` command to verify that the Fan feature is on.

If the Fan feature is on, shown in the `rtrv-feat` output in this step, the FAN field should be set to on.

The `rtrv-feat` command output contains other fields that are not used by this procedure. To see all fields displayed by the `rtrv-feat` command, see the `rtrv-feat` command description in the *Commands Manual*.

If the Fan feature is on, continue the procedure with [Step 8](#).

If the Fan feature is off, continue the procedure with [Step 7](#).

7. Turn the Fan feature on by entering this command.

```
chg-feat:fan=on
```

**Note:** Once the Fan feature is turned on with the `chg-feat` command, it cannot be turned off.

When the `chg-feat` has successfully completed, this message appears.

```
rlghncxa03w 11-10-28 11:43:04 GMT EAGLE5 44.0.0
CHG-FEAT: MASP A - COMPLTD
```

8. Add the card using the `ent-card` command. For this example, enter these commands.

```
ent-card:loc=1318:type=limatm:appl=atmansl
ent-card:loc=2101:type=limelatm:appl=atmitu
```

```
ent-card:loc=2207:type=limatm:appl=atmansi
ent-card:loc=2205:type=lime1atm:appl=atmitu
```

When each of these commands have successfully completed, this message should appear.

```
rlghncxa03w 06-10-12 09:12:36 GMT EAGLE5 36.0.0
ENT-CARD: MASP A - COMPLTD
```

9. Verify the changes using the `rtrv-card` command with the card location specified.

For this example, enter these commands.

```
rtrv-card:loc=1318
```

This is an example of the possible output.

```
rlghncxa03w 06-10-28 09:12:36 GMT EAGLE5 36.0.0
CARD TYPE APPL LSET NAME LINK SLC LSET NAME LINK SLC
1318 LIMATM ATMANSI
```

```
rtrv-card:loc=2101
```

This is an example of the possible output.

```
rlghncxa03w 06-10-28 09:12:36 GMT EAGLE5 36.0.0
CARD TYPE APPL LSET NAME LINK SLC LSET NAME LINK SLC
2101 LIME1ATM ATMITU
```

```
rtrv-card:loc=2207
```

This is an example of the possible output.

```
rlghncxa03w 06-10-28 09:12:36 GMT EAGLE5 36.0.0
CARD TYPE APPL LSET NAME LINK SLC LSET NAME LINK SLC
2207 LIMATM ATMANSI
```

```
rtrv-card:loc=2205
```

This is an example of the possible output.

```
rlghncxa03w 06-10-28 09:12:36 GMT EAGLE5 36.0.0
CARD TYPE APPL LSET NAME LINK SLC LSET NAME LINK SLC
2205 LIME1ATM ATMITU
```

10. Back up the new changes using the `chg-db:action=backup:dest=fixed` command.

These messages should appear, the active Maintenance and Administration Subsystem Processor (MASP) appears first.

```
BACKUP (FIXED) : MASP A - Backup starts on active MASP.
BACKUP (FIXED) : MASP A - Backup on active MASP to fixed disk complete.
```

```
BACKUP (FIXED) : MASP A - Backup starts on standby MASP.
BACKUP (FIXED) : MASP A - Backup on standby MASP to fixed disk complete.
```

## Changing the Three Links per E5-ATM Card Quantity

This procedure is used to increase the number of E5-ATMs that can contain three signaling links. There is maximum of 250 E5-ATMs that can contain three signaling links. The EAGLE 5 ISS contains a maximum of 250 card slots for signaling links.

The `enable-ctrl-feat` command enables the Three Links per E5-ATM Card quantity, in groups of 5 E5-ATMs, by specifying the part number for the 3 Links per E5-ATM Card quantity and the Three Links per E5-ATM Card quantity's feature access key with these parameters:

`: fak` – The feature access key supplied by Tekelec. The feature access key contains 13 alphanumeric characters and is not case sensitive. If you do not have the feature access key for the Three Links per E5-ATM Card quantity you wish to enable, contact your Tekelec Sales Representative or Account Representative.

`: partnum` – The Tekelec-issued part number for the Three Links per E5-ATM Card quantity shown in [Table 98: 3 Links per E5-ATM Card Quantities and Part Numbers](#).

**Table 98: 3 Links per E5-ATM Card Quantities and Part Numbers**

| Part Number | 3 Links per E5-ATM Card Quantity | Part Number | 3 Links per E5-ATM Card Quantity |
|-------------|----------------------------------|-------------|----------------------------------|
| 893039101   | 5                                | 893039126   | 130                              |
| 893039102   | 10                               | 893039127   | 135                              |
| 893039103   | 15                               | 893039128   | 140                              |
| 893039104   | 20                               | 893039129   | 145                              |
| 893039105   | 25                               | 893039130   | 150                              |
| 893039106   | 30                               | 893039131   | 155                              |
| 893039107   | 35                               | 893039132   | 160                              |
| 893039108   | 40                               | 893039133   | 165                              |
| 893039109   | 45                               | 893039134   | 170                              |
| 893039110   | 50                               | 893039135   | 175                              |
| 893039111   | 55                               | 893039136   | 180                              |
| 893039112   | 60                               | 893039137   | 185                              |
| 893039113   | 65                               | 893039138   | 190                              |
| 893039114   | 70                               | 893039139   | 195                              |
| 893039115   | 75                               | 893039140   | 200                              |

| Part Number | 3 Links per E5-ATM Card Quantity | Part Number | 3 Links per E5-ATM Card Quantity |
|-------------|----------------------------------|-------------|----------------------------------|
| 893039116   | 80                               | 893039141   | 205                              |
| 893039117   | 85                               | 893039142   | 210                              |
| 893039118   | 90                               | 893039143   | 215                              |
| 893039119   | 95                               | 893039144   | 220                              |
| 893039120   | 100                              | 893039145   | 225                              |
| 893039121   | 105                              | 893039146   | 230                              |
| 893039122   | 110                              | 893039147   | 235                              |
| 893039123   | 115                              | 893039148   | 240                              |
| 893039124   | 120                              | 893039149   | 245                              |
| 893039125   | 125                              | 893039150   | 250                              |

The `enable-ctrl-feat` command requires a valid serial number for the EAGLE 5 ISS to be configured in the database, and that this serial number is locked. This can be verified with the `rtrv-serial-num` command. The EAGLE 5 ISS is shipped with a serial number in the database, but the serial number is not locked. The serial number can be changed, if necessary, and locked once the EAGLE 5 ISS is on-site, by using the `ent-serial-num` command. The `ent-serial-num` command uses these parameters.

`:serial` – The serial number assigned to the EAGLE 5 ISS. The serial number is not case sensitive.

`:lock` – Specifies whether or not the serial number is locked. This parameter has only one value, `yes`, which locks the serial number. Once the serial number is locked, it cannot be changed.

**Note:** To enter and lock the EAGLE 5 ISS's serial number, the `ent-serial-num` command must be entered twice, once to add the correct serial number to the database with the `serial` parameter, then again with the `serial` and the `lock=yes` parameters to lock the serial number. You should verify that the serial number in the database is correct before locking the serial number. The serial number can be found on a label affixed to the control shelf (shelf 1100).

Once the proxy point code quantity is enabled with the `enable-ctrl-feat` command, the proxy point code is also turned on. The `chg-ctrl-feat` command is not necessary to turn on the proxy point code quantity.

A 3 Links per E5-ATM quantity cannot be enabled for the first time if there are any ATM high-speed signaling links in the database whose VCI value is greater than 16383. These signaling links must be removed by performing the [Removing an SS7 Signaling Link](#) procedure. These signaling links can be added back to the database by performing the [Adding an ATM High-Speed Signaling Link](#) procedure. The VCI value for these signaling links must be 16383 or less. If a 3 Links per E5-ATM quantity is being increased from a currently enabled 3 Links per E5-ATM quantity, then there are no ATM high-speed signaling links in the database whose VCI value is greater than 16383.

1. Display the features that are enabled by entering the `rtrv-ctrl-feat` command.



The following is an example of the possible output.

```
rlghncxa03w 10-12-28 21:15:37 GMT EAGLE5 43.0.0
The following features have been permanently enabled:
```

| Feature Name              | Partnum   | Status | Quantity |
|---------------------------|-----------|--------|----------|
| Command Class Management  | 893005801 | on     | ----     |
| LNP Short Message Service | 893006601 | on     | ----     |
| Intermed GTT Load Sharing | 893006901 | on     | ----     |
| XGTT Table Expansion      | 893006101 | on     | 4000000  |
| XMAP Table Expansion      | 893007710 | on     | 3000     |
| Large System # Links      | 893005901 | on     | 1500     |
| Routesets                 | 893006401 | on     | 6000     |
| HC-MIM SLK Capacity       | 893012707 | on     | 64       |
| 3 Links per E5-ATM Card   | 893039105 | on     | 25       |

```
The following features have been temporarily enabled:
```

| Feature Name        | Partnum | Status | Quantity | Trial Period Left |
|---------------------|---------|--------|----------|-------------------|
| Zero entries found. |         |        |          |                   |

```
The following features have expired temporary keys:
```

| Feature Name        | Partnum |
|---------------------|---------|
| Zero entries found. |         |

If a 3 Links per E5-ATM Card quantity is enabled, the entry 3 Links per E5-ATM Card is shown in the `rtrv-ctrl-feat` output.

If a 3 Links per E5-ATM Card quantity is shown in the `rtrv-ctrl-feat` output and that quantity is 250, the new quantity cannot be enabled. This is the maximum number of E5-ATMs that can contain 3 signaling links.

If a 3 Links per E5-ATM Card quantity is shown in the `rtrv-ctrl-feat` output and that quantity is less than 250, continue the procedure with [Step 7](#).

If a 3 Links per E5-ATM Card quantity is not shown in the `rtrv-ctrl-feat` output, continue the procedure with [Step 2](#).

If the `rtrv-ctrl-feat` output in [Step 1](#) shows any controlled features, continue the procedure with [Step 6](#). If the `rtrv-ctrl-feat` output shows only the HC-MIM SLK Capacity feature with a quantity of 64, [Step 2](#) through [Step 5](#) must be performed.

2. Display the serial number in the database with the `rtrv-serial-num` command.

This is an example of the possible output.

```
rlghncxa03w 10-12-28 21:15:37 GMT EAGLE5 43.0.0
System serial number = <EAGLE 5 ISS serial number>

System serial number is not locked.
```

**Note:** If the serial number is correct and locked, continue the procedure with [Step 6](#). If the serial number is correct but not locked, continue the procedure with [Step 5](#). If the serial number is not correct, but is locked, a 3 Links per E5-ATM quantity cannot be enabled and the remainder of this procedure cannot be performed. Contact the Customer Care Center to get an incorrect and locked

serial number changed. Refer to [Customer Care Center](#) for the contact information. The serial number can be found on a label affixed to the control shelf (shelf 1100).

3. Enter the correct serial number into the database using the `ent-serial-num` command with the `serial` parameter.

For this example, enter this command.

```
ent-serial-num:serial=<EAGLE 5 ISS's correct serial number>
```

When this command has successfully completed, the following message should appear.

```
rlghncxa03w 10-12-28 21:15:37 GMT EAGLE5 43.0.0
ENT-SERIAL-NUM: MASP A - COMPLTD
```

4. Verify that the serial number entered in [Step 3](#) was entered correctly using the `rtrv-serial-num` command.

This is an example of the possible output.

```
rlghncxa03w 10-12-28 21:15:37 GMT EAGLE5 43.0.0
System serial number = <EAGLE 5 ISS correct serial number>

System serial number is not locked.
```

If the serial number was not entered correctly, repeat [Step 3](#) and [Step 4](#) and re-enter the correct serial number.

5. Lock the serial number in the database by entering the `ent-serial-num` command with the serial number shown in [Step 2](#), if the serial number shown in [Step 2](#) is correct, or with the serial number shown in [Step 4](#), if the serial number was changed in [Step 3](#), and with the `lock=yes` parameter.

For this example, enter this command.

```
ent-serial-num:serial=<EAGLE 5 ISS's serial number>:lock=yes
```

When this command has successfully completed, the following message should appear.

```
rlghncxa03w 10-12-28 21:15:37 GMT EAGLE5 43.0.0
ENT-SERIAL-NUM: MASP A - COMPLTD
```

6. Display the ATM high-speed signaling links by entering this command.

```
rtrv-slk:type=saal
```

This is an example of the possible output.

```
rlghncxa03w 10-12-19 21:16:37 GMT EAGLE5 43.0.0

LOC LINK LSN SLC TYPE LP ATM
1303 A lsnds0 1 LIMATM 1 1.544M LINE 5 0 0
 LP ATM E1ATM
```

```
LOC LINK LSN SLC TYPE SET BPS TSEL VCI VPI CRC4 SI SN
1306 A lsnituatm 0 LIME1ATM 21 2.048M LINE 5 0 ON 3 0
```

```
SLK table is (29 of 1200) 2% full.
```

If no entries are displayed in the `rtrv-slks` output, continue the procedure with [Step 7](#).

If entries are displayed in the `rtrv-slks` output and the VCI value of all the signaling links is 16383 or less, continue the procedure with [Step 7](#).

If entries are displayed in the `rtrv-slks` output and the VCI value of any of the signaling links is greater than 16383, perform the [Removing an SS7 Signaling Link](#) to remove these signaling links. If you wish to add these signaling links back into the database, perform the [Adding an ATM High-Speed Signaling Link](#) procedure. The VCI value of these signaling links must be 16383 or less. After the signaling links have been removed, and added back into the database if desired, continue the procedure with [Step 7](#).

7. Enable a 3 Links per E5-ATM Card quantity with the `enable-ctrl-feat` command specifying the part number for the 3 Links per E5-ATM Card quantity and the feature access key.

The part numbers and 3 Links per E5-ATM Card quantities are shown in [Table 98: 3 Links per E5-ATM Card Quantities and Part Numbers](#).

For this example, enter this command.

```
enable-ctrl-feat:partnum=893039106:fak=<3 Links per E5-ATM Card feature
access key for 30 E5-ATMs>
```

**Note:** A temporary feature access key cannot be specified to enable the 3 Links per E5-ATM Card quantity.

**Note:** The values for the feature access key (the `fak` parameter) are provided by Tekelec. If you do not have the feature access key for the 3 Links per E5-ATM Card quantity you wish to enable, contact your Tekelec Sales Representative or Account Representative.

When the `enable-ctrl-feat` command has successfully completed, this message should appear.

```
rlghncxa03w 10-12-28 21:15:37 GMT EAGLE5 43.0.0
ENABLE-CTRL-FEAT: MASP B - COMPLTD
```

8. Verify the changes by entering the `rtrv-ctrl-feat` command with the 3 Links per E5-ATM Card quantity part number specified in [Step 7](#).

For this example, enter this command.

```
rtrv-ctrl-feat:partnum=893039106
```

The following is an example of the possible output.

```
rlghncxa03w 10-12-28 21:15:37 GMT EAGLE5 43.0.0
The following features have been permanently enabled:

Feature Name Partnum Status Quantity
3 Links per E5-ATM Card 893039106 on 30

The following features have been temporarily enabled:
```

```
Feature Name Partnum Status Quantity Trial Period Left
Zero entries found.
```

The following features have expired temporary keys:

```
Feature Name Partnum
Zero entries found.
```

9. Back up the new changes, using the `chg-db:action=backup:dest=fixed` command.

These messages should appear; the active Maintenance and Administration Subsystem Processor (MASP) appears first.

```
BACKUP (FIXED): MASP A - Backup starts on active MASP.
BACKUP (FIXED): MASP A - Backup on active MASP to fixed disk complete.
BACKUP (FIXED): MASP A - Backup starts on standby MASP.
BACKUP (FIXED): MASP A - Backup on standby MASP to fixed disk complete.
```

## Adding an ATM High-Speed Signaling Link

This procedure is used to add an ANSI ATM or E1 ATM high-speed signaling link to the database using the `ent-slk` command. The `ent-slk` command uses these parameters.

`:loc` – The card location of the LIM that the ATM high-speed signaling link will be assigned to. The cards specified by this parameter are ATM high-speed LIMs.

`:link` – The signaling link on the card specified in the `loc` parameter.

`:lsn` – The name of the linkset that will contain the signaling link.

`:slc` – The signaling link code. The SLC must be unique within the linkset. It must be the same at both the EAGLE 5 ISS location and the distant node.

`:bps` – The transmission rate for the link in bits per second.

`:lpset` – link parameter set identifier – the ATM signaling parameter set. An ATM signaling link can be assigned to any of 30 parameter sets.

`:atmtsel` – ATM timing selector – The source of the timing for the ATM signaling link, internal, line, or external. Internal timing for an ANSI ATM signaling link is derived from an internal clock source operating at 1.544 MHz ± 50 ppm. For an E1 ATM signaling link, internal timing is derived from an internal clock source operating at 2.048 MHz ± 50 ppm. Line timing is derived from its received data stream, if present. External timing is derived from a clock source external to the EAGLE 5 ISS. Line timing is the default value for this parameter.



### CAUTION

**Caution:** The `atmtsel=internal` parameter is only supported for lab use and not for live traffic.

**Note:** If the `atmtsel=external` parameter is specified with the `ent-slk` command, make sure that the correct TDM (P/N 870-0774-10 or later) is installed in card slots 1114 and 1116. Make sure that the external master clock source is connected to the EAGLE 5 ISS.

**Note:** To use an external high-speed master clock source other than RS-422, TDMs 870-0774-15 or later must be installed in card locations 1114 and 1116, and the TDM Global Timing Interface options must be configured. For more information, see the [Configuring the Options for the TDM Global Timing Interface](#) procedure.

:vci – virtual channel identifier – The identifier of the virtual channel used by the ATM signaling link for virtual channel connections.

:vpi – virtual path identifier – The identifier of the virtual path used by the ATM signaling link for virtual path connections.

:ll – The length of the cable used for the ANSI ATM signaling link. The value of the ll parameter is from 0 to 7, with each number representing a range of cable lengths, shown in [Table 99: ATM Signaling Link Cable Lengths](#). The default value for this parameter is 0.

**Table 99: ATM Signaling Link Cable Lengths**

| LL Parameter Value | ATMSignaling Link Cable Length           |
|--------------------|------------------------------------------|
| 0                  | 0 to 110 feet                            |
| 1                  | 110 to 220 feet                          |
| 2                  | 220 to 330 feet                          |
| 3                  | 330 to 440 feet                          |
| 4                  | 440 to 550 feet                          |
| 5                  | 550 to 660 feet                          |
| 6                  | more than 660 feet                       |
| 7                  | used for external line buildout networks |

:e1atmcrc4 – Specifies whether or not CRC4 is enabled on the E1 ATM high-speed signaling link.

:e1atmsi – Specifies the value of the two spare international bits of NFAS data, from 0 to 3 for the E1 ATM high-speed signaling link.

:e1atmsn – Specifies the value of the five spare national bits of NFAS data, from 0 to 31 for the E1 ATM high-speed signaling link.

The `ent-slk` command contains other optional parameters that can be used to configure a signaling link. These parameters are not shown here because they cannot be used to provision an ATM high-speed signaling link. These parameters are explained in more detail in the [Adding an SS7 Signaling Link](#) procedure, or in the `ent-slk` command description in the *Commands Manual*.

These items must be configured in the database before an ATM high-speed signaling link can be added:

- Shelf – see [Adding a Shelf](#) in the *Database Administration Manual - System Management*
- Card – see [Adding an ATM High-Speed LIM](#)
- Destination Point Code – see [Adding a Destination Point Code](#)
- Linkset – see [Adding a SS7 Linkset](#).

Adding the ATM high-speed signaling link cannot exceed the total provisioned system TPS shown in the `rtrv-tps` output. The amount of TPS for an ATM high-speed signaling link is shown in this list.

- ANSI ATM high-speed signaling link - 1630 TPS
- ITU ATM high-speed signaling link - 2038 TPS

If adding the ATM high-speed signaling link will exceed the maximum total provisioned system TPS, and the maximum total provisioned system TPS is 500,000, perform the "Activating the HIPR2 High Rate Mode" feature in the *Database Administration Manual - System Management* to enable and turn on the HIPR2 High Rate Mode feature. When the HIPR2 High Rate Mode feature is enabled and turned on, the maximum total provisioned system TPS is increased to 750,000. If the maximum total provisioned system TPS is 750,000, or the maximum total provisioned system TPS is 500,000 and will not be increased, and adding the ATM high-speed signaling link will exceed the maximum total provisioned system TPS, the ATM high-speed signaling link cannot be added unless the amount of available TPS is reduced enough to allow the ATM high-speed signaling link to be added. The available TPS can be reduced by performing one or more of these actions.

- The IP TPS values of some IPGWx linksets have to be changed.
- The MAXSLKTPS values of some IPSG linksets (and the RSVDSLKTPS values if necessary) have to be changed.
- Some ATM high-speed signaling links have to be removed.
- An IPLIMx card that contains signaling links has to be removed.

Verify that the link has been physically installed (all cable connections have been made).

To configure the EAGLE 5 ISS to perform circular routing detection test on the signaling links, [Configuring Circular Route Detection](#) procedure.

**Note:** Circular route detection is not supported in ITU networks.

To provision a EAGLE 5 ISS with more than 1200 signaling links, the EAGLE 5 ISS must have certain levels of hardware installed. See the [Requirements for EAGLE 5 ISSs Containing more than 1200 Signaling Links](#) section for more information on these hardware requirements.

The EAGLE 5 ISS can contain a mixture of low-speed, E1, T1, ATM high-speed, and IP signaling links. The [Determining the Number of High-Speed and Low-Speed Signaling Links](#) section describes how to determine the quantities of the different types of signaling links the EAGLE 5 ISS can have.

### ATM High-Speed Signaling Link Parameter Combinations

*Table 100: ATM High-Speed Signaling Link Parameter Combinations* shows the parameter combinations that can be specified for ATM high-speed signaling links with the `ent-slk` command, and the parameters and values that can be used to provision each type of ATM high-speed signaling link.

**Table 100: ATM High-Speed Signaling Link Parameter Combinations**

| ATM (ANSI) High-Speed Signaling Link                                                           | E1ATM High-Speed Signaling Link                                                                     |
|------------------------------------------------------------------------------------------------|-----------------------------------------------------------------------------------------------------|
| <b>Mandatory Parameters</b>                                                                    |                                                                                                     |
| :loc = location of the LIM-ATMor E5-ATM with the ATMANSI application and the LIMATM card type. | :loc = location of the E1HSL card or E5-ATM with the ATMITU application and the LIME1ATM card type. |
| :link = A, B, A1 (See Notes 4, 5, and 6)                                                       | :link = A, B, A1 (See Notes 4, 5, and 6)                                                            |

| ATM (ANSI) High-Speed Signaling Link                                                                                                                                                                                                                                                                                                                                                                                                                                                                                                                                                                                                                                                                                                                                                                                                                                                                                                                                                                                                                                                                          | E1ATM High-Speed Signaling Link                             |
|---------------------------------------------------------------------------------------------------------------------------------------------------------------------------------------------------------------------------------------------------------------------------------------------------------------------------------------------------------------------------------------------------------------------------------------------------------------------------------------------------------------------------------------------------------------------------------------------------------------------------------------------------------------------------------------------------------------------------------------------------------------------------------------------------------------------------------------------------------------------------------------------------------------------------------------------------------------------------------------------------------------------------------------------------------------------------------------------------------------|-------------------------------------------------------------|
| :lsn = linkset name (See Note 1)                                                                                                                                                                                                                                                                                                                                                                                                                                                                                                                                                                                                                                                                                                                                                                                                                                                                                                                                                                                                                                                                              | :lsn = linkset name (See Notes 1 and 2)                     |
| :slc = 0 - 15                                                                                                                                                                                                                                                                                                                                                                                                                                                                                                                                                                                                                                                                                                                                                                                                                                                                                                                                                                                                                                                                                                 | :slc = 0 - 15                                               |
| <b>Optional Parameters</b>                                                                                                                                                                                                                                                                                                                                                                                                                                                                                                                                                                                                                                                                                                                                                                                                                                                                                                                                                                                                                                                                                    |                                                             |
| :bps = 1544000<br>default value = 1544000                                                                                                                                                                                                                                                                                                                                                                                                                                                                                                                                                                                                                                                                                                                                                                                                                                                                                                                                                                                                                                                                     | :bps = 2048000<br>default value = 2048000                   |
| :lpset = 1 - 30<br>default value = 1                                                                                                                                                                                                                                                                                                                                                                                                                                                                                                                                                                                                                                                                                                                                                                                                                                                                                                                                                                                                                                                                          | :lpset = 1 - 30<br>default value = 1                        |
| :atmtsel = line, internal, external<br>default value = line                                                                                                                                                                                                                                                                                                                                                                                                                                                                                                                                                                                                                                                                                                                                                                                                                                                                                                                                                                                                                                                   | :atmtsel = line, internal, external<br>default value = line |
| :vci = 0 - 65535 (See Notes 3 and 7)<br>default value = 5                                                                                                                                                                                                                                                                                                                                                                                                                                                                                                                                                                                                                                                                                                                                                                                                                                                                                                                                                                                                                                                     | :vci = 0 - 65535 (See Notes 3 and 7)<br>default value = 5   |
| :vpi = 0 - 4095<br>default value = 0                                                                                                                                                                                                                                                                                                                                                                                                                                                                                                                                                                                                                                                                                                                                                                                                                                                                                                                                                                                                                                                                          | :vpi = 0 - 4095<br>default value = 0                        |
| :ll = 0 - 7<br>default value = 0                                                                                                                                                                                                                                                                                                                                                                                                                                                                                                                                                                                                                                                                                                                                                                                                                                                                                                                                                                                                                                                                              | :e1atmcrc4 = on, off<br>default value = off                 |
|                                                                                                                                                                                                                                                                                                                                                                                                                                                                                                                                                                                                                                                                                                                                                                                                                                                                                                                                                                                                                                                                                                               | :e1atmsi = 0 - 3<br>default value = 3                       |
|                                                                                                                                                                                                                                                                                                                                                                                                                                                                                                                                                                                                                                                                                                                                                                                                                                                                                                                                                                                                                                                                                                               | :e1atmsn = 0 - 31<br>default value = 0                      |
| Notes:                                                                                                                                                                                                                                                                                                                                                                                                                                                                                                                                                                                                                                                                                                                                                                                                                                                                                                                                                                                                                                                                                                        |                                                             |
| <ol style="list-style-type: none"> <li>1. The linkset adjacent point code (APC) type must match the card's application (ATMANSI - ANSI APC/ATMITU - ITU-I, ITU-N APC). The domain of the linkset adjacent point code must be SS7. A linkset can contain a maximum of 16 signaling links.</li> <li>2. E1ATM signaling links (signaling links assigned to cards running the ATMITU application) cannot be assigned to linksets containing 24-bit ITU-N APCs (APCN24) or SAPCs (SAPCN24).</li> <li>3. The values 0 - 4 and 6 - 31 cannot be specified for the vci parameter. These values are reserved.</li> <li>4. The port parameter can be used in place of the link parameter to specify the signaling link on the card.</li> <li>5. The link parameter value B can be used only if the ATM high-speed LIM is an E5-ATM card.</li> <li>6. The link parameter value A1 can be used only if the ATM high-speed LIM is an E5-ATM card. A 3 Links per E5-ATM Card quantity must be enabled.</li> <li>7. If a 3 Links per E5-ATM Card quantity is enabled, the vci value cannot be greater than 16383.</li> </ol> |                                                             |

#### Canceling the REPT-STAT-SLK and RTRV-SLK Commands

Because the `rept-stat-slk` and `rtrv-slk` commands used in this procedure can output information for a long period of time, the `rept-stat-slk` and `rtrv-slk` commands can be canceled and the output to the terminal stopped. There are three ways that the `rept-stat-slk` and `rtrv-slk` commands can be canceled.

- Press the F9 function key on the keyboard at the terminal where the `rept-stat-slk` or `rtrv-slk` commands were entered.
- Enter the `canc-cmd` without the `trm` parameter at the terminal where the `rept-stat-slk` or `rtrv-slk` commands were entered.
- Enter the `canc-cmd:trm=<xx>`, where `<xx>` is the terminal where the `rept-stat-slk` or `rtrv-slk` commands were entered, from another terminal other than the terminal where the `rept-stat-slk` or `rtrv-slk` commands were entered. To enter the `canc-cmd:trm=<xx>` command, the terminal must allow Security Administration commands to be entered from it and the user must be allowed to enter Security Administration commands. The terminal's permissions can be verified with the `rtrv-secu-trm` command. The user's permissions can be verified with the `rtrv-user` or `rtrv-secu-user` commands.

For more information about the `canc-cmd` command, go to the *Commands Manual*.

#### 1. Display the current signaling link configuration using the `rtrv-slk` command.

This is an example of the possible output.

```

rlghncxa03w 10-07-19 21:16:37 GMT EAGLE5 42.0.0
LOC LINK LSN SLC TYPE SET BPS ECM PCR PCR
1312 A lsnds0 0 LIMDS0 1 56000 BASIC ---- -
LP ATM
LOC LINK LSN SLC TYPE SET BPS TSEL VCI VPI LL
1305 A lsnds0 1 LIMATM 1 1.544M LINE 5 0 0
LP ATM
LOC LINK LSN SLC TYPE SET BPS TSEL VCI VPI CRC4 SI SN
1306 A lsnituatm 0 LIME1ATM 21 2.048M LINE 5 0 ON 3 0
LP ATM
LOC LINK LSN SLC TYPE ANAME SLKTPS
1303 A ipsglsn 0 IPSP ipsgm2pa1 600
1303 A1 ipsglsn 1 IPSP ipsgm2pa2 600
1303 B1 ipsglsn 2 IPSP ipsgm2pa3 600
1303 A2 ipsglsn 3 IPSP ipsgm2pa4 600
1303 A3 ipsglsn 4 IPSP ipsgm2pa5 600
1303 B3 ipsglsn2 0 IPSP ipsgm2pa6 1000
1307 A ipsglsn 5 IPSP m2pa2 600
LP ATM
LOC LINK LSN SLC TYPE IPLIML2
1301 A lsniplim 0 IPLIM M2PA
1301 A1 lsniplim 1 IPLIM M2PA
1301 B1 lsniplim 2 IPLIM M2PA
LP ATM
LOC LINK LSN SLC TYPE
1201 A ipgwx2 2 SS7IPGW
1202 A ipgwx2 3 SS7IPGW
1203 A ipgwx2 4 SS7IPGW
1204 A ipgwx2 5 SS7IPGW
1205 A ipgwx2 6 SS7IPGW
1206 A ipgwx2 7 SS7IPGW
1101 A ipgwx1 0 SS7IPGW
1102 A ipgwx1 1 SS7IPGW

```



```

1103 A ipgwx1 2 SS7IPGW
1104 A ipgwx1 3 SS7IPGW
1105 A ipgwx1 4 SS7IPGW
1106 A ipgwx1 5 SS7IPGW
1107 A ipgwx1 6 SS7IPGW
1108 A ipgwx1 7 SS7IPGW
1111 A ipgwx2 0 SS7IPGW
1112 A ipgwx2 1 SS7IPGW

```

```
SLK table is (29 of 1200) 2% full.
```

If the addition of the new signaling link will exceed the maximum number of signaling links the EAGLE 5 ISS can have (in this example, the maximum number of signaling links is 1200), and the maximum number of signaling links is 2800, this procedure cannot be performed. The EAGLE 5 ISS cannot contain more than 2800 signaling links.

If the addition of the new signaling link will exceed the maximum number of signaling links the EAGLE 5 ISS can have, and the maximum number of signaling links is less than 2800, perform the [Enabling the Large System # Links Controlled Feature](#) procedure to enable the desired quantity of signaling links. After the new quantity of signaling links has been enabled, continue the procedure with [Step 2](#).

If the addition of the new signaling link will not exceed the maximum number of signaling links the EAGLE 5 ISS can have, continue the procedure with [Step 2](#).

2. Display the total provisioned system TPS by entering the `rtrv-tps` command. This is an example of the possible output.

```

rlghncxa03w 10-07-10 16:20:46 GMT EAGLE 42.0.0

CARD NUM NUM RSVD MAX
TYPE CARDS LINKS TPS TPS

IPGW 17 16 48000 80000
IPSG 3 7 4200 8000
IPLIM 2 4 8000 8000
ATM 2 2 3668 3668

Total provisioned System TPS (99668 of 500000) 20%

Command Completed.

```

An ANSI ATM high-speed signaling link uses 1630 TPS. An ITU ATM high-speed signaling link uses 2038 TPS. If adding the ATM high-speed signaling link will not exceed the maximum total provisioned system TPS, continue the procedure with [Step 7](#).

If adding the ATM high-speed signaling link will exceed the maximum total provisioned system TPS, and the maximum total provisioned system TPS is 500,000, perform the "Activating the HIPR2 High Rate Mode" feature in the *Database Administration Manual - System Management* to enable and turn on the HIPR2 High Rate Mode feature. When the HIPR2 High Rate Mode feature is enabled and turned on, the maximum total provisioned system TPS is increased to 750,000. After the HIPR2 High Rate Mode feature has been enabled and turned on, continue the procedure with [Step 7](#).

If the maximum total provisioned system TPS is 750,000, or the maximum total provisioned system TPS is 500,000 and will not be increased, and adding the ATM high-speed signaling link will exceed the maximum total provisioned system TPS, the ATM high-speed signaling link cannot be added

unless the amount of available TPS is reduced enough to allow the ATM high-speed signaling link to be added. The available TPS can be increased by performing one or more of these actions.

- The IP TPS values of some IPGWx linksets have to be changed. To perform this action, continue the procedure with [Step 5](#).
- The MAXSLKTPS values of some IPSG linksets (and the RSVDSLKTPS values if necessary) have to be changed. To perform this action, continue the procedure with [Step 5](#).
- Some ATM high-speed signaling links have to be removed. To perform this action, continue the procedure with [Step 3](#).
- An IPLIMx card that contains signaling links has to be removed. To perform this action, continue the procedure with [Step 4](#).

**Note:** If none of these actions are performed, the ATM high-speed signaling link cannot be added and the remainder of this procedure cannot be performed.

3. Display the ATM high-speed signaling links by entering this command.

```
rtrv-slk:type=saal
```

This is an example of the possible output.

```
rlghncxa03w 10-07-19 21:16:37 GMT EAGLE5 42.0.0

LOC LINK LSN SLC TYPE LP ATM
1303 A lsnds0 1 LIMATM 1 1.544M LINE 5 0 0

LOC LINK LSN SLC TYPE LP ATM E1ATM
1306 A lsnituatm 0 LIME1ATM 21 2.048M LINE 5 0 ON 3 0

SLK table is (29 of 1200) 2% full.
```

If ATM high-speed signaling links are shown in the `rtrv-slk` output, perform the [Removing an SS7 Signaling Link](#) procedure to remove some of the ATM high-speed signaling links.

If ATM high-speed signaling links are not displayed in the `rtrv-slk` output, perform one or more of these actions to increase the available TPS.

**Note:** If one or more of these actions are not performed to increase the available TPS and the available TPS will not allow the ATM high-speed signaling link to be added, the ATM high-speed signaling link cannot be added and the remainder of this procedure cannot be performed.

- The IP TPS values of some IPGWx linksets have to be changed. To perform this action, continue the procedure with [Step 5](#).
- The MAXSLKTPS values of some IPSG linksets (and the RSVDSLKTPS values if necessary) have to be changed. To perform this action, continue the procedure with [Step 5](#).
- Some ATM high-speed signaling links have to be removed. To perform this action, continue the procedure with [Step 3](#).
- An IPLIMx card that contains signaling links has to be removed. To perform this action, continue the procedure with [Step 4](#).

If you do not wish to perform other actions to increase the available TPS and the available TPS will allow the ATM high-speed signaling link to be added, continue the procedure with [Step 7](#).

4. Display the signaling links that are assigned to IPLIMx cards by entering this command.

```
rtrv-slk:type=iplim
```

This is an example of the possible output.

```
rlghncxa03w 10-07-19 21:16:37 GMT EAGLE5 42.0.0
LOC LINK LSN SLC TYPE ANAME SLKTPS
1301 A lsniplim 0 IPLIM M2PA
1301 A1 lsniplim 1 IPLIM M2PA
1301 B1 lsniplim 2 IPLIM M2PA
SLK table is (29 of 1200) 2% full.
```

If IPLIMx cards containing signaling links are shown in the `rtrv-slk` output, perform the "Removing an IPLIMx Card" procedure in the *Database Administration Manual - IP7 Secure Gateway* to remove an IPLIMx card and its associated signaling links.

If IPLIMx cards containing signaling links are not displayed in the `rtrv-slk` output, perform one or more of these actions to increase the available TPS.

**Note:** If one or more of these actions are not performed to increase the available TPS and the available TPS will not allow the ATM high-speed signaling link to be added, the ATM high-speed signaling link cannot be added and the remainder of this procedure cannot be performed.

- The IP TPS values of some IPGWx linksets have to be changed. To perform this action, continue the procedure with [Step 5](#).
- The MAXSLKTPS values of some IPSG linksets (and the RSVDSLKTPS values if necessary) have to be changed. To perform this action, continue the procedure with [Step 5](#).
- Some ATM high-speed signaling links have to be removed. To perform this action, continue the procedure with [Step 3](#).

If you do not wish to perform other actions to increase the available TPS and the available TPS will allow the ATM high-speed signaling link to be added, continue the procedure with [Step 7](#).

5. Display the IPGWx and IPSG linksets by entering this command.

```
rept-stat-iptps
```

This is an example of the possible output.

```
rlghncxa03w 10-07-19 21:16:37 GMT EAGLE5 42.0.0
IP TPS USAGE REPORT
```

| LSN      | THRESH | CONFIG/<br>RSVD | CONFIG/<br>MAX | TX:  | TPS  | PEAK | PEAKTIMESTAMP     |
|----------|--------|-----------------|----------------|------|------|------|-------------------|
| ipgwx1   | 100%   | ----            | 32000          | 3700 | 3700 | 4000 | 10-07-19 09:49:19 |
|          |        |                 |                | RCV: | 3650 | 4000 | 10-07-19 09:49:19 |
| ipgwx2   | 100%   | ----            | 16000          | 4800 | 4800 | 5000 | 10-07-19 09:49:09 |
|          |        |                 |                | RCV: | 4850 | 5000 | 10-07-19 09:49:09 |
| ipgwx3   | 100%   | ----            | 32000          | 427  | 427  | 550  | 10-07-19 09:49:19 |
|          |        |                 |                | RCV: | 312  | 450  | 10-07-19 09:49:19 |
| ipsglsn  | 100%   | 600             | 24000          | 4800 | 4800 | 5000 | 10-07-19 09:49:19 |
|          |        |                 |                | RCV: | 4800 | 5000 | 10-07-19 09:49:19 |
| ipsglsn2 | 100%   | 600             | 4000           | 427  | 427  | 550  | 10-07-19 09:49:19 |
|          |        |                 |                | RCV: | 312  | 450  | 10-07-19 09:49:19 |

Command Completed.

If linksets are displayed in the `rept-stat-iptps` output, continue the procedure with [Step 6](#).

If linksets are not displayed in the `rept-stat-iptps` output, perform one or more of these actions to increase the available TPS.

**Note:** If one or more of these actions are not performed to increase the available TPS and the available TPS will not allow the ATM high-speed signaling link to be added, the ATM high-speed signaling link cannot be added and the remainder of this procedure cannot be performed.

- An IPLIMx card that contains signaling links has to be removed. To perform this action, continue the procedure with [Step 4](#).
- Some ATM high-speed signaling links have to be removed. To perform this action, continue the procedure with [Step 3](#).

If you do not wish to perform other actions to increase the available TPS and the available TPS will allow the ATM high-speed signaling link to be added, continue the procedure with [Step 7](#).

6. Display the attributes of the linksets shown in [Step 5](#) by entering the `rtrv-ls` command with the name of the linkset shown in [Step 5](#).

For this example enter these commands.

```
rtrv-ls:lsn=ipgwx1
```

This is an example of the possible output.

```
rlghncxa03w 10-07-19 21:16:37 GMT EAGLE5 42.0.0

LSN APCA (SS7) L3T SLT GWS GWS GWS
ipgwx1 001-001-002 none 1 1 no A 8 ACT MES DIS SLSCI NIS
 off off off no off

 SPCA CLLI TFATCABMLQ MTPRSE ASL8
 ----- ----- --- no

RANDSLS
off

IPSG IPGWAPC GTTMODE CGGTMOD
no yes CdPA no

MATELSN IPTPS LSUSEALM SLKUSEALM
----- ----- ----- -----
 32000 100% 80%

LOC LINK SLC TYPE
1101 A 0 SS7IPGW
1102 A 1 SS7IPGW
1103 A 2 SS7IPGW
1104 A 3 SS7IPGW
1105 A 4 SS7IPGW
1106 A 5 SS7IPGW
1107 A 6 SS7IPGW
1108 A 7 SS7IPGW

Link set table is (8 of 1024) 1% full.
```

rtrv-ls:lsn=ipgwx2

This is an example of the possible output.

```
rlghncxa03w 10-07-19 21:16:37 GMT EAGLE5 42.0.0

LSN APCA (SS7) SCR N SET SET BEI LST LNKS ACT MES DIS SLSCI NIS
ipgwx2 001-001-003 none 1 1 no A 8 off off off no off

 SPCA CLLI TFATCABMLQ MTPRSE ASL8
 ----- ----- 4 --- no

RANDSLS
off

IPSG IPGWAPC GTTMODE CGGTMOD
no yes CdPA no

MATELSN IPTPS LSUSEALM SLKUSEALM
----- ----- ----- -----
 16000 100% 80%

LOC LINK SLC TYPE
1111 A 0 SS7IPGW
1112 A 1 SS7IPGW
1201 A 2 SS7IPGW
1202 A 3 SS7IPGW
1203 A 4 SS7IPGW
1204 A 5 SS7IPGW
1205 A 6 SS7IPGW
1206 A 7 SS7IPGW
```

Link set table is (8 of 1024) 1% full.

rtrv-ls:lsn=ipgwx3

This is an example of the possible output.

```
rlghncxa03w 10-07-19 21:16:37 GMT EAGLE5 42.0.0

LSN APCA (SS7) SCR N SET SET BEI LST LNKS ACT MES DIS SLSCI NIS
ipgwx3 001-001-004 none 1 1 no A 0 off off off no off

 SPCA CLLI TFATCABMLQ MTPRSE ASL8
 ----- ----- 1 --- no

RANDSLS
off

IPSG IPGWAPC GTTMODE CGGTMOD
no yes CdPA no

MATELSN IPTPS LSUSEALM SLKUSEALM
----- ----- ----- -----
 32000 100% 80%
```

Link set table is (8 of 1024) 1% full.

rtrv-ls:lsn=ipsglsn

This is an example of the possible output.

```
rlghncxa03w 10-07-19 21:16:37 GMT EAGLE5 42.0.0

LSN APCA (SS7) L3T SLT GWS GWS GWS
ipsglsn 003-003-003 none 1 1 no A 6 off off off no off
 SPCA CLLI TFATCABMLQ MTPRSE ASL8

 3 --- no

RANDSLS
off

IPSG IPGWAPC GTTMODE CGGTMOD
yes no CdPA no

ADAPTER RSVDSLKTPS MAXSLKTPS
m2pa 600 4000

TPSALM LSUSEALM SLKUSEALM
rsvdsltktps 100% 100%

LOC LINK SLC TYPE ANAME
1303 A 0 IP ipsgm2pa1
1303 A1 1 IP ipsgm2pa2
1303 B1 2 IP ipsgm2pa3
1303 A2 3 IP ipsgm2pa4
1303 A3 4 IP ipsgm2pa5
1307 A 5 IP m2pa2
```

Link set table is (8 of 1024) 1% full.

rtrv-ls:lsn=ipsglsn2

This is an example of the possible output.

```
rlghncxa03w 10-07-19 21:16:37 GMT EAGLE5 42.0.0

LSN APCA (SS7) L3T SLT GWS GWS GWS
ipsglsn2 005-005-005 none 1 1 no A 1 off off off no off
 SPCA CLLI TFATCABMLQ MTPRSE ASL8

 1 --- no

RANDSLS
off

IPSG IPGWAPC GTTMODE CGGTMOD
yes no CdPA no

ADAPTER RSVDSLKTPS MAXSLKTPS
m2pa 600 4000

TPSALM LSUSEALM SLKUSEALM
rsvdsltktps 100% 100%

LOC LINK SLC TYPE ANAME
1303 B3 0 IP ipsgm2pa6
```

Link set table is (8 of 1024) 1% full.

Perform one of both of these actions as necessary.

- Perform the "Configuring an IPGWx Linkset" procedure in the *Database Administration Manual - IP7 Secure Gateway* to change the IPTPS value for any linksets shown in the `rtrv-ls` output whose IPGWAPC value is yes.
- Perform the "Changing an IPGS M2PA Linkset" procedure (for linkset whose IPGS value is yes and ADAPTER value is M2PA) or the "Changing an IPGS M3UA Linkset" procedure (for linkset whose IPGS value is yes and ADAPTER value is M3UA) in the *Database Administration Manual - IP7 Secure Gateway* to change the MAXSLKTPS value (and RSVDSLKTPS value if necessary) for any linksets shown in the `rtrv-ls` output.

Perform one of both of these actions to increase the available TPS if needed.

- An IPLIMx card that contains signaling links has to be removed. To perform this action, continue the procedure with [Step 4](#).
- Some ATM high-speed signaling links have to be removed. To perform this action, continue the procedure with [Step 3](#).

If you do not wish to perform other actions to increase the available TPS and the available TPS will allow the ATM high-speed signaling link to be added, continue the procedure with [Step 7](#).

#### 7. Display the cards in the database using the `rtrv-card` command.

This is an example of the possible output.

```
rlghncxa03w 10-12-28 09:12:36 GMT EAGLE5 43.0.0
CARD TYPE APPL LSET NAME LINK SLC LSET NAME LINK SLC
1101 DCM SS7IPGW ipgwx1 A 0
1102 DCM SS7IPGW ipgwx1 A 1
1103 DCM SS7IPGW ipgwx1 A 2
1104 DCM SS7IPGW ipgwx1 A 3
1105 DCM SS7IPGW ipgwx1 A 4
1106 DCM SS7IPGW ipgwx1 A 5
1107 DCM SS7IPGW ipgwx1 A 6
1108 DCM SS7IPGW ipgwx1 A 7
1111 DCM SS7IPGW ipgwx2 A 0
1112 DCM SS7IPGW ipgwx2 A 1
1113 GPSM OAM
1114 TDM-A
1115 GPSM OAM
1116 TDM-B
1117 MDAL
1201 DCM SS7IPGW ipgwx2 A 2
1202 DCM SS7IPGW ipgwx2 A 3
1203 DCM SS7IPGW ipgwx2 A 4
1204 DCM SS7IPGW ipgwx2 A 5
1205 DCM SS7IPGW ipgwx2 A 6
1206 DCM SS7IPGW ipgwx2 A 7
1207 DSM VSCCP
1208 TSM GLS
1211 DCM STPLAN
1301 DCM IPLIM lsniplim A 0 lsniplim A1 1
 lsniplim B1 2
1302 LIMATM ATMANSI
```

```

1303 ENET IPSG ipsglsn A 0 ipsglsn A1 1
 ipsglsn B1 2 ipsglsn A2 3
 ipsglsn A3 4 ipsglsn2 B3 0
1304 LIMATM ATMANSI
1305 LIMATM ATMANSI lsnds0 A 1
1306 LIMELATM ATMITU lsnituatm A 0
1307 ENET IPSG ipsglsn A 5
1311 DCM IPLIM
1312 LIMDS0 SS7ANSI lsnds0 A 0
1318 LIMATM ATMANSI
2107 LIMATM ATMANSI

```

If the ATM high-speed LIM is not shown in the `rtrv-card` output,, perform the [Adding an ATM High-Speed LIM](#) procedure to add the ATM high-speed LIM to the database. If the link value of the new signaling link will be A1 or B, the card must be an E5-ATM. After the card has been added, perform one of these steps.

- If the link value of the new signaling link will be A or B, continue the procedure with [Step 13](#).
- If the link value of the new signaling link will be A1, continue the procedure with [Step 9](#).

If the ATM high-speed LIM is shown in the `rtrv-card` output, perform one of these steps.

- If the link value of the new signaling link will be A, continue the procedure with [Step 13](#).
- If the link value of the new signaling link will be A1 or B, continue the procedure with [Step 8](#).

8. Display the status of the card that the new signaling link will be assigned to by entering the `rept-stat-card` command with the location of the card from [Step 7](#). For this example, enter this command.

```
rept-stat-card:loc=2107
```

This is an example of the possible output.

```

rlghncxa03w 10-12-28 09:12:36 GMT EAGLE5 43.0.0
CARD VERSION TYPE GPL PST SST AST
2107 133-045-000 LIMATM ATMHC IS-NR Active -----
ALARM STATUS = No Alarms.
IMTPCI GPL version = 133-002-000
BLVXW6 GPL version = 133-002-000
BLDIAG6 GPL version = 133-002-000
BLBEPM GPL version = 133-002-000
BLCPLD GPL version = 133-002-000
IMT BUS A = Conn
IMT BUS B = Conn
CURRENT TEMPERATURE = 38C (101F)
PEAK TEMPERATURE: = 38C (101F) [07-11-23 06:10]
SIGNALING LINK STATUS
 SLK PST LS CLLI
 A IS-NR lsnatm1 -----
Command Completed.

```

If the GPL value is ATMHC, the card is an E5-ATM. Continue the procedure by performing one of these steps.

- If the link value of the new signaling link will be B, continue the procedure with [Step 13](#).
- If the link value of the new signaling link will be A1, continue the procedure with [Step 9](#).



If the GPL value is ATMANSI or ATMITU, the card is not an E5-ATM. Repeat [Step 7](#) and choose another card.

9. Display the status of the EAGLE 5 ISS features by entering the `rtrv-ctrl-feat` command.

This is an example of the possible output.

```
rlghncxa03w 10-12-28 21:15:37 GMT EAGLE5 43.0.0
The following features have been permanently enabled:
```

| Feature Name              | Partnum   | Status | Quantity |
|---------------------------|-----------|--------|----------|
| Command Class Management  | 893005801 | on     | ----     |
| LNP Short Message Service | 893006601 | on     | ----     |
| Intermed GTT Load Sharing | 893006901 | on     | ----     |
| XGTT Table Expansion      | 893006101 | on     | 4000000  |
| XMAP Table Expansion      | 893007710 | on     | 3000     |
| Large System # Links      | 893005901 | on     | 1500     |
| Routesets                 | 893006401 | on     | 6000     |
| HC-MIM SLK Capacity       | 893012707 | on     | 64       |
| 3 Links per E5-ATM Card   | 893039105 | on     | 25       |

```
The following features have been temporarily enabled:
```

| Feature Name        | Partnum | Status | Quantity | Trial Period Left |
|---------------------|---------|--------|----------|-------------------|
| Zero entries found. |         |        |          |                   |

```
The following features have expired temporary keys:
```

| Feature Name        | Partnum |
|---------------------|---------|
| Zero entries found. |         |

To specify the link value A1 for the new signaling link, a 3 Links per E5-ATM Card quantity must be enabled. A 3 Links per E5-STM Card quantity is shown in the `rtrv-ctrl-feat` output with the entry 3 Links per E5-ATM Card.

Perform the [Changing the Three Links per E5-ATM Card Quantity](#) procedure to enable a 3 Links per E5-ATM Card quantity, if a 3 Links per E5-ATM Card quantity is not enabled. After the 3 Links per E5-ATM Card quantity has been enabled, continue the procedure by performing one of these steps.

- If [Step 8](#) was not performed, continue the procedure with [Step 10](#).
- If [Step 8](#) was performed, continue the procedure by performing one of these steps.
  - If the card's state is OOS-MT-DSBLD, continue the procedure with [Step 13](#).
  - If the card's state is not OOS-MT-DSBLD, continue the procedure with [Step 11](#). Before the card's state can be OOS-MT-DSBLD, the state of the signaling links that are assigned to the card must be OOS-MT-DSBLD.

If a 3 Links per E5-ATM Card quantity is enabled, continue the procedure by performing one of these steps.

- If adding the new signaling link will not exceed the enabled quantity, continue the procedure with [Step 10](#).
- If adding the new signaling link will exceed the enabled quantity, continue the procedure by performing one of these steps.

- If the enabled quantity is 250, the signaling link with the link value A1 cannot be added. The EAGLE 5 ISS can contain a maximum of 250 E5-ATMs that have signaling links with the link value A1. Continue the procedure by performing one of these steps.
    - If the E5-ATM contains signaling links with the link values A and B, continue the procedure with [Step 7](#) to choose another card to add the signaling link to.
    - If the E5-ATM does not contain signaling links with the LINK values A and B, continue the procedure with [Step 13](#) and add the signaling link to the E5-ATM with the link value A or B (the link value on the E5-ATM that is not assigned to a signaling link).
  - If the enabled quantity is less than 250, perform the [Changing the Three Links per E5-ATM Card Quantity](#) procedure to enable a 3 Links per E5-ATM Card quantity. After the 3 Links per E5-ATM Card quantity has been enabled, continue the procedure by performing one of these steps.
    - If [Step 8](#) was not performed, continue the procedure with [Step 10](#).
    - If [Step 8](#) was performed, continue the procedure by performing one of these steps.
      - If the card's state is OOS-MT-DSBLD, continue the procedure with [Step 13](#).
      - If the card's state is not OOS-MT-DSBLD, continue the procedure with [Step 11](#). Before the card's state can be OOS-MT-DSBLD, the state of the signaling links that are assigned to the card must be OOS-MT-DSBLD.
10. Display the status of the card that the new signaling link will be assigned to by entering the rept-stat-card command with the location of the card from [Step 7](#). For this example, enter this command.

```
rept-stat-card:loc=2107
```

This is an example of the possible output.

```
rlghncxa03w 10-12-28 09:12:36 GMT EAGLE5 43.0.0
CARD VERSION TYPE GPL PST SST AST
2107 133-045-000 LIMATM ATMHC IS-NR Active -----
ALARM STATUS = No Alarms.
IMTPCI GPL version = 133-002-000
BLVXW6 GPL version = 133-002-000
BLDIAG6 GPL version = 133-002-000
BLBEPM GPL version = 133-002-000
BLCPLD GPL version = 133-002-000
IMT BUS A = Conn
IMT BUS B = Conn
CURRENT TEMPERATURE = 38C (101F)
PEAK TEMPERATURE: = 38C (101F) [07-11-23 06:10]
SIGNALING LINK STATUS
 SLK PST LS CLLI
 A IS-NR lsnatm1 -----
Command Completed.
```

If the card's state is OOS-MT-DSBLD, continue the procedure with [Step 13](#).

If the card's state is not OOS-MT-DSBLD, continue the procedure with [Step 11](#). Before the card's state can be OOS-MT-DSBLD, the state of the signaling links that are assigned to the card must be OOS-MT-DSBLD.

11. Deactivate the signaling links that are assigned to the card shown in [Step 8](#) or [Step 10](#) by entering the `dact-slk` command. For this example, enter this command.

```
dact-slk:loc=2107:link=a
```

When the command has successfully completed, this message should appear.

```
rlghncxa03w 10-12-07 08:41:12 GMT EAGLE5 43.0.0
Deactivate Link message sent to card
```

Repeat this step for each signaling link shown in [Step 8](#) or [Step 10](#) whose state is not OOS-MT-DSBLD.

12. Place that card that was specified in [Step 11](#) out of service by entering the `inh-card` or the `rmv-card` command. The function of the `inh-card` and the `rmv-card` commands are the same. For this example, enter this command.

```
inh-card:loc=2107
```

When this command has successfully completed, this message should appear.

```
rlghncxa03w 10-12-07 11:11:28 GMT EAGLE5 43.0.0
Card has been inhibited.
```

13. Display the current linkset configuration using the `rtrv-ls` command.

This is an example of the possible output.

```
rlghncxa03w 10-12-10 11:43:04 GMT EAGLE5 43.0.0

 L3T SLT GWS GWS GWS
LSN APCA (SS7) SCR N SET SET BEI LST LNKS ACT MES DIS SLSCI NIS
ipgwx1 001-001-002 none 1 1 no A 8 off off off no off
ipgwx2 001-001-003 none 1 1 no A 8 off off off no off
ipgwx3 001-001-004 none 1 1 no A 0 off off off no off
lsniplim 002-002-002 none 1 1 no A 3 off off off no off
ipsglsn 003-003-003 none 1 1 no A 6 off off off no off
ipsglsn2 005-005-005 none 1 1 no A 1 off off off no off
lsnatml 006-007-008 none 1 1 no A 1 off off off no off
lsnds0 009-009-009 none 1 1 no A 2 off off off no off
```

```
 L3T SLT GWS GWS GWS
LSN APCI (SS7) SCR N SET SET BEI LST LNKS ACT MES DIS SLSCI NIS
lsnituatm 1-002-3 none 1 2 no A 1 off off off no off
atmitul 3-111-3 none 1 1 no A 0 off off off --- off
```

```
Link set table is (10 of 1024) 1% full.
```

If the desired linkset is not in the database, perform [Adding a SS7 Linkset](#) to add the linkset to the database. After the linkset has been added to the database, continue the procedure by performing one of these steps.

- If the `lpset` parameter will be specified for the signaling link, continue the procedure with [Step 15](#).
- If the `lpset` parameter will not be specified for the signaling link, continue the procedure with [Step 16](#).

If the desired linkset is in the database, continue the procedure with [Step 14](#).

14. Display the linkset that the signaling link is being assigned to using the `rtrv-ls` command, specifying the name of the linkset that the signaling link is being assigned to.

For this example, enter this command.

```
rtrv-ls:lsn=atmitul
```

This is an example of the possible output.

```
rlghncxa03w 06-10-17 11:43:04 GMT EAGLE5 36.0.0

LSN APCI (SS7) SCRN L3T SLT BEI LST LNKS GWS GWS GWS
atmitul 3-111-3 none 1 1 no A 0 off off off no off

 SPCI CLLI TFATCABMLQ MTPRSE ASL8
 ----- ----- 1 no ---

SLSOCCBIT SLSRSB RANDSL MULTGC ITUTFR
none 1 off yes off

IPSG IPGWAPC GTTMODE CGGTMOD
no no CdPA no

SAPCN
1234-aa
1235-bb
1200-zz

Link set table is (9 of 1024) 1% full.
```

Linksets containing 24-bit ITU-N adjacent point codes (APCN24) or secondary adjacent point codes (SAPCN24) cannot be assigned to a E1ATM high-speed signaling link. Go back to [Step 13](#) and choose another linkset, or perform the [Adding a SS7 Linkset](#) procedure to add the linkset to the database that does not contain either a 24-bit ITU-N APC or SAPC.

The signaling link cannot be assigned to a linkset whose `IPSG` or `IPGWAPC` values are `yes`. If either the `IPSG` or `IPGWAPC` value for the linkset is `yes`, repeat the procedure from [Step 13](#) and choose another linkset.

If the `IPSG` and `IPGWAPC` values for the linkset are `no`, continue the procedure by performing one of these steps.

- If the `lpset` parameter will be specified for the signaling link, continue the procedure with [Step 15](#).
- If the `lpset` parameter will not be specified for the signaling link, continue the procedure with [Step 16](#).

15. Display the existing values for the ATM link parameter set that will be assigned to the signaling link using the `rtrv-atm-lps` command specifying the link parameter set.

For this example, enter this command.

```
rtrv-atm-lps:lpset=25
```

This is an example of the possible output.

```
rlghncxa03w 06-10-28 16:02:05 GMT EAGLE5 36.0.0
ATM LINK PARAMETER SET TIMERS AND PARAMETERS (TIMERS IN SECONDS)
```

| SSCOP PARAMETERS |       |       |         |     |        |       |       |       |  |
|------------------|-------|-------|---------|-----|--------|-------|-------|-------|--|
| LPSET            | MAXCC | MAXPD | MAXSTAT | CC  | KALIVE | NORSP | POLL  | IDLE  |  |
| 25               | 4     | 500   | 67      | 0.2 | 0.125  | 1.5   | 0.150 | 0.125 |  |

| SSCF-NNI PARAMETERS |       |          |      |  |
|---------------------|-------|----------|------|--|
| TMRT1               | TMRT2 | TMRT3    | N1   |  |
| 05.0                | 30.0  | 0.000925 | 1000 |  |

| SAAL PARAMETERS |      |       |       |     |        |
|-----------------|------|-------|-------|-----|--------|
| MAX             | TMR  | TNRNO | TMR   | N   | TMR    |
| NRP             | SREC | CRED  | ERM   | BLK | PROV   |
| 0               | 3600 | 1.5   | 0.125 | 3   | 0600.0 |

| NONCONFIGURABLE PARAMETERS |      |    |    |    |      |       |       |       |
|----------------------------|------|----|----|----|------|-------|-------|-------|
| SDU                        | UU   | FC | FC |    |      |       |       |       |
| SIZE                       | SIZE | N  | NR | BC | TSUP | TLOSS | ERMSM | THRES |
| 272                        | 4    | 9  | -- | -- | 120  | 1.3   | 0.1   | 0.244 |

If you wish to change the values in this ATM parameter set, perform [Changing an ATM High-Speed Signaling Link Parameter Set](#).



#### CAUTION

**Caution:** Changing the values in this ATM link parameter set will impact the performance of all the signaling links using this ATM parameter set.

After the [Changing an ATM High-Speed Signaling Link Parameter Set](#) procedure has been performed, or if the values in this ATM parameter set were not changed, continue the procedure with [Step 16](#).

#### 16. Add the signaling link to the database using the `ent-slk` command.

Use [Table 100: ATM High-Speed Signaling Link Parameter Combinations](#) as a guide for the parameters that can be specified with the `ent-slk` command. For this example, enter these commands.

```
ent-slk:loc=1302:link=a:lsn=atmansio:slc=0:bps=1544000:lpset=3
:atmtsel=external:vci=35:vpi=15:ll=0

ent-slk:loc=1304:link=a:lsn=atmansil:slc=0:bps=1544000:lpset=4
:atmtsel=internal:vci=100:vpi=20:ll=2

ent-slk:loc=1318:link=a:lsn=atmansil:slc=1:bps=1544000:lpset=9
:atmtsel=line:vci=150:vpi=25:ll=4

ent-slk:loc=2101:link=a:lsn=atmitu1:slc=0:bps=2048000:lpset=25
:atmtsel=line:vci=150:vpi=25:elatmcrc4=on:elatmsi=1:elatmsn=20

ent-slk:loc=2105:link=a:lsn=atmitu1:slc=1:bps=2048000:lpset=25
:atmtsel=line:vci=35:vpi=15:elatmcrc4=on:elatmsi=2:elatmsn=15

ent-slk:loc=2205:link=a:lsn=atmitu2:slc=0:bps=2048000:lpset=20
:atmtsel=external:vci=200:vpi=100:elatmcrc4=on:elatmsi=3:elatmsn=10
```

```

ent-slk:loc=2205:link=b:lsn=atmitu2:slc=1:bps=2048000:lpset=18
:atmtsel=line:vci=250:vpi=200:elatmcr4=on:elatmsi=1:elatmsn=30

ent-slk:loc=2207:link=a:lsn=atmansi2:slc=0:bps=1544000:lpset=12
:atmtsel=external:vci=200:vpi=100:ll=4

ent-slk:loc=2207:link=b:lsn=atmansi2:slc=1:bps=1544000:lpset=14
:atmtsel=line:vci=300:vpi=150:ll=4

ent-slk:loc=2107:link=a:lsn=atmansi2:slc=2:bps=1544000:lpset=13
:atmtsel=line:vci=300:vpi=150:ll=4

```

When each of these commands have successfully completed, this message should appear.

```

rlghncxa03w 06-10-07 08:29:03 GMT EAGLE5 36.0.0
ENT-SLK: MASP A - COMPLTD

```

**Note:** If adding the new signaling link will result in more than 700 signaling links in the database and the OAMHCMEAS value in the `rtrv-measopts` output is on, the scheduled UI measurement reports will be disabled.

- Verify the changes using the `rtrv-slk` command with the `loc` and `link` parameter values specified in [Step 16](#).

For this example, enter these commands.

```
rtrv-slk:loc=1302
```

This is an example of the possible output.

```

rlghncxa03w 06-10-19 21:16:37 GMT EAGLE5 36.0.0

```

| LOC  | LINK | LSN      | SLC | TYPE   | LP<br>SET | BPS    | ATM<br>TSEL | VCI | VPI | LL |
|------|------|----------|-----|--------|-----------|--------|-------------|-----|-----|----|
| 1302 | A    | atmansi0 | 0   | LIMATM | 3         | 1.544M | EXTERNAL    | 35  | 15  | 0  |

```
rtrv-slk:loc=1304
```

This is an example of the possible output.

```

rlghncxa03w 10-07-19 21:16:37 GMT EAGLE5 42.0.0

```

| LOC  | LINK | LSN      | SLC | TYPE   | LP<br>SET | BPS    | ATM<br>TSEL | VCI | VPI | LL |
|------|------|----------|-----|--------|-----------|--------|-------------|-----|-----|----|
| 1304 | A    | atmansi1 | 0   | LIMATM | 4         | 1.544M | INTERNAL    | 100 | 20  | 2  |

```
rtrv-slk:loc=1318
```

This is an example of the possible output.

```

rlghncxa03w 06-10-19 21:16:37 GMT EAGLE5 36.0.0

```

| LOC  | LINK | LSN      | SLC | TYPE   | LP<br>SET | BPS    | ATM<br>TSEL | VCI | VPI | LL |
|------|------|----------|-----|--------|-----------|--------|-------------|-----|-----|----|
| 1318 | A    | atmansi0 | 1   | LIMATM | 9         | 1.544M | LINE        | 150 | 25  | 4  |

```
rtrv-slk:loc=2101
```

This is an example of the possible output.

```
rlghncxa03w 06-10-19 21:16:37 GMT EAGLE5 36.0.0
 LP ATM
LOC LINK LSN SLC TYPE SET BPS TSEL VCI VPI CRC4 SI SN
2101 A atmitu1 0 LIME1ATM 5 2.048M LINE 150 2 ON 1 20
```

```
rtrv-slk:loc=2105
```

This is an example of the possible output.

```
rlghncxa03w 06-10-19 21:16:37 GMT EAGLE5 36.0.0
 LP ATM
LOC LINK LSN SLC TYPE SET BPS TSEL VCI VPI CRC4 SI SN
2105 A atmitu1 1 LIME1ATM 5 2.048M LINE 35 15 ON 2 15
```

```
rtrv-slk:loc=2205
```

This is an example of the possible output.

```
rlghncxa03w 06-10-19 21:16:37 GMT EAGLE5 36.0.0
 LP ATM
LOC LINK LSN SLC TYPE SET BPS TSEL VCI VPI CRC4 SI SN
2205 A atmitu2 0 LIME1ATM 20 2.048M EXTERNAL 200 100 ON 3 10
2205 B atmitu2 1 LIME1ATM 18 2.048M LINE 250 200 ON 1 30
```

```
rtrv-slk:loc=2207
```

This is an example of the possible output.

```
rlghncxa03w 06-10-19 21:16:37 GMT EAGLE5 36.0.0
 LP ATM
LOC LINK LSN SLC TYPE SET BPS TSEL VCI VPI LL
2207 A atmansi2 0 LIMATM 12 1.544M EXTERNAL 200 100 4
2207 B atmansi2 1 LIMATM 14 1.544M LINE 300 150 4
```

```
rtrv-slk:loc=2107:link=a1
```

This is an example of the possible output.

```
rlghncxa03w 10-12-19 21:16:37 GMT EAGLE5 43.0.0
 LP ATM
LOC LINK LSN SLC TYPE SET BPS TSEL VCI VPI LL
2107 A1 atmansi2 2 LIMATM 13 1.544M LINE 300 150 4
```

If any of the cards shown in this step contain the first signaling link on a card, or if [Step 12](#) was performed, continue the procedure with [Step 18](#).

If signaling links were assigned to all the cards shown in this step when [Step 16](#) was performed, or if [Step 12](#) was not performed, continue the procedure with [Step 19](#).

18. Bring into service the cards that contain the first signaling link on that card or that were taken out of service in [Step 12](#) by entering either the `alw-card` or `rst-card` command with the location of the card specified in [Step 16](#). The function of the `alw-card` and the `rst-card` commands are the same.

For this example, enter these commands.

```
rst-card:loc=1302
rst-card:loc=1304
rst-card:loc=1318
rst-card:loc=2101
rst-card:loc=2105
rst-card:loc=2205
rst-card:loc=2207
```

When each of these commands have successfully completed, this message should appear.

```
rlghncxa03w 06-10-23 13:05:05 GMT EAGLE5 36.0.0
Card has been allowed.
```

19. Activate all signaling links on the cards using the `act-slk` command, specifying the card location and signaling link specified in [Step 16](#).

For this example, enter these commands.

```
act-slk:loc=1302:link=a
act-slk:loc=1304:link=a
act-slk:loc=1318:link=a
act-slk:loc=2101:link=a
act-slk:loc=2105:link=a
act-slk:loc=2205:link=a
act-slk:loc=2205:link=b
act-slk:loc=2207:link=a
act-slk:loc=2207:link=b
act-slk:loc=2107:link=a1
```

When each of these commands have successfully completed, this message should appear.

```
rlghncxa03w 06-10-07 08:31:24 GMT EAGLE5 36.0.0
Activate Link message sent to card
```

20. Check the status of the signaling links added in [Step 16](#) using the `rept-stat-slk` command with the `loc` and `link` parameter values specified in [Step 16](#).

The state of each signaling link should be in service normal (IS-NR) after the link has completed alignment (shown in the PST field). For this example, enter these commands.



```
rept-stat-slk:loc=1302:link=a
```

This is an example of the possible output.

```
rlghncxa03w 06-10-19 21:16:37 GMT EAGLE5 36.0.0
SLK LSN CLLI PST SST AST
1302,A atmansi0 ----- IS-NR Avail ----
 ALARM STATUS = No Alarms
 UNAVAIL REASON = --
Command Completed.
```

```
rept-stat-slk:loc=1304:link=a
```

This is an example of the possible output.

```
rlghncxa03w 06-10-19 21:16:37 GMT EAGLE5 36.0.0
SLK LSN CLLI PST SST AST
1304,A atmansi1 ----- IS-NR Avail ----
 ALARM STATUS = No Alarms
 UNAVAIL REASON = --
Command Completed.
```

```
rept-stat-slk:loc=1318:link=a
```

This is an example of the possible output.

```
rlghncxa03w 06-10-19 21:16:37 GMT EAGLE5 36.0.0
SLK LSN CLLI PST SST AST
1318,A atmansi1 ----- IS-NR Avail ----
 ALARM STATUS = No Alarms
 UNAVAIL REASON = --
Command Completed.
```

```
rept-stat-slk:loc=2101:link=a
```

This is an example of the possible output.

```
rlghncxa03w 06-10-19 21:16:37 GMT EAGLE5 36.0.0
SLK LSN CLLI PST SST AST
2101,A atmitul ----- IS-NR Avail ----
 ALARM STATUS = No Alarms
 UNAVAIL REASON = --
Command Completed.
```

```
rept-stat-slk:loc=2105:link=a
```

This is an example of the possible output.

```
rlghncxa03w 06-10-19 21:16:37 GMT EAGLE5 36.0.0
SLK LSN CLLI PST SST AST
2105,A atmitul ----- IS-NR Avail ----
 ALARM STATUS = No Alarms
 UNAVAIL REASON = --
Command Completed.
```

```
rept-stat-slk:loc=2205:link=a
```

This is an example of the possible output.

```
rlghncxa03w 06-10-19 21:16:37 GMT EAGLE5 36.0.0
SLK LSN CLLI PST SST AST
2205,A atmitu2 ----- IS-NR Avail ----
 ALARM STATUS = No Alarms
 UNAVAIL REASON = --
Command Completed.
```

```
rept-stat-slk:loc=2205:link=b
```

This is an example of the possible output.

```
rlghncxa03w 06-10-19 21:16:37 GMT EAGLE5 36.0.0
SLK LSN CLLI PST SST AST
2205,B atmitu2 ----- IS-NR Avail ----
 ALARM STATUS = No Alarms
 UNAVAIL REASON = --
Command Completed.
```

```
rept-stat-slk:loc=2207:link=a
```

This is an example of the possible output.

```
rlghncxa03w 06-10-19 21:16:37 GMT EAGLE5 36.0.0
SLK LSN CLLI PST SST AST
2207,A atmansi2 ----- IS-NR Avail ----
 ALARM STATUS = No Alarms
 UNAVAIL REASON = --
Command Completed.
```

```
rept-stat-slk:loc=2207:link=b
```

This is an example of the possible output.

```
rlghncxa03w 06-10-19 21:16:37 GMT EAGLE5 36.0.0
SLK LSN CLLI PST SST AST
2207,B atmansi2 ----- IS-NR Avail ----
 ALARM STATUS = No Alarms
 UNAVAIL REASON = --
Command Completed.
```

```
rept-stat-slk:loc=2107:link=a1
```

This is an example of the possible output.

```
rlghncxa03w 10-12-19 21:16:37 GMT EAGLE5 43.0.0
SLK LSN CLLI PST SST AST
2107,A1 atmansi2 ----- IS-NR Avail ----
 ALARM STATUS = No Alarms
 UNAVAIL REASON = --
Command Completed.
```

21. Back up the new changes using the `chg-db:action=backup:dest=fixed` command.

These messages should appear, the active Maintenance and Administration Subsystem Processor (MASP) appears first.

```
BACKUP (FIXED) : MASP A - Backup starts on active MASP.
BACKUP (FIXED) : MASP A - Backup on active MASP to fixed disk complete.
BACKUP (FIXED) : MASP A - Backup starts on standby MASP.
BACKUP (FIXED) : MASP A - Backup on standby MASP to fixed disk complete.
```

## Changing an ATM High-Speed Signaling Link Parameter Set

This procedure is used to change any of the ATM signaling link parameters using the `chg-atm-lps` command or to copy the values from one link parameter set to another.



**Caution:** Changing the values in an ATM link parameter set will impact the performance of all the signaling links using the ATM parameter set being changed.

### CAUTION

The `chg-atm-lps` command uses these parameters.

`:lpsset` – the link parameter set being changed.

Range of values – 1 - 30

`:action` – copy a set of ATM signaling link parameters from one parameter set to another.

Value – copy

`:srclpsset` – the ATM signaling link parameter set used as a source for the `action=copy` parameter.

Range of values – 1 - 30

`:maxcc` – the maximum number of transmissions of a BGN, END, ER, or RS PDU

Range of values – 1 - 10

System default – 4

`:maxpd` – the maximum number of SD PDUs that can be sent before a POLL is sent

Range of values – 5 - 2120

System default – 500

`:maxstat` – the maximum number of list elements in a STAT PDU

Range of values – 3 - 67

System default – 67

`:tmrcc` – the timer, in milliseconds, used during the connection phase to guard against unacknowledged BGN, END, ER or RS PDUs

Range of values – 100 - 2000

System default – 200

:tmrkalive – the timer, in milliseconds, used during the transient phase when no SD PDUs are being sent to keep connection up

Range of values – 25 - 500

System default – 100

:tmrnorsp – the timer, in milliseconds, used to check that STAT PDUs are arriving often enough

Range of values – 500 - 2000

System default – 1500

:tmrpoll – the timer, in milliseconds, used to guarantee that POLL PDUs are sent often enough

Range of values – 25 - 500

System default – 100

:tmridle – the timer, in milliseconds, used during the idle phase when no SD PDUs are being sent to limit time in the idle phase

Range of values – 25 - 1000

System default – 100

:tmrt1 – the time, in milliseconds, between link release action and the next link reestablish action during alignment

Range of values – 1000 - 15000

System default – 5000

:tmrt2 – the total time, in milliseconds, that SSCF will attempt alignment

Range of values – 15000 - 180000

System default (ANSI ATM) – 120000

System default (E1 ATM) – 30000

:tmrt3 – the time, in microseconds, between proving PDUs

Range of values – 450 - 23000

System default – 925

:n1 – the number of PDUs sent during proving

Range of values – 500 - 64552

System default (ANSI ATM) – 64552

System default (E1 ATM) – 1000

:maxnrp – the maximum number of retransmitted PDUs during proving

Range of values (ANSI ATM) – 1 - 10

Range of values (E1 ATM) – 0 - 10

System default (ANSI ATM) – 1

System default (E1 ATM) – 0

:tmrsrec – the timer, in milliseconds, used to prohibit closely spaced SSCOP recoveries from occurring

Range of values – 60000 - 10800000

System default – 3600000

: `tmrnocred` – the timer, in milliseconds, used when no credit exists and PDUs are available to be sent

Range of values – 1000 - 6000

System default – 1500

: `tmrerm` – the error rate monitor interval, in milliseconds

Range of values – 25 - 500

System default – 100

: `nblk` – the number of monitoring intervals per block

Range of values – 1 - 10

System default – 3

: `tmrprov` – the timer, in milliseconds, used to monitor the status of a link after it is placed into service

Range of values – 60000 - 1200000

System default – 600000

Link parameter sets 20 and 30 cannot be changed. The values in link parameter set 20 are set to the ANSI default values. The values in link parameter set 30 are set to the ITU default values. The values in link parameter set 20 and 30 can be copied to another link parameter set.

The values of the `lpset` and `srclpset` parameters cannot be the same.

The `action` and the `srclpset` parameters must be specified together.

If the `action` parameter is specified, only the `lpset` and `srclpset` parameters can be specified.

For any parameters not specified with the `chg-atm-lps` command, the values for those parameters are not changed.

The ATM parameter set values applied to ATM high-speed signaling links are displayed with the `rtrv-atm-lps` and `rtrv-atm-prm` commands. The values displayed with the `rtrv-atm-prm` command are not configurable. These values are:

PCR – The maximum or peak cell rate for the VCL (virtual channel link).

DS1 PCR value – 3622

E1 PCR value – 4528

SCR – The average or sustainable cell rate supported on the VCL.

DS1 SCR value – 3622

E1 PCR value – 4528

BT – Burst tolerance. The number of consecutive cells on the VCL permitted on the ATM interface by the enforcement process, given the PCR and the line speed.

Value – 210

CDVT – The amount of cell delay variation, in microseconds, for the VCL in the network ingress direction.

Value – 100

QoS – Quality of service. The performance objectives that must be met by the ATM VCL when it must discard cells during enforcement of the traffic parameters.

Value – 3

MaxVPC – The maximum number of simultaneously active Virtual Path Connections (VPCs) supported (by the ATM interface).

Value – 0

MAXVCC – The maximum number of simultaneously active Virtual Circuit Connections (VCCs) supported.

Value – 1

AllocVPI BITS – The number of bits to be used in the VPIs in the ATM cells for the VPLs terminated on the ATM interface.

Value – 12

AllocVCI BITS – The number of allocated VCI bits to be used in the VPIs in the ATM cells for the VCLs supported on the ATM interface.

Value – 16.

The `rtrv-atm-lps` command shows parameter values that cannot be configured with the `chg-atm-lps` command. These values are:

SDU SIZE – The maximum size, in octets, of the SDU

Value – 272

UU SIZE – The size, in octets of the SSCOP UU

Value – 4

N – The monitoring intervals needed to span the time when messages are not released from buffers as a result of a 400 millisecond error event.

Value – 9

FCNR – The moving credit increment value

Value – NULL

FCBC – The moving credit allocation frequency

Value – NULL

TSUP – The superblock timer value, in seconds

Value – 120

TLOSS – the stat loss limit timer value, in seconds

Value – 1.3

ERMSM – The exponential smoothing factor using in ERM

Value – 0.1

THRES – The threshold for comparing the running QoS computation by the ERM

Value – 0.244

For this example, the values ATM link parameter set 5 are being changed to these values.

maxcc = 8 PDUs

maxpd = 2000 PDUs

maxstat = 45 PDUs

tmrcc = 1500 milliseconds

tmrkalive = 500 milliseconds

tmrnorosp = 1000 milliseconds

tmrt1 = 10000 milliseconds

tmrt2 = 19000 milliseconds

tmrt3 = 3000 microseconds

n1 = 10000 PDUs

maxnrp = 7 attempts

tmsrec = 750000 milliseconds

nblk = 6 monitoring intervals per block

1. Display the existing values for the ATM link parameter set being changed using the `rtrv-atm-lps` command specifying the link parameter set being changed. For this example, enter this command.

```
rtrv-atm-lps:lpset=5
```

This is an example of the possible output.

```
rlghncxa03w 06-10-28 16:02:05 GMT EAGLE5 36.0.0
ATM LINK PARAMETER SET TIMERS AND PARAMETERS (REAL NUMBERS IN SECONDS)
 SSCOP PARAMETERS
LPSET MAXCC MAXPD MAXSTAT TMR TMR TMR TMR TMR
5 4 500 67 CC KALIVE NORSP POLL IDLE
 0.2 0.1 1.5 0.1 0.1

 SSCF-NNI PARAMETERS
 TMRT1 TMRT2 TMRT3 N1
 05.0 120.0 0.000925 64552

 SAAL PARAMETERS
 MAX TMR TNRNO TMR N TMR
 NRP SREC CRED ERM BLK PROV
 1 3600.0 1.5 0.1 3 0600.0

 NONCONFIGURABLE PARAMETERS
 SDU UU FC FC
 SIZE SIZE N NR BC TSUP TLOSS ERMSM THRES
 272 4 9 -- -- 120 1.3 0.1 0.244
```

2. Change the values of the ATM link parameter set with the `chg-atm-lps` command specifying the link parameter set. For this example, enter this command.

```
chg-atm-lps:lpset=5:maxcc=8:maxpd=2000:maxstat=45:tmrcc=1500
:tmrkalive=500:tmrnorosp=1000:tmrt1=10000:tmrt2=19000
:tmrt3=3000:n1=10000:maxnrp=7:tmsrec=750000:nblk=6
```

This message should appear.

```
rlghncxa03w 06-10-28 00:22:57 GMT EAGLE5 36.0.0
CHG-ATM-LPS: MASP A - COMPLTD
```

3. Verify the changes using the `rtrv-atm-lps` command and the link parameter set specified in step 2. For this example, enter this command.

```
rtrv-atm-lps:lpset=5
```

This is an example of the possible output.

```
rlghncxa03w 06-10-28 16:02:05 GMT EAGLE5 36.0.0
ATM LINK PARAMETER SET TIMERS AND PARAMETERS (REAL NUMBERS IN SECONDS)
SSCOP PARAMETERS
LPSET MAXCC MAXPD MAXSTAT TMR TMR TMR TMR TMR
5 8 2000 45 1.5 0.5 1.0 0.1 0.1
 CC KALIVE NORSP POLL IDLE
 1.5 0.5 1.0 0.1 0.1

SSCF-NNI PARAMETERS
TMRT1 TMRT2 TMRT3 N1
10.0 019.0 0.003000 10000

SAAL PARAMETERS
MAX TMR TNRNO TMR N TMR
NRP SREC CRED ERM BLK PROV
7 0750.0 1.5 0.1 6 0600.0

NONCONFIGURABLE PARAMETERS
SDU UU FC FC
SIZE SIZE N NR BC TSUP TLOSS ERMSM THRES
272 4 9 -- -- 120 1.3 0.1 0.244
```

4. Back up the new changes using the `chg-db:action=backup:dest=fixed` command. These messages should appear, the active Maintenance and Administration Subsystem Processor (MASP) appears first.

```
BACKUP (FIXED) : MASP A - Backup starts on active MASP.
BACKUP (FIXED) : MASP A - Backup on active MASP to fixed disk complete.
BACKUP (FIXED) : MASP A - Backup starts on standby MASP.
BACKUP (FIXED) : MASP A - Backup on standby MASP to fixed disk complete.
```



# Appendix D

## Reference Information

---

### Topics:

- *Requirements for EAGLE 5 ISSs Containing more than 1200 Signaling Links.....750*
- *Determining the Number of High-Speed and Low-Speed Signaling Links.....750*

Appendix D, Reference Information, contains the following information that is used by more than one procedure in this manual: Requirements for EAGLE 5 ISSs Containing more than 700 Signaling Links  
Determining the Number of High-Speed and Low-Speed Signaling Links

## Requirements for EAGLE 5 ISSs Containing more than 1200 Signaling Links

To provision an EAGLE 5 ISS with more than 1200 signaling links (currently the EAGLE 5 ISS can have maximum capacities of 1200, 1500, 2000, or 2800 signaling links), the following additional requirements must be met:

- The Measurements Platform feature must be enabled. Perform these procedures in the *Database Administration Manual - System Management* to enable the Measurements Platform Feature:
  - Adding an MCPM
  - Configuring the IP Communications Link for the Measurements Platform Feature
  - Adding an FTP Server
- To provision more than 1200 signaling links, the Large System # Links controlled feature must be enabled for 1500, 2000, or 2800 signaling links. For more information on enabling this feature, go to the [Enabling the Large System # Links Controlled Feature](#) procedure.

## Determining the Number of High-Speed and Low-Speed Signaling Links

The EAGLE 5 ISS can contain these quantities of signaling links.

- The maximum number of IP signaling links (signaling links assigned to IPLIMx cards, IPGWx cards, or IPSPG cards) or ATM high-speed signaling links (signaling links assigned to cards running either ATMANSI or ATMITU applications), is limited by the total provisioned system TPS (transactions per second). If the HIPR2 High Rate Mode feature is not enabled or turned on, the total provisioned system TPS is 500,000 TPS. If the HIPR2 High Rate Mode feature is enabled and turned on, the total provisioned system TPS is 1,000,000 (1M) TPS. The total provisioned system TPS is shown in the `rttrv-tps` output. The EAGLE 5 supports these quantities.
  - 187 IPLIMx cards with each card supporting 4000 TPS. An IPLIMx card can contain up to 16 signaling links. For more information about configuring an IPLIMx signaling link, see the "Adding an IPLIMx Signaling Link" procedure in *Database Administration Manual - IP7 Secure Gateway*. The EAGLE 5 can support a maximum of 250 IPLIMx cards but not all the IPLIMx cards can contain provisioned signaling links.
  - 187 IPGWx cards with each card supporting 4000 TPS. An IPGWx card can contain one signaling link. For more information about configuring an IPGWx signaling link, see the "Adding an IPGWx Signaling Link" procedure in *Database Administration Manual - IP7 Secure Gateway*. The EAGLE 5 can support a maximum of 250 IPGWx cards if the TPS that is assigned to some of the IPGWx cards is less than 4000, and there are no other types of cards in the database other than the control cards.
  - 150 IPSPG cards with each card supporting 5000 TPS. An IPSPG card can contain up to 32 signaling links. For more information about configuring an IPSPG signaling link, see the "Adding an IPSPG M2PA Signaling Link" procedure or "Adding an IPSPG M3UA Signaling Link" procedure in *Database Administration Manual - IP7 Secure Gateway*. The EAGLE 5 can support a maximum of 250 IPSPG cards if the TPS that is assigned to some of the IPSPG cards is less than 5000, and there are no other types of cards in the database other than the control cards.

- The amount of TPS for an ANSI ATM high-speed signaling link is 1630. The amount of TPS for an ITU ATM high-speed signaling link is 2038. The EAGLE 5 supports a maximum of 460 ANSI ATM high-speed signaling links and a maximum of 368 ITU ATM high-speed signaling links. For more information about configuring an ATM high-speed signaling link, see the [Adding an ATM High-Speed Signaling Link](#) procedure.
- A maximum of 80 unchannelized E1 signaling links. An HC MIM can contain two unchannelized E1 signaling links. An E5-E1T1 card can contain one unchannelized E1 signaling link.
- A maximum of 180 unchannelized T1 signaling links. An unchannelized T1 signaling link can be assigned only to an E5-E1T1 card. An E5-E1T1 card can contain one unchannelized T1 signaling link.

The EAGLE 5 can contain a maximum of 250 cards. This quantity does not include the control cards. The sum of the quantities of the signaling links shown in this list cannot be provisioned in the EAGLE 5 as the EAGLE 5 cannot contain enough cards to support the sum of the quantities of these signaling links.

Other signaling links, not shown in this list, can be provisioned if there is space in the shelves for the cards that support these signaling links, and the enabled signaling link quantity is not exceeded.

This hardware is the only hardware that is supported for an EAGLE 5 containing 2001 to 2800 signaling links.

- HC-MIM
- E5-E1/T1
- E5-ATM
- E5-SM4G
- E5-ENET
- E5-based control cards
- Single-Slot EDCM-A or E5-SLAN card for the STPLAN feature
- Single-Slot EDCM-A or E5-STC card for the EAGLE 5 Integrated Monitoring Support feature

## A

|        |                                                                                                                                                                                                                            |
|--------|----------------------------------------------------------------------------------------------------------------------------------------------------------------------------------------------------------------------------|
| A-Port | <p>ANSI-41 Mobile Number Portability</p> <p>A feature that enables IS-41 subscribers to change their service provider while retaining the same Mobile Dialed Number (MDN).</p>                                             |
| AAL    | ATM Adaptation Layer                                                                                                                                                                                                       |
| AAL5   | ATM Adaptation Layer 5                                                                                                                                                                                                     |
| AAL5CP | ATM Adaptation Layer 5 Common Port                                                                                                                                                                                         |
| AATM   | ATM Appliqué                                                                                                                                                                                                               |
| AIQ    | <p>AnalyzedInformation Query</p> <p>Name for the local subsystem and service for the ANSI41 AIQ feature.</p>                                                                                                               |
| AIS    | <p>Alarm Indication Signal</p> <p>Application Interface Specification</p> <p>The Service Availability Forum (SAF) specification that defines the interface between the applications and the high-available middleware.</p> |
| AM     | <p>application manager</p> <p>A server within a network that is responsible for establishing and managing subscriber sessions</p>                                                                                          |

## A

associated with a specific application.

AMI

Alternate Mark Inversion

ANSI

American National Standards Institute

An organization that administers and coordinates the U.S. voluntary standardization and conformity assessment system. ANSI develops and publishes standards. ANSI is a non-commercial, non-government organization which is funded by more than 1000 corporations, professional bodies, and enterprises.

APC

Adjacent Point Code

The point code that identifies a node adjacent to the EAGLE 5 ISS. This term is used in link sets and routes.

Application Processing Chassis

ASL8

Adjacent SLS 8-bit Indicator

ATINP

ATI Number Portability Query feature

ATINPQ

ATI Number Portability Query (Name of the local subsystem)

ATM

Asynchronous Transfer Mode

A packet-oriented transfer mode that uses an asynchronous time division multiplexing technique to multiplex information flow in fixed blocks, called cells.

**A**

A high-bandwidth, low-delay switching, and multiplexing technology to support applications that include high-speed data, local area network interconnection, multimedia application and imaging, and residential applications such as video telephony and other information-based services.

ATMANSI

The application used for high-speed ANSI ATM signaling links.

ATMITU

The application used for high-speed E1 ATM signaling links.

ATMM

ATM Layer Management

The ATMM provides a supporting role for system management functions which include fault, performance, configuration, security and resource management functions.

The ATMM entity uses two types of interactions with the ATM entity to perform its functions. The first type of interaction is for the exchange of information between the ATM and ATMM entity. The second type of interaction is for peer to peer communication between ATMM entities (between the two nodes on both ends of the high-speed signaling link).

**B**

BITS

Building Integrated Timing System

The Building Integrated Timing System (BITS) clocks come directly from the central office BITS clock

**B**

source or indirectly from an optional holdover clock installed in the system.

**C**

CAS

Channel Associated Signaling

An E1 framing option. On any given E1 card, Common Channel Signaling (CCS) and CAS are mutually exclusive and cannot be used together. However, CRC4 may be added to either CCS or CAS.

CCS

Common Channel Signaling

Allows operation over a permanent virtual circuit network via modem-derived data links, used to exchange call setup and routing information for interoffice trunks and to allow for queries to centralized databases and other calling services.

CCS7ITU

The application for the ITU SS7 signaling links that is used with card types `limds0`, `limch`, `limel`, and `limt1`.

CdPA

Called Party Address

The field in the SCCP portion of the MSU that contains the additional addressing information of the destination of the MSU. Gateway screening uses this additional information to determine if MSUs that contain the DPC in the routing label and the subsystem number in the called party address portion of the MSU are allowed in the network where the EAGLE 5 ISS is located.

## C

|            |                                                                                                                                                                                                                                                                                                                                                                                                                                  |
|------------|----------------------------------------------------------------------------------------------------------------------------------------------------------------------------------------------------------------------------------------------------------------------------------------------------------------------------------------------------------------------------------------------------------------------------------|
| CGB        | Circuit Group Blocking                                                                                                                                                                                                                                                                                                                                                                                                           |
| CgPA       | <p>Calling Party Address</p> <p>The point code and subsystem number that originated the MSU. This point code and subsystem number are contained in the calling party address in the SCCP portion of the signaling information field of the MSU. Gateway screening uses this information to determine if MSUs that contain this point code and subsystem number area allowed in the network where the EAGLE 5 ISS is located.</p> |
| CGU        | Circuit Group Unblocking                                                                                                                                                                                                                                                                                                                                                                                                         |
| Changeover | A network management event that routes traffic from a failed signaling link to another signaling link that can carry the traffic.                                                                                                                                                                                                                                                                                                |
| Channel    | <p>A single Time-Division-Multiplexed (TDM) timeslot within a channelized E1/T1 port. Generically, channels can be used for transporting signaling, digitized voice, or data information. Unused channels typically are filled with defined idle codes designed to maintain sufficient ones density to ensure frame-level synchronization.</p>                                                                                   |
| CIC        | <p>Carrier Identification Code</p> <p>A 4-digit code that controls the routing applied to a message.</p> <p>Circuit Identification Code</p>                                                                                                                                                                                                                                                                                      |



## C

|               |                                                                                                                                                                                                                                                                                                                                                                                                                                                                                                                                                                                                                                                         |
|---------------|---------------------------------------------------------------------------------------------------------------------------------------------------------------------------------------------------------------------------------------------------------------------------------------------------------------------------------------------------------------------------------------------------------------------------------------------------------------------------------------------------------------------------------------------------------------------------------------------------------------------------------------------------------|
| CLASS         | <p>Custom Local Area Signaling Service</p> <p>Custom Local Area Subscriber Services</p>                                                                                                                                                                                                                                                                                                                                                                                                                                                                                                                                                                 |
| CLLI          | <p>Common Language Location Identifier</p> <p>The CLLI uniquely identifies the STP in terms of its physical location. It is usually comprised of a combination of identifiers for the STP's city (or locality), state (or province), building, and traffic unit identity. The format of the CLLI is:</p> <p>The first four characters identify the city, town, or locality.</p> <p>The first character of the CLLI must be an alphabetical character.</p> <p>The fifth and sixth characters identify state or province.</p> <p>The seventh and eighth characters identify the building.</p> <p>The last three characters identify the traffic unit.</p> |
| Cluster       | <p>A group of signaling points whose point codes have identical values for the network and cluster fields of the point codes. A cluster entry in the routing table is shown as an asterisk (*) in the member field of the point code, for example, 111-011-*. Cluster entries can be provisioned only as ANSI destination point codes.</p>                                                                                                                                                                                                                                                                                                              |
| control cards | <p>Cards that occupy slots 1113 through 1118 of the control shelf on an EAGLE 5 ISS and perform OAM, TDM, and database functions for the EAGLE 5 ISS. The</p>                                                                                                                                                                                                                                                                                                                                                                                                                                                                                           |

## C

legacy set consists of the single-slot GSM-II card running the OAM application and EOAM GPL, the single-slot TDM card, and the dual-slot MDAL card. The E5-based set consists of the dual-slot E5-MASP card (the E5-MCAP module and the E5-TDM module) and the dual-slot E5-MDAL card.

Cards that occupy slots 1113 through 1118 of the control shelf control cards on an EAGLE 5 ISS and perform basic OAM. The E5-based set consists of the dual-slot E5-MASP card (the E5-MCAP module and the E5-TDM module) and the dual-slot E5-MDAL card.

COO

Changeover Order

CPC

Capability Point Code

A capability point code used by the SS7 protocol to identify a group of functionally related STPs in the signaling network.

CPCS

Common Part Convergence Sublayer

The AATM hardware and ATM driver together make up the common part of the SAAL layer, also known as the Common Part Convergence Sublayer (CPCS) or AAL5CP, when the AAL type in question is AAL5.

CPI

Capability Point Code International

CR

Cluster Routing

## C

Connection Request

CRC

CAM Redundancy Controller

Cyclic Redundancy Check

A number derived from, and stored or transmitted with, a block of data in order to detect corruption. By recalculating the CRC and comparing it to the value originally transmitted, the receiver can detect some types of transmission errors.

CRMD

Cluster Routing and Management Diversity

A feature in the EAGLE 5 ISS that allows MSUs to be routed to a cluster of point codes and enhances the management of the SS7 traffic to the cluster of point codes.

CSPC

Concerned Signaling Point Code

The point code that receives subsystem allowed and subsystem prohibited status messages about a particular global title translation node. These messages are broadcast from SCCP management.

## D

DD

Detailed Design

Destination

The node to which the signaling link traffic is routed. This destination is identified by a point code, either a full point code or a cluster point code.

DIMM

Dual Inline Memory Module

## D

|      |                                                                                                                                                                                                                                                                                                     |
|------|-----------------------------------------------------------------------------------------------------------------------------------------------------------------------------------------------------------------------------------------------------------------------------------------------------|
| DMA  | Direct Memory Access                                                                                                                                                                                                                                                                                |
| DPC  | Destination Point Code<br>DPC refers to the scheme in SS7 signaling to identify the receiving signaling point. In the SS7 network, the point codes are numeric addresses which uniquely identify each signaling point. This point code can be adjacent to the EAGLE 5 ISS, but does not have to be. |
| DPCA | Destination Point Code ANSI                                                                                                                                                                                                                                                                         |
| DPCI | Destination Point Code International                                                                                                                                                                                                                                                                |
| DPCN | Destination Point Code National                                                                                                                                                                                                                                                                     |
| DS0  | Digital Signal Level-0 (64 Kbits/sec or 56 Kbits/sec)<br>A basic digital signaling rate of 64 Kbits/sec, corresponding to the capacity of one voice-frequency-equivalent channel.                                                                                                                   |
| DS1  | Digital Signal Level-1 (1.544Mbits/sec)<br>A widely used standard in telecommunications in North America and Japan to transmit voice and data between devices. The data transmitted over a physical T1 line.                                                                                        |
| DTA  | Database Transport Access                                                                                                                                                                                                                                                                           |

**D**

A feature in the EAGLE 5 ISS that encapsulates specific MSUs into the data portion of SCCP within a new SS7 MSU and sends the new MSU to the destination using global title translation. The EAGLE 5 ISS uses gateway screening to determine which MSUs are used by the DTA feature.

**E**

|         |                                                                                                                                                                                                                                                                                                                                                                                        |
|---------|----------------------------------------------------------------------------------------------------------------------------------------------------------------------------------------------------------------------------------------------------------------------------------------------------------------------------------------------------------------------------------------|
| E1      | The European equivalent of T1 that transmits digital data over a telephone network at 2.048 Mbps.                                                                                                                                                                                                                                                                                      |
| E5-E1T1 | <p>EPM-based E1/T1 Multi-Channel Interface Module</p> <p>An EPM-based card that provides E1 and T1 connectivity. The E5 indicates the card is for existing EAGLE 5 control and extension shelves. E1T1 is an abbreviation for the ITU E1 and ANSI T1 interfaces. Thus the nomenclature defines the shelves where the card can be used and the physical interface that it provides.</p> |
| E5-ENET | <p>EPM-based Ethernet card</p> <p>A high capacity single-slot IP signaling card (EPM card plus Gig Ethernet PMC cards).</p>                                                                                                                                                                                                                                                            |
| E5IS    | <p>EAGLE 5 Integrated Monitoring Support</p> <p>The EAGLE 5 Integrated Monitoring Support feature allows the network traffic on the EAGLE 5 ISS's signaling links to be monitored by an ESP (extended services platform) or IMP</p>                                                                                                                                                    |

## E

(integrated message feeder) without additional intrusive cabling. Message Signaling Units (MSUs), alarms, and events are copied to the Sentinel/IMF to provide the network traffic monitoring. The monitored traffic is delivered to the Sentinel/IMF using the EAGLE'S STCs (Signaling Transport Cards) which are connected to the ESP/IMF subsystem by Ethernet links. The ESP/IMF subsystem delivers the monitored traffic to the Sentinel/IMF.

E5-MASP card

E5-based dual-slot card that consists of the E5-MCAP module (occupies slot 1113 and slot 1115) and the E5-TDM module (occupies slot 1114 and slot 1116) in an EAGLE 5 ISS control shelf. Used when the E5-MDAL card is used.

E5-MCAP card

The module contains the Communications Processor and Applications Processor and provides connections to the IMT bus. Controls the maintenance and database administration activity and performs both application and communication processing. Runs the OAM application and OAMHC GPL. Occupies slot 1113 and slot 1115 in an EAGLE 5 ISS control shelf. Used when the E5-MDAL card is used. Contains two USB ports.

E5-MDAL card

The E5 MDAL card processes alarm requests, provides general purpose relays, and provides fan control. Occupies slots 1117 and 1118 in an EAGLE 5 ISS Control Shelf. Used with E5-MASP cards.

## E

Does NOT contain a drive for removable cartridges.

E5-SLAN

E5-ENET card used to support the STP LAN application.

E5-TDM card

The E5-TDM card provides the EAGLE 5 ISS with 16 ports for user terminals, contains fixed disk storage and distributes Composite Clocks and High Speed Master clocks throughout the EAGLE 5 ISS. Occupies slot 1114 and slot 1116 in an EAGLE 5 ISS Control Shelf. Used when the E5-MDAL card is used.

EIR

Equipment Identity Register

A network entity used in GSM networks, as defined in the 3GPP Specifications for mobile networks. The entity stores lists of International Mobile Equipment Identity (IMEI) numbers, which correspond to physical handsets (not subscribers). Use of the EIR can prevent the use of stolen handsets because the network operator can enter the IMEI of these handsets into a 'blacklist' and prevent them from being registered on the network, thus making them useless.

ELEI

Exception List Exclusion Indicator

Indicates whether entries made to the exception list for each cluster point code are added to or changed in the destination point code table.

EPC

Emulated Point Code

**E**

**EROUTE** The application used on the Signaling Transport Card (STC and E5-STC) for the EAGLE 5 ISS with EAGLE 5 Integrated Monitoring Support feature. The E5IS feature does not support 24-bit ITU-N point codes.

**ESF** Extended Super Frame

**Extension Shelf** See ES.

**F**

**FAN** Cooling fan feature. The EAGLE 5 ISS will report on the alarm conditions of the fan assemblies. Once you have turned on the feature, you cannot turn it off. The feature applies to any and all fans installed within the system. When replacing a fan assembly, the feature should already be turned on.

**FAS** Frame Alignment Signal

**FE** Feature Engineer

**FLOBR** Flexible Linkset Optional Based Routing

A feature that provides the capability to fully customize the desired routing translation. When flexible routing is used, the routing translation can cascade from one GTT translation table to any other GTT translation table.



**F**

|                        |                                                                                                                               |
|------------------------|-------------------------------------------------------------------------------------------------------------------------------|
| flush-mounted USB port | USB port on the E5-MCAP card; used with credit card flash memory drives for upgrades and could be used for disaster recovery. |
|------------------------|-------------------------------------------------------------------------------------------------------------------------------|

**G**

|        |                                                                                                                                                                                                        |
|--------|--------------------------------------------------------------------------------------------------------------------------------------------------------------------------------------------------------|
| GLS    | Generic Loading Services<br>An application that is used by the TSM cards for downloading gateway screening to LIM cards.                                                                               |
| GPL    | Generic Program Load<br>Software that allows the various features in the system to work. GPLs and applications are not the same software.                                                              |
| G-Port | GSM Mobile Number Portability<br>A feature that provides mobile subscribers the ability to change the GSM subscription network within a portability cluster, while retaining their original MSISDN(s). |
| GSM    | Global System for Mobile Communications<br>A second generation digital PCS mobile phone standard used in many parts of the world.                                                                      |
| GT     | Global Title Routing Indicator                                                                                                                                                                         |
| GTA    | Global Title Address                                                                                                                                                                                   |
| GTT    | Global Title Translation<br>A feature of the signaling connection control part (SCCP) of                                                                                                               |

**G**

the SS7 protocol that the EAGLE 5 ISS uses to determine which service database to send the query message when an MSU enters the EAGLE 5 ISS and more information is needed to route the MSU. These service databases also verify calling card numbers and credit card numbers. The service databases are identified in the SS7 network by a point code and a subsystem number.

GWS

Gateway Screening

Used at gateway STPs to limit access into the network to authorized users. A gateway STP performs inter-network routing and gateway screening functions. GWS controls access to nonhome SS7 networks. Only an MSU that matches predefined criteria in the EAGLE 5's database is allowed to enter the EAGLE 5.

**H**

HCAP

High-Speed Communications &amp; Applications Processor

HC-MIM

High Capacity Multi-Channel Interface Module

A card that provides access to eight E1/T1 ports residing on backplane connectors A and B. Each data stream consists of 24 T1 or 31 E1 DS0 signaling links assigned in a time-division multiplex (TDM) manner. Each channel occupies a unique timeslot in the data stream and can be selected as a local signaling link on the interface card. Each card has 8 E1 or 8 T1 port interfaces with a maximum of 64

**H**

signaling links provisioned among the 8 E1/T1 ports.

HDB3

High Density Bipolar 3 Encoding

HDLC

High Level Data Link Control

High Capacity Multi-Channel Interface Module

See HC-MIM.

HIPR

High-Speed IMT Packet Router

A card that provides increased system throughput and traffic capacity. HIPR moves EAGLE from an intra-shelf ring topology to an intra-shelf switch topology. HIPR acts as a gateway between the intra-shelf IMT BUS, running at 125Mbps, and the inter-shelf operating at 1.0625Gbps. The HIPR card will seat in the same slot as an HMUX card (slots xx09 & xx10 of each shelf).

HIPR2

High-Speed IMT Packet Router 2

A card that provides increased system throughput and traffic capacity on the existing Fibre-Channel ring. A high rate Fibre-Channel option of 2.5 Gbps is available when an EAGLE is provisioned with all HIPR2 cards. In a mixed topology where a HIPR2 is used in an EAGLE along with HMUX and HIPR, the Fibre-Channel ring runs at the lower rate of 1.0625 Gbps.

HSL

High-Speed Link

**H**

An innovative distributed I/O technology designed for automation applications that is based on an open standard RS-422, which is designed for full/half-duplex, multi-drop serial transmission.

**I**

|                     |                                                                                                                                                                                                                                                                                                                                                                                                                |
|---------------------|----------------------------------------------------------------------------------------------------------------------------------------------------------------------------------------------------------------------------------------------------------------------------------------------------------------------------------------------------------------------------------------------------------------|
| ID                  | Identity, identifier                                                                                                                                                                                                                                                                                                                                                                                           |
| IGTTLS              | Intermediate Global Title Translation Load Sharing                                                                                                                                                                                                                                                                                                                                                             |
| INP                 | INAP-based Number Portability<br>Tekelec's INP can be deployed as a stand-alone or an integrated signal transfer point/number portability solution. With Tekelec's stand-alone NP server, no network reconfiguration is required to implement number portability. The NP server delivers a much greater signaling capability than the conventional SCP-based approach.<br>Intelligent Network (IN) Portability |
| Integrated Sentinel | The Integrated Sentinel product provides monitoring capabilities for Signaling System 7 (SS7) links. Integrated Sentinel includes network surveillance capabilities and fault-management functions.                                                                                                                                                                                                            |
| IP                  | Intelligent Peripheral<br>Internet Protocol<br>IP specifies the format of packets, also called datagrams, and the addressing scheme. The network layer for the TCP/IP protocol suite                                                                                                                                                                                                                           |

## I

widely used on Ethernet networks, defined in STD 5, RFC 791. IP is a connectionless, best-effort packet switching protocol. It provides packet routing, fragmentation and re-assembly through the data link layer.

## IPGWI

An application that is used by the SSEDCEM/E5-ENET card for IP point-to-multi-point connectivity within an ITU-I or ITU-N network. The system allows a maximum of 64 cards to be assigned the IPGWI application.

## IPGWx

Point-to-multipoint MTP-User signaling (e.g. ISUP, TCAP) over IP capability. Typically used for A link connectivity which require routing keys. Far End not required to support MTP3. The IPGWx GPLs (IPGWI, SS7IPGW) run on the SSEDCEM/E5-ENET cards.

## IPLIM

The application used by the SSEDCEM/E5-ENET card for IP point-to-point connectivity for ANSI point codes.

## IPLIMI

The application used by the SSEDCEM/E5-ENET card for IP point-to-point connectivity for ITU point codes.

## IPS

Internet Protocol Services

An application that is used by the IPSM card for the IP User Interface and FTP Retrieve and Replace features.

## I

|                    |                                                                                                                                                                                                                                                                                            |
|--------------------|--------------------------------------------------------------------------------------------------------------------------------------------------------------------------------------------------------------------------------------------------------------------------------------------|
| IPSM               | <p>IP Services Module</p> <p>A card that provides an IP connection for the IPUI (Telnet) and FTP-based Table Retrieve features. The IPSM is a GPSM-II card with a one Gigabyte (UD1G) expansion memory board in a single-slot assembly running the IPS application.</p>                    |
| IS41 GSM Migration | <p>A feature that adds GSM IS-41 migration functions to the existing IS-41 to GSM feature. This enhancement provides flexibility in the encoding and decoding of parameters of LOCREQ messages and responses to number migration from one mobile protocol to another.</p>                  |
| IS-NR              | <p>In Service - Normal</p>                                                                                                                                                                                                                                                                 |
| ISS                | <p>Integrated Signaling System</p>                                                                                                                                                                                                                                                         |
| ISUP               | <p>ISDN User Part</p> <p>The ISDN-specific part of the transmission with additional information via a signaling channel between exchanges.</p>                                                                                                                                             |
| ITU                | <p>International Telecommunications Union</p> <p>An organization that operates worldwide to allow governments and the private telecommunications sector to coordinate the deployment and operating of telecommunications networks and services. The ITU is responsible for regulating,</p> |

## I

coordinating and developing international telecommunications, and for harmonizing national political interests.

ITUDUPPC

ITU National Duplicate Point Code

This feature applies only to 14-bit ITU national point codes. This feature allows an EAGLE 5 ISS mated pair to route traffic for two or more countries that may have overlapping point code values.

## K

KHz

Kilo Hertz (1000 Hertz)

KSR

Keyboard Send/Receive Mode

## L

latched USB port

On the E5-MCAP card, a USB port with a lockable latch. Used with removable media (flash memory "thumb" drives) to install and back up customer data.

LCD

Liquid Crystal Display

Level 2 Timers

The MTP level 2 timers that control the operation of signaling links.

LFS

Link Fault Sectionalization

A feature in the EAGLE 5 ISS that allows the maintenance personnel to perform a series of far end loopback tests, from the EAGLE 5 ISS and identify faulty segments of an SS7 transmission path up to and including the remote network element.

## L

|         |                                                                                                                                                                                                                                                                                                                                                                                                                      |
|---------|----------------------------------------------------------------------------------------------------------------------------------------------------------------------------------------------------------------------------------------------------------------------------------------------------------------------------------------------------------------------------------------------------------------------|
| LIM     | <p>Link Interface Module</p> <p>Provides access to remote SS7, IP and other network elements, such as a Signaling Control Point (SCP) through a variety of signaling interfaces (DS0, MPL, E1/T1 MIM, LIM-ATM, E1-ATM, IPLIMx, IPGWx). The LIMs consist of a main assembly and possibly, an interface appliqué board. These appliqués provide level one and some level two functionality on SS7 signaling links.</p> |
| LIM-ATM | <p>A link interface module (LIM) with the ATM interface.</p>                                                                                                                                                                                                                                                                                                                                                         |
| LIM-E1  | <p>A link interface module (LIM) with the E1 Appliqué.</p>                                                                                                                                                                                                                                                                                                                                                           |
| LIM-T1  | <p>A link interface module (LIM) with the T1 Appliqué.</p>                                                                                                                                                                                                                                                                                                                                                           |
| Link    | <p>Signaling Link</p> <p>Signaling Link</p> <p>Carries signaling within a Link Set using a specific Association. A Link can belong to only one Link Set and one Association. There is generally one Link per Association in a Link Set.</p>                                                                                                                                                                          |
| LLT     | <p>Latching LFS Test</p>                                                                                                                                                                                                                                                                                                                                                                                             |
| LM      | <p>Layer Management</p>                                                                                                                                                                                                                                                                                                                                                                                              |
| LNP     | <p>Local Number Portability</p>                                                                                                                                                                                                                                                                                                                                                                                      |



**L**

The ability of subscribers to switch local or wireless carriers and still retain the same phone number.

## Load Sharing

A type of routing used by global title translation to route MSUs. This type of routing is used when a second point code and subsystem is defined for the primary point code and subsystem. Traffic is shared equally between the replicated point codes and subsystems.

## LS

## Link Set

A group of signaling links carrying traffic to the same signaling point.

Represents a logical signaling connection from one HLR Router point code to one adjacent point code.

## LSB

Least Significant Bit

## LSN

## Link Set Name

The name of the link set.

**M**

## MAAL

Management ATM Application Layer

## MAP

Mated Application Part

Mobile Application Part

An application part in SS7 signaling for mobile communications systems.

## M

|      |                                                                                                                                                                                                                                                                                                                                                                                                                                                                                                                |
|------|----------------------------------------------------------------------------------------------------------------------------------------------------------------------------------------------------------------------------------------------------------------------------------------------------------------------------------------------------------------------------------------------------------------------------------------------------------------------------------------------------------------|
| MAS  | <p>Maintenance and Administration Subsystem</p> <p>A set of cards located in the Control Shelf, used to provide a central management point for the EAGLE 5 ISS. The MAS provides user interface, maintenance communication, peripheral services, alarm processing, system disk interface, and measurements using the following three subassemblies: GPSM-II, TDM, and MDAL.</p>                                                                                                                                |
| MASP | <p>Maintenance and Administration Subsystem Processor</p> <p>The Maintenance and Administration Subsystem Processor (MASP) function is a logical pairing of the GPSM-II card and the TDM card. The GPSM-II card is connected to the TDM card by means of an Extended Bus Interface (EBI) local bus.</p> <p>The MDAL card contains the removable cartridge drive and alarm logic. There is only one MDAL card in the Maintenance and Administration Subsystem (MAS) and it is shared between the two MASPs.</p> |
| MBL  | Mighty Boot Loader                                                                                                                                                                                                                                                                                                                                                                                                                                                                                             |
| MCP  | <p>Measurement Collection Processor</p> <p>This application is used by the MCPM card for the Measurements Platform feature.</p>                                                                                                                                                                                                                                                                                                                                                                                |
| MCPM | Measurement Collection and Polling Module                                                                                                                                                                                                                                                                                                                                                                                                                                                                      |

## M

|     |                                                                                                                                                                                                                                                                                                                                                             |
|-----|-------------------------------------------------------------------------------------------------------------------------------------------------------------------------------------------------------------------------------------------------------------------------------------------------------------------------------------------------------------|
|     | <p>Provides comma delimited core STP measurement data to a remote server for processing. The MCPM is either an EDSM with 2 GB of memory or an E5-MCPM-B card running the MCP application.</p>                                                                                                                                                               |
| MD  | Message Dispatcher                                                                                                                                                                                                                                                                                                                                          |
| MFC | <p>Message Flow Control</p> <p>MFC controls all traffic across the IMT bus. With MFC, an EAGLE card can inform all EAGLE cards that it has reached the allotted capacity of a particular advertised service.</p>                                                                                                                                            |
| MHz | Megahertz                                                                                                                                                                                                                                                                                                                                                   |
| MIM | Multi-Channel Interface Module                                                                                                                                                                                                                                                                                                                              |
| MNP | <p>Mobile Number Portability</p> <p>Allows a user to keep his or her mobile phone number despite changing provider. The subscriber also keeps the network carrier code.</p>                                                                                                                                                                                 |
| MPC | <p>Mate Point Code</p> <p>Multiple Point Code</p> <p>The MPC (Multiple Point Code) feature enables the user to use SPCs (Secondary Point Codes) in addition to the true point codes that the EAGLE 5 ISS uses. The SPCs are used for provisioning and routing as if they were the true point code of the EAGLE 5 ISS. SPCs can be provisioned in any of</p> |

## M

the three domains (ANSI, ITU-N, and ITU-I). SPCs are supported for any type of link.

## Multi Party Chat

Operators need to support multiparty chat (conferences). A full SIP session is required for multi-party chat, and the MSRP is used to deliver the packets among all participants. The session ends when all participants have left or when the originator terminates the session.

MPL

Multi-port LIM

MRN

Message Reference Number

An unsolicited numbered message (alarm or information) that is displayed in response to an alarm condition detected by the system or in response to an event that has occurred in the system.

## Mated Relay Node

A mated relay node (MRN) group is provisioned in the database to identify the nodes that the traffic is load shared with, and the type of routing, either dominant, load sharing, or combined dominant/load sharing.

MSA

Metropolitan Statistical Areas  
Main Signaling Area

MSU

Message Signal Unit

The SS7 message that is sent between signaling points in the SS7 network with the necessary information to get the message to its destination and allow the

## M

signaling points in the network to set up either a voice or data connection between themselves. The message contains the following information:

- The forward and backward sequence numbers assigned to the message which indicate the position of the message in the traffic stream in relation to the other messages.
- The length indicator which indicates the number of bytes the message contains.
- The type of message and the priority of the message in the signaling information octet of the message.
- The routing information for the message, shown in the routing label of the message, with the identification of the node that sent message (originating point code), the identification of the node receiving the message (destination point code), and the signaling link selector which the EAGLE 5 ISS uses to pick which link set and signaling link to use to route the message.

MTP

Message Transfer Part

The levels 1, 2, and 3 of the SS7 protocol that control all the functions necessary to route an SS7 MSU through the network

Module Test Plan

MTP2

Message Transfer Part, Level 2

MTP3

Message Transfer Part, Level 3

**M**

Multiple Point Code                    See MPC.

**N**

NC                                        Network Cluster  
                                               Network Code  
                                               Not Compliant  
                                               North Carolina

NCAI                                      Nested Cluster Allowed Indicator

NCM                                      Network Cluster Member

NCR                                      Nested Cluster Routing  
                                               A feature that allows the system to support full point code entries on different routes within a cluster.

NE                                        Network Element  
                                               An independent and identifiable piece of equipment closely associated with at least one processor, and within a single location.  
                                               In a 2-Tiered DSR OAM system, this includes the NOAM and all MPs underneath it. In a 3-Tiered DSR OAM system, this includes the NOAM, the SOAM, and all MPs associated with the SOAM.  
                                               Network Entity

NEI                                        Network Element Interface

NFAS                                      Non-Frame Alignment Signal

NI                                         Network Indicator

## N

NIC

Network Identifier Code  
Network Information Center  
Network Interface Card  
Computer hardware that enables computers to communicate with one another over a computer network. Also called a network card or a network adapter.

NO

Network OAM&P  
A server that manages a collection of SOs and their corresponding MPs. NO servers are deployed in active/standby pairs.

## O

OAM

Operations, Administration, and Maintenance  
The application that operates the Maintenance and Administration Subsystem which controls the operation of many products.

OOS-MT

Out of Service - Maintenance  
The entity is out of service and is not available to perform its normal service function. The maintenance system is actively working to restore the entity to service.

OOS-MT-DSBLD

Out of Service - Maintenance Disabled  
The entity is out of service and the maintenance system is preventing the entity from performing its normal service function.

OPC

Originating Point Code

## O

Within an SS7 network, the point codes are numeric addresses which uniquely identify each signaling point. The OPC identifies the sending signaling point.

## P

## PC

## Point Code

The identifier of a signaling point or service control point in a network. The format of the point code can be one of the following types:

- ANSI point codes in the format network indicator-network cluster-network cluster member (**ni-nc-ncm**).
- Non-ANSI domestic point codes in the format network indicator-network cluster-network cluster member (**ni-nc-ncm**).
- Cluster point codes in the format network indicator-network cluster-\* or network indicator-\*-\*.
- ITU international point codes in the format **zone-area-id**.
- ITU national point codes in the format of a 5-digit number (**nnnnn**), or 2, 3, or 4 numbers (members) separated by dashes (**m1-m2-m3-m4**) as defined by the Flexible Point Code system option. A group code is required (**m1-m2-m3-m4-gc**) when the ITUDUPPC feature is turned on.
- 24-bit ITU national point codes in the format main signaling area-subsignaling area-service point (**msa-ssa-sp**).



**P**

|     |                                                                                                                                                                                                                                                                                                                                                                                                                                                                                                                                                                                                                                                                                                                                                                                                    |
|-----|----------------------------------------------------------------------------------------------------------------------------------------------------------------------------------------------------------------------------------------------------------------------------------------------------------------------------------------------------------------------------------------------------------------------------------------------------------------------------------------------------------------------------------------------------------------------------------------------------------------------------------------------------------------------------------------------------------------------------------------------------------------------------------------------------|
| PCA | Point Code ANSI                                                                                                                                                                                                                                                                                                                                                                                                                                                                                                                                                                                                                                                                                                                                                                                    |
| PCR | <p>Preventive Cyclic Retransmission</p> <p>A method of error correction used for the SS7 protocol. PCR is an error correction method that keeps a copy of each message signal unit transmitted on a signaling link in a retransmission buffer. If thereceiving end of the signaling link receives the MSU with no errors, positive acknowledgment message is sent to the transmitting end of the signaling link. The MSU is then discarded from the retransmission buffer. If the transmitting end of the signaling link does not receive positive acknowledgment from the receiving end of the signaling link, the MSU is retransmitted until positive acknowledgment is received. The PCR error correction method is assigned to SS7 signaling links using the <code>ent-slk</code> command.</p> |
| PCT | <p>PC Test</p> <p>Point Code and CIC Translation</p> <p>A feature that enables the EAGLE 5 ISS to translate the DPC or OPC of an MTP routed message, and enables modification of the CIC of an ISUP message. This gives the EAGLE 5 ISS the capability to emulate a point code using other nodes in its network.</p>                                                                                                                                                                                                                                                                                                                                                                                                                                                                               |
| PDS | Persistent Device States                                                                                                                                                                                                                                                                                                                                                                                                                                                                                                                                                                                                                                                                                                                                                                           |
| PDU | Protocol Data Unit                                                                                                                                                                                                                                                                                                                                                                                                                                                                                                                                                                                                                                                                                                                                                                                 |

**P**

Per-Linkset Random SLS  
 A feature that allows a user to apply the Random SLS Generation feature on selected linksets instead of all linksets in the system.

**R**

RC  
 Relative Cost  
 Restriction Criteria

RCP  
 Routeset Prohibited Test (Msg) (ANSI)

RCR  
 Routeset Cluster Restricted Test (Msg)

RCT  
 Route Congestion Test  
 Routeset Congestion Test (Msg)

RCx  
 A Signaling-Route-Set-Test for either a prohibited or restricted cluster network management message.

removable media  
 Flash memory or “thumb” drives used in the latched USB port on an E5-MCAP card for installation and backup of customer data.

Restricted  
 The network management state of a route, link set, or signaling link that is not operating properly and cannot carry all of its traffic. This condition only allows the highest priority messages to sent to the database entity first, and if space allows, followed by the other traffic. Traffic that cannot be sent on the restricted database entity

**R**

must be rerouted or the traffic is discarded.

Route A signaling path from an LSP to an RSP using a specified Link Set

RS Requirement Specification  
Redirect Server

RSC Reset Circuit  
Reset Confirmation

RSCT Route-set-congestion-test (message)  
An MTP3 management message.

RSP Route Set Test - Prohibited message  
Remote Signaling Point  
Represents an SS7 network node (point code) that signaling must be sent to. An RSP has an SS7 domain (ANSI, ITUI, ITUN), a point code, and an optional Adjacent Server Group.  
Remote Signaling Point  
A logical element that represents a unique point code within a particular SS7 domain with which the SS7 application's Local Signaling Point interacts.

RSR Reset Request  
Route Set Test – Restricted message

RST Route Set Test  
Routeset Prohibited Test (Msg)

**S**

## S

|        |                                                                                                                                                                                                                                                                                                                                                                   |
|--------|-------------------------------------------------------------------------------------------------------------------------------------------------------------------------------------------------------------------------------------------------------------------------------------------------------------------------------------------------------------------|
| SAAL   | Signaling ATM Adaptation Layer                                                                                                                                                                                                                                                                                                                                    |
| SAPC   | Secondary Adjacent Point Code                                                                                                                                                                                                                                                                                                                                     |
| SCCP   | Signaling Connection Control Part<br>The signaling connection control part with additional functions for the Message Transfer Part (MTP) in SS7 signaling. Messages can be transmitted between arbitrary nodes in the signaling network using a connection-oriented or connectionless approach.                                                                   |
| SCMG   | SCCP Management<br>SCMG manages the status of subsystems and SCCP-capable signaling points (SPs). It maintains the status of remote SCCP SPs and that of local subsystems.                                                                                                                                                                                        |
| SCP    | Service Control Point<br>Service Control Points (SCP) are network intelligence centers where databases or call processing information is stored. The primary function of SCPs is to respond to queries from other SPs by retrieving the requested information from the appropriate database, and sending it back to the originator of the request.<br>Secure Copy |
| SDU    | Service Data Unit                                                                                                                                                                                                                                                                                                                                                 |
| SE-HSL | Synchronous E1 High Speed Link                                                                                                                                                                                                                                                                                                                                    |

## S

|                |                                                                                                                                                                                                                                                                                                                |
|----------------|----------------------------------------------------------------------------------------------------------------------------------------------------------------------------------------------------------------------------------------------------------------------------------------------------------------|
|                | <p>Format for E1 high-speed signaling links where time-slot 0 is used for framing and error control. The remainder of bandwidth, equivalent to 31 channels of 64Kbps data, is used as a single data link yielding a total capacity of 1.984 Mbps. Also known as Unchannelized E1.</p>                          |
| SEAS           | <p>Signaling Engineering and Administration System</p> <p>An interface defined by Bellcore and used by the Regional Bell Operating Companies (RBOCs), as well as other Bellcore Client Companies (BCCs), to remotely administer and monitor the signaling points in their network from a central location.</p> |
| SF             | <p>Super Frame</p>                                                                                                                                                                                                                                                                                             |
| SI             | <p>Service Indicator</p>                                                                                                                                                                                                                                                                                       |
| Signaling Link | <p>The transmission path connecting the EAGLE 5 ISS to other signaling points in the network and providing access to ANSI SS7 and ITU SS7 network elements. The signaling link is connected to the EAGLE 5 ISS at the link interface module (LIM).</p>                                                         |
| SIO            | <p>Service Information Octet.</p> <p>The network indicator code (NIC), priority (PRI), and service indicator (SI) in the SIO field in the message signaling unit (MSU). This information identifies the type of</p>                                                                                            |

## S

|                  |                                                                                                                                                 |
|------------------|-------------------------------------------------------------------------------------------------------------------------------------------------|
|                  | MSU (ISUP, TCAP, and so forth) that is allowed in the network where the EAGLE 5 ISS is located.                                                 |
| SIPO             | Status Indicator - Processor Outage                                                                                                             |
| SLC              | Signaling Link Code                                                                                                                             |
| SLS              | Signaling Link Selector                                                                                                                         |
| SLSCI            | SLS Conversion Indicator                                                                                                                        |
| SLTA             | Signaling Link Test Acknowledgment                                                                                                              |
| SLTC             | Signaling Link Test Controller                                                                                                                  |
| SLTM             | Signal Link Test Message                                                                                                                        |
| SMSC             | Short Message Service Center<br><br>A network element in the mobile telephone network which delivers SMS messages.                              |
| SP               | Service Provider<br><br>Signaling Point<br><br>A set of signaling equipment represented by a unique point code within an SS7 domain.            |
| Spare Point Code | The EAGLE ITU International/National Spare Point Code feature allows a network operator to use the same Point Codes across two networks (either |

## S

ITU-I or ITU-N). The feature also enables National and National Spare traffic to be routed over the same linkset. The EAGLE uses the MSU Network Indicator (NI) to differentiate the same point code of one network from the other. In accordance with the SS7 standard, unique Network Indicator values are defined for Point Code types ITU-I, ITU-N, ITU-I Spare, and ITU-N Spare.

## SPC

## Secondary Point Code

The SPC enables the EAGLE 5 ISS to assume more than one point code for SS7 routing. The EAGLE 5 ISS uses the SPC for routing and provisioning as if the SPC were an actual point code of the EAGLE 5 ISS. The EAGLE 5 ISS supports one ANSI true point code and up to seven secondary point codes.

## Signaling Point Code

## Spare Point Code

## Stored Program Control

Service Provisioning over COPS (Common Open Policy Service protocol)

## SS

## Subsystem

## Supplementary Services

## SS7

## Signaling System #7

A communications protocol that allows signaling points in a network to send messages to each other so that voice and data connections can be set up between these signaling points. These messages are sent over its own network and not over the revenue

## S

producing voice and data paths. The EAGLE 5 ISS is an STP, which is a device that routes these messages through the network.

SS7ANSI

SS7 ANSI

An application used by the LIM cards and the E1/T1 MIM card for the MTP functionality.

SS7IPGW

SS7 IP Gateway

An application used by the DCM/SSEDCM card for IP point-to-multipoint capability within an ANSI network.

SSA

Subsystem Allowed

SSCF

Service Specific Coordination Function

The primary task of the SSCF (Service Specific Coordination Function) is to map the services provided by the lower layers of the SAAL to the needs of a specific higher layer user. For the ATM high-speed signaling link, the higher layer user is the MTP-3 protocol.

SSCOP

Service Specific Connection Oriented Protocol.

The primary task of the SSCOP (Service Specific Connection Oriented Protocol) is to provide assured data delivery between AAL connection endpoints. Breaking the SSCS into 2 sublayers allows a common connection oriented protocol with error



## S

recovery (the SSCOP) to provide a generic reliable data transfer service for different AAL interfaces defined by different SSCF layers.

## SSCS

Service Specific Convergence Sublayer.

The SSCOP is 1 of 2 parts (the other being the SSCF) of the Service Specific part of the SAAL layer (also known as the SSSC, the Service Specific Convergence Sublayer of the SAAL). The other part of the SAAL Layer is the CPCS.

## SSN

SS7 Subsystem Number

The subsystem number of a given point code. The subsystem number identifies the SCP application that should receive the message, or the subsystem number of the destination point code to be assigned to the LNP subsystem of the EAGLE 5 ISS.

Subsystem Number

A value of the routing indicator portion of the global title translation data commands indicating that no further global title translation is required for the specified entry.

Subsystem Number

Used to update the CdPA.

## SSP

Subsystem Prohibited network management message.

Subsystem Prohibited SCCP (SCMG) management message. (CER)

## S

|        |                                                                                                                                                                                                                                                                                                                                                                                                |
|--------|------------------------------------------------------------------------------------------------------------------------------------------------------------------------------------------------------------------------------------------------------------------------------------------------------------------------------------------------------------------------------------------------|
|        | <p>Service Switching Point (SS7 Network)</p> <p>Signal Switching Point</p> <p>Signal Switching Points are switches that originate, terminate, or tandem calls. An SSP sends signaling messages to other SSPs to setup, manage, and release voice circuits required to complete a call.</p>                                                                                                     |
| STC    | <p>Sentinel Transport Card</p> <p>Signaling Transport Card</p> <p>The Signaling Transport Card (STC) is a member of the DCM card family with an "eroute" generic program load (GPL) installed. The STCs provide the IP interface between the LIM cards on the IMT bus and the Signaling Extended Services Platform (ESP) subassembly. The STC is used for sending MSU data to the ESP/IMF.</p> |
| STP    | <p>Signal Transfer Point</p> <p>The STP is a special high-speed switch for signaling messages in SS7 networks. The STP routes core INAP communication between the Service Switching Point (SSP) and the Service Control Point (SCP) over the network.</p> <p>Spanning Tree Protocol</p>                                                                                                        |
| STPLAN | <p>Signaling Transfer Point Local Area Network</p> <p>The application used by the SLAN card and E5-SLAN card to support the STP LAN feature. This application does not support 24-bit ITU-N point codes.</p>                                                                                                                                                                                   |

**S**

SUERM Signal Unit Error Rate Monitor

**T**

T1 Transmission Level 1  
A T1 interface terminates or distributes T1 facility signals for the purpose of processing the SS7 signaling links carried by the E1 carrier.  
A leased-line connection capable of carrying data at 1,544,000 bits-per-second.

TCA Transfer Cluster Allowed

TCP Transfer-Cluster-Prohibited  
Transfer Control Protocol  
Transmission Control Protocol  
A connection-oriented protocol used by applications on networked hosts to connect to one another and to exchange streams of data in a reliable and in-order manner.

TCP/IP Transmission Control Protocol/Internet Protocol

TCR Transfer Cluster Restricted

TDM Terminal Disk Module  
Time Division Multiplexing  
Data transmissions within individual connections follow a pre-defined multiplex scheme where a fixed time slot is available for each channel.

## T

|                 |                                                                                                                                                                                                                                                                                                                                                                                                                                    |
|-----------------|------------------------------------------------------------------------------------------------------------------------------------------------------------------------------------------------------------------------------------------------------------------------------------------------------------------------------------------------------------------------------------------------------------------------------------|
| TFA             | TransFer Allowed (Msg)                                                                                                                                                                                                                                                                                                                                                                                                             |
| TFC             | Transfer Control<br>TransFer Controlled (Msg)<br>Transfer Congested                                                                                                                                                                                                                                                                                                                                                                |
| TFP             | TransFer Prohibited (Msg)<br>A procedure included in the signaling route management (functionality) used to inform a signaling point of the unavailability of a signaling route.                                                                                                                                                                                                                                                   |
| TFR             | Transfer Restricted                                                                                                                                                                                                                                                                                                                                                                                                                |
| TPC             | True Point Code                                                                                                                                                                                                                                                                                                                                                                                                                    |
| TPS             | Transactions Per Second<br>A method of measuring how quickly a network can transmit and receive data. Capacities listed with "TPS" units involve the maximum of the receive rate and the transmit rate, and the worst-case assumption is that the transmit and receive rates are the same. Under the TU model, transaction units per second are calculated with the total transaction unit value and the advertised card capacity. |
| TRA             | Traffic Restarting Allowed                                                                                                                                                                                                                                                                                                                                                                                                         |
| True Point Code | The point code defining a destination in the Destination Point Code table.                                                                                                                                                                                                                                                                                                                                                         |

**T**

TRW Traffic Restarting Waiting

TSC Time Slot Counter

**U**

UAM Unsolicited Alarm Message  
A message sent to a user interface whenever there is a fault that is service-affecting or when a previous problem is corrected. Each message has a trouble code and text associated with the trouble condition.

UDT Unitdata Transfer

UDTS Unitdata Transfer Service  
An error response to a UDT message.

UIM Unsolicited Information Message  
A message sent to a user interface whenever there is a fault that is not service-affecting or when a previous problem is corrected. Each message has a trouble code and text associated with the trouble condition.

Unchannelized E1 Synchronous E1 High Speed Link

USB port Receptacle for flash memory drives on personal computers. On the E5-MDAL card, a flush-mounted USB port used with credit card flash memory drives for upgrade. On the E5-MCAP card, a latched

## U

USB port for use with flash memory "thumb" drives for installation and backup of customer data.

## V

|        |                                                                                                                                                                                                                                                                                                          |
|--------|----------------------------------------------------------------------------------------------------------------------------------------------------------------------------------------------------------------------------------------------------------------------------------------------------------|
| VCC    | <p>Virtual Channel Connection</p> <p>Voice Call Continuity</p> <p>The 3GPP has defined the Voice Call Continuity (VCC) specifications in order to describe how a voice call can be persisted, as a mobile phone moves between circuit switched and packet switched radio domains.</p>                    |
| VCI    | <p>Virtual Channel Identifier</p>                                                                                                                                                                                                                                                                        |
| V-Flex | <p>Voicemail Flexible Routing</p> <p>An advanced database application based on the industry proven EAGLE 5 ISS. Deployed as a local subsystem on the EAGLE platform, V-Flex centralizes voicemail routing.</p>                                                                                           |
| VPI    | <p>Virtual Path Identifier</p>                                                                                                                                                                                                                                                                           |
| VSCCP  | <p>VxWorks Signaling Connection Control Part</p> <p>The application used by the Service Module card to support EPAP-related features and LNP features. If an EPAP-related or LNP feature is not turned on, and a Service Module card is present, the VSCCP application processes normal GTT traffic.</p> |

## X

## X

|       |                                                                            |
|-------|----------------------------------------------------------------------------|
| XUDT  | Extended Unit Data<br>Extended User Data                                   |
| XUDTS | Extended Unitdata Service message<br>An error response to an XUDT message. |