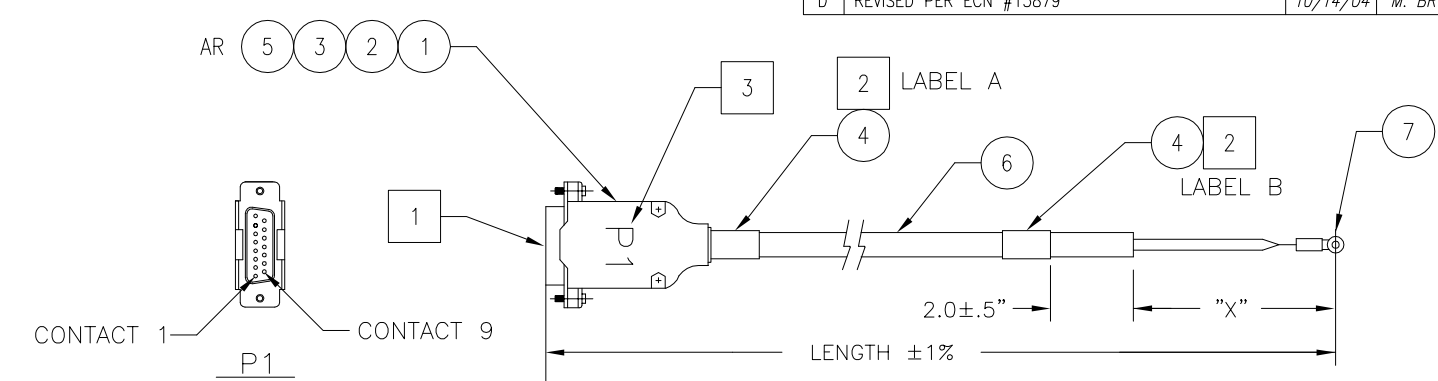


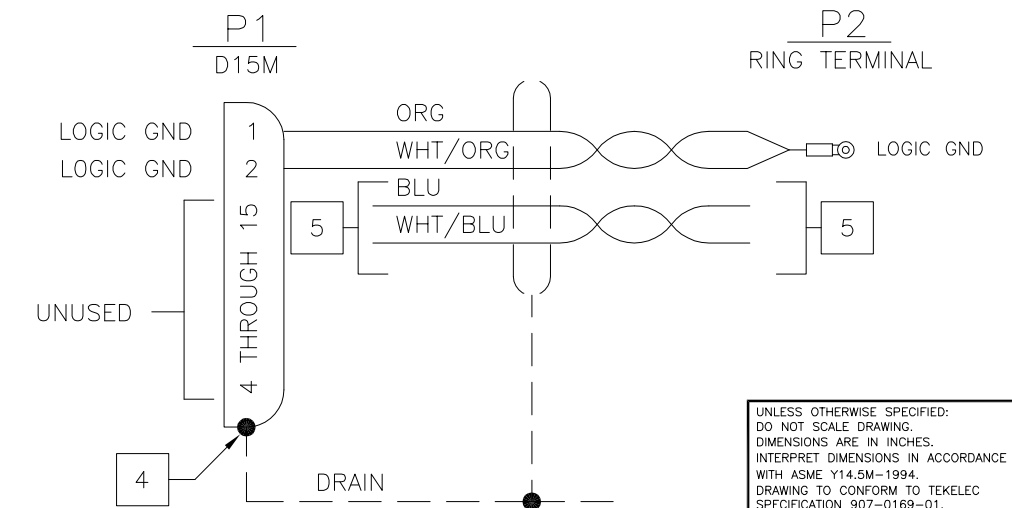
- NOTES: UNLESS OTHERWISE SPECIFIED
- 1 ASSEMBLY – PER CONNECTOR MANUFACTURER’S SPECIFICATIONS (AMP IS-6609 AND IS-9193 OR EQUIVALENT).
 - 2 MARK – PERMANENTLY MARK CABLE LABEL(S) (ITEM 4) WITH TEKELEC PART NUMBER INCLUDING APPLICABLE DASH NUMBER AND REVISION LEVEL, P1 OR P2 ETC., VENDOR NAME AND DATE OF MANUFACTURE ALSO ADD TO-FROM TEXT (SEE TABULATION CHART FOR TEXT). LOCATE APPROXIMATELY AS SHOWN.
 - 3 MARK – PERMANENTLY MARK WITH P1 AS SHOWN WITH BLACK CHARACTERS. SIZE AND LOCATION APPROXIMATELY AS SHOWN.
 - 4 DO NOT SOLDER SHIELDED CABLE DRAIN (GROUNDING) WIRE TO CABLE BACKSHELL(S). BACKSHELL(S) SHALL BE GROUNDED BY TERMINATION OF THE DRAIN (GROUNDING) WIRE IN ACCORDANCE WITH MANUFACTURER’S ASSEMBLY SPECIFICATIONS.
 - 5 REFERENCED CONDUCTORS SHALL BE CUT BACK TO THE CABLE JACKET AND SHALL REMAIN UNUSED.
 - 6) TABULATION – REFER TO THE TABULATION BLOCK FOR DETAILS PERTAINING TO EACH INDIVIDUAL DASH NUMBER.
 - 7) NO ADDITIONS, DELETIONS, MODIFICATIONS OR SUBSTITUTIONS WITHOUT PRIOR WRITTEN TEKELEC APPROVAL.

DOCUMENT CONTROL
PRODUCTION RELEASED

REVISIONS			
REV	DESCRIPTION	DATE	APPROVED
A	RELEASE PER ECO # 13025	9/5/03	D.GRIFFITH
B	REVISED PER ECN #13351	XXXX	D. GRIFFITH
C	REVISED PER ECN #12998	1/28/04	D. GRIFFITH
D	REVISED PER ECN #13879	10/14/04	M. BRYAN



TABULATION BLOCK					
DASH NUMBER	LENGTH (IN)±1%	X (IN)±.12	LABEL "A" TEXT	LABEL "B" TEXT	REVISION LEVEL
-01	86.00	8.50	FROM SERVER A LOGIC GND TO LOGIC GRN TERM BLK	FROM LOGIC GRN TERM BLK TO SERVER A LOGIC GND	B
-02	92.00	9.25	FROM SERVER B LOGIC GND TO LOGIC GRN TERM BLK	FROM LOGIC GRN TERM BLK TO SERVER B LOGIC GND	B
-03	99.00	10.00	FROM SERVER C LOGIC GND TO LOGIC GRN TERM BLK	FROM LOGIC GRN TERM BLK TO SERVER C LOGIC GND	B
-04	106.00	10.75	FROM SERVER D LOGIC GND TO LOGIC GRN TERM BLK	FROM LOGIC GRN TERM BLK TO SERVER D LOGIC GND	B
-05	116.00	11.50	FROM SERVER E LOGIC GND TO LOGIC GRN TERM BLK	FROM LOGIC GRN TERM BLK TO SERVER E LOGIC GND	B
-06	120.00	12.25	FROM SERVER A LOGIC GND TO LOGIC GRN TERM BLK	FROM LOGIC GRN TERM BLK TO SERVER A LOGIC GND	A
-07	136.00	13.00	FROM SERVER B LOGIC GND TO LOGIC GRN TERM BLK	FROM LOGIC GRN TERM BLK TO SERVER B LOGIC GND	A
-08	107.00	13.00	FROM SERVER 1 LOGIC GND TO LOGIC GRN TERM BLK	FROM LOGIC GRN TERM BLK TO SERVER 1 LOGIC GND	A
-09	93.00	12.25	FROM SERVER 2 LOGIC GND TO LOGIC GRN TERM BLK	FROM LOGIC GRN TERM BLK TO SERVER 2 LOGIC GND	A
-10	79.00	11.50	FROM SERVER 3 LOGIC GND TO LOGIC GRN TERM BLK	FROM LOGIC GRN TERM BLK TO SERVER 3 LOGIC GND	A
-11	60.00	10.75	FROM SERVER 4 LOGIC GND TO LOGIC GRN TERM BLK	FROM LOGIC GRN TERM BLK TO SERVER 4 LOGIC GND	A



UNLESS OTHERWISE SPECIFIED:
DO NOT SCALE DRAWING.
DIMENSIONS ARE IN INCHES.
INTERPRET DIMENSIONS IN ACCORDANCE WITH ASME Y14.5M-1994.
DRAWING TO CONFORM TO TEKELEC SPECIFICATION 907-0169-01.
DEBURR AND BREAK SHARP EDGES AND CORNERS .005-.015.
MACHINED SURFACE FINISH 125 ✓
DECIMAL TOLERANCES:
.XX= ±.02 .XXX= ±.005
ANGLE TOLERANCE: ± 1°

THIS DOCUMENT AND THE DATA DISCLOSED HEREIN OR HEREWITH IS PROPRIETARY AND IS NOT TO BE REPRODUCED, USED OR DISCLOSED IN WHOLE OR PART TO ANYONE WITHOUT THE WRITTEN PERMISSION OF TEKELEC. COPYRIGHT TEKELEC 2001.

APPROVALS	DATE
DRAWN BY J. MYERS	8/5/03
CHECKED S. LYLE	8/14/03
APPROVED D. GRIFFITH	8/14/03

NEXT ASSY	USED ON
APPLICATION	MATERIAL

THIRD ANGLE PROJECTION

SEE SEPARATE PARTS LIST

TEKELEC 26580 W. Agoura Road,
Calabasas, California 91302

DWG_GEN_LOGIC
GROUND_CABLE_TEKWARE

SIZE	DIVISION	DRAWING NO.	REV.
C	NSD	830-0989-XX	D

SCALE: NONE FILE NAME: 830-0989-XX_D.DWG SHEET 1 OF 1