

MT Task Creation
Oracle FLEXCUBE Universal Banking
Release 11.3.83.02.0
[April] [2014]
Oracle Part Number E53607-01



Table of Contents

1.	MT TASK CREATION PROCESS	1-1
1.1	INTRODUCTION	1-1
1.2	MT TASK CREATION	1-1
1.2.1	<i>SWIFT Message –Task Creation</i>	1-1
1.2.2	<i>Gateway Message Task Creation</i>	1-2
1.3	MT TASK PROCESS.....	1-3
1.3.1	<i>Flow Diagram</i>	1-3
1.4	STAGES IN MT TASK CREATION.....	1-3
1.4.1	<i>Task Initiation – Maker</i>	1-4
1.4.2	<i>Checker</i>	1-8
1.4.3	<i>CABLE Room Operator</i>	1-10
1.4.4	<i>Completed Stage</i>	1-11
1.5	STAGE TRANSITION RULE	1-11
1.6	ROLE RESPONSIBILITY MATRIX.....	1-12
2.	SCREEN GLOSSARY	2-1
2.1	FUNCTION ID LIST.....	2-1

1. MT Task Creation Process

1.1 Introduction

Oracle FLECUBE supports two types of message processing, namely Swift message (STP and Non- STP) and Gateway message.

During STP processing, a contract will be created when the incoming messages are subjected to STP rules and pass through the rules. If the incoming message fails to clear the defined STP rules or when the data could not be parsed or extracted then the message will be tanked and available for repair from the incoming browser window. All the non-STP messages will be in the unprocessed state and can be viewed in the incoming browser.

The gateway messages are processed and for a successful transaction, a response will be sent to the external system. If the transaction fails, then an error response will be sent to the external system along with the error details.

1.2 MT Task Creation

The list of SWIFT messages and Gateway messages for which a task is to be created are configured when:

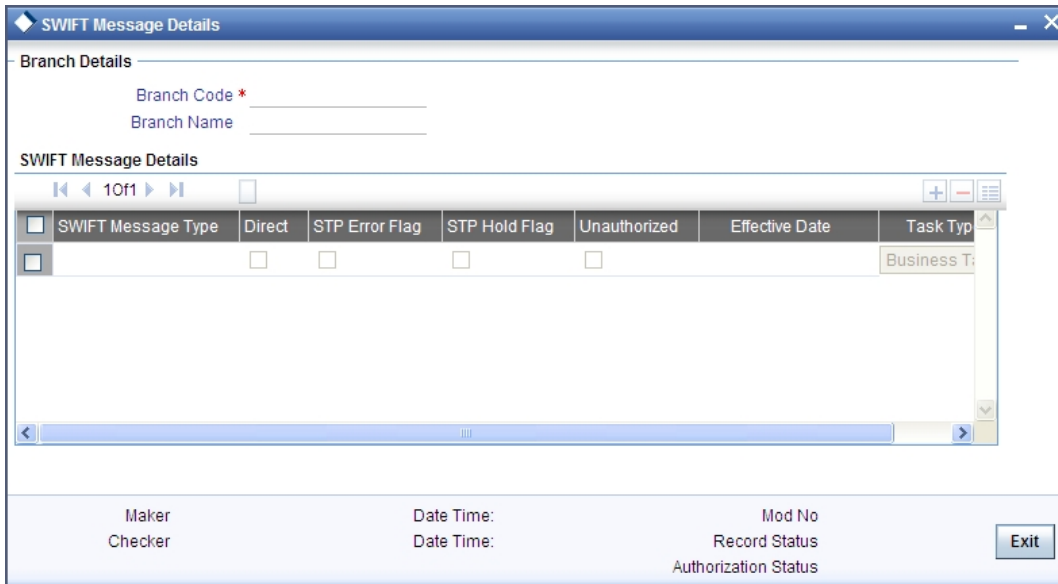
- The incoming SWIFT message is failed or put on hold.
- The gateway message is moved to the dead letter queue or if the transaction fails.

1.2.1 SWIFT Message –Task Creation

The task creation for SWIFT message depends on the maintenance done in the 'STP Message Maintenance Details' screen. You can invoke this screen by typing 'MSDSTPSC' in the field at the top right corner of the Application tool bar and clicking the adjoining arrow button.

Using the 'STP Message Maintenance Details' screen, MT Task/Business Task can be created, if:

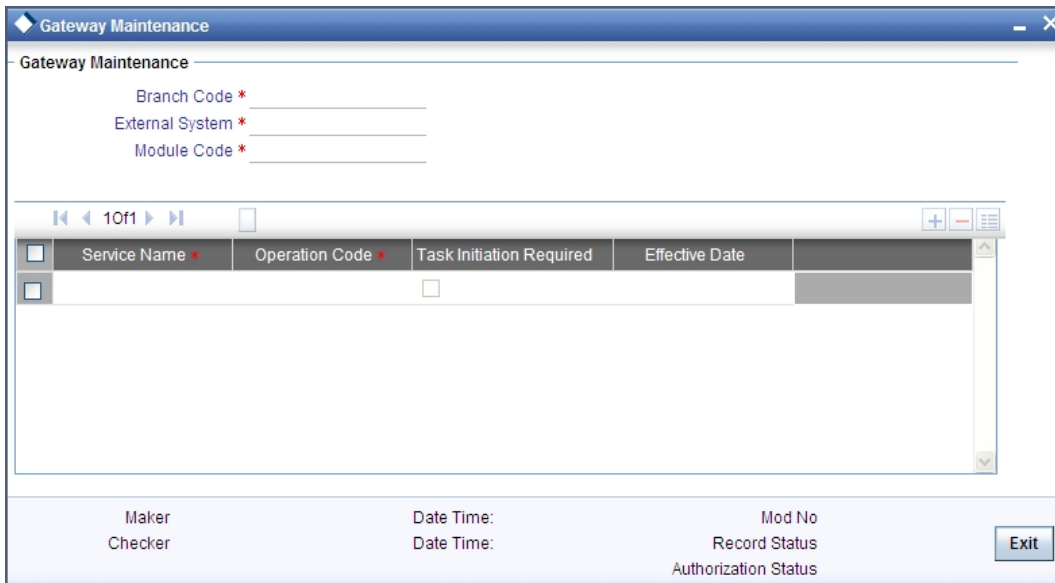
- The STP process is not required
- The STP process fails
- The STP process is successful and contract is put on hold



Refer the chapter 'Maintaining Advice Formats' in the Messaging System User Manual for more details on the screen.

1.2.2 Gateway Message Task Creation

The task creation for Gateway message depends on the maintenance done in the 'Gateway Maintenance' screen. You can invoke this screen by typing 'STDGWINT' in the field at the top right corner of the Application tool bar and clicking the adjoining arrow button.

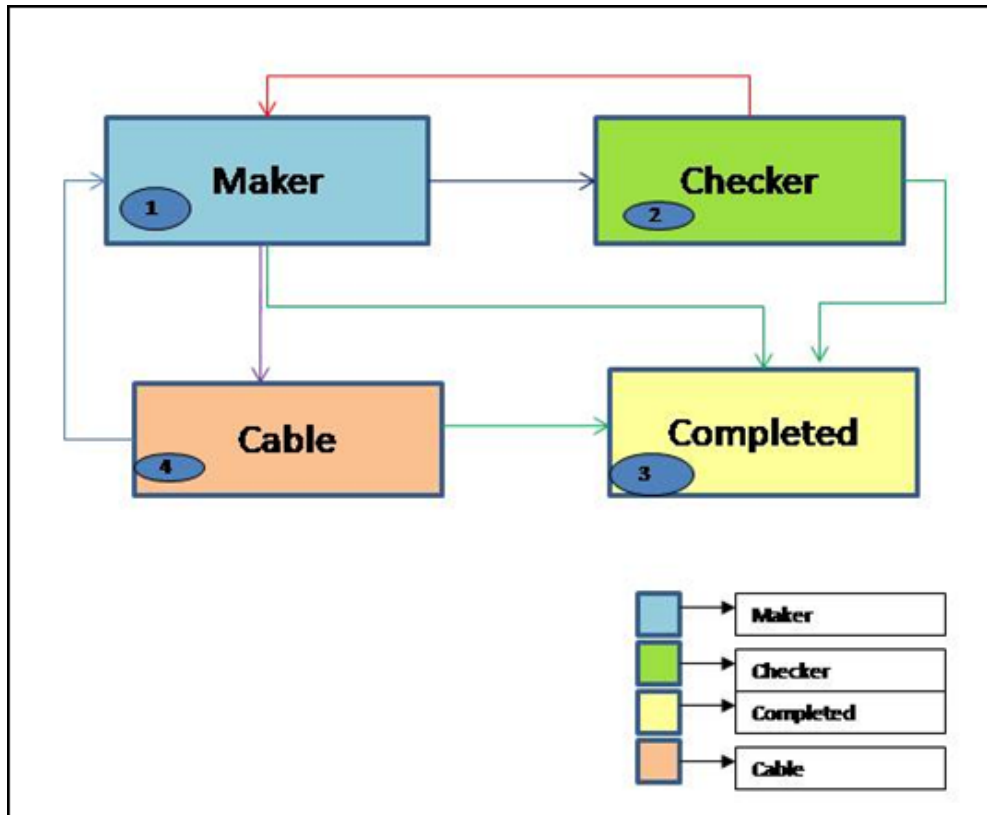


Refer the chapter 'External System Maintenance' in the Gateway User Manual for more details on the screen.

1.3 MT Task Process

MT TASK process is a monitoring process for tracking the SWIFT messages/Gateway Transactions. It would be initiated based on the maintenance done for SWIFT messages and Gateway Transactions.

1.3.1 Flow Diagram



1.4 Stages in MT Task Creation

In Oracle FLEXCUBE, the process for MT task creation is governed by several user roles created to perform different tasks. At every stage, the users (with requisite rights) need to fetch the relevant transactions from their task lists and act upon them.

The MT task creation process comprises the following stages:

- Task Initiation – Maker
- Checker
- CABLE Room Operator
- Completed Stage

Only users who have procured the relevant access rights can perform activities under a stage.

1.4.1 **Task Initiation – Maker**

When the incoming SWIFT message is received, the Maker views the message and performs any one of the following task:

- Edits the incoming message/create a new contract and submit the tracking task to the checker for authorization of the message amendment/contract.
- Moves the task to the completed stage, if any action is not required.
- Refers the task to CABLE room, if the message is not reconciled or intended for the Maker.

For Gateway messages, the Maker views the error details, external reference number, inform the error details to the external system and move the task to the completed stage. On receiving the details from the external system, the maker will do any of the following tasks:

- Create/modify the contract and then move the task to the Checker for authorizing the contract.
- Move the task to the completed stage, if the maker does not want to create/modify the contract
- Send the task to the CABLE room stage, if the message is not intended to them.

Validations:

When the task is sent to the Checker, the system will validate if the contract/message is in auth status, if yes then an error message will be shown.

When the task is sent to the Cable room, system will validate if the contract/message is in un-auth status, if yes then an error message will be shown.

When the task is sent to the Completed Stage, system will validate if the contract/message is in un-auth status, if yes then an Configurable Override message will be shown.

For the maker the Authorize Message button will be disabled.

The screenshot shows a software interface titled "Receive And Verify". At the top, there is a "Workflow Reference #" field and a "Priority" dropdown menu set to "Low". Below this, the interface is divided into several sections:

- Message Details:** Includes fields for "Source Code", "Source Reference *", "Document Reference *", "Message Type", and "Message Version Number".
- Contract Details:** Includes fields for "FLEXCUBE Reference" and "Module Code".
- Activity Details:** Includes "Send To" (set to "Completed") and "Team" dropdown menus.
- Error Details:** A table with columns "Error Code" and "Error Message". The table is currently empty.
- Narrative:** A section for "Internal Remarks" with a text area.

At the bottom of the window, there is a navigation bar with buttons for "View Message", "Online", "Message Details", "Edit Message", and "Authorize Message". Below the navigation bar, there are "Prev Remarks" and "Remarks" labels, an "Audit" button, and an "Outcome" dropdown menu. An "Exit" button is located in the bottom right corner.

The system displays the following details:

- Workflow Reference No.
- Source Code
- Source Reference Number
- DCN
- Message Type
- Message Version Number
- Send To
- FCUBS Reference Number
- Module Code
- Error Code
- Error Message
- Internal Remarks

Click on the 'View Message' button to view the message.

STP Message Maintenance Details

DCN * _____
Message

Details

Remarks _____

Maker ID _____ Checker Id _____

Maker Date Stamp _____ Checker Date Stamp _____

Version _____ Authorized

Exit

Click on the 'Message Details' button to view the message details.

STOP The message details will be available only for STP messages.

Click on the 'Edit Message' button in the 'Receive and Verify' screen to edit the message. The 'Edit Message' screen will be displayed.

STOP You can edit the messages only MT103, MT200, and MT202.

Click on the 'Online Initiation' button in the 'Receive and Verify' screen. The system will launch the appropriate contract online screen based on the module code selected.

For Example, if module 'FT' is selected, system will launch the 'Fund Transfer Contract Input' online screen.

1.4.2 Checker

When the incoming SWIFT messages and Gateway messages are received, the checker will perform the following task:

- View the message and error details
- Create/modify the contract/ message
- Authorize the contract/ message and move the task to the completed stage.

If any information or modification is required, the checker will send the task back to the maker who initiated the task.

Validations:

When the task is sent to the Completed Stage, system will validate if the contract/message is in un-auth status, if yes then a Configurable Override message will be shown.

Checker can view the contract details by clicking on the 'View Online' button.

For the Checker, the 'Edit Message' button will be disabled.

Receive And Verify

Workflow Reference # _____ Priority **Low** ▾

Message Details | **Contract Details**

Source Code _____ FLEXCUBE Reference _____
 Source Reference * _____ Module Code _____
 Document Reference * _____
 Message Type _____
 Message Version Number _____

Activity Details

Send To **Completed** ▾
 Team _____

	Error Code	Error Message
<input type="checkbox"/>		
<input type="checkbox"/>		

◀ ◀ 1 of 1 ▶ ▶

Narrative

Internal Remarks _____

View Message | **Online** | **Message Details** | **Edit Message** | **Authorize Message**

Prev Remarks _____ Remarks _____

Exit

Audit Outcome _____ ▾

Click on the 'Authorize Message' button to view the edited details and authorize message.

1.4.3 **CABLE Room Operator**

Cable room operator can view the message, error details and decide whether to send the task to the Maker of Trade Team or Remittance team. Cable room operator can also send the task directly to the completed stage.

The screenshot shows the 'Receive And Verify' application window. At the top, there is a 'Workflow Reference #' field and a 'Priority' dropdown menu set to 'Low'. Below this, the window is divided into several sections: 'Message Details' with fields for Source Code, Source Reference *, Document Reference *, Message Type, and Message Version Number; 'Contract Details' with fields for FLEXCUBE Reference and Module Code; 'Activity Details' with 'Send To' (dropdown set to 'Completed') and 'Team' (dropdown) fields; and 'Error Details' which is a table with columns 'Error Code' and 'Error Message'. Below the error table is a 'Narrative' section and an 'Internal Remarks' field. At the bottom, there is a navigation bar with buttons for 'View Message', 'Online', 'Message Details', 'Edit Message', and 'Authorize Message'. Below the navigation bar, there are 'Prev Remarks' and 'Remarks' fields, an 'Audit' button, an 'Outcome' dropdown menu, and an 'Exit' button.

Specify the following details:

Send To

Select the stage to which the task has to be moved from the drop-down list. The list contains the following options:

- Completed
- Maker

Team Option

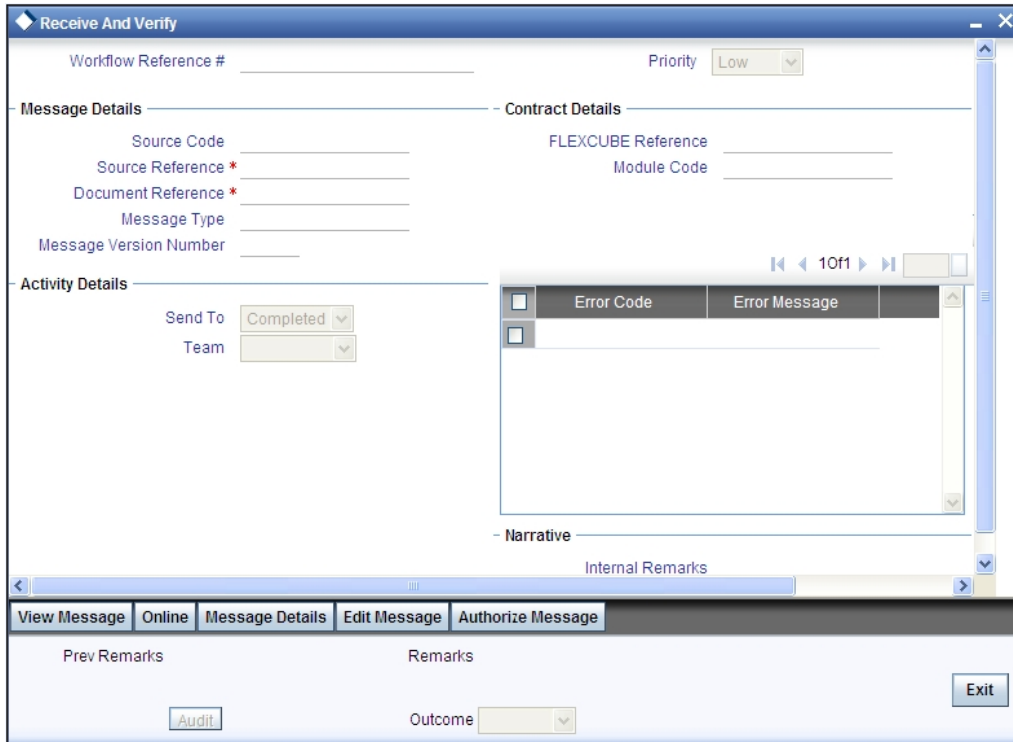
Select the team to which the task has to be moved from the drop-down list. The list contains the following options:

- Trade
- Remittance

You can select this option only when 'Send to Maker' is 'Team'.

1.4.4 Completed Stage

The user can view the completed stage in the screen.



1.5 Stage Transition Rule

Source Stage	Path	Destination Stage	Rule
Task Initiation/Maker	1 – 3	Completed	Direct filing and when the maker sends the task to the Completed Stage. If the contract is not authorized, then an override will be shown.
Task Initiation/Maker	1 – 2	Checker	If the Contract is created/modified or if the message is modified.

Checker	2 – 3	Completed	If the Contract/Message is authorized then the Checker can send the task to the completed stage. When the Checker sends the task to the completed stage if the contract/message is not authorized then an override will be shown.
Checker	2 – 1	Maker	If the Checker wants any information, he/she will send the task to the maker.
Task Initiation/Maker	1 – 4	CABLE	If the Maker decides that this task is for his team task then he/she will send the task to the CABLE.
CABLE	4 – 1	Maker	If the CABLE room operator decides to send this task Maker of the Trade team, then he/she will select the Trade Team option and send task to the maker.
			If the CABLE room operator decides to send this task to the Maker of the Remittance team, then he/she will select the Remittance Team option and send task to the maker.
CABLE	4 – 3	Completed	Direct filing

1.6 Role Responsibility Matrix

S. No	Stage	Role	Access rights	Comments
1	Task Initiation/Maker - Trade	Maker-Trade	Modify Task	
		Checker-Trade	View Task	
		Cable	View Task	
2	Checker-Trade	Checker-Trade	Modify Task View Task	
		Maker-Trade	View Task	
		Cable	View Task	
3	Maker-Remittance	Maker-Remittance	Modify Task	
		Checker-Remittance	View Task	
		Cable	View Task	

S. No	Stage	Role	Access rights	Comments
4	Checker-Remittance	Checker-Remittance	Modify Task View Task	
		Maker-Remittance	View Task	
		Cable	View Task	
5	Cable	Cable	Modify Task View Task	
		Maker-Remittance Maker--Trade	View Task	
		Checker-Remittance Checker-Trade	View Task	
5	Completed Transactions	Checker-Remittance Checker-Trade	View Task	
		Cable	View Task	
		Maker—Remittance Maker--Trade	View Task	

2. Screen Glossary

2.1 Function ID List

The following table lists the function id and the function description of the screens covered as part of this User Manual.

Function ID	Function Description
MSDSTPSC	STP Message Maintenance Details
STDGWINT	Gateway Maintenance



MT Task Creation

[April] [2014]
Version 11.3.83.02.0

Oracle Financial Services Software Limited

Oracle Park

Off Western Express Highway
Goregaon (East)
Mumbai, Maharashtra 400 063
India

Worldwide Inquiries:

Phone: +91 22 6718 3000

Fax: +91 22 6718 3001

www.oracle.com/financialservices/

Copyright © 2005, 2014, Oracle and/or its affiliates. All rights reserved.

Oracle and Java are registered trademarks of Oracle and/or its affiliates. Other names may be trademarks of their respective owners.

U.S. GOVERNMENT END USERS: Oracle programs, including any operating system, integrated software, any programs installed on the hardware, and/or documentation, delivered to U.S. Government end users are 'commercial computer software' pursuant to the applicable Federal Acquisition Regulation and agency-specific supplemental regulations. As such, use, duplication, disclosure, modification, and adaptation of the programs, including any operating system, integrated software, any programs installed on the hardware, and/or documentation, shall be subject to license terms and license restrictions applicable to the programs. No other rights are granted to the U.S. Government.

This software or hardware is developed for general use in a variety of information management applications. It is not developed or intended for use in any inherently dangerous applications, including applications that may create a risk of personal injury. If you use this software or hardware in dangerous applications, then you shall be responsible to take all appropriate failsafe, backup, redundancy, and other measures to ensure its safe use. Oracle Corporation and its affiliates disclaim any liability for any damages caused by use of this software or hardware in dangerous applications.

This software and related documentation are provided under a license agreement containing restrictions on use and disclosure and are protected by intellectual property laws. Except as expressly permitted in your license agreement or allowed by law, you may not use, copy, reproduce, translate, broadcast, modify, license, transmit, distribute, exhibit, perform, publish or display any part, in any form, or by any means. Reverse engineering, disassembly, or decompilation of this software, unless required by law for interoperability, is prohibited.

The information contained herein is subject to change without notice and is not warranted to be error-free. If you find any errors, please report them to us in writing.

This software or hardware and documentation may provide access to or information on content, products and services from third parties. Oracle Corporation and its affiliates are not responsible for and expressly disclaim all warranties of any kind with respect to third-party content, products, and services. Oracle Corporation and its affiliates will not be responsible for any loss, costs, or damages incurred due to your access to or use of third-party content, products, or services.