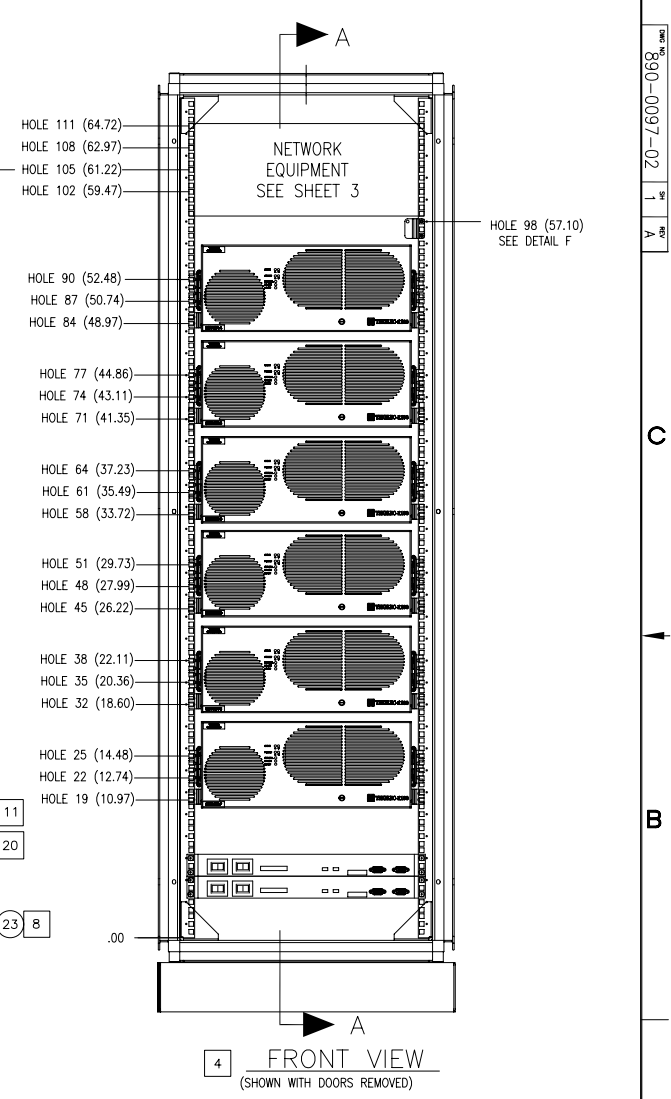
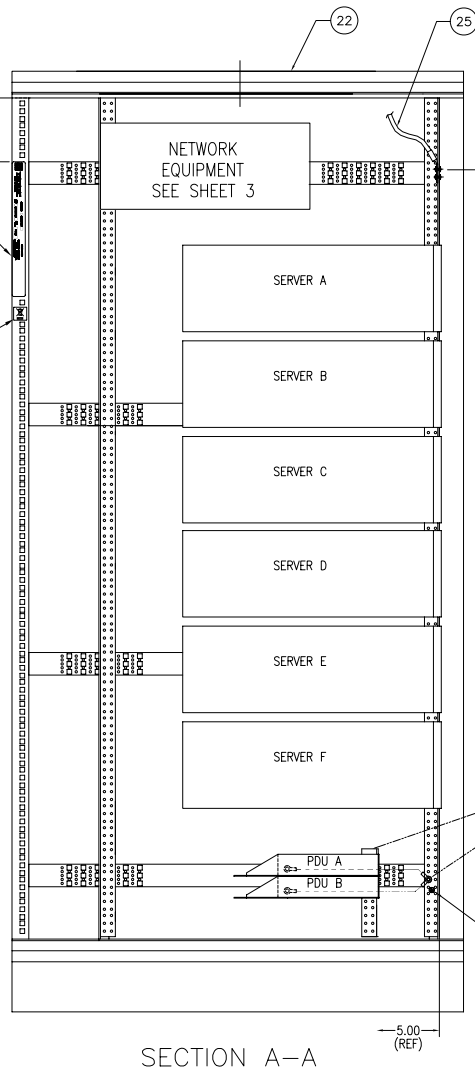
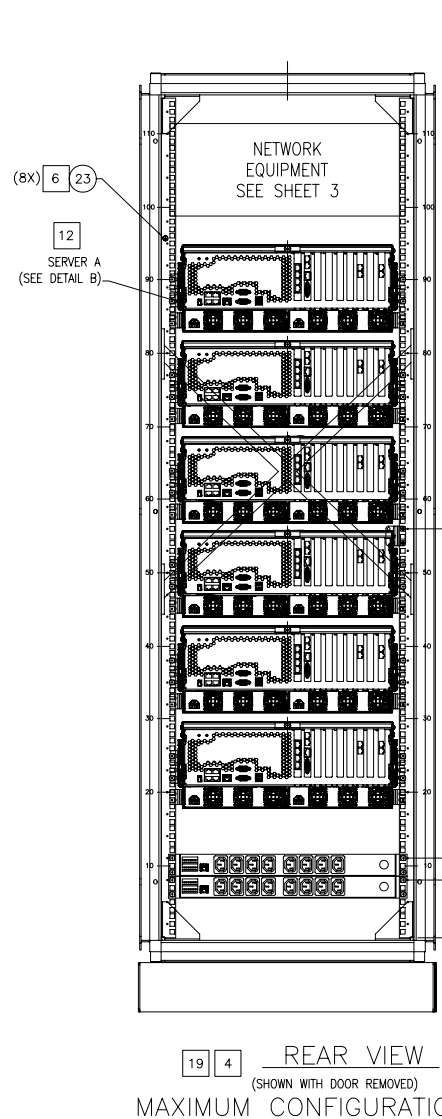


8 7 6 5 4 3 2 1

- NOTES: UNLESS OTHERWISE SPECIFIED
- 1) NO ADDITIONS, DELETIONS, SUBSTITUTIONS OR MODIFICATIONS WITHOUT PRIOR WRITTEN TEKELEC APPROVAL.
 - 2) TORQUE ALL FASTENERS IN ACCORDANCE WITH TEKELEC SPECIFICATION 906-0008-01.
 - 3) REFER TO INTERCONNECT DIAGRAM (ITEM 21) FOR CABLE CONNECTIONS.
 - 4) FOR LOCATING INDIVIDUAL PARTS, USE DIMENSION SHOWN.
 - 5) WRIST STRAP ASSEMBLY (ITEM 16, NOT SHOWN) IS LEFT UNASSEMBLED AND SHIPPED WITH UNIT.
 - 6) LOCATE A GROUND SYMBOL ITEM 23 NEXT TO EACH SWITCH AND SERVER GROUND CABLE.
 - 7) UNLESS OTHERWISE SPECIFIED, ITEMS NOT SHOWN TO BE SHIPPED PACKED WITH UNIT.
 - 8) LOCATE APPROXIMATELY AS SHOWN.
 - 9) CABINET MOUNTING HARDWARE IS SUPPLIED WITH CABINET (ITEM 22). THERE IS A QUANTITY OF 50 CAPTIVE NUTS (6mm) AND 100 PHILLIPS PAN HEAD SCREWS 6mm x 16mm. THE CAPTIVE NUTS SHOULD BE INSTALLED FROM THE INSIDE OF THE CABINET AND ARE USED TO SECURE ALL COMPONENTS AND ASSOCIATED HARDWARE TO THE VERTICAL MOUNTING RAILS AS SHOWN IN DETAIL D. SHIP UNUSED NUTS AND SCREWS WITH UNIT.
 - 10) SWITCH PART NUMBER AND SWITCH SERIAL NUMBER LABELS ARE LISTED ON THE 870-2912-02, SWITCH 4948 BILL OF MATERIAL. APPLY APPROXIMATELY WHERE SHOWN.
 - 11) INTERMEDIATE VERTICAL RAIL IS FOR MOUNTING PDU UNITS.
 - 12) INSTALL OPTIONAL COMPONENTS AS REQUIRED. THIS IS A CONFIGURABLE SYSTEM. THE SALES ORDER WILL SPECIFY THE PART NUMBER'S AND QUANTITIES. MAX CONFIGURATION IS SHOWN. (SEE SYSTEM INTERCONNECT FOR ADDITIONAL DETAILS)
 - 13) REMOVE AND DISCARD TAB SUPPLIED WITH WRIST STRAP GROUND POINT (NOT SHOWN).
 - 14) ATTACH SERVER CHASSIS GROUND CABLE WITH MOUNTING HARDWARE SUPPLIED WITH CABINET TWO NUTS AND TWO SCREWS, (REF. DETAIL "D").
 - 15) RACK DOLLY, FOR SHIPPING ONLY. TO BE REMOVED DURING INSTALLATION.
 - 16) USING BLANK LABEL PN 617-0011-01 ADD THE FOLLOWING PRINTING TO THE LABEL: (SEE DETAIL J) AND INSTALL IT OVER EXISTING TEXT ON LABEL.
220 - 240 VAC
47-63 HZ
 - 17) ITEM 6 IS USED TO LABEL CABLES. SEE SYSTEM INTERCONNECT FOR INFORMATION TO PRINT LABELS.
 - 18) OPERATING KEYS FOR CABINET NOT SHOWN. KEYS TO BE PACKAGED AND SHIPPED WITH ASSEMBLY AND LABELED.
 - 19) INSTALLATION MOUNTING KIT ITEM 28 NOT SHOWN TO BE PACKAGED AND SHIPPED WITH CABINET.
 - 20) REMOVE RAIL MOUNTING SCREW AND SECURE THE FRAME GROUND CABLES FROM PDU A AND B.

REVISIONS			
REV	DESCRIPTION	DATE	APPROVED
A	RELEASE PER ECN # 18376	03/05/08	ARMSTRONG



19 4 REAR VIEW
(SHOWN WITH DOOR REMOVED)
MAXIMUM CONFIGURATION

SECTION A-A

4 FRONT VIEW
(SHOWN WITH DOORS REMOVED)

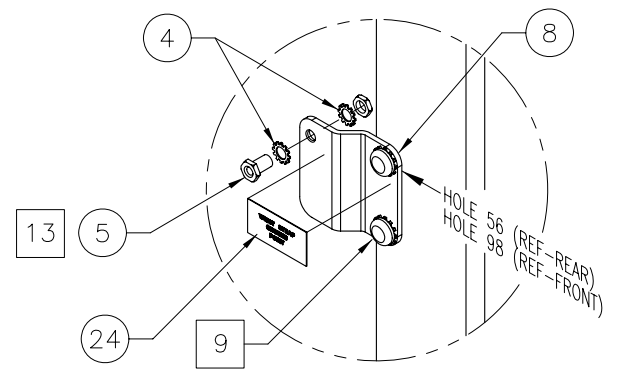
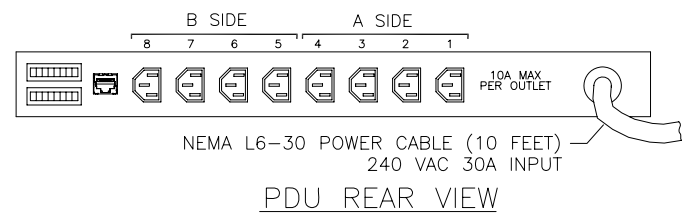
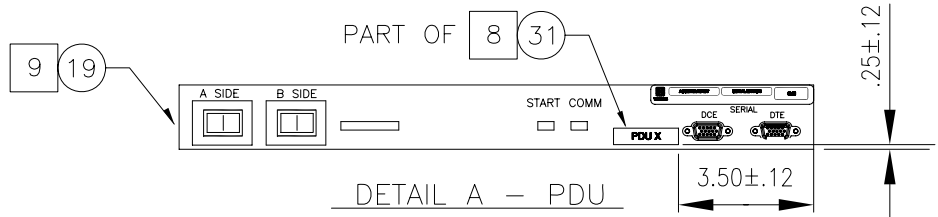
SEE SEPARATE PARTS LIST

UNLESS OTHERWISE SPECIFIED: DO NOT SCALE DRAWING. DIMENSIONS ARE IN INCHES. INTERPRET DIMENSIONS IN ACCORDANCE WITH ASME Y14.5M-1994. DRAWING TO CONFORM TO TEKELEC SPECIFICATION 907-0169-01. DEBURR AND BREAK SHARP EDGES AND CORNERS .005-.015. MACHINED SURFACE FINISH DECIMAL TOLERANCES: XXX = ± .XXX = ± .1" ANGLE TOLERANCE: ± 1°		THIS DOCUMENT AND THE DATA DISCLOSED HEREIN OR HEREUNDER IS PROPRIETARY AND IS NOT TO BE REPRODUCED, USED OR DISCLOSED IN WHOLE OR PART TO ANYONE WITHOUT THE WRITTEN PERMISSION OF TEKELEC. COPYRIGHT TEKELEC 2001.	
APPROVALS		DATE	
DRAWN BY BRYAN		03/03/08	
CHECKED BRYAN		03/03/08	
APPROVED MBRYAN		03/03/08	
APPLICATION		MATERIAL	
FINISH		MATERIAL	

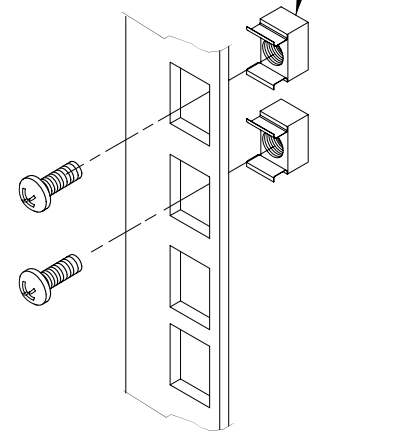
TEKELEC		5200 Paramount Parkway Morrisville, NC 27560	
DWG_GEN_ASSY_IMF WITH 4948 SWITCH_AC FRAME			
SIZE	DIVISION	DRAWING NO.	REV.
D	GPS	890-0097-02	A
SCALE: NONE		FILE NAME:	SHEET 1 OF 3

8 7 6 5 4 3 2 1

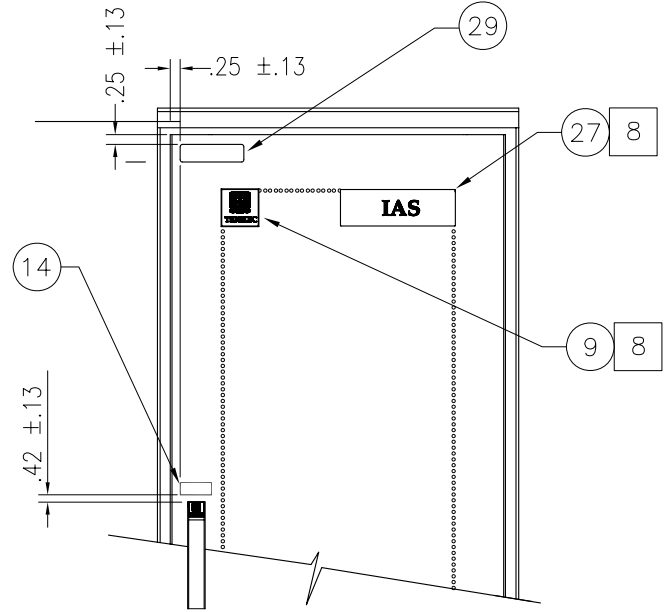
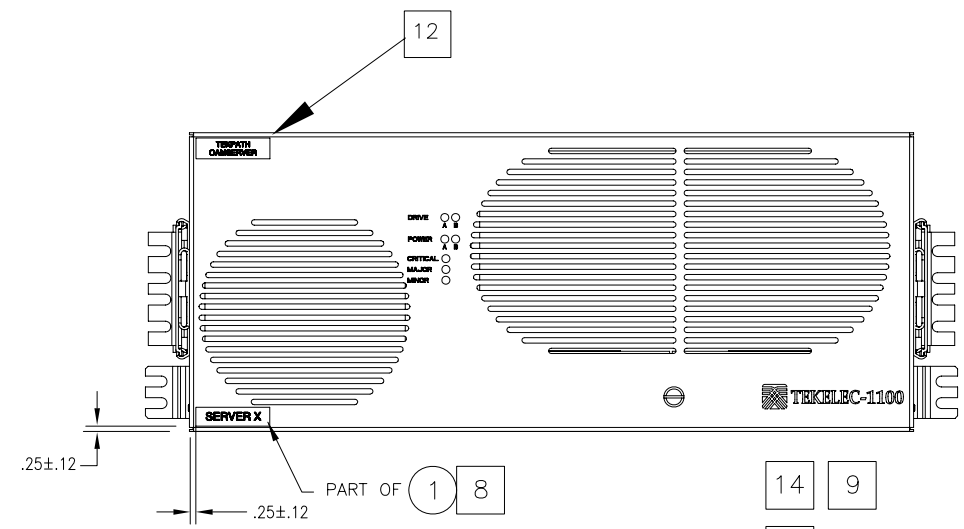
8 7 6 5 4 3 2 1



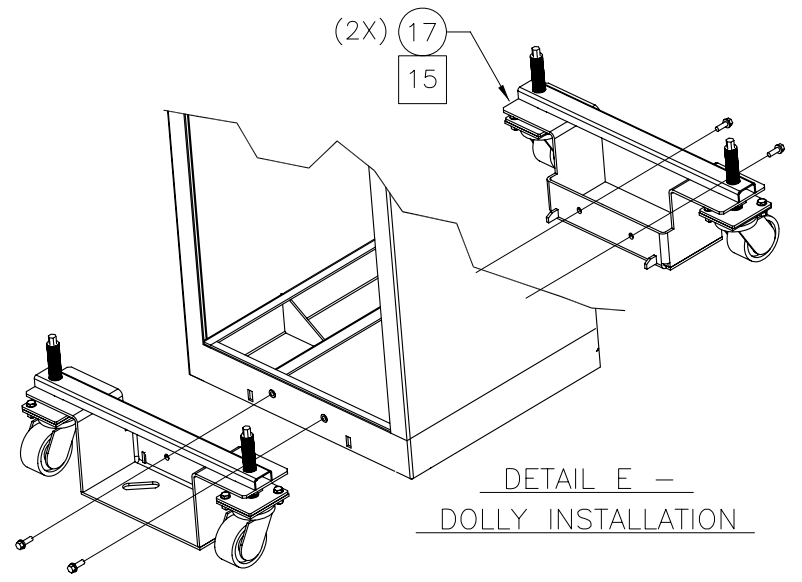
(2X) DETAIL F
WRIST STRAP GROUND BRACKET
(SEE NOTE 5)



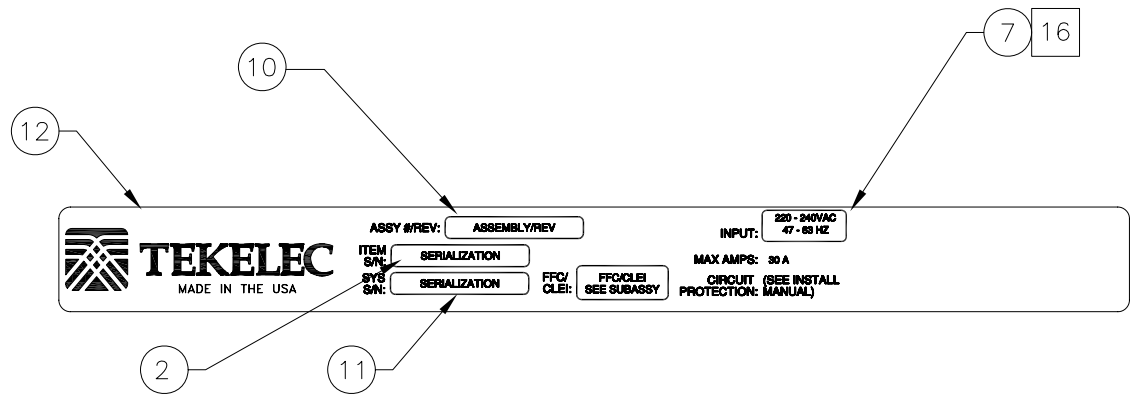
DETAIL D - CABINET RACK
MOUNTING HARDWARE



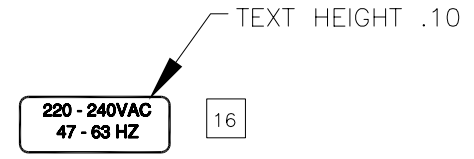
DETAIL H
FRONT DOOR LABEL PLACEMENT



DETAIL E -
DOLLY INSTALLATION



DETAIL G - SYSTEM LABEL PLACEMENT



DETAIL J

FORM NO. 890-0097-02 2 SH. REV. A

C

B

A

SIZE	DIVISION	DRAWING NO.	REV.
D	GPS	890-0097-02	A
SCALE: NONE	FILE NAME:	SHEET 2 OF 3	

8 7 6 5 4 3 2 1

D

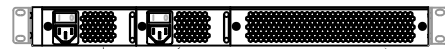
D

REV. 1
890-0097-02

SEE DETAIL M
SWITCH LABEL PLACEMENT



CISCO 4948 SWITCH - FRONT VIEW



REAR VIEW

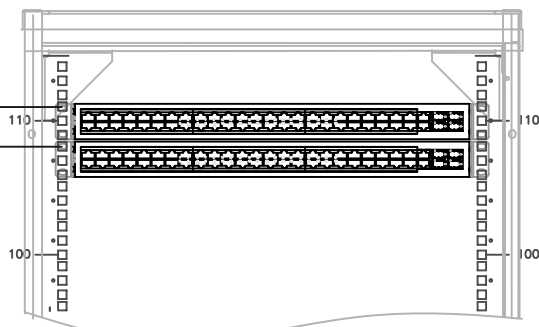
REDUNDANT REMOVABLE
300W AC POWER SUPPLIES

REMOVABLE
FAN TRAY

C

C

HOLE 111(64.72)
HOLE 108(62.97)

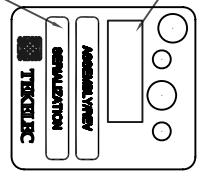


REAR VIEW

SWITCH PART NUMBER
AND SWITCH SERIAL
NUMBER LABELS

10

15



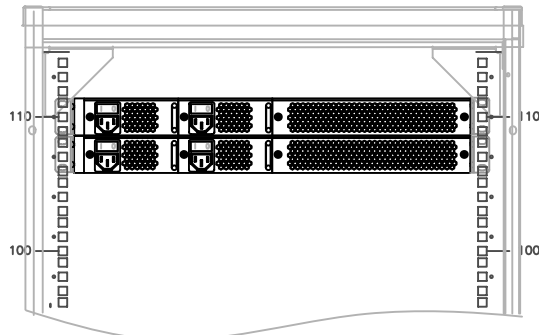
DETAIL M
SWITCH LABEL PLACEMENT

B

B

A

A



FRONT VIEW
DETAIL N

CISCO 4948 SWITCH (SEE TABLE A)
TEKELEC P/N 870-2912-02

THIS DOCUMENT AND THE DATA INDICATED HEREIN OR HEREON IS PROPRIETARY AND IS NOT TO BE REPRODUCED, USED OR DISCLOSED IN WHOLE OR PART TO ANYONE WITHOUT THE WRITTEN PERMISSION OF TEKELEC. COPYRIGHT TEKELEC 2004.		SIZE	DIVISION	DRAWING NO.	REV.
D	GPS	890-0097-02	A		
SCALE: NONE	FILE NAME:	SHEET 3 OF 3			

8 7 6 5 4 3 2 1

RM NO. 907-0827-01
/A