

NOTES: UNLESS OTHERWISE SPECIFIED
(SEE SHEET 6 FOR NOTES)

DOCUMENT CONTROL
PRODUCTION RELEASED

| REVISIONS | | | |
|-----------|------------------------|----------|-----------|
| REV | DESCRIPTION | DATE | APPROVED |
| A | RELEASED PER ECN#18376 | 03/05/08 | ARMSTRONG |

SWITCH YELLOW
870-2912-02
SEE DETAIL J AND N
CISCO 4948-48 PORT AC SWITCH

- PORT 1X
- PORT 2X
- PORT 3X
- PORT 4X
- PORT 5X
- PORT 6X
- PORT 7X-12X
- PORT 13X-43X
- PORT 44X
- PORT 45X
- PORT 46X
- PORT 47X
- PORT 48X
- CONSOLE

A POWER
B POWER
CHASSIS GND

SWITCH BLUE
870-2912-02
SEE DETAIL J AND N
CISCO 4948-48 PORT AC SWITCH

- PORT 1X
- PORT 2X
- PORT 3X
- PORT 4X
- PORT 5X
- PORT 6X
- PORT 7X
- PORT 8X
- PORT 9X
- PORT 10X
- PORT 11X
- PORT 12X
- PORT 13X-43X
- PORT 44X
- PORT 45X
- PORT 46X
- PORT 47X
- PORT 48X
- CONSOLE

A POWER
B POWER
CHASSIS GND

SERVER 1A
870-1893-XX
SEE DETAIL M

- PCI 9
- ETH 94
- ETH 93
- ETH 92
- ETH 91
- SERIAL MODEM
- OUT OF BAND MANAGEMENT CARD
- ETH 0
- PCI 7
- 870-2708-02
- 4 PORT SERIAL EXP CARD
- PCI 6
- OPEN
- PCI 5
- LOGIC GND
- CHASSIS GND
- USB 1
- USB 2
- CLK A
- CLK B
- SERIAL 1
- SERIAL 2
- SERIAL 3
- SERIAL 4
- SERIAL 5
- SATA PCI CARD
- PCI 2
- PCI 1
- OPEN

A POWER
B POWER
LOGIC GND
CHASSIS GND
USB 1
USB 2
CLK A
CLK B
SERIAL 1
SERIAL 2
SERIAL 3
SERIAL 4
SERIAL 5
SATA PCI CARD
PCI 1
OPEN

SERVER 1B
870-1893-XX
SEE DETAIL M

- PCI 9
- ETH 94
- ETH 93
- ETH 92
- ETH 91
- SERIAL MODEM
- OUT OF BAND MANAGEMENT CARD
- ETH 0
- PCI 7
- OPEN
- PCI 6
- LOGIC GND
- CHASSIS GND
- USB 1
- USB 2
- CLK A
- CLK B
- SERIAL 1
- SERIAL 2
- SERIAL 3
- SERIAL 4
- SERIAL 5
- SATA PCI CARD
- PCI 2
- PCI 1
- OPEN

A POWER
B POWER
LOGIC GND
CHASSIS GND
USB 1
USB 2
CLK A
CLK B
SERIAL 1
SERIAL 2
SERIAL 3
SERIAL 4
SERIAL 5
SATA PCI CARD
PCI 1
OPEN

POWER CONNECTIONS AND CABLES 7

UNLESS OTHERWISE SPECIFIED:
DO NOT SCALE DRAWING.
DIMENSIONS ARE IN INCHES.
INTERPRET DIMENSIONS IN ACCORDANCE WITH ASME Y14.5M-1994.
DRAWING TO CONFORM TO TEKELEC SPECIFICATION 907-0169-01.
DEBURR AND BREAK SHARP EDGES AND CORNERS .005-.015.
MACHINED SURFACE FINISH $\sqrt{16}$
DECIMAL TOLERANCES:
XX= ±.03 XXX= ±.010
ANGLE TOLERANCE: ± 1°

| | |
|--------------------|-------------|
| APPROVALS | DATE |
| DRAWN BY MERYAN | 2/29/08 |
| CHECKED RYAN | XXXXXX |
| APPROVED ARMSTRONG | 2/3/05/08 |
| FINISH | APPLICATION |
| MATERIAL | |

TEKELEC 5200 Paramount Parkway
Morrisville, NC 27560 USA

INTERCONNECT DIAGRAM_
SYS_IMF/PMF_T1100_
4948 SWITCH_AC FRAME

FRAME ASSY 890-0097-01

| | | | |
|------|----------|-------------|------|
| SIZE | DIVISION | DRAWING NO. | REV. |
| D | GPS | 892-0085-01 | A |

SCALE: NONE FILE NAME: SHEET 1 OF 8

8

7

6

5

4

3

2

1

| REVISIONS | | | |
|-----------|-------------|------|----------|
| LTR | DESCRIPTION | DATE | APPROVED |
| | | | |

D

C

B

A

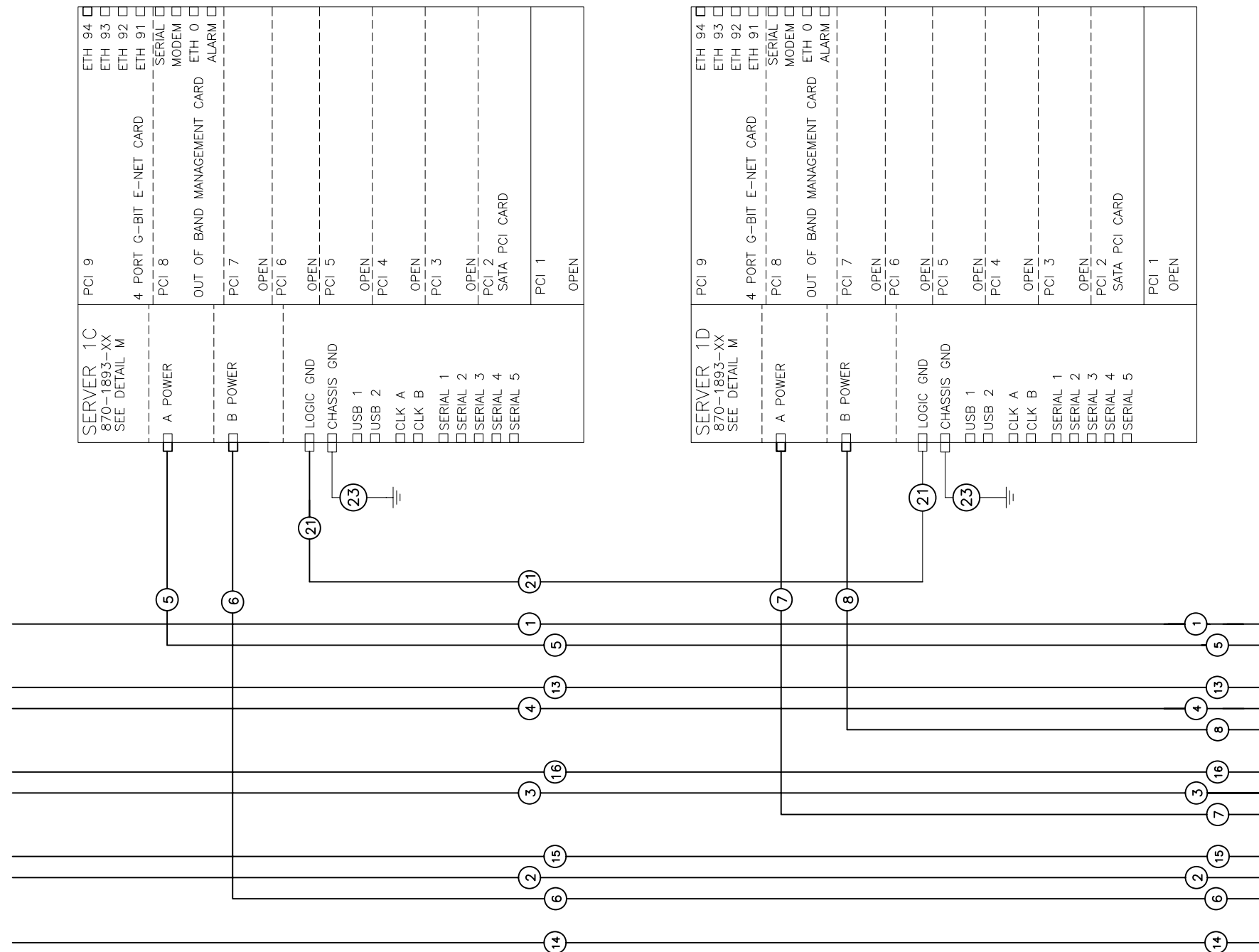
D

C

B

A

892-0085-01 2 A



POWER CONNECTIONS AND CABLES 7

THIS DOCUMENT AND THE DATA DISCLOSED HEREIN OR HEREWITH IS PROPRIETARY AND IS NOT TO BE REPRODUCED, USED OR DISCLOSED IN WHOLE OR PART TO ANYONE WITHOUT THE WRITTEN PERMISSION OF TEKELEC. COPYRIGHT, TEKELEC 1996.

| | | | |
|-------------|-----------|-------------|--------------|
| SIZE | CAGE CODE | DRAWING NO. | REV. |
| D | | 892-0085-01 | A |
| SCALE: NONE | | FILE NAME: | SHEET 2 OF 8 |

8

7

6

5

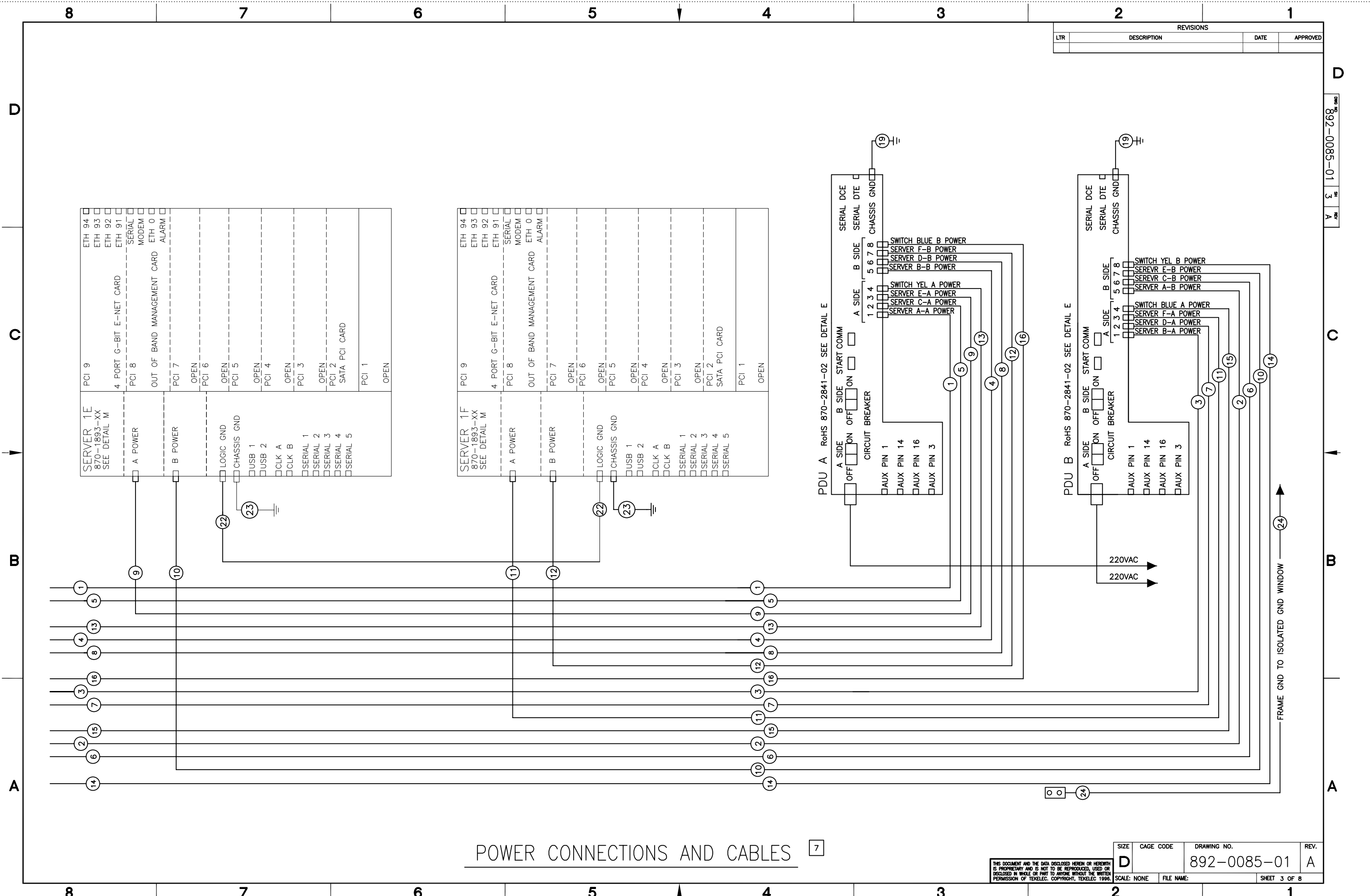
4

3

2

1

| REVISIONS | | | |
|-----------|-------------|------|----------|
| LTR | DESCRIPTION | DATE | APPROVED |
| | | | |



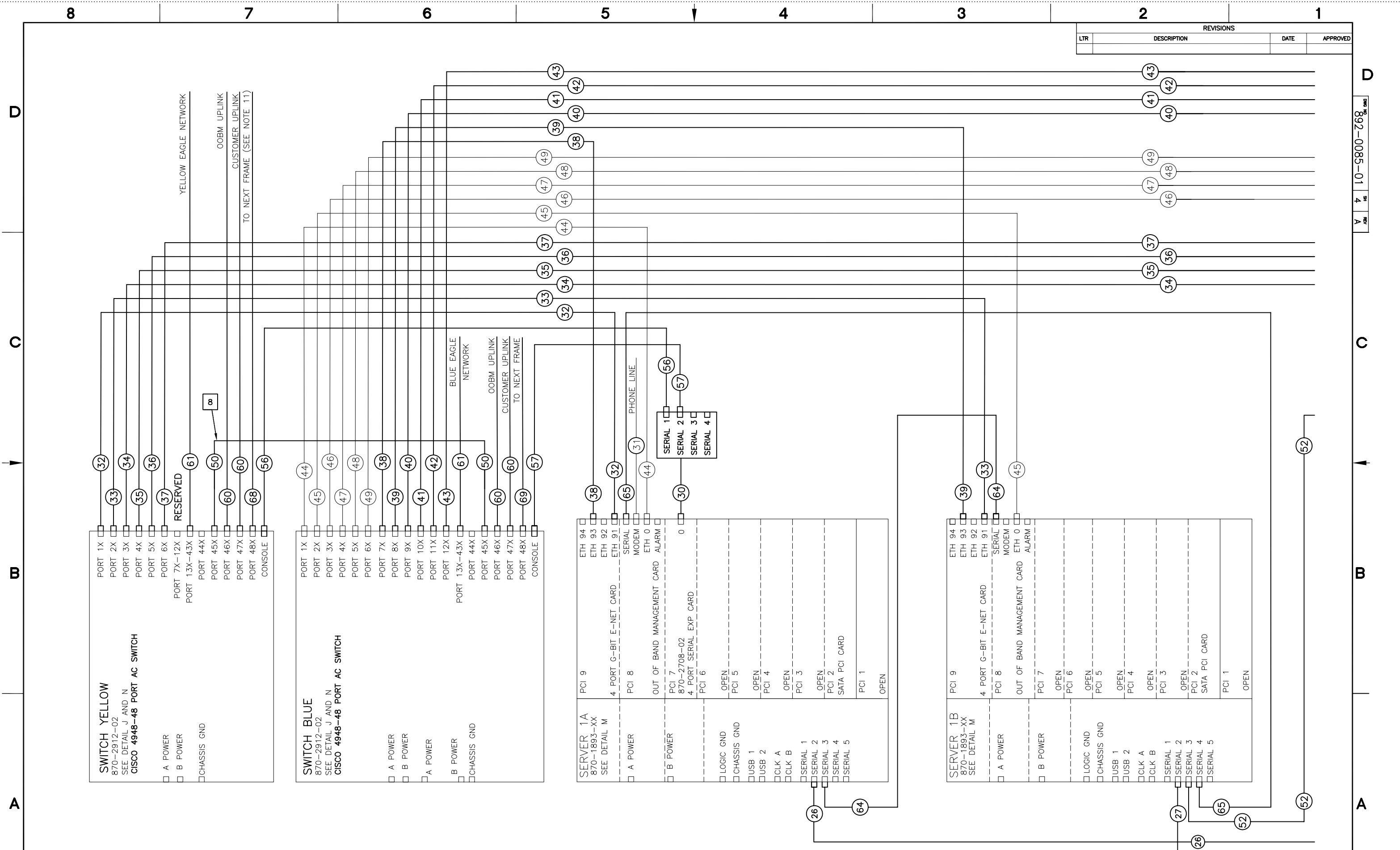
POWER CONNECTIONS AND CABLES 7

| | | | |
|-------------|-----------|-------------|--------------|
| SIZE | CAGE CODE | DRAWING NO. | REV. |
| D | | 892-0085-01 | A |
| SCALE: NONE | | FILE NAME: | SHEET 3 OF 8 |

THIS DOCUMENT AND THE DATA DISCLOSED HEREIN OR HEREWITH IS PROPRIETARY AND IS NOT TO BE REPRODUCED, USED OR DISCLOSED IN WHOLE OR PART TO ANYONE WITHOUT THE WRITTEN PERMISSION OF TEKELEC. COPYRIGHT, TEKELEC 1996.

892-0085-01 3 HS A

| REVISIONS | | | |
|-----------|-------------|------|----------|
| LTR | DESCRIPTION | DATE | APPROVED |
| | | | |



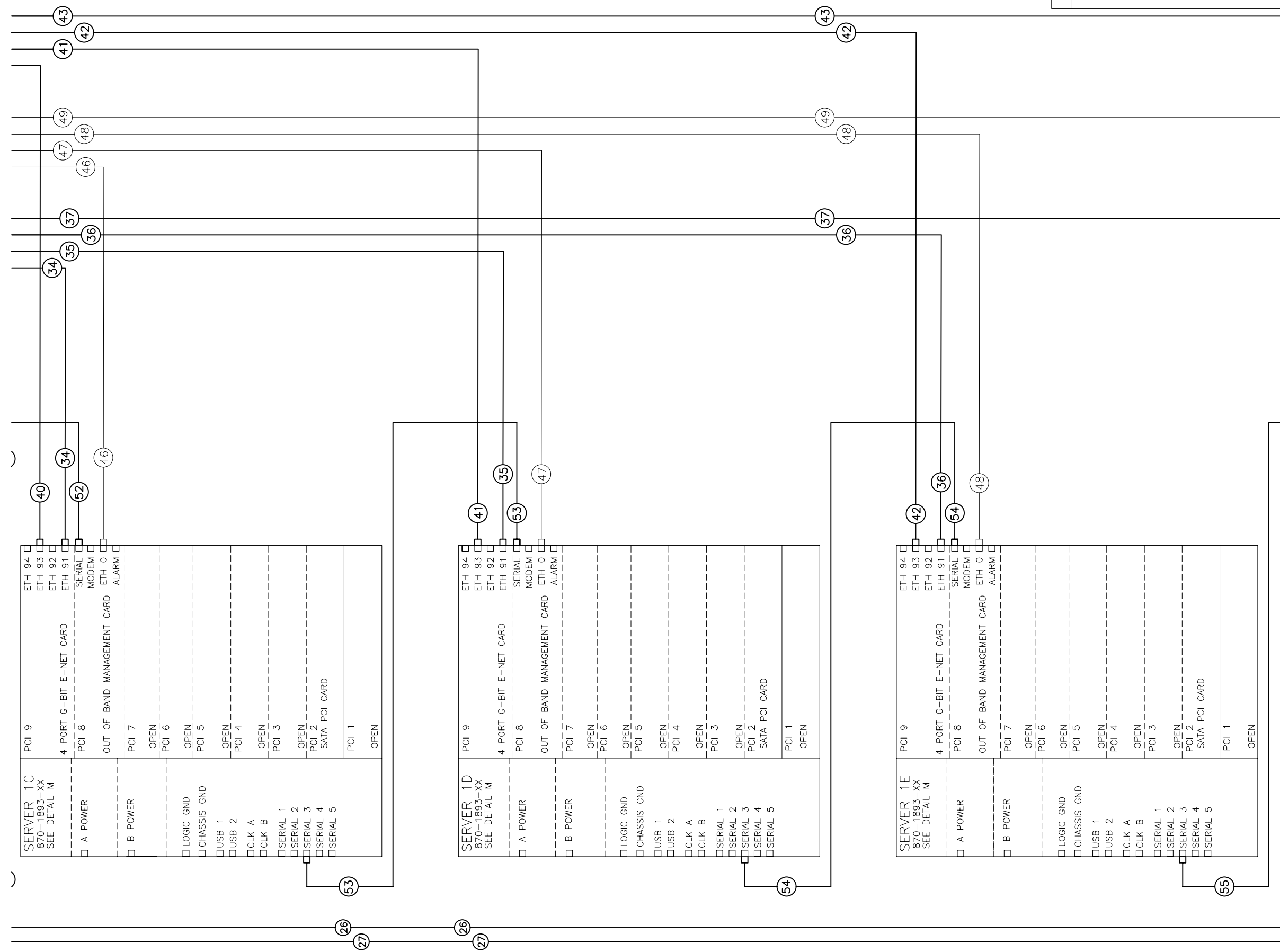
DATA CONNECTIONS AND CABLES [7]

THIS DOCUMENT AND THE DATA DISCLOSED HEREIN OR HEREWITH IS PROPRIETARY AND IS NOT TO BE REPRODUCED, USED OR DISCLOSED IN WHOLE OR PART TO ANYONE WITHOUT THE WRITTEN PERMISSION OF TEKELEC. COPYRIGHT, TEKELEC 1996.

| | | | |
|------------------|------------|----------------------------|-----------|
| SIZE D | CAGE CODE | DRAWING NO. 892-0085-01 | REV. A |
| SCALE: NONE | FILE NAME: | SHEET 4 OF 8 | |

892-0085-01
4
V

| REVISIONS | | | |
|-----------|-------------|------|----------|
| LTR | DESCRIPTION | DATE | APPROVED |
| | | | |



DATA CONNECTIONS AND CABLES 7

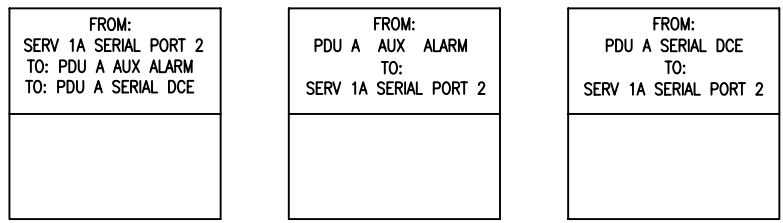
| | | | |
|------------------|-----------|-------------|--------------|
| SIZE D | CAGE CODE | DRAWING NO. | REV. |
| | | 892-0085-01 | A |
| SCALE: NONE | | FILE NAME: | SHEET 5 OF 8 |

THIS DOCUMENT AND THE DATA DISCLOSED HEREIN OR HEREWITH IS PROPRIETARY AND IS NOT TO BE REPRODUCED, USED OR DISCLOSED IN WHOLE OR PART TO ANYONE WITHOUT THE WRITTEN PERMISSION OF TEKELEC. COPYRIGHT, TEKELEC 1996.

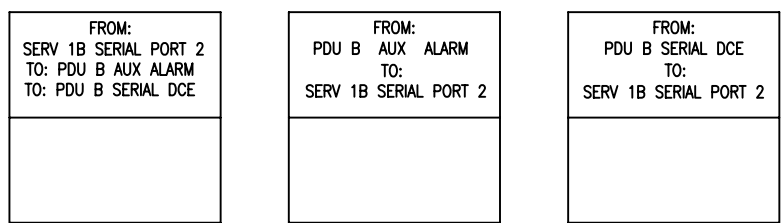
892-0085-01
5
V

| REVISIONS | | | |
|-----------|-------------|------|----------|
| LTR | DESCRIPTION | DATE | APPROVED |
| | | | |

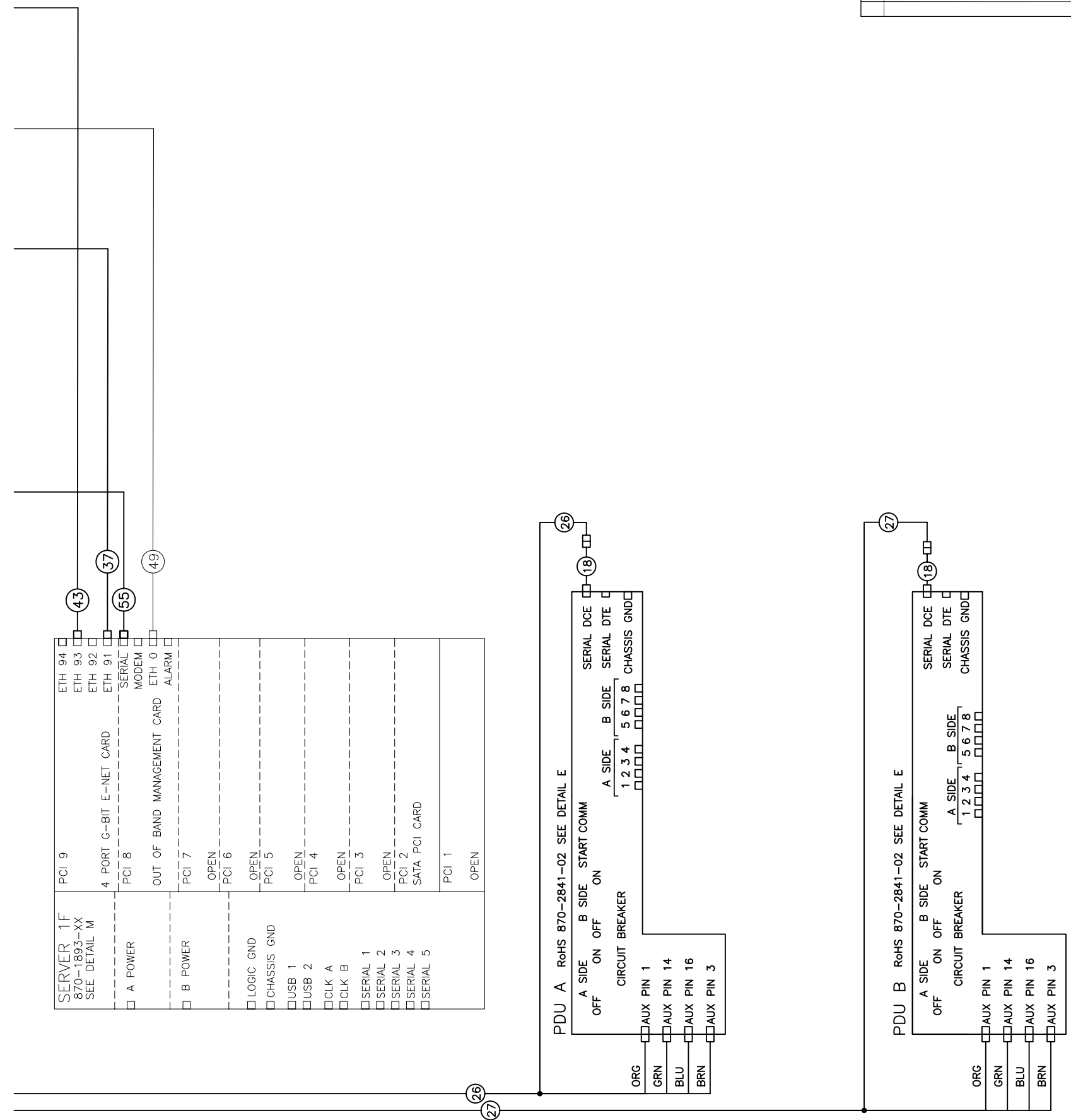
- 1) INSTALL ALL CABLE ASSEMBLIES WITH DRESSED BEND RADII IN ACCORDANCE WITH TEKELEC CABLE BEND RADIUS SPECIFICATION 906-0020-01.
- 2) ALL INTERCONNECTION POINTS SHALL BE STRAIN RELIEVED BY POSITIVE MECHANICAL FEATURES OR FASTENERS FOR LENGTH CONFIGURATIONS.
- 3) THIS DIAGRAM AND ALL PART NUMBERS SHOWN ARE FOR REFERENCE ONLY. REFERENCE CABLE PART NUMBERS WITH XX FOR THE DASH NUMBER ARE LENGTHS THAT ARE SITE SPECIFIC.
- 4) NO ADDITIONS, DELETIONS, SUBSTITUTIONS OR MODIFICATIONS WITHOUT PRIOR WRITTEN TEKELEC APPROVAL.
- 5) SEE TEKELEC P/N 820-4844-01 FOR CURRENT LIST HARDWARE.
- 6) USE LABEL PN 617-0009-01 TO MAKE LABEL SET FOR "FROM" AND "TO" ON CABLES AS INDICATED IN THE CABLE TABLES AND/OR THE APPLICATION TR. EACH CABLE INDICATED WILL REQUIRE A MIN OF 2 LABELS AS SHOWN IN DETAIL "A." PERMANENTLY PRINT LABELS WITH .09 HIGH BLACK CHARACTERS. CENTER TEXT APPROXIMATELY AS SHOWN. MAX 23 CHARACTERS PER LINE. SEE DETAIL "B" FOR PLACEMENT OF LABELS ON CABLES. CABLES IDENTIFIED AS FIELD LABEL WILL BE LABELED AT INSTALLATION.
- 7) THIS IS A CONFIGURABLE SYSTEM. THE SALES ORDER WILL SPECIFY THE PART NUMBERS AND QUANTITIES. THIS DIAGRAM SHOWS THE MAXIMUM CONFIGURATION.
- 8) THE CABLE BETWEEN THE YELLOW SWITCH PORT 45 AND BLUE SWITCH PORT 45 IS PART OF 840-0180-01 REDUNDANT WAN KIT AND IS A ORDERABLE OPTION.
- 9) USE 3 LABELS P/N 617-0009-01 TO LABEL CABLE ITEMS 26 AND 27. (SEE EXAMPLES BELOW).



9 EXAMPLE OF LABELS FOR ITEM 26



9 EXAMPLE OF LABELS FOR ITEM 27



DATA CONNECTIONS AND CABLES 7

THIS DOCUMENT AND THE DATA DISCLOSED HEREIN OR HEREWITH IS PROPRIETARY AND IS NOT TO BE REPRODUCED, USED OR DISCLOSED IN WHOLE OR PART TO ANYONE WITHOUT THE WRITTEN PERMISSION OF TEKELEC. COPYRIGHT, TEKELEC 1996.

| | | | |
|-------------|------------|--------------|------|
| SIZE | CAGE CODE | DRAWING NO. | REV. |
| D | | 892-0085-01 | A |
| SCALE: NONE | FILE NAME: | SHEET 6 OF 8 | |

892-0085-01 6

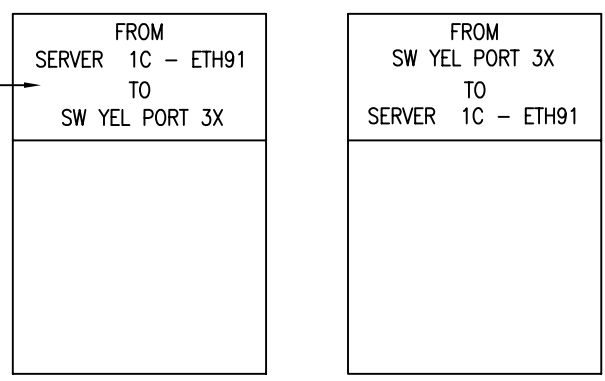
C

B

A

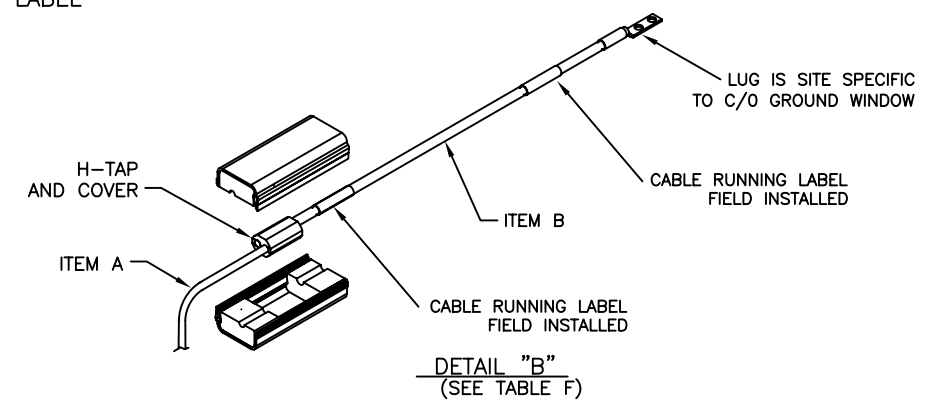
| ITEM NO. | RoHS TEKELEC P/N | QTY | LENGTH (FT) | RUN LIST AND LABEL INFORMATION FOR FROM AND TO [6] | LABEL REQUIRED |
|----------|-------------------|-----|---------------|---|----------------|
| 30 | 870-2708-02 | 1 | NA | 4 PORT SERIAL CABLE SUPPLIED WITH PCI CARD. | NO |
| 31 | 830-1165-01 | 1 | 25.00 | RJ11 TO RJ11 PHONE LINE. | NO |
| 32 | 830-1191-03 | 1 | 6.00 | FROM: SERVER 1A SLOT 9 ETH 91/TO: SW YEL PORT 1X | YES |
| 33 | 830-1191-05 | 1 | 7.00 | FROM: SERVER 1B SLOT 9 ETH 91/TO: SW YEL PORT 2X | YES |
| 34 | 830-1191-06 | 1 | 8.00 | FROM: SERVER 1C SLOT 9 ETH 91/TO: SW YEL PORT 3X | YES |
| 35 | 830-1191-06 | 1 | 8.00 | FROM: SERVER 1D SLOT 9 ETH 91/TO: SW YEL PORT 4X | YES |
| 36 | 830-1191-07 | 1 | 10.00 | FROM: SERVER 1E SLOT 9 ETH 91/TO: SW YEL PORT 5X | YES |
| 37 | 830-1191-07 | 1 | 10.00 | FROM: SERVER 1F SLOT 9 ETH 91/TO: SW YEL PORT 6X | YES |
| 38 | 830-1192-03 | 1 | 6.00 | FROM: SERVER 1A SLOT 9 ETH 93/TO: SW BLU PORT 7X | YES |
| 39 | 830-1192-05 | 1 | 7.00 | FROM: SERVER 1B SLOT 9 ETH 93/TO: SW BLU PORT 8X | YES |
| 40 | 830-1192-06 | 1 | 6.00 | FROM: SERVER 1C SLOT 9 ETH 93/TO: SW BLU PORT 9X | YES |
| 41 | 830-1192-06 | 1 | 6.00 | FROM: SERVER 1D SLOT 9 ETH 93/TO: SW BLU PORT 10X | YES |
| 42 | 830-1192-07 | 1 | 10.00 | FROM: SERVER 1E SLOT 9 ETH 93/TO: SW BLU PORT 11X | YES |
| 43 | 830-1192-07 | 1 | 10.00 | FROM: SERVER 1F SLOT 9 ETH 93/TO: SW BLU PORT 12X | YES |
| 44 | 830-1174-06 | 1 | 6.00 | FROM: SERVER 1A SLOT 8 ETH 0/TO: SW BLU PORT 1X | YES |
| 45 | 830-1174-07 | 1 | 7.00 | FROM: SERVER 1B SLOT 8 ETH 0/TO: SW BLU PORT 2X | YES |
| 46 | 830-1174-67 | 1 | 8.00 | FROM: SERVER 1C SLOT 8 ETH 0/TO: SW BLU PORT 3X | YES |
| 47 | 830-1174-67 | 1 | 8.00 | FROM: SERVER 1D SLOT 8 ETH 0/TO: SW BLU PORT 4X | YES |
| 48 | 830-1174-02 | 1 | 10.00 | FROM: SERVER 1E SLOT 8 ETH 0/TO: SW BLU PORT 5X | YES |
| 49 | 830-1174-02 | 1 | 10.00 | FROM: SERVER 1F SLOT 8 ETH 0/TO: SW BLU PORT 6X | YES |
| 50 | 830-1174-05 | 1 | 1.00 | FROM: SW YEL PORT 45X / TO: SW BLUE PORT 45X (SEE NOTE 8) | YES |
| 51 | NOT USED | | | | |
| 52 | 830-1220-06 | 1 | 6.00 | FROM: SERVER 1B SERIAL 3 / TO: SERVER 1C OOB SERIAL | YES |
| 53 | 830-1220-06 | 1 | 6.00 | FROM: SERVER 1C SERIAL 3 / TO: SERVER 1D OOB SERIAL | YES |
| 54 | 830-1220-06 | 1 | 6.00 | FROM: SERVER 1D SERIAL 3 / TO: SERVER 1E OOB SERIAL | YES |
| 55 | 830-1220-06 | 1 | 6.00 | FROM: SERVER 1E SERIAL 3 / TO: SERVER 1F OOB SERIAL | YES |
| 56 | 830-1229-01 | 1 | 3.00 | FROM: SWITCH YEL CONSOLE / TO: SERVER 1A SLOT 7 SERIAL PORT 1 | YES |
| 57 | 830-1229-01 | 1 | 3.00 | FROM: SWITCH BLU CONSOLE / TO: SERVER 1A SLOT 7 SERIAL PORT 2 | YES |
| 58 | NOT USED | | | | |
| 59 | NOT USED | | | | |
| 60 | CUSTOMER SUPPLIED | 3 | SITE SPECIFIC | TO CUSTOMER NETWORK-RJ45 STRAIGHT THRU OR CROSS-OVER | FIELD LABEL |
| 61 | 830-1177-XX | AR | SITE SPECIFIC | YELLOW AND BLUE SWITCHES PORTS 13X-43X TO EAGLE | FIELD LABEL |
| 62 | NOT USED | | | | |
| 63 | CUSTOMER SUPPLIED | 1 | SITE SPECIFIC | TO CUSTOMER SUPPLIED TERMINAL | FIELD LABEL |
| 64 | 830-1220-06 | 1 | 6.00 | FROM SERVER 1A SERIAL 3 / TO SERVER 1B OOB SERIAL | YES |
| 65 | 830-1220-06 | 1 | 6.00 | FROM SERVER 1B SERIAL 4 / TO SERVER 1A OOB SERIAL | YES |
| 66 | NOT USED | | | | |
| 67 | NOT USED | | | | |
| 68 | 830-1174-XX | 1 | AR | FROM SW YEL 1-1 PORT 48/ TO SW YEL 1-2 PORT 48 (2ND FRAME) | FIELD LABEL |
| 69 | 830-1174-XX | 1 | AR | FROM SW BLU 1-1 PORT 48/ TO SW BLU 1-2 PORT 48 (2ND FRAME) | FIELD LABEL |

| REVISIONS | | | |
|-----------|-------------|------|----------|
| LTR | DESCRIPTION | DATE | APPROVED |
| | | | |



EXAMPLE OF TEXT SHOWN IN TABLES EXAMPLE WITH TEXT REVERSED FROM FIRST LABEL

DETAIL A [6]
CABLE LABEL EXAMPLE USING CABLE ITEM NO. 34



| ITEM NO. | RoHS TEKELEC P/N | QTY | LENGTH | RUN LIST AND LABEL INFORMATION FOR FROM AND TO [6] | LABEL REQUIRED |
|----------|------------------|-----|---------------|--|----------------|
| 1 | 830-1903-02 | 1 | 98.00 INCHES | FROM: SERVER A - A POWER / TO: PDU A POS 1 | YES |
| 2 | 830-1903-02 | 1 | 98.00 INCHES | FROM: SERVER A - B POWER / TO: PDU B POS 5 | YES |
| 3 | 830-1903-02 | 1 | 98.00 INCHES | FROM: SERVER B - A POWER / TO: PDU B POS 1 | YES |
| 4 | 830-1903-02 | 1 | 98.00 INCHES | FROM: SERVER B - B POWER / TO: PDU A POS 5 | YES |
| 5 | 830-1903-02 | 1 | 98.00 INCHES | FROM: SERVER C - A POWER / TO: PDU A POS 2 | YES |
| 6 | 830-1903-02 | 1 | 98.00 INCHES | FROM: SERVER C - B POWER / TO: PDU B POS 6 | YES |
| 7 | 830-1903-02 | 1 | 98.00 INCHES | FROM: SERVER D - A POWER / TO: PDU B POS 2 | YES |
| 8 | 830-1903-02 | 1 | 98.00 INCHES | FROM: SERVER D - B POWER / TO: PDU A POS 6 | YES |
| 9 | 830-1903-02 | 1 | 98.00 INCHES | FROM: SERVER E - A POWER / TO: PDU A POS 3 | YES |
| 10 | 830-1903-02 | 1 | 98.00 INCHES | FROM: SERVER E - B POWER / TO: PDU B POS 7 | YES |
| 11 | 830-1903-02 | 1 | 98.00 INCHES | FROM: SERVER F - A POWER / TO: PDU B POS 3 | YES |
| 12 | 830-1903-02 | 1 | 98.00 INCHES | FROM: SERVER F - B POWER / TO: PDU A POS 7 | YES |
| 13 | 830-1903-02 | 1 | 98.00 INCHES | FROM: SW YELLOW A POWER / TO: PDU A POS 4 | YES |
| 14 | 830-1903-02 | 1 | 98.00 INCHES | FROM: SW YELLOW B POWER / TO: PDU B POS 8 | YES |
| 15 | 830-1903-02 | 1 | 98.00 INCHES | FROM: SW BLUE A POWER / TO: PDU B POS 4 | YES |
| 16 | 830-1903-02 | 1 | 98.00 INCHES | FROM: SW BLUE B POWER / TO: PDU A POS 8 | YES |
| 17 | 830-1216-01 | 2 | 22.00 INCHES | FROM: SW YELLOW AND BLUE / TO: FRAME GND | YES |
| 18 | 804-1929-R02 | 2 | NA | OPTO-ISOLATOR DB9M-DB9F PDU A SERIAL DCE OPTO-ISOLATOR DB9M-DB9F PDU B SERIAL DCE | NO |
| 19 | 830-1247-01 | 2 | 14.38 INCHES | FROM: PDU CHASSIS / TO: FRAME GND | YES |
| 20 | 830-1221-01 | 1 | 96.00 INCHES | FROM: SERVER A LOGIC GND / TO: SERVER B LOGIC GND | YES |
| 21 | 830-1221-01 | 1 | 96.00 INCHES | FROM: SERVER C LOGIC GND / TO: SERVER D LOGIC GND | YES |
| 22 | 830-1221-01 | 1 | 96.00 INCHES | FROM: SERVER E LOGIC GND / TO: SERVER F LOGIC GND | YES |
| 23 | 830-1124-01 | 6 | 31.00 INCHES | FROM: SERVER CHASSIS GND / TO: FRAME | YES |
| 24 | 830-1171-03 | 1 | 84.00 INCHES | FROM: FRAME GROUND FROM: ENCLOSURE TO: ISOLATED GROUND WINDOW | YES |
| 26 | 830-1222-01 | 1 | 121.00 INCHES | FROM: SERVER A SERIAL 2 / TO: PDU A AUX ALARMS FROM: SERVER A SERIAL 2 / TO: PDU A SERIAL DCE | YES YES |
| 27 | 830-1222-02 | 1 | 133.00 INCHES | FROM: SERVER B SERIAL 2 / TO: PDU B AUX ALARMS FROM: SERVER B SERIAL 2 / TO: PDU B SERIAL DCE | YES YES |

| DISTANCE | CABLE P/N | CABLE AWG | ITEM A (830-0715-XX SUPPLIED WITH FRAME) | | ITEM B | | HTAP (A TO B CONNECTION) H TAP P/N | COMMENT | REF. DETAIL |
|------------|--------------|-----------|--|-----------------|--------------|-----------|------------------------------------|-------------------------------|-------------|
| | | | TERMINAL LUG P/N | HEAT SHRINK P/N | CABLE P/N | CABLE AWG | | | |
| 0' - 40' | 690-0131-R01 | 6 | 502-0085-R01 | 804-0228-R01 | 690-0131-R01 | 6 | 804-0865-R01 | CABLE LENGTH IS SITE-SPECIFIC | B |
| 40' - 160' | 690-0108-R01 | 6 | 502-0085-R01 | 804-0228-R01 | 690-0108-R07 | 1/0 | 804-0865-R01 | CABLE LENGTH IS SITE-SPECIFIC | B |

THIS DOCUMENT AND THE DATA DISCLOSED HEREIN OR HEREWITH IS PROPRIETARY AND IS NOT TO BE REPRODUCED, USED OR DISCLOSED IN WHOLE OR PART TO ANYONE WITHOUT THE WRITTEN PERMISSION OF TEKELEC. COPYRIGHT, TEKELEC 1996.

| | | | |
|-------------|------------|--------------|------|
| SIZE | CAGE CODE | DRAWING NO. | REV. |
| D | | 892-0085-01 | A |
| SCALE: NONE | FILE NAME: | SHEET 7 OF 8 | |

| REVISIONS | | | |
|-----------|-------------|------|----------|
| LTR | DESCRIPTION | DATE | APPROVED |
| | | | |

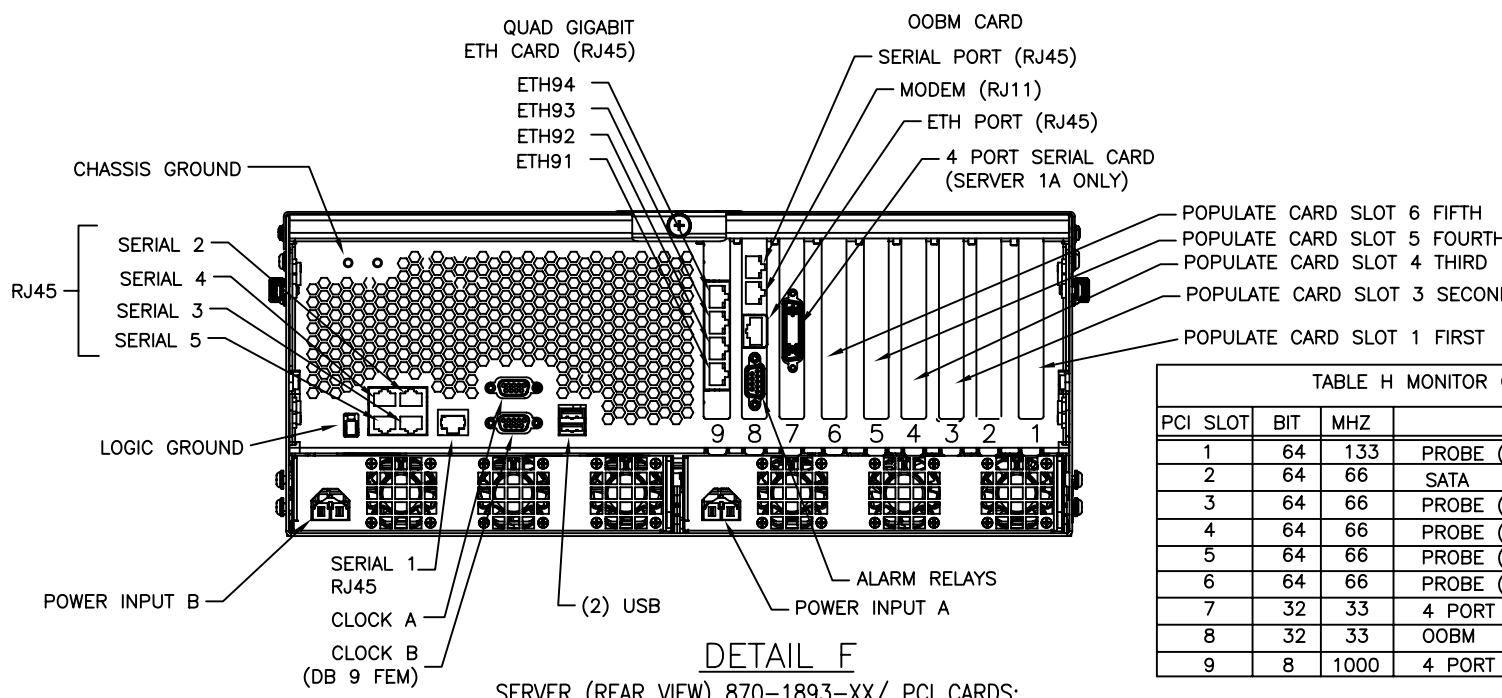
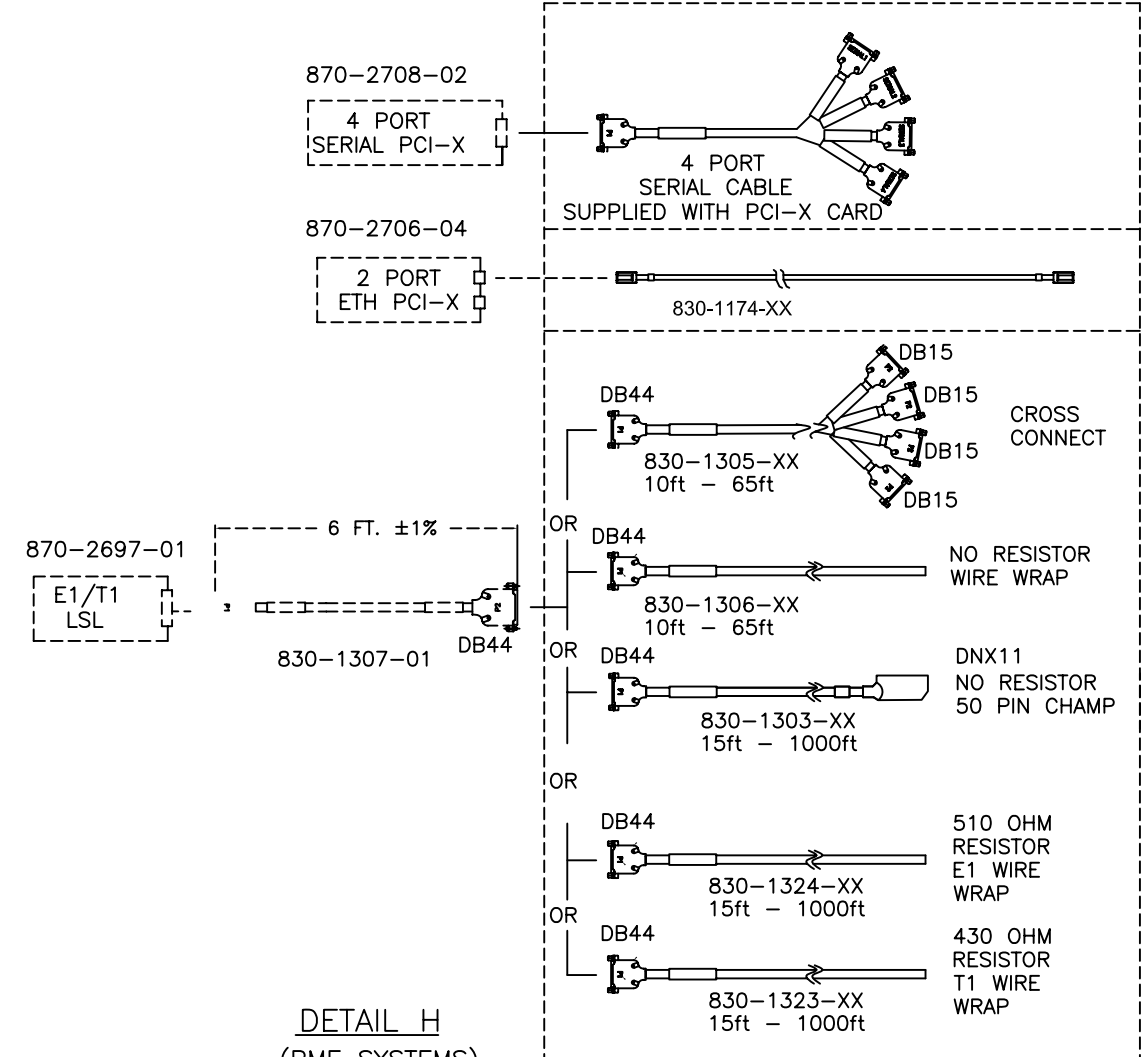


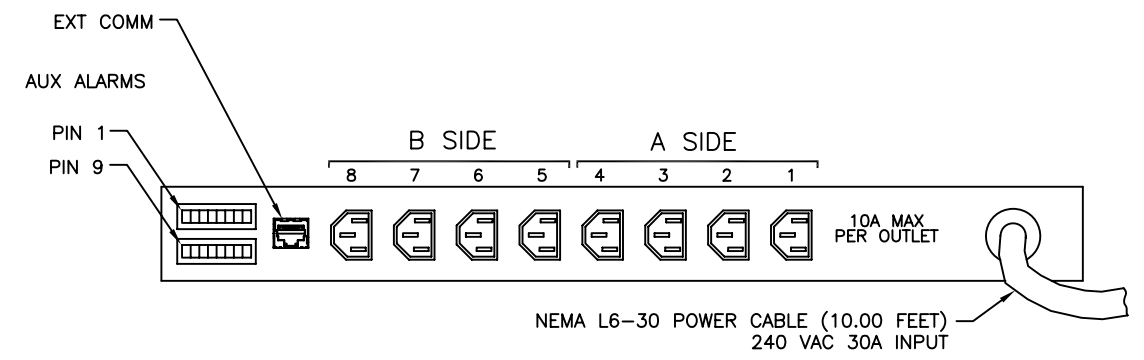
TABLE H MONITOR CARD LOCATIONS

| PCI SLOT | BIT | MHZ | CARD |
|----------|-----|------|-------------------------------|
| 1 | 64 | 133 | PROBE (SEE DETAIL H) |
| 2 | 64 | 66 | SATA |
| 3 | 64 | 66 | PROBE (SEE DETAIL H) |
| 4 | 64 | 66 | PROBE (SEE DETAIL H) |
| 5 | 64 | 66 | PROBE (SEE DETAIL H) |
| 6 | 64 | 66 | PROBE (SEE DETAIL H) |
| 7 | 32 | 33 | 4 PORT SERIAL (SERVER A ONLY) |
| 8 | 32 | 33 | OOBM |
| 9 | 8 | 1000 | 4 PORT ETHERNET |

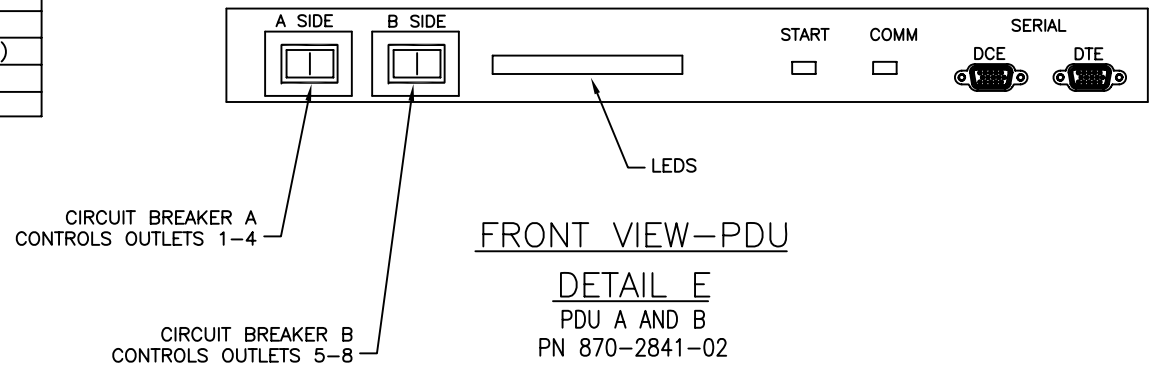
DETAIL F
SERVER (REAR VIEW) 870-1893-XX/ PCI CARDS:
SEE TABLE H FOR LINK CARDS AND DETAIL H FOR LINK CABLING.



DETAIL H
(PMF SYSTEMS)
PROBE INTERFACE CARDS & CABLE ASSEMBLIES
(SEE DETAIL F)

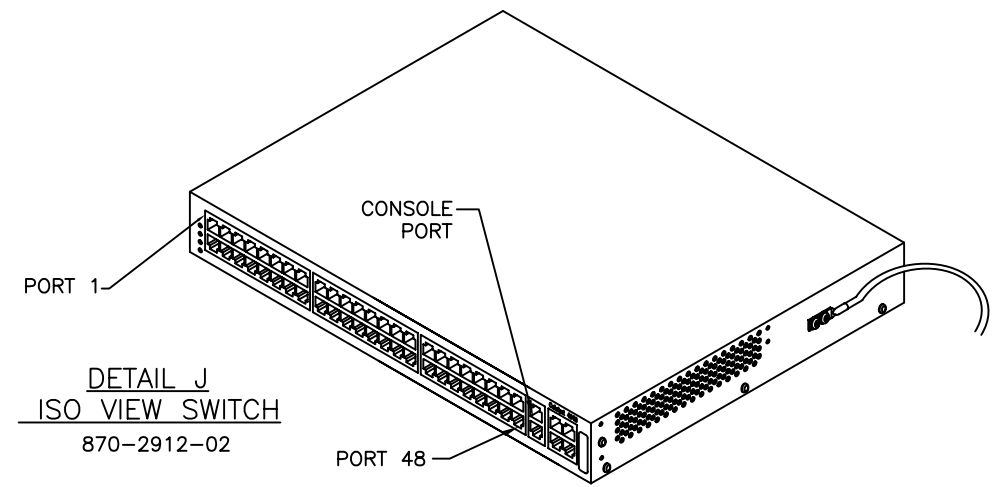


REAR VIEW

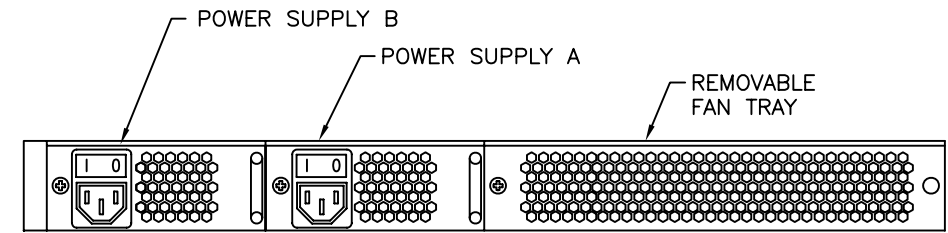


FRONT VIEW-PDU

DETAIL E
PDU A AND B
PN 870-2841-02



DETAIL J
ISO VIEW SWITCH
870-2912-02



DETAIL N
REAR VIEW 48 PORT SWITCH
870-2912-02

| | | | |
|-------------|------------|--------------|------|
| SIZE | CAGE CODE | DRAWING NO. | REV. |
| D | | 892-0085-01 | A |
| SCALE: NONE | FILE NAME: | SHEET 8 OF 8 | |

THIS DOCUMENT AND THE DATA DISCLOSED HEREIN OR HEREWITH IS PROPRIETARY AND IS NOT TO BE REPRODUCED, USED OR DISCLOSED IN WHOLE OR PART TO ANYONE WITHOUT THE WRITTEN PERMISSION OF TEKELEC. COPYRIGHT, TEKELEC 1996.