

**Oracle® Database Gateway for APPC**

User's Guide

12c Release 1 (12.1)

**E17931-04**

April 2013

Oracle Database Gateway for APPC User's Guide, 12c Release 1 (12.1)

E17931-04

Copyright © 1996, 2013, Oracle and/or its affiliates. All rights reserved.

Primary Author: Maitreyee Chaliha

Contributor: Vira Goorah, Govind Lakkoju, Peter Wong, Juan Pablo Ahues-Vasquez, Peter Castro, and Charles Benet

Contributor: The Oracle Database 12c documentation is dedicated to Mark Townsend, who was an inspiration to all who worked on this release.

This software and related documentation are provided under a license agreement containing restrictions on use and disclosure and are protected by intellectual property laws. Except as expressly permitted in your license agreement or allowed by law, you may not use, copy, reproduce, translate, broadcast, modify, license, transmit, distribute, exhibit, perform, publish, or display any part, in any form, or by any means. Reverse engineering, disassembly, or decompilation of this software, unless required by law for interoperability, is prohibited.

The information contained herein is subject to change without notice and is not warranted to be error-free. If you find any errors, please report them to us in writing.

If this is software or related documentation that is delivered to the U.S. Government or anyone licensing it on behalf of the U.S. Government, the following notice is applicable:

U.S. GOVERNMENT END USERS: Oracle programs, including any operating system, integrated software, any programs installed on the hardware, and/or documentation, delivered to U.S. Government end users are "commercial computer software" pursuant to the applicable Federal Acquisition Regulation and agency-specific supplemental regulations. As such, use, duplication, disclosure, modification, and adaptation of the programs, including any operating system, integrated software, any programs installed on the hardware, and/or documentation, shall be subject to license terms and license restrictions applicable to the programs. No other rights are granted to the U.S. Government.

This software or hardware is developed for general use in a variety of information management applications. It is not developed or intended for use in any inherently dangerous applications, including applications that may create a risk of personal injury. If you use this software or hardware in dangerous applications, then you shall be responsible to take all appropriate fail-safe, backup, redundancy, and other measures to ensure its safe use. Oracle Corporation and its affiliates disclaim any liability for any damages caused by use of this software or hardware in dangerous applications.

Oracle and Java are registered trademarks of Oracle and/or its affiliates. Other names may be trademarks of their respective owners.

Intel and Intel Xeon are trademarks or registered trademarks of Intel Corporation. All SPARC trademarks are used under license and are trademarks or registered trademarks of SPARC International, Inc. AMD, Opteron, the AMD logo, and the AMD Opteron logo are trademarks or registered trademarks of Advanced Micro Devices. UNIX is a registered trademark of The Open Group.

This software or hardware and documentation may provide access to or information on content, products, and services from third parties. Oracle Corporation and its affiliates are not responsible for and expressly disclaim all warranties of any kind with respect to third-party content, products, and services. Oracle Corporation and its affiliates will not be responsible for any loss, costs, or damages incurred due to your access to or use of third-party content, products, or services.

---

---

# Contents

<b>Preface</b> .....	xi
Intended Audience.....	xi
Documentation Accessibility .....	xi
Related Documents .....	xi
Legacy Compilers.....	xii
Conventions .....	xii
<b>1 Introduction to Oracle Database Gateway for APPC</b>	
<b>Overview of the Gateway</b> .....	1-1
<b>Features of the Gateway</b> .....	1-2
<b>Terms</b> .....	1-3
<b>Examples and Sample Files for the Gateway</b> .....	1-6
<b>Architecture of the Gateway</b> .....	1-7
<b>Communication with the Gateway</b> .....	1-8
<b>RPC Functions</b> .....	1-8
TIP Function.....	1-9
Remote Transaction Initiation.....	1-9
Data Exchange .....	1-9
Remote Transaction Termination .....	1-9
<b>Overview of a Gateway Using SNA</b> .....	1-10
Transaction Types for a Gateway Using SNA .....	1-10
Simple Gateway Communication with the Oracle Database (SNA) .....	1-10
Steps to Communicate Between Gateway and Mainframe Using SNA .....	1-11
Writing TIPs to Generate PL/SQL Programs Using SNA .....	1-12
Steps to Writing a TIP on a Gateway Using SNA .....	1-12
<b>Overview of a Gateway Using TCP/IP</b> .....	1-14
Transaction Types for a Gateway Using TCP/IP .....	1-14
Simple Gateway Communication with the Oracle Database (TCP/IP).....	1-14
Preparing the Gateway to Communicate Using TCP/IP.....	1-15
Steps to Communication Between the Gateway and IMS, Using TCP/IP.....	1-15
Writing TIPs to Generate PL/SQL Programs Using TCP/IP.....	1-17
Steps to Writing a TIP on a Gateway Using TCP/IP.....	1-17
<b>2 Procedural Gateway Administration Utility</b>	
<b>Overview of PGAU</b> .....	2-1

<b>COMMIT/ROLLBACK Processing</b> .....	2-2
COMMIT Processing .....	2-2
ROLLBACK Processing.....	2-2
<b>Invoking PGAU</b> .....	2-3
<b>Definitions and Generation in PGAU</b> .....	2-3
<b>Process to Define and Test a TIP</b> .....	2-4
Definition Names .....	2-4
Definition Versioning .....	2-5
Keywords .....	2-5
<b>PGAU Commands</b> .....	2-6
CONNECT .....	2-6
DEFINE CALL .....	2-7
DEFINE DATA .....	2-8
DEFINE TRANSACTION .....	2-10
DESCRIBE .....	2-13
DISCONNECT .....	2-13
EXECUTE .....	2-14
EXIT .....	2-14
GENERATE.....	2-15
GROUP .....	2-18
HOST.....	2-19
PRINT .....	2-20
REDEFINE DATA .....	2-20
REM.....	2-23
REPORT .....	2-23
SET .....	2-26
SHOW .....	2-27
SPOOL .....	2-28
UNDEFINE CALL.....	2-29
UNDEFINE DATA.....	2-29
UNDEFINE TRANSACTION .....	2-30
VARIABLE .....	2-31

### 3 Creating a TIP

<b>Granting Privileges for TIP Creators</b> .....	3-1
<b>Evaluating the RHT</b> .....	3-2
Identify the Remote Host Transaction .....	3-2
PGAU DEFINE CALL Command .....	3-2
PGAU DEFINE DATA Command .....	3-3
PGAU DEFINE TRANSACTION Command on a Gateway Using SNA .....	3-3
PGAU DEFINE TRANSACTION Command on a Gateway Using TCP/IP.....	3-4
Writing the PGAU Statements .....	3-4
Writing a PGAU Script File .....	3-5
<b>Defining and Generating the TIP</b> .....	3-6
<b>Compiling the TIP</b> .....	3-7
<b>TIP Content Documentation (tipname.doc)</b> .....	3-8

## 4 Client Application Development (SNA Only)

Overview of Client Application .....	4-1
Preparing the Client Application .....	4-3
Understanding the Remote Host Transaction Requirements.....	4-3
TIP Content and Purpose .....	4-3
Remote Host Transaction Types .....	4-4
One-Shot Transactions .....	4-4
Persistent Transactions.....	4-5
Multi-Conversational Transactions .....	4-5
Customized TIPs for Each Remote Host Transaction .....	4-6
Client Application Requirements .....	4-6
Ensuring TIP and Remote Transaction Program Correspondence.....	4-10
DATA Correspondence.....	4-10
CALL Correspondence.....	4-11
Flexible Call Sequence.....	4-12
Call Correspondence Order Restrictions.....	4-13
TRANSACTION Correspondence.....	4-13
Calling the TIP from the Client Application .....	4-14
Declaring TIP Variables.....	4-14
Initializing the Conversation .....	4-16
Transaction Instance Parameter .....	4-17
Overriding TIP Initializations .....	4-17
Security Considerations .....	4-19
Exchanging Data .....	4-19
Terminating the Conversation .....	4-19
Error Handling .....	4-20
Granting Execute Authority .....	4-20
Executing the Application .....	4-20
APPC Conversation Sharing .....	4-20
APPC Conversation Sharing Concepts .....	4-21
APPC Conversation Sharing Usage .....	4-22
APPC Conversation Sharing TIP Compatibility.....	4-22
APPC Conversation Sharing for TIPs That Are Too Large .....	4-23
APPC Conversation Sharing Example.....	4-23
APPC Conversation Sharing Overrides and Diagnostics .....	4-25
Application Development with Multi-Byte Character Set Support.....	4-25
Modifying a Terminal-Oriented Transaction to Use APPC.....	4-26
Privileges Needed to Use TIPs.....	4-27

## 5 Implementing Commit-Confirm (SNA Only)

Overview of Commit-Confirm .....	5-1
Supported OLTPs .....	5-2
Components Required to Support Commit-Confirm .....	5-2
Application Design Requirements .....	5-4
Commit-Confirm Architecture .....	5-4
Components .....	5-5

Interactions.....	5-5
<b>Commit-Confirm Flow .....</b>	<b>5-5</b>
Commit-Confirm Logic Flow, Step by Step .....	5-5
Gateway Server Commit-Confirm Transaction Log .....	5-7
<b>6 PG4TCPMAP Commands (TCP/IP Only)</b>	
Preparation for Populating the PGA_TCP_IMSC Table .....	6-1
Overview .....	6-1
Populating the PGA_TCP_IMSC Table .....	6-2
Before You Run the pg4tcpmap Tool .....	6-4
<b>pg4tcpmap Tool Commands .....</b>	<b>6-5</b>
Inserting a Row into the PGA_TCP_IMSC Table .....	6-5
Deleting Rows from the PGA_TCP_IMSC Table .....	6-6
Querying the PGA_TCP_IMSC Table .....	6-6
<b>7 Client Application Development (TCP/IP Only)</b>	
<b>Overview of Client Application .....</b>	<b>7-1</b>
<b>Preparing the Client Application .....</b>	<b>7-3</b>
TIP Content and Purpose .....	7-3
Remote Host Transaction Types .....	7-4
<b>Ensuring TIP and Remote Transaction Program Correspondence.....</b>	<b>7-4</b>
DATA Correspondence.....	7-4
CALL Correspondence.....	7-5
Flexible Call Sequence.....	7-6
Call Correspondence Order Restrictions.....	7-7
TRANSACTION Correspondence.....	7-7
<b>Calling the TIP from the Client Application .....</b>	<b>7-8</b>
Declaring TIP Variables.....	7-8
Initializing the Conversation .....	7-10
Transaction Instance Parameter.....	7-11
Overriding TIP Initializations .....	7-11
Security Considerations .....	7-13
<b>Exchanging Data.....</b>	<b>7-13</b>
Terminating the Conversation .....	7-13
Error Handling .....	7-13
Granting Execute Authority .....	7-14
<b>Calling PG4TCPMAP .....</b>	<b>7-14</b>
<b>Executing the Application .....</b>	<b>7-14</b>
<b>Application Development with Multi-Byte Character Set Support.....</b>	<b>7-14</b>
<b>Privileges Needed to Use TIPs.....</b>	<b>7-15</b>
<b>8 Troubleshooting</b>	
TIP Definition Errors.....	8-1
Problem Analysis with PG DD Diagnostic References .....	8-2
Problem Analysis with PG DD Select Scripts.....	8-3
Data Conversion Errors.....	8-4

<b>Problem Analysis with TIP Runtime Traces</b> .....	8-5
<b>TIP Runtime Trace Controls</b> .....	8-6
Generating Runtime Data Conversion Trace and Warning Support .....	8-6
Controlling TIP Runtime Conversion Warnings .....	8-6
Controlling TIP Runtime Function Entry/Exit Tracing .....	8-7
Controlling TIP Runtime Data Conversion Tracing .....	8-7
Controlling TIP Runtime Gateway Exchange Tracing .....	8-7
<b>Suppressing TIP Warnings and Tracing</b> .....	8-7
<b>Problem Analysis of Data Conversion and Truncation Errors</b> .....	8-8
<b>Gateway Server Tracing</b> .....	8-10
Defining the Gateway Trace Destination.....	8-10
Enabling the Gateway Trace.....	8-11
Enabling the Gateway Trace Using Initialization Parameters .....	8-11
Enabling the Gateway Trace Dynamically from PL/SQL .....	8-12

## **A Database Gateway for APPC Data Dictionary**

<b>PG DD Environment Dictionary</b> .....	A-1
Environment Dictionary Sequence Numbers .....	A-1
Environment Dictionary Tables .....	A-2
pga_maint.....	A-2
pga_environments .....	A-2
pga_env_attr .....	A-3
pga_env_values .....	A-3
pga_compilers .....	A-3
pga_datatypes.....	A-4
pga_datatype_attr .....	A-4
pga_datatype_values.....	A-4
pga_usage.....	A-5
pga_modes.....	A-5
<b>PG DD Active Dictionary</b> .....	A-5
Active Dictionary Versioning.....	A-6
Active Dictionary Sequence Numbers .....	A-6
Active Dictionary Tables .....	A-6
pga_trans.....	A-6
pga_trans_attr.....	A-7
pga_trans_values .....	A-8
pga_trans_calls .....	A-9
pga_call.....	A-9
pga_call_parm .....	A-10
pga_data .....	A-11
pga_fields .....	A-11
pga_data_attr .....	A-13
pga_data_values.....	A-14

## **B Gateway RPC Interface**

<b>Calling Gateway Functions to Execute Transaction Programs</b> .....	B-1
--	-----

PGAINIT and PGAINIT_SEC .....	B-1
PGAXFER .....	B-4
PGATERM.....	B-5
PGATCTL.....	B-5
PGATRAC .....	B-6
<b>C The UTL_PG Interface</b>	
<b>UTL_PG Functions</b> .....	C-1
Common Parameters .....	C-2
Common Input Parameters .....	C-2
Common Output Parameter .....	C-2
RAW_TO_NUMBER.....	C-3
NUMBER_TO_RAW.....	C-4
MAKE_RAW_TO_NUMBER_FORMAT .....	C-5
MAKE_NUMBER_TO_RAW_FORMAT .....	C-6
RAW_TO_NUMBER_FORMAT .....	C-8
NUMBER_TO_RAW_FORMAT .....	C-8
WMSGCNT .....	C-9
WMSG.....	C-10
<b>NUMBER_TO_RAW and RAW_TO_NUMBER Argument Values</b> .....	C-11
<b>D Datatype Conversions</b>	
<b>Length Checking</b> .....	D-1
Parameters Over 32K in Length.....	D-2
<b>Conversion</b> .....	D-2
USAGE(PASS) .....	D-2
USAGE(ASIS).....	D-7
USAGE(SKIP) .....	D-7
PL/SQL Naming Algorithms.....	D-8
<b>E Tip Internals</b>	
<b>Background Reading</b> .....	E-1
<b>PL/SQL Package and TIP File Separation</b> .....	E-2
Independent TIP Body Changes .....	E-2
Determine if a Specification Has Remained Valid.....	E-2
Dependent TIP Body or Specification Changes.....	E-3
Recompile the TIP Body.....	E-4
Inadvertent Alteration of TIP Specification.....	E-4
<b>F Administration Utility Samples</b>	
<b>Sample PGAU DEFINE DATA Statements</b> .....	F-1
<b>Sample PGAU DEFINE CALL Statements</b> .....	F-2
<b>Sample PGAU DEFINE TRANSACTION Statement</b> .....	F-2
<b>Sample PGAU GENERATE Statement</b> .....	F-2
<b>Sample Implicit Versioning Definitions</b> .....	F-3
<b>Sample PGAU REDEFINE DATA Statements</b> .....	F-6



Sample PGAU UNDEFINE Statements ..... F-6

**Index**



---

---

# Preface

The Oracle Database Gateway for APPC provides Oracle applications seamless access to virtually any APPC-enabled system, including IBM mainframe data and services through Remote Procedure Call (RPC) processing.

## Intended Audience

Read this guide if you are responsible for tasks such as:

- determining hardware and software requirements
- installing, configuring, or administering an Oracle Database Gateway for APPC
- developing applications that access remote host databases through the Oracle Database Gateway for APPC using the SNA Communication Protocol or the TCP/IP communication protocol
- determining security requirements
- determining and resolving problems

Before using this guide to administer the gateway, you should understand the fundamentals of your operating system and Oracle Database Gateways.

## Documentation Accessibility

For information about Oracle's commitment to accessibility, visit the Oracle Accessibility Program website at

<http://www.oracle.com/pls/topic/lookup?ctx=acc&id=docacc>.

### Access to Oracle Support

Oracle customers have access to electronic support through My Oracle Support. For information, visit <http://www.oracle.com/pls/topic/lookup?ctx=acc&id=info> or visit <http://www.oracle.com/pls/topic/lookup?ctx=acc&id=trs> if you are hearing impaired.

## Related Documents

The *Oracle Database Gateway for APPC User's Guide* is included as part of your product shipment. Also included is:

- *Oracle Database Gateway for APPC Installation and Configuration Guide for IBM AIX on POWER Systems (64-Bit), Linux x86-64, Oracle Solaris on SPARC (64-Bit), and HP-UX Itanium*

- *Oracle Database Gateway for APPC Installation and Configuration Guide for Microsoft Windows*

You might also need Oracle Database 11g and Oracle Net documentation. The following is a useful list of the Oracle publications that may be referenced in this book:

- *Oracle Database Installation Guide*
- *Oracle Database Administrator's Guide*
- *Oracle Database Concepts*
- *Oracle Database Error Messages*
- *Oracle Database Net Services Administrator's Guide*

Refer to the *Oracle Technical Publications Catalog and Price Guide* for a complete list of documentation provided for Oracle products.

## Legacy Compilers

Examples in this guide use the compiler name parameter value `IBMVSCOBOLII`, which represents the IBM VS COBOL II compiler. Although the IBM VS COBOL II compiler is no longer supported, the string `IBMVSCOBOLII` should still be used and the supported COBOL compiler will be called.

## Conventions

The following text conventions are used in this document:

<b>Convention</b>	<b>Meaning</b>
<b>boldface</b>	Boldface type indicates graphical user interface elements associated with an action, or terms defined in text or the glossary.
<i>italic</i>	Italic type indicates book titles, emphasis, or placeholder variables for which you supply particular values.
monospace	Monospace type indicates commands within a paragraph, URLs, code in examples, text that appears on the screen, or text that you enter.

---

---

# Introduction to Oracle Database Gateway for APPC

The Oracle Database Gateway for APPC enables users to initiate transaction program execution on remote online transaction processors (OLTPs). The Oracle Database Gateway for APPC can establish connection with OLTP using the SNA communication protocol. The gateway can also use TCP/IP for IMS Connect to establish communication with IMS/TM through TCP/IP. The gateway provides Oracle applications with seamless access to IBM mainframe data and services through Remote Procedural Call (RPC) processing.

Refer to the *Oracle Database Installation Guide* and to the certification matrix on the My Oracle Support Web site for the most up-to-date list of certified hardware platforms and operating system versions. The My Oracle Support Web site can be found at:

<https://support.oracle.com>

This chapter describes the architecture, uses, and features of the Oracle Database Gateway for APPC.

This chapter contains the following sections:

- [Overview of the Gateway](#)
- [Features of the Gateway](#)
- [Terms](#)
- [Examples and Sample Files for the Gateway](#)
- [Architecture of the Gateway](#)
- [Communication with the Gateway](#)
- [RPC Functions](#)
- [Overview of a Gateway Using SNA](#)
- [Overview of a Gateway Using TCP/IP](#)

## Overview of the Gateway

The Oracle Database Gateway for APPC extends the RPC facilities available with the Oracle database. The gateway enables any client application to use PL/SQL to request execution of a remote transaction program (RTP) residing on a host. The gateway provides RPC processing to systems using the SNA Advanced Program-to-Program Communication (APPC) protocol and to IMS/TM systems using TCP/IP support for IMS Connect. This architecture allows efficient access to data and transactions available on the IBM mainframe and IMS, respectively.

The gateway requires no Oracle software on the remote host system. Thus, the gateway uses existing transactions with little or no programming effort on the remote host.

**For gateways using SNA only:**

The use of a generic and standard protocol, APPC, allows the gateway to access numerous systems. The gateway can communicate with virtually any APPC-enabled system, including IBM Corporation's CICS on any platform and IBM Corporation's IMS and APPC/MVS. These transaction monitors provide access to a broad range of systems, allowing the gateway to access many datastores, including VSAM, DB2 (static SQL), IMS, and others.

The gateway can access any application capable of using the CPI-C API, either directly or through a TP monitor such as CICS.

## Features of the Gateway

The Oracle Database Gateway for APPC provides the following benefits:

- **Fast interface**

The gateway is optimized so that remote execution of a program is achieved with minimum network traffic. The interface to the gateway is an optimized PL/SQL stored procedure specification (called the TIP or transaction interface package) precompiled in the Oracle database. Because there are no additional software layers on the remote host, overhead occurs only when your program executes.
- **Location transparency**

Client applications need not be operating system-specific. For example, your application can call a program in a CICS Transaction Server for z/OS. If you move the program to a CICS region on AIX, then you need not change the application.
- **Application transparency**

Users calling applications that execute a remote transaction program are unaware that a request is sent to a host.
- **Flexible interface**

You can use the gateway to interface with existing procedural logic or to integrate new procedural logic into an Oracle database environment.
- **Oracle database integration**

The integration of the Oracle database with the gateway enables the gateway to benefit from existing and future Oracle database features. For example, the gateway can be called from an Oracle stored procedure or database trigger.
- **Transactional support**

The gateway and the Oracle database allow remote transfer updates and Oracle database updates to be performed in a coordinated fashion.
- **Wide selection of tools**

The gateway supports any tool or application that supports PL/SQL.
- **PL/SQL code generator**

The Oracle Database Gateway for APPC provides a powerful development environment, including:

  - a data dictionary to store information relevant to the remote transaction

- a tool to generate the PL/SQL Transaction Interface Package, or TIP
  - a report utility to view the information stored in the gateway dictionary
  - a complete set of tracing and debugging facilities
  - a wide set of samples to demonstrate the use of the product against datastores such as DB2, IMS, and CICS.
- Site autonomy and security
 

The gateway provides site autonomy, allowing you to do such things as authenticate users. It also provides role-based security compatible with any security package running on your mainframe computer.
  - Automatic conversion
 

Through the TIP, the following conversions are performed:

    - ASCII to and from EBCDIC
    - remote transaction program datatypes to and from PL/SQL datatypes
    - national language support for many languages
  - Globalization Support
  - TCP/IP support for IMS Connect
 

This release of the gateway includes TCP/IP support for IMS Connect, giving users a choice of whether to use an SNA or TCP/IP communication protocol. IMS Connect is an IBM product which allows TCP/IP clients to trigger execution of IMS transactions. The gateway can use a TCP/IP communication protocol to access IMS Connect, which triggers execution of IMS transactions. There is no SNA involvement with this configuration.

Related to this feature of the gateway is:

    - The gateway mapping tool. This release of the gateway includes a tool (`pg4tcpmap`) whose purpose is to map the information from your SNA Side Profile Name to the TCP/IP host name and Port Number.

---



---

**Note:** When your communications protocol is TCP/IP, only IMS is supported as the OLTP.

---



---

## Terms

The following terms and definitions are used throughout this guide:

### Gateway Initialization File

This file is known as `initsid.ora` and it contains parameters that govern the operation of the gateway. If you are using the SNA protocol, refer to Appendix A, "Gateway Initialization Parameters for SNA Protocol" in the *Oracle Database Gateway for APPC Installation and Configuration Guide for IBM AIX on POWER Systems (64-Bit), Linux x86-64, Oracle Solaris on SPARC (64-Bit), and HP-UX Itanium or Oracle Database Gateway for APPC Installation and Configuration Guide for Microsoft Windows* for more information. If your protocol is TCP/IP, refer to Appendix B, "Gateway Initialization Parameters for TCP/IP Communication Protocol" in the *Oracle Database Gateway for APPC Installation and Configuration Guide for IBM AIX on POWER Systems (64-Bit), Linux x86-64, Oracle Solaris on SPARC (64-Bit), and HP-UX Itanium or Oracle Database Gateway for APPC Installation and Configuration Guide for Microsoft Windows*.

## Gateway Remote Procedure

The Oracle Database Gateway for APPC provides prebuilt remote procedures. In general, the following three remote procedures are used:

- `PGAINIT`, which initializes transactions
- `PGAXFER`, which transfers data
- `PGATERM`, which terminates transactions

Refer to [Appendix B, "Gateway RPC Interface"](#) in this guide and to "Remote Procedural Call Functions" in Chapter 1 of the *Oracle Database Gateway for APPC Installation and Configuration Guide for IBM AIX on POWER Systems (64-Bit), Linux x86-64, Oracle Solaris on SPARC (64-Bit), and HP-UX Itanium or Oracle Database Gateway for APPC Installation and Configuration Guide for Microsoft Windows* for more information about gateway remote procedures.

## dg4pwd

`dg4pwd` is a utility which encrypts passwords that are normally stored in the gateway initialization file. Passwords are stored in an encrypted form in the password file, making the information more secure. Refer to "Passwords in the Gateway Initialization File" in the security requirements chapter of the *Oracle Database Gateway for APPC Installation and Configuration Guide for IBM AIX on POWER Systems (64-Bit), Linux x86-64, Oracle Solaris on SPARC (64-Bit), and HP-UX Itanium and Oracle Database Gateway for APPC Installation and Configuration Guide for Microsoft Windows* for detailed information about how the `dg4pwd` utility works.

## pg4tcpmap Tool

This tool is applicable only when the gateway is using TCP/IP support for IMS Connect. Its function is to map SNA parameters (such as Side Profile Name) to TCP/IP parameters (such as OLTP host name, IMS Connect port number and IMS destination ID).

## PGA (Procedural Gateway Administration)

PGA is a general reference within this guide to all or most components comprising the Oracle Database Gateway for APPC. This term is used when references to a specific product or component are too narrow.

## PGDL (Procedural Gateway Definition Language)

PGDL is the collection of statements used to define transactions and data to the PGAU.

## PL/SQL Stored Procedure Specification (PL/SQL package)

This is a precompiled PL/SQL procedure that is stored in Oracle database.

## UTL\_RAW PL/SQL Package (the UTL\_RAW Functions)

This component of the gateway represents a series of data conversion functions for PL/SQL RAW variables and remote host data. The types of conversions performed depend on the language of the remote host data. Refer to [Appendix D, "Datatype Conversions"](#) in this guide for more information.

## UTL\_PG PL/SQL Package (the UTL\_PG Functions)

This component of the gateway represents a series of COBOL numeric data conversion functions. Refer to "[NUMBER\\_TO\\_RAW and RAW\\_TO\\_NUMBER Argument Values](#)" in [Appendix C](#) of this guide for supported numeric datatype conversions.



## Oracle Database

This is any Oracle database instance that communicates with the gateway for purposes of performing RPCs to execute RTP. The Oracle database can be on the same system as the gateway or on a different system. If it is on a different system, then Oracle Net is required on both systems. Refer to [Figure 1–2, "Gateway Architecture Featuring SNA or TCP/IP Protocol"](#) for a view of the gateway architecture.

## OLTP (Online Transaction Processor)

OLTP is any of a number of online transaction processors available from other vendors, including CICS Transaction Server for z/OS and IMS/TM.

---

---

**Note:** When your communications protocol is TCP/IP, only IMS is supported as the OLTP.

---

---

## PGAU (Procedural Gateway Administration Utility)

PGAU is the tool that is used to define and generate PL/SQL transaction interface packages (TIPs). Refer to [Chapter 2, "Procedural Gateway Administration Utility"](#) in this guide for more information about PGAU.

## PG DD (Procedural Gateway Data Dictionary)

This component of the gateway is a repository of remote host transaction definitions and data definitions. PGAU accesses definitions in the PG DD when generating TIPs. The PG DD has datatype dependencies because it supports the PGAU and is not intended to be directly accessed by the customer. Refer to [Appendix A, "Database Gateway for APPC Data Dictionary"](#) in this guide for a list of PG DD tables.

## RPC (Remote Procedural Call)

RPC is a programming call that executes program logic on one system in response to a request from another system. Refer to "Gateway Remote Procedure" in Appendix C of the *Oracle Database Gateway for APPC Installation and Configuration Guide for IBM AIX on POWER Systems (64-Bit), Linux x86-64, Oracle Solaris on SPARC (64-Bit), and HP-UX Itanium or Oracle Database Gateway for APPC Installation and Configuration Guide for Microsoft Windows*, and to [Appendix B, "Gateway RPC Interface"](#) in this guide for more information.

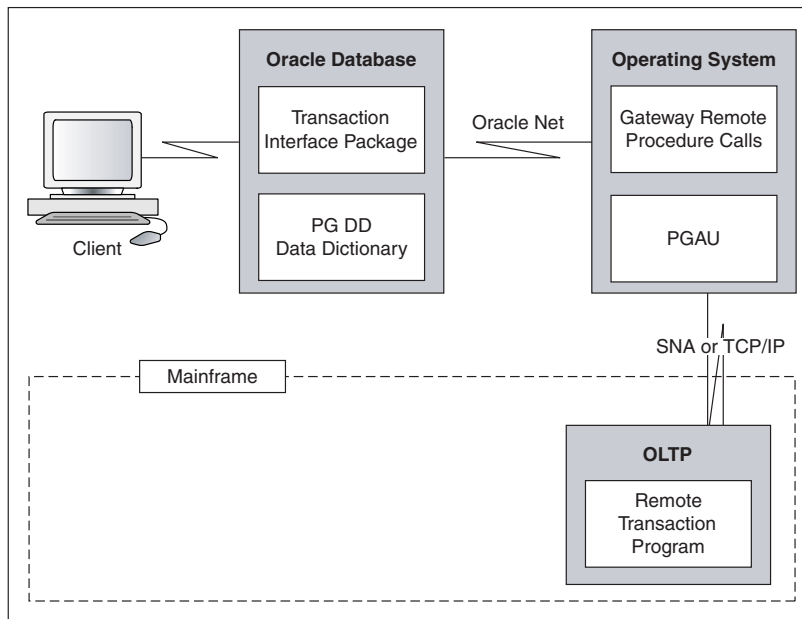
## RTP (Remote Transaction Program)

A remote transaction program is a customer-written transaction, running under the control of an OLTP, which the user invokes remotely using a PL/SQL procedure. To execute a remote transaction program through the gateway, you must use RPC to execute a PL/SQL program to call the gateway functions.

## TIP (Transaction Interface Package)

A TIP is an Oracle PL/SQL package that exists between your application and the remote transaction program. The transaction interface package, or TIP, is a set of PL/SQL stored procedures that invoke the RTP through the gateway. TIPs perform the conversion and reformatting of remote host data using PL/SQL and UTL\_RAW/UTL\_PG functions.

[Figure 1–1](#) illustrates where the terminology discussed in the preceding sections applies to the gateway's architecture.

**Figure 1–1 Relationship of Gateway and Oracle Database**

## Examples and Sample Files for the Gateway

The following sample files and examples are referred to for illustration purposes throughout this guide. There are different example and sample files for a gateway using the SNA protocol than for a gateway using TCP/IP for IMS Connect.

### Examples and Sample Files for Gateway Using SNA

For gateways using the SNA communication protocol, this guide uses a CICS-DB2 inquiry as an example. Transaction Interface Packages (TIPs) `pgadb2i.pkb` and `pgadb2i.pkh` send an employee number, `empno`, to a DB2 application and receive an employee record, `emprec`.

The CICS-DB2 inquiry sample and its associated PGAU commands are also available in the `%ORACLE_HOME%\dg4appc\demo\CICS` directory on Windows platform and `$ORACLE_HOME/dg4appc/demo/CICS` directory on UNIX platforms. The sample CICS-DB2 inquiry used as an example in this chapter is in files `pgadb2i.pkh` and `pgadb2i.pkb`. Refer to the `README.doc` file in the same directory for information about installing and using the samples. It can be found in the `%ORACLE_HOME%\dg4appc\demo\CICS` directory for Windows and `$ORACLE_HOME/dg4appc/demo/CICS` directory for UNIX.

### Examples and Sample Files for Gateway Using TCP/IP

If your gateway is using the TCP/IP communication protocol, this guide uses an IMS inquiry as an example. Transaction Interface Packages (TIPs) `pgtflip.pkh` and `pgtflip.pkb` send input to IMS, through IMS Connect, and receive the flipped input as the output.

The IMS inquiry sample (FLIP) and its associated PGAU commands are located in the `%ORACLE_HOME%\dg4appc\demo\IMS` directory for Windows and `$ORACLE_HOME/dg4appc/demo/IMS` directory for UNIX. The sample IMS inquiry used as an example for a gateway using TCP/IP is located in files `pgtflip.pkh` and `pgtflip.pkb`.

Refer to the README.doc file for more information about installing and using other IMS samples. It can be found in the %ORACLE\_HOME%\dg4appc\demo\IMS directory for Windows and \$ORACLE\_HOME/dg4appc/demo/IMS directory for UNIX.

## Architecture of the Gateway

The architecture of Oracle Database Gateway for APPC consists of several components:

### 1. Oracle database

Refer to the configuration chapter corresponding to your communications protocol in the *Oracle Database Gateway for APPC Installation and Configuration Guide for IBM AIX on POWER Systems (64-Bit), Linux x86-64, Oracle Solaris on SPARC (64-Bit), and HP-UX Itanium* or *Oracle Database Gateway for APPC Installation and Configuration Guide for Microsoft Windows* for a description of the various methods for establishing the gateway-Oracle database relationship.

The Oracle database can also be used for non-gateway applications.

### 2. The gateway

Oracle Database Gateway for APPC must be installed on a server that can run the required version of the operating system.

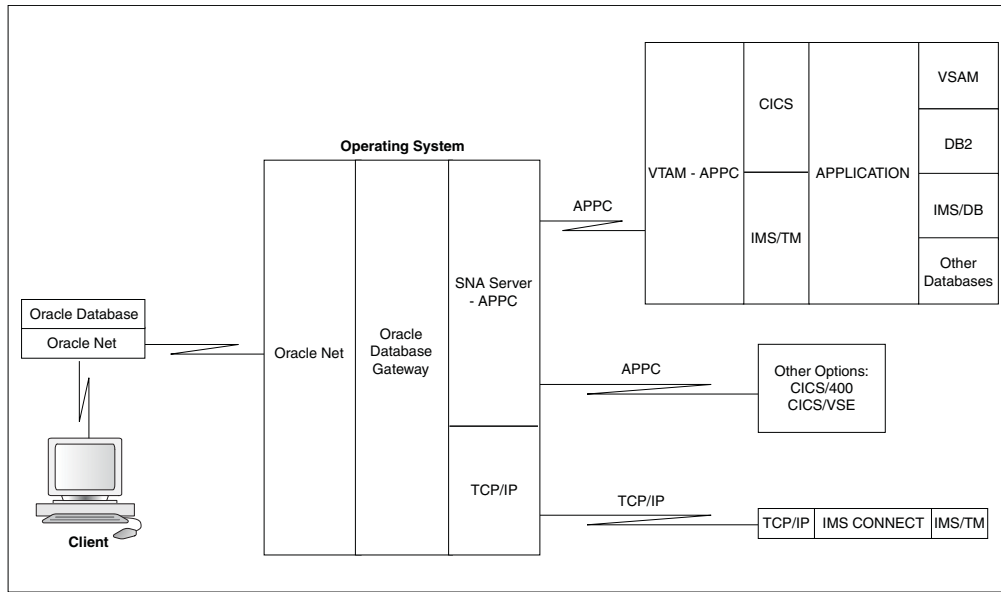
### 3. An OLTP

The OLTP must be accessible from the gateway using your SNA or TCP/IP communication protocol. Multiple Oracle databases can access the same gateway. A single system gateway installation can be configured to access more than one OLTP.

- *For gateways using TCP/IP:* The only OLTP that is supported through TCP/IP is IMS through IMS Connect.
- The OLTP must be accessible to the system using the TCP/IP protocol. Multiple Oracle databases can access the same gateway. A single system gateway installation can be configured to access more than one OLTP. Multiple IMS systems can be accessed from an IMS Connect. If you have a number of IMS Connect systems available, any of these may be connected to one or more IMS systems.

Figure 1–2 illustrates the architecture of the Oracle Database Gateway for APPC using SNA or TCP/IP, as described in the previous section.

**Figure 1–2 Gateway Architecture Featuring SNA or TCP/IP Protocol**



## Communication with the Gateway

All the communication between the user or client program and the gateway is handled through a TIP which executes on an Oracle database. The TIP is a standard PL/SQL package that provides the following functions:

- declares the PL/SQL variables that can be exchanged with a remote transaction program;
- calls the gateway packages that handle the communications for starting the conversation, exchanging data, and terminating the conversation;
- handles all datatype conversions between PL/SQL datatypes and the target program datatypes.

The PGAU, provided with the gateway, automatically generates the TIP specification.

The gateway is identified to the Oracle database using a database link. The database link is the same construct used to identify other Oracle databases. The functions in the gateway are referenced in PL/SQL as:

*function\_name@dblink\_name*

## RPC Functions

The Oracle Database Gateway for APPC provides a set of functions that are called by the client through RPC. These functions direct the gateway to initiate, transfer data with, and terminate RTP running under an OLTP on another system.

Table 1–1 lists the RPC functions and the correlating commands that are invoked in the gateway and remote host.

**Table 1–1 RPC Functions and Commands in the Gateway and Remote Host**

Applications	Oracle TIP	Gateway	Remote Host
call tip_init	tip_init call pgainit@gateway	PGAINIT	Initiate program
call tip_main	tip_main call pgaxfer@gateway	PGAXFER	Exchange data
call tip_term	tip_term call pgaterm@gateway	PGATERM	Terminate program

## TIP Function

The following sections describe how a TIP works by first establishing a connection to the remote host, then exchanging data from the target transaction program and finally, terminating a conversation.

### Remote Transaction Initiation

The TIP initiates a connection to the remote host using one of the gateway functions, PGAINIT.

**When the communication protocol is SNA:** PGAINIT provides, as input, the required SNA parameters to start a conversation with the target transaction program. These parameters are sent across the SNA network, which returns a conversation identifier to PGAINIT. Future calls to the target program use the conversation identifier as an input parameter.

**When the communication protocol is TCP/IP:** PGAINIT provides, as input, the required TCP/IP parameters. These parameters are sent across the TCP/IP network to start the conversation with the target transaction program. The TCP/IP network returns a socket file descriptor to PGAINIT. Future calls, such as PGAXFER and PGATERM, use this same socket file descriptor as an input parameter.

### Data Exchange

After the conversation is established, a database gateway function called PGAXFER can exchange data in the form of input and output variables. PGAXFER sends and receives buffers to and from the target transaction program. The gateway sees a buffer as only a RAW stream of bytes. The TIP that resides in the Oracle database is responsible for converting PL/SQL datatypes of the application to RAW before sending the buffer to the gateway. It is also responsible for converting RAW to PL/SQL datatypes before returning the results to the application.

### Remote Transaction Termination

When communication with the remote program is complete, the gateway function PGATERM terminates the conversation between the gateway and the remote host.

**When the communication protocol is SNA:** PGATERM uses the conversation identifier as an input parameter to request conversation termination.

**When the communication protocol is TCP/IP:** PGATERM uses the socket file descriptor for TCP/IP as an input parameter to request conversation termination.

---

---

**Note:** At this point, if your communication protocol is SNA, then proceed to the following section, [Section , "Overview of a Gateway Using SNA"](#) on page 1-10.

If your gateway communication protocol is TCP/IP, then proceed to [Section , "Overview of a Gateway Using TCP/IP"](#) on page 1-14.

---

---

## Overview of a Gateway Using SNA

If you are using the SNA communication protocol, read the following sections to develop an understanding of how the gateway communicates with the Oracle database and with the mainframe, as well as transaction types unique to your gateway and writing TIPs.

### Transaction Types for a Gateway Using SNA

The Oracle Database Gateway for APPC supports three types of transactions that read data from and write data to remote host systems:

- **one-shot**

In a one-shot transaction, the application starts the connection, exchanges data, and terminates the connection, all in a single call.

- **persistent**

In a persistent transaction, multiple calls to exchange data with the remote transaction can be executed before terminating the conversation.

- **multi-conversational**

In a multi-conversational transaction, the database gateway server can be used to exchange multiple records in one call to the remote transaction program.

Refer to "[Remote Host Transaction Types](#)" in [Chapter 4, "Client Application Development \(SNA Only\)"](#) of this guide for more information about transaction types.

The following list demonstrates examples of the power of the Oracle Database Gateway for APPC:

- You can initiate a CICS transaction on the mainframe to retrieve data from a VSAM file for a PC application.
- You can modify and monitor the operation of a remote process control computer.
- You can initiate an IMS/TM transaction that executes static SQL in DB2.
- You can initiate a CICS transaction that returns a large number of records in a single call.

### Simple Gateway Communication with the Oracle Database (SNA)

This section describes simple communication between the mainframe and the Oracle database on a gateway using the SNA communication protocol. The Oracle Database Gateway for APPC lets you write your own procedures to begin transferring information between the Oracle database and a variety of programs on an IBM mainframe, including IBM CICS, IMS, and APPC/MVS.

For an illustration of the communications function of the Oracle Database Gateway for APPC, refer to `%ORACLE_HOME%\dg4appc\demo\CICS\pgacics.sql` on Microsoft Windows or `$ORACLE_HOME/dg4appc/demo/CICS/pgacics.sql` on UNIX based

platforms. This is a sample communication between the Oracle database and CICS Transaction Server for z/OS. Executing this simple PL/SQL procedure `pgacics.sql`, causes the Oracle database to invoke the database gateway, which uses SNA to converse with the `FLIP` transaction in CICS. These steps are described in detail in [Section , "Steps to Communicate Between Gateway and Mainframe Using SNA"](#). Note that you will already have compiled and linked the stored procedure when you configured the gateway.

### Steps to Communicate Between Gateway and Mainframe Using SNA

The following steps describe the Windows-to-mainframe communications process illustrated in [Figure 1–3, "Communication Between the Oracle Database and the Mainframe, Using SNA"](#) when your communication protocol is SNA to communicate between the gateway and the mainframe:

1. From SQL\*Plus, execute `pgacics`. This invokes the PL/SQL stored procedure in the Oracle database.

For Microsoft Windows:

```
C:\> sqlplus <userid>/<password>@<database_specification_string>
SQL> execute pgacics('=< .SCIC htiw gnitacinummoc si yawetag ruoy
,snoitalutargnoC >==');
```

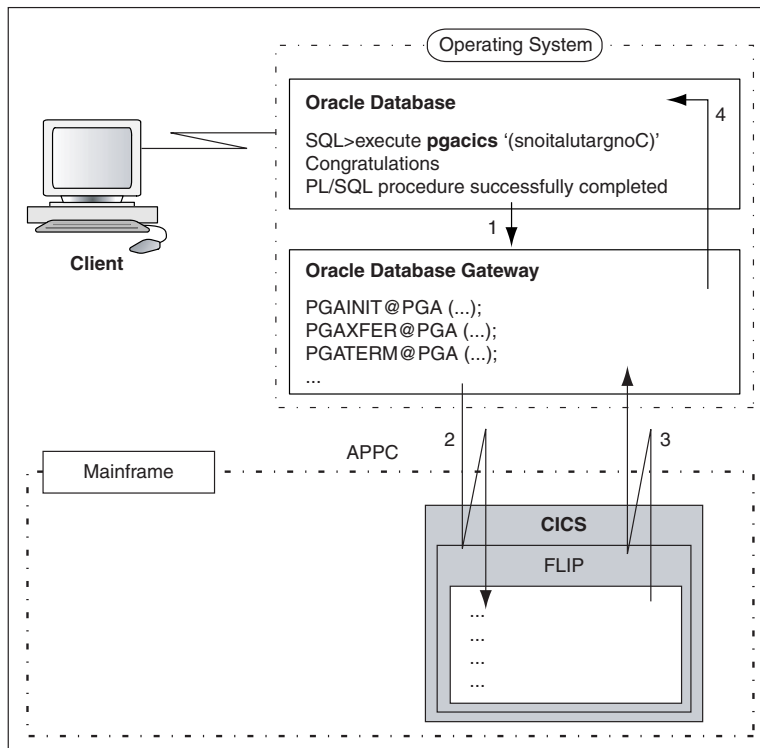
For UNIX Based platforms:

```
$ sqlplus <userid>/<password>@<database_specification_string>
SQL> execute pgacics('=< .SCIC htiw gnitacinummoc si yawetag ruoy
,snoitalutargnoC >==');
```

2. The `pgacics` PL/SQL stored procedure will start up the gateway. The gateway will start up communication with CICS Transaction Server for z/OS through SNA and will call `FLIP`.
3. `FLIP` processes the input, generates the output and sends the output back to the database gateway.
4. Finally, the database gateway will send the output back to the PL/SQL stored procedure in the Oracle database. The result is displayed in SQL\*Plus:

```
==> Congratulations, your gateway is communicating with CICS. <==
PL/SQL procedure successfully completed.
```

[Figure 1–3, "Communication Between the Oracle Database and the Mainframe, Using SNA"](#) illustrates the communications process described in steps 1 through 4.

**Figure 1–3 Communication Between the Oracle Database and the Mainframe, Using SNA**

## Writing TIPs to Generate PL/SQL Programs Using SNA

Most transactions using SNA communication protocol are much larger and more complex than the sample `pgacics.sql` file referred to in [Figure 1–3, "Communication Between the Oracle Database and the Mainframe, Using SNA"](#). Additionally, communication with a normal-sized RTP would require you to create an extremely long PL/SQL file. PGAU function generates the PL/SQL procedure for you.

The following is a brief description of the four steps necessary for you to generate a TIP. Refer to [Chapter 3, "Creating a TIP"](#) for detailed information about this procedure, and refer to [Chapter 2, "Procedural Gateway Administration Utility"](#) for more information about PGAU.

All parameter names in this section are taken from a file called `pgadb2i.ct1` in the `%ORACLE_HOME%\pga4appc\demo\CICS` directory on Microsoft Windows or in the `$ORACLE_HOME/pga4appc/demo/CICS` directory on UNIX Based systems.

### Steps to Writing a TIP on a Gateway Using SNA

Follow these steps to write a TIP.

#### Step 1 Create a control file:

The user writes the control files. The control file has four main types of PGAU commands:

1. **DEFINE DATA.** This is used to define input and output fields, using COBOL data definitions.

- Sample define data:

```
define data empno plsdbname(empno) usage(pass) language(ibmvscobolii)
infile("empno.cob");
```



2. **DEFINE CALL.** This is used to define PL/SQL functions calls to be generated as part of the package.

- Sample define call:

```
define call db2imain pkgcall(pgadb2i_main)
           parms((empno in),(emprec out));
```

3. **DEFINE TRANSACTION.** This is used to group the preceding functions and specify other parameters on which the TIP depends.

- Sample define transaction:

```
define transaction db2i call(db2imain,db2idiag)
                    sideprofile(CICSPGA)
                    tpname(DB2I)
                    logmode(oraplu62)
                    synclevel(0)
                    nls_language("american_america.we8ebcdic37c");
```

4. **GENERATE.** This is used to generate the TIP specification files from the previously stored data, call, and transaction definitions.

- Sample generate transaction:

```
generate db2i pkgname(pgadb2i) pganode(pga) outfile("pgadb2i");
```

## Step 2 Execute the control file within PGAU

Running the control file within PGAU will create PG DD entries for the data, call, and transaction definitions, and will generate the specification files (For example, pgadb2i.pkh and pgadb2i.pkb):

For Microsoft Windows:

```
C:\> pgau
PGAU> CONNECT<userid>/<password>@<database>_specification_string>
PGAU> @pgadb2i.ct1
```

For UNIX based systems:

```
$ pgau
PGAU> CONNECT<userid>/<password>@<database>_specification_string>
PGAU> @pgadb2i.ct1
```

## Step 3 Execute the specification files

Running the specification files will create the PL/SQL stored procedures. Note that the header specification file (for example, pgadb2i.pkh) must be run first:

For Microsoft Windows:

```
C:\> sqlplus<userid>/<password>@<database_specification_string>
SQL> @pgadb2i.pkh;
SQL> @pgadb2i.pkb;
```

For UNIX based systems:

```
$ sqlplus<userid>/<password>@<database_specification_string>
SQL> @pgadb2i.pkh;
SQL> @pgadb2i.pkb;
```

**Step 4 Create a driver procedure to run the TIP**

The TIP is now ready for use. For convenience, it will usually be called using a driver procedure (for example, `db2idriv`). This driver will then call the individual stored procedures in the correct order. Create the driver procedure and run it:

For Microsoft Windows:

```
C:\> sqlplus <userid>/<password>@<database_specification string>
SQL> @pgadb2id.sql
SQL> execute db2idriv('000320');
```

For UNIX based systems:

```
$ sqlplus <userid>/<password>@<database_specification string>
SQL> @pgadb2id.sql
SQL> execute db2idriv('000320');
```

## Overview of a Gateway Using TCP/IP

If you are using the TCP/IP communication protocol, read the following sections to develop an understanding of how the gateway communicates with the Oracle database and with the mainframe, as well as transaction types unique to your gateway and writing TIPs.

### Transaction Types for a Gateway Using TCP/IP

The Oracle Database Gateway for APPC using TCP/IP support for IMS Connect supports three types of transaction socket connections:

- **transaction socket**  
The socket connection lasts across a single transaction.
- **persistent socket**  
The socket connection lasts across multiple transactions.
- **nonpersistent socket**  
The socket connection lasts across a single exchange consisting of one input and one output.

---

---

**Note:** Do not use the nonpersistent socket type if you plan to implement conversational transactions because multiple connections and disconnections will occur.

---

---

Refer to the section about `pg4tcpmap` commands in [Chapter 6, "PG4TCPMAP Commands \(TCP/IP Only\)"](#) of this guide for more information about the function and use of these parameters.

You can initiate an IMS/TM transaction that executes static SQL in DB2. This illustrates the power of the Oracle Database Gateway for APPC's feature supporting TCP/IP for IMS Connect.

### Simple Gateway Communication with the Oracle Database (TCP/IP)

This section describes simple communication between IMS and the Oracle database when TCP/IP for IMS Connect is being used as the communication protocol between

the gateway and the remote host (IMS). The Oracle Database Gateway for APPC lets you write your own procedures to begin transferring information between the Oracle database and I/O PCB programs on IMS.

For an illustration of the communications function of the gateway using TCP/IP for IMS Connect, refer to the %ORACLE\_HOME%\dg4appc\demo\IMS\pga\_ims.sql file on Microsoft Windows or \$ORACLE\_HOME/dg4appc/demo/IMS/pga\_ims.sql on UNIX based systems.

Executing the simple PL/SQL procedure pga\_ims.sql causes the Oracle database to call the gateway, which uses TCP/IP to converse with the sample transaction FLIP in IMS. The communication steps that take place when you execute the PL/SQL procedure are described in detail in [Section , "Steps to Communication Between the Gateway and IMS, Using TCP/IP"](#). Note that you will already have compiled and linked the stored procedure when you configured the gateway.

### Preparing the Gateway to Communicate Using TCP/IP

If your gateway is using TCP/IP support for IMS Connect, then you must use the pg4tcpmap tool to create the required mapping between PGAINIT parameters and the target system network address information. The pg4tcpmap tool maps the Side Profile Name specified in a DEFINE TRANSACTION to TCP/IP and IMS Connect attributes, such as port number, IP address (host name) and IMS subsystem ID. The TCP/IP parameters are used to start a conversation with the target transaction program.

The pg4tcpmap tool must be run in order to populate the PGA\_TCP\_IMSC table before executing any TIPs which rely on TPC/IP support for IMS Connect.

- Refer to [Chapter 6, "PG4TCPMAP Commands \(TCP/IP Only\)"](#) in this guide for complete instructions for setting up and executing pg4tcpmap commands to populate the PGA\_TCP\_IMSC table. [Chapter 6](#) also explains the content of the PGA\_TCP\_IMSC table and an example of how to use the table.
- A trace file from a sample pg4tcpmap execution is located in [Chapter 8, "Troubleshooting"](#) in this guide.
- A screen output file is located in Appendix B, "Gateway Initialization Parameters for TCP/IP Communication Protocol" in the *Oracle Database Gateway for APPC Installation and Configuration Guide for IBM AIX on POWER Systems (64-Bit), Linux x86-64, Oracle Solaris on SPARC (64-Bit), and HP-UX Itanium or Oracle Database Gateway for APPC Installation and Configuration Guide for Microsoft Windows*.

### Steps to Communication Between the Gateway and IMS, Using TCP/IP

The following steps describe the communications process, as illustrated in [Figure 1–4](#) when your communication protocol is TCP/IP:

1. From SQL\*Plus, execute pga\_ims.sql. This invokes the PL/SQL stored procedure in the Oracle database.

For Microsoft Windows:

```
C:\> sqlplus <userid>/<password>@<database_specification_string>
SQL> execute pga_ims 'snoitalutargnoC';
```

For UNIX based systems:

```
$ sqlplus <userid>/<password>@<database_specification_string>
SQL> execute pga_ims 'snoitalutargnoC';
```

The pga\_ims.sql stored procedure will start up the gateway.

2. The gateway which has the APPC information will call the mapping table (PGA\_TCP\_IMSC). The mapping table will map the information so that it will have the host name (TCP/IP address) and the port number.

---

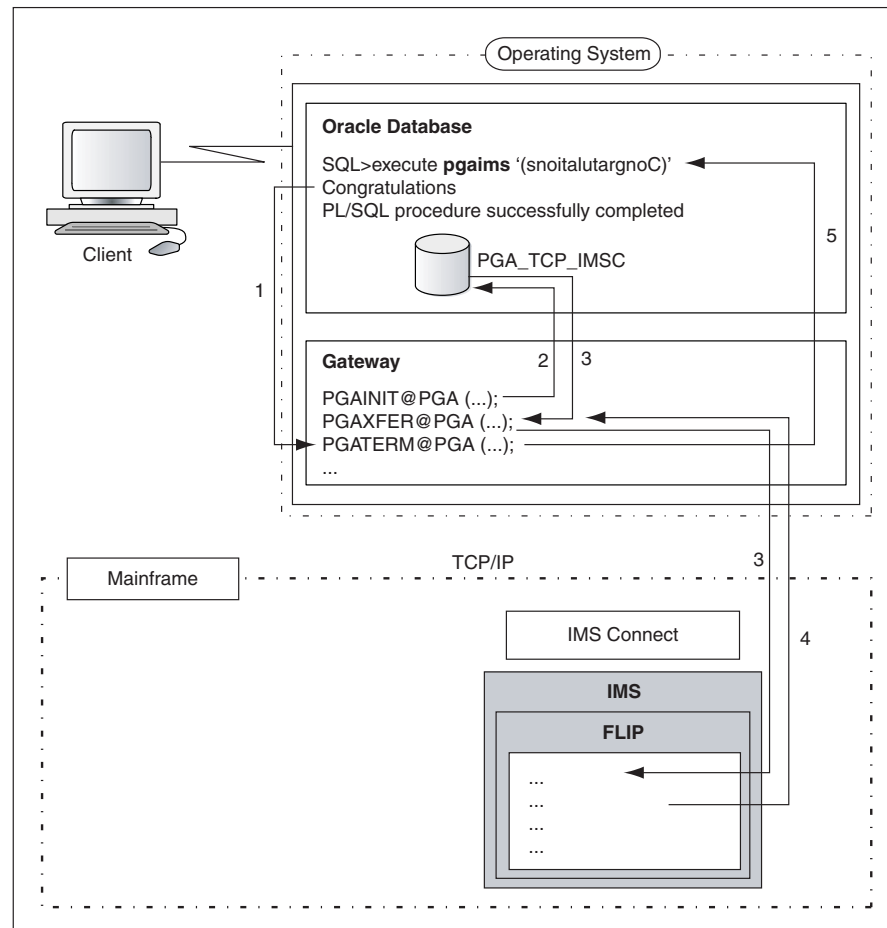
**Note:** Rather than insert, delete, or update the PGA\_TCP\_IMSC mapping table manually, you should use the `pg4tcpmap` tool to do so. You may use the `SELECT` statement to query the rows.

---

3. When the gateway has the port number and host name, it will initiate communication with IMS Connect through TCP/IP, and it will call `FLIP` through IMS.
4. `FLIP` processes the input, generates the output, and sends the output back to the gateway.
5. Finally, the gateway will send the output back to the PL/SQL stored procedure in the Oracle database. The result is displayed in SQL\*Plus:

```
Congratulations  
PL/SQL procedure successfully completed.
```

Figure 1–4, "Communication Between Oracle Database and Mainframe, Using TCP/IP" illustrates the communications process described in the previous Steps 1 through 5.

**Figure 1–4 Communication Between Oracle Database and Mainframe, Using TCP/IP**

## Writing TIPS to Generate PL/SQL Programs Using TCP/IP

Most transactions are much larger and more complex than the sample `pgaims.sql` file referred to in [Figure 1–4, "Communication Between Oracle Database and Mainframe, Using TCP/IP"](#). Additionally, communication with a normal-sized RTP (remote transaction program) would require you to create an extremely long PL/SQL file. Oracle Database Gateway for APPC's TIP function generates the PL/SQL procedure for you.

The following is a brief description of the four steps necessary for you to generate a TIP. Refer to [Chapter 3, "Creating a TIP"](#) for detailed information about this procedure, and refer to [Chapter 2, "Procedural Gateway Administration Utility"](#) for more information about PGAU.

All parameter names in this section are taken from a file called `pgtflip.ctl` in the `%ORACLE_HOME%\pga4appc\demo\IMS` directory on Microsoft Windows or `$ORACLE_HOME/pga4appc/demo/IMS` directory on UNIX based systems.

### Steps to Writing a TIP on a Gateway Using TCP/IP

Follow these steps to write a TIP.

#### Step 1 Create a control file:

The user writes the control files. The control file has four main types of PGAU commands:

1. **DEFINE DATA.** This is used to define input and output fields, using COBOL data definitions.

- Sample define data:

```
define data flipin plsdbname(flipin) usage(pass) language(ibmvscobolii)
(
  01 msgin pic x(20).
)

define data flipout plsdbname(flipout) usage(pass) language(ibmvscobolii)
(
  01 msgout pic x(20).
)
```

2. **DEFINE CALL.** This is used to define PL/SQL functions calls to be generated as part of the package.

- Sample define call:

```
define call flipmain pkgcall(pgtflip_main)
      parms((flipin in),(flipout out));
```

3. **DEFINE TRANSACTION.** This is used to group the preceding functions and specify other parameters on which the TIP depends.

- Sample define transaction:

```
define transaction imsflip call(flipmain)
      sideprofile(pgatcp)
      tpname(flip)
      nls_language("american_america.us7ascii");
```

---

**Note:** On a gateway using TCP/IP, the side profile name value is actually the TCP/IP unique name that was defined when the user specified the value, host name, port number and many other IMS Connect values during configuration of the network.

---

4. **GENERATE.** This is used to generate the TIP specification files from the previously stored data, call, and transaction definitions.

- Sample generate transaction:

```
generate imsflip pkgname(pgtflip) pganode(pgal0ia) outfile("pgtflip")
diagnose(pkgex(dc,dr));
```

## Step 2 Execute the control file within PGAU

Running the control file within PGAU will create PG DD entries for the data, call, and transaction definitions and will generate the specification files (for example, pgtflip.pkh and pgtflip.pkb):

For Microsoft Windows:

```
C:\> cd %ORACLE_HOME%\dg4appc\demo\IMS
C:\> pgau
PGAU> CONNECT userid/password@database_specification_string
PGAU> @pgtflip.ctl
```

For UNIX based systems:

```
$ pgau
```

```
PGAU> CONNECT userid/password@database_specification_string
PGAU> @pgtflip.ctl
```

### Step 3 Execute the specification files

Running the specification files will create the PL/SQL stored procedures. Note that the header specification file (for example, `pgtflip.pkh`) must be run first:

For Microsoft Windows:

```
C:\> sqlplus userid/password@database_specification_string
SQL> @pgtflip.pkh;
SQL> @pgtflip.pkb;
```

For UNIX based systems:

```
$ sqlplus userid/password@database_specification_string
SQL> @pgtflip.pkh;
SQL> @pgtflip.pkb;
```

### Step 4 Create a driver procedure to run the TIP

The TIP is now ready for use. For convenience, it will usually be called using a driver procedure (for example, `pgtflipd`). This driver will then call the individual stored procedures in the correct order. Create the driver procedure and run it:

For Microsoft Windows:

```
C:\> sqlplus <userid>/<password>@<database_specification string>
SQL> @pgtflip.sql
SQL> execute pgtflipd('hello');
```

For UNIX based system:

```
$ sqlplus <userid>/<password>@<database_specification string>
SQL> @pgtflip.sql
SQL> execute pgtflipd('hello');
```





---

---

# Procedural Gateway Administration Utility

The Procedural Gateway Administration Utility (PGAU) is a utility that assists the PGA administrator or user to define the data which is to be exchanged with remote transaction programs. It generates the PL/SQL Transaction Interface Packages (TIPs) discussed in [Chapter 3, "Creating a TIP"](#), [Appendix E, "Tip Internals"](#) and, depending upon your communication protocol, either [Chapter 4, "Client Application Development \(SNA Only\)"](#) or [Chapter 7, "Client Application Development \(TCP/IP Only\)"](#).

This chapter contains the following sections:

- ["Overview of PGAU"](#) on page 2-1
- ["COMMIT/ROLLBACK Processing"](#) on page 2-2
- ["Invoking PGAU"](#) on page 2-3
- ["Definitions and Generation in PGAU"](#) on page 2-3
- ["Process to Define and Test a TIP"](#) on page 2-4
- ["PGAU Commands"](#) on page 2-6

## Overview of PGAU

---

---

**Note:** If you have existing TIPs that were generated previously on a gateway using the SNA protocol and you want to utilize the new TCP/IP feature, then the TIPs will have to be regenerated by PGAU with mandatory `NLS_LANGUAGE` and Side Profile Settings. Specify the appropriate ASCII character set in the `DEFINE TRANSACTION` command.

This is due to the fact that the gateway assumes that the appropriate "user exit" in IMS Connect is being used, which would translate between the appropriate ASCII and EBCDIC character sets.

---

---

PGAU maintains a data dictionary, PG DD, which is a collection of tables in an Oracle database. These tables hold the definitions of the remote transaction data and how that data is to be exchanged with the remote transaction program. Refer to ["Ensuring TIP and Remote Transaction Program Correspondence"](#) on page 4-10 for a discussion of the correlation between TIPs and their respective remote transaction programs. The PG DD contents define this correlation.

The PGA administrator or user defines the correlation between TIPs and the remote transaction program using the following PGAU commands (also called "statements"):

- `PGAU DEFINE DATA` statements, which describe the data to be exchanged.
- `PGAU DEFINE CALL` statements, which describe the exchange sequences.
- `PGAU DEFINE TRANSACTION` statements, which group the preceding `CALL` and `DATA` commands together and describe certain aspects unique to the remote transaction program, such as its network name or location.
- `PGAU GENERATE` statement, which the PGA administrator or user uses to specify and create the TIP specifications, after the TIP/transaction correlation has been defined in the PG DD. Additional `PGAU` commands needed to alter and delete definitions in the PG DD are described in "PGAU Commands" later in this chapter.

The `PGAU` commands are known collectively as Procedural Gateway Definition Language (PGDL). Any references to PGDL are to the collection of `PGAU` commands defined in this chapter.

`PGAU` provides editing and spooling facilities and the ability to issue SQL commands.

---

---

**Caution:** Do not use `PGAU` instead of SQL\*Plus for general database administration.

---

---

Alternatively, `PGAU` commands can be supplied in a control file. The control file contains one or more `PGAU` commands for manipulating the PG DD or generating TIP specifications.

`PGAU` issues status messages on each operation. The message text is provided through Globalization Support message support. `PGAU` processes each command in sequence. An error on a single command causes `PGAU` to skip that command.

To run `PGAU`, the PG DD tables must already have been created. Refer to the gateway configuration chapters corresponding to your communications protocol in the *Oracle Database Gateway for APPC Installation and Configuration Guide for IBM AIX on POWER Systems (64-Bit), Linux x86-64, Oracle Solaris on SPARC (64-Bit), and HP-UX Itanium or Oracle Database Gateway for APPC Installation and Configuration Guide for Microsoft Windows*.

## COMMIT/ROLLBACK Processing

The following sections provide information on COMMIT/ROLLBACK processing.

### COMMIT Processing

`PGAU` never issues `COMMIT` commands. As the user, it is your responsibility to `COMMIT` PG DD changes when all the changes are implemented. Otherwise Oracle issues a `COMMIT` command by default when you exit the `PGAU` session. If PG DD changes are not to be committed, you must run a `ROLLBACK` command before exiting.

### ROLLBACK Processing

`PGAU` sets a savepoint at the beginning of each `PGAU` command that alters the PG DD and at the beginning of a `PGAU GROUP`. `PGAU` rolls back to the savepoint upon any `PGAU` command or group failure.

You can code `COMMIT` or `ROLLBACK` commands within `PGAU` scripts, or interactively in `PGAU`, but not within a `GROUP`.

Neither `COMMIT` nor `ROLLBACK` is issued for `PGAU GENERATE` or `REPORT` commands.

For information about grouping PGAU commands together to roll back changes in case of failure, refer to the discussion of the PGAU **"GROUP"** command on page 2-18 later in this chapter.

## Invoking PGAU

Before you can invoke PGAU, your Oracle database should already be set up. If it is not, refer to the chapter on configuring your Oracle Database Gateway for APPC, in the *Oracle Database Gateway for APPC Installation and Configuration Guide for Microsoft Windows* or *Oracle Database Gateway for APPC Installation and Configuration Guide for IBM AIX on POWER Systems (64-Bit), Linux x86-64, Oracle Solaris on SPARC (64-Bit), and HP-UX Itanium*.

Before executing PGAU, you must set the `ORACLE_HOME` environment variable to the directory into which the gateway server was installed.

If you want to receive PGAU messages in a language other than English, set the `LANGUAGE` environment variable to the appropriate value.

PGAU is invoked by entering the `pgau` command. You can run prepared scripts of PGAU commands directly from the operating system prompt by specifying a command string on the command line using the following syntax:

For Microsoft Windows:

```
C:\> pgau @command_file
C:\> pgau command=@command_file
C:\> pgau command="@command_file"
```

For UNIX based systems:

```
$ pgau @command_file
$ pgau command=@command_file
$ pgau command="@command_file"
```

The default extension is `.sql`. Use the last form if the command filename contains non-alphanumeric characters.

To perform PG DD maintenance and PL/SQL package generation, you must connect to the Oracle database from PGAU as user `PGAADMIN`, using the `CONNECT` command. The **"PGAU Commands"** section on page 2-6 discusses how to use the **"CONNECT"** command.

## Definitions and Generation in PGAU

This version of PGAU supports the definition of remote transaction data in COBOL, entered interactively or in a file. File input is supported for the `DEFINE` and `REDEFINE DATA` commands, and standard COBOL data division macros or "copybooks" can be supplied.

PGAU and the PG DD support different versions of user data and remote transaction definitions. This facilitates alteration and testing of data formats and transactions without affecting production usage.

Multiple versions of any data or transaction definitions might exist. You must ensure that versions stored and used in the PG DD are synchronized with the remote transactions. Neither the gateway, PGAU, nor generated TIPs provide this synchronization, but they will issue messages as error conditions are detected.

Data definitions must exist before being referenced by call definitions. Call definitions must exist before being referenced by transaction definitions.

---

---

**Note:** It is your responsibility to ensure that the data transaction definition versions that are stored and used in the PG DD are synchronized with the remote transactions. The gateway, PGAU and generated TIPs do not provide this synchronization, but issue messages as error conditions are detected.

---

---

## Process to Define and Test a TIP

The general process for defining and testing a TIP for a given transaction is as follows:

1. Define input and output using COBOL data definitions.
2. Redefine the default datanames and PL/SQL variable names created by the above process (optional).
3. Define PL/SQL FUNCTION calls to be generated as part of the PL/SQL package.
4. Define a transaction that groups the above functions.
5. Generate the TIP specifications from the previously stored TRANSACTION, CALL, and DATA definitions.
6. Generate the TIP PL/SQL stored procedures.
7. Test the TIP by calling it from a high-level application.

Refer to [Chapter 3, "Creating a TIP"](#) for more information about TIPs.

## Definition Names

Definition names are unique identifiers that you designate through PGAU. The name is a string of 1 to 30 bytes. If punctuation or white space is included, the name must be specified within double quotes.

Names are assumed to be unique within the PG DD, except when duplicate names are intentionally distinguished by a unique version number. It is your responsibility to ensure name uniqueness.

Valid characters for PG DD definition names are:

- A through Z
- a through z
- 0 through 9
- #
- \$
- \_ (underscore)

Note that unless defaults are overridden, transaction definition names might be PL/SQL package names, and transaction call names might be PL/SQL procedure names. Therefore, choose names that are syntactically correct for PL/SQL, making certain that they are also unique names within that system. As the user, it is your responsibility to ensure PL/SQL name compatibility.

## Definition Versioning

The PG Data Dictionary tables contain the descriptions of transactions and data structures. There might be more than one version of a definition. Old versions are retained indefinitely.

In all PG DD operations, a definition or package is referred to by its name. That name can be qualified by a specific version number.

All version numbers:

- are supplied by Oracle Sequence Objects
- are purely numeric
- must be free from user alteration, suffixing, or prefixing

Refer to [Appendix A, "Database Gateway for APPC Data Dictionary"](#) and the `pgddcr8.sql` file in the `%ORACLE_HOME%\dg4appc\admin` directory on Microsoft Windows or `$ORACLE_HOME/dg4appc/admin` directory on UNIX based systems for the specific names of the Oracle Sequence Objects used for version number generation.

If an explicit version number is specified, it is presumed to be the version number of an existing definition, not a new definition. Such explicit references are used when:

- generating a TIP from a specific remote transaction version
- defining a remote transaction based on a specific data version

If no explicit version is specified:

- The latest (highest number) is assumed when a definition is being referenced. This is the `MAX` value selected from the `VERSION` column for all rows with the same definition name, not the `CURRVAL` number.
- The next (`NEXTVAL` number) is assumed when a definition is being added.

Version numbers might not be contiguous. Although version numbers are always increasing, multiple versions of a given definition might skip numbers. This is because the sequence object is shared for all definitions of the same type (`TRANSACTION`, `CALL`, or `DATA`), and sequence object `NEXTVAL` is not restored in event of an Oracle database transaction `ROLLBACK`. Thus, `NEXTVAL` might be assigned to a different definition before the next version of the same definition.

Examples of valid definition names:

```
DEFINE TRANSACTION|CALL|DATA
    payroll                               (new or latest definition)
    payroll_xaction                       (new or latest definition)
    payroll_xaction VERSION(3)...(an existing definition)
```

No attempt is made by PGAU to synchronize versions. Although the existence of dependent items is assured at definition time, deletion is done without reference to dependencies. For example, generating a TIP requires prior definition of the transaction, which requires prior definition of the calls, which require prior definition of the data. But nothing prevents PGAU from deleting an active data definition while a call definition still references it.

## Keywords

All PGAU keywords can be specified in upper or lower case and are not reserved words. Reservation is not necessary because all keywords have known spelling and appear in predictable places, and because all data is delimited by parentheses, apostrophes, quotes, or blanks.

Note that all unquoted values specified by keywords are stored in the PG Data Dictionary in uppercase unless otherwise specified in the keyword description.

## PGAU Commands

PGAU allows you to enter Procedural Gateway Administration commands (commands), such as `DEFINE`, `UNDEFINE`, `REDEFINE`, and `GENERATE`, in addition to normal SQL commands. The `SET` and `SHOW` commands are also implemented. In addition, the PGAU commands listed in the following section are available to you.

## CONNECT

### Purpose

This command enables you to make a connection to PGAU. Use the `CONNECT` command to log on to an Oracle database, optionally specifying the user ID and password in addition to the Oracle instance. The `CONNECT` command has the following syntax:

### Syntax

For Microsoft Windows:

```
CONNECT [username/username/password/username@connect-string/username\password@connect-string
```

For UNIX based systems:

```
CONNECT [username/username/password/username@connect-string/username/password@connect-string
```

### Parameters

`username\password` for Microsoft Windows and `username/password` for UNIX based systems are the usernames and passwords used to connect to PGAU,

and

`connect-string` specifies the service name of the remote database.

Refer to the *Oracle Database Net Services Administrator's Guide Services Administrator's Guide* for more information about specifying remote databases.

### Examples

```
CONNECT
CONNECT SCOTT/TIGER
CONNECT SCOTT@OTHERSYS
```

### CONNECT Usage Notes

- Before connecting, you must set `ORACLE_SID` to the database SIDname.
- If you want to connect to a remote database, you must set `TNS_ADMIN` to the full pathname of the directory in which the file `tnsnames.ora` is stored.
- You do not need to place a semi colon (;) at the end of the command.

## DEFINE CALL

### Purpose

This command creates a new version of the PL/SQL call definition in the PG Data Dictionary.

### Syntax

```
DEFINE CALL cname
  [PKGCALL(pcname)]
  [PARMS( (dname
           {IN | OUT | IN OUT}
           [VERSion(datavers)]), ...)];
```

Where [Table 2-1](#) describes the parameters in this syntax:

**Table 2-1** *DEFINE CALL* Parameter Descriptions

Parameter	Definition
<i>CALL cname</i>	is a mandatory parameter. It is the name of the call definition to be created.
PKGCALL ( <i>pcname</i> )	is an optional parameter. It specifies the name of the PL/SQL package procedure or function by which the application might invoke the call. The default value, <i>cname</i> , is assumed if this operand is omitted, in which case <i>cname</i> must also be valid in PL/SQL syntax and unique within the transactions and TIPs referencing this call.
PARMS( ( <i>dname</i> {IN OUT IN OUT} [           VERSION( <i>datavers</i> )]), ...)	is an optional parameter. It specifies a list of previously defined data input to and output from this PL/SQL function call, and the type of each parameter (input to the call, output from, or both). The order in which the parameters are specified determines the order in which they must appear in subsequent calls to the TIP from an application.  Each <i>dname</i> specifies a previously defined data item, and is mandatory. {IN   OUT   IN OUT} specifies the PL/SQL call mode of the parameter and indicates whether the <i>dname</i> data is sent, received, or both in the exchange with the remote transaction program. One must be chosen. VERS( <i>datavers</i> ) is an optional specific version number of the <i>dname</i> data definition, if not the latest. If this operand is omitted, it is assumed that the call takes no parameters.

### Examples

Refer to "[Sample PGAU DEFINE CALL Statements](#)" on page F-2 in [Appendix F](#) for examples of DEFINE CALL commands.

### DEFINE CALL Usage Notes

- Version of the CALL definition is not specified and defaults to NEXTVAL of the Oracle Sequence Object for CALL.

- PKGCALL and PARMS can be specified in either order.
- You need to place a semi colon (;) at the end of the command.

## DEFINE DATA

### Purpose

This command creates a new version of the data definition in the PG DD.

### Syntax

```
DEFINE DATA dname
    [PLSDNAME (plsdvar)]
    [USAGE({PASS|ASIS|SKIP})]
    [COMPOPTS ('options')]
    LANGUAGE (language)
    { (definition) | INFILE (" filespec ") };
```

### Parameters

Table 2–2 describes the DEFINE DATA parameters:

**Table 2–2 DEFINE DATA Parameter Descriptions**

Parameter	Description
DATA <i>dname</i>	is a mandatory parameter. It is the name of the data definition to be created.
PLSDNAME ( <i>plsdvar</i> )	is an optional parameter. It is the name of the PL/SQL variable associated with <i>dname</i> . It becomes the name of a PL/SQL variable if the <i>dname</i> item is atomic data, or a PL/SQL record variable if the <i>dname</i> item is aggregate data (such as a record or structure), when the TIP is generated.
USAGE({PASS ASIS SKIP})	is an optional parameter. It specifies the way the TIP handles the data items when exchanged in calls with the remote transaction.  PASS indicates that the item should be translated and exchanged with the transaction.  ASIS indicates the item is binary and, though exchanged, should not be translated.  SKIP indicates the item should be deleted from all exchanges.  The default value, PASS, is assumed if this parameter is omitted.  The USAGE(NULL) keyword on DEFINE or REDEFINE DATA PGAU statements is not supported.
COMPOPTS ('options')	is an optional parameter. It specifies the compiler options used when compiling the data definition on the remote host. The only option currently supported is 'TRUNC(BIN)'. Note that the options must be enclosed in apostrophes (') or quotes ("). TRUNC(BIN) is a COBOL option that affects the way halfword and fullword binary values are handled.  Refer to "DEFINE DATA Usage Notes" on page 2-9 for further information on this option.
LANGUAGE ( <i>language</i> )	is a mandatory parameter. It specifies the name of the programming language in the supplied definition. PGAU presently supports only COBOL.



**Table 2–2 (Cont.) DEFINE DATA Parameter Descriptions**

Parameter	Description
<i>(definition)</i>	is mutually exclusive with the <code>INFILE</code> parameter. It is an inline description of the data. The description must be provided in COBOL syntax, as indicated above. This inline description must begin with an opening parenthesis and end with a closing parenthesis. The opening parenthesis must be the last non-blank character on the line and the COBOL data definition must start on a new line, following the standard COBOL rules for column usage and continuations. The closing parenthesis and terminating semicolon must be on a separate line following the last line of the COBOL data definition. In COBOL, the specification is a COBOL data item or structure, defined in accordance with COBOL. Margins are assumed to be standard, and explicit or implicit continuation is supported. Datanames containing invalid characters (for example, "-") for PL/SQL use are translated to their closest equivalent and truncated as required.
<code>INFILE ("filespec")</code>	is mutually exclusive with the <i>(definition)</i> parameter. It indicates that the definition is to be read from the user disk file described by <i>filespec</i> , instead of an inline definition described by <i>(definition)</i> .  Note that <i>filespec</i> must be enclosed in double quotes.

### Examples

Refer to ["Sample PGAU DEFINE DATA Statements"](#) in [Appendix F](#) for examples of `DEFINE DATA` commands.

### DEFINE DATA Usage Notes

- Version of the `DATA` definition is not specified and defaults to `NEXTVAL` of the Oracle Sequence Object for `DATA`.
- `PLSDNAME`, `USAGE`, and `LANGUAGE` can be specified in any order.
- `INFILE ("filespec")` is a platform-specific designation of a disk file.
- `COMPOPTS ('TRUNC(BIN)')` should be used only when the remote host transaction was compiled using COBOL with the `TRUNC(BIN)` compiler option specified. When this option is used, binary data items defined as `PIC 9(4)` or `PIC S9(4)` can actually contain values with 5 digits, and binary data items defined as `PIC 9(9)` or `PIC S9(9)` can actually contain values with 10 digits. Without `COMPOPTS ('TRUNC(BIN)')`, PGAU generates `NUMBER(4,0)` or `NUMBER(9,0)` fields for these data items, resulting in possible truncation of the values.

When `COMPOPTS ('TRUNC(BIN)')` is specified, PGAU generates `NUMBER(5,0)` or `NUMBER(10,0)` fields for these data items, avoiding any truncation of the values. Care must be taken when writing the client application to ensure that invalid values are not sent to the remote host transaction.

For a `PIC 9(4)` the value must be within the range 0 to 32767, for a `PIC S9(4)` the value must be within the range -32767 to +32767, for a `PIC 9(9)` the value must be within the range 0 to 2,147,483,647, and for a `PIC S9(9)` the value must be within the range -2,147,483,647 to +2,147,483,647. COBOL always reserves the high-order bit of binary fields for a sign, so the value ranges for unsigned fields are limited to the absolute values of the value ranges for signed fields. For further information, refer to the appropriate IBM COBOL programming manuals.

- Refer to ["USAGE\(PASS\)"](#) in [Appendix D](#), ["Datatype Conversions"](#) for information about how PGAU converts COBOL statements.

- You need to place a semi colon (;) at the end of the command.

## DEFINE TRANSACTION

### Purpose

This command creates a new version of the transaction definition in the PG Data Dictionary.

### Syntax

```

DEFINE TRANSACTION tname
CALL (cname [VERS(callvers)], ...
    [ENVIRONMENT(name)]
    [SIDEPROFILE(name) [LUNAME(name)] [TPNAME(name)]
                                [LOGMODE(name)] |
    LUNAME(name) TPNAME(name) LOGMODE(name)}
[SYNCLEVEL(0|1|2)]
[NLS_LANGUAGE("nlsname");]
[REMOTE_MBCS("nlsname");]
[LOCAL_MBCS("nlsname");]
    
```

### Parameters

Table 2–3 describes the DEFINE TRANSACTION parameters:

**Table 2–3 DEFINE TRANSACTION Parameter Descriptions**

Parameter	Description
TRANSACTION <i>tname</i>	A mandatory parameter. It is the name of the transaction definition to be created. If you do not specify a package name (TIP name) in the GENERATE statement, the transaction name specified here will become the package name, by default. In that case, the <i>tname</i> must be unique and must be in valid PL/SQL syntax within the database containing the PL/SQL packages.
CALL ( <i>cname</i> [VERS( <i>callvers</i> )], ...)	A mandatory parameter. It specifies a list of previously defined calls (created with DEFINE CALL) which, taken together, comprise this transaction. The order in which the calls are specified here determines the order in which they are created by GENERATE, but not necessarily the order in which they might be called by an application. VERS( <i>callvers</i> ) is an optional specific version number of the call definition, if not the latest.  The relative position of each <i>cname</i> in its left-to-right sequence is the seq# column in pga_trans_calls. For example:  CALL (cname1, cname2, cname3)  pga_trans_calls(seq#) = 1 2 3
ENVIRONMENT ( <i>name</i> )	Specifies the name of the host environment for this transaction, for example, IBM370. If this parameter is omitted, IBM370 is assumed. IBM370 is the only environment supported by this version of PGAU.

**Table 2–3 (Cont.) DEFINE TRANSACTION Parameter Descriptions**

Parameter	Description
SIDPROFILE ( <i>name</i> )	<p><b>This parameter is optional for a gateway using SNA, but if omitted, the user must specify</b> the parameters for LUNAME, TPNAME, and LOGMODE. It specifies the name of an SNA Side Information Profile which directs the APPC connection to the transaction manager. This name can be 1 to 8 characters in length. Name values can be alphanumeric with '@', '#', and '\$' characters only if unquoted. Quoted values can contain any character, and delimited by quotes ("), or apostrophes ('). Case is preserved for all values.</p> <p><b>This parameter is mandatory for a gateway using the TCP/IP connection.</b> It has no comparable SNA meaning.</p> <p>You need to run the <code>pg4tcpmap</code> tool to map this name to the hostname, port number, subsystem ID and any other desired attribute of IMS Connect.</p> <p>This name represents a group of IMS transactions with similar IMS Connect attributes. You can re-use the same name as long as they share the same IMS Connect attributes, such as subsystem ID, TIME delay or socket type. Refer to <a href="#">Chapter 6, "PG4TCPMAP Commands (TCP/IP Only)"</a> for details.</p>
LUNAME ( <i>name</i> )	<p><b>This parameter is optional on a gateway using SNA:</b> Overrides the LUNAME within the Side Information Profile, if the Side Information Profile was specified. It specifies the SNA Logical Unit name of the transaction manager (OLTP).</p> <p>This is either the fully-qualified LU name, 3 to 17 characters in length, or an LU alias 1 to 8 characters in length (when the SNA software on your gateway system supports LU aliases).</p> <p>Name values can be alphanumeric with '@', '#', and '\$' characters and a single period '.', to delimit the network from the LU, as in <code>netname.luname</code>, if fully qualified. Quoted values can contain any character, and delimited by quotes ("), or apostrophes ('). Case is preserved for all values.</p> <p><b>This parameter is not applicable when using the TCP/IP communication protocol.</b></p>
TPNAME ( <i>name</i> )	<p><b>This parameter is optional on a gateway using SNA:</b> Overrides the TPNAME within the Side Profile, if the Side profile was specified. It specifies the partner Transaction Program name to be invoked.</p> <ul style="list-style-type: none"> <li>■ For CICS, this must be the CICS Transaction ID and is 1 to 4 characters in length.</li> <li>■ For IMS, this must be the IMS Transaction Name and is 1 to 8 characters in length.</li> <li>■ For AS/400, this must be specified as "library/program" and cannot exceed 21 bytes.</li> </ul> <p>Name values can be alphanumeric with '@', '#', and '\$' characters only if unquoted. Quoted values can contain any character, and delimited by quotes ("), or apostrophes ('). Case is preserved for all values.</p> <p>This parameter is required for a gateway using TCP/IP support for IMS Connect. It must be the IMS Transaction Name.</p> <ul style="list-style-type: none"> <li>■ The IMS Transaction Name must be 1 to 8 characters in length.</li> </ul>

**Table 2–3 (Cont.) DEFINE TRANSACTION Parameter Descriptions**

Parameter	Description
LOGMODE ( <i>name</i> )	<p><b>This parameter is optional on a gateway using SNA:</b> Overrides the LOGMODE within the Side Information Profile, if the Side Information Profile was specified. It specifies the name of a VTAM logmode table entry to be used to communicate with this transaction, and is 1-8 characters in length.</p> <p>Name values can be alphanumeric with '@', '#', and '\$' characters only. Values cannot be quoted. Case is not preserved and always translated to upper case.</p> <p><b>This parameter is not applicable when using the TCP/IP communication protocol.</b></p>
SYNLEVEL (0 1)	<p><b>This parameter is optional on a gateway using SNA:</b> It specifies the APPC SYNLEVEL of this transaction ('0' or '1'). The default value of 0 is assumed if this operand is omitted, indicating the remote transaction program does not support synchronization. A value of '1' indicates that CONFIRM is supported.</p> <p><b>On a gateway using TCP/IP:</b> The default of this parameter is '0', which is the only accepted value.</p>
NLS_LANGUAGE ( <i>"nlsname"</i> )	<p>This is an optional parameter. The default value is "american_america.we8ebcdic37c". It is an Globalization Support name in the language_territory.charset format. It specifies the Globalization Support name in which the remote host data for all single-byte character set fields in the transaction are encoded.</p> <p><b>Note that if you are using TCP/IP, make sure that you set this parameter to "american_america.us7ascii".</b></p>
REMOTE_MBCS ( <i>"nlsname"</i> )	<p>This is an optional parameter. The default value is "japanese_japan.jal6dbcs". It is an Globalization Support name in the language_territory.charset format. It specifies the Globalization Support name in which the remote host data for all multi-byte character set fields in the transaction are encoded.</p>
LOCAL_MBCS ( <i>"nlsname"</i> )	<p>This is an optional parameter. The default value is "japanese_japan.jal6dbcs". It is an Globalization Support name in the language_territory.charset format. It specifies the Globalization Support name in which the local host data for all multi-byte character set fields in the transaction are encoded.</p>

### Examples

Refer to "[Sample PGAU DEFINE TRANSACTION Statement](#)" in [Appendix F](#) for examples of DEFINE TRANSACTIONS commands.

### DEFINE TRANSACTION Usage Notes:

- NLS\_LANGUAGE and the Oracle database's LANGUAGE specify default character sets to be used for conversion of all single-byte character fields for the entire transaction. These defaults can be overridden for each SBCS field by the REDEFINE DATA REMOTE\_LANGUAGE or LOCAL\_LANGUAGE parameters.
- The version of the TRANSACTION definition is not specified and defaults to NEXTVAL of the Oracle Sequence Object for TRANS.
- REMOTE\_MBCS and LOCAL\_MBCS specify the default multi-byte character sets to be used for conversion of all DBCS or MBCS fields for the entire transaction. This

default can be overridden for each DBCS or MBCS field by the `REDEFINE DATA REMOTE_LANGUAGE` or `LOCAL_LANGUAGE` parameters.

- You must place ";" at the end of the command.

## DESCRIBE

### Purpose

Use this command to describe a table, view, stored procedure, or function. If neither `TABLE`, `VIEW`, nor `PROCEDURE` are explicitly specified, the table or view with the specified name is described.

### Syntax

The `DESCRIBE` command has the following syntax:

```
DESCRIBE [TABLE table|VIEW view|PROCEDURE proc/some_name]
```

### Parameters

[Table 2–4](#) describes the `DESCRIBE` parameter:

**Table 2–4 DESCRIBE Parameter Descriptions**

Parameter	Description
<code>table</code>	is the tablename
<code>view</code>	is the viewname
<code>proc</code>	is the procedurename

### Examples

```
DESCRIBE PROCEDURE SCOTT.ADDEMP
DESCRIBE SYS.DUAL
DESCRIBE TABLE SCOTT.PERSONNEL
DESCRIBE VIEW SCOTT.PVIEW
```

### DESCRIBE Usage Notes

- You do not need to place ";" at the end of the command.

## DISCONNECT

### Purpose

Use this command to disconnect from an Oracle database.

### Syntax

The `DISCONNECT` command has the following syntax:

```
DISCONNECT
```

### Parameters

None

**Examples**

None

**DISCONNECT Usage Notes**

- You do not need to place ";" at the end of the command.

**EXECUTE****Purpose**

Use this command to execute a one-line PL/SQL statement.

**Syntax**

The EXECUTE command has the following syntax:

```
EXECUTE pl/sql block
```

**Parameters**

*pl/sql block* is any valid pl/sql block. Refer to the *Oracle Database PL/SQL Language Reference* for more information.

**Examples**

```
EXECUTE :balance := get_balance(333)
```

**EXECUTE Usage Notes**

- You do not need to place ";" at the end of the command

**EXIT****Purpose**

Use this command to terminate PGAU.

**Syntax**

The EXIT command has the syntax:

```
EXIT
```

**Parameters**

None

**Examples**

None

**EXIT Usage Notes**

- You do not need to place ";" at the end of the command.
- The "quit" command is not a valid statement in PGAU.

## GENERATE

### Purpose

A PL/SQL package is built and written to the indicated output files. The PG Data Dictionary is not updated by this command.

### Syntax

```
GENERATE tname
    [VERsion(transvers)]
    [PKGNAME(pname)]
    [PGANODE(dblink_name)]
    [OUTFILE(" [specpath]{specname}[.spectype]" )]
    [, "bodypath]{bodyname}[.bodytype]]")
    [DIAGNOSE ({{[TRACE]({[SE] [,IT] [,QM] [,IO] [,OC] [,DD] [,TG] )}}
    [PKGEX]({[DC] [,DR]})}})];
```

### Parameters

Table 2–5 describes the GENERATE parameters:

**Table 2–5 GENERATE Parameter Descriptions**

Parameter	Description
<i>tname</i>	is a mandatory parameter. It is the transaction name defined in a DEFINE TRANSACTION statement.
VERsion( <i>transvers</i> )	is an optional parameter. It specifies which transaction definition is to be used. The VERsion parameter defaults to highest numbered transaction if not specified.
PKGNAME( <i>pname</i> )	is an optional parameter. It specifies the name of the PL/SQL package to be created. If this operand is omitted, the package name is assumed to be the same as the transaction name.
PGANODE ( <i>dblink_name</i> )	is an optional parameter. It specifies the Oracle database link name to the gateway server. If this operand is omitted, "PGA" is assumed to be the <i>dblink_name</i> .
OUTFILE	is an optional parameter. If this parameter is specified, <i>specname</i> must also be specified.
<i>specpath</i>	is the optional directory path of the TIP specification and the TIP content documentation. It defaults to the current directory. The value must end with a backslash (\) for Microsoft Windows and a slash (/) for UNIX based systems.
<i>specname</i>	is the filename of the TIP specification and the TIP content documentation. It defaults to <i>pname</i> , if specified, or else <i>pgau</i> .
<i>spectype</i>	is the optional file extension of the TIP specification and defaults to <i>pkh</i> .
<i>bodypath</i>	is the optional directory path of the TIP body. It defaults to <i>specpath</i> , if specified, or else the current directory. The value must end with a backslash (\) for Microsoft Windows and a slash (/) for UNIX based systems.

**Table 2–5 (Cont.) GENERATE Parameter Descriptions**

Parameter	Description
<i>bodyname</i>	<p>is the optional file name of the TIP body. It defaults to <i>specname</i>, if specified, or else <i>pname</i>, if specified, or else <i>pgau</i>. If <i>bodyname</i> defaults to <i>specname</i>, the leftmost period of <i>specname</i> is used to extract <i>bodyname</i> when <i>specname</i> contains multiple qualifiers.</p>
<i>bodytype</i>	<p>is the optional file extension of the TIP body and defaults to <i>pkb</i>.</p> <p>The TIP Content output path defaults to <i>specpath</i> or else the current directory. The file id defaults to <i>specname</i>, if specified, or else <i>pname</i>, if specified, or else <i>pgau</i>, and always has an extension of <i>.doc</i>.</p> <p>Refer to the "GENERATE Usage Notes:" on page 2-18 for more examples, and <a href="#">Appendix E, "Tip Internals"</a> for more information.</p>
DIAGNOSE	<p>is an optional parameter with two options, <i>TRACE</i> and <i>PKGEX</i>.</p>
TRACE	<p>specifies that an internal trace of the execution of PGAU is written to output file <i>pgau.trc</i> in the user's current directory.</p> <p><i>TRACE</i> suboptions are delimited by commas.</p> <p>Trace messages are provided as a diagnostic tool to Oracle Support Services and other Oracle representatives to assist them in diagnosing customer problems when generating TIPs. They are part of an Oracle reserved function for which the usage, interface, and documentation might change without notice at Oracle's sole discretion. This information is provided so customers might document problem symptoms.</p> <ul style="list-style-type: none"> <li>■ <b>SE - Subroutine Entry/Exit</b></li> </ul> <p>Messages are written tracing subroutine name and arguments upon entry, and subroutine name and conditions at exit.</p> <ul style="list-style-type: none"> <li>■ <b>IT - Initialization/Termination</b></li> </ul> <p>Messages are written tracing PGAU initialization and termination functions.</p> <ul style="list-style-type: none"> <li>■ <b>QM - Queue Management</b></li> </ul> <p>Messages are written tracing control block allocation, queuing, searching, dequeuing, and deletion.</p> <ul style="list-style-type: none"> <li>■ <b>IO - Input/Output</b></li> </ul> <p>Messages are written tracing input, output, and control operations for <i>.dat</i> input files and <i>.wrk</i> and package output files.</p>



**Table 2–5 (Cont.) GENERATE Parameter Descriptions**

Parameter	Description
PKGEX	<ul style="list-style-type: none"> <li data-bbox="773 260 1078 285">■ DD - PG DD Definitions Messages are written tracing the loading of transaction, call, data parameter, field, attribute, environment and compiler information from the PG DD.</li> <li data-bbox="773 394 1003 420">■ OC - Oracle Calls Messages are written tracing the Oracle UPI call results for SQL statement processing and <code>SELECTs</code> from the PG DD.</li> <li data-bbox="773 499 1036 525">■ TG - TIP Generation Messages are written tracing steps completed in TIP Generation, typically a record for each call, parameter, and data field for which a PL/SQL code segment has been generated.</li> </ul> <p data-bbox="773 667 1403 716">causes additional TIP execution time diagnostic logic to be included within the generated PL/SQL package.</p> <p data-bbox="773 730 1235 756">PKGEX suboptions are delimited by commas.</p> <ul style="list-style-type: none"> <li data-bbox="773 772 1052 798">■ DC - Data Conversion Enables runtime checking of repeating group limits and the raising of exceptions when such limits are exceeded. Enables warning messages to be passed from the <code>UTL_PG</code> data conversion functions: <ul style="list-style-type: none"> <li data-bbox="773 945 980 970">■ <code>NUMBER_TO_RAW</code></li> <li data-bbox="773 984 980 1010">■ <code>RAW_TO_NUMBER</code></li> <li data-bbox="773 1024 1127 1050">■ <code>MAKE_NUMBER_TO_RAW_FORMAT</code></li> <li data-bbox="773 1064 1127 1089">■ <code>MAKE_RAW_TO_NUMBER_FORMAT</code></li> </ul> </li> </ul> <p data-bbox="773 1104 1403 1178">The additional logic checks for the existence of warnings and, if present, causes them to be displayed using <code>DEMS_OUTPUT</code> calls.</p> <p data-bbox="773 1192 1403 1297">The TIP generation default is to suppress such warnings on the presumption that a TIP has been tested with production data and that data conversion anomalies either do not exist, or are known and to be ignored.</p> <p data-bbox="773 1312 1403 1386">If errors occur which might be due to data conversion problems, regeneration of the TIP with <code>PKGEX (DC)</code> enabled might provide additional information.</p> <p data-bbox="773 1400 1403 1537"><b>Note:</b> A runtime switch is also required to execute the warning logic. <code>PKGEX (DC)</code> only causes the warning logic to be included in the TIP. Refer to <a href="#">"Controlling TIP Runtime Conversion Warnings"</a> on page 8-6 in <a href="#">Chapter 8, "Troubleshooting"</a>.</p> <p data-bbox="773 1551 1403 1625">Additional messages are written to a named pipe for tracing the data conversion steps performed by the TIP as it executes.</p> <p data-bbox="773 1640 1403 1698">This option only causes the trace logic to be generated in the TIP. It must be enabled when the TIP is initialized.</p> <p data-bbox="773 1713 1403 1772">Refer to <a href="#">"Controlling TIP Runtime Conversion Warnings"</a> in <a href="#">Chapter 8, "Troubleshooting"</a> for more information.</p> <ul style="list-style-type: none"> <li data-bbox="773 1787 1094 1812">■ DR - Dictionary Reference PL/SQL single line Comments are included in TIPs which reference the PG DD id numbers for the definitions causing the TIP function calls and conversions.</li> </ul>

## Examples

Refer to "[Sample PGAU GENERATE Statement](#)" in [Appendix F](#) for examples of GENERATE commands.

### GENERATE Usage Notes:

- All PGAU GENERATE trace messages are designated PGU-39 $nnn$ . Refer to the %ORACLE\_HOME%\dg4appc\mesg\puguus.msg file on Microsoft Windows or \$ORACLE\_HOME/dg4appc/mesg/pguus.msg on UNIX based systems for further information on any given trace message.
- The pgau.trc trace message output file is overwritten by the next invocation of GENERATE, regardless of the TRACE specification. A trace header record is always written to the pgau.trc file. If a particular trace file is to be saved, it must be copied to another file before the next invocation of GENERATE.
- TRACE options can be specified in any order or combination, and can also be specified with PKGEX operand on the same GENERATE statement.
- You must place ";" at the end of the command.

## GROUP

### Purpose

Multiple PGAU commands can be grouped together for purposes of updating the PGDD, and for rolling back all changes resulting from the commands in the group, if any one statement fails.

No COMMIT processing is performed, even if all commands within the group succeed. You perform the COMMIT either by coding COMMIT commands in the PGAU script, outside of GROUPS, or by issuing COMMIT interactively to PGAU.

PGAU issues a savepoint ROLLBACK to conditions before processing the group if any statement within the group fails.

### Syntax

```
GROUP (pgaustmt1; pgaustmt2; ... pgaustmtN);
```

### Parameters

*pgaustmtN*: is a PGAU DEFINE, REDEFINE, or UNDEFINE statement

### Examples

```
GROUP (
    DEFINE DATA EMPNO
        PLSDNAME (EMPNO)
        USAGE (PASS)
        LANGUAGE (IBMVSCOBOLII)
        (
            01 EMP-NO PIC X(6) .
        );

    DEFINE CALL DB2IMAIN
        PKGCALL (PGADB2I_MAIN)
        PARS ( (EMPNO      IN ) ,
              (EMPREC     OUT) );

    DEFINE TRANSACTION DB2I
```

```

CALL ( DB2IMAIN,
      DB2IDIAG )
SIDEPROFILE(CICSPROD)
TPNAME(DB2I)
LOGMODE(ORAPLU62)
SYNCLEVEL(0)
NLS_LANGUAGE("AMERICAN_AMERICA.WE8EBCDIC37C");

GENERATE DB2I
PKGNAME(PGADB2I)
OUTFILE("pgadb2i");

```

### GROUP Usage Notes:

- No non-PGAU commands, such as ORACLE or SQL, can be placed inside the parentheses delimiting the group.
- A PGAU script can contain multiple GROUPs. Each GROUP can be interspersed with SQL commands, such as COMMIT or SELECT or with PGAU commands, such as GENERATE or REPORT.
- The first failing PGAU statement within the group causes a savepoint ROLLBACK to conditions at the beginning of the group. All subsequent commands within the group are flushed and not examined. PGAU execution resumes with the statement following the group. If that statement is a COMMIT, all PG DD changes made before the failing group are committed.
- You must place ";" at the end of the command.

## HOST

### Purpose

Use this command to execute an operating system command without exiting PGAU.

### Syntax

The HOST command has the syntax:

```
HOST host_command
```

### Parameters

*host\_command* is any valid operating system command.

### Examples

```

HOST vi log.out
HOST ls -la
HOST pwd

```

### HOST Usage Notes

- Using the HOST command starts a new command shell under which to execute the specified operating system command. This means that any environment changes caused by the executed command affect only the new command shell started by PGAU, and not the command shell under which PGAU itself is executing. For example, a "cd" command executed by the HOST command does not change the current directory in the PGAU execution environment.
- You do not need to place ";" at the end of the command.

## PRINT

### Purpose

Use this command to print the value of a variable defined with the `VARIABLE` command.

### Syntax

The `PRINT` command has the syntax:

```
PRINT varname
```

### Parameters

*varname* is a variable name which is defined by a variable command.

### Examples

```
PRINT ename
PRINT balance
```

### PRINT Usage Notes

- You do not need to place ";" at the end of the command.

## REDEFINE DATA

### Purpose

The existing data definition in the PG Data Dictionary is modified. PG DD column values for `DATA#`, `FLD#`, and `POS` remain the same for redefined data items. This permits existing `CALL` and `DATA` definitions to utilize the redefined data. `REDEFINE` does not create a different version of a data definition and the version number is not updated.

### Syntax

```
REDEFINE DATA dname
    [VERSION(datavers)]
    [PLSDNAME(plsdvar)]
    [FIELD(fname) [PLSFNAME(plsfvar)]]
    [USAGE({PASS|ASIS|SKIP})]
    [COMPOPTS ('options')]
    [REMOTE_LANGUAGE("nlsname")]
    [LOCAL_LANGUAGE("nlsname")]
    LANGUAGE(language)
    <(definition) | INFILE("filespec")>;
```

### Parameters

[Table 2–6](#) describes the `REDEFINE DATA` parameters:

**Table 2–6 REDEFINE DATA Parameter Descriptions**

Parameter	Description
<code>DATA dname</code>	is a mandatory parameter. It is the name of the data definition to be modified.

**Table 2–6 (Cont.) REDEFINE DATA Parameter Descriptions**

Parameter	Description
VERSION( <i>datavers</i> )	is an optional parameter. It specifies which version of <i>dname</i> is to be modified, and if specified, the updated <i>dname</i> information retains the same version number; a new version is not created. It defaults to the highest version if omitted.
PLSDNAME( <i>plsdvar</i> )	is an optional parameter. It is the name of the PL/SQL variable associated with the <i>dname</i> above. It becomes the name of a PL/SQL variable if the <i>dname</i> item is atomic data, or a PL/SQL record variable if the <i>dname</i> item is aggregate data (such as a record or structure), when the TIP is generated. This name replaces any <i>plsdvar</i> name previously specified by DEFINE DATA into <code>pga_data(plsdvar)</code> of the PG DD.
FIELD( <i>fname</i> )	is an optional parameter. It is the name of a field or group within the <i>dname</i> item, if aggregate data is being redefined (such as changing a field within a record).
PLSFNAME( <i>plsfvar</i> )	is an optional parameter if FIELD is specified. It is the name of the PL/SQL variable associated with the <i>fname</i> above. It becomes the name of a PL/SQL field variable within a PL/SQL record variable when the TIP is generated. This name replaces any <i>plsfvar</i> name previously specified by REDEFINE DATA into <code>pga_data(plsfvar)</code> of the PG DD.
USAGE({PASS ASIS SKIP})	<p>is optional. If omitted, the last usage specified is retained. It specifies the way the TIP handles the data items when exchanged in calls with the remote transaction:</p> <ul style="list-style-type: none"> <li>■ PASS indicates that the item should be translated and exchanged with the transaction.</li> <li>■ ASIS indicates the item is binary and, though exchanged, should not be translated.</li> <li>■ SKIP indicates the item should be deleted from all exchanges.</li> </ul> <p>If specified, all affected fields are updated with the same USAGE value. (Refer to the notes pertaining to single or multiple field redefinition, under FIELD).</p> <p>The USAGE(NULL) keyword on DEFINE or REDEFINE DATA PGAU statements is not supported.</p>
COMPOPTS ('options')	is optional. If omitted, the last options specified are retained. If specified as a null string (') then the last options specified are removed. If a non-null value is specified, then the last options specified are all replaced with the new options. The only option currently supported is 'TRUNC(BIN)'. Note that the options must be enclosed in apostrophes (') or quotes ("). TRUNC(BIN) is a COBOL option that affects the way halfword and fullword binary values are handled. Refer to <a href="#">"REDEFINE DATA Usage Notes:"</a> on page 2-22 for further information on this option.
REMOTE_LANGUAGE( <i>nlsname</i> )	is an optional parameter. The default value is "american_america.we8ebcdic37c" or as overridden by the NLS_LANGUAGE parameter of DEFINE TRANSACTION. It is an Globalization Support name in the language_territory.charset format. It specifies the Globalization Support name in which the remote host data for the specific character field being redefined is encoded. The field can be single byte or multi-byte character data.

**Table 2–6 (Cont.) REDEFINE DATA Parameter Descriptions**

Parameter	Description
LOCAL_LANGUAGE ( <i>"nlsname"</i> )	is an optional parameter. The default value is initialized from the LANGUAGE variable of the local Oracle database when the TIP executes. It is an Globalization Support name in the <i>language_territory.charset</i> format. It specifies the Globalization Support name in which the local Oracle data for the specific character field being redefined is encoded. The field can be single byte or multi-byte character data.
LANGUAGE ( <i>"language"</i> )  ( <i>definition</i> )	is a mandatory parameter if definition input is specified. It specifies the name of the programming language in the supplied definition. PGAU presently supports only COBOL.  is mutually exclusive with the INFILE parameter. It is an inline description of the data. The description must be provided in COBOL syntax. This inline description must begin with an opening parenthesis and end with a closing parenthesis. The opening parenthesis must be the last non-blank character on the line and the COBOL data definition must start on a new line, following the standard COBOL rules for column usage and continuations. The closing parenthesis and terminating semicolon must be on a separate line following the last line of the COBOL data definition. If in COBOL, the specification is a COBOL data item or structure, defined according to the rules for COBOL. Margins are assumed to be standard, explicit or implicit continuation is supported. Datanames containing invalid characters (for example, "-") for PL/SQL use are translated to their closest equivalent and truncated as required.
INFILE ( <i>"filespec"</i> )	is mutually exclusive with the ( <i>definition</i> ) parameter. It indicates that the definition is to be read from the operating system file described by <i>filespec</i> , instead of an inline definition described by ( <i>definition</i> ).  Note that " <i>filespec</i> " must be enclosed in double quotes.

### Examples

Refer to "[Sample PGAU REDEFINE DATA Statements](#)" in [Appendix F](#) for examples of REDEFINE commands.

### REDEFINE DATA Usage Notes:

- Specification of either PLSDDNAME, FIELD, or PLSDFNAME allows redefinition of a single data item's names while the (*definition*) parameter redefines the named data item's content.
- The presence of FIELD denotes only a single data field (single PG DD row uniquely identified by *dname*, *fname*, and *version*) is updated. The absence of FIELD denotes that multiple data fields (multiple PG DD rows identified by *dname* and *version*) are updated or replaced by the definition input.
- REMOTE\_LANGUAGE and LOCAL\_LANGUAGE override the character sets used for conversion of any individual SBCS, DBCS, or MBCS character data field.
- LANGUAGE (*language*) and (*definition*) | INFILE ("*filespec*") are mandatory as a group. If data definitions are to be supplied, then a LANGUAGE parameter must be specified and then either the inline definition or INFILE must also be specified.
- The presence of (*definition*) | INFILE ("*filespec*") denotes that multiple data fields (those PG DD rows identified by *dname* and *version*) are updated or replaced by the definition input. Fewer, equal, or greater numbers of fields might result from the replacement.

- `INFILE("filespec")` is a platform-specific designation of a disk file.
- `COMPOPTS ('TRUNC(BIN)')` should be used only when the remote host transaction was compiled using COBOL with the `TRUNC(BIN)` compiler option specified. When this option is used, binary data items defined as `PIC 9(4)` or `PIC S9(4)` can actually contain values with 5 digits, and binary data items defined as `PIC 9(9)` or `PIC S9(9)` can actually contain values with 10 digits. Without `COMPOPTS ('TRUNC(BIN)')`, PGAU generates `NUMBER(4,0)` or `NUMBER(9,0)` fields for these data items, resulting in possible truncation of the values. When `COMPOPTS ('TRUNC(BIN)')` is specified, PGAU generates `NUMBER(5,0)` or `NUMBER(10,0)` fields for these data items, avoiding any truncation of the values. Care must be taken when writing the client application to ensure that invalid values are not sent to the remote host transaction. For a `PIC 9(4)` the value must be within the range 0 to 32767, for a `PIC S9(4)` the value must be within the range -32767 to +32767, for a `PIC 9(9)` the value must be within the range 0 to 2,147,483,647, and for a `PIC S9(9)` the value must be within the range -2,147,483,647 to +2,147,483,647. COBOL always reserves the high-order bit of binary fields for a sign, so the value ranges for unsigned fields are limited to the absolute values of the value ranges for signed fields. For further information, refer to the appropriate IBM COBOL programming manuals.
- Refer to ["USAGE\(PASS\)"](#) in [Appendix D, "Datatype Conversions"](#) for information about how PGAU converts COBOL statements.
- You must place ";" at the end of the command.

## REM

### Purpose

Comments can either be introduced by the `REM` command or started with the two-character sequence `/*` and terminated with the two-character sequence `*/`.

Use the `REM` command to start a Comment line.

### Syntax

The `REM` command has the syntax:

```
REM Comment
```

### Parameters

*Comment* is any strings.

### Examples

```
REM This is a Comment....
```

### REM Usage Notes

You do not need to place ";" at the end of the command.

## REPORT

### Purpose

This command produces a report of selected data from the PG Data Dictionary. Selection criteria might determine that:

- a single TRANSACTION, CALL, or DATA entity (with or without an explicit version) is reported, or
- that all TRANSACTION, CALL, or DATA entities with a given name be reported or that all entities in the PG DD be reported, or
- that all invalid TRANSACTIONS or CALLs and all unreferenced CALLs, or DATA entities be reported.

### Syntax

```
REPORT { { TRANSACTION tname | CALL cname | DATA dname } [VERSION(ver1...)]
        | ALL { TRANSACTIONS [tname] | CALLS [cname] | DATA [dname] } }
        [WITH { CALLS | DATA | DEBUG } ... ]
        | ISOLATED;
```

### Parameters

Table 2–7 describes the REPORT parameter:

**Table 2–7 REPORT Parameters Descriptions**

Parameter	Description
TRANSACTION <i>tname</i>	Reports the PG DD contents for the latest or selected versions of the transaction <i>tname</i> .
CALL <i>cname</i>	Reports the PG DD contents for the latest or selected versions of the call <i>cname</i> .
DATA <i>dname</i>	Reports the PG DD contents for the latest or selected versions of the data <i>dname</i> .
VERSION( <i>ver1</i> , [ <i>ver2</i> ...])	Reports selected versions of the indicated entry and is mutually exclusive with ALL.
ALL TRANSACTIONS [ <i>tname</i> ]	Reports the PG DD contents for all existing versions of every transaction entry or optionally a specific transaction <i>tname</i> , and is mutually exclusive with TRANSACTION.
ALL CALLS [ <i>cname</i> ]	Reports the PG DD contents for all existing versions of every call entry or optionally a specific call <i>cname</i> , and is mutually exclusive with CALL.
ALL DATA [ <i>dname</i> ]	Reports the PG DD contents for all existing versions of every data entry or optionally a specific data <i>dname</i> , and is mutually exclusive with DATA.
WITH CALLS	Reports call entries associated with the specified transactions.
WITH DATA	Reports data entries associated with the specified calls, and when specified for transactions, implies WITH CALLS.
WITH DEBUG	Reports PG DD column values for tran#, call#, parm#, data#, and attr# as appropriate, depending on the type of items being reported.  This report is useful with TIPs generated with PG DD Diagnostic references. Refer to the GENERATE DIAGNOSE PGEX(OR) option for more information.
ISOLATED	Mutually exclusive with all other parameters. All unreferenced CALL and DATA entries are reported along with TRANSACTIONS that reference missing CALLs and DATA and CALLs that reference missing DATA.



**REPORT Usage Notes:**

- Report output is to the terminal and can be spooled, saved, and printed.
- Data reports are formatted according to their original compiler language, and preceded by a `PGAU DEFINE DATA` command which defines the data to the PG DD.
- `CALL` and `TRANSACTION` reports are formatted as `PGAU DEFINE CALL` or `TRANSACTION` commands (also called "statements"), which effectively define the entry to the PG DD.
- The following command reports the single most recent data definition specified by data name `dname`, or optionally, for those specific versions given.

```
REPORT DATA dname;
REPORT DATA dname VERSION(version#1,version#2);
```

This command reports all data definitions specified by data name `dname`:

```
REPORT ALL DATA dname;
```

- The following command reports the single most recent call definitions specified by call name `cname`, or optionally for those specific versions given.

```
REPORT CALL cname;
REPORT CALL cname VERSION(version#1,version#2) WITH DATA;
```

This command reports all call definitions specified by call name `cname`:

```
REPORT ALL CALLS cname WITH DATA;
```

This command reports all call definitions in the PG DD:

```
REPORT ALL CALLS WITH DATA;
```

When `WITH DATA` is specified, all the data definitions associated with each selected call are also reported. The data definitions precede each corresponding selected call in the report output.

- The following command reports the single most recent transaction definitions specified by transaction name `tname`, or optionally for those specific versions given.

```
REPORT TRANSACTION tname
REPORT TRANSACTION tname VERSION(version#1,version#2)
WITH DATA WITH CALLS;
```

This command reports all transaction definitions specified by transaction name `tname`:

```
REPORT ALL TRANSACTIONS tname WITH DATA WITH CALLS;
```

This command reports all transaction definitions in the PG DD:

```
REPORT ALL TRANSACTIONS WITH DATA WITH CALLS;
```

When `WITH CALLS` option is specified, all call definitions associated with each selected transaction are also reported (the call definitions precede each corresponding selected transaction in the report output).

When `WITH DATA` is specified, all the data definitions associated with each selected call are also reported (the data definitions precede each corresponding selected call in the report output).

For transaction reports, specification of `WITH DATA` implies specification of `WITH CALL`.

- The following command reports any unreferenced `CALL` or `DATA` definitions. It also reports any `TRANSACTION` or `CALL` definitions that reference missing `CALL` or `DATA` definitions respectively.

```
REPORT ISOLATED;
```

- The following command reports all definitions in the PG DD.

```
REPORT ALL;
```

Data definitions are reported, followed by their associated call definitions, followed by the associated transaction definition.

This sequence is repeated for every defined call and transaction in the PG DD.

- You must place ";" at the end of the command.

## SET

### Parameters

Table 2–8 describes the `SET` parameters:

**Table 2–8 SET Parameter Descriptions**

Parameter	Description
<code>ARRAYSIZE [n]</code>	Sets the number of rows fetched at a time from the database. The default is 20.
<code>CHARWIDTH [n]</code>	Sets the column display width for <code>CHAR</code> data. If entered with no argument, it returns the setting to 9, which is the default.
<code>DATEWIDTH</code>	Sets the column display width for <code>DATE</code> data. If entered with no argument, it returns the setting to 9, which is the default.
<code>ECHO {ON OFF}</code>	Sets echoing of commands entered from command files to <code>ON</code> or <code>OFF</code> . The default is <code>OFF</code> .
<code>FETCHROWS [n]</code>	Sets the number of rows returned by a query. This is useful with ordered queries for finding a certain number of items in a category, the top ten items for example. It is also useful with unordered queries for finding the first <i>n</i> records that satisfy a certain criteria.
<code>LONGWIDTH [n]</code>	Sets the column display width for <code>LONG</code> data. If entered with no argument, it returns the setting to 80, which is the default.
<code>MAXDATA [n]</code>	Sets the maximum data size. It indicates the maximum data that can be received in a single fetch during a <code>SELECT</code> command. The default is 20480 bytes (20K).
<code>NUMWIDTH [n]</code>	Sets the column display width for <code>NUMBER</code> data. If entered with no argument, it returns the setting to 10, which is the default.
<code>SERVEROUTPUT {OFF ON [SIZE n/n]}</code>	Sets debugging output from stored procedures that use <code>DBMS_OUTPUT PUT</code> and <code>PUT_LINE</code> commands to <code>ON</code> or <code>OFF</code> . You can specify the size in bytes of the message buffer using <code>SIZE n</code> . The size specified is the total number of bytes of all messages sent that can be accumulated at one time. The minimum is 2000 bytes. If the buffer fills before calls to the get-message routines make room for additional message bytes, an error is returned to the program sending the message. <code>SERVEROUTPUT</code> with no parameters is the same as <code>SERVEROUTPUT ON</code> .

**Table 2–8 (Cont.) SET Parameter Descriptions**

Parameter	Description
STOPONERROR {ON OFF}	Indicates whether execution of a command file should stop if an error occurs. Specifying <code>OFF</code> disables <code>STOPONERROR</code> .
TERMOUT {ON OFF}	Enables or disables terminal output for SQL commands. It is useful for preventing output to the terminal when spooling output to files. The default is <code>OFF</code> , which disables terminal output.
TIMING {ON OFF}	Enables or disables display of parse, execute, and fetch times (both CPU and elapsed) for each executed SQL statement. The default is <code>OFF</code> , which disables the <code>TIMING</code> display.

### Examples

```
PGAU> set arraysize 30
```

```
PGAU> set CHARWIDTH
```

### SET Usage Notes

- You do not need to place ";" at the end of the command.

## SHOW

### Parameters

[Table 2–9](#) describes the `SHOW` parameters:

**Table 2–9 SHOW Parameter Descriptions**

Parameters	Description
ALL	Shows all valid <code>SET</code> parameters
ARRAYSIZE	Shows the number of rows fetched at a time from the database.
CHARWIDTH	Shows the column display width for <code>CHAR</code> data.
DATEWIDTH	Shows the column display width for <code>DATE</code> data.
ECHO	Shows echoing of commands entered from command files to <code>ON</code> or <code>OFF</code> .
FETCHROWS	Shows the number of rows returned by a query.
LONGWIDTH	Shows the column display width for <code>LONG</code> data.
MAXDATA	Shows the maximum data size.
NUMWIDTH	Shows the column display width for <code>NUMBER</code> data.
SERVEROUTPUT	Shows debugging output from stored procedures that use <code>DBMS_OUTPUT.PUT</code> and <code>PUT_LINE</code> commands.
STOPONERROR	Indicates whether execution of a command file should stop if an error occurs.
TERMOUT	Shows whether the terminal output for SQL commands is enabled or disabled.
TIMING	Shows whether display of parse, execute, and fetch times (both CPU and elapsed) for each executed SQL statement is enabled or disabled.

**Table 2–9 (Cont.) SHOW Parameter Descriptions**

Parameters	Description
VAR	Is the same as the PRINT command; in addition, it shows all variables and their datatypes.

**Examples**

Note that when you issue a SET command, there will be no output if it is successful. If you want to check whether your statement was executed successfully, issue a SHOW command like the following:

```

PGAU> show arraysize
Arraysize                30

PGAU> show CHARWIDTH
Charwidth                80

PGAU> show all
Instance                 local
Spool                   OFF
Timing                  OFF
Termout                  ON
Echo                     OFF
Stoponerror              OFF
Maxdata                  20480
Arraysize                20
Fetchrows                100

Numwidth                 10
Charwidth                80
Longwidth                80
Datewidth                9
ServerOutput             OFF

```

**SHOW Usage Notes**

- You do not need to place ";" at the end of the command.

**SPOOL****Purpose**

Use this command to specify a filename that captures PGAU output. All output is directed to the terminal unless TERMOUT is off.

**Syntax**

The SPOOL command has the syntax:

```
SPOOL [filename|OFF]
```

**Parameters**

If a simple filename is specified, with no periods, then .log is appended to the filename.

*filename* is where the output of your executed commands is placed.

## Examples

```
SPOOL log.outfile
SPOOL out
SPOOL OFF
```

## SPOOL Usage Notes

- You do not need to place ";" at the end of the command.

## UNDEFINE CALL

### Purpose

Use this command to remove an occurrence of the `CALL` definition from PG DD.

### Syntax

```
UNDEFINE CALL cname [VERSIon(callvers|ALL)];
```

### Parameters

[Table 2–10](#) describes the `UNDEFINE CALL` parameters:

**Table 2–10 UNDEFINE CALL Parameter Descriptions**

Parameter	Description
<code>CALL <i>cname</i></code>	A mandatory parameter. It specifies the name associated with the item to be dropped; if no version is specified only the latest (highest numbered) version is removed.
<code>VERSIon({<i>datavers</i>  <i>callvers</i>  <i>transvers</i> ALL})</code>	An optional parameter. It specifies which singular version of a definition is to be removed, or if <code>ALL</code> , then all definitions are removed, for the given definition named. The default of the highest numbered version of the named definition is assumed if <code>VERSION</code> is omitted.

### Examples

Refer to "[Sample PGAU UNDEFINE Statements](#)" in [Appendix F](#) for examples of `UNDEFINE CALL` commands.

### UNDEFINE CALL Usage Notes:

- Removing definitions only prevents PL/SQL packages from being subsequently generated. TIPS can still be recreated if the `.pkh` and `.pkb` specification files exist and those previous TIPS can be invoked if they remain in the database of the Oracle database. Whether such TIPS execute successfully depends on whether the corresponding remote transaction programs are still active.
- Remove a `CALL` definition only after all `TRANSACTIONS` which reference it are removed. No integrity checking is done.
- You must place ";" at the end of the command.

## UNDEFINE DATA

### Purpose

Use this command to remove an occurrence of the `DATA` definition in the PG Data Dictionary.

### Syntax

```
UNDEFINE DATA dname [VERSIon(datavers|ALL)];
```

### Parameters

Table 2–11 describes the UNDEFINE DATA parameters:

**Table 2–11 UNDEFINE DATA Parameter Descriptions**

Parameter	Description
DATA <i>dname</i>	A mandatory parameter. It specifies the name associated with the item to be dropped. If no version is specified, only the latest (highest numbered) version is removed.
VERSIon( <i>{datavers</i>   <i>callvers</i>   <i>transvers</i>  ALL})	An optional parameter. It specifies which singular version of a definition is to be removed, or if ALL, then all definitions are removed, for the given definition named. The default of the highest numbered version of the named definition is assumed if VERSION is omitted.

### Examples

Refer to "Sample PGAU UNDEFINE Statements" in Appendix F for examples of UNDEFINE DATA commands.

### UNDEFINE DATA Usage Notes

- Removing definitions only prevents PL/SQL packages (TIPs) from being subsequently generated. Previously generated TIPs can still be recreated if the .pkh and .pkb specification files remain in existence. Previously created TIPs can still be invoked if they remain in the database of the Oracle database. Whether such TIPs execute successfully depends on whether the corresponding remote transaction programs are still active.
- Remove a DATA definition only after all CALLs and all TRANSACTIONS which reference it are removed. No integrity checking is done.
- You must place ";" at the end of the command.

## UNDEFINE TRANSACTION

### Purpose

This command removes an occurrence of the TRANSACTION definition in the PG Data Dictionary.

### Syntax

```
UNDEFINE TRANSACTION tname [VERSIon(tranvers|ALL)];
```

### Parameters

Table 2–12 describes the UNDEFINE TRANSACTION parameters:

**Table 2–12 UNDEFINE TRANSACTION Parameter Descriptions**

Parameter	Description
TRANSACTION <i>tname</i> }	Mandatory parameter. It specifies the name associated with the item to be dropped. If no version is specified, only the latest (highest numbered) version is removed.

**Table 2–12 (Cont.) UNDEFINE TRANSACTION Parameter Descriptions**

Parameter	Description
VERsion({datavers  callvers  transvers ALL})	Optional parameter. It specifies which singular version of a definition is to be removed, or if ALL, then all definitions are removed, for the given definition named. The default of the highest numbered version of the named definition is assumed if VERSION is omitted.

### Examples

Refer to "Sample PGAU UNDEFINE Statements" in [Appendix F](#) for examples of UNDEFINE TRANSACTION commands.

### UNDEFINE TRANSACTION Usage Notes

- Removing definitions only prevents PL/SQL packages from being subsequently generated. TIPs can still be recreated if the .pkh and .pkb specification files remain in existence. Previously created TIPs can be invoked if they remain in the database of the Oracle database. Whether such TIPs execute successfully depends on whether the corresponding remote transaction programs are still active.
- A TRANSACTION definition can be removed at any time.
- You must place ";" at the end of the command.

## VARIABLE

### Purpose

Use this command to declare a bind variable for use in the current session with the EXECUTE or PRINT command, or for use with a PL/SQL block.

### Syntax

The VARIABLE command has the syntax:

```
VARIABLE name type
```

### Parameters

[Table 2–13](#) describes the VARIABLE parameters.

**Table 2–13 VARIABLE Parameter Descriptions**

Parameter	Description
name	Is a variable name.
type	Is the variable datatype

### Examples

```
VARIABLE balance NUMBER
VARIABLE emp_name VARCHAR2
```

### VARIABLE Usage Notes

- You do not need to place ";" at the end of the command.





---

---

## Creating a TIP

This chapter shows in detail how you can define, generate and compile a Transaction Interface Package (TIP). It assumes that a remote host transaction program (RTP) already exists. This transaction program has operational characteristics that dictate how the TIP is defined and how the TIP is used by the client application.

This chapter contains the following sections:

- ["Granting Privileges for TIP Creators"](#) on page 3-1
- ["Evaluating the RHT"](#) on page 3-2
- ["Defining and Generating the TIP"](#) on page 3-6
- ["Compiling the TIP"](#) on page 3-7
- ["TIP Content Documentation \(tipname.doc\)"](#) on page 3-8

The following steps create a TIP for use with a remote host transaction (RHT):

- evaluating the RHT
- preparing the PGAU statements
- defining and generating the TIP
- compiling the TIP

This chapter also discusses the generated TIP content file.

### Granting Privileges for TIP Creators

Every TIP developer requires access to the following PL/SQL packages, which are shipped with the Oracle database:

For Microsoft Windows:

- `DBMS_PIPE` in `%ORACLE_HOME%\rdbms\admin`
- `UTL_RAW` in `%ORACLE_HOME%\rdbms\admin`
- `UTL_PG` in `%ORACLE_HOME%\rdbms\admin`

For UNIX based systems:

- `DBMS_PIPE` in `$ORACLE_HOME/rdbms/admin`
- `UTL_RAW` in `$ORACLE_HOME/rdbms/admin`
- `UTL_PG` in `$ORACLE_HOME/rdbms/admin`

If anyone other than user `PGAADMIN` will be developing TIPs, they will need explicit grants to perform these operations. Refer to the "Optional Configuration Steps" section

in the configuration chapter appropriate to your communication protocol in the *Oracle Database Gateway for APPC Installation and Configuration Guide for IBM AIX on POWER Systems (64-Bit)*, *Linux x86-64*, *Oracle Solaris on SPARC (64-Bit)*, and *HP-UX Itanium* or *Oracle Database Gateway for APPC Installation and Configuration Guide for Microsoft Windows* or more information about private and public grants.

## Evaluating the RHT

Follow the steps below to identify and become familiar with your remote host transaction data exchanges.

### Identify the Remote Host Transaction

You must first identify the RHT data exchange steps. These are the send and receive calls embedded within the RHT program.

#### **If your gateway is using the SNA communication protocol:**

The RHT data exchange steps are identified under the following languages:

- You may use COBOL for:
  - CICS
  - IMS
- You may use IBM 370 Assembler for:
  - CICS
  - IMS
- You may use IBM REXX for:
  - CICS
  - IMS
  - z/OS

#### **If your gateway is using the TCP/IP communication protocol:**

IMS is the only OLTP that is supported when the gateway is using TCP/IP support for IMS Connect. The RHT programs must use embedded I/O PCB function calls. The function is identified only under the COBOL and Assembler languages.

### PGAU DEFINE CALL Command

Make a call list of every data exchange. This list dictates a series of `PGAU DEFINE CALL` statements. Refer to "DEFINE CALL" in [Chapter 2, "Procedural Gateway Administration Utility"](#) for more information about this PGAU command.

The three important parameters that you will use for each call are:

- `cname`: the name of the call definition to be created;
- `dname`: the name of the data structure to be exchanged; and
- whether it is send (`OUT`) or receive (`IN`)

RHT send corresponds to a `TIP OUT` and RHT receive corresponds to a `TIP IN`.

**If your communication protocol is SNA:** Refer to [Section , "Flexible Call Sequence"](#) on page 4-12 for more information about `PGAU DEFINE CALL` commands.

If your communication protocol is TCP/IP: Refer to [Section , "Flexible Call Sequence"](#) on page 7-6 for more information about `PGAU DEFINE CALL` commands.

PGAU call entries are only defined once, so eliminate any duplicates.

This call list defines the TIP function calls, not the order in which they are used. Note that the order in which each call is made is a behavior of the transaction and dictates the order of calls made by the high-level application to the TIP, which then calls the RHT through the Database Gateway server. While this calling sequence is critical to maintaining the synchronization between the application and the RHT, the TIP is only an access method for the application and has no knowledge of higher level sequencing of calls.

## PGAU DEFINE DATA Command

For each call in the RHT call list, identify the RHT data structures being sent or received in the call buffers.

Make a data list of every such structure. This list dictates a series of `PGAU DEFINE DATA` statements.

The two important parameters that you will use for `DEFINE DATA` are:

- `dname`: the name of the data definition to be created; and
- `dname.ext`: the file in which the data definition is stored.

PGAU data entries are only defined once, so eliminate any duplicates.

---



---

**Note:** Move COBOL record layouts (copybooks) to the gateway system.

PGAU can use copybooks as input when defining the data items. Once you have identified the data items to be exchanged, use a file transfer program to download the copybooks to the gateway system. The copybooks are later used to define the data items. The sample copybook used in the example is documented in [Appendix F, "Administration Utility Samples"](#).

---



---

## PGAU DEFINE TRANSACTION Command on a Gateway Using SNA

Determine the network address information for the RHT program. Your network or OLTP system programmer can provide you with this information.

The five important parameters that you will use for `PGAU DEFINE TRANSACTION` are:

- *Side Profile name*
- *TP name*
- *LU name*
- LOGMODE
- SYNCLEVEL

You must also identify the Globalization Support character set (charset) for the language in which the OLTP expects the data.

At this point, if your gateway is using SNA, then proceed to [Section , "Writing the PGAU Statements"](#).

## PGAU DEFINE TRANSACTION Command on a Gateway Using TCP/IP

Before you use this command, you will need to know the IMS Connect hostname (or TCP/IP address), port number and the other IMS Connect parameters that are defined as columns within the PGA\_TCP\_IMSC table. Refer to [Chapter 6, "PG4TCPMAP Commands \(TCP/IP Only\)"](#) for complete information about preparation for mapping parameters to TCP/IP using the `pg4tcpmap` tool.

When you run the `pg4tcpmap` tool you need to specify a unique name (Side Profile Name). That name must be the same name that you are using here to create your TIP.

**If you are converting your gateway from the SNA to a TCP/IP communications protocol to invoke IMS transactions:** You need to regenerate the TIPs. Refer to [Chapter 2, "Procedural Gateway Administration Utility"](#) for details.

## Writing the PGAU Statements

After evaluating the RHT, define the TIP to PGAU for placement in the PG DD.

1. Write a `DEFINE DATA` statement for each entry in your data list. If, for example, your RHT had three different data structures, your data definitions might be:

```
DEFINE DATA dname1 LANGUAGE(IBMVSCOBOLII) INFILE(dname1.ext);  
DEFINE DATA dname2 LANGUAGE(IBMVSCOBOLII) INFILE(dname2.ext);  
DEFINE DATA dname3 LANGUAGE(IBMVSCOBOLII) INFILE(dname3.ext);
```

Then you must copy or transfer the source file containing these data definitions to the directory where PGAU can read them as input.

2. Write a `DEFINE CALL` statement for each entry in your call list. If, for example, your RHT had a receive send receive send sequence, your call definitions would be:

```
DEFINE CALL cname1 PARMS((dname1 IN));  
DEFINE CALL cname2 PARMS((dname2 OUT));  
DEFINE CALL cname3 PARMS((dname3 IN));  
DEFINE CALL cname4 PARMS((dname2 OUT));
```

---



---

**Note:** Optionally, you can rewrite your call definitions to consolidate the data transmission into fewer exchanges, as long as you do not alter the data transmission sequence. For example:

```
DEFINE CALL cname1 PARS ( (dname1 IN) ,
                          (dname2 OUT) ) ;

DEFINE CALL cname3 PARS ( (dname3 IN) ,
                          (dname2 OUT) ) ;
```

This reduces the calls between the application and the TIP from four calls to two calls passing an IN and OUT parameter on each call. Because TIPs always process IN parameters before OUT parameters, the data transmission sequence is unchanged. However, this consolidation is not always possible.

**If your communication protocol is SNA:** Refer to [Section , "Flexible Call Sequence"](#) on page 4-12 for more information about PGAU DEFINE CALL commands.

**If your communication protocol is TCP/IP:** Refer to [Section , "Flexible Call Sequence"](#) on page 7-6 for more information about PGAU DEFINE CALL commands.

---



---

3. Write a DEFINE TRANSACTION statement that contains every call, specifying the network address and Globalization Support information:

```
DEFINE TRANSACTION tname CALLS (cname1
                               cname2, ...
                               cnameN)
                               ENVIRONMENT (IBM370)
                               SIDEPROF (profname) |
                               TPNAME (tpid) LUNAME (luname) LOGMODE (mode)
                               SYNCLEVEL (n)
                               NLS_LANGUAGE (charset) ;
```

4. You can add a GENERATE statement to create the TIP specification:

```
GENERATE tname
```

---



---

**Note:** You can also add a REPORT statement to list the PG DD entries for tname:

```
REPORT TRANSACTION tname with CALLS with DATA;
```

Also annotate the script with Comments:

```
REM this is a Comment
```

---



---

## Writing a PGAU Script File

The previous section describes the steps you need to follow in order to execute PGAU statements via your PGAU command line processor. As a time saving measure, you can choose to write all of the statements (DEFINE DATA, DEFINE CALL and DEFINE TRANSACTION) into a single PGAU script file named tname.ct1, in the following order:

1. define data
2. define call

3. define transaction
4. generate

---



---

**Caution:** Because you will probably run this script more than once, you should include UNDEFINE statements first to remove any previous entries in the PG DD.

---



---

This is an example of a tname.ct1 PGAU script file:

```

UNDEFINE TRANSACTION tname Version(all);
UNDEFINE CALL cname1 Version(all);
UNDEFINE CALL cname2 Version(all);
UNDEFINE DATA dname1 Version(all);
UNDEFINE DATA dname2 Version(all);
UNDEFINE DATA dname3 Version(all);
DEFINE DATA dname1 LANGUAGE(IBMVSCOBOLII) INFILE(dname1.ext);
DEFINE DATA dname2 LANGUAGE(IBMVSCOBOLII) INFILE(dname2.ext);
DEFINE DATA dname3 LANGUAGE(IBMVSCOBOLII) INFILE(dname3.ext);
DEFINE CALL cname1 PARS(dname1 IN,
                        (dname2 OUT));
DEFINE CALL cname2 PARS(dname3 IN,
                        (dname2 OUT));
DEFINE TRANSACTION tname CALLS(cname1,
                               cname2, ....
                               cnameN)
                        ENVIRONMENT(IBM370)
                        SIDEPROF(profname) |
                        TPNAME(tpid) LUNAME(luname) LOGMODE(mode)
                        SYNCLEVEL(n)
                        NLS_LANGUAGE(charset);

Generate tname
    
```

## Defining and Generating the TIP

After you have created your control file, use PGAU to create the PG DD entries and the TIP specification files.

---



---

**Note:** The user ID under which you run PGAU must have:

- write access to output the specification files (pgau.pkh, pgau.pkb, and pgau.doc), where pgau is the default name; and
  - read access to the data definition source files (dname.ext), where dname.ext will be specified in PGAU DEFINE DATA statement(s).
- 
- 

Invoke PGAU against your PG DD stored in the Oracle Database Gateway for APPC Administrator's user ID:

For Microsoft Windows:

```

C:\> pgau
PGAU> connect pgaadmin\pw@database_specification_string
    
```

For UNIX based systems:

```

$ pgau
PGAU> connect pgaadmin/pw@database_specification_string
    
```

Issue the following commands:

```
PGAU> set echo on
PGAU> spool tname.def
PGAU> @tname.ct1
PGAU> spool off
```

The TIP is now ready to be compiled. By default, the `GENERATE` statement writes your TIP specifications to the following output files in your current directory:

```
pgau.pkh (TIP Header)
pgau.pkb (TIP Body)
pgau.doc (TIP content documentation)
```

---



---

**Note:** You can optionally add *spool* and *echo* to your script (`tname.ct1`) or make other enhancements, such as using PG DD roles and the `PGAU GROUP` statement for shared PG DDs.

- **If your gateway is using SNA:** Refer to [Chapter 4, "Client Application Development \(SNA Only\)"](#) for more information.
  - **If your gateway is using TCP/IP support for IMS Connect:** Refer to [Chapter 7, "Client Application Development \(TCP/IP Only\)"](#) for more information.
- 
- 

## Compiling the TIP

Exit PGAU. Remain in your current directory and invoke SQL\*Plus.

For Microsoft Windows:

```
C:\> sqlplus userid/pw@database_specification_string
SQL> set echo on
SQL> @pgau.pkh
SQL> @pgau.pkb
```

For UNIX based systems:

```
$ sqlplus userid/pw@database_specification_string
SQL> set echo on
SQL> @pgau.pkh
SQL> @pgau.pkb
```

The last two commands compile the TIP specification and body, respectively.

You have now compiled a TIP which can be called by your client application. If your client application is already written you can begin testing.

For more information about designing your client application and compiling a TIP, refer to [Chapter 1, "Introduction to Oracle Database Gateway for APPC"](#) and [Appendix E, "Tip Internals"](#).

**If your gateway is using SNA:** Refer to [Chapter 4, "Client Application Development \(SNA Only\)"](#) for information about PGAU statement syntax and usage.

**If your gateway is using TCP/IP support for IMS Connect:** Refer to [Chapter 7, "Client Application Development \(TCP/IP Only\)"](#) for information about PGAU statement syntax and usage.

## TIP Content Documentation (tipname.doc)

This section discusses the TIP documentation file that is produced when the user issues a `PGAU GENERATE` command. This TIP content file describes the function calls and PL/SQL variables and datatypes available in the TIP.

`PGAU GENERATE` always produces a TIP content file named *tipname.doc*. The filename is the name of the transaction that was specified in the `PGAU GENERATE` command, and the filetype is always `.doc`. This TIP content file contains the following sections:

- **GENERATION Status**

This section contains the status under which the TIP is generated.
- **TIP Transaction**

This section identifies the defined transaction attributes. These result from the `PGAU DEFINE TRANSACTION` definition.
- **TIP Default Calls**

This section identifies the syntax of the calls made by the user's application to initialize and terminate the transaction. `PGAU` generates these calls into every TIP regardless of how the TIP or transaction is defined.
- **TIP User Calls**

This section identifies the syntax of the calls which the user defines for the application to interact with the transaction.
- **TIP User Declarations**

This section identifies the TIP package public datatype declarations, implied by the user's data definition specified in each call parameter.
- **TIP User Variables**

This section contains TIP variables that can be referred to by applications or referenced by applications.



---

---

## Client Application Development (SNA Only)

This chapter discusses how you will call a TIP and control a remote host transaction. It also provides you with the steps for preparing and executing a gateway transaction. This chapter assumes:

- a remote host transaction (RHT) has already been written;
- a TIP corresponding to the RHT has already been defined using the steps described in [Chapter 3, "Creating a TIP"](#).

---

---

**Note:** If your gateway uses the TCP/IP support for IMS Connect, refer to [Chapter 7, "Client Application Development \(TCP/IP Only\)"](#) for information about calling a TIP and controlling a remote host transaction.

---

---

This chapter contains the following sections:

- ["Overview of Client Application"](#) on page 4-1
- ["Preparing the Client Application"](#) on page 4-3
- ["Understanding the Remote Host Transaction Requirements"](#) on page 4-3
- ["Customized TIPs for Each Remote Host Transaction"](#) on page 4-6
- ["Client Application Requirements"](#) on page 4-6
- ["Ensuring TIP and Remote Transaction Program Correspondence"](#) on page 4-10
- ["Calling the TIP from the Client Application"](#) on page 4-14
- ["Exchanging Data"](#) on page 4-19
- ["Executing the Application"](#) on page 4-20
- ["APPC Conversation Sharing"](#) on page 4-20
- ["Application Development with Multi-Byte Character Set Support"](#) on page 4-25
- ["Modifying a Terminal-Oriented Transaction to Use APPC"](#) on page 4-26
- ["Privileges Needed to Use TIPs"](#) on page 4-27

### Overview of Client Application

The Procedural Gateway Administration Utility (PGAU) generates a complete TIP using definitions you provide. The client application can then call the TIP to access the remote host transaction. [Chapter 2, "Procedural Gateway Administration Utility"](#), discusses the use of PGAU in detail.

This overview explains what you must do in order to call a TIP and control a remote host transaction.

The gateway receives PL/SQL calls from the Oracle database and issues APPC calls to communicate with a remote transaction program. The following three application programs make this possible:

1. an APPC-enabled remote host transaction program
2. a Transaction Interface Package, or TIP. A TIP is a PL/SQL package that handles communication between the client and the gateway and performs datatype conversions between COBOL and PL/SQL.

PGAU generates the TIP specification for you. In the shipped samples, the PGAU-generated package is called `pgadb2i.pkb`. This generated TIP includes at least three function calls that map to the remote transaction program:

- `pgadb2i_init` initializes the conversation with the remote transaction program
- `pgadb2i_main` exchanges application data with the remote transaction program
- `pgadb2i_term` terminates the conversation with the remote transaction program

Refer to [Appendix E, "Tip Internals"](#) for more information about TIPs, if you are writing your own TIP or debugging.

3. a client application that calls the TIP.

The client application calls the three TIP functions with input and output arguments. In the example, the client application passes `empno`, an employee number to the remote transaction and the remote transaction sends back `emprec` an employee record.

[Table 4-1](#) demonstrates the logic flow between the PL/SQL driver, the TIP, and the gateway using the example CICS-DB2 transaction.

**Table 4-1 Logic Flow of CICS-DB2 Example**

Client Application	Oracle TIP	Procedures Established Between the Gateway and the Remote Transaction (mainframe)
calls <code>tip_init</code>	Calls <code>PGAINIT</code>	Gateway sets up control blocks and issues APPC <code>ALLOCATE</code> . Mainframe program initiates.
calls <code>tip_main</code>	Calls <code>PGAXFER</code> to send <code>empno</code> and receive <code>emprec</code>	Gateway issues APPC <code>SEND</code> to the mainframe. Mainframe <code>RECEIVE</code> completes. Mainframe performs application logic and issues APPC <code>SEND</code> back to gateway. The gateway- issues APPC <code>RECEIVE</code> ; receive completes. Mainframe issues APPC <code>TERM</code> .
calls <code>tip_term</code>	Call <code>PGATERM</code>	Gateway cleans up control blocks.

A client application which utilizes the gateway to exchange data with a remote host transaction performs some tasks for itself and instructs the TIP to perform other tasks on its behalf. The client application designer must consequently know the behavior of the remote transaction and how the TIP facilitates the exchange.

The following sections provide an overview of remote host transaction behavior, how this behavior is controlled by the client application and how TIP function calls and data declarations support the client application to control the remote host transaction. These sections also provide background information about what the TIP does for the client application and how the TIP calls exchange data with the remote host transaction.

## Preparing the Client Application

To prepare the client application for execution you must understand the remote host transaction requirements and then perform these steps:

1. Move relevant COBOL records layout (copybooks) to the gateway system for input to PGAU.
2. Describe the remote host transaction data and calls to the PG Data Dictionary (PG DD) with `DEFINE DATA`, `DEFINE CALL`, and `DEFINE TRANSACTION` statements.
3. Generate the TIP in the Oracle database, using `GENERATE`.
4. Create the client application that calls the TIP public functions.
5. Grant privileges on the newly created package.

## Understanding the Remote Host Transaction Requirements

Browse through the remote host transaction program (RTP) to determine:

- the PL/SQL parameters required on the various client application to TIP calls
- the order in which the calls are made

Identify the remote host transaction program (RTP) facilities to be called and the data to be exchanged on each call. You will then define the following, and store them in the PG DD:

- `DEFINE DATA`
- `DEFINE CALL`
- `DEFINE TRANSACTION`

Refer to [Chapter 3, "Creating a TIP"](#) for specific definition steps and for the actual creation and generation of a TIP.

## TIP Content and Purpose

The content of a PGAU-generated TIP reflects the calls available to the remote host transaction and the data that has been exchanged. Understanding this content helps when designing and debugging client applications that call the TIP.

A TIP is a PL/SQL package, and accordingly has two sections:

1. A Package Specification containing:
  - Public function prototypes and parameters, and
2. A Package Body containing:
  - Private functions and internal control variables
  - Public functions
  - Package initialization following the last public function.

The purpose of the TIP is to provide a PL/SQL callable public function for every allowed remote transaction program interaction. A remote transaction program interaction is a logically related group of data exchanges through one or more PGAXFER RPC calls. This is conceptually similar to a screen or menu interaction in which several fields are filled in, the enter key is pressed, and several fields are returned to the user. Carrying the analogy further:

- the user might be likened to the TIP or client application
- fields to be filled in are `IN` parameters on the TIP function call
- fields returned are `OUT` parameters on the TIP function call
- screen or menu is the group of `IN` and `OUT` parameters combined
- a pressed enter key is likened to the `PGAXFER` remote procedural call (RPC)

The actual grouping of parameters that constitute a transaction call is defined by the user. The gateway places no restrictions on how a remote transaction program might correspond to a collection of TIP function calls, each call having many `IN` and `OUT` parameters.

PGA users typically have one TIP per remote transaction program. How the TIP function calls are grouped and what data parameters are exchanged on each call depends on the size, complexity and behavior of the remote transaction program.

Refer to Oracle's *Oracle Database PL/SQL Language Reference* for a discussion of how PL/SQL packages work. The following discussion covers the logic that must be performed within a TIP. Refer to the sample TIP and driver supplied in the `%ORACLE_HOME%\dg4appc\demo\CICS` directory for Microsoft Windows or `$ORACLE_HOME/dg4appc/demo/CICS` directory for UNIX based systems, in files `pgadb2i.pkh`, `pgadb2i.pkb`, and `pgadb2id.sql`.

## Remote Host Transaction Types

From a database gateway application perspective, there are three main types of remote host transactions:

- one-shot
- persistent
- multi-conversational

### One-Shot Transactions

A simple remote transaction program which receives one employee number and returns the employee record could have a TIP which provides one call, passing the employee number as an `IN` parameter and returning the employee record as an `OUT` parameter. An additional two function calls must be provided by this and every TIP:

- a remote transaction program `init` function call
- a remote transaction program `terminate` function call

The most simple TIP has three public functions, such as `tip_init`, `tip_main`, and `tip_term`.

The client application calls `tip_init`, `tip_main`, and `tip_term` in succession. The corresponding activity at the remote site is remote transaction program start, data exchange, and remote transaction program end.

The remote transaction program might even terminate itself before receiving a terminate signal from the gateway. This sequence is usual and is handled normally by gateway logic. This kind of remote transaction program is termed one-shot.

### Persistent Transactions

A more complex remote transaction program has two modes of behavior: an `INQUIRY` or reporting mode, and an `UPDATE` mode. These modes can have two TIP data transfer function calls: one for `INQUIRY` and one for `UPDATE`. Such a TIP might have five public functions. For example:

- `tip_init`  
This initializes communications with the remote transaction program.
- `tip_mode`  
This accepts a mode selection parameter and puts the transaction program into either inquiry or update mode.
- `tip_inqr`  
This returns an employee record for a given employee number.
- `tip_updt`  
This accepts an employee record for a given employee number.
- `tip_term`  
This terminates communications with the remote transaction program.

The client application calls `tip_init` and then `tip_mode` to place the remote transaction program in inquiry mode which then scans employee records, searching for some combination of attributes (known to the client application and end-user). Some parameter on an inquiry call is then set to signal a change to update mode and the client application calls `tip_updt` to update some record. The client application finally calls `tip_term` to terminate the remote transaction program.

The corresponding activity at the remote site is:

- remote transaction program start
- mode selection exchange
- loop reading records
- switch to update mode
- update one record
- remote transaction program end

Such a remote transaction program is called persistent because it interacts until it is signalled to terminate.

The remote transaction program can be written to permit a return to inquiry mode and repeat the entire process indefinitely.

### Multi-Conversational Transactions

A client application might need to get information from one transaction, `tran_A`, and subsequently write or lookup information from another, `tran_B`. This is possible with a properly written client application and TIPs for `tran_A` and `tran_B`. In fact, any number of transactions might be concurrently controlled by a single client application. All transactions could be read-only, with the client application retrieving data from

each and consolidating it into a local Oracle database or displaying it in an Oracle Form.

Alternatively, a transaction could be capable of operating in different modes or performing different services depending on what input selections were supplied by the client application. For example, one instance of `tran_C` can perform one service while a second instance of `tran_C` performs a second service. Each instance of `tran_C` would have its own unique conversation with the client application and each instance could have its own behavior (one-shot or persistent) depending on the nature of the service being performed.

## Customized TIPs for Each Remote Host Transaction

Each remote host system might have hundreds of remote transaction programs (RTPs) which a user might want to call. Each remote transaction program is different, passes different data, and performs different functions. The interface between the user and each remote transaction program must consequently be specialized and customized to the user's requirements for each remote transaction program. The Transaction Interface Package provides this customized interface.

### Example

Assume that the remote site has a transaction program which manages employee information in an employee database or other file system. The remote transaction program's name, in the remote host, is `EMPT` for Employee Tracking. `EMPT` provides both inquiry and update facilities, and different Oracle users are required to access and use these `EMPT` facilities.

Some users might be restricted to inquiry-only use of `EMPT`, while others might have update requirements. In support of the Oracle users' client applications, at least three possible TIPs could exist:

1. `EMP_MGMT` to provide access to all facilities of the `EMPT` remote transaction program.
2. `EMP_UPDT` to access only the update functions of the `EMPT` remote transaction program.
3. `EMP_INQR` to access only the lookup functions of the `EMPT` remote transaction program.

End-user access to these TIPs is controlled by Oracle privileges. Additional security might be imposed on the end-user by the remote host.

Each TIP also has encoded within it the name of the remote transaction program (`EMPT`) and network information sufficient to establish an APPC conversation with `EMPT`.

## Client Application Requirements

Using the TIP, the client application must correspond with and control the remote host transaction. This involves:

1. client application initialization
2. user input and output
3. remote host transaction initialization using the TIP initialization functions (with and without overrides)
4. remote host transaction control and data exchange using the TIP user functions

5. remote host transaction termination using the TIP termination function
6. exception handling
7. client application termination

Steps 3, 4 and 5 vary, based on the requirements of the remote host transaction.

### One-shot remote host transaction client applications must:

- Declare RHT/TIP datatypes to be exchanged. All client applications must declare variables to be exchanged with the RHTs using TIPs. PL/SQL datatypes for such variables have already been defined in the TIP corresponding to each RHT and the client application need only reference the TIP datatype in its declaration. Refer also to ["Declaring TIP Variables"](#) on page 4-14 for more information. Also refer to the TIP content documentation file for the specific TIP/RHT for more information about the exact usage of these variables.
- Initialize the RHT using the TIP initialization function. The TIP directs the gateway server to initialize a conversation with the desired RHT, specifying either default RHT identifying parameters (supplied when the RHT was defined in the PG DD and encoded within the TIP when it was generated) or override RHT identifying parameters supplied by the user or client application when the TIP initialization function is called. Refer to ["Initializing the Conversation"](#) on page 4-16 and ["Overriding TIP Initializations"](#) on page 4-17 for more details.
- Exchange data with the RHT using the TIP user function (one call). As previously discussed, a one-shot remote host transaction only accommodates a single data exchange and upon completion of that exchange, the RHT terminates on its own. The client application consequently needs only to execute a single call to the user-defined TIP function to cause the data exchange.

Refer to the TIP content documentation file in

`%ORACLE_HOME%\dg4appc\demo\CICS\` on Microsoft Windows or `$ORACLE_HOME/dg4appc/demo/CICS/` on UNIX based systems, for the specific TIP/RHT for the exact syntax of this call.

The client application should initialize values into IN or IN OUT parameter values before calling the TIP function call. These are the same variables that were declared above, when you declared the RHT/TIP datatypes to be exchanged.

All TIP function calls return a 0 return code value and all returned user gateway data values are exchanged in the function parameters. Any exception conditions are raised as required and can be intercepted in an exception handler.

Upon return from the TIP function call, the client application can analyze and operate on the IN OUT or OUT parameter values. These are the same variables that were declared above, when you declared the RHT/TIP datatypes to be exchanged.

Refer to [Appendix D, "Datatype Conversions"](#) for details about how TIPs convert the various types and formats of remote host data.

- Terminate the RHT using the TIP termination function. Regardless of the type of RHT being accessed, the TIP terminate function should be called to clean up and terminate the conversation with the RHT. Conversations with one-shot RHTs can be terminated from the gateway server before the RHT terminates. The TIP must perform its cleanup as well. Cleanup is only performed at the termination request of the client application.

The client application can request a normal or an aborted termination.

Refer to ["Terminating the Conversation"](#) on page 4-19 for more information.

**Persistent remote host transaction client applications must:**

- Declare RHT/TIP datatypes to be exchanged. All client applications must declare variables to be exchanged with the RHTs using TIPs. PL/SQL datatypes for such variables have already been defined in the TIP corresponding to each RHT; the client application need only reference the TIP datatype in its declaration. Refer to ["Declaring TIP Variables"](#) on page 4-14 for more information. Refer also to the TIP content documentation file for the specific TIP/RHT for more information about the exact usage of these variables.
- Initialize the RHT using the TIP initialization function. The TIP directs the gateway server to initialize a conversation with the desired RHT, specifying either default RHT identifying parameters (supplied when the RHT was defined in the PG DD and encoded within the TIP when it was generated) or override RHT identifying parameters supplied by the user or client application when the TIP initialization function is called. Refer to ["Initializing the Conversation"](#) on page 4-16 and ["Overriding TIP Initializations"](#) on page 4-17 for more details.
- Repetitively exchange data with RHT using the TIP user function(s). Remote host transactions that provide or require ongoing or repetitive control sequences should be controlled by the client application in the same manner that the RHT would be operated by an interactive user or other control program. The intercession of the TIP and gateway server does not alter the RHT behavior; instead, it extends control of that behavior to the client application using the various function calls defined in the TIP.

A persistent RHT can be controlled with one or more TIP function calls. The RHT might be designed, for example, to loop and return output for every input until the conversation is explicitly terminated. Or it could have been designed to accept as input a count or list of operations to perform and return the results in multiple exchanges for which the TIP function has only `OUT` parameters.

A persistent RHT can also be interactive, each output being specified by a previous input selection and ending only when the conversation has been explicitly terminated by the client application.

The TIP function calls available to the client applications and their specific syntax is documented in the TIP Content documentation file for the specific TIP/RHT.

The manner in which the RHT interprets the TIP `IN` parameters and returns TIP `OUT` parameters must be determined from the RHT or explained by the RHT programmer. The TIP provides the function calls and the exchanged parameter datatypes to facilitate the client application's control of the RHT and imposes no limitations or preconditions on the sequence of operations the RHT is directed to perform. The TIP provides the client application with the calls and data parameters the RHT was defined to accept in the PG DD.

- Terminate the RHT using the TIP termination function. Regardless of the type of RHT being accessed, the TIP terminate function should be called to clean up and terminate the conversation with the RHT. Conversations with persistent RHTs can be terminated from the gateway server before the RHT terminates, or the RHT might have already terminated. The TIP must perform its cleanup as well and this cleanup is only performed at the termination request of the client application.

The client application can request a normal or an aborted termination.

Refer to ["Terminating the Conversation"](#) on page 4-19 for more information.



**Multi-conversational remote host transaction client applications must:**

- Declare RHT/TIP datatypes to be exchanged. All client applications must declare variables to be exchanged with the RHTs using TIPs. PL/SQL datatypes for such variables have already been defined in the TIP corresponding to each RHT, and the client application need only reference the TIP datatype in its declaration. Refer to "[Declaring TIP Variables](#)" on page 4-14 for more information. Also refer to the TIP content documentation file for the specific TIP/RHT for more information about the exact usage of these variables.
- Initialize each RHT involved, using the TIP initializing function. A specific customized TIP exists for each RHT as defined in the PG DD. Client applications that control multiple RHTs are multi-conversational and must start each RHT and its associated conversation. This is done by calling each TIP initialization function as before; but multiple TIPs are initialized.

If a single RHT is designed to perform multiple services for one or more callers and if the client application is designed to use this RHT, the TIP corresponding to that RHT can be initialized multiple times by the client application.

The client application subsequently distinguishes from active RHTs under its control using:

- TIP schema `tipname.callname` when multiple TIP/RHTs are being controlled. By encoding the same TIP schema name on TIP user calls, the client application specifies to which RHT the call is being made.
- `tranuse IN OUT` parameter value when multiple instances of the same TIP/RHT are being controlled. This is the value returned on the TIP initialization function call and subsequently passed as an `IN` parameter on the user-defined TIP function calls. The returned `tranuse` value corresponds to that conversation connected to a given instance of an RHT. By supplying the same `tranuse` value on TIP user calls, the client application specifies to which RHT instance the given RHT call is being made.

Client application logic must keep track of which RHTs have been started and which TIPs and `tranuse` values correspond to started RHTs.

- Exchange data with each RHT, using the TIP user function(s), either once or repetitively if the RHT is one-shot or persistent. Client application logic must sequence the RHTs though their allowed steps in accordance with proper RHT operation, as does a user operating the RHTs interactively.

Client application logic must also perform any cross-RHT result analysis or data transfer that might be required. All TIPs execute in isolation from each other.

Output from one RHT intended as input to another RHT must be received in the client application as an `IN` or `IN OUT` parameter from the first RHT and sent as an `IN` or `IN OUT` parameter from the client application to the second RHT. All TIP-to-RHT function calls must be performed by the client application and data parameters exchanged must have been declared as variables by the client application. The TIPs provide both the required datatype definitions and the RHT function calls for the client application.

Refer to the TIP content documentation file for each specific TIP/RHT for the exact syntax of the TIP function calls and definitions of the parameter datatypes exchanged.

- Terminate each initialized RHT, using the TIP termination function. To terminate an RHT, its corresponding TIP termination function must be called to terminate the RHT and its conversation and to initiate TIP cleanup. The RHT to be

terminated is specified by its TIP schema name (the same schema as for its data exchange function calls) and the `tranuse` value when multiple instances of the same RHT are being terminated.

RHTs and their corresponding TIPs can be terminated in any sequence desired by the client application and do not have to be terminated in the same order in which they are initialized.

---

---

**Note:** The specific syntax of the various TIP data exchange variables function calls is the same as was previously defined in the PG DD for the particular RHT and can be researched by examining the TIP content documentation file (`tipname.doc`) or the TIP specification file produced when the TIP was generated. If a TIP has not yet been generated for the RHT being accessed, refer to [Chapter 3, "Creating a TIP"](#), and ["DATA Correspondence"](#) on page 4-10, ["CALL Correspondence"](#) on page 4-11, and ["TRANSACTION Correspondence"](#) on page 4-13 for more information. It is preferable to define and generate the TIP first, however, so that the client application reference documentation is available to you when needed.

---

---

## Ensuring TIP and Remote Transaction Program Correspondence

A remote host transaction program and its related TIP with client application must correspond on two key requirements:

- Parameter datatype conversion, which results from the way in which transaction `DATA` is defined. Refer to [Appendix D, "Datatype Conversions"](#) for a discussion of how PGAU-generated TIPs convert data based on the data definitions.
- APPC send/receive synchronization, which results from the way in which transaction `CALLS` are defined

These `DATA` and `CALL` definitions are then included by reference in a `TRANSACTION` definition.

### DATA Correspondence

Using data definitions programmed in the language of the remote host transaction, the `PGAU DEFINE DATA` command stores in the PG DD the information needed for `PGAU GENERATE` to create the TIP function logic to perform:

- all data conversion from `PL/SQL IN` parameters supplied by the receiving remote host transaction
- all buffering into the format expected by the receiving remote host transaction
- all data unbuffering from the format supplied by the sending remote host transaction
- all data conversion to `PL/SQL OUT` parameters supplied by the sending remote host transaction

PGAU determines the information needed to generate the conversion and buffering logic from the data definitions included in the remote host transaction program. `PGAU DEFINE DATA` reads this information from files, such as COBOL copy books, or in-stream from scripts and saves it in the PG DD for repeated use. The gateway Administrator needs to transfer these definition files from the remote host to the Oracle host where PGAU runs.

From the data definitions stored in the PG DD, PGAU GENERATE determines the remote host datatype and matches it to an appropriate PL/SQL datatype. It also determines data lengths and offsets within records and buffers and generates the needed PL/SQL logic into the TIP. Refer to the PGAU "DEFINE DATA" statement on page 2-2 in [Chapter 2, "Procedural Gateway Administration Utility"](#) and ["Sample PGAU DEFINE DATA Statements"](#) in [Appendix F, "Administration Utility Samples"](#) for more information.

All data that are referenced as parameters by subsequent calls must first be defined using PGAU DEFINE DATA. Simple data items, such as single numbers or character strings, and complex multi-field data aggregates, such as records or structures, can be defined. PGAU automatically generates equivalent PL/SQL variables and records of fields or tables for the client application to reference in its calls to the generated TIP.

As discussed, a parameter might be a simple data item, such as an employee number, or a complex item, such as an employee record. PGAU DEFINE DATA automatically extracts the datatype information it needs from the input program data definition files.

In this example, empno and emprec are the arguments to be exchanged.

```
pgadb2i_main(trannum, empno, emprec)
```

A PGAU DEFINE DATA statement must therefore be issued for each of these parameters:

```
DEFINE DATA EMPNO
    PLSDDNAME (EMPNO)
    USAGE (PASS)
    LANGUAGE (IBMVSCOBOLII)
    (
    01 EMP-NO PIC X(6) .
    );

DEFINE DATA EMPREC
    PLSDDNAME (DCLEMP)
    USAGE (PASS)
    LANGUAGE (IBMVSCOBOLII)
    INFILE ("emp.cob");
```

Note that a definition is not required for the trannum argument. This is the APPC conversation identifier and does not require a definition in PGAU.

## CALL Correspondence

The requirement to synchronize APPC SENDS and RECEIVES means that when the remote transaction program expects data parameters to be input, it issues APPC RECEIVES to read the data parameters. Accordingly, the TIP must cause the gateway to issue APPC SENDS to write the data parameters to the remote transaction program. The TIP must also cause the gateway to issue APPC RECEIVES when the remote transaction program issues APPC SENDS.

The PGAU DEFINE CALL statement specifies how the generated TIP is to be called by the client application and which data parameters are to be exchanged with the remote host transaction for that call. Each PGAU DEFINE CALL statement might specify the name of the TIP function, one or more data parameters, and the IN/OUT mode of each data parameter. Data parameters must have been previously defined with PGAU DEFINE DATA statements. Refer to ["DEFINE CALL"](#) on page 2-2 in [Chapter 2, "Procedural Gateway Administration Utility"](#) and ["Sample PGAU DEFINE CALL Statements"](#) in [Appendix F, "Administration Utility Samples"](#) for more information.

PGAU DEFINE CALL processing stores the specified information in the PG DD for later use by PGAU GENERATE. PGAU GENERATE then creates the following in the TIP package specification:

- declarations of public PL/SQL functions for each CALL defined with PL/SQL parameters for each DATA definition specified on the CALL
- declarations of the public PL/SQL data parameters

The client application calls the TIP public function as a PL/SQL function call, using the function name and parameter list specified in the PGAU DEFINE CALL statement. The client application might also declare, by reference, private variables of the same datatype as the TIP public data parameters to facilitate data passing and handling within the client application, thus sharing the declarations created by PGAU GENERATE.

In this example, the following PGAU DEFINE CALL statement must be issued to define the TIP public function:

```
DEFINE CALL DB2IMAIN
    PKGCALL (pgadb2i_main)
    PARMS ((empno IN), (emprec OUT));
```

### Flexible Call Sequence

The number of data parameters exchanged between the TIP and the gateway on each call can vary at the user's discretion, as long as the remote transaction program's SEND/RECEIVE requests are satisfied. For example, the remote transaction program data exchange sequence might be:

```
APPC SEND    5 fields (field1-field5)
APPC RECEIVE 1 fields (field6)
APPC SEND    1 field  (field7)
APPC RECEIVE 3 fields (field8 - field10)
```

The resulting TIP/application call sequence could be:

```
tip_call1(parm1 OUT, <-- APPC SEND field1 from remote TP
          parm2 OUT, <-- APPC SEND field2 from remote TP
          parm3 OUT); <-- APPC SEND field3 from remote TP

tip_call2(parm4 OUT, <-- APPC SEND field4 from remote TP
          parm5 OUT); <-- APPC SEND field5 from remote TP
tip_call3(parm6 IN OUT); --> APPC RECEIVE field6 in remote TP
          <-- APPC SEND field7 from remote TP

tip_call4(parm8 IN,  --> APPC RECEIVE field8 into remote TP
          parm9 IN,  --> APPC RECEIVE field9 into remote TP
          parm10 IN); --> APPC RECEIVE field10 into remote TP
```

To define these four public functions to the TIP, four PGAU DEFINE CALL statements must be issued, each specifying its unique public function name (`tip_callx`) and the data parameter list to be exchanged. Once a data item is defined using DEFINE DATA, it can be referenced in multiple calls in any mode (IN, OUT, or IN OUT). For example, `parm5` could be used a second time in place of `parm6`. This implies the same data is being exchanged in both instances, received into the TIP and application on `tip_call2` and returned, possibly updated, to the remote host in `tip_call4`.

Notice also that the remote transaction program's first five written fields are read by two separate TIP function calls, `tip_call1` and `tip_call2`. This could also have been equivalently accomplished with five TIP function calls of one OUT parameter each or a single TIP function call with five OUT parameters. Then the remote transaction

program's first read field (`field6`) and subsequent written field (`field7`) correspond to a single TIP function call (`tip_call13`) with a single IN OUT parameter (`parm6`).

This use of a single IN OUT parameter implies that the remote transaction program's datatype for `field6` and `field7` are both the same and correspond to the conversion performed for the datatype of `parm6`. If `field6` and `field7` were of different datatypes, then they have to correspond to different PL/SQL parameters (for example, `parm6 IN` and `parm7 OUT`). They could still be exchanged as two parameters on a single TIP call or one parameter each on two TIP calls, however.

Lastly, the remote transaction program's remaining three RECEIVE fields are supplied by `tip_call14` parameters 8-10. They also could have been done with three TIP calls passing one parameter each or two TIP calls passing one parameter on one call and two parameters on the other, in either order. This flexibility permits the user to define the correspondence between the remote transaction program's operation and the TIP function calls in whatever manner best suits the user.

### Call Correspondence Order Restrictions

Each TIP public function first sends all IN parameters, before it receives any OUT parameters. Thus, a remote transaction program expecting to send one field and then receive one field must correspond to separate TIP calls.

For example:

```
tip_call0( parmO OUT); <-- APPC SEND outfield from remote TP
```

PGAXFER RPC checks first for parameters to send, but finds none and proceeds to receive parameters:

```
tip_call1( parmI IN); --> APPC RECEIVE infield to remote TP
```

PGAXFER RPC processes parameters to send and then checks for parameters to receive, but finds none and completes; therefore, a single TIP public function with an OUT parameter followed by an IN parameter does not work, because the IN parameter is processed first--regardless of its position in the parameter list.

## TRANSACTION Correspondence

The remote host transaction is defined with the `PGAU DEFINE TRANSACTION` statement with additional references to prior definitions of `CALLS` that the transaction supports.

You specify the remote host transaction attributes, such as:

- transaction ID or name
- network address or location
- system type (such as IBM370)
- Oracle National Language of the remote host

---



---

**Note:** The PL/SQL package name is specified when the transaction is defined; this is the name by which the TIP is referenced and which the public function calls to be included within the TIP. Each public function must have been previously defined with a `PGAU DEFINE CALL` statement, which has been stored in the PG DD. If you do not specify a package name (TIP name) in the `GENERATE` statement, the transaction name you specified will become the package name by default. In that case, the transaction name (*tname*) must be unique and must be in valid PL/SQL syntax within the database containing the PL/SQL packages.

For more information, refer to ["DEFINE TRANSACTION"](#) in [Chapter 2, "Procedural Gateway Administration Utility"](#) and ["Sample PGAU DEFINE TRANSACTION Statement"](#) in [Appendix F, "Administration Utility Samples"](#).

---



---

In this example, the following `DEFINE TRANSACTION` statements are used to define a remote CICS transaction called `DB2I`:

```
DEFINE TRANSACTION DB2I
  CALL ( DB2IMAIN,
        DB2IDIAG )
  SIDEPROFILE(CICSPROD)
  TPNAME(DB2I)
  LOGMODE(ORAPLU62)
  SYNCLEVEL(0)
  NLS_LANGUAGE("AMERICAN_AMERICA.WE8EBCDIC37C");
```

## Calling the TIP from the Client Application

Once a TIP is created, a client application must be written to interface with the TIP. A client application that calls the TIP functions must include five logical sections:

- declaring TIP variables
- initializing the conversation
- exchanging data
- terminating the conversation
- error handling

### Declaring TIP Variables

The user declarations section of the `tipname.doc` file documents the required declarations.

When passing PL/SQL parameters on calls to TIP functions, the client application must use the exact same PL/SQL datatypes for TIP function arguments as are defined by the TIP in its specification section. Assume, for example, the following is in the TIP specification, or `tipname.doc`:

```
FUNCTION tip_call1 tranuse, IN BINARY_INTEGER,
                    tip_var1 io_mode pls_type1,
                    tip_record io_mode tran_rectype)
RETURN INTEGER;

TYPE tran_rectype is RECORD
```

```
(rec_field1 pls_type1,
...
rec_fieldN pls_typeN);
```

Table 4–2 provides a description of the function declarations:

**Table 4–2 Function Declarations**

Item	Description
<i>tip_call1</i>	The TIP function name as defined in the package specification.
<i>tranuse</i>	The remote transaction instance parameter returned from the TIP init function identifying the conversation on which this TIP call is to exchange data.
<i>tran_rectype</i>	The PL/SQL record datatype declared in the <i>tipname</i> TIP specification. This is the same value as in the TYPE <i>tran_rectype</i> is RECORD statement.
<i>pls_typeN</i>	Is a PL/SQL atomic datatype.
<i>rec_fieldN</i>	Is a PL/SQL record field corresponding to a remote transaction program record field.

In the client application PL/SQL atomic datatypes should be defined as the exact same datatype of their corresponding arguments in the TIP function definition. The following should be coded in the client application before the BEGIN command:

```
appl_var pls_type1; /* declare appl variable for ... */
```

TIP datatypes need not be redefined. They must be declared locally within the client application, appearing in the client application before the BEGIN:

```
appl_record tipname.tran_rectype; /* declare appl record */
```

Table 4–3 describes the command line arguments:

**Table 4–3 Command Line Arguments**

Item	Description
<i>tip_call1</i>	The TIP function name as defined in the package specification.
<i>tranuse</i>	The remote transaction instance parameter returned from the TIP init function identifying the conversation on which this TIP call is to exchange data.
<i>tran_rectype</i>	The PL/SQL record datatype declared in the <i>tipname</i> TIP specification. This is the same value as in the TYPE <i>tran_rectype</i> is RECORD statement.

Refer to the *tipname.doc* content file for a complete description of the user declarations you can reference.

The client application calls the TIP public function as if it were any local PL/SQL function:

```
rc = tip_call1( tranuse,
               appl_var,
               appl_record);
```

In the CICS-DB2 inquiry example, the PL/SQL driver *pgadb2id.sql*, which is located in %ORACLE\_HOME%\dg4appc\demo\CICS directory for Microsoft Windows and \$ORACLE\_

HOME/dg4appc/demo/CICS directory for UNIX based systems, is the client application and includes the following declaration:

```

...
...
CREATE or REPLACE PROCEDURE db2idriv(empno IN CHAR) IS
tranuse INTEGER :=0          /* transaction usage number */
DCLEMP PGADB2I.DCLEMP_typ;  /* DB2 EMP row definition */
DB2 PGADB2I.DB2_typ;        /* DB2 diagnostic information */
rc INTEGER :=0              /* PGA RPC return codes */
line VARCHAR2(132);         /* work buffer for output */
term INTEGER :=0;           /* 1 if pgadb2i_term called */
...
...

```

## Initializing the Conversation

The call to initialize the conversation serves several purposes:

- To cause the PL/SQL package, the TIP, to be loaded and to perform the initialization logic programmed in the TIP initialization section.
- To cause the TIP init function to call the PGAINIT remote procedural call (RPC), which in turn establishes communication with the remote transaction program (RTP), and returns a transaction instance number to the application.

Optionally, calls to initialize the conversation can be used to:

- Override default RHT/OLTP identification, network address attributes, and conversation security user ID and password.
- Specify what diagnostic traces the TIP is to produce. Refer to [Chapter 8, "Troubleshooting"](#) for more information about diagnostic traces.

PGAU-generated TIPs provide four different initialization functions that client applications can call. These are overloaded functions which all have the same name, but vary in the types of parameters passed.

Three initialization parameters are passed:

- The transaction instance number for RHT conversation identification. The tranuse parameter is required on all TIP initializations.
- TIP diagnostic flags for TIP runtime diagnostic controls. The tipdiag parameter is optional. Refer to [Chapter 8, "Troubleshooting"](#) for a discussion of TIP diagnostics.
- TIP default overrides for overriding OLTP and network attributes. The override parameter is optional.

The following four functions are shown as they might appear in the TIP Content documentation file. Examples of client application use are provided later.

```

TYPE override_Typ IS RECORD (
    tranname VARCHAR2(255), /* Transaction Program */
    transync BINARY_INTEGER, /* RESERVED */
    tranpls VARCHAR2(50), /* RESERVED */
    oltpname VARCHAR2(255), /* Logical Unit */
    oltpmode VARCHAR2(255), /* LOG Mode Entry */
    netaddr VARCHAR2(255), /* Side Profile */
    oltpuser VARCHAR2(8), /* userid for OLTP access */
    oltppass VARCHAR2(8)); /* password for OLTP access*/

FUNCTION pgadb2i_init(
    tranuse IN OUT BINARY_INTEGER)

```



```

RETURN INTEGER;

FUNCTION pgadb2i_init(           /* init override */
    tranuse IN OUT BINARY_INTEGER,
    override IN override_Typ)
RETURN INTEGER;

FUNCTION pgadb2i_init(           /* init diagnostic */
    tranuse IN OUT BINARY_INTEGER,
    tipdiag IN CHAR)
RETURN INTEGER;

FUNCTION pgadb2i_init(           /* init over-diaq */
    tranuse IN OUT BINARY_INTEGER,
    override IN override_Typ,
    tipdiag IN CHAR)
RETURN INTEGER;

```

### Transaction Instance Parameter

This transaction instance number (shown in examples as `tranuse`) must be passed to subsequent TIP exchange and terminate functions. It identifies to the gateway on which APPC conversation--and therefore which iteration of a remote transaction program--the data is to be transmitted or communication terminated.

A single client application might control multiple instances of the same remote transaction program or multiple different remote transaction programs, all concurrently. The transaction instance number is the TIP's mechanism for routing the client application call through the gateway to the intended remote transaction program.

It is the responsibility of the client application to save the transaction instance number of each active transaction and pass the correct one to each TIP function called for that transaction.

The client application calls the TIP initialization function as if it were any local PL/SQL function. For example:

```

...
...
tranuse INTEGER := 0; /* transaction usage number*/
...
...
BEGIN
    rc := pgadb2i.pgadb2i_init(tranuse);
...
...

```

### Overriding TIP Initializations

Note that in the preceding example the client application did not specify any remote transaction program name, network connection, or security information. The TIP has such information internally coded as defaults and the client application simply calls the appropriate TIP for the chosen remote transaction program. The client application can, however, optionally override some TIP defaults and supply security information.

You do not need to change any client applications that do not require overrides.

When the remote host transaction was defined in the PG DD, the `DEFINE TRANSACTION` statement specified certain default OLTP and network identification attributes which can be overridden:

- *TPname*
- *LUname*
- LOGMODE
- *Side Profile*

Refer to "[DEFINE TRANSACTION](#)" in [Chapter 2, "Procedural Gateway Administration Utility"](#) for more information about the `DEFINE TRANSACTION` statement.

These PG DD-defined transaction attributes are generated into TIPs as defaults and can be overridden at TIP initialization time. This facilitates the use of one TIP, which can be used with a test transaction or system, and can later be used with a production transaction or system, without having to regenerate the TIP.

The `override_Typ` record datatype describes the various transaction attributes that can be overridden by the client application. The following overrides are currently supported:

- `tranname` can be set to override the value that was specified by the `TPNAME` parameter of the `DEFINE TRANSACTION` statement
- `oltpname` can be set to override the value that was specified by the `LUNAME` parameter of the `DEFINE TRANSACTION` statement
- `oltpmode` can be set to override the value that was specified by the `LOGMODE` parameter of the `DEFINE TRANSACTION` statement
- `netaddr` can be set to override the value that was specified by the `SIDEPROFILE` parameter of the `DEFINE TRANSACTION` statement

In addition to the transaction attributes defined in the PG DD, there are two security-related parameters, conversation security user ID and conversation security password, that can be overridden at TIP initialization time. The values for these parameters normally come from either the database link used to access the gateway or the Oracle database session. There are cases when the Oracle database user ID is not sufficient for accessing the OLTP system. The user ID and password overrides provide a way to specify those parameters to the OLTP system.

The following overrides are currently supported:

- `oltpuser` can be set to override the user ID used to initialize the conversation with the OLTP
- `oltppass` can be set to override the password used to initialize the conversation with the OLTP

The security overrides have an effect only if `PGA_SECURITY_TYPE=PROGRAM` is specified in the gateway initialization file, and the OLTP system is configured to accept a user ID and password on incoming conversation requests.

The `transync` (APPC `SYNLEVEL`) and `trannls` (Globalization Support character set) are defined in the override record datatype, but are reserved for future use. The `RHT SYNLEVEL` and Globalization Support name cannot be overridden.

The client application might override the default attributes at TIP initialization for the following reasons:

- to start a different version of the RHT (such as production instead of test)

- to change the location of the OLTP containing the RHT (if the OLTP was moved due to migration or a switch to backup configuration)

Client applications requiring overrides can use any combination of override and initialization parameters and might alter the combination at any time without regenerating the TIP or affecting applications that do not override parameters.

To override the TIP defaults, an additional client application record variable must be declared as `override_Typ` datatype, values must be assigned to the override subfields, and the override record variable must be passed on the TIP initialization call from the client application.

For example:

```

...
...
my_overrides pgadb2i.override_Typ;  -- declaration
...
...
my_overrides.oltpname := 'CICSPROD'; -- swap to production CICS
my_overrides.tranname := 'TNEW';    -- new transaction name

BEGIN
  rc := pgadb2i.pgadb2i_init(tranuse,my_overrides); -- init
  ...
  ...

```

Within the TIP, override attributes are checked for syntax problems and passed to the gateway server.

### Security Considerations

The security requirements of the default and overridden OLTPs must be the same because the same gateway server is used in either conversation, as dictated by the database link names in the PGA RPC calls. The gateway server startup security mode is set at gateway server initialization time and passed unchanged to the OLTP at TIP or conversation initialization time.

## Exchanging Data

The client application should pass the transaction instance number, returned from a previous `tip_init` call, to identify which remote transaction program is affected and to identify any client application data parameters to be exchanged with the remote transaction program.

In this CICS-DB2 inquiry example, we pass an employee number and receive an employee record back:

```

rc = pgadb2i.pgadb2i_main(tranuse, /* transfer data          */
                          empno,  /* employee number      */
                          DCLEMP); /* return employee record*/

```

## Terminating the Conversation

The client application calls the TIP termination function as if it were any local PL/SQL function. For example:

```

...
...
term := 1; /* indicate term called* */
rc := pgadb2i.pgadb2i_term(tranuse,0); /* terminate normally */

```

...  
...

After a transaction instance number has been passed on a TIP terminate call to terminate the transaction, or after the remote transaction program has abended, that particular transaction instance number may be forgotten.

## Error Handling

The client application should include an exception handler that can clean up any active APPC conversations before the client application terminates. The sample client application provided in `pgadb2id.sql` contains an example of exception handling.

Gateway exceptions are reported in the range PGA-20900 to PGA-20999. When an exception occurs, the TIP termination function should be called for any active conversations that have been started by prior calls to the TIP initialization function.

For example:

```
EXCEPTION
WHEN OTHERS THEN
  IF term = 0 THEN          /* terminate function not called yet */
    rc := pgadb2i.pgadb2i_term(tranuse,1); /*terminate abnormally*/
  END IF;
  RAISE;
...
...
```

The remote transaction should also include provisions for error handling and debugging, such as writing debugging information to the CICS temporary storage queue area. Refer to the *Oracle Database PL/SQL Language Reference* for a discussion of how to intercept and handle Oracle exceptions.

## Granting Execute Authority

The TIP is a standard PL/SQL package and execute authority must be granted to users who call the TIP from their client application. In this example, we grant execute on the PGADB2I package to user SCOTT:

```
GRANT EXECUTE ON PGADB2I TO SCOTT
```

Refer to the *Oracle Database Administrator's Guide* for further information.

## Executing the Application

Before executing the client application, ensure that a connection to the host is established and that the receiving partner is available. In this example we use PL/SQL driver DB2IDRIV to execute the CICS-DB2 inquiry. To execute this client application, enter from SQL\*Plus:

```
set serveroutput on
execute DB2IDRIV('nnnnn');
```

## APPC Conversation Sharing

Multiple TIPs can share the same APPC conversation with one or more Remote Host Transactions (RHTs) which are also sharing that same conversation. Two benefits derive from this feature:

- Existing RHTs which rely upon passing control of a conversation are supported by Oracle Database Gateway for APPC.
- TIPs otherwise too large for PL/SQL compilation can be separated into multiple smaller TIPs, each with fewer user-defined functions, providing the client application with the same set of function calls and data definitions without any change to the RHT.

## APPC Conversation Sharing Concepts

Mainframe OLTPs, such as IMS, allow transactions to share a single APPC conversation by passing it when the transaction calls another transaction. RHTs are defined to PGAU as single transactions with calls, inputs and outputs for which PGAU generates a single TIP with initialization, transfer and termination functions corresponding to that specific RHT.

Logic generated into every TIP allows that TIP either:

- to initiate a new conversation when its init function is called, or
- to transfer data on an existing conversation when its user-defined functions are called, or
- to terminate an existing conversation when its "term" function is called.

An APPC conversation is treated as a resource shared and managed by multiple TIPs. There is no requirement for any TIP to be the sole user of an APPC conversation.

Any TIP generated at 3.4.0 or later can perform any of the following combinations of service:

- initiate
- initiate and transfer
- initiate, transfer, and terminate (standard operation)
- transfer
- transfer and terminate
- terminate
- initiate and terminate (assumes other TIPs perform transfer)

A single APPC conversation can be shared in the following ways:

- from one TIP to multiple RHTs
- from multiple TIPs to one RHT
- from multiple TIPs to multiple RHTs

Without APPC conversation sharing, a single TIP must be defined which contains all functions and data for all RHTs which a client application might need to call. Creating TIPs with a superset of RHTs often causes such TIPs to be too large for PL/SQL to compile.

Conversely, with APPC conversation sharing, each RHT (or even each RHT data exchange for those RHTs which perform multiple, different data exchange operations) can be defined in a single TIP which is smaller and less likely to exceed PL/SQL compilation limits.

## APPC Conversation Sharing Usage

APPC conversation sharing is automatically available in every TIP generated at 3.4.0 or later. No TIPs generated before 3.4.0 can participate in APPC conversation sharing. TIPs generated before 3.4.0 must be regenerated using PGAU 3.4.0. or later to participate in APPC conversation sharing. PGAU is upward compatible and regeneration should be transparent, provided only the regenerated TIP body (*tipname.pkb*) is recompiled. If the TIP specification is also recompiled, the client application needs recompilation as well. Refer to [Appendix E, "Tip Internals"](#) for more detailed information.

Definition and generation of TIPs is accomplished as previously discussed in Chapters 1, 2, and 3. No additional options or parameters need be specified.

Run-time use of APPC conversation sharing is under the control of the client application. It is accomplished simply by calling the `init` function of one of the TIPs that share a conversation and passing the `tranuse` value returned to the other TIP functions as each is called in its desired order. Any TIP `init` function can be used, provided that all TIPs were defined with the same `DEFINE TRANSACTION TPNAME` or `SIDPROFILE` value. The `TPNAME` or `SIDPROFILE` value specifies which RHT to initialize.

When the `init` function of an APPC conversation sharing-capable TIP is called to initialize a conversation, the `tranuse` value returned indicates conversation sharing is enabled. By passing that same `tranuse` value when calling functions in other TIPs, those other TIPs perform their transfers on the same conversation already initialized, provided that all TIPs involved were generated at Version 3.4.0 or later.

## APPC Conversation Sharing TIP Compatibility

TIPs generated at 3.4.0 or later of the database gateway use and expect different values for `tranuse` than do pre-3.4.0 TIPs. If a pre-3.4.0 TIP is used to initialize a conversation and its `tranuse` value is passed to a 3.4.0 or later generated TIP, the following exception is raised:

```
ORA-20704 PGA_TIP: tranuse value cannot be shared
```

Pre-3.4.0 generated TIPs do not detect the different `tranuse` value for shared conversations, however, and this can result in unpredictable errors.

---

---

**Caution:** All TIPs called in a shared conversation must have been generated at 3.4.0 or later.

No TIPs generated before 3.4.0 can participate in APPC conversation sharing.

---

---

The `tranuse` values are incompatible between pre-3.4.0 and 3.4.0 or later releases. This should not pose a problem for you for the following reason: before 3.4.0, all RHT functions defined in a TIP had to be called through that TIP's functions, and the `init` function of that same TIP had to be called first to initialize the conversation. The `tranuse` value was only valid for the TIP which initialized it. Thus, unless you make programming changes, it is not possible for an existing application to accidentally mix `tranuse` values.

Pre-3.4.0 TIPs and client applications can continue to be used without change and old client applications can call new 3.4.0 or later TIPs without change. This is made possible when an old TIP body is regenerated and compiled; the TIP now becomes

capable of APPC conversation sharing, even though the old client application has not changed.

None of the functions of a pre-3.4.0 TIP can share an APPC conversation. However, once a TIP is regenerated at 3.4.0 or later, any of its functions can share APPC conversations.

## APPC Conversation Sharing for TIPs That Are Too Large

You can use conversation sharing to circumvent a TIP that is too large to compile. This is identified by 'PLS-00123 - package too large to compile', or some other problem symptom such as PL/SQL compilation hanging. In this case you must choose which function calls to remove from the former TIP and define into new TIPs.

Specifically, you must decide which PGAU `DEFINE CALL` statements and their related `DEFINE DATA` statements should be moved from the old PGAU control file (.ctl) into one or more new PGAU control files. In addition, you must decide which PGAU `DEFINE TRANSACTION` statements should be included in each new PGAU control file defining each new TIP.

You must consider several PGAU statements; refer to [Table 4-4](#) for a list of the PGAU statements and their descriptions:

**Table 4-4 PGAU Statements**

Statement	Description
<code>DEFINE DATA</code> statements	Must be unique. They can be shared by all affected PGAU control files, provided they are defined to the Procedural Gateway Data Dictionary (PG DD) before being referenced by <code>DEFINE CALL</code> statements. No changes are needed to these statements.
<code>DEFINE CALL</code> statements	Must be unique. They need only be referenced by the new <code>DEFINE TRANSACTION</code> statement of the TIP in which they are included, provided they are defined to the PG DD before being referenced by a <code>DEFINE TRANSACTION</code> statement. The <code>DEFINE CALL</code> statements can optionally be moved to the new PGAU control file of the TIP in which they are included.
<code>DEFINE TRANSACTION</code> statements	Specified for each new TIP desired and will reference those call definitions moved from the former large TIP to the new small TIPs. No transaction attributes will change. This allows any new TIP to perform the same initialization or termination with the same RHT as the former large TIP. The old <code>DEFINE TRANSACTION</code> statement (of the former large TIP) should now exclude any call definitions which are being moved to new small TIPs.

## APPC Conversation Sharing Example

Assume the existence of RHTs A, B and C, and that RHT A performs a menu selection and calls RHT B for a query function or RHT C for an update followed by a select function.

You could define the following `DATA` and `CALLS`:

- `DEFINE DATA choice ...`
- `DEFINE DATA input ...`
- `DEFINE DATA answer ...`
- `DEFINE DATA record ...`

- DEFINE CALL menu\_A callname(pick) parms(choic in);
- DEFINE CALL query\_B callname(query) parms((input in),  
(answer out));
- DEFINE CALL update\_C callname(update) parms(record in);
- DEFINE CALL select\_C callname(select) parms(record out);

The following example TIPs could be defined:

### Example 1

This example does not use APPC conversation sharing, but is a valid TIP definition created before release 3.4.0, combining the functions of RHTs A, B and C.

```
DEFINE TRANSACTION rhtABC calls(menu_A,
                                query_B,
                                update_C,
                                select_C)
                                tpname(RHTA);
```

This TIP includes all data definitions and calls, and might be too large to compile. This TIP does not use APPC conversation sharing as there is only the one TIP, `rhtABC`. The RHTs do, however, perform their normal sharing of the conversation at the remote host. If the TIP was small enough to compile, the client application calls TIP functions as follows:

```
rc := rhtABC.rhtABC_init(tranuse);
rc := rhtABC.pick(tranuse, choice);
rc := rhtABC.query(tranuse, input, answer);
rc := rhtABC.update(tranuse, record);
rc := rhtABC.select(tranuse, record);
rc := rhtABC.rhtABC_term(tranuse);
```

### Example 2

This example demonstrates defining a set of TIPs with APPC conversation sharing, separating the functions of RHTs A, B and C into three TIPs:

```
DEFINE TRANSACTION rhtA calls(menu_A) tpname(RHTA);
DEFINE TRANSACTION rhtB calls(query_B) tpname(RHTA);
DEFINE TRANSACTION rhtC calls(update_C,
                                select_C) tpname(RHTA);
```

Each TIP includes only the call and data it requires, and each TIP automatically performs APPC conversation sharing. The client application calls these functions as follows:

```
rc := rhtA.rhtA_init(tranuse);
rc := rhtA.pick(tranuse, choice);
rc := rhtB.query(tranuse, input, answer);
rc := rhtC.update(tranuse, record);
rc := rhtC.select(tranuse, record);
rc := rhtB.rhtB_term(tranuse);
```

The only client application difference between the two examples is in the schema qualifier on each of the TIP calls. This is because the function being called is in a different TIP which has a different package name in the database.

Only new `DEFINE TRANSACTION` statements were needed to make use of APPC conversation sharing. The `CALL` and `DATA` definitions were used as-is. This means the old TIP `rhtABC` is still defined as it was and might still be too large to compile.



**Example 3**

If you performed Sample 2 but you still believe that the TIP may be too large to compile, try this:

```
DEFINE TRANSACTION rhtABC calls(menu_A)  tpname(RHTA);
DEFINE TRANSACTION rhtB  calls(query_B)  tpname(RHTA);
DEFINE TRANSACTION rhtCU calls(update_C)  tpname(RHTA);
DEFINE TRANSACTION rhtCS calls(select_C)  tpname(RHTA);
```

TIP `rhtABC` has had three functions removed so it is now smaller and more likely to compile. TIP `rhtB` has one function and TIP `rhtC` has been separated into two TIPs even though the corresponding host functions remain in a single RHT.

The client application calls these functions as follows:

```
rc := rhtB.rhtB_init(tranuse);
rc := rhtABC.pick(tranuse, choice);
rc := rhtB.query(tranuse, input);
rc := rhtCU.update(tranuse, record);
rc := rhtCS.select(tranuse, record);
rc := rhtABC.rhtABC_term(tranuse);
```

A different TIP is used for initialization, illustrating that all TIPs contain the `init` and `term` functions, and because the `DEFINE TRANSACTION` statements all specified the same `tpname(RHTA)`, the same remote host transaction is always called for initialization.

**APPC Conversation Sharing Overrides and Diagnostics**

TIP default override parameters are processed in the TIP `init` function which was called to perform initialization. Once the APPC conversation is established, no further sharing of overriding parameters is necessary. You need do nothing more than pass the overrides to the TIP `init` function.

TIP diagnostic parameters are shared among all TIPs sharing a given conversation. In effect, requesting diagnostics of the TIP performing initialization causes the same diagnostics to be requested of all TIPs sharing the conversation. Requesting diagnostics from only one TIP of several sharing a conversation is not possible. The application designer or user need only pass the TIP runtime trace controls to the TIP `init` function.

**Application Development with Multi-Byte Character Set Support**

COBOL presently only supports double byte character sets (DBCS) for `PIC G` datatypes.

PGAU processes COBOLII `PIC G` datatypes as PL/SQL `VARCHAR2` variables and generates TIPs which automatically convert the data according to the Oracle `NLS_LANGUAGES` specified for the remote host data and the local Oracle data.

These Oracle `NLS_LANGUAGES` can be specified as defaults for all `PIC G` data exchanged by the TIP with the remote transaction (see `DEFINE TRANSACTION . . . REMOTE_MBCS` or `LOCAL_MBCS`). The Oracle `NLS_LANGUAGES` for any individual `PIC G` data item can be further overridden (see `REDEFINE DATA . . . REMOTE` or `LOCAL_LANGUAGE`).

DBCS data can be encoded in any combination of supported DBCS character sets. For example, a remote host application which allows different codepages for each field of data in a record is supported by the Oracle Database Gateway MBCS support.

Use of `REDEFINE DATA . . . REMOTE_LANGUAGE` or `LOCAL_LANGUAGE` on `PIC X` items is also supported. Thus a TIP can perform DBCS or MBCS conversions for specified `PIC X` data fields, in addition to SBCS conversions by default for the remaining `PIC X` data fields. Default SBCS conversion is according to the `DEFINE TRANSACTION . . . NLS_LANGUAGE` and local Oracle default `LANGUAGE` environment values.

When PGAU is generating a TIP, the `PIC G` datatypes are converted to PL/SQL `VARCHAR2` datatypes. After conversion by the TIP, received '`PIC G`' `VARCHAR2` datatypes can have a length less than the maximum due to deletion of shift-out and shift-in meta characters, and sent '`PIC G`' RAWs will have the shift-out and shift-in characters inserted as required by the remote host character set specified.

This is different from the conversions performed for `PIC X` data which is always a known fixed-length and hence `CHAR` datatypes are used in TIPs for `PIC X` data fields. However, even when the `PIC X` field contains DBCS or MBCS data, a `CHAR` variable is still used and padded with blanks if needed.

Some remote host applications bracket a `PIC G` field with `PIC X` bytes used for shift-out, shift-in meta-character insertion. Such a COBOL definition might look like:

```
01 MY_RECORD.
   05 SO PIC X.
   05 MY_SBCS_DATA PIC G(52).
   05 SI PIC X.
```

This is not processed correctly by PGAU, because all three fields are defined, and consequently treated, as separate data items when conversion is performed.

To be properly processed, the definition input to PGAU should be:

```
01 MY_RECORD.
   05 MY_MBCS_DATA PIC G(51).
```

The PGAU `REDEFINE DATA` statement can redefine the 3-field definition to the 1-field definition by specifying `USAGE(SKIP)` on fields `SO` and `SI`, and '`05 MY_MBCS_DATA PIC G(51) .`' to redefine `MY_MBCS_DATA`. The three `REDEFINE` statements can be placed in the PGAU input control file, and thus the remote host definition need not be altered.

## Modifying a Terminal-Oriented Transaction to Use APPC

The remote transaction program must include mapped APPC verbs to initiate, communicate, and terminate the APPC conversation. However, when the remote transaction program is terminal-oriented, the following options are available:

- You can separate the terminal logic from the application and I/O logic. Once this separation is achieved, a small front end remote transaction program can be written to interface between the gateway calls and the transaction application logic. For example, in CICS the `CICS LINK` is used to implement this technique.
- You can modify your existing program so that APPC calls are embedded. In the example, `PGADB2I`, we use CICS and its associated mapped APPC verbs as follows:
  - `EXEC CICS ASSIGN` accepts the conversation initiated by the gateway.
  - `EXEC CICS RECEIVE` receives the arguments.
  - `EXEC CICS SEND` ends the results.
  - `EXEC CICS RETURN` terminates the conversation.

- If you do not want to modify your terminal-oriented transaction, you can insert an APPC-capable interface, such as IBM Corporation's FEPI for CICS Transaction Server for z/OS, between the terminal-oriented program and the gateway.
- With IMS/TM, existing unmodified IMS transactions can be accessed with the gateway using the implicit APPC facility. With implicit APPC, the standard DLI GU, GN, and ISRT calls using the I/O PCB are automatically converted to appropriate APPC send or receive calls when the IMS transaction is invoked through APPC.

## Privileges Needed to Use TIPs

Execute privileges must be explicitly granted to callers of TIPs or procedures. This privilege cannot be granted through a role.

Any TIP user wanting to trace a TIP must be granted execute privileges on the rtrace and ptrace procedures. Refer to the "Configuring PGAU" section in the chapter appropriate for your communications protocol in the *Oracle Database Gateway for APPC Installation and Configuration Guide for IBM AIX on POWER Systems (64-Bit), Linux x86-64, Oracle Solaris on SPARC (64-Bit), and HP-UX Itanium and Oracle Database Gateway for APPC Installation and Configuration Guide for Microsoft Windows* for more information.

For example, on Microsoft Windows:

```
C:\> sqlplus pgaadmin\pw@database_specification_string
SQL> grant execute on pgaadmin.purge_trace to tip_user_userid;
SQL> grant execute on pgaadmin.read_trace to tip_user_userid;
```

On UNIX based systems:

```
$ sqlplus pgaadmin/pw@database_specification_string
SQL> grant execute on pgaadmin.purge_trace to tip_user_userid;
SQL> grant execute on pgaadmin.read_trace to tip_user_userid;
```

After a TIP has been developed, the TIP user must be granted execute privileges on the TIP by the TIP owner. The TIP owner is usually PGAADMIN, but can be another user who has been granted either the PGDDDEF or PGDDGEN roles.

For example, on Microsoft Windows:

```
C:\> sqlplus tip_owner\pw@database_specification_string
SQL> grant execute on tipname to tip_user_userid;
```

On UNIX based systems:

```
$ sqlplus tip_owner/pw@database_specification_string
SQL> grant execute on tipname to tip_user_userid;
```

where *database\_specification\_string* is the Oracle Net identifier for the Oracle database where the gateway UTL\_RAW and UTL\_PG components were installed. This is the same Oracle database where the TIPs are executed and where grants on the TIPs are performed from the TIP owner user ID.

A SQL script for performing these grants is provided in the %ORACLE\_HOME%\dg4appc\admin directory on Microsoft Windows and in the \$ORACLE\_HOME/dg4appc/admin directory on UNIX based system. The pgddaur.sql script performs the grants for private access to the packages by a single TIP user. If private grants are to be used, the pgddaur.sql script must be run once for each TIP user's user ID.

To run these scripts, use SQL\*Plus to connect to the Oracle database as user PGAADMIN. From SQL\*Plus, run the `pgddausr.sql` script from the `%ORACLE_HOME%\dg4appc\admin` directory on Microsoft Windows or `$ORACLE_HOME/dg4appc/admin` directory on UNIX based system. The script performs the necessary grants as previously described. You are prompted for the required user IDs, passwords, and database specification strings. If you are using private grants, repeat this step for each user ID requiring access to the packages.

No script has been provided to perform public grants. To do this, issue the following commands:

For Microsoft Windows:

```
C:\> sqlplus tip_owner\pw@database_specification_string
SQL> grant execute on tipname to PUBLIC;
```

For UNIX based systems:

```
$ sqlplus tip_owner/pw@database_specification_string
SQL> grant execute on tipname to PUBLIC;
```

---

---

## Implementing Commit-Confirm (SNA Only)

Commit-confirm allows the updating of local Oracle resources to occur in the same Oracle transaction as the updating of non-Oracle resources accessed through the Oracle Database Gateway for APPC.

Read this chapter to familiarize yourself with the elements and functions of commit-confirm.

You will find instructions for configuring gateway components for commit-confirm on an SNA environment in the *Oracle Database Gateway for APPC Installation and Configuration Guide for IBM AIX on POWER Systems (64-Bit), Linux x86-64, Oracle Solaris on SPARC (64-Bit), and HP-UX Itanium* or *Oracle Database Gateway for APPC Installation and Configuration Guide for Microsoft Windows*. Refer to Chapter 5, "Configuring Your Network" and Chapter 6, "Gateway Configuration Using the SNA Communications Protocol" of the installation and configuration guides for specific information.

This chapter includes the following sections:

- ["Overview of Commit-Confirm"](#) on page 5-1
- ["Supported OLTPs"](#) on page 5-2
- ["Components Required to Support Commit-Confirm"](#) on page 5-2
- ["Application Design Requirements"](#) on page 5-4
- ["Commit-Confirm Architecture"](#) on page 5-4
- ["Commit-Confirm Flow"](#) on page 5-5

### Overview of Commit-Confirm

---

---

**Important:** If you are planning to implement commit-confirm, then you should already have configured the components. Depending on your platform, refer to Chapter 12 of the *Oracle Database Gateway for APPC Installation and Configuration Guide for IBM AIX on POWER Systems (64-Bit), Linux x86-64, Oracle Solaris on SPARC (64-Bit), and HP-UX Itanium* or Chapter 9 of the *Oracle Database Gateway for APPC Installation and Configuration Guide for Microsoft Windows* for instructions on its configuration.

---

---

Commit-confirm is a special implementation of two-phase commit that allows a database or gateway that does not support full two-phase commit to participate in distributed update transactions with other databases or gateways that do support full two-phase commit. In this implementation, the commit-confirm site is always the first

to be committed, after all other sites have been prepared. This allows all sites to be kept in sync, because if the commit-confirm site fails to commit successfully, all other sites can be rolled back.

Within an Oracle distributed transaction, all work associated with that transaction is assigned a common identifier, known as the Oracle Global Transaction ID. This identifier is guaranteed to be unique, so that it can be used to exclusively identify a particular distributed transaction. The key requirement for commit-confirm support is the ability for the commit-confirm site (in this case, the Oracle Database Gateway for APPC) to be able to log the Oracle Global Transaction ID as part of its unit of work, so that if a failure occurs, the gateway's recovery processing can determine the status of a particular Oracle Global Transaction ID by the presence or absence of a log entry for that transaction. A new Oracle Global Transaction ID is generated after every commit or rollback operation.

The Oracle Database Gateway for APPC implements commit-confirm using LU6.2 `SYNLEVEL 1`. This is similar to the implementation of single-site update, with the added advantage that resources on both the Oracle site and the OLTP being accessed by the gateway can be updated and kept in sync. The main difference is that the commit-confirm implementation requires some additional programming in the OLTP transaction to perform the transaction logging necessary for recovery support.

## Supported OLTPs

Since commit-confirm uses LU6.2 `SYNLEVEL 1`, it can be supported by any OLTP that supports APPC, including CICS Transaction Server for z/OS and IMS/TM. The Oracle Database Gateway for APPC provides sample commit-confirm applications for both CICS Transaction Server for z/OS and IMS/TM.

With CICS Transaction Server for z/OS, the standard command-level EXEC CICS interface can be used for all APPC communications. In addition, the CPI-C interface can be used if it is preferred. A sample DB2 update transaction written in COBOL using the EXEC CICS interface is provided with the gateway. Any language supported by CICS Transaction Server for z/OS can be used for writing commit-confirm transactions.

With IMS/TM, the CPI-C interface must be used, making the IMS transaction an "explicit APPC transaction," as referred to in the IBM IMSCICS Transaction Server for z/OS manuals. This is necessary because it is the only way that the LU6.2 `SYNLEVEL 1` control flows are accessible to the IMS transaction. When using "implied APPC" where "GU" from the IOPCB and "ISRT" to the IOPCB are used for receiving and sending data, there is no way for the IMS transaction to access the LU6.2 `SYNLEVEL 1` control flow, making it impossible to use this method for commit-confirm. A sample DLI database update transaction written in COBOL using the CPI-C APPC interface is provided with the gateway. Any language supported by IMS and CPI-C can be used for writing commit-confirm transactions.

## Components Required to Support Commit-Confirm

The following components are required to support commit-confirm:

- Oracle Database Gateway for APPC Server

The gateway server supports commit-confirm when

`PGA_CAPABILITY=COMMIT_CONFIRM` is specified in the gateway initialization file.

When the gateway server is running with commit-confirm enabled, it will connect to a local Oracle database where it maintains a commit-confirm transaction log, similar to the Oracle two-phase commit log stored in the `DBA_2PC_PENDING` table.

The gateway's transaction log is stored in the `PGA_CC_PENDING` table. A row is stored in this table for each in-flight transaction and remains there until the transaction has completed. The life span of rows in `PGA_CC_PENDING` is normally quite short, lasting only from the time the commit is received by the gateway until the time the Oracle database completes all commit processing and tells the gateway to forget the transaction.

The commit-confirm gateway SID should be reserved for use only to invoke update transactions that implement commit-confirm. There is some extra overhead involved in the setup for logging when `PGA_CAPABILITY` is set to `COMMIT_CONFIRM`. Read-only transactions should be invoked through a separate gateway SID with `PGA_CAPABILITY` set to `READ_ONLY` so that they will not incur the extra overhead.

- Logging Server

An Oracle database must be available for use by the gateway server for storing the `PGA_CC_PENDING` table. For maximum performance and reliability, Oracle recommends that this Oracle database reside on the same system as the gateway server.

- OLTP Commit-Confirm Transaction Log

A commit-confirm transaction log database must be defined to the OLTP system being accessed. This database must be recoverable and must be accessible by the OLTP as part of the same unit of work as the OLTP application's databases, so that updates to the transaction log database will be kept in sync with updates to the application's databases in a single unit of work.

The commit-confirm transaction log database need contain only the Oracle Global Transaction ID and a date/time stamp. The Oracle Global Transaction ID is 169 bytes long and must be the key field. The date/time stamp is used for purging old entries that can be left in the log after certain failure scenarios.

For simplicity, all commit-confirm applications under a particular OLTP should share the same commit-confirm transaction log.

- OLTP Transaction Logging Code

Code must be added to each OLTP transaction invoked by a commit-confirm gateway to perform the transaction logging required by the gateway's commit-confirm implementation. This code must receive the Oracle Global Transaction ID from the gateway and write that information into the OLTP commit-confirm transaction log database. For maximum flexibility and ease of use, this code can be written as a subroutine callable from any commit-confirm transaction on your OLTP system.

This code must be executed at the beginning of each commit-confirm transaction prior to the first APPC receive and then immediately after each `COMMIT` or `ROLLBACK` in the transaction. This ensures that the logging is done at the beginning of each unit of work.

- OLTP Forget/Recovery Transaction

A separate APPC transaction must be created on the OLTP system that can be started by the gateway to forget a transaction once it has been successfully committed and to query a transaction's state during recovery processing. This transaction deletes the entry for a particular Oracle Global Transaction ID from the OLTP commit-confirm transaction log database during forget processing and queries the entry for a particular Oracle Global Transaction ID from the OLTP commit-confirm transaction log database during recovery processing.

---

---

**Note:** Make sure that the gateway initialization parameters and the OLTP parameters are properly configured, as described in Chapter 11 of the *Oracle Database Gateway for APPC Installation and Configuration Guide for IBM AIX on POWER Systems (64-Bit), Linux x86-64, Oracle Solaris on SPARC (64-Bit), and HP-UX Itanium* or Chapter 8 of the *Oracle Database Gateway for APPC Installation and Configuration Guide for Microsoft Windows* depending on your platform.

---

---

## Application Design Requirements

When designing commit-confirm applications for use with the Oracle Database Gateway for APPC, there are some requirements you must meet to provide the ability for the gateway to determine the state of a transaction in the event of a failure. If these requirements are not met, attempting to use an application with a commit-confirm gateway will produce unpredictable results.

The first thing that must be done by an OLTP transaction invoked by a commit-confirm gateway is to receive the Oracle Global Transaction ID from the gateway and log it into the OLTP commit-confirm transaction log database. This must be done before the normal data flow between the OLTP transaction and the Oracle application begins. The gateway always sends the Oracle Global Transaction ID as the very first data item.

If the OLTP transaction is a one-shot transaction, this is the only change needed. If the transaction is a persistent transaction that performs more than one unit of work (issues more than one commit or rollback), then a new Oracle Global Transaction ID must be received and logged after every `COMMIT` or `ROLLBACK`.

The Oracle Global Transaction ID is sent by the gateway in a variable-length record with a maximum length of 202 bytes. The first 32 bytes contain a special binary string used to verify that the data came from the gateway and not from some other application. The next 1 byte is a reserved field. The Oracle Global Transaction ID is next, with a maximum length of 169 bytes. You must log the reserved field and the Oracle Global Transaction ID, as well as a date/time stamp and any other information you wish to log. Note that the Oracle Global Transaction ID must be the key field for the log database so that the forget/recovery transaction can use the Oracle Global Transaction ID to directly access a log entry.

---

---

**Note:** If your OLTP is IMS/TM, you must add a PCB for the commit-confirm transaction log database to the PSB for each transaction that you will use with a commit-confirm gateway. This PCB must be the first PCB in the PSB.

---

---

## Commit-Confirm Architecture

The architecture of the commit-confirm implementation in the Oracle Database Gateway for APPC consists of three main components:

- Oracle database
- Oracle Database Gateway for APPC server (gateway server)
- Logging server (an Oracle database holding the tables `PGA_CC_PENDING` and `PGA_CC_LOG`)



This section describes the role each component plays in the operation of commit-confirm and how these components interact.

## Components

The Oracle database is the controlling component in the commit-confirm architecture. It tells the gateway server when to commit a transaction and when to rollback a transaction. It does the same with all other servers participating in a distributed transaction. When a failure has occurred, it is the Oracle database acting as the integrating server which drives the recovery process in each participating server, including the gateway server.

The gateway server performs the task of converting instructions from the Oracle database into LU6.2 operations and then logs the transaction into the logging server. The gateway server stores the log information in a table called `PGA_CC_PENDING` on the logging server. If a failure occurs during transaction processing, the gateway server determines which error should be returned to the Oracle database.

The logging server is an Oracle database available to the gateway server for storing and accessing its commit-confirm log information. The logging server need not be the same Oracle database which acts as the integrating server. Because the logging server is an integral component of gateway commit-confirm operations, the best place for it to reside is on the same system as the gateway server. This allows the communication between the gateway server and the logging server to use interprocess communications, providing a high-speed, low overhead, local connection between the components.

## Interactions

There is a specific set of interactions that occur between the components. They are:

- Oracle Database <--> Gateway Server

The Oracle database drives all actions by the gateway server. At the request of the Oracle application, the integrating server can instruct the gateway server to begin a new Oracle transaction, start a commit sequence, start a rollback sequence, or start a forget sequence. It can also call gateway remote procedural call (RPC) functions (`PGAINIT`, `PGAXFER`, `PGATERM`) on behalf of the Oracle application.

- Gateway Server <--> Logging Server

The gateway server calls the logging server to insert and delete rows from its `PGA_CC_PENDING` table. This is actually done by calling a PL/SQL stored procedure, `PGA_CC_LOG`, in the logging server to reduce the number of open cursors required by the gateway server for performing its logging. Only a single cursor is needed by the gateway server for logging.

## Commit-Confirm Flow

The flow of control for a successful commit between an Oracle application and an OLTP transaction is described in the following section and illustrated in [Figure 5–1, "Commit-Confirm Flow with Synclevel 1"](#). The figure assumes that both Oracle and OLTP resources have been updated. The following steps in [Section](#) outline the commit-confirm logic flow.

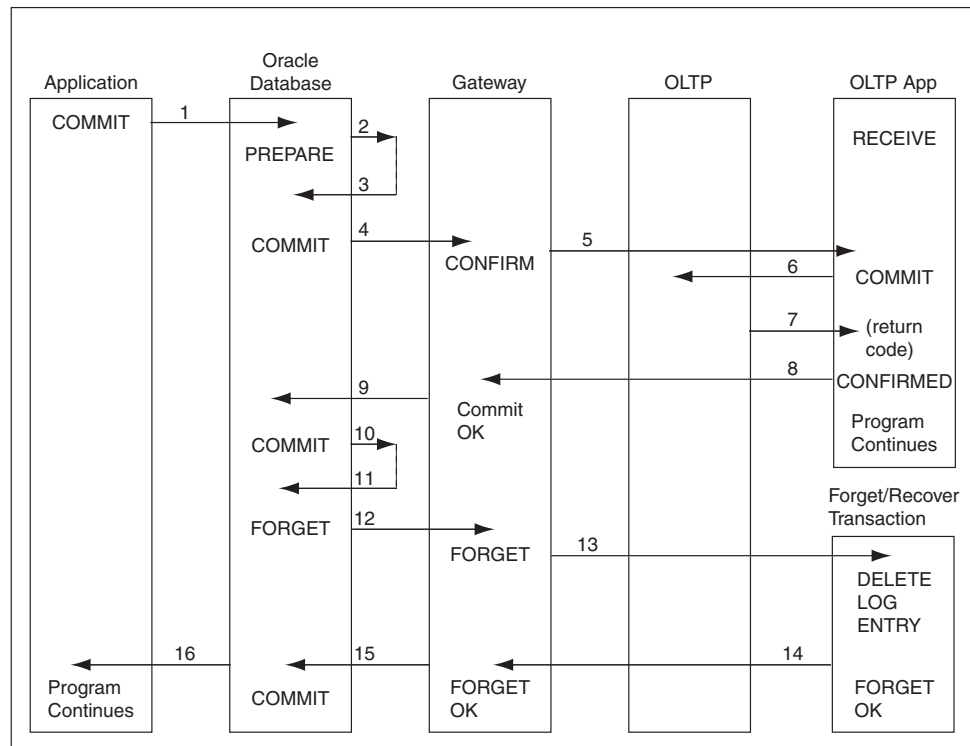
### Commit-Confirm Logic Flow, Step by Step

1. The application issues a `COMMIT` to the Oracle database.

2. The Oracle database sends `PREPARE` to each participant in the distributed transaction other than the gateway.
3. Each participant prepares its database updates and responds `PREPARE OK` to the Oracle database.
4. The Oracle database sends `COMMIT` to the gateway. The gateway receives the `COMMIT` from the Oracle database and inserts a new pending transaction row into the `PGA_CC_PENDING` table.
5. The gateway sends an `APPC CONFIRM` to the OLTP application. The OLTP application receives the `CONFIRM` request in the form of a status from the last `APPC RECEIVE`.
6. The OLTP application issues a `COMMIT` using an appropriate OLTP function. The OLTP commits all database updates made by the application since the last `COMMIT`, including the commit-confirm transaction log update.
7. Once the database updates have been committed, the OLTP returns control to the application with a return code indicating the status of the `COMMIT`.
8. The OLTP application sends an `APPC CONFIRMED` to the gateway.
9. The gateway receives the `CONFIRMED` and returns `COMMIT OK` to the Oracle database.
10. The Oracle database sends `COMMIT` to each participant in the distributed transaction other than the gateway.
11. Each participant commits its database updates and responds `COMMIT OK` to the Oracle database.
12. The Oracle database sends a `FORGET` to the gateway.
13. The gateway receives the `FORGET` and starts a new `APPC` conversation with the `FORGET/RECOVERY` transaction at the OLTP, sends it a `FORGET` request and an `APPC CONFIRM`. The `FORGET/RECOVERY` transaction receives the `FORGET` request and deletes the entry from the commit-confirm transaction log for the current Oracle transaction, and commits the delete.
14. The `FORGET/RECOVERY` transaction sends an `APPC CONFIRMED` to the gateway to indicate that the `FORGET` was processed, and then terminates. The gateway receives the `CONFIRMED` and deletes the pending transaction row from the `PGA_CC_PENDING` table.
15. The gateway returns `FORGET OK` to the Oracle database.
16. The Oracle database returns control to the Oracle application.

Figure 5–1, "Commit-Confirm Flow with Synclevel 1" illustrates the Commit-Confirm logic flow described in the previous section.

Figure 5-1 Commit-Confirm Flow with Synclevel 1



## Gateway Server Commit-Confirm Transaction Log

The commit-confirm transaction log consists of a single table, `PGA_CC_PENDING`. This table contains a row for each in-flight Oracle transaction that includes the commit-confirm gateway. The table is maintained by the gateway server and is similar in function to the Oracle database's `DBA_2PC_PENDING` table. Note that a row is not inserted into this table until a `COMMIT` is received by the gateway and the row is deleted when a `FORGET` is received by the gateway. There is no involvement by the gateway during the `PREPARE` phase.

The `PGA_CC_PENDING` table contains the following columns:

- `GLOBAL_TRAN_ID`

This is the Oracle Global Transaction ID for the transaction. It is identical to the corresponding column in the `DBA_2PC_PENDING` table.

- `SIDE_NAME`

This is the Side Information Profile name that was used by the gateway to allocate the APPC conversation with the target LU. It corresponds to the `SIDENAME` parameter passed to the `PGAINIT` gateway function.

- `LU_NAME`

This is the fully-qualified partner LU name of the target LU. This value is either the LU name from the Side Information Profile or the `LUNAME` parameter passed to the `PGAINIT` gateway function. This name fully identifies the OLTP system on which the transaction was executed.

- `MODE_NAME`

This is the Mode name that was used by the gateway to allocate the APPC conversation with the target LU. The value is either the Mode name from the Side

Information Profile or the `MODENAME` parameter passed to the `PGAINIT` gateway function.

- `TP_NAME`

This is the transaction program name executed at the target LU. The value is either the TP name from the Side Information Profile or the `TPNAME` parameter passed to the `PGAINIT` gateway function. This name fully identifies the OLTP transaction program that was executed.

---

## PG4TCPMAP Commands (TCP/IP Only)

This chapter contains the commands and instructions necessary to operate the `pg4tcpmap` tool. This tool allows relevant parameters to map to a gateway using TCP/IP support for IMS Connect. The tool will be used to populate the `PGA_TCP_IMSC` table.

PGA\_

This chapter contains the following sections:

- ["Preparation for Populating the PGA\\_TCP\\_IMSC Table"](#) on page 6-1
- ["Overview"](#) on page 6-1
- ["Populating the PGA\\_TCP\\_IMSC Table"](#) on page 6-2
- ["Before You Run the pg4tcpmap Tool"](#) on page 6-4
- ["pg4tcpmap Tool Commands"](#) on page 6-5

### Preparation for Populating the PGA\_TCP\_IMSC Table

If your gateway is using TCP/IP support for IMS Connect, then you must use the `pg4tcpmap` tool to prompt `PGAINIT` to provide the required TCP/IP parameters as input.

The `pg4tcpmap` tool must be run before executing any PL/SQL gateway statements in order to populate the `PGA_TCP_IMSC` table, which utilizes the corresponding TIPs.

Note that you do not need to rerun the `pg4tcpmap` tool for additional IMS transactions if they share the same IMS Connect attributes.

The `PGA_TCP_IMSC` table was created when you executed the `%ORACLE_HOME%\dg4appc\admin\pga.ims.c.sql` script on Microsoft Windows or `$ORACLE_HOME/dg4appc/admin/pga.ims.c.sql` script on UNIX based systems during your gateway configuration. If you need further information about creating the `PGA_TCP_IMSC` table, then depending on your platform, refer to Chapter 13 of the *Oracle Database Gateway for APPC Installation and Configuration Guide for IBM AIX on POWER Systems (64-Bit), Linux x86-64, Oracle Solaris on SPARC (64-Bit), and HP-UX Itanium* or Chapter 10 of *Oracle Database Gateway for APPC Installation and Configuration Guide for Microsoft Windows*.

### Overview

In a `PGAINIT` procedure call, the user must specify a Side Profile Name and TP Name. The values of these parameters will be inserted into a table named `PGA_TCP_IMSC`.

### Configure userid and password before running gateway mapping tool

Before executing the `pg4tcpmap` tool, you must configure a valid userid and password and `TNSNAMES` alias for the Oracle database where the `PGA_TCP_IMSC` table resides. You must specify the userid, password, and database in the `PGA_TCP_USER`, `PGA_TCP_PASS`, and `PGA_TCP_DB` parameters, respectively, located in the gateway initialization file `%ORACLE_HOME%\dg4appc\admin\initsid.ora` for Microsoft Windows and `$ORACLE_HOME/dg4appc/admin/initsid.ora` for UNIX based systems.

## Populating the PGA\_TCP\_IMSC Table

Table 6–1 describes the parameter information contained in the column names, types and contents column found in the `PGA_TCP_IMSC` table.

**Table 6–1 PGA\_TCP\_IMSC Table Columns**

Column Name	Type	Content
SideProfileName	varchar2(8)	<i>This parameter has no SNA implication. It is simply a name that is defined in the .ctl file for the PGAU utility. It represents a group of IMS transactions with similar IMS Connect attributes, such as time delay, socket type and IMS subsystem ID.</i> Unique index.
HostName	varchar2(169) NOT NULL	The OLTP TCP/IP address or the hostname.
PortNumber	varchar2(17) NOT NULL	The OLTP port number.
ANDRS	char(1) NOT NULL	ANDRS specifies whether the client is sending: A = ACK: Positive Acknowledgement; N = NAK: Negative Acknowledgement; D = DEALLOCATE: Deallocate Connection; R = RESUME: Resume TPIPE; S = SENDONLY: Send only Acknowledgment or Deallocate. blank: no request for Acknowledgement or Deallocate. The default is "blank".
TIMER	char(1) NOT NULL	Time delay for the receive to the datastore after an ACK or RESUME TPIPE: D = default value X'00' .25 second; S = short wait X'01' through X'19': 01 to .25 second N = No Wait occurs I = Receive waits indefinitely. The default is "D".

**Table 6–1 (Cont.) PGA\_TCP\_IMSC Table Columns**

Column Name	Type	Content
SOCK	char(1) NOT NULL	<p>Socket Connection Type</p> <p>T = Transaction Socket: P = Persistent Socket N = Non-persistent Socket</p> <p>The default is "T".</p>
CLIENTID	char(8) NOT NULL	<p>Specifies the name of the client ID that is used by IMS Connect. The default is 'null'.</p>
COMMITMODE	char(1) NOT NULL	<p>It specifies the commit mode:</p> <p>0 = the commit mode is 0; 1 = the commit mode is 1</p> <p>The default is "1".</p>
IMSDESTID	char(8) NOT NULL	<p>Specifies the datastore names (IMS subsystem ID) 8 bytes.</p> <p>This parameter must be specified.</p>
LTERM	char(8) NOT NULL	<p>Specifies the IMS LTERM override. The default is "blank".</p>
RACFGRPNAM	char(8) NOT NULL	<p>Specifies the RACF group name. The default is "blank".</p> <p>You need to specify the RACF group name if you have set PGA_SECURITY_TYPE to PROGRAM.</p> <p>Refer to "PGA_SECURITY_TYPE" in Table B-1 "PGA Parameters on Gateway Using TCP/IP for IMS Connect" in the <i>Oracle Database Gateway for APPC Installation and Configuration Guide for IBM AIX on POWER Systems (64-Bit), Linux x86-64, Oracle Solaris on SPARC (64-Bit), and HP-UX Itanium or Oracle Database Gateway for APPC Installation and Configuration Guide for Microsoft Windows..</i></p> <p>Refer to "TCP/IP Security Option SECURITY=PROGRAM" in Chapter 14 of the <i>Oracle Database Gateway for APPC Installation and Configuration Guide for IBM AIX on POWER Systems (64-Bit), Linux x86-64, Oracle Solaris on SPARC (64-Bit), and HP-UX Itanium</i> or Chapter 11 of the <i>Oracle Database Gateway for APPC Installation and Configuration Guide for Microsoft Windows</i> to learn more about how to set the RACF userid and RACF password.</p>

**Table 6–1 (Cont.) PGA\_TCP\_IMSC Table Columns**

Column Name	Type	Content
IRM_ID	char(8) NOT NULL	Specifies the IMS Connect user exit IRM ID. If you do not specify this parameter it will default to IRMREQ, corresponding to the IBM HWSIMS00 sample user exit.
LLLL	char(1) NOT NULL	Specifies whether the IMS Connect user exit return data includes the LLLL (total length) prefix field or not. Supported values are:  Y - the exit return data includes the LLLL prefix field  N - the exit return data does not include the LLLL prefix field  The default value is N.

## Before You Run the pg4tcpmap Tool

Follow these steps to prepare for running the pg4tcpmap tool before you run the gateway.

1. Set the ORACLE\_HOME and ORACLE\_SID for the Oracle database.
2. Make certain that the user, PGAADMIN, has been created in the Oracle database and you can talk to the database. Issue

```
%ORACLE_HOME%\dg4appc\admin\pgacr8au.sql on Microsoft Windows.
```

Or,

```
$ORACLE_HOME/dg4appc/admin/pgacr8au.sql on UNIX based systems.
```

3. The `initsid.ora` file must contain appropriate parameters. Set the following parameters:

- PGA\_TCP\_USER
- PGA\_TCP\_PASS
- PGA\_TCP\_DB
- If you intend to enable the tracing, you will also need to set the following parameters:
  - TRACE\_LEVEL=255
  - LOG\_DESTINATION=<valid directory>

Refer to [Chapter 8, "Troubleshooting"](#) for information about tracing.

4. Make certain that the PGA\_TCP\_IMSC table has been created. Issue:

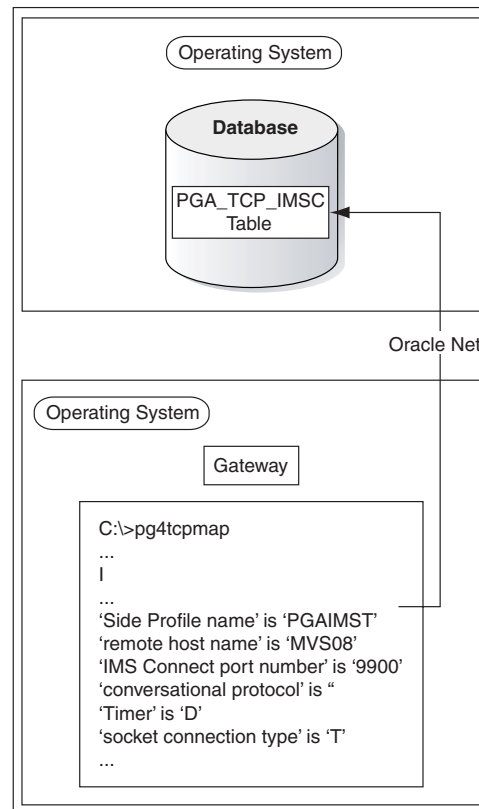
```
%ORACLE_HOME%\dg4appc\admin\pgaimsc.sql on Microsoft Windows.
```

Or,

```
$ORACLE_HOME/dg4appc/admin/pgaimsc.sql on UNIX based systems.
```

**Figure 6–1** illustrates the relationship between the gateway, the database and the pg4tcpmap tool in mapping the Side Profile Name to TCP/IP and IMS Connect attributes in the PGA\_TCP\_IMSC table.



**Figure 6–1 Mapping SNA Parameters to TCP/IP Using the pg4tcpmap Tool**

TCP/IPTCP/IP

\*\*\*\*\*

A copy of the screen output file for the pg4tcpmap tool is located in Appendix B, "Gateway Initialization Parameters for TCP/IP Communication Protocol" in the *Oracle Database Gateway for APPC Installation and Configuration Guide for IBM AIX on POWER Systems (64-Bit), Linux x86-64, Oracle Solaris on SPARC (64-Bit), and HP-UX Itanium or Oracle Database Gateway for APPC Installation and Configuration Guide for Microsoft Windows*.

An example of a trace file from a sample pg4tcpmap execution can be found in [Chapter 8, "Troubleshooting"](#).

## pg4tcpmap Tool Commands

There are two commands for the pg4tcpmap tool:

- one command inserts a row into the PGA\_TCP\_IMSC table;
- the other command deletes a row from the table, and the user must specify the predicate as "Side Profile Name".

### Inserting a Row into the PGA\_TCP\_IMSC Table

For Microsoft Windows, issue the following command from the gateway Oraclehome %ORACLE\_HOME%\bin directory:

```
C:\> pg4tcpmap
```

For UNIX based systems, issue the following command from the gateway Oracle home \$ORACLE\_HOME/bin directory:

```
$ pg4tcpmap
```

The gateway release number, copyright information, along with the following text appears:

This tool takes the IMS Connect TCP/IP information, such as host name and port number, and maps them to your TIPS.

You may use this tool to insert or delete IMS Connect TCP/IP information.  
If you want to insert a row, Type "I"  
If you want to delete a row, type "D"

Enter <i>, and after that, you need only enter the required parameters.

## Deleting Rows from the PGA\_TCP\_IMSC Table

For Microsoft Windows, issue the following command from the gateway Oracle home %ORACLE\_HOME%\bin directory:

```
C:\> pg4tcpmap
```

For UNIX based systems, issue the following command from the gateway Oracle home \$ORACLE\_HOME/bin directory:

```
$ pg4tcpmap
```

The gateway release number, copyright information, along with the following text appears:

This tool takes the IMS Connect TCP/IP information, such as host name and port number, and maps them to your TIPS.

You may use this tool to insert or delete IMS Connect TCP/IP information.  
If you want to insert a row, Type "I"  
If you want to delete a row, type "D"

Enter <d>, and the pg4tcpmap tool will ask you what Side Profile Name you want to delete.

If the row does not exist, you will receive an ORA-1403 error message.

---

---

**Note:** Do not use SQL\*Plus to update the PGA\_TCP\_IMSC table. If you have problems or incorrect data in the table, use %ORACLE\_HOME%\dg4appc\admin\pgaimsc.sql on Microsoft Windows or \$ORACLE\_HOME/dg4appc/admin/pgaimsc.sql on UNIX based systems to re-create the table and its index.

---

---

## Querying the PGA\_TCP\_IMSC Table

Use the regular SQL\*Plus select statement to query the table.

Example for Microsoft Windows:

```
C:\> sqlplus userid/password@databasename
SQL> column hostname format A22
SQL> column portnumber format A6
```

```
SQL> select sideprofilename, hostname,portnumber,imsdestid,commitmode from
      pga_tcp_ims;
```

SIDEPROF	HOSTNAME	PORTNU	IMSDESTI	C
-----	-----	-----	-----	-
IMSPGA	MVS08.US.ORACLE.COM	9900	IMSE	1

#### Example for UNIX based systems:

```
$ sqlplus userid/password@databasename
```

```
SQL> column hostname format A22
```

```
SQL> column portnumber format A6
```

```
SQL> select sideprofilename, hostname,portnumber,imsdestid,commitmode from
      pga_tcp_ims;
```

SIDEPROF	HOSTNAME	PORTNU	IMSDESTI	C
-----	-----	-----	-----	-
IMSPGA	MVS08.US.ORACLE.COM	9900	IMSE	1



---

---

## Client Application Development (TCP/IP Only)

This chapter discusses how you will call a TIP and control a remote host transaction if your gateway uses TCP/IP support for IMS Connect. It also provides you with the steps for preparing and executing a gateway transaction.

This chapter assumes:

- a remote host transaction (RHT) has already been written
- a TIP corresponding to the RHT has already been defined using the steps described in [Chapter 3, "Creating a TIP"](#).
- the `PGA_TCP_IMSC` mapping table has been populated, using the `pg4tcpmap` tool, with the `SIDE PROFILE` name, TCP/IP hostname, port number and other IMS Connect parameters.

This chapter contains the following sections:

- ["Overview of Client Application"](#) on page 7-1
- ["Preparing the Client Application"](#) on page 7-3
- ["Ensuring TIP and Remote Transaction Program Correspondence"](#) on page 7-4
- ["Calling the TIP from the Client Application"](#) on page 7-8
- ["Exchanging Data"](#) on page 7-13
- ["Calling PG4TCPMAP"](#) on page 7-14
- ["Executing the Application"](#) on page 7-14
- ["Application Development with Multi-Byte Character Set Support"](#) on page 7-14
- ["Privileges Needed to Use TIPs"](#) on page 7-15

### Overview of Client Application

The Procedural Gateway Administration Utility (PGAU) generates a complete TIP using definitions you provide. The client application can then call the TIP to access the remote host transaction. [Chapter 2, "Procedural Gateway Administration Utility"](#), discusses the use of PGAU in detail.

This overview explains what you must do in order to call a TIP and control a remote host transaction.

The gateway receives PL/SQL calls from the Oracle database and issues TCP/IP calls to communicate with a remote transaction program.

The following application programs make this possible:

1. an I/O PCB-enabled remote host transaction program
2. the `PGA_TCP_IMSC` mapping table that has been populated, using the `pg4tcpmap` tool, with the `SIDE PROFILE` name as well as the TCP/IP hostname, port number and other IMS Connect parameters.
3. a Transaction Interface Package (TIP). A TIP is a PL/SQL package that handles communication between the client and the gateway and performs datatype conversions between COBOL and PL/SQL.
4. PGAU generates the TIP specification for you. In the shipped samples, the PGAU-generated package is called `pgtflip.pkb`. This generated TIP includes at least three function calls that map to the remote transaction program:
  - `pgtflip_init` initializes the conversation with the remote transaction program
  - `pgtflip_main` exchanges application data with the remote transaction program
  - `pgtflip_term` terminates the conversation with the remote transaction program

Refer to [Appendix E, "Tip Internals"](#) for more information about TIPs, if you are writing your own TIP or debugging.

5. a client application that calls the TIP

The client application calls the three TIP functions with input and output arguments. In the example, the client application passes an input and the remote transaction and the remote transaction sends back the flipped input as an output.

[Table 7–1](#) demonstrates the logic flow between the PL/SQL driver, the TIP, and the gateway using the example IMS Connect-IMS transaction.

**Table 7–1 Logic Flow of IMS Connect-IMS Example**

Client Application	Oracle TIP	Procedures Established Between the Gateway and the Remote Transaction (mainframe IMS)
calls <code>tip_init</code>	Calls <code>PGAINIT</code>	Gateway issues TCP/IP socket and connect to initiate the conversation with IMS Connect.
calls <code>tip_main</code>	Calls <code>PGAXFER</code> to send the input and receive the output	Gateway issues TCP/IP <code>send()</code> to IMS Connect. IMS Connect, through OTMA and XCF, talks to the IMS instance. IMS <code>RECEIVE</code> completes. IMS performs application logic and issues <code>SEND</code> back to gateway. The gateway issues TCP/IP <code>receive()</code> ; receive completes.
calls <code>tip_term</code>	Call <code>PGATERM</code>	Gateway issues TCP/IP <code>close()</code> .

A client application which utilizes the gateway to exchange data with a remote host transaction performs some tasks for itself and instructs the TIP to perform other tasks on its behalf. The client application designer must consequently know the behavior of the remote transaction and how the TIP facilitates the exchange.

The following sections provide an overview of remote host transaction behavior, how this behavior is controlled by the client application and how TIP function calls and data declarations support the client application to control the remote host transaction. These sections also provide background information about what the TIP does for the

client application and how the TIP calls exchange data with the remote host transaction.

## Preparing the Client Application

To prepare the client application for execution you must understand the remote host transaction requirements and then perform these steps:

1. Make sure that the `pg4tcpmap` tool has been used to map the `SIDPROFILE` name, defined in the `.ctl` file for the `PGAU` utility, to TCP/IP and IMS Connect attributes.

Refer to [Chapter 6, "PG4TCPMAP Commands \(TCP/IP Only\)"](#) in this guide for detailed information about mapping parameters.

2. Make certain that you have identified the remote host transaction program facilities to be called.
3. Move relevant COBOL records layout (copybooks) to the gateway system for input to `PGAU`.
4. Describe the remote host transaction data and calls to the PG Data Dictionary (PG DD) with `DEFINE DATA`, `DEFINE CALL`, and `DEFINE TRANSACTION` statements.
5. Generate the TIP in the Oracle database, using `GENERATE`.
6. Create the client application that calls the TIP public functions.
7. Grant privileges on the newly created package.

## TIP Content and Purpose

The content of a `PGAU`-generated TIP reflects the calls available to the remote host transaction and the data that has been exchanged. Understanding this content helps when designing and debugging client applications that call the TIP.

A TIP is a PL/SQL package, and accordingly has two sections:

1. A Package Specification containing:
  - Public function prototypes and parameters, and
2. A Package Body containing:
  - Private functions and internal control variables
  - Public functions
  - Package initialization following the last public function.

The purpose of the TIP is to provide a PL/SQL callable public function for every allowed remote transaction program interaction. A remote transaction program interaction is a logically related group of data exchanges through one or more `PGAXFER` RPC calls. This is conceptually similar to a screen or menu interaction in which several fields are filled in, the enter key is pressed, and several fields are returned to the user. Carrying the analogy further:

- the user might be likened to the TIP or client application
- fields to be filled in are `IN` parameters on the TIP function call
- fields returned are `OUT` parameters on the TIP function call
- screen or menu is the group of `IN` and `OUT` parameters combined

- a pressed enter key is likened to the `PGAXFER` remote procedural call (RPC)

The actual grouping of parameters that constitute a transaction call is defined by the user. The gateway places no restrictions on how a remote transaction program might correspond to a collection of TIP function calls, each call having many `IN` and `OUT` parameters.

PGA users typically have one TIP per remote transaction program. How the TIP function calls are grouped and what data parameters are exchanged on each call depends on the size, complexity and behavior of the remote transaction program.

Refer to Oracle's *Oracle Database PL/SQL Language Reference* for a discussion of how PL/SQL packages work. The following discussion covers the logic that must be performed within a TIP. Refer to the sample TIP and driver supplied in the `%ORACLE_HOME%\dg4appc\demo\IMS` directory on Microsoft Windows and in `$ORACLE_HOME/dg4appc/demo/IMS` directory on UNIX based systems, in files `pgtflip.pkh`, `pgtflip.pkb`, and `pgtflipd.sql`.

## Remote Host Transaction Types

From a database gateway application perspective, there are three main types of remote host transactions:

- transaction socket
- persistent socket
- non-persistent socket

You should be familiar with the remote host transaction types. Refer to the IBM *IMS Connect Guide and Reference* for a full description of these transaction types.

## Ensuring TIP and Remote Transaction Program Correspondence

A remote host transaction program and its related TIP with client application must correspond on two key requirements:

- Parameter datatype conversion, which results from the way in which transaction `DATA` is defined. Refer to [Appendix D, "Datatype Conversions"](#) for a discussion of how PGAU-generated TIPs convert data based on the data definitions.
- TCP/IP send/receive synchronization, which results from the way in which transaction `CALLS` are defined

These `DATA` and `CALL` definitions are then included by reference in a `TRANSACTION` definition.

Make certain that the `SIDPROFILE` name has been mapped to TCP/IP and IMS Connect attributes, using the `pg4tcpmap` tool.

## DATA Correspondence

Using data definitions programmed in the language of the remote host transaction, the `PGAU DEFINE DATA` command stores in the PG DD the information needed for `PGAU GENERATE` to create the TIP function logic to perform:

- all data conversion from PL/SQL `IN` parameters supplied by the receiving remote host transaction
- all buffering into the format expected by the receiving remote host transaction



- all data unbuffering from the format supplied by the sending remote host transaction
- all data conversion to PL/SQL OUT parameters supplied by the sending remote host transaction

PGAU determines the information needed to generate the conversion and buffering logic from the data definitions included in the remote host transaction program. PGAU DEFINE DATA reads this information from files, such as COBOL copy books, or in-stream from scripts and saves it in the PG DD for repeated use. The Gateway Administrator needs to transfer these definition files from the remote host to the Oracle host where PGAU runs.

From the data definitions stored in the PG DD, PGAU GENERATE determines the remote host datatype and matches it to an appropriate PL/SQL datatype. It also determines data lengths and offsets within records and buffers and generates the needed PL/SQL logic into the TIP. Refer to the PGAU "DEFINE DATA" statement on page 2-8 in [Chapter 2, "Procedural Gateway Administration Utility"](#) and ["Sample PGAU DEFINE DATA Statements"](#) in [Appendix F, "Administration Utility Samples"](#) for more information.

All data that are referenced as parameters by subsequent calls must first be defined using PGAU DEFINE DATA. Simple data items, such as single numbers or character strings, and complex multi-field data aggregates, such as records or structures, can be defined. PGAU automatically generates equivalent PL/SQL variables and records of fields or tables for the client application to reference in its calls to the generated TIP.

As discussed, a parameter might be a simple data item, such as an employee number, or a complex item, such as an employee record. PGAU DEFINE DATA automatically extracts the datatype information it needs from the input program data definition files.

In this example, FLIPIN and FLIPOUT are the arguments to be exchanged.

```
PGTFLIP_MAIN(trannum, FLIPIN, FLIPOUT)
```

A PGAU DEFINE DATA statement must therefore be issued for each of these parameters:

```
DEFINE DATA FLIPIN
    PLSDNAME (FLIPIN)
    USAGE (PASS)
    LANGUAGE (IBMVSCOBOLII)
    (
    01 MSGIN PIC X(20).
    );
```

```
DEFINE DATA FLIPOUT
    PLSDNAME (flipout)
    USAGE (PASS)
    LANGUAGE (IBMVSCOBOLII)
    (
    01 MSGOUT PIC X(20).
    );
```

Note that a definition is not required for the trannum argument. This is the APPC conversation identifier and does not require a definition in PGAU.

## CALL Correspondence

The requirement to synchronize TCP/IP send() and receive() means that when the remote transaction program expects data parameters to be input, it issues TCP/IP receive() to read the data parameters. Accordingly, the TIP must cause the gateway to

issue TCP/IP send() to write the data parameters to the remote transaction program. The TIP must also cause the gateway to issue TCP/IP receive() when the remote transaction program issues TCP/IP send().

The PGAU DEFINE CALL statement specifies how the generated TIP is to be called by the client application and which data parameters are to be exchanged with the remote host transaction for that call. Each PGAU DEFINE CALL statement might specify the name of the TIP function, one or more data parameters, and the IN/OUT mode of each data parameter. Data parameters must have been previously defined with PGAU DEFINE DATA statements. Refer to "DEFINE CALL" on page 2-7 in Chapter 2, "Procedural Gateway Administration Utility" and "Sample PGAU DEFINE CALL Statements" in Appendix F for more information.

PGAU DEFINE CALL processing stores the specified information in the PG DD for later use by PGAU GENERATE. PGAU GENERATE then creates the following in the TIP package specification:

- declarations of public PL/SQL functions for each CALL defined with PL/SQL parameters for each DATA definition specified on the CALL
- declarations of the public PL/SQL data parameters

The client application calls the TIP public function as a PL/SQL function call, using the function name and parameter list specified in the PGAU DEFINE CALL statement. The client application might also declare, by reference, private variables of the same datatype as the TIP public data parameters to facilitate data passing and handling within the client application, thus sharing the declarations created by PGAU GENERATE.

In this example, the following PGAU DEFINE CALL statement must be issued to define the TIP public function:

```
DEFINE CALL FLIPMAIN
  PKGCALL (pgtflip_main)
  PARS ((FLIPIN IN), (FLIPOUT OUT));
```

### Flexible Call Sequence

The number of data parameters exchanged between the TIP and the gateway on each call can vary at the user's discretion, as long as the remote transaction program's SEND/RECEIVE requests are satisfied. For example, the remote transaction program data exchange sequence might be:

```
TCP/IP SEND      5 fields (field1-field5)
TCP/IP RECEIVE   1 fields (field6)
TCP/IP SEND      1 field (field7)
TCP/IP RECEIVE   3 fields (field8 - field10)
```

The resulting TIP/application call sequence could be:

```
tip_call1(parm1 OUT, <-- TCP/IP SEND field1 from remote TP
          parm2 OUT, <-- TCP/IP SEND field2 from remote TP
          parm3 OUT); <-- TCP/IP SEND field3 from remote TP

tip_call2(parm4 OUT, <-- TCP/IP SEND field4 from remote TP
          parm5 OUT); <-- TCP/IP SEND field5 from remote TP
tip_call3(parm6 IN OUT); --> TCP/IP RECEIVE field6 in remote TP
          <-- TCP/IP SEND field7 from remote TP

tip_call4(parm8 IN, --> TCP/IP RECEIVE field8 into remote TP
          parm9 IN, --> TCP/IP RECEIVE field9 into remote TP
          parm10 IN); --> TCP/IP RECEIVE field10 into remote TP
```

To define these four public functions to the TIP, four `PGAU DEFINE CALL` statements must be issued, each specifying its unique public function name (`tip_callx`) and the data parameter list to be exchanged. Once a data item is defined using `DEFINE DATA`, it can be referenced in multiple calls in any mode (`IN`, `OUT`, or `IN OUT`). For example, `parm5` could be used a second time in place of `parm6`. This implies the same data is being exchanged in both instances, received into the TIP and application on `tip_call12` and returned, possibly updated, to the remote host in `tip_call14`.

Notice also that the remote transaction program's first five written fields are read by two separate TIP function calls, `tip_call11` and `tip_call12`. This could also have been equivalently accomplished with five TIP function calls of one `OUT` parameter each or a single TIP function call with five `OUT` parameters. Then the remote transaction program's first read field (`field6`) and subsequent written field (`field7`) correspond to a single TIP function call (`tip_call13`) with a single `IN OUT` parameter (`parm6`).

This use of a single `IN OUT` parameter implies that the remote transaction program's datatype for `field6` and `field7` are both the same and correspond to the conversion performed for the datatype of `parm6`. If `field6` and `field7` were of different datatypes, then they have to correspond to different PL/SQL parameters (for example, `parm6 IN` and `parm7 OUT`). They could still be exchanged as two parameters on a single TIP call or one parameter each on two TIP calls, however.

Lastly, the remote transaction program's remaining three `RECEIVE` fields are supplied by `tip_call14` parameters 8-10. They also could have been done with three TIP calls passing one parameter each or two TIP calls passing one parameter on one call and two parameters on the other, in either order. This flexibility permits the user to define the correspondence between the remote transaction program's operation and the TIP function calls in whatever manner best suits the user.

### Call Correspondence Order Restrictions

Each TIP public function first sends all `IN` parameters, before it receives any `OUT` parameters. Thus, a remote transaction program expecting to send one field and then receive one field must correspond to separate TIP calls.

For example:

```
tip_call0( parmO OUT); <-- TCP/IP SEND outfield from remote TP
```

`PGAXFER` RPC checks first for parameters to send, but finds none and proceeds to receive parameters:

```
tip_call1( parmI IN); --> TCP/IP RECEIVE infield to remote TP
```

`PGAXFER` RPC processes parameters to send and then checks for parameters to receive, but finds none and completes; therefore, a single TIP public function with an `OUT` parameter followed by an `IN` parameter does not work, because the `IN` parameter is processed first--regardless of its position in the parameter list.

## TRANSACTION Correspondence

The remote host transaction is defined with the `PGAU DEFINE TRANSACTION` statement with additional references to prior definitions of `CALLS` that the transaction supports.

You specify the remote host transaction attributes, such as:

- transaction ID or name
- network address or location
- system type (such as IBM370)

- Oracle National Language of the remote host

---

**Note:** The PL/SQL package name is specified when the transaction is defined; this is the name by which the TIP is referenced and which the public function calls to be included within the TIP. Each public function must have been previously defined with a PGAU `DEFINE CALL` statement, which has been stored in the PG DD. If you do not specify a package name (TIP name) in the `GENERATE` statement, the transaction name you specified will become the package name by default. In that case, the transaction name (*tname*) must be unique and must be in valid PL/SQL syntax within the database containing the PL/SQL packages.

For more information, refer to ["DEFINE TRANSACTION"](#) on page 2-10 in [Chapter 2, "Procedural Gateway Administration Utility"](#) and ["Sample PGAU DEFINE TRANSACTION Statement"](#) on page F-2 in [Appendix F, "Administration Utility Samples"](#).

---

In this example, the following `DEFINE TRANSACTION` statement is used to match this information with the inserted row in the `PGA_TCP_IMSC` table.

```
DEFINE TRANSACTION IMSFLIP
  CALL (FLIPMAIN)
  SIDEPROFILE (PGATCP)
  TPNAME (FLIP)
  NLS_LANGUAGE ("american_america.us7ascii");
```

## Calling the TIP from the Client Application

Once a TIP is created, a client application must be written to interface with the TIP. A client application that calls the TIP functions must include five logical sections:

- declaring TIP variables
- initializing the conversation
- exchanging data
- terminating the conversation
- error handling

### Declaring TIP Variables

The user declarations section of the *tipname.doc* file documents the required declarations.

When passing PL/SQL parameters on calls to TIP functions, the client application must use the exact same PL/SQL datatypes for TIP function arguments as are defined by the TIP in its specification section. Assume, for example, the following is in the TIP specification, or *tipname.doc*:

```
FUNCTION tip_call1   tranuse,   IN      BINARY_INTEGER,
                   tip_var1   io_mode pls_type1,
                   tip_record io_mode tran_rectype)

RETURN INTEGER;

TYPE tran_rectype is RECORD
  (rec_field1 pls_type1,
```

```
...
rec_fieldN pls_typeN);
```

Where [Table 7–2](#) provides a description of each of the parameters:

**Table 7–2 Function Declarations**

Parameter	Description
<i>tip_call1</i>	The TIP function name as defined in the package specification.
<i>tranuse</i>	The remote transaction instance parameter returned from the TIP init function identifying the conversation on which this TIP call is to exchange data.
<i>tran_rectype</i>	The PL/SQL record datatype declared in the <i>tipname</i> TIP specification. This is the same value as in the <code>TYPE <i>tran_rectype</i> is RECORD</code> statement.
<i>pls_typeN</i>	Is a PL/SQL atomic datatype.
<i>rec_fieldN</i>	Is a PL/SQL record field corresponding to a remote transaction program record field.

In the client application PL/SQL atomic datatypes should be defined as the exact same datatype of their corresponding arguments in the TIP function definition. The following should be coded in the client application before the `BEGIN` command:

```
appl_var pls_type1; /* declare appl variable for ... */
```

TIP datatypes need not be redefined. They must be declared locally within the client application, appearing in the client application before the `BEGIN`:

```
appl_record tipname.tran_rectype; /* declare appl record */
```

[Table 7–3](#) describes the meaning of each procedure declaration:

**Table 7–3 Procedure Declarations**

Item	Description
<i>appl_record</i>	Is a PL/SQL record exchanged with the TIP and used within the client application.
<i>tipname</i>	Is the PL/SQL package (TIP) name as stored in Oracle database. This is the same value as in the statement <code>CREATE or REPLACE PACKAGE <i>tipname</i></code> in the TIP specification.
<i>tran_rectype</i>	Is the PL/SQL record datatype declared in the <i>tipname</i> TIP specification. This is the same value as in the <code>TYPE <i>tran_rectype</i> is RECORD</code> statement.

Refer to the *tipname.doc* content file for a complete description of the user declarations you can reference.

The client application calls the TIP public function as if it were any local PL/SQL function:

```
rc = tip_call1( tranuse,
               appl_var,
               appl_record);
```

In the TCP/IP IMS Connect example, the PL/SQL driver `pgtflipd.sql`, which is located in `%ORACLE_HOME%\dg4appc\demo\IMS` directory on Microsoft Windows and in

\$ORACLE\_HOME/dg4appc/demo/IMS directory on UNIX based systems, is the client application and includes the following declaration:

```

...
...
CREATE or REPLACE PROCEDURE pgtflipd(mesgin IN CHAR) IS
  trannum INTEGER :=0          /* transaction usage number */
  mesgout VARCHAR2(254);      /* the output parameter */
  rc INTEGER :=0              /* PGA RPC return codes */
  term INTEGER :=0;           /* 1 if pgtflip_term called */
...
...

```

## Initializing the Conversation

The call to initialize the conversation serves several purposes:

- To cause the PL/SQL package, the TIP, to be loaded and to perform the initialization logic programmed in the TIP initialization section.
- To cause the TIP init function to call the PGAINIT remote procedural call (RPC), which in turn establishes communication with the remote transaction program (RTP), and returns a transaction instance number to the application.

Optionally, calls to initialize the conversation can be used to:

- Override default RHT/OLTP identification, network address attributes, and conversation security user ID and password.
- Specify what diagnostic traces the TIP is to produce. Refer to [Chapter 8, "Troubleshooting"](#) for more information about diagnostic traces.

PGAU-generated TIPs provide four different initialization functions that client applications can call. These are overloaded functions which all have the same name, but vary in the types of parameters passed.

Three initialization parameters are passed:

- The transaction instance number for RHT socket file descriptor. The tranuse parameter is required on all TIP initializations.
- TIP diagnostic flags for TIP runtime diagnostic controls. The tipdiag parameter is optional. Refer to [Chapter 8, "Troubleshooting"](#) for a discussion of TIP diagnostics.
- TIP default overrides for overriding OLTP and network attributes. The override parameter is optional.

The following four functions are shown as they might appear in the TIP Content documentation file. Examples of client application use are provided later.

```

TYPE override_Typ IS RECORD (
  tranname VARCHAR2(2000), /* Transaction Program */
  transync BINARY_INTEGER, /* RESERVED */
  tranpls VARCHAR2(50), /* RESERVED */
  oltpname VARCHAR2(2000), /* Logical Unit */
  oltpmode VARCHAR2(2000), /* LOG Mode Entry */
  netaddr VARCHAR2(2000), /* Side Profile */
  tracetag VARCHAR2(2000), /* gateway trace idtag */

  FUNCTION pgtflip_init( /* init standard */
    tranuse IN OUT BINARY_INTEGER)
    RETURN INTEGER;

  FUNCTION pgtflip_init( /* init override */

```

```

        tranuse IN OUT BINARY_INTEGER,
        override IN override_Typ)
    RETURN INTEGER;

FUNCTION pgtflip_init(                /* init diagnostic */
    tranuse IN OUT BINARY_INTEGER,
    tipdiag IN CHAR)
    RETURN INTEGER;

FUNCTION pgtflip_init(                /* init over-diag */
    tranuse IN OUT BINARY_INTEGER,
    override IN override_Typ,
    tipdiag IN CHAR)
    RETURN INTEGER;

```

### Transaction Instance Parameter

This transaction instance number (shown in examples as `tranuse`) must be passed to subsequent TIP exchange and terminate functions. It identifies to the gateway on which TCP/IP conversation--and therefore which iteration of a remote transaction program--the data is to be transmitted or communication terminated.

A single client application might control multiple instances of the same remote transaction program or multiple different remote transaction programs, all concurrently. The transaction instance number is the TIP's mechanism for routing the client application call through the gateway to the intended remote transaction program.

It is the responsibility of the client application to save the transaction instance number of each active transaction and pass the correct one to each TIP function called for that transaction.

The client application calls the TIP initialization function as if it were any local PL/SQL function. For example:

```

...
...
trannum INTEGER := 0; /* transaction usage number*/
...
...
BEGIN
    rc := pgtflip.pgtflip_init(trannum);
...
...

```

### Overriding TIP Initializations

Note that in the preceding example the client application did not specify any remote transaction program name, network connection, or security information. The TIP has such information internally coded as defaults and the client application simply calls the appropriate TIP for the chosen remote transaction program. The client application can, however, optionally override some TIP defaults and supply security information.

You do not need to change any client applications that do not require overrides.

When the remote host transaction was defined in the PG DD, the `DEFINE TRANSACTION` statement specified certain default OLTP and network identification attributes which can be overridden:

- TPname

- Side Profile

Refer to "DEFINE TRANSACTION" in [Chapter 2, "Procedural Gateway Administration Utility"](#) for more information about the `DEFINE TRANSACTION` statement.

These PG DD-defined transaction attributes are generated into TIPs as defaults and can be overridden at TIP initialization time. This facilitates the use of one TIP, which can be used with a test transaction or system, and can later be used with a production transaction or system, without having to regenerate the TIP.

The `override_Typ` record datatype describes the various transaction attributes that can be overridden by the client application. The following overrides are currently supported:

- `tranname` can be set to override the value that was specified by the `TPNAME` parameter of the `DEFINE TRANSACTION` statement
- `netaddr` can be set to override the value that was specified by the `SIDPROFILE` parameter of the `DEFINE TRANSACTION` statement

In addition to the transaction attributes defined in the PG DD, there are two security-related parameters, conversation security user ID and conversation security password, that can be overridden at TIP initialization time. The values for these parameters normally come from either the database link used to access the gateway or the Oracle database session. There are cases when the Oracle database user ID is not sufficient for accessing the OLTP system. The user ID and password overrides provide a way to specify those parameters to the OLTP system.

The following overrides are currently supported:

- `oltpuser` can be set to override the user ID used to initialize the conversation with the OLTP
- `oltppass` can be set to override the password used to initialize the conversation with the OLTP

The security overrides have an effect only if `PGA_SECURITY_TYPE=PROGRAM` is specified in the gateway initialization file, and the OLTP system is configured to accept a user ID and password on incoming conversation requests.

The `transync` (IMS Connect `SYNCLEVEL`) and `trannls` (Globalization Support character set) are defined in the override record datatype, but are reserved for future use. The `RHT SYNCLEVEL` and Globalization Support name cannot be overridden.

The client application might override the default attributes at TIP initialization for the following reasons:

- to start a different version of the RHT (such as production instead of test)
- to change the location of the OLTP containing the RHT (if the OLTP was moved due to migration or a switch to backup configuration)

Client applications requiring overrides can use any combination of override and initialization parameters and might alter the combination at any time without regenerating the TIP or affecting applications that do not override parameters.

To override the TIP defaults, an additional client application record variable must be declared as `override_Typ` datatype, values must be assigned to the override subfields, and the override record variable must be passed on the TIP initialization call from the client application. For example:

```
...
...

```



```

my_overrides pgtflip.override_Typ;  -- declaration
...
...
my_overrides.oltpname := 'IVTNO'; -- swap to production IMS
my_overrides.tranname := 'IVTNV';  -- new transaction name

BEGIN
  rc := pgtflip.pgtflip_init(trannum,my_overrides); -- init
  ...
  ...

```

Within the TIP, override attributes are checked for syntax problems and passed to the gateway server.

### Security Considerations

The security requirements of the default and overridden OLTPs must be the same because the same gateway server is used in either conversation, as dictated by the database link names in the PGA RPC calls. The gateway server startup security mode is set at gateway server initialization time and passed unchanged to the OLTP at TIP or conversation initialization time.

## Exchanging Data

The client application should pass the transaction instance number, returned from a previous `tip_init` call, to identify which remote transaction program is affected and to identify any client application data parameters to be exchanged with the remote transaction program.

In this IMS Connect inquiry example, we pass an employee number and receive an employee record back:

```

rc = pgtflip.pgtflip_main(trannum, /* transfer data          */
                          mesgin,  /* input parameter      */
                          mesgout); /* output parameter*/

```

## Terminating the Conversation

The client application calls the TIP termination function as if it were any local PL/SQL function. For example:

```

...
...
term := 1; /* indicate term called */
rc := pgtflip.pgtflip_term(trannum,0); /* terminate normally */
...
...

```

After a transaction instance number has been passed on a TIP terminate call to terminate the transaction, or after the remote transaction program has abended, that particular transaction instance number might be forgotten.

## Error Handling

The client application should include an exception handler that can clean up any active TCP/IP conversations before the client application terminates. The sample client application provided in `pgtflipd.sql` contains an example of exception handling.

Gateway exceptions are reported in the range PGA-20900 to PGA-20999 and PGA-22000 to PGA 22099. When an exception occurs, the TIP termination function should be called for any active conversations that have been started by prior calls to the TIP initialization function.

For example:

```
EXCEPTION
WHEN OTHERS THEN
  IF term = 0 THEN          /* terminate function not called yet */
    rc := pgtflip.pgtflip_term(trannum,1); /*terminate abnormally*/
  END IF;
RAISE;
```

The remote transaction should also include provisions for error handling and debugging, such as writing debugging information to the IMS temporary storage queue area. Refer to the *Oracle Database PL/SQL Language Reference* for a discussion of how to intercept and handle Oracle exceptions.

## Granting Execute Authority

The TIP is a standard PL/SQL package and execute authority must be granted to users who call the TIP from their client application. In this example, we grant execute on the pgtflip package to user SCOTT:

```
GRANT EXECUTE ON PGTFLLIP TO SCOTT
```

Refer to the *Oracle Database Administrator's Guide* for further information.

## Calling PG4TCPMAP

PGAU need not be modified in order to have a conversation on a gateway using TCP/IP. You use the APPC format of PGAU, but you will map parameters to TCP/IP using the pg4tcpmap tool.

To map the DEFINE TRANSACTION parameters using TCP/IP, you must have a valid input within the PGA\_TCP\_IMSC table before executing the application. Refer to [Chapter 6, "PG4TCPMAP Commands \(TCP/IP Only\)"](#) for information about setting up and using the mapping tool.

## Executing the Application

Before executing the client application, ensure that a connection to the host is established and that the receiving partner is available. In this example we use PL/SQL driver PGTFLLIPD to execute the IMS/IMS Connect inquiry. To execute this client application, enter from SQL\*Plus:

```
set serveroutput on
execute pgtflipd('hello');
```

## Application Development with Multi-Byte Character Set Support

COBOL presently only supports double byte character sets (DBCS) for PIC G datatypes.

PGAU processes IBM VS COBOLII PIC G datatypes as PL/SQL VARCHAR2 variables and generates TIPs which automatically convert the data according to the Oracle NLS\_LANGUAGES specified for the remote host data and the local Oracle data.

These Oracle NLS\_LANGUAGES can be specified as defaults for all PIC G data exchanged by the TIP with the remote transaction (see DEFINE TRANSACTION . . . REMOTE\_MBCS or LOCAL\_MBCS). The Oracle NLS\_LANGUAGES for any individual PIC G data item can be further overridden (see REDEFINE DATA . . . REMOTE or LOCAL\_LANGUAGE).

DBCS data can be encoded in any combination of supported DBCS character sets. For example, a remote host application which allows different codepages for each field of data in a record is supported by the Oracle Database Gateway MBCS support.

Use of REDEFINE DATA . . . REMOTE\_LANGUAGE or LOCAL\_LANGUAGE on PIC X items is also supported. Thus a TIP can perform DBCS or MBCS conversions for specified PIC X data fields, in addition to SBCS conversions by default for the remaining PIC X data fields. Default SBCS conversion is according to the DEFINE TRANSACTION . . . NLS\_LANGUAGE and local Oracle default LANGUAGE environment values.

When PGAU is generating a TIP, the PIC G datatypes are converted to PL/SQL VARCHAR2 datatypes. After conversion by the TIP, received 'PIC G' VARCHAR2s can have a length less than the maximum due to deletion of shift-out and shift-in meta characters, and sent 'PIC G' RAW datatypes will have the shift-out and shift-in characters inserted as required by the remote host character set specified.

This is different from the conversions performed for PIC X data which is always a known fixed-length and hence CHAR datatypes are used in TIPs for PIC X data fields. However, even when the PIC X field contains DBCS or MBCS data, a CHAR variable is still used and padded with blanks if needed.

Some remote host applications bracket a PIC G field with PIC X bytes used for shift-out, shift-in meta-character insertion. Such a COBOL definition might look like:

```
01 MY_RECORD.
   05 SO PIC X.
   05 MY_MBCS_DATA PIC G(50).
   05 SI PIC X.
```

This is not processed correctly by PGAU, because all three fields are defined, and consequently treated, as separate data items when conversion is performed.

To be properly processed, the definition input to PGAU should be:

```
01 MY_RECORD.
   05 MY_MBCS_DATA PIC G(51).
```

The PGAU REDEFINE DATA statement can redefine the 3-field definition to the 1-field definition by specifying USAGE(SKIP) on fields SO and SI, and '05 MY\_MBCS\_DATA PIC G(51).' to redefine MY\_MBCS\_DATA. The three REDEFINE statements can be placed in the PGAU input control file, and thus the remote host definition need not be altered.

## Privileges Needed to Use TIPs

Execute privileges must be explicitly granted to callers of TIPs or procedures. This privilege cannot be granted through a role.

Any TIP user wanting to trace a TIP must be granted execute privileges on the rtrace and ptrace procedures. Refer to the "Configuring PGAU" chapter appropriate for your communications protocol in the *Oracle Database Gateway for APPC Installation and Configuration Guide for IBM AIX on POWER Systems (64-Bit), Linux x86-64, Oracle Solaris on SPARC (64-Bit), and HP-UX Itanium, Oracle Database Gateway for APPC Installation*

and Configuration Guide for Microsoft Windows ,and the Oracle Database Development Guide for more information.

For example:

On Microsoft Windows:

```
C:\> sqlplus pgaadmin\pw@database_specification_string
SQL> grant execute on pgaadmin.purge_trace to tip_user_userid;
SQL> grant execute on pgaadmin.read_trace to tip_user_userid;
```

On UNIX based systems:

```
$ sqlplus pgaadmin/pw@database_specification_string
SQL> grant execute on pgaadmin.purge_trace to tip_user_userid;
SQL> grant execute on pgaadmin.read_trace to tip_user_userid;
```

After a TIP has been developed, the TIP user must be granted execute privileges on the TIP by the TIP owner. The TIP owner is usually PGAADMIN, but can be another user who has been granted either the PGDDDEF or PGDDGEN roles. For example:

For Microsoft Windows:

```
C:\> sqlplus tip_owner\pw@database_specification_string
SQL> grant execute on tipname to tip_user_userid;
```

For UNIX based systems:

```
$ sqlplus tip_owner/pw@database_specification_string
SQL> grant execute on tipname to tip_user_userid;
```

where *database\_specification\_string* is the Oracle Net identifier for the Oracle database where the gateway UTL\_RAW and UTL\_PG components were installed. This is the same Oracle database where the TIPs are executed and where grants on the TIPs are performed from the TIP owner user ID.

A SQL script for performing these grants is provided in the %ORACLE\_HOME%\dg4appc\admin directory for Microsoft Windows and \$ORACLE\_HOME/dg4appc/admin in the directory for UNIX based systems. The pgddausr.sql script performs the grants for private access to the packages by a single TIP user. If private grants are to be used, the pgddausr.sql script must be run once for each TIP user's user ID.

To run these scripts, use SQL\*Plus to connect to the Oracle database as user PGAADMIN. From SQL\*Plus, run the pgddausr.sql script from the %ORACLE\_HOME%\dg4appc\admin directory on Microsoft Windows or \$ORACLE\_HOME/dg4appc/admin directory on UNIX based systems. The script performs the necessary grants as previously described. You are prompted for the required user IDs, passwords, and database specification strings. If you are using private grants, repeat this step for each user ID requiring access to the packages.

No script has been provided to perform public grants. To do this, issue the following commands:

For Microsoft Windows:

```
C:\> sqlplus tip_owner\pw@database_specification_string
SQL> grant execute on tipname to PUBLIC;
```

For UNIX based systems:

```
$ sqlplus tip_owner/pw@database_specification_string
SQL> grant execute on tipname to PUBLIC;
```





---



---

## Troubleshooting

This chapter discusses diagnostic techniques and aids for determining and resolving problems with data conversion, truncation, and conversation startup. It also describes how to collect the data when the debugging (trace) option is on.

You will want to trace the PL/SQL stored procedures only when you suspect problems. Do not run with tracing enabled during normal operations, because it will affect performance.

This chapter contains the following sections:

- ["TIP Definition Errors"](#) on page 8-1
- ["Problem Analysis with PG DD Diagnostic References"](#) on page 8-2
- ["Problem Analysis with PG DD Select Scripts"](#) on page 8-3
- ["Data Conversion Errors"](#) on page 8-4
- ["Problem Analysis with TIP Runtime Traces"](#) on page 8-5
- ["TIP Runtime Trace Controls"](#) on page 8-6
- ["Suppressing TIP Warnings and Tracing"](#) on page 8-7
- ["Problem Analysis of Data Conversion and Truncation Errors"](#) on page 8-8
- ["Gateway Server Tracing"](#) on page 8-10

### TIP Definition Errors

TIP definition errors occur when a TRANSACTION, CALL, or DATA entry in the PG DD is not properly defined.

Use the REPORT with DEBUG statement to list the PG DD contents and GENERATE DIAGNOSE(PKGEX(DR)) option to include corresponding ID numbers in the TIP.

[Table 8–1](#) shows the mnemonic used to represent ID numbers and their correspondence with the following:

- PGAU REPORT with debug listings, GENERATE traces and TIPs
- PG DD tables and columns from which ID numbers are selected
- Oracle sequence objects from which ID numbers originate

**Table 8–1 PG DD ID Numbers in Correspondence**

PGAU REPORT/TIP	PDGG table(col)	Sequence Object
v# transaction version	pga_trans(version)	pga.transvers

**Table 8–1 (Cont.) PG DD ID Numbers in Correspondence**

<b>PGAU REPORT/TIP</b>	<b>PDGG table(col)</b>	<b>Sequence Object</b>
v# call version	pga_call(version)	pga.callvers
v# data version	pga_data(version)	pga.datavers
t# transaction id#	pga_trans(trans#)	pga.transeq
c# call id#	pga_call(call#) pga_call_parm(call#)	pga.callseq
d# data id#	pga_call_parm(data#) pga_data(data#) pga_fields(data#)	pga.dataseq
f# field id#	pga_fields(fld#)	pga.fieldseq
q# qualifier id#	pga_data_values(qual#)	pga.fieldseq
a# trans attribute id#	pga_trans_values(attr#) pga_trans_attr(attr#)	pga.tattrseq
a# field attribute id#	pga_data_values(attr#) pga_data_attr(attr#)	pga.dtattseq
e# environment	pga_environments(env#)	pga.envrseq
l# compiler/language	pga_compilers(comp#)	pga.compseq

These ID numbers can be used to associate the conversions performed in the TIP with the definitions stored in the PG DD.

The PG DD diagnostic references appear in TIPs generated with the `PKGEX (DR)` option as single line Comments:

```
-- PG DD type idno=nnn ...
```

The PG DD diagnostic references appear in REPORT with DEBUG listings before or to the right of their related definition entry as end-delimited Comments:

```
/* idno=nnn */
```

Refer to [Appendix A, "Database Gateway for APPC Data Dictionary"](#) for more information about PG DD, including a complete list of dictionary tables.

## Problem Analysis with PG DD Diagnostic References

TIPs should be generated by the `PGAU GENERATE` command with the `PKGEX (DR)` diagnostic option, to include PG DD reference Comments in the TIP. These diagnostic references are Comments only and do not affect the runtime overhead of the TIP. Refer to [Section , "GENERATE"](#) on page 2-15 in [Chapter 2, "Procedural Gateway Administration Utility"](#) for a description of the `PKGEX (DR)` parameter.

1. Before defining the PL/SQL package, identify the transaction name, ID number (t#), and version (v#) from the TIP specification within the TIP.
2. Invoke `PGAU REPORT WITH DEBUG` specifying the same transaction name and version.



REPORT selects definitions from the PG DD and produces a listing showing the DATA, CALL, and TRANSACTION definitions and the ID number of each user-supplied definition.

3. Compare the reported definitions with those used in the remote transaction program and identify all corresponding exchanges and the data formats transmitted.
4. Look for and investigate any mismatches, such as:
  - different numbers of send/receive calls
  - different sequence of send/receive calls
  - different parameter lists on send/receive calls
  - different data fields within each exchanged parameter
  - different lengths for each exchanged parameter
  - unsupported datatypes for each exchanged parameter
  - improperly initialized control fields for:
    - repeating group counts  
IBMVS COBOL II affected clauses include  
OCCURS n TIMES DEPENDING ON field
    - remapped group criteria  
IBMVS COBOL II affected clauses include  
REDEFINES field1 WHEN field2 = criteria

## Problem Analysis with PG DD Select Scripts

PGAU GENERATE error messages and TRACE(OC) entries reference SQL SELECT statements. Refer to [Table 8–2](#) for the meaning of the name designations for each entry.

**Table 8–2** *Meaning of TRACE(OC) Output*

Name	Entry
SED	Select Environment Data
STL	Select Transaction (latest version)
STV	Select Transaction (specific version)
STC	Select Transaction Calls
SPD	Select Parameter Data
SF	Select Fields
SFA	Select Field Attributes
SXF	Select conversion Formats
SXA	Select Attribute conversions

The SQL\*Plus test scripts in [Table 8–3](#) are provided to perform the identical SELECTS as GENERATE performs to determine which PG DD rows are being used when the TIP is generated. These files are loaded into the %ORACLE\_HOME%\dg4appc\admin directory on Microsoft Windows or into the \$ORACLE\_HOME/dg4appc/admin directory on UNIX based systems, during installation.

**Table 8–3 SQL\*Plus Test Scripts and Their Corresponding Entries**

Script	Entry
pgddsed.sql	Select Environment Data
pgddst1.sql	Select Transaction (latest version)
pgddstv.sql	Select Transaction (specific version)
pgddstc.sql	Select Transaction Calls
pgddspd.sql	Select Parameter Data
pgddsf.sql	Select Fields
pgddsfa.sql	Select Field Attributes
pgddsxf.sql	Select Conversion Formats
pgddsxa.sql	Select Attribute conversions

The scripts are shown in the same order used by `GENERATE` and each script prompts the SQL\*Plus user for the required input. The information retrieved from a previous select is often used as input to a subsequent select. If you suspect that a PG DD field entry has produced inaccurate data, browse the .sql files listed above to determine the source of the problem. These files are loaded into the `%ORACLE_HOME%\dg4appc\admin` directory on Microsoft Windows or `$ORACLE_HOME/dg4appc/admin` directory on UNIX based systems, during installation.

## Data Conversion Errors

Data conversion errors are usually the result of:

- incorrect determination of datatype
- or
- incorrect specification of data position.

PGAU determination of the datatype is based on the values found in the PG DD, `pga_fields(mask)`, and `pga_fields(maskopts)` columns. PGAU generates PL/SQL code to perform conversions based on the mask value:

- PIC X converted to CHAR with the same character length
- PIC G converted to CHAR with the same character length
- PIC 9 converted to NUMBER

Character datatype is presumed for all PIC X and PIC G mask values and conversion errors are more likely the result of position, length, and justification errors.

Determination of numeric datatype depends on several factors, including the combination of mask and maskopts values and how they apply to the actual remote host data in its internal format. Values for mask, maskopts, and data might conflict in unexpected ways. For example, an option such as `USAGE IS COMP` might be overridden if the data is in display format. While compilers occasionally perform such overrides correctly, they can cause unexpected results when exchanging data with systems coded in other languages.

To notify the user of such overrides, a warning function has been included in the following UTL\_PG functions:

- `MAKE _NUMBER_TO_RAW_FORMAT`

- MAKE\_RAW\_TO\_NUMBER\_FORMAT
- NUMBER\_TO\_RAW
- RAW\_TO\_NUMBER

## Problem Analysis with TIP Runtime Traces

TIPs should be generated by the PGAU `GENERATE` command with the `PKGEX(DC)` diagnostic option to include TIP data conversion trace logic in the TIP. TIP function call trace logic is always included in every TIP. This is runtime trace instrumentation and has some overhead when tracing is enabled, but negligible overhead when tracing is disabled. Refer to [Section , "GENERATE"](#) on page 2-15 in [Chapter 2, "Procedural Gateway Administration Utility"](#) for more information.

1. Regenerate TIPs with the `PKGEX(DC, DR)` options and recompile the TIP body file, `tipname.pkb`. Avoid recompiling the TIP specification.
2. Revise the application that calls the TIP initialization function (`tipname_init`) to pass the trace flags parameter with data conversion and function call tracing enabled. Refer to ["Controlling TIP Runtime Data Conversion Tracing"](#) on page 8-7.

If the problem causes an exception to be raised in the TIP and the application contains an exception handler, the application exception handler should be Commented out to prevent it from handling the exception and preventing the exception point of origin from being reported. When the TIP exception is next raised, its source line number in the TIP is reported. Record this information.

3. Execute the application with diagnostic TIP initialization.

If the TIP trace pipe inlet overflows due to the application calls causing the TIP to write trace messages in the TIP trace pipe inlet, you have one minute from the start of the overflow condition to begin Step 4 and empty the TIP trace pipe.

Otherwise, exception "ORA-20703 PGA-TIP: pipe send error" is issued, ending the diagnostic session, possibly before any relevant trace information is generated.

4. Retrieve and record the TIP trace message stream.

Use SQL\*Plus to connect to the same Oracle user ID executing the application or the user ID under which the TIP is executed. This establishes a second session from which the trace pipe outlet can be read, preventing the TIP trace pipe from overflowing at the TIP trace pipe inlet.

- a. Issue the command:

```
set serveroutput on size nnnnn
```

- b. Issue the command to record the trace output:

```
spool tipname.trc
```

- c. Issue the command to retrieve the trace stream:

```
exec rtrace('tipname');
```

If the application is long-running, repeat this command as often as needed until all trace messages have been retrieved.

5. If any exceptions are raised, note their prefix, number, and full message text.
6. Analyze the TIP trace message stream. A normal trace is shown for the `pgadb2i` TIP in [Appendix F, "Administration Utility Samples"](#).

## TIP Runtime Trace Controls

Runtime trace control is the second parameter specified on a TIP initialization call. It is a CHAR(8) datatype of the following form:

```
rc := yourtip_init(trannum,'wxyz0000');
```

Table 8–4 describes the value of positions one to four:

**Table 8–4 Values of Positions 1 through 4 on Second Parameter of TIP Call**

Item	Description
position 1 (w)	controls UTL_RAW warning. A value of 0 suppresses warnings; a value of 1 issues warnings.
position 2 (x)	controls the function entry/exit tracing. A value of 0 suppresses the function entry/exit tracing; a value of 1 enables the function entry/exit tracing.
position 3 (y)	controls data conversion tracing. A value of 0 suppresses data conversion tracing; a value of 1 enables data conversion tracing.
position 4 (z)	controls gateway exchange tracing. A value of 0 suppresses gateway exchange tracing; a value of 1 enables gateway exchange tracing.

Positions 5 through 8 are reserved and ignored.

## Generating Runtime Data Conversion Trace and Warning Support

Use PGAU to regenerate the TIP and specify the GENERATE parameter DIAGNOSE(PKGEX(DC)). This includes runtime PL/SQL code in the TIP which tests for and displays warnings of correct, but possibly unexpected NUMBER\_TO\_RAW and RAW\_TO\_NUMBER conversions.

Refer to [Section , "GENERATE"](#) on page 2-15 in [Chapter 2, "Procedural Gateway Administration Utility"](#) for more information about this parameter.

Recompile the TIP body under SQL\*Plus. Avoid recompiling the TIP specification.

## Controlling TIP Runtime Conversion Warnings

After the TIP has been regenerated, the issuance of runtime warnings is under control of the application. By default, warnings are suppressed and are only issued when they are enabled.

Errors and exceptions are always issued if they occur.

To enable the issuance of warnings, an additional parameter must be supplied when calling the TIP initialization function. This parameter is a CHAR(8) datatype and each character position controls a particular TIP runtime diagnostic function.

To enable warnings in yourtip, the client application should call the TIP initialization function with the statement:

```
rc := yourtip_init(trannum,'10000000');
```

The following is input to the TIP trace pipe inlet at initialization time:

```
"UTL_PG warnings enabled"
```

## Controlling TIP Runtime Function Entry/Exit Tracing

To enable function entry/exit tracing in `yourtip`, the client application should call the TIP initialization function with the statement:

```
rc := yourtip_init(trannum,'01000000');
```

The following is input to the TIP trace pipe inlet at initialization time:

```
'function entry/exit trace enabled'  
'tipname_init entered'  
'time date/time stamp'
```

## Controlling TIP Runtime Data Conversion Tracing

To enable data conversion tracing in `yourtip`, the client application should call the TIP initialization function with the following statement:

```
rc := yourtip_init(trannum,'00100000');
```

The following is input to the TIP trace pipe inlet at initialization time:

```
'data conversion trace enabled'
```

## Controlling TIP Runtime Gateway Exchange Tracing

To enable runtime gateway exchange tracing in `yourtip`, the client application should call the TIP initialization function with the following statement:

```
rc := yourtip_init(trannum,'00010000');
```

The following is input to the TIP trace pipe inlet at initialization time:

```
'gateway exchange trace enabled'
```

## Suppressing TIP Warnings and Tracing

After debugging is finished, there are two ways to suppress the following:

- data conversion tracing
- conversion warnings
- function entry/exit tracing
- gateway exchange tracing

You can:

1. Call the TIP initialization function without passing any diagnostic control parameters:

```
rc := yourtip_init(trannum);
```

2. Call the TIP initialization function passing a revised diagnostic control parameter which disables all tracing and warnings:

```
rc := yourtip_init(trannum,'00000000');
```

A third method, described in Method C, removes the logic for:

- data conversion tracing
- conversion warnings

3. Generate the TIP again without:

```
PKGEX(DC)
```

Or you can recompile the previous version of the TIP body if it was saved.

Methods A and B allow you to use the same TIP without alteration, but without tracing or warnings. These methods are reversible without alteration or replacement of the TIP. Tracing and warnings can be redisplayed should a problem recur.

Method C also suppresses data conversion tracing and warnings and incurs reduced overhead by avoiding tests, but is not reversible without regenerating the TIP or recompiling an alternate version with data conversion tracing and warning diagnostics imbedded.

The logic for function entry/exit and gateway exchange tracing is included in every TIP and cannot be removed. It can be disabled by method A or B.

## Problem Analysis of Data Conversion and Truncation Errors

Oracle Database Gateway for APPC data lengths are limited by PL/SQL to 32,763 bytes per APPC exchange and PL/SQL variable.

The following steps can be used to diagnose data conversion or truncation errors.

Refer to [Chapter 3, "Creating a TIP"](#) to review the proper values and definitions referenced in items 1 through 4 below:

1. Ensure that the COBOL definitions used in the RHT match the input to PGAU;
2. Ensure the RHT transmission buffers are of sufficient length;
3. **If your gateway uses SNA:** Ensure the RHT APPC call addresses the correct transmission buffer and uses the correct data length;  
**If your gateway uses TCP/IP:** Ensure the RHT I/O PCB call addresses the correct transmission buffer and uses the correct data length
4. Ensure the client application has declared the correct TIP datatypes used as arguments in the TIP calls.
5. Ensure that the client application is calling the TIP functions in the proper sequence (init, user-defined..., term), and that any input data to the RHT is correct. Also ensure that if multiple user-defined functions exist, they are being called in the proper sequence and passed the correct input values, if any.

DBMS\_OUTPUT calls can be inserted in the client application to trace its behavior.

For more information about calling TIP functions in proper sequence, refer to the chapter on configuring the Oracle database for first time installations, in the *Oracle Database Gateway for APPC Installation and Configuration Guide for IBM AIX on POWER Systems (64-Bit), Linux x86-64, Oracle Solaris on SPARC (64-Bit), and HP-UX Itanium* or *Oracle Database Gateway for APPC Installation and Configuration Guide for Microsoft Windows*.

6. Optionally, regenerate the TIP with diagnostic traces included and enable them. The following traces are particularly useful:
  - data conversion trace
  - function entry/exit trace
  - gateway exchange trace

Refer to "Problem Analysis with TIP Runtime Traces" on page 8-5 for more information about traces; refer also to GENERATE on page 2-15 in [Chapter 2, "Procedural Gateway Administration Utility"](#).

Note that the output of the trace is different for a gateway using SNA than for a gateway using TCP/IP. However, the method of invoking the trace is the same regardless of which communication protocol you are using.

On Microsoft Windows, the gateway server tracing must also be enabled in %ORACLE\_HOME%\dg4appc\admin\initsid.ora. Set the parameters  
 SET TRACE\_LEVEL=255 and  
 SET LOG\_DESTINATION=C:\oracle\pga\12.1\dg4appc\log

On UNIX based systems, the gateway server tracing must also be enabled in \$ORACLE\_HOME/dg4appc/admin/initsid.ora. Set the parameters  
 TRACE\_LEVEL=255 and  
 LOG\_DESTINATION=/oracle/pga/12.1/dg4appc/log

Refer to "Gateway Server Tracing" on page 8-10 in this guide for more information about tracing.

- **If your gateway is using SNA:** Refer to Appendix A, "Gateway Initialization Parameters for SNA Protocol" in your *Oracle Database Gateway for APPC Installation and Configuration Guide* for more information about these parameters;
- **If your gateway is using TCP/IP:** Refer to Appendix B, "Gateway Initialization Parameters for TCP/IP Communication Protocol" in the *Oracle Database Gateway for APPC Installation and Configuration Guide for IBM AIX on POWER Systems (64-Bit), Linux x86-64, Oracle Solaris on SPARC (64-Bit), and HP-UX Itanium* or *Oracle Database Gateway for APPC Installation and Configuration Guide for Microsoft Windows*. for more information about these parameters.

Rerun the client application and examine the trace (see the next step for details).

To disable the trace, reset

```
SET TRACE_LEVEL=0
```

## 7. Examine the trace output.

The TIP trace output can be saved in a spool file, such as:

```
spool tipname.trc
```

TIP trace output is written to a named DBMS\_PIPE and can be retrieved under SQL\*Plus by issuing the following command:

```
exec rtrace('tipname');
```

or it can be purged by issuing the following command:

```
exec ptrace('tipname');
```

---

**Note:** *tipname* is case-sensitive and must be specified exactly as it is in the TIP.

---

Gateway server trace output is written to a log file in a default directory path specified by the SET LOG\_DESTINATION gateway parameter in %ORACLE\_HOME%\dg4appc\admin\initsid.ora for Microsoft Windows and in \$ORACLE\_

HOME/dg4appc/admin/initsid.ora for UNIX based systems. For example, on Microsoft Windows:

```
SET LOG_DESTINATION=C:\oracle\pga\12.1\dg4appc\log
```

On UNIX based systems:

```
SET LOG_DESTINATION=$ORACLE_HOME/dg4appc/log/
```

Refer to "[Gateway Server Tracing](#)" on page 8-10 for more information.

The gateway server log file can be viewed by editing the file or by issuing other system commands that display file contents. The log file can also be copied and saved to document problem symptoms.

## Gateway Server Tracing

The gateway contains extensive tracing logic in the gateway remote procedural calls (RPCs), and the APPC-specific code. Tracing is enabled through gateway initialization parameters or dynamic RPC calls to the gateway. The trace provides information about the execution of the gateway RPC functions and about the execution of the APPC interface. The trace file contains a text stream written in chronological sequence of events. The trace is designed to assist application programmers with the debugging of their OLTP transaction programs and Oracle applications that communicate with those transaction programs through the gateway.

A single trace file is created for an entire gateway session from the time the database link is opened until it is closed. The trace can be directed to a specific path/filename or to a path (directory) only. In the first case, the file is overwritten each time a new session begins for the gateway being traced. When the trace target is a directory, a separate file with a generated name (containing the operating system process ID) is written for each gateway session. The latter approach must be used whenever the gateway to be traced might be the target of new sessions after the desired trace is written but before it can be copied and saved. Conversely, in some situations you might choose to create a distinct gateway system identifier used solely for tracing, and direct its trace to a single specific filename. This avoids the problem of an ever-increasing set of trace files when, for example, repeated attempts are necessary to reproduce or debug a problem. A fixed filename should never be used if there is any chance that an unexpected gateway session could overlay a useful trace.

## Defining the Gateway Trace Destination

This section describes how to define the destination of trace files to the gateway, and how to cause the gateway to create the trace files during initialization. Note that this does not enable any gateway tracing, it merely defines the destination of any trace output produced when the gateway tracing is enabled.

1. Choose a gateway system identifier to trace. Decide whether you will be tracing an existing gateway system identifier or a new one created specifically for tracing. If a new system identifier will be used, configure the new system identifier exactly the same as the old one by creating a new `initsid.ora` (a copy of the old), entries in `listener.ora` as necessary, and a new Oracle database link.

Test the new system identifier to ensure it works before proceeding.

2. For Microsoft Windows, in `%ORACLE_HOME%\dg4appc\admin`, edit the `initsid.ora` file so it contains the following:



```
SET TRACE_LEVEL=255
SET LOG_DESTINATION=logdest
```

For UNIX based systems, in `$ORACLE_HOME/dg4appc/admin`, edit the `initsid.ora` file so it contains the following:

```
SET TRACE_LEVEL=255
SET LOG_DESTINATION=logdest
```

where `logdest` is the directory path for the trace output. The logfile is usually in `%ORACLE_HOME%\dg4appc\log` for Microsoft Windows and `$ORACLE_HOME/dg4appc/log` for UNIX based systems. Refer to the earlier discussion about "[Problem Analysis of Data Conversion and Truncation Errors](#)" on page 8-8 for more information.

---

**Note:** Misspelled parameter names in `initsid.ora` are not detected. The parameter is ignored.

---

Once these two steps are completed, the gateway opens the specified trace file during initialization. Each session on this system identifier writes a trace file as specified by the `SET LOG_DESTINATION` parameter described in Step 2 above.

If a directory path was specified, each trace file has a name of the form:

```
sid_pid.log
```

where `sid` is the gateway sid and `pid` is the operating system process ID of the gateway server expressed in decimal.

## Enabling the Gateway Trace

There are two ways to enable the gateway server tracing. The first is to set the tracing options in the gateway initialization file, `initsid.ora`. The second is to use the additional PGA remote procedural call (RPC) function, `PGATCTL`, to dynamically control the tracing from within the Oracle application. The first method causes tracing to be performed for all users of the gateway system identifier and is recommended only when the use of the gateway system identifier can be limited to users actually needing the trace. The second method is more flexible and allows the application programmer to selectively trace events on a single gateway session without affecting the operation of other users' gateway sessions.

Before the gateway server trace is enabled, perform the tasks listed in "[Defining the Gateway Trace Destination](#)" on page 8-10.

### Enabling the Gateway Trace Using Initialization Parameters

Edit the `initsid.ora` file, and add the following line at the end of the file (or, if a `SET TRACE_LEVEL` parameter is already specified, modify it):

```
SET TRACE_LEVEL=trace
```

where `trace` is a numeric value from 1 to 255 indicating which traces are to be enabled. For further information on the use of this parameter, refer to "PGA Parameters" in Appendix A, "Gateway Initialization Parameters for SNA Protocol" of the *Oracle Database Gateway for APPC Installation and Configuration Guide for IBM AIX on POWER Systems (64-Bit), Linux x86-64, Oracle Solaris on SPARC (64-Bit), and HP-UX*

*Itanium or Oracle Database Gateway for APPC Installation and Configuration Guide for Microsoft Windows*

Once this step is completed, tracing is enabled for the desired gateway system identifier.

### Enabling the Gateway Trace Dynamically from PL/SQL

The following is only needed for user-written TIPs. PGAU-generated TIPs automatically include the following facilities. Refer to "[Controlling TIP Runtime Gateway Exchange Tracing](#)" on page 8-7 for more information.

Make the following changes to the PL/SQL application that calls the Transaction Interface Package(s) to execute remote transaction(s).

1. Add a call to PGATCTL before any calls to TIP initialization functions are made:

```
PGATCTL@dblink(convid,
               traceF,
               traceS);
```

Where [Table 8-5](#) describes the parameters in PGATCTL:

**Table 8-5 PGATCTL Parameters**

Parameter	Description
<i>dblink</i>	is the name of the database link to the gateway
<i>convid</i>	<b>For a gateway using SNA:</b> Conversation identifier returned by the PGAINIT function to be used to identify the conversation. <b>For a gateway using TCP/IP:</b> Socket file descriptor returned by the PGAINIT function to be used to identify the conversation
<i>traceF</i>	is the trace control function to be performed.
<i>traceS</i>	specifies which traces are to be enabled, as described previously in the discussion of the SET TRACE_LEVEL initialization parameter.

This call sets the trace flags for all new conversations started after the call to the value specified by *traceS*.

2. Recompile the PL/SQL application to pick up the new trace call.

---



---

## Database Gateway for APPC Data Dictionary

This appendix contains the following sections:

- "PG DD Environment Dictionary" on page A-1
- "PG DD Active Dictionary" on page A-5

The Procedural Gateway Data Dictionary (PG DD) is maintained in a conventional Oracle database. It is installed by a SQL\*Plus installation script (`pgddcr8.sql` in the `%ORACLE_HOME%\dg4appc\admin` directory on Microsoft Windows or `$ORACLE_HOME/dg4appc/admin` directory on UNIX based systems) and manipulated by PGAU statements and standard SQL statements.

The dictionary is divided into two sections:

- the environment dictionary
- the active dictionary

The environment dictionary is static and should not be changed. The contents of the environment dictionary support proper translation from the remote transaction's environment to the integrating server's environment, and is platform-specific. The active dictionary is updated at the user's location by the PGAU in response to definitions supplied by the user.

### PG DD Environment Dictionary

The PGAU uses some dictionary tables strictly as input. These dictionary tables define environmental parameters for PGAU. Both table and values are installed by a SQL\*Plus script at gateway installation time and are not to be modified by the installation.

The environment dictionary does not reference the active dictionary, but the active dictionary does reference environment dictionary entries.

### Environment Dictionary Sequence Numbers

The environment dictionary requires unique identifying numbers in some columns to join environment dictionary entries together. Oracle sequence objects are therefore created by the Oracle Database Gateway for APPC to support this requirement.

[Table A-1](#) presents the Oracle sequence objects and their descriptions.

**Table A-1 Oracle Sequence Objects**

---

Oracle Sequence Objects	Descriptions
-------------------------	--------------

---

<code>pga.envrseq</code>	Environment id tag
--------------------------	--------------------

**Table A–1 (Cont.) Oracle Sequence Objects**

Oracle Sequence Objects	Descriptions
<code>pga.compseq</code>	Compiler id tag
<code>pga.eattrseq</code>	Environment Attribute id tag
<code>pga.dtypeseq</code>	Datatype id tag
<code>pga.dtattseq</code>	Datatype Attribute id tag

## Environment Dictionary Tables

The environment dictionary tables contain constants that describe the following components of the operating environment:

- `pga_maint`
- `pga_environments`
- `pga_env_attr`
- `pga_env_values`
- `pga_compilers`
- `pga_datatypes`
- `pga_datatype_attr`
- `pga_datatype_values`
- `pga_usage`
- `pga_modes`

### `pga_maint`

The `pga_maint` table stores the PG DD maintenance information, including version number and change history, as presented in [Table A–2](#):

**Table A–2 `pga_maint`**

Column	Type	Contents
<code>version</code>	<code>number(10,4)</code>	PG DD version in format <i>VVRRFF.rrff</i> , where: <i>VV</i> - base version; <i>RR</i> - base release; <i>FF</i> - base fix; <i>rr</i> - port-specific release; <i>ff</i> - port-specific fix.
<code>mntdate</code>	<code>date</code>	Oracle date and time at which the PG DD was upgraded.
<code>change</code>	<code>varchar2(256)</code>	Description of the PG DD upgrade.

### `pga_environments`

The `pga_environments` table stores the defined environment keywords, as presented in [Table A–3](#):

**Table A-3** *pga\_environments*

Column	Type	Content
name	varchar2(16) not null	Environment. Primary key.
env#	number (9, 0) not null	Env id. Foreign key.

**pga\_env\_attr**

The `pga_env_attr` table stores the types of environmental attributes, as presented in [Table A-4](#):

**Table A-4** *pga\_env\_attr*

Column	Type	Content
name	varchar2 (16) not null	Attribute. Primary key.
attr#	number (9, 0) not null	Attribute id. Foreign key.
coltype	varchar2 (4) not null	Attr value type. Foreign key.

**pga\_env\_values**

The `pga_env_values` table stores the values for environments, as presented in [Table A-5](#):

**Table A-5** *pga\_env\_values*

Column	Type	Content
env#	number (9, 0) not null	Env id. Primary key.
attr#	number (9, 0) not null	Attribute id. Primary key.
numval	number (9, 0)	Numeric attribute value.
charval	varchar2 (64)	Character attribute value.
dateval	date	Date attribute value.

**pga\_compilers**

The `pga_compilers` table stores the compiler environment names, as presented in [Table A-6](#):

**Table A-6** *pga\_compilers*

Column	Type	Content
name	varchar2 (16) not null	Compiler name. Primary key.
plscomp	varchar2 (30)	PLS compiler name. Secondary key.

**Table A-6 (Cont.) pga\_compilers**

Column	Type	Content
env#	number (9, 0) not null	Env id. Foreign key.
comp#	number (9, 0) not null	Compiler env id. Foreign key.
ddl_process	number (9, 0) not null	PGADDL processor number.

**pga\_datatypes**

The pga\_datatypes table stores the datatype keywords, as presented in [Table A-7](#):

**Table A-7 pga\_datatypes**

Column	Type	Content
comp#	number (9, 0) not null	Compiler env id. Primary key.
name	varchar2 (16) not null	Datatype keyword. Primary key.
dt#	number (9, 0) not null	Datatype_values. Foreign key.

**pga\_datatype\_attr**

The pga\_datatype\_attr table stores datatype attribute keywords, as presented in [Table A-8](#):

**Table A-8 pga\_datatype\_attr**

Column	Type	Content
name	varchar2 (16) not null	Attribute keyword. Primary key.
attr#	number (9, 0) not null	Attribute id. Foreign key.
coltype	varchar2 (4) not null	Type of attr. Foreign key.

**pga\_datatype\_values**

The pga\_datatype\_values table stores the datatype attribute values, as presented in [Table A-9](#):

**Table A-9 pga\_datatype\_values**

Column	Type	Content
comp#	number (9, 0) not null	Compiler env id. Primary key.
dt#	number (9, 0) not null	datatype_values. Foreign key.

**Table A-9 (Cont.) pga\_datatype\_values**

Column	Type	Content
attr#	number (9, 0) not null	Attribute id. Foreign key.
dag#	number (9, 0)	Datatype attr group no.
numval	number (9, 0)	Numeric attribute value.
charval	varchar2 (40)	Character attribute value.
dateval	date	Date attribute value.

**pga\_usage**

The pga\_usage table performs a referential integrity check of pga\_data and pga\_field column "usage" as presented in [Table A-10](#):

**Table A-10 pga\_usage**

Column	Type	Content
name	varchar2 (6)	Value for the "usage" field of data dictionary tables. For example: 'PASS' 'SKIP' 'NULL' 'ASIS' Primary key. Max length => 4-char string length.

**pga\_modes**

The pga\_modes table performs a referential integrity check of pga\_call\_parm column "mode", as presented in [Table A-11](#):

**Table A-11 pga\_modes**

Column	Type	Content
name	varchar2 (6)	Name of valid parameter call modes. For example: IN OUT IN OUT Max length => 'IN OUT' string length.

## PG DD Active Dictionary

The PG DD active data dictionary is created by pgddcr8.sql at installation, but maintained using PGAU. The active dictionary can refer to items (by ID number) in the environment dictionary.

## Active Dictionary Versioning

The PG DD active dictionary tables contain the descriptions of transactions and data structures. There might be more than one version of a definition. Old versions are retained indefinitely.

In PGAU dictionary operations, a definition is referred to by its "name", which can be qualified by a specific version number. If omitted, the most recent version is assumed.

## Active Dictionary Sequence Numbers

Because the active dictionary is constantly changing, the identifying numbers needed to join active dictionary entries together must also change. To support this requirement, PG DD installation creates the following Oracle sequence objects.

[Table A-12](#) lists the Oracle sequence objects and their descriptions:

**Table A-12 Active Dictionary Oracle Sequence Object Descriptions**

Oracle Sequence Objects	Description
pga.transeq	Transaction id tag
pga.tranvers	Transaction Version id tag
pga.tattrseq	Transaction Attribute id tag
pga.callseq	APPC-Call id tag
pga.callvers	Call Version id tag
pga.parmseq	APPC-Call Parameter id tag
pga.dataseq	Data id tag
pga.fieldseq	Data subfield id tag
pga.datavers	Data Version id tag
pga.dattrseq	Data Attribute id tag

## Active Dictionary Tables

Following is a list of active dictionary tables:

- pga\_trans
- pga\_trans\_attr
- pga\_trans\_values
- pga\_trans\_calls
- pga\_call
- pga\_data
- pga\_fields
- pga\_data\_attr
- pga\_data\_values

### pga\_trans

One row exists in the PGA\_TRANS table for each user transaction. The row is created by a PGAU DEFINE TRANSACTION statement and used by a PGAU GENERATE statement to create the PL/SQL package (TIP).



[Table A-13](#) presents the column, type and content information for `PGA_TRANS`:

**Table A-13** *pga\_trans*

Column	Type	Content
<code>tname</code>	<code>varchar2(64)</code>	Transaction name as defined by the customer. Primary key. Max length => APPC TPname string length.
<code>version</code>	<code>number(9,0)</code>	Version identification of this entry; it exists in the table because multiple archived or invalid entries might exist and be kept for possible future reactivation. Primary key. Set from an Oracle sequence object for transaction version inserted into the PG DD.
<code>updtdate</code>	<code>date</code>	Audit-trail date/time record last updated.
<code>updtuser</code>	<code>varchar2(30)</code>	Audit-trail user ID/program which last updated this record.
<code>trans#</code>	<code>number(9,0)</code>	PGA Transaction number, used for the define call, define data and define transaction statements. Foreign key. <code>pga_trans_values(trans#)</code> , <code>pga_trans_calls(trans#)</code> . Set from an Oracle sequence object for transaction inserted into the PG DD.

### **pga\_trans\_attr**

The `pga_trans_attr` table relates a character string defining the transaction attributes supported by PGA to `pga_trans_values` entries through an attribute id number and type.

The `pga_trans_attr` table is also used for integrity checks of transaction attributes when new transactions are being defined.

There is an entry in the `pga_trans_attr` table for each transaction attribute name. All possible transaction attribute names supported by PGA on any defined transaction are specified. There is one row for each attribute, and no duplicates are allowed.

[Table A-14](#) presents the column, type and content information for `pga_trans_attr`:

**Table A-14** *pga\_trans\_attr*

Column	Type	Content
name	varchar2(16)	Character string name of attribute. Primary key. Contains: "ENVIRONMENT", "LUNAME", "TPNAME", "LOGMODE", "SIDEPROFILE", "SYNCLEVEL", "NLS_LANGUAGE", "REMOTE_MBCS" "LOCAL_MBCS"
attr#	number(9,0)	Attribute id assigned. Foreign key. pga_data_values(attr#). Set from an Oracle sequence object for each supported transaction attribute inserted into the PG DD.
coltype	varchar2(4)	Type of Oracle column from which attribute value is retrieved from pga_tran_values. For example: 'NUM ' => pga_tran_values(numval) 'CHAR' => pga_tran_values(charval) 'DATE' => pga_tran_values(dateval)
required	char(1)	If not null, required keyword for DEFINE TRANSACTION; if null, optional.

**pga\_trans\_values**

The pga\_trans\_values table describes the values of transaction attributes.

A row exists to specify the value of each attribute of each transaction defined in the data dictionary.

The column, type and content information for pga\_trans\_values is presented in [Table A-15](#):

**Table A-15** *pga\_trans\_values*

Column	Type	Content
trans#	number(9,0)	Transaction id from pga_trans(trans#). Primary key. Set from an Oracle sequence object for transaction inserted into the PG DD.
attr#	number(9,0)	Attribute id from pga_trans_attr(attr#), Primary key. Set from an Oracle sequence object for each supported transaction attribute inserted into the PG DD.

**Table A-15 (Cont.) pga\_trans\_values**

Column	Type	Content
numval	number(9,0)	Attribute's numeric value, for example for a given transaction's SYNCLEVEL attribute 0.
charval	varchar2(64)	Attribute's character value; for example, a given transaction's TPNAME attribute.
dateval	date	Attribute's date value. Probably always null; included for completeness.

**pga\_trans\_calls**

The `pga_trans_calls` table relates all calls available with any single transaction to each specific call definition through a call ID number.

An entry exists in the `pga_trans_calls` table for each PL/SQL call referenced in a transaction definition through the `CALL(cname,...)` operand. One row per transaction call; no duplicates.

The column, type and content information for `pga_trans_calls` is presented in [Table A-16](#):

**Table A-16 pga\_trans\_calls**

Column	Type	Content
trans#	number(9,0)	Transaction id number from <code>pga_trans(trans#)</code> . Primary key. Set from an Oracle sequence object for transaction inserted into the PG DD.
seq#	number(9,0)	Sequence number of this call. Primary key.
call#	number(9,0)	Call id number in <code>pga_call(call#)</code> . Foreign key. Copied from <code>pga_call.call#</code> for the referenced call when this transaction definition was inserted or updated.

**pga\_call**

The `pga_call` table relates all calls that are available for all defined transactions, to a unique call id number and PL/SQL remote procedural call (RPC) name. One entry exists in this table for each PL/SQL call (defined in a `DEFINE CALL` statement).

One row per call, duplicates are possible when multiple transactions make identical calls. The `plsrpc` specification must be unique within the Oracle database which makes the calls, and rows are uniquely distinguished by `call#`.

The column, type and content information for `pga_call` are presented in [Table A-17](#):

**Table A-17 pga\_call**

Column	Type	Content
cname	varchar2(48)	Call name for PGAU reference; Primary key. Max length => COBOL name string length

**Table A-17 (Cont.) pga\_call**

Column	Type	Content
plsrpc	varchar2(30)	RPC call name for reference in PL/SQL (public procedure to be generated). Max length => PL/SQL RPC name length
updtdate	date	Audit trail date/time of record's last update.
updtuser	varchar2(30)	Audit trail user id/program which last updated this record.
version	number(9,0)	Version identification of this entry, because multiple archived or invalid entries might exist and be kept for possible future reactivation. Primary key. Set from an Oracle sequence object for call version inserted into PG DD.
call#	number(9,0)	Call id number. Foreign key. pga_trans_calls(call#), pga_call_parm(call#). Set from an Oracle sequence object for each call inserted into the PG DD.

**pga\_call\_parm**

The `pga_call_parm` table relates all parameters of any single transaction call to the data definitions describing each parameter.

One entry exists in the `pga_call_parm` table for each parameter on a call in the `PARMS()` operand of the `PGAU DEFINE CALL` statement. One row per parameter, duplicates allowed when multiple calls (in the `pga_call` table) refer to the same parameters.

Table A-18 presents the column, type and content information for `pga_call_parm`:

**Table A-18 pga\_call\_parm**

Column	Type	Content
call#	number(9,0)	Call number for the referencing call from <code>pga_calls</code> . Primary key. Set from an Oracle sequence object for each call inserted into the PG DD.
parm#	number(9,0)	Position in the <code>PARMS()</code> argument of <code>DEFINE CALL</code> operation (1,2,3...). Primary key.
cmode	varchar2(6)	Call mode of this parameter; one of the values in <code>pga_data_modes</code> . For example: 'IN', 'OUT', 'IN OUT' Max length => 'IN OUT' string length
data#	number(9,0)	Data definition # in <code>pga_data(data#)</code> of this item. Foreign key. <code>pga_data(data#), pga_data_values(data#)</code> . Copied from <code>pga_data.data#</code> for the data item when this call/parm definition was inserted or updated.

**pga\_data**

The `pga_data` table defines each data item used as a parameter in a call and relates the remote host data name to its PL/SQL variables and any component subfields or clauses within each data item (if the data item is an aggregate, such as a record). Each data item might have attributes related to it through its corresponding field definition. Even atomic data items have a single row in the `pga_field` table.

One row exists in the `pga_data` table for each data item defined by a `PGAU DEFINE DATA` or `REDEFINE DATA` statement.

Table A-19 presents the column, type and content information for `pga_data`:

**Table A-19** *pga\_data*

Column	Type	Content
<code>comp#</code>	<code>number(9,0)</code>	Compiler id number; Foreign key. ( <code>pga_compiler(comp#)</code> ). Set from <code>pga_compiler(comp#)</code> based on the language parameter specified on the <code>DEFINE DATA</code> statement when the data definition is inserted.
<code>compopts</code>	<code>varchar2(100)</code>	Compiler options from the <code>COMPOPTS</code> keyword on the <code>DEFINE DATA</code> statement.
<code>dname</code>	<code>varchar2(255)</code>	Name from the <code>DEFINE</code> statement; Primary key. Max length => COBOL name length
<code>plsdvar</code>	<code>varchar(30)</code>	PL/SQL variable name of data item for reference in PL/SQL. Max length => PL/SQL variable length
<code>version</code>	<code>number(9,0)</code>	Version number of this entry. Set from an Oracle sequence object for data version inserted into the PGADD.
<code>updtdate</code>	<code>date</code>	Audit-trail date/time this control record last updated.
<code>updtuser</code>	<code>varchar2(30)</code>	Audit-trail user id/program which last updated this record.
<code>usage</code>	<code>varchar2(6)</code>	Default usage of this data item: <code>PASS</code> , <code>SKIP</code> , <code>NULL</code> , <code>ASIS</code> . Used primarily by <code>PGAU REPORT</code> . Max length => 4-char string length
<code>data#</code>	<code>number(9,0)</code>	Data definition number. Foreign key. ( <code>pga_call_parm(data#)</code> ), ( <code>pga_field(data#)</code> ) Set from an Oracle sequence object.

**pga\_fields**

The `pga_fields` table defines each field within a data item and relates the remote host data field to its PL/SQL variables or nested records. Each field item might have attributes related to it (by field#) in the `pga_data_attr` and `pga_data_values` tables.

One row exists in the `pga_fields` table for each atomic item, field, clause, or nested record defined by a `PGAU DEFINE DATA` statement. Several rows would exist (related

by a single data# and incrementing fld#) to define an aggregate data item, one row per field or group.

Table A-20 presents the column, type and content information for pga\_fields:

**Table A-20 pga\_fields**

Column	Type	Content
data#	number(9,0)	Data definition number. Primary key. (pga_data(data#), pga_call_parm(data#)). Set from an Oracle sequence object.
fname	varchar2(255)	Extracted or derived name of a field if dname defines aggregate data. Max length => COBOL name length
plsfvar	varchar2(30)	PL/SQL variable name of subfield in aggregate data for reference in PL/SQL. Max length => PL/SQL variable length
updtdate	date	Audit-trail date/time this control record last updated.
updtuser	varchar2(30)	Audit-trail user id/program which last updated this record.
fld#	number(9,0)	Clause or field within data definition id no. Foreign key. pga_data_values(fld#). Set from an Oracle sequence object.
pos#	number(9,0)	Relative position number of each field defined within an aggregate data item (for example, 1, 2 3, and so on) or NULL if data is atomic.
usage	varchar2(6)	Usage of this data field: 'PASS', 'SKIP', 'NULL', 'ASIS'. Max length => 4-char string length
mask	varchar2(30)	Datatype or Mask value. For example: 'S9(4)' 'X(24)' 'VARCHAR2(24)' 'BINARY_INTEGER(16)' NULL When NULL, item defined is assumed to be a COBOL group or PL/SQL nested record. Max length => arbitrarily chosen
maskopts	varchar2(100)	Datatype or Mask options value. For example: 'USAGE COMP-4' 'DISPLAY' NULL Max length => arbitrarily chosen

**pga\_data\_attr**

The `pga_data_attr` table defines all possible data attribute names allowed by PGA and relates each attribute name to a number and type, by which the value of this attribute for a specific data item can be selected from `pga_data_values`.

The `pga_data_attr` table is also used for integrity checks of data attributes when new data items are defined.

There is one entry in the `pga_data_attr` table for every possible attribute name to which any PGA supported data item might relate.

[Table A-21](#) presents the column, type and content information for `pga_data_attr`:

**Table A-21** *pga\_data\_attr*

Column	Type	Content
name	varchar2(16)	Character string name of attribute. Primary key. Contains: "LEVEL" "RENAMEMF" (renames member first) "RENAMEML" (renames member last) "REMAPSMF" (redefines member first) "REMAPSML" (redefines member last) "REMAPSWM" (redefines when member) "REMAPSWC" (redefines when char value) "REMAPSWN" (redefines when num value) "REPGRPFF" (occurs n) "REPGRPVF" (odo first n) "REPGRPVL" (odo last n) "REPGRPVM" (odo depending member) "REPGRPKA" (either Key Asc name) "REPGRPKD" (either Key Desc name) "REPGRPIX" (either index name) "PLSTYPE" "JUST" (justified char data) "SYNC" (aligned aggregate data) "LOCAL_LANGUAGE" "REMOTE_LANGUAGE" "LENGTH" (LENGTH IS variable)  Max length => attr name string lengths
attr#	number(9,0)	Attribute id assigned. Foreign key. <code>pga_data_values(attr#)</code> . Set from an Oracle sequence object for each supported data attribute inserted into the PG DD.
coltype	varchar2(4)	Type of Oracle column from which attribute value is retrieved from <code>pga_data_values</code> . For example: 'NUM' => <code>pga_data_values(numval)</code> 'CHAR' => <code>pga_data_values(charval)</code> 'DATE' => <code>pga_data_values(dateval)</code>
required	char(1)	If not null, required keyword.

**pga\_data\_values**

A row exists in the `pga_data_values` table for each attribute of each data item defined by each data definition.

Table A-22 presents the column, type and content information for `pga_data_values`:

**Table A-22** *pga\_data\_values*

Column	Type	Content
<code>fld#</code>	<code>number(9,0)</code>	Data Field Definition number from <code>pga_data(fld#)</code> . Primary key.
<code>attr#</code>	<code>number(9,0)</code>	Attribute id from <code>pga_data_attr(attr#)</code> . Primary key.
<code>numval</code>	<code>number(9,0)</code>	Attribute's numeric value. For example: number for "LEVEL" number for "REMAPSWN" (redefines) number for "REPGRPFF" (occurs n) number for "REPGRPVF" (odo first n) number for "REPGRPVL" (odo last n)  If a non-numeric attribute, this item is NULL.
<code>charval</code>	<code>varchar2(40)</code>	Attribute's character value. fname for "RENAMEMF" (renames first) fname for "RENAMEML" (renames last) fname for "REMAPSMF" (redefines first) fname for "REMAPSML" (redefines last) fname for "REMAPSWM" (redefines when) fname for "REPGRPVM" (odo member) string for "REMAPSWC" (redefines) string for "REPGRPKA" (occurs key) string for "REPGRPKD" (occurs key) string for "REPGRPIX" (occurs index) string for "PLSTYPE" (PL/SQL data type) string for "JUST" string for "SYNC" string for "REMOTE_LANGUAGE" fname for "LENGTH"  If a non-character attribute, this item is NULL. Max length => NLS_charset string length
<code>dateval</code>	<code>date</code>	Attribute's date value. Always null, included for completeness.
<code>qual</code>	<code>number(9,0)</code>	Qualified name number. Foreign key.



---



---

## Gateway RPC Interface

To execute a remote transaction program using the Oracle Database Gateway for APPC you must execute a PL/SQL program to call the gateway functions, using a remote procedural call (RPC). The gateway functions handle the initiation, data exchange and termination for the gateway conversation with the remote transaction program.

The Oracle Database Gateway for APPC includes a tool, PGAU, to generate the PL/SQL packages (TIPs) automatically, based on definitions you provide in the form of COBOL record layouts and PGDL (Procedural Gateway Definition Language).

This appendix contains the following section:

- ["Calling Gateway Functions to Execute Transaction Programs"](#) on page B-1

### Calling Gateway Functions to Execute Transaction Programs

The gateway functions are all executed through remote procedural calls (RPC). The functions are called from PL/SQL code as follows:

```
function@dblink(parm1,parm2, . . . ,parmn);
```

Where [Table B-1](#) describes the parameters in this syntax:

**Table B-1 Gateway Functions**

Item	Description
<i>function</i>	is the name of the function being called.
<i>dblink</i>	is the name of a predefined database link to the gateway server on the Windows system.
<i>parm1</i> , <i>parm2</i> , <i>parmn</i>	are the function-specific parameters described later in this appendix.

Calling a function in PL/SQL code with the @dblink notation following the function name is a remote procedural call.

### PGAINIT and PGAINIT\_SEC

PGAINIT and PGAINIT\_SEC are remote procedural calls that initiate an APPC conversation with a specified transaction program. The difference between the two is that PGAINIT\_SEC includes the added capability of being able to set the gateway conversation security user ID and password to values other than the current Oracle

user ID and password. Upon successful completion of either function, the conversation is ready to send data to the remote transaction program.

Table B-2 presents the PGAINIT and PGAINIT\_SEC parameters that are common in both procedures. It lists the type, datatype and description of each parameter:

**Table B-2 Common PGAINIT and PGAINIT\_SEC Parameters**

Parameters	Type	Datatypes	Descriptions
CONVID	OUT	RAW (12)	<p><b>For a gateway using SNA:</b> Conversation identifier returned by the PGAINIT function to be used to identify the conversation to the PGAXFER and PGATERM functions. After PGAINIT is called, this variable must never be modified, or results will be unpredictable.</p> <p><b>For a gateway using TCP/IP:</b> Socket file descriptor returned by the PGAINIT function to be used to identify the conversation to the PGAXFER and PGATERM functions. After PGAINIT is called, this variable must never be modified, or results will be unpredictable.</p>
TPNAME	IN	VARCHAR2 (64)	<p>Transaction program name of the remote transaction program with which a conversation is to be established. For most OLTPs, the name must be the transaction name as defined to the OLTP. This name can be from 1 to 64 characters in length.</p> <p><b>Note: For TCP/IP support,</b> the maximum size is 8 characters. For more information, refer to Appendix B, "Gateway Initialization Parameters for TCP/IP Communication Protocol" in the <i>Oracle Database Gateway for APPC Installation and Configuration Guide for IBM AIX on POWER Systems (64-Bit), Linux x86-64, Oracle Solaris on SPARC (64-Bit), and HP-UX Itanium or Oracle Database Gateway for APPC Installation and Configuration Guide for Microsoft Windows.</i></p>
LUNAME	IN	VARCHAR2 (17)	<p><b>For a gateway using SNA:</b> the LU name of the OLTP under which the remote transaction program executes. This parameter is the fully-qualified LU name or alias and can be from 1 to 17 characters in length.</p> <p><b>For a gateway using TCP/IP:</b> this parameter is not applicable.</p>

**Table B–2 (Cont.) Common PGAINIT and PGAINIT\_SEC Parameters**

Parameters	Type	Datatypes	Descriptions
MODENAME	IN	VARCHAR2 (8)	<p><b>For a gateway using SNA:</b> Logmode entry name of the logmode table entry on the remote host, which defines the session characteristics for the APPC conversation. This name can be from 1 to 8 characters in length.</p> <p><b>For a gateway using TCP/IP:</b> this parameter is not applicable.</p>
PROFNAME	IN	VARCHAR2 (8)	<p>Profile name of the SNA Side Information profile which defines the conversation. This name can be from 1 to 8 characters in length.</p> <p><b>For a gateway using TCP/IP:</b> this name represents a group of IMS transactions similar of similar TCP/IP and IMS Connect attributes.</p>
SYNCLEVEL	IN	CHAR (1)	<p>SYNCLEVEL for this conversation. This value must be either '0' or '1'.</p> <p>SYNCLEVEL 0 indicates that the remote transaction program has no synchronization capabilities.</p> <p>SYNCLEVEL 1 indicates that the remote transaction program is capable of responding to CONFIRM requests and is used to ensure data integrity when the remote transaction program is making updates to a database on the remote host.</p>

Table B–3 lists the PGAINIT\_SEC parameters which are specific to the procedure:

**Table B–3 PGAINIT\_SEC Parameters Specific to the Procedure**

Parameter	Type	Datatype	Description
USERID	IN	VARCHAR2 (8)	Conversation security user ID to be passed to the target OLTP. The value must be from 1 to 8 characters in length.
PASSWORD	IN	VARCHAR2 (8)	Conversation security password to be passed to the target OLTP. The value must be from 1 to 8 characters in length.

#### For Gateways Using the SNA Protocol:

There is an interrelationship between PROFNAME and LUNAME/TPNAME/MODENAME. If PROFNAME is set to blanks or a null value, the LUNAME, TPNAME, and MODENAME parameters are all required to be non-blank values. If they are not all set to non-blank values, an exception is generated. However, if PROFNAME is set to a valid Side Information Profile name, the LUNAME, TPNAME, and MODENAME parameters can be null or blank, because the Side Information profile specifies all the information necessary to establish the conversation. In this case, any non-blank, non-null values specified for LUNAME, TPNAME, or MODENAME override values set in the Side Information profile. PROFNAME must be set and cannot be blank or null.

**For Gateways Using the TCP/IP protocol:**

PROFNAME and TPNAME must be set and cannot be blank or null.

**PGAXFER**

PGAXFER is called to transfer data to and from a remote transaction program on the gateway conversation initialized by PGAINIT. The function sends and/or receives data items based on the calling parameters.

Table B-4 lists the types, datatypes and descriptions of PGAXFER parameters:

**Table B-4 PGAXFER Parameters**

Parameter	Type	Datatype	Description
CONVID	IN	RAW(12)	<b>For a gateway using SNA:</b> Conversation identifier returned by the PGAINIT function to be used to identify the conversation.  <b>For a gateway using TCP/IP:</b> Socket file descriptor returned by the PGAINIT function to be used to identify the conversation.
SENDBUF	IN	RAW(32763)	Buffer containing all the data items to be sent to the remote transaction program. The data items are sent as is, with no changes. Data items must appear in the buffer in the exact order in which the remote transaction program expects to receive them. The total size of all the data items cannot exceed the maximum size for a single gateway send, which is 32,763 bytes for a mapped gateway conversation.
SENDBUFL	IN	BINARY_INTEGER	Total length of the data items contained in SENDBUF. The range is 0-32,763 bytes. A value of '0' is used when there are no data items to send.
SENDLNS	IN	RAW(1024)	Buffer containing an array of up to 256 4-byte integer values. The first integer value specifies the number of data items contained in the send buffer (SENDBUF). Following that data item count is a series of integer values specifying the lengths of the data items. There must be an exact match between the data item count and the number of data item length values. Up to 255 data items can be described by this array. The sum of all the data item lengths cannot exceed the total length in SENDBUFL.
RECVBUF	OUT	RAW(32763)	Buffer to contain all the data items received from the remote transaction program. The data items are stored in this buffer in the exact order in which the remote transaction program sends them. The total size of all the data items cannot exceed the maximum size of 32,763 bytes.
RECVBUFL	IN	BINARY_INTEGER	Total length of the receive buffer. The range is 0-32,763 bytes. A value of '0' is used when there are no data items to receive.

**Table B-4 (Cont.) PGAXFER Parameters**

Parameter	Type	Datatype	Description
RECVLNS	INOUT	RAW(1024)	Buffer containing an array of up to 256 4-byte integer values. The first integer value specifies the number of data items to be received into the receive buffer (RECVBUF). Following the data item count is a series of integer values specifying the maximum lengths of the data items to be received. On output, these values are replaced with the actual lengths of the data items received. There must be an exact match between the data item count and the number of data item length values. Up to 255 data items can be described by this array. The sum of all the data item lengths cannot exceed the total length of the receive buffer (RECVBUFL).

When PGAXFER is called, either or both of SENDBUFL and RECVBUFL must be nonzero; in other words, at least one data item must be sent to or received from the remote transaction program. If PGAXFER is called with no data items to send or receive, it generates an exception.

---

**Note:** On each PGAXFER call, all send processing occurs first, followed by all receive processing. If a transaction operates in a manner that requires multiple sets of send and receives, then PGAXFER can be called more than once to accommodate the transaction. If more than 32,763 bytes of data are to be sent or received, multiple calls to PGAXFER must be made.

---

## PGATERM

PGATERM is called to terminate an the gateway conversation that was initiated by a previous call to PGAINIT. Upon successful completion of this function, the conversation is deallocated and all storage associated with it is freed.

Table B-5 presents the types, datatypes and descriptions of PGATERM parameters:

**Table B-5 PGATERM Parameters**

Parameter	Type	Datatype	Description
CONVID	IN	RAW(12)	<b>For a gateway using SNA:</b> Conversation identifier returned by the PGAINIT function to be used to identify the conversation.  <b>For a gateway using TCP/IP:</b> Socket file descriptor returned by the PGAINIT function to be used to identify the conversation.
TERMTYPE	IN	CHAR(1)	Type of termination to be performed. '0' indicates normal completion and '1' indicates abnormal termination, which is only requested if there is an error.

## PGATCTL

PGATCTL is called by the TRACE\_LEVEL parameter at %ORACLE\_ HOME%\dg4appc\admin\initsid.ora file for Microsoft or \$ORACLE\_

HOME/dg4appc/admin/initsid.ora file on UNIX based systems. Using PGATCTL, the trace level can be changed dynamically from within a PL/SQL stored procedure. This facility is useful when debugging a new PL/SQL application.

Table B-6 presents the types, datatypes and descriptions of parameters in PGATCTL:

**Table B-6 PGATCTL Parameters**

Parameter	Type	Datatype	Description
CONVID	IN	RAW(12)	<p><b>For a gateway using SNA:</b> Conversation identifier returned by the PGAINIT function to be used to identify the conversation.</p> <p><b>For a gateway using TCP/IP:</b> Socket file descriptor returned by the PGAINIT function to be used to identify the conversation.</p>
TRFUNC	IN	CHAR(1)	<p>Trace control function to be performed. The valid values are:</p> <p>'S' - set trace flags to the exact value specified by the TRFLAGS parameter.</p> <p>'E' - enable the trace flags specified by the TRFLAGS parameter, without changing any other flags.</p> <p>'D' - disable the trace flags specified by the TRFLAGS parameter, without changing any other flags.</p>
TRFLAGS	IN	BINARY_INTEGER	<p>Trace flags.</p> <p>Turn on TRACE_LEVEL. Refer to Appendix A, "Gateway Initialization Parameters for SNA Protocol" in the <i>Oracle Database Gateway for APPC Installation and Configuration Guide for IBM AIX on POWER Systems (64-Bit), Linux x86-64, Oracle Solaris on SPARC (64-Bit), and HP-UX Itanium or Oracle Database Gateway for APPC Installation and Configuration Guide for Microsoft Windows</i> for more information if your protocol is SNA.</p> <p>Refer to Appendix B, "Gateway Initialization Parameters for TCP/IP Communication Protocol" in the <i>Oracle Database Gateway for APPC Installation and Configuration Guide for IBM AIX on POWER Systems (64-Bit), Linux x86-64, Oracle Solaris on SPARC (64-Bit), and HP-UX Itanium or Oracle Database Gateway for APPC Installation and Configuration Guide for Microsoft Windows</i>.</p>

## PGATRAC

This function is called to write a line of user data into the PGA trace file. Using PGATRAC, the flow within a PL/SQL procedure can be traced, along with the events traced, based on the TRACE\_LEVEL at %ORACLE\_HOME%\dg4appc\admin\initsid.ora for Microsoft Windows or \$ORACLE\_HOME/dg4appc/admin/initsid.ora on UNIX based systems. This is a useful debugging tool when developing a new PL/SQL application.

Table B-7 presents the type, datatype and description of the PGATRAC parameter:

**Table B-7 PGATRAC Parameter**

<b>Parameter</b>	<b>Type</b>	<b>Datatype</b>	<b>Description</b>
TRDATA	IN	VARCHAR2 (120)	Line of user data to be written into the gateway trace file. The contents must be printable characters.





---

---

## The UTL\_PG Interface

The Oracle Database Gateway for APPC requires the use of the RAW datatype to transfer data to and from PL/SQL without any alteration by Oracle Net. This is necessary because only the PL/SQL applications have information about the format of the data being sent to and received from the remote transaction programs. Oracle Net only has information about the systems where the PL/SQL application and the gateway server are running. If Oracle Net is allowed to perform translation on the data flowing between PL/SQL and the gateway, the data can end up in the wrong format.

This appendix contains the following sections:

- ["UTL\\_PG Functions"](#) on page C-1
- ["NUMBER\\_TO\\_RAW and RAW\\_TO\\_NUMBER Argument Values"](#) on page C-11

---

---

**Note:** The IBM VS COBOL II compiler has been desupported. However, the string "IBMVSCOBOLII" is still used as the value of the compiler name parameter to represent any COBOL compiler you choose to use. The value IBMVSCOBOLII should still be used and does not create a dependency on any specific version of the compiler.

---

---

### UTL\_PG Functions

The UTL\_PG package is an extension to PL/SQL that provides a full set of functions for converting COBOL number formats into Oracle numbers and Oracle numbers into COBOL number formats.

UTL\_PG conversion format RAWs are not portable in this release. Additionally, generation of conversion format RAWs on one system and transfer to another system is not supported.

The functions listed in this section are called in the standard PL/SQL manner:

```
package_name.function_name(arguments)
```

Specifically for UTL\_PG routines, this is:

```
UTL_PG.function_name(arguments)
```

For each function listed below, the function name, arguments and their datatypes, and the return value datatype are provided. Unless otherwise specified, the parameters are IN, not OUT, parameters.

## Common Parameters

The following UTL\_PG functions share several similar parameters among themselves:

- RAW\_TO\_NUMBER
- MAKE\_NUMBER\_TO\_RAW\_FORMAT
- MAKE\_RAW\_TO\_NUMBER\_FORMAT
- NUMBER\_TO\_RAW

These similar parameters are described in detail in [Table C–1](#) and then referenced only by name in subsequent tables listing the parameters for each UTL\_PG function in this Appendix.

### Common Input Parameters

[Table C–1](#) describes the input parameters that are common to all of the UTL\_PG functions:

**Table C–1** *Input Parameters Common to UTL\_PG Function*

Parameter	Description
mask	is the compiler datatype mask. This is the datatype to be converted, specified in the source language of the named compiler ( <i>compname</i> ). This implies the internal format of the data as encoded according to the compiler and host platform.
maskopts	is the compiler datatype mask options or NULL. These are additional options associated with the mask, as allowed or required, and are specified in the source language of <i>compname</i> . These can further qualify the type of conversion as necessary.
envrnmnt	is the compiler environment clause or NULL. These are additional options associated with the environment in which the remote data resides, as allowed or required, and is specified in the source language of <i>compname</i> . This parameter typically supplies aspects of data conversion dictated by customer standards, such as decimal point or currency symbols if applicable.
compname	is the compiler name. The only supported value is IBMVSCOBOLII.
compopts	is the compiler options or NULL.
nlslang	is the zoned decimal code page specified in Globalization Support format, <i>language_territory.charset</i> . This defaults to AMERICAN_AMERICA.WE8EBCDIC37C.
wind	is the warning indicator. A Boolean indicator which controls whether conversion warning messages are to be returned in the <i>wmsgblk OUT</i> parameter.
wmsgbsiz	is the warning message block declared size in bytes. It is a BINARY_INTEGER set to the byte length of <i>wmsgblk</i> . The warning message block must be at least 512 and not more than 8192 bytes in length. When declaring <i>wmsgblk</i> , plan on approximately 512 bytes for each warning returned, depending on the nature of the requested conversion.

### Common Output Parameter

[Table C–2](#) describes the output parameter that is common to the UTL\_PG functions:

**Table C-2 Output Parameters Common to UTL\_PG Functions**

Parameter	Description
wmsgblk	<p>is the warning message block. It is a RAW value which can contain multiple warnings in both full message and substituted parameter formats, if <code>wind</code> is <code>TRUE</code>. This parameter should be passed to the <code>WMSGCNT</code> function to test if warnings were issued and to <code>WMSG</code> to extract any warning that are present.</p> <p>If <code>wind</code> is <code>TRUE</code> and no warnings are issued or if <code>wind</code> is <code>FALSE</code>, the length of <code>wmsgblk</code> is 0. This parameter does not need to be reset before each use. The warning message is documented in the <i>Oracle Database Error Messages</i> manual. This parameter must be allocated and passed as a parameter in all cases, regardless of how <code>wind</code> is specified.</p>

## RAW\_TO\_NUMBER

`RAW_TO_NUMBER` converts a RAW byte-string `r` from the remote host internal format specified by `mask`, `maskopts`, `envrnmnt`, `compname`, `compopts`, and `nlslang` into an Oracle number.

Warnings are issued, if enabled, when the conversion specified conflicts with the conversion implied by the data or when conflicting format specifications are supplied.

For detailed information about the `mask`, `maskopts`, `envrnmnt`, `compname`, and `compopts` arguments, refer to "[NUMBER\\_TO\\_RAW and RAW\\_TO\\_NUMBER Argument Values](#)" on page C-11.

### Syntax

```
function RAW_TO_NUMBER (r IN RAW,
    mask IN VARCHAR2,
    maskopts IN VARCHAR2,
    envrnmnt IN VARCHAR2,
    compname IN VARCHAR2,
    compopts IN VARCHAR2,
    nlslang IN VARCHAR2,
    wind IN BOOLEAN,
    wmsgbsiz IN BINARY_INTEGER,
    wmsgblk OUT RAW) RETURN NUMBER;
```

Where [Table C-3](#) describes the parameters in this function:

**Table C-3 RAW\_TO\_NUMBER Function Parameters**

Parameter	Description
<code>r</code>	is the remote host data to be converted.
<code>mask</code>	is the compiler datatype mask.
<code>maskopts</code>	are the compiler datatype mask options or <code>NULL</code> .
<code>envrnmnt</code>	is the compiler environment clause or <code>NULL</code> .
<code>compname</code>	is the compiler name.
<code>compopts</code>	are the compiler options or <code>NULL</code> .
<code>nlslang</code>	is the zoned decimal code page in Globalization Support format.
<code>wind</code>	is a warning indicator.

**Table C-3 (Cont.) RAW\_TO\_NUMBER Function Parameters**

Parameter	Description
wmsgbsiz	is the warning message block size in bytes.
wmsgblk	is the warning message block. This is an OUT parameter.

**Defaults and Optional Parameters**

Table C-4 describes the default and optional parameters of the RAW\_TO\_NUMBER function:

**Table C-4 Optional and Default Parameters of the RAW\_TO\_NUMBER Function**

Parameters	Description
maskopts	null allowed, no default value
envrnmnt	null allowed, no default value
compopts	null allowed, no default value

**Return Value**

An Oracle number corresponding in value to r.

**Error and Warning Messages**

If you receive an ORA-xxxx error or warning message, refer to the *Oracle Database Error Messages* for an explanation and information about how to handle it.

**NUMBER\_TO\_RAW**

NUMBER\_TO\_RAW converts an Oracle number n of declared precision and scale into a RAW byte-string in the remote host internal format specified by mask, maskopts, envrnmnt, compname, compopts, and nlslang.

Warnings are issued, if enabled, when the conversion specified conflicts with the conversion implied by the data or when conflicting format specifications are supplied.

For detailed information about the mask, maskopts, envrnmnt, compname, and compopts arguments, refer to "NUMBER\_TO\_RAW and RAW\_TO\_NUMBER Argument Values" on page C-11.

**Syntax**

```
function NUMBER_TO_RAW (n IN NUMBER,
  mask IN VARCHAR2,
  maskopts IN VARCHAR2,
  envrnmnt IN VARCHAR2,
  compname IN VARCHAR2,
  compopts IN VARCHAR2,
  nlslang IN VARCHAR2,
  wind IN BOOLEAN,
  wmsgbsiz IN BINARY_INTEGER,
  wmsgblk OUT RAW) RETURN RAW;
```

Where Table C-5 describes the parameters in this function:

**Table C-5 NUMBER\_TO\_RAW Function Parameters**

Parameter	Description
n	is the Oracle number to be converted.
mask	is the compiler datatype mask.
maskopts	are the compiler datatype mask options or NULL.
envrnmnt	is the compiler environment clause or NULL.
compname	is the compiler name.
compopts	are the compiler options or NULL.
nlslang	is the zoned decimal code page in Globalization Support format.
wind	is a warning indicator.
wmsgbsiz	is the warning message block size in bytes.
wmsgblk	is the warning message block. This is an OUT parameter.

### Defaults and Optional Parameters

Table C-6 describes the defaults and optional parameters for the NUMBER\_TO\_RAW function:

**Table C-6 Defaults and Optional Parameters for NUMBER\_TO\_RAW Function**

Parameter	Description
maskopts	null allowed, no default value
envrnmnt	null allowed, no default value
compopts	null allowed, no default value

### Return Value

A RAW value corresponding in value to n.

### Error and Warning Messages

If you receive an ORA-xxxx error or warning message, refer to the *Oracle Database Error Messages* for an explanation and information about how to handle it.

## MAKE\_RAW\_TO\_NUMBER\_FORMAT

MAKE\_RAW\_TO\_NUMBER\_FORMAT makes a RAW\_TO\_NUMBER format conversion specification used to convert a RAW byte-string from the remote host internal format specified by mask, maskopts, envrnmnt, compname, compopts, and nlslang into an Oracle number of comparable precision and scale.

Warnings are issued, if enabled, when the conversion specified conflicts with the conversion implied by the data or when conflicting format specifications are supplied.

This function returns a RAW value containing the conversion format which can be passed to UTL\_PG.RAW\_TO\_NUMBER\_FORMAT.

For detailed information about the mask, maskopts, envrnmnt, compname, and compopts arguments, refer to "NUMBER\_TO\_RAW and RAW\_TO\_NUMBER Argument Values" on page C-11.

**Syntax**

```
function MAKE_RAW_TO_NUMBER_FORMAT (mask IN VARCHAR2,
  maskopts IN VARCHAR2,
  envrnmnt IN VARCHAR2,
  compname IN VARCHAR2,
  compopts IN VARCHAR2,
  nlslang IN VARCHAR2,
  wind IN BOOLEAN,
  wmsgbsiz IN BINARY_INTEGER,
  wmsgblk OUT RAW) RETURN RAW;
```

Where [Table C-7](#) describes the parameters in this function:

**Table C-7 MAKE\_RAW\_TO\_NUMBER\_FORMAT Function Parameters**

Parameter	Description
mask	is the compiler datatype mask.
maskopts	are the compiler datatype mask options or NULL.
envrnmnt	is the compiler environment clause or NULL.
compname	is the compiler name.
compopts	are the compiler options or NULL.
nlslang	is the zoned decimal code page in Globalization Support format.
wind	is a warning indicator.
wmsgbsiz	is the warning message block size in bytes.
wmsgblk	is the warning message block. This is an OUT parameter.

**Defaults and Optional Parameters**

[Table C-8](#) describes the defaults and optional parameters of the MAKE\_RAW\_TO\_NUMBER\_FORMAT function:

**Table C-8 Default and Optional MAKE\_RAW\_TO\_NUMBER\_FORMAT Parameters**

Parameter	Description
maskopts	null allowed, no default value
envrnmnt	null allowed, no default value
compopts	null allowed, no default value

**Return Value**

A RAW(2048) format conversion specification for RAW\_TO\_NUMBER.

**Error and Warning Messages**

If you receive an ORA-xxxx error or warning message, refer to the *Oracle Database Error Messages* guide for an explanation and information about how to handle it.

**MAKE\_NUMBER\_TO\_RAW\_FORMAT**

MAKE\_NUMBER\_TO\_RAW\_FORMAT makes a NUMBER\_TO\_RAW format conversion specification used to convert an Oracle number of declared precision and scale to a RAW

byte-string in the remote host internal format specified by `mask`, `maskopts`, `envrnmnt`, `compname`, `compopts`, and `nlslang`.

Warnings are issued, if enabled, when the conversion specified conflicts with the conversion implied by the data or when conflicting format specifications are supplied.

This function returns a RAW value containing the conversion format which can be passed to `UTL_PG.NUMBER_TO_RAW_FORMAT`. The implementation length of the result format RAW is 2048 bytes.

For detailed information about the `mask`, `maskopts`, `envrnmnt`, `compname`, and `compopts` arguments, refer to "[NUMBER\\_TO\\_RAW and RAW\\_TO\\_NUMBER Argument Values](#)" on page C-11.

### Syntax

```
function MAKE_NUMBER_TO_RAW_FORMAT (mask IN VARCHAR2,
  maskopts IN VARCHAR2,
  envrnmnt IN VARCHAR2,
  compname IN VARCHAR2,
  compopts IN VARCHAR2,
  nlslang IN VARCHAR2,
  wind IN BOOLEAN,
  wmsgbsiz IN BINARY_INTEGER,
  wmsgblk OUT RAW) RETURN RAW;
```

Where [Table C-9](#) describes the parameters in this function:

**Table C-9 MAKE\_NUMBER\_TO\_RAW\_FORMAT Function Parameters**

Parameter	Description
<code>mask</code>	is the compiler datatype mask.
<code>maskopts</code>	are the compiler datatype mask options or NULL.
<code>envrnmnt</code>	is the compiler environment clause or NULL.
<code>compname</code>	is the compiler name.
<code>compopts</code>	are the compiler options or NULL.
<code>nlslang</code>	is the zoned decimal code page in Globalization Support format.
<code>wind</code>	is a warning indicator.
<code>wmsgbsiz</code>	is the warning message block size in bytes.
<code>wmsgblk</code>	is the warning message block. This is an <code>OUT</code> parameter.

### Defaults and Optional Parameters

[Table C-10](#) describes the defaults and optional parameters for the `MAKE_NUMBER_TO_RAW_FORMAT` function:

**Table C-10 Optional, Default Parameters: MAKE\_NUMBER\_TO\_RAW\_FORMAT**

Parameter	Description
<code>maskopts</code>	null allowed, no default value
<code>envrnmnt</code>	null allowed, no default value
<code>compopts</code>	null allowed, no default value

**Return Value**

A RAW(2048) format conversion specification for NUMBER\_TO\_RAW.

**Error and Warning Messages**

If you receive an ORA-xxxx error or warning message, refer to the *Oracle Database Error Messages* guide for an explanation and information about how to handle it.

**RAW\_TO\_NUMBER\_FORMAT**

RAW\_TO\_NUMBER\_FORMAT converts, according to the RAW\_TO\_NUMBER conversion format r2nfmt, a RAW byte-string rawval in the remote host internal format into an Oracle number.

**Syntax**

```
function RAW_TO_NUMBER_FORMAT (rawval IN RAW,
                               r2nfmt IN RAW) RETURN NUMBER;
```

where [Table C-11](#) describes the parameters in this function:

**Table C-11 RAW\_TO\_NUMBER\_FORMAT Function Parameters**

Parameter	Description
rawval	is the remote host data to be converted.
r2nfmt	is a RAW(2048) format specification returned from MAKE_RAW_TO_NUMBER_FORMAT.

**Defaults**

None

**Return Value**

An Oracle number corresponding in value to r.

**Error and Warning Messages**

If you receive an ORA-xxxx error or warning message, refer to the *Oracle Database Error Messages* guide for an explanation and information about how to handle it.

**NUMBER\_TO\_RAW\_FORMAT**

NUMBER\_TO\_RAW\_FORMAT converts, according to the NUMBER\_TO\_RAW conversion format n2rfmt, an Oracle number numval of declared precision and scale into a RAW byte-string in the remote host internal format.

**Syntax**

```
function NUMBER_TO_RAW_FORMAT (numval IN NUMBER,
                               n2rfmt IN RAW) RETURN RAW;
```

Where [Table C-12](#) describes the parameters in this function:

**Table C-12 NUMBER\_TO\_RAW\_FORMAT Function Parameters**

Parameters	Description
numval	is the Oracle number to be converted.



**Table C–12 (Cont.) NUMBER\_TO\_RAW\_FORMAT Function Parameters**

Parameters	Description
n2rfmt	is a RAW(2048) format specification returned from MAKE_NUMBER_TO_RAW_FORMAT.

**Defaults**

None

**Return Value**

A RAW value corresponding in value to n.

**Error and Warning Messages**

If you receive an ORA-xxxx error or warning message, refer to the *Oracle Database Error Messages* guide for an explanation and information about how to handle it.

## WMSGCNT

WMSGCNT tests a wmsgblk to determine how many warnings, if any, are present.

**Syntax**

```
function WMSGCNT (wmsgblk IN RAW) RETURN BINARY_INTEGER;
```

Where [Table C–13](#) describes the parameter in this function.

**Table C–13 WMSGCNT Function Parameter**

Parameter	Description
wmsgblk	is the warning message block returned from one of the following functions: <ul style="list-style-type: none"> <li>■ MAKE_NUMBER_TO_RAW_FORMAT</li> <li>■ MAKE_RAW_TO_NUMBER_FORMAT</li> <li>■ NUMBER_TO_RAW</li> <li>■ RAW_TO_NUMBER</li> </ul>

**Defaults**

None

**Return Value**

A BINARY\_INTEGER value equal to the count of warnings present in the RAW wmsgblk.

[Table C–14](#) lists possible returned values:

**Table C–14 WMSGCNT Return Values**

	Description
>0	indicates a count of warnings present in wmsgblk.
0	indicates that no warnings are present in wmsgblk.

## Error and Warning Messages

If you receive an ORA-xxxx error or warning message, refer to the *Oracle Database Error Messages* guide for an explanation and information about how to handle it.

## WMSG

WMSG extracts a warning message specified by `wmsgitem` from `wmsgblk`.

### Syntax

```
function WMSG (wmsgblk IN RAW,
              wmsgitem IN BINARY_INTEGER,
              wmsgno OUT BINARY_INTEGER,
              wmsgtext OUT VARCHAR2,
              wmsgfill OUT VARCHAR2) RETURN BINARY_INTEGER;
```

Where [Table C-15](#) describes the parameters in this function:

**Table C-15 WMSG Function Parameters**

Parameter	Description
<code>wmsgblk</code>	is a RAW warning message block returned from one of the following functions: <ul style="list-style-type: none"> <li>■ MAKE_NUMBER_TO_RAW_FORMAT</li> <li>■ MAKE_RAW_TO_NUMBER_FORMAT</li> <li>■ NUMBER_TO_RAW</li> <li>■ RAW_TO_NUMBER</li> </ul>
<code>wmsgitem</code>	is a BINARY_INTEGER value specifying which warning message to extract, numbered from 0 for the first warning through <code>n</code> minus 1 for the <code>n</code> th warning.
<code>wmsgno</code>	is an OUT parameter containing the BINARY_INTEGER (hexadecimal) value of the warning number. This value, after conversion to decimal, is documented in the <i>Oracle Database Error Messages</i> manual.
<code>wmsgtext</code>	is a VARCHAR2 OUT parameter value containing the fully-formatted warning message in ORA-xxxxx format, where xxxxx is the decimal warning number documented in the <i>Oracle Database Error Messages</i> manual.
<code>wmsgfill</code>	is a VARCHAR2 OUT parameter value containing the list of warning message parameters to be substituted into a warning message in the following format: <pre>warnparm1;;warnparm2;;...;;warnparmn</pre> where each warning parameter is delimited by a double semicolon.

### Defaults

None

### Return Value

A BINARY\_INTEGER value containing a status return code.

A return code of "0" indicates that `wmsgno`, `wmsgtext`, and `wmsgfill` are assigned and valid.

**Error and Warning Messages**

If you receive an ORA-xxxx error or warning message, refer to the *Oracle Database Error Messages* guide for an explanation and information about how to handle it.

Table C-16 describes the error messages you could receive:

**Table C-16 WMSG Function Errors**

Error	Description
-1	indicating the warning specified by <code>wmsgitem</code> was not found in <code>wmsgblk</code> .
-2	indicating an invalid message block.
-3	indicating <code>wmsgblk</code> is too small to contain the warning associated with <code>wmsgitem</code> . A partial or no warning message might be present for this particular <code>wmsgitem</code> .
-4	indicating there are too many substituted warning parameters.

**NUMBER\_TO\_RAW and RAW\_TO\_NUMBER Argument Values**

This table lists the valid values for the format arguments for `NUMBER_TO_RAW` and `RAW_TO_NUMBER` and related functions. Following are examples of some valid COBOL picture masks. Any valid COBOL picture mask may be used. Refer to the appropriate IBM COBOL programming guides for an explanation of COBOL picture masks.

*mask*: COBOL picture mask

```

PIC 9(n)           where 1 <= n   <= 18
PIC S9(n)          where 1 <= n   <= 18
PIC 9(n)V9(s)      where 1 <= n+s <= 18
PIC S9(n)V9(s)     where 1 <= n+s <= 18
PIC S9999999V99
PIC V99999
PIC SV9(5)
PIC 999.00
PIC 99/99/99
PIC ZZZ.99
PIC PPP99
PIC +999.99
PIC 999.99+
PIC -999.99
PIC 999.99-
PIC $$$$,$$$$.99
PIC $9999.99DB
PIC $9999.99CR

```

*maskopts*: COBOL picture mask options

```

COMP
USAGE IS COMP
USAGE IS COMPUTATIONAL
COMP-3
USAGE IS COMP-3
USAGE IS COMPUTATIONAL-3
COMP-4
USAGE IS COMP-4
USAGE IS COMPUTATIONAL-4
DISPLAY
USAGE IS DISPLAY

```

SIGN IS LEADING  
SIGN IS LEADING SEPARATE  
SIGN IS LEADING SEPARATE CHARACTER  
SIGN IS TRAILING  
SIGN IS TRAILING SEPARATE  
SIGN IS TRAILING SEPARATE CHARACTER

*envrnmnt*: COBOL environment clause

CURRENCY SIGN IS x where x is a valid currency sign character  
DECIMAL-POINT IS COMMA

*compname*: COBOL compiler name

IBMVSCOBOLII

*compopts*: COBOL compiler options

(no values are supported at this time)

---

---

## Datatype Conversions

You must convert datatypes and data formats properly when you are using the PGAU tool to generate TIPs and when you are developing a custom TIP using PL/SQL and the `UTL_RAW` and `UTL_PG` functions.

Read this appendix to learn about datatype conversion as it relates to TIPs.

This appendix contains the following sections:

- [Length Checking](#) on page D-1
- [Conversion](#) on page D-2

### Length Checking

PGAU-generated TIPs perform length checking at the end of every parameter sent and received.

[Table D-1](#) provides a list of length parameters generated by PGAU:

**Table D-1** Length Parameters

Parameter	Description
expected length	Is computed by PGAU when the TIP is generated.
convert length	Is summed by the TIP from each converted field.
send length	Is the transmitted send data length and is also equal to the actual length for send parameters.
receive length	Is the transmitted receive data length.

An exception is raised when the convert length of a sent parameter does not equal its expected length. This occurs if too many or too few send field conversions are performed.

An exception is raised when the convert length of a received parameter does not equal its received length. These length exceptions result when too few or too many conversions are performed.

A warning is issued when the expected length of a received parameter does not equal its convert or received length and data conversion tracing is enabled. This occurs when a maximum length record is expected, but a shorter record is transmitted and correctly converted.

## Parameters Over 32K in Length

PGAU generates TIPs that support transmission of individual data parameters which exceed 32K bytes.

PGAU includes this support automatically when PGAU `GENERATE` processing detects the maximum length of a data parameter exceeding 32K.

This support is driven by the data definitions placed in the PG DD and cannot be selected by the user. To include the support, the data definition must actually or possibly exceed 32K. To remove the support, you must decrease the parameter length to less than 32K, `REDEFINE` the data, and `GENERATE` the TIP again.

This support tests for field positions crossing the 32K buffer boundaries before and after conversion of those fields which lie across such boundaries. In the case of repeating groups, This can be many fields, for repeating groups, or few fields in the case of simple linear records.

Each test and the corresponding buffer management logic adds overhead.

---



---

**Caution:** The target of a `REDEFINE` clause cannot reside in a previously processed buffer. Run-time TIP processing of the fields containing such `REDEFINE` clauses get unpredictable results.

---



---

## Conversion

The PG DD and TIPs generated by PGAU support COBOL, specified as `IBMVSCOBOLII` when defining data.

## USAGE(PASS)

When `USAGE(PASS)` has been specified on the `PGAU DEFINE DATA` statement, the following datatype and format conversions are supported:

- PIC X
- PIC G

### PIC X Datatype Conversions

PGAU TIPs convert the COBOL X datatype to a PL/SQL `CHAR` datatype of the same character length. Globalization Support character set translation is also performed.

**Note:** COBOL lacks a datatype specifically designated for variable length data. It is represented in COBOL as a subgroup containing a `PIC 9` length field followed by a `PIC X` character field. For example:

```
10 NAME.
   15 LENGTH PIC S9(4).
   15 LETTERS PIC X(30).
```

Given this context, it cannot be guaranteed that all instances of an `S9(4)` field followed by an `X` field are always variable length data. Rather than PGAU TIPs converting the above COBOL group `NAME` to a `VARCHAR`, the TIPs instead construct a nested PL/SQL record as follows:

```
TYPE NAME_typ is RECORD (
    LENGTH NUMBER(4,0),
    LETTERS CHAR(30));
```

```
TYPE ... is RECORD(
  ...
  NAME NAME_typ,
  ...
```

It is the client application's responsibility (based upon specific knowledge of the remote host data) to extract `NAME.LENGTH` characters from `NAME.LETTERS` and assign the result to a PL/SQL `VARCHAR`, if a `VARCHAR` is desired.

Character set conversion is performed for single byte encoded:

- remote host character data, using either:
  - `DEFINE TRANSACTION NLS_LANGUAGE` character set for an entire transaction, or
  - `REDEFINE DATA REMOTE_LANGUAGE` character set for a single field, if specified.
- local Oracle character data, using either:
  - `LANGUAGE` character set of integrating server for an entire transaction, or
  - `REDEFINE DATA LOCAL_LANGUAGE` character set for a single field, if specified.

### PIC G Datatype Conversions

PGAU generated TIPs convert the COBOL `G` datatype to a PL/SQL `VARCHAR2` datatype of the same length, allowing 2 bytes for every character position.

Character set conversion is performed for double-byte and multi-byte encoded:

- remote host character data, using either:
  - `DEFINE TRANSACTION REMOTE_MBCS` character set for an entire transaction, or
  - `REDEFINE DATA REMOTE_LANGUAGE` character set for a single field, if specified.
- local Oracle character data, using either:
  - `DEFINE TRANSACTION LOCAL_MBCS` character set for an entire transaction, or
  - `REDEFINE DATA LOCAL_LANGUAGE` character set for a single field, if specified.

### Alphanumeric and DBCS Editing Field Positions

[Table D-2](#) illustrates how PGAU interprets COBOL symbols in datatype conversions, by providing the definitions for the symbols.

**Table D-2** COBOL Symbol Definitions

COBOL Symbols	Oracle Definition of COBOL Symbols - Data Content
'B'	blank (1 byte SBCS or 2 bytes DBCS depending on USAGE)
'0'	zero (1 byte SBCS)
'/'	forward slash (1 byte SBCS)
'G'	double byte

Edited positions in COBOL statement data received from the remote host are converted by PGAU along with the entire field and passed to the client application in the corresponding PL/SQL `VARCHAR2` output variable.

When editing symbols are present, they are interpreted to mean the remote host field contains the COBOL data content and length indicated. The editing positions are included in the length of the data field, but conversion of all field positions is

processed by PGAU as a single string and no special scanning or translation is done for edited byte positions.

Edited positions in COBOL statement data sent to the remote host are converted by PGAU along with the entire PL/SQL `VARCHAR2` input variable passed from the client application.

[Table D-3](#) provides an example of how PGAU converts COBOL datatypes:

**Table D-3 COBOL-PGAU Conversion**

COBOL Datatype	Description of Conversion by PGAU
PIC XXXBBXX	Is an alphanumeric field 7 bytes in length and would be converted in a single <code>UTL_RAW.CONVERT</code> call. No testing or translation is done on the contents of the byte positions indicated by 'B'. While COBOL language rules indicate that these positions contain "blank" in the character set specified for the remote host, what data is actually present is the user's responsibility.
PIC GGBGGG	Is a DBCS field 12 bytes in length and would be converted in a single <code>UTL_RAW.CONVERT</code> call. No testing or translation is done on the contents of the byte positions indicated by 'B'. While COBOL language rules indicate that these positions contain "blank" in the character set specified for the remote host, what data is actually present is the user's responsibility.
PIC 9	<p>PGAU TIPs convert the COBOL 9 datatype to a PL/SQL <code>NUMBER</code> datatype of the same precision and scale. Globalization Support character set translation is also performed on signs, currency symbols, and spaces.</p> <p>The following are supported:</p> <ul style="list-style-type: none"> <li>■ COMPUTATIONAL (binary)</li> <li>■ COMPUTATIONAL-3 (packed decimal)</li> <li>■ COMPUTATIONAL-4 (binary)</li> <li>■ DISPLAY (zoned decimal)</li> </ul> <p>For DISPLAY datatypes, the following sign specifications are supported:</p> <ul style="list-style-type: none"> <li>■ SEPARATE [CHARACTER]</li> <li>■ LEADING</li> <li>■ TRAILING</li> </ul> <p>Refer to "<a href="#">NUMBER_TO_RAW and RAW_TO_NUMBER Argument Values</a>" in <a href="#">Appendix C, "The UTL_PG Interface"</a> for more information about numeric datatype conversions.</p> <p>COMPUTATIONAL-1 and COMPUTATIONAL-2 (floating point) datatypes are not supported.</p>
FILLER	<p>COBOL FILLER fields are recognized by PGAU by the spelling of the element name FILLER. PGAU does not generate any data conversion for such elements, but does require their space be properly allocated to preserve offsets within the records exchanged with the remote host transaction.</p> <p>If a RENAMEs or REDEFINES definition covers a FILLER element, PGAU generates data conversion statements for the same area when it is referenced as a component of the RENAMEs or REDEFINES variable. Such data conversion reflects only the format of the RENAMEs or REDEFINES definition and not the bounds of the FILLER definition.</p>



## Format Conversion

Table D-4 describes format conversion:

**Table D-4** *Format Conversion Descriptions*

Item	Description
JUSTIFIED   JUSTIFIED RIGHT	<p>This causes remote host transaction data to be converted as a PL/SQL CHAR datatype according to character datatype, as discussed in "PIC X Datatype Conversions" on page D-2, for both IN and OUT parameters.</p> <p>IN parameter data passed from the application is stripped of its rightmost blanks and left padded as required. Then it is sent to the remote host.</p> <p>OUT parameter data is aligned as it is received from the remote host and padded with blanks as required on the left. Then it is passed to the application.</p>
JUSTIFIED LEFT	<p>This causes warnings to be issued during TIP generation. No alignment is performed. This is treated as documentation.</p> <p>The remote host transaction data is converted as a PL/SQL CHAR datatype according to character datatype, as discussed in "PIC X Datatype Conversions" on page D-2, for both IN and OUT parameters.</p>
LENGTH IS field-2	<p>This is an Oracle extension to the data definition as stored in the PG DD. This extension exists only in the PGAU context and is not valid COBOL syntax.</p> <p>The purpose of this extension is to provide a means for variable-length character data to be processed more efficiently by the TIP conversion logic. This is an alternative to defining a variable-length PIC X field as PIC X(1) OCCURS DEPENDING ON <i>field-2</i>, where <i>field-2</i> is the length of the field. With this extension, the same field could be defined as PIC X(5000) LENGTH IS <i>field-2</i>, where <i>field-2</i> is the length of the field. The TIP is able to pick up the length and do the character set conversion on the field with a single UTL_RAW.CONVERT call instead of using a loop to do the conversion one character at a time.</p> <p>Note that the use of this construct does not affect the COBOL program. The PIC X (or PIC G) field is still fixed-length as far as COBOL is concerned, so the position of the data does not change, nor does the amount of data that is transferred between the gateway and the OLTP. However, if the field is the last field in a COBOL definition, then the COBOL program could be modified to send only the number of bytes required to satisfy the length set in the <i>field-2</i> field referenced by the LENGTH IS clause.</p> <p>The LENGTH IS clause can be specified only for PIC X and PIC G fields, and the picture mask for those fields cannot contain editing characters.</p>

**Table D-4 (Cont.) Format Conversion Descriptions**

Item	Description
OCCURS <i>n</i> TIMES	<p>This causes conversion of exactly '<i>n</i>' instances of a set of PL/SQL variables to or from a repeating group area within the remote host record, the size of which area equals the group length times '<i>n</i>' repetitions. PGAU generated TIPs employ PL/SQL RECORDS of TABLES to implement an array-like subscript on fields within a repeating group. PL/SQL supports a single dimension TABLE, and consequently PGAU supports only a single level of an OCCURS group. Nested OCCURS groups are not supported. The conversion and formatting performed are dictated by the COBOL datatype of each subfield defined within the repeating group, as documented in <a href="#">"PIC X Datatype Conversions"</a> on page D-2 and <a href="#">"Format Conversion"</a> on page D-5.</p>
OCCURS <i>m</i> TO <i>n</i> TIMES DEPENDING ON <i>field-2</i>	<p>This causes conversion of at least '<i>m</i>' and not over '<i>n</i>' instances of a set of PL/SQL variables to or from a repeating group area within the remote host record, the size of which area equals the group length times the repetition count contained in the named field. PGAU generated TIPs employ PL/SQL RECORDS of TABLES to implement an array-like subscript on fields within a repeating group. PL/SQL supports a single dimension TABLE, and consequently PGAU supports only a single level of an OCCURS DEPENDING ON group. Nested OCCURS DEPENDING ON groups are not supported. The conversion and formatting performed are dictated by the COBOL datatype of each subfield defined within the repeating group, as documented in <a href="#">"PIC X Datatype Conversions"</a> on page D-2 and <a href="#">"Format Conversion"</a> on page D-5.</p> <p>Range conversion: PGAU-generated TIPs use a 'FOR ... LOOP' algorithm with a range of 1 to whatever TIMES upper limit was specified. When the TIP has been generated with the DIAGNOSE (PKGEX(DC)) option, the PL/SQL FOR statement which iterates an OCCURS DEPENDING ON repeating group is preceded by an IF test to ensure at TIP runtime that the DEPENDING ON field contains a number which lies within the specified range for which the lower limit need not be 1. An exception is raised if this test fails.</p>
RENAMES <i>item-2</i> THRU <i>item-3</i>	<p>A single PL/SQL variable declaration corresponds to a RENAMES definition. If all the subfields covered by a RENAMES definition are PIC X, then the PL/SQL variable is a VARCHAR2. Otherwise any non-PIC X subfield causes the PL/SQL variable datatype to be RAW.</p> <p>Lengths of renamed fields do not contribute to the overall parameter data length because the original fields dictate the lengths.</p>

**Table D-4 (Cont.) Format Conversion Descriptions**

Item	Description
REDEFINES item-2 WHEN item-3=value	<p>The 'WHEN item-3=value' is an Oracle extension to the data definition as stored in the PG DD. This extension exists only in the PGA context and is not valid COBOL syntax.</p> <p>The purpose of this extension is to provide a means for the gateway administrator or application developer to specify the criteria by which the redefinition is to be applied. For example, a record type field is often present in a record and different record formats apply depending on which record type is being processed. The specification of which type value applies to which redefinition is typically buried in the transaction programming logic, not in the data definition. To specify which conversion to perform on redefined formats in the TIP, the WHEN criteria was added to PGA data definitions.</p> <p>PGAU generates PL/SQL nested record declarations which correspond in name and datatype to the subordinate elements covered by the REDEFINES definition. The standard PGAU datatype determination described in <a href="#">"PIC X Datatype Conversions"</a> on page D-2.</p> <p>LEVEL 01 REDEFINE is ignored:</p> <p>This permits remote host copybooks to include definitions which REDEFINE other transaction working storage buffers without having to define such buffers in the TIP or alter the copybook used as input for the definition.</p>
SYNCHRONIZED   SYNCHRONIZED RIGHT	<p>This causes the numeric field to be aligned on boundaries as dictated by the remote host environment, compiler language, and datatype.</p> <p>Numeric conversion is performed on the aligned data fields according to numeric datatype, as discussed in <a href="#">"PIC X Datatype Conversions"</a> on page D-2, for both IN and OUT parameters.</p>
SYNCHRONIZED LEFT	<p>This causes warnings to be issued during TIP generation and no realignment is performed. This is treated as documentation.</p> <p>Numeric conversion is performed on the aligned data fields according to numeric datatype, as discussed in <a href="#">"PIC X Datatype Conversions"</a> on page D-2, for both IN and OUT parameters.</p>

## USAGE(ASIS)

When `USAGE(ASIS)` is specified on the `PGAU DEFINE DATA` statement, no conversion is performed. Consequently, each such field is simply copied to a PL/SQL RAW of the same byte length. No conversion, translation, or reformatting is done.

## USAGE(SKIP)

When `USAGE(SKIP)` is specified on the `PGAU DEFINE DATA` statement, no data exchange is performed. The data is skipped as if it did not exist. Consequently, such fields are not selected from the PG DD, not reflected in the TIP logic, and presumed absent from the data streams exchanged with the remote host. The purpose of "SKIP" is to have definitions in the PG DD, but not active, perhaps because a remote host has either removed the field or has yet to include the field. SKIP allows an existing data definition to be used even though some fields do not exist at the remote host.

## PL/SQL Naming Algorithms

### Delimiters

COBOL special characters in record, group, and element names are translated when PGAU DEFINE inserts definitions into the PG DD, and by PGAU GENERATE when definitions are selected from the PG DD. Special characters are translated as follows:

- hyphen is translated to underscore (\_)
- period is deleted

### Qualified Compound Names

PL/SQL variable names are fully qualified and composed from:

- PL/SQL record name as the leftmost qualifier corresponding to level 01 or 77 COBOL record name.
- PL/SQL nested record names corresponding to COBOL group names.
- PL/SQL nested fields corresponding to COBOL elements of datatype:
  - CHAR or NUMBER corresponding to non-repeating COBOL elements.
  - TABLE corresponding to COBOL elements which fall within an OCCURS or OCCURS DEPENDING ON group (COBOL repeating fields correspond to PL/SQL nested RECORDS of TABLE's).

Note that when referencing PL/SQL variables from calling applications, the TIP package name must be prefixed as the leftmost qualifier. Thus the fully qualified reference to the PL/SQL variable which corresponds to:

- SKILL is:

```
tipname.EMPREC_Typ.SKILL(SKILL_Key)
```

- HOME\_ADDRESS ZIP is:

```
tipname.EMPREC_Typ.HOME_ADDRESS.ZIP.FIRST_FIVE
tipname.EMPREC_Typ.HOME_ADDRESS.ZIP.LAST_FOUR
```

### Truncated and Non-Unique Names

PGAU truncates field names and corresponding PL/SQL variable names when the name exceeds:

- 26 bytes for fields within an aggregate record or group

This is due to the need to suffix each field or PL/SQL variable name with:

- "\_Typ" for group names
- "\_Tbl" for element names with a repeating group

or

- 30 bytes due to the PL/SQL limitation of 30 bytes for any name

The rightmost four characters are truncated. This imposes the restriction that names be unique to 26 characters.

### Duplicate Names

COBOL allows repetitive definition of the same group or element names within a record, and the context of the higher level groups serves to uniquely qualify names. However, because PGAU-generated TIPs declare PL/SQL record variables which

reference nested PL/SQL records for subordinate groups and fields, such nested PL/SQL record types can have duplicate names.

Given the following COBOL definition, note that ZIP is uniquely qualified in COBOL, but the corresponding PL/SQL declaration would have a duplicate nested record type for ZIP.

```

01 EMPREC.
   05 HIREDATE           PIC X(8) .
   05 BIRTHDATE         PIC X(8) .
   05 SKILL              PIC X(12) OCCURS 4.
   05 EMPNO             PIC 9(4) .
   05 EMPNAME.
      10 FIRST-NAME     PIC X(10) .
      10 LAST-NAME      PIC X(15) .
   05 HOME-ADDRESS.
      10 STREET         PIC X(20) .
      10 CITY           PIC X(15) .
      10 STATE          PIC XX.
      10 ZIP.
         15 FIRST-FIVE  PIC X(5) .
         15 LAST-FOUR   PIC X(4) .
   05 DEPT              PIC X(45) .
   05 OFFICE-ADDRESS.
      10 STREET         PIC X(20) .
      10 CITY           PIC X(15) .
      10 STATE          PIC XX.
      10 ZIP.
         15 FIRST-FIVE  PIC X(5) .
         15 LAST-FOUR   PIC X(4) .
   05 JOBTITLE          PIC X(20) .

```

PGAU avoids declaring duplicate nested record types, and generates the following PL/SQL:

```

SKILL_Key BINARY_INTEGER;
TYPE SKILL_Tbl is TABLE of CHAR(12)
    INDEX by BINARY_INTEGER;
TYPE EMPNAME_Typ is RECORD (
    FIRST_NAME          CHAR(10) ,
    LAST_NAME           CHAR(15) );
TYPE ZIP_Typ is RECORD (
    FIRST_FIVE          CHAR(5) ,
    LAST_FOUR           CHAR(4) );
TYPE HOME_ADDRESS_Typ is RECORD (
    STREET              CHAR(20) ,
    CITY                CHAR(15) ,
    STATE               CHAR(2) ,
    ZIP                 ZIP_Typ);
TYPE OFFICE_ADDRESS_Typ is RECORD (
    STREET              CHAR(20) ,
    CITY                CHAR(15) ,
    STATE               CHAR(2) ,
    ZIP                 ZIP_Typ);

TYPE EMPREC_Typ is RECORD (
    HIREDATE            CHAR(8) ,
    BIRTHDATE           CHAR(8) ,
    SKILL                SKILL_Tbl,
    EMPNO                NUMBER(4,0) ,
    EMPNAME              EMPNAME_Typ,

```

```

HOME_ADDRESS      HOME_ADDRESS_Typ,
DEPT              CHAR(45),
OFFICE_ADDRESS    OFFICE_ADDRESS_Typ,
JOBTITLE         CHAR(20);

```

However, in the case where multiple nested groups have the same name but have different subfields (see ZIP following):

```

05 HOME-ADDRESS.
    10 STREET          PIC X(20).
    10 CITY           PIC X(15).
    10 STATE          PIC XX.
    10 ZIP.
        15 LEFTMOST-FOUR PIC X(4).
        15 RIGHMOST-FIVE PIC X(5).
05 DEPT              PIC X(45).
05 OFFICE-ADDRESS.
    10 STREET          PIC X(20).
    10 CITY           PIC X(15).
    10 STATE          PIC XX.
    10 ZIP.
        15 FIRST-FIVE   PIC X(5).
        15 LAST-FOUR    PIC X(4).
05 JOBTITLE          PIC X(20).

```

PGAU alters the name of the PL/SQL nested record type for each declaration in which the subfields differ in name, datatype, or options. Note the "02" appended to the second declaration (ZIP\_Typ02), and its reference in OFFICE\_ADDRESS.

```

TYPE EMPNAME_Typ is RECORD (
    FIRST_NAME      CHAR(10),
    LAST_NAME       CHAR(15));
TYPE ZIP_Typ is RECORD (
    LEFTMOST_FOUR   CHAR(4),
    RIGHTMOST_FIVE  CHAR(5));
TYPE HOME_ADDRESS_Typ is RECORD (
    STREET          CHAR(20),
    CITY           CHAR(15),
    STATE          CHAR(2),
    ZIP            ZIP_Typ);
TYPE ZIP_Typ02 is RECORD (
    FIRST_FIVE      CHAR(5),
    LAST_FOUR       CHAR(4));
TYPE OFFICE_ADDRESS_Typ is RECORD (
    STREET          CHAR(20),
    CITY           CHAR(15),
    STATE          CHAR(2),
    ZIP            ZIP_Typ02);
TYPE EMPREC_Typ is RECORD (
    HIREDATE        CHAR(8),
    BIRTHDATE       CHAR(8),
    SKILL           SKILL_Tbl,
    EMPNO           NUMBER(4,0),
    EMPNAME         EMPNAME_Typ,
    HOME_ADDRESS    HOME_ADDRESS_Typ,
    DEPT            CHAR(45),
    OFFICE_ADDRESS  OFFICE_ADDRESS_Typ,
    JOBTITLE        CHAR(20));

```

And the fully qualified reference to the PL/SQL variable which corresponds to:

- HOME\_ADDRESS.ZIP is:  
tipname.EMPREC\_Typ.HOME\_ADDRESS.ZIP.LEFTMOST\_FOUR  
tipname.EMPREC\_Typ.HOME\_ADDRESS.ZIP.RIGHTMOST\_FIVE
- OFFICE\_ADDRESS.ZIP is:  
tipname.EMPREC\_Typ.OFFICE\_ADDRESS.ZIP.FIRST\_FIVE  
tipname.EMPREC\_Typ.OFFICE\_ADDRESS.ZIP.LAST\_FOUR

Note that the nested record type name ZIP\_Typ02 is not used in the reference, but is implicit within PL/SQL's association of the nested records.





---

---

## Tip Internals

PGAU generates complete and operational TIPs for most circumstances. TIP internals information is provided to assist you in diagnosing problems with PGAU-generated TIPs, and in writing custom TIPs, if you choose to do so.

- **If your gateway is using the SNA communication protocol:**

This appendix refers to a sample called `pgadb2i`. The source for this TIP is in file `pgadb2i.sql` in the `%ORACLE_HOME%\dg4appc\demo\CICS` directory for Microsoft Windows and `$ORACLE_HOME/dg4appc/demo/CICS` directory for UNIX based systems.

- **If your gateway is using the TCP/IP communication protocol:**

This appendix refers to a sample called `pga ims`. The source for this TIP is in file `pgtflipd.sql` in the `%ORACLE_HOME%\dg4appc\demo\IMS` directory for Microsoft Windows and `$ORACLE_HOME/dg4appc/demo/IMS` directory on UNIX based systems.

This appendix contains the following sections:

- ["Background Reading"](#) on page E-1
- ["PL/SQL Package and TIP File Separation"](#) on page E-2

### Background Reading

Several topics are important to understanding TIP operation and development; following is a list of concepts that are key to TIP operation and suggested sources to which you can refer for more information.

- For information about PL/SQL Packages, refer to the *Oracle Database PL/SQL Language Reference*.
- For information about PGA Application Concepts, refer to the following chapters in this guide:
- **If your communication protocol is SNA:** refer to [Chapter 4, "Client Application Development \(SNA Only\)"](#);
- **If your communication protocol is TCP/IP:** refer to [Chapter 7, "Client Application Development \(TCP/IP Only\)"](#).
- For information about PGA RPC Interface, refer to [Appendix B, "Gateway RPC Interface"](#).

- For information about PGA UTL\_PG Interface, refer to [Appendix C, "The UTL\\_PG Interface"](#).

## PL/SQL Package and TIP File Separation

PGAU GENERATE writes each output TIP into a standard PL/SQL package specification file and body file. This separation is beneficial and important. Refer to the *Oracle Database Development Guide* and the *Oracle Database PL/SQL Language Reference* for more information. Also refer to "GENERATE" on page 2-15 in [Chapter 2, "Procedural Gateway Administration Utility"](#) for more information about building the PL/SQL package.

TIPs are PL/SQL packages. Any time a package specification is recompiled, all objects which depend on that package are invalidated and implicitly recompiled as they are referenced, even if the specification did not change.

Objects which depend on a TIP specification include client applications that call the TIP to interact with remote host transactions.

It might be important to change the TIP body for the following reasons:

- Oracle ships maintenance which affects the TIP body, or
- Oracle ships maintenance for the UTL\_RAW or UTL\_PG conversion functions upon which the TIP body relies.

Refer to [Appendix C, "The UTL\\_PG Interface"](#) for more detailed information about these functions.

- if the remote host network or program location parameters have changed. Refer to "DEFINE TRANSACTION" in [Chapter 2, "Procedural Gateway Administration Utility"](#) for more information

Provided that the TIP specification does not need to change or be recompiled, the TIP body can be regenerated and recompiled to pick up changes without causing invalidation and implicit recompilation of client applications that call the TIP.

It is for this reason that PGAU now separates output TIPs into specification and body files. Refer to "GENERATE" on page 2-15 in [Chapter 2, "Procedural Gateway Administration Utility"](#) for a discussion of file identification.

## Independent TIP Body Changes

Independent TIP body changes are internal and require no change to the TIP specification. Examples of such changes include: a change in UTL\_RAW or UTL\_PG conversions, inclusion of diagnostics, or a change to network transaction parameters.

In these cases, when PGAU is used to regenerate the TIP, the new TIP specification file can be saved or discarded, but should not be recompiled. The new TIP body should be recompiled under SQL\*Plus. Provided that the TIP body change is independent, the new body compilation completes without errors and the former TIP specification remains valid.

### Determine if a Specification Has Remained Valid

To determine if a specification has remained valid, issue the following statements from SQL\*Plus, depending upon your communication protocol:

- **If your gateway is using the SNA communication protocol**, issue the following:

```
SQL> column ddl_date format A22 heading 'LAST_DDL'  
SQL> select object_name,
```

```

2  object_type,
3  to_char(last_ddl_time,'MON-DD-YY HH:MM:SS') ddl_date,
4  status
5  from all_objects where owner = 'PGAADMIN'
6  order by object_type, object_name;

```

OBJECT_NAME	OBJECT_TYPE	LAST_DDL	STATUS
PGADB2I	PACKAGE	NOV-24-1999 09:09:13	VALID
PGADB2I	PACKAGE BODY	NOV-24-1999 09:11:44	VALID
DB2IDRIV	PROCEDURE	DEC-30-1999 12:12:14	VALID
DB2IDRVM	PROCEDURE	DEC-30-1999 12:12:53	VALID
DB2IFORM	PROCEDURE	DEC-14-1999 11:12:24	VALID

The LAST\_DDL column is the date and time at which the last DDL change against the object was done. It shows that the order of compilation was:

```

PGADB2I PACKAGE (the specification)
DB2IDRVM PROCEDURE (1st client application depending on PGADB2I)
DB2IFORM PROCEDURE (2nd client application depending on PGADB2I)
DB2IDRIV PROCEDURE (3rd client application depending on PGADB2I)
PGADB2I PACKAGE BODY (a recompilation of the body)

```

Note that the recompilation of the body does not invalidate its dependent object, the specification, or the client application indirectly.

- **If your gateway is using the TCP/IP communication protocol**, issue the following fro SQL\*Plus:

```

SQL> column ddl_date format A22 heading 'LAST_DDL'
SQL> select object_name,
2  object_type,
3  to_char(last_ddl_time,'MON-DD-YY HH:MM:SS') ddl_date,
4  status
5  from all_objects where owner = 'PGAADMIN'
6  order by object_type, object_name;

```

OBJECT_NAME	OBJECT_TYPE	LAST_DDL	STATUS
PGTFLIP	PACKAGE	APR-24-03 03:04:58	VALID
PGTFLIP	PACKAGE BODY	APR-24-03 03:04:02	VALID
PGTFLIPD	PROCEDURE	APR-24-03 03:04:09	VALID

The LAST\_DDL column is the date and time at which the last DDL change against the object was done. It shows that the order of compilation was:

```

PGTFLIP PACKAGE (the specification)
PGTFLIPD PROCEDURE (client application depending on PGADB2I)
PGTFLIP PACKAGE BODY (a recompilation of the body)

```

Note that the recompilation of the body does not invalidate its dependent object, the specification, or the client application indirectly.

## Dependent TIP Body or Specification Changes

You can also change the data structures or call exchange sequences of the remote host transaction. However, this kind of change is exposed to dependent client applications because the public datatypes or functions in the TIP specification will also change and necessitate recompilation, which in turn causes the Oracle database to recompile such dependent client applications.

- **If your gateway is using the SNA communication protocol**, issue the following:

```
SQL> column ddl_date format A22 heading 'LAST_DDL'
SQL> select object_name,
       2  object_type,
       3  to_char(LAST_DDL_TIME, 'MON-DD-YY HH:MM:SS') ddl_date,
       4  status
       5  from all_objects where owner = 'PGAADMIN'
       6  order by object_type, object_name;
```

OBJECT_NAME	OBJECT_TYPE	LAST_DDL	STATUS
PGADB2I	PACKAGE	NOV-24-1999 09:09:13	VALID
PGADB2I	PACKAGE BODY	NOV-24-1999 09:11:44	INVALID
DB2IDRIV	PROCEDURE	DEC-30-1999 12:12:14	INVALID
DB2IDRVM	PROCEDURE	DEC-30-1999 12:12:53	INVALID
DB2IFORM	PROCEDURE	DEC-14-1999 11:12:24	INVALID

- **If your gateway is using the TCP/IP communication protocol, issue the following:**

```
SQL> column ddl_date format A22 heading 'LAST_DDL'
SQL> select object_name,
       2  object_type,
       3  to_char(LAST_DDL_TIME, 'MON-DD-YY HH:MM:SS') ddl_date,
       4  status
       5  from all_objects where owner = 'PGAADMIN'
       6  order by object_type, object_name;
```

OBJECT_NAME	OBJECT_TYPE	LAST_DDL	STATUS
PGTFLIP	PACKAGE	APR-24-03 03:04:58	VALID
PGTFLIP	PACKAGE BODY	APR-24-03 05:03:52	INVALID
PGTFLIP	PROCEDURE	APR-24-03 05:04:29	INVALID

### Recompile the TIP Body

Note that the recompilation of the specification has invalidated its dependent objects, the three client applications in addition to the package body. To complete these changes, the body must be recompiled to bring it into compliance with the specification and then the three client applications could be compiled manually, or the Oracle database compiles them automatically as they are referenced.

If the client applications are recompiled by the Oracle database as they are referenced, there is a one-time delay during recompilation.

Recompilation errors in the client application, if any, are due to:

- customer changes in the client application source
- an altered PG DD definition for the TIP if the TIP has been regenerated
- the wrong version being generated from multiple transaction entry versions saved in the PG DD if the TIP has been regenerated

### Inadvertent Alteration of TIP Specification

If you make a mistake when you generate a tip (for example, if you alter a PG DD transaction definition, or if you have inadvertently specified the wrong version during regeneration), then the recompiled body will not match the stored specification; as a result, the Oracle database would invalidate the specification and any dependent client applications.

You may have to regenerate and recompile the TIP and its dependent client applications to restore correct operation.

Refer to "Listing Dependency Management Information," in the *Oracle Database Development Guide* for more information.



---



---

## Administration Utility Samples

Use the following sample input statements and report output for the Procedural Gateway Administration Utility to guide you in designing your own PGAU statements.

This appendix contains these sample PGAU statements:

- ["Sample PGAU DEFINE DATA Statements"](#) on page F-1
- ["Sample PGAU DEFINE CALL Statements"](#) on page F-2
- ["Sample PGAU DEFINE TRANSACTION Statement"](#) on page F-2
- ["Sample PGAU GENERATE Statement"](#) on page F-2
- ["Sample Implicit Versioning Definitions"](#) on page F-3
- ["Sample PGAU REDEFINE DATA Statements"](#) on page F-6
- ["Sample PGAU UNDEFINE Statements"](#) on page F-6

### Sample PGAU DEFINE DATA Statements

```
DEFINE DATA EMPNO
  PLSDNAME (EMPNO)
  USAGE (PASS)
  LANGUAGE (IBMVSCOBOLII)
  (
    01 EMP-NO PIC X(6) .
  );
```

```
DEFINE DATA EMPREC
  PLSDNAME (DCLEMP)
  USAGE (PASS)
  LANGUAGE (IBMVSCOBOLII)
  INFILE("emp.cob");
```

where the file `emp.cob` contains the following:

```
01 DCLEMP.
  10 EMPNO                PIC X(6) .
  10 FIRSTNME.
    49 FIRSTNME-LEN      PIC S9(4) USAGE COMP.
    49 FIRSTNME-TEXT    PIC X(12) .
  10 MIDINIT             PIC X(1) .
  10 LASTNAME.
    49 LASTNAME-LEN     PIC S9(4) USAGE COMP.
    49 LASTNAME-TEXT    PIC X(15) .
  10 WORKDEPT           PIC X(3) .
```

```

10 PHONENO          PIC X(4) .
10 HIREDATE         PIC X(10) .
10 JOB              PIC X(8) .
10 EDLEVEL          PIC S9(4) USAGE COMP .
10 SEX              PIC X(1) .
10 BIRTHDATE        PIC X(10) .
10 SALARY           PIC S9999999V99 USAGE COMP-3 .
10 BONUS            PIC S9999999V99 USAGE COMP-3 .
10 COMM             PIC S9999999V99 USAGE COMP-3 .

```

```

DEFINE DATA DB2INFO
  PLSDDNAME (DB2)
  USAGE (PASS)
  LANGUAGE (IBMVS COBOL II)
  INFILE ("db2.cob");

```

where the file db2.cob contains the following:

```

01 DB2.
  05 SQLCODE          PIC S9(9) COMP-4 .
  05 SQLERRM.
    49 SQLERRML       PIC S9(4) COMP-4 .
    49 SQLERRT        PIC X(70) .
  05 DSNERRM.
    49 DSNERRML       PIC S9(4) COMP-4 .
    49 DSNERRMT       PIC X(240) OCCURS 8 TIMES
                                INDEXED BY ERROR-INDEX

```

## Sample PGAU DEFINE CALL Statements

```

DEFINE CALL DB2IMAIN
  PKGCALL (PGADB2I_MAIN)
  PARS ( (EMPNO      IN ),
         (EMPREC     OUT) );
DEFINE CALL DB2IDIAG
  PKGCALL (PGADB2I_DIAG)
  PARS ( (DB2INFO    OUT) );

```

## Sample PGAU DEFINE TRANSACTION Statement

```

DEFINE TRANSACTION DB2I
  CALL ( DB2IMAIN,
         DB2IDIAG )
  SIDEPROFILE(CICS PROD)
  TPNAME(DB2I)
  LOGMODE(ORAPLU62)
  SYNCLEVEL(0)
  NLS_LANGUAGE ("AMERICAN_AMERICA.WE8EBCDIC37C");

```

## Sample PGAU GENERATE Statement

```

GENERATE DB2I
  PKGNAME(PGADB2I)
  OUTFILE ("pgadb2i");

```

A user's high-level application now uses this TIP by referencing these PL/SQL datatypes passed and returned.



Table F-1 provides a description of the TIP user transaction datatypes in package name PGADB2I:

**Table F-1 TIP User Transaction Datatypes Used in Package Name PGADB2I**

Datatype	Description
PGADB2I.EMPNO	is a PL/SQL variable corresponding to COBOL EMPNO.
PGADB2I.DCLEMP	Which is a PL/SQL RECORD corresponding to COBOL DCLEMP.
PGADB2I.DB2	Which is a PL/SQL RECORD corresponding to COBOL DB2INFO.

and the application calls:

```
PGADB2I.PGADB2I_INIT(trannum);
PGADB2I.PGADB2I_MAIN( trannum, empno, emprec );
PGADB2I.PGADB2I_DIAG( trannum, db2 );
PGADB2I.PGADB2I_TERM(trannum, termtyp);
```

## Sample Implicit Versioning Definitions

The examples are sample definitions of DATA, CALL, and TRANSACTION entries with implicit versioning.

This example creates a new DATA version of 'EMPREC' because 'EMPREC' DATA was defined previously:

```
DEFINE DATA EMPREC
    PLSDNAME (NEWEMP)
    USAGE (PASS)
    LANGUAGE (IBMVSCOBOLII)
    INFILE("emp2.cob");
```

where the file emp2.cob contains the following:

```
01 NEWEMP.
    10 EMPNO                PIC X(6).
    10 FIRSTNME.
        49 FIRSTNME-LEN    PIC S9(4) USAGE COMP.
        49 FIRSTNME-TEXT   PIC X(12).
    10 MIDINIT              PIC X(1).
    10 LASTNAME.
        49 LASTNAME-LEN    PIC S9(4) USAGE COMP.
        49 LASTNAME-TEXT   PIC X(15).
    10 WORKDEPT             PIC X(3).
    10 PHONENO              PIC X(3).
    10 HIREDATE             PIC X(10).
    10 JOB                  PIC X(8).
    10 EDLEVEL              PIC S9(4) USAGE COMP.
    10 SEX                  PIC X(1).
    10 BIRTHDATE            PIC X(10).
    10 SALARY               PIC S9999999V99 USAGE COMP-3.
    10 BONUS                PIC S9999999V99 USAGE COMP-3.
    10 COMM                 PIC S9999999V99 USAGE COMP-3.
    10 YTD.
        15 SAL              PIC S9(9)V99 USAGE COMP-3.
        15 BON              PIC S9(9)V99 USAGE COMP-3.
        15 COM              PIC S9(9)V99 USAGE COMP-3.
```

To determine which DATA version number was assigned, this SQL query can be issued:

```
SELECT MAX(pd.version)
       FROM pga_data pd
       WHERE pd.dname = 'EMPREC';
```

To determine additional information related to the updated version of 'EMPREC' this query can be used:

```
SELECT *
       FROM pga_data pd
       WHERE pd.dname = 'EMPREC';
```

This example creates a new CALL version of 'DB2IMAIN' because the 'DB2IMAIN' CALL was defined previously:

```
DEFINE CALL DB2IMAIN
        PKGCALL (PGADB2I_MAIN)
        PARS ( (EMPNO      IN          ),
              (EMPREC     OUT  VERSION(ddddd) ) );
```

where ddddd is the version number of the EMPREC DATA definition queried after the previous DEFINE DATA updated EMPREC.

To determine which call version number was assigned, this SQL query can be issued:

```
SELECT MAX(pc.version)
       FROM pga_call pc
       WHERE pc.cname = 'DB2IMAIN';
```

To determine additional information related to the updated version of 'DB2IMAIN' this query can be used:

```
SELECT *
       FROM pga_call pc
       WHERE pc.cname = 'DB2IMAIN';
```

The DEFINE TRANSACTION example creates a new TRANSACTION version of 'DB2I' because the 'DB2I' TRANSACTION was defined previously. The essential difference of the new version of the DB2I transaction is that the first call uses a new PL/SQL record format "NEWEMP" (which corresponds to the COBOL NEWEMP format) to query the employee data.

---

---

**Caution:** Record format changes like that discussed above must be synchronized with the requirements of the remote transaction program. Changes to the PGA TIP alone result in errors. A new remote transaction program with the corequisite changes could be running on a separate CICS system and started through the change from "CICSPROD" to "CICSTEST" in the SIDEPROFILE parameter below.

---

---

```
DEFINE TRANSACTION DB2I
        CALL ( DB2IMAIN  VERSION (cccc),
              DB2IDIAG )
        SIDEPROFILE(CICSTEST)
        TPNAM (DB2I)
        LOGMODE(ORAPLU62)
        SYNCLEVEL(0)
        NLS_LANGUAGE ("AMERICAN_AMERICA.WE8EBCDIC37C");
```

where ccccc is the version number of the DB2IMAIN CALL definition queried after the previous DEFINE CALL updated DB2IMAIN.

There are two versions of the DB2I transaction definition in the PGA DD. The original uses the old "DCLEMP" record format and starts transaction "DB2I" on the production CICS system. The latest uses the "NEWEMP" record format and starts transaction "DB2I" on the test CICS system.

To determine which transaction version number was assigned, this SQL query can be issued:

```
SELECT MAX(pt.version)
  FROM pga_trans pt
 WHERE pt.tname = 'DB2I';
```

To determine additional information related to the updated version of 'DB2I' this query can be used:

```
SELECT *
  FROM pga_trans pt
 WHERE pt.tname = 'DB2I';
```

This example generates a new package using the previously defined new versions of the TRANSACTION, CALL, and DATA definitions:

```
GENERATE DB2I
VERSION(ttttt)
PKGNAME(NEWDB2I)
OUTFILE("pgadb2i");
```

where ttttt is the version number of the DB2I TRANSACTION definition queried after the previous DEFINE TRANSACTION updated DB2I.

Note that the previous PL/SQL package files pgadb2i.pkh and pgadb2i.pkb are overwritten. To keep the new package separate, change the output file specification. For example:

```
GENERATE DB2I
VERSION(ttttt)
PKGNAME(NEWDB2I)
OUTFILE("newdb2i");
```

A user's high-level application now uses this TIP by referencing the PL/SQL datatypes passed and returned.

Table F-2 provides a description of the TIP user transaction datatypes in package name NEWDB2I:

**Table F-2 TIP User Transaction Datatypes for Package Name NEWDB2I**

Datatype	Description
NEWDB2I.EMPNO	Is a PL/SQL variable corresponding to COBOL EMPNO.
NEWDB2I.NEWEMP	Is a PL/SQL RECORD corresponding to COBOL NEWEMP.
NEWDB2I.DB2	Is a PL/SQL RECORD corresponding to COBOL DB2.

and the application calls:

```
NEWDB2I.PGADB2I_INIT(trannum);
NEWDB2I.PGADB2I_MAIN( trannum, empno, newemp );
NEWDB2I.PGADB2I_DIAG( trannum, db2 );
NEWDB2I.PGADB2I_TERM(trannum, termtyp);
```

## Sample PGAU REDEFINE DATA Statements

Single-field redefinition in which EDLEVEL USAGE becomes COMP-3:

```
REDEFINE DATA EMPREC
  PLSDNAME (DCLEMP)
  LANGUAGE (IBMVSCOBOLII)
  FIELD (EDLEVEL)
  PLSFNAME (PLSRECTYPE)
  (
    10 EDLEVEL PIC S9(4) USAGE IS COMP-3.
  );
```

By default, this redefines the latest version of EMPREC which implicitly affects the latest call and transaction definitions which refer to it.

Sample multi-field redefinition in which the employee's first and last name fields are expanded and the employee's middle initial is removed.

```
REDEFINE DATA EMPREC
  VERSION(1)
  PLSDNAME (DCLEMP)
  LANGUAGE (IBMVSCOBOLII)
  INFILE ("emp1.cob");
```

where the file emp1.cob contains the following:

```
01 DCLEMP.
10 EMPNO PIC X(6).
10 FIRSTNAME.
   49 FIRSTNAME-LEN PIC S9(4) USAGE COMP.
   49 FIRSTNAME-TEXT PIC X(15).
10 LASTNAME.
   49 LASTNAME-LEN PIC S9(4) USAGE COMP.
   49 LASTNAME-TEXT PIC X(20).
10 WORKDEPT PIC X(3).
10 PHONENO PIC X(4).
10 HIREDATE PIC X(10).
10 JOB PIC X(8).
10 EDLEVEL PIC S9(4) USAGE COMP.
10 SEX PIC X(1).
10 BIRTHDATE PIC X(10).
10 SALARY PIC S9999999V99 USAGE COMP-3.
10 BONUS PIC S9999999V99 USAGE COMP-3.
10 COMM PIC S9999999V99 USAGE COMP-3.
```

The assumption is that version 1 of the data definition for 'EMPREC' is to be redefined. This causes a redefinition of the first 'EMPREC' sample data definition without changing the version number. Thus, existing call and transaction definitions which referenced version 1 of 'EMPREC' automatically reflect the changed 'EMPREC'. This change becomes effective when a TIP is next generated for a transaction that references the call which referenced version 1 of 'EMPREC'.

This implicitly affects both versions of the transaction because both refer to EMPREC in the second call to update the employee data.

## Sample PGAU UNDEFINE Statements

These samples illustrate the deletion of a specific version of a definition which has multiple versions, followed by deletion of all versions of a specific named definition.

**Deletion of DATA Definitions:**

```
UNDEFINE DATA EMPREC VERSION (dddd);  
UNDEFINE DATA EMPREC VERSION (ALL);  
UNDEFINE CALL DB2IMAIN VERSION (cccc);  
UNDEFINE CALL DB2IMAIN VERS (all);  
UNDEFINE TRANSACTION DB2I vers (tttt);  
UNDEFINE TRANSACTION DB2I vers (all);
```

Note that the previous UNDEFINE statements leave the DATA definition for EMPNO and the CALL definition for DB2IDIAG in the PGA DD.



## A

---

### APPC

- runtime, 4-22
- SENDS and RECEIVES
  - TIP CALL correspondence, 4-11
- trace, 8-11, 8-12
- using with terminal-oriented transaction program, 4-26

### APPC conversation sharing, 4-20

- concepts, 4-21
- examples, 4-23
- for too large TIPs, 4-23
- overrides and diagnostics, 4-25
- TIP compatibility, 4-22
- usage, 4-22

### architecture

- commit-confirm, 5-4
- components of the gateway, 1-7

### ASCII

- automatic conversion, 1-3

## C

---

### CALL correspondence

- on gateway using SNA, 4-11
- on gateway using TCP/IP, 7-5

### call correspondence order restrictions

- on gateway using SNA, 4-13
- on gateway using TCP/IP, 7-7

### CICS, 1-10

### CICS Transaction Server

- gateway starts communication with, 1-11

### client application development

- calling a TIP
  - on gateway using SNA, 4-14
  - on gateway using TCP/IP, 7-8
- customized TIPs for remote host transaction, 4-6
- declaring TIP variables, 4-14, 7-8
- error handling
  - on gateway using SNA, 4-20
  - on gateway using TCP/IP, 7-13
- examples and samples, 1-6
- exchanging data, 4-19
  - on gateway using TCP/IP, 7-13
- executing, 4-20, 7-14

- granting execute authority, 4-20, 7-14

- on gateway using TCP/IP, 7-1

- overriding TIP initializations, 4-17

- on gateway using TCP/IP, 7-11

- overview, 4-1

- preparation, 4-3

### remote host transaction types

- multi-conversational transactions, 4-5

- one-shot transactions, 4-4

- persistent transactions, 4-5

- See also, index entries for each transaction type

### requirements, 4-6

- declare RHT/TIP data to be exchanged, 4-7, 4-8, 4-9

- exchange data with RHT using TIP user function, 4-7, 4-9

- initialize RHT for multi-conversational applications, 4-9

- initialize RHT using TIP initialization function, 4-7, 4-8

- repetitively exchange data with RHT using TIP user function, 4-8

- terminate RHT using TIP termination function, 4-7, 4-8, 4-9

- security considerations, 4-19, 7-13

- terminating the conversation, 4-19, 7-13

### TIP and remote transaction program

- correspondence, 4-10, 7-4

### TIP CALL correspondence, 4-11

### TIP content and purpose, 4-3

### TIP DATA correspondence, 4-10, 7-4

### TIP TRANSACTION correspondence

- on gateway using SNA, 4-13

- on gateway using TCP/IP, 7-7

### client application development for gateway using

#### TCP/IP

- overview, 7-1

### client application development on gateway using

#### TCP/IP

- preparing, 7-3

### COBOL, 4-3, 7-3, D-2, D-8

- datatype conversion supported by PG DD and TIPs, D-2

- lacks datatype for variable length data, D-2

- PGAU interpretation of COBOL symbols, D-3

- support for double byte character sets, PIC G

- datatypes, 4-25, 7-14
- COMMIT command, 2-2
  - user responsibility, 2-2
- COMMIT processing, 2-2
- commit-confirm, 5-2
  - application design requirements, 5-4
  - architecture, 5-4
    - components, 5-5
    - interactions, 5-5
  - components, 5-2
  - logic flow, 5-5
    - step by step, 5-5
  - Oracle Global Transaction ID, 5-2
  - purpose, 5-1
  - relation to two-phase commit, 5-1
  - required components
    - logging server, 5-3
    - OLTP commit-confirm transaction log, 5-3
    - OLTP forget/recovery transaction, 5-3
    - OLTP transaction logging code, 5-3
  - supported OLTPs, 5-2
  - transaction log, 5-7
- communication
  - between mainframe and Oracle database
    - on gateway using SNA, 1-10
  - between server, gateway and remote host, 1-8
- compiling a TIP, 3-7
- CONNECT command, 2-3, 2-6
- control file
  - creating
    - on gateway using SNA, 1-12
    - on gateway using TCP/IP, 1-17
- conversation sharing, see APPC conversation sharing
- creating a TIP
  - (detailed), 3-1
  - overview, 1-12, 1-17

## D

---

- data conversion
  - errors, 8-4
- DATA correspondence, 4-10, 7-4
- data dictionary, see PG DD
- data exchange
  - PGAXFER function, 1-9
- data format conversion, D-1
- database link, 1-8
- datastores
  - gateway access to, 1-2
- datatype
  - RAW, C-1
- datatype conversion, D-1
  - COBOL editing symbols, D-3
  - convert length, D-1
  - duplicate names, D-8
  - expected length, D-1
  - format conversion, D-5
  - parameters over 32K in length, D-2
  - PL/SQL, D-8
    - naming algorithms, D-8

- receive length, D-1
- removing support for parameters over 32K in length, D-2
- See USAGE (PASS), USAGE (ASIS), USAGE (SKIP), and PL/SQL Naming Algorithms
- send length, D-1
- truncated and non-unique names, D-8
- datatype conversions
  - COBOL symbols interpreted by PGAU, D-3
- datatypes
  - See PIC X and PIC G
- DBCS
  - See double-byte character sets
- DBMS\_PIPE PL/SQL package, 3-1
- debugging tool
  - PGATRAC function, B-6
- DEFINE CALL, 2-2
- DEFINE CALL parameters, 2-7
- DEFINE CALL statement ("command"), 1-13, 1-18, 3-4, 4-23, F-2
- DEFINE DATA, 2-2
- DEFINE DATA statement ("command"), 1-12, 1-18, 2-25, 3-4, 4-10, 4-23, 7-4, A-11, F-1
- DEFINE TRANSACTION parameters, 2-10
- DEFINE TRANSACTION statement ("command"), 3-5, 4-23, F-2
- defining and generating a TIP, 3-6
- definition versioning, 2-5
- deleting and inserting rows into PGA\_TCP\_IMSC table, 6-5
- DESCRIBE command, 2-13
- dg4pwd utility
  - definition, 1-4
  - recommended security utility feature, 1-4
- DISCONNECT command, 2-13
- double byte character sets (DBCS)
  - in application development, 4-25, 7-14
- driver procedure
  - on gateway using SNA, 1-14
  - on gateway using TCP/IP, 1-19

## E

---

- EBCDIC
  - automatic conversion, 1-3
- environment dictionary
  - sequence numbers, A-1
- errors
  - causes of, 8-1
  - data conversion, 8-4
  - including exception handlers in your TIP, 4-20, 7-13
  - NUMBER\_TO\_RAW function, C-5
  - PLS -00123
    - program too large, 4-23
    - truncation, 8-8
- examples
  - APPC conversation sharing, 4-23
- EXECUTE command, 2-14
- executing



client application development, 4-20, 7-14  
EXIT command, 2-14

## F

---

### file

initsid.ora, 1-3, 8-10, 8-11  
pagaims, E-1  
pgadb2i, E-1  
pgadb2id.sql, 4-20  
pgadb2i.pkb, 1-6, 1-13, 4-2, 4-4  
pgadb2i.pkh, 1-6, 1-13, 4-4  
pgadb2i.sql, E-1  
pgau.trc, 2-16, 2-18  
pgddausr.sql, 4-27, 7-16  
pgddcr8.sql, 2-5, A-5  
pgtflipd.sql, 7-13, E-1  
pgtflip.pkb, 1-18, 7-2, 7-4  
pgtflip.pkh, 1-18, 7-4  
tipname.doc, 3-8, 4-10, 4-14, 7-8  
tipname.pkb, 8-5  
tname.ctl, 3-5, 3-6

### flexible call sequence

on gateway using SNA, 4-12  
on gateway using TCP/IP, 7-6

### FLIP

and pgacics PL/SQL stored procedure  
on gateway using SNA, 1-11  
transaction in CICS, 1-11  
transaction in IMS, 1-15

### format conversion, D-5

### function

PGATERM, B-5  
PGAXFER, 4-4, 7-3, B-4  
UTL\_PG, C-1

### functions

see RPC (remote procedural call)  
See UTL\_PG  
see UTL\_PG  
see UTL\_RAW

## G

---

### gateway

access to IBM datastores, 1-2  
communication, 1-2  
overview, 1-8  
with CICS in mainframe on gateway using  
SNA, 1-11  
components, 1-7  
creating a TIP, 3-1  
enabling a trace, 8-12  
features  
application transparency, 1-2  
code generator, 1-2  
fast interface, 1-2  
flexible interface, 1-2  
location transparency, 1-2  
Oracle database integration, 1-2  
performs automatic conversions, 1-3

site autonomy and security, 1-3  
support for tools, 1-2

initialization files, 1-3

overview, 1-1

using TCP/IP, 1-1

remote procedure, definition, 1-4

remote transaction initiation

using SNA, 1-9

using TCP/IP, 1-9

remote transaction termination

using SNA, 1-9

using TCP/IP, 1-9

tracing, 8-10

transaction types

on gateway using SNA, 1-10

on gateway using TCP/IP, 1-14

gateway sample files

using SNA

pgadb2i.pkb, 1-6

pgadb2i.pkh, 1-6

using TCP/IP

pgadb2i.pkb, 1-6

pgadb2i.pkh, 1-6

gateway server, 5-5

function in commit-confirm architecture, 5-5

transaction log tables, 5-7

gateway server trace, 8-10, 8-11

GENERATE, 2-2

GENERATE statement ("command"), 1-13, 1-18, 3-5,  
3-7, 4-10, 7-4, E-2, F-2

GLOBAL\_TRAN\_ID, 5-7

Globalization Support

multi-byte character set support, 4-25, 7-14

granting privileges for creating TIPs, 3-1

GROUP statement (PGAU), 3-7

## H

---

HOST command, 2-19

## I

---

implicit APPC, 4-27

implicit versioning

sample definitions, F-3

IMS, 1-1

communication with Integrating Server

using TCP/IP, 1-15

IMS inquiry

location of sample file, 1-6

IMS/TM

communication through the gateway, 1-1

initialization files

see gateway initialization files, also see PGA

parameters

initiating remote transactions, 1-9

initsid.ora file, 1-3, 8-10, 8-11

parameters to run pg4tcpmap tool, 6-4

I/O PCB, 1-15, 3-2, 7-2

## J

---

JUSTIFIED, D-5  
JUSTIFIED LEFT, D-5  
JUSTIFIED RIGHT, D-5

## K

---

keywords  
  PGAU, 2-5

## L

---

LENGTH IS field-2, D-5  
logging server, 5-3, 5-5  
  description, 5-5  
  interaction with gateway database, 5-5  
LU\_NAME, 5-7

## M

---

MAKE\_NUMBER\_TO\_RAW\_FORMAT  
  function, C-6  
MAKE\_RAW\_TO\_NUMBER\_FORMAT  
  function, C-5  
mapping parameters  
  from SNA to TCP/IP, 6-1  
mapping table  
  PGA\_TCP\_IMSC, 1-16  
MBCS, See multi-byte character sets  
MODE\_NAME, 5-7  
multi-byte character sets (MBCS), 4-25, 7-14  
  application development support, 4-25, 7-15  
multi-conversational transaction type  
  for gateway using SNA, 1-10  
multi-conversational transactions, 4-5, 4-9

## N

---

non-persistent socket transaction type for TCP/IP for  
  IMS Connect, 1-14  
NUMBER\_TO\_RAW and RAW\_TO\_NUMBER  
  argument values, C-11  
NUMBER\_TO\_RAW function, C-4  
  errors, C-5  
NUMBER\_TO\_RAW\_FORMAT function, C-8

## O

---

OCCURS DEPENDING ON, D-6  
OCCURS n TIMES, D-6  
OLTP  
  and TCP/IP, 1-5, 1-7  
  commit-confirm transaction log, 5-3  
  definition, 1-5  
  forget/recovery transaction, 5-3  
  functional requirements of the gateway, 5-4  
  in commit-confirm, 5-2  
  in gateway architecture featuring SNA, 1-7  
  in gateway using TCP/IP, 1-7  
  logic flow for successful commit, 5-5

  only IMS supported on gateway using  
    TCP/IP, 1-3, 1-5  
  remote, 1-1  
  security considerations, 4-19, 7-13  
  transaction logging code, 5-3  
one-shot transaction types, 1-10, 4-4, 4-7, 5-4  
online transaction processor  
  See OLTP  
operating system  
  role in gateway installation, 1-7  
Oracle database, 1-9  
  component of the gateway, 1-7  
  definition, 1-5  
  function in gateway communication  
    on gateway using TCP/IP, 1-14  
  multiple servers on the gateway  
    using SNA, 1-7  
    using TPC/IP, 1-7  
  precompiles PL/SQL package, 1-2  
  role  
    in gateway communication, 1-8  
  simple communication  
    on gateway using SNA, 1-10  
    on gateway using TCP/IP, 1-14  
  steps to communication  
    between server and mainframe  
      using SNA, 1-11  
  stores PL/SQL, 1-4  
Oracle Database Gateway for APPC  
  also see gateway  
  compatibility with version 3.4.0, 4-22  
  development environment, 1-2  
  See also, gateway server  
Oracle global transaction ID, 5-2, 5-3, 5-4, 5-7  
Oracle integrating server, 4-2  
  and role in client application, on gateway using  
    TCP/IP, 7-1  
  calling RPC functions, 5-5  
  component of commit-confirm architecture, 5-5  
  interaction with gateway server in  
    commit-confirm, 5-5  
  simple communication  
    on gateway using TCP/IP, 1-14  
  steps to communication  
    between server and IMS, 1-15  
Oracle Net, 1-5, 4-27, 7-16, C-1  
  restrictions for data conversion, C-1  
overrides, 4-18, 7-12  
  LOGMODE, 4-18, 7-11  
  LUname, 4-18, 7-11  
  Side profile, 4-18, 7-11  
  TPname, 4-18, 7-11

## P

---

package  
  UTL\_PG, 3-1  
parameters  
  mapped to TPC/IP, 6-2  
  see PGAU commands

- See remote procedural call (RPC)
- See SET LOG\_DESTINATION
- See SET TRACE\_LEVEL
- persistent socket transaction type
  - for TCP/IP for IMS Connect, 1-14
- persistent transaction type, for gateway using SNA, 1-10
- persistent transactions, 4-5, 4-7, 4-8, 5-4
- PG DD (Data Dictionary), 2-2, 2-10
  - active dictionary, A-5
    - sequence numbers, A-6
    - versioning, A-6
  - active dictionary tables
    - pga\_call, A-9
    - pga\_call\_parm, A-10
    - pga\_data, A-11
    - pga\_data\_attr, A-13
    - pga\_data\_values, A-14
    - pga\_fields, A-11
    - pga\_trans, A-6
    - pga\_trans\_attr, A-7
    - pga\_trans\_calls, A-9
    - pga\_trans\_values, A-8
  - data definitions for parameters over 32K in length, D-2
  - datatype conversion support for COBOL, D-2
  - definition, 1-5
  - definition names
    - valid characters in, 2-4
  - diagnostic
    - options, 8-2
    - references, 8-2
  - entries, creating a TIP, 3-6
  - environment dictionary tables, A-1, A-2
    - pga\_modes, A-5
    - pga\_usage, A-5
  - in writing PGAU statements, 3-4
  - keyword form in storage, 2-6
  - maintenance, 2-3
  - overview, A-1
  - preparing client application
    - on gateway using SNA, 4-3
    - on gateway using TCP/IP, 7-3
  - purpose of REPORT command, 2-23
  - relationship to PGAU, 2-1
  - remote transaction definitions, 2-3
  - ROLLBACK command, 2-2
  - select scripts, 8-3
  - storage of information needed for PGAU
    - GENERATE to perform, 4-10, 7-4
  - transaction attributes, 4-18, 7-12
  - USAGE (SKIP), D-7
  - version definition tables, 2-5
- pg4tcpmap tool, 1-16, 3-4, 7-1
  - calling, to map DEFINE TRANSACITON parameters, 7-14
  - commands to operate PGA\_TCP\_IMSC table, 6-5
  - definition, 1-4
  - description and function in the gateway, 1-3
  - function, 1-3
    - in mapping input parameters, 6-1
    - function in remote transaction initiation, 1-9
    - preparation for populating PGA\_TCP\_IMSC table, 6-1
    - setting parameters in initsid.ora, 6-4
    - to map SideProfile name, 2-11
- PGA
  - administrator, 2-1
  - definition, 1-4
  - pga\_call table, A-9
  - pga\_call\_parm table, A-10
  - PGA\_CC\_PENDING table
    - commit-confirm transaction log, 5-7
  - pga\_compilers table, A-3
  - pga\_data table, A-11
  - pga\_data\_attr, A-13
  - pga\_data\_values table, A-14
  - pga\_datatype\_attr table, A-4
  - pga\_datatype\_values table, A-4
  - pga\_datatypes table, A-4
  - pga\_env\_attr table, A-3
  - pga\_env\_values table, A-3
  - pga\_environments table, A-2
  - pga\_fields table, A-11
  - pga\_maint table, A-2
  - pga\_modes constant, A-5
  - PGA\_TCP\_IMSC table, 1-16, 3-4, 6-1, 7-1, 7-2, 7-8
    - content and parameters, 6-2
    - querying, 6-6
  - PGA\_TCP\_PASS, 6-2
  - PGA\_TCP\_USER, 6-2
  - pga\_trans table, A-6
  - pga\_trans\_attr table, A-7
  - pga\_trans\_calls table, A-9
  - pga\_trans\_values table, A-8
  - pga\_usage, A-5
  - pga\_usage constant, A-5
  - PGAADMIN, 3-1
  - pgacics.sql, 1-11
  - pgadb2i file, E-1
  - pgadb2id.sql file, 4-4, 4-20
  - pgadb2i.pkb, 1-6
  - pgadb2i.pkb file, 1-6, 1-13, 4-2, 4-4
  - pgadb2i.pkh file, 1-6, 1-13
  - pgadb2i.sql file, 4-4, E-1
  - pgaims file, E-1
  - pgaims.sql, 1-15
  - PGAINIT, 1-9, B-1
    - role in mapping SNA parameters to TCP/IP, 6-1
  - PGAINIT function, 1-4, 1-9
  - PGATCTL, B-5
  - PGATERM, B-5
  - PGATERM function, 1-4, 1-9
  - PGATRAC, B-6
  - PGAU, 4-1
    - accesses definitions in PG DD, 1-5
    - commands- also called "statements", 2-6
    - COMMIT processing, 2-2
    - defining and testing a TIP, 2-4
    - definition, 2-1

- used to generate TIP specifications, 1-5
- definition names, 2-4
- definition versioning, 2-5
- definitions, 2-3
- functions, 2-2
- generated TIP specifications, 1-8
- generation, 2-3
- interpretation of COBOL symbols in datatype
  - conversion, D-3
- invoking, 2-3
- keywords, 2-5
- overview, 2-1
- purpose of PGDL, 1-4
- role in calling TIPs, on gateway using
  - TCP/IP, 7-1
- ROLLBACK processing, 2-2
- sample input, F-1
- writing statements, 3-4
- PGAU commands, 1-12, 1-17
  - CONNECT, 2-3, 2-6
  - CONNECT, parameters, 2-6
  - DEFINE CALL, 2-7, 2-25, 3-4, 4-23
    - call list, 3-2
    - on gateway using SNA, 1-13
    - on gateway using TCP/IP, 1-18
    - sample, F-2
  - DEFINE DATA, 2-8, 2-25, 3-4, 4-10, 4-23, 7-4, A-11
    - on gateway using SNA, 1-12
    - on gateway using TCP/IP, 1-18
    - parameters, 2-8
    - sample, F-1
  - DEFINE DATA, datatype conversions
    - USAGE (ASIS), D-7
    - USAGE (PASS), D-2
    - USAGE (SKIP), D-7
  - DEFINE PGAU, call list, 3-3
  - DEFINE TRANSACTION, 1-13, 2-2, 2-10, 3-5, 4-23
    - on gateway using TCP/IP, 1-18
    - sample, F-2
  - DEFINE TRANSACTION, parameters, 2-10, 3-3
  - defining correlation between TIP and RTP, 2-1
  - DESCRIBE, 2-13
  - DESCRIBE, parameters, 2-13
  - DISCONNECT, 2-13
  - DISCONNECT, parameters, 2-13
  - EXECUTE, 2-14
  - EXECUTE, parameters, 2-14
  - EXIT, 2-14
  - EXIT, parameters, 2-14
  - formatting of Call and Transaction reports, 2-25
  - four main types, in control file, 1-12, 1-17
  - GENERATE, 2-15, 3-5, 3-7, 3-8, 4-10, 7-4, E-2
    - error messages, 8-3
    - on gateway using SNA, 1-13
    - on gateway using TCP/IP, 1-18
    - parameters, 2-15
    - problem analysis, 8-2
    - sample, F-2
    - support and non-support for parameters over 32K length, D-2
    - traces, 8-1
  - GROUP, 2-18, 3-7
  - HOST, 2-19
    - parameters, 2-19
  - on gateway using SNA, 1-13
  - PRINT, 2-20
  - REDEFINE DATA, 2-20, A-11
    - sample, F-6
  - REM, 2-23
  - REM, parameters, 2-23
  - REPORT, 2-23
  - REPORT, parameters, 2-24
  - SET, 2-26
  - SET, parameters, 2-26
  - SHOW, 2-27
  - SHOW, parameters, 2-27
  - SPOOL, 2-28
  - SPOOL, parameters, 2-28
  - TRANSACTION, 2-25
  - UNDEFINE CALL, 2-29
  - UNDEFINE CALL, parameters, 2-29
  - UNDEFINE DATA, 2-29
  - UNDEFINE DATA, parameters, 2-30
  - UNDEFINE TRANSACTION, 2-30
  - UNDEFINE TRANSACTION, parameters, 2-30
  - UNDEFINE, sample, F-6
  - VARIABLE, 2-31
  - VARIABLE, parameters, 2-31
- PGAU script file
  - adding spool and echo, 3-7
  - creating, 3-5
- pgau.trc file, 2-16, 2-18
- PGAXFER, 7-7, B-4
- PGAXFER function, 1-4, 1-9, 4-4, 7-3
- PGDD (Data Dictionary)
  - environment sequence numbers, A-1
- pgddausr.sql file, 4-27, 7-16
- pgddcr8.sql file, 2-5, A-5
- PGDL (Procedural Gateway Definition Language), 2-2, B-1
  - definition, 1-4
- pgtflip, 7-14
- pgtflipd, 1-19
- pgtflipd.sql, 7-9
- pgtflipd.sql file, 7-4, 7-13, E-1
- pgtflip.pkb, 1-6
- pgtflip.pkb file, 1-18, 7-2, 7-4
- pgtflip.pkh, 1-6
- pgtflip.pkh file, 1-18
- pgtflip.sql file, 7-4
- PIC 9, 8-4, D-4
- PIC G, 8-4
  - datatypes, 4-25, 7-14
- PIC G datatype conversions, D-3
- PIC G datatypes, D-2
- PIC X, D-2
- PIC X datatypes, 8-4, D-2
- PKGEX(DC) diagnostic option, 8-5

PKGEX(DR)  
     GENERATE diagnostic option, 8-2  
 PL/SQL, 1-5  
     call, A-9  
     code, B-1  
     code generator, 1-2, 8-4  
     data length limits, 8-8  
     datatypes, 1-8, 4-7, 4-8, 4-9, 4-11, F-2, F-5  
         converted to RAW, 1-9  
     developing TIPs, D-1  
     enabling a trace, 8-12  
     function in the gateway, 1-1, 1-8  
     invoking DG4APPC, 1-11, 1-15  
     naming algorithms, D-8  
         delimiters, D-8  
         duplicate names, D-8  
         qualified compound names, D-8  
     parameters, 4-14, 7-8  
     record format, F-4  
     stored procedure, 1-11  
     transferring data  
         using RAW datatype, C-1  
     UTL\_PG package function, 1-4  
     UTL\_RAW function, 1-4  
     variable names, D-8  
         datatype conversion, D-8  
     variables, 3-8, D-6, D-8  
 PL/SQL package, 2-3, 2-7, 2-29, 2-31, 3-1, 4-4, 8-2,  
     B-1, E-2  
     components, 4-3, 7-3  
     contents  
         package specification, 4-3, 7-3  
     DBMS\_PIPE, 3-1  
     definition, 1-4, 1-5  
     execute authority, 4-20, 7-14  
     function, 4-2, 7-2  
     functions, 1-8  
     grants required, 3-1  
     pagcics, 1-11  
     parameter, 2-17  
     See TIP  
     specifying names, 4-14, 7-8  
 PL/SQL stored procedure, 5-5  
     changing trace level, B-6  
     starting up communication with  
         mainframe, 1-11, 1-15  
 PL/SQL stored procedure specification  
     also called "TIP"  
     See PL/SQL package  
 PRINT command, 2-20  
 privileges  
     needed to use TIPs, 4-27  
 problem analysis  
     of data conversion and truncation errors, 8-8  
     with PG DD diagnostic references, 8-2  
     with PG DD select scripts, 8-3  
     with TIP runtime traces, 8-5  
 Procedural Gateway Administration  
     see PGA  
 Procedural Gateway Administration Utility

see PGAU, 1-8

## R

RAW\_TO\_NUMBER FORMAT function, C-8  
 RAW\_TO\_NUMBER function, C-3  
 recompilation errors  
     causes, E-4  
 REDEFINE DATA statement, A-11, F-6  
 REDEFINES, D-7  
 REM command, 2-23  
 remote host transactions (RHT)  
     APPC conversation sharing, 4-20  
     attributes needed, 4-13, 7-7  
     client application, 4-7  
     defined using the PGAU DEFINE TRANSACTION  
         statement, 4-13, 7-7  
     evaluating, 3-2  
     multi-conversational, client applications, 4-9  
     one-shot, client applications, 4-7  
     persistent, client applications, 4-8  
     requirements  
         understanding, 4-3  
     steps involved in, 4-6  
     types  
         on gateway using SNA, 1-10, 4-4  
         on gateway using TCP/IP, 7-4  
 remote procedural call  
     See RPC  
 remote procedural call (RPC), A-9  
     calling the gateway, B-1  
     executing gateway functions, B-1  
     parameters, B-5  
     PGAINIT and PGAINIT\_SEC, B-3  
     PGAINIT and PGAINIT\_SEC, parameters, B-3  
     PGATCTL, B-5  
     PGATERM, B-5  
     PGATERM, parameters, B-5  
     PGATRAC, B-6  
     PGATRAC, parameters, B-6  
     PGAXFER, B-4  
     PGAXFER, parameters, B-4  
 remote procedure  
     definition, 1-4  
 remote transaction initiation  
     on gateway using SNA, 1-9  
     on gateway using TC/IP, 1-9  
 remote transaction program  
     See RTP  
 remote transaction termination  
     on gateway using SNA, 1-9  
     on gateway using TCP/IP, 1-9  
 RENAMEs, D-6  
 REPORT statement, 3-5  
 RHT, See remote host transactions  
 ROLLBACK command, 2-2  
 ROLLBACK processing, 2-2  
 RPC  
     definition, 1-5  
     function

- PGAINIT, 1-4, 1-9
- PGATERM, 1-4
- PGAXFER, 1-4, 1-9
  - within the gateway, 1-1, 1-8
- processing, 1-1
- RPC interface
  - PGATCTL, B-5
  - PGATERM, B-5
  - PGATRAC, B-6
  - PGAXFER, B-4
- See also, remote procedural call (RPC)
- RTP
  - activities, 4-5
  - definition, 1-5
  - executing, 1-5
  - function in the gateway, 1-1
  - on gateway using SNA, 4-6
  - purpose, 4-4, 7-3
- runtime traces, 8-5
  - controls, 8-6
  - conversion warnings, 8-6
  - data conversion tracing, 8-7
  - gateway exchange tracing, 8-7
  - runtime function entry/exit tracing, 8-7

## S

---

- sample
  - PGAU DEFINE CALL command, F-2
  - PGAU DEFINE DATA command, F-1
  - PGAU DEFINE TRANSACTION command, F-2
  - PGAU GENERATE command, F-2
  - PGAU REDEFINE DATA command, F-6
  - PGAU UNDEFINE command, F-6
- sample definitions
  - implicit versioning, F-3
- script file, 3-5
- sequence objects
  - in the PGDD environment dictionary, A-1
- SET command, 2-26
- SET LOG\_DESTINATION parameter, 8-9, 8-11
- SET TRACE\_LEVEL parameter, 8-9, 8-11, 8-12
- Side Information Profile, 2-12, B-3
- SIDE\_NAME, 5-7
- SIDPROFILE (name), 2-11
- simple DG4APPC communication
  - on gateway using SNA, 1-10
- SNA
  - and gateway components, 1-7
  - communication between mainframe and Oracle
    - database, 1-10
  - communications function, 1-11
  - creating a TIP, 1-12
  - determining validity of TIP specification, E-2
  - examples and sample files used in this guide, 1-6
  - flexible call sequence, 4-12
  - function in the gateway, 1-1
  - gateway transaction types, 1-10
  - implementing commit-confirm, 5-1
  - overview of the gateway, using, 1-1

- parameters, 1-9
- PGAU DEFINE TRANSACTION command, 3-3
- remote transaction initiation, 1-9
- remote transaction termination on the
  - gateway, 1-9
- steps to connecting Oracle database and
  - mainframe, 1-11
- supported remote host languages, 3-2
- TIP internals, E-1
- uses APPC to access all systems, 1-2
- writing TIPs, 1-12
- socket file descriptor
  - returned by TCP/IP network to PGAINIT, 1-9
- specification file
  - on gateway using SNA, 1-13
  - on gateway using TCP/IP, 1-18
- SPOOL command, 2-28
- SQL\*Plus
  - connecting server and mainframe, 1-11
  - invoking, 3-7
  - recompiling TIP body changes, E-2
  - running scripts, 4-27, 7-15
  - test scripts, 8-3
- statements
  - see PGAU commands
- SYNCHRONIZED, D-7
- SYNCHRONIZED LEFT, D-7
- SYNCHRONIZED RIGHT, D-7

## T

---

- TCP/IP for IMS Connect, 1-15, 7-11
  - and gateway components, 1-7
  - and PGA\_TCP\_IMSC parameter table, 6-1
  - and PGAINIT, 6-1
  - and Remote Transaction Initiation, 1-9
  - Client application overview, 7-1
  - communication between gateway and Oracle
    - database, 1-14
  - content of PGA\_TCP\_IMSC table, 6-2
  - creating a TIP, 7-1
  - determining validity of TIP specification, E-2
  - elements of TIP-RTP correspondence, 7-4
  - examples and sample files used in this guide, 1-6
  - function in the gateway, 1-1
  - gateway support for, description, 1-3
  - IMS enabled, 1-5
  - mapping parameters using pg4tcpmap tool, 7-14
  - mapping SNA parameters to TCP/IP, 6-1
  - non-persistent socket transaction type, 1-14
  - OLTP in gateway architecture, 1-7
  - persistent socket transaction type, 1-14
  - PGAU DEFINE TRANSACTION command, 3-4
  - remote host languages supported, 3-2
  - remote transaction initiation, 1-9
  - remote transaction termination, 1-9
  - SENDS and RECEIVES
    - TIP CALL correspondence, 7-5
  - setting initsid.ora parameters, 6-4
  - simple communication

- between gateway and integrating server, 1-14
  - steps to communication between server and IMS, 1-15
  - steps to writing a TIP, 1-17
  - supports only IMS as OLTP, 1-3, 1-5
  - TIP granting privileges needed, 7-15
  - TIP internals, E-1
  - TRANSACTION correspondence, 7-7
  - transaction types, 1-14
- terminal-oriented transactions
  - modifying, 4-26
- terminating a TIP conversation, 4-19, 7-13
- terms, gateway terms defined, 1-3
- TIP, 1-6, 4-2, 7-2
  - APPC conversation sharing, 4-21, 4-22
  - background references, E-1
  - CALL correspondence, 4-11
    - on gateway using SNA, 4-11
    - on gateway using TCP/IP, 7-5
    - order restrictions, 4-13
  - calling
    - from the client application, 4-14, 7-8
  - calling and controlling
    - on gateway using SNA, 4-1
    - on gateway using TCP/IP, 7-1
  - client application development
    - content and purpose on gateway using SNA, 4-3
    - content and purpose on gateway using TCP/IP, 7-3
  - compiling, 3-7
  - content documentation (tipname.doc), 3-8
  - content file sections
    - GENERATION Status, 3-8
    - TIP Default Calls, 3-8
    - TIP Transaction, 3-8
    - TIP User Calls, 3-8
    - TIP User Declarations, 3-8
    - TIP User Variables, 3-8
  - control file, 2-2
  - controlling
    - runtime conversion warnings, 8-6
    - runtime data conversion tracing, 8-7
    - runtime function tracing, 8-7
    - runtime gateway exchange tracing, 8-7
  - conversation sharing used to circumvent large TIPs, 4-23
  - conversion, 1-3, 4-25, 7-14
  - converting PL/SQL datatypes to RAW, 1-9
  - creating, 3-1
  - custom TIP writing, E-1
  - customized interface for each remote host transaction (RTP), 4-6
  - DATA correspondence, 4-10
    - on gateway using TCP/IP, 7-4
  - datatype conversion support for COBOL, D-2
  - declaring variables to create a TIP, 4-14, 7-8
  - defining and generating, 3-6
  - defining, with PGAU, 2-4
  - definition, 1-5
    - definition errors, 8-1
    - dependent TIP body or specification changes, E-3
    - diagnostic parameters, 4-25
    - driver procedures
      - on gateway using SNA, 1-14
      - on gateway using TCP/IP, 1-19
    - flexible call sequence, 4-12
    - four steps to generate
      - on gateway using SNA, 1-12
      - on gateway using TCP/IP, 1-17
    - functions
      - in Oracle database, 1-9
      - generated by PGAU, 4-2
      - granting privileges to use, 3-1, 4-27, 7-15
    - independent TIP body changes, E-2
    - initializations, 4-18, 7-12
      - overriding, 4-17
        - on gateway using TCP/IP, 7-11
    - initializing the conversation, 4-16, 7-10
    - internals, E-1
    - override parameters, 4-25
    - overriding default attributes, 4-18, 7-12
    - overview, 1-12, 1-17
    - privileges needed, 3-1, 4-27
    - public functions
      - tip\_init, 4-5
      - tip\_inqr, 4-5
      - tip\_mode, 4-5
      - tip\_term, 4-5
      - tip\_updt, 4-5
    - recompiling, E-2, E-3
    - remote transaction
      - correspondence, 4-10
    - remote transaction correspondence, on gateway using TCP/IP, 7-4
    - remote transaction initiation (PGAINIT), 1-9
    - requirements for corresponding with RHT
      - on gateway using SNA, 4-10
      - on gateway using TCP/IP, 7-4
    - requirements of the client application, 4-6
    - service, 4-21
    - specification file, 3-6
      - on gateway using SNA, 1-13
      - on gateway using TCP/IP, 1-18
    - specifications
      - generated by PGAU, 1-8
    - steps to writing
      - on gateway using SNA, 1-12
      - on gateway using TCP/IP, 1-17
    - terminating the conversation, 4-19, 7-13
    - trace controls, 8-6
    - tracing, 8-8
    - TRANSACTION correspondence, 4-13, 7-7
      - on gateway using SNA, 4-13
    - using transaction instance parameter
      - on gateway using TCP/IP, 7-11
    - writing
      - on gateway using SNA, 1-12
      - on gateway using TCP/IP, 3-4
  - TIP control file commands, 1-12, 1-13, 1-18

- on gateway using TCP/IP, 1-17
- TIP specification, 4-2, E-2
  - changes, E-3
  - errors, E-4
- TIP warnings and tracing
  - suppressing, 8-7
- tipname.doc file, 3-8, 4-10, 4-14, 7-8
- tipname.pkb file, 8-5
- tname.ctl file, 3-5, 3-6
- TP\_NAME, 5-8
- trace option, 8-1
  - TIP definition errors, 8-1
- TRACE\_LEVEL, 8-11
- traces, 8-6, 8-7
  - diagnostic, 8-8
  - enable gateway server trace, 8-11
  - enabling APPC trace from PL/SQL, 8-12
  - enabling through initsid.ora, 8-11
  - gateway server, 8-10
  - purpose of initializing conversations, 4-16, 7-10
  - runtime, 8-5
    - trace controls, 8-6
  - suppressing, 8-7
  - TIP, 8-5, 8-7
- TRANSACTION correspondence
  - on gateway using SNA, 4-13
  - on gateway using TCP/IP, 7-7
- transaction instance parameter
  - on gateway using SNA, 4-17
  - on gateway using TCP/IP, 7-11
- Transaction Interface Package
  - See TIP
- transaction socket
  - transaction type for TCP/IP, 1-14
- TRANSACTION tname, 2-10
- transaction types
  - one-shot, persistent and multi-conversational, for SNA, 1-10
- transparency
  - (application), 1-2
  - (location), on gateway using SNA, 1-2

## U

---

- UNDEFINE statement, 3-6, F-6
- USAGE(ASIS), D-7
- USAGE(PASS), D-2
  - datatype conversion, D-2
    - FILLER, D-4
    - PIC 9, D-4
    - PIC G, D-3
  - format conversion
    - OCCURS DEPENDING ON, D-6
    - OCCURS n TIMES, D-6
- USAGE(SKIP), D-7
- utility
  - dg4pwd, 1-4
- UTL\_PG
  - input parameters
    - wmsgbsiz, C-2

- output parameters
  - wmsgblk, C-3
- package
  - definition, 1-4
  - parameters (input and output), C-2
  - PL/SQL package, 3-1
- UTL\_PG function, C-1
  - MAKE\_NUMBER\_TO\_RAW\_FORMAT, C-6
  - MAKE\_RAW\_TO\_NUMBER\_FORMAT, C-5
  - NUMBER\_TO\_RAW, C-4
  - NUMBER\_TO\_RAW and RAW\_TO\_NUMBER
    - argument values, C-11
  - NUMBER\_TO\_RAW\_FORMAT, C-8
  - RAW\_TO\_NUMBER, C-3
  - RAW\_TO\_NUMBER\_FORMAT, C-8
  - WMSG, C-10
  - WMSGCNT, C-9
- UTL\_PG input parameters
  - compname, C-2
  - compopts, C-2
  - envnmnt, C-2
  - mask, C-2
  - maskopts, C-2
  - nslang, C-2
  - wind, C-2
- UTL\_RAW PL/SQL package, 3-1, C-1
  - definition, 1-4

## V

---

- VARIABLE command, 2-31

## W

---

- WMSG function, C-10
- WMSGCNT function, C-9
- writing PGAU statements, 3-4