



Siebel Marketing Installation and Administration Guide

Siebel Innovation Pack 2014,
Rev. A

May 2015

ORACLE®

Copyright © 2005, 2015 Oracle and/or its affiliates. All rights reserved.

This software and related documentation are provided under a license agreement containing restrictions on use and disclosure and are protected by intellectual property laws. Except as expressly permitted in your license agreement or allowed by law, you may not use, copy, reproduce, translate, broadcast, modify, license, transmit, distribute, exhibit, perform, publish, or display any part, in any form, or by any means. Reverse engineering, disassembly, or decompilation of this software, unless required by law for interoperability, is prohibited.

The information contained herein is subject to change without notice and is not warranted to be error-free. If you find any errors, please report them to us in writing.

If this is software or related documentation that is delivered to the U.S. Government or anyone licensing it on behalf of the U.S. Government, the following notice is applicable:

U.S. GOVERNMENT END USERS: Oracle programs, including any operating system, integrated software, any programs installed on the hardware, and/or documentation, delivered to U.S. Government end users are "commercial computer software" pursuant to the applicable Federal Acquisition Regulation and agency-specific supplemental regulations. As such, use, duplication, disclosure, modification, and adaptation of the programs, including any operating system, integrated software, any programs installed on the hardware, and/or documentation, shall be subject to license terms and license restrictions applicable to the programs. No other rights are granted to the U.S. Government.

This software or hardware is developed for general use in a variety of information management applications. It is not developed or intended for use in any inherently dangerous applications, including applications that may create a risk of personal injury. If you use this software or hardware in dangerous applications, then you shall be responsible to take all appropriate fail-safe, backup, redundancy, and other measures to ensure its safe use. Oracle Corporation and its affiliates disclaim any liability for any damages caused by use of this software or hardware in dangerous applications.

Oracle and Java are registered trademarks of Oracle and/or its affiliates. Other names may be trademarks of their respective owners.

Intel and Intel Xeon are trademarks or registered trademarks of Intel Corporation. All SPARC trademarks are used under license and are trademarks or registered trademarks of SPARC International, Inc. AMD, Opteron, the AMD logo, and the AMD Opteron logo are trademarks or registered trademarks of Advanced Micro Devices. UNIX is a registered trademark of The Open Group.

This software or hardware and documentation may provide access to or information about content, products, and services from third parties. Oracle Corporation and its affiliates are not responsible for and expressly disclaim all warranties of any kind with respect to third-party content, products, and services unless otherwise set forth in an applicable agreement between you and Oracle. Oracle Corporation and its affiliates will not be responsible for any loss, costs, or damages incurred due to your access to or use of third-party content, products, or services, except as set forth in an applicable agreement between you and Oracle.

Documentation Accessibility

For information about Oracle's commitment to accessibility, visit the Oracle Accessibility Program website at <http://www.oracle.com/pls/topic/lookup?ctx=acc&id=docacc>.

Access to Oracle Support

Oracle customers that have purchased support have access to electronic support through My Oracle Support. For information, visit <http://www.oracle.com/pls/topic/lookup?ctx=acc&id=info> or visit <http://www.oracle.com/pls/topic/lookup?ctx=acc&id=trs> if you are hearing impaired.

Contents

Chapter 1: What's New in This Release

Chapter 2: Installing and Administering Siebel Marketing

About Implementing Siebel Open UI	9
Installing Siebel Marketing	10
Installing Marketing Contact List Import Using PL/SQL	10
Importing a Contact List Using PL/SQL	13
Enabling and Synchronizing Marketing Server Components	15
Activating and Configuring Marketing Workflow Processes	17
Activating and Registering Tasks for Marketing Activities	21
Updating Marketing Connection Settings	21
Connecting Siebel Server to Business Intelligence Presentation Server	21
Confirming Host and Symbolic URL for the Marketing Module	23
Creating Permissions	24
Setting Up the Marketing File System	24
Setting Universal Time Option	26
Enabling Automatic Responses for Opportunities and Orders	26
About the Marketing Approval Process	27
Configuring the Marketing Approval Values	28
Load Balancing and Global Deployment of Siebel Marketing	30
About Marketing Responsibilities and Access Groups	30
Creating Marketing Seed Data	34
Configuring the CKEditor File Manager	36
Configuring Social Sharing Communities for Email Treatments	38
Guidelines for Testing the Marketing Module in an Integrated Environment	39
Monitoring Marketing System Tasks	42

Chapter 3: Creating Source Code and Vendor Profiles

About Source Codes	45
--------------------	----

Creating Source Code Formats 46
Setting Up Vendor Profiles 49
 Vendor Tasks 49
 Defining Vendors 49
 Defining Distribution Profiles for Vendors 50

Chapter 4: Designing Marketing Campaign Load Formats

Creating and Testing Campaign Load Formats 51
 Creating Campaign Load Formats 51
 Example of Creating a Response Load Format 58
 Example of Creating a Lead Load Format 59
 Testing Campaign Load Formats 60
About Marketing Integration Objects 61
 About the Marketing Contact Integration Object 62
 About the Marketing Prospect Integration Object 65
 About the Marketing Person Integration Object 66
 About the Marketing Lead Integration Object 67
 About the Marketing Response Integration Object 68
 Examples of Recommended Campaign Load Mappings 69

Chapter 5: Installing and Configuring Email Marketing

About Siebel Email Marketing 71
About Installing and Configuring Siebel Email Marketing 75
Architecture of Siebel Email Marketing 77
Requirements for Installing Email Marketing 79
 Configuring Basic and Advanced Email Personalization 79
 Removing an Existing Version of the Email Marketing Daemons 81
 Installing the Java Development Kit 82
 Verifying That the Object Manager Is Enabled and Running 83
Installing the Email Marketing Server 83
 Installing the Email Sending Daemon 85
 Installing the Bounce Handler Daemon 85
 Installing the Click Through Daemon 86
Roadmap for Configuring Email Marketing Daemons 87
 Identifying the Web Service Endpoint URL 87
Process of Configuring the Email Sending Daemon 88
 Identifying the Outbound Mail Transfer Agents for the Email Sending Daemon 89
 Configuring the Email Sending Daemon to Access the Marketing File System 89

Configuring the SOAP Communications Port	91
Configuring Web Services Properties for the Email Sending Daemon	91
Verifying the Email Sending Daemon Installation	92
Configuring the Marketing Application to Connect to the Email Sending Daemon	94
Configuring the Email Address Headers for the Email Marketing Server	94
Process of Configuring the Bounce Handler Daemon	95
Verifying the Bounce Handler Daemon Installation	95
Configuring the Bounce Address of the SMTP Envelope	97
Configuring Web Services Properties for the Bounce Handler Daemon	97
About Creating Classification Rules for Bounce Messages	98
Configuring How the Bounce Handler Daemon Classifies Bounce Messages	99
Process of Configuring the Click Through Daemon	102
Configuring the Click Through Daemon HTTP Server Port	102
Verifying the Click Through Daemon Installation	103
Configuring the Click Through Daemon, Web Marketing, and Events Base URLs	104
Configuring Web Services Properties for the Click Through Daemon	105
Configuring Email Marketing Components for HTTPS Communications	106
(Optional) Verifying Email Marketing Component Configuration	110
Process of Testing the Email Marketing Components with Siebel Marketing	113
Creating the Test Email Template	113
Sending the Test Email Template to Test Contacts	113
Confirming That Tests Function as Expected	114
Upgrading Apache Tomcat Manually	116
Administering Email Marketing	117
Monitoring Email Sending Daemon Jobs Using the Jobs Console	117
Prioritizing Email Sending Daemon Jobs	118
Limiting Maximum Throughput Rate for the Email Sending Daemon	121
Disabling SMTP Command Pipelining	121
About Email Marketing Log Files	122
Configuring Email Marketing Server Logging	123
Setting Up Administrator Alerts for Email Marketing	125
Setting Up Automatic Failover for the Email Sending Daemon	126
Configuring the Status of Email Addresses	129
Implementing Spam Scoring of Email Templates Using SpamAssassin	129
Chapter 6: Setting Up Web Marketing	
About Siebel Web Marketing	133
About Web Marketing Web Site Visitors	133

Setting Up Siebel Web Marketing	135
Installing Web Marketing	135
Installing the Web Survey Daemon	135
Configuring the Web Survey Daemon	137
Controlling User Access to the Web Marketing Web Site	140
Setting Up Default Responsibilities and Users for Web Marketing	141
Setting Up a Default Campaign and Default Offer	142
Using Siebel Personalization with Web Marketing	142
Customizing the Web Marketing User Interface	142

Appendix A: Advanced Marketing Information for Administrators

About Upgrading Campaigns from Earlier Versions	147
Field Names for Marketing Integration Components	148
Extending Column Data to Promote Prospects to Contacts	157

Appendix B: Assigning Character Sets for the Email Marketing Server

Working with Character Sets for Email Marketing Servers	159
---	-----

Appendix C: Logical Entity Relationships

Logical Entity Relationships for Marketing Objects	169
--	-----

Appendix D: Email Marketing Configuration Properties

New and Changed Properties in the esd.properties Configuration File	171
New and Changed Properties in the ctd.properties Configuration File	172
New and Changed Properties in the bhd.properties Configuration File	173

Index

1

What's New in This Release

What's New in Siebel Marketing Installation and Administration Guide, Siebel Innovation Pack 2014, Rev. A

Table 1 lists the changes in this revision of the documentation to support this release of the software.

Table 1. New Product Features in Siebel Marketing Installation and Administration Guide, Siebel Innovation Pack 2014, Rev. A

Topic	Description
"Installing Marketing Contact List Import Using PL/SQL" on page 10	New topic. Describes how to implement Contact List Import with PL/SQL.
"Enabling and Synchronizing Marketing Server Components" on page 15	Modified topic to add information about the Marketing Server component group.
"Activating and Configuring Marketing Workflow Processes" on page 17	Modified topic to add information about the Mktg Master DB Import Process workflow.

What's New in Siebel Marketing Installation and Administration Guide, Siebel Innovation Pack 2014

Table 2 lists the changes in this revision of the documentation to support this release of the software.

NOTE: Siebel Innovation Pack 2014 is a continuation of the Siebel 8.1/ 8.2 release.

Table 2. New Product Features in Siebel Marketing Installation and Administration Guide, Siebel Innovation Pack 2014

Topic	Description
"About Implementing Siebel Open UI" on page 9	Modified topic. The Marketing Program Designer functionality is supported with the Siebel Open UI user interface framework.
"Upgrading Apache Tomcat Manually" on page 116	New topic. It describes how to upgrade the version of Apache Tomcat you received with Siebel Marketing.
"Configuring the Status of Email Addresses" on page 129	Modified topic. Removed information about email status columns in the S_CONTACT table.
Appendix D, "Email Marketing Configuration Properties"	Modified topics to delete references to properties used with the Siebel Management Agent. The Siebel Management Agent and Siebel Management Server are no longer supported.

What's New in Siebel Marketing Installation and Administration Guide, Version 8.1/8.2

Table 3 lists the changes described in this version of the documentation to support this release of the software. The new features described in Table 3 are available in Siebel CRM version 8.1.1.11, Siebel CRM version 8.2.2.4, and later.

Table 3. New Product Features in Siebel Marketing Installation and Administration Guide, Version 8.1/8.2

Topic	Description
"About Implementing Siebel Open UI" on page 9	Modified topic. The Marketing Calendar functionality and the CKEditor functionality are supported with the Siebel Open UI user interface framework.
"About Creating Classification Rules for Bounce Messages" on page 98 "Configuring How the Bounce Handler Daemon Classifies Bounce Messages" on page 99	New topics. You can create rules in custom configuration files to determine how the Bounce Handler Daemon classifies values in the delivery status notification messages received for undelivered emails.

2

Installing and Administering Siebel Marketing

This chapter describes how to install and administer Oracle's Siebel Marketing product. It includes the following topics:

- [About Implementing Siebel Open UI on page 9](#)
- [Installing Siebel Marketing on page 10](#)
- [Installing Marketing Contact List Import Using PL/SQL on page 10](#)
- [Enabling and Synchronizing Marketing Server Components on page 15](#)
- [Activating and Configuring Marketing Workflow Processes on page 17](#)
- [Activating and Registering Tasks for Marketing Activities on page 21](#)
- [Updating Marketing Connection Settings on page 21](#)
- [Enabling Automatic Responses for Opportunities and Orders on page 26](#)
- [About the Marketing Approval Process on page 27](#)
- [Configuring the Marketing Approval Values on page 28](#)
- [Load Balancing and Global Deployment of Siebel Marketing on page 30](#)
- [About Marketing Responsibilities and Access Groups on page 30](#)
- [Creating Marketing Seed Data on page 34](#)
- [Configuring the CKEditor File Manager on page 36](#)
- [Configuring Social Sharing Communities for Email Treatments on page 38](#)
- [Guidelines for Testing the Marketing Module in an Integrated Environment on page 39](#)
- [Monitoring Marketing System Tasks on page 42](#)

About Implementing Siebel Open UI

You can deploy Siebel Business Applications with the Siebel Open UI user interface framework. Siebel Open UI uses an open architecture that allows you to customize and extend the Siebel user interface for your enterprise. For Siebel employee and partner-facing applications, it provides an alternative to the high-interactivity client.

In the current version of Siebel Marketing, all Siebel Marketing functionality is available with Siebel Open UI. For detailed information on Siebel Open UI, including the deployment options available, see 1499842.1 (Article ID) on My Oracle Support.

The procedures in this guide assume that if you are using Siebel Open UI, you do not use left-hand navigation. However, you can set up left-hand navigation if you choose. For information about implementing left-hand navigation, see *Siebel Fundamentals for Siebel Open UI*.

Installing Siebel Marketing

A Siebel Marketing installation has two main parts. You can install the following parts in any sequence:

- (Required) The Siebel Marketing operational application, including the Siebel Server.
For more information about installing Siebel Server components, see the *Siebel Installation Guide* for the operating system you are using. For information about Web servers and operating systems, see the Certifications tab on My Oracle Support. If you are upgrading an existing Marketing installation, see *Siebel Database Upgrade Guide*.
- (Optional) Oracle Business Intelligence Server components that provide segmentation and list generation capabilities. These components are referred to as the Marketing module. For more information about installing the Marketing module, see *Oracle Marketing Segmentation Guide*.

NOTE: The Siebel Bookshelf is available on Oracle Technology Network (<http://www.oracle.com/technetwork/indexes/documentation/index.html>) and Oracle Software Delivery Cloud. It might also be installed locally on your intranet or on a network location.

Installing Marketing Contact List Import Using PL/SQL

The following topics contain information about how to install and implement Marketing Contact List Import using PL/SQL.

NOTE: You must have installed the Siebel Database Server before you can implement this feature. For more information, see *Siebel Database Upgrade Guide* on the *Siebel Bookshelf*.

Preinstallation Tasks

Note the following important information before you install this feature:

- Make sure that the List Import Service Manager component for the Marketing Server component group has been enabled. For more information, see [“Enabling Component Groups for Siebel Marketing” on page 15](#).
- The Mktg Master DB Import Process workflow process must have been enabled. For more information, see [“Activating and Configuring Marketing Workflow Processes” on page 17](#).
- You must have installed the Siebel Database Server. For more information, see the *Siebel Installation Guide* for the operating system you are using.

Setting System Preferences to Enable Contact List Import Using PL/SQL

Use the following procedure to set system preferences.

To set the system preferences

- 1 Navigate to Sitemap > Administration Application > System Preferences and query for the MktgEnableDBImport and MktgIsDBOracle system preferences.
- 2 Make sure that the System Preference value is set to Y for both system preferences. If it is not, set the value to Y and log into the Siebel Marketing application again.

Activating the Mktg Master DB Import Process Workflow

Use the following procedure to activate the Mktg Master DB Import Process workflow.

To activate the Mktg Master DB Import Process workflow

- 1 Log into Siebel Tools, and query for the Mktg Master DB Import Process workflow.
- 2 If its status is Not In Use, click the Revise/Publish button to activate the workflow.

Editing the CallPLSQL Business Service

Use the following procedure to edit the CallPLSQL business service.

To edit the CallPLSQL business service

- 1 Query for the CallPLSQL business service and click on the Business Service Server Script node.
- 2 Within the CallPLSQL business service, edit its script attribute as shown in the following example:

```
function CallPLSQL(Inputs, Outputs)
{
    var vImptJobId;
        var cmdString;
vImptJobId = Inputs.GetProperty("ImportJobId");
Clib.sprintf(cmdString,
"<absolute path of the sqlplus.exe file on the Siebel Server> <DB table owner
username>/<DB table owner password>@<database table owner> @<absolute path
of callplsql.sql file> %s", vImptJobId);
    Clib.system(cmdString);
    return (ContinueOperation);
}
```

- 3 Edit the line highlighted in bold text to point to the:
 - sqlplus executable on the Siebel Server
 - User name (the name of the table owner) and password (the password of the database table owner)
 - @local_SID (database name in the .ini file) of the database you are connected to

- The location of the callpls.sql script

For example, on a Solaris environment, the line would look like:

```
/u01/app/oracle/product/11.2.0.3/dbhome_1/bin/sqlplus ORAPERF/ORAPERF@ORAPERF @/
home/oracle/siebel/81114_23044_app4/siebsvr/temp/callpls.sql
```

Where

```
/u01/app/oracle/product/11.2.0.3/dbhome_1/bin/sqlplus
```

is the path of the sqlplus executable

ORAPERF/ORAPERF@ORAPERF are the connection credentials and

@/home/oracle/siebel/81114_23044_app4/siebsvr/temp/callpls.sql is the path of the callpls.sql script

The callpls.sql file is located in the <build folder>/ses/>dbsvr/oracle/ and <build folder>/ses/siebsvr/sqltempl/ folders.

NOTE: The sqlplus executable is usually located in the ORACLE_HOME/bin folder where ORACLE_HOME is your environment variable that points to the Oracle home directory.

For example, on the Linux platform:

```
Clib(sprintf(cmdString,
```

```
"<absolute path of the sqlplus.exe on the siebel server> <DB table owner username>/
<DB table owner password>@<database table owner> @<absolute path of
mktg_listimp_callpls.sql file> %s", vImptJobId);
```

The path to the callpls.sql script is <absolute path to mktg_listimp_callpls.sql>

In Siebel Tools, it would look like:

```
function CallPLSQL(Inputs, Outputs)
```

```
{
```

```
var vImptJobId;
```

```
var cmdString;
```

```
vImptJobId = Inputs.GetProperty("ImportJobId");
```

```
Clib(sprintf(cmdString,
```

```
"<absolute path of the sqlplus.exe file on the Siebel Server> <DB table owner username>/
<DB table owner password>@<database table owner> @<absolute path of callpls.sql file>
%s", vImptJobId);
```

```
Clib.system(cmdString);
```

```
return (ContinueOperation);
```

```
}
```

- 4 Once you have finished editing the script attribute, compile the business service to the SRF file being used and restart the server.

Creating the Database Directory and Uploading the File to the Database Server

Use the following procedure to create the IMPORT DIR database directory.

To create the IMPORT DIR database directory

- 1 On the database server, create a database directory using the following command:

```
SQL> CREATE OR REPLACE DIRECTORY IMPORT_DIR AS <DIR_PATH>;
```


For example:

```
CREATE OR REPLACE DIRECTORY IMPORT_DIR AS '/TMP';
```



```
SQL> GRANT READ, WRITE ON DIRECTORY 'IMPORT_DIR' TO PUBLIC;
```
- 2 Verify that you have read/write permission for the IMPORTDIR database directory.
- 3 Upload the .txt file that contains the contact records to the folder on the database server that is mapped to the MPORT_DIR database directory (designated as '/TMP' in [Step 1 on page 13](#)).
- 4 Give the IMPORT_DIR (/TMP) read/write permission for the TBLO user (the database table owner).
- 5 Give all the attached files read/write permission.
- 6 Grant CREATE/DROP table privileges for the database table owner.

Creating the PL/SQL Package on the Database Server Manually

- 1 Navigate to the /build/ses/dbsrvr/oracle folder, and untar the MktgListImportPkg.tar file to that directory.
- 2 Use the instructions in the Readme.txt file to manually create the PL/SQL package on the database server.
- 3 Once the package has been successfully created on the database, navigate to the folder with the untarred folder and look for the mktg_listimp_pkg_body.log and mktg_listimp_pkg_spec.log files. If the file contains errors (such as TNS entry not valid... and so on), rerun the executable.

If the mktg_listimp_pkg_body.log file contains the "Warning: Package Body created with compilation errors" error message, check with your administrator.

Importing a Contact List Using PL/SQL

- 1 Navigate to Administration Marketing, Import, and then Job Setup and create a new Import Job for Contact Import.
- 2 Set the following values to enable the Database Import button:
 - Main Object: Contact
 - Source Type: Text File
 - Import Mode: Import new records

- ❑ File Selection: Use exact file name
 - ❑ Data Type: Comma Separated OR Other Delimiter like (|)
 - ❑ File Name: Click on the file browser and select the file that you uploaded to the database directory.
- 3 Navigate to Data Mapping, and specify the mapping, required fields, and exact match fields.
 - 4 Click the Database Import button to import the contacts.
 - 5 Navigate to Sitemap > Contacts > All Contacts, query for the imported contacts, and verify that they display.

Creating the Package Using the Batch File

The MKTG_List_Import package contains the PL/SQL procedures and functions required for the Contact List Import through PL/SQL feature.

The package code is in the following files in the dbsrvr\Oracle directory:

- Package Specification: mktg_listimp_pkg_spec.sql
- Package Body: mktg_listimp_pkg_body.sql

To create the package, you can execute the SQL files or you can use the batch files.

To create the package using the batch file

- 1 Extract the MktgListImportPkg.zip/MktgListImportPkg.tar file within the dbsrvr/Oracle directory on the machine where you have installed Siebel Server.
- 2 Do one of the following:
 - a On Windows, execute the CreateMktgListImportPkg.bat file.
 - b On Unix, execute the CreateMktgListImportPkg.sh file.
- 3 Enter the following information once you have invoked the batch file:
 - a Enter the table owner name, such as ORATT101.
 - b Enter the table owner password, such as ORATT101.
 - c Enter the database name as it is referred to in the tnsnames.ora file, such as ORATT101.
 - d Enter the Siebel Enterprise Server installation directory, such as C:\8.1.1.14\ses.

The PL/SQL package is created.
- 4 Review the mktg_listimp_pkg_spec.log and mktg_listimp_pkg_body.log files for any errors.

Enabling the New List Import Functionality

Once you have created the package, you need to enable the contacts list functionality. Use the following procedure to enable the new contacts list import functionality.

To enable the contacts list import functionality

- 1 Within the Siebel application, navigate to Administration - Application, then System Preferences.
- 2 Navigate to the MktgIsDBOracle and MktgEnableDBImport system preferences, and set the value to Y for each preference. The default value for these preferences is N.

Enabling and Synchronizing Marketing Server Components

During Siebel Server installation and configuration, you must enable the server components required by Siebel Marketing. Check the status of Siebel Server component groups using the Component Groups view in the Administration - Server Configuration screen. The Component Groups view is a list of installed Siebel Enterprise Server component groups with their associated components, servers, and tasks. For more information about enabling component groups, see the *Siebel Installation Guide* for the operating system you are using.

Enabling Component Groups for Siebel Marketing

You must make sure component groups are enabled. The server assigned to the selected component group appears in the Servers view tab.

To enable component groups

- 1 Navigate to the Administration - Server Configuration screen, Enterprises, and then the Component Groups view.
- 2 In the Enterprise Servers list, select the appropriate server.
- 3 In the Enterprise Component Groups list, verify the required component groups have been enabled by performing the following steps:
 - a Locate each of the required component groups using [Table 4 on page 16](#) as a guide.
 - b Identify optional server components you might need to enable from the following list:
 - Assignment Manager. Used for campaign member assignment.
 - Data Quality Manager. Identifies duplicate contacts, accounts, and prospects when importing lists.

- c If the Enable State field does not contain the value Enabled, select the component group, click the menu button, and choose Enable Component Group.

Table 4. Component Groups and Components Required for Marketing

Group Name	Components	Description
CommMgmt	<ul style="list-style-type: none"> ■ Communications Outbound Manager ■ Communications Session Manager ■ Communications Configuration Manager 	Communications Management. Delivers outbound wireless and fax offers for campaigns.
Enterprise Application Integration	EAI Object Manager	Transfers data between the Siebel database and other corporate data sources.
MktgOM	<ul style="list-style-type: none"> ■ Marketing Obj Mgr ■ eMarketing Obj Mgr ■ eEvents Obj Mgr 	Marketing Component Group. Supports the user interface and business objects for the Marketing application.
Marketing Server	<ul style="list-style-type: none"> ■ List Import Service Manager 	Used for Contact List Import Using PL/SQL
System	<ul style="list-style-type: none"> ■ Siebel Connection Broker ■ Server Manager ■ Server Request Broker 	Supports general server management.
SystemAux	<ul style="list-style-type: none"> ■ Server Request Processor ■ File System Manager ■ Server Tables Cleanup 	Supports management of auxiliary server components.
Workflow	<ul style="list-style-type: none"> ■ Workflow Process Manager ■ Workflow Process Batch Manager ■ Workflow Action Agent ■ Workflow Recovery Manager ■ Workflow Monitor Agent ■ Generate Triggers 	Executes required marketing workflow processes.

Synchronizing Component Groups

After enabling server component groups, you must synchronize (enable) the server configuration.

To synchronize component groups

- 1 Navigate to the Administration - Server Configuration screen, Enterprises, and then the Component Groups view.
- 2 In the Enterprise Servers list, select the appropriate server.
- 3 Click the Synchronize view tab and click Synchronize.

You do not have to select any components in this view. The synchronization task can take a few minutes.

Stopping and Restarting Siebel Server

Siebel Server must be restarted each time synchronization occurs.

To restart Siebel Server process using Microsoft Windows

- 1 In the Microsoft Windows Control Panel, click the Services icon to open the Services window.
- 2 Locate Siebel Server and click Stop.
- 3 Click Start.

For details on stopping and restarting the Siebel Server system service on UNIX, see *Siebel System Administration Guide*.

Activating and Configuring Marketing Workflow Processes

The Siebel Marketing application uses a group of workflow processes to support various functions. This topic describes how to activate those workflow processes, and how to configure the Marketing Campaign Load workflow process.

Activating Workflow Processes

Before you can use Siebel Marketing, you must activate the workflow processes it requires.

To activate a workflow process

- 1 Before attempting to use Siebel Marketing, make sure that you activate version zero (0) of every workflow in [Table 5 on page 18](#).

Follow the instructions for deploying and activating workflows in *Siebel Business Process Framework: Workflow Guide*. When activated, the workflow process Status field contains a value of Active.

2 Restart the Workflow Process Manager Component or Siebel Server.

Table 5. Workflow Processes Required for Siebel Marketing

Workflow Name	Group	Description
Analytics Data Load	Marketing	Loads data through EAI for Customer Synchronization or Analytics Data Load requests.
Business Rules Workflow	Marketing	Invokes lead rules.
Campaign Copy	Marketing	Applies a campaign template.
Email Marketing - Forward to Friend	Marketing	Sends new emails to forward recipients.
Email Marketing - Update Status	Marketing	Updates the delivery status of an email offer.
Event Stage Execution Workflow	Marketing	Performs the scheduled execution of an event stage.
Generate Source Code	Marketing	Generates source codes for a campaign.
Import Marketing Contact	Marketing	Subprocess for Marketing Campaign Load.
Lead To Opty Conversion	Marketing	Converts a lead to an opportunity.
List Export	Marketing	Requests list files to be generated by the Marketing module.
List Export (Internal)	Marketing	Generates list files for sending email offers using basic mode.
List Purge	Marketing	Purges prospects from an internal list.
Marketing Approval Process	Marketing	Routes marketing approval items.
Marketing Campaign Launch	Marketing	Starts one or more campaign waves.
Marketing Campaign Load	Marketing	Loads segment or list members into a campaign.
Marketing Create Lead	Marketing	Creates leads.
Marketing Create Response	Marketing	Creates responses.
Marketing Stage Execution	Marketing	Scheduled execution of a program stage.
Marketing Wave Launch	Marketing	Subprocess for Marketing Campaign Launch.
Mktg Import - Account Process	Marketing	Allows multi-threaded batch import of accounts from an external file to core Siebel CRM tables. This workflow is invoked from the Mktg Master Import Process workflow.

Table 5. Workflow Processes Required for Siebel Marketing

Workflow Name	Group	Description
Mktg Import - Contact Process	Marketing	Allows multi-threaded batch import of contacts from an external file to core Siebel CRM tables. This workflow is invoked from the Mktg Master Import Process workflow.
Mktg Import File Processing	Marketing	Processes files for import. This workflow is invoked from the Mktg Master Import Process workflow.
Mktg Import - Lead Process	Marketing	Allows multi-threaded batch import of leads from an external file to core CRM tables. This workflow is invoked from the Mktg Master Import Process workflow.
Mktg Import - Prospect Process	Marketing	Allows multi-threaded batch import of prospects from an external file to core CRM tables. This workflow is invoked from the Mktg Master Import Process workflow.
Mktg Import - Response Process	Marketing	Allows multi-threaded batch import of responses from an external file to core Siebel CRM tables. This workflow is invoked from the Mktg Master Import Process workflow.
Mktg Master DB Import Process	Marketing	Required for Contact List Import using PL/SQL.
Mktg Master Import Process	Marketing	This workflow is the entry point for processing all import objects. The workflow launches processes by reading job details.
Post-Launch Custom Workflow	Marketing Custom Workflows	This is the custom workflow for post-launch tasks which can be executed immediately after launching a campaign. You can customize this workflow to add your own validation or business logic.
Post-Load Custom Workflow	Marketing Custom Workflows	This is the custom workflow for post-load tasks which can be executed immediately after loading a campaign. You can customize this workflow to add your own validation or business logic.

Table 5. Workflow Processes Required for Siebel Marketing

Workflow Name	Group	Description
Pre-Load Custom Workflow	Marketing Custom Workflows	This is the custom workflow for pre-load tasks which can be executed before the Campaign Load process. You can customize this workflow to add your own validation or business logic.
Program Copy	Marketing	Applies a program template.
Program Prioritization Workflow	Marketing	Manages cross-program prioritization while executing event triggers.
Promote Prospect (Many)	Marketing	Promotes multiple prospects to contacts.
Promote Prospect (Single)	Marketing	Promotes a single prospect to a contact.
Purge Staging Process	Marketing	Purges the staging tables used for the import process.
Response To Lead Conversion	Marketing	Converts a response to a lead.
Response To Opty Conversion	Marketing	Converts a response to an opportunity.

Configuring the Marketing Campaign Load Workflow Process

The Marketing Campaign Load workflow process is used to load a segment or list of target members into a campaign. After member information is loaded, the campaign can then be launched. Campaigns can either be launched all at once, in which case the campaign offer is distributed to all campaign target members at the same time, or it can be launched in waves, that is, at set distribution periods. When member records are loaded into a campaign, they are stamped with wave identifiers to indicate the campaign wave to which they are assigned.

In the current release, to optimize the time it takes for campaigns to load, target member records are loaded in parallel. In addition, member records are updated with wave IDs in batches, instead of each record being updated sequentially.

You can configure the number of contacts to be included in each wave ID update batch, thereby allowing you to specify the value that is most appropriate for your implementation. To do this, you must configure the Marketing Campaign Load workflow process as described in the following procedure.

To configure the Marketing Campaign Load workflow process

- 1** In Siebel Tools, navigate to the Workflow Processes Object List Editor.
- 2** In the Workflow Processes list, query for the Marketing Campaign Load workflow process.
- 3** Select the Marketing Campaign Load record, then display the Properties Window by navigating to the Tools menu, choosing View, Windows, and then the Properties Window menu item.

- 4 Enter a value for the Bulk Update Batch Size input parameter.

The default value is 10,000.

The Bulk Update Batch Size parameter determines the number of contacts that are included in each batch of records that are updated with a wave ID at a time. When specifying a value for this parameter, consider both the size of the campaign and the database resources available.

Each batch of records is processed sequentially.

Activating and Registering Tasks for Marketing Activities

Siebel Marketing includes tasks that streamline the procedures for creating and updating email treatments and landing sites. For information on using the Task UI application, see *Siebel Fundamentals*. To use these tasks, you must activate and assign privileges for the following tasks:

- Email Treatment: Create
- Email Treatment: Update
- Landing Site Create or Update
- Mktg Landing Site Task Based UI

For information about activating and assigning access privileges for tasks, see *Siebel Business Process Framework: Task UI Guide*.

Updating Marketing Connection Settings

After you complete the Oracle Business Intelligence installation, perform the following tasks:

- [“Connecting Siebel Server to Business Intelligence Presentation Server” on page 21](#)
- [“Confirming Host and Symbolic URL for the Marketing Module” on page 23](#)
- [“Creating Permissions” on page 24](#)
- [“Setting Up the Marketing File System” on page 24](#)
- [“Setting Universal Time Option” on page 26](#)

Connecting Siebel Server to Business Intelligence Presentation Server

For segmentation and list generation, you must connect the Siebel Marketing operational application on the Enterprise Siebel Server to Oracle Business Intelligence Presentation Server. To connect to Oracle Business Intelligence Presentation Server, you must change the User ID and Password fields to the default login for the Oracle Business Intelligence Presentation Server that you plan to use. This login is the user ID that is used to authenticate requests to the Marketing module.

You must perform this setup to make sure that Siebel Server can communicate to Oracle Business Intelligence Server during program and campaign design, campaign load, list generation, and campaign launch. For example, when a user submits a request for campaign load or list generation, the requests to the Marketing module use this login for impersonation when the user's password is unavailable.

Impersonation is used to authenticate a user, allowing access to Oracle Business Intelligence Presentation Server when the user's password is unavailable. The default login is used to authenticate and create a session, and then the login ID is changed to the user ID of the person who submitted the request. Impersonation is essential to enforce appropriate visibility to Oracle Business Intelligence Web catalog objects, Business Intelligence metadata, and actual user data from various data sources, based on the User ID of the person who submitted the request.

NOTE: Passwords are encrypted for new server records. To encrypt the password for existing server records, select the record and reenter the password.

To change the user ID and password to the Oracle Business Intelligence Presentation Server login

- 1 Log in to the Marketing application as the administrator.
- 2 Navigate to the Administration - Marketing screen, then the Servers view.
- 3 In the Servers list, query for Default Analytics Web Server in the Name field.
The Type field must be Siebel Analytics Web Server.
- 4 Scroll down to the Parameters list.
- 5 In the Parameters list, click Authentication Service (SAWSessionServiceSoap) and perform the following steps:
 - a In the Outbound Web Services view, in the Service Ports list, change the first part of the address (default value is CHANGEME) to match the server name and domain of your Oracle Business Intelligence Presentation Server running the Marketing module.

The address needs to be the full path name. For example, if your Marketing Server is named MarketingServer1, the full address for the JobManagementService is the following:

`http://MarketingServer1/analytics/saw.dll?SoapImpl=n0SessionService`
 - b Click the back button in the browser window.
- 6 In the Parameters list, click Catalog Service (WebCatalogServiceSoap) and perform the following steps:
 - a In the Outbound Web Services view, in the Service Ports list, change the first part of the address (default value is CHANGEME) to match the server name and domain of your Siebel Business Intelligence Presentation Server running the Marketing module.
 - b Click the back button in the browser window.
- 7 In the Parameters list, click Job Execution Service (JobManagementServiceSoap) and perform the following steps:

- a In the Outbound Web Services view, in the Service Ports list, change the first part of the address (default value is CHANGEME) to match the server name and domain of your Business Intelligence Presentation Server running the Marketing module.
 - b Click the back button in the browser window.
- 8 Click Clear Cache.
- Restarting Siebel Server is not required for this change to be effective.

Confirming Host and Symbolic URL for the Marketing Module

Perform this task so that users can display the Segment Designer and Segment Tree Designer in the Segments screen tab and the List Format Designer in the Administration - Marketing screen tab.

To confirm the host and symbolic URL for the Marketing module

- 1 Log in to the Marketing application as the administrator.
- 2 Navigate to the Administration - Integration screen, then the WI Symbolic URL List view.
- 3 In the Administration - Integration screen, from the visibility filter, select Host Administration.
- 4 In the Host Administration list, query for NQHOST in the Virtual Name field and verify that a record appears where the Name field is [AnalyticsServerName].
- 5 In the Name field, change [AnalyticsServerName] to the Business Intelligence Presentation Server name that you plan to use.

CAUTION: Be sure to change the Name column, not the Virtual Name column. Also, make sure that you have not included brackets in the name.

TIP: This server name must be unique. For example, if you assign a server name to your Business Intelligence Presentation Server and try to use the same server name for Siebel Intelligence Dashboards, you receive a unique name error. To prevent this, you can append the domain to the server name (for example, server.example.com) or use the IP address in place of the name.

- 6 From the visibility filter, select Symbolic URL Administration.
- 7 In the Symbolic URL Administration list, query for Marketing Segmentation in the Web Application name field, and verify that records with the following Name field values appear:
 - MarketingEditListFormat
 - MarketingEditSegment
 - MarketingEditSegmentTree
 - MarketingListFormatsEntry
 - MarketingSegmentsEntry
 - MarketingSegmentTreesEntry

- 8 Scroll down to the Symbolic URL Arguments list, and verify that each Web application resulting from your query in [Step 7 on page 23](#) has the correct nqUser and nqPassword argument.

For each Web application, perform one of the following steps:

- a To allow users to connect using their own username and login, perform the following steps:
 - ❑ In the Symbolic URL Arguments list, set the nqUser argument ArgumentType to Command and Argument Value to UseSiebelLoginId.
 - ❑ Set the nqPassword argument so that ArgumentType is set to Command and Argument Value to UseSiebelLoginPassword.
- b In the Symbolic URL Arguments list, to connect using a fixed username and login for all users, perform the following steps:
 - ❑ Set the nqUser argument so that ArgumentType is set to Constant and Argument Value to the shared login for the Marketing module.
 - ❑ Set the nqPassword argument so that ArgumentType is set to Constant and Argument Value to the shared password for the Marketing module.

NOTE: After changing settings for any Web service or symbolic URLs, be sure to log out of the browser session and log in again for the changes to take effect.

Creating Permissions

In Oracle Business Intelligence Presentation Server, grant marketing permissions to the marketing administrators. For more information, see the Oracle Business Intelligence Enterprise Edition documentation.

Setting Up the Marketing File System

To prevent problems with campaign loading, make sure that the Business Intelligence Presentation Server service and Siebel Server service are running on an admin account that has read and write access to the directories used by the Marketing File System. In Windows, these services default to running under the local system account, which cannot access the Marketing File System because it is not a recognized user across the network.

For segmentation and list generation, access to the Marketing File System is shared between Siebel Server and Business Intelligence Presentation Server. If Siebel Server and Business Intelligence Presentation Server are installed on a combination of UNIX and MS Windows operating systems (heterogeneous environment), then the Marketing File System must be configured for sharing in different environments.

Enable File Sharing in Mixed Environments

Siebel Marketing can be installed and operated in environments that use a combination of UNIX and Windows operating systems, but with some restrictions. The server components that use the Marketing File System must be on the same operating system. If they are not, then the difference in path name syntax prevents them from finding files. Business Intelligence Presentation Server must have visibility and write permissions to the Marketing File System. In a mixed (heterogeneous) environment, you might have to run a third-party application such as Samba to access the Marketing File System on different platforms.

Business Intelligence Presentation Server uses the `MarketingFileSystem` parameter to identify the location to which it writes out generated list files. This parameter on the Business Intelligence Presentation Server points to the same path as the Marketing File System parameter on the Marketing Component Group. However, the path syntax must correspond to the platform on which Business Intelligence Presentation Server is running.

For example, suppose you have the following configuration:

- Siebel Server and the Marketing File System run on UNIX. The Marketing File System is located at `/export/home/filessystem` on Siebel Server (`sdcn1125s031`).
- Business Intelligence Presentation Server is running on MS Windows.

You could export this file system path to be visible on MS Windows by running a third-party application such as Samba on the UNIX computer. In this example, the parameters would be set as shown in the following list:

- The Marketing File System parameter on Siebel Server could be set to `/export/home/filessystem`.
- The `MarketingFileSystem` configuration parameter on Business Intelligence Presentation Server must be set to `\\server\export\home\filessystem`.

The Communications and Workflow server components must run on the same operating system. If the Communications server component and the Workflow server component are not on the same operating system, you must change the Marketing File System server parameter for the Communications Outbound Manager server component. This allows the workflow process manager component to use the path syntax that corresponds to the operating system on which the Communication Outbound Manager is running.

Setting Universal Time Option

The time zone of the operating system on the Siebel Server computer can be set to any zone. However, the time must be synchronized with the database server. For example, if the time on the database server is 10:00 PM GMT, the Siebel Server computer would show a time of 2:00 PM (PST) or 4:00 PM (CST). To compensate for Siebel Servers and a database that are in different time zones, the Universal Time Option parameter is enabled to specify that server tasks are submitted in reference to a Universal Time. You must set this option to TRUE when deploying your Siebel application globally because global deployments typically have some Siebel Servers in a different time zone from the Siebel transactional database. If your implementation does not span time zones, this setting is optional.

NOTE: If your Marketing Server requests do not run and remain in Queued status, then you might have a UTC issue. Please repeat each step in this task to verify your settings.

To set the universal time option

- 1 Navigate to the Administration - Application screen, then the System Preference view.
- 2 In the System Preference Name field, query for Universal Time Coordinated, and perform one of the following steps:
 - To use the universal time option, in the System Preference Value field, set the value to TRUE.
 - To disable the universal time option, in the System Preference Value field, set the value to FALSE.
- 3 Verify that the operating system Clock and Time Zone on the Database Server computer is set to (GMT) Greenwich Mean Time.
- 4 Synchronize the time on the Siebel Server computer with the time on the database server computer.
- 5 Restart Siebel Server to make your change effective.

Enabling Automatic Responses for Opportunities and Orders

Responses can be created automatically when you associate a campaign with an order, associate a campaign as a source for an opportunity, or create an opportunity using the Create Oppty button in the Campaign screen. By default, the user properties for automatic response creation are disabled.

To allow automatic response creation in the Orders, Opportunities, and Campaigns screens, perform the following tasks in Siebel Tools:

- **Orders screen.** Set the User property Create Auto Response Service to Y in the Order Entry - Orders business component. When you enable this service, a response is created for the primary contact for the order whenever a campaign is associated with the order.
- **Opportunity screen.** Set the User property Create Auto Response Service to Y in the Opportunity business component. When you enable this service, a response is created for one of the opportunity contacts whenever a campaign is associated as a source with the opportunity.

- **Campaigns screen, Contacts and Prospects view tab.** Enable the Create Oppty button in this view tab by setting the User property Create Auto Response Service to Y in the Opportunity business component. When you enable this service, a response is created automatically whenever the user clicks the Create Oppty button in the Campaign screen.

About the Marketing Approval Process

Siebel Marketing provides the ability to submit a variety of marketing items for review and approval using the Marketing approval process. Marketing plans, budget requests, programs, campaigns, event plans, and offers can be submitted from one employee to another by changing the Approval Status field on any of these objects.

The approval process is integrated with the Universal Inbox, so that marketing items that are submitted for review or approval, also appear in the Universal Inbox for the user who sent or received the item.

In the standard configuration, a change in the approval status opens a dialog box so the user can select the recipient employee and add a comment. When the user clicks Send, the Marketing Approval Process workflow creates a Universal Inbox Item task for the recipient employee and updates the approval history with the approval status value and any comments made by the recipient.

The business components for which the approval process is enabled are as follows:

- Campaign
- Direct Mail Offer
- Direct Sales Offer
- eEvents Parent Event
- Email Offer
- Fax Offer
- Indirect Offer
- Marketing Budget Requests
- Marketing Fund
- Marketing Plans
- Offer
- Phone Offer
- Program Container
- Web Offer
- Wireless Offer

Configuring the Marketing Approval Values

The standard Siebel Marketing configuration provides the following lists of values (LOVs) for the Marketing approval process:

- **Approval Status.** The values from this LOV appear in the Approval Status field that appears in the Marketing Plans, Budget Requests, Programs, Campaigns, Event Plans, and Offers screens.
- **Action.** The values from this LOV appear in the Action field in the Universal Inbox applets and the Approval view tab of the Marketing Plans, Budget Requests, Programs, Campaigns, Event Plans, and Offers screens. Action values are automatically mapped to Approval Status values. For example, when a user chooses an Approval Status value of Needs Revision in one record the Action value is updated to Request Revision in the corresponding Universal Inbox record.

Table 6 on page 28 shows the preconfigured mapping for these values.

Table 6. Values for Approval Status and Action LOVs

Approval Status	Action	Description
(blank)	Not Yet Submitted	This field is blank until a value is selected.
Approved	Approve	Approval Last Point. No further action is required by user.
Declined	Decline	Approval Last Point. No further action is required by user.
Needs Revision	Request Revision	Requires action by the user until an Approval Last Point is selected.
Submitted	Submit	Requires action by the user until an Approval Last Point is selected.

If required, you can add to the list of values using the Administration - Data screen. If you add a value that you intend to be an Approval Last Point, you must identify the new value as an Approval Last Point in Siebel Tools. These tasks are described in the following topics:

- [“Adding a New Approval Value and Mapping the LOVs” on page 28](#)
- [“Identifying a New Approval Last Point Value” on page 29](#)
- [“Disabling the Approval Dialog Box” on page 29](#)

Adding a New Approval Value and Mapping the LOVs

You can add a new approval value to the approval status and action LOVs by performing the steps in the following procedure.

To add a new approval value and map the LOVs

- 1 Navigate to the Administration - Data screen, then the List of Values view.
- 2 In the List of Values list, query for the MKTG_PLAN_APPR_TYPE list of values and perform the following steps:
 - a Click New and complete the fields.
 - b You must complete the Display Name, Language Name, and Order fields, and then select the Active flag.
NOTE: Use a unique value in the Order column in this list. This controls the sequence that the items appear in the list.
- 3 Query for the MKTG_UINBOX_ACTION_TYPE list of values and perform the following steps:
 - a Click New and complete the fields.
 - b You must complete the Display Name, Language Name, and Order fields, and then select the Active flag.
NOTE: Set the order value in this list to control the sequence that the item appears in the list.

Identifying a New Approval Last Point Value

The following procedure describes how to identify a new Approval Last Point value.

To identify a new Approval Last Point value

- 1 Log in to Siebel Tools and query for the business component for each marketing approval item.
- 2 For each business component, select the Business Component User Properties.
- 3 Select the Approval Last Point user property.
- 4 Add the new value to the comma separated list.
CAUTION: Do not change the existing values (Declined and Approved). You must insert your value *your_new_value* as an additional value.

Disabling the Approval Dialog Box

If your organization does not need the Approval dialog box to appear when the Approval Status changes, you can disable it by performing the steps in the following procedure.

To disable the Approval dialog box

- 1 Log in to Siebel Tools.
- 2 Find the base Business Component for which you need to disable the popup.
- 3 Select the Business Component User Properties.
- 4 Select the Show Approval Popup user property and change the value to No.

Load Balancing and Global Deployment of Siebel Marketing

For information about load balancing server requests within the Siebel Enterprise, see *Siebel Installation Guide* for the operating system you are using and *Siebel System Administration Guide*.

Isolating Marketing Workflow Processes

Marketing workflow processes can be resource intensive during peak usage or large jobs. You might need to isolate marketing-related workflows from other workflow requests in the Enterprise by directing marketing requests to a specific instance of the Workflow Process Manager. If you need to do this for marketing workflow processes, you must replicate the Workflow Process Manager component and change the enterprise parameter so that it points to the new component.

To create a new Marketing workflow process manager component

- 1 Navigate to the Administration - Server Configuration screen, Enterprises, then the Component Definitions view.
- 2 In the Component Definitions list, query for the Workflow Process Manager component.
- 3 From the list menu, choose Copy Record.
- 4 For the copied component, enter a new component name such as Workflow Process Manager - Mktg in the Name field.
- 5 Enter a new alias such as WfProcMgrMktg in the Alias field.
- 6 Change the Enable State field to Enable.
- 7 In the Enterprises screen, select the Parameters view.
- 8 In the Enterprise Parameters list, query for the parameter named Marketing Workflow Process Manager.
- 9 In the Value field, change the value to the alias name of the new component that you just created.

For example if the component name is Workflow Process Manager - Mktg and the alias name is WfProcMgrMktg, then the enterprise parameter name is WfProcMgrMktg.

About Marketing Responsibilities and Access Groups

This topic contains the following information:

- [“About Marketing Responsibilities” on page 31](#)
- [“Modifying Privileges for Marketing Access Groups” on page 31](#)
- [“Creating a New Marketing Access Group” on page 33](#)
- [“Assigning Marketing Users to Access Groups” on page 33](#)

About Marketing Responsibilities

Siebel Business applications provide a set of Marketing responsibilities that contain the full set of active views. These responsibilities are divided into core responsibilities and add-on responsibilities.

- **Core responsibilities.** Base user responsibilities that serve as a starting point for any Marketing user. Typically, a user has only one core Marketing responsibility from this list. The following is a list of core responsibilities:
 - Campaign Administrator
 - Campaign Agent
 - Events Manager
 - Marketing Executive
 - Marketing Planning Manager
- **Add-on responsibilities.** Support additional modules that certain users might need depending on their job description. These responsibilities are intended to be added to a core responsibility. They do not include common screens such as Accounts and Contacts because a core responsibility provides these screens. Because these are added to core responsibilities, you can assign a user multiple add-on responsibilities.

The following is a list of add-on responsibilities:

- Marketing Admin
- Marketing Business Intelligence User
- Marketing Program Manager
- Segmentation User
- Web Marketing User

The Segmentation User responsibility is used for Business Intelligence integration. Any user who needs to access the Segment Designer or List Format designer must have this responsibility. Also, make sure that the same responsibility is associated to the segmentation catalog and other marketing server metadata in the Business Intelligence repository.

TIP: If you create custom views, you can choose to create new add-on responsibilities for these views, instead of adding these views to the standard responsibilities. During future upgrades, this helps you identify custom views that you created.

Modifying Privileges for Marketing Access Groups

Siebel Marketing restricts the use of some buttons in the user interface (and their underlying methods) to those users assigned to Marketing access groups. This makes sure that unauthorized users cannot perform functions that they are not trained to perform. Marketing Access Groups can be used to restrict use of any button or menu item on any applet.

Siebel Marketing provides the following preconfigured access groups:

- Marketing Administrators
- Marketing Managers

■ Marketing Users

Table 7 lists the functionality available to each access group.

Table 7. Functionality Available to Each Access Group

Functionality	Marketing Administrators	Marketing Managers	Marketing Users
Analytics Data Load (Activate and Deactivate)	Yes	No	No
Generate Output List	Yes	Yes	Yes
Generate Source Code	Yes	Yes	No
Launch Campaign	Yes	Yes	Yes
Launch Wave	Yes	Yes	Yes
Load Campaign	Yes	Yes	Yes
Load History Applet, Delete Record	Yes	No	No
Purge Load	Yes	No	No
Run Assignment Manager	Yes	No	No
Save As Template	Yes	Yes	No
Suspend Wave	Yes	Yes	Yes
System Task List Applet, Delete Record	Yes	No	No
Test Offer	Yes	Yes	Yes

To modify the Marketing access privileges for an applet

- 1 Log in to Siebel Tools.
- 2 In the Object Explorer, select Applets.
- 3 Select the applet, such as Campaign Execution Status List Applet, for which you need to modify access.

- 4 In the Applet User Properties, in the Marketing Access Group user property, add or delete access groups. Use the following syntax for each user property entry:

Name	Value
Marketing Access Group <i>n</i>	"method name", "access group 1", "access group 2", and so on

NOTE: N is an integer such as 0, 1, 2, and so on, for each method to be restricted.

For example, the Campaign Execution Status List Applet has the user properties shown in the following table in the standard repository.

Name	Value
Marketing Access Group 0	"PromptPurgeLoad", "Marketing Administrators"
Marketing Access Group 1	"PromptSuspendWave", "Marketing Administrators", "Marketing Managers"
Marketing Access Group 2	"PromptLaunchWave", "Marketing Administrators", "Marketing Managers"

- 5 To add or remove an access group for a specific method, add or remove the access group name from the comma separated list in the user properties.

Creating a New Marketing Access Group

If required, you can create additional access groups for your organization as described in the following procedure.

To create a new Marketing access group

- 1 Navigate to the Administration - Groups screen, then the Access Groups view.
- 2 In the Access Groups list, click New.
- 3 In the new record, enter an Access Group name and, from the Type list, select Access Group.
- 4 Review the applets in the application for which you need to enable or disable a button, menu item, or other control that invokes a method.
- 5 For each applet, modify the applet user properties to refer to the new access group.

Assigning Marketing Users to Access Groups

You must perform this setup task to make sure your Marketing users have access to the appropriate functionality. You assign the users to access groups based on the position of each user. For more information about access groups, see *Siebel Security Guide*.

To assign Marketing users to access groups

- 1 Navigate to the Administration - Group screen, then the Access Groups view.
- 2 In the Access Groups list, in the Name field, query for Marketing*.
NOTE: At least two access groups (Marketing Administrators and Marketing Managers) appear.
- 3 In the Access Groups list, select Marketing Administrators.
- 4 In the Party list, add the positions for your administrators.
For example, Siebel Administrator and Marketing Administrator positions.
- 5 In the Access Groups list, select Marketing Managers.
- 6 In the Party list, add the positions for your marketing managers.
For example, Marketing Analysts, Program Managers, and so on.
NOTE: You must add positions as access group members, not User List or Organization.
- 7 Restart the client for this change to be effective.

Creating Marketing Seed Data

After you install the Marketing application, there are some optional seed data that can be created to support various business processes. This topic contains the following tasks:

- [“Creating Marketing Regions” on page 34](#)
- [“Creating Marketing Activity Templates” on page 35](#)
- [“Creating and Using Marketing Activity Plans” on page 35](#)

Creating Marketing Regions

Marketing regions provide a way to organize the marketing plans and tactics in your organization. Additionally, using regions can generate more detailed Marketing reports and rollups in Oracle Business Intelligence Publisher.

You can define marketing regions according to any set of parent child relationships that you require. Although there is no limit to the number of layers you can create in your hierarchy, marketing Business Intelligence only supports a hierarchy that is a maximum of 10 layers deep. You can implement a marketing region hierarchy by making one region the child of another region. The following example shows a simple regional hierarchy:

Worldwide

 North America

 EMEA

 Latin America

 Asia Pacific

To create marketing regions

- 1 Navigate to the Administration - Location screen, then the Regions view.
- 2 In the Regions list, create a new record.
- 3 Enter the Region name and description.
- 4 Be sure to set the Type as Marketing Region.
- 5 If this region is a child of another region, select the Parent Region in the Parent Region field.
- 6 Save the record.
- 7 Repeat [Step 2 on page 35](#) through [Step 6 on page 35](#) for each region in the hierarchy.

Creating Marketing Activity Templates

Activity Templates provide a convenient way for users to quickly assign a set of milestones and activities to a program or campaign. For instructions about how to create activity templates, see *Siebel Applications Administration Guide*. For instructions about updating Activity Templates from prior releases, see the activity plan topic in *Siebel Database Upgrade Guide*.

NOTE: When you create Marketing activity templates, be sure to set the type of the template to the name of the main marketing business components, for example Program Container and Campaign.

Creating and Using Marketing Activity Plans

Activity Plans associate preconfigured planning and milestone activities and tasks with a template (activity plan). Users can assign the templates to marketing programs and campaigns. This creates one or more activities that are associated with a campaign or a program.

NOTE: Activities are not created for contact records that are loaded into a campaign.

Activity Plans can be designed to help you plan the marketing program or campaign or execute it. Before you link an activity plan to your campaign, you must create activity templates or customize existing templates to reflect your business process and needs. Use templates to define a generic set of activities that can be reused.

For example, a marketing department production manager can design an activity plan template called Direct Mail that contains regularly scheduled campaign planning activities (meetings with creative or budgetary staff) and start tasks (such as generating an export list according to segmentation criteria). Using the Campaign Activity Plans view the manager can associate the activity plan template to the current campaign and then assign resources, define priorities and status and so on to each predefined task, adding comments where necessary.

If your marketing program or campaign has a combination of planning and start activities, you can create two activity plans, one for planning and one for execution tasks, and assign them both to the program or campaign.

Configuring the CKEditor File Manager

Siebel Marketing uses the CKEditor program to provide simplified HTML editing functionality for updating Web and email offer templates. You can also use CKEditor to copy images directly into templates you are creating or updating. To implement this functionality, Siebel Marketing provides a file manager program that can be used to browse and upload files to the editor from a remote or local content management system. This topic describes how to configure the editor file manager.

To configure the editor file manager

- 1 Copy the filemanager directory installed with Siebel Marketing to the external Web application server that is to host the editor file manager.

To locate the Siebel Marketing filemanager directory, on the computer where the Siebel Web Server Extension is installed, navigate to \sweapp\PUBLIC\enu\webeditor\filemanager. The filemanager directory contains the following connectors.

- php
- asp
- aspx
- cfm
- lasso
- perl
- py

Use the connector that is appropriate for the Web application server you are using to host the file manager.

- 2 Edit the properties of the Email Offer Template HTML Detail Form Applet to configure values for the file manager as follows:
 - a In Siebel Tools, navigate to the Applet Object List Editor.
 - b In the Applets list, select the Email Offer Template HTML Detail Form Applet record.

- c In the Properties window, enter values for the properties shown in the following table. These properties allow you to specify the name and location of the file, image and flash browsers on the external Web server.

Property	Value
filebrowserBrowseUrl	Specify the name and location of the file browser to use when browsing and uploading files from the editor.
filebrowserImageBrowseUrl	Specify the name and location of the image file browser to use when browsing and uploading images from the editor.
filebrowserFlashBrowseUrl	Specify the name and location of the Flash file browser to use when browsing and uploading files from the editor.

For example, if you are using a PHP connector, then enter a URL similar to the following:

```
http://www.filemanager.com/filemanager/browser/default/browser.html?Type=type&Origin=http://www.siebelurl.example.com/marketing_enu&Source=http://www.filemanager.com&Connector=http://www.filemanager.com/filemanager/connectors/php/connector.php
```

where:

- *www.filemanager.com*. This is the URL of the file manager on the external Web application server.
 - *type*. This value is either File, Image, or Flash, depending on whether you are specifying the URL for the file browser, the image browser, or the Flash file browser.
 - *www.siebelurl.example.com/marketing_enu*. This is the URL of the Siebel Marketing application.
- d Specify values for the following properties as necessary to indicate the dimensions of the file browser window and the location of template files.

Property	Value
filebrowserWindowWidth	Specify the width of the file browser window in pixels, for example, 400.
filebrowserWindowHeight	Specify the height of the file browser window in pixels, for example, 700.
Templates	Specify where custom templates that you create are stored on the external Web server hosting the file manager. For example: <i>www.filemanager.com/mytemplates.js</i> In this path, <i>www.filemanager.com</i> is the location of the file manager.

- e Repeat [Step b](#) through [Step d](#) for the Web Offer Template HTM Detail Form Applet.

NOTE: If you choose, you can use a third-party file manager program, for example, CKFinder, instead of the Siebel Marketing file manager. In this case, copy your third-party file manager program to the external Web server, and configure properties for the Email Offer Template HTM Detail Form Applet and the Web Offer Template HTM Detail Form Applet to point to this file manager.

Configuring Social Sharing Communities for Email Treatments

Siebel Marketing provides functionality that allows you to use social media channels to complement and enhance your marketing campaigns. There are two aspects to this functionality:

- Social media channels can be integrated into marketing campaigns.

When defining email treatments for a campaign, you can choose to embed Social Sharing URLs in the email treatment. Inserting a Social Sharing URL in an email treatment allows customers who are targeted in the campaign to share the URL with their social networks directly from the email offer.

- Siebel Marketing can be integrated with Oracle Social Relationship Management cloud services using the CreateLeads Web service and the GetCampaigns Web service. These Web services allow you to capture leads for a campaign based on an individual's social interactions, to capture social media post data for the new leads, and to make Siebel Marketing campaign data available to Oracle Social Relationship Management.

This topic describes how to configure the social networking sites that are available for selection in CKEditor when using Social Sharing URLs. For information on the CreateLeads and GetCampaigns Web services, see *Siebel CRM Web Services Reference*.

You can configure the communities to which users can share URLs from email treatments by adding new communities or deleting existing communities, as described in the following procedure.

To configure social sharing communities in email treatments

- 1 Navigate to the plugin.js file in the eapps/webedit/plugins/mergefile/dsblock directory.
- 2 Using a text editor, open the plugin.js file and edit it as appropriate to either remove or add social networking sites.

By default, customers can share Social Sharing URLs with the following social communities:

- Facebook©
- Twitter©
- LinkedIn©
- Tumblr©
- Pinterest©
- GooglePlus©

- Blogger©
- MySpace©
- Delicious©

For information on using Social Sharing URLs in email treatments, see the chapter on creating and using offers and treatments in *Siebel Marketing User Guide*.

Guidelines for Testing the Marketing Module in an Integrated Environment

To deploy the Marketing module for segmentation and list generation, you must install, configure, and test your integrated environment.

- **Installation.** You must install the following products:
 - Oracle Business Intelligence Presentation Server and Oracle Business Intelligence Server. For more information, see *Oracle Business Intelligence Platform Installation and Configuration Guide*.
 - Siebel Enterprise Server. For more information, see *Siebel Installation Guide* for the operating system you are using.
- **Configuration.** After installing, you must configure segmentation metadata, list export metadata, and create example list formats. For information about configuring segmentation and list export metadata, see the Oracle Business Intelligence Enterprise Edition documentation.
- **Testing.** Test the Marketing application and module as follows:
 - After installing the Marketing application and Marketing module, conduct a system test to verify that all components are correctly activated.
 - After you install and configure Siebel Marketing and create segmentation metadata, test campaign load.

The following topics describe tasks that help you test a Marketing integrated environment:

- ["Testing the Symbolic URL" on page 39](#)
- ["Testing the Web Services Integration" on page 40](#)
- ["Testing Navigation Links to the Segment Designer Page" on page 41](#)
- ["Testing the Campaign Load" on page 41](#)

Testing the Symbolic URL

The following procedure describes how to verify that the Symbolic URL is configured correctly.

To test the Symbolic URL integration

- 1 In Siebel Marketing, click the Segments screen tab.

- 2 In the Segments screen, click the Segment Designer link.
If the Segment Designer page does not appear, perform [Step 5 on page 40](#).
- 3 In the Segments screen, click the Segment Tree Designer link.
If the Segment Tree Designer page does not appear, perform [Step 5 on page 40](#).
- 4 Navigate to the Administration - Marketing screen, then the List Formats view.
If the List Format Designer page does not appear, perform [Step 5 on page 40](#).
- 5 If any of the previous steps do not obtain the specified results or you receive an error, navigate to the Administration - Integration screen, then the WI Symbolic URL List view and check the Host Administration settings.

Testing the Web Services Integration

The following procedure describes how to test the Web services integration.

To test the Web Services integration

- 1 In Siebel Marketing, click the Segments screen tab.
- 2 In the Segments screen, click the Segment Designer link.
- 3 In the Segment Designer, create a test segment and save the segment in the Web Catalog.
For more information about creating segments, see *Siebel Marketing User Guide*.
- 4 Navigate to the Campaign screen and perform the following steps:
 - a In the My Campaigns list, click New.
 - b In the record, enter a campaign name, and save the record.
 - c Click the Campaign name and click the Design view tab.
- 5 In the Design view, perform the following steps:
 - a Click the Segments/Lists link.
 - b In the Segments/Lists list, click Add Segment.
 - c In the Previously Used Segments dialog box, click Choose a new Segment.
 - d In the next Previously Used Segments dialog box, click the Folder Location select button to display the following folders in the Oracle Business Intelligence Web Catalog:
 - Your user name
 - Shared
- 6 If you receive an error, perform the following steps:
 - a Navigate to the Administration - Marketing screen, then the Servers view.
 - b Verify the following values:
 - The Marketing Server definition has the correct Authentication user and password.

- All three Web Services have the correct Business Intelligence Presentation Server name in the address.

Testing Navigation Links to the Segment Designer Page

The following procedure describes how to verify that links to the Segment Designer page are correct.

To test navigation links to the Segment Designer page

- 1 Navigate to the Campaigns screen.
- 2 In the My Campaigns list, click the name of your test campaign.
- 3 In the Campaign Details form, click the Design view tab.
- 4 In the Design view, click the Segments/Lists link.
- 5 Add a segment to associate it with a campaign.
- 6 Click the name of the segment.
The Segment Designer appears with your segment open for editing.
- 7 If you receive an error, verify the following:
 - a Navigate to the Administration - Marketing screen, then the Servers and verify that the Marketing Server definition has three parameters for the navigation views.
 - b Log in to an Business Intelligence URL directly, and verify that the segment request exists and can be opened successfully.

Testing the Campaign Load

The following procedure describes how to test the campaign load process.

To test the campaign load

- 1 In Siebel Marketing, click the Segments screen tab and perform the following steps:
 - a In the Segments screen, click the Segment Designer link.
 - b In the Segment Designer, create a test segment and save the segment in the Web Catalog.
For more information about creating segments, see *Siebel Marketing User Guide*.
 - c Click the Advanced Options tab and verify that a valid Campaign Load List Format is associated with the segment.
- 2 Navigate to the Campaign screen and create a test campaign by performing the following steps:
 - a In the My Campaigns list, click New.
 - b In the record, enter a campaign name, and save the record.
 - c Click the Campaign name and click the Design view tab.
- 3 In the Design tab, perform the following steps:

- a Click the Offers link.
 - b In the Offers list, click New.
 - c In the Add Offer dialog box, choose a test offer and click OK.
 - d In the Treatments list at the bottom of the view, click New.
 - e In the Pick Treatment list, choose a test treatment.
- 4 In the Design view, perform the following steps:
- a Click the Segments/Lists link.
 - b In the Segments/Lists list, click Add Segment.
 - c In the Previously Used Segments dialog box, click Choose a new Segment.
 - d Locate and select your test segment.
- 5 Click OK twice to associate the segment with the campaign.
In the Allocation matrix, a check box appears for each treatment you associated in [Step 3](#).
- a Check the check box.
 - b Click Save.
- 6 In the Campaign form, click Menu and choose Load Campaign.
- 7 In the Load Campaign dialog box, click OK to submit the load request.
- 8 Click the Execute view tab and select the System Tasks link.
- 9 In the System Tasks list, verify that the campaign loads successfully.

Monitoring Marketing System Tasks

The Marketing Application provides a set of views so users and administrators can monitor the progress of any marketing-specific server process. Each marketing-specific job is referred to as a system task. [Table 8 on page 42](#) contains a list of where to locate these jobs.

Table 8. Views for Monitoring Marketing System Tasks

Location	Purpose
Navigate to the Administration - Marketing screen, then the System Tasks view.	Displays marketing system tasks for all users, including import tasks.
Navigate to the Campaign Management screen, Execute, and then the System Tasks view.	Displays marketing system tasks for the selected campaign.
Navigate to the Administration - Marketing screen, then the Import view.	Displays import jobs and their status.
Navigate to the Programs screen, Execute, and then the System Tasks view.	Displays marketing system tasks for the selected program and related campaigns.

Each system task provides high-level logging details that track the successful completion or any errors in each major step of the task. Because the task log is intended to be used by all users, the System Task view does not provide low-level logging details.

If an administrative user needs further details on a marketing task, each step in the task log provides the Siebel Server name, log file (indicating the server component), and Task ID. The administrator can use this information to locate the log file or the logging details under Server Administration.

For Siebel Marketing, system tasks display information for the following tasks:

- Analytics Data Load
- Campaign Launch
- Campaign Load
- Generate Source Codes
- List Export
- List Import
- Stage Execution
- Wave Launch

If you get the error message, *Unable to connect to gateway server*, when starting a Siebel Marketing task, then you have the *Docked* parameter in the CFG file set to *TRUE*. To correct the problem, quit Siebel Marketing, set the *Docked* parameter to *FALSE*, and restart.

3

Creating Source Code and Vendor Profiles

This chapter describes how to create source codes and vendor profiles. It includes the following topics:

- [About Source Codes on page 45](#)
- [Creating Source Code Formats on page 46](#)
- [Setting Up Vendor Profiles on page 49](#)

About Source Codes

Siebel Marketing uses source code capabilities with exported lists, for proper campaign tracking and reporting. The source code format can include encoded information about each customer or prospect based on any business component field. You can also define and maintain multiple formats for use in different campaign scenarios. After you start the campaign, the source codes assigned to each customer can be captured as part of the response and decoded for closed-loop tracking.

Siebel Marketing supports the assignment of source codes to each contact in a campaign. A source code appears to the customer as a seemingly indecipherable mix of alphanumeric characters that typically can be found on a mailer. Marketers, however, can gather a wealth of information about the demographic makeup of the consumer responding to an offer, as well as the particulars of the marketing campaign that delivered the promotion, by decoding the source code.

In a typical scenario, a customer contacts a company's call center to place an order for merchandise or ask questions about an item advertised in a catalog. During the first few minutes of the call, the representative asks the customer to read the code that appears on the catalog's label or order form. Depending on the information received, the call center representative can be authorized to present to the customer a better offer on the merchandise than the one in the catalog.

The call center representative can also capture the customer's source code to make sure that the marketing organization can make the link that this customer is responding to a direct marketing campaign.

In Siebel Marketing, a unique source code is assigned to a marketing program element each time an element is created. Marketing program elements include program, stages, segments, campaigns, and waves.

NOTE: When marketing programs, segments, and campaigns are created, Siebel Marketing assigns a unique source code value to new program stages, segments, and campaigns. Although the stage or campaign's name might be duplicated, the source code field is the actual identifier. If you change the assigned source code to something more meaningful to you, make sure it is a unique value.

These individual source code components are concatenated and grouped according to the sequence and format that you specify in the Source Code Formats view to help you track your marketing program and analyze response to campaigns and offers. The source code format can contain up to 75 characters and can optionally include other tracking information.

When you load a campaign or generate source codes manually, the source code for each contact is assembled, based on the characteristics associated with the target contact in the marketing program. For example, the source code for a contact who is in Segment 1 and is in the first wave of Campaign 1 can be different from the source code for a contact who is in Segment 3 and the second wave of Campaign 1.

In addition, you can tailor the contact information that is generated for the distribution list to suit your business requirements. At minimum, a list has a contact's name or some other identifier and a source code. It can also contain an address (if you are mailing to the contact), phone number (if you are calling the contact), email address, account number, and so on.

Creating Source Code Formats

The Source Code Formats view defines a source code format, specifies the individual components that are included, and determines how these components are arranged or sequenced. After creating a source code format, you can use the source code in the following ways:

- Include in an export list.
- Embed as a personalization element in an email offer.
- As input in the customer-facing Web Marketing home page (in the applet named *Do you have another offer?*).
- As a direct input to a response from any of the Response views.

The Source Code Formats list shows available source code formats. The All Components list displays details of the source code format selected in the list and is used to create the structure of the source code grouping, or format. The All Components list contains the computed length of each source code (maximum of 75 characters).

By clicking Move Up or Move Down, you can rearrange components in the format. If you delete components (for example, component 2 and component 4 of 5), click the menu button and choose Resequence to reorder the remaining components before saving the record.

Creating Source Code Formats

The following procedure describes how to create source code formats.

To create source code formats

- 1 Navigate to the Administration - Marketing screen, then the Source Code Formats view.
- 2 In the Source Code Formats list, create a new record.
- 3 Enter a name and a description for the Source Code Format.
- 4 When you save the source code format, the new format appears in the Source Code Formats list.

Defining Source Code Format Components

The following procedure describes how to define source code formats.

To define source code format components

- 1 Navigate to the Administration - Marketing screen, then the Source Code Formats view.
- 2 In the Source Code Formats list, select a source code format.
- 3 In the All Components list, create a new record.
- 4 Complete the fields for the component, using the following information as a guide.

Field	Description
Attribute	Shows the available fields from the business component. For a list of available business components, see the Type row in this table. The Attribute MLOV (Multiple List of Values) column in the Source Code formats view records the language-independent code for each Attribute. The language independent code must exactly match the field name in Siebel Tools. Do not attempt to add extension fields that exceed 30 characters. The <i>displayed</i> value is limited to 75 characters.
Constant Value	Specifies an optional constant value to be inserted in the source code. This is editable only when the Type field is set to Constant.
Default Value	Inserted when the input value is NULL. You can provide a default value for any source code component. For example, if you included Campaign Member Country, you could insert a value for any members with no Country in their profile.
Sequence	Sequence determines the position of the code component in the source code format. Sequence is automatically set when source code components are added to the format. Use Move Up, Move Down or Resequence to adjust the order.

Field	Description
Type	<p>The Type field shows the business component used as the source of the field. The supported components are Campaign, Campaign Member, Offer, Program, Segment, Stage, and Wave. When you select one of these types, you must also select the Attribute.</p> <p>The Type field also supports inserting a Constant, Numeric Sequence, or Alphanumeric Sequence. You cannot use both a Numeric Sequence and an Alphanumeric Sequence in the same source code.</p> <ul style="list-style-type: none"> ■ Constant. A fixed value that is the same for all campaign members. You can have more than one constant in the source code format. For example, you can use a constant to insert a spacing character such as a hyphen (-). ■ Numeric Sequence. Inserts a running count in the source code for each campaign member in a campaign wave. The value uses a standard integer sequence of 1,2,3...9,10,11...N. ■ Alphanumeric Sequence. Similar to Numeric Sequence, except that the values include integers and letters of the alphabet. For example, 1,2,3...9,A,B,C...,X,Y,Z,10,11, and so on. <p>The source code generator adds a prefix of zeros (0) to the numeric sequence and alphanumeric sequence based on the width of the field. For example, if the width is 4, the values are 0001, 0002, 0003, and so on.</p>
Width	<p>The width of the source code component is automatically added. However, you can change the width. The maximum width for the entire source code format is 75 characters. The following is a list of examples:</p> <ul style="list-style-type: none"> ■ If the source code width for a component is 16 characters and you specify 6 as the width in this field, the individual source code for the component is truncated to the first six characters. ■ If the component's code has a width of 10 characters, and you specify 20 as the width, 10 blank spaces appear in your source code format.

5 Save the component.

NOTE: Repeat Step 3 on page 47 through Step 5 on page 48 to add more components, one row at a time.

6 Adjust the sequence of the components by clicking Move Up and Move Down.

To reorder deleted components before saving the changes, click the menu button and choose Resequence.

Setting Up Vendor Profiles

Vendors are external partners that receive lists of target contacts when you start a campaign. Your campaign strategy might call for vendors such as call centers, fulfillment centers, and printers to split lists of contacts. Some customers would receive a telephone call, others a direct mail offer, and a third group would receive promotion samples.

Use the Vendors view to create a library of vendor profiles for your marketing programs. Vendors include telemarketers, fulfillment houses, and any other company you retain to help you with campaign distribution.

Vendor Tasks

When you start a marketing campaign, the generated output list is sent to the specified vendor using the vendor's preferred distribution method and communications protocol (File Transfer Protocol, email, and so on).

Before creating a vendor record, make sure the following tasks have been performed:

- **Create Export List Formats.** Determine what format the vendor prefers for the generated distribution lists. For example, does the vendor want the list to contain a header or does the vendor prefer ASCII (default) or fixed-width output? Then, create an output file layout tailored to the vendor's preferences.

You are asked to provide the default export list format when creating the vendor profile. For more information, see *Oracle Marketing Segmentation Guide*.

- **Determine Distribution Method and Create Distribution Profile.** As you are creating the vendor record, you must select a distribution method and a distribution (communications) profile for the method. Set up distribution profiles that reflect each vendor's requirements.

For example, if your vendor prefers to receive list files using File Transfer Protocol (FTP), you would set up a communications profile for that vendor containing information about HostName, IP Address, Password, and so on. Communications profiles are set up using the Communications Administration screen's Communications Drivers and Profiles view.

If the list files are sent to the vendor attached to email, set up a communications profile for email, and verify that the vendor contact has provided an email address. For more details, see ["Defining Distribution Profiles for Vendors" on page 50](#).

If someone in your marketing department receives the distribution list, rather than an outside vendor, a vendor record and communications profile that includes the team member's email address must be set up.

Defining Vendors

Use the following procedure to set up profiles for the third-party vendors who receive the distribution list of contacts. If your marketing department is the list recipient, set up a vendor profile using the marketing department contact as the vendor.

To define vendors and assign list distribution methods

- 1 Navigate to the Administration - Marketing screen, then the Vendors view.
- 2 In the Vendors list, create a new record.
- 3 Complete the fields for the vendor definition, using the following table as a guide, and save the record.

NOTE: If one vendor can handle multiple list formats, such as a direct mail format and a telWeb Marketing format, create separate vendor profiles for each type. For example, the profiles can be named Ace Fulfillment: Direct Mail, and Ace Fulfillment: TelWeb Marketing.

Field	Comment
Contact Name	Select the contact name, if it exists. If the contact does not appear in the list, add the relevant information using the All Contacts list. By default, the server looks for the email address in the EMAIL_ADDR column of the S_CONTACT table. If you store the email address in a different column, see <i>Siebel CTI Administration Guide</i> to configure the Recipient Email Address field.
Distribution Method	Choose the method that describes how the distribution list is sent to the vendor.
Distribution Profile	Choose from the list of predefined distribution profiles. Distribution Profiles are defined using the Administration - Communications screen, then the Communications Drivers and Profiles view.
Email Address	The email address for the vendor is populated if it was defined for the selected vendor contact. You cannot add the email address in this view. If you plan to send a generated list to the vendor using email, you must add the email address for the contact in the All Contacts or My Contacts view.

Defining Distribution Profiles for Vendors

Use the Communication Administration screen’s Drivers and Profiles view to define communications profiles for email, fax, and FTP distribution of lists to vendors. Output file layouts and vendor profiles must be defined for all types of lists. If you are using email or FTP, you must also define Email Address, Distribution Method, and Distribution Profile in the Vendor profile. For more information about using delivery profiles, see *Siebel Marketing User Guide*.

Siebel Marketing provides default drivers in its library that can be modified for use when sending files to a vendor. An administrator can create distribution profiles for each of these driver types that override the default parameters for that driver. For more information about communications drivers and profiles, see *Siebel CTI Administration Guide*.

4

Designing Marketing Campaign Load Formats

This chapter describes how to design marketing campaign load formats. It includes the following topics:

- [Creating and Testing Campaign Load Formats on page 51](#)
- [About Marketing Integration Objects on page 61](#)

Creating and Testing Campaign Load Formats

Campaign load formats define the way campaign-related data is copied from a marketing data source into the Siebel transactional database for launching a campaign. You must define campaign load formats for your marketing data sources before you can use Siebel Business Application Integration (EAI) technology to import this information. For example, contact information such as first and last name, phone number, and email address can be brought into the Siebel database during campaign load only if you define campaign load formats for this data. The Campaign Load workflow process is used to manage the load process.

For information about creating a campaign load format for the Siebel Data Warehouse, see [“Examples of Recommended Campaign Load Mappings” on page 69](#).

This topic contains the following information:

- [“Creating Campaign Load Formats” on page 51](#)
- [“Example of Creating a Response Load Format” on page 58](#)
- [“Example of Creating a Lead Load Format” on page 59](#)
- [“Testing Campaign Load Formats” on page 60](#)

Creating Campaign Load Formats

Before you begin creating campaign load formats, make sure the subject area in the Business Intelligence Administration Tool includes the required fields to load new customers and execute your campaigns. For example, if you are loading contact data, you must verify that the Subject Area used for the Campaign Load Format includes Contact First Name, Middle Name, Last Name, and so on. For more information about creating Subject Areas for list formats, see the Oracle Business Intelligence Enterprise Edition documentation.

Creating campaign load formats requires that you complete the following tasks:

- [“Creating a Campaign Load Format and Adding Columns” on page 52](#)
- [“Enabling System Data Expressions for Required Columns” on page 53](#)

- [“Assigning Integration IDs” on page 54](#)
- [“Requalifying List Results Against Original Criteria” on page 55](#)
- [“Setting Options, Headers, and Footers for Campaign Load Formats” on page 55](#)

Creating a Campaign Load Format and Adding Columns

Campaign load formats have columns that are always required, regardless of the type of customer data being loaded, for example, contacts, accounts, or prospects. The following procedure describes how to create a campaign load format and add columns to the format.

To create a campaign load format and add columns

- 1 Using one of the following methods, navigate to the List Designer start page:
 - In the Siebel Marketing application, navigate to the Administration - Marketing screen, then the List Formats view.
 - If you log in to the Marketing module directly, click the Marketing screen tab and then click Create a List Format.
- 2 From the list of Subject Areas on the right, select a subject area that includes the required columns for your campaign load format.

Subject areas are available for this purpose, including the following:

- Campaign Load - Contacts
- Campaign Load - Accounts
- Campaign Load - Prospects

NOTE: Your administrator might have added additional subject areas.

- 3 Expand the folders in the selection panel and click each column name to add it to the format.
- 4 Verify that you have included the required columns for each integration object and integration component, based on the type of party being loaded (contacts, accounts, or prospects).

NOTE: The column label must exactly match the field name of the integration component in the Siebel enterprise application repository (siebel.srf). For information about required integration component fields, see [“Enabling and Synchronizing Marketing Server Components” on page 15](#) and [“Field Names for Marketing Integration Components” on page 148](#).

- a To rename a column label that does not exactly match the field name of the integration component, click the properties button.
- b Select the Custom Headings option.

If you use one of the standard subject areas listed in [Step 2 on page 52](#), the column names matches the field names in the integration components in the Siebel enterprise application.

- c Enter the necessary table and column heading.

The table heading must match the integration component name and the column heading must match the field name.

- 5 Select the following required columns to add them to the campaign load format:
 - a From the Contact folder, add the Person UId column.
 - b From the Campaign Contact folder, add the following columns: Campaign Id, Segment Id, Load Number, Token Number, Scalability Batch Number, and Treatment Id.

NOTE: The Treatment Id column is an external key, and is now a required column. Depending on your upgrade history and system configuration, your current list formats might not include this column. If this is the case, add a System Data Expression for Treatment Id to the Business Intelligence Web configuration files (see *Oracle Marketing Segmentation Guide*) and add this expression as a column to your Campaign Load list formats (see [Creating and Testing Campaign Load Formats on page 51](#)).

Table 9 on page 53 shows the mappings used in the preconfigured reports.

Table 9. External Key Mappings

Type of Party	Key	Party Id	Map to this Column Id
Contacts	Key 1	Contact Id	Contact.ROW_ID
Accounts	Key 1	Contact Id	Contact.ROW_ID
Accounts	Key 2	Account Id	Account.ROW_ID
Prospects	Key 3	Prospect Id	Prospect.ROW_ID

Enabling System Data Expressions for Required Columns

Several of the Campaign Contact columns required for the campaign load format must be populated with values that are determined by the list generation process at run time. To accomplish this, you set up the Campaign Contact columns to use system data expressions. The following procedure describes this task.

To enable system data expressions for required columns

- 1 Click the properties button on the Campaign Contact column.
- 2 In the dialog box, first click the Custom Headings check box.
This makes sure the table and column name are not changed when you modify the formula in [Step 3 on page 53](#).
- 3 Clear the current formula from the Column Formula box.
- 4 Place your cursor in the Column Formula box, then click the Available System Data link.

- 5 Select the appropriate system data expression from the values in the following table.

Column	Corresponding System Data Expression
Campaign Id	Campaign Id
Load Number	Load Number
Scalability Batch Number	Email Batch Number
Segment Id	Segment Id
Token Number	Token Number
Treatment Id	Treatment Id

The expression is added to the formula. For example, the Campaign ID column would show the following formula:

```
@{campaignID}{0}
```

NOTE: If you get an error message in the Formula dialog box, then ignore the error.

- 6 Click OK.

Assigning Integration IDs

Every campaign load format requires an integration ID, referred to as Key 1, that supplies the enterprise-wide ID representing that customer. For example, most corporate data warehouses already have unique customer IDs assigned as the enterprise customer ID. Campaign load expects this column to be included in the campaign history. The following procedure describes how to set up the campaign load format integration ID.

To assign integration IDs

- 1 Choose the Column from the Subject Area that provides the Integration ID for the Contacts Target Level.
- 2 Select the column in the right pane.
- 3 Click the formula button in the column.
- 4 Check the Custom Headings box.
- 5 Delete the existing formula and replace it with the appropriate value from [Table 9 on page 53](#).
- 6 Click OK.

Requalifying List Results Against Original Criteria

The following procedure describes how to requalify list results against original criteria. The members of the campaign load file must be evaluated against the segment criteria when generating the campaign load file. This option limits the information in the list file only to members of the segment, and any Qualified List Items constrained on the segment tree. There is no need to reload the campaign because it picks up the changes in the people who are added to the segment when the campaign is launched.

To requalify list results against original criteria

- 1 In the Columns view, in the Filters pane, select the following check box:
Re-qualify list results against original segment criteria
- 2 The following line is automatically added to the filter criteria:
Re-qualified against original segment criteria

Setting Options, Headers, and Footers for Campaign Load Formats

The following procedure describes how to set options, headers, and footers for campaign load formats. In the header, you can add an integration object name but you must not add a system data expression.

To set options, headers, and footers for campaign load formats

- 1 Click the Options tab and select the options in the following table.

Attribute	Option
Purpose	Campaign Load
(choose format)	Delimited File
End of Field Delimiter	Comma
Text Qualifier	""
Max # Records	1000

- 2 Click the Headers and Footers tab.

- Enter the integration object name to load, using the following format (example also shown):

Format	Example
# <i>integration object name</i>	# Marketing Contact
#	#

NOTE: You must not add additional text or a system data expression to the header. Additionally, do not press enter at the end of the second line. For EAI formatting, there must not be an end-of-line character at the end of the header.

- Verify your campaign load format by previewing some sample contents of the list format.
For instructions about how to preview a list format, see *Oracle Marketing Segmentation Guide*.
- When you obtain the expected results, click the save icon to save your work.

About Siebel Contact and Campaign History Tables

When you load a campaign, the Campaign Load workflow process modifies data in the Siebel database after the Contact a integration component is mapped and the campaign load mapping data is modified.

- Contacts table (S_CONTACT).** The Contacts table stores contact-level information.
- Campaign History table (S_CAMP_CON).** The Campaign History table contains the history of contacts who qualify for campaigns, as well as the Campaigns ID, Segment ID, Wave Number, and so on.

If you include optional integration component fields such as Account or Contact Address in the campaign load format, other tables are updated with data according to the integration fields that are mapped.

For every record that qualifies for a campaign, the Campaign Load process uses the Contact component user key to determine if the contact record exists. [Table 10 on page 56](#) contains the table update rules.

Table 10. Campaign Load Table Update Rules

Siebel Contact Record	S_CONTACT	S_CAMP_CON
Exists	Update existing record	Insert new record
Does not exist	Insert new record	Insert new record

NOTE: If you use the Marketing Contact integration object, the lookup uses the User Key fields for Contacts and Accounts. [Figure 1 on page 63](#) shows the integration components for the Marketing Contact integration object. If you use the Marketing Person integration object, the lookup only requires the Campaign Id, Load Number, Token Number, Contact Id, or Prospect Id to confirm that the person is present in the transaction database.

Example of Configuring Campaign Load Format for Control Groups, Allocation Limits, and Stage Funneling

Campaign load formats support the use of control groups, allocation limits, and stage funneling. For more information on these features, see *Siebel Marketing User Guide*.

This topic gives an example of how to create campaign load formats for control groups, allocation limits, and stage funneling. You can use this feature differently, depending on your business model.

To create a campaign load format that supports control groups, allocation limits, and stage funneling

- 1 Navigate to the Administration - Marketing screen, then the List Formats view, and open the Campaign Load - Contacts Example list format.
- 2 Add a new column that uniquely identifies a target in the target level and change the formula to RANK([key column]). For example, in the Campaign Load - Contact and Prospect Example list format, the column has the following properties:
 - Table Heading: Contact
 - Column Heading: RANK ROW_WID
 - Column Formula: RANK(Contact.ROW_WID)
 - Hide: Yes
- 3 Add another column to the list form.
- 4 Change the Column Formula to use the previous Rank column to calculate control group flag based on a system variable called controlGroupPct. For example, in the Campaign Load - Contact and Prospect Example list format, the column has the following properties:
 - Table heading: Campaign Contact
 - Column Heading: Control Group Flag
 - Column Formula: CASE WHEN (RANK(Contact.ROW_WID) - TRUNCATE(RANK(Contact.ROW_WID)*@{controlGroupPct}{0}/100,0)*100/@{controlGroupPct}{0}) < 1 THEN 'Y' ELSE 'N' END
 - Hide: No
- 5 Add a filter to restrict the query count according to constraining stage wave Ids and the percentage allocation limit. For example, in the Campaign Load - Contact and Prospect Example list format, the filter is:

Re-qualified against original segment criteria

```
AND '@{constrainingStageFlag}{N}' = 'N' OR "Campaign Contact"."Load Wave Id" IN (@{constrainingWaveId}{'O'})
```

```
AND '@{pctAllocationFlag}{N}' = 'N' OR (RANK(Contact.ROW_WID) - TRUNCATE(RANK(Contact.ROW_WID)*@{allocationLimit}{1000000}/100,0)*100/@{allocationLimit}{1000000}) < 1
```

```
AND '@{pctAllocationFlag}{N}' = 'Y' OR RANK(Contact.ROW_WID) <= @{allocationLimit}{1000000}
```

Example of Creating a Response Load Format

The response list format creates responses from the program flow. It can be stored in the My Data Load Format or Shared Data Load Format folders. This topic gives an example how to create a response load format based on the Analytics Data Load - Responses sample list format. You can use this feature differently, depending on your business model.

To create a response load format

- 1 Navigate to the Administration - Marketing screen, then the List Formats view, and open the Analytics Data Load - Responses sample list format.
- 2 Create new columns and map the column headers to the integration objects, using the following table as a guide.

Table Heading	Column Heading	Column Formula
Response	Id	'NOID'
Response	Response Type	'@{responseType}{'}
Response	Treatment Id	'@{treatmentID}{'}
Response	Description	'@{description}{'}
Response	PR_CON_ID	"- Contact Profile"."Contact Id"
Response	PRSP_CON_ID	"- Contact Profile"."Prospect Id"
Response	ACCNT_ID	"- Contact Profile"."Account Id"
Response	SRC_ID	'@{campaignID}{'}
Response	Response Value	'@{responseValue}{'}
Response	Response Cost	'@{responseCost}{'}
Response	Response Cost Currency Code	'@{responseCostCurrencyCode}{'}
Response	Score	'@{score}{'}

- 3 Add a filter to restrict the query count based on constraining stage wave Ids. For example:

Re-qual i fied agai nst ori gi nal segment cri teri a

AND ' '@{constrai ni ngStageFl ag}{N}' = 'N' OR "Campai gn Hi story (Transacti on Database)". "Campai gn Load Wave Id" IN (@{constrai ni ngWaveI D}{' 0' })

- 4 Set the header and footer to match the object name "Response."
- 5 Set the Purpose attributes. For example:
 - Purpose: Analytics Data Load
 - Delimited
 - Max# Records: 1000

Example of Creating a Lead Load Format

The response list format creates leads from the program flow. It can be stored in the My Data Load Format or Shared Data Load Format folders. This topic gives an example how to create a lead load format based on the Analytics Data Load - Leads sample list format. You can use this feature differently, depending on your business model.

To create a lead load format

- 1 Navigate to the Administration - Marketing screen, then the List Formats view, and open the Analytics Data Load - Leads sample list format.
- 2 Create new columns and map the column headers to the integration objects, using the following table as a guide.

Table Heading	Column Heading	Column Formula
Lead	Id	'NOID'
Lead	Lead Status	'@{leadStatus}{'}
Lead	Treatment Id	'@{treatmentID}{'}
Lead	Description	'@{description}{'}
Lead	Contact Id	"- Contact Profile"."Contact Id"
Lead	Prospect Id	"- Contact Profile"."Prospect Id"
Lead	Account Id	"- Contact Profile"."Account Id"
Lead	Source Id	'@{campaignID}{'}
Lead	Division Owner	'@{divisionID}{'}
Lead	Quality	'@{leadQuality}{'}
Lead	Lead Score	'@{score}{'}
Lead	Primary Partner Id	'@{partnerID}{'}
Lead	Calc Lookback Days	'@{leadLookbackDays}{'}
Lead	Calc Product Id	'@{productID}{'}
Lead Product	Product Id	'@{productID}{'}
Lead Position	Position Id	'@{positionID}{'}

- 3 Add a filter to restrict the query count based on constraining stage wave IDs. For example:


```
"Re-qualified against original segment criteria
AND '@{constrainingStageFlag}{N}' = 'N' OR "Campaign History (Transaction Database)". "Campaign Load Wave Id" IN (@{constrainingWaveID}{'0'})
```
- 4 Set the header and footer to match the object name Mktg Prog Lead Dedup.

- 5 Set the Purpose attributes. For example:
 - Purpose: Analytics Data Load
 - Delimited
 - Max# Records: 1000

Testing Campaign Load Formats

To verify that you have created a valid campaign load format, it is recommended that you build a test campaign and test segment.

To test your campaign load mapping

- 1 Verify that you have included the minimum required fields for each integration component. For more information, see ["About Marketing Integration Objects" on page 61](#).
- 2 Confirm that the Campaign Load Format includes the required columns for all formats:
 - Campaign Id
 - Segment Id
 - Load Number
 - Batch Number
 - Token Number
 - Treatment Id
- 3 Confirm that the parent integration component is mapped for every child component. For example, if you included Account Address fields, make sure that you also included Account Name and Location.
- 4 Create a test segment using the Segment Designer. For the segment, go to the Advanced Options tab and change the Campaign Load List Format to use your new Campaign Load Format. Save the segment.
- 5 Create a new campaign under the Campaigns screen tab.
- 6 In the Design tab, perform the following steps:
 - a Click the Offers link.
 - b In the Offers list, click New.
 - c In the Add Offer dialog box, choose a test offer and click OK.
 - d In the Treatments list at the bottom of the view, click New.
 - e In the Pick Treatment list, choose a test treatment.
- 7 Navigate to the Design screen, then the Segments/Lists view for the Campaign, and click Add Segment to choose your test segment.

- a Click the Segments/Lists link.
 - b In the Segments/Lists list, click Add Segment.
 - c In the Previously Used Segments dialog box, click Choose a new Segment.
 - d Locate and select your test segment.
In the Allocation matrix at the bottom, a check box will appear for the treatments you associated in [Step 6](#).
 - e Check the check box and click Save.
- 8 Click the menu on the upper form for the campaign and choose 'Load Campaign'. In the dialog box, confirm the load time and click OK to submit.
 - 9 Navigate to the Execute screen, then the System Tasks view to monitor whether the Campaign Load task successfully completed. Investigate any error messages that appear in the Task Log.
 - 10 After the load completes successfully, validate that the data loaded matches the expected information.
 - a While your campaign is still selected, navigate to All Contacts/Prospects across Organizations and query for the campaign members for that Load Number. Optionally, export these rows to a file using the Export menu command.
 - b Navigate to the Administration - Marketing screen, Marketing Server Admin, and then the Manage Marketing Jobs view. Find the Marketing Job that you generated with the type WriteListFiles. Open the details link and find the network path to the file that was generated.
 - c Compare the contents of the file and the data that was loaded into your campaign to confirm that the data was complete and correct.
 - 11 Make any changes required to the Campaign Load Format using the List Format Designer. Be sure to save any changes to the Format.
 - 12 When completed, purge the load history by performing the following steps:
 - a Navigate to the Campaigns screen and click the campaign.
 - b In the Execute tab, click Suspend Wave.
NOTE: You must suspend the waves in the load before you can purge a load.
 - c In the Execution Status view, click Purge Load, and then delete your test campaign.

About Marketing Integration Objects

For each campaign load format, you must select only one of the following integration objects:

- **Marketing Contact integration object.** If any campaign contact names do not exist within the Siebel transactional database, you must use the Marketing Contact integration object. It provides the field mappings necessary to import new contacts and accounts. For more information, see ["About the Marketing Contact Integration Object" on page 62](#).

- **Marketing Prospect integration object.** If any prospect names from your target segment do not exist within the Siebel transactional database, you must use the Marketing Prospect integration object. It provides the field mappings necessary to import new prospects. For more information, see [“About the Marketing Prospect Integration Object” on page 65.](#)
- **Marketing Person integration object.** If your campaign contacts and prospects exist within the Siebel transactional database prior to loading any campaigns, then you can also use the Marketing Person integration object. Typically, this configuration occurs for installations that use the Siebel Data Warehouse populated from the Siebel transactional database and that do not introduce new customers into the Siebel Data Warehouse from other sources. Because the contact and prospect field information is already recorded, to load the campaign in this configuration, you only need to map the Contact and Prospect IDs between the data warehouse and Siebel transactional database. For more information, see [“About the Marketing Person Integration Object” on page 66.](#)
- **Marketing Lead integration object.** If any leads for a particular campaign do not exist within the Siebel transactional database, you must use the Marketing Lead integration object. It provides the field mappings necessary to import new leads. For more information, see [“About the Marketing Lead Integration Object” on page 67.](#)
- **Marketing Response integration object.** If any inferred responses for a particular campaign do not exist within the Siebel transactional database, you must use the Marketing Response integration object. It provides the field mappings necessary to import new inferred responses. For more information, see [“About the Marketing Response Integration Object” on page 68.](#)

Siebel Marketing does not provide an integration object that can insert new contacts and prospects simultaneously in the same load.

This topic contains the following information:

- [“About the Marketing Contact Integration Object” on page 62](#)
- [“About the Marketing Prospect Integration Object” on page 65](#)
- [“About the Marketing Person Integration Object” on page 66](#)
- [“About the Marketing Lead Integration Object” on page 67](#)
- [“About the Marketing Response Integration Object” on page 68](#)
- [“Examples of Recommended Campaign Load Mappings” on page 69](#)

About the Marketing Contact Integration Object

The Marketing Contact integration object provides field mappings to typical contact- and account-related information from the external data sources. The predefined integration object, Marketing Contact, defines the information that is exchanged between the external data source and Siebel Marketing, using EAI technology. For more information about EAI, see *Overview: Siebel Enterprise Application Integration*. For a list of fields for the Marketing Contact integration object, see [“Field Names for Marketing Integration Components” on page 148.](#)

Figure 1 on page 63 shows the integration components for the Marketing Contact integration object. Required fields apply when a new contact is inserted into the Siebel transactional database.

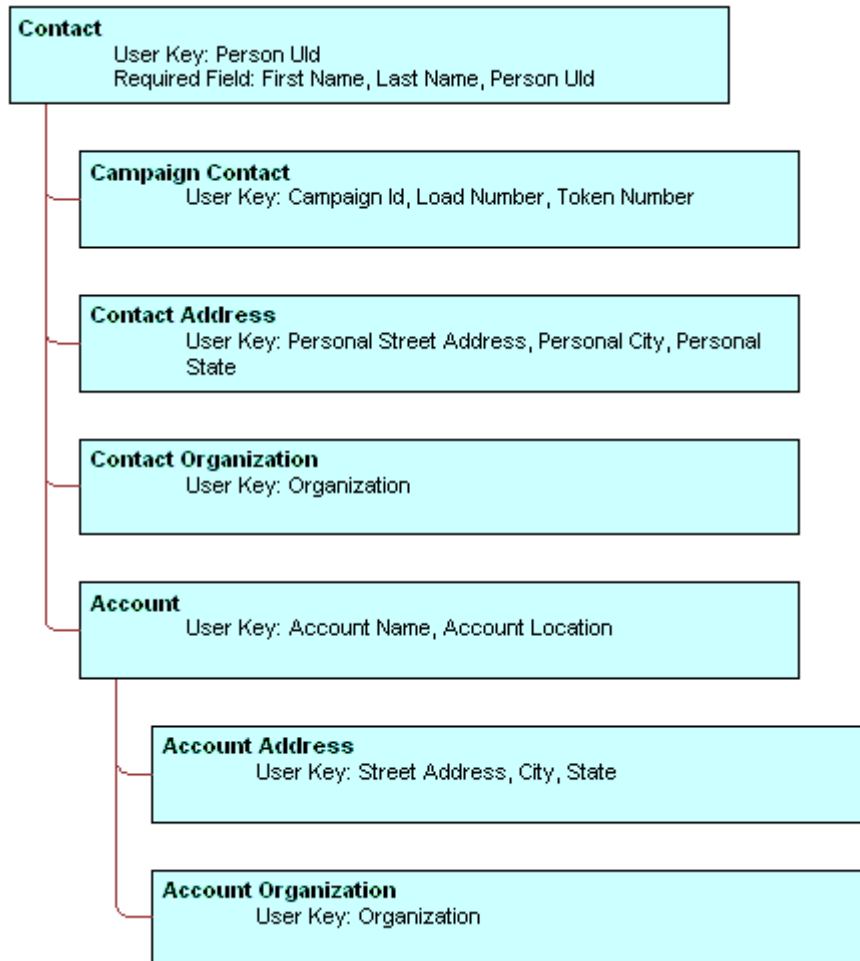


Figure 1. Marketing Contact Integration Components

During campaign load, integration component User Keys determine if a record already exists in the component (for the given values) and if the record is unique. Required fields cannot be a null value for the new record.

Table 11 on page 63 describes the Marketing Contact integration components.

Table 11. Marketing Contact Integration Component Description

Component	Comment
Account	Maps account information associated with the contact.
Account Address	Maps the account address.

Table 11. Marketing Contact Integration Component Description

Component	Comment
Account Organization	Maps information about the account's organization.
Campaign Contact	Maps campaign history-level information such as campaign Id, load number, wave number, contact Id, prospect Id, account Id, and the keys that bind contacts with their unique IDs in the data warehouse.
Contact	Maps contact-level information such as the contact's name, telephone number, email address, and so on.
Contact Address	Maps the contact's address information.
Contact Organization	The Contact Organization component maps information about the contact organization.

Mapping Rules for the Marketing Contact Integration Components

Using contact information for campaign load requires the following integration components:

- **Contact.** Includes information such as contact first name, contact last name, and so on.
- **Campaign Contact.** Fields must be mapped in the campaign load report. Mapping includes the required campaign load columns and the keys that store unique IDs from the data warehouse for the party (contacts, prospects, or accounts) being loaded.

Use the following rules when mapping components:

- A parent integration component must be mapped before mapping a child component. For example, the Account Address component cannot be mapped unless Account is mapped.
- User Key fields must be mapped for each integration component if one or more fields for the component is mapped.
- Required fields must be mapped for each integration component if one or more fields for the component are mapped.
- Make sure that the campaign load format includes a column indicating the organization in which the contact and account data must be loaded.

Sample Mappings for Contact Key Components

The combination of keys that are mapped in the campaign load report depend upon the target levels that you use.

Table 12 describes examples of Key mappings for sample target levels.

Table 12. Key Mappings for Sample Target Levels

Target Level	Key Mapping
Contacts	Key 1
Accounts	Key 2
Prospects	Key 3
Households	Key 4

About the Marketing Prospect Integration Object

The Marketing Prospect integration object provides field mappings to typical prospect information from marketing data source(s). The required fields are fields that cannot be a null value for the new record.

Figure 2 shows the integration components for the Marketing Prospect integration object. Required fields apply when a new prospect is inserted into the Siebel transactional database.

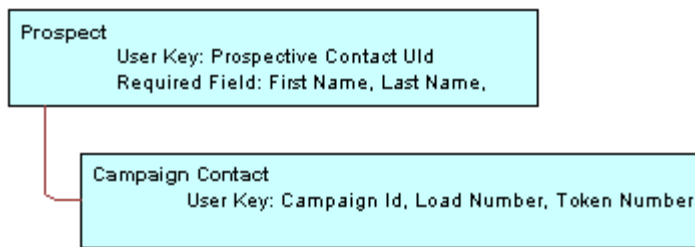


Figure 2. Marketing Prospect Integration Components

For a list of fields for the Marketing Prospect integration object, see [“Field Names for Marketing Integration Components”](#) on page 148.

Table 13 on page 66 describes the Marketing Prospect Integration components.

Table 13. Marketing Prospect Integration Component Description

Component	Comment
Campaign Contact	<p>Maps campaign history-level information.</p> <ul style="list-style-type: none"> ■ User Key: Campaign Id, Load Number, and Token Number
Prospect	<p>Maps prospect information.</p> <ul style="list-style-type: none"> ■ User Key: Prospect Contact UId ■ Required fields: First Name, Last Name, and Prospective Contact UId

NOTE: Required fields apply when a new contact is inserted into the Siebel transactional database.

Mapping Rules for the Marketing Prospect Integration Components

Using prospect information for a campaign load requires the following integration components:

- **Prospect.** Includes information such as prospect first name, prospect last name, and so on.
- **Campaign Contact.** Fields must be mapped in the campaign load report. Mapping includes the required campaign load columns and the keys that store unique IDs from the data warehouse for the prospects being loaded.

About the Marketing Person Integration Object

Most deployments of the Siebel Marketing application use the Marketing Contact integration object for loading campaign data. The Marketing Contact integration object is most commonly used because it supports inserting new contact and account names into the transaction database. In contrast, the Marketing Person integration object only supports inserting new records into the Campaign History table for contacts or prospects that already exist in the transaction database.

When all the customer data resides in the Siebel transaction database, the load process can avoid inserting new customers and improve the load time. The Marketing Person integration object supports this simple lookup load process.

Only use the Marketing Person integration object when all target contacts, accounts and prospects in the campaign already exist in the transaction database. The only required mapping is between the Row ID from the Contact and Prospect tables in the Siebel transactional database and the external data source, typically the Siebel Data Warehouse. For a list of fields for the Marketing Person integration object, see [“Field Names for Marketing Integration Components” on page 148](#).

Figure 3 on page 67 shows the integration components for the Marketing Person integration object. Required fields apply when a new campaign contact record is inserted into the Siebel transactional database.

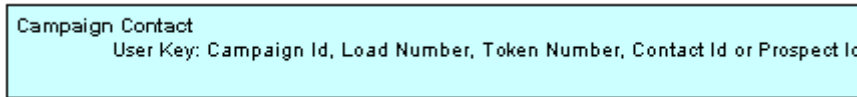


Figure 3. Marketing Person Integration Components

Table 14 on page 67 describes the integration component for the Marketing Person integration object.

Table 14. Marketing Person Integration Component Description

Component	Comment
Campaign Contact	<p>Maps the required campaign history columns and keys that store the unique IDs from the data warehouse for the party being loaded.</p> <p>User Key: Campaign Id, Load Number, Token Number, and one or more of the following:</p> <ul style="list-style-type: none"> ■ Contact Id ■ Prospect Id

Mapping Rules for the Marketing Person Integration Components

When creating a campaign load mapping using the Marketing Person integration object, use the following guidelines:

- The Contact Id and Prospect Id values imported from the external data source must match the Row IDs for the Contact or Prospect in the contact or prospect tables.
- If all incoming target names are contacts, then mapping the Prospect Id is not required. Alternatively, you could use the Marketing Contact integration object. If all incoming target names are prospects, then you do not need to use Contact Id. If the target list includes both contacts and prospects, then both fields are required.

About the Marketing Lead Integration Object

The Marketing Lead integration object provides field mappings to typical lead-related information from external data sources. The Mktg Prog Lead Dedup integration object defines the information that is exchanged between the external data source and Siebel Marketing, using EAI technology.

Table 15 describes the integration components for the Lead integration object.

Table 15. Marketing Lead Integration Component Description

Component	Description
Lead	Defines all the primary attributes of the entity lead. User Key: Id
Lead Organization	Defines the Organization attributes associated with the lead. User Key: Organization Id
Lead Position	Defines attributes of Position associated with the lead. User Key: Position Id
Lead Product	Defines attributes of Products associated with the lead. User Key: Product Id

NOTE: During lead creation, the user keys in each integration component determine if a record already exists in the component (for the given values) and if the record is unique.

About the Marketing Response Integration Object

The Marketing Response integration object provides field mappings to typical response-related information from external data sources. The response integration object defines the information that is exchanged between the external data source and Siebel Marketing, using EAI technology.

Table 16 describes the integration components for the Response integration object.

Table 16. Marketing Response Integration Component Description

Component	Description
Response	Defines all the primary attributes of the response. User Keys: <ul style="list-style-type: none"> ■ Mod Key (Modification Key) ■ Id ■ Description
Related Organization	Defines the attributes of products associated with the response. User Key: Mod Key (Modification Key)
Response Log	Defines survey-related attributes for the response. User Key: Question Text, Answer Text

NOTE: During response creation, the user keys in each integration component determine if a record already exists in the component (for the given values) and if the record is unique.

Examples of Recommended Campaign Load Mappings

Campaign Load Mappings depend on the following:

- **The data source.** The data source includes Siebel Data Warehouse, Siebel transactional database, or a data source other than Siebel applications.
- **The data elements required to be imported.** These elements include Contact fields, Account fields, Contact address, and so on.
- **Contact qualification.** Determine if new contacts or existing contacts qualify for a campaign.
- **Presence of contacts and prospects in the Siebel database.** Determine if all contacts and prospects are already present in the contact and prospect tables in the Siebel database.

This topic contains descriptions of mappings with the name of the sample campaign load format report in which the recommended mappings appear. You can find the examples listed in the following topics in the Siebel File System: Shared Campaign Load Formats/Marketing/Example List Formats.

Examples of Mappings to the Siebel Data Warehouse

These mappings are applicable when campaigns are run against Siebel Data Warehouse.

- **Recommended Mappings for Existing Contacts And Prospects.** See the following sample campaign load format report:

Campaign Load - Contacts and Prospects Example

- **Recommended Mappings for Existing Accounts.** See the following sample campaign load format report:

Campaign Load - Existing Accounts

Examples of Mappings to the Siebel Database

The mappings shown in the following reports are applicable when campaigns are run on Oracle's Siebel database.

- **Recommended Mappings for Contacts And Prospects.** See the following sample campaign load format report:

Campaign Load - Contacts and Prospects Example

- **Recommended Mappings for Accounts.** See the following sample campaign load format report:

Campaign Load - Existing Accounts

Examples of Mapping to a Non-Siebel Database

The mappings shown in the following reports are applicable when campaigns are run on a non-Siebel database.

- **Recommended Mappings for New Contacts.** This is for cases where some of the contacts being loaded for the campaign do not exist in the Siebel database. See the following sample campaign load format:

Campaign Load Contacts - Example

- **Recommended Mappings for New Accounts.** This is for cases where some of the accounts being loaded for the campaign do not exist in the Siebel database. See the following sample campaign load format:

Campaign Load Accounts - Example

- **Recommended Mappings for New Prospects.** This is for cases where some of the prospects being loaded for the campaign do not exist in the Siebel database. See the following sample campaign load format:

Campaign Load Prospects - Example

5

Installing and Configuring Email Marketing

This chapter describes how to install and configure Email Marketing. It includes the following topics:

- [About Siebel Email Marketing on page 71](#)
- [About Installing and Configuring Siebel Email Marketing on page 75](#)
- [Architecture of Siebel Email Marketing on page 77](#)
- [Requirements for Installing Email Marketing on page 79](#)
- [Installing the Email Marketing Server on page 83](#)
- [Roadmap for Configuring Email Marketing Daemons on page 87](#)
- [Process of Configuring the Email Sending Daemon on page 88](#)
- [Process of Configuring the Bounce Handler Daemon on page 95](#)
- [Process of Configuring the Click Through Daemon on page 102](#)
- [Configuring Email Marketing Components for HTTPS Communications on page 106](#)
- [\(Optional\) Verifying Email Marketing Component Configuration on page 110](#)
- [Process of Testing the Email Marketing Components with Siebel Marketing on page 113](#)
- [Upgrading Apache Tomcat Manually on page 116](#)
- [Administering Email Marketing on page 117](#)
- [Configuring the Status of Email Addresses on page 129](#)
- [Implementing Spam Scoring of Email Templates Using SpamAssassin on page 129](#)

About Siebel Email Marketing

The Siebel Email Marketing Server is a combination of components designed to support high volume, personalized, email messages and to track email bounces and clickthrough responses. The Siebel Email Marketing Server consists of the following three components, each of which has its own installer that is separate from the Siebel Marketing Server installer:

- **The Email Sending Daemon (ESD).** Assembles each outbound email message for a campaign using the email template (HTML or text) and the recipient list, and then sends each message to your company's outbound Mail Transfer Agent (MTA) for delivery.
- **The Bounce Handler Daemon (BHD).** Tracks email messages that cannot be delivered, parses the returned email messages, and records the cause of the bounce.
- **The Click Through Daemon (CTD).** Tracks clicks made by the email recipient on any Siebel-supported links included in the email template.

This topic contains the following information:

- [“Example of Email Delivery” on page 72](#)
- [“About Bounce Codes” on page 72](#)
- [“Frequently Used Terms for Email Marketing” on page 74](#)

Example of Email Delivery

A good understanding of email delivery is helpful in understanding the key principles and items presented in the following topics. The provided example is a simplified description of the email delivery process and describes one email being sent. When you send thousands or millions of emails, the process becomes more complex. Siebel Email Marketing is designed to address the issues associated with sending a large volume of emails.

When an email is sent by person A to person B, an attempt is made to deliver the email. The first step in the process occurs when the user clicks Send in his or her email client. The email client tries to initiate a connection to an email server.

NOTE: This email server is often called a Mail Transfer Agent (MTA) because of its function or a Simple Mail Transfer Protocol (SMTP) Server because of the protocol it uses.

When the client has a connection to a Mail Transfer Agent, the Mail Transfer Agent and the client communicate using the Simple Mail Transfer Protocol. The following are important parts of this communication:

- One critical piece of this communication involves the transfer of the email message to the Mail Transfer Agent.
- Another piece of this communication is the passing of the sender's email address. This email address is often referred to as the SMTP envelope from (or sender) address. The use of the term envelope represents the email content as a letter and the SMTP communication as the envelope used to carry the letter.

If the recipient of the email (person B) has his or her mailbox on this server, then the server drops the email in the box and the job is done. If person B is on another domain, then the Mail Transfer Agent executes a Domain Name Service (DNS) lookup to find the address of another Mail Transfer Agent to communicate with. Another Simple Mail Transfer Protocol conversation occurs and the second Mail Transfer Agent receives the message and delivers it to the mailbox for person. When it is in person B's mailbox, the recipient can retrieve it using another protocol such as Post Office Protocol (POP) and read the message in an email application.

About Bounce Codes

Unexpected issues can occur during the email delivery process. For example, the domain of the recipient can be unreachable or not exist at all. In this case, an error message or bounce is created by the Mail Transfer Agent that identifies the problem, and the bounce is returned to the sender of the message. The sender's email address is called the From Address of the SMTP envelope.

Another problem might be that the domain has been found but the user does not exist on that domain. Again, a bounce is created and sent back to the sender of the original message. Both of these are examples of hard bounces. This means that not only was the email unable to be delivered but that it can never be delivered.

Another type of bounce is a soft bounce, which means that although the email could not be delivered at present, it might be possible to deliver the message in the future. [Table 17](#) lists the possible bounce codes.

Table 17. Bounce Codes

Bounce Code	Description
Address Moved	The recipient has changed the email address and the new address is available. This type of bounce occurs rarely.
Bad Sender	The email address is bad: either the address is formatted incorrectly (unlikely) or there is no such user.
Last Resort	The bounce parser could not determine the type of bounce, but it has the name of the original recipient.
Mailbox Problem	The email address exists, but the mailbox is full or temporarily locked. This type of bounce occurs rarely.
Message Too Large	The message size exceeds the recipient's allowable limit.
Network Problem	Because of network problems, the MTA is unable to connect to either the receiving Mail Server or some other necessary server (such as a company's LDAP server). This type of bounce occurs rarely.
Protocol Problem	The receiving Mail Server does not work with the version of SMTP the MTA uses. This type of bounce occurs rarely.
Security Problem	The receiving Mail Server does not allow email from your domain. This can occur when the receiving Mail Server blocks domains of known or suspected spammers.
System Problem	The receiving email server is having technical problems and cannot accept mail right now.
Unparsable	The bounce parser could not classify the bounce message into any other category.

NOTE: If a recipient has activated a vacation mail response, then a vacation code is generated when an email is delivered. However, a vacation code is an auto-reply message code, not an error code.

For additional information on bounce codes and the status of email addressees, see ["About Creating Classification Rules for Bounce Messages"](#) on page 98 and ["Configuring the Status of Email Addresses"](#) on page 129.

Frequently Used Terms for Email Marketing

Table 18 contains acronyms and terms frequently used in Email Marketing.

Table 18. Frequently Used Terms for Email Marketing

Term	Definition
BHD	Bounce Handler Daemon. Processes asynchronous bounced email (bounces that do not occur in the SMTP communications between the Email Sending Daemon and the Mail Transfer Agent).
Bounce	An email that is returned due to a temporary or permanent error condition. There are hard bounces and soft bounces as described in the following list: <ul style="list-style-type: none"> ■ Hard bounce. The email was not delivered and can never be delivered. For example, if the email address is invalid. ■ Soft bounce. The email cannot be delivered because of a temporary problem such as a full mailbox and can be delivered when the problem no longer exists.
CTD	Click Through Daemon. Handles the following customer actions: <ul style="list-style-type: none"> ■ Unsubscribe and Subscribe so contacts can opt in or opt out of email lists. ■ Forward to a Friend provides method for capturing new email addresses. ■ Trackable URLs track customer clicks on an embedded link in an email. ■ Read Receipts logs message opens.
Daemon	A program that is not invoked explicitly, but is dormant waiting for an action or event to activate it.
DNS	Domain Name System. Created to provide a way to translate domain names to their corresponding IP addresses. The DNS server maintains a list of domain names and IP addresses and each request is pointed to the correct corresponding IP address.
DMZ	Demilitarized Zone. A section of your corporate network that acts like a neutral zone or buffer between your internal network and the Internet. It is created by placing one firewall between the outside (internet) and Web servers, and a second firewall between the Web servers and your internal network. External users can access servers in the neutral zone, but not servers on the internal network. The servers in the DMZ handle incoming and outgoing traffic.
DNS groups	DNS domain names are categorized into groups called a record and each record is given a special name such as MX or A. <ul style="list-style-type: none"> ■ MX (type of record). Specifies a domain name which can receive and possibly relay emails. This domain probably contains a server hosting an MTA. ■ A (type of record). Maps a domain name to an IP address.

Table 18. Frequently Used Terms for Email Marketing

Term	Definition
ESD	Email Sending Daemon. Manages the following tasks: <ul style="list-style-type: none"> ■ Email Construction and Personalization. ■ Delivery of outbound email to Mail Transfer Agents. ■ Synchronous bounced email. Bounces that occur in the SMTP conversation between the Email Sending Daemon and the MTA.
MTA	Mail Transfer Agent. A program responsible for receiving, routing, and delivering email messages. MTAs receive email messages and recipient addresses from local users and remote hosts, perform alias creation and forwarding functions, and deliver the messages to their destinations. An MTA is sometimes called a Mail Transport Agent, a mail router, an Internet mailer, or a mail server program. Commonly used MTAs include sendmail, qmail, and Exim.
SMTP	Simple Mail Transport Protocol. Used to move each email over the Internet.
SOAP	Simple Object Access Protocol. The use of XML and HTTP to access services, objects, and servers in a platform-independent manner. For more information about SOAP, see <i>Oracle Business Intelligence Web Services Guide</i> .
WSD	Web Survey Daemon. Resides in the DMZ and supports Web landing sites and surveys without the need for SmartScript.

About Installing and Configuring Siebel Email Marketing

The Siebel Email Marketing Server consists of three components, each of which comes with its own installer and is separate from the Siebel Marketing Server installer. The installation media for the three Email Marketing Server components are distributed together on media separate from the Siebel Enterprise installation media.

This topic describes some of the issues to consider when installing the different components of Siebel Email Marketing. The Email Marketing components can reside outside the firewall, with ports opened for SOAP (HTTP) and networked file system access through the firewall. Alternatively, the Email Marketing components can reside inside the firewall with ports 80 and 25 opened on the firewall (or proxies) or relays put in place.

These components talk to the Siebel Marketing Object Manager using SOAP. For more information about the Siebel Java Data Bean, see *Transports and Interfaces: Siebel Enterprise Application Integration*.

Email Sending Daemon

The Email Sending Daemon (ESD) assembles an email to be sent to a list or segment of contacts and prospects and delivers each email to the corporate outbound Mail Transfer Agents. Assembly includes adding headers in front of the email message content and merging personalized data into the message content.

The Email Sending Daemon listens on port 8090 for SOAP requests from the Siebel Marketing Server. A SOAP request includes the filename of the email message content, the email message headers, and the Marketing Server subwave contacts and prospects list (containing mail merge data). These files are found in the Marketing File System which is commonly a networked directory accessible to the Email Sending Daemon. The Email Sending Daemon must be able to communicate with one or more outbound Mail Transfer Agents to send mailings over the internet. The Email Sending Daemon must be able to tell the Marketing Server when it has completed a subwave as well as deliver details of email address errors that occurred while it communicated using Simple Mail Transfer Protocol to the Mail Transfer Agents (called synchronous bounces).

The most common placement for the Email Sending Daemon is within the corporate network, behind the DMZ. However, the Email Sending Daemon component can be placed inside the DMZ or outside the firewall, if there is a port opened to connect to the Siebel Marketing Server using SOAP and the networked Marketing File System.

Bounce Handler Daemon

Typically, the Bounce Handler Daemon (BHD) receives and processes bounced mail on port 25 (the default SMTP port).

Email messages that have bounced appear similar to regular email, though their email message content and headers probably have noticeable differences in content. For a bounced email to be returned to the Bounce Handler Daemon, the original email must have a usable return address (the SMTP envelope from address). The correct SMTP envelope From Address is generated for you using the Bounce Handler Daemon's domain name (supplied by you when you configure the Email Marketing Server).

The recommended approach is to place the Bounce Handler Daemon computer in the DMZ. However, some network support technicians can choose to place the Bounce Handler Daemon behind an inbound Mail Transfer Agent. The approach that you choose depends on the configuration of your network, DMZ, existing inbound Mail Transfer Agent, and firewall. The following example describes a typical approach.

You might have a domain name of `example.com` and an inbound Mail Transfer Agent (in this example `mail.example.com`) for mail to that domain. The Mail Transfer Agent `mail.example.com` currently routes email successfully to computers in the internal network. It might be in the DMZ with a special hole for port 25 traffic or straddling the outer firewall with one NIC in the DMZ and the other NIC on the Internet. The Bounce Handler Daemon might be running inside the DMZ, with an internal-only hostname such as `example-host.internal.example.com`.

In this example, you would choose a Bounce Handler Daemon hostname such as `bounces.example.com` that is not already used by external DNS and then perform the following steps:

- Configure the Bounce Handler Daemon to use this hostname.

- Add a DNS MX record for this hostname to an internal DNS server that can be contacted by the inbound Mail Transfer Agent (mail.example.com).
- Add this hostname to the Internet DNS servers as a hostname with an IP address for the inbound Mail Transfer Agent.

Because the Internet DNS MX records for bounce.example.com point to the inbound Mail Transfer Agent, bounced email for the Bounce Handler Daemon is sent there first. Mail.example.com must be configured to relay the mail for bounces.example.com to the Bounce Handler Daemon using the internal DNS server for the correct internal IP address.

Organizations often create IP numbers that cannot be routed within their enterprise. For example, IP numbers starting with 10.* or 192.168.* are only available inside the enterprise. Similarly, organizations often have hostnames, such as my-machine.corp.example.com, that are only visible inside the company network. If you use an IP address or hostname that is only available inside your company network for your Bounce Handler Daemon hostname, then Mail Transfer Agents outside your network cannot connect to the Bounce Handler Daemon. Therefore, the Bounce Handler Daemon server must be available, directly or indirectly, from outside your network.

Click Through Daemon

The Click Through Daemon (CTD) listens on port 8060 for HTTP requests (Clickthrough, Message Open, Forward to a Friend and un-subscription and subscription requests). This component can be placed in the DMZ, inside or outside the firewall, if a port is opened that allows it to connect to the Siebel Marketing Server using SOAP protocol. Web proxy servers can be used to route the HTTP requests to the Click Through Daemon server.

Architecture of Siebel Email Marketing

An example of a typical architectural structure for Siebel Email Marketing components is shown in [Figure 4 on page 78](#). The Email Marketing components interact with Siebel Marketing as follows:

- 1 The Email Sending Daemon, located in the corporate network, listens for requests from the Siebel Marketing Server, then assembles each outbound email message for a campaign, and sends it to the Mail Transfer Agent for delivery.

For more detailed information on how the Email Sending Daemon interacts with Siebel Marketing, see [“Email Sending Daemon Integration and Workflow” on page 78](#).

- 2 The Mail Transfer Agent receives the email messages and forwards them to their destinations.
- 3 The Bounce Handler Daemon, located in the DMZ, tracks email messages that cannot be delivered and records the reason why the message cannot be delivered.
- 4 The Click Through Daemon, located in the DMZ, tracks clicks made by email recipients on links included in the email template that are supported by Siebel Marketing.

If Siebel Email Marketing components lose connectivity to the Siebel Server, then they queue all data and continue to function. After the connection is reestablished, queued data is processed.

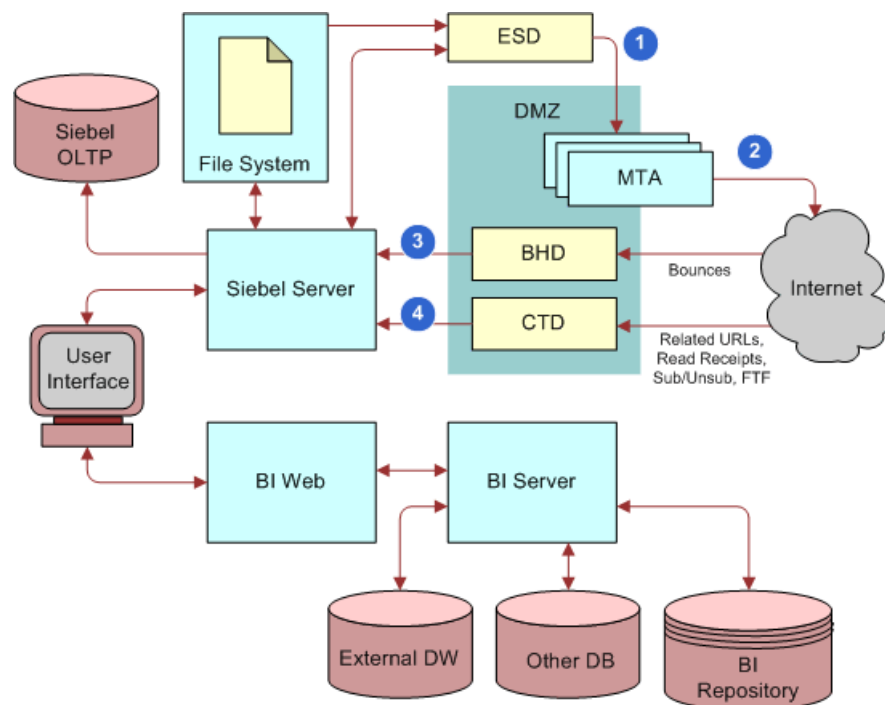


Figure 4. Architecture of Siebel Email Marketing

Email Sending Daemon Integration and Workflow

Figure 5 on page 79 shows a more detailed view of the Siebel Email Sending Daemon, its interrelationship with Siebel Marketing, and the outbound flow of work within this architecture. The following steps correspond with the numbers in the figure:

- 1 A workflow is launched to generate list files for each batch (subwave).
 - If Basic email personalization mode is implemented, then the Siebel Server generates the list files.
 - If Advanced email personalization mode is implemented, then the workflow calls Business Intelligence Web to generate a list that is formatted for email personalization, then Business Intelligence Presentation Server generates the list files.
- 2 The workflow waits until files are returned.
- 3 Workflow launches a subprocess for each file and then notifies the Email Sending Daemon of the location of each file.
- 4 The Email Sending Daemon retrieves each subwave list of Prospects and Contacts.

- 5 The Email Sending Daemon sends email to the Prospects and Contacts in each subwave list.

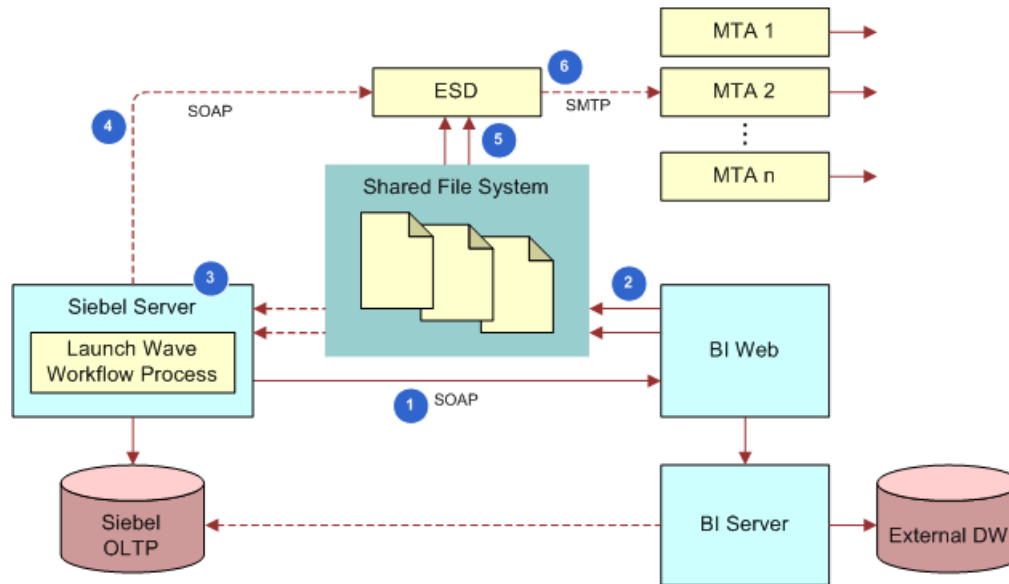


Figure 5. Email Sending Daemon Integration and Workflow

Requirements for Installing Email Marketing

Before installing Email Marketing, you must perform the following tasks:

- “Configuring Basic and Advanced Email Personalization” on page 79
- “Removing an Existing Version of the Email Marketing Daemons” on page 81
- “Installing the Java Development Kit” on page 82
- “Verifying That the Object Manager Is Enabled and Running” on page 83

Configuring Basic and Advanced Email Personalization

Your application can be configured to use one of two methods for email merge fields:

- **Basic.** The Basic mode is used when your organization has not licensed or deployed the marketing segmentation module, or if your requirements do not call for advanced merge fields. This option uses a fixed set of merge fields based on the available fields in the campaign recipient business component. In this mode, the email list is generated directly from the business component and delivered to the Email Sending Daemon for sending the email messages.

- **Advanced.** The Advanced mode is only available if your organization has deployed the marketing segmentation module. This option provides a flexible set of merge fields based on data from any data source or table accessed by the Oracle Business Intelligence repository. The merge fields are determined by the fields in the Personalization Format (Email Server list format) that you select for the email offer.

Configuring Basic Email Personalization Mode

To configure basic email personalization mode, perform the steps in the following procedure.

To configure basic email personalization mode

- 1 Navigate to the Administration - Server Configuration screen, then the Servers view.
- 2 Select a server.
- 3 In the Components tab, query for the Marketing component.
- 4 Click the Parameters tab for this object manager.
- 5 Query for the Email Personalization Format parameter.
- 6 Make sure the Value field is set to any value other than a path name. For example, set it to Default Merge Fields. Using a nonpath name as a value allows Basic Personalization.

Configuring Advanced Email Personalization Mode

The advanced personalization mode requires that you install the Marketing Module for segmentation and list generation and configure the required marketing metadata for list export. Perform the following steps to set up advanced email personalization.

To configure advanced email personalization mode

- 1 Configure the marketing metadata for list generation. For instructions, see the Oracle Business Intelligence Enterprise Edition documentation.
- 2 Create one or more Email Server List Formats in the List Format Designer. For instructions, see *Oracle Marketing Segmentation Guide*.
- 3 Designate one of the list formats as the default Email Personalization format for the Siebel Marketing application by performing the steps in the following procedure. This set of merge fields populates for any new email offers that are created.
 - a Navigate to the Administration - Server Configuration screen, Servers, and then the Components view.
 - b In the components list, query for the Marketing (ENU) component.
 - c Click the Parameters view tab.
 - d In the Component Parameters list, query for the Email Personalization Format parameter.
The initial value is Default Merge Fields.

- e To change the default system email list format to another email list format, enter the full Web catalog path in the Value on Restart column. For example:

```
/shared/Marketing/Example List Formats/Advanced Merge Fields
```
- f If the catalog path is too long to enter in the parameter column, then you might need to shorten the folder and list format name in the Business Intelligence Web catalog.

Removing an Existing Version of the Email Marketing Daemons

If you have an existing version of the Email Sending Daemon, Bounce Handler Daemon, and Click Through Daemon, then you must remove them before proceeding with this install. The following procedures describe this task for a Windows and UNIX environment.

Removing Existing Email Marketing Daemons on a Windows Server

To remove existing Email Marketing daemons on a Windows server, perform the steps in the following procedure.

To remove existing Email Marketing daemons on a Windows Server

- 1 From the Start menu, choose Settings, Control Panel, Administrative Tools, and then Services.
- 2 Stop the services for Email Marketing daemons.
 - a Right-click the Email Sending Demon service and select Stop.
 - b Right-click the Bounce Handler Demon service and select Stop.
 - c Right-click the Click Through Demon service and select Stop.
- 3 Return to the Control Panel and select Add or Remove Programs.
- 4 To remove each daemon, perform the following steps (following the instructions in each dialog box):
 - a Select the Email Sending Daemon program and click Change/Remove.
 - b Select the Bounce Handler Daemon program and click Change/Remove.
 - c Select the Click Through Daemon program and click Change/Remove.
- 5 Locate the directory where the Email Marketing daemon programs were installed and remove the daemons.
 - The default installation location for Email Sending Daemon is C:\Program Files\esd.
 - The default installation location for Bounce Handler is C:\Program Files\bhd.
 - The default installation location is C:\Program Files\ctd.

NOTE: After the uninstall, some files that could cause problems for the new installation might remain. Deleting files in these directories makes sure that the new installation does not inherit outdated information.

Removing Existing Email Marketing Daemons on a UNIX Server

To remove existing Email Marketing daemons on a UNIX Server, perform the steps in the following procedure.

To remove existing Email Marketing daemons on a UNIX server

- 1 Log in as root.

The Root user has the rights to install and remove applications.

- 2 To remove the Email Sending Daemon program, perform the following steps:

- a Navigate to the directory where the Email Sending Daemon program was installed and, if it is running, then stop the Email Sending Daemon using the following command:

```
./tomcat-ctl.sh stop
```

- b Navigate to the parent directory where the Email Sending Daemon program was installed and remove the Email Sending Daemon program directory using the following command:

```
rm -rf esd
```

- 3 To remove the Bounce Handler Daemon program, perform the following steps:

- a Navigate to the directory where the Bounce Handler Daemon program was installed and, if it is running, then stop the Bounce Handler Daemon using the following command:

```
./bin/bhd-ctl.sh stop
```

- b Navigate to the parent directory where the Bounce Handler Daemon program was installed and remove the Bounce Handler Daemon program directory using the following command:

```
rm -rf bhd
```

- 4 To remove the Click Through Daemon program, perform the following steps:

- a Navigate to the directory where the Click Through Daemon program was installed and, if it is running, then stop the Click Through Daemon using the following command:

```
./tomcat-ctl.sh stop
```

- b Navigate to the parent directory where the Click Through Daemon program was installed and remove the Click Through Daemon program directory using the following command:

```
rm -rf ctd
```

Installing the Java Development Kit

Install the appropriate maintenance release of the Java Development Kit (JDK), not the JRE. The JDK is a superset of the JRE (Java Runtime Environment) and contains everything that is in the JRE, plus tools such as the compilers and debuggers necessary for developing applets and applications. For the correct JDK version, see the Certifications tab on My Oracle Support.

Verifying That the Object Manager Is Enabled and Running

The object manager component (such as Marketing) to which you connect must be enabled and running on the Siebel Server. To verify this, perform the following task.

To verify that the Object Manager component is enabled and running

- 1 Log in to the Siebel Server.
- 2 Navigate to the Administration - Server Configuration screen, Servers, and then the Components view.
- 3 Query for the alias name, and make sure the component has a status of Online or Running.

For example, the Marketing component for the English language version has an alias name of SMObjMgr_enu.

Installing the Email Marketing Server

To install the Email Marketing Server, you must first locate the Email Marketing Daemon installation programs. They are shipped on separate media from the Marketing operational application media. Installers for all platforms and Email Marketing daemons (Email Sending Daemon, Bounce Handler Daemon, and Click Through Daemon) can be found on this media.

NOTE: When installing on a MS Windows platform, the components must be installed on a drive with sufficient space to handle the size of the log files.

To install Email Marketing, you must install each of the following components:

- **Email Sending Daemon (ESD).** The Email Sending Daemon installation program for Email Marketing is called esd-install.exe on MS Windows and esd-install.bin on UNIX. The Email Sending Daemon is typically placed on a different server from the Marketing Server or any of the other Email Marketing components.

Determine the appropriate location in which to install the Email Sending Daemon. Typically it is installed on the corporate network, behind the corporate DMZ. Selecting this location requires the network administrator to perform the following tasks:

- Define how the Email Sending Daemon connects to outbound Mail Transfer Agents within the DMZ.
- Provide a way for the Email Sending Daemon to look up DNS records for outbound Mail Transfer Agents.

- **Bounce Handler Daemon (BHD).** The Bounce Handler Daemon installation program for Email Marketing is called `bhd-install.exe` on MS Windows and `bhd-install.bin` on UNIX. The Bounce Handler Daemon can be placed on a separate server from the Marketing Server or any of the other Email Marketing components. However, it typically shares a server with the Click Through Daemon.

Determine the appropriate location in which to install the Bounce Handler Daemon. Typically it is installed inside the corporate DMZ. Selecting this location requires the network administrator to perform the following tasks:

- Register the IP address that identifies the Bounce Handler Daemon on the Internet. The IP address must be registered as a DNS MX record. Historically, it takes at least two weeks (after registration) for the entire Internet to be properly updated with this information. Therefore, register as early as possible.
 - Define a way for the Bounce Handler Daemon to receive inbound SMTP messages from the Internet through the outer DMZ firewall. The Bounce Handler Daemon passes asynchronous bounce details to the Marketing Server through SOAP protocol. The communication between the Bounce Handler Daemon and the Marketing Server requires you to define a way for the SOAP messages to pass through the inner DMZ firewall.
- **Click Through Daemon (CTD).** The Click Through Daemon installation program for Email Marketing is called `ctd-install.exe` on MS Windows and `ctd-install.bin` on UNIX. The Click Through Daemon can be placed on a separate server from the Marketing Server or any of the other Email Marketing components. However, it typically shares a server with the Bounce Handler Daemon.

Determine the appropriate location in which to install the Click Through Daemon. Typically it is installed inside the corporate DMZ. Selecting this location requires the network administrator to perform the following tasks:

- Define a way for the Click Through Daemon to service HTTP requests from the Internet through the outer DMZ firewall.
- Register the IP address that identifies the Click Through Daemon on the Internet. The IP address must be registered as a DNS A record. Historically, it takes at least two weeks (after registration) for the entire Internet to be properly updated with this information. Therefore, register as early as possible.
- The Click Through Daemon passes details about the HTTP requests it serviced (Tracked URLs, Forward To Friend, and so on) to the Marketing Server through SOAP protocol. The communication between the Click Through Daemon and the Marketing Server requires you to define a way for the SOAP messages to pass through the inner DMZ firewall.

This topic contains the following information:

- [“Installing the Email Sending Daemon” on page 85](#)
- [“Installing the Bounce Handler Daemon” on page 85](#)
- [“Installing the Click Through Daemon” on page 86](#)
- [“Roadmap for Configuring Email Marketing Daemons” on page 87](#)

Installing the Email Sending Daemon

Complete the steps in the following procedure to install the Email Sending Daemon. Before installing the Email Sending Daemon, make sure that you have completed the installation requirements for email marketing. For more information, see [“Requirements for Installing Email Marketing” on page 79](#).

To install the Email Sending Daemon on a Windows or UNIX server

- 1 On a Windows server, run the Email Sending Daemon installation program, esd-install.exe.
(Windows 2008 only) If you are using a Microsoft Windows 2008 server, then before installing the Email Sending Daemon, perform the following steps:
 - a Navigate to the esd-install.exe file.
 - b Right-click the file, select the Properties menu item, and then select the Compatibility tab.
 - c In the Compatibility mode box, click the Run this program in compatibility mode check box.
 - d In the drop-down list, select Windows Server 2003 (service pack 1), then click OK.
- 2 On a UNIX server, perform the following steps:
 - a Make an installation directory named esd using the following command:

```
mkdir esd
```
 - b Copy the Email Sending Daemon installation program from the installation media to the directory that you created.
 - c In the Email Sending Daemon installation directory, run the Email Sending Daemon installation program.
- 3 In the Installation dialog box, review the information, and then click Next.
- 4 In the Choose Java Virtual Machine dialog box, select the Java Development Kit (JDK) that you installed in [“Requirements for Installing Email Marketing” on page 79](#), and then click Next.
NOTE: Make sure that you choose the correct JDK. Selecting the wrong JDK or selecting a JRE prevents the Email Sending Daemon from starting properly.
- 5 In the Choose Install Folder dialog box, choose the Email Sending Daemon installation directory, and then click Next.
- 6 Review the Pre-Installation Summary dialog box, and then click Install.
- 7 In the Install Complete dialog box, verify the information, and then click Done.

Installing the Bounce Handler Daemon

This topic contains the information that you need to install the Bounce Handler Daemon. Before installing the Bounce Handler Daemon, make sure that you have completed the installation requirements. For more information, see [“Requirements for Installing Email Marketing” on page 79](#).

To install the Bounce Handler Daemon on a Windows or UNIX server

- 1 On a Windows server, run the Bounce Handler Daemon installation program.
- 2 On a UNIX server, perform the following steps:
 - a Make an installation directory named bhd using the following command:

```
mkdi r bhd
```
 - b Copy the Bounce Handler Daemon installation program from the installation media to the directory that you created.
 - c In the Bounce Handler Daemon installation directory, run the Bounce Handler Daemon installation program.
- 3 In the Installation dialog box, review the information, and then click Next.
- 4 In the Choose Java Virtual Machine dialog box, select the Java Development Kit (JDK) that you installed in [“Requirements for Installing Email Marketing” on page 79](#), and then click Next.

NOTE: Make sure that you choose the correct JDK. Selecting the wrong JDK or selecting a JRE prevents the Bounce Handler Daemon from starting properly.
- 5 In the Choose Install Folder dialog box, choose the Bounce Handler Daemon installation directory, and then click Next.
- 6 Review the Pre-Installation Summary dialog box, and then click Install.
- 7 In the Install Complete dialog box, verify the information, and then click Done.

Installing the Click Through Daemon

This topic contains the information that you need to install the Click Through Daemon. Before installing the Click Through Daemon, make sure that you have completed the installation requirements. For more information, see [“Requirements for Installing Email Marketing” on page 79](#).

To install the Click Through Daemon on a Windows or UNIX server

- 1 On a Windows server, run the Click Through Daemon installation program.
- 2 On a UNIX server, perform the following steps:
 - a Make an installation directory named ctd using the following command:

```
mkdi r ctd
```
 - b Copy the Click Through Daemon installation program from the installation media to the directory that you created.
 - c In the Click Through Daemon installation directory, run the Click Through Daemon installation program.
- 3 In the Installation dialog box, review the information, and then click Next.

- 4 In the Choose Java Virtual Machine dialog box, select the Java Development Kit (JDK) that you installed in [“Requirements for Installing Email Marketing” on page 79](#), and then click Next.
NOTE: Make sure that you choose the correct JDK. Selecting the wrong JDK or selecting a JRE prevents the Click Through Daemon from starting properly.
- 5 In the Choose Install Folder dialog box, choose the Click Through Daemon installation directory, and then click Next.
- 6 Review the Pre-Installation Summary dialog box, and then click Install.
- 7 In the Install Complete dialog box, verify the information, and then click Done.

Roadmap for Configuring Email Marketing Daemons

This topic contains the information that you need to configure Email Marketing Server and the Siebel Marketing application so that they can communicate with each other. To configure the Email Marketing daemons, perform the following tasks and processes:

- [“Identifying the Web Service Endpoint URL” on page 87](#)
- [“Process of Configuring the Email Sending Daemon” on page 88](#)
- [“Process of Configuring the Bounce Handler Daemon” on page 95](#)
- [“Process of Configuring the Click Through Daemon” on page 102](#)
- [“Configuring Email Marketing Components for HTTPS Communications” on page 106](#)

Before You Begin

Many of the configuration values you must specify for the Email Marketing daemons are specified in the properties file for the component, for example, the URL used to connect the Email Sending Daemon to Siebel Marketing, the location of the Siebel File System, and various other parameters that control the behavior of the Email Marketing components.

The component properties files, `esd.properties`, `bhd.properties`, and `ctd.properties`, are located in the `ESD_root`, `BHD_root`, and `CTD_root` installation directories, respectively. For additional information about the properties files, see [“New and Changed Properties in the `esd.properties` Configuration File” on page 171](#).

Identifying the Web Service Endpoint URL

The Email Marketing components use the Web service endpoint URL to connect with Siebel Marketing. This topic describes how to identify the Web service endpoint URL. You require the URL when configuring each of the Email Marketing daemons.

This task is a step in [“Roadmap for Configuring Email Marketing Daemons” on page 87](#).

To identify the Web services endpoint URL

- 1 Log in to Siebel Server.
- 2 Navigate to the Administration - Web Services screen, then the Inbound Web Services view.
- 3 In the Name field, query for the WebMarketing Web service.
- 4 In the Service Ports applet, copy the contents of the Address field.

NOTE: If the Web services endpoint URL uses the HTTPS protocol, then you must configure the Email Marketing components for HTTPS communications with Siebel Marketing, as described in [Configuring Email Marketing Components for HTTPS Communications on page 106](#).

Process of Configuring the Email Sending Daemon

This topic contains the configuration tasks you need to perform so that the Marketing application can communicate with the Email Sending Daemon. Additionally, you must configure the Email Sending Daemon to read files from the Marketing File System and communicate with the outbound Mail Transfer Agents. During these tasks, you have an opportunity to verify that the Email Sending Daemon has been correctly installed and configured. For information about this test, see [“Process of Testing the Email Marketing Components with Siebel Marketing” on page 113](#).

This process is a step in [“Roadmap for Configuring Email Marketing Daemons” on page 87](#).

CAUTION: During this process, do not start the Email Sending Daemon until told to do so. If you do accidentally start it, then stop it immediately before proceeding.

To configure the Email Sending Daemon to connect to the Marketing Server, perform the following tasks:

- 1 [“Identifying the Outbound Mail Transfer Agents for the Email Sending Daemon” on page 89](#)
- 2 [“Configuring the Email Sending Daemon to Access the Marketing File System” on page 89](#)
- 3 [“Configuring the SOAP Communications Port” on page 91](#)
- 4 [“Configuring Web Services Properties for the Email Sending Daemon” on page 91](#)
- 5 [“Verifying the Email Sending Daemon Installation” on page 92](#)
- 6 [“Configuring the Marketing Application to Connect to the Email Sending Daemon” on page 94](#)
- 7 [“Configuring the Email Address Headers for the Email Marketing Server” on page 94](#)

Identifying the Outbound Mail Transfer Agents for the Email Sending Daemon

The Email Sending Daemon (ESD) must have one or more outbound Mail Transfer Agents (MTAs) to deliver the email over the Internet. If you specify multiple MTAs, then the ESD uses the additional MTAs as backups. In the `esd.properties` file, you specify the names of your MTAs. When the ESD starts, it uses the first MTA on the list. When an MTA fails, the ESD uses the next MTA on the list. To use the first MTA again, you must restart the ESD, usually by rebooting the server.

This task is a step in [“Process of Configuring the Email Sending Daemon” on page 88](#).

To identify the outbound Mail Transfer Agent for ESD

- 1 Determine the hostname of the outbound Mail Transfer Agent.
- 2 Open the `esd.properties` file in a text editor such as WordPad (Windows) or vi (UNIX).
- 3 Locate the string `esd.mailServers`.
- 4 In the string `esd.mailServers`, replace "CHANGE_ME" with the hostname of the outbound Mail Transfer Agent. If there is more than one, then separate them with commas.
- 5 Save your changes.

Configuring the Email Sending Daemon to Access the Marketing File System

The Email Sending Daemon needs to access the Siebel Marketing File System to load the email message content (generated from the email offers and attachments) and the subwaves of contacts and prospects generated for a campaign wave. This topic describes how to configure the Email Sending Daemon to access the Siebel Marketing File System.

This task is a step in [“Process of Configuring the Email Sending Daemon” on page 88](#).

Configuring the Email Sending Daemon to Access the Marketing File System on a Windows Server

The following procedure describes how to configure the Email Sending Daemon to access the Marketing File System on a Windows Server.

To configure the ESD to access the Marketing File System on a Windows Server

- 1 Log in to Siebel Server.
- 2 Navigate to the Administration - Server Configuration screen, Servers, and then the Parameters view.
- 3 Query for Marketing File System.

Write down the value of this parameter to use later in this task.

- 4 Identify the Windows share name for this directory.

Write down this name to use later in this task.

- 5 Open the esd.properties file with a text editor, such as WordPad.

- 6 In the string esd.mountPoint, replace "CHANGE_ME" with the following path, using the share name determined in [Step 4](#):

```
\\\\\\siebel_server_hostname\\marketing_file_system_share_name
```

Use two backslashes for each standard single backslash when defining this path. For example, C: \Windows is C: \\Windows.

CAUTION: If the Marketing File System is on the same server as the Email Sending Daemon, then use the complete path to the Marketing File System instead of the share name to avoid potential permission issues.

- 7 Save your changes to the esd.properties file.

Configuring the Email Sending Daemon to Access the Marketing File System on UNIX

The following procedure describes how to configure the Email Sending Daemon to access the Marketing File System on a UNIX server.

To configure the ESD to access the Marketing File System on a UNIX Server

- 1 Log in to Siebel Server.

- 2 Navigate to the Administration - Server Configuration screen, Servers, and then the Parameters view.

- 3 Query for Marketing File System.

Write down the value of this parameter to use later in this task.

- 4 Determine if this directory is exported through NFS. If it is not, then export it.

- 5 Open the esd.properties file with a text editor, such as vi.

- 6 On the Email Sending Daemon server, make sure the Marketing File System is NFS mounted. If it is not, then mount it at this time.

Write down the full path name of the mounted Marketing File System to use later in this task.

- 7 In the string esd.mountPoint, at the right of the string, add the Marketing File System NFS mount directory.

- 8 Save your changes to the esd.properties file.

Configuring the SOAP Communications Port

The Marketing application on Siebel Server communicates with the Email Sending Daemon using the SOAP protocol, which uses HTTP requests. You must configure the Email Sending Daemon to listen for these HTTP requests on a specific port. This task is described in the following procedure.

This task is a step in [“Process of Configuring the Email Sending Daemon” on page 88](#).

To configure the SOAP communications port

- 1 Consider what port number you want to use to service the SOAP commands (HTTP requests) on the Email Sending Daemon.

Because this HTTP server does not service standard HTTP requests such as Web pages, any port can be used (even the default of 8090). Write down the port number you decide to use.

- 2 At the following location, open the server.xml file in a text editor:

```
esd_installation_directory\config\server.xml
```

- 3 Locate the XML tag Connector by searching for the following phrase:

```
Define a non-SSL Coyote HTTP/1.1 Connector
```

- 4 Identify the value of the port attribute and, if necessary, change it to the value you chose in [Step 1 on page 91](#).

By default this value is 8090.

- 5 Save the change.

You need this port number again in a subsequent task.

Configuring Web Services Properties for the Email Sending Daemon

You can configure the Web services properties for the Email Sending Daemon by changing the properties in the esd.properties file.

This task is a step in [“Process of Configuring the Email Sending Daemon” on page 88](#).

To configure the Web services properties for the Email Sending Daemon

- 1 Navigate to the esd.properties file in the *ESD_root* installation directory.
- 2 Open the esd.properties file in a text editor.

- 3 Change the Web services properties in the esd.properties file as indicated in the following table.

Property	Description
Web Service URL	esd.handler.webservice.url=CHANGE_ME Replace CHANGE_ME with the URL obtained in Identifying the Web Service Endpoint URL on page 87 .
Web Service username	esd.handler.webservice.username=CHANGE_ME Replace CHANGE_ME with the Administration user name.
Web Service password	esd.handler.webservice.password=CHANGE_ME Replace CHANGE_ME with the Administration user password.

- 4 (Optional) If you choose to encrypt the Web service username and password using the JMangle algorithm, then set the JAR_PATH environment variable in the jmangle.bat file. The jmangle.bat file is located in the *ESD_root/bin* directory.

Make sure that the value you specify for the JAR_PATH reflects the directory structure of the *ESD_root/bin* directory. For example:

```
JAR_PATH=.. /common/IBM/Siebel.jar; .. /common/IBM/common.jar
```

NOTE: If the Web services endpoint URL uses the HTTPS protocol, then you must configure the Email Marketing components for HTTPS communications with Siebel Marketing as described in [Configuring Email Marketing Components for HTTPS Communications on page 106](#).

Verifying the Email Sending Daemon Installation

At this point, you can test the installation of the Email Sending Daemon. To verify that the installation was successful, you start the Email Sending Daemon and then perform several verification steps. For information about testing how the Email Marketing components and the Marketing application work together, see [“Process of Testing the Email Marketing Components with Siebel Marketing” on page 113](#).

This task is a step in [“Process of Configuring the Email Sending Daemon” on page 88](#).

Starting the Email Sending Daemon on a Windows Server

The following procedure describes how to start the Email Sending Daemon on a Windows server.

To start the Email Sending Daemon on a Windows Server

- 1 From the Start menu, choose Settings and then the Control Panel menu item.
- 2 In Control Panel, choose Administrative Tools and then Services.
- 3 Right-click the Email Sending Daemon service and select Start.

Starting the Email Sending Daemon on a UNIX Server

The following procedure describes how to start the Email Sending Daemon on a UNIX server.

To start the Email Sending Daemon on a UNIX server

1 Open a window and navigate to the Email Sending Daemon install directory.

2 Enter and run the following command:

```
./tomcat-ctl.sh start &
```

3 Optionally, you can enter and run the following commands:

```
./tomcat-ctl.sh start &; tail -f logs/esd.log
```

NOTE: The first command (`./tomcat-ctl.sh start &`) launches the daemon. The second command (`tail -f logs/esd.log`) displays output to the esd log as it is running without generating a read lock on the file. A read lock would prevent these commands from working.

Verifying the Email Sending Daemon Installation

The following procedure describes how to verify the Email Sending Daemon installation.

To verify the Email Sending Daemon installation

1 Open the `esd_InstallLog.log` file located in the esd installation directory and read the summary at the start of the file.

Make sure it says that the installation was successful with no warnings or errors. If there are warnings or errors, then you must identify the cause and fix the error.

2 Verify that the Email Sending Daemon Windows Service or UNIX process runs and stays running without an error message.

3 Verify that a `esd.log` file exists in the following directory:

```
esd installation directory\logs\esd.log
```

4 Verify that the following text is in the `esd.log` file:

```
INFO OnPremiseAppListener ESD is licensed.
```

5 Make sure there are no ERROR or WARN level messages in the `esd.log` file.

6 Confirm that the Email Sending Daemon Web container is running.

NOTE: You need the port number that you obtained in “Configuring the SOAP Communications Port” on page 91.

Verify that you can open the following Web page without error using Internet Explorer:

```
http://email_sending_daemon_server_hostname:email_sending_daemon_soap_port/esd/soaprpc
```

Configuring the Marketing Application to Connect to the Email Sending Daemon

This topic describes how to set up the Marketing application to connect to the Email Sending Daemon.

This task is a step in [“Process of Configuring the Email Sending Daemon”](#) on page 88.

To configure the Marketing application to connect to the Email Sending Daemon

- 1 Open Internet Explorer and navigate to the Siebel Marketing Server login screen. For example:
`http://marketing_server_hostname/marketin g_enu`
- 2 Log in as the server administrator.
- 3 Navigate to the Administration - Web Services screen, and then the Outbound Web Services view.
- 4 In the Outbound Web Services list, in the Name field, query for SendMailingService.
- 5 In the Service Ports list, in the SendMailing record, perform the following steps:
 - a Obtain the Web Port Id identified in [“Configuring the SOAP Communications Port”](#) on page 91.
 - b In Address field, change the URL using the following syntax:
`http://esd_server_hostname:esd_web_port/esd/soaprpc`
- 6 Click Clear Cache.
- 7 Navigate to the Administration - Marketing screen, and then the Servers view.
- 8 In the Servers list, in the Name field, query for Email Marketing Server.
- 9 In the parameters list, locate the Email Sending Daemon (ESD) parameter, and verify that the Outbound Web Service Port field contains SendMailing.

Configuring the Email Address Headers for the Email Marketing Server

This topic describes how to configure the From and Reply-To headers for outbound email sent using the Email Sending Daemon.

This task is a step in [“Process of Configuring the Email Sending Daemon”](#) on page 88.

To configure the From Address and Reply-To Address for the Email Marketing Server

- 1 Navigate to the Administration - Marketing screen, and then the Servers view.
- 2 In the Servers list, in the Name field, query for Email Marketing Server.

- 3 In the parameters list, in the Value field, update the values as shown in the following table.

Parameter Type	Value
From Address (From header)	<i>email address</i> An address to use as the From header for outgoing emails.
Reply To Address (Reply-To header)	<i>email address</i> An address to use as the Reply-To header for outgoing emails.

Process of Configuring the Bounce Handler Daemon

The Bounce Handler Daemon notifies the Marketing Component Group that it has processed asynchronous bounces and needs to pass these bounce details to the Marketing Component Group. This topic contains the information that you need to configure the Bounce Handler Daemon to communicate with the Marketing Component Group.

This process is a step in [“Roadmap for Configuring Email Marketing Daemons”](#) on page 87.

To configure the Bounce Handler Daemon, perform the following tasks:

- [“Verifying the Bounce Handler Daemon Installation”](#) on page 95
- [“Configuring the Bounce Address of the SMTP Envelope”](#) on page 97
- [“Configuring Web Services Properties for the Bounce Handler Daemon”](#) on page 97
- Review [“About Creating Classification Rules for Bounce Messages”](#) on page 98
- [“Configuring How the Bounce Handler Daemon Classifies Bounce Messages”](#) on page 99

NOTE: During this process, do not start the Bounce Handler Daemon until told to do so. If you do accidentally start it, then stop it immediately before proceeding.

Verifying the Bounce Handler Daemon Installation

To verify that the Bounce Handler Daemon installation was successful, you start the Bounce Handler Daemon and then perform installation tests. This topic describes these tasks. For information about testing how the Email Marketing components and the Marketing Component Group work together, see [“Process of Testing the Email Marketing Components with Siebel Marketing”](#) on page 113.

This task is a step in [“Process of Configuring the Bounce Handler Daemon”](#) on page 95.

Starting the Bounce Handler Daemon on a Windows Server

To start the Bounce Handler Daemon on a Windows server, perform the steps in the following procedure.

To start the Bounce Handler Daemon on a Windows Server

- 1 From the Start menu, choose Settings and then the Control Panel menu item.
- 2 In Control Panel, choose Administrative Tools and then Services.
- 3 Right-click the bhd service and select Start.

Starting the Bounce Handler Daemon on a UNIX Server

To start the Bounce Handler Daemon on a UNIX server, perform the steps in the following procedure.

To start the Bounce Handler Daemon on a UNIX server

- 1 Open a window and navigate to the Bounce Handler Daemon install directory.
- 2 Enter and run the following command:

```
./bin/bhd-ctl.sh start &
```

- 3 Optionally, you can enter and run the following commands:

```
./bin/bhd-ctl.sh start &; tail -f bhd.log
```

The first command (`./bin/bhd-ctl.sh start &`) launches the daemon. The second command (`tail -f bhd.log`) displays output to the bhd log as it is running without generating a read lock on the file. A read lock would prevent these commands from working.

Verifying the Bounce Handler Daemon Installation

To verify the Bounce Handler Daemon installation, perform the steps in the following procedure.

To verify the Bounce Handler Daemon installation

- 1 Verify that the Bounce Handler Daemon Windows Service or UNIX process is running and stays running without an error message.
- 2 Open the `bhd_InstallLog.log` file (found in the *bhd installation directory*) and read the Summary at the start of the file. Make sure it says that the installation was successful with no warnings or errors. If there are warnings or errors, then you must identify the cause and fix the error.
- 3 Verify that a `bhd.log` file exists in the following directory:

```
bhd installation directory\logs\bhd.log
```

- 4 Verify that the following text is in the `bhd.log` file:

```
INFO OnPremiseMain BHD is licensed.
```

- 5 Make sure there are no ERROR or WARN level messages in the `bhd.log` file.
- 6 From a command prompt window, telnet to the Bounce Handler Daemon SMTP port (25) (for example, `telnet bhd.example.com 25`), wait for a greeting, and then enter the word quit and press ENTER. Your telnet session then ends.

Configuring the Bounce Address of the SMTP Envelope

This topic describes how to configure the hostname that you use to create the bounce address of the SMTP envelope. This bounce address is the email address that receives bounced emails. The hostname you use as the bounce address is the host name of the Bounce Handler Daemon.

This task is a step in [“Process of Configuring the Bounce Handler Daemon” on page 95](#).

To configure the SMTP envelope bounce address

- 1 Navigate to the Siebel Marketing login screen at `http://marketing application hostname/marketing_enu`
- 2 Log in as the server administrator.
- 3 Navigate to the Administration - Marketing screen and then the Servers view.
- 4 In the Servers list, in the Name field, query for Email Marketing Server.
- 5 In the parameters list, in the Value field, update the values as shown in the following table.

Parameter Type	Value
Bounce Handler Daemon (BHD)	<i>bhd server hostname</i>

Configuring Web Services Properties for the Bounce Handler Daemon

You can configure the Web Services properties for the BHD by changing the properties in the `bhd.properties` file. This topic describes this task.

This task is a step in [“Process of Configuring the Bounce Handler Daemon” on page 95](#).

To configure Web services properties for the Bounce Handler Daemon

- 1 Navigate to the `bhd.properties` file in the *BHD_root* installation directory.
- 2 Open the `bhd.properties` file in a text editor such as WordPad (Windows) or vi (UNIX).
- 3 Change the Web services properties in the `bhd.properties` file as indicated in the following table.

Property	Description
Web Service URL	<code>bhd.webservice.url=CHANGE_ME</code> Replace CHANGE_ME with the URL obtained in Identifying the Web Service Endpoint URL on page 87 .

Property	Description
Web Service username	bhd.webservice.username=CHANGE_ME Replace CHANGE_ME with the Administration user name.
Web Service password	bhd.webservice.password=CHANGE_ME Replace CHANGE_ME with the Administration user password.

- 4 (Optional) If you choose to encrypt the Web service username and password using the JMangle algorithm, then set the JAR_PATH environment variable in the jmangle.bat file. The jmangle.bat file is located in the *BHD_root/bin* directory.

Make sure that the value you specify for the JAR_PATH reflects the directory structure of the *BHD_root/bin* directory. For example:

```
.. /lib/Siebel.jar; .. /lib/common.jar
```

NOTE: If the Web services endpoint URL uses the HTTPS protocol, then you must configure the Email Marketing components for HTTPS communications with Siebel Marketing as described in [Configuring Email Marketing Components for HTTPS Communications](#) on page 106.

About Creating Classification Rules for Bounce Messages

You can extend the Bounce Handler Daemon's ability to recognize different categories and types of bounces by creating rules that specify how values in the delivery status notification messages received for undelivered emails are to be classified. You create new bounce classification rules in the following files, which are located in the *bhd_install_home/config* directory:

- **customDCBounceConfig.** Used to define rules for classifying bounce messages by matching specified string values in the Diagnostic Code entry of the delivery status notification message
- **customFromBounceConfig.** Used to define rules for classifying bounce messages by matching specified string values in the From header of the delivery status notification message
- **customSubjectBounceConfig.** Used to define rules for classifying bounce messages by matching specified string values in the Subject header of the delivery status notification message

You can create as many bounce message classification rules as required for your Siebel Marketing environment. If you create custom classification rules, then bounce messages are classified using these custom rules. If you choose not to create custom classification rules, or if the Email Marketing Server cannot find a match for an undelivered email in the custom classification rules you create, then bounce messages are classified using standard Siebel Marketing functionality.

Note that you cannot customize the following Bounce Handler Daemon processing functionality:

- If the delivery status notification message for an undelivered email contains a Diagnostic Code entry, then entries in the customFromBounceConfig and customSubjectBounceConfig files are not processed.
If the delivery status notification message does not contain a Diagnostic Code entry, then entries in the customFromBounceConfig file take precedence over entries in the customSubjectBounceConfig file.
- If the delivery status notification message for an undelivered email contains a From header which includes a value equal to MAILER-DAEMON, then entries in the customFromBounceConfig and customSubjectBounceConfig files are not processed.
- If the delivery status notification message for an undelivered email contains an Action field which includes a value equal to Failed, then entries in the customFromBounceConfig and customSubjectBounceConfig files are not processed.

Configuring How the Bounce Handler Daemon Classifies Bounce Messages

You can configure how the Bounce Handler Daemon classifies bounce messages by defining custom classification rules. This topic describes how to perform this configuration task. For information about the files used to define custom classification rules, see [“About Creating Classification Rules for Bounce Messages” on page 98](#).

This task is a step in [“Process of Configuring the Bounce Handler Daemon” on page 95](#).

The following procedure describes how to create custom rules for classifying bounce messages.

NOTE: The Bounce Handler Daemon processes classification rules in the order in which they appear in a customxxBounceConfig file and, when it encounters a match for a bounce, it does not evaluate rules defined further down in the file. Therefore, enter classification rules in a customxxBounceConfig file in order of importance.

To define classification rules for bounce messages

- 1 Navigate to the `bhd_install_home/config` directory.
- 2 Using a text editor, edit the appropriate customxxBounceConfig file.

The file you edit will vary according to whether you want to create a classification rule by matching values in the Diagnostic Code entry, or the From header, or the Subject header of the delivery status notification message for the undelivered email. For additional information about the customxxBounceConfig files, see [“About Creating Classification Rules for Bounce Messages” on page 98](#).

- 3 To create a classification rule by matching string values in the Diagnostic Code entry of the delivery status notification message, add the entries shown in the following table to the customDCBounceConfig file.

Parameter	Value
DIAGNOSTICCODEDATA=	<p>The diagnostic code you want to match. Either enter the exact string you want to match, or enter the value in the form of a regular expression. For information on regular expression notation, see the Java 2 Platform Standard Edition 5.0 API Specification at</p> <p>http://docs.oracle.com/javase/1.5.0/docs/api/java/util/regex/Pattern.html#sum</p> <p>Information on regular expressions is also available at</p> <p>http://www.vogella.com/articles/JavaRegularExpressions/article.html</p>
CODE=	<p>The value you want to assign bounce messages that contain the diagnostic code specified in the DIAGNOSTICCODEDATA parameter.</p>
HARD=	<p>Enter either Yes or No to indicate whether or not bounce messages that include the diagnostic code specified in the DIAGNOSTICCODEDATA parameter are to be classified as hard bounces.</p> <p>A hard bounce refers to an email that cannot ever be delivered. A soft bounce refers to an email that cannot be delivered at present, but that can possibly be delivered in the future.</p>

For example, you might want to classify bounce messages that include the following diagnostic code:

```
Diagnostic-Code: smtp; 5.4.7 - Delivery expired (message too old) 421-'4.7.0 [TS01] Messages from 155.91.38.221 temporarily deferred due to user complaints - 4.16.55.1; see http://postmaster.yahoo.com/421-ts01.html' (delivery attempts: 1)
```

To assign these bounce messages a code of MAILBOX_CUSTOMSTATE, and to classify them as soft bounces, enter the following values:

```
DIAGNOSTICCODEDATA=. *5\\. 4\\. 7. *
CODE=MAILBOX_CUSTOMSTATE
HARD=no
```

- 4 To create a classification rule by matching string values in the From header of the delivery status notification message, add the entries shown in the following table to the customFromBounceConfig file.

Parameter	Value
FROMDATA=	The string value in the From header that you want to match. Either enter the exact string to match, or enter the value in the form of a regular expression. See Step 3 on page 100 for information on regular expressions.
CODE=	The code you want to assign bounce messages that contain the specified string in the From header.
HARD=	Enter either Yes or No to indicate whether or not bounce messages that include the specified string are to be classified as hard bounces.

For example, to classify bounce messages returned from a specific Mail Transfer Agent as hard bounces, and to assign them a code of BAD_ADDRESS, enter the following values:

```
FROMDATA=. *name_of_mailer.*
CODE=BAD_ADDRESS
HARD=yes
```

- 5 To create a classification rule by matching string values in the Subject header of the delivery status notification, add the entries in the following table to the customSubjectBounceConfig file.

Parameter	Value
SUBJECTDATA=	The string value in the Subject header that you want to match. Either enter the exact string to match, or enter the value in the form of a regular expression. See Step 3 on page 100 for information on regular expressions.
CODE=	The code you want to assign bounce messages that contain the specified string in the Subject header.
HARD=	Enter either Yes or No to indicate whether or not bounce messages that include the specified string are to be classified as hard bounces.

For example, to classify bounce messages that contain the string VACATION in the Subject header as soft bounces, and to assign them a code of AUTO_REPLY, enter the following values:

```
SUBJECTDATA= (?i). *VACATION.*
CODE=AUTO_REPLY
HARD=no
```

NOTE: In the SUBJECTDATA field, the values (?i) indicate that the match is case-insensitive.

- 6 If you create custom bounce codes for the CODE parameter, you must also add the new code value to the Siebel BOUNCE_REASON_CODE Lists of Values (LOV).

For information about customizing Siebel CRM LOVs, see *Siebel Applications Administration Guide*.

- 7 After creating a custom rule, stop and restart the Bounce Handler Daemon for the rule to take effect.

Process of Configuring the Click Through Daemon

This topic contains the information that you need to configure the Click Through Daemon to communicate with the Marketing Component Group. The Click Through Daemon needs to pass the server details about the HTTP requests it has serviced (Tracked URLs, Forward To Friend, and so on) to the Marketing Component Group.

This process is a step in [“Roadmap for Configuring Email Marketing Daemons” on page 87](#).

To configure the Click Through Daemon to connect to the Marketing Component Group, perform the following tasks:

- [“Configuring the Click Through Daemon HTTP Server Port” on page 102](#)
- [“Verifying the Click Through Daemon Installation” on page 103](#)
- [“Configuring the Click Through Daemon, Web Marketing, and Events Base URLs” on page 104](#)
- [“Configuring Web Services Properties for the Click Through Daemon” on page 105](#)

CAUTION: During this process, do not start the Click Through Daemon until told to do so. If you do accidentally start it, then stop it immediately before proceeding.

Configuring the Click Through Daemon HTTP Server Port

Personalization elements sent in emails to contacts and prospects that the Click Through Daemon services (for example, Track Message Open, Tracked URLs, and so on) must be able to issue HTTP requests to the Click Through Daemon. You must configure your firewalls or DMZ to service these requests and the Email Sending Daemon to listen for these HTTP requests on a specific port. This topic describes this task.

This task is a step in [“Process of Configuring the Click Through Daemon” on page 102](#).

To configure the Click Through Daemon HTTP server port

- 1 Identify the port number to use to service HTTP requests on the Click Through Daemon and write it down for use in subsequent tasks.
- 2 Configure your firewall to properly service these requests over this port.
- 3 Open the server.xml file in the `ctd_installation_directory\conf` directory with a text editor.
- 4 Search for the following phrase:
Define a non-SSL Coyote HTTP/1.1 Connector
- 5 Search for the XML tag Connector using the following phrase:

Find the value of the port attribute

By default this value is 8060. If you chose a different port number to service HTTP requests on the Click Through Daemon, then change the port attribute value and save the file.

Verifying the Click Through Daemon Installation

To verify the Click Through Daemon installation was successful, you start the Click Through Daemon and then perform the installation test. For information about testing how the Email Marketing components and the Marketing Component Group work together, see [“Process of Testing the Email Marketing Components with Siebel Marketing” on page 113](#).

This task is a step in [“Process of Configuring the Click Through Daemon” on page 102](#).

Starting the Click Through Daemon on a Windows Server

The following procedure describes how to start the Click Through Daemon on a Windows server.

To start the Click Through Daemon on a Windows Server

- 1 From the Start menu, choose Settings and then the Control Panel menu item.
- 2 In Control Panel, choose Administrative Tools and then Services.
- 3 Right-click the ctd service and select Start.

Starting the Click Through Daemon on a UNIX Server

The following procedure describes how to start the Click Through Daemon on a UNIX server.

To start the Click Through Daemon on a UNIX server

- 1 Open a window and navigate to the Click Through Daemon install directory.
- 2 Enter and run the following command:

```
./tomcat-ctl.sh start &
```

- 3 Optionally, you can enter and run the following commands:

```
./tomcat-ctl.sh start & tail -f logs/ctd.log
```

NOTE: The first command (`./tomcat-ctl.sh start &`) launches the daemon. The second command (`tail -f logs/ctd.log`) displays output to the ctd log as it is running without generating a read lock on the file. A read lock would prevent the tail command from working.

Verifying the Click Through Daemon Installation

The following procedure describes how to verify the Click Through Daemon installation.

To verify the Click Through Daemon installation

- 1 Verify that the Click Through Daemon MS Windows service or UNIX process runs and stays running without an error message.
- 2 Open the ctd_InstallLog.log file in the ctd installation directory and read the Summary at the start of the file.
Make sure it says that the installation was successful with no warnings or errors. If there are warnings or errors, then you must identify the cause and fix the error.
- 3 Verify that a ctd.log file exists in the directory *ctd_installation_directory\logs*.
- 4 Verify that the following text is in the ctd.log file:

```
INFO OnPremiseAppListener CTD is Licensed.
```
- 5 Make sure there are no ERROR or WARN level messages in the ctd.log file.
- 6 Confirm that the Click Through Daemon Web container is running.
NOTE: To do this, you need the port number that you obtained in “Configuring the Click Through Daemon HTTP Server Port” on page 102.
- 7 Verify that you can open the following Web page without an error using Internet Explorer

```
http://Click_Through_Daemon_server_hostname:Click_Through_Daemon_http_port/ctd/soaprpc
```

Configuring the Click Through Daemon, Web Marketing, and Events Base URLs

This topic describes how to configure the base URLs for URLs sent in email campaigns. The following are the sets of base URLs that can be generated:

- Click Through Daemon base URL (used for Tracked URLs, Forward To Friend, and so on)
- Web Marketing base URL
- Events base URL

This task is a step in “Process of Configuring the Click Through Daemon” on page 102.

To configure base URLs for email campaigns

- 1 Navigate to the Siebel Marketing Server login screen at

```
http://marketing_application_hostname/marketing_enu
```
- 2 Log in as the server administrator.
- 3 Navigate to the Administration - Marketing screen and then the Servers view.
- 4 In the Servers list, in the Name field, query for Email Marketing Server.

- In the parameters list, in the Value field, update the values as shown in the following table.

Parameter Type	Value
Click Through Daemon (CTD)	<code>http://Click Through Daemon server hostname: port number</code>
Web Server	<p>URL for Web Marketing; URL for Events</p> <p>For example:</p> <p><code>http://hostname/emarketing_enu;</code> <code>http://hostname/eevents_enu</code></p>

Configuring Web Services Properties for the Click Through Daemon

You can configure the Web Services properties for the CTD by changing the properties in the `ctd.properties` file, located in the `CTD_root_installation` directory.

This task is a step in ["Process of Configuring the Click Through Daemon"](#) on page 102.

To configure Web services properties for the Click Through Daemon

- Navigate to the `ctd.properties` file in the `CTD_root_installation` directory.
- Open the `ctd.properties` file in a text editor.
- Change the Web services properties in the `ctd.properties` file as indicated in the following table.

Property	Description
Web Service URL	<p><code>ctd.webservice.url=CHANGE_ME</code></p> <p>Replace <code>CHANGE_ME</code> with the URL obtained in Identifying the Web Service Endpoint URL on page 87.</p>
Web Service username	<p><code>ctd.webservice.username=CHANGE_ME</code></p> <p>Replace <code>CHANGE_ME</code> with the Administration user name.</p>
Web Service password	<p><code>ctd.webservice.password=CHANGE_ME</code></p> <p>Replace <code>CHANGE_ME</code> with the Administration user password.</p>

- (Optional) If you choose to encrypt the Web service username and password using the JMangle algorithm, then set the `JAR_PATH` environment variable in the `jmangle.bat` file. The `jmangle.bat` file is located in the `CTD_root/bin` directory.

Make sure that the value you specify for the `JAR_PATH` reflects the directory structure of the `CTD_root/bin` directory. For example:

```
JAR_PATH=../common/lib/Siebel.jar; ../common/lib/common.jar
```

NOTE: If the Web services endpoint URL uses the HTTPS protocol, then you must configure the Email Marketing components for HTTPS communications with Siebel Marketing as described in [Configuring Email Marketing Components for HTTPS Communications](#) on page 106.

Configuring Email Marketing Components for HTTPS Communications

This topic describes how to configure the Email Marketing Server components to support communications with Siebel Marketing using the HTTPS protocol.

This task is a step in [“Roadmap for Configuring Email Marketing Daemons”](#) on page 87.

If the Siebel Web server has been configured to use SSL or TLS encryption for communications with Web clients (HTTPS protocol), and if the Web service endpoint URL that the Email Marketing components use to connect with Siebel Marketing uses HTTPS, then you must perform the following tasks:

- Import the certificate file used by the Siebel Web server onto the computer on which you installed the Email Marketing components.
- Configure the Windows services or UNIX shell scripts used to start the Email Marketing Server components for HTTPS.

The procedures in this topic describe how to perform these tasks in a Windows environment and in a UNIX environment.

Configuring the Email Marketing Server to Use HTTPS on UNIX

The following procedure describes how to configure Email Marketing Server components for HTTPS communications on a UNIX environment.

To configure the Email Marketing Server to Use HTTPS on UNIX

- 1 On the computer on which you installed the Email Sending Daemon, create a keystore file for the CA certificate used by the Siebel Web server using a program such as Java keytool.

For example, create a keystore file named cacerts.

- 2 On the computer on which the Email Sending Daemon is installed, verify that the JAVA_HOME variable is set to the installation directory of the JDK environment that is being used by the Email Sending Daemon, and verify that the PATH variable includes the JAVA_HOME/jre/bin folder.

NOTE: The Siebel Web server certificate file must be imported in the Java Development Kit (JDK) environment being used by the Email Marketing Server daemons. For information, see [“Installing the Java Development Kit”](#) on page 82.

- 3 Import the Siebel Web server CA certificate file into the keystore file you created in [Step 1](#) using the following command:

```
keytool -import -alias hostname -file certificate_file_name -keystore
keystore_name -storepass keystore_password
```

where:

- *hostname* is the name of the Email Sending Daemon host computer.
- *certificate_file_name* is the name of the certificate file.
- *keystore_name* is the name of the keystore file you created in [Step 1](#).
- *keystore_password* is the keystore file password.

If you not specify the full path to the keystore file, the file is created in the user home folder.

- 4 Navigate to the `setenv.sh` file in the `ESD_root/bin/` directory, open the file using a text editor, and locate the `JAVA_OPTS` parameter.
- 5 Add the Java Secure Socket Extension (JSSE) system properties shown in the following table at the end of the `JAVA_OPTS` parameter settings.

Parameter	Value
<code>-Djavax.net.ssl.trustStore</code>	The full path to the keystore file that contains the CA certificate, for example: <code>/home/siebel/cacerts</code>
<code>-Djavax.net.ssl.trustStorePassword</code>	The password to the keystore file, for example: <code>siebel</code>

The following shows an example of the `setenv.sh` file after the new parameters have been added:

```
JAVA_OPTS="-Dcom.sun.management.jmxremote
-Dcom.sun.management.jmxremote.authenticate=false
-Dcom.sun.management.jmxremote.ssl=false
-Dcom.sun.management.jmxremote.port=8099
-Daxis2.xml=$CATALINA_HOME/esd-axis2.xml
-Djavax.net.ssl.trustStore=/home/siebel/cacerts
-Djavax.net.ssl.trustStorePassword=siebel"
```

- 6 (Optional) If the Click Through Daemon is installed on a different computer to the Email Sending Daemon, create a keystore file and import the Siebel Web server certificate into the keystore file on the Click Through Daemon computer.

To perform these tasks, follow the instructions in [Step 1](#) through [Step 3 on page 106](#), substituting references to the Email Sending Daemon with the Click Through Daemon.

- 7 Edit the `setenv.sh` file in the `CTD_root/bin` directory and add the system properties described in [Step 5 on page 107](#) to the file.

- 8 (Optional) If the Bounce Handler Daemon is installed on a different computer to the Email Sending Daemon, create a keystore file and import the Siebel Web server certificate into the keystore file on the Bounce Handler Daemon computer.

To perform these tasks, follow the instructions in [Step 1](#) through [Step 3 on page 106](#), substituting references to the Email Sending Daemon with the Bounce Handler Daemon.

- 9 Edit the `bhd-ctl.sh` file as follows:

- a Navigate to the `bhd-ctl.sh` file in the `BHD_root` installation directory and make a backup copy of the file.
- b Open the `bhd-ctl.sh` file with a text editor, navigate to `JAVA_PROPS` section of the file, then add the following parameters to the end of the section:

```
-Djavax.net.ssl.trustStore=keystore_filename  
-Djavax.net.ssl.trustStorePassword=keystore_file_password
```

For example:

```
JAVA_PROPS="-showversion ${JVM_MEM_SWITCHES}  
-Dproperties=bhd.properties -Dfile.encoding=UTF8  
-Djavax.net.ssl.trustStore=/home/siebel/cacerts  
-Djavax.net.ssl.trustStorePassword=siebel"
```

- 10 When configuring Web services properties for the Email Sending Daemon, the Click Through Daemon, and the Bounce Handler Daemon, make sure that the URL specified for the `component.handler.webservice.url` parameter points to a Siebel Inbound Web service that uses HTTPS.

For additional information on this task, see the following:

- [“Configuring Web Services Properties for the Email Sending Daemon” on page 91](#)
- [“Configuring Web Services Properties for the Bounce Handler Daemon” on page 97](#)
- [“Configuring Web Services Properties for the Click Through Daemon” on page 105](#)

Configuring the Email Marketing Server to Use HTTPS on Microsoft Windows

The following procedure describes how to configure Email Marketing Server components for HTTPS communications on a Microsoft Windows environment.

To configure the Email Marketing Server to Use HTTPS on Windows

- 1 On the computer on which you installed the Email Sending Daemon, create a keystore file for the CA certificate file used by the Siebel Web server using a program such as Java keytool.

For example, create a keystore file named `cacerts.jks`.

- 2 Import the Siebel Web server certificate file into the JDK environment being used by the Email Marketing Server daemons as described in [Step 2](#) and [Step 3 on page 106](#).
- 3 On the computer where you installed the Email Sending Daemon, edit the `install-win32-service.bat` file as follows:

- a Navigate to the `install-win32-service.bat` file located in the `ESD_root` installation directory and make a backup copy of the file.

The `install-win32-service.bat` file is used to create the Windows service file for stopping and starting the Email Sending Daemon.

- b Open the `install-win32-service.bat` file with a text editor, and navigate to the following line:

```
"%EXECUTABLE%" //US//%SERVICE_NAME% ++JvmOptions
"-Djava.io.tmpdir=%CATALINA_BASE%\temp"
--JvmMs %JVM_MIN_STACK%
--JvmMx %JVM_MAX_STACK%
```

- c Add the following parameters *before* the quotation marks after `\temp`:

```
-Djavax.net.ssl.trustStore=keystore-file_path;
-Djavax.net.ssl.trustStorePassword=keystore_file_password
```

where:

- *keystore-file_path* is the full path to the keystore file that contains the CA certificate
- *keystore_file_password* is the password to the keystore file.

For example:

```
"%EXECUTABLE%" //US//%SERVICE_NAME% ++JvmOptions
"-Djava.io.tmpdir=%CATALINA_BASE%\temp;
-Djavax.net.ssl.trustStore=D:\cacerts.jks;
-Djavax.net.ssl.trustStorePassword=welcome"
--JvmMs %JVM_MIN_STACK%
--JvmMx %JVM_MAX_STACK%
```

- d Save the `install-win32-service.bat` file, making sure not to change the file extension type.

- 4 To install the Email Sending Daemon as a service, open a command prompt, navigate to the `ESD_root` installation directory, then run the following command:

```
install -win32-service.bat
```

- 5 (Optional) If the Click Through Daemon is installed on a different computer to the Email Sending Daemon, create a keystore file and import the Siebel Web server certificate into the keystore file on the Click Through Daemon computer.

To perform these tasks, follow the instructions in [Step 1](#) through [Step 3 on page 106](#), substituting references to the Email Sending Daemon with the Click Through Daemon.

- 6 On the computer where you installed the Click Through Daemon, perform [Step 3 on page 108](#) and [Step 4 on page 109](#), but instead of editing and running the `install-win32-service.bat` file in the `ESD_root` installation directory, perform the same steps for the `install-win32-service.bat` file in the `CTD_root` installation directory.

- 7 (Optional) If the Bounce Handler Daemon is installed on a different computer to the Email Sending Daemon, create a keystore file and import the Siebel Web server certificate into the keystore file on the Bounce Handler Daemon computer.

To perform these tasks, follow the instructions in [Step 1](#) through [Step 3 on page 106](#), substituting references to the Email Sending Daemon with the Bounce Handler Daemon.

8 After installing the Bounce Handler Daemon, uninstall the existing Bounce Handler Daemon service as follows:

- a** Open a command prompt and navigate to *BHD_root* installation directory.
- b** Run the following command:

```
i nstal l -wi n32-servi ce. bat -uni nstal l
```

9 On the computer where you installed the Bounce Handler Daemon, edit the *install-win32-service.bat* file as follows:

- a** Navigate to the *install-win32-service.bat* file located in the *BHD_root* installation directory and make a backup copy of the file.

The *install-win32-service.bat* file is used to create the Windows service file for stopping and starting the Bounce Handler Daemon.

- b** Using a text editor, open the *install-win32-service.bat* file and navigate to the following line:

```
"%BHD_HOME%\bi n\bhd. exe" -i nstal l %SERVI CE_NAME%  
"%JAVA_ROOT%\j re\bi n\server\j vm. dl l "
```

- c** Append the following parameters at the end of the line:

```
-Dj avax. net. ssl . trustStore=keystore_fi l e_ path  
-Dj avax. net. ssl . trustStorePassword=keystore_fi l e_ password
```

where:

- *keystore-f i l e_ path* is the full path to the keystore file containing the CA certificate.
- *keystore_f i l e_ password* is the password to the keystore file.

For example:

```
"%BHD_HOME%\bi n\bhd. exe" -i nstal l %SERVI CE_NAME%  
"%JAVA_ROOT%\j re\bi n\server\j vm. dl l "  
-Dj avax. net. ssl . trustStore=D: \keystore. j ks  
-Dj avax. net. ssl . trustStorePassword=wel come
```

- d** Save the *install-win32-service.bat* file, making sure not to change the file extension type.

10 To re-install the Bounce Handler Daemon as a service, open a command prompt, navigate to the *BHD_root* installation directory and run the following command:

```
i nstal l -wi n32-servi ce. bat
```

(Optional) Verifying Email Marketing Component Configuration

After you have installed and configured the Email Marketing components, you can optionally use the Email Marketing configuration check utility provided with Siebel Marketing to verify your configuration. The Email Marketing configuration check performs tests to verify that the Email Sending Daemon, the Bounce Handler Daemon, and the Click Through Daemon components are correctly setup and functioning.

To use the Email Marketing configuration check utility, run the end2end.jar file for each component, as described in the following procedure.

To verify Email Marketing component configuration

- 1 Start the ESD, the CTD, and the BHD components as Windows services.
- 2 To start the Email Marketing configuration check, run the following command from the command line for each of the ESD, BHD, and CTD components in turn:

```
j ava -DpropertyFile=component_property_file_path -jar component-end2end.jar_path
```

where:

- *component_property_file_path* is the full path to the component's property file.
- *component-end2end.jar_path* is the full path to the end2end.jar file for the component, which is located in the *component_root\webapps\component\WEB-INF\lib* directory.

The following is an example of the command to run for the Email Sending Daemon:

```
java -DpropertyFile=D:\programs\esd\esd.properties -jar D:\Program Files\esd\webapps\esd\WEB-INF\lib\esd-end2end.jar
```

The following table shows some of the tests performed by the Email Marketing configuration check for each component.

Component	Conditions Verified by the Configuration Check Utility
Email Sending Daemon	<ul style="list-style-type: none"> ■ A connect string to the Siebel Marketing Server is provided. ■ The ESD can connect to the Siebel Marketing Server. ■ Validates the ESD license with the Siebel Marketing Server. ■ Verifies that Mail Transfer Agent information is provided. ■ Checks ESD connectivity to the Mail Transfer Agent. ■ Checks that the ESD has write permission to the \mailings directory. ■ Checks that the ESD has write permission to the \state_dir directory. ■ Verifies that a mount point directory exists. ■ Checks that the ESD has read permission to the mount point directory.
Click Through Daemon	<ul style="list-style-type: none"> ■ A connect string to the Siebel Marketing Server is provided. ■ The CTD can connect to the Siebel Marketing Server. ■ Validates the CTD license with the Siebel Marketing Server. ■ Checks that the CTD has write permission to the \Queue directory. ■ Checks that the CTD has write permission to the \Queue\<i>Message_Open</i> subdirectory. ■ Checks that the CTD has write permission to the \Queue\<i>Click</i> subdirectory. ■ Checks that the CTD has write permission to the \Queue\<i>List_unsubscribe</i> subdirectory.
Bounce Handler Daemon	<ul style="list-style-type: none"> ■ A connect string to the Siebel Marketing Server is provided. ■ The BHD can connect to the Siebel Marketing Server. ■ Validates the BHD license with the Siebel Marketing Server.

Process of Testing the Email Marketing Components with Siebel Marketing

This topic describes how to test all the Email Marketing components and the Siebel Marketing application together as a complete product. This test involves sending a test email to three or more test contacts. The content of the test email template must include links to test the Click Through Daemon, the Web Marketing Server, and the Events server. Make sure at least two of the contacts are invalid email addresses, one within the corporate domain, and one outside the corporate domain. These test bounce handling and bounce detail communications for the Email Sending Daemon and the Bounce Handler Daemon. Additionally, send email to at least one email account that you can access outside of your corporate network. This tests your Email Sending Daemon, DNS alterations, and corporate firewall configurations.

To perform this comprehensive test of the Email Marketing components, perform the following tasks:

- 1 [“Creating the Test Email Template” on page 113](#)
- 2 [“Sending the Test Email Template to Test Contacts” on page 113](#)
- 3 [“Confirming That Tests Function as Expected” on page 114](#)

Creating the Test Email Template

Create a test email template as described in the following procedure.

This task is a step in [“Process of Testing the Email Marketing Components with Siebel Marketing” on page 113](#).

To create the test email template

- Create a test email template to verify your Email Marketing components are correctly installed and configured. For information about creating an email template, see *Siebel Marketing User Guide*.

When you create the test email template, make sure you add a One-Click Unsub Response Form, a Web Offer link, and an Event link.

NOTE: Because this email is sent over the Internet, it is recommended that you add text that announces that this is a test email, offers your apologies if someone unintended receives it, and provides information so the recipients can contact you.

Sending the Test Email Template to Test Contacts

Send the test email template as described in the following procedure.

This task is a step in [“Process of Testing the Email Marketing Components with Siebel Marketing” on page 113](#).

To send the test email template

- 1 Determine the contacts to whom the test email template is sent, create an email offer from it, and send it to these contacts.

Whether you use a list or a segment to generate your target contacts for this test, make sure the following three contact types are included:

- **Invalid contact email address within the corporate domain.** This tests communication from the Email Sending Daemon to the Marketing Component Group. The Email Sending Daemon reports synchronous bounces to the Marketing Component Group. An invalid email address within the corporate domain generates a synchronous bounce from the Mail Transfer Agent.

NOTE: The administrator must make sure that the Mail Transfer Agent is configured to handle synchronous bounces and confirm that the contact's email address generates a synchronous bounce. This is desirable even if the Mail Transfer Agent is normally not configured to handle synchronous bounces. The reason for this is to make sure that if the normal Mail Transfer Agent configuration changes and starts performing synchronous bounces, then your server can properly record them. After testing, the administrator can return the Mail Transfer Agent to its normal configuration.

- **Invalid contact email address outside of the corporate domain.** This tests the corporate firewall and Internet DNS configuration of the Bounce Handler Daemon. This also tests communication between the Bounce Handler Daemon and the Marketing Component Group. An invalid email address for a domain other than the corporate domain generates an asynchronous bounce. The Bounce Handler Daemon must be able to receive bounced emails, process bounced emails, and send the bounce details to the Marketing Component Group.

Be aware that some email domains (such as aol.com) do not generate bounces. Also, be aware that email bounces are not guaranteed to be returned. It can take some research to determine whether the problem is actually the Bounce Handler Daemon or one of a number of issues not related to the installation and configuration of the Email Marketing components.

- **Valid contact email address for an email account accessible outside of the corporate firewall.** This tests the corporate firewall and Internet DNS configuration with the Click Through Daemon, Web Server, and Event Server. This tests communication between the Click Through Daemon and the Marketing Server. The email sent to a valid contact contains a One-Click Unsub Response Form, a Web Offer link, and an Event link. The tester must access this account and email from a computer outside the corporate firewall to correctly execute this test.
- 2 Launch a campaign using a list or segment including the described types of contacts.
 - 3 Monitor the campaign to make sure that it succeeds without any errors. One example of an error is an error message in the log containing the word SOAP. This indicates that the Siebel Marketing application is not correctly configured to communicate with the Email Sending Daemon.

Confirming That Tests Function as Expected

Perform the tests in this topic to confirm that the Siebel Marketing application performed as expected.

This task is a step in “[Process of Testing the Email Marketing Components with Siebel Marketing](#)” on page 113.

To confirm that tests function as expected

1 Test an email offer sent to a valid contact email address as follows:

- a Verify that the email offer was received. Find a computer that is outside of the corporate network and has access to the valid contact’s email account. Then you must access that account from the computer that is outside of the corporate network.

Results of test. If the email offer is received, then you have confirmed the following results:

- The Marketing Server communicates with the Email Sending Daemon.
- The Email Sending Daemon can access the email message content and subwaves from the Marketing File System.
- The Email Sending Daemon can send email to email accounts outside of the corporate domain using the corporate Mail Transfer Agents.
- The email message From and Reply-To headers are correct.

- b Click the One Click Unsub link in the email.

A Web page that is hosted by the Click Through Daemon appears with the message, You have been unsubscribed!

Results of test. This message confirms that you correctly configured the Click Through Daemon for the corporate firewall and it has been properly added to the Internet DNS records. Additionally, this confirms that the Marketing application has been correctly configured with the base URL for the Click Through Daemon.

- c Click the One Click Unsub link in the email for the Web Offer link and the Event link.

Results of test. The Web Server and Event Server base URLs are properly configured within the Marketing application.

2 Verify campaign details:

- a Synchronous bounce reported. Navigate to the All Contacts/Prospects Across Organizations applet for the test campaign. Verify that the invalid contact with an email address within the corporate domain is identified as a bounce.

Results of test. The Email Sending Daemon is able to communicate with the Marketing application and can report synchronous bounces.

NOTE: You might need to add the Email Bounce Type and Email Bounce Reason Code columns to the visible columns shown in this applet.

- b** Asynchronous bounce reported. Navigate to the Campaign Contact/Prospect Applet-Admin applet for the test campaign. Verify that the invalid contact with an email address outside of the corporate domain is identified as a bounce.

Results of test. The Bounce Handler Daemon can receive bounces sent from outside of the company firewall. This means the Bounce Handler Daemon's hostname is correctly configured in the Internet DNS records. The Bounce Handler Daemon is able to communicate with the Marketing Component Group and can report asynchronous bounces. The Marketing application has been correctly configured to use the Bounce Handler's hostname as the SMTP envelope from address.

- c** One Click Unsub recorded. Navigate to the Campaign Response List applet and verify that the valid contact's email address is entered here with a Response Type of One Click Unsub.

Results of test. The Click Through Daemon can communicate with the Marketing Component Group and update the Siebel transactional database with information that it collects when an email recipient clicks on a link that it monitors.

Upgrading Apache Tomcat Manually

When you install Siebel Marketing, Apache Tomcat, used with Siebel Email Marketing, is also installed. The version of Apache Tomcat that is installed depends on your Siebel Marketing release:

- For Siebel CRM 8.1 and 8.2: Apache Tomcat Version 7.0.14
- For Siebel CRM release 8.0: Apache Tomcat Version 6.0.16

If you want to take advantage of security updates included in later versions of Apache Tomcat, you can update the version of Apache Tomcat you received with Siebel Marketing. For example, for Siebel CRM 8.1 and later, you can upgrade to Apache Tomcat 7.0.40, or for Siebel CRM 8.0, you can upgrade to Apache Tomcat 6.0.37.

The following procedure describes how to manually upgrade your version of Apache Tomcat.

To upgrade Apache Tomcat manually

- 1** Download and install the version of Apache Tomcat you want to install from

<http://tomcat.apache.org/>

Make sure that you can run Apache Tomcat by itself when no other applications are deployed in the Apache Tomcat container.

- 2** Copy the directory `esd_installation_directory/webapps/esd` to the Apache Tomcat `webapps` directory.
- 3** Copy each of the JAR files, exe files, sh files and xml files from the following directories to the Apache Tomcat installation directory:
 - `esd_installation_directory\bin`
 - `esd_installation_directory\conf`
 - `esd_installation_directory\lib`

- 4 Copy the `esd.properties` file and the `log4j.props` file to the Apache Tomcat home directory.

Administering Email Marketing

This topic describes the on-going administration tasks that you perform to monitor and maintain Siebel Email Marketing after it is installed and configured. The administration tasks include the following:

- “Monitoring Email Sending Daemon Jobs Using the Jobs Console” on page 117
- “Prioritizing Email Sending Daemon Jobs” on page 118
- “Limiting Maximum Throughput Rate for the Email Sending Daemon” on page 121
- “Disabling SMTP Command Pipelining” on page 121
- “About Email Marketing Log Files” on page 122
- “Configuring Email Marketing Server Logging” on page 123
- “Setting Up Administrator Alerts for Email Marketing” on page 125
- “Setting Up Automatic Failover for the Email Sending Daemon” on page 126

Monitoring Email Sending Daemon Jobs Using the Jobs Console

The Email Marketing Server Jobs console provides an interface that allows administrators to view and control email jobs currently being processed by the Email Sending Daemon. The Jobs console is provided as a Java Server Page (JSP); to access the console, perform the steps in the following procedure.

To monitor Email Sending Daemon jobs using the Jobs console

- 1 Define the username and password that are to be used to access the Jobs console in the `tomcat-users.xml` configuration file, which is located in the `ESD_root/conf` directory.
- 2 Navigate to the Jobs console at the following URL:
`http://ESD_hostname:port/esd/jobMonitor.jsp`
 where:
 - `ESD_hostname` is the host name of the Email Sending Daemon.
 - `port` is the port number of the Jobs console (default is 8090).

The port number of the Jobs console is the same as the port number used by the Email Sending Daemon. If you have changed the default port number used by the Email Sending Daemon (8090), then use the same port number to access the Jobs console.
- 3 Enter the username and password you defined in [Step 1](#) to log in to the Jobs console.

Figure 6 on page 118 shows the Jobs console, which displays all active and incomplete jobs being processed by the Email Sending Daemon.

You can use the Jobs console to Pause, Resume, and Cancel jobs. Clicking the Pause button suspends a job with a status of In Progress; clicking the Resume button resumes a Paused job; and clicking the Cancel button cancels the job and removes it from the console.

If you click the hyperlink in the Delivered column of the console, then a list of all the email addresses to which emails have been sent is displayed.

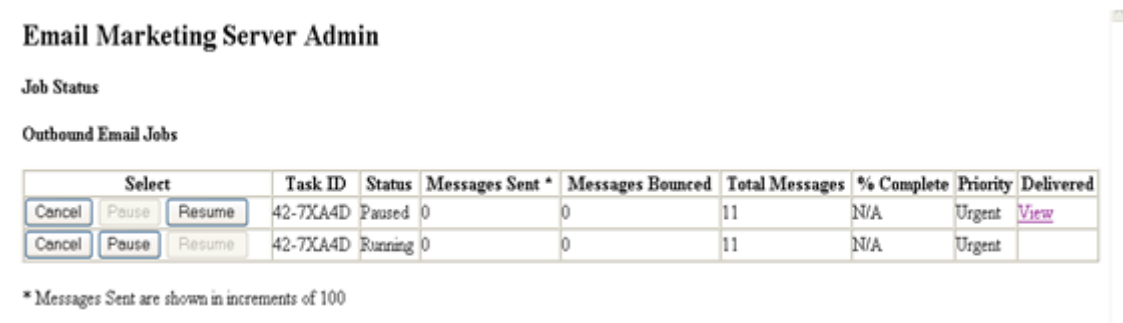


Figure 6. Email Marketing Server Jobs Console

To monitor email jobs in the buffer queue, navigate to the *component_root/queueDir* directory, where *component_root* is the installation directory of the Email Sending Daemon, the Bounce Handler Daemon, or the Click Through Daemon.

Prioritizing Email Sending Daemon Jobs

In Siebel Marketing, the priority level that you specify for a campaign also determines the priority that is assigned to email jobs associated with the campaign. As a result, email jobs for critical campaigns are executed before jobs for less critical campaigns. The priority levels that can be chosen for a campaign and, therefore, for associated email jobs are: 1-Urgent, 2-High, 3-Medium, or 4-Low.

In general, the Email Sending Daemon suspends processing of a lower priority job if a higher priority job enters the processing queue. However, in some circumstances, it is more efficient to continue processing the lower priority job, for example, if the low-priority email job has only a few recipients and the high-priority job has thousands.

To accommodate these circumstances, you can determine a priority threshold for email jobs. The priority threshold is the number of recipients that an email job must have in order that its priority level is always maintained. For example, if you specify a value of 50, then email jobs with fewer than 50 recipients are always assigned a priority of High by the Email Sending Daemon, even if the priority initially specified for the campaign is 3-Medium, or 4-Low.

The following procedure describes how to set the priority threshold for Email Sending Daemon jobs.

To set the priority threshold for Email Sending Daemon jobs

- 1 Navigate to the esd.properties file in the *ESD_root* installation directory.
- 2 Open the esd.properties file in a text editor.
- 3 Set the value of the esd.priorityThreshold parameter to an appropriate value.

The default value is 5001, indicating that the priority assigned to any email job with more than 5001 recipients is not to be overridden by the Email Sending Daemon.

Figure 7 shows the job prioritization workflow.

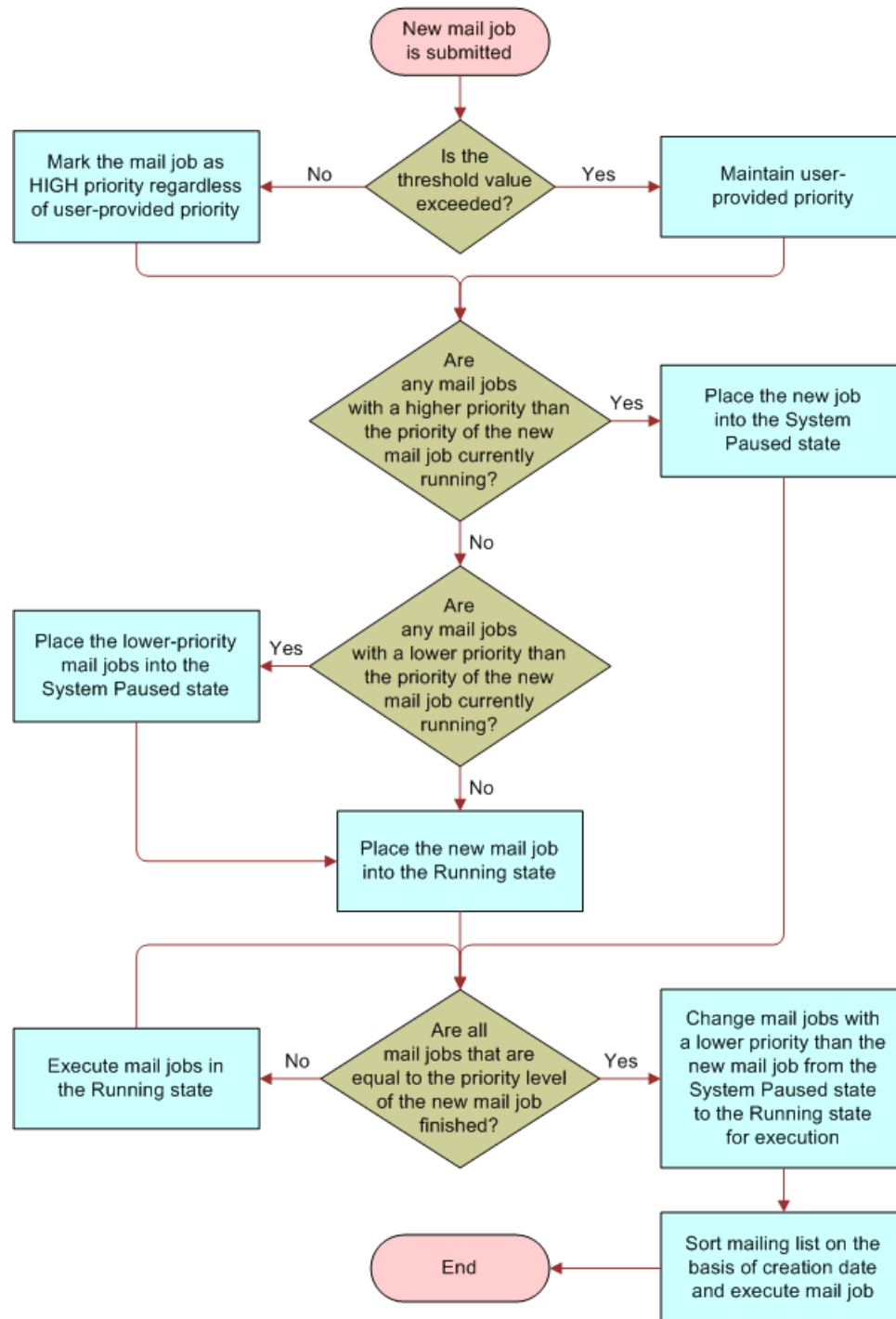


Figure 7. Email Job Prioritization Workflow

Limiting Maximum Throughput Rate for the Email Sending Daemon

You can limit the number of emails that the Email Sending Daemon sends to your company's outbound Mail Transfer Agent (MTA) each second in order to avoid delays resulting from the MTA being overburdened. This topic describes how to limit the maximum throughput rate, specified in messages per second, for the Email Sending Daemon.

To set a maximum throughput rate

- 1 Navigate to the `esd.properties` file in the `ESD_root` installation directory.
- 2 Open the `esd.properties` file in a text editor.
- 3 Set the `esd.smtp.throttleVal` property to one of the following values:
 - **-1 (High, no throttle)**. Sends emails at the highest rate possible. This is the default setting.
 - **250-350 (Medium)**. Sends emails at the rate of this setting, per second.
 - **250-50 (Low)**. Sends emails at the rate of this setting, per second.

Disabling SMTP Command Pipelining

The Email Sending Daemon implements SMTP command pipelining by default. SMTP command pipelining allows the Email Sending Daemon to send multiple emails to the Mail Transfer Agent at a time, without having to wait for a response to each individual email.

Pipelining significantly improves the performance of email communications. However, it can result in an email being sent to the same recipient more than once in certain circumstances. When processing a group of emails, the Mail Transfer Agent returns an error if any problem arises during the email sending process, even if the email has been successfully delivered to some of the recipients. If the group of emails are then resent, then some individuals might receive the email a second time. If you want to make sure this situation never occurs, then disable SMTP pipelining as described in this topic.

To disable SMTP command pipelining

- 1 Navigate to the `esd.properties` file in the `ESD_root` installation directory.
- 2 Open the `esd.properties` file in a text editor.
- 3 Locate the SMTP talker configuration options section in the file.
- 4 Set the `esd.smtp.suppressPipelining` property to `True`.

About Email Marketing Log Files

This topic describes the log files that are generated by the Email Marketing Server during processing. These log files provide detailed information about the processes that have been run and list any errors that occurred. This topic also lists other files which can provide important information that can help you to troubleshoot email processing, or to improve the performance of the Email Marketing Server.

Email Marketing Log Files

The main log files generated for the ESD, CTD, and BHD components are as follows:

- esd.log
- ctd.log
- bhd.log

Review these files, which are located in the main installation directory for each component, if errors occur during email processing. These files contain logger debug statements for the relevant component.

The Email Marketing components also generate important information in the log files shown in [Table 19 on page 122](#). These files can provide useful information about email processing problems that are not caused by individual Email Marketing components.

Table 19. Additional Log Files to Review

Log File	Description
failure.log	Logs Queue Reader failures.
stderr.log	Logs any error stack that is not handled by an Email Marketing component.
stdout.log	Logs any output that is not explicitly directed to the Email Marketing component log files.
jakarta_service.log (ESD and CTD components only)	Contains errors generated by the Apache Tomcat application server.

Files to Review When Troubleshooting Campaign Wave Processing

This topic describes files, other than log files, that are generated during Email Marketing processing which can provide useful troubleshooting information.

Email Files

When you launch a Siebel Marketing campaign including an email offer that is sent to recipients, Siebel Marketing generates a list of recipients file and an email .MIME file, both of which are processed by the Email Sending Daemon. The list of recipients file and the .MIME file can provide useful information when troubleshooting errors in campaign wave processing. The files are located in the following directories:

- .MIME file: *Siebel_File_System*\Marketing\EmailOfferContent
- List of recipients file: *Siebel_File_System*\Marketing\wave_list
where *wave_list* is the list of recipients for a wave.

Job Files

When the Email Sending Daemon processes a campaign wave, a directory is created for each job that is processed as part of the wave in the *ESD_root*\state_dir\mailings\ directory. For example:

```
ESD_root\state_dir\mailings\00000001
```

```
ESD_root\state_dir\mailings\00000002
```

Within each \0000000*n* job directory, the following files are created for the job:

- Delivered.txt: Lists all recipients to whom emails were successfully delivered.
- Recipientsxxx.txt: Lists all recipients to whom emails were sent.
- Retryxxx.txt: Lists all recipients to whom emails were re-sent.
- State0.txt: Lists the status of the job.

Review these files if errors occur when the Email Sending Daemon runs a job.

Related Topic

[“Configuring Email Marketing Server Logging” on page 123](#)

Configuring Email Marketing Server Logging

This topic describes how to configure the type and amount of information that is logged by the Email Marketing Server.

The Email Marketing Server components are Java based applications that use the standard logging library for Java, log4j, to control the logging behavior for the esd.log, ctd.log, and bhd.log files. You can configure the information that is written to each of the main component log files by editing the log4j.properties configuration file for each component. This task is described in the following procedure.

To configure Email Marketing Server logging

- 1 Using a text editor, open the log4j.properties file for the component for which you want to configure logging.

The log4j.properties file is located in the main installation directory for each of the ESD, CTD, and BHD components.

- 2 The Email Marketing Server logs information for specific SMTP classes, and logging levels are set for each SMTP class.

For example, the following line in the log4j.properties file records details in the log file of each individual to whom an email was successfully delivered:

```
log4j.Logger.com.siebel.sem.smtp.MailingState=DEBUG2#Level
```

In the previous command, `smtp.MailingState` is the SMTP class that is logged and `DEBUG2#Level` is the log level. If you choose, you can enable logging for all SMTP classes by adding the following line to the end of the log4j.properties file for a component:

```
log4j.Logger.com.siebel.sem.smtp=DEBUG2#Level
```

- 3 To change the amount of information that is logged for a class, navigate to the statement in the log4j.properties file that enables logging for the class, then set the logging level to one of the following values, where `DEBUG3` generates the maximum amount of information in the log file and `FATAL` generates the minimum amount of information:

- `DEBUG3`
- `DEBUG2`
- `DEBUG`
- `INFO`
- `WARN`
- `ERROR`
- `FATAL`

In general, set log levels to `DEBUG3` only when you are running the Email Marketing Server for debugging purposes. Running a component with `DEBUG` levels of logging can impact the performance of the component.

- 4 To configure the size of the component log files, and the number of archived log files maintained by the Email Marketing Server, edit the log4j.properties file to specify values for the parameters in the following table.

Parameter	Description
<code>log4j.appender.fileAppender.MaxFileSize</code>	Used to specify the maximum size of the <i>component.log</i> file, for example, 10MB.
<code>log4j.appender.fileAppender.MaxBackupIndex</code>	Used to specify the number of archived log files that are maintained, for example, 10.

For additional information on logging, see [“Setting Up Administrator Alerts for Email Marketing”](#) on page 125 and [“About Email Marketing Log Files”](#) on page 122.

Setting Up Administrator Alerts for Email Marketing

This topic describes how to configure the Email Marketing Server to send email alerts to the administrator if the Email Marketing components malfunction.

To enable administrator alerts for a component, you must set the relevant properties in the log4j.properties file for the component. Each of the abnormality conditions that generates an alert is defined in the log4j.properties file for a particular package or class, as is the alert level. For example, the following condition triggers an Error alert when an error occurs in the OnPremiseAppListener class:

```
log4j.logger.com.siebel.sem.esd.integrated.OnPremiseAppListener=ERROR,
smtpAppender, fileAppender
```

By default, the following predefined abnormality conditions trigger an alert for an Email Marketing Server component:

- Component is unable to communicate with the Marketing server
- Component is restarted
- Component failed to write to the queue
- Component is not licensed
- Component is unable to communicate with the MTA

Alert levels can be set to the following values: INFO, DEBUG, TRACE, WARNING, ERROR, or FATAL. The Email Marketing Server generates alerts for the ERROR level and above, but you can configure the alert level for each SMTP class.

The following procedure describes how to enable administrator alerts.

To configure administrator alerts

- 1 To send administrator alerts for either the ESD, the BHD, or the CTD components, navigate to the log4j.properties file in the component installation directory for the daemon you want to configure.
- 2 Locate the # IT Alerts settings section of the file.

- Uncomment the parameters shown in the following table, then enter values similar to those shown.

NOTE: To send alerts from all three daemons, you must update these parameters in the `log4j.properties` file of each component.

Property	Description
<code>log4j.appender.smtpAppender.From=CHANGE_ME</code>	Defines the From Address that is used to generate the alerts.
<code>log4j.appender.smtpAppender.SMTPHost=CHANGE_ME</code>	Defines the SMTP host name that is used to send the alerts. This SMTP host must be different to the MTA's SMTP that is used to send marketing emails.
<code>log4j.appender.smtpAppender.Subject=an error occurred in SEM</code>	Defines the subject line for the alerts.
<code>log4j.appender.smtpAppender.To=CHANGE_ME</code>	Defines the recipient of the alerts.
<code>log4j.appender.smtpAppender.layout=org.apache.log4j.PatternLayout</code>	Defines the formatting for the logging request. A value of <code>PatternLayout</code> defines a flexible layout that is configurable with a pattern string.
<code>log4j.appender.smtpAppender.layout.ConversionPattern=\${format}</code>	Mandates that the log message is added to the log file in the format that is already declared in the format variable.

- Stop and restart the relevant component for the changes to the `log4j.properties` file to take effect.

Setting Up Automatic Failover for the Email Sending Daemon

Use the following procedure to designate a backup instance of the Email Sending Daemon.

To set up automatic failover for ESD

- Install the ESD in two separate directories (for example, ESD1 and ESD2).
- Configure ESD1 with the default port of 8080 and the default AJP port of 8009.
- Open the `conf/server.xml` file and uncomment the section that starts with following line:


```
<Cluster className="org.apache.catalina.cluster.tcp.Simpl eTcpCluster">
```

```
.....
```

```
</Cluster>
```
- Configure ESD2 as follows:

a In the `conf/server.conf` file, change the port to any other number (for example, 9090).

b Modify the HTTP/1.1 Connector port parameter:

```
<!-- Define a non-SSL HTTP/1.1 Connector on port 9090 -->
<Connector port="9090" .....
```

c In the `conf/server.conf` file, change the AJP port to any port number other than 8009.

d Modify the AJP 1.3 Connector port parameter (for example, 9009):

```
<!-- Define an AJP 1.3 Connector on port 9009-->
<Connector port="9009" ....
```

e If ESD1 and ESD2 are running on the same computer or server, then you must open the `install-win32-service.bat` file (located in the `ESD_root` installation directory) and change the value of the `-Dcom.sun.management.jmxremote.port` parameter to any port number other than default value of 8096.

f Open the `conf/server.xml` file and uncomment the section that starts with following line:

```
<Cluster className="org.apache.catalina.cluster.tcp.Simpl eTcpCluster"
.....
</Cluster>
```

g In the Cluster section, change Receiver, `tcpListenPort` property to a value other than 4001, so that ESD2 will be identified as a unique cluster node. (for example, Update `tcpListenPort` to 4002).

5 The current status of each instance of the ESD must be available to the other instance for automatic failover to occur. For this to happen, share the job status directory of each ESD instance with the other instance. The job status directory is created when you install the ESD at `esd_root\state_dir`.

For each job that is submitted to ESD, a directory is created in the `state_dir\mailings` directory that contains a file named `state0.txt`. The `state0.txt` file stores the status of the job.

6 Make sure you have installed Apache 2.2.3, and downloaded `mod_jk-apache-2.2.3.so` from <http://tomcat.apache.org/download-connectors.cgi>

7 Download JK 1.2 Binary for the operating system you are using from <http://www.pangex.com/pub/apache/tomcat/tomcat-connectors/jk/binaries>

8 Rename `mod_jk-apache-2.2.3.so` to `mod_jk.so`, and then place it in the `Apache2/modules` directory.

9 Configure the Apache Web server and use the Apache URL as the ESD SOAP URL. Apache will act as a load balancer for both ESD nodes.

10 Modify the `apache conf/httpd.conf` file and register the entry for the ESD URL as follows:

```
# Load mod_jk module
LoadModule jk_module modules/mod_jk.so
```

```

JkWorkersFile <point to workers.properties which suppose to be same location as
httpd.conf>

# Where to put jk logs

JkLogFile      <modjk log file path>

# Set the jk log level [debug/error/info]

JkLogLevel     error

# Select the log format

JkLogStampFormat "[%a %b %d %H:%M:%S %Y] "

# JkOptions indicate to send SSL KEY SIZE,

JkOptions      +ForwardKeySize +ForwardURICompat -ForwardDirectories

# JkRequestLogFormat set the request format

JkRequestLogFormat "%w %V %T"

# Send esd soap request to worker named worker1

JkMount /esd/soaprpc loadbalancer

JkMount /esd/* loadbalancer

```

- 11** Modify the apache conf/ workers.properties file by registering both ESD nodes as worker nodes, and registering ESD1 as ACTIVE and ESD2 as HOT STAND BY:

```

# The advanced router LB worker

worker.list=loadbalancer

# Define a worker using ajp13

worker.worker1.port=ESD1_AJP_PORT_NUMBER(8009)

worker.worker1.host=ESD1_IP_ADDRESS

worker.worker1.type=ajp13

worker.worker1.redirect=worker2

# Define another worker using ajp13

worker.worker2.port= ESD1_AJP_PORT_NUMBER(9009)

worker.worker2.host= ESD2_IP_ADDRESS

worker.worker2.type=ajp13

# Disable worker2 for all requests except failover, hot stand by

worker.worker2.activation=disabled

```



```
# Define the LB worker
worker. loadbalancer. type=lb
worker. loadbalancer. balance_workers=worker1, worker2
```

12 Start the ESD and the Apache Web server in the following sequence:

- a** ESD1 Node
- b** ESD2 Node
- c** Apache (load balancer)

13 Use the Apache URL as the ESD SOAP URL in the Marketing delivery profile:

```
http://apache_ip:apache_port/esd/soaprpc
```

Configuring the Status of Email Addresses

This topic describes how to configure the status of email addresses.

You can configure the circumstances in which the status of a contact's email address is set to Bad Address or Undeliverable in the EMAIL_STATUS_CD field. The email address for a contact is set to a status of Bad Address if the number of hard bounces logged for the address exceeds a defined threshold and is set to a status of Undeliverable if the number of soft bounces logged for the email address exceeds a defined threshold. To configure the value of this threshold, perform the steps in the following procedure.

To configure how the email address status is determined

- 1** Navigate to the Administration - Business Process screen, Workflow Policies, and then the Policies view.
- 2** In the Policies list, query for the Update Contact Email Status object in the Workflow Object field.
- 3** Select either the Update Contact Email Hard Bounce Status policy or the Update Contact Email Soft Bounce Status policy.
- 4** Scroll down to the Conditions list, then enter a number in the Value field, for example, 10.

The number you enter becomes the threshold used to determine when a contact's email address is assigned a status of Bad Address (hard bounces) or Undeliverable (soft bounces).

Implementing Spam Scoring of Email Templates Using SpamAssassin

This topic describes how to configure Email Marketing to integrate with SpamAssassin so that users can generate spam scores for email treatment templates before they are used in a campaign.

Generating a spam score for an email treatment template allows Siebel Marketing users to assess whether the emails generated using the template are likely to be classified as spam and be rejected by recipient's spam filters. If the email template generates a high spam score, then users can then modify the email template content until it passes the spam scoring test.

Siebel Marketing uses Apache SpamAssassin, an open source product released under the Apache License 2.0, to run the spam scoring test. SpamAssassin provides an API for an email sending component, in this case, the Email Sending Daemon, to test an email message against the scoring system and report any potential problems.

After spam scoring is enabled, when a user clicks the Verify and Preview button on the email editor to preview an email template message, spam scoring data for the email is displayed, as shown in [Figure 8 on page 130](#). The user can then manually correct any issues and preview the email template again to re-score the content.

```
Spam: True ; 15.3 / 6.3
Content analysis details: (15.3 points, 6.3 required)
-0.0 NO_RELAYS           Informational: message was not relayed via SMTP
 2.5 MISSING_HB_SEP      Missing blank line between message header and body
 0.2 MISSING_HEADERS     Missing To: header
 3.4 URIBL_JP_SURBL       Contains an URL listed in the JP SURBL blocklist
                          [URIs: deferrt.com]
 1.5 URIBL_WS_SURBL       Contains an URL listed in the WS SURBL blocklist
                          [URIs: deferrt.com]
 2.6 URIBL_OB_SURBL       Contains an URL listed in the OB SURBL blocklist
                          [URIs: deferrt.com]
 3.6 URIBL_SC_SURBL       Contains an URL listed in the SC SURBL blocklist
                          [URIs: deferrt.com]
 1.3 MISSING_SUBJECT     Missing Subject: header
-0.0 NO_RECEIVED         Informational: message has no Received headers
 0.1 TO_CC_NONE          No To: or Cc: header
```

Figure 8. Spam Scoring Data for an Email

Siebel Marketing does not embed Spam Assassin, but the Email Sending Daemon can be connected to a Spam Assassin instance. This involves installing the Spam Assassin application, then configuring the Email Sending Daemon to connect to the SpamAssassin service as described in the following procedure.

To implement spam scoring of email templates using SpamAssassin

- 1** Download and install SpamAssassin from the Apache SpamAssassin Web site at <http://spamassassin.apache.org/>
- 2** Extract the files from the zip file you downloaded into a folder named SpamAssassin.
- 3** Start the SpamAssassin server using one of the following procedures:
 - If the Email Sending Daemon and SpamAssassin are running on the same computer, then open a command prompt Window and enter the following command to start the SpamAssassin server:

```
spamd -d
```

By default, the `spamd -d` command accepts connections only from the local system. For example:

```
C: \SpamAssassin >spamd. exe
```

- If the Email Sending Daemon and SpamAssassin are located on different computers, then use the following command at the DOS prompt to start SpamAssassin:

```
spamd -d -i listen_ip_address -A allowed_hosts
```

where:

- *listen_ip_address* is the address on which SpamAssassin is to listen.
- *allowed_hosts* is a list of the IP addresses authorized to connect to this SpamAssassin instance.

For example, enter the following (in this example, 0.0.0.0 indicates that SpamAssassin is to listen on all IP addresses):

```
C: \SpamAssassin >spamd. exe -D -i 0.0.0.0 -A ESD_Machine_I.P
```

- 4 You must now connect the Email Sending Daemon to the SpamAssassin Server by editing properties in the `esd.properties` file as follows:
 - a Navigate to the `esd.properties` file in the *ESD_root* installation directory.
 - b Open the `esd.properties` file in a text editor.
 - c Locate the SpamAssassin Server Setup section of the file, then add values for the parameters shown in the following table.

Parameter	Value
esd.spamServer	Enter the host name of the SpamAssassin server. Specifying a value for this parameter enables the spam scoring feature. If you do not want to enable spam scoring, then leave the value of this parameter as <code>esd.spamServer=CHANGE_ME</code> .
esd.spamPort	The port number used by SpamAssassin. The default is 783.
esd.reportSpamErrors	Set this parameter to true so that SpamAssassin error messages are displayed to the user, for example, if an error occurs connecting to the SpamAssassin server.

6

Setting Up Web Marketing

This chapter describes how to set up Web Marketing. It includes the following topics:

- [About Siebel Web Marketing on page 133](#)
- [About Web Marketing Web Site Visitors on page 133](#)
- [Setting Up Siebel Web Marketing on page 135](#)

About Siebel Web Marketing

Oracle's Siebel Web Marketing is an optional Siebel Marketing module that provides you with the tools and templates to manage and execute Web-based marketing. It provides the Web site visitor a method of viewing a Web offer, downloading literature, and using preconfigured Web response forms to request more information or ask you to contact them by telephone.

A Web Survey Daemon resides in the DMZ and supports Web landing sites and surveys without the need for SmartScript. For information on how to create Web landing sites and surveys, see *Siebel Marketing User Guide*.

Siebel Web Marketing Web sites can be deployed in more than one language. For information about deploying Siebel applications in a multilingual environment, see *Siebel Global Deployment Guide*.

About Web Marketing Web Site Visitors

A Web site visitor can navigate to the Web Marketing home page by typing the URL or by clicking a link on another Web page. At this point, the user is an anonymous visitor and can choose to register, log in (if they have an existing user name and password), or continue to navigate anonymously. When the anonymous visitor arrives at the Web Marketing home page, the default campaign offers and the details for the first offer in the Featured Offers list appear. If the visitor registers or logs in, the visitor sees other campaign offers for which they are eligible. For more information about default offers and default campaigns, see the description of featured offers in *Siebel Marketing User Guide*.

If a contact logs in using the contact's user ID and password, any responses generated by this customer are tagged with the customer's account ID and with the associated campaign ID. For information about setting up users, see ["Setting Up Default Responsibilities and Users for Web Marketing" on page 141](#).

Web site visitors can also navigate to the Web Marketing site by clicking on an embedded URL from within an email offer. Only contacts or prospects receive these offers. When an email contact or email prospect clicks an embedded URL, the Web Offer page for this offer appears. Any responses to the offer from this contact or prospect are tagged with the associated campaign ID and offer ID, so marketers can track response rates for specific campaigns. For a list of responses that are captured, see ["Response Management" on page 144](#).

How Visitors Access the Web Marketing Home Page

Visitors access the Web Marketing home page in the following ways:

- **Anonymous visitor.** Any visitor can enter the Web Marketing URL into a Web browser and navigate to your Web Marketing home page. This visitor sees no personalized Welcome message and responses are not captured when the visitor clicks a Recommended Product link or downloads literature. An anonymous visitor can create a product information or call response by clicking on the Send Product Information or Request a Call link in the Offers page or Information page. The profile information that the anonymous visitor enters creates a prospect record that is associated with the responses.

- **Email contact.** When a contact clicks an embedded link in an email, your Web Marketing home page appears and the Contact Id is set in an anonymous session. At this point, the email contact is not logged in. The contact must be a registered contact and must log in to access profile information in the My Accounts link or to perform any other tasks that require the contact to be a registered contact. The email contact can generate responses by clicking a Recommended Product link, downloading literature, or requesting product information or a telephone call.

In the Web Marketing home page, the contact can log in. After logging in, the email contact becomes a logged-in contact.

If an email contact clicks the My Accounts link during an anonymous session, the User Login (user registration) view appears, requiring the anonymous visitor to log in before continuing.

- **Email prospect.** When a prospect clicks an embedded link in an email, your Web Marketing home page appears and the Prospect Id is set in an anonymous session. At this point, the email prospect is not logged in. The prospect must become a registered contact and must log in to access profile information in the My Accounts link or to perform any other tasks that require the prospect to be a registered contact. The email prospect can generate responses by clicking a Recommended Product link, downloading literature, or requesting product information or a telephone call.

In the Web Marketing home page, the email prospect must register as a new contact before the prospect can log in. In the User Login view, the email prospect can enter a user ID and password or click the New User link to register as a new contact and obtain a user ID and password.

In the User Login view, the User Login (user registration) view appears, requiring the anonymous visitor to log in or to register as a new user before continuing. When registration is complete, the prospect is converted to a new logged-in contact. However, the original email prospect's responses are not associated with the new contact record. After logging in, the email prospect becomes a logged-in contact.

NOTE: If an email prospect clicks the My Accounts link during an anonymous session, the User Login (user registration) view appears, requiring the anonymous visitor to log in or to register as a new user before continuing.

- **Logged-in contact.** This contact has access to the My Account link and can perform all other tasks that a registered contact is eligible to perform. The logged-in contact can generate responses by clicking a Recommended Product link, downloading literature, or by requesting product information or a telephone call. These responses are associated with the contact record in the Siebel database.

Setting Up Siebel Web Marketing

This topic describes how to set up Siebel Web Marketing. It includes information about customizing the user interface, controlling user access, setting up responsibilities, and managing default campaigns and offers.

Before Siebel Web Marketing can be used, certain setup tasks must be performed. These include:

- [“Installing Web Marketing” on page 135](#)
- [“Installing the Web Survey Daemon” on page 135](#)
- [“Configuring the Web Survey Daemon” on page 137](#)
- [“Controlling User Access to the Web Marketing Web Site” on page 140](#)
- [“Setting Up Default Responsibilities and Users for Web Marketing” on page 141](#)
- [“Setting Up a Default Campaign and Default Offer” on page 142](#)
- [“Using Siebel Personalization with Web Marketing” on page 142](#)
- [“Customizing the Web Marketing User Interface” on page 142](#)

Installing Web Marketing

Before you install and use Web Marketing, you must install the following:

- **Siebel Web Engine.** To deploy information about the Web and customer applications, you must install the Siebel Web Engine and the components on which it depends. These include a Web server, Siebel Gateway Name Server, and Siebel Server. For information about installing Siebel components, see *Siebel Installation Guide* for the operating system you are using.
- **Siebel Applications.** To perform administrative tasks such as server administration, creating Web offers, and managing marketing activities, you must install a Siebel employee application such as Siebel eSales and add the Siebel Web Marketing license key. For information about installing your Siebel employee application, see the appropriate administration guide, for example, *Siebel eSales Administration Guide*.

Siebel Web Marketing is an add-on module to Siebel Marketing. Siebel Web Marketing requires the Web Marketing Object Manager component, which is part of the Marketing Component Group. For information about installing Siebel Marketing, see [“Installing and Administering Siebel Marketing” on page 9](#) and the *Siebel Installation Guide* for the operating system you are using.

Installing the Web Survey Daemon

The Web Survey Daemon (WSD) resides in the DMZ and supports Web landing sites and surveys without the need for SmartScript. For information on how to create Web landing sites and surveys, see *Siebel Marketing User Guide*.

This topic contains the information that you need to install the Web Survey Daemon. Before installing the Web Survey Daemon, make sure that you have completed the installation requirements:

- Java Development Kit (JDK)
- Oracle Database, MS SQL Server, or DB2 database, with JDBC drivers

Installing the Web Survey Daemon on Windows

The following procedure describes how to install the Web Survey Daemon on a Windows server.

To install the Web Survey Daemon on Windows

- 1 On a Windows server, run the Web Survey Daemon installation program, `wsd_install.exe`.
- 2 In the Installation dialog box, review the information, and then click Next.
- 3 In the Choose Java Virtual Machine dialog box, select the JDK that you installed in [“Requirements for Installing Email Marketing” on page 79](#), and then click Next.
NOTE: Make sure that you choose the correct JDK. Selecting the wrong JDK or selecting a JRE will not properly start the Daemon.
- 4 In the Choose Install Folder dialog box, choose the Web Survey Daemon installation directory, and then click Next.
- 5 Review the Pre-Installation Summary dialog box, and then click Install.
- 6 In the Install Complete dialog box, verify the information, and then click Done.
- 7 Create a Windows service file for stopping and starting the Siebel Web Survey Daemon as follows:
 - a Navigate to the directory where you installed the Web Survey Daemon in [Step 4](#).
 - b Locate the `install-win32-service.bat` file, then double-click the file.
The Web Survey Daemon service file is created in the Windows services list.
- 8 From the Start menu, choose Programs, Administrative Tools, and then the Services menu item.
- 9 Start the Siebel Web Survey Daemon service.
- 10 Verify that the Apache Welcome page is displayed when you access the server where the Web Survey Daemon has been installed.

Installing the Web Survey Daemon on UNIX

The following procedure describes how to install the Web Survey Daemon on a UNIX server.

To install the Web Survey Daemon on UNIX

- 1 On a UNIX server, perform the following steps:
 - a Make an installation directory named `wsd` using the following command:

```
mkdir wsd
```


- b Copy the Web Survey Daemon installation program from the installation media to the directory that you created.
 - c In the Web Survey Daemon installation directory, run the Web Survey Daemon installation program.
- 2 In the WSD installation directory, open the tomcat-ctl.sh file and, after the line #Execute the bundled (integrated) tomcat, add the following:


```
# get the name of this program

JAVA_HOME=/usr/jdk1.5.0_06

export JAVA_HOME
```
 - 3 Before the text, # get the name of this program, add the following line:


```
PROGNAME=`basename $0`
```
 - 4 In the bin directory for the WSD installation, open the setenv.sh file and make sure the path provided for configuration directory is correct. For example:


```
JAVA_OPTS="-Dwebsurvey.configDir=/export/home/qa7/wsd/webapps/websurveys/
config"
```
 - 5 Use the CHMOD 777 * command to grant Read, Write, and Execute permissions to all the files in the WSD directory.
 - 6 Configure the WSD. For details, see ["Configuring the Web Survey Daemon" on page 137](#).

Configuring the Web Survey Daemon

This topic describes the tasks you must perform to configure the Web Survey Daemon after it is installed. After configuring the WSD, you must also configure the outbound Web service in Siebel Marketing for the Web Survey Daemon. This task is also described in this topic.

Configuring the Web Survey Daemon

Perform the steps in the following procedure to configure the WSD.

To configure the Web Survey Daemon

- 1 In the Oracle database, create a new user for the Web Survey Daemon.
- 2 Assign all Admin privileges to the user, and then log out.
- 3 Log in as the new user and run the appropriate script for your database (for example, communicatorOracle10g.sql script). This creates all WSD tables.

- 4 In the websurveys.properties file located at *WSD_HOME\webapps\websurveys\confi g*, define the parameters shown in the following table.

Parameter	Value
db.driver	com.siebel.sem.jdbc.oracle.OracleDriver The configuration file contains driver classes for several databases.
db.WEBSURVEY.password	com123 <i>the new WSD database user's password</i> NOTE: The password must be encrypted. To encrypt strings, make sure <i>occam-crypto.jar</i> is in the classpath. At the command line, type: <code>java com.siebel.occam.security.OccamCrypto encrypt <i>string</i>.</code> Use the output to make entries in the properties file.
db.WEBSURVEY.url	Make sure the database URL is set for the appropriate database type. Sample URLs are provided in the configuration file.
db.WEBSURVEY.user	com <i>the new WSD database user</i>
DEFAULT_RESPONSE_DAEMON_SLEEP_TIME	Sleep time in milliseconds for the response processor daemon.
QueueFlushInterval	Interval in milliseconds that the response processor is invoked.
QueueMaxSize	Max Queue size after which the response processor is invoked.
SIEBEL_PASSWORD	Siebel Password for response Web Service call.
SIEBEL_URL	Siebel endpoint URL for response processing.
SIEBEL_USERNAME	Siebel Username for response Web Service call.
survey.baseURL	<i>MachineName:port/websurveys</i>
WebSurveyHandlerClassName	oracle.apps.sem.wsd.runtime.queueing.MBQQueueHandler
WebSurveyProcessorClassName	oracle.apps.sem.wsd.response.ResponseDataProcessor
WebSurveyQueueDirectory	Directory where the queue files will be written. The default directory is <i>WSD_home_directory\webapps\websurveys\queueing</i> . You can specify a different location if you choose.

5 (Optional) Configure advanced settings in the websurveys.properties file.

Parameter	Value
systemCache.active	This is an optional but recommended system cache setting to activate the WSD's object cache. Default is true.
systemCache.maxSize	This is an optional system cache setting to specify the maximum number of Java objects to keep in the Web survey's cache. Default is 9216.
systemCache.maxAge	This is an optional system cache setting to specify the maximum age (in milliseconds) of objects in the cache. Default is 3,600,000 (one hour).
systemCache.cleanFrequency	This is an optional system cache setting to specify how often (in milliseconds) the cache is cleaned. Default is 300,000 (5 minutes).
respondentCache.active	This is an optional (but highly recommended) respondent cache setting to activate the Web survey's object cache. Default is true.
respondentCache.maxSize	This is an optional respondent cache setting to specify the maximum number of respondents' answers that will be kept in the Web survey's cache. Default is 1024.
respondentCache.maxAge	This is an optional respondent cache setting to specify the maximum age (in milliseconds) of objects in the cache. Default is 1,200,000 (20 minutes).
respondentCache.cleanFrequency	This is an optional respondent cache setting to specify how often (in milliseconds) the cache is cleaned. Default is 60,000 (1 minute).
SOCKET_TIMEOUT	This is a response processor setting that adjusts the timeout of the network socket used to communicate with the response import Web Service. It prevents a socket timeout from occurring when the import Web Service needs more time to process the responses (due to resource issues or the batch size). Default is 300,000 ms.

6 (Optional) If you are running the WSD in a load-balanced, multi-server configuration, list the base URLs of each computer in your configuration in the Multi-Server Settings section of the websurveys.properties file. These URLs go directly to the individual computers, bypassing whatever load balancing facility you are using. Be sure to include the application context path (typically /websurvey). For example:

```
#server.1 = http://websurvey01.example.com/websurvey
#server.2 = http://websurvey02.example.com/websurvey
#server.3 = http://websurvey03.example.com/websurvey
```

- 7 On a Windows server, start the Siebel Web Survey Daemon service.
- 8 On a UNIX server, enter and run the following command:

```
./tomcat-ctl.sh start
```

Configuring the Web Survey Outbound Web Service

Perform the steps in the following procedure to configure the Web Survey outbound Web service for the WSD.

To configure the Web survey outbound Web service for the WSD

- 1 Navigate to the Administration - Web Services screen, and then the Outbound Web Services view.
- 2 Configure the IP address and port for the Web Survey outbound Web service to point to the appropriate computer name and port where the WSD is running. For example:

```
http://Machinename:8088/websurveys/services/WebSurveyWebService?wsdl
```

- 3 WSD Web Service security is seeded in Siebel Marketing and the WSD server. The default username is SiebelSystem. If the user password is changed in the WSD, it must also be changed for the Web Survey Daemon server in the server configuration as follows:
 - a Navigate to the Administration - Marketing screen, and then the Servers view.
 - b Query for Web Survey Daemon.
 - c Change the password and save it.
- 4 (Optional) If the default port 8080 is unavailable, you can change the port by doing the following:
 - a Navigate to %CATALINA_HOME%\conf and open the server.xml file.
 - b Edit the port number in the following section:

```
<!-- Define a non-SSL HTTP/1.1 Connector on port 8080 -->  
<Connector port="< your port No. >" maxHttpHeaderSize="8192"
```
 - c Restart Apache Tomcat server.

Controlling User Access to the Web Marketing Web Site

You can perform some of the following tasks to control user access in your Siebel Web Marketing Web site:

- Using external authentication using LDAP (Lightweight Directory Access Protocol)
LDAP is an Internet protocol that email programs use to look up contact information from a server.
- Creating database users for LDAP to use in database access
- Defining visibility for views and products

- Assigning a proxy employee
- Creating users through registration or user administration
- Associating users with accounts
- Allowing various levels of access such as Anonymous, Implicit login, and Explicit login
- Customizing access to home and login pages

For more information, see about the New User link in *Siebel Marketing User Guide*.

- Using single-sign on functionality
- Allowing another application to log in
- Adding fields to registration forms

For more information about controlling user access, see *Siebel Security Guide*.

Setting Up Default Responsibilities and Users for Web Marketing

Responsibilities control which views the users can display. The views to which a user has access determines the links and page tabs that the user sees. For example, if a user has a responsibility that does not permit access to the Credit Cards view, no Credit Cards link appears in the My Settings view. If no views within a business object are visible, the page tab that maps to that business object is not visible.

The responsibilities predefined for Siebel Web Marketing include:

- **Web Anonymous User.** Grants view visibility to anonymous users such as anonymous visitors, email prospects, and email contacts. For more information about these user enters, see [“About Web Marketing Web Site Visitors” on page 133](#). This responsibility allows the user to access views that do not have the Requires_Explicit_Login flags set to TRUE in Siebel Tools. For more information, see *Siebel Tools Online Help*.
- **Web Registered User.** End user in a business-to-consumer model such as logged-in contact. For more information about these user types, see [“About Web Marketing Web Site Visitors” on page 133](#). This user has registered and is recognized by the Siebel Marketing application either through his or her login, or because the user enters the site by clicking an embedded link in an email offer.
- **Web Corporate User.** End user in a business-to-business model. A Web corporate user is associated with an account and must be authorized by the Web Delegated Customer Administrator to access the site. An administrator can add new Web corporate users.

For more information about setting up and managing responsibilities, see *Siebel Security Guide*.

Setting Up a Default Campaign and Default Offer

Assigning a default campaign and offer is part of the Web Marketing setup process. An offer associated with the default campaign can be designated as the default offer. The default campaign and default offer determine which offers are presented to the customer during his or her Web Marketing session. These offers appear in addition to any targeted offers such as an embedded link in an email offer. For more information about configuring default offers and default campaigns, see *Siebel Marketing User Guide*.

Using Siebel Personalization with Web Marketing

Siebel Personalization delivers personalized content and offers to a customer profile, needs, interests, and history. Personalized content includes greeting users by name, presenting them with content targeted to their needs and interests, and showing them recommended products and offers based on their needs and history.

Using Siebel Personalization, you can define rules to show and hide content dynamically during a user's experience with Siebel Web Marketing. Personalization deployment rules can depend on data such as user's profile information, date ranges, company information, products and services they already purchased or reviewed, and specific session information.

The home page in Siebel Web Marketing includes the salutation applet in the upper left corner. It typically includes a personal greeting but it can be configured to deliver targeted content such as product promotions, announcements, birthday greetings, and offer updates. The home page also contains a list of recommended products and featured offers, both of which can be personalized based on user-specific information. Conditional expressions can be used to hide applets under certain conditions.

You manage personalization in the Personalization Administration screen in your Siebel application. For information about administering personalization, see *Siebel Personalization Administration Guide*.

Customizing the Web Marketing User Interface

The product provides a set of Web templates and cascading style sheets (CSS) to create the look and feel of an Oracle Siebel application. Customers can create their own look and feel by modifying corporate logos, colors, and fonts in the style sheets and Web templates. When modifying these elements, make sure you save a backup copy in case you need to restore the original files.

NOTE: These elements are not automatically upgraded during the upgrade process.

The Siebel Web architecture uses the Siebel Web Engine (SWE) to dynamically generate HTML pages. The SWE uses configuration information in the Siebel Repository (SRF) and HTML layout information in the Siebel Web Template (SWT) to merge data with the template when creating the HTML page.

To customize the Web Marketing User Interface, perform the following tasks:

- [“Modifying Web Templates” on page 143](#)
- [“Implementing Web Marketing Without Frames” on page 143](#)

- [“Full-Text Search” on page 144](#)
- [“Response Management” on page 144](#)

If you are using Web Offers with a custom Web site rather than the prebuilt SWE-based microsite, do not use the standard response types such as Downloads, Request Unsubscribe, Web Survey, and so on. These response types do not work because they generate SWE-based URLs that do not function without additional scripting. An easier solution is to use Trackable URLs for your links.

Modifying Web Templates

A Web template defines the layout and formatting elements of the user interface (UI), such as views, applets, and controls. You associate these UI elements with the templates in Siebel Tools. The associated information is stored in the SRF file. For example, you might have a View object with three applets. You associate a View Template with the view, and map each applet to a placeholder in that template. The advantage of this approach is that the UI objects in the repository are not hard-coded in individual templates. As a result, a number of View objects can share the same template if they share the same layout. The same process and design applies to Applet objects.

The three primary templates types are Container, View and Applet. The final HTML pages created by the SWE places the applet in the view and the view in the container. Siebel Business Applications provide numerous applet and view templates with the product. They can be viewed in Tools, but are edited in an external editor. For information about the physical user interface layer, see *Siebel Tools Online Help*.

The following is a list of some modifications available to change the look and feel of your Web site:

- Modifying Views and Applets
- Modifying Web Templates
- Changing colors
- Modifying behavior caused by clicking a button
- Adding or removing applets
- Changing controls
- Making fields in a form appear

For more information about customizing the user interface, see *Siebel Tools Online Help*.

Implementing Web Marketing Without Frames

Customer and partner applications use HTML frames for compatibility when running in browser-based applications. HTML frames create portions of the browser window that can scroll independently of the rest of the window. For example, you can place the navigation elements in one frame and content in another frame. You can scroll the content while the navigation elements remain in a fixed location.

Customer and partner applications can be implemented without using frames. Before choosing this method, consider the following limitation. In an unframed application, all UI elements exist in the same window. Therefore, the contents list might scroll off the page as a user scrolls down. For example, if the user scrolls down to review content, the navigation elements might not be visible.

Full-Text Search

Siebel Search for Customers is a subset of the Siebel Search product. Users can scan database tables and documents for pertinent information. Siebel Search is included with every license of an Oracle Siebel application. For information about Siebel Search and Siebel Search for Customers, see *Siebel Search Administration Guide*.

Response Management

Siebel Web Marketing captures a series of responses during a customer interaction. Siebel Web Marketing supports automatic capture of the following responses:

- Clicked on Web Offer. Captured when the recipient clicks the embedded link for a Web offer in an email offer.
- Clicked on Product URL. Captured when the recipient clicks the embedded link for the product in an email or Web offer.
- Clicked on Web Survey. Captured when the recipient clicks the embedded link for the Web survey in an email or Web offer.
- Completed Web Survey. Captured when the recipient submits his or her survey responses, after clicking the embedded link in an email. To view the response, navigate to the Responses screen.
- Downloaded Info or File. Captured when the recipient clicks the embedded link for the document that is downloaded in a Web offer.
- Requested Unsubscribe. Captured when the recipient submits his or her subscription preference updates after clicking the embedded link in the email offer. In addition to the response, the contact profile is updated.
- Requested call back. Captured when the recipient submits his or her request after clicking the embedded link in an email or Web offer.
- Requested more info. Captured when the recipient submits his or her request after clicking the embedded link in an email or Web offer.
- Submitted Source Code. Captured when a contact or prospect enters a source code and offer code in the Do you have Another Offer form in the Offers page.

Preconfigured Values for the COMM_RESPONSE_TYPE LOV

Table 20 shows the list of values for the COMM_RESPONSE_TYPE LOV that are seeded in the preconfigured Marketing product.

NOTE: The values that either trigger specialized logic or are automatically set by various features of the Siebel Marketing application must not be changed or deleted.

Table 20. Preconfigured Values for the COMM_RESPONSE_TYPE LOV

Values	Values Triggering Specialized Logic or Automatically Set
Language-Independent Code	Clicked on Product URL Clicked on Web Offer Clicked on Web Survey Completed Web Survey Downloaded info or file(s) Email Bounceback Email Reply
Rejected	Requested Unsubscribe Requested Call Back Requested More Info Respondent Purchased
Respondent Unreachable	Response Created Opportunity Read Receipt
Unclassified Response	None
No Interest	None
Respondent Interested	None
Accepted Invitation	None
Declined Invitation	None
Gave Referral	None
Requested Further Engagement	Submitted Source Code Clicked on URL
Attended	None
Cancelled	None
Confirmed	None
Invited	None

Table 20. Preconfigured Values for the COMM_RESPONSE_TYPE LOV

Values	Values Triggering Specialized Logic or Automatically Set
No Show	None
Pending	None
Waitlisted	None
Walk-in	Clicked on Event URL Forward to Friend Unsubscribe from List Subscribe to List One Click Unsubscribe Confirm Unsubscribe from List Confirm Subscribe to List

Additional responses and Siebel events can be captured through configuration. For more information, see event tracking topics in *Siebel Tools Online Help*.

Overriding Delete Protection for Phone and Web Offers

Active offers of type Phone or Web cannot be deleted by default. This prevents users from deleting offers that are in progress. You can override this delete protection at your own risk.

To override deletion protection for phone and Web offers

- 1 Start Siebel Tools.
- 2 Locate the Phone Offer or Web Offer Business Components.
- 3 Set the No Delete Protection user property to Y.

A

Advanced Marketing Information for Administrators

This appendix contains advanced information for administrators. It includes the following topics:

- [About Upgrading Campaigns from Earlier Versions on page 147](#)
- [Field Names for Marketing Integration Components on page 148](#)
- [Extending Column Data to Promote Prospects to Contacts on page 157](#)

About Upgrading Campaigns from Earlier Versions

Customers upgrading campaigns from any versions prior to 7.7 must review 478260.1 (Article ID) on My Oracle Support. This document was previously published as Siebel Technical Note 583. This Technical Note is also useful to anyone who wants more information on campaigns, waves, and the underlying table information.

Field Names for Marketing Integration Components

Table 21 on page 148 contains a list of Marketing integration objects, their components, and field names.

Table 21. Field Names for Marketing Integration Components

Parent Integration Object	Parent Integration Component	Name	Data Type	Length
Business Intelligence Account	Account	Attribute 66	DTYPE_TEXT	100
		Attribute 67	DTYPE_TEXT	100
		Attribute 68	DTYPE_TEXT	100
		Attribute 69	DTYPE_TEXT	100
		Attribute 70	DTYPE_TEXT	100
		Attribute 71	DTYPE_TEXT	100
		Attribute 72	DTYPE_TEXT	100
		Attribute 73	DTYPE_NUMBER	Not applicable
		Attribute 74	DTYPE_NUMBER	Not applicable
		Attribute 75	DTYPE_NUMBER	Not applicable
		Attribute 76	DTYPE_NUMBER	Not applicable
		Attribute 77	DTYPE_NUMBER	Not applicable
		Attribute 78	DTYPE_NUMBER	Not applicable
		Attribute 79	DTYPE_NUMBER	Not applicable
		Attribute 80	DTYPE_NUMBER	Not applicable
		Attribute 81	DTYPE_NUMBER	Not applicable
		Id	DTYPE_ID	30
		Integration Id	DTYPE_TEXT	30
		Location	DTYPE_TEXT	50
Name	DTYPE_TEXT	100		

Table 21. Field Names for Marketing Integration Components

Parent Integration Object	Parent Integration Component	Name	Data Type	Length
Business Intelligence Contact	Contact	Attribute 49	DTYPE_TEXT	100
		Attribute 50	DTYPE_TEXT	100
		Attribute 51	DTYPE_TEXT	100
		Attribute 52	DTYPE_TEXT	100
		Attribute 53	DTYPE_TEXT	100
		Attribute 54	DTYPE_TEXT	100
		Attribute 55	DTYPE_TEXT	100
		Attribute 56	DTYPE_NUMBER	Not applicable
		Attribute 57	DTYPE_NUMBER	Not applicable
		Attribute 58	DTYPE_NUMBER	Not applicable
		Attribute 59	DTYPE_NUMBER	Not applicable
		Attribute 60	DTYPE_NUMBER	Not applicable
		Attribute 61	DTYPE_NUMBER	Not applicable
		Attribute 62	DTYPE_NUMBER	Not applicable
		Attribute 63	DTYPE_NUMBER	Not applicable
		Attribute 64	DTYPE_NUMBER	Not applicable
		First Name	DTYPE_TEXT	50
		Id	DTYPE_ID	30
		Integration Id	DTYPE_TEXT	30
		Last Name	DTYPE_TEXT	50
Person UId	DTYPE_TEXT	100		

Table 21. Field Names for Marketing Integration Components

Parent Integration Object	Parent Integration Component	Name	Data Type	Length
Business Intelligence Household	Household	Attribute 48	DTYPE_TEXT	100
		Attribute 49	DTYPE_TEXT	100
		Attribute 50	DTYPE_TEXT	100
		Attribute 51	DTYPE_TEXT	100
		Attribute 52	DTYPE_TEXT	100
		Attribute 53	DTYPE_TEXT	100
		Attribute 54	DTYPE_TEXT	100
		Attribute 55	DTYPE_NUMBER	Not applicable
		Attribute 56	DTYPE_NUMBER	Not applicable
		Attribute 57	DTYPE_NUMBER	Not applicable
		Attribute 58	DTYPE_NUMBER	Not applicable
		Attribute 59	DTYPE_NUMBER	Not applicable
		Attribute 60	DTYPE_NUMBER	Not applicable
		Attribute 61	DTYPE_NUMBER	Not applicable
		Attribute 62	DTYPE_NUMBER	Not applicable
		Attribute 63	DTYPE_NUMBER	Not applicable
		Household Name	DTYPE_TEXT	50
		Household Number	DTYPE_TEXT	100
		Id	DTYPE_ID	30
Integration Id	DTYPE_TEXT	30		
Marketing Contact	Account	Account Location	DTYPE_TEXT	50
		Account Name	DTYPE_TEXT	100
		Home Page	DTYPE_TEXT	100
		Id	DTYPE_TEXT	30
		Integration Id	DTYPE_TEXT	30
		Main Fax Number	DTYPE_TEXT	Not applicable
		Main Phone Number	DTYPE_TEXT	Not applicable
		Region	DTYPE_TEXT	25

Table 21. Field Names for Marketing Integration Components

Parent Integration Object	Parent Integration Component	Name	Data Type	Length
Marketing Contact (continued)	Account Address	Address Name	DTYPE_TEXT	100
		City	DTYPE_TEXT	50
		Country	DTYPE_TEXT	50
		Id	DTYPE_TEXT	30
		Integration Id	DTYPE_TEXT	30
		Postal Code	DTYPE_TEXT	30
		State	DTYPE_TEXT	10
		Street Address	DTYPE_TEXT	200
		Street Address 2	DTYPE_TEXT	100
	Account Organization	Organization	DTYPE_TEXT	50
	Campaign Contact	Campaign Id	DTYPE_ID	Not applicable
		Completion Date	DTYPE_TEXT	Not applicable
		Distribution Id	DTYPE_ID	Not applicable
		Key 1	DTYPE_TEXT	30
		Key 2	DTYPE_TEXT	30
		Key 3	DTYPE_TEXT	30
		Key 4	DTYPE_TEXT	30
		Key 5	DTYPE_TEXT	30
		Key 6	DTYPE_TEXT	30
		Key 7	DTYPE_TEXT	30
		Load Number	DTYPE_NUMBER	Not applicable
		Load Wave Id	DTYPE_ID	Not applicable
		Scalability Batch Number	DTYPE_NUMBER	Not applicable
		Segment Id	DTYPE_ID	Not applicable
		Source Code	DTYPE_TEXT	75
		Token Number	DTYPE_NUMBER	Not applicable
	Treatment Id	DTYPE_ID	Not applicable	

Table 21. Field Names for Marketing Integration Components

Parent Integration Object	Parent Integration Component	Name	Data Type	Length
Marketing Contact Contact (continued)	Contact	Cellular Phone #	DTYPE_TEXT	Not applicable
		Email Address	DTYPE_TEXT	50
		Fax Phone #	DTYPE_TEXT	Not applicable
		First Name	DTYPE_TEXT	50
		Gender	DTYPE_TEXT	30
		Home Phone #	DTYPE_TEXT	Not applicable
		Id	DTYPE_ID	30
		Integration Id	DTYPE_TEXT	30
		Job Title	DTYPE_TEXT	75
		Last Name	DTYPE_TEXT	50
		Middle Name	DTYPE_TEXT	50
		Person UId	DTYPE_TEXT	100
		Preferred Communications	DTYPE_TEXT	30
		Salutation	DTYPE_TEXT	15
		Status	DTYPE_TEXT	30
	Work Phone #	DTYPE_TEXT	Not applicable	
	Contact Address	Id	DTYPE_TEXT	30
		Integration Id	DTYPE_TEXT	30
		Personal Address Name	DTYPE_TEXT	100
		Personal City	DTYPE_TEXT	50
		Personal Country	DTYPE_TEXT	50
		Personal Postal Code	DTYPE_TEXT	30
		Personal State	DTYPE_TEXT	10
		Personal Street Address	DTYPE_TEXT	200
	Personal Street Address 2	DTYPE_TEXT	100	
	Contact Organization	Organization	DTYPE_TEXT	50

Table 21. Field Names for Marketing Integration Components

Parent Integration Object	Parent Integration Component	Name	Data Type	Length
Marketing Contact (continued)	Household	Fax Number	DTYPE_TEXT	Not applicable
		Household Name	DTYPE_TEXT	50
		Household Number	DTYPE_TEXT	100
		Household Size	DTYPE_NUMBER	Not applicable
		Household Wealth	DTYPE_TEXT	Not applicable
		Id	DTYPE_ID	30
		Income	DTYPE_TEXT	Not applicable
		Integration Id	DTYPE_TEXT	30
		Phone Number	DTYPE_TEXT	Not applicable
		Revenue	DTYPE_TEXT	Not applicable
	Household Organization	Organization	DTYPE_TEXT	50

Table 21. Field Names for Marketing Integration Components

Parent Integration Object	Parent Integration Component	Name	Data Type	Length
Marketing Person	Campaign Contact	Account Id	DTYPE_ID	Not applicable
		Campaign Id	DTYPE_ID	Not applicable
		Completion Date	DTYPE_TEXT	Not applicable
		Contact Id	DTYPE_ID	Not applicable
		Distribution Id	DTYPE_ID	Not applicable
		Household Id	DTYPE_ID	Not applicable
		Key 1	DTYPE_TEXT	30
		Key 2	DTYPE_TEXT	30
		Key 3	DTYPE_TEXT	30
		Key 4	DTYPE_TEXT	30
		Key 5	DTYPE_TEXT	30
		Key 6	DTYPE_TEXT	30
		Key 7	DTYPE_TEXT	30
		Load Number	DTYPE_NUMBER	Not applicable
		Load Wave Id	DTYPE_ID	Not applicable
		Prospect Id	DTYPE_ID	Not applicable
		Scalability Batch Number	DTYPE_NUMBER	Not applicable
		Segment Id	DTYPE_ID	Not applicable
		Source Code	DTYPE_TEXT	75
		Treatment Id	DTYPE_ID	Not applicable
Token Number	DTYPE_NUMBER	Not applicable		

Table 21. Field Names for Marketing Integration Components

Parent Integration Object	Parent Integration Component	Name	Data Type	Length
Marketing Prospect	Campaign Contact	Call Completed	DTYPE_TEXT	Not applicable
		Campaign Id	DTYPE_ID	Not applicable
		Completion Date	DTYPE_TEXT	Not applicable
		Distribution Id	DTYPE_ID	Not applicable
		Key 1	DTYPE_TEXT	30
		Key 2	DTYPE_TEXT	30
		Key 3	DTYPE_TEXT	30
		Key 4	DTYPE_TEXT	30
		Key 5	DTYPE_TEXT	30
		Key 6	DTYPE_TEXT	30
		Key 7	DTYPE_TEXT	30
		Load Number	DTYPE_NUMBER	Not applicable
		Load Wave Id	DTYPE_ID	Not applicable
		Prospect Id	DTYPE_ID	Not applicable
		Scalability Batch Number	DTYPE_NUMBER	Not applicable
		Segment Id	DTYPE_ID	Not applicable
		Treatment Id	DTYPE_ID	Not applicable
		Token Number	DTYPE_NUMBER	Not applicable
	Prospect	Account	DTYPE_TEXT	Not applicable
		Account Id	DTYPE_ID	Not applicable
		Alias	DTYPE_TEXT	Not applicable
		Alternate Phone #	DTYPE_TEXT	Not applicable
		Annual Revenue	DTYPE_NUMBER	Not applicable
		Assistant	DTYPE_TEXT	Not applicable
		Assistant Phone #	DTYPE_TEXT	Not applicable
		Birth Date	DTYPE_DATETIME	Not applicable
		Cellular Phone #	DTYPE_TEXT	Not applicable
		City	DTYPE_TEXT	Not applicable
Comment	DTYPE_TEXT	Not applicable		
Country	DTYPE_TEXT	Not applicable		

Table 21. Field Names for Marketing Integration Components

Parent Integration Object	Parent Integration Component	Name	Data Type	Length
Marketing Prospect (continued)	Prospect (continued)	County	DTYPE_TEXT	Not applicable
		Disable DataCleansing	DTYPE_TEXT	Not applicable
		DUNS Number	DTYPE_ID	Not applicable
		Email Address	DTYPE_TEXT	Not applicable
		Employee At Site	DTYPE_NUMBER	Not applicable
		Employee Total	DTYPE_NUMBER	Not applicable
		Expiration Date	DTYPE_TEXT	Not applicable
		Fax Phone #	DTYPE_TEXT	Not applicable
		First Name	DTYPE_TEXT	Not applicable
		Gender	DTYPE_TEXT	30
		Hide DUNS Number Flag	DTYPE_TEXT	Not applicable
		Home Page	DTYPE_TEXT	100
		Home Phone #	DTYPE_TEXT	Not applicable
		Id	DTYPE_ID	30
		Job Title	DTYPE_TEXT	Not applicable
		Last Name	DTYPE_TEXT	Not applicable
		Line of Business	DTYPE_TEXT	50
		Maiden Name	DTYPE_TEXT	Not applicable
		Manager Name	DTYPE_TEXT	Not applicable
		Marital Status Code	DTYPE_TEXT	Not applicable
		Middle Name	DTYPE_TEXT	Not applicable
		Nationality	DTYPE_TEXT	Not applicable
		Postal Code	DTYPE_TEXT	Not applicable
		Preferred Communications	DTYPE_TEXT	30
		Preferred Language Name	DTYPE_TEXT	Not applicable
		Primary Account Location	DTYPE_TEXT	Not applicable
Primary SIC Code	DTYPE_TEXT	30		

Table 21. Field Names for Marketing Integration Components

Parent Integration Object	Parent Integration Component	Name	Data Type	Length
Marketing Prospect (continued)	Prospect (continued)	Primary SIC Id	DTYPE_ID	Not applicable
		Product Interest	DTYPE_TEXT	100
		Prospective Contact UID	DTYPE_TEXT	100
		Province	DTYPE_TEXT	Not applicable
		Public	DTYPE_TEXT	1
		Race	DTYPE_TEXT	Not applicable
		Salutation	DTYPE_TEXT	Not applicable
		Social Security Number	DTYPE_TEXT	Not applicable
		Source Name	DTYPE_TEXT	100
		State	DTYPE_TEXT	Not applicable
		Street Address	DTYPE_TEXT	Not applicable
		Street Address 2	DTYPE_TEXT	Not applicable
		Suppress Call Flag	DTYPE_TEXT	Not applicable
		Suppress Email Flag	DTYPE_TEXT	Not applicable
		Suppress Fax Flag	DTYPE_TEXT	Not applicable
		Suppress Mail Flag	DTYPE_TEXT	Not applicable
		Time Zone	DTYPE_TEXT	Not applicable
		Work Phone #	DTYPE_TEXT	Not applicable
Year Started	DTYPE_NUMBER	Not applicable		

Extending Column Data to Promote Prospects to Contacts

When promoting prospects to contacts, use this example as a guide for promoting data stored in extension columns in the S_PRSP_CONTACT table to the S_CONTACT table.

To promote data stored in extension columns in the S_PRSP_CONTACT table to the S_CONTACT table

- 1 Add a new extension column called X_ACADEMIC_TITLE to S_PRSP_CONTACT.

- 2 Add a new extension column called X_ACADEMIC_TITLE to S_CONTACT.
- 3 Add a field called Academic Title to the List Management Prospective Contact business component.
- 4 Add user properties to the List Management Prospective Contact business component with the following values:
 - Name: Promotion Map:Contact.Academic Title
 - Value: Academic Title
- 5 Add a field called Academic Title to the Contact business component.
- 6 Add a field called Academic Title to the List Management Prospective Contact List applet and Contact List applet.
- 7 Add a field called Academic Title to the Promote To Contact or Promote To Contact (SIA) integration object.

B

Assigning Character Sets for the Email Marketing Server

This appendix describes how to assign character sets for the Email Marketing Server. It includes the following topic:

- [Working with Character Sets for Email Marketing Servers on page 159](#)

Working with Character Sets for Email Marketing Servers

To change the character set used for outbound emails, add a parameter to the Email Marketing Server profile that is used for the outbound email campaign. The parameter you must add or change is Character Set, using a value from the right column of [Table 22](#).

When the Communications Server processes an email request for a campaign, it identifies the character set and locale of the first offer, changes to that offer's character set and locale, and processes that offer and associated offers using that character set and locale.

To assign the character set for the Email Marketing Server configuration

- 1 Navigate to the Administration - Marketing screen and then the Servers view.
- 2 Query for records of type Email Marketing Server.
- 3 Select an email server and add a new parameter type with the name Charset.
- 4 Set the parameter value to the value of the character set with which to send the email offer.

[Table 22](#) identifies the name of the character set used in an email campaign.

Table 22. Character Set Values Used in Email Campaigns

Encoding	Character Set Name	Also Known As	Vendor or Standard Body	Character Set Value (Unicode)
CP10004	Arabic	Macintosh Arabic	Microsoft or IBM	CP10004
CP1256	Arabic	Not applicable	Microsoft or IBM	CP1256
CP20420	Arabic	(With full-width Latin and punctuation)	Microsoft or IBM	CP20420
CP28596	Arabic	Arabic Alphabet (ISO)	Microsoft or IBM	CP28596
CP720	Arabic	Transparent ASMO	Microsoft or IBM	CP720
CP864	Arabic	Not applicable	Microsoft or IBM	CP864

Table 22. Character Set Values Used in Email Campaigns

Encoding	Character Set Name	Also Known As	Vendor or Standard Body	Character Set Value (Unicode)
ISO 8859-6	Arabic	ISOLatinArabic	International or National Standard	Arabic
CP708	Arabic	ASMO708	Microsoft or IBM	CP708
CP1257	Baltic	Not applicable	Microsoft or IBM	CP1257
CP28594	Baltic	Baltic Alphabet (ISO)	Microsoft or IBM	CP28594
CP775	Baltic	Not applicable	Microsoft or IBM	CP775
ISO 8859-4	Baltic	Latin4	International or National Standard	Latin4, ISO-8859-4
ISO 8859-13	Baltic	Latin7	International or National Standard	Latin7, ISO-8859-13
ISO 8859-14	Celtic	Latin8	International or National Standard	ISO-8859-14
CCSID 935	Chinese, Simplified	Not applicable	IBM	CCSID-935, CCSID935
EUC-CN	Chinese, Simplified	GB2312, EUC-SC	UNIX	GB2312
GB2312	Chinese, Simplified	EUC-CN, EUC-SC	International or National Standard	GB2312
HZ-GB-2312	Chinese, Simplified	HZ-GB-2312	International or National Standard	HZ, HZ-GB-2312
CP936	Chinese, Simplified	GBK	Microsoft or IBM	CP936, GBK
MacChinese Simplified	Chinese, Simplified	Not applicable	Macintosh	MacChinese Simplified
CCSID 937	Chinese, Traditional	Not applicable	IBM	CCSID-937, CCSID937
CNS-11643-1986	Chinese, Traditional	EUC-TW	International or National Standard	CNS-11643-1986
CNS-11643-1992	Chinese, Traditional	EUC-TW	International or National Standard	CNS-11643, CNS-11643-1992
EUC-TW	Chinese, Traditional	CNS-11643-1986, CNS-11643-1992	UNIX	CNS-11643, CNS-11643-1992

Table 22. Character Set Values Used in Email Campaigns

Encoding	Character Set Name	Also Known As	Vendor or Standard Body	Character Set Value (Unicode)
GB12345	Chinese, Traditional	Not applicable	International or National Standard	GB12345
Big5	Chinese, Traditional	Not applicable	International or National Standard	Big5
CP10002	Chinese, Traditional	Macintosh Traditional Chinese	Microsoft or IBM	CP10002
CP950	Chinese, Traditional	Not applicable	Microsoft or IBM	CP950
MacChinese Traditional	Chinese, Traditional	Not applicable	Macintosh	MacChinese Traditional
MacCroatian	Croatian	Not applicable	Macintosh	MacCroatian
CP10007	Cyrillic	Macintosh Cyrillic	Microsoft or IBM	CP10007
CP1251	Cyrillic	MS Windows Cyrillic (Slavic)	Microsoft or IBM	CP1251
CP20866	Cyrillic	Cyrillic Alphabet, KOI8-R	Microsoft or IBM	CP20866
CP20880	Cyrillic	(With full-width Latin and punctuation)	Microsoft or IBM	CP20880
CP21025	Cyrillic	(With full-width Latin and punctuation)	Microsoft or IBM	CP21025
CP21866	Cyrillic	Ukranian KOI8-RU	Microsoft or IBM	CP21866
CP28595	Cyrillic	Cyrillic Alphabet (ISO)	Microsoft or IBM	CP28595
CP855	Cyrillic	IBM Cyrillic	Microsoft or IBM	CP855
CP866	Cyrillic	MS DOS Russian	Microsoft or IBM	CP866
ISO 8859-5	Cyrillic	ISOLatinCyrillic	International or National Standard	ISOLatinCyrillic
MacCyrillic	Cyrillic	Not applicable	Macintosh	MacCyrillic
Mac Devanagari	Devanagari	Not applicable	Macintosh	MacDevanagari
CP10006	Greek	Macintosh Greek 1	Microsoft or IBM	CP10006
CP1253	Greek	Not applicable	Microsoft or IBM	CP1253
CP20423	Greek	(With full-width Latin and punctuation)	Microsoft or IBM	CP20423

Table 22. Character Set Values Used in Email Campaigns

Encoding	Character Set Name	Also Known As	Vendor or Standard Body	Character Set Value (Unicode)
CP28597	Greek	Greek Alphabet (ISO)	Microsoft or IBM	CP28597
CP737	Greek	Not applicable	Microsoft or IBM	CP737
CP869	Greek	IBM Modern Greek	Microsoft or IBM	CP869
ISO 8859-7	Greek	ISOLatinGreek	International or National Standard	Greek
MacGreek	Greek	Not applicable	Macintosh	MacGreek
MacGujarati	Gujarati	Not applicable	Macintosh	MacGujarati
CP10010	Gurmukhi	Macintosh Gurmukhi	Microsoft or IBM	CP10010
MacGurmukhi	Gurmukhi	Not applicable	Macintosh	MacGurmukhi
CP10005	Hebrew	Macintosh Hebrew	Microsoft or IBM	CP10005
CP1255	Hebrew	Not applicable	Microsoft or IBM	CP1255
CP28598	Hebrew	Hebrew Alphabet (ISO)	Microsoft or IBM	CP28598
CP38598	Hebrew	ASCII and Hebrew and private use characters	Microsoft or IBM	CP38598
CP862	Hebrew	Not applicable	Microsoft or IBM	CP862
ISO 8859-8	Hebrew	ISOLatinHebrew	International or National Standard	Hebrew
CP10079	Icelandic	Macintosh Icelandic	Microsoft or IBM	CP10079
CP861	Icelandic	MS DOS Icelandic	Microsoft or IBM	CP861
MacIcelandic	Icelandic	Not applicable	Macintosh	MacIcelandic
CCSID 1027	Japanese	EBCDIK	Microsoft or IBM	CCSID-1027, CCSID1027
CCSID 290	Japanese	EBCDIK	Microsoft or IBM	CCSID-290, CCSID290
CCSID 930	Japanese	Not applicable	IBM	CCSID-930, CCSID930
CCSID 939	Japanese	Not applicable	IBM	CCSID-939, CCSID939
CCSID 942	Japanese	Not applicable	Microsoft or IBM	CCSID-942, CCSID942
CP10001	Japanese	Macintosh Japanese	Microsoft or IBM	CP10001

Table 22. Character Set Values Used in Email Campaigns

Encoding	Character Set Name	Also Known As	Vendor or Standard Body	Character Set Value (Unicode)
CP20290	Japanese	(full and half width Latin and halfwidth katakana)	Microsoft or IBM	CP20290
CP21027	Japanese	(half-width Latin, half-width katakana and private use)	Microsoft or IBM	CP21027
EUC-JP	Japanese	Not applicable	UNIX	EUC-JP, EUC-J
ISO-2022-JP	Japanese	Not applicable	International or National Standard	ISO-2022-JP
JIS_X_0201	Japanese	Half-WidthKatakana	International or National Standard	JIS_X_0201
JIS_X_0208	Japanese	Not applicable	International or National Standard	JIS_X_0208
MacJapanese	Japanese	Not applicable	Macintosh	MacJapanese
Shift-JISMS	Japanese	MS_Kanji, CP932	Microsoft or IBM	Shift-JIS, SJIS
Shift-JIS78	Japanese	Shift-JIS without MS or IBM extensions	UNIX or Macintosh	Shift-JIS78, SJIS78
CP10003	Korean	Macintosh Korean	Microsoft or IBM	CP10003
CP1361	Korean	Korean Johab (based on KSC 5861-1992)	Microsoft or IBM	CP1361
CP949	Korean	Not applicable	Microsoft or IBM	CP949
EUC-KR	Korean	KS_C_5861-1992	UNIX	EUC-KR, EUC-K
ISO-2022-KR	Korean	KS_C_5601-1987	International or National Standard	ISO-2022-KR
Johab	Korean	Not applicable	International or National Standard	Johab
KS_C_5601-1987	Korean	ISO-2022-KR	International or National Standard	ISO-2022-KR
KS_C_5861-1992	Korean	EUC-KR	International or National Standard	KS_C_5861-1992
MacKorean	Korean	Not applicable	Macintosh	MacKorean
CP10000	Latin	Macintosh Roman	Microsoft or IBM	CP10000
CP10029	Latin	Macintosh Latin2	Microsoft or IBM	CP10029

Table 22. Character Set Values Used in Email Campaigns

Encoding	Character Set Name	Also Known As	Vendor or Standard Body	Character Set Value (Unicode)
CP10082	Latin	(With mathematical symbols)	Microsoft or IBM	CP10082
CCSID 1047	Latin	EBCDIC (for IBM Open Systems platform)	Microsoft or IBM	CCSID1047
CP20261	Latin	(With private use characters)	Microsoft or IBM	CP20261
CP20269	Latin	Not applicable	Microsoft or IBM	CP20269
CP20273	Latin	(With full-width Latin and punctuation)	Microsoft or IBM	CP20273
CP20277	Latin	(With full-width Latin and punctuation)	Microsoft or IBM	CP20277
CP20278	Latin	(With full-width Latin and punctuation)	Microsoft or IBM	CP20278
CP20280	Latin	(With full-width Latin and punctuation)	Microsoft or IBM	CP20280
CP20284	Latin	(With full-width Latin and punctuation)	Microsoft or IBM	CP20284
CP20285	Latin	(With full-width Latin and punctuation)	Microsoft or IBM	CP20285
CP20297	Latin	(With full-width Latin and punctuation)	Microsoft or IBM	CP20297
CP20833	Latin	(With full-width Latin and punctuation)	Microsoft or IBM	CP20833
CP20871	Latin	(With full-width Latin and punctuation)	Microsoft or IBM	CP20871
CP28591	Latin	ASCII and Latin accented vowels	Microsoft or IBM	CP28591
CP28593	Latin	Latin 3 Alphabet (ISO)	Microsoft or IBM	CP28593
CP850	Latin	MS DOS Multilingual, MS-DOS Latin1	Microsoft or IBM	CP850
CP870	Latin	(With fullwidth punctuation)	Microsoft or IBM	CP870
ISO 8859-1	Latin	Latin1	International or National Standard	Latin1, ISO-8859-1

Table 22. Character Set Values Used in Email Campaigns

Encoding	Character Set Name	Also Known As	Vendor or Standard Body	Character Set Value (Unicode)
ISO 8859-15	Latin	Latin1 plus Euro symbol and accented characters	International or National Standard	ISO-8859-15
ISO 8859-2	Latin	Latin2	International or National Standard	Latin2, ISO-8859-2
MacRoman	Latin	Not applicable	Macintosh	MacRoman
NextStep	Latin	Not applicable	Apple or Next	NextStep
Adobe-Standard-Encoding	Latin	(used in PS printers)	Other Corporate	Adobe-Standard-Encoding
CP863	Latin, Canadian French	MS DOS Canadian French	Microsoft or IBM	CP863
CP28592	Latin, Central European	Central European Alphabet (ISO)	Microsoft or IBM	CP28592
MacCentral European	Latin, Central European	Not applicable	Macintosh	MacCentral European
CP1250	Latin, Eastern Europe	Not applicable	Microsoft or IBM	CP1250
CP20905	Latin, Esperanto	(With full-width Latin and punctuation)	Microsoft or IBM	CP20905
CP860	Latin, Portuguese	MS DOS Portuguese	Microsoft or IBM	CP860
ISO 8859-3	Latin, Southeast European	Latin3	International or National Standard	Latin3, ISO-8859-3
ASCII	Latin, US English	US-ASCII, CP367	International or National Standard	ASCII
CP037	Latin, US English	EBCDIC	Microsoft or IBM	CP037
CP1026	Latin, US English	EBCDIC	Microsoft or IBM	CP1026

Table 22. Character Set Values Used in Email Campaigns

Encoding	Character Set Name	Also Known As	Vendor or Standard Body	Character Set Value (Unicode)
CP1252	Latin, US English	MS Windows Latin1 (ANSI)	Microsoft or IBM	CP1252
CP20105	Latin, US English	US ASCII	Microsoft or IBM	CP20105
CP437	Latin, US English	MS-DOS Latin US	Microsoft or IBM	CP437
CP500	Latin, US English	EBCDIC	Microsoft or IBM	CP500
CP875	Latin, US English	EBCDIC	Microsoft or IBM	CP875
CP10017	Malayalam	Macintosh Malayalam	Microsoft or IBM	CP10017
CP865	Nordic	MS DOS Nordic	Microsoft or IBM	CP865
ISO 8859-10	Nordic	Latin6	International or National Standard	Latin6, ISO-8859-10
Mac Romanian	Romanian	Not applicable	Macintosh	MacRomanian
CP852	Slavic	MS DOS Slavic	Microsoft or IBM	CP852
Adobe-Symbol-Encoding	Symbol	(used in PS printers)	Adobe	Adobe-Symbol-Encoding
Adobe-Zapf-Dingbats-Encoding	Symbol	(used in PS printers)	Adobe	Adobe-Zapf-Dingbats-Encoding
CP10008	Symbol	Macintosh RSymbol (Right-left symbol)	Microsoft or IBM	CP10008
MacDingbats	Symbol	Not applicable	Macintosh	MacDingbats
MacSymbol	Symbol	Not applicable	Macintosh	MacSymbol
CP20838	Thai	(With full-width Latin and punctuation)	Microsoft or IBM	CP20838
CP874	Thai	IBMThai	Microsoft or IBM	CP874
ISO 8859-11 (draft)	Thai	ISOLatinThai	International or National Standard	Thai
MacThai	Thai	Not applicable	Macintosh	MacThai
CP10081	Turkish	Macintosh Turkish	Microsoft or IBM	CP10081

Table 22. Character Set Values Used in Email Campaigns

Encoding	Character Set Name	Also Known As	Vendor or Standard Body	Character Set Value (Unicode)
CP1254	Turkish	Not applicable	Microsoft or IBM	CP1254
CP28599	Turkish	Turkish (ISO)	Microsoft or IBM	CP28599
CP857	Turkish	IBM Turkish	Microsoft or IBM	CP857
ISO 8859-9	Turkish	Latin5	International or National Standard	Latin5, ISO-8859-9
MacTurkish	Turkish	Not applicable	Macintosh	MacTurkish
MacUkrainian	Ukrainian	Not applicable	Macintosh	MacUkrainian
BMP	Unicode	Not applicable	Unicode	BMP, Unicode20: big-endian
Java	Unicode	Way of representing Unicode characters in ASCII	Oracle	Java, Unicode20:BOM: Java, Unicode11: Java, Unicode11:BOM: Java
UCS2	Unicode	ISO-10646-UCS2, UTF16	Unicode	UCS2, Unicode, Unicode20: UCS2
Unicode Big-endian	Unicode	Not applicable	Unicode	big-endian, Unicode20: big-endian, Unicode11: big-endian, Unicode11:BOM: big-endian
Unicode Little-endian	Unicode	Not applicable	Unicode	little-endian, Unicode20: little-endian, Unicode11: little-endian, Unicode11:BOM: little-endian
Unicode11-UCS2	Unicode	Not applicable	Unicode	Unicode11-UCS2, Unicode11: UCS2, Unicode11:BOM: UCS2

Table 22. Character Set Values Used in Email Campaigns

Encoding	Character Set Name	Also Known As	Vendor or Standard Body	Character Set Value (Unicode)
Unicode11-UTF7	Unicode	Not applicable	Unicode	Unicode11-UTF7, Unicode11:UTF7, Unicode11:BOM:UTF7
Unicode11-UTF8	Unicode	Not applicable	Unicode	Unicode11-UTF8, Unicode11:UTF8, Unicode11:BOM:UTF8
UTF7	Unicode	Not applicable	Unicode	UTF7, Unicode20:BOM:UTF7
UTF8	Unicode	Not applicable	Unicode	UTF8, Unicode20:BOM:UTF8
UTF-EBCDIC	Unicode	Not applicable	Unicode	UTF8-EBCDIC, UTF-8-EBCDIC
CP1258	Vietnamese	Not applicable	Microsoft or IBM	CP1258

C

Logical Entity Relationships

This appendix lists the logical entity relationships between marketing objects, business components, and specific columns in the S_SRC table. It includes the following topic:

- [Logical Entity Relationships for Marketing Objects on page 169](#)

Logical Entity Relationships for Marketing Objects

Table 23 shows the logical entity relationships between marketing objects, business components, and specific columns in the S_SRC table.

Table 23. Logical Entity Relationships for Marketing Objects

Object	Business Component Name	Columns in S_SRC					
		CAMP_TYPE_CD	PAR_SRC_ID	SUB_TYPE	TEMPLATE_ID	TMPL_ID	ULT_PAR_SRC_ID
Campaign	Campaign	Campaign	Parent Campaign Id	MARKETING_CAMPAIN	Campaign Template Id	Stage Id	Program Id
Campaign Template	Campaign Template	Campaign	NULL	MARKETING_CAMPAIN	NULL	Stage Id	Program Tmpl Id
Marketing Plans	Marketing Plans	Marketing Plan	Parent Mktg Plan Id	MARKETING_CAMPAIN	NULL	NULL	NULL
Program	Program Container	PROGRAM_CONTAINER	NULL	MARKETING_CAMPAIN	Program Template Id	NULL	Program Id
Program Template	Program Template	PROGRAM_CONTAINER	NULL	MARKETING_CAMPAIN	NULL	NULL	Program Tmpl Id
Stage	Program (DBM)	STAGE	NULL	MARKETING_CAMPAIN	NULL	Program Id	Program Id

D

Email Marketing Configuration Properties

This appendix describes the new and changed properties in the email marketing configuration files which were introduced in Siebel CRM Release 8.1. It includes the following topics:

- [New and Changed Properties in the esd.properties Configuration File on page 171](#)
- [New and Changed Properties in the ctd.properties Configuration File on page 172](#)
- [New and Changed Properties in the bhd.properties Configuration File on page 173](#)

New and Changed Properties in the esd.properties Configuration File

[Table 24](#) lists the new properties in the esd.properties file.

Table 24. New Properties in the esd.properties File

Property and Seeded Value	Description
esd.moduleName = ESD	Module name.
esd.handlerClass=com.siebel.sem.esd.integrated.OnPremiseMailingEventHandler	Handler class available for custom code.
esd.smtp.throttleVal=-1	Determines the number of emails sent out per second.
esd.priorityThreshold=5001	Determines whether a mailing has enough recipients to have its priority level observed.
esd.mailing.deliveryFlushThreshold=100	Determines the number of recipients that will be recorded from memory and flushed.
esd.callbackQueue.queueLength=100	Determines the maximum number of entries to the queue before the queue is flushed.

[Table 25](#) lists the changed properties in the esd.properties file.

Table 25. Changed Properties in the esd.properties File

Siebel CRM Version 8.0	Siebel CRM Version 8.1 and 8.2
siebel.user.language=enu	esd.userLocale = enu
siebel.connection.string=CHANGE_ME	esd.handler.webservice.url=CHANGE_ME

Table 25. Changed Properties in the esd.properties File

Siebel CRM Version 8.0	Siebel CRM Version 8.1 and 8.2
siebel.user.name=CHANGE_ME	esd.handler.webservice.username=CHANGE_ME
siebel.password=CHANGE_ME	esd.handler.webservice.password=CHANGE_ME

New and Changed Properties in the ctd.properties Configuration File

Table 26 lists the new properties in the ctd.properties file.

Table 26. New Properties in the ctd.properties File

Property and Seeded Value	Description
ctd.moduleName = CTD	Module name.
ctd.handlerClass = com.siebel.sem.ctd.integrated.OnPremise ClickEventHandler	Handler class available for custom code.
ctd.queue.clickQSubDir.name = clickQ	ctd subdirectory for click Queue.
ctd.queue.ftfQSubDir.name = ftfQ	ctd subdirectory for forward-to-friend Queue.
ctd.queue.msgOpenQSubDir.name = msgOpenQ	ctd subdirectory for message open Queue.
ctd.queue.listUnsubQSubDir.name = unsubQ	ctd subdirectory for unsubscribe Queue.
ctd.queue.listQSubDir.name = listsubQ	ctd subdirectory for unsubscribe from list Queue.
ctd.validateParameters = true	Determines whether to validate the destination URL against the Trackable URL in the email.

Table 27 lists the changed properties in the ctd.properties file.

Table 27. Changed Properties in the ctd.properties File

Siebel CRM Version 8.0	Siebel CRM Version 8.1 and 8.2
siebel.user.language=enu	ctd.user.language=ENU
siebel.connection.string=CHANGE_ME	ctd.webservice.url = CHANGE_ME
siebel.user.name=CHANGE_ME	ctd.webservice.username = CHANGE_ME
siebel.user.password=CHANGE_ME	ctd.webservice.password = CHANGE_ME

New and Changed Properties in the bhd.properties Configuration File

Table 28 lists the new properties in the bhd.properties file.

Table 28. New Properties in the bhd.properties File

Property and Seeded Value	Description
Bhd.moduleName = BSD	Module name.
BhdModule.handlerClass = com.siebel.sem.bhd.integrated.OnPremiseBounceEventHandler	Handler class available for custom code.
BhdModule.handler.webservice.url = CHANGE_ME	URL for the Web Service connection to the Marketing computer.
BhdModule.handler.webservice.username = CHANGE_ME	Username for the Web Service connection to the Marketing computer.
BhdModule.handler.webservice.password = CHANGE_ME	Password for the Web Service connection to the Marketing computer.

Table 29 lists the changed properties in the bhd.properties file.

Table 29. Changed Properties in the bhd.properties File

Siebel CRM Version 8.0	Siebel CRM Version 8.1 and 8.2
BhdModule.bounce_reason.lic.BAD_ADDRESS_REASON=Bad Address	BhdModule.handler.bounceReason.BadAddress=Bad Address
BhdModule.bounce_reason.lic.ADDRESS_MOVED_REASON=Address Moved	BhdModule.handler.bounceReason.AddressMoved=Address Moved
BhdModule.bounce_reason.lic.BAD_SENDER_REASON=Bad Sender	BhdModule.handler.bounceReason.BadSender=Bad Sender
BhdModule.bounce_reason.lic.MAILBOX_PROBLEM_REASON=Mailbox Problem	BhdModule.handler.bounceReason.MailboxProblem=Mailbox Problem
BhdModule.bounce_reason.lic.SYSTEM_PROBLEM_REASON=System Problem	BhdModule.handler.bounceReason.SystemProblem=System Problem
BhdModule.bounce_reason.lic.NETWORK_PROBLEM_REASON=Network Problem	BhdModule.handler.bounceReason.NetworkProblem=Network Problem
BhdModule.bounce_reason.lic.PROTOCOL_PROBLEM_REASON=Protocol Problem	BhdModule.handler.bounceReason.ProtocolProblem=Protocol Problem
BhdModule.bounce_reason.lic.SECURITY_PROBLEM_REASON=Security Problem	BhdModule.handler.bounceReason.SecurityProblem=Security Problem

Table 29. Changed Properties in the bhd.properties File

Siebel CRM Version 8.0	Siebel CRM Version 8.1 and 8.2
BhdModule.bounce_reason.lic.MESSAGE_TOO_LARGE_REASON=Message Too Large	BhdModule.handler.bounceReason.MessageTooLarge=Message Too Large
BhdModule.bounce_reason.lic.LAST_RESORT_REASON=Last Resort	BhdModule.handler.bounceReason.LastResort=Last Resort
BhdModule.bounce_reason.lic.VACATION_REASON=Vacation	BhdModule.handler.bounceReason.Vacation=Vacation
BhdModule.bounce_reason.lic.UNPARSABLE_REASON=Unparsable	BhdModule.handler.bounceReason.Unparsable=Unparsable

Index

A

- access groups, Marketing** 30
- activity plans, creating** 35
- activity templates, creating** 35
- administrator alerts, setting up** 125
- Apache Tomcat, upgrading** 116
- approval process**
 - Action value, adding 29
 - Approval Status value, adding 29
 - mapping Approval Status value to Action value 29
- automatic responses, for opportunities and orders** 26

B

- bounce codes** 73
- Bounce Handler daemon (BHD)**
 - configuring 95
 - configuring bounce classification 98
 - installing 85, 135
 - testing, verifying 95
- Business Intelligence Presentation server**
 - connecting to Siebel server 21
 - user ID and password 22

C

- campaign history table**
 - campaign load table update rules (table) 56
 - contents of 56
- campaign load formats**
 - creating 51
 - integration objects 61
 - options 55
- campaign load mappings**
 - about 51
 - campaign load table update rules (table) 56
 - Contact Key components, sample mappings (table) 65
 - mapping rules for Marketing Contact integration components 64
 - mapping rules for Marketing Person integration components 67
 - mapping rules for Marketing prospect integration components 66

- Marketing integration objects, about and diagram 62
- Marketing Person integration component description (table) 63
- Marketing Person integration object, about 66
- Siebel contact and campaign history tables, about and list of tables 56

- Campaign Load workflow process, configuring** 20
- campaign load, testing** 41
- campaigns, upgrading** 147
- character sets, Email Marketing server** 159
- CKEditor file manager, configuring** 36
- Click Through daemon (CTD)**
 - configuring 102, 104
 - configuring HTTP server port 102
 - installing 86
 - testing, verifying 103
- component configuration**
 - Email Marketing server 110
 - testing 113
- component groups**
 - enabling 15
 - group status, determining 15
 - synchronizing 17
- configuration, Marketing approval process** 27
- Contact List Import Using PL/SQL**
 - about 10
 - installing 10

D

- deployment, global** 30
- distribution method, vendor task** 49
- distribution profiles**
 - vendor task, described 49
 - vendors, defining for 50

E

- email address header, configuring** 94
- email addresses, configuring the status of** 129
- email jobs**
 - monitoring 117
 - prioritization workflow 120

prioritizing 118

Email Marketing

architecture, graphic 77
 Bounce Handler daemon, about 76
 character sets 159
 Click Through Daemon, about 77
 configuring email address header 94
 configuring for HTTPS communications 106
 email delivery, example of 72
 Email Sending daemon, about 76
 Email Sending daemon, graphic 78
 final test 110
 frequently used terms 74
 installation issues 75
 installing and configuring, about 71
 installing, about 83
 installing, requirements for 79
 Java Development Kit, installing 82
 log files 122
 testing with Siebel Marketing 113
 verifying component configuration 110

Email Marketing daemons, configuring 87

Email Marketing, administering

configuring logging 123
 disabling SMTP command pipelining 121
 prioritizing jobs 118
 setting ESD throughput rate 121
 setting up administrator alerts 125
 tasks 117
 using the Jobs console 117

Email Sending daemon (ESD)

accessing Marketing File System 89
 configuring 88
 configuring connection 94
 failover 126
 installing 85
 outbound mail transfer agent 89
 setting a maximum throughput rate 121
 testing, verifying 92

email templates, implementing spam scoring 129

email treatments, editing 36

entity relationships 169

events base URL, configuring 104

F

field names for marketing integration components 148

file sharing in mixed environments 25

frames, implementing Web Marketing without frames 143

G

global deployment

about 30
 Web Marketing 133

H

host URL, Marketing module 23

HTML frames, implementing Web Marketing without frames 143

HTTP server port, configuring 102

HTTPS communications, Email Marketing components 106

I

Importing a Contact List Using PL/SQL 13

integration components, mapping rules (Marketing Contact) 64

integration Ids 54

J

Jobs console

accessing 117
 using 117

L

lead load format 59

links, testing 41

load balancing 30

log files

configuring logging 123
 Email Marketing 122

logical entity relationships 169

M

Marketing access groups

about 30
 assigning users to 33
 creating new 33
 modifying privileges 31

Marketing activity plans, creating 35

Marketing activity templates, creating 35

Marketing administrators access groups, user's position, about adding to 33

Marketing approval process, configuring 27

marketing connection settings, updating 21

Marketing Contact integration object

about 61
 mapping rules 64
 User Key fields, about 56

Marketing File System

configuring the Email Sending daemon 89
 setting up 24

marketing integration components, field names 148
Marketing integration objects
 about and diagram 62
 Contact Key components, sample mappings (table) 65
 Marketing Lead object 67
 Marketing Person integration component description (table) 63
Marketing integration objects, used for campaign loading 61
Marketing module
 testing in integrated environment 39
 URLs for 23
Marketing Person integration object
 about 62
 component description (table) 66
 integration components (table) 63
 mapping rules 67
 mapping scenarios 69
 note, about ID required to confirm person in db 56
Marketing Prospect integration objects
 about 62
 mapping rules 66
Marketing regions, creating 34
Marketing responsibilities 30, 31
Marketing server components
 component group status, determining 15
 component groups, enabling 15
 component groups, synchronizing 17
Marketing system tasks, monitoring 42
Marketing workflow process
 creating manager component 30
 isolating 30
mixed environments, file sharing 25
monitoring system tasks 42
multilingual deployment, Web Marketing 133

O
offers, deleting 146
opportunities, enabling automatic responses 26
orders, enabling automatic responses 26
outbound mail transfer agent 89
output file layouts, working with vendor task, about 49

P
password, Business Intelligence Presentation server 22
permissions 24

personalization, using with Web Marketing 142
phone offers, deleting 146
privileges for Marketing access groups 31

R

regions, creating 34
relationships, logical entity 169
responses management, about 144
responses, automatic 26
responsibilities
 Marketing 30
 setting up for Web Marketing 141
restarting Siebel Server using Microsoft Windows 17

S

Segment Designer page, testing links to Siebel contact table 41
Siebel contact table
 about and list of tables 56
 campaign load table update rule (table) 56
Siebel Marketing
 about installing 9
 administering 9
 component groups and components, setting up 15
 installing 9, 10
 starting Siebel Server 17
 using with Siebel Open UI 30
 workflow processes, activating 17
Siebel Marketing, initializing
 component groups, enabling 15
 component groups, synchronizing 17
 opportunities and orders, enabling automatic response 26
Siebel Open UI, using 30
Siebel Personalization, using with Web Marketing 142
Siebel Server
 connecting to Business Intelligence Presentation server 21
 restarting using Microsoft Windows 17
Siebel Web Engine, about 135
SMTP command pipelining, disabling 121
SMTP configuration 97
SOAP communications port, configuring 91
Source Code Formats list
 about 46
 reordering list 48
source code formats, creating
 about source codes 45
 creating source code formats 46
 source code format components, defining 47

- Source Code Formats list, viewing available formats 46
- ways to use, about 46

spam scoring, implementing 129

SpamAssassin, integrating with Email Marketing 129

symbolic URL

- Marketing module 23
- testing 39

synchronizing component groups 17

system data expressions, enabling 53

system tasks, monitoring 42

T

testing

- Bounce Handler daemon 95
- campaign load 41
- Click Through Daemon 103
- creating email template 113
- email contacts 113
- Email Sending daemon 92
- email sending to test contacts 113
- Marketing module 39
- navigation links 41
- symbolic URL 39
- Web Services integration 40

U

Universal Time 26

updating marketing connection settings 21

URL

- base URL, configuring 104
- host and symbolic URL for Marketing module 23

user ID, Business Intelligence Presentation server 22

user interface, customizing

- about 142
- full-text search, about 144
- response management, about 144
- Web Marketing without frames, implementing 143
- Web templates, using 143

V

vendor profiles, setting up

- creating 45

- defining vendors and assigning list distribution method 50

- distribution profiles, defining for vendors 50

- multiple list formats, handling 50

- vendor tasks, list of 49

- vendors defined 49

vendors

- defined 49

- multiple list formats, handling 50

W

Web Anonymous User responsibility, about 141

Web Corporate User responsibility, about 141

Web Marketing, configuring 104

Web Marketing, setting up and using

- about 133

- home page, accessing by visitors 134

- installing, applications to install before Web Marketing 135

- responsibilities and users, setting up default 141

- Siebel Personalization, using with Web Marketing 142

- user access, tasks to control user access 140

- user interface, customizing 142

- Web site visitor, about 133

Web offers, deleting 146

Web Registered User responsibility, about 141

Web Services integration, testing 40

Web site

- user access, tasks to control user access 140
- visitor, about 133

- Web Marketing home page, accessing by visitors 134

Web Survey daemon 135

Web templates, using to customize the user interface 143

Windows, restarting Siebel Server 17

workflow process

- activating 17

- isolating 30