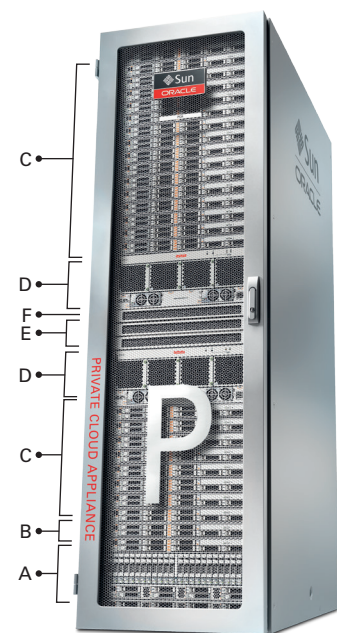


# Oracle Private Cloud Appliance Quick Start Guide (part 1)



## Appliance Components

- A ZFS Storage Appliance
- B Management Nodes (2)
- C Compute Nodes (up to 25)
- D F1-15 Fabric Interconnects (2)
- E NM2-36P InfiniBand Switches (2)
- F ES1-24 Ethernet Switch A/B

## Data Center Configuration

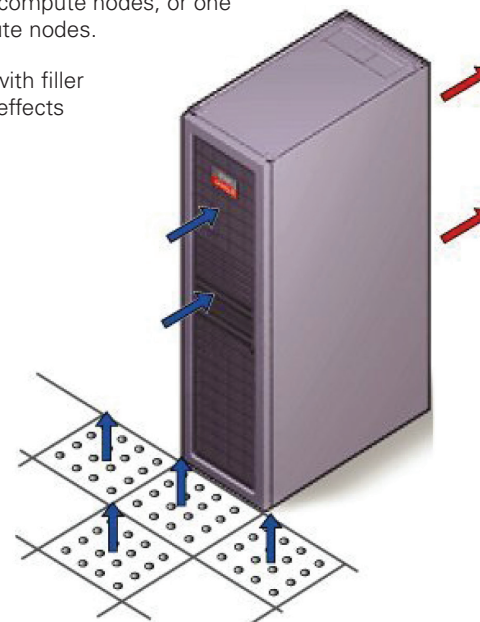
A Oracle recommends using raised flooring, able to support the total weight of the system including power distribution units (PDUs): 1005kg (2215lbs).

B Temperature, humidity and altitude:

	Operating Requirement	Non-operating Requirement	Optimum
<b>Temperature</b>	5°C to 32° (41°F to 89.6°F)	-40°C to 70°C (-40°F to 158°F)	21°C to 23°C (70°F to 74°F)
<b>Relative humidity</b>	10-90 percent, non-condensing	93 percent maximum	45-50 percent, non-condensing
<b>Altitude</b>	3048m (10000ft) maximum	12000m (40000ft)	ambient temperature is reduced by 1°C per 300m above 900m altitude above sea level

C Provide adequate ventilation and cooling:

- Make sure that the capacity of the air conditioning equipment is sufficient for the new system hardware.
- Respect the maintenance clearance at the front and back of the system for optimum airflow. The air intake is at the front, and the air outlet is at the back.
- Install perforated floor tiles (approximately 400 CFM/tile) in front of the rack for cold air intake. Use four tiles for a fully populated rack, three tiles for 8-16 compute nodes, or one tile for 8 or fewer compute nodes.
- Cover empty rack units with filler panels to avoid adverse effects on airflow and cooling.



## Power Requirements

Each rack has two preinstalled power distribution units (PDUs). The PDUs accept different power sources. You must specify the type of PDU that is correct for your data center.

- A Verify that the PDUs installed are correct for your data center power source: 22 or 24kVA for low or high voltage.
- B PDU power cords are 4m (13.1ft) long, and up to 1.5m (4.9ft) is routed within the rack cabinet. AC power receptacles must be within 2m (6.6ft) of the rack.
- C Use dedicated AC breaker panels for all power circuits that supply power to the PDU.
- D Use dedicated AC breaker panels for all power circuits that supply power to the compute nodes. Compute nodes require electrical circuits to be grounded to the Earth.  
*Note: Circuit breakers are supplied by the customer. One circuit breaker is required for each power cord.*
- E In addition to circuit breakers, provide a stable power source, such as an uninterruptable power supply (UPS) to reduce the possibility of component failures.
- F Racks are shipped with grounding-type power cords (three-wire). Always connect the cords to grounded power outlets. Verify the correct grounding method for your location.

## Verify Installation Requirements

### Space Requirements

A Receiving and unpacking:

	Packaged Base Rack with Shipping Pallet	Fully Populated Base Rack
<b>Height</b>	2159mm (85 in)	1998mm (78.66 in)
<b>Width</b>	1219mm (48 in)	600mm (23.62 in)
<b>Depth</b>	1575mm (62 in)	1200mm (47.24 in)
<b>Weight</b>	996kg (2197 lbs)	894kg (1972 lbs)

B Maintenance clearance:

	Access Requirement
<b>Rear maintenance</b>	914mm (36 in)
<b>Front Maintenance</b>	914mm (36 in)
<b>Top Maintenance</b>	914mm (36 in)
<b>Side panel removal</b>	676mm (26.6 in)

**Note:** Allow enough space to remove the shipping cartons. The minimum required depth for roll-off is 4.5m (15ft). Refer to the Sun Rack II Unpacking Guide (820-5210) included with the packaging for further details.

C Access route to installation site:

	With Shipping Pallet	Without Shipping Pallet
<b>Minimum door height</b>	2184mm (86 in)	2040mm (80.32 in)
<b>Minimum door width</b>	1220mm (48 in)	600mm (23.62 in)
<b>Minimum elevator depth</b>	1575mm (62 in)	1200mm (47.24 in)
<b>Maximum incline</b>	6 degrees	6 degrees
<b>Loading capacity (elevator, pallet jack, floor)</b>	1134kg (2500 lbs)	1134kg (2500 lbs)

## Network Requirements

- A Four ports (2x2) on redundant next-layer switches in the data center **must** be reserved to connect the 10GbE public network ports of the Fabric Interconnects.
- B A terminal or workstation with a web browser **must** be connected to the management network.
- C Three IP addresses in the public network **must** be reserved for management node configuration.
- D The following network configuration details are required:

	Your Entry	Description
<b>Domain Name</b>		Data center network
<b>Region and Time Zone</b>		Location and time zone where the system is installed
<b>DNS IP address</b>		IP address of one to three Domain Name Servers
<b>NTP server IP address</b>		IP address of your Network Time Protocol server
<b>Default Gateway</b>		IP address of the default gateway in your data center network
<b>Management Node 1</b>		IP address of the first management node in your data center network
<b>Management Node 2</b>		IP address of the second management node in your data center network
<b>Management Virtual IP</b>		IP address providing access to the master management node
<b>Management VLAN</b>		VLAN ID of the management network, if applicable

**Note:** All internal rack connections are pre-cabled, including non-populated rack units. Cabling should not be modified in any way.

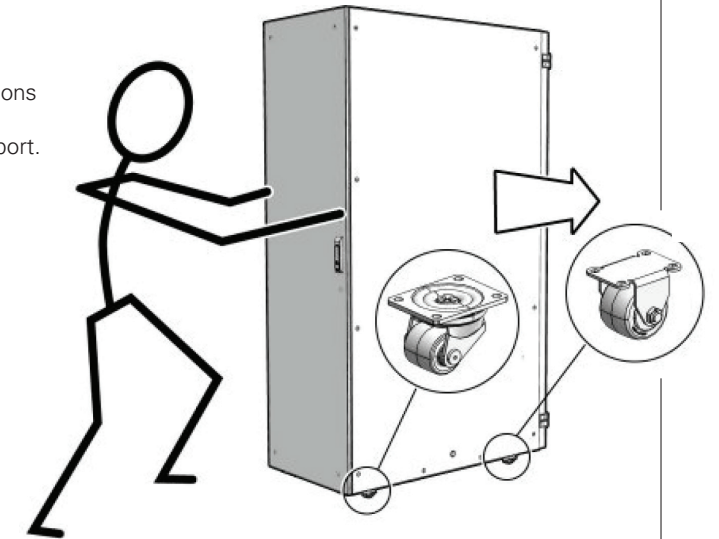
# Oracle Private Cloud Appliance Quick Start Guide (part 1)

You can also scan the Quick Response Code with your mobile device to read the documentation.



## 1 Prepare Installation Site

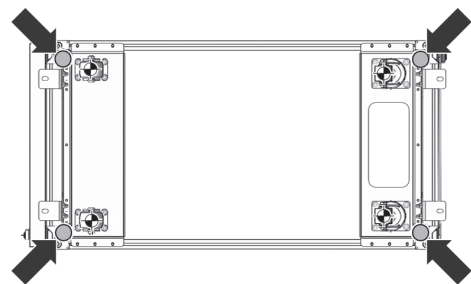
- A Review the safety guidelines. Refer to the section "Review Safety Guidelines" in the *Oracle Private Cloud Appliance Installation Guide*.
- B Prepare the location where the Private Cloud Appliance will be installed.
- Thoroughly clean and vacuum the area in preparation for the installation.
  - Note problems or peculiarities at the site that require special equipment.
  - Confirm that space, flooring, power supply and climate control meet all requirements. (See **Verify Installation Requirements**.)
  - Operate the air conditioning system for 48 hours to bring the room conditions to the appropriate level.
  - Ensure that all tools required for unpacking and installation are present. For a list of required tools, refer to the section "Tools Required for Unpacking and Installation."
- C Unpack the Private Cloud Appliance.
- Refer to the *Sun Rack II Unpacking Guide (820-5210)* included with the packaging when unpacking the Private Cloud Appliance.
  - Follow local laws and guidelines to recycle the packaging properly.
  - Save the mounting brackets used to secure the rack to the shipping pallet. You can use these mounting brackets to secure the rack permanently to the installation site floor.
  - Verify that the hardware configuration corresponds to your order. Refer to the Customer Information Sheet (CIS) on the side of the packaging.
- D Move the Private Cloud Appliance to the installation site.
- Ensure that the rack doors are closed and secured.
  - Ensure that the leveling and stabilizing feet on the rack are raised and out of the way.
  - Push the system from the back of the rack to the installation site. It is preferred that two people push the rack, and a third person in front helps to guide the rack.
  - Steer the rack by moving the rear casters; the front casters do not pivot.
- E When the rack is at the installation site, verify that no components or connections have become dislodged or disconnected during transport. If necessary, re-attach components and cables properly.



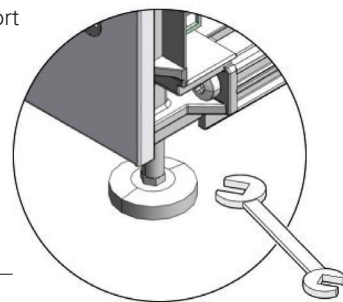
## Install Hardware in Allocated Space

### 2 Stabilize the appliance

- A Locate the four leveling feet at the bottom corners of the rack.

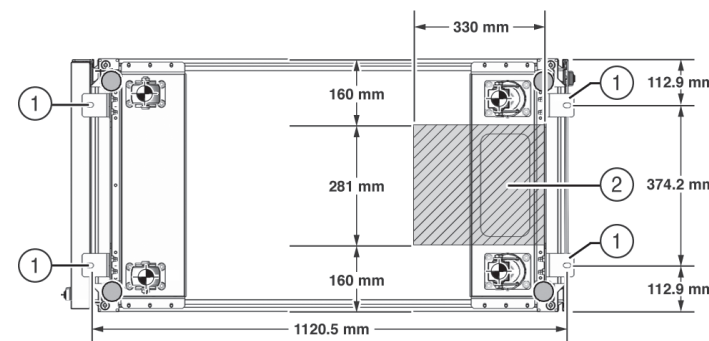


- B Lower the leveling feet to the floor using the SW 12mm wrench. The four feet should support the full rack weight.



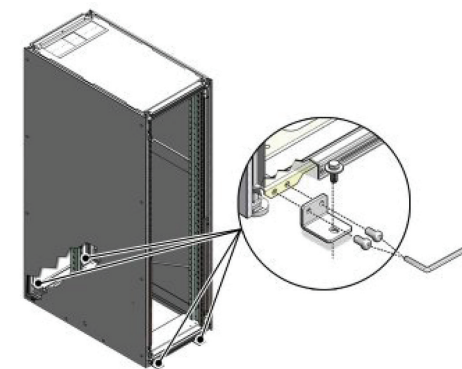
### 3 Secure the appliance to the installation site floor

- A Obtain four bolts and washers that are appropriate for the floor type and fit through the 10mm bolt holes in the mounting brackets (1).
- B Drill four holes into the floor according to the hole pattern.



- C Optionally, if you plan to route data or power cables through the bottom of the rack, make a rectangular opening (2) in the floor, below the rear portion of the rack, between the two rear casters and behind the RETMA rails.

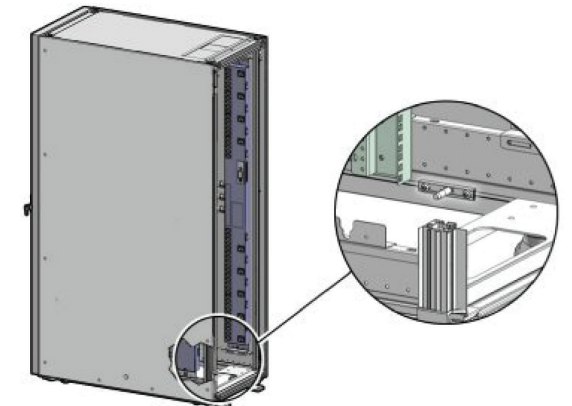
- D Open the front and rear rack doors. Using a 6mm Allen wrench, attach the mounting brackets to the rack.



- E Using appropriate bolts and washers (not supplied), permanently mount the rack to the floor.
- F Firmly tighten all bolts that secure the mounting brackets to the rack and the floor.

### 4 Attach a ground cable (optional)

- A Ensure that the ground cable makes metal-to-metal contact with the attachment point. Remove paint or coating if necessary.
- B Attach the ground cable to one of the attachment points at the bottom rear of the system frame.



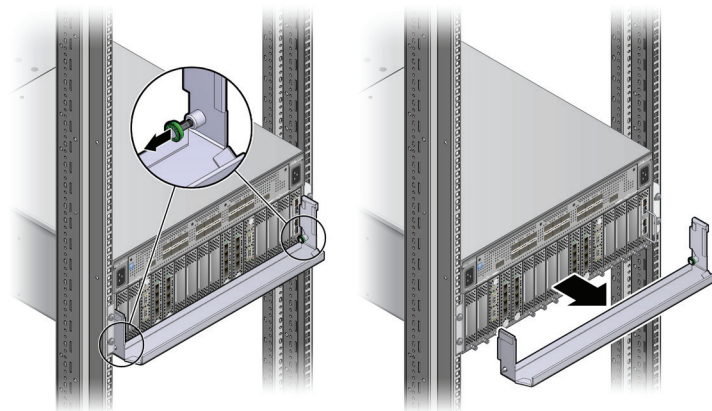
**Note:** An additional chassis earth ground cable (not supplied) enables electrical current leakage to dissipate more efficiently.



# Oracle Private Cloud Appliance Quick Start Guide (part 2)

## 5 Remove the Fabric Interconnect Bracket

- A Locate the shipping bracket at the rear of both Fabric Interconnects.
- B Pull the tabs on the left and right hand side towards the center to unlock the bracket.



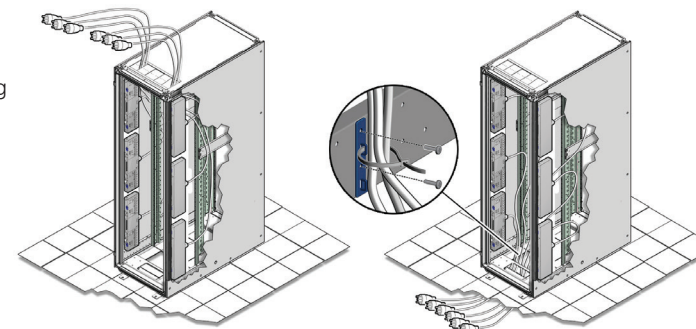
- c Carefully pull the bracket away from both Fabric Interconnects, and out of the rack.

## 6 Power On Appliance for the First Time

### 6 Connect the Appliance to the Power Source

- A Review the safety guidelines. Refer to the Section "Review Safety Guidelines" in the *Oracle Private Cloud Appliance Installation Guide*.
- B Visually inspect the appliance.
  - Check the rack for damage and loose or missing screws.
  - Check that cables are securely connected.
  - Verify that power cables with appropriate connectors for your power source have been supplied.
  - Check the floor tile arrangement for cable access and airflow.
  - Check the airflow that leads in to the front of the system. (See **Verify Installation Requirements**.)

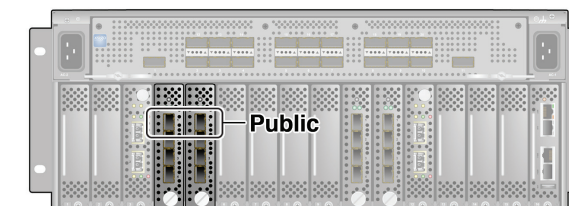
- c Connect the power cords.
  - Open the rear door.
  - Remove the cable ties from the power cords.
  - Route the power cords to the facility receptacles either above the rack or below the flooring.



- Secure the power cords in bundles.
- Plug the power distribution unit (PDU) power cords into the facility receptacles.

### 7 Connect the appliance to the network

- A Connect two 10GbE ports labeled 'Public' on both Fabric Interconnects to your (next-layer) data center switches.



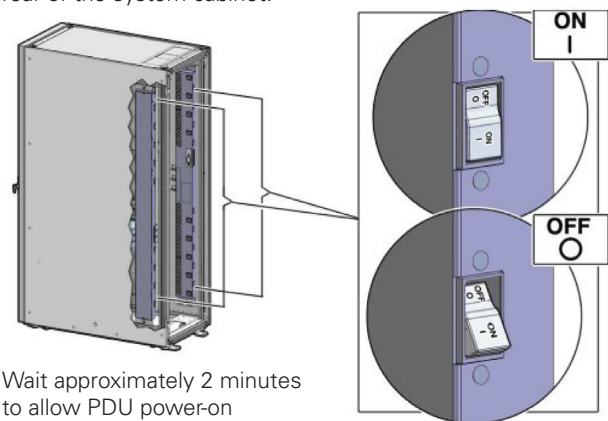
- B Connect a workstation with a web browser directly to the management network using an ethernet cable plugged into port 19 of an Oracle ES1-24 switch.
- C Configure the workstation's wired network connection to use the IP address **192.168.4.254**.

**Note:** For advanced network configuration options, refer to the Oracle Private Cloud Appliance Administrator's Guide.

**WARNING:** If these connections cannot be made, **DO NOT** proceed to the next step. Provisioning will fail without proper data center connectivity.

## 8 Power on the appliance

- A Switch on all PDU circuit breakers located on the rear of the main PDU inside the rack. The circuit breakers are on the rear of the system cabinet.



- B Wait approximately 2 minutes to allow PDU power-on configuration to complete.

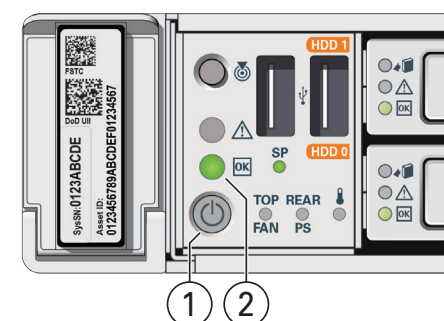
**Note:** Appliance infrastructure components without power switches are powered on together with the PDUs.

- c Make sure that the circuit breakers on the Sun ZFS Storage Appliance are in the On ("I") position.



**Note:** The image shows the circuit breaker on the left power supply. The circuit breaker of the right power supply must also be switched on.

- D Press the Power button (1) located on the front of the first management node (in rack unit 5).



- E Wait approximately 5 minutes to allow the management system to power on completely. When complete, the Power/OK LED (2) illuminates and remains a steady green.

- F On the workstation, browse to the Private Cloud Appliance Dashboard at:

<http://192.168.4.216>.

The page loads as soon as the web server on the management node is running. It has a built-in 20 second refresh interval.

The first management node automatically powers on additional components and starts the provisioning of the compute nodes. Once the system has discovered and provisioned at least one compute node, the web interface becomes available. As compute nodes are provisioned, their status changes to green, indicating that they are ready.

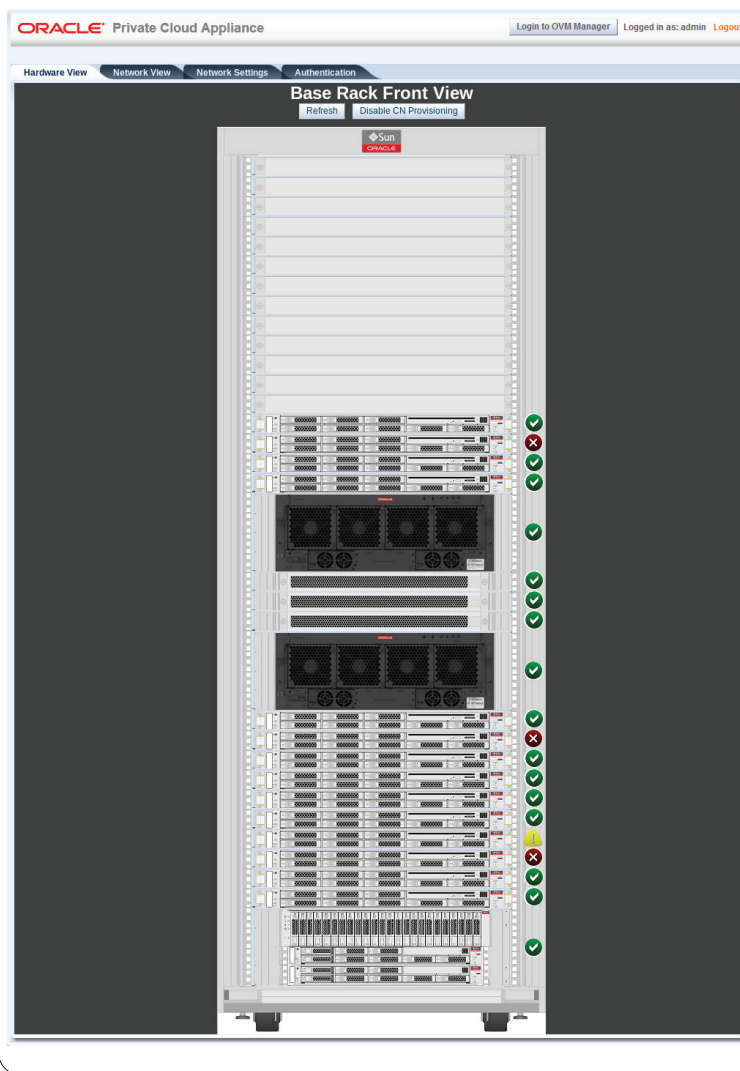
**Note:** The provisioning of a full base rack takes up to three hours, starting from the moment when the first management node is powered on.



## Configure Appliance

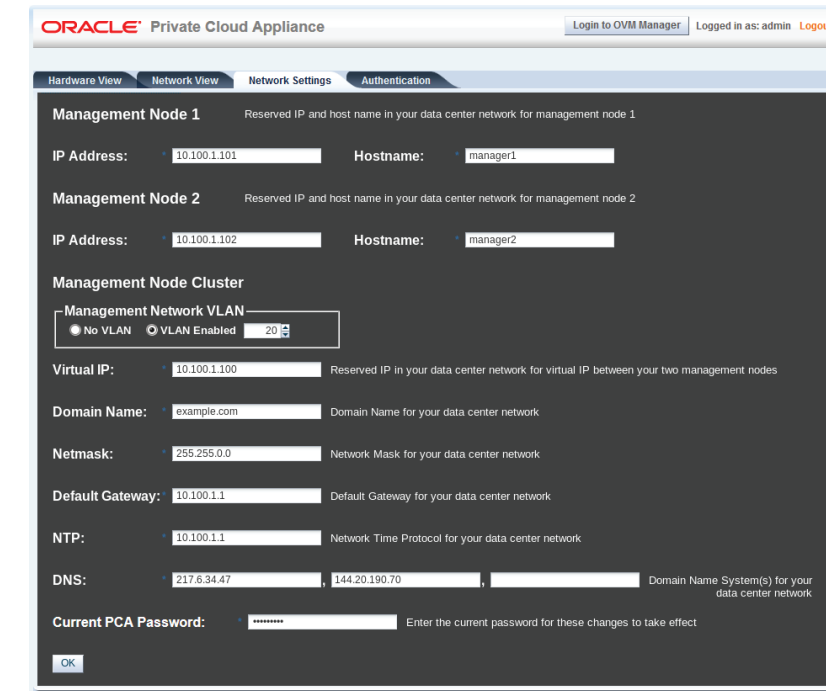
### 9 Log into the Dashboard

- Using the browser on the workstation, connect to the Oracle Private Cloud Appliance Dashboard at <http://192.168.4.216>.
- Log in to the Dashboard. The default user name is *admin*; the password is *Welcome1*.
- Wait for the Hardware View tab to indicate that all components are up and running and all compute nodes have completed the provisioning process.



### 10 Configure System Parameters

- Using the Dashboard, configure the system environment parameters, including: domain name, netmask, default gateway, NTP and DNS servers in your data center.
- Go to the Network Settings tab and replace the default configuration with the required settings for your data center. You collected this information in the **Network Requirements** section near the beginning of this *Quick Start Guide*.
  - Enter the reserved IP address and a host name for each management node
  - Enter the VLAN ID of your management network, or select "No VLAN"
  - Enter the reserved virtual IP address for the management node cluster. It ensures that you always connect to the management node with the master role.
  - Enter the data center parameters in the remaining fields
- Enter the current appliance password and click OK. During network reconfiguration, connectivity is lost temporarily.
- Reconnect to the Private Cloud Appliance Dashboard at the new virtual IP address of the management node cluster: [https://<virtual\\_ip>:7002/dashboard](https://<virtual_ip>:7002/dashboard).
- If an update is available for the factory-installed appliance software, you may download the package from My Oracle Support (<https://support.oracle.com>). Refer to the section "Update" in the *Oracle Private Cloud Appliance Administrator's Guide*.
- Complete the configuration process. For security reasons, always replace default passwords. For detailed instructions, refer to the *Oracle Private Cloud Appliance Administrator's Guide*.



### 11 What's Next?

- Additional Resources.** For more detailed instructions and information about using, maintaining and expanding the system, refer to these additional resources:
  - Oracle Private Cloud Appliance Installation Guide*
  - Oracle Private Cloud Appliance Safety and Compliance Guide*
  - Oracle Private Cloud Appliance Administrator's Guide*
  - Oracle Private Cloud Appliance Expansion Node Setup Poster*
  - Oracle Private Cloud Appliance Release Notes*
- Oracle Technology Network.** For up-to-date product information, downloads and documentation, visit the Private Cloud Appliance product pages. Enter this URL: <https://www.oracle.com/servers/private-cloud-appliance/>, or scan the QR code.
- Access to Oracle Support.** Oracle customers have access to electronic support through My Oracle Support. For information, visit: <http://www.oracle.com/pls/topic/lookup?ctx=acc&id=info> or visit: <http://www.oracle.com/pls/topic/lookup?ctx=acc&id=trs> if you are hearing impaired.

**Note:** You cannot obtain software or support from Oracle without registered hardware and software SIs.



Quick Response Code