

Oracle Identity Manager Interface User Guide
Oracle FLEXCUBE Universal Banking
Release 12.1.0.0.0

Part No. E64763-01

September 2015

Oracle Identity Manager Interface User Guide
September 2015
Oracle Financial Services Software Limited

Oracle Park

Off Western Express Highway
Goregaon (East)
Mumbai, Maharashtra 400 063
India

Worldwide Inquiries:

Phone: +91 22 6718 3000

Fax: +91 22 6718 3001

www.oracle.com/financialservices/

Copyright © 2007, 2015, Oracle and/or its affiliates. All rights reserved.

Oracle and Java are registered trademarks of Oracle and/or its affiliates. Other names may be trademarks of their respective owners.

U.S. GOVERNMENT END USERS: Oracle programs, including any operating system, integrated software, any programs installed on the hardware, and/or documentation, delivered to U.S. Government end users are "commercial computer software" pursuant to the applicable Federal Acquisition Regulation and agency-specific supplemental regulations. As such, use, duplication, disclosure, modification, and adaptation of the programs, including any operating system, integrated software, any programs installed on the hardware, and/or documentation, shall be subject to license terms and license restrictions applicable to the programs. No other rights are granted to the U.S. Government.

This software or hardware is developed for general use in a variety of information management applications. It is not developed or intended for use in any inherently dangerous applications, including applications that may create a risk of personal injury. If you use this software or hardware in dangerous applications, then you shall be responsible to take all appropriate failsafe, backup, redundancy, and other measures to ensure its safe use. Oracle Corporation and its affiliates disclaim any liability for any damages caused by use of this software or hardware in dangerous applications.

This software and related documentation are provided under a license agreement containing restrictions on use and disclosure and are protected by intellectual property laws. Except as expressly permitted in your license agreement or allowed by law, you may not use, copy, reproduce, translate, broadcast, modify, license, transmit, distribute, exhibit, perform, publish or display any part, in any form, or by any means. Reverse engineering, disassembly, or decompilation of this software, unless required by law for interoperability, is prohibited.

The information contained herein is subject to change without notice and is not warranted to be error-free. If you find any errors, please report them to us in writing.

This software or hardware and documentation may provide access to or information on content, products and services from third parties. Oracle Corporation and its affiliates are not responsible for and expressly disclaim all warranties of any kind with respect to third-party content, products, and services. Oracle Corporation and its affiliates will not be responsible for any loss, costs, or damages incurred due to your access to or use of third-party content, products, or services.

Contents

1. Preface	1-1
1.1 Introduction.....	1-1
1.2 Audience.....	1-1
1.3 Documentation Accessibility.....	1-1
1.4 Organization	1-1
1.5 Abbreviations.....	1-2
1.6 Organization	1-2
1.7 Glossary of Icons.....	1-2
1.7.1 <i>Related Documents</i>	1-2
2. Oracle FLEXCUBE - Oracle Identity Manager Interface	2-1
2.1 Oracle FLEXCUBE - Oracle Identity Manager Integration	2-1
2.2 Integration Deployment Configuration	2-1
2.3 Operations for Identity Management	2-2
2.4 Interface Attributes	2-2
2.4.1 <i>Data for User Provisioning</i>	2-3
2.4.2 <i>Data for Reconciliation</i>	2-5
2.5 Interface Maintenances	2-6
2.5.1 <i>Maintaining an External Source</i>	2-6
2.5.2 <i>Maintaining OIM Admin User</i>	2-6
3. Annexure A	3-1
3.1 Oracle Identity Manager Components.....	3-1
3.2 OIM Generic Technology Connector Configuration.....	3-2
3.3 SPML Request/Response Message Formats	3-5
3.3.1 <i>Add Request</i>	3-5
3.3.2 <i>Modify Request</i>	3-11
3.3.3 <i>Delete Suspend and Resume Requests</i>	3-13
3.3.4 <i>Set Password Request</i>	3-13
3.3.5 <i>Add and Modify Responses</i>	3-14
3.3.6 <i>Delete Suspend Resume and Set Password Responses</i>	3-16
3.4 Message Exchange Sequence for User Creation	3-17
3.5 Message Exchange Sequence for User Field Modification/ Set Password.....	3-18
3.6 Message Exchange Sequence for User Delete / Suspend / Resume	3-19

1. Preface

1.1 Introduction

This manual talks about the interface between Oracle FLEXCUBE and the Oracle Identity Manager system used in your bank. The maintenances required for the proper functioning of this interface, the interface workflow, validations, and processing for the interface have been documented in this manual.

1.2 Audience

This manual is intended for the following User/User Roles:

Role	Function
Back office data entry Clerks	Input functions for maintenance related to the interface.
Back office Managers/ Officers	Authorization functions.

1.3 Documentation Accessibility

For information about Oracle's commitment to accessibility, visit the Oracle Accessibility Program website at <http://www.oracle.com/pls/topic/lookup?ctx=acc&id=docacc>.

1.4 Organization

This manual is organized as follows:

Chapter	Description
Chapter 1	<i>About this Manual</i> gives information on the intended audience. It also lists the various chapters covered in this User Manual.
Chapter 2	<i>Oracle FLEXCUBE - Oracle Identity Manager Interface</i> explains about the integration and configuration of OIM with Oracle Flexcube.
Chapter 3	<i>Annexure A</i> details about the OIM Components and the various Messages generated within the module.
Chapter 4	<i>Function ID Glossary</i> has alphabetical listing of Function/Screen ID's used in the module with page references for quick navigation.

1.5 Abbreviations

Abbreviation	Description
System	Unless specified, it shall always refer to Oracle FLEXCUBE
OIM	Oracle Identity Manager
SPML	Service Provisioning Mark-up Language
DSML	Directory Service Mark-up Language
GTC	Generic Technology Connector





1.6 Organization

This manual is organized into the following chapters:

Chapter	Description
Chapter 1	<i>About this Manual</i> gives information on the intended audience. It also lists the various chapters covered in this User Manual.
Chapter 2	<i>Oracle FLEXCUBE – Oracle Identity Manager Interface:</i> Oracle Identity Manager Interface helps in integrating the two systems for user provisioning and de-provisioning services.
Chapter 3	<i>Annexure A</i> - deals with the: OIM Components, SPML Request and Response Message Formats, Message Exchange Sequences.

1.7 Glossary of Icons

This User Manual may refer to all or some of the following icons.

Icons	Function
	Exit
	Add row
	Delete row
	Option List

Refer the Procedures User Manual for further details about the icons.

1.7.1 Related Documents

You may refer the following manuals for more information

- Oracle FLEXCUBE manual on Core Entities
- Oracle Identity Manager User Manual (not included with Oracle FLEXCUBE User Manuals)

2. Oracle FLEXCUBE - Oracle Identity Manager Interface

The Oracle FLEXCUBE - Oracle Identity Manager Interface helps in integrating the two systems for user provisioning and de-provisioning services.

Oracle Identity Manager (OIM) automates user provisioning, identity administration, and password management. OIM manages the entire life cycle of user identities and entitlements and helps to control user access across all resources in the organization.

This chapter contains the following sections:

- [Section 2.1, "Oracle FLEXCUBE - Oracle Identity Manager Integration"](#)
- [Section 2.2, "Integration Deployment Configuration"](#)
- [Section 2.3, "Operations for Identity Management "](#)
- [Section 2.4, "Interface Attributes"](#)
- [Section 2.5, "Interface Maintenances "](#)

2.1 Oracle FLEXCUBE - Oracle Identity Manager Integration

The integration between Oracle FLEXCUBE and Oracle Identity Manager is done via a Generic Technology Connector (GTC). The GTC provides for provisioning and reconciliation tasks via the following components:

- For Reconciliation
 - Reconciliation Transport Provider moves the reconciled data from Oracle FLEXCUBE into OIM.
 - Reconciliation Format Provider converts the message received from Oracle FLEXCUBE into a format understandable by OIM.
 - Validation Provider validates data received from Oracle FLEXCUBE before passing it on to OIM.
- For Provisioning
 - Provisioning Format Provider (Service Provisioning Markup Language) converts the provisioning data from OIM into a format understood by Oracle FLEXCUBE.
 - Provisioning Transport Provider (web service) carries the provisioning message received from the Provisioning Format Provider to the Oracle FLEXCUBE.

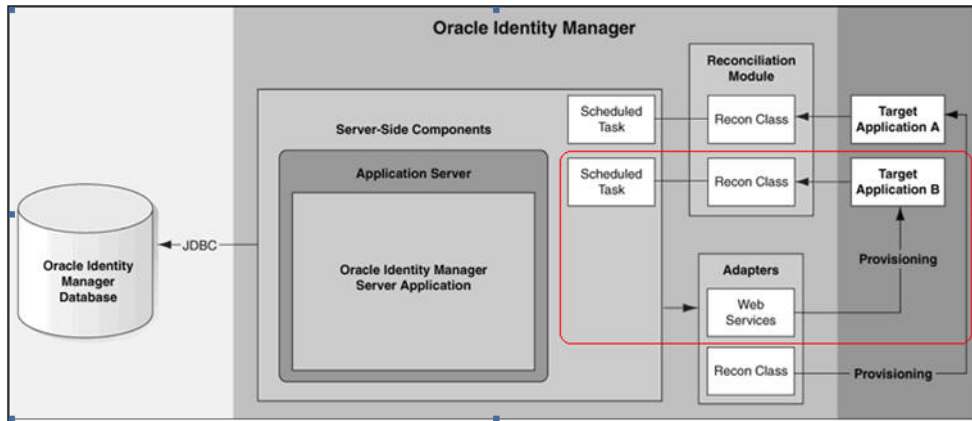
For sample GTC configurations refer Annexure A.

2.2 Integration Deployment Configuration

The OIM- Oracle FLEXCUBE integration is designed to follow a Provisioning and Reconciliation deployment configuration. In this kind of deployment configuration the Oracle Identity Manager performs both provisioning and reconciliation tasks.

The tasks performed by OIM in this deployment configuration are as follows:

- Provisioning tasks of OIM are the creation, maintenance, and deletion of accounts on the Oracle FLEXCUBE system.
- Reconciliation task of OIM is to periodically update the data it maintains with regard to Oracle FLEXCUBE using the data from Oracle FLEXCUBE.



2.3 Operations for Identity Management

You can have certain operations regarding User Identity Management using the OIM GTC. The requests for these operations are sent from OIM GTC and are as follows:

- Add request – For creating a New User Record in Oracle FLEXCUBE
- Modify request – For modifying the existing User Record in Oracle FLEXCUBE
- Suspend request - For closing the respective User record in Oracle FLEXCUBE
- Resume request – For Reopening the Respective User record in Oracle FLEXCUBE
- Delete request – For closing the Respective User record in Oracle FLEXCUBE
- Set Password Request – For changing the Password of the respective user in Oracle FLEXCUBE

2.4 Interface Attributes

This section contains the following topics:

- [Section 2.4.1, "Data for User Provisioning"](#)
- [Section 2.4.2, "Data for Reconciliation"](#)

OIM GTC is used for both user provisioning/de-provisioning services and for reconciliation in Oracle FLEXCUBE.

For user provisioning and de-provisioning services the Oracle FLEXCUBE Gateway user upload services is used. Reconciliation is done using the 'SMBOIMHF' EOD activity in Oracle FLEXCUBE.

Note

If the Logging Enable property has been selected, then a log file containing OIM request and response with corresponding message id will be maintained in location defined by you.

Note

OIM- Oracle FLEXCUBE integration will remain functional with or without the Oracle FLEXCUBE Single Sign on mode.

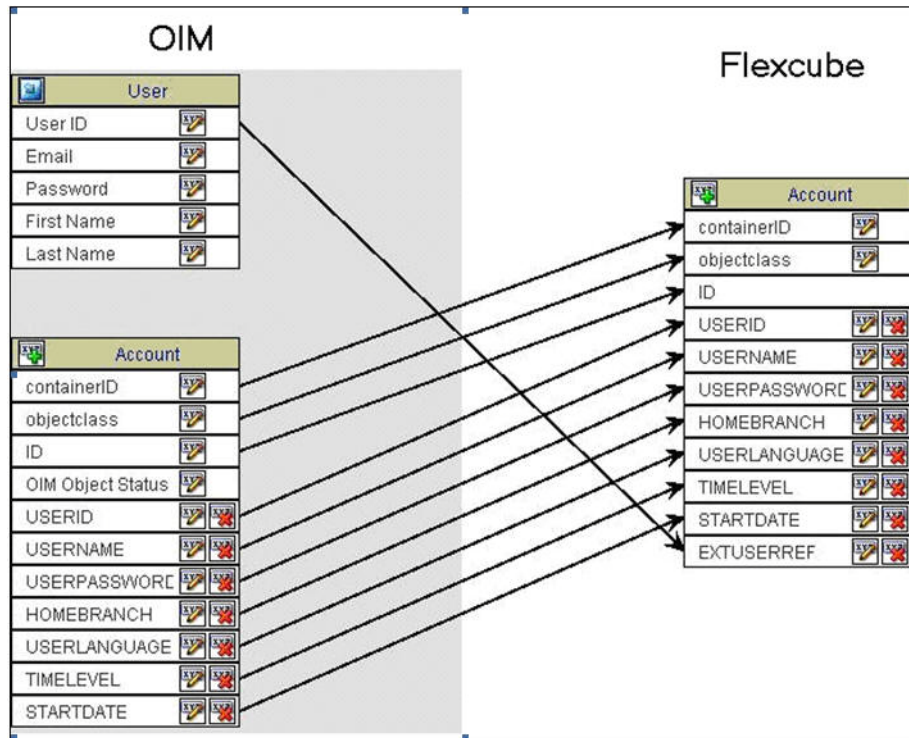
For sample GTC configurations refer to Annexure A.

2.4.1 Data for User Provisioning

The data sent from OIM to Oracle FLEXCUBE for user provisioning will contain only the following:

- Mandatory fields for the creation of users in Oracle FLEXCUBE
- External user reference identification containing the OIM id for a user

The data sent from OIM to Oracle FLEXCUBE for user provisioning is illustrated below.



2.4.1.1 Collecting Data for User Provisioning

The data for provisioning is collected from the OIM user creation form. The fields to be collected - such as User ID, User Name and User Password – are defined in the 'Provisioning form for Oracle FLEXCUBE GTC'.

Provisioning form for FLEXCUBEGTC
 * Indicates required field

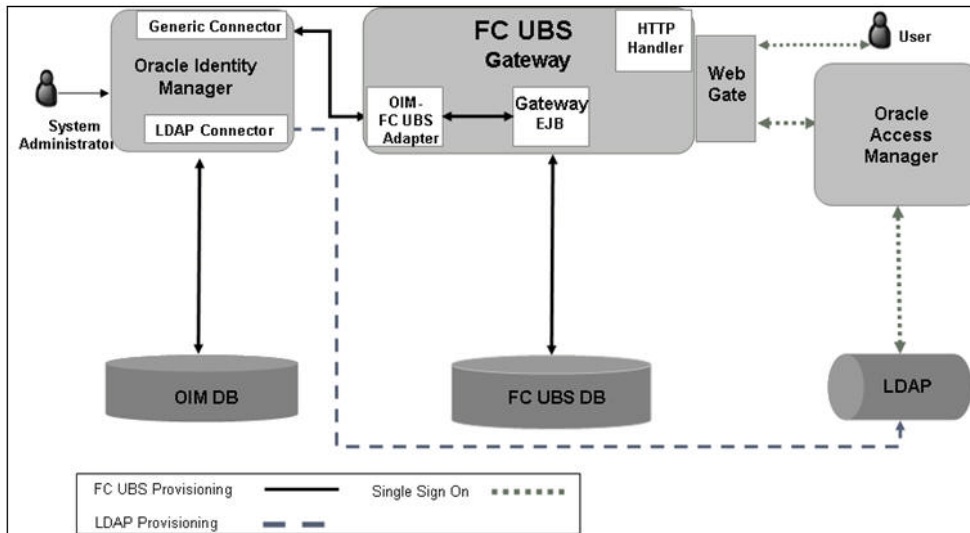
containerID	FLEXCUBEDB
objectclass	Users
ID	FXUSER001
USERID	* FXUSER001
USERNAME	* FXUSER001
USERPASSWORD	*
HOMEBRANCH	* CHO Clear
USERLANGUAGE	* ENG Clear
TIMELEVEL	* 9 Clear
STARTDATE	* June 23, 2008

The 'Provisioning form for Oracle FLEXCUBE GTC' is filled up by the OIM Administrator. OIM Administrator uses Direct Provisioning to provision Oracle FLEXCUBE to any OIM user.

The Field values like Name, Password, and User Id in the provisioning data form shall be pre-populated from the OIM user maintenance form.

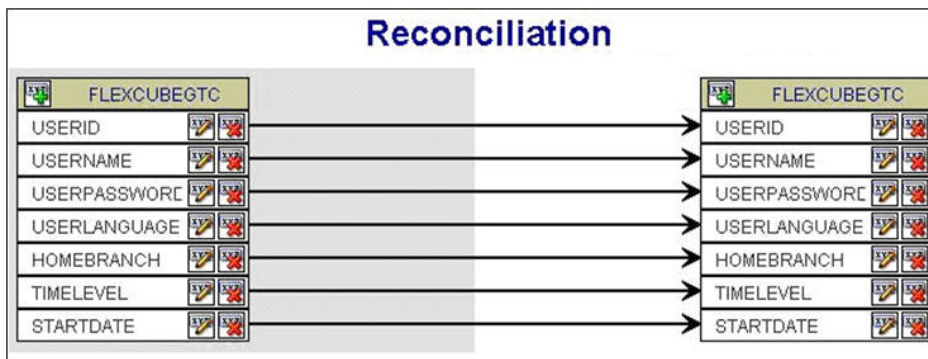
2.4.1.2 Provisioning Process Flow

The Provisioning process flow is illustrated in the diagram shown below.



2.4.2 Data for Reconciliation

The data for reconciliation contains the same set of mandatory fields used for user provisioning.



2.4.2.1 Reconciliation File Handoff

The EOD activity 'SMBOIMHF' creates the handoff file for reconciliation. The handoff file will be in CSV (Comma Separated Values) format.

Handoff File Name

The Handoff file name has two parts which are:

- Prefix – SMOIMHOFF
- Suffix – the current date in rrrr-MM-dd format

Handoff File Format

The Handoff file will be in Comma Separated Values (CSV) format and will contain the following:

- First Line - ##FC UBS user data rrrr-MM-dd
- Second line contains comma separated column names
- Third line onwards has the corresponding column values

Sample Handoff file

```
##FC UBS user data 2008-05-06
```

```
USERID,USERNAME,USERPASSWORD,TIMELEVEL,HOMEBRANCH,STARTDATE,USERLANGUAG  
E
```

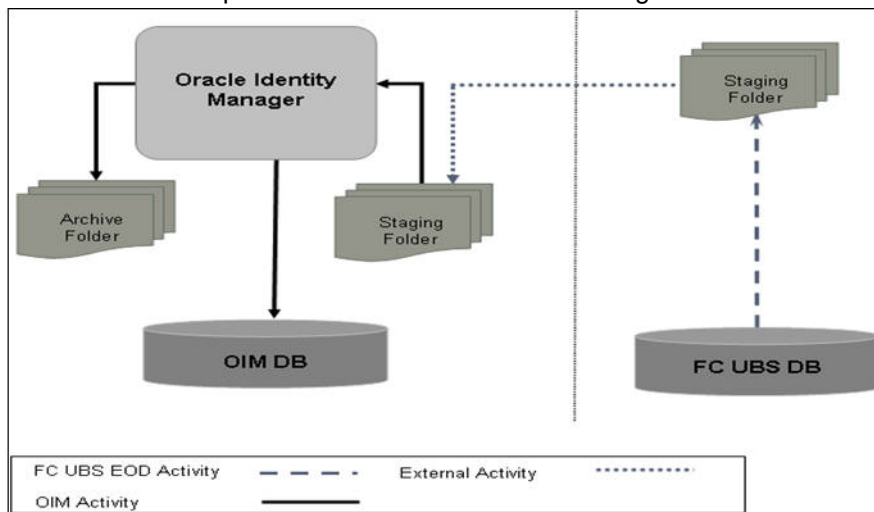
```
TESTUSER1,TEST USER, 56A04A86FADBA54D2AD649D98E3FB63F,9,CHO,31-DEC-07,ENG
```

```
TESTUSER2,TEST USER, 3FE06AFE34C9A53E0320E74E43FB3F45,9,CHO,31-DEC-07,ENG
```

```
:
```

2.4.2.2 Reconciliation Process Flow

The Reconciliation process flow is illustrated in the diagram shown below.



2.5 Interface Maintenances

You have to perform the following maintenances for the OIM – Oracle FLEXCUBE Interface.

This section contains the following topics:

- [Section 2.5.1, "Maintaining an External Source"](#)
- [Section 2.5.2, "Maintaining OIM Admin User"](#)

2.5.1 Maintaining an External Source

For processing OIM requests, a source named IDM is maintained in Oracle FLEXCUBE. This source has access to Oracle FLEXCUBE Gateway user upload services.

The external source can be maintained in the 'External System Detailed' screen. Invoke this screen from under Gateway – External System in the Application Browser.

2.5.2 Maintaining OIM Admin User

You must maintain an 'OIM Admin User' in Oracle FLEXCUBE to serve as Maker Id for user provisioning and de-provision. You can maintain the OIM Admin User reference in the 'External Identifier' field.

The 'External Identifier' field is available in the 'User Maintenance' screen where you can maintain other details of the Oracle FLEXCUBE User as well.

User Maintenance

New Enter Query

User Details

User Identification *
 Name *
 User Reference
 Language *
 Home Branch *
 Customer No
 Department Code
 Department Description
 Tax Identifier
 LDAP DN
 Time Level *
 Amount Format
 LBL_NUMBER_FORMAT_MASK
 99,999,999,999
 99,99,99,99,999
 Date Format
 Auto Authorization
 Validate
 Supervisor Identification
 Supervisor Name

User Password

Password
 Password Changed On
 Email
 Reference No
 Start Date *
 End Date

Invalid Logins

No of Cumulative Logins
 No of Successive Logins

Screen Saver Details

Screensaver Interval (in seconds)

Enabled
 Hold
 Disabled
 Locked
 Staff
 Branch
 Status Changed On
 Last Signed On
 Staff Customer Restriction Required
 ELCM User ID
 Multi Branch Access
 Other RM Customer Access Restricted
 Show Dashboards
 Alerts on Home
 LBL_FRONTEND_DEBUG_ENABLED

Restricted Password | Roles | Rights | Functions | Tills | Account Classes | General Ledgers | Limits | Branches |
 Products | Disallowed Functions | Users Holiday | Fields | Group Restriction | Centralized Role | Dashboard Mapping

Maker Date Time:
 Checker Date Time:
 Mod No Record Status
 Authorization Status

Exit

3. Annexure A

This chapter deals with the following additional information with respect to the Oracle FLEXCUBE – Oracle Identity Manager Interface:

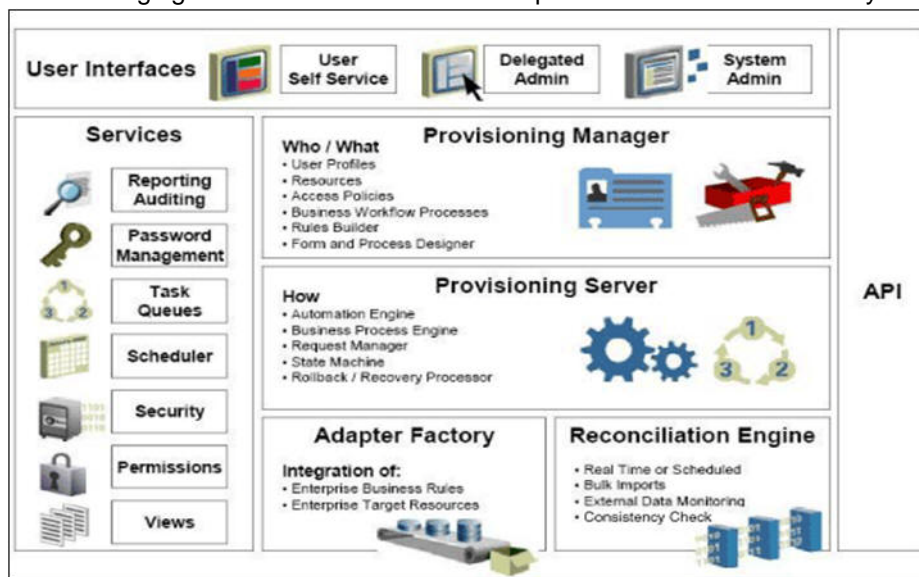
- [Section 3.1, "Oracle Identity Manager Components"](#)
- [Section 3.2, "OIM Generic Technology Connector Configuration"](#)
- [Section 3.3, "SPML Request/Response Message Formats"](#)
- [Section 3.4, "Message Exchange Sequence for User Creation"](#)
- [Section 3.5, "Message Exchange Sequence for User Field Modification/ Set Password"](#)
- [Section 3.6, "Message Exchange Sequence for User Delete / Suspend / Resume"](#)

3.1 Oracle Identity Manager Components

Oracle Identity Manager includes the following components:

- User Interfaces – for the user to define and administer the provisioning environment.
- Provisioning Manager – for maintaining provisioning details such as user profiles, access policies, business process workflows and business rules.
- Provisioning Server for the Provisioning Manager
- Adapter Factory – for integrating OIM with other managed systems and application
- Reconciliation Engine - ensures consistency between the provisioning done by OIM and the resources managed by OIM.

The following figure illustrates the various components of the Oracle Identity Manager system



3.2 OIM Generic Technology Connector Configuration

The following table lists the parameter fields and the corresponding sample values for OIM GTC.

Parameter Fields	Sample Value	Remarks
Run-Time Parameters of the Shared Drive Reconciliation Transport Provider		
Staging Directory (Parent Identity Data) field	<OIM_SERVER_HOME\GTC\RECON\STAGING>	Full Path of the data file that contains data to be modified for the Oracle FLEX-CUBE User in OIM
Archiving Directory field	<OIM_SERVER_HOME\GTC\RECON\ARCHIVE>	Path to the folder where OIM keeps processed file after reconciliation
File Prefix field	SMOIMHOFF	Prefix of the data file for reconciliation
Specified Delimiter field	,	This (a comma) is only delimiter available with CSV format
Tab Delimiter check box	Check box not selected	NA
Fixed Column Width field	NA	
Specified Delimiter field	NA	
Unique Attribute (Parent Data) field	NA	
Run-Time Parameter of the Web Services Provisioning Transport Provider		
Web Service URL field	http://hostname:port/FCUBSProvisioningAdService/services/FCUBSProvisioningAdServiceSEI	Web service URL of FCUBSProvisioning web service

Parameter Fields	Sample Value	Remarks
Run-Time Parameters of the SPML Provisioning Format Provider		
Target ID field	Oracle FLEXCUBE	Will be same as Destination field of FCUBS Header
User Name (authentication) field	NA	
User Password (authentication) field	NA	
Design Parameters of the Shared Drive Reconciliation Transport Provider		
File Encoding field	Cp1251	Canonical name for character set encoding for operating system with the English-language setting for the corresponding java.io API supported by OIM GTC
Design Parameters of the Web Services Provisioning Transport Provider		
Web Service SOAP Action field	http:// spmladapter.ws.oim.integration.fcubs.iflex.com /processRequest	Will be same as defined in corresponding WSDL
Design Parameters of the SPML Provisioning Format Provider		
WSSE Configured for SPML Web Service? check box	Check box not selected	There will be No support for WSSE
Custom Authentication Credentials Namespace field	http:// spmladapter.ws.oim.integration.fcubs.iflex.com	Target Namespace value of corresponding WSDL

Parameter Fields	Sample Value	Remarks
Custom Authentication Header Element field	OIMUser	Tag name in Soap Header that will carry user information provided above
Custom Element to Store User Name field	OIMUserId	Do
Custom Element to Store Password field	OIMUserPassword	Do
SPML Web Service Binding Style (DOCUMENT or RPC) field	DOCUMENT	Binding style of Corresponding web service
SPML Web Service Complex Data Type field	FCCProvisioningDocument	Complex data type name defined in Corresponding WSDL
SPML Web Service Operation Name field	NA	Operation name defined in Corresponding WSDL
SPML Web Service Target Namespace field	http:// spmladapter.ws.oim.integration.fcubs.iflex.com	Target Namespace value of corresponding WSDL
SPML Web Service Soap Message Body Prefix field		NA
ID Attribute for Child Dataset Holding Group Membership Information field		NA
Generic Design Parameters		
Target Date Format field	yyyy-MM-dd	Will be same as the Oracle FLEX-CUBE Date Format
Batch Size field	All	

Parameter Fields	Sample Value	Remarks
Stop Reconciliation Threshold field	None	
Stop Threshold Minimum Records field	None	
Source Date Format field	yyyy-MM-dd	Will be same as the Oracle FLEX-CUBE Date Format
Reconcile Deletion of Multi valued Attribute Data check box	Check Box not selected	As no child data is configured
Reconciliation Type list	Full	Reconcile all accounts in Oracle FLEXCUBE that are given into staging data files into the Oracle Identity Manager

3.3 SPML Request/Response Message Formats

This section contains the following topics:

- [Section 3.3.1, "Add Request"](#)
- [Section 3.3.2, "Modify Request"](#)
- [Section 3.3.3, "Delete Suspend and Resume Requests"](#)
- [Section 3.3.4, "Set Password Request"](#)
- [Section 3.3.5, "Add and Modify Responses"](#)
- [Section 3.3.6, "Delete Suspend Resume and Set Password Responses"](#)

3.3.1 Add Request

This request contains all the data about users. For a Oracle FLEXCUBE user creation, only mandatory fields will be sent in the request.

Sample Request

```
<addRequest returnData="identifier" targetID="FLEXCUBE">
<containerID ID="FLEXCUBEDB" targetID=" FLEXCUBE "/>
<data>
<dsml:attr name="objectclass">
<dsml:value>Users</dsml:value>
```

```
</dsml:attr>
<dsml:attr name="USERID">
<dsml:value>value</dsml:value>
</dsml:attr>
<dsml:attr name="USERNAME">
<dsml:value>value</dsml:value>
</dsml:attr>
<dsml:attr name="USERPASSWORDNAME">
<dsml:value>value</dsml:value>
</dsml:attr>
<dsml:attr name="USERLANGUAGENAME">
<dsml:value>value</dsml:value>
</dsml:attr>
<dsml:attr name="TIMELEVEL">
<dsml:value>value</dsml:value>
</dsml:attr>
<dsml:attr name="HOMEBRANCH">
<dsml:value>value</dsml:value>
</dsml:attr>
<dsml:attr name="STARTDATE">
<dsml:value>value</dsml:value>
</dsml:attr>
<dsml:attr name="EXTUSERREF">
<dsml:value>value</dsml:value>
</dsml:attr>
</data>
```

</addRequest>

Field Tag	Field Type	Field Description	Restrictions	Remarks
addRequest ::	Element	Start tag for create user request		
addRequest : targetID	Attribute	Defines the Target system id on which user is to be created	String	This value will be defined as Oracle FLEXCUBE while configuring Generic connector in OIM. This will be provided as the destination tag value in the Header part of the Oracle FLEXCUBE Gateway request.
addRequest : returnData	Attribute	Defines ReturnDataType	Identifier	For identifier return data type, only PSO ID will be sent as the OIM response content.
addRequest :: containerID	Element	Identifies an object that exists on the target		
addRequest :: containerID : ID	Attribute	The value of ID uniquely identifies an object within the namespace of the target specified by the "targetID"	String	This value will be defined as FLEXCUBEDB while configuration of Generic connector in OIM.
addRequest :: containerID : targetID	Attribute	Defines the Target system id on which user is to be created	string	This value will be defined as Oracle FLEXCUBE while configuring GTC in OIM.
addRequest :: data	Element	This Node contains the User details	Extensible	

Field Tag	Field Type	Field Description	Restrictions	Remarks
addRequest :: data :: dsml:attr :	Element	Contains user field as attribute		
addRequest :: data :: dsml:attr :: name= objectclass	Attribute	This defines the group to which user belongs.		Not Used (Needed for compliance with SPML format)
addRequest :: data :: dsml:attr : dsml:value	Element	Users		This value will be defined as Users while configuration of GTC in OIM.
addRequest :: data :: dsml:attr :	Element	Contains user field as attribute		
addRequest :: data :: dsml:attr :: name= USERID	Attribute	User identifier that is to be created in Oracle FLEXCUBE		This field is mapped as the USERID column of an Oracle FLEXCUBE User account.
addRequest :: data :: dsml:attr : dsml:value	Element	User identifier value	Date Type: String, Length:12	
addRequest :: data :: dsml:attr :	Element	Contains user field as attribute		
addRequest :: data :: dsml:attr :: name= USERNAME	Attribute	User Name		This field is mapped as the USERNAME column of an Oracle FLEXCUBE User account.

Field Tag	Field Type	Field Description	Restrictions	Remarks
addRequest :: data :: dsml:attr : dsml:value	Element	value	Date Type: String, Length:35	
addRequest :: data :: dsml:attr :	Element	Contains user field as attribute		
addRequest :: data :: dsml:attr :: name= USERPASS- WORD	Attribute	User Password		This field is mapped as the USERPASS- WORD column of an Oracle FLEXCUBE User account.
addRequest :: data :: dsml:attr : dsml:value	Element	value	Date Type: String, Length:32	
addRequest :: data :: dsml:attr :	Element	Contains user field as attribute		
addRequest :: data :: dsml:attr :: name= STARTDATE	Attribute	User Account Start Date		This field is mapped as the STARTDATE column of an Oracle FLEX- CUBE User account.
addRequest :: data :: dsml:attr : dsml:value	Element	value		
addRequest :: data :: dsml:attr :	Element	Contains user field as attribute		

Field Tag	Field Type	Field Description	Restrictions	Remarks
addRequest :: data :: dsml:attr :: name= TIMELEVEL	Attribute	User Time Level	Data Type: String Length:1	This field is mapped as the TIMELEVEL column of an Oracle FLEXCUBE User account.
addRequest :: data :: dsml:attr : dsml:value	Element	value		
addRequest :: data :: dsml:attr :	Element	Contains user field as attribute		
addRequest :: data :: dsml:attr :: name= HOMEBRANCH	Attribute	User Home Branch code	Data Type: String Length:3	This field is mapped as the HOMEBRANCH column of an Oracle FLEXCUBE User account.
addRequest :: data :: dsml:attr : dsml:value	Element	value		
addRequest :: data :: dsml:attr :	Element	Contains user field as attribute		
addRequest :: data :: dsml:attr :: name= USERLANGUAGE	Attribute	User Language		This field is mapped as the USERLANGUAGE column of an Oracle FLEXCUBE User account.
addRequest :: data :: dsml:attr : dsml:value	Element	value	Data Type: String Length:3	

Field Tag	Field Type	Field Description	Restrictions	Remarks
addRequest :: data :: dsml:attr :	Element	Contains user field as attribute		
addRequest :: data :: dsml:attr :: name= EXTUSERREF	Attribute	EXTUSERREF		This field is mapped as the EXT_USER_REF Column of an Oracle FLEXCUBE User account.
addRequest :: data :: dsml:attr : dsml:value	Element	value	Data Type: String Length:20	

3.3.2 Modify Request

A sample Modify request is given below:

```
<modifyRequest returnData="identifier">
<psolD ID="FLXUSER1" targetID=" FLEXCUBE">
</psolD>
<modification>
<dsml:modification name="<Field Name>" operation="replace">
<dsml:value>value</dsml:value>
</dsml:modification>
</modification>
</modifyRequest>
```

Field Tag	Field Type	Field Description	Restrictions	Remarks
modifyRequest	Element	Start tag to modify field request		
modifyRequest : returnData	Attribute	Defines ReturnDataType	Identifier	For identifier return data type, only PSO ID will be sent as the OIM response content

Field Tag	Field Type	Field Description	Restrictions	Remarks
modifyRequest :: psold	Element	Identifies user in the Oracle FLEX-CUBE	String	This will be mapped with the User Id column of Oracle FLEX-CUBE
modifyRequest :: psold : ID	Attribute	User Id Value	Data Type: String Length: 12	This will be used to identify a user in Oracle FLEX-CUBE
modifyRequest :: psold : targetID	Attribute	Defines the Target system id on which user field is to be modified	string	This value will be defined as Oracle FLEX-CUBE while configuring GTC in OIM. This will be provided as destination tag value in Header part of the Oracle FLEX-CUBE Gateway request.
modifyRequest :: modification	Element	Parent tag for data to be modified		
modifyRequest :: modification :: dsml:modification:	Element	Contains data to be modified		
modifyRequest :: modification :: dsml:modification: name	Attribute	User field name that needs to be modified		This will be used to identify the column name in Oracle FLEX-CUBE
modifyRequest :: modification :: dsml:modification: operation	Attribute	Defines modification mode type	Add/ replace	An Oracle FLEX-CUBE Gateway modify request will be sent for the field

Field Tag	Field Type	Field Description	Restrictions	Remarks
modifyRequest :: modification :: dsml:modification: dsml:value	Element	Contains field value to be modified		

3.3.3 Delete Suspend and Resume Requests

The message format is same for suspend and resume request with their respective start tag.

Sample Request

```
<deleteRequest>
```

```
<psold ID="<User Identifier>" targetID=" FLEXCUBE">
```

```
</psold>
```

```
</deleteRequest>
```

Field Tag	Field Type	Field Description	Restrictions	Remarks
deleteRequest::	Element	Start tag		
deleteRequest:: psold	Element	Identifies the user in Oracle FLEXCUBE	String	This will be mapped with the User Id column of Oracle FLEXCUBE
deleteRequest:: psold : ID	Attribute	User Id Value	Data Type: String Length: 12	This will be used to identify a user in Oracle FLEX-CUBE
deleteRequest:: psold : targetID	Attribute	Defines the Target system id on which user field is to be modified	string	This value will be defined as Oracle FLEXCUBE while configuring GTC in OIM. This will be provided as destination tag value in Header part of the Oracle FLEXCUBE Gateway request.

3.3.4 Set Password Request

The following is a sample Set Password Request.

```
<setPasswordRequest xmlns="urn:oasis:names:tc:SPML:2:0:password">
```

```
<psold ID="<User Identifier>" />
```

<password>password2</password>

</setPasswordRequest>

Field Tag	Field Type	Field Description	Restrictions	Remarks
setPasswordRequest ::	Element	Start tag		
setPasswordRequest :: psolD	Element	Identifies a user in Oracle FLEXCUBE	String	This will be mapped with the User Id column of Oracle FLEXCUBE
setPasswordRequest :: psolD : ID	Attribute	User Id Value	Data Type: String Length: 12	This will be used to identify a user in Oracle FLEXCUBE
setPasswordRequest :: password	Element	Contains the password to be set	Data Type: String Length: 32	This will be mapped with the user_password column of Oracle FLEXCUBE .

3.3.5 Add and Modify Responses

The Add and Modify messages have the same format is same except for their respective start tags.

Sample for successful response

```
< addResponse status="success">
```

```
< pso>
```

```
< psolD ID="<USER ID>" />
```

```
</pso>
```

```
</addResponse>
```

Sample for unsuccessful response

```
< addResponse status="failure" error="alreadyExists">
```

```
< errorMessage>
```

```
exception=tcDuplicateUserException;errorMessage=User already exists
```

```
</ errorMessage>
```

</ addResponse>

Field Tag	Field Type	Field Description	Restrictions	Remarks
addResponse :	Element	Root Tag		
addResponse : status	Attribute	Defines the status of request	success failure	This will be used to convey the success or failure of the request to OIM.
addResponse :: error	Attribute	Defines the error code	malformedRequest unsupportedOperation unsupportedIdentifierType noSuchIdentifier customError unsupportedExecutionMode invalidContainment noSuchRequest unsupportedSelectionType resultSetTooLarge unsupportedProfile invalidIdentifier alreadyExists containerNotEmpty	In case of failure status appropriate SPML code will be decided and sent to the OIM
addResponse :: errorMessage	Element	Contains the error description		In case of failure status this will contain the description of error code.
addResponse :: pso	Element	Identifies user in Oracle FLEX-CUBE	String	
addResponse :: psoid	Attribute	User Id Value	Data Type: String Length: 12	This will be same as sent in request to identify user in OIM.

3.3.6 Delete Suspend Resume and Set Password Responses

Message format is the same for suspend and resume responses except for their respective start tags.

Sample for successful response

```
<deleteResponse status="success"/>
```

Sample for unsuccessful response

```
< deleteResponse status="failure" error=" noSuchIdentifier ">
```

```
< errorMessage>
```

```
exception= tcDuplicateUserException;errorMessage=User not found
```

```
</ errorMessage>
```

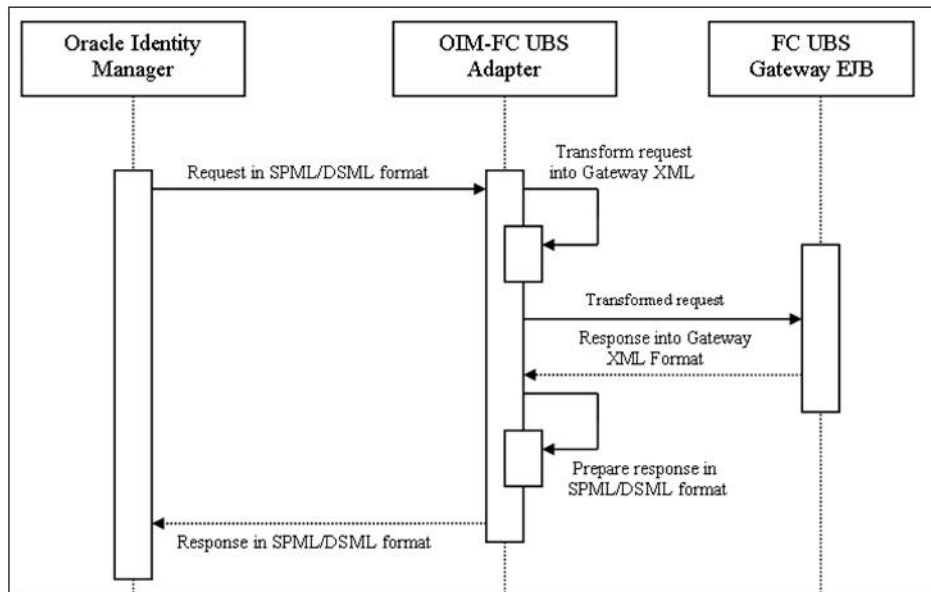
```
</ deleteResponse >
```

Field Tag	Field Type	Field Description	Restrictions	Remarks
deleteResponse :	Element	Root Tag		
deleteResponse : status	Attribute	Defines the status of request	success failure	This will be used to convey the success or failure of the request to OIM
deleteResponse :: error	Attribute	Defines the error code Note: Applicable when status is failure	malformedRequest unsupportedOperation unsupportedIdentifierType noSuchIdentifier customError unsupportedExecutionMode invalidContainment noSuchRequest unsupportedSelectionType resultSetTooLarge unsupportedProfile invalidIdentifier alreadyExists containerNotEmpty	In case of failure status appropriate SPML code will be decided and sent to the OIM

Field Tag	Field Type	Field Description	Restrictions	Remarks
deleteResponse :: errorMessage	Element	Contains the error description		In case of failure status this will contain the description of error code.

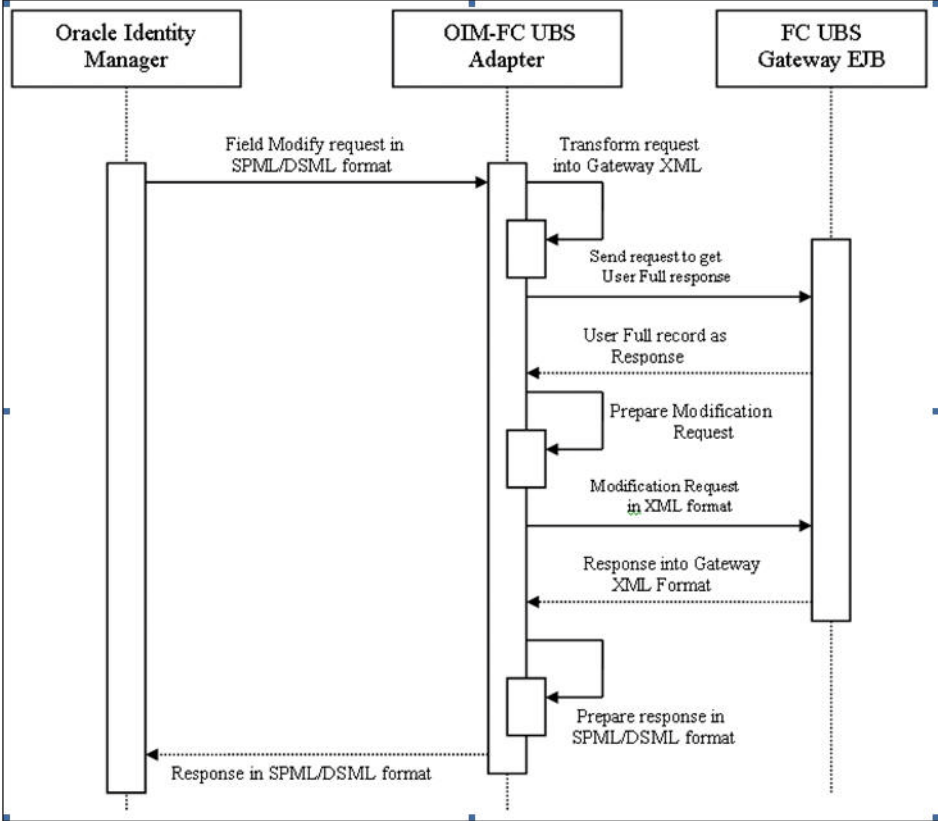
3.4 Message Exchange Sequence for User Creation

The following diagram illustrates the messages exchange sequence during user creation.



3.5 Message Exchange Sequence for User Field Modification/ Set Password

The following diagram illustrates the messages exchange sequence during user field modification and set password.



3.6 Message Exchange Sequence for User Delete / Suspend / Resume

