



## *Installing the Optional Panel Mount SMA Connector*

The SMA panel mount connector and cable is provided in the loose parts kit of the 802.11a/b wireless Workstation 5.

The wireless Workstation 5 includes factory installed internal printed circuit antennae that provide excellent coverage in most situations. However, if the need for improved wireless coverage arises, the installer can choose to install the SMA panel mount connector and supply a compatible external antenna. This document describes how to install the SMA connector.

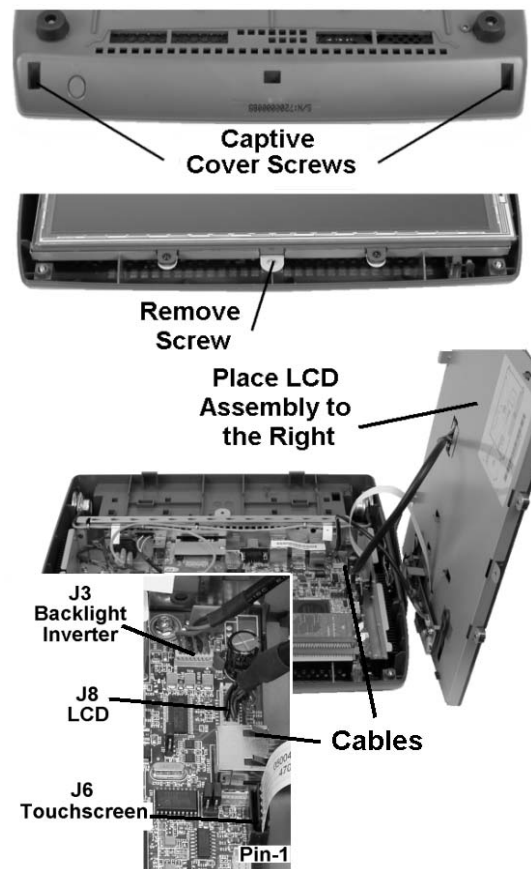
### **Open the Workstation**

Refer to Figure 1.

1. Remove all cables from the IO panel including the AC power cable.
2. Place a towel or soft cloth on your work surface to protect the touch screen, then place the workstation face down on this surface.
3. Loosen the pair of captive screws that hold the top cover in place.
4. Return the unit to its normal operating position. Lift the front of the cover up and the back of the cover will release. Set the cover aside.
5. Remove the screw that fastens the LCD/Touchscreen assembly to the base.
6. Lift the front of the LCD/Touchscreen assembly up about one inch, then pull it forward slightly to

clear the base while at the same time placing the assembly to the right side of the base. If you encounter resistance when lifting the LCD, check to ensure that a cable is not hooked under the Mini-PCI Connector

7. Remove the LCD, Backlight and Touchscreen Interface Cables from the system board and place the LCD/Touchscreen assembly.



*Figure 1: Remove the Workstation Cover and LCD*

**MD0013-006**

**Preliminary**

**Page 1 of 2**

## Install the SMA Connector

1. Disconnect the internal printed circuit antenna attached to the Main terminal of the wireless card from the workstation. Be sure to either remove the antenna or take steps to ensure the antenna connector does not short to any internal component.
2. Insert the SMA connector into the 'ANT' cut-out in the IO Panel. Refer to Figure 2, and install the lock washer and nut, then fasten securely.

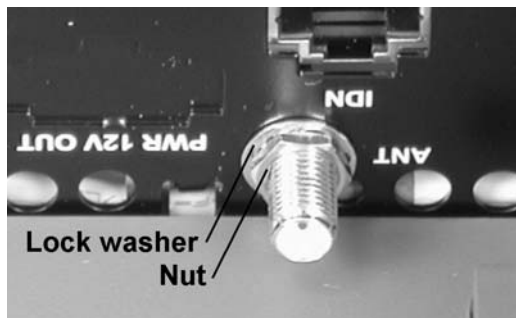


Figure 2: Mounting the SMA Connector

3. Attach the SMA antenna cable to the 'Main' terminal in the wireless card as shown in Figure 3, below.

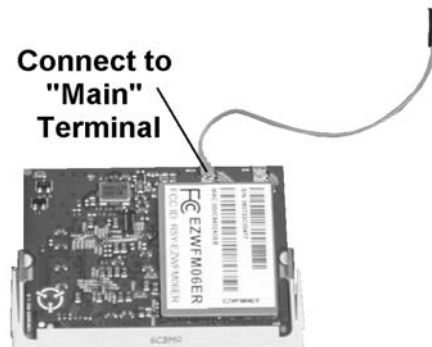


Figure 3: Connect the Antenna Cable

## Replace the Workstation Cover

To reassemble the workstation, reverse the steps performed to remove the cover while referring to Figure 1.

1. Install the LCD, Backlight, and Touchscreen Interface Cables as shown in Figure 1. Note the location of Pin-1 on the Touchscreen cable.
2. Install the LCD/Touchscreen Assembly in the base and fasten the single screw.
3. Check the gasket located in the cover to ensure it is seated properly then install the cover by attaching it to the rear of the base first. Place the unit face down and tighten the captive screws to secure the cover.
4. Re-cable the workstation and connect the external wireless antenna.