

**Oracle® Global Trade Management**

Oracle E-Business Suite Integration Guide

Release 6.4.2

Part No. E81556-01

December 2016

# Copyright Notice

Oracle® Global Trade Management Oracle E-Business Suite Integration Guide, Release 6.4.2

Part No. E81556-01

Copyright © 2010, 2016, Oracle and/or its affiliates. All rights reserved.

This software and related documentation are provided under a license agreement containing restrictions on use and disclosure and are protected by intellectual property laws. Except as expressly permitted in your license agreement or allowed by law, you may not use, copy, reproduce, translate, broadcast, modify, license, transmit, distribute, exhibit, perform, publish, or display any part, in any form, or by any means. Reverse engineering, disassembly, or decompilation of this software, unless required by law for interoperability, is prohibited.

The information contained herein is subject to change without notice and is not warranted to be error-free. If you find any errors, please report them to us in writing.

If this is software or related documentation that is delivered to the U.S. Government or anyone licensing it on behalf of the U.S. Government, then the following notice is applicable:

U.S. GOVERNMENT END USERS: Oracle programs, including any operating system, integrated software, any programs installed on the hardware, and/or documentation, delivered to U.S. Government end users are "commercial computer software" pursuant to the applicable Federal Acquisition Regulation and agency-specific supplemental regulations. As such, use, duplication, disclosure, modification, and adaptation of the programs, including any operating system, integrated software, any programs installed on the hardware, and/or documentation, shall be subject to license terms and license restrictions applicable to the programs. No other rights are granted to the U.S. Government.

This software or hardware is developed for general use in a variety of information management applications. It is not developed or intended for use in any inherently dangerous applications, including applications that may create a risk of personal injury. If you use this software or hardware in dangerous applications, then you shall be responsible to take all appropriate fail-safe, backup, redundancy, and other measures to ensure its safe use. Oracle Corporation and its affiliates disclaim any liability for any damages caused by use of this software or hardware in dangerous applications.

Oracle and Java are registered trademarks of Oracle and/or its affiliates. Other names may be trademarks of their respective owners.

Intel and Intel Xeon are trademarks or registered trademarks of Intel Corporation. All SPARC trademarks are used under license and are trademarks or registered trademarks of SPARC International, Inc. AMD, Opteron, the AMD logo, and the AMD Opteron logo are trademarks or registered trademarks of Advanced Micro Devices. UNIX is a registered trademark of The Open Group.

This software or hardware and documentation may provide access to or information about content, products, and services from third parties. Oracle Corporation and its affiliates are not responsible for and expressly disclaim all warranties of any kind with respect to third-party content, products, and services unless otherwise set forth in an applicable agreement between you and Oracle. Oracle Corporation and its affiliates will not be responsible for any loss, costs, or damages incurred due to your access to or use of third-party content, products, or services, except as set forth in an applicable agreement between you and Oracle.

## Documentation Accessibility

For information about Oracle's commitment to accessibility, visit the Oracle Accessibility Program website at <http://www.oracle.com/pls/topic/lookup?ctx=acc&id=docacc>.

## Access to Oracle Support

Oracle customers that have purchased support have access to electronic support through My Oracle Support. For information, visit <http://www.oracle.com/pls/topic/lookup?ctx=acc&id=info> or visit <http://www.oracle.com/pls/topic/lookup?ctx=acc&id=trs> if you are hearing impaired.

# Contents

<b>COPYRIGHT NOTICE</b> .....	<b>II</b>
<b>CONTENTS</b> .....	<b>III</b>
<b>SEND US YOUR COMMENTS</b> .....	<b>V</b>
<b>PREFACE</b> .....	<b>VI</b>
<b>CHANGE HISTORY</b> .....	<b>VI</b>
<b>1. KNOWN ISSUES</b> .....	<b>1-1</b>
<b>2. OVERVIEW</b> .....	<b>2-1</b>
<b>3. ARCHITECTURE</b> .....	<b>3-1</b>
<b>PARTY SYNCHRONIZATION AND ITEM SYNCHRONIZATION</b> .....	<b>3-1</b>
DESIGN ELEMENTS .....	3-1
<b>ORDER COMPLIANCE AND DELIVERY COMPLIANCE</b> .....	<b>3-2</b>
RESPONSE TO ORACLE E-BUSINESS SUITE .....	3-3
<b>4. ORACLE E-BUSINESS SUITE TO ORACLE GLOBAL TRADE MANAGEMENT FIELD MAPPINGS</b> .....	<b>4-1</b>
<b>PARTY SYNCHRONIZATION</b> .....	<b>4-1</b>
<b>ITEM SYNCHRONIZATION</b> .....	<b>4-5</b>
<b>ORDER COMPLIANCE</b> .....	<b>4-7</b>
<b>DELIVERY COMPLIANCE</b> .....	<b>4-9</b>
LOGIC FOR TRANSACTION LINE HIERARCHY IMPLEMENTATION .....	4-11
<b>INVOLVED PARTY MAPPING</b> .....	<b>4-12</b>
<b>5. SETUP AND CONFIGURATION</b> .....	<b>5-1</b>
<b>ITM TO ORACLE GLOBAL TRADE MANAGEMENT SETUP</b> .....	<b>5-1</b>
ITM SETUP .....	5-1
<b>ORACLE GLOBAL TRADE MANAGEMENT TO XML GATEWAY (ORACLE E-BUSINESS SUITE)</b> .....	<b>5-1</b>
ORACLE E-BUSINESS SUITE XML GATEWAY.....	5-1
USER (FOR CLOUD SYSTEMS) .....	5-2
EXTERNAL SYSTEM .....	5-2
HTTP PROFILE .....	5-4
ACKNOWLEDGMENT PROCESSING.....	5-5
<b>ORACLE E-BUSINESS SUITE CONFIGURATION REMARKS</b> .....	<b>5-7</b>
<b>DATE FORMATS</b> .....	<b>5-7</b>
<b>LOGGING</b> .....	<b>5-7</b>
<b>6. CUSTOMIZATION</b> .....	<b>6-1</b>
<b>INBOUND: SUPPORT FOR MULTIPLE ORACLE E-BUSINESS SUITE INSTANCES</b> .....	<b>6-1</b>

RELATED PROPERTIES .....	6-1
<b>OUTBOUND .....</b>	<b>6-2</b>
MULTIPLE ORACLE E-BUSINESS SUITE INSTANCES .....	6-2
COMPLIANCE RESPONSE MODIFICATIONS .....	6-3
ACKNOWLEDGMENT PROCESSING .....	6-3
<b>7. ORACLE E-BUSINESS SUITE INTEGRATED SOLUTION WITH BOTH ORACLE GLOBAL TRADE MANAGEMENT AND ORACLE TRANSPORTATION MANAGEMENT .....</b>	<b>7-1</b>
<b>TECHNICAL .....</b>	<b>7-1</b>
ORACLE E-BUSINESS SUITE > ORACLE TRANSPORTATION MANAGEMENT .....	7-1
ORACLE E-BUSINESS SUITE ITM > ORACLE GLOBAL TRADE MANAGEMENT .....	7-1
<b>ITEMS .....</b>	<b>7-1</b>
ORACLE E-BUSINESS SUITE > ORACLE TRANSPORTATION MANAGEMENT .....	7-2
ORACLE E-BUSINESS SUITE ITM > ORACLE GLOBAL TRADE MANAGEMENT .....	7-2
<b>PARTIES/LOCATIONS .....</b>	<b>7-2</b>
ORACLE E-BUSINESS SUITE > ORACLE TRANSPORTATION MANAGEMENT .....	7-2
ORACLE E-BUSINESS SUITE ITM > ORACLE GLOBAL TRADE MANAGEMENT .....	7-2
<b>DELIVERIES .....</b>	<b>7-2</b>
ORACLE E-BUSINESS SUITE > ORACLE TRANSPORTATION MANAGEMENT .....	7-3
ORACLE E-BUSINESS SUITE ITM > ORACLE GLOBAL TRADE MANAGEMENT .....	7-3
<b>8. APPENDIX: XML SAMPLES .....</b>	<b>8-1</b>
<b>PARTY SYNCHRONIZATION .....</b>	<b>8-1</b>
SAMPLE ORACLE E-BUSINESS SUITE XML .....	8-1
SAMPLE ORACLE GLOBAL TRADE MANAGEMENT XML .....	8-5
<b>ITEM SYNCHRONIZATION .....</b>	<b>8-9</b>
SAMPLE ORACLE E-BUSINESS SUITE XML .....	8-9
SAMPLE ORACLE GLOBAL TRADE MANAGEMENT XML .....	8-10
<b>ORDER COMPLIANCE .....</b>	<b>8-11</b>
SAMPLE ORACLE E-BUSINESS SUITE XML .....	8-11
SAMPLE ORACLE GLOBAL TRADE MANAGEMENT XML .....	8-27
<b>DELIVERY COMPLIANCE .....</b>	<b>8-38</b>
SAMPLE ORACLE E-BUSINESS SUITE XML .....	8-38
SAMPLE ORACLE GLOBAL TRADE MANAGEMENT XML .....	8-53

## Send Us Your Comments

Oracle® Global Trade Management Oracle E-Business Suite Integration Guide, Release 6.4.2

Part No. E81556-01

Oracle welcomes your comments and suggestions on the quality and usefulness of this publication. Your input is an important part of the information used for revision.

- Did you find any errors?
- Is the information clearly presented?
- Do you need more information? If so, where?
- Are the examples correct? Do you need more examples?
- What features did you like most about this manual?

If you find any errors or have any other suggestions for improvement, please indicate the title and part number of the documentation and the chapter, section, and page number (if available). You can send comments to us in the following ways:

- Electronic mail: [otm-doc\\_us@oracle.com](mailto:otm-doc_us@oracle.com)

If you have problems with the software, contact Support at <https://support.oracle.com> or find the Support phone number for your region at <http://www.oracle.com/support/contact.html>.

# Preface

This document details Oracle E-Business Suite international trade management (ITM) – Oracle Global Trade Management (GTM) integration feature added for Oracle Global Trade Management (GTM) 6.2. This feature includes support for out-of-the-box integration between Oracle E-Business Suite applications and Oracle Global Trade Management. The following flows are supported:

- Party Synchronization
- Item Synchronization
- Order Compliance
- Delivery Compliance

Oracle Global Trade Management needs to be registered with Oracle E-Business Suite ITM adapter as a trading partner. All flows use ITM for communicating with Oracle Global Trade Management. For Order, Delivery compliance, this solution can even communicate compliance status to Oracle E-Business Suite via Oracle XML Gateway. Configuration of Oracle E-Business Suite XML Gateway and ITM Adapter are out of scope for this document. Refer to the respective product documentation for more details.

## Change History

Date	Document Revision	Summary of Changes
12/2016	-01	Initial revision.  Modified the EBS-GTM Integration guide to consider the modified property name change- use.instance.name.for.domain.mapping to "gtm.use.instance.name.for.domain.mapping".

# 1. Known Issues

The following is a list of known issues with out-of-box integration module between GTM and EBS.

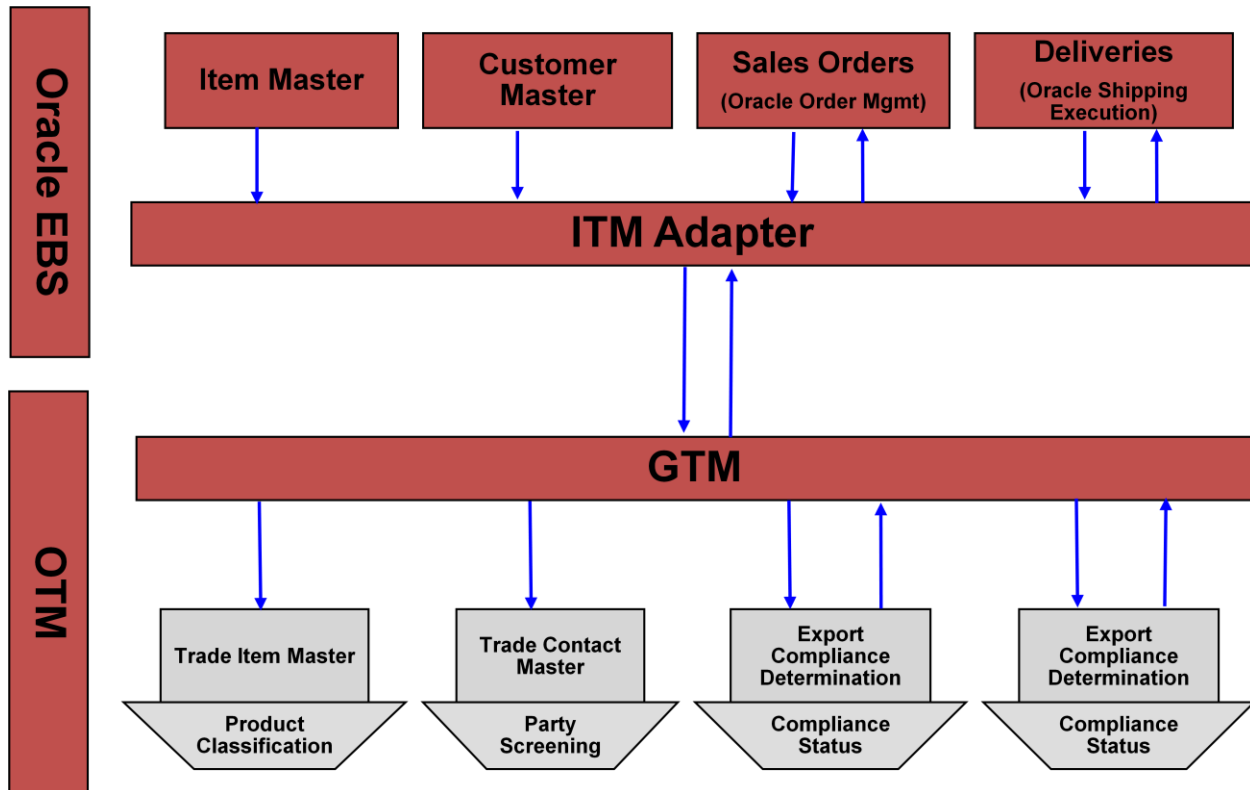
- The ITM Adapter cannot send a purchase order in EBS to GTM. You will have to create a customized process in EBS to convert purchase orders to Trade Transaction XML and send them to GTM via integration methods such as httpPost.
- If a delivery is modified by removing line(s), the ITM adapter cannot send proper instructions to GTM to remove the corresponding lines.
- The response XML into EBS does not contain any information about license and product classification. It has only the COMPLIANCE or NOT\_COMPLIANCE status mapped to GtmTransactionLine/ControlScreeningResult/GtmExceptionControlCode. The modification of the response.xsl file responsible for transforming GTM XML to EBS XML is almost unavoidable.
- When a sales order modification is sent to GTM for re-screening, the ITM adapter cannot properly process the response from GTM containing update screening results.
- The ITM adapter can only take ONE response from GTM. If the response is COMPLIANT, EBS removes the exception hold of the sales order or delivery. If the response is NOT\_COMPLIANT, the exception will not be removed. When the user manually resolve the compliance issues in GTM (sanction, RPLS, classification, or license), and GTM sends response of COMPLIANT again to EBS, EBS does not have the ability to accept the second or sub-sequential response from GTM. This means that if a Sale Order is on hold due to a GTM screening response of NOT\_COMPLIANT, the end user will have to manually remove the exception in EBS, after they resolve the screening hold in GTM.
- The ITM adapter does not process the restricted party screening result from GTM.





## 2. Overview

Oracle E-Business Suite – Oracle Global Trade Management integration consists of an out-of-box, ready-to-use solution which is provided for communication and data transfer between Oracle E-Business Suite and Oracle Global Trade Management applications.



This integration does not require Business Process Execution Language (BPEL) or any other middleware set up for it to work. All you need to do is to set up Oracle Global Trade Management as a trading partner in the Oracle E-Business Suite components ITM Adapter and XML Gateway.

While the Oracle E-Business Suite configuration of ITM and XML Gateway are out of scope for this document, configuration that needs to be done in terms of Oracle Global Trade Management is explained in the configuration section.

As you can see from the figure above, the following flows are supported by this integration effort:

- **Party Synchronization:** Using this flow, Oracle E-Business Suite contacts/parties can be sent into Oracle Global Trade Management and stored as Oracle Global Trade Management contacts.
- **Item Synchronization:** Using this flow, Oracle E-Business Suite items can be sent into Oracle Global Trade Management and stored as Oracle Global Trade Management items.
- **Order Compliance:** Using this flow:
  - Oracle E-Business Suite sales orders can be sent into Oracle Global Trade Management and stored as Oracle Global Trade Management trade transactions.
  - The compliance status of screened trade transactions can be sent back to Oracle E-Business Suite.

- **Delivery/Shipment Compliance:** Using this flow
  - Oracle E-Business Suite deliveries can be sent into Oracle Global Trade Management and stored as Oracle Global Trade Management trade transactions.
  - The compliance status of screened trade transactions can be sent back to Oracle E-Business Suite.

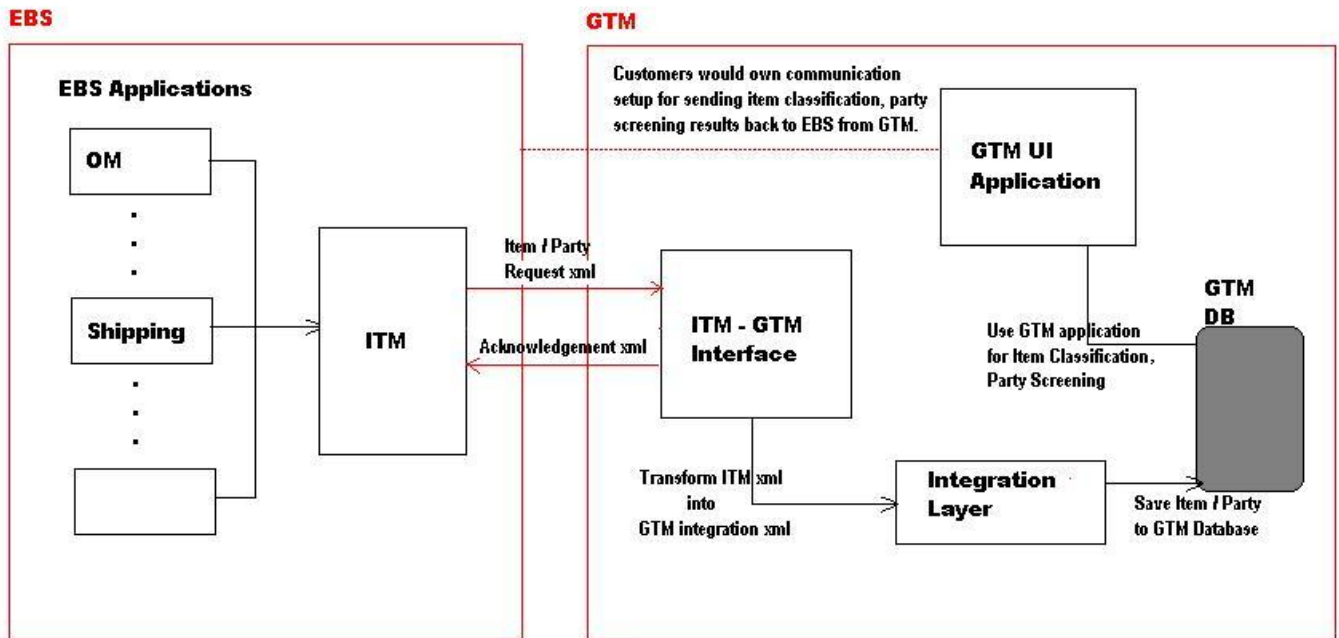
### 3. Architecture

#### Party Synchronization and Item Synchronization

Party synchronization involves sending party data from Oracle E-Business Suite to Oracle Global Trade Management. Item synchronization involves sending item data from Oracle E-Business Suite to Oracle Global Trade Management. Major design elements are:

- The use of XSL for converting Oracle E-Business Suite XML to Oracle Global Trade Management XML
- An integration layer which picks up the converted XML to insert the related records into the Oracle Global Trade Management database

#### ITEM, PARTY Synchronization



ITM - GTM Interface: <http://<server-name>/GC3/gtm.integration.itm.servlet.ITMIntegrationServlet>

#### Design Elements

##### Oracle E-Business Suite Applications

Various applications within the Oracle E-Business Suite can participate in implementing these flows. Contacts, items, sales orders, and deliveries from different applications such as Oracle Order Management, Oracle Shipping (there is only a product called Oracle Shipping Execution, not Shipping or Oracle Shipping) etc. can be sent into Oracle Global Trade Management.

##### ITM

ITM plays an important role in implementing these flows. Oracle Global Trade Management needs to be registered as a trading partner within the ITM Adapter.

## **ITM-Oracle Global Trade Management Interface**

The Oracle Global Trade Management interface for this out-of-the-box integration is a servlet. The servlet URL is: `http://<server-name>/GC3/gtm.integration.itm.servlet.ITMIntegrationServlet`. This should be registered as a trading partner URL for all four flows in ITM adapter.

This interface is responsible for transforming incoming Oracle E-Business Suite XML to the respective Oracle Global Trade Management XML by using XSLs specified in the mapping section below. Each of the flows has a default mapping XSL which would be used for the transformation.

Once the Oracle E-Business Suite XML is transformed into Oracle Global Trade Management XML, the integration layer is invoked for storing the corresponding object with XML as input.

### **Integration Layer**

The produced Oracle Global Trade Management XML element is given as input to the integration layer. The integration layer creates the records in the Oracle Global Trade Management database.

### **Oracle Global Trade Management Application**

The Oracle Global Trade Management application, using its UI, automation agent actions, or process management, can be used for performing party screening, item classification, or compliance screening on created records. This is purely driven by the user and the existing integration does not take care of executing these actions.

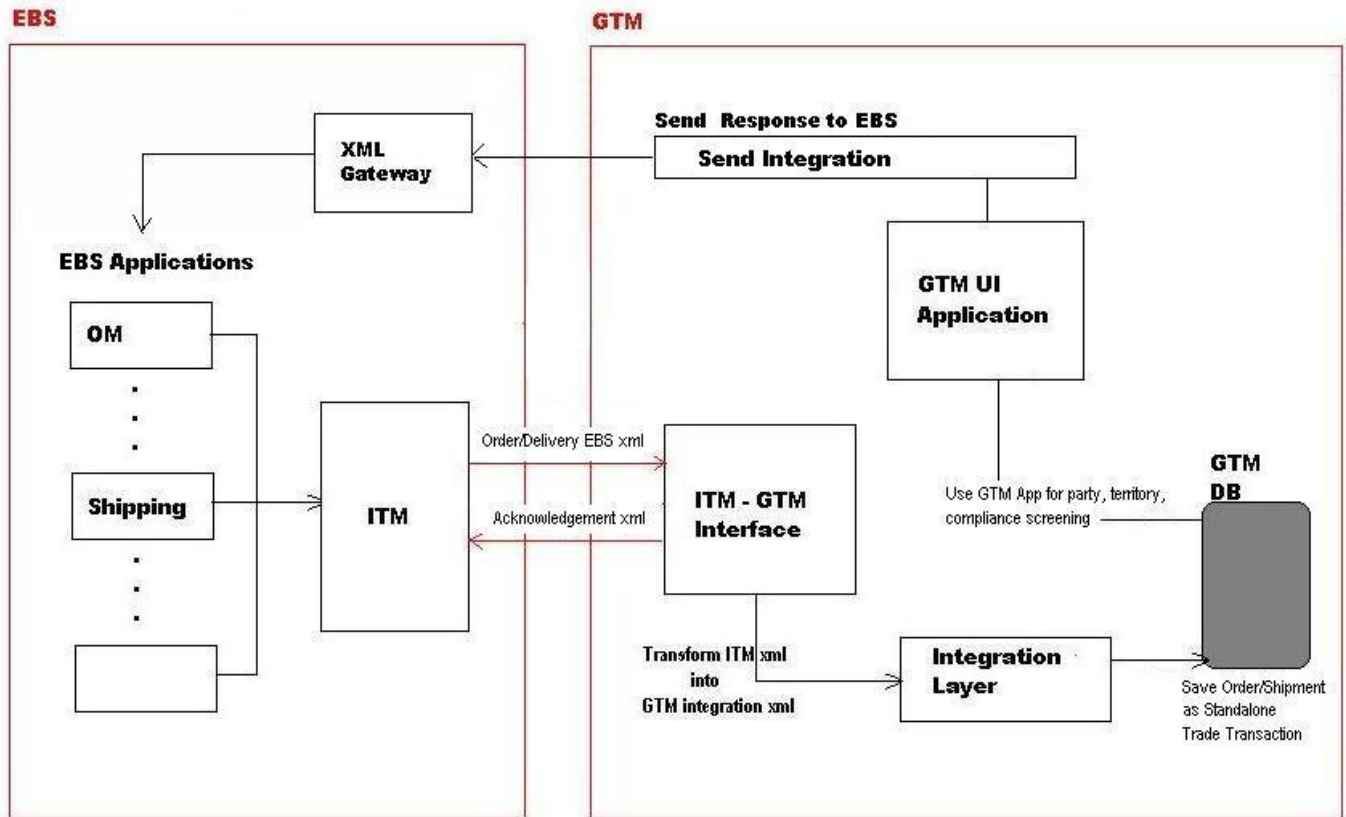
### **Response to Oracle E-Business Suite**

This integration effort is not responsible for sending party screening or item classification results back to Oracle E-Business Suite. Item and Party Synchronization are standard ITM adapter flows; however, the ITM adapter does not accept these responses as of today. Therefore, the Oracle Global Trade Management ITM integration does not send back party screening or item classification results as a response. You will need to design your own solution to update party screening and classification status back to Oracle E-Business Suite.

## **Order Compliance and Delivery Compliance**

Order compliance involves sending order data from Oracle E-Business Suite to Oracle Global Trade Management. A compliance screening status is sent back to Oracle E-Business Suite from Oracle Global Trade Management as a response. Delivery compliance involves sending delivery data from Oracle E-Business Suite to Oracle Global Trade Management. A compliance screening status is sent back to Oracle E-Business Suite from Oracle Global Trade Management as a response.

## Response Communication For Export Compliance



ITM - GTM Interface: <http://<server-name>/GCS/gtm.integration.itm.servlet.ITMIntegrationServlet>

Design elements explained in the Party Synchronization and Item Synchronization section above are also applicable for Order and Delivery Compliance as well.

## Response to Oracle E-Business Suite

Unlike the Party and Item Synchronization, the Order and Delivery Compliance flows support sending compliance screening status back to Oracle E-Business Suite.

For a transaction line whose screening status needs to be sent from Oracle Global Trade Management to Oracle E-Business Suite, you can use the Send Integration action via the UI, automation agent action, or a process management job to trigger this data be sent out of Oracle Global Trade Management to Oracle E-Business Suite.

An external system must be set up in Oracle Global Trade Management to perform the send integration action. The external system configuration must be set up in a certain way as detailed in the **Setup and Configuration** section.



## 4. Oracle E-Business Suite to Oracle Global Trade Management Field Mappings

### Party Synchronization

This table displays the Party Synchronization mapping details from Oracle E-Business Suite to Oracle Global Trade Management.

Oracle E-Business Suite Source	Oracle E-Business Suite Element	Oracle Global Trade Management Element	Details
HZ_PARTIES.party_name VARCHAR2(360)	<PARTNER> NAME index="1"	GtmContact.Contact.CompanyName	Applies for both Party & Party Site details. <PARTNER> tag contains party site information
Organization Name Phonetic - HZ_PARTIES (ORGANIZATION) or Person Name Phonetic - HZ_PERSON_PROFILES (PERSON) VARCHAR2(320)	<PARTNER> .NAME index="3"	GtmContact.Contact.AlternateName	Contact's Alternate Name.  This is the alternate name of the party, which can be an organization or a person.
HZ_PARTY_SITES.party_site_number VARCHAR2(30)	<PARTNER> .<USERAREA> ORACLE.SITE_NUMBER	GtmContact.Contact.ContactGid	GtmContactID is SITE_NUMBER appended with "_PS" when it is a site. Example: "31234_PS" The Party Number will be the Contact ID when it is a party.
Site Address from HZ_LOCATIONS  Each Line - VARCHAR2(2000)	<PARTNER> .<ADDRESS>  ADDRLINE index="1" to "5"	GtmContact.Location.Address.AddressLines	Address lines

<b>Oracle E-Business Suite Source</b>	<b>Oracle E-Business Suite Element</b>	<b>Oracle Global Trade Management Element</b>	<b>Details</b>
HZ_LOCATIONS.city : VARCHAR2(240)	<PARTNER> . <ADDRESS> .CITY	GtmContact.Location.A ddress.City	
HZ_LOCATIONS.country: VARCHAR(60)	<PARTNER> . <ADDRESS> .COUNTRY	GtmContact.Location.A ddress.Country	
HZ_LOCATIONS.postal_co de: VARCHAR2(240)	<PARTNER> . <ADDRESS> .POSTALCOD E	GtmContact.Location.A ddress.PostalCode	
HZ_LOCATIONS.state: VARCHAR2(240)	<PARTNER> . <ADDRESS> .STATEPROV N	GtmContact.Location.A ddress.Province	
HZ_PARTIES. party_name VARCHAR2(360)	<PARTNER> .<CONTACT> NAME index = "1"	GtmContact.Contact.C ompanyName	Party Site Contact's company name.  <CONTACT> tag contains details of party site Contact.
HZ_ORG_CONTACTS.job_ title or job_title_code.  VARCHAR2(100)	<PARTNER> .<CONTACT> CONTCTTYPE	GtmContact.Contact.Jo bTitle	
HZ_CONTACT_POINTS. email_address  VARCHAR2(2000)	<PARTNER> .<CONTACT> EMAIL	GtmContact.Contact.E mailAddress	
HZ_CONTACT_POINTS. phone_number (Phone Line type = 'GEN' )  VARCHAR2(40)	<PARTNER> .<CONTACT> TELEPHONE	GtmContact.Contact.P hone1	
HZ_CONTACT_POINTS. phone_number (Phone Line type = 'FAX' )  VARCHAR2(40)	<PARTNER> .<CONTACT> FAX	GtmContact.Contact.Fa x	
HZ_PARTIES.PERSON_FIR ST_NAME  VARCHAR2(150)	<PARTNER> . <CONTACT> .<USERAREA > .ORACLE.PERSON_FIR ST_NAME	GtmContact.Contact.Fi rstName	Party Site Contact's First name



<b>Oracle E-Business Suite Source</b>	<b>Oracle E-Business Suite Element</b>	<b>Oracle Global Trade Management Element</b>	<b>Details</b>
HZ_PARTIES.PERSON_LAST_NAME VARCHAR2(150)	<PARTNER> ,<CONTACT>.<USERAREA>.ORACLE.PERSON_LAST_NAME	GtmContact.Contact.LastName	Party Site Contact's Last name
HZ_PARTIES.PERSON_MIDDLE_NAME VARCHAR2(60)	<PARTNER> ,<CONTACT>.<USERAREA>.ORACLE.PERSON_MIDDLE_NAME	GtmContact.Contact.MiddleName	Party Site Contact's Middle name
HZ_PERSON_PROFILES.PERSON_NAME_PHONETIC VARCHAR2(320)	<PARTNER> ,<CONTACT>.<USERAREA>.ORACLE.ALTERNATE_NAME	GtmContact.Contact.AlternateName	
HZ_PARTIES.PARTY_NUMBER VARCHAR2(30)	<USERAREA>.ORACLE.PARTY_NUMBER	GtmContact.Contact.ContactGid and LocationGid	<USERAREA> contains Party information
HZ_PARTIES.PARTY_ID NUMBER (15)	<USERAREA>.ORACLE.PARTY_ID	GtmContact.Contact.Remark	Remark with Qualifier = PARTY_ID
HZ_PARTIES.PARTY_TYPE VARCHAR2(30)	<USERAREA>.ORACLE.PARTY_TYPE	GtmContact.Contact.Remark	Remark with Qualifier = PARTY_TYPE_ID
HZ_PARTIES.PERSON_FIRST_NAME VARCHAR2(150)	<USERAREA>.ORACLE.PERSON_FIRST_NAME	GtmContact.Contact.FirstName	
HZ_PARTIES.PERSON_MIDDLE_NAME VARCHAR2(60)	<USERAREA>.ORACLE.PERSON_MIDDLE_NAME	GtmContact.Contact.MiddleName	
HZ_PARTIES.PERSON_LAST_NAME VARCHAR2(150)	<USERAREA>.ORACLE.PERSON_LAST_NAME	GtmContact.Contact.LastName	
HZ_PARTIES.Address1-4 VARCHAR2(240)	<USERAREA>.ORACLE.ADDRESS1 - ORACLE.ADDRESS4	GtmContact.Location.Address.AddressLines	

Oracle E-Business Suite Source	Oracle E-Business Suite Element	Oracle Global Trade Management Element	Details
HZ_PARTIES.City VARCHAR2(60)	<USERAREA>.ORACLE.CITY	GtmContact.Location.Address.City	
HZ_PARTIES.Postal_Code: VChar(60)	<USERAREA>.ORACLE.POSTAL_CODE	GtmContact.Location.Address.PostalCode	
HZ_PARTIES.State: VChar(60)	<USERAREA>.ORACLE.STATE	GtmContact.Location.Address.Province	
HZ_PARTIES.COUNTRY: VChar(60)	<USERAREA>.ORACLE.COUNTRY	GtmContact.Location.Address.Country	
HZ_PARTIES.Party_id : NUMBER (15)	<USERAREA>.ORACLE.CONTACT_PARTY_ID	GtmContact.Contact.Remark	Remark with Qualifier = PARTY_ID
Organization Name Phonetic - HZ_PARTIES (ORGANIZATION) or Person Name Phonetic - HZ_PERSON_PROFILES (PERSON)  VARCHAR2(320)	<USERAREA>.ORACLE.ALTERNATE_NAME	GtmContact.Contact.AlternateName	This is the alternate name of the party, which can be an organization or a person.

Note the following:

- The role of the party site does not matter to Oracle Global Trade Management during party synchronization. Regardless of whether the party site has one role or multiple roles, the mapping code always creates one Oracle Global Trade Management contact per party site and the contact ID should always correspond to the site number.
- In most cases, the contacts that map to the party or party site will not have name information since they are really organizations. If there is a party that is also a person, it will have a first/last name. Also, contacts that map to Oracle E-Business Suite contacts should have first/last name information.
- Default mapping always treats the party and site as different location objects even if they are the same address.
- Regardless of whether the party type is a person or organization, the party name is mapped to the Oracle Global Trade Management company name.
- The default transaction code used is RC. When the default transaction code is used, the remark information will be re-created (i.e. the existing remark is deleted and the new remarks are inserted). This only happens with remark information.

The default mapping given in the StyleSheetContent 'DEFAULT\_PARTY\_SYNC\_STYLESHEET' used by the system to generate Oracle Global Trade Management XML for inserting party data as Oracle Global Trade Management contact unless it is overridden. The sample EBS and transformed GTM XMLs appears in the **Appendix: XML Samples** chapter, in the **Party Synchronization** section.

## Item Synchronization

This table displays the item synchronization mapping details from Oracle E-Business Suite to Oracle Global Trade Management.

Oracle E-Business Suite Source	Oracle E-Business Suite Element	Oracle Global Trade Management Element	Details
MTL_SYSTEM_ITEMS_B.inventory_item_id  NUMBER	ITEM_SYNC/DATAAREA /  ITEM/ITEM_ID	GLogXMLElement/ItemMaster/Item/ItemId/Gid/Xid	
MTL_SYSTEM_ITEMS_B.Segment1  segment2  segment3  Concatenation of Segments:  VARCHAR2(850)	ITEM_SYNC/DATAAREA /  ITEM/ITEM_CODE	GLogXMLElement/ItemMaster/Item/ItemName	
MTL_SYSTEM_ITEMS_TL.DESCRPTION  VARCHAR2(240)	ITEM_SYNC/DATAAREA /  ITEM/DESCRIPTION	GLogXMLElement/ItemMaster/Item/Description	
PO_HAZARD_CLASSES_TL.HAZARD_CLASS  VARCHAR2(40)	ITEM_SYNC/DATAAREA /  ITEM/HAZARD_CLASS	GLogXMLElement/ItemMaster/Item/Remark/RemarkText	RemarkQualGid="HAZARD_CLASS"
MTL_SYSTEM_ITEMS_B.organization_id  NUMBER	ITEM_SYNC/DATAAREA /  ITEM/ORGANIZATION_ID	GLogXMLElement/ItemMaster/Item/Remark/RemarkText	RemarkQualGid="ORG_ID"
MTL_SYSTEM_ITEMS_B.source_organization_id  NUMBER	ITEM_SYNC/DATAAREA /  ITEM/SRC_ORGANIZATION_ID	GLogXMLElement/ItemMaster/Item/Remark/RemarkText	RemarkQualGid="SRC_ORG_ID"
FND_LOOKUP_VALUES.Meaning  VARCHAR2(80)	ITEM_SYNC/DATAAREA /  ITEM/ITEM_TYPE	GLogXMLElement/ItemMaster/Item/Remark/RemarkText	RemarkQualGid="ITEM_TYPE"

Oracle E-Business Suite Source	Oracle E-Business Suite Element	Oracle Global Trade Management Element	Details
ORG_ORGANIZATION_DEFINITIONS. OPERATING_UNIT_NUMBER NUMBER	ITEM_SYNC/DATAAREA / ITEM/USERAREA/ ORACLE.ITEM_SYNC. ITEM.USERAREA/ ORACLE.OPERATING_UNIT	GLogXMLElement/ItemMaster/Item/Remark/RemarkText	RemarkQualGid="EBS_OP_UNIT"
MTL_SYSTEM_ITEMS_B.PRIMARY_UOM_CODE VARCHAR2(3)	ITEM_SYNC/DATAAREA / ITEM/UNIT_OF_MEASURE	GLogXMLElement/ItemMaster/Item/UnitOfMeasure	
MTL_SYSTEM_ITEMS_B.LIST_PRICE_PER_UNIT NUMBER GL_LEDGERS_PUBLIC_V.CURRENCY_CODE VARCHAR2(50)	ITEM_SYNC/DATAAREA / ITEM/ITEM_VALUE ITEM_SYNC/DATAAREA / ITEM/CURRENCY	GLogXMLElement/ItemMaster/Item/PricePerUnit/ FinancialAmount/MonetaryAmount GLogXMLElement/ItemMaster/Item/PricePerUnit/ FinancialAmount/GlobalCurrencyCode	Add a Price Per Unit Value field to the Item Master Add a currency field to accompany the Price Per Unit Value field
MTL_SYSTEM_ITEMS_TL.LONG_DESCRIPTION VARCHAR2(4000)	ITEM_SYNC/DATAAREA / ITEM/USERAREA/ ORACLE.ITEM_SYNC. ITEM.USERAREA/ ITEM.LONG_DESCRIPTION		

The default mapping given in the StyleSheetContent 'DEFAULT\_ITEM\_SYNC\_STYLESHEET' is used by the system to generate Oracle Global Trade Management XML for inserting item data as Oracle Global Trade Management item unless it is overridden. The sample EBS and transformed GTM XMLs appears in the **Appendix: XML Samples** chapter, in the **Item Synchronization** section.

## Order Compliance

When an Oracle E-Business Suite sales order is synchronized, a corresponding transaction is created in Oracle Global Trade Management having the same ID as the sales order. If the Oracle E-Business Suite sales order has a line hierarchy, the line hierarchy is carried over to the Oracle Global Trade Management transaction. For Order Synchronization, Oracle Global Trade Management assumes that the related items and parties have been synched and are available in Oracle Global Trade Management. Some of the major fields get mapped to the Oracle Global Trade Management transaction as per the following mapping table:

This table displays the order mapping details from Oracle E-Business Suite to Oracle Global Trade Management.

<b>Oracle E-Business Suite Source</b>	<b>Oracle E-Business Suite Element</b>	<b>Oracle Global Trade Management Element</b>	<b>Details</b>
OE_ORDER_HEADERS_ALL.order_number  NUMBER	order_line.order_number	GtmTransaction/ GtmTransactionGid/Gid/Xid	order_number appended with "_O"  Ex: 34525_O
Wsh_itm_request_control.order_line_number  VARCHAR2(100)	order_line.order_line_number	GtmTransaction / GtmTransactionLine /LineObjectGid	Line Number of the Line; e.g. 1.2
OE_ORDER_HEADERS_ALL.ordered_date;  DATE	order_line.ordered_date	GtmTransaction /ExportDate	Export Date on transaction
OE_ORDER_LINES_ALL.ordered_qty  NUMBER	order_line.ordered_quantity	GtmTransaction / GtmTransactionLine /Quantity/QuantityValue	Quantity ordered on the line.  Will be stored against "EBS QUANTITY" as Quantity Qualifier.
OE_ORDER_LINES_ALL.UOM; VARCHAR2(3)	order_line.ordered_quantity_uom	GtmTransaction / GtmTransactionLine /Quantity/UOM	Unit of measure of the ordered quantity , EA (each), DZ (dozen)
OE_ORDER_LINES_ALL.line_number; NUMBER	order_line.line_number	GtmTransaction / GtmTransactionLine /Remark/RemarkText	This creates a remark in the trade transaction with qualifier as 'LINE_NUMBER' and remark text as line_number.

Oracle E-Business Suite Source	Oracle E-Business Suite Element	Oracle Global Trade Management Element	Details
OE_ORDER_LINES_ALL.link_to_line_id NUMBER	order_line.link_to_line_id		<p>If a line has a parent, link_to_line_id represents the parent's line id.</p> <p>This element is used form the transaction line hierarchy</p> <p>Link_to_line_id appended with "_O"</p> <p>Ex : 6215_O</p>
OE_ORDER_LINES_ALL.unit_selling_price  NUMBER	order_line.unit_selling_price	GtmTransaction / GtmTransactionLine / Currency/CurrencyValue/ FinancialAmount/ MonetaryAmount	Saved as a currency with currency type as 'PRICE PER UNIT'
OE_ORDER_LINES_ALL.inventory_item_id NUMBER	order_line.Item_Id	GtmTransaction/ GtmTransactionLine/  ItemGid/Gid/Xid	<p>Items should be created in advance of this. They will not be created on the fly via this flow.</p> <p>Item sync should be utilized to create Oracle Global Trade Management items with the same ID from Oracle E-Business Suite</p>
MTL_PARAMETERS.organization_code  VARCHAR2(3)	Order_line.ship_from_org_code (This is inventory Organization Code e.g. CA , M1)	GtmTransaction/ GtmTransactionLine/  InvolvedParty/  ContactRef/  ContactGid/Gid/Xid	This is stored as an involved party on transaction line with qualifier as 'SHIP_FROM'

Entire default mapping given in the StyleSheetContent 'DEFAULT\_ORDER\_COMPLIANCE\_STYLESHEET' is used by the system to generate Oracle Global Trade Management XML for inserting order data as Oracle Global Trade Management trade transaction unless it is overridden. The sample EBS and transformed GTM XMLs appears in the **Appendix: XML Samples** chapter, in the **Order Compliance** section.

## Delivery Compliance

When an Oracle E-Business Suite delivery is synchronized, a corresponding transaction is created in Oracle Global Trade Management having the same ID as the delivery. For Delivery Synchronization, Oracle Global Trade Management assumes that the related items and parties have been synched and are available in Oracle Global Trade Management. Some of the major fields get mapped to the Oracle Global Trade Management transaction as per the below mapping table:

This table displays the delivery mapping details from Oracle E-Business Suite to Oracle Global Trade Management.

Oracle E-Business Suite Source	Oracle E-Business Suite Element	Oracle Global Trade Management Element	Details
	SHOW_SHIPMENT_005/CNTROLAREA/SENDER/REFERENCEID	GtmTransaction/	
WSH_NEW_DELIVERIES.delivery_name; VARCHAR2(30)	SHOW_SHIPMENT_005/DATAAREA/ SHOW_SHIPMENT/ SHIPMENT/USERAREA/ORACLE.SHOW_SHIPMENT_005.SHIPMENT.USERAREA/ ORACLE.DELIVERY_NAME	GtmTransaction/ GtmTransactionGid/ Gid/Xid	Name of the delivery, by default it is the Delivery_id but can be changed to a user defined value.  Delivery_name appended with "_D"  Ex : 34566_D
WSH_ITM_SHIPMENT_V.carrier; VARCHAR2(30)	SHOW_SHIPMENT_005/DATAAREA/ SHOW_SHIPMENT/ SHIPMENT/CARRIER	GtmTransaction/ CarrierCode	e.g. 'Fedex'
WSH_ITM_SHIPMENT_V.transportation_method ; VARCHAR2(30)	SHOW_SHIPMENT_005/DATAAREA/ SHOW_SHIPMENT/ SHIPMENT/ TRANSMETHD	GtmTransaction/ ConveyanceFlag	
Either Literal or from HZ_CUST_SITE_USES_ALL.site_use_code; VARCHAR2(30)	SHOW_SHIPMENT_005/DATAAREA/ SHOW_SHIPMENT/ SHIPMENT/ PARTNER/ PARTNRTYPE	GtmTransaction/ InvolvedParty/ InvolvedPartyQualifierGid /Gid/Xid	Partner Types could be: SHIP_FROM, SHIP_TO, BILL_TO, INTERMED_SHIP_TO

Oracle E-Business Suite Source	Oracle E-Business Suite Element	Oracle Global Trade Management Element	Details
HZ_CUST_SITE_USES_ALL.location VARCHAR2(40)	SHOW_SHIPMENT_005/ DATAAREA/ SHOW_SHIPMENT/ SHIPMENT/ PARTNER/ PARTNER_CODE	GtmTransaction/ InvolvedParty/ ContactRef / ContactGid/Gid/Xid	Location of the partner, i.e. SHIP_FROM, SHIP_TO, BILL_TO. If SHIP_FROM then it is Warehouse Code ex. M1, CA etc.  Oracle Global Trade Management will use Party Number for the contact to match against a pre-existing record
	SHOW_SHIPMENT_005/ DATAAREA/ SHOW_SHIPMENT/ SHIPMENT/USERAREA/ORACLE.SHOW_SHIPMENT_005.SHIPMENT.USERAREA/ ORACLE.SITE_NUMBER	GtmTransaction/ InvolvedParty/ ContactRef / ContactGid/Gid/Xid	GTM will use this Site Number appended with "_PS" for the contact to match against a pre-existing record for Partner Types except SHIP_FROM
WSH_NEW_DELIVERY.initial_pickup_date;  Date	SHOW_SHIPMENT_005/ DATAAREA/ SHOW_SHIPMENT/ SHIPMENT/ DATETIME/@qualifier = 'INITIAL_PICKUP'	GtmTransaction/ ExportDate	
WSH_DELIVERY_DETAIL.S.requested_qty	SHOW_SHIPMENT_005/ DATAAREA/ SHOW_SHIPMENT/ SHIPMENT/QUANTITY	GtmTransaction/ Remark/	All the quantities are mapped as GtmTransaction remarks. Qualifier GID is taken as value of the attribute 'qualifier', for the QUANTITY element.
	For each 'SHIPITEM' inside 'SHOW_SHIPMENT_005/DATAAREA/SHOW_SHIPMENT/SHIPMENT/'		This is mapped to the 'GtmTransactionLine' element inside 'GtmTransaction'
WSH_DELIVERY_DETAIL.S.delivery_detail_id; Number	USERAREA/ORACLE.SHOW_SHIPMENT_005.SHIPMENT.SHIPITEM.USERAREA/ORACLE.DELIVERY_DETAIL_NUMBER	GtmTransactionLine / GtmTransactionLine Gid/Gid/Xid	delivery_detail_number appended with "_D"  Ex : 237376_D



Oracle E-Business Suite Source	Oracle E-Business Suite Element	Oracle Global Trade Management Element	Details
MTL_SYSTEM_ITEMS_B. inventory_item_id; NUMBER	DATAAREA/SHOW_SHIPMENT/SHIPITEM /ITEM_ID	GtmTransactionLine /ItemGid/ Gid/Xid	Inventory Item Identifier mapped as Oracle Global Trade Management Trans Line Item.  These items will pre-exist, none are created on the fly. This is the same Item ID used in the Order trans.
Quantity can be from different sources determined by qualifier.  WSH_DELIVERY_DETAIL S.requested_qty  WSH_DELIVERY_DETAIL S.Backordered_Qty  WSH_DELIVERY_DETAIL S.Ordered_Qty  WSH_DELIVERY_DETAIL S.Shipped_quantity ; NUMBER  WSH_DELIVERY_DETAIL S.volume; NUMBER,  WSH_DELIVERY_DETAIL S.NET_WEIGHT	DATAAREA/SHOW_SHIPMENT/SHIPITEM /QUANTITY  qualifier="ITEM"  qualifier="BACKORDERED "  qualifier=" ORDERED "  qualifier=" SHIPPED "  qualifier=" VOLUME "  qualifier=" WEIGHT"	GtmTransactionLine /Quantity	Attribute 'qualifier' is mapped to the 'QuantityTypeGid/Gid/Xid' ,  'VALUE' is mapped to 'QuantityValue' ,  'UOM' is mapped to 'UOM' element of Oracle Global Trade Management.
	SHOW_SHIPMENT_005/ DATAAREA/ SHOW_SHIPMENT/ SHIPMENT/AMOUNT	GtmTransactionLine / Currency	The Shipment level AMOUNT field is mapped to GtmTransactionLine/ Currency element

### ***Logic for Transaction Line Hierarchy Implementation***

Iterate through each "SHIPITEM" inside "SHIPMENT":

- Check for which "USERAREA/ORACLE.SHOW\_SHIPMENT\_005.SHIPMENT.SHIPITEM.USERAREA/ORACLE.SHIPITEM.ORDERED\_BOM/ORACLE.PARENT\_LINE\_ID" is not null

- Now for each such element, get "ORACLE.PARENT\_LINE\_ID" as parent transaction line number & "ORACLE.LINE\_ID" as child transaction line number.
- Now iterate again through each "SHIPITEM" inside "SHIPMENT"
  - compare "USERAREA/ORACLE.SHOW\_SHIPMENT\_005.SHIPMENT.SHIPITEM.USERAREA/ORACLE.ORDER\_LINE\_ID" with parent transaction line number,
  - "USERAREA/ORACLE.SHOW\_SHIPMENT\_005.SHIPMENT.SHIPITEM.USERAREA/ORACLE.DELIVERY\_DETAIL\_NUMBER" is the parent transaction line ID compare "USERAREA/ORACLE.SHOW\_SHIPMENT\_005.SHIPMENT.SHIPITEM.USERAREA/ORACLE.ORDER\_LINE\_ID" with child transaction line number,
  - "USERAREA/ORACLE.SHOW\_SHIPMENT\_005.SHIPMENT.SHIPITEM.USERAREA/ORACLE.DELIVERY\_DETAIL\_NUMBER" is the child transaction line ID

The default mapping given in the StyleSheetContent 'DEFAULT\_SHIPMENT\_COMPLIANCE\_STYLESHEET' is used by the system to generate Oracle Global Trade Management XML for inserting delivery data as Oracle Global Trade Management trade transaction unless it is overridden. The sample EBS and transformed GTM XMLs appears in the **Appendix: XML Samples** chapter, in the **Delivery Compliance** section.

## Involved Party Mapping

This section is applicable for the Order Compliance and Delivery Compliance flows only.

Default mapping creates involved parties on Oracle Global Trade Management transaction lines based on party types/partner types from sales order, delivery XMLs.

XML path 'order\_line/party/type' is used for sales order Oracle E-Business Suite XML.

XML path 'SHOW\_SHIPMENT/SHIPMENT/PARTNER/PARTNRTYPE' is used for delivery Oracle E-Business Suite XML.

Following are covered by default

- SHIP\_FROM
- SHIP\_TO
- DELIVER\_TO
- BILL\_TO
- END\_CUSTOMER
- INTERMED\_SHIP\_TO
- SOLD\_TO

This flow doesn't create the qualifier records (INVOLVED\_PARTY\_QUAL) on the fly. All of the above party types should be pre-existing as involved party qualifiers in Oracle Transportation Management/Oracle Global Trade Management. For convenience, the above qualifiers were already added to Oracle Transportation Management/Oracle Global Trade Management seed data.

For all of the above types, contacts as well are assumed to be pre-existing in the Oracle Global Trade Management prior to execution of this flow. This flow doesn't create Oracle Global Trade Management contacts on the fly.

The below note and mapping table are applicable for Order Compliance flow only.

Logic to determine contact for involved parties: Check to see if the Contact Party Number is populated and make that the involved party, if not go to Party Site Number, if not go to Party Number, if not ignore that party completely. If Party Site Number is used, it is appended with "\_PS".

In general, both flows assume that qualifiers, contacts, and locations are all created before invoking the flow. These compliance flows don't create these records on the fly.

The only exception is the SHIP\_FROM party type for the Order Compliance flow. For this type of Oracle E-Business Suite party, default mapping would produce elements GTMLocation, GTMContact with IU as the transaction code. So, these extra elements would create/update contact and location if they don't exist in Oracle Global Trade Management already.

Following is mapping table for **SHIP\_FROM** parties

<b>Oracle Global Trade Management Element</b>	<b>Oracle E-Business Suite Element (party/type=SHIP_FROM)</b>
GLogXMLElement/Contact/ContactGid/Gid/Xid	order_line/ship_from_org_code
GLogXMLElement/Contact/CompanyName	order_line/party /name
GLogXMLElement/Contact/LocationGid/Gid/Xid	order_line/ship_from_org_code
GLogXMLElement/Location/LocationGid/Gid/Xid	order_line/ship_from_org_code
GLogXMLElement/Location/IsTemplate	Y
GLogXMLElement/Location/Address/AddressLines	order_line/party/address1, order_line/party/address2, order_line/party/address3, order_line/party/address4
GLogXMLElement/Location/Address/City	order_line/party/city
GLogXMLElement/Location/Address/PostalCode	order_line/party/postal_code
GLogXMLElement/Location/Address/ Province	order_line/party/state_or_province
GLogXMLElement/Location/Address/ CountryCode3Gid/Gid/Xid	order_line/party/country/@code



## 5. Setup and Configuration

### ITM to Oracle Global Trade Management Setup

#### *ITM Setup*

Oracle Global Trade Management has to be registered as a trading partner with the Oracle E-Business Suite instance. Please refer to ITM Adapter documentation for details. Details of ITM Adapter configuration can be found at:

[http://download.oracle.com/docs/cd/B53825\\_07/current/acrobat/121ontig.zip](http://download.oracle.com/docs/cd/B53825_07/current/acrobat/121ontig.zip)

The trading partner URL for Oracle Global Trade Management is:

<http://<server-name>/GC3/gtm.integration.itm.servlet.ITMIntegrationServlet>

### Oracle Global Trade Management to XML Gateway (Oracle E-Business Suite)

Response communication to the XML Gateway (which is part of the Oracle E-Business Suite) can be performed through the Send Integration UI action, agent action, or a process management job from the Oracle Global Trade Management transaction line.

Key configuration elements are embedded inside an external system. You can define an external system per the Oracle E-Business Suite instance to which compliance status needs to be communicated.

Once an external system is configured for an Oracle E-Business Suite instance, the Oracle Global Trade Management Send Integration action can be triggered against the transaction line to send the compliance status.

Besides this, an initial setup is required for the integration to work. As part of this setup a user should be created and proper roles should be assigned to that user, as explained below:

In order to send data to Logistics Cloud, it is necessary that the remote system authenticate the user with valid credentials. In addition, this user must have the correct Access Control List entry points. To facilitate this, Logistics Cloud provides the following options, by default, for inbound integration users:

- 'INTEGRATION' user role for your inbound integration users. Assign this user role to your user.
- 'INTEGRATION' ACL for your inbound integration users. Assign this parent ACL to your custom user role or your user.
- 'External Integration' ACL for your inbound integration users. Assign this child ACL to your custom user role or your user.

For further details, you can refer to the *Oracle Logistics Cloud Getting Started Guide*.

#### **Oracle E-Business Suite XML Gateway**

Oracle E-Business Suite XML Gateway needs to be configured in order to receive XML files from Oracle Global Trade Management. Details of the trading partner setup in the XML Gateway can be found at:

[http://download.oracle.com/docs/cd/B53825\\_04/current/acrobat/121ecxug.pdf](http://download.oracle.com/docs/cd/B53825_04/current/acrobat/121ecxug.pdf)

The XML Gateway requires several properties to be included in the incoming http request apart from the payload (response) XML. Details on these properties can be found in the document listed above. In

Oracle Global Trade Management these name/value pairs are modeled as a generic HTTP Profile object attached to the external system. Details can be found in HTTP Profile section of this document.

### **User (for Cloud Systems)**

Cloud users have to perform the following steps for the initial user set-up for integration:

1. Navigate to Configuration & Administration -> User Management -> User Manager.
2. Create a user in GTM whose ID & password matches with that mentioned during ITM adapter's setup in EBS.
3. Give the user role as 'INTEGRATION'.
4. Add the access control list 'INTEGRATION' to its Access Control List, and select the Granted checkbox.

### **External System**

To communicate with Oracle E-Business Suite, when using the Send Integration action you will need to provide an external system.

Oracle Global Trade Management does not ship with PUBLIC external systems defined. You need to create an external system to use. The important fields on the External System page are explained below.

#### **Username and Password**

Username and password information should be provided in the external system for authentication with the XML Gateway.

#### **Log Response**

Select the Log Response check box to turn on logging for the response. This is needed if you want to enable integration logging. Enabling the log response helps in checking through logs and transmission reports for the response communication that was sent from Oracle Global Trade Management and received by Oracle E-Business Suite.

#### **URL**

HTTPPost is the transport mechanism used to communicate with the Oracle E-Business Suite XML Gateway. The URL should be the URL of the XML Gateway on the Oracle E-Business Suite instance. A sample URL for Oracle E-Business Suite 12.1.3 is as follows:

`http://<server:port>/webservices/TransportAgentServer`

#### **Trans Acknowledgement Expected**

The Trans Acknowledgement Expected check box should be marked if the external system that Oracle Global Trade Management is communicating with will send a response. In the case of the Oracle E-Business Suite XML Gateway, Oracle Global Trade Management will receive an acknowledgement for every compliance response. So, this check box should always be marked for external systems used to communicate with the Oracle E-Business Suite XML Gateway.

#### **Use Acknowledgement Status**

The Use Acknowledgement Status check box should be marked if Oracle Global Trade Management needs to set the status on the transmission based on acknowledgement received from the external system.

For the XML Gateway, marking this check box is optional. If it is marked, Oracle E-Business Suite needs to provide a stylesheet profile for transforming the acknowledgement from the external system. If the check box is not marked, the status on the outbound transmission is set using the STATUS\_CODE header on the acknowledgement.

### Acknowledgement Stylesheet Profile ID

The external system can either directly send a "TransmissionAck" element as an acknowledgement or can send an HTML/XML which could be transformed to "TransmissionAck" by an XSL. You should register an XSL with the external system using the field Acknowledgement Stylesheet Profile ID for transforming the acknowledgement to a "TransmissionAck" element. In the case of the XML Gateway, this stylesheet profile is mandatory if the Use Acknowledgement Status check box is marked.

Oracle Global Trade Management forms an acknowledgement XML as follows:

```
<ResponseInput>
<OutboundTransmissionId>transmissionId</OutboundTransmissionId>
<OutboundTransmission>xml</OutboundTransmission>
<OriginalResponse>response</OriginalResponse>
</ResponseInput>
```

In the acknowledgement XML:

- **transmissionId**: ID of the original outbound transmission that was sent out to the XML Gateway
- **xml**: Complete XML of the outbound transmission that was sent out
- **response**: acknowledgement received from the XML gateway. For Oracle E-Business Suite 12.1.3, it may look something like this:

```
HTTP Header
HTTP/1.1 200 OK
Server: Apache/1.2.0
Date: Fri, 15 Jun 2002 16:20:46 GMT
Content-Length: 567
STATUS_CODE: 1000
STATUS_DESCRIPTION: OK
MESSAGE_RECEIPT_ID: A9876543210987654321
Content-type: text/html
HTTP Body
<HTML><BODY> <TABLE> <TR><TD>Status Code</TD><TD>1000</TD></TR>
<TR><TD>Status Description</TD><TD>Message Successfully
received</TD></TR> <TR><TD>Message Receipt
ID</TD><TD>A9876543210987654321</TD> </TR> </TABLE> </BODY></HTML>
```

Oracle Global Trade Management ships with a PUBLIC Stylesheet Profile (EBS\_ACK\_FOR\_GTM\_RESPONSE) which can be used as the Acknowledgement Stylesheet Profile. This stylesheet provides an out-of-the-box transformation to the "TransmissionAck" element using the above acknowledgement XML.

### Response Generation via Translation

The external system also contains configuration information regarding generating the response XML for communicating the compliance status of trade transactions.

Within the External System Translations section, the Stylesheet Profile ID (which specifies the XSL file) is used for translating the data from Oracle Global Trade Management to a format acceptable by Oracle E-Business Suite.

Oracle Global Trade Management ships with a default response XSL for generating the Oracle E-Business Suite response. The name of the stylesheet profile is GTM\_RESPONSE\_TO\_EBS. It can be customized and used as required.

## **HTTP Profile**

HTTP Profile must be provided on the external system as it is mandatory when communicating with the XML Gateway. The HTTP Profile holds all of the communication parameters that are needed to communicate with the XML gateway.

The HTTP Profile holds all the name/value pairs required for communicating with the XML Gateway of the Oracle E-Business Suite instance. These name/value pairs are actually posted to the XML Gateway along with the compliance status XML. These are mandated by XML Gateway as defined in the XML Gateway documentation. In addition, a missing property or parameter could result in a communication failure. Some important parameters include USERNAME, PASSWORD, URL, PARTY\_SITE\_ID, and DOCUMENT\_TYPE which are all case-sensitive.

Oracle Global Trade Management ships with a PUBLIC HTTP Profile (EBS\_HTTP\_PROFILE) that's tested with Oracle E-Business Suite 12.1.3.

There are a couple of fields on the HTTP Profile which address acknowledgement processing:

### **HTTP Header for Response**

The HTTP Header for Response field should be set to the name of the http header that is read to find the response status from the external system. For example, in the case of the Oracle E-Business Suite ITM – Oracle Global Trade Management integration case, xmlgateway is the defined external system.

The XML Gateway sends an acknowledgement on receipt of a compliance status request from a trading partner (Oracle Global Trade Management). An example of the acknowledgement HTML is shown above. Along with HTML, an http header is sent, which provides the success status of inbound compliance status processing. The name of the header is 'STATUS\_CODE'.

Therefore, any HTTP profiles attached to an external system and configured for communication with the XML Gateway should have 'STATUS\_CODE' as the value for the HTTP Header for Response field. The PUBLIC HTTP Profile (EBS PROFILE) that's tested with Oracle E-Business Suite and shipped with Oracle Global Trade Management has 'STATUS\_CODE' as its value for this field.

### **HTTP Response Success Values**

This field is related to the HTTP Header for Response field discussed above. The HTTP Header for Response field tells Oracle Global Trade Management about the HTTP header that should be read for the status. The HTTP Response Success Values field defines the status codes that should be treated as success. Text entered in this field specifies the string which indicates a success value.

In the case of the Oracle Global Trade Management-ITM integration, in the acknowledgements received from the XML Gateway, the value 1000 is treated as the success value. 1000 means the XML Gateway successfully processed the compliance status XML from Oracle Global Trade Management. Subsequently, the related transmission status is set to PROCESSED based on the success value of 1000. Any other values in the http header would indicate a failure and set the transmission status to ERROR.

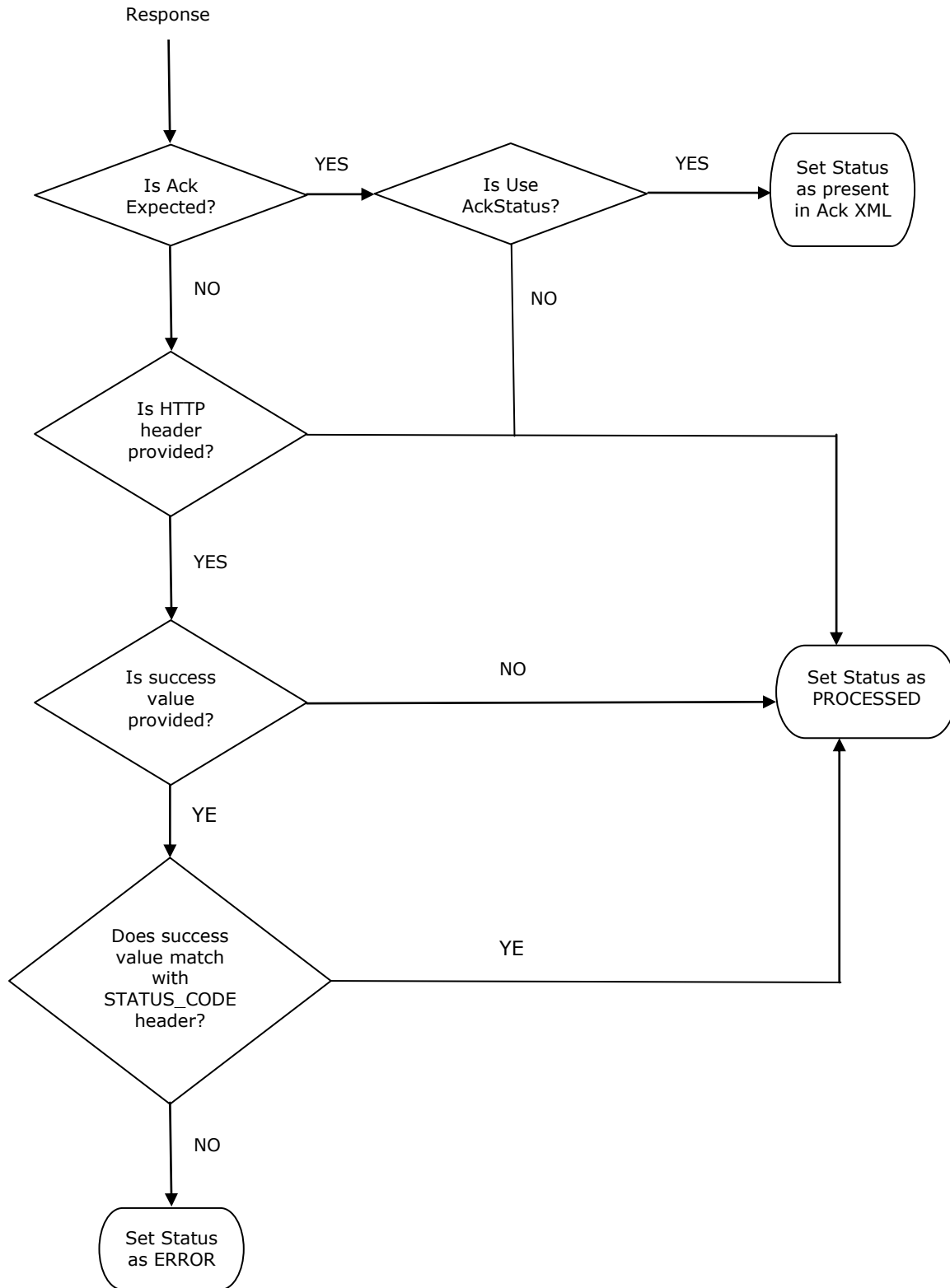
The XML Gateway does provide many other codes which denote different issues while processing the compliance request. Therefore, the HTTP Header for Response and HTTP Response Success Values fields set the status of transmissions to ERROR for any other error codes from Gateway.



## ***Acknowledgment Processing***

The acknowledgement received from the XML Gateway can be used to set the status on the outbound transmission which has sent the response to the XML Gateway.

This status setting is optional and, if enabled by providing the correct values for specific fields in the HTTP profile and external system, the status on the outbound transmission is set accordingly. The details on how Oracle Global Trade Management determines the status to set is shown in the following flow.



## Oracle E-Business Suite Configuration Remarks

Trade transactions created via this integration setup would have two special configuration remarks created by default. They are 'EBS\_REFERENCE\_KEY' and 'EBS\_TRANSACTION\_KEY'. These remarks are required to be on a transaction when generating a response that is sent to Oracle E-Business Suite.

You should not update these existing remarks or add remarks using these qualifiers. If these remarks are deleted or changed at all, Oracle Global Trade Management will not be able to communicate with Oracle E-Business Suite XML Gateway.

These remarks are the means to uniquely identify the ITM transaction in Oracle E-Business Suite that has sent data to Oracle Global Trade Management. When sending a response, these remarks ensure the compliance status is being updated to the same ITM transaction (hence, on to the same order/shipment).

## Date Formats

Default XSLs use following date format: 2010-10-20 02:18:10 while parsing dates from Oracle E-Business Suite XML. You could modify XSLs as per their date profiles in Oracle E-Business Suite

## Logging

Oracle Global Trade Management uses the logids ITMIntegration, and ITMIntegrationDetails for logging incoming requests from Oracle E-Business Suite. These are the weblogids and provide debugging information that can be found in Oracle Transportation Management web logs. Please be aware that ITMIntegrationDetails produces a very verbose log including the incoming Oracle E-Business Suite XML and the transformed XML and can affect the performance of Oracle Global Trade Management.



## 6. Customization

### Inbound: Support for multiple Oracle E-Business Suite Instances

The ITM to Oracle Global Trade Management integration supports integration with multiple Oracle E-Business Suite instances. For example, multiple Oracle E-Business Suite instances can talk with a single Oracle Global Trade Management instance at the same time.

As discussed earlier, the mapping for all four flows is achieved by transforming the respective Oracle E-Business Suite XML to Oracle Global Trade Management XML. As such, each of the flows has a default XSL which implements this mapping.

With the concept of supporting multiple Oracle E-Business Suite instances to a single Oracle Global Trade Management instance, Oracle Global Trade Management indirectly supports having a separate set of XSLs per Oracle E-Business Suite instance. This provides immense flexibility in terms of:

- A single Oracle Global Trade Management instance can be set up to receive inbound requests for Party Synchronization, Item Synchronization, Order Compliance, and Shipment Compliance from multiple Oracle E-Business Suite instances.
- Oracle Global Trade Management provides 4 different XSLs for 4 different flows. By default, these XSLs store records in the GUEST domain. You could modify the XSLs to any domain which provides the ability to have records inserted.
- Default mappings as provided in the field mapping section above have been coded in the respective XSLs. These can be customized as required to support your own custom transformations of Oracle E-Business Suite data to Oracle Global Trade Management fields.

#### ***Related Properties***

##### **gtm.use.instance.name.for.domain.mapping**

Set this property to "true" to map Oracle E-Business Suite instances to separate sets of stylesheets. If you set this property to "true", the instance name from the incoming request using `request.getRemoteHost()` is used to determine the instance name. By default, this property is set to "false".

Each instance must have the four style sheet properties copied and presented with either the new paths or the style sheet content IDs.

By default, the following properties map an Oracle E-Business Suite instance to its XSL files used for mapping. Mapping activity is nothing but transforming Oracle E-Business Suite ITM XML to Oracle Global Trade Management XML as per Integration schema.

- `gtm.itm.defaultEBSinstance.ITEM_SYNC=gtm/itm/ItemSync.xsl`
- `gtm.itm.defaultEBSinstance.PARTY_SYNC=gtm/itm/PartySync.xsl`
- `gtm.itm.defaultEBSinstance.SHIPMENT_COMPLIANCE= gtm/itm/ShipmentSync.xsl`
- `gtm.itm.defaultEBSinstance.ORDER_COMPLIANCE= gtm/itm/OrderSync.xsl`

`<defaultEBSinstance>` is a dummy that is used when the 'gtm.use.instance.name.for.domain.mapping' property is set to false.

The procedure to have different Oracle E-Business Suite instances inserting records in different domains is as follows:

- You can copy the default XSLs to a different folder. Inside the copied XSLs, you could modify the domain, username, and password in common.XSL.

- You could potentially change mapping code as required for that instance.
- Provide the following four properties like above with <defaultEBSinstance> replaced with instance name.

This way, you can have multiple Oracle E-Business Suite instances mapped to different domains on a single Oracle Global Trade Management instance.

### **gtm.itm.use.stylesheetcontent.table=false**

Set this property to "true" to map Oracle E-Business Suite instances to XSL files from the stylesheet content table. By default, this property is set to "false".

The same properties can be modified to map an Oracle E-Business Suite instance to its stylesheet contents (XSL files) used for mapping.

- gtm.itm.defaultEBSinstance.ITEM\_SYNC=DEFAULT\_ITEM\_SYNC\_STYLESHEET
- gtm.itm.defaultEBSinstance.PARTY\_SYNC=DEFAULT\_PARTY\_SYNC\_STYLESHEET
- gtm.itm.defaultEBSinstance.SHIPMENT\_COMPLIANCE=DEFAULT\_SHIPMENT\_COMPLIANCE\_STYLESHEET
- gtm.itm.defaultEBSinstance.ORDER\_COMPLIANCE=DEFAULT\_ORDER\_COMPLIANCE\_STYLESHEET

The procedure to have different Oracle E-Business Suite instances inserting records in different domains is as follows:

- You can access the stylesheet contents from the OTM/GTM UI via Business Process Automation > Power Data >Event Management > StyleSheet Content.
- You can search for the default stylesheet contents based on the request type (ITEM\_SYNC, PARTY\_SYNC, SHIPMENT\_COMPLIANCE, ORDER\_COMPLIANCE).
- You can export the default XSL provided. By default, the domain name is GUEST. In the XSL, you can replace the domain name in the below tag with the required domain name.  

```
<xsl:variable name="domain">GUEST</xsl:variable>
```
- You could potentially change mapping code as required for that instance.
- You can create a new style sheet content in any domain you require. You can upload the modified XSL.
- Provide the following four properties like above with <defaultEBSinstance> replaced with instance name with the corresponding style sheet content ID.

This way, you can have multiple Oracle E-Business Suite instances mapped to different domains on a single Oracle Global Trade Management instance.

**Note:** For Cloud systems, EBS-GTM integration works only when the property "gtm.itm.use.stylesheetcontent.table" is set to true and the corresponding mapping files point to the appropriate stylesheet contents.

## **Outbound**

### ***Multiple Oracle E-Business Suite Instances***

A single Oracle Global Trade Management instance can communicate with multiple Oracle E-Business Suite instances while sending trade compliance status on transactions. This can be achieved by having an external system configured for each Oracle E-Business Suite instance with which Oracle Global Trade Management communicates.

## ***Compliance Response Modifications***

The Oracle Global Trade Management external system needs to be configured with a stylesheet profile for transforming the transaction line XML to response XML as per the XML Gateway's DTD. Oracle Global Trade Management ships with a default stylesheet profile, `GTM_RESPONSE_TO_EBS`, to enable this transformation.

If you want to customize and produce a different response XML, you can provide a customized XSL instead of the `GTM_RESPONSE_TO_EBS` XSL.

## ***Acknowledgment Processing***

The external system needs to be configured with an acknowledgement stylesheet profile to transform the gateway acknowledgement to a `TransmissionAck` element. This is generally optional and only required if you want to set the outbound transmission status as per the acknowledgement received from the XML Gateway. To achieve this, Oracle Global Trade Management ships with a default stylesheet profile called `EBS_ACK_FOR_GTM_RESPONSE`.

If you want to customize and produce a different acknowledgement XML, you can do this by providing a customized XSL instead of the `EBS_ACK_FOR_GTM_RESPONSE` XSL.





## 7. Oracle E-Business Suite Integrated Solution with Both Oracle Global Trade Management and Oracle Transportation Management

It is important to note that this document outlines the integration delivered between Oracle E-Business Suite ITM Adapter and Oracle Global Trade Management; this is separate from the pre-existing packaged integration between Oracle E-Business Suite Oracle Shipping Execution and Oracle Transportation Management. If you are using both Oracle Global Trade Management and Oracle Transportation Management with these two distinct integrations, you will have duplicate records for items, some locations, and deliveries.

A few differences to keep in mind if implementing both solutions:

### Technical

#### ***Oracle E-Business Suite > Oracle Transportation Management***

The flows between Oracle E-Business Suite and Oracle Transportation Management in the existing point to point packaged integrations rely on flows defined in the BPEL middleware to map the data between the two systems. Each flow of data is defined and managed within a BPEL flow. Any changes required to the mapping must be done within the relevant BPEL flow. All flows mentioned below (Oracle E-Business Suite > Oracle Transportation Management) are owned by the Oracle E-Business Suite Oracle Shipping Execution team. Documentation regarding these flow specifics can be found on the My Oracle Support site as well as within the Oracle Applications Documentation Library for the specific Oracle product. A few useful notes on the My Oracle Support portal include:

<b>Knowledge Document</b>	<b>Title</b>
422632.1	Oracle Transportation Management: Integrating Oracle Transportation Management with Oracle E-Business
761437.1	About Oracle Transportation Management Integration with Oracle E-Business Suite R12.1.1
1077428.1	About Oracle Transportation Management Integration with Oracle E-Business Suite R12.1.3

#### ***Oracle E-Business Suite ITM > Oracle Global Trade Management***

This integration, as described previously in this document, uses XSL transformation to map details between Oracle E-Business Suite ITM Adapter and Oracle Global Trade Management; these flows of data do not require middleware such as BPEL. Any changes required by the implementation of these integrations can be made within the corresponding XSL. This packaged integration between Oracle E-Business Suite ITM Adapter and Oracle Global Trade Management is only supported between Oracle E-Business Suite 12.1.3 and Oracle Global Trade Management 6.2 as mentioned at the beginning of this document.

### Items

If both integrations are implemented, there will be multiple instances in the Oracle Transportation Management/Oracle Global Trade Management database of the item.

## **Oracle E-Business Suite > Oracle Transportation Management**

- Items are created “on the fly”, meaning they are sent to Oracle Transportation Management at the time the order is sent from Oracle E-Business Suite. An item master concept is not part of this solution.
- If using Oracle Global Trade Management, you could change the PO/Delivery mapping within the Oracle E-Business Suite /Oracle Transportation Management integration BPEL flows to use the ID as it’s created in Oracle Global Trade Management rather than creating new ones “on the fly”.
- Item ID is Inventory Item ID concatenated with the Org ID.
- Oracle Transportation Management PackagedItemGid and Oracle Transportation Management Item.ItemXid = MTL\_SYSTEM\_ITEMS\_B.ORGANIZATION\_ID"-  
"MTL\_SYSTEM\_ITEMS\_B.INVENTORY\_ITEM\_ID

## **Oracle E-Business Suite ITM > Oracle Global Trade Management**

- Sent over to Oracle Global Trade Management to be synched in a batch via the ITM Adapter Item synch process, the item master concept rather than the “on the fly” concept.
- Item ID is the Inventory Item ID
- Oracle Global Trade Management ItemGid/Gid/Xid =  
MTL\_SYSTEM\_ITEMS\_B.INVENTORY\_ITEM\_ID

## **Parties/Locations**

If both integrations are implemented there will be multiple instances in the Oracle Transportation Management/Oracle Global Trade Management database of certain contacts and locations, some specific to Oracle Transportation Management and some specific to Oracle Global Trade Management.

## **Oracle E-Business Suite > Oracle Transportation Management**

- Location/Customer/Party master not synced between Oracle E-Business Suite and Oracle Transportation Management independent of a delivery, customer locations are created “on the fly” as they are sent over with the Delivery, there is no master load of customer party/location data in this point to point integration.
- Carrier synch process sends Oracle E-Business Suite carriers to Oracle Transportation Management as service providers, XID = CAR"-  
"WSH.WSH\_CARRIERS.CARRIER\_ID
- Mapping details for customer
  - Creates new corporation for each customer with CorporationName =  
AR.HZ\_PARTIES.PARTY\_NAME (via CUST\_ACCOUNT\_ID) and the id the same as the location id.
  - Location.LocationXid = CUS"-  
"AR.HZ\_CUST\_ACCOUNTS.CUST\_ACCOUNT\_ID
  - Location.LocationName = AR.HZ\_PARTIES.PARTY\_NAME (via CUST\_ACCOUNT\_ID)

## **Oracle E-Business Suite ITM > Oracle Global Trade Management**

- Locations/parties are created in advance via the Party Synchronization process as described above.

## **Deliveries**

If using both solutions, result will be 2 records in the Oracle Transportation Management/Oracle Global Trade Management database:

- Delivery as an Oracle Transportation Management order release

- Delivery as an Oracle Global Trade Management transaction not linked to an Oracle Transportation Management order release

### ***Oracle E-Business Suite > Oracle Transportation Management***

- Created as Oracle Transportation Management order release
- As mentioned previously, this flow creates customer locations “on the fly” as they are sent over with the delivery; no master load of customer party/location data in advance of the delivery flow is expected.
- Source and destination locations are mapped to Release.ShipFrom and Release.ShipToOnly, no other involved parties are mapped to the Oracle Transportation Management order release.

### ***Oracle E-Business Suite ITM > Oracle Global Trade Management***

- Dependent on locations/parties being created in advance via the ITM Party Synchronization process
- Locations and related parties are mapped to involved parties on the Oracle Global Trade Management transaction line to determine proper screening results. The involved parties currently mapped are:
  - SHIP\_FROM
  - SHIP\_TO
  - PARTNRTYPE is mapped to a corresponding involved party qualifier, for example:
    - BILL\_TO
    - END\_CUSTOMER
    - SOLD\_TO
    - DELIVER\_TO



## 8. Appendix: XML Samples

### Party Synchronization

#### Sample Oracle E-Business Suite XML

```
<?xml version="1.0" encoding = "UTF-8"?><SYNC_CUSTOMER_005>
  <CNTROLAREA>
    <BSR>
      <VERB>SYNC</VERB>
      <NOUN>PARTY</NOUN>
      <REVISION>002</REVISION>
    </BSR>
    <SENDER>
      <LOGICALID>ORACLE</LOGICALID>
      <COMPONENT>ITM Application</COMPONENT>
      <TASK>PARTY SYNCHRONIZATION</TASK>
      <REFERENCEID>51001~PARTY_SYNC~21</REFERENCEID>
      <CONFIRMATION>Y</CONFIRMATION>
      <LANGUAGE>US</LANGUAGE>
      <CODEPAGE>AL32UTF8</CODEPAGE>
      <AUTHID>Srini-welcome</AUTHID>
    </SENDER>
    <DATETIME qualifier="CREATION">
      <YEAR>2010</YEAR>
      <MONTH>04</MONTH>
      <DAY>09</DAY>
      <HOUR>03</HOUR>
      <MINUTE>47</MINUTE>
      <SECOND>07</SECOND>
      <SUBSECOND>0000</SUBSECOND>
      <TIMEZONE/>
    </DATETIME>
  </CNTROLAREA>
  <DATAAREA>
    <SYNC_CUSTOMER>
      <PARTNER>
        <NAME index="1">Bhargava LTD.</NAME>
        <PARTNRID>24047</PARTNRID>
        <PARTNRTYPE>SHIP_TO</PARTNRTYPE>
        <NAME index="2">newly created</NAME>
        <NAME index="3"/>
        <PARTNRIDX>9717</PARTNRIDX>
        <TAXID/>
      <USERAREA>
        <ORACLE.SYNC_CUSTOMER_005.PARTNER.USERAREA>
          <ORACLE.PARTY_ID>586929</ORACLE.PARTY_ID>
          <ORACLE.PARTY_NUMBER>64683</ORACLE.PARTY_NUMBER>
          <ORACLE.PARTY_TYPE>ORGANIZATION</ORACLE.PARTY_TYPE>
          <ORACLE.PARTY_STATUS>A</ORACLE.PARTY_STATUS>
          <ORACLE.HQ_BRANCH_IND/>
          <ORACLE.SIC_CODE/>
          <ORACLE.SIC_CODE_TYPE/>
          <ORACLE.PERSON_FIRST_NAME/>
          <ORACLE.PERSON_MIDDLE_NAME/>
          <ORACLE.PERSON_LAST_NAME/>
          <ORACLE.ALTERNATE_NAME/>
        </ORACLE.SYNC_CUSTOMER_005.PARTNER.USERAREA>
      </USERAREA>
    </PARTNER>
  </SYNC_CUSTOMER>
</DATAAREA>
</SYNC_CUSTOMER_005>
```

```

<ORACLE.LOCATION_ID>34574</ORACLE.LOCATION_ID>
<ORACLE.COUNTRY>IN</ORACLE.COUNTRY>
<ORACLE.ADDRESS1>KOLAR</ORACLE.ADDRESS1>
<ORACLE.ADDRESS2>NEAR M SCHL</ORACLE.ADDRESS2>
<ORACLE.ADDRESS3>SRVDH</ORACLE.ADDRESS3>
<ORACLE.ADDRESS4>bp1</ORACLE.ADDRESS4>
<ORACLE.CITY>Bhopal</ORACLE.CITY>
<ORACLE.POSTAL_CODE/>
<ORACLE.STATE>MP</ORACLE.STATE>
<ORACLE.PROVINCE/>
<ORACLE.COUNTY/>
<ORACLE.SITE_NUMBER>29664</ORACLE.SITE_NUMBER>
<ORACLE.OPERATING_UNIT>204</ORACLE.OPERATING_UNIT>
<ORACLE.PARAMETERS TYPE="VENDOR"/>
<ORACLE.PARAMETERS TYPE="SERVICE"/>
<ORACLE.PARAMETERS TYPE="DATA">
  <ORACLE.PARAMETER index="1" name="" VALUE=""/>
  <ORACLE.PARAMETER index="2" name="" VALUE=""/>
  <ORACLE.PARAMETER index="3" name="" VALUE=""/>
  <ORACLE.PARAMETER index="4" name="" VALUE=""/>
  <ORACLE.PARAMETER index="5" name="" VALUE="Default"/>
  <ORACLE.PARAMETER index="6" name="" VALUE=""/>
  <ORACLE.PARAMETER index="7" name="" VALUE=""/>
  <ORACLE.PARAMETER index="8" name="" VALUE=""/>
  <ORACLE.PARAMETER index="9" name="" VALUE=""/>
  <ORACLE.PARAMETER index="10" name="" VALUE=""/>
  <ORACLE.PARAMETER index="11" name="" VALUE=""/>
  <ORACLE.PARAMETER index="12" name="" VALUE=""/>
  <ORACLE.PARAMETER index="13" name="" VALUE=""/>
  <ORACLE.PARAMETER index="14" name="" VALUE=""/>
  <ORACLE.PARAMETER index="15" name="" VALUE=""/>
</ORACLE.PARAMETERS>
</ORACLE.SYNC_CUSTOMER_005.PARTNER.USERAREA>
</USERAREA>
<CONTACT>
  <NAME index="1">GB ship to contact first GB ship to contact last</NAME>
  <CONTACTTYPE>Engineer</CONTACTTYPE>
  <EMAIL>gb@gbshipto.com</EMAIL>
  <FAX index="1"/>
  <TELEPHONE index="1">gbship_to contact phone</TELEPHONE>
  <USERAREA>
    <ORACLE.SYNC_CUSTOMER_005.PARTNER.CONTACT.USERAREA>
      <ORACLE.PARAMETERS TYPE="DATA">
        <ORACLE.PARAMETER index="1" name="" VALUE=""/>
        <ORACLE.PARAMETER index="2" name="" VALUE=""/>
        <ORACLE.PARAMETER index="3" name="" VALUE=""/>
        <ORACLE.PARAMETER index="4" name="" VALUE=""/>
        <ORACLE.PARAMETER index="5" name="" VALUE=""/>
        <ORACLE.PARAMETER index="6" name="" VALUE=""/>
        <ORACLE.PARAMETER index="7" name="" VALUE=""/>
        <ORACLE.PARAMETER index="8" name="" VALUE=""/>
        <ORACLE.PARAMETER index="9" name="" VALUE=""/>
        <ORACLE.PARAMETER index="10" name="" VALUE=""/>
        <ORACLE.PARAMETER index="11" name="" VALUE=""/>
        <ORACLE.PARAMETER index="12" name="" VALUE=""/>
        <ORACLE.PARAMETER index="13" name="" VALUE=""/>
        <ORACLE.PARAMETER index="14" name="" VALUE=""/>
        <ORACLE.PARAMETER index="15" name="" VALUE=""/>
      </ORACLE.PARAMETERS>
    </ORACLE.SYNC_CUSTOMER_005.PARTNER.CONTACT.USERAREA>
  </USERAREA>
</CONTACT>

```

```

        </ORACLE.PARAMETERS>
    </ORACLE.SYNC_CUSTOMER_005.PARTNER.CONTACT.USERAREA>
    <ORACLE.PARTY_ID>589929</ORACLE.PARTY_ID>
    <ORACLE.PARTY_NUMBER>64723</ORACLE.PARTY_NUMBER>
    <ORACLE.PARTY_TYPE>PERSON</ORACLE.PARTY_TYPE>
    <ORACLE.PARTY_STATUS>A</ORACLE.PARTY_STATUS>
    <ORACLE.ALTERNATE_NAME/>
    <ORACLE.PERSON_FIRST_NAME>GB ship to contact
first</ORACLE.PERSON_FIRST_NAME>
    <ORACLE.PERSON_MIDDLE_NAME>GB ship to contact
middle</ORACLE.PERSON_MIDDLE_NAME>
    <ORACLE.PERSON_LAST_NAME>GB ship to contact
last</ORACLE.PERSON_LAST_NAME>
    <ORACLE.COUNTRY/>
    <ORACLE.ADDRESS1/>
    <ORACLE.ADDRESS2/>
    <ORACLE.ADDRESS3/>
    <ORACLE.ADDRESS4/>
    <ORACLE.CITY/>
    <ORACLE.POSTAL_CODE/>
    <ORACLE.STATE/>
    <ORACLE.PROVINCE/>
    <ORACLE.COUNTY/>
</USERAREA>
</CONTACT>
<CONTACT>
    <NAME index="1">GB Deliver to contact first GB Deliver to contact
last</NAME>
    <CONTCTTYPE>Officer</CONTCTTYPE>
    <EMAIL>gb@delivertocontact.com</EMAIL>
    <FAX index="1"/>
    <TELEPHONE index="1">deliver to contact phone</TELEPHONE>
    <USERAREA>
        <ORACLE.SYNC_CUSTOMER_005.PARTNER.CONTACT.USERAREA>
            <ORACLE.PARAMETERS TYPE="DATA">
                <ORACLE.PARAMETER index="1" name="" VALUE=""/>
                <ORACLE.PARAMETER index="2" name="" VALUE=""/>
                <ORACLE.PARAMETER index="3" name="" VALUE=""/>
                <ORACLE.PARAMETER index="4" name="" VALUE=""/>
                <ORACLE.PARAMETER index="5" name="" VALUE=""/>
                <ORACLE.PARAMETER index="6" name="" VALUE=""/>
                <ORACLE.PARAMETER index="7" name="" VALUE=""/>
                <ORACLE.PARAMETER index="8" name="" VALUE=""/>
                <ORACLE.PARAMETER index="9" name="" VALUE=""/>
                <ORACLE.PARAMETER index="10" name="" VALUE=""/>
                <ORACLE.PARAMETER index="11" name="" VALUE=""/>
                <ORACLE.PARAMETER index="12" name="" VALUE=""/>
                <ORACLE.PARAMETER index="13" name="" VALUE=""/>
                <ORACLE.PARAMETER index="14" name="" VALUE=""/>
                <ORACLE.PARAMETER index="15" name="" VALUE=""/>
            </ORACLE.PARAMETERS>
        </ORACLE.SYNC_CUSTOMER_005.PARTNER.CONTACT.USERAREA>
        <ORACLE.PARTY_ID>590929</ORACLE.PARTY_ID>
        <ORACLE.PARTY_NUMBER>64743</ORACLE.PARTY_NUMBER>
        <ORACLE.PARTY_TYPE>PERSON</ORACLE.PARTY_TYPE>
        <ORACLE.PARTY_STATUS>A</ORACLE.PARTY_STATUS>
        <ORACLE.ALTERNATE_NAME/>

```

```

                <ORACLE.PERSON_FIRST_NAME>GB Deliver to contact
first</ORACLE.PERSON_FIRST_NAME>
                <ORACLE.PERSON_MIDDLE_NAME>GB Deliver to contact
middle</ORACLE.PERSON_MIDDLE_NAME>
                <ORACLE.PERSON_LAST_NAME>GB Deliver to contact
last</ORACLE.PERSON_LAST_NAME>
                <ORACLE.COUNTRY/>
                <ORACLE.ADDRESS1/>
                <ORACLE.ADDRESS2/>
                <ORACLE.ADDRESS3/>
                <ORACLE.ADDRESS4/>
                <ORACLE.CITY/>
                <ORACLE.POSTAL_CODE/>
                <ORACLE.STATE/>
                <ORACLE.PROVINCE/>
                <ORACLE.COUNTY/>
        </USERAREA>
</CONTACT>
<CONTACT>
        <NAME index="1">GB marketing contact first GB marketing contact
last</NAME>
        <CONTCTTYPE>Manager</CONTCTTYPE>
        <EMAIL>gb@marketing_contact.com</EMAIL>
        <FAX index="1"/>
        <TELEPHONE index="1">marketing contact phone</TELEPHONE>
        <USERAREA>
                <ORACLE.SYNC_CUSTOMER_005.PARTNER.CONTACT.USERAREA>
                        <ORACLE.PARAMETERS TYPE="DATA">
                                <ORACLE.PARAMETER index="1" name="" VALUE=""/>
                                <ORACLE.PARAMETER index="2" name="" VALUE=""/>
                                <ORACLE.PARAMETER index="3" name="" VALUE=""/>
                                <ORACLE.PARAMETER index="4" name="" VALUE=""/>
                                <ORACLE.PARAMETER index="5" name="" VALUE=""/>
                                <ORACLE.PARAMETER index="6" name="" VALUE=""/>
                                <ORACLE.PARAMETER index="7" name="" VALUE=""/>
                                <ORACLE.PARAMETER index="8" name="" VALUE=""/>
                                <ORACLE.PARAMETER index="9" name="" VALUE=""/>
                                <ORACLE.PARAMETER index="10" name="" VALUE=""/>
                                <ORACLE.PARAMETER index="11" name="" VALUE=""/>
                                <ORACLE.PARAMETER index="12" name="" VALUE=""/>
                                <ORACLE.PARAMETER index="13" name="" VALUE=""/>
                                <ORACLE.PARAMETER index="14" name="" VALUE=""/>
                                <ORACLE.PARAMETER index="15" name="" VALUE=""/>
                        </ORACLE.PARAMETERS>
                </ORACLE.SYNC_CUSTOMER_005.PARTNER.CONTACT.USERAREA>
        <ORACLE.PARTY_ID>594929</ORACLE.PARTY_ID>
        <ORACLE.PARTY_NUMBER>64783</ORACLE.PARTY_NUMBER>
        <ORACLE.PARTY_TYPE>PERSON</ORACLE.PARTY_TYPE>
        <ORACLE.PARTY_STATUS>A</ORACLE.PARTY_STATUS>
        <ORACLE.ALTERNATE_NAME/>
        <ORACLE.PERSON_FIRST_NAME>GB marketing contact
first</ORACLE.PERSON_FIRST_NAME>
                <ORACLE.PERSON_MIDDLE_NAME>GB marketing contact
middle</ORACLE.PERSON_MIDDLE_NAME>
                <ORACLE.PERSON_LAST_NAME>GB marketing contact
last</ORACLE.PERSON_LAST_NAME>
                <ORACLE.COUNTRY/>
                <ORACLE.ADDRESS1/>

```



```

                <ORACLE.ADDRESS2/>
                <ORACLE.ADDRESS3/>
                <ORACLE.ADDRESS4/>
                <ORACLE.CITY/>
                <ORACLE.POSTAL_CODE/>
                <ORACLE.STATE/>
                <ORACLE.PROVINCE/>
                <ORACLE.COUNTY/>
            </USERAREA>
        </CONTACT>
    </PARTNER>
</SYNC_CUSTOMER>
</DATAAREA>
</SYNC_CUSTOMER_005>

```

## Sample Oracle Global Trade Management XML

```

<Transmission xmlns="http://xmlns.oracle.com/apps/otm"
xmlns:itmUtil="http://www.jclark.com/xt/java/gtm.webserver.itm.ITMUtil">
  <TransmissionHeader xmlns="" xmlns:gCal="xalan://java.util.GregorianCalendar">
    <IsProcessInSequence>Y</IsProcessInSequence>
  </TransmissionHeader>
  <TransmissionBody>
    <GLogXMLElement>
      <GtmContact xmlns="http://xmlns.oracle.com/apps/gtm">
        <Contact xmlns="http://xmlns.oracle.com/apps/otm">
          <ContactGid>
            <Gid>
              <Xid>64683</Xid>
              <DomainName>GUEST</DomainName>
            </Gid>
          </ContactGid>
          <TransactionCode>RC</TransactionCode>
          <ReplaceChildren>
            <ManagedChild>RemarkWithQual</ManagedChild>
          </ReplaceChildren>
          <FirstName/>
          <MiddleName/>
          <LastName/>
          <AlternateName/>
          <CompanyName>Bhargava LTD.</CompanyName>
          <RemarkWithQual xmlns="">
            <RemarkQualifierGid>
              <Gid>
                <Xid>PARTY_ID</Xid>
              </Gid>
            </RemarkQualifierGid>
            <RemarkText>586929</RemarkText>
          </RemarkWithQual>
          <RemarkWithQual>
            <RemarkQualifierGid>
              <Gid>
                <Xid>PARTY_TYPE_ID</Xid>
              </Gid>
            </RemarkQualifierGid>
            <RemarkText>ORGANIZATION</RemarkText>
          </RemarkWithQual>
        </Contact>
      </GtmContact>
    </GLogXMLElement>
  </TransmissionBody>
</Transmission>

```

```

<LocationRef>
<Location>
<TransactionCode>IU</TransactionCode>
<LocationGid>
<Gid>
<Xid>64683</Xid>
<DomainName>GUEST</DomainName>
</Gid>
</LocationGid>
<IsTemplate>Y</IsTemplate>
<Address>
<AddressLines>
<SequenceNumber>1</SequenceNumber>
<AddressLine>KOLAR</AddressLine>
</AddressLines>
<AddressLines>
<SequenceNumber>2</SequenceNumber>
<AddressLine>NEAR M SCHL</AddressLine>
</AddressLines>
<AddressLines>
<SequenceNumber>3</SequenceNumber>
<AddressLine>SRVDH</AddressLine>
</AddressLines>
<AddressLines>
<SequenceNumber>4</SequenceNumber>
<AddressLine>bpl</AddressLine>
</AddressLines>
<City>Bhopal</City>
<PostalCode/>
<Province>MP</Province>
<CountryCode3Gid>
<Gid>
<Xid>IN</Xid>
</Gid>
</CountryCode3Gid>
</Address>
</Location>
</LocationRef>
<TransactionCode>RC</TransactionCode>
<ReplaceChildren>
<ManagedChild>RemarkWithQual</ManagedChild>
</ReplaceChildren>
</GtmContact>
</GLogXMLElement>
<GLogXMLElement>
<GtmContact xmlns="http://xmlns.oracle.com/apps/gtm">
<Contact xmlns="http://xmlns.oracle.com/apps/otm">
<ContactGid>
<Gid>
<Xid>64723</Xid>
<DomainName>GUEST</DomainName>
</Gid>
</ContactGid>
<TransactionCode>RC</TransactionCode>
<ReplaceChildren>
<ManagedChild>RemarkWithQual</ManagedChild>
</ReplaceChildren>
<FirstName>GB ship to contact first</FirstName>

```

```

<MiddleName>GB ship to contact middle</MiddleName>
<LastName>GB ship to contact last</LastName>
<AlternateName/>
<CompanyName>Bhargava LTD.</CompanyName>
<Fax/>
<EmailAddress>gb@gbshipto.com</EmailAddress>
<Phone1>gbship_to contact phone</Phone1>
<JobTitle>Engineer</JobTitle>
<LocationGid>
<Gid>
<Xid>29664_PS</Xid>
<DomainName>GUEST</DomainName>
</Gid>
</LocationGid>
<RemarkWithQual xmlns="">
<RemarkQualifierGid>
<Gid>
<Xid>PARTY_ID</Xid>
</Gid>
</RemarkQualifierGid>
<RemarkText>589929</RemarkText>
</RemarkWithQual>
<RemarkWithQual>
<RemarkQualifierGid>
<Gid>
<Xid>PARTY_TYPE_ID</Xid>
</Gid>
</RemarkQualifierGid>
<RemarkText>PERSON</RemarkText>
</RemarkWithQual>
</Contact>
<TransactionCode>RC</TransactionCode>
<ReplaceChildren>
<ManagedChild>RemarkWithQual</ManagedChild>
</ReplaceChildren>
</GtmContact>
</GLogXMLElement>
<GLogXMLElement>
<GtmContact xmlns="http://xmlns.oracle.com/apps/gtm">
<Contact xmlns="http://xmlns.oracle.com/apps/otm">
<ContactGid>
<Gid>
<Xid>64743</Xid>
<DomainName>GUEST</DomainName>
</Gid>
</ContactGid>
<TransactionCode>RC</TransactionCode>
<ReplaceChildren>
<ManagedChild>RemarkWithQual</ManagedChild>
</ReplaceChildren>
<FirstName>GB Deliver to contact first</FirstName>
<MiddleName>GB Deliver to contact middle</MiddleName>
<LastName>GB Deliver to contact last</LastName>
<AlternateName/>
<CompanyName>Bhargava LTD.</CompanyName>
<Fax/>
<EmailAddress>gb@delivertocontact.com</EmailAddress>
<Phone1>deliver to contact phone</Phone1>

```

```

<JobTitle>Officer</JobTitle>
<LocationGid>
<Gid>
<Xid>29664_PS</Xid>
<DomainName>GUEST</DomainName>
</Gid>
</LocationGid>
<RemarkWithQual xmlns="">
<RemarkQualifierGid>
<Gid>
<Xid>PARTY_ID</Xid>
</Gid>
</RemarkQualifierGid>
<RemarkText>590929</RemarkText>
</RemarkWithQual>
<RemarkWithQual>
<RemarkQualifierGid>
<Gid>
<Xid>PARTY_TYPE_ID</Xid>
</Gid>
</RemarkQualifierGid>
<RemarkText>PERSON</RemarkText>
</RemarkWithQual>
</Contact>
<TransactionCode>RC</TransactionCode>
<ReplaceChildren>
<ManagedChild>RemarkWithQual</ManagedChild>
</ReplaceChildren>
</GtmContact>
</GLogXMLElement>
<GLogXMLElement>
<GtmContact xmlns="http://xmlns.oracle.com/apps/gtm">
<Contact xmlns="http://xmlns.oracle.com/apps/otm">
<ContactGid>
<Gid>
<Xid>64783</Xid>
<DomainName>GUEST</DomainName>
</Gid>
</ContactGid>
<TransactionCode>RC</TransactionCode>
<ReplaceChildren>
<ManagedChild>RemarkWithQual</ManagedChild>
</ReplaceChildren>
<FirstName>GB marketing contact first</FirstName>
<MiddleName>GB marketing contact middle</MiddleName>
<LastName>GB marketing contact last</LastName>
<AlternateName/>
<CompanyName>Bhargava LTD.</CompanyName>
<Fax/>
<EmailAddress>gb@marketing_contact.com</EmailAddress>
<Phone1>marketing contact phone</Phone1>
<JobTitle>Manager</JobTitle>
<LocationGid>
<Gid>
<Xid>29664_PS</Xid>
<DomainName>GUEST</DomainName>
</Gid>
</LocationGid>

```

```

<RemarkWithQual xmlns="">
<RemarkQualifierGid>
<Gid>
<Xid>PARTY_ID</Xid>
</Gid>
</RemarkQualifierGid>
<RemarkText>594929</RemarkText>
</RemarkWithQual>
<RemarkWithQual>
<RemarkQualifierGid>
<Gid>
<Xid>PARTY_TYPE_ID</Xid>
</Gid>
</RemarkQualifierGid>
<RemarkText>PERSON</RemarkText>
</RemarkWithQual>
</Contact>
<TransactionCode>RC</TransactionCode>
<ReplaceChildren>
<ManagedChild>RemarkWithQual</ManagedChild>
</ReplaceChildren>
</GtmContact>
</GLogXMLElement>
</TransmissionBody>
</Transmission>

```

## Item Synchronization

### Sample Oracle E-Business Suite XML

```

<?xml version="1.0" encoding = "UTF-8"?><ITEM_SYNC>
  <CNTROLAREA>
    <BSR>
      <VERB>SYNC</VERB>
      <NOUN>ITEM</NOUN>
      <REVISION>002</REVISION>
    </BSR>
    <SENDER>
      <LOGICALID>ORACLE</LOGICALID>
      <COMPONENT>ITM Application</COMPONENT>
      <TASK>ITEM SYNCHRONIZATION</TASK>
      <REFERENCEID>28011~ITEM_SYNC~41</REFERENCEID>
      <CONFIRMATION>Y</CONFIRMATION>
      <LANGUAGE>US</LANGUAGE>
      <CODEPAGE>UTF8</CODEPAGE>
      <AUTHID>LOGUSER1-welcome1</AUTHID>
    </SENDER>
    <DATETIME qualifier="CREATION">
      <YEAR>2010</YEAR>
      <MONTH>02</MONTH>
      <DAY>01</DAY>
      <HOUR>07</HOUR>
      <MINUTE>58</MINUTE>
      <SECOND>02</SECOND>
      <SUBSECOND>0000</SUBSECOND>
      <TIMEZONE/>
    </DATETIME>

```

```

</CNTROLAREA>
<DATAAREA>
  <ITEM>
    <ITEM_ID>107017</ITEM_ID>
    <ITEM_CODE>MM1-INT-LSN02</ITEM_CODE>
    <DESCRIPTION>MM1-INT-LSN02</DESCRIPTION>
    <HAZARD_CLASS/>
    <ORGANIZATION_ID>81</ORGANIZATION_ID>
    <SRC_ORGANIZATION_ID/>
    <ITEM_TYPE>Purchased item</ITEM_TYPE>
    <UNIT_OF_MEASURE>Ea</UNIT_OF_MEASURE>
    <ITEM_VALUE/>
    <CURRENCY>USD</CURRENCY>
    <COUNTRY>US</COUNTRY>
    <USERAREA>
      <ORACLE.ITEM_SYNC.ITEM.USERAREA>
        <ORACLE.ITEM_SYNC.ITEM.LONG_DESCRIPTION/>
        <ORACLE.OPERATING_UNIT>81</ORACLE.OPERATING_UNIT>
        <ORACLE.PARAMETERS TYPE="VENDOR"/>
        <ORACLE.PARAMETERS TYPE="SERVICE"/>
        <ORACLE.PARAMETERS TYPE="DATA">
          <ORACLE.PARAMETER index="1" name="" VALUE=""/>
          <ORACLE.PARAMETER index="2" name="" VALUE=""/>
          <ORACLE.PARAMETER index="3" name="" VALUE=""/>
          <ORACLE.PARAMETER index="4" name="" VALUE=""/>
          <ORACLE.PARAMETER index="5" name="" VALUE=""/>
          <ORACLE.PARAMETER index="6" name="" VALUE=""/>
          <ORACLE.PARAMETER index="7" name="" VALUE=""/>
          <ORACLE.PARAMETER index="8" name="" VALUE=""/>
          <ORACLE.PARAMETER index="9" name="" VALUE=""/>
          <ORACLE.PARAMETER index="10" name="" VALUE=""/>
          <ORACLE.PARAMETER index="11" name="" VALUE=""/>
          <ORACLE.PARAMETER index="12" name="" VALUE=""/>
          <ORACLE.PARAMETER index="13" name="" VALUE=""/>
          <ORACLE.PARAMETER index="14" name="" VALUE=""/>
          <ORACLE.PARAMETER index="15" name="" VALUE=""/>
        </ORACLE.PARAMETERS>
      </ORACLE.ITEM_SYNC.ITEM.USERAREA>
    </USERAREA>
  </ITEM>
</DATAAREA>
</ITEM_SYNC>

```

## Sample Oracle Global Trade Management XML

```

<Transmission xmlns="http://xmlns.oracle.com/apps/otm">
  <TransmissionHeader xmlns=""
    xmlns:itmUtil="http://www.jclark.com/xt/java/gtm.websserver.itm.ITMUtil"
    xmlns:gCal="xalan://java.util.GregorianCalendar">
    <IsProcessInSequence>Y</IsProcessInSequence>
  </TransmissionHeader>
  <TransmissionBody>
    <GLogXMLElement>
      <ItemMaster>
        <Item>
          <TransactionCode>IU</TransactionCode>
          <ItemGid>
            <Gid>

```

```

                <Xid>107017</Xid>
                <DomainName>GUEST</DomainName>
            </Gid>
        </ItemGid>
        <ItemName>MM1-INT-LSN02</ItemName>
        <Description>MM1-INT-LSN02</Description>
        <Remark>
            <RemarkQualifierGid>
                <Gid>
                    <Xid>ORG_ID</Xid>
                </Gid>
            </RemarkQualifierGid>
            <RemarkText>81</RemarkText>
        </Remark>
        <Remark>
            <RemarkQualifierGid>
                <Gid>
                    <Xid>ITEM_TYPE</Xid>
                </Gid>
            </RemarkQualifierGid>
            <RemarkText>Purchased item</RemarkText>
        </Remark>
        <Remark>
            <RemarkQualifierGid>
                <Gid>
                    <Xid>EBS_OP_UNIT</Xid>
                </Gid>
            </RemarkQualifierGid>
            <RemarkText>81</RemarkText>
        </Remark>
        <UnitOfMeasure>Ea</UnitOfMeasure>
    </Item>
</ItemMaster>
</GLogXMLElement>
</TransmissionBody>
</Transmission>

```

## Order Compliance

### Sample Oracle E-Business Suite XML

```

<?xml version="1.0" encoding = "UTF-8"?><request>
  <CTRLAREA>
    <BSR>
      <VERB>EXPORT_COMPLIANCE</VERB>
      <NOUN>OM</NOUN>
      <REVISION>002</REVISION>
    </BSR>
    <SENDER>
      <LOGICALID>ORACLE</LOGICALID>
      <COMPONENT>ITM Application</COMPONENT>
      <TASK>EXPORT COMPLIANCE</TASK>
      <REFERENCEID>109002-109003-109004-OM_EXPORT_COMPLIANCE~41</REFERENCEID>
      <CONFIRMATION>Y</CONFIRMATION>
      <LANGUAGE>US</LANGUAGE>
      <CODEPAGE>AL32UTF8</CODEPAGE>
      <AUTHID>mfg-welcome</AUTHID>
    </SENDER>
  </CTRLAREA>
</request>

```

```

</SENDER>
<DATETIME qualifier="CREATION">
  <YEAR>2010</YEAR>
  <MONTH>05</MONTH>
  <DAY>04</DAY>
  <HOUR>11</HOUR>
  <MINUTE>35</MINUTE>
  <SECOND>13</SECOND>
  <SUBSECOND>0000</SUBSECOND>
  <TIMEZONE/>
</DATETIME>
</CNTROLAREA>
<transaction_date>5/4/2010 23:31:40</transaction_date>
<addl_info>
  <info name="" index="1"/>
  <info name="" index="2"/>
  <info name="" index="3"/>
  <info name="" index="4"/>
  <info name="" index="5"/>
  <info name="" index="6"/>
  <info name="" index="7"/>
  <info name="" index="8"/>
  <info name="" index="9"/>
  <info name="" index="10"/>
  <info name="" index="11"/>
  <info name="" index="12"/>
  <info name="" index="13"/>
  <info name="" index="14"/>
  <info name="" index="15"/>
</addl_info>
<order_line>
  <transaction_key>109002~5104-ITM Only-2</transaction_key>
  <triggering_point>ORDER_SCHEDULING</triggering_point>
  <order_number>5188</order_number>
  <order_line_number>2.1</order_line_number>
  <order_line_id>368857</order_line_id>
  <order_type>ITM Only</order_type>
  <org_id>204</org_id>
  <cust_po_num/>
  <transactional_curr_code>USD</transactional_curr_code>
  <conversion_type_code/>
  <conversion_rate/>
  <ordered_date>5/4/2010 23:18:15</ordered_date>
  <shipping_method_code/>
  <request_date>5/4/2010 23:18:15</request_date>
  <freight_terms_code>Due</freight_terms_code>
  <payment_terms_name>N30</payment_terms_name>
  <payment_term_id>1062</payment_term_id>
  <ordered_quantity>2</ordered_quantity>
  <ordered_quantity_uom>Ea</ordered_quantity_uom>
  <line_number>2</line_number>
  <top_model_line_id>368857</top_model_line_id>
  <split_from_line_id/>
  <link_to_line_id/>
  <ato_line_id/>
  <unit_list_price>15</unit_list_price>
  <unit_selling_price>15</unit_selling_price>
  <item_id>500919</item_id>

```



```

<item_code>PTOModel2.</item_code>
<item_type>PTO model</item_type>
<ship_from_org_code>M2</ship_from_org_code>
<descriptive_flexfield>
  <attribute1/>
  <attribute2/>
  <attribute3/>
  <attribute4/>
  <attribute5/>
  <attribute6/>
  <attribute7/>
  <attribute8/>
  <attribute9/>
  <attribute10/>
  <attribute11/>
  <attribute12/>
  <attribute13/>
  <attribute14/>
  <attribute15/>
</descriptive_flexfield>
<party>
  <party_id>109002-102007</party_id>
  <type>SHIP_FROM</type>
  <name>Boston Manufacturing</name>
  <partnrid/>
  <partnridx/>
  <partner_code/>
  <address1>393 Berkeley Street</address1>
  <address2/>
  <address3/>
  <address4/>
  <address5/>
  <city>Boston</city>
  <state_or_province>MA</state_or_province>
  <country_code="US" name="US"/>
  <postal_code>02116-3321</postal_code>
  <contact_name/>
  <email/>
  <phone/>
  <fax/>
  <web/>
  <addl_info>
    <info name="" index="1"/>
    <info name="" index="2"/>
    <info name="" index="3"/>
    <info name="" index="4"/>
    <info name="" index="5"/>
    <info name="" index="6"/>
    <info name="" index="7"/>
    <info name="" index="8"/>
    <info name="" index="9"/>
    <info name="" index="10"/>
    <info name="" index="11"/>
    <info name="" index="12"/>
    <info name="" index="13"/>
    <info name="" index="14"/>
    <info name="" index="15"/>
  </addl_info>

```

```

</party>
<party>
  <party_id>109002-102008</party_id>
  <type>SHIP_TO</type>
  <name>Bhargava LTD.</name>
  <partnrid/>
  <partnridx/>
  <partner_code/>
  <address1>Add Ship to1</address1>
  <address2>Add Ship to2</address2>
  <address3>Add Ship to3</address3>
  <address4>Add Ship to4</address4>
  <address5/>
  <city>City ship to</city>
  <state_or_province>State ship to</state_or_province>
  <country code="IN" name="IN"/>
  <postal_code/>
  <contact_name>GB ship to contact first GB ship to contact last</contact_name>
  <email/>
  <phone/>
  <fax/>
  <web/>
  <ORACLE.PARTY_ID>586929</ORACLE.PARTY_ID>
  <ORACLE.PARTY_NUMBER>64683</ORACLE.PARTY_NUMBER>
  <ORACLE.SITE_NUMBER>29664</ORACLE.SITE_NUMBER>
  <ORACLE.CONTACT_PARTY_ID>589929</ORACLE.CONTACT_PARTY_ID>
  <ORACLE.CONTACT_PARTY_NUMBER>64723</ORACLE.CONTACT_PARTY_NUMBER>
  <addl_info>
    <info name="" index="1"/>
    <info name="" index="2"/>
    <info name="" index="3"/>
    <info name="" index="4"/>
    <info name="" index="5"/>
    <info name="" index="6"/>
    <info name="" index="7"/>
    <info name="" index="8"/>
    <info name="" index="9"/>
    <info name="" index="10"/>
    <info name="" index="11"/>
    <info name="" index="12"/>
    <info name="" index="13"/>
    <info name="" index="14"/>
    <info name="" index="15"/>
  </addl_info>
</party>
<party>
  <party_id>109002-102009</party_id>
  <type>DELIVER_TO</type>
  <name>Bhargava LTD.</name>
  <partnrid/>
  <partnridx/>
  <partner_code/>
  <address1>Add Deliver to1</address1>
  <address2>Add Deliver to2</address2>
  <address3>Add Deliver to3</address3>
  <address4>Add Deliver to4</address4>
  <address5/>
  <city>Delvier to city</city>

```

```

    <state_or_province>Delvier to state</state_or_province>
    <country code="IN" name="IN"/>
    <postal_code/>
    <contact_name>GB Deliver to contact first GB Deliver to contact
last</contact_name>
    <email/>
    <phone/>
    <fax/>
    <web/>
    <ORACLE.PARTY_ID>586929</ORACLE.PARTY_ID>
    <ORACLE.PARTY_NUMBER>64683</ORACLE.PARTY_NUMBER>
    <ORACLE.SITE_NUMBER>29684</ORACLE.SITE_NUMBER>
    <ORACLE.CONTACT_PARTY_ID>590929</ORACLE.CONTACT_PARTY_ID>
    <ORACLE.CONTACT_PARTY_NUMBER>64743</ORACLE.CONTACT_PARTY_NUMBER>
    <addl_info>
      <info name="" index="1"/>
      <info name="" index="2"/>
      <info name="" index="3"/>
      <info name="" index="4"/>
      <info name="" index="5"/>
      <info name="" index="6"/>
      <info name="" index="7"/>
      <info name="" index="8"/>
      <info name="" index="9"/>
      <info name="" index="10"/>
      <info name="" index="11"/>
      <info name="" index="12"/>
      <info name="" index="13"/>
      <info name="" index="14"/>
      <info name="" index="15"/>
    </addl_info>
  </party>
  <party>
    <party_id>109002-102010</party_id>
    <type>BILL_TO</type>
    <name>Bhargava LTD.</name>
    <partnrid/>
    <partnridx/>
    <partner_code/>
    <address1>KOLAR</address1>
    <address2>NEAR M SCHL</address2>
    <address3>SRVDH</address3>
    <address4>bpl</address4>
    <address5/>
    <city>Bhopal</city>
    <state_or_province>MP</state_or_province>
    <country code="IN" name="IN"/>
    <postal_code/>
    <contact_name>GB First name (Bil to) GB Last name (Bil to)</contact_name>
    <email/>
    <phone/>
    <fax/>
    <web/>
    <ORACLE.PARTY_ID>586929</ORACLE.PARTY_ID>
    <ORACLE.PARTY_NUMBER>64683</ORACLE.PARTY_NUMBER>
    <ORACLE.SITE_NUMBER>29644</ORACLE.SITE_NUMBER>
    <ORACLE.CONTACT_PARTY_ID>587929</ORACLE.CONTACT_PARTY_ID>
    <ORACLE.CONTACT_PARTY_NUMBER>64703</ORACLE.CONTACT_PARTY_NUMBER>

```

```

<addl_info>
  <info name="" index="1"/>
  <info name="" index="2"/>
  <info name="" index="3"/>
  <info name="" index="4"/>
  <info name="" index="5"/>
  <info name="" index="6"/>
  <info name="" index="7"/>
  <info name="" index="8"/>
  <info name="" index="9"/>
  <info name="" index="10"/>
  <info name="" index="11"/>
  <info name="" index="12"/>
  <info name="" index="13"/>
  <info name="" index="14"/>
  <info name="" index="15"/>
</addl_info>
</party>
<party>
  <party_id>109002-102011</party_id>
  <type>SOLD_TO</type>
  <name>Bhargava LTD.</name>
  <partnrid/>
  <partnridx/>
  <partner_code/>
  <address1>Sold to add1</address1>
  <address2>Sold to add2</address2>
  <address3>Sold to add3</address3>
  <address4>Sold to add4</address4>
  <address5/>
  <city>Sold to city</city>
  <state_or_province>Sold to State</state_or_province>
  <country code="IN" name="IN"/>
  <postal_code/>
  <contact_name>Gb sold to contact first Gb sold to contact last</contact_name>
  <email/>
  <phone/>
  <fax/>
  <web/>
  <ORACLE.PARTY_ID>586929</ORACLE.PARTY_ID>
  <ORACLE.PARTY_NUMBER>64683</ORACLE.PARTY_NUMBER>
  <ORACLE.SITE_NUMBER>29704</ORACLE.SITE_NUMBER>
  <ORACLE.CONTACT_PARTY_ID>592929</ORACLE.CONTACT_PARTY_ID>
  <ORACLE.CONTACT_PARTY_NUMBER>64763</ORACLE.CONTACT_PARTY_NUMBER>
  <addl_info>
    <info name="" index="1"/>
    <info name="" index="2"/>
    <info name="" index="3"/>
    <info name="" index="4"/>
    <info name="" index="5"/>
    <info name="" index="6"/>
    <info name="" index="7"/>
    <info name="" index="8"/>
    <info name="" index="9"/>
    <info name="" index="10"/>
    <info name="" index="11"/>
    <info name="" index="12"/>
    <info name="" index="13"/>
  </addl_info>

```

```

        <info name="" index="14"/>
        <info name="" index="15"/>
    </addl_info>
</party>
<party>
    <party_id>109002-102012</party_id>
    <type>END_CUSTOMER</type>
    <name>Computer Service and Rentals</name>
    <partnrid/>
    <partnridx/>
    <partner_code/>
    <address1>50 King Street</address1>
    <address2/>
    <address3/>
    <address4/>
    <address5/>
    <city>Toronto</city>
    <state_or_province/>
    <country code="CA" name="CA"/>
    <postal_code>M5H3Y2</postal_code>
    <contact_name>Fred Brouwer</contact_name>
    <email/>
    <phone/>
    <fax/>
    <web/>
    <ORACLE.PARTY_ID>1006</ORACLE.PARTY_ID>
    <ORACLE.PARTY_NUMBER>1006</ORACLE.PARTY_NUMBER>
    <ORACLE.SITE_NUMBER>1035</ORACLE.SITE_NUMBER>
    <ORACLE.CONTACT_PARTY_ID>2557</ORACLE.CONTACT_PARTY_ID>
    <ORACLE.CONTACT_PARTY_NUMBER>CONTACT-1621</ORACLE.CONTACT_PARTY_NUMBER>
    <addl_info>
        <info name="" index="1"/>
        <info name="" index="2"/>
        <info name="" index="3"/>
        <info name="" index="4"/>
        <info name="" index="5"/>
        <info name="" index="6"/>
        <info name="" index="7"/>
        <info name="" index="8"/>
        <info name="" index="9"/>
        <info name="" index="10"/>
        <info name="" index="11"/>
        <info name="" index="12"/>
        <info name="" index="13"/>
        <info name="" index="14"/>
        <info name="" index="15"/>
    </addl_info>
</party>
</order_line>
<order_line>
    <transaction_key>109003~5104-ITM Only-2</transaction_key>
    <triggering_point>ORDER_SCHEDULING</triggering_point>
    <order_number>5188</order_number>
    <order_line_number>2.1.1</order_line_number>
    <order_line_id>368916</order_line_id>
    <order_type>ITM Only</order_type>
    <org_id>204</org_id>
    <cust_po_num/>

```

```

<transactional_curr_code>USD</transactional_curr_code>
<conversion_type_code/>
<conversion_rate/>
<ordered_date>5/4/2010 23:18:15</ordered_date>
<shipping_method_code/>
<request_date>5/4/2010 23:18:15</request_date>
<freight_terms_code>Due</freight_terms_code>
<payment_terms_name>N30</payment_terms_name>
<payment_term_id>1062</payment_term_id>
<ordered_quantity>2</ordered_quantity>
<ordered_quantity_uom>Ea</ordered_quantity_uom>
<line_number>2</line_number>
<top_model_line_id>368857</top_model_line_id>
<split_from_line_id/>
<link_to_line_id>368857</link_to_line_id>
<ato_line_id/>
<unit_list_price>0</unit_list_price>
<unit_selling_price>0</unit_selling_price>
<item_id>500916</item_id>
<item_code>FGItem1.</item_code>
<item_type>Finished good</item_type>
<ship_from_org_code>M2</ship_from_org_code>
<descriptive_flexfield>
  <attribute1/>
  <attribute2/>
  <attribute3/>
  <attribute4/>
  <attribute5/>
  <attribute6/>
  <attribute7/>
  <attribute8/>
  <attribute9/>
  <attribute10/>
  <attribute11/>
  <attribute12/>
  <attribute13/>
  <attribute14/>
  <attribute15/>
</descriptive_flexfield>
<party>
  <party_id>109003-102013</party_id>
  <type>SHIP_FROM</type>
  <name>Boston Manufacturing</name>
  <partnrid/>
  <partnridx/>
  <partner_code/>
  <address1>393 Berkeley Street</address1>
  <address2/>
  <address3/>
  <address4/>
  <address5/>
  <city>Boston</city>
  <state_or_province>MA</state_or_province>
  <country code="US" name="US"/>
  <postal_code>02116-3321</postal_code>
  <contact_name/>
  <email/>
  <phone/>

```

```

<fax/>
<web/>
<addl_info>
  <info name="" index="1"/>
  <info name="" index="2"/>
  <info name="" index="3"/>
  <info name="" index="4"/>
  <info name="" index="5"/>
  <info name="" index="6"/>
  <info name="" index="7"/>
  <info name="" index="8"/>
  <info name="" index="9"/>
  <info name="" index="10"/>
  <info name="" index="11"/>
  <info name="" index="12"/>
  <info name="" index="13"/>
  <info name="" index="14"/>
  <info name="" index="15"/>
</addl_info>
</party>
<party>
  <party_id>109003-102014</party_id>
  <type>SHIP_TO</type>
  <name>Bhargava LTD.</name>
  <partnrid/>
  <partnridx/>
  <partner_code/>
  <address1>Add Ship to1</address1>
  <address2>Add Ship to2</address2>
  <address3>Add Ship to3</address3>
  <address4>Add Ship to4</address4>
  <address5/>
  <city>City ship to</city>
  <state_or_province>State ship to</state_or_province>
  <country code="IN" name="IN"/>
  <postal_code/>
  <contact_name>GB ship to contact first GB ship to contact last</contact_name>
  <email/>
  <phone/>
  <fax/>
  <web/>
  <ORACLE.PARTY_ID>586929</ORACLE.PARTY_ID>
  <ORACLE.PARTY_NUMBER>64683</ORACLE.PARTY_NUMBER>
  <ORACLE.SITE_NUMBER>29664</ORACLE.SITE_NUMBER>
  <ORACLE.CONTACT_PARTY_ID>589929</ORACLE.CONTACT_PARTY_ID>
  <ORACLE.CONTACT_PARTY_NUMBER>64723</ORACLE.CONTACT_PARTY_NUMBER>
  <addl_info>
    <info name="" index="1"/>
    <info name="" index="2"/>
    <info name="" index="3"/>
    <info name="" index="4"/>
    <info name="" index="5"/>
    <info name="" index="6"/>
    <info name="" index="7"/>
    <info name="" index="8"/>
    <info name="" index="9"/>
    <info name="" index="10"/>
    <info name="" index="11"/>
  </addl_info>

```

```

        <info name="" index="12"/>
        <info name="" index="13"/>
        <info name="" index="14"/>
        <info name="" index="15"/>
    </addl_info>
</party>
<party>
    <party_id>109003-102015</party_id>
    <type>DELIVER_TO</type>
    <name>Bhargava LTD.</name>
    <partnrid/>
    <partnridx/>
    <partner_code/>
    <address1>Add Deliver to1</address1>
    <address2>Add Deliver to2</address2>
    <address3>Add Deliver to3</address3>
    <address4>Add Deliver to4</address4>
    <address5/>
    <city>Delvier to city</city>
    <state_or_province>Delvier to state</state_or_province>
    <country code="IN" name="IN"/>
    <postal_code/>
    <contact_name/>
    <email/>
    <phone/>
    <fax/>
    <web/>
    <ORACLE.PARTY_ID>586929</ORACLE.PARTY_ID>
    <ORACLE.PARTY_NUMBER>64683</ORACLE.PARTY_NUMBER>
    <ORACLE.SITE_NUMBER>29684</ORACLE.SITE_NUMBER>
    <ORACLE.CONTACT_PARTY_ID/>
    <ORACLE.CONTACT_PARTY_NUMBER/>
    <addl_info>
        <info name="" index="1"/>
        <info name="" index="2"/>
        <info name="" index="3"/>
        <info name="" index="4"/>
        <info name="" index="5"/>
        <info name="" index="6"/>
        <info name="" index="7"/>
        <info name="" index="8"/>
        <info name="" index="9"/>
        <info name="" index="10"/>
        <info name="" index="11"/>
        <info name="" index="12"/>
        <info name="" index="13"/>
        <info name="" index="14"/>
        <info name="" index="15"/>
    </addl_info>
</party>
<party>
    <party_id>109003-102016</party_id>
    <type>BILL_TO</type>
    <name>Bhargava LTD.</name>
    <partnrid/>
    <partnridx/>
    <partner_code/>
    <address1>KOLAR</address1>

```



```

<address2>NEAR M SCHL</address2>
<address3>SRVDH</address3>
<address4>bp1</address4>
<address5/>
<city>Bhopal</city>
<state_or_province>MP</state_or_province>
<country code="IN" name="IN"/>
<postal_code/>
<contact_name/>
<email/>
<phone/>
<fax/>
<web/>
<ORACLE.PARTY_ID>586929</ORACLE.PARTY_ID>
<ORACLE.PARTY_NUMBER>64683</ORACLE.PARTY_NUMBER>
<ORACLE.SITE_NUMBER>29644</ORACLE.SITE_NUMBER>
<ORACLE.CONTACT_PARTY_ID/>
<ORACLE.CONTACT_PARTY_NUMBER/>
<addl_info>
  <info name="" index="1"/>
  <info name="" index="2"/>
  <info name="" index="3"/>
  <info name="" index="4"/>
  <info name="" index="5"/>
  <info name="" index="6"/>
  <info name="" index="7"/>
  <info name="" index="8"/>
  <info name="" index="9"/>
  <info name="" index="10"/>
  <info name="" index="11"/>
  <info name="" index="12"/>
  <info name="" index="13"/>
  <info name="" index="14"/>
  <info name="" index="15"/>
</addl_info>
</party>
<party>
  <party_id>109003-102017</party_id>
  <type>SOLD_TO</type>
  <name>Bhargava LTD.</name>
  <partnrid/>
  <partnridx/>
  <partner_code/>
  <address1>Sold to add1</address1>
  <address2>Sold to add2</address2>
  <address3>Sold to add3</address3>
  <address4>Sold to add4</address4>
  <address5/>
  <city>Sold to city</city>
  <state_or_province>Sold to State</state_or_province>
  <country code="IN" name="IN"/>
  <postal_code/>
  <contact_name>Gb sold to contact first Gb sold to contact last</contact_name>
  <email/>
  <phone/>
  <fax/>
  <web/>
  <ORACLE.PARTY_ID>586929</ORACLE.PARTY_ID>

```

```

<ORACLE.PARTY_NUMBER>64683</ORACLE.PARTY_NUMBER>
<ORACLE.SITE_NUMBER>29704</ORACLE.SITE_NUMBER>
<ORACLE.CONTACT_PARTY_ID>592929</ORACLE.CONTACT_PARTY_ID>
<ORACLE.CONTACT_PARTY_NUMBER>64763</ORACLE.CONTACT_PARTY_NUMBER>
<addl_info>
  <info name="" index="1"/>
  <info name="" index="2"/>
  <info name="" index="3"/>
  <info name="" index="4"/>
  <info name="" index="5"/>
  <info name="" index="6"/>
  <info name="" index="7"/>
  <info name="" index="8"/>
  <info name="" index="9"/>
  <info name="" index="10"/>
  <info name="" index="11"/>
  <info name="" index="12"/>
  <info name="" index="13"/>
  <info name="" index="14"/>
  <info name="" index="15"/>
</addl_info>
</party>
</order_line>
<order_line>
  <transaction_key>109004~5104-ITM Only-2</transaction_key>
  <triggering_point>ORDER_SCHEDULING</triggering_point>
  <order_number>5188</order_number>
  <order_line_number>2.1..2</order_line_number>
  <order_line_id>368917</order_line_id>
  <order_type>ITM Only</order_type>
  <org_id>204</org_id>
  <cust_po_num/>
  <transactional_curr_code>USD</transactional_curr_code>
  <conversion_type_code/>
  <conversion_rate/>
  <ordered_date>5/4/2010 23:18:15</ordered_date>
  <shipping_method_code/>
  <request_date>5/4/2010 23:18:15</request_date>
  <freight_terms_code>Due</freight_terms_code>
  <payment_terms_name>N30</payment_terms_name>
  <payment_term_id>1062</payment_term_id>
  <ordered_quantity>2</ordered_quantity>
  <ordered_quantity_uom>Ea</ordered_quantity_uom>
  <line_number>2</line_number>
  <top_model_line_id>368857</top_model_line_id>
  <split_from_line_id/>
  <link_to_line_id>368857</link_to_line_id>
  <ato_line_id/>
  <unit_list_price>0</unit_list_price>
  <unit_selling_price>0</unit_selling_price>
  <item_id>500915</item_id>
  <item_code>FGItem2.</item_code>
  <item_type>Finished good</item_type>
  <ship_from_org_code>M2</ship_from_org_code>
  <descriptive_flexfield>
    <attribute1/>
    <attribute2/>
    <attribute3/>
  </descriptive_flexfield>

```

```

<attribute4/>
<attribute5/>
<attribute6/>
<attribute7/>
<attribute8/>
<attribute9/>
<attribute10/>
<attribute11/>
<attribute12/>
<attribute13/>
<attribute14/>
<attribute15/>
</descriptive_flexfield>
<party>
  <party_id>109004-102018</party_id>
  <type>SHIP_FROM</type>
  <name>Boston Manufacturing</name>
  <partnrid/>
  <partnridx/>
  <partner_code/>
  <address1>393 Berkeley Street</address1>
  <address2/>
  <address3/>
  <address4/>
  <address5/>
  <city>Boston</city>
  <state_or_province>MA</state_or_province>
  <country code="US" name="US"/>
  <postal_code>02116-3321</postal_code>
  <contact_name/>
  <email/>
  <phone/>
  <fax/>
  <web/>
  <addl_info>
    <info name="" index="1"/>
    <info name="" index="2"/>
    <info name="" index="3"/>
    <info name="" index="4"/>
    <info name="" index="5"/>
    <info name="" index="6"/>
    <info name="" index="7"/>
    <info name="" index="8"/>
    <info name="" index="9"/>
    <info name="" index="10"/>
    <info name="" index="11"/>
    <info name="" index="12"/>
    <info name="" index="13"/>
    <info name="" index="14"/>
    <info name="" index="15"/>
  </addl_info>
</party>
<party>
  <party_id>109004-102019</party_id>
  <type>SHIP_TO</type>
  <name>Bhargava LTD.</name>
  <partnrid/>
  <partnridx/>

```

```

<partner_code/>
<address1>Add Ship to1</address1>
<address2>Add Ship to2</address2>
<address3>Add Ship to3</address3>
<address4>Add Ship to4</address4>
<address5/>
<city>City ship to</city>
<state_or_province>State ship to</state_or_province>
<country code="IN" name="IN"/>
<postal_code/>
<contact_name>GB ship to contact first GB ship to contact last</contact_name>
<email/>
<phone/>
<fax/>
<web/>
<ORACLE.PARTY_ID>586929</ORACLE.PARTY_ID>
<ORACLE.PARTY_NUMBER>64683</ORACLE.PARTY_NUMBER>
<ORACLE.SITE_NUMBER>29664</ORACLE.SITE_NUMBER>
<ORACLE.CONTACT_PARTY_ID>589929</ORACLE.CONTACT_PARTY_ID>
<ORACLE.CONTACT_PARTY_NUMBER>64723</ORACLE.CONTACT_PARTY_NUMBER>
<addl_info>
  <info name="" index="1"/>
  <info name="" index="2"/>
  <info name="" index="3"/>
  <info name="" index="4"/>
  <info name="" index="5"/>
  <info name="" index="6"/>
  <info name="" index="7"/>
  <info name="" index="8"/>
  <info name="" index="9"/>
  <info name="" index="10"/>
  <info name="" index="11"/>
  <info name="" index="12"/>
  <info name="" index="13"/>
  <info name="" index="14"/>
  <info name="" index="15"/>
</addl_info>
</party>
<party>
  <party_id>109004-102020</party_id>
  <type>DELIVER_TO</type>
  <name>Bhargava LTD.</name>
  <partnrid/>
  <partnridx/>
  <partner_code/>
  <address1>Add Deliver to1</address1>
  <address2>Add Deliver to2</address2>
  <address3>Add Deliver to3</address3>
  <address4>Add Deliver to4</address4>
  <address5/>
  <city>Delvier to city</city>
  <state_or_province>Delvier to state</state_or_province>
  <country code="IN" name="IN"/>
  <postal_code/>
  <contact_name/>
  <email/>
  <phone/>
  <fax/>

```

```

<web/>
<ORACLE.PARTY_ID>586929</ORACLE.PARTY_ID>
<ORACLE.PARTY_NUMBER>64683</ORACLE.PARTY_NUMBER>
<ORACLE.SITE_NUMBER>29684</ORACLE.SITE_NUMBER>
<ORACLE.CONTACT_PARTY_ID/>
<ORACLE.CONTACT_PARTY_NUMBER/>
<addl_info>
  <info name="" index="1"/>
  <info name="" index="2"/>
  <info name="" index="3"/>
  <info name="" index="4"/>
  <info name="" index="5"/>
  <info name="" index="6"/>
  <info name="" index="7"/>
  <info name="" index="8"/>
  <info name="" index="9"/>
  <info name="" index="10"/>
  <info name="" index="11"/>
  <info name="" index="12"/>
  <info name="" index="13"/>
  <info name="" index="14"/>
  <info name="" index="15"/>
</addl_info>
</party>
<party>
  <party_id>109004-102021</party_id>
  <type>BILL_TO</type>
  <name>Bhargava LTD.</name>
  <partnrid/>
  <partnridx/>
  <partner_code/>
  <address1>KOLAR</address1>
  <address2>NEAR M SCHL</address2>
  <address3>SRVDH</address3>
  <address4>bpl</address4>
  <address5/>
  <city>Bhopal</city>
  <state_or_province>MP</state_or_province>
  <country code="IN" name="IN"/>
  <postal_code/>
  <contact_name/>
  <email/>
  <phone/>
  <fax/>
  <web/>
  <ORACLE.PARTY_ID>586929</ORACLE.PARTY_ID>
  <ORACLE.PARTY_NUMBER>64683</ORACLE.PARTY_NUMBER>
  <ORACLE.SITE_NUMBER>29644</ORACLE.SITE_NUMBER>
  <ORACLE.CONTACT_PARTY_ID/>
  <ORACLE.CONTACT_PARTY_NUMBER/>
  <addl_info>
    <info name="" index="1"/>
    <info name="" index="2"/>
    <info name="" index="3"/>
    <info name="" index="4"/>
    <info name="" index="5"/>
    <info name="" index="6"/>
    <info name="" index="7"/>
  </addl_info>

```

```

        <info name="" index="8"/>
        <info name="" index="9"/>
        <info name="" index="10"/>
        <info name="" index="11"/>
        <info name="" index="12"/>
        <info name="" index="13"/>
        <info name="" index="14"/>
        <info name="" index="15"/>
    </addl_info>
</party>
<party>
    <party_id>109004-102022</party_id>
    <type>SOLD_TO</type>
    <name>Bhargava LTD.</name>
    <partnrid/>
    <partnridx/>
    <partner_code/>
    <address1>Sold to add1</address1>
    <address2>Sold to add2</address2>
    <address3>Sold to add3</address3>
    <address4>Sold to add4</address4>
    <address5/>
    <city>Sold to city</city>
    <state_or_province>Sold to State</state_or_province>
    <country code="IN" name="IN"/>
    <postal_code/>
    <contact_name>Gb sold to contact first Gb sold to contact last</contact_name>
    <email/>
    <phone/>
    <fax/>
    <web/>
    <ORACLE.PARTY_ID>586929</ORACLE.PARTY_ID>
    <ORACLE.PARTY_NUMBER>64683</ORACLE.PARTY_NUMBER>
    <ORACLE.SITE_NUMBER>29704</ORACLE.SITE_NUMBER>
    <ORACLE.CONTACT_PARTY_ID>592929</ORACLE.CONTACT_PARTY_ID>
    <ORACLE.CONTACT_PARTY_NUMBER>64763</ORACLE.CONTACT_PARTY_NUMBER>
    <addl_info>
        <info name="" index="1"/>
        <info name="" index="2"/>
        <info name="" index="3"/>
        <info name="" index="4"/>
        <info name="" index="5"/>
        <info name="" index="6"/>
        <info name="" index="7"/>
        <info name="" index="8"/>
        <info name="" index="9"/>
        <info name="" index="10"/>
        <info name="" index="11"/>
        <info name="" index="12"/>
        <info name="" index="13"/>
        <info name="" index="14"/>
        <info name="" index="15"/>
    </addl_info>
</party>
</order_line>
</request>

```

## Sample Oracle Global Trade Management XML

```
<Transmission xmlns="http://xmlns.oracle.com/apps/otm">
  <TransmissionHeader xmlns="">
    <IsProcessInSequence>Y</IsProcessInSequence>
    <ProcessGrouping>
      <ProcessGroup>5188</ProcessGroup>
      <InSequence>Y</InSequence>
    </ProcessGrouping>
  </TransmissionHeader>
  <TransmissionBody>
    <GLogXMLElement>
      <Location>
        <TransactionCode>IU</TransactionCode>
        <LocationGid xmlns="">
          <Gid>
            <Xid>M2</Xid>
            <DomainName>GUEST</DomainName>
          </Gid>
        </LocationGid>
        <IsTemplate>Y</IsTemplate>
        <Address>
          <AddressLines>
            <SequenceNumber>1</SequenceNumber>
            <AddressLine>393 Berkeley Street</AddressLine>
          </AddressLines>
          <City>Boston</City>
          <PostalCode>02116-3321</PostalCode>
          <Province>MA</Province>
          <CountryCode3Gid>
            <Gid>
              <Xid>US</Xid>
            </Gid>
          </CountryCode3Gid>
        </Address>
      </Location>
    </GLogXMLElement>
    <GLogXMLElement>
      <Contact>
        <TransactionCode>IU</TransactionCode>
        <ContactGid xmlns="">
          <Gid>
            <Xid>M2</Xid>
            <DomainName>GUEST</DomainName>
          </Gid>
        </ContactGid>
        <CompanyName>Boston Manufacturing</CompanyName>
        <LocationGid>
          <Gid>
            <Xid>M2</Xid>
            <DomainName>GUEST</DomainName>
          </Gid>
        </LocationGid>
      </Contact>
    </GLogXMLElement>
    <GLogXMLElement>
      <GtmTransaction xmlns="http://xmlns.oracle.com/apps/gtm">
        <TransactionCode>IU</TransactionCode>
      </GtmTransaction>
    </GLogXMLElement>
  </TransmissionBody>
</Transmission>
```

```

<GtmTransactionGid xmlns="">
  <Gid>
    <Xid>5188_0</Xid>
    <DomainName>GUEST</DomainName>
  </Gid>
</GtmTransactionGid>
<GtmTransactionLine>
  <GtmTransactionLineGid>
    <Gid>
      <Xid>368857_0</Xid>
      <DomainName>GUEST</DomainName>
    </Gid>
  </GtmTransactionLineGid>
  <TransactionCode>IU</TransactionCode>
  <ItemGid>
    <Gid>
      <Xid>500919</Xid>
      <DomainName>GUEST</DomainName>
    </Gid>
  </ItemGid>
  <LineObjectGid>
    <Gid>
      <Xid>2_1</Xid>
    </Gid>
  </LineObjectGid>
  <Currency>
    <GtmCurrencyTypeGid>
      <Gid>
        <Xid>PRICE PER UNIT</Xid>
      </Gid>
    </GtmCurrencyTypeGid>
    <CurrencyValue>
      <FinancialAmount>

<GlobalCurrencyCode>USD</GlobalCurrencyCode>

<MonetaryAmount>15</MonetaryAmount>
      </FinancialAmount>
    </CurrencyValue>
  </Currency>

  <Quantity>
    <QuantityTypeGid>
      <Gid>
        <Xid>EBS QUANTITY</Xid>
      </Gid>
    </QuantityTypeGid>
    <QuantityValue>2</QuantityValue>
    <UOM>Ea</UOM>
  </Quantity>
  <Remark>
    <RemarkQualifierGid>
      <Gid>
        <Xid>LINE_NUMBER</Xid>
      </Gid>
    </RemarkQualifierGid>
    <RemarkText>2</RemarkText>
  </Remark>
</Remark>

```



```

        <RemarkQualifierGid>
            <Gid>
                <Xid>EBS_REFERENCE_KEY</Xid>
            </Gid>
        </RemarkQualifierGid>

<RemarkText>109002~OM_EXPORT_COMPLIANCE~41</RemarkText>
</Remark>
<Remark>
    <RemarkQualifierGid>
        <Gid>
            <Xid>EBS_TRANSACTION_KEY</Xid>
        </Gid>
    </RemarkQualifierGid>
    <RemarkText>109002~5104-ITM Only-2</RemarkText>
</Remark>
<InvolvedParty>
    <InvolvedPartyQualifierGid>
        <Gid>
            <Xid>SHIP_FROM</Xid>
        </Gid>
    </InvolvedPartyQualifierGid>
    <ContactRef>
        <ContactGid>
            <Gid>

<DomainName>GUEST</DomainName>
                <Xid>M2</Xid>
            </Gid>
        </ContactGid>
    </ContactRef>
</InvolvedParty>
<InvolvedParty>
    <InvolvedPartyQualifierGid>
        <Gid>
            <Xid>SHIP_TO</Xid>
        </Gid>
    </InvolvedPartyQualifierGid>
    <ContactRef>
        <ContactGid>
            <Gid>

<DomainName>GUEST</DomainName>
                <Xid>64723</Xid>
            </Gid>
        </ContactGid>
    </ContactRef>
</InvolvedParty>
<InvolvedParty>
    <InvolvedPartyQualifierGid>
        <Gid>
            <Xid>DELIVER_TO</Xid>
        </Gid>
    </InvolvedPartyQualifierGid>
    <ContactRef>
        <ContactGid>
            <Gid>

```

```

<DomainName>GUEST</DomainName>
                                <Xid>64743</Xid>
                                </Gid>
                                </ContactGid>
                                </ContactRef>
</InvolvedParty>
<InvolvedParty>
    <InvolvedPartyQualifierGid>
        <Gid>
            <Xid>BILL_TO</Xid>
        </Gid>
    </InvolvedPartyQualifierGid>
    <ContactRef>
        <ContactGid>
            <Gid>

<DomainName>GUEST</DomainName>
                                <Xid>64703</Xid>
                                </Gid>
                                </ContactGid>
                                </ContactRef>
</InvolvedParty>
<InvolvedParty>
    <InvolvedPartyQualifierGid>
        <Gid>
            <Xid>SOLD_TO</Xid>
        </Gid>
    </InvolvedPartyQualifierGid>
    <ContactRef>
        <ContactGid>
            <Gid>

<DomainName>GUEST</DomainName>
                                <Xid>64763</Xid>
                                </Gid>
                                </ContactGid>
                                </ContactRef>
</InvolvedParty>
<InvolvedParty>
    <InvolvedPartyQualifierGid>
        <Gid>
            <Xid>END_CUSTOMER</Xid>
        </Gid>
    </InvolvedPartyQualifierGid>
    <ContactRef>
        <ContactGid>
            <Gid>

<DomainName>GUEST</DomainName>
                                <Xid>CONTACT-1621</Xid>
                                </Gid>
                                </ContactGid>
                                </ContactRef>
</InvolvedParty>
</GtmTransactionLine>
<ExportDate>
    <GLogDate>20100504231815</GLogDate>

```

```

        <TZId>UTC</TZId>
    </ExportDate>
</GtmTransaction>
</GLogXMLElement>
<GLogXMLElement>
    <Location>
        <TransactionCode>IU</TransactionCode>
        <LocationGid xmlns="">
            <Gid>
                <Xid>M2</Xid>
                <DomainName>GUEST</DomainName>
            </Gid>
        </LocationGid>
        <IsTemplate>Y</IsTemplate>
        <Address>
            <AddressLines>
                <SequenceNumber>1</SequenceNumber>
                <AddressLine>393 Berkeley Street</AddressLine>
            </AddressLines>
            <City>Boston</City>
            <PostalCode>02116-3321</PostalCode>
            <Province>MA</Province>
            <CountryCode3Gid>
                <Gid>
                    <Xid>US</Xid>
                </Gid>
            </CountryCode3Gid>
        </Address>
    </Location>
</GLogXMLElement>
<GLogXMLElement>
    <Contact>
        <TransactionCode>IU</TransactionCode>
        <ContactGid xmlns="">
            <Gid>
                <Xid>M2</Xid>
                <DomainName>GUEST</DomainName>
            </Gid>
        </ContactGid>
        <CompanyName>Boston Manufacturing</CompanyName>
        <LocationGid>
            <Gid>
                <Xid>M2</Xid>
                <DomainName>GUEST</DomainName>
            </Gid>
        </LocationGid>
    </Contact>
</GLogXMLElement>
<GLogXMLElement>
    <GtmTransaction xmlns="http://xmlns.oracle.com/apps/gtm">
        <TransactionCode>IU</TransactionCode>
        <GtmTransactionGid xmlns="">
            <Gid>
                <Xid>5188_0</Xid>
                <DomainName>GUEST</DomainName>
            </Gid>
        </GtmTransactionGid>
    </GtmTransaction>

```

```

<GtmTransactionLine>
  <GtmTransactionLineGid>
    <Gid>
      <Xid>368916_0</Xid>
      <DomainName>GUEST</DomainName>
    </Gid>
  </GtmTransactionLineGid>
  <TransactionCode>IU</TransactionCode>
  <ItemGid>
    <Gid>
      <Xid>500916</Xid>
      <DomainName>GUEST</DomainName>
    </Gid>
  </ItemGid>
  <ParentTransactionLineGid>
    <Gid>
      <Xid>368857_0</Xid>
      <DomainName>GUEST</DomainName>
    </Gid>
  </ParentTransactionLineGid>
  <LineObjectGid>
    <Gid>
      <Xid>2_1__1</Xid>
    </Gid>
  </LineObjectGid>
  <Currency>
    <GtmCurrencyTypeGid>
      <Gid>
        <Xid>PRICE PER UNIT</Xid>
      </Gid>
    </GtmCurrencyTypeGid>
    <CurrencyValue>
      <FinancialAmount>

<GlobalCurrencyCode>USD</GlobalCurrencyCode>

<MonetaryAmount>0</MonetaryAmount>

      </FinancialAmount>
    </CurrencyValue>
  </Currency>
  <Quantity>
    <QuantityValue>2</QuantityValue>
    <UOM>Ea</UOM>
  </Quantity>
  <Remark>
    <RemarkQualifierGid>
      <Gid>
        <Xid>LINE_NUMBER</Xid>
      </Gid>
    </RemarkQualifierGid>
    <RemarkText>2</RemarkText>
  </Remark>
  <Remark>
    <RemarkQualifierGid>
      <Gid>

```

```

                </Gid>
                </RemarkQualifierGid>
<RemarkText>109003~OM_EXPORT_COMPLIANCE~41</RemarkText>
                </Remark>
                <Remark>
                    <RemarkQualifierGid>
                        <Gid>
                            </Gid>
                            </RemarkQualifierGid>
                            <RemarkText>109003~5104-ITM Only-
2</RemarkText>
                </Remark>
                <InvolvedParty>
                    <InvolvedPartyQualifierGid>
                        <Gid>
                            <Xid>SHIP_FROM</Xid>
                        </Gid>
                    </InvolvedPartyQualifierGid>
                    <ContactRef>
                        <ContactGid>
                            <Gid>
                                <DomainName>GUEST</DomainName>
                                    <Xid>M2</Xid>
                                </Gid>
                            </ContactGid>
                        </ContactRef>
                    </InvolvedParty>
                    <InvolvedParty>
                        <InvolvedPartyQualifierGid>
                            <Gid>
                                <Xid>SHIP_TO</Xid>
                            </Gid>
                        </InvolvedPartyQualifierGid>
                        <ContactRef>
                            <ContactGid>
                                <Gid>
                                    <DomainName>GUEST</DomainName>
                                        <Xid>64723</Xid>
                                    </Gid>
                                </ContactGid>
                            </ContactRef>
                        </InvolvedParty>
                        <InvolvedParty>
                            <InvolvedPartyQualifierGid>
                                <Gid>
                                    <Xid>DELIVER_TO</Xid>
                                </Gid>
                            </InvolvedPartyQualifierGid>
                            <ContactRef>
                                <ContactGid>
                                    <Gid>
                                        <DomainName>GUEST</DomainName>

```

```

<Xid>29684_PS</Xid>
                                </Gid>
                                </ContactGid>
                                </ContactRef>
</InvolvedParty>
<InvolvedParty>
    <InvolvedPartyQualifierGid>
        <Gid>
            <Xid>BILL_TO</Xid>
        </Gid>
    </InvolvedPartyQualifierGid>
    <ContactRef>
        <ContactGid>
            <Gid>

<DomainName>GUEST</DomainName>

<Xid>29644_PS</Xid>
                                </Gid>
                                </ContactGid>
                                </ContactRef>
</InvolvedParty>
<InvolvedParty>
    <InvolvedPartyQualifierGid>
        <Gid>
            <Xid>SOLD_TO</Xid>
        </Gid>
    </InvolvedPartyQualifierGid>
    <ContactRef>
        <ContactGid>
            <Gid>

<DomainName>GUEST</DomainName>
                                <Xid>64763</Xid>
                                </Gid>
                                </ContactGid>
                                </ContactRef>
                                </InvolvedParty>
</GtmTransactionLine>
<ExportDate>
    <GLogDate>20100504231815</GLogDate>
    <TZId>UTC</TZId>
</ExportDate>
</GtmTransaction>
</GLogXMLElement>
<GLogXMLElement>
    <Location>
        <TransactionCode>IU</TransactionCode>
        <LocationGid xmlns="">
            <Gid>
                <Xid>M2</Xid>
                <DomainName>GUEST</DomainName>
            </Gid>
        </LocationGid>
        <IsTemplate>Y</IsTemplate>
        <Address>
            <AddressLines>

```

```

                <SequenceNumber>1</SequenceNumber>
                <AddressLine>393 Berkeley Street</AddressLine>
            </AddressLines>
            <City>Boston</City>
            <PostalCode>02116-3321</PostalCode>
            <Province>MA</Province>
            <CountryCode3Gid>
                <Gid>
                    <Xid>US</Xid>
                </Gid>
            </CountryCode3Gid>
        </Address>
    </Location>
</GLogXMLElement>
<GLogXMLElement>
    <Contact>
        <TransactionCode>IU</TransactionCode>
        <ContactGid xmlns="">
            <Gid>
                <Xid>M2</Xid>
                <DomainName>GUEST</DomainName>
            </Gid>
        </ContactGid>
        <CompanyName>Boston Manufacturing</CompanyName>
        <LocationGid>
            <Gid>
                <Xid>M2</Xid>
                <DomainName>GUEST</DomainName>
            </Gid>
        </LocationGid>
    </Contact>
</GLogXMLElement>
<GLogXMLElement>
    <GtmTransaction xmlns="http://xmlns.oracle.com/apps/gtm">
        <TransactionCode>IU</TransactionCode>
        <GtmTransactionGid xmlns="">
            <Gid>
                <Xid>5188_0</Xid>
                <DomainName>GUEST</DomainName>
            </Gid>
        </GtmTransactionGid>
        <GtmTransactionLine>
            <GtmTransactionLineGid>
                <Gid>
                    <Xid>368917_0</Xid>
                    <DomainName>GUEST</DomainName>
                </Gid>
            </GtmTransactionLineGid>
            <TransactionCode>IU</TransactionCode>
            <ItemGid>
                <Gid>
                    <Xid>500915</Xid>
                    <DomainName>GUEST</DomainName>
                </Gid>
            </ItemGid>
            <ParentTransactionLineGid>
                <Gid>
                    <Xid>368917_0</Xid>

```

```

                <DomainName>GUEST</DomainName>
            </Gid>
        </ParentTransactionLineGid>
    <LineObjectGid>
        <Gid>
            <Xid>2_1__2</Xid>
        </Gid>
    </LineObjectGid>
    <Currency>
        <GtmCurrencyTypeGid>
            <Gid>
                <Xid>PRICE PER UNIT</Xid>
            </Gid>
        </GtmCurrencyTypeGid>
        <CurrencyValue>
            <FinancialAmount>

<GlobalCurrencyCode>USD</GlobalCurrencyCode>

<MonetaryAmount>0</MonetaryAmount>

                </FinancialAmount>
            </CurrencyValue>
        </Currency>
    <Quantity>
        <QuantityValue>2</QuantityValue>
        <UOM>Ea</UOM>
    </Quantity>
    <Remark>
        <RemarkQualifierGid>
            <Gid>
                <Xid>LINE_NUMBER</Xid>
            </Gid>
        </RemarkQualifierGid>
        <RemarkText>2</RemarkText>
    </Remark>
    <Remark>
        <RemarkQualifierGid>
            <Gid>

<Xid>EBS_REFERENCE_KEY</Xid>

                </Gid>
            </RemarkQualifierGid>

<RemarkText>109004~OM_EXPORT_COMPLIANCE~41</RemarkText>
        </Remark>
    <Remark>
        <RemarkQualifierGid>
            <Gid>

<Xid>EBS_TRANSACTION_KEY</Xid>

                </Gid>
            </RemarkQualifierGid>
        <RemarkText>109004~5104-ITM Only-
2</RemarkText>

    </Remark>
    <InvolvedParty>
        <InvolvedPartyQualifierGid>
            <Gid>

```



```

                <Xid>SHIP_FROM</Xid>
            </Gid>
        </InvolvedPartyQualifierGid>
    <ContactRef>
        <ContactGid>
            <Gid>

<DomainName>GUEST</DomainName>

                <Xid>M2</Xid>
            </Gid>
        </ContactGid>
    </ContactRef>
</InvolvedParty>
<InvolvedParty>
    <InvolvedPartyQualifierGid>
        <Gid>
            <Xid>SHIP_TO</Xid>
        </Gid>
    </InvolvedPartyQualifierGid>
    <ContactRef>
        <ContactGid>
            <Gid>

<DomainName>GUEST</DomainName>

                <Xid>64723</Xid>
            </Gid>
        </ContactGid>
    </ContactRef>
</InvolvedParty>
<InvolvedParty>
    <InvolvedPartyQualifierGid>
        <Gid>
            <Xid>DELIVER_TO</Xid>
        </Gid>
    </InvolvedPartyQualifierGid>
    <ContactRef>
        <ContactGid>
            <Gid>

<DomainName>GUEST</DomainName>

<Xid>29684_PS</Xid>

                </Gid>
            </ContactGid>
        </ContactRef>
    </InvolvedParty>
<InvolvedParty>
    <InvolvedPartyQualifierGid>
        <Gid>
            <Xid>BILL_TO</Xid>
        </Gid>
    </InvolvedPartyQualifierGid>
    <ContactRef>
        <ContactGid>
            <Gid>

<DomainName>GUEST</DomainName>

```

```

<Xid>29644_PS</Xid>
                                </Gid>
                                </ContactGid>
                                </ContactRef>
</InvolvedParty>
<InvolvedParty>
    <InvolvedPartyQualifierGid>
        <Gid>
            <Xid>SOLD_TO</Xid>
        </Gid>
    </InvolvedPartyQualifierGid>
    <ContactRef>
        <ContactGid>
            <Gid>
                <Xid>64763</Xid>
            </Gid>
        </ContactGid>
    </ContactRef>
</InvolvedParty>
</GtmTransactionLine>
</GtmTransactionLine>
<ExportDate>
    <GLogDate>20100504231815</GLogDate>
    <TZId>UTC</TZId>
</ExportDate>
</GtmTransaction>
</GLogXMLElement>
</TransmissionBody>
</Transmission>

```

## Delivery Compliance

### Sample Oracle E-Business Suite XML

```

<?xml version="1.0" encoding = "UTF-8"?><SHOW_SHIPMENT_005>
  <CNTRLAREA>
    <BSR>
      <VERB>SHOW</VERB>
      <NOUN>SHIPMENT</NOUN>
      <REVISION>002</REVISION>
    </BSR>
    <SENDER>
      <LOGICALID>ORACLE</LOGICALID>
      <COMPONENT>ITM Application</COMPONENT>
      <TASK>SSNO</TASK>
      <REFERENCEID>77001~WSH_EXPORT_COMPLIANCE~21</REFERENCEID>
      <CONFIRMATION>Y</CONFIRMATION>
      <LANGUAGE>US</LANGUAGE>
      <CODEPAGE>AL32UTF8</CODEPAGE>
      <AUTHID>Srini-welcome</AUTHID>
    </SENDER>
    <DATETIME qualifier="CREATION">
      <YEAR>2010</YEAR>
      <MONTH>04</MONTH>

```

```

    <DAY>14</DAY>
    <HOUR>01</HOUR>
    <MINUTE>57</MINUTE>
    <SECOND>46</SECOND>
    <SUBSECOND>0000</SUBSECOND>
    <TIMEZONE/>
  </DATETIME>
</CNTROLAREA>
<DATAAREA>
  <SHOW_SHIPMENT>
    <SHIPMENT>
      <DATETIME qualifier="DOCUMENT">
        <YEAR>2010</YEAR>
        <MONTH>04</MONTH>
        <DAY>14</DAY>
        <HOUR>01</HOUR>
        <MINUTE>57</MINUTE>
        <SECOND>43</SECOND>
        <SUBSECOND>0000</SUBSECOND>
        <TIMEZONE/>
      </DATETIME>
      <DATETIME qualifier="CREATION">
        <YEAR>2010</YEAR>
        <MONTH>04</MONTH>
        <DAY>14</DAY>
        <HOUR>01</HOUR>
        <MINUTE>56</MINUTE>
        <SECOND>54</SECOND>
        <SUBSECOND>0000</SUBSECOND>
        <TIMEZONE/>
      </DATETIME>
      <DATETIME qualifier="ACTUAL_ARRIVAL">
        <YEAR/>
        <MONTH/>
        <DAY/>
        <HOUR/>
        <MINUTE/>
        <SECOND/>
        <SUBSECOND>0000</SUBSECOND>
        <TIMEZONE/>
      </DATETIME>
      <DATETIME qualifier="ULTIMATE_DROPOFF">
        <YEAR>2010</YEAR>
        <MONTH>04</MONTH>
        <DAY>26</DAY>
        <HOUR>01</HOUR>
        <MINUTE>03</MINUTE>
        <SECOND>25</SECOND>
        <SUBSECOND>0000</SUBSECOND>
        <TIMEZONE/>
      </DATETIME>
      <DATETIME qualifier="ACTUAL_DEPARTURE">
        <YEAR/>
        <MONTH/>
        <DAY/>
        <HOUR/>
        <MINUTE/>
        <SECOND/>

```

```

        <SUBSECOND>0000</SUBSECOND>
        <TIMEZONE/>
    </DATETIME>
    <DATETIME qualifier="INITIAL_PICKUP">
        <YEAR>2010</YEAR>
        <MONTH>04</MONTH>
        <DAY>26</DAY>
        <HOUR>01</HOUR>
        <MINUTE>03</MINUTE>
        <SECOND>25</SECOND>
        <SUBSECOND>0000</SUBSECOND>
        <TIMEZONE/>
    </DATETIME>
    <QUANTITY qualifier="ESTIMATED_WEIGHT">
        <VALUE>60</VALUE>
        <NUMOFDEC/>
        <SIGN/>
        <UOM>Lbs</UOM>
    </QUANTITY>
    <QUANTITY qualifier="LOADING_WEIGHT">
        <VALUE>0</VALUE>
        <NUMOFDEC/>
        <SIGN/>
        <UOM>Lbs</UOM>
    </QUANTITY>
    <QUANTITY qualifier="NET_WEIGHT">
        <VALUE>60</VALUE>
        <NUMOFDEC/>
        <SIGN/>
        <UOM>Lbs</UOM>
    </QUANTITY>
    <QUANTITY qualifier="SHIP_UNIT">
        <VALUE/>
        <NUMOFDEC/>
        <SIGN/>
        <UOM/>
    </QUANTITY>
    <QUANTITY qualifier="TOTAL_WEIGHT">
        <VALUE>60</VALUE>
        <NUMOFDEC/>
        <SIGN/>
        <UOM>Lbs</UOM>
    </QUANTITY>
    <QUANTITY qualifier="VOLUME">
        <VALUE>3.88</VALUE>
        <NUMOFDEC/>
        <SIGN/>
        <UOM>FT3</UOM>
    </QUANTITY>
    <AMOUNT qualifier="FREIGHT">
        <VALUE>100</VALUE>
        <NUMOFDESC/>
        <SIGN/>
        <CURRENCY>USD</CURRENCY>
        <DRCR/>
    </AMOUNT>
    <DOCUMENTID>512171</DOCUMENTID>
    <SHIPPERID>M2- Boston</SHIPPERID>

```

```

<SYNCID>A</SYNCID>
<CARRIER/>
<CARRSRVLVL/>
<COUNTRYDST>US</COUNTRYDST>
<DESCRIPTN/>
<DOCTYPE>SS</DOCTYPE>
<DOCUMENTRV>001</DOCUMENTRV>
<SHIPPOINT>24048</SHIPPOINT>
<SHIPSRVLVL/>
<TRANSMETHD>TL</TRANSMETHD>
<TRANSTERMS/>
<WAREHOUSE>M2</WAREHOUSE>
<USERAREA>
  <ORACLE.SHOW_SHIPMENT_005.SHIPMENT.USERAREA>
    <ORACLE.DELIVERY_NAME>3155212</ORACLE.DELIVERY_NAME>
    <ORACLE.TRIGGERING_POINT>PICK_RELEASE</ORACLE.TRIGGERING_POINT>
    <ORACLE.LOADING_SEQUENCE/>
    <ORACLE.VEHICLE_NUM_PREFIX/>
    <ORACLE.VEHICLE_NUMBER/>
    <ORACLE.ROUTE_ID/>
    <ORACLE.ROUTING_INSTRUCTIONS/>
    <ORACLE.DEPARTURE_SEAL_CODE/>
    <ORACLE.ORIG_DOCID/>
    <ORACLE.CUSTOMER_NAME>Bhargava LTD.</ORACLE.CUSTOMER_NAME>
    <ORACLE.CUSTOMER_NUMBER>9717</ORACLE.CUSTOMER_NUMBER>
    <ORACLE.WAYBILL/>
    <ORACLE.SHIP_METHOD_CODE/>
    <ORACLE.ATTRIBUTE1_NAME/>
    <ORACLE.ATTRIBUTE2_NAME/>
    <ORACLE.ATTRIBUTE3_NAME/>
    <ORACLE.ATTRIBUTE4_NAME/>
    <ORACLE.ATTRIBUTE5_NAME/>
    <ORACLE.ATTRIBUTE6_NAME/>
    <ORACLE.ATTRIBUTE7_NAME/>
    <ORACLE.ATTRIBUTE8_NAME/>
    <ORACLE.ATTRIBUTE9_NAME/>
    <ORACLE.ATTRIBUTE10_NAME/>
    <ORACLE.ATTRIBUTE11_NAME/>
    <ORACLE.ATTRIBUTE12_NAME/>
    <ORACLE.ATTRIBUTE13_NAME/>
    <ORACLE.ATTRIBUTE14_NAME/>
    <ORACLE.ATTRIBUTE15_NAME/>
    <ORACLE.ATTRIBUTE1_VALUE/>
    <ORACLE.ATTRIBUTE2_VALUE/>
    <ORACLE.ATTRIBUTE3_VALUE/>
    <ORACLE.ATTRIBUTE4_VALUE/>
    <ORACLE.ATTRIBUTE5_VALUE/>
    <ORACLE.ATTRIBUTE6_VALUE/>
    <ORACLE.ATTRIBUTE7_VALUE/>
    <ORACLE.ATTRIBUTE8_VALUE/>
    <ORACLE.ATTRIBUTE9_VALUE/>
    <ORACLE.ATTRIBUTE10_VALUE/>
    <ORACLE.ATTRIBUTE11_VALUE/>
    <ORACLE.ATTRIBUTE12_VALUE/>
    <ORACLE.ATTRIBUTE13_VALUE/>
    <ORACLE.ATTRIBUTE14_VALUE/>
    <ORACLE.ATTRIBUTE15_VALUE/>
    <ORACLE.DESRIPTIVE_FLEXFIELD>

```

```

        <ORACLE.ATTRIBUTE_CATEGORY/>
        <ORACLE.ATTRIBUTE1/>
        <ORACLE.ATTRIBUTE2/>
        <ORACLE.ATTRIBUTE3/>
        <ORACLE.ATTRIBUTE4/>
        <ORACLE.ATTRIBUTE5/>
        <ORACLE.ATTRIBUTE6/>
        <ORACLE.ATTRIBUTE7/>
        <ORACLE.ATTRIBUTE8/>
        <ORACLE.ATTRIBUTE9/>
        <ORACLE.ATTRIBUTE10/>
        <ORACLE.ATTRIBUTE11/>
        <ORACLE.ATTRIBUTE12/>
        <ORACLE.ATTRIBUTE13/>
        <ORACLE.ATTRIBUTE14/>
        <ORACLE.ATTRIBUTE15/>
    </ORACLE.DESRIPTIVE_FLEXFIELD>
</ORACLE.SHOW_SHIPMENT_005.SHIPMENT.USERAREA>
</USERAREA>
<PARTNER>
    <NAME>Boston Manufacturing</NAME>
    <PARTNRTYPE>SHIP_FROM</PARTNRTYPE>
    <PARTNER_CODE>M2</PARTNER_CODE>
    <CURRENCY/>
    <DUNS_NUMBER>0</DUNS_NUMBER>
    <PARTNIDX>0</PARTNIDX>
    <USERAREA>
        <ORACLE.SHOW_SHIPMENT_005.SHIPMENT.PARTNER.USERAREA>
            <ORACLE.PARTNER_SITE_USE_ID/>
            <ORACLE.POOLED_SHIP_TO_LOCATION/>
            <ORACLE.INTMED_SHIP_TO_LOCATION/>
        </ORACLE.SHOW_SHIPMENT_005.SHIPMENT.PARTNER.USERAREA>
    </USERAREA>
<ADDRESS>
    <ADDRLINE index="1">393 Berkeley Street</ADDRLINE>
    <ADDRLINE index="2"/>
    <ADDRLINE index="3"/>
    <ADDRLINE index="4"/>
    <ADDRTYPE/>
    <CITY>Boston</CITY>
    <COUNTRY>US</COUNTRY>
    <COUNTY/>
    <POSTALCODE>02116-3321</POSTALCODE>
    <REGION/>
    <STATEPROVN>MA</STATEPROVN>
</ADDRESS>
<CONTACT>
    <FAX/>
    <TELEPHONE/>
    <URL/>
</CONTACT>
<DOCUMNTREF>
    <DOCTYPE>SHIPMENTREQUEST</DOCTYPE>
    <DOCUMENTID/>
    <PARTNRID>M2</PARTNRID>
</DOCUMNTREF>
</PARTNER>
<PARTNER>

```

```

<NAME>Bhargava LTD.</NAME>
<PARTNRTYPE>BILL_TO</PARTNRTYPE>
<PARTNER_CODE>24068</PARTNER_CODE>
<CURRENCY/>
<DUNS_NUMBER/>
<PARTNIDX/>
<USERAREA>
  <ORACLE.SHOW_SHIPMENT_005.SHIPMENT.PARTNER.USERAREA>
    <ORACLE.PARTNER_SITE_USE_ID>24067</ORACLE.PARTNER_SITE_USE_ID>
    <ORACLE.POOLED_SHIP_TO_LOCATION/>
    <ORACLE.INTMED_SHIP_TO_LOCATION/>
    <ORACLE.PARTY_ID>586929</ORACLE.PARTY_ID>
    <ORACLE.PARTY_NUMBER>64683</ORACLE.PARTY_NUMBER>
    <ORACLE.SITE_NUMBER>29664</ORACLE.SITE_NUMBER>
  </ORACLE.SHOW_SHIPMENT_005.SHIPMENT.PARTNER.USERAREA>
</USERAREA>
<ADDRESS>
  <ADDRLINE index="1">Add Ship to1</ADDRLINE>
  <ADDRLINE index="2">Add Ship to2</ADDRLINE>
  <ADDRLINE index="3">Add Ship to3</ADDRLINE>
  <ADDRLINE index="4">Add Ship to4</ADDRLINE>
  <ADDRTYPE/>
  <CITY>City ship to</CITY>
  <COUNTRY>IN</COUNTRY>
  <COUNTY>Country ship to</COUNTY>
  <POSTALCODE/>
  <REGION/>
  <STATEPROVN>State ship to</STATEPROVN>
</ADDRESS>
<CONTACT>
  <FAX>ship to fax</FAX>
  <TELEPHONE>ship to telephone</TELEPHONE>
  <URL/>
</CONTACT>
<DOCUMNTREF>
  <DOCTYPE>SHIPMENTREQUEST</DOCTYPE>
  <DOCUMENTID/>
  <PARTNRID>24068</PARTNRID>
</DOCUMNTREF>
</PARTNER>
<PARTNER>
  <NAME>Bhargava LTD.</NAME>
  <PARTNRTYPE>SHIP_TO</PARTNRTYPE>
  <PARTNER_CODE>24048</PARTNER_CODE>
  <CURRENCY/>
  <DUNS_NUMBER/>
  <PARTNIDX/>
  <USERAREA>
    <ORACLE.SHOW_SHIPMENT_005.SHIPMENT.PARTNER.USERAREA>
      <ORACLE.PARTNER_SITE_USE_ID>24047</ORACLE.PARTNER_SITE_USE_ID>
      <ORACLE.POOLED_SHIP_TO_LOCATION/>
      <ORACLE.INTMED_SHIP_TO_LOCATION/>
      <ORACLE.PARTY_ID>586929</ORACLE.PARTY_ID>
      <ORACLE.PARTY_NUMBER>64683</ORACLE.PARTY_NUMBER>
      <ORACLE.SITE_NUMBER>29664</ORACLE.SITE_NUMBER>
    </ORACLE.SHOW_SHIPMENT_005.SHIPMENT.PARTNER.USERAREA>
  </USERAREA>
  <ADDRESS>

```

```

    <ADDRLINE index="1">Add Ship to1</ADDRLINE>
    <ADDRLINE index="2">Add Ship to2</ADDRLINE>
    <ADDRLINE index="3">Add Ship to3</ADDRLINE>
    <ADDRLINE index="4">Add Ship to4</ADDRLINE>
    <ADDRTYPE/>
    <CITY>City ship to</CITY>
    <COUNTRY>IN</COUNTRY>
    <COUNTY>Country ship to</COUNTY>
    <POSTALCODE/>
    <REGION/>
    <STATEPROVN>State ship to</STATEPROVN>
  </ADDRESS>
  <CONTACT>
    <FAX>ship to fax</FAX>
    <TELEPHONE>ship to telephone</TELEPHONE>
    <URL/>
  </CONTACT>
  <DOCUMNTREF>
    <DOCTYPE>SHIPMENTREQUEST</DOCTYPE>
    <DOCUMENTID/>
    <PARTNRID>24048</PARTNRID>
  </DOCUMNTREF>
</PARTNER>
<SHIPITEM>
  <QUANTITY qualifier="ITEM">
    <VALUE>2</VALUE>
    <NUMOFDEC/>
    <SIGN/>
    <UOM>Ea</UOM>
  </QUANTITY>
  <QUANTITY qualifier="BACKORDERED">
    <VALUE>2</VALUE>
    <NUMOFDEC/>
    <SIGN/>
    <UOM>Ea</UOM>
  </QUANTITY>
  <QUANTITY qualifier="ORDERED">
    <VALUE>2</VALUE>
    <NUMOFDEC/>
    <SIGN/>
    <UOM>Ea</UOM>
  </QUANTITY>
  <QUANTITY qualifier="SHIPPED">
    <VALUE/>
    <NUMOFDEC/>
    <SIGN/>
    <UOM>Ea</UOM>
  </QUANTITY>
  <QUANTITY qualifier="VOLUME">
    <VALUE>3.88</VALUE>
    <NUMOFDEC/>
    <SIGN/>
    <UOM>FT3</UOM>
  </QUANTITY>
  <QUANTITY qualifier="WEIGHT">
    <VALUE>60</VALUE>
    <NUMOFDEC/>
    <SIGN/>

```



```

    <UOM>Lbs</UOM>
  </QUANTITY>
  <ITEM>AS54888.</ITEM>
  <ITEM_ID>149</ITEM_ID>
  <COUNTRYORG/>
  <FRGHTCLS/>
  <HAZRDMATL/>
  <ITEMDESC>Sentinel Standard Desktop</ITEMDESC>
  <ITEMRV/>
  <ITEMX/>
  <NOTES/>
  <OWNRSHPCDE/>
  <PARTIALSHP>0</PARTIALSHP>
  <SHIPNOTES/>
  <USERAREA>
    <ORACLE.SHOW_SHIPMENT_005.SHIPMENT.SHIPITEM.USERAREA>
</ORACLE.DELIVERY_DETAIL_NUMBER>3492227</ORACLE.DELIVERY_DETAIL_NUMBER>
  <ORACLE.PARENT_DELIVERY_DETAIL_NUMBER/>
  <ORACLE.SHIP_TOLERANCE_ABOVE>0</ORACLE.SHIP_TOLERANCE_ABOVE>
  <ORACLE.SHIP_TOLERANCE_BELOW>0</ORACLE.SHIP_TOLERANCE_BELOW>
  <ORACLE.LOAD_SEQUENCE_NUMBER/>
  <ORACLE.SHIP_SET_NUMBER/>
  <ORACLE.SUBINVENTORY/>
  <ORACLE.ORDER_LINE_ID>367896</ORACLE.ORDER_LINE_ID>
  <ORACLE.LINE_NUMBER>1.1</ORACLE.LINE_NUMBER>
  <ORACLE.ORDER_NUMBER>5023</ORACLE.ORDER_NUMBER>
  <ORACLE.TOP_MODEL_LINE_NUMBER/>
  <ORACLE.SHIP_MODEL_COMPLETE_FLAG/>
  <ORACLE.COMMODITY_CODE_CATEGORY/>
  <ORACLE.SHIPMENT_PRIORITY_CODE/>
  <ORACLE.DELIVERY_TO_LOCATION>34592</ORACLE.DELIVERY_TO_LOCATION>
  <ORACLE.CUSTOMER_NAME>Bhargava LTD.</ORACLE.CUSTOMER_NAME>
  <ORACLE.CUSTOMER_NUMBER>9717</ORACLE.CUSTOMER_NUMBER>
  <ORACLE.DESRIPTIVE_FLEXFIELD>
    <ORACLE.ATTRIBUTE_CATEGORY/>
    <ORACLE.ATTRIBUTE1/>
    <ORACLE.ATTRIBUTE2/>
    <ORACLE.ATTRIBUTE3/>
    <ORACLE.ATTRIBUTE4/>
    <ORACLE.ATTRIBUTE5/>
    <ORACLE.ATTRIBUTE6/>
    <ORACLE.ATTRIBUTE7/>
    <ORACLE.ATTRIBUTE8/>
    <ORACLE.ATTRIBUTE9/>
    <ORACLE.ATTRIBUTE10/>
    <ORACLE.ATTRIBUTE11/>
    <ORACLE.ATTRIBUTE12/>
    <ORACLE.ATTRIBUTE13/>
    <ORACLE.ATTRIBUTE14/>
    <ORACLE.ATTRIBUTE15/>
  </ORACLE.DESRIPTIVE_FLEXFIELD>
  </ORACLE.SHOW_SHIPMENT_005.SHIPMENT.SHIPITEM.USERAREA>
</USERAREA>
  <DOCUMNTREF>
    <DOCTYPE>PURCHASEORDER</DOCTYPE>
    <DOCUMENTID/>
    <PARTNRID>34592</PARTNRID>

```

```

</DOCUMNTREF>
<INVDDETAIL>
  <QUANTITY qualifier="ITEM">
    <VALUE>2</VALUE>
    <NUMOFDEC/>
    <SIGN/>
    <UOM>Ea</UOM>
  </QUANTITY>
  <DESCRIPTN>Sentinel Standard Desktop</DESCRIPTN>
  <LOTLEVEL index="1"/>
  <LOTLEVEL index="2"/>
  <SERIALNUM/>
  <USERAREA>
    <ORACLE.SHOW_SHIPMENT_005.SHIPMENT.SHIPITEM.INVDDETAIL.USERAREA>
      <ORACLE.TO_SERIAL_NUMBER/>
      <ORACLE.PREFERRED_GRADE/>
    </ORACLE.SHOW_SHIPMENT_005.SHIPMENT.SHIPITEM.INVDDETAIL.USERAREA>
  </USERAREA>
</INVDDETAIL>
</SHIPITEM>
<SHIPITEM>
  <QUANTITY qualifier="ITEM">
    <VALUE>2</VALUE>
    <NUMOFDEC/>
    <SIGN/>
    <UOM>Ea</UOM>
  </QUANTITY>
  <QUANTITY qualifier="BACKORDERED">
    <VALUE>2</VALUE>
    <NUMOFDEC/>
    <SIGN/>
    <UOM>Ea</UOM>
  </QUANTITY>
  <QUANTITY qualifier="ORDERED">
    <VALUE>2</VALUE>
    <NUMOFDEC/>
    <SIGN/>
    <UOM>Ea</UOM>
  </QUANTITY>
  <QUANTITY qualifier="SHIPPED">
    <VALUE/>
    <NUMOFDEC/>
    <SIGN/>
    <UOM>Ea</UOM>
  </QUANTITY>
  <QUANTITY qualifier="VOLUME">
    <VALUE/>
    <NUMOFDEC/>
    <SIGN/>
    <UOM/>
  </QUANTITY>
  <QUANTITY qualifier="WEIGHT">
    <VALUE/>
    <NUMOFDEC/>
    <SIGN/>
    <UOM/>
  </QUANTITY>
<ITEM>FGItem1.</ITEM>

```

```

<ITEM_ID>500916</ITEM_ID>
<COUNTRYORG/>
<FRGHTCLS/>
<HAZRDMATL/>
<ITEMDESC>FG Item</ITEMDESC>
<ITEMRV/>
<ITEMX/>
<NOTES/>
<OWNRSHPCDE/>
<PARTIALSHP>0</PARTIALSHP>
<SHIPNOTES/>
<USERAREA>
  <ORACLE.SHOW_SHIPMENT_005.SHIPMENT.SHIPITEM.USERAREA>

<ORACLE.DELIVERY_DETAIL_NUMBER>3493228</ORACLE.DELIVERY_DETAIL_NUMBER>
  <ORACLE.PARENT_DELIVERY_DETAIL_NUMBER/>
  <ORACLE.SHIP_TOLERANCE_ABOVE>0</ORACLE.SHIP_TOLERANCE_ABOVE>
  <ORACLE.SHIP_TOLERANCE_BELOW>0</ORACLE.SHIP_TOLERANCE_BELOW>
  <ORACLE.LOAD_SEQUENCE_NUMBER/>
  <ORACLE.SHIP_SET_NUMBER/>
  <ORACLE.SUBINVENTORY/>
  <ORACLE.ORDER_LINE_ID>367916</ORACLE.ORDER_LINE_ID>
  <ORACLE.LINE_NUMBER>2.1.1</ORACLE.LINE_NUMBER>
  <ORACLE.ORDER_NUMBER>5023</ORACLE.ORDER_NUMBER>
  <ORACLE.TOP_MODEL_LINE_NUMBER>367897</ORACLE.TOP_MODEL_LINE_NUMBER>
  <ORACLE.SHIP_MODEL_COMPLETE_FLAG>N</ORACLE.SHIP_MODEL_COMPLETE_FLAG>
  <ORACLE.COMMODITY_CODE_CATEGORY/>
  <ORACLE.SHIPMENT_PRIORITY_CODE/>
  <ORACLE.DELIVERY_TO_LOCATION>34592</ORACLE.DELIVERY_TO_LOCATION>
  <ORACLE.CUSTOMER_NAME>Bhargava LTD.</ORACLE.CUSTOMER_NAME>
  <ORACLE.CUSTOMER_NUMBER>9717</ORACLE.CUSTOMER_NUMBER>
  <ORACLE.DESCRPTIVE_FLEXFIELD>
    <ORACLE.ATTRIBUTE_CATEGORY/>
    <ORACLE.ATTRIBUTE1/>
    <ORACLE.ATTRIBUTE2/>
    <ORACLE.ATTRIBUTE3/>
    <ORACLE.ATTRIBUTE4/>
    <ORACLE.ATTRIBUTE5/>
    <ORACLE.ATTRIBUTE6/>
    <ORACLE.ATTRIBUTE7/>
    <ORACLE.ATTRIBUTE8/>
    <ORACLE.ATTRIBUTE9/>
    <ORACLE.ATTRIBUTE10/>
    <ORACLE.ATTRIBUTE11/>
    <ORACLE.ATTRIBUTE12/>
    <ORACLE.ATTRIBUTE13/>
    <ORACLE.ATTRIBUTE14/>
    <ORACLE.ATTRIBUTE15/>
  </ORACLE.DESCRPTIVE_FLEXFIELD>
  </ORACLE.SHOW_SHIPMENT_005.SHIPMENT.SHIPITEM.USERAREA>
</USERAREA>
<DOCUMNTREF>
  <DOCTYPE>PURCHASEORDER</DOCTYPE>
  <DOCUMENTID/>
  <PARTNRID>34592</PARTNRID>
</DOCUMNTREF>
<INVDETAIL>
  <QUANTITY qualifier="ITEM">

```

```

        <VALUE>2</VALUE>
        <NUMOFDEC/>
        <SIGN/>
        <UOM>Ea</UOM>
    </QUANTITY>
    <DESCRIPTN>FG Item</DESCRIPTN>
    <LOTLEVEL index="1"/>
    <LOTLEVEL index="2"/>
    <SERIALNUM/>
    <USERAREA>
        <ORACLE.SHOW_SHIPMENT_005.SHIPMENT.SHIPITEM.INVDETAIL.USERAREA>
        <ORACLE.TO_SERIAL_NUMBER/>
        <ORACLE.PREFERRED_GRADE/>
        </ORACLE.SHOW_SHIPMENT_005.SHIPMENT.SHIPITEM.INVDETAIL.USERAREA>
    </USERAREA>
</INVDETAIL>
</SHIPITEM>
<SHIPITEM>
    <QUANTITY qualifier="ITEM">
        <VALUE>2</VALUE>
        <NUMOFDEC/>
        <SIGN/>
        <UOM>Ea</UOM>
    </QUANTITY>
    <QUANTITY qualifier="BACKORDERED">
        <VALUE>2</VALUE>
        <NUMOFDEC/>
        <SIGN/>
        <UOM>Ea</UOM>
    </QUANTITY>
    <QUANTITY qualifier="ORDERED">
        <VALUE>2</VALUE>
        <NUMOFDEC/>
        <SIGN/>
        <UOM>Ea</UOM>
    </QUANTITY>
    <QUANTITY qualifier="SHIPPED">
        <VALUE/>
        <NUMOFDEC/>
        <SIGN/>
        <UOM>Ea</UOM>
    </QUANTITY>
    <QUANTITY qualifier="VOLUME">
        <VALUE/>
        <NUMOFDEC/>
        <SIGN/>
        <UOM/>
    </QUANTITY>
    <QUANTITY qualifier="WEIGHT">
        <VALUE/>
        <NUMOFDEC/>
        <SIGN/>
        <UOM/>
    </QUANTITY>
    <ITEM>FGItem2.</ITEM>
    <ITEM_ID>500915</ITEM_ID>
    <COUNTRYORG/>
    <FRGHTCLS/>

```

```

<HAZRDMATL/>
<ITEMDESC>FG Item</ITEMDESC>
<ITEMRV/>
<ITEMX/>
<NOTES/>
<OWNRSHPCDE/>
<PARTIALSHP>0</PARTIALSHP>
<SHIPNOTES/>
<USERAREA>
  <ORACLE.SHOW_SHIPMENT_005.SHIPMENT.SHIPITEM.USERAREA>

<ORACLE.DELIVERY_DETAIL_NUMBER>3493229</ORACLE.DELIVERY_DETAIL_NUMBER>
  <ORACLE.PARENT_DELIVERY_DETAIL_NUMBER/>
  <ORACLE.SHIP_TOLERANCE_ABOVE>0</ORACLE.SHIP_TOLERANCE_ABOVE>
  <ORACLE.SHIP_TOLERANCE_BELOW>0</ORACLE.SHIP_TOLERANCE_BELOW>
  <ORACLE.LOAD_SEQUENCE_NUMBER/>
  <ORACLE.SHIP_SET_NUMBER/>
  <ORACLE.SUBINVENTORY/>
  <ORACLE.ORDER_LINE_ID>367917</ORACLE.ORDER_LINE_ID>
  <ORACLE.LINE_NUMBER>2.1.2</ORACLE.LINE_NUMBER>
  <ORACLE.ORDER_NUMBER>5023</ORACLE.ORDER_NUMBER>
  <ORACLE.TOP_MODEL_LINE_NUMBER>367897</ORACLE.TOP_MODEL_LINE_NUMBER>
  <ORACLE.SHIP_MODEL_COMPLETE_FLAG>N</ORACLE.SHIP_MODEL_COMPLETE_FLAG>
  <ORACLE.COMMODITY_CODE_CATEGORY/>
  <ORACLE.SHIPMENT_PRIORITY_CODE/>
  <ORACLE.DELIVERY_TO_LOCATION>34592</ORACLE.DELIVERY_TO_LOCATION>
  <ORACLE.CUSTOMER_NAME>Bhargava LTD.</ORACLE.CUSTOMER_NAME>
  <ORACLE.CUSTOMER_NUMBER>9717</ORACLE.CUSTOMER_NUMBER>
  <ORACLE.DESRIPTIVE_FLEXFIELD>
    <ORACLE.ATTRIBUTE_CATEGORY/>
    <ORACLE.ATTRIBUTE1/>
    <ORACLE.ATTRIBUTE2/>
    <ORACLE.ATTRIBUTE3/>
    <ORACLE.ATTRIBUTE4/>
    <ORACLE.ATTRIBUTE5/>
    <ORACLE.ATTRIBUTE6/>
    <ORACLE.ATTRIBUTE7/>
    <ORACLE.ATTRIBUTE8/>
    <ORACLE.ATTRIBUTE9/>
    <ORACLE.ATTRIBUTE10/>
    <ORACLE.ATTRIBUTE11/>
    <ORACLE.ATTRIBUTE12/>
    <ORACLE.ATTRIBUTE13/>
    <ORACLE.ATTRIBUTE14/>
    <ORACLE.ATTRIBUTE15/>
  </ORACLE.DESRIPTIVE_FLEXFIELD>
  </ORACLE.SHOW_SHIPMENT_005.SHIPMENT.SHIPITEM.USERAREA>
</USERAREA>
<DOCUMNTREF>
  <DOCTYPE>PURCHASEORDER</DOCTYPE>
  <DOCUMENTID/>
  <PARTNRID>34592</PARTNRID>
</DOCUMNTREF>
<INVDDETAIL>
  <QUANTITY qualifier="ITEM">
    <VALUE>2</VALUE>
    <NUMOFDEC/>
    <SIGN/>
  </QUANTITY>

```

```

        <UOM>Ea</UOM>
    </QUANTITY>
    <DESCRIPTN>FG ITeM</DESCRIPTN>
    <LOTLEVEL index="1"/>
    <LOTLEVEL index="2"/>
    <SERIALNUM/>
    <USERAREA>
        <ORACLE.SHOW_SHIPMENT_005.SHIPMENT.SHIPITEM.INVDETAIL.USERAREA>
            <ORACLE.TO_SERIAL_NUMBER/>
            <ORACLE.PREFERRED_GRADE/>
        </ORACLE.SHOW_SHIPMENT_005.SHIPMENT.SHIPITEM.INVDETAIL.USERAREA>
    </USERAREA>
</INVDETAIL>
</SHIPITEM>
<SHIPITEM>
    <QUANTITY qualifier="ITEM">
        <VALUE>2</VALUE>
        <NUMOFDEC/>
        <SIGN/>
        <UOM>Ea</UOM>
    </QUANTITY>
    <QUANTITY qualifier="BACKORDERED">
        <VALUE>2</VALUE>
        <NUMOFDEC/>
        <SIGN/>
        <UOM>Ea</UOM>
    </QUANTITY>
    <QUANTITY qualifier="ORDERED">
        <VALUE>2</VALUE>
        <NUMOFDEC/>
        <SIGN/>
        <UOM>Ea</UOM>
    </QUANTITY>
    <QUANTITY qualifier="SHIPPED">
        <VALUE/>
        <NUMOFDEC/>
        <SIGN/>
        <UOM>Ea</UOM>
    </QUANTITY>
    <QUANTITY qualifier="VOLUME">
        <VALUE/>
        <NUMOFDEC/>
        <SIGN/>
        <UOM/>
    </QUANTITY>
    <QUANTITY qualifier="WEIGHT">
        <VALUE/>
        <NUMOFDEC/>
        <SIGN/>
        <UOM/>
    </QUANTITY>
    <ITEM>PTOModel12.</ITEM>
    <ITEM_ID>500919</ITEM_ID>
    <COUNTRYORG/>
    <FRGHTCLS/>
    <HAZRDMATL/>
    <ITEMDESC>PTO Model Shippable</ITEMDESC>
    <ITEMRV/>

```

```

<ITEMX/>
<NOTES/>
<OWNRSHPCDE/>
<PARTIALSHP>0</PARTIALSHP>
<SHIPNOTES/>
<USERAREA>
    <ORACLE.SHOW_SHIPMENT_005.SHIPMENT.SHIPITEM.USERAREA>

<ORACLE.DELIVERY_DETAIL_NUMBER>3493227</ORACLE.DELIVERY_DETAIL_NUMBER>
    <ORACLE.PARENT_DELIVERY_DETAIL_NUMBER/>
    <ORACLE.SHIP_TOLERANCE_ABOVE>0</ORACLE.SHIP_TOLERANCE_ABOVE>
    <ORACLE.SHIP_TOLERANCE_BELOW>0</ORACLE.SHIP_TOLERANCE_BELOW>
    <ORACLE.LOAD_SEQUENCE_NUMBER/>
    <ORACLE.SHIP_SET_NUMBER/>
    <ORACLE.SUBINVENTORY/>
    <ORACLE.ORDER_LINE_ID>367897</ORACLE.ORDER_LINE_ID>
    <ORACLE.LINE_NUMBER>2.1</ORACLE.LINE_NUMBER>
    <ORACLE.ORDER_NUMBER>5023</ORACLE.ORDER_NUMBER>
    <ORACLE.TOP_MODEL_LINE_NUMBER>367897</ORACLE.TOP_MODEL_LINE_NUMBER>
    <ORACLE.SHIPITEM.ORDERED_BOM>
        <ORACLE.INVENTORY_ITEM_ID>500919</ORACLE.INVENTORY_ITEM_ID>
        <ORACLE.ORGANIZATION_ID>209</ORACLE.ORGANIZATION_ID>

<ORACLE.DELIVERY_DETAIL_NUMBER>3493227</ORACLE.DELIVERY_DETAIL_NUMBER>
    <ORACLE.ORGANIZATION_CODE>M2</ORACLE.ORGANIZATION_CODE>
    <ORACLE.OPERATING_UNIT>204</ORACLE.OPERATING_UNIT>
    <ORACLE.PRODUCT_CODE>PTOModel2.</ORACLE.PRODUCT_CODE>
    <ORACLE.ITEM_TYPE>PTO model</ORACLE.ITEM_TYPE>
    <ORACLE.UNIT_OF_MEASURE>Ea</ORACLE.UNIT_OF_MEASURE>

<ORACLE.TRANSACTIONAL_CURR_CODE>USD</ORACLE.TRANSACTIONAL_CURR_CODE>
    <ORACLE.TOP_MODEL_LINE_ID>367897</ORACLE.TOP_MODEL_LINE_ID>
    <ORACLE.PARENT_LINE_ID/>
    <ORACLE.LINE_ID>367897</ORACLE.LINE_ID>
    <ORACLE.LINE_NUMBER>2.1</ORACLE.LINE_NUMBER>
    <ORACLE.ORDERED_QTY>2</ORACLE.ORDERED_QTY>
    <ORACLE.ATO_LINE_ID/>
    <ORACLE.ATO_FLAG>N</ORACLE.ATO_FLAG>
    <ORACLE.OPT_FLAG>N</ORACLE.OPT_FLAG>
    <ORACLE.SHIPPABLE_FLAG>Y</ORACLE.SHIPPABLE_FLAG>
    <ORACLE.ITEM_TYPE_CODE>MODEL</ORACLE.ITEM_TYPE_CODE>
    <ORACLE.UNIT_LIST_PRICE>15</ORACLE.UNIT_LIST_PRICE>
    <ORACLE.UNIT_SELLING_PRICE>15</ORACLE.UNIT_SELLING_PRICE>
    </ORACLE.SHIPITEM.ORDERED_BOM>
    <ORACLE.SHIPITEM.ORDERED_BOM>
        <ORACLE.INVENTORY_ITEM_ID>500916</ORACLE.INVENTORY_ITEM_ID>
        <ORACLE.ORGANIZATION_ID>209</ORACLE.ORGANIZATION_ID>
        <ORACLE.ORGANIZATION_CODE>M2</ORACLE.ORGANIZATION_CODE>
        <ORACLE.OPERATING_UNIT>204</ORACLE.OPERATING_UNIT>
        <ORACLE.PRODUCT_CODE>FGItem1.</ORACLE.PRODUCT_CODE>
        <ORACLE.ITEM_TYPE>Finished good</ORACLE.ITEM_TYPE>
        <ORACLE.UNIT_OF_MEASURE>Ea</ORACLE.UNIT_OF_MEASURE>

<ORACLE.TRANSACTIONAL_CURR_CODE>USD</ORACLE.TRANSACTIONAL_CURR_CODE>
    <ORACLE.TOP_MODEL_LINE_ID>367897</ORACLE.TOP_MODEL_LINE_ID>
    <ORACLE.PARENT_LINE_ID>367897</ORACLE.PARENT_LINE_ID>

<ORACLE.DELIVERY_DETAIL_NUMBER>3493228</ORACLE.DELIVERY_DETAIL_NUMBER>

```

```

<ORACLE.LINE_ID>367916</ORACLE.LINE_ID>
<ORACLE.LINE_NUMBER>2.1.1</ORACLE.LINE_NUMBER>
<ORACLE.ORDERED_QTY>2</ORACLE.ORDERED_QTY>
<ORACLE.ATO_LINE_ID/>
<ORACLE.ATO_FLAG>N</ORACLE.ATO_FLAG>
<ORACLE.OPT_FLAG>N</ORACLE.OPT_FLAG>
<ORACLE.SHIPPABLE_FLAG>Y</ORACLE.SHIPPABLE_FLAG>
<ORACLE.ITEM_TYPE_CODE>INCLUDED</ORACLE.ITEM_TYPE_CODE>
<ORACLE.UNIT_LIST_PRICE>0</ORACLE.UNIT_LIST_PRICE>
<ORACLE.UNIT_SELLING_PRICE>0</ORACLE.UNIT_SELLING_PRICE>
</ORACLE.SHIPITEM.ORDERED_BOM>
<ORACLE.SHIPITEM.ORDERED_BOM>
<ORACLE.INVENTORY_ITEM_ID>500915</ORACLE.INVENTORY_ITEM_ID>

<ORACLE.DELIVERY_DETAIL_NUMBER>3493229</ORACLE.DELIVERY_DETAIL_NUMBER>
<ORACLE.ORGANIZATION_ID>209</ORACLE.ORGANIZATION_ID>
<ORACLE.ORGANIZATION_CODE>M2</ORACLE.ORGANIZATION_CODE>
<ORACLE.OPERATING_UNIT>204</ORACLE.OPERATING_UNIT>
<ORACLE.PRODUCT_CODE>FGItem2.</ORACLE.PRODUCT_CODE>
<ORACLE.ITEM_TYPE>Finished good</ORACLE.ITEM_TYPE>
<ORACLE.UNIT_OF_MEASURE>Ea</ORACLE.UNIT_OF_MEASURE>

<ORACLE.TRANSACTIONAL_CURR_CODE>USD</ORACLE.TRANSACTIONAL_CURR_CODE>
<ORACLE.TOP_MODEL_LINE_ID>367897</ORACLE.TOP_MODEL_LINE_ID>
<ORACLE.PARENT_LINE_ID>367897</ORACLE.PARENT_LINE_ID>
<ORACLE.LINE_ID>367917</ORACLE.LINE_ID>
<ORACLE.LINE_NUMBER>2.1.2</ORACLE.LINE_NUMBER>
<ORACLE.ORDERED_QTY>2</ORACLE.ORDERED_QTY>
<ORACLE.ATO_LINE_ID/>
<ORACLE.ATO_FLAG>N</ORACLE.ATO_FLAG>
<ORACLE.OPT_FLAG>N</ORACLE.OPT_FLAG>
<ORACLE.SHIPPABLE_FLAG>Y</ORACLE.SHIPPABLE_FLAG>
<ORACLE.ITEM_TYPE_CODE>INCLUDED</ORACLE.ITEM_TYPE_CODE>
<ORACLE.UNIT_LIST_PRICE>0</ORACLE.UNIT_LIST_PRICE>
<ORACLE.UNIT_SELLING_PRICE>0</ORACLE.UNIT_SELLING_PRICE>
</ORACLE.SHIPITEM.ORDERED_BOM>
<ORACLE.SHIP_MODEL_COMPLETE_FLAG>N</ORACLE.SHIP_MODEL_COMPLETE_FLAG>
<ORACLE.COMMODITY_CODE_CATEGORY/>
<ORACLE.SHIPMENT_PRIORITY_CODE/>
<ORACLE.DELIVERY_TO_LOCATION>34592</ORACLE.DELIVERY_TO_LOCATION>
<ORACLE.CUSTOMER_NAME>Bhargava LTD.</ORACLE.CUSTOMER_NAME>
<ORACLE.CUSTOMER_NUMBER>9717</ORACLE.CUSTOMER_NUMBER>
<ORACLE.DESCRPTIVE_FLEXFIELD>
<ORACLE.ATTRIBUTE_CATEGORY/>
<ORACLE.ATTRIBUTE1/>
<ORACLE.ATTRIBUTE2/>
<ORACLE.ATTRIBUTE3/>
<ORACLE.ATTRIBUTE4/>
<ORACLE.ATTRIBUTE5/>
<ORACLE.ATTRIBUTE6/>
<ORACLE.ATTRIBUTE7/>
<ORACLE.ATTRIBUTE8/>
<ORACLE.ATTRIBUTE9/>
<ORACLE.ATTRIBUTE10/>
<ORACLE.ATTRIBUTE11/>
<ORACLE.ATTRIBUTE12/>
<ORACLE.ATTRIBUTE13/>
<ORACLE.ATTRIBUTE14/>

```



```

        <ORACLE.ATTRIBUTE15/>
      </ORACLE.DESCRPTIVE_FLEXFIELD>
    </ORACLE.SHOW_SHIPMENT_005.SHIPMENT.SHIPITEM.USERAREA>
  </USERAREA>
</DOCUMNTREF>
  <DOCTYPE>PURCHASEORDER</DOCTYPE>
  <DOCUMENTID/>
  <PARTNRID>34592</PARTNRID>
</DOCUMNTREF>
<INVDETAIL>
  <QUANTITY qualifier="ITEM">
    <VALUE>2</VALUE>
    <NUMOFDEC/>
    <SIGN/>
    <UOM>Ea</UOM>
  </QUANTITY>
  <DESCRIPTN>PTO Model Shippable</DESCRIPTN>
  <LOTLEVEL index="1"/>
  <LOTLEVEL index="2"/>
  <SERIALNUM/>
  <USERAREA>
    <ORACLE.SHOW_SHIPMENT_005.SHIPMENT.SHIPITEM.INVDETAIL.USERAREA>
      <ORACLE.TO_SERIAL_NUMBER/>
      <ORACLE.PREFERRED_GRADE/>
    </ORACLE.SHOW_SHIPMENT_005.SHIPMENT.SHIPITEM.INVDETAIL.USERAREA>
  </USERAREA>
</INVDETAIL>
</SHIPITEM>
</SHIPMENT>
</SHOW_SHIPMENT>
</DATAAREA>
</SHOW_SHIPMENT_005>

```

## Sample Oracle Global Trade Management XML

```

<Transmission xmlns="http://xmlns.oracle.com/apps/otm">
  <TransmissionHeader xmlns="">
    <IsProcessInSequence>Y</IsProcessInSequence>
  </TransmissionHeader>
  <TransmissionBody>
    <GLogXMLElement>
      <GtmTransaction xmlns="http://xmlns.oracle.com/apps/gtm">
        <TransactionCode>IU</TransactionCode>
        <GtmTransactionGid xmlns="">
          <Gid>
            <Xid>3155212_D</Xid>
            <DomainName>GUEST</DomainName>
          </Gid>
        </GtmTransactionGid>
        <ConveyanceFlag>TL</ConveyanceFlag>
        <InvolvedParty>
          <InvolvedPartyQualifierGid>
            <Gid>
              <Xid>SHIP_TO</Xid>
            </Gid>
          </InvolvedPartyQualifierGid>
          <ContactRef>

```

```

        <ContactGid>
            <Gid>
                <DomainName>GUEST</DomainName>
                <Xid>29664_PS</Xid>
            </Gid>
        </ContactGid>
    </ContactRef>
</InvolvedParty>
<InvolvedParty>
    <InvolvedPartyQualifierGid>
        <Gid>
            <Xid>SHIP_FROM</Xid>
        </Gid>
    </InvolvedPartyQualifierGid>
    <ContactRef>
        <ContactGid>
            <Gid>
                <DomainName>GUEST</DomainName>
                <Xid>M2</Xid>
            </Gid>
        </ContactGid>
    </ContactRef>
</InvolvedParty>
<InvolvedParty>
    <InvolvedPartyQualifierGid>
        <Gid>
            <Xid>BILL_TO</Xid>
        </Gid>
    </InvolvedPartyQualifierGid>
    <ContactRef>
        <ContactGid>
            <Gid>
                <DomainName>GUEST</DomainName>
                <Xid>29664_PS</Xid>
            </Gid>
        </ContactGid>
    </ContactRef>
</InvolvedParty>

<ExportDate>
    <GLogDate>20100426010325</GLogDate>
    <TZId>UTC</TZId>
</ExportDate>
<Remark>
    <RemarkQualifierGid>
        <Gid>
            <Xid>ESTIMATED_WEIGHT</Xid>
        </Gid>
    </RemarkQualifierGid>
    <RemarkText>60 Lbs</RemarkText>
</Remark>
<Remark>
    <RemarkQualifierGid>
        <Gid>
            <Xid>LOADING_WEIGHT</Xid>
        </Gid>
    </RemarkQualifierGid>
    <RemarkText>0 Lbs</RemarkText>

```

```

</Remark>
<Remark>
  <RemarkQualifierGid>
    <Gid>
      <Xid>NET_WEIGHT</Xid>
    </Gid>
  </RemarkQualifierGid>
  <RemarkText>60 Lbs</RemarkText>
</Remark>
<Remark>
  <RemarkQualifierGid>
    <Gid>
      <Xid>TOTAL_WEIGHT</Xid>
    </Gid>
  </RemarkQualifierGid>
  <RemarkText>60 Lbs</RemarkText>
</Remark>
<Remark>
  <RemarkQualifierGid>
    <Gid>
      <Xid>VOLUME</Xid>
    </Gid>
  </RemarkQualifierGid>
  <RemarkText>3.88 FT3</RemarkText>
</Remark>
<GtmTransactionLine>
  <GtmTransactionLineGid>
    <Gid>
      <Xid>3492227_D</Xid>
      <DomainName>GUEST</DomainName>
    </Gid>
  </GtmTransactionLineGid>
  <ItemGid>
    <Gid>
      <Xid>149</Xid>
      <DomainName>GUEST</DomainName>
    </Gid>
  </ItemGid>
  <Quantity>
    <QuantityTypeGid>
      <Gid>
        <Xid>ITEM</Xid>
      </Gid>
    </QuantityTypeGid>
    <QuantityValue>2</QuantityValue>
    <UOM>Ea</UOM>
  </Quantity>
  <Quantity>
    <QuantityTypeGid>
      <Gid>
        <Xid>BACKORDERED</Xid>
      </Gid>
    </QuantityTypeGid>
    <QuantityValue>2</QuantityValue>
    <UOM>Ea</UOM>
  </Quantity>
  <Quantity>
    <QuantityTypeGid>

```

```

                <Gid>
                    <Xid>ORDERED</Xid>
                </Gid>
            </QuantityTypeGid>
            <QuantityValue>2</QuantityValue>
            <UOM>Ea</UOM>
        </Quantity>
        <Quantity>
            <QuantityTypeGid>
                <Gid>
                    <Xid>VOLUME</Xid>
                </Gid>
            </QuantityTypeGid>
            <QuantityValue>3.88</QuantityValue>
            <UOM>FT3</UOM>
        </Quantity>
        <Quantity>
            <QuantityTypeGid>
                <Gid>
                    <Xid>WEIGHT</Xid>
                </Gid>
            </QuantityTypeGid>
            <QuantityValue>60</QuantityValue>
            <UOM>Lbs</UOM>
        </Quantity>
        <Currency>
            <GtmCurrencyTypeGid>
                <Gid>
                    <Xid>FREIGHT</Xid>
                </Gid>
            </GtmCurrencyTypeGid>
            <CurrencyValue>
                <FinancialAmount>

<GlobalCurrencyCode>USD</GlobalCurrencyCode>

<MonetaryAmount>100</MonetaryAmount>
                </FinancialAmount>
            </CurrencyValue>
        </Currency>
        <InvolvedParty>
            <InvolvedPartyQualifierGid>
                <Gid>
                    <Xid>SHIP_TO</Xid>
                </Gid>
            </InvolvedPartyQualifierGid>
            <ContactRef>
                <ContactGid>
                    <Gid>

<DomainName>GUEST</DomainName>
                    <Xid>34592</Xid>
                </Gid>
            </ContactGid>
        </ContactRef>
    </InvolvedParty>
    <Remark>
        <RemarkQualifierGid>

```

```

                <Gid>
                    <Xid>EBS_REFERENCE_KEY</Xid>
                </Gid>
            </RemarkQualifierGid>

<RemarkText>77001~WSH_EXPORT_COMPLIANCE~21</RemarkText>
    </Remark>
    <Remark>
        <RemarkQualifierGid>
            <Gid>
                <Xid>EBS_TRANSACTION_KEY</Xid>
            </Gid>
        </RemarkQualifierGid>

<RemarkText>77001~WSH_EXPORT_COMPLIANCE~21</RemarkText>
    </Remark>

</GtmTransactionLine>
<GtmTransactionLine>
    <GtmTransactionLineGid>
        <Gid>
            <Xid>3493228_D</Xid>
            <DomainName>GUEST</DomainName>
        </Gid>
    </GtmTransactionLineGid>
    <ItemGid>
        <Gid>
            <Xid>500916</Xid>
            <DomainName>GUEST</DomainName>
        </Gid>
    </ItemGid>
    <Quantity>
        <QuantityTypeGid>
            <Gid>
                <Xid>ITEM</Xid>
            </Gid>
        </QuantityTypeGid>
        <QuantityValue>2</QuantityValue>
        <UOM>Ea</UOM>
    </Quantity>
    <Quantity>
        <QuantityTypeGid>
            <Gid>
                <Xid>BACKORDERED</Xid>
            </Gid>
        </QuantityTypeGid>
        <QuantityValue>2</QuantityValue>
        <UOM>Ea</UOM>
    </Quantity>
    <Quantity>
        <QuantityTypeGid>
            <Gid>
                <Xid>ORDERED</Xid>
            </Gid>
        </QuantityTypeGid>
        <QuantityValue>2</QuantityValue>
        <UOM>Ea</UOM>
    </Quantity>

```

```

        <Currency>
            <GtmCurrencyTypeGid>
                <Gid>
                    <Xid>FREIGHT</Xid>
                </Gid>
            </GtmCurrencyTypeGid>
            <CurrencyValue>
                <FinancialAmount>

<GlobalCurrencyCode>USD</GlobalCurrencyCode>

<MonetaryAmount>100</MonetaryAmount>
                </FinancialAmount>
            </CurrencyValue>
        </Currency>

        <Remark>
            <RemarkQualifierGid>
                <Gid>
                    <Xid>EBS_REFERENCE_KEY</Xid>
                </Gid>
            </RemarkQualifierGid>

<RemarkText>77001~WSH_EXPORT_COMPLIANCE~21</RemarkText>
            </Remark>
        <Remark>
            <RemarkQualifierGid>
                <Gid>
                    <Xid>EBS_TRANSACTION_KEY</Xid>
                </Gid>
            </RemarkQualifierGid>

<RemarkText>77001~WSH_EXPORT_COMPLIANCE~21</RemarkText>
            </Remark>

        </GtmTransactionLine>
        <GtmTransactionLine>
            <GtmTransactionLineGid>
                <Gid>
                    <Xid>3493229_D</Xid>
                    <DomainName>GUEST</DomainName>
                </Gid>
            </GtmTransactionLineGid>
            <ItemGid>
                <Gid>
                    <Xid>500915</Xid>
                    <DomainName>GUEST</DomainName>
                </Gid>
            </ItemGid>
            <Quantity>
                <QuantityTypeGid>
                    <Gid>
                        <Xid>ITEM</Xid>
                    </Gid>
                </QuantityTypeGid>
                <QuantityValue>2</QuantityValue>
                <UOM>Ea</UOM>
            </Quantity>

```

```

    <Quantity>
      <QuantityTypeGid>
        <Gid>
          <Xid>BACKORDERED</Xid>
        </Gid>
      </QuantityTypeGid>
      <QuantityValue>2</QuantityValue>
      <UOM>Ea</UOM>
    </Quantity>
    <Quantity>
      <QuantityTypeGid>
        <Gid>
          <Xid>ORDERED</Xid>
        </Gid>
      </QuantityTypeGid>
      <QuantityValue>2</QuantityValue>
      <UOM>Ea</UOM>
    </Quantity>
    <Currency>
      <GtmCurrencyTypeGid>
        <Gid>
          <Xid>FREIGHT</Xid>
        </Gid>
      </GtmCurrencyTypeGid>
      <CurrencyValue>
        <FinancialAmount>

<GlobalCurrencyCode>USD</GlobalCurrencyCode>

<MonetaryAmount>100</MonetaryAmount>
      </FinancialAmount>
    </CurrencyValue>
  </Currency>

  <Remark>
    <RemarkQualifierGid>
      <Gid>
        <Xid>EBS_REFERENCE_KEY</Xid>
      </Gid>
    </RemarkQualifierGid>

<RemarkText>77001~WSH_EXPORT_COMPLIANCE~21</RemarkText>
    </Remark>
    <Remark>
      <RemarkQualifierGid>
        <Gid>
          <Xid>EBS_TRANSACTION_KEY</Xid>
        </Gid>
      </RemarkQualifierGid>

<RemarkText>77001~WSH_EXPORT_COMPLIANCE~21</RemarkText>
    </Remark>

    </GtmTransactionLine>
  <GtmTransactionLine>
    <GtmTransactionLineGid>
      <Gid>
        <Xid>3493227_D</Xid>

```

```

                <DomainName>GUEST</DomainName>
            </Gid>
        </GtmTransactionLineGid>
    <ItemGid>
        <Gid>
            <Xid>500919</Xid>
            <DomainName>GUEST</DomainName>
        </Gid>
    </ItemGid>
    <Quantity>
        <QuantityTypeGid>
            <Gid>
                <Xid>ITEM</Xid>
            </Gid>
        </QuantityTypeGid>
        <QuantityValue>2</QuantityValue>
        <UOM>Ea</UOM>
    </Quantity>
    <Quantity>
        <QuantityTypeGid>
            <Gid>
                <Xid>BACKORDERED</Xid>
            </Gid>
        </QuantityTypeGid>
        <QuantityValue>2</QuantityValue>
        <UOM>Ea</UOM>
    </Quantity>
    <Quantity>
        <QuantityTypeGid>
            <Gid>
                <Xid>ORDERED</Xid>
            </Gid>
        </QuantityTypeGid>
        <QuantityValue>2</QuantityValue>
        <UOM>Ea</UOM>
    </Quantity>
    <Currency>
        <GtmCurrencyTypeGid>
            <Gid>
                <Xid>FREIGHT</Xid>
            </Gid>
        </GtmCurrencyTypeGid>
        <CurrencyValue>
            <FinancialAmount>
                <GlobalCurrencyCode>USD</GlobalCurrencyCode>
                <MonetaryAmount>100</MonetaryAmount>
            </FinancialAmount>
        </CurrencyValue>
    </Currency>
    <Remark>
        <RemarkQualifierGid>
            <Gid>
                <Xid>EBS_REFERENCE_KEY</Xid>
            </Gid>
        </RemarkQualifierGid>

```



```

<RemarkText>77001~WSH_EXPORT_COMPLIANCE~21</RemarkText>
  </Remark>
  <Remark>
    <RemarkQualifierGid>
      <Gid>
        <Xid>EBS_TRANSACTION_KEY</Xid>
      </Gid>
    </RemarkQualifierGid>

<RemarkText>77001~WSH_EXPORT_COMPLIANCE~21</RemarkText>
  </Remark>
  </GtmTransactionLine>
</GtmTransaction>
</GLogXMLElement>
<GLogXMLElement>
  <GtmTransaction xmlns="http://xmlns.oracle.com/apps/gtm">
    <TransactionCode>IU</TransactionCode>
    <GtmTransactionGid xmlns="">
      <Gid>
        <Xid>3155212_D</Xid>
        <DomainName>GUEST</DomainName>
      </Gid>
    </GtmTransactionGid>

    <GtmTransactionLine>
      <GtmTransactionLineGid>
        <Gid>
          <Xid>3493228_D</Xid>
          <DomainName>GUEST</DomainName>
        </Gid>
      </GtmTransactionLineGid>
      <ParentTransactionLineGid>
        <Gid>
          <Xid>3493227_D</Xid>
          <DomainName>GUEST</DomainName>
        </Gid>
      </ParentTransactionLineGid>

      <ItemGid>
        <Gid>
          <Xid>500916</Xid>
          <DomainName>GUEST</DomainName>
        </Gid>
      </ItemGid>
    </GtmTransactionLine>

    <GtmTransactionLine>
      <GtmTransactionLineGid>
        <Gid>
          <Xid>3493229_D</Xid>
          <DomainName>GUEST</DomainName>
        </Gid>
      </GtmTransactionLineGid>
      <ParentTransactionLineGid>
        <Gid>
          <Xid>3493227_D</Xid>
          <DomainName>GUEST</DomainName>
        </Gid>
      </ParentTransactionLineGid>
    </GtmTransactionLine>
  </GtmTransaction>

```

```
        </Gid>
    </ParentTransactionLineGid>
    <ItemGid>
        <Gid>
            <Xid>500915</Xid>
            <DomainName>GUEST</DomainName>
        </Gid>
    </ItemGid>
</GtmTransactionLine>
</GtmTransaction>
</GLogXMLElement>
</TransmissionBody>
</Transmission>
```