

**Oracle® Communications  
Convergent Charging Controller**

Session Control Agent Technical Guide

Release 6.0

May 2016



# Contents

About This Document .....	v
Document Conventions .....	vi
<b>Chapter 1</b>	
<b>System Overview .....</b>	<b>1</b>
Overview .....	1
What is the Session Control Agent? .....	1
Deploying the SCA .....	3
Configuration Overview .....	5
ENUM .....	6
ESC .....	7
Next Hop Processing .....	9
URI / E.164 Translation .....	10
Parallel Hunting .....	10
Presence and Availability .....	10
PRACK Support .....	11
Custom SIP Headers .....	11
LAN Redundancy .....	12
Local Address Redundancy .....	13
Remote Address Redundancy .....	14
Normalization and Denormalization .....	17
CLIP and CLIR .....	17
Feature Nodes .....	18
<b>Chapter 2</b>	
<b>Prepaid Platform and NGN Integration .....</b>	<b>19</b>
Overview .....	19
Key Functionality .....	xxi
Prepaid Platform Heartbeating .....	xxii
Media Description Retrieval from SDP .....	xxix
Call ID retrieval .....	xxx
<b>Chapter 3</b>	
<b>Scenarios .....</b>	<b>33</b>
Overview .....	33
Call Forwarding .....	33
Call Redirection .....	36
Callback .....	36
SIP Error Response .....	39
<b>Chapter 4</b>	
<b>Configuration .....</b>	<b>41</b>
Overview .....	41
Configuration Overview .....	41
sca.config Configuration .....	42
SCA Configuration .....	43
ESC Configuration .....	76
Parser Configuration .....	84

Presence Configuration .....	84
acs.conf Configuration .....	86
SLEE.cfg Configuration .....	87
Configuring EDR Collection .....	87
Configuring IN Call Model Triggers .....	88
<b>Chapter 5</b>	
<b>NHP Configuration .....</b>	<b>93</b>
Overview .....	93
NHP Configuration File .....	93
NHP Rule Definition .....	94
NHP Commands .....	96
NHP Host Definition .....	99
<b>Chapter 6</b>	
<b>Background Processes .....</b>	<b>101</b>
Overview .....	101
sca .....	101
<b>Chapter 7</b>	
<b>Tools and Utilities .....</b>	<b>103</b>
Overview .....	103
registrar .....	103
remoteCommanderUser .....	104
SCA Remote Commander .....	105
Statistics .....	108
SCA EDRs .....	110
<b>Chapter 8</b>	
<b>About Installation and Removal .....</b>	<b>113</b>
Overview .....	113
Installation and Removal Overview .....	113
Checking the Installation .....	113
<b>Glossary of Terms .....</b>	<b>115</b>
<b>Index .....</b>	<b>123</b>

# About This Document

## Scope

The scope of this document includes all the information required to install, configure and administer the Session Control Agent application.

## Audience

This guide was written primarily for system administrators and persons installing, configuring and administering the Session Control Agent application. However, sections of the document may be useful to anyone requiring an introduction to the application.

## Prerequisites

A solid understanding of UNIX and a familiarity with IN concepts are an essential prerequisite for safely using the information contained in this technical guide. Attempting to install, remove, configure or otherwise alter the described system without the appropriate background skills, could cause damage to the system; including temporary or permanent incorrect operation, loss of service, and may render your system beyond recovery.

Although it is not a prerequisite to using this guide, familiarity with the target platform would be an advantage.

This manual describes system tasks that should only be carried out by suitably trained operators.

## Related Documents

The following documents are related to this document:

- *Advanced Control Services Technical Guide*
- *Control Plan Editor User's Guide*
- *Service Management System Technical Guide*
- *Service Management System User's Guide*
- *Service Logic Execution Environment Technical Guide*

# Document Conventions

## Typographical Conventions

The following terms and typographical conventions are used in the Oracle Communications Convergent Charging Controller documentation.

Formatting Convention	Type of Information
<b>Special Bold</b>	Items you must select, such as names of tabs. Names of database tables and fields.
<i>Italics</i>	Name of a document, chapter, topic or other publication. Emphasis within text.
<b>Button</b>	The name of a button to click or a key to press. <b>Example:</b> To close the window, either click <b>Close</b> , or press <b>Esc</b> .
<b>Key+Key</b>	Key combinations for which the user must press and hold down one key and then press another. <b>Example:</b> <b>Ctrl+P</b> or <b>Alt+F4</b> .
Monospace	Examples of code or standard output.
<b>Monospace Bold</b>	Text that you must enter.
<i>variable</i>	Used to indicate variables or text that should be replaced with an actual value.
<b>menu option &gt; menu option &gt;</b>	Used to indicate the cascading menu option to be selected. <b>Example:</b> <b>Operator Functions &gt; Report Functions</b>
<a href="#">hypertext link</a>	Used to indicate a hypertext link.

Specialized terms and acronyms are defined in the glossary at the end of this guide.

# System Overview

## Overview

### Introduction

This chapter provides a high-level overview of the application. It explains the basic functionality of the system and lists the main components.

It is not intended to advise on any specific Oracle Communications Convergent Charging Controller network or service implications of the product.

### In this Chapter

---

This chapter contains the following topics.

What is the Session Control Agent?.....	1
Deploying the SCA .....	3
Configuration Overview .....	5
ENUM .....	6
ESC .....	7
Next Hop Processing .....	9
URI / E.164 Translation .....	10
Parallel Hunting .....	10
Presence and Availability .....	10
PRACK Support.....	11
Custom SIP Headers .....	11
LAN Redundancy .....	12
Local Address Redundancy.....	13
Remote Address Redundancy .....	14
Normalization and Denormalization .....	17
CLIP and CLIR .....	17
Feature Nodes .....	18

## What is the Session Control Agent?

### Overview

The Session Control Agent (SCA) is a highly available and scalable SIP transparent back-to-back user agent (B2BUA), redirect server, proxy server and registrar. It provides support for SIP/SIMPLE messaging and integrated triggering capabilities for Oracle Communications Convergent Charging Controller and third-party applications.

The SCA enables real-time charging, instant messaging and personal mobility in SIP-based next generation networks (IETF/ETSI NGNs) and in the IP Multimedia Subsystem (3GPP IMS, 3GPP2 MMD).

It can be integrated into Convergent Charging Controller's Prepaid Charging solutions based on Charging Control Services (CCS), with on-line charging interfaces to the Convergent Charging Controller Voucher and Wallet Server and to third party real-time billing systems.

### Features

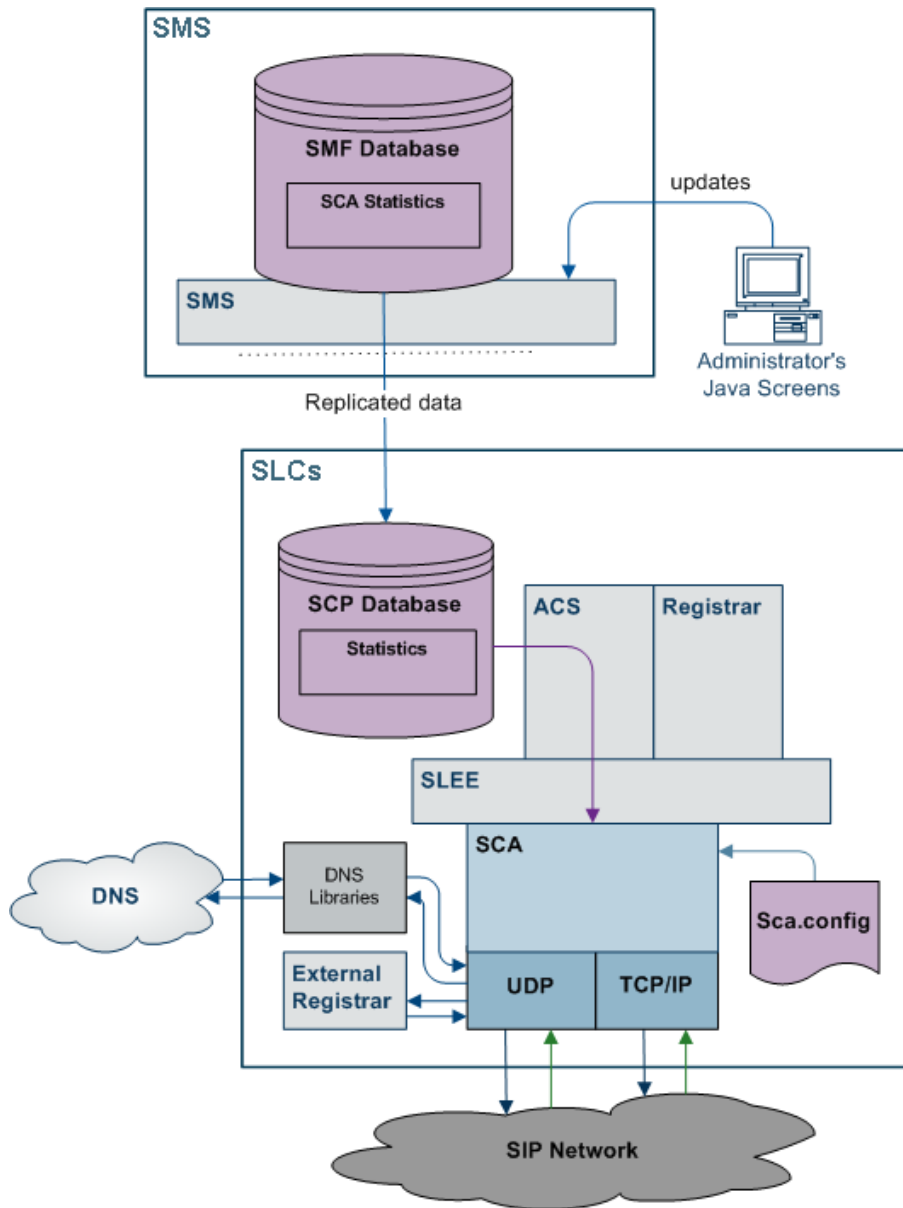
The SCA has the following capabilities. It can:

- Send and receive SIP requests and responses to, and from:
  - Remote SIP clients and servers, over TCP/IP or UDP
  - SLEE interfaces or applications
- Query the DNS to retrieve IP addresses for hosts, and SRV records for domains
- Query custom-built PAMs through a SLEE PAM interface that translates SIP register requests
- Query SIP based PAMs directly
- Trigger IN applications such as ACS
- Provide next hop processing through a set of predefined rules
- Provide support for parallel hunting for connect requests received through ACS
- Send queries received through ACS to a remote presence server for subscriber presence and availability information
- Publish subscriber presence and availability information, received through ACS, to a remote presence server
- Provide support for PRACK
- Act as a B2B-UA when forwarding INVITE requests
- Support local and remote LAN redundancy
- Normalize and denormalize all numbers passed to and from the IN systems
- Handle calling line identification presentation based on values received in the incoming INVITE request
- Restrict calling line identification by setting the appropriate fields within the IDP



## SCA components

Here is a diagram of the SCA components.



## Deploying the SCA

### B2BUA or proxy

The SCA can be deployed in either transparent back-to-back user agent (B2BUA) mode or proxy mode. This can be configured globally using the `b2bua` configuration option. When set to true, all calls will be handled in B2BUA mode. When set to false, calls will be handled in proxy mode unless the B2B-UA flag has been added to individual rules in the `rules.nhp` file.

**Note:** By default the SCA handles all calls in B2BUA mode.

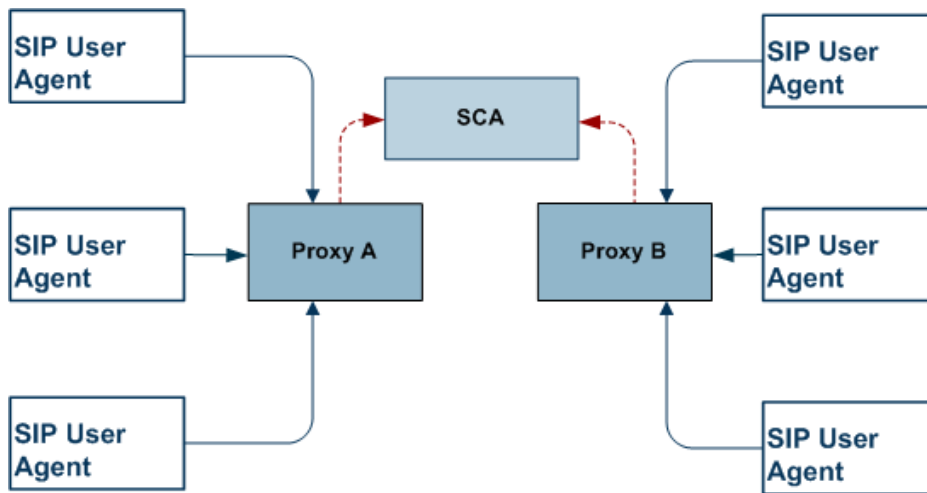
## SIP proxy deployment

A SIP proxy is used to forward a request from one physical location to another. This is the recommended mode of operation for one of the following:

- The source and destination of SIP traffic are physically separate locations
- The SCA is running in standalone mode or is using a very simple control plan (for example, Start->Attempt-Terminate->End)
- The SCA is required to “get out of the loop” after forwarding the first request. For example, after successfully forwarding the initial request the SCA will be bypassed and all subsequent requests within a call will be sent directly between the endpoints.

## SIP proxy deployment diagram

Here is an example SIP proxy deployment diagram. In the diagram a SIP user agent represents any SIP capable device such as a softphone.



## B2BUA deployment

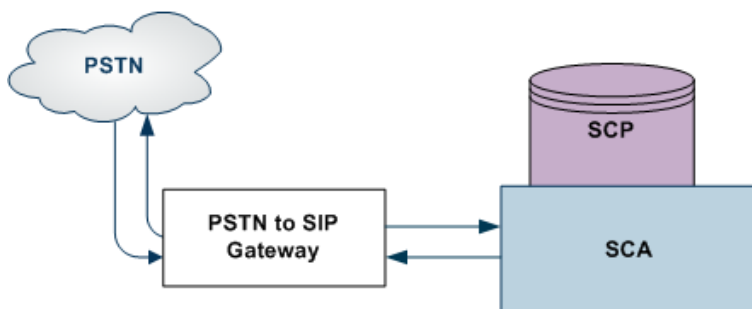
A transparent B2BUA controls call legs independently allowing it to perform complex call scenarios and to forward requests to the same physical location that originated the call. This type of deployment is recommended if:

- The source and destination of SIP traffic is likely to be the same physical entity (for example, a PSTN to SIP gateway)
- Complex control plans are being used that may redirect a call to a different destination, such as an IVR. This may occur during the call or after it completes
- Calls may be initiated by ACS (the call-back scenario)
- The SCA will be performing parallel hunting

**Note:** If the SCA is deployed in proxy mode and one of the above scenarios is triggered, the remainder of the call will automatically be handled in B2BUA mode.

## B2BUA deployment diagram

Here is an example SIP Transparent B2BUA deployment diagram.



## Configuration Overview

### Introduction

This section provides a brief overview of the mandatory and common configuration required to run the SCA. The SCA configuration file (`sca.config`) is installed in `/IN/service_packages/SCA/etc` with all the mandatory items configured. An example configuration file (`sca.config.all.example`) is also installed which includes all configuration options.

**Note:** For a full description of all the configuration options refer to *Configuration* (on page 41).

### Mandatory configuration

This table describes the parameters in the `sca.config` file that must be configured for the SCA to work.

Parameter	Description
<code>local_ip</code>	This must be set to the IP address of the machine on which the SCA is running. The IP address will be inserted into all SIP requests sent by the SCA to allow responses to be routed back to the SCA.
<code>rem_comm_port</code>	If the remote commander is enabled, then it will listen on the specified TCP port.
<code>dns_server</code>	If the SCA is required to perform DNS lookups, then this must be set to a valid DNS server address. If a DNS server is not required, then this option can be left at the default value. Hostname to IP address mappings can be added to the <code>/etc/hosts</code> file. If the <code>dns_check_files</code> configuration option is enabled, then the SCA will read this file before attempting to query a DNS server.
<code>default_domain</code>	This defines the default domain name that will be appended to E.164 numbers returned from a control plan. The <code>trans_mapping</code> and <code>trans_behaviour</code> configuration options allow different domains to be appended depending on the prefix.

## Common configuration

This table describes the common optional configuration decisions when deploying the SCA.

Configuration	Description
EDRs	By default the SCA logs EDRs to <code>/IN/service_packages/SCA/cdr/closed</code> . This can be disabled by setting the <code>enableCDRs</code> configuration option to <code>false</code> .
UDP or TCP	By default the SCA listens on TCP and UDP port 5060 for SIP traffic (this is configurable). UDP is the recommended transport protocol for SIP traffic.

## General

The SCA includes functionality to handle network and gateway failure. For details, see *LAN Redundancy* (on page 12).

## ENUM

### Introduction

As part of the `WaitingOnIN` state, the SCA may be optionally configured to expect and look for results from an ENUM lookup. This information will be available within an outgoing `CONNECT` message, as:

- An AUS, typically an e.164 number with a leading '+' (for example: +441473289900)
- A URI, a string typically of the form: `www.oracle.com`
- One or more DNS NAPTR records, a NAPTR record contains a regular-expression based replacement rule and protocol for the initial calling AUS, to convert it to a URI
- An AUS, a URI, or a set of NAPTR records, dynamically, data will have its type identified by a flag value within the data

### Encoding

This information is encoded into a profile block structure, and will be in a standard location.

### Multiple URIs

Where multiple valid URIs are derived from ENUM NAPTR information, the SCA will use the parallel `INVITE` feature to send `INVITES` to all identified parties at the "same" time.

### Using NAPTR records

It is possible to configure the SCA to use NAPTR records of a particular service type, for example, "E2U+SIP", and not use any other service type.

### Dynamic data identification

Where the data type is dynamically identified, the data must be in the ENUM dynamic record format. This is the default for results from the ENUM Query, ENUM Call Out and NAPTR results from the ENUM Naptr Response node.

### Supported expressions

When processing NAPTR records, the SCA will use very limited regular expression support. For example, a typical AUS replacement regular expression would be:

```
!^.*$!+441473289900@oracle.com!
```

Where '!' is a delimiter (which splits the string into two sections). This will replace any input AUS with the string: '+441473289900@oracle.com'.

Only full replacement expressions are supported, where the left-hand-side is: "^.\*\$" (as in the above example).

## Unsupported expressions

In full NAPTR support, the following could be used:

```
"!^+441234(.*)$!+441473\1@oracle.com!"
```

This response contains a back-reference to information in the input AUS ('\1'). Such expressions are not supported.

# ESC

## Introduction

The Convergent Charging Controller SIP Chassis (ESC) component of the SCA provides the functionality for sending and receiving SIP requests and responses over the following transport mechanisms:

- UDP
- TCP/IP
- SLEE

The available transport mechanisms are dependent on the configuration defined for the ESC in `sca.config`. This part of the ESC is called the 'transport layer'.

**Warning:** TCP and UDP networking can be configured to be enabled or disabled. However, if they are both disabled, then the SCA will fail.

## TCP networking

The ESC polls for incoming TCP connections on a configurable network address and port. For more information on how to configure TCP networking, see *ESC Configuration* (on page 76).

Once a connection has been accepted, the incoming data is read until the following information is received:

- Request line,
- Message header
- Message body

## UDP networking

The ESC polls for incoming UDP datagrams on a configurable network address and port. It expects the SIP requests and responses to be contained in the same datagram. For more information on configuring UDP networking see *ESC Configuration* (on page 76).

## SLEE networking

The ESC defines SLEE SIP request and SLEE SIP response events that allow the SCA to communicate with external SLEE interfaces and applications, such as the IN application or PAM interface.

The SCA polls the SLEE for events, and filters out anything that is not a SIP request or SIP response. These are then passed to the ESC for processing.

### Request processing

Any incoming SIP message that does not start with the string "SIP/" is assumed to be a request. When a SIP request is received, the request line is checked to ensure it contains a method name, request URI and SIP version number (this must be 2.0).

The following SIP methods are supported. If the method name is anything else, then an error is reported:

- ACK
- BYE
- CANCEL
- INFO
- INVITE
- MESSAGE
- NOTIFY
- OPTIONS
- PRACK
- PUBLISH
- REGISTER
- SUBSCRIBE
- UPDATE

### Message header

The message header for both SIP request and SIP responses must contain the following mandatory fields:

- To
- From
- Cseq
- Call-ID
- Max-Forwards
- Via

Request message headers that do not contain all the fields will result in an error. Response message headers that do not contain all the fields will also result in an error and will be ignored.

### DNS

This table describes the types of resource record retrieved when the ESC queries the DNS.

Record Type	Description
SRV	Indicates which proxies to use for particular domain and transport protocols.
CNAME	Provides aliases for host redirection.
A	Provides the actual IP addresses for hosts.

# Next Hop Processing

## Introduction to Next Hop Processing

The SCA uses next hop processing (NHP) to determine what action to take for incoming SIP requests and partially processed SIP requests. The SCA also uses next hop processing when sending outbound SIP INVITE messages during third-party call control (3PCC) call setup.

The NHP is controlled by a set of rules contained in the `rules.nhp` configuration file. This file is read and preprocessed by the SCA at startup. For information about how to configure NHP rules, see *NHP Configuration* (on page 93).

## NHP SIP Request Actions

The next hop processing can perform the following actions on the SIP request:

- Redirect it to an alternative host/domain
- Forward it to an alternative host/domain using load-balancing
- Send multiple INVITE requests when the destination routing address (DRA) for the incoming request contains a list of numbers
- Perform a location query and forward it to the location returned by the query. If multiple locations are returned, they are tried in order
- Convert it to CS1 InitialDP and send it to an external IN application
- Forward it to an external SLEE application
- Handle it internally

## NHP SIP Invite Actions

The next hop processing can perform the following actions on the SIP Invite to improve integration with Oracle Communications Service Controller for third-party call control (3PCC):

- Insert custom Session Initiation Protocol (SIP) headers into INVITE messages during 3PCC setup.
- Insert a SIP header that contains content that was derived from a previously received SIP message.

## NHP triggers

Next hop processing can be triggered on:

- A numerical address that starts with a given prefix in the From or To header field.
- `user@host`, or `user@domain` in the From or To header field, where the host or domain ends with a given suffix.
- `user@host`, or `user@domain` in the From or To header field, where the user starts or ends with a given prefix/suffix.
- `user@IPaddress` in the From or To header field, and the IP address starts with a given prefix.
- `user@host`, or `user@host` in the VIA header.
- A regular expression in the From or To header field.
- A regular expression in the body of the message.
- The status code in the header in the SIP response.
- Unconditionally.

## Location query

Location query can be performed as part of next hop processing. The responses from the PAM regarding the location are stored in the location cache by sending one of the following:

- REGISTER SIP request to a remote SIP element, identified by its hostname or IP address
- REGISTER SIP event to a SLEE application or interface.

In both these cases the request URI determines where the request is actually sent.

**Tip:** For details on the registrar tool provided as part of the SCA see the *registrar* (on page 103).

## URI / E.164 Translation

### URI / E.164 translation

The SCA supports both URIs and E.164 numbers (as used in ACS). The ability to map URIs to E.164 numbers to facilitate conversion between the two types is provided. For information on mapping URIs to E.164 numbers see *SCA Configuration* (on page 43).

## Parallel Hunting

### Introduction

The SCA supports parallel hunting for connect requests, received through ACS, which contain a list of numbers in the destination routing address (DRA). It can be configured to send INVITE requests to multiple destinations. As soon as the call is answered by one of the destination parties, the call to all other parties is canceled.

### Feature node

The Copy Hunting List feature node available in the ACS Control Plan Editor is used to obtain the list of numbers in the DRA.

For more information on ACS feature nodes and the Control Plan Editor, see *Feature Nodes Reference Guide* and *Control Plan Editor User's Guide*.

## Presence and Availability

### Introduction

Subscribers to the SCA can publish their presence and availability details to a remote presence server. The details can then be queried in order to influence routing of subsequent calls. For example, calls may be redirected to voicemail if the subscriber is busy.

### Presence configuration

The possible locations and availabilities that a subscriber may have are defined in the `eserv.config` configuration file. See *Presence Configuration* (on page 84) for details.

### Presence feature nodes

Requests to publish and query presence and availability details are sent to the SCA through ACS feature nodes. The SCA routes the requests to the remote presence server and returns the responses to the originating ACS feature nodes.



The following presence nodes are available in the ACS Control Plan Editor:

- Presence Branching
- Set Presence

For more information on ACS feature nodes and the Control Plan Editor, see *Feature Nodes Reference Guide* and *Control Plan Editor User's Guide*.

## PRACK Support

### PRACK support

The SCA can be configured to provide support for PRACK. When this is enabled, the SCA will send a standard SIP acknowledgment message for all provisional requests in the range 100 to 199.

For configuration details see *ESC Configuration* (on page 76).

## Custom SIP Headers

### About Custom SIP Header Support

The SCA provides the following features to support custom SIP headers for third-party call control (3PCC):

- The ability, through configuration, to send an empty SDP connection address of `c=IN IP4 0.0.0.0` in the INVITE message of a 3PCC call-initiation scenario when `sca.call_init_use_reinvite = true`.  
You configure `call_init_send_empty_address` in the `sca` section of the `sca.config` file. For information, see *call\_init\_send\_empty\_address* (on page 76).
- The ability to insert custom Session Initiation Protocol (SIP) headers into INVITE messages during 3PCC setup. For information, see *PUT\_HEADER Command* (on page 99).
- The ability to insert a SIP header that contains content that was derived from a previously received SIP message. See *Adding Inbound Header to Subsequent INVITE Messages* (on page 11).

For example, you could use these features to improve integration with Oracle Communications Service Controller for third-party call control.

### Adding Inbound Header to Subsequent INVITE Messages

SCA supports the ability to insert into an outbound INVITE message a SIP header that contains content that was derived from a previously received SIP response. For example, you can use this capability to set the value of the retrieved header in an arbitrary header in a subsequent 3PCC INVITE message.

SCA supports this capability with the following features of NHP rules:

- The STATUSCODE identifier in the `HOSTS` section of the NHP configuration file, `rules.nhp` that allows a command to be triggered based on a SIP response.
- The GET\_HEADER command that allows a header to be retrieved from an inbound SIP response and stores the value in memory with a specified `key_name` identifier.
- The PUT\_HEADER command that can then be used to populate the header of subsequent outbound INVITE messages with the value that the GET\_HEADER command retrieved from the SIP response.

For more information about NHP configuration and NHP commands, see *NHP Configuration* (on page 93).

**Example configuration:** Adding inbound header to subsequent INVITE message

## Chapter 1

```
RULES = {
    "r1" = ( DEFAULT ) LOCATION ( SK = 200 );
    "registrar" = ( DEFAULT ) FORWARD ( SK = 200 );

    "trying" = ( DEFAULT ) GET_HEADER ( NAME = "x-wcs-encode-uri"
        ID = "ID_route" );
    "get_route" = ( DEFAULT ) PUT_HEADER ( NAME = "Route" ID =
        "ID_route" );
}

HOST * = {
    STATUSCODE "183" = { "trying" }
    METHOD "INVITE" = { "get_route", "r1" }
    METHOD "REGISTER" = { "registrar" }
}
```

The receipt of a SIP 183 response triggers the `trying` rule, which stores the content of the `x-wcs-encode-uri` header in memory with a key of `ID_route`.

When sending the SIP INVITE message, the rule `get_route` is triggered, adding a `Route` header to the message, with its value set to the content that was stored in memory with the key value `ID_route`.

# LAN Redundancy

## Introduction

The SCA supports redundant LAN deployments for failover local addresses on the SLC or remote IP addresses to which it is directing traffic. The two types of LAN redundancy supported are:

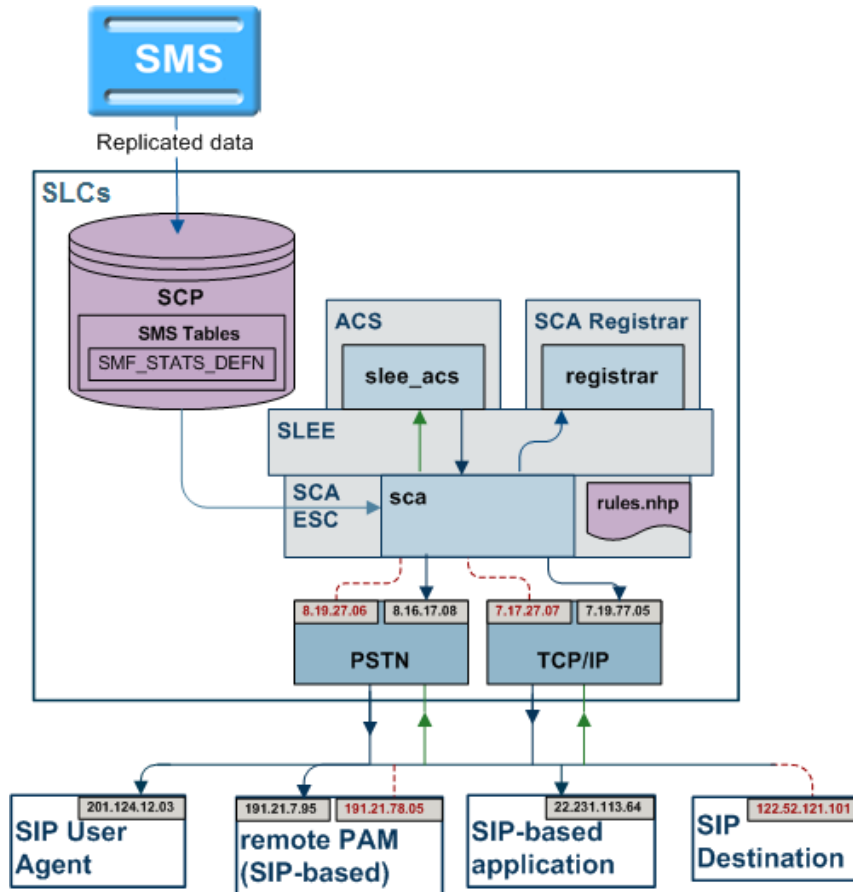
- Local address redundancy: this enables the SCA to detect failure of local network interfaces and stop billing for calls if such failure occurs.
- Remote address redundancy: when initiating a call, this enables the SCA to detect LAN address failures of the remote SIP entities to which it directs traffic and to try alternate destination URLs.

**Note:** These features are not a substitute for a fully redundant network architecture.

- If mid-call failover and redundancy in the mediastream is required, then the network on which the SCA is deployed should include switches and routers that can detect failure and send traffic along an alternate path.
- If the SCA is being used to handle billed calls, then you should configure SCA to send heartbeat messages to the gateways to detect remote gateway failure. For more information, see *Prepaid Platform Heartbeating* (on page xxii).

## Diagram

Here is an example of a network layout with redundant addresses.



## Local Address Redundancy

### Introduction

To support local address redundancy, the SCA constantly monitors the status of user-defined LAN addresses on the local SLC. It checks the operating system flags and determines if any local addresses have failed. If all interfaces have failed, the SCA will notify the IN to release any active calls.

### Procedure

The detailed process is explained below:

- 1 Users can define a list of LAN addresses to be monitored in the SCA configuration file.
- 2 The SCA constantly monitors the LAN interface status flags on the defined addresses for LAN failure.
- 3 If all interfaces are marked as DOWN, the SCA will raise an alarm notification and the IN will release any active calls.
- 4 The SCA continues to monitor the interfaces.

**Warning:** If no interfaces are defined in the SCA configuration file, the SCA will not check for any failed local interfaces and behave as per normal.

## Remote Address Redundancy

### Introduction

The SCA also monitors for user-defined remote client addresses when it is initiating requests to remote SIP entities over the network.

The important features of remote address redundancy are:

- Load-balancing
- Transaction Timer
- Alternate Addresses

### Process

The detailed process is explained below.

Stage	Description
1	Users can define a list of destination URLs to be monitored in the DNS entry or in the SCA Rules file.
2	The SCA sends a request message and retransmits it at intervals configured in the transaction timer.
3	The timer is canceled when an appropriate response is received before the timer expires.
4	If the timer expires and no response is received, the SCA will mark the interface as DOWN and notify the IN.
5	The SCA will send the message to the next alternate address provided in the User-defined list.
6	The SCA continue through the list until an address is successful or all URLs have been tried.
7	If all addresses fail, the SCA will notify the IN to release all active calls to the remote SIP entity and sends an error message to the A-party.

**Note:** If a single address is specified for a remote SIP entity, the SCA behaves as per normal.

### Load balancing

Users specify a list of remote addresses for each SIP client in the NHP file or the DNS server. The SCA load balances requests between the defined IP addresses using a round robin approach. Once an address is detected as failed, it will be cached for a specified period to avoid sending subsequent messages to the failed address.

The load balancing feature can be optionally disabled. When disabled, all subsequent messages are sent to the first available address. If the load balancing behavior is enabled, excluding failed addresses, the messages will be sent to each address in the list in turn.

### Alternate addresses

In the event of a remote address failure, the SCA will try alternate destination IP addresses defined for that client in the list of alternate destination URLs specified in a DNS entry or in the SCA Rules file. When the transaction timer expires the SCA will send the message to the next URL in the provided list. The SCA will continue through the list until an address is successful or all URLs are exhausted.

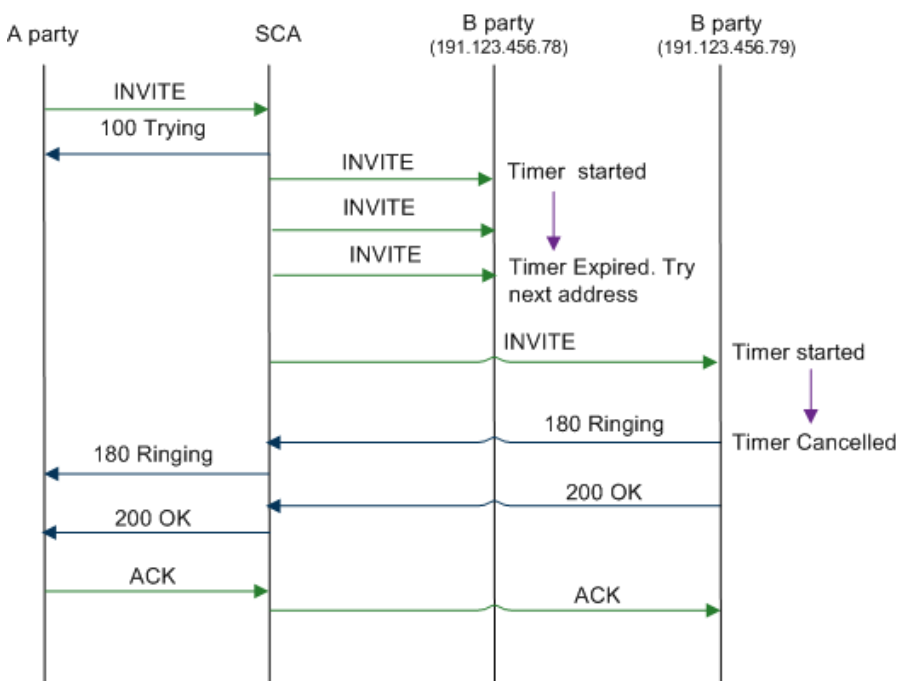
If all the URLs fail the IN will be notified and all active calls to the remote SIP entity will be released. A "Request Timeout" error message is sent to the A-party, unless the A-party addresses have failed or the SCA is directed otherwise by the Control Plan.

The failed address is cached for a configurable amount of time to prevent all subsequent messages being sent to addresses that are known to have failed. A failed address is marked as available when the cache timer expires. If all addresses for a client are detected as failed, this information is not cached and they will all be marked as available.

**Note:** If the load-balancing behavior is disabled, subsequent messages after a failure is detected are sent to the first address known to be available. If the load-balancing behavior is enabled, the messages are sent to each address in the list using the round robin approach, apart from the addresses marked as DOWN.

### Example

Here's an example of a successful call transmission to the B-party's alternate address.



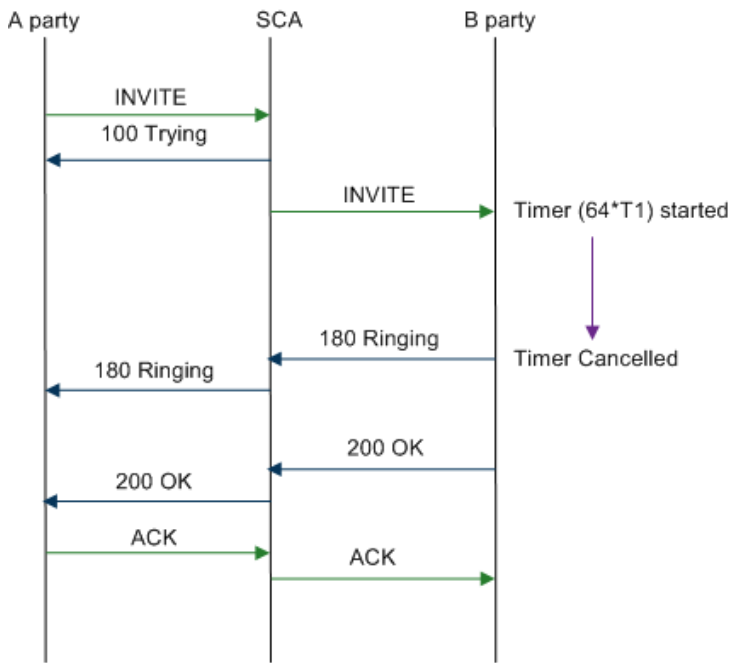
### Transaction timer

A transaction timer starts when the SCA sends a request to the B-party. The message is periodically retransmitted after an interval of  $64 \cdot T1$  seconds, until an appropriate response is received from the other end.

### Successful call response

The timer will be canceled when the SCA receives a response from the B-party in the range of 100 to 699 for an INVITE transaction, or a 200 to 699 response for any other request. The default value of  $T1$  is 0.5 seconds, though it can be configured to a different value.

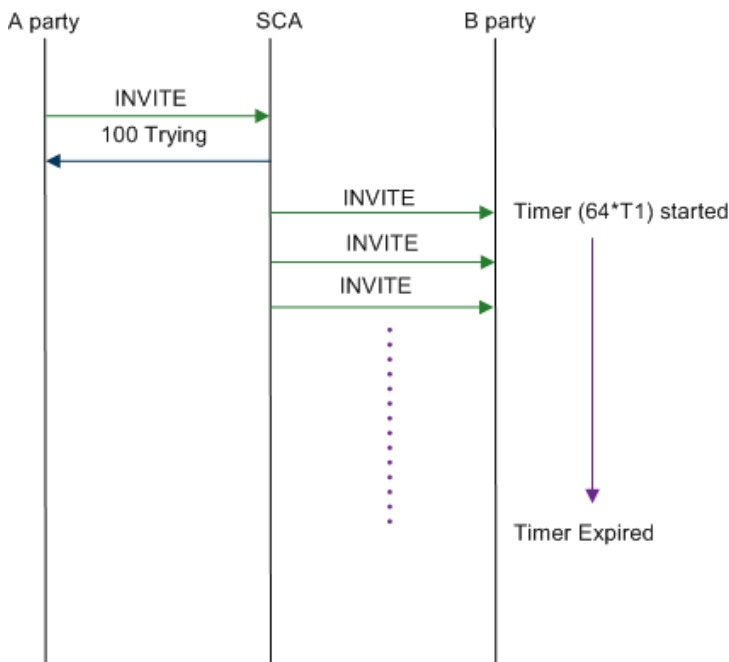
Here's an example of a successful call response received from the B-party.



**Remote address failure**

If the transaction timer expires and no response is received from the B-party, the SCA notifies the IN and returns a "Request Timeout" error to the A-party, unless directed otherwise by the control plan. This expiry of the transaction timer is interpreted as a remote address failure.

Here is an example of a remote address failure caused due to no response received from the B-party.



# Normalization and Denormalization

## Introduction

Normalization and denormalization allow for incoming and outgoing numbers to be selected by their prefix and then have numbers stripped or added (as prefix) if necessary. Normalization can be applied to all numbers in an incoming IDP request. Denormalization can be applied to all numbers returned from the IN (Intelligent Network).

## Normalization

The SCA performs normalization by modifying the incoming and outgoing numbers to perform prefixing and digit stripping. Normalization is applied to numbers in an IDP message sent to the IN after the next-hop processing.

The following numbers are normalized:

- Called and calling party numbers
- Additional calling party numbers
- Additional called party numbers
- Redirection numbers

## Denormalization

The SCA denormalizes numbers when they are returned from the IN. Denormalization is applied to the numbers prior to applying the next hop processing rules.

The SIP protocol does not have the ability to convey nature of address (NoA) information, so the SCA encodes this information using a "+" prefix. If a number returned from the IN has a NoA value of 4, the corresponding number in the outgoing INVITE message is optionally prefixed with a "+" by the SCA. If an incoming INVITE message includes a number prefixed with a "+", then the NoA of the corresponding number sent to the IN will have a NoA of 4. Otherwise a configurable default value will be set.

# CLIP and CLIR

## Introduction

The SCA performs calling line identification presentation and restriction (CLIP/R) when notified by the incoming message from the A-party.

This CLI information is passed to the SCA in one of the following methods:

- Using the Privacy header in an INVITE message
- Setting the name in the FROM header to "Anonymous"
- Setting the URL in the FROM header to "anonymous@anonymous.invalid"

## Privacy header

When the SCA is notified that the A-party CLI information is to be restricted, it will set the Presentation Indicator field of the calling party number to 01 (Presentation Restricted) in the corresponding IDP sent to the IN.

The SCA also ensures that if the Presentation Indicator field of the calling party number is set to 01 by the IN, the outgoing INVITE message includes a Privacy header with a value of "id".

## Setting name in FROM header

If the Display Name parameter in the FROM header of an incoming INVITE message is set to “Anonymous” and the URL in the From header contains an E.164 number, the SCA sets the Presentation Indicator field of the CgPN to 01.

## Setting URL in FROM header

If the URL parameter in the FROM header of an incoming INVITE message is set to “anonymous@anonymous.invalid”, the corresponding INVITE message sent by the SCA includes a Privacy header with a value of “id”.

## Feature Nodes

### ACS feature nodes

This table lists the ACS feature nodes available in the Control Plan Editor, which may be required when using the SCA in conjunction with ACS.

Node name	Node description
<b>Set Presence</b>	This node must be included in the ACS control plan if the SCA will be handling presence and availability requests. It sends a request to a remote presence server to set the availability of a subscriber at a selected location.
<b>Presence Branching</b>	This node must be included in the ACS control plan if the SCA will be handling presence and availability requests. It sends a request to a remote presence server to check a selected location for the presence and availability of a subscriber.
<b>Copy Hunting List</b>	This node prompts the user for a hunting list and copies the hunting list contents to the Pending TN and Additional Pending TNs buffers.

**Tip:** For information about Convergent Charging Controller feature nodes, see *Feature Nodes Reference Guide*. For more information about the Control Plan Editor, see *Control Plan Editor User's Guide*.



# Prepaid Platform and NGN Integration

## Overview

### Introduction

This chapter provides a high-level overview of the integration of IN prepaid systems into next generation networks (NGN). It explains the role of the SCA as an interface between the prepaid platform and the NGN components.

### In this chapter

---

This chapter contains the following topics.

Copyright .....	xx
Key Functionality .....	xxi
Prepaid Platform Heartbeating .....	xxii
Media Description Retrieval from SDP .....	xxix
Call ID retrieval .....	xxx

# Copyright

Copyright © 2016, Oracle and/or its affiliates. All rights reserved.

This software and related documentation are provided under a license agreement containing restrictions on use and disclosure and are protected by intellectual property laws. Except as expressly permitted in your license agreement or allowed by law, you may not use, copy, reproduce, translate, broadcast, modify, license, transmit, distribute, exhibit, perform, publish, or display any part, in any form, or by any means. Reverse engineering, disassembly, or decompilation of this software, unless required by law for interoperability, is prohibited.

The information contained herein is subject to change without notice and is not warranted to be error-free. If you find any errors, please report them to us in writing.

If this is software or related documentation that is delivered to the U.S. Government or anyone licensing it on behalf of the U.S. Government, then the following notice is applicable:

U.S. GOVERNMENT END USERS: Oracle programs, including any operating system, integrated software, any programs installed on the hardware, and/or documentation, delivered to U.S. Government end users are "commercial computer software" pursuant to the applicable Federal Acquisition Regulation and agency-specific supplemental regulations. As such, use, duplication, disclosure, modification, and adaptation of the programs, including any operating system, integrated software, any programs installed on the hardware, and/or documentation, shall be subject to license terms and license restrictions applicable to the programs. No other rights are granted to the U.S. Government.

This software or hardware is developed for general use in a variety of information management applications. It is not developed or intended for use in any inherently dangerous applications, including applications that may create a risk of personal injury. If you use this software or hardware in dangerous applications, then you shall be responsible to take all appropriate fail-safe, backup, redundancy, and other measures to ensure its safe use. Oracle Corporation and its affiliates disclaim any liability for any damages caused by use of this software or hardware in dangerous applications.

Oracle and Java are registered trademarks of Oracle and/or its affiliates. Other names may be trademarks of their respective owners.

Intel and Intel Xeon are trademarks or registered trademarks of Intel Corporation. All SPARC trademarks are used under license and are trademarks or registered trademarks of SPARC International, Inc. AMD, Opteron, the AMD logo, and the AMD Opteron logo are trademarks or registered trademarks of Advanced Micro Devices. UNIX is a registered trademark of The Open Group.

This software or hardware and documentation may provide access to or information about content, products, and services from third parties. Oracle Corporation and its affiliates are not responsible for and expressly disclaim all warranties of any kind with respect to third-party content, products, and services unless otherwise set forth in an applicable agreement between you and Oracle. Oracle Corporation and its affiliates will not be responsible for any loss, costs, or damages incurred due to your access to or use of third-party content, products, or services, except as set forth in an applicable agreement between you and Oracle.

# Key Functionality

## Introduction

The SCA enables real-time charging, instant messaging and personal mobility in SIP-based next generation networks and in the IP multimedia subsystem (3GPP IMS, 3GPP2 MMD). It can be integrated into Oracle's Prepaid Charging solutions based on Charging Control Services (CCS), with on-line charging interfaces to the Convergent Charging Controller Voucher and Wallet Server and to third party real-time billing systems.

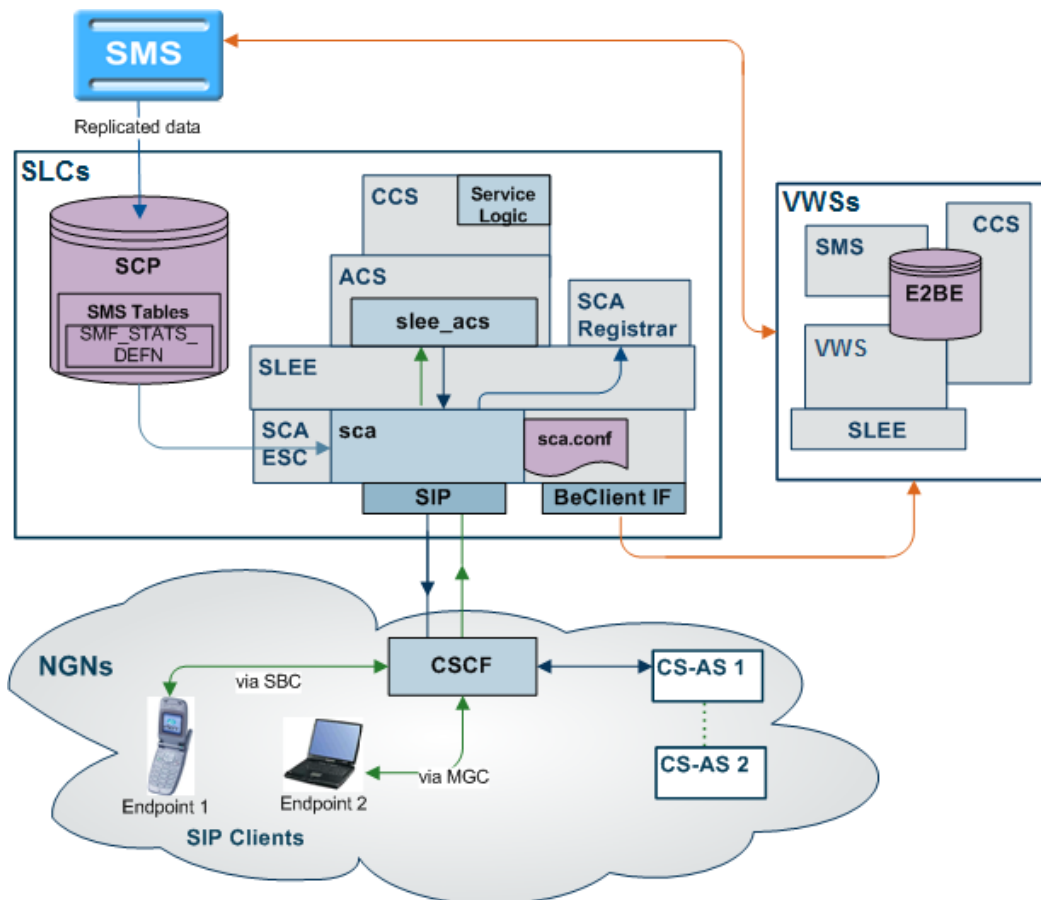
The key features of the SCA that support this integration are:

- Prepaid platform heartbeating towards CSCF
- Media description retrieval from SDP header
- Call ID retrieval
- Status determination of SCA (through OPTIONS)

All messaging between the SCA and the NGN passes through the existing call session control function (CSCF) within the NGN environment.

## Diagram

Here is a diagram showing how the Oracle prepaid platform uses the SCA to interface with a NGN.



# Prepaid Platform Heartbeating

## Introduction

A heartbeating mechanism is used to send periodic SIP OPTIONS messages from the Convergent Charging Controller prepaid IN platform to the CSCF to determine the connectivity status between the two systems. This enables the prepaid platform to cease charging and close down SIP sessions for end users if they are no longer controllable by the IN platform, for example, because a signaling failure has occurred in the network.

## SIP OPTIONS heartbeat message

A SIP OPTIONS message is sent to the CSCF at regular time intervals configured within the SCA configuration file. Hence, it is also known as the SIP OPTIONS "heartbeat" message. It is sent to the CSCF regardless of any SIP sessions currently running on the IN platform.

The SCA expects an OK message in response to the OPTIONS heartbeat message. If a response is received, a timer is started and subsequent OPTIONS messages are sent to CSCF at regular intervals. This time interval is configurable in seconds within the SCA configuration file, with a setting of 0 or no entry indicating that no heartbeat messages will be sent.

If a response is not received to an OPTIONS message within the specified time interval, an OPTIONS message is repeatedly sent one of the following:

- An OK message is received
- 64 OPTIONS messages have been retransmitted without an OK message being received

**Note:** The OPTIONS message is retransmitted at an interval that starts at T1 seconds and doubles until it reaches T2 seconds. It is then retransmitted at an interval of T2 seconds until a total time of 64\*T1 seconds has elapsed. T1 and T2 are configurable and default to 0.5 seconds and 4 seconds respectively.

## Message header

The message header for SIP OPTIONS heartbeat messages contains the following mandatory fields configurable within the SCA configuration file:

- "To" field
- "From" field
- Request-URI
- Route
- P-Asserted-Identity (including username)
- P-Charging-Vector (optional)

## Example

Here is an example of a OPTIONS heartbeat message sent from the prepaid platform to CSCF:

```
OPTIONS sip:bsas.sip.teleco.pl;transport=UDP; SIP/2.0
Via: SIP/2.0/UDP 12.0.0.21:6060
Max-Forwards: 70
To: <sip:bsas.sip.teleco.pl;transport=UDP>
From: <sip:prepaid.sip.teleco.pl;transport=UDP>;tag=1234567890
Call-ID: prepaid1234@12.3.4.56
CSeq: 10 OPTIONS
Route: <sip:scscf.sip.teleco.pl:6060;lr>
Contact: <sip:12.0.0.21:6060;transport=UDP>
Accept: application/sdp
P-Asserted-Identity: "45678901234" <sip:45678901234@sip.teleco.pl>
```

Content-Length: 0  
P-Charging-Vector:  
icid-value=prepaid34567aae0;orig-ioi=prepaid.sip.teleco.pl

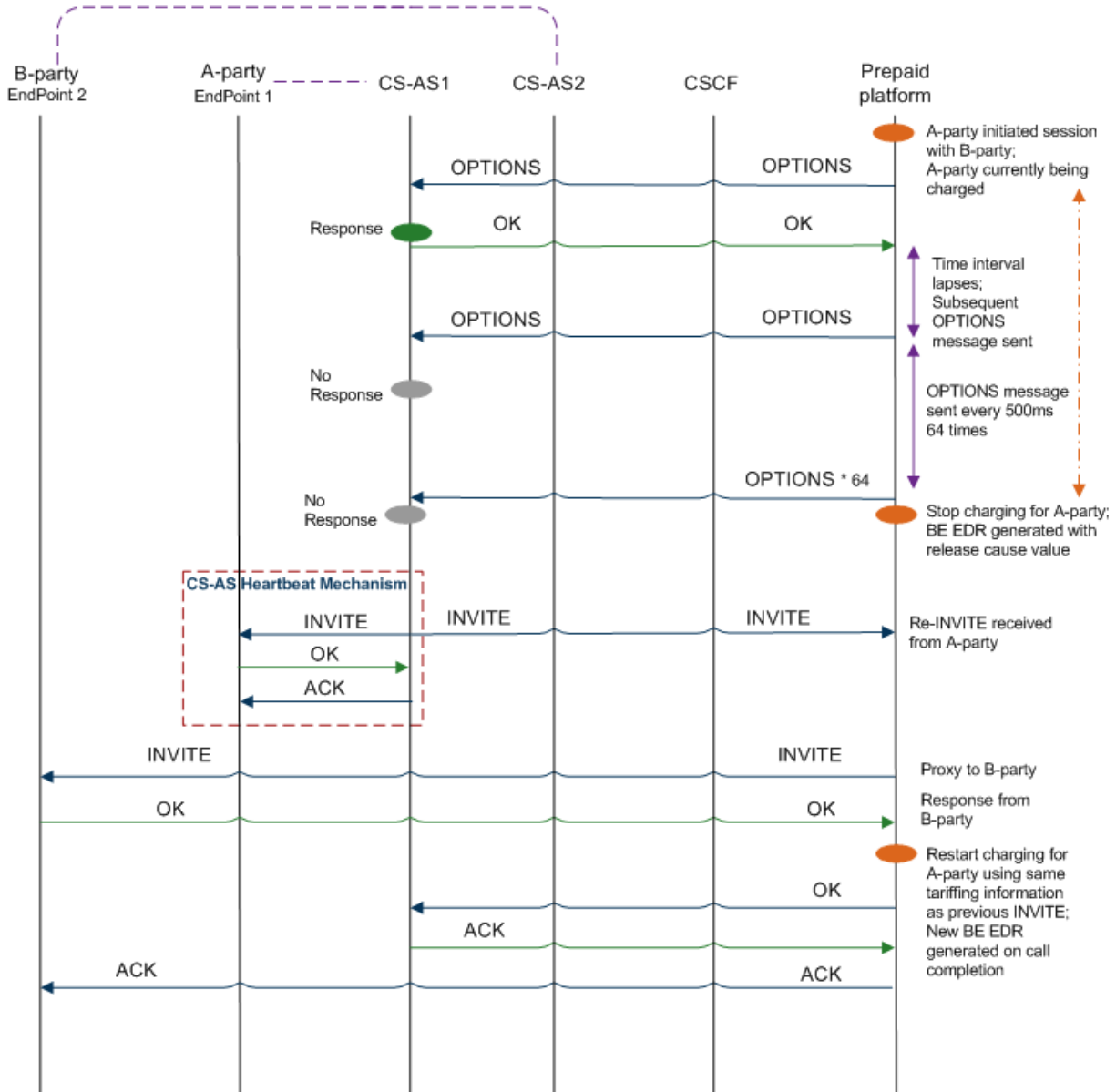
## Prepaid Heartbeat Process

The detailed process is explained below:

Step	Action
1	The prepaid IN platform sends a SIP OPTIONS heartbeat message to the CSCF and awaits an OK message.
2	If a response: <ul style="list-style-type: none"><li>• Is received, a timer is started to send subsequent OPTIONS messages to CSCF at regular intervals.</li><li>• Is <i>not</i> received within a specified period, an OPTIONS message is retransmitted until an OK message is received or 64 OPTIONS messages have been retransmitted without any response.</li></ul>
	<b>Note:</b> The OPTIONS message is retransmitted at an interval that starts at T1 seconds and doubles until it reaches T2 seconds. It is then retransmitted at an interval of T2 seconds until a total time of 64*T1 seconds has elapsed. T1 and T2 are configurable and default to 0.5 seconds and 4 seconds respectively.
3	A critical alarm is raised and charging for current SIP sessions is stopped, that is, all concerned SIP sessions are placed in a “Charging void” state.
4	A VWS EDR is generated with an appropriate release cause value as configured in the SCA configuration file.
5	The SCA notifies the IN to release the call using a RELEASE message that indicates the release cause value.
6	If the restart charging option is enabled, the SCA will attempt to restart the charging session upon receiving a re-INVITE message from the originating party, which is successfully proxied to responded by the B-party. For details about the procedure, see <i>Restarting charging session</i> (on page xxvii).

## Diagram

Here is an illustration of the prepaid platform heartbeating mechanism. The resulting CS-AS heartbeating activity is highlighted in red.



## Stopping charging sessions

The prepaid heartbeating mechanism ensures that charging can be stopped for SIP endpoints affected by a signaling problem between the prepaid platform and CSCF.

When 64 OPTIONS messages are retransmitted without any response, a critical alarm is raised as per the alarm details configured within the SCA configuration file. Charging for current SIP sessions is stopped and all concerned SIP sessions are placed in a 'charging void' state.

A VWS EDR is generated with the appropriate release cause value. For more details, see *release cause values* (on page xxv).

## Release cause values

When the charging is closed for a SIP session, a VWS EDR is generated with the appropriate release cause value.

This value is configurable within the SCA configuration file, the permissible range being 0 to 127, with a default value of 55. The release cause value written to the VWS EDR specified for a CS-AS heartbeat mechanism failure is also configurable within the SCA configuration file, the permissible range being 0 to 127, with a default value of 60.

The SCA uses this value in a RELEASE message to disconnect the call to the IN service. The IN service then includes the value in the VWS EDR, allowing a user's account to be credited appropriately if the release cause value is detected during EDR post-processing. It also alerts the EDR post-processing system if more than one EDR exist for a call (in case a new EDR is generated when charging restarts).

**Warning:** If a release cause value is specified outside the permissible range an appropriate alarm is raised and the SCA will fail to restart.

## Release cause mapping

This table lists valid INAP release cause codes, and the SIP error codes to which they are mapped.

Code	INAP Release Cause	Code	SIP Error Code
1	Unallocated Number	404	Not Found
2	No Route To Network	404	Not Found
3	No Route To Destination	404	Not Found
17	User Busy	486	Busy Here
18	No User Responding	408	Request Timeout
19	No Answer From User	480	Temporarily Unavailable
20	Subscriber Absent	480	Temporarily Unavailable
21	Call Rejected	603	Decline
22	Number Changed	410	Gone
23	Redirection To New Dest	410	Gone
26	Non-Selected User Clearing	404	Not Found
27	Destination Out of Order	502	Bad Gateway
28	Address Incomplete	484	Address Incomplete
29	Facility Rejected	501	Not Implemented
31	Normal	404	Not Found
34	No Circuit Available	503	Service Unavailable
38	Network Out of Order	503	Service Unavailable
41	Temporary Failure	503	Service Unavailable
42	Switching Equipment Congestion	503	Service Unavailable
47	Resource Unavailable	503	Service Unavailable
55	Incoming calls barred within CUG	403	Forbidden
57	Bearer capability not authorized	503	Service Unavailable
58	Bearer capability not presently available	503	Service Unavailable
65	Bearer capability not implemented	488	Not Acceptable Here
70	Only restricted digital available	488	Not Acceptable Here
79	Service/option not implemented	501	Not implemented

Code	INAP Release Cause	Code	SIP Error Code
87	User not member of CUG	403	Forbidden
88	Incompatible destination	503	Service unavailable
102	Recovery on timer expiry	504	Gateway timeout
111	Protocol error	500	Server internal error
127	Interworking unspecified	500	Server internal error

**Note:** These mappings can be ignored by setting the `propagate_b_error = true` configuration item.

This will always ignore the above mapping and just forward the error response from the B-leg. Beware that this will mean that the IN release cause will always be ignored.

## CS-AS heartbeating mechanism

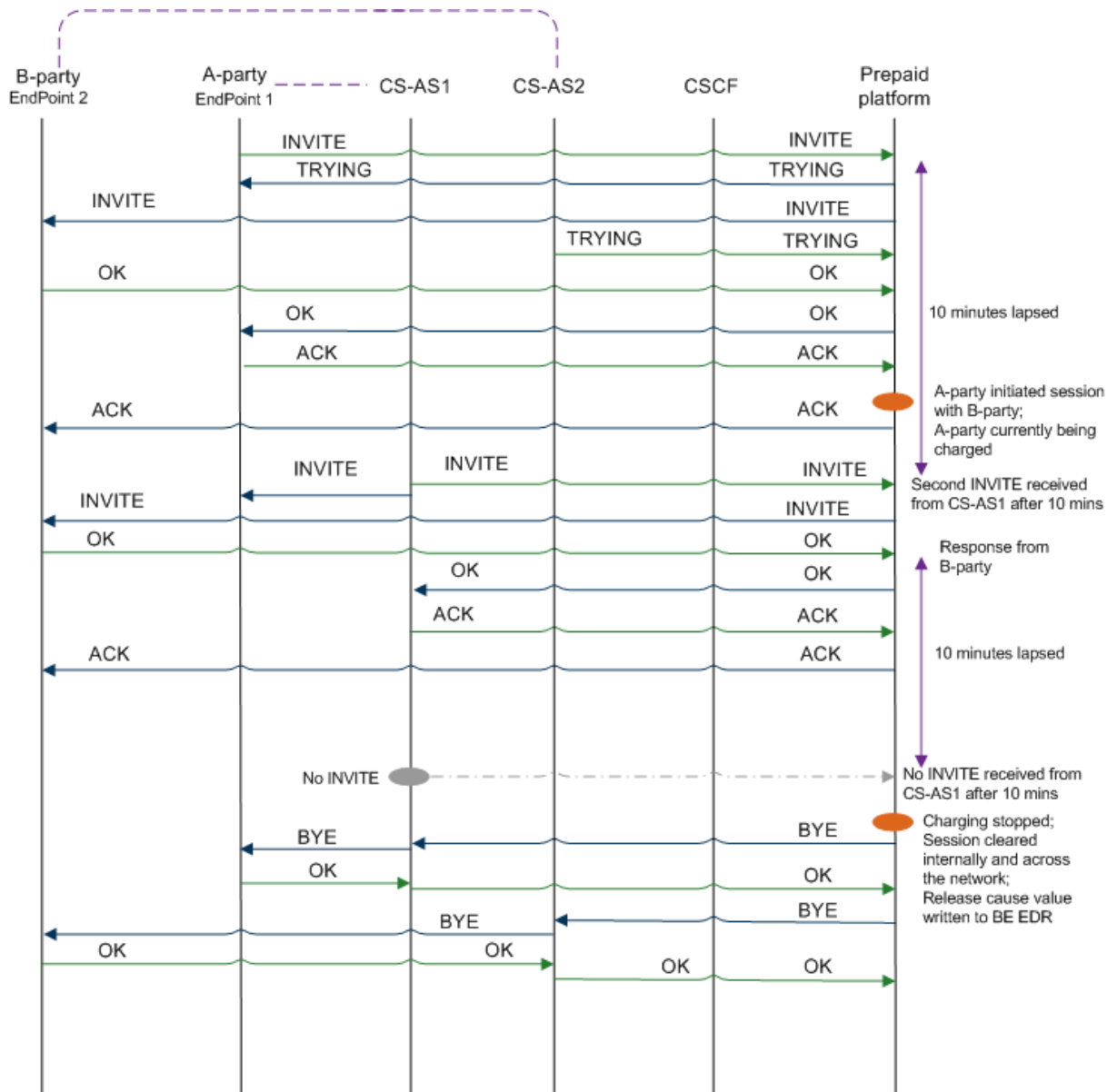
A heartbeat message is sent to the prepaid IN platform by the CS-AS (application server) associated with each endpoint to indicate that the SCA must be able to handle all endpoints currently involved within the SIP session. This is known as CS-AS heartbeat mechanism.

This allows the prepaid IN platform to determine signaling problems within the network. If a heartbeat message is not received within the specified time limit, the prepaid IN platform will end the SIP session and cease charging for the associated SIP endpoint.



## Diagram

Here is an illustration of the CS-AS heartbeating mechanism.



## Restarting charging sessions

The CS-AS heartbeat mechanism enables restarting charging sessions that have entered the Charging void state by periodically checking the connectivity status of the endpoints.

This process is initiated if a re-INVITE message received from the A-party (originating endpoint connected to a CS-AS), proxied by the SCA to the B-party (destination endpoint) results in a successful OK message from the B-party.

When an attempt is made to resume a charging session, the SCA will add a configurable prefix to the called party address sent to the charging system so that the IN service can identify the resumed call and suppress IVR messages.

**Note:** The SCA will attempt to resume a session in the Charging void state on if the resume charging option is enabled in the SCA configuration file.

## Process

The detailed restart charging process is explained below.

Stage	Description
1	The CS-AS sends a periodic INVITE heartbeat message to the SCA on behalf of each endpoint involved in a SIP session.
2	The SCA receives the message from the A-party, proxies it to the B-party (destination endpoint) and awaits an OK response.
3	When the B-party responds with an OK, the SCA will recommence charging for A-party if the restart charging option is enabled within the SCA configuration file.
4	The contents of the new INVITE are used to determine charging parameters, however, if there is insufficient information, the charging parameters of the previous INVITE will be used.
5	If the attempt to restart charging succeeds, then the OK message received from the B-party is sent to the A-party and a re-INVITE timer is restarted to receive subsequent heartbeat messages.
6	If the attempt to restart charging fails, then the session will be cleared by sending BYE messages to both endpoints.

**Note:** The SCA interprets an INVITE message as a heartbeat message if it has the same call ID value in the message header as an outstanding SIP session.

## SCA message processing

The following scenarios describe the SCA action's response to possible messages received from the CSCF when a SIP session is placed in the Charging void state.

Scenario	Action
No heartbeat INVITE message or non-terminating SIP message	If no periodic INVITE message or non-terminating SIP message is received within the configured time, the SIP session is closed and charging is stopped.
Re-INVITE message received from the A-party	The SCA will proxy it to B-party and await OK message.
OK message is received from the B-party	The SCA will attempt to resume the charging session as per the configuration options set in the SCA configuration file. Charging information, if present in new INVITE is used, else contents of previous message are used.
Re-INVITE received for ongoing call currently being charged	The SCA will proxy and then discarded this message.
Re-INVITE message received from B-party	The SCA will proxy the message to A-party and take no further action.
Any non-terminating message other than INVITE received A-party	The SCA will proxy the message to the B-party; the re-Invite timer is restarted when B-party responds with an OK.
Any non-terminating message other than INVITE received from A-party for sessions in Charging void state	The SCA will attempt to resume the charging session as per the configuration options set in the SCA configuration file. The message is proxied to the B-party and charging commences when an OK is received from B-party.  <b>Notes:</b> Charging parameters will be used from previous charging parameters unless an UPDATE is received overriding previous message information.

# Media Description Retrieval from SDP

## Introduction

The SIP endpoints use the SDP portion of the initial INVITE message to indicate the type of media session that should be initiated. This information is used by the SCA to pass tariff information to the charging components.

The tariff can be re-evaluated by the prepaid platform during session setup or progress. The session setup stage includes media session negotiation. During a call, the media type and tariff can be updated using a re-INVITE or UPDATE message. The final agreed media type will be the type for which the call is billed.

This media type information is written to the EDR generated for the session, by using the Branch on Bearer Type node in combination with the Set BE EDR node. For more information on feature nodes, refer to *Feature Nodes Reference Guide*.

## Media description field

The media description field in the message body of the initial INVITE received for a session is used to derive the tariff applied to the whole session.

The SCA searches for more than one occurrence of the Media description field and its associated direction media attributes as more than one media can be applied to a call.

An example is shown below for a session with both audio and video:

```
Media Description, name and address (m): audio 21358 RTP/AVP 107 119 0
Media Attribute (a): sendrecv
Media Description, name and address (m): video 21360 RTP/AVP 115 34
Media Attribute (a): sendrecv
```

## Media description string

The SCA looks for the occurrence of the following media description string within the message body:

```
Media Description, name and address (m):
```

The strings of interest generally associated with this tag are “audio” and “video”.

**Example:** An entry is shown below for an audio call:

```
Media Description, name and address (m): audio 12345 RTP/AVP 100 100 0
```

## Media description attribute

After an occurrence of the media description string is found, the SCA looks for an occurrence of the media attribute field that indicates if the type of media is send, send or receive.

**Example:** An example entry is shown below for a bi-directional media stream:

```
Media Attribute (a): sendrecv
```

## Media mapping table

Once the SCA has completed deciphering the media description/attribute parameters from the INVITE it looks up a media mapping table that indicates the bearer capability (tariff) to be used for the session.

The media mapping table is configured within the SCA configuration file and allows various combinations of media description/attributes to be mapped to a bearer capability integer value. Unique values of bearer capabilities must be used so that the control plan executed by the IN service can check for a particular bearer capability and write the correct media information to the EDR that is generated.

The result of not finding a bearer capability mapping in the media mapping table can be configured in the SCA configuration file as:

- An alarm is raised showing the media description/attributes that have no mapping. The session start-up is terminated and an appropriate error message is sent to the initiating party.
- The bearer capability is set to a default value in the SCA configuration file (blank setting indicates that field is not populated) and the call continues.

**Note:** If an UPDATE message is received in a call not in the Charging void state is either rejected, ignored or proxied as configured in the SCA configuration file. The SDP information cannot be used to update charging information.

## Example

Here are a few sample entries for a media mapping table:

Media Attribute	Description	Bearer Capability
audio:sendrecv::1	Indicates for only Audio - sendrecv	1
video:sendrecv::2	Indicates for only Video - sendrecv	2
video:send::3	Indicates for only Video send	3
video:recv::4	Indicates for only Video receive	4
audio:sendrecv,video:sendrecv::5	Indicates for Audio sendrecv and Video send/recv	5
audio:sendrecv,video:send::6	Indicates for Audio sendrecv and Video send	6
audio:sendrecv,video:recv::7	Indicates for Audio sendrecv and Video recv	7
audio:inactive,video:recv::8	Indicates for Audio inactive and Video recv	8
audio:inactive,video:inactive::9	Indicates for Audio inactive and Video inactive	9

## Call ID retrieval

### Introduction

The Call ID in the initial INVITE received while starting a SIP session must be included in all EDRs generated by the prepaid platform for the SIP session. This helps correlate the EDRs generated for that session by other applications across various platforms.

The Call ID is written to the VWS EDR when the Set BE EDR node is triggered in a call Control Plan. However, to write the Call ID in ASCII form to the EDR an MSC Address must be configured in the SCA configuration file and a matching MSC address must be entered in the **eserv.config** file and set up for ASCII decoding.

### Call ID field

The Call ID field in the message header of the initial SIP INVITE received from the A-party is passed to the call control plan. It is then written to the VWS EDRs by the Set BE EDR feature node.

The Call ID field is placed within the CAMEL call reference field within the IDP sent by the SCA to trigger ACS. The maximum length of this field is 64 characters. If the Call ID is greater than 64 characters, then the first 64 characters will be displayed in the EDR field and an alarm will be raised to indicate that the Call ID has been truncated. The details of this alarm can be configured in the SCA configuration file to display:

- Contents of 'To' field
- Contents of 'From' field
- Truncated Call ID
- Actual Call ID

Also, the SCA can be configured to operate in a back-to-back user agent (B2BUA) mode, so that the call ID sent to the B-party is generated by the IN platform with a recognizable prefix.



## Overview

### Introduction

This chapter explains how common scenarios are handled by the Session Control Agent.

### In this chapter

---

This chapter contains the following topics.

Call Forwarding .....	33
Call Redirection .....	36
Callback .....	36
SIP Error Response.....	39

## Call Forwarding

### Introduction

The most common use of the SCA is to trigger a control plan to process calls in conjunction with the IN call model. This is referred to as an “IN controlled call”. Using this method the SCA acts as a translator between the SIP protocol used in the VOIP network and the TCAP/INAP protocols used to communicate with the control plan.

This example scenario shows how the SCA (running in B2BUA mode) can be used to forward calls. In this scenario a SIP request triggers a control plan which changes the call destination number and forwards the request accordingly.

### Call Forwarding Process

The call forwarding process is described below.

Stage	Description
1	<p>A SIP INVITE request is received on UDP port 5060.</p> <p><b>Example INVITE request:</b></p> <pre>INVITE sip:441473289900@oracle.com SIP/2.0 Via: SIP/2.0/UDP 192.168.25.80:5060;branch=z9hG4bKaaa From: 441473555555&lt;sip:441473555555@192.168.25.80&gt;;tag=1 To: 441473289900 &lt;sip:441473289900@oracle.com&gt; Call-ID: 1-8959@192.168.25.80 CSeq: 1 INVITE Contact: sip:441473555555@192.168.25.80:5060 Max-Forwards: 70 Content-Type: application/sdp Content-Length: 124 v=0 o=user1 53655765 2353687637 IN IP4 192.168.25.80 s=- c=IN IP4 192.168.25.80 t=0 0 m=audio 21358 RTP/AVP 107 119 0</pre>

Stage	Description
-------	-------------

2 The SCA queries the `rules.nhp` configuration file and looks for a rule matching the INVITE message. In this example the INVITE message triggers the "acs" default rule.

**Example Rules.nhp:**

```

RULES = {
  "acs" = ( DEFAULT ) IDP ( SK = 110 );
  "fwd" = ( TO USER MATCHES "666666" )
          FORWARD ( URI="sip:192.168.25.82");
}
HOST * = {
  METHOD "INVITE" = { "acs", "fwd" }
}
    
```

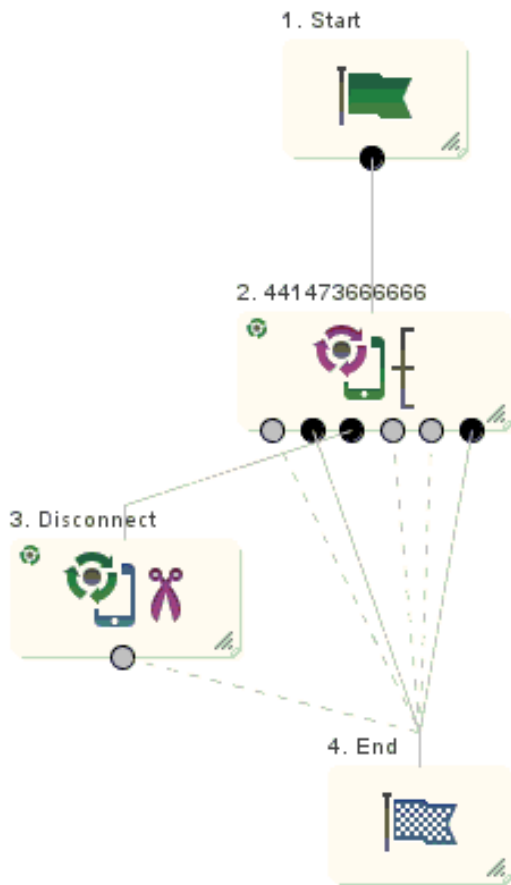
3 The rule translates the INVITE message into an IDP message.

For details on how the message is translated, see *Invite message translation* (on page 35).

4 The IDP message is forwarded to ACS on service key 110.

5 The IDP triggers a simple control plan containing an Attempt Termination node.

**Example:**



6 The Attempt Termination node redirects the number to 441473666666. A Connect message is sent back to the SCA with this as the new called party number.

7 The SCA generates a new INVITE request for the second part of the call. The request contains the new CdPN in the To header and the received CgPN in the From header.



Stage	Description
	<p><b>Example INVITE request:</b></p> <pre>INVITE sip:441473666666@oracle.com SIP/2.0 Via: SIP/2.0/UDP 192.168.26.182:5060;branch=z9hG4bK946513216548 From: 441473555555 &lt;sip:441473555555@oracle.com&gt;;tag=2895685 To: 441473666666 &lt;sip:441473666666@oracle.com&gt; Call-ID: ESGSCA12345689746541321@192.168.26.182 CSeq: 1 INVITE Contact: sip:441473555555@192.168.26.182:5060 Max-Forwards: 70 Content-Type: application/sdp Content-Length: 124 v=0 o=user1 53655765 2353687637 IN IP4 192.168.25.80 s=- c=IN IP4 192.168.25.80 t=0 0 m=audio 21358 RTP/AVP 107 119 0</pre>
8	ACS returns E.164 numbers which must be translated to a SIP URI. For details, see <i>E.164 number translation</i> (on page 35).
9	The "fwd" rule in <code>rules.nhp</code> (the rule matching the username part of the new "To" header) is fired. This forwards the request to the specified destination. In this case: 192.168.25.82.
10	A 200-OK success response is received, indicating that the B-party has answered.
11	A release cause of 31 is sent to the control plan which takes the success branch exit.

## Invite message translation

The SCA uses the following process to translate between a SIP INVITE message and an INAP IDP.

- 1 The username part (before the "@") of the SIP URI in the From header is used as the CallingParty number (for example, 441473555555). If the number is preceded by a "+" character, then the NoA of the CgPN is set to 4. Otherwise it is set to a configurable default value.
- 2 The username part of the To header URI becomes the Called Party number (CdPN).
- 3 If present, the URI in the topmost Diversion header becomes the Redirecting Party ID.
- 4 If present, the P-Asserted-ID header can optionally be used as the CgPN.
- 5 Other default values can be configured in the `sca.config` file and `tdp.conf` files. For example, the `tdp.conf` file sets information such as the Switch type for the trigger detection point information.

**Note:** For more information on the SCA configuration files, refer to *Configuration* (on page 41).

## E.164 number translation

An E.164 number is translated to a SIP URL by adding a domain name to the end of the number. For example, this method could be used to translate the To header:

```
To: {CdPN} <sip:{CdPN}@{default_domain}>
```

Where:

The `default_domain` configuration option contains a URI, such as, `oracle.com` and this is appended to the E.164 Called-party number to create a SIP URI.

**Note:**

- The From URI has been changed (the `default_domain` is used).
- The `trans_mapping` configuration option allows different domains to be used depending on prefix.

- The destination address in the To header is the same as the Request-URI (the first line of the SIP message).
- The displayname part of the To and From headers have been changed. If required, the original displayname can be retained using the `trans_behaviour` configuration option.
- The To URI and Request-URI can be overridden with the URI in the “fwd” rule by specifying the SET-URI configuration option.

## Call Redirection

### Introduction

Call redirection is a simple scenario often used for ported number queries.

### Example redirection rules

Here is an example of call redirection configuration in the `rules.nhp` file.

```
RULES = {  
  "redirect" = ( DEFAULT ) REDIRECT ( SK = 110 );  
}  
HOST * = {  
  METHOD "INVITE" = { "redirect" }  
}
```

### Call Redirection Process

The call redirection process is described below.

Stage	Action
1	An INVITE request triggers ACS on service key 110.
2	The called party number returned from ACS is translated to a SIP URI and sent to the A-party in the contact header of a "302 Moved Temporarily" response. For more information on number translation, see <i>E.164 number translation</i> (on page 35).
3	The A-party re-sends the INVITE request to the URI specified in this contact header.

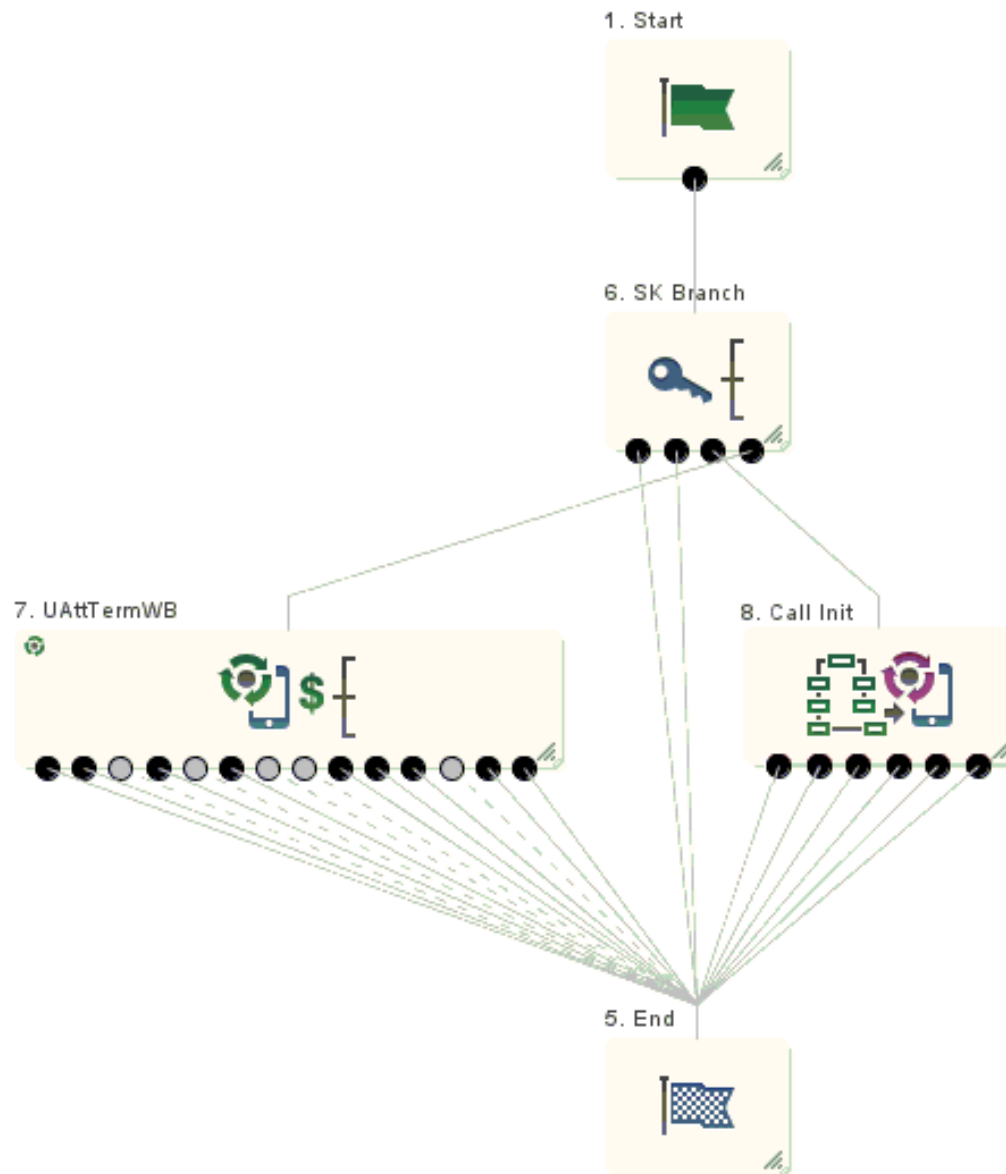
## Callback

### Introduction

Callback or Third Party Call Control allows ACS to initiate calls between two parties.

## Callback control plan diagram

Here is an example control plan for handling Callback.



## Callback Process

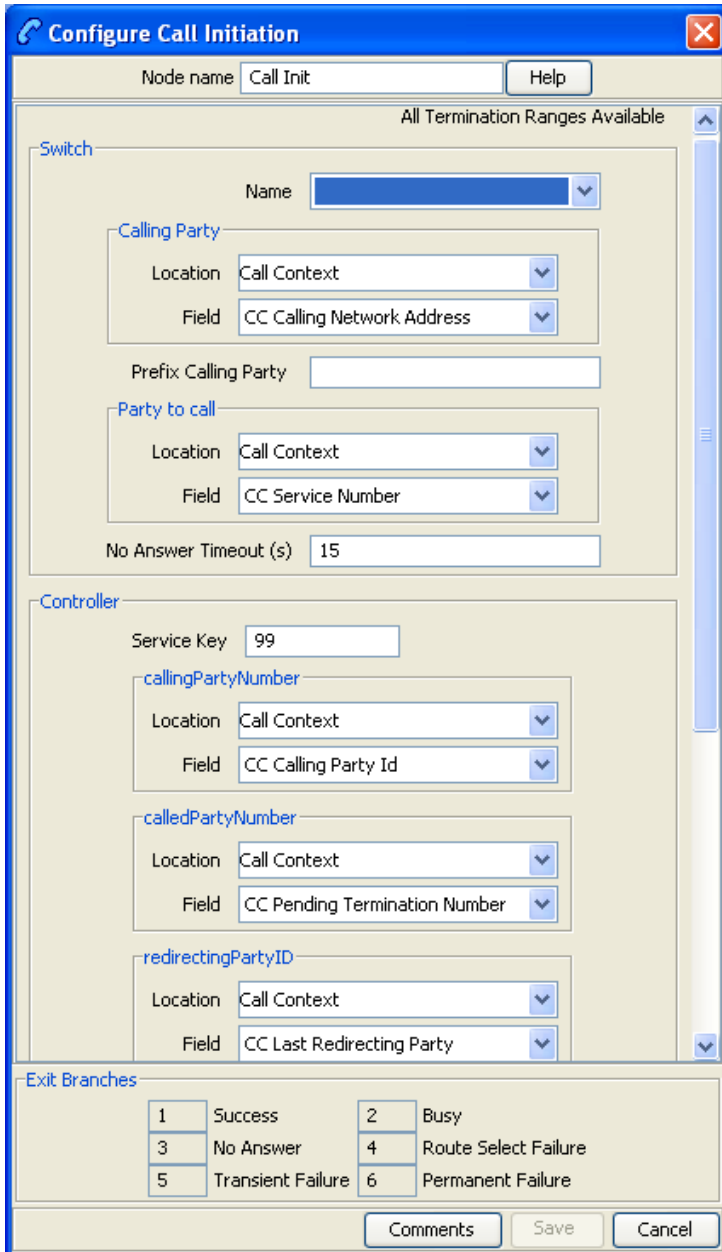
This process explains how Callback works.

Stage	Description
1	The first leg of the call is triggered by the Call Initiation node. The Switch and Calling Party sections configured in the node, specify the destination of the initial INVITE request.
2	The INVITE message is created with a To header containing the "Party To Call" and a From header containing the "Calling Party".
3	The rule from the <code>rules.nhp</code> file matching the INVITE message is triggered.

Stage	Description
4	When the A-party answers the call, the Call Initiation node transfers the dialog to a different control plan by sending an IDP to ACS (as if the call had been initiated by the A-party).
5	The IDP is sent on the service key configured in the node. It contains the CgPN and CdPN configured in the Controller section of the node.
6	The SCA sends an INVITE to the CdPN, thus connecting the two call legs together.

### Configure Call Initiation example

Here is an example Configure Call Initiation screen showing how the node may be configured for callback.



# SIP Error Response

## Introduction

This scenario explains how the SCA handles SIP error responses.

## SIP error response example

This example shows a SIP 404 error response to a call forward request.

```
SIP/2.0 404 Not Found
Via: SIP/2.0/UDP 192.168.26.182:5060;branch=z9hG4bK946513216548
From:441473555555 <sip:441473555555@oracle.com>;tag=2895685
To: 441473666666 <sip:441473666666@oracle.com>;tag=12135612
Call-ID: ESGSCA12345689746541321@192.168.26.182
CSeq: 1 INVITE
Reason: Q.850;cause=1
Content-Length: 0
```

## SIP error response process

The detailed process is described below.

Stage	Description
1	The SIP error response code is mapped to a release cause and sent to ACS. In this example the error code 404 and error cause 'Not Found' is mapped to the release cause 1 and sent to ACS. For details of SIP error response mappings, refer to <i>Release cause mapping</i> (on page xxv).
2	The control plan sends the release cause back to the SCA.
3	The SCA performs one of the following: <ul style="list-style-type: none"> <li>• Maps the received release cause back to a SIP error code. This will always happen if the control plan instructed the call to be released (for example, using a Disconnect node with a release cause on the “no-answer” branch).</li> <li>• Forwards the error it received from the B-leg back to the A-leg, ignoring the release cause from ACS. To do this you must specify the <code>propagate_b_error</code> flag in <code>sca.config</code>.</li> </ul>



# Configuration

## Overview

### Introduction

This chapter explains how to configure the Oracle Communications Convergent Charging Controller application.

### In this chapter

This chapter contains the following topics.

Configuration Overview .....	41
sca.config Configuration .....	42
SCA Configuration .....	43
ESC Configuration .....	76
Parser Configuration .....	84
Presence Configuration .....	84
acs.conf Configuration .....	86
SLEE.cfg Configuration .....	87
Configuring EDR Collection .....	87
Configuring IN Call Model Triggers .....	88

## Configuration Overview

### Introduction

This topic provides a high level overview of how the Session Control Agent (SCA) is configured.

There are configuration options which are added to the configuration files that are not explained in this chapter. These configuration options are required by the SCA and should not be changed.

### Configuration components

The Session Control Agent is configured by the following components:

Component	Locations	Description	Further Information
sca sca.config	All SCA SLC platforms	The SCA is configured by the <code>sca</code> section of <code>sca.config</code> .	<i>SCA Configuration</i> (on page 43).
esc sca.config	All SCA SLC platforms	The Oracle SIP Chassis (ESC) is configured by the <code>esc</code> section of <code>sca.config</code> .	<i>ESC Configuration</i> (on page 76).
eserv.config	All SCA SLC platforms	The translations to SIP availability and location definitions are configured by the <code>presence</code> section of <code>eserv.config</code>	<i>Presence Configuration</i> (on page 84).

Component	Locations	Description	Further Information
<b>acs.conf</b>	All SCA SLC platforms	The acsChassis plugin library for presence querying and setting is configured by the <code>acsChassis</code> section of <b>acs.conf</b> .	<i>acs.conf Configuration</i> (on page 86) and the <i>Advanced Control Services Technical Guide</i> .
<b>SLEE.cfg</b>	All SCA SLC platforms	The SLEE interface is configured to include the SCA interface.	<i>SLEE.cfg Configuration</i> (on page 87) and the <i>Service Logic Execution Environment Technical Guide</i> .
<b>rules.nhp</b>	All SCA SLC platforms	The SCA Next Hop Processing is configured by the <b>rules.nhp</b> file.	<i>NHP Configuration</i> (on page 93).
<b>tdp.conf</b>	All SCA SLC platforms	The Trigger Point Definition file for triggering SLEE requests to external IN applications such as ACS.	<i>Configuring IN Call Model Triggers</i> (on page 88).
<b>stats_config</b> file	All SCA SLC platforms	Lists the SCA statistics. Required for collecting SCA statistics where ORACLE is not installed.	<i>Statistics</i> (on page 108)

## sca.config Configuration

### Introduction

The **sca.config** file is used to configure the Session Control Agent. It contains different sections defining data relevant to the SCA itself, and the Oracle SIP Chassis (ESC shared library). It is located in the `/IN/service_packages/SCA/etc` directory:

The **sca.config** file format uses hierarchical groupings to divide up the options into logical groups.

### Configuration file format

To organize the configuration data within the **sca.config** file, some sections are nested within other sections. Configuration details are opened and closed using either `{ }` or `[ ]`.

- Groups of parameters are enclosed with curly brackets - `{ }`
- An array of parameters is enclosed in square brackets - `[ ]`
- Comments are prefaced with a `#` at the beginning of the line

To list things within a group or an array, elements must be separated by at least one comma or at least one line break. Any of the following formats may be used:

```
{ name="route6", id = 3, prefixes = [ "00000148", "0000473" ] }
{ name="route7", id = 4, prefixes = [ "000001049" ] }
```

or

```
{ name="route6"
  id = 3
  prefixes = [
    "00000148"
    "0000473"
  ]
}
{ name="route7"
  id = 4
  prefixes = [
```



```

        "000001049"
    ]
}
or
{ name="route6"
  id = 3
  prefixes = [ "00000148", "0000473" ]
}
{ name="route7", id = 4
  prefixes = [ "000001049" ]
}

```

## Editing the file

Open the `sca.config` file using a standard file editor. Do not use file editors such as Microsoft Word that attach Microsoft DOS or Windows line termination characters (that is, `^M`) at the end of each row, as this will cause file errors when the application tries to read the configuration file.

Always keep a backup of your `sca.config` before making any changes to it, to ensure that you always have a working copy.

## Loading `sca.config` configuration changes

If you change the configuration file, then you must send a signal (SIGHUP) to the `sca` process, or restart the SLEE, to enable the new options to take effect.

# SCA Configuration

## Introduction

The `sca` section in the `sca.config` file must be configured to enable the SCA to work. An example `sca.config` file showing all the available configuration options is installed by the `scaScp` package in `/IN/services_packages/SCA/etc/sca.config.all.example`.

The `sca.config` file needs to be present on all SCA SLCs.

**Note:** All mandatory configuration in `sca.config` is done at installation time by the configuration script.

## Example `sca` configuration

The following is an example of `sca` configuration in `sca.config`:

```

sca = {
    local_ip = "192.168.0.1"

    enableCDRs = true
    cdrTempDir = "/IN/service_packages/SCA/cdr/open"
    cdrFinalDir = "/IN/service_packages/SCA/cdr/closed"
    cdrSizeLimit = 100000
    use_ALegCallID = true
    local_contact = false

    cdrAgeLimit = 600

    rules = "/IN/service_packages/SCA/etc/rules.nhp"

    b2bua = true

```

```

noin_dropcall = false

inap_noa_calling_party = 4
inap_noa_called_party = 4
inap_noa_redirecting_party = 4
inap_scr = 3
inap_pres = 0
inap_numplan = 1
inap_inn = true

usePAssertedID = false

oracleUserAndPassword = "/"

rem_comm_port = 3615
propagate_b_error = false

remotePartyIdTrans = "NEVER"
include_rpi_privacy = false
update_rpi_privacy = false
include_rpi_screen = false
update_rpi_screen = false
include_rpi_pty_type = false
rpi_pty_type = "calling"
include_rpi_id_type = false
rpi_id_type = user
rpi_presentation_allowed = "full"
rpi_presentationRestricted = "off"
rpi_addressNotAvailable = "uri"
rpi_spare = "name";
rpi_user_not_verified = "no"
rpi_user_verified_passed = "yes"
rpi_user_verified_failed = "no"
rpi_network_provided = "no"

p_asserted_identity_trans = "NEVER"
include_pai_tel_header = false
cf_use_cdpn_from_request = false

Registrar = {
    CacheSize = 0
    DefaultExpiry = 3600
}

load_balancing_enabled=true

dns_cache_time=600

failed_address_timeout=300

invite_failover_only=true

replace_diversion_header=false

### Configuration for heartbeating to a gateway ###

heartbeat_send_interval=30
heartbeat_send_timeout = 10
heartbeat_destination="gateway_rule"
heartbeat_to_address="gateway.uk.oracle.com"
heartbeat_from_address="uas.uk.oracle.com"
heartbeat_request_uri="gateway.uk.oracle.com"
heartbeat_route="gateway.uk.oracle.com"
heartbeat_p_asserted_id = "\"uk.oracle.com\" <sip:01473289900@sip.uk.oracle.com>"

```

```

heartbeat_p_charging_vector = "icid-value=prepaid313264321646132;orig-
ioi=prepaid.sip.uk.oracle.com"
gateway_alarm_severity = 3
gateway_alarm_message = "Unable to Contact Gateway"
heartbeat_release_cause = 127

### Configuration for receiving keepalive messages ###

restart_charging = true
heartbeat_receive_timeout = 5
charging_restart_svc_key = 2
reply_to_options_heartbeat = false

### Configuration for parsing the Media attributes in the SDP ###

media_mapping = [ { sdp_params="audio:send,video:send", capability=1 },
                  { sdp_params="audio:sendrecv",           capability=2 },
                  { sdp_params="audio:",                  capability=3 },
                  { sdp_params="*:*",                     capability=4 } ]
allow_unmapped_media = true
media_mapping_alarm_severity = 3
media_mapping_alarm_message = "Media Mapping Error"

media_change_no_dp = "REJECT_MEDIA"

### UPDATE message handling configuration ###

update_message_handling = "REJECT"

### Call-ID Retrieval configuration ###
msc_address="987654321"
msc_noa=4
msc_plan=1
call_id_alarm_severity = 1
call_id_alarm_message = "Call ID Greater than 64 Characters"

### Hold Message configuration ###

inactive_media_hold = true
allow_overlap_invite=true
etc_append_cdpn=false

### Number translation ###

trans_mapping= [ { domain = "abc.com" , prefix = "01" }
                 { domain = "def.com" , prefix = "02" }
                 { domain = "ghi.com" , prefix = "03" }
                 ]

trans_behaviour = [ "DISPLAYNAME","URI" ]
strip_matched_prefix=false
default_prefix = ""
replace_plus=false
insert_plus=false

denorm_mapping= [ { prefix = "44" , remove_chars = "2" , add_chars = "" }
                  { prefix = "*"  , remove_chars = "2" , add_chars = "+" }
                  ]

norm_mapping= [ { prefix = "0" , remove_chars = "1" , add_chars = "44" }
                { prefix = "*" , remove_chars = "2" , add_chars = "0" }
                ]

```

## Chapter 4

```
hashEncodeChar=' '
starEncodeChar='f'
always_trans_map=true

### Configuration for ENUM URI Support ###

enum_data_profile_tag = 0
enum_service_type = "E2U+sip"
enum_data_type = "AUS"|"URI"|"NAPTR"|"DYN"|"DYNAMIC"
enum_enabled = true

### Configuration for INVITE messages ###

p_asserted_identity=false
call_init_use_reinvite=false
call_init_send_empty_address=false
call_init_a_include_cap4_xml=false
call_init_b_include_cap4_xml=false
call_init_a_cap4_use_suppress_t_csi = false

}
```

### High level parameters

The SCA interface accepts the following high level parameters.

b2bua

**Syntax:** `b2bua = true|false`

**Description:** Sets whether or not the SCA handles all calls in transparent back-to-back user agent mode.

**Type:** Boolean

**Optionality:** Optional (default used if not set).

**Allowed:**

- true - all calls will be handled in b2bua mode
- false - all calls will be handled in proxy mode (unless otherwise specified in a rule in `rules.nhp`).

**Default:** true

**Notes:**

**Example:** `b2bua = true`

cdrAgeLimit

**Syntax:** `cdrAgeLimit = secs`

**Description:** Defines the maximum number of seconds that a EDR file will remain open.

**Type:** Integer

**Optionality:** Optional (default used if not set).

**Allowed:**

**Default:** 600

**Notes:** If the specified maximum age is reached, then a new EDR file is created.

**Example:** `cdrAgeLimit = 600`

cdrFinalDir

**Syntax:** `cdrFinalDir = "dir"`

**Description:** The location for the final EDR files generated by the SCA.

**Type:** String

**Optionality:** Optional (default used if not set).  
**Allowed:**  
**Default:** "/IN/service\_packages/SCA/cdr/closed"  
**Notes:**  
**Example:** `cdrFinalDir = "/var/cdr/SCA/final"`

#### `cdrSizeLimit`

**Syntax:** `cdrSizeLimit = num`  
**Description:** Defines the maximum number of records that can be created in a single EDR file.  
**Type:** Integer  
**Optionality:** Optional (default used if not set).  
**Allowed:**  
**Default:** 100000  
**Notes:** If the specified maximum is exceeded, then a new EDR file is created to hold the additional records.  
**Example:** `cdrSizeLimit = 100000`

#### `cdrTempDir`

**Syntax:** `cdrTempDir = "dir"`  
**Description:** The location for the temporary EDR files generated by the SCA.  
**Type:** String  
**Optionality:** Optional (default used if not set).  
**Allowed:**  
**Default:** "/IN/service\_packages/SCA/cdr/open"  
**Notes:**  
**Example:** `cdrTempDir = "/var/cdr/SCA/open"`

#### `dns_cache_time`

**Syntax:** `dns_cache_time = secs`  
**Description:** The number of seconds between updates of the `rules.nhp` DNS cache.  
**Type:** Integer.  
**Optionality:** Optional (default used if not set).  
**Allowed:** A valid integer.  
**Default:** 300  
**Notes:** All hostnames in the `rules.nhp` file are resolved to IP addresses when the SCA starts. `dns_cache_time` defines the interval for periodically updating this cached information.  
**Example:** `dns_cache_time = 500`

#### `enableCDRs`

**Syntax:** `enableCDRs = true|false`  
**Description:** Whether the SCA produces EDRs.  
**Type:** Boolean  
**Optionality:** Optional (default used if not set).  
**Allowed:** true, false

## Chapter 4

**Default:** true  
**Notes:** If this parameter is not set because you do not want the SCA to produce EDRs, then you do not need to set any other parameters relevant to EDR generation.  
**Example:** enableCDRs = false

### failed\_address\_timeout

**Syntax:** failed\_address\_timeout = secs  
**Description:** Defines the number of seconds that failed target addresses (in the Rules file) will remain in this state. Subsequent requests that trigger the rule will be forwarded to alternate addresses until this timer expires.  
**Type:** Integer.  
**Optionality:** Optional (default used if not set).  
**Allowed:** A valid integer.  
**Default:** 300  
**Notes:**  
**Example:** failed\_address\_timeout = 200

### inap\_inn

**Syntax:** inap\_inn = true|false  
**Description:** Whether the Internal Network Number flag is set in the IDP sent by the SCA.  
**Type:** Boolean  
**Optionality:** Optional (default used if not set).  
**Allowed:** true, false  
**Default:** true  
**Notes:**  
**Example:** inap\_inn = false

### inap\_noa\_called\_party

**Syntax:** inap\_noa\_called\_party = noa  
**Description:** The default nature of address to use in the IDP sent by the SCA for the called party.  
**Type:** Integer  
**Optionality:** Optional (default used if not set).  
**Allowed:**  
**Default:** 4  
**Notes:**  
**Example:** inap\_noa\_called\_party = 4

### inap\_noa\_calling\_party

**Syntax:** inap\_noa\_calling\_party = noa  
**Description:** The default nature of address to use in the IDP sent by the SCA for the calling party.  
**Type:** Integer  
**Optionality:** Optional (default used if not set).  
**Allowed:**  
**Default:** 4

**Notes:**

**Example:** `inap_noa_calling_party = 4`

`inap_noa_redirecting_party`

**Syntax:** `inap_noa_redirecting_party = noa`

**Description:** The default nature of address to use in the IDP sent by the SCA for the redirecting party.

**Type:** Integer

**Optionality:** Optional (default used if not set).

**Allowed:**

**Default:** 4

**Notes:**

**Example:** `inap_noa_redirecting_party = 4`

`inap_numplan`

**Syntax:** `inap_numplan = value`

**Description:** The numbering plan value used in the IDP sent by the SCA.

**Type:** Integer

**Optionality:** Optional (default used if not set).

**Allowed:** A numeric value.

**Default:** 131

**Notes:**

**Example:** `inap_numplan = 2`

`inap_pres`

**Syntax:** `inap_pres = value`

**Description:** The presentation value used in the IDP sent by the SCA.

**Type:** Integer

**Optionality:** Optional (default used if not set).

**Allowed:** A numeric value.

**Default:** 0

**Notes:**

**Example:** `inap_pres = 1`

`inap_scr`

**Syntax:** `inap_scr = value`

**Description:** The screening value used in the IDP sent by the SCA.

**Type:** Integer

**Optionality:** Optional (default used if not set)

**Allowed:** A numeric value

**Default:** 3

**Notes:**

**Example:** `inap_scr = 1`

## Chapter 4

### invite\_failover\_only

<b>Syntax:</b>	<code>invite_failover_only = true false</code>
<b>Description:</b>	If a destination address is unreachable and this parameter is set to true, the SCA will try an alternate address (if available) when forwarding an INVITE request..
<b>Type:</b>	Boolean
<b>Optionality:</b>	Optional (default used if not set).
<b>Allowed:</b>	<ul style="list-style-type: none"><li>• true - only try an alternate address when forwarding an INVITE request</li><li>• false - try alternate addresses for any request.</li></ul>
<b>Default:</b>	true
<b>Notes:</b>	
<b>Example:</b>	<code>invite_failover_only = false</code>

### load\_balancing\_enabled

<b>Syntax:</b>	<code>load_balancing_enabled = true false</code>
<b>Description:</b>	Determines whether or not requests should be load balanced to multiple destinations if a list of URIs is defined in a rule.
<b>Type:</b>	Boolean
<b>Optionality:</b>	Optional (default used if not set).
<b>Allowed:</b>	true, false
<b>Default:</b>	true
<b>Notes:</b>	
<b>Example:</b>	<code>load_balancing_enabled = false</code>

### local\_contact

<b>Syntax:</b>	<code>local_contact = true false</code>
<b>Description:</b>	Whether contact should be set as sca IP and Port.
<b>Type:</b>	Boolean
<b>Optionality:</b>	Optional (default used if not set).
<b>Allowed:</b>	true, false
<b>Default:</b>	false
<b>Notes:</b>	Example: If set to true: 200ok Contact: <sip:19425@10.11.188.19:7070> becomes Contact : <sip:10.11.188.19:7070>
<b>Example:</b>	<code>local_contact = false</code>

### local\_ip

<b>Syntax:</b>	<code>local_ip = "ipaddr"</code>
<b>Description:</b>	Defines the IP address of the local machine that is inserted into Via: header for outgoing requests
<b>Type:</b>	String
<b>Optionality:</b>	Mandatory
<b>Allowed:</b>	A valid IP address
<b>Default:</b>	
<b>Notes:</b>	



**Example:** `local_ip = "127.0.0.1"`

`media_change_no_dp`

**Syntax:** `media_change_no_dp = "action"`

**Description:** Specifies what action to take if a media change is received but the Service\_Changed detection point is not set. This is usually set by a node in the control plan.

**Type:** String

**Optionality:** Optional (default used if not set).

**Allowed:**

- ALLOW\_MEDIA - allow through the message with the new media
- CLEAR\_MEDIA - terminate the call
- REJECT\_MEDIA - respond to the message with a 415 Unsupported Media Type response

**Default:** REJECT\_MEDIA

**Notes:**

**Example:** `media_change_no_dp = "REJECT_MEDIA"`

`noin_dropcall`

**Syntax:** `noin_dropcall = true|false`

**Description:** Used when the SCA is required to forward a request and then "get out of the loop".

**Type:** Boolean

**Optionality:** Optional (default used if not set).

**Allowed:** Either:

- true - a call will be cleared internally after the first request is forwarded, or
- false - the SCA will remain in the loop for all messages within a call.

**Default:** false

**Notes:** The SCA must be operating in proxy mode when this option is set to true. The control plan must use a termination node that exits as soon as the call is connected. The SCA will then forward the request, but it will not add itself into the Record-Route list. This means that subsequent requests within the same call will not be routed via the SCA.

**Example:** `noin_dropcall = true`

`propagate_b_error`

**Syntax:** `propagate_b_error = true|false`

**Description:** Determines what error code is returned to the A-leg when the B-leg returns an error.

**Type:** Boolean

**Optionality:** Optional (default used if not set).

**Allowed:**

- true - return the B-party error code to the A-party unchanged, or
- false - map the release cause returned from ACS to a SIP error code and return this error code to the A-party.

**Default:** false

**Notes:** By default, the SCA notifies the IN of an error and the call model can then change the error code by setting a release cause. If this parameter is set, then the B-leg error code will always be returned to the A-leg unchanged.

## Chapter 4

**Example:**            `propagate_b_error = true`

`oracleUserAndPassword`

**Syntax:**            `oracleUserAndPassword = "user/password"`

**Description:**      The login ID for the database on the SMS node. The `remoteCommanderUser` utility uses this ID to log in to the database when setting the password for the SCA Remote Commander.

**Type:**              String

**Optionality:**      Optional (default used if not set)

**Allowed:**

**Default:**          /

**Notes:**

**Example:**            `oracleUserAndPassword = "/"`

`registrar`

Contains the registrar cache size and contact expiry parameters within `{}`. See *registrar section* (on page 53).

`rem_comm_port`

**Syntax:**            `rem_comm_port = port`

**Description:**      The port on which the remote commander is listening.

**Type:**              Integer

**Optionality:**      Optional (default used if not set)

**Allowed:**            A valid port number.

**Default:**            3615

**Notes:**

**Example:**            `rem_comm_port = 3615`

`replace_diversion_header`

**Syntax:**            `replace_diversion_header = true|false`

**Description:**      Determines how a redirecting number returned from ACS is handled. It will perform one of the following:

- Be added to a list of Diversion headers
- Replace any existing Diversion headers

**Type:**              Boolean

**Optionality:**      Optional (default used if not set).

**Allowed:**

- `true` - replace any existing Diversion headers with a single Diversion header containing the redirecting number
- `false` - add a new Diversion header containing the redirecting number to an existing list of Diversion headers.

**Default:**            `false`

**Notes:**

**Example:**            `replace_diversion_header = true`

`rules`

**Syntax:**            `rules = "dir/file"`

**Description:**      The location of the Next Hop Processing rules file.

**Type:** String  
**Optionality:** Optional (default used if not set).  
**Allowed:**  
**Default:** "/IN/service\_packages/SCA/etc/rules.nhp"  
**Notes:**  
**Example:** `rules = "/IN/service_packages/sca_rules.nhp"`

#### use\_ALegCallID

**Syntax:** `use_ALegCallID = true|false`  
**Description:** Whether to use the custom header for B-legs to assist in debugging with snoop output.  
**Type:** Boolean  
**Optionality:** Optional (default used if not set).  
**Allowed:** true, false  
**Default:** true  
**Notes:**  
**Example:** `use_ALegCallID = true`

#### usePAssertedID

**Syntax:** `usePAssertedID = true|false`  
**Description:** Sets whether or not the SCA should use the number in the P-Asserted\_ID header (if present) as the calling party number in the IDP sent to the IN.  
**Type:** Boolean  
**Optionality:** Optional (default used if not set).  
**Allowed:** Either:

- true - extract the calling party number from the P-Asserted-ID header, or
- false - extract the calling party number from the From header.

**Default:** false  
**Notes:**  
**Example:** `usePAssertedID = true`

## registrar section

Here is an example of the registrar section configuration.

```
registrar = {
    cacheSize = 0
    defaultExpiry = 3600
}
```

The registrar section of the SCA configuration supports the following parameters.

#### cacheSize

**Syntax:** `cacheSize= size`  
**Description:** The cache size for the registrar.  
**Type:** Integer  
**Optionality:** Optional (default used if not set).  
**Allowed:**  
**Default:** 0 (Unlimited)

**Notes:**

**Example:**            `cacheSize= 0`

### `defaultExpiry`

**Syntax:**            `defaultExpiry = seconds`

**Description:**      The contact expiry time (in seconds) in the registrar.

**Type:**             Integer

**Optionality:**      Optional (default used if not set).

**Allowed:**

**Default:**         3600

**Notes:**

**Example:**            `parameter = 3600`

## Remote Party ID Header configuration

The configuration section for Remote Party ID Header supports the following parameters.

### `cf_use_cdpn_from_request`

**Syntax:**            `cf_use_cdpn_from_request = true|false`

**Description:**      Set this parameter to true to set the cdpn from the Request field

**Type:**             Boolean

**Optionality:**      Optional (default used if not set).

**Allowed:**           true, false

**Default:**           false

**Notes:**            If the REQUEST: username and the TO: username are different and the DIVERSION header is present then SIP call forwarding is in use. Therefore the ACS IDP cdpn uses the REQUEST: username, the cgpn uses the FROM: username.

cf means Calling forwarding

**Example:**            `cf_use_cdpn_from_request = false`

### `include_pai_tel_header`

**Syntax:**            `include_pai_tel_header = true|false`

**Description:**      If enabled the tel URI p-asserted id header will be generated/translated.

**Type:**             Boolean

**Optionality:**      Optional (default used if not set).

**Allowed:**

**Default:**           false

**Notes:**            Used only when `p_asserted_identity_trans` is ALWAYS or TRANSPARENT.

**Example:**            `include_pai_tel_header = false`

### `include_rpi_id_type`

**Syntax:**            `include_rpi_id_type = true|false`

**Description:**      If enabled the id-type token will be added to generated remote-party-id headers.

**Type:**             Boolean

**Optionality:** Optional (default used if not set).  
**Allowed:** true, false  
**Default:** false  
**Notes:**  
**Example:** `include_rpi_id_type = false`

`include_rpi_privacy`

**Syntax:** `include_rpi_privacy = true|false`  
**Description:** If enabled the privacy token will be added to generated remote-party-id headers based on the calling party presentation parameter in the call model.  
**Type:** Boolean  
**Optionality:** Optional (default used if not set).  
**Allowed:** true, false  
**Default:** false  
**Notes:**  
**Example:** `include_rpi_privacy = false`

`include_rpi_pty_type`

**Syntax:** `include_rpi_pty_type = true|false`  
**Description:** If enabled the party token will be added to generated remote-party-id headers.  
**Type:** Boolean  
**Optionality:** Optional (default used if not set).  
**Allowed:** true, false  
**Default:** false  
**Notes:**  
**Example:** `include_rpi_pty_type = false`

`include_rpi_screen`

**Syntax:** `include_rpi_screen = true|false`  
**Description:** If enabled the screen token will be added to generated remote-party-id headers based on the calling party screening parameter in the call model  
**Type:** Boolean  
**Optionality:** Optional (default used if not set).  
**Allowed:** true, false  
**Default:** false  
**Notes:**  
**Example:** `include_rpi_screen = false`

`p_asserted_identity_trans`

**Syntax:** `p_asserted_identity_trans = "value"`  
**Description:**  
**Type:** String  
**Optionality:** Optional (default used if not set).

- Allowed:**
- "ALWAYS"
  - "TRANSPARENT"
  - "NEVER"
- Default:** "NEVER"
- Notes:** If set to "ALWAYS":
- When the incoming INVITE contains a p-asserted-identity header the header uri is to be set to match the from header uri in the outgoing INVITE message.
  - When the incoming INVITE does not contain a p-asserted-identity header a new header will be configured according to the parameters below and added to the outgoing INVITE, the header will contain a uri matching the From header uri as a minimum.
- If set to "TRANSPARENT"
- When the incoming INVITE contains a p-asserted-identity header the header uri is to be set to match the from header uri in the outgoing INVITE message.
  - When the incoming INVITE does not contain a p-asserted-identity header no action will be taken.
- If set to "NEVER"
- No attempt to translate or generate p-asserted-identity headers

**Example:** `p_asserted_identity_trans = "NEVER"`

`remotePartyIdTrans`

**Syntax:** `remotePartyIdTrans = "value"`

**Description:**

**Type:** String

**Optionality:** Optional (default used if not set).

- Allowed:**
- "ALWAYS"
  - "TRANSPARENT"
  - "NEVER"

**Default:** "NEVER"

- Notes:** If set to "ALWAYS":
- When the incoming INVITE contains a remote-party-id header with the party token absent or set to calling the header uri is be set to match the from header uri in the outgoing INVITE message.
  - When the incoming INVITE does not contain a remote-party-id header a new header will be configured according to the parameters below and added to the outgoing INVITE, the header will contain a uri matching the From header uri as a minimum
- If set to "TRANSPARENT"
- When the incoming INVITE contains a remote-party-id header with the party token absent or set to calling the header uri is be set to match the from header uri in the outgoing INVITE message.
  - When the incoming INVITE does not contain a remote-party-id header no action will be taken
- If set to "NEVER"
- No attempt to translate or generate remote-party-id headers

**Example:** `remotePartyIdTrans = "NEVER"`

`rpi_addressNotAvailable`

<b>Syntax:</b>	<code>rpi_addressNotAvailable = "value"</code>
<b>Description:</b>	Maps Set Indicator feature node presentation restricted value to remote party id header privacy tag value.
<b>Type:</b>	String
<b>Optionality:</b>	Optional (default used if not set).
<b>Allowed:</b>	
<b>Default:</b>	"uri"
<b>Notes:</b>	
<b>Example:</b>	<code>rpi_addressNotAvailable = "uri"</code>

`rpi_id_type`

<b>Syntax:</b>	<code>rpi_id_type = "value"</code>
<b>Description:</b>	Defines the value that will be given to id_type token.
<b>Type:</b>	String
<b>Optionality:</b>	Optional (default used if not set).
<b>Allowed:</b>	<ul style="list-style-type: none"> <li>• "subscriber"</li> <li>• "user"</li> <li>• "alias"</li> <li>• "return"</li> <li>• "term"</li> </ul>
<b>Default:</b>	"user"
<b>Notes:</b>	Used only if <code>include_rpi_id_type</code> parameter is true.
<b>Example:</b>	<code>rpi_id_type = "user"</code>

`rpi_network_provided`

<b>Syntax:</b>	<code>rpi_network_provided = "value"</code>
<b>Description:</b>	Maps Set Indicator feature node screening value to remote party id header privacy tag value.
<b>Type:</b>	String
<b>Optionality:</b>	Optional (default used if not set).
<b>Allowed:</b>	
<b>Default:</b>	"no"
<b>Notes:</b>	
<b>Example:</b>	<code>rpi_network_provided = "no"</code>

`rpi_presentation_allowed`

<b>Syntax:</b>	<code>rpi_presentation_allowed = "value"</code>
<b>Description:</b>	Maps Set Indicator feature node presentation restricted value to remote party id header privacy tag value.
<b>Type:</b>	String
<b>Optionality:</b>	Optional (default used if not set).
<b>Allowed:</b>	
<b>Default:</b>	"full"
<b>Notes:</b>	

## Chapter 4

**Example:** `rpi_presentation_allowed = "full"`

`rpi_presentationRestricted`

**Syntax:** `rpi_presentationRestricted = "value"`

**Description:** Maps Set Indicator feature node presentation restricted value to remote party id header privacy tag value.

**Type:** String

**Optionality:** Optional (default used if not set).

**Allowed:**

**Default:** "off"

**Notes:**

**Example:** `rpi_presentationRestricted = "off"`

`rpi_pty_type`

**Syntax:** `rpi_pty_type = "value"`

**Description:** Defines the value that will be given to party token.

**Type:** String

**Optionality:** Optional (default used if not set).

**Allowed:**

- "calling"
- "called"

**Default:** "calling"

**Notes:** Used only if `include_rpi_pty_type` parameter is true.

**Example:** `rpi_pty_type = "calling"`

`rpi_spare`

**Syntax:** `rpi_spare = "value"`

**Description:** Maps Set Indicator feature node presentation restricted value to remote party id header privacy tag value.

**Type:** String

**Optionality:** Optional (default used if not set).

**Allowed:**

**Default:** "name"

**Notes:**

**Example:** `rpi_spare = "name"`

`rpi_user_not_verified`

**Syntax:** `rpi_user_not_verified = "value"`

**Description:** Maps Set Indicator feature node screening value to remote party id header privacy tag value.

**Type:** String

**Optionality:** Optional (default used if not set).

**Allowed:**

**Default:** "no"

**Notes:**

**Example:** `rpi_user_not_verified = "no"`



`rpi_user_verified_failed`

**Syntax:** `rpi_user_verified_failed = "value"`  
**Description:** Maps Set Indicator feature node screening value to remote party id header privacy tag value.  
**Type:** String  
**Optionality:** Optional (default used if not set).  
**Allowed:**  
**Default:** "no"  
**Notes:**  
**Example:** `rpi_user_verified_failed = "no"`

`rpi_user_verified_passed`

**Syntax:** `rpi_user_verified_passed = "value"`  
**Description:** Maps Set Indicator feature node screening value to remote party id header privacy tag value.  
**Type:** String  
**Optionality:** Optional (default used if not set).  
**Allowed:**  
**Default:** "yes"  
**Notes:**  
**Example:** `rpi_user_verified_passed = "yes"`

`update_rpi_privacy`

**Syntax:** `update_rpi_privacy = true|false`  
**Description:** If enabled the privacy token will be modified in existing remote-party-id headers based on the calling party presentation parameter in the call model.  
**Type:** Boolean  
**Optionality:** Optional (default used if not set).  
**Allowed:** true, false  
**Default:** false  
**Notes:**  
**Example:** `update_rpi_privacy = false`

`update_rpi_screen`

**Syntax:** `update_rpi_screen = true|false`  
**Description:** If enabled the screen token will be modified in existing remote-party-id headers based on the calling party screening parameter in the call model.  
**Type:** Boolean  
**Optionality:** Optional (default used if not set).  
**Allowed:** true, false  
**Default:** false  
**Notes:**  
**Example:** `update_rpi_screen = false`

## heartbeating to a gateway configuration

The configuration section for heartbeating in the SCA configuration supports the following parameters.

### gateway\_alarm\_message

<b>Syntax:</b>	<code>gateway_alarm_message = "string"</code>
<b>Description:</b>	Sets the message in the alarm raised as a result of no response to an OPTIONS message to the gateway.
<b>Type:</b>	String
<b>Optionality:</b>	Optional
<b>Allowed:</b>	
<b>Default:</b>	"Detected Gateway Failure"
<b>Notes:</b>	
<b>Example:</b>	<code>gateway_alarm_message = "Unable to Contact Gateway"</code>

### gateway\_alarm\_severity

<b>Syntax:</b>	<code>gateway_alarm_severity = sev</code>
<b>Description:</b>	Sets the severity of the alarm raised as a result of no response to an OPTIONS message to the gateway.
<b>Type:</b>	Integer
<b>Optionality:</b>	Optional
<b>Allowed:</b>	<ul style="list-style-type: none"> <li>• 0 (NOTICE)</li> <li>• 1 (WARNING)</li> <li>• 2 (ERROR)</li> <li>• 3 (CRITICAL)</li> <li>• 4 (CLEAR)</li> </ul>
<b>Default:</b>	3
<b>Notes:</b>	If this value is not defined, the header will not be present.
<b>Example:</b>	<code>gateway_alarm_severity = 3</code>

### heartbeat\_destination

<b>Syntax:</b>	<code>heartbeat_destination= "rule"</code>
<b>Description:</b>	The destination of the heartbeat OPTIONS message.
<b>Type:</b>	String
<b>Optionality:</b>	Mandatory if <code>heartbeat_send_interval</code> is greater than 0
<b>Allowed:</b>	
<b>Default:</b>	
<b>Notes:</b>	The value must be the name of a rule defined in <code>rules.nhp</code> (not a URI).
<b>Example:</b>	<code>heartbeat_destination = "gateway_rule"</code>

### heartbeat\_from\_address

<b>Syntax:</b>	<code>heartbeat_from_address = "address"</code>
<b>Description:</b>	Sets the URI part of the From header in the OPTIONS heartbeat message.
<b>Type:</b>	String
<b>Optionality:</b>	Mandatory if <code>heartbeat_send_interval</code> is greater than 0
<b>Allowed:</b>	
<b>Default:</b>	

**Notes:**

**Example:** `heartbeat_from_address = "uas.uk.oracle.com"`

`heartbeat_p_asserted_id`

**Syntax:** `heartbeat_p_asserted_id = id`

**Description:** Sets the entire P-Asserted-Identity header in the OPTIONS heartbeat message, including the username.

**Type:** String

**Optionality:** Mandatory if `heartbeat_send_interval` is greater than 0

**Allowed:**

**Default:**

**Notes:** Skip the quotation marks to include the value in the outgoing message for the username

**Example:** `heartbeat_p_asserted_id = "\"uk.oracle.com\"  
<sip:12345678900@sip.uk.oracle.com>"`

`heartbeat_p_charging_vector`

**Syntax:** `heartbeat_p_charging_vector = "pcv"`

**Description:** Sets the entire P-Charging-Vector header in the OPTIONS heartbeat message.

**Type:** String

**Optionality:** Optional

**Allowed:**

**Default:**

**Notes:** If this value is not defined, the header will not be present.

**Example:** `heartbeat_p_charging_vector = "icid-  
value=prepaid123456789012345;orig-  
ioi=prepaid.sip.uk.oracle.com"`

`heartbeat_release_cause`

**Syntax:** `heartbeat_release_cause = code`

**Description:** Sets the release cause that is written to the BE EDR in the RELC field, when no response is received to an OPTIONS message.

**Type:** Integer

**Optionality:** Optional

**Allowed:** 0 to 127 (inclusive)

**Default:** 55

**Notes:**

**Example:** `heartbeat_release_cause = 127`

`heartbeat_request_uri`

**Syntax:** `heartbeat_request_uri = "uri"`

**Description:** Sets the URI part of the OPTIONS heartbeat message request line.

**Type:** String

**Optionality:** Mandatory if `heartbeat_send_interval` is greater than 0

**Allowed:**

**Default:**

**Notes:**

**Example:** `heartbeat_request_uri="gateway.uk.oracle.com"`

`heartbeat_route`

**Syntax:** `heartbeat_route = "route"`

**Description:** Sets the URI part of the Route header in the OPTIONS heartbeat message.

**Type:** String

**Optionality:** Mandatory if `heartbeat_send_interval` is greater than 0

**Allowed:**

**Default:**

**Notes:**

**Example:** `heartbeat_route="gateway.uk.oracle.com"`

`heartbeat_send_interval`

**Syntax:** `heartbeat_send_interval = seconds`

**Description:** The frequency in seconds to send a heartbeat message to the gateway.

**Type:** Integer

**Optionality:** Optional (default used if not set).

**Allowed:**

**Default:** 0

**Notes:** The timer is restarted when a response is received or the original message times-out. If set to 0, heartbeats to the gateway and all further heartbeating options are disabled. If a heartbeat message fails, all SIP interactions will be moved to the Charging Void state and charging will be stopped.

**Example:** `heartbeat_send_interval = 30`

`heartbeat_send_timeout`

**Syntax:** `heartbeat_send_timeout = seconds`

**Description:** The default timeout period for receiving a response to the 64 OPTIONS messages.

**Type:** Integer

**Optionality:** Optional (default used if not set).

**Allowed:**

**Default:** 0 (uses  $64 * T1$ )

**Notes:** This value will override the default timeout of  $64 * T1$  in the ESC section that is normally used by the heartbeat OPTIONS message.

**Example:** `heartbeat_send_timeout = 10`

`heartbeat_to_address`

**Syntax:** `heartbeat_to_address = "address"`

**Description:** Sets the URI part of the To header in the OPTIONS heartbeat message.

**Type:** String

**Optionality:** Mandatory if `heartbeat_send_interval` is greater than 0

**Allowed:**

**Default:**

**Notes:**

**Example:** `heartbeat_to_address="gateway.uk.oracle.com"`

**keepalive messages configuration**

The configuration section for keepalive messages in the SCA configuration supports the following parameters.

`charging_restart_svc_key`

**Syntax:** `charging_restart_svc_key = key`

**Description:** Defines the service key on which the IDP used to restart charging is sent.

**Type:** Integer

**Optionality:** Optional (default used if not set).

**Allowed:**

**Default:** 0

**Notes:** If this value is not defined or is set to 0, the service key used to send the original IDP will be used.

**Example:** `charging_restart_svc_key = 2`

`heartbeat_receive_timeout`

**Syntax:** `heartbeat_receive_timeout = seconds`

**Description:** The timeout period for receiving a keepalive message.

**Type:** Integer

**Optionality:** Optional (default used if not set).

**Allowed:**

**Default:** 0

**Notes:** Setting the value to 0 will disable this feature.

**Example:** `heartbeat_receive_timeout = 0`

`reply_to_options_heartbeat`

**Syntax:** `reply_to_options_heartbeat= true|false`

**Description:** Send a 200-OK response to any OPTIONS messages received mid-call.

**Type:** Boolean

**Optionality:** Optional (default used if not set).

**Allowed:** true, false

**Default:** false

**Notes:** Use this for interception OPTIONS heartbeat messages and responding to them. Can be used with `heartbeat_receive_timeout`.

**Example:** `reply_to_options_heartbeat= false`

`restart_charging`

**Syntax:** `restart_charging= true|false`

**Description:** Determines whether charging will be restarted when a 200-OK response is received from the B-Party to a keepalive message from the A-party.

**Type:** Boolean

<b>Optionality:</b>	Optional (default used if not set).
<b>Allowed:</b>	true, false
<b>Default:</b>	false
<b>Notes:</b>	
<b>Example:</b>	<code>restart_charging = true</code>

## media attributes in SDP section

The media attributes section of the SCA configuration supports the following parameters.

### allow\_unmapped\_media

<b>Syntax:</b>	<code>allow_unmapped_media = true false</code>				
<b>Description:</b>	Whether an INVITE with SDP information with no associated mapping should be translated to an IDP with no bearer capability information.				
<b>Type:</b>	Boolean				
<b>Optionality:</b>	Optional (default used if not set).				
<b>Allowed:</b>	<table> <tr> <td>true</td> <td>Translate SDP media details to IDP with no bearer capability</td> </tr> <tr> <td>false</td> <td>Raise alarm and reject the call</td> </tr> </table>	true	Translate SDP media details to IDP with no bearer capability	false	Raise alarm and reject the call
true	Translate SDP media details to IDP with no bearer capability				
false	Raise alarm and reject the call				
<b>Default:</b>	false				
<b>Notes:</b>					
<b>Example:</b>	<code>allow_unmapped_media = true</code>				

### media\_mapping

<b>Syntax:</b>	<pre>media_mapping = [   { sdp_params="str", capability=int }   [...] ]</pre>
<b>Description:</b>	The media_mapping table maps media fields (m= and a=) in the SDP of an incoming INVITE to Bearer Capability information which will be sent in the IDP.
<b>Type:</b>	Array
<b>Optionality:</b>	Optional
<b>Allowed:</b>	
<b>Default:</b>	
<b>Notes:</b>	<p>For more details, see <i>Media mapping table</i> (on page xxix).  A single row in the table must contain one sdp_params item and one capability item, for example:</p> <pre>{ sdp_params="audio:send,video:recv", capability=1 }</pre> <p>will map an sdp with "m=audio,a=send,m=audio,a=recv" to a bearer capability of 1.  Media type attributes can be combined, for example:</p> <pre>{ sdp_params="audio:send,audio:recv", capability=1 }</pre> <p>will match an sdp with "m=audio,a=send,a=recv"</p> <p>The following bearer capability parameters can also be defined in a rule:</p> <ul style="list-style-type: none"> <li>• protocol (default 0xff)</li> <li>• transfer_rate</li> <li>• transfer_mode</li> </ul>

- coding\_standard

Using '\*' as a media type or attribute in the sdp\_params will match anything.

Using a blank attribute will match only media types with no attributes ("audio:").

**Example:**

```
media_mapping = [ { sdp_params="audio:send,video:send", capability=1 },
                  { sdp_params="audio:sendrecv",          capability=2 },
                  { sdp_params="audio:",                 capability=3 },
                  { sdp_params="*:*",                   capability=4 } ]
```

media\_mapping\_alarm\_message

**Syntax:** media\_mapping\_alarm\_message = "str"  
**Description:** The message in the alarm raised as a result of no mapping being found for information in the SDP of an incoming INVITE.  
**Type:** String  
**Optionality:** Optional  
**Allowed:**  
**Default:** "No media/attribute mappings found"  
**Notes:**  
**Example:** media\_mapping\_alarm\_message = "Media Mapping Error"

media\_mapping\_alarm\_severity

**Syntax:** media\_mapping\_alarm\_severity = sev  
**Description:** The severity of the alarm raised as a result of no mapping being found for information in the SDP of an incoming INVITE.  
**Type:** Integer  
**Optionality:** Optional (default used if not set).  
**Allowed:**

0	Notice
1	Warning
2	Error
3	Critical
4	Clear

**Default:** 2  
**Notes:**  
**Example:** media\_mapping\_alarm\_severity = 3

## UPDATE message handling section

The UPDATE message section of the SCA configuration supports the following parameter.

update\_message\_handling

**Syntax:** update\_message\_handling = "action"  
**Description:** Sets the behavior of the SCA when an UPDATE message is received for a call that is not in the Charging Void state.  
**Type:** String  
**Optionality:** Optional (default used if not set).

**Allowed:**            PROXY    Send the UPDATE message to its destination.  
                      IGNORE   Swallow the message.  
                      REJECT   Return a SIP\_METHOD\_NOT\_ALLOWED message.

**Default:**           PROXY

**Notes:**

**Example:**           update\_message\_handling = "REJECT"

## Call ID Retrieval section

The Call ID section of the SCA configuration supports the following parameters.

call\_id\_alarm\_message

**Syntax:**            call\_id\_alarm\_message = *string*

**Description:**     Sets the message in the alarm raised if the Call ID is greater than 64 characters..

**Type:**             String

**Optionality:**     Optional

**Allowed:**

**Default:**         "Call ID Truncated"

**Notes:**

**Example:**         call\_id\_alarm\_message = "Call ID Greater than 64 Characters"

call\_id\_alarm\_severity

**Syntax:**           call\_id\_\_alarm\_severity = *sev*

**Description:**     Sets the severity of the alarm raised if the Call ID is greater than 64 characters (the maximum that can be sent in the call reference field in the IDP).

**Type:**             Integer

**Optionality:**     Optional

**Allowed:**

- 0 (NOTICE)
- 1 (WARNING)
- 2 (ERROR)
- 3 (CRITICAL)
- 4 (CLEAR)

**Default:**         1 (WARNING)

**Notes:**

**Example:**         call\_id\_\_alarm\_severity = 1

msc\_address

**Syntax:**           msc\_address = "*addr*"

**Description:**     Sets the MSC Address in the IDP.

**Type:**             Integer

**Optionality:**     Optional

**Allowed:**

**Default:**         not set

**Notes:**           A matching MSC address can be entered in the `eserv.config` file to write the Call ID in ASCII form.

**Example:**         msc\_address = "987654321"



`msc_noa`

**Syntax:** `msc_noa = noa`  
**Description:** Sets the nature of address for the parameter `msc_address`  
**Type:** Integer  
**Optionality:** Optional  
**Allowed:**  
**Default:** 0  
**Notes:**  
**Example:** `msc_noa = 4`

`msc_plan`

**Syntax:** `msc_plan = int`  
**Description:** Sets the plan of address for the parameter `msc_address`  
**Type:** Integer  
**Optionality:** Optional  
**Allowed:**  
**Default:** 0  
**Notes:**  
**Example:** `msc_plan = 1`

## Hold message section

The Hold message section of the SCA configuration supports the following parameters.

`allow_overlap_invite`

**Syntax:** `allow_overlap_invite = true|false`  
**Description:** An overlap INVITE may be sent when a party is dialing slowly. A re-INVITE may be sent before any response to the original INVITE is received.  
**Type:** Boolean  
**Optionality:** Optional (default used if not set).  
**Allowed:**

- `false` - respond to any overlap INVITEs with a 491 Request Pending response
- `true` - forward overlap INVITEs to the B-leg and respond to the original INVITE with a 484 Address Incomplete message.

**Default:** `false`  
**Notes:**  
**Example:** `allow_overlap_invite = true`

`etc_append_cdpn`

**Syntax:** `etc_append_cdpn = true|false`  
**Description:** If an establish temporary connection message is returned to the SCA from ACS then the called party number will be forwarded in the To header of the outgoing request. If `etc_append_cdpn` is set to `true`, then the original called party number will be appended to the To header.  
**Type:** Boolean  
**Optionality:** Optional (default used if not set).

## Chapter 4

**Allowed:**

- true - append the original called party number to the To header
- false - do not append the original called party number

**Default:** false

**Notes:**

**Example:** `etc_append_cdpn = true`

`inactive_media_hold`

**Syntax:** `inactive_media_hold = true|false`

**Description:** Determines the format of the SDP information in a re-INVITE used by the SCA to put a call on hold.

**Type:** Boolean

**Optionality:** Optional (default used if not set).

**Allowed:** true, false

**Default:** false

**Notes:** By default, the hold messages sent by the SCA have the `c=` field in the SDP set to "IN IP4 0.0.0.0".

If this option is set to true, the IDP will instead contain a single `m=` parameter set to "inactive".

**Example:** `inactive_media_hold = true`

## Number translation

The number translation section of the SCA configuration supports the following parameters.

`always_trans_map`

**Syntax:** `always_trans_map = true|false`

**Description:** Always run trans\_mapping.

**Type:** Boolean

**Optionality:** Optional (default used if not set).

**Allowed:** true, false

**Default:** true

**Notes:** If set to false, then the translation mapping will only be done if the IN has changed the number.

**Example:** `always_trans_map = true`

`default_prefix`

**Syntax:** `default_prefix = "pref"`

**Description:** Defines the default prefix to add to numbers returned by the IN application, if the prefix is not defined in the trans\_mapping table.

**Type:** String

**Optionality:**

**Allowed:**

**Default:** ""

**Notes:**

**Example:** `default_prefix = ""`

`denorm_mapping`

List of prefixes and characters to be removed or added to numbers received from ACS. For details, see the *denorm\_mapping* section (on page 72).

`hashEncodeChar`

<b>Syntax:</b>	<code>hashEncodeChar = 'char'</code>
<b>Description:</b>	Defines the hexadecimal character to use to replace any hash (#) characters when translating a SIP URI to an E.164 number (before sending an IDP to ACS).
<b>Type:</b>	Hexadecimal string
<b>Optionality:</b>	Optional.
<b>Allowed:</b>	<ul style="list-style-type: none"> <li>• '0' to 'F'</li> <li>• '-' - this will remove any # characters. There must be a space between the single quote marks</li> </ul>
<b>Default:</b>	None
<b>Notes:</b>	
<b>Example:</b>	<code>hashEncodeChar = '1'</code>

`insert_plus`

<b>Syntax:</b>	<code>insert_plus = true false</code>
<b>Description:</b>	Determines whether or not a "+" character should be prepended to a URI if the E.164 number returned from ACS has a NoA of 4 (international).
<b>Type:</b>	Boolean
<b>Optionality:</b>	Optional (default used if not set).
<b>Allowed:</b>	true, false.
<b>Default:</b>	false
<b>Notes:</b>	
<b>Example:</b>	<code>insert_plus = true</code>

`norm_mapping`

List of prefixes and characters to be removed or added to numbers sent to ACS. For details, see the *norm\_mapping* section (on page 73).

`replace_plus`

<b>Syntax:</b>	<code>replace_plus = true false</code>
<b>Description:</b>	Determines whether or not a "+" character preceding a URI received in a request should be replaced with "00" before sending an IDP.
<b>Type:</b>	Boolean
<b>Optionality:</b>	Optional (default used if not set).
<b>Allowed:</b>	true, false
<b>Default:</b>	false
<b>Notes:</b>	
<b>Example:</b>	<code>replace_plus = true</code>

`starEncodeChar`

<b>Syntax:</b>	<code>starEncodeChar = 'char'</code>
<b>Description:</b>	Defines the hexadecimal character to use to replace any star (*) characters when translating a SIP URI to an E.164 number (before sending an IDP to ACS).

**Type:** Hexadecimal string  
**Optionality:** Optional.  
**Allowed:**

- '0' to 'F'
- '' - this will remove any \* characters. There must be a space between the single quote marks.

**Default:** None  
**Notes:**  
**Example:** `starEncodeChar = 'A'`

`strip_matched_prefix`

**Syntax:** `strip_matched_prefix = true|false`  
**Description:** Determines whether or not the prefix that is matched using `trans_mapping` should be removed.  
**Type:** Boolean  
**Optionality:** Optional (default used if not set).  
**Allowed:** true, false  
**Default:** false  
**Notes:**  
**Example:** `strip_matched_prefix = true`

`trans_mapping`

List of domains and prefixes within [] for mapping URIs to E.164 numbers and E.164 numbers to URIs. For details, see *trans\_mapping section* (on page 70).

`trans_behaviour`

**Syntax:** `trans_behaviour = ["displayname","URI"]`  
**Description:** Defines the behavior of the `trans_mapping` table. The specified value(s) will be replaced with the E.164 number. By default the display name and username part of the URI is replaced.  
**Type:** Array  
**Optionality:** Optional (default used if not set).  
**Allowed:**

- "DISPLAYNAME","URI"
- "URI"

**Default:** "DISPLAYNAME","URI"  
**Notes:** For an example, refer to the `trans_mapping` section.  
**Example:** `trans_behaviour = ["DISPLAYNAME","URI"]`

### trans\_mapping section

The `trans_mapping` section maps E.164 numbers returned from ACS to domain names. If a mapping is not found then the configured `default_domain` is used.

`Trans_mapping` performs the following actions:

- By default the matched prefix is stripped from the number. This action can be disabled by setting the `strip_match_prefix` parameter to false
- If the returned E.164 number has a NoA value of 4 (international), then a "+" can optionally be added. A "+" is added when the `insert_plus` parameter is set to true
- By default both the display name and username part of the URI are replaced with the translated E.164 number. This can be changed using the `trans_behaviour` parameter

- Numbers are normalized or denormalized according to the configuration defined in the `norm_mapping` and `denorm_mapping` sections.

## Example

Here is an example `trans_mapping` section configuration.

```
trans_mapping = [
  {domain = "abc.com", prefix = "01"}
  {domain = "def.com", prefix = "02"}
  {domain = "ghi.com", prefix = "03"}
]
```

The following process shows how this `trans_mapping` configuration is used.

- 1 An INVITE message is received with the following To header:  
To: User1 <sip:+44147328900@example.com>
- 2 This triggers a rule that sends an IDP to ACS. According to the rule, the:
  - IDP will contain the Called Party Number 44147328900
  - + will be removed
  - NoA of the number will be set to 4 (international)
- 3 The control plan:
  - Changes the number to 01473123456
  - Sets the NoA to national
- 4 The domain defined in the `trans_mapping` configuration for the "01" prefix is used to create a forwarded INVITE message. In this case the domain used is "abc.com" and therefore the To header is set to:  
To: 473123456 <sip:473123456@abc.com>

### Note:

- The "01" prefix has been removed because the `strip_matched_prefix` parameter is set to true by default
- The display name has been replaced because the `trans_behaviour` parameter is configured to do this by default, and
- `example.com` has been replaced by `abc.com` from the `trans_mapping` configuration.

## Configuration

This text shows the structure of the `trans_mapping` section configuration.

```
trans_mapping = [
  {domain = "str", prefix = "str"}
  [...]
]
```

domain

<b>Syntax:</b>	domain = "URI"
<b>Description:</b>	Defines a URI domain.
<b>Type:</b>	String
<b>Optionality:</b>	
<b>Allowed:</b>	
<b>Default:</b>	none
<b>Notes:</b>	
<b>Example:</b>	domain = "abc.com"

prefix

<b>Syntax:</b>	prefix= "pref"
<b>Description:</b>	Defines a number prefix that maps to a URI.
<b>Type:</b>	String
<b>Optionality:</b>	
<b>Allowed:</b>	
<b>Default:</b>	none
<b>Notes:</b>	
<b>Example:</b>	domain = "01"

### denorm\_mapping section

The denorm\_mapping section strips and adds characters to matched numbers received from ACS before forwarding the numbers in the outgoing SIP message.

add\_chars

<b>Syntax:</b>	add_chars = "num"
<b>Description:</b>	The number of characters to add to the start of a number.
<b>Type:</b>	String
<b>Optionality:</b>	Optional.
<b>Allowed:</b>	Any number.
<b>Default:</b>	None
<b>Notes:</b>	
<b>Example:</b>	add_chars = "44"

prefix

<b>Syntax:</b>	prefix = "pref"
<b>Description:</b>	The prefix number to match.
<b>Type:</b>	String
<b>Optionality:</b>	Optional.
<b>Allowed:</b>	Any number or "".
<b>Default:</b>	None
<b>Notes:</b>	The special character "" can be used as a default to trigger a denormalization rule if a prefix match is not found.
<b>Example:</b>	prefix = "0"

remove\_chars

<b>Syntax:</b>	remove_chars = "num"
<b>Description:</b>	The number of characters to remove from the start of a number.
<b>Type:</b>	String
<b>Optionality:</b>	Optional.
<b>Allowed:</b>	Any number.
<b>Default:</b>	None
<b>Notes:</b>	
<b>Example:</b>	remove_chars = "1"

## norm\_mapping section

The `norm_mapping` section strips and adds characters to matched numbers before sending the number to ACS in an IDP.

Here is an example of the `norm_mapping` section configuration.

```
norm_mapping= [
  { prefix = "0" , remove_chars = "1" , add_chars = "44" }
  { prefix = "*" , remove_chars = "2" , add_chars = "0" }
]
```

### add\_chars

**Syntax:** `add_chars = "num"`

**Description:** The number of characters to add to the start of a number.

**Type:** String

**Optionality:** Optional.

**Allowed:** Any number.

**Default:** None

**Notes:**

**Example:** `add_chars = "44"`

### prefix

**Syntax:** `prefix = "pref"`

**Description:** The prefix number to match.

**Type:** String

**Optionality:** Optional.

**Allowed:** Any number, or "\*".

**Default:** None

**Notes:** The special character "\*" can be used as a default to trigger a normalization rule if a prefix match is not found.

**Example:** `prefix = "0"`

### remove\_chars

**Syntax:** `remove_chars = "num"`

**Description:** The number of characters to remove from the start of a number.

**Type:** String

**Optionality:** Optional.

**Allowed:** Any number.

**Default:** None

**Notes:**

**Example:** `remove_chars = "1"`

## ENUM URI support

The ENUM URI support section of the SCA configuration supports the following parameters.

## Chapter 4

### enum\_data\_profile\_tag

<b>Syntax:</b>	<code>enum_data_profile_tag = tag</code>
<b>Description:</b>	Data profile tag containing outgoing ENUM data. Used to search for ENUM data in the outgoing profile extensions.
<b>Type:</b>	Integer
<b>Optionality:</b>	Optional (default used if not set).
<b>Allowed:</b>	
<b>Default:</b>	210001 ("Enum NAPTR Temporary Store" - data tag: 210001)
<b>Notes:</b>	
<b>Example:</b>	<code>enum_data_profile_tag = 0</code>

### enum\_data\_type

<b>Syntax:</b>	<code>enum_data_type = "value"</code>
<b>Description:</b>	Type used to interpret outgoing ENUM data.
<b>Type:</b>	String
<b>Optionality:</b>	Mandatory (If <code>enum_enabled = true</code> )
<b>Allowed:</b>	<ul style="list-style-type: none"><li>• "AUS" - Application Unique String (e.164 number of the form +44987654321)</li><li>• "URI" - Standard URI text</li><li>• "NAPTR" - One or more ENUM NAPTR records (to be converted to URIs)</li><li>• "DYN"/"DYNAMIC" - Dynamic data type - type specified by the data</li></ul>
<b>Default:</b>	None
<b>Notes:</b>	At least one of the supported values must be used, but any mix, including all the values is allowed.
<b>Example:</b>	<code>enum_data_type = "AUS" "URI" "NAPTR" "DYN" "DYNAMIC"</code>

### enum\_enabled

<b>Syntax:</b>	<code>enum_enabled = true false</code>
<b>Description:</b>	Enables (or disables) ENUM URI data extraction as part of IN processing.
<b>Type:</b>	Boolean
<b>Optionality:</b>	Optional (default used if not set).
<b>Allowed:</b>	true, false
<b>Default:</b>	false
<b>Notes:</b>	If true, <code>enum_data_type</code> must be configured.
<b>Example:</b>	<code>enum_enabled = true</code>

### enum\_service\_type

<b>Syntax:</b>	<code>enum_service_type = "value"</code>
<b>Description:</b>	Service type filter to use when reading ENUM NAPTR data.
<b>Type:</b>	String
<b>Optionality:</b>	Optional (default used if not set).
<b>Allowed:</b>	
<b>Default:</b>	[blank]
<b>Notes:</b>	Suggested value: "E2U+sip"
<b>Example:</b>	<code>enum_service_type = "E2U+sip"</code>



## INVITE messages section

The INVITE messages processed by the SCA are configured by the following parameters in the `sca.config` file:

`call_init_a_include_cap4_xml`

**Syntax:** `call_init_a_include_cap4_xml = true|false`  
**Description:** If the sip INVITE message is for the A-Party, and `call_init_a_include_cap4_xml` is set to `true`, then send the OCSC-specific CAP4 XML to the A-Party; otherwise don't send the CAP4 XML to the A-Party.  
**Type:** Boolean  
**Optionality:** Optional (default used if not set).  
**Allowed:** true or false  
**Default:** false  
**Notes:** The suppress-T-CSI XML tag is included in the A-Party CAP4 XML  
**Example:** `call_init_a_include_cap4_xml = true`

`call_init_b_include_cap4_xml`

**Syntax:** `call_init_b_include_cap4_xml = true|false`  
**Description:** If the sip INVITE message is for the B-Party, and a B-Party to A-Party assignment has occurred, and `call_init_b_include_cap4_xml` is set to `true`, then send the OCSC-specific CAP4 XML to the B-Party; otherwise don't send the CAP4 XML to the B-Party.  
**Type:** Boolean  
**Optionality:** Optional (default used if not set).  
**Allowed:** true or false  
**Default:** false  
**Notes:** The suppress-T-CSI XML tag is not included in the B-Party CAP4 XML  
**Example:** `call_init_b_include_cap4_xml = true`

`call_init_a_cap4_use_suppress_t_csi`

**Syntax:** `call_init_a_cap4_use_suppress_t_csi = true | false`  
**Description:** During call-initiation, adds suppress-T-CSI to the CAP4/XML of the SIP body in initial A-leg INVITES. This requires the use of MIME if both this and SDP are sent.  
**Type:** Boolean  
**Optionality:** Optional (default used if not set)  
**Allowed:** true, false  
**Default:** true  
**Notes:**  
**Example:** `call_init_a_cap4_use_suppress_t_csi = true`

### `call_init_send_empty_address`

<b>Syntax:</b>	<code>call_init_send_empty_address = true false</code>
<b>Description:</b>	Sends an empty connection address of c=IN IP4 0.0.0.0 in the initial INVITE to parties A and B in a 3PCC call-initiation scenario.
<b>Type:</b>	Boolean
<b>Optionality:</b>	Optional (default used if not set).
<b>Default:</b>	false
<b>Example:</b>	<code>call_init_send_empty_address = true</code>

### `call_init_use_reinvite`

<b>Syntax:</b>	<code>call_init_use_reinvite = true false</code>
<b>Description:</b>	During call-initiation, send the B-leg SDP to the A-leg in a re-INVITE rather than an ACK.
<b>Type:</b>	Boolean
<b>Optionality:</b>	Optional (default used if not set).
<b>Allowed:</b>	true, false
<b>Default:</b>	false
<b>Notes:</b>	Using the ACK reduces the delay where the A-leg hears nothing, but can cause the A-leg to disconnect in networks where the B-leg is slow to respond.
<b>Example:</b>	<code>call_init_use_reinvite = false</code>

### `p_asserted_identity`

<b>Syntax:</b>	<code>p_asserted_identity = true false</code>
<b>Description:</b>	Add a P-Asserted-Identity to the INVITE messages created by the SCA.
<b>Type:</b>	Boolean
<b>Optionality:</b>	Optional (default used if not set).
<b>Allowed:</b>	true, false
<b>Default:</b>	false
<b>Notes:</b>	The identity will be equal to the From: URI.
<b>Example:</b>	<code>p_asserted_identity = false</code>

## ESC Configuration

### Introduction

The `esc` section in the `sca.config` file must be configured to enable the Oracle SIP Chassis (ESC) to work. An example `sca.config` file showing the available `esc` configuration options is installed by the `scaScp` package in `/IN/services_packages/SCA/etc/sca.config.all.example`.

The `sca.config` file needs to be present on all SCA SLCs.

**Note:** All necessary configuration for the ESC is done in the `sca.config` file at installation time by the configuration script.

### Example esc configuration

The following is an example of `esc` configuration in `sca.config`:

```

esc = {
  default_domain = "telco.com"
  dns_server = "192.168.25.59"
  dns_check_files = true
  use_tcp = true
  tcp_addr = "0.0.0.0"
  tcp_port = 5060
  use_udp = true
  udp_addr = "0.0.0.0"
  udp_port = 5060
  timers = {
    T1 = 5
    T2 = 40
    T3 = 320
    T4 = 50
    T5 = 2400
    MULTIPLIER = 64
  }

  device_list = ["bge0", "bge1"]

  prack_support = true

  error_response_failover=false
  rfc_2543_support = false
  pollInterval = 10
  persistant_connections=true
  send_100_trying=true
  ocsc_call_flow=false
  txn_id_include_host=true
}

```

## Parameters

The ESC accepts the following high level parameters.

`default_domain`

**Syntax:** `default_domain = "dom"`  
**Description:** The default domain for this instance of the SCA.  
**Type:** String  
**Optionality:** Mandatory  
**Allowed:**  
**Default:** None  
**Notes:**  
**Example:** `default_domain = "exampletelco.com"`

`device_list`

**Syntax:** `device_list = ["name1", "name2", "namen.."]`  
**Description:** List of network devices to monitor for their current state (UP or DOWN). If all devices go DOWN, then all active calls will be canceled. If no devices are specified, then this behavior will be disabled.  
**Type:** Array  
**Optionality:** Optional (default used if not set).  
**Allowed:** Network device names

## Chapter 4

**Default:** Empty  
**Notes:**  
**Example:** `device_list = ["bge0", "bge1"]`

### `dns_check_files`

**Syntax:** `dns_check_files = true|false`  
**Description:** Determines whether or not the SCA should check the `/etc/hosts` file for a DNS entry before performing a DNS lookup.  
**Type:** Boolean  
**Optionality:** Optional (default used if not set).  
**Allowed:** true, false  
**Default:** false  
**Notes:**  
**Example:** `dns_check_files = true`

### `dns_server`

**Syntax:** `dns_server = "host"`  
**Description:** The DNS server that the SCA sends queries to.  
**Type:** String  
**Optionality:** Optional (default used if not set).  
**Allowed:** A valid IP address or hostname.  
**Default:** "127.0.0.1"  
**Notes:**  
**Example:** `dns_server = "191.0.2.0"`

### `error_response_failover`

**Syntax:** `error_response_failover = true|false`  
**Description:** Determines whether or not to treat 500 and 503 error responses as a remote address failure and failover to an alternate address.  
**Type:** Boolean  
**Optionality:** Optional (default used if not set).  
**Allowed:** true, false  
**Default:** false  
**Notes:**  
**Example:** `error_response_failover = true`

### `persistant_connections`

**Syntax:** `persistant_connections = true|false`  
**Description:** Sets whether or not to re-use stream connections (such as TCP connections) between transactions. Connections to the same IP:port destination will remain open between transactions until the end point closes the connection.  
**Type:** Boolean  
**Optionality:** Optional (default used if not set).  
**Allowed:** true, false  
**Default:** true

**Notes:** Do not disable this if stream connections will be used in high-traffic environments as the system will quickly run out of sockets.

**Example:** `persistant_connections = true`

#### `pollInterval`

**Syntax:** `pollInterval = int`

**Description:** Sets how often to poll the transport layer (in milliseconds).

**Type:** Integer

**Optionality:** Optional (default used if not set).

**Allowed:** A valid integer

**Default:** 10

**Notes:**

**Example:** `pollInterval = 20`

#### `prack_support`

**Syntax:** `prack_support = true|false`

**Description:** Defines whether support for PRACK (reliable transmission of provisional responses) is enabled.

**Type:** Boolean

**Optionality:** Optional

**Allowed:** true , false

**Default:** false

**Notes:**

**Example:** `prack_support = false`

#### `ocsc_call_flow`

**Syntax:** `ocsc_call_flow=true|false`

**Description:** If `ocsc_call_flow` is set to `true` then the SCA ignores any SDP sent within a 183-Call-Progress response, thus suppressing any REINVITE that normally would be triggered.

**Type:** Boolean

**Optionality:** Optional (default used if not set).

**Allowed:** true or false

**Default:** false

**Notes:** Allows the SCA to comply with the OSCS SIP server.

**Example:** `ocsc_call_flow=true`

#### `rfc_2543_support`

**Syntax:** `rfc_2543_support = true|false`

**Description:** Defines whether or not support for messages that are not compliant with RFC 3261 is enabled.

**Type:** Boolean

**Optionality:** Optional (default used if not set).

**Allowed:** true, false

**Default:** false

## Chapter 4

### Notes:

**Example:** `rfc_2543_support = true`

### `send_100_trying`

**Syntax:** `send_100_trying = true|false`

**Description:** When set to true, the SCA will send a 100 trying response to an INVITE request to prevent re-transmissions. In addition, 100 trying responses from the B-leg will not be returned.

**Type:** Boolean

**Optionality:** Optional (default used if not set).

**Allowed:** true, false

**Default:** true

### Notes:

**Example:** `send_100_trying = false`

### `tcp_addr`

**Syntax:** `tcp_addr = "addr"`

**Description:** Defines the address on which to listen for incoming TCP/IP connections.

**Type:** String

**Optionality:** Optional (default used if not set).

**Allowed:** Valid IP address

**Default:** "0.0.0.0"

### Notes:

**Example:** `tcp_addr = "0.0.0.0"`

### `tcp_port`

**Syntax:** `tcp_port = port`

**Description:** Defines the port on which to listen for incoming TCP/IP connections

**Type:** Integer

**Optionality:** Optional (default used if not set).

**Allowed:** Valid port number

**Default:** 5060

### Notes:

**Example:** `tcp_port = 5060`

### `timers`

List of transaction timer parameters within {}.

**Default:** -

See *timers section* (on page 82).

`txn_id_include_host`

**Syntax:** `txn_id_include_host=true|false`

**Description:** When `txn_id_include_host` is set to `true`, the SCA includes the top Via hostname or top Via IP address when generating transaction IDs. Transaction IDs are used to match responses to the original request and are normally generated as follows: `top_via_branch@top_via_hostname/CSeq_method`

Where:

- `top_via_branch` is the branch to use from the top Via header.
- `top_via_hostname` is the hostname or IP address to use from the top Via header.
- `CSeq_method` is the Cseq method to use.

However, if the response is received on a different NIC to the one that sent the request, then the IP in the top Via header will be different. This option allows the hostname part of the transaction ID to be turned off and become: `top_via_branch/CSeq_method`.

**Type:** Boolean

**Optionality:** Optional (default used if not set).

**Allowed:** true or false

**Default:** false

**Example:** `txn_id_include_host=true`

`udp_addr`

**Syntax:** `udp_addr = "addr"`

**Description:** Defines the address on which to receive incoming UDP datagrams.

**Type:** String

**Optionality:** Optional (default used if not set).

**Allowed:** Valid IP address

**Default:** "0.0.0.0"

**Notes:**

**Example:** `udp_addr = "0.0.0.0"`

`udp_port`

**Syntax:** `udp_port = port`

**Description:** Defines the port on which to receive incoming UDP datagrams

**Type:** Integer

**Optionality:** Optional (default used if not set).

**Allowed:** Valid port number

**Default:** 5060

**Notes:**

**Example:** `udp_port = 5060`

`use_tcp`

**Syntax:** `use_tcp = true|false`

**Description:** Determines whether the TCP/IP transport is enabled

**Type:** Boolean  
**Optionality:** Optional (default used if not set).  
**Allowed:** true, false  
**Default:** false  
**Notes:** At least one of `use_tcp` or `use_udp` must be set to true.  
**Example:** `use_tcp = true`

`use_udp`

**Syntax:** `use_udp = true|false`  
**Description:** Determines whether the UDP transport is enabled.  
**Type:** Boolean  
**Optionality:** Optional (default used if not set).  
**Allowed:** true, false  
**Default:** true  
**Notes:** At least one of `use_tcp` or `use_udp` must be set to true.  
**Example:** `use_udp = true`

## timers section

Here is an example of the `timers` section configuration. Please refer to RFC3261 for more information on timer values.

```
timers = {
    T1 = 5
    T2 = 40
    T3 = 320
    T4 = 50
    T5 = 2400
    MULTIPLIER = 64
}
```

`MULTIPLIER`

**Syntax:** `MULTIPLIER = val`  
**Description:** The default transaction timer multiplier. For example a transaction will retransmit a request for  $64 * T1$  ( $MULTIPLIER * T1$ ) seconds by default.  
**Type:** Integer  
**Optionality:** Optional (default used if not set).  
**Allowed:** A valid number  
**Default:** 64  
**Notes:** Refer to RFC 3261 for more information.  
**Example:** `MULTIPLIER = 64`

`T1`

**Syntax:** `T1 = deciseconds`  
**Description:** Defines the initial value (in deci-seconds) for the T1 transaction timer.  
**Type:** Integer  
**Optionality:** Optional (default used if not set).  
**Allowed:** A valid integer. The minimum value for T1 is 5.  
**Default:** 5



**Notes:****Example:** T1 = 5

## T2

**Syntax:** T2 = *deciseconds***Description:** Defines the initial value (in deci-seconds) for the T2 transaction timer.**Type:** Integer**Optionality:** Optional (default used if not set).**Allowed:** A valid integer**Default:** 40**Notes:****Example:** T2 = 40

## T3

**Syntax:** T3 = *deciseconds***Description:** Defines the initial value (in deci-seconds) for the T3 transaction timer.**Type:** Integer**Optionality:** Optional (default used if not set).**Allowed:** A valid integer**Default:** 320**Notes:****Example:** T3 = 320

## T4

**Syntax:** T4 = *deciseconds***Description:** Defines the initial value (in deci-seconds) for the T4 transaction timer.**Type:** Integer**Optionality:** Optional (default used if not set).**Allowed:** A valid integer**Default:** 50**Notes:****Example:** T4 = 50

## T5

**Syntax:** T5 = *deciseconds***Description:** Defines the initial value (in deci-seconds) for the T5 transaction timer. The timer sets the value of Timer C (see RFC 3261), which defines the maximum time for which an INVITE transaction can exist without receiving a final response.**Type:** Integer**Optionality:** Optional (default used if not set).**Allowed:** A valid integer**Default:** 2400**Notes:****Example:** T5 = 2400

## Parser Configuration

### Introduction to parser configuration

You can set whether or not the parser is case-sensitive by configuring the `parser` section of the `sca.config` configuration file. For example, the following configuration sets the parser to be case-sensitive:

```
parser = {
    case_sensitive=true
}
```

The `parser` section of `sca.config` supports the following parameter:

`case_sensitive`

<b>Syntax:</b>	<code>case_sensitive=true false</code>
<b>Description:</b>	Sets whether or not the parser is case sensitive.
<b>Type:</b>	Boolean
<b>Optionality:</b>	Optional (default used if not set).
<b>Allowed:</b>	true or false
<b>Default:</b>	false
<b>Example:</b>	<code>case_sensitive=true</code>

## Presence Configuration

### Introduction

The `presence` section in the `eserv.config` file defines generic translations for SIP locations and availabilities. It must be configured to enable ACS `presenceQuery` and `presenceSetting` chassis actions to work.

The `presenceQuery` and `presenceSetting` chassis actions return location and availability information for a subscriber/presence entity from a third party presence server.

This section is for information only, all necessary presence configuration is done at installation time by the configuration script.

The `eserv.config` configuration file is located in `/IN/service_packages/eserv.config`.

### Example

Here is an example of the configuration in the `presence` section of `eserv.config`:

#### Usage:

```
presence = {
    sca_if_handle = "sca"

    pidf_av = {
        open = "Available"
        closed = "N/A"
        away = "Away"
        busy = "Busy"
        default = "N/A"
    }

    pidf_loc = {
        home = "Home"
        office = "Office"
    }
}
```

```

        default = "PlaceOther"
    }

    pidf_rev_av = {
        Available = "open"
        default = "closed"
    }

    pidf_rev_loc = {
        Office = "office"
        default = "home"
    }
}

```

## Parameters

The presence server supports the following parameters from the `presence` section of `eserv.config`.

### pidf\_av

**Syntax:**

```

pidf_av = {
    open = "Available"
    closed = "N/A"
    away = "Away"
    busy = "Busy"
    default = "N/A"
}

```

**Description:** Configures the translations from SIP availability definitions to generic availabilities. It is used for both presence querying and presence setting and is dependent on the characteristics of the presence server being used.

**Type:** Parameter group

**Optionality:** Mandatory

**Allowed:**

**Default:**

**Notes:**

**Example:**

### pidf\_loc

**Syntax:**

```

pidf_loc = {
    home = "Home"
    office = "Office"
    default = "PlaceOther"
}

```

**Description:** Configures the translations from SIP location definitions to generic locations. It is used for presence querying and presence setting and is dependent on the characteristics of the presence server being used.

**Type:** Parameter group

**Optionality:** Mandatory

**Allowed:**

**Default:**

**Notes:**

**Example:**

## Chapter 4

### pidf\_rev\_av

**Syntax:**           pidf\_rev\_av = {  
                    Available = "open"  
                    default= "closed"  
                    }

**Description:**       Configures the translations from generic availabilities to SIP availabilities. It is used for both presence setting and presence querying and is dependent on the characteristics of the presence server being used.

**Type:**             Parameter group

**Optionality:**      Mandatory

**Allowed:**

**Default:**

**Notes:**

**Example:**

### pidf\_rev\_loc

**Syntax:**           pidf\_rev\_loc = {  
                    Office = "office"  
                    default = "home"  
                    }

**Description:**       Configures the translations from generic locations to SIP locations. It is used for both presence setting and presence querying and is dependent on the characteristics of the presence server being used.

**Type:**             Parameter group

**Optionality:**      Mandatory

**Allowed:**

**Default:**

**Notes:**

**Example:**

### sca\_if\_handle

**Syntax:**           sca\_if\_handle = "handle"

**Description:**       The SLEE interface handle for the sca.

**Type:**             String

**Optionality:**      Mandatory

**Allowed:**

**Default:**           "sca"

**Notes:**

**Example:**           sca\_if\_handle = "sca"

## acs.conf Configuration

### Introduction

The **acs.conf** file must be configured to enable presence querying and presence setting chassis actions to work.

This section is for information only, all necessary **acs.conf** configuration is done at installation time by the configuration script.

The `acs.conf` configuration file is located in `/IN/service_packages/ACS/etc/acs.conf`.

Refer to *Advanced Control Services Technical Guide* for details on ACS configuration.

## acsChassis configuration

On installation the following line is added to the `acsChassis` section of `acs.conf`:

```
chassisPlugin libpresenceSipActions.so
```

## SLEE.cfg Configuration

### Introduction

The `SLEE.cfg` file must be configured to enable the SCA to work. If you install the Convergent Charging Controller SLEE registrar, then this must also be configured in `SLEE.cfg`.

This section is for information only, all necessary SLEE configuration is done at installation time by the configuration script. Refer to *Service Logic Execution Environment Technical Guide* for details on SLEE configuration.

### sca SLEE configuration

On installation the following line is added to the `SLEE.cfg`:

```
INTERFACE = sca sca.sh /IN/service_packages/SCA/bin EVENT
```

**Warning:** It is essential for the correct operation of the SCA that the SLEE Interface type is always set to `EVENT`.

### registrar SLEE configuration

If you installed the SLEE registrar during the `scaScp` package installation, then the following lines are added to the `SLEE.cfg`:

```
APPLICATION=registrar registrar.sh /IN/service_packages/SCA/bin 1 1 1000
SERVICE=registrar 1 registrar registrar
SERVICEKEY=INTEGER 200 registrar
```

**Note:** You specify the service key value, in this case 200, during the installation process.

## Configuring EDR Collection

### Introduction

The SCA can be configured to produce EDRs for use in post processing as required. All EDR configuration is done in the `sca` section of the `sca.config` file. The EDRs are saved to file in a location specified in the `sca.config`.

### EDR collection

EDRs are saved to file in tag/value pairs, separated by "|", in the following form:

```
tag1=value1|tag2=value2
```

They are initially written to the following temporary file:

`SCA-ccyyymmddHHMMSS.log`, where:

cc = century  
 yy = year  
 mm = month  
 dd = day  
 HH = hours  
 MM = minutes  
 SS = seconds

This file is closed and moved to its permanent location either when one of the following occurs:

- It contains the maximum number of records as configured in `sca.config`
- It has reached its maximum age (in seconds) as configured `sca.config`

**Tip:** The locations for the temporary and permanent EDR files are defined in the `cdrTempDir` and `cdrFinalDir` parameters. For details, see *SCA Configuration* (on page 43).

## EDR configuration example

EDR collection is enabled by the following lines in the `sca` section of `sca.config`:

```
sca = {
  EnableCDRs = true
  cdrTempDir = "/IN/service_packages/SCA/cdr/open"
  cdrFinalDir = "/IN/service_packages/SCA/cdr/closed"
  cdrSizLimit = 100000
  cdrAgeLimit = 600
}
```

For further information on defining the EDR parameters in `sca.config`, see *SCA Configuration* (on page 43). For further details on the generation and format of EDRs, see *SCA EDRs* (on page 110).

## Configuring IN Call Model Triggers

### Introduction

This section introduces the configuration requirements of the Convergent Charging Controller IN Call Model. The set of libraries that the IN Call Model provides are used by the SCA to trigger SLEE requests to external IN applications such as ACS.

**Note:** All necessary configuration for the IN Call Model is done in the `tdp.conf` file at installation time by the configuration script. This section is for information only.

### Environment variables

This table describes the UNIX shell environment variables to be configured.

Environment Variable Name	Description	Default Value
TDP_DEFINITIONS	Defines the full path name of the Trigger Detection Point definition file.	/IN/service_packages/SCA/etc/tdp.conf  <b>Note:</b> The default value will be used if this variable is not set.

### Trigger detection point (TDP) definition file

The Trigger Detection Point (TDP) definition file, `tdp.conf`, defines a number of configuration parameters and the trigger tables. These are used to determine when to trigger a call to the external IN application.

If there is no TDP definition file, then a default action is taken where ALL calls are triggered to the external IN application with a service key of 1 (one) and a trigger point of 3 (analyzedInformation ), and none of the global configuration parameters are considered set.

### Example tdp.conf

The trigger in this example causes all calls to be sent to the external IN application with the service key 1 (one) for ACS, and a trigger point of 3 (analyzed information).

```
# Enable CAMEL3 extensions
CAMEL3

#Default trigger
3 1 3 request all all
```

**Tip:** All lines that start with # are treated as comments.

### Global configuration parameters

The following configuration parameter may be set once on an individual line in the TDP definition file.

Global Parameter	Description
CAMEL3	This parameter enables CAMEL3 extensions. If defined, the called party number is also copied into the initialDP's calledPartyBCDNumber CAMEL3 parameter. The NOA of the called party number becomes the BCD number type.

### Trigger detection point definitions

After any global parameters have been set, the configuration file may take one or more trigger detection point (TDP) definitions.

Each line defines a single trigger; its trigger parameter values that get sent and the conditions under which it gets sent.

Each line takes the following form:

```
tdp svcKey eventType msgType cgPn cdPn [wild] [keep]
```

The table below defines the meanings and forms of these parameters.

Global Parameter Value	Type	Description
<i>tdp</i>	integer	This integer value defines the point that the TDP is triggered at. Together with <i>cgPn</i> , <i>cdPn</i> and <i>wild</i> it defines the condition that the trigger will fire on. See the TDP event type table for a list of valid values and meanings.
<i>svcKey</i>	integer	This parameter defines the serviceKey value that will be inserted into the initialDP message when this trigger fires.
<i>eventType</i>	integer	This parameter defines the eventTypeBCSM value that will be inserted into the InitialDP message when this trigger fires. See the TDP event type table for a list of valid values and meanings. Generally this will be the same value as <i>tdp</i> .

Global Parameter Value	Type	Description
<i>msgType</i>	request or notify	This parameter defines whether the TDP is sent as a TDP-R (request) or TDP-N(notify). Generally request is used here.
<i>cgPn</i>	<i>num</i> or <i>nat.num</i> or all	This parameter defines the calling party numbers that will trigger the TDP. Together with <i>tdp</i> , <i>cdPn</i> and <i>wild</i> it defines the condition that the trigger will fire on. <ul style="list-style-type: none"> <li><i>num</i> defines the prefix of the calling party digits, numbers must begin with these digits for the trigger to fire.</li> <li><i>nat</i> is optional and defines additionally a nature of address (NOA) of the calling party that must match for the trigger to fire. If not provided a nature of 2 (unknown) is assumed.</li> </ul> If all is defined then ALL calling party numbers will match.
<i>cdPn</i>	<i>num</i> or <i>nat.num</i> or all	This parameter defines the called party numbers that will trigger the TDP. Together with <i>tdp</i> , <i>cgPn</i> and <i>wild</i> it defines the condition that the trigger will fire on. <ul style="list-style-type: none"> <li><i>num</i> defines the prefix of the called party digits, numbers must begin with these digits for the trigger to fire.</li> <li><i>nat</i> is optional and defines additionally a nature of address (NOA) of the called party that must match for the trigger to fire. If not provided a nature of 2 (unknown) is assumed.</li> </ul> If all is defined then ALL called party numbers will match.
<i>wild</i>	integer	This optional parameter defines the number of digits that must be present in the called party numbers before the TDP will trigger. Together with <i>tdp</i> , <i>cgPn</i> and <i>cdPn</i> it defines the condition that the trigger will fire on. If set the trigger will not fire until the called party number has this number of digits. <b>Note:</b> The <i>wild</i> parameter can be set to a special value of "stop". If it is set to this value, then the trigger will only fire when a stop digit is received.
keep	-	If this optional flag is defined then all numbers triggered by this TDP will keep their stop digits (if they have one).

## TDP event type values

The following table defines the list of TDPs as defined by the CS-1 standard. It also defines the point at which the trigger will be instantiated by the Convergent Charging Controller IN Call Model.

TDP	CS-1 Trigger Name	Call Model TDP Creation Point
1	origAttemptAuthorized	digitsReceived
2	collectedInfo	digitsReceived



TDP	CS-1 Trigger Name	Call Model TDP Creation Point
3	analyzedInformation	digitsReceived
4	routeSelectFailure	released (cause != 16, 17, 18, 19, 21 or 31)
5	oCalledPartyBusy	released (Aparty, cause==17)
6	oNoAnswer	released (Aparty, cause==18, 19 or 21)
7	oAnswer	answered(Aparty)
8	oMidCall	not supported
9	oDisconnect	released (Aparty, cause==16 or 31)
10	oAbandon	released (Aparty, cause==16 or 31)
12	termAttemptAuthorized	digitsReceived
13	tCalledPartyBusy	released (Bparty, cause==17)
14	tNoAnswer	released (Bparty, cause==18, 19 or 21)
15	tAnswer	answered(Bparty)
16	tMidCall	not supported
17	tDisconnect	released (Bparty, cause==16 or 31)
18	tAbandon	released (Bparty, cause==16 or 31)
100	n/a	ringing (Aparty)
101	n/a	ringing (Bparty)



# NHP Configuration

## Overview

### Introduction

This chapter explains how to configure the next hop processing (NHP) for the SCA.

### In this chapter

---

This chapter contains the following topics.

NHP Configuration File.....	93
NHP Rule Definition.....	94
NHP Commands.....	96
NHP Host Definition.....	99

## NHP Configuration File

### Introduction

The next hop processing (NHP) configuration defines the rules and associated commands that are used by the SCA to determine how to process SIP messages. You configure the next hop processing that will be performed by the SCA in the NHP configuration file called **rules.nhp**. The NHP configuration file is located in the following directory:

**/IN/service\_packages/SIP/etc/**

The NHP configuration file contains the following sections:

- A RULES section containing the list of rule definitions.
- One or more HOST sections that define the rules to apply to SIP response codes, and the methods (SIP requests) available on the host and the rules to apply to each method.

### Example rules.nhp

Here is an example of the NHP rules configuration in **rules.nhp**:

```

RULES = {
    "r1" = ( FROM STARTS "+441473" ) INTERNAL;
    "r2" = ( BODY MATCHES "[0-9].*" ) INTERNAL;
    "r3" = ( TO DOMAIN ENDS "oracle.co.uk" ) FWD ( SK = 1 );
    "r4" = ( TO PORT EQUALS "5959" ) REDIRECT ( URI = "otherhost:5090" );
    "r5" = ( FROM MATCHES "^ [0-9].*" AND TO MATCHES "[ABS]" ) IDP ( );
    "r6" = ( TO MATCHES "[0-9].*" OR BODY MATCHES "m=111" ) IDP ( SK = 1 );
    "r7" = ( TO DOMAIN MATCHES "oracle.com" ) LOCATION ( URI = "sip:other2@host2" );
    "r8" = ( DEFAULT ) LOCATION ( SK = 55 );
    "r9" = ( TO DOMAIN NOT STARTS "oracle" AND TO USER NOT ENDS "simon" ) FORWARD (
    );
    "r10" = ( FROM USER STARTS "simon" ) FORWARD ( URI = "host1", "host2" );
    "r11" = ( DEFAULT ) LOCATION ( SK = 200 );
    "r12" = ( DEFAULT ) PUT_HEADER ( NAME = "route" ID = "ENCODE_URI_ID" );
    "register" = (DEFAULT) FORWARD ( SK = 200 );

```

## Chapter 5

```
"encode-uri" ( DEFAULT ) GET_HEADER ( NAME = "x-wcs-encode-uri" ID =
"ENCODE_URI_ID" );
}

HOST * = {
METHOD "INVITE" = { "r2" }
METHOD "OPTIONS" = { "r1" }
METHOD * = { "r3", "r5", "r6", "r7", "r8", "r9", "r10", "r10", "r10" }
}

HOST "reldevsmp" = {
STATUSCODE "183" = { "encode-uri" }
METHOD "REGISTER" = { "registrar" }
METHOD "INVITE" = { "r11", "r12" }
}

HOST "reldevsmp" = {
METHOD "OPTIONS" = { "r1" }
METHOD * = { "r1" }
}
```

# NHP Rule Definition

## About NHP Rules

NHP rules are defined in the RULES section in the NHP configuration file. Rules have the following format:

```
RULES = {
  "rule_name" = ( condition ) command [flag [flag]] ( parameter = value [parameter
= value] );
}
```

Where:

- *rule\_name* is a unique name for the rule of up to 64 characters.
- *condition* defines the criteria used to trigger the rule command. For more information, see *Specifying Conditions in NHP Rules* (on page 94).
- *command* is the command that is triggered by the rule.
- *flag* is a flag that may be set for the specified command. You may only set flags for specific commands.
- *parameter* is the parameter that is set by the specified command to the specified *value*.

For more information about NHP commands, flags, and parameters, see *NHP Commands* (on page 96).

## Specifying Conditions in NHP Rules

You must specify a condition, which must be enclosed in brackets (), for each NHP rule.

A condition comprises either one, or two boolean expressions combined together. The boolean expressions used in conditions have the following format:

```
Header [Element] [NOT] Operator Constant
```

**Tip:** A boolean expression is a statement that evaluates to true or false.

This table describes the parameters used in boolean expressions in NHP rules.

Parameter	Description
<i>Header</i>	Sets the SIP header field that is used to evaluate the condition. Valid headers are:

Parameter	Description
	<ul style="list-style-type: none"> <li>• HEADER</li> <li>• ID</li> <li>• FROM</li> <li>• TO</li> <li>• BODY - may only be used with the MATCHES operator</li> <li>• DEFAULT - the DEFAULT header defines the default rule. No other parameters are required and the rule command is triggered unconditionally</li> </ul> <p><b>Note:</b> For FROM and TO headers, the characters appearing after the SIP scheme, such as 'sip:', are used. If the header begins with a double quoted string, then the data evaluated will be contained within the '&lt;' and '&gt;' symbols.</p>
<i>Element</i>	<p>(Optional) Qualifies the header so that only specific data from the header is evaluated. Valid elements are:</p> <ul style="list-style-type: none"> <li>• USER – The characters before the '@' symbol.</li> <li>• DOMAIN – The characters after the '@' symbol and, if present, before the ':' (colon).</li> <li>• PORT – The characters after the ':' at the end of the host address. Defaults to 5060 if not present in the header.</li> <li>• VIA – The characters after the '@' symbol.</li> </ul>
<i>Operator</i>	<p>Defines how the rule is evaluated. Valid operators are:</p> <ul style="list-style-type: none"> <li>• EQUALS – The data must exactly match the specified <i>Constant</i>. No regular expression processing takes place.</li> <li>• STARTS – The data must start with the specified <i>Constant</i>.</li> <li>• ENDS – The data must end with the specified <i>Constant</i>.</li> <li>• MATCHES – The specified <i>Constant</i> is interpreted as a regular expression, and the data must match the result.</li> </ul> <p><b>Tip:</b> Type NOT in front of the operator to negate it.</p>
<i>Constant</i>	<p>The string value (up to 256 characters long) to compare with the data in the header, or header element. The constant value:</p> <ul style="list-style-type: none"> <li>• Must be enclosed in double quotes ("")</li> <li>• Can contain any number or character that can occur in a SIP address</li> <li>• Can be a regular expression. For more information, see <i>A note about regular expressions</i> (on page 96).</li> </ul> <p><b>Note:</b> Regular expression constants are pre-compiled when the NHP file is parsed. If a regular expression is invalid and fails to compile, then an error is reported.</p>

### Combining boolean expressions

You can combine two boolean expressions in a condition for an NHP rule by using one of the following words:

- AND – The rule command is executed only if both expressions evaluate to true.
- OR – The rule command is executed if either expression evaluates to true.

#### Examples

```
( FROM MATCHES "[0-9].*" AND TO MATCHES "[ABC]" )
```

```
( TO MATCHES "[0-9].*" OR BODY MATCHES "m=111" )
```

**Note:** You cannot combine the DEFAULT expression with another expression.

## A note about regular expressions

The following is an explanation of regular expressions and their use.

Regular expressions can contain anchors ('^' and '\$'), groups ('[]') and wild cards ('\*'):

- '^' anchors the expression to the start of the string
- '\$' anchors the expression to the end of the string
- '[' groups characters into a class, for example [0-9] means any number
- '\*' repeats the previous character class zero or more times, such as '[0-9]\*'

## Examples

This table shows some example expressions.

Expression	Description
^1234\$	Will match the exact string 1234.
^1234	Will match any string beginning with 1234.
1234\$	Will match any string that ends with 1234.
^[0-9]*1234\$	Will match a string that begins with zero or more numbers (0-9) and ends with 1234.
1234[0-9][0-9]*	Will match a string that contains the substring 1234 and then 1 or more numbers (0-9).

# NHP Commands

## About NHP Commands

When you configure NHP rules you must specify the command that is triggered by each rule. The command defines what to do with the SIP message when the condition for the rule is met. You can specify only one command per rule.

The following commands are supported:

- REDIRECT (or RED)
- FORWARD (or FWD)
- LOCATION (or LOC)
- IDP
- INTERNAL (or INT)
- GET\_HEADER
- PUT\_HEADER

The NHP commands have the following format:

```
command [flag [flag]] ( parameter = value [parameter = value] )
```

Where:

- *command* is a valid NHP command.
- *flag* is an optional flag that may be set for the specified command.
- *parameter* is the parameter that is set by the specified command to the specified *value*.

## Redirect command

The REDIRECT (or RED) command redirects a SIP request to an alternative SIP URI. It accepts one of the following parameters:

- URI = "*SIP\_URI*"
- SK = *service\_key*

Where:

- *SIP\_URI* is the URI to which the request is redirected.
  - *service\_key* is the service key to which the request is redirected. You must specify an integer.
- When a redirect rule is triggered, a 302 Moved Temporarily message is sent in response to the request that triggered the redirect rule. The contact header of this response includes the SIP URI to which the request should be redirected.

If the URI parameter is used, then the contact header includes the SIP URI defined in the rule.

If the SK parameter is used, then an IDP is sent to the defined service key. If the triggered control plan includes a terminate feature node (for example, UATB feature node) and this returns a connect response, then the contact header includes a SIP URI. This is built using the trans\_mapping configuration and includes the E.164 number returned in the connect.

### Example:

```
Redirect ( URI = "sip:otherhost:5090" )
Redirect ( SK = 1 )
```

## Forward command

The FORWARD (or FWD) command forwards SIP requests to one of the following locations:

- An alternative SIP URI
- A SLEE service key
- A destination determined by the Route/Request-URI header if no URI is specified

### Flags

The following optional flags may be set by the FORWARD command:

- SET-URI - sets the request URI to the URI specified for the URI parameter. It also appends the user part of the "TO" header from the SIP request to the front of the request URI.
- B2B-UA - this flag will result in the current call being handled as a Back-To-Back User Agent type call.

### Example usage:

```
FWD SET-URI,B2B-UA ( URI="sip:192.168.24.178" );
```

### Parameters

The FORWARD command accepts one of the following parameters:

- URI = "*SIP\_URI*"
- SRV = "*SIP\_URI*"
- SK = *service\_key*

Where:

- *SIP\_URI* is the SIP URI to which the request is forwarded. You can specify a single URI or a comma separated list of up to 100 URIs. The list can be a mixture of IP addresses, and hostnames, that resolve to multiple IP addresses. Each URI must be a complete URI enclosed in double quotes ("").

**Example:** "sip:host:port","sip:ipaddress:port","sip:ipaddress"

If you specify the URI parameter, and *SIP\_URI* contains a hostname, then a DNS A record lookup is performed that may return an IP address.

If you specify the SRV parameter, and *SIP\_URI* contains a hostname, then a DNS SRV record lookup is performed that may return a list of IP addresses.

- *service\_key* is the service key of the SLEE location service.

**Note:** When forwarding to a list of URIs, the forward command remembers which URI was last used. If the rule is re-triggered then the next URI in the list is used (or the command wraps to the first URI again). This allows the SCA to perform load balancing between URIs when *load\_balancing\_enabled* (on page 50) is set. The SCA attempts to forward to alternate destinations if an address is unreachable.

### Examples:

```
FWD( SK = 55 )
FWD( URI="sip:host1" )
FWD( URI="sip:host1", "sip:host2" )
FWD( SRV="sip:host3")
```

## Location command

The LOCATION (or LOC) command performs a location query using an external PAM service.

### Flags

The following optional flag may be set by the LOCATION command:

- SET-URI - sets the request URI to the URI returned by the location query.

### Example usage:

```
LOCATION SET-URI ( URI = "sip:other2@host2" );
```

### Parameters

The LOCATION command accepts one of the following parameters:

- SK = *service\_key\_of\_the\_SLEE\_based\_location\_service*
- URI = "*SIP\_URI\_of\_the\_location\_service*"

### Examples:

```
Location ( SK = 55 )
Location ( URI = "sip:other2@host2")
```

## IDP command

The IDP command converts the SIP request into a CS1 InitialDP (IDP) and sends it, through the IN-CallModel, to the external IN application. When the IN application responds, the NHP rule evaluation continues from the current position.

**Note:** This command does not accept any parameters.

## Internal command

The INTERNAL (or INT) command uses internal processing rules to respond to the SIP request. It is only used for an OPTIONS request. The SCA responds with the local capabilities in a 200 (OK) response.

**Note:** This command does not accept any parameters.



## PUT\_HEADER command

Use the PUT\_HEADER command to configure a custom SIP header for inclusion in an outbound SIP INVITE message.

NHP processing applies NHP rules that include the PUT\_HEADER command when sending INVITES during 3PCC call setup.

### Configuring PUT\_HEADER for Custom SIP Header

The PUT\_HEADER command requires a parameter list that consists of a NAME parameter that corresponds to the SIP header name and a VALUE parameter that corresponds to the SIP header value. The following example illustrates the PUT\_HEADER command:

```
RULES = { "put" = (DEFAULT)
  PUT_HEADER ( NAME = "x-wcs-cps" VALUE = "late" );
}
HOST * = { METHOD "INVITE" = { "put" }
}
```

**Note:** PUT\_HEADER commands apply *only* to SIP INVITE messages.

## GET\_HEADER Command

Use the GET\_HEADER command to retrieve a header from an inbound SIP response and store the value in memory with a specified *key\_name* identifier.

The GET\_HEADER command takes the following two parameters:

- NAME = *header\_name*
- ID = *key\_name*

**Note:** The GET\_HEADER command is allowed only in rules applied to SIP responses.

### Example: GET\_HEADER

```
RULES = { "r1" = ( DEFAULT ) GET_HEADER (NAME = "x-wcs-encode-uri" ID = "ID_route" );
}
```

## NHP Host Definition

### About Defining NHP Hosts

You define NHP hosts in one or more HOST sections in the NHP configuration file. Each HOST section defines the rules to apply when processing SIP messages for the named host machine.

You must specify a unique name for each host. The host name is a case sensitive string of up to 64 characters. It must be enclosed in double quotes (") unless it is the default host. You can define one default host in the NHP file. The default host will be used when a host machine is undefined. It is identified by the host name "\*".

**Example:** HOST \* = { METHOD "INVITE" = {"R2"} }

The configuration for each host has the following sections:

- Optional STATUSCODE sections. For information, see *Status Code Rule Definition* (on page 100).
- One or more METHOD sections. For information, see *Defining Host Methods* (on page 100).

### Example

```
HOST "HostName" = {
  STATUSCODE "183" = { "encode-uri" }
```

```
METHOD "REGISTER" = { "r1" , "r2" }  
METHOD * = { "r1" }  
}
```

### Status Code Rule Definition

The STATUSCODE section defines the set of rules to apply to specific SIP responses. It uses the following syntax:

```
STATUSCODE "SIP_status" = { "RULE" , "RULE" , .. }
```

Where:

- *SIP\_status* is a valid SIP status code for a SIP response, for example, 183.
- Each *RULE* is defined in the RULES section in the `rules.nhp` file. The definitions for the specified rules must contain the GET\_HEADER command. For more information about rule definitions, see *NHP Rule Definition* (on page 94).

### Defining Host Methods

The METHOD section defines the set of rules to apply to specific SIP requests (methods). You must define at least one method per host. You define methods using the following syntax:

```
METHOD "method_name" = { "RULE" , "RULE" , .. }
```

Where:

- *method\_name* is a valid SIP method name, for example, INVITE or REGISTER.
- Each *RULE* is defined in the RULES section in the `rules.nhp` file.

For more information about rule definitions, see *NHP Rule Definition* (on page 94).

### Default Method Configuration

The default method has the method name `*`. It defines the default set of rules to apply if the SIP request from the SCA does not match any other method defined for the host. You can define one default method per host.

**Example:** `METHOD * = { "RULE" }`

# Background Processes

## Overview

### Introduction

This chapter explains the processes that run automatically as part of the application. These processes are started automatically by one of the following:

- inittab
- crontab
- Service Logic Execution Environment SLEE

**Note:** This chapter also includes some plug-ins to background processes which do not run independently.

### In this chapter

---

This chapter contains the following topics.

sca 101

## sca

### Purpose

The sca process analyzes incoming SIP requests and relays them around the system using different SIP routers.

### Startup

The sca process can be run in the following two ways:

- 1 As a SLEE interface capable of triggering IN applications such as ACS. In this case, the sca is started automatically by the SLEE. For more information, see *SLEE.cfg Configuration* (on page 87).
- 2 As a standalone binary which cannot trigger IN applications. In this case, the sca can be started from the command line or from inittab.

**Example command:** This text will start the sca process from the command line:

```
/IN/services_packages/SCA/bin/sca
```

### Location

This binary is located on SLCs.

### Command line parameters

There are no command line parameters for the sca process.

## Configuration

The configuration parameters for the sca process are automatically added to the `sca` section of `sca.config` at installation. For details, see *SCA Configuration* (on page 43).

## Failure

If the sca fails, alarms will be raised to the syslog and any incoming SIP messages will not be processed.

## Output

The sca process writes output to `/IN/service_packages/SCA/tmp/sca.log`.

# Tools and Utilities

## Overview

### Introduction

This chapter explains the tools and utilities that are available.

### In this chapter

---

This chapter contains the following topics.

registrar.....	103
remoteCommanderUser .....	104
SCA Remote Commander.....	105
Statistics .....	108
SCA EDRs .....	110

## registrar

### Purpose

The registrar is a SLEE application suitable for registering the IP addresses of SIP contacts. It can be used when processing the following SIP requests:

- Register
- Invite

### Register requests

When a SIP REGISTER request is received by the SCA (that is, when a SIP client logs into the system), the SCA sends the IP address of the SIP contact to the registrar, and the registrar stores the address in memory.

### Invite request

When the SCA receives an invite request for a specific SIP contact for the first time, it sends a register request to the registrar to retrieve the IP address of the SIP contact. The contact details are then stored in the cache and the invite request is forwarded to the recipient. This means that when the SCA receives subsequent invite requests for the SIP contact, it can retrieve the IP address directly from the cache.

### Startup

This process is started automatically by the SLEE, through the shell script `/IN/service_packages/SCA/bin/registrar.sh`.

For details on configuring the SLEE for the registrar application, see *SLEE.cfg Configuration* (on page 87).

## Location

This binary is located on SLCs.

## Parameters

There are no command line parameters for the registrar application.

## Configuration

The registrar is configured by the following parameters. These are automatically added to the `Registrar` section of `sca.config` at installation:

- `cacheSize` (on page 53)
- `defaultExpiry` (on page 54)

## Failure

If the registrar fails, then the SCA will not be able to process incoming SIP INVITE and REGISTER requests. Any alarms will be raised to the syslog.

## Output

The registrar process writes output to `/IN/service_packages/SCA/tmp/registrar.log`.

# remoteCommanderUser

## Purpose

The `remoteCommanderUser` utility sets the password for the SCA Remote Commander and stores the password in a secure credentials vault on the SMS node. The SCA Remote Commander enables remote users to configure and monitor the SCA. See *SCA Remote Commander* (on page 105) for more information.

## Startup

You start the `remoteCommanderUser` utility from the command line by using the following syntax:

```
remoteCommanderUser [-d user/password] [-p RCpassword] [-r]
```

The following table describes the `remoteCommander` command line parameters.

Parameter	Description
<code>-d user/password</code>	(Optional) The oracle user and password to use to log in to the database. If the <code>-d</code> option is not specified then <code>remoteCommanderUser</code> uses the database login specified in the <code>oracleUserAndPassword</code> parameter in the <code>sca</code> section of <code>eserv.config</code> . Defaults to <code>'/'</code> if <code>-d</code> is not specified and <code>oracleUserAndPassword</code> is not set.
<code>-p RCpassword</code>	(Optional) The new password for the SCA Remote Commander user. <code>remoteCommanderUser</code> Prompts for a password if <code>-p</code> is not specified.
<code>-r</code>	(Optional) Specifies to delete the password

## Setting the SCA Remote Commander Password

Follow these steps to set the password for the SCA Remote Commander.

Step	Action
1	Log in to the SMS as user <i>smf_oper</i> .
2	Go to the directory where <i>remoteCommanderUser</i> is located.
3	Enter the following command to set the password for the SCA Remote Commander: <pre>remoteCommanderUser -d user/password -p RC_password</pre> Where: <ul style="list-style-type: none"> <li>• <i>user/password</i> is the login ID for the Oracle database. The login specified in the <i>oracleUserAndPassword</i> parameter is used if you omit the <i>-d</i> option. If this is not set, then <i>/</i> is used.</li> <li>• <i>RC_password</i> is the new password for the SCA Remote Commander. <i>remoteCommanderUser</i> prompts for a password if you omit the <i>-p</i> option.</li> </ul> <p><b>Note:</b> You can remove the SCA Remote Commander password by entering the following command:</p> <pre>remoteCommanderUser -r</pre>

## SCA Remote Commander

### Introduction

The SCA Remote Commander lets you configure and monitor the SCA remotely using a Telnet connection to a specific Remote Commander port.

The SCA Remote Commander is an integral part of the main *sca* process. It is therefore automatically running whenever the *sca* process is running. For more information on the *sca* process and how to start it, see *sca* (on page 101).

### About the SCA Remote Commander Password

When you access the SCA Remote Commander, you are prompted to enter the password for the SCA Remote Commander user. You are prompted to set the password for the SCA Remote Commander user when you install the SCA component of Convergent Charging Controller.

You can also set the password for the SCA Remote Commander after you install Convergent Charging Controller by using the *remoteCommanderUser* utility. See *Setting the SCA Remote Commander Password* (on page 105) for more information.

### Configuration

The SCA Remote Commander is configured by the *rem\_comm\_port* (on page 52) parameter that is automatically added to the *sca.config* file at installation. The *rem\_comm\_port* parameter defines the SCA Remote Commander listen port.

## Commands

This table describes the SCA Remote Commander commands.

Command	Description
<code>config</code>	Starts the SCA Configuration commander which lets you reload any of the available configuration sections.
<code>diagnostic</code>	Starts the SCA Diagnostic commander which lets you view and reset the SCA related diagnostic flags.
<code>statistic</code>	Starts the SCA Statistic commander which lets you view and modify SCA statistics in real time.
<code>watcher</code>	Starts the SCA Watcher commander which lets you monitor SCA CDR, statistic, and diagnostic output, and lets you trace URIs.
<code>help</code>	Lists the available commands.
<code>quit</code>	Logs you out of the SCA Remote Commander.

## Accessing the SCA Remote Commander

Follow these steps to access the SCA Remote Commander.

Step	Action
1	Open a Telnet session on the SCA Remote Commander port. This is the port defined in the <code>rem_comm_port</code> parameter in <code>sca.config</code> . <b>Result:</b> You will be asked for the password. <b>Note:</b> If the maximum number of SCA Remote Commander sessions has already been reached, you will be disconnected.
2	Enter the password for the SCA Remote Commander. <b>Result:</b> You see this prompt: <code>SCA Remote Commander&gt;</code>
3	Enter the command you want, or enter <code>help</code> to display a list of the available commands.
4	To log out of the SCA Remote Commander, enter <code>quit</code> .

## Configuration commander

Use the SCA Configuration commander to list the available SCA configuration sections and to reload specified sections.

To access the SCA Configuration commander, at the SCA Remote Commander prompt, enter `config`.

This table describes the available commands. At the prompt, enter the command.

Command	Description
<code>list</code>	Lists the configuration sections that you can reload.
<code>reload config_section</code>	Reloads the specified configuration section.
<code>help</code>	Lists the available configuration commands.
<code>return</code>	Returns to the SCA Remote Commander level.
<code>quit</code>	Logs out of the SCA Remote Commander.



## Diagnostic commander

Use the SCA Diagnostic commander to list and reset the diagnostic flags relevant to the SCA.

To access the SCA Diagnostic commander, at the SCA Remote Commander prompt, enter `diagnostic`.

This table describes the available commands. At the prompt, enter the command.

Command	Description
<code>list [all]</code>	Lists the diagnostic flags, and their descriptions, available to the SCA. If you type <code>list all</code> , then all registered diagnostic sections are listed without descriptions.
<code>set flag on off</code>	Turns diagnostic output on or off for the specified flag. Type <code>set all on off</code> to turn all diagnostic output on or off. <b>Note:</b> Flags which are not specific to the SCA can be set.
<code>get flag</code>	Displays the current status of the specified flag.
<code>save</code>	Saves the diagnostic flags that are currently set to on.
<code>load</code>	Loads the most recently saved diagnostic flags.
<code>help</code>	Lists the available diagnostic commands.
<code>return</code>	Returns you to the SCA Remote Commander level.
<code>quit</code>	Logs you out of the SCA Remote Commander.

## Statistic commander

Use the SCA Statistic commander to view and modify SCA statistics in real time.

To access the SCA Statistic commander, at the SCA Remote Commander prompt, enter `statistic`.

This table describes the available commands. At the prompt, enter the command.

Command	Description
<code>list</code>	Lists the configuration sections that you can reload.
<code>set id value</code>	Sets the statistic for the specified ID to the value specified.
<code>delta id value</code>	Updates the statistic for the specified ID by the value specified.
<code>get id</code>	Retrieves the current value for the specified statistic ID.
<code>help</code>	Lists the available statistic commands.
<code>return</code>	Returns you to the SCA Remote Commander level.
<code>quit</code>	Logs you out of the SCA Remote Commander.

## Watcher commander

Use the SCA Watcher commander to:

- View SCA related EDR, statistic and diagnostic output
- Trace URIs

To access the SCA Watcher commander, at the SCA Remote Commander prompt, enter `watcher`.

This table describes the available commands. At the prompt, enter the command.

Command	Description
cdr	Invokes the cdr watcher.
stats	Invokes the statistics watcher.
diagnostic	Invokes the diagnostic output watcher.
trace uri [file]	Traces the specified URI. The output may be redirected to the specified file, if required.
help	Lists the available watcher commands.
return	Returns you to the SCA Remote Commander level.
quit	Logs you out of the SCA Remote Commander.

## Statistics

### Introduction

The SCA collects statistics using the standard SMS statistic mechanism. The smsStatsDaemon determines which statistics to collect according to a predefined list. If ORACLE is:

- *Installed* on the SLC, then the statistics list is stored in SMF\_STATISTICS\_DEFN table on the SMS and then replicated to the SLC.
- *Not installed*, then the statistics list is stored in the `/IN/service_packages/SCA/etc/stats_config` file.

The smsStatsDaemon uses replication to update the statistics on the SMS. When starting the smsStatsDaemon, the local node ID is specified through the `-r` parameter on the command line. It must be in the range 512-1023. If ORACLE is not installed on the SLC, then you must also specify the location of the stats\_config file (`-f` parameter).

The replication configuration file contains the IP address of the SMS.

**Example:** This starts smsStatsDaemon for an SLC that doesn't have ORACLE installed. The location of the stats\_config file is `/IN/service_packages/SCA/etc/stats_config` and the replication node number is 700.

```
/IN/service_packages/SMS/bin/smsStatsDaemon -f
/IN/service_packages/SCA/etc/stats_config -r 700
```

**Tip:** For more information about the smsStatsDaemon and how statistics are collected, see *Service Management System Technical Guide*.

### stats\_config file

The `stats_config` file lists the statistics collected by the smsStatsDaemon for the SCA. It is installed automatically when the scaScp package is installed. Statistics defined in the `stats_config` file have the following format:

```
MID=StatisticID,ApplicationID,Description,Period,[Comment]
```

The available parameters are:

Parameter	Description
<i>StatisticID</i>	The event that occurred.
<i>ApplicationID</i>	The application for which the statistic was generated. This is always SCA.
<i>Description</i>	Describes the statistic.
<i>Period</i>	Determines how frequently (in seconds) the statistic will be output to file.
<i>Comment</i>	Provides any additional comments.

**Note:** This file is only required where ORACLE is not installed on the SLC.

## Example stats\_config file

The following is an example of statistics configuration in the `stats_config` file:

```
MID=IN-REQUEST,SCA,Incoming SIP request,300
MID=OUT-REQUEST,SCA,Outgoing SIP request,300
MID=QUERY-IN,SCA,IN trigger (sending InitialDP),300
MID=QUERY-LOC,SCA,Location query,300
MID=CACHE-HIT,SCA,Cache hit,300
MID=CACHE-MISS,SCA,Cache miss,300
MID=IN-INVITE,Incoming INVITE request,300
MID=IN-REGISTER,Incoming REGISTER request,300
MID=IN-MESSAGE,Incoming MESSAGE request,300
MID=IN-CANCEL,Incoming CANCEL request,300
MID=OUT-INVITE,Outgoing INVITE request,300
MID=OUT-REGISTER,Outgoing REGISTER request,300
MID=OUT-MESSAGE,Outgoing MESSAGE request,300
MID=OUT-CANCEL,Outgoing CANCEL request,300
MID=ERR-REQUEST,Request failure (4xx) received,300
MID=ERR-SERVER,Server failure (5xx) received,300
MID=ERR-GLOBAL,Global failure (6xx) received,300
MID=PRL_HUNT,Parallel hunting attempts,300
```

## Statistics collected

This table describes the statistics that are collected.

Field	This statistic is incremented each time...
IN-REQUEST	There is a new incoming SIP request.
OUT-REQUEST	There is a new outgoing SIP request.
QUERY-IN	An IN trigger (sending InitialDP) is sent.
QUERY-LOC	There is a new location query.
CACHE-HIT	The Cache is hit.
CACHE-MISS	There is a Cache miss.
IN-INVITE	There is an incoming INVITE request.
IN-REGISTER	There is an incoming REGISTER request.
IN-MESSAGE	There is aa incoming MESSAGE request.
IN-CANCEL	here is an incoming CANCEL request.
OUT-INVITE	There is an outgoing INVITE request.
OUT-REGISTER	There is an outgoing REGISTER request.
OUT-MESSAGE	There is an outgoing MESSAGE request.
OUT-CANCEL	There is an outgoing CANCEL request.
ERR-REQUEST	A request failure (4xx) is received.
ERR-SERVER	A server failure (5xx) is received.
ERR-GLOBAL	A global failure (6xx) is received.
PRL-HUNT	Parallel hunting is attempted.

## SCA EDRs

### EDR collection

The SCA can be configured to produce EDRs for use in post processing as required. The EDRs are saved to file in a location specified in the `sca.config`.

EDRs are saved to file in tag/value pairs, separated by "|", in the following form:

```
tag1=value1|tag2=value2
```

### Field formats

Each field in an EDR is in a particular format, summarized in this table.

Format	Description
Date / Time	<p>A time to the nearest second, in format <code>YYYYMMDDHHmmSS</code> where:</p> <ul style="list-style-type: none"> <li>• <code>YYYY</code> = year (for example, 2005)</li> <li>• <code>MM</code> = month (for example, 03 for March)</li> <li>• <code>DD</code> = day of the month (for example, 09)</li> <li>• <code>HH</code> = hours (for example, 13 for 1pm)</li> <li>• <code>mm</code> = minutes (for example, 32)</li> <li>• <code>SS</code> = seconds (for example, 00)</li> </ul> <p><b>Example:</b> A request submitted on 16th November 2007 1 minute and 14 seconds after midnight <code>TIMESTAMP=20071116000114</code></p>
Integer	<p>A decimal number. Will never exceed a 32 bit number (11 digits), but is often shorter. Leading zeros will not normally be present.</p> <p><b>Example:</b> <code>DURATION=30</code></p>
String	<p>String of characters. Can be any length. Should not contain the characters <code>=</code> or <code> </code>. May include spaces. When the parameter is a string, the string consists of all the characters after the <code>=</code> sign up to the <code> </code> separator between this parameter and the next.</p> <p><b>Example:</b> <code>REQUEST_URI=aname@oracle.com;SLEESK=1</code></p>

**Notes:** Tags may not necessarily be in a fixed order, as the order of processing may vary from one call type to another.

### EDR fields

Here are the SCA tags within an EDR.

```
CDR_TYPE (sca reason for record generation)
```

**Description:** Type of EDR (that is, where and why it was generated).

**Format:** Integer

**Version:** SCA 1.0

**Notes:**

- 1 - Call attempt
- 2 - Success
- 3 - Error

**Example:** `CDR_TYPE=2`

DURATION (session duration)

**Description:** The session duration (in seconds).  
**Format:** Integer  
**Version:** SCA 1.0  
**Notes:** This tag value is only present where the CDR\_TYPE is 2.  
**Example:** DURATION=30

FROM (sip message from header)

**Description:** Contains the contents of the From header in the SIP message.  
**Format:** String  
**Version:** SCA 1.0  
**Notes:**  
**Example:** FROM=

METHOD (sip method of request)

**Description:** The SIP method for the request that caused the EDR to be generated.  
**Format:** String  
**Version:** SCA 1.0  
**Notes:**  
**Example:** METHOD=

REQUEST\_URI (uri request content)

**Description:** Contains the contents of the URI request.  
**Format:** String  
**Version:**  
**Notes:**  
**Example:** REQUEST\_URI=aname@oracle.com;SLEESK=1

TIMESTAMP (creation timestamp of sca edr)

**Description:** The date and time when the EDR was generated.  
**Format:** Date  
**Version:** SCA 1.0  
**Notes:**  
**Example:** TIMESTAMP=20071116000114

TO (sip to header content)

**Description:** Contains the contents of the To header in the SIP message.  
**Format:** String  
**Version:**  
**Notes:**  
**Example:** TO=



# About Installation and Removal

## Overview

### Introduction

This chapter provides information about the installed components for the Convergent Charging Controller application described in this guide. It also lists the files installed by the application that you can check for, to ensure that the application installed successfully.

### In this Chapter

---

This chapter contains the following topics.

Installation and Removal Overview .....	113
Checking the Installation .....	113

## Installation and Removal Overview

### Introduction

For information about the following requirements and tasks, see *Installation Guide*:

- Convergent Charging Controller system requirements
- Pre-installation tasks
- Installing and removing Convergent Charging Controller packages

### SCA packages

An installation of Session Control Agent includes the following packages, on the:

- SMS:
  - scaSms
- SLC:
  - scaScp

## Checking the Installation

### Introduction

Refer to these check lists to ensure the Session Control Agent has been installed correctly.

### SCA directories and files

The SCA installation creates the following directories:

- `/IN/service_packages/SCA/bin`
- `/IN/service_packages/SCA/cdr`

## Chapter 8

- `/IN/service_packages/SCA/etc`
- `/IN/service_packages/SCA/lib`
- `/IN/service_packages/SCA/tmp`

The SCA installation installs the following binaries and interfaces:

- `/IN/services_packages/SCA/bin/sca`
- `/IN/services_packages/SCA/bin/registrar`

The SCA installation installs the following example configuration files:

- `/IN/services_packages/SCA/etc/rules.nhp`
- `/IN/services_packages/SCA/etc/sca.config`
- `/IN/services_packages/SCA/etc/sca.config.all.example`
- `/IN/services_packages/SCA/etc/stats_config`
- `/IN/services_packages/SCA/etc/tdp.conf`



# Glossary of Terms

## AAA

Authentication, Authorization, and Accounting. Specified in Diameter RFC 3588.

## ACS

Advanced Control Services configuration platform.

## ANI

Automatic Number Identification - Term used in the USA by long-distance carriers for CLI.

## AS

Application Server. The logical entity serving a SUA routing key. An AS is equivalent to an SS7 end point (for example, HLR, MSC,...). An AS contains, at least, one ASP.

## ASP

- Application Service Provider, or
- Application Server Process. An IP based instance of an AS. An ASP implements a SCTP connection between 2 platforms.

## AUS

Application Unique String.

## CAMEL

Customized Applications for Mobile network Enhanced Logic

This is a 3GPP (Third Generation Partnership Project) initiative to extend traditional IN services found in fixed networks into mobile networks. The architecture is similar to that of traditional IN, in that the control functions and switching functions are remote. Unlike the fixed IN environment, in mobile networks the subscriber may roam into another PLMN (Public Land Mobile Network), consequently the controlling function must interact with a switching function in a foreign network. CAMEL specifies the agreed information flows that may be passed between these networks.

## CC

Country Code. Prefix identifying the country for a numeric international address.

## CCS

- 1) Charging Control Services (or Prepaid Charging) component.
- 2) Common Channel Signalling. A signalling system used in telephone networks that separates signalling information from user data.

## CDR

Call Data Record

**Note:** The industry standard for CDR is EDR (Event Detail Record).

## **CLI**

Calling Line Identification - the telephone number of the caller. Also referred to as ANI.

## **Connection**

Transport level link between two peers, providing for multiple sessions.

## **Convergent**

Also “convergent billing”. Describes the scenario where post-paid and pre-paid calls are handed by the same service platform and the same billing system. Under strict converged billing, post-paid subscribers are essentially treated as “limited credit pre-paid”.

## **cron**

Unix utility for scheduling tasks.

## **crontab**

File used by cron.

## **CS1**

ETSI INAP Capability Set 1. An ITU standard.

## **Diameter**

A feature rich AAA protocol. Utilises SCTP and TCP transports.

## **DP**

Detection Point

## **DRA**

Destination Routing Address. The parameter in the INAP Connect operation, sent from ACS to the SSP. This is the number the SSP is instructed to connect to.

## **DTMF**

Dual Tone Multi-Frequency - system used by touch tone telephones where one high and one low frequency, or tone, is assigned to each touch tone button on the phone.

## **ENUM**

E.164 Number Mapping.

## **ETSI**

European Telecommunications Standards Institute

## **GPRS**

General Packet Radio Service - employed to connect mobile cellular users to PDN (Public Data Network- for example the Internet).

## **HLR**

The Home Location Register is a database within the HPLMN (Home Public Land Mobile Network). It provides routing information for MT calls and SMS. It is also responsible for the maintenance of user subscription information. This is distributed to the relevant VLR, or SGSN (Serving GPRS Support Node) through the attach process and mobility management procedures such as Location Area and Routing Area updates.

## **HPLMN**

Home PLMN

## **HTML**

HyperText Markup Language, a small application of SGML used on the World Wide Web.

It defines a very simple class of report-style documents, with section headings, paragraphs, lists, tables, and illustrations, with a few informational and presentational items, and some hypertext and multimedia.

## **Hunting**

A terminating call feature where a subscriber may request a list of alternate destination addresses. If their mobile station is not attached, or does not answer a call, then the service logic should attempt to reach the supplied alternate destinations in sequence.

## **IDP**

INAP message: Initial DP (Initial Detection Point)

## **IMS**

IP Multimedia Subsystem (3GPP) enables the use of multimedia services based on and built upon Internet applications, services and protocols. These protocols include SIP, which is used to manage the IP multimedia sessions.

## **IN**

Intelligent Network

## **INAP**

Intelligent Network Application Part - a protocol offering real time communication between IN elements.

## **Initial DP**

Initial Detection Point - INAP Operation. This is the operation that is sent when the switch reaches a trigger detection point.

## **IP**

- 1) Internet Protocol
- 2) Intelligent Peripheral - This is a node in an Intelligent Network containing a Specialized Resource Function (SRF).

## **IP address**

Internet Protocol Address - network address of a card on a computer.

## **ISUP**

ISDN User Part - part of the SS7 protocol layer and used in the setting up, management, and release of trunks that carry voice and data between calling and called parties.

## **ITU**

International Telecommunication Union

## **IVR**

Interactive Voice Response - systems that provide information in the form of recorded messages over telephone lines in response to user input in the form of spoken words or, more commonly, DTMF signalling.

## **Messaging Manager**

The Messaging Manager service and the Short Message Service components of Oracle Communications Convergent Charging Controller product. Component acronym is MM (formerly MMX).

## **MM**

Messaging Manager. Formerly MMX, see also *XMS* (on page 121) and *Messaging Manager* (on page 118).

## **MS**

Mobile Station

## **MSC**

Mobile Switching Centre. Also known as a switch.

## **MT**

Mobile Terminated

## **MTC**

Mobile Terminated Call. The part of the call associated with a subscriber receiving an inbound call.

## **MTP**

Message Transfer Part (part of the SS7 protocol stack).

## **NOA**

Nature Of Address - a classification to determine in what realm (Local, National or International) a given phone number resides, for the purposes of routing and billing.

## **PLMN**

Public Land Mobile Network

## **PSTN**

Public Switched Telephone Network - a general term referring to the variety of telephone networks and services.

## **SCA**

- 1) Service Centre Address
- 2) Session Control Agent for Session Initiation Protocol (SIP)

## **SCCP**

Signalling Connection Control Part (part of the SS7 protocol stack).

## **SCTP**

Stream Control Transmission Protocol. A transport-layer protocol analogous to the TCP or User Datagram Protocol (UDP). SCTP provides some similar services as TCP (reliable, in-sequence transport of messages with congestion control) but adds high availability.

## **Service Provider**

See Telco.

## **Session**

Diameter exchange relating to a particular user or subscriber access to a provided service (for example, a telephone call).

## **SGML**

Standard Generalized Markup Language. The international standard for defining descriptions of the structure of different types of electronic document.

## **SGSN**

Serving GPRS Support Node

## **SIP**

Session Initiation Protocol - a signaling protocol for Internet conferencing, telephony, event notification and instant messaging. (IETF)

## **SK**

Service Key

## **SLC**

Service Logic Controller (formerly UAS).

## **SLEE**

Service Logic Execution Environment

## **SMS**

Depending on context, can be:

- Service Management System hardware platform
- Short Message Service
- Service Management System platform
- Convergent Charging Controller Service Management System application

## **SN**

Service Number

## **SRF**

Specialized Resource Function – This is a node on an IN which can connect to both the SSP and the SLC and delivers additional special resources into the call, mostly related to voice data, for example play voice announcements or collect DTMF tones from the user. Can be present on an SSP or an Intelligent Peripheral (IP).

## **SS7**

A Common Channel Signalling system used in many modern telecoms networks that provides a suite of protocols which enables circuit and non circuit related information to be routed about and between networks. The main protocols include MTP, SCCP and ISUP.

## **SSP**

Service Switching Point

## **SUA**

Signalling Connection Control Part User Adaptation Layer

## **TCAP**

Transaction Capabilities Application Part – layer in protocol stack, message protocol.

## **TCP**

Transmission Control Protocol. This is a reliable octet streaming protocol used by the majority of applications on the Internet. It provides a connection-oriented, full-duplex, point to point service between hosts.

## **T-CSI**

Terminating CAMEL Subscription Information. A parameter in a mobile subscriber's HLR profile which determines that a terminating CAMEL trigger should be initiated for MTC received by this subscriber. May be suppressed depending on the VLR.

## **TDP**

Trigger Detection Point.

## Termination node

Any node which sends, or can send, an INAP Connect operation to the SSP. In ACS, termination nodes are:

- Unconditional Termination
- Attempt Termination
- Attempt Terminate to Pending TN
- Terminate to Pending TN
- Attempt Terminate to Pending TN With Duration

## URI

Uniform Resource Identifier.

## URL

Uniform Resource Locator. A standard way of specifying the location of an object, typically a web page, on the Internet.

## VLR

Visitor Location Register - contains all subscriber data required for call handling and mobility management for mobile subscribers currently located in the area controlled by the VLR.

## VWS

Oracle Voucher and Wallet Server (formerly UBE).

## XML

eXtensible Markup Language. It is designed to improve the functionality of the Web by providing more flexible and adaptable information identification.

It is called extensible because it is not a fixed format like HTML. XML is a 'metalanguage' — a language for describing other languages—which lets you design your own customized markup languages for limitless different types of documents. XML can do this because it's written in SGML.

## XMS

Three letter code used to designate some components and path locations used by the Oracle Communications Convergent Charging Controller *Messaging Manager* (on page 118) service and the Short Message Service. The published code is *MM* (on page 118) (formerly *MMX*).





# Index

## A

- A note about regular expressions • 95, 96
- AAA • 115
- About Custom SIP Header Support • 11
- About Defining NHP Hosts • 99
- About Installation and Removal • 113
- About NHP Commands • 96
- About NHP Rules • 94
- About the SCA Remote Commander Password • 105
- About This Document • v
- Accessing the SCA Remote Commander • 106
- ACS • 115
- ACS feature nodes • 18
- acs.conf Configuration • 42, 86
- acsChassis configuration • 87
- add\_chars • 72, 73
- Adding Inbound Header to Subsequent INVITE Messages • 11
- allow\_overlap\_invite • 67
- allow\_unmapped\_media • 64
- Alternate addresses • 14
- always\_trans\_map • 68
- ANI • 115
- AS • 115
- ASP • 115
- Audience • v
- AUS • 115

## B

- b2bua • 46
- B2BUA deployment • 4
- B2BUA deployment diagram • 5
- B2BUA or proxy • 3
- Background Processes • 101

## C

- cacheSize • 53, 104
- Call Forwarding • 33
- Call Forwarding Process • 33
- Call ID field • xxx
- Call ID retrieval • xxx
- Call ID Retrieval section • 66
- Call Redirection • 36
- Call Redirection Process • 36
- call\_id\_alarm\_message • 66
- call\_id\_alarm\_severity • 66
- call\_init\_a\_cap4\_use\_suppress\_t\_csi • 75
- call\_init\_a\_include\_cap4\_xml • 75
- call\_init\_b\_include\_cap4\_xml • 75
- call\_init\_send\_empty\_address • 11, 76
- call\_init\_use\_reinvite • 76
- Callback • 36
- Callback control plan diagram • 37

- Callback Process • 37
- CAMEL • 115
- case\_sensitive • 84
- CC • 115
- CCS • 115
- CDR • 115
- CDR\_TYPE (sca reason for record generation) • 110
- cdrAgeLimit • 46
- cdrFinalDir • 46
- cdrSizeLimit • 47
- cdrTempDir • 47
- cf\_use\_cdprn\_from\_request • 54
- charging\_restart\_svc\_key • 63
- Checking the Installation • 113
- CLI • 116
- CLIP and CLIR • 17
- Combining boolean expressions • 95
- Command line parameters • 101
- Commands • 106
- Common configuration • 6
- Configuration • 5, 35, 41, 71, 102, 104, 105
- Configuration commander • 106
- Configuration components • 41
- Configuration file format • 42
- Configuration Overview • 5, 41
- Configure Call Initiation example • 38
- Configuring EDR Collection • 87
- Configuring IN Call Model Triggers • 42, 88
- Configuring PUT\_HEADER for Custom SIP Header • 99
- Connection • 116
- Convergent • 116
- Copyright • xx
- cron • 116
- crontab • 116
- CS1 • 116
- CS-AS heartbeating mechanism • xxvi
- Custom SIP Headers • 11

## D

- Default Method Configuration • 100
- default\_domain • 77
- default\_prefix • 68
- defaultExpiry • 54, 104
- Defining Host Methods • 99, 100
- denorm\_mapping • 69
- denorm\_mapping section • 69, 72
- Denormalization • 17
- Deploying the SCA • 3
- device\_list • 77
- Diagnostic commander • 107
- Diagram • 13, xxi, xxiv, xxvii
- Diameter • 116
- DNS • 8
- dns\_cache\_time • 47
- dns\_check\_files • 78

- dns\_server • 78
- Document Conventions • vi
- domain • 71
- DP • 116
- DRA • 116
- DTMF • 116
- DURATION (session duration) • 111
- Dynamic data identification • 6

## E

- E.164 number translation • 35, 36
- Editing the file • 43
- EDR collection • 87, 110
- EDR configuration example • 88
- EDR fields • 110
- enableCDRs • 47
- Encoding • 6
- ENUM • 6, 116
- ENUM URI support • 73
- enum\_data\_profile\_tag • 74
- enum\_data\_type • 74
- enum\_enabled • 74
- enum\_service\_type • 74
- Environment variables • 88
- error\_response\_failover • 78
- ESC • 7
- ESC Configuration • 7, 11, 41, 76
- etc\_append\_cdpn • 67
- ETSI • 116
- Example • 15, xxii, xxx, 71, 84
- Example esc configuration • 76
- Example redirection rules • 36
- Example rules.nhp • 93
- Example sca configuration • 43
- Example stats\_config file • 109

## F

- failed\_address\_timeout • 48
- Failure • 102, 104
- Feature node • 10
- Feature Nodes • 18
- Features • 2
- Field formats • 110
- Flags • 97, 98
- Forward command • 97
- FROM (sip message from header) • 111

## G

- gateway\_alarm\_message • 60
- gateway\_alarm\_severity • 60
- General • 6
- GET\_HEADER Command • 99
- Global configuration parameters • 89
- GPRS • 116

## H

- hashEncodeChar • 69
- heartbeat\_destination • 60
- heartbeat\_from\_address • 60
- heartbeat\_p\_asserted\_id • 61
- heartbeat\_p\_charging\_vector • 61
- heartbeat\_receive\_timeout • 63
- heartbeat\_release\_cause • 61
- heartbeat\_request\_uri • 61
- heartbeat\_route • 62
- heartbeat\_send\_interval • 62
- heartbeat\_send\_timeout • 62
- heartbeat\_to\_address • 62
- Heartbeating to a gateway configuration • 60
- High level parameters • 46
- HLR • 117
- Hold message section • 67
- HPLMN • 117
- HTML • 117
- Hunting • 117

## I

- IDP • 117
- IDP command • 98
- IMS • 117
- IN • 117
- inactive\_media\_hold • 68
- INAP • 117
- inap\_inn • 48
- inap\_noa\_called\_party • 48
- inap\_noa\_calling\_party • 48
- inap\_noa\_redirecting\_party • 49
- inap\_numplan • 49
- inap\_pres • 49
- inap\_scr • 49
- include\_pai\_tel\_header • 54
- include\_rpi\_id\_type • 54
- include\_rpi\_privacy • 55
- include\_rpi\_pty\_type • 55
- include\_rpi\_screen • 55
- Initial DP • 117
- insert\_plus • 69
- Installation and Removal Overview • 113
- Internal command • 98
- Introduction • 5, 6, 7, 10, 12, 13, 14, 17, xxi, xxii, xxix, xxx, 33, 36, 39, 42, 43, 76, 84, 86, 87, 88, 93, 105, 108, 113
- Introduction to Next Hop Processing • 9
- Introduction to parser configuration • 84
- Introduction • 41
- Invite message translation • 34, 35
- INVITE messages section • 75
- invite\_failover\_only • 50
- IP • 117
- IP address • 117
- ISUP • 118

ITU • 118  
IVR • 118

## K

keepalive messages configuration • 63  
Key Functionality • xxi

## L

LAN Redundancy • 6, 12  
Load balancing • 14  
load\_balancing\_enabled • 50, 98  
Loading sca.config configuration changes • 43  
Local Address Redundancy • 13  
local\_contact • 50  
local\_ip • 50  
Location • 101, 104  
Location command • 98  
Location query • 10

## M

Mandatory configuration • 5  
media attributes in SDP section • 64  
Media description attribute • xxix  
Media description field • xxix  
Media Description Retrieval from SDP • xxix  
Media description string • xxix  
Media mapping table • xxix, 64  
media\_change\_no\_dp • 51  
media\_mapping • 64  
media\_mapping\_alarm\_message • 65  
media\_mapping\_alarm\_severity • 65  
Message header • 8, xxii  
Messaging Manager • 118, 121  
METHOD (sip method of request) • 111  
MM • 118, 121  
MS • 118  
MSC • 118  
msc\_address • 66  
msc\_noa • 67  
msc\_plan • 67  
MT • 118  
MTC • 118  
MTP • 118  
Multiple URIs • 6  
MULTIPLIER • 82

## N

Next Hop Processing • 9  
NHP Commands • 94, 96  
NHP Configuration • 9, 11, 42, 93  
NHP Configuration File • 93  
NHP Host Definition • 99  
NHP Rule Definition • 94, 100  
NHP SIP Invite Actions • 9  
NHP SIP Request Actions • 9  
NHP triggers • 9

NOA • 118  
noin\_dropcall • 51  
norm\_mapping • 69  
norm\_mapping section • 69, 73  
Normalization • 17  
Normalization and Denormalization • 17  
Number translation • 68

## O

ocsc\_call\_flow • 79  
oracleUserAndPassword • 52  
Output • 102, 104  
Overview • 1, 19, 33, 41, 93, 101, 103, 113

## P

p\_asserted\_identity • 76  
p\_asserted\_identity\_trans • 55  
Parallel Hunting • 10  
Parameters • 77, 85, 97, 98, 104  
Parser Configuration • 84  
persistant\_connections • 78  
pidf\_av • 85  
pidf\_loc • 85  
pidf\_rev\_av • 86  
pidf\_rev\_loc • 86  
PLMN • 118  
pollInterval • 79  
PRACK support • 11  
PRACK Support • 11  
prack\_support • 79  
prefix • 72, 73  
Prepaid Heartbeat Process • xxiii  
Prepaid Platform and NGN Integration • 19  
Prepaid Platform Heartbeating • 12, xxii  
Prerequisites • v  
Presence and Availability • 10  
Presence configuration • 10  
Presence Configuration • 10, 41, 84  
Presence feature nodes • 10  
Privacy header • 17  
Procedure • 13  
Process • 14, xxviii  
propagate\_b\_error • 51  
PSTN • 119  
Purpose • 101, 103, 104  
PUT\_HEADER command • 11, 99

## R

Redirect command • 97  
registrar • 10, 52, 103  
registrar section • 52, 53  
registrar SLEE configuration • 87  
Related Documents • v  
Release cause mapping • xxv, 39  
Release cause values • xxiv, xxv  
rem\_comm\_port • 52, 105  
Remote address failure • 16

- Remote Address Redundancy • 14
- Remote Party ID Header configuration • 54
- remoteCommanderUser • 104
- remotePartyIdTrans • 56
- remove\_chars • 72, 73
- replace\_diversion\_header • 52
- replace\_plus • 69
- reply\_to\_options\_heartbeat • 63
- Request processing • 8
- REQUEST\_URI (uri request content) • 111
- restart\_charging • 63
- Restarting charging sessions • xxiii, xxvii
- rfc\_2543\_support • 79
- rpi\_addressNotAvailable • 57
- rpi\_id\_type • 57
- rpi\_network\_provided • 57
- rpi\_presentation\_allowed • 57
- rpi\_presentationRestricted • 58
- rpi\_pty\_type • 58
- rpi\_spare • 58
- rpi\_user\_not\_verified • 58
- rpi\_user\_verified\_failed • 59
- rpi\_user\_verified\_passed • 59
- rules • 52

## S

- sca • 101, 105
- SCA • 119
- SCA components • 3
- SCA Configuration • 10, 41, 43, 88, 102
- SCA directories and files • 113
- SCA EDRs • 88, 110
- SCA message processing • xxviii
- SCA packages • 113
- SCA Remote Commander • 104, 105
- sca SLEE configuration • 87
- sca.config Configuration • 42
- sca\_if\_handle • 86
- SCCP • 119
- Scenarios • 33
- Scope • v
- SCTP • 119
- send\_100\_trying • 80
- Service Provider • 119
- Session • 119
- Setting name in FROM header • 18
- Setting the SCA Remote Commander Password • 105
- Setting URL in FROM header • 18
- SGML • 119
- SGSN • 119
- SIP • 119
- SIP Error Response • 39
- SIP error response example • 39
- SIP error response process • 39
- SIP OPTIONS heartbeat message • xxii
- SIP proxy deployment • 4

- SIP proxy deployment diagram • 4
- SK • 119
- SLC • 119
- SLEE • 119
- SLEE networking • 7
- SLEE.cfg Configuration • 42, 87, 101, 103
- SMS • 120
- SN • 120
- Specifying Conditions in NHP Rules • 94
- SRF • 120
- SS7 • 120
- SSP • 120
- starEncodeChar • 69
- Startup • 101, 103, 104
- Statistic commander • 107
- Statistics • 42, 108
- Statistics collected • 109
- stats\_config file • 108
- Status Code Rule Definition • 99, 100
- Stopping charging sessions • xxiv
- strip\_matched\_prefix • 70
- SUA • 120
- Successful call response • 15
- Supported expressions • 6
- System Overview • 1

## T

- T1 • 82
- T2 • 83
- T3 • 83
- T4 • 83
- T5 • 83
- TCAP • 120
- TCP • 120
- TCP networking • 7
- tcp\_addr • 80
- tcp\_port • 80
- T-CSI • 120
- TDP • 120
- TDP event type values • 90
- Termination node • 121
- timers • 80
- timers section • 80, 82
- TIMESTAMP (creation timestamp of sca edr) • 111
- TO (sip to header content) • 111
- Tools and Utilities • 103
- trans\_behaviour • 70
- trans\_mapping • 70
- trans\_mapping section • 70
- Transaction timer • 15
- Trigger detection point (TDP) definition file • 88
- Trigger detection point definitions • 89
- txn\_id\_include\_host • 81
- Typographical Conventions • vi

## **U**

- UDP networking • 7
- udp\_addr • 81
- udp\_port • 81
- Unsupported expressions • 7
- UPDATE message handling section • 65
- update\_message\_handling • 65
- update\_rpi\_privacy • 59
- update\_rpi\_screen • 59
- URI • 121
- URI / E.164 translation • 10
- URI / E.164 Translation • 10
- URL • 121
- use\_ALegCallID • 53
- use\_tcp • 81
- use\_udp • 82
- usePAssertedID • 53
- Using NAPTR records • 6

## **V**

- VLR • 121
- VWS • 121

## **W**

- Watcher commander • 107
- What is the Session Control Agent? • 1

## **X**

- XML • 121
- XMS • 118, 121