

StorageTek Enterprise Library Software

Syntax Quick Reference

Version 7.3

ORACLE

Part Number: E65539-01
February 2016

Submit comments about this document to STP_FEEDBACK_US@ORACLE.COM.

StorageTek Enterprise Library Software Syntax Quick Reference, Release 7.3

E65539-01

Oracle welcomes your comments and suggestions for improving this book. Contact us at STP_FEEDBACK_US@ORACLE.COM. Please include the title, part number, issue date, and revision.

Copyright © 2016, Oracle and/or its affiliates. All rights reserved.

This software and related documentation are provided under a license agreement containing restrictions on use and disclosure and are protected by intellectual property laws. Except as expressly permitted in your license agreement or allowed by law, you may not use, copy, reproduce, translate, broadcast, modify, license, transmit, distribute, exhibit, perform, publish, or display any part, in any form, or by any means. Reverse engineering, disassembly, or decompilation of this software, unless required by law for interoperability, is prohibited.

The information contained herein is subject to change without notice and is not warranted to be error-free. If you find any errors, please report them to us in writing.

If this is software or related software documentation that is delivered to the U.S. Government or anyone licensing it on behalf of the U.S. Government, the following notice is applicable:

U.S. GOVERNMENT RIGHTS Programs, software, databases, and related documentation and technical data delivered to U.S. Government customers are "commercial computer software" or "commercial technical data" pursuant to the applicable Federal Acquisition Regulation and agency-specific supplemental regulations. As such, the use, duplication, disclosure, modification, and adaptation shall be subject to the restrictions and license terms set forth in the applicable Government contract, and, to the extent applicable by the terms of the Government contract, the additional rights set forth in FAR 52.227-19, Commercial Computer Software License (December 2007). Oracle USA, Inc., 500 Oracle Parkway, Redwood City, CA 94065.

This software or hardware is developed for general use in a variety of information management applications. It is not developed or intended for use in any inherently dangerous applications, including applications which may create a risk of personal injury. If you use this software or hardware in dangerous applications, then you shall be responsible to take all appropriate fail-safe, backup, redundancy, and other measures to ensure the safe use. Oracle Corporation and its affiliates disclaim any liability for any damages caused by use of this software or hardware in dangerous applications.

Oracle is a registered trademark of Oracle Corporation and/or its affiliates. Oracle and Java are registered trademarks of Oracle and/or its affiliates. Other names may be trademarks of their respective owners.

AMD, Opteron, the AMD logo, and the AMD Opteron logo are trademarks or registered trademarks of Advanced Micro Devices. Intel and Intel Xeon are trademarks or registered trademarks of Intel Corporation. All SPARC trademarks are used under license and are trademarks or registered trademarks of SPARC International, Inc. UNIX is a registered trademark licensed through X/Open Company, Ltd.

This software or hardware and documentation may provide access to or information on content, products, and services from third parties. Oracle Corporation and its affiliates are not responsible for and expressly disclaim all warranties of any kind with respect to third-party content, products, and services. Oracle Corporation and its affiliates will not be responsible for any loss, costs, or damages incurred due to your access to or use of third-party content, products, or services.

Contents

| | |
|---|-----------|
| Preface | 11 |
| 1. SMC Commands and Control Statements | 19 |
| ALLOCDef | 20 |
| ALLOCJob | 21 |
| CMDDef | 22 |
| COMMtest | 23 |
| DISMount | 24 |
| Display DRive | 25 |
| Display POLicy | 26 |
| Display RC | 26 |
| Display SERVer | 27 |
| Display SMC | 27 |
| Display STORMNGR | 28 |
| Display TAPEPlex | 28 |
| Display Volume | 29 |
| DRIVemap | 29 |
| Help | 30 |
| HTTP | 31 |
| LIMIT | 32 |
| Llist | 33 |
| LOG | 34 |
| METAdata | 35 |
| MONitor | 36 |
| MOunt | 37 |

| | |
|---------------------------|----|
| MOUNTDef | 38 |
| MSGDef | 39 |
| MSGJob | 40 |
| POLicy | 41 |
| READ | 42 |
| RESYNChronize | 42 |
| Route | 43 |
| SERVer | 44 |
| SIMulate | 45 |
| STORMNGR | 46 |
| TAPEPlex | 47 |
| TCPip | 48 |
| TRace | 49 |
| TREQDef | 50 |
| TAPEREQ Control Statement | 51 |
| UEXit | 52 |
| UNITAttr | 53 |
| USERMsg | 54 |
| VMSG | 55 |
| XCLIENT | 56 |
| XUDB | 57 |

2. HSC and VTCS Commands and Control Statements 59

| | |
|------------|----|
| ACTIvities | 60 |
| ACTMVCgn | 60 |
| ARCHive | 61 |
| AUDit | 62 |
| BACKup | 63 |
| CANcel | 63 |
| CAPPref | 64 |
| CDs | 64 |
| CDSCREat | 65 |
| CDSData | 66 |
| CDSDEF | 66 |

| | |
|---------------------------|----|
| CLeAn | 67 |
| COMMPaTh | 68 |
| CONFIg | 69 |
| CONFIg CLINK Statement | 69 |
| CONFIg CLUSTER Statement | 69 |
| CONFIg GLOBAL Statement | 70 |
| CONFIg HOST Statement | 70 |
| CONFIg MVCVOL Statement | 71 |
| CONFIg RECLAIM Statement | 71 |
| CONFIg RTDpaTh Statement | 71 |
| CONFIg STORMNGR | 71 |
| CONFIg TAPEPLEX Statement | 71 |
| CONFIg VTD Statement | 72 |
| CONFIg VTSS Statement | 72 |
| CONFIg VTVVOL Statement | 72 |
| CONSolId | 73 |
| DEComp | 73 |
| DELETSCR | 74 |
| DIRBLD | 74 |
| DISMounT | 75 |
| Display Acs | 75 |
| Display ACTive | 76 |
| Display ALl | 76 |
| Display Cap | 77 |
| Display CDS | 77 |
| Display CLInk | 78 |
| Display CLUster | 78 |
| Display CMD | 79 |
| Display COMMPaTh | 79 |
| Display CONFIG | 80 |
| Display DRives | 80 |
| Display DRIVE_INFO | 81 |
| Display EXceptns | 82 |

Display LMUPDEF 82
Display LOCKs 83
Display Lsm 83
Display Message 84
Display MGMTDEF 84
Display MIGrate 85
Display MNTD 85
Display MONitor 86
Display MVC 86
Display MVCPool 87
Display OPTion 87
Display PATH 88
Display Queue 88
Display REPlicat 89
Display Requests 89
Display RTD 90
Display SCRatch 90
Display SEN 91
Display SERVER 91
Display SRVlev 92
Display Status 92
Display STORCLas 93
Display STORMNgr 93
Display TASKs 94
Display THReshld 94
Display Volser 95
Display VOLume_Info 95
Display VSCRatch 96
Display VTD 96
Display VTSS 97
Display VTV 97
DRAin 98
DRCHKPT 98

| | |
|-------------------------------|-----|
| DRMONitr | 99 |
| DRTEST CREATE | 100 |
| DRTEST PRIMEprd | 101 |
| DRTEST RESET | 102 |
| DRTEST START | 102 |
| DRTEST STOP | 103 |
| EEXPORT | 104 |
| Eject | 105 |
| ENter | 106 |
| EXECParm | 106 |
| EXPORT | 107 |
| FMTLOG | 108 |
| IMPORT | 109 |
| INITialize | 110 |
| INVENTORY | 111 |
| LIBGen | 111 |
| LMUPDEF | 112 |
| LMUPATH Control Statement | 112 |
| LOGUTIL | 113 |
| LOGUTIL FOR_LOSTMVC Statement | 113 |
| LOGUTIL GENAUDIT Statement | 114 |
| LOGUTIL LOCATE_VTV | 114 |
| LOGUTIL UNDELETE Statement | 114 |
| MEDVERfy | 115 |
| MERGEcds | 116 |
| SLSMERGE Control Statement | 116 |
| MERGMFST | 117 |
| METAdata | 117 |
| MGMTDEF | 118 |
| MGMTclas Control Statement | 119 |
| MIGRSEL Control Statement | 120 |
| MIGRVTV Control Statement | 121 |
| MVCATTR Control Statement | 121 |

| | |
|--------------------------------|-----|
| STORclas Control Statement | 121 |
| STORLST Control Statement | 122 |
| STORSEL Control Statement | 122 |
| VTSSLST Control Statement | 122 |
| VTSSSEL Control Statement | 123 |
| MIGrate | 124 |
| Format 1 | 124 |
| Format 2 | 124 |
| MNTD | 125 |
| MODify | 126 |
| Mount | 127 |
| MOVE | 128 |
| MVCDRain | 129 |
| MVCMaint | 130 |
| MVCPLRPT | 131 |
| MVCRPt | 131 |
| OFFload | 132 |
| OPTION TITLE Control Statement | 132 |
| OPTion | 133 |
| RECall | 134 |
| RECLaim | 135 |
| RECONcil | 136 |
| RECOVER | 136 |
| RELease | 137 |
| REPLaceall | 137 |
| RESTore | 138 |
| RTV Utility | 138 |
| SCRAtch | 139 |
| SCREdist | 139 |
| SCRPT | 140 |
| SENter | 140 |
| SET CLNPRFX | 141 |
| SET COMPREFX | 141 |

| | |
|-----------------------------------|-----|
| SET DRVHOST | 142 |
| SET EJCTPAS | 142 |
| SET EJCTSKP | 143 |
| SET FREEZE | 143 |
| SET HOSTID | 144 |
| SET HSCLEVel | 144 |
| SET LOGFILE | 145 |
| SET MAJNAME | 146 |
| SET MIGOPT | 146 |
| SET NEWHOST | 147 |
| SET RMM | 147 |
| SET SCRLABL | 148 |
| SET SLIDRIVS | 148 |
| SET SLISTATN | 149 |
| SET SMF | 149 |
| SET TAPEPlex | 150 |
| SET TCHNIQE | 150 |
| SET VAULT | 151 |
| SET VAULTVOL | 151 |
| SET VOLPARM | 152 |
| POOLPARM Control Statement | 153 |
| VOLPARM Control Statement | 154 |
| SET VOLPARM UPDATE | 155 |
| POOLPARM Change Control Statement | 155 |
| VOLPARM Change Control Statement | 155 |
| SET VOLPARM JOIN | 156 |
| SRVlev | 156 |
| STOPMN | 157 |
| SWitch | 157 |
| TRace | 158 |
| TRACELKP | 158 |
| UEXIT | 159 |
| UNSCratch | 159 |

UNSElect 160
Vary 161
Vlew 162
VLEMAINT 163
VOLPCONV 163
VOLRpt 164
VTVMaint 165
VTVRpt BASIC 166
VTVRpt COPIES 167
VVAUDIT 167
Warn 168

Preface

This publication provides syntax for commands, control statements, and utilities provided by ELS. It is intended for storage administrators, system programmers and operators responsible for configuring and maintaining ELS.

To perform the tasks described in this publication, you should already understand the following:

- MSP/EX operating system
- JES
- Enterprise Library Software (ELS)

Oracle's StorageTek Enterprise Library Software (ELS) is a solution consisting of the following base software:

- Oracle's StorageTek Storage Management Component (SMC)
(includes the product formerly known as StorageTek HTTP Server)
- Oracle's StorageTek Host Software Component (HSC)
- Oracle's StorageTek Virtual Tape Control Software (VTCS)
- Oracle's StorageTek Concurrent Disaster Recovery Test (CDRT)

Documentation Accessibility

For information about Oracle's commitment to accessibility, visit the Oracle Accessibility Program website at

<http://www.oracle.com/pls/topic/lookup?ctx=acc&id=docacc>.

Access to Oracle Support

Oracle customers that have purchased support have access to electronic support through My Oracle Support. For information, visit

<http://www.oracle.com/pls/topic/lookup?ctx=acc&id=info> or visit

<http://www.oracle.com/pls/topic/lookup?ctx=acc&id=trs> if you are hearing impaired.

Related Documentation

StorageTek Enterprise Library Software (ELS)

- *Introducing ELS*
- *Installing ELS*
- *ELS Command, Control Statement, and Utility Reference*
- *ELS Messages and Codes*
- *ELS Programming Reference*
- *ELS Legacy Interfaces Reference*
- *Configuring HSC and VTCS*
- *Managing HSC and VTCS*
- *Configuring and Managing SMC*
- *ELS Disaster Recovery and Offsite Data Management Guide*

Conventions for Reader Usability

Typographic

Some JCL examples in this guide include *italic* type. Italic type is used to indicate a variable. You must substitute an actual value for these variables.

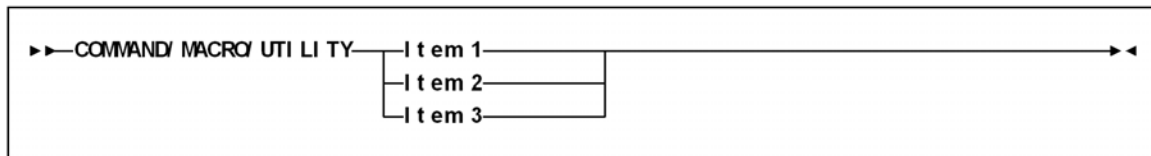
The use of mixed upper and lower case characters for commands, control statements, and parameters indicates that lower case letters may be omitted to form abbreviations. For example, you may simply enter POL when executing the POLicy command.

Syntax Flow Diagrams

Syntax flow diagramming conventions include the following:

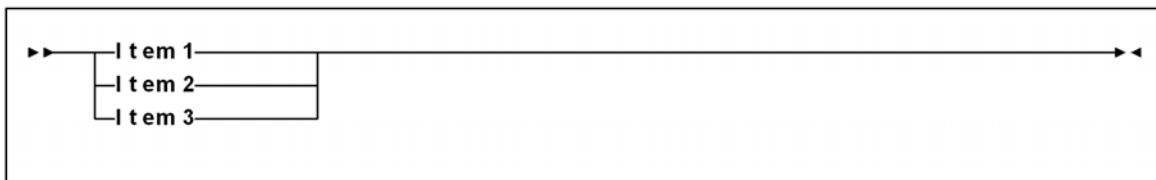
Flow Lines

Syntax diagrams consist of a horizontal base line, horizontal and vertical branch lines, and the text for a command, control statement, macro, or utility. Diagrams are read left to right, and top to bottom. Arrows indicate flow and direction.



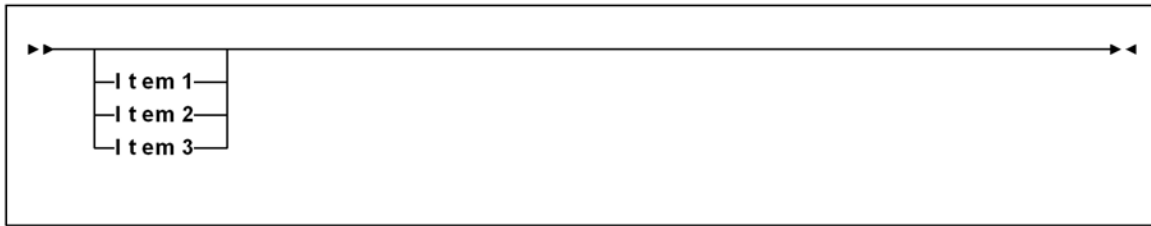
Single Required Choice

Branch lines (without repeat arrows) indicate that a single choice must be made. If one of the items to choose from is positioned on the baseline of the diagram, one item must be selected.



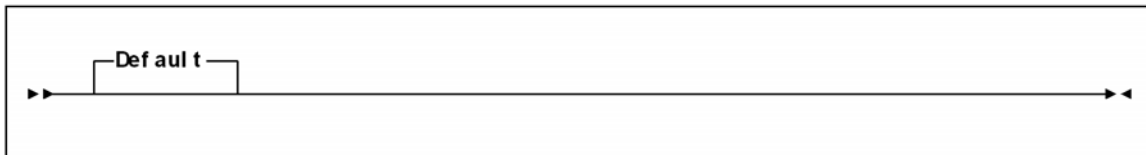
Single Optional Choice

If the first item is positioned on the line below the baseline, one item may be optionally selected.

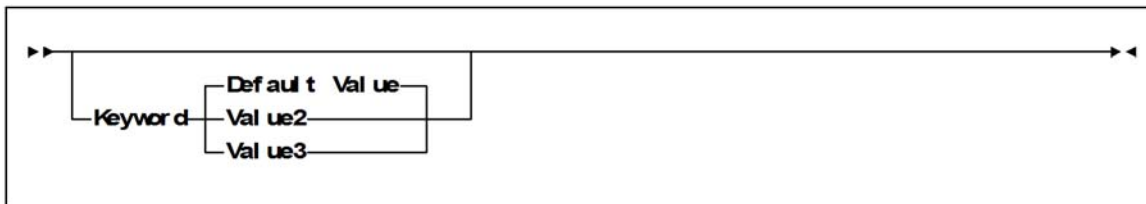


Defaults

Default values and parameters appear above the baseline.

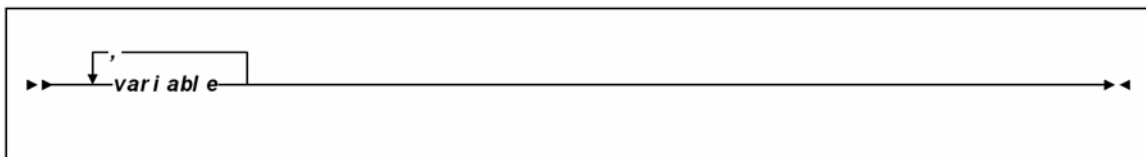


Some keyword parameters provide a choice of values in a stack. When the stack contains a default value, the keyword and the value choices are placed below the baseline to indicate that they are optional, and the default value appears above the keyword line.



Repeat Symbol

A repeat symbol indicates that more than one choice can be made or that a single choice can be made more than once. The following example indicates that a comma is required as the repeat delimiter.



Keywords

All command keywords are shown in all upper case or in mixed case. When commands are not case sensitive, mixed case implies that the lowercase letters may be omitted to form an abbreviation.

Variables

Italic type is used to indicate a variable.

Alternatives

A bar (|) is used to separate alternative parameter values.

Optional

Brackets [] are used to indicate that a command parameter is optional.

Delimiters

If a comma (,), a semicolon (;), or other delimiter is shown with an element of the syntax diagram, it must be entered as part of the statement.

Ranges

An inclusive range is indicated by a pair of elements of the same length and data type, joined by a dash. The first element must be strictly less than the second element.

A hexadecimal range consists of a pair of hexadecimal numbers (for example, 0A2-0AD, or 000-0FC).

A decimal range consists of a pair of decimal numbers (i.e., 1-9, or 010-094). Leading zeros are not required. The decimal portion is referred to as an incremental range. The character positions of the incremental portion of both range elements must match, and the non incremental characters of the first element must be identical to those of the second element.

A numeric VOLSER range (*vol-range*) consists of a pair of VOLSER elements containing a decimal numeric portion of 1 to 6 digits (for example, ABC012-ABC025, or X123CB-X277CB). The decimal portion is referred to as an incremental range. The following additional restrictions apply:

- The character positions of the incremental portion of both range elements must match.
- The non incremental characters of the first element must be identical to those of the second element.

- You cannot increment two portions of a range element. If 111AAA is the first element, you cannot specify 112AAB for the second element.
- If a VOLSER range contains more than one decimal portion, any portion is valid as the incremental range. For example:

| | |
|---------------|---|
| <u>A00B00</u> | the largest range that can be specified is A00B00 through A99B99. |
| <u>A0B0CC</u> | the largest range that can be specified is A0B0CC through A9B9CC. |
| <u>000XXX</u> | the largest range that can be specified is 000XXX through 999XXX. |

An alphabetic VOLSER range (*vol-range*) consists of a pair of VOLSER elements containing an incremental portion of 1 to 6 characters (for example, 000AAA-000ZZZ, or 9AAA55-9ZZZ55). This portion is referred to as an incremental range. The following additional restrictions apply:

- The character positions of the incremental portion of both range elements must match.
- The non incremental characters of the first element must be identical to those of the second element.
- You cannot increment two portions of a range element. If 111AAA is the first element, you cannot specify 112AAB for the second element.
- The alphabetic portion of the VOLSER range is defined as being from character A to Z. To increment multi-character sequences, each character increments to Z. For instance, ACZ is part of the AAA-AMM range. Examples are:

| | |
|-----------------------|--|
| <u>A00A0-A99A0</u> | increments VOLSERs A00A0 through A09A0, then A10A0 through A99A0. |
| <u>9AA9A-9ZZ9A</u> | increments VOLSERs 9AA9A through 9AZ9A, then 9BA9A through 9ZZ9A. |
| <u>111AAA-111ZZZ</u> | increments VOLSERs 111AAA through 111AAZ, then 111ABA through 111ZZZ |
| <u>999AM8-999CM8</u> | increments VOLSERs 999AM8 through 999AZ8, then 999BA8 through 999CM8 |
| <u>A3BZZ9-A3CDE9</u> | increments VOLSERs A3BZZ9 through A3CAA9, then A3CAB9 through A3CDE9 |
| <u>AAAAAA-AAACCC</u> | increments VOLSERs AAAAAA through AAAAAZ, then AAAABA through AAACCC |
| <u>CCCN NN-DDDNNN</u> | increments VOLSERs CCCN NN through CCCN NZ, then CCCNOA through DDDNNN * |

* **Caution:** This is a very large range.

The number of volumes in an alphabetic VOLSER range depends on the number of elements in the incrementing portion of the VOLSER range. For an A to Z range in each character position, the number of volumes can be calculated by 26 to the power of the number of positions that are being incremented.

| | | |
|---------------|--------|-------------|
| A-Z | 26^1 | 26 |
| AA-ZZ | 26^2 | 676 |
| AAA-ZZZ | 26^3 | 17,576 |
| AAAA-ZZZZ | 26^4 | 456,976 |
| AAAAA-ZZZZZ | 26^5 | 11,881,376 |
| AAAAAA-ZZZZZZ | 26^6 | 308,915,776 |

Lists

A list consists of one or more elements. If more than one element is specified, the elements must be separated by a comma or a blank space, and the entire list must be enclosed in parentheses.

Blanks

Keyword parameters and values may be separated by any number of blanks.

Control Statements

The standard syntax conventions for control statements are as follows:

- The only valid control statement information area is from column 1 to column 72. Columns 73-80 are ignored.
- Parameters may be separated by one or more blanks or a comma.
- A value is associated with a parameter by an equal (=) sign or by enclosing the value in parentheses, and concatenating it immediately after the parameter.
- Case (upper or lower) is ignored in actual control statements.
- Continuations are supported by including a plus (+) sign at the end of the line to be continued. A control statement is terminated if the statement is not continued.
- /* and */ can be used to enclose comments in the job stream. Comments can be continued over multiple lines, but cannot be nested.

PARMLIB members **must** include a /*...*/ comment as the **first** control statement. Otherwise, the old format is assumed. Comments in the old format must begin with an asterisk (*) in column 1.

For definition data sets (e.g., VOLATTRs, UNITATTRs and TAPERREQs), comments **must** be in the new format (/*...*/).

- Asterisk (*) comments are **not** allowed.
- A /*...*/ comment in the first line is **not** required.
- The maximum length for a control statement is 1024 characters.

SMC Commands and Control Statements

This chapter contains syntax for SMC commands and control statements. Interface and subsystem requirement information is included with each command.

Control statements that are loaded by an operator command are described along with that command.

Note – For detailed information about the commands and control statements included in this publication, and the interfaces used to issue them, refer to the *ELS Command, Control Statement, and Utility Reference*.

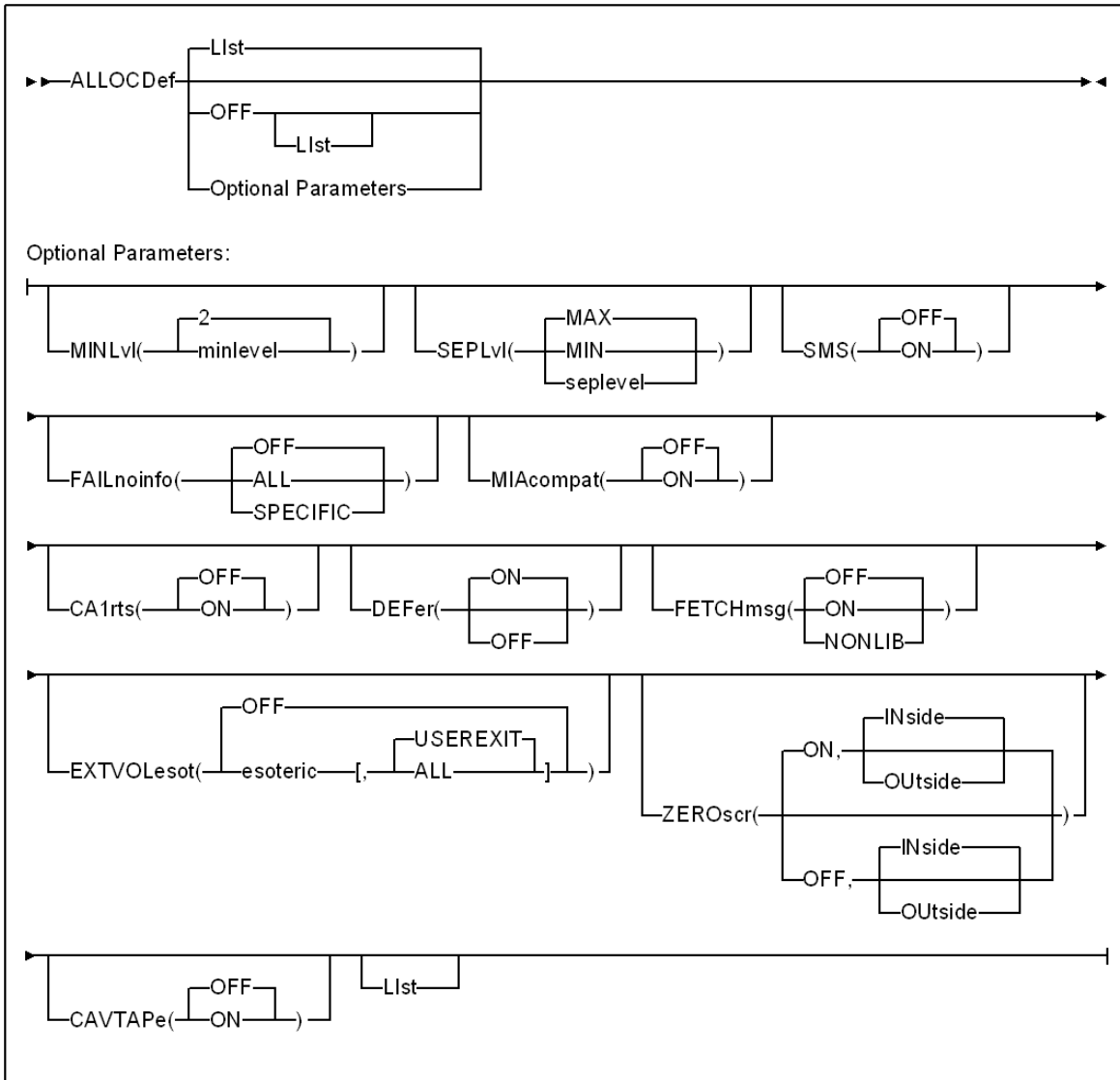
ALLOCDDef

Interfaces:

Console, utility, or SMCCMDS/SMCPARMS data set
 UUI: Yes (No XML/CSV output)

Subsystem Requirements:

Active SMC required, or may be input to the SMCUSIM utility



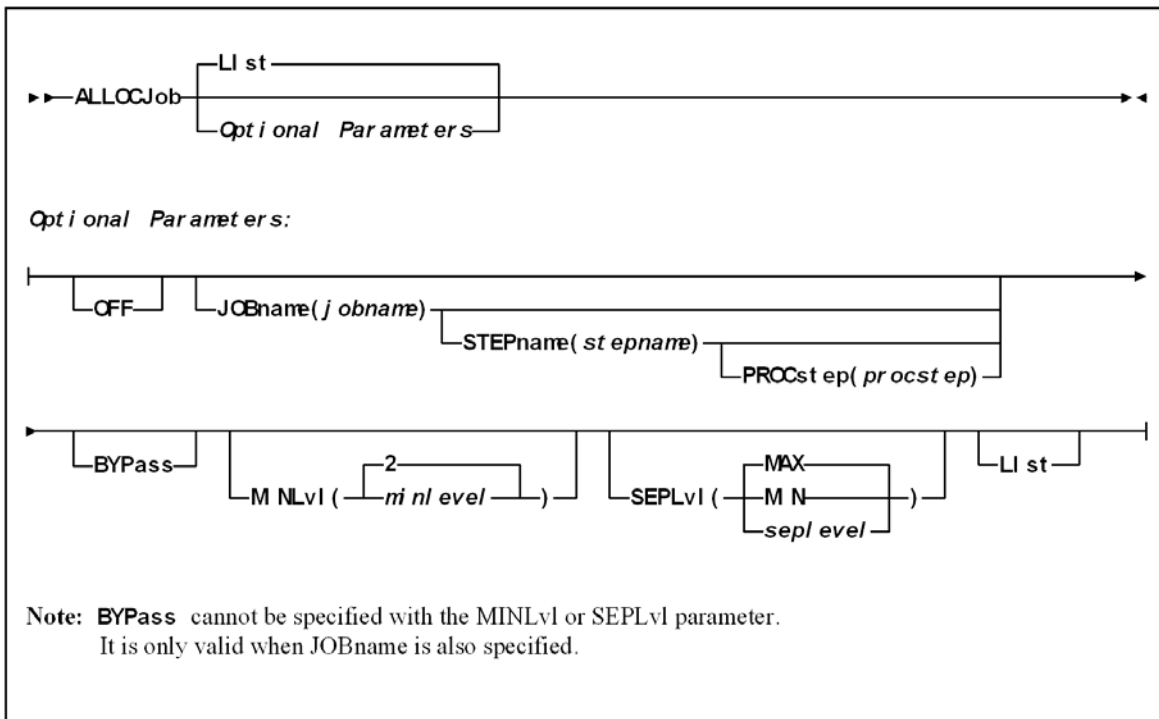
ALLOCJob

Interfaces:

Console, utility, or SMCCMDS/SMCPARMS data set
 UUI: Yes (No XML/CSV output)

Subsystem Requirements:

Active SMC required, or may be input to the SMCUSIM utility



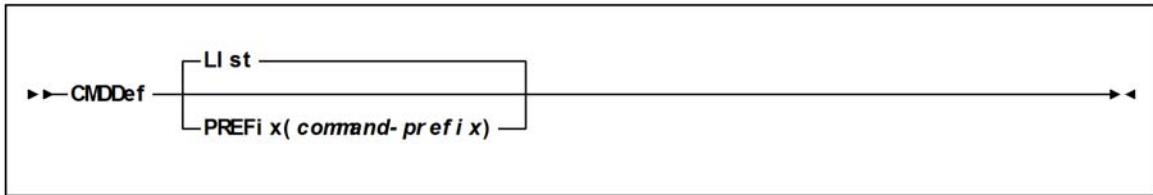
CMDDef

Interfaces:

Console, utility, or SMCPARMS data set
UII: Yes (No XML/CSV output)

Subsystem Requirements:

Active SMC required



COMMtest

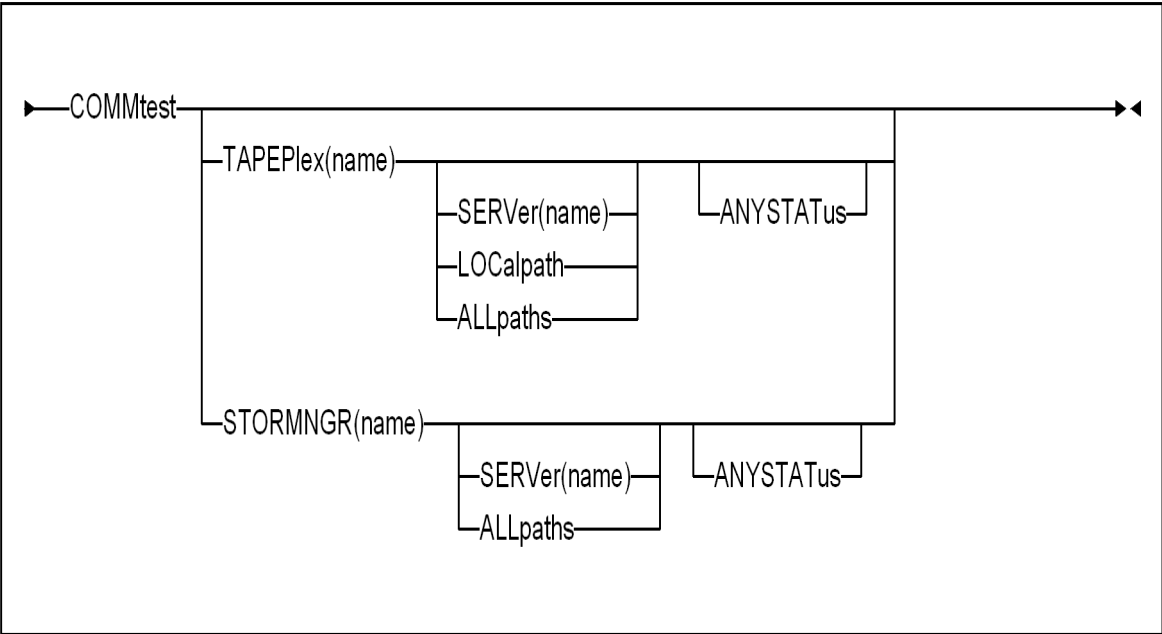
Interfaces:

Console, utility, or SMCCMDS/SMCPARMS data set
UII: Yes (No XML/CSV output)

Subsystem Requirements:

Active SMC required, or may be input to the SMCUSIM utility

Note – Only HSC TapePlexes or VLEs are eligible for the COMMtest command.



DISMount

Interfaces:

Console or utility
UII: Yes (No XML/CSV output)

Subsystem Requirements:

Active SMC required, or may be input to the SMCUSIM utility



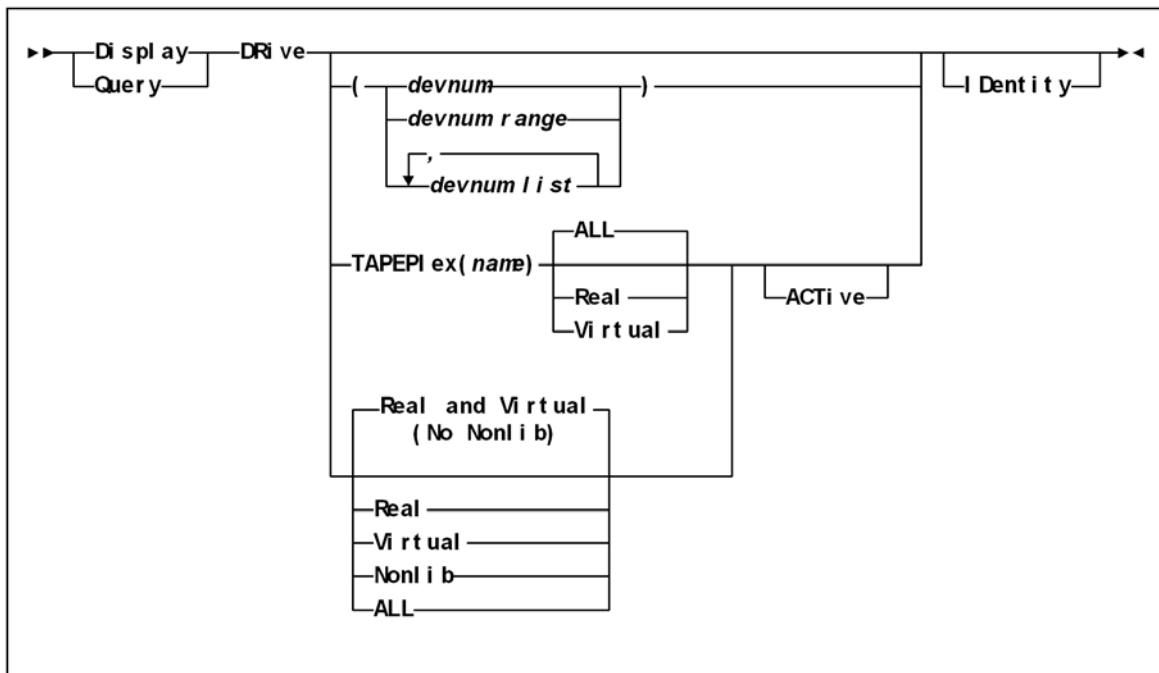
Display DRive

Interfaces:

Console, utility, or SMCCMDS/SMCPARMS data set
 UUI: Yes (No XML/CSV output)

Subsystem Requirements:

Active SMC required, or may be input to the SMCUSIM utility



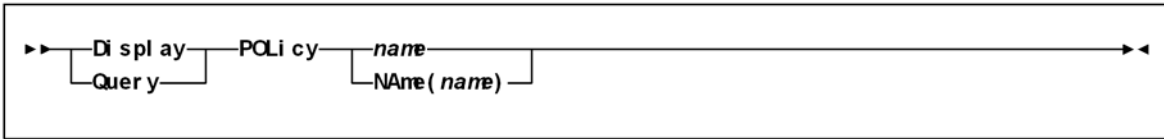
Display POLicy

Interfaces:

Console, utility, or SMCCMDS/SMCPARMS data set
UII: Yes (supports XML and CSV)

Subsystem Requirements:

Active SMC required, or may be input to the SMCUSIM utility



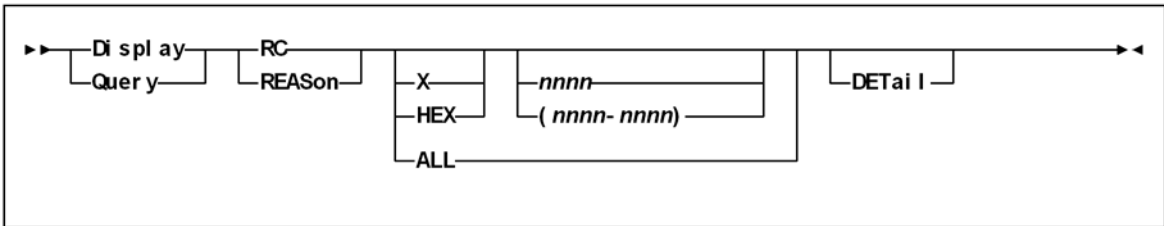
Display RC

Interfaces:

Console, utility, or SMCCMDS/SMCPARMS data set
UII: Yes (supports XML and CSV)

Subsystem Requirements:

Active SMC required, or may be input to the SMCUSIM utility



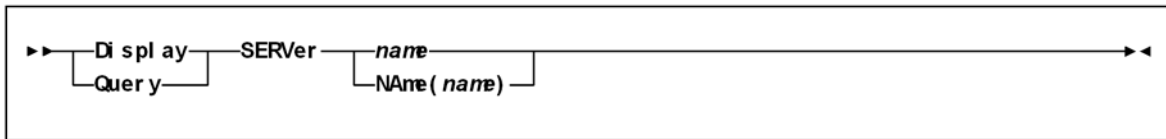
Display SERVER

Interfaces:

Console, utility, or SMCCMDS/SMCPARMS data set
 UUI: Yes (supports XML and CSV)

Subsystem Requirements:

Active SMC required, or may be input to the SMCUSIM utility



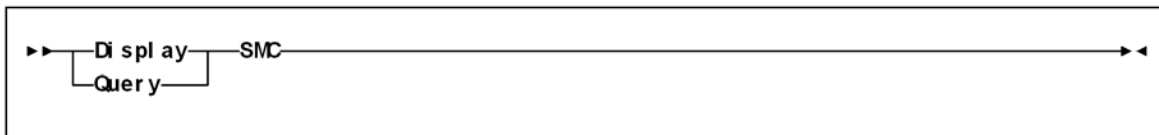
Display SMC

Interfaces:

Console, utility, or SMCCMDS/SMCPARMS data set
 UUI: Yes (supports XML and CSV)

Subsystem Requirements:

Active SMC required, or may be input to the SMCUSIM utility



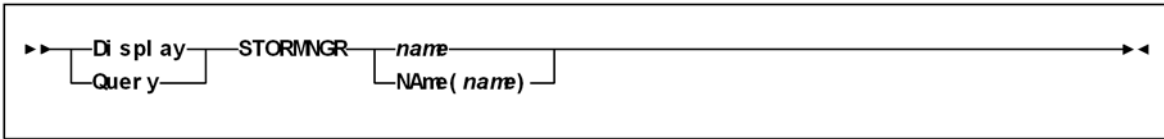
Display STORMNGR

Interfaces:

Console, utility, or SMCCMDS/SMCPARMS data set
UII: Yes (supports XML and CSV)

Subsystem Requirements:

Active SMC required, or may be input to the SMCUSIM utility



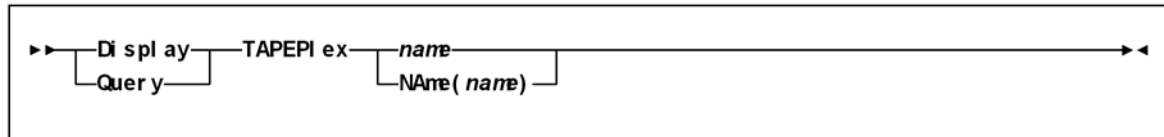
Display TAPEPlex

Interfaces:

Console, utility, or SMCCMDS/SMCPARMS data set
UII: Yes (supports XML and CSV)

Subsystem Requirements:

Active SMC required, or may be input to the SMCUSIM utility



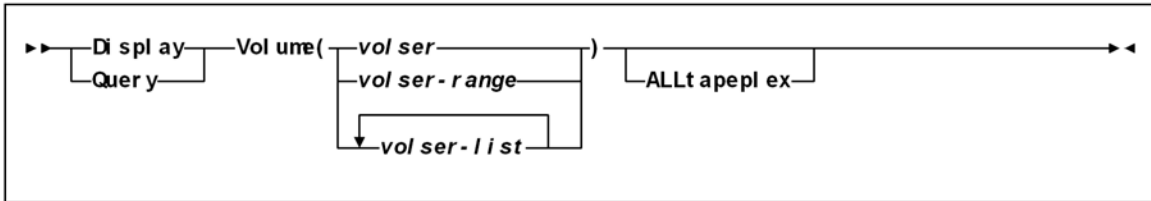
Display Volume

Interfaces:

Console, utility, or SMCCMDS/SMCPARMS data set
 UUI: Yes (No XML/CSV output)

Subsystem Requirements:

Active SMC required, or may be input to the SMCUSIM utility



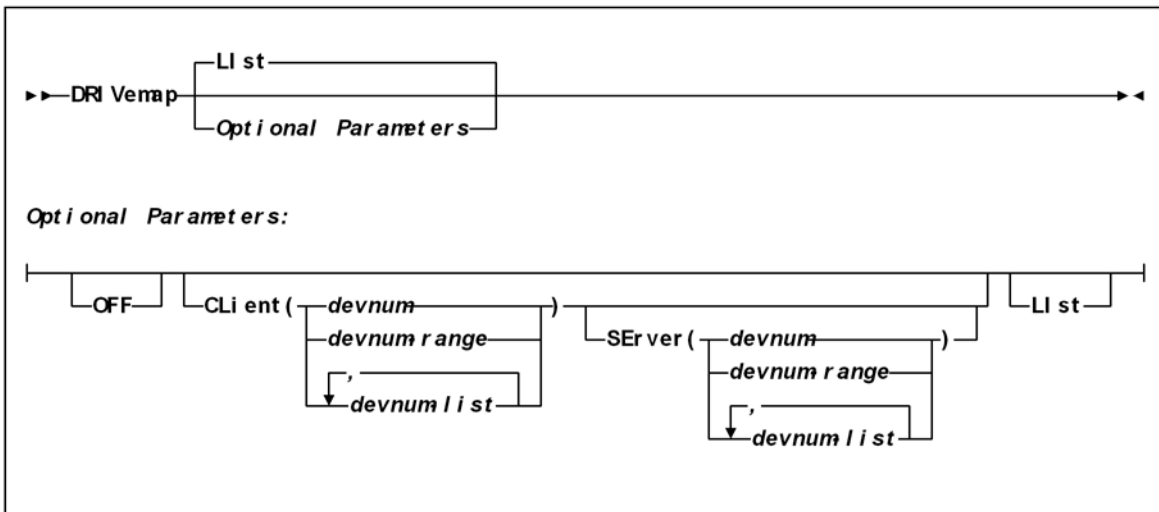
DRIVemap

Interfaces:

Console, utility, or SMCCMDS/SMCPARMS data set
 UUI: Yes (No XML/CSV output)

Subsystem Requirements:

Active SMC required, or may be input to the SMCUSIM utility



Help

Interfaces:

Console, utility, or SMCCMDS/SMCPARMS data set
UII: Yes (No XML/CSV output)

Subsystem Requirements:

Active SMC required, or may be input to the SMCUSIM utility



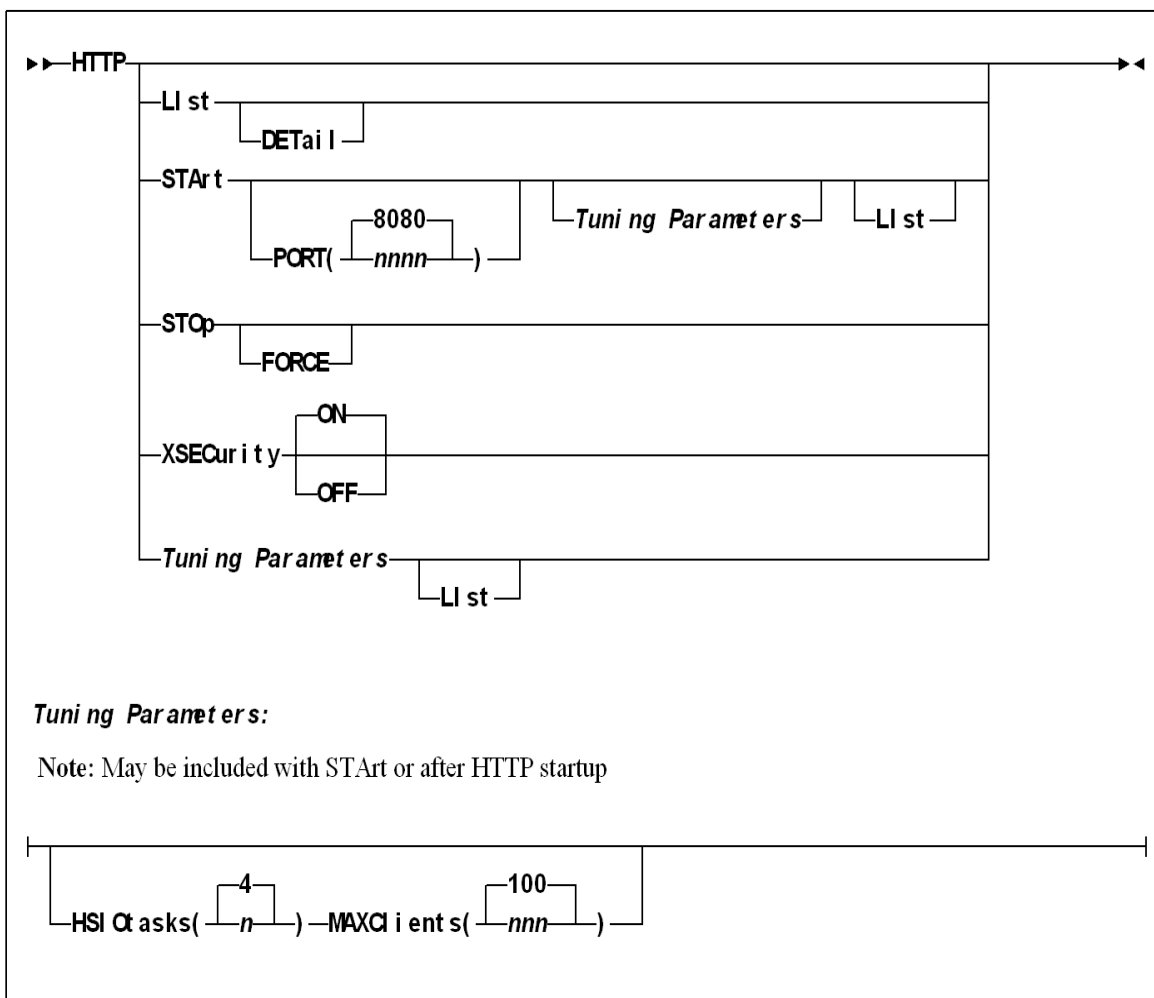
HTTP

Interfaces:

Console, utility, or SMCCMDS/SMCPARMS data set
 UUI: Yes (No XML/CSV output)

Subsystem Requirements:

Active SMC required



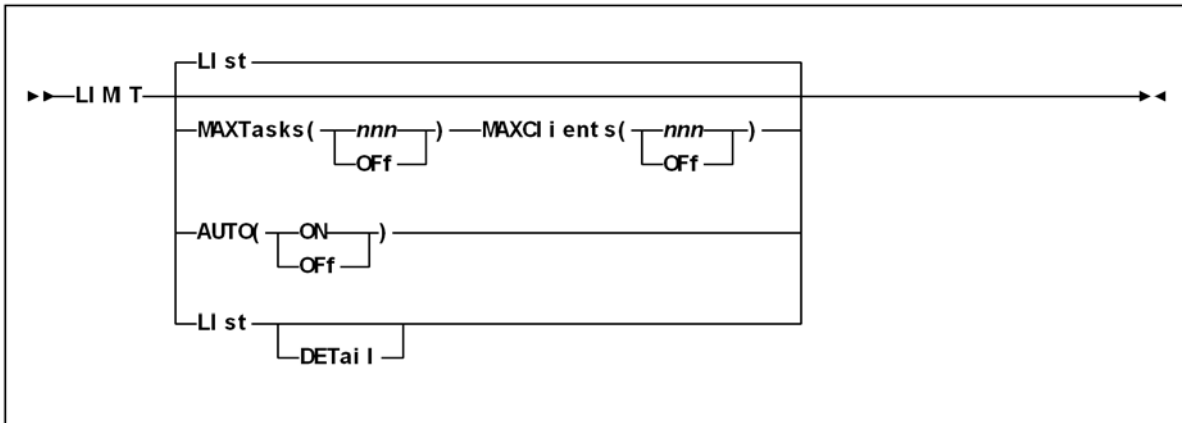
LIMIT

Interfaces:

Console, utility, or SMCCMDS/SMCPARMS data set
UUI: Yes (No XML/CSV output)

Subsystem Requirements:

Active SMC required



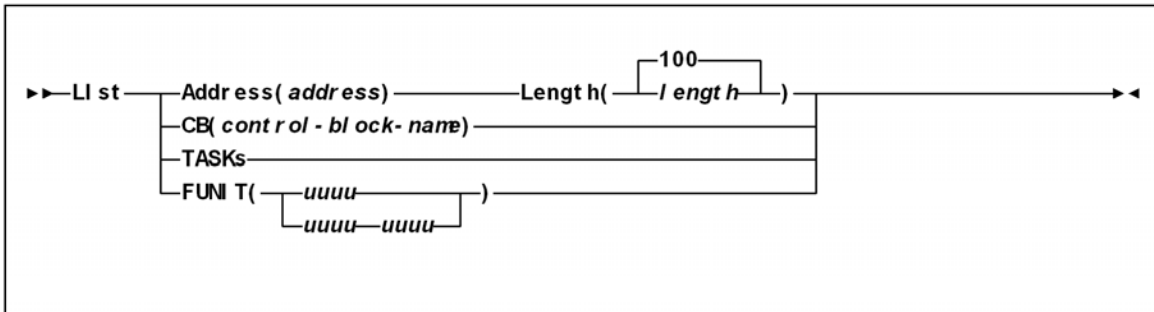
List

Interfaces:

Console, utility, or SMCCMDS/SMCPARMS data set
 UUI: Yes (No XML/CSV output)

Subsystem Requirements:

Active SMC required, or may be input to the SMCUSIM utility



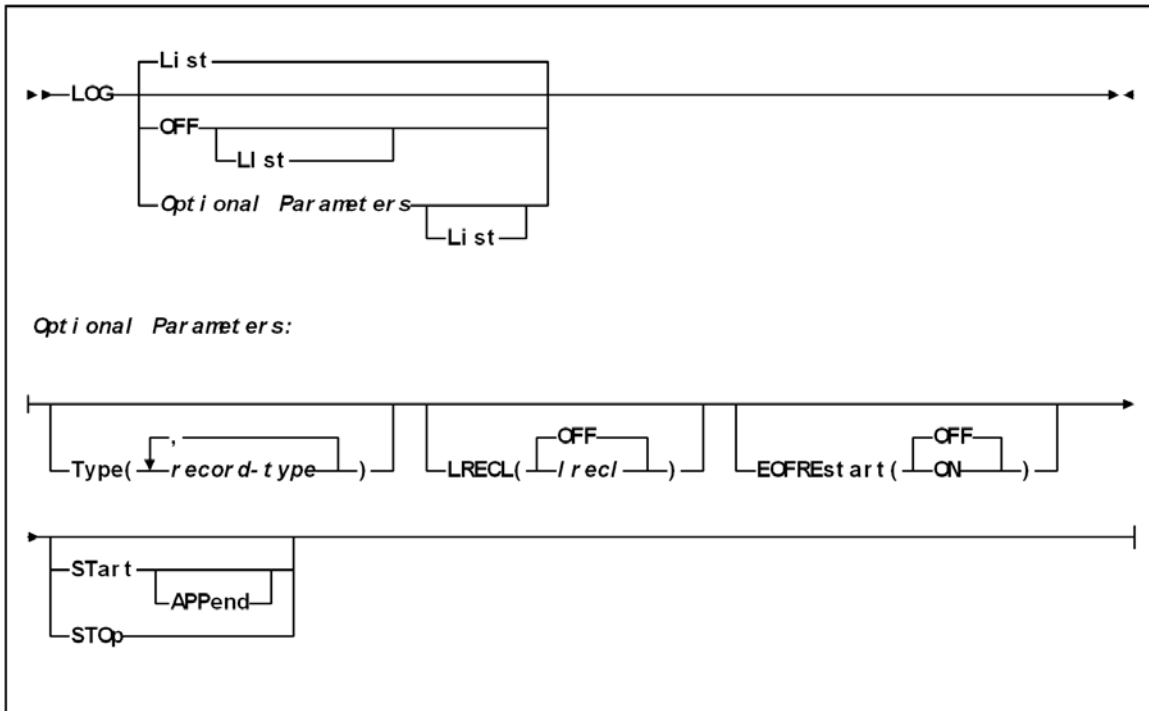
LOG

Interfaces:

Console, utility, or SMCCMDS/SMCPARMS data set
 UUI: Yes (No XML/CSV output)

Subsystem Requirements:

Active SMC required



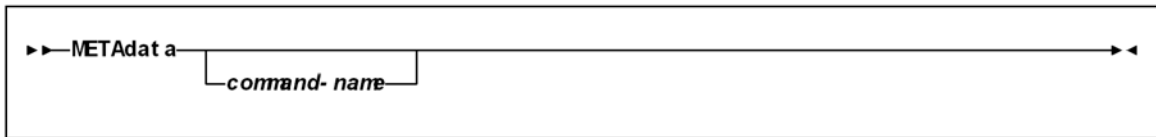
METAdata

Interfaces:

Utility only
UI: Yes

Subsystem Requirements:

Active SMC required



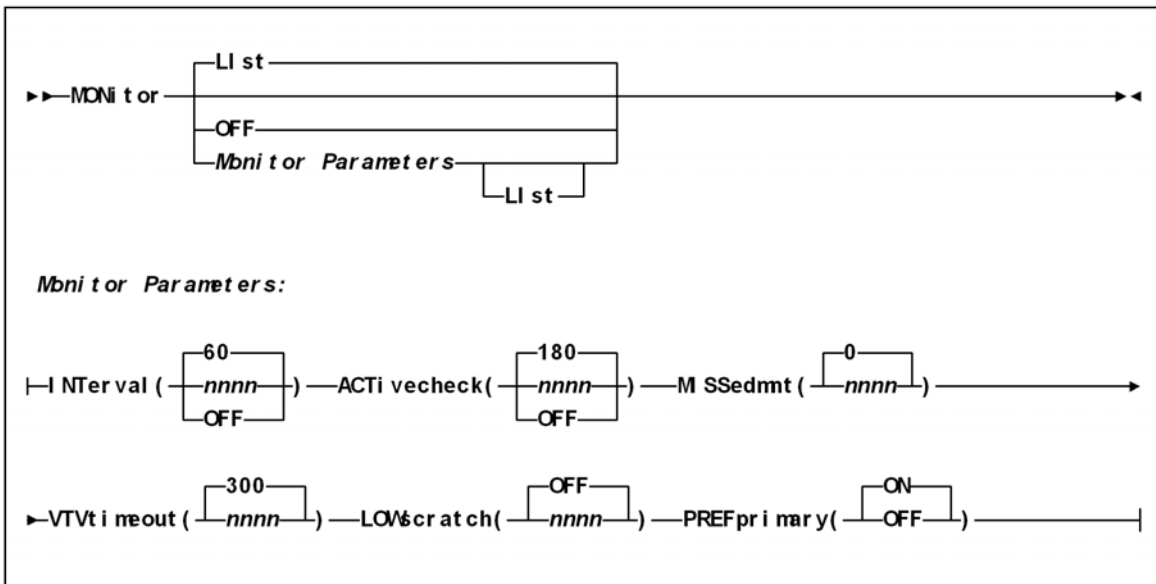
MONitor

Interfaces:

Console, utility, or SMCCMDS/SMCPARMS data set
UUI: Yes (No XML/CSV output)

Subsystem Requirements:

- Active SMC required
- Cannot be input to the SMCUSIM utility



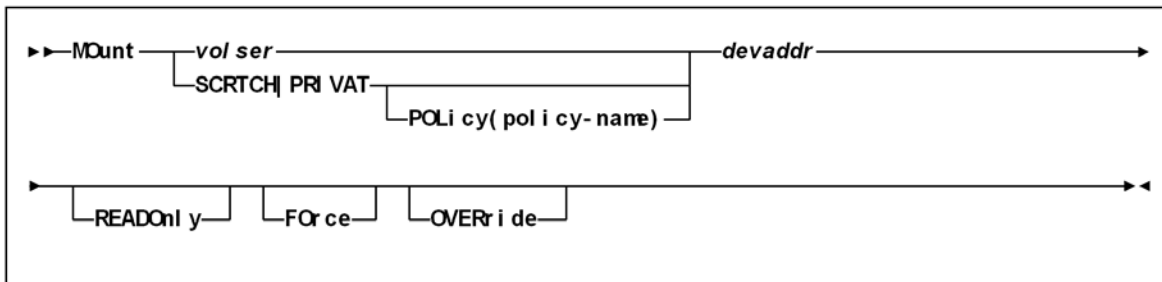
MOUNT

Interfaces:

Console or utility
UII: Yes (No XML/CSV output)

Subsystem Requirements:

Active SMC required, or may be input to the SMCUSIM utility



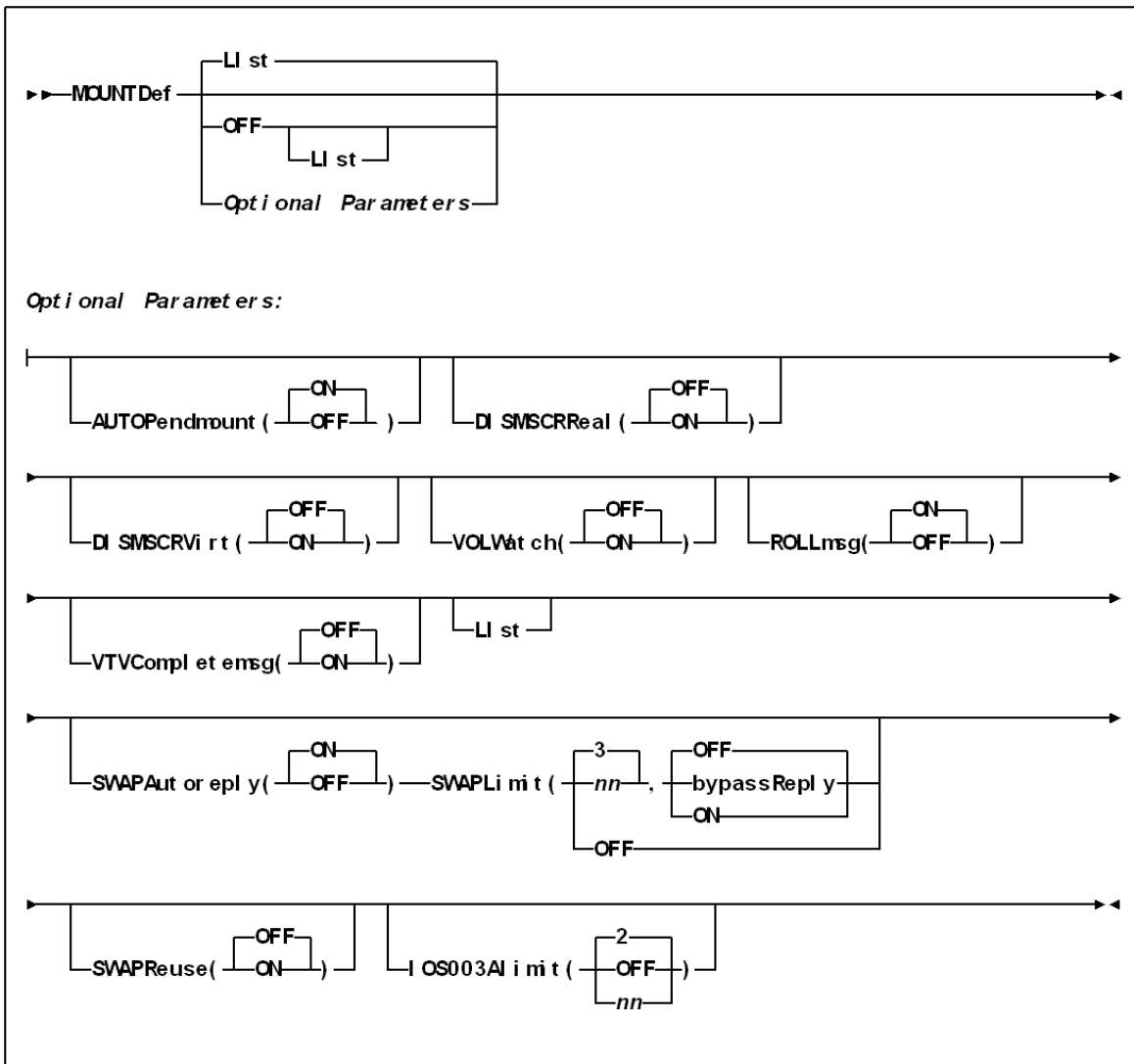
MOUNTDef

Interfaces:

Console, utility, or SMCCMDS/SMCPARMS data set
 UUI: Yes (No XML/CSV output)

Subsystem Requirements:

Active SMC required, or may be input to the SMCUSIM utility



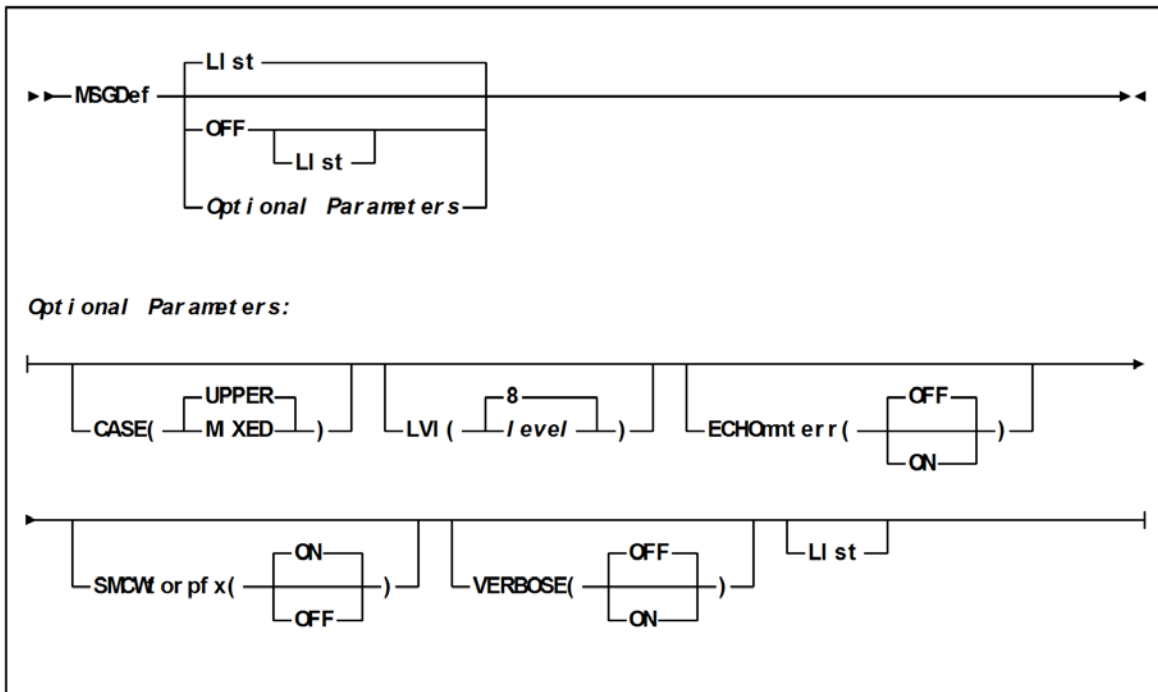
MSGDef

Interfaces:

Console, utility, or SMCCMDS/SMCPARMS data set
 UUI: Yes (No XML/CSV output)

Subsystem Requirements:

Active SMC required, or may be input to the SMCUSIM utility



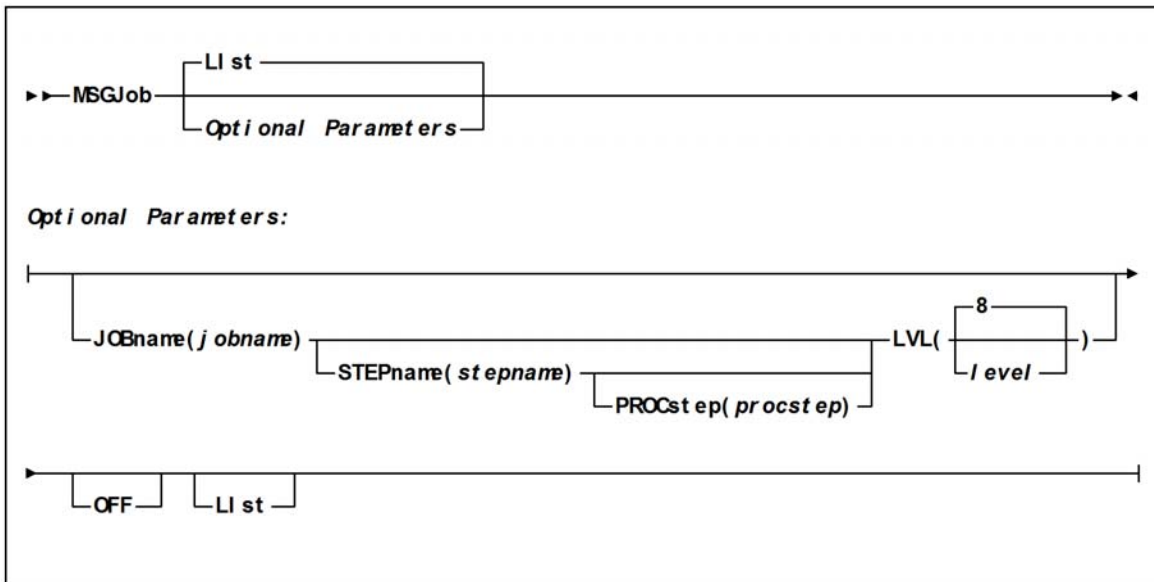
MSGJob

Interfaces:

Console, utility, or SMCCMDS/SMCPARMS data set
 UUI: Yes (No XML/CSV output)

Subsystem Requirements:

Active SMC required, or may be input to the SMCUSIM utility



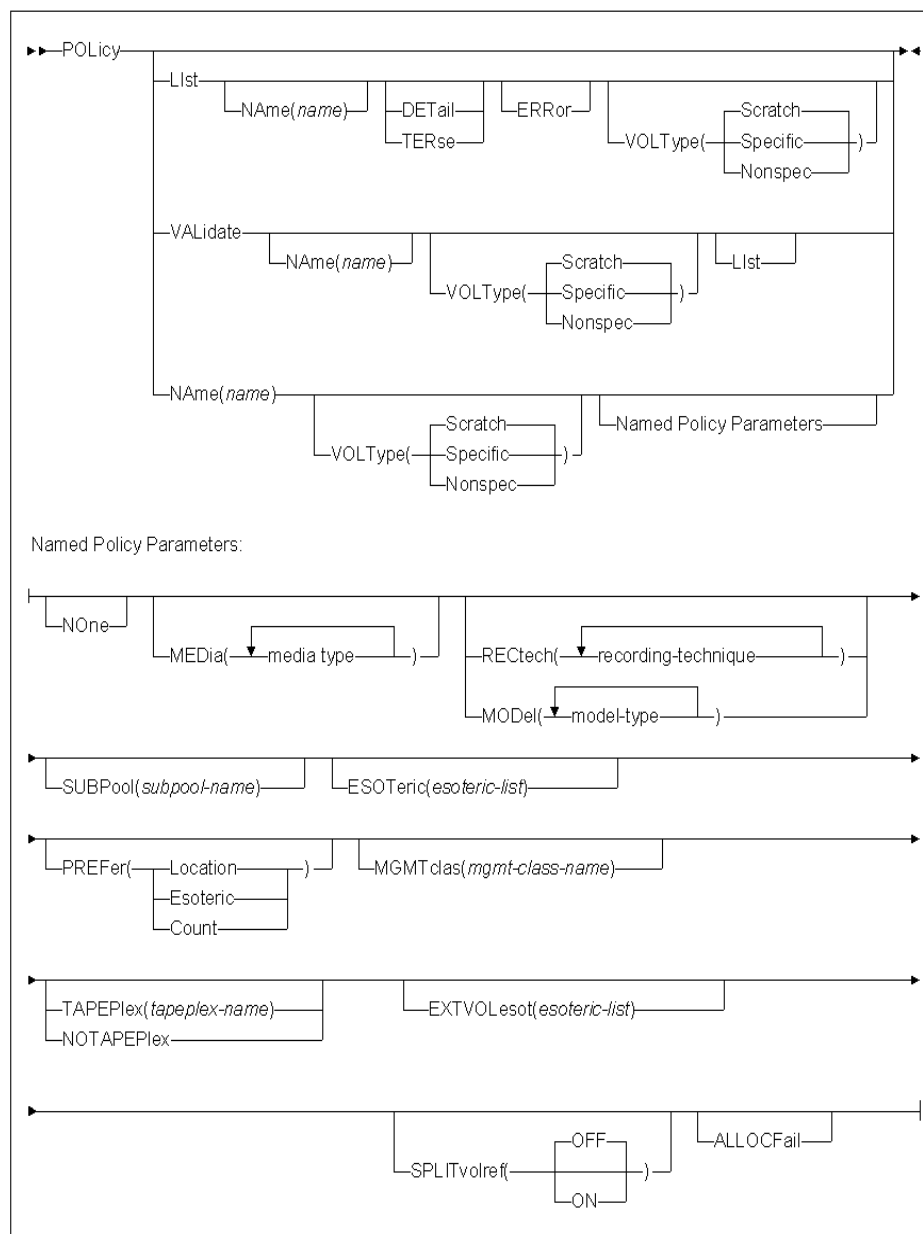
POLicy

Interfaces:

Console, utility, or SMCCMDS/SMCPARMS data set
 UUI: Yes (No XML/CSV output)

Subsystem Requirements:

Active SMC required, or may be input to the SMCUSIM utility



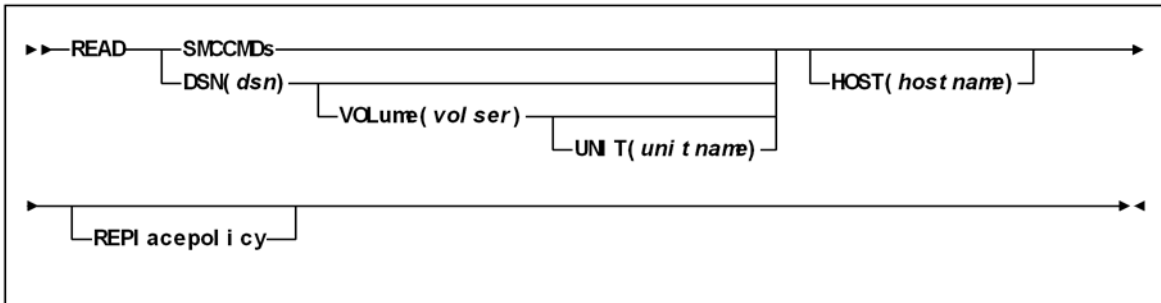
READ

Interfaces:

Console, utility, or SMCCMDS/SMCPARMS data set
 UUI: Yes (No XML/CSV output)

Subsystem Requirements:

Active SMC required, or may be input to the SMCUSIM utility



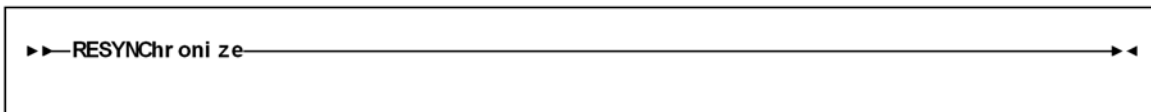
RESYNChronize

Interfaces:

Console, utility, or SMCCMDS/SMCPARMS data set
 UUI: Yes (No XML/CSV output)

Subsystem Requirements:

Active SMC required, or may be input to the SMCUSIM utility



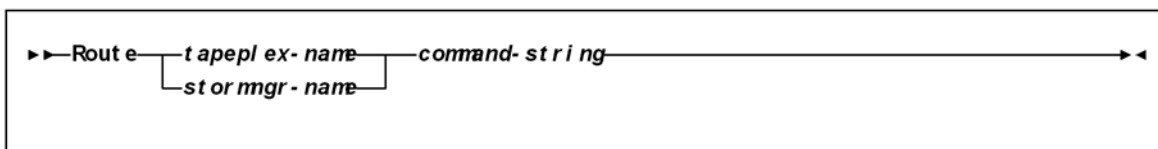
Route

Interfaces:

Console, utility, or SMCCMDS/SMCPARMS data set
UII: Yes (No XML/CSV output)

Subsystem Requirements:

Active SMC required



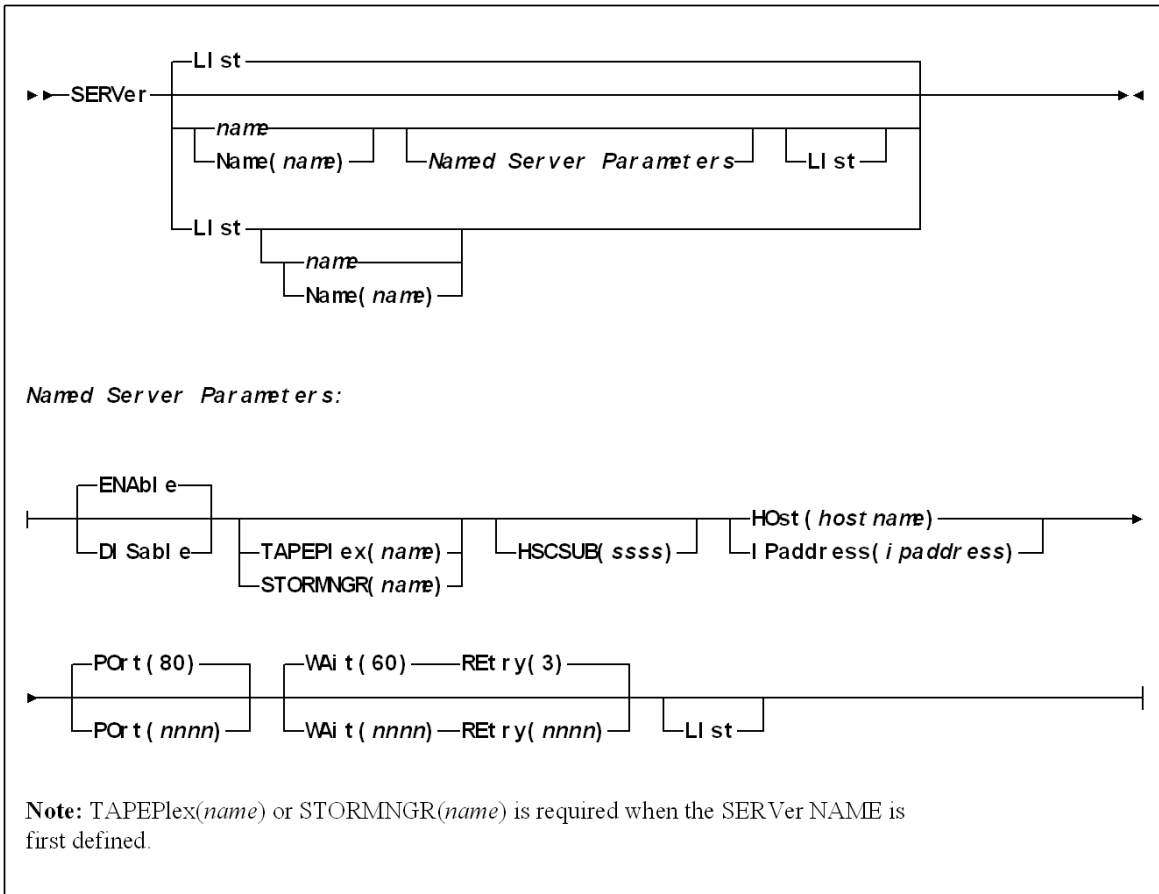
SERVer

Interfaces:

Console, utility, or SMCCMDS/SMCPARMS data set
 UUI: Yes (No XML/CSV output)

Subsystem Requirements:

Active SMC required, or may be input to the SMCUSIM utility



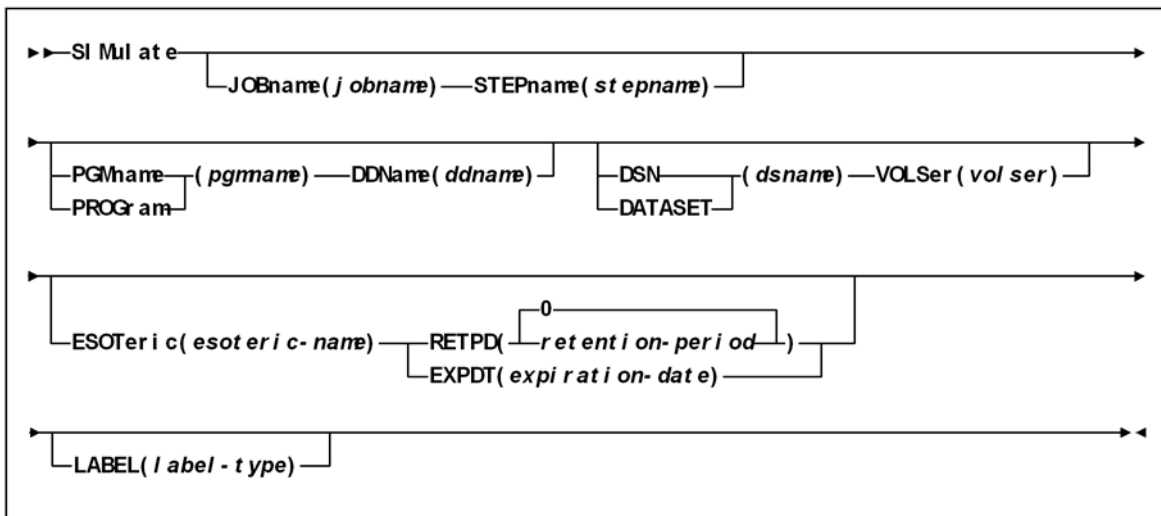
SIMulate

Interfaces:

Console, utility, or SMCCMDS/SMCPARMS data set
 UUI: Yes (No XML/CSV output)

Subsystem Requirements:

Active SMC required, or may be input to the SMCUSIM utility



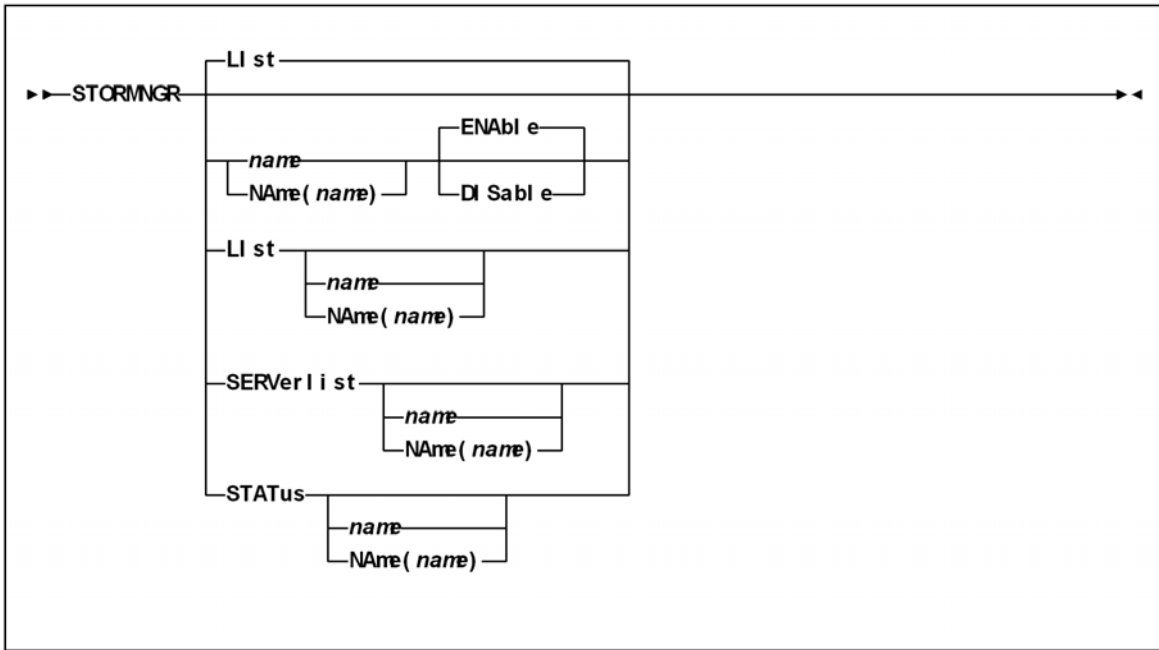
STORMNGR

Interfaces:

Console, utility, or SMCCMDS/SMCPARMS data set
UUI: Yes (No XML/CSV output)

Subsystem Requirements:

Active SMC required, or may be input to the SMCUSIM utility



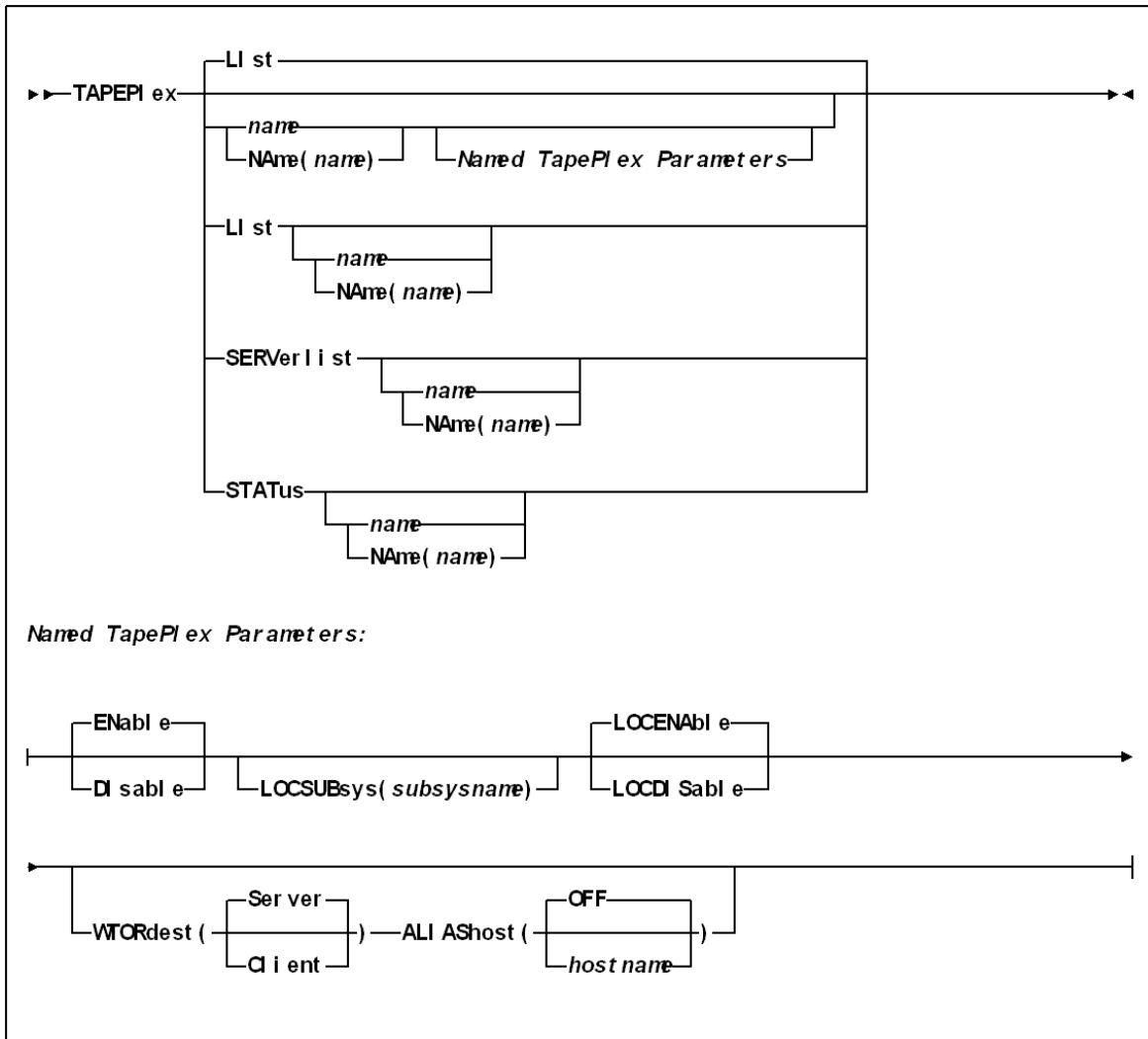
TAPEplex

Interfaces:

Console, utility, or SMCCMDS/SMCPARMS data set
 UUI: Yes (No XML/CSV output)

Subsystem Requirements:

Active SMC required, or may be input to the SMCUSIM utility



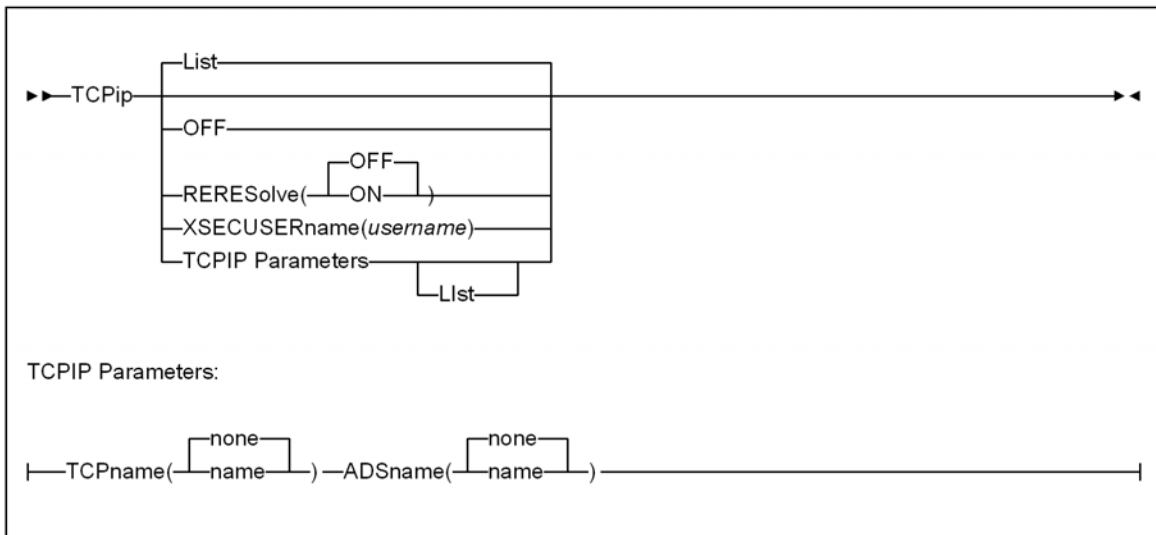
TCPIP

Interfaces:

Console, utility, or SMCCMDS/SMCPARMS data set
 UUI: Yes (No XML/CSV output)

Subsystem Requirements:

Active SMC required, or may be input to the SMCUSIM utility



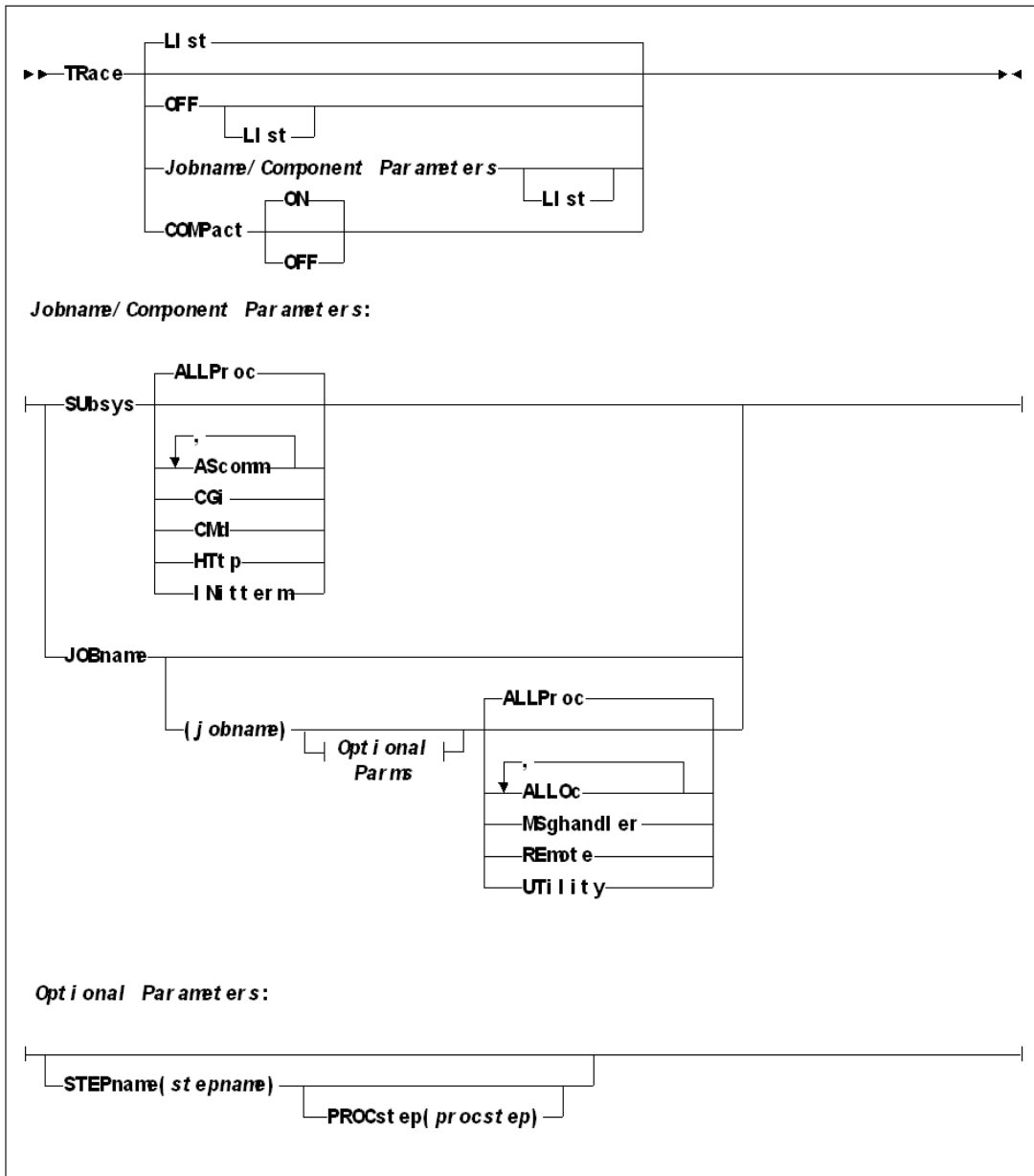
TRace

Interfaces:

Console, utility, or SMCCMDS/SMCPARMS data set
 UUI: Yes (No XML/CSV output)

Subsystem Requirements:

Active SMC required, or may be input to the SMCUSIM utility



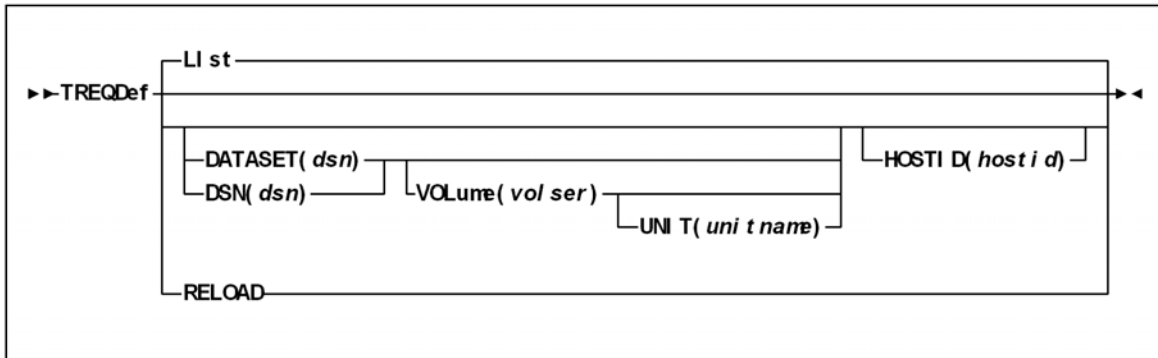
TREQDef

Interfaces:

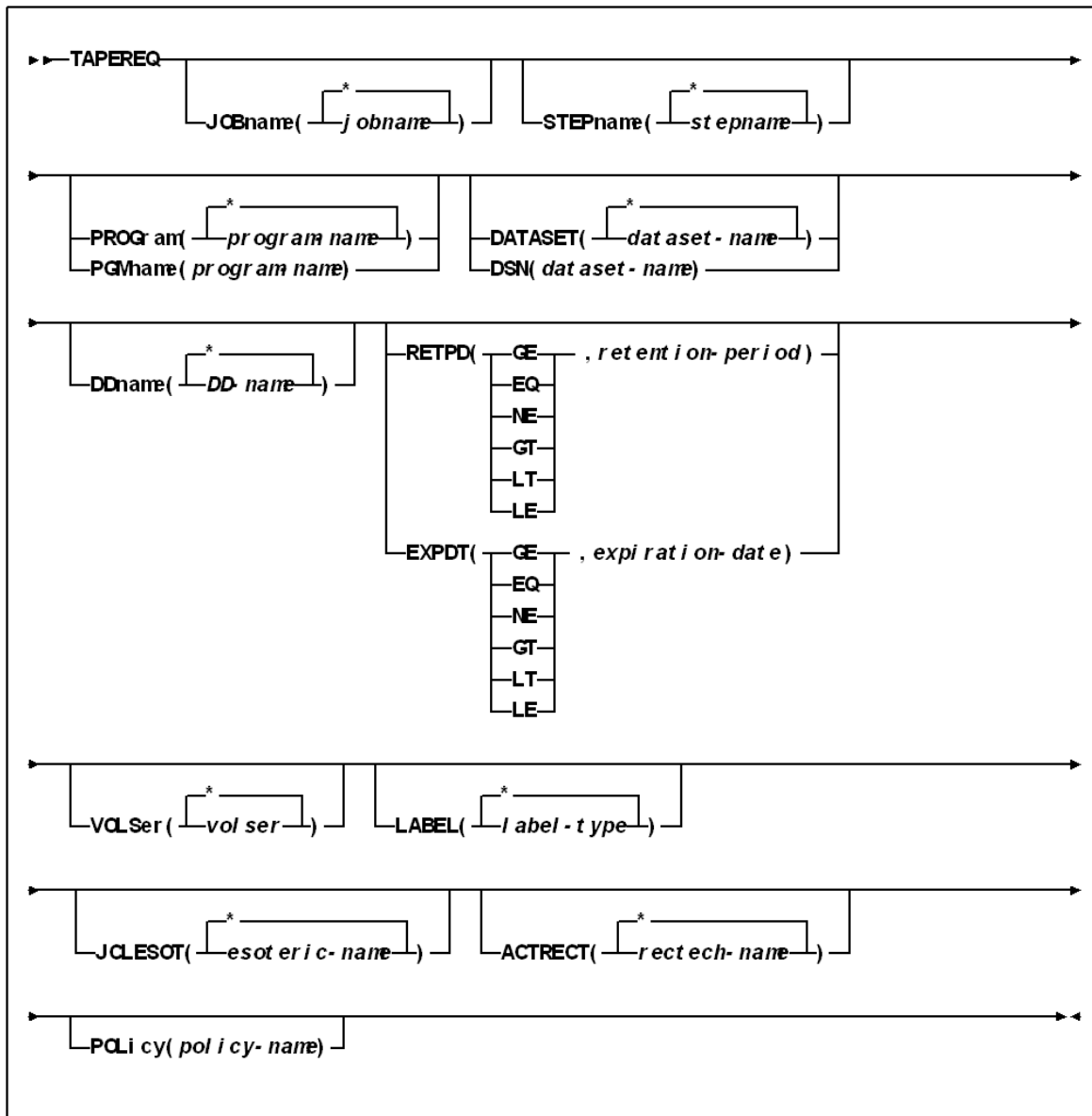
Console, utility, or SMCCMDS/SMCPARMS data set
 UUI: Yes (No XML/CSV output)

Subsystem Requirements:

Active SMC required, or may be input to the SMCUSIM utility



TAPEREQ Control Statement



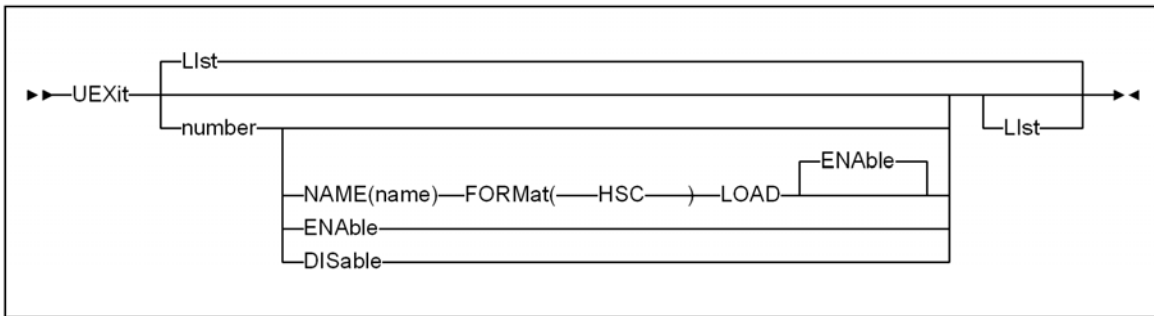
UExit

Interfaces:

Console, utility, or SMCCMDS/SMCPARMS data set
UII: Yes (No XML/CSV output)

Subsystem Requirements:

Active SMC required, or may be input to the SMCUSIM utility



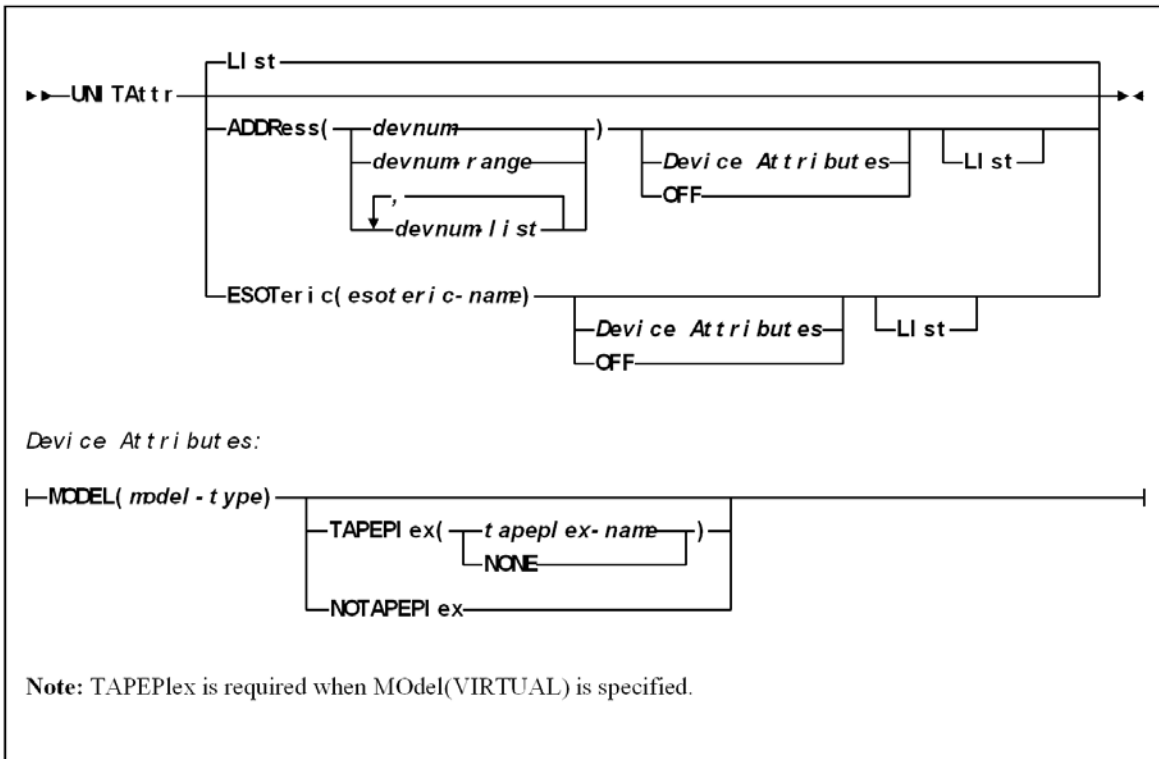
UNITAttr

Interfaces:

Console or SMCCMDS data set
 UUI: Yes (No XML/CSV output)

Subsystem Requirements:

Active SMC required, or may be input to the SMCUSIM utility



USERMsg

Interfaces:

Console or SMCPARMS data set
UII: Yes (No XML/CSV output)

Subsystem Requirements:

Active SMC required, or may be input to the SMCUSIM utility



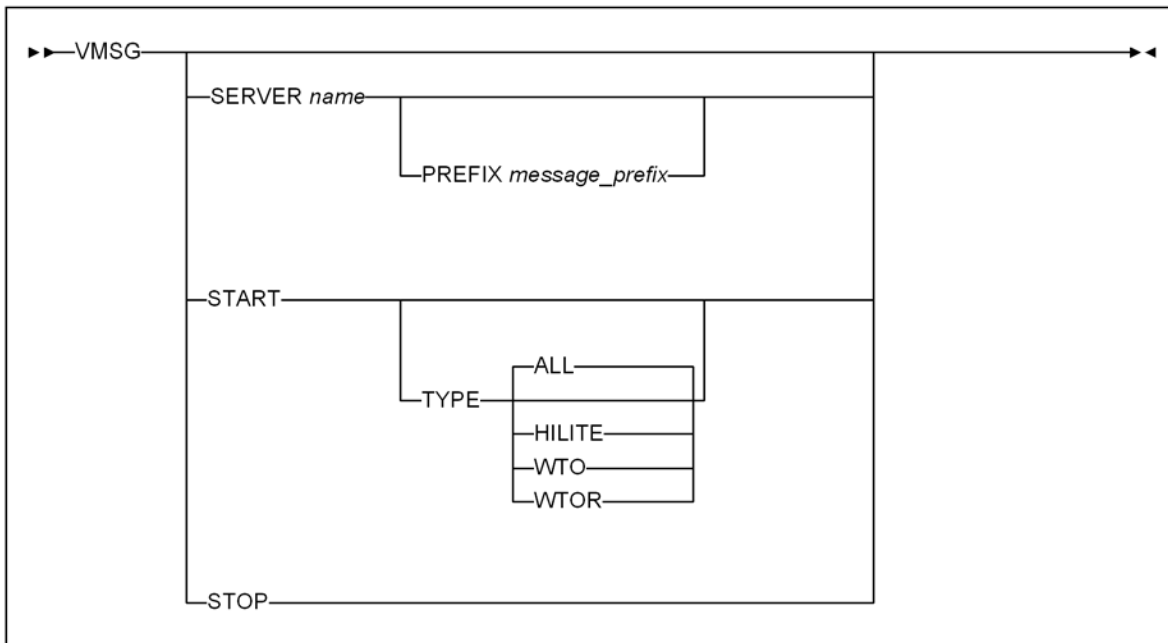
VMSG

Interfaces:

Console, utility, or SMCCMDS/SMCPARMS data set
UUI: Yes (no XML/CSV output)

Subsystem Requirements:

Active SMC required



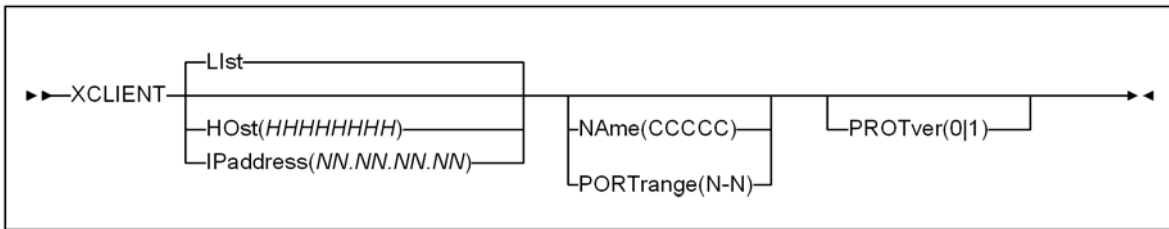
XCLIENT

Interfaces:

Console, utility, or SMCCMDS/SMCPARMS data set
UUI: Yes, supports XML and CSV

Subsystem Requirements:

Active SMC required, or may be input to the SMCUSIM utility



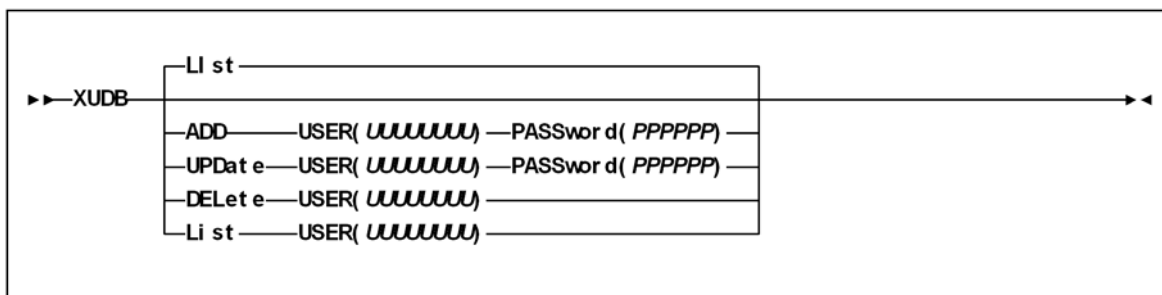
XUDB

Interfaces:

Console, utility, or SMCCMDS/SMCPARMS dataset
UII: Yes, supports XML and CSV

Subsystem Requirements:

Active SMC required, or may be input to the SMCUSIM utility



HSC and VTCS Commands and Control Statements

This chapter contains syntax for HSC commands and control statements. Interface and subsystem requirement information is included with each command.

Control statements that are loaded by an operator command are described along with that command.

Note –

- For detailed information about the commands and control statements included in this publication, and the interfaces used to issue them, refer to the *ELS Command, Control Statement, and Utility Reference*.
 - Certain HSC and VTCS commands are described in the *ELS Legacy Interfaces Guide*. These commands were introduced in a pre-ELS 7.0 software release and their functionality has been replaced.
-

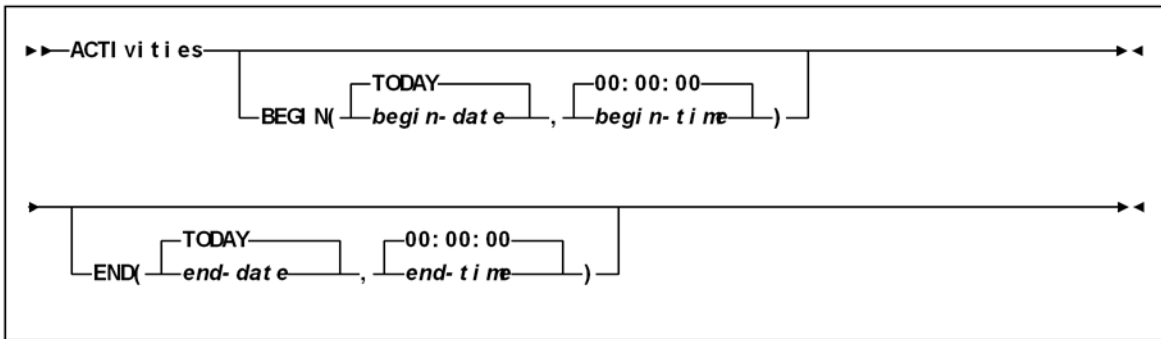
ACTivities

Interfaces:

SLUADMIN utility only
UII: No

Subsystem Requirements:

Active HSC not required



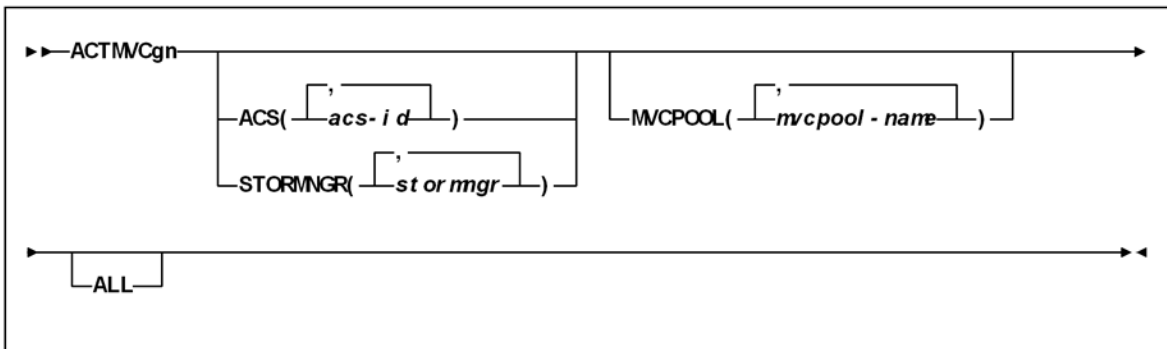
ACTMVCgn

Interfaces:

SLUADMIN utility only
UII: Yes

Subsystem Requirements:

Active HSC required only when specifying the MVCPOOL parameter



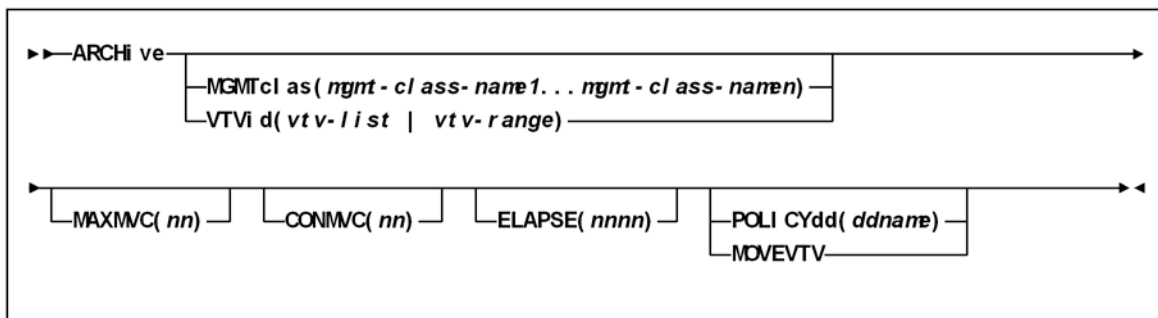
ARCHive

Interfaces:

Utility only
 UUI: Yes

Subsystem Requirements:

Active HSC not required



AUDit

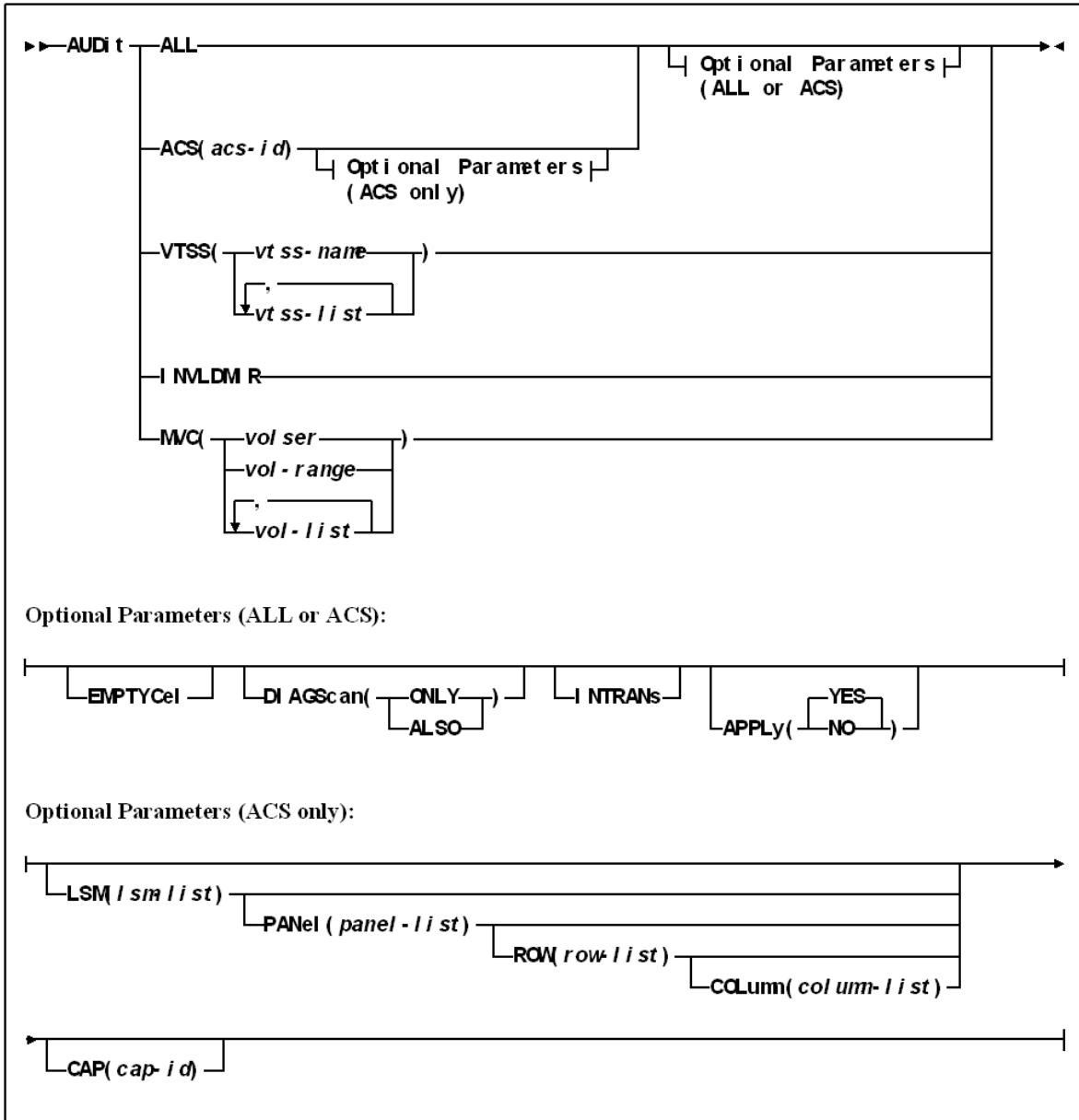
Interfaces:

Utility only

UUI: Yes, when MVC or VTSS is specified

Subsystem Requirements:

- Active HSC/VTCS (AUDit MVC, VTSS, or INVLDMIR)
- Active HSC at FULL service level (all others)



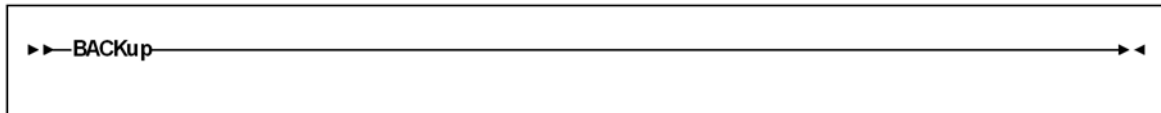
BACKup

Interfaces:

SLUADMIN utility only
 UUI: No

Subsystem Requirements:

Active HSC not required



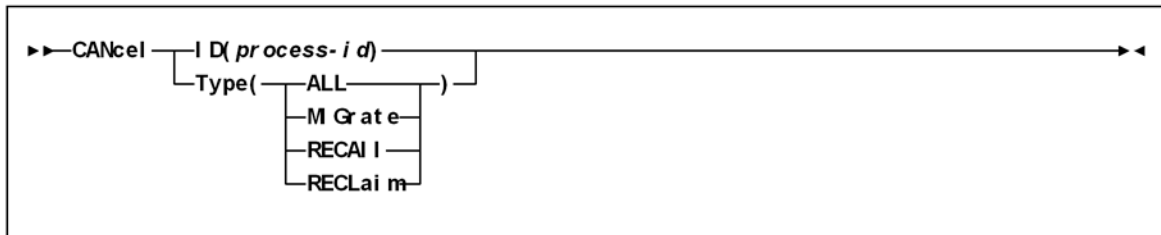
CANcel

Interfaces:

Console or utility
 UUI: Yes

Subsystem Requirements:

Active HSC/VTCS



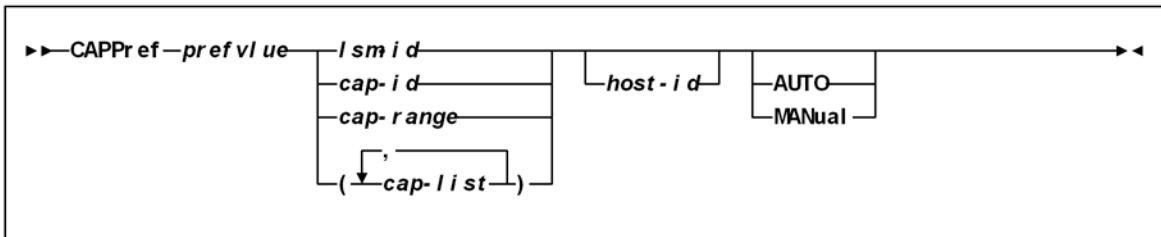
CAPPref

Interfaces:

Console or PARMLIB
 UUI: No

Subsystem Requirements:

Active HSC at FULL service level



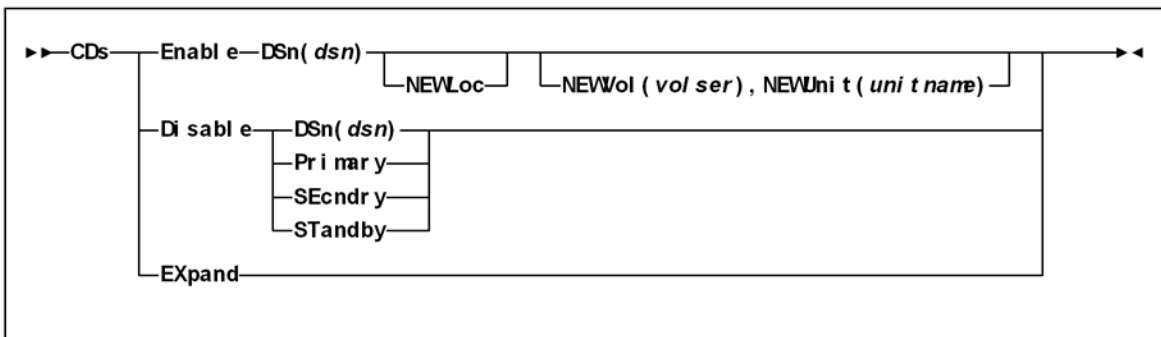
CDs

Interfaces:

Console or PARMLIB
 UUI: No

Subsystem Requirements:

Active HSC at BASE or FULL service level



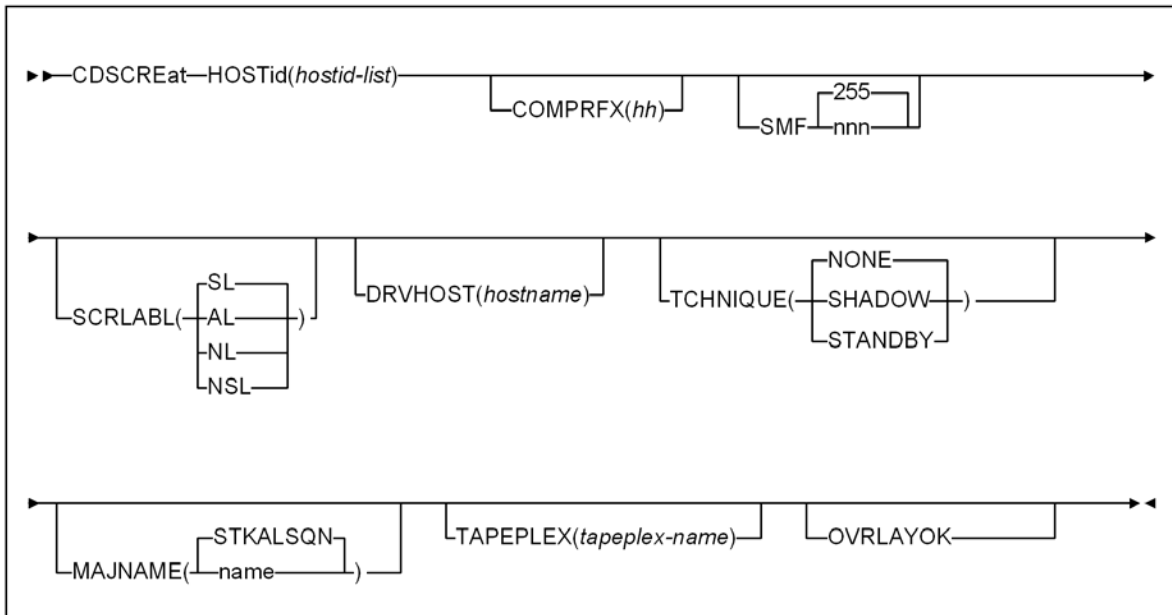
CDSCREat

Interfaces:

SLUADMIN utility only
 UUI: Yes

Subsystem Requirements:

None



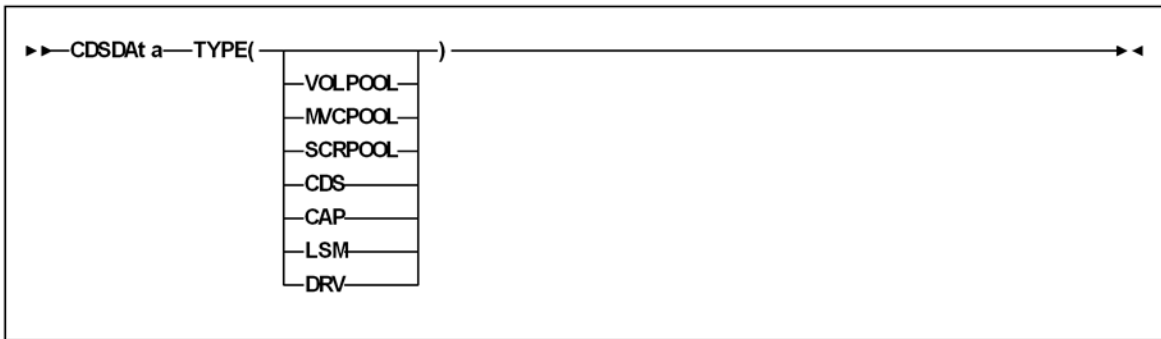
CDSData

Interfaces:

Utility only
 UUI: Yes

Subsystem Requirements:

Active HSC not required



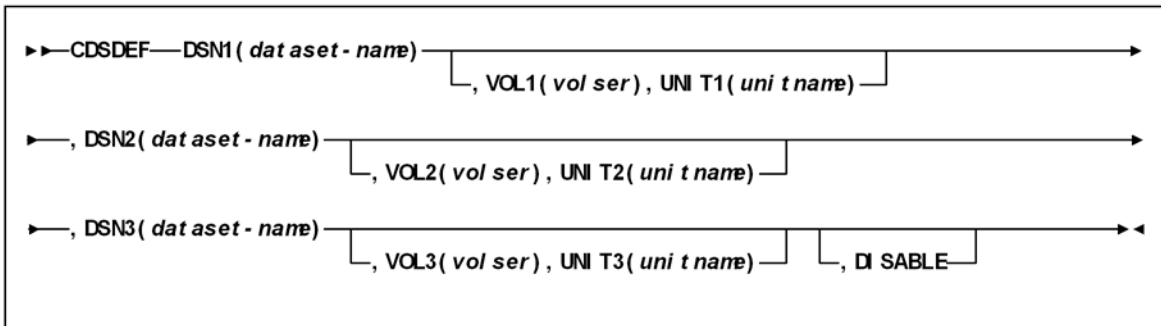
CDSDEF

Interfaces:

PARMLIB only
 UUI: No

Subsystem Requirements:

None



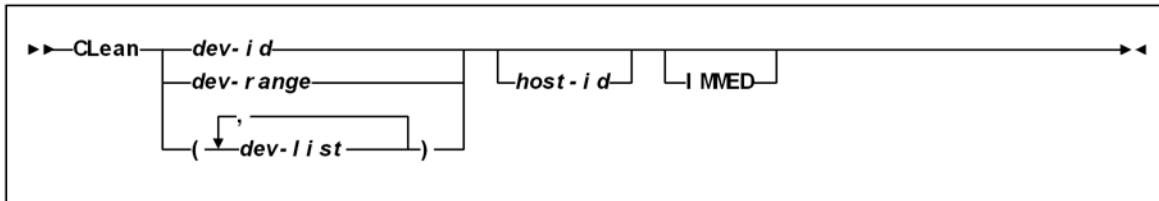
CLean

Interfaces:

Console or PARMLIB
 UUI: No

Subsystem Requirements:

Active HSC at FULL service level



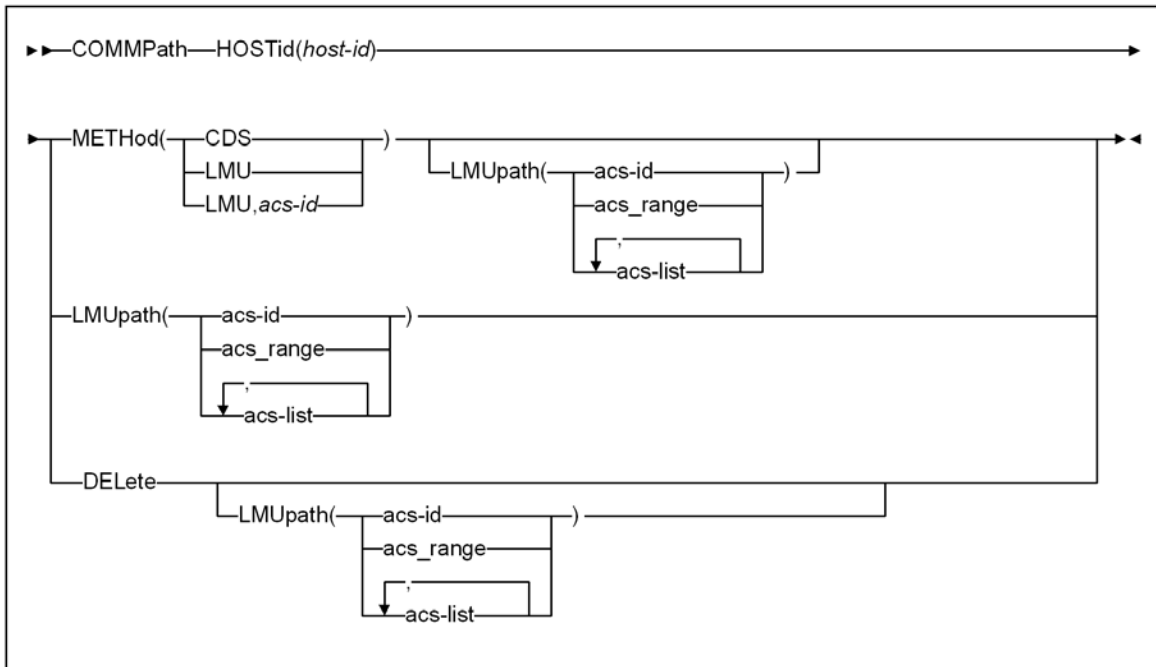
COMMPath

Interfaces:

Console or PARMLIB only
UII: No

Subsystem Requirements:

Active HSC at BASE or FULL service level



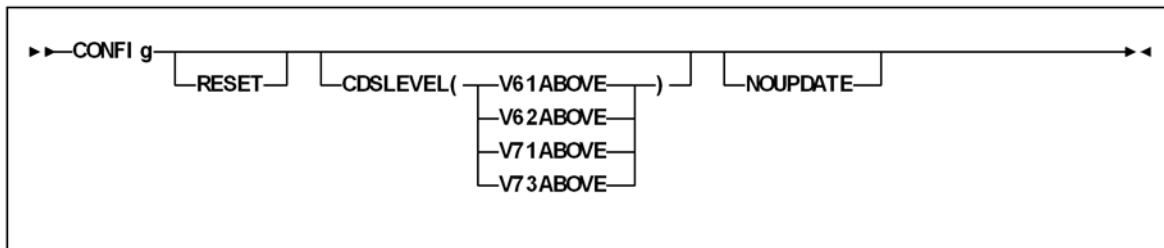
CONFIg

Interfaces:

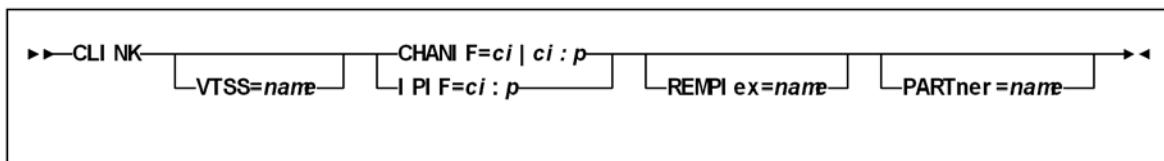
Utility only
 UUI: Yes

Subsystem Requirements:

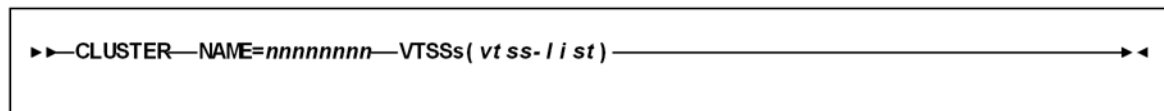
Active HSC not required, and must be down on all hosts when running CONFIg RESET.



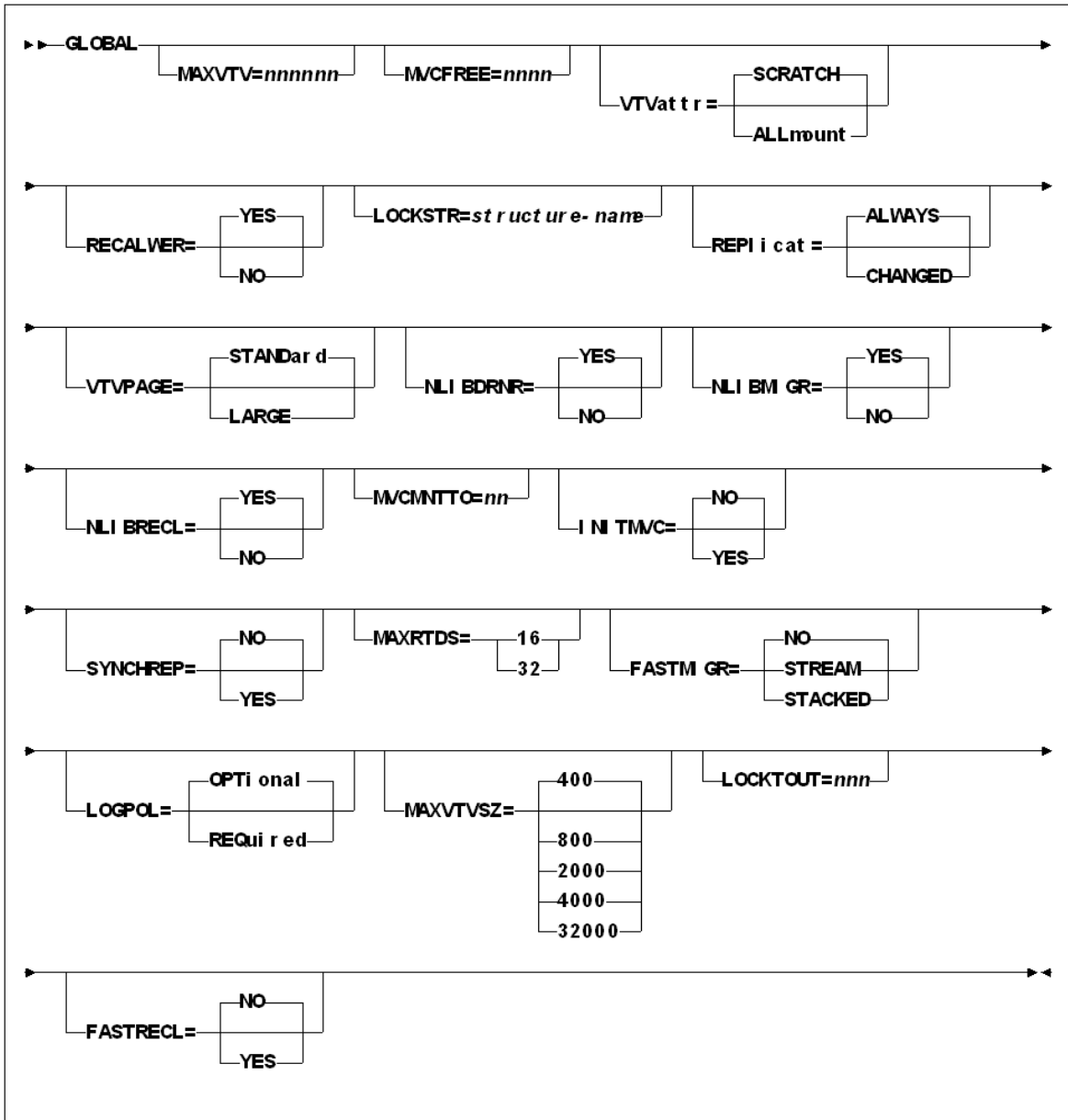
CONFIg CLINK Statement



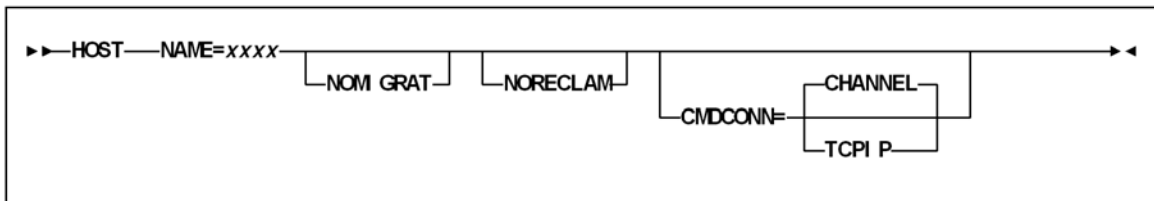
CONFIg CLUSTER Statement



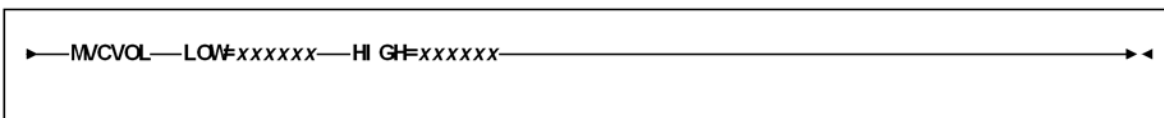
CONFIg GLOBAL Statement



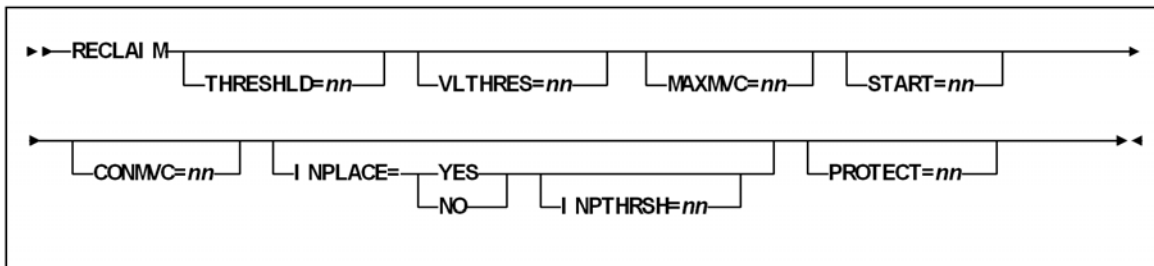
CONFIg HOST Statement



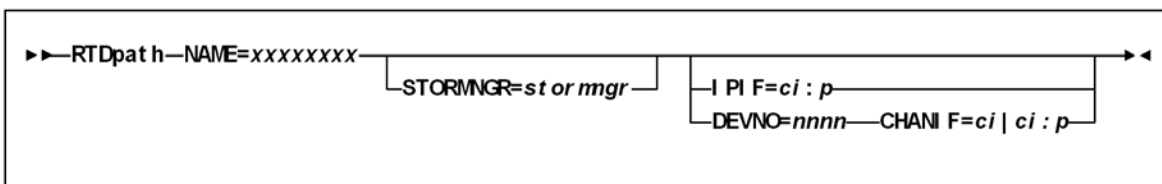
CONFIg MVCVOL Statement



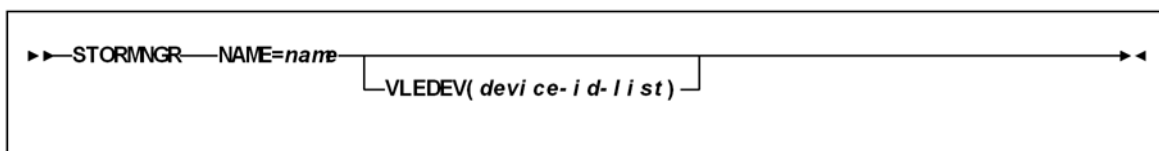
CONFIg RECLAIM Statement



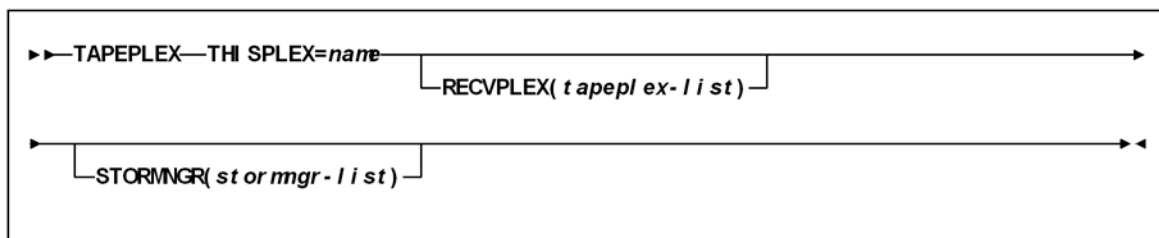
CONFIg RTDpath Statement



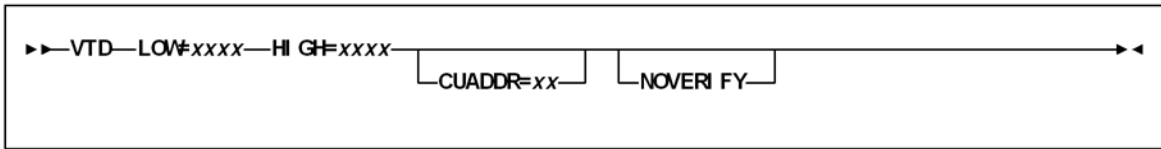
CONFIg STORMNGR



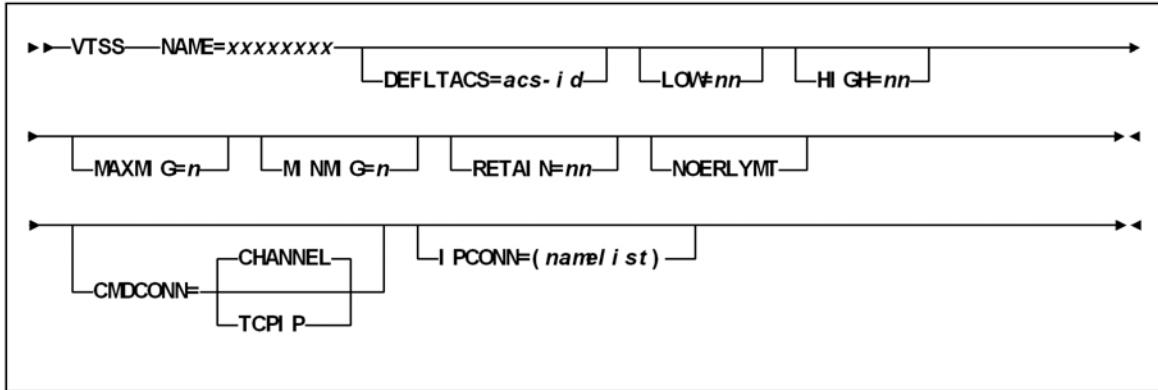
CONFIg TAPEPLEX Statement



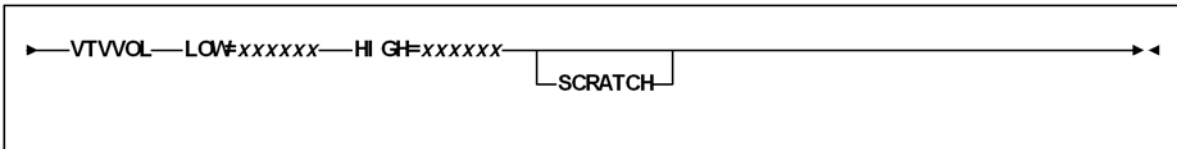
CONFIg VTD Statement



CONFIg VTSS Statement



CONFIg VTVVOL Statement



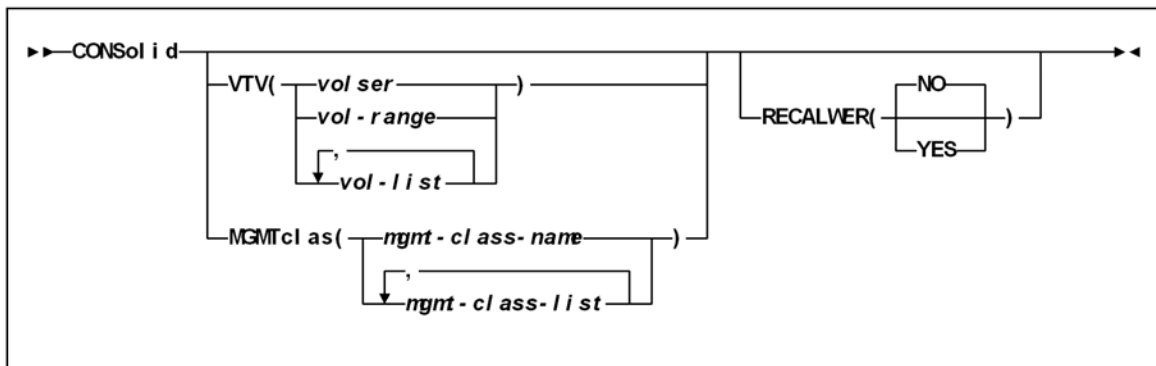
CONSolid

Interfaces:

Console or utility
 UUI: Yes

Subsystem Requirements:

Active HSC/VTCS



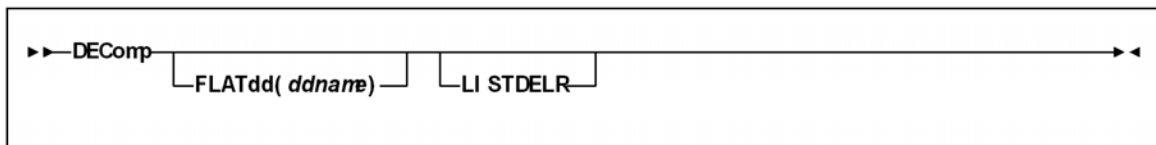
DEComp

Interfaces:

Utility only
 UUI: Yes

Subsystem Requirements:

Active HSC not required



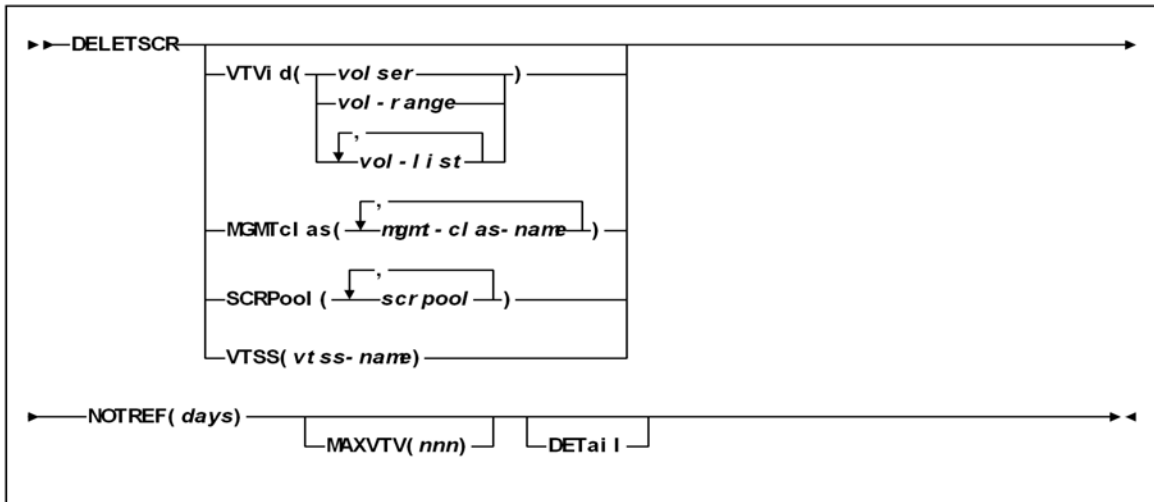
DELETSCR

Interfaces:

Utility only
UII: Yes

Subsystem Requirements:

Active HSC/VTCS



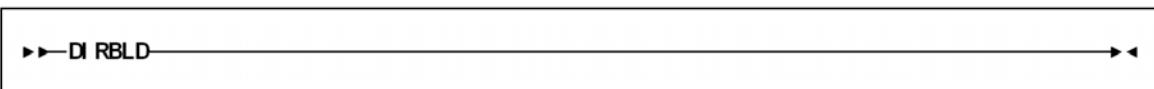
DIRBLD

Interfaces:

Utility only
UII: No

Subsystem Requirements:

Active HSC not required



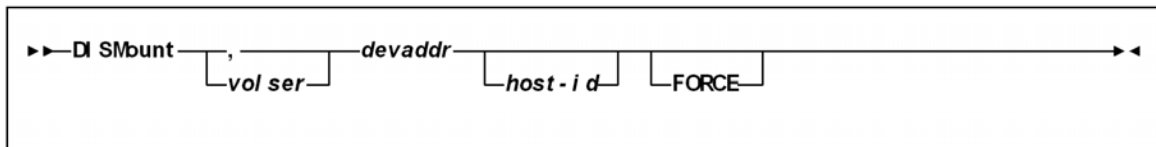
DISMount

Interfaces:

Console or utility
 UUI: Yes

Subsystem Requirements:

Active HSC at FULL service level



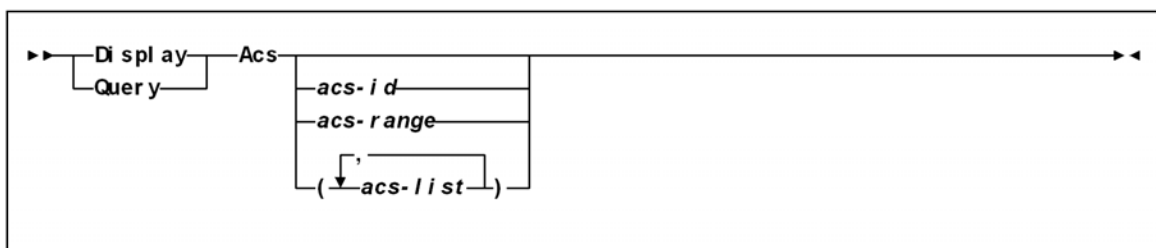
Display Acs

Interfaces:

Console or utility
 UUI: Yes

Subsystem Requirements:

Active HSC at FULL service level



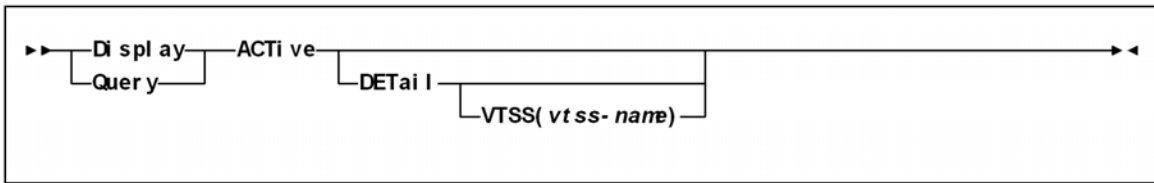
Display ACTive

Interfaces:

Console or utility
UII: Yes

Subsystem Requirements:

Active HSC/VTCS



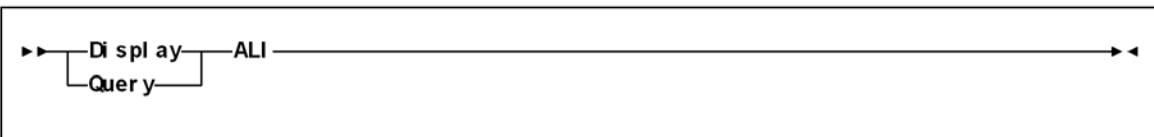
Display ALI

Interfaces:

Console or PARMLIB only
UII: No

Subsystem Requirements:

Active HSC at FULL service level



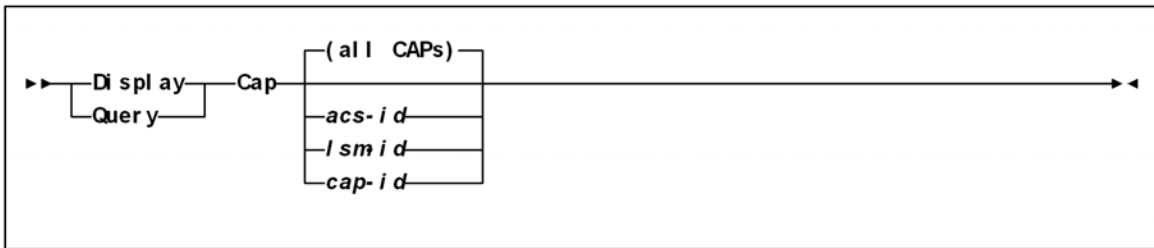
Display Cap

Interfaces:

Console or utility
 UUI: Yes

Subsystem Requirements:

Active HSC at FULL service level



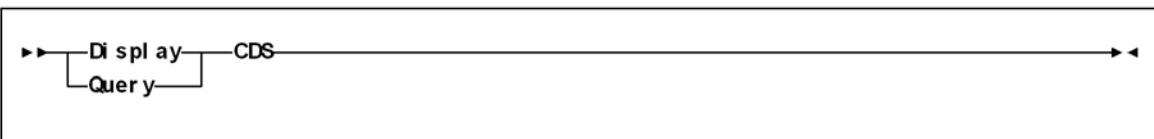
Display CDS

Interfaces:

Console or utility
 UUI: Yes

Subsystem Requirements:

Active HSC at BASE or FULL service level



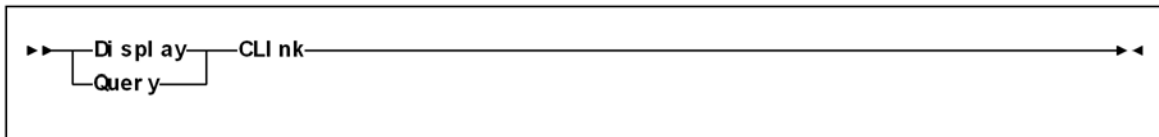
Display CLInk

Interfaces:

Console or utility
UII: Yes

Subsystem Requirements:

Active HSC/VTCS



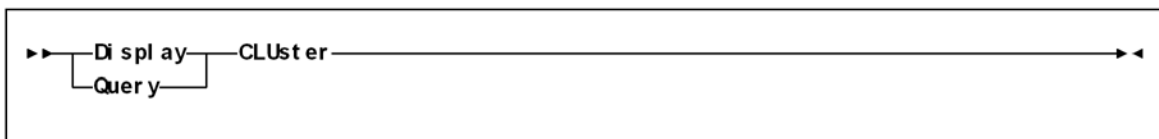
Display CLUster

Interfaces:

Console or utility
UII: Yes

Subsystem Requirements:

Active HSC/VTCS



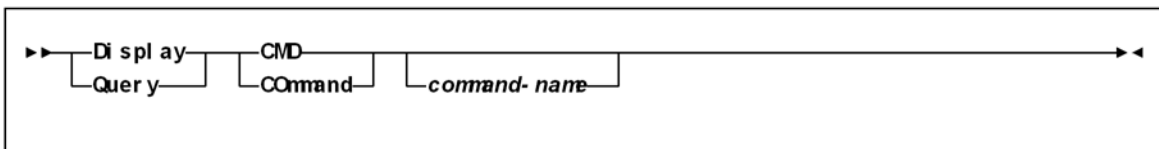
Display CMD

Interfaces:

Console or utility
 UUI: Yes

Subsystem Requirements:

Active HSC at BASE or FULL service level



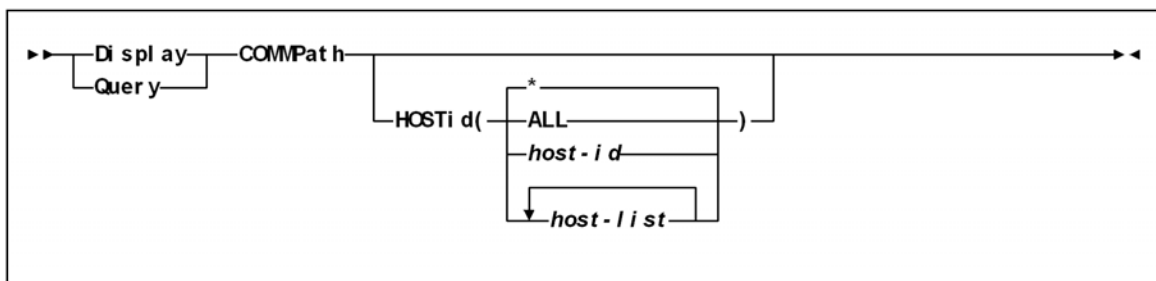
Display COMMPath

Interfaces:

Console or PARMLIB only
 UUI: No

Subsystem Requirements:

Active HSC at BASE or FULL service level



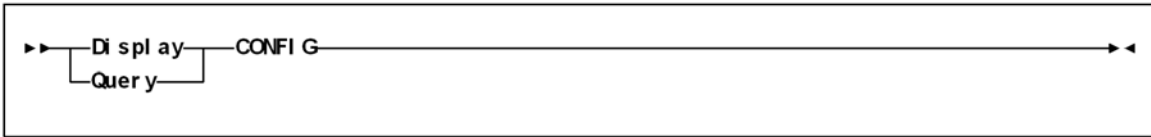
Display CONFIG

Interfaces:

Console or utility
UUI: Yes

Subsystem Requirements:

Active HSC at FULL service level



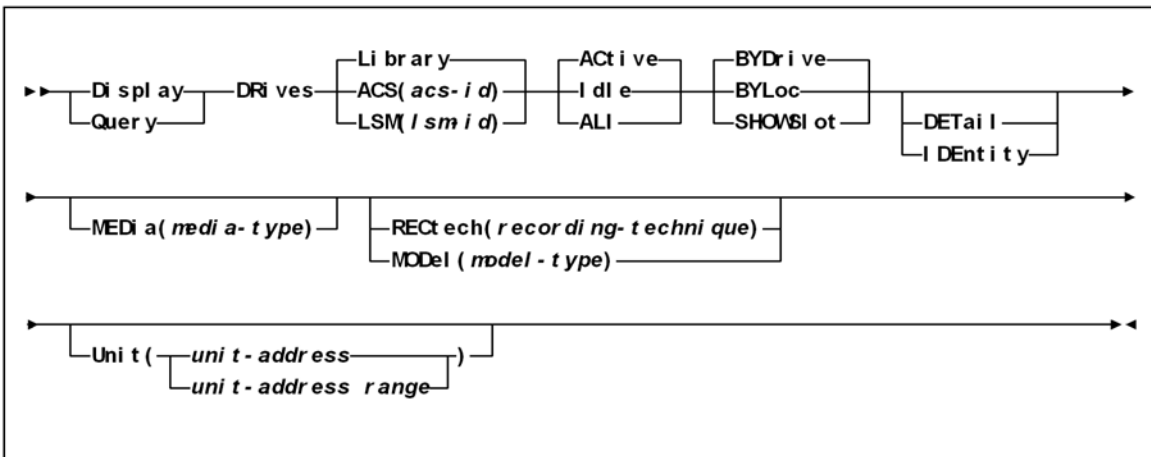
Display DRives

Interfaces:

Console or utility
UUI: Yes

Subsystem Requirements:

Active HSC at FULL service level



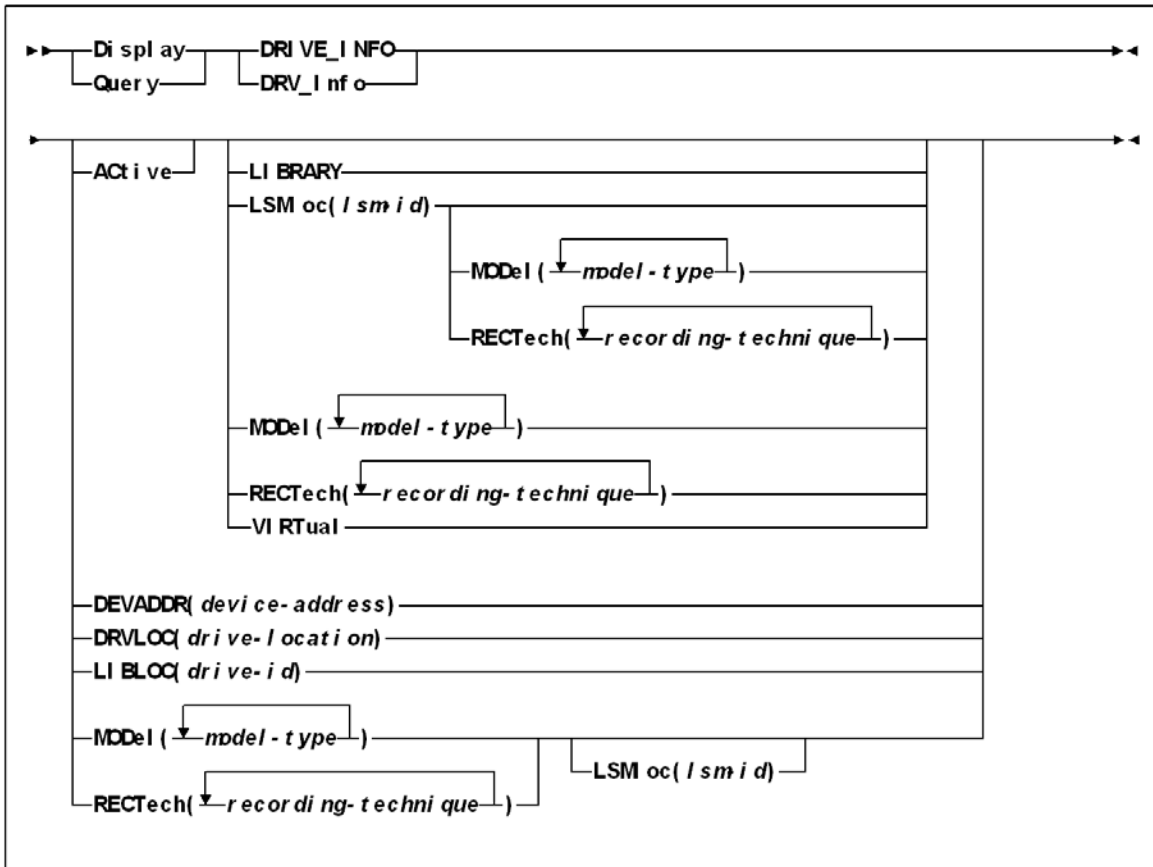
Display DRIVE_INFO

Interfaces:

Console or utility
 UUI: Yes

Subsystem Requirements:

Active HSC/VTCS



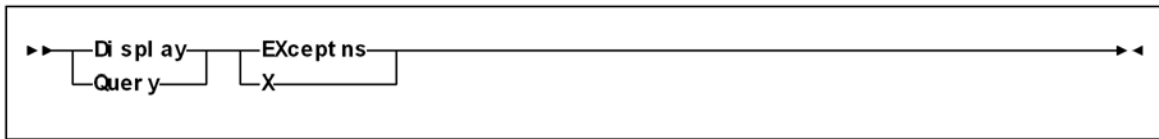
Display EXceptns

Interfaces:

Console or PARMLIB
UII: No

Subsystem Requirements:

Active HSC at FULL service level



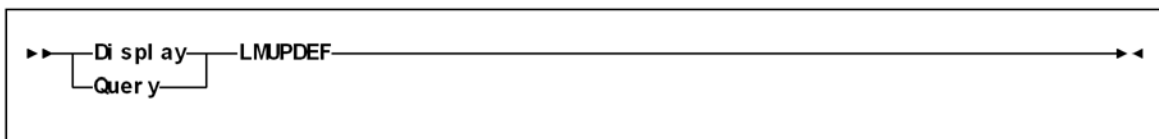
Display LMUPDEF

Interfaces:

Console or PARMLIB
UII: No

Subsystem Requirements:

Active HSC at BASE or FULL service level



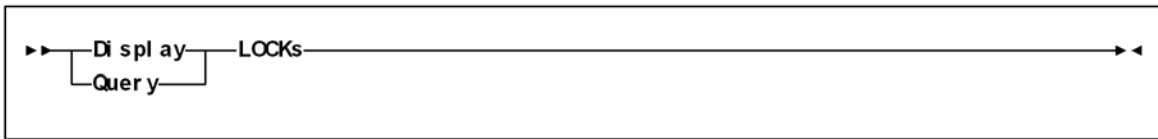
Display LOCKs

Interfaces:

Console or utility
 UUI: Yes

Subsystem Requirements:

Active HSC/VTCS



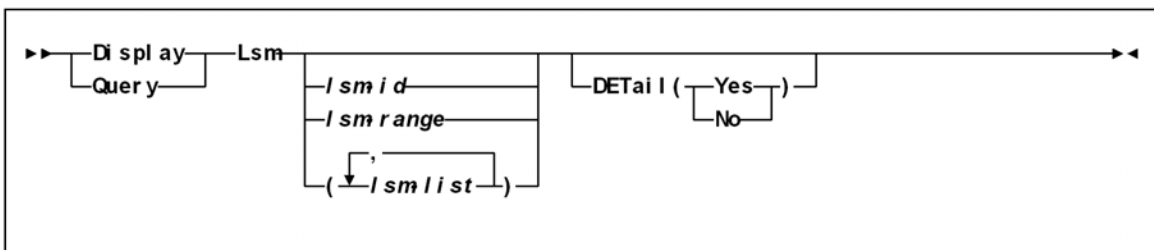
Display Lsm

Interfaces:

Console or utility
 UUI: Yes

Subsystem Requirements:

Active HSC at FULL service level



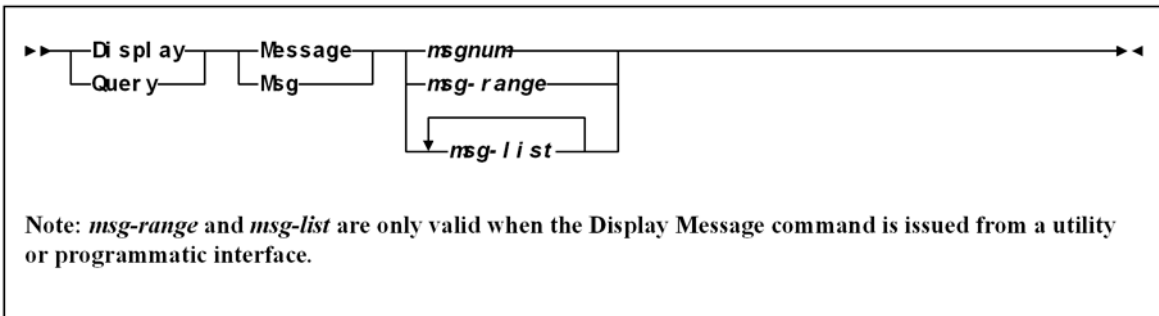
Display Message

Interfaces:

Console or utility
UII: Yes

Subsystem Requirements:

Active HSC at BASE or FULL service level



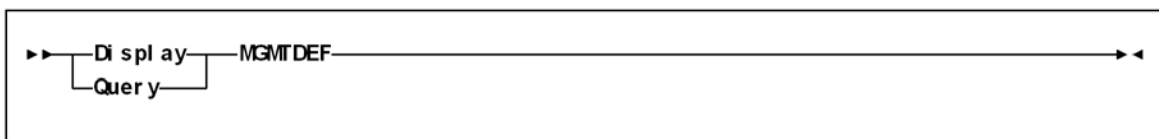
Display MGMTDEF

Interfaces:

Console or PARMLIB
UII: No

Subsystem Requirements:

Active HSC at BASE or FULL service level



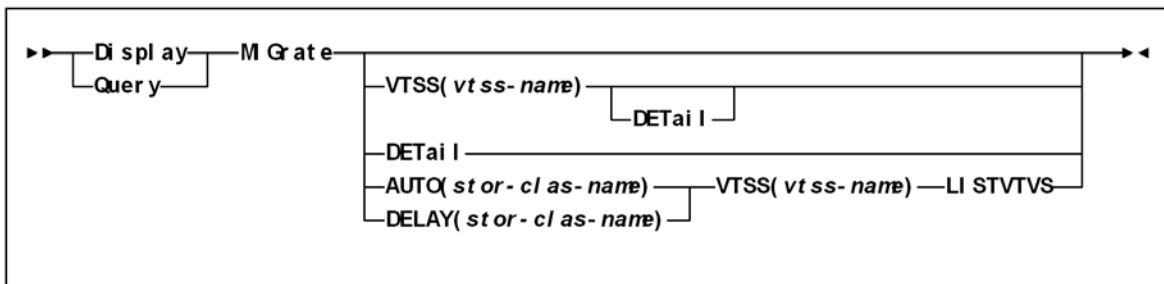
Display MIGrate

Interfaces:

Console or utility
 UUI: Yes

Subsystem Requirements:

Active HSC/VTCS



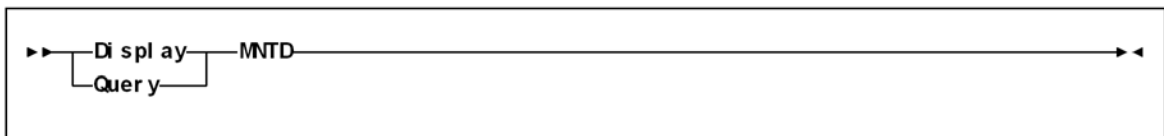
Display MNTD

Interfaces:

Console or PARMLIB
 UUI: No

Subsystem Requirements:

Active HSC at BASE or FULL service level



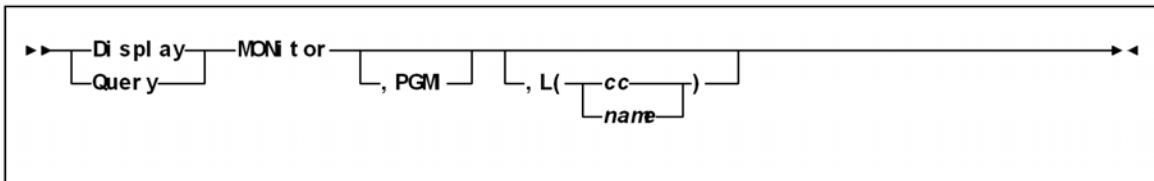
Display MONitor

Interfaces:

Console or PARMLIB
UII: No

Subsystem Requirements:

Active HSC at BASE or FULL service level



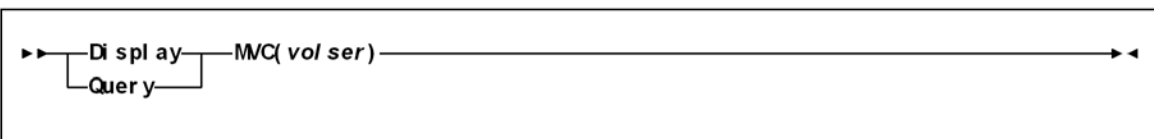
Display MVC

Interfaces:

Console or utility
UII: Yes

Subsystem Requirements:

Active HSC/VTCS



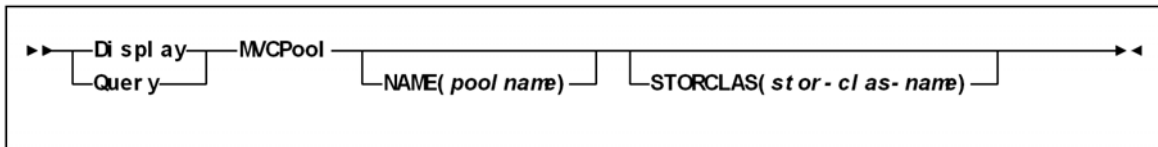
Display MVCPool

Interfaces:

Console or utility
 UUI: Yes

Subsystem Requirements:

Active HSC/VTCS



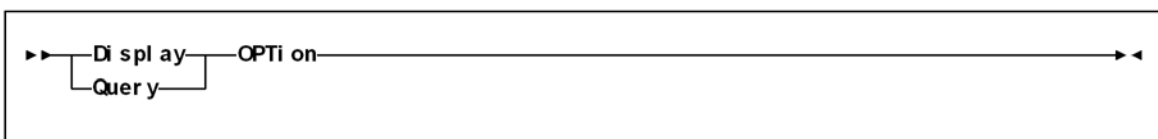
Display OPTion

Interfaces:

Console or PARMLIB
 UUI: No

Subsystem Requirements:

Active HSC at BASE or FULL service level



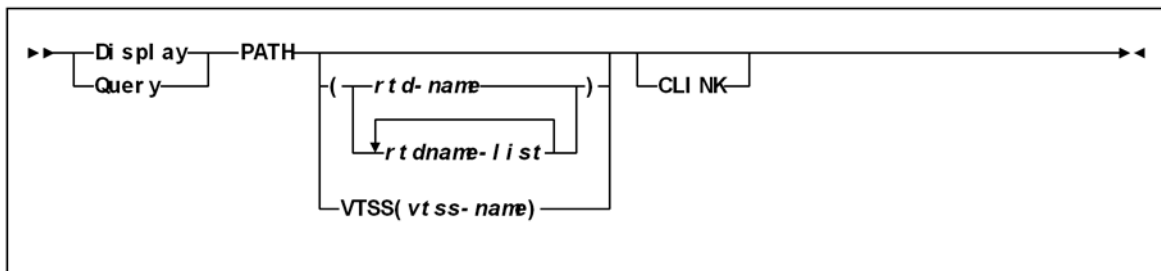
Display PATH

Interfaces:

Console or PARMLIB
UII: No

Subsystem Requirements:

Active HSC/VTCS



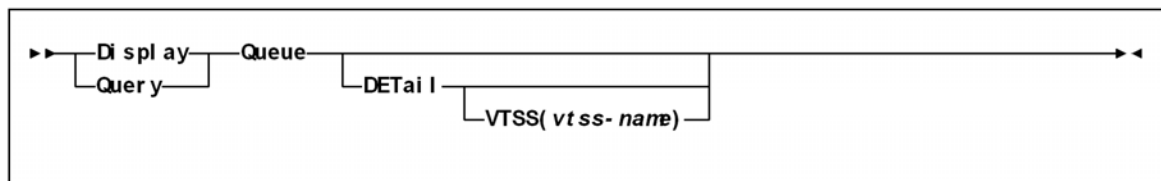
Display Queue

Interfaces:

Console or utility
UII: Yes

Subsystem Requirements:

Active HSC/VTCS



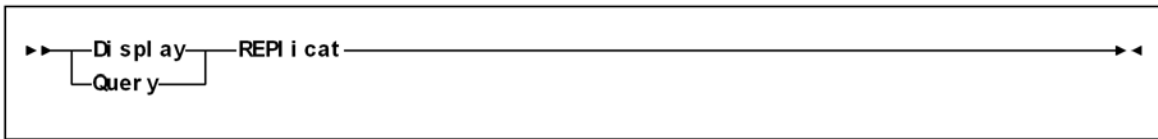
Display REPLICAT

Interfaces:

Console or utility
 UUI: Yes

Subsystem Requirements:

Active HSC/VTCS



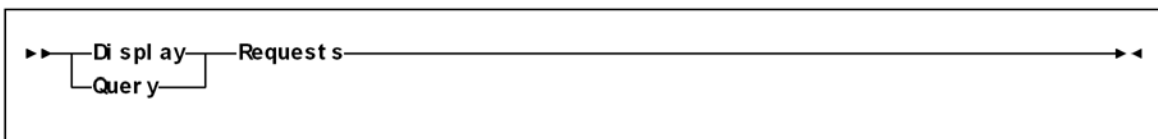
Display Requests

Interfaces:

Console or PARMLIB
 UUI: Yes

Subsystem Requirements:

Active HSC at BASE or FULL service level



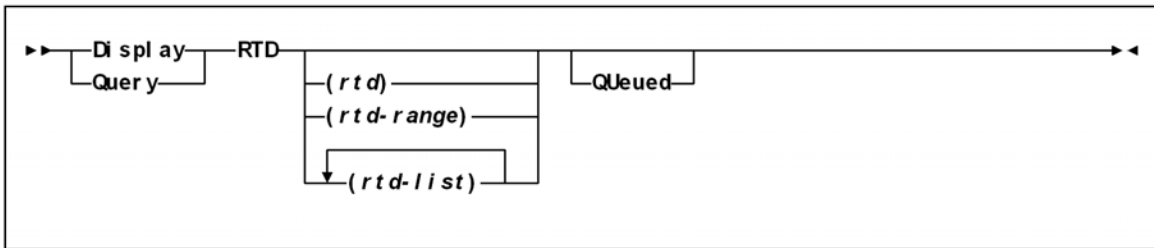
Display RTD

Interfaces:

Console or utility
UII: Yes

Subsystem Requirements:

Active HSC/VTCS



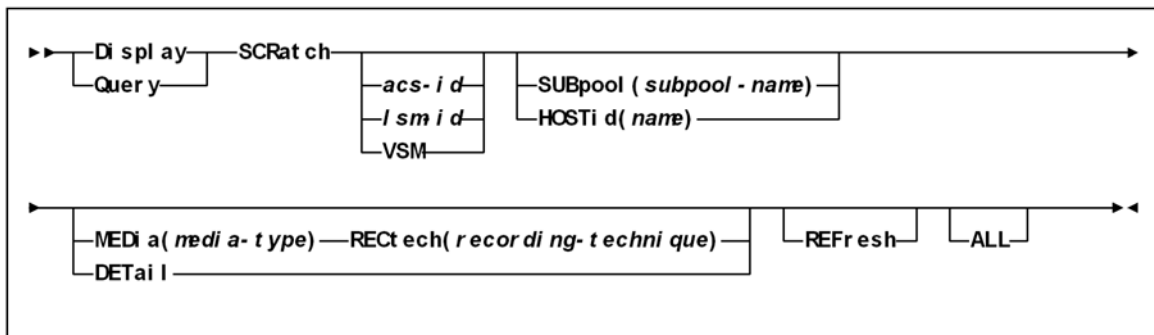
Display SCRatch

Interfaces:

Console or utility
UII: Yes

Subsystem Requirements:

Active HSC at BASE or FULL service level



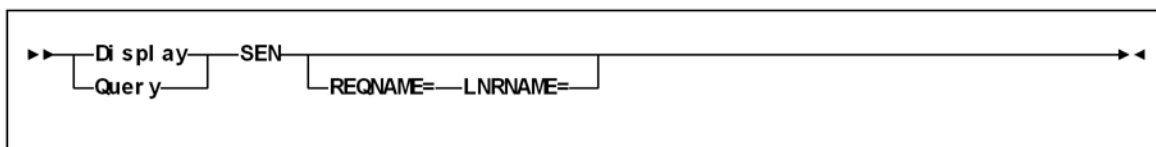
Display SEN

Interfaces:

Console or PARMLIB
 UUI: No

Subsystem Requirements:

Active HSC at BASE or FULL service level



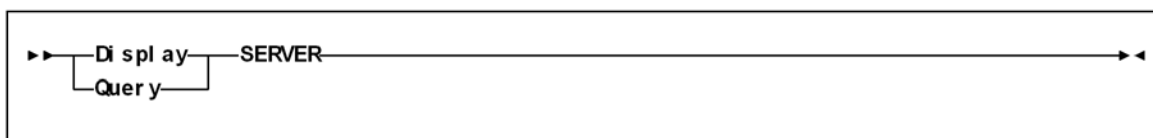
Display SERVER

Interfaces:

Console or utility
 UUI: Yes

Subsystem Requirements:

Active HSC/VTCS



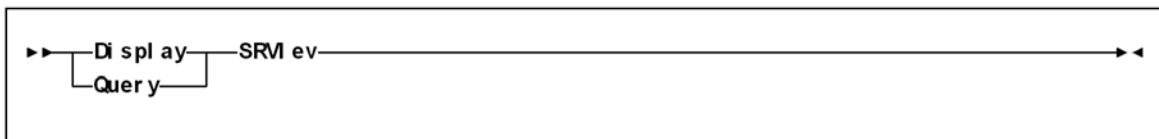
Display SRVlev

Interfaces:

Console or utility
UII: Yes

Subsystem Requirements:

Active HSC at FULL service level



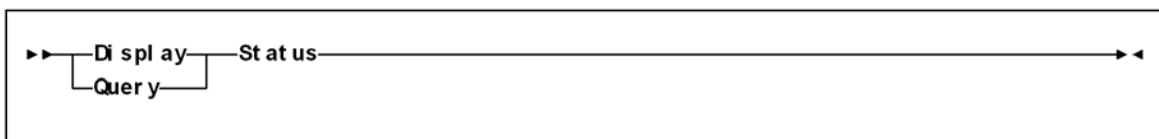
Display Status

Interfaces:

Console or PARMLIB
UII: No

Subsystem Requirements:

Active HSC at BASE or FULL service level



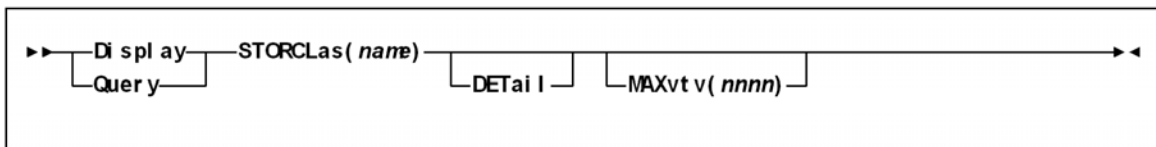
Display STORCLas

Interfaces:

Console or utility
 UUI: Yes

Subsystem Requirements:

Active HSC/VTCS



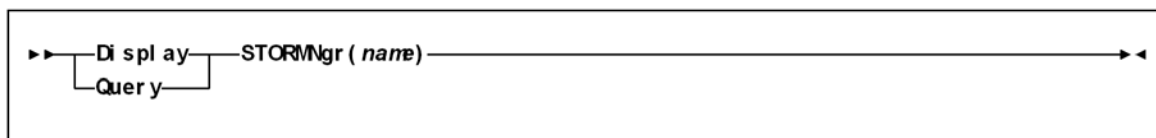
Display STORMNgr

Interfaces:

Console or PARMLIB
 UUI: No

Subsystem Requirements:

Active HSC/VTCS



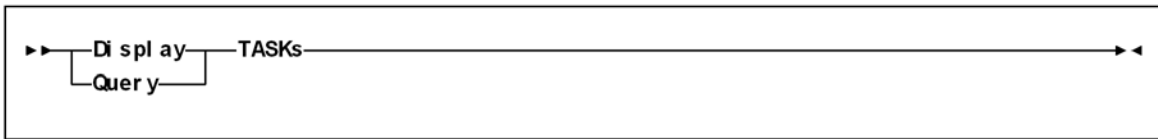
Display TASKs

Interfaces:

Console or utility
UII: Yes

Subsystem Requirements:

Active HSC at BASE or FULL service level



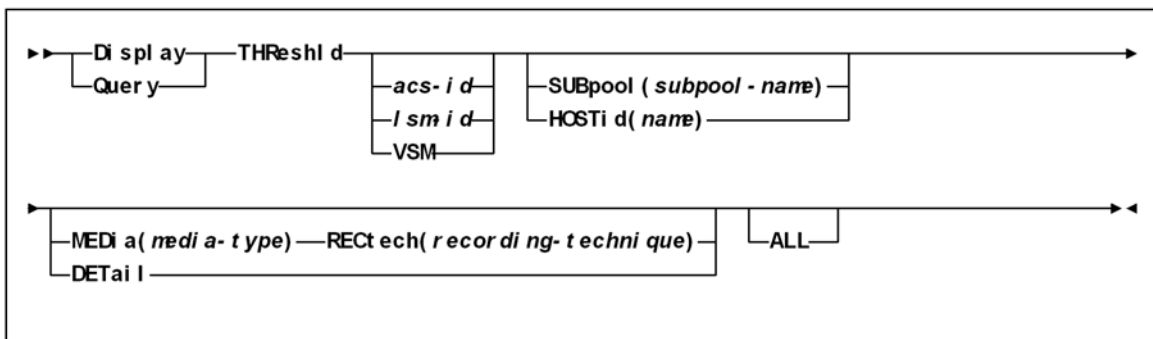
Display THReshld

Interfaces:

Console or utility
UII: Yes

Subsystem Requirements:

Active HSC at BASE or FULL service level



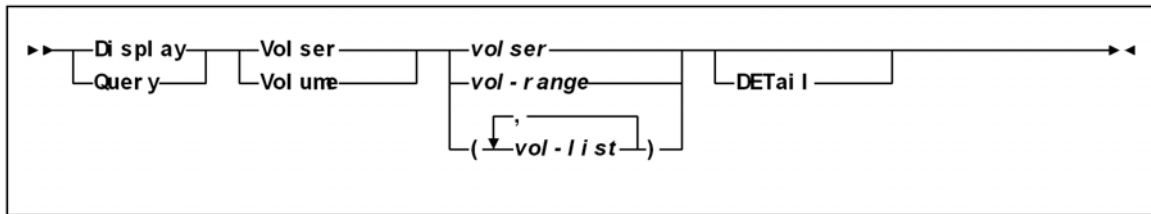
Display Volser

Interfaces:

Console or utility
 UUI: Yes

Subsystem Requirements:

Active HSC at BASE or FULL service level



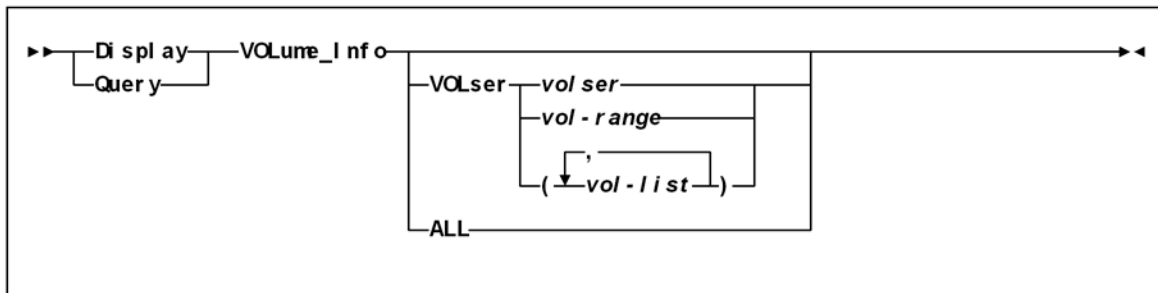
Display VOLume_Info

Interfaces:

Console or utility
 UUI: Yes

Subsystem Requirements:

Active HSC/VTCS



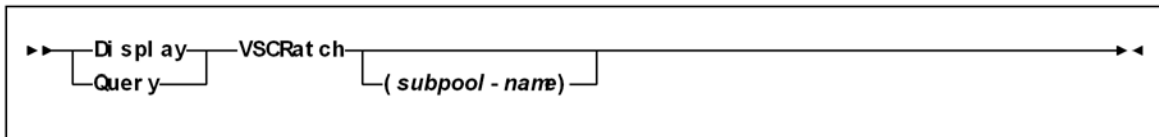
Display VSCRatch

Interfaces:

Console or utility
UII: Yes

Subsystem Requirements:

Active HSC/VTCS



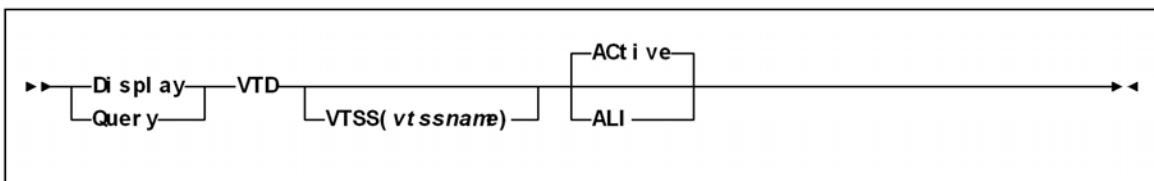
Display VTD

Interfaces:

Console or utility
UII: Yes

Subsystem Requirements:

Active HSC/VTCS



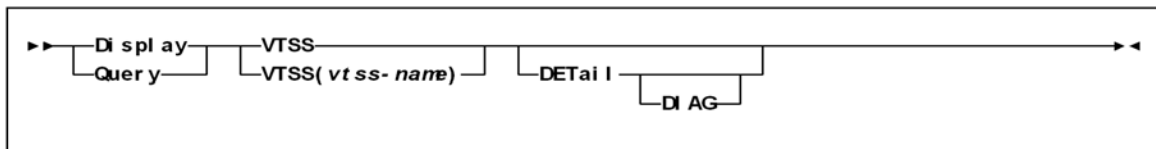
Display VTSS

Interfaces:

Console or utility
 UUI: Yes

Subsystem Requirements:

Active HSC/VTCS



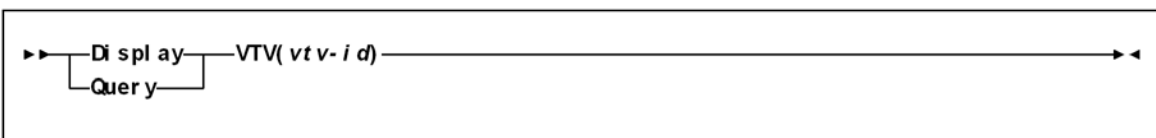
Display VTV

Interfaces:

Console or utility
 UUI: Yes

Subsystem Requirements:

Active HSC/VTCS



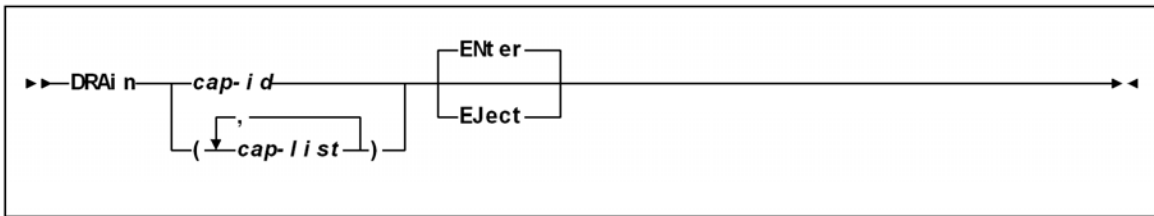
DRAin

Interfaces:

Console or PARMLIB only
UII: No

Subsystem Requirements:

Active HSC at FULL service level



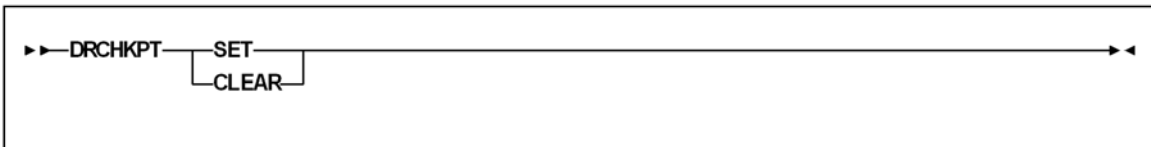
DRCHKPT

Interfaces:

SLUADMIN utility only
UII: No

Subsystem Requirements:

Active HSC/VTCS at FULL service level



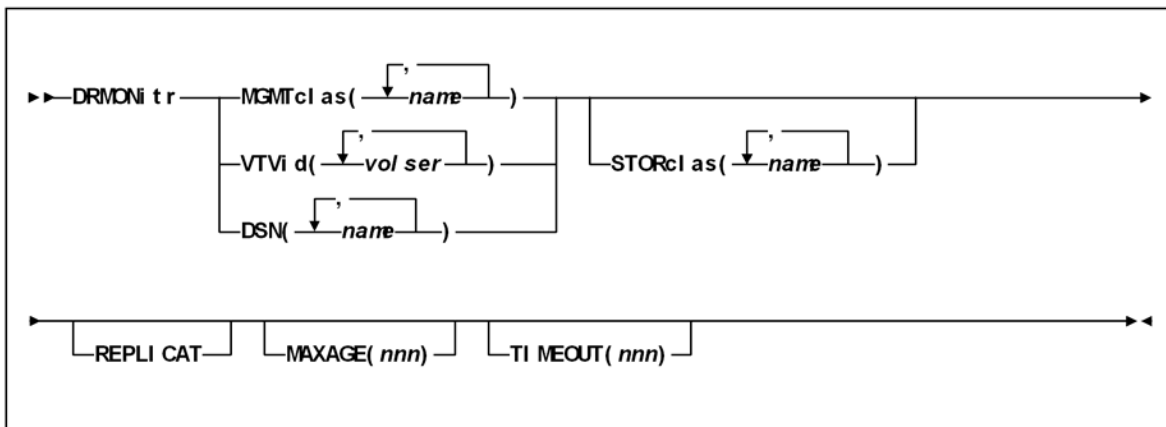
DRMONitr

Interfaces:

SLUADMIN utility only
 UUI: No

Subsystem Requirements:

Active HSC/VTCS at FULL service level



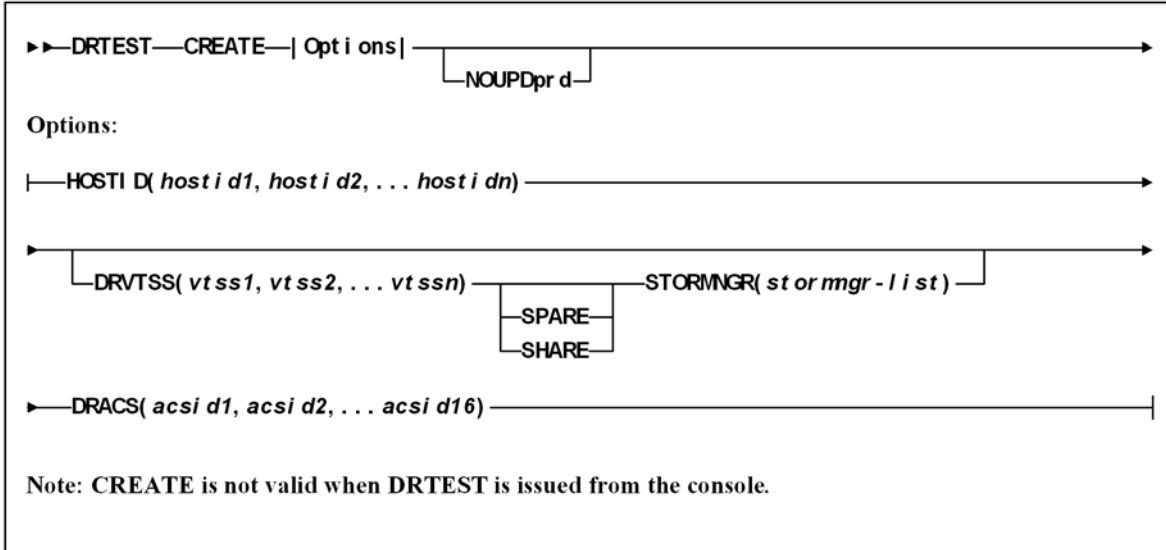
DRTEST CREATE

Interfaces:

SLUADMIN utility only
UII: No

Subsystem Requirements:

Active HSC not required



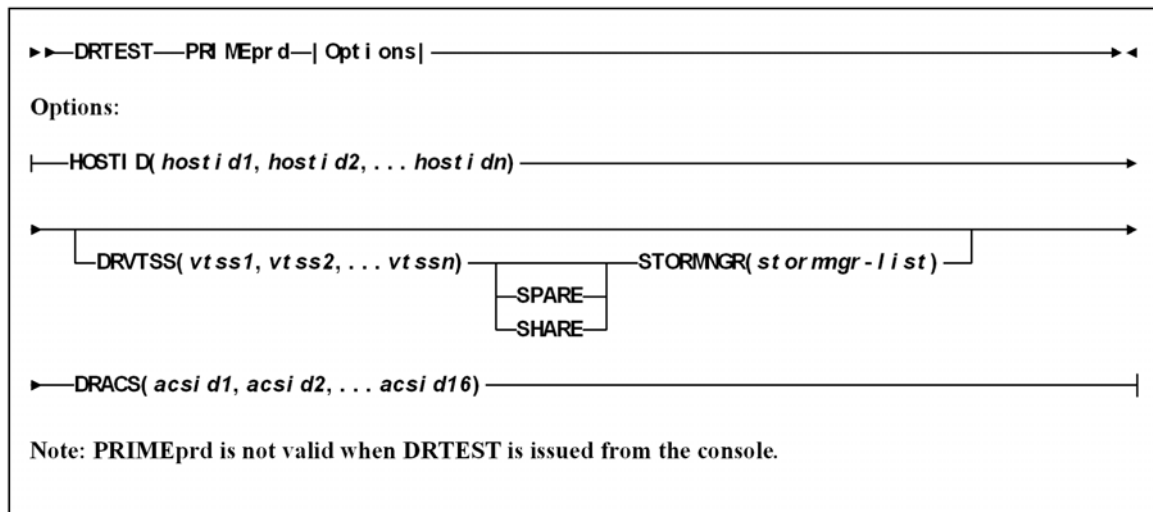
DRTEST PRIMEprd

Interfaces:

SLUADMIN utility only
 UUI: No

Subsystem Requirements:

Active HSC not required



DRTEST RESET

Interfaces:

SLUADMIN utility only
UII: No

Subsystem Requirements:

Active HSC not required

▶▶ DRTEST—RESET —————▶▶

Note: RESET is not valid when DRTEST is issued from the console.

DRTEST START

Interfaces:

Console or utility
UII: Yes

Subsystem Requirements:

Active HSC at FULL service level

▶▶ DRTEST—START —————▶▶

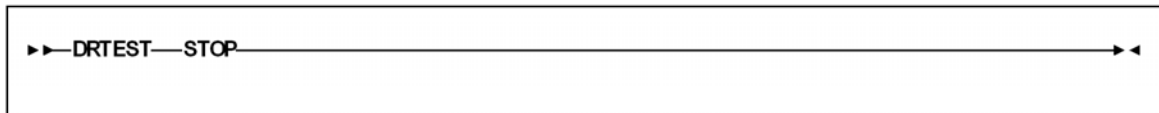
DRTEST STOP

Interfaces:

Console or utility
UII: Yes

Subsystem Requirements:

Active HSC at FULL service level



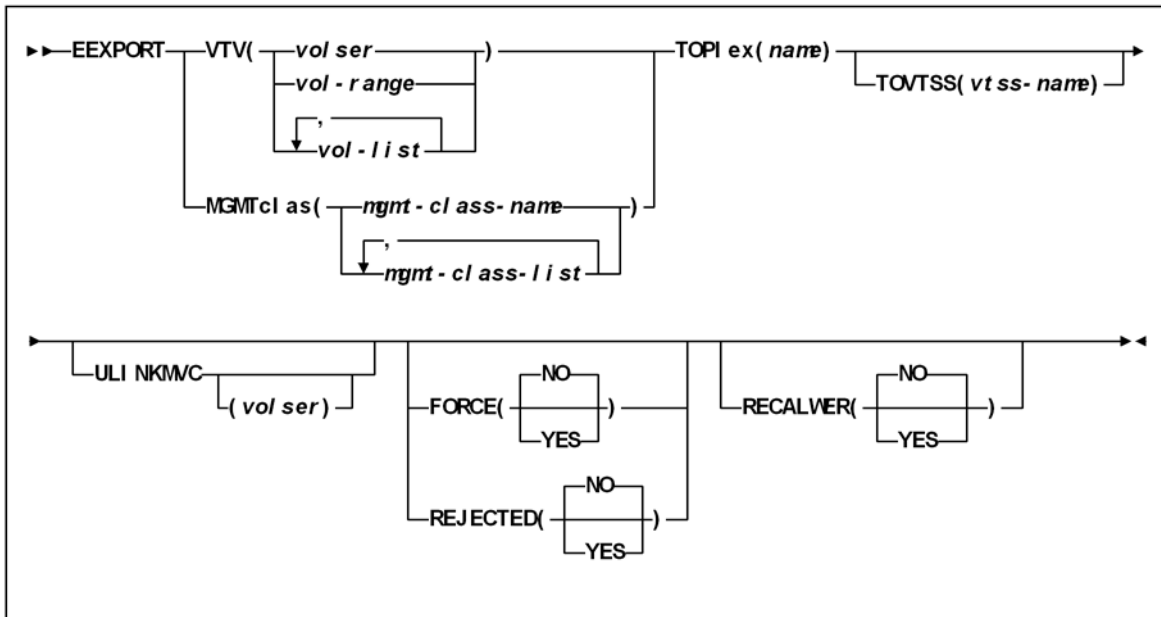
EEXPORT

Interfaces:

Console or utility
 UUI: Yes

Subsystem Requirements:

Active HSC not required



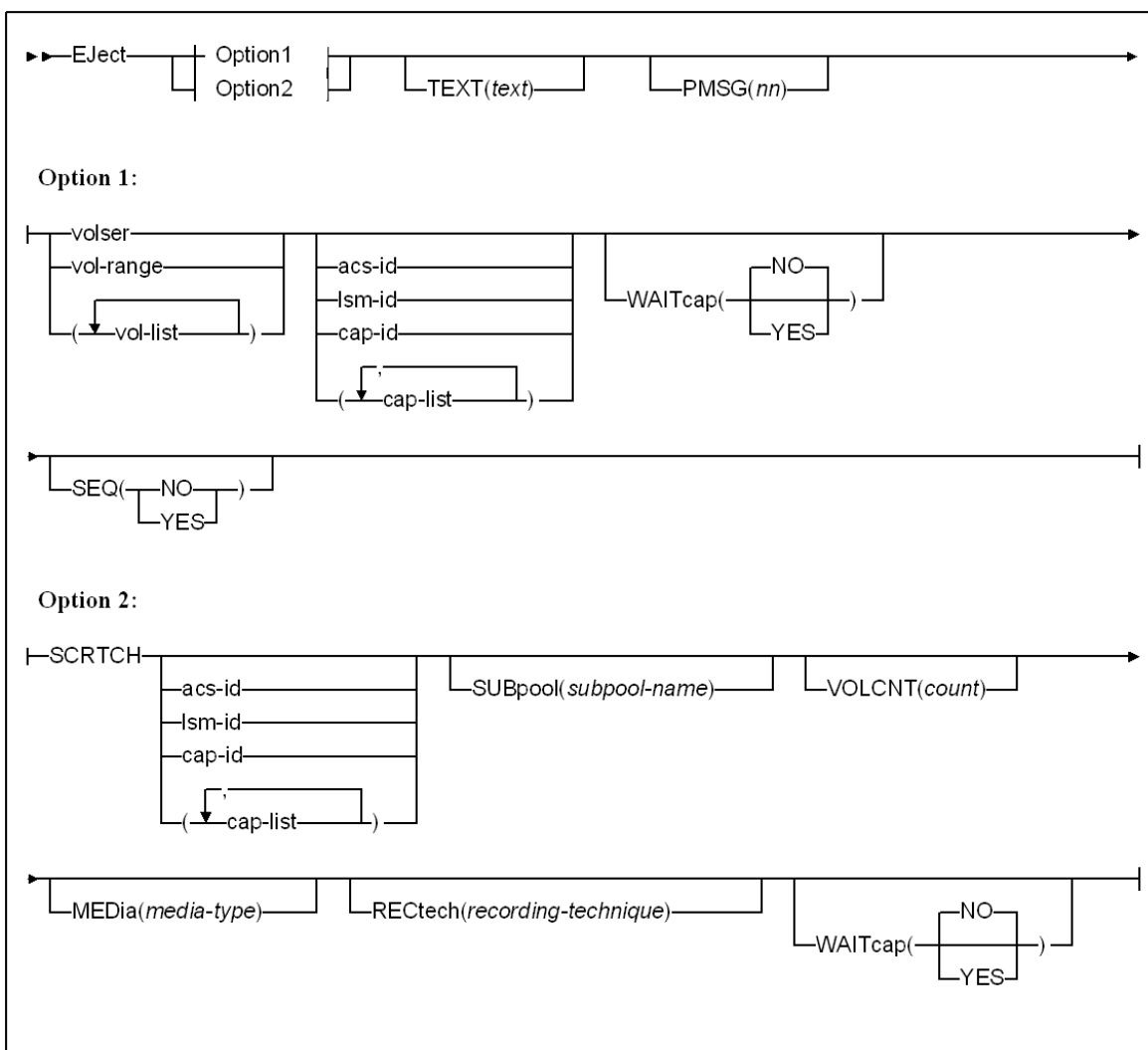
Eject

Interfaces:

Console or utility
 UUI: Yes

Subsystem Requirements:

Active HSC at FULL service level



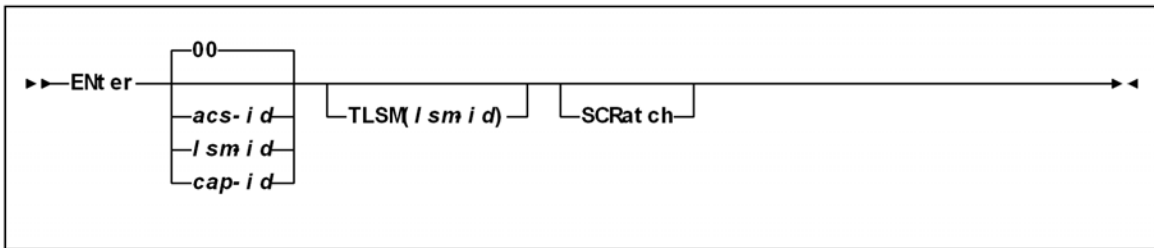
ENter

Interfaces:

Console or utility
UII: Yes

Subsystem Requirements:

Active HSC at FULL service level



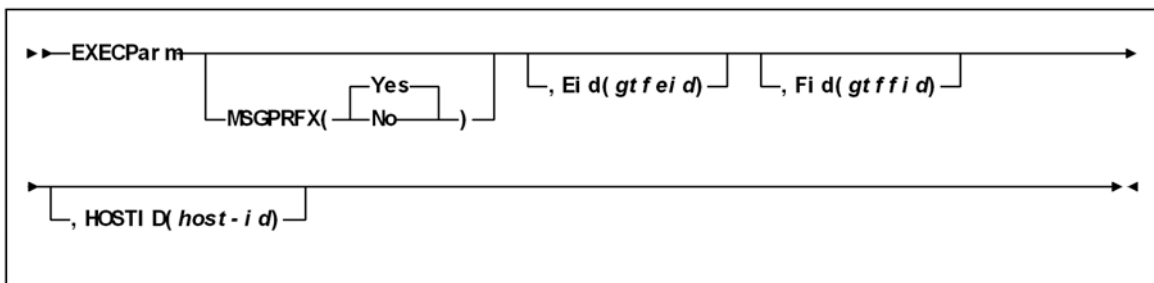
EXECPar m

Interfaces:

PARMLIB only
UII: No

Subsystem Requirements:

None



EXPORT

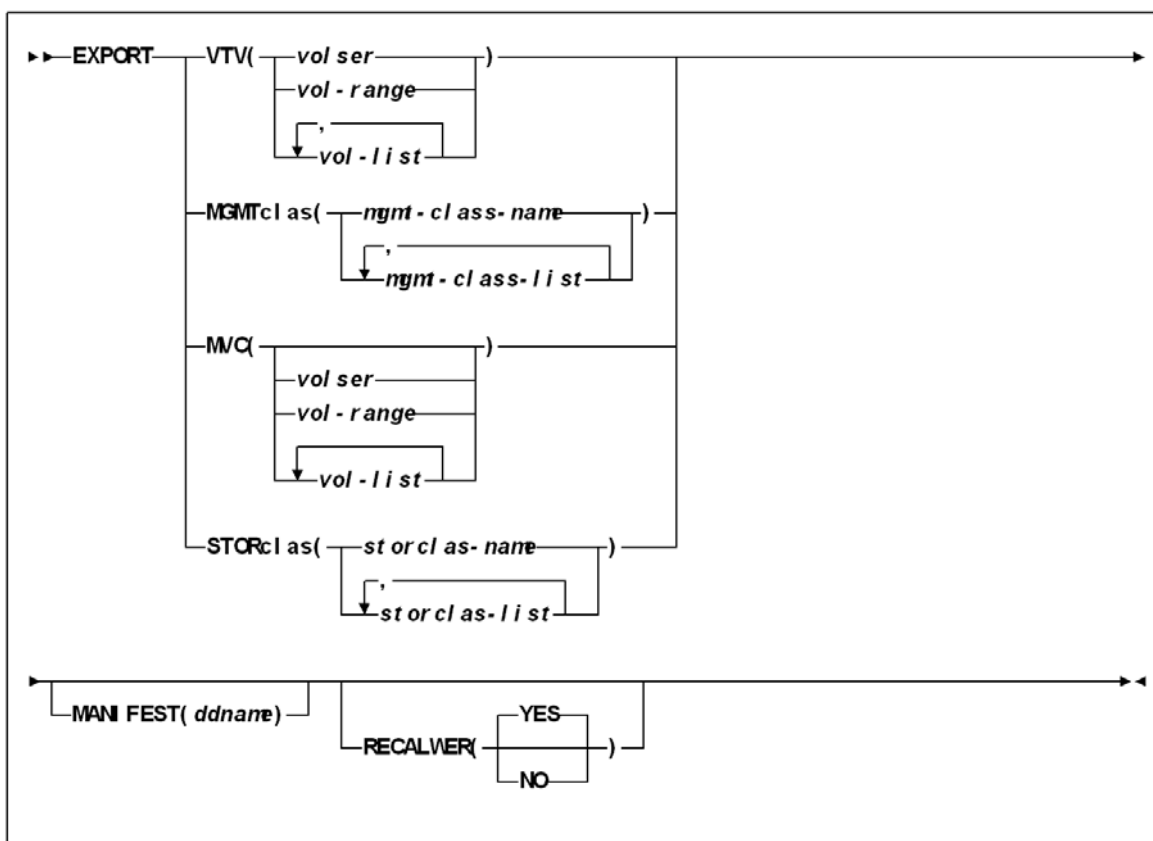
Interfaces:

Utility only

UUI: Yes

Subsystem Requirements:

- Active HSC/VTCS at FULL service level required when specifying the VTV, MGMTCLAS, or STORCLAS parameter.
- Active HSC/VTCS not required when specifying the MVC parameter.



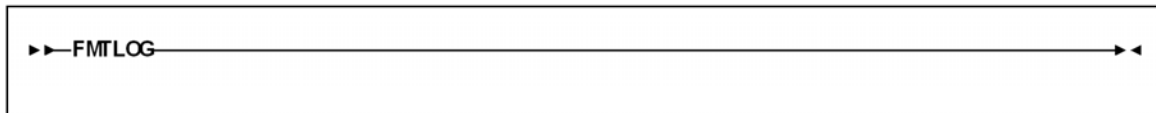
FMTLOG

Interfaces:

SLUADMIN utility only
UII: No

Subsystem Requirements:

Active HSC not required



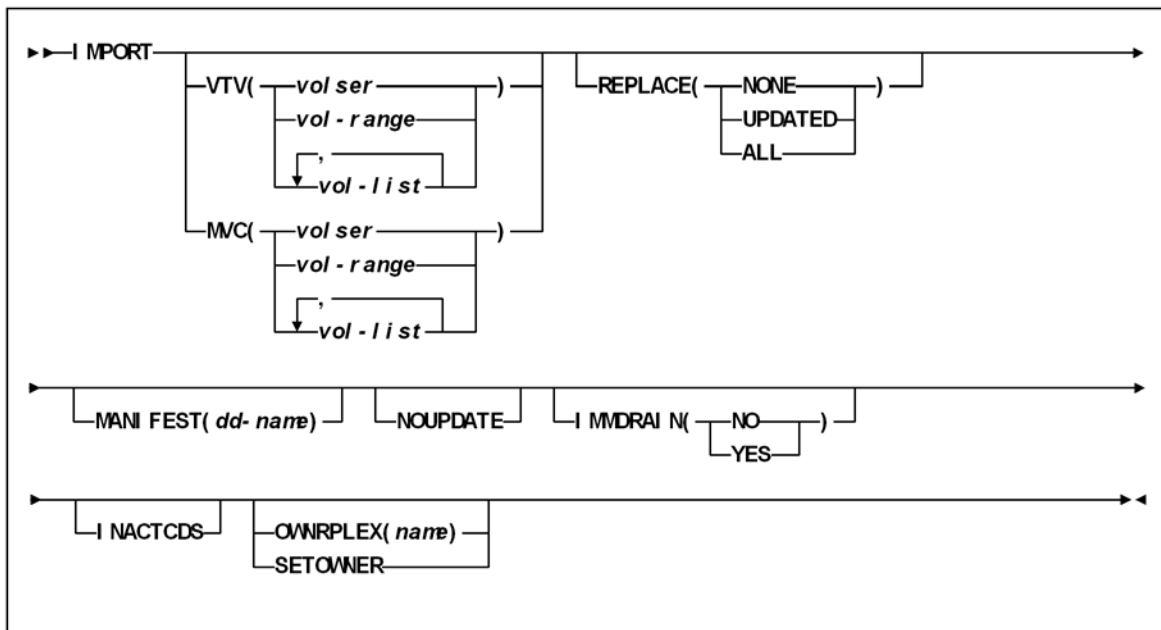
IMPORT

Interfaces:

Utility only
 UUI: Yes

Subsystem Requirements:

Active HSC/VTCS not required



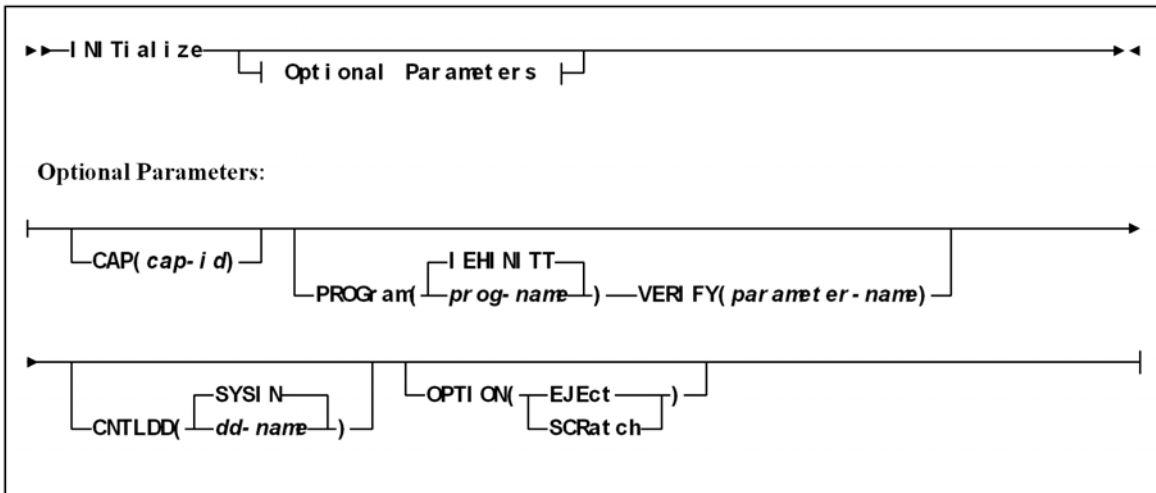
INITialize

Interfaces:

SLUADMIN utility only
 UUI: No

Subsystem Requirements:

Active HSC at FULL service level



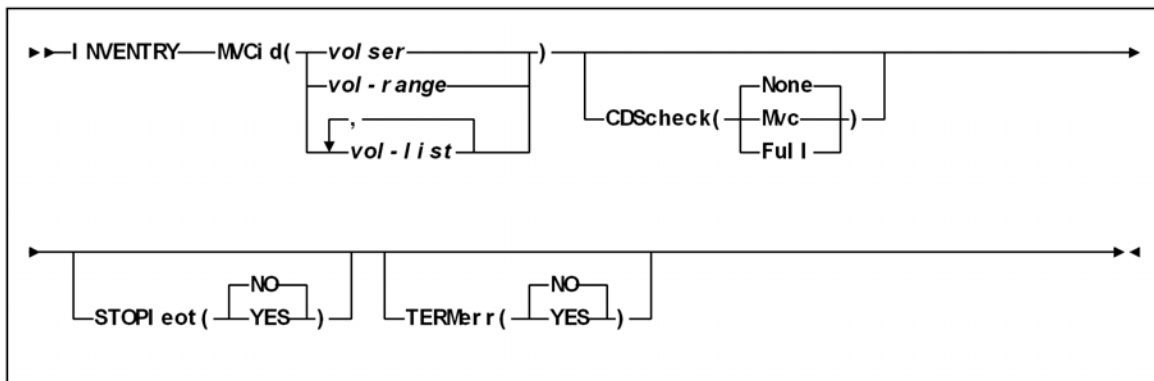
INVENTORY

Interfaces:

Utility only
 UUI: Yes

Subsystem Requirements:

Active HSC/VTCS



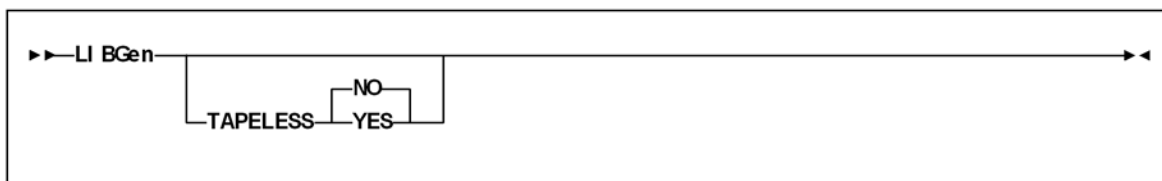
LIBGen

Interfaces:

SLUADMIN utility only
 UUI: No

Subsystem Requirements:

Active HSC not required



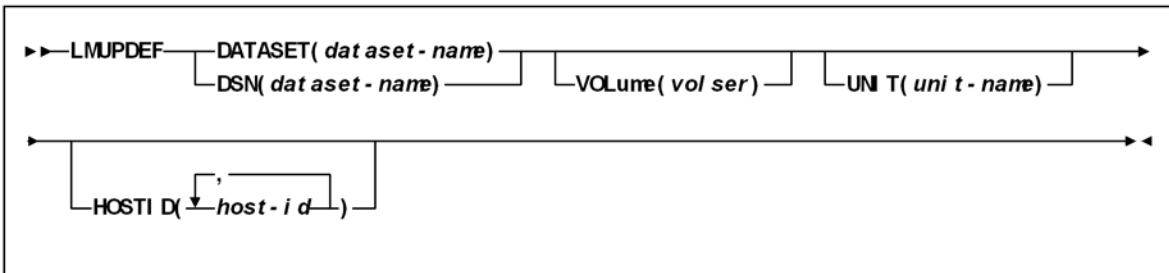
LMUPDEF

Interfaces:

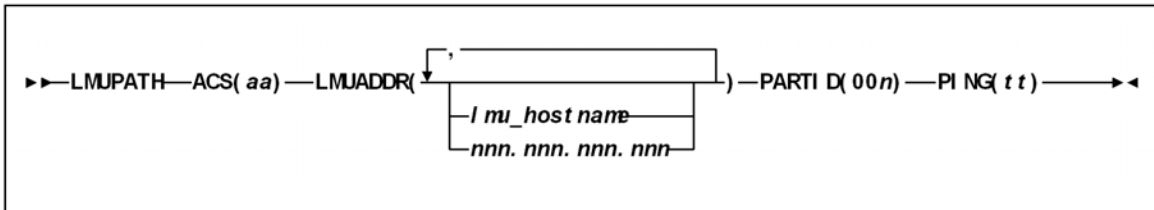
Console or PARMLIB
 UUI: No

Subsystem Requirements:

Active HSC at BASE or FULL service level



LMUPATH Control Statement



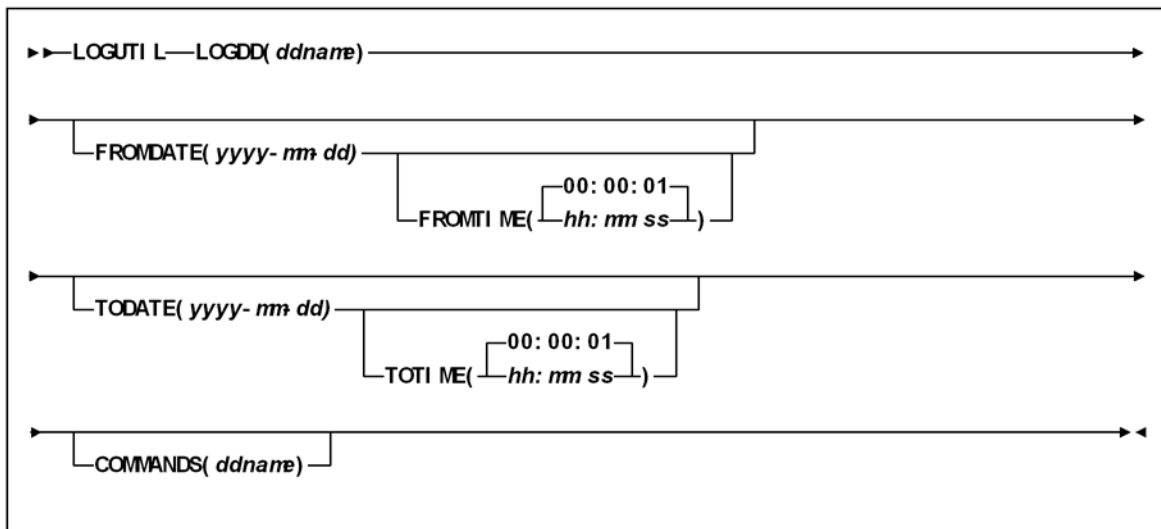
LOGUTIL

Interfaces:

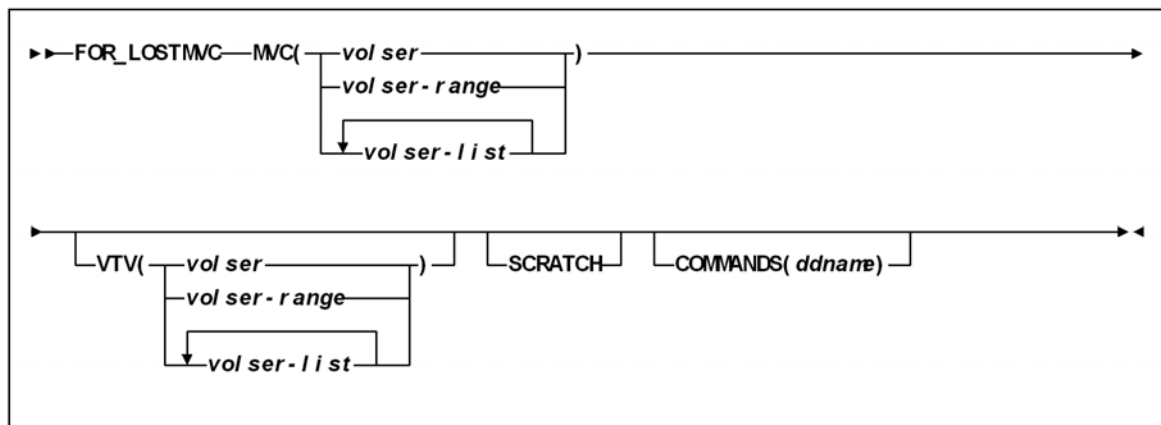
SLUADMIN utility only
 UUI: No

Subsystem Requirements:

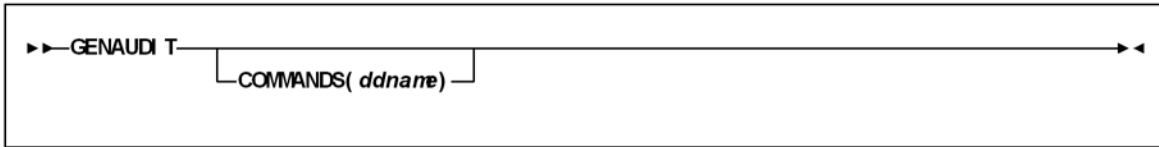
Active HSC not required



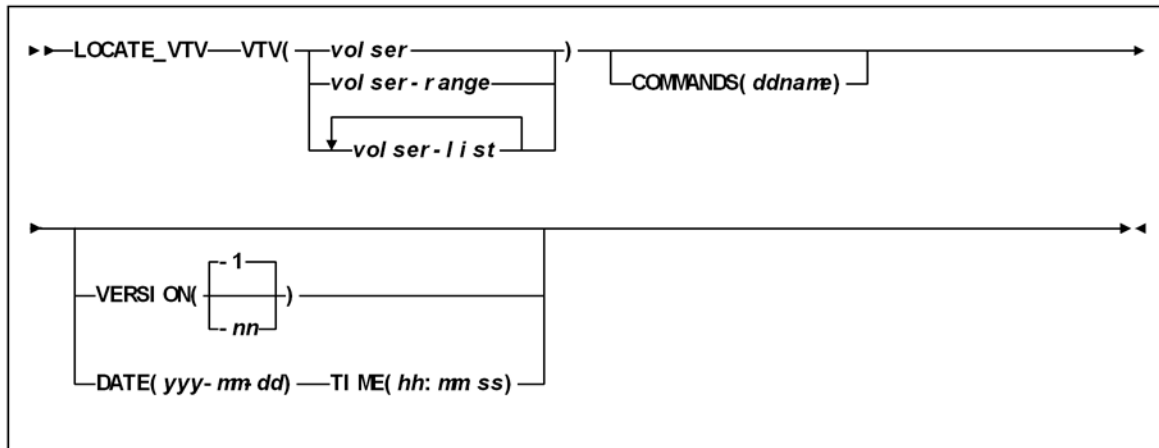
LOGUTIL FOR_LOSTMVC Statement



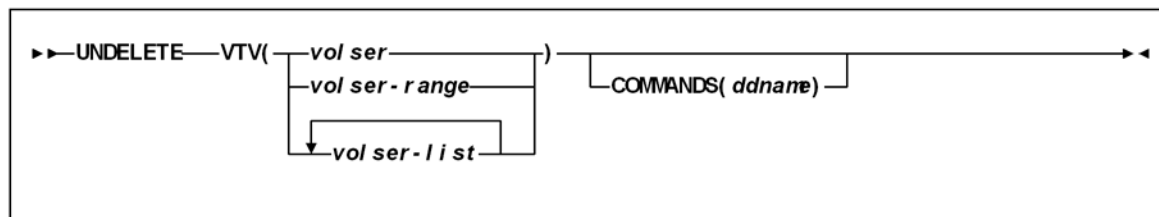
LOGUTIL GENAUDIT Statement



LOGUTIL LOCATE_VTV



LOGUTIL UNDELETE Statement



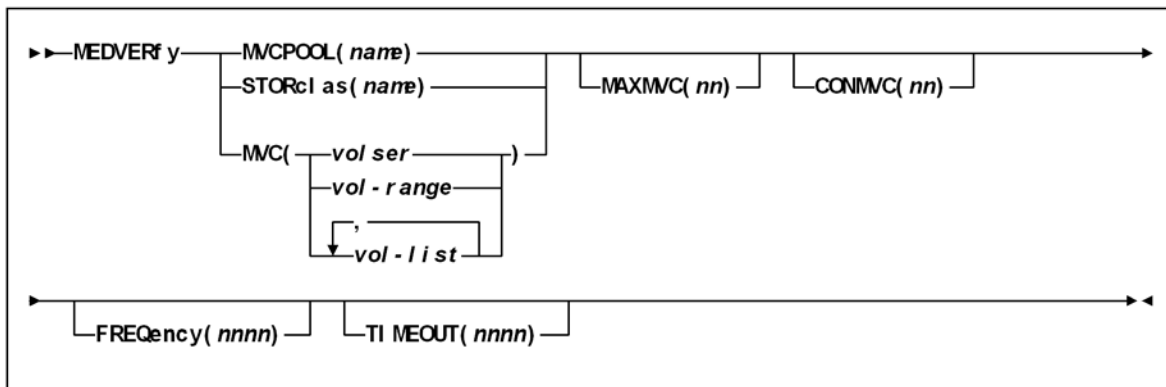
MEDVERfy

Interfaces:

SLUADMIN utility only
 UUI: No

Subsystem Requirements:

Active HSC/VTCS



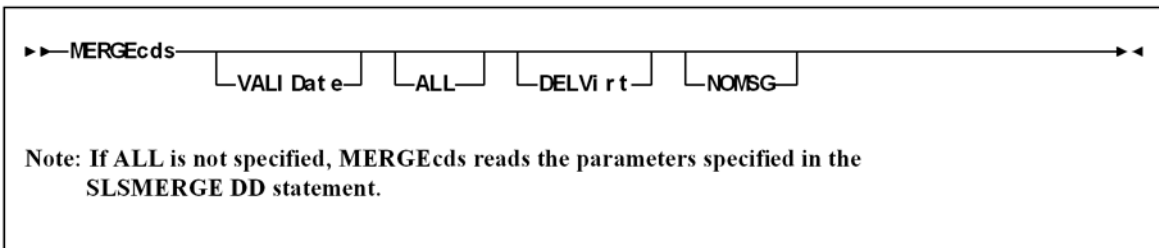
MERGEcds

Interfaces:

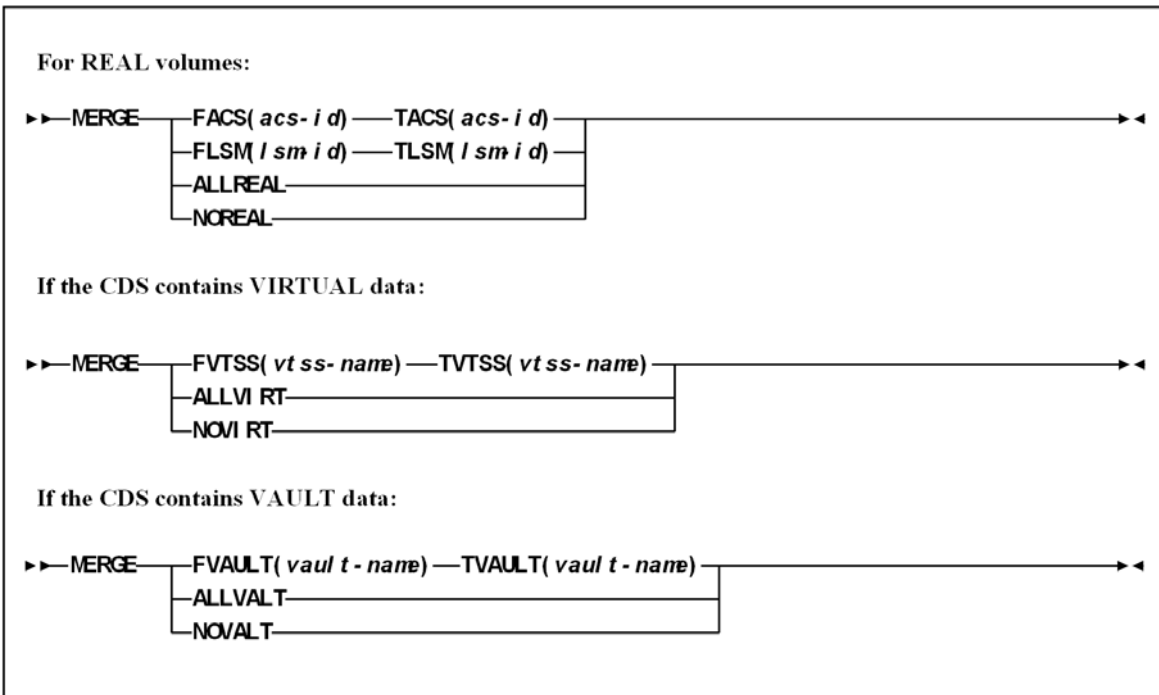
SLUADMIN utility only
 UUI: No

Subsystem Requirements:

Active HSC at BASE service level only



SLSMERGE Control Statement



MERGMFST

Interfaces:

Utility only
 UUI: Yes

Subsystem Requirements:

Active HSC not required

▶▶ MERGMFST — MERGEIN(*manifest*) — MERGEOUT(*manifest*) —————▶▶

METAdat a

Interfaces:

Utility only
 UUI: Yes

Subsystem Requirements:

Active HSC/VTCS

▶▶ METAdat a —————▶▶
 └─ *command- name* ─┘

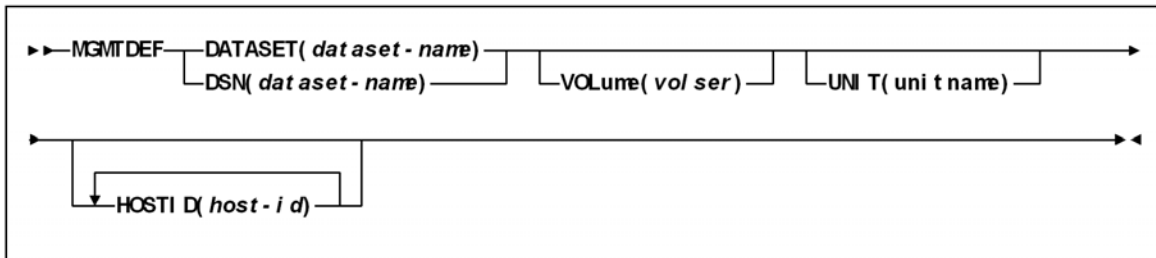
MGMTDEF

Interfaces:

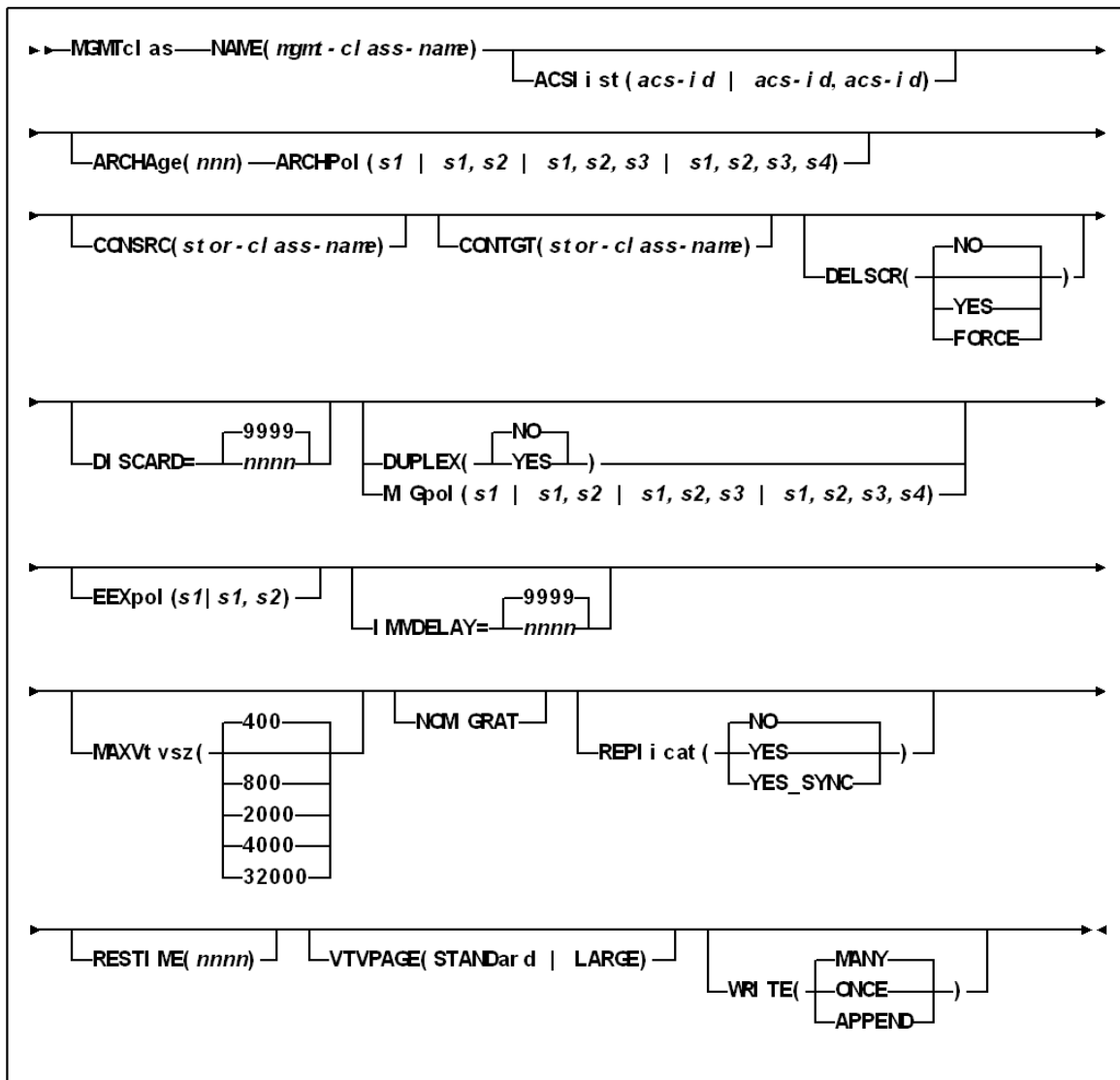
Console or PARMLIB only
UII: No

Subsystem Requirements:

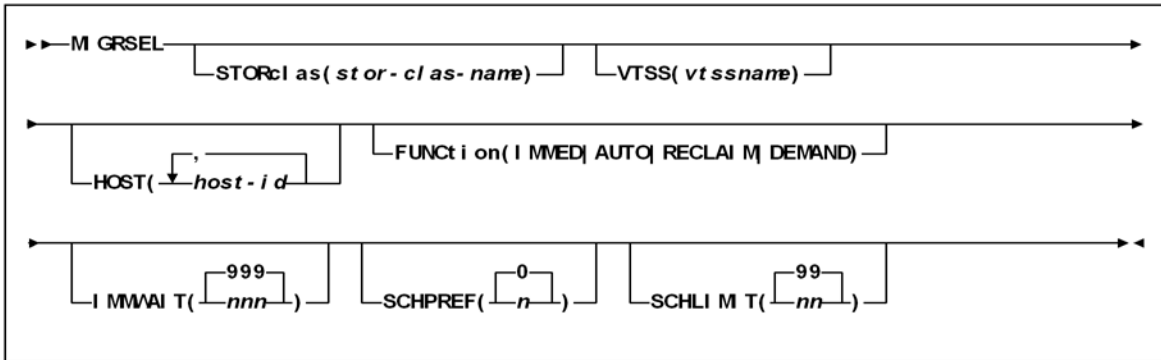
Active HSC at BASE or FULL service level



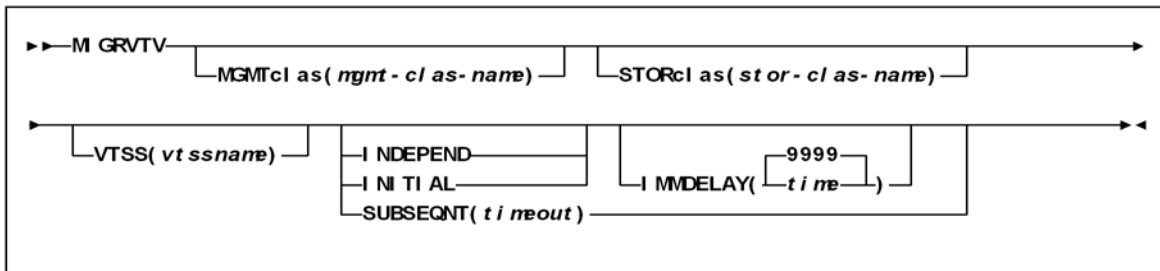
MGMTclas Control Statement



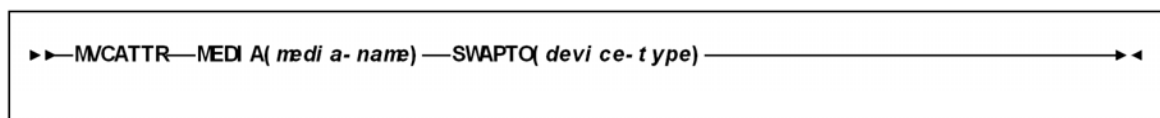
MIGRSEL Control Statement



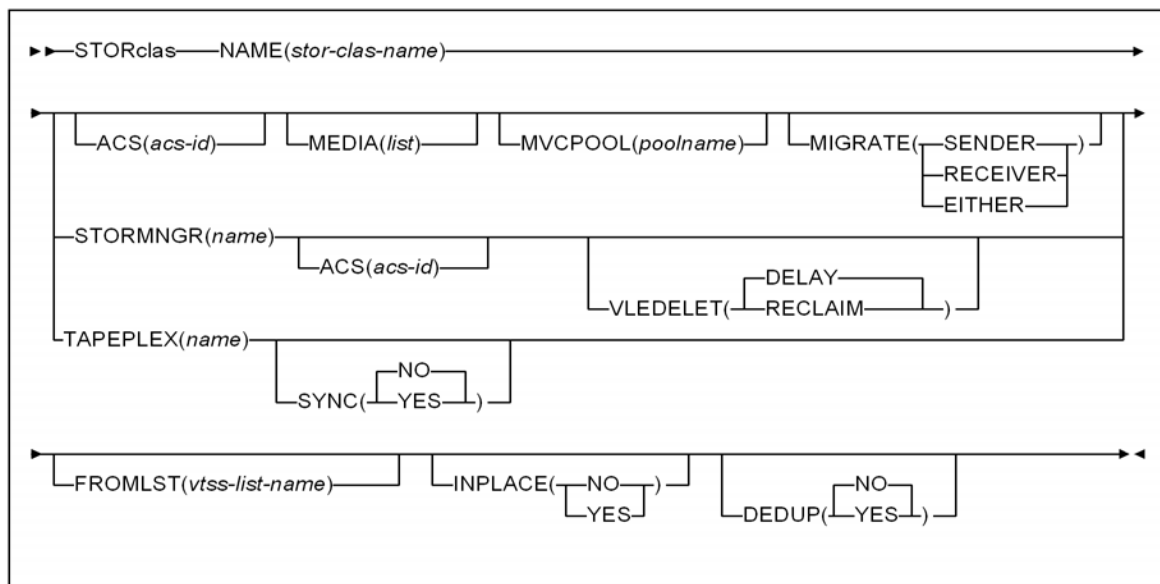
MIGRVTV Control Statement



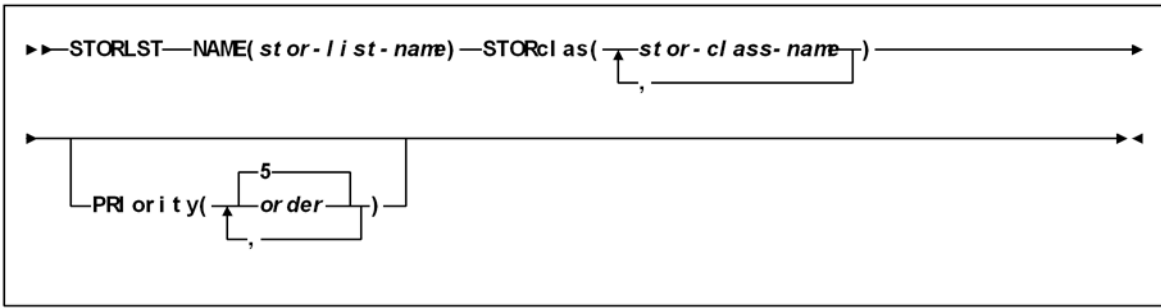
MVCATTR Control Statement



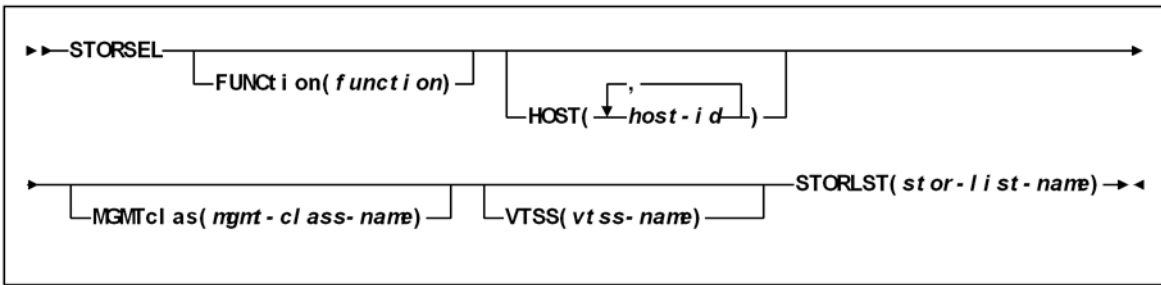
STORclas Control Statement



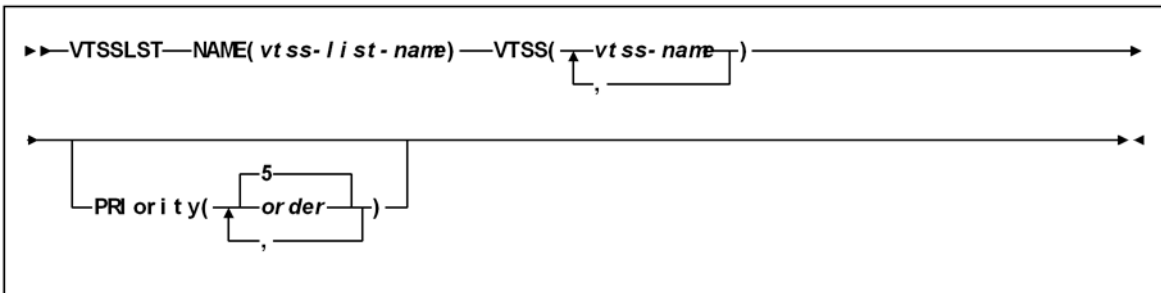
STORLST Control Statement



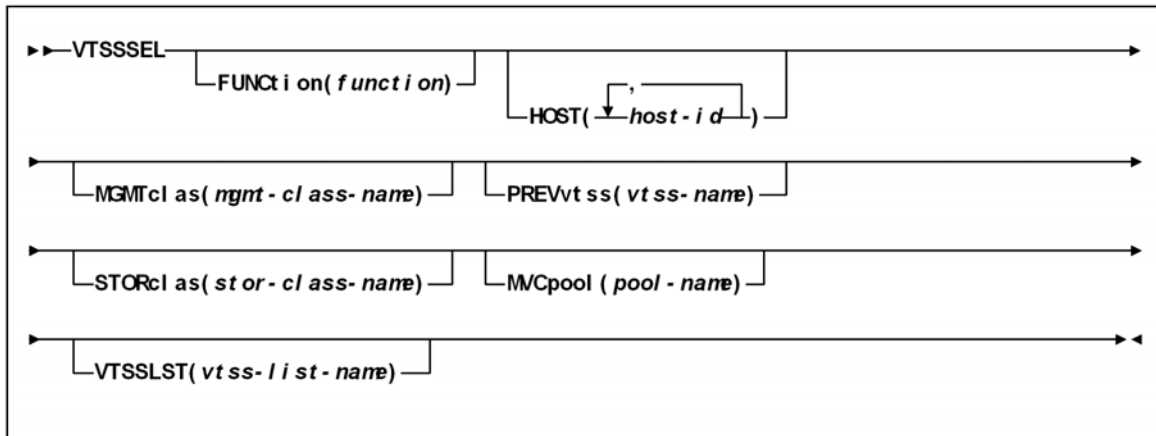
STORSEL Control Statement



VTSSLST Control Statement



VTSSSEL Control Statement



MIGrate

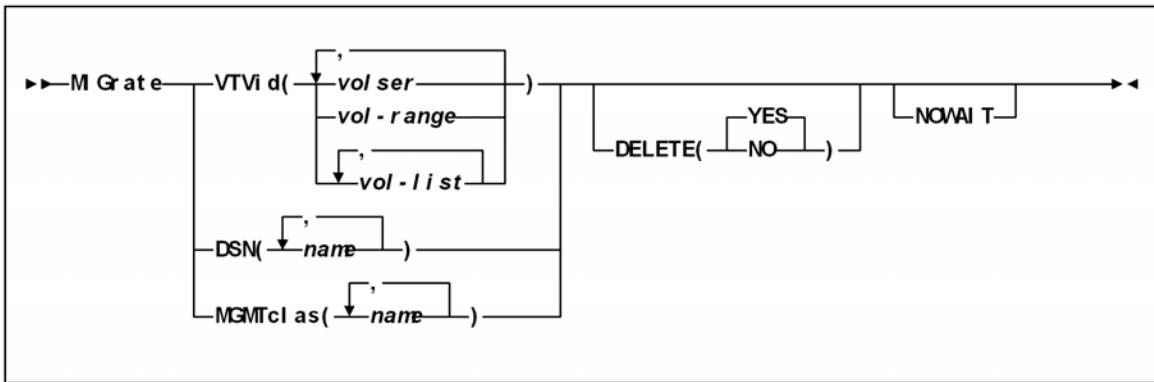
Interfaces:

Console or utility
 UUI: Yes

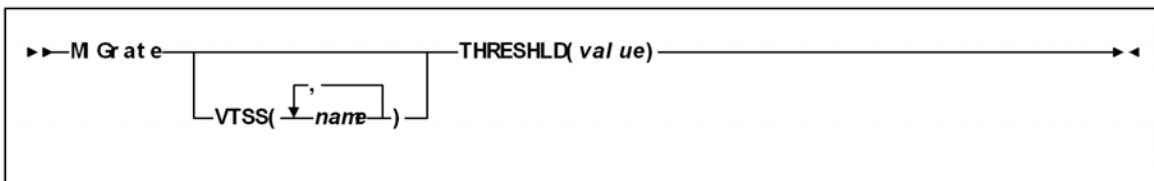
Subsystem Requirements:

Active HSC/VTCS

Format 1



Format 2



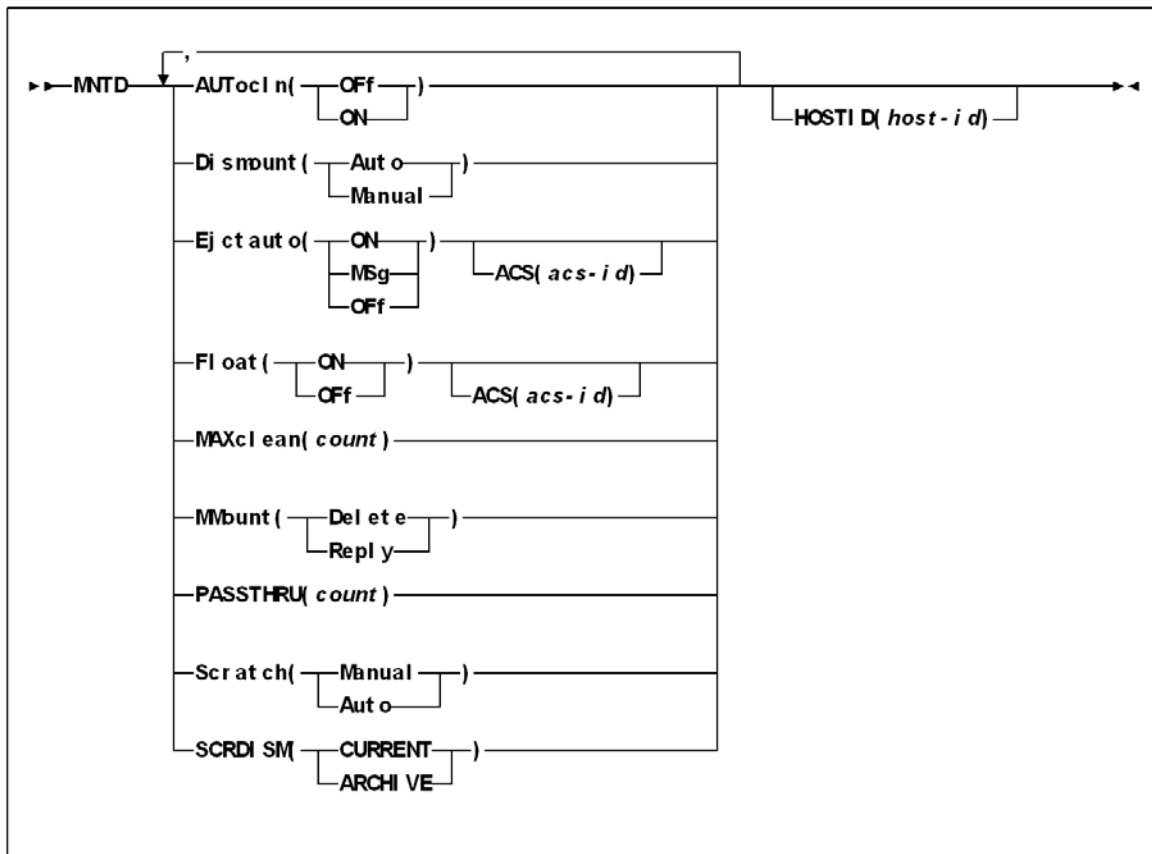
MNTD

Interfaces:

Console or PARMLIB only
 UUI: No

Subsystem Requirements:

Active HSC at FULL service level



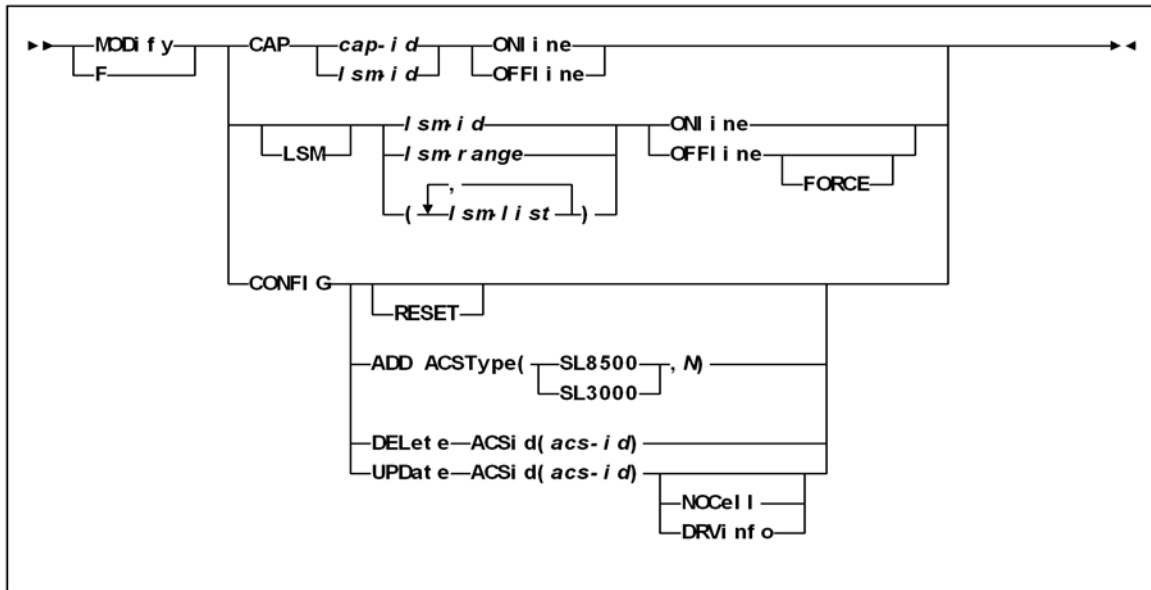
MODify

Interfaces:

Console or PARMLIB only
 UUI: No

Subsystem Requirements:

Active HSC at FULL service level



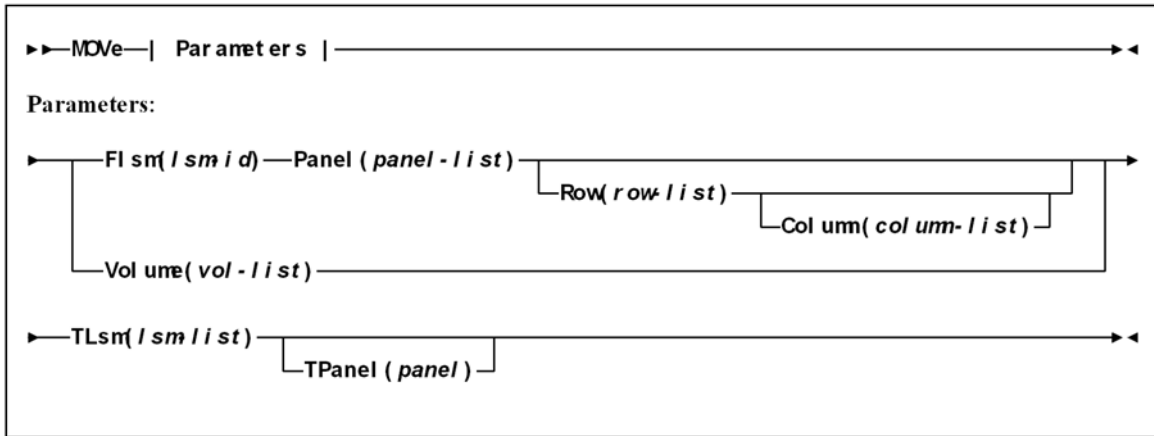
MOVE

Interfaces:

Console or utility
UII: Yes

Subsystem Requirements:

Active HSC at FULL service level



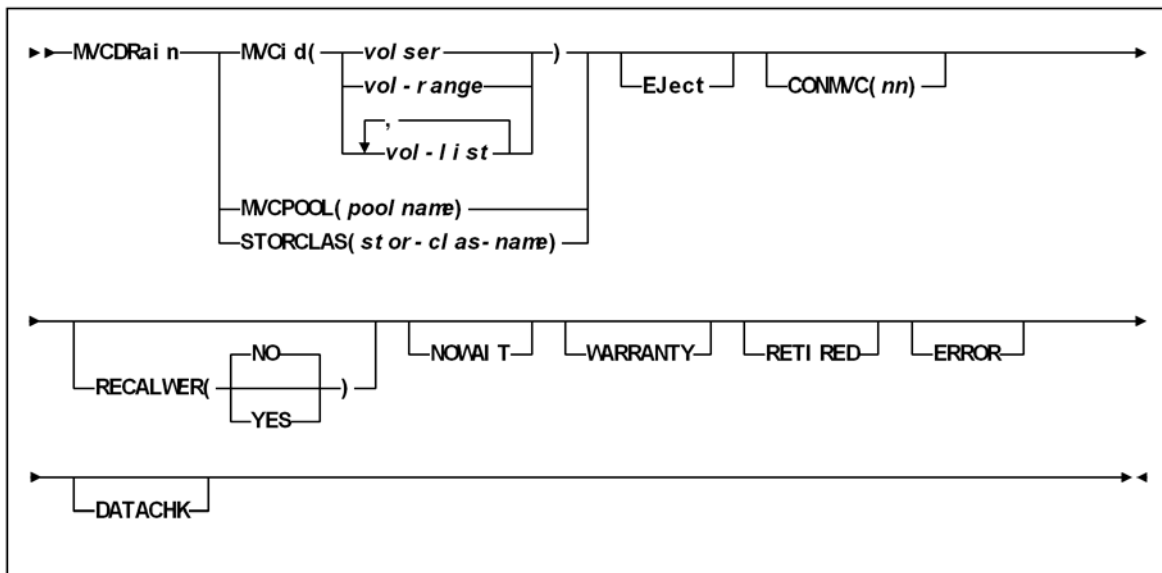
MVCDRain

Interfaces:

Console or utility
 UUI: Yes

Subsystem Requirements:

Active HSC/VTCS



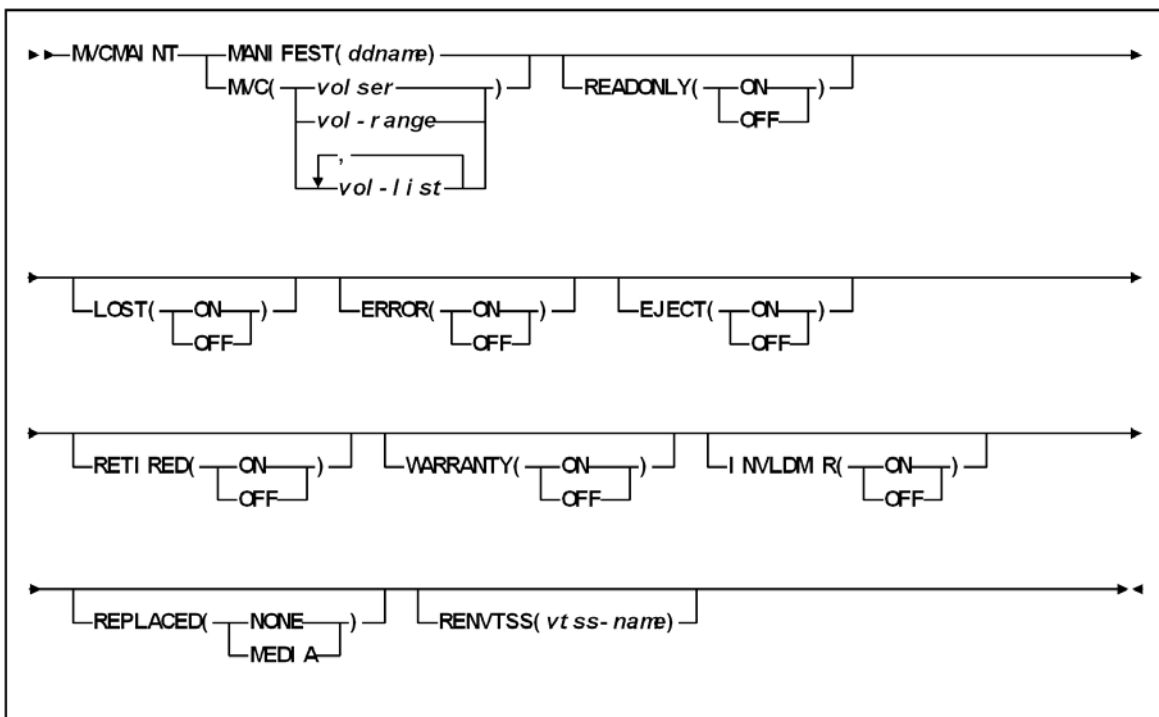
MVCMANT

Interfaces:

Utility only
 UUI: Yes

Subsystem Requirements:

- Active HSC/VTCS required if RENVTSS is specified
- Can run in batch-only mode when there are no hosts active (on any LPAR) using the CDS that is to be updated



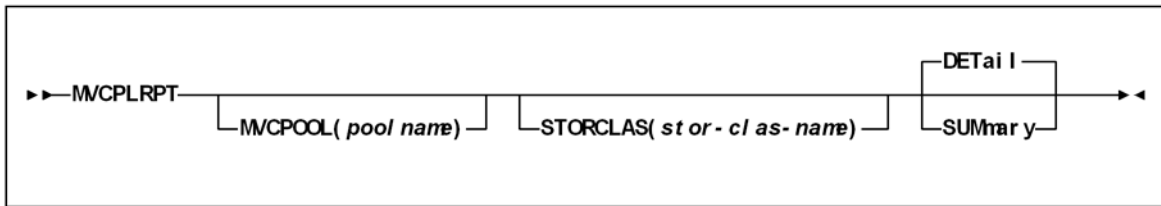
MVCPLRPT

Interfaces:

Utility only
 UUI: Yes

Subsystem Requirements:

Active HSC/VTCS



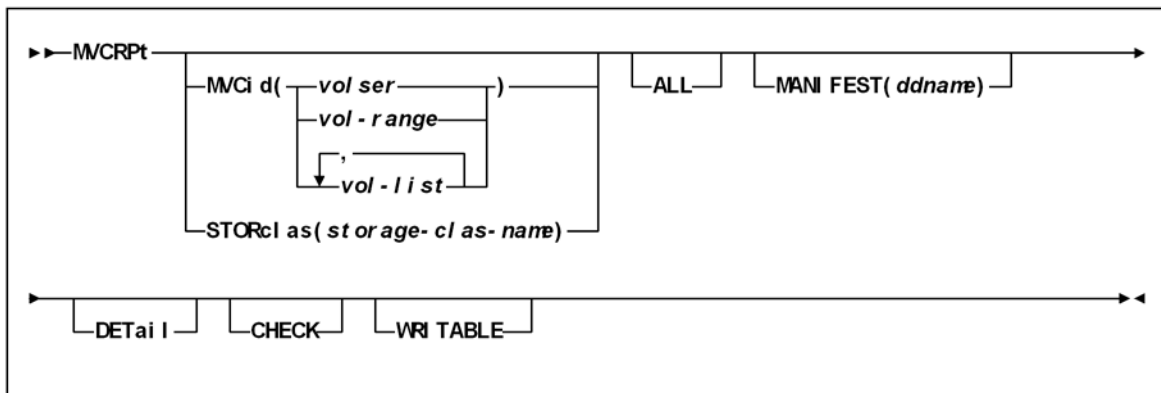
MVCRPt

Interfaces:

Utility only
 UUI: Yes

Subsystem Requirements:

Active HSC not required



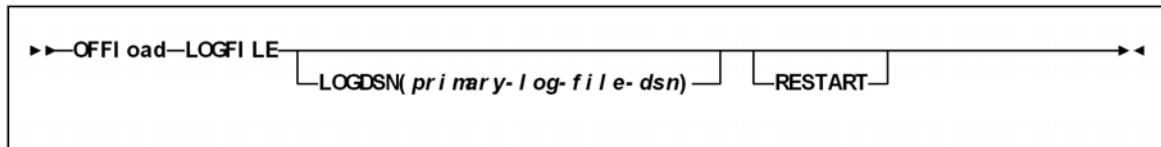
OFFload

Interfaces:

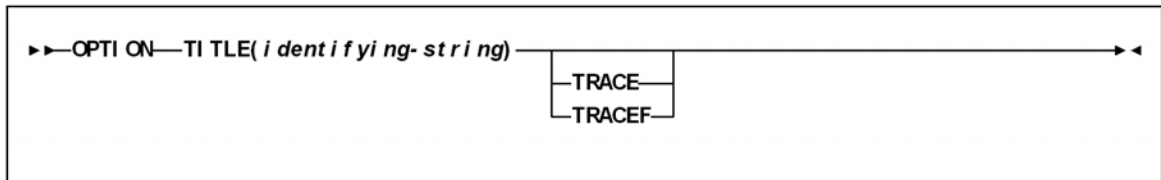
SLUADMIN utility only
UII: No

Subsystem Requirements:

Active HSC not required



OPTION TITLE Control Statement



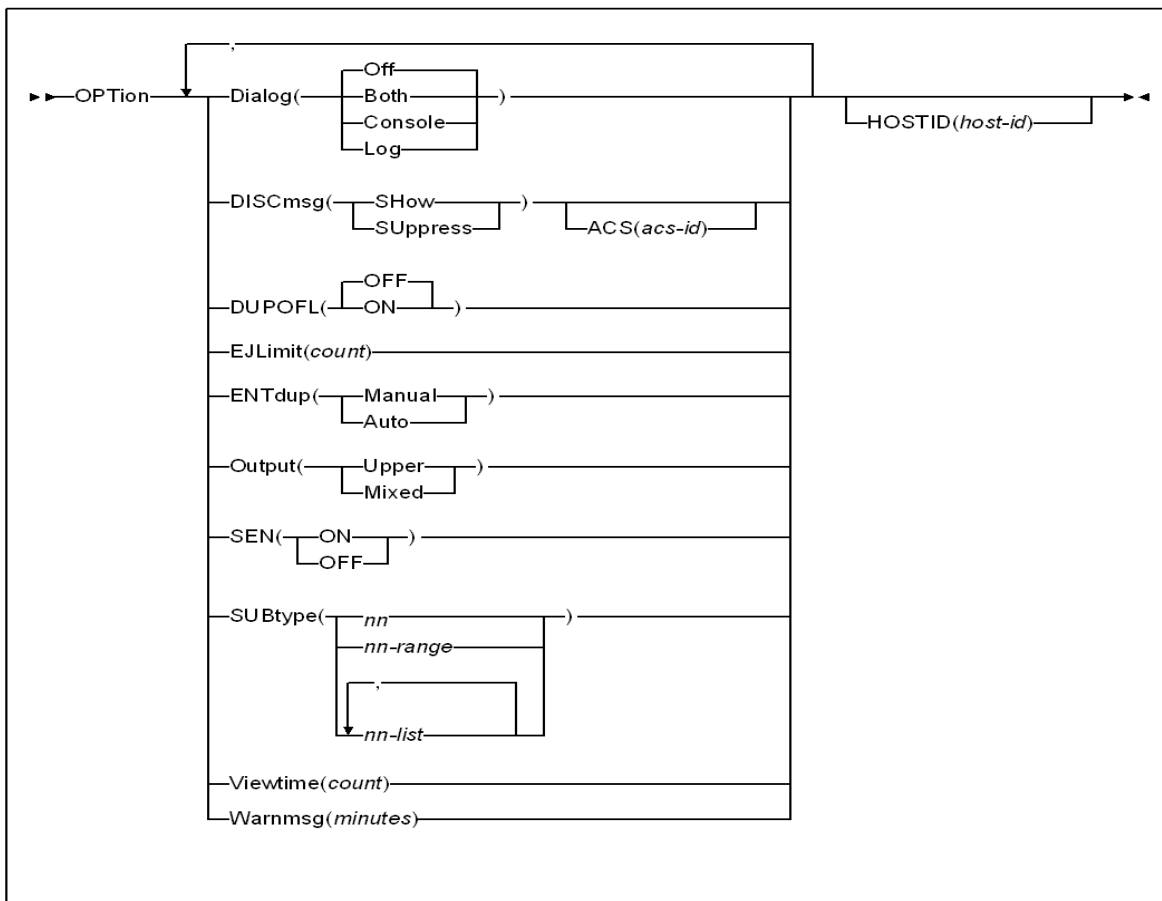
OPTion

Interfaces:

Console or PARMLIB only
 UUI: No

Subsystem Requirements:

Active HSC at BASE or FULL service level



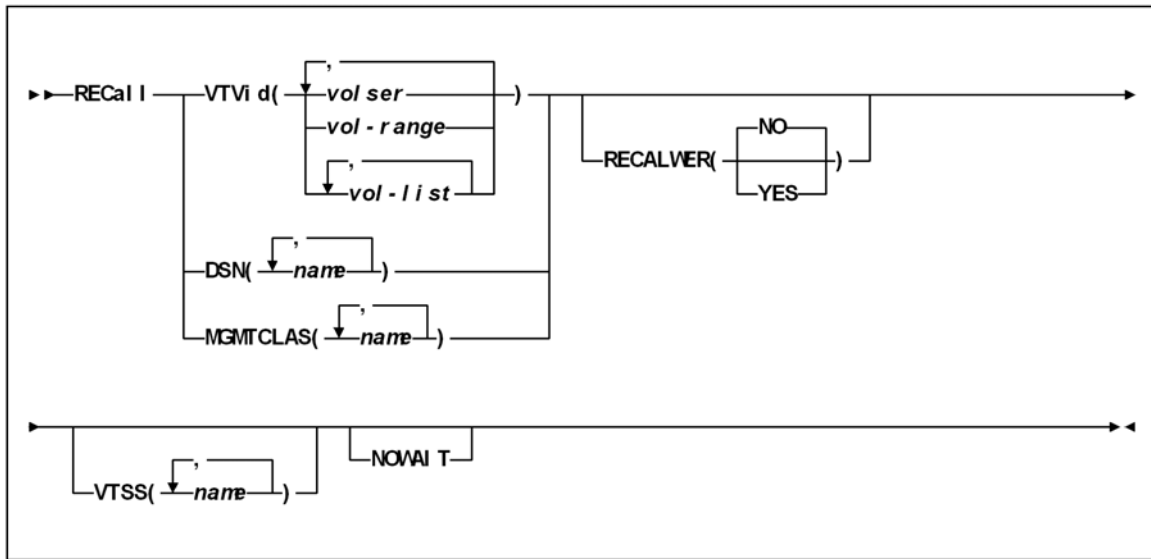
RECall

Interfaces:

Console or utility
 UUI: Yes

Subsystem Requirements:

Active HSC/VTCS



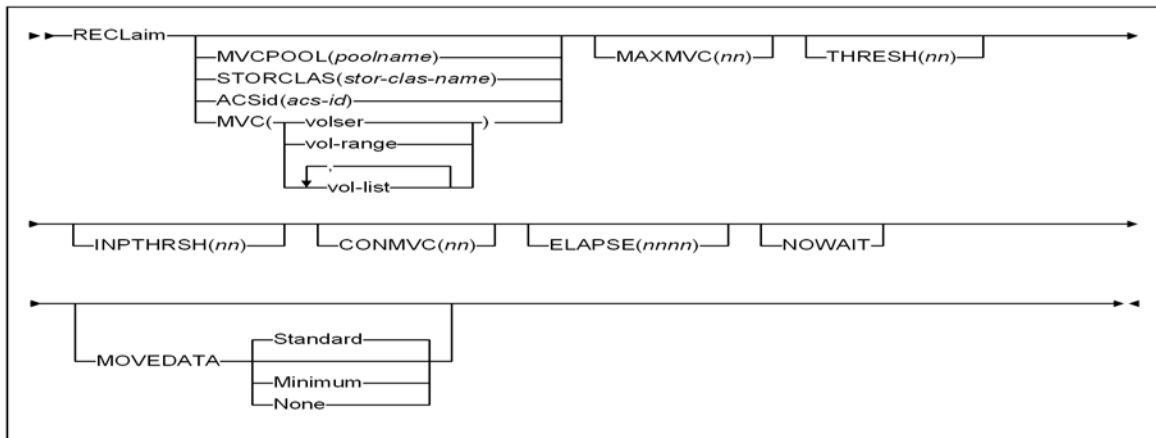
RECLaim

Interfaces:

Console or utility
 UUI: Yes

Subsystem Requirements:

Active HSC/VTCS



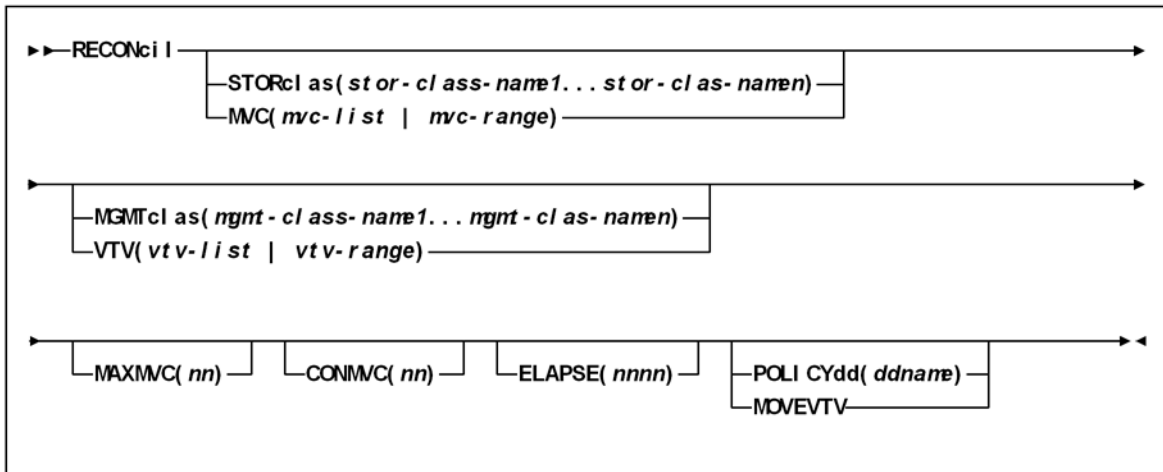
RECONcil

Interfaces:

Utility only
 UUI: Yes

Subsystem Requirements:

Active HSC/VTCS



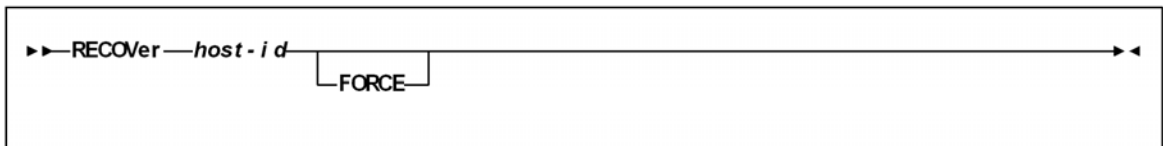
RECOVcr

Interfaces:

Console or PARMLIB
 UUI: No

Subsystem Requirements:

Active HSC at FULL service level



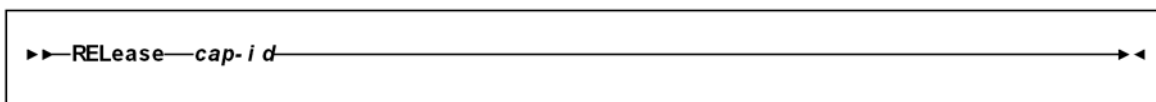
RELease

Interfaces:

Console or PARMLIB only
 UUI: No

Subsystem Requirements:

Active HSC at FULL service level



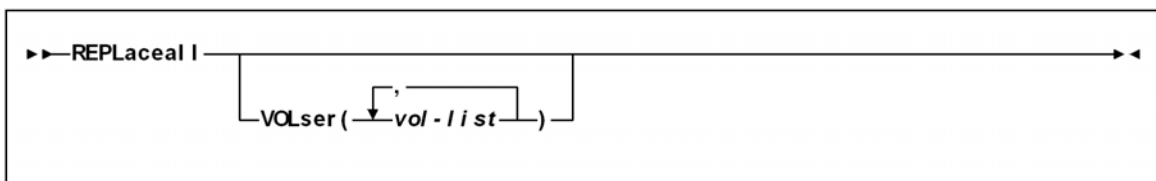
REPLaceall

Interfaces:

Console or utility
 UUI: Yes

Subsystem Requirements:

Active HSC at FULL service level



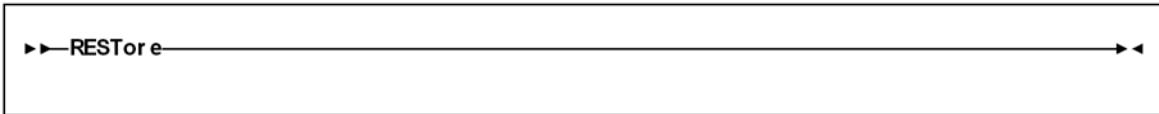
REStore

Interfaces:

SLUADMIN utility only
 UUI: No

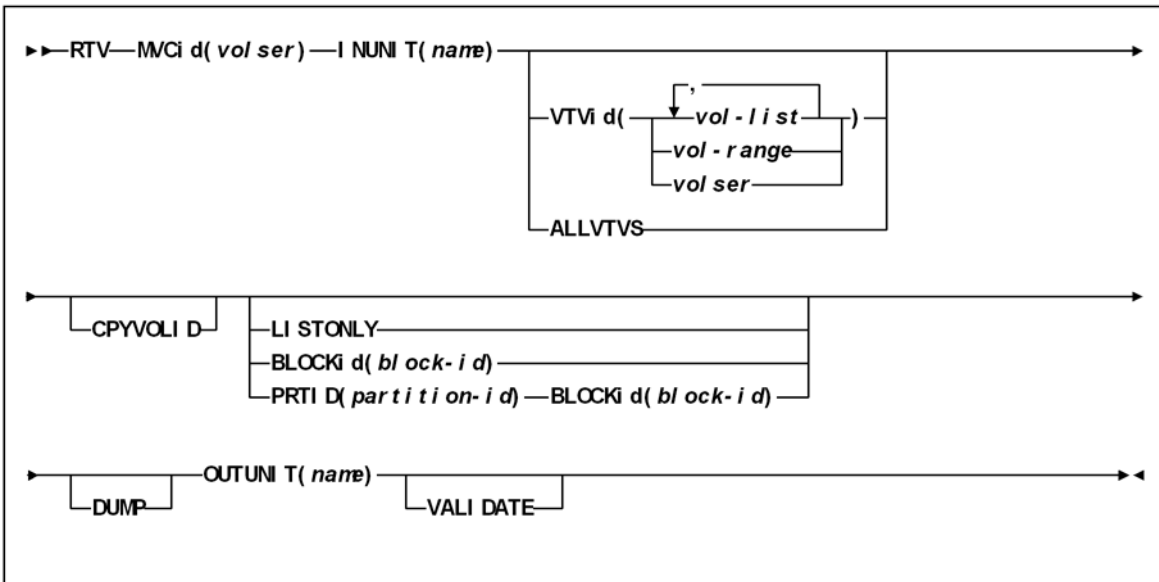
Subsystem Requirements:

HSC must be down (inactive)



RTV Utility

Note – This VTCS utility is a standalone utility executed using the SWSRTV program.



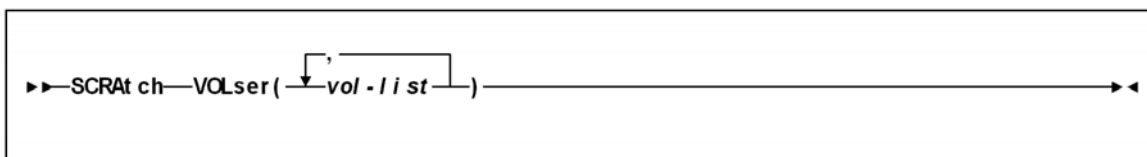
SCRAtch

Interfaces:

Console or utility
 UUI: Yes

Subsystem Requirements:

Active HSC at FULL service level



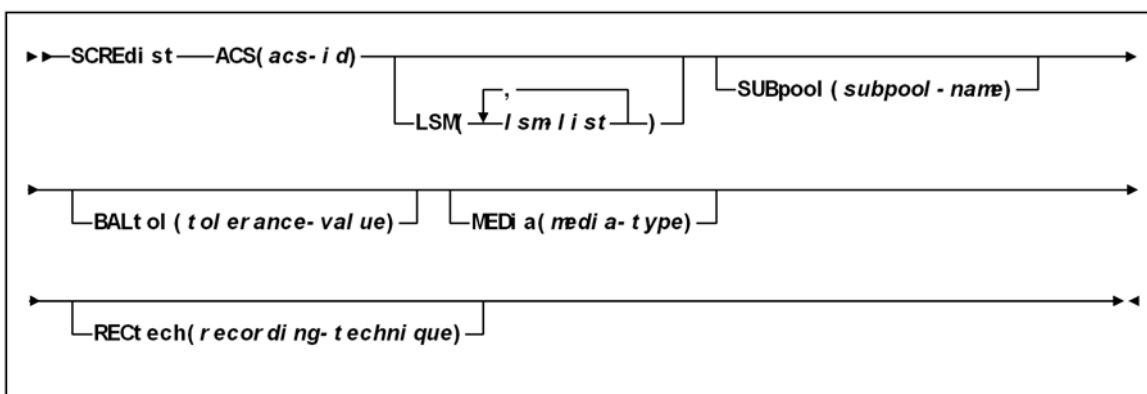
SCREdist

Interfaces:

SLUADMIN utility only
 UUI: No

Subsystem Requirements:

Active HSC at FULL service level



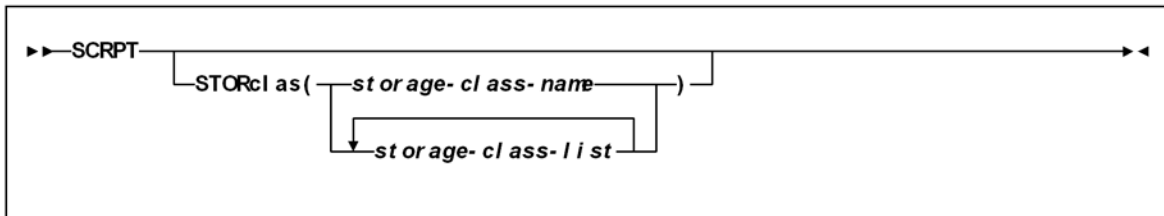
SCRPT

Interfaces:

SLUADMIN utility only
UII: No

Subsystem Requirements:

- Active HSC not required.
- SMC must be active and communicating with at least one VLE with the deduplication feature enabled to generate data in the report output. The output report must run from an authorized library.



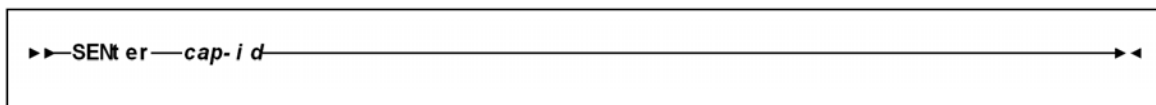
SENter

Interfaces:

Console or PARMLIB only
UII: No

Subsystem Requirements:

Active HSC at FULL service level



SET CLNPRFX

Note – HSC must be shut down on all systems before changing the cleaning prefix.

Interfaces:

SLUADMIN utility only
UII: No

Subsystem Requirements:

Active HSC not required

▶▶ SET CLNPRFX(*prefix*) ◀◀

SET COMPREFX

Interfaces:

SLUADMIN utility only
UII: No

Subsystem Requirements:

Active HSC not required

▶▶ SET COMPREFX(*cmdhex*) ◀◀

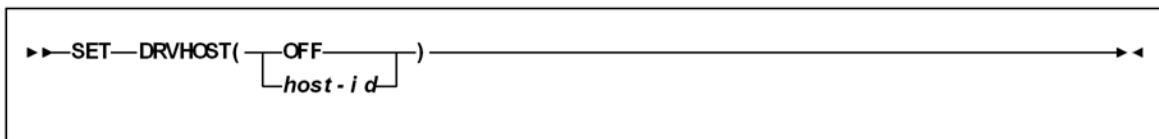
SET DRVHOST

Interfaces:

SLUADMIN utility only
UII: No

Subsystem Requirements:

Active HSC not required



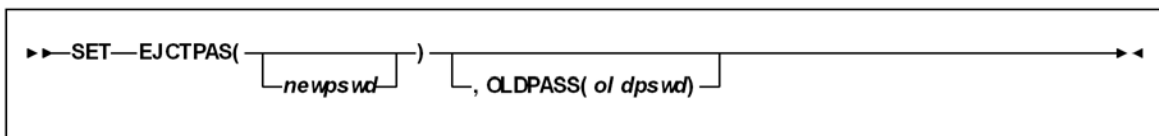
SET EJCTPAS

Interfaces:

SLUADMIN utility only
UII: No

Subsystem Requirements:

Active HSC not required



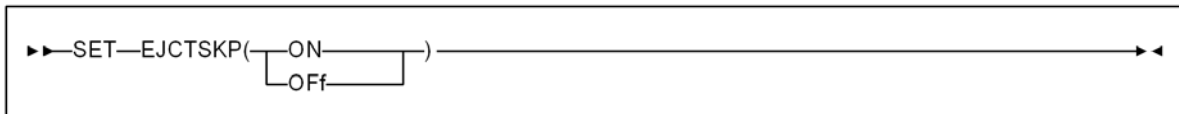
SET EJCTSKP

Interfaces:

SLUADMIN utility only
 UUI: No

Subsystem Requirements:

Active HSC not required



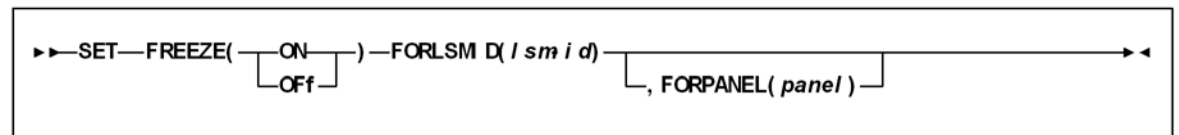
SET FREEZE

Interfaces:

SLUADMIN utility only
 UUI: No

Subsystem Requirements:

Active HSC not required



SET HOSTID

Interfaces:

SLUADMIN utility only
UII: No

Subsystem Requirements:

Active HSC not required

▶▶ ~~SET~~ ~~HOSTID~~ (*newhost*) , ~~FORHOST~~ (*ol dhost*) ◀◀

SET HSCLEVEL

Interfaces:

SLUADMIN utility only
UII: No

Subsystem Requirements:

Active HSC not required

▶▶ ~~SET~~ ~~HSCLEVEL~~ (*OFF*) , ~~FORHOST~~ (*host - i d*) ◀◀

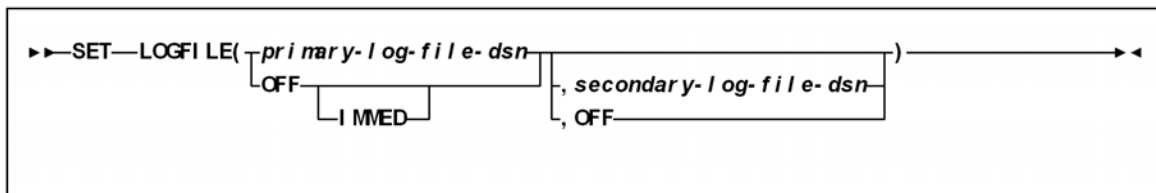
SET LOGFILE

Interfaces:

SLUADMIN utility only
UII: No

Subsystem Requirements:

Active HSC not required



SET MAJNAME

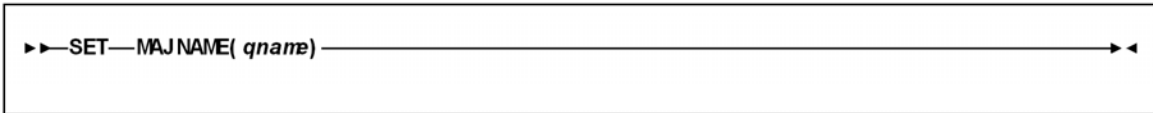
Note – HSC must be shut down on all systems before changing the QNAME.

Interfaces:

SLUADMIN utility only
 UUI: No

Subsystem Requirements:

- Active HSC not required
- HSC must be shut down on all systems before changing the QNAME.



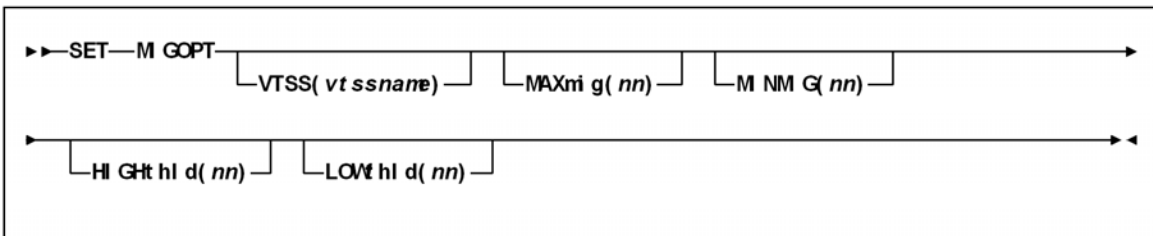
SET MIGOPT

Interfaces:

Console or utility
 UUI: Yes

Subsystem Requirements:

Active HSC/VTCS



SET NEWHOST

Interfaces:

SLUADMIN utility only
 UUI: No

Subsystem Requirements:

Active HSC not required

▶▶ SET NEWHOST(*newhost*), LI KEHOST(*model - host*) ◀◀

SET RMM

Interfaces:

Console or utility
 UUI: Yes

Subsystem Requirements:

Active HSC/VTCS

▶▶ SET RMM ◀◀
 ◀ Enable ▶
 ◀ Disable ▶

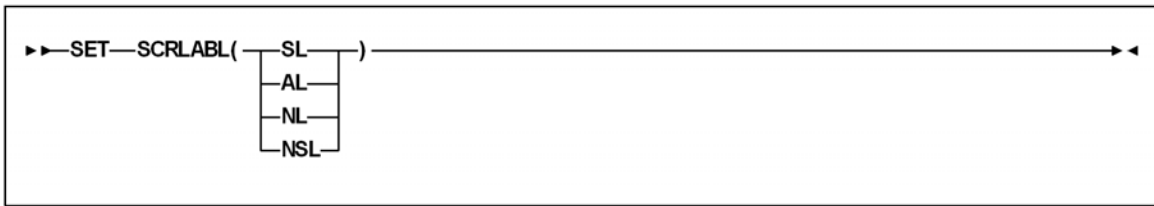
SET SCRLABL

Interfaces:

SLUADMIN utility only
 UUI: No

Subsystem Requirements:

Active HSC not required



SET SLIDRIVS

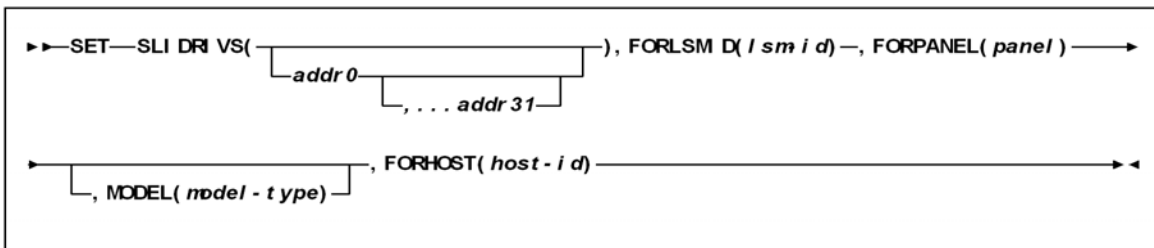
Caution – For 9310 and 9740 libraries, Sun recommends you bring the HSC down on all hosts before specifying this parameter, and recycle the HSC after every SET SLIDRIVS operation.

Interfaces:

SLUADMIN utility only
 UUI: No

Subsystem Requirements:

Active HSC not required



SET SLISTATN

Interfaces:

SLUADMIN utility only
 UUI: No

Subsystem Requirements:

Active HSC not required

▶▶ SET SLISTATN(stat 1, .., stat 16), FORACS(*acs- i d*) , FORHOST(*host- i d*) ▶▶

SET SMF

Interfaces:

SLUADMIN utility only
 UUI: No

Subsystem Requirements:

Active HSC not required

▶▶ SET SMF(*l i b t y p e*) ▶▶

SET TAPEPlex

Interfaces:

SLUADMIN utility only
UII: No

Subsystem Requirements:

Active HSC not required

```
▶▶ SET TAPEPlex( tapeplex-name )
```

SET TCHNIQE

Interfaces:

SLUADMIN utility only
UII: No

Subsystem Requirements:

Active HSC not required

```
▶▶ SET TCHNIQE( NONE  
              SHADOW  
              STANDBY )
```

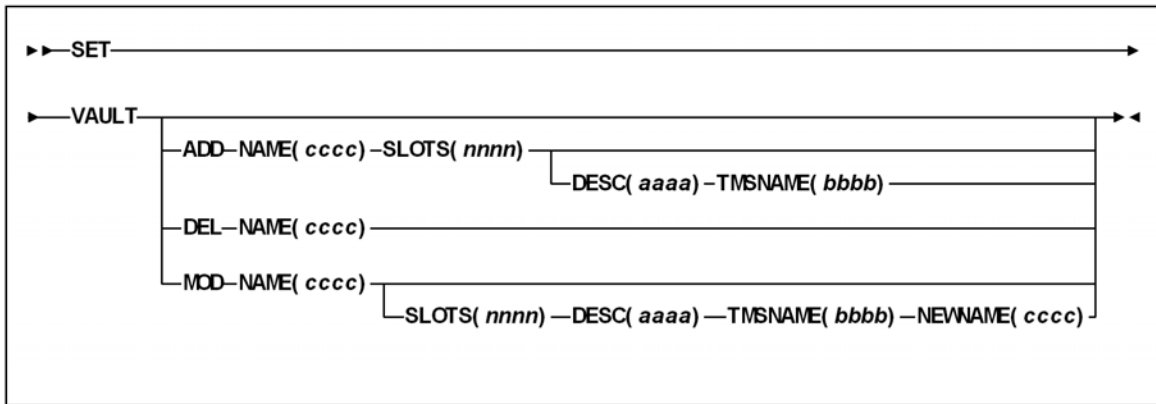
SET VAULT

Interfaces:

SLUADMIN utility only
 UUI: No

Subsystem Requirements:

Active HSC not required



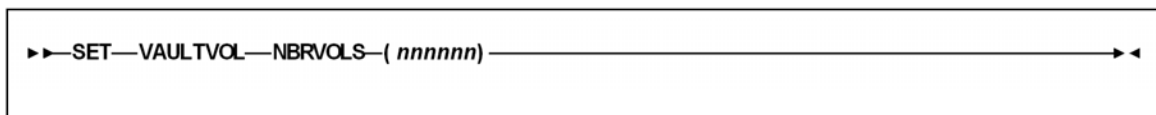
SET VAULTVOL

Interfaces:

SLUADMIN utility only
 UUI: No

Subsystem Requirements:

Active HSC not required



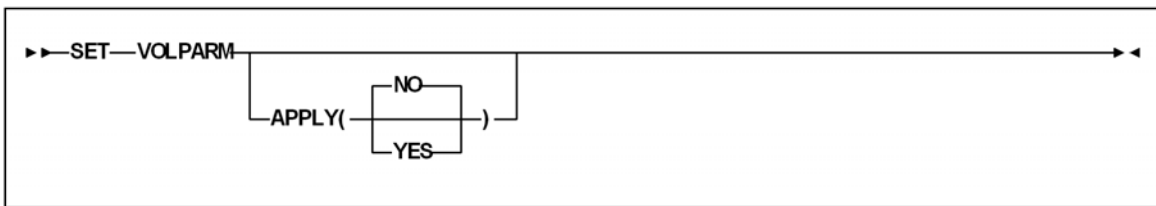
SET VOLPARM

Interfaces:

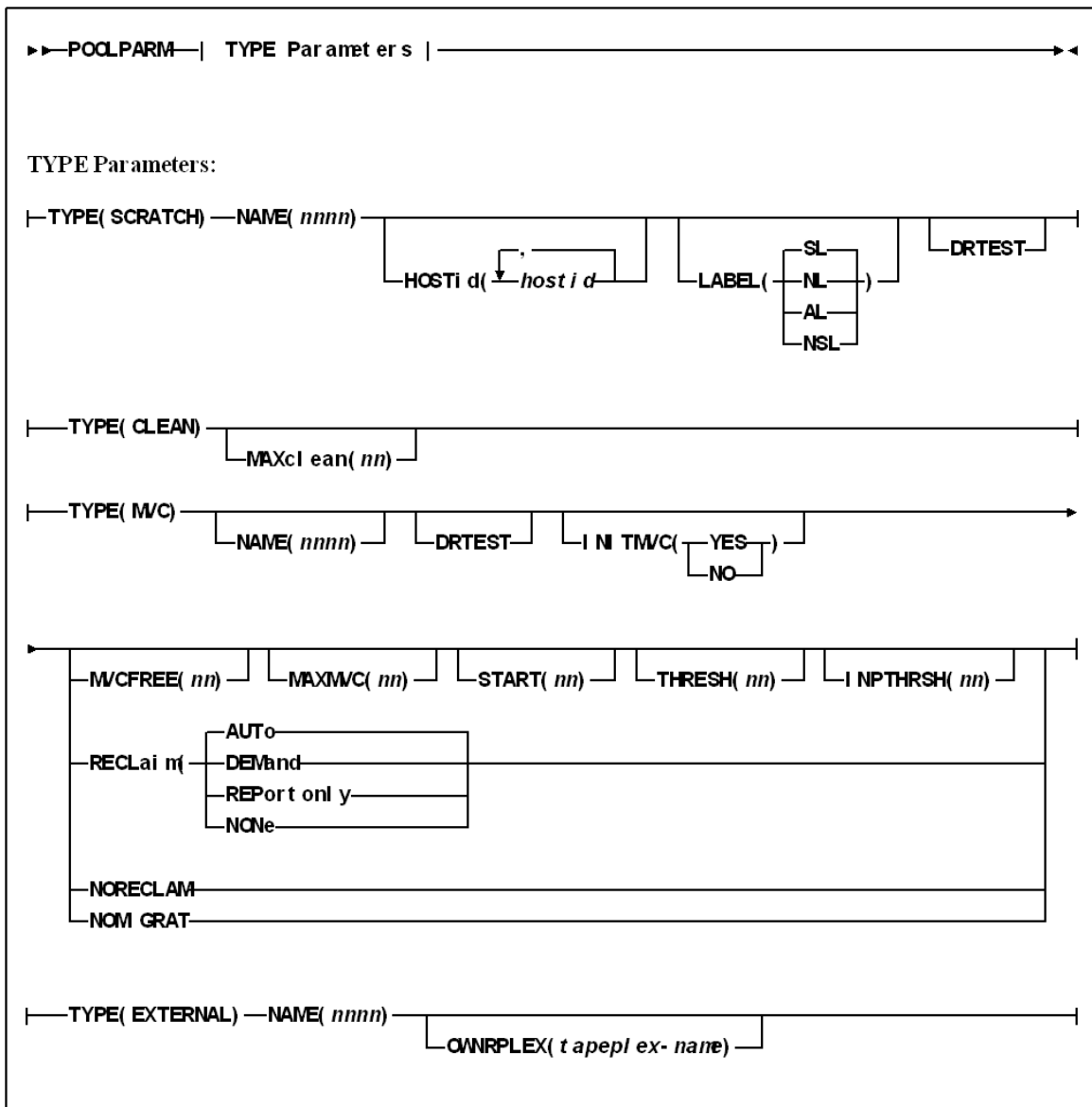
SLUADMIN utility only
UII: No

Subsystem Requirements:

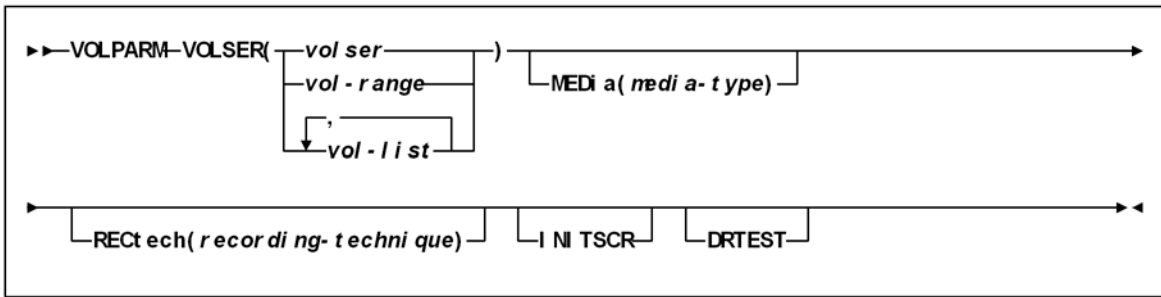
Active HSC not required



POOLPARM Control Statement



VOLPARM Control Statement



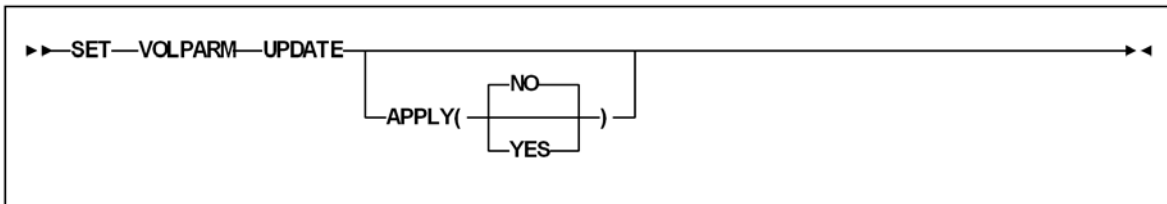
SET VOLPARM UPDATE

Interfaces:

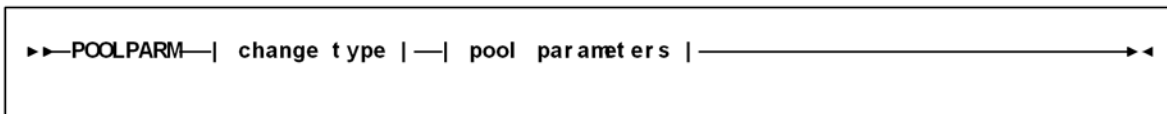
SLUADMIN utility only
 UUI: No

Subsystem Requirements:

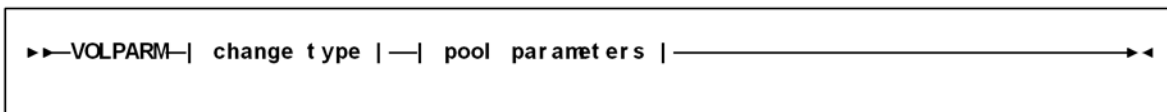
Active HSC not required



POOLPARAM Change Control Statement



VOLPARM Change Control Statement



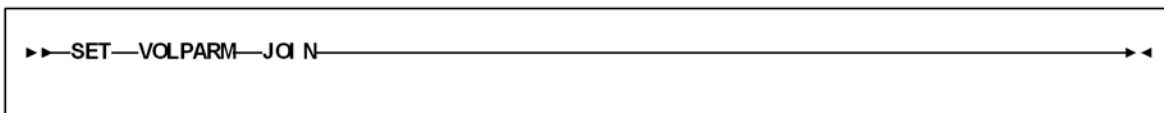
SET VOLPARM JOIN

Interfaces:

SLUADMIN utility only
UII: No

Subsystem Requirements:

Active HSC not required



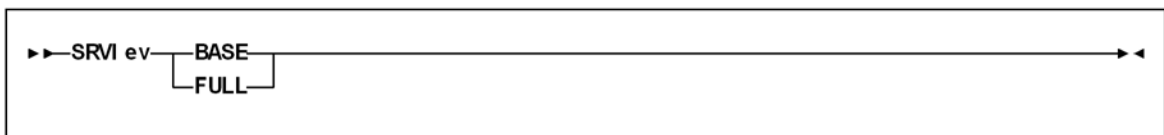
SRVlev

Interfaces:

Console or PARMLIB only
UII: No

Subsystem Requirements:

Active HSC at BASE or FULL service level



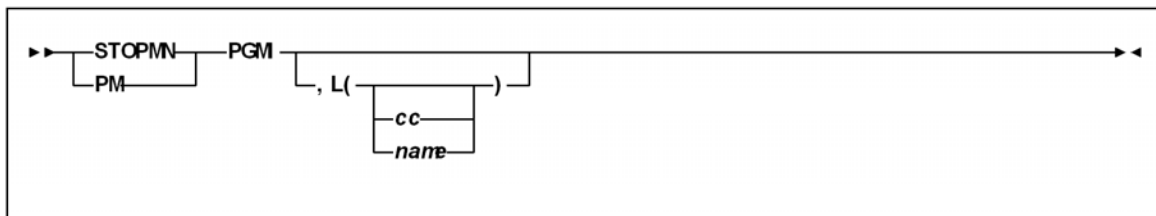
STOPMN

Interfaces:

Console or PARMLIB only
 UUI: No

Subsystem Requirements:

Active HSC at BASE or FULL service level



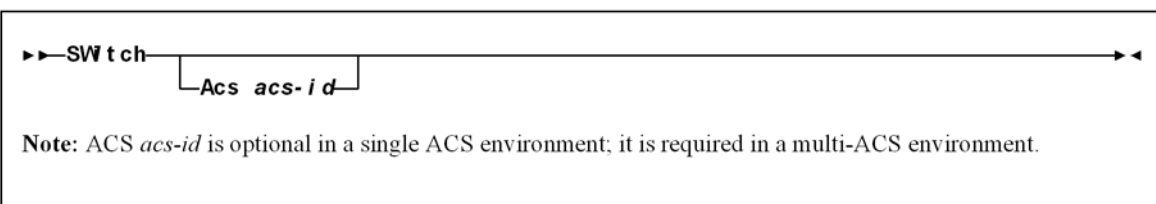
SWtch

Interfaces:

Console or PARMLIB only
 UUI: No

Subsystem Requirements:

Active HSC at FULL service level



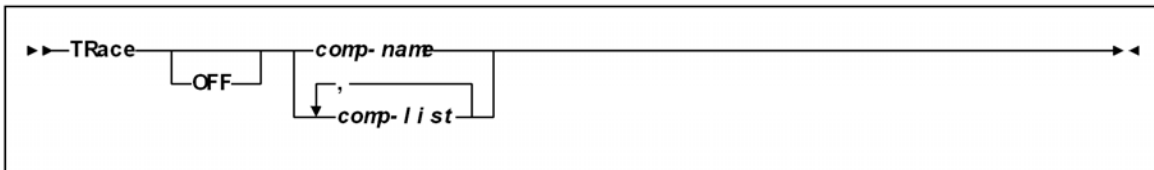
TRace

Interfaces:

Console or utility
UII: Yes

Subsystem Requirements:

Active HSC at BASE or FULL service level



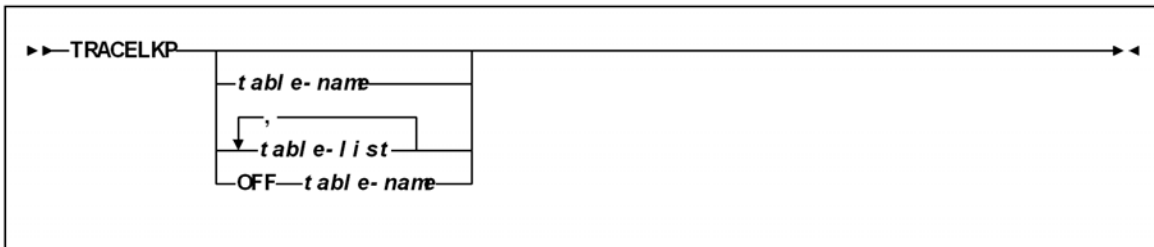
TRACELKP

Interfaces:

Console or PARMLIB only
UII: No

Subsystem Requirements:

Active HSC at BASE or FULL service level



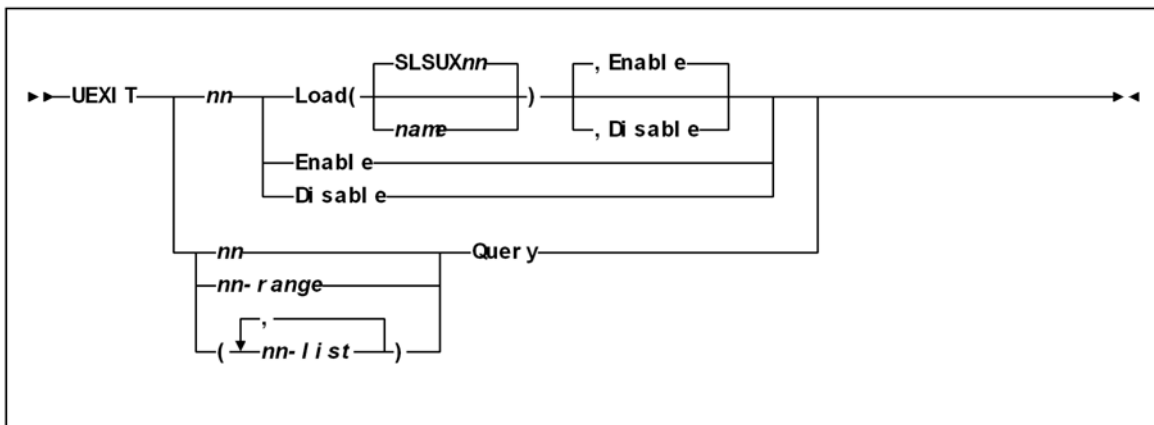
UEXIT

Interfaces:

Console or PARMLIB only
 UUI: No

Subsystem Requirements:

Active HSC at BASE or FULL service level



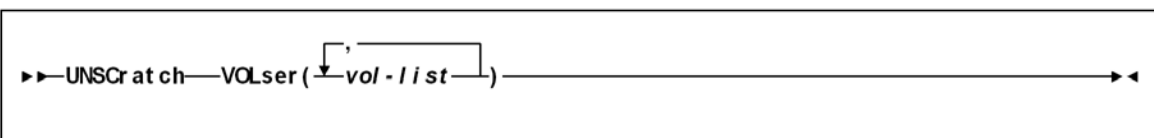
UNSCratch

Interfaces:

Console or utility
 UUI: Yes

Subsystem Requirements:

Active HSC at BASE or FULL service level



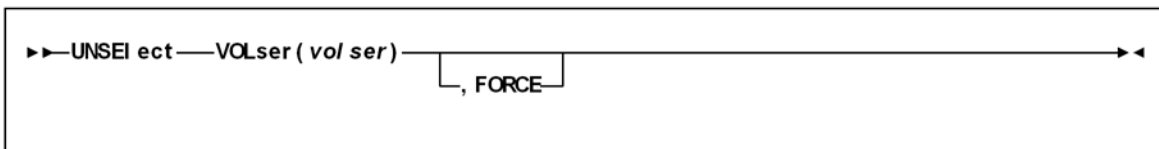
UNSElect

Interfaces:

SLUADMIN utility only
UII: No

Subsystem Requirements:

Active HSC not required



Vary

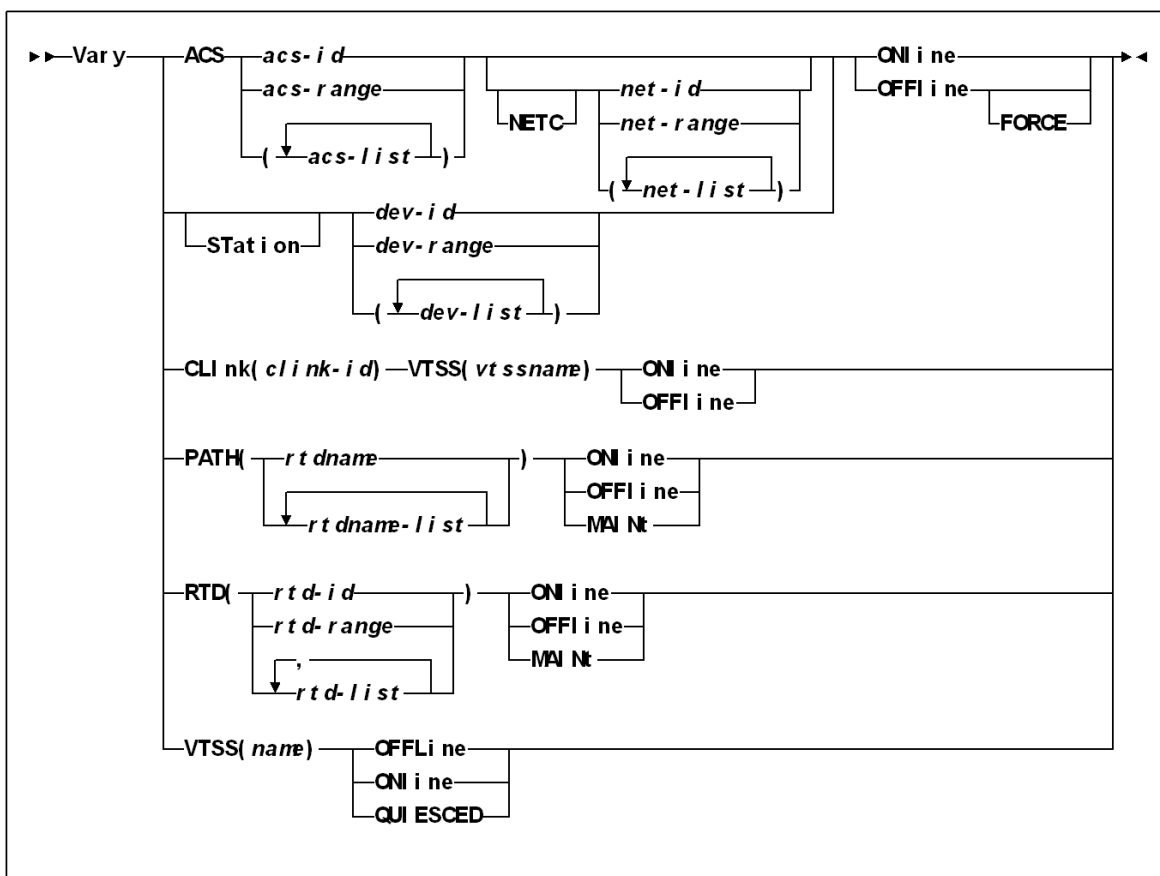
Interfaces:

- Console or PARMLIB (Vary ACS)
- Console or utility, UUI All (Vary CLINK, RTD, or VTSS)

UUI: Yes

Subsystem Requirements:

- Active HSC at FULL service level (Vary ACS)
- Active HSC/VTCS (Vary CLINK, RTD, or VTSS)



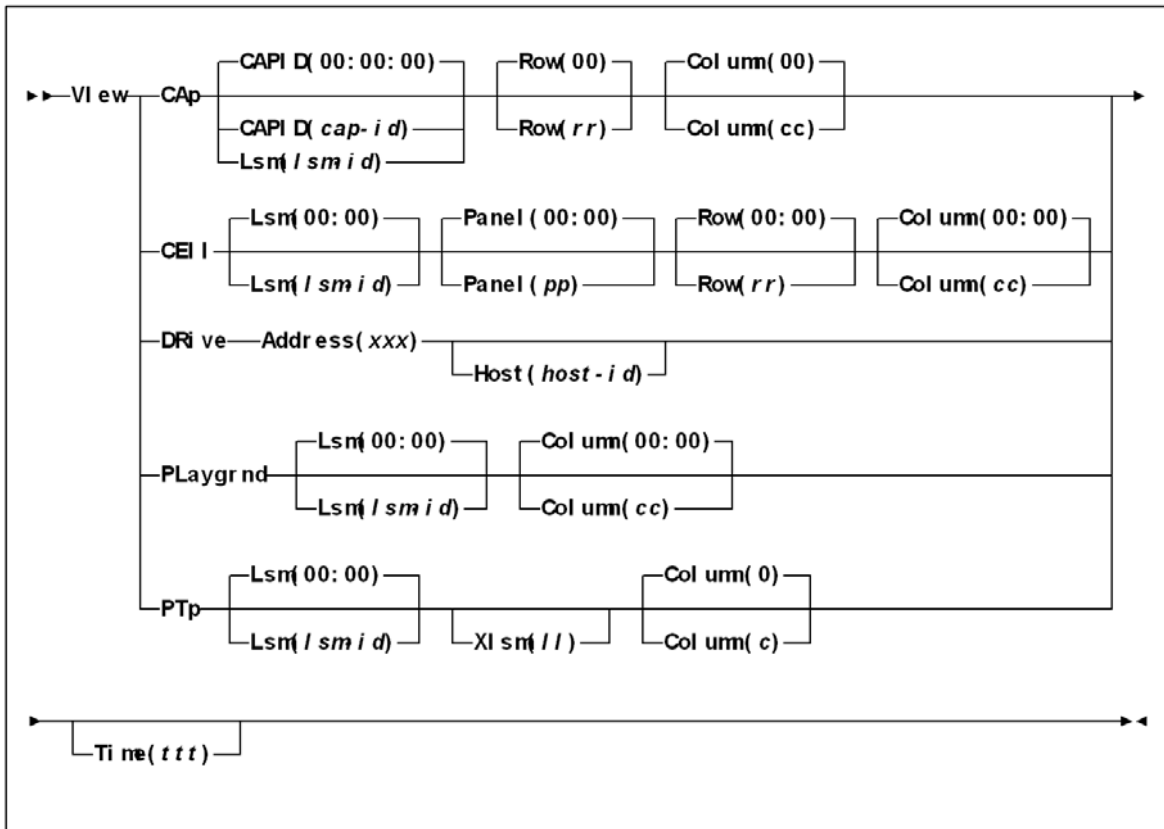
View

Interfaces:

Console or PARMLIB only
 UUI: No

Subsystem Requirements:

Active HSC at FULL service level



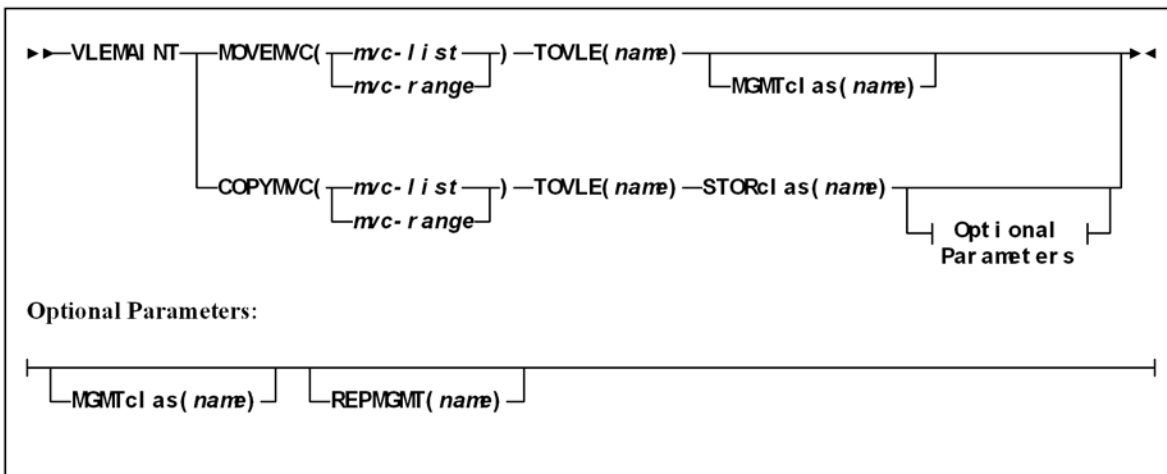
VLEMAINT

Interfaces:

Console or utility
 UUI: Yes

Subsystem Requirements:

Active HSC/VTCS



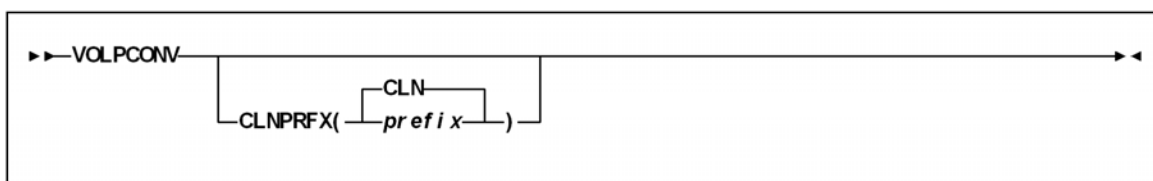
VOLPCONV

Interfaces:

SLUADMIN utility only
 UUI: No

Subsystem Requirements:

Active HSC not required



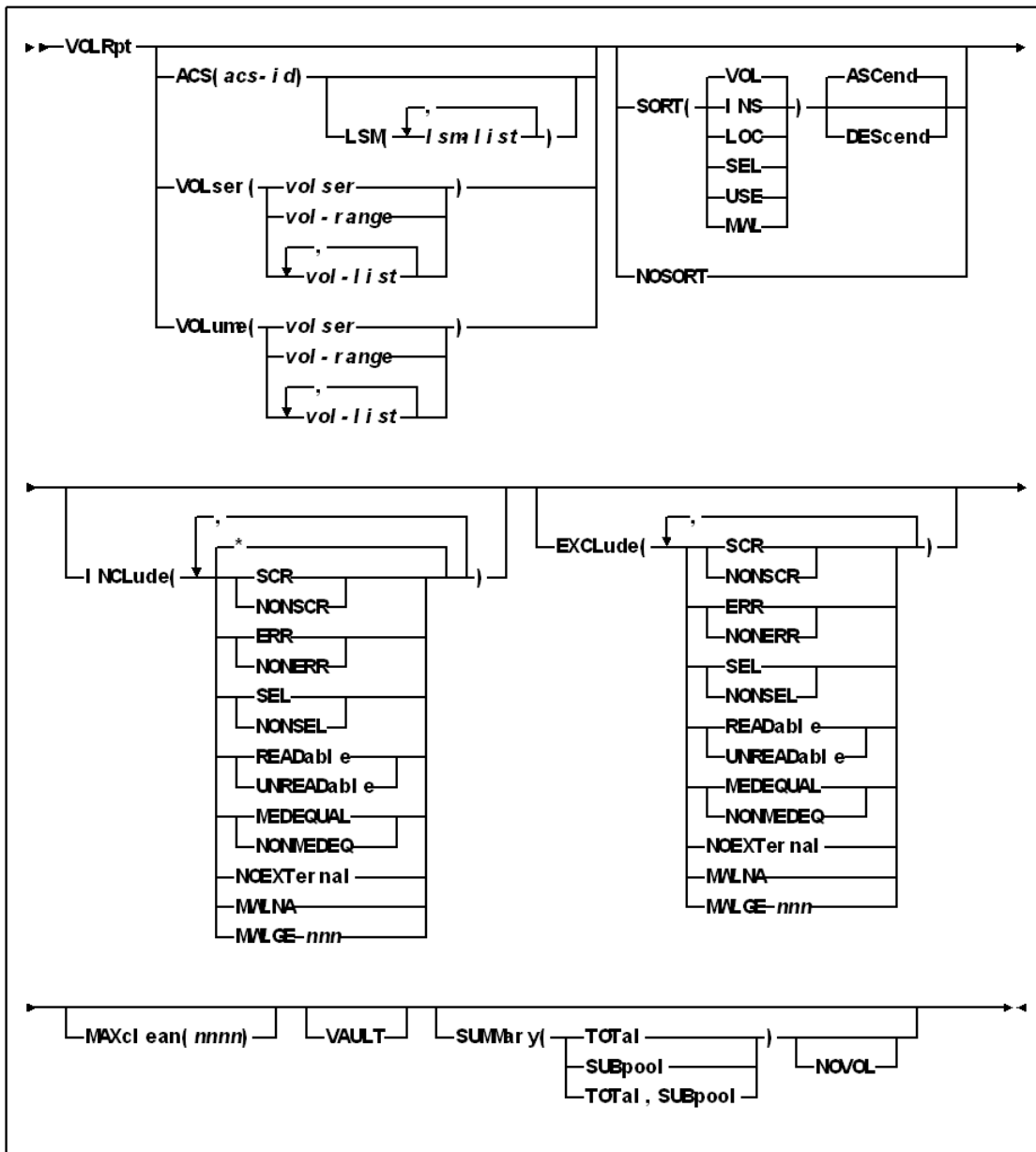
VOLRpt

Interfaces:

Utility only
 UUI: Yes

Subsystem Requirements:

Active HSC not required



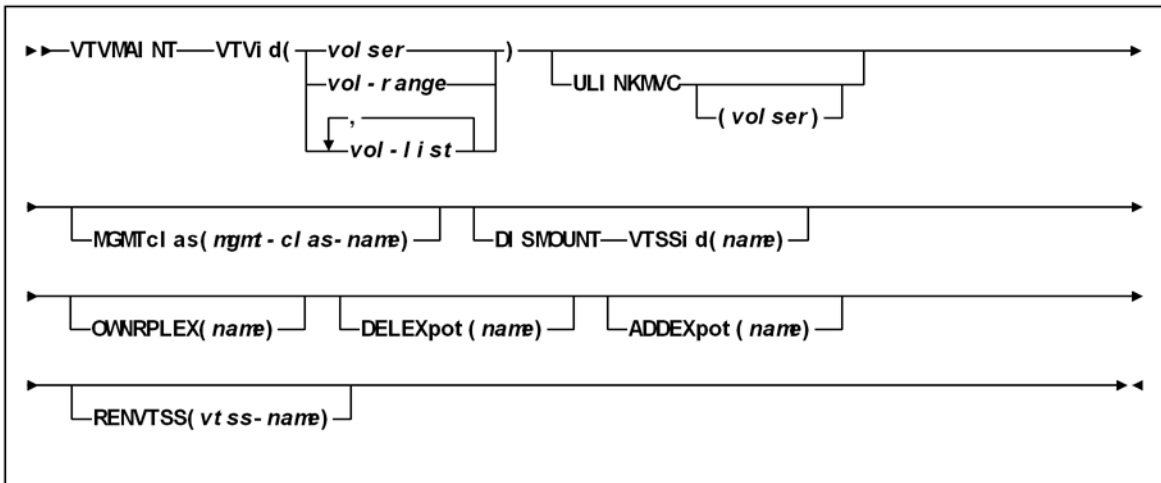
VTVMaint

Interfaces:

Utility only
 UUI: Yes

Subsystem Requirements:

Active HSC at FULL service level



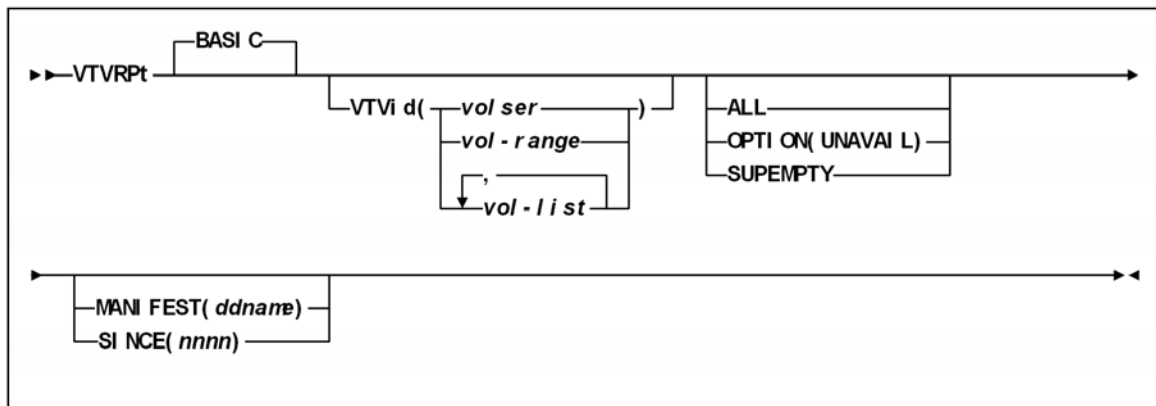
VTVRPt BASIC

Interfaces:

Utility only
 UUI: Yes

Subsystem Requirements:

Active HSC not required



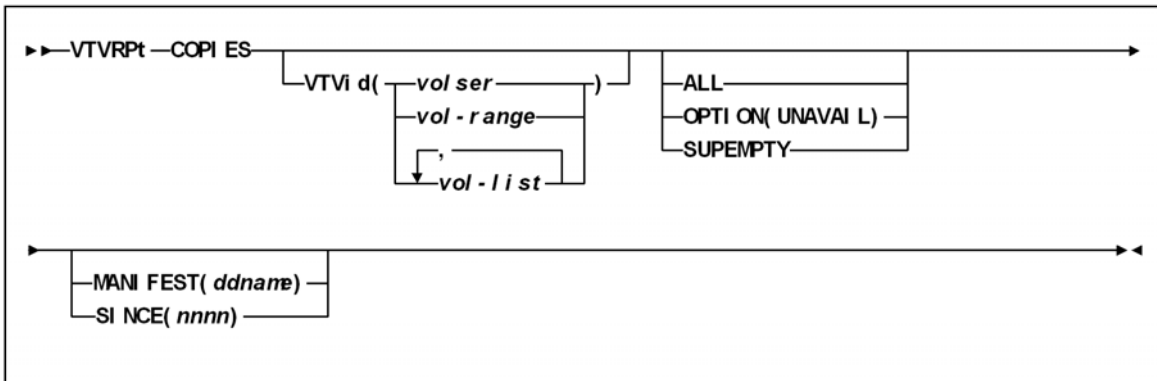
VTVRP_t COPIES

Interfaces:

Utility only
 UUI: Yes

Subsystem Requirements:

Active HSC not required



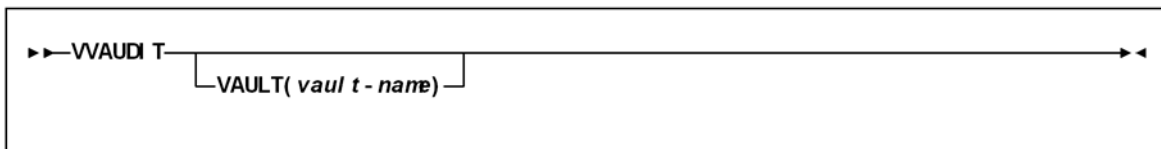
VVAUDIT

Interfaces:

Utility only
 UUI: Yes

Subsystem Requirements:

Active HSC at BASE or FULL service level



Warn

Interfaces:

Console or PARMLIB only
UII: No

Subsystem Requirements:

Active HSC at BASE or FULL service level

