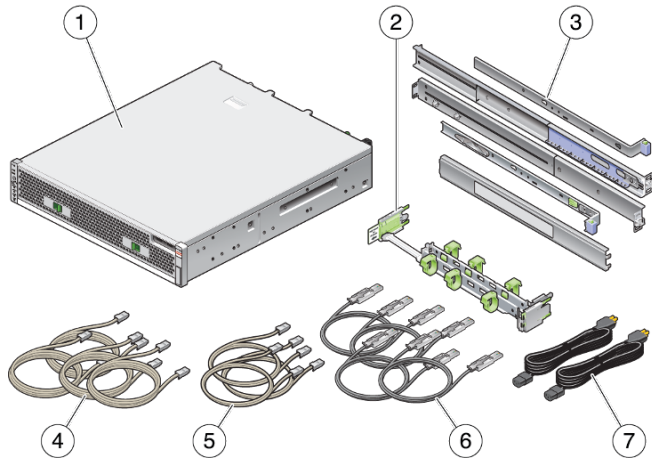


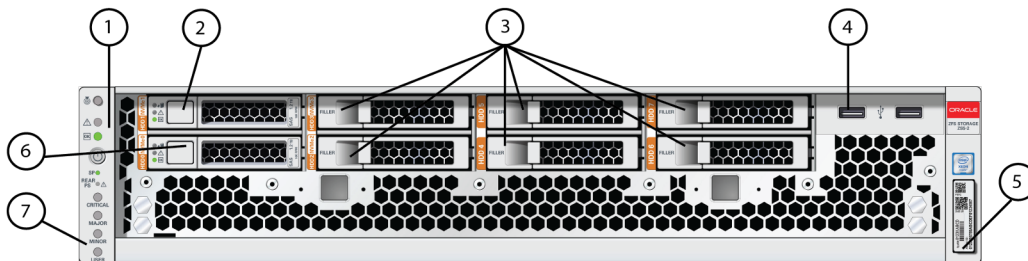
Oracle® ZFS Storage ZS5-2 Getting Started Guide

Contents



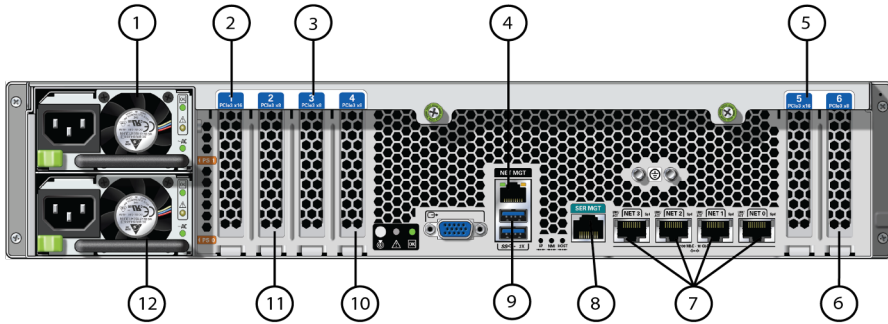
1 Oracle ZFS Storage ZS5-2 controller	2 Cable management arm	3 Slide rail kit
4 Four 6-meter Ethernet cables	5 Three 2.5-meter Ethernet cables	6 Four 3-meter SAS cables (up to eight 3-meter or 6-meter cables per customer request)
7 Two power cords		

Front Panel Components



1 LEDs: Locator, Service, Power	2 System disk 1	3 Permanent HDD filler panels
4 Two USB 2.0 ports	5 RFID tag	6 System disk 0
7 Alert indicators		

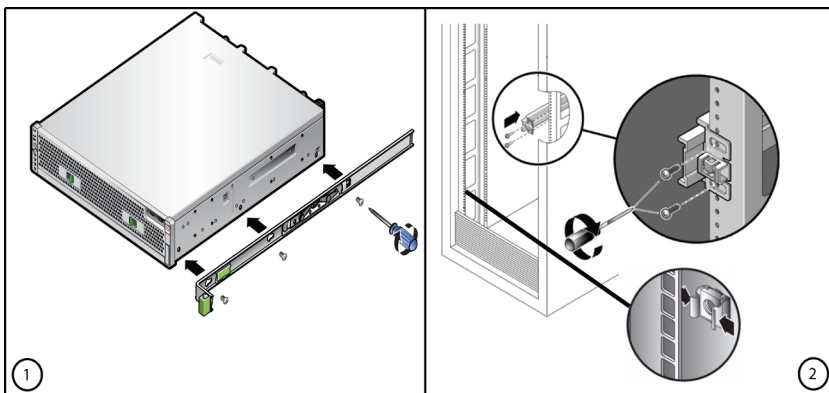
Back Panel Components

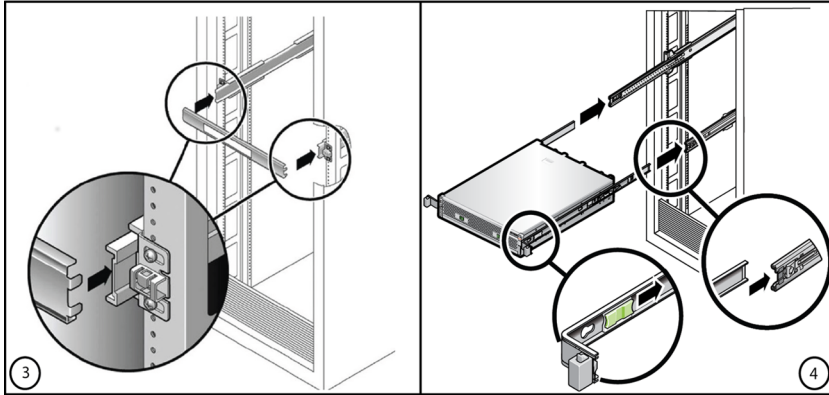


1 Power Supply Unit (PSU) 1	2 Second PCIe option (slot 1)	3 Third PCIe option (slot 3)
4 NET MGT port	5 First PCIe option (slot 5)	6 Second 4x4 SAS HBA, or fourth PCIe option (slot 6)
7 Four 10 Gb Ethernet ports	8 SER MGT port	9 Two USB 3.0 ports
10 Cluster interface card (slot 4)	11 First 4x4 SAS HBA (slot 2)	12 Power Supply Unit (PSU) 0

Install the Hardware

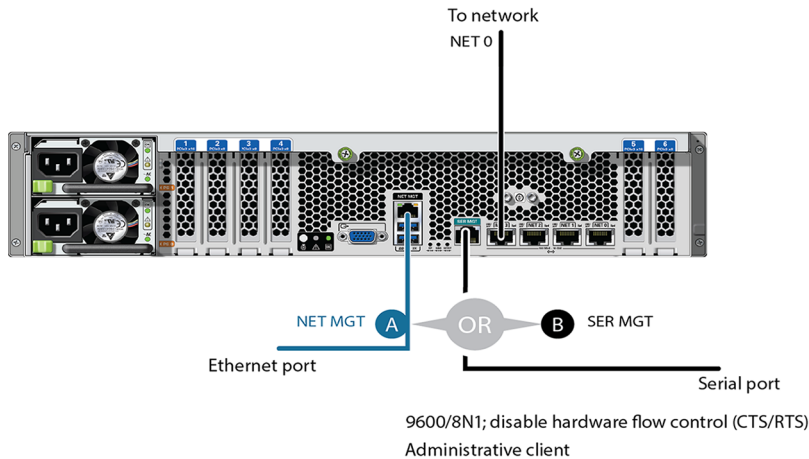
For detailed information, see the *Oracle ZFS Storage Appliance Installation Guide* available from <http://docs.oracle.com/en/storage>.





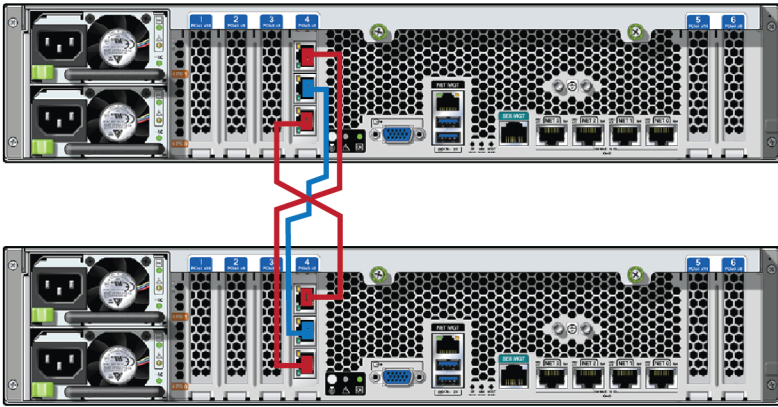
Connect System Cables

For detailed information, see the *Oracle ZFS Storage Appliance Installation Guide* available from <http://docs.oracle.com/en/storage>. If you have clustered controllers, connect the cables to both controllers. Do not connect power cables to the controllers or disk shelves until instructed to do so in "Power On and Configure the System."



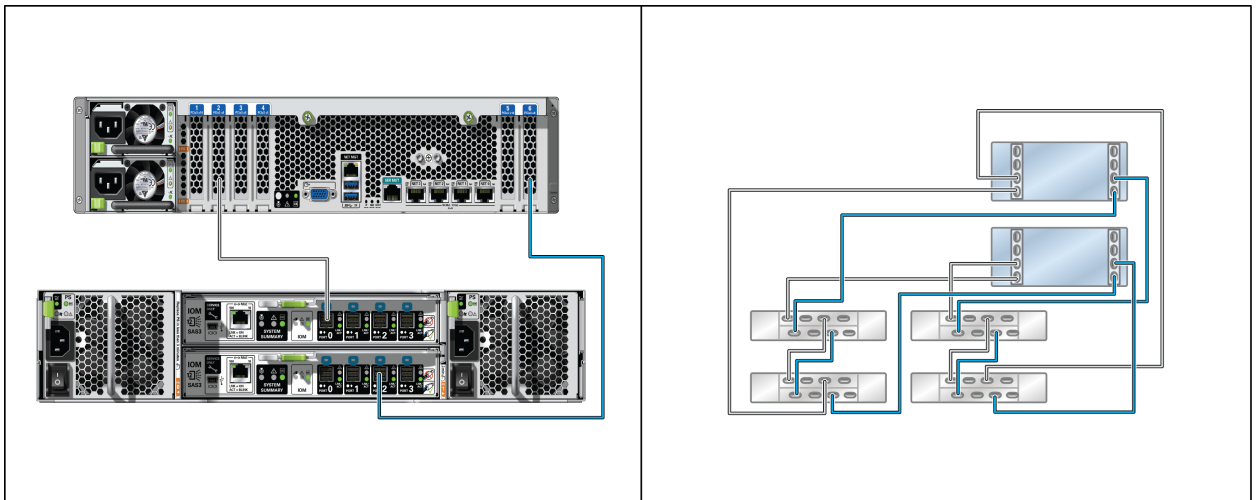
Connect Clustered Controllers

If you have clustered controllers, connect the two controllers together. For detailed information, see the *Oracle ZFS Storage Appliance Cabling Guide* available from <http://docs.oracle.com/en/storage>.



Connect Disk Shelves

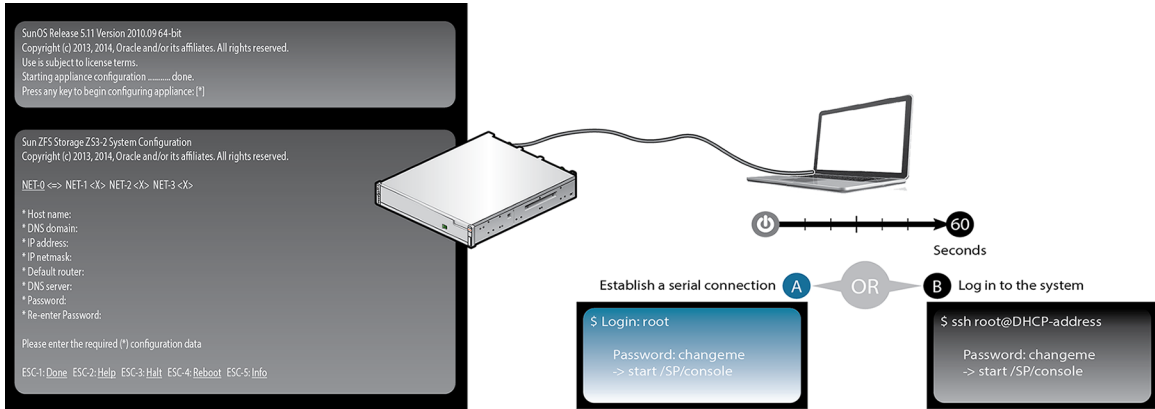
The following illustration shows clustered ZS5-2 controllers, each with two HBAs connected to four Oracle Storage Drive Enclosure DE3-24 disk shelves in two chains. For additional configuration options, see the *Oracle ZFS Storage Appliance Cabling Guide* available from <http://docs.oracle.com/en/storage>. Do not connect power cables to the disk shelves or controllers until instructed to do so in "Power On and Configure the System."



Power On and Configure the System

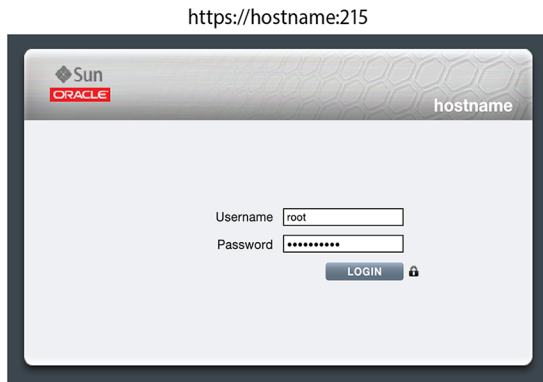
Required information: A) Network host name and port of your serial connection, or B) Network management port DHCP-assigned address. Connect disk shelf power cables, power on disk shelves, connect controller power cables,

power on controllers, and configure the system as described in the *Oracle ZFS Storage Appliance Installation Guide* available from <http://docs.oracle.com/en/storage>.



Perform Initial Configuration

For detailed information, see the *Oracle ZFS Storage Appliance Installation Guide* available from <http://docs.oracle.com/en/storage>, including properly configuring the management interfaces and updating the controller software.



? Click Help after logging in to the BUI or see <http://www.oracle.com/goto/zfsstorage/docs>

Product Documentation Library

Documentation for this product is available in the storage section of the Oracle Help Center, located at <http://docs.oracle.com/en/storage/>.

Documentation Accessibility

For information about Oracle's commitment to accessibility, visit the Oracle Accessibility Program web site at <http://www.oracle.com/pls/topic/lookup?ctx=acc&id=docacc>.

Access to Oracle Support

Oracle customers that have purchased support have access to electronic support through My Oracle Support. For information, visit <http://www.oracle.com/pls/topic/lookup?ctx=acc&id=info> or visit <http://www.oracle.com/pls/topic/lookup?ctx=acc&id=trs> if you are hearing impaired.

Feedback

Provide feedback on this document at <http://www.oracle.com/goto/docfeedback>.

Copyright © 2016, Oracle and/or its affiliates. All rights reserved.

Copyright © 2016, Oracle et/ou ses affiliés. Tous droits réservés.

ORACLE[®]

Part No: E63032-05
Mfg. No: 7341186
December 2016

