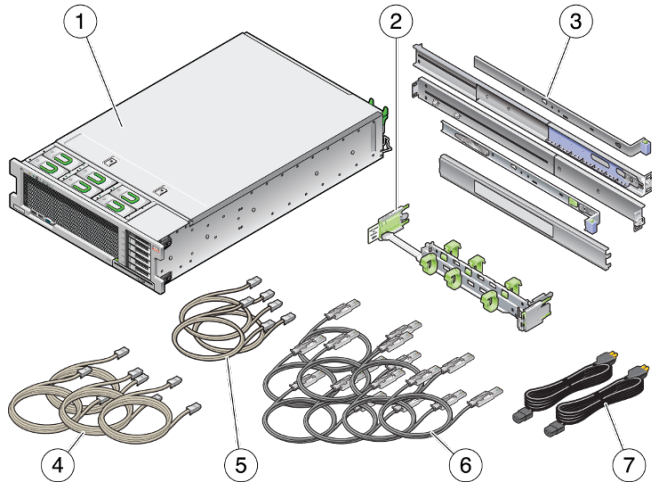


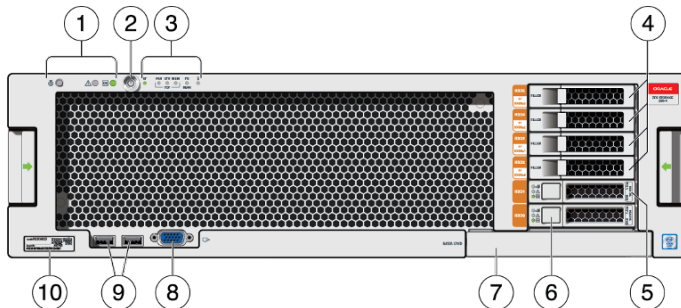
Oracle® ZFS Storage ZS5-4 Getting Started Guide

Contents



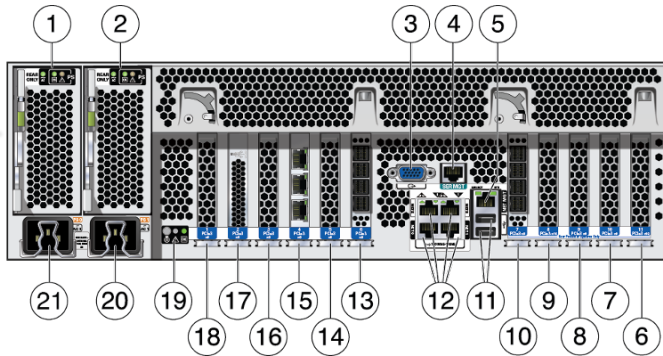
1 Oracle ZFS Storage ZS5-4 controller	2 Cable management arm	3 Slide rail kit
4 Four 6-meter Ethernet cables	5 Three 2.5-meter Ethernet cables	6 Eight 3-meter SAS cables (up to sixteen 3-meter or 6-meter cables per customer request)
7 Two power cords		

Front Panel Components



1 LEDs (left to right) <ul style="list-style-type: none"> ■ Locator ■ Service action required ■ Power/OK 	2 Power button	3 Alert indicators (left to right) <ul style="list-style-type: none"> ■ Service Processor (SP) OK/Fault ■ Fan/ CPU/ Memory service action required ■ Power Supply (PS) service action required ■ Over-temperature warning
4 Permanent HDD filler panels	5 System disk 1	6 System disk 0
7 DVD filler panel	8 DB-15 VGA port	9 Two USB 2.0 ports
10 RFID tag		

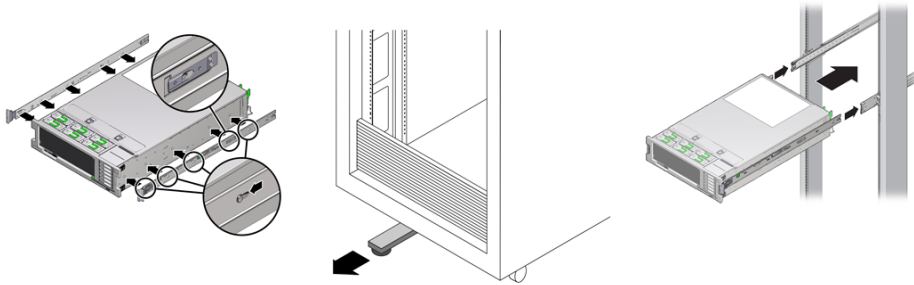
Back Panel Components



1 Power Supply Unit (PSU) 0	2 PSU 1	3 DB-15 VGA port
4 SER MGT port	5 Service Processor (SP) NET MGT port	6 First PCIe (slot 11)
7 Fifth PCIe (slot 10)	8 Third 4x4 SAS HBA or seventh PCIe (slot 9)	9 Second PCIe (slot 8)
10 4X4 SAS HBA (slot 7)	11 Two USB 2.0 ports	12 Network (NET) 10 Gb Ethernet ports, NET 0 - NET 3
13 4X4 SAS HBA (slot 6)	14 Third PCIe (slot 5)	15 Cluster interface card (slot 4)
16 Fourth 4X4 SAS HBA or sixth PCIe (slot 3)	17 Internal SAS-3 HBA (slot 2)	18 Fourth PCIe (slot 1)
19 System status LEDs (left to right) <ul style="list-style-type: none"> ■ Power/OK (green) ■ Attention (amber) ■ Locate (white) 	20 PSU 1 AC inlet	21 PSU 0 AC inlet

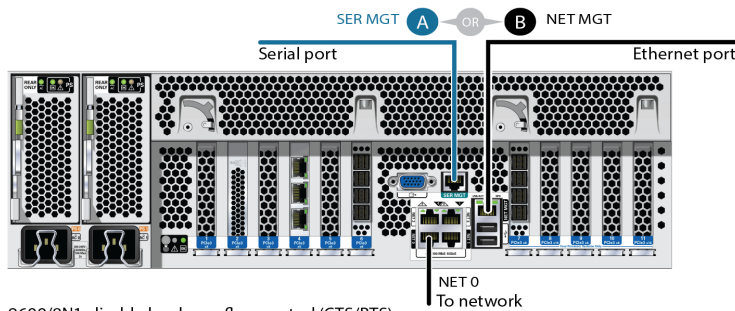
Install the Hardware

For detailed information, see the *Oracle ZFS Storage Appliance Installation Guide* available from <http://docs.oracle.com/en/storage>.



Connect System Cables

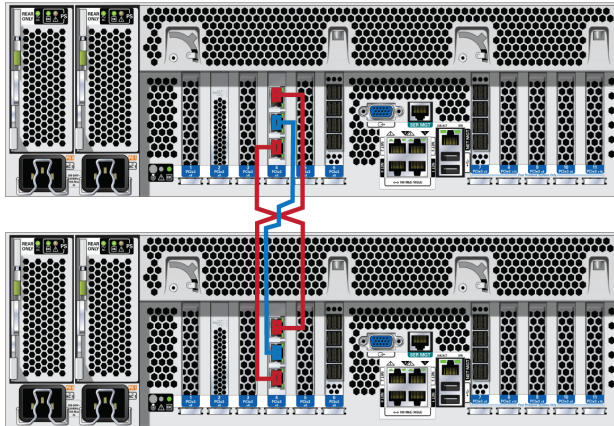
For detailed information, see the *Oracle ZFS Storage Appliance Installation Guide* available from <http://docs.oracle.com/en/storage>. If you have clustered controllers, connect the cables to both controllers. Do not connect power cables to the controllers or disk shelves until instructed to do so in "Power On and Configure the System."



9600/8N1; disable hardware flow control (CTS/RTS)
Administrative client

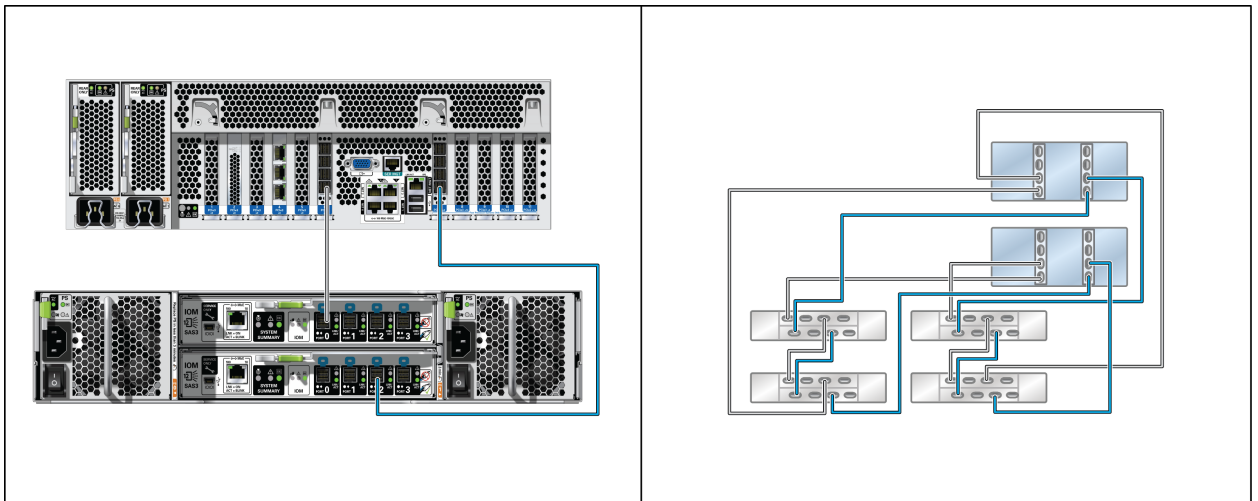
Connect Clustered Controllers

If you have clustered controllers, connect the two controllers together. For detailed information, see the *Oracle ZFS Storage Appliance Cabling Guide* available from <http://docs.oracle.com/en/storage>.



Connect Disk Shelves

The following illustration shows clustered ZS5-4 controllers, each with two HBAs connected to four Oracle Storage Drive Enclosure DE3-24 disk shelves in two chains. For additional configuration options, see the *Oracle ZFS Storage Appliance Cabling Guide* available from <http://docs.oracle.com/en/storage>. Do not connect power cables to the disk shelves or controllers until instructed to do so in "Power On and Configure the System."



Power On and Configure the System

Required information: A) Network host name and port of your serial connection, or B) Network management port DHCP-assigned address. Connect disk shelf power cables, power on disk shelves, connect controller power cables,

power on controllers, and configure the system as described in the *Oracle ZFS Storage Appliance Installation Guide* available from <http://docs.oracle.com/en/storage>.

SunOS Release 5.11 Version 2010.09 64-bit
Copyright (c) 2013, 2014, Oracle and/or its affiliates. All rights reserved.
Use is subject to license terms.
Starting appliance configuration done.
Press any key to begin configuring appliance: [*]

Sun ZFS Storage ZS3-2 System Configuration
Copyright (c) 2013, 2014, Oracle and/or its affiliates. All rights reserved.

```
NET:0 <> NET:1 <-> NET:2 <-> NET:3 <->
```

- * Host name:
- * DNS domain:
- * IP address:
- * IP netmask:
- * Default router:
- * DNS server:
- * Password:
- * Re-enter Password:

Please enter the required (*) configuration data

ESC-1: Done ESC-2: Help ESC-3: Halt ESC-4: Reboot ESC-5: Info

Establish a serial connection **A** OR **B** Log in to the system

A Login: root
Password: changeme
-> start /SP/console

B \$ ssh root@DHCP-address
Password: changeme
-> start /SP/console

60 Seconds

Perform Initial Configuration

For detailed information, see the *Oracle ZFS Storage Appliance Installation Guide* available from <http://docs.oracle.com/en/storage>, including properly configuring the management interfaces and updating the controller software.

https://hostname:215

Sun
ORACLE
hostname

Username

Password

LOGIN

? Click Help after logging in to the BUI or see <http://www.oracle.com/goto/zfsstorage/docs>

Product Documentation Library

Documentation for this product is available in the storage section of the Oracle Help Center, located at <http://docs.oracle.com/en/storage/>.

Documentation Accessibility

For information about Oracle's commitment to accessibility, visit the Oracle Accessibility Program web site at <http://www.oracle.com/pls/topic/lookup?ctx=acc&id=docacc>.

Access to Oracle Support

Oracle customers that have purchased support have access to electronic support through My Oracle Support. For information, visit <http://www.oracle.com/pls/topic/lookup?ctx=acc&id=info> or visit <http://www.oracle.com/pls/topic/lookup?ctx=acc&id=trs> if you are hearing impaired.

Feedback

Provide feedback on this document at <http://www.oracle.com/goto/docfeedback>.

Copyright © 2016, Oracle and/or its affiliates. All rights reserved.

Copyright © 2016, Oracle et/ou ses affiliés. Tous droits réservés.

ORACLE[®]

Part No: E73146-04
Mfg. No: 7341185
December 2016

