

**Oracle® Communications
Network Charging and Control**

XML TCAP Interface Technical Guide

Release 12.0.0

December 2017

Copyright

Copyright © 2017, Oracle and/or its affiliates. All rights reserved.

This software and related documentation are provided under a license agreement containing restrictions on use and disclosure and are protected by intellectual property laws. Except as expressly permitted in your license agreement or allowed by law, you may not use, copy, reproduce, translate, broadcast, modify, license, transmit, distribute, exhibit, perform, publish, or display any part, in any form, or by any means. Reverse engineering, disassembly, or decompilation of this software, unless required by law for interoperability, is prohibited.

The information contained herein is subject to change without notice and is not warranted to be error-free. If you find any errors, please report them to us in writing.

If this is software or related documentation that is delivered to the U.S. Government or anyone licensing it on behalf of the U.S. Government, then the following notice is applicable:

U.S. GOVERNMENT END USERS: Oracle programs, including any operating system, integrated software, any programs installed on the hardware, and/or documentation, delivered to U.S. Government end users are "commercial computer software" pursuant to the applicable Federal Acquisition Regulation and agency-specific supplemental regulations. As such, use, duplication, disclosure, modification, and adaptation of the programs, including any operating system, integrated software, any programs installed on the hardware, and/or documentation, shall be subject to license terms and license restrictions applicable to the programs. No other rights are granted to the U.S. Government.

This software or hardware is developed for general use in a variety of information management applications. It is not developed or intended for use in any inherently dangerous applications, including applications that may create a risk of personal injury. If you use this software or hardware in dangerous applications, then you shall be responsible to take all appropriate fail-safe, backup, redundancy, and other measures to ensure its safe use. Oracle Corporation and its affiliates disclaim any liability for any damages caused by use of this software or hardware in dangerous applications.

Oracle and Java are registered trademarks of Oracle and/or its affiliates. Other names may be trademarks of their respective owners.

Intel and Intel Xeon are trademarks or registered trademarks of Intel Corporation. All SPARC trademarks are used under license and are trademarks or registered trademarks of SPARC International, Inc. AMD, Opteron, the AMD logo, and the AMD Opteron logo are trademarks or registered trademarks of Advanced Micro Devices. UNIX is a registered trademark of The Open Group.

This software or hardware and documentation may provide access to or information about content, products, and services from third parties. Oracle Corporation and its affiliates are not responsible for and expressly disclaim all warranties of any kind with respect to third-party content, products, and services unless otherwise set forth in an applicable agreement between you and Oracle. Oracle Corporation and its affiliates will not be responsible for any loss, costs, or damages incurred due to your access to or use of third-party content, products, or services, except as set forth in an applicable agreement between you and Oracle.

Contents

About This Document	v
Document Conventions	vi
Chapter 1	
System Overview	1
Overview	1
Introduction to SLEE XML TCAP Interface	1
About installing XML TCAP Interface	1
Chapter 2	
Configuration	3
Overview	3
XML/TCAP Interface Configuration	3
Chapter 3	
Troubleshooting	7
Overview	7
Common Troubleshooting Procedures	7
Glossary of Terms	11
Index	13

About This Document

Scope

The scope of this document includes all the information required to install, configure and administer the XML TCAP Interface.

Audience

This guide was written primarily for system administrators and persons installing and administering the TCAP Interfaces application. The documentation assumes that the person using this guide has a good technical knowledge of the system.

Prerequisites

Although there are no prerequisites for using this guide, familiarity with the target platform would be an advantage.

A solid understanding of Unix and a familiarity with IN concepts are an essential prerequisite for safely using the information contained in this technical guide. Attempting to install, remove, configure or otherwise alter the described system without the appropriate background skills, could cause damage to the system; including temporary or permanent incorrect operation, loss of service, and may render your system beyond recovery.

This manual describes system tasks that should only be carried out by suitably trained operators.

Related Documents

The following documents are related to this document:

- *Service Management System Technical Guide*

Document Conventions

Typographical Conventions

The following terms and typographical conventions are used in the Oracle Communications Network Charging and Control (NCC) documentation.

Formatting Convention	Type of Information
Special Bold	Items you must select, such as names of tabs. Names of database tables and fields.
<i>Italics</i>	Name of a document, chapter, topic or other publication. Emphasis within text.
Button	The name of a button to click or a key to press. Example: To close the window, either click Close , or press Esc .
Key+Key	Key combinations for which the user must press and hold down one key and then press another. Example: Ctrl+P or Alt+F4 .
Monospace	Examples of code or standard output.
Monospace Bold	Text that you must enter.
<i>variable</i>	Used to indicate variables or text that should be replaced with an actual value.
menu option > menu option >	Used to indicate the cascading menu option to be selected. Example: Operator Functions > Report Functions
hypertext link	Used to indicate a hypertext link.

Specialized terms and acronyms are defined in the glossary at the end of this guide.

System Overview

Overview

Introduction

This chapter provides a high-level overview of the application. It explains the basic functionality of the system and lists the main components.

It is not intended to advise on any specific Oracle Communications Network Charging and Control (NCC) network or service implications of the product.

In this Chapter

This chapter contains the following topics.

Introduction to SLEE XML TCAP Interface	1
About installing XML TCAP Interface	1

Introduction to SLEE XML TCAP Interface

Component descriptions

This table describes the main components in the XML TCAP Interface.

Process	Role	Further information
xmlTcapInterface	The interface converts XML messages arriving from smsTrigDaemon into SLEE events. Similarly, the interface converts events arriving from the SLEE into XML messages that smsTrigDaemon understands.	XML/TCAP Interface Configuration
smsTrigDaemon	Accepts control plan execution requests from either a remote PI client or the Java management screens and forwards request to smsTcapInterface.	<i>Service Management System Technical Guide</i>

About installing XML TCAP Interface

Installing the interface

This interface is installed through the `xmlTclf` package. See *Installation Guide* for both automatic and manual installation details.

Configuration

Overview

Introduction

This chapter explains how to configure the Oracle Communications Network Charging and Control (NCC) application.

In this chapter

This chapter contains the following topics.

XML/TCAP Interface Configuration 3

XML/TCAP Interface Configuration

Introduction

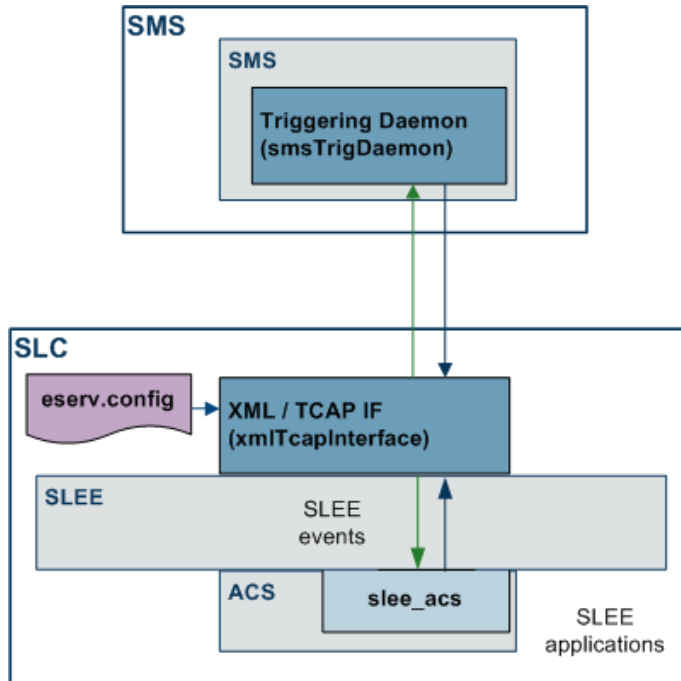
The xmlTcapInterface receives BPL requests from the smsTrigDaemon or from a third party. Each request is used to construct an InitialDP which is sent to ACS through the SLEE. The xmlTcapInterface returns an indication of whether or not the request was successful through an HTTP response.

The InitialDP contains the following information:

- Calling party number (from the xml request)
- Called party number (from the xml request)
- PIN digits
- Extension fields (from the xml request)
- Service key for the application required

XML/TCAP Interface diagram

This diagram shows the XML/TCAP interface on an SLC.



Configuration components - XML/TCAP Interface

The XML/TCP Interface is configured by the following components:

Component	Locations	Description	Further Information
eserv.config	SLC and SMS	This file configures the XML/TCAP Interface.	eserv.config configuration (on page 4).
SLEE.cfg	SLC	This file defines the XML/TCAP interface and the BPL service on the SLEE.	<i>Start up</i> (on page 6).

Note: xmlTcapInterface has a hard-coded timeout waiting for a response over the SLEE of 10 seconds.

eserv.config configuration

xmlTcapInterface supports the following parameters at the root level of **eserv.config**.

```
triggering = {
  listenPort = 3072
  idp_sk = 10
  retryDelay = 1
  maxNotReadyRetries = 3
  connectionTimeout = 90
  requestTimeout = 10
}
```

Parameters

`listenPort`

Syntax: `listenPort = value`
Description: The port on which the `xmlTcapInterface` should listen for incoming requests.
Type: Integer
Optionality: Optional (default used if not set).
Allowed:
Default: 3072
Notes:
Example: `listenPort = 3070`

`idp_sk`

Syntax: `idp_sk = value`
Description: The **service key** parameter of outgoing InitialDP components.
Type: Integer
Optionality: Optional (default used if not set).
Allowed:
Default: 10
Notes:
Example: `idp_sk = 12`

`retryDelay`

Syntax: `retryDelay = value`
Description: The number of seconds to wait before retrying an operation.
Type: Integer
Optionality: Optional (default used if not set).
Allowed:
Default: 1
Notes:
Example: `retryDelay = 2`

`maxNotReadyRetries`

Syntax: `maxNotReadyRetries = value`
Description: The number of times to retry the operation before abandoning the attempt.
Type: Integer
Optionality: Optional (default used if not set).
Allowed:
Default: 3
Notes:
Example: `maxNotReadyRetries = 5`

`connectionTimeout`

Syntax: `connectionTimeout = value`
Description: The number of seconds before closing a stale connection.

Chapter 2

Type: Integer
Optionality: Optional (default used if not set).
Allowed: 0 = no time out
Default: 90
Notes:
Example: `connectionTimeout = 70`

`requestTimeout`

Syntax: `requestTimeout = value`
Description: The number of seconds before an IN request times out.
Type: Integer
Optionality: Optional (default used if not set).
Allowed:
Default: 10
Notes:
Example: `requestTimeout = 15`

Start up

The following entries must be included in the **SLEE.cfg** configuration file for the `xmlTcapInterface` to work:

```
SERVICE=CCS_BPL 1 slee_acs CCS_BPL  
SERVICEKEY=INTEGER 50 CCS_BPL
```

```
INTERFACE=xmlTcIf xmlTcapInterfaceStartup.sh /IN/service_packages/SLEE/bin UDG
```

Note: For further information on configuring the SLEE, see *NCC SLEE Technical Guide*.

Troubleshooting

Overview

Introduction

This chapter explains the important processes on each of the server components in NCC, and describes a number of example troubleshooting methods that can help aid the troubleshooting process before you raise a support ticket.

In this chapter

This chapter contains the following topics.

Common Troubleshooting Procedures..... 7

Common Troubleshooting Procedures

Introduction

Refer to *System Administrator's Guide* for troubleshooting procedures common to all NCC components.

Checking current processes

You can check which processes are running using the standard UNIX command: `ps`. To find processes being run by Oracle software, you can `grep` for the string 'oper', which will display all processes being run by the application operator accounts (for example, `acs_oper`, `ccs_oper` and `smf_oper`).

Note: Some processes which are required for proper functioning may be run by other users, including root or the user which runs the webserver.

Example command: `ps -ef | grep oper`

For more information about the `ps` command, see the system documentation for the `ps` command.

You can also check how much of the processor a process is using by running the standard UNIX tool: `top`. If you have some baseline measurements, you will be able to compare it with the current load.

Example command: `top`

Tip: Some processes should only have one instance. If there are two or more instances, this may indicate a problem. For example, there will usually only be one `timerIF` running on each SLC.

For more information about which processes should be running on each node, check the Process List for each node in *Installation Guide*.

Process failure

You can check whether a process is restarting using the SMS Alarms subsystem.

Processes raise alarms when they are stopped or started. The alarms include:

- Their name

- The time the alarm was logged
- Some other information about why the event may have occurred

Further information about the specific alarm can be found in the application's alarms guide.

Alarms can be accessed from the:

- Syslog on the local machine and the SMS(s). For more information, see *SMS Technical Guide*.
- **Alarms** tab in the SMS Alarms Management screen. For more information, see *SMS User's Guide*.

Checking installed packages

To check the details of an installed package, use the `pkginfo` command.

Example command: `pkginfo -l smsSms`

Example output: This is an example of the output of the example command above.

```
PKGINST: smsSms
NAME: Oracle smsSms
CATEGORY: application
ARCH: sun4u
VERSION: 3.1.0
VENDOR: Oracle
PSTAMP: smsNode20041020104925
INSDATE: Oct 20 2004 13:15
EMAIL: support@oracle.com
STATUS: completely installed
FILES: 348 installed pathnames
       39 directories
       89 executables
       152448 blocks used (approx)
```

For more information about the `pkginfo` utility, see the system documentation.

Checking network connectivity

Network connectivity will affect any process which requires communication between two different network addresses.

Network connectivity should support ssh sessions between the two machines experiencing the problem.

If you can open an ssh session between the two machines, check the following before contacting Level 1 support with details:

- If the address of either of the machines specified in the Node Management screens is a hostname, check that the hostnames used in the ssh sessions are the hostnames specified in the Node Management screen.

If you cannot ssh, check the following before contacting Level 1 support with details:

- Check that the hostname is resolving correctly in the DNS.
- Check that the physical network connection is working correctly.
- Check that the `inetd` and `sshd` are running.
- Check that `sshd` is listening on the expected port.
- Check that the `smf_oper` and `acs_oper` accounts are not locked, and that the username and password combinations being used are correct.

Checking configuration files

One of the significant areas where faults can occur and be remedied is in the configuration of processes. Configuration files can be edited by any standard text editor. A backup of the existing configuration file should always be taken before editing a configuration file.

For more information about the configuration files used in this application, see *Configuration User's Guide*.

For more information about the configuration file for a specific program or tool, see the section named after the binary in question.

Glossary of Terms

ACS

Advanced Control Services configuration platform.

GUI

Graphical User Interface

HTML

HyperText Markup Language, a small application of SGML used on the World Wide Web.

It defines a very simple class of report-style documents, with section headings, paragraphs, lists, tables, and illustrations, with a few informational and presentational items, and some hypertext and multimedia.

HTTP

Hypertext Transport Protocol is the standard protocol for the carriage of data around the Internet.

IN

Intelligent Network

PI

Provisioning Interface - used for bulk database updates/configuration instead of GUI based configuration.

PIN

Personal Identification Number

SGML

Standard Generalized Markup Language. The international standard for defining descriptions of the structure of different types of electronic document.

SLC

Service Logic Controller (formerly UAS).

SLEE

Service Logic Execution Environment

SMS

Depending on context, can be:

- Service Management System hardware platform
- Short Message Service
- Service Management System platform
- NCC Service Management System application

System Administrator

The person(s) responsible for the overall set-up and maintenance of the IN.

TCAP

Transaction Capabilities Application Part – layer in protocol stack, message protocol.

TCP

Transmission Control Protocol. This is a reliable octet streaming protocol used by the majority of applications on the Internet. It provides a connection-oriented, full-duplex, point to point service between hosts.

XML

eXtensible Markup Language. It is designed to improve the functionality of the Web by providing more flexible and adaptable information identification.

It is called extensible because it is not a fixed format like HTML. XML is a `metalanguage' — a language for describing other languages—which lets you design your own customized markup languages for limitless different types of documents. XML can do this because it's written in SGML.

Index

A

About installing XML TCAP Interface • 1
About This Document • v
ACS • 11
Audience • v

C

Checking configuration files • 8
Checking current processes • 7
Checking installed packages • 8
Checking network connectivity • 8
Common Troubleshooting Procedures • 7
Component descriptions • 1
Configuration • 3
Configuration components - XML/TCAP
Interface • 4
connectionTimeout • 5
Copyright • ii

D

Document Conventions • vi

E

eserv.config configuration • 4

G

GUI • 11

H

HTML • 11
HTTP • 11

I

idp_sk • 5
IN • 11
Installing the interface • 1
Introduction • 3, 7
Introduction to SLEE XML TCAP Interface • 1

L

listenPort • 5

M

maxNotReadyRetries • 5

O

Overview • 1, 3, 7

P

Parameters • 5
PI • 11
PIN • 11

Prerequisites • v
Process failure • 7

R

Related Documents • v
requestTimeout • 6
retryDelay • 5

S

Scope • v
SGML • 11
SLC • 11
SLEE • 11
SMS • 11
Start up • 4, 6
System Administrator • 12
System Overview • 1

T

TCAP • 12
TCP • 12
Troubleshooting • 7
Typographical Conventions • vi

X

XML • 12
XML/TCAP Interface Configuration • 3
XML/TCAP Interface diagram • 4