

**Oracle® Communications  
Convergent Charging Controller**

SIGTRAN Technical Guide

Release 12.0.1

April 2018

# Copyright

Copyright © 2018, Oracle and/or its affiliates. All rights reserved.

This software and related documentation are provided under a license agreement containing restrictions on use and disclosure and are protected by intellectual property laws. Except as expressly permitted in your license agreement or allowed by law, you may not use, copy, reproduce, translate, broadcast, modify, license, transmit, distribute, exhibit, perform, publish, or display any part, in any form, or by any means. Reverse engineering, disassembly, or decompilation of this software, unless required by law for interoperability, is prohibited.

The information contained herein is subject to change without notice and is not warranted to be error-free. If you find any errors, please report them to us in writing.

If this is software or related documentation that is delivered to the U.S. Government or anyone licensing it on behalf of the U.S. Government, then the following notice is applicable:

U.S. GOVERNMENT END USERS: Oracle programs, including any operating system, integrated software, any programs installed on the hardware, and/or documentation, delivered to U.S. Government end users are "commercial computer software" pursuant to the applicable Federal Acquisition Regulation and agency-specific supplemental regulations. As such, use, duplication, disclosure, modification, and adaptation of the programs, including any operating system, integrated software, any programs installed on the hardware, and/or documentation, shall be subject to license terms and license restrictions applicable to the programs. No other rights are granted to the U.S. Government.

This software or hardware is developed for general use in a variety of information management applications. It is not developed or intended for use in any inherently dangerous applications, including applications that may create a risk of personal injury. If you use this software or hardware in dangerous applications, then you shall be responsible to take all appropriate fail-safe, backup, redundancy, and other measures to ensure its safe use. Oracle Corporation and its affiliates disclaim any liability for any damages caused by use of this software or hardware in dangerous applications.

Oracle and Java are registered trademarks of Oracle and/or its affiliates. Other names may be trademarks of their respective owners.

Intel and Intel Xeon are trademarks or registered trademarks of Intel Corporation. All SPARC trademarks are used under license and are trademarks or registered trademarks of SPARC International, Inc. AMD, Opteron, the AMD logo, and the AMD Opteron logo are trademarks or registered trademarks of Advanced Micro Devices. UNIX is a registered trademark of The Open Group.

This software or hardware and documentation may provide access to or information about content, products, and services from third parties. Oracle Corporation and its affiliates are not responsible for and expressly disclaim all warranties of any kind with respect to third-party content, products, and services unless otherwise set forth in an applicable agreement between you and Oracle. Oracle Corporation and its affiliates will not be responsible for any loss, costs, or damages incurred due to your access to or use of third-party content, products, or services, except as set forth in an applicable agreement between you and Oracle.

# Contents

About This Document .....	v
Document Conventions .....	vi
<b>Chapter 1</b>	
<b>System Overview .....</b>	<b>1</b>
Overview .....	1
Introduction to SLEE TCAP Interfaces .....	1
SCCP Level TCAP Interfaces .....	2
M3UA Level TCAP Interfaces .....	3
Routing to Services .....	4
<b>Chapter 2</b>	
<b>Configuration.....</b>	<b>9</b>
Overview .....	9
Configuration Overview .....	9
Configuring tcapif.def .....	12
Configuring sigtran.config .....	20
Example Configuration Scenarios .....	47
<b>Chapter 3</b>	
<b>Background Processes .....</b>	<b>51</b>
Overview .....	51
sua_if .....	51
m3ua_if .....	52
<b>Chapter 4</b>	
<b>Troubleshooting.....</b>	<b>53</b>
Overview .....	53
Common Troubleshooting Procedures .....	53
Debug .....	53
<b>Chapter 5</b>	
<b>Statistics and Reports .....</b>	<b>55</b>
Overview .....	55
Statistics .....	55
<b>Chapter 6</b>	
<b>About Installation and Removal .....</b>	<b>57</b>
Overview .....	57
Installation and Removal Overview .....	57
Checking the Installation .....	57

**Glossary of Terms ..... 59**  
**Index ..... 65**

# About This Document

## Scope

The scope of this document includes all the information required to install, configure and administer the SIGTRAN Interfaces application.

## Audience

This guide was written primarily for system administrators and persons installing and administering the SIGTRAN Interfaces application. The documentation assumes that the person using this guide has a good technical knowledge of the system.

## Prerequisites

Although there are no prerequisites for using this guide, familiarity with the target platform would be an advantage.

A solid understanding of Unix and a familiarity with IN concepts are an essential prerequisite for safely using the information contained in this technical guide. Attempting to install, remove, configure or otherwise alter the described system without the appropriate background skills, could cause damage to the system; including temporary or permanent incorrect operation, loss of service, and may render your system beyond recovery.

This manual describes system tasks that should only be carried out by suitably trained operators.

## Related Documents

The following documents are related to this document:

- *Service Logic Execution Environment Technical Guide*
- *Service Management System Technical Guide*

# Document Conventions

## Typographical Conventions

The following terms and typographical conventions are used in the Oracle Communications Convergent Charging Controller documentation.

Formatting Convention	Type of Information
<b>Special Bold</b>	Items you must select, such as names of tabs. Names of database tables and fields.
<i>Italics</i>	Name of a document, chapter, topic or other publication. Emphasis within text.
<b>Button</b>	The name of a button to click or a key to press. <b>Example:</b> To close the window, either click <b>Close</b> , or press <b>Esc</b> .
<b>Key+Key</b>	Key combinations for which the user must press and hold down one key and then press another. <b>Example:</b> <b>Ctrl+P</b> or <b>Alt+F4</b> .
Monospace	Examples of code or standard output.
<b>Monospace Bold</b>	Text that you must enter.
<i>variable</i>	Used to indicate variables or text that should be replaced with an actual value.
<b>menu option &gt; menu option &gt;</b>	Used to indicate the cascading menu option to be selected. <b>Example:</b> <b>Operator Functions &gt; Report Functions</b>
<a href="#">hypertext link</a>	Used to indicate a hypertext link.

Specialized terms and acronyms are defined in the glossary at the end of this guide.

# System Overview

## Overview

### Introduction

This chapter provides a high-level overview of the application. It explains the basic functionality of the system and lists the main components.

It is not intended to advise on any specific Oracle Communications Convergent Charging Controller network or service implications of the product.

### In this Chapter

---

This chapter contains the following topics.

Introduction to SLEE TCAP Interfaces .....	1
SCCP Level TCAP Interfaces.....	2
M3UA Level TCAP Interfaces.....	3
Routing to Services .....	4

## Introduction to SLEE TCAP Interfaces

### Introduction

The Oracle SIGTRAN TCAP Interface is a SLEE interface that enables the SLEE to inter-work with a TCAP Protocol stack.

The interface converts messages arriving from the TCAP Protocol stack and converts them into SLEE events. The SLEE events are then sent to the application which is configured to handle the call. The SIGTRAN TCAP Interface also converts SLEE events coming from a SLEE application back into a form the TCAP Protocol stack can understand.

For more information about SLEE events and applications, see *SLEE Technical Guide*.

### Service routing and message correlation

The SIGTRAN TCAP Interface also has a role in routing calls to services on the platform.

It routes the message setting one of the following:

- The SLEE service key for the message
- A correlation ID which matches the message to one sent to the SLEE earlier (in this case, the second message will use the same service key as the first)

### TCAP Protocol stack

A TCAP Protocol stack is a software implementation of a networking protocol suite. It involves a group of protocols working together to allow Oracle platform software and hardware to communicate with a telecommunications network.

The protocols are:

- TCAP
- underlying protocols such as SCCP/MTP or SUA/SCTP/IP

The hardware is Network Interface Cards on an applicable high-performance server-based platform.

The networks typically support Intelligent Network-type Signaling Control and other associated or similar functions.

### TCAP Interface layers

The SIGTRAN TCAP Interface used in a specific installation will depend on the requirements of the network and the type of physical interface and network protocols used.

Generally, the SIGTRAN TCAP Interface which will be installed is built from underlying layers of smaller protocol stacks which sit below the TCAP layer. These layers may be comprised of TCP/IP or SIGTRAN protocols (SUA/SCCP/M3UA). They may be provided and supported by Oracle and/or third party vendors.

### Available TCAP Interfaces

This table lists the available SIGTRAN TCAP Interfaces.

Stack name	Protocol	Interface name
SIGTRAN	SCCP	sua_if
	M3UA	m3ua_if

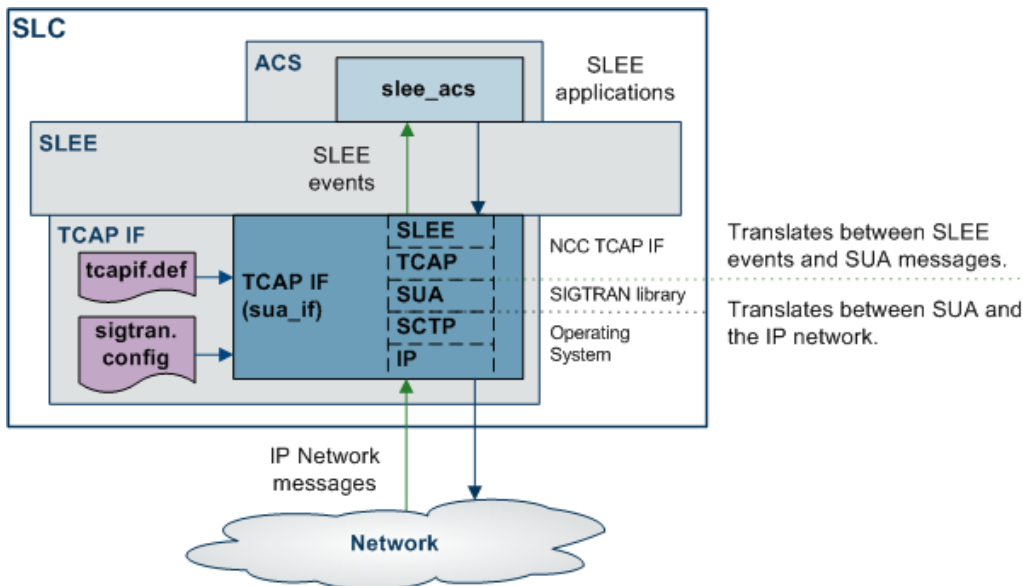
## SCCP Level TCAP Interfaces

### Introduction

The SIGTRAN TCAP Interface stack can be used to translate to a third party SCCP/SUA implementation.

### SIGTRAN SCCP/SUA interface diagram

This diagram shows the SIGTRAN SCCP/SUA interface on a SLC.





## SIGTRAN/SUA interface components

This table describes the main components in the SUA version of the SIGTRAN TCAP Interface.

Process	Role	Further information
sua_if	Interface between the SLEE and the network. <b>Note:</b> This process includes the SIGTRAN libraries which interface to the network.	<i>sua_if</i> (on page 51).
SLEE	Real-time interface between the interfaces and applications which have been configured to communicate through the SLEE.	<i>Service Logic Execution Environment Technical Guide</i> .
sua_if.sh	Shell Startup script used to set the command line parameters for configuring sua_if.	<i>Configuration Overview</i> (on page 9).
tcapif.def	Optional configuration file for sua_if. Can be used to set some command line parameters.	<i>Configuring tcapif.def</i> (on page 12).
sigtran.config	Main configuration file for sua_if.	<i>Configuring sigtran.config</i> (on page 20).
sccp_YYYYMMDD_hh mm.log	The SCCP-level message log file.	<i>log</i> (on page 26).

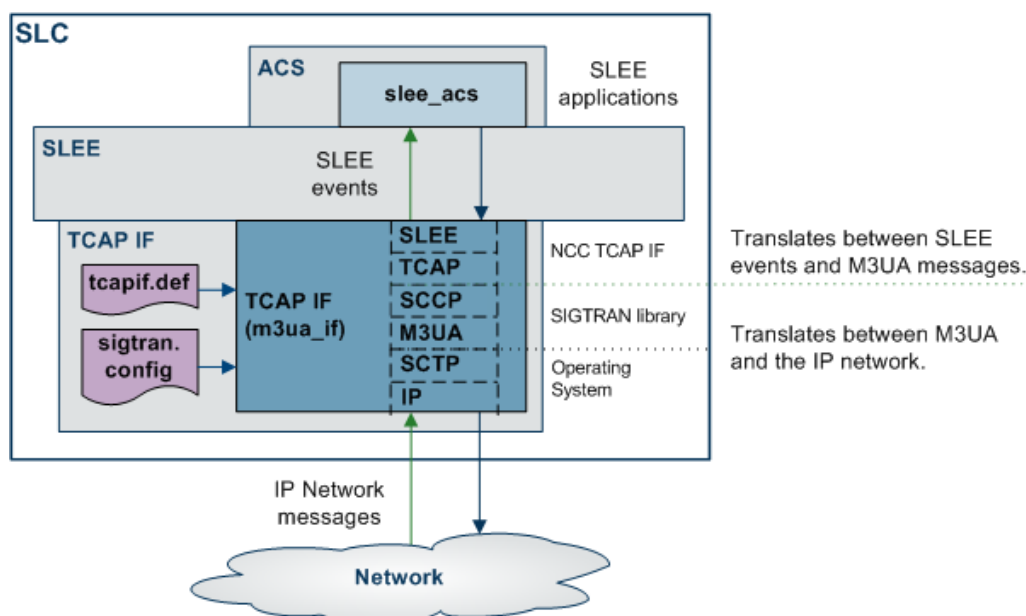
## M3UA Level TCAP Interfaces

### Introduction

The SIGTRAN TCAP stack can be used to translate to a third party SCCP/M3UA implementation.

### SIGTRAN m3ua interface diagram

This diagram shows the SIGTRAN M3UA interface on a SLC.



## SIGTRAN m3ua interface components

This table describes the main components in the M3UA version of the SIGTRAN TCAP Interface.

Process	Role	Further information
m3ua_if	Interface between the SLEE and the network. <b>Note:</b> This process includes the SIGTRAN libraries which interface to the network.	<i>m3ua_if</i> (on page 52).
SLEE	Real-time interface between the interfaces and applications which have been configured to communicate through the SLEE.	<i>Service Logic Execution Environment Technical Guide</i> .
m3ua_if.sh	Shell Startup script used to set the command line parameters for configuring m3ua_if.	<i>Configuration Overview</i> (on page 9).
tcapif.def	Optional configuration file for sua_if. Can be used to set some command line parameters.	<i>Configuring tcapif.def</i> (on page 12).
sigtran.config	Main configuration file for m3ua_if.	<i>Configuring sigtran.config</i> (on page 20).
sccp_YYYYMMDD_hh mm.log	The SCCP-level message log file.	<i>log</i> (on page 26).

## Routing to Services

### Introduction

When the SIGTRAN TCAP Interface receives a new TCAP message (TC-BEGIN), it determines what SLEE service key it should use when sending the message on. SLEE service keys are used by the SLEE to determine where to route the message to. For more information about how SLEE routes calls, see *SLEE Technical Guide*.

**Note:** If the message is an assistRequestInstructions, sua\_if/m3ua\_if will send the message to the SLEE with a correlation ID. The SLEE will then route based on only correlation ID. For more information about correlation IDs and how they are processed, see *Correlation IDs* (on page 6).

### Routing process

This table describes how SIGTRAN TCAP Interface constructs the SLEE service key for an incoming message.

Stage	Description
1	TC-BEGIN arrives at sua_if/m3ua_if.
2	sua_if/m3ua_if determines which protocol the message is using by matching the SSN the message arrived from to the ssn details in its command line or tcapif.def configuration. For more information about setting which SSNs correspond to which protocols, see <i>tcapif parameters</i> (on page 13).
3	If the protocol is INAP, sua_if/m3ua_if will check whether the operation is assistRequestInstructions. If it is, it will set a correlation ID in the message and send it to the SLEE. No further action is taken.
4	If the protocol is not INAP, or it is INAP but the operation is an InitialDP, sua_if/m3ua_if will construct the SLEE service key.
5	sua_if/m3ua_if sends the message on to the SLEE, where it will be routed according to

Stage	Description
	the rules defined for service keys in SLEE.cfg.

## SLEE service key construction

The SLEE service key constructed by sua\_if/m3ua\_if is made up from the following elements:

Byte	MSB 8	7	6	5	4	3	2	LSB 1
Sourced from	Base service key value defined by <i>sleekey</i> (on page 18).			Dest SSN (SCCP)	Depends on the protocol of incoming message:			
					INAP IDP	IDP's ServiceKey value		
					INAP Initiate CallAttempt	ffffffe		
					MAP	MAP Operation ID value		
					CAMEL GPRS	CAP_InitialDPGPRS Servicekey value, or DestinationReference for other operations		
					CAMEL SMS	CAP_InitialDPSMS Servicekey value		
					any other	ffffff		
<b>Example 1</b>	0x1			0xd0	00000009			
<b>Example 2</b>	0x123456			0x05	fffffffe			

**Note:** The base service key (bytes 6-8) is not padded with leading zeros. Bytes 1 to 4, and byte 5 are padded with leading zeros.

## Example SLEE service keys

### Example 1:

If sua\_if/m3ua\_if is using the default base key of 0x1, and the TC-BEGIN has INAP SSN = 13 (that is, 0xd) and service key = 8: the SLEE service key will be 0x10d00000008.

The message can then be routed to INAPService1 on App1 by the following lines in **SLEE.cfg**:

```
SERVICEKEY=INTEGER 0x10d00000008 INAPService1
SERVICE=INAPService1 1 App1 INAPService1
```

### Example 2:

If sua\_if/m3ua\_if is using a non-default base key of 0x1234, and the TC-BEGIN has INAP SSN = 112 (that is, 0x70) and service key = 10: the SLEE service key will be 0x1234700000010.

The message can then be routed to INAPService2 on App2 by the following lines in **SLEE.cfg**:

```
SERVICEKEY=INTEGER 0x1234700000010 INAPService2
SERVICE=INAPService2 1 App2 INAPService2
```

### Example 3:

If sua\_if/m3ua\_if is using the default base key of 0x1, and the TC-BEGIN has MAP SSN = 5 and operation ID = 5: the SLEE service key will be 0x10500000005.

The message can then be routed to MAPService on App2 by the following lines in **SLEE.cfg**:

```
SERVICEKEY=INTEGER 0x10500000005 MAPService
SERVICE=MAPService 1 App2 MAPService
```

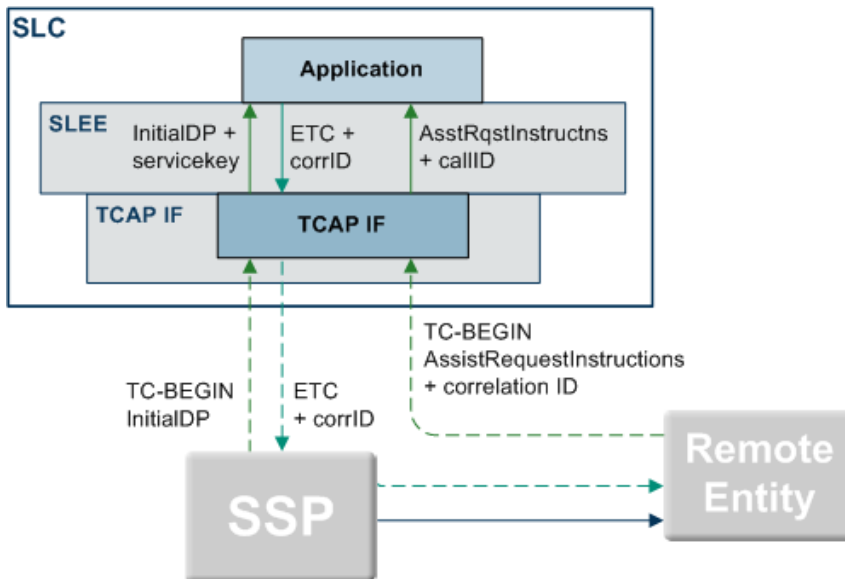
### Correlation IDs

In some circumstances, a message arriving at sua\_if/m3ua\_if will need to be matched to an earlier message. For example, when a play announcement node has requested an Intelligent Peripheral to play a message to a caller, and the IP is reporting the result of the action.

In this case, the second message received by sua\_if/m3ua\_if (sent by the IP) will be an INAP AssistRequestInstructions (ARI) operation, and will contain a correlation ID. sua\_if/m3ua\_if will attempt to initiate a SLEE dialog using the correlation ID instead of a service key. The correlation ID will be a decimal conversion of the digits from the ARI's correlationID parameter.

### SLEE Correlation ID diagram

This diagram shows how correlation IDs are linked across the system.



### Matching SLEE correlation IDs

These are the steps involved in matching correlation IDs.

Stage	Description
1	On an SLC, an InitialDP is sent across the SLEE. (Usually sent by an interface such as sua_if/m3ua_if to a service application such as slee_acs). The SLEE assigns it a call ID.
2	The SLEE service application which received the InitialDP requests the SLEE to assign a correlation ID to the InitialDP. The SLEE allocates a correlation ID and returns it to the SLEE service application.
3	The SLEE service application sends an INAP ETC operation over the SLEE to an interface. The operation contains the Address of an external network entity and the correlation ID.
4	The interface sends the operation to the switch which forwards it to the remote entity specified in the Address (usually an Intelligent Peripheral).
5	The remote entity sends the interface on the SLC an INAP TC-BEGIN containing an AssistRequestInstructions (ARI) and the original correlation ID.
6	When sua_if/m3ua_if receives the ARI, it initiates a new SLEE dialog using the correlation

Stage	Description
	ID. The correlation ID is matched to the call ID assigned in Stage 1, and the same service key routing rules are applied (this means the ARI will be delivered to the SLEE service application which sent the ETC). The correlation ID must be read from within the TCAP component which holds the conveyed protocol's first message.
7	The SLEE service application receives the message with the call ID assigned to the InitialDP and correlates the messages.

For an example of how correlation IDs are used by ACS when playing announcements, see *Advanced Control Services Technical Guide*.



# Configuration

## Overview

### Introduction

This chapter explains how to configure the Oracle Communications Convergent Charging Controller application.

### In this chapter

---

This chapter contains the following topics.

Configuration Overview .....	9
Configuring tcapif.def.....	12
Configuring sigtran.config.....	20
Example Configuration Scenarios .....	47

## Configuration Overview

### Introduction

This topic provides a high level overview of how the SIGTRAN TCAP Interfaces are configured.

sua\_if/m3ua\_if are configured using the following options set in the:

- Startup shell script and/or `tcapif.def`
- `sigtran.config` file

### Configuration components

TCAP Interface is configured by the following components:

Component	Locations	Description	Further Information
Environmental variables	any machine connected to a switch	Set in startup scripts.	<i>Environmental variables</i> (on page 10).
Command line variables	any machine connected to a switch	Set in startup scripts or <code>tcapif.def</code> .	<i>Configuring tcapif.def</i> (on page 12).
<code>tcapif.def</code>	any machine connected to a switch	Optional file that sets the configuration parameters which are shared with other types of TCAP Interface.	<i>Configuring tcapif.def</i> (on page 12).
<code>sigtran.config</code>	any machine connected to a switch	This file sets the configuration parameters which are specific to SIGTRAN TCAP Interface.	<i>Configuring sigtran.config</i> (on page 20).

## Configuration process overview

This table describes the steps involved in configuring the SIGTRAN TCAP Interface for the first time.

Stage	Description
1	<p>The environment <code>sua_if/m3ua_if</code> will run in must be configured correctly. This includes:</p> <ul style="list-style-type: none"> <li>• Setting the location of the SLEE base directory (if this is different from default)</li> <li>• Configuring the name of the main configuration file</li> <li>• Configuring the location of the SCCP log file</li> </ul> <p>For more information about configuring environmental variables, see Environmental variables.</p>
2	Changing the default startup variables in the <b>SLEE.cfg</b> file, especially service keys.
3	<p>Any non-default command line parameters must be added to one of the following:</p> <ul style="list-style-type: none"> <li>• The relevant <code>sua_if/m3ua_if</code> startup shell script(s): <code>sua_if.sh</code> or <code>m3ua_if.sh</code></li> <li>• (if supported) <b>tcapif.def</b></li> </ul>
4	Configuration data must be configured for <code>sua_if/m3ua_if</code> in <b>sigtran.config</b> .

## Environmental variables

The following UNIX shell environment variables can be set.

### SCCP\_LOG\_FILE

<b>Syntax:</b>	<code>SCCP_LOG_FILE=filename</code>
<b>Description:</b>	File name prefix, including path, of the optional SCCP log file. A timestamp and <b>.log</b> suffix is added.
<b>Type:</b>	String
<b>Optionality:</b>	Optional, default used if not set.
<b>Allowed:</b>	
<b>Default:</b>	<code>/tmp/sccp</code>
<b>Notes:</b>	<p>Using the default value for example, the resulting file name in the output of log files have names in the format <b>/tmp/sccp_yyyymmdd_hhmm.log</b>.</p> <p>By default a new log file, with a different timestamp, is created every 10 minutes. Other intervals can be specified using the <code>SCCP_LOG_TIME</code> environment variable.</p>
<b>Example:</b>	<code>SCCP_LOG_FILE=/var/tmp/sua_if_sccp</code>

### SCCP\_LOG\_TIME

<b>Syntax:</b>	<code>SCCP_LOG_TIME = value</code>
<b>Description:</b>	The interval, in minutes, between starting an <code>SCCP_LOG_FILE</code> log file.
<b>Type:</b>	Integer
<b>Optionality:</b>	Optional (default used if not set).
<b>Allowed:</b>	
<b>Default:</b>	10 (minutes)



**Notes:** If SCCP\_LOG\_TIME is defined as 20 then, if logging is enabled, new log files will be created every 20 minutes on the hour, 20 past and 40 past the hour with names like:

```
/var/tmp/sccp_20091225_1500.log
```

**Example:** SCCP\_LOG\_TIME = 20

#### SLEE\_ETC\_DIR

**Syntax:** SLEE\_ETC\_DIR=*path*

**Description:** Full path name of the SLEE's etc directory.

**Type:** Integer

**Optionality:** Optional, default used if not set.

**Allowed:**

**Default:** ../etc

**Notes:** SLEE's etc directory is where **tcapif.def** resides.

**Example:** SLEE\_ETC\_DIR=../../SLEE/etc

#### TCAPIF\_DEF

**Syntax:** TCAPIF\_DEF=*filename*

**Description:** Defines the name of configuration file which contains TCAP Interface parameters common to all TCAP Interfaces.

**Type:** String

**Optionality:** Optional, default used if not set.

**Allowed:**

**Default:** tcapif.def

**Notes:**

**Example:** TCAPIF\_DEF=sua\_tcapif.def

#### ESERV\_CONFIG\_FILE

**Syntax:** ESERV\_CONFIG\_FILE=*filename*

**Description:** Name of configuration file which contains SIGTRAN TCAP Interface-specific parameters.

**Type:** String

**Optionality:** Optional, default used if not set.

**Allowed:** Any valid filename.

**Default:** sigtran.config

**Notes:**

**Example:** ESERV\_CONFIG\_FILE=sigtran.config

#### SIGTRAN\_CONFIG\_SECTION

**Syntax:** SIGTRAN\_CONFIG\_SECTION=*str*

**Description:** The name of the section in the ESERV\_CONFIG\_FILE configuration file which holds the Sigtran Tcap Interface-specific configuration.

**Type:** String

**Optionality:** Optional (default used if not set).

**Allowed:** ASCII text.

**Default:** For m3ua\_if: M3UA.  
For sua\_if: SUA

**Notes:**

**Example:** SIGTRAN\_CONFIG\_SECTION=M3UA

# Configuring tcapif.def

## Setting parameters

Each parameter has a default that will be used if the parameter is not defined.

Parameters may be defined in two ways:

- 1 The command line
- 2 In the **tcapif.def** file

**Note:** If a parameter is set in both the command line and the **tcapif.def** file, the command line setting will be used.

## Defining the parameters

For a parameter 'param val', the value may be set in the configuration file with a line such as:

```
PARAM VAL=value
```

**Note:** Spaces can be inserted into the parameter name in **tcapif.def** without effect.

Or the parameter may be defined on the command line, for example:

- sua\_if -paramval value
- m3ua\_if -paramval value

**Note:** Spaces can not be inserted into the parameter names on the command line, and command line parameter names are case sensitive.

## Setting command line parameters

Since the executable is started by the SLEE, the only way to set the command line parameters is via an intermediate startup shell script. This shell script is pointed to in **SLEE.cfg**.

**Example 1:** Startup script:

```
#!/bin/sh
exec sua_if -ssns 123 -proto inap -tcap ccitt
```

**Example 2:** Startup script:

```
#!/bin/sh
exec sua_if -pc 160 -ssns 123 -proto inap -tcap \
ccitt
```

**Note:** To split over a line (as shown in Example 2), use "\" at the end of the line.

## tcapif.def

The **tcapif.def** file can be used to define common configuration for all TCAP interfaces running on the same system.

Where different TCAP Interfaces require different configuration, the file-set configuration options can be overridden on the command line on a binary by binary basis. Command line options are set in the startup shell scripts. Every option in the **tcap.def** file can be overridden in this way.

**Note:** In the file, the options are all uppercase. On the command line, they are lowercase.

## tcapif parameters

The generic configuration variables applicable to all TCAP interfaces are listed below:

**Note:** If any of the following parameters are set (all default to not set) then the TCAP Interface will use a default SCCP Origination Address in the first TC-CONTINUE that it sends out. By default the TCAP Interface will use the SCCP destination address of the first incoming message. This capability can be used to ensure any subsequent messages sent by the far end in the same dialog will be routed to this address. This can be useful when initial messages are sent to aliased addresses and round-robin routed by an STP to a series of SLCs.

`alwaysendaddr`

**Syntax:** `-alwaysendaddr true|false`  
**Description:** Which messages to send the SCCP destination address in.  
**Type:** Boolean  
**Optionality:**  
**Allowed:** `true` Send the SCCP destination address in all messages.  
`false` Send the SCCP destination address in only the initial message received in a dialog.  
**Default:** `false`  
**Notes:** If this parameter and `sendorigaddr` are both set to true, the TCAP Interface will send the destination and origination addresses.  
**Example:** `-alwaysendaddr true`

`autoac`

**Syntax:** `-autoac yes|no`  
**Description:** Whether to use the Application context of a CCITT white book TCAP message received in the response to the message if the SLEE application does not supply one.  
 In addition, dialogs initiated by the interface will use the default application context defined by the `defoutac` variable below.  
**Type:** Boolean  
**Optionality:**  
**Allowed:** `yes` Use the Application context from the TCAP message if none is supplied when a SLEE application responds to a message.  
`no` Do not attempt to supply an Application context if none is provided.  
**Default:** `yes`  
**Notes:** Setting to yes, effectively acknowledges the white book application context used. If `defoutac` is set, `sua_if/m3ua_if` will add the default application context if one is not set by the SLEE application or in the TCAP message.  
**Example:** `-autoac no`

## Chapter 2

### defoutac

<b>Syntax:</b>	<code>-defoutac value</code>	
<b>Description:</b>	The default application context to use if no application context is supplied by the SLEE application or set by autoac.	
<b>Type:</b>	String	
<b>Optionality:</b>		
<b>Allowed:</b>	<code>none</code>	Missing application contexts will not be set to a default.
	<code>oid1,oid2...</code>	The default CCITT white book TCAP application context to use for dialogs initiated by sua_if/m3ua_if.
<b>Default:</b>	none	
<b>Notes:</b>		
<b>Example:</b>	<code>-defoutac 1,2,3</code>	

### displaymonitors

<b>Syntax:</b>	<code>-displaymonitors true false</code>	
<b>Description:</b>	Whether to log CAPS.	
<b>Type:</b>	Boolean	
<b>Optionality:</b>		
<b>Allowed:</b>	<code>true</code>	New call attempt rates (CAPS) will be logged to stdout at period defined by <code>-reportperiod</code> .
	<code>false</code>	
<b>Default:</b>	false	
<b>Notes:</b>		
<b>Example:</b>	<code>-displaymonitors true</code>	

### dpause

<b>Syntax:</b>	<code>-dpause seconds</code>	
<b>Description:</b>	Number of seconds to sleep at startup.	
<b>Type:</b>	Integer	
<b>Optionality:</b>		
<b>Allowed:</b>		
<b>Default:</b>	0	
<b>Notes:</b>	Allows a global session to be attached to the process.	
<b>Example:</b>	<code>-dpause 7</code>	

### inapssns

<b>Syntax:</b>	<code>-inapssns value1,value2,...</code>	
<b>Description:</b>	A comma-separated list of the SCCP subsystem numbers (SSNs) that sua_if/m3ua_if will treat as INAP (regardless of the default protocol defined by <code>-proto</code> ).	
<b>Type:</b>	Integer	
<b>Optionality:</b>	Mandatory	
<b>Allowed:</b>	0-255	
<b>Default:</b>	Empty set	
<b>Notes:</b>		

**Example:** `-inapssns 33,45,99`

`mapssns`

**Syntax:** `-mapssns value1,value2,...`

**Description:** A comma-separated list of the SCCP subsystem numbers (SSNs) that sua\_if/m3ua\_if will treat as MAP (regardless of the default protocol defined by `-proto`).

**Type:** Integer

**Optionality:** Mandatory

**Allowed:** 0-255

**Default:** Empty set

**Notes:**

**Example:** `-mapssns 22,26`

`monitorperiod`

**Syntax:** `-monitorperiod milliseconds`

**Description:** Period call rate rejection monitoring occurs in.

**Type:** Integer (number of milli-seconds)

**Optionality:**

**Allowed:**

**Default:** 1000

**Notes:** Default of 1 sec allows `-rejectlevel` to represent CAPS.

**Example:** `-monitorperiod 1000`

`polltime`

**Syntax:** `-polltime microseconds`

**Description:** Interval between polling interface.

**Type:** Integer (micro seconds)

**Optionality:**

**Allowed:**

**Default:** 1000

**Notes:**

**Example:** `-polltime 500`

`proto`

**Syntax:** `-proto = protocol`

**Description:** Defines the default protocol to use when the interface (sua\_if/m3ua\_if) constructs a SLEE service key. This parameter is used only when an incoming TCAP message SCCP Subsystem Number (SSN) is not mapped to a protocol.

**Type:** String

**Optionality:** Optional (default used if not set)

## Chapter 2

**Allowed:**

- inap – INAP interface
- map – MAP interface
- is41d – IS41D interface
- any – Uses a value of eight Fs (fffffff) in its SLEE service key construction. This allows service routing of the message with the unknown protocol to a SLEE service for further processing, if needed.

**Default:** inap

**Notes:** A combination of the incoming SSN, the interface's SSN/protocol mapping, and its `sleekey` value (default 0x1) are used to route incoming calls to a SLEE service.

**Example:** `-proto = map`

### rejectlevel

**Syntax:** `-rejectlevel max number of calls`

**Description:** If more than 0, this sets the maximum number of new call attempts that will be processed within a given interval (as determined by `-monitorperiod`).

**Type:** Integer

**Optionality:**

**Allowed:**

**Default:** 0

**Notes:** In conjunction with `-monitorperiod` it provides a call limiter for the interface.

**Example:** `-rejectlevel 4000`

### reportperiod

**Syntax:** `-reportperiod reject logging period`

**Description:** How often:

- rejection indications are logged to the alarm system (if rejections are occurring), and
- call rates are logged (if `-displaymonitors` is set).

**Type:** Integer (seconds)

**Optionality:**

**Allowed:**

**Default:** 30

**Notes:**

**Example:** `-reportperiod 25`

### retgt

**Syntax:** `-retgt "str"`

**Description:** If set to something other than **none**, a default SCCP Origination Address will be used which will contain this Global Title.

**Type:** String

**Optionality:**

**Allowed:** none

`"1, noa, address_digits"`

`"2, trans_type, address_digits"`

`"3, trans_type, num_plan, address_digits"`

`"4, trans_type, num_plan, noa, address_digits"`

**Default:** none

**Notes:** The variables used in the gt are:

<noa>	Nature of Address
<address_digits>	Destination/Called Party Number
<trans_type>	Transmission Type
<num_plan>	Number Plan

**Example:** `-retgt "1,1,123456789"`

### rethandover

**Syntax:** `-rethandover true|false`

**Description:** Sets whether to use the default SCCP originating address in TCAP handover messages.

**Type:** Boolean

**Optionality:** Optional (default used if not set)

**Allowed:**

true	Sends the default originating address (set with <code>-retgt</code> or <code>default_gt</code> ) in TCAP handover messages.
false	Sends the originating address of the original message in TCAP handover messages.

**Default:** true

**Notes:** If this is set to *true* and there is no default address, the behavior is as if this was set to *false*.

**Example:** `-rethandover false`

### retni

**Syntax:** `-retni = 0|1`

**Description:** Sets the National Indicator in a return address (an ANSI SCCP address rather than an ITU one), created using the `retssn/ retpc/ retgt` config parameters.

**Type:** Integer

**Optionality:**

**Allowed:**

0	Set the NI to 0 (ITU).
1	Set the NI to 1 (ANSI).

**Default:**

**Notes:** The National Indicator is the first bit of the return address (that is, the SCCP address).

**Example:** `-retni = 1`

### retpc

**Syntax:** `-retpc point code value`

**Description:** If set to a non-zero value, a default SCCP Origination Address will be used which will contain this Point Code.

**Type:** Hex or decimal integer

**Optionality:**

**Allowed:**

**Default:** 0

**Notes:**

**Example:** `-retpc 55`

retri

**Syntax:** `-retri Routing Indicator`  
**Description:** Default SCCP Origination Address's routing indicator.  
**Type:** Integer  
**Optionality:**  
**Allowed:** 0 route on GT  
1 route on PC  
**Default:** 0  
**Notes:** Used in conjunction with `retssn`, `retpc` and `retgt` options.  
**Example:** `-retri 1`

retssn

**Syntax:** `-retssn SSN`  
**Description:** If set to a non-zero value, a default SCCP Origination Address will be used in the first outgoing TC-CONTINUE message which will contain this SSN.  
**Type:** Integer  
**Optionality:**  
**Allowed:** 0-255  
**Default:** 0  
**Notes:**  
**Example:** `-retssn 20`

sendorigaddr

**Syntax:** `-sendorigaddr true|false`  
**Description:** Whether to send the SCCP origination address in addition to the destination address.  
**Type:** Boolean  
**Optionality:**  
**Allowed:** true Send the SCCP origination address.  
false Do not send the SCCP origination address.  
**Default:** false  
**Notes:** If `statsif` is defined, `sendorigaddr` is set to true regardless of the configuration value set here.  
**Example:** `-sendorigaddr true`

sleekey

**Syntax:** `-sleekey SLEE_Service_Key`  
**Description:** Base SLEE service key value to use in base key (bytes 6-8) part of the SLEE service key created by `sua_if/m3ua_if` to enable the SLEE to route the message to the correct service.  
**Type:** Integer  
**Optionality:** Optional, default will be used if not set.  
**Allowed:** A single value or a range of values (in hex or decimal integers)  
**Default:** 0x1  
**Notes:** For more information about how `sleekey` is used to construct the base key in the SLEE service key, see *Routing process* (on page 4).



**Examples:** `-sleekey 0x89abcd`

In this example, the base key in all SLEE service keys created by this `sua_if/m3ua_if` will be 0x89abcd.

`-sleekey 0x1-0x5`

In this example, the base key of SLEE service keys created by `sua_if/m3ua_if` will range between 0x1 and 0x5 picked in a round-robin.

`ssns`

**Syntax:** `-ssns ssn1,ssn2,...`

**Description:** A comma separated list of SCCP subsystem numbers (SSNs) that the TCAP Interface will register to.

**Type:** Decimal integer

**Optionality:**

**Allowed:** 0 to 255

**Default:** 19

**Notes:**

**Example:** `-ssns 12,33`

`statsif`

**Syntax:** `-statsif none|slee_if_name`

**Description:** SLEE interface to which all initial messages in a TCAP dialog are copied to allow statistics monitoring.

**Type:** String

**Optionality:**

**Allowed:**

<code>none</code>	don't copy initial messages
<code>SLEE interface name</code>	SLEE interface to copy initial messages to. Must match <code>interfaceName</code> in <code>SLEE.cfg</code> .

**Default:** `none`

**Notes:** Currently this is only used with the SLEE Callmapping solution.

If `statsif` is not `none`, `sendorigaddr`'s value is over-ridden and set to `true`.

For more information about SLEE interfaces including the statistics interface, see *Service Logic Execution Environment Technical Guide*.

**Example:** `-statsif none`

`stderron`

**Syntax:** `-stderron 0|1`

**Description:** Whether syslog messages generated by the interface class should be printed to `stderr` as well as the system log file.

**Type:** Boolean

**Optionality:**

**Allowed:**

0	print to syslog only
1	print to <code>stderr</code> and syslog

**Default:** 0

**Notes:**

**Example:** `-stderron 1`

stps

<b>Syntax:</b>	<code>-stps pc1,pc2,...</code>	
<b>Description:</b>	Comma-separated list of STP point codes to which sua_if/m3ua_if should round-robin route outward messages.	
<b>Type:</b>	Decimal integer	
<b>Optionality:</b>		
<b>Allowed:</b>	none	Packets will only be sent to addresses that have a direct route set up.
	comma-separated list of STP point codes (decimal integers)	List of STP point codes to send messages to in round robin.
<b>Default:</b>	none	
<b>Notes:</b>	Each PC will be substituted into the MTP destination addresses.	
<b>Example:</b>	<code>-stps 2,5,7</code>	

## Configuring sigtran.config

### Introduction

This topic explains the configuration options and parameters for sua\_if/m3ua\_if in the **sigtran.config** file.

**Note:** Unlike the parameters set in **tcapif.def**. These parameter cannot be set on the command line.

### sigtran.config example

SIGTRAN TCAP Interface is installed with two **sigtran.config** files:

File	Description
<b>sigtran.config.example</b>	A full set of parameters showing example configuration with explanations.
<b>sigtran.config.simple</b>	Two very simple configurations. This file shows minimal configuration and does not include all available parameters.

You can use either of these files as a source to create the **sigtran.config** file which will actually be used by sua\_if/m3ua\_if.

**Note:** Some specific parameters (for example host names) will need to be amended in **sigtran.config** to run sua\_if/m3ua\_if correctly.

### Using eserv.config instead of sigtran.config

You can put the **sigtran.config** configuration into the main **eserv.config** file for the machine you are running sua\_if/m3ua\_if on. If you do this, you will need to change the **ESERV\_CONFIG\_FILE** environmental variable in the Interface's startup script. For more information about the **ESERV\_CONFIG\_FILE** environmental variable, see **ESERV\_CONFIG\_FILE** (on page 11).

## Editing the File

Open the configuration file on your system using a standard text editor. Do not use text editors, such as Microsoft Word, that attach control characters. These can be, for example, Microsoft DOS or Windows line termination characters (for example, ^M), which are not visible to the user, at the end of each row. This causes file errors when the application tries to read the configuration file.

Always keep a backup of your file before making any changes to it. This ensures you have a working copy to which you can return.

## Loading configuration changes

If you change the configuration, you must send a SIGHUP to sua\_if/m3ua\_if to enable the new options to take effect.

## sigtran.config structure

This text shows the structure of the `sigtran.config` file.

```
SUA = {
  ansi = true|false
  maxSLS = int
  maxDids = int
  rejectTimeout = secs
  invokeTimers = true|false
  log = true|false
  xudtHopCount = int
  retAddrAll = true|false
  qos = int
  opc = dec int
  stpPCs = [ pc[, pc, ...] ]
  statisticsInterval = secs
  networkDebug = true|false

  connections = {
    name = {
      remote_host = [ "itp"[, "itp"] ]
      [remote_port = port]
      [local_host = [ "host"[, "host"] ] ]
      [local_port = port]
      [remote_role = "sg|as|as_only|*"]

      routing_context = int
      traffic_mode_type = "mode"
      [message_priority = int]
      [importance = 0|1]
      [network_indicator = 0|1]
      [network_appearance = int]
      [asp_identifier = int]
      [application_server = "str"]
      [transport = "sctp|tcp"]
      [initiation = "str"]
      [rcvbuf = bytes]
      [sndbuf = bytes]
      [sctp_ostreams = int]
      [sctp_istreams = int]
      [sctp_hbinterval = millisecs]
      [sctp_init_timeout = secs]
      [default_gt = "gt"]
      [activate = "down|up|active"]
      [segment_size = bytes]
```

## Chapter 2

```
[asp_identifier = int]
[use = "name"]

[gtt_pc = pc]
[gtt_ssn = ssn]
[gtt_remove = true|false]
[gtt_route_pc = true|false]
[gtt_np = int]
}
[...]
```

```
routes = [
  {
    [first = pc|gt last = pc|gt]
    [peer = pc]
    [priority = int]
    [label = "str"]
    [use = "str"]
    [connection parameters]
    [connection parameters]
  }
  [...]
]
```

```
classifiers = [
  {
    [routing_indicator = int]
    [address_indicator = int]
    [subsystem_number = ssn]
    [point_code = pc]
    [gti = int]
    [trans_type = int]
    [num_plan = int]
    [nature_of_add = noa]

    [source_routing_indicator = int]
    [source_address_indicator = int]
    [source_subsystem_number = ssn]
    [source_point_code = pc]
    [source_gti = int]
    [source_trans_type = int]
    [source_num_plan = int]
    [source_nature_of_add = noa]

    label = "str"
  }
  [...]
]
```

```
M3UA = {
  sigtran.config parameters
  japanese_sccp = true|false
  connections = {
    {
      other connection parameters
      mtp3_dpc = pc
    }
    [...]
  }
  routes = [
    routes
  ]
}
```

```

    [classifiers = [class matches]]
}

```

## sigtran.config parameters

The configuration variables available in `sigtran.config` for `sua_if` and `m3ua_if` are listed below.

`ansi`

**Syntax:** `ansi = true|false`  
**Description:** Use ANSI or ITU addressing selection.  
**Type:** Boolean  
**Optionality:**  
**Allowed:** `true` ANSI addressing  
`false` ITU addressing  
**Default:** `false`  
**Notes:** This is only used when converting a SUA address in a received packet into an SCCP address. In all other cases, the national indicator field of the address is used for that purpose.  
**Example:** `ansi = false`

`asn1_validate`

**Syntax:** `asn1_validate = value`  
**Description:** How to validate incoming ASN.1 data.  
**Type:** Integer  
**Optionality:** Optional (default used if not set).  
**Allowed:** 0 to 3  
**Default:** 3  
**Notes:** Options are:  
0 = no validation.  
1 = validate but silently discard broken packets.  
2 = validate and short syslog message for broken packets.  
3 = validate and syslog broken packet contents.  
**Example:** `asn1_validate = 2`

`classifiers`

**Syntax:** `classifiers = [{class1}{class2}...]`  
**Description:** Defines the classification match patterns.  
**Type:** Array  
**Optionality:** Optional (if not set, all matching done in Route section).  
**Allowed:**  
**Default:** None  
**Notes:** For more information about the configuration available for classifiers, see *Classifier parameters* (on page 43).  
**Example:**

```

classifier = [
  {
    trans_type = 9
    label = "message-class-1"
  }
]

```

```

    {
        trans_type = 9
        num_plan = 1
        label = "message-class-2"
    }
]

```

## connections

**Syntax:**

```

connections = {
    name = {parameters}
    [name = {parameters}]
    [...]
}

```

**Description:** This section defines how packets are passed from sua\_if to the destination ITP/STP.

**Type:** Array

**Optionality:** Mandatory

**Allowed:**

**Default:** None

**Notes:** The same connection can be used for multiple routes. This removes the need to configure the same connection information each time the connection is used by a route.

Connections can inherit details from other connections using the 'use' parameter. If this is done, you can override inherited details by re-specifying a parameter within the inheriting connection.

Routes use connections by inheriting the connection details using the 'use' parameter. Like connections, you can override inherited details by specifying them within the route.

Only connections listed in the routes section are actually used.

For details of the parameters which can be used to define a connection, see *Connection parameters* (on page 31).

**Example:**

```

connections = {
    default = {
        remote_host = "supitp1"
        remote_port = 15000
        local_port = 14001
    }
    secondary = {
        use = "default"
        remote_host = "supitp2"
        asp_identifier = 1234
    }
}

```

## default\_retgt

**Syntax:** default\_retgt = "str"

**Description:** Defines the default return Global Title which will be used when retgt\_mapping is set and a match cannot be found for the return address.

**Type:** String

**Optionality:** Optional

**Allowed:** none

"1,noa,address\_digits"

```
"2,trans_type,address_digits"
"3,trans_type,num_plan,address_digits"
"4,trans_type,num_plan,noa,address_digits"
```

**Default:** none

**Notes:** The variables used in the gt are:

```
noa           Nature of Address
address_digit Destination/Called Party Number
trans_type    Transmission Type
num_plan      Number Plan
```

**Example:** default\_retgt = "4,0,1,2,44321456"

retgt\_mapping

**Syntax:**

```
retgt_mapping = [
  { from="str", to = "str"},
  { from="str", to = "str"},
]
```

**Description:** Used to map return addresses. The mapping will be applied to every outgoing message. If there is no match for the return address then the value defined for default\_retgt will be used.

**Type:** Array

**Optionality:** Optional.

**Allowed:** "str" can be replaced with:

```
"1,noa,address_digits"
"2,trans_type,address_digits"
"3,trans_type,num_plan,address_digits"
"4,trans_type,num_plan,noa,address_digits"
```

**Default:** Defaults to mapping set in default\_retgt

**Notes:** Variables used are:

```
noa           Nature of Address
address_digits Destination/Called Party Number
trans_type    Transmission Type
num_plan      Number Plan
```

**Example:**

```
retgt_mapping = [
  { from="4,0,1,4,123", to = "4,0,1,4,441482255436"},
  { from="4,0,1,4,4414782255436", to = "4,0,1,4,441482255436"},
]
```

**Note:** In this example, the first entry maps the 123 address to the 441482255436 address. The second entry ensures this address is used in the future. Otherwise the setting from default\_retgt will be used.

invokeTimers

**Syntax:** invokeTimers = true|false

**Description:** Whether to run invoke timers or not.

**Type:** Boolean

**Optionality:**

**Allowed:** true Run invoke timers.  
false Do not run invoke timers.

**Important:** Turning off invoke timers will cause extremely non-standard TCAP behavior. It should only be done in highly specialized circumstances after careful consideration of the consequences. Do not set `invokeTimers` to false without detailed consultation with Oracle about possible effects.

**Default:** true

**Notes:** For more information about invoke timers, see Q.774 3.2.1.1.3.

**Example:** `invokeTimers = true`

#### `invokeTimerOverride`

**Syntax:** `invokeTimerOverride = seconds`

**Description:** Override invoke timers with a default global value in seconds.

**Type:** Integer

**Optionality:** Optional (default used if not set).

**Allowed:** Valid values are 0 - 3600. See Q.774 3.2.1.1.3.

**Default:** 0

**Notes:** 0 = Do not override invoke timers.

This configuration item is normally used for services that require interactions which last for >30 seconds (for example, some USSD services).

**Example:** `invokeTimerOverride = 0`

**Warning:** This configuration item is normally used for services that require interactions which last for >30 seconds (for example some USSD services).

Changing invoke timers will cause extremely non-standard TCAP behavior, and this should only be done in highly specialized circumstances after careful consideration of the consequences. Do not change `invokeTimerOverride` without detailed consultation with Oracle as to the resultant behavior.

#### `log`

**Syntax:** `log = true|false`

**Description:** Controls SCCP logging.

**Type:** Boolean

**Optionality:**

**Allowed:** true All SCCP level traffic is logged to `/tmp`.  
false SCCP logging is not done.

**Default:** false

**Notes:** This may be toggled at run-time by sending a SIGUSR1 to the TCAP Interface. SCCP logging is done at the SCCP level for both SUA and M3UA.

**Example:** `log = false`

#### `maxDids`

**Syntax:** `maxDids = int`

**Description:** Maximum number of in-progress transactions.

**Type:** Integer

**Optionality:** Optional

**Allowed:** Positive integer



**Default:** 100000  
**Notes:** This parameter is not reloaded on SIGHUP.  
**Example:** `maxDids = 100000`

#### maxSLS

**Syntax:** `maxSLS = int`  
**Description:** Maximum Signalling Link Selection to use.  
**Type:** Integer  
**Optionality:** Optional  
**Allowed:** Positive integer  
**Default:** 255  
**Notes:** The SLS determines the:

- Specific SS7 link that an ITP will send a packet over
- SCTP stream the TCAP Interface will use.

**Example:** `maxSLS = 255`

#### networkDebug

**Syntax:** `networkDebug = true|false`  
**Description:** Whether or not to turn on the sigtran\_network debug facility.  
**Type:** Boolean  
**Optionality:** Optional (if not specified, the sigtran\_network setting from the DEBUG environment variable is used).  
**Allowed:**

<code>true</code>	Use the sigtran_network debug.
<code>false</code>	Use the sigtran_network setting from the DEBUG environment variable.

**Default:** false  
**Notes:** The debug produces is one line per packet of debug info and some per-connection stats approximately once per second.  
**Example:** `networkDebug = true`

#### opc

**Syntax:** `opc = dec int`  
**Description:** Local point code for outgoing messages.  
**Type:** Decimal integer  
**Optionality:** Mandatory  
**Allowed:**

any valid point code	This point code will be set as the local point code in outgoing messages.
-1	Use other methods to set local point code. If you use this, you must be careful to make sure that all outgoing messages get a valid originating address.

**Note:** Only valid for SUA.

**Default:**  
**Notes:** Parameter is given as an integer.  
**Example:** An ITU point code of 1-1-1 is configured as:

`opc = 2057`

`qos`

**Syntax:** `qos = int`  
**Description:** SCCP/SUA protocol class.  
**Type:** Decimal integer  
**Optionality:**  
**Allowed:** 0 unordered delivery, no error returns  
 1 ordered delivery, no error returns  
 128 unordered delivery, return on error  
 129 ordered delivery, return on error  
**Default:** 1  
**Notes:** If you wish to have your packets randomly re-ordered, set to 0. Otherwise leave as the default 1.  
**Example:** `qos = 1`

`rejectTimeout`

**Syntax:** `rejectTimeout = secs`  
**Description:** Reject timeout as specified in Q.774 3.2.1.1.3.  
**Type:** Integer  
**Optionality:**  
**Allowed:** 0 No timer.

**Important:** Turning off reject timers will cause extremely non-standard TCAP behavior. It should only be done in highly specialized circumstances after careful consideration of the consequences. Do not set `rejectTimeout` to 0 without detailed consultation with Oracle about possible effects.

**Allowed:** Positive integer Reject timeout.  
**Default:** 1  
**Notes:**  
**Example:** `rejectTimeout = 10`

`retAddrAll`

**Syntax:** `retAddrAll = true|false`  
**Description:** Indicates how to change the return address on a received transaction.  
**Type:** Boolean  
**Optionality:**  
**Allowed:** false Apply strict Q.774 logic for changing the return address on a received transaction.  
 true The return address may be changed at any stage of the transaction.  
**Default:** false  
**Notes:**  
**Example:** `retAddrAll = true`

## routes

**Syntax:**

```
routes = [
    {route1}
    [{route2}]
    [...]]
]
```

**Description:** Matches details in outgoing packets and sets the packets destination details.

**Type:** Array

**Optionality:** Mandatory

**Allowed:**

**Default:** None

**Notes:** Each route matches details in outgoing traffic and routes it to a specific destination (usually specified by the connection set by the use parameter). Matching details include one of the following:

- A range of point-codes (numeric)
- A range of GT prefixes (strings)

If two (or more) routes have identical ranges, they are merged and all the end-points used. If one range is strictly contained within another, the narrower range overrides the larger.

Outgoing traffic may also match details in the classifiers section, which will then use the route with the same label to define the destination.

For more information about the configuration available for routes, see *Route parameters* (on page 41).

**Example:**

```
routes = [
    {
        first = 0
        last = 16777215
        use = "default"
    }
    {
        first = 0
        last = 16777215
        use = "secondary"
    }
]
```

## scmg\_ssn

**Syntax:** `scmg_ssn = int`

**Description:** The sub-system number for SCMG processing by the M3UA interface.

**Type:** Integer

**Optionality:** Optional (default used if not set).

**Allowed:** Integer value between -1 and 255

**Default:** -1. No SCMG processing will take place.

**Notes:**

**Example:** `scmg_ssn = 1`

## statisticsInterval

**Syntax:** `statisticsInterval = secs`

**Description:** How often in seconds to notify statistics to syslog.

**Type:** Decimal integer  
**Optionality:**  
**Allowed:** 0 turn off notification  
 positive integer notification period  
**Default:** 0  
**Notes:**  
**Example:** `statisticsInterval = 0`

`stpPCs`

**Syntax:** `stpPCs = [ stp1[, stp2, ...] ]`  
**Description:** Failover routing to the routes configured in the `routes = []` section.  
**Type:** Decimal integer  
**Optionality:** Optional  
**Allowed:**  
**Default:**  
**Notes:** The routing logic follows these steps:  
 1 Attempt to route a packet directly to its real destination address.  
 2 If that fails, choose an STP point code from the `stpPCs` list, and route using that point code.  
 This gives two separate mechanisms for spreading traffic over multiple destinations. The `stpPCs` list is more limited (because it applies to all destinations) but it is integrated with TCAP dialogs (it ensures multiple packets on the same TCAP dialog use the same STP PC).  
 The STP list can also be specified on the command line. The command line configuration will override any set here.  
 The whitespace used within the square brackets does not affect the parsing of the STP references.  
 For more information about TCAP dialogs, see *Service Logic Execution Environment Technical Guide*.  
**Example:** `stpPCs = [ 1234, 1235 ]`

`xudtHopCount`

**Syntax:** `xudtHopCount = int`  
**Description:** The hop count to send on protocols that support it.  
**Type:** Decimal integer  
**Optionality:**  
**Allowed:** -1 Do not set a hop count  
 1-255 Hop count  
**Default:** -1  
**Notes:** For SCCP over M3UA, we send UDTs if the hop count is -1, and XUDTs otherwise.  
**Example:** `xudtHopCount = -1`

### Connection key configuration

These parameter values identify which connection a route uses.

- `local_host`

- local\_port
- remote\_host
- remote\_port
- transport

## Connection parameters

The connections subsection of the `sigtran.config` configuration supports these parameters.

```
connections = {
  name = {
    remote_host = [ "itp"[, "itp"] ]
    [remote_port = port]
    [local_host = [ "host"[, "host"] ] ]
    [local_port = port]
    [remote_role = "sg|as|as_only|*"]

    routing_context = int
    traffic_mode_type = "mode"
    [message_priority = int]
    [importance = 0|1]
    [network_indicator = 0|1]
    [network_appearance = int]
    [asp_identifier = int]
    [application_server = "str"]
    [transport = "sctp|tcp"]
    [initiation = "str"]
    [rcvbuf = bytes]
    [sndbuf = bytes]
    [sctp_ostreams = int]
    [sctp_istreams = int]
    [sctp_hbinterval = millisecs]
    [sctp_init_timeout = secs]
    [default_gt = "gt"]
    [activate = "down|up|active"]
    [segment_size = bytes]
    [asp_identifier = int]
    [use = "name"]

    [gtt_pc = pc]
    [gtt_ssn = ssn]
    [gtt_remove = true|false]
    [gtt_route_pc = true|false]
    [gtt_np = int]
  }
  [...]
}
```

The parameters in this subsection are described in detail below.

### activate

**Syntax:** activate = "down|up|active"  
**Description:** Set the target state for a connection.  
**Type:** String  
**Optionality:** Optional

## Chapter 2

<b>Allowed:</b>	down	Connection is disabled.
	up	Connection will change to UP state (but not ACTIVE). Remote attempts to activate will get a management-blocking error.
	active	Connection will be allowed to change to ACTIVE state following the normal process.
<b>Default:</b>	active	
<b>Notes:</b>		
<b>Example:</b>	<code>activate = "active"</code>	

### `application_server`

<b>Syntax:</b>	<code>application_server = "str"</code>
<b>Description:</b>	The remote peers may be grouped into application servers for override handling. If the peers are override, then we try and maintain only one ASP active in each AS at any one time.
<b>Type:</b>	String
<b>Optionality:</b>	Optional
<b>Allowed:</b>	Any name for the AS to which the ASPs belong.
<b>Default:</b>	By default, the interface attempts to guess the ASP to AS groupings from the routing information.
<b>Notes:</b>	Override default by specifying a name for the AS to which some ASPs belong.
<b>Example:</b>	<code>application_server = "appserver1"</code>

### `asp_identifier`

<b>Syntax:</b>	<code>asp_identifier = int</code>
<b>Description:</b>	The ASP Identifier sent to the SGP.
<b>Type:</b>	Decimal integer
<b>Optionality:</b>	Optional
<b>Allowed:</b>	
<b>Default:</b>	
<b>Notes:</b>	This is an arbitrary number expected by the remote entity.
<b>Example:</b>	<code>asp_identifier = 5</code>

### `default_gt`

<b>Syntax:</b>	<code>default_gt = "gt"</code>
<b>Description:</b>	Override outgoing calling party address with route on PC/SSN to one of the following: <ul style="list-style-type: none"><li>• Route on GT</li><li>• Using the specified GT</li></ul>
<b>Type:</b>	Numeric string
<b>Optionality:</b>	Optional
<b>Allowed:</b>	
<b>Default:</b>	The default is to not set this parameter (leave PC/SSN routing alone).
<b>Notes:</b>	For most purposes, the <code>retgt</code> (on page 16) command line parameter will provide more predictable behaviour.
<b>Example:</b>	<code>default_gt = "12345678"</code>

`gtt_pc`

**Syntax:** `gtt_pc = pc`

**Description:** Sets point code for Global Title Translation parameters used to set a PC on the destination address.

**Type:** Decimal integer

**Optionality:** Optional

**Allowed:**

**Default:**

**Notes:** Used for routing an outgoing packet on GT.  
The PC & SSN supplied by GTT only effect the packet content - it does not change where we send it. The GTT will not override a PC and SSN already on the address.  
The GTT parameters are ignored when routing on PC/SSN.

**Example:** `gtt_pc = 1234`

`gtt_np`

**Syntax:** `gtt_np = int`

**Description:** Sets NP for Global Title Translation parameters used to set a PC and SSN on the destination address.

**Type:** Integer

**Optionality:** Optional

**Allowed:**

**Default:**

**Notes:** `gtt_np` has no effect if `gtt_remove` is set, or if the GT type does not have an NP.  
ITU GTI 3 and 4 have NP.  
ITU GTI 1 and 2 do not have NP.

**Example:**

`gtt_remove`

**Syntax:** `gtt_remove = true|false`

**Description:** Defines GT details in outgoing message using GT routing.

**Type:** Boolean

**Optionality:** Optional

**Allowed:** `true` Remove GT and replace with PC.  
`false` Leave existing GT.

**Default:** `false`

**Notes:**

**Example:** `gtt_remove = true`

`gtt_route_pc`

**Syntax:** `gtt_route_pc = true|false`

**Description:** Whether or not to override routing indicator.

**Type:** Boolean

**Optionality:** Optional

## Chapter 2

**Allowed:** true Route on PC.  
false Do not change routing indicator.

**Default:** false

**Notes:**

**Example:** `gtt_route_pc = true`

`gtt_ssn`

**Syntax:** `gtt_ssn = ssn`

**Description:** Sets Subsystem Number for Global Title Translation parameters used to set an SSN on the destination address.

**Type:** Hex integer

**Optionality:** Optional

**Allowed:**

**Default:**

**Notes:** Used for routing an outgoing packet on GT.  
The PC & SSN supplied by GTT only effect the packet content - it does not change where we send it. The GTT will not override a PC and SSN already on the address.

The GTT parameters are ignored when routing on PC/SSN.

**Example:** `gtt_ssn = 11`

`importance`

**Syntax:** `importance = 0|1`

**Description:** Sets the SCCP XUDT/LUDT and SUA importance field.

**Type:** Boolean

**Optionality:** Optional

**Allowed:** 0 Sets field to 0 (normal)  
1 Sets field to 1 (important)

**Default:** 0

**Notes:**

**Example:** `importance = 0`

`initiation`

**Syntax:** `initiation = "str"`

**Description:** Overrides the default action for local and remote ports.

**Type:** String

**Optionality:** Optional

**Allowed:** listen Listen for incoming connections.  
connect Attempt to connect to remote peer.  
none Do not listen or attempt to connect.  
both Listen for incoming connections and attempt to connect to remote peer.

**Default:** By default, if the local\_port is specified, TCAP Interface listens for incoming connections, and if the remote\_port is given, TCAP Interface attempts to connect.

**Notes:** In some circumstances the default behavior may be undesirable.

**Examples:**



- Where the remote end must use a fixed port number but we want the remote end to initiate the connection).
- When using SIGTRAN over TCP, listening on a port means that you can't later connect using that local port.

**Example:** `initiation = "connect"`

`local_host`

**Syntax:** Either:

- `local_host = "localAddr"`
- `local_host = [ "localAddr1", "localAddr2"[ ,...] ]`

**Description:** IP address or hostname of local host.

**Type:** String

**Optionality:** Optional

**Allowed:** Any valid:

- hostname
- hostname and domain
- ip address

**Default:**

**Notes:** Using an array of remote hosts provides control over the SCTP multi-home functionality. The `local_host` list is used to bind the local socket.

If you leave the `local_host` unset, the SCTP will enable multi-homing over all addresses.

The connections are identified internally by only the first `remote_host`.

**Examples:** `local_host = "produsas01.telcoexample.com"`  
`local_host = [ "localAddr1", "localAddr2" ]`

`local_port`

**Syntax:** `local_port = port`

**Description:** Local host port number.

**Type:** Decimal integer

**Optionality:** At least one of `remote_port` and `local_port` must be specified. If using SCTP, both may be specified.

**Allowed:**

**Default:** If not set, the Operating System will set a port for outgoing messages.

**Notes:**

**Example:** `local_port = 14001`

`message_priority`

**Syntax:** `message_priority = int`

**Description:** Sets the MTP3 `message_priority` field in outgoing M3UA packets.

**Type:** Decimal integer

**Optionality:** Optional

**Allowed:**

**Default:** 0

**Notes:** If not set, is set to zero in M3UA packets and omitted from SUA packets.

## Chapter 2

**Example:** `message_priority = 0`

### `network_appearance`

**Syntax:** `network_appearance = int`

**Description:** M3UA network appearance value sent in M3UA packets sent to the network.

**Type:** Integer

**Optionality:** Optional

**Allowed:**

**Default:** 0

**Notes:** If not set, this field is omitted from M3UA packets sent to the network.

**Example:** `network_appearance = 10`

### `routing_context`

**Syntax:** `routing_context = int`

**Description:** The SIGTRAN routing context.

**Type:** Decimal integer

**Optionality:** Generally mandatory for SUA.  
Generally optional for M3UA.

**Allowed:** 32-bit integers

**Default:**

**Notes:** The context is derived from the ACTIVE handshake if possible.

**Example:** `routing_context = 666`

### `network_indicator`

**Syntax:** `network_indicator = 0|2`

**Description:** Sets the value of the MTP3 network indicator in outgoing messages.

0000 International

0010 National

**Type:** A 4-bit binary field

**Optionality:** Mandatory

**Allowed:** 0, 2

**Default:** 0

**Notes:** As defined by ANSI / ITU-T

**Example:** `network_indicator = 0`

### `rcvbuf`

**Syntax:** `rcvbuf = bytes`

**Description:** Receive buffer size.

**Type:** Decimal integer

**Optionality:** Optional

**Allowed:** 0 Use the OS default.  
positive integer Set the rcvbuf value in outgoing messages. Must not be less than 32768.

**Default:** 0

**Notes:** **Important:** This value needs to cover all outstanding unacknowledged SCTP data on the network. If you set these to a non-zero value, it is unlikely to work properly

if set to less than 64000.

Do not change this parameter from the default value without calculating the new value based on network conditions. The defaults should work fine in all but the highest traffic conditions.

**Example:** `rcvbuf = 131072`

`remote_host`

**Syntax:** Either:

- `remote_host = "itpAddr"`
- `remote_host = [ "itpAddr1", "itpAddr2", ... ]`

**Description:** Location of the remote host(s).

**Type:** String or array of comma-separated strings.

**Optionality:** Mandatory

**Allowed:** Any valid:

- hostname
- hostname and domain
- ip address

**Default:**

**Notes:** Using an array of remote hosts provides control over the SCTP multi-home functionality. When connecting, `remote_host` gives the candidate peer addresses. When listening, and incoming connection matches if it's primary IP address matches any of the `remote_hosts`.

The connections are identified internally by only the first `remote_host`.

**Examples:**

```
remote_host = "itp"
remote_host = [ "itp1", "itp2" ]
```

`remote_port`

**Syntax:** `remote_port = port`

**Description:** Port to connect to on `remote_host`.

**Type:** Decimal integer

**Optionality:** At least one of `remote_port` and `local_port` must be specified. If using SCTP, both may be specified.

**Allowed:**

**Default:** If not set, the operating system will accept connections from any remote port.

**Notes:**

**Example:** `remote_port = 26600`

`remote_role`

**Syntax:** `remote_role = "sg|as|as_only|*"`

**Description:** How UPs and ACTIVEs are expected to flow between TCAP Interface and peer.

**Type:** String

**Optionality:** Optional, default is used if not set.

**Allowed:**

sg	Peer is expected to receive UPs and ACTIVEs but not send them to us.
as	UPs and ACTIVEs should go both ways.
as_only	Peer is expected to send UPs and ACTIVEs but we will not send them to the peer.
*	Both ways are attempted, but only one direction needs to be active for data to flow.

**Default:** "\*"

**Notes:** "\*" should work in most circumstances.

**Example:** `remote_role = "sg"`

### sctp\_hbinterval

**Syntax:** `sctp_hbinterval = milliseconds`

**Description:** SCTP heartbeat interval in milliseconds.

**Type:** Decimal integer

**Optionality:** Optional (default used if not set).

**Allowed:**

0	Turn off heartbeat messages.
positive integer	Heartbeat interval.

**Default:** 1000

**Notes:** To speed up failover behavior, it may help to reduce some kernel-level parameters using the `ndd` command, including:

- `sctp_pp_max_retr`
- `sctp_rto_min`
- `sctp_rto_max`
- `sctp_rto_initial`.

**Example:** `sctp_hbinterval = 2500`

### sctp\_init\_timeout

**Syntax:** `sctp_init_timeout = secs`

**Description:** Gives the maximum time the SIGTRAN stack will allow for an SCTP association to form. If the association fails to form within this time, the attempt is abandoned and a new attempt is begun.

**Type:** Decimal integer

**Optionality:** Optional (default used if not set).

**Allowed:**

0	No timeout will be applied and the operating system's values are all that will be used.
positive integer	Length of timeout, in seconds

**Default:** 5

**Notes:** Note that this interacts very heavily with the operating system's SCTP timeout values. Its purpose is to ensure that the SIGTRAN stack will attempt to form a connection at least every time the timeout fires. The default of five seconds means that no matter how the operating system is configured the SIGTRAN stack will attempt to connect every five seconds. This is very useful in case the operating system has not been configured or has been incorrectly configured. In Solaris there are several important configuration items related to this. The key ones are `sctp_max_init_retr`, which determines how many times the kernel will send the SCTP INIT message (the initial message plus this number of retries) and `sctp_rto_max` which determines the maximum retry time. Solaris uses an exponential backoff system as it retries.

Setting `sctp_rto_max` to 1000 (the units are milliseconds) will ensure that the connection is retried every second thus giving us the fastest restart time.

**Example:** `sctp_init_timeout = 5`

#### `sctp_istreams`

**Syntax:** `sctp_istreams = int`  
**Description:** Number of SCTP input streams per connection.  
**Type:** Decimal integer  
**Optionality:** Optional (default used if not set).  
**Allowed:** 0 Use the OS default.  
 positive integer Maximum number of SCTP input streams per connection.  
**Default:** 0  
**Notes:**  
**Example:** `sctp_istreams = 10`

#### `sctp_ostreams`

**Syntax:** `sctp_ostreams = int`  
**Description:** Number of SCTP output streams per connection.  
**Type:** Decimal integer  
**Optionality:** Optional (default used if not set).  
**Allowed:** 0 Use the OS default.  
 positive integer Maximum number of SCTP output streams per connection.  
**Default:** 0  
**Notes:**  
**Example:** `sctp_ostreams = 10`

#### `segment_size`

**Syntax:** `segment_size = bytes`  
**Description:** The maximum number of bytes allowed in a segment in an SCCP payload.  
**Type:** Decimal integer  
**Optionality:** Optional  
**Allowed:**  
**Default:** If not set, segmentation will not be performed.  
**Notes:** Over SCCP/M3UA, only used if `xudtHopCount` is set (so that XUDT packets are sent). If `sudtHopCount` is not set, then UDT packets are sent, and `segment_size` is ignored.  
 If set, and network is SUA, `segment_size` is always applied.  
**Example:** `segment_size = 255`

#### `sndbuf`

**Syntax:** `sndbuf = bytes`  
**Description:** Send buffer size, in bytes.  
**Type:** Decimal integer

**Optionality:** Optional

**Allowed:** 0 Use the OS default.  
positive integer Specifies maximum size of buffer for outgoing messages. Must not be less than 32768.

**Default:** 0

**Notes:** **Important:** This value needs to cover all outstanding unacknowledged SCTP data on the network. If you set these to a non-zero value, it is unlikely to work properly if set to less than 64000.

Do not change this parameter from the default value without calculating the new value based on network conditions. The defaults should work fine in all but the highest traffic conditions.

**Example:** `sndbuf = 131072`

`traffic_mode_type`

**Syntax:** `traffic_mode_type = "mode"`

**Description:** Traffic mode type.

**Type:** String

**Optionality:** Optional. However, if not set, `sua_if/m3ua_if` will be using loadshare and peers may not be, which will result in ITPs failing.

**Allowed:**

<code>override</code>	SIGTRAN override, <code>sua_if/m3ua_if</code> will wait for a request before setting a connection to active.
<code>override_primary</code>	SIGTRAN override, <code>sua_if/m3ua_if</code> will set connections to active as soon as possible.
<code>loadshare</code>	<code>sua_if/m3ua_if</code> will send messages on sequential connections in a round robin (one after the other) pattern.
<code>broadcast</code>	<code>sua_if/m3ua_if</code> will send messages on all applicable connections.

**Default:** If not specified or negotiated, loadshare is used.

**Notes:**

**Example:** `traffic_mode_type = "loadshare"`

`transport`

**Syntax:** `transport = "sctp|tcp"`

**Description:** The transport type for this connection.

**Type:** String

**Optionality:** Optional

**Allowed:**

<code>sctp</code>	SIGTRAN over SCTP
<code>tcp</code>	SIGTRAN over TCP

**Default:** `sctp`

**Notes:** In normal networks, SCTP is always used.

**Example:** `transport = "stcp"`

use

<b>Syntax:</b>	<code>use = "name"</code>
<b>Description:</b>	Base this connection configuration on the named connection.
<b>Type:</b>	String
<b>Optionality:</b>	Optional
<b>Allowed:</b>	Any already defined connection name.
<b>Default:</b>	
<b>Notes:</b>	This enables parameters to be redefined specifically for this connection without the need to repeat the unchanged ones.
<b>Example:</b>	<code>use = "PrimaryConnection"</code>

## Route parameters

The routes subsection of the `sigtran.config` configuration supports these parameters.

### Notes:

- All routes have the same parameters available as listed for *Connection parameters* (on page 31), plus those listed below for Route parameters.
- Routes can also use parameters from the *Classifier parameters* (on page 43) section, though this is only recommended for simple routing situations.

```

routes = [
  {
    [first = pc|gt last = pc|gt]
    [peer = pc]
    [priority = int]
    [label = "str"]
    [use = "str"]
    [connection parameters]
    [connection parameters]
  }
  [...]
]

```

The parameters in this subsection are described in detail below.

first

<b>Syntax:</b>	Either: <ul style="list-style-type: none"> <li>• <code>first = startPC</code></li> <li>• <code>first = "startGT"</code></li> </ul>
<b>Description:</b>	The first number (Point Codes) or string (Global Title) in the range of destination addresses.
<b>Type:</b>	Decimal integer or Numeric string
<b>Optionality:</b>	Optional. Must be set if last is set. Must be set if peer is not set. Must not be set if peer is set.
<b>Allowed:</b>	
<b>Default:</b>	
<b>Notes:</b>	This number is inclusive.
<b>Examples:</b>	<code>first = 0</code> <code>first = "6441"</code>

## Chapter 2

### label

<b>Syntax:</b>	<code>label = "str"</code>
<b>Description:</b>	If a message has matched a classifier with the same label value as this parameter, the message can use this route.
<b>Type:</b>	String
<b>Optionality:</b>	Optional (not used if not set).
<b>Allowed:</b>	
<b>Default:</b>	None (no label).
<b>Notes:</b>	If this route will be used by messages which have been matched in the <i>Classifier parameters</i> (on page 43) section, this string must match a label value exactly. If more than one route has the same label, qualifying messages will follow the usual routing match rules to determine which route to use.
<b>Example:</b>	<code>label = "itp-special"</code>

### last

<b>Syntax:</b>	Either: <ul style="list-style-type: none"><li>• <code>last = endPC</code></li><li>• <code>last = "endGT"</code></li></ul>
<b>Description:</b>	The last Point Code or Global Title prefix in the range of destination addresses.
<b>Type:</b>	Decimal integer or Numeric string
<b>Optionality:</b>	Optional. Must be set if first is set. Must be set if peer is not set. Must not be set if peer is set.
<b>Allowed:</b>	
<b>Default:</b>	
<b>Notes:</b>	This number is inclusive.
<b>Examples:</b>	<code>last = 6441</code> <code>last = "6441"</code>

### peer

<b>Syntax:</b>	<code>peer = pc</code> <code>peer = "gt"</code>
<b>Description:</b>	Point Code or Global Title prefix of the application server to connect to. Routes to a single point code instead of using the first and last parameters.
<b>Type:</b>	Point codes are decimal integer. Global Title prefixes are string.
<b>Optionality:</b>	Optional. Must be set if first or last are not set. Must not be set if first or last are set.
<b>Allowed:</b>	
<b>Default:</b>	None.
<b>Notes:</b>	<code>peer = "all_pc"</code> supplies a route covering all point codes. <code>peer = "*" </code> supplies a route covering all point codes and all global titles.
<b>Examples:</b>	<code>peer = 131330</code> <code>peer = "64321"</code>

### priority

<b>Syntax:</b>	<code>priority = priority</code>
<b>Description:</b>	The route's priority.



<b>Type:</b>	Decimal integer
<b>Optionality:</b>	
<b>Allowed:</b>	
<b>Default:</b>	0
<b>Notes:</b>	The usable routes with the highest priority will be used for a message. If multiple routes with the same priority are given, they are round-robined (unless a remote ASP specifically requests override mode). The priority is per route, not per-connection, so a priority 1 for a route is not shared with the other routes using the same connection (although an item in the 'connections' section above may be given a priority to be used unless overridden).
<b>Example:</b>	<code>priority = 1</code>
	<code>use</code>
<b>Syntax:</b>	<code>use = "route_name"</code>
<b>Description:</b>	Base this route configuration on the named route.
<b>Type:</b>	String
<b>Optionality:</b>	Optional
<b>Allowed:</b>	Any already defined route name.
<b>Default:</b>	
<b>Notes:</b>	This enables parameters to be redefined specifically for this route without the need to repeat the unchanged ones.
<b>Example:</b>	<code>use = "PrimaryRoute"</code>

## Classifier parameters

The classifiers section is used to set up routing based on things other than the destination PC or global-tile digits. If one of the classifiers matches a message, then routes with the same 'label' as the classifier are used.

The classifiers are tested in order, and the first matching classifier is used. To match, a message must match all the conditions. If no classifiers match, then the routes with no label parameter are used.

This section is optional. The classifier-matches may be inserted directly into the 'routes' section. For more information about this, see *Route parameters* (on page 41).

```

classifiers = [
  {
    [routing_indicator = int]
    [address_indicator = int]
    [subsystem_number = ssn]
    [point_code = pc]
    [gti = int]
    [trans_type = int]
    [num_plan = int]
    [nature_of_add = noa]

    [source_routing_indicator = int]
    [source_address_indicator = int]
    [source_subsystem_number = ssn]
    [source_point_code = pc]
    [source_gti = int]
    [source_trans_type = int]
    [source_num_plan = int]
  }
]

```

## Chapter 2

```
[source_nature_of_add = noa]
    label = "str"
}
[...]
```

The parameters in this subsection are described in detail below.

### address\_indicator

**Syntax:** `address_indicator = int`

**Description:** For SUA, match against the address indicator field from the destination SUA address.  
For SCCP, match against the address indicator field from the destination SCCP address (the first byte of the SCCP address).

**Type:** Integer

**Optionality:** Optional, (if not set, no matching is done against address indicator).

**Allowed:**

**Default:** None.

**Notes:**

**Example:** `address_indicator = 2`

### gti

**Syntax:** `gti = int`

**Description:** For SUA, match against the GTI field from the destination SUA address.  
For SCCP, match against the GTI field from the destination SCCP address (the middle 4 bits of the address indicator byte).

**Type:** Integer

**Optionality:** Optional, (if not set, no matching is done against GTI).

**Allowed:** For SCCP, only 0 through 4 are used.

**Default:** None.

**Notes:**

**Example:** `gti = 2`

### label

**Syntax:** `label = "str"`

**Description:** Traffic which matches a classifier with this label, will be routed to the route which also specified this label.

**Type:** String

**Optionality:** Mandatory

**Allowed:**

**Default:** None.

**Notes:** Must be set for each classifier entry.  
If this value is not set, the traffic will route down the default route.

**Example:** `label = "itp-special"`

## nature\_of\_add

**Syntax:** `nature_of_add = noa`  
**Description:** Match against the NOA field from the destination SUA or SCCP address.  
**Type:** Integer  
**Optionality:** Optional, (if not set, no matching is done against NOA).  
**Allowed:**  
**Default:** None.  
**Notes:**  
**Example:** `nature_of_add = 1`

## num\_plan

**Syntax:** `num_plan = int`  
**Description:** For SUA, match against the Number Plan field from the destination SUA address.  
 For SCCP, match against the Numbering Plan in the destination SCCP address (the top four bits of the GT numbering plan / encoding scheme byte).  
**Type:** Integer  
**Optionality:** Optional, (if not set, no matching is done against number plan).  
**Allowed:** For SCCP, 0 - 15  
**Default:** None.  
**Notes:**  
**Example:** `num_plan = 2`

## point\_code

**Syntax:** `point_code = pc`  
**Description:** Match against the PC field from the destination SUA/SCCP address.  
**Type:** Integer  
**Optionality:** Optional, (if not set, no matching is done against point code).  
**Allowed:**  
**Default:** None.  
**Notes:**  
**Example:** `point_code = 1234`

## routing\_indicator

**Syntax:** `routing_indicator = int`  
**Description:** What details in the destination SUA/SCCP address to match against.  
**Type:** Integer  
**Optionality:** Optional, (if not set, no matching is done against routing indicator).  
**Allowed:** 0 Route on GT  
 1 Route on PC and SSN.  
**Default:** None.  
**Notes:**  
**Example:** `routing_indicator = 1`

## Chapter 2

### subsystem\_number

<b>Syntax:</b>	<code>subsystem_number = <i>ssn</i></code>
<b>Description:</b>	Match against the SSN field from the destination SUA/SCCP address.
<b>Type:</b>	Integer
<b>Optionality:</b>	Optional, (if not set, no matching is done against SSN).
<b>Allowed:</b>	
<b>Default:</b>	None.
<b>Notes:</b>	
<b>Example:</b>	<code>subsystem_number = 8</code>

### trans\_type

<b>Syntax:</b>	<code>trans_type = <i>int</i></code>
<b>Description:</b>	Match against the translation type field from the destination SUA/SCCP address.
<b>Type:</b>	Integer
<b>Optionality:</b>	Optional (if not set, no matching is done against translation type).
<b>Allowed:</b>	Any valid translation type.
<b>Default:</b>	None.
<b>Notes:</b>	
<b>Example:</b>	<code>trans_type = 9</code>

## M3UA route parameters

The M3UA configuration is almost identical to the SUA config. The only difference is the additional parameters listed here.

### japanese\_sccp

<b>Syntax:</b>	<code>japanese_sccp = true false</code>
<b>Description:</b>	Japanese SCCP variant. Specifies whether SCCP addresses include a national-use (ANSI) bit.
<b>Type:</b>	Boolean
<b>Optionality:</b>	Optional
<b>Allowed:</b>	True - SCCP addresses include an additional ANSI bit. The ANSI bit is ignored on incoming SCCP addresses and set on outgoing SCCP addresses. False - SCCP addresses do not include an additional ANSI bit.
<b>Default:</b>	False
<b>Notes:</b>	
<b>Example:</b>	<code>japanese_sccp = true</code>

The `connections` subsection of the `sigtran.config` configuration supports these parameters.

```
M3UA = {
  sigtran.config parameters
  japanese_sccp = true|false
  connections = {
    {
      other connection parameters
      mtp3_dpc = pc
    }
    [...]
  }
}
```

```

    }
    routes = [
        routes
    ]
    [classifiers = [class matches]]
}

```

The parameters in this subsection are described in detail below.

mtp3\_dpc

**Syntax:** mtp3\_dpc = *pc*

**Description:** The destination point code required in MTP3 header.

**Type:** Decimal integer

**Optionality:**

**Allowed:**

**Default:**

**Notes:** There are three possible sources:

- The SCCP address
- The gtt\_pc (when routing on GT)
- Explicitly configured

**Example:** mtp3\_dpc = 3245

## Example Configuration Scenarios

### Example - route 2 PCs

This is a small and simple `eserv.config` for the SUA stack. This example routes to 2 PCs. However, because they are configured as STP PCs, traffic is re-directed to STPs. All end-points have two IP addresses, so SCTP multi-homing is used.

```

SUA = {
    # Local point code.
    opc = 2057
    # Failover list for failed traffic.
    stpPCs = [ 4101, 4102 ]

    connections = {
        itp1 = {
            # multi-home to both nics.
            remote_host = [ "itp1-nicA", "itp1-nicB" ]
            remote_port = 14001
            local_host = [ "local-nicA", "local-nicB" ]
            # specify routing context and loadshare for ITPs.
            routing_context = 666
            traffic_mode_type = "loadshare"
        }
        itp2 = {
            # multi-home to both nics.
            remote_host = [ "itp2-nicA", "itp2-nicB" ]
            remote_port = 14001
            local_host = [ "local-nicA", "local-nicB" ]
            # specify routing context and loadshare for ITPs.
            routing_context = 666
            traffic_mode_type = "loadshare"
        }
    }
}

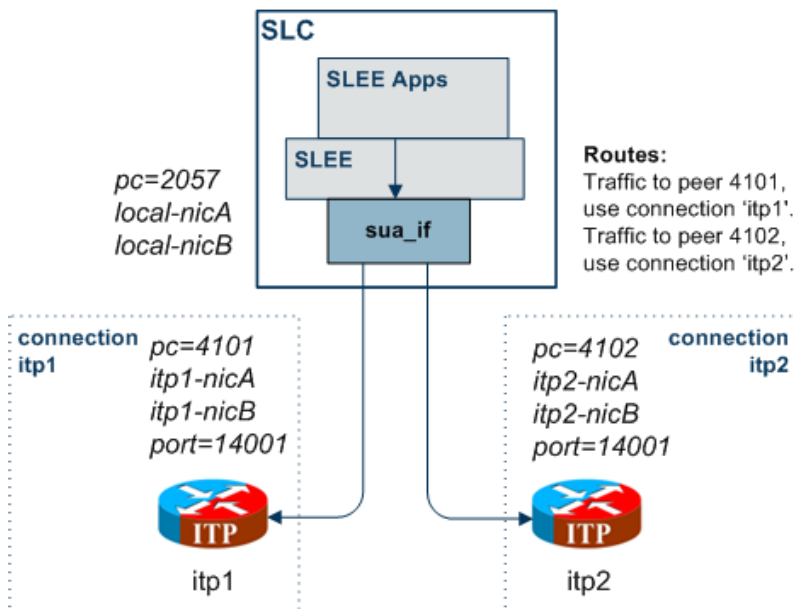
```

## Chapter 2

```
}  
  
routes = [  
  {  
    peer = 4101      # Route all traffic to peer 4101 to  
    use = "itp1"    # dest defined in connection 'itp1'.  
  }  
  {  
    peer = 4102      # Route all traffic to peer 4102 to  
    use = "itp2"    # dest defined in connection 'itp2'.  
  }  
]
```

### Diagram - route 2 PCs

Here is a diagram which shows some of the features of the example.



### Example - route all to balanced ITPs

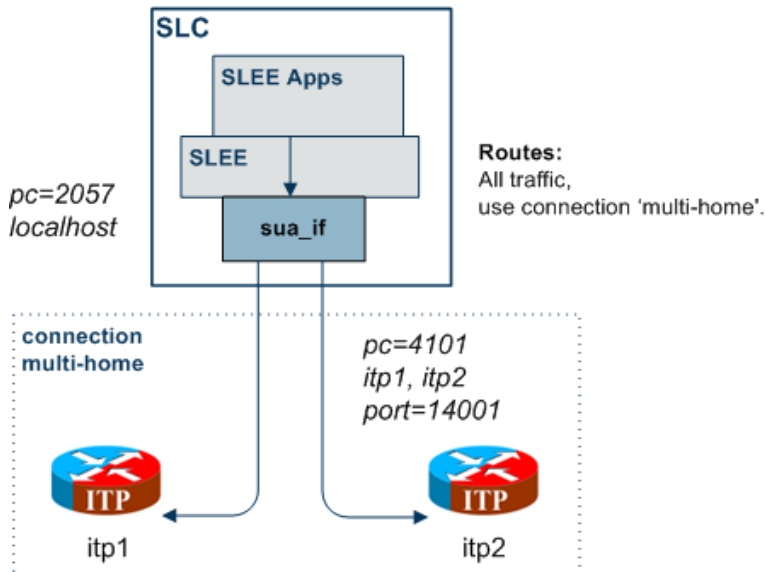
This example directly routes all PCs and all GTs to a pair of load-balanced ITPs (itp1 and itp2).

```
SUA = {  
  opc = 2057  
  connections = {  
    multi-home = {  
      # multi-home to both itps.  
      remote_host = [ "itp1", "itp2" ]  
      remote_port = 14001  
      local_host = [ "localhost" ]  
      routing_context = 666  
      traffic_mode_type = "loadshare"  
    }  
  }  
  routes = [  
    {  
      peer = "*"      # Route all traffic to  
      use = "multi-home" # destns in connection 'multi-home'.  
    }  
  ]  
}
```

**Note:** The STP mechanism is not used, so the TCAP transactions are not tracked (as there is only one destination, that doesn't matter).

## Diagram - route all to balanced ITPs

Here is a diagram which shows some of the features of the example.



## Example - route on transmission type

This example directly routes all PCs and all GTs to an ITP (itp1), except for traffic with transmission type 9 which goes to itp3.

```
SUA = {
  opc = 2057

  connections = {
    multi-home = {
      # multi-home to both itps.
      remote_host = [ "itp1", "itp2" ]
      remote_port = 14001
      local_host = [ "localhost" ]
      routing_context = 666
      traffic_mode_type = "loadshare"
    }
    itp3 = {
      remote_host = "itp3" # Send to itp3.
      use = "multi-home" # Use main config to set defaults.
    }
  }

  routes = [
    {
      peer = "*" # Route all traffic to
      use = "multi-home" # destns in connection 'multi-home'.
    }
    {
      label = "tt9" # Class 'tt9' will use
      use = "itp3" # dest defined in connection 'itp3'.
    }
  ]
}
```

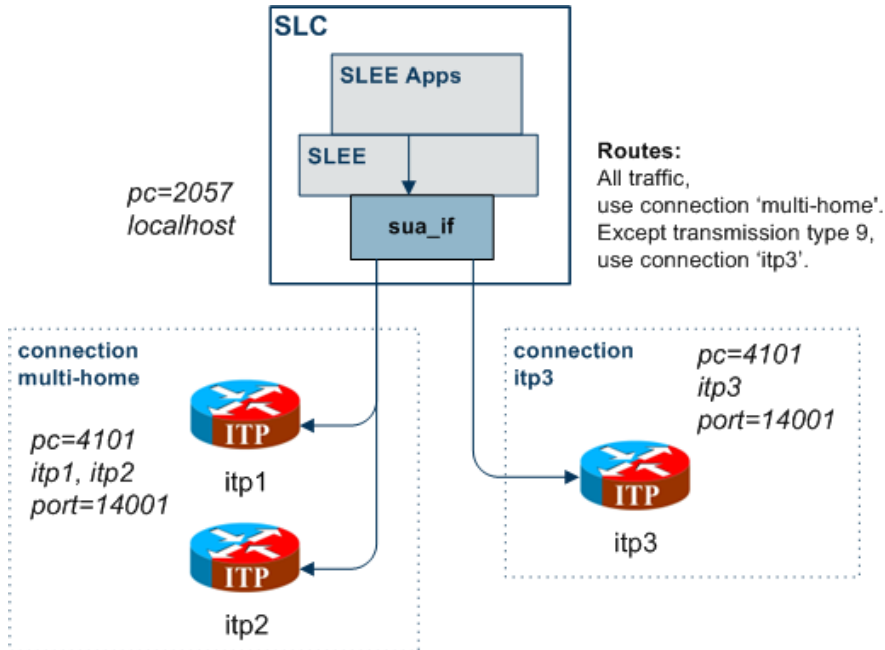
```

classifiers = [
  {
    trans_type = 9      # Route all traffic with transmission type 9
    label = "tt9"      # to dest in route labelled 'tt9'
  }
]

```

### Diagram - route on transmission type

Here is a diagram which shows some of the features of the example.





# Background Processes

## Overview

### Introduction

This chapter explains the processes that are started automatically by Service Logic Execution Environment (SLEE).

**Note:** This chapter also includes some plug-ins to background processes which do not run independently.

### In this chapter

---

This chapter contains the following topics.

sua_if .....	51
m3ua_if .....	52

## sua\_if

### Purpose

sua\_if is the main binary in the SIGTRAN TCAP Interface, for a SUA installation.

### Startup

sua\_if is an SLEE Interface and is started during SLEE initialization. The line in the **SLEE.cfg** which starts the sua\_if is:

```
INTERFACE=sua_if sua_if.sh /IN/service_packages/SLEE/bin EVENT
```

For instructions about starting and stopping sua\_if, see *Service Logic Execution Environment Technical Guide*.

### Configuration

sua\_if is configured by the:

- File set by the `ESERV_CONFIG_FILE` environmental variable (usually this will be **sigtran.config**)
- Command line parameters that can also be set in **tcapif.def**

For more information about configuring this binary, see *Configuration Overview* (on page 9).

### Output

The sua\_if process writes error messages to the system messages file. It also writes additional output to the `/IN/service_packages/SLEE/tmp/sigtran.log` file.

## m3ua\_if

### Purpose

m3ua\_if is the main binary in the SIGTRAN TCAP Interface, for a M3UA installation.

### Startup

m3ua\_if is an SLEE Interface and is started during SLEE initialization. The line in the **SLEE.cfg** which starts the m3ua\_if is:

```
INTERFACE=m3ua_if m3ua_if.sh /IN/service_packages/SLEE/bin EVENT
```

For instructions about starting and stopping m3ua\_if, see *Service Logic Execution Environment Technical Guide*.

### Configuration

m3ua\_if is configured by the:

- File set by the ESERV\_CONFIG\_FILE environmental variable (usually this will be **sigtran.config**)
- Command line parameters that can also be set in **tcapif.def**.

For more information about configuring this binary, see *Configuration Overview* (on page 9).

### Output

The sua\_if process writes error messages to the system messages file. It also writes additional output to the **/IN/service\_packages/SLEE/tmp/sigtran.log** file.

# Troubleshooting

## Overview

### Introduction

This chapter explains the important processes on each of the server components in Convergent Charging Controller, and describes a number of example troubleshooting methods that can help aid the troubleshooting process before you raise a support ticket.

### In this chapter

---

This chapter contains the following topics.

Common Troubleshooting Procedures.....	53
Debug .....	53

## Common Troubleshooting Procedures

### Introduction

Refer to *System Administrator's Guide* for troubleshooting procedures common to all Convergent Charging Controller components.

## Debug

### Introduction

sua\_if/m3ua\_if contains a logging capability that can be used to store messages received and sent by the stack.

Messages are recorded at SCCP-level for both SUA and M3UA.

### Setup

To turn on the SCCP-level message logging, set the log parameter to true, and reload the configuration.

**Note:** You can reload the configuration by sending the interface a SIGHUP.

For more information about the log parameter, see *log* (on page 26).

### Output

Once logging is switched on the interface will append to a binary log file in `/IN/service_packages/SLEE/tmp`. Output is in the form of raw data which can be decoded with the tcread program.



# Statistics and Reports

## Overview

### Introduction

This chapter explains the statistics produced by the application, and the reports you can run on the statistics.

### In this chapter

---

This chapter contains the following topics.

Statistics ..... 55

## Statistics

### Introduction

The SIGTRAN TCAP Interface logs an array of statistics counters for each socket. Statistics are kept for:

- Errors
- Packets sent and received (per packet type)

### Statistics for all connections

This table describes the statistics which are kept for all connections:

Statistic	Description
RX_total	Total packets received.
TX_total	Total packets sent.
RX_error	Number of errors when attempting to read a packet from a connection.
TX_error	Number of errors when attempting to write a packet to a connection.
RX_corrupt	Number of packets received that contain incorrect data. This may be: <ul style="list-style-type: none"> <li>• Incorrectly formatted packets</li> <li>• Correctly formatted packet that is not valid for the current state of the connection</li> </ul>
TX_congest	Number of outbound packets dropped due to transmit buffers being full.
connection_failures	Number of times an error has resulted in the connection being disconnected.

### SUA connections

For each packet type (for example, CLDT) two statistics are kept with the:

## Chapter 5

- RX\_ prefix, for packets received (for example, RX\_CLDT).
- TX\_ prefix, for packets sent (for example, TX\_CLDT).

### **M3UA connections**

For each packet type (for example: DATA) two statistics are kept with the:

- RX\_ prefix, for packets received (for example, RX\_DATA).
- TX\_ prefix, for packets sent (for example, TX\_DATA).

### **SCCP over M3UA connections**

In addition to the M3UA statistics, for each SCCP packet type (for example: UDT) two statistics are kept with the:

- RX\_SCCP\_ prefix, for packets received (for example, RX\_SCCP\_UDT).
- TX\_SCCP\_ prefix, for packets sent (for example, TX\_SCCP\_UDT).

**Note:** A SCCP UDT packet contained in a M3UA DATA packet will be counted in both the relevant SCCP and M3UA counters.

# About Installation and Removal

## Overview

### Introduction

This chapter provides information about the installed components for the Oracle Communications Convergent Charging Controller application described in this guide. It also lists the files installed by the application that you can check for, to ensure that the application installed successfully.

### In this Chapter

---

This chapter contains the following topics.

Installation and Removal Overview .....	57
Checking the Installation .....	57

## Installation and Removal Overview

### Introduction

For information about the following requirements and tasks, see *Installation Guide*:

- Convergent Charging Controller system requirements
- Pre-installation tasks
- Installing and removing Convergent Charging Controller packages

### SIGTRAN packages

An installation of SIGTRAN includes the following packages, on the:

- SMS:
  - sigtranSms
- SLC:
  - sigtranScp

## Checking the Installation

### Introduction

Refer to these checklists to ensure that SIGTRAN TCAP Interface has installed correctly.

## Checklist - SMS

Follow the steps in this checklist to ensure SIGTRAN TCAP Interface has been installed on a SMS machine correctly.

Step	Action
1	Log into the system as <code>acs_oper</code> .
2	Enter <code>sqlplus /</code>
	<b>Note:</b> No password is required.
3	Ensure that the <code>SMF_STATISTICS_DEFN</code> table in the SMF database has been updated to include SIGTRAN TCAP Interface entries.

## Checklist - non-SMS

Follow the steps in this checklist to ensure SIGTRAN TCAP Interface has been installed on a non-SMS machine correctly.

Step	Action
1	Log into the machine as the user which operates the SLEE running on this machine.
2	Check the <code>/IN/service_packages/SLEE</code> directory structure exists with subdirectories.
3	Check the <code>/IN/service_packages/SLEE/bin</code> directory contains the following files: <ul style="list-style-type: none"> <li>• <code>sua_if</code></li> <li>• <code>sua_if.sh</code></li> <li>• <code>m3ua_if</code></li> <li>• <code>m3ua_if.sh</code></li> </ul>
4	Check the <code>/IN/service_packages/SLEE/etc</code> directory contains the following files: <ul style="list-style-type: none"> <li>• <code>sigtran.conf.example</code></li> <li>• <code>sigtran.conf.sample</code></li> </ul>

## Process list

If the application is running correctly, the following processes should be running on each non-SMS machine:

- Started during SLEE startup, one of the following:
  - `sua_if`
  - `m3ua_if`



# Glossary of Terms

## AAA

Authentication, Authorization, and Accounting. Specified in Diameter RFC 3588.

## ACS

Advanced Control Services configuration platform.

## AS

Application Server. The logical entity serving a SUA routing key. An AS is equivalent to an SS7 end point (for example, HLR, MSC,...). An AS contains, at least, one ASP.

## ASN.1

Abstract Syntax Notation One - a formal notation used for describing data transmitted by telecommunications protocols. ASN.1 is a joint ISO/IEC and ITU-T standard.

## ASP

- Application Service Provider, or
- Application Server Process. An IP based instance of an AS. An ASP implements a SCTP connection between 2 platforms.

## CAMEL

Customized Applications for Mobile network Enhanced Logic

This is a 3GPP (Third Generation Partnership Project) initiative to extend traditional IN services found in fixed networks into mobile networks. The architecture is similar to that of traditional IN, in that the control functions and switching functions are remote. Unlike the fixed IN environment, in mobile networks the subscriber may roam into another PLMN (Public Land Mobile Network), consequently the controlling function must interact with a switching function in a foreign network. CAMEL specifies the agreed information flows that may be passed between these networks.

## CAP

CAMEL Application Part

## Connection

Transport level link between two peers, providing for multiple sessions.

## Convergent

Also "convergent billing". Describes the scenario where post-paid and pre-paid calls are handed by the same service platform and the same billing system. Under strict converged billing, post-paid subscribers are essentially treated as "limited credit pre-paid".

## Diameter

A feature rich AAA protocol. Utilises SCTP and TCP transports.

## **DP**

Detection Point

## **DTMF**

Dual Tone Multi-Frequency - system used by touch tone telephones where one high and one low frequency, or tone, is assigned to each touch tone button on the phone.

## **GPRS**

General Packet Radio Service - employed to connect mobile cellular users to PDN (Public Data Network- for example the Internet).

## **GSM**

Global System for Mobile communication.

It is a second generation cellular telecommunication system. Unlike first generation systems, GSM is digital and thus introduced greater enhancements such as security, capacity, quality and the ability to support integrated services.

## **GT**

Global Title.

The GT may be defined in any of the following formats:

- Type 1: String in the form "1,<noa>,<BCD address digits>"
- Type 2: String in the form "2,<trans type><BCD address digits>"
- Type 3: String in the form "3,<trans type>,<num plan>,<BCD address digits>"
- Type 4: String in the form "4,<trans type>,<num plan>,<noa>,<BCD address digits>"

The contents of the Global Title are defined in the Q713 specification, please refer to section 3.4.2.3 for further details on defining Global Title.

## **HLR**

The Home Location Register is a database within the HPLMN (Home Public Land Mobile Network). It provides routing information for MT calls and SMS. It is also responsible for the maintenance of user subscription information. This is distributed to the relevant VLR, or SGSN (Serving GPRS Support Node) through the attach process and mobility management procedures such as Location Area and Routing Area updates.

## **HPLMN**

Home PLMN

## **IDP**

INAP message: Initial DP (Initial Detection Point)

## **IN**

Intelligent Network

## **INAP**

Intelligent Network Application Part - a protocol offering real time communication between IN elements.

## **Initial DP**

Initial Detection Point - INAP Operation. This is the operation that is sent when the switch reaches a trigger detection point.

## **IP**

1) Internet Protocol

2) Intelligent Peripheral - This is a node in an Intelligent Network containing a Specialized Resource Function (SRF).

## **IP address**

Internet Protocol Address - network address of a card on a computer.

## **ISDN**

Integrated Services Digital Network - set of protocols for connecting ISDN stations.

## **ISUP**

ISDN User Part - part of the SS7 protocol layer and used in the setting up, management, and release of trunks that carry voice and data between calling and called parties.

## **ITU**

International Telecommunication Union

## **M3UA**

MTP3 User Adaptation. The equivalent of MTP in the SIGTRAN suite.

## **MAP**

Mobile Application Part - a protocol which enables real time communication between nodes in a mobile cellular network. A typical usage of the protocol would be for the transfer of location information from the VLR to the HLR.

## **MS**

Mobile Station

## **MSC**

Mobile Switching Centre. Also known as a switch.

## **MT**

Mobile Terminated

## **MTP**

Message Transfer Part (part of the SS7 protocol stack).

## **MTP3**

Message Transfer Part - Level 3.

## **NOA**

Nature Of Address - a classification to determine in what realm (Local, National or International) a given phone number resides, for the purposes of routing and billing.

## **NP**

Number Portability

## **PC**

Point Code. The Point Code is the address of a switching point.

## **Peer**

Remote machine, which for our purposes is capable of acting as a Diameter agent.

## **PLMN**

Public Land Mobile Network

## **SCCP**

Signalling Connection Control Part (part of the SS7 protocol stack).

## **SCTP**

Stream Control Transmission Protocol. A transport-layer protocol analogous to the TCP or User Datagram Protocol (UDP). SCTP provides some similar services as TCP (reliable, in-sequence transport of messages with congestion control) but adds high availability.

## **SGP**

Signalling Gateway Process.

## **SGSN**

Serving GPRS Support Node

## **SLC**

Service Logic Controller (formerly UAS).

## **SLEE**

Service Logic Execution Environment

## **SMS**

Depending on context, can be:

- Service Management System hardware platform
- Short Message Service
- Service Management System platform
- Convergent Charging Controller Service Management System application

## **SN**

Service Number

## **SRF**

Specialized Resource Function – This is a node on an IN which can connect to both the SSP and the SLC and delivers additional special resources into the call, mostly related to voice data, for example play voice announcements or collect DTMF tones from the user. Can be present on an SSP or an Intelligent Peripheral (IP).

## **SS7**

A Common Channel Signalling system is used in many modern telecoms networks that provides a suite of protocols which enables circuit and non-circuit related information to be routed about and between networks. The main protocols include MTP, SCCP and ISUP.

## **SSN**

Subsystem Number. An integer identifying applications on the SCCP layer.

For values, refer to *3GPP TS 23.003*.

## **SSP**

Service Switching Point

## **STP**

Signalling Transfer Point. Telecom equipment routing SS7 signalling messages.

## **SUA**

Signalling Connection Control Part User Adaptation Layer

## **System Administrator**

The person(s) responsible for the overall set-up and maintenance of the IN.

## **TCAP**

Transaction Capabilities Application Part – layer in protocol stack, message protocol.

## **TCP**

Transmission Control Protocol. This is a reliable octet streaming protocol used by the majority of applications on the Internet. It provides a connection-oriented, full-duplex, point to point service between hosts.

## **USSD**

Unstructured Supplementary Service Data - a feature in the GSM MAP protocol that can be used to provide subscriber functions such as Balance Query.

## **VLR**

Visitor Location Register - contains all subscriber data required for call handling and mobility management for mobile subscribers currently located in the area controlled by the VLR.



# Index

## A

AAA • 59  
About Installation and Removal • 57  
About This Document • v  
ACS • 59  
activate • 31  
address\_indicator • 44  
always\_send\_addr • 13  
ansi • 23  
application\_server • 32  
AS • 59  
ASN.1 • 59  
asn1\_validate • 23  
ASP • 59  
asp\_identifier • 32  
Audience • v  
autoac • 13  
Available TCAP Interfaces • 2

## B

Background Processes • 51

## C

CAMEL • 59  
CAP • 59  
Checking the Installation • 57  
Checklist - non-SMS • 58  
Checklist - SMS • 58  
Classifier parameters • 23, 41, 42, 43  
classifiers • 23  
Common Troubleshooting Procedures • 53  
Configuration • 9, 51, 52  
Configuration components • 9  
Configuration Overview • 3, 4, 9, 51, 52  
Configuration process overview • 10  
Configuring sigtran.config • 3, 4, 9, 20  
Configuring tcapif.def • 3, 4, 9, 12  
Connection • 59  
Connection key configuration • 30  
Connection parameters • 24, 31, 41  
connections • 24  
Convergent • 59  
Copyright • ii  
Correlation IDs • 4, 6

## D

Debug • 53  
default\_gt • 32  
default\_retgt • 24  
Defining the parameters • 12  
defoutac • 14  
Diagram - route 2 PCs • 48  
Diagram - route all to balanced ITPs • 49

Diagram - route on transmission type • 50  
Diameter • 59  
displaymonitors • 14  
Document Conventions • vi  
DP • 60  
dpause • 14  
DTMF • 60

## E

Editing the File • 21  
Environmental variables • 9, 10  
ESERV\_CONFIG\_FILE • 11, 20  
Example - route 2 PCs • 47  
Example - route all to balanced ITPs • 48  
Example - route on transmission type • 49  
Example Configuration Scenarios • 47  
Example SLEE service keys • 5

## F

first • 41

## G

GPRS • 60  
GSM • 60  
GT • 60  
gti • 44  
gtt\_np • 33  
gtt\_pc • 33  
gtt\_remove • 33  
gtt\_route\_pc • 33  
gtt\_ssn • 34

## H

HLR • 60  
HPLMN • 60

## I

IDP • 60  
importance • 34  
IN • 60  
INAP • 60  
inapssns • 14  
Initial DP • 61  
initiation • 34  
Installation and Removal Overview • 57  
Introduction • 1, 2, 3, 4, 9, 20, 53, 55, 57  
Introduction to SLEE TCAP Interfaces • 1  
invokeTimerOverride • 26  
invokeTimers • 25  
IP • 61  
IP address • 61  
ISDN • 61  
ISUP • 61  
ITU • 61

## L

label • 42, 44  
last • 42  
Loading configuration changes • 21  
local\_host • 35  
local\_port • 35  
log • 3, 4, 26, 53

## M

M3UA • 61  
M3UA connections • 56  
M3UA Level TCAP Interfaces • 3  
M3UA route parameters • 46  
m3ua\_if • 4, 52  
MAP • 61  
mapssns • 15  
Matching SLEE correlation IDs • 6  
maxDids • 26  
maxSLS • 27  
message\_priority • 35  
monitorperiod • 15  
MS • 61  
MSC • 61  
MT • 61  
MTP • 61  
MTP3 • 61  
mtp3\_dpc • 47

## N

nature\_of\_add • 45  
network\_appearance • 36  
network\_indicator • 36  
networkDebug • 27  
NOA • 62  
NP • 62  
num\_plan • 45

## O

opc • 27  
Output • 51, 52, 53  
Overview • 1, 9, 51, 53, 55, 57

## P

PC • 62  
peer • 42  
Peer • 62  
PLMN • 62  
point\_code • 45  
polltime • 15  
Prerequisites • v  
priority • 42  
Process list • 58  
proto • 15  
Purpose • 51, 52

## Q

qos • 28

## R

rcvbuf • 36  
rejectlevel • 16  
rejectTimeout • 28  
Related Documents • v  
remote\_host • 37  
remote\_port • 37  
remote\_role • 37  
reportperiod • 16  
retAddrAll • 28  
retgt • 16, 32  
retgt\_mapping • 25  
rethandover • 17  
retni • 17  
retpc • 17  
retri • 18  
retssn • 18  
Route parameters • 29, 41, 43  
routes • 29  
Routing process • 4, 18  
Routing to Services • 4  
routing\_context • 36  
routing\_indicator • 45

## S

SCCP • 62  
SCCP Level TCAP Interfaces • 2  
SCCP over M3UA connections • 56  
SCCP\_LOG\_FILE • 10  
SCCP\_LOG\_TIME • 10  
scmg\_ssn • 29  
Scope • v  
SCTP • 62  
sctp\_hbinterval • 38  
sctp\_init\_timeout • 38  
sctp\_istreams • 39  
sctp\_ostreams • 39  
segment\_size • 39  
sendorigaddr • 18  
Service routing and message correlation • 1  
Setting command line parameters • 12  
Setting parameters • 12  
Setup • 53  
SGP • 62  
SGSN • 62  
SIGTRAN m3ua interface components • 4  
SIGTRAN m3ua interface diagram • 3  
SIGTRAN packages • 57  
SIGTRAN SCCP/SUA interface diagram • 2  
sigtran.config example • 20  
sigtran.config parameters • 23  
sigtran.config structure • 21  
SIGTRAN/SUA interface components • 3



- SIGTRAN\_CONFIG\_SECTION • 11
- SLC • 62
- SLEE • 62
- SLEE Correlation ID diagram • 6
- SLEE service key construction • 5
- SLEE\_ETC\_DIR • 11
- sleekey • 5, 18
- SMS • 62
- SN • 63
- sndbuf • 39
- SRF • 63
- SS7 • 63
- SSN • 63
- ssns • 19
- SSP • 63
- Startup • 51, 52
- Statistics • 55
- Statistics and Reports • 55
- Statistics for all connections • 55
- statisticsInterval • 29
- statsif • 19
- stderron • 19
- STP • 63
- stpPCs • 30
- stps • 20
- SUA • 63
- SUA connections • 55
- sua\_if • 3, 51
- subsystem\_number • 46
- System Administrator • 63
- System Overview • 1

## **T**

- TCAP • 63
- TCAP Interface layers • 2
- TCAP Protocol stack • 1
- tcapif parameters • 4, 13
- tcapif.def • 12
- TCAPIF\_DEF • 11
- TCP • 63
- traffic\_mode\_type • 40
- trans\_type • 46
- transport • 40
- Troubleshooting • 53
- Typographical Conventions • vi

## **U**

- use • 41, 43
- Using eserv.config instead of sigtran.config • 20
- USSD • 63

## **V**

- VLR • 63

## **X**

- xudtHopCount • 30