

**Oracle® Communications  
Network Charging and Control**

Event Detail Record Reference Guide

Release 12.0.2

December 2018

# Copyright

Copyright © 2018, Oracle and/or its affiliates. All rights reserved.

This software and related documentation are provided under a license agreement containing restrictions on use and disclosure and are protected by intellectual property laws. Except as expressly permitted in your license agreement or allowed by law, you may not use, copy, reproduce, translate, broadcast, modify, license, transmit, distribute, exhibit, perform, publish, or display any part, in any form, or by any means. Reverse engineering, disassembly, or decompilation of this software, unless required by law for interoperability, is prohibited.

The information contained herein is subject to change without notice and is not warranted to be error-free. If you find any errors, please report them to us in writing.

If this is software or related documentation that is delivered to the U.S. Government or anyone licensing it on behalf of the U.S. Government, then the following notice is applicable:

U.S. GOVERNMENT END USERS: Oracle programs, including any operating system, integrated software, any programs installed on the hardware, and/or documentation, delivered to U.S. Government end users are "commercial computer software" pursuant to the applicable Federal Acquisition Regulation and agency-specific supplemental regulations. As such, use, duplication, disclosure, modification, and adaptation of the programs, including any operating system, integrated software, any programs installed on the hardware, and/or documentation, shall be subject to license terms and license restrictions applicable to the programs. No other rights are granted to the U.S. Government.

This software or hardware is developed for general use in a variety of information management applications. It is not developed or intended for use in any inherently dangerous applications, including applications that may create a risk of personal injury. If you use this software or hardware in dangerous applications, then you shall be responsible to take all appropriate fail-safe, backup, redundancy, and other measures to ensure its safe use. Oracle Corporation and its affiliates disclaim any liability for any damages caused by use of this software or hardware in dangerous applications.

Oracle and Java are registered trademarks of Oracle and/or its affiliates. Other names may be trademarks of their respective owners.

Intel and Intel Xeon are trademarks or registered trademarks of Intel Corporation. All SPARC trademarks are used under license and are trademarks or registered trademarks of SPARC International, Inc. AMD, Opteron, the AMD logo, and the AMD Opteron logo are trademarks or registered trademarks of Advanced Micro Devices. UNIX is a registered trademark of The Open Group.

This software or hardware and documentation may provide access to or information about content, products, and services from third parties. Oracle Corporation and its affiliates are not responsible for and expressly disclaim all warranties of any kind with respect to third-party content, products, and services unless otherwise set forth in an applicable agreement between you and Oracle. Oracle Corporation and its affiliates will not be responsible for any loss, costs, or damages incurred due to your access to or use of third-party content, products, or services, except as set forth in an applicable agreement between you and Oracle.

# Contents

About This Document .....	ix
Document Conventions .....	x
<b>Chapter 1</b>	
<b>EDR Overview.....</b>	<b>1</b>
Overview.....	1
EDR Generation .....	1
EDR Tag List .....	1
<b>Chapter 2</b>	
<b>Billing Engine and SMS EDR Definitions.....</b>	<b>11</b>
Overview.....	11
CCS EDR Files.....	11
CCS EDR Types.....	13
EDR Definition .....	16
EDRs .....	17
<b>Chapter 3</b>	
<b>Operator Updates.....</b>	<b>21</b>
Overview.....	21
Account Creation using Screens (EDR 2) .....	21
Account Creation using PI (EDR 2) .....	22
Account Balance Changes using Screens (EDR 2) .....	22
Account Balance Changes using PI (EDR 2) .....	23
Account State Update using Screens (EDR 2) .....	24
Account State Update using PI (EDR 2) .....	25
Account Expiry Update using Screens (EDR 2) .....	26
Balance Expiry Update using Screens (EDR 2) .....	26
Account Deleted using Screens (EDR 2) .....	27
Account Activated by System (EDR 2).....	28
<b>Chapter 4</b>	
<b>Voucher Activity.....</b>	<b>31</b>
Overview.....	31
Voucher Activity using Screen or PI (EDR 56) .....	31
<b>Chapter 5</b>	
<b>Voucher Recharges.....</b>	<b>33</b>
Overview.....	33
Voucher Recharge Succeeds using Screens (EDR 4,15).....	33
Voucher Recharge Succeeds using IVR (EDR 4,15) .....	35
Voucher Recharge Succeeds using PI (EDR 4,15) .....	37
Voucher Recharge Succeeds using USSD (EDR 4,15).....	39
Voucher Recharge Fails using Screens or IVR (EDR 4).....	41
Voucher Recharge Fails using Screens or IVR (EDR 15,33).....	42
Voucher Type Recharge.....	44

## Chapter 6

### Rewards..... 45

Overview.....	45
Reward Application Successful (EDR 16).....	45
Reward Application Fails using Screens or IVR (EDR 16).....	46

## Chapter 7

### Voice Calls ..... 49

Overview.....	49
Successful National Call (EDR 1).....	49
Commit Reservation (EDR 1).....	52
Revoke Reservation (EDR 1).....	53
Declined National Call.....	54
Direct Amount Charge (EDR 6).....	55

## Chapter 8

### Freeform Recharges..... 57

Overview.....	57
Freeform Recharge Succeeds using the GUI (EDR 8).....	57
Freeform Recharge Succeeds using PI (EDR 8).....	58
Freeform Recharge Succeeds using PI (EDR 2).....	60
Freeform Recharge Fails using PI (EDR 2, 8).....	61

## Chapter 9

### Credit Card Recharges ..... 63

Overview.....	63
Credit Card Recharge Succeeds using Screens (EDR 9).....	63
Credit Card Recharge Succeeds using PI (EDR 9).....	64

## Chapter 10

### Voucher Freeform Recharges..... 67

Overview.....	67
Voucher Freeform Recharge Succeeds using Screens (EDR 10).....	67

## Chapter 11

### Voucher Batch Deletion ..... 69

Overview.....	69
Voucher Batch Deletion using Screens (EDR 53).....	69

## Chapter 12

### Periodic Charge ..... 71

Overview.....	71
Periodic Charge Recharge Succeeds (EDR 49).....	71
Periodic Charge Named Event Succeeds (EDR 49).....	72
Periodic Charge Recharge Fails (EDR 49).....	72
Periodic Charge Named Event Fails (EDR 49).....	73
Change Subscription State Succeeds (EDR 52).....	73

Change Subscription State Fails (EDR 52) .....	74
<b>Chapter 13</b>	
<b>Web Initiated Recharges.....</b>	<b>75</b>
Overview.....	75
Web Initiated Recharge Succeeds using PI (EDR 8) .....	75
<b>Chapter 14</b>	
<b>PI Promotional Recharges.....</b>	<b>77</b>
Overview.....	77
PI Promotional Recharge Succeeds using PI (EDR 2) .....	77
<b>Chapter 15</b>	
<b>Friends &amp; Family, Friends &amp; Destination Config Change.....</b>	<b>79</b>
Overview.....	79
F&F/F&D Change Succeeds using IVR (EDR 5) .....	79
F&F/F&D Change Fails using IVR (EDR 5).....	80
F&F/F&D Change Succeeds using PI (EDR 28) .....	81
F&F/F&D Change Fails using PI (EDR 5) .....	81
F&F/F&D New Entry Succeeds using PI (EDR 5).....	82
<b>Chapter 16</b>	
<b>Call Barring Config Change.....</b>	<b>85</b>
Overview.....	85
Call Barring Change Succeeds using PI (EDR 30) .....	85
<b>Chapter 17</b>	
<b>Change 'Disable Incoming Calls when Roaming' Flag .....</b>	<b>87</b>
Overview.....	87
DICWR Flag Change Succeeds using Screens (EDR 29).....	87
DICWR Flag Change Succeeds using PI (EDR 29).....	88
<b>Chapter 18</b>	
<b>PI Adds Service Charge.....</b>	<b>89</b>
Overview.....	89
PI Adds Service Charges Succeeds using PI (EDR 2,5) .....	89
<b>Chapter 19</b>	
<b>Product Type Swap.....</b>	<b>95</b>
Overview.....	95
PTS Succeeds using Screens (EDR type 31) .....	95
PTS Succeeds using PI (EDR type 31).....	96
PTS Succeeds using the GUI (EDR 31, 32) .....	96
PTS Succeeds using IVR (EDR 31, 32) .....	98
PTS Fails using the GUI (EDR 32).....	100
PTS Fails using IVR (EDR 32) .....	101

<b>Chapter 20</b>	
<b>Read Secret Code .....</b>	<b>103</b>
Overview.....	103
Read Secret Code Change Fails using IVR (EDR 33).....	103
<b>Chapter 21</b>	
<b>Expiration .....</b>	<b>105</b>
Overview.....	105
Balance Expiry (EDR 3) .....	105
Account Expiry (EDR 3) .....	106
PI Delete (EDR 2).....	106
<b>Chapter 22</b>	
<b>Roaming Voice Calls .....</b>	<b>109</b>
Overview.....	109
Successful Roaming Call (EDR type 1) .....	109
Declined Roaming Call (EDR type 1) .....	111
Successful Roaming Call (EDR type 11) .....	113
Declined Roaming Call (EDR type 11).....	115
<b>Chapter 23</b>	
<b>Data and Video Calls (EDRs 50 and 51) .....</b>	<b>117</b>
Overview.....	117
About Type 50 and 51 EDRs.....	117
<b>Chapter 24</b>	
<b>Prepaid Data.....</b>	<b>119</b>
Overview.....	119
GPRS Content Charge Succeeds (EDR 5) .....	119
GPRS Content Charge Fails (EDR 5) .....	120
GPRS Volume or Duration Charge Succeeds (EDR 14) .....	121
GPRS Volume or Duration Charge Fails (EDR 5).....	121
<b>Chapter 25</b>	
<b>SMS-MO .....</b>	<b>123</b>
Overview.....	123
National SMS-MO Succeeds (EDR 12,13) .....	123
National SMS-MO Fails (EDR 1, 5,12,13).....	126
Roaming SMS-MO Succeeds (EDR 12,13) .....	127
Roaming SMS-MO Fails (EDR 1,5,12,13) .....	129
<b>Chapter 26</b>	
<b>SMS-MT .....</b>	<b>131</b>
Overview.....	131
National SMS-MT Succeeds (EDR 12,13) .....	131
National SMS-MT Fails (EDR 1,5,12,13) .....	133
Roaming SMS-MT Succeeds (EDR 12,13) .....	135

Roaming SMS-MT Fails (EDR 1,5,12,13) .....	137
<b>Chapter 27</b>	
<b>Wallet Credit Transfer .....</b>	<b>139</b>
Overview .....	139
Wallet Credit Transfer Succeeds or Fails (EDR 47) .....	139
Cost of Credit Transfer Succeeds (EDR 5) .....	139
Cost of Credit Transfer Fails (EDR 5) .....	140
<b>Chapter 28</b>	
<b>Wallet Migration .....</b>	<b>141</b>
Overview .....	141
Wallet Migration (EDR 54) .....	141
<b>Chapter 29</b>	
<b>Wallet Life Cycle.....</b>	<b>143</b>
Overview .....	143
Wallet Life Cycle (EDR 55) .....	143
<b>Chapter 30</b>	
<b>Credit Card Updates.....</b>	<b>145</b>
Overview .....	145
Credit Card EDRs (Types 57, 58, 59, 60, 61, 62, 63, and 64) .....	145
<b>Chapter 31</b>	
<b>Billing Engine Control Plan Invocation .....</b>	<b>147</b>
Overview .....	147
Control Plan Service Invoke (EDR 7) .....	147
<b>Chapter 32</b>	
<b>CCS EDR Tag Definitions .....</b>	<b>149</b>
Overview .....	149
CCS EDR Tag List.....	149
<b>Chapter 33</b>	
<b>SLC Generated EDRs.....</b>	<b>199</b>
Overview .....	199
ACS EDRs .....	199
DCD EDRs .....	213
SCA EDRs .....	215
NP EDRs .....	217
Messaging Manager EDRs .....	222
<b>Glossary of Terms.....</b>	<b>241</b>
<b>Index .....</b>	<b>251</b>





# About This Document

## Scope

This document explains the final format of all existing types of Event Detail Records (EDRs) created on the Voucher and Wallet Server and the SMS.

## Audience

This guide is written primarily for system administrators of Oracle products.

## Prerequisites

Although there are no prerequisites for using this guide, familiarity with the target platform would be an advantage.

## Related Documents

The following documents are related to this document:

- *Charging Control Services Technical Guide*
- *Charging Control Services User's Guide*
- *Voucher Manager User's Guide*
- *Feature Nodes Reference Guide*

# Document Conventions

## Typographical Conventions

The following terms and typographical conventions are used in the Oracle Communications Network Charging and Control (NCC) documentation.

Formatting Convention	Type of Information
<b>Special Bold</b>	Items you must select, such as names of tabs. Names of database tables and fields.
<i>Italics</i>	Name of a document, chapter, topic or other publication. Emphasis within text.
<b>Button</b>	The name of a button to click or a key to press. <b>Example:</b> To close the window, either click <b>Close</b> , or press <b>Esc</b> .
<b>Key+Key</b>	Key combinations for which the user must press and hold down one key and then press another. <b>Example:</b> <b>Ctrl+P</b> or <b>Alt+F4</b> .
Monospace	Examples of code or standard output.
<b>Monospace Bold</b>	Text that you must enter.
<i>variable</i>	Used to indicate variables or text that should be replaced with an actual value.
<b>menu option &gt; menu option &gt;</b>	Used to indicate the cascading menu option to be selected. <b>Example:</b> <b>Operator Functions &gt; Report Functions</b>
<a href="#">hypertext link</a>	Used to indicate a hypertext link.

Specialized terms and acronyms are defined in the glossary at the end of this guide.

## Document format

This reference document lists EDR tag definitions for all versions of products that can produce EDR records.

See chapters for CCS EDR Tag Definitions and VWS Generated EDRs.

However the CCS EDR records are organized by EDR type, with each generic type within a chapter, for example Product Type Swap chapter defines the EDR record content of EDR Types 31 and 32.

## Document version

Since this reference guide covers all EDRs for all products, a software number is meaningless.

To satisfy various standards and formatting, what was the software version is now 0.0.0, with just the guide version increasing with each publication.

# EDR Overview

## Overview

### Introduction

This chapter explains the NCC processes that generate Event Detail Records (EDR).

### In this chapter

---

This chapter contains the following topics.

EDR Generation .....	1
EDR Tag List .....	1

## EDR Generation

### Introduction

EDRs are generated by:

- CCS - on the:
  - SLC (refer to *SLC Generated EDRs* (on page 199)),
  - Billing engine and the SMS (refer to *Billing Engine and SMS EDR Definitions* (on page 11)).
- ACS - slee\_acs on the SLC. Refer to *ACS EDRs* (on page 199).
- Messaging Manager - xmsTrigger on the SLC. Refer to *Messaging Manager EDRs* (on page 222).
- Diameter Charging Driver - slee\_acs on the SLC. Refer to *DCD EDRs* (on page 213).

### About EDR and CDR

The industry standard abbreviation for a record of the event detail type is EDR (Event Detail Record). Previously, in Oracle documentation, the abbreviation CDR (Call Data Record) was used. Over time, EDR will replace CDR in this and other Oracle documentation.

## EDR Tag List

### Introduction

The following list identifies all the EDR tags documented within this guide.

### EDR tag versions

Where a tag is redefined, for a new version of software, both the new and old definition is included. Where the new version is used in a CCS EDR, the tag list will also have both the old and new tags listed.

## EDR tags - A

This list covers all application EDRs defined within this guide, starting with the letter A.

- *ACCOUNT\_TYPE* (on page 149) (Product Type ID)
- *ACCT\_ID* (on page 149) (changed wallet ID)
- *ACCT\_REF\_ID* (on page 149) (changed account ID)
- *ACS\_CUST\_ID* (on page 150) (ACS Customer ID)
- *ACTION* (on page 150) (voucher activity)
- *ACTION\_DETAIL* (on page 150) (voucher activity)
- *ACTIVATION\_DATE* (on page 151) (account activation date)
- *ADJUSTMENT* (on page 151) (generated by an adjustment)
- *AIDL* (on page 202) (played announcement ID list)
- *ALPH* (on page 224) (alphabet name)
- *ANS\_TM* (answer time)
- *APPLICATION\_DESC* (on page 151) (application freeform)
- *ASAD* (on page 225) (ip of originating asp)
- *ASPDF* (on page 225) (asp definition)
- *ASPID* (on page 226) (inbound and outbound path)
- *AXAD* (on page 226) (ip connections from asp)

## EDR tags - B

This list covers all application EDRs defined within this guide, starting with the letter B.

- *BAD\_PINS* (on page 152) (number of attempts)
- *BALANCE\_EXPIRIES* (on page 152) (period hours)
- *BALANCE\_TYPES* (on page 152) (account changed or created)
- *BALANCE\_TYPES* (on page 153) (account changed or created) - mid call rate changes
- *BALANCE\_TYPES* (on page 153) (existing account)
- *BALANCES* (on page 154) (pre-call or account creation)
- *BALANCES* (on page 154) (pre-call or account creation) - mid call rate changes
- *BALANCES* (on page 154) (pre-transaction account balances)
- *BARRED\_LIST\_TYPE* (on page 155) (description)
- *BATCH\_DESCRIPTION* (on page 155) (for voucher batch)
- *BARCODE* (on page 155) (voucher details)
- *BCOR* (balance cascade override)
- *BEARER\_TYPE* (bearer type id)
- *BFT* (billing failure treatment)
- *BILLING\_ENGINE\_ID* (on page 155) (BE where account resides)
- *BONUS\_TYPE* (on page 156) (name)
- *BUCKET\_IDS* (on page 156) (within balance type recharged)

## EDR tags - C

This list covers all application EDRs defined within this guide, starting with the letter C.

- *CA* (on page 203) (called address)
- *CAET* (on page 203) (call attempt elapsed time)
- *CALLINGNUM* (on page 220) (lcr set calling number)

- *CALLINGNOA* (on page 220) (noa of callingnum)
- *CARD\_DESIGN* (on page 156) (voucher details)
- *CARRIERNAME* (on page 220) (carrier name)
- *CARRIERPOS* (on page 221) (position of carrier name in hunt list)
- *CASCADE* (on page 156) (always empty for pi)
- *CASCADE\_ID* (on page 157) (balance type cascade IDs)
- *CASCADE\_ID* (on page 157) (balance type cascade IDs) - mid call rate change
- *CBAT* (on page 203) (connected by attempt termination)
- *CBTD\_BALANCE\_TYPES* (on page 157) (list to apply to discounts)
- *CBTD\_BALANCE\_TYPES* (on page 158) (list to apply to discounts) - mid call rate changes
- *CBTD\_BALANCES* (on page 158) (value for each cross balance type)
- *CBTD\_BALANCES* (on page 158) (value for each cross balance type) - mid call rate change
- *CBTD\_CASCADE\_ID* (on page 159) (used for this call)
- *CBTD\_CASCADE\_ID* (on page 159) (used for this call) - mid call rate change
- *CBTD\_COSTS* (on page 159) (costs applied to each cross balance type)
- *CBTD\_COSTS* (on page 159) (costs applied to each cross balance type) - mid call rate changes
- *CBTD\_COSTS\_RND\_REM* (on page 160) (rounding remainder of cross balance *CBTD\_COSTS*)
- *CBTD\_DISCOUNTS* (on page 160) (discounts applied to balance types)
- *CBTD\_DISCOUNTS* (on page 160) (discounts applied to balance types) - mid call rate changes
- *CC* (on page 203) (carrier code)
- *CCET* (on page 204) (call connect elapsed time)
- *CCTS* (on page 204) (call connect timestamp)
- *CDR\_TYPE* (on page 160) (reason for record generation)
- *CDR\_TYPE* (on page 216) (sca reason for record generation)
- *CELLID* (cell id in the idp)
- *CGN* (on page 204) (calling network number)
- *CGNA* (on page 204) (global calling network address)
- *CGNN* (on page 204) (calling party nature of number)
- *CHARGE\_EXPIRY* (*new periodic charge expiry*) (on page 161) (new periodic charge expiry)
- *CHARGE\_NAME* (on page 161) (of periodic charge)
- *CID* (on page 205) (slee call ID)
- *CLI* (on page 205) (calling logical number)
- *CLI* (on page 162) (for the account that will be changed)
- *CLI* (on page 161) (initiating call number)
- *CLI* (on page 161) (initiating call number) - mid call rate changes
- *CLI* (on page 162) (roaming initiating call number)
- *COMPONENT* (on page 162) (from pi command reference)
- *COSTS* (on page 163) (rated calls)
- *COSTS* (on page 163) (rated calls) - mid call rate changes
- *COSTS\_RND\_REM* (on page 163) (rounding remainder of balance *COSTS*)
- *CPC* (on page 205) (calling party category)
- *CPN* (on page 205) (control plan name)
- *CPNI* (on page 205) (calling private network ID)
- *CPNN* (on page 206) (called party nature of number)
- *CPPI* (on page 206) (calling party presentation restriced indicator)

## Chapter 1

- CS (call status, always D)
- CS (*call status, S or D*) (on page 164) (call status, S or D)
- CS (on page 206) (acs connect status)
- CT\_NAME (on page 164) (credit transfer)
- CT\_TYPE (on page 164) (credit transfer)
- CUG\_NAME (on page 164) (closed user group)
- CUST (on page 207) (customer database ID)

### EDR tags - D

This list covers all application EDRs defined within this guide, starting with the letter D.

- DADR (on page 227) (destination address)
- DATE (on page 227) (timestamp sms sent to mmx)
- DELTS (on page 227) (timestamp of delivery attempt)
- DIA\_RC (on page 214) (result code)
- DIA\_REQ (on page 214) (current session message number)
- DIA\_SID (on page 214) (session id)
- DIA\_TIME (on page 214) (time ccr sent)
- DICWR (on page 164) (Disable Incoming Calls When Roaming)
- DIMSI (on page 227) (destination imsi)
- DISC (on page 207) (discount override)
- DISCOUNT (on page 165) (always zero for pi)
- DISCOUNT\_TYPE (on page 165) (applied to this call)
- DISCOUNT\_TYPE (on page 165) (applied to this call) - R\*W
- DISCOUNT\_TYPE (on page 165) (applied to this call) - service discount
- DISCOUNTS (on page 166) (for each named event)
- DISCOUNTS (on page 166) (rated calls)
- DISCOUNTS (on page 166) (rated calls) - mid call rate changes
- DISPLAY\_SPEND\_RATIO (on page 167) (Balance Type Display to Spend Ratio)
- DISTRIBUTOR\_CHANNEL (on page 167) (voucher details)
- DISTS (on page 228) (timestamp of discard)
- DLOC (on page 228) (terminating party location information)
- DLVR (on page 228) (message delivered flag)
- DPATH (on page 228) (delivery path)
- DSCA (on page 228) (destination service center address)
- DSCGT (on page 229) (destination gt)
- DSTL (on page 229) (destination gt of fda msc)
- DURATION (on page 167) (call length)
- DURATION (on page 216) (session duration)

### EDR tags - E

This list covers all application EDRs defined within this guide, starting with the letter E.

- END\_CALL\_REASON (*reasons for call termination*) (on page 169)
- ESN (on page 229) (electronic serial number)
- EVENT\_CLASS (on page 169) (list of classes used)
- EVENT\_COST (on page 169) (for each named event)

- *EVENT\_COUNT* (on page 170) (for each named event)
- *EVENT\_NAME* (on page 170) (list used for this call)
- *EVENT\_TIME\_COST* (on page 170) (for a named event)
- *EXPIRED\_WALLET* (on page 171) (ID of expired wallet)
- *EXT(0-9)* (on page 207) (extension buffer contents)

## EDR tags - F

This list covers all application EDRs defined within this guide, starting with the letter F.

- *FATS* (on page 207) (first announcement timestamp)
- *FCA* (on page 171) (final call address)
- *FREE\_TEXT\_FIELD\_1* (on page 172) (voucher details)
- *FREE\_TEXT\_FIELD\_2* (on page 172) (voucher details)
- *FREE\_TEXT\_FIELD\_3* (on page 172) (voucher details)
- *FROM* (on page 216) (sip message from header)

## EDR tags - G

This list covers all application EDRs defined within this guide, starting with the letter G.

- *GPRS* (on page 229) (general packet radio service)

## EDR tags - H

This list covers all application EDRs defined within this guide, starting with the letter H.

- *HOST* (on page 172) (initiating credit transfer)
- *HTS* (on page 207) (hunting timestamp)

## EDR tags - I

This list covers all application EDRs defined within this guide, starting with the letter I.

- *IGNORE\_BARRED* (on page 172) (ignore numbers in call barring list)
- *IPRI* (on page 230) (incoming protocol value)
- *IPRN* (on page 230) (incoming protocol name)
- *ITS* (on page 230) (incoming tele service)

## EDR tags - L

This list covers all application EDRs defined within this guide, starting with the letter L.

- *LAC* (on page 208) (last account code used)
- *LENGTHS* (on page 172) (rate durations)
- *LENGTHS* (on page 173) (rate durations) - mid call rate changes
- *LGID* (on page 208) (language ID)
- *LI\_LOC\_NUM* (location information for loc\_num)
- *LOC\_NUM* (location number in idp)
- *LOCADD* (on page 173) (additional configuration prefixes)
- *LPN* (on page 208) (most recent pin entered)

## EDR tags - M

This list covers all application EDRs defined within this guide, starting with the letter M.

- *MAX\_CHARGE* (on page 174) (for this call)
- *MAX\_CHARGE* (on page 174) (for this call) - mid call rate changes
- *MAX\_CONCURRENT* (on page 174) (maximum concurrent accesses allowed)
- *MCOR* (maximum charge override)
- *METHOD* (on page 217) (sip method of request)
- *MFILE* (on page 174) (for rating data)
- *MID\_SESSION* (on page 174) (partial EDR)
- *MSCA* (on page 230) (smsc address)
- *MSGD* (on page 230) (message destination)
- *MSGR* (on page 231) (message reference number)
- *MSISDN* (on page 175) (account calling number)
- *MTYP* (on page 231) (message type)

## EDR tags - N

This list covers all application EDRs defined within this guide, starting with the letter N.

- *NACK* (on page 175) (freeform recharge list)
- *NACK* (on page 176) (long list of codes)
- *NACK* (on page 176) (short list of codes)
- *NEW\_ACCOUNT* (on page 177) (ID of account type)
- *NEW\_ACCT\_EXPIRY* (on page 177) (date after account deleted)
- *NEW\_ACCT\_EXPIRY* (on page 177) (date after account deleted)  
If the expiry date is updated then this tag will be present.
- *NEW\_ACCT\_EXPIRY* (on page 178) (date after recharge)
- *NEW\_ACCT\_EXPIRY* (on page 177) (date after update)
- *NEW\_ACCT\_STATE* (on page 178) (after update)
- *NEW\_ACCT\_STATE* (on page 178) (always active - A)
- *NEW\_ACCT\_STATE* (on page 178) (always frozen - F)
- *NEW\_ACCT\_STATE* (on page 178) (always preuse - P)
- *NEW\_ACCT\_STATE* (on page 178) (always terminated - T)
- *NEW\_ACCT\_TYPE* (on page 179) (ID of account after recharge)
- *NEW\_ACCT\_TYPE* (on page 179) (prod type swap)
- *NEW\_ACTIVE\_SVC* (on page 179) (account type)
- *NEW\_BALANCE\_EXPIRIES* (on page 179) (date after balance update)
- *NEW\_BALANCE\_EXPIRIES* (on page 179) (dates after voucher recharge)
- *NEW\_BARRED\_LIST* (on page 180) (of call barring numbers)
- *NEW\_CHARGE\_STATE* (on page 180) (periodic charge subscription state)
- *NEW\_FD* (on page 180) (friends destination number)
- *NEW\_FF* (on page 180) (list of friends and family numbers)
- *NEW\_LAST\_USE* (on page 180) (date last used)
- *NEW\_WLC\_PERIOD* (on page 180) (after update)
- *NEW\_WLC\_PLAN* (on page 180) (Id)
- *NOAT* (on page 208) (number of attempt terminations)
- *NRQ* (on page 231) (status report requested for message)



- *NRQD* (on page 231) (emi with defined nrq)
- *NT* (on page 209) (network type)
- *NUMBER* (on page 181) (voucher number)

## EDR tags - O

This list covers all application EDRs defined within this guide, starting with the letter O.

- *OA* (on page 209) (sccp originating address)
- *OADR* (on page 231) (originating address)
- *OAID* (on page 232) (originating adapter id)
- *OCAU* (on page 232) (acs cause value)
- *OCPI* (on page 209) (original called party)
- *OGEO\_ID* (on page 181) (originating geo node id)
- *OIMSI* (on page 232) (originating imsi)
- *OIPA* (on page 232) (originating ip address)
- *OLD\_ACCOUNT* (on page 181) (ID of account type)
- *OLD\_ACCT\_EXPIRY* (on page 181) (date before recharge)
- *OLD\_ACCT\_EXPIRY* (on page 181) (dates before update)
- *OLD\_ACCT\_EXPIRY* (on page 181) (dates before update)  
If the expiry date is updated then this tag will be present.
- *OLD\_ACCT\_STATE* (on page 181) (always active - A)
- *OLD\_ACCT\_STATE* (on page 182) (before update)
- *OLD\_ACCT\_STATE* (on page 182) (P or D before update)
- *OLD\_ACCT\_STATE* (on page 182) (pre-call)
- *OLD\_ACCT\_TYPE* (on page 182) (ID of account before recharge)
- *OLD\_ACCT\_TYPE* (on page 182) (prod type swap)
- *OLD\_ACTIVE\_SVC* (on page 183) (account type)
- *OLD\_BALANCE\_EXPIRIES* (on page 183) (dates before balance update)
- *OLD\_BALANCE\_EXPIRIES* (on page 183) (dates before voucher recharge)
- *OLD\_BARRED\_LIST* (on page 183) (of call barring numbers)
- *OLD\_CHARGE\_EXPIRY* (on page 183) (periodic charge expiry date changes)
- *OLD\_CHARGE\_STATE* (on page 184) (periodic charge subscription state)
- *OLD\_FD* (on page 184) (friends destination number)
- *OLD\_FF* (on page 184) (list of friends and family numbers)
- *OLD\_WLC\_PERIOD* (on page 184) (before update)
- *OLD\_WLC\_PLAN* (on page 184) (ld)
- *OLOC* (on page 232) (originating party location information)
- *OPERATOR\_RELEASED* (on page 184) (commit/revoke reservation)
- *OPRI* (on page 232) (outgoing priority)
- *OPPN* (on page 233) (output protocol name)
- *OPRT* (on page 233) (originating port number)
- *ORIGTRUNK* (on page 221) (idp location number content)
- *OVERDRAWN\_AMOUNT* (on page 185) (take Balance Negative)
- *OTI* (on page 209) (originating transaction ID)
- *OTS* (on page 233) (outgoing tele service)
- *OVERRIDDEN\_TARIFF\_PLAN* (on page 185) (ID)

## EDR tags - P

This list covers all application EDRs defined within this guide, starting with the letter P.

- *PCNA* (on page 209) (calling private network address)
- *PC\_TYPE* (on page 185) (periodic charge type)
- *PERR* (on page 233) (protocol specific error)
- *PI* (on page 185) (logon name and IP address)
- *PID* (on page 221) (unix process id)
- *PORTED* (on page 185) (name of porting carrier)
- *PTI* (on page 221) (product type id)
- *PTNA* (on page 210) (private terminating network address)
- *PRES* (on page 233) (terminating adapter response)
- *PRID* (on page 234) (protocol identifier)
- *PROVISIONING\_DATE* (on page 186) (voucher details)
- *PRO\_RATE* (on page 186) (periodic charge subscription)
- *PURCHASING\_ACCT\_ID* (on page 186) (purchasing wallet ID)
- *PURCHASING\_MSISDN* (on page 186) (purchasing CLI)

## EDR tags - R

This list covers all application EDRs defined within this guide, starting with the letter R.

- *RATES* (on page 186) (rated calls)
- *RATES* (on page 187) (rated calls) - mid call rate changes
- *RDPN* (redirecting party id)
- *RDPNN* (normalised redirecting party id)
- *RDRES* (redirection reason)
- *RECIPIENT\_ACCT\_ID* (on page 188) (receiving wallet ID)
- *RECIPIENT\_MSISDN* (on page 188) (receiving CLI)
- *RECORD\_DATE* (on page 188) (date edr created)
- *REDEEMING\_ACCT\_REF* (on page 188) (ID of account)
- *REDEEMING\_ACCT\_TYPE* (on page 188) (name of account type)
- *REFERENCE* (on page 189) (credit card reference, always cc)
- *REFERENCE* (on page 189) (from pi reference)
- *REFERENCE* (on page 189) (operator freeform)
- *REFERENCE* (on page 190) (voucher freeform)
- *REFERENCE* (on page 190) (web site reference - ws)
- *RELC* (on page 210) (acs release cause)
- *RELC* (on page 190) (inap release cause)
- *RELOAD\_BONUS* (on page 190) (promotion name)
- *RELOAD\_BONUS\_AMOUNT* (on page 190) (amount applied)
- *RELOAD\_BONUS\_EXPIRY* (on page 190) (date remaining bonus expires)
- *RELOAD\_BONUS\_LEFT* (on page 191) (bonus amount remaining)
- *REMAINING\_CHARGE* (on page 191) (partial Charge)
- *REQUEST\_URI* (on page 217) (uri request content)
- *RESL* (on page 234) (submit result)
- *RESULT* (on page 191) (frozen or suspended)
- *RESULT* (on page 191) (general cause)

- *RESULT* (on page 191) (pi failure)
- *RESULT* (on page 192) (voucher redemption, always Success)
- *RESULT* (on page 192) (web - success)
- *RETAIL\_CHANNEL* (on page 192) (voucher details)
- *REVERSE\_CHARGE* (on page 192) (generated by a reverse charge)
- *REWARD* (on page 192) (ID)
- *REWARD\_AMOUNTS* (on page 192) (value of reward)
- *REWARD\_TYPES* (on page 193) (balance types getting reward)
- *RNCF* (on page 193) (Reservation Not Charged For)
- *ROAMING\_COUNTRY* (on page 193) (name)
- *ROAMING\_TYPE* (on page 193) (of call)
- *ROUTEDEST* (on page 221) (routing destination for call)

## EDR tags - S

This list covers all application EDRs defined within this guide, starting with the letter S.

- *SC* (service category)
- *SCA* (on page 235) (service center address)
- *SCENARIO* (on page 194) (voucher scenario number)
- *SCP\_ID* (on page 194) (where call originated)
- *SCRID* (on page 235) (screening rule ID of the message)
- *SEGN* (on page 235) (message segment number)
- *SEGR* (on page 235) (concatenated message reference)
- *SEGT* (on page 235) (total message segments)
- *SEQUENCE\_NUMBER* (on page 194) (call identifier)
- *SESSION\_SEQUENCE* (on page 195) (partial EDR)
- *SK* (on page 210) (service key)
- *SN* (on page 210) (service number)
- *SRCL* (on page 235) (source location)
- *SSAD* (on page 236) (ip of originating smsc)
- *SSRID* (*screening sub-rule id*) (on page 236) (screening sub-rule ID of the message)
- *SSTN* (on page 236) (smpp service type)
- *STATE* (on page 195) (of recharge)
- *STRR* (on page 236) (status report request)
- *SUB\_STATUS* (on page 237) (subscriber status)
- *SVC\_ID* (on page 195) (single tariff rated calls)

## EDR tags - T

This list covers all application EDRs defined within this guide, starting with the letter T.

- *TAID* (on page 237) (terminating adapter id)
- *TARIFF\_CODE* (on page 195) (name)
- *TCAU* (on page 237) (acs terminate cause value)
- *TCE* (on page 210) (acs time call ended)
- *TCE* (on page 195) (ccs time call ended)
- *TCS* (on page 211) (acs time call started)

## Chapter 1

- *TCS* (on page 195) (ccs time call started)
- *TERMINAL* (on page 196) (Network ID)
- *TEXT* (on page 196) (voucher details)
- *TFN* (on page 211) (tracked feature node list)
- *TGEO\_ID* (on page 196) (terminating geo node id)
- *TGNA* (on page 212) (global terminating network address)
- *THRD* (on page 237) (throttled flag)
- *TIME* (on page 221) (creation timestamp of lcr edr)
- *TIMED\_OUT* (reservation confirmation)
- *TIMESTAMP* (on page 217) (creation timestamp of scr edr)
- *TLEN* (on page 237) (length of user data in characters)
- *TN* (on page 213) (acs termination number)
- *TN* (on page 196) (ccs called number)
- *TN* (on page 196) (roaming called number)
- *TNNUM* (on page 222) (lcr terminating number)
- *TNNOA* (on page 222) (noa of terminating number)
- *TO* (on page 217) (sip to header content)
- *TPNI* (on page 213) (terminating private network ID)
- *TPO* (on page 213) (tariff plan override)
- *TYPE* (on page 238) (type of edr)
- *TYPE\_DESCRIPTION* (on page 197) (voucher type)

### EDR tags - U

This list covers all application EDRs defined within this guide, starting with the letter U.

- *ULEN* (on page 238) (length of user data)
- *USER* (on page 197) (operator logon name)
- *USRD* (on page 238) (user data)

### EDR tags - V

This list covers all application EDRs defined within this guide, starting with the letter V.

- *VOUCHER* (on page 197) (ID of redeemed voucher)
- *VOUCHER* (on page 197) (serial number of redeemed voucher - 3.1.5)
- *VOUCHER\_BATCH* (on page 197) (for voucher batch)
- *VOUCHER\_NUMBER* (on page 197) (redeemed voucher)
- *VOUCHER\_TYPE* (on page 198) (name)
- *VP* (on page 238) (validity period)

### EDR tags - W

This list covers all application EDRs defined within this guide, starting with the letter W.

- *WALLET\_DELETED* (on page 198) (always success - Y)
- *WALLET\_TYPE* (on page 198) (ID of wallet changed)
- *WALLET\_TYPE* (on page 198) (ID of wallet recharged)
- *WALR* (on page 213) (wallet reference)

# Billing Engine and SMS EDR Definitions

## Overview

### Introduction

This chapter explains the final format of all existing types of Event Data Records (EDRs) created by the billing engine and the SMS.

EDRs are generated for billing operations that occur as part of a voice call, SMS management interaction or voucher redemption. A number of processes may produce EDRs, and EDRs may be produced on either the billing engine or the SMP.

EDR records are enriched on the SMS by ccsCDRLoader and various plug-in processes.

The ccsCDRLoader has two responsibilities:

- It populates the `ccs_be_cdr` table of the SMF database on the SMS with formatted EDR records.
- It moves the inputted EDR files into an output EDR file directory structure.

The plug-in processes may add additional fields to EDR records and may also update various tables on the SMF database. A detailed description of all the plug-in processes is beyond the scope of this document.

### In this chapter

---

This chapter contains the following topics.

CCS EDR Files .....	11
CCS EDR Types.....	13
EDR Definition .....	16
EDRs .....	17

## CCS EDR Files

### Introduction

EDR files will contain multiple EDRs, potentially of different types.

### EDR file names

EDR file names have the following format:

*name\_of\_process-BEID-PIDSecondsSinceEpoch-uSeconds*  
where:

- *name\_of\_process* is the name of the process that generated the EDR. One of the following:
  1. `bewriter` - if the EDR was generated on the billing engine
  2. `ccsCDRFileGenerator` - if the EDR was generated on the SMS
- *BEID* is the ID of the billing engine that generated the EDR. This will be '0' if the EDR was generated on the SMS.
- *PID* is the ID of the process that generated the EDR

## Chapter 2

- *SecondsSinceEpoch* indicates the time and date
- *uSeconds* is microseconds

**Example:**

**beWriter-21-18730-1091693014-151357**

### EDR lines

Each EDR file consists of a series of single line, newline terminated (Unix style newline - '\n') EDR records.

### EDR formats

Each EDR record consists of pipe-separated fields as follows:

*field1|field2|field3|...|fieldN*

Each EDR field consists of tag-value pairs using a tag=value format. In the case where there are many values to list, the values will be comma separated. An example of this format follows:

*tag1=value1|tag2=value2|tag3=value3a,value3b|...|tagN=valueN*

**Example:**

```
BILLING_ENGINE_ID=21|SCP_ID=366273322|SEQUENCE_NUMBER=487291|CDR_TYPE=1|RECORD_DATE=20040803142342|ACCT_ID=83|ACCT_REF_ID=83|CLI=441234|ACS_CUST_ID=1|BALANCE_TYPES=1|BALANCES=1000|COSTS=1|ACCOUNT_TYPE=1|CASCADE_ID=1|RATES=50,25|LENGTHS=120.00,0.00|DISCOUNTS=0,0|MAX_CHARGE=1|DURATION=60|TN=E441234|TCS=20040803141934|TCE=20040803142034|CS=S|DISCOUNT_TYPE=S*W*R|WALLET_TYPE=1
```

### EDR record content

Each CCS caused EDR record consists of two parts: the "header" tags that exists for all CCS EDR types and additional information that will be different depending on the EDR type. The sequence of all fields in the header and the additional information is not guaranteed.

Non-CCS caused EDR records may have "header" tags, but only as defined in the relevant producing application chapters.

### Field formats

Each field in an EDR is in a particular format, summarized in this table.

Format	Description
Boolean	Value of "TRUE" or "FALSE" <b>Example:</b> DICWR=TRUE
Date	A time to the nearest second, in format YYYYMMDDHHmmSS where: <ul style="list-style-type: none"><li>• YYYY = year (for example, 2004)</li><li>• MM = month (for example, 04 for March)</li><li>• DD = day of the month (for example, 09)</li><li>• HH = hours (for example, 13 for 1pm)</li><li>• mm = minutes (for example, 32)</li><li>• SS = seconds (for example, 00)</li></ul> <b>Example:</b> A call answered on 16th May 2004 1 minute and 14 seconds after midnight TCS=20040516000114
Integer	A decimal number. Will never exceed a 32 bit number (11 digits), but is often shorter. Leading zeros will not normally be present.

Format	Description
	<p><b>Example:</b> WALLET_TYPE=1</p> <p>In the case where there are multiple values to list, the values will be comma separated.</p> <p><b>Example:</b> RATES=50,100</p>
String	<p>String of characters. Can be any length. Should not contain the characters = or  . May include spaces. When the parameter is a string, the string consists of all the characters after the = sign up to the   separator between this parameter and the next.</p> <p><b>Example:</b> DISCOUNT_TYPE=S*W*R </p>
Float	Float is an integer with digits after a decimal point.
List	List is a comma separated list of string values.

**Notes:**

- Tags may not necessarily be in a fixed order, as the order of processing may vary from one transaction sequence to another.
- Some fields will not be present if the transaction sequence does not reach the state that produces them.

## CCS EDR Types

### Introduction

The current CCS EDR types created on the Voucher and Wallet Server or the SMS are listed in this topic.

### List of EDR types

Each CCS EDR type is summarized in this table.

Type	EDR No.	Description
REGULAR_CALL	1	<ol style="list-style-type: none"> <li>1 A national voice call that may include IVR interaction.</li> <li>2 A roaming voice call - CAMEL originating or Mobile terminating (depends on current software installed – see EDR type 11).</li> <li>3 A USSD Callback call (depends on current software installed – see EDR type 11).</li> <li>4 Failed SMSMO Roaming or National Call.</li> <li>5 Failed SMSMT Roaming or National Call.</li> <li>6 Failed OSA Reservation Seconds Charging.</li> <li>7 Reservation Revoke.</li> <li>8 Reservation Commit.</li> </ol>
OPERATOR_UPDATE	2	<ol style="list-style-type: none"> <li>1 Updating an account using the SMS screens.</li> <li>2 When the account is activated (the account state moves from Pre-Use to Active).</li> <li>3 A freeform recharge using the PI (negative amounts only).</li> <li>4 A freeform recharge using the PI (when recharge amount = 0).</li> </ol>
EXPIRATION	3	<ol style="list-style-type: none"> <li>1 An account expires.</li> <li>2 An account balance expires.</li> </ol>

Type	EDR No.	Description
RECHARGE	4	<ol style="list-style-type: none"> <li>1 Successful or failed voucher recharge using the IVR except where the voucher details entered are invalid.</li> <li>2 Successful or failed voucher recharge using the SMS screens except where the voucher details entered are invalid.</li> <li>3 Successful voucher recharge using the PI.</li> <li>4 Successful voucher recharge using USSD.</li> </ol>
EVENT	5	<ol style="list-style-type: none"> <li>1 Successful or failed FnF FnD Config change.</li> <li>2 Successful or failed PrePaid Data Content charging.</li> <li>3 Failed OSA Reservation Named Events charging.</li> <li>4 Failed PrePaid Data Volume/Duration charging.</li> <li>5 Failed SMSMO Roaming or National Call.</li> <li>6 Failed SMSMT Roaming or National Call.</li> </ol>
Voice Calls	6	<ol style="list-style-type: none"> <li>1 Direct Amount Charge</li> </ol>
Control Plan Service Invoke	7	
FREEFORM_RECHARGE	8	<ol style="list-style-type: none"> <li>1 A freeform recharge using the screens.</li> <li>2 A freeform recharge using the PI (positive amounts only).</li> <li>3 A credit card recharge using the PI (WS prefix for value in REFERENCE field).</li> </ol>
CREDITCARD_RECHARGE	9	<ol style="list-style-type: none"> <li>1 A credit card recharge using the screens.</li> <li>2 A credit card recharge using the PI (CC prefix for value in REFERENCE field).</li> </ol>
VOUCHER_FREEFORM	10	<ol style="list-style-type: none"> <li>1 A voucher freeform recharge using the screens.</li> </ol>
ROAMING	11	<p>This EDR type will only be present if the EDR filter is installed to convert the EDR type from type 1.</p> <ol style="list-style-type: none"> <li>1 A roaming voice call - CAMEL originating or Mobile terminating.</li> <li>2 A USSD Callback call.</li> </ol>
SHORT_MESSAGE Named Event	12	<ol style="list-style-type: none"> <li>1 Successful SMSMO national call.</li> <li>2 Successful SMSMT national call.</li> </ol>
SHORT_MESSAGE Tariffed	13	<ol style="list-style-type: none"> <li>1 Successful or failed SMSMO roaming call.</li> <li>2 Successful or failed SMSMT roaming call.</li> </ol>
PREPAID_DATA	14	<ol style="list-style-type: none"> <li>1 Successful PrePaid Data Volume/Duration charging.</li> </ol>
VOUCHER_REDEEM	15	<ol style="list-style-type: none"> <li>1 Successful or failed voucher recharge using the IVR.</li> <li>2 Successful or failed voucher recharge using the screens.</li> <li>3 Successful voucher recharge using the PI.</li> <li>4 Successful voucher recharge using USSD</li> </ol>
REWARDS	16	<ol style="list-style-type: none"> <li>1 Successful or failed reward application resulting from a balance update or expiry.</li> </ol>
OSA Reservation Amount	21	<ol style="list-style-type: none"> <li>1 Successful or failed OSA amount based charging using amount-based reservations.</li> </ol>



Type	EDR No.	Description
OSA Direct Amount	23	1 Successful or failed OSA amount based charging using single amount-based debits/credits.
OSA Reservation Seconds	24	1 Successful or failed OSA tariffed based charging using tariffed reservations.
OSA Reservation Named Events	25	1 Successful or failed OSA named event based charging using named event reservations.
OSA Direct Seconds	26	1 Successful or failed OSA tariff based charging using single tariff-based debits/credits.
OSA Direct Named Events	27	1 Successful or failed OSA named event based charging using single named event-based debits/credits.
Friends Number Change	28	1 Successful FnF FnD change using PI.
Disable Incoming Calls when Roaming	29	1 The 'disable incoming calls when roaming' check box is changed using the screens. 2 The 'disable incoming calls when roaming' check box is changed using PI.
Call Barring	30	1 Successful call barring number changes using PI.
PRODUCT_TYPE_SWAP	31	1 The product type changes using the screens (may or may not have an associated cost). 2 The product type changes using the IVR (may or may not have an associated cost).
PRODUCT_TYPE_SWAP_BILLED	32	1 The product type changes using the screens where there is an associated cost involved. 2 The product type changed using the IVR.
BAD_PIN	33	1 Invalid voucher number entered using the screens or using the IVR. 2 Invalid secret code entered using the IVR.
Standard voucher type recharge	47	1 Successful voucher recharge from a control plan. 2 Successful voucher recharge from a periodic charge. 3 Successful voucher recharge from a credit transfer.
Periodic charge	49	Successful or failed recharge and/or charge from a periodic charge.
Periodic charge state change	52	Successful or failed periodic charge state change.
Wallet Migration	54	
Wallet Life Cycle	55	Wallet life cycle plan updates.
Voucher Activity	56	

**Note:** These EDR types were accurate when the document was written, but additional types may have been created since publication.

## EDR Definition

### Introduction

Each EDR record contains common header fields and extra information fields that are service specific.

### EDR header fields

Each EDR record contains a set of common header fields. Header fields contain generic information that should be available for every call. The standard header fields are listed here:

- *ACCT\_ID* (on page 149) (changed wallet ID)
- *ACCT\_REF\_ID* (on page 149) (changed account ID)
- *BILLING\_ENGINE\_ID* (on page 155) (BE where account resides)
- *CDR\_TYPE* (on page 160) (reason for record generation)
- *RECORD\_DATE* (on page 188) (date edr created)
- *SCP\_ID* (on page 194) (where call originated)
- *SEQUENCE\_NUMBER* (on page 194) (call identifier)

### Notes

- The sequence of all fields is not guaranteed.
- If the EDR was generated as a result of a change to the account using the SMS UI then the:
  - *SCP\_ID* will be zero.
  - *SEQUENCE\_NUMBER* will be zero.
- EDR records associated with each wallet expiry contain the MSISDN and product types of all affected subscribers.

**Example:** A user may have both a mobile and a data card - each with its own SIM. The mobile and data cards are each represented as subscriber records but they share a single wallet.

If the:

- MSISDN of the mobile card is 01234 and that of the data card is 01235
- Product type of the mobile card is 1 (Prepaid Voice) and the product type of the data card is 2 (Prepaid Data).

then the expiry EDR would contain the following fields:

```
MSISDN=01234,01235  
ACCOUNT_TYPE=1,2
```

### EDR extra information fields

The extra information field varies for each type of EDR record and contains additional information specific to the EDR type.

The extra information fields are detailed in the following chapters, based on the type of service provided where for each service the extra information fields are summarized in a table.

### EDR Examples

Most of the EDR definitions have one or more examples of what a raw EDR record looks like.

Due to the ever changing use of EDR contents, these examples will usually pertain to the most current version of the software that produces them.

That means tag content examples will not necessarily be correct of previous versions of software.

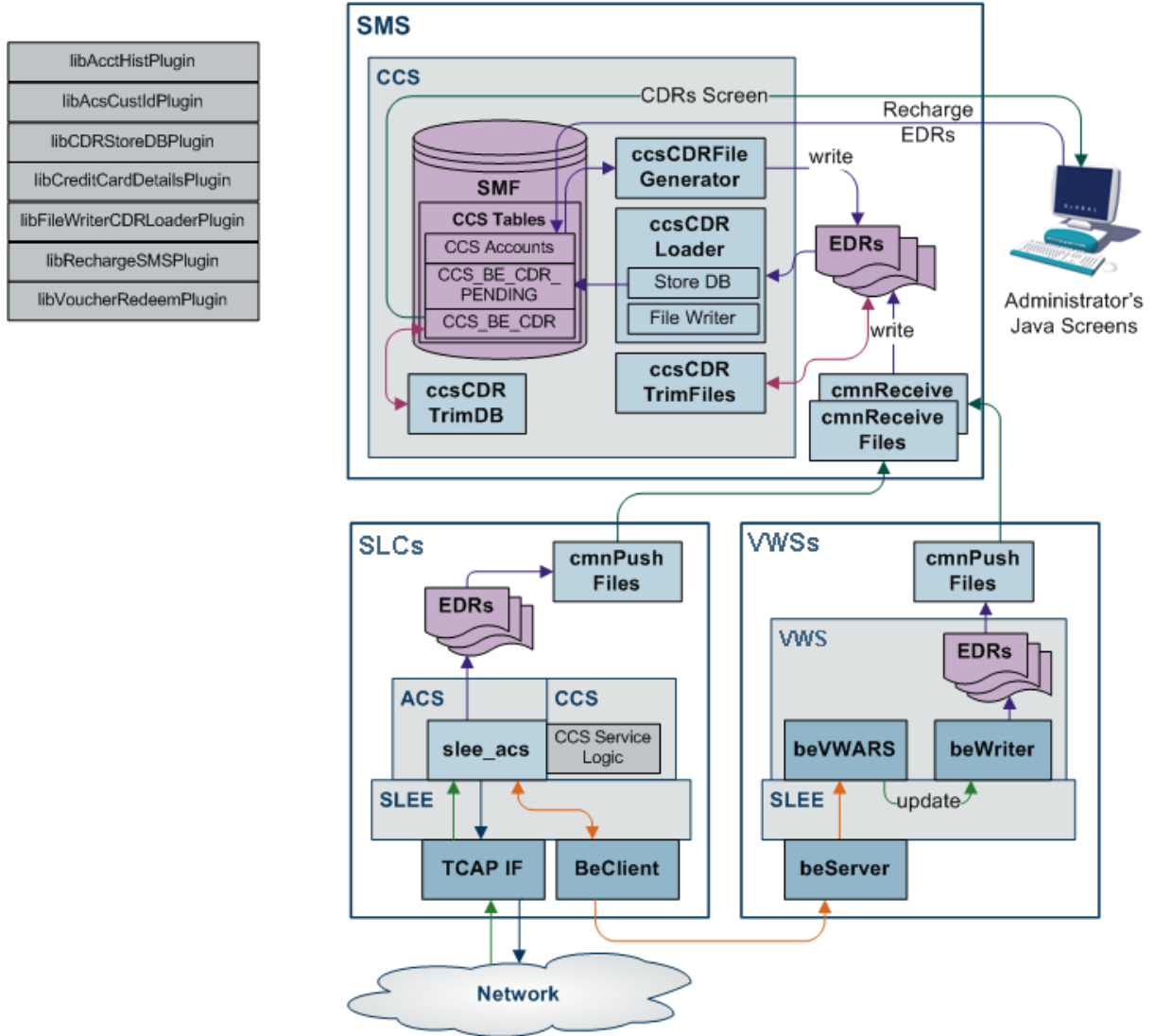
# EDRs

## Introduction

This section explains how EDRs are used in CCS. For more information, see *CCS Technical Guide*.

## Diagram

Here is an example showing EDR creation, transfer to the SMS and processing.



## Dataflow

This table shows the process by which EDRs are written and collected to the SMF database.

Stage	Description
1	The SLC is the originator of all events that cause Voucher and Wallet Servers to perform tasks during call processing, as the SLC controls how the service responds to network events. The SLC signals events to the VWS Voucher and Wallet Server using the CCS Billing Engine Protocol. The service sends messages to the Voucher and Wallet Servers through the ccsBeClient interface.
2	EDRs are written out to disk as ASCII files on the VWS.
3	The files are transferred to the SMS.
4	The files are indexed and made available to the Java User Screens and external EDR post-processing tools.
5	CCS screens created EDRs are written by the ccsCDRGenerator process to the same directory the VWS flat files are transferred into. The ccsCDRLoader then loads both the same way.

### Stage 2

On the VWS in `/IN/service_packages/eserv.config` the following configuration item tells the beWriter which directory to write the finished flat file of EDRs:

```
BE.beWriter.beCdrOutDirectory = "/IN/service_packages/E2BE/logs/CDR"
```

### Stage 3

On the VWS in `/IN/service_packages/eserv.config` the following configuration item tells the cmnPushFiles process which directory to upload flat file EDRs from to the SMP:

```
BE.cmnPushFiles.CDR
# local BE directory for flat file CDRs
"-d", "/IN/service_packages/E2BE/logs/CDR"

# upload files to this directory on the SMP
"-r", "/IN/service_packages/CCS/logs/CDR-in"

# Send files to this SMP hostname
"-h", "ccssmp"
```

The local directory defined with the `-d` switch must match the path defined in the `BE.beWriter.beCdrOutDirectory` configuration parameter.

### Stage 4

On the SMS in `/IN/service_packages/eserv.config` the following configuration item tells the ccsCDRLoader process where to get the uploaded flat file EDRs for processing:

```
CCS.ccsCDRLoader.inDir = "/IN/service_packages/CCS/logs/CDR-in"
```

**Note:** The `inDir` configuration parameter must be the same path as the `-r` switch defined by the `BE.cmnPushFiles.CDR` section on the VWS.

The following configuration item is where the ccsCDRLoader will place the original flat file EDRs once all the plug-ins have been run:

```
CCS.ccsCDRLoader.outDir = "/IN/service_packages/CCS/logs/CDR-store"
```

The following configuration section on the SMS tells the ccsCDRLoader which plug-ins to run over every record in the flat file EDRs:

```
CCS.ccsCDRLoader.pluginLibs = ["libCDRStoreDBPlugin.so",
"libFileWriterCDRLoaderPlugin.so"]
```

The EDR Store DB plug-in loads the EDR record from the input flat file into the CCS\_BE\_CDR table. The data for each record may have been modified by other plug-ins, so is usually last in the list. If database loading of EDRs is not required, then this plug-in should not be configured to achieve the required behavior.

Other plug-ins may be available, for example, to place modified EDRs into a separate flat file than the original ones or to update the account history.

### Stage 5

The `ccsCDRFileGenerator` process writes SMS produced EDRs to a directory for the `ccsCDRLoader` process to read. The following parameter value in `eserv.config` should be a different directory to any the `ccsCDRLoader` uses, as it stores the partially written files until the finished file will be written:

```
CCS.ccsCDRFileGenerator.TempOutputDirectory = "/IN/service_packages/CCS/logs/CDR-tmp"
```

The following parameter should always be set to the same value of the `CCS.ccsCDRLoader.inDir` parameter and is where the `ccsCDRFileGenerator` writes the finished flat file EDRs for SMS activity:

```
CCS.ccsCDRFileGenerator.OutputDirectory = "/IN/service_packages/CCS/logs/CDR-in"
```

The `ccsCDRLoader` then reads flat file EDRs produced by the VWS and SMS without knowing where they have come from.

### Process descriptions

This table describes the processes involved in EDR creation, transfer and processing in CCS.

Process	Role	Further information
beWriter	beWriter writes EDRs on the VWS based on VWS Account, Wallet and Balance transactions.	<i>VWS Technical Guide</i>
cmnPushFiles	cmnPushFiles reads EDRs on the VWS and sends them to a configured directory on the SMS. Once the files have been sent, the read files on the VWS are archived by cmnPushFiles.	cmnPushFiles
cmnReceiveFiles	cmnReceiveFiles accepts EDRs sent from cmnPushFiles and writes them to the directory on the SMS specified by cmnReceiveFiles.	<i>SMS Technical Guide</i>
ccsCDRLoader	ccsCDRLoader scans the input directory written to by cmnReceiveFiles and loads any EDRs into the CCS_BE_CDRS table in the SMF database.	ccsCDRLoader
ccsCDRFileGenerator	ccsCDRFileGenerator creates EDRs recording relevant actions taken in the CCS Java Administration screens. Relevant actions include changes to the balances or wallets.	ccsCDRFileGenerator
ccsCDRTrimDB	ccsCDRTrimDB periodically scans the CCS_BE_CDR table in the SMF and removes records past a specified age.	ccsCDRTrimDB
ccsCDRTrimFiles	ccsCDRTrimFiles periodically scans the EDR archive directory on the SMS and removes files over a specified age.	ccsCDRTrimFiles
CCS GUI	The CCS GUI enables: <ul style="list-style-type: none"> <li>Subscriber details and Wallets to be updated through EDRs created by ccsCDRGenerator, and</li> <li>EDRs in CCS_BE_CDR to be viewed.</li> </ul>	<i>CCS User's Guide</i>

## EDR triggers

The following messages, among others, cause the beWriter to write EDRs:

- Call End Notification
- Wallet Recharge Request
- Named Event

## CCS-VWS Protocol overview

The new CCS-VWS protocol is built upon an extensible self-describing message format called Escher. The new protocol is easily extensible, versioned, and allows additions without breaking backward compatibility. The CCS-VWS protocol definition is defined for internal use only.

## Controlling the flow of EDRs

There are configuration items in **eserv.config** that link where files are read and written to that allow the flow to happen. The out directory of an earlier stage must match the in directory path for the system to function. The defaults at install time are set to work without further modification.

## Checking the values in **eserv.config**

The current value of a configuration item in **eserv.config** can be checked by using the Configuration Read tool. To use this tool use the following command:

```
/IN/service_packages/SMS/bin/cmnConfigRead config_item
```

### Example:

```
/IN/service_packages/SMS/bin/cmnConfigRead BE.beWriter.beCdrOutDirectory
```

gives: /IN/service\_packages/E2BE/logs/CDR

## Checking the validity of **eserv.config**

The validity of an **eserv.config** file can be checked using:

```
/IN/service_packages/SMS/bin/cmnConfigSyntaxCheck -v  
/IN/service_packages/eserv.config
```

### Result:

```
Syntax check passed for file /IN/service_packages/eserv.config
```

# Operator Updates

## Overview

### Introduction

This chapter defines the CCS EDRs for operator updates.

### In this chapter

---

This chapter contains the following topics.

Account Creation using Screens (EDR 2) .....	21
Account Creation using PI (EDR 2) .....	22
Account Balance Changes using Screens (EDR 2) .....	22
Account Balance Changes using PI (EDR 2) .....	23
Account State Update using Screens (EDR 2) .....	24
Account State Update using PI (EDR 2) .....	25
Account Expiry Update using Screens (EDR 2) .....	26
Balance Expiry Update using Screens (EDR 2) .....	26
Account Deleted using Screens (EDR 2) .....	27
Account Activated by System (EDR 2) .....	28

## Account Creation using Screens (EDR 2)

### Mandatory EDR 2 fields

This list identifies the mandatory EDR record fields for account creation using screens (CDR type 2):

- *ACCOUNT\_TYPE* (on page 149) (Product Type ID)
- *ACS\_CUST\_ID* (on page 150) (ACS Customer ID)
- *BALANCE\_TYPES* (on page 152) (account changed or created)
- *BALANCES* (on page 154) (pre-call or account creation)
- *COSTS* (on page 163) (rated calls)
- *MAX\_CONCURRENT* (on page 174) (maximum concurrent accesses allowed)
- *MSISDN* (on page 175) (account calling number)
- *NEW\_ACCT\_STATE* (on page 178) (always preuse - P)
- *TERMINAL* (on page 196) (Network ID)
- *USER* (on page 197) (operator logon name)

### Optional EDR 2 fields

This list identifies the optional EDR record fields for account creation using screens (CDR type 2):

- *ACTIVATION\_DATE* (on page 151) (account activation date)
- *NEW\_ACCT\_EXPIRY* (on page 177) (date after update)

## Example EDR 2

```
BILLING_ENGINE_ID=21|SCP_ID=110537566|SEQUENCE_NUMBER=139450184|CDR_TYPE=2|RECORD_DATE=20040803121758|ACCT_ID=20054|ACCT_REF_ID=0|BALANCE_TYPES=1,2,5|BALANCES=0,0,0|COSTS=2000,0,0|ACTIVATION_DATE=0|NEW_ACCT_EXPIRY=0|MAX_CONCURRENT=1|NEW_ACCT_STATE=P|ACS_CUST_ID=1|TERMINAL=192.168.25.108|USER=SU|ACCOUNT_TYPE=1|MSISDN=1394111111
```

### Note

The sequence of all fields output in an EDR is not guaranteed.

## Account Creation using PI (EDR 2)

### Mandatory EDR 2 fields

This list identifies the mandatory EDR record fields for account creation using PI (CDR type 2):

- *ACCOUNT\_TYPE* (on page 149) (Product Type ID)
- *ACS\_CUST\_ID* (on page 150) (ACS Customer ID)
- *BALANCE\_TYPES* (on page 152) (account changed or created)
- *BALANCES* (on page 154) (pre-call or account creation)
- *COSTS* (on page 163) (rated calls)
- *MAX\_CONCURRENT* (on page 174) (maximum concurrent accesses allowed)
- *MSISDN* (on page 175) (account calling number)
- *NEW\_ACCT\_STATE* (on page 178) (always preuse - P)
- *PI* (on page 185) (logon name and IP address)
- *WALLET\_TYPE* (on page 198) (ID of wallet recharged)

### Optional EDR 2 fields

This list identifies the optional EDR record fields for account creation using PI (CDR type 2):

- *ACTIVATION\_DATE* (on page 151) (account activation date)
- *NEW\_ACCT\_EXPIRY* (on page 177) (date after update)

## Example EDR 2

```
BILLING_ENGINE_ID=21|SCP_ID=110537566|SEQUENCE_NUMBER=139450184|CDR_TYPE=2|RECORD_DATE=20070703121758|ACCT_ID=20054|ACCT_REF_ID=0|ACCOUNT_TYPE=11|BALANCE_TYPES=1,2,5|BALANCES=0,0,0|COSTS=2000,0,0|ACTIVATION_DATE=0|NEW_ACCT_EXPIRY=0|MAX_CONCURRENT=1|NEW_ACCT_STATE=P|ACS_CUST_ID=1|MSISDN=01394777777|WALLET_TYPE=1|PI=adminAT192.168.25.106
```

### Note

The sequence of all fields output in an EDR is not guaranteed.

## Account Balance Changes using Screens (EDR 2)

### Mandatory EDR 2 fields

This list identifies the mandatory EDR record fields for account balance changes using screens (CDR type 2):



- *ACCOUNT\_TYPE* (on page 149) (Product Type ID)
- *ACS\_CUST\_ID* (on page 150) (ACS Customer ID)
- *BALANCE\_TYPES* (on page 153) (existing account)
- *BALANCES* (on page 154) (pre-transaction account balances)
- *COSTS* (on page 163) (rated calls)
- *MSISDN* (on page 175) (account calling number)  
When the ccsCDRLoader plugin is installed on the SMS, this tag will be present.
- *NEW\_BALANCE\_EXPIRIES* (on page 179) (date after balance update)
- *OLD\_BALANCE\_EXPIRIES* (on page 183) (dates before balance update)
- *TERMINAL* (on page 196) (Network ID)
- *USER* (on page 197) (operator logon name)
- *WALLET\_TYPE* (on page 198) (ID of wallet changed)

### Optional EDR 2 fields

This list identifies the optional EDR record fields for account balance changes using screens (CDR type 2):

- *NEW\_ACCT\_STATE* (on page 178) (after update)
- *OLD\_ACCT\_STATE* (on page 182) (before update)
- *REASON* (on page 188) (change reason)

### Example EDR 2

```
BILLING_ENGINE_ID=21|SCP_ID=110537566|SEQUENCE_NUMBER=139450184|CDR_TYPE=2|RECORD_DATE=20040803122430|ACCT_ID=83|ACCT_REF_ID=83|USER=SU|TERMINAL=123.123.123.123|ACCOUNT_TYPE=1|BALANCE_TYPES=1|BALANCES=2000|COSTS=-1000|OLD_BALANCE_EXPIRIES=|NEW_BALANCE_EXPIRIES=0|ACS_CUST_ID=1|WALLET_TYPE=1|MSISDN=1394111111|REASON="Balance topped up"
```

### Note

The sequence of all fields output in an EDR is not guaranteed.

## Account Balance Changes using PI (EDR 2)

### Mandatory EDR 2 fields

This list identifies the mandatory EDR record fields for account balance changes using PI (CDR type 2):

- *ACCOUNT\_TYPE* (on page 149) (Product Type ID)
- *ACS\_CUST\_ID* (on page 150) (ACS Customer ID)
- *BALANCE\_TYPES* (on page 153) (existing account)
- *BALANCES* (on page 154) (pre-transaction account balances)
- *COSTS* (on page 163) (rated calls)
- *MSISDN* (on page 175) (account calling number)  
When the ccsCDRLoader plugin is installed on the SMS, this tag will be present.
- *NEW\_ACCT\_EXPIRY* (on page 177) (date after update)
- *NEW\_BALANCE\_EXPIRIES* (on page 179) (date after balance update)
- *OLD\_ACCT\_EXPIRY* (on page 181) (dates before update)
- *OLD\_BALANCE\_EXPIRIES* (on page 183) (dates before balance update)

- *PI* (on page 185) (logon name and IP address)
- *WALLET\_TYPE* (on page 198) (ID of wallet changed)

### Optional EDR 2 fields

This list identifies the optional EDR record fields for account balance changes using PI (CDR type 2):

- *NEW\_ACCT\_STATE* (on page 178) (after update)
- *OLD\_ACCT\_STATE* (on page 182) (before update)

### Example EDR 2

```
BILLING_ENGINE_ID=4|SCP_ID=161986004|SEQUENCE_NUMBER=9|CDR_TYPE=2|RECORD_DATE=20070809121732|ACCT_ID=1021|ACCT_REF_ID=1021|PI=adminAT192.168.25.108|WALLET_TYPE=1|ACCOUNT_TYPE=41|OLD_ACCT_EXPIRY=20080901185959|NEW_ACCT_EXPIRY=20080901185959|BALANCE_TYPES=1|BALANCES=124495|COSTS=3322|OLD_BALANCE_EXPIRIES=20080131190018|NEW_BALANCE_EXPIRIES=20080131190018|ACS_CUST_ID=1|MSISDN=11012
```

### Note

The sequence of all fields output in an EDR is not guaranteed.

## Account State Update using Screens (EDR 2)

### Mandatory EDR 2 fields

This list identifies the mandatory EDR record fields for account state update using screens (EDR type 2):

- *ACCOUNT\_TYPE* (on page 149) (Product Type ID)
- *ACS\_CUST\_ID* (on page 150) (ACS Customer ID)
- *BALANCE\_TYPER* (on page 153) (existing account)
- *BALANCES* (on page 154) (pre-transaction account balances)
- *COSTS* (on page 163) (rated calls)
- *MSISDN* (on page 175) (account calling number)  
When the ccsCDRLoader plugin is installed on the SMS, this tag will be present.
- *NEW\_ACCT\_EXPIRY* (on page 177) (date after update)
- *NEW\_BALANCE\_EXPIRIES* (on page 179) (date after balance update)
- *OLD\_BALANCE\_EXPIRIES* (on page 183) (dates before balance update)
- *TERMINAL* (on page 196) (Network ID)
- *USER* (on page 197) (operator logon name)

### Optional EDR 2 fields

This table lists the optional fields for account state update using screens (EDR type 2):

- *ACTIVATION\_DATE* (on page 151) (account activation date)
- *MAX\_CONCURRENT* (on page 174) (maximum concurrent accesses allowed)
- *NEW\_ACCT\_STATE* (on page 178) (after update)
- *NEW\_LAST\_USE* (on page 180) (date last used)
- *OLD\_ACCT\_EXPIRY* (on page 181) (dates before update)
- *OLD\_ACCT\_STATE* (on page 182) (before update)
- *REASON* (on page 188) (change reason)

## Example EDR 2

```
BILLING_ENGINE_ID=21|SCP_ID=110537566|SEQUENCE_NUMBER=139450184|CDR_TYPE=2|RECORD_DATE=20040803122626|ACCT_ID=83|ACCT_REF_ID=83|USER=SU|TERMINAL=192.168.25.108|ACCOUNT_TYPE=1|OLD_ACCT_STATE=P|NEW_ACCT_STATE=A|BALANCE_TYPES=1|BALANCES=3000|COSTS=0|OLD_BALANCE_EXPIRIES=|NEW_BALANCE_EXPIRIES=0|ACS_CUST_ID=1|MSISDN=1394111111|REASON="Activate wallet"
```

### Note

The sequence of all fields output in an EDR is not guaranteed.

## Account State Update using PI (EDR 2)

### Mandatory EDR 2 fields

This list identifies the mandatory EDR record fields for account state update using PI (EDR type 2):

- *ACCOUNT\_TYPE* (on page 149) (Product Type ID)
- *ACS\_CUST\_ID* (on page 150) (ACS Customer ID)
- *BALANCE\_TYPES* (on page 153) (existing account)
- *BALANCES* (on page 154) (pre-transaction account balances)
- *COSTS* (on page 163) (rated calls)
- *MSISDN* (on page 175) (account calling number)  
When the ccsCDRLoader plugin is installed on the SMS, this tag will be present.
- *NEW\_ACCT\_EXPIRY* (on page 177) (date after update)
- *NEW\_ACCT\_STATE* (on page 178) (after update)
- *NEW\_BALANCE\_EXPIRIES* (on page 179) (date after balance update)
- *OLD\_ACCT\_EXPIRY* (on page 181) (dates before update)
- *OLD\_ACCT\_STATE* (on page 182) (before update)
- *OLD\_BALANCE\_EXPIRIES* (on page 183) (dates before balance update)
- *PI* (on page 185) (logon name and IP address)
- *WALLET\_TYPE* (on page 198) (ID of wallet recharged)

### Optional EDR 2 fields

This list identifies the optional EDR record fields for account state update using PI (EDR type 2):

- *ACTIVATION\_DATE* (on page 151) (account activation date)
- *MAX\_CONCURRENT* (on page 174) (maximum concurrent accesses allowed)
- *NEW\_LAST\_USE* (on page 180) (date last used)

## Example EDR 2

```
BILLING_ENGINE_ID=21|SCP_ID=161986004|SEQUENCE_NUMBER=139450184|CDR_TYPE=2|RECORD_DATE=20070719085005|ACCT_ID=83|ACCT_REF_ID=83|ACCOUNT_TYPE=24|PI=adminAT192.168.25.106|OLD_ACCT_STATE=F|NEW_ACCT_STATE=A|OLD_ACCT_EXPIRY=0|NEW_ACCT_EXPIRY=0|BALANCE_TYPES=1|BALANCES=3000|COSTS=0|OLD_BALANCE_EXPIRIES=0|NEW_BALANCE_EXPIRIES=0|ACS_CUST_ID=1|WALLET_TYPE=1|MSISDN=01892111111
```

### Note

The sequence of all fields output in an EDR is not guaranteed.

## Account Expiry Update using Screens (EDR 2)

### Mandatory EDR 2 fields

This list identifies the mandatory EDR record fields for account expiry update using screens (EDR type 2):

- *ACCOUNT\_TYPE* (on page 149) (Product Type ID)
- *ACS\_CUST\_ID* (on page 150) (ACS Customer ID)
- *BALANCE\_TYPES* (on page 153) (existing account)
- *BALANCES* (on page 154) (pre-transaction account balances)
- *COSTS* (on page 163) (rated calls)
- *MSISDN* (on page 175) (account calling number)  
When the ccsCDRLoader plugin is installed on the SMS, this tag will be present.
- *NEW\_ACCT\_EXPIRY* (on page 177) (date after update)
- *NEW\_BALANCE\_EXPIRIES* (on page 179) (date after balance update)
- *OLD\_ACCT\_EXPIRY* (on page 181) (dates before update)
- *OLD\_ACCT\_STATE* (on page 182) (before update)
- *OLD\_BALANCE\_EXPIRIES* (on page 183) (dates before balance update)
- *TERMINAL* (on page 196) (Network ID)
- *USER* (on page 197) (operator logon name)
- *WALLET\_DELETED* (on page 198) (always success - Y)
- *WALLET\_TYPE* (on page 198) (ID of wallet recharged)

### Optional EDR 2 fields

This list identifies the optional EDR record fields for account state expiry using screens (EDR type 2):

- *ACTIVATION\_DATE* (on page 151) (account activation date)
- *MAX\_CONCURRENT* (on page 174) (maximum concurrent accesses allowed)
- *OLD\_ACCT\_STATE* (on page 182) (before update)
- *NEW\_ACCT\_STATE* (on page 178) (after update)
- *REASON* (on page 188) (change reason)

### Example EDR 2

```
BILLING_ENGINE_ID=21|SCP_ID=110537566|SEQUENCE_NUMBER=13954|CDR_TYPE=2|RECORD_DATE=20040803123349|ACCT_ID=83|ACCT_REF_ID=83|USER=SU|TERMINAL=192.168.25.108|ACCOUNT_TYPE=1|OLD_ACCT_EXPIRY=20140103120000|NEW_ACCT_EXPIRY=20170103120000|BALANCE_TYPES=1|BALANCES=3000|COSTS=0|WALLET_DELETED=N|OLD_ACCT_STATE=A|OLD_BALANCE_EXPIRIES=|NEW_BALANCE_EXPIRIES=0|ACS_CUST_ID=1|WALLET_TYPE=1|MSISDN=1394111111|REASON="Extend account expiry date"
```

### Note

The sequence of all fields output in an EDR is not guaranteed.

## Balance Expiry Update using Screens (EDR 2)

### Mandatory EDR 2 fields

This list identifies the mandatory EDR record fields for balance expiry update using screens (EDR type 2):

- *ACCOUNT\_TYPE* (on page 149) (Product Type ID)
- *ACS\_CUST\_ID* (on page 150) (ACS Customer ID)
- *BALANCE\_TYPES* (on page 153) (existing account)
- *BALANCES* (on page 154) (pre-transaction account balances)
- *COSTS* (on page 163) (rated calls)
- *MSISDN* (on page 175) (account calling number)  
When the ccsCDRLoader plugin is installed on the SMS, this tag will be present.
- *NEW\_BALANCE\_EXPIRIES* (on page 179) (date after balance update)
- *OLD\_BALANCE\_EXPIRIES* (on page 183) (dates before balance update)
- *TERMINAL* (on page 196) (Network ID)
- *USER* (on page 197) (operator logon name)

### Optional EDR 2 fields

This list identifies the optional EDR record fields for balance expiry update using screens (CDR type 2):

- *NEW\_ACCT\_STATE* (on page 178) (after update)
- *OLD\_ACCT\_STATE* (on page 182) (before update)
- *REASON* (on page 188) (change reason)

### Example EDR 2

```
BILLING_ENGINE_ID=21|SCP_ID=110537566|SEQUENCE_NUMBER=139540184|CDR_TYPE=2|RECORD_DATE=20040803123655|ACCT_ID=83|ACCT_REF_ID=83|USER=SU|ACCOUNT_TYPE=1|BALANCE_TYPES=1,2|BALANCES=1000,3500|COSTS=0,0|OLD_BALANCE_EXPIRIES=20040903122900,20040805122900|NEW_BALANCE_EXPIRIES=20040910122900,20040812122900|ACS_CUST_ID=1|MSISDN=1394111111
```

### Note

The sequence of all fields output in an EDR is not guaranteed.

## Account Deleted using Screens (EDR 2)

### Mandatory EDR 2 fields

This list identifies the mandatory EDR record fields for account deleted using screens (EDR type 2):

- *ACCOUNT\_TYPE* (on page 149) (Product Type ID)
- *ACTIVATION\_DATE* (on page 151) (account activation date)
- *BALANCE\_TYPES* (on page 153) (existing account)
- *BALANCES* (on page 154) (pre-transaction account balances)
- *COSTS* (on page 163) (rated calls)
- *MAX\_CONCURRENT* (on page 174) (maximum concurrent accesses allowed)
- *MSISDN* (on page 175) (account calling number)  
When the ccsCDRLoader plugin is installed on the SMS, this tag will be present.
- *NEW\_ACCT\_EXPIRY* (on page 177) (date after update)
- *NEW\_BALANCE\_EXPIRIES* (on page 179) (date after balance update)
- *OLD\_ACCT\_EXPIRY* (on page 181) (dates before update)
- *OLD\_BALANCE\_EXPIRIES* (on page 183) (dates before balance update)
- *TERMINAL* (on page 196) (Network ID)

- *USER* (on page 197) (operator logon name)
- *WALLET\_DELETED* (on page 198) (always success - Y)

### Optional EDR 2 fields

This list identifies the optional EDR record fields for account deleted using screens (CDR type 2):

- *NEW\_ACCT\_STATE* (on page 178) (after update)
- *OLD\_ACCT\_STATE* (on page 182) (before update)
- *REASON* (on page 188) (change reason)

### Example EDR 2

```
BILLING_ENGINE_ID=21|SCP_ID=175677458|SEQUENCE_NUMBER=139540184|CDR_TYPE=2|RECORD_DATE=20070716112330|ACCT_ID=20056|ACCT_REF_ID=20056|USER=SU|TERMINAL=192.168.25.108|BALANCE_TYPES=1,2,3,4,5|BALANCES=10000,0,0,0,0|COSTS=10000,0,0,0,0|WALLET_DELETED=Y|ACTIVATION_DATE=20040703122900|NEW_ACCT_EXPIRY=0|MAX_CONCURRENT=1|OLD_ACCT_STATE=P|ACCOUNT_TYPE=1|NEW_BALANCE_EXPIRIES=0|OLD_BALANCE_EXPIRIES=20040811100354|OLD_ACCT_EXPIRY=20040811100357|MSISDN=1394111111
```

### Note

The sequence of all fields output in an EDR is not guaranteed.

## Account Activated by System (EDR 2)

### Mandatory EDR 2 fields

The account will be activated by the system when a call is made on an account that is in a 'PreUse' state.

This list identifies the mandatory EDR record fields for an account activated by the system (EDR type 2):

- *ACCOUNT\_TYPE* (on page 149) (Product Type ID)
- *ACS\_CUST\_ID* (on page 150) (ACS Customer ID)
- *BALANCE\_TYPES* (on page 153) (existing account)
- *BALANCES* (on page 154) (pre-transaction account balances)
- *COSTS* (on page 163) (rated calls)
- *MSISDN* (on page 175) (account calling number)  
When the ccsCDRLoader plugin is installed on the SMS, this tag will be present.
- *NEW\_ACCT\_EXPIRY* (on page 177) (date after account deleted)  
If the expiry date is updated then this tag will be present.
- *NEW\_ACCT\_STATE* (on page 178) (always active - A)
- *NEW\_BALANCE\_EXPIRIES* (on page 179) (date after balance update)
- *OLD\_ACCT\_EXPIRY* (on page 181) (dates before update)  
If the expiry date is updated then this tag will be present.
- *OLD\_ACCT\_STATE* (on page 182) (P or D before update)
- *OLD\_BALANCE\_EXPIRIES* (on page 183) (dates before balance update)

### Example EDR 2

```
BILLING_ENGINE_ID=21|SCP_ID=110537566|SEQUENCE_NUMBER=139450184|CDR_TYPE=2|RECORD_DATE=20040806100354|ACCT_ID=20064|ACCT_REF_ID=20026|BALANCE_TYPES=1|NEW_ACCT_STATE=A|OLD_ACCT_STATE=P|ACS_CUST_ID=1|ACCOUNT_TYPE=1|MSISDN=1394111111
```

**Note**

The sequence of all fields output in an EDR is not guaranteed.





# Voucher Activity

## Overview

### Introduction

This chapter defines the CCS EDRs for voucher activity.

### In this chapter

---

This chapter contains the following topics.

Voucher Activity using Screen or PI (EDR 56) ..... 31

## Voucher Activity using Screen or PI (EDR 56)

### Mandatory EDR 56 fields

This list identifies the mandatory EDR record fields for a voucher activity using screens or PI (EDR type 56):

- *ACCT\_ID* (on page 149) (changed wallet ID)
- *ACCT\_REF\_ID* (on page 149) (changed account ID)
- *ACS\_CUST\_ID* (on page 150) (ACS Customer ID)
- *ACTION* (on page 150) (voucher action)
- *ACTION\_DETAIL* (on page 150) (voucher action)
- *USER* (on page 197) (operator logon name)
- *NUMBER* (on page 181) (voucher number)

### MSISDN additional fields

If the MSISDN ccsCDRLoader plug-in is installed on the SMS, the following field will be present:

- *MSISDN* (on page 175) (account calling number)

### Example EDR 56

```
BILLING_ENGINE_ID=0|SCP_ID=0|SEQUENCE_NUMBER=463|CDR_TYPE=56|RECORD_DATE=20180328102552|ACCT_ID=0|ACCT_REF_ID=0|ACS_CUST_ID=21|ACTION=VRC|ACTION_DETAIL=Success|USER=SU|NUMBER=60041
```

### Note

The sequence of all fields output in an EDR is not guaranteed.



# Voucher Recharges

## Overview

### Introduction

This chapter defines the CCS EDRs for voucher recharges.

### In this chapter

---

This chapter contains the following topics.

Voucher Recharge Succeeds using Screens (EDR 4,15).....	33
Voucher Recharge Succeeds using IVR (EDR 4,15).....	35
Voucher Recharge Succeeds using PI (EDR 4,15).....	37
Voucher Recharge Succeeds using USSD (EDR 4,15).....	39
Voucher Recharge Fails using Screens or IVR (EDR 4).....	41
Voucher Recharge Fails using Screens or IVR (EDR 15,33).....	42
Voucher Type Recharge.....	44

## Voucher Recharge Succeeds using Screens (EDR 4,15)

### Introduction

Two or three EDRs are created for this event:

- A type 4
- A type 15
- A type 16 when the Rewards plug-in is being used. See Rewards chapter for the EDR definition.

### Mandatory EDR 4 fields

This list identifies the mandatory EDR record fields for voucher recharge succeeds using screens (EDR type 4):

- *ACCOUNT\_TYPE* (on page 149) (Product Type ID)
- *ACS\_CUST\_ID* (on page 150) (ACS Customer ID)
- *BALANCE\_TYPES* (on page 153) (existing account)
- *BALANCES* (on page 154) (pre-transaction account balances)
- *BATCH\_DESCRIPTION* (on page 155) (for voucher batch)
- *COSTS* (on page 163) (rated calls)
- *CS* (*call status, S or D*) (on page 164) (call status, S or D)
- *NEW\_ACCT\_EXPIRY* (on page 177) (date after update)
- *NEW\_BALANCE\_EXPIRIES* (on page 179) (dates after voucher recharge)
- *OLD\_ACCT\_EXPIRY* (on page 181) (dates before update)
- *OLD\_BALANCE\_EXPIRIES* (on page 183) (dates before voucher recharge)
- *TERMINAL* (on page 196) (Network ID)

- *TYPE\_DESCRIPTION* (on page 197) (voucher type)
- *USER* (on page 197) (operator logon name)

### Optional EDR 4 fields

If they are not present, the ccsCDRLoader voucher plug-in does not process the EDR. For more information about ccsCDRLoader, see Process descriptions.

This list identifies the optional EDR record fields for voucher recharge succeeds using screens (EDR type 4):

- *REFERENCE* (on page 190) (voucher freeform)
- *VOUCHER* - one of:
  - *VOUCHER* (on page 197) (ID of redeemed voucher)
  - *VOUCHER* (on page 197) (serial number of redeemed voucher - 3.1.5)

### Mandatory EDR 15 fields

This list identifies the mandatory EDR record fields for voucher recharge succeeds using screens (EDR type 15):

- *ACCOUNT\_TYPE* (on page 149) (Product Type ID)
- *ACS\_CUST\_ID* (on page 150) (ACS Customer ID)
- *BALANCE\_EXPIRIES* (on page 152) (period hours)
- *BALANCE\_TYPES* (on page 153) (existing account)
- *COSTS* (on page 163) (rated calls)
- *REDEEMING\_ACCT\_REF* (on page 188) (ID of account)
- *RESULT* (on page 192) (voucher redemption, always Success)
- *VOUCHER* - one of:
  - *VOUCHER* (on page 197) (ID of redeemed voucher)
  - *VOUCHER* (on page 197) (serial number of redeemed voucher - 3.1.5)

### Optional EDR 15 fields

This list identifies the optional EDR record fields for voucher recharge succeeds using screens (EDR type 15):

- *BATCH\_DESCRIPTION* (on page 155) (for voucher batch)
- *NEW\_ACCOUNT* (on page 177) (ID of account type)
- *OLD\_ACCOUNT* (on page 181) (ID of account type)
- *REDEEMING\_ACCT\_TYPE* (on page 188) (name of account type)
- *SCENARIO* (on page 194) (voucher scenario number)
- *TYPE\_DESCRIPTION* (on page 197) (voucher type)
- *REDEEMING\_SUBSCRIBER\_ID* (subscriber ID)

### Account Activated additional fields

If the account is activated, the following fields are generated:

- *NEW\_ACCT\_STATE* (on page 178) (always active - A)
- *OLD\_ACCT\_STATE* (on page 182) (P or D before update)

## Reload Bonus additional fields

If the account has a promotional reload bonus configured, the following fields are generated (EDR types 4, 15 and 16):

- *RELOAD\_BONUS* (on page 190) (promotion name)
- *RELOAD\_BONUS\_AMOUNT* (on page 190) (amount applied)
- *RELOAD\_BONUS\_EXPIRY* (on page 190) (date remaining bonus expires)
- *RELOAD\_BONUS\_LEFT* (on page 191) (bonus amount remaining)

## MSISDN additional fields

If the MSISDN ccsCDRLoader plug-in is installed on the SMS, the following field will be present:

- *MSISDN* (on page 175) (account calling number)

## Example EDR 4

```
BILLING_ENGINE_ID=21|SCP_ID=110537566|SEQUENCE_NUMBER=139450184|CDR_TYPE=4|
RECORD_DATE=20040803152956|ACCT_ID=61|ACCT_REF_ID=61|ACS_CUST_ID=1|
VOUCHER=7609766|VOUCHER_NUMBER=000000067|CS=S|USER=SU|ACCOUNT_TYPE=1|
BALANCE_TYPES=1|BALANCES=1001800|COSTS=-1000|NEW_BALANCE_EXPIRIES=|
OLD_BALANCE_EXPIRIES=0
```

## Example EDR 15

```
BILLING_ENGINE_ID=21|SCP_ID=110537566|SEQUENCE_NUMBER=139450184|CDR_TYPE=15|
RECORD_DATE=20070719111321|ACCT_ID=61|ACCT_REF_ID=61|ACS_CUST_ID=1|REDEEMING_ACCT_RE
F=61|VOUCHER=7608766|VOUCHER_NUMBER=000000067|RESULT=Success|BALANCE_TYPES=1|COSTS=
-1000|BALANCE_EXPIRIES=|ACCOUNT_TYPE=24
```

If the *useVoucherRedeemCDR* parameter in the ccsCDRLoader section of *eserv.config* in SMS is set as true, then additional voucher related fields are also returned as shown in the below example:

```
BILLING_ENGINE_ID=42|SCP_ID=55771394|SEQUENCE_NUMBER=0|CDR_TYPE=15|RECORD_DATE=20180
328121357|ACCT_ID=3|ACCT_REF_ID=4|ACS_CUST_ID=21|REDEEMING_ACCT_REF=4|REDEEMING_ACCT
_TYPE=21|RESULT=Success|VOUCHER=184|VOUCHER_NUMBER=60045|BALANCE_TYPES=78|COSTS=-
10|BALANCE_EXPIRIES=|USER=SU|TERMINAL=10.191.235.82|WALLET_TYPE=5|BARCODE=12|TEXT=ad
ding|CARD_DESIGN=90|DISTRIBUTOR_CHANNEL=fields|RETAIL_CHANNEL=for
a|FREE_TEXT_FIELD_1=CDR|FREE_TEXT_FIELD_2=test|FREE_TEXT_FIELD_3=case|PROVISIONING_D
ATE=20180313091814
```

## Note

The sequence of all fields output in an EDR is not guaranteed.

## Voucher Recharge Succeeds using IVR (EDR 4,15)

### Introduction

Two or three EDRs are created for this event:

- A type 4
- A type 15
- A type 16 when the Rewards plug-in is being used. See Rewards chapter for the EDR definition.

## Mandatory EDR 4 fields

This list identifies the mandatory EDR record fields for voucher recharge succeeds using IVR (EDR type 4):

- *ACCOUNT\_TYPE* (on page 149) (Product Type ID)
- *ACS\_CUST\_ID* (on page 150) (ACS Customer ID)
- *BALANCE\_TYPES* (on page 153) (existing account)
- *BALANCES* (on page 154) (pre-transaction account balances)
- *BATCH\_DESCRIPTION* (on page 155) (for voucher batch)
- *COSTS* (on page 163) (rated calls)
- *CS* (*call status, S or D*) (on page 164) (call status, S or D)
- *NEW\_BALANCE\_EXPIRIES* (on page 179) (dates after voucher recharge)
- *OLD\_BALANCE\_EXPIRIES* (on page 183) (dates before voucher recharge)
- *TYPE\_DESCRIPTION* (on page 197) (voucher type)
- *WALLET\_TYPE* (on page 198) (ID of wallet changed)

## Optional EDR 4 fields

If they are not present, the ccsCDRLoader voucher plug-in does not process the EDR. For more information about ccsCDRLoader, see Process descriptions.

This list identifies the optional EDR record fields for voucher recharge succeeds using IVR (EDR type 4):

- *REFERENCE* (on page 190) (voucher freeform)
- *VOUCHER* - one of:
  - *VOUCHER* (on page 197) (ID of redeemed voucher)
  - *VOUCHER* (on page 197) (serial number of redeemed voucher - 3.1.5)

## Mandatory EDR 15 fields

This list identifies the mandatory EDR record fields for voucher recharge succeeds using IVR (EDR type 15):

- *ACS\_CUST\_ID* (on page 150) (ACS Customer ID)
- *BALANCE\_EXPIRIES* (on page 152) (period hours)
- *BALANCE\_TYPES* (on page 153) (existing account)
- *COSTS* (on page 163) (rated calls)
- *REDEEMING\_ACCT\_REF* (on page 188) (ID of account)
- *RESULT* (on page 192) (voucher redemption, always Success)
- *VOUCHER* - one of:
  - *VOUCHER* (on page 197) (ID of redeemed voucher)
  - *VOUCHER* (on page 197) (serial number of redeemed voucher - 3.1.5)

## Optional EDR 15 fields

This list identifies the optional EDR record fields for voucher recharge succeeds using IVR (EDR type 15):

- *BATCH\_DESCRIPTION* (on page 155) (for voucher batch)
- *NEW\_ACCOUNT* (on page 177) (ID of account type)
- *OLD\_ACCOUNT* (on page 181) (ID of account type)
- *REDEEMING\_ACCT\_TYPE* (on page 188) (name of account type)
- *SCENARIO* (on page 194) (voucher scenario number)

- *TYPE\_DESCRIPTION* (on page 197) (voucher type)
- *REDEEMING\_SUBSCRIBER\_ID* (subscriber ID)

### Account Activated additional fields

If the account is activated, the following fields are generated:

- *NEW\_ACCT\_STATE* (on page 178) (always active - A)
- *OLD\_ACCT\_STATE* (on page 182) (P or D before update)

### Reload Bonus additional fields

If the account has a promotional reload bonus configured, the following fields are generated (EDR types 4, 15 and 16):

- *RELOAD\_BONUS* (on page 190) (promotion name)
- *RELOAD\_BONUS\_AMOUNT* (on page 190) (amount applied)
- *RELOAD\_BONUS\_EXPIRY* (on page 190) (date remaining bonus expires)
- *RELOAD\_BONUS\_LEFT* (on page 191) (bonus amount remaining)

### MSISDN additional fields

If the MSISDN ccsCDRLoader plug-in is installed on the SMS, the following field will be present:

- *MSISDN* (on page 175) (account calling number)

### Example EDR 4

```
BILLING_ENGINE_ID=21|SCP_ID=366273322|SEQUENCE_NUMBER=488297|
CDR_TYPE=4|RECORD_DATE=20040804103532|ACCT_ID=61|ACCT_REF_ID=61|
ACS_CUST_ID=1|VOUCHER=7609766|VOUCHER_NUMBER=0000000081|CS=S|
WALLET_TYPE=1|ACCOUNT_TYPE=1|BALANCE_TYPES=1|BALANCES=1005800|
COSTS=-1000|NEW_BALANCE_EXPIRIES=|OLD_BALANCE_EXPIRIES=0
```

### Example EDR 15

```
BILLING_ENGINE_ID=21|SCP_ID=366273322|SEQUENCE_NUMBER=488297|
CDR_TYPE=15|RECORD_DATE=20040803152952|ACCT_ID=61|ACCT_REF_ID=61|
ACS_CUST_ID=1|REDEEMING_ACCT_REF=61|VOUCHER=7609766|VOUCHER_NUMBER=0000000081|
RESULT=Success
```

### Note

The sequence of all fields output in an EDR is not guaranteed.

## Voucher Recharge Succeeds using PI (EDR 4,15)

### Introduction

Two or three EDRs are created for this event:

- A type 4
- A type 15
- A type 16 when the Rewards plug-in is being used.. See Rewards chapter for the EDR definition.

## Mandatory EDR 4 fields

This list identifies the mandatory EDR record fields for voucher recharge succeeds using PI (EDR type 4):

- *ACCOUNT\_TYPE* (on page 149) (Product Type ID)
- *ACS\_CUST\_ID* (on page 150) (ACS Customer ID)
- *BALANCE\_TYPES* (on page 153) (existing account)
- *BALANCES* (on page 154) (pre-transaction account balances)
- *COSTS* (on page 163) (rated calls)
- *CS* (*call status, S or D*) (on page 164) (call status, S or D)
- *NEW\_BALANCE\_EXPIRIES* (on page 179) (dates after voucher recharge)
- *OLD\_BALANCE\_EXPIRIES* (on page 183) (dates before voucher recharge)
- *PI* (on page 185) (logon name and IP address)
- *TYPE\_DESCRIPTION* (on page 197) (voucher type)
- *WALLET\_TYPE* (on page 198) (ID of wallet changed)

## Optional EDR 4 fields

If they are not present, the ccsCDRLoader voucher plug-in does not process the EDR. For more information about ccsCDRLoader, see Process descriptions.

This list identifies the optional EDR record fields for voucher recharge succeeds using PI (EDR type 4):

- *REFERENCE* (on page 190) (voucher freeform)
- *VOUCHER* - one of:
  - *VOUCHER* (on page 197) (ID of redeemed voucher)
  - *VOUCHER* (on page 197) (serial number of redeemed voucher - 3.1.5)

## Mandatory EDR 15 fields

This list identifies the mandatory EDR record fields for voucher recharge succeeds using PI (EDR type 15):

- *ACS\_CUST\_ID* (on page 150) (ACS Customer ID)
- *BALANCE\_EXPIRIES* (on page 152) (period hours)
- *BALANCE\_TYPES* (on page 153) (existing account)
- *COSTS* (on page 163) (rated calls)
- *REDEEMING\_ACCT\_REF* (on page 188) (ID of account)
- *RESULT* (on page 192) (voucher redemption, always Success)
- *VOUCHER* - one of:
  - *VOUCHER* (on page 197) (ID of redeemed voucher)
  - *VOUCHER* (on page 197) (serial number of redeemed voucher - 3.1.5)

## Optional EDR 15 fields

This list identifies the optional EDR record fields for voucher recharge succeeds using PI (EDR type 15):

- *BATCH\_DESCRIPTION* (on page 155) (for voucher batch)
- *NEW\_ACCOUNT* (on page 177) (ID of account type)
- *OLD\_ACCOUNT* (on page 181) (ID of account type)
- *REDEEMING\_ACCT\_TYPE* (on page 188) (name of account type)
- *SCENARIO* (on page 194) (voucher scenario number)



- *TYPE\_DESCRIPTION* (on page 197) (voucher type)
- *REDEEMING\_SUBSCRIBER\_ID* (subscriber ID)

### Account Activated additional fields

If the account is activated, the following fields are generated:

- *NEW\_ACCT\_STATE* (on page 178) (always active - A)
- *OLD\_ACCT\_STATE* (on page 182) (P or D before update)

### Reload Bonus additional fields

If the account has a promotional reload bonus configured, the following fields are generated (EDR types 4, 15 and 16):

- *RELOAD\_BONUS* (on page 190) (promotion name)
- *RELOAD\_BONUS\_AMOUNT* (on page 190) (amount applied)
- *RELOAD\_BONUS\_EXPIRY* (on page 190) (date remaining bonus expires)
- *RELOAD\_BONUS\_LEFT* (on page 191) (bonus amount remaining)

### MSISDN additional fields

If the MSISDN ccsCDRLoader plug-in is installed on the SMS, the following field will be present:

- *MSISDN* (on page 175) (account calling number)

### Example EDR 4

```
BILLING_ENGINE_ID=21|SCP_ID=161986004|SEQUENCE_NUMBER=2|CDR_TYPE=4|
RECORD_DATE=20040804111124|ACCT_ID=61|ACCT_REF_ID=61|ACS_CUST_ID=1|
VOUCHER=7609766|VOUCHER_NUMBER=0000000086|CS=S|PI=adminAT192.168.25.106|
WALLET_TYPE=1|ACCOUNT_TYPE=1|BALANCE_TYPES=1|BALANCES=1006800|
COSTS=-1000|NEW_BALANCE_EXPIRIES=|OLD_BALANCE_EXPIRIES=0
```

### Example EDR 15

```
BILLING_ENGINE_ID=21|SCP_ID=161986004|SEQUENCE_NUMBER=2|
CDR_TYPE=15|RECORD_DATE=20040803152952|ACCT_ID=61|ACCT_REF_ID=61|
ACS_CUST_ID=1|REDEEMING_ACCT_REF=61|VOUCHER=7609766|VOUCHER_NUMBER=0000000086|RESULT
=Success
```

### Note

The sequence of all fields output in an EDR is not guaranteed.

## Voucher Recharge Succeeds using USSD (EDR 4,15)

### Introduction

Two or three EDRs are created for this event:

- A type 4
- A type 15
- A type 16 when the Rewards plug-in is being used. See *Rewards* (on page 45) chapter for the EDR definition.

## Mandatory EDR 4 fields

This list identifies the mandatory EDR record fields for voucher recharge succeeds using USSD (EDR type 4):

- *ACCOUNT\_TYPE* (on page 149) (Product Type ID)
- *ACS\_CUST\_ID* (on page 150) (ACS Customer ID)
- *BALANCE\_TYPES* (on page 153) (existing account)
- *BALANCES* (on page 154) (pre-transaction account balances)
- *COSTS* (on page 163) (rated calls)
- *CS* (*call status, S or D*) (on page 164) (call status, S or D)
- *NEW\_BALANCE\_EXPIRIES* (on page 179) (dates after voucher recharge)
- *OLD\_BALANCE\_EXPIRIES* (on page 183) (dates before voucher recharge)
- *TYPE\_DESCRIPTION* (on page 197) (voucher type)
- *WALLET\_TYPE* (on page 198) (ID of wallet changed)

## Optional EDR 4 fields

If they are not present, the ccsCDRLoader voucher plug-in does not process the EDR. For more information about ccsCDRLoader, see Process descriptions.

This list identifies the optional EDR record fields for voucher recharge succeeds using USSD (EDR type 4):

- *REFERENCE* (on page 190) (voucher freeform)
- *VOUCHER* - one of:
  - *VOUCHER* (on page 197) (ID of redeemed voucher)
  - *VOUCHER* (on page 197) (serial number of redeemed voucher - 3.1.5)

## Mandatory EDR 15 fields

This list identifies the mandatory EDR record fields for voucher recharge succeeds using USSD (EDR type 15):

- *ACS\_CUST\_ID* (on page 150) (ACS Customer ID)
- *BALANCE\_EXPIRIES* (on page 152) (period hours)
- *BALANCE\_TYPES* (on page 153) (existing account)
- *COSTS* (on page 163) (rated calls)
- *REDEEMING\_ACCT\_REF* (on page 188) (ID of account)
- *RESULT* (on page 192) (voucher redemption, always Success)
- *VOUCHER* - one of:
  - *VOUCHER* (on page 197) (ID of redeemed voucher)
  - *VOUCHER* (on page 197) (serial number of redeemed voucher - 3.1.5)

## Optional EDR 15 fields

This list identifies the optional EDR record fields for voucher recharge succeeds using USSD (EDR type 15):

- *BATCH\_DESCRIPTION* (on page 155) (for voucher batch)
- *NEW\_ACCOUNT* (on page 177) (ID of account type)
- *OLD\_ACCOUNT* (on page 181) (ID of account type)
- *REDEEMING\_ACCT\_TYPE* (on page 188) (name of account type)
- *SCENARIO* (on page 194) (voucher scenario number)

- *TYPE\_DESCRIPTION* (on page 197) (voucher type)
- *REDEEMING\_SUBSCRIBER\_ID* (subscriber ID)

### Account Activated additional fields

If the account is activated, the following fields are generated:

- *NEW\_ACCT\_STATE* (on page 178) (always active - A)
- *OLD\_ACCT\_STATE* (on page 182) (P or D before update)

### Reload Bonus additional fields

If the account has a promotional reload bonus configured, the following fields are generated (EDR types 4, 15 and 16):

- *RELOAD\_BONUS* (on page 190) (promotion name)
- *RELOAD\_BONUS\_AMOUNT* (on page 190) (amount applied)
- *RELOAD\_BONUS\_EXPIRY* (on page 190) (date remaining bonus expires)
- *RELOAD\_BONUS\_LEFT* (on page 191) (bonus amount remaining)

### MSISDN additional fields

If the MSISDN ccsCDRLoader plug-in is installed on the SMS, the following field will be present:

- *MSISDN* (on page 175) (account calling number)

### Example EDR 4

```
BILLING_ENGINE_ID=1|SCP_ID=114207220|SEQUENCE_NUMBER=139450184|CDR_TYPE=4|
RECORD_DATE=20041216162449|ACCT_ID=46|ACCT_REF_ID=46|ACS_CUST_ID=1|
VOUCHER=7609766|VOUCHER_NUMBER=23439221779469|CS=S|
USSD=VOUCHER_REDEEMED|ACCOUNT_TYPE=23|BALANCE_TYPES=1|
BALANCES=113495,113495|COSTS=1,-20500|NEW_BALANCE_EXPIRIES=,|
OLD_BALANCE_EXPIRIES=0,0|RELOAD_BONUS_AMOUNT=500|
RELOAD_BONUS_LEFT=113494
```

### Example EDR 15

```
BILLING_ENGINE_ID=21|SCP_ID=161986004|SEQUENCE_NUMBER=2|
CDR_TYPE=15|RECORD_DATE=20040803152952|ACCT_ID=61|
ACCT_REF_ID=61|ACS_CUST_ID=1|REDEEMING_ACCT_REF=61|
VOUCHER=7609766|VOUCHER_NUMBER=0000000086|RESULT=Success
```

### Note

The sequence of all fields output in an EDR is not guaranteed.

## Voucher Recharge Fails using Screens or IVR (EDR 4)

### Introduction

In this scenario, recharge fails because the account is in either a frozen or suspended state.

A type 4 EDR is created for this event.

## Mandatory EDR 4 fields

This list identifies the mandatory EDR record fields for voucher recharge failures using screens or IVR (EDR type 4):

- *ACCOUNT\_TYPE* (on page 149) (Product Type ID)
- *ACS\_CUST\_ID* (on page 150) (ACS Customer ID)
- *BATCH\_DESCRIPTION* (on page 155) (for voucher batch)
- CS (call status, always D)
- *NACK* (on page 176) (long list of codes)
- *RESULT* (on page 191) (frozen or suspended)
- *TERMINAL* (on page 196) (Network ID)
- *TYPE\_DESCRIPTION* (on page 197) (voucher type)
- *USER* (on page 197) (operator logon name)

## Optional EDR 4 fields

If they are not present, the ccsCDRLoader voucher plug-in does not process the EDR. For more information about ccsCDRLoader, see Process descriptions.

This list identifies the optional EDR record fields for voucher recharge failures using screens or IVR (EDR type 4):

- *REFERENCE* (on page 190) (voucher freeform)
- *SCENARIO* (on page 194) (voucher scenario number)
- VOUCHER - one of:
  - *VOUCHER* (on page 197) (ID of redeemed voucher)
  - *VOUCHER* (on page 197) (serial number of redeemed voucher - 3.1.5)

## MSISDN additional fields

If the MSISDN ccsCDRLoader plug-in is installed on the SMS, the following field will be present:

- *MSISDN* (on page 175) (account calling number)

## Example EDR 4

```
BILLING_ENGINE_ID=21|SCP_ID=110537566|SEQUENCE_NUMBER=139450184|CDR_TYPE=4|
RECORD_DATE=20040804105430|ACCT_ID=61|ACCT_REF_ID=61|ACS_CUST_ID=1|
VOUCHER=7609766|VOUCHER_NUMBER=0000000085|CS=D|RESULT=Frozen Wallet
```

## Note

The sequence of all fields output in an EDR is not guaranteed.

# Voucher Recharge Fails using Screens or IVR (EDR 15,33)

## Introduction

The recharge fails because the voucher details entered are invalid or the voucher is in an invalid state. There are two EDR records created for this event:

- A EDR of type 15
- A EDR of type 33

### Mandatory EDR 15 fields

This list identifies the mandatory EDR record fields for voucher recharge failure using screens or IVR (EDR type 15):

- *ACCOUNT\_TYPE* (on page 149) (Product Type ID)
- *ACS\_CUST\_ID* (on page 150) (ACS Customer ID)
- *REDEEMING\_ACCT\_REF* (on page 188) (ID of account)
- *RESULT* (on page 191) (general cause)
- *VOUCHER* - one of:
  - *VOUCHER* (on page 197) (ID of redeemed voucher)
  - *VOUCHER* (on page 197) (serial number of redeemed voucher - 3.1.5)
- *VOUCHER\_NUMBER* (on page 197) (redeemed voucher)

### Optional EDR 15 fields

This list identifies the optional EDR record fields for voucher recharge failures using screens or IVR (EDR type 15):

- *BATCH\_DESCRIPTION* (on page 155) (for voucher batch)
- *TERMINAL* (on page 196) (Network ID)
- *TYPE\_DESCRIPTION* (on page 197) (voucher type)
- *USER* (on page 197) (operator logon name)
- *REDEEMING\_SUBSCRIBER\_ID* (subscriber ID)

### Mandatory EDR 33 fields

This list identifies the mandatory EDR record fields for voucher recharge failure using screens or IVR (EDR type 33):

- *ACS\_CUST\_ID* (on page 150)
- *BAD\_PINS* (on page 152)
- *TERMINAL* (on page 196)
- *USER* (on page 197)

### Optional EDR 33 fields

This list identifies the optional EDR record fields for voucher recharge failures using screens or IVR, when the account is frozen due to the maximum number of bad pins being exceeded (EDR type 33):

- *NEW\_ACCT\_STATE* (on page 178) (frozen)
- *OLD\_ACCT\_STATE* (on page 181) (active)

### MSISDN additional fields

If the MSISDN ccsCDRLoader plug-in is installed on the SMS, the following field will be present:

- *MSISDN* (on page 175) (account calling number)

## Example

```
BILLING_ENGINE_ID=21|SCP_ID=366273322|SEQUENCE_NUMBER=488298|CDR_TYPE=15|RECORD_DATE=20070719113914|ACCT_ID=61|ACCT_REF_ID=61|ACS_CUST_ID=1|REDEEMING_ACCT_REF=61|VOUCHER=8709766|VOUCHER_NUMBER=000000086|BATCH_DESCRIPTION=Test Batch|TYPE_DESCRIPTION=STANDARD|RESULT=Failed Auth|ACCOUNT_TYPE=24|USER=SU|TERMINAL=192.168.25.108
```

## Example EDR 33

```
BILLING_ENGINE_ID=21|SCP_ID=366273322|SEQUENCE_NUMBER=488298|CDR_TYPE=33|RECORD_DATE=20070703145823|ACCT_ID=61|ACCT_REF_ID=61|BAD_PINS=1|ACS_CUST_ID=1|ACCOUNT_TYPE=24|USER=SU|TERMINAL=192.168.25.108
```

## Note

The sequence of all fields output in an EDR is not guaranteed.

# Voucher Type Recharge

## Introduction

A type 47 EDR is created for this event.

**Note:** The type 47 EDR contains fields identical to a type 4. It is given its own EDR number because it is handled differently from a normal voucher recharge. A type 4 EDR generates a recharge notification from the EDR loader plug-in. In the case of the type 47, the notification is generated by the process calling it. This process can be a control plan, periodic charge or a credit transfer.

## Mandatory EDR 47 fields

This list identifies the mandatory EDR record fields for voucher type recharge (EDR type 47):

- *ACCOUNT\_TYPE* (on page 149) (Product Type ID)
- *ACS\_CUST\_ID* (on page 150) (ACS Customer ID)
- *BALANCE\_TYPES* (on page 153) (existing account)
- *BALANCES* (on page 154) (pre-transaction account balances)
- *COSTS* (on page 163) (rated calls)
- *CS* (*call status, S or D*) (on page 164) (call status, S or D)
- *NEW\_BALANCE\_EXPIRIES* (on page 179) (dates after voucher recharge)
- *OLD\_BALANCE\_EXPIRIES* (on page 183) (dates before voucher recharge)
- *VOUCHER\_TYPE* (on page 198) (name)

## Optional EDR 47 fields

This list identifies the optional EDR record fields for voucher type recharge (EDR type 47):

- *NEW\_ACCT\_TYPE* (on page 179) (ID of account after recharge)
- *OLD\_ACCT\_TYPE* (on page 182) (ID of account before recharge)

# Rewards

## Overview

### Introduction

This chapter defines the CCS EDRs for rewards.

### In this chapter

---

This chapter contains the following topics.

Reward Application Successful (EDR 16) .....	45
Reward Application Fails using Screens or IVR (EDR 16).....	46

## Reward Application Successful (EDR 16)

### Introduction

All successful balance updates (for example: rated voice calls, voucher recharge, balance update or balance expiry, by whatever mechanism) may produce an EDR type 16 if the Rewards plug-in is being used and Rewards are configured, in addition to the normal update EDR(s).

### Mandatory EDR 16 fields

This list identifies the mandatory EDR record fields for successful reward application using any of screens, IVR, PI or USSD (EDR type 16):

- *ACCOUNT\_TYPE* (on page 149) (Product Type ID)
- *ACS\_CUST\_ID* (on page 150) (ACS Customer ID)
- *BALANCE\_TYPES* (on page 152) (account changed or created)
- *BALANCES* (on page 154) (pre-call or account creation)
- *COSTS* (on page 163) (rated calls)
- *CS* (*call status, S or D*) (on page 164) (call status, S or D)
- *NEW\_BALANCE\_EXPIRIES* (on page 179) (dates after voucher recharge)
- *OLD\_BALANCE\_EXPIRIES* (on page 183) (dates before voucher recharge)
- *RESULT* (on page 192) (voucher redemption, always Success)
- *REWARD* (on page 192) (ID)
- *REWARD\_AMOUNTS* (on page 192) (value of reward)
- *REWARD\_CATEGORY* (on page 193)
- *REWARD\_TYPES* (on page 193) (balance types getting reward)

### Optional EDR 16 fields

This list identifies the optional EDR record fields for successful reward application using any of screens, IVR, PI or USSD (EDR type 16):

- *BEARER\_TYPE* (bearer type for promotions) (on page 155) (bearer type for rewards)
- *CHANNEL* (for rewards) (on page 161) (for rewards)
- *NEW\_ACCT\_EXPIRY* (on page 177) (date after update)
- *OLD\_ACCT\_EXPIRY* (on page 181) (dates before update)
- *REFERENCE* (operator freeform) (on page 189) (rewards)

### Account Activated additional fields

If the account is activated, the following fields are generated:

- *NEW\_ACCT\_STATE* (on page 178) (always active - A)
- *OLD\_ACCT\_STATE* (on page 182) (P or D before update)

### Reload Bonus additional fields

If the account has a promotional reload bonus configured, the following fields are generated (EDR types 4, 15 and 16):

- *RELOAD\_BONUS* (on page 190) (promotion name)
- *RELOAD\_BONUS\_AMOUNT* (on page 190) (amount applied)
- *RELOAD\_BONUS\_EXPIRY* (on page 190) (date remaining bonus expires)
- *RELOAD\_BONUS\_LEFT* (on page 191) (bonus amount remaining)

### MSISDN additional fields

If the MSISDN ccsCDRLoader plug-in is installed on the SMS, the following field will be present:

- *MSISDN* (on page 175) (account calling number)

### Example EDR 16

```
ACCOUNT_TYPE=104|ACCT_ID=325|ACCT_REF_ID=305|ACS_CUST_ID=11|
BALANCES=1|BALANCE_NAMES=Free SMS|BALANCE_TYPES=6|BILLING_ENGINE_ID=1|CDR_TYPE=16|
COSTS=-1|CS=S|NEW_BALANCE_EXPIRIES=0|OLD_ACCOUNT_TYPE=|OLD_BALANCE_EXPIRIES=0|
RECORD_DATE=20120725122635|RESULT=Success|REWARD=295|REWARD_AMOUNTS=1|
REWARD_CATEGORY=TRACKER_THRESHOLD|REWARD_TYPES=6|SCP_ID=0|SEQUENCE_NUMBER=0
```

### Note

The sequence of all fields output in an EDR is not guaranteed.

## Reward Application Fails using Screens or IVR (EDR 16)

### Introduction

All failed balance updates (for example: voucher recharge, balance update or balance expiry, by screens or IVR) will produce an EDR type 16 if the Rewards plug-in is being used, in addition to the normal update failed EDR(s).

### Mandatory EDR 16 fields

This list identifies the mandatory EDR record fields for reward application failures using screens or IVR (EDR type 16):

- *ACS\_CUST\_ID* (on page 150) (ACS Customer ID)
- *CS* (call status, always D)



- *NACK* (on page 176) (long list of codes)
- *REWARD* (on page 192) (ID)
- *REWARD\_AMOUNTS* (on page 192) (value of reward)
- *REWARD\_CATEGORY* (on page 193)
- *REWARD\_TYPES* (on page 193) (balance types getting reward)

### Optional EDR 16 fields

This list identifies the optional EDR record fields for reward application failures using screens or IVR (EDR type 16):

- *BATCH\_DESCRIPTION* (on page 155) (for voucher batch)

### MSISDN additional fields

If the MSISDN ccsCDRLoader plug-in is installed on the SMS, the following field will be present:

- *MSISDN* (on page 175) (account calling number)

### Example EDR 16

```
ACCT_ID=2129|ACCT_REF_ID=2124|ACS_CUST_ID=1|BILLING_ENGINE_ID=4|  
CDR_TYPE=16|CS=D|NACK=BDVR|RECORD_DATE=20071101115704|  
RESULT=Invalid Balance Type|REWARD=62|REWARD_AMOUNTS=1,2|  
REWARD_CATEGORY=TRACKER_THRESHOLD|REWARD_TYPES=5,27|SCP_ID=110537566|  
SEQUENCE_NUMBER=139450184
```

### Note

The sequence of all fields output in an EDR is not guaranteed.



# Voice Calls

## Overview

### Introduction

This chapter defines the CCS EDRs for voice calls.

### In this chapter

---

This chapter contains the following topics.

Successful National Call (EDR 1).....	49
Commit Reservation (EDR 1).....	52
Revoke Reservation (EDR 1).....	53
Declined National Call.....	54
Direct Amount Charge (EDR 6).....	55

## Successful National Call (EDR 1)

### Mandatory EDR 1 fields

This list identifies the mandatory EDR record fields for a successful national call (CDR type 1):

- *ACCOUNT\_TYPE* (on page 149) (Product Type ID)
- *ACS\_CUST\_ID* (on page 150) (ACS Customer ID)
- *BALANCE\_TYPES* - use one of:
  - *BALANCE\_TYPES* (on page 152) (account changed or created)
  - *BALANCE\_TYPES* (on page 153) (account changed or created) - mid call rate changes
- *BALANCES* - use one of:
  - *BALANCES* (on page 154) (pre-call or account creation)
  - *BALANCES* (on page 154) (pre-call or account creation) - mid call rate changes
- *CASCADE\_ID* - use one of:
  - *CASCADE\_ID* (on page 157) (balance type cascade IDs)
  - *CASCADE\_ID* (on page 157) (balance type cascade IDs) - mid call rate change
- *CLI* - use one of:
  - *CLI* (on page 161) (initiating call number)
  - *CLI* (on page 161) (initiating call number) - mid call rate changes
- *COSTS* - use one of:
  - *COSTS* (on page 163) (rated calls)
  - *COSTS* (on page 163) (rated calls) - mid call rate changes
- *DISCOUNTS* - use one of
  - *DISCOUNTS* (on page 166) (rated calls)
  - *DISCOUNTS* (on page 166) (rated calls) - mid call rate changes
- *DURATION* (on page 167) (call length)
- *DURATION\_CHARGED* (on page 168)

## Chapter 7

- *END\_CALL\_REASON* (reasons for call termination) (on page 169)
- *FCA* (on page 171) (final call address)
- *LENGTHS* - use one of:
  - *LENGTHS* (on page 172) (rate durations)
  - *LENGTHS* (on page 173) (rate durations) -1end duration
  - *LENGTHS* (on page 173) (rate durations) - mid call rate changes
- *MAX\_CHARGE* - use one of:
  - *MAX\_CHARGE* (on page 174) (for this call)
  - *MAX\_CHARGE* (on page 174) (for this call) - mid call rate changes
- *OGEO\_ID* (on page 181) (originating geo node id)
- *RATES* - use one of:
  - *RATES* (on page 186) (rated calls)
  - *RATES* (on page 187) (rated calls) - mid call rate changes
- *SVC\_ID* (on page 195) (single tariff rated calls)
- *TCE* (on page 195) (ccs time call ended)
- *TCS* (on page 195) (ccs time call started)
- *TGEO\_ID* (on page 196) (terminating geo node id)
- *TN* (on page 196) (ccs called number)
- *WALLET\_TYPE* (on page 198) (ID of wallet changed)

### Optional EDR 1 fields

This list identifies the optional EDR record fields for a successful national call (CDR type 1):

- *CUG\_NAME* (on page 164) (closed user group)
- *OVERRIDDEN\_TARIFF\_PLAN* (on page 185) (ID)
- *RELC* (on page 190) (inap release cause)
- *TARIFF\_CODE* (on page 195) (name)

### Partial EDR additional fields

Enabling of Mid-Session EDRs production creates Partial EDRs. Either the Commit Volume Threshold or Mid-Session EDRs parameters are enabled (**Rating Management > Reservation Config > New Reservation Config** screen).

These additional tags are on all the partial EDRs, but not on the final, complete EDR:

- *MID\_SESSION* (on page 174) (partial EDR)
- *SESSION\_SEQUENCE* (on page 195) (partial EDR)

### Timed-out reservation confirmation additional fields

If a confirmed reservation times out, these tags will be added to the EDR.

- *RNCF* (on page 193) (Reservation Not Charged For)
- *TIMED\_OUT* (reservation confirmation)

### Account Activated additional fields

If the account is activated, the following fields are generated:

- *NEW\_ACCT\_STATE* (on page 178) (always active - A)
- *OLD\_ACCT\_STATE* (on page 182) (P or D before update)

## Cross balance type discount additional fields

If the cross balance type discounting has been applied during the call, the following fields will be present:

- *CBTD\_BALANCE\_TYPES* (on page 157) (list to apply to discounts)
- *CBTD\_BALANCE\_TYPES* (on page 158) (list to apply to discounts) - mid call rate changes
- *CBTD\_BALANCES* (on page 158) (value for each cross balance type)
- *CBTD\_BALANCES* (on page 158) (value for each cross balance type) - mid call rate change
- *CBTD\_CASCADE\_ID* (on page 159) (used for this call)
- *CBTD\_CASCADE\_ID* (on page 159) (used for this call) - mid call rate change
- *CBTD\_COSTS* (on page 159) (costs applied to each cross balance type)
- *CBTD\_COSTS* (on page 159) (costs applied to each cross balance type) - mid call rate changes
- *CBTD\_DISCOUNTS* (on page 160) (discounts applied to balance types)
- *CBTD\_DISCOUNTS* (on page 160) (discounts applied to balance types) - mid call rate changes

## MSISDN additional fields

If the MSISDN ccsCDRLoader plug-in is installed on the SMS, the following field will be present:

- *MSISDN* (on page 175) (account calling number)

## Mobile number portability additional fields

If the Mobile Number Portability (MNP) software is installed, the following fields will be present:

- *PORTED* (on page 185) (name of porting carrier)

## Example EDR 1 for single tariff rated call

```
BILLING_ENGINE_ID=21|SCP_ID=366273322|SEQUENCE_NUMBER=487291|CDR_TYPE=1|RECORD_DATE=
20070423190107|ACCT_ID=83|
ACCT_REF_ID=83|CLI=01206233252|ACS_CUST_ID=1|BALANCE_TYPES=1|BALANCES=49880|COSTS=12
0|ACCOUNT_TYPE=22|CASCADE_ID=44|RATES=60|LENGTHS=2810.00|DISCOUNTS=0|
MAX_CHARGE=500|DURATION=120.00|DURATION_CHARGED=120.00|TN=01473|TCS=20070423181310|
TCE=20070423181510|CS=S|DISCOUNT_TYPE=S*W*R|WALLET_TYPE=1|FCA=01473254338|END_CALL_R
EASON=14
```

## Example EDR 1 for multi tariff rated call

```
BILLING_ENGINE_ID=42|SCP_ID=789955221|SEQUENCE_NUMBER=11775353|CDR_TYPE=
1|RECORD_DATE=20070430180652|
ACCT_ID=261|ACCT_REF_ID=255|CLI=6610|ACS_CUST_ID=1|BALANCE_TYPES=1,2|BALANCES=1
80,100|COSTS=60,45|ACCOUNT_TYPE=1|
CASCADE_ID=1,49|RATES=aa:10,10,10,20,20,30,30,30,bb:5,10,20,20,15,15,20,20|
LENGTHS=aa:30.00,15.00,15.00,30.00,30.00,30.00,60.00,0.00,bb:30.00,15.00,15.00,
30.00,30.00,30.00,60.00,0.00|
DISCOUNTS=aa:0,0,0,0,0,0,0,0,bb:0,0,0,0,0,0,0|
MAX_CHARGE=-1|DURATION=180.00|DURATION_CHARGED=180.00|TN=6610|TCS=20070430180659|
TCE=20070430180959|CS=S|DISCOUNT_TYPE=BASIC|WALLET_TYPE=1|FCA=6610|END_CALL_REASON=1
6
```

## Example Account Activated

```
BILLING_ENGINE_ID=21|SCP_ID=366273322|SEQUENCE_NUMBER=487291|CDR_TYPE=1|RECORD_DATE=
20040803142342|ACCT_ID=83|ACCT_REF_ID=83|CLI=01206233252|ACS_CUST_ID=1|BALANCE_TYPER=
=1|BALANCES=1000|COSTS=1|ACCOUNT_TYPE=1|CASCADE_ID=1|RATES=50,25|LENGTHS=120.00,40.0
0|DISCOUNTS=0,0|MAX_CHARGE=1|DURATION=160|DURATION_CHARGED=160|TN=01473289900|TCS=20
040803141934|TCE=20040803142034|CS=S|OLD_ACCT_STATE=P|NEW_ACCT_STATE=A|DISCOUNT_TYPE
=S*W*R|WALLET_TYPE=1|END_CALL_REASON=14
```

## Example Account Activated - MSISDN

```
BILLING_ENGINE_ID=21|SCP_ID=366273322|SEQUENCE_NUMBER=487291|CDR_TYPE=1|RECORD_DATE=
20040803142342|ACCT_ID=83|
ACCT_REF_ID=83|CLI=01206233252|ACS_CUST_ID=1|BALANCE_TYPER=1|BALANCES=1000|COSTS=28|
ACCOUNT_TYPE=1|CASCADE_ID=1|
RATES=50,25|LENGTHS=120.00,40.00|DISCOUNTS=450000,560000|
MAX_CHARGE=500|DURATION=160|DURATION_CHARGED=160|TN=01473289900|TCS=20040803141934|
TCE=20040803142034|CS=S|DISCOUNT_TYPE=S*W*R|WALLET_TYPE=1|MSISDN=01206233252|END_CAL
L_REASON=14
```

### Note

The sequence of all fields output in an EDR is not guaranteed.

## Commit Reservation (EDR 1)

### Mandatory EDR 1 fields

This list identifies the mandatory EDR record fields when a Commit Reservation has been performed (CDR type 1):

- *ACCOUNT\_TYPE* (on page 149) (Product Type ID)
- *ACS\_CUST\_ID* (on page 150) (ACS Customer ID)
- *BALANCE\_TYPER* - use one of:
  - *BALANCE\_TYPER* (on page 152) (account changed or created)
  - *BALANCE\_TYPER* (on page 153) (account changed or created) - mid call rate changes
- *BALANCES* - use one of:
  - *BALANCES* (on page 154) (pre-call or account creation)
  - *BALANCES* (on page 154) (pre-call or account creation) - mid call rate changes
- *CASCADE\_ID* - use one of:
  - *CASCADE\_ID* (on page 157) (balance type cascade IDs)
  - *CASCADE\_ID* (on page 157) (balance type cascade IDs) - mid call rate change
- *CLI* - use one of:
  - *CLI* (on page 161) (initiating call number)
  - *CLI* (on page 161) (initiating call number) - mid call rate changes
- *COSTS* - use one of:
  - *COSTS* (on page 163) (rated calls)
  - *COSTS* (on page 163) (rated calls) - mid call rate changes
- *CS* (*call status, S or D*) (on page 164) (call status, S or D)
- *DISCOUNTS* - use one of
  - *DISCOUNTS* (on page 166) (rated calls)
  - *DISCOUNTS* (on page 166) (rated calls) - mid call rate changes
- *DISCOUNT\_TYPE* (on page 165) (applied to this call) - R\*W
- *DURATION* (on page 167) (call length)

- *DURATION\_CHARGED* (on page 168)
- *END\_CALL\_REASON* (reasons for call termination) (on page 169)
- LENGTHS - use one of:
  - *LENGTHS* (on page 172) (rate durations)
  - *LENGTHS* (on page 173) (rate durations) -1end duration
  - *LENGTHS* (on page 173) (rate durations) - mid call rate changes
- MAX\_CHARGE - use one of:
  - *MAX\_CHARGE* (on page 174) (for this call)
  - *MAX\_CHARGE* (on page 174) (for this call) - mid call rate changes
- *MFILE* (on page 174) (for rating data)
- *OPERATOR\_RELEASED* (on page 184) (commit/revoke reservation)
- RATES - use one of:
  - *RATES* (on page 186) (rated calls)
  - *RATES* (on page 187) (rated calls) - mid call rate changes
- *TCE* (on page 195) (ccs time call ended)
- *TCS* (on page 195) (ccs time call started)
- *TERMINAL* (on page 196) (Network ID)
- *TN* (on page 196) (ccs called number)
- *USER* (on page 197) (operator logon name)

### Example EDR 1 for reservation commit

```
BILLING_ENGINE_ID=21|SCP_ID=366273322|SEQUENCE_NUMBER=487291|CDR_TYPE=1|RECORD_DATE=
20070423190107|ACCT_ID=83|
ACCT_REF_ID=83|CLI=49393520|BALANCE_TYPES=1|BALANCES=89140|COSTS=540|RATES=60|LENGTH
S=-
1|DISCOUNTS=0|MAX_CHARGE=2000|CASCADE_ID=1|ACS_CUST_ID=1|ACCOUNT_TYPE=21|DURATION=54
0.00|DURATION_CHARGED=540.00|TN=47777777|TCS=20100602225949|TCE=20100602230025|CS=S|
DISCOUNT_TYPE=R*W|MFILE=20100602203530|USER=SU|TERMINAL=192.168.2.68|OPERATOR_RELEAS
ED=1|END_CALL_REASON=15
```

## Revoke Reservation (EDR 1)

### Mandatory EDR 1 fields

This list identifies the mandatory EDR record fields when a Revoke Reservation has been performed (CDR type 1):

- *ACCOUNT\_TYPE* (on page 149) (Product Type ID)
- *ACS\_CUST\_ID* (on page 150) (ACS Customer ID)
- CLI - use one of:
  - *CLI* (on page 161) (initiating call number)
  - *CLI* (on page 161) (initiating call number) - mid call rate changes
- *CS* (call status, S or D) (on page 164) (call status, S or D)
- *DISCOUNT\_TYPE* (on page 165) (applied to this call) - R\*W
- *DURATION* (on page 167) (call length)
- *DURATION\_CHARGED* (on page 168)
- *END\_CALL\_REASON* (reasons for call termination) (on page 169)
- *MFILE* (on page 174) (for rating data)
- *OPERATOR\_RELEASED* (on page 184) (commit/revoke reservation)

- *TCE* (on page 195) (ccs time call ended)
- *TCS* (on page 195) (ccs time call started)
- *TERMINAL* (on page 196) (Network ID)
- *TN* (on page 196) (ccs called number)
- *USER* (on page 197) (operator logon name)

### Example EDR 1 for single tariff rated call

```
BILLING_ENGINE_ID=21|SCP_ID=366273322|SEQUENCE_NUMBER=487291|CDR_TYPE=1|RECORD_DATE=20070423190107|ACCT_ID=83|ACCT_REF_ID=83|ACS_CUST_ID=1|ACCOUNT_TYPE=21|DURATION=0.00|DURATION_CHARGED=60|TN=4777777|TCS=20100602034410|TCE=20100602034432|CS=S|DISCOUNT_TYPE=R*W|MFILE=20100602032245|OPERATOR_RELEASED=1|USER=SU|TERMINAL=192.168.2.68|CLI=49393520
```

## Declined National Call

### Mandatory EDR 1 fields

This list identifies the mandatory EDR record fields for a declined national call (EDR type 1):

- *ACCOUNT\_TYPE* (on page 149) (Product Type ID)
- *ACS\_CUST\_ID* (on page 150) (ACS Customer ID)
- *CLI* (on page 161) (initiating call number)
- *NACK* (on page 176) (long list of codes)
- *TCS* (on page 195) (ccs time call started)
- *TN* (on page 196) (ccs called number)
- *WALLET\_TYPE* (on page 198) (ID of wallet changed)

### Optional EDR 1 fields

This list identifies the optional EDR record fields for a declined national call (EDR type 1):

- *CUG\_NAME* (on page 164) (closed user group)

### Account Activated additional fields

If the account is activated, the following fields are generated:

- *NEW\_ACCT\_STATE* (on page 178) (always active - A)
- *OLD\_ACCT\_STATE* (on page 182) (P or D before update)

### MSISDN additional fields

If the MSISDN ccsCDRLoader plug-in is installed on the SMS, the following field will be present:

- *MSISDN* (on page 175) (account calling number)

### Mobile number portability additional fields

If the Mobile Number Portability (MNP) software is installed, the following fields will be present:

- *PORTED* (on page 185) (name of porting carrier)



## Example EDR 1 for declined national call

```
BILLING_ENGINE_ID=21|SCP_ID=230612530|SEQUENCE_NUMBER=487291|CDR_TYPE=1|RECORD_DATE=
20070703121758|ACCT_ID=83|ACCT_REF_ID=83|CLI=01206233252|TN=01473289900|TCS=20070725
124332|CS=D|ACCOUNT_TYPE=15|NACK=INSF|WALLET_TYPE=1|ACS_CUST_ID=1|END_CALL_REASON=13
```

## Example Account Activated

```
BILLING_ENGINE_ID=21|SCP_ID=230612530|SEQUENCE_NUMBER=487291|CDR_TYPE=1|RECORD_DATE=
20040803121758|ACCT_ID=83|ACCT_REF_ID=83|CLI=01206233252|TN=01473289900|TCS=20040625
124332|CS=D|ACCOUNT_TYPE=15|NACK=INSF|WALLET_TYPE=1|ACS_CUST_ID=1|OLD_ACCT_STATE=P|N
EW_ACCT_STATE=A|END_CALL_REASON=14
```

## Example MSISDN

```
BILLING_ENGINE_ID=21|SCP_ID=230612530|SEQUENCE_NUMBER=487291|CDR_TYPE=1|RECORD_DATE=
20040803121758|ACCT_ID=83|ACCT_REF_ID=83|CLI=01206233252|TN=01473289900|TCS=20040625
124332|CS=D|ACCOUNT_TYPE=15|
NACK=INSF|WALLET_TYPE=1|ACS_CUST_ID=1|OLD_ACCT_STATE=P|NEW_ACCT_STATE=A|MSISDN=01206
233252|END_CALL_REASON=14
```

## Note

The sequence of all fields output in an EDR is not guaranteed.

## Direct Amount Charge (EDR 6)

### Mandatory EDR 23 fields

This list identifies the mandatory EDR record fields for a direct amount charge (EDR type 6):

- *ACCOUNT\_TYPE* (on page 149) (Product Type ID)
- *APPLICATION\_DESC* (on page 151) (application freeform)
- *BALANCE\_TYPES* (on page 152) (account changed or created)
- *BALANCES* (on page 154) (pre-call or account creation)
- *CASCADE\_ID* (on page 157) (balance type cascade IDs)
- *COSTS* (on page 163) (rated calls)
- *CS* (*call status, S or D*) (on page 164) (call status, S or D)
- *NEW\_ACCT\_EXPIRY* (on page 177) (date after update)
- *NEW\_ACCT\_STATE* (on page 178) (after update)
- *NEW\_BALANCE\_EXPIRIES* (on page 179) (date after balance update)
- *OGEO\_ID* (on page 181) (originating geo node id)
- *OLD\_ACCT\_STATE* (on page 182) (before update)
- *OLD\_ACCT\_EXPIRY* (on page 181) (dates before update)
- *OLD\_BALANCE\_EXPIRIES* (on page 183) (dates before voucher recharge)
- *REFERENCE* (on page 189) (OSA bonus)
- *TCE* (on page 195) (ccs time call ended)
- *TCS* (on page 195) (ccs time call started)
- *TGEO\_ID* (on page 196) (terminating geo node id)
- *WALLET\_TYPE* (on page 198) (ID of wallet recharged)

**Note:** See *EDR header fields* (on page 16) for a list of fields common to every EDR.

**Note**

The sequence of all fields output in an EDR is not guaranteed.

# Freeform Recharges

## Overview

### Introduction

This chapter defines the CCS EDRs for freeform recharges.

### In this chapter

---

This chapter contains the following topics.

Freeform Recharge Succeeds using the GUI (EDR 8) .....	57
Freeform Recharge Succeeds using PI (EDR 8) .....	58
Freeform Recharge Succeeds using PI (EDR 2) .....	60
Freeform Recharge Fails using PI (EDR 2, 8).....	61

## Freeform Recharge Succeeds using the GUI (EDR 8)

### Mandatory EDR 8 fields

The recharge succeeds where the account is credited.

This list identifies the mandatory EDR record fields for a successful freeform recharge using the GUI (EDR type 8):

- *ACCOUNT\_TYPE* (on page 149) (Product Type ID)
- *ACS\_CUST\_ID* (on page 150) (ACS Customer ID)
- *BALANCE\_TYPES* (on page 153) (existing account)
- *BALANCES* (on page 154) (pre-transaction account balances)
- *BONUS\_TYPE* (on page 156) (name)
- *COSTS* (on page 163) (rated calls)
- *CS* (*call status, S or D*) (on page 164) (call status, S or D)
- *NEW\_BALANCE\_EXPIRIES* (on page 179) (dates after voucher recharge)
- *OLD\_BALANCE\_EXPIRIES* (on page 183) (dates before voucher recharge)
- *REFERENCE* (on page 189) (operator freeform)
- *RELOAD\_BONUS* (on page 190) (promotion name)
- *RELOAD\_BONUS\_AMOUNT* (on page 190) (amount applied)
- *RELOAD\_BONUS\_EXPIRY* (on page 190) (date remaining bonus expires)
- *RELOAD\_BONUS\_LEFT* (on page 191) (bonus amount remaining)
- *RESULT* (on page 192) (voucher redemption, always Success)
- *TERMINAL* (on page 196) (Network ID)
- *USER* (on page 197) (operator logon name)
- *WALLET\_TYPE* (on page 198) (ID of wallet changed)

## Optional EDR 8 fields

This list identifies the optional EDR record fields for a freeform recharge succeeds using the GUI (EDR type 8):

- *ADJUSTMENT* (on page 151) (generated by an adjustment)
- *BEARER\_TYPE* (*bearer type for promotions*) (on page 155) (bearer type for rewards)
- *CHANNEL* (*for rewards*) (on page 161) (for rewards)
- *REVERSE\_CHARGE* (on page 192) (generated by a reverse charge)
- *NEW\_ACCT\_STATE* (on page 178) (after update)
- *OLD\_ACCT\_STATE* (on page 182) (before update)

**Note:** The *NEW\_ACCT\_STATE* and *OLD\_ACCT\_STATE* tags will always be present when the freeform recharge causes a change to the wallet state.

## MSISDN additional fields

If the MSISDN ccsCDRLoader plug-in is installed on the SMS, the following field will be present:

- *MSISDN* (on page 175) (account calling number)

## Example EDR 8 for freeform succeeds

```
BILLING_ENGINE_ID=21|SCP_ID=110537566|SEQUENCE_NUMBER=139450184|CDR_TYPE=8|RECORD_DATE=20040804132135|ACCT_ID=61|ACCT_REF_ID=61|USER=SU|TERMINAL=192.168.25.108|RESULT=Success|BONUS_TYPE=CUSTOM|CS=S|REFERENCE=FreeForm
Recharge|ACCOUNT_TYPE=1|BALANCE_TYPES=1|BALANCES=1000|COSTS=-100|OLD_BALANCE_EXPIRIES=0|NEW_BALANCE_EXPIRIES=0|ACS_CUST_ID=1|WALLET_TYPE=1
```

## Example MSISDN

```
BILLING_ENGINE_ID=21|SCP_ID=110537566|SEQUENCE_NUMBER=13950184|CDR_TYPE=8|RECORD_DATE=20040804132135|ACCT_ID=61|ACCT_REF_ID=61|USER=SU|RESULT=Success|CLI=1234|REFERENCE=FreeForm
Recharge|ACCOUNT_TYPE=1|OLD_ACCT_EXPIRY=0|NEW_ACCT_EXPIRY=0|MAX_CONCURRENT=10|NEW_LAST_USE=20040804132122|BALANCE_TYPES=1|BALANCES=1000|COSTS=-100|OLD_BALANCE_EXPIRIES=0|NEW_BALANCE_EXPIRIES=0|ACS_CUST_ID=1|MSISDN=1234
```

## Note

The sequence of all fields output in an EDR is not guaranteed.

## Freeform Recharge Succeeds using PI (EDR 8)

### Mandatory EDR 8 fields

The recharge succeeds where the account is credited.

This list identifies the mandatory EDR record fields for a successful freeform recharge using PI (EDR type 8):

- *ACCOUNT\_TYPE* (on page 149) (Product Type ID)
- *ACS\_CUST\_ID* (on page 150) (ACS Customer ID)
- *BALANCE\_TYPES* (on page 153) (existing account)
- *BALANCES* (on page 154) (pre-transaction account balances)
- *BUCKET\_IDS* (on page 156) (within balance type recharged)
- *COSTS* (on page 163) (rated calls)

- *NEW\_ACCT\_EXPIRY* (on page 177) (date after update)
- *NEW\_BALANCE\_EXPIRIES* (on page 179) (dates after voucher recharge)
- *OLD\_ACCT\_EXPIRY* (on page 181) (dates before update)
- *OLD\_BALANCE\_EXPIRIES* (on page 183) (dates before voucher recharge)
- *PI* (on page 185) (logon name and IP address)
- *RELOAD\_BONUS* (on page 190) (promotion name)
- *RELOAD\_BONUS\_AMOUNT* (on page 190) (amount applied)
- *RELOAD\_BONUS\_EXPIRY* (on page 190) (date remaining bonus expires)
- *RELOAD\_BONUS\_LEFT* (on page 191) (bonus amount remaining)
- *WALLET\_TYPE* (on page 198) (ID of wallet changed)

### Optional EDR 8 fields

This list identifies the optional EDR record fields for a freeform recharge succeeds using PI (EDR type 8):

- *BEARER\_TYPE* (*bearer type for promotions*) (on page 155) (bearer type for rewards)
- *CHANNEL* (*for rewards*) (on page 161) (for rewards)
- *NEW\_ACCT\_STATE* (on page 178) (after update)
- *OLD\_ACCT\_STATE* (on page 182) (before update)
- *REFERENCE* (on page 189) (from pi reference)

**Note:** The *NEW\_ACCT\_STATE* and *OLD\_ACCT\_STATE* tags will always be present when the freeform recharge causes a change to the wallet state.

### MSISDN additional fields

If the MSISDN ccsCDRLoader plug-in is installed on the SMS, the following field will be present:

- *MSISDN* (on page 175) (account calling number)

### Platform dependant additional fields

Depending on the installed platform, the following field will be present:

- *COMPONENT* (on page 162) (from pi command reference)

### Example EDR 8 for freeform succeeds

```
BILLING_ENGINE_ID=21|SCP_ID=161986004|SEQUENCE_NUMBER=12|CDR_TYPE=8|RECORD_DATE=2007
0704141927|ACCT_ID=61|ACCT_REF_ID=61|ACS_CUST_ID=1|BALANCES=1000|BALANCE_TYPES=1|BUC
KET_IDS=45844|COSTS=-
100|NEW_BALANCE_EXPIRIES=|OLD_BALANCE_EXPIRIES=|PI=adminAT192.168.25.106|OLD_ACCT_EX
PIRY=0|NEW_ACCT_EXPIRY=0|WALLET_TYPE=1|ACCOUNT_TYPE=1
```

### Example MSISDN

```
BILLING_ENGINE_ID=21|SCP_ID=161986004|SEQUENCE_NUMBER=12|CDR_TYPE=8|RECORD_DATE=2004
0804141927|ACCT_ID=61|ACCT_REF_ID=61|ACS_CUST_ID=1|BALANCES=1000|BALANCE_TYPES=1|BUC
KET_IDS=45844|COSTS=-
100|CS=S|NEW_BALANCE_EXPIRIES=|OLD_BALANCE_EXPIRIES=|PI=adminAT192.168.25.106|REFERE
NCE=PIFreeForm|WALLET_TYPE=1|ACCOUNT_TYPE=1|
LAST_USED=200401011234|MSISDN=1394111111
```

**Note**

The sequence of all fields output in an EDR is not guaranteed.

**Freeform Recharge Succeeds using PI (EDR 2)****Mandatory EDR 2 fields**

The recharge succeeds where the account is debited.

This list identifies the mandatory EDR record fields for a successful freeform recharge using PI (EDR type 2):

- *ACS\_CUST\_ID* (on page 150) (ACS Customer ID)
- *BALANCE\_TYPES* (on page 153) (existing account)
- *BALANCES* (on page 154) (pre-transaction account balances)
- *BONUS\_TYPE* (on page 156) (name)
- *COSTS* (on page 163) (rated calls)
- *CS* (call status, S or D) (on page 164) (call status, S or D)
- *NEW\_BALANCE\_EXPIRIES* (on page 179) (dates after voucher recharge)
- *OLD\_BALANCE\_EXPIRIES* (on page 183) (dates before voucher recharge)
- *PI* (on page 185) (logon name and IP address)
- *REFERENCE* (on page 189) (operator freeform)
- *RESULT* (on page 192) (voucher redemption, always Success)
- *WALLET\_TYPE* (on page 198) (ID of wallet changed)

**MSISDN additional fields**

If the MSISDN ccsCDRLoader plug-in is installed on the SMS, the following field will be present:

- *MSISDN* (on page 175) (account calling number)

**Example EDR 2 for freeform succeeds**

```
BILLING_ENGINE_ID=21|SCP_ID=161986004|SEQUENCE_NUMBER=13|CDR_TYPE=2|RECORD_DATE=2004
0804141927|ACCT_ID=61|ACCT_REF_ID=61|ACS_CUST_ID=1|BALANCES=1100|BALANCE_TYPES=1|RES
ULT=Success|COSTS=100|CS=S|NEW_BALANCE_EXPIRIES=|OLD_BALANCE_EXPIRIES=|PI=adminAT192
.168.25.106|REFERENCE=PI
FreeForm|WALLET_TYPE=1|BONUS_TYPE=CUSTOM|ACCOUNT_TYPE=1|OLD_ACCT_EXPIRY=0|NEW_ACCT_E
XPYRY=0
```

**Example MSISDN**

```
BILLING_ENGINE_ID=21|SCP_ID=161986004|SEQUENCE_NUMBER=13|CDR_TYPE=2|RECORD_DATE=2004
0804141927|ACCT_ID=61|ACCT_REF_ID=61|ACS_CUST_ID=1|BALANCES=1100|BALANCE_TYPES=1|BUC
KET_IDS=45844|COSTS=100|CS=S|NEW_BALANCE_EXPIRIES=|OLD_BALANCE_EXPIRIES=|PI=adminAT1
92.168.25.106|REFERENCE=PI
FreeForm|WALLET_TYPE=1|ACCOUNT_TYPE=1|OLD_ACCT_EXPIRY=0|NEW_ACCT_EXPIRY=0|MSISDN=139
4111111
```

**Note**

The sequence of all fields output in an EDR is not guaranteed.

## Freeform Recharge Fails using PI (EDR 2, 8)

### Mandatory EDR 2 fields

A EDR type 2 will be produced for a charge attempt, and a EDR type 8 will be produced for a refund attempt.

This list identifies the mandatory EDR record fields for an unsuccessful PI promotional recharge using PI:

- *ACCOUNT\_TYPE* (on page 149) (Product Type ID)
- *ACS\_CUST\_ID* (on page 150) (ACS Customer ID)
- *BONUS\_TYPE* (on page 156) (name)
- CS (call status, always D)
- *NACK* (on page 175) (freeform recharge list)
- *PI* (on page 185) (logon name and IP address)
- *REFERENCE* (on page 189) (from pi reference)
- *RESULT* (on page 191) (pi failure)
- *WALLET\_TYPE* (on page 198) (ID of wallet changed)

### MSISDN additional fields

If the MSISDN ccsCDRLoader plug-in is installed on the SMS, the following field will be present:

- *MSISDN* (on page 175) (account calling number)

### Example EDR 8 for freeform fails

```
BILLING_ENGINE_ID=21|SCP_ID=161986004|SEQUENCE_NUMBER=12|CDR_TYPE=8|RECORD_DATE=2007
0704141927|ACCT_ID=61|ACCT_REF_ID=61|ACS_CUST_ID=1|BONUS_TYPE=CUSTOM|CS=D|PI=adminAT
192.168.25.106|REFERENCE=PI
FreeForm|WALLET_TYPE=1|NACK=WDISP|ACCOUNT_TYPE=1|RESULT=Frozen Wallet
```

### Example MSISDN

```
BILLING_ENGINE_ID=21|SCP_ID=161986004|SEQUENCE_NUMBER=12|CDR_TYPE=8|RECORD_DATE=2004
0804141927|ACCT_ID=61|ACCT_REF_ID=61|ACS_CUST_ID=1|CS=D|PI=adminAT192.168.25.106|REF
ERENCE=PI FreeForm|WALLET_TYPE=1|NACK=NRCH|ACCOUNT_TYPE=1|MSISDN=1394111111
```

### Note

The sequence of all fields output in an EDR is not guaranteed.





# Credit Card Recharges

## Overview

### Introduction

This chapter defines the CCS EDRs for credit card recharges.

### In this chapter

---

This chapter contains the following topics.

Credit Card Recharge Succeeds using Screens (EDR 9).....	63
Credit Card Recharge Succeeds using PI (EDR 9) .....	64

## Credit Card Recharge Succeeds using Screens (EDR 9)

### Mandatory EDR 9 fields

This list identifies the mandatory EDR record fields for a successful credit card recharge using screens (EDR type 9):

- *ACCOUNT\_TYPE* (on page 149) (Product Type ID)
- *ACS\_CUST\_ID* (on page 150) (ACS Customer ID)
- *BALANCE\_TYPES* (on page 153) (existing account)
- *BALANCES* (on page 154) (pre-transaction account balances)
- *BONUS\_TYPE* (on page 156) (name)
- *COSTS* (on page 163) (rated calls)
- *CS* (*call status, S or D*) (on page 164) (call status, S or D)
- *NEW\_BALANCE\_EXPIRIES* (on page 179) (dates after voucher recharge)
- *OLD\_BALANCE\_EXPIRIES* (on page 183) (dates before voucher recharge)
- *REFERENCE* (on page 189) (operator freeform)
- *RESULT* (on page 192) (voucher redemption, always Success)
- *TERMINAL* (on page 196) (Network ID)
- *USER* (on page 197) (operator logon name)
- *WALLET\_TYPE* (on page 198) (ID of wallet changed)

### MSISDN additional fields

If the MSISDN ccsCDRLoader plug-in is installed on the SMS, the following field will be present:

- *MSISDN* (on page 175) (account calling number)

## Example EDR 9 for cc recharge

```
BILLING_ENGINE_ID=21|SCP_ID=175677458|SEQUENCE_NUMBER=14578|CDR_TYPE=9|RECORD_DATE=20070716035736|ACCT_ID=61|ACCT_REF_ID=61|RESULT=Success|REFERENCE=Credit Card Recharge|
ACCOUNT_TYPE=24|BALANCE_TYPES=1|BONUS_TYPE=CUSTOM|BALANCES=1000|COSTS=-100|CS=S|OLD_BALANCE_EXPIRIES=0|NEW_BALANCE_EXPIRIES=0|ACS_CUST_ID=1|TERMINAL=192.168.25.108|USER=SU|WALLET_TYPE=1
```

### Note

The sequence of all fields output in an EDR is not guaranteed.

## Credit Card Recharge Succeeds using PI (EDR 9)

### Mandatory EDR 9 fields

The recharge succeeds where the REFERENCE field of the EDR record has a CC prefix indicating this is a credit card recharge that was initiated through the IVR and the PI was used to recharge the account.

This list identifies the mandatory EDR record fields for a successful credit card recharge using PI (EDR type 9):

- *ACCOUNT\_TYPE* (on page 149) (Product Type ID)
- *ACS\_CUST\_ID* (on page 150) (ACS Customer ID)
- *BALANCE\_TYPES* (on page 153) (existing account)
- *BALANCES* (on page 154) (pre-transaction account balances)
- *COSTS* (on page 163) (rated calls)
- *CS* (*call status, S or D*) (on page 164) (call status, S or D)
- *NEW\_BALANCE\_EXPIRIES* (on page 179) (dates after voucher recharge)
- *OLD\_BALANCE\_EXPIRIES* (on page 183) (dates before voucher recharge)
- *PI* (on page 185) (logon name and IP address)
- *REFERENCE* (on page 189) (credit card reference, always cc)
- *STATE* (on page 195) (of recharge)
- *WALLET\_TYPE* (on page 198) (ID of wallet recharged)

### Optional EDR 9 fields

This list identifies the optional EDR record fields for a successful credit card recharge using PI (EDR type 9):

- *BONUS\_TYPE* (on page 156) (name)

### MSISDN additional fields

If the MSISDN ccsCDRLoader plug-in is installed on the SMS, the following field will be present:

- *MSISDN* (on page 175) (account calling number)

### Example EDR 9 for cc succeeds

```
BILLING_ENGINE_ID=21|SCP_ID=161986004|SEQUENCE_NUMBER=15|CDR_TYPE=9|RECORD_DATE=20040804141927|ACCT_ID=61|ACCT_REF_ID=61|ACS_CUST_ID=1|BALANCES=1000|BALANCE_TYPES=1|COSTS=-100|CS=S|NEW_BALANCE_EXPIRIES=|OLD_BALANCE_EXPIRIES=|PI=adminAT192.168.25.106|REFERENCE=CC040804028091|STATE=verified|WALLET_TYPE=1
```

**Note**

The sequence of all fields output in an EDR is not guaranteed.



# Voucher Freeform Recharges

## Overview

### Introduction

This chapter defines the CCS EDRs for voucher freeform recharges.

### In this chapter

---

This chapter contains the following topics.

Voucher Freeform Recharge Succeeds using Screens (EDR 10) ..... 67

## Voucher Freeform Recharge Succeeds using Screens (EDR 10)

### Mandatory EDR 10 fields

This list identifies the mandatory EDR record fields for a successful voucher freeform recharge using screens (EDR type 10):

- *ACCOUNT\_TYPE* (on page 149) (Product Type ID)
- *ACS\_CUST\_ID* (on page 150) (ACS Customer ID)
- *BALANCE\_TYPES* (on page 153) (existing account)
- *BALANCES* (on page 154) (pre-transaction account balances)
- *BONUS\_TYPE* (on page 156) (name)
- *COSTS* (on page 163) (rated calls)
- *CS* (*call status, S or D*) (on page 164) (call status, S or D)
- *NEW\_BALANCE\_EXPIRIES* (on page 179) (dates after voucher recharge)
- *OLD\_BALANCE\_EXPIRIES* (on page 183) (dates before voucher recharge)
- *REFERENCE* (on page 190) (voucher freeform)
- *RESULT* (on page 192) (voucher redemption, always Success)
- *TERMINAL* (on page 196) (Network ID)
- *USER* (on page 197) (operator logon name)
- *WALLET\_TYPE* (on page 198) (ID of wallet changed)

### Mandatory EDR 53 fields

### MSISDN additional fields

If the MSISDN ccsCDRLoader plug-in is installed on the SMS, the following field will be present:

- *MSISDN* (on page 175) (account calling number)

### Example EDR 10 for voucher ff succeeds

```
BILLING_ENGINE_ID=21|SCP_ID=175677458|SEQUENCE_NUMBER=12457|CDR_TYPE=10|RECORD_DATE=
20070716103449|ACCT_ID=61|ACCT_REF_ID=61|ACCOUNT_TYPE=24|ACS_CUST_ID=1|BALANCES=1000
|BALANCE_TYPES=1|RESULT=Success|CS=S|
REFERENCE=Voucher Freeform Recharge|COSTS=-
100|OLD_BALANCE_EXPIRIES=0|BONUS_TYPE=CUSTOM|
NEW_BALANCE_EXPIRIES=0|ACS_CUST_ID=1|USER=SU|TERMINAL=192.168.25.108|WALLET_TYPE=1
```

### Note

The sequence of all fields output in an EDR is not guaranteed.

# Voucher Batch Deletion

## Overview

### Introduction

This chapter defines the CCS EDRs for voucher batch deletion using Screens.

### In this chapter

---

This chapter contains the following topics.

Voucher Batch Deletion using Screens (EDR 53)..... 69

## Voucher Batch Deletion using Screens (EDR 53)

The following properties must be set in the `ccs_voucher_reference_part.cfg` file (path: `/IN/service_packages/CCSVCHRPART/etc/ccs_voucher_reference_part.cfg`) in the SMS.

- `PARTITION_FILE_ARCHIVE_DIRECTORY=/IN/service_packages/CCSVCHRPART/tmp/`
- `DO_MANUAL_FILE_ARCHIVE=1`
- `MANUAL_FILE_ARCHIVE_DIRECTORY=/IN/service_packages/CCSVCHRPART/tmp/`
- `DO_OTHER_FILE_ARCHIVE=1`
- `OTHER_FILE_ARCHIVE_DIRECTORY=/IN/service_packages/CCSVCHRPART/tmp/`

### Mandatory EDR 53 fields

This list identifies the mandatory EDR record fields for a successful voucher batch deletion using screens (EDR type 53):

- `ACCT_ID` (on page 149) (changed wallet ID)
- `ACCT_REF_ID` (on page 149) (changed account ID)
- `ACS_CUST_ID` (on page 150) (ACS Customer ID)
- `STATE` (on page 195) (of recharge)
- `VOUCHER_BATCH` (on page 197) (for voucher batch)
- `VOUCHER_NUMBER` (on page 197) (redeemed voucher)

### Example EDR 53

```
BILLING_ENGINE_ID=3|SCP_ID=|SEQUENCE_NUMBER=|RECORD_DATE=20180412123812|ACCT
_ID=|ACCT_REF_ID=|REDEEMING_SUBSCRIBER_ID=|CDR_TYPE=53|ACS_CUST_ID=11|BE_VOU
CHER_ENGINE_ID=3|CREATION_DATE=20180412123653|PRIVATE_SECRET=050F308723B5B9D6
752A1C5F4D98A4A9B1C65966DFA79555567F982F010BC6B7AFDBC39D03E72309865C18E5DDC1
2DE82790748FA23C0F4F236A370986A5CC4E|REDEEMED_DATE=|REDEEMING_ACCT_REF_ID=|
STATE=A|VOUCHER_BATCH=35|VOUCHER_NUMBER=20051|SCENARIO=2|BARCODE=2232|TEX
T=SAMPLE|CARD_DESIGN=0|DISTRIBUTOR_CHANNEL=WHOLESALE|RETAIL_CHANNEL=RETAI
L|PROVISIONING_DATE=20180412123702|FREE_TEXT_FIELD_1=FREETEXT1|FREE_TEXT_FIELD
_2=FREETEXT2|FREE_TEXT_FIELD_3=FREETEXT3|
```

**Note**

The sequence of all fields output in an EDR is not guaranteed.



# Periodic Charge

## Overview

### Introduction

This chapter defines the CCS EDRs for periodic charges.

### In this chapter

---

This chapter contains the following topics.

Periodic Charge Recharge Succeeds (EDR 49) .....	71
Periodic Charge Named Event Succeeds (EDR 49) .....	72
Periodic Charge Recharge Fails (EDR 49) .....	72
Periodic Charge Named Event Fails (EDR 49) .....	73
Change Subscription State Succeeds (EDR 52).....	73
Change Subscription State Fails (EDR 52) .....	74

## Periodic Charge Recharge Succeeds (EDR 49)

### Mandatory EDR 49 fields

This list identifies the mandatory EDR record fields for a successful recharge from a periodic charge (EDR type 49):

- *ACCOUNT\_TYPE* (on page 149) (Product Type ID)
- *ACS\_CUST\_ID* (on page 150) (ACS Customer ID)
- *BALANCE\_TYPES* (on page 153) (existing account)
- *BALANCES* (on page 154) (pre-transaction account balances)
- *COSTS* (on page 163) (rated calls)
- *NEW\_BALANCE\_EXPIRIES* (on page 179) (dates after voucher recharge)
- *OLD\_BALANCE\_EXPIRIES* (on page 183) (dates before voucher recharge)
- *VOUCHER\_TYPE* (on page 198) (name)

### Optional EDR 49 fields

This list identifies the optional EDR record fields for a successful recharge from a periodic charge (EDR type 49):

- *NEW\_ACCT\_STATE* (on page 178) (always active - A)
- *NEW\_ACCT\_TYPE* (on page 179) (ID of account after recharge)
- *OLD\_ACCT\_STATE* (on page 182) (P or D before update)
- *OLD\_ACCT\_TYPE* (on page 182) (ID of account before recharge)
- *PC\_TYPE* (on page 185) (periodic charge type)
- *PRO\_RATE* (on page 186) (periodic charge subscription)
- *RELOAD\_BONUS* (on page 190) (promotion name)

- *RELOAD\_BONUS\_AMOUNT* (on page 190) (amount applied)
- *RELOAD\_BONUS\_EXPIRY* (on page 190) (date remaining bonus expires)
- *RELOAD\_BONUS\_LEFT* (on page 191) (bonus amount remaining)

## Periodic Charge Named Event Succeeds (EDR 49)

### Mandatory EDR 49 fields

This list identifies the mandatory EDR record fields for a successful periodic charge for a named event (EDR type 49):

- *ACCOUNT\_TYPE* (on page 149) (Product Type ID)
- *ACS\_CUST\_ID* (on page 150) (ACS Customer ID)
- *BALANCE\_TYPES* (on page 153) (existing account)
- *BALANCES* (on page 154) (pre-transaction account balances)
- *CASCADE\_ID* (on page 157) (balance type cascade IDs)
- *CHARGE\_NAME* (on page 161) (of periodic charge)
- *COSTS* (on page 163) (rated calls)
- *CS* (*call status, S or D*) (on page 164) (call status, S or D)
- *DISCOUNTS* (on page 166) (for each named event)
- *EVENT\_CLASS* (on page 169) (list of classes used)
- *EVENT\_COST* (on page 169) (for each named event)
- *EVENT\_COUNT* (on page 170) (for each named event)
- *EVENT\_NAME* (on page 170) (list used for this call)
- *EVENT\_TIME\_COST* (on page 170) (for a named event)
- *TCS* (on page 195) (ccs time call started)
- *WALLET\_TYPE* (on page 198) (ID of wallet changed)

### Optional EDR 49 fields

This list identifies the optional EDR record fields for a successful periodic charge for a named event (EDR type 49):

- *NEW\_ACCT\_STATE* (on page 178) (always active - A)
- *OLD\_ACCT\_STATE* (on page 182) (P or D before update)
- *OVERDRAWN\_AMOUNT* (on page 185) (take Balance Negative)
- *PC\_TYPE* (on page 185) (periodic charge type)
- *PRO\_RATE* (on page 186) (periodic charge subscription)
- *REMAINING\_CHARGE* (on page 191) (partial Charge)

## Periodic Charge Recharge Fails (EDR 49)

### Mandatory EDR 49 fields

This list identifies the mandatory EDR record fields for an unsuccessful recharge using a periodic charge (EDR type 49):

- *ACCOUNT\_TYPE* (on page 149) (Product Type ID)
- *ACS\_CUST\_ID* (on page 150) (ACS Customer ID)
- *CS* (call status, always D)

- *NACK* (on page 176) (short list of codes)
- *RESULT* (on page 191) (general cause)
- *WALLET\_TYPE* (on page 198) (ID of wallet changed)

## Periodic Charge Named Event Fails (EDR 49)

### Mandatory EDR 49 fields

This list identifies the mandatory EDR record fields for an unsuccessful periodic charge for a named event (EDR type 49):

- *ACS\_CUST\_ID* (on page 150) (ACS Customer ID)
- *CS* (call status, always D)
- *EVENT\_CLASS* (on page 169) (list of classes used)
- *EVENT\_NAME* (on page 170) (list used for this call)
- *NACK* (on page 176) (short list of codes)
- *TCS* (on page 195) (ccs time call started)

## Change Subscription State Succeeds (EDR 52)

### Mandatory EDR 52 fields

This list identifies the mandatory EDR record fields for a successful periodic charge subscription state change (EDR type 52):

- *ACCOUNT\_TYPE* (on page 149) (Product Type ID)
- *ACCT\_ID* (on page 149) (changed wallet ID)
- *ACCT\_REF\_ID* (on page 149) (changed account ID)
- *BILLING\_ENGINE\_ID* (on page 155) (BE where account resides)
- *CHARGE\_EXPIRY* (*new periodic charge expiry*) (on page 161) (new periodic charge expiry)
- *OLD\_CHARGE\_EXPIRY* (on page 183) (periodic charge expiry date changes)
- *CHARGE\_NAME* (on page 161) (of periodic charge)
- *CLI* (on page 162) (for the account that will be changed)
- *CS* (*call status, S or D*) (on page 164) (call status, S or D)
- *NEW\_CHARGE\_STATE* (on page 180) (periodic charge subscription state)
- *OLD\_CHARGE\_STATE* (on page 184) (periodic charge subscription state)
- *RECORD\_DATE* (on page 188) (date edr created)
- *WALLET\_TYPE* (on page 198) (ID of wallet changed)

### Optional EDR 52 fields

This list identifies the optional EDR record fields for a successful periodic charge subscription state change (EDR type 52):

- *SCP\_ID* (on page 194) (where call originated)
- *SEQUENCE\_NUMBER* (on page 194) (call identifier)

## Change Subscription State Fails (EDR 52)

### Mandatory EDR 52 fields

This list identifies the mandatory EDR record fields for a failed periodic charge subscription state change (EDR type 52):

- *ACCOUNT\_TYPE* (on page 149) (Product Type ID)
- *ACCT\_ID* (on page 149) (changed wallet ID)
- *ACCT\_REF\_ID* (on page 149) (changed account ID)
- *BILLING\_ENGINE\_ID* (on page 155) (BE where account resides)
- *CHARGE\_EXPIRY* (*new periodic charge expiry*) (on page 161) (new periodic charge expiry)
- *OLD\_CHARGE\_EXPIRY* (on page 183) (periodic charge expiry date changes)
- *CHARGE\_NAME* (on page 161) (of periodic charge)
- *CLI* (on page 162) (for the account that will be changed)
- CS (call status, always D)
- *NEW\_CHARGE\_STATE* (on page 180) (periodic charge subscription state)
- *OLD\_CHARGE\_STATE* (on page 184) (periodic charge subscription state)
- *RECORD\_DATE* (on page 188) (date edr created)
- *WALLET\_TYPE* (on page 198) (ID of wallet changed)

### Optional EDR 52 fields

This list identifies the optional EDR record fields for a failed periodic charge subscription state change (EDR type 52):

- *NEW\_CHARGE\_STATE* (on page 180) (periodic charge subscription state)
- *OLD\_CHARGE\_STATE* (on page 184) (periodic charge subscription state)
- *CHARGE\_EXPIRY* (*new periodic charge expiry*) (on page 161) (new periodic charge expiry)

# Web Initiated Recharges

## Overview

### Introduction

This chapter defines the CCS EDRs for web initiated recharges.

### In this chapter

---

This chapter contains the following topics.

Web Initiated Recharge Succeeds using PI (EDR 8) ..... 75

## Web Initiated Recharge Succeeds using PI (EDR 8)

### Mandatory EDR 8 fields

The recharge succeeds where the REFERENCE field of the EDR record has a WS prefix indicating this is a recharge that was initiated through a web interface.

This list identifies the mandatory EDR record fields for a successful web initiated recharge using PI (EDR type 8):

- *ACCOUNT\_TYPE* (on page 149) (Product Type ID)
- *ACS\_CUST\_ID* (on page 150) (ACS Customer ID)
- *BALANCES* (on page 154) (pre-transaction account balances)
- *BONUS\_TYPE* (on page 156) (name)
- *COSTS* (on page 163) (rated calls)
- *CS* (*call status, S or D*) (on page 164) (call status, S or D)
- *NEW\_BALANCE\_EXPIRIES* (on page 179) (dates after voucher recharge)
- *OLD\_BALANCE\_EXPIRIES* (on page 183) (dates before voucher recharge)
- *PI* (on page 185) (logon name and IP address)
- *REFERENCE* (on page 190) (web site reference - ws)
- *RESULT* (on page 192) (web - success)
- *WALLET\_TYPE* (on page 198) (ID of wallet recharged)

### Optional EDR 8 fields

This list identifies the optional EDR record fields for a web recharge succeeds using PI (EDR type 8):

- *BEARER\_TYPE* (*bearer type for promotions*) (on page 155) (bearer type for rewards)
- *CHANNEL* (*for rewards*) (on page 161) (for rewards)
- *NEW\_ACCT\_STATE* (on page 178) (after update)
- *OLD\_ACCT\_STATE* (on page 182) (before update)

**Note:** The *NEW\_ACCT\_STATE* and *OLD\_ACCT\_STATE* tags will always be present when the freeform recharge causes a change to the wallet state.

## Example EDR 8 for web

```
ACCOUNT_TYPE=145|ACCT_ID=83938|ACCT_REF_ID=83200|ACS_CUST_ID=11|BALANCES=0|BALAN  
CE_TYPES=25|BILLING_ENGINE_ID=16|BONUS_TYPE=CUSTOM|CDR_TYPE=8|COSTS=-  
200000|CS=S|NEW_BALANCE_EXPIRIES=|OLD_BALANCE_EXPIRIES=|PI=sdgAT10.11.169.14|RECORD_  
DATE=20091102100721|REFERENCE=WS_Recharge|  
RESULT=Success|SCP_ID=265805204|SEQUENCE_NUMBER=144298|WALLET_TYPE=21
```

## Note

The sequence of all fields output in an EDR is not guaranteed.

# PI Promotional Recharges

## Overview

### Introduction

This chapter defines the CCS EDRs for Provisioning Interface (PI) promotional recharges.

### In this chapter

---

This chapter contains the following topics.

PI Promotional Recharge Succeeds using PI (EDR 2) ..... 77

## PI Promotional Recharge Succeeds using PI (EDR 2)

### Mandatory EDR 2 fields

This list identifies the mandatory EDR record fields for a successful PI promotional recharge using PI (EDR type 2):

- *ACS\_CUST\_ID* (on page 150) (ACS Customer ID)
- *BALANCE\_TYPES* (on page 153) (existing account)
- *BALANCES* (on page 154) (pre-transaction account balances)
- *BUCKET\_IDS* (on page 156) (within balance type recharged)
- *COSTS* (on page 163) (rated calls)
- *CS* (*call status, S or D*) (on page 164) (call status, S or D)
- *NEW\_BALANCE\_EXPIRIES* (on page 179) (dates after voucher recharge)
- *OLD\_BALANCE\_EXPIRIES* (on page 183) (dates before voucher recharge)
- *PI* (on page 185) (logon name and IP address)
- *REFERENCE* (on page 189) (from pi reference)
- *WALLET\_TYPE* (on page 198) (ID of wallet recharged)

### MSISDN additional fields

If the MSISDN ccsCDRLoader plug-in is installed on the SMS, the following field will be present:

- *MSISDN* (on page 175) (account calling number)

### Example EDR 2 for pi promo

```
BILLING_ENGINE_ID=21|SCP_ID=161986004|SEQUENCE_NUMBER=12|CDR_TYPE=2|RECORD_DATE=2004
0804141927|ACCT_ID=61|ACCT_REF_ID=61|ACS_CUST_ID=1|BALANCES=1000|BALANCE_TYPES=1|BUC
KET_IDS=45844|COSTS=-
100|CS=S|NEW_BALANCE_EXPIRIES=|OLD_BALANCE_EXPIRIES=|PI=adminAT192.168.25.106|REFERE
NCE=PI Promotional|WALLET_TYPE=1
```

**Note**

The sequence of all fields output in an EDR is not guaranteed.



# Friends & Family, Friends & Destination Config Change

## Overview

### Introduction

This chapter defines the CCS EDRs for Friends & Family and Friends & Destination configuration changes.

### In this chapter

---

This chapter contains the following topics.

F&F/F&D Change Succeeds using IVR (EDR 5) .....	79
F&F/F&D Change Fails using IVR (EDR 5).....	80
F&F/F&D Change Succeeds using PI (EDR 28).....	81
F&F/F&D Change Fails using PI (EDR 5) .....	81
F&F/F&D New Entry Succeeds using PI (EDR 5).....	82

## F&F/F&D Change Succeeds using IVR (EDR 5)

### Mandatory EDR 5 fields

This list identifies the mandatory EDR record fields for a successful F&F and F&D change using IVR (EDR type 5):

- *ACCOUNT\_TYPE* (on page 149) (Product Type ID)
- *ACS\_CUST\_ID* (on page 150) (ACS Customer ID)
- *BALANCE\_TYPES* (on page 152) (account changed or created)
- *BALANCES* (on page 154) (pre-transaction account balances)
- *CASCADE\_ID* (on page 157) (balance type cascade IDs)
- *CS* (*call status, S or D*) (on page 164) (call status, S or D)
- *DISCOUNTS* (on page 166) (for each named event)
- *EVENT\_CLASS* (on page 169) (list of classes used)
- *EVENT\_COST* (on page 169) (for each named event)
- *EVENT\_COUNT* (on page 170) (for each named event)
- *EVENT\_NAME* (on page 170) (list used for this call)
- *EVENT\_TIME\_COST* (on page 170) (for a named event)
- *TCS* (on page 195) (ccs time call started)
- *WALLET\_TYPE* (on page 198) (ID of wallet changed)

## Optional EDR 5 fields

This list identifies the optional EDR record fields for a successful F&F, F&D configuration change (EDR type 5):

- *OVERDRAWN\_AMOUNT* (on page 185) (take Balance Negative)
- *REMAINING\_CHARGE* (on page 191) (partial Charge)

## Account Activated additional fields

If the account is activated, the following fields are generated:

- *NEW\_ACCT\_STATE* (on page 178) (always active - A)
- *OLD\_ACCT\_STATE* (on page 182) (P or D before update)

## MSISDN additional fields

If the MSISDN ccsCDRLoader plug-in is installed on the SMS, the following field will be present:

- *MSISDN* (on page 175) (account calling number)

## Example EDR 5 for fnf

```
BILLING_ENGINE_ID=21|SCP_ID=230612513|SEQUENCE_NUMBER=488297|CDR_TYPE=5|RECORD_DATE=
20040803145823|ACCT_ID=61|ACCT_REF_ID=61|WALLET_TYPE=1|ACS_CUST_ID=1|CS=S|TCS=200407
06104957|BALANCE_TYPES=1|BALANCES=1000|COSTS=50|ACCOUNT_TYPE=4|EVENT_CLASS=FnF FnD
Events|EVENT_NAME=FnF Config
Change|EVENT_TIME_COST=0.00|EVENT_COST=50|EVENT_COUNT=1|DISCOUNT=0|CASCADE=5
```

## Note

The sequence of all fields output in an EDR is not guaranteed.

## F&F/F&D Change Fails using IVR (EDR 5)

### Mandatory EDR 5 fields

This list identifies the mandatory EDR record fields for an unsuccessful F&F and F&D change using IVR (EDR type 5):

- *ACS\_CUST\_ID* (on page 150) (ACS Customer ID)
- CS (call status, always D)
- *EVENT\_CLASS* (on page 169) (list of classes used)
- *EVENT\_NAME* (on page 170) (list used for this call)
- *NACK* (on page 176) (short list of codes)
- *TCS* (on page 195) (ccs time call started)

### MSISDN additional fields

If the MSISDN ccsCDRLoader plug-in is installed on the SMS, the following field will be present:

- *MSISDN* (on page 175) (account calling number)

## Example EDR 5 for fnf

```
BILLING_ENGINE_ID=21|SCP_ID=230612530|SEQUENCE_NUMBER=487291|CDR_TYPE=5|RECORD_DATE=
20070723084009|ACCT_ID=83|ACCT_REF_ID=83|EVENT_CLASS=FnF FnD Events|EVENT_NAME=FnF
Config Change| NACK=INSF|TCS=20040706104957|CS=D|ACS_CUST_ID=1
```

### Note

The sequence of all fields output in an EDR is not guaranteed.

## F&F/F&D Change Succeeds using PI (EDR 28)

### Mandatory EDR 28 fields

This list identifies the mandatory EDR record fields for a successful F&F and F&D change using PI (EDR type 28):

- *ACS\_CUST\_ID* (on page 150) (ACS Customer ID)
- *CLI* (on page 161) (initiating call number)
- *NEW\_ACTIVE\_SVC* (on page 179) (account type)
- *NEW\_FD* (on page 180) (friends destination number)
- *NEW\_FF* (on page 180) (list of friends and family numbers)
- *OLD\_ACTIVE\_SVC* (on page 183) (account type)
- *OLD\_FD* (on page 184) (friends destination number)
- *OLD\_FF* (on page 184) (list of friends and family numbers)
- *PI* (on page 185) (logon name and IP address)
- *WALLET\_TYPE* (on page 198) (ID of wallet recharged)

### MSISDN additional fields

If the MSISDN ccsCDRLoader plug-in is installed on the SMS, the following field will be present:

- *MSISDN* (on page 175) (account calling number)

## Example EDR 28 for fnf

```
BILLING_ENGINE_ID=1|SCP_ID=110537566|SEQUENCE_NUMBER=26|CDR_TYPE=28|RECORD_DATE=2005
0111105223|PI-
adminAT192.168.25.182|ACCT_ID=22|ACCT_REF_ID=22|ACS_CUST_ID=1|CLI=1473111222|OLD_FF=
488122346|,777777779|NEW_FF=488122346,777777776|OLD_ACTIVE_SVC=D|NEW_ACTIVE_SVC=F|OL
D_FD=44|NEW_FD=22|WALLET_TYPE=1
```

### Note

The sequence of all fields output in an EDR is not guaranteed.

## F&F/F&D Change Fails using PI (EDR 5)

### Mandatory EDR 5 fields

This list identifies the mandatory EDR record fields for an unsuccessful F&F and F&D change using PI (EDR type 5):

- *ACCOUNT\_TYPE* (on page 149) (Product Type ID)
- *ACS\_CUST\_ID* (on page 150) (ACS Customer ID)
- *CS* (call status, always D)
- *EVENT\_CLASS* (on page 169) (list of classes used)
- *EVENT\_NAME* (on page 170) (list used for this call)
- *NACK* (on page 176) (short list of codes)
- *TCE* (on page 195) (ccs time call ended)
- *WALLET\_TYPE* (on page 198) (ID of wallet recharged)

### MSISDN additional fields

If the MSISDN ccsCDRLoader plug-in is installed on the SMS, the following field will be present:

- *MSISDN* (on page 175) (account calling number)

### Example EDR 5 for fnf

```
BILLING_ENGINE_ID=4|SCP_ID=161986004|SEQUENCE_NUMBER=10|CDR_TYPE=5|RECORD_DATE=20070810043324|ACCT_ID=1021|ACCT_REF_ID=1021|EVENT_CLASS=FnF FnD Events|EVENT_NAME=FnD Config Change|NACK=WDIS|TCS=20070810043324|CS=D|ACCOUNT_TYPE=41|PI=adminAT192.168.25.108|WALLET_TYPE=1|ACS_CUST_ID=1
```

### Note

The sequence of all fields output in an EDR is not guaranteed.

## F&F/F&D New Entry Succeeds using PI (EDR 5)

### Mandatory EDR 5 fields

This list identifies the mandatory EDR record fields for a successful F&F and F&D new entry using PI (EDR type 5):

- *ACCOUNT\_TYPE* (on page 149) (Product Type ID)
- *ACS\_CUST\_ID* (on page 150) (ACS Customer ID)
- *BALANCE\_TYPES* (on page 152) (account changed or created)
- *BALANCES* (on page 154) (pre-call or account creation)
- *CASCADE\_ID* (on page 157) (balance type cascade IDs)
- *COSTS* (on page 163) (rated calls)
- *CS* (call status, S or D) (on page 164) (call status, S or D)
- *DISCOUNTS* (on page 166) (for each named event)
- *EVENT\_CLASS* (on page 169) (list of classes used)
- *EVENT\_COST* (on page 169) (for each named event)
- *EVENT\_COUNT* (on page 170) (for each named event)
- *EVENT\_NAME* (on page 170) (list used for this call)
- *EVENT\_TIME\_COST* (on page 170) (for a named event)
- *PI* (on page 185) (logon name and IP address)
- *TCS* (on page 195) (ccs time call started)
- *WALLET\_TYPE* (on page 198) (ID of wallet recharged)

### Optional EDR 5 fields

This list identifies the optional EDR record fields for a successful F&F, F&D configuration change (EDR type 5):

- *OVERDRAWN\_AMOUNT* (on page 185) (take Balance Negative)
- *REMAINING\_CHARGE* (on page 191) (partial Charge)

### MSISDN additional fields

If the MSISDN ccsCDRLoader plug-in is installed on the SMS, the following field will be present:

- *MSISDN* (on page 175) (account calling number)

### Note

The sequence of all fields output in an EDR is not guaranteed.



# Call Barring Config Change

## Overview

### Introduction

This chapter defines the CCS EDRs for call barring configuration changes.

### In this chapter

---

This chapter contains the following topics.

Call Barring Change Succeeds using PI (EDR 30) ..... 85

## Call Barring Change Succeeds using PI (EDR 30)

### Mandatory EDR 30 fields

This list identifies the mandatory EDR record fields for a successful call barring change using PI (EDR type 30):

- *ACS\_CUST\_ID* (on page 150) (ACS Customer ID)
- *BARRED\_LIST\_TYPE* (on page 155) (description)
- *CLI* (on page 161) (initiating call number)
- *IGNORE\_BARRED* (on page 172) (ignore numbers in call barring list)
- *NEW\_BARRED\_LIST* (on page 180) (of call barring numbers)
- *OLD\_BARRED\_LIST* (on page 183) (of call barring numbers)
- *PI* (on page 185) (logon name and IP address)
- *WALLET\_TYPE* (on page 198) (ID of wallet recharged)

### MSISDN additional fields

If the MSISDN ccsCDRLoader plug-in is installed on the SMS, the following field will be present:

- *MSISDN* (on page 175) (account calling number)

### Example EDR 30 for call barring

```
BILING_ENGINE_ID=2|SCP_ID=110537566|SEQUENCE_NUMBER=1060|CDR_TYPE=30|RECORD_DATE=20070809113017|ACCT_ID=1021|ACCT_REF_ID=102|PI=adminAT192.168.25.108|ACS_CUST_ID=1|WALLET_TYPE=1|CLI=11012|OLD_BARRED_LIST=|NEW_BARRED_LIST=03200000001,03200000002,0320000003,03200000004,03200000005|BARRED_LIST_TYPE=ALLOWED
```

### Note

The sequence of all fields output in an EDR is not guaranteed.





# Change 'Disable Incoming Calls when Roaming' Flag

## Overview

### Introduction

This chapter defines the CCS EDRs for 'Disable Incoming Calls when Roaming' (DICWR) flag changes.

### In this chapter

---

This chapter contains the following topics.

DICWR Flag Change Succeeds using Screens (EDR 29) .....	87
DICWR Flag Change Succeeds using PI (EDR 29) .....	88

## DICWR Flag Change Succeeds using Screens (EDR 29)

### Mandatory EDR 29 fields

This list identifies the mandatory EDR record fields for a successful DICWR change using screens (EDR type 29):

- *ACCOUNT\_TYPE* (on page 149) (Product Type ID)
- *ACS\_CUST\_ID* (on page 150) (ACS Customer ID)
- *CLI* (on page 162) (for the account that will be changed)
- *DICWR* (on page 164) (Disable Incoming Calls When Roaming)
- *USER* (on page 197) (operator logon name)
- *WALLET\_TYPE* (on page 198) (ID of wallet recharged)

### MSISDN additional fields

If the MSISDN ccsCDRLoader plug-in is installed on the SMS, the following field will be present:

- *MSISDN* (on page 175) (account calling number)

### Example EDR 29

```
BILLING_ENGINE_ID=0|SCP_ID=110537566|SEQUENCE_NUMBER=139450184|CDR_TYPE=29|RECORD_DATE=20070704145441|ACCT_ID=61|ACCT_REF_ID=61|USER=SU|CLI=1234|ACS_CUST_ID=1|WALLET_TYPE=1|DICWR=TRUE|ACCOUNT_TYPE=24
```

### Note

The sequence of all fields output in an EDR is not guaranteed.

## DICWR Flag Change Succeeds using PI (EDR 29)

### Mandatory EDR 29 fields

This list identifies the mandatory EDR record fields for a successful DICWR change using PI (EDR type 29):

- *ACCOUNT\_TYPE* (on page 149) (Product Type ID)
- *ACS\_CUST\_ID* (on page 150) (ACS Customer ID)
- *CLI* (on page 162) (for the account that will be changed)
- *DICWR* (on page 164) (Disable Incoming Calls When Roaming)
- *PI* (on page 185) (logon name and IP address)
- *WALLET\_TYPE* (on page 198) (ID of wallet recharged)

### Example EDR 29

```
BILLING_ENGINE_ID=2|SCP_ID=110537566|SEQUENCE_NUMBER=1061|CDR_TYPE=29|RECORD_DATE=20070809120324|ACCT_ID=1032|ACCT_REF_ID=1032|CLI=11023|ACS_CUST_ID=1|WALLET_TYPE=1|PI=adminat192.168.25.108|DICWR=TRUE|MSISDN=11023|ACCOUNT_TYPE=24
```

### MSISDN additional fields

If the MSISDN ccsCDRLoader plug-in is installed on the SMS, the following field will be present:

- *MSISDN* (on page 175) (account calling number)

### Note

The sequence of all fields output in an EDR is not guaranteed.

# PI Adds Service Charge

## Overview

### Introduction

This chapter defines the CCS EDRs for Provisioning Interface (PI) adds service charges.

### In this chapter

---

This chapter contains the following topics.

PI Adds Service Charges Succeeds using PI (EDR 2,5) ..... 89

## PI Adds Service Charges Succeeds using PI (EDR 2,5)

### Mandatory EDR 2 fields CCSSC1

This EDR is produced when **CHARGE** or **REFUND** is specified in the PI command but not **EVENT**.

This list identifies the mandatory EDR record fields for a successful PI adds service charge using PI command CCSSC1 ADD (EDR type 2):

- *ACCOUNT\_TYPE* (on page 149) (Product Type ID)
- *ACS\_CUST\_ID* (on page 150) (ACS Customer ID)
- *BALANCE\_TYPES* (on page 153) (existing account)
- *BALANCES* (on page 154) (pre-transaction account balances)
- *COSTS* (on page 163) (rated calls)
- *NEW\_ACCT\_EXPIRY* (on page 177) (date after update)
- *NEW\_ACCT\_STATE* (on page 178) (after update)
- *NEW\_BALANCE\_EXPIRIES* (on page 179) (date after balance update)
- *OLD\_ACCT\_EXPIRY* (on page 181) (dates before update)
- *OLD\_ACCT\_STATE* (on page 182) (before update)
- *OLD\_BALANCE\_EXPIRIES* (on page 183) (dates before balance update)
- *PI* (on page 185) (logon name and IP address)
- *WALLET\_TYPE* (on page 198) (ID of wallet recharged)

### Optional EDR 2 fields CCSSC1

This list identifies the optional EDR record fields for a successful PI adds service charge using PI command CCSSC1 ADD (EDR type 2):

- *REFERENCE* (on page 189) (from pi reference)

### Mandatory EDR 5 fields CCSSC1

This EDR is produced when **EVENT** or **CLASS** is specified in the PI command but not **CHARGE** or **REFUND**.

This list identifies the mandatory EDR record fields for a successful PI adds service charge using PI command CCSSC1 ADD (EDR type 5):

- *ACCOUNT\_TYPE* (on page 149) (Product Type ID)
- *CS* (*call status, S or D*) (on page 164) (call status, S or D)
- *TCS* (on page 195) (ccs time call started)
- *WALLET\_TYPE* (on page 198) (ID of wallet changed)

### Optional EDR 5 fields CCSSC1

This EDR is produced when **EVENT** or **CLASS** is specified in the PI command but not **CHARGE** or **REFUND**.

This list identifies the optional EDR record fields for a successful PI adds service charge using PI command CCSSC1 ADD (EDR type 5):

- *NEW\_ACCT\_STATE* (on page 178) (after update)
- *OLD\_ACCT\_STATE* (on page 182) (before update)
- *REFERENCE* (on page 189) (from pi reference)
- *OVERDRAWN\_AMOUNT* (on page 185) (take Balance Negative)
- *REMAINING\_CHARGE* (on page 191) (partial Charge)

### Mandatory EDR 5 fields CCSSC1

This EDR is produced when **CHARGE** or **REFUND** is specified, and also **EVENT** is specified in the PI command.

This list identifies the mandatory EDR record fields for a successful PI adds service charge using PI command CCSSC1 ADD (EDR type 5):

- *ACCOUNT\_TYPE* (on page 149) (Product Type ID)
- *ACS\_CUST\_ID* (on page 150) (ACS Customer ID)
- *BALANCE\_TYPES* (on page 153) (existing account)
- *BALANCES* (on page 154) (pre-transaction account balances)
- *CASCADE* (on page 156) (always empty for pi)
- *COSTS* (on page 163) (rated calls)
- *CS* (*call status, S or D*) (on page 164) (call status, S or D)
- *DISCOUNT* (on page 165) (always zero for pi)
- *EVENT\_CLASS* (on page 169) (list of classes used)
- *EVENT\_COST* (on page 169) (for each named event)
- *EVENT\_COUNT* (on page 170) (for each named event)
- *EVENT\_NAME* (on page 170) (list used for this call)
- *NEW\_ACCT\_EXPIRY* (on page 177) (date after update)
- *NEW\_ACCT\_STATE* (on page 178) (after update)
- *NEW\_BALANCE\_EXPIRIES* (on page 179) (date after balance update)
- *OLD\_ACCT\_EXPIRY* (on page 181) (dates before update)
- *OLD\_ACCT\_STATE* (on page 182) (before update)
- *OLD\_BALANCE\_EXPIRIES* (on page 183) (dates before balance update)
- *PI* (on page 185) (logon name and IP address)
- *TCS* (on page 195) (ccs time call started)
- *WALLET\_TYPE* (on page 198) (ID of wallet recharged)

## Optional EDR 5 fields CCSSC1

This EDR is produced when **CHARGE** or **REFUND** is specified, and also **EVENT** is specified in the PI command.

This list identifies the optional EDR record fields for a successful PI adds service charge using PI command CCSSC1 ADD (EDR type 5):

- *REFERENCE* (on page 189) (from pi reference)
- *OVERDRAWN\_AMOUNT* (on page 185) (take Balance Negative)
- *REMAINING\_CHARGE* (on page 191) (partial Charge)

## Mandatory EDR 2 fields CCSSC2

This list identifies the mandatory EDR record fields for a successful PI adds service charge using PI command CCSSC2 ADD (EDR type 2):

- *ACCOUNT\_TYPE* (on page 149) (Product Type ID)
- *ACS\_CUST\_ID* (on page 150) (ACS Customer ID)
- *BALANCE\_TYPES* (on page 152) (account changed or created)
- *BALANCES* (on page 154) (pre-call or account creation)
- *CASCADE\_ID* (on page 157) (balance type cascade IDs)
- *CLI* (on page 161) (initiating call number)
- *COSTS* (on page 163) (rated calls)
- *CS* (*call status, S or D*) (on page 164) (call status, S or D)
- *DISCOUNT\_TYPE* - one of:
  - *DISCOUNT\_TYPE* (on page 165) (applied to this call)
  - *DISCOUNT\_TYPE* (on page 165) (applied to this call) - R\*W
- *DISCOUNTS* (on page 166) (rated calls)
- *DURATION* (on page 167) (call length)
- *FCA* (on page 171) (final call address)
- *LENGTHS* - one of:
  - *LENGTHS* (on page 172) (rate durations)
  - *LENGTHS* (on page 173) (rate durations) -1end duration
- *MAX\_CHARGE* (on page 174) (for this call)
- *RATES* (on page 186) (rated calls)
- *TCE* (on page 195) (ccs time call ended)
- *TCS* (on page 195) (ccs time call started)
- *TN* (on page 196) (ccs called number)
- *WALLET\_TYPE* (on page 198) (ID of wallet changed)

## Mandatory EDR 2 fields CTLSC1

This EDR is produced when **CHARGE** or **REFUND** is specified in the PI command but not **EVENT**.

This list identifies the mandatory EDR record fields for a successful PI adds service charge using PI command CTLSC1 ADD (EDR type 2):

- *ACCOUNT\_TYPE* (on page 149) (Product Type ID)
- *ACS\_CUST\_ID* (on page 150) (ACS Customer ID)
- *BALANCE\_TYPES* (on page 153) (existing account)
- *BALANCES* (on page 154) (pre-transaction account balances)

- *COSTS* (on page 163) (rated calls)
- *NEW\_ACCT\_EXPIRY* (on page 177) (date after update)
- *NEW\_ACCT\_STATE* (on page 178) (after update)
- *NEW\_BALANCE\_EXPIRIES* (on page 179) (date after balance update)
- *OLD\_ACCT\_EXPIRY* (on page 181) (dates before update)
- *OLD\_ACCT\_STATE* (on page 182) (before update)
- *OLD\_BALANCE\_EXPIRIES* (on page 183) (dates before balance update)
- *PI* (on page 185) (logon name and IP address)
- *WALLET\_TYPE* (on page 198) (ID of wallet recharged)

### **Mandatory EDR 5 fields CTLSC1**

This EDR is produced when **EVENT** or **CLASS** is specified in the PI command but not **CHARGE** or **REFUND**.

This list identifies the mandatory EDR record fields for a successful PI adds service charge using PI command CTLSC1 ADD (EDR type 5):

- *ACCOUNT\_TYPE* (on page 149) (Product Type ID)
- *CS* (*call status, S or D*) (on page 164) (call status, S or D)
- *TCS* (on page 195) (ccs time call started)
- *WALLET\_TYPE* (on page 198) (ID of wallet changed)

### **Optional EDR 5 fields CTLSC1**

This EDR is produced when **EVENT** or **CLASS** is specified in the PI command but not **CHARGE** or **REFUND**.

This list identifies the optional EDR record fields for a successful PI adds service charge using PI command CTLSC1 ADD (EDR type 5):

- *NEW\_ACCT\_STATE* (on page 178) (after update)
- *OLD\_ACCT\_STATE* (on page 182) (before update)
- *OVERDRAWN\_AMOUNT* (on page 185) (take Balance Negative)
- *REMAINING\_CHARGE* (on page 191) (partial Charge)

### **Mandatory EDR 5 fields CTLSC1**

This EDR is produced when **CHARGE** or **REFUND** is specified, and also **EVENT** is specified in the PI command.

This list identifies the mandatory EDR record fields for a successful PI adds service charge using PI command CTLSC1 ADD (EDR type 5):

- *ACCOUNT\_TYPE* (on page 149) (Product Type ID)
- *ACS\_CUST\_ID* (on page 150) (ACS Customer ID)
- *BALANCE\_TYPES* (on page 153) (existing account)
- *BALANCES* (on page 154) (pre-transaction account balances)
- *CASCADE* (on page 156) (always empty for pi)
- *COSTS* (on page 163) (rated calls)
- *CS* (call status, always S)
- *DISCOUNT* (on page 165) (always zero for pi)
- *EVENT\_CLASS* (on page 169) (list of classes used)
- *EVENT\_COST* (on page 169) (for each named event)
- *EVENT\_COUNT* (on page 170) (for each named event)

- *EVENT\_NAME* (on page 170) (list used for this call)
- *NEW\_ACCT\_EXPIRY* (on page 177) (date after update)
- *NEW\_ACCT\_STATE* (on page 178) (after update)
- *NEW\_BALANCE\_EXPIRIES* (on page 179) (date after balance update)
- *OLD\_ACCT\_EXPIRY* (on page 181) (dates before update)
- *OLD\_ACCT\_STATE* (on page 182) (before update)
- *OLD\_BALANCE\_EXPIRIES* (on page 183) (dates before balance update)
- *PI* (on page 185) (logon name and IP address)
- *TCS* (on page 195) (ccs time call started)
- *WALLET\_TYPE* (on page 198) (ID of wallet recharged)

### Optional EDR 5 fields CTLSC1

This EDR is produced when **CHARGE** or **REFUND** is specified, and also **EVENT** is specified in the PI command.

This list identifies the optional EDR record fields for a successful PI adds service charge using PI command CTLSC1 ADD (EDR type 5):

- *OVERDRAWN\_AMOUNT* (on page 185) (take Balance Negative)
- *REMAINING\_CHARGE* (on page 191) (partial Charge)

### Mandatory EDR 2 fields CTLSC2

This list identifies the mandatory EDR record fields for a successful PI adds service charge using PI command CTLSC2 ADD (EDR type 2):

- *ACCOUNT\_TYPE* (on page 149) (Product Type ID)
- *ACS\_CUST\_ID* (on page 150) (ACS Customer ID)
- *BALANCE\_TYPES* (on page 152) (account changed or created)
- *BALANCES* (on page 154) (pre-call or account creation)
- *CASCADE\_ID* (on page 157) (balance type cascade IDs)
- *CLI* (on page 161) (initiating call number)
- *COSTS* (on page 163) (rated calls)
- *CS* (*call status, S or D*) (on page 164) (call status, S or D)
- *DISCOUNT\_TYPE* - one of:
  - *DISCOUNT\_TYPE* (on page 165) (applied to this call)
  - *DISCOUNT\_TYPE* (on page 165) (applied to this call) - R\*W
- *DISCOUNTS* (on page 166) (rated calls)
- *DURATION* (on page 167) (call length)
- *FCA* (on page 171) (final call address)
- *LENGTHS* - one of:
  - *LENGTHS* (on page 172) (rate durations)
  - *LENGTHS* (on page 173) (rate durations) -1end duration
- *MAX\_CHARGE* (on page 174) (for this call)
- *RATES* (on page 186) (rated calls)
- *TCE* (on page 195) (ccs time call ended)
- *TCS* (on page 195) (ccs time call started)
- *TN* (on page 196) (ccs called number)
- *WALLET\_TYPE* (on page 198) (ID of wallet changed)

## Mandatory EDR 2 fields CTLSC2

This list identifies the mandatory EDR record fields for a successful PI adds service charge using PI command CTLSC2 ADD (EDR type 2):

- *ACCOUNT\_TYPE* (on page 149) (Product Type ID)
- *ACS\_CUST\_ID* (on page 150) (ACS Customer ID)
- *BALANCE\_TYPES* (on page 152) (account changed or created)
- *BALANCES* (on page 154) (pre-call or account creation)
- *CASCADE\_ID* (on page 157) (balance type cascade IDs)
- *CLI* (on page 161) (initiating call number)
- *COSTS* (on page 163) (rated calls)
- *CS* (*call status, S or D*) (on page 164) (call status, S or D)
- *DISCOUNT\_TYPE* - one of:
  - *DISCOUNT\_TYPE* (on page 165) (applied to this call)
  - *DISCOUNT\_TYPE* (on page 165) (applied to this call) - R\*W
- *DISCOUNTS* (on page 166) (rated calls)
- *DURATION* (on page 167) (call length)
- *FCA* (on page 171) (final call address)
- *LENGTHS* - one of:
  - *LENGTHS* (on page 172) (rate durations)
  - *LENGTHS* (on page 173) (rate durations) -1end duration
- *MAX\_CHARGE* (on page 174) (for this call)
- *RATES* (on page 186) (rated calls)
- *TCE* (on page 195) (ccs time call ended)
- *TCS* (on page 195) (ccs time call started)
- *TN* (on page 196) (ccs called number)
- *WALLET\_TYPE* (on page 198) (ID of wallet changed)

## MSISDN additional fields

If the MSISDN ccsCDRLoader plug-in is installed on the SMS, the following field will be present:

- *MSISDN* (on page 175) (account calling number)

## MSISDN example

```
BILLING_ENGINE_ID=21|SCP_ID=110537566|SEQUENCE_NUMBER=139450184|CDR_TYPE=2|RECORD_DATE=20040803122626|ACCT_ID=83|ACCT_REF_ID=83|USER=SU||ACCOUNT_TYPE=1|PI=adminAT192.168.25.106|OLD_ACCT_EXPIRY=0|NEW_ACCT_EXPIRY=0|MAX_CONCURRENT=1|COMMENT=|BALANCE_TYPES=1|BALANCES=0|COSTS=10|OLD_BALANCE_EXPIRIES=20050310143044|NEW_BALANCE_EXPIRIES=20050310143044|ACS_CUST_ID=1|WALLET_TYPE=1|EVENT_CLASS=ProductType|EVENT_NAME=ProductTypeSwap|EVENT_COST=100|EVENT_COUNT=1|DISCOUNT=0|CASCADE=0|MSISDN=1394111111
```

## Note

The sequence of all fields output in an EDR is not guaranteed.



# Product Type Swap

## Overview

### Introduction

This chapter defines the CCS EDRs for product types swaps (PTS).

### In this chapter

This chapter contains the following topics.

PTS Succeeds using Screens (EDR type 31) .....	95
PTS Succeeds using PI (EDR type 31) .....	96
PTS Succeeds using the GUI (EDR 31, 32) .....	96
PTS Succeeds using IVR (EDR 31, 32) .....	98
PTS Fails using the GUI (EDR 32) .....	100
PTS Fails using IVR (EDR 32) .....	101

## PTS Succeeds using Screens (EDR type 31)

### Mandatory EDR 31 fields

There is no associated cost for the PTS that succeeds using the screens.

This list identifies the mandatory EDR record fields for a successful PTS using screens (EDR type 31):

- *ACCOUNT\_TYPE* (on page 149) (Product Type ID)
- *ACS\_CUST\_ID* (on page 150) (ACS Customer ID)
- *CLI* (on page 162) (for the account that will be changed)
- *NEW\_ACCT\_TYPE* (on page 179) (prod type swap)
- *OLD\_ACCT\_TYPE* (on page 182) (prod type swap)
- *USER* (on page 197) (operator logon name)

### MSISDN additional fields

If the MSISDN ccsCDRLoader plug-in is installed on the SMS, the following field will be present:

- *MSISDN* (on page 175) (account calling number)

### Example EDR 31

```
BILLING_ENGINE_ID=0|SCP_ID=110537566|SEQUENCE_NUMBER=139450184|CDR_TYPE=31|RECORD_DATE=20070704150023|ACCT_ID=61|ACCT_REF_ID=61|ACCOUNT_TYPE=24|CLI=1234|OLD_ACCT_TYPE=oracle_pt|NEW_ACCT_TYPE=test_pt|USER=SU|ACS_CUST_ID=1
```

### Note

The sequence of all fields output in an EDR is not guaranteed.

## PTS Succeeds using PI (EDR type 31)

### Mandatory EDR 31 fields

There is no associated cost for the PTS that succeeds using PI.

This list identifies the mandatory EDR record fields for a successful PTS using PI (EDR type 31):

- *ACCOUNT\_TYPE* (on page 149) (Product Type ID)
- *ACS\_CUST\_ID* (on page 150) (ACS Customer ID)
- *CLI* (on page 162) (for the account that will be changed)
- *NEW\_ACCT\_TYPE* (on page 179) (prod type swap)
- *OLD\_ACCT\_TYPE* (on page 182) (prod type swap)
- *USER* (on page 197) (operator logon name)

### MSISDN additional fields

If the MSISDN ccsCDRLoader plug-in is installed on the SMS, the following field will be present:

- *MSISDN* (on page 175) (account calling number)

### Example EDR 31

```
BILLING_ENGINE_ID=0|SCP_ID=110537566|SEQUENCE_NUMBER=139450184|CDR_TYPE=31|RECORD_DATE=20040804150023|ACCT_ID=61|ACCT_REF_ID=61|CLI=1234|ACCOUNT_TYPE=11|OLD_ACCT_TYPE=oracle_pt|NEW_ACCT_TYPE=test_pt|USER=SU|ACS_CUST_ID=1|MSISDN=1234
```

### Note

The sequence of all fields output in an EDR is not guaranteed.

## PTS Succeeds using the GUI (EDR 31, 32)

### Introduction

There is an associated cost for the PTS that succeeds using the GUI.

There are 2 EDR records created for this event - a EDR of type 31 and a EDR of type 32.

### Mandatory EDR 31 fields

This list identifies the mandatory EDR record fields for a successful PTS using the GUI (EDR type 31):

- *ACS\_CUST\_ID* (on page 150) (ACS Customer ID)
- *CLI* (on page 162) (for the account that will be changed)
- *NEW\_ACCT\_TYPE* (on page 179) (prod type swap)
- *OLD\_ACCT\_TYPE* (on page 182) (prod type swap)
- *USER* (on page 197) (operator logon name)

### Mandatory EDR 32 fields

This list identifies the mandatory EDR record fields for a successful PTS using the GUI (EDR type 32):

- *ACCOUNT\_TYPE* (on page 149) (Product Type ID)
- *ACS\_CUST\_ID* (on page 150) (ACS Customer ID)

- *BALANCE\_TYPES* (on page 152) (account changed or created)
- *BALANCES* (on page 154) (pre-call or account creation)
- *CASCADE\_ID* (on page 157) (balance type cascade IDs)
- *COSTS* (on page 163) (rated calls)
- *CS* (*call status, S or D*) (on page 164) (call status, S or D)
- *DISCOUNTS* (on page 166) (for each named event)
- *EVENT\_CLASS* (on page 169) (list of classes used)
- *EVENT\_COST* (on page 169) (for each named event)
- *EVENT\_COUNT* (on page 170) (for each named event)
- *EVENT\_NAME* (on page 170) (list used for this call)
- *EVENT\_TIME\_COST* (on page 170) (for a named event)
- *TCS* (on page 195) (ccs time call started)
- *TERMINAL* (on page 196) (Network ID)
- *USER* (on page 197) (operator logon name)

### Optional EDR 32 fields

This list identifies the optional EDR record fields for a successful PTS using the GUI (EDR type 32):

- *OVERDRAWN\_AMOUNT* (on page 185) (take Balance Negative)
- *REMAINING\_CHARGE* (on page 191) (partial Charge)

### Account Activated additional fields

If the account is activated, the following fields will be present:

- *NEW\_ACCT\_STATE* (on page 178) (always active - A)
- *OLD\_ACCT\_STATE* (on page 182) (pre-call)

### MSISDN additional fields

If the MSISDN ccsCDRLoader plug-in is installed on the SMS, the following field will be present:

- *MSISDN* (on page 175) (account calling number)

### Example EDR 31

```
BILLING_ENGINE_ID=0|SCP_ID=110537566|SEQUENCE_NUMBER=139450184|CDR_TYPE=31|RECORD_DATE=20040804150023|ACCT_ID=61|ACCT_REF_ID=61|CLI=1234|OLD_ACCT_TYPE=test_pt|NEW_ACCT_TYPE=oracle_pt|USER=SU|ACS_CUST_ID=1
```

### Example EDR 32

```
BILLING_ENGINE_ID=21|SCP_ID=110537566|SEQUENCE_NUMBER=139450184|CDR_TYPE=32|RECORD_DATE=20070704150312|ACCT_ID=61|ACCT_REF_ID=61|USER=SU|TERMINAL=192.168.25.108|ACS_CUST_ID=1|CS=S|TCS=20070704150312|BALANCE_TYPES=1|BALANCES=1000|COSTS=100|ACCOUNT_TYPE=2|EVENT_CLASS=Product Type|EVENT_NAME=Product Type Swap|EVENT_COST=100|EVENT_COUNT=1|EVENT_TIME_COST=0:00|DISCOUNT=0|CASCADE=1
```

## Account activated example

```
BILLING_ENGINE_ID=21|SCP_ID=110537566|SEQUENCE_NUMBER=139450184|CDR_TYPE=32|RECORD_D
ATE=20040804150312|ACCT_ID=61|ACCT_REF_ID=61|USER=SU|ACS_CUST_ID=1|CS=S|TCS=20040804
150312|BALANCE_TYPES=1|BALANCES=1000|COSTS=100|ACCOUNT_TYPE=2|EVENT_CLASS=Product
Type|EVENT_NAME=Product Type
Swap|EVENT_COST=100|EVENT_COUNT=1|EVENT_TIME_COST=0:00|DISCOUNT=0|CASCADE=0|OLD_ACCT
_STATE=P|NEW_ACCT_STATE=A
```

## Example Account Activated - MSISDN

```
BILLING_ENGINE_ID=21|SCP_ID=110537566|SEQUENCE_NUMBER=139450184|CDR_TYPE=32|RECORD_D
ATE=20040804150312|ACCT_ID=61|ACCT_REF_ID=61|USER=SU|ACS_CUST_ID=1|CS=S|TCS=20040804
150312|BALANCE_TYPES=1|BALANCES=1000|COSTS=100|ACCOUNT_TYPE=2|EVENT_CLASS=Product
Type|EVENT_NAME=Product Type
Swap|EVENT_COST=100|EVENT_COUNT=1|DISCOUNT=0|CASCADE=0|OLD_ACCT_STATE=P|NEW_ACCT_STA
TE=A|MSISDN=1394111111
```

## Note

The sequence of all fields output in an EDR is not guaranteed.

## PTS Succeeds using IVR (EDR 31, 32)

### Introduction

There may or may not be an associated cost for the PTS that succeeds using the IVR as a 100% discount may be applied.

There are 2 EDR records created for this event - a EDR of type 31 and a EDR of type 32.

### Mandatory EDR 31 fields

This list identifies the mandatory EDR record fields for a successful PTS using IVR (EDR type 31):

- *ACS\_CUST\_ID* (on page 150) (ACS Customer ID)
- *CLI* (on page 162) (for the account that will be changed)
- *NEW\_ACCT\_TYPE* (on page 179) (prod type swap)
- *OLD\_ACCT\_TYPE* (on page 182) (prod type swap)
- *USER* (on page 197) (operator logon name)

### Mandatory EDR 32 fields

This list identifies the mandatory EDR record fields for a successful PTS using IVR (EDR type 32):

- *ACCOUNT\_TYPE* (on page 149) (Product Type ID)
- *ACS\_CUST\_ID* (on page 150) (ACS Customer ID)
- *BALANCE\_TYPES* (on page 152) (account changed or created)
- *BALANCES* (on page 154) (pre-call or account creation)
- *CASCADE\_ID* (on page 157) (balance type cascade IDs)
- *COSTS* (on page 163) (rated calls)
- *CS* (*call status, S or D*) (on page 164) (call status, S or D)
- *DISCOUNTS* (on page 166) (for each named event)
- *EVENT\_CLASS* (on page 169) (list of classes used)
- *EVENT\_COST* (on page 169) (for each named event)

- *EVENT\_COUNT* (on page 170) (for each named event)
- *EVENT\_NAME* (on page 170) (list used for this call)
- *EVENT\_TIME\_COST* (on page 170) (for a named event)
- *NEW\_ACCT\_TYPE* (on page 179) (prod type swap)
- *TCS* (on page 195) (ccs time call started)
- *WALLET\_TYPE* (on page 198) (ID of wallet changed)

### Optional EDR 32 fields

This list identifies the optional EDR record fields for a successful PTS using IVR (EDR type 32):

- *OVERDRAWN\_AMOUNT* (on page 185) (take Balance Negative)
- *REMAINING\_CHARGE* (on page 191) (partial Charge)

### Account Activated additional fields

If the account is activated, the following fields will be present:

- *NEW\_ACCT\_STATE* (on page 178) (always active - A)
- *OLD\_ACCT\_STATE* (on page 182) (pre-call)

### MSISDN additional fields

If the MSISDN ccsCDRLoader plug-in is installed on the SMS, the following field will be present:

- *MSISDN* (on page 175) (account calling number)

### Example EDR 31

```
BILLING_ENGINE_ID=0|SCP_ID=110537566|SEQUENCE_NUMBER=139450184|CDR_TYPE=31|RECORD_DATE=20040804150023|ACCT_ID=61|ACCT_REF_ID=61|CLI=1234|OLD_ACCT_TYPE=oracle_pt|NEW_ACCT_TYPE=test_pt|USER=OP$SMF_OPER|ACS_CUST_ID=1
```

### Example EDR 32

```
BILLING_ENGINE_ID=21|SCP_ID=366273322|SEQUENCE_NUMBER=489322|CDR_TYPE=32|RECORD_DATE=20040804150312|ACCT_ID=61|ACCT_REF_ID=61|USER=SU|ACS_CUST_ID=1|CS=S|TCS=20040804150312|BALANCE_TYPES=1|BALANCES=1000|COSTS=100|ACCOUNT_TYPE=2|EVENT_CLASS=Product Type|EVENT_NAME=Product Type Swap|EVENT_COST=100|EVENT_COUNT=1|EVENT_TIME_COST=0:00|DISCOUNT=0|CASCADE=0
```

### Account activated example

```
BILLING_ENGINE_ID=21|SCP_ID=366273322|SEQUENCE_NUMBER=489322|CDR_TYPE=32|RECORD_DATE=20040804150312|ACCT_ID=61|ACCT_REF_ID=61|USER=SU|ACS_CUST_ID=1|CS=S|TCS=20040804150312|BALANCE_TYPES=1|BALANCES=1000|COSTS=100|ACCOUNT_TYPE=2|EVENT_CLASS=Product Type|EVENT_NAME=Product Type Swap|EVENT_COST=100|EVENT_COUNT=1|EVENT_TIME_COST=0:00|DISCOUNT=0|CASCADE=0|OLD_ACCT_STATE=P|NEW_ACCT_STATE=A
```

## Example MSISDN

```
BILLING_ENGINE_ID=21|SCP_ID=366273322|SEQUENCE_NUMBER=489322|CDR_TYPE=32|RECORD_DATE=20040804150312|ACCT_ID=61|ACCT_REF_ID=61|USER=SU|ACS_CUST_ID=1|CS=S|TCS=20040804150312|BALANCE_TYPES=1|BALANCES=1000|COSTS=100|ACCOUNT_TYPE=2|EVENT_CLASS=Product Type|EVENT_NAME=Product Type Swap|EVENT_COST=100|EVENT_COUNT=1|DISCOUNT=0|CASCADE=0|OLD_ACCT_STATE=P|NEW_ACCT_STATE=A|MSISDN=1394111111
```

### Note

The sequence of all fields output in an EDR is not guaranteed.

## PTS Fails using the GUI (EDR 32)

### Mandatory EDR 32 fields

This list identifies the mandatory EDR record fields for an unsuccessful product type swap (PTS) using the SMS UI. (EDR type 32):

- *ACCOUNT\_TYPE* (on page 149) (Product Type ID)
- *ACS\_CUST\_ID* (on page 150) (ACS Customer ID)
- CS (call status, always D)
- *EVENT\_CLASS* (on page 169) (list of classes used)
- *EVENT\_NAME* (on page 170) (list used for this call)
- *NACK* (on page 176) (short list of codes)
- *TCS* (on page 195) (ccs time call started)
- *TERMINAL* (on page 196) (Network ID)
- *USER* (on page 197) (operator logon name)

### MSISDN additional fields

If the MSISDN ccsCDRLoader plug-in is installed on the SMS, the following field will be present:

- *MSISDN* (on page 175) (account calling number)

### Example EDR 32

```
BILLING_ENGINE_ID=21|SCP_ID=110537566|SEQUENCE_NUMBER=139450184|CDR_TYPE=32|RECORD_DATE=20070718105233|ACCT_ID=2082|ACCT_REF_ID=2082|EVENT_CLASS=Product Type|EVENT_NAME=Product Type Swap|NACK=NENA|TCS=20070718105233|CS=D|ACCOUNT_TYPE=41|USER=SU|TERMINAL=192.168.25.108|ACS_CUST_ID=1
```

### Example MSISDN

```
BILLING_ENGINE_ID=21|SCP_ID=230612530|SEQUENCE_NUMBER=487291|CDR_TYPE=32|RECORD_DATE=20040803121758|ACCT_ID=83|ACCT_REF_ID=83|EVENT_CLASS=Product Type|EVENT_NAME=Product Type Swap|NACK=INSF|TCS=20040706104957|CS=D|ACCOUNT_TYPE=1|WALLET_TYPE=1|NEW_ACCT_TYPE=2|ACS_CUST_ID=1|MSISDN=1394111111
```

### Note

The sequence of all fields output in an EDR is not guaranteed.

## PTS Fails using IVR (EDR 32)

### Mandatory EDR 32 fields

This list identifies the mandatory EDR record fields for an unsuccessful PTS using IVR. (EDR type 32):

- *ACCOUNT\_TYPE* (on page 149) (Product Type ID)
- *ACS\_CUST\_ID* (on page 150) (ACS Customer ID)
- CS (call status, always D)
- *EVENT\_CLASS* (on page 169) (list of classes used)
- *EVENT\_NAME* (on page 170) (list used for this call)
- *NEW\_ACCT\_TYPE* (on page 179) (prod type swap)
- *TCS* (on page 195) (ccs time call started)

### MSISDN additional fields

If the MSISDN ccsCDRLoader plug-in is installed on the SMS, the following field will be present:

- *MSISDN* (on page 175) (account calling number)

### Example EDR 32

```
BILLING_ENGINE_ID=21|SCP_ID=230612530|SEQUENCE_NUMBER=487291|CDR_TYPE=32|RECORD_DATE
=20040803121758|ACCT_ID=83|ACCT_REF_ID=83|EVENT_CLASS=Product
Type|EVENT_NAME=Product Type
Swap|NACK=INSF|TCS=20040706104957|CS=D|ACCOUNT_TYPE=1|NEW_ACCT_TYPE=2|ACS_CUST_ID=1
```

### Example MSISDN

```
BILLING_ENGINE_ID=21|SCP_ID=230612530|SEQUENCE_NUMBER=487291|CDR_TYPE=32|RECORD_DATE
=20040803121758|ACCT_ID=83|ACCT_REF_ID=83|EVENT_CLASS=Product
Type|EVENT_NAME=Product Type
Swap|NACK=INSF|TCS=20040706104957|CS=D|ACCOUNT_TYPE=1|WALLET_TYPE=1|NEW_ACCT_TYPE=2|
ACS_CUST_ID=1|MSISDN=1394111111
```

### Note

The sequence of all fields output in an EDR is not guaranteed.





# Read Secret Code

## Overview

### Introduction

This chapter defines the CCS EDRs for read secret code changes.

### In this chapter

---

This chapter contains the following topics.

Read Secret Code Change Fails using IVR (EDR 33) ..... 103

## Read Secret Code Change Fails using IVR (EDR 33)

### Mandatory EDR 33 fields

This list identifies the mandatory EDR record fields for an unsuccessful read secret code using IVR (EDR type 33):

- *ACS\_CUST\_ID* (on page 150) (ACS Customer ID)
- *BAD\_PINS* (on page 152) (number of attempts)

### Optional EDR 33 fields

This list identifies the optional EDR record fields for an unsuccessful read secret code using IVR (EDR type 33):

- *NEW\_ACCT\_STATE* (on page 178) (always frozen - F)
- *OLD\_ACCT\_STATE* (on page 181) (always active - A)

### MSISDN additional fields

If the MSISDN ccsCDRLoader plug-in is installed on the SMS, the following field will be present:

- *MSISDN* (on page 175) (account calling number)

### Example EDR 33

```
BILLING_ENGINE_ID=21|SCP_ID=366273322|SEQUENCE_NUMBER=488298|CDR_TYPE=33|RECORD_DATE
=20040803145823|ACCT_ID=61|ACCT_REF_ID=61|BAD_PINS=1|ACS_CUST_ID=1
```

### Note

The sequence of all fields output in an EDR is not guaranteed.



# Expiration

## Overview

### Introduction

This chapter defines the CCS EDRs for expiries.

**Note:** If the ACCT\_REF\_ID header field for an expiry EDR is set to zero (0), this indicates that the change was not limited to a single account but was applied to the wallet or balance of all the referenced accounts.

### In this chapter

---

This chapter contains the following topics.

Balance Expiry (EDR 3).....	105
Account Expiry (EDR 3).....	106
PI Delete (EDR 2).....	106

## Balance Expiry (EDR 3)

### Mandatory EDR 3 fields

This list identifies the mandatory EDR record fields for balance expiry (EDR type 3):

- *ACCOUNT\_TYPE* (on page 149) (Product Type ID)
- *BALANCE\_TYPES* (on page 152) (account changed or created)
- *BALANCES* (on page 154) (pre-transaction account balances)
- *COSTS* (on page 163) (rated calls)

### Optional EDR 3 fields

This list identifies the optional EDR record fields for balance expiry (EDR type 3):

- *EXPIRED\_WALLET* (on page 171) (ID of expired wallet)
- *NEW\_ACCT\_STATE* (on page 178) (after update)
- *OLD\_ACCT\_STATE* (on page 182) (before update)
- *OLD\_BALANCE\_EXPIRIES* (on page 183) (dates before balance update)

### MSISDN additional fields

If the MSISDN ccsCDRLoader plug-in is installed on the SMS, the following field will be present:

- *MSISDN* (on page 175) (account calling number)

### Example EDR 3

```
BILLING_ENGINE_ID=21|SCP_ID=0|SEQUENCE_NUMBER=0|CDR_TYPE=3|RECORD_DATE=2004080314582
3|ACCT_ID=61|ACCT_REF_ID=61|BALANCES=5100|BALANCE_TYPES=1|COSTS=5100|ACCOUNT_TYPE=1
```

## Example MSISDN

```
BILLING_ENGINE_ID=21|SCP_ID=0|SEQUENCE_NUMBER=0|CDR_TYPE=3|RECORD_DATE=20040803145823|ACCT_ID=61|ACCT_REF_ID=61|BALANCES=5100|BALANCE_TYPES=1|COSTS=5100|EXPIRIES=20040731212949|ACCOUNT_TYPE=1|MSISDN=1394111111
```

### Note

The sequence of all fields output in an EDR is not guaranteed.

## Account Expiry (EDR 3)

### Mandatory EDR 3 fields

This list identifies the mandatory EDR record fields for account expiry (EDR type 3):

- *ACCOUNT\_TYPE* (on page 149) (Product Type ID)
- *ACS\_CUST\_ID* (on page 150) (ACS Customer ID)
- *NEW\_ACCT\_STATE* (on page 178) (always terminated - T)
- *OLD\_ACCT\_EXPIRY* (on page 181) (dates before update)
- *OLD\_ACCT\_STATE* (on page 181) (always active - A)

### Optional EDR 3 fields

This list identifies the optional EDR record fields for account expiry (EDR type 3):

- *OLD\_BALANCE\_EXPIRIES* (on page 183) (dates before balance update)

### MSISDN additional fields

If the MSISDN ccsCDRLoader plug-in is installed on the SMS, the following field will be present:

- *MSISDN* (on page 175) (account calling number)

### Example EDR 3

```
BILLING_ENGINE_ID=21|SCP_ID=0|SEQUENCE_NUMBER=0|CDR_TYPE=3|RECORD_DATE=20040803145823|ACCT_ID=61|ACCT_REF_ID=61|NEW_ACCT_STATE=T|OLD_ACCT_STATE=A|ACS_CUST_ID=1|ACCOUNT_TYPE=1
```

### Example MSISDN

```
BILLING_ENGINE_ID=21|SCP_ID=0|SEQUENCE_NUMBER=0|CDR_TYPE=3|RECORD_DATE=20040803145823|ACCT_ID=61|ACCT_REF_ID=61|NEW_ACCT_STATE=T|OLD_ACCT_STATE=A|ACS_CUST_ID=1|OLD_ACCT_EXPIRY=20040731212949|ACCOUNT_TYPE=1|MSISDN=1394111111
```

### Note

The sequence of all fields output in an EDR is not guaranteed.

## PI Delete (EDR 2)

### Mandatory EDR 2 fields

This list identifies the mandatory EDR record fields for PI delete (EDR type 2):

- *ACCOUNT\_TYPE* (on page 149) (Product Type ID)
- *ACS\_CUST\_ID* (on page 150) (ACS Customer ID)
- *ACTIVATION\_DATE* (on page 151) (account activation date)
- *BALANCE\_TYPES* (on page 152) (account changed or created)
- *BALANCES* (on page 154) (pre-transaction account balances)
- *COSTS* (on page 163) (rated calls)
- *MAX\_CONCURRENT* (on page 174) (maximum concurrent accesses allowed)
- *NEW\_ACCT\_EXPIRY* (on page 177) (date after update)
- *NEW\_BALANCE\_EXPIRIES* (on page 179) (date after balance update)
- *OLD\_ACCT\_EXPIRY* (on page 181) (dates before update)
- *OLD\_ACCT\_STATE* (on page 181) (always active - A)
- *OLD\_BALANCE\_EXPIRIES* (on page 183) (dates before balance update)
- *PI* (on page 185) (logon name and IP address)
- *WALLET\_DELETED* (on page 198) (always success - Y)
- *WALLET\_TYPE* (on page 198) (ID of wallet changed)

### **MSISDN additional fields**

If the MSISDN ccsCDRLoader plug-in is installed on the SMS, the following field will be present:

- *MSISDN* (on page 175) (account calling number)

### **Note**

The sequence of all fields output in an EDR is not guaranteed.



# Roaming Voice Calls

## Overview

### Introduction

This chapter defines the CCS EDRs for roaming voice calls.

### In this chapter

---

This chapter contains the following topics.

Successful Roaming Call (EDR type 1).....	109
Declined Roaming Call (EDR type 1) .....	111
Successful Roaming Call (EDR type 11).....	113
Declined Roaming Call (EDR type 11) .....	115

## Successful Roaming Call (EDR type 1)

### Introduction

For the purposes of this document, a roaming voice call is one of the following:

- CAMEL Originating
- Mobile Terminating
- USSD Callback

Depending on the software installed, a roaming voice call may result in either a EDR of type 1 or a EDR of type 11.

A EDR of type 11 will be created through modifying the original EDR type using a `ccsCDRLoaderPlugin` on the SMS. The `ccsCDRLoaderPlugin` may also modify the CLI and TN fields of the EDR record and add additional fields into the resulting EDR - details regarding these changes have been included in this section of the document.

### Mandatory EDR 1 fields

This list identifies the mandatory EDR record fields for a successful roaming call (EDR type 1):

- *ACCOUNT\_TYPE* (on page 149) (Product Type ID)
- *ACS\_CUST\_ID* (on page 150) (ACS Customer ID)
- *BALANCE\_TYPES* (on page 152) (account changed or created)
- *BALANCES* (on page 154) (pre-transaction account balances)
- *CASCADE\_ID* (on page 157) (balance type cascade IDs)
- *CLI* (on page 161) (initiating call number)
- *DISCOUNT\_TYPE* - one of:
  - *DISCOUNT\_TYPE* (on page 165) (applied to this call)
  - *DISCOUNT\_TYPE* (on page 165) (applied to this call) - R\*W
- *DISCOUNTS* (on page 166) (rated calls)

- *DURATION* (on page 167) (call length)
- *DURATION\_CHARGED* (on page 168)
- *END\_CALL\_REASON* (*reasons for call termination*) (on page 169)
- *FCA* (on page 171) (final call address)
- *LENGTHS* - one of:
  - *LENGTHS* (on page 172) (rate durations)
  - *LENGTHS* (on page 173) (rate durations) -1end duration
- *MAX\_CHARGE* (on page 174) (for this call)
- *RATES* (on page 186) (rated calls)
- *TCE* (on page 195) (ccs time call ended)
- *TCS* (on page 195) (ccs time call started)
- *TN* (on page 196) (ccs called number)
- *WALLET\_TYPE* (on page 198) (ID of wallet changed)

### Optional EDR 1 fields

This list identifies the optional EDR record fields for a successful roaming call (EDR type 1):

- *CUG\_NAME* (on page 164) (closed user group)
- *OVERRIDDEN\_TARIFF\_PLAN* (on page 185) (ID)
- *RELC* (on page 190) (inap release cause)
- *TARIFF\_CODE* (on page 195) (name)

### Partial EDR additional fields

Enabling of Mid-Session EDRs production creates Partial EDRs. Either the Commit Volume Threshold or Mid-Session EDRs parameters are enabled (**Rating Management > Reservation Config > New Reservation Config** screen).

These additional tags are on all the partial EDRs, but not on the final, complete EDR:

- *MID\_SESSION* (on page 174) (partial EDR)
- *SESSION\_SEQUENCE* (on page 195) (partial EDR)

### Timed-out reservation confirmation additional fields

If a confirmed reservation times out, these tags will be added to the EDR.

- *RNCF* (on page 193) (Reservation Not Charged For)
- *TIMED\_OUT* (reservation confirmation)

### Account Activated additional fields

If the account is activated, the following fields will be present:

- *NEW\_ACCT\_STATE* (on page 178) (always active - A)
- *OLD\_ACCT\_STATE* (on page 182) (pre-call)

### Cross balance type discount additional fields

If the cross balance type discounting has been applied during the call, the following fields will be present:

- *CBTD\_BALANCE\_TYPES* (on page 157) (list to apply to discounts)
- *CBTD\_BALANCE\_TYPES* (on page 158) (list to apply to discounts) - mid call rate changes



- *CBTD\_BALANCES* (on page 158) (value for each cross balance type)
- *CBTD\_BALANCES* (on page 158) (value for each cross balance type) - mid call rate change
- *CBTD\_CASCADE\_ID* (on page 159) (used for this call)
- *CBTD\_CASCADE\_ID* (on page 159) (used for this call) - mid call rate change
- *CBTD\_COSTS* (on page 159) (costs applied to each cross balance type)
- *CBTD\_COSTS* (on page 159) (costs applied to each cross balance type) - mid call rate changes
- *CBTD\_DISCOUNTS* (on page 160) (discounts applied to balance types)
- *CBTD\_DISCOUNTS* (on page 160) (discounts applied to balance types) - mid call rate changes

### MSISDN additional fields

If the MSISDN ccsCDRLoader plug-in is installed on the SMS, the following field will be present:

- *MSISDN* (on page 175) (account calling number)

### Example EDR 1

```
BILLING_ENGINE_ID=21|SCP_ID=366273322|SEQUENCE_NUMBER=487291|CDR_TYPE=1|RECORD_DATE=
20040803142342|ACCT_ID=83|ACCT_REF_ID=83|CLI=01206233252|ACS_CUST_ID=1|BALANCE_TYPES
=1|BALANCES=1000|COSTS=28|ACCOUNT_TYPE=1|CASCADE_ID=1|RATES=50,25|LENGTHS=120.00,40.
00|DISCOUNTS=450000,560000|MAX_CHARGE=500|DURATION=160|DURATION_CHARGED=160|TN=01473
289900|TCS=20040803141934|TCE=20040803142034|CS=S|DISCOUNT_TYPE=S*W*R|END_CALL_REASO
N=14
```

### Example Account Activated

```
BILLING_ENGINE_ID=21|SCP_ID=366273322|SEQUENCE_NUMBER=487291|CDR_TYPE=1|RECORD_DATE=
20040803142342|ACCT_ID=83|ACCT_REF_ID=83|CLI=01206233252|ACS_CUST_ID=1|BALANCE_TYPES
=1|BALANCES=1000|COSTS=28|ACCOUNT_TYPE=1|CASCADE_ID=1|RATES=50,25|LENGTHS=120.00,0.0
0|DISCOUNTS=450000,560000|MAX_CHARGE=500|DURATION=60|DURATION_CHARGED=60|TN=01473289
900|TCS=20040803141934|TCE=20040803142034|CS=S|DISCOUNT_TYPE=S*W*R|OLD_ACCT_STATE=P|
NEW_ACCT_STATE=A|END_CALL_REASON=15
```

### Example MSISDN

```
BILLING_ENGINE_ID=21|SCP_ID=366273322|SEQUENCE_NUMBER=487291|CDR_TYPE=1|RECORD_DATE=
20040803142342|ACCT_ID=83|ACCT_REF_ID=83|CLI=1234|ACS_CUST_ID=1|BALANCE_TYPES=1|BALA
NCES=1000|COSTS=28|ACCOUNT_TYPE=1|CASCADE_ID=1|RATES=50,25|LENGTHS=120.00,0.00|DISCO
UNTS=450000,560000|MAX_CHARGE=500|DURATION=60|DURATION_CHARGED=60|TN=01473289900|TCS
=20040803141934|TCE=20040803142034|CS=S|DISCOUNT_TYPE=S*W*R|OLD_ACCT_STATE=P|NEW_ACC
T_STATE=A|MSISDN=1234|END_CALL_REASON=15
```

### Note

The sequence of all fields output in an EDR is not guaranteed.

## Declined Roaming Call (EDR type 1)

### Introduction

For the purposes of this document, a roaming voice call is one of the following:

- CAMEL Originating
- Mobile Terminating
- USSD Callback

Depending on the software installed, a roaming voice call may result in either a EDR of type 1 or a EDR of type 11.

A EDR of type 11 will be created through modifying the original EDR type using a `ccsCDRLoaderPlugin` on the SMS. The `ccsCDRLoaderPlugin` may also modify the CLI and TN fields of the EDR record and add additional fields into the resulting EDR - details regarding these changes have been included in this section of the document.

### Mandatory EDR 1 fields

This list identifies the mandatory EDR record fields for an unsuccessful roaming call (EDR type 1):

- `ACCOUNT_TYPE` (on page 149) (Product Type ID)
- `ACS_CUST_ID` (on page 150) (ACS Customer ID)
- `CLI` (on page 161) (initiating call number)
- CS (call status, always D)
- `END_CALL_REASON` (*reasons for call termination*) (on page 169)
- `NACK` (on page 176) (long list of codes)
- `TCS` (on page 195) (ccs time call started)
- `TN` (on page 196) (ccs called number)
- `WALLET_TYPE` (on page 198) (ID of wallet changed)

### Optional EDR 1 fields

This list identifies the optional EDR record fields for an unsuccessful roaming call (EDR type 1):

- `CUG_NAME` (on page 164) (closed user group)

### Account Activated additional fields

If the account is activated, the following fields will be present:

- `NEW_ACCT_STATE` (on page 178) (always active - A)
- `OLD_ACCT_STATE` (on page 182) (pre-call)

### MSISDN additional fields

If the MSISDN `ccsCDRLoader` plug-in is installed on the SMS, the following field will be present:

- `MSISDN` (on page 175) (account calling number)

### Mobile number portability additional fields

If the Mobile Number Portability (MNP) software is installed, the following fields will be present:

- `PORTED` (on page 185) (name of porting carrier)

### Example EDR 1

```
BILLING_ENGINE_ID=21|SCP_ID=230612530|SEQUENCE_NUMBER=487291|CDR_TYPE=1|RECORD_DATE=20040803121758|ACCT_ID=83|ACCT_REF_ID=83|CLI=1234|TN=01473289900|TCS=20040625124332|CS=D|NACK=INSF|ACS_CUST_ID=1|ACCOUNT_TYPE=1|END_CALL_REASON=11
```

## Example Account Activated

```
BILLING_ENGINE_ID=21|SCP_ID=230612530|SEQUENCE_NUMBER=487291|CDR_TYPE=1|RECORD_DATE=
20040803121758|ACCT_ID=83|ACCT_REF_ID=83|CLI=1234|TN=01473289900|TCS=20040625124332|
CS=D|NACK=INSF|ACS_CUST_ID=1|OLD_ACCT_STATE=P|NEW_ACCT_STATE=A|ACCOUNT_TYPE=1|END_CA
LL_REASON=11
```

## Example MSISDN

```
BILLING_ENGINE_ID=21|SCP_ID=230612530|SEQUENCE_NUMBER=487291|CDR_TYPE=1|RECORD_DATE=
20040803121758|ACCT_ID=83|ACCT_REF_ID=83|CLI=1234|TN=01473289900|TCS=20040625124332|
CS=D|NACK=INSF|ACS_CUST_ID=1|OLD_ACCT_STATE=P|NEW_ACCT_STATE=A|ACCOUNT_TYPE=1|MSISDN
=1234|END_CALL_REASON=11
```

## Note

The sequence of all fields output in an EDR is not guaranteed.

# Successful Roaming Call (EDR type 11)

## Introduction

For the purposes of this document, a roaming voice call is one of the following:

- CAMEL Originating
- Mobile Terminating
- USSD Callback

Depending on the software installed, a roaming voice call may result in either a EDR of type 1 or a EDR of type 11.

A EDR of type 11 will be created through modifying the original EDR type using a `ccsCDRLoaderPlugin` on the SMS. The `ccsCDRLoaderPlugin` may also modify the CLI and TN fields of the EDR record and add additional fields into the resulting EDR - details regarding these changes have been included in this section of the document.

## Mandatory EDR 11 fields

This list identifies the optional EDR record fields for a successful roaming call (EDR type 11):

- *ACCOUNT\_TYPE* (on page 149) (Product Type ID)
- *ACS\_CUST\_ID* (on page 150) (ACS Customer ID)
- *BALANCE\_TYPES* (on page 152) (account changed or created)
- *BALANCES* (on page 154) (pre-transaction account balances)
- *CASCADE\_ID* (on page 157) (balance type cascade IDs)
- *CLI* (on page 162) (roaming initiating call number)
- *COSTS* (on page 163) (rated calls)
- *CS* (*call status, S or D*) (on page 164) (call status, S or D)
- *DISCOUNT\_TYPE* - one of:
  - *DISCOUNT\_TYPE* (on page 165) (applied to this call)
  - *DISCOUNT\_TYPE* (on page 165) (applied to this call) - R\*W
- *DISCOUNTS* (on page 166) (rated calls)
- *DURATION* (on page 167) (call length)
- *FCA* (on page 171) (final call address)

- LENGTHS - one of:
  - LENGTHS (on page 172) (rate durations)
  - LENGTHS (on page 173) (rate durations) -1end duration
- MAX\_CHARGE (on page 174) (for this call)
- RATES (on page 186) (rated calls)
- ROAMING\_COUNTRY (on page 193) (name)
- ROAMING\_TYPE (on page 193) (of call)
- TCE (on page 195) (ccs time call ended)
- TCS (on page 195) (ccs time call started)
- TN (on page 196) (roaming called number)
- WALLET\_TYPE (on page 198) (ID of wallet changed)

### Optional EDR 11 fields

This list identifies the optional EDR record fields for a successful roaming call (EDR type 11):

- CUG\_NAME (on page 164) (closed user group)
- OVERRIDDEN\_TARIFF\_PLAN (on page 185) (ID)
- RELC (on page 190) (inap release cause)
- TARIFF\_CODE (on page 195) (name)

### Partial EDR additional fields

Enabling of Mid-Session EDRs production creates Partial EDRs. Either the Commit Volume Threshold or Mid-Session EDRs parameters are enabled (**Rating Management > Reservation Config > New Reservation Config** screen).

These additional tags are on all the partial EDRs, but not on the final, complete EDR:

- MID\_SESSION (on page 174) (partial EDR)
- SESSION\_SEQUENCE (on page 195) (partial EDR)

### Timed-out reservation confirmation additional fields

If a confirmed reservation times out, these tags will be added to the EDR.

- RNCF (on page 193) (Reservation Not Charged For)
- TIMED\_OUT (reservation confirmation)

### Account Activated additional fields

If the account is activated, the following fields will be present:

- NEW\_ACCT\_STATE (on page 178) (always active - A)
- OLD\_ACCT\_STATE (on page 182) (pre-call)

### Cross balance type discount additional fields

If the cross balance type discounting has been applied during the call, the following fields will be present:

- CBTD\_BALANCE\_TYPES (on page 157) (list to apply to discounts)
- CBTD\_BALANCE\_TYPES (on page 158) (list to apply to discounts) - mid call rate changes
- CBTD\_BALANCES (on page 158) (value for each cross balance type)
- CBTD\_BALANCES (on page 158) (value for each cross balance type) - mid call rate change

- *CBTD\_CASCADE\_ID* (on page 159) (used for this call)
- *CBTD\_CASCADE\_ID* (on page 159) (used for this call) - mid call rate change
- *CBTD\_COSTS* (on page 159) (costs applied to each cross balance type)
- *CBTD\_COSTS* (on page 159) (costs applied to each cross balance type) - mid call rate changes
- *CBTD\_DISCOUNTS* (on page 160) (discounts applied to balance types)
- *CBTD\_DISCOUNTS* (on page 160) (discounts applied to balance types) - mid call rate changes

### MSISDN additional fields

If the MSISDN ccsCDRLoader plug-in is installed on the SMS, the following field will be present:

- *MSISDN* (on page 175) (account calling number)

### Mobile number portability additional fields

If the Mobile Number Portability (MNP) software is installed, the following fields will be present:

- *PORTED* (on page 185) (name of porting carrier)

### Example EDR 11

```
BILLING_ENGINE_ID=21|SCP_ID=366273322|SEQUENCE_NUMBER=487291|CDR_TYPE=11|RECORD_DATE=20040803142342|ACCT_ID=83|ACCT_REF_ID=83|CLI=321206233252|ACS_CUST_ID=1|BALANCE_TYPES=1|BALANCES=1000|COSTS=28|ACCOUNT_TYPE=1|CASCADE_ID=1|RATES=50,25|LENGTHS=120,0.0|DISCOUNTS=450000,560000|MAX_CHARGE=500|DURATION=60|TN=441473289900|TCS=20040803141934|TCE=20040803142034|CS=S|DISCOUNT_TYPE=S*W*R|ROAMING_TYPE=MT|ROAMING_COUNTRY=United Kingdom
```

### Note

The sequence of all fields output in an EDR is not guaranteed.

## Declined Roaming Call (EDR type 11)

### Introduction

For the purposes of this document, a roaming voice call is one of the following:

- CAMEL Originating
- Mobile Terminating
- USSD Callback

Depending on the software installed, a roaming voice call may result in either a EDR of type 1 or a EDR of type 11.

A EDR of type 11 will be created through modifying the original EDR type using a ccsCDRLoaderPlugin on the SMS. The ccsCDRLoaderPlugin may also modify the CLI and TN fields of the EDR record and add additional fields into the resulting EDR - details regarding these changes have been included in this section of the document.

### Mandatory EDR 11 fields

This list identifies the optional EDR record fields for an unsuccessful roaming call (EDR type 11):

- *ACS\_CUST\_ID* (on page 150) (ACS Customer ID)
- CS (call status, always D)

- *CLI* (on page 162) (roaming initiating call number)
- *NACK* (on page 176) (long list of codes)
- *ROAMING\_COUNTRY* (on page 193) (name)
- *ROAMING\_TYPE* (on page 193) (of call)
- *TCS* (on page 195) (ccs time call started)
- *TN* (on page 196) (roaming called number)

### Optional EDR 11 fields

This list identifies the optional EDR record fields for an unsuccessful roaming call (EDR type 11):

- *CUG\_NAME* (on page 164) (closed user group)

### Account Activated additional fields

If the account is activated, the following fields will be present:

- *NEW\_ACCT\_STATE* (on page 178) (always active - A)
- *OLD\_ACCT\_STATE* (on page 182) (pre-call)

### Mobile number portability additional fields

If the Mobile Number Portability (MNP) software is installed, the following fields will be present:

- *PORTED* (on page 185) (name of porting carrier)

### MSISDN additional fields

If the MSISDN ccsCDRLoader plug-in is installed on the SMS, the following field will be present:

- *MSISDN* (on page 175) (account calling number)

### Example EDR 11

```
BILLING_ENGINE_ID=21|SCP_ID=230612530|SEQUENCE_NUMBER=487291|CDR_TYPE=11|RECORD_DATE=20040803121758|ACCT_ID=83|ACCT_REF_ID=83|CLI=321206233252|TN=441473289900|TCS=20040625124332|CS=D|NACK=INSF|ACS_CUST_ID=1|ROAMING_TYPE=MT|ROAMING_COUNTRY=United Kingdom
```

### Note

The sequence of all fields output in an EDR is not guaranteed.

# Data and Video Calls (EDRs 50 and 51)

## Overview

### Introduction

This chapter describes the CCS EDRs types 50 and 51.

### In this chapter

---

This chapter contains the following topics.

About Type 50 and 51 EDRs..... 117

## About Type 50 and 51 EDRs

Type 50 and 51 EDRs are based on type 1 EDRs by default. For a list of the fields output by type 1 EDRs, see *Voice Calls* (on page 49). You can override the default EDR type for type 50, and type 51 EDRs, by specifying a different EDR type on the **Capability** tab in the Service Management window in the CCS user interface (UI). The fields output will depend on the EDR type for the triggered scenario. For more information on setting the override EDR type, see the discussion on service management in *CCS User's Guide*.

You can also customize the fields that are output by type 50 and type 51 EDRs by using the Set BE EDR feature node in your control plans; for example, you can add a new field to the EDR or change the value of an existing field. For more information about the Set BE EDR feature node, see *Feature Nodes Reference Guide*.





# Prepaid Data

## Overview

### Introduction

This chapter defines the CCS EDRs for prepaid charges.

### In this chapter

---

This chapter contains the following topics.

GPRS Content Charge Succeeds (EDR 5) .....	119
GPRS Content Charge Fails (EDR 5) .....	120
GPRS Volume or Duration Charge Succeeds (EDR 14) .....	121
GPRS Volume or Duration Charge Fails (EDR 5).....	121

## GPRS Content Charge Succeeds (EDR 5)

### Mandatory EDR 5 fields

This list identifies the mandatory EDR record fields for a successful GPRS content charge (EDR type 5):

- *ACCOUNT\_TYPE* (on page 149) (Product Type ID)
- *ACS\_CUST\_ID* (on page 150) (ACS Customer ID)
- *BALANCE\_TYPES* (on page 152) (account changed or created)
- *BALANCES* (on page 154) (pre-transaction account balances)
- *CASCADE\_ID* (on page 157) (balance type cascade IDs)
- *COSTS* (on page 163) (rated calls)
- *CS* (*call status, S or D*) (on page 164) (call status, S or D)
- *DISCOUNTS* (on page 166) (for each named event)
- *EVENT\_CLASS* (on page 169) (list of classes used)
- *EVENT\_COST* (on page 169) (for each named event)
- *EVENT\_COUNT* (on page 170) (for each named event)
- *EVENT\_NAME* (on page 170) (list used for this call)
- *EVENT\_TIME\_COST* (on page 170) (for a named event)
- *TCS* (on page 195) (ccs time call started)

### Optional EDR 5 fields

This list identifies the optional EDR record fields for a successful GPRS content charge (EDR type 5):

- *OVERDRAWN\_AMOUNT* (on page 185) (take Balance Negative)
- *REMAINING\_CHARGE* (on page 191) (partial Charge)

## Account Activated additional fields

If the account is activated, the following fields will be present:

- *NEW\_ACCT\_STATE* (on page 178) (always active - A)
- *OLD\_ACCT\_STATE* (on page 182) (pre-call)

### Example EDR 5

```
BILLING_ENGINE_ID=21|SCP_ID=230612530|SEQUENCE_NUMBER=488297|CDR_TYPE=5|RECORD_DATE=
20040803145823|ACCT_ID=61|ACCT_REF_ID=61|ACS_CUST_ID=1|CS=S|TCS=20040706104957|BALAN
CE_TYPER=1|BALANCES=1000|COSTS=90|ACCOUNT_TYPE=4|EVENT_CLASS=PrePaidData|EVENT_NAME=
PPD_Content_10|EVENT_COST=10|EVENT_COUNT=9|DISCOUNT=0|CASCADE=0
```

### Note

The sequence of all fields output in an EDR is not guaranteed.

## GPRS Content Charge Fails (EDR 5)

### Mandatory EDR 5 fields

This list identifies the mandatory EDR record fields for an unsuccessful GPRS content charge (EDR type 5):

- *ACS\_CUST\_ID* (on page 150) (ACS Customer ID)
- *BALANCE\_TYPER* (on page 152) (account changed or created)
- *BALANCES* (on page 154) (pre-transaction account balances)
- *CASCADE\_ID* (on page 157) (balance type cascade IDs)
- *COSTS* (on page 163) (rated calls)
- *CS* (call status, always D)
- *DISCOUNTS* (on page 166) (for each named event)
- *EVENT\_CLASS* (on page 169) (list of classes used)
- *EVENT\_COST* (on page 169) (for each named event)
- *EVENT\_COUNT* (on page 170) (for each named event)
- *EVENT\_NAME* (on page 170) (list used for this call)
- *EVENT\_TIME\_COST* (on page 170) (for a named event)
- *NACK* (on page 176) (short list of codes)
- *TCS* (on page 195) (ccs time call started)

### Example EDR 5

```
BILLING_ENGINE_ID=21|SCP_ID=230612530|SEQUENCE_NUMBER=487291|CDR_TYPE=5|RECORD_DATE=
20040803121758|ACCT_ID=83|ACCT_REF_ID=83|EVENT_CLASS=PrePaidData|EVENT_NAME=PPD_Cont
ent_10|NACK=INSF|TCS=20040706104957|CS=D|ACS_CUST_ID=1
```

### Note

The sequence of all fields output in an EDR is not guaranteed.

## GPRS Volume or Duration Charge Succeeds (EDR 14)

### Mandatory EDR 14 fields

This list identifies the mandatory EDR record fields for a successful GPRS volume or duration charge (EDR type 14):

- *ACCOUNT\_TYPE* (on page 149) (Product Type ID)
- *ACS\_CUST\_ID* (on page 150) (ACS Customer ID)
- *BALANCE\_TYPES* (on page 152) (account changed or created)
- *BALANCES* (on page 154) (pre-call or account creation)
- *CASCADE\_ID* (on page 157) (balance type cascade IDs)
- *CLI* (on page 161) (initiating call number)
- *COSTS* (on page 163) (rated calls)
- *CS* (*call status, S or D*) (on page 164) (call status, S or D)
- *CUG\_NAME* (on page 164) (closed user group)
- *DISCOUNTS* (on page 166) (for each named event)
- *EVENT\_CLASS* (on page 169) (list of classes used)
- *EVENT\_COST* (on page 169) (for each named event)
- *EVENT\_COUNT* (on page 170) (for each named event)
- *EVENT\_NAME* (on page 170) (list used for this call)
- *OVERRIDDEN\_TARIFF\_PLAN* (on page 185) (ID)
- *TARIFF\_CODE* (on page 195) (name)
- *TCS* (on page 195) (ccs time call started)

### Account Activated additional fields

If the account is activated, the following fields will be present:

- *NEW\_ACCT\_STATE* (on page 178) (always active - A)
- *OLD\_ACCT\_STATE* (on page 182) (pre-call)

### Example EDR 14

```
BILLING_ENGINE_ID=21|SCP_ID=230612530|SEQUENCE_NUMBER=488297|CDR_TYPE=14|RECORD_DATE=20040803145823|ACCT_ID=61|ACCT_REF_ID=61|CLI=321206233252|ACS_CUST_ID=1|CS=S|TCS=20040706104957|BALANCE_TYPES=1|BALANCES=1000|COSTS=150|ACCOUNT_TYPE=4|EVENT_CLASS=PrePaidData|EVENT_NAME=PPD_Volume_1|EVENT_COST=1|EVENT_COUNT=150|DISCOUNT=0|CASCADE=0
```

### Note

The sequence of all fields output in an EDR is not guaranteed.

## GPRS Volume or Duration Charge Fails (EDR 5)

### Mandatory EDR 5 fields

This list identifies the mandatory EDR record fields for an unsuccessful GPRS volume or duration charge (EDR type 5):

- *ACS\_CUST\_ID* (on page 150) (ACS Customer ID)

- *BALANCE\_TYPES* (on page 152) (account changed or created)
- *BALANCES* (on page 154) (pre-transaction account balances)
- *CASCADE\_ID* (on page 157) (balance type cascade IDs)
- *COSTS* (on page 163) (rated calls)
- *CS* (call status, always D)
- *CUG\_NAME* (on page 164) (closed user group)
- *DISCOUNTS* (on page 166) (for each named event)
- *EVENT\_CLASS* (on page 169) (list of classes used)
- *EVENT\_COST* (on page 169) (for each named event)
- *EVENT\_COUNT* (on page 170) (for each named event)
- *EVENT\_NAME* (on page 170) (list used for this call)
- *EVENT\_TIME\_COST* (on page 170) (for a named event)
- *NACK* (on page 176) (short list of codes)
- *OVERRIDDEN\_TARIFF\_PLAN* (on page 185) (ID)
- *TARIFF\_CODE* (on page 195) (name)
- *TCS* (on page 195) (ccs time call started)

### Example EDR 5

```
BILLING_ENGINE_ID=21|SCP_ID=230612530|SEQUENCE_NUMBER=487291|CDR_TYPE=5|RECORD_DATE=20040803121758|ACCT_ID=83|ACCT_REF_ID=83|EVENT_CLASS=PrePaidData|EVENT_NAME=PPD_Volume_1|NACK=INSF|TCS=20040706104957|CS=D|ACS_CUST_ID=1
```

### Note

The sequence of all fields output in an EDR is not guaranteed.

## Overview

### Introduction

This chapter defines the CCS EDRs for SMS-MO messages.

### In this chapter

---

This chapter contains the following topics.

National SMS-MO Succeeds (EDR 12,13).....	123
National SMS-MO Fails (EDR 1, 5,12,13).....	126
Roaming SMS-MO Succeeds (EDR 12,13) .....	127
Roaming SMS-MO Fails (EDR 1,5,12,13).....	129

## National SMS-MO Succeeds (EDR 12,13)

### Introduction

There are two EDR records created for this event - a EDR type 12 and a EDR type 13.

### Mandatory EDR 12 fields

This list identifies the mandatory EDR record fields for a successful national SMS-MO (EDR type 12):

- *ACCOUNT\_TYPE* (on page 149) (Product Type ID)
- *ACS\_CUST\_ID* (on page 150) (ACS Customer ID)
- *BALANCE\_TYPES* (on page 152) (account changed or created)
- *BALANCES* (on page 154) (pre-call or account creation)
- *CASCADE\_ID* (on page 157) (balance type cascade IDs)
- *CLI* (on page 161) (initiating call number)
- *COSTS* (on page 163) (rated calls)
- *CS* (*call status, S or D*) (on page 164) (call status, S or D)
- *DISCOUNTS* (on page 166) (rated calls)
- *EVENT\_CLASS* (on page 169) (list of classes used)
- *EVENT\_COST* (on page 169) (for each named event)
- *EVENT\_COUNT* (on page 170) (for each named event)
- *EVENT\_NAME* (on page 170) (list used for this call)
- *EVENT\_TIME\_COST* (on page 170) (for a named event)
- *LOCADD* (on page 173) (additional configuration prefixes)
- *TCS* (on page 195) (ccs time call started)
- *TN* (on page 196) (ccs called number)
- *WALLET\_TYPE* (on page 198) (ID of wallet recharged)

## Optional EDR 12 fields

This list identifies the optional EDR record fields for a successful national SMS-MO (EDR type 12):

- *OVERRIDDEN\_TARIFF\_PLAN* (on page 185) (ID)
- *OVERDRAWN\_AMOUNT* (on page 185) (take Balance Negative)
- *REMAINING\_CHARGE* (on page 191) (partial Charge)
- *TARIFF\_CODE* (on page 195) (name)

## Mandatory EDR 13 fields

This list identifies the mandatory EDR record fields for a successful national SMS-MO (EDR type 13):

- *ACCOUNT\_TYPE* (on page 149) (Product Type ID)
- *ACS\_CUST\_ID* (on page 150) (ACS Customer ID)
- *BALANCE\_TYPES* (on page 152) (account changed or created)
- *BALANCES* (on page 154) (pre-call or account creation)
- *CASCADE\_ID* (on page 157) (balance type cascade IDs)
- *CLI* (on page 161) (initiating call number)
- *COSTS* (on page 163) (rated calls)
- *CS* (*call status, S or D*) (on page 164) (call status, S or D)
- *DISCOUNT\_TYPE* - one of:
  - *DISCOUNT\_TYPE* (on page 165) (applied to this call)
  - *DISCOUNT\_TYPE* (on page 165) (applied to this call) - R\*W
- *DISCOUNTS* (on page 166) (rated calls)
- *DURATION* (on page 167) (call length)
- *LENGTHS* - one of:
  - *LENGTHS* (on page 172) (rate durations)
  - *LENGTHS* (on page 173) (rate durations) -1end duration
- *RATES* (on page 186) (rated calls)
- *TCE* (on page 195) (ccs time call ended)
- *TCS* (on page 195) (ccs time call started)
- *TN* (on page 196) (ccs called number)
- *WALLET\_TYPE* (on page 198) (ID of wallet changed)

## Optional EDR 13 fields

This list identifies the optional EDR record fields for a successful national SMS-MO (EDR type 13):

- *OVERRIDDEN\_TARIFF\_PLAN* (on page 185) (ID)
- *TARIFF\_CODE* (on page 195) (name)

## Account Activated additional fields

If the account is activated, the following fields will be present:

- *NEW\_ACCT\_STATE* (on page 178) (always active - A)
- *OLD\_ACCT\_STATE* (on page 182) (pre-call)

## Cross balance type discount additional fields

If the cross balance type discounting has been applied during the call, the following fields will be present:

- *CBTD\_BALANCE\_TYPES* (on page 157) (list to apply to discounts)
- *CBTD\_BALANCE\_TYPES* (on page 158) (list to apply to discounts) - mid call rate changes
- *CBTD\_BALANCES* (on page 158) (value for each cross balance type)
- *CBTD\_BALANCES* (on page 158) (value for each cross balance type) - mid call rate change
- *CBTD\_CASCADE\_ID* (on page 159) (used for this call)
- *CBTD\_CASCADE\_ID* (on page 159) (used for this call) - mid call rate change
- *CBTD\_COSTS* (on page 159) (costs applied to each cross balance type)
- *CBTD\_COSTS* (on page 159) (costs applied to each cross balance type) - mid call rate changes
- *CBTD\_DISCOUNTS* (on page 160) (discounts applied to balance types)
- *CBTD\_DISCOUNTS* (on page 160) (discounts applied to balance types) - mid call rate changes

### Mobile number portability additional fields

If the Mobile Number Portability (MNP) software is installed, the following fields will be present:

- *PORTED* (on page 185) (name of porting carrier)

### MSISDN additional fields

If the MSISDN ccsCDRLoader plug-in is installed on the SMS, the following field will be present:

- *MSISDN* (on page 175) (account calling number)

### Example EDR 12

```
BILLING_ENGINE_ID=21|SCP_ID=230612530|SEQUENCE_NUMBER=488297|CDR_TYPE=12|RECORD_DATE=20040803145823|ACCT_ID=61|ACCT_REF_ID=61|WALLET_TYPE=1|CLI=321206233252|TN=441473289900|LOCADD=E771231473289900|ACS_CUST_ID=1|CS=S|TCS=20040706104957|BALANCE_TYPES=1|BALANCES=1000|COSTS=100|ACCOUNT_TYPE=4|EVENT_CLASS=SMSMO|EVENT_NAME=SMSMO_100|EVENT_COST=100|EVENT_COUNT=1|DISCOUNT=0|CASCADE=0
```

### Example Account Activated

```
BILLING_ENGINE_ID=21|SCP_ID=230612530|SEQUENCE_NUMBER=488297|CDR_TYPE=12|RECORD_DATE=20040803145823|ACCT_ID=61|ACCT_REF_ID=61|WALLET_TYPE=1|CLI=321206233252|TN=441473289900|LOCADD=E771231473289900|ACS_CUST_ID=1|CS=S|TCS=20040706104957|BALANCE_TYPES=1|BALANCES=1000|COSTS=100|ACCOUNT_TYPE=4|EVENT_CLASS=SMSMO|EVENT_NAME=SMSMO_100|EVENT_TIME_COST=0.00|EVENT_COST=100|EVENT_COUNT=1|DISCOUNT=0|CASCADE=0|OLD_ACCT_STATE=P|NEW_ACCT_STATE=A
```

### Example MSISDN

```
BILLING_ENGINE_ID=21|SCP_ID=230612530|SEQUENCE_NUMBER=488297|CDR_TYPE=12|RECORD_DATE=20040803145823|ACCT_ID=61|ACCT_REF_ID=61|WALLET_TYPE=1|CLI=321206233252|TN=441473289900|LOCADD=E771231473289900|ACS_CUST_ID=1|CS=S|TCS=20040706104957|BALANCE_TYPES=1|BALANCES=1000|COSTS=100|ACCOUNT_TYPE=4|EVENT_CLASS=SMSMO|EVENT_NAME=SMSMO_100|EVENT_COST=100|EVENT_COUNT=1|DISCOUNT=0|CASCADE=0|OLD_ACCT_STATE=P|NEW_ACCT_STATE=A|MSISDN=321206233252
```

### Note

The sequence of all fields output in an EDR is not guaranteed.

## National SMS-MO Fails (EDR 1, 5,12,13)

### Introduction

There are 4 EDR records created for a failed national SMS-MO - EDR types 1, 5, 12 or 13.

### Mandatory EDR 1 and 13 fields

This list identifies the mandatory EDR record fields for an unsuccessful national SMS-MO (EDR type 1 or type 13):

- *ACCOUNT\_TYPE* (on page 149) (Product Type ID)
- *ACS\_CUST\_ID* (on page 150) (ACS Customer ID)
- *CLI* (on page 161) (initiating call number)
- CS (call status, always D)
- *LOCADD* (on page 173) (additional configuration prefixes)
- *NACK* (on page 176) (short list of codes)
- *TCS* (on page 195) (ccs time call started)
- *TN* (on page 196) (ccs called number)
- *WALLET\_TYPE* (on page 198) (ID of wallet changed)

### Mandatory EDR 5 and 12 fields

This list identifies the mandatory EDR record fields for an unsuccessful national SMS-MO (EDR type 5 or type 12):

- *ACCOUNT\_TYPE* (on page 149) (Product Type ID)
- *ACS\_CUST\_ID* (on page 150) (ACS Customer ID)
- *CLI* (on page 161) (initiating call number)
- CS (call status, always D)
- *EVENT\_CLASS* (on page 169) (list of classes used)
- *EVENT\_NAME* (on page 170) (list used for this call)
- *LOCADD* (on page 173) (additional configuration prefixes)
- *NACK* (on page 176) (short list of codes)
- *TCS* (on page 195) (ccs time call started)
- *TN* (on page 196) (ccs called number)

### Account Activated additional fields

If the account is activated, the following fields will be present:

- *NEW\_ACCT\_STATE* (on page 178) (always active - A)
- *OLD\_ACCT\_STATE* (on page 182) (pre-call)

### Mobile number portability additional fields

If the Mobile Number Portability (MNP) software is installed, the following fields will be present:

- *PORTED* (on page 185) (name of porting carrier)

### MSISDN additional fields

If the MSISDN ccsCDRLoader plug-in is installed on the SMS, the following field will be present:



- *MSISDN* (on page 175) (account calling number)

### Example EDR 5

```
BILLING_ENGINE_ID=21|SCP_ID=230612530|SEQUENCE_NUMBER=487291|CDR_TYPE=5|RECORD_DATE=
20040803121758|ACCT_ID=83|ACCT_REF_ID=83|BALANCE_TYPES=1|BALANCES=500|EVENT_CLASS=SM
SMO|EVENT_NAME=SMSMO_100|NACK=INSF|TCS=20040706104957|CS=D|ACS_CUST_ID=1|ACCOUNT_TYP
E=1
```

### Example MSISDN

```
BILLING_ENGINE_ID=21|SCP_ID=230612530|SEQUENCE_NUMBER=487291|CDR_TYPE=5|RECORD_DATE=
20040803121758|ACCT_ID=83|ACCT_REF_ID=83|EVENT_CLASS=SMSMO|EVENT_NAME=SMSMO_100|NACK
=INSF|TCS=20040706104957|CS=D|ACS_CUST_ID=1|ACCOUNT_TYPE=1|MSISDN=1394111111
```

### Note

The sequence of all fields output in an EDR is not guaranteed.

## Roaming SMS-MO Succeeds (EDR 12,13)

### Introduction

There are 2 EDR records created for a successful roaming SMS-MO - a type 12 and a type 13.

### Mandatory EDR 12 fields

This list identifies the mandatory EDR record fields for a successful national SMS-MO (EDR type 12):

- *ACCOUNT\_TYPE* (on page 149) (Product Type ID)
- *ACS\_CUST\_ID* (on page 150) (ACS Customer ID)
- *BALANCE\_TYPES* (on page 152) (account changed or created)
- *BALANCES* (on page 154) (pre-call or account creation)
- *CASCADE\_ID* (on page 157) (balance type cascade IDs)
- *CLI* (on page 161) (initiating call number)
- *COSTS* (on page 163) (rated calls)
- *CS* (*call status, S or D*) (on page 164) (call status, S or D)
- *DISCOUNTS* (on page 166) (rated calls)
- *EVENT\_CLASS* (on page 169) (list of classes used)
- *EVENT\_COST* (on page 169) (for each named event)
- *EVENT\_COUNT* (on page 170) (for each named event)
- *EVENT\_NAME* (on page 170) (list used for this call)
- *EVENT\_TIME\_COST* (on page 170) (for a named event)
- *LOCADD* (on page 173) (additional configuration prefixes)
- *TCS* (on page 195) (ccs time call started)
- *TN* (on page 196) (ccs called number)
- *WALLET\_TYPE* (on page 198) (ID of wallet recharged)

### Optional EDR 12 fields

This list identifies the optional EDR record fields for a successful roaming SMS-MO (EDR type 12):

- *OVERDRAWN\_AMOUNT* (on page 185) (take Balance Negative)
- *REMAINING\_CHARGE* (on page 191) (partial Charge)

### Optional EDR 13 fields

This list identifies the optional EDR record fields for a successful national SMS-MO (EDR type 13):

- *OVERRIDDEN\_TARIFF\_PLAN* (on page 185) (ID)
- *TARIFF\_CODE* (on page 195) (name)

### Account Activated additional fields

If the account is activated, the following fields will be present:

- *NEW\_ACCT\_STATE* (on page 178) (always active - A)
- *OLD\_ACCT\_STATE* (on page 182) (pre-call)

### Example Account Activated

```
BILLING_ENGINE_ID=21|SCP_ID=36627332|SEQUENCE_NUMBER=487291|CDR_TYPE=13|RECORD_DATE=20040803142342|ACCT_ID=83|ACCT_REF_ID=83|CLI=321206233252|ACS_CUST_ID=1|BALANCE_TYPE S=1|BALANCES=1000|COSTS=28|ACCOUNT_TYPE=1|CASCADE_ID=1|RATES=50,25|LENGTHS=120.00,0.00|DISCOUNTS=450000,560000|MAX_CHARGE=500|DURATION=60|TN=441473289900|TCS=20040803141934|TCE=20040803142034|CS=S|DISCOUNT_TYPE=S*W*R|WALLET_TYPE=1|LOCADD=E77123441473289900|OLD_ACCT_STATE=P|NEW_ACCT_STATE=A|ACCOUNT_TYPE=1
```

### Cross balance type discount additional fields

If the cross balance type discounting has been applied during the call, the following fields will be present:

- *CBTD\_BALANCE\_TYPES* (on page 157) (list to apply to discounts)
- *CBTD\_BALANCE\_TYPES* (on page 158) (list to apply to discounts) - mid call rate changes
- *CBTD\_BALANCES* (on page 158) (value for each cross balance type)
- *CBTD\_BALANCES* (on page 158) (value for each cross balance type) - mid call rate change
- *CBTD\_CASCADE\_ID* (on page 159) (used for this call)
- *CBTD\_CASCADE\_ID* (on page 159) (used for this call) - mid call rate change
- *CBTD\_COSTS* (on page 159) (costs applied to each cross balance type)
- *CBTD\_COSTS* (on page 159) (costs applied to each cross balance type) - mid call rate changes
- *CBTD\_DISCOUNTS* (on page 160) (discounts applied to balance types)
- *CBTD\_DISCOUNTS* (on page 160) (discounts applied to balance types) - mid call rate changes

### Mobile number portability additional fields

If the Mobile Number Portability (MNP) software is installed, the following fields will be present:

- *PORTED* (on page 185) (name of porting carrier)

### MSISDN additional fields

If the MSISDN ccsCDRLoader plug-in is installed on the SMS, the following field will be present:

- *MSISDN* (on page 175) (account calling number)

## Example EDR 13

```
BILLING_ENGINE_ID=21|SCP_ID=366273322|SEQUENCE_NUMBER=487291|CDR_TYPE=13|RECORD_DATE=20040803142342|ACCT_ID=83|ACCT_REF_ID=83|CLI=321206233252|ACS_CUST_ID=1|BALANCE_TYPES=1|BALANCES=1000|COSTS=28|ACCOUNT_TYPE=1|CASCADE_ID=1|RATES=50,25|LENGTHS=120.00,40.00|DISCOUNTS=450000,560000|MAX_CHARGE=500|DURATION=160|TN=441473289900|TCS=20040803141934|TCE=20040803142034|CS=S|DISCOUNT_TYPE=S*W*R|WALLET_TYPE=1|LOCADD=E77123441473289900|ACCOUNT_TYPE=1
```

## Example MSISDN

```
BILLING_ENGINE_ID=21|SCP_ID=366273322|SEQUENCE_NUMBER=487291|CDR_TYPE=13|RECORD_DATE=20040803142342|ACCT_ID=83|ACCT_REF_ID=83|CLI=321206233252|ACS_CUST_ID=1|BALANCE_TYPES=1|BALANCES=1000|COSTS=28|ACCOUNT_TYPE=1|CASCADE_ID=1|RATES=50,25|LENGTHS=120.00,0.00|DISCOUNTS=450000,560000|MAX_CHARGE=500|DURATION=60|TN=441473289900|TCS=20040803141934|TCE=20040803142034|CS=S|DISCOUNT_TYPE=S*W*R|WALLET_TYPE=1|LOCADD=E77123441473289900|OLD_ACCT_STATE=P|NEW_ACCT_STATE=A|ACCOUNT_TYPE=1|MSISDN=321206233252
```

## Note

The sequence of all fields output in an EDR is not guaranteed.

# Roaming SMS-MO Fails (EDR 1,5,12,13)

## Introduction

There are 4 EDR records created for an unsuccessful roaming SMS-MO - EDR type 1, 5, 12 or 13.

## Mandatory EDR 1 and 13 fields

This list identifies the mandatory EDR record fields for an unsuccessful national SMS-MO (EDR type 1 or type 13):

- *ACCOUNT\_TYPE* (on page 149) (Product Type ID)
- *ACS\_CUST\_ID* (on page 150) (ACS Customer ID)
- *CLI* (on page 161) (initiating call number)
- *CS* (call status, always D)
- *LOCADD* (on page 173) (additional configuration prefixes)
- *NACK* (on page 176) (short list of codes)
- *TCS* (on page 195) (ccs time call started)
- *TN* (on page 196) (ccs called number)
- *WALLET\_TYPE* (on page 198) (ID of wallet changed)

## Mandatory EDR 5 and 12 fields

This list identifies the mandatory EDR record fields for an unsuccessful national SMS-MO (EDR type 5 or type 12):

- *ACCOUNT\_TYPE* (on page 149) (Product Type ID)
- *ACS\_CUST\_ID* (on page 150) (ACS Customer ID)
- *CLI* (on page 161) (initiating call number)
- *CS* (call status, always D)
- *EVENT\_CLASS* (on page 169) (list of classes used)

- *EVENT\_NAME* (on page 170) (list used for this call)
- *LOCADD* (on page 173) (additional configuration prefixes)
- *NACK* (on page 176) (short list of codes)
- *TCS* (on page 195) (ccs time call started)
- *TN* (on page 196) (ccs called number)

### Account Activated additional fields

If the account is activated, the following fields will be present:

- *NEW\_ACCT\_STATE* (on page 178) (always active - A)
- *OLD\_ACCT\_STATE* (on page 182) (pre-call)

### Mobile number portability additional fields

If the Mobile Number Portability (MNP) software is installed, the following fields will be present:

- *PORTED* (on page 185) (name of porting carrier)

### MSISDN additional fields

If the MSISDN ccsCDRLoader plug-in is installed on the SMS, the following field will be present:

- *MSISDN* (on page 175) (account calling number)

### Example EDR 13

```
BILLING_ENGINE_ID=21|SCP_ID=230612530|SEQUENCE_NUMBER=487291|CDR_TYPE=13|RECORD_DATE=20040803121758|ACCT_ID=83|ACCT_REF_ID=83|CLI=321206233252|TN=441473289900|TCS=20040625124332|CS=D|NACK=INSF|WALLET_TYPE=1|LOCADD=E77123441473289900|ACS_CUST_ID=1
```

### Example Account Activated

```
BILLING_ENGINE_ID=21|SCP_ID=230612530|SEQUENCE_NUMBER=487291|CDR_TYPE=13|RECORD_DATE=20040803121758|ACCT_ID=83|ACCT_REF_ID=83|CLI=321206233252|TN=441473289900|TCS=20040625124332|CS=D|NACK=INSF|WALLET_TYPE=1|LOCADD=E77123441473289900|ACS_CUST_ID=1|OLD_ACCOUNT_STATE=P|NEW_ACCOUNT_STATE=A
```

### Example MSISDN

```
BILLING_ENGINE_ID=21|SCP_ID=230612530|SEQUENCE_NUMBER=487291|CDR_TYPE=5|RECORD_DATE=20040803121758|ACCT_ID=83|ACCT_REF_ID=83|EVENT_CLASS=SMSMO|EVENT_NAME=SMSMO_100|NACK=INSF|TCS=20040706104957|CS=D|ACS_CUST_ID=1|ACCOUNT_TYPE=1|MSISDN=1394111111
```

### Note

The sequence of all fields output in an EDR is not guaranteed.

## Overview

### Introduction

This chapter defines the CCS EDRs for SMS-MT messages.

### In this chapter

---

This chapter contains the following topics.

National SMS-MT Succeeds (EDR 12,13) .....	131
National SMS-MT Fails (EDR 1,5,12,13) .....	133
Roaming SMS-MT Succeeds (EDR 12,13) .....	135
Roaming SMS-MT Fails (EDR 1,5,12,13) .....	137

## National SMS-MT Succeeds (EDR 12,13)

### Introduction

There are 2 EDR records for a successful National SMS-MT - EDR type 12 and type 13.

### Mandatory EDR 12 fields

This list identifies the mandatory EDR record fields for a successful National SMS-MT (EDR type 12):

- *ACCOUNT\_TYPE* (on page 149) (Product Type ID)
- *ACS\_CUST\_ID* (on page 150) (ACS Customer ID)
- *BALANCE\_TYPES* (on page 152) (account changed or created)
- *BALANCES* (on page 154) (pre-call or account creation)
- *CASCADE\_ID* (on page 157) (balance type cascade IDs)
- *CLI* (on page 161) (initiating call number)
- *DISCOUNTS* (on page 166) (rated calls)
- *EVENT\_CLASS* (on page 169) (list of classes used)
- *EVENT\_COST* (on page 169) (for each named event)
- *EVENT\_COUNT* (on page 170) (for each named event)
- *EVENT\_NAME* (on page 170) (list used for this call)
- *EVENT\_TIME\_COST* (on page 170) (for a named event)
- *LOCADD* (on page 173) (additional configuration prefixes)
- *TCS* (on page 195) (ccs time call started)
- *TN* (on page 196) (ccs called number)
- *WALLET\_TYPE* (on page 198) (ID of wallet recharged)

## Optional EDR 12 fields

This list identifies the optional EDR record fields for a successful national SMS-MT (EDR type 12):

- *OVERDRAWN\_AMOUNT* (on page 185) (take Balance Negative)
- *OVERRIDDEN\_TARIFF\_PLAN* (on page 185) (ID)
- *REMAINING\_CHARGE* (on page 191) (partial Charge)
- *TARIFF\_CODE* (on page 195) (name)

## Mandatory EDR 13 fields

This table lists the mandatory fields for a successful national SMS-MT (EDR type 13).

- *ACCOUNT\_TYPE* (on page 149) (Product Type ID)
- *ACS\_CUST\_ID* (on page 150) (ACS Customer ID)
- *BALANCE\_TYPES* (on page 152) (account changed or created)
- *BALANCES* (on page 154) (pre-call or account creation)
- *CASCADE\_ID* (on page 157) (balance type cascade IDs)
- *CLI* (on page 161) (initiating call number)
- *COSTS* (on page 163) (rated calls)
- *CS* (*call status, S or D*) (on page 164) (call status, S or D)
- *DISCOUNT\_TYPE* - one of:
  - *DISCOUNT\_TYPE* (on page 165) (applied to this call)
  - *DISCOUNT\_TYPE* (on page 165) (applied to this call) - R\*W
- *DISCOUNTS* (on page 166) (rated calls)
- *DURATION* (on page 167) (call length)
- *LENGTHS* - one of:
  - *LENGTHS* (on page 172) (rate durations)
  - *LENGTHS* (on page 173) (rate durations) -1end duration
- *LOCADD* (on page 173) (additional configuration prefixes)
- *MAX\_CHARGE* (on page 174) (for this call)
- *RATES* (on page 186) (rated calls)
- *TCE* (on page 195) (ccs time call ended)
- *TN* (on page 196) (ccs called number)
- *WALLET\_TYPE* (on page 198) (ID of wallet changed)

## Optional EDR 13 fields

This list identifies the optional EDR record fields for a successful national SMS-MT (EDR type 13):

- *OVERRIDDEN\_TARIFF\_PLAN* (on page 185) (ID)
- *TARIFF\_CODE* (on page 195) (name)

## Account Activated additional fields

If the account is activated, the following fields will be present:

- *NEW\_ACCT\_STATE* (on page 178) (always active - A)
- *OLD\_ACCT\_STATE* (on page 182) (pre-call)

## Cross balance type discount additional fields

If the cross balance type discounting has been applied during the call, the following fields will be present:

- *CBTD\_BALANCE\_TYPES* (on page 157) (list to apply to discounts)
- *CBTD\_BALANCE\_TYPES* (on page 158) (list to apply to discounts) - mid call rate changes
- *CBTD\_BALANCES* (on page 158) (value for each cross balance type)
- *CBTD\_BALANCES* (on page 158) (value for each cross balance type) - mid call rate change
- *CBTD\_CASCADE\_ID* (on page 159) (used for this call)
- *CBTD\_CASCADE\_ID* (on page 159) (used for this call) - mid call rate change
- *CBTD\_COSTS* (on page 159) (costs applied to each cross balance type)
- *CBTD\_COSTS* (on page 159) (costs applied to each cross balance type) - mid call rate changes
- *CBTD\_DISCOUNTS* (on page 160) (discounts applied to balance types)
- *CBTD\_DISCOUNTS* (on page 160) (discounts applied to balance types) - mid call rate changes

## Mobile number portability additional fields

If the Mobile Number Portability (MNP) software is installed, the following fields will be present:

- *PORTED* (on page 185) (name of porting carrier)

## MSISDN additional fields

If the MSISDN ccsCDRLoader plug-in is installed on the SMS, the following field will be present:

- *MSISDN* (on page 175) (account calling number)

## Example MSISDN

```
BILLING_ENGINE_ID=21|SCP_ID=230612530|SEQUENCE_NUMBER=488297|CDR_TYPE=12|RECORD_DATE=20040803145823|ACCT_ID=61|ACCT_REF_ID=61|WALLET_TYPE=1|CLI=321206233252|TN=441473289900|LOCADD=E771231473289900|ACS_CUST_ID=1|CS=S|TCS=20040706104957|BALANCE_TYPES=1|BALANCES=1000|COSTS=100|ACCOUNT_TYPE=4|EVENT_CLASS=SMSMO|EVENT_NAME=SMSMO_100|EVENT_COST=100|EVENT_COUNT=1|DISCOUNT=0|CASCADE=0|OLD_ACCT_STATE=P|NEW_ACCT_STATE=A|MSISDN=321206233252
```

## Note

The sequence of all fields output in an EDR is not guaranteed.

## National SMS-MT Fails (EDR 1,5,12,13)

### Introduction

There are 4 EDR records created for an unsuccessful national SMS-MT - EDR type 1, 5, 12 or 13.

### Mandatory EDR 1 and 13 fields

This list identifies the mandatory EDR record fields for an unsuccessful national SMS-MT (EDR type 1 or type 13):

- *ACCOUNT\_TYPE* (on page 149) (Product Type ID)
- *ACS\_CUST\_ID* (on page 150) (ACS Customer ID)

- *CLI* (on page 161) (initiating call number)
- *CS* (call status, always D)
- *LOCADD* (on page 173) (additional configuration prefixes)
- *NACK* (on page 176) (short list of codes)
- *TCS* (on page 195) (ccs time call started)
- *TN* (on page 196) (ccs called number)
- *WALLET\_TYPE* (on page 198) (ID of wallet changed)

### Account Activated additional fields

If the account is activated, the following fields will be present:

- *NEW\_ACCT\_STATE* (on page 178) (always active - A)
- *OLD\_ACCT\_STATE* (on page 182) (pre-call)

### Mobile number portability additional fields

If the Mobile Number Portability (MNP) software is installed, the following fields will be present:

- *PORTED* (on page 185) (name of porting carrier)

### Mandatory EDR 5 and 12 fields

This table lists the mandatory fields for an unsuccessful national SMS-MO (EDR type 5 or type 12):

- *ACCOUNT\_TYPE* (on page 149) (Product Type ID)
- *ACS\_CUST\_ID* (on page 150) (ACS Customer ID)
- *CLI* (on page 161) (initiating call number)
- *CS* (call status, always D)
- *EVENT\_CLASS* (on page 169) (list of classes used)
- *EVENT\_NAME* (on page 170) (list used for this call)
- *LOCADD* (on page 173) (additional configuration prefixes)
- *NACK* (on page 176) (short list of codes)
- *TCS* (on page 195) (ccs time call started)
- *TN* (on page 196) (ccs called number)

### MSISDN additional fields

If the MSISDN ccsCDRLoader plug-in is installed on the SMS, the following field will be present:

- *MSISDN* (on page 175) (account calling number)

### Example EDR 5

```
BILLING_ENGINE_ID=21|SCP_ID=230612530|SEQUENCE_NUMBER=487291|CDR_TYPE=5|RECORD_DATE=20040803121758|ACCT_ID=83|ACCT_REF_ID=83|BALANCE_TYPES=1|BALANCES=500|EVENT_CLASS=SM SMT|EVENT_NAME=SMSMT_100|NACK=INSF|TCS=20040706104957|CS=D|ACS_CUST_ID=1
```

### Example MSISDN

```
BILLING_ENGINE_ID=21|SCP_ID=230612530|SEQUENCE_NUMBER=487291|CDR_TYPE=5|RECORD_DATE=20040803121758|ACCT_ID=83|ACCT_REF_ID=83|EVENT_CLASS=SMSMO|EVENT_NAME=SMSMO_100|NACK=INSF|TCS=20040706104957|CS=D|ACS_CUST_ID=1|ACCOUNT_TYPE=1|MSISDN=1394111111
```



**Note**

The sequence of all fields output in an EDR is not guaranteed.

**Roaming SMS-MT Succeeds (EDR 12,13)****Introduction**

There are 2 EDR records created for a successful roaming SMS-MT - type 12 or 13.

**Mandatory EDR 12 fields**

This list identifies the mandatory EDR record fields for a successful roaming SMS-MT (EDR type 12):

- *ACCOUNT\_TYPE* (on page 149) (Product Type ID)
- *ACS\_CUST\_ID* (on page 150) (ACS Customer ID)
- *BALANCE\_TYPES* (on page 152) (account changed or created)
- *BALANCES* (on page 154) (pre-call or account creation)
- *CASCADE\_ID* (on page 157) (balance type cascade IDs)
- *CLI* (on page 161) (initiating call number)
- *COSTS* (on page 163) (rated calls)
- *CS* (*call status, S or D*) (on page 164) (call status, S or D)
- *DISCOUNTS* (on page 166) (rated calls)
- *EVENT\_CLASS* (on page 169) (list of classes used)
- *EVENT\_COST* (on page 169) (for each named event)
- *EVENT\_COUNT* (on page 170) (for each named event)
- *EVENT\_NAME* (on page 170) (list used for this call)
- *EVENT\_TIME\_COST* (on page 170) (for a named event)
- *LOCADD* (on page 173) (additional configuration prefixes)
- *TCS* (on page 195) (ccs time call started)
- *TN* (on page 196) (ccs called number)
- *WALLET\_TYPE* (on page 198) (ID of wallet recharged)

**Mandatory EDR 13 fields**

This table lists the mandatory fields for a successful roaming SMS-MT (EDR type 13).

- *ACCOUNT\_TYPE* (on page 149) (Product Type ID)
- *ACS\_CUST\_ID* (on page 150) (ACS Customer ID)
- *BALANCE\_TYPES* (on page 152) (account changed or created)
- *BALANCES* (on page 154) (pre-call or account creation)
- *CASCADE\_ID* (on page 157) (balance type cascade IDs)
- *CLI* (on page 161) (initiating call number)
- *COSTS* (on page 163) (rated calls)
- *CS* (call status, always S)
- *DISCOUNT\_TYPE* - one of:
  - *DISCOUNT\_TYPE* (on page 165) (applied to this call)
  - *DISCOUNT\_TYPE* (on page 165) (applied to this call) - R\*W
- *DISCOUNTS* (on page 166) (rated calls)

- *DURATION* (on page 167) (call length)
- *LENGTHS* - one of:
  - *LENGTHS* (on page 172) (rate durations)
  - *LENGTHS* (on page 173) (rate durations) -1end duration
- *LOCADD* (on page 173) (additional configuration prefixes)
- *MAX\_CHARGE* (on page 174) (for this call)
- *RATES* (on page 186) (rated calls)
- *TCE* (on page 195) (ccs time call ended)
- *TCS* (on page 195) (ccs time call started)
- *TN* (on page 196) (ccs called number)
- *WALLET\_TYPE* (on page 198) (ID of wallet changed)

### Optional EDR 13 fields

This list identifies the optional EDR record fields for a successful national SMS-MT (EDR type 13):

- *OVERRIDDEN\_TARIFF\_PLAN* (on page 185) (ID)
- *TARIFF\_CODE* (on page 195) (name)

### Account Activated additional fields

If the account is activated, the following fields will be present:

- *NEW\_ACCT\_STATE* (on page 178) (always active - A)
- *OLD\_ACCT\_STATE* (on page 182) (pre-call)

### Cross balance type discount additional fields

If the cross balance type discounting has been applied during the call, the following fields will be present:

- *CBTD\_BALANCE\_TYPES* (on page 157) (list to apply to discounts)
- *CBTD\_BALANCE\_TYPES* (on page 158) (list to apply to discounts) - mid call rate changes
- *CBTD\_BALANCES* (on page 158) (value for each cross balance type)
- *CBTD\_BALANCES* (on page 158) (value for each cross balance type) - mid call rate change
- *CBTD\_CASCADE\_ID* (on page 159) (used for this call)
- *CBTD\_CASCADE\_ID* (on page 159) (used for this call) - mid call rate change
- *CBTD\_COSTS* (on page 159) (costs applied to each cross balance type)
- *CBTD\_COSTS* (on page 159) (costs applied to each cross balance type) - mid call rate changes
- *CBTD\_DISCOUNTS* (on page 160) (discounts applied to balance types)
- *CBTD\_DISCOUNTS* (on page 160) (discounts applied to balance types) - mid call rate changes

### Mobile number portability additional fields

If the Mobile Number Portability (MNP) software is installed, the following fields will be present:

- *PORTED* (on page 185) (name of porting carrier)

### MSISDN additional fields

If the MSISDN ccsCDRLoader plug-in is installed on the SMS, the following field will be present:

- *MSISDN* (on page 175) (account calling number)

## Example EDR 13

```
BILLING_ENGINE_ID=21|SCP_ID=366273322|SEQUENCE_NUMBER=487291|CDR_TYPE=13|RECORD_DATE=20040803142342|ACCT_ID=83|ACCT_REF_ID=83|CLI=321206233252|ACS_CUST_ID=1|BALANCE_TYPES=1|BALANCES=1000|COSTS=28|ACCOUNT_TYPE=1|CASCADE_ID=1|RATES=50,25|LENGTHS=120.00,40.00|DISCOUNTS=450000,560000|MAX_CHARGE=500|DURATION=160|TN=441473289900|TCS=20040803141934|TCE=20040803142034|CS=S|DISCOUNT_TYPE=S*W*R|WALLET_TYPE=1|LOCADD=E77123441473289900|ROAMING_TYPE=MT|ROAMING_COUNTRY=United Kingdom
```

## Example MSISDN

```
BILLING_ENGINE_ID=21|SCP_ID=230612530|SEQUENCE_NUMBER=488297|CDR_TYPE=12|RECORD_DATE=20040803145823|ACCT_ID=61|ACCT_REF_ID=61|WALLET_TYPE=1|CLI=321206233252|TN=441473289900|LOCADD=E771231473289900|ACS_CUST_ID=1|CS=S|TCS=20040706104957|BALANCE_TYPES=1|BALANCES=1000|COSTS=100|ACCOUNT_TYPE=4|EVENT_CLASS=SMSMO|EVENT_NAME=SMSMO_100|EVENT_COST=100|EVENT_COUNT=1|DISCOUNT=0|CASCADE=0|OLD_ACCT_STATE=P|NEW_ACCT_STATE=A|MSISDN=321206233252
```

## Note

The sequence of all fields output in an EDR is not guaranteed.

# Roaming SMS-MT Fails (EDR 1,5,12,13)

## Introduction

There are 4 EDR records created for an unsuccessful roaming SMS-MT - EDR type 1, 5, 12 or 13.

## Mandatory EDR 1 and 13 fields

This list identifies the mandatory EDR record fields for an unsuccessful national SMS-MT (EDR type 1 or type 13):

- *ACCOUNT\_TYPE* (on page 149) (Product Type ID)
- *ACS\_CUST\_ID* (on page 150) (ACS Customer ID)
- *CLI* (on page 161) (initiating call number)
- *CS* (call status, always D)
- *LOCADD* (on page 173) (additional configuration prefixes)
- *NACK* (on page 176) (short list of codes)
- *TCS* (on page 195) (ccs time call started)
- *TN* (on page 196) (ccs called number)
- *WALLET\_TYPE* (on page 198) (ID of wallet changed)

## Account Activated additional fields

If the account is activated, the following fields will be present:

- *NEW\_ACCT\_STATE* (on page 178) (always active - A)
- *OLD\_ACCT\_STATE* (on page 182) (pre-call)

## Mobile number portability additional fields

If the Mobile Number Portability (MNP) software is installed, the following fields will be present:

- *PORTED* (on page 185) (name of porting carrier)

## Mandatory EDR 5 and 12 fields

This table lists the mandatory fields for an unsuccessful national SMS-MO (EDR type 5 or type 12):

- *ACCOUNT\_TYPE* (on page 149) (Product Type ID)
- *ACS\_CUST\_ID* (on page 150) (ACS Customer ID)
- *CLI* (on page 161) (initiating call number)
- *CS* (call status, always D)
- *EVENT\_CLASS* (on page 169) (list of classes used)
- *EVENT\_NAME* (on page 170) (list used for this call)
- *LOCADD* (on page 173) (additional configuration prefixes)
- *NACK* (on page 176) (short list of codes)
- *TCS* (on page 195) (ccs time call started)
- *TN* (on page 196) (ccs called number)

## MSISDN additional fields

If the MSISDN ccsCDRLoader plug-in is installed on the SMS, the following field will be present:

- *MSISDN* (on page 175) (account calling number)

## Example Account Activated

```
BILLING_ENGINE_ID=21|SCP_ID=230612530|SEQUENCE_NUMBER=487291|CDR_TYPE=13|RECORD_DATE
=20040803121758|ACCT_ID=83|ACCT_REF_ID=83|CLI=321206233252|TN=441473289900|TCS=20040
625124332|CS=D|NACK=INSF|WALLET_TYPE=1|LOCADD=E77123441473289900|ACS_CUST_ID=1|OLD_A
CCT_STATE=P|NEW_ACCT_STATE=A
```

## Example MSISDN

```
BILLING_ENGINE_ID=21|SCP_ID=230612530|SEQUENCE_NUMBER=487291|CDR_TYPE=13|RECORD_DATE
=20040803121758|ACCT_ID=83|ACCT_REF_ID=83|CLI=321206233252|TN=441473289900|TCS=20040
625124332|CS=D|NACK=INSF|WALLET_TYPE=1|LOCADD=E77123441473289900|ACS_CUST_ID=1|OLD_A
CCT_STATE=P|NEW_ACCT_STATE=A|MSISDN=32120623325
```

## Note

The sequence of all fields output in an EDR is not guaranteed.

# Wallet Credit Transfer

## Overview

### Introduction

This chapter defines CCS EDRs for inter and intra wallet credit transfers.

### In this chapter

---

This chapter contains the following topics.

Wallet Credit Transfer Succeeds or Fails (EDR 47).....	139
Cost of Credit Transfer Succeeds (EDR 5) .....	139
Cost of Credit Transfer Fails (EDR 5) .....	140

## Wallet Credit Transfer Succeeds or Fails (EDR 47)

### Mandatory EDR 47 fields

This list identifies the mandatory EDR record fields, regardless of whether it succeeds or fails, an inter or intra wallet credit transfer generates this EDR (EDR type 47):

- *CT\_NAME* (on page 164) (credit transfer)
- *CT\_TYPE* (on page 164) (credit transfer)
- *MSISDN* (on page 175) (account calling number)
- *PURCHASING\_ACCT\_ID* (on page 186) (purchasing wallet ID)
- *PURCHASING\_MSISDN* (on page 186) (purchasing CLI)
- *USER* (on page 197) (operator logon name)
- *VOUCHER\_TYPE* (on page 198) (name)

### Optional EDR 47 fields

This list identifies the optional EDR record fields for this EDR (EDR type 47):

- *HOST* (on page 172) (initiating credit transfer)

## Cost of Credit Transfer Succeeds (EDR 5)

### Mandatory EDR 5 fields

This list identifies the mandatory EDR record fields for a successful wallet credit transfer with an associated cost (EDR type 5):

- *ACCOUNT\_TYPE* (on page 149) (Product Type ID)
- *ACS\_CUST\_ID* (on page 150) (ACS Customer ID)
- *BALANCE\_TYPES* (on page 153) (existing account)

- *BALANCES* (on page 154) (pre-transaction account balances)
- *CASCADE\_ID* (on page 157) (balance type cascade IDs)
- *COSTS* (on page 163) (rated calls)
- *CS* (*call status, S or D*) (on page 164) (call status, S or D)
- *DISCOUNTS* (on page 166) (for each named event)
- *EVENT\_CLASS* (on page 169) (list of classes used)
- *EVENT\_COST* (on page 169) (for each named event)
- *EVENT\_COUNT* (on page 170) (for each named event)
- *EVENT\_NAME* (on page 170) (list used for this call)
- *EVENT\_TIME\_COST* (on page 170) (for a named event)
- *MSISDN* (on page 175) (account calling number)
- *RECIPIENT\_ACCT\_ID* (on page 188) (receiving wallet ID)
- *RECIPIENT\_MSISDN* (on page 188) (receiving CLI)
- *TCS* (on page 195) (ccs time call started)
- *VOUCHER\_TYPE* (on page 198) (name)
- *WALLET\_TYPE* (on page 198) (ID of wallet recharged)

### Optional EDR 5 fields

This list identifies the optional EDR record fields for a successful wallet credit transfer with an associated cost (EDR type 5):

- *OVERDRAWN\_AMOUNT* (on page 185) (take Balance Negative)
- *REMAINING\_CHARGE* (on page 191) (partial Charge)

### Example EDR 5

```
BILLING_ENGINE_ID=21|SCP_ID=366273322|SEQUENCE_NUMBER=488298|CDR_TYPE=5|RECORD_DATE=
20070719113914|ACCT_ID=61|ACCT_REF_ID=61|ACS_CUST_ID=1|WALLET_TYPE=1|MSISDN=11012|RE
CIPIENT_MSISDN=11012|RECIPIENT_ACCT_ID=1021|VOUCHER_TYPE=ATM Reload
Reward|CS=S|TCS=20070723040732|BALANCE_TYPER=1|BALANCES=102970|COSTS=100|ACCOUNT_TYP
E=24|EVENT_CLASS=Oracle Events|EVENT_NAME=Cash-
|EVENT_COST=100|EVENT_TIME_COST=0.00|EVENT_COUNT=1|DISCOUNT=0|CASCADE=1
```

## Cost of Credit Transfer Fails (EDR 5)

### Mandatory EDR 5 fields

This list identifies the mandatory EDR record fields for a failed wallet credit transfer with an associated cost (EDR type 5):

- *ACCOUNT\_TYPE* (on page 149) (Product Type ID)
- *ACS\_CUST\_ID* (on page 150) (ACS Customer ID)
- *CS* (call status, always D)
- *EVENT\_CLASS* (on page 169) (list of classes used)
- *EVENT\_NAME* (on page 170) (list used for this call)
- *NACK* (on page 176) (long list of codes)
- *TCS* (on page 195) (ccs time call started)
- *WALLET\_TYPE* (on page 198) (ID of wallet recharged)

# Wallet Migration

## Overview

### Introduction

This chapter defines CCS EDRs for wallet migration.

### In this chapter

---

This chapter contains the following topics.

Wallet Migration (EDR 54)..... 141

## Wallet Migration (EDR 54)

### Mandatory EDR 54 fields

This list identifies the mandatory EDR record fields for wallet migration (EDR type 54):

- *ACCOUNT\_TYPE* (on page 149) (Product Type ID)
- *ACTIVATION\_DATE* (on page 151) (account activation date)
- *BALANCE\_TYPES* (on page 153) (existing account)
- *BALANCES* (on page 154) (pre-transaction account balances)
- *COSTS* (on page 163) (rated calls)
- *DOMAIN\_MIGRATION* (on page 167) (wallet migration)
- *MAX\_CONCURRENT* (on page 174) (maximum concurrent accesses allowed)
- *MSISDN* (on page 175) (account calling number)  
When the ccsCDRLoader plugin is installed on the SMS, this tag will be present.
- *NEW\_ACCT\_EXPIRY* (on page 177) (date after update)
- *NEW\_BALANCE\_EXPIRIES* (on page 179) (date after balance update)
- *OLD\_ACCT\_EXPIRY* (on page 181) (dates before update)
- *OLD\_ACCT\_STATE* (on page 182) (before update)
- *OLD\_BALANCE\_EXPIRIES* (on page 183) (dates before balance update)
- *TERMINAL* (on page 196) (Network ID)
- *USER* (on page 197) (operator logon name)
- *WALLET\_DELETED* (on page 198) (always success - Y)

### Example EDR 54

```
BILLING_ENGINE_ID=21|SCP_ID=175677458|SEQUENCE_NUMBER=139450184|CDR_TYPE=54|RECORD_D
ATE=20090316112330|ACCT_ID=189234|ACCT_REF_ID=20056|USER=SU|TERMINAL=192.168.25.108|
DOMAIN_MIGRATION=Y|BALANCE_TYPES=1,2,3,4,5|BALANCES=10000,0,0,0,0|COSTS=10000,0,0,0,
0|WALLET_DELETED=Y|ACTIVATION_DATE=20070303122900|NEW_ACCT_EXPIRY=0|MAX_CONCURRENT=1
|OLD_ACCT_STATE=P|ACCOUNT_TYPE=3|NEW_BALANCE_EXPIRIES=0|OLD_BALANCE_EXPIRIES=2004081
1100354|OLD_ACCT_EXPIRY=20040811100357|MSISDN=1394111111
```

**Note**

The sequence of all fields output in an EDR is not guaranteed.



# Wallet Life Cycle

## Overview

### Introduction

This chapter defines the CCS EDR for wallet life cycle.

### In this chapter

---

This chapter contains the following topics.

Wallet Life Cycle (EDR 55)..... 143

## Wallet Life Cycle (EDR 55)

### Mandatory EDR 55 fields

This list identifies the mandatory EDR record fields for wallet life cycle updates (EDR type 55):

- *ACCOUNT\_TYPE* (on page 149) (Product Type ID)
- *CLI* (on page 162) (for the account that will be changed)
- *CS* (*call status, S or D*) (on page 164) (call status, S or D)
- *OLD\_WLC\_PERIOD* (on page 184) (before update)
- *NEW\_WLC\_PERIOD* (on page 180) (after update)
- *WALLET\_TYPE* (on page 198) (ID of wallet changed)

### Optional EDR 55 fields

This list identifies the optional EDR record fields for this EDR (EDR type 55):

- *NEW\_WLC\_PLAN* (on page 180) (Id)
- *OLD\_WLC\_PLAN* (on page 184) (Id)

### Note

The sequence of all fields output in an EDR is not guaranteed.



# Credit Card Updates

## Overview

### Introduction

This chapter describes the CCS EDRs for operator updates to credit cards by using the CCS user interface (UI).

**Note:** The EDR fields in this section are listed alphabetically. The actual sequence of the fields output in an EDR is likely to be different.

### In this chapter

---

This chapter contains the following topics.

Credit Card EDRs (Types 57, 58, 59, 60, 61, 62, 63, and 64) ..... 145

## Credit Card EDRs (Types 57, 58, 59, 60, 61, 62, 63, and 64)

### About EDRs for Operator Updates to Subscriber Credit Card Records

An EDR is generated each time an operator updates the credit card details for a subscriber through the CCS UI. When the operator:

- Adds a new credit card for a subscriber, a type 57 EDR is generated
- Deletes a subscriber's credit card, a type 58 EDR is generated
- Registers a credit card to a subscriber, a type 59 EDR is generated
- Deregisters a credit card from a subscriber, a type 60 EDR is generated
- Freezes a subscriber's credit card, a type 61 EDR is generated
- Activates a subscriber's credit card, a type 62 EDR is generated
- Confirms a credit card to a subscriber, a type 63 EDR is generated
- Modifies a subscriber's credit card, a type 64 EDR is generated

These EDRs output all the same mandatory fields.

### Mandatory Credit Card EDR Fields (Type 57 to Type 64)

This list identifies the mandatory EDR record fields for operator updates to a subscriber's credit card records:

- *ACCOUNT\_TYPE* (on page 149) (Product Type ID)
- *CLI* (on page 162) (for the account that will be changed)
- *DISPLAY\_NUMBER* (on page 167) (credit card)
- *EXPIRY\_DATE* (on page 171) (for a credit card)
- *NAME\_ON\_CARD* (on page 177) (for a credit card)
- *MSISDN* (on page 175) (subscriber ids)
- *REASON* (on page 188) (change reason)

## Chapter 30

- *RECORD\_DATE* (on page 188) (date edr created)
- *TERMINAL* (on page 196) (Network ID)
- *USER* (on page 197) (operator logon name)
- *WALLET\_TYPE* (on page 198) (ID of wallet changed)

# Billing Engine Control Plan Invocation

## Overview

### Introduction

This chapter defines CCS EDRs for billing engine control plan invocation.

### In this chapter

---

This chapter contains the following topics.

Control Plan Service Invoke (EDR 7) ..... 147

## Control Plan Service Invoke (EDR 7)

### Mandatory EDR 7 fields

This list identifies the mandatory EDR record fields for control plan service invoke (EDR type 7):

- *CLI* (on page 161) (initiating call number)
- *Called Number* (on page 156)
- *Control Plan* (on page 162) (name of invoked control plan)
- *Service Handle* (on page 194) (invoked service handle)
- *Service Response* (on page 194) (from service function)

### Note

The sequence of all fields output in an EDR is not guaranteed.



# CCS EDR Tag Definitions

## Overview

### Introduction

This chapter lists the Event Data Record (EDR) file tag definitions created by CCS processes.

### In this chapter

---

This chapter contains the following topics.

CCS EDR Tag List..... 149

## CCS EDR Tag List

### EDR tags

The following list details the tag values of EDRs created by the CCS service, the type and length of data required, and a description of the value.

ACCOUNT\_TYPE (Product Type ID)

**Description:** The ID of the account type (product type) for this account.

**Format:** Integer

**Version:** CCS 2.3.3

**Notes:** This is the database ID of the CCS product type from the CCS\_ACCT\_REFERENCE table, ID column. This will be set to 0 (zero) for balance expiries.

**Example:** ACCOUNT\_TYPE=1

ACCT\_ID (changed wallet ID)

**Description:** The ID of the account's wallet that changed during the call's processing. An account may have multiple wallets 'Personal' and 'Business' so it is necessary to identify which wallet changed.

**Format:** Integer

**Version:** CCS 2.3.3 to current

**Notes:** This is an internal wallet reference only (ccs\_acct.BE\_ACCT\_ID or be\_wallet.ID).

**Example:** ACCT\_ID=1021

ACCT\_REF\_ID (changed account ID)

**Description:** The ID of the account that changed during the call's processing.

**Format:** Integer

**Version:** CCS 2.3.3 to current

- Notes:**
- This is an internal account reference only (ccs\_acct\_reference.ID)
  - If this field for an expiry EDR is set to zero (0), this indicates that the change was not limited to a single account but was applied to the wallet or balance of all the referenced accounts..

**Example:** ACCT\_REF\_ID=0

ACS\_CUST\_ID (ACS Customer ID)

**Description:** The ID of the ACS customer for this account.

**Format:** Integer

**Version:** CCS 2.3.3

**Notes:** This is an internal ACS customer reference only (acs\_customer.ID).

**Example:** ACS\_CUST\_ID=1

ACTION (voucher activity)

**Description:** The action or activity performed on a voucher.

**Format:** String

**Version:** NCC 6.0.1

**Notes:** Values can be:

- VCU: Voucher Channel Used
- VTC: Voucher Type Created
- VTM: Voucher Type Modified
- VTD: Voucher Type Deleted
- VBC: Voucher Batch Created
- VBE: Voucher Batch Edited
- VBD: Voucher Batch Deleted
- VSC: Voucher State Changed
- VVD: Voucher Validated
- VRC: Voucher Recharged
- PKI: Public Key Imported
- PKV: Public Key Verified
- VEC: Voucher Expiry Changed
- VES: Voucher Expiry and State Changed

**Example:** ACTION=VSC

ACTION\_DETAIL (voucher activity)

**Description:** Additional details of the specified action.

**Format:** String

**Version:** NCC 6.0.1



**Notes:** For example, If the ACTION is VSC (Voucher State Changed), then ACTION\_DETAIL can have any of the following values, which indicate the new voucher state:

- C = Created
- A = Active
- F = Frozen
- D = Deleted

The other ACTION field values are as follows:

- VCU: <not used>
- VRC: "Success" or "Failure"
- VVD: "Success" or "Failure"
- PKV: "Success" or "Failure"
- PKI: Displays the public key name and description
- VTC: Displays the voucher name
- VTM: Displays the changed value for type. For example, name of the voucher type.
- VTD: Displays voucher name
- VBC: Displays batch name
- VBE: Displays the change. For example, for a status change, displays "Status Changed to " *new\_status*
- VBD: Displays batch name
- VEC: Displays the voucher expiry change with details (new date:description)
- VES: Displays the voucher expiry and state with details (new date:state:description). If voucher expiry date is set to an earlier date (a past date), then the voucher state displayed will be 'Expired'.

**Example:** ACTION\_DETAIL=A

ACTIVATION\_DATE (account activation date)

**Description:** The activation date for the account.

**Format:** Date (yyyymmddhhmmss format)

**Version:** CCS 2.3.3

**Notes:** '0' indicates that the activation date for the account is not set.

**Example:** ACTIVATION\_DATE=20040703122900

ADJUSTMENT (generated by an adjustment)

**Description:** Was this EDR generated by an adjustment.

**Format:** Boolean

**Version:** CCS 3.1.4

**Notes:**

**Example:**

APPLICATION\_DESC (application freeform)

**Description:** A freeform reference string entered by the application that made the reservation.

**Format:** String

**Version:** CCS 2.3.3

**Notes:**

**Example:** APPLICATION\_DESC=OSA Reservation Amount

BAD\_PINS (number of attempts)

**Description:** The pre-transaction bad PIN attempts for this account.

**Format:** Integer

**Version:** CCS 3.1.0

**Notes:**

**Example:** BAD\_PINS=1

BALANCE\_EXPIRIES (period hours)

**Description:** The balance expiry period in hours.

**Format:** Integer

**Version:** CCS 2.5.0

**Notes:**

**Example:** BALANCE\_EXPIRIES=100

BALANCE\_NAMES

**Description:** The balance names that correspond to the ID's in the BALANCE\_TYPES field.

**Format:** String

**Version:**

**Notes:**

**Example:** BALANCE\_NAMES=Roam Zone 3 MB

BALANCE\_TYPES (account changed or created)

**Description:** A list of the balance types that changed or were created during the call.  
An account may have balance type IDs that correspond to the following balance type names:

- General Cash
- Promotional Cash
- Free SMS

For multi tariff rated calls, this is a comma separated list of the service ID and the balance type that was changed by that service ID.

**Format:** Integer(s)

**Version:** CCS 3.0.0

**Notes:**

- This is an internal reference to the balance type ids only (ccs\_balance\_type.ID).

- The service ID and Balance type are colon separated.

**Example:** Single tariff:

BALANCE\_TYPES=1,2,5

Multi tariff:

BALANCE\_TYPES=service ID1:1,service ID2:49

BALANCE\_TYPES (account changed or created) - mid call rate change

- Description:** A list of the balance types that changed or were created during the call.  
An account may have balance type IDs that correspond to the following balance type names:
- General Cash
  - Promotional Cash
  - Free SMS
- For multi tariff rated calls, this is a comma separated list of the service ID and the balance type that was changed by that service ID.  
For single tariff calls with mid call rate changes, this is a semi colon separated list of the tariff plan ID, time stamp and balance type for each rate change. The tariff plan ID, time stamp and balance type are colon separated.  
For multi tariff calls with mid call rate changes, then the service ID:balance type combinations are included in the list as well.
- Format:** Integer(s)
- Version:** CCS 3.1.4
- Notes:**
- This is an internal reference to the balance type ids only (ccs\_balance\_type.ID).
  - The service ID and balance type are colon separated.

**Example:**

Single tariff:  
BALANCE\_TYPES=1,2,5

Multi tariff:  
BALANCE\_TYPES=service ID1:1,service ID2:49

Single tariff mid call rate change:  
BALANCE\_TYPES=Tariff Plan ID1:Time Stamp:64;Tariff Plan ID2:Time Stamp:64

Multi tariff mid call rate change:  
BALANCE\_TYPES=Tariff Plan ID1:Time Stamp:Service ID1:64:Service ID2:64;Tariff Plan ID2:Time Stamp:Service ID1:64:Service ID2:64

BALANCE\_TYPES (existing account)

- Description:** A list of the balance types that currently exist for this account.  
An account may have balance types IDs that correspond to the following balance type names:
- General Cash
  - Promotional Cash
  - Free SMS
- Format:** List of integer numbers
- Version:** CCS 3.0.0
- Notes:** This is an internal reference to the balance type IDs only (ccs\_balance\_type.ID).
- Example:** BALANCE\_TYPES=1

## BALANCES (pre-call or account creation)

**Description:** A list of the pre-call account balance values for each account.  
For multi tariff rated calls, this is a comma separated list of the service ID (as listed in BALANCE\_TYPES) and the balance that was changed by that service ID. The service ID and balance are colon separated.

**Format:** Integer or Float

**Version:** CCS 3.0.0

**Notes:** Float type if time balances (two decimal places), integer type if currency balances.

**Example:** Single tariff:  
BALANCES=0,0,0

Multi tariff:  
BALANCES=service ID1:1000,service ID2:10000

## BALANCES (pre-call or account creation) - mid call rate change

**Description:** A list of the pre-call account balance values for each account.  
For multi tariff rated calls, this is a comma separated list of the service ID (as listed in BALANCE\_TYPES) and the balance that was changed by that service ID. The service ID and balance are colon separated.  
For calls with mid call rate changes, this is a semi colon separated list of the tariff plan id, time stamp and balance that was changed. The tariff plan ID, time stamp and balance are colon separated.  
For multi tariff rated calls with mid call rate changes, then the service ID:balance combinations are included in the list as well.

**Format:** Integer or Float

**Version:** CCS 3.1.4

**Notes:** Float type if time balances (two decimal places), integer type if currency balances.

**Example:** Single tariff:  
BALANCES=0,0,0

Multi tariff:  
BALANCES=service ID1:1000,service ID2:10000

Single tariff mid call rate change:  
BALANCES=Tariff Plan ID1:Time Stamp:1000;Tariff Plan ID2:Time Stamp:1000

Multi tariff mid call rate change:  
BALANCES=Tariff Plan ID1:Time Stamp:Service ID1:1000:Service ID2:10000;Tariff Plan ID2:Time Stamp:Service ID1:1000:Service ID2:10000

## BALANCES (pre-transaction account balances)

**Description:** A list of the pre-transaction account balance values for each balance type ID.  
For multi tariff rated calls, this is a comma separated list of the service ID (as listed in BALANCE\_TYPES) and the balance that was changed by that service ID.

**Format:** Integer or Float

**Version:** CCS 3.0.0

- Notes:**
- The service ID and balance are colon separated.
  - Float type if time balances (two decimal places), integer type if currency balances.

**Example:**           Single tariff:  
BALANCES=2000,0  
Multi tariff:  
BALANCES=service ID1:1000,service ID2:10000

#### BARCODE (voucher details)

**Description:**    The barcode number of the voucher.  
**Format:**         Integer  
**Version:**        12.0.1  
**Notes:**         You can use a maximum of 12 digits.  
**Example:**        BARCODE=12

#### BARRED\_LIST\_TYPE (description)

**Description:**    The list type description.  
**Format:**         String  
**Version:**        CCS 3.0.0  
**Notes:**         Values can be:  
                  • Allowed  
                  • Barred  
**Example:**        BARRED\_LIST\_TYPE=ALLOWED

#### BATCH\_DESCRIPTION (for voucher batch)

**Description:**    The textual description for the voucher batch.  
**Format:**         String  
**Version:**        CCS 3.0.0  
**Notes:**  
**Example:**        BATCH\_DESCRIPTION=Test Batch

#### BEARER\_TYPE (bearer type for promotions)

**Description:**    The bearer for the balance recharge event. This indicates the type of service used for performing the recharge, such as voice or SMS.  
**Format:**         String  
**Version:**        NCC 5.0.2  
**Notes:**         This is an optional field, available only for a flash promotion where the event category selected is Balance Recharge.  
**Example:**        BEARER\_TYPE=voice

#### BILLING\_ENGINE\_ID (BE where account resides)

**Description:**    The ID of the billing engine where this account resides.  
**Format:**         Integer  
**Version:**        CCS 2.3.3 to current

**Notes:** This is an internal reference only (ccs\_acct.BE\_ACCT\_ENGINE\_ID).

**Example:** BILLING\_ENGINE\_ID=21

BONUS\_TYPE (name)

**Description:** The name of the bonus type applying to this recharge.

**Format:** String

**Version:** CCS 3.0.0

**Notes:** Values can be:

- CREDIT CARD
- CUSTOM.

**Warning:** This value must be in upper case format for bonus to be applied.

**Example:** BONUS\_TYPE=CUSTOM

BUCKET\_IDS (within balance type recharged)

**Description:** A list of the bucket IDs within the balance type that were credited or debited during this recharge.

**Format:** Integer

**Version:** CCS 3.0.0

**Notes:** This is an internal bucket reference only (be\_bucket.ID).

**Example:** BUCKET\_IDS=45844

CALLED\_NUMBER

**Description:** The number being called.

**Format:** String

**Version:** CCS 3.1.7

**Notes:**

**Example:** CALLED\_NUMBER=01473516345

CARD DESIGN (voucher details)

**Description:** Version number of the voucher design.

**Format:** Integer

**Version:** 12.0.1

**Notes:** You can use a maximum of 4 digits.

**Example:** CARD\_DESIGN=90

CASCADE (always empty for pi)

**Description:** This PI command will always produce an empty value for this field.

**Format:** Integer

**Version:** CCS 3.0.0

**Notes:**

**Example:** CASCADE=

**CASCADE\_ID** (balance type cascade IDs)

**Description:** This is the ID of the balance type cascade that was used for this call.  
 An account will have a balance type cascade that lists the order in which the account's balance types will be debited or credited for each call.  
 For multi tariff rated calls, this is a comma separated list of the service ID and cascade IDs for each of the tariffs in the rate. The service ID and cascade ID are colon separated.

**Format:** Integer(s)

**Version:** CCS 3.1.0

**Notes:** This is an internal reference to the balance cascade ID only (ccs\_balance\_type\_cascade.ID).

**Example:** **Single tariff:**  
 CASCADE\_ID=44  
**Multi tariff:**  
 CASCADE\_ID=service ID1:1,service ID2:49

**CASCADE\_ID** (balance type cascade IDs) - mid call rate change

**Description:** This is the ID of the balance type cascade that was used for this call.  
 An account will have a balance type cascade that lists the order in which the account's balance types will be debited or credited for each call.  
 For multi tariff rated calls, this is a comma separated list of the service ID and cascade IDs for each of the tariffs in the rate. The service ID and cascade ID are colon separated.  
 For calls with mid call rate changes, this is a semi colon separated list of the tariff plan ID, time stamp and cascade IDs for each rate. The tariff plan ID, time stamp and cascade IDs are colon separated.  
 For multi tariff calls with mid call rate changes, then the service ID is included in the list as well.

**Format:** Integer(s)

**Version:** CCS 3.1.4

**Notes:** This is an internal reference to the balance cascade ID only (ccs\_balance\_type\_cascade.ID).

**Example:** **Single tariff:**  
 CASCADE\_ID=44  
**Multi tariff:**  
 CASCADE\_ID=service ID1:1,service ID2:49  
**Single tariff mid call rate change:**  
 CASCADE\_ID=Tariff Plan ID1:Time Stamp:1;Tariff Plan ID2:Time Stamp:1  
**Multi tariff mid call rate change:**  
 CASCADE\_ID=Tariff Plan ID1:Time Stamp:Service ID1:1:Service ID2:1;Tariff Plan ID2:Time Stamp:Service ID1:1:Service ID2:1

**CBTD\_BALANCE\_TYPES** (list to apply to discounts)

**Description:** A list of the cross balance types used during the call to apply the cross balance type discounts.

**Format:** Integer(s)

**Version:** CCS 3.1.1

**Notes:**

**Example:**           CBTD\_BALANCE\_TYPES=174

CBTD\_BALANCE\_TYPES (list to apply to discounts) - mid call rate change

**Description:**       A list of the cross balance types used during the call to apply the cross balance type discounts.  
For calls with mid call rate changes the tariff plan ID and time stamp for each rate change will also be listed. Items in the list are colon separated.

**Format:**           Integer(s)

**Version:**           CCS 3.1.4

**Notes:**

**Example:**           Single rate:

CBTD\_BALANCE\_TYPES=174

Mid call rate change:

CBTD\_BALANCE\_TYPES=Tariff Plan ID1:Time Stamp:2,4;Tariff Plan ID2:Time Stamp:2,4

CBTD\_BALANCES (value for each cross balance type)

**Description:**       A list of the balance values for each cross balance type displayed in the CBTD\_BALANCE\_TYPE field of the EDR record.

**Format:**           Integer(s) or float

**Version:**           CCS 3.1.1

**Notes:**           Float type if time balances (two decimal places), Integer type if currency balances.

**Example:**           CBTD\_BALANCES=440.00

CBTD\_BALANCES (value for each cross balance type) - mid call rate change

**Description:**       A list of the balance values for each cross balance type displayed in the CBTD\_BALANCE\_TYPE field of the EDR record.  
For calls with mid call rate changes, this is a semi colon separated list of the tariff plan ID, time stamp and balance that was changed. The tariff plan ID, time stamp and balance are colon separated.

**Format:**           Integer(s) or Float

**Version:**           CCS 3.1.4

**Notes:**           Float type if time balances (two decimal places), integer type if currency balances.

**Example:**           Single tariff:

CBTD\_BALANCES=440.00

Mid call rate change:

CBTD\_BALANCES=Tariff Plan ID1:Time Stamp:1000;Tariff Plan ID2:Time Stamp:1000



CBTD\_CASCADE\_ID (used for this call)

**Description:** This lists the order in which the account's cross balance types will be debited during calls. It is only present where a cross balance type discount has been applied.

**Format:** Integer

**Version:** CCS 3.1.1

**Notes:** This is an internal reference to the cross balance cascade ID only.

**Example:**

CBTD\_CASCADE\_ID (used for this call) - mid call rate change

**Description:** This lists the order in which the account's cross balance types will be debited during calls. It is only present where a cross balance type discount has been applied.

For calls with mid call rate changes, this is a semi colon separated list of the tariff plan ID, time stamp and cascade IDs for each rate. The tariff plan ID, time stamp and cascade IDs are colon separated.

**Format:** Integer

**Version:** CCS 3.1.4

**Notes:** This is an internal reference to the cross balance cascade ID only.

**Example:** Single tariff:

CASCADE\_ID=44,33

Mid call rate change:

CASCADE\_ID=Tariff Plan ID1:Time Stamp:1;Tariff Plan ID2:Time Stamp:1

CBTD\_COSTS (costs applied to each cross balance type)

**Description:** Lists the costs applied to each cross balance type ID displayed in the CBTD\_BALANCE\_TYPE field of the EDR record.

**Format:** Integer(s) or Float

**Version:** CCS 3.1.1

**Notes:** Float type if time balances (two decimal places), Integer type if currency balances.

**Example:** CBTD\_COSTS=440.00

CBTD\_COSTS (costs applied to each cross balance type) - mid call rate change

**Description:** Lists the costs applied to each cross balance type ID displayed in the CBTD\_BALANCE\_TYPE field of the EDR record.

For calls with mid call rate change the tariff plan ID and time stamp for each rate change are also included. Items in the list are colon separated.

**Format:** Integer(s) or float

**Version:** CCS 3.1.4

**Notes:** Float type if time balances (two decimal places), integer type if currency balances.

**Example:** Single call rate time balance:

CBTD\_COSTS=440.00

Mid call rate change currency balance:

CBTD\_COSTS=Tariff Plan ID1:Time Stamp:30,5,0;Tariff Plan ID2:Time Stamp:30,5,0

CBTD\_COSTS\_RND\_REM (rounding remainder of cross balance CBTD\_COSTS)

**Description:** A list of rounding remainder of each cost displayed in the CBTD\_COSTS field of the EDR record.

**Format:** Float(s)

**Version:** NCC 12.0

**Notes:** Floating point remainder in decimal or scientific notation.

**Example:** CBTD\_COSTS\_RND\_REM=3.552714e-15,-3.911111

CBTD\_DISCOUNTS (discounts applied to balance types)

**Description:** Lists the cross balance type discounts (in 1/10000's of a percent) applied during this call to the chargeable balance types.

**Format:** Integer(s)

**Version:** CCS 3.1.1

**Notes:**

**Example:** CBTD\_DISCOUNTS=200000

CBTD\_DISCOUNTS (discounts applied to balance types) - mid call rate change

**Description:** Lists the cross balance type discounts (in 1/10000's of a percent) applied during this call to the chargeable balance types.

For calls with mid call rate changes the tariff plan ID and time stamp for each rate change are also included. Items in the list are colon separated.

**Format:** Integer(s)

**Version:** CCS 3.1.4

**Notes:**

**Example:** Single call rate:

CBTD\_DISCOUNTS=200000

Mid call rate change:

CBTD\_DISCOUNTS=Tariff Plan ID1:Time Stamp:200000,100000;Tariff Plan ID2:Time Stamp:200000,100000

CDR\_TYPE (reason for record generation)

**Description:** The reason that the EDR record was generated. This will be the result of either a CCS or other service. The extra information fields, which are present in the resulting EDR record, are dependent on the EDR type.

**Format:** String

**Version:** CCS 2.3.3 to current

**Notes:**

**Example:** CDR\_TYPE=2

## CHANNEL (for rewards)

**Description:** The channel for the balance recharge event. This indicates the mechanism used for performing the recharge. The following default global channels are provided:

- ATM
- Any
- MPOS
- Other
- Voucher

**Format:** String

**Version:** NCC 5.0.2

**Notes:** This is an optional field, available only for a flash promotion where the promotional balance type is Balance Recharge.

**Example:** CHANNEL=ATM

## CHARGE\_EXPIRY (new periodic charge expiry)

**Description:** The new date the periodic charge will expire.

**Format:** Date (yyyymmddhhmmss format)

**Version:** CCS 3.1.5

**Notes:**

**Example:** CHARGE\_EXPIRY=20110122221708

## CHARGE\_NAME (of periodic charge)

**Description:** The name of the periodic charge applied.

**Format:** String

**Version:** CCS 3.0.0

**Notes:**

**Example:**

## CLI (initiating call number)

**Description:** The calling line identifier (calling number) that initiated the call.

**Format:** String

**Version:** CCS 2.5.0

**Notes:** This is the party making the call, and is the value stored in cs\_acct\_reference.CLI unless the location area code (LAC) is used to initiate the call. In this case, the CLI is made up from the mobile country code (MCC), mobile network code (MNC), LAC, and cell ID.

**Example:** CLI=01206233252

## CLI (initiating call number) - mid call rate change

**Description:** The calling line identifier (calling number) that initiated the call.

For calls with mid call rate changes, this is a semi colon separated list of the tariff plan ID, time stamp and CLI for each rate. The tariff plan ID, time stamp and CLI are colon separated.

**Format:** String

**Version:** CCS 3.1.4

**Notes:** This is the party making the call, and is the value stored in `cs_acct_reference.CLI` unless the location area code (LAC) is used to initiate the call. In this case, the CLI is made up from the mobile country code (MCC), mobile network code (MNC), LAC, and cell ID.

**Example:** Single call rate:  
`CLI=01206233252`  
Mid call rate change:  
`CLI=Tariff Plan ID1:Time Stamp:44111110;Tariff Plan ID2:Time Stamp:44111110`

CLI (for the account that will be changed)

**Description:** The calling line identifier for the account which will be changed.  
**Format:** String  
**Version:** CCS 3.0.0  
**Notes:** From `ccs_acct_reference.CLI`  
**Example:** `CLI=1234`

CLI (roaming initiating call number)

**Description:** The calling line identifier (calling number) that initiated the call. This is the party making the call, and is the value stored in `cs_acct_reference.CLI` unless the location area code (LAC) is used to initiate the call. In this case, the CLI is made up from the mobile country code (MCC), mobile network code (MNC), LAC, and cell ID.

**Format:** String  
**Version:** CCS 2.5.0  
**Notes:**

- The Roaming software provides a `ccsCDRLoaderPlugin` on the SMP. This plug-in will determine the type of roaming call.
- If a CAMEL Originating call is determined, then the roaming prefix will be stripped from the CLI field.

**Example:** `CLI=321206233252`

COMPONENT (from `pi` command reference)

**Description:** A freeform reference string taken from the PI COMMAND REFERENCE field.  
**Format:** String  
**Version:** CCS 3.0.0  
**Notes:** This is the reference entered by the operator that performed the recharge.  
**Example:**

CONTROL\_PLAN (name of invoked control plan)

**Description:** The name of the invoked control plan  
**Format:** String  
**Version:** CCS 3.1.7  
**Notes:**  
**Example:** `CONTROL_PLAN=SrmPlan`

## COSTS (rated calls)

<b>Description:</b>	A list of the costs debited or credited from each service ID displayed in the BALANCE_TYPES field of the EDR record. For a 'Debit' account, a credit to the account will be indicated by a negative value.  For multi tariff rated calls, the costs will also be broken down by the service ID used to identify each tariff. All balance types used will be listed against each service id even if there was no charge.
<b>Format:</b>	Integer or float
<b>Version:</b>	CCS 3.0.0
<b>Notes:</b>	Float type if time balances (two decimal places), integer type if currency balances.
<b>Example:</b>	Single tariff: COSTS=120  Multi tariff: COSTS=service ID1:5,5,service ID2:10,0

## COSTS (rated calls) - mid call rate change

<b>Description:</b>	A list of the costs debited or credited from each service ID displayed in the BALANCE_TYPES field of the EDR record. For a 'Debit' account, a credit to the account will be indicated by a negative value.  For multi tariff rated calls, the costs will also be broken down by the service ID used to identify each tariff. All balance types used will be listed against each service id even if there was no charge.  For calls with mid call rate changes, the costs will be broken down by tariff plan ID and time stamp for each rate change. The tariff plan ID, time stamp and costs are colon separated.  For multi tariff rated calls with mid call rate changes, then the service ID is included as well.
<b>Format:</b>	Integer or float
<b>Version:</b>	CCS 3.1.4
<b>Notes:</b>	Float type if time balances (two decimal places), integer type if currency balances.
<b>Example:</b>	Single tariff: COSTS=120  Multi tariff: COSTS=service ID1:5,5,service ID2:10,0  Single tariff mid call rate change: COSTS=Tariff Plan ID1:Time Stamp:10;Tariff Plan ID2:Time Stamp:20  Multi tariff mid call rate change: COSTS=Tariff Plan ID1:Time Stamp:Service ID1:10:Service ID2:0;Tariff Plan ID2:Time Stamp:Service ID1:20:Service ID2:0

## COSTS\_RND\_REM (rounding remainder of balance COSTS)

<b>Description:</b>	A list of rounding remainder of each cost displayed in the COSTS field of the EDR record.
<b>Format:</b>	Float(s)

## Chapter 32

**Version:** NCC 12.0  
**Notes:** Floating point remainder in decimal or scientific notation.  
**Example:** COSTS\_RND\_REM=3.552714e-15,-3.911111

CS (call status, S or D)

**Description:** The call status.  
**Format:** String  
**Version:** CCS 3.0.0  
**Notes:** This value will usually be 'S' (Success) for this EDR record.  
For EDR types 5, 12, 25, 27, 32 and 49, the success EDR will be returned with a call status of 'D' if a partial charge occurred or if the balance became negative as a result of the charge. This scenario can only occur if your insufficient funds policy is configured either to take a wallet balance negative or process a partial charge. If your configuration allows negative balances, the EDR includes the optional field **OVERDRAWN\_AMOUNT**. If a partial charge occurs, the EDR includes the optional field **REMAINING\_CHARGE**.  
**Example:** CS=S, CS=D

CT\_NAME (credit transfer)

**Description:** Credit transfer name.  
**Format:** String  
**Version:** CCS 3.0.1  
**Notes:** From CCS\_CREDIT\_TRANSFER.name.  
**Example:**

CT\_TYPE (credit transfer)

**Description:** Credit transfer type.  
**Format:** String  
**Version:** CCS 3.0.1  
**Notes:** From CCS\_CREDIT\_TRANSFER.type.  
**Example:**

CUG\_NAME (closed user group)

**Description:** The name of the closed user group (CUG) for the current call.  
**Format:** String  
**Version:** CCS 3.0.0  
**Notes:**  
**Example:**

DICWR (Disable Incoming Calls When Roaming)

**Description:** A Flag indicating whether the 'Disable Incoming Calls When Roaming' flag has been enabled or disabled.  
**Format:** String  
**Version:**  
**Notes:** Valid values are:

- TRUE
- FALSE

**Example:** DICWR=TRUE

DISCOUNT (always zero for pi)

**Description:** This PI command will always produce a value of zero for this field.

**Format:** Integer

**Version:** CCS 3.0.0

**Notes:**

**Example:** DISCOUNT=0

DISCOUNT\_TYPE (applied to this call)

**Description:** The discount type applied to this call.

**Format:** String

**Version:** CCS 3.0.0

**Notes:** Valid values are:

- BASIC'
- COMPOUND'
- CUMULATIVE
- OVERRIDE

**Example:** DISCOUNT\_TYPE=BASIC

DISCOUNT\_TYPE (applied to this call)

**Description:** The discount type applied to this call.

**Format:** String

**Version:** CCS 3.1.1

**Notes:** The value is the uppercase value of the discountRuleType parameter. See *CCS Technical Guide - ccsReservationHandler* topic.

**Example:** DISCOUNT\_TYPE="S\*W\*R"

DISCOUNT\_TYPE (applied to this call) - service discount

**Description:** The discount type applied to this call.

**Format:** String

**Version:** CCS 3.1.6

**Notes:** The value is the uppercase value of the discountRuleType parameter. See *CCS Technical Guide - ccsReservationHandler* topic.

The **S** character in the value string will only be included when a service discount has been used. As a result, the possible values depend on both the configured discountRuleType parameter and the presence of a service discount for this call.

This allows correlation with CCS 3.0.0 values, where the:

- Presence of the **S** character maps to COMPOUND, CUMMULATIVE or OVERRIDE
- Absence of the **S** character maps to BASIC

**Example:** With service discount:

DISCOUNT\_TYPE=S\*R\*W

Without service discount:

DISCOUNT\_TYPE=R\*W

DISCOUNTS (for each named event)

**Description:** A list of discounts (in 1/10000's of a percent) that correspond to each named event that is specified in the EVENT\_NAME field of this EDR record.

**Format:** Integer or Float

**Version:** CCS 3.0.0

**Notes:**

- This field is determined by the tariff associated with this named event and is not fixed for a specific account.
- Float type if time balances (two decimal places), Integer type if currency balances.

**Example:** DISCOUNTS=200000

DISCOUNTS (rated calls)

**Description:** This will be a list of discounts (in 1/10000's of a percent) that exist for this call. For multi tariff rated calls this is a comma separated list of the service ID (as listed in the BALANCE\_TYPES) used to identify the tariff followed by a colon and the list of associated charge period discounts for each of the tariffs in the rate. The service ID and discount list are colon separated.

**Format:** Integer or Float

**Version:** CCS 3.1.0

**Notes:**

- This field is determined by the tariff associated with this call and is not fixed for a specific account.
- Float type if time balances (two decimal places), Integer type if currency balances.

**Example:** Single tariff:  
DISCOUNTS=0

Multi tariff:  
DISCOUNTS=service ID1:0,0,0,0,service ID2:0,0,0,0

DISCOUNTS (rated calls) - mid call rate change

**Description:** This will be a list of discounts (in 1/10000's of a percent) that exist for this call. For multi tariff rated calls this is a comma separated list of the service ID (as listed in the BALANCE\_TYPES) used to identify the tariff followed by a colon and the list of associated charge period discounts for each of the tariffs in the rate. The service ID and discount list are colon separated.

For calls with mid call rate changes, the discounts will be broken down by tariff plan ID and the time stamp for each rate change. The tariff plan ID, time stamp and discount list are colon separated.

For multi tariff rated calls with mid call rate changes, then the Service ID is included in the list as well.

**Format:** Integer or float

**Version:** CCS 3.1.4

**Notes:**

- This field is determined by the tariff associated with this call and is not fixed for a specific account.
- Float type if time balances (two decimal places), Integer type if currency balances.

**Example:** Single tariff:  
DISCOUNTS=0

Multi tariff:  
DISCOUNTS=service ID1:0,0,0,0,service ID2:0,0,0,0



**Single tariff mid call rate change:**

DISCOUNTS=Tariff Plan ID1:Time Stamp:0,0,0,0;Tariff Plan ID2:Time Stamp:0,0,0,0,0

**Multi tariff mid call rate change:**

DISCOUNTS=Tariff Plan ID1:Time Stamp:Service ID1:0,0,0,0:Service ID2:0,0,0,0;Tariff Plan ID2:Time Stamp:Service ID1:0,0,0,0:Service ID2:0,0,0,0

**DISPLAY\_NUMBER (credit card)**

**Description:** The credit card number. For security reasons, some digits will have been replaced by the \* character. The number of digits replaced depends on the credit card masking rules that have been set for the service provider.

**Format:** String

**Version:** NCC release 5.0.2

**Notes:** For more information about credit card masking rule configuration, see *Charging Control Services User's Guide*.

**Example:** DISPLAY\_NUMBER=\*\*\*\*102351068723

**DISPLAY\_SPEND\_RATIO (Balance Type Display to Spend Ratio)**

**Description:** The Display to Spend ratio configured against each balance type used for this service.

**Format:** Comma separated list of floating point numbers.

**Version:** NCC 6.0.1

**Notes:** A ratio of an accounts actual balance to what is used within a rating system.

**Example:** DISPLAY\_SPEND\_RATIO=1.0,2.0,1.0

**DISTRIBUTOR\_CHANNEL (voucher details)**

**Description:** Distributor of the voucher.

**Format:** String

**Version:** 12.0.1

**Notes:** You can use a maximum of 50 characters.

**Example:** DISTRIBUTOR\_CHANNEL=Channel1

**DOMAIN\_MIGRATION**

**Description:** Indicates that the wallet was migrated successfully.

**Format:** String

**Version:** CCS 3.1.6

**Notes:** This value will always be 'Y' for the EDR record.

**Example:** DOMAIN\_MIGRATION=Y

**DURATION (call length)**

**Description:** The actual call length ignoring any grace period that may result in the call not being charged.

**Format:** Integer or Float

**Version:** CCS 3.0.0

**Notes:** If a CAMEL Phase 2 or Phase 3 type switch is being used, this field will be in float format to two decimal places (seconds and deci-seconds).

If a Nokia type switch is being used the field will be in integer format (seconds).

**Example:** Nokia switch is whole seconds

DURATION=120.00

CAMEL Phase 2 or Phase 3 type switch is decimal seconds

DURATION=162.30

## DURATION\_CHARGED

**Description:** The actual charged duration or charged volume for the session.

**Format:** Integer

**Version:** NCC 4.4.1.4, NCC 5.0.0.1.

**Notes:** The value output is the duration of the session rounded up to the nearest quanta, based on the billing resolution (the minimum unit length for billing calls) and the minimum session length value (must be a multiple of the billing resolution). For example, if the minimum session length is 60 seconds, and the billing resolution is 10 seconds, then:

- For a session that lasts for 20 seconds, the charged duration will be 60 seconds. In the EDR, the **DURATION** field is set to 20, and the **DURATION\_CHARGED** field is set to 60 (the minimum session length).
- For a session that lasts for 73 seconds, the charged duration will be 80 seconds. In the EDR, the **DURATION** field is set to 73, and the **DURATION\_CHARGED** field is set to 80 (the actual session length rounded up to the nearest 10 seconds).

**Example:** DURATION\_CHARGED=60

## END\_CALL\_REASON

**Description:**

A number that specifies the reason that the call terminated:

No.	Description
1	There was a problem playing the pre-call low balance warning
2	Abort flag set on ACR, where ACR is received before event report
3	Abort status for AT before ACR received
4	Abort flag set on ACR, where ACR is received after event report
5	Abort status for AT after ACR received
6	Abort status for AT while waiting for BE response
7	ACR indicated switch released call on timer expiry
8	Last reservation failed, and no funds held back
9	Last reservation failed, and no funds held back (disconnect leg supported by switch)
10	Called party busy, no charge
11	Failed to route call, no charge
12	Calling party abandoned prior to called party answer, no charge
13	Called party did not answer, no charge
14	Calling party hung up
15	Called party hung up
16	Calling party hung up but last ACR indicated call still active
17	Called party hung up but last ACR indicated call still active

**Format:** Integer**Version:** 5.0.0**Example:** END\_CALL\_REASON=12

## EVENT\_CLASS (list of classes used)

**Description:** A list of event classes that were used for this call.**Format:** String(s)**Version:** CCS 2.4.1**Notes:****Example:**

## EVENT\_COST (for each named event)

**Description:** A list of event costs (in small currency) that correspond to each named event that is specified in the EVENT\_NAME field of this EDR record.**Format:** Integer(s)**Version:** CCS 2.4.1

- Notes:**
- Each event cost will have an associated event count as specified by the EVENT\_COUNT field and an associated discount (in 1/10000's of a percent) as specified by the DISCOUNT field for the EDR record. This field is determined by the tariff associated with this named event and is not fixed for a specific account.
  - This field needs to be associated with the EVENT\_COUNT and DISCOUNT fields to determine the cost of the call.

**Example:**

EVENT\_COUNT (for each named event)

**Description:** A list of event counts that correspond to each named event that is specified in the EVENT\_NAME field of this EDR record.

**Format:** Integer(s)

**Version:** CCS 2.4.1

**Notes:**

**Example:**

EVENT\_NAME (list used for this call)

**Description:** A list of event names that were used for this call.

**Format:** String(s)

**Version:** CCS 2.4.1

**Notes:**

**Example:**

EVENT\_TIME\_COST (for a named event)

**Description:** Shows the time-cost of a named event, which will be debited against a time balance.

**Format:** Integer

**Version:** CCS 2.4.1

**Notes:** This field is only valid for systems running CCS version 2.4.1 or greater, for all other systems this field will always be shown as "0".

**Example:**

EXCEEDED\_BALANCE\_NAMES

**Description:** The names that correspond to the IDs in the EXCEEDED\_BALANCE\_TYPES field.

**Format:** String

**Version:**

**Notes:**

**Example:** EXCEEDED\_BALANCE\_NAMES=Roam Zone 3 MB

EXCEEDED\_BALANCE\_TYPES

**Description:** The balance types that exceeded a maximum limit on recharge.

**Format:** Integer

**Version:**

**Notes:**

**Example:** EXCEEDED\_BALANCE\_TYPES=1103

## EXCEEDED\_VALUES

**Description:** The unused balance value exceeding the configured maximum balance for the balance types.

**Format:** Integer

**Version:**

**Notes:** The values above the maximum limits are displayed as negative values.

**Example:** EXCEEDED\_VALUES=-10000

## EXPIRED\_WALLET (ID of expired wallet)

**Description:** If the balance has expired due to a wallet expiry, then this field will contain the ID of the account's wallet if configured to do so.

**Format:** Integer

**Version:** CCS 3.0.0

**Notes:** This is an internal wallet reference only (ccs\_acct.BE\_ACCT\_ID or be\_wallet.ID).

**Example:**

## EXPIRY\_DATE (for a credit card)

**Description:** The date when the credit card expires, and that is specified on the credit card.

**Format:** String

**Version:** NCC 5.0.2

**Notes:** The expiry date has the following format, *MMYY*.

**Example:** EXPIRY\_DATE=0814

## FCA (final call address)

**Description:** The final called address (FCA) for this call

**Format:** String

**Version:** CCS 3.1.0

**Notes:** This information is provided when the call info record is received from the switch through the UATB node.

**Example:** FCA=01473254338

## FAILED\_BALANCE\_NAMES

**Description:** The names that correspond to the IDs in the FAILED\_BALANCE\_TYPES field.

**Format:** String

**Version:**

**Notes:**

**Example:** FAILED\_BALANCE\_NAMES=Roam Zone 3 MB

## FAILED\_BALANCE\_TYPES

**Description:** The balance type that failed to recharge.

**Format:** Integer

**Version:**

**Notes:** If the recharge exceed the maximum value configured for any of the balance types, it will result in failure and the balance will not be updated or recharged.

The balance types causing the failure will be recorded in the FAILED\_BALANCE\_TYPES.

**Example:** FAILED\_BALANCE\_TYPES=1103

FREE\_TEXT\_FIELD\_1 (voucher details)

**Description:** Field for capturing business process information.

**Format:** String

**Version:** 12.0.1

**Notes:** You can use a maximum of 50 characters.

**Example:** FREE\_TEXT\_FIELD\_1=Freetext1

FREE\_TEXT\_FIELD\_2 (voucher details)

**Description:** Field for capturing business process information.

**Format:** String

**Version:** 12.0.1

**Notes:** You can use a maximum of 50 characters.

**Example:** FREE\_TEXT\_FIELD\_1=Freetext2

FREE\_TEXT\_FIELD\_3 (voucher details)

**Description:** Field for capturing business process information.

**Format:** String

**Version:** 12.0.1

**Notes:** You can use a maximum of 50 characters.

**Example:** FREE\_TEXT\_FIELD\_1=Freetext2

HOST (initiating credit transfer)

**Description:** Name of the host that initiated the credit transfer.

**Format:** String

**Version:** CCS 3.0.1

**Notes:**

**Example:**

IGNORE\_BARRED (ignore numbers in call barring list)

**Description:** Flag to determine whether or not to ignore the numbers specified in the call barring list.

**Format:** Integer

**Version:** CCS 3.0.0

**Notes:**

**Example:**

LENGTHS (rate durations)

**Description:** A list of rate durations (in seconds) that exist for this call. This field is determined by the tariff associated with this call and is not fixed for a specific account.

**Format:** Float (two decimal places)

**Version:** CCS 3.1.0

**Notes:** Every duration will have an associated rate (in small currency) as specified by the RATES field for the EDR record.

**Example:** LENGTHS=2810.00  
LENGTHS=60.00,60.00,90.00,0.00

LENGTHS (rate durations) -lend duration

**Description:** A list of rate durations (in seconds) that exist for this call. This field is determined by the tariff associated with this call and is not fixed for a specific account.  
A LENGTHS tag value of -1 will be used for the final rate duration of the call. This means that this rate duration is undefined and the rate will be used for the remainder of the call.

If a call uses a rate with a single charge period, then this will be shown in the EDR as LENGTHS=-1.

**Format:** Float (two decimal places)

**Version:** CCS 3.1.4

**Notes:** Every duration will have an associated rate (in small currency) as specified by the RATES field for the EDR record.

**Example:** LENGTHS=-1  
LENGTHS=60.00,60.00,90.00,-1

LENGTHS (rate durations) - mid call rate change

**Description:** A list of rate durations (in seconds) that exist for this call. This field is determined by the tariff associated with this call and is not fixed for a specific account.  
A LENGTHS tag value of -1 will be used for the final rate duration of the call. This means that this rate duration is undefined and the rate will be used for the remainder of the call.

If a call uses a rate with a single charge period, then this will be shown in the EDR as LENGTHS=-1.

For calls with mid call rate changes, the lengths will be broken down by tariff plan ID and time stamp for each rate change. The tariff plan ID, time stamp and lengths are colon separated.

**Format:** Float (two decimal places)

**Version:** CCS 3.1.4

**Notes:** Every duration will have an associated rate (in small currency) as specified by the RATES field for the EDR record.

**Example:** Single call rate:  
LENGTHS=-1  
Mid call rate change:  
LENGTHS=Trff Plan ID1:<TimeStamp>:120,-1;Trff Plan ID2:<TimeStamp>:120,-1

LOCADD (additional configuration prefixes)

**Description:** The CLI field with additional configuration prefixes added.

**Format:** String

**Version:** CCS 3.0.0

**Notes:**

**Example:** LOCADD=E771231473289900

MAX\_CHARGE (for this call)

**Description:** The maximum charge for this call.  
**Format:** Integer  
**Version:** CCS 3.0.0  
**Notes:** This value will be taken from either the maximum charge for the tariff associated with this call or if a discount (holiday or weekly) is applied, then the maximum charge for the associated discount.  
**Example:** MAX\_CHARGE=500

MAX\_CHARGE (for this call) - mid call rate change

**Description:** The maximum charge for this call.  
For calls with mid call rate changes, the maximum charge will also be broken down by tariff plan ID and time stamp for the start of each rate change. The tariff plan ID, time stamp and maximum charge are colon separated.  
**Format:** Integer  
**Version:** CCS 3.1.4  
**Notes:** This value will be taken from either the maximum charge for the tariff associated with this call or if a discount (holiday or weekly) is applied, then the maximum charge for the associated discount.  
**Example:** Single call rate:  
MAX\_CHARGE=500  
Mid call rate change:  
MAX\_CHARGE=Tariff Plan ID1:Time Stamp:100;Tariff Plan ID2:Time Stamp:100

MAX\_CONCURRENT (maximum concurrent accesses allowed)

**Description:** The number of maximum concurrent accesses allowed for this account.  
**Format:** Integer  
**Version:** CCS 3.0.0  
**Notes:**  
**Example:** MAX\_CONCURRENT=1

MFILE (name)

**Description:** The date/time stamp MFile file name that the rating information for the call is within.  
**Format:** String  
**Version:**  
**Notes:**  
**Example:** MFILE=20100602203530

MID\_SESSION

**Description:** This tag is added to indicate a partial, mid call produced EDR.  
**Format:** String  
**Version:** CCS 3.1.7.2



**Notes:** Only ever added when true, for false (or the final complete EDR) the tag is omitted.  
 Partial EDRs may be created when the commit volume threshold (**Rating Management > Reservation Config > Add/Edit Reservation Config** panel) is enabled.

**Example:** MID\_SESSION=TRUE

MSISDN (account calling number)

**Description:** The calling line identifier (calling number) of the account that changed during the call's processing.

**Format:** String

**Version:** CCS 2.3.3

**Notes:**

- When the ccsCDRLoader plugin is installed on the SMS, this tag will be present.
- Value is taken from ccs\_acct\_reference.CLI.
- EDR records associated with each wallet expiry contain the MSISDN and product types of all affected subscribers.

**Example 1:** Standard format:

MSISDN=1394111111

**Example 2:** Wallet expiry format:

A user may have a mobile and a data card - each with its own SIM. The mobile and data cards are each represented as subscriber records, but they share a single wallet.

If the:

- MSISDN of the mobile card is 01234 and of the data card is 01235
- product types are 1 (mobile card - Prepaid Voice) and 2 (data card - Prepaid Data),

then the expiry EDR would contain the following fields:

MSISDN=01234,01235

Account\_Type=1,2

MSISDN (subscriber ids)

**Description:** The calling line identifier (calling number) for each subscriber who is authorized to use the credit card.

**Format:** String

**Version:** NCC 5.0.2

**Notes:**

**Example:** MSISDN=1394111111,1395111111

NACK (freeform recharge list)

**Description:** The internal failure reason code for the failed call.

**Format:** String

**Version:** CCS 3.0.0

**Notes:** Valid failure codes are:

BDVR	Bad recharge attempt (duplicate or invalid balance type, no expiration, or cannot recharge terminated wallet)
NRCH	Balance not chargeable (single use wallet)
SNIL	State not in list (when wallet state is invalid)
WDIS	Wallet's current state is not valid. Wallet will be in one of the following states - 'F' (Frozen), 'T' (Terminated) or 'S' (Suspended)

**Example:** NACK=WDIS

NACK (long list of codes)

**Description:** The internal failure reason code for the failed call.

**Format:** String

**Version:** CCS 3.0.0

**Notes:** Valid failure codes are:

INSF	Insufficient funds
CRIS	Calling and/or called number restricted
NACC	No account type entry defined for this tariff
NGEO	No geography set defined for this tariff
NRAT	No rate information defined for this tariff
NBIL	No billing periods defined for this tariff
NCAS	No balance type cascade defined for this tariff
NTAR	No tariff plan selector defined for this tariff
MAXL	The maximum length defined for this account has been exceeded
WDIS	Wallet's current state is not valid. Wallet will be in one of the following states - 'F' (Frozen), 'T' (Terminated) or 'S' (Suspended)
TMNY	The maximum number of concurrent accesses allowed defined for this account has been exceeded

**Example:**

NACK (short list of codes)

**Description:** The internal failure reason code for the failed call.

**Format:** String

**Version:** CCS 3.0.0

**Notes:** Valid failure codes are:

INSF Insufficient funds.

NENA Named event not allowed. No row in CCS\_PRODUCT\_CATALOGUE or CCS\_PRODUCT\_CATALOGUE\_EVENTS for requested ProductType/EventClass/EventName.

NBTY No balance type.

WDIS Wallet's current state is not valid. Wallet will be in one of the following states - 'F' (Frozen), 'T' (Terminated) or 'S' (Suspended).

TMNY The maximum number of concurrent accesses defined for this account has been exceeded.

**Example:** NACK=INSF

NAME\_ON\_CARD (for a credit card)

**Description:** The name of the credit card holder as it appears on the card.

**Format:** String

**Version:** NCC 5.0.2

**Notes:**

**Example:** NAME\_ON\_CARD=TOM SMITH

NEW\_ACCOUNT (ID of account type)

**Description:** The ID of the account type (product type) for this account after a product type swap.

**Format:** Integer

**Version:** CCS 3.0.0

**Notes:**

**Example:**

NEW\_ACCT\_EXPIRY (date after account deleted)

**Description:** The expiry date for the account after the update.

**Format:** Date

**Version:** CCS 3.0.0

**Notes:** This will always be '0' indicating no expiry.

**Example:** NEW\_ACCT\_EXPIRY=0

NEW\_ACCT\_EXPIRY (date after update)

**Description:** The expiry date for the account after the update.

**Format:** Date (yyyymmddhhmmss format)

**Version:** CCS 3.0.0

**Notes:** '0' or blank indicates that the expiry date for the account is not set - it will never expire.

**Example:** NEW\_ACCT\_EXPIRY=0

NEW\_ACCT\_EXPIRY (date after recharge)

**Description:** The current wallet expiry date after a successful voucher recharge.

**Format:** Date (yyyymmddhhmmss format)

**Version:** CCS 3.0.0

**Notes:**

**Example:** NEW\_ACCT\_EXPIRY=20071206080259

NEW\_ACCT\_STATE (always active - A)

**Description:** The account state after the call.

**Format:** String

**Version:** CCS 3.0.0

**Notes:** This value will always be 'A' (Active) for this EDR record.

**Example:** NEW\_ACCT\_STATE=A

NEW\_ACCT\_STATE (always frozen - F)

**Description:** The account state after the recharge.

**Format:** String

**Version:** CCS 3.0.0

**Notes:** This value will always be 'F' (Frozen).

**Example:** NEW\_ACCT\_STATE=F

NEW\_ACCT\_STATE (always preuse - P)

**Description:** The account state when the update has completed.

**Format:** String

**Version:** CCS 3.0.0

**Notes:** This value will always be 'P' (PreUse).

**Example:** NEW\_ACCT\_STATE=P

NEW\_ACCT\_STATE (always terminated - T)

**Description:** The account state after the recharge.

**Format:** String

**Version:** CCS 3.0.0

**Notes:** This value will always be 'T' (Terminated) for this EDR record.

**Example:** NEW\_ACCT\_STATE=T

NEW\_ACCT\_STATE (after update)

**Description:** The account state after the update.

**Format:** String

**Version:** CCS 3.0.0

**Notes:** Valid values are:

- 'P' (PreUse)
- 'A' (Active)
- 'D' (Dormant)
- 'F' (Frozen)
- 'S' (Suspended)
- 'T' (Terminated)

**Example:** NEW\_ACCT\_STATE=A

NEW\_ACCT\_TYPE (ID of account after recharge)

**Description:** The ID of the account type (product type) for this account following the recharge.

**Format:** Integer.

**Version:** CCS 3.0.0

**Notes:** This is an internal account type reference only (ccs\_acct\_type.ID).

**Example:**

NEW\_ACCT\_TYPE (prod type swap)

**Description:** The ID of the account type (product type) for this account after the product type swap.

**Format:** Integer

**Version:** CCS 3.0.0

**Notes:** This is an internal account type reference only (ccs\_acct\_type.ID).

**Example:**

NEW\_ACTIVE\_SVC (account type)

**Description:** New active account type.

**Format:** String

**Version:** CCS 3.0.0

**Notes:**

**Example:** NEW\_ACTIVE\_SVC=F

NEW\_BALANCE\_EXPIRIES (date after balance update)

**Description:** A list of the expiry dates for each balance type ID displayed in the BALANCE\_TYPES field of the EDR record after the update.

**Format:** List of date(s) (yyyymmddhhmmss format)

**Version:** CCS 3.0.0

**Notes:**

- '0' indicates that the expiry date for this balance is not set - it will never expire.
- If the balance has an expiry date set then it will be displayed regardless of whether it is changed during the update.

**Example:** NEW\_BALANCE\_EXPIRIES=0

NEW\_BALANCE\_EXPIRIES (dates after voucher recharge)

**Description:** A list of the expiry dates for each balance type ID displayed in the BALANCE\_TYPES field of the EDR record after the recharge.

**Format:** List of date(s) (yyyymmddhhmmss format)

**Version:** CCS 3.0.0

**Notes:**

- An empty string indicates that the expiry date for this balance is not set - it will never expire.
- If the balance has an expiry date set then it will be displayed.

**Example:** NEW\_BALANCE\_EXPIRIES=0

NEW\_BARRED\_LIST (of call barring numbers)

**Description:** Comma separated list of call barring numbers following the update.  
**Format:** List  
**Version:** CCS 3.0.0  
**Notes:**  
**Example:** NEW\_BARRED\_LIST=03200000001,03200000002,03200000003,03200000004,03200000005

NEW\_CHARGE\_STATE (periodic charge subscription state)

**Description:** The state the periodic charge subscription was changed to.  
**Format:** String  
**Version:** CCS 3.1.5  
**Notes:**  
**Example:** NEW\_CHARGE\_STATE=SUBSCRIBED

NEW\_FD (friends destination number)

**Description:** New friends destination number.  
**Format:** String  
**Version:** CCS 3.0.0  
**Notes:**  
**Example:** NEW\_FD=22

NEW\_FF (list of friends and family numbers)

**Description:** New list of friends and family numbers.  
**Format:** List  
**Version:** CCS 3.0.0  
**Notes:**  
**Example:** NEW\_FF=488122346,777777776

NEW\_LAST\_USE (date last used)

**Description:** The date of last use.  
**Format:** Date (yyyymmddhhmmss format)  
**Version:** CCS 3.0.0  
**Notes:**  
**Example:** NEW\_LAST\_USE=0

NEW\_WLC\_PERIOD (after update)

**Description:** Identifies the new period in the wallet life cycle.  
**Format:** Integer  
**Version:** CCS 3.1.9  
**Notes:**  
**Example:** NEW\_WLC\_PERIOD=2

NEW\_WLC\_PLAN (Id)

**Description:** The internal ID of the new wallet life cycle plan.  
**Format:** Integer

**Version:** CCS 3.1.9  
**Notes:**  
**Example:** NEW\_WLC\_PLAN=2

NUMBER (voucher number)

**Description:** Indicates the voucher number.  
**Format:** String  
**Version:** NCC 6.0.1  
**Notes:**  
**Example:** NUMBER=00000250

OGEO\_ID (originating geo node id)

**Description:** The voice call originating geographic node ID.  
**Format:** Integer  
**Version:** CCS 3.1.8  
**Notes:**  
**Example:** OGEO=13

OLD\_ACCOUNT (ID of account type)

**Description:** The ID of the account type (product type) for this account prior to a product type swap.  
**Format:** Integer  
**Version:** CCS 3.0.0  
**Notes:**  
**Example:**

OLD\_ACCT\_EXPIRY (dates before update)

**Description:** The expiry date for the account prior to the update.  
**Format:** Date (yyyymmddhhmmss format)  
**Version:** CCS 3.0.0  
**Notes:** '0' indicates that the expiry date for the account was not set - it would have never expired.  
**Example:** OLD\_ACCT\_EXPIRY=20080901185959

OLD\_ACCT\_EXPIRY (date before recharge)

**Description:** The wallet expiry date before a successful voucher recharge.  
**Format:** Date (yyyymmddhhmmss format)  
**Version:** CCS 3.0.0  
**Notes:** '0' indicates that the expiry date for the account was not set - it would have never expired.  
**Example:** OLD\_ACCT\_EXPIRY=20070904083550

OLD\_ACCT\_STATE (always active - A)

**Description:** The account state prior to the recharge.  
**Format:** String

**Version:** CCS 3.0.0  
**Notes:** This value will always be 'A' (Active).  
**Example:** OLD\_ACCT\_STATE=A

OLD\_ACCT\_STATE (before update)

**Description:** The account state prior to the update.  
**Format:** String  
**Version:** CCS 3.0.0  
**Notes:** Valid values are:

- 'P' (PreUse)
- 'D' (Dormant)
- 'F' (Frozen)
- 'S' (Suspended)
- 'T' (Terminated)

**Example:** OLD\_ACCT\_STATE=P

OLD\_ACCT\_STATE (pre-call)

**Description:** The account state prior to the call.  
**Format:** String  
**Version:** CCS 3.0.0  
**Notes:** Valid values are:

- P (PreUse)
- D (Dormant)

**Example:** OLD\_ACCT\_STATE=D

OLD\_ACCT\_STATE (P or D before update)

**Description:** The account state prior to the update.  
**Format:** String  
**Version:** CCS 3.0.0  
**Notes:** Valid values are:

- 'P' (PreUse)
- 'D' (Dormant)

**Example:** OLD\_ACCT\_STATE=P

OLD\_ACCT\_TYPE (ID of account before recharge)

**Description:** The ID of the account type (product type) for this account prior to the recharge.  
**Format:** Integer.  
**Version:** CCS 3.0.0  
**Notes:**  
**Example:**

OLD\_ACCT\_TYPE (prod type swap)

**Description:** The ID of the account type (product type) for this account prior to the product type swap.  
**Format:** Integer.  
**Version:** CCS 3.0.0



**Notes:****Example:**

OLD\_ACTIVE\_SVC (account type)

**Description:** Old active account type.

**Format:** String

**Version:** CCS 3.0.0

**Notes:**

**Example:** OLD\_ACTIVE\_SVC=D

OLD\_BALANCE\_EXPIRIES (dates before balance update)

**Description:** A list of the expiry dates for each balance type ID displayed in the BALANCE\_TYPES field of the EDR record prior to the update.

**Format:** List of date(s) (yyyymmddhhmmss format)

**Version:** CCS 3.0.0

**Notes:**

- An empty string indicates that the expiry date for this balance is not set - it will never expire.
- If the balance has an expiry date set then it will be displayed regardless of whether it is changed during the update.

**Example:** OLD\_BALANCE\_EXPIRIES=0

OLD\_BALANCE\_EXPIRIES (dates before voucher recharge)

**Description:** A list of the expiry dates for each balance type ID displayed in the BALANCE\_TYPES field of the EDR record prior to the recharge.

**Format:** list of date(s) (yyyymmddhhmmss format)

**Version:** CCS 3.0.0

**Notes:**

- '0' indicates that the expiry date for this balance is not set - it will never expire.
- If the balance has an expiry date set then it will be displayed.

**Example:** OLD\_BALANCE\_EXPIRIES=0

OLD\_BARRED\_LIST (of call barring numbers)

**Description:** The list of call barring numbers prior to the update.

**Format:** List

**Version:** CCS 3.0.0

**Notes:**

**Example:** OLD\_BARRED\_LIST=

OLD\_CHARGE\_EXPIRY (periodic charge expiry date changes)

**Description:** The expiry date for the periodic charge before it changed.

**Format:** Date (yyyymmddhhmmss format)

**Version:** CCS 3.1.9

**Notes:**

**Example:** OLD\_CHARGE\_EXPIRY=20101222221708

OLD\_CHARGE\_STATE (periodic charge subscription state)

**Description:** The state the periodic charge was in before it was changed.

**Format:** String

**Version:** CCS 3.1.5

**Notes:**

**Example:** OLD\_CHARGE\_STATE=SUBSCRIBED

OLD\_FD (friends destination number)

**Description:** Old friends destination number.

**Format:** String

**Version:** CCS 3.0.0

**Notes:**

**Example:** OLD\_FD=44

OLD\_FF (list of friends and family numbers)

**Description:** The old list of friends and family numbers.

**Format:** List

**Version:** CCS 3.0.0

**Notes:**

**Example:** OLD\_FF=488122346

OLD\_WLC\_PERIOD (before update)

**Description:** The internal id of the current period in the wallet life cycle.

**Format:** Integer

**Version:** CCS 3.1.9

**Notes:**

**Example:** OLD\_WLC\_PERIOD=1

OLD\_WLC\_PLAN (Id)

**Description:** The internal id of the current wallet life cycle plan.

**Format:** Integer

**Version:** CCS 3.1.9

**Notes:**

**Example:** OLD\_WLC\_PLAN=1

OPERATOR\_RELEASED (commit/revoke reservation)

**Description:** Indicator that the commit or revoke was done by an operator as identified by the USER tag.

**Format:** Integer

**Version:**

**Notes:** When present, will always be 1.

**Example:** OPERATOR\_RELEASED=1

`OVERDRAWN_AMOUNT` (take Balance Negative)

**Description:** The negative portion of the amount charged from the last element in the cascade that the user has in their wallet.

**Format:** Integer

**Version:**

**Notes:** This tag is used when:

- The NSF policy is set to takeBalanceNegative
- There were not sufficient funds

The negative portion of the amount charged is the value for this tag.

**Example:** `OVERDRAWN_AMOUNT=1234`

`OVERRIDDEN_TARIFF_PLAN` (ID)

**Description:** The ID of the tariff plan that is being overridden for the current call through the CUG feature node, or the Tariff Plan Override node.

**Format:** Integer

**Version:** CCS 3.0.0

**Notes:**

**Example:**

`PC_TYPE` (periodic charge type)

**Description:** The type of periodic charge.

**Format:** String

**Version:** 3.1.8

**Notes:** The possible values are:

- SUB – Subscribe or ReSubscribe
- CHRG – Charge Alignment
- UNSUB – Unsubscribe
- TERM – Terminate

**Example:** `PC_TYPE=CHRG`

`PI` (logon name and IP address)

**Description:** The PI logon name and IP address of the operator that performed the recharge.

**Format:** String (*PIlogonNameATOperator'sIPAddress* format)

**Version:** CCS 3.0.0

**Notes:**

**Example:** `PI= adminAT192.168.25.106`

`PORTED` (name of porting carrier)

**Description:** The name of the carrier that ported this call.

**Format:** String

**Version:** CCS 3.0.0

**Notes:**

- The MNP software provides a `ccsCDRLoaderPlugin` on the SMS. This plug-in will determine if the call has been ported during processing.
- If so, then the CLI and TN fields will have the MNP prefix stripped and the PORTED field will be added.

**Example:**

PRO\_RATE (periodic charge subscription)

**Description:** The percentage value a periodic charge subscription has been pro-rated at.

**Format:** Integer

**Version:** 3.1.8

**Notes:** This value is the relative percentage, where:

- 0 represents the full subscription charge.
- < 0 indicates an increased charge (period has been extended) and
- > 0 indicates a reduced charge (for less than the full period).

**Example:** PRO\_RATE=27

PROVISIONING\_DATE (voucher details)

**Description:** Date on which the voucher is created.

**Format:** Date (yyyymmddhhmmss format)

**Version:** 12.0.1

**Notes:**

**Example:** PROVISIONING\_DATE=20180313091814

PURCHASING\_ACCT\_ID (purchasing wallet ID)

**Description:** Purchasing wallet ID.

**Format:** Integer

**Version:** CCS 3.0.1

**Notes:** From ccs\_acct.BE\_ACCT\_ID.

**Example:**

PURCHASING\_MSISDN (purchasing CLI)

**Description:** Purchasing CLI

**Format:** String

**Version:** CCS 3.0.1

**Notes:** From ccs\_acct\_reference.CLI

**Example:**

RATES (rated calls)

**Description:** A list of rates that exist for this call.  
For multi tariff rated calls this is a comma separated list of the service ID (as listed in BALANCE\_TYPES) and the list of rates for each tariff in the rate. The service ID and list of rates is colon separated.

**Format:** Integer(s) or Float

**Version:** CCS 3.1.0

- Notes:**
- Each rate will have an associated length (in seconds) as specified by the LENGTHS field and an associated discount (in 1/10000's of a percent) as specified by the DISCOUNTS field for the EDR record.
  - This field is determined by the tariff associated with this call and is not fixed for a specific account.
  - This field needs to be associated with the LENGTHS, DURATION, MAX\_CHARGE and DISCOUNTS fields to determine the cost of the call.
  - Float type if time rates (up to five decimal places), Integer type if currency rates

**Example:**

Single tariff:  
RATES=60

Multi tariff:  
RATES=Service Id 1:10,20,30,30,Service ID 2:5,5,5,5

Time rate:  
RATES=9.66667

RATES (rated calls) - mid call rate change

**Description:** A list of rates that exist for this call.

For multi tariff rated calls this is a comma separated list of the service ID (as listed in BALANCE\_TYPES) and the list of rates for each tariff in the rate. The service ID and list of rates is colon separated.

For calls with mid call rate changes, rates will also be broken down by tariff plan ID and the time stamp for each rate change. The tariff plan ID, time stamp and rates are colon separated.

For multi tariff rated calls with mid call rate changes, then the service ID is included as well.

**Format:** Integer(s) or float

**Version:** CCS 3.1.0

- Notes:**
- Each rate will have an associated length (in seconds) as specified by the LENGTHS field and an associated discount (in 1/10000's of a percent) as specified by the DISCOUNTS field for the EDR record.
  - This field is determined by the tariff associated with this call and is not fixed for a specific account.
  - This field needs to be associated with the LENGTHS, DURATION, MAX\_CHARGE and DISCOUNTS fields to determine the cost of the call.
  - Float type if time rates (up to five decimal places), Integer type if currency rates

**Example:**

Single tariff:  
RATES=60

Multi tariff:  
RATES=Service Id 1:10,20,30,30,Service ID 2:5,5,5,5

Time rate:  
RATES=9.66667

Single tariff mid call rate change:  
RATES=Tariff Plan ID1:Time Stamp:10,20,30;Tariff Plan ID2:Time Stamp:10,20,30

**Multi tariff mid call rate change:**

RATES=Tariff Plan ID1:Time Stamp:Service  
 ID1:10,20,30:Service ID2:10,15,20;Tariff Plan ID2:Time  
 Stamp:Service ID1:10,20,30:Service ID2:10,15,20

**REASON (change reason)**

**Description:** The reason that is entered by the operator for updating a subscriber's financial status; for example by updating their wallet balance, or credit card details.  
**Format:** String  
**Version:** NCC 5.0.2  
**Notes:** The change reason can be up to 200 characters long.  
**Example:** REASON="Add new credit card details"

**RECIPIENT\_ACCT\_ID (receiving wallet ID)**

**Description:** Recipient wallet ID.  
**Format:** Integer  
**Version:** CCS 3.0.1  
**Notes:** From ccs\_acct.BE\_ACCT\_ID.  
**Example:** RECIPIENT\_ACCT\_ID=1021

**RECIPIENT\_MSISDN (receiving CLI)**

**Description:** The recipient CLI.  
**Format:** String  
**Version:** CCS 3.0.1  
**Notes:** From ccs\_acct\_reference.CLI.  
**Example:** RECIPIENT\_MSISDN=11012

**RECORD\_DATE (date edr created)**

**Description:** The date of the EDR record creation.  
**Format:** Date (yyyymmddhhmmss format)  
**Version:** CCS 2.3.3 to current  
**Notes:**  
**Example:** RECORD\_DATE=20040803121758

**REDEEMING\_ACCT\_REF (ID of account)**

**Description:** The reference ID of the account that redeemed the voucher.  
**Format:** Integer  
**Version:** CCS 3.0.0  
**Notes:** This is an internal account reference only (ccs\_acct\_reference.ID).  
**Example:** REDEEMING\_ACCT\_REF=61

**REDEEMING\_ACCT\_TYPE (name of account type)**

**Description:** The name of the redeeming account type (product type) for this voucher recharge.  
**Format:** String  
**Version:** CCS 3.0.0

**Notes:****Example:**

REFERENCE (credit card reference, always cc)

**Description:** A reference string for the transaction generated by the system.

**Format:** String

**Version:** CCS 3.0.0

**Notes:** There will always be a 'CC' prefix on this reference to indicate the reference was created as a result of a credit card recharge through the IVR where the PI is being used to credit the account.

**Example:** REFERENCE=CC040804028091

REFERENCE (operator freeform)

**Description:** A freeform reference string entered by the operator who performed the recharge.

**Format:** String

**Version:** CCS 3.0.0

**Notes:**

**Example:** REFERENCE=FreeForm Recharge

REFERENCE (operator freeform)

**Description:** The reference text provided by the caller of the web service.

**Format:** String

**Version:** NCC 5.0.2

**Notes:**

**Example:** REFERENCE=REF125

REFERENCE (OSA Bonus)

**Description:** The bonus reference used in conjunction with the bonus type to determine the applicable bonus to be applied to the value when crediting the subscriber's wallet. A match will be done against the configured bonus in the database using the CCS\_BONUS\_TYPE.component column.

**Format:** String

**Version:** CCS 3.0.0

**Notes:**

**Example:** REFERENCE=Osa Bonus

REFERENCE (from pi reference)

**Description:** A freeform reference string taken from the PI REFERENCE field.

**Format:** String

**Version:** CCS 3.0.0

**Notes:** This is the reference entered by the operator that performed the recharge.

**Example:** REFERENCE=PI

REFERENCE (voucher freeform)

**Description:** A voucher freeform reference string entered by the operator who performed the recharge.  
**Format:** String  
**Version:** CCS 3.0.0  
**Notes:**  
**Example:** TAG=

REFERENCE (web site reference - ws)

**Description:** A reference string for the transaction generated by the system.  
**Format:** String  
**Version:** CCS 3.0.0  
**Notes:** There will always be a 'WS' prefix on this reference to indicate the transaction was initiated by an external web interface.  
**Example:** REFERENCE=WS040804028091

RELC (inap release cause)

**Description:** The INAP release cause for the call.  
**Format:** Integer  
**Version:** CCS 3.0.0  
**Notes:**  
**Example:**

RELOAD\_BONUS (promotion name)

**Description:** The name of the promotional reload bonus being applied to this recharge.  
**Format:** String  
**Version:** CCS 3.0.0  
**Notes:**  
**Example:**

RELOAD\_BONUS\_AMOUNT (amount applied)

**Description:** The amount of the reload bonus being applied to this recharge.  
**Format:** Integer  
**Version:** CCS 3.0.0  
**Notes:** The account will be credited by the original voucher value + the value of this promotional bonus.  
**Example:**

RELOAD\_BONUS\_EXPIRY (date remaining bonus expires)

**Description:** The date when the remaining promotional reload bonus amount will expire.  
**Format:** Date  
**Version:** CCS 3.0.0  
**Notes:** '0' indicates that the expiry date for this reload bonus is not set - it will never expire.  
**Example:**



RELOAD\_BONUS\_LEFT (bonus amount remaining)

**Description:** The amount remaining in the promotional reload bonus balance for this account after the recharge.

**Format:** Integer

**Version:** CCS 3.0.0

**Notes:**

**Example:**

REMAINING\_CHARGE (partial Charge)

**Description:** The amount unable to be charged from the last element in the cascade that the user has in their wallet.

**Format:** Integer

**Version:**

**Notes:** This tag is used when:

- The NSF policy is set to partialCharge
- There were not sufficient funds

The amount unable to be charged is the value for this tag.

**Example:** REMAINING\_CHARGE=1234

RESULT (general cause)

**Description:** The failure reason indicating the voucher state.

**Format:** String

**Version:** CCS 3.0.0

**Notes:** Valid failure reasons are:

- Not Found
- Failed Auth
- Already Redeemed
- Frozen
- Batch Unavailable
- Batch Stale

**Example:** RESULT=Failed Auth

RESULT (frozen or suspended)

**Description:** The failure reason indicating the account state.

**Format:** String

**Version:** CCS 3.0.0

**Notes:** Valid failure reasons are:

- Frozen Wallet
- Suspended Wallet

**Example:** RESULT=Frozen Wallet

RESULT (pi failure)

**Description:** The reason that the recharge failed.

**Format:** String

**Version:** CCS 3.0.0

**Notes:**

**Example:** RESULT=Frozen Wallet

RESULT (voucher redemption, always Success)

**Description:** The result of the voucher redemption.

**Format:** String

**Version:** CCS 3.0.0

**Notes:** This value will always be 'Success' for the EDR record.

**Example:** RESULT=Success

RESULT (web - success)

**Description:** The result of the web initiated recharge.

**Format:** String

**Version:** CCS 3.0.0

**Notes:** This value will always be 'Success' for the EDR record.

**Example:** RESULT=Success

RETAIL\_CHANNEL (voucher details)

**Description:** Retailer of the voucher.

**Format:** String

**Version:** 12.0.1

**Notes:** You can use a maximum of 50 characters.

**Example:** RETAIL\_CHANNEL=channel2

REVERSE\_CHARGE (generated by a reverse charge)

**Description:** Was this EDR generated by an reverse charge.

**Format:** Boolean

**Version:** CCS 3.1.4

**Notes:**

**Example:**

REWARD (ID)

**Description:** The ID of the reward applied.

**Format:** String

**Version:** CCS 3.0.0

**Notes:** From CCS\_REWARDS.ID.

**Example:** REWARD=62

REWARD\_AMOUNTS (value of reward)

**Description:** A comma-separated list of the value of the reward for the associated balance in REWARD\_TYPES.

**Format:** String

**Version:** CCS 3.0.0

**Notes:** From CCS\_MB\_VOUCHER.VALUE.

**Example:** REWARD\_AMOUNTS=1,2

## REWARD\_CATEGORY

**Description:** The value represents the reward category value assigned to the promotion in the SMS UI.

**Format:** String

**Version:**

**Notes:**

**Example:** REWARD\_CATEGORY=TRACKER\_THRESHOLD

## REWARD\_TYPES (balance types getting reward)

**Description:** A comma-separated list of one or more balance type ID's on which the reward has been applied.

**Format:** String

**Version:** CCS 3.0.0

**Notes:** From CCS\_MB\_VOUCHER.BALANCE\_TYPE\_ID.

**Example:** REWARD\_TYPES=5,2

## RNCF (Reservation Not Charged For)

**Description:** The difference between the total reservation and the total units consumed (Reservation Not Charged For).

**Format:** Integer

**Version:** CCS 3.1.3, CCS 3.1.7.2(2degrees), CCS 3.1.8

**Notes:** A TIMED\_OUT tag will also be present in the EDR.

**Example:** RNCF=100

## ROAMING\_COUNTRY (name)

**Description:** The roaming country as determined from the following:

- CAMEL Originating - the country will be determined from prefix of the CLI field of this EDR record.
- Mobile Terminating - the country will be determined from the prefix of the TN field of this EDR record.
- USSD Callback - the country will be determined from the prefix of the CLI field of this EDR record.

**Format:** String

**Version:** CCS 3.0.0

**Notes:** The roaming country is taken from the COUNTRY field of the country\_codes table using country\_codes.CODE as the queried prefix.

**Example:** ROAMING\_COUNTRY=United Kingdom

## ROAMING\_TYPE (of call)

**Description:** The type of roaming call.

**Format:** String

**Version:** CCS 3.0.0

**Notes:** The type will be one of the following:

- CAMEL Originating - the value will always be 'CAMEL'
- Mobile Terminating - the value will always be 'MT'
- USSD Callback - the value will always be 'USSD'

**Example:** ROAMING\_TYPE=MT

SCENARIO (voucher scenario number)

**Description:** The number of the voucher scenario for this voucher recharge.

**Format:** Integer

**Version:** CCS 3.1.4

**Notes:** Not reported if default scenario used.

**Example:** SCENARIO=3

SCP\_ID (where call originated)

**Description:** The unique identifier for the client from where the call originated. The client will be:

- An SCP for calls
- The SMS for updates through the UI.

**Format:** Integer

**Version:** CCS 2.3.3 to current

**Notes:** If the EDR was generated as a result of an account or balance expiry then the SCP\_ID will be zero.

**Example:** SCP\_ID=117692813

SEQUENCE\_NUMBER (call identifier)

**Description:** This is the unique identifier used internally within the context of the call. This sequence number will be the same across multiple EDR records if the current action results in multiple EDR records being generated, for example, a voucher recharge.

**Format:** Integer

**Version:** CCS 2.3.3 to current

**Notes:** If the EDR was generated as a result of an account or balance expiry, then the SEQUENCE\_NUMBER will be zero.

**Example:** SEQUENCE\_NUMBER=24477838

SERVICE\_HANDLE (invoked service handle)

**Description:** The service handle invoked by the billing engine that should run the control plan.

**Format:** String

**Version:** CCS 3.1.7

**Notes:**

**Example:** SERVICE\_HANDLE=CCS\_BPL\_REWARDS

SERVICE\_RESPONSE (from service function)

**Description:** The response returned from the service function after the execution of the control plan.

**Format:** String

**Version:** CCS 3.1.7

**Notes:**

**Example:** SERVICE\_RESPONSE=404 Not Found (INAP 31)

## SESSION\_SEQUENCE

**Description:** This tag is added to all partial EDR records to indicate the generation sequence.

**Format:** Integer

**Version:** CCS 3.1.7.2

**Notes:** The first EDR in the sequence will have a value of 0 (zero). The tag is not on the final complete EDR.  
Partial EDRs may be created when the commit volume threshold (**Rating Management > Reservation Config > Add or Edit Reservation Config** panel) is enabled.

**Example:** SESSION\_SEQUENCE=1

## STATE (of recharge)

**Description:** The state of the recharge.

**Format:** String

**Version:** CCS 3.0.0

**Notes:** This value will always be 'verified' for the EDR record.

**Example:** STATE=verified

## SVC\_ID (single tariff rated calls)

**Description:** For single tariff rated calls, the service ID description for the CLI-DN.  
For multi tariff rated calls this is redundant since the information is included in the multi tariff component of the relevant tags (such as COSTS), and should not appear in the EDR record.

**Format:** String

**Version:** CCS 3.1.0

**Notes:**

**Example:** SVC\_ID=ServiceA

## TARIFF\_CODE (name)

**Description:** The name of the tariff code associated with the CLI\_DN or discount, sent to the TCAP interface.

**Format:** String

**Version:** CCS 3.0.0

**Notes:**

**Example:**

## TCE (ccs time call ended)

**Description:** Time the call ended. The time of A-party and B-party disconnect or zero if no connection was made.

**Format:** Date (yyyymmddhhmmss format)

**Version:** CCS 3.0.0

**Notes:**

**Example:** TCE=20070423181510

## TCS (ccs time call started)

**Description:** Time the call started.

**Format:** Date (yyyymmddhhmmss format)

## Chapter 32

**Version:** CCS 3.0.0  
**Notes:**  
**Example:** TCS=20070423181310

### TERMINAL (Network ID)

**Description:** Network ID of terminal using screens that generate EDRs.  
**Format:** String  
**Version:** CCS 3.1.0  
**Notes:**  
**Example:** TERMINAL=192.168.25.108

### TEXT (voucher details)

**Description:** Description of the voucher.  
**Format:** String  
**Version:** 12.0.1  
**Notes:** You can use a maximum of 50 characters.  
**Example:** TEXT=Added

### TGEO\_ID (terminating geo node id)

**Description:** The voice call terminating geographic node ID.  
**Format:** Integer  
**Version:** CCS 3.1.8  
**Notes:**  
**Example:** TGEO\_ID=23

### TIMED\_OUT (reservation confirmation)

**Description:** Added when a timed-out reservation confirmation event occurs.  
**Format:** String  
**Version:** CCS 3.1.3, CCS 3.1.7.2(2degrees), CCS 3.1.8  
**Notes:** A RNCF tag will also be present in the EDR.  
**Example:** TIMED\_OUT=TRUE

### TN (called number)

**Description:** The terminating number (called number) being called.  
**Format:** String  
**Version:** CCS 3.0.0  
**Notes:**  
**Example:** TN=01473

### TN (roaming called number)

**Description:** The terminating number (called number) being called.  
**Format:** String  
**Version:** CCS 3.0.0

- Notes:**
- The roaming software provides a ccsCDRLoaderPlugin on the SMP. This plug-in will determine the type of roaming call.
  - If a mobile termination call is determined, then the roaming prefix will be stripped from the TN field.

**Example:** TN=441473289900

TYPE\_DESCRIPTION (voucher type)

**Description:** A textual description for the voucher type.

**Format:** String

**Version:** CCS 3.0.0

**Notes:**

**Example:** TYPE\_DESCRIPTION=STANDARD

USER (operator logon name)

**Description:** The name used by the operator who performed the action to log in to the NCC UI (user interface).

**Format:** String

**Version:** CCS 3.0.0

**Notes:**

**Example:** USER=SU

VOUCHER (ID of redeemed voucher)

**Description:** The ID of the redeemed voucher.

**Format:** Integer

**Version:** CCS 3.0.0

**Notes:** This is an internal voucher identifier only (ccs\_voucher\_reference.ID).

**Example:** VOUCHER=68

VOUCHER (serial number of redeemed voucher - 3.1.5)

**Description:** The serial number of the redeemed voucher.

**Format:** Integer

**Version:** CCS 3.1.5

**Notes:** This is an internal voucher identifier only (ccs\_voucher\_reference.serial\_number).

**Example:** VOUCHER=6878367520

VOUCHER\_BATCH (for voucher batch)

**Description:** The voucher batch ID.

**Format:** Integer

**Version:** CCS 3.0.0

**Notes:**

**Example:** VOUCHER\_BATCH=35

VOUCHER\_NUMBER (redeemed voucher)

**Description:** The voucher number of the redeemed voucher.

**Format:** String

## Chapter 32

**Version:** CCS 3.0.0  
**Notes:**  
**Example:** VOUCHER\_NUMBER=0000000067

VOUCHER\_TYPE (name)

**Description:** Voucher type name.  
**Format:** String  
**Version:** CCS 3.0.1  
**Notes:** Internal reference (ccs\_voucher\_type.NAME)  
**Example:**

WALLET\_DELETED (always success - Y)

**Description:** Indicates that the wallet was deleted successfully.  
**Format:** String  
**Version:** CCS 3.0.0  
**Notes:** This value will always be 'Y' for the EDR record.  
**Example:** WALLET\_DELETED=N

WALLET\_TYPE (ID of wallet changed)

**Description:** The ID of the wallet type changed for this call.  
**Format:** Integer  
**Version:** CCS 3.0.0  
**Notes:** This is an internal wallet type reference only (ccs\_wallet\_type.ID).  
**Example:** WALLET\_TYPE=1

WALLET\_TYPE (ID of wallet recharged)

**Description:** The ID of the wallet that was recharged.  
**Format:** Integer  
**Version:** CCS 3.0.0  
**Notes:** This is an internal wallet type reference only (ccs\_wallet\_type.ID).  
**Example:** WALLET\_TYPE=1



# SLC Generated EDRs

## Overview

### Introduction

This chapter explains the EDRs generated on the SLC.

### In this chapter

---

This chapter contains the following topics.

ACS EDRs .....	199
DCD EDRs.....	213
SCA EDRs .....	215
NP EDRs .....	217
Messaging Manager EDRs.....	222

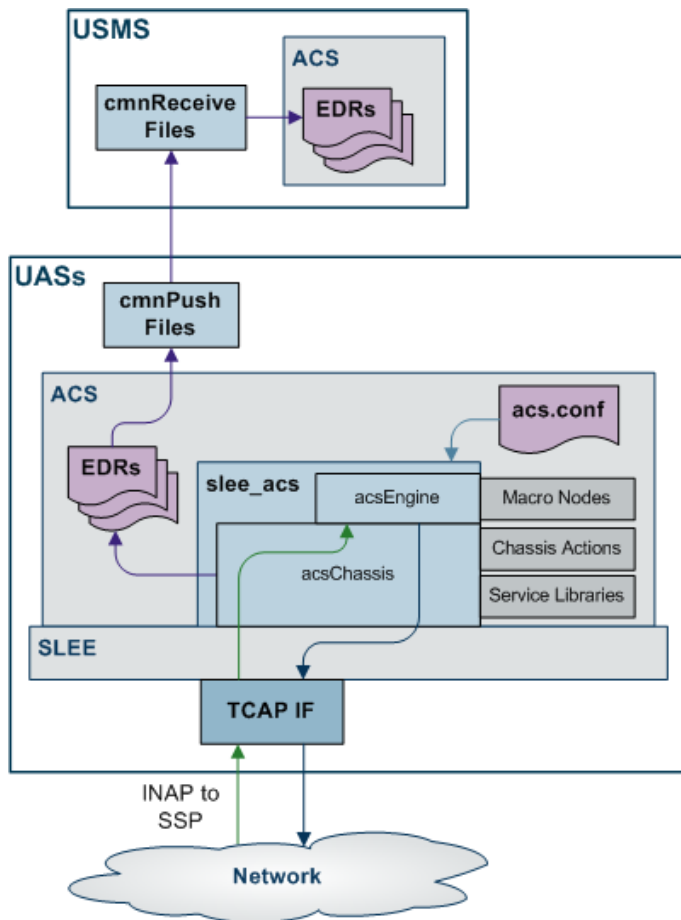
## ACS EDRs

### EDR generation

ACS EDRs are generated and processed by the `slee_acs` on each SLC and uploaded at regular intervals to the SMS using the `cmnPushFiles` process.

## Diagram

This diagram shows the components of the ACS installation on the SLC and SMS which generate and migrate EDRs.



## EDR File Names

ACS EDR file names have the following format:

`machine_app_starttime_closetime_pid.cdr`  
 where:

- *machine* is the SLC which generated the EDR.  
**Note:** This is added when the file is moved to the SMS.
- *app* is the application that produced the EDR
- *starttime* is the date and time that the first EDR in the file was created. The format used is: `yyyymmddhh24missff1`, where `ff1` is the decisecond portion of the timestamp.
- *closetime* is the date and time that the last EDR in the file was created and the file closed. The format used is: `yyyymmddhh24missff1`, where `ff1` is the decisecond portion of the timestamp.  
**Note:** This is present if the `CdrFileAppendCloseTime` parameter in `acs.conf` is set.
- *pid* is the Unix Process ID - up to 5 numeric characters.  
**Note:** This is present if the `CdrFileAppendPid` parameter in `acs.conf` is set.

### Example file names

File name on SMS, with the default parameter settings (with the PID appended):

`UAS01_ACS_200805061707_11501.cdr`

File name on SMS, with the Close Time and PID appended:

```
UAS01_ACS_200805061707_200805061809_11501.cdr
```

## EDR collection

The ACS EDRs are saved to file in the following locations on the SMS:

- **IN/service\_packages/SMS/cdr/received**
- If customer configured processing is done, they may be moved to:  
**IN/service\_packages/SMS/cdr/processed**

## File format

The only file format supported by the ACS EDR API is the 'Pipe Tag LineFeed' format. This encodes data using the following format.

```
APP|Tag=Value|Tag=Value[,Value...]<LF>
```

The format has the following characteristics:

- APP is the name of service which created the EDR.
- The format is entirely formed of printable ASCII characters, plus the LF character (Unix style newline '\n') as a terminator.
- Special characters are:
  - '|' - The pipe character is used to separate fields
  - '=' - The equals character is used to separate Tag and Value
  - ',' - The comma character is used with fields which allow multiple values for a single tag
- Maximum record length is 256 characters (255 + LF)
- The file may contain zero or more records. There is no specified limit to the number of records in any given file, however the maximum file:
  - size is specified in the CdrFileMaxSize parameter, and
  - age in the CdrFileMaxAge parameter
 in acs.conf.
- There must be at least one tag in each record.
- The order of tags is not significant and may change, possibly within a single file.
- The presence of any particular tag is not guaranteed.
- There is no dependency of tags (for example: the presence of any specific tag does not guarantee the presence of any related tags).

## Example slee\_acs EDRs

### Example 1

Unsuccessful voice call.

```
ACS|CID=135883|OA=0|OTI=0|CUST=1|SN=81822222|TN=81822222|CGN=81811111|CLI=81811111|SK=111|TCS=20080506050720|LPN=|LAC=|CS=3|CPC=10|CC=|CPNI=0|PCNA=|TPNI=0|PTNA=|CGNA=|TGNA=|TFN=ST-1,SDTN-2,UTTP-4,END-3|LGID=0|CPN=81822222|OCPI=|CPNN=3|CGNN=3|CPPI=1|NOAT=0|CBAT=0|FATS=0|CCTS=20080506050721|HTS=20080506050721|AIDL=
```

### Example 2:

Successful national call from CCS on a SLC.

```
CCS|CID=487291|OA=0|OTI=0|CUST=1|SN=123456789|TN=|CGN=7|CLI=123456789|SK=1|TCS=20060701173254|LPN=|LAC=|CS=1|CPC=10|CC=|CPNI=0|PCNA=|TPNI=0|PTNA=|CGNA=|TGNA=|TFN=ST-1,uatb-4,DISC-5,END-3|LGID=0|CPN=|OCPI=|CPNN=3|CGNN=3|CPPI=1|NOAT=0|CBAT=0|FATS=0|CCTS=0|HTS=0|AIDL=|WALR=
```

**Example 3:**

Voice MO call.

```
VOICE_MO|CID=135883|OA=0|OTI=0|CUST=1|SN=9393009|TN=9393009|CGN=93933301|CLI=6421939340|SK=2|TCS=20080506050226|TCE=20080506050327|LPN=|LAC=|CS=4|CPC=10|CC=|CPNI=0|PCNA=|TPNI=0|PTNA=|CGNA=|TGNA=|TFN=ST-1.0,DDS-68.01,STTP-18.013,CCDR-19.0,CCDR-20.0,uatb-2.01111111,STC-59.01,END-3.0|LGID=0|CPN=VOICE_MO|CAET=0|CCET=60.0|OCPI=|CPNN=3|CGNN=3|CPPI=1|NOAT=1|CBAT=0|FATS=0|CCTS=20080506050227|HTS=20080506050227|AIDL=|ANS_TM=20080506050127|BEARER_TYPE=24|FCA=9393009|LOC_NUM=502180100004465|NT=6|RDPN=21939340|RDPNN=6421939340|RDRES=2|SC=1300|SST=1|EXT9=12345678
```

**ACS EDR tags**

The following list details the tag values of EDRs created by the ACS service, the type and length of data required, and a description of the value.

AIDL (played announcement ID list)

**Description:** Played Announcement ID List, sequence of ACS\_ANNOUNCEMENT\_ENTRY.ID  
This is a comma list of all of the elementary message IDs played during the call in sequence, either as a result of an:

- INAP PlayAnnouncement, or
- INAP PromptAndCollectUserInformation

operation.

**Format:** comma sequence of unsigned 32-bit integer

**Version:** ACS 2.3.3 to current

**Notes:**

- 1) Enabled by CdrExtraFields acs.conf flag.
- 2) If the DigitsInAnnouncementList acs.conf flag is set to true, each elementary message ID has the following added immediately after the ID value. If this was:
  - a successful PlayAnnouncement or is not the last elementary message ID in the announcement, then nothing.
  - PlayAnnouncement, during which the caller abandoned, then "Z"
  - a successful PromptAndCollectUserInformation, then "^<digits collected>", for example, "^12345678"
  - PromptAndCollectUserInformation, for which an improper caller response error, or timeout, was received, then "^X"
  - PromptAndCollectUserInformation, during which the caller abandoned, then "^Z"

3) The announcements that match the ids can be seen via the **ACS > Configuration > Announcements Tab > Edit** screens, the column heading **ResourceID** are the numbers referred to in the AIDL list.

**Examples:**  
off - AIDL=10, 20, 30, 40  
on - AIDL=10, 20^X, 20^12345678, 30Z

BCOR (balance cascade override)

**Description:** Indicates a balance cascade override was used instead of the original balance cascade.

**Format:** Integer

**Version:** ACS 2.4.2  
**Notes:** Used by FOX and DCD InitialTimeReservation and DirectTimeCharge.  
**Example:** BCOR=257

#### BFT (billing failure treatment)

**Description:** Indicates that Billing Failure Treatment has been used for the call. The value is the total amount of time reserved (including that withheld), before BFT occurred.  
**Format:** Integer  
**Version:** ACS 2.4.2  
**Notes:**

- This is set by the UATB node.
- For a system failure on initial reservation this will be 0.

**Example:** BFT=3000

#### CA (called address)

**Description:** Called Address  
 Called address from the CallInformationReport INAP operation.  
**Format:** This is a string of digits, 0-32 chars.  
 Valid value are:  
 0-9A-F\*#  
**Version:** ACS 2.3.3 to current  
**Notes:** Enabled by SendCIR acs.conf flag.  
**Example:** CA=9393009

#### CAET (call attempt elapsed time)

**Description:** Call Attempt Elapsed Time  
**Format:** Integer  
**Version:** ACS 2.4.2 to current  
**Notes:** Seconds to the nearest second.  
 If elapsedTimesFromApplyChargingReport flag is set to '1' then it is from the Apply Charging Report.  
**Example:** CAET=20

#### CBAT (connected by attempt termination)

**Description:** Call was connected by attempt termination, was the Connect operation sent along with a RequestReportBCSM to arm for busy, etc.  
**Format:** Integer  
**Version:** ACS 2.3.3 to current  
**Notes:** 1 for true, 0 for false.  
**Example:** CBAT=0

#### CC (carrier code)

**Description:** Carrier Code  
**Format:** 0-9A-F\*#  
 (0-32 chars)  
**Version:** ACS 2.3.3 to current  
**Notes:** The digits of the carrier code as given in the Set Carrier Code feature node.

**Example:** CC=

CCET (call connect elapsed time)

**Description:** Call Connect Elapsed Time.  
**Format:** Seconds to the nearest tenth of a second as a decimal number with one decimal place.  
**Version:** ACS 2.3.3 to current  
**Notes:** If elapsedTimesFromApplyChargingReport flag is set to '1' then it is from the Apply Charging Report.  
**Example:** CCET=121.3 for 121.3 seconds.

CCTS (call connect timestamp)

**Description:** Call Connect Timestamp  
The time the Connect operation was sent to the SSP.  
**Format:** Date - YYYYMMDDHHMMSSS  
**Version:** ACS 2.3.3 to current  
**Notes:**  
**Example:** CCTS=20080413221947

CGN (calling network number)

**Description:** The normalised digits of the Calling Network Number. The caller's network address as determined by the Chassis. This is derived from one of the parameters of the Initial DP according to the config options on the service line of the acs.conf file.  
**Format:** 0-9A-F\*#  
(0-32 chars)  
**Version:** ACS 2.3.3 to current  
**Notes:** From IDP  
**Example:** CGN=93933301

CGNA (global calling network address)

**Description:** Global Calling Network Address, as stored in VPN\_STATION.GVNS\_ADDRESS  
**Format:** 0-9A-F\*#  
(0-32 chars)  
**Version:** ACS 2.3.3 to current  
**Notes:** VPN only. If VPN is not installed, value is blank.  
**Example:** CGNA=

CGNN (calling party nature of number)

**Description:** Calling Party ID Nature of Number  
**Format:** Integer - 0..255  
**Version:** ACS 2.3.3 to current  
**Notes:** The nature of address of the number using the standard ITU-T notation i.e.  
1 = subscriber  
2 = unknown  
3 = national  
4 = international  
**Example:** CGNN=3

## CID (slee call ID)

**Description:** The slee call ID  
Unique SLEE identifier assigned to the current call.

**Format:** Unsigned 32 bit integer

**Version:** ACS 2.3.3 to current

**Notes:**

**Example:** CID=135883

## CLI (calling logical number)

**Description:** Calling Line Identifier.  
The caller's network address as determined by the Chassis. More accurately, the calling logical number. This is derived from one of the parameters of the Initial DP according to the config options on the service line of the acs.conf file.

**Format:** 0-9A-F\*#  
(0-32 chars)

**Version:** ACS 2.3.3 to current

**Notes:** From IDP. May match CGN

**Example:** CLI=6421939340

## CPC (calling party category)

**Description:** Incoming Calling Party Category.

**Format:** Integer 0..255

**Version:** ACS 2.3.3 to current

**Notes:** From IDP

**Example:** CPC=10

## CPN (control plan name)

**Description:** Control Plan Name  
The name of the last ACS Control Plan to be executed for this call.

**Format:** String, 0-50 chars

**Version:** ACS 2.3.3 to current

**Notes:**

**Example:** CPN=VOICE\_MO

## CPNI (calling private network ID)

**Description:** Calling Private Network ID  
This is the database ID of the VPN network from which the call originated.

**Format:** Unsigned 32-bit integer

**Version:** ACS 2.3.3 to current

**Notes:** This is only relevant when using the NCC VPN product. Otherwise, it is set to 0.

**Example:** CPNI=0

CPNN (called party nature of number)

**Description:** Called Party Nature of Number.  
This is the nature of address of the called party number, which is derived from one of the parameters of the Initial DP in the same way as calling logical number and calling network number. In practice, it will be derived from the called party number field of the Initial DP as there are no suitable alternative fields.

**Format:** Integer 0..255

**Version:** ACS 2.3.3 to current

**Notes:** The number itself is held in the EDR as "SN".

**Example:** CPNN=3

CPPI (calling party presentation restricted indicator)

**Description:** Calling Party Presentation restricted Indicator ("CPPI=0" appears in the EDR.) When it is, it will indicate whether the calling logical number may be presented to subscribers.

- 1 means no (restricted)
- 0 means yes (not restricted).

**Format:** Integer 0..255

**Version:** ACS 2.3.3 to current

**Notes:** Future Field

**Example:** CPPI=1

CS (acs connect status)

**Description:** Connect Status.  
Whether AACS 2.4.2CS tried to connect the call and if so, what happened to it.

**Format:** Integer 0 to 12

**Version:** ACS 2.3.3 to current

**Notes:** Statuses include:

- 0 Connect status not recorded.
- 1 ACS sent a ReleaseCall operation.
- 2 ACS sent a Continue operation (or a Connect operation with destination routing address (DRA) set to the called party number in the IDP in certain circumstances. See the ACS Technical guide.) What happened to the call after the operation was sent is not recorded.
- 3 ACS attempted to connect the call. What happened to the call after the operation was sent is not recorded.
- 4 ACS attempted to connect the call and the call was answered.
- 5 ACS attempted to connect the call but the called party was busy.
- 6 ACS attempted to connect the call but hit route select failure.
- 7 ACS attempted to connect the call but the no answer timeout expired.
- 8 ACS attempted to connect the call but either the caller abandoned before answer or a TC abort was received. (TC abort is unlikely.)
- 9 ACS got to an END node but there had been a service handover and so, rather than disconnecting the call. It is awaiting an event report for mid call. Only relevant with the VPN product.
- 10 ACS sent a Continue operation. What happened to the call after the operation was sent is not recorded.
- 11 ACS received a TCAP Abort, unknown status.
- 12 ACS received a release by SSP on credit expiry.



**Example:** CS=4

CUST (customer database ID)

**Description:** ACS Customer Database ID (From the ACS\_CUSTOMER table).

**Format:** Unsigned 32-bit integer.

**Version:** ACS 2.3.3 to current

**Notes:** The customer is the one who "owns" the call. The meaning of "own" is service specific. For example, with the ACS service it is the customer who owns the called number or the calling number record that triggered the Control Plan.

**Example:** CUST=1

DISC (discount override)

**Description:** Identifies the discount percentage override used instead of the original (if any) discount that was to be applied.

**Format:** Integer

**Version:** ACS 2.4.2

**Notes:**

- May be a comma separated list of discount values.
- Used by FOX and DCD InitialTimeReservation and DirectTimeCharge.

**Example:** DISC=15

EXT(0-9) (extension buffer contents)

**Description:** There are 10 extension digits buffers in ACS numbered 0 to 9. These can be populated via, for example, decoding extensions from the Initial DP. Whenever a EDR is logged, the values of all the non-empty extension digits buffers will be put in the EDR.

**Format:** Integer

**Version:** ACS 2.4.0 to current

**Notes:**

**Example:** If extension buffer 0 contains 12345678 and extension buffer 5 contains 222 you will get:  
EXT0=12345678|EXT1=222|

FATS (first announcement timestamp)

**Description:** First Announcement Timestamp  
The time the first PlayAnnouncement or PromptAndCollectUserInformation operation was sent to the SSP for this call.

**Format:** Date (yyyymmddhhmmss format)

**Version:** ACS 2.3.3 to current

**Notes:**

**Example:** FATS=0

HTS (hunting timestamp)

**Description:** Hunting time stamp.  
The time the first Connect operation was sent for this call.  
N.B. Not necessarily the 1st Connect for this hunt group.

**Format:** Date (yyyymmddhhmmss format)

**Version:** ACS 2.3.3 to current

**Notes:**

**Example:** HTS=20080413221947

LAC (last account code used)

**Description:** Last Account Code  
Digits of the last account code used in this call. Most recent Account Code entered during the service logic.

**Format:** 0-9A-F\*#  
(0-32 chars)

**Version:** ACS 2.3.3 to current

**Notes:** See AC node

**Example:** LAC=

LGID (language ID)

**Description:** Language ID  
From first match in loaded profile  
The ACS database ID of the language used for announcements etc. From the ACS\_LANGUAGE table.

**Format:** Unsigned 32-bit integer.

**Version:** ACS 2.3.3 to current

**Notes:**

**Example:** LGID=0

LPN (most recent pin entered)

**Description:** Last PIN Number.  
Most recent PIN entered during the service logic. The digits of the last PIN collected by a PIN authorisation node for this call.

**Format:** 0-9A-F\*#  
(0-32 chars)

**Version:** ACS 2.3.3 to current

**Notes:** See PIN authorisation node.

**Example:** LPN=

MCOR (maximum charge override)

**Description:** Indicates a maximum charge override was used instead of the original (if any) maximum charge that was to be applied.

**Format:** Integer

**Version:** ACS 2.4.2

**Notes:**

- If no maximum charge override has been used, the value is -1.
- Used by FOX and DCD InitialTimeReservation and DirectTimeCharge.

**Example:** MCOR=-1

NOAT (number of attempt terminations)

**Description:** Number of Attempt Terminations  
The number of times an attempt termination type node has been encountered for this call, that is, the number of times a Connect operation has been sent with busy, RSF and similar, EDPs armed.

**Format:** Integer 0..255

**Version:** ACS 2.3.3 to current

**Notes:**

**Example:** NOAT=1

NT (network type)

**Description:** Network type (determined from Service Key).

**Format:** Integer

**Version:** ACS 2.4.0 to current

**Notes:**

- 0 = Unspecified
- 1 = CDMA
- 2 = TDMA

**Example:** NT=0

OA (sccp originating address)

**Description:** The SCCP Originating Address where the TCAP messages are coming from.

**Format:** Integer

**Version:** ACS 2.4.2

**Notes:** This would be 0 if you haven't included it in your test tool (slpit) script.

**Example:** OA=0

OCPI (original called party)

**Description:** Original Called Party  
The digits of the original called party ID form the Initial DP.

**Format:** 0-9A-F\*# (0-32 chars)

**Version:** ACS 2.3.3 to current

**Notes:** From IDP

**Example:** OCPI=

OTI (originating transaction ID)

**Description:** Originating Transaction ID  
TCAP transaction ID for invoking Internal DP.

**Format:** Integer

**Version:** ACS 2.3.3 to current

**Notes:**

**Example:** OTI=0

PCNA (calling private network address)

**Description:** Calling Private Network Address.  
The VPN address of the calling station.

**Format:** 0-9A-F\*#  
(0-32 chars)

**Version:** ACS 2.3.3 to current

**Notes:** VPN only. If VPN is not installed, value is blank.

**Example:** PCNA=

PTNA (private terminating network address)

**Description:** Private Terminating Network Address.  
The VPN address of the terminating station.

**Format:** 0-9A-F\*#  
(0-32 chars)

**Version:** ACS 2.3.3 to current

**Notes:** VPN only. If VPN is not installed, value is blank.

**Example:** PTNA=

RELC (acs release cause)

**Description:** Release Cause.  
The decimal value of the release cause, either from the CallInformationReport or from the ReleaseCall operation sent by ACS (as appropriate). For the coding of release causes, see ITU\_T recommendation Q.850.

**Format:** Integer 0..255

**Version:** ACS 2.3.3 to current

**Notes:** Enabled by SendCIR acs.conf flag.

**Example:** RELC=31

SK (service key)

**Description:** Service Key  
Numeric service key invoking service. The decimal value of the INAP service key from the Initial DP operation.

**Format:** Unsigned 32-bit integer.

**Version:** ACS 2.3.3 to current

**Notes:** From IDP

**Example:** SK=1000

SN (service number)

**Description:** Service (original called) Number  
The called party number. Called number which invoked the service (for example, 1-800...). See notes for CPNN (on page 206).

**Format:** 0-9A-F\*#  
(0-32 chars)

**Version:** ACS 2.3.3 to current

**Notes:**

**Example:** SN=9393009

TCE (acs time call ended)

**Description:** Time Call End

**Format:** Date

**Version:** ACS 2.3.3 to current

**Notes:** If elapsedTimesFromApplyChargingReport flag is set to '1' then it is from the Apply Charging Report.

**Example:** TCE=20080413222047

TCS (acs time call started)

**Description:** Time Call Start  
The start time of the call.

**Format:** Date

**Version:** ACS 2.3.3 to current

**Notes:**

**Example:** TCS=20080413221947

TFN (tracked feature node list)

**Description:** Tracked feature node list.  
A Comma separated list of feature nodes traversed in the Control Plan.  
The complete set of mnemonics is:

- {"ST", "Start"},
- {"END", "End"},
- {"UT", "Unconditional Termination"},
- {"AT", "Attempt Termination"},
- {"PLAY", "Play Announcement"},
- {"DOY", "Day of year"},
- {"DOW", "Day of week"},
- {"TOD", "Time of day"},
- {"DN", "Dialled Number"},
- {"CP", "Calling Party"},
- {"GR", "Geographic Region"},
- {"PD", "Proportional Distribution"},
- {"EV\_C", "Event counting"},
- {"EV\_S", "Event setting"},
- {"EV\_B", "Event branching"},
- {"DISC", "Disconnect Call"},
- {"SD", "Selection dependent routing"},
- {"SHO", "Service Handover"},
- {"PINA", "PIN Authorisation"},
- {"ACE", "Account Code Entry"},
- {"CDPT", "Collect Digits to pending TN"},
- {"CDST", "Collect digits to sub tag"},
- {"CF", "Call filtering"},
- {"TPTT", "Test Pending TN Type"},
- {"SEPP", "Set Pending TN from Profile"},
- {"TOWP", "Time of week profile"},
- {"ATTP", "Attempt terminate to pending"},
- {"UTTP", "Unconditional terminate to pending"},
- {"PB", "Profile branching"},

- {"MCM", "Mid call mark"},
- {"STTP", "Store pending TN to profile"},
- {"DDS", "Dynamically driven switch"},
- {"NLT", "Number lookup and translate"},
- {"ACP", "Activate Control Plan"},
- {"ALP", "ACS Load Profile"},
- {"CPC", "Calling Party Category"},
- {"SCC", "Set carrier code"},
- {"MCJ", "Mid Call Jump"},
- {"STC", "Set Tariff code"},
- {"CPNT", "Control Plan Notes"},
- {"CONT", "Terminate Unchanged"},
- {"PAPV", "Play Variable Part Announcement"},
- {"MTCH", "Number Matching"},
- {"SSMF", "Send Short Message F"},
- {"CNPA", "Set Cut and Paste"},
- {"CUTC", "Cut Calling Number"},
- {"SDTN", "Store Digits to Pending TN"},
- {"TPTT", "Test Pending TN Type"},
- {"STPF", "Store Profile"}

**Format:** String. Comma sequence of type-#,type-#...

**Version:** ACS 2.3.3 to current

**Notes:** Enabled by CdrExtraFields acs.conf parameter.

**Example:** If CdrExtraFields is set to 1 (track traversed feature nodes and played announcements - the default):  
 "TFN=ST-1, SDTN-2, UTPP-4, END-3" for a:
 

- Start node (node number 1),
- Store Digits to Pending TN node (node number 2),
- Unconditional terminate to pending (node number 4) and
- End (node number 3).

 If CdrExtraFields is set to 2 (include node substates):  
 "TFN=ST-1.0, SDTN-2.012, UTPP-4.01, END-3.0"

TGNA (global terminating network address)

**Description:** Global Terminating Network Address  
VPN\_STATION.GVNS\_ADDRESS

**Format:** String, zero, up to 32 characters.

**Version:** ACS 2.3.3 to current

**Notes:**

- VPN only
- Characters 0-9A-F\*#
- If VPN is not installed, value is blank.

**Example:** TGNA=

TN (acs termination number)

**Description:** Termination number.  
The number we returned to the SSP in Connect, or empty for Disconnect/Continue. The digits of the destination routing address (DRA) in the Connect operation.

**Format:** String, zero, up to 32 characters.

**Version:** ACS 2.3.3 to current

**Notes:**

- From Control Plan.
- Characters 0-9A-F\*#

**Example:** TN=9393009

TPNI (terminating private network ID)

**Description:** Terminating Private Network ID  
This is the database ID of the VPN network to which the call is made.

**Format:** unsigned 32-bit integer.

**Version:** ACS 2.3.3 to current

**Notes:** VPN only. If VPN is not installed, value is blank.

**Example:** TPNI=0

TPO (tariff plan override)

**Description:** Identifies the tariff plan used to override the original tariff plan that was to be applied.

**Format:** Integer

**Version:** ACS 2.4.2

**Notes:** Used by FOX and DCD InitialTimeReservation and DirectTimeCharge.

**Example:** TPO=667

WALR (wallet reference)

**Description:** Identifies the affected wallet if the ID is available.

**Format:** Integer

**Version:** ACS 2.4.2

**Notes:** Used by FOX and DCD InitialTimeReservation and DirectTimeCharge.

**Example:** WALR=

## DCD EDRs

### EDR Generation

EDRs are generated and processed by the `slee_acs` on the SLC and uploaded at regular intervals to the SMS using the `cmnPushFiles` process.

Diameter Charging Driver (DCD) tags are appended to the EDRs generated by the Advanced Control Services application. See *Event Detail Record Reference Guide* for the full list and descriptions.

### DCD EDR Tags

Here are the EDR tags produced by DCD.

DIA\_RC (result code)

**Description:** Number indicating diameter result-code received in CCA message.  
**Format:** Integer  
**Concept:** Result-Code  
**Notes:**  
**Example:** DIA\_RC=2001

DIA\_REQ (current session message number)

**Description:** Sequential number, indicating message within the current session.  
**Format:** Integer  
**Concept:** CC-Request-Number  
**Notes:** For Diameter event based messages, this will always be 0, and hence not recorded.  
**Example:** DIA\_REQ=1

DIA\_SID (session id)

**Description:** This is a unique value identifying the Diameter session.  
**Format:** Of the form:  
*DiameterIdentity;time;SLEE\_CallID*  
 Where:
 

- *DiameterIdentity* is that of the SLC (that is, the Origin-Host used in the CCR message)
- *time* is the time of the first request (expressed as the number of seconds since the Unix epoch time)
- *SLEE\_CallID* is a unique call identifier used by the SLEE processes to track each active session

**Concept:** Session-ID  
**Notes:** The values for *time* and *SLEE\_CallID* are in decimal format, but they are actually sent out in hexadecimal format.  
**Example:** DIA\_SID=scp1.oracle.com;47A228C3;15459A

DIA\_TIME (time ccr sent)

**Description:** The time the CCR was sent, in hundredths of second  
**Format:** Date - "YYYY-MM-DD-HH-MM-SSSS"  
**Concept:** Session-ID  
**Notes:**  
**Example:** DIA\_TIME=2008-03-27-20-41-3831

## Custom Tag Names

The `cdrTag` configuration parameter allows for an EDR to have tag names that are customer defined.

## Example EDRs

Here are some example EDRs generated by DCD.

Refer to *ACS EDR Tags* for the non-DCD tags.



**Example 1**

Whole EDR for an InitialTimeReservation and ConfirmTimeReservation:

```
EDR:
'VOICE_MO|CID=285222|OA=0|OTI=0|CUST=1|SN=0777666444|TN=0777666444|CGN=8888887|CLI=8
888887|SK=1|TCS=20080327204138|TCE=20080327204241|LPN=|LAC=|CS=4|CPC=10|CC=|CPNI=0|P
CNA=|TPNI=0|PTNA=|CGNA=|TGNA=|TFN=ST-2,SDTN-21,uatb-3,PB-22,END-
14|LGID=0|CPN=uatbWcseBrch|CAET=3|CCET=60.0|CA=60777666555|RELC=17|OCPI=|CPNN=3|CGNN
=3|CPPI=1|NOAT=1|CBAT=0|FATS=0|CCTS=20080327204138|HTS=20080327204138|AIDL=|DIA_SID=
nzwn-test03-z2;47ec0682;45a26|DIA_REQ=0|DIA_RC=2001|DIA_TIME=2008-03-27-20-41-
3831|DIA_SID=nzwn-test03-z2;47ec0682;45a26|DIA_REQ=1|DIA_RC=2001|DIA_TIME=2008-03-
27-20-41-3847|FCA=60777666555|WALR=86'
```

Note the DCD part of the EDR. All four tags are present twice:

- The Initial Time Reservation  
DIA\_SID=nzwn-test03-z2;47ec0682;45a26|DIA\_REQ=0|DIA\_RC=2001|DIA\_TIME=2008-03-27-20-41-3831|
- The Termination Time Reservation  
DIA\_SID=nzwn-test03-z2;47ec0682;45a26|DIA\_REQ=1|DIA\_RC=2001|DIA\_TIME=2008-03-27-20-41-3847|

**Example 2**

Whole EDR for DirectNamedEvent:

```
EDR:
'VOICE_MO|CID=287224|OA=0|OTI=0|CUST=1|SN=0777666444|TN=|CGN=8888887|CLI=8888887|SK=
1|TCS=20080327231115|TCE=0|LPN=|LAC=|CS=1|CPC=10|CC=|CPNI=0|PCNA=|TPNI=0|PTNA=|CGNA=
|TGNA=|TFN=ST-1,bevt-2,END-
3|LGID=0|CPN=DirectDebit|CAET=0|CCET=0.0|CA=|RELC=31|OCPI=|CPNN=3|CGNN=3|CPPI=1|NOAT
=0|CBAT=0|FATS=0|CCTS=0|HTS=0|AIDL=|DIA_SID=nzwn-test03-
z2;47ec2993;461f8|DIA_RC=2001|DIA_TIME=2008-03-27-23-11-1577'
```

Note in the DCD part of the EDR that event based EDRs only need to receive DIA\_SID, DIA\_RC and DIA\_TIME, that is, no DIA\_REQ:

```
DIA_SID=nzwn-test03-z2;47ec2993;461f8|DIA_RC=2001|DIA_TIME=2008-03-27-23-11-1577'
```

**Example 3**

For cdrTag for MMM\_TAG and ZZZ\_TAG, the following would be an example of what the resulting EDR would look like.

```
CCS_BE|CID=205383|OA=0|OTI=0|CUST=1|SN=1130|TN=|CGN=0212994768|CLI=0212994768|SK=3|T
CS=20091117192600|LPN=|LAC=|CS=1|CPC=10|CC=|CPNI=0|PCNA=|TPNI=0|PTNA=|CGNA=|TGNA=|TF
N=ST-1,CCDR-8,CCDR-12,CCDR-14,bevt-2,DISC-3,END-7|LGID=0|CPN=ST-BE-
END|OCPI=|CPNN=3|CGNN=3|CPPI=1|NOAT=0|CBAT=0|FATS=0|CCTS=0|HTS=0|AIDL=|AAA_TAG=11111
|CMX_EC=CR96791|CMX_EN=BasicTest|DIA_SID=eng-host06-
z6.usp.co.nz;4b02f8c8;32247|DIA_RC=2001|DIA_TIME=2009-11-17-19-26-
0062|MMM_TAG=55555|ZZZ_TAG=777
```

**SCA EDRs****EDR collection**

The SCA can be configured to produce EDRs for use in post processing as required. The EDRs are saved to file in a location specified in the `sca.config`.

EDRs are saved to file in tag/value pairs, separated by "|", in the following form:

```
tag1=value1|tag2=value2
```

## Field formats

Each field in an EDR is in a particular format, summarized in this table.

Format	Description
Date / Time	<p>A time to the nearest second, in format <code>YYYYMMDDHHmmSS</code> where:</p> <ul style="list-style-type: none"> <li>• <code>YYYY</code> = year (for example, 2005)</li> <li>• <code>MM</code> = month (for example, 03 for March)</li> <li>• <code>DD</code> = day of the month (for example, 09)</li> <li>• <code>HH</code> = hours (for example, 13 for 1pm)</li> <li>• <code>mm</code> = minutes (for example, 32)</li> <li>• <code>SS</code> = seconds (for example, 00)</li> </ul> <p><b>Example:</b> A request submitted on 16th November 2007 1 minute and 14 seconds after midnight <code>TIMESTAMP=20071116000114</code></p>
Integer	<p>A decimal number. Will never exceed a 32 bit number (11 digits), but is often shorter. Leading zeros will not normally be present.</p> <p><b>Example:</b> <code>DURATION=30</code></p>
String	<p>String of characters. Can be any length. Should not contain the characters <code>=</code> or <code> </code>. May include spaces. When the parameter is a string, the string consists of all the characters after the <code>=</code> sign up to the <code> </code> separator between this parameter and the next.</p> <p><b>Example:</b> <code>REQUEST_URI=aname@oracle.com;SLEESK=1</code></p>

**Notes:** Tags may not necessarily be in a fixed order, as the order of processing may vary from one call type to another.

## EDR fields

Here are the SCA tags within an EDR.

`CDR_TYPE` (sca reason for record generation)

**Description:** Type of EDR (that is, where and why it was generated).

**Format:** Integer

**Version:** SCA 1.0

**Notes:** 1 - Call attempt  
2 - Success  
3 - Error

**Example:** `CDR_TYPE=2`

`DURATION` (session duration)

**Description:** The session duration (in seconds).

**Format:** Integer

**Version:** SCA 1.0

**Notes:** This tag value is only present where the `CDR_TYPE` is 2.

**Example:** `DURATION=30`

`FROM` (sip message from header)

**Description:** Contains the contents of the From header in the SIP message.

**Format:** String

**Version:** SCA 1.0

**Notes:**

**Example:** FROM=

METHOD (sip method of request)

**Description:** The SIP method for the request that caused the EDR to be generated.

**Format:** String

**Version:** SCA 1.0

**Notes:**

**Example:** METHOD=

REQUEST\_URI (uri request content)

**Description:** Contains the contents of the URI request.

**Format:** String

**Version:**

**Notes:**

**Example:** REQUEST\_URI=aname@oracle.com;SLEESK=1

TIMESTAMP (creation timestamp of sca edr)

**Description:** The date and time when the EDR was generated.

**Format:** Date

**Version:** SCA 1.0

**Notes:**

**Example:** TIMESTAMP=20071116000114

TO (sip to header content)

**Description:** Contains the contents of the To header in the SIP message.

**Format:** String

**Version:**

**Notes:**

**Example:** TO=

## NP EDRs

### Introduction

The NP Service Pack produces ACS and LCR EDRs, on the SLC, for use in post processing as required.

### EDR collection

Each call processed can produce a single EDR, or multiple EDRs, depending on the type and outcome of the call. As a minimum, each call invokes either an ACS or a CCS service, producing one ACS/CCS EDR for every termination attempt.

Where Least Cost Routing (LCR) is invoked, an LCR EDR is produced for every carrier selected for termination as part of the LCR service logic, in addition to the ACS/CCS EDR produced for every termination attempt. This means that the number of LCR EDRs and the number of ACS/CCS EDRs produced for the call is the same.

## NP EDR files

The EDRs are saved to file in a location specified in the `cdrIF.cfg` configuration file. For details, see [Configuring EDR Collection](#).

EDR files have the following names, depending on the EDR type.

EDR Type	File Name
ACS	<code>ACS_YYYYMMDDHHSS_PID.cdr</code>
LCR	<code>LCR_YYYYMMDDHHSS.cdr</code>

Where:

- `YYYYMMDDHHSS` = the date and time when the file was opened
- `PID` = the Unix process ID of the service instance that created the EDR file

**Note:** For the LCR EDRs, the file name is configured in the `cdrIF.cfg` and may be different to the format described in this topic.

Later the files are moved by the `cmnPushFiles` process from each SLC to a configurable location on the SMS. This location is specified in the `cmnPushFilesStartup.sh` script located in the `NP_SERVICE_PACK/bin` directory of each SLC.

The `cdr` files moved from the SLCs are prefixed with the name of their corresponding SLC, that is, `LCR_YYYYMMDDHHMMSS.cdr` from 'SLC1' will be renamed to `SLC1_LCR_YYYYMMDDHHMMSS.cdr` in the SMS.

**Note:** If the location directories for the EDR files are changed manually to something different from the package defaults, the new location directories will have to be manually created in the system and the process that create and move the EDR files (`cmnPushFiles` and `cdrIF`) will have to be manually restarted.

## EDR fields

EDRs are saved to file in tag/value pairs, separated by "|", each record separated by a Unix newline character, in the following form:

```
APP|tag1=value1|tag2=value2|...
```

**Note:** The first field in the EDR is not a tag/value pair. It contains the name of the service (either ACS or CCS) that created the EDR. For more information about the format of SLC generated EDRs, see [SLC Generated EDRs](#) (on page 199).

For LDR EDRs, the row trailer (newline) and column separator can be configured in the `cdrIF.cfg` and may be different to the default described in this topic.

## NP ACS tags

The following ACS tags are generated in the EDR.

- *AIDL* (*played announcement ID list*) (on page 202)
- *CA* (on page 203)
- *CAET* (on page 203)
- *CBAT* (on page 203)
- *CCET* (on page 204)

- *CCTS* (on page 204)
- *CGNA* (on page 204)
- *CGNN* (on page 204)
- *CID* (on page 205)
- *CLI*
- *CPC* (on page 205)
- *CPN* (on page 205)
- *CPNI* (on page 205)
- *CPNN* (on page 206)
- *CPPI* (on page 206)
- *CS* (on page 206)
- *CUST* (on page 207)
- *FATS* (on page 207)
- *HTS* (on page 207)
- *LAC* (on page 208)
- *LGID* (on page 208)
- *LPN* (on page 208) (not applicable for NP)
- *NOAT* (on page 208)
- *OA* (on page 209)
- *OCPI* (on page 209)
- *OTI* (on page 209)
- *PCNA* (on page 209) (not applicable for NP)
- *PTNA* (on page 210) (not applicable for NP)
- *RELC* (on page 210)
- *SK* (on page 210)
- *SN* (on page 210)
- *TCE* (on page 210)
- *TCS* (on page 211)
- *TFN* (on page 211)
- *TGNA* (on page 212) (not applicable for NP)
- *TN* (on page 213)
- *TPNI* (on page 213) (not applicable for NP)

**Note:** These are standard tags, as described in *ACS EDR tags* (on page 202).

## Example ACS EDRs

### Example 1

This example shows the output produced for a successful termination attempt EDR.

```
ACS|CID=61080|OA=0|OTI=0|CUST=1|SN=2125551212|TN=2125551212|
CGN=93933301|CLI=3135551212|SK=111|TCS=20051026133312|
TCE=20051026133317|LPN=|LAC=|CS=4|CPC=10|CC=|CPNI=0|PCNA=|TPNI=0|
PTNA=|CGNA=|TGNA=|TFN=ST-1, DDS-5, ATTP-6, ATTP-8, END-3|LGID=0|
CPN=atp|CAET=5|CCET=0.1|CA=2125551212|RELC=16|OCPI=|CPNN=1|
CGNN=4|CPPI=1|NOAT=2|CBAT=1|FATS=0|CCTS=20051026133312|
HTS=20051026133312|AIDL=
```

**Example 2**

This example shows the output produced for a failed termination attempt EDR.

```
ACS|CID=61080|OA=0|OTI=0|CUST=1|SN=2125551212|TN=2125551212|
CGN=93933301|CLI=3135551212|SK=111|TCS=20051026133312|
TCE=20051026133312|LPN=|LAC=|CS=0|CPC=10|CC=|CPNI=0|PCNA=|
TPNI=0|PTNA=|CGNA=|TGNA=|TFN=ST-1, DDS-5, ATTP-6|LGID=0|CPN=atp|
CAET=0|CCET=0.0|CA=2125551212|RELC=25|OCPI=|CPNN=1|CGNN=4|
CPPI=1|NOAT=1|CBAT=0|FATS=0|CCTS=20051026133312|
HTS=20051026133312|AIDL=
```

**LCR EDR tags**

The following standard ACS tags are generated in the LCR EDR.

- *CID* (on page 205)
- *CLI*
- *CPN* (on page 205)
- *CUST* (on page 207)
- *SK* (on page 210)
- *SN* (on page 210)

**Note:** These are standard tags, as described in *ACS EDR tags* (on page 202).

LCR EDRs do not contain any information on whether the termination attempt was successful or not – this data is stored in the ACS/CCS EDRs.

The LCR EDRs also contain the same CID field that can be used for correlation purposes with ACS/CCS EDRs and with other LCR EDRs.

The following LCR tags are unique to NP.

CALLINGNOA (noa of callingnum)

**Description:** The nature of address of the CALLINGNUM.  
**Format:** A single digit  
**Version:** NP 2.4.1.1  
**Notes:**  
**Example:** CALLINGNOA=4

CALLINGNUM (lcr set calling number)

**Description:** The calling number set by the LCR service.  
 This is the number that the service uses as the calling number when an attempt is made to connect the call.  
**Format:** Integer. May be up to 32 digits long.  
**Version:** NP 2.4.1.1  
**Notes:**  
**Example:** CALLINGNUM=3311111111111111

CARRIERNAME (carrier name)

**Description:** The name of the selected carrier.  
**Format:** String. May be up to 30 characters long.  
**Version:** NP 2.4.1.1  
**Notes:**  
**Example:** CARRIERNAME=Test

CARRIERPOS (position of carrier name in hunt list)

**Description:** The position of the selected carrier in the hunt list.  
**Format:** Integer from 1 to 8.  
**Version:** NP 2.4.1.1  
**Notes:**  
**Example:** CARRIERPOS=2

ORIGTRUNK (idp location number content)

**Description:** Contains contents of location number field from the IDP.  
**Format:** integer  
**Version:** NP 2.4.1.1  
**Notes:**  
**Example:** ORIGTRUNK=441473

PID (unix process ID)

**Description:** The Unix process ID of the service instance.  
**Format:** Integer  
**Version:** NP 2.4.1.1  
**Notes:**  
**Example:** PID=4355

PTI (product type ID)

**Description:** The product type ID for the CCS account type of the calling subscriber.  
**Format:** Integer  
**Version:** NP 2.4.1.1  
**Notes:**  
**Example:** PTI=2

ROUTEDEST (routing destination for call)

**Description:** The routing destination for the call.  
**Format:** String. May be up to 64 characters long.  
**Version:** NP 2.4.1.1  
**Notes:**  
**Example:** ROUTEDEST=Destination\_3

TIME (creation timestamp of lcr edr)

**Description:** The timestamp for when the LCR EDR was created.  
**Format:** Date  
**Version:** NP 2.4.1.1  
**Notes:**  
**Example:** TIME=20051020154857

TNNOA (noa of terminating number)

**Description:** The nature of address of the terminating number.  
**Format:** Integer. A single digit.  
**Version:**  
**Notes:** This should correspond to the first digit of the TNNUM field.  
**Example:** TNNOA=4

TNNUM (lcr terminating number)

**Description:** The terminating number set by the LCR service (the number that the service attempts to connect to).  
**Format:** Number. May be up to 32 digits long.  
**Version:** NP 2.4.1.1  
**Notes:** The first digit of the number provides an indication of the NOA.  
**Example:** TNNUM=4ABCD12AB987654321

### Example LCR EDRs

#### Example 1

This example shows the output produced for a successful termination attempt EDR.

```
PID=4355|CID=142163|CUST=1|SN=987654321|TNNUM=4ABCD12AB987654321|TNNOA=4|CLI=3311111111111111|SK=111|CPN=Rob_HR_LCR_plan|PTI=2|TIME=20051020154857|CALLINGNUM=33111111111111|CALLINGNOA=4|ROUTEDEST=Destination_3|CARRIERNAME=Test Carrier 2|CARRIERPOS=2|ORIGTRUNK=441473
```

#### Example 2

This example shows the output produced for a failed termination attempt EDR.

```
PID=4355|CID=142163|CUST=1|SN=987654321|TNNUM=4123412AB987654321|TNNOA=4|CLI=3311111111111111|SK=111|CPN=Rob_HR_LCR_plan|PTI=2|TIME=20051020154857|CALLINGNUM=33111111111111|CALLINGNOA=4|ROUTEDEST=Destination_3|CARRIERNAME=Test Carrier 1|CARRIERPOS=1|ORIGTRUNK=441473
```

## Messaging Manager EDRs

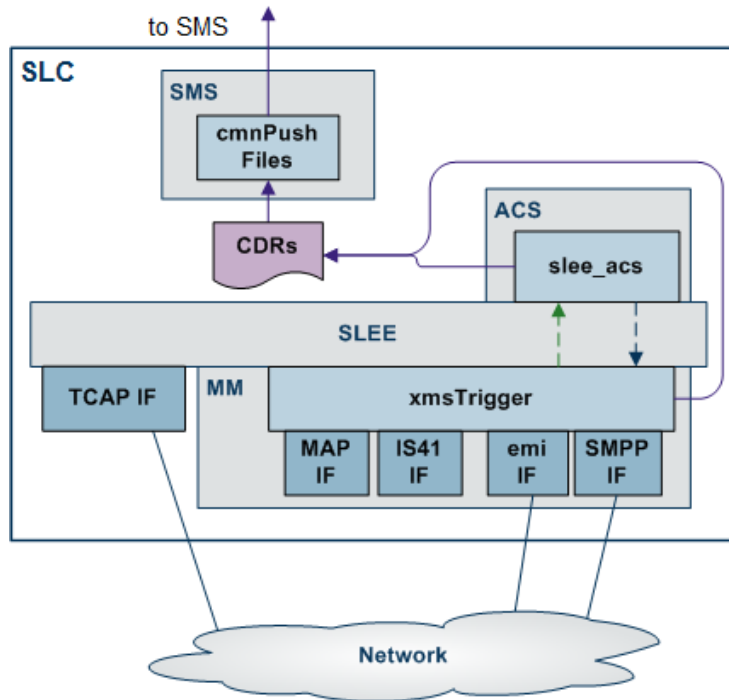
### EDR collection

The xmsTrigger of Messaging Manager produces EDRs to be used in post processing as required.



## Diagram

This diagram shows the components on the SLC that generate and migrate Messaging Manager EDRs.



## File name and location

Messaging Manager EDRs are saved to file, in the **eserv.config**:

- With the base filename specified by the filename parameter (in the format *Base\_file\_nameDate\_and\_time.cdr*)
- In the location specified by the destdir parameter (by default `"/IN/service_packages/XMS/cdr/closed/"`)

## File format

EDRs are saved to file in tag/value pairs, separated by "|", in the following form:

```
tag1=value1|tag2=value2
```

## Field formats

Each field in an EDR is in a particular format, summarised in this table.

Format	Description
Boolean	Value of 0 (untrue) or 1 (true). <b>Example:</b> DLVR=1

Format	Description
Date / Time	<p>A time to the nearest second, in format YYYYMMDDHHMMSS where:</p> <ul style="list-style-type: none"> <li>• YYYY = year (for example, 2004)</li> <li>• MM = month (for example, 04 for March)</li> <li>• DD = day of the month (for example, 09)</li> <li>• HH = hours (for example, 13 for 1pm)</li> <li>• mm = minutes (for example, 32)</li> <li>• SS = seconds (for example, 00)</li> </ul> <p><b>Example:</b> A message submitted on 16th May 2004 1 minute and 14 seconds after midnight <code>DATE=20040516000114</code></p>
Integer	<p>A decimal number. Will never exceed a 32 bit number (11 digits), but is often shorter. Leading zeros will not normally be present.</p> <p><b>Example:</b> <code>ULEN=30</code></p>
Network Number	<p>A sequence of hexadecimal characters representing a phone number. Usually consists of only the characters 0 – 9, but can also contain A – F (representing characters such as # and *). Leading zeros will be present if required.</p> <p><b>Example:</b> <code>DADR=0020006449393471</code></p>
String	<p>String of characters. Can be any length. Should not contain the characters = or  . May include spaces. When the parameter is a string, the string consists of all the characters after the = sign up to the   separator between this parameter and the next.</p> <p><b>Example:</b> <code>USRD=hello, whats up</code></p>

**Notes:**

- Tags may not necessarily be in a fixed order, as the order of processing may vary from one call type to another.
- Some fields will not be present if the call does not reach the call state that produces them – for example, the call duration will not be present for calls which are not answered.

**Messaging Manager EDR tags**

This topic describes the tags within an EDR. The EDR content can include the user payload (SMS text).

ADAP (adaptations)

**Description:** If MMS adaptations are allowed for this message

**Format:** Integer

**Version:** MM 4.1

**Notes:**

**Example:** `ADAP=1`

ALPH (alphabet name)

**Description:** The alphabet name

**Format:** String

**Version:**

**Notes:** See a list of character sets specified by the alphabet parameter

**Example:** `ALPH=GSM7Bit`

APPA (auxiliary applications)

**Description:** Auxiliary applications for MMS messages  
**Format:** String  
**Version:** MM 4.1  
**Notes:**  
**Example:** APPA=MAFIA instance #04

APPD (destination application)

**Description:** The destination application for MMS messages  
**Format:** String  
**Version:** MM 4.1  
**Notes:**  
**Example:** APPD=ifx.com.neon.downloadedPackage.MAFIA

APPR (reply application)

**Description:** The reply application for MMS messages  
**Format:** String  
**Version:** MM 4.1  
**Notes:**  
**Example:** APPR=ifx.com.neon.downloadedPackage.MAFI

ASAD (ip of originating asp)

**Description:** The IP address of the originating ASP  
**Format:** String  
**Version:** MM 3.1  
**Notes:**  
**Example:**

ASPDF (asp definition)

**Description:** The ASP definition. This can be used to derive the connection path using the config file. The tag will be added to EDRs for messages sent/relayed by MM using EMI or SMPP.

**Format:** String

**Version:**

**Notes:** This tag will be logged in the following format:

ASPDF=ASPSname.S.smscLoginId

where:

- ASPSname - The value of the ASPS.name entry in the config file. This entry in the config file identifies the ASP from which this messages originated.
- smscLoginId - The value of the corresponding ASPS.smscLogins.smscConnection.smscLoginId entry. This entry in the config files identifies the SMSC connection where the message was sent.

**Example:**

## Chapter 33

ASPID (inbound and outbound path)

**Description:** The inbound path and the outbound path.

**Format:** String

**Version:**

**Notes:** Used twice

**Example:**

AXAD (ip connections from asp)

**Description:** This is used for IP connections from ASPs.

**Format:** String

**Version:**

**Notes:** It indicates the internet listen address used for the ASP connection.

**Example:**

BILLID

**Description:** The billing identifier allows the ASP to send some extra billing information to the SMSC.

**Format:** String

**Version:** MM 4.1

**Notes:** BILLID can come from incoming EMI or SMPP messages.

In EMI it is the item tagged 12 in the extra services part of the message and is a variable length string.

In SMPP it is referred to as "billing identification" and is the TLV tagged 0x060B (1547). See the SMPP version 5 spec for more information.

**Example:**

CCLS (mms content class)

**Description:** The MMS content class.

**Format:** Integer

**Version:** MM 4.1

**Notes:** 0=None  
1=Text  
2=Basic Image  
3=Rich Image  
4=Basic Video  
5=Rich Video  
6=MegaPixel  
7=Basic Content  
8=Rich Content

**Example:** CCLS=1

CHPY (charged party)

**Description:** The charged party for the MMS.

**Format:** Integer

**Version:** MM 4.1

**Notes:**  
 0=None  
 1=Sender  
 2=Recipient  
 3=Both  
 4=Neither  
 5=Third Party

**Example:** CHPY=1

CT (mime type)

**Description:** The MIME type as specified in SIP or email messages.

**Format:** String

**Version:** MM 4.1

**Notes:**

**Example:** CT=text/plain

DADR (destination address)

**Description:** The destination address

**Format:** Refer to *EDR address format* (on page 239).

**Version:**

**Notes:**

**Example:** DADR=tel:0020006449383471

DATE (timestamp sms sent to mmx)

**Description:** The date and time at which the short message was submitted to MM.

**Format:** Date

**Version:**

**Notes:**

**Example:** DATE=20080901041701

DELTS (timestamp of delivery attempt)

**Description:** The delivery timestamp. The time of delivery attempt.

**Format:** Date

**Version:**

**Notes:**

**Example:** DELTS=20041214040046

DIMSI (destination imsi)

**Description:** The destination IMSI.

**Format:** Integer

**Version:**

**Notes:** Only included where MM has attempted FDA.

B party IMSI of FDA messages.

**Example:**

DISTS (timestamp of discard)

**Description:** Discard timestamp.  
**Format:** Date  
**Version:**  
**Notes:** Added if all delivery routes fail.  
**Example:** DISTS=20080901041706

DLOC (terminating party location information)

**Description:** Specifies the terminating party location information  
**Format:** String  
**Version:** MM 2.2.7 and 3.1  
**Notes:** This value will be set in the following order:

- Cell ID returned in the MAP\_ATI response if available,
- Default MSC ID from the **eserv.config** parameter, "defaultTerminatingLocation", or
- A null value, if the Control Plan does not initiate a MAP-ATI for the called party.

**Example:**

DLVR (message delivered flag)

**Description:** Message delivered  
**Format:** Boolean  
**Version:**  
**Notes:** 0 - not delivered  
1 - delivered  
This is only present on EDRs for delivery receipt messages.  
**Example:** DLVR=1

DPATH (delivery path)

**Description:** Path used for outbound delivery/submit attempt  
**Format:** String  
**Version:** MM 4.1  
**Notes:**  
**Example:** DPATH=SMPP\_SME\_SMPP1

DRM (drm content)

**Description:** If the MMS contains DRM content present  
**Format:** Integer  
**Version:** MM 4.1  
**Notes:**  
**Example:** DRM=1

DSCA (destination service center address)

**Description:** Destination service center address.  
**Format:** Integer  
**Version:**

**Notes:** Service center address of the configured destination SMSC.  
Included only when MAP delivery to the SMSC is attempted.

**Example:**

DSCGT (destination gt)

**Description:** Destination global title.

**Format:** String

**Version:**

**Notes:** Global title of the configured destination SMSC.  
Included only when MAP delivery to the SMSC is attempted.

**Example:**

DSTL (destination gt of fda msc)

**Description:** Destination global title of FDA MSC.

**Format:** String

**Version:**

**Notes:**

**Example:**

EDELTA (earliest delivery time)

**Description:** The earliest delivery time

**Format:** Integer

**Version:** MM 4.1

**Notes:** The number of seconds since 1 Jan 1970

**Example:** EDELTA=1354152268

ESN (electronic serial number)

**Description:** Electronic serial number

**Format:** 32 bit "number", having a sub format of 14 bit manufacturer code and 18 bit serial number.

**Version:**

**Notes:** Used with AMPS, TDMA and CDMA phones in the United States, equivalent to IMEI numbers used by all GSM phones.

**Example:**

GPRS (general packet radio service)

**Description:** General packet radio service supported indicator.

**Format:** Boolean

**Version:**

**Notes:** 0 = GPRS not supported  
1 = GPRS supported

**Example:** GPRS=0

IPRI (incoming protocol value)

**Description:** Incoming priority value  
**Format:** String  
**Version:**  
**Notes:**  
**Example:** IPRI=PriorityNormal

IPRN (incoming protocol name)

**Description:** Incoming protocol name  
**Format:** String  
**Version:**  
**Notes:** For internally-generated delivery reports, the protocol name will be **Wrapper**.  
**Example:** IPRN=MAP

ITS (incoming tele service)

**Description:** Incoming tele-service  
**Format:**  
**Version:**  
**Notes:**  
**Example:**

MMC (mms message class)

**Description:** The MMS message class  
**Format:** Integer  
**Version:** MM 4.1  
**Notes:** 0 - None  
1 - Personal  
2 - Advertisement  
3 - Informational  
4 - Automatic  
**Example:** MMC=1

MSCA (smc address)

**Description:** SMSC address  
**Format:** Refer to *EDR address format* (on page 239).  
**Version:**  
**Notes:** For an IS41 FDA delivery, the MSCA tag shows the MSC address used for the actual delivery attempt.  
**Example:** MSCA=tel:0040015114406267

MSGD (message destination)

**Description:** Outbound/outgoing message destination  
**Format:** Integer  
**Version:**  
**Notes:** 0 – Short Message Entity, that is, direct delivery to handset or ASP  
1 – Message Center  
**Example:** MSGD=1



MSGR (message reference number)

**Description:** Message reference number  
**Format:** Integer  
**Version:**  
**Notes:**  
**Example:** MSGR=5

MTYP (message type)

**Description:** Incoming/inbound message type  
**Format:** Integer  
**Version:**  
**Notes:** 0 - Submit  
 1 - Deliver  
 2 - Notify  
 3 - Command  
 4 - RouteInfo  
**Example:** MTYP=1

NRQ (status report requested for message)

**Description:** Was a notification (status report) requested for this message?  
**Format:** Boolean  
**Version:**  
**Notes:** 0 = not requested  
 1 = requested  
**Example:** NRQ=0

NRQD (emi with defined nrq)

**Description:** EMI with defined NRQ  
**Format:** List  
**Version:**  
**Notes:** This is an EMI only field. If the incoming EMI message has a defined NRQ, then the following will be appended:  
 NRQD=*nrq*,*npid*  
 Note that npid may be "" if not present.  
**Example:**

OADR (originating address)

**Description:** Originating address  
**Format:** Refer to *EDR address format* (on page 239).  
**Version:**  
**Notes:**  
**Example:** OADR=tel:0010006449393414

OAID (originating adapter id)

**Description:** Originating adapter ID  
**Format:** String  
**Version:**  
**Notes:** For all internally-generated delivery reports this will be **MMX\_INTERNAL\_DR\_ADAPTER**.  
**Example:** OAID=MAP1

OCAU (acs cause value)

**Description:** Cause value returned by ACS on originating call model.  
**Format:**  
**Version:**  
**Notes:**  
**Example:**

OIMSI (originating imsi)

**Description:** Originating IMSI (if present).  
**Format:** String  
**Version:**  
**Notes:**  
**Example:**

OIPA (originating ip address)

**Description:** Originating IP address  
**Format:** String  
**Version:**  
**Notes:**  
**Example:**

OLOC (originating party location information)

**Description:** Specifies the originating party location information.  
**Format:** String  
**Version:** MM 2.2.7 and 3.1  
**Notes:** This value will be set in the following order:

- Cell ID returned in the MAP\_ATI response if available,
- MSC ID from the SCCP layer if available
- Default MSC ID from the <co\_conf> parameter, defaultOriginatingLocation

**Example:**

OPRI (outgoing priority)

**Description:** Outgoing priority  
**Format:** String  
**Version:**  
**Notes:**  
**Example:** OPRI=PriorityNormal

OPRN (output protocol name)

**Description:** Output protocol name

**Format:** String

**Version:**

**Notes:**

**Example:** OPRN=SMPP

OPRT (originating port number)

**Description:** Originating port number

**Format:** Integer

**Version:**

**Notes:**

**Example:** OPRT=

OSA (originator system address)

**Description:** The originator system address of MMS messages

**Format:** Refer to *EDR address format* (on page 239).

**Version:** MM 4.1

**Notes:**

**Example:** OSA=0010013094219300

OTS (outgoing tele service)

**Description:** Outgoing tele-service

**Format:**

**Version:**

**Notes:**

**Example:**

PERR (protocol specific error)

**Description:** Protocol specific error or abort

**Format:** String

**Version:**

**Notes:**

- MAP: error-34, pabort-2, uabort-1
- SMPP: ESME\_RSYSERR, ESME\_RINVMSGID
- EMI: error-03, error-24
- IS41: error-0x81, error-0x8c

**Example:**

PRES (terminating adapter response)

**Description:** Terminating adapter response, whether the SMS was successfully delivered or not.

(was - adapter response to Submit)

**Format:** Integer

**Version:**

**Notes:** 1 – Success  
2 – Failed  
3 – Rejected

**Example:** PRES=1

PRID (protocol identifier)

**Description:** Protocol identifier. Provides any protocol specific information in an incoming message.

**Format:** Integer

**Version:**

**Notes:**

**Example:** PRID=1

RECN (current recipient number)

**Description:** The current recipient number. Which numbered destination address this message is for when dealing with a multi-destination message.

**Format:** Integer

**Version:** MM 4.1

**Notes:**

**Example:** RECN=1

RECT (number of recipients)

**Description:** The number of recipients for this message.

**Format:** Integer

**Version:** MM 4.1

**Notes:**

**Example:** RECT=3

RESL (submit result)

**Description:** Submit result. The response given to the A-party.

**Format:** Integer

**Version:**

**Notes:** 0 – Success  
1 – Transient Failure  
2 – Permanent Failure  
3 – Abort

**Example:** RESL=0

RRR (read reply request)

**Description:** The read reply request. If a read reply has been requested

**Format:** Integer

**Version:** MM 4.1

**Notes:**

**Example:** RRR=1

SCA (service center address)

**Description:** Service center address.

**Format:** Refer to *EDR address format* (on page 239).

**Version:**

**Notes:** The value will be the same as either MSCA or DSCA depending on the message type.

**Example:** SCA=0010013094219300

SCRID (screening rule id)

**Description:** The screening rule ID in the EDR which identifies the filtering rule of the message.

**Format:** Integer

**Version:**

**Notes:**

**Example:** SCRID=21

SEGN (message segment number)

**Description:** The message was message segment *n* of a potentially segmented message.

**Format:** Integer

**Version:**

**Notes:** This is logged irrespective of segmentation or not of the message.

**Example:** SEGN=0

SEGR (concatenated message reference)

**Description:** Concatenated message reference

**Format:**

**Version:**

**Notes:**

**Example:**

SEGT (total message segments)

**Description:** The total number of message segments.

**Format:** Integer

**Version:**

**Notes:** This is logged irrespective of segmentation or not of the message.

**Example:** SEGT=0

SRCL (source location)

**Description:** SourceLocation Information, that is, VMSC address for MAP/IS-41.

**Format:**

**Version:**

**Notes:** E.164 of sending VMSC

**Example:** SRCL=00001310:9

SRQ (storage requested)

**Description:** If storage is requested of this MMS message  
**Format:** Integer  
**Version:** MM 4.1  
**Notes:**  
**Example:** SRQ=1

SSAD (ip of originating smsc)

**Description:** The IP address of originating SMSC  
**Format:**  
**Version:**  
**Notes:**  
**Example:**

SSRID (screening sub-rule id)

**Description:** The screening sub-rule ID in the EDR which identifies the sub-rule that filters the message.  
**Format:** Integer  
**Version:**  
**Notes:**  
**Example:** SSRID=1

SSTN (smpp service type)

**Description:** The SMPP service type  
**Format:**  
**Version:**  
**Notes:**  
**Example:**

STRR (status report request)

**Description:** Status report request.  
**Format:** Integer  
**Version:**  
**Notes:** 0 - no report requested  
1 - handset/asp request (for its own purposes)  
2 - requested by MM (ACS), for billing purposes.  
3 - requested by SME and MM.  
**Example:** STRR=0

SUBJ (message subject)

**Description:** The message subject for MIME encoded messages  
**Format:** String  
**Version:** MM 4.1  
**Notes:**  
**Example:** SUBJ=Lunch

**SUB\_STATUS** (subscriber status)

**Description:** The subscriber status  
**Format:** Integer  
**Version:**  
**Notes:** 0 - subscriber information not retrieved  
1 - unknown subscriber  
2 - error  
3 - active  
4 - canceled  
**Example:** SUB\_STATUS=0

**SV** (sender visibility)

**Description:** The sender visibility property of MMS messages  
**Format:** Integer  
**Version:** MM 4.1  
**Notes:**  
**Example:** SV=1

**TAID** (terminating adapter id)

**Description:** Terminating adapter ID  
**Format:** String  
**Version:**  
**Notes:**  
**Example:** TAID=SMPP1

**TCAU** (acs terminate cause value)

**Description:** Cause value returned by ACS on terminating call model  
**Format:** Integer  
**Version:**  
**Notes:**  
**Example:**

**THRD** (throttled flag)

**Description:** 1 if message is throttled, otherwise tag is absent  
**Format:** Integer  
**Version:**  
**Notes:**  
**Example:** THRD=1

**TLEN** (length of user data in characters)

**Description:** Length of the user data (that is, message) in characters.  
**Format:** Integer  
**Version:**  
**Notes:**  
**Example:** TLEN=12

TYPE (type of edr)

**Description:** Type of EDR; that is, where and why it was generated.  
**Format:** Integer  
**Version:**  
**Notes:** 1 - MO/MT short messages  
**Example:** TYPE=1

ULEN (length of user data)

**Description:** Length of the user data (that is, message) in octets (bytes).  
**Format:** Integer  
**Version:**  
**Notes:**  
**Example:** ULEN=11

USRD (user data)

**Description:** Contains the user data.  
**Format:** See notes  
**Version:**  
**Notes:** If MM:

- Can parse the user data into the UTF-8 alphabet, then the corresponding UTF-8 string will be displayed. In this case, the ULEN field denotes the number of bytes, which may differ from the number of contained alphabetic characters.
- Cannot convert the user data into a UTF-8, then the output will be displayed as a hex, using 00-FF to denote the content of each byte. In this case, ULEN will exactly match the number of bytes represented in the USRD field output.

Any control characters, if found, are converted as follows:

- \n, \r, \f converted to ' ' (space)
- | converted to !

**Example:** USRD>Hello, whats up

VP (validity period)

**Description:** Validity period.  
The time period in seconds during which the originator considers the short message to be valid.  
**Format:** Integer  
**Version:**  
**Notes:** If this field is set to 0, then there is no time limit.  
**Example:** VP=0

### Multiple field occurrences

Every delivery attempt will write the fields OPRN, TAID, MSCA, OADR, DADR, SRCL, OPRI, MSGD, STRR and PRES to the EDR.

If there is at least one attempt, the fields MSCA, OADR, DADR, SRCL, MSGD and STRR are written twice.



- Once when the incoming call is passed to Messaging Manager
- Once when termination is attempted

The fields are not necessarily the same though, as Messaging Manager/ACS can change the values. However, MSCA and SRCL are not present for all protocols.

### Example EDR 1

Here is an example MM EDR. It is an 7-bit GSM text message from 6449393414 to 6449393471 (MAP to SMPP). The message was normal priority, successfully delivered, unsegmented, with no delivery receipt requested.

```
TYPE=1|DATE=20080901041701|IPRN=MAP|OAID=MAP1|MSCA=0040015114406267|OADR=0010006449393414|DADR=0020006449383471|IPRI=PriorityNormal|MTYP=0|MSGD=1|SRCL=00001310:9|MSGR=0|USRD=Test
Message|ALPH=GSM7Bit|ULEN=11|TLEN=12|PRID=0|STRR=0|VP=0|NRQ=0|SEGN=0|SEGT=0|DELTS=20041214040046|OPRN=SMPP|TAID=SMPP1|MSCA=0040015114406267|OADR=0010006449393414|DADR=0020006449393471|OPRI=PriorityNormal|MSGD=1|PRES=1|SRCL=00001310:9|STRR=0|RESL=0
```

### Example EDR 2

This example EDR is a message from 6449393414 to 6449393471 (IS-41 to IS-41). The message was emergency priority GSM 7-bit text of "hello, how are you", successfully delivered, unsegmented, with no delivery receipt requested.

```
TYPE=1|DATE=20060901041701|IPRN=IS41|OAID=CDMA1|MSCA=0040015114406267|OADR=0010006449393414|DADR=0020006449393471|IPRI=PriorityEmergency|MTYP=0|MSGD=1|SRCL=00001310:9|M
SGR=5|USRD=hello, how are
you|ALPH=GSM7Bit|ULEN=33|TLEN=18|PRID=1|STRR=0|VP=0|NRQ=0|SEGN=0|SEGT=0|DELTS=20041214040046|OPRN=IS41|TAID=CDMA1|MSCA=0040015114406267|OADR=0010006449393414|DADR=0020006449393471|OPRI=PriorityEmergency|MSGD=0|PRES=1|SRCL=00001310:9|STRR=0|RESL=0
```

### Example EDR 3

Here is an example EDR of a failed delivery receipt or a prior successful message. The delivery receipt failed because of a numberRules misconfiguration in Messaging Manager Navigator.

The call was an IS-41 to IS-41 delivery receipt from 6449393471 to 6449393414. The message was emergency priority GSM 7-bit text of "hello world."

```
TYPE=1|DATE=20060901041701|IPRN=IS41|OAID=CDMA1|MSCA=0040015114406267|OADR=0020006449393471|DADR=0010006449393414|IPRI=PriorityEmergency|MTYP=1|DLVR=1|MSGD=0|SRCL=00001310:9|MSGR=5|USRD=hello
world.|ALPH=GSM7Bit|ULEN=11|TLEN=12|PRID=1|STRR=0|VP=0|NRQ=0|SEGN=0|SEGT=0|DELTS=20041214040046|OPRN=IS41|TAID=CDMA1|MSCA=0040015114406267|OADR=0020006449393471|DADR=0010006449393414|OPRI=PriorityEmergency|MSGD=0|PRES=1|SRCL=00001310:9|STRR=0|RESL=1
```

### EDR address format

Several EDR tags contain addresses. These tags include:

- MSCA
- OADR
- DADR

All addresses are specified using the following format:

```
(TON) (NPI) (Address Digits)
```

This table describes the components in the EDR Addresses.

Component	Explanation	Value
TON	The type of number value indicator. Where: 000 = unknown 001 = international 002 = national 003 = network_specific 004 = subscriber_number 005 = alphanumeric 006 = abbreviated	000 - 006
NPI	The number plan indicator value for the prefix. Where: 000 = unknown 001 = ISDN (E.163/E.164) 003 = Data (X.121) 004 = Telex (F.69) 006 = Land mobile (E.212) 008 = National 009 = Private 010 = ERMES 013 = Point Code & subscriber number 014 = Internet (IP) 018 = WAP	000 - 001, 003 - 004, 006, 008 - 010, 013- 014, 018
Address Digits	Addresses used include SMSC, originating, destination address and source location information.	

**Example:** -MSCA= 00000148500000007

TON = 000 (unknown), NPI = 001 (isdn), Address digits = 48500000007

**Note:** Unless normalized otherwise, the EDR shows the TON and NPI as they are set in the incoming message. According to GSM specification (ETSI TS 100 901 V7.3.0).

# Glossary of Terms

## AAA

Authentication, Authorization, and Accounting. Specified in Diameter RFC 3588.

## AC

Application Context. A parameter in a TCAP message which indicates what protocol is conveyed. May indicate, for example, MAP, CAMEL, or INAP. Also usually specifies the particular version of the conveyed protocol, for example, which CAMEL Phase.

## ACS

Advanced Control Services configuration platform.

## ANI

Automatic Number Identification - Term used in the USA by long-distance carriers for CLI.

## API

Application Programming Interface

## ASP

- Application Service Provider, or
- Application Server Process. An IP based instance of an AS. An ASP implements a SCTP connection between 2 platforms.

## ATI

Any Time Interrogation - this process is used on a GSM network to interrogate the HLR for location and or subscriber information.

## BFT

Billing Failure Treatment - the process that is applied if the system has lost all connections to a billing engine. It allows for limited continuation of call processing functions, if configured.

## C7

See SS7.

## CAMEL

Customized Applications for Mobile network Enhanced Logic

This is a 3GPP (Third Generation Partnership Project) initiative to extend traditional IN services found in fixed networks into mobile networks. The architecture is similar to that of traditional IN, in that the control functions and switching functions are remote. Unlike the fixed IN environment, in mobile networks the subscriber may roam into another PLMN (Public Land Mobile Network), consequently the controlling function must interact with a switching function in a foreign network. CAMEL specifies the agreed information flows that may be passed between these networks.

## **CC**

Country Code. Prefix identifying the country for a numeric international address.

## **CCA**

Credit-Control-Answer, used in Diameter by the credit-control server to acknowledge a Credit-Control-Request (CCR) from the credit-control client.

## **CCR**

Credit-Control-Request, used in Diameter by the credit-control client to request credit authorization from the credit-control server.

## **CCS**

- 1) Charging Control Services component.
- 2) Common Channel Signalling. A signalling system used in telephone networks that separates signalling information from user data.

## **CDMA**

Code Division Multiple Access is a method for describing physical radio channels. Data intended for a specific channel is modulated with that channel's code. These are typically pseudo-random in nature, and possess favourable correlation properties to ensure physical channels are not confused with one another.

## **CDR**

Call Data Record

**Note:** The industry standard for CDR is EDR (Event Detail Record).

## **CID**

Call Instance Data

## **CLI**

Calling Line Identification - the telephone number of the caller. Also referred to as ANI.

## **Connection**

Transport level link between two peers, providing for multiple sessions.

## **CORBA**

Common Object Request Broker Architecture. It is a framework that provides interoperability between objects built in different programming languages, running on different physical machines perhaps on different networks. It specifies an Interface Definition Language, and API that allows client / server interaction with the ORB.

## **DB**

Database

## **Diameter**

A feature rich AAA protocol. Utilises SCTP and TCP transports.

## **DP**

Detection Point

## **DRA**

Destination Routing Address. The parameter in the INAP Connect operation, sent from ACS to the SSP. This is the number the SSP is instructed to connect to.

## **DTMF**

Dual Tone Multi-Frequency - system used by touch tone telephones where one high and one low frequency, or tone, is assigned to each touch tone button on the phone.

## **EMI**

Exchange Message Interface protocol

## **ETSI**

European Telecommunications Standards Institute

## **FDA**

First Delivery Attempt - the delivery of a short message directly to the SME rather than relaying it through the MC.

## **FOX**

Fast OSA eXtensions. A TCP/IP billing protocol intended for use with external vendors. Based on OSA, it fills in functional gaps missing in OSA, and defines "combined" OSA operations to increase platform throughput. Uses a non-CORBA transport layer in order to provide enhanced fail-over and connection redundancy.

## **GPRS**

General Packet Radio Service - employed to connect mobile cellular users to PDN (Public Data Network- for example the Internet).

## **GSM**

Global System for Mobile communication.

It is a second generation cellular telecommunication system. Unlike first generation systems, GSM is digital and thus introduced greater enhancements such as security, capacity, quality and the ability to support integrated services.

## **GUI**

Graphical User Interface

## **GVNS**

Global Virtual Numbering Scheme - When multiple VPNs are in use by a customer, the capability to route calls between these VPNs requires a numbering scheme that uses destination addresses based on a customer id and extension number. These GVNS addresses can then be interpreted to provide inter VPN operation.

## **HLR**

The Home Location Register is a database within the HPLMN (Home Public Land Mobile Network). It provides routing information for MT calls and SMS. It is also responsible for the maintenance of user subscription information. This is distributed to the relevant VLR, or SGSN (Serving GPRS Support Node) through the attach process and mobility management procedures such as Location Area and Routing Area updates.

## **HPLMN**

Home PLMN

## **Hunting**

A terminating call feature where a subscriber may request a list of alternate destination addresses. If their mobile station is not attached, or does not answer a call, then the service logic should attempt to reach the supplied alternate destinations in sequence.

## **IDP**

INAP message: Initial DP (Initial Detection Point)

## **IMSI**

International Mobile Subscriber Identifier. A unique identifier allocated to each mobile subscriber in a GSM and UMTS network. It consists of a MCC (Mobile Country Code), a MNC (Mobile Network Code) and a MSIN (Mobile Station Identification Number).

The IMSI is returned by the HLR query (SRI-SM) when doing FDA. This tells the MSC exactly who the subscriber is that the message is to be sent to.

## **IN**

Intelligent Network

## **INAP**

Intelligent Network Application Part - a protocol offering real time communication between IN elements.

## **Initial DP**

Initial Detection Point - INAP Operation. This is the operation that is sent when the switch reaches a trigger detection point.

## **IP**

- 1) Internet Protocol
- 2) Intelligent Peripheral - This is a node in an Intelligent Network containing a Specialized Resource Function (SRF).

## **IP address**

Internet Protocol Address - network address of a card on a computer.

## **IS-41**

Interim Standard 41 is a signaling protocol used in cellular telecommunications systems. It deals with the signalling between the MSC and other network elements for the purpose of handovers and roaming etc.

## **ISDN**

Integrated Services Digital Network - set of protocols for connecting ISDN stations.

## **ISUP**

ISDN User Part - part of the SS7 protocol layer and used in the setting up, management, and release of trunks that carry voice and data between calling and called parties.

## **ITU**

International Telecommunication Union

## **IVR**

Interactive Voice Response - systems that provide information in the form of recorded messages over telephone lines in response to user input in the form of spoken words or, more commonly, DTMF signalling.

## **LAC**

Location Area Code. This is an integer value specified as the third level of detail in the location area information. One LAC contains multiple Cell IDs or SAIs.

## **MAP**

Mobile Application Part - a protocol which enables real time communication between nodes in a mobile cellular network. A typical usage of the protocol would be for the transfer of location information from the VLR to the HLR.

## **MC**

Message Centre. Also known as SMSC.

## **MCC**

Mobile Country Code. In the location information context, this is padded to three digits with leading zeros. Refer to ITU E.212 ("Land Mobile Numbering Plan") documentation for a list of codes.

## **Messaging Manager**

The Messaging Manager service and the Short Message Service components of Oracle Communications Network Charging and Control product. Component acronym is MM (formerly MMX).

## **MM**

Messaging Manager. Formerly MMX, see also *XMS* (on page 250) and *Messaging Manager* (on page 245).

## **MNC**

Mobile Network Code. The part of an international address following the mobile country code (MCC), or at the start of a national format address. This specifies the mobile network code, that is, the operator owning the address. In the location information context, this is padded to two digits with a leading zero. Refer to ITU E.212 ("Land Mobile Numbering Plan") documentation for a list of codes.

## **MNP**

Mobile Number Portability

## **MO**

Mobile Originated

## **MS**

Mobile Station

## **MSC**

Mobile Switching Centre. Also known as a switch.

## **MSIN**

Mobile Station Identification Number.

## **MSISDN**

Mobile Station ISDN number. Uniquely defines the mobile station as an ISDN terminal. It consists of three parts; the country code (CC), the national destination code (NDC) and the subscriber number (SN).

## **MT**

Mobile Terminated

## **MTP**

Message Transfer Part (part of the SS7 protocol stack).

## **NOA**

Nature Of Address - a classification to determine in what realm (Local, National or International) a given phone number resides, for the purposes of routing and billing.

## **NP**

Number Portability



## **NPI**

Number Plan Indicator

## **ORB**

Object Request Broker. Within an Object based communication system, an ORB keeps track of the actual addresses of all defined objects and thus is used to route traffic to the correct destination. The CORBA defines the ORB in a series of standards enabling different platforms to share common information.

## **OSA**

Open Service Access provides a standard interface through which developers can design services that may interact with functions within the network.

## **Peer**

Remote machine, which for our purposes is capable of acting as a Diameter agent.

## **PI**

Provisioning Interface - used for bulk database updates/configuration instead of GUI based configuration.

## **PIN**

Personal Identification Number

## **PLMN**

Public Land Mobile Network

## **SCA**

- 1) Service Centre Address
- 2) Session Control Agent for Session Initiation Protocol (SIP)

## **SCCP**

Signalling Connection Control Part (part of the SS7 protocol stack).

## **SCP**

Service Control Point. Also known as SLC.

## **SCTP**

Stream Control Transmission Protocol. A transport-layer protocol analogous to the TCP or User Datagram Protocol (UDP). SCTP provides some similar services as TCP (reliable, in-sequence transport of messages with congestion control) but adds high availability.

## **Session**

Diameter exchange relating to a particular user or subscriber access to a provided service (for example, a telephone call).

## **SGSN**

Serving GPRS Support Node

## **SIM**

Usually referred to as a SIM card, the Subscriber Identity Module is the user subscription to the mobile network. The SIM contains relevant information that enables access onto the subscribed operator's network.

## **SIP**

Session Initiation Protocol - a signaling protocol for Internet conferencing, telephony, event notification and instant messaging. (IETF)

## **SLC**

Service Logic Controller (formerly UAS).

## **SLEE**

Service Logic Execution Environment

## **SME**

Short Message Entity - This is an entity which may send or receive short messages. It may be located in a fixed network, a mobile, or an SMSC.

## **SMP**

Service Management Platform (also referred to as SMS).

## **SMPP**

Short Message Peer-to-Peer protocol

## **SMS**

Depending on context, can be:

- Service Management System hardware platform
- Short Message Service
- Service Management System platform
- NCC Service Management System application

## **SMSC**

Short Message Service Centre stores and forwards a short message to the indicated destination subscriber number.

## **SMS-MO**

Short Message Service Mobile Originated

## **SMS-MT**

Short Message Service Mobile Terminating

## **SN**

Service Number

## **SRF**

Specialized Resource Function – This is a node on an IN which can connect to both the SSP and the SLC and delivers additional special resources into the call, mostly related to voice data, for example play voice announcements or collect DTMF tones from the user. Can be present on an SSP or an Intelligent Peripheral (IP).

## **SRI**

Send Routing Information - This process is used on a GSM network to interrogate the HLR for subscriber routing information.

## **SS7**

A Common Channel Signalling system is used in many modern telecoms networks that provides a suite of protocols which enables circuit and non-circuit related information to be routed about and between networks. The main protocols include MTP, SCCP and ISUP.

## **SSP**

Service Switching Point

## **Switching Point**

Anything that can send and receive C7 messages.

## **TCAP**

Transaction Capabilities Application Part – layer in protocol stack, message protocol.

## **TCP**

Transmission Control Protocol. This is a reliable octet streaming protocol used by the majority of applications on the Internet. It provides a connection-oriented, full-duplex, point to point service between hosts.

## **TDMA**

Time Division Multiple Access - a communications technique that uses a common channel for communications among multiple users by allocating each a unique time slot.

## **TLV**

Tag-Length-Value. Optional parameters introduced in the SMPP protocol since version 3.4.

## **URI**

Uniform Resource Identifier.

## **USSD**

Unstructured Supplementary Service Data - a feature in the GSM MAP protocol that can be used to provide subscriber functions such as Balance Query.

## **VLR**

Visitor Location Register - contains all subscriber data required for call handling and mobility management for mobile subscribers currently located in the area controlled by the VLR.

## **VMSC**

Visited Mobile Switching Centre

## **Voice Call**

The term "voice call" in this document is intended to denote any call controlled by CAMEL or INAP InitialDP. In practice this also includes fax calls, data-over-voice calls, and also includes 3G voice and video conference calls.

## **VPN**

The Virtual Private Network product is an enhanced services capability enabling private network facilities across a public telephony network.

## **VWS**

Oracle Voucher and Wallet Server (formerly UBE).

## **WAP**

Wireless Application Protocol. A standard designed to allow the content of the Internet to be viewed on the screen of a mobile device such as mobile phones, personal organisers and pagers. It also overcomes the processing limitation of such devices. The information and services available are stripped down to their basic text format.

## **XMS**

Three letter code used to designate some components and path locations used by the Oracle Communications Network Charging and Control *Messaging Manager* (on page 245) service and the Short Message Service. The published code is *MM* (on page 246) (formerly *MMX*).

# Index

## A

AAA • 241  
About EDR and CDR • 1  
About EDRs for Operator Updates to  
Subscriber Credit Card Records • 145  
About This Document • ix  
About Type 50 and 51 EDRs • 117  
AC • 241  
Account Activated additional fields • 34, 37, 39,  
41, 46, 50, 54, 80, 97, 99, 110, 112, 114, 116,  
120, 121, 124, 126, 128, 130, 132, 134, 136,  
137  
Account Activated by System (EDR 2) • 28  
Account activated example • 98, 99  
Account Balance Changes using PI (EDR 2) •  
23  
Account Balance Changes using Screens (EDR  
2) • 22  
Account Creation using PI (EDR 2) • 22  
Account Creation using Screens (EDR 2) • 21  
Account Deleted using Screens (EDR 2) • 27  
Account Expiry (EDR 3) • 106  
Account Expiry Update using Screens (EDR 2)  
• 26  
Account State Update using PI (EDR 2) • 25  
Account State Update using Screens (EDR 2) •  
24  
ACCOUNT\_TYPE (Product Type ID) • 2, 21,  
22, 23, 24, 25, 26, 27, 28, 33, 34, 36, 38, 40,  
42, 43, 44, 45, 49, 52, 53, 54, 55, 57, 58, 61,  
63, 64, 67, 71, 72, 73, 74, 75, 79, 81, 82, 87,  
88, 89, 90, 91, 92, 93, 94, 95, 96, 98, 100,  
101, 105, 106, 107, 109, 112, 113, 119, 121,  
123, 124, 126, 127, 129, 131, 132, 133, 134,  
135, 137, 138, 139, 140, 141, 143, 145, 149  
ACCT\_ID (changed wallet ID) • 2, 16, 31, 69,  
73, 74, 149  
ACCT\_REF\_ID (changed account ID) • 2, 16,  
31, 69, 73, 74, 149  
ACS • 241  
ACS EDR tags • 202, 219, 220  
ACS EDRs • 1, 199  
ACS\_CUST\_ID (ACS Customer ID) • 2, 21, 22,  
23, 24, 25, 26, 27, 28, 31, 33, 34, 36, 38, 40,  
42, 43, 44, 45, 46, 49, 52, 53, 54, 57, 58, 60,  
61, 63, 64, 67, 69, 71, 72, 73, 75, 77, 79, 80,  
81, 82, 85, 87, 88, 89, 90, 91, 92, 93, 94, 95,  
96, 98, 100, 101, 103, 106, 107, 109, 112,  
113, 115, 119, 120, 121, 123, 124, 126, 127,  
129, 131, 132, 133, 134, 135, 137, 138, 139,  
140, 150  
ACTION (voucher activity) • 2, 31, 150  
ACTION\_DETAIL (voucher activity) • 2, 31, 150

ACTIVATION\_DATE (account activation date) •  
2, 21, 22, 24, 25, 26, 27, 107, 141, 151  
ADAP (adaptations) • 224  
ADJUSTMENT (generated by an adjustment) •  
2, 58, 151  
AIDL (played announcement ID list) • 2, 202,  
218  
ALPH (alphabet name) • 2, 224  
ANI • 241  
API • 241  
APPA (auxiliary applications) • 225  
APPD (destination application) • 225  
APPLICATION\_DESC (application freeform) •  
2, 55, 151  
APPR (reply application) • 225  
ASAD (ip of originating asp) • 2, 225  
ASP • 241  
ASPDF (asp definition) • 2, 225  
ASPID (inbound and outbound path) • 2, 226  
ATI • 241  
Audience • ix  
AXAD (ip connections from asp) • 2, 226

## B

BAD\_PINS (number of attempts) • 2, 43, 103,  
152  
Balance Expiry (EDR 3) • 105  
Balance Expiry Update using Screens (EDR 2)  
• 26  
BALANCE\_EXPIRIES (period hours) • 2, 34,  
36, 38, 40, 152  
BALANCE\_NAMES • 152  
BALANCE\_TYPES (account changed or  
created) • 2, 21, 22, 45, 49, 52, 55, 79, 82,  
91, 93, 94, 97, 98, 105, 107, 109, 113, 119,  
120, 121, 122, 123, 124, 127, 131, 132, 135,  
152  
BALANCE\_TYPES (account changed or  
created) - mid call rate change • 2, 49, 52,  
153  
BALANCE\_TYPES (existing account) • 2, 23,  
24, 25, 26, 27, 28, 33, 34, 36, 38, 40, 44, 57,  
58, 60, 63, 64, 67, 71, 72, 77, 89, 90, 91, 92,  
139, 141, 153  
BALANCES (pre-call or account creation) • 2,  
21, 22, 45, 49, 52, 55, 82, 91, 93, 94, 97, 98,  
121, 123, 124, 127, 131, 132, 135, 154  
BALANCES (pre-call or account creation) - mid  
call rate change • 2, 49, 52, 154  
BALANCES (pre-transaction account balances)  
• 2, 23, 24, 25, 26, 27, 28, 33, 36, 38, 40, 44,  
57, 58, 60, 63, 64, 67, 71, 72, 75, 77, 79, 89,  
90, 91, 92, 105, 107, 109, 113, 119, 120, 122,  
140, 141, 154  
BARCODE (voucher details) • 2, 155  
BARRED\_LIST\_TYPE (description) • 2, 85, 155

BATCH\_DESCRIPTION (for voucher batch) • 2, 33, 34, 36, 38, 40, 42, 43, 47, 155  
BCOR (balance cascade override) • 202  
BEARER\_TYPE (bearer type for promotions) • 46, 58, 59, 75, 155  
BFT • 241  
BFT (billing failure treatment) • 203  
BILLID • 226  
Billing Engine and SMS EDR Definitions • 1, 11  
Billing Engine Control Plan Invocation • 147  
BILLING\_ENGINE\_ID (BE where account resides) • 2, 16, 73, 74, 155  
BONUS\_TYPE (name) • 2, 57, 60, 61, 63, 64, 67, 75, 156  
BUCKET\_IDS (within balance type recharged) • 2, 58, 77, 156

## C

C7 • 241  
CA (called address) • 2, 203, 218  
CAET (call attempt elapsed time) • 2, 203, 218  
Call Barring Change Succeeds using PI (EDR 30) • 85  
Call Barring Config Change • 85  
CALLED\_NUMBER • 147, 156  
CALLINGNOA (noa of callingnum) • 3, 220  
CALLINGNUM (lcr set calling number) • 2, 220  
CAMEL • 241  
CARD DESIGN (voucher details) • 3, 156  
CARRIERNAME (carrier name) • 3, 220  
CARRIERPOS (position of carrier name in hunt list) • 3, 221  
CASCADE (always empty for pi) • 3, 90, 92, 156  
CASCADE\_ID (balance type cascade IDs) • 3, 49, 52, 55, 72, 79, 82, 91, 93, 94, 97, 98, 109, 113, 119, 120, 121, 122, 123, 124, 127, 131, 132, 135, 140, 157  
CASCADE\_ID (balance type cascade IDs) - mid call rate change • 3, 49, 52, 157  
CBAT (connected by attempt termination) • 3, 203, 218  
CBTD\_BALANCE\_TYPES (list to apply to discounts) • 3, 51, 110, 114, 125, 128, 133, 136, 157  
CBTD\_BALANCE\_TYPES (list to apply to discounts) - mid call rate change • 3, 51, 110, 114, 125, 128, 133, 136, 158  
CBTD\_BALANCES (value for each cross balance type) • 3, 51, 111, 114, 125, 128, 133, 136, 158  
CBTD\_BALANCES (value for each cross balance type) - mid call rate change • 3, 51, 111, 114, 125, 128, 133, 136, 158  
CBTD\_CASCADE\_ID (used for this call) • 3, 51, 111, 115, 125, 128, 133, 136, 158

CBTD\_CASCADE\_ID (used for this call) - mid call rate change • 3, 51, 111, 115, 125, 128, 133, 136, 159  
CBTD\_COSTS (costs applied to each cross balance type) • 3, 51, 111, 115, 125, 128, 133, 136, 159  
CBTD\_COSTS (costs applied to each cross balance type) - mid call rate change • 3, 51, 111, 115, 125, 128, 133, 136, 159  
CBTD\_COSTS\_RND\_REM (rounding remainder of cross balance CBTD\_COSTS) • 3, 160  
CBTD\_DISCOUNTS (discounts applied to balance types) • 3, 51, 111, 115, 125, 128, 133, 136, 160  
CBTD\_DISCOUNTS (discounts applied to balance types) - mid call rate change • 3, 51, 111, 115, 125, 128, 133, 136, 160  
CC • 242  
CC (carrier code) • 3, 203  
CCA • 242  
CCET (call connect elapsed time) • 3, 204, 218  
CCLS (mms content class) • 226  
CCR • 242  
CCS • 242  
CCS EDR Files • 11  
CCS EDR Tag Definitions • 149  
CCS EDR Tag List • 149  
CCS EDR Types • 13  
CCS-VWS Protocol overview • 20  
CCTS (call connect timestamp) • 3, 204, 219  
CDMA • 242  
CDR • 242  
CDR\_TYPE (sca reason for record generation) • 3, 216  
CDR\_TYPE (reason for record generation) • 3, 16, 160  
CGN (calling network number) • 3, 204  
CGNA (global calling network address) • 3, 204, 219  
CGNN (calling party nature of number) • 3, 204, 219  
Change 'Disable Incoming Calls when Roaming' Flag • 87  
Change Subscription State Fails (EDR 52) • 74  
Change Subscription State Succeeds (EDR 52) • 73  
CHANNEL (for rewards) • 46, 58, 59, 75, 161  
CHARGE\_EXPIRY (new periodic charge expiry) • 3, 73, 74, 161  
CHARGE\_NAME (of periodic charge) • 3, 72, 73, 74, 161  
Checking the validity of eserv.config • 20  
Checking the values in eserv.config • 20  
CHPY (charged party) • 226  
CID • 242  
CID (slee call ID) • 3, 205, 219, 220

CLI • 242  
 CLI (calling logical number) • 3, 205  
 CLI (for the account that will be changed) • 3, 73, 74, 87, 88, 95, 96, 98, 143, 145, 162  
 CLI (initiating call number) • 3, 49, 52, 53, 54, 81, 85, 91, 93, 94, 109, 112, 121, 123, 124, 126, 127, 129, 131, 132, 134, 135, 137, 138, 147, 161  
 CLI (initiating call number) - mid call rate change • 3, 49, 52, 53, 161  
 CLI (roaming initiating call number) • 3, 113, 116, 162  
 Commit Reservation (EDR 1) • 52  
 COMPONENT (from pi command reference) • 3, 59, 162  
 Connection • 242  
 Control Plan Service Invoke (EDR 7) • 147  
 CONTROL\_PLAN (name of invoked control plan) • 147, 162  
 Controlling the flow of EDRs • 20  
 Copyright • ii  
 CORBA • 242  
 Cost of Credit Transfer Fails (EDR 5) • 140  
 Cost of Credit Transfer Succeeds (EDR 5) • 139  
 COSTS (rated calls) • 3, 21, 22, 23, 24, 25, 26, 27, 28, 33, 34, 36, 38, 40, 44, 45, 49, 52, 55, 57, 58, 60, 63, 64, 67, 71, 72, 75, 77, 82, 89, 90, 91, 92, 93, 94, 97, 98, 105, 107, 113, 119, 120, 121, 122, 123, 124, 127, 132, 135, 140, 141, 163  
 COSTS (rated calls) - mid call rate change • 3, 49, 52, 163  
 COSTS\_RND\_REM (rounding remainder of balance COSTS) • 3, 163  
 CPC (calling party category) • 3, 205, 219  
 CPN (control plan name) • 3, 205, 219, 220  
 CPNI (calling private network ID) • 3, 205, 219  
 CPNN (called party nature of number) • 3, 206, 210, 219  
 CPPI (calling party presentation restricted indicator) • 3, 206, 219  
 Credit Card EDRs (Types 57, 58, 59, 60, 61, 62, 63, and 64) • 145  
 Credit Card Recharge Succeeds using PI (EDR 9) • 64  
 Credit Card Recharge Succeeds using Screens (EDR 9) • 63  
 Credit Card Recharges • 63  
 Credit Card Updates • 145  
 Cross balance type discount additional fields • 51, 110, 114, 124, 128, 133, 136  
 CS (acs connect status) • 4, 206, 219  
 CS (call status, S or D) • 4, 33, 36, 38, 40, 44, 45, 52, 53, 55, 57, 60, 63, 64, 67, 72, 73, 75, 77, 79, 82, 90, 91, 92, 93, 94, 97, 98, 113, 119, 121, 123, 124, 127, 132, 135, 140, 143, 164

CT (mime type) • 227  
 CT\_NAME (credit transfer) • 4, 139, 164  
 CT\_TYPE (credit transfer) • 4, 139, 164  
 CUG\_NAME (closed user group) • 4, 50, 54, 110, 112, 114, 116, 121, 122, 164  
 CUST (customer database ID) • 4, 207, 219, 220  
 Custom Tag Names • 214

## D

DADR (destination address) • 4, 227  
 Data and Video Calls (EDRs 50 and 51) • 117  
 Dataflow • 18  
 DATE (timestamp sms sent to mmx) • 4, 227  
 DB • 242  
 DCD EDR Tags • 213  
 DCD EDRs • 1, 213  
 Declined National Call • 54  
 Declined Roaming Call (EDR type 1) • 111  
 Declined Roaming Call (EDR type 11) • 115  
 DELTS (timestamp of delivery attempt) • 4, 227  
 DIA\_RC (result code) • 4, 214  
 DIA\_REQ (current session message number) • 4, 214  
 DIA\_SID (session id) • 4, 214  
 DIA\_TIME (time ccr sent) • 4, 214  
 Diagram • 17, 200, 223  
 Diameter • 243  
 DICWR (Disable Incoming Calls When Roaming) • 4, 87, 88, 164  
 DICWR Flag Change Succeeds using PI (EDR 29) • 88  
 DICWR Flag Change Succeeds using Screens (EDR 29) • 87  
 DIMSI (destination imsi) • 4, 227  
 Direct Amount Charge (EDR 6) • 55  
 DISC (discount override) • 4, 207  
 DISCOUNT (always zero for pi) • 4, 90, 92, 165  
 DISCOUNT\_TYPE (applied to this call) • 4, 52, 53, 91, 93, 94, 109, 113, 124, 132, 135, 165  
 DISCOUNT\_TYPE (applied to this call) - service discount • 4, 165  
 DISCOUNTS (for each named event) • 4, 72, 79, 82, 97, 98, 119, 120, 121, 122, 140, 166  
 DISCOUNTS (rated calls) • 4, 49, 52, 91, 93, 94, 109, 113, 123, 124, 127, 131, 132, 135, 166  
 DISCOUNTS (rated calls) - mid call rate change • 4, 49, 52, 166  
 DISPLAY\_NUMBER (credit card) • 145, 167  
 DISPLAY\_SPEND\_RATIO (Balance Type Display to Spend Ratio) • 4, 167  
 DISTRIBUTOR\_CHANNEL (voucher details) • 4, 167  
 DISTSTS (timestamp of discard) • 4, 228  
 DLOC (terminating party location information) • 4, 228

- DLVR (message delivered flag) • 4, 228
- Document Conventions • x
- Document format • x
- Document version • x
- DOMAIN\_MIGRATION • 141, 167
- DP • 243
- DPATH (delivery path) • 4, 228
- DRA • 243
- DRM (drm content) • 228
- DSCA (destination service center address) • 4, 228
- DSCGT (destination gt) • 4, 229
- DSTL (destination gt of fda msc) • 4, 229
- DTMF • 243
- DURATION (call length) • 4, 49, 52, 53, 91, 93, 94, 110, 113, 124, 132, 136, 167
- DURATION (session duration) • 4, 216
- DURATION\_CHARGED • 49, 53, 110, 168

## E

- EDELTA (earliest delivery time) • 229
- EDR address format • 227, 230, 231, 233, 235, 239
- EDR collection • 201, 215, 217, 222
- EDR Definition • 16
- EDR Examples • 16
- EDR extra information fields • 16
- EDR fields • 216, 218
- EDR file names • 11
- EDR File Names • 200
- EDR formats • 12
- EDR generation • 199
- EDR Generation • 1, 213
- EDR header fields • 16, 55
- EDR lines • 12
- EDR Overview • 1
- EDR record content • 12
- EDR Tag List • 1
- EDR tag versions • 1
- EDR tags • 149
- EDR tags - A • 2
- EDR tags - B • 2
- EDR tags - C • 2
- EDR tags - D • 4
- EDR tags - E • 4
- EDR tags - F • 5
- EDR tags - G • 5
- EDR tags - H • 5
- EDR tags - I • 5
- EDR tags - L • 5
- EDR tags - M • 6
- EDR tags - N • 6
- EDR tags - O • 7
- EDR tags - P • 8
- EDR tags - R • 8
- EDR tags - S • 9
- EDR tags - T • 9

- EDR tags - U • 10
- EDR tags - V • 10
- EDR tags - W • 10
- EDR triggers • 20
- EDRs • 17
- EMI • 243
- END\_CALL\_REASON • 4, 50, 53, 110, 112, 169
- ESN (electronic serial number) • 4, 229
- ETSI • 243
- EVENT\_CLASS (list of classes used) • 4, 72, 73, 79, 80, 82, 90, 92, 97, 98, 100, 101, 119, 120, 121, 122, 123, 126, 127, 129, 131, 134, 135, 138, 140, 169
- EVENT\_COST (for each named event) • 4, 72, 79, 82, 90, 92, 97, 98, 119, 120, 121, 122, 123, 127, 131, 135, 140, 169
- EVENT\_COUNT (for each named event) • 5, 72, 79, 82, 90, 92, 97, 99, 119, 120, 121, 122, 123, 127, 131, 135, 140, 170
- EVENT\_NAME (list used for this call) • 5, 72, 73, 79, 80, 82, 90, 93, 97, 99, 100, 101, 119, 120, 121, 122, 123, 126, 127, 130, 131, 134, 135, 138, 140, 170
- EVENT\_TIME\_COST (for a named event) • 5, 72, 79, 82, 97, 99, 119, 120, 122, 123, 127, 131, 135, 140, 170
- Example • 44
- Example 1 • 215
- Example 2 • 215
- Example 3 • 215
- Example Account Activated • 52, 55, 111, 113, 125, 128, 130, 138
- Example Account Activated - MSISDN • 52, 98
- Example ACS EDRs • 219
- Example EDR 1 • 111, 112, 239
- Example EDR 1 for declined national call • 55
- Example EDR 1 for multi tariff rated call • 51
- Example EDR 1 for reservation commit • 53
- Example EDR 1 for single tariff rated call • 51, 54
- Example EDR 10 for voucher ff succeeds • 68
- Example EDR 11 • 115, 116
- Example EDR 12 • 125
- Example EDR 13 • 129, 130, 137
- Example EDR 14 • 121
- Example EDR 15 • 35, 37, 39, 41
- Example EDR 16 • 46, 47
- Example EDR 2 • 22, 23, 24, 25, 26, 27, 28, 239
- Example EDR 2 for freeform succeeds • 60
- Example EDR 2 for pi promo • 77
- Example EDR 28 for fnf • 81
- Example EDR 29 • 87, 88
- Example EDR 3 • 105, 106, 239
- Example EDR 30 for call barring • 85
- Example EDR 31 • 95, 96, 97, 99



Example EDR 32 • 97, 99, 100, 101  
 Example EDR 33 • 44, 103  
 Example EDR 4 • 35, 37, 39, 41, 42  
 Example EDR 5 • 120, 122, 127, 134, 140  
 Example EDR 5 for fnf • 80, 81, 82  
 Example EDR 53 • 69  
 Example EDR 54 • 141  
 Example EDR 56 • 31  
 Example EDR 8 for freeform fails • 61  
 Example EDR 8 for freeform succeeds • 58, 59  
 Example EDR 8 for web • 76  
 Example EDR 9 for cc recharge • 64  
 Example EDR 9 for cc succeeds • 64  
 Example EDRs • 214  
 Example LCR EDRs • 222  
 Example MSISDN • 55, 58, 59, 60, 61, 100,  
 101, 106, 111, 113, 125, 127, 129, 130, 133,  
 134, 137, 138  
 Example slee\_acs EDRs • 201  
 EXCEEDED\_BALANCE\_NAMES • 170  
 EXCEEDED\_BALANCE\_TYPES • 170  
 EXCEEDED\_VALUES • 171  
 Expiration • 105  
 EXPIRED\_WALLET (ID of expired wallet) • 5,  
 105, 171  
 EXPIRY\_DATE (for a credit card) • 145, 171  
 EXT(0-9) (extension buffer contents) • 5, 207

## F

F&F/F&D Change Fails using IVR (EDR 5) • 80  
 F&F/F&D Change Fails using PI (EDR 5) • 81  
 F&F/F&D Change Succeeds using IVR (EDR 5)  
 • 79  
 F&F/F&D Change Succeeds using PI (EDR 28)  
 • 81  
 F&F/F&D New Entry Succeeds using PI (EDR  
 5) • 82  
 FAILED\_BALANCE\_NAMES • 171  
 FAILED\_BALANCE\_TYPES • 171  
 FATS (first announcement timestamp) • 5, 207,  
 219  
 FCA (final call address) • 5, 50, 91, 93, 94, 110,  
 113, 171  
 FDA • 243  
 Field formats • 12, 216, 223  
 File format • 201, 223  
 File name and location • 223  
 FOX • 243  
 FREE\_TEXT\_FIELD\_1 (voucher details) • 5,  
 172  
 FREE\_TEXT\_FIELD\_2 (voucher details) • 5,  
 172  
 FREE\_TEXT\_FIELD\_3 (voucher details) • 5,  
 172  
 Freeform Recharge Fails using PI (EDR 2, 8) •  
 61

Freeform Recharge Succeeds using PI (EDR 2)  
 • 60  
 Freeform Recharge Succeeds using PI (EDR 8)  
 • 58  
 Freeform Recharge Succeeds using the GUI  
 (EDR 8) • 57  
 Freeform Recharges • 57  
 Friends & Family, Friends & Destination Config  
 Change • 79  
 FROM (sip message from header) • 5, 216

## G

GPRS • 243  
 GPRS (general packet radio service) • 5, 229  
 GPRS Content Charge Fails (EDR 5) • 120  
 GPRS Content Charge Succeeds (EDR 5) •  
 119  
 GPRS Volume or Duration Charge Fails (EDR  
 5) • 121  
 GPRS Volume or Duration Charge Succeeds  
 (EDR 14) • 121  
 GSM • 243  
 GUI • 243  
 GVNS • 244

## H

HLR • 244  
 HOST (initiating credit transfer) • 5, 139, 172  
 HPLMN • 244  
 HTS (hunting timestamp) • 5, 207, 219  
 Hunting • 244

## I

IDP • 244  
 IGNORE\_BARRED (ignore numbers in call  
 barring list) • 5, 85, 172  
 IMSI • 244  
 IN • 244  
 INAP • 244  
 Initial DP • 244  
 Introduction • 1, 11, 13, 16, 17, 33, 35, 37, 39,  
 41, 42, 44, 45, 46, 96, 98, 109, 111, 113, 115,  
 123, 126, 127, 129, 131, 133, 135, 137, 217  
 IP • 244  
 IP address • 245  
 IPRI (incoming protocol value) • 5, 230  
 IPRN (incoming protocol name) • 5, 230  
 IS-41 • 245  
 ISDN • 245  
 ISUP • 245  
 ITS (incoming tele service) • 5, 230  
 ITU • 245  
 IVR • 245

## L

LAC • 245

LAC (last account code used) • 5, 208, 219  
LCR EDR tags • 220  
LENGTHS (rate durations) • 5, 50, 53, 91, 93, 94, 110, 114, 124, 132, 136, 172  
LENGTHS (rate durations) - mid call rate change • 5, 50, 53, 91, 93, 94, 110, 114, 124, 132, 136, 173  
LENGTHS (rate durations) -1end duration • 173  
LGID (language ID) • 5, 208, 219  
List of EDR types • 13  
LOCADD (additional configuration prefixes) • 5, 123, 126, 127, 129, 130, 131, 132, 134, 135, 136, 137, 138, 173  
LPN (most recent pin entered) • 5, 208, 219

## M

Mandatory Credit Card EDR Fields (Type 57 to Type 64) • 145  
Mandatory EDR 1 and 13 fields • 126, 129, 133, 137  
Mandatory EDR 1 fields • 49, 52, 53, 54, 109, 112  
Mandatory EDR 10 fields • 67  
Mandatory EDR 11 fields • 113, 115  
Mandatory EDR 12 fields • 123, 127, 131, 135  
Mandatory EDR 13 fields • 124, 132, 135  
Mandatory EDR 14 fields • 121  
Mandatory EDR 15 fields • 34, 36, 38, 40, 43  
Mandatory EDR 16 fields • 45, 46  
Mandatory EDR 2 fields • 21, 22, 23, 24, 25, 26, 27, 28, 60, 61, 77, 106  
Mandatory EDR 2 fields CCSSC1 • 89  
Mandatory EDR 2 fields CCSSC2 • 91  
Mandatory EDR 2 fields CTLSC1 • 91  
Mandatory EDR 2 fields CTLSC2 • 93, 94  
Mandatory EDR 23 fields • 55  
Mandatory EDR 28 fields • 81  
Mandatory EDR 29 fields • 87, 88  
Mandatory EDR 3 fields • 105, 106  
Mandatory EDR 30 fields • 85  
Mandatory EDR 31 fields • 95, 96, 98  
Mandatory EDR 32 fields • 96, 98, 100, 101  
Mandatory EDR 33 fields • 43, 103  
Mandatory EDR 4 fields • 36  
Mandatory EDR 4 fields • 33, 38, 40, 42  
Mandatory EDR 47 fields • 44, 139  
Mandatory EDR 49 fields • 71, 72, 73  
Mandatory EDR 5 and 12 fields • 126, 129, 134, 138  
Mandatory EDR 5 fields • 79, 80, 81, 82, 119, 120, 121, 139, 140  
Mandatory EDR 5 fields CCSSC1 • 89, 90  
Mandatory EDR 5 fields CTLSC1 • 92  
Mandatory EDR 52 fields • 73, 74  
Mandatory EDR 53 fields • 67, 69  
Mandatory EDR 54 fields • 141  
Mandatory EDR 55 fields • 143

Mandatory EDR 56 fields • 31  
Mandatory EDR 7 fields • 147  
Mandatory EDR 8 fields • 57, 58, 75  
Mandatory EDR 9 fields • 63, 64  
MAP • 245  
MAX\_CHARGE (for this call) • 6, 50, 53, 91, 93, 94, 110, 114, 132, 136, 174  
MAX\_CHARGE (for this call) - mid call rate change • 6, 50, 53, 174  
MAX\_CONCURRENT (maximum concurrent accesses allowed) • 6, 21, 22, 24, 25, 26, 27, 107, 141, 174  
MC • 245  
MCC • 245  
MCOR (maximum charge override) • 208  
Messaging Manager • 245, 246, 250  
Messaging Manager EDR tags • 224  
Messaging Manager EDRs • 1, 222  
METHOD (sip method of request) • 6, 217  
MFILE (name) • 6, 53, 174  
MID\_SESSION • 6, 50, 110, 114, 174  
MM • 246, 250  
MMC (mms message class) • 230  
MNC • 246  
MNP • 246  
MO • 246  
Mobile number portability additional fields • 51, 54, 112, 115, 116, 125, 126, 128, 130, 133, 134, 136, 137  
MS • 246  
MSC • 246  
MSCA (smsc address) • 6, 230  
MSGD (message destination) • 6, 230  
MSGR (message reference number) • 6, 231  
MSIN • 246  
MSISDN • 246  
MSISDN (account calling number) • 6, 21, 22, 23, 24, 25, 26, 27, 28, 31, 35, 37, 39, 41, 42, 43, 46, 47, 51, 54, 58, 59, 60, 61, 63, 64, 67, 77, 80, 81, 82, 83, 85, 87, 88, 94, 95, 96, 97, 99, 100, 101, 103, 105, 106, 107, 111, 112, 115, 116, 125, 127, 128, 130, 133, 134, 136, 138, 139, 140, 141, 175  
MSISDN (subscriber ids) • 145, 175  
MSISDN additional fields • 31, 35, 37, 39, 41, 42, 43, 46, 47, 51, 54, 58, 59, 60, 61, 63, 64, 67, 77, 80, 81, 82, 83, 85, 87, 88, 94, 95, 96, 97, 99, 100, 101, 103, 105, 106, 107, 111, 112, 115, 116, 125, 126, 128, 130, 133, 134, 136, 138  
MSISDN example • 94  
MT • 246  
MTP • 246  
MTYP (message type) • 6, 231  
Multiple field occurrences • 238

## N

NACK (freeform recharge list) • 6, 61, 175  
NACK (long list of codes) • 6, 42, 47, 54, 112, 116, 140, 176  
NACK (short list of codes) • 6, 73, 80, 82, 100, 120, 122, 126, 129, 130, 134, 137, 138, 176  
NAME\_ON\_CARD (for a credit card) • 145, 177  
National SMS-MO Fails (EDR 1, 5,12,13) • 126  
National SMS-MO Succeeds (EDR 12,13) • 123  
National SMS-MT Fails (EDR 1,5,12,13) • 133  
National SMS-MT Succeeds (EDR 12,13) • 131  
NEW\_ACCOUNT (ID of account type) • 6, 34, 36, 38, 40, 177  
NEW\_ACCT\_EXPIRY (date after account deleted) • 6, 28, 177  
NEW\_ACCT\_EXPIRY (date after recharge) • 6, 178  
NEW\_ACCT\_EXPIRY (date after update) • 6, 21, 22, 23, 24, 25, 26, 27, 33, 46, 55, 59, 89, 90, 92, 93, 107, 141, 177  
NEW\_ACCT\_STATE (after update) • 6, 23, 24, 25, 26, 27, 28, 55, 58, 59, 75, 89, 90, 92, 93, 105, 178  
NEW\_ACCT\_STATE (always active - A) • 6, 28, 34, 37, 39, 41, 46, 50, 54, 71, 72, 80, 97, 99, 110, 112, 114, 116, 120, 121, 124, 126, 128, 130, 132, 134, 136, 137, 178  
NEW\_ACCT\_STATE (always frozen - F) • 6, 43, 103, 178  
NEW\_ACCT\_STATE (always preuse - P) • 6, 21, 22, 178  
NEW\_ACCT\_STATE (always terminated - T) • 6, 106, 178  
NEW\_ACCT\_TYPE (ID of account after recharge) • 6, 44, 71, 179  
NEW\_ACCT\_TYPE (prod type swap) • 6, 95, 96, 98, 99, 101, 179  
NEW\_ACTIVE\_SVC (account type) • 6, 81, 179  
NEW\_BALANCE\_EXPIRIES (date after balance update) • 6, 23, 24, 25, 26, 27, 28, 55, 89, 90, 92, 93, 107, 141, 179  
NEW\_BALANCE\_EXPIRIES (dates after voucher recharge) • 6, 33, 36, 38, 40, 44, 45, 57, 59, 60, 63, 64, 67, 71, 75, 77, 179  
NEW\_BARRED\_LIST (of call barring numbers) • 6, 85, 180  
NEW\_CHARGE\_STATE (periodic charge subscription state) • 6, 73, 74, 180  
NEW\_FD (friends destination number) • 6, 81, 180  
NEW\_FF (list of friends and family numbers) • 6, 81, 180  
NEW\_LAST\_USE (date last used) • 6, 24, 25, 180  
NEW\_WLC\_PERIOD (after update) • 6, 143, 180  
NEW\_WLC\_PLAN (Id) • 6, 143, 180

NOA • 246  
NOAT (number of attempt terminations) • 6, 208, 219  
Note • 22, 23, 24, 25, 26, 27, 28, 29, 31, 35, 37, 39, 41, 42, 44, 46, 47, 52, 55, 56, 58, 59, 60, 61, 64, 65, 68, 70, 76, 78, 80, 81, 82, 83, 85, 87, 88, 94, 95, 96, 98, 100, 101, 103, 106, 107, 111, 113, 115, 116, 120, 121, 122, 125, 127, 129, 130, 133, 135,137, 138, 142, 143, 147  
Notes • 16  
NP • 246  
NP ACS tags • 218  
NP EDR files • 218  
NP EDRs • 217  
NPI • 247  
NRQ (status report requested for message) • 6, 231  
NRQD (emi with defined nrq) • 7, 231  
NT (network type) • 7, 209  
NUMBER (voucher number) • 7, 31, 181

## O

OA (sccp originating address) • 7, 209, 219  
OADR (originating address) • 7, 231  
OAID (originating adapter id) • 7, 232  
OCAU (acs cause value) • 7, 232  
OCPI (original called party) • 7, 209, 219  
OGEO\_ID (originating geo node id) • 7, 50, 55, 181  
OIMSI (originating imsi) • 7, 232  
OIPA (originating ip address) • 7, 232  
OLD\_ACCOUNT (ID of account type) • 7, 34, 36, 38, 40, 181  
OLD\_ACCT\_EXPIRY (date before recharge) • 7, 181  
OLD\_ACCT\_EXPIRY (dates before update) • 7, 23, 24, 25, 26, 27, 28, 33, 46, 55, 59, 89, 90, 92, 93, 106, 107, 141, 181  
OLD\_ACCT\_STATE (always active - A) • 7, 43, 103, 106, 107, 181  
OLD\_ACCT\_STATE (before update) • 7, 23, 24, 25, 26, 27, 28, 55, 58, 59, 75, 89, 90, 92, 93, 105, 141, 182  
OLD\_ACCT\_STATE (P or D before update) • 7, 28, 34, 37, 39, 41, 46, 50, 54, 71, 72, 80, 182  
OLD\_ACCT\_STATE (pre-call) • 7, 97, 99, 110, 112, 114, 116, 120, 121, 124, 126, 128, 130, 132, 134, 136, 137, 182  
OLD\_ACCT\_TYPE (ID of account before recharge) • 7, 44, 71, 182  
OLD\_ACCT\_TYPE (prod type swap) • 7, 95, 96, 98, 182  
OLD\_ACTIVE\_SVC (account type) • 7, 81, 183  
OLD\_BALANCE\_EXPIRIES (dates before balance update) • 7, 23, 24, 25, 26, 27, 28, 89, 90, 92, 93, 105, 106, 107, 141, 183

OLD\_BALANCE\_EXPIRIES (dates before voucher recharge) • 7, 33, 36, 38, 40, 44, 45, 55, 57, 59, 60, 63, 64, 67, 71, 75, 77, 183  
OLD\_BARRED\_LIST (of call barring numbers) • 7, 85, 183  
OLD\_CHARGE\_EXPIRY (periodic charge expiry date changes) • 7, 73, 74, 183  
OLD\_CHARGE\_STATE (periodic charge subscription state) • 7, 73, 74, 184  
OLD\_FD (friends destination number) • 7, 81, 184  
OLD\_FF (list of friends and family numbers) • 7, 81, 184  
OLD\_WLC\_PERIOD (before update) • 7, 143, 184  
OLD\_WLC\_PLAN (Id) • 7, 143, 184  
OLOC (originating party location information) • 7, 232  
Operator Updates • 21  
OPERATOR\_RELEASED (commit/revoke reservation) • 7, 53, 184  
OPRI (outgoing priority) • 7, 232  
OPRN (output protocol name) • 7, 233  
OPRT (originating port number) • 7, 233  
Optional EDR 1 fields • 50, 54, 110, 112  
Optional EDR 11 fields • 114, 116  
Optional EDR 12 fields • 124, 127, 132  
Optional EDR 13 fields • 124, 128, 132, 136  
Optional EDR 15 fields • 34, 36, 38, 40, 43  
Optional EDR 16 fields • 45, 47  
Optional EDR 2 fields • 21, 22, 23, 24, 25, 26, 27, 28  
Optional EDR 2 fields CCSSC1 • 89  
Optional EDR 3 fields • 105, 106  
Optional EDR 32 fields • 97, 99  
Optional EDR 33 fields • 43, 103  
Optional EDR 4 fields • 34, 36, 38, 40, 42  
Optional EDR 47 fields • 44, 139  
Optional EDR 49 fields • 71, 72  
Optional EDR 5 fields • 80, 83, 119, 140  
Optional EDR 5 fields CCSSC1 • 90, 91  
Optional EDR 5 fields CTLSC1 • 92, 93  
Optional EDR 52 fields • 73, 74  
Optional EDR 55 fields • 143  
Optional EDR 8 fields • 58, 59, 75  
Optional EDR 9 fields • 64  
ORB • 247  
ORIGTRUNK (idp location number content) • 7, 221  
OSA • 247  
OSA (originator system address) • 233  
OTI (originating transaction ID) • 7, 209, 219  
OTS (outgoing tele service) • 7, 233  
OVERDRAWN\_AMOUNT (take Balance Negative) • 7, 72, 80, 83, 90, 91, 92, 93, 97, 99, 119, 124, 128, 132, 140, 185

OVERRIDDEN\_TARIFF\_PLAN (ID) • 7, 50, 110, 114, 121, 122, 124, 128, 132, 136, 185  
Overview • 1, 11, 21, 31, 33, 45, 49, 57, 63, 67, 69, 71, 75, 77, 79, 85, 87, 89, 95, 103, 105, 109, 117, 119, 123, 131, 139, 143, 145, 147, 149, 199  
Oveview • 141

## P

Partial EDR additional fields • 50, 110, 114  
PC\_TYPE (periodic charge type) • 8, 71, 72, 185  
PCNA (calling private network address) • 8, 209, 219  
Peer • 247  
Periodic Charge • 71  
Periodic Charge Named Event Fails (EDR 49) • 73  
Periodic Charge Named Event Succeeds (EDR 49) • 72  
Periodic Charge Recharge Fails (EDR 49) • 72  
Periodic Charge Recharge Succeeds (EDR 49) • 71  
PERR (protocol specific error) • 8, 233  
PI • 247  
PI (logon name and IP address) • 8, 22, 24, 25, 38, 59, 60, 61, 64, 75, 77, 81, 82, 85, 88, 89, 90, 92, 93, 107, 185  
PI Adds Service Charge • 89  
PI Adds Service Charges Succeeds using PI (EDR 2,5) • 89  
PI Delete (EDR 2) • 106  
PI Promotional Recharge Succeeds using PI (EDR 2) • 77  
PI Promotional Recharges • 77  
PID (unix process ID) • 8, 221  
PIN • 247  
Platform dependant additional fields • 59  
PLMN • 247  
PORTED (name of porting carrier) • 8, 51, 54, 112, 115, 116, 125, 126, 128, 130, 133, 134, 136, 137, 185  
Prepaid Data • 119  
Prerequisites • ix  
PRES (terminating adapter response) • 8, 233  
PRID (protocol identifier) • 8, 234  
PRO\_RATE (periodic charge subscription) • 8, 71, 72, 186  
Process descriptions • 19  
Product Type Swap • 95  
PROVISIONING\_DATE (voucher details) • 8, 186  
PTI (product type ID) • 221  
PTNA (private terminating network address) • 8, 210, 219  
PTS Fails using IVR (EDR 32) • 101  
PTS Fails using the GUI (EDR 32) • 100

PTS Succeeds using IVR (EDR 31, 32) • 98  
PTS Succeeds using PI (EDR type 31) • 96  
PTS Succeeds using Screens (EDR type 31) • 95  
PTS Succeeds using the GUI (EDR 31, 32) • 96  
PURCHASING\_ACCT\_ID (purchasing wallet ID) • 8, 139, 186  
PURCHASING\_MSISDN (purchasing CLI) • 8, 139, 186

## R

RATES (rated calls) • 8, 50, 53, 91, 93, 94, 110, 114, 124, 132, 136, 186  
RATES (rated calls) - mid call rate change • 8, 50, 53, 187  
Read Secret Code • 103  
Read Secret Code Change Fails using IVR (EDR 33) • 103  
REASON (change reason) • 23, 24, 26, 27, 28, 145, 188  
RECIPIENT\_ACCT\_ID (receiving wallet ID) • 8, 140, 188  
RECIPIENT\_MSISDN (receiving CLI) • 8, 140, 188  
RECN (current recipient number) • 234  
RECORD\_DATE (date edr created) • 8, 16, 73, 74, 146, 188  
RECT (number of recipients) • 234  
REDEEMING\_ACCT\_REF (ID of account) • 8, 34, 36, 38, 40, 43, 188  
REDEEMING\_ACCT\_TYPE (name of account type) • 8, 34, 36, 38, 40, 188  
REFERENCE (credit card reference, always cc) • 8, 64, 189  
REFERENCE (from pi reference) • 8, 59, 61, 77, 89, 90, 91, 189  
REFERENCE (operator freeform) • 8, 46, 57, 60, 63, 189  
REFERENCE (OSA Bonus) • 55, 189  
REFERENCE (voucher freeform) • 8, 34, 36, 38, 40, 42, 67, 190  
REFERENCE (web site reference - ws) • 8, 75, 190  
Related Documents • ix  
RELC (acs release cause) • 8, 210, 219  
RELC (inap release cause) • 8, 50, 110, 114, 190  
Reload Bonus additional fields • 35, 37, 39, 41, 46  
RELOAD\_BONUS (promotion name) • 8, 35, 37, 39, 41, 46, 57, 59, 71, 190  
RELOAD\_BONUS\_AMOUNT (amount applied) • 8, 35, 37, 39, 41, 46, 57, 59, 72, 190  
RELOAD\_BONUS\_EXPIRY (date remaining bonus expires) • 8, 35, 37, 39, 41, 46, 57, 59, 72, 190

RELOAD\_BONUS\_LEFT (bonus amount remaining) • 8, 35, 37, 39, 41, 46, 57, 59, 72, 191  
REMAINING\_CHARGE (partial Charge) • 8, 72, 80, 83, 90, 91, 92, 93, 97, 99, 119, 124, 128, 132, 140, 191  
REQUEST\_URI (uri request content) • 8, 217  
RESL (submit result) • 8, 234  
RESULT (frozen or suspended) • 8, 42, 191  
RESULT (general cause) • 8, 43, 73, 191  
RESULT (pi failure) • 9, 61, 191  
RESULT (voucher redemption, always Success) • 9, 34, 36, 38, 40, 45, 57, 60, 63, 67, 192  
RESULT (web - success) • 9, 75, 192  
RETAIL\_CHANNEL (voucher details) • 9, 192  
REVERSE\_CHARGE (generated by a reverse charge) • 9, 58, 192  
Revoke Reservation (EDR 1) • 53  
REWARD (ID) • 9, 45, 47, 192  
Reward Application Fails using Screens or IVR (EDR 16) • 46  
Reward Application Successful (EDR 16) • 45  
REWARD\_AMOUNTS (value of reward) • 9, 45, 47, 192  
REWARD\_CATEGORY • 45, 47, 193  
REWARD\_TYPES (balance types getting reward) • 9, 45, 47, 193  
Rewards • 39, 45  
RNCF (Reservation Not Charged For) • 9, 50, 110, 114, 193  
Roaming SMS-MO Fails (EDR 1,5,12,13) • 129  
Roaming SMS-MO Succeeds (EDR 12,13) • 127  
Roaming SMS-MT Fails (EDR 1,5,12,13) • 137  
Roaming SMS-MT Succeeds (EDR 12,13) • 135  
Roaming Voice Calls • 109  
ROAMING\_COUNTRY (name) • 9, 114, 116, 193  
ROAMING\_TYPE (of call) • 9, 114, 116, 193  
ROUTEDEST (routing destination for call) • 9, 221  
RRR (read reply request) • 234

## S

SCA • 247  
SCA (service center address) • 9, 235  
SCA EDRs • 215  
SCCP • 247  
SCENARIO (voucher scenario number) • 9, 34, 36, 38, 40, 42, 194  
Scope • ix  
SCP • 247  
SCP\_ID (where call originated) • 9, 16, 73, 194  
SCRID (screening rule id) • 9, 235  
SCTP • 247

SEGN (message segment number) • 9, 235  
SEGR (concatenated message reference) • 9, 235  
SEGT (total message segments) • 9, 235  
SEQUENCE\_NUMBER (call identifier) • 9, 16, 73, 194  
SERVICE\_HANDLE (invoked service handle) • 147, 194  
SERVICE\_RESPONSE (from service function) • 147, 194  
Session • 247  
SESSION\_SEQUENCE • 9, 50, 110, 114, 195  
SGSN • 248  
SIM • 248  
SIP • 248  
SK (service key) • 9, 210, 219, 220  
SLC • 248  
SLC Generated EDRs • 1, 199, 218  
SLEE • 248  
SME • 248  
SMP • 248  
SMPP • 248  
SMS • 248  
SMSC • 248  
SMS-MO • 123, 248  
SMS-MT • 131, 248  
SN • 249  
SN (service number) • 9, 210, 219, 220  
SRCL (source location) • 9, 235  
SRF • 249  
SRI • 249  
SRQ (storage requested) • 236  
SS7 • 249  
SSAD (ip of originating smsc) • 9, 236  
SSP • 249  
SSRID (screening sub-rule id) • 9, 236  
SSTN (smpp service type) • 9, 236  
Stage 2 • 18  
Stage 3 • 18  
Stage 4 • 18  
Stage 5 • 19  
STATE (of recharge) • 9, 64, 69, 195  
STRR (status report request) • 9, 236  
SUB\_STATUS (subscriber status) • 9, 237  
SUBJ (message subject) • 236  
Successful National Call (EDR 1) • 49  
Successful Roaming Call (EDR type 1) • 109  
Successful Roaming Call (EDR type 11) • 113  
SV (sender visibility) • 237  
SVC\_ID (single tariff rated calls) • 9, 50, 195  
Switching Point • 249

## T

TAID (terminating adapter id) • 9, 237  
TARIFF\_CODE (name) • 9, 50, 110, 114, 121, 122, 124, 128, 132, 136, 195  
TCAP • 249

TCAU (acs terminate cause value) • 9, 237  
TCE (acs time call ended) • 9, 210, 219  
TCE (ccs time call ended) • 9, 50, 53, 55, 82, 91, 93, 94, 110, 114, 124, 132, 136, 195  
TCP • 249  
TCS (acs time call started) • 9, 211, 219  
TCS (ccs time call started) • 10, 50, 53, 54, 55, 72, 73, 79, 80, 82, 90, 91, 92, 93, 94, 97, 99, 100, 101, 110, 112, 114, 116, 119, 120, 121, 122, 123, 124, 126, 127, 129, 130, 131, 134, 135, 136, 137, 138, 140, 195  
TDMA • 249  
TERMINAL (Network ID) • 10, 21, 23, 24, 26, 27, 33, 42, 43, 53, 54, 57, 63, 67, 97, 100, 141, 146, 196  
TEXT (voucher details) • 10, 196  
TFN (tracked feature node list) • 10, 211, 219  
TGEO\_ID (terminating geo node id) • 10, 50, 55, 196  
TGNA (global terminating network address) • 10, 212, 219  
THRD (throttled flag) • 10, 237  
TIME (creation timestamp of lcr edr) • 10, 221  
TIMED\_OUT (reservation confirmation) • 196  
Timed-out reservation confirmation additional fields • 50, 110, 114  
TIMESTAMP (creation timestamp of sca edr) • 10, 217  
TLEN (length of user data in characters) • 10, 237  
TLV • 249  
TN (acs termination number) • 10, 213, 219  
TN (called number) • 10, 50, 53, 54, 91, 93, 94, 110, 112, 123, 124, 126, 127, 129, 130, 131, 132, 134, 135, 136, 137, 138, 196  
TN (roaming called number) • 10, 114, 116, 196  
TNNOA (noa of terminating number) • 10, 222  
TNNUM (lcr terminating number) • 10, 222  
TO (sip to header content) • 10, 217  
TPNI (terminating private network ID) • 10, 213, 219  
TPO (tariff plan override) • 10, 213  
TYPE (type of edr) • 10, 238  
TYPE\_DESCRIPTION (voucher type) • 10, 34, 36, 37, 38, 39, 40, 41, 42, 43, 197  
Typographical Conventions • x

## U

ULEN (length of user data) • 10, 238  
URI • 249  
USER (operator logon name) • 10, 21, 23, 24, 26, 27, 28, 31, 34, 42, 43, 53, 54, 57, 63, 67, 87, 95, 96, 97, 98, 100, 139, 141, 146, 197  
USRD (user data) • 10, 238  
USSD • 249

## V

VLR • 250  
VMSC • 250  
Voice Call • 250  
Voice Calls • 49, 117  
VOUCHER (ID of redeemed voucher) • 10, 34, 36, 38, 40, 42, 43, 197  
VOUCHER (serial number of redeemed voucher - 3.1.5) • 10, 34, 36, 38, 40, 42, 43, 197  
Voucher Activity • 31  
Voucher Activity using Screen or PI (EDR 56) • 31  
Voucher Batch Deletion • 69  
Voucher Batch Deletion using Screens (EDR 53) • 69  
Voucher Freeform Recharge Succeeds using Screens (EDR 10) • 67  
Voucher Freeform Recharges • 67  
Voucher Recharge Fails using Screens or IVR (EDR 15,33) • 42  
Voucher Recharge Fails using Screens or IVR (EDR 4) • 41  
Voucher Recharge Succeeds using IVR (EDR 4,15) • 35  
Voucher Recharge Succeeds using PI (EDR 4,15) • 37  
Voucher Recharge Succeeds using Screens (EDR 4,15) • 33  
Voucher Recharge Succeeds using USSD (EDR 4,15) • 39  
Voucher Recharges • 33  
Voucher Type Recharge • 44  
VOUCHER\_BATCH (for voucher batch) • 10, 69, 197  
VOUCHER\_NUMBER (redeemed voucher) • 10, 43, 69, 197  
VOUCHER\_TYPE (name) • 10, 44, 71, 139, 140, 198  
VP (validity period) • 10, 238  
VPN • 250  
VWS • 250

## W

Wallet Credit Transfer • 139  
Wallet Credit Transfer Succeeds or Fails (EDR 47) • 139  
Wallet Life Cycle • 143  
Wallet Life Cycle (EDR 55) • 143  
Wallet Migration • 141  
Wallet Migration (EDR 54) • 141  
WALLET\_DELETED (always success - Y) • 10, 26, 28, 107, 141, 198  
WALLET\_TYPE (ID of wallet changed) • 10, 23, 24, 36, 38, 40, 50, 54, 57, 59, 60, 61, 63, 67, 72, 73, 74, 79, 90, 91, 92, 93, 94, 99, 107,

110, 112, 114, 124, 126, 129, 132, 134, 136, 137, 143, 146, 198  
WALLET\_TYPE (ID of wallet recharged) • 10, 22, 25, 26, 55, 64, 75, 77, 81, 82, 85, 87, 88, 89, 90, 92, 93, 123, 127, 131, 135, 140, 198  
WALR (wallet reference) • 10, 213  
WAP • 250  
Web Initiated Recharge Succeeds using PI (EDR 8) • 75  
Web Initiated Recharges • 75

## X

XMS • 246, 250