

Siebel



Automotive Guide

January 2020



Siebel
Automotive Guide

January 2020

F87412-02

Copyright © 1994, 2020, Oracle and/or its affiliates.

Author: Sukanya Mishra

Contents

Get Help	i
<hr/>	
1 What's New in This Release	1
Whats New in Siebel Automotive Guide, Siebel CRM 20.1 Update	1
What's New in Siebel Automotive Guide, Siebel CRM 19.1 Update	1
2 Siebel Automotive Overview	3
Siebel Automotive Overview	3
About Siebel Automotive	3
Product Options	3
3 Associating Vehicles with Accounts	5
Associating Vehicles with Accounts	5
About Accounts	5
Scenarios for Working with Automotive Accounts	5
Accounts Process Workflow	6
Account Setup Using Siebel Automotive	7
Process of Using Automotive for Account Management	8
Associating a Vehicle with an Account	9
Associating a Vehicle with an Account by Relationship	9
Associating a Vehicle Using the Summary View	10
4 Managing Contacts	11
Managing Contacts	11
About Contacts	11
Scenario for Working with Automotive Contacts	11
Contacts Process Workflow	12
Contact Record Relationships	13
Process of Using Automotive to Work with Contacts	14
Managing Relationships Between Contacts	14
Associating a Vehicle with a Contact	15
Viewing Service History and Sales History for a Contact	15

Managing Service History Information	16
5 Managing Dealers	17
Managing Dealers	17
About Automotive Dealers	17
Scenario for Working with Automotive Dealers	17
Dealer Process Workflow	18
Process of Using Automotive for Dealer Management	18
Establishing Categories	19
Defining Dealer Profiles	19
Tracking Dealer Sales and Service Information	20
6 Managing Lease and Loan Accounts	23
Managing Lease and Loan Accounts	23
Scenario for Working with Lease and Loan Accounts	23
Lease and Loan Accounts Process Workflow	24
Process of Administering Financial Accounts	26
About Financial Accounts	26
Creating a Financial Product	26
About Adding Financial Accounts	27
Adding a Financial Account	27
Process of Viewing Asset Finance Information	27
Viewing Account Information	28
Viewing Contacts	28
Viewing Contact Address Information	28
Viewing Contracts	29
Viewing Vehicles Associated with a Financial Account	30
Viewing Manufacturer and Dealer Options	30
Viewing Originating Dealer Information	31
Viewing Partner and Dealer Employees	31
Process of Working with Title Information	31
Viewing Title Information	31
Viewing Title Detail Information for a Vehicle	32
Querying for Delinquent Titles	32
7 Managing End of Lease and Remarketing Activities	35
Managing End of Lease and Remarketing Activities	35

About End of Lease and Vehicle Remarketing	35
Scenario for Managing End of Lease and Vehicle Remarketing	35
Setup Tasks for End of Lease and Remarketing	37
Process of Managing End of Lease and Vehicle Remarketing	50
Workflow Process Reference for Vehicle Remarketing	57
Web Service Reference for Vehicle Remarketing	68

8 Managing Collections **79**

Managing Collections	79
About Collections	79
Scenario for Collections	80
Administering Collection Tasks	81
Activating Siebel Automotive Workflows	82
Creating Assignment Rules for Collection Assignments	83
Using Assignment Rules	84
Managing Collections Preferences	85
Managing Collection Correspondence Administration	88
Automating the Cure Process	89
End-User Procedures for Collections	90
Reviewing Account Summary and Related Account Information	90
Managing Collection Reassignments	92
Executing Collection Tasks	92
Capturing Promise-to-Pay Records	93
Managing the Cure Process	94
Managing the Repossession Process	95
Managing Skip Trace and Impound Service Requests	97
Managing Insurance Information	99

9 Managing Vehicles **101**

Managing Vehicles	101
Vehicles in Siebel Automotive	101
Scenario for Working with Vehicles	101
Vehicles Process Workflow	102
Entering Vehicle Records	103
Process of Managing Vehicle Records	103
Editing a Vehicle Record	103
Changing Vehicle Status	104

Deleting a Vehicle	104
Updating Vehicle Service History	105
Managing Vehicle Financial Details	105

10 Managing Products **107**

Managing Products	107
Types of Products	107
About the List of Valid Vehicle Options	107
Scenario for Working with Automotive Products	108
Products Process Workflow	108
Process of Managing Products	109
Managing a Product's Information	109
Associating Valid Options with a Product	110
Adding Product Features and Specifications	111

11 Associating Vehicles with Opportunities **113**

Associating Vehicles with Opportunities	113
About Opportunities	113
Associating a Vehicle with an Opportunity	113

12 Setting Up Households **115**

Setting Up Households	115
About Households	115
Scenario for Working with Households	115
Process of Working with Households	116
Viewing Vehicles Associated with a Household	116
Associating Team Members with a Household	116

13 Managing Quotes **119**

Managing Quotes	119
About Quotes	119
Scenario for Working with Automotive Quotes	119
Quotes Process Workflow	120
Process of Creating Quotes	121
Setting the Price List for Quotes	121
Creating Quotes	121

Copying or Revising a Quote	122
Allocating Vehicles to a Quote	123

14 Managing Service Requests **125**

Managing Service Requests	125
About Service Requests	125
About Service Request Channels	125
Scenario for Working with Automotive Service Requests	126
Process of Working with Service Requests	126
Automotive Captive Finance Service Request Types	126
Creating a Service Request	126
Assigning the Service Request	127
Providing Details of Services to Be Performed	128
Researching and Resolving a Service Request	129

15 Tracking Service History **131**

Tracking Service History	131
Scenario for Tracking Automotive Service History Scenario	131
Process of Tracking Service History	131
Creating a New Service History Record	132
Managing Services Performed	132
Managing Manufacturer and Customer Pay	133
Working with Service History	133

16 Tracking Sales History **135**

Tracking Sales History	135
About Tracking Sales History	135
Scenario for Tracking Automotive Sales History	135
Process of Tracking Sales History	136
Creating a New Sales History Record	136
Viewing Sales History	136

17 Setting Up Preventive Maintenance **139**

Setting Up Preventive Maintenance	139
Scenarios for Working with Automotive Preventive Maintenance	139
Process of Setting Up Preventive Maintenance	140

Setting a Trigger for a Preventive Maintenance Plan	140
Associating a Preventive Maintenance Plan with a Product	141
Associating a Preventive Maintenance Plan with Vehicles	142
Process of Tracking Preventive Maintenance	142
Viewing Preventive Maintenance History for a Vehicle	142
Working with Preventive Maintenance Plans for a Vehicle	143

18 Setting Up and Using Siebel Automotive Tools 145

Setting Up and Using Siebel Automotive Tools	145
Process of Locating a Dealer	145
Setting Up the Dealer Locator (Administrators)	145
Locating a Dealer (End Users)	146
Process of Searching for a Vehicle	146
Setting Up Vehicle Search	146
Searching for a Vehicle	147
Calculating Loans and Leases	147

19 Managing Warranties 149

Managing Warranties	149
About Warranty Products	149
Roadmap for Creating a Warranty Product	150
Structuring Warranty Products	152
Managing Policies and Coverage	160
Managing Supplier Warranty Policies	162
About Rules	164
Implementing Recall Campaigns	165
Approving a Prewarranty Authorization	168
Approving a Warranty Claim	169
Administering Payments for Warranty Claims	170
Administering Payments for Supplier Claims	171
Managing Supplier Recovery Claims	173

Index	177
--------------------	------------

Get Help

Preface

This preface introduces information sources that can help you use the application and this guide.

Using Oracle Applications

To find guides for Oracle Applications, go to the Oracle Help Center at <https://docs.oracle.com/>.

Documentation Accessibility

For information about Oracle's commitment to accessibility, visit the [Oracle Accessibility Program website](#).

Contacting Oracle

Access to Oracle Support

Oracle customers that have purchased support have access to electronic support through My Oracle Support. For information, visit [My Oracle Support](#) or visit [Accessible Oracle Support](#) if you are hearing impaired.

Comments and Suggestions

Please give us feedback about Oracle Applications Help and guides! You can send an email to: oracle_fusion_applications_help_ww_grp@oracle.com.

1 What's New in This Release

Whats New in Siebel Automotive Guide, Siebel CRM 20.1 Update

No new features have been added to this guide for this release. This guide has been updated to reflect only product name changes.

What's New in Siebel Automotive Guide, Siebel CRM 19.1 Update

No new features have been added to this guide for this release. This guide has been updated to reflect only product name changes.

2 Siebel Automotive Overview

Siebel Automotive Overview

This chapter provides an overview of Oracle’s Siebel Automotive, its product modules, and options. It consists of the following topics:

- *About Siebel Automotive*
- *Product Options*

About Siebel Automotive

Siebel Automotive is a front-office automation application specifically designed for the automotive industry. Using Siebel Automotive, manufacturers, importers, distributors, and dealers can respond to the needs of retail and fleet customers by telephone, in person, or over the Web. They can offer customers financing, leasing, and insurance options while customers configure vehicle orders online, at the dealership, or with a fleet sales representative.

Siebel Automotive also allows all participants in the factory-to-dealer-to-consumer value chain to collaboratively share information, working together to deliver vehicles to customers, and cooperatively gain a better understanding of customers and their needs.

Product Options

Siebel Automotive provides several options, as shown in the following table.

Option	Description
Data Modeling	<p>Represents the entities and relationships involved in a selling model that includes a franchised distribution channel and complex product ownership and service linkages.</p> <p>The basic data model allows call center, marketing, sales, and service capability within Siebel Automotive. The vehicles industry does not fall neatly into business-to-business or business-to-consumer selling.</p> <p>Siebel Automotive explicitly supports the pure form of both models, along with a business-to-everyone model that supports many hybrid models in which a consumer’s work affiliation can influence the buying process.</p>
Multi-Channel Communication	<p>Provides anonymous and known contacts, channel partners, and employees with the opportunity to interact with the enterprise in the form of their choosing, whether in person, on the phone, or electronically.</p>
Dealer and Service Center Location	<p>A parameter-driven search allowing identification of the appropriate dealer in response to a service call or sales opportunity.</p>

Option	Description
Legacy Systems Integration	Provides appropriate connections to legacy application databases required to support marketing, sales, and service activities with new or existing Dealer Business Systems.
Lead Sharing and Tracking	Captures sales opportunities that originate from any form of customer contact, associates them with any demographic information already available, and adds to the demographics based on the contact. Routes the opportunity to the appropriate party within the sales channel to provide followup.
Retail Sales Process Automation	Supports the sales team in a vehicle retail sales process from prospecting through opportunity origination and followup to sale closure and followup service.
Customer Loyalty and Service Marketing	Maintains ongoing contact with the retail customer to promote satisfaction, drive service revenues, and understand needs for subsequent vehicle purchases.

3 Associating Vehicles with Accounts

Associating Vehicles with Accounts

This chapter provides information about standard Siebel Automotive functionality for account management. It includes the following topics:

- *About Accounts*
- *Scenarios for Working with Automotive Accounts*
- *Accounts Process Workflow*
- *Account Setup Using Siebel Automotive*
- *Process of Using Automotive for Account Management*
- *Associating a Vehicle with an Account*
- *Associating a Vehicle with an Account by Relationship*
- *Associating a Vehicle Using the Summary View*

About Accounts

Accounts represent companies or individuals with which your company conducts business. Use the Accounts screen to manage information associated with accounts.

Application administrators and end users can use the concepts and procedures in this chapter to manage accounts in their daily job roles. Your company's application configuration and business processes may differ from the procedures or business scenarios that are presented.

Scenarios for Working with Automotive Accounts

This topic provides a sample scenario for working with accounts. The order in which the procedures are performed may vary based on your company's business practices.

Vehicle-Owned Scenario

A corporation purchases a fleet of vehicles from a large motor vehicle dealership. A fleet sales manager for the vehicle dealership creates an account for the corporation and then creates a vehicle record associated with the account for each of the fleet vehicles.

Associating a Vehicle with an Account.

Vehicle-Relationship Scenario

A sales representative from a dealership sells a vehicle to a customer, who is a contact the representative created from a walk-in at the showroom several weeks ago. The vehicle dealership is the loan provider for the vehicle that the customer purchased. The vehicle is associated with the dealership account through the Accounts list from the Vehicle Summary view tab.

Related Topic

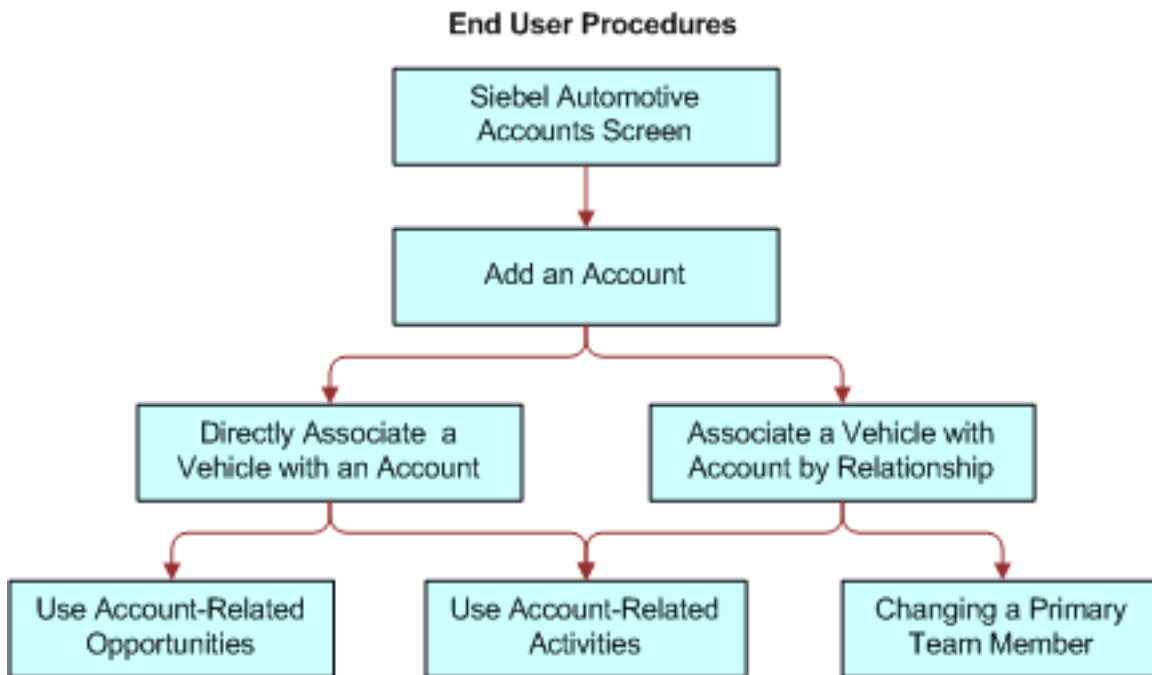
Associating a Vehicle with an Account by Relationship.

Accounts Process Workflow

The following image illustrates the end-user workflow for working with accounts, and it includes the following steps:

1. Add an Account. For information on creating accounts, see *Account Setup Using Siebel Automotive*
2. Directly Associate a Vehicle with an Account. For information on associating a vehicle with an account, see *Associating a Vehicle with an Account*.
 - o Use Account-Related Opportunities
 - o Use Account-Related Activities
3. Associate a Vehicle with an Account by Relationship. For information on associating a vehicle with an account by relationship, see *Associating a Vehicle with an Account by Relationship*.
 - o Use Account-Related Activities
 - o Change a Primary Team Member

You go to Siebel Automotive Accounts screen to carry out each of these tasks.



Related Book

Siebel Security Guide

Account Setup Using Siebel Automotive

You set up the account hierarchy and organizational framework for accounts during the initial application set up. See *Siebel Applications Administration Guide* on Oracle Technology Network (<http://www.oracle.com/technetwork/indexes/documentation/index.html>) for initial and ongoing procedures.

The abbreviated tasks in this topic address business reasons for maintaining data in the Accounts screen of Siebel Automotive.

About Maintaining Account Integrity and Performance

Accounts are primarily maintained by end users, but there are some ongoing tasks you can perform to make sure that the data integrity of accounts does not adversely affect the performance of Siebel Automotive.

Working with Abandoned Accounts

End users may abandon accounts instead of changing their status to inactive, as shown in the following table. Abandoned accounts may increase the time necessary to conduct searches, queries, and other calls to the database.

If...	Then...
Assignment Manager is being used	Accounts are transferred to new account team members during territory reassignments, attrition, and other organizational changes.
Assignment Manager is not being used	<p>You must:</p> <ul style="list-style-type: none"> • Conduct routine queries to make sure that accounts with no activity are marked as inactive. • Make sure that all accounts have an active team or at least a primary team member assigned to the account. <p>Otherwise, accounts that are abandoned do not appear in an end user's My Accounts list.</p>
The account is reactivated as an opportunity later	The historical activities and opportunities associated with that account is not available.

About Querying for Abandoned Accounts

You can create queries to monitor accounts at intervals to make sure accounts have a primary team member. If you locate an abandoned account, change the account Status to Inactive.

Note: Select an inactive status for an account, unless the account is a duplicate that does not need to be merged with another account, or the inactive period exceeds your company's data retention period.

Process of Using Automotive for Account Management

End users, such as sales and service representatives and fleet management representatives, frequently work with accounts in Siebel Automotive. How an end user proceeds depends on whether that user is working with an existing account or setting up a new one. If the account exists, the end user may associate it with a contact or a vehicle in any of several views in the Accounts or Vehicles screens.

After an account record has been created and a vehicle has been added to the Vehicle database by the administrator, an end user or administrator can perform any of the following procedures in any order; however, the end user may want to perform procedures in the following order for consistent account management.

To manage their accounts, end users perform the following tasks:

1. *Associating a Vehicle with an Account*
2. *Associating a Vehicle with an Account by Relationship*
3. *Associating a Vehicle Using the Summary View*

Note: For additional end-user procedures related to accounts, see *Siebel Applications Administration Guide* .

Associating a Vehicle with an Account

When a vehicle is associated with an account through the Vehicles screen using the More Info view tab, the vehicle is directly associated with the account. For example, the account owns the vehicle and has purchased it for its own use.

This task is a step in *Process of Using Automotive for Account Management*.

To associate a vehicle directly with an account

1. Navigate to the Vehicles screen.
2. Drill down on the VIN field link for a selected vehicle record.
3. Scroll down to the Vehicles form.
4. In the Account field, select a financial account.

Related Topics

Associating a Vehicle with an Account by Relationship

Associating a Vehicle Using the Summary View

Associating a Vehicle with an Account by Relationship

The following table lists the relationship of associating a vehicle with an account and an account with one or more vehicles.

When...	Then...
A vehicle is associated with an account through the Vehicle Summary screen	The vehicle is associated with the account through the relationship specified in the Vehicle Summary screen.
An account is associated with one or more vehicles that they have not purchased	The vehicle is associated with an account by relationship. For example, the account is the lessor, or provides insurance or financing for the vehicle, but the account does not own the vehicle.

The procedures in this topic describe how to associate a vehicle with an account or through a summary view.

Use this procedure to associate a vehicle with an account by relationship.

This task is a step in *Process of Using Automotive for Account Management*

To associate a vehicle with an account by relationship

1. Navigate to the Accounts screen, then the Accounts List view.
2. Drill down on the Name field link for a selected account record.

3. Click the Vehicles view tab.
4. Scroll down to the Related Vehicles list.
5. Create a new record and select a relationship.

Related Topics

[Associating a Vehicle with an Account](#)

[Associating a Vehicle Using the Summary View](#)

Associating a Vehicle Using the Summary View

The procedure in this topic describes how to associate a vehicle with an account using the Summary view.

This task is a step in [Process of Using Automotive for Account Management](#)

To associate a vehicle with an account

1. Navigate to the Vehicles screen.
2. Drill down on the VIN field link for a selected vehicle record.
3. Click the Summary view tab.
4. Scroll down to the Account list, select a vehicle record, and set the relationship.

Related Topics

[Associating a Vehicle with an Account](#)

[Associating a Vehicle with an Account by Relationship](#)

4 Managing Contacts

Managing Contacts

This chapter provides information about standard Siebel Automotive functionality for contact management. It consists of the following topics:

- *About Contacts*
- *Scenario for Working with Automotive Contacts*
- *Contacts Process Workflow*
- *Contact Record Relationships*
- *Process of Using Automotive to Work with Contacts*
- *Managing Relationships Between Contacts*
- *Associating a Vehicle with a Contact*
- *Viewing Service History and Sales History for a Contact*
- *Managing Service History Information*

Note: Your company's application configuration and business processes may differ from the procedures or business scenarios presented in this chapter.

About Contacts

In Siebel Automotive, contacts are people with whom the members of a company conduct business. Contacts can also be people with whom a company expects to conduct business. Contacts may be associated with one or more households or accounts, or they may stand on their own.

Scenario for Working with Automotive Contacts

This topic provides a sample scenario for working with contacts. The order in which the procedures are performed may vary based on your company's business practices.

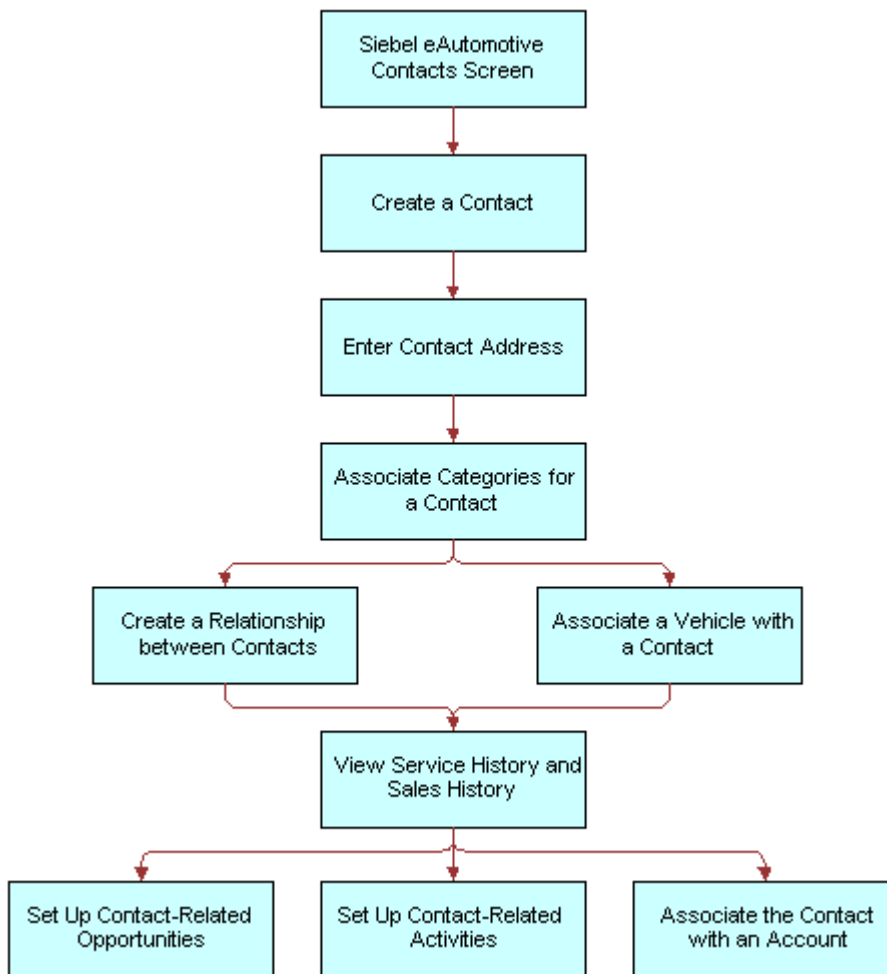
A potential customer contacts the call center of World Motor Corporation (WMC), expressing interest in a vehicle. A sales representative creates a contact record in Siebel Automotive and records the name and address for the customer. The sales representative creates categories specific to that contact and associates the categories with the contact. She also learns that an existing contact knows the current customer, so she creates a relationship between the two contact records. She associates the contact's record with one of WMC's vehicles for future reference.

Contacts Process Workflow

The following image illustrates the end-user workflow for working with contacts, and it includes the following steps:

1. Create a contact.
2. Enter the contact address.
3. Associate categories for the contact.
 - Create a relationship between contacts.
 - Associate a vehicle with a contact.
4. View the service history and sales history.
 - Set up contact-related Opportunities.
 - Set up contact-related Activities.
 - Associate the Contact with an Account.

You go to the Siebel Automotive Contacts screen to carry out each of these tasks.



Note: For information about procedures not covered in this book, such as creating a contact and related activities, see *Siebel Applications Administration Guide*, and for information about multiorganization and position visibility, see *Siebel Security Guide*.

Contact Record Relationships

A contact record allows multiple associations between most objects. The following table describes selected fields and their relationships to contacts.

Field	Relationship to Contacts
Address	More than one address may be specified for a contact. When the user selects a street address for a contact associated with multiple addresses, a dialog box appears allowing an end user to select one primary address for the contact.

Field	Relationship to Contacts
	An address record may be shared between many contacts or many accounts. As a result, if you modify the address for a contact, it modifies the same address for other contacts and accounts that use this address record.
Households	A contact may be associated with more than one household. When the user selects a household for a contact associated with multiple households, a dialog box appears allowing an end user to select one primary household for the contact.
Contact Method	This field allows an end user to indicate the contact's preferred method of communication by selecting it from the drop-down list.

Process of Using Automotive to Work with Contacts

End users, primarily sales and service representatives and fleet management representatives, frequently work with contacts in Siebel Automotive. How an end user proceeds depends on whether that user is working with an existing contact or setting up a new one. If the contact exists, the end user may associate it with a household or account in one of several views in the Contacts, Households, or Accounts screens, or the user may not associate it with another object at all.

To work with contacts in Siebel Automotive, end users perform the following tasks:

1. *Managing Relationships Between Contacts*
2. *Associating a Vehicle with a Contact*
3. *Viewing Service History and Sales History for a Contact*

Managing Relationships Between Contacts

An individual may have a relationship with other contacts who influence purchasing decisions. If so, an end user can track the relationships between the contact who has purchasing authority and those who might influence the contact's decisions.

Note: A relationship can only be created for a contact you created.

This task is a step in *Process of Using Automotive to Work with Contacts*.

To view, edit, create, and delete a relationship between contacts

1. Navigate to the Contacts screen, then the Contacts List view.
2. Drill down on the Last Name field link for a selected contact record.
3. Click the Relationships view tab.

4. In the Relationships list, add, edit, or delete records.

Note: A relationship can only be created for a contact you created.

Related Topics

[Associating a Vehicle with a Contact](#)

[Viewing Service History and Sales History for a Contact](#)

[Managing Service History Information](#)

Associating a Vehicle with a Contact

Use this procedure to associate a vehicle with a contact in the Contacts screen. Associating a vehicle with a contact allows a dealer track an individual's vehicle ownership traits, such as make or model.

This task is a step in [Process of Using Automotive to Work with Contacts](#).

To associate a vehicle with a contact

1. Navigate to the Contacts screen, then the Contacts List view.
2. Drill down on the Last Name field link for a selected contact record.
3. Click the Vehicles view tab.
4. In the Vehicles list, add, edit, or delete records.

Note: Drill-down on the VIN and edit the fields on the Vehicles form to change the vehicle-related preferences for the contact.

Related Topics

[Managing Relationships Between Contacts](#)

[Viewing Service History and Sales History for a Contact](#)

[Managing Service History Information](#)

Viewing Service History and Sales History for a Contact

Use this procedure to display information about the sales for a contact. The Service History tab displays information about the types of services and repairs done on a contact's vehicle.

This task is a step in [Process of Using Automotive to Work with Contacts](#).

To view sales and service history information for a contact

1. Navigate to the Contacts screen, then the Contacts List view.

2. Select a contact record and take the following action:

To...	Drill down on the...
View sales history	<p>Last Name field link and click the Sales History view tab.</p> <p>Note: The Sales History view is read-only.</p> <p>For more information on service history, see Tracking Service History</p>
View service history	<p>Last Name field link and click the Service History view tab.</p> <p>For information on:</p> <ul style="list-style-type: none"> o Entering service history information, see Managing Service History Information. o Tracking service history, see Tracking Service History

Related Topics

[Managing Relationships Between Contacts](#)

[Associating a Vehicle with a Contact](#)

[Managing Service History Information](#)

Managing Service History Information

Use this procedure to view, edit, create, and delete service history information for a contact.

This task is a step in [Process of Using Automotive to Work with Contacts](#).

To view, edit, create, and delete service history information

1. Navigate to the Contacts screen, then the Contacts List view.
2. Drill down on the Last Name field link for a selected contact record.
3. Click the Service History view tab.
4. In the Service History list, add, edit, or delete records.

For more information on service history, see [Tracking Service History](#).

Related Topics

[Managing Relationships Between Contacts](#)

[Associating a Vehicle with a Contact](#)

[Viewing Service History and Sales History for a Contact](#)

5 Managing Dealers

Managing Dealers

This chapter provides information about standard Siebel Automotive functionality for dealer management. It consists of the following topics:

- *About Automotive Dealers*
- *Scenario for Working with Automotive Dealers*
- *Dealer Process Workflow*
- *Process of Using Automotive for Dealer Management*
- *Establishing Categories*
- *Defining Dealer Profiles*
- *Tracking Dealer Sales and Service Information*

Note: Your company's application configuration and business processes may differ from the procedures or business scenarios presented in this chapter.

About Automotive Dealers

In Siebel Automotive, a *dealer* is a franchised business, such as a car dealership, that is responsible for selling vehicles and providing service to the consumer after the sale.

A dealer is both a target account and also a partner company to a manufacturer.

Dealers are viewed as:

- Partner companies to the sales and service organization of a manufacturer because they need to collaborate on opportunities and service requests.
- Target customers to the field sales and service people of a manufacturer.

For information about sharing information with dealers, see *Siebel Dealer Administration Guide* .

Scenario for Working with Automotive Dealers

This scenario is an example of a workflow performed as an end user. Your company may follow a different workflow according to its business requirements.

A field representative for a vehicle manufacturer is responsible for working with auto dealers in Michigan to make sure that they effectively represent their brand and satisfy their shared customers. He is assigned the new dealership that the administrator has just established.

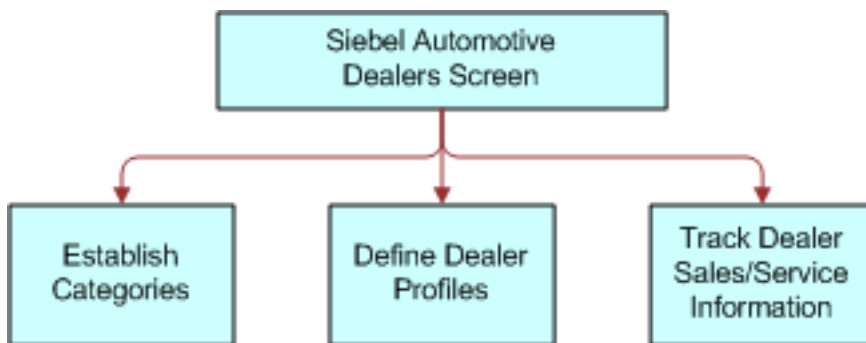
The representative uses Siebel Automotive to track his interactions with the new dealer and as a repository for documents and general information about the dealer. He defines the different categories that are used for the dealer.

Dealer Process Workflow

The following image illustrates the end-user workflow for working with dealers, and it includes the following steps:

- Establish Categories
- Define Dealer Profiles
- Track Dealer Sales/Service Information

Go to the Siebel Automotive Dealers screen to carry out each of these tasks.



Note: For information about procedures not covered in this book, such as updating contact and activity information, see *Siebel Applications Administration Guide*.

Process of Using Automotive for Dealer Management

Siebel Automotive gives end users the option of structuring customer information by focusing on dealers rather than contacts. After the administrator has created a record for the dealer, end users can add information on activities, contacts, opportunities, and agreements associated with the dealer.

To manage dealer information, end users perform the following tasks:

1. *Establishing Categories*
2. *Defining Dealer Profiles*
3. *Tracking Dealer Sales and Service Information*

Establishing Categories

Categories can be created to track any information that end users want to use for dealers, such as what competing dealerships are owned by the same dealer, or what dealer business method the dealer uses.

This task is a step in *Process of Using Automotive for Dealer Management*.

To view, edit, create, and delete a category

1. Navigate to the Dealers screen, then the Dealers view.
2. Drill down on the Name field link for a selected dealer record.
3. Click the Categories view tab.
4. In the Dealer Categories list, add, edit, or delete records.

Some fields are described in the following table.

Field	Description
Category	Select the type of Contact information, such as Holdings, Hot Prospects, Interest, or Subsidiary. Note: If the category does not appear in the dialog box, create a new, record and enter information for the new category.
Category Rank	A value that defines the category. The rank can be any numeric value.
Value	The value assigned to the category. Create new values as required.
Value Rank	Importance of the value compared to other values.

Related Topics

Defining Dealer Profiles

Tracking Dealer Sales and Service Information

Defining Dealer Profiles

A dealer profile displays additional information about the dealer, including information about the dealer's revenue, competition, and products.

This task is a step in *Process of Using Automotive for Dealer Management*.

To view, edit, create, and delete a dealer profile

1. Navigate to the Dealers screen.
2. Drill down on the Name field link for a selected dealer record.
3. Click the Profile view tab.
4. In the Profile form, add, edit, or delete records.

Related Topics

Establishing Categories

Tracking Dealer Sales and Service Information

Tracking Dealer Sales and Service Information

For each dealer, end users can track information about which vehicle makes are sold or serviced and the hours of operation for its sales and service departments.

This task is a step in *Process of Using Automotive for Dealer Management*.

This topic consists of the following topics:

- *Managing Vehicle Make Information*
- *Listing Days and Hours for a Dealer*

Managing Vehicle Make Information

Use this procedure to view, edit, create, and delete vehicle make information for a dealer.

To view, edit, create, and delete vehicle make information for a dealer

1. Navigate to the Dealers screen.
2. Drill down on the Name field link for a selected dealer record.
3. Click the Sales and Service view tab.
4. In the Sales and Service list, add, edit, or delete records.

Related Topics

Establishing Categories

Defining Dealer Profiles

Listing Days and Hours for a Dealer

Listing Days and Hours for a Dealer

Use this procedure to list days and hours for a dealer.

To list days and hours for a dealer

1. Navigate to the Dealers screen.
2. Drill down on the Name field link for a selected dealer record.
3. Click the Sales and Service view tab.
4. In the Sales and Service link bar, click the Hours link.

If...	Then...
You want to specify sales department hours	In the Sales Hours list, for each day of the week that the department is open, perform the following steps: <ol style="list-style-type: none">a. Click Newb. Select the day of the weekc. Enter a Start Time and an End Time for the day
You want to specify service department hours	In the Service Hours list, for each day of the week that the department is open, perform the following steps: <ol style="list-style-type: none">a. Click Newb. Select the day of the weekc. Enter a Start Time and an End Time for the day

Related Topics

Establishing Categories

Defining Dealer Profiles

Defining Dealer Profiles

6 Managing Lease and Loan Accounts

Managing Lease and Loan Accounts

This chapter provides information about standard Siebel Automotive functionality for managing lease and loan accounts. It consists of the following topics:

- *Scenario for Working with Lease and Loan Accounts*
- *Lease and Loan Accounts Process Workflow*
- *Process of Administering Financial Accounts*
- *About Financial Accounts*
- *Creating a Financial Product*
- *About Adding Financial Accounts*
- *Adding a Financial Account*
- *Process of Viewing Asset Finance Information*
- *Viewing Account Information*
- *Viewing Contacts*
- *Viewing Contact Address Information*
- *Viewing Contracts*
- *Viewing Vehicles Associated with a Financial Account*
- *Viewing Manufacturer and Dealer Options*
- *Viewing Originating Dealer Information*
- *Viewing Partner and Dealer Employees*
- *Process of Working with Title Information*
- *Viewing Title Information*
- *Viewing Title Detail Information for a Vehicle*
- *Querying for Delinquent Titles*

Note: Your company's application configuration and business processes may differ from the procedures or business scenarios presented in this chapter.

Scenario for Working with Lease and Loan Accounts

This scenario features sample tasks performed by managers and call center agents. Your organization may follow a different workflow according to its business requirements.

Siebel Administrator

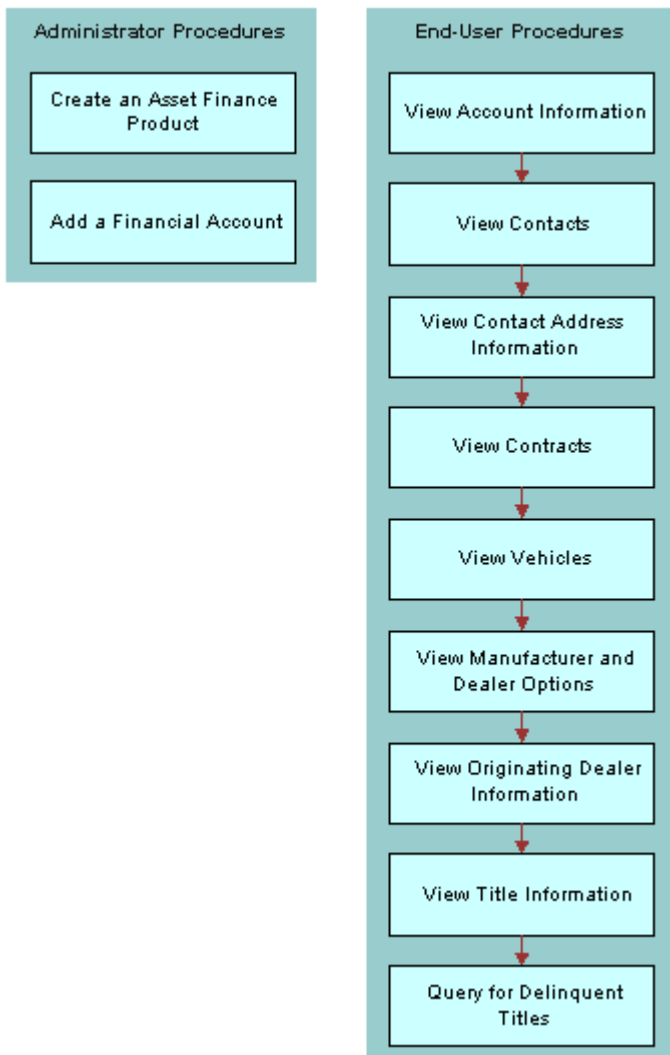
The Siebel administrator is responsible for creating an asset product finance type and for adding a financial account.

Call Center Agent

An agent receives a call from a customer with questions about her account, vehicle, or title. After identifying and authenticating the customer, the call center agent views the customer's accounts. The call center agent reads the current balance to the customer, who then wants to know whether a recent loan payment has been posted to her account. The call center agent confirms that the payment was posted yesterday. Finally, if the caller wants to initiate a change of address, then the agent initiates the change of address service request. In addition, the agent creates a log of all activities performed with the customer.

Lease and Loan Accounts Process Workflow

The following image illustrates sample tasks that administrators and end-users typically perform when managing automotive accounts.



Administrator tasks include the following:

- Create an Asset Finance Produce
- Add a Financial Account

End-user tasks include the following:

1. View Account Information
2. View Accounts
3. View Contact Address Information
4. View Contacts
5. View Vehicles
6. View Manufacturer and Dealer Options
7. View Originating Dealer Information
8. View Title Information
9. Query for Delinquent Titles

Process of Administering Financial Accounts

To administer financial accounts, perform the following procedures:

1. *Creating a Financial Product*
2. *Adding a Financial Account*

Related Topics

About Financial Accounts

About Adding Financial Accounts

About Financial Accounts

A financial account is an instance of a financial product. For example, a lease account is an instance of an Asset Finance product. Therefore an asset finance product must first be established in Siebel Automotive. This product should correspond to the financial account type that is being retrieved from the back-end. For more information about setting up products, see the topic about products and pricing in *Siebel Finance Guide* .

Siebel Automotive provides users with information about the financial accounts in their portfolios. In order to view data relevant for each individual account, Siebel Automotive dynamically modifies certain applets to provide information that is specific to certain financial account products.

For example, for Asset Finance, Siebel Automotive displays the maturity date, APR, term, originating dealer, vehicle, payoff amounts, and so on. It is the Type attribute that determines the set of detailed information displayed for financial accounts associated with the product. For additional information about Types, see the *Siebel Finance Guide* .

Creating a Financial Product

For the Financial Accounts screen to function properly, Siebel administrators must set the Account Type to Asset Finance. Use this procedure to set the Account Type to Asset Finance.

This task is a step in *Process of Administering Financial Accounts* .

To create an asset finance product

1. Navigate to the Administration - Product screen, then the Products view.
2. Create a new record.
3. Complete the fields as necessary.

Note: Make sure that Asset Finance is the value selected in the Finance Product Type field.

About Adding Financial Accounts

In Siebel Automotive, administrators can add financial accounts from the Financial Accounts screen. In many companies, Siebel Automotive is not an organization's primary method of record for financial accounts. Typically a system administrator loads financial account information from another source into Siebel Automotive.

Note: Financial account records must be associated with at least one contact when they are created. If a financial account is not associated with a contact when it is created, the account does not appear in the Financial Accounts screen.

Adding a Financial Account

The following procedure describes how to add a financial account in Siebel Automotive.

This task is a step in *Process of Administering Financial Accounts*.

To add a financial account

1. Navigate to the Financial Accounts screen, then the Financial Account List view.
2. Create a record.
3. Complete the fields as necessary.

Some fields are described in the following table.

Field	Description
Status	The Accounts status. Specifying Open allows the financial account to appear in Siebel Automotive.
Account #	User-assigned number.
Product	Indicates the product associated with the account. This selection populates the Type field.

Process of Viewing Asset Finance Information

End users can view account and contact information, contracts, and so on from the Financial Account List view. To view asset finance information, end users use the following procedures to view asset finance information:

1. *Viewing Account Information*

2. *Viewing Contacts*
3. *Viewing Contact Address Information*
4. *Viewing Contracts*
5. *Viewing Vehicles Associated with a Financial Account*
6. *Viewing Manufacturer and Dealer Options*
7. *Viewing Originating Dealer Information*
8. *Viewing Partner and Dealer Employees*
9. *Process of Working with Title Information*

Viewing Account Information

Use this procedure to view account information.

This task is a step in *Process of Viewing Asset Finance Information*.

To view account information

1. Navigate to the Financial Accounts screen, then the Financial Account List view.
2. Drill down on the Account # field link for a selected account record.
3. To see more information, click the More Info view tab.

Viewing Contacts

Use this procedure to view contacts associated with an account. You can also drill into the customer to view more details on the contact.

This task is a step in *Process of Viewing Asset Finance Information*.

To view contacts associated with a financial account

1. Navigate to the Financial Accounts screen, then the Financial Account List view.
2. Drill down on the Account # field link for a selected account record.
3. Click the Contacts view tab.

Viewing Contact Address Information

Use this procedure to view contact address information.

This task is a step in *Process of Viewing Asset Finance Information*.

To view address information for an account

1. Navigate to the Financial Accounts screen, then the Financial Account List view.
2. Drill down on the Account # field link for a selected account record.
3. Click the Addresses view tab.

Viewing Contracts

Contracts are legally binding documents executed between the lessor and the lessee. A contract is usually created by a dealership agent after an application for a loan or lease is approved. The contract holds the details of terms and conditions of a loan or lease and lists all the assets covered by the contract. Contracts are stored as agreements within Siebel Automotive.

This task is a step in *Process of Viewing Asset Finance Information*.

Viewing Agreements Attached to an Account

Use this procedure to view agreements associated with a financial account.

To view all agreements attached to a financial account

1. Navigate to the Financial Accounts screen, then the Financial Account List view.
2. Drill down on the Account # field link for a selected account record.
3. Click the Agreements view tab.

Viewing Vehicle Itemized Costs

Use this procedure to view vehicle itemization details. The net price of the vehicle is usually composed of various dealer-specific charges and official charges.

To view a vehicle's itemization detail

1. Navigate to the Agreements screen, then the Agreements List view.
2. Drill down on a Name field link for a selected agreement record.
3. Click the Line Items view tab.
4. Select a line item record, and click the Vehicle Costs Itemization subview tab.

Viewing Lease and Loan Details

Use this procedure to view lease and loan details for an agreement.

To view lease/loan details for an agreement

1. Navigate to the Agreements screen, then the Agreements List view.
2. Drill down on a Name field link for a selected agreement record.
3. Click the Lease/Loan Details view tab.

Associating a Financial Account with a Lease or Loan Agreement

Use this procedure to associate a financial account with a lease and loan agreement.

To associate a lease or loan agreement information with a financial account

1. Navigate to the Agreements screen, then the Agreements List view.
2. Select the agreement record you want to associate with a financial account.
3. In the Agreements form applet, click the Show More button.
4. In the Financial Account field, select a financial account record.
5. Navigate to the Financial Accounts screen, then the Financial Account List view.
6. Drill down on the Account # field for the financial account record you selected in a previous step.
7. Click the Agreements view tab to see the associated agreement.

Viewing Vehicles Associated with a Financial Account

This procedure describes how to view a list of vehicles associated with a financial account.

This task is a step in *Process of Viewing Asset Finance Information*.

To view vehicles associated with a financial account

1. Navigate to the Financial Accounts screen, then the Financial Account List view.
2. Drill down on the Account # field link for a selected account record.
3. Click the Assets/Vehicles view tab.

Viewing Manufacturer and Dealer Options

Use this procedure to view the manufacturer and dealer related options installed with the vehicle.

This task is a step in *Process of Viewing Asset Finance Information*.

To view manufacturer and dealer options with a vehicle

1. Navigate to the Financial Accounts screen, then the Financial Account List view.
2. Drill down on the Account # field link for a selected account record.
3. Click the Assets/Vehicles view tab.
4. Scroll down to the Vehicle Options applet.

Viewing Originating Dealer Information

Use this procedure to display information about the dealer who sold the vehicle and is responsible for financing.

This task is a step in *Process of Viewing Asset Finance Information*.

To view originating dealer information

1. Navigate to the Financial Accounts screen, then the Financial Account List view.
2. Drill down on the Account # field link for a selected account record.
3. Click the Partner/Dealer view tab.

Viewing Partner and Dealer Employees

Use this procedure to display partner and dealer employees associated with a financial account. The Employees list is read-only.

This task is a step in *Process of Viewing Asset Finance Information*.

To view partner and dealer employees

1. Navigate to the Financial Accounts, then the Financial Account List view.
2. Drill down on the Account # field link for a selected account record.
3. Click the Partner/Dealer view tab.
4. Scroll down to the Employees list applet.

Process of Working with Title Information

To work with title information, end users perform the following tasks:

1. *Viewing Title Information*
2. *Viewing Title Detail Information for a Vehicle*
3. *Querying for Delinquent Titles*

Viewing Title Information

Use this procedure to view the titles associated with a financial account. The Asset Title view shows the different vehicles attached to the financial account and the corresponding title information.

This task is a step in *Process of Working with Title Information*.

To view title information associated with a financial account

1. Navigate to the Financial Accounts screen, then the Financial Account List.
2. Drill down on the Account # field link for a selected account record.
3. Click the Asset Title view tab.
4. In the Asset Title list, add, edit, or delete records.

Viewing Title Detail Information for a Vehicle

Use this procedure to view details of the title. The Vehicle Title form displays details for the line selected in the Asset Title list.

This task is a step in *Process of Working with Title Information*.

To view title detail information for a vehicle

1. Navigate to the Financial Accounts screen, then the Financial Account List.
2. Drill down on the Account # field link for a selected account record.
3. Click the Asset Title view tab.
4. Select a record, and scroll down to the Vehicle Title form applet.
5. In the Vehicle Title form, add, edit, or delete records.

Querying for Delinquent Titles

Use this procedure to query for delinquent titles across financial accounts and titles. The Delinquent Title view displays all the titles that are outside of the company, that is, it displays only those titles whose status is NOT EQUAL TO In House or Title Sent.

This task is a step in *Process of Working with Title Information*.

To query for delinquent titles

1. Navigate to the Financial Accounts screen, then the Delinquent Title List view.
2. Select a query from the Queries drop-down list.

Some of the available queries are described in the table that follows:

Query	Description
30 Days Delinquent Titles	Displays records where the move date is from today's date to 30 days past due.
60 Days Delinquent Titles	Displays records where the move date is from today's date to 60 days past due.

7 Managing End of Lease and Remarketing Activities

Managing End of Lease and Remarketing Activities

This chapter provides information about using Siebel Automotive functionality to manage end of lease activities and remarketing of leased, repossessed and corporate vehicles. It includes the following topics:

- *About End of Lease and Vehicle Remarketing*
- *Scenario for Managing End of Lease and Vehicle Remarketing*
- *Setup Tasks for End of Lease and Remarketing*
- *Process of Managing End of Lease and Vehicle Remarketing*
- *Workflow Process Reference for Vehicle Remarketing*
- *Web Service Reference for Vehicle Remarketing*

About End of Lease and Vehicle Remarketing

Siebel Automotive and Siebel Dealer allow you to manage end of term and to remarket leased vehicles.

After a vehicle's lease expires, the automotive company:

- Schedules inspection of the vehicle at a dealer or at a third-party inspection vendor, and bills the leasee for any liability.
- Schedules an appointment for the leasee to return the vehicle to a dealer.
- Attempts to sell the returned vehicle to dealers.
- Sells the vehicle at auction if no dealer buys it.

These tasks are performed by the automobile company using Siebel Automotive and by dealers using Siebel Dealer.

Scenario for Managing End of Lease and Vehicle Remarketing

This topic gives one example of managing end of lease and vehicle remarketing. You may do this differently, depending on your business model.

Contacting Customers Whose Leases Are Ending

When a customer's lease on a car is about to end, Siebel Automotive automatically generates communications to the customer about the end-of-term process. If the customer does not respond favorably to these communications, a call

center agent from the automobile company's end-of-term department contacts the customer to try to convince the customer to buy a new car, buy the leased car, or extend the lease, possibly by offering promotions or other incentives.

Remarketing is necessary if the customer wants to end the lease, rather than buying the leased car or extending the lease. When the lease expires, the remarketing department will take possession of the leased car and resell it.

Scheduling Vehicle Inspection and Turn-In

If the customer decides to turn in the vehicle, rather than extending the lease or purchasing the vehicle, the agent uses this telephone call to schedule appointments for inspection in turn-in.

The remarketing agent schedules an inspection either with a dealer or with a third-party inspection vendor. At the end of the lease, the vehicle must be inspected to see if there is excessive wear and tear to the vehicle, which the customer is liable for.

The remarketing agent generally schedules a turn-in appointment with the dealer who leased the car to this customer.

Completing the Inspection

During the inspection, the inspection agency or dealer enters details about the condition of the vehicle.

If there are any outstanding charges as a result of the inspection, for example, charges to repair damage to the vehicle, the agent prepares a liability statement with the charges and the reason for each charge.

When the customer receives this liability statement, the customer may choose to have repairs done before returning the vehicle, rather than paying the amount on the liability statement to the automobile company. If so, the customer informs the remarketing agent, and the remarketing agent schedules a new inspection and new turn-in date after the repairs are complete.

In the most common case, the customer chooses to pay the bill on the liability statement, or there is no liability, so the customer can go to the scheduled turn-in appointment.

Returning the Vehicle

The customer usually returns the vehicle to the dealer where it was leased.

The dealer enters the vehicle return date, the odometer reading, and other information in the Siebel Dealer Portal. The dealer also makes sure the Odometer Disclosure Statement is completed, signed and returned to the automobile company.

If there are any remaining charges, for example because the odometer reading was greater than expected, the agent at the automobile company prepares a liability statement and mails it to the customer.

Selling Vehicles to Dealers

The remarketing department at the automobile company tries to sell the returned vehicle to dealers. The sales price to dealers is based on the automobile company's internal pricing structure, guided by data from organizations such as NADA, Kelley Blue Book, and Black Book.

The vehicle is automatically offered to the turn-in dealer when it is returned. This dealer can use the Dealer Portal to purchase or to decline to purchase the vehicle.

If the turn-in dealer declines to purchase the vehicle or does not act within three days, then the vehicle is automatically offered to other dealers.

Auctioning the Vehicle

If the vehicle is not purchased by any dealer, it is sold by auction. The remarketing department at the automobile company plans for the auction sale and assigns the vehicle to the auction house that is expected to make the most profitable sale.

Setup Tasks for End of Lease and Remarketing

Before you can use Siebel Automotive to manage end of lease and vehicle remarketing, you must:

- Set up the Siebel Dealer Portal and dealers' access to it, as described in *Siebel Dealer Administration Guide*.
- Integrate with external information sources to share data with third-party inspection vendors, to import fair market value data, and to share data with auction houses. For more information, see *Web Service Reference for Vehicle Remarketing*.
- Perform the following additional set-up tasks:
 - *Activating Workflow Processes for End of Lease and Remarketing*
 - *Configuring the Siebel Server to Run the Scheduling Job*
 - *Setting Up the Return Receipt (Odometer Disclosure Statement)*
 - *Setting Up the Fair Market Values*
 - *Setting Up the FMV Auction Values*
 - *Setting Up Auction Events and Pricing*

Activating Workflow Processes for End of Lease and Remarketing

Some of the end of lease and remarketing functionality is driven by workflow processes, which you must activate.

Activate all the workflow processes listed in *Web Service Reference for Vehicle Remarketing*.

For more information about how to activate workflow processes, see *Siebel Business Process Framework: Workflow Guide*.

Configuring the Siebel Server to Run the Scheduling Job

When the automotive company schedules inspections with dealers and third-party inspection agencies, all the inspections are listed in the Financial Accounts screen, Vehicle Batch Order Inspection List view.

You can trigger the batch run to schedule all the listed inspections manually, as described in *Scheduling Inspection and Turn-In Appointments*. However, it is recommended that you configure the Siebel server to run the scheduling job regularly, for example, every night. You can do this by setting up a component request. For more information on scheduling jobs, see *Siebel Applications Administration Guide*.

To set up a component request to run the batch scheduling job

1. Navigate to the Administration - Server Configuration screen, Enterprises, then Component Definitions view.
2. In the Component Request form, Query for the component Workflow Process Batch Manager.
3. If the component does not already exist, create it by adding new record to the Component Definitions list and completing the necessary fields.

Some fields are described in the following table:

Field	Description
Component	Enter Workflow Process Batch Manager
Alias	WfProcBatchMgr
Component Type	Select Workflow Process Manager with Batch as the runtime mode.
Component Group	Workflow Management

4. Navigate to the Administration - Server screen then the Jobs view.
5. Add a new record to the Jobs list and complete the necessary fields.

Some fields are described in the following table:

Field	Description
Component/Job	Select Workflow Process Batch Manager.
Repeating?	Select this check box.
Repeating Info	In the Repeating Info form, enter values in the Repeat Interval, Repeat Unit and Scheduled Start fields to determine when the job runs.

6. In the Job Parameters list, add new records with the following values in the fields.

Name Field	Value Field
Search Specification	[Account Type] = 'Asset Finance' AND [Account Status] = 'Open' AND ([Maturity Date Diff] = 180 OR [Maturity Date Diff] = 90 OR [Maturity Date Diff] = 30)
Workflow Process Name	eAuto CF Lease End Communication Workflow
User Name	Enter the user name.
Password	Enter the password.

7. Submit the job.
The status becomes Active, and the job runs at the repeat interval specified.

Setting Up the Return Receipt (Odometer Disclosure Statement)

When the vehicle is returned, the dealer gives the customer a return receipt.

To set up the return receipt, perform the following steps:

- *Creating a Return Receipt Category for Proposals*
- *Creating the Proposal Template for the Vehicle Return Receipt*
- *Creating the Proposal Template for the Vehicle Return Receipt*

Creating a Return Receipt Category for Proposals

Add the value Vehicle Return Proposal as one of the proposal template types. This allows you to choose Vehicle Return Proposal from the Category list of values when you create the proposal template.

To add a value for this document to the list of values

1. Navigate to the Administration - Data screen, then the LOV Explorer view.
2. In the List Of Values - Type list, query for APPLICATION_TYPE.
3. Click the Show More icon next to the APPLICATION_TYPE folder, then the Values folder, then the MS_Word folder, then the Child List of Values folder.
4. In the Child List of Values list, add a new record and complete the necessary fields, described in the following table:

Field	Description
Type	PROPOSAL_TEMPLATE_TYPE

Field	Description
Name	Vehicle Return Proposal

Creating the Proposal Template for the Vehicle Return Receipt

Use Microsoft Word to create the proposal template used for the vehicle return receipt. Give the document the name, Vehicle Return Receipt.

Map the bookmarks in the Word document to the fields in the eAuto Vehicle Return business object, eAuto Vehicle Return business component that you want to display in the return receipt. Give the mapping the name, eAuto Vehicle Return Receipt Proposal.

For more information about creating proposal templates and mapping them to fields, see *Siebel Correspondence, Proposals, and Presentations Guide*.

To create the mapping

1. Navigate to the Administration - Document screen, then the Proposal Field Mapping view.
2. In the Business Objects list, add a new record and complete the necessary fields, described in the following table:

Field	Value
Mapping Name	eAuto Vehicle Return Receipt Proposal
Business Object	eAuto Vehicle Return

3. Double-click the Business Components folder, add a new record to the Business Components list, and as the business component, select eAuto Vehicle Return.
4. Double-click the Business Component Fields folder, add new records to the Business Component Fields list, and use these records to map the business component field to the bookmark for every bookmark you added to the Word document.

Adding the Proposal Template to the Siebel Business Application

Finally, make the proposal template available in the Siebel Business Application.

To add the proposal template to the application

1. Navigate to the Administration - Document screen, Proposal Templates view.

- In the Templates list, add a new record and complete the necessary fields, described in the following table:

Field	Description
Name	Enter Vehicle Return Receipt.
Category	Select Vehicle Return Proposal.
Mapping	Select eAuto Vehicle Return Receipt Proposal.
Template	Select the Word document where you created the template.

Setting Up the Fair Market Values

The Fair Market Values Reference Data is used to store the fair market values (FMV) of vehicle products. This is used for reference, and it may be used in different ways depending on your business model.

Typically, these values are imported into the Siebel application from data created by NADA, Kelley Blue Book, Black Book, or similar organizations using the Vehicle Market Value Web service. See [Vehicle Market Value Web Service](#).

This data appears in the Administration - Application screen, Fair Market Values Reference Data view.

Setting Up the FMV Auction Values

Use this table to store the fair market auction values of vehicle products. This is used for reference, and it may be used in different ways depending on your business model.

The data may be imported from an external source such as Kelley Blue book, or it may be created by your own sales division.

After being entered or imported, this data appears in the Administration - Application screen, FMV Auction Values Reference Data view.

Setting Up Auction Events and Pricing

To sell vehicles at auction, you must do the basic work of setting up auction events, such as entering information about the auction houses that you work with.

For more information about setting up auction events, see [Siebel Events Management Guide](#).

In addition, you must set up pricing for automotive auction events.

Key fields that affect pricing include:

- **Odometer.** Entered in Vehicles screen, More Info view. This is the current mileage of the vehicle, which is useful for calculating mileage adjustments.
- **Damage Extent.** Entered in Vehicles screen, More Info view. This is the damage that has occurred to the vehicle, which is useful for calculating the damage adjustments based on the value of the Damage Benchmark field, which is specific to each product.
- **Damage Adjustment Amount.** Entered in Administration - Product screen, More Info, More Info view.
- **Damage Benchmark Amount.** Entered in Administration - Product screen, More Info, More Info view.
- **Excess Mileage Factor.** Entered in Administration - Product screen, More Info, More Info view. This is the decimal value that is multiplied with the Excess Mileage, with the result deducted from Vehicle Price. It is specific to each product.

Process of Setting Up Pricing for Auction Events

This topic describes how to set up pricing for auction events.

To set up pricing for auction events, perform the following tasks:

1. *Setting Up the Price Vehicle and Price All Vehicles Buttons*
2. *Creating Adjustments for Geographic and Vehicle Attributes*
3. *Creating Adjustments for Mileage*
4. *Creating a Price List for the Auction*
5. *Adding Vehicles to be Auctioned*

Setting Up the Price Vehicle and Price All Vehicles Buttons

You must create signals and variable maps to set up the Price Vehicle and Price All Vehicles buttons in the Events screen, Auction Events, Vehicles view.

This task is a step in *Process of Setting Up Pricing for Auction Events*

For more information about signals and variable maps, see *Siebel Order Management Infrastructure Guide* .

Note: The following steps describe how to set up the buttons as they are already set up in the product. If you want to keep the behavior of these buttons without any changes, you do not have to set up these buttons. If you want to change the behavior of these buttons, you can modify and adjust the following steps to meet your own requirements.

Creating Signals for the buttons

The steps for creating the signals are similar for the two buttons.

To create or modify the signal

1. Navigate to Administration - Order Management screen, then the Signals view.
2. In the Signals list applet, create a new signal record with name, PriceAuctionVehicle, and enter a description of the signal.

Note: For the Price All Vehicles, button, create a new signal record with the name, PriceAllAuctionVehicles, and enter a description of the signal.

3. Save the record.
4. Lock the signal by selecting the Locked Flag check box.
5. In the Versions list, click the Work Space link.
6. In the Actions list, create a new record, or select an existing record, and complete the necessary fields, described in the following table:

Field	Value
Sequence	1
Service Type	Workflow
Service Name	PSP Driver Workflow Process
Service Method	RunProcess
Mode	Auto Vehicle
Instance Type	Line Item

7. In the Parameters list applet, enter input arguments for the action. As an example, parameters for the PriceAuctionVehicle signal are listed in the following table:

Input Argument	Value
CPScope	Whole
RowScope	For the PriceAuctionVehicle signal: Selected For the PriceAllVehicles signal: All
SubPSPWFName	Auto CF Asset Pricing Procedure
Variable Map - Context	Price Auction Vehicle - Context
Variable Map - Row Set	Price Auction Vehicle - Row Set

- Optionally, to specify a CanInvoke check, complete the fields in the Properties list, as described in the following table:

Field	Value
Name	CanInvoke
Value	Any [\$CanUpdate]='Y'

- Navigate back to the Signals list.
- Click the Release New Version button to release the new version of the signal.

Note: After releasing a new version, you must start a new user session by logging out and logging in again, before you can test the new version.

Creating Variable Maps for Context and Row Set

To set up these buttons, you must also create or modify variable maps.

To create a new variable map

- Navigate to the Administration - Order Management screen, then the Variable Maps view.
- In the Variable Maps list, add a new record and enter a name.
- Lock the variable map by selecting the Locked Flag check box.
- In the Versions list, click the Work Space hyperlink to drill down on the version of the new variable map.
- Click the Modes tab, and in the Modes list, define the modes for this variable map.
 - For Price Auction Vehicle - Context, enter Any as the mode and Header as the object name.
 - For Price Auction Vehicle - Row Set, enter Any as the mode and Line Item as the object name.
- Click the Details tab.
- In the Variable Definitions list, create variable definitions. Variable definitions are the same for the Price Vehicle button and the Price All Vehicles button.
- Variable definitions for the variable map Price Auction Vehicle - Context are listed in the following table:

Sequence	Variable Name	In/Out	Type	On Null
1	Price List Id (The Id of the Price List selected for this auction in the Events screen, Auction Events view.)	In	ID	Ignore
2	Header Id	In	ID	Ignore

Sequence	Variable Name	In/Out	Type	On Null

Variable definitions for the variable map Price Auction Vehicle - Row Set are listed in the following table:

Sequence	Variable Name	In/Out	Type	On Null
1	Product Id (The Id of the Product that the vehicle is based on.)	In	ID	Ignore
2	Id	In	ID	Ignore
3	Geographic Location (As entered in the Vehicle screen, More Info view, State field.)	In	Text	Ignore
4	Purchase Price (This field is updated with the calculated price of the vehicle, which is displayed in the Events screen, Auction Events, Vehicles view, Resale Price field.)	In/Out	Currency	Ignore
5	Damage	In	Number	Ignore
6	Mileage	In	Number	Ignore
7	Currency Code (Defaulted to the local currency.)	In	Text	Ignore
8	Exchange Date (Defaulted to the current date.)	In	Date	Ignore
9	Exterior Color (Taken from the vehicle attribute in the Vehicles screen.)	In	Text	Ignore
10	Engine (Taken from the vehicle attribute in the Vehicles screen.)	In	Text	Ignore
11	Transmission (Taken from the vehicle attribute in the Vehicles screen.)	In	Text	Ignore

Sequence	Variable Name	In/Out	Type	On Null
12	Damage Benchmark	In	Number	Ignore
13	Multiplicative Factor	In	Number	Ignore
14	Damage Adjustment Amount	in	Number	Ignore

9. In the Variable Sources list, define the source of the variable for each mode. The same fields are used for the Price Vehicle and Price All Vehicles buttons.

Variable sources for the variable map Price Auction Vehicle - Context are listed in the following table:

Mode	Path	Source Type
Auto Vehicle	\$Current/Header/Auction Price List Id	In
Auto Vehicle	\$Current/Header/Event Row Id	In

Variable sources for the variable map Price Auction Vehicle - Row Set are listed in the following table:

Mode	Path	Source Type
Auto Vehicle	\$Current/Line Item/Product Id	In
Auto Vehicle	\$Current/Line Item/Asset Id	In
Auto Vehicle	\$Current/Line Item/Geographic Location	In
Auto Vehicle	\$Current/Line Item/Purchase Price	In/Out
Auto Vehicle	\$Current/Line Item/Damage	In
Auto Vehicle	\$Current/Line Item/Mileage	In
Auto Vehicle	\$Current/Line Item/Currency Code	In
Auto Vehicle	\$Current/Line Item/Exchange Date	In

Mode	Path	Source Type
Auto Vehicle	\$Current/Line Item/Exterior Color	In
Auto Vehicle	\$Current/Line Item/Engine	In
Auto Vehicle	\$Current/Line Item/Transmission	In
Auto Vehicle	\$Current/Line Item/Damage Benchmark	In
Auto Vehicle	\$Current/Line Item/Multiplicative Factor	In
Auto Vehicle	\$Current/Line Item/Damage Adjustment Amount	In

10. Define child variable maps, as necessary.
11. Navigate back to the Variable Maps list applet and click the Release New Version button to release the variable map version.

Creating Adjustments for Geographic and Vehicle Attributes

When you create a price list, you will adjust the list price for each vehicle based on attributes that represent its geographic location and its customizable features. In this step, you create these attribute adjustments.

The attributes are visible in the Administration - Product screen, More Info, More Info view. The list price in the price list is the base line price for these vehicles, and the price is adjusted based on the value of these attributes: for example, the price might be higher if a vehicle has a more powerful engine.

This task is a step in *Process of Setting Up Pricing for Auction Events*

To create adjustments for Geographic and Vehicle Attributes

1. Navigate to the Administration - Pricing screen, then the Attribute Adjustments view.
2. In the Attribute Adjustments list, add a new record and complete the necessary fields, as described in the following table:

Field	Value
Name	Auto CF Asset Pricing Adjustments
Class	The Product Class of the Product
Type	Single Dimension
Effective From	Enter the start date of the time period when this attribute adjustment is active

Field	Value
Effective To	Enter the end date of the time period when this attribute adjustment is active

3. Specify Dimensions and Domains for the attributes you created:

- a. In the Attribute Adjustments list, select the attribute adjustment whose dimensions you are specifying.
- b. In the More Info view, click Create Result Dimensions.
- c. Click the Dimensions view tab.
- d. In the Dimensions list, add a record for each dimension that affects the price and complete the necessary fields, as described in the following table:

Dimension Type	Name	Op	Var Map Type	Var Name	Data Type	Domain Type	Bounded	LOV	Sort Order	Sort Method
Condition	Geographic Location	=	Row	Geographic Location	Text	LOV	Y	STATE_ABBREV	1	Asc
Condition	Transmission	=	Row	Transmission	Text	LOV	Y	AUTO_TRANSMISSION_TYPE	1	Asc
Condition	Engine	=	Row	Engine	Text	LOV	Y	AUTO_ENGINE_TYPE	1	Asc
Condition	Exterior Color	=	Row	Exterior Color	Text	LOV	Y	AUTO_EXTERIOR	1	Asc

4. Add conditions, which are the rules that state the result of the adjustment for each combination of condition dimensions:

- a. In the Attribute Adjustments list, select the attribute adjustment whose rules you are specifying.
- b. Click the Conditions view tab.
- c. The conditions list appears, with a Name column for the name of each condition.
- d. If all domain values of each dimension impact price, you can generate rules as follows:
 - In the Attribute Adjustment form, click Generate Rules. Records are added to the Rules list with every possible combination of domain values of the condition dimensions domains.
 - In the Rules list, enter the Adjustment Type and Adjustment Value for each record.
 - In the Conditions form, enter the rules.

5. Associate variable maps with these pricing adjustments:

- a. Navigate to the Administration - Pricing screen, Attribute Adjustments, then the Variable Map view.
- b. Select the appropriate row set and context variable maps from the pick lists.

Creating Adjustments for Mileage

You create a discount matrix to adjust the prices for mileage.

This task is a step in *Process of Setting Up Pricing for Auction Events*

To create adjustments for mileage

1. Navigate to the Administration - Pricing screen, then the Discount Matrices View.
2. Add a new record to the Discount Matrices list and complete the necessary fields, as described in the following table:

Field	Value
Name	Auto CF Mileage Adjustments
Discount Matrix Type	Product-Based Adjustment

3. In the Discount Criteria list, add records for all the criteria dimensions that you want made available in the discount matrix.
The criteria dimensions that you can add depend on the value selected in the Discount Matrix Type field in the previous step.
4. After all the necessary criteria dimensions are added (Mileage Lower Bound, Mileage Upper Bound, Product), click Complete Definition in the Discount Matrix list.
Clicking this button freezes the definition of the discount matrix. After this step, you cannot change the discount matrix type or the criteria dimensions.

Creating a Price List for the Auction

Now that you have created adjustments, you can create a price list for the auction which adjusts prices of vehicles based on their list price and on those adjustments.

This price list can apply to many auctions, and you link it specific auctions in the Events screen.

For more information about creating price lists, see *Siebel Pricing Administration Guide* .

This task is a step in *Process of Setting Up Pricing for Auction Events*

To create a price list

1. Navigate to the Administration - Pricing screen, then the Price List view.
2. In the Price List list, add a new record and complete the necessary fields.
3. Drill down on the Name field of the price list.
4. Add a line item for each product and complete the necessary fields. Some fields are described in the following table:

Field	Value
Product	Select the product.

Field	Value
Attribute Adjustment	Select the adjustment for this product.

5. Link the price list to a specific auction:
 - a. Navigate to the Events screen, then the Auction Events view.
 - b. In the Auction Events list, select the desired auction.
 - c. In the Price List field, select the desired price list.

Adding Vehicles to be Auctioned

Now, you can add the vehicles to be auctioned at a given auction. For each auction, add the vehicles and select the appropriate adjustment used for each vehicle.

This task is a step in *Process of Setting Up Pricing for Auction Events*

To add the vehicles to be auctioned

1. Navigate to the Events screen, the Auction Events, and then the Vehicles view.
2. For each vehicle to be auctioned, add a record to the Vehicles list and complete the necessary fields.

Process of Managing End of Lease and Vehicle Remarketing

To manage end of lease and vehicle remarketing, perform the following tasks:

1. *Contacting Customers Whose Leases Are Ending*
2. *Scheduling Inspection and Turn-In Appointments*
3. *Entering Inspection Information (Dealer or Third-Party)*
4. *Viewing Inspection Information and Generating Charges*
5. *Receiving Returned Vehicles (Dealer)*
6. *Selling Returned Vehicles to Dealers*
7. *Auctioning Returned Vehicles*

Contacting Customers Whose Leases Are Ending

Siebel Automotive automatically contacts customers whose leases will end soon to convince them to buy or lease a new vehicle, to buy the leased vehicle, or to extend the lease. Communications are generated by the workflow process *eAuto CF Lease End Communications Workflow Process*.

If the customers do not respond to these automatic communications, the remarketing agent contacts them and attempts to convince them to buy or lease a new vehicle, to buy the leased vehicle, or to extend the lease. If the customer does not buy the leased vehicle or renew the lease, the agent schedules inspection and turn-in of the leased vehicle and enters information about the leased vehicle.

Remarketing agents usually have their Siebel Automotive application set up so the customers whose leases will end soon are displayed on their home page when they log in. If not, they can find these customers by using the following procedure.

This task is a step in *Process of Managing End of Lease and Vehicle Remarketing*.

To contact customers whose leases are ending

1. Navigate to the Financial Accounts screen, then the Financial Account List view.
2. Query to find all records where the value in the Type field is Asset Finance and the value in the Status field is not Closed.
3. Sort the records based on the value in the Maturity Date field, so leases that will expire soon are at the start of the list.
4. For leases that will expire soon, drill down on the account number to see more information, and review the account to see correspondence from the customer, possible delinquency activities, and other information.
5. Click the Activities view tab to view correspondence that was sent to the customer.
6. Check whether the customer has decided to turn in the vehicle:

If the value in the Account States field in the Financial Account form is Turn In, the customer has decided to turn in the vehicle.

7. If the customer has not decided whether to turn in the vehicle, telephone or write the customer to see whether they want to renew the lease or buy the vehicle.

Scheduling Inspection and Turn-In Appointments

If the customer does not want to renew the lease or buy the leased car, the remarketing agent schedules the inspection appointment at a dealer or a third-party inspection agency, to determine whether there is any damage to the vehicle that the customer is liable for. At the same time, the remarketing schedules a turn-in appointment at a dealer, usually at the same dealer where the customer leased the vehicle.

All inspection appointments scheduled are listed in the Batch Inspection view. The appointments in this list are sent to the inspection agencies every night.

After the remarketing agent adds this record to indicate that inspection is necessary, the dealer or inspection agency follows up with the customer to set the date and time of the inspection appointment.

This task is a step in *Process of Managing End of Lease and Vehicle Remarketing*.

To schedule the inspection appointment

1. Navigate to the Financial Accounts screen, then the Financial Account List view.
2. Drill down on the Account number for the vehicle.
3. Click the Asset Inspection view tab.
4. Create a new Asset Inspection Summary record and complete the necessary fields, described in the following table:

Field	Description
Ordered	Displays the current date and time.

Field	Description
Status	Select Scheduled.
Asset ID/VIN	Select the identification number for the vehicle.
Company	Select the company that will perform the inspection. This may be either a dealer or a third-party inspection agency.

To view vehicles scheduled for the batch inspection run

- Navigate to the Financial Accounts screen, then the Vehicle Batch Order Inspection List view.

Note: You can trigger the batch run by using the following procedure, or you can configure it to run regularly, as described in *Configuring the Siebel Server to Run the Scheduling Job*.

To run batch inspection

1. Navigate to the Financial Accounts screen, then the Vehicle Batch Order Inspection List view.
2. Click Schedule Inspection.

Scheduling Turn-In Appointments

During this telephone call, the remarketing agent also makes an appointment for the customer to turn in the vehicle. Usually, the vehicle is turned in at the same dealer where it was leased.

You share information with dealers using the Siebel Dealer Portal.

To schedule the Turn-in Appointment

1. Navigate to the Financial Accounts screen.
2. Drill down on the Account number for the vehicle.
3. Click the Asset Turn In view tab.
4. Create a new Asset Turn In record and complete the necessary fields, described in the following table:

Field	Description
Turn-In Date	Select the date and time of the appointment.
Asset ID/VIN	Select the identification number for the vehicle.
Turn-In Mileage	Enter the mileage at the time of turn in.
Partner/Dealer	Select the dealer where the vehicle will be turned in.

Field	Description
Status	Select Scheduled. Possible values are Scheduled, Confirmed, and Actual.

Canceling an Inspection Appointment

If necessary, you can cancel an inspection appointment. For example, a customer may call and say that he or she has a conflicting appointment at that time.

To cancel a scheduled inspection

1. Navigate to the Financial Accounts screen, then the Financial Account List view.
2. Drill down on the Account number for the vehicle.
3. Click the Asset Inspection view tab.
4. In the record for the appropriate inspection appointment, in the Canceled field, select the current date and time.

Entering Inspection Information (Dealer or Third-Party)

Either a third-party inspection vendor or a dealer may perform the inspection.

After it sees that the automobile company has added an asset inspection record, it contacts the customer to set the date and time of the inspection appointment.

If a third-party vendor performs the inspection, the inspection information is usually entered in the vendor's own application. You can obtain the inspection information by integrating Siebel Automotive with the third party vendor's application using Web services.

If a dealer performs the inspection, she can enter the inspection information in the Dealer Portal. For more information, see *Siebel Dealer Administration Guide*.

This task is a step in *Process of Managing End of Lease and Vehicle Remarketing*.

Viewing Inspection Information and Generating Charges

After the inspection, the agent receives information from the inspection agency which appears in the Asset Inspection, Inspection Assessment Summary view of Siebel Automotive. This includes the following forms:

- **Body Assessment form.** The inspection agency entered the number of small and large dings, dents, and scratches and the cost of repairing them.
- **Excess Usage form.** The inspection agency entered the actual odometer reading at the time of inspection. The area also displays the initial odometer reading, the mileage allowed by contract, and the per mile charge for excess mileage beyond what is allowed by contract.

The remarketing agent calculates the charges to the customer based on the information entered by the inspection agency. These charges appear in the Asset Inspection, Inspection Assessment Details view.

The agent generates an invoice and mails it to the customer.

The customer may want to do some of the repairs and take the car for inspection again after the repairs are complete, or the customer may decide to pay the charge. If a second inspection is needed, the agent schedules a new inspection appointment and turn-in appointment, as described in *Scheduling Inspection and Turn-In Appointments*.

This task is a step in *Process of Managing End of Lease and Vehicle Remarketing*.

To view inspection information and generate charges

1. Navigate to the Financial Accounts screen.
2. Drill down on the Account number for the vehicle.
3. Click the Asset Inspection view tab.
4. Select the appropriate Asset Inspection Summary record.

The Inspected field of the Asset Inspection Summary record tells you when the vehicle was inspected.

5. Scroll down, and click Generate Charges.
6. Click the Inspection Assessment Details link to view the details of the charges, which were inserted here when you clicked Generate Charges.
7. Click Generate Invoice, print the invoice, and mail the invoice to the customer.

Receiving Returned Vehicles (Dealer)

At the time of the turn-in appointment, the dealer receives the returned vehicle and logs into the Dealer Portal to complete information such as the actual return date and the actual return mileage.

For more information, see *Siebel Dealer Administration Guide*.

This task is a step in *Process of Managing End of Lease and Vehicle Remarketing*.

Selling Returned Vehicles to Dealers

After the dealer has received the returned vehicle, the automobile company tries to sell the vehicle to dealers.

When the dealer receives the vehicle, it is automatically posted for sale to the receiving dealer on the Dealer Portal.

The sales price is automatically based on the residual value of the vehicle, which appears in the Current Residual field of the Financial Accounts screen, Assets/Vehicles view.

Initially, the vehicle is only visible to the dealer who leased it and the dealer who received it, who have the exclusive right to purchase the vehicle. If these dealers decline to purchase the vehicle, or if they do not act within three days, the vehicle automatically becomes visible and available to all the dealers in the same territory as this dealer. The territory is a geographical area that is associated with every dealer. If no dealer purchase the vehicle within ten days, it is removed from the vehicle purchase list and is no longer available for sale.

In the Dealer Portal, dealers can purchase or decline to purchase the vehicle. For more information, see *Siebel Dealer Administration Guide*.

This task is a step in *Process of Managing End of Lease and Vehicle Remarketing*.

Auctioning Returned Vehicles

If no dealers buys the product, the account manager works with an auction house to plan the event where this vehicle will be auctioned.

When the information about the auction event is available, the account manager enters the information about the event and about all the cars that will be auctioned at that event in Siebel Automotive, and sends this information to the auction house by email.

This task is a step in *Process of Managing End of Lease and Vehicle Remarketing*.

Entering Information About an Auction Event

After planning of an auction event is complete, the account manager enters information about the auction event.

To enter information about the auction event

1. Navigate to the Events screen, then the Auction Event List view.
2. Add a new record and complete the necessary fields, described in the following table:

Field	Description
Event ID	Displays an identification number for the event.
Event Type	Select the type of auction. Options are Open, Close, Online, Employee Sale.
Event Sub Type	Select the sub-type of the auction.
Event Status	Displays the status of the event. The field is populated as follows: <ul style="list-style-type: none"> ○ In Planning. Set automatically when the Event record is created. ○ Scheduled. After you have entered all the necessary data about the auction, select Scheduled manually in the Status field to cancel the event. ○ Closed. Select this value after the auction has closed. ○ Cancelled. Select Cancelled manually in the Status field to cancel the event. ○ No Sale. Select No Sale manually in the status field if no vehicles are sold at the event.
Event Date	Enter the date of the event.
Event Price List	Select the price list for the auction. This list specifies the base price, the minimum price accepted for each vehicle.
Auction ID	Select the auction house.

Field	Description
Auction House	Displays the name of the auction house after you select the house in the Auction ID field.
Cancel Date	Displays the date when the auction was cancelled. If you select Cancelled in the Status field, this field is automatically populated with the current date.
Team	Displays the team at the automotive company that deals with this auction house. This is populated automatically when you select the house in the Auction ID field.
Created By	Displays the user ID of the employee who created this record.
Event Volume	Displays the sum of all volume that the remarketing department wants to include in this event. This is a forecast for the event.

Adding Vehicles to an Auction Event

You can add vehicles to an auction event when you create the Auction Event record or at a later time.

To add vehicles to the auction event

1. Navigate to the Events screen, then the Auction Event List view.
2. Drill down on the Event ID field for the auction you want to add the vehicle to.

The Auction Event form and Vehicles list appears.

3. Add a new record to the Vehicles list.
4. In the VIN field of the new record, select the vehicle.

Other fields of the Vehicles record, such as make, model, and year are automatically populated.

5. Enter the base price of vehicles in one of two ways:
 - a. Select vehicles and click Price Vehicle to price the selected vehicles
 - b. Click Price All to price all vehicles.

The price of each vehicle is displayed in the Resale Price field, based on the price list and on the attributes of the vehicle.

6. If you want to see the details of how this price was determined, you can click the Resale Price field to display a pricing waterfall.

For more information about pricing waterfalls, see *Siebel Pricing Administration Guide* .

Sending Info to the Auction House

After you have defined the auction event and added vehicles to it, you transmit this information to the auction house using the Auction List Web service. For more information, see [Auction List Web Service](#).

Workflow Process Reference for Vehicle Remarketing

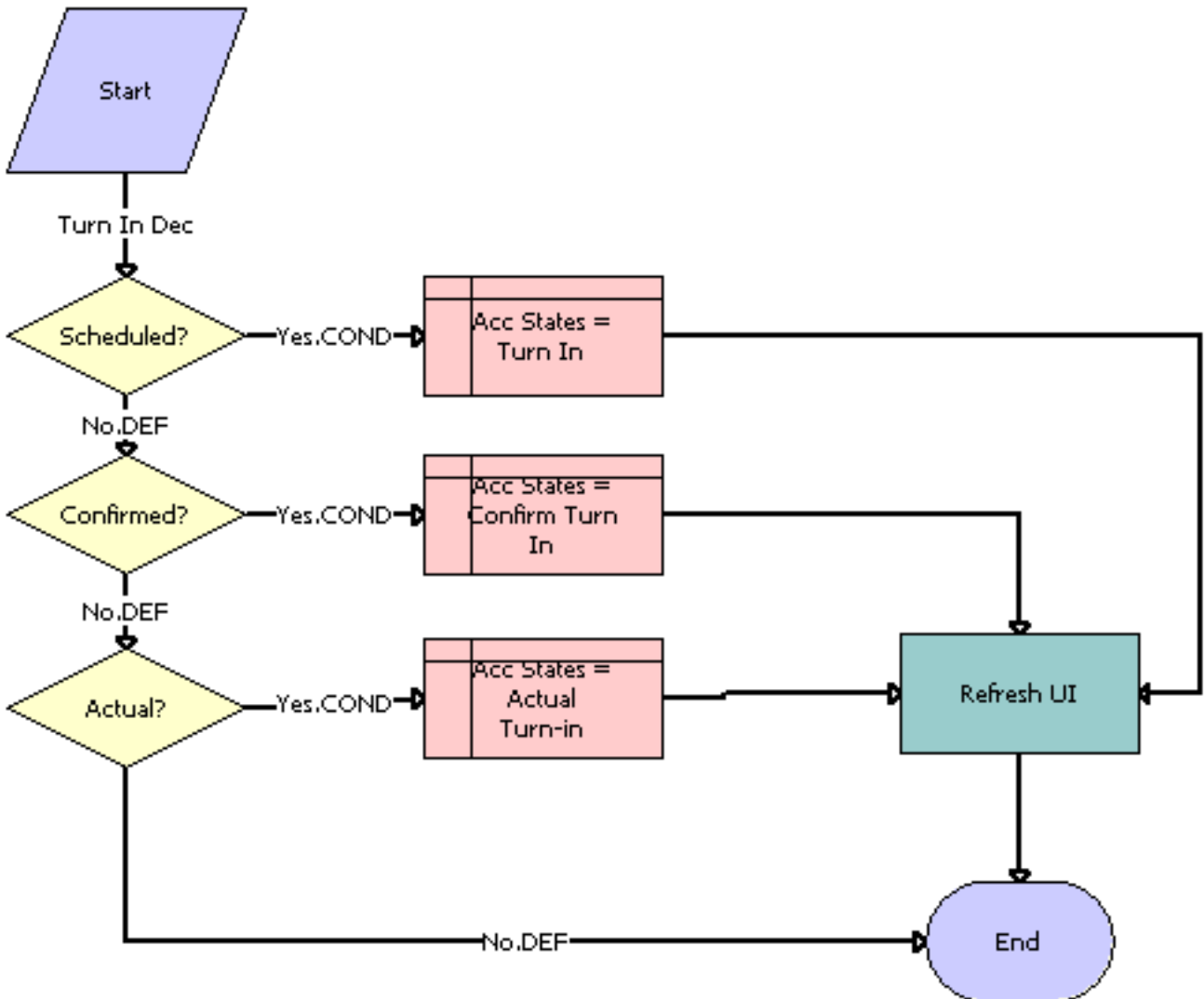
End of lease and remarketing uses the following workflow processes:

- *Auto CF EOT Account States Vehicle Turn In Workflow Process*
- *Auto CF EOT Account States Vehicle Inspection Workflow Process*
- *Auto CF Schedule Inspection Workflow Process*
- *Auto Generate Charges Workflow Process*
- *eAuto CF Lease End Communications Workflow Process*
- *eAuto CF Lease End Comm1 XML Generation Workflow Process*
- *eAuto CF Lease End Comm2 XML Generation Workflow Process*
- *eAuto CF Lease End Comm3 XML Generation Workflow Process*
- *eAuto Vehicle Return Workflow Process*
- *Auto CF Activity Attachment Workflow Process*
- *Auto Dealer Vehicle Purchase Workflow Process*
- *Auto CF EOT Account States Vehicle Dealer Turn In Workflow Process*
- *Auto VehiclePublishForPurchaseORAuction Workflow Process*
- *Auto CF Auction Vehicle List Workflow Process*
- *eAuto Vehicle Return Inspection Report Workflow Process*
- *eAuto Vehicle Go To Vehicle Attachments View Workflow Process*
- *Auto CF Asset Pricing Procedure Workflow Process*

Auto CF EOT Account States Vehicle Turn In Workflow Process

This workflow process inserts account states for the financial account, based on the turn-in status of the vehicle. It is triggered when a new record is saved in the Asset Turn In view.

This workflow process is shown in the following image.



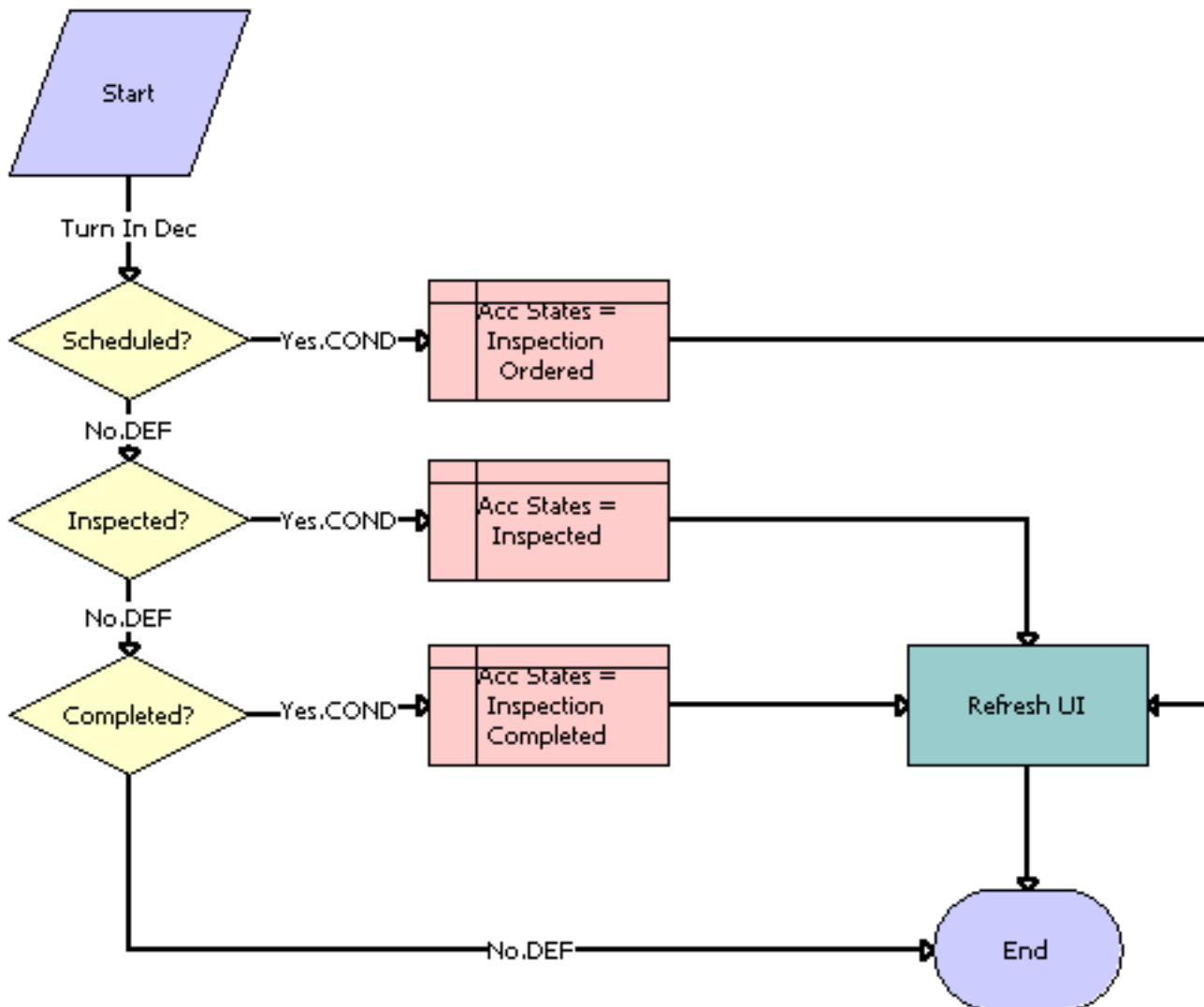
Workflow Process Description. This workflow process performs the following actions:

1. **Scheduled?** This step checks the value of the Turn In Status for the new saved record and if it is equal to Scheduled, the next step would be Acc States equal to Turn In.
2. **Acc States equal to Turn In.** This step inserts the Account States record with the value Turn In.
3. **Confirmed?** This step checks the value of the Turn In Status for the new saved record and if it is equal to Confirmed, the next step would be Acc States equal to Confirm Turn In.
4. **Acc States equal to Confirm Turn In.** This step inserts the Account States record with the value Confirm Turn-in.
5. **Actual?** This step checks the value of the Turn In Status for the new saved record and if it is equal to Actual, the next step would be Acc States equal to Actual Turn In.
6. **Acc States equal to Actual Turn In.** This step inserts the Account States record with the value Actual Turn-in.
7. **Refresh UI.** This step refreshes the view to reflect the change in Account State.

Auto CF EOT Account States Vehicle Inspection Workflow Process

This workflow process inserts the account states for the financial account, based on the value of the inspection status of the vehicle. It is triggered when a new record is saved in the Asset Inspection view.

This workflow process is shown in the following image.



Workflow Process Description. This workflow process performs the following actions:

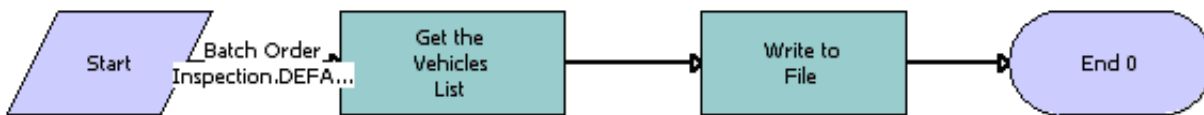
1. **Scheduled?** This step checks the value of the Inspection Status for the new saved record and if it is equal to Scheduled, the next step would be Acc States equal to Inspection Ordered.
2. **Acc States equal to Inspection Ordered.** This step inserts the Account States record with the value Inspection Ordered.
3. **Inspected?** This step checks the value of the Inspection Status for the new saved record and if it is equal to Inspected, the next step would be Acc States equal to Inspected.
4. **Acc States equal to Inspected.** This step inserts the Account States record with the value Inspected.

5. **Completed?** This step checks the value of the Inspection Status for the new saved record and if it is equal to Completed, the next step would be Acc States equal to Inspection Completed.
6. **Acc States equal to Inspection Completed.** This step inserts the Account States record with the value Inspection Completed.
7. **Refresh UI.** This step refreshes the view to reflect the change in Account State.

Auto CF Schedule Inspection Workflow Process

This workflow process generates a list of vehicles that need to be scheduled for inspection.

This workflow process is shown in the following image.



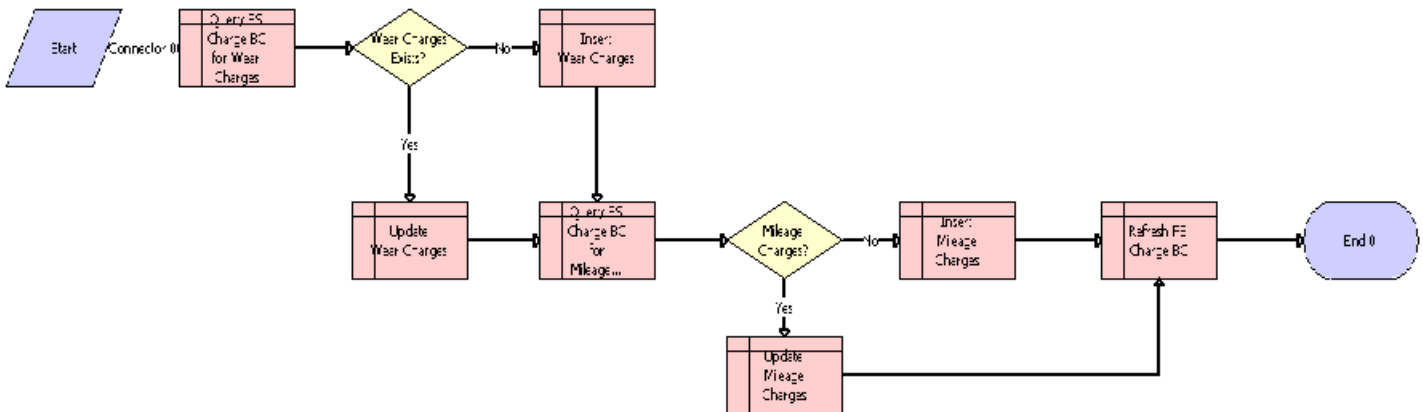
Workflow Process Description. This workflow process performs the following actions:

1. **Get the Vehicles List.** This step finds all the vehicles that need to be scheduled for inspection. Uses the EAI Siebel Adapter service to query for the vehicles.
2. **Write to File.** This step retrieves the list of vehicles from the previous step and writes that list to an XML file.

Auto Generate Charges Workflow Process

This workflow process generates the inspection charges for the inspected vehicle.

This workflow process is shown in the following image.



Workflow Process Description. This workflow process performs the following actions:

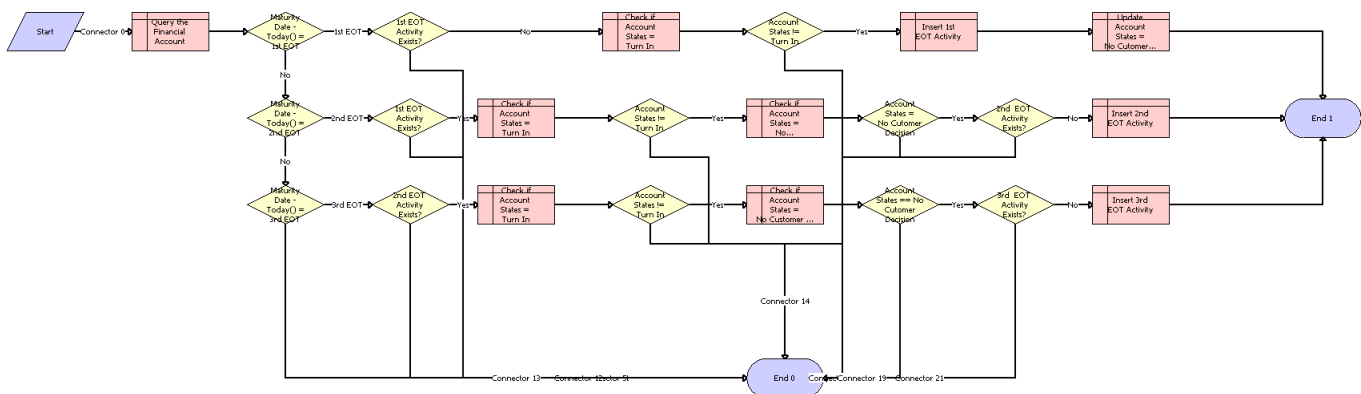
1. **Query FS Charge BC for Wear Charges.** This step queries the FS Charge table for the records whose type is Wear Charges.
2. **Wear Charges Exists?** This step checks whether any record with Wear Charges type exists. If so, the next step is Update Wear Charges; if not, the next step is Insert Wear Charges.
3. **Update Wear Charges.** This step updates the Wear Charges record of the vehicle with the total wear charge.

4. **Insert Wear Charges.** This step inserts the Wear Charges record for the inspected vehicle.
5. **Query FS Charge BC for Mileage Charges.** This step queries the FS Charge table for the records whose type is Mileage Charges.
6. **Mileage Charges?** This step checks whether any record with Mileage Charges type exists. If so, the next step is Update Mileage Charges; if not, the next step is Insert Mileage Charges.
7. **Update Mileage Charges.** This step updates the Mileage Charges record of the vehicle with the Total Mileage charge.
8. **Insert Mileage Charges.** This step inserts the Mileage Charges record for the inspected vehicle.
9. **Refresh FS Charge BC.** This step refreshes the Charges records.

eAuto CF Lease End Communications Workflow Process

This workflow process begins lease-end communications by sending notification letters. The workflow process is triggered by a batch job scheduled every night which processes all the records due for the end-of-term communication. The records that require further processing are assigned to the remarketing agent using Siebel Assignment Manager. An XML file is generated which includes all the financial records that have been processed.

This workflow process is shown in the following image.



Workflow Process Description. This workflow process performs the following actions:

1. **Query the Financial Account.** This step finds all the recommended details of the financial account based on the current context.
2. **Maturity Date - Today() equal to 1st EOT.** This step checks if the difference between the maturity date and the current date is equal to the duration for the first lease-end communication.
3. **1st EOT Activity Exists?** This step checks if the first end-of-term Communication has already been carried out. If so, skips the following steps and ends the workflow process.
4. **Check if Account States equal to Turn In.** This step finds out if the account state of the financial account is Turn In.
5. **Account States not equal to Turn In?** This step checks if the customer has already decided to turn in the Vehicle. If so, skips the following steps and ends the workflow process.
6. **Insert 1st EOT Activity.** This step creates a first end-of-term Activity record.
7. **Update Account States equal to No Customer Decision.** This step updates the account states to No Customer Decision.

8. **Maturity Date - Today() equal to 2nd EOT.** This step checks if the difference between the maturity date and the current date is equal to the duration for the second lease-end communication.
9. **1st EOT Activity Exists?** This step checks if the first end-of-term Communication has already been carried out. If so, skips the following steps and ends the workflow process.
10. **Check if Account States equal to Turn In.** This step finds out if the account state of the financial account is Turn In.
11. **Account States not equal to Turn In?** This step checks if the customer has already decided to turn in the Vehicle. If so, skips the following steps and ends the workflow process.
12. **Check if Account States equal to No Customer Decision.** This step finds out if the account state of the financial account is No Customer Decision.
13. **Account States equal to No Customer Decision?** This step checks if the customer has communicated his decision. If so, skips the following steps and ends the workflow process.
14. **2nd EOT Activity Exists?** This step checks if the second end-of-term Communication has already been carried out. If so, skips the following steps and ends the workflow process.
15. **Insert 2nd EOT Activity.** This step creates a first end-of-term Activity record.
16. **Maturity Date - Today() equal to 3rd EOT.** This step checks if the difference between the maturity date and the current date is equal to the duration for the third lease-end communication.
17. **2nd EOT Activity Exists?** This step checks if the second end-of-term Communication has already been carried out. If so, skips the following steps and ends the workflow process.
18. **Check if Account States equal to Turn In?** This step finds out if the account state of the financial account is Turn In.
19. **Account States not equal to Turn In?** This step checks if the customer has already decided to turn in the Vehicle. If so, skips the following steps and ends the workflow process.
20. **Check if Account States equal to No Customer Decision.** This step finds out if the account state of the financial account is No Customer Decision.
21. **Account States equal to No Customer Decision?** This step checks if the customer has communicated his decision. If so, skips the following steps and ends the workflow process.
22. **3rd EOT Activity Exists?** This step checks if the second end-of-term Communication has already been carried out. If so, skips the following steps and ends the workflow process.
23. **Insert 3rd EOT Activity.** This step creates a first end-of-term Activity record.

eAuto CF Lease End Comm1 XML Generation Workflow Process

This workflow process generates an XML file that includes all the financial account records for the first lease-end communication. It is triggered by scheduling a job with Workflow Process Manager. Schedule Start should be set to a time that allows time to complete the batch job set for eAuto CF Lease End Communication Workflow Process.

This workflow process is shown in the following image.



Workflow Process Description. This workflow process performs the following actions:

1. **EAI Siebel Adapter Query.** This step retrieves all the records that had the first end-of-term communication Activity created for the current day.
2. **EAI XML Write to File.** This step generates an XML file consisting of all the retrieved records.

eAuto CF Lease End Comm2 XML Generation Workflow Process

This workflow process generates an XML file that includes all the financial account records for the second lease-end communication. It is triggered by scheduling job with Workflow Process Manager. Schedule Start should be set to a time that allows time to complete the batch job set for eAuto CF Lease End Communication Workflow Process.

This workflow process is shown in the following image.



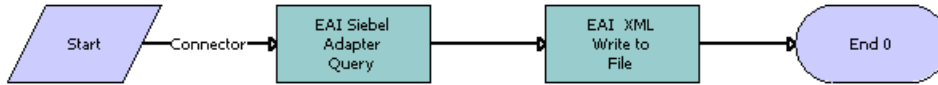
Workflow Process Description. This workflow process performs the following actions:

1. **EAI Siebel Adapter Query.** This step retrieves all the records that had the second end-of-term communication Activity created for the current day.
2. **EAI XML Write to File.** This step generates an XML file consisting of all the retrieved records.

eAuto CF Lease End Comm3 XML Generation Workflow Process

This workflow process generates an XML file that includes all the financial account records for the third lease-end communication. It is triggered by scheduling a job with Workflow Process Manager. Schedule Start should be set to a time that allows time to complete the batch job set for eAuto CF Lease End Communication Workflow Process.

This workflow process is shown in the following image.



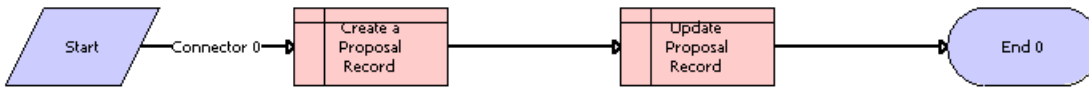
Workflow Process Description. This workflow process performs the following actions:

1. **EAI Siebel Adapter Query.** This step retrieves all the records that had the second end-of-term communication Activity created for the current day.
2. **EAI XML Write to File.** This step generates an XML file consisting of all the retrieved records.

eAuto Vehicle Return Workflow Process

This workflow process creates a Proposal record when the Complete Return button is clicked.

This workflow process is shown in the following image.



Workflow Process Description. This workflow process performs the following action:

1. **Create a Proposal Record.** This step creates a Proposal Record.
2. **Update Proposal Record.** This step updates the name of the proposal, appending the Row Id to the name.

Auto CF Activity Attachment Workflow Process

This workflow process creates an Activity record when the vehicle return receipt is generated, and it adds the receipt as an attachment to the created activity.

This workflow process is shown in the following image.



Workflow Process Description. This workflow process performs the following actions:

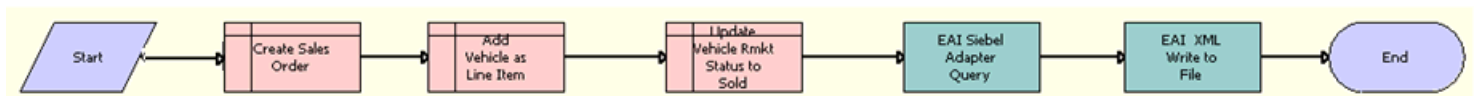
1. **GetFilePath.** This step retrieves the file path of the vehicle return receipt.

2. **Create an Activity.** This step creates an Activity record.
3. **Add Attachment.** This step adds the receipt as an attachment to the Activity record.
4. **Refresh Activity.** This step refreshes the Activity applet.
5. **Refresh Activity Attachment.** This step refreshes the Activity Attachment applet.
6. **Refresh UI.** This step refreshes the user interface.

Auto Dealer Vehicle Purchase Workflow Process

This workflow process creates an order for the dealer to purchase the vehicle. It is triggered when the user clicks the Purchase Vehicle button on the Vehicle Purchase screen.

This workflow process is shown in the following image.



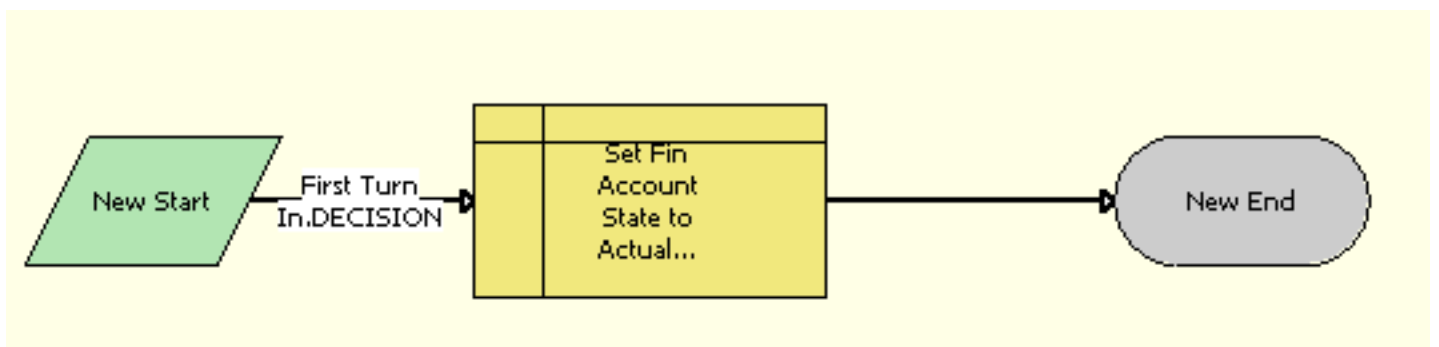
Workflow Process Description. This workflow process performs the following actions:

1. **Create Sales Order.** This step creates the Sales Order record with purchasing dealer in the Account field.
2. **Add Vehicle as Line item.** This step adds a Line Item record for the order, with the purchased vehicle and its sale price.
3. **Update Rmkt Status to Sold.** This step updates the remarketing status of the vehicle as Sold.
4. **EAI Siebel Adapter Query.** This step queries the Sales Order and retrieves output as a hierarchy of Sales Order and Sales Order Line Item.
5. **EAI XML Write to File.** This step writes the hierarchy as an XML file.

Auto CF EOT Account States Vehicle Dealer Turn In Workflow Process

This workflow process sets the financial account's State to Actual Turn In. It is triggered when a Vehicle Turn In record is created in the Vehicle Return Manager screen of the Dealer portal.

This workflow process is shown in the following image.



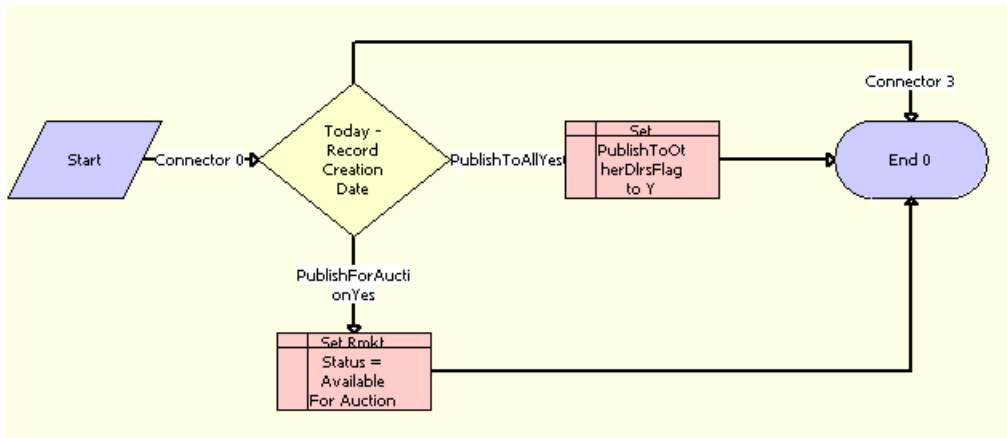
Workflow Process Description. This workflow process performs the following action:

- **Set Fin Account State to Actual Turn In.** This step sets the financial account state to Actual Turn In, by inserting a record in FINS CF Account State.

Auto VehiclePublishForPurchaseORAuction Workflow Process

This workflow process either sets the PublishToOtherDlrsFlag to Y or sets the Remarketing Status to Available for Auction for turned-in vehicles, depending on the number of days passed. It is triggered once everyday by a scheduled job.

This workflow process is shown in the following image.



Workflow Process Description. This workflow process performs the following actions:

1. **Today-Record Creation Date.** This step checks if the current date minus the record's turn in date is equal to a number specified by the automotive company. This number defaults to 3, but it can be changed by changing the workflow process property NumDaysPublishToAll.
2. **PublishToAllYes (condn).** This step checks if the current date minus record turn in date is equal to a number specified by the automotive company. This number defaults to 3, but it can be changed by changing the workflow process property NumDaysPublishToAll.
3. **Set PublishToOtherDlrsFlag to Y.** This step sets the PublishToOtherDlrsFlag to Y. This makes the Vehicle visible to Dealers other than the original turn-in dealer that are in the same territory.
4. **PublishForAuctionYes (condn).** This step checks if the current date minus the record's turn in date is equal to a number specified by the automotive company. This number defaults to 10, but it can be changed by changing the workflow process property NumDaysForAuction.
5. **Set Rmkt Status as Available For Auction.** This step sets the value of Rmkt Status to Available For Auction.

Auto CF Auction Vehicle List Workflow Process

This workflow process is responsible for generating a list of vehicles that is planned for an auction event.

This workflow process is shown in the following image.



Workflow Process Description. This workflow process performs the following actions:

1. **Query the list of Vehicles for Auction.** This step finds all the vehicles, which need to be sent to an auction house. Uses the EAI Siebel Adapter service to query the vehicles.
2. **Write to XML File.** This step retrieves the list of vehicles from the previous step and writes that list to an XML file.

eAuto Vehicle Return Inspection Report Workflow Process

The purpose of this workflow process is to view the attached vehicle inspection report.

This workflow process is shown in the following image.



Workflow Process Description. This workflow process performs the following action:

- **Go To Vehicle Attachment View.** This step is used to call a sub process, eAuto Vehicle Go To View.

eAuto Vehicle Go To Vehicle Attachments View Workflow Process

The purpose of this workflow process is to navigate to the eAuto Vehicle Attachment view and retrieve the attachments for the asset.

This workflow process is shown in the image.



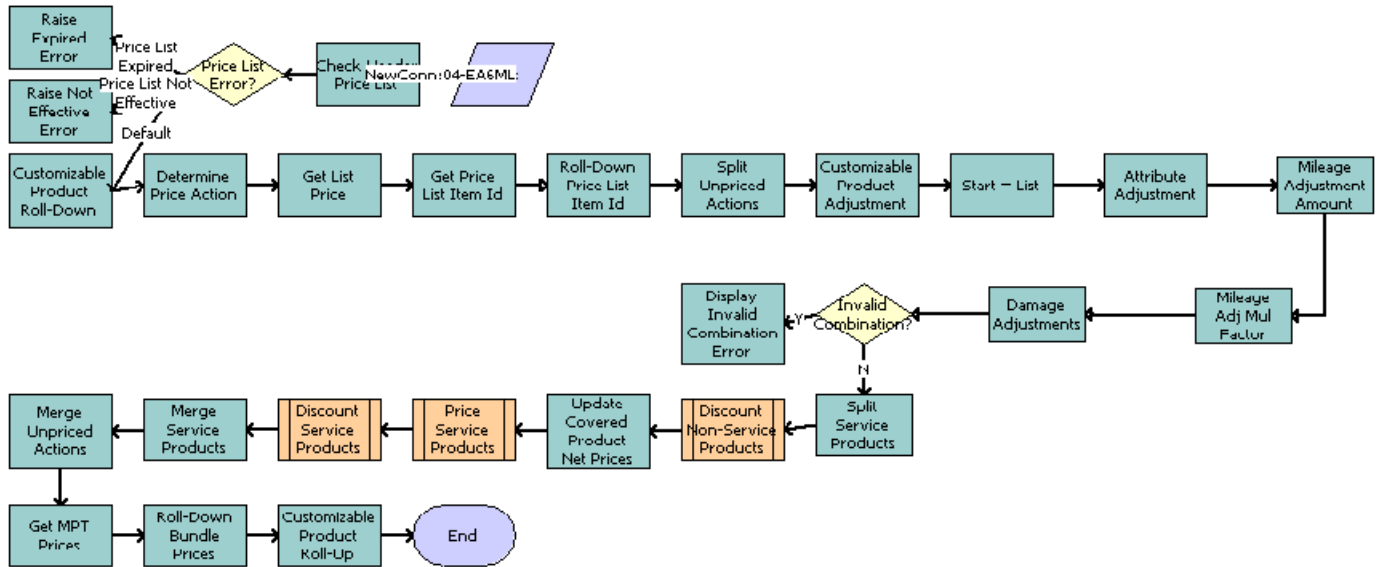
Workflow Process Description. This workflow process performs the following actions:

1. **Go To View.** This step navigates to the eAuto Vehicle Attachment view if the Vehicle Id is not Null.
2. **Query for the Asset.** This step queries for the Vehicle Id in the eAuto Vehicle Attachment view.

Auto CF Asset Pricing Procedure Workflow Process

The purpose of this workflow process is to price a vehicle set for Auction.

This workflow process is shown in the image.



Workflow Process Description. The workflow process uses the Dynamic Pricing Procedure workflow process as its basis. For more information about the Dynamic Pricing Procedure workflow process, see *Siebel Pricing Administration Guide*. The following steps are added to this workflow process:

1. **Mileage Adjustment Amount.** This step applies mileage adjustments based on the adjustment amount configured in the discount matrix.
2. **Mileage Adj Mul Factor.** This step applies mileage adjustments based on the multiplication factor specified for a product.
3. **Damage Adjustments.** This step applies damage adjustments based on the damage amount and damage benchmark of a vehicle.

Web Service Reference for Vehicle Remarketing

Vehicle remarketing provides the following Web services:

- *Inspection Request Web Service*
- *Inspection Report Web Service*
- *Vehicle Market Value Web Service*
- *Vehicle Residual Value Web Service*
- *Auction List Web Service*
- *Pre Term Campaign Vehicle List Web Service*

Inspection Request Web Service

Use this outbound Web service to send a list of financial accounts that are scheduled for turn-in to the inspection services agency.

Inspection Request Message Description

For a description of this request message, see the following table.

Request Message	Description	Type
FinancialAccountNo	Customer's financial account number	String
VIN	Turn-in vehicle's identification number	String
PrimaryContactFirstName	Customer's first name	String
PrimaryContactLastName	Customer's last name	String
PrimaryContactHomePhoneNo	Customer's home phone number	String
PrimaryContactMobilePhoneNo	Customer's mobile phone number	String
MaturityDate	Date when the lease expires	DateTime
TurnInDate	Date vehicle is scheduled for turn-in	DateTime
TurnInMileage	Current odometer reading	Number
DealerName	Name of the dealer where the vehicle will be turned in	String
DealerState	State where the dealer is located	String
Street	Street address of the customer	String
City	Name of the city where customer lives	String
State	Name of the State	String
Zip Code	Zip code of the address	String
Country	Name of the country	String

Inspection Request Web Service Application Interface

This topic describes the application objects called by this Web service.

Data Object (Integration Object)

For the Siebel Runtime Repository Name and external name of this Web service data object, see the following table.

Siebel Runtime Repository Name	External Name
FinsCfVehicleBatchOrderInspectionInterface	FINS CF Vehicle Batch Order Inspection

Inspection Report Web Service

Use this inbound web service to receive the inspection results from the inspection services agency.

Inspection Report Web Service Operations

For a list of operations associated with this Web service, see the following table.

Operation Name	Description
VehicleInspectionReportInsert	Creates a inspection report record for the vehicle
VehicleInspectionReportInsertOrUpdate	Creates or updates a inspection report record for the vehicle
VehicleInspectionReportUpdate	Updates a inspection report record for the vehicle
VehicleInspectionReportDelete	Deletes a inspection report record for the vehicle

Inspection Report Message Description

This message contains the inspection results received from the inspection services agency. For a description of this message, see the following table.

Report Message	Description	Type
AccountNumber	Customer's Financial account number	String
ContactFirstName	Customer's first name	String
ContactLastName	Customer's last name	String
ContactHomePhoneNo	Customer's home phone number	String
ContactMobilePhoneNo	Customer's mobile number	String
VIN	The turn in vehicle identification number	String
DealerName	The dealer location where the vehicle will be turned in	String

Report Message	Description	Type
OdometerReadingatCurrent	The odometer reading when the inspection occurs	Number
InspectedDate	The date when the vehicle inspected	DateTime
ReceivedDate	The date the inspection report is received	DateTime
Status	The status of the vehicle	String
LargeDDS	Large Dings, Dents, Scratches number	Number
LargeDDSCharge	Large Dings, Dents, Scratches charge	Currency
SmallDDS	Small Dings, Dents, Scratches number	Number
SmallDDSCharge	Small Dings, Dents, Scratches charge	Currency

Inspection Report Web Service Application Interface

This topic describes the application objects called by the this Web service.

Service Object (Business Service or Workflow Process)

For a description of the service objects for this Web service, see the following table.

Name	Boundary Object Type
Vehicle Inspection Report Service	Business Service

Data Object (Integration Object)

For a description of data objects for this Web service, see the following table.

Siebel Repository Name	External Name
IntegFinsCfVehicleInspectionReportInterfac	FINCORP Account

Vehicle Market Value Web Service

Use this inbound Web service to receive the market value of the vehicle from third party organizations such as Black Book and Kelley Blue Book.

Vehicle Market Value Web Service Operations

For a list of operations associated with this Web service, see the following table.

Name	Description
FairMarketValueInsert	Creates a fair market value record for the vehicle
FairMarketValueInsertOrUpdate	Creates or updates a fair market value record for the vehicle
FairMarketValueUpdate	Updates a fair market value record for the vehicle
FairMarketValueDelete	Deletes a fair market value record for the vehicle

Vehicle Market Value Message Description

For a description of this message, see the following table.

Name	Description	Type
ProductName	Name of the product for which the market values are populated	String
FairMarketValue	Fair market value of the product/vehicle	Currency
WholesaleValue	Value paid by dealer for the purchase of a vehicle	Currency
RetailValue	Value paid by customer for the purchase of a vehicle	Currency
Msrp	Manufacturer's Suggested Retail Price- Cost of vehicle when it was new	Currency
StartMileage	Mileage at the beginning of the lease	Number
EndMileage	Mileage at the end of the lease	Number
StartDate	Date the lease began	Date
EndDate	Date the lease ended	Date

Name	Description	Type

Vehicle Market Value Web Service Application Interface

This topic describes the application objects called by this Web service.

Service Object (Business Service or Workflow Process)

For a description of the service objects for this Web service, see the following table.

Name	Boundary Object Type
Vehicle Market Value Service	Business Service

Data Object (Integration Object)

For a description of data objects for this Web service, see the following table.

Siebel Runtime Repository Name	External Name
IntegFinsCfVehicleMarketValueInterface	FINS CF Fair Market Value FMV Admin

Vehicle Residual Value Web Service

Use this inbound web service to receive the residual value the product/vehicle from a third party organization such as Black Book or Kelley Blue Book.

Vehicle Residual Value Web Service Operations

For a list of operations associated with this Web service, see the following table.

Name	Description
ResidualValueInsert	Creates a residual value record for the vehicle
ResidualValueInsertOrUpdate	Creates or updates a residual value record for the vehicle
ResidualValueUpdate	Updates a residual value record for the vehicle
ResidualValueDelete	Deletes a residual value record for the vehicle

Vehicle Residual Value Message Description

This message contains the residual value details of the product/vehicle received from the third-party organization. For a description of this message, see the following table.

Name	Description	Type
ProductName	Name of the product for which the residual values are populated	String
ResidualValue	Residual value of the product/vehicle	Currency
Terms	The number of months in the lease (12, 24, 36, 48, 60, 72)	String
StartMileageRange	The starting mileage	Number
EndMileageRange	The ending mileage	Number
MileageAllowance	The yearly mileage allowance in the lease	Number

Vehicle Residual Value Web Service Application Interface

This topic describes the application objects called by this Web service.

Service Object (Business Service or Workflow Process)

For a description of the service objects for this Web service, see the following table.

Name	Boundary Object Type
Vehicle Residuals References Service	Business Service

Data Object (Integration Object)

For a description of data objects for this Web service, see the following table.

Siebel Runtime Repository Name	External Name
IntegFinsCfVehicleResidualsReferenceInterf	FINS CF Vehicle Residuals Reference Data

Auction List Web Service

Use this outbound Web service to send a list of vehicles that is planned for an auction event. The list will be sent to the auction house.

Auction List Message Description

This message contains the details about a list of vehicles that is planned for an auction event. For a description of this request message, see the following table.

Name	Description	Type
VIN	Vehicle Identification number	String
Make	Make of the vehicle; for example, BMW or Honda	String
Model	Model of the vehicle; for example, Accord	String
Trim	Trim of the vehicle; for example, LS, LX	String
Door	Number of doors on the vehicle	String
ExteriorColor	Exterior color of the vehicle	String
ResalePrice	The price of the vehicle	Currency
EventId	Unique identification number for the event	String
EventType	The name value associated with the Event Type Code; options are Open, Close, Online, Employee Sale	String
EventSubType	Delineates the subtype of the event; options differ depending on event type	String
EventStatus	Status of the event	String
EventDate	Date the event is being held	Date
EventPriceList	The price list for the auction event	String
AuctionId	The ID of the auction house that is conducting the event	String
AuctionName	The name associated with the Auction ID	String

Name	Description	Type
AuctionCancelDate	Date user changed the event's status to Cancelled	Date
AccountTeam	The account team of the auction house	String

Data Object (Integration Object)

For a description of data objects for this Web service, see the following table.

Siebel Runtime Repository Name	External Name
IntegFinsCfVehicleListForAuction	Auto Remarket Auction Event

Pre Term Campaign Vehicle List Web Service

Use this inbound Web service to update any reading for assets (vehicles). When you use this Web service, the application receives a list of vehicles with a certain mileage threshold.

Pre Term Campaign Vehicle List Web Service Operations

For a list of operations associated with this Web service, see the following table.

Name	Description
PreTermCampaignVehicleListInsert	Creates a record for the vehicle with the threshold mileage
PreTermCampaignVehicleListInsertOrUpdate	Creates or updates a record for the vehicle with the threshold mileage
PreTermCampaignVehicleListUpdate	Updates a record for the vehicle with the threshold mileage

Pre Term Campaign Vehicle List Message Description

This message contains the threshold mileage details for a list of vehicles. For a description of this message, see the following table.

Name	Description	Type
AccountNumber	Financial Account number of the vehicle	String
CurrentMileage	The odometer reading	Number

Name	Description	Type
CurrentMileageReadDate	Date when odometer is read	Date
VIN	Vehicle identification number	String

Pre Term Campaign Vehicle List Web Service Application Interface

This topic describes the application objects called by the this Web service.

Service Object (Business Service or Workflow Process)

For a description of the service objects for this Web service, see the following table.

Name	Boundary Object Type
Pre Term Campaign Vehicle List Service	Business Service

Data Object (Integration Object)

For a description of data objects for this Web service, see the following table.

Siebel Runtime Repository Name	External Name
IntegFinsCfPreTermCampaignVehicleListInt	FINCORP Account

8 Managing Collections

Managing Collections

This chapter provides information about standard Siebel Automotive functionality for collection management. It consists of the following topics:

- *About Collections*
- *Scenario for Collections*
- *Administering Collection Tasks*
- *Activating Siebel Automotive Workflows*
- *Creating Assignment Rules for Collection Assignments*
- *Using Assignment Rules*
- *Managing Collections Preferences*
- *Managing Collection Correspondence Administration*
- *Automating the Cure Process*
- *End-User Procedures for Collections*
- *Reviewing Account Summary and Related Account Information*
- *Managing Collection Reassignments*
- *Executing Collection Tasks*
- *Capturing Promise-to-Pay Records*
- *Managing the Cure Process*
- *Managing the Repossession Process*
- *Managing Skip Trace and Impound Service Requests*
- *Managing Insurance Information*

Note: Your company's application configuration and business processes may differ from the procedures or business scenarios presented in this chapter.

About Collections

Collection is the process of collecting money from customers who are delinquent or are unable to make a payment by a specified date. Collection is a component of the lending cycle and can affect a company's bottom line. Those accounts that a company is unable to collect on must be written off in the end, which reduces the company's profit.

A collection application allows a company to identify delinquent accounts and arrange them into predefined lists so agents can follow up and obtain payment. Many companies group delinquent accounts into three or more buckets, for example, 30 days, 60 days, and 90 days. Each bucket results in a different series of actions. For example, accounts in the

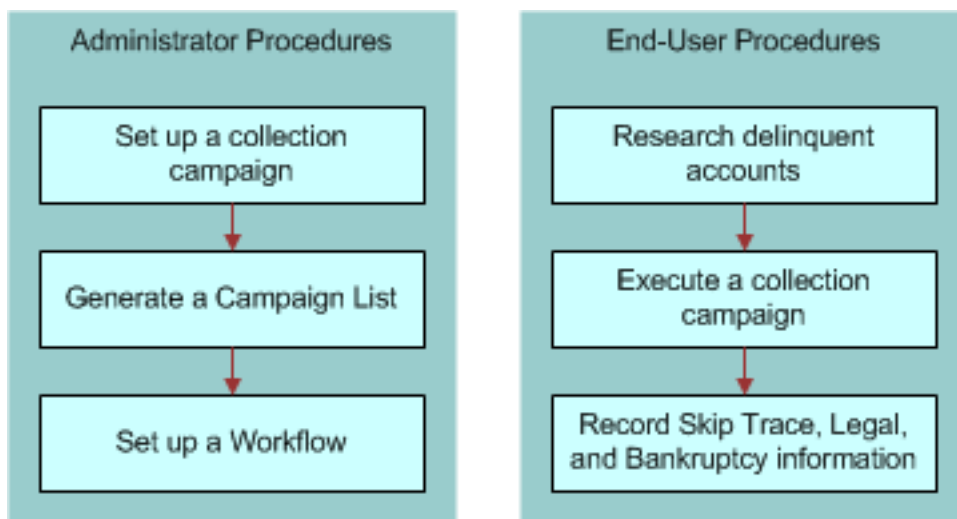
30 days bucket might receive a letter reminding them to pay the outstanding balance. Accounts in the 60 days bucket, however, might get a call from a collection agent to discuss the balance and payment scenarios.

Using the Siebel application, administrators can query and create lists of delinquent accounts based on the number of days the account has been delinquent. Companies can also use the Siebel application in conjunction with third-party applications. For example, if a company uses a third-party application to track delinquent accounts, users can take lists generated by these applications and use the Siebel application to execute collection activities.

Administrators use the procedures in this chapter to set up collection activities, for example creating assignment rules, managing collection preferences and correspondence information, automating the cure process, and enabling workflows.

Collection agents, managers, or end users, use the Siebel application to view work summary information about delinquent accounts, execute collection tasks, and record skip trace, bankruptcy, and legal information related to delinquent accounts.

The following image shows the typical administrator and end-user procedures for Collection Management.



Administrator procedures for managing collections include the following:

1. Set up the collection campaign or task
2. Generate a campaign list
3. Set up a workflow.

End-user procedures for managing collections include the following:

1. Research delinquent accounts
2. Execute a collection campaign
3. Manage skip trace and impound service requests: Record skip trace, legal, and bankruptcy information.

Scenario for Collections

The following business scenario features sample tasks performed by a Siebel administrator and a collection agent. Your company may follow a different workflow according to its business requirements.

Siebel Administrator Checks for Delinquent Accounts

A Siebel administrator at a bank can use Siebel Automotive to monitor accounts that are 60 days delinquent and create a list of delinquent accounts. The administrator can then assign these accounts his team for collections follow up.

Bank Collection Agent Contacts Customers

A bank collection agent is calling customers whose accounts are 60 days delinquent. Prior to making her first call, she accesses the Collection Summary view to learn more about the customer's financial accounts and payment history. Her first call is to a customer who is 60 days delinquent on a vehicle loan. The collection agent views additional information by drilling down on the Account # link.

Using an automatic dialer, the collection agent calls the customer. After the call connects, the collection agent uses the call guide and summary information to explain the purpose of the call. The customer explains his situation to the collection agent and mentions scheduling a payment so the collection agent navigates to the Collections Promise to Pay view to record the promise. In this view, she can select several promises options, including single, two part, or long term. She can also enter the amount and date information for each promise to pay. The collection call ends.

In this scenario, an administrator is responsible for administering the Siebel Automotive application and requires administrative responsibilities to:

- Generate a list of delinquent accounts from either Siebel financial accounts, legacy applications, or Oracle Business Intelligence.

End users are collection agents. They enter information to:

- View summary information about delinquent accounts.
- Execute collection tasks by contacting customers having accounts that are past due and recording customer responses and payment promises.
- Record skip trace, bankruptcy, and legal information related to delinquent accounts.

End users are also collection managers. They review information to:

- View their agent's work summary information.
- Manage collection reassignments.
- Approve or reject repossession SRs.

Administering Collection Tasks

Siebel administrators can create a list of customers with delinquent accounts by querying the Siebel application database, or by importing an external list from a third-party application. In addition, the administrators define the collection assignments and reassignments, promise-to-pay preferences, and so on.

As a Siebel administrator, you can generate a delinquency list by:

- **Setting up a workflow.** Set up a workflow to calculate the total days due based in the financial account information and assign those accounts to a specific queue or agent. For more information, see *Siebel Business Process Framework: Workflow Guide* .

- **Using Oracle Business Intelligence.** Use Oracle Business Intelligence to track past due accounts and then import the list to the Siebel database. For more information, see *Oracle Business Intelligence Server Administration Guide* .

The following administrator procedures are described in this topic:

- [Activating Siebel Automotive Workflows](#)
- [Creating Assignment Rules for Collection Assignments](#)
- [Using Assignment Rules](#)
- [Managing Collections Preferences](#)
- [Managing Collection Correspondence Administration](#)
- [Automating the Cure Process](#)

Activating Siebel Automotive Workflows

You can save time and reduce keystrokes by using workflows to automate steps that are repeatedly performed by end users. For more information, see the *Siebel Business Process Framework: Workflow Guide* .

The following table describes the workflow types: repossession, promise-to-pay (PTP), cure process, skip trace, and impound. You can enable them for the Siebel Automotive application. For more information on how to activate these Workflow Processes, see *Siebel Business Process Framework: Workflow Guide* .

Workflow Names	Repossession	PTP	Cure	Skip Trace	Impound
Auto CF Collection - Update Cure Status	No	No	Yes	No	No
Auto CF Collection - Calculate DueDate Process	No	Yes	Yes	No	No
Auto CF Collection - Update PTP Broken Flag Process	No	Yes	No	No	No
Auto CF Collection - Update PTP Data Process	No	Yes	No	No	No
Auto CF Repossession Approval Request Process	Yes	No	No	No	No
Auto CF Repossession Approved Process	Yes	No	No	No	No
Auto CF Repossession Denied Process	Yes	No	No	No	No
Auto CF Repossession Package Sent Process	Yes	No	No	No	No
Auto CF Skip Impound Activity Process	No	No	No	Yes	Yes
Auto CF Update Follow-up Date Process	Yes	Yes	Yes	No	No

Workflow Names	Repossession	PTP	Cure	Skip Trace	Impound

Creating Assignment Rules for Collection Assignments

Within the Siebel application, the financial account is one of the data elements used to identify a lease or loan relationship with a customer. When a financial account becomes delinquent it becomes the responsibility of a collections agent. Administrators set up a workflow to calculate the total days due based in the financial account information and assign those accounts to a specific queue or agent. For more information about setting up workflows, see *Siebel Business Process Framework: Workflow Guide* .

All changes to accounts can be done in real-time by using Assignment Manager. The Siebel administrator can set up different criteria, for example Days Past Due, that is then used for assigning financial account information to a collector. Administrators first create assignment rules and then verify the rules in Collections - Assignments view. For more information about assignment rules, see *Siebel Assignment Manager Administration Guide* .

To create assignment rules, first you must activate the financial account, then you create the rule criterion for when an account is past due and so on. Perform the following procedures to create assignment rules for collection assignments.

To add assignment rules

1. Navigate to Administration - Assignment, then the Territories view.
2. To add a territory, in the Territories list, click New and complete the necessary fields.

Some fields are described in the table that follows.

Field	Comments
Territory Name	Name of the territory assignment rule. For example, Rule1_AutoCF
Objects to be Assigned	Financial Account
Activation	Set this to the current date of activation

3. To associate criteria to the rule, in the Criteria list, select New and complete the necessary fields.

Some fields are described in the table that follows.

Field	Comment
Rule Criterion	For example, Days Past Due or Related Financial Accounts Days Past Due
Inclusion	Include

Field	Comment
Score	<p>For example: 100, 0, or 80</p> <p>Based on scores, financial accounts are assigned to different collection agents. For more information about scores, see <i>Siebel Assignment Manager Administration Guide</i> .</p>

- To associate values to the past due rule, in the Values list, click New and complete the necessary fields. Some fields are described in the table that follows.

Field	Comment
Days Past Due Low	Enter the minimum amount of days that the financial account is past due, for example: 30.
Days Past Due High	Enter the maximum amount of days that the financial account is past due, for example: 45.

- To associate positions to the rule, in the Positions list, click New.
- In the Add Positions dialog box, select the employee you want to associate with the past due rule.

To view assignment rules

- Navigate to Administration - Collections, then the Collections Assignment view.
- In the Collections Assignments list, click Query.
- In the Assignment field, query for the Territory name you previously created. For example, Rule1_AutoCF
- If the record is present, your assignment rule is created.

You can modify the assignment rules at this time.

Note: You must be logged in as a collections manager or administrator to verify the rules created in the Assignment Administrator view.

Using Assignment Rules

After you have created the assignment rules, you must release them by performing the procedure that follows. Releasing assignment rules activates the rules and makes them usable. The assignment rules will not assign accounts based on rules however. For more information on assignment rules, see the *Siebel Assignment Manager Administration Guide* .

To release assignment rules

- Navigate to Administration - Collections, then the Collections Assignments view.
- In the Collections Assignments list, click Query.

3. In the Assignment field, query for the Territory name you want to use. For example, Rule1_AutoCF.
4. Click the Release button on the Collections Assignments applet
This rule is now activated. The rule can also be released from the Administration - Assignment, then the Territories view where it is created.

To assign accounts according to active assignment rules

1. Using the start task command, enter the following command to assign accounts according to the rules created:

```
"start task for comp AsgnBatch with AsgnMode="MatchAssign",
AsgnObjName="Financial Account", ObjWhereClause="where ASSET_NUM LIKE '<ACCOUNT
NAME>'"
```

where the <ACCOUNT NAME> is the name of the financial account.

2. If you want to assign all financial accounts which have names like "Collections1", "Collections2", "Collections3", and so on, the command would be as follows:

```
Start task for comp AsgnBatch with AsgnMode="MatchAssign", AsgnObjName="Financial
Account", ObjWhereClause="where ASSET_NUM LIKE 'Collections%'"
```

This assigns all accounts selected by the query in the statement based on all current active assignment rules.

To verify that the financial accounts are assigned

1. Navigate to Administration - Collections, then the Collections Reassignment view.
2. In the Employee list, Position field query to find the position.
For example, Managing Collections - Managing Collections Preferences
3. Verify the First Name and Last Name field.
When you select the record in the Employee list, the accounts that are associated with the positions appear at the end of the screen.

Managing Collections Preferences

Siebel administrators use this screen to define and update factors that determine how the collections process is executed, for example promise-to-pay preferences, PTP excluded dates, PTP followup dates, and default followup activities.

The following table describes the types of information, that is Preferences, PTP Follow-Up, PTP Excluded Dates, and Activity Follow-Up, that appears in the Collection Summary view.

Summary	Comments
Preferences	Describes the promise to pay preferences, for example dollar amount and time tolerance for the financial account.
PTP Follow-Up	Defines the followup days for broken PTP by method of payment.

Summary	Comments
PTP Excluded Dates	Lists the promise to pay excluded dates. Administrators can add dates to define their companies collections preferences.
Activity Follow-Up	Describes the followup activities, for example Inbound or Outbound Call.

To set up a promise-to-pay tolerance amount

1. Navigate to the Administration - Collections, then the Collections Preferences view.
2. In the Preferences form, complete the necessary fields.

Some fields are described in the following table.

Field	Comments
Tolerance Amount	The Tolerance Amount is the least amount of payment that the collection agent will tolerate from the customer. How much Tolerance (in Amount & %) can be given for a Promise to Pay for various accounts. Based on this tolerance, promise-to-pays can be broken if the amount received is in the limits of the tolerance on promised date. Therefore, the Tolerance Amount is a check to evaluate if PTP records are broken or not. The amount is the limit of tolerance.
Maximum Days in Future	10 (Promise-to-Pay Due Date Validation)
Not Today, Not on Sunday, Not on Saturday check boxes	Promise-to-Pay Due Date Validation
Min Days before Cure	Cure Process, Cure Duration (Days) For example 55
Wait before follow up	Repossession For example 2
Replace existing position	Manual Assignment Preferences Checked

To view system preferences for the Collections processes

1. Navigate to Application - Administration, then the System Preferences view.

- In the System Preferences list, query for *CF*. Collections Processes that have already been set up appears as described in the following table.

System Preference Name	System Preference Value
CF_CURE_DURATION	10
CF_CURE_TOLERANCE_DAYS	55
CF_PTP_FUTURE_DAYS_MAX	10
CF_PTP_NOT_SATURDAY	Y
CF_PTP_NOT_SUNDAY	Y
CF_PTP_NOT_TODAY	Y
CF_PTP_TOLERANCE_AMNT	1.00
CF_REPLACE_EXIST_POS	Y
CF_REPO_FOLLOW_UP	2

To set up PTP excluded dates

- Navigate to the Administration - Collections, then the Collections Preferences view.
- In the PTP Excluded Dates list, create a new record and complete the necessary fields. Some fields are described in the following table.

Field	Example
Name	Christmas
Excluded Date	12/25/05

To set up a promise to pay followup definition

- Navigate to the Administration - Collections, then the Collections Preferences view.

2. In the PTP Follow-Up list, create a new record and complete the necessary fields.
Some fields are described in the following table.

Field	Examples
Method of Payment	Western Union, Cheque by Phone, Mail, Overnight Mail.
Number of Days	The default is set to 1.

To set up an activity followup definition

1. Navigate to the Administration - Collections, then the Collections Preferences view.
2. In the Activity Follow-Up list, create a new record and complete the necessary fields.
Some fields are described in the following table.

Field	Examples
Activity Type	Call - Inbound, Call Outbound, and so on
Activity Disposition	Left Message, No Answer, PTP, or Other.
Number of Days	The default is set to 1.

Managing Collection Correspondence Administration

The information captured in the Correspondence Administration view can be used to automate the cure process. Associated with the financial account, the Collections Correspondence Administration view provides the ability to select and automatically generate predefined correspondence utilizing defined templates and selection criteria.

To set up correspondence rules

1. Navigate to Administration - Collections, then the Correspondence Administration view.
2. In the Correspondence list, click New and complete the necessary fields.

Some fields are described in the following table.

Fields	Example
Name	CA_Rule1

Fields	Example
State	CA
Type of Letter	Cure
Asset Finance	Select any value from the pop up applet
Cure Length	15
Cure Comments	Letter sent only once
Bankruptcy	Active
Recipient	Holder
Template	Template for Cure

Automating the Cure Process

Letters can be generated for Cure and Notification of Sales (NOS) events. Triggering letter generation through a button click initiates the business service method to call the cure letter generation. Administrators create the correspondence template and define rules before generating the cure letter and then they monitor accounts that meet cure conditions.

Administrators send cure letters to customers who are in default, typically these type of letters explain that their account is delinquent before initiating a vehicle repossession process. In addition to this type of generic letter, administrators can also send letters for notice of sale after repossessing a car from a customer. Administrators first create a correspondence template for these types of letters using Word. Next they add the template to the Correspondence Templates view and then associate the template to existing rules. To select the appropriate template and generate the letter, perform the procedures that follow.

To add correspondence templates

1. Navigate to Administration - Document, then the Correspondence Templates view.
2. In the Templates list, click New File.
3. In the Choose File dialog, select the template file and click Open.
4. Repeat the previous steps for each template you want to add.

To associate correspondence templates to rules

1. Navigate to Administration - Collections, then the Correspondence Administration view.
2. Query for the rule that you want to associate the template with, for example Auto_CF*.
3. Select the record, in the Template field, click the multiple select button to select the correspondence template.
4. Repeat the previous steps for each correspondence template you want to associate to a rule.

End-User Procedures for Collections

Collection agents, managers, or end-users review, understand, and act in the context of controlled, closed loop processes, capturing action and followup dates for each step in the process, compiling a full history of collections interaction with the customer. Because collection agents work with many accounts, they need to be able to quickly review summary account information about a financial account's collection status and contextual access to the appropriate next steps.

The collection agent can then make sure that all delinquent financial accounts for a given customer are assigned to the same collections agent, avoiding misinformation, confusion, and redundant customer contact.

For example, if a customer with multiple accounts appear on two different lists or is assigned to two different positions then the assignment of the second account, the account in the lower bucket is assigned to the collector responsible for the customer's account that falls in the higher bucket.

The following end-user procedures are described in this topic:

- *Reviewing Account Summary and Related Account Information*
- *Managing Collection Reassignments*
- *Executing Collection Tasks*
- *Capturing Promise-to-Pay Records*
- *Managing the Cure Process*
- *Managing the Repossession Process*
- *Managing Skip Trace and Impound Service Requests*
- *Managing Insurance Information*

Reviewing Account Summary and Related Account Information

Before calling an account in a collection task, agents use the Collection Summary list view to review historical information about an account. After logging in to the application, agents go to Work Summary list to check current status and see if it is correct. Likewise, managers review the Manager Work Summary list view to see which accounts have already been assigned and which accounts remain unassigned by agent.

To view work summaries

1. Navigate to the Financial Accounts, then the Work Summary view.

The following table describes the types of information appearing in the Manager Work Summary view.

Summary	Comments
Accounts Assigned	Total number of accounts assigned to the collection agent.
Accounts Worked	Number of accounts the collection agent has worked on so far. For example, created PTPs for some accounts, leaves messages for another account, and so on.
Accounts Remaining	Number of accounts remaining to be worked on.
Messages Left	Total number of messages that the collection agent leaves for all accounts that they have worked on so far.
Promises Made	Total number of promise-to-pay records created by the collection agent for all the accounts worked on so far.

2. Click Refresh to get the most up-to-date work summary information.

To view manager work summaries

1. Navigate to the Financial Accounts, then the Manager Work Summary view.
2. In the Employees list, select the collection agent you wish to view the work summary for.

The following table describes the types of information appearing in the Manager Work Summary view.

Summary	Comments
Accounts Assigned	Total number of accounts assigned to the selected collection agent.
Accounts Worked	Number of accounts the selected collection agent has worked on so far. For example, created PTPs for some accounts, leaves messages for another account, and so on.
Accounts Remaining	Number of accounts remaining to be worked on by the selected collection agent.
Messages Left	Total number of messages that the selected collection agent leaves for all accounts that they have worked on so far.
Promises Made	Total number of promise-to-pay records created by the selected collection agent for all the accounts worked on so far.

3. Click Refresh to get the most up-to-date work summary information.

To view related accounts

1. Navigate to the Financial Accounts, then the Financial Account List view.
2. Drill down on the Account # field link of the selected record.
3. Click the Collections view tab, and then click the Related Accounts link.
4. Scroll down to the end of the page to see the Related Accounts list.
5. To view the related account, drill down on the Financial Account # field link.

Managing Collection Reassignments

Collection managers use this screen to select and reassign financial accounts in real time.

Workload and skills in the collection department are dynamic. It is often necessary for the manager to reassign one or more financial accounts from one collection agent to another on a temporary or permanent basis, and therefore overriding prior rules based assignment.

To reassign a financial account

1. Navigate to the Administration - Collections, then the Collections Reassignment view.
2. In the Account # list, select the records you want to reassign.
3. Click Reassign.
4. In the Pick Position dialog box, select the employee you would like to reassign the records to, and then click OK.

Executing Collection Tasks

After agents have reviewed background information about a financial account, they can start the collection tasks by calling the customer. For more information on viewing collection summaries, see *Reviewing Account Summary and Related Account Information* and *Managing Collection Reassignments*.

To view delinquent accounts

- Navigate to the Financial Account, then the Delinquent Title List view.

To execute collection tasks

1. Navigate to the Financial Accounts, then the Financial Accounts list view.
2. Drill down on the Account # field link, and then click the Collection view tab.
3. In the Activities list, create an activity record to record the customer's response to the collection call.
4. If the customer makes a payment promise, enter this information.

For more information about capturing a promise to pay, see *Capturing Promise-to-Pay Records*.

Capturing Promise-to-Pay Records

One of the important events in the collections process is capturing a promise to pay (PTP) for delinquent accounts. A PTP is a trackable promised amount of money to be paid by the customer. It includes a planned date of payment, in addition to the expected mode of payment. Breaking a promise represents a breach of trust, and is a flag for immediate escalation of collections activity.

The Siebel Automotive application supports the process of capturing a customer's PTP, recording the detail, and ensuring follow up to determine whether the promise is kept or broken. Through a workflow in the Siebel application, the application can also determine if a particular promise is broken or not. This requires that payment transactions exist in the Siebel application or are brought into the Siebel application.

Perform the following procedures to a capture promise-to-pay records.

To record call activities

1. Navigate to the Financial Accounts, then the Financial Account List view.
2. Drill down on the Account # field link, and then click the Collection view tab.
3. In the Activities list, click New and complete the necessary fields.
Some fields are described in the table that follows.

Field	Examples
Type	Call-Outbound
Description	Enter a description for the activity, for example Call to Adrian Monk for PTP
Sub-Type	Select Left Message

To record a promise to pay

1. Navigate to the Financial Accounts, then the Financial Account List view.
2. Drill down the Account # field link, and then click the Collections view tab.
3. In the Collection Summary list, click New and complete the necessary fields.
Some fields are described in the table that follows.
4. Verify that a new activity record is created in the Activities list applet on saving the PTP record in the Collection Summary applet.
The fields for this are automatically created activity as described in the following table:

Field	Comments
Type	Call-Inbound or Call-Outbound based on the value selected for the new PTP

Field	Comments
Sub-Type	PTP taken
Status	Done

- To record multiple promise-to-pay records, repeat the previous two steps for each record.

To capture a transaction for promise-to-pay records

- Navigate to the Financial Accounts, then the Financial Account List view.
- Drill down on the Account # field link, and then click the Transaction Detail view tab.
- Click New, and then complete the necessary fields.

Some fields are described in the following table.

Field	Example
Amount	Enter the amount the customer has agreed to pay
Post Date	Current Date
Item Type	How the customer as agreed to pay, for example Check
Item	The Item # is used to identify the transaction in the transaction details view. The Item # is the actual Item # of the Item Type and it needs to be manually entered.

When the transaction is collected that Status changes from Active to Inactive. If the customer only paid a partial amount, the Status stays Active.

To view an account's promises summary information

- Navigate to the Financial Accounts, then the Financial Account List view.
- Drill down on the Account # field link, and click the Promises Summary view tab to view more detailed collection information.

Managing the Cure Process

Companies send cure letters to a customer who is in default, that is their account is delinquent, before initiating vehicle repossession process. In addition to this letter, companies also send a letter for notice of sale after repossessing a car

from the customer. The requirement for sending the different types of letters is driven by state government legislations. Through a letter administration view, Siebel collection agents can provide a captive to capture the rules and templates for these letters.

Through parameters set in Collections Administration, time fences and activities which vary state by state are defined. Correspondence is then initiated by the collection agent, triggering a business process that validates applicability, timing, selection of the proper template, and generation of the letter.

To generate the cure process

1. Navigate to the Financial Accounts, then the Financial Account List view.
2. Drill down on the Account # field link for the selected record.
3. Click the Collections view tab, and then click the Correspondence link.
4. In the Correspondence list, select the record and click Generate Cure Letter.

A letter is generated and a record is created in the Correspondence.

To generate notice of sale letter

1. Navigate to the Financial Accounts, then the Financial Account List view.
2. In the Financial Accounts list, query for the account for whom the letter for notice of sale needs to be generated, and then drill down on the Account # field link.
3. Click the Collections view tab, and then click the Correspondence link.
4. In the Correspondence list, select the record and then click Generate NOS Letter.

Managing the Repossession Process

A vehicle is repossessed when it is determined that due payments cannot be recovered from a customer. A collection agent first determines if repossession should happen. Before repossession is initiated, multiple steps of promise to pay (PTP) and Cure Letter generation must have been executed. A senior collection agent or collection manager must approve the repossession process. An external agency executes the repossession of vehicles.

Note: You cannot add new repossession agencies in the Repossession Agencies view. The only way to add new agencies is from the Partner List view.

To add repossession partners

1. Navigate to the Partners, then the Partner List view.
2. In the My Partners list, click new and complete the necessary fields.
3. To verify that the partner was added, navigate to Repossession, then the Repossession Agencies view, and in the My Agencies list, query for the Repossession partner created in the previous step.

To add an agency employee

1. Navigate to the Repossessions, then the Repossessions Agencies view.
2. In the My Agencies list, select or query for the agency for which you need to add an employee to.
3. Drill down on the Agency Name field link, and then click the Agency Employees view tab.

4. Click new and complete the necessary fields.

To add repossession SRs

1. Navigate to the Financial Accounts, then the Financial Account List view.
2. Drill down on the Account # field link, and then click the Collections view tab.
3. Click the Repossessions SR link.
4. In the Repossessions SR list, click new and complete the necessary fields.

Some fields are described in the following table.

Field	Example
Send to For Approval	Login Person's Manager
Repossession Agency	The name of the agency
Area	Rep Vehicle
Sub Area	Rep Vehicle
Asset # / VIN	This is a vehicle identification number (VIN) that is populated from the financial account record.

5. To view the Repossessed Vehicle, drill down on the SR # field link.

To create another activity to continue repossession for the SR

1. Navigate to the Service Request, then the Service Requests List view.
2. Drill down on the SR # field link, and then click the Repossess Vehicle view tab.
3. In the Activities list, query for Sub-Type: Rep Denied and Type: Request for Repossession.
4. Click New, and complete the necessary fields.

Some fields are described in the following table.

Field	Example
Type	RepApproval Request
Description	Continuing repossession after reviewing account again... please approve this time!
Priority	1-High
Owner	Collection Manager

To record details about the repossession service request

1. Navigate to the Service Request, then the Service Requests List view.
2. In the My Service Request list, query for the SR #, account, summary that you want to approve.
For example, in the Summary field query for *Rep* to find accounts that have been repossessed.
3. Drill down on the SR # field link, and then click the Repossess Vehicle view tab.
4. In the Activities list, in the Type field query for type of detail you want to record.
5. To approve, in the Sub-Type field, select Repossession Approved.
6. To deny the Approval Request, change Sub-Type field to Denied.
7. To send a package, the Sub-Type field, select Package Sent.

To complete the repossession process

1. Navigate to the Activities, then the Activities List view.
2. In the Type field, query for Follow-Up.
3. In the Status drop-down list, select Done.
4. Navigate to Financial Accounts, then the Financial Account List view.
5. Drill down on the Account # field link for the account you wish to view.
6. Click Collections, then the Repossession SRs.
7. In the Repossessions SRs list, click New and complete the necessary fields.

Some fields are described in the following table.

Field	Example
Repossession Fee	\$2902
Repossessed Date	Current date

Managing Skip Trace and Impound Service Requests

Collection agents can use the following view tabs to record skip trace, bankruptcy, and legal information:

- **Skip Trace.** Companies who are unable to contact or locate a delinquent customer, rely on a skip trace agency to track down a customer. End users can use the Skip Trace view tab to record the results of skip trace report.

Skip Trace has been created with an associated template for capture of details required to initiate skip trace activities internally or externally. Association with Siebel Activity Plans enables automatic creation of default activities associated with the Skip Trace process. Assignment Manager operates on Skip Trace SR and associated activities to assign the appropriate Internal or external resources.

- **Impound.** Occasionally an government agency seizes a vehicle for various reasons, for example if a vehicle is used for illegal purposes. At other times a customer may abandon a vehicle somewhere or not pick up a

vehicle from a repair shop. During this time, the government agencies or repair shop informs the finance company (legal owner of vehicle when a vehicle is leased) and the finance company then manages the process of securing the vehicle.

- **Bankruptcy.** If a customer files for bankruptcy, end users can use the Bankruptcy view tab to track bankruptcy information.
- **Legal.** If a customer account becomes delinquent, end users can use the Legal view tab to track information about delinquent accounts.

Most delinquent account situations are resolved through initial contact with the customer, acceptance and fulfillment of a promise to pay (PTP). However seriously delinquent accounts present additional challenges to companies and often require legal or outside-party involvement. There are four primary directions to take as follows:

- **Referral to an outside collections agency.** For more information, see the procedure on how to assign a service request to a outside partner that follows.
- **Initiation of skip trace activities.** An example of a skip trace activity is trying to locate a debtor who cannot be reached through existing contact information. For more information, see the procedure on record skip trace information that follows.
- **Processing impound notifications.** Often impound notifications arise when physical possession of a vehicle against which collections activities are in process, for example abandonment at a repair facility or impound by police. For more information about impound service requests, see the procedure on how to add impound service requests that follows.
- **Repossession of the vehicle from the debtor.** For more information about repossessing vehicles, see *Managing the Repossession Process*.

To record skip trace information

1. Navigate to the Financial Accounts, then the Financial Accounts List view.
2. In the Financial Accounts list, query to find the account you want to record skip trace information.
3. Drill down on the Account # field link, and then click the Collections view tab, then the Skip Trace SRs link.
4. In the Skip Trace list, click New and complete the necessary fields.

To record impound information

1. Navigate to the Financial Accounts, then the Financial Accounts List view.
2. In the Financial Accounts list, query to find the account you want to record skip trace information.
3. Drill down on the Account # field link, and then click the Collections view tab, then the Impound SRs link.
4. In the Impound SR list, click New and complete the necessary fields.

Some fields are described in the table that follows.

Field	Comments
Summary	Add a summary for the Impound SR, for example Impound initiated for customer ABC.
Asset #	The Serial # of the selected record that appears in the field. Select the appropriate Asset #.

5. To enter vehicle information, drill down on the SR # field link.
6. In the Auto CF Impound Vehicle Request form, complete the necessary fields.

Some of the fields might already be filled, in that case, verify that the vehicle information is correct.

To record legal information related to a delinquent account

1. Navigate to the Financial Accounts, then the Financial Accounts List view.
2. In the Financial Accounts list, drill down on the Account # field link you want to view.
3. Click the Legal view tab.
4. In the Legal form, complete the necessary fields.

Managing Insurance Information

Companies must track the insurance policy associated with the vehicle. Absence of a valid insurance policy triggers activity, often thought the collections organization, to contact the customer and secure proof of insurance, or ultimately to secure insurance of the customer's behalf at the customer's expense. Using the Siebel Automotive application, collection agents keep track of a customer's insurance policy by associating the insurance policy to a financial account.

To associate insurance policies with financial accounts

1. Navigate to the Financial Accounts, then the Financial Accounts List view.
2. In the Financial Accounts list, drill down on the Account # field link you want to view.
3. Click the Collection view tab, and then click the Insurance link.
4. In the Insurance list, create a new record and complete the necessary fields.

Some of the fields are described in the table that follows.

Field	Comments
Start Date	Enter the current date and time.
Expiration Date	Enter a future date.
Has Needed Coverage	Checking this check box indicates that the account has needed coverage.
Deductible Below Maximum	Checking this check box indicates that the account deductible is less than the maximum.
Number	Example Potter1213
Company Name	Select the company name of the insurance company for the account.

To add insurance contact information to financial accounts

1. Navigate to the Financial Accounts, then the Financial Accounts List view.
2. Select the financial account you which you add insurance contact information to.
3. In the Financial Accounts form, click New and complete the necessary fields.

9 Managing Vehicles

Managing Vehicles

This chapter provides information about standard Siebel Automotive functionality for vehicle management. It consists of the following topics:

- *Vehicles in Siebel Automotive*
- *Scenario for Working with Vehicles*
- *Vehicles Process Workflow*
- *Entering Vehicle Records*
- *Process of Managing Vehicle Records*
- *Editing a Vehicle Record*
- *Changing Vehicle Status*
- *Deleting a Vehicle*
- *Updating Vehicle Service History*
- *Managing Vehicle Financial Details*

Note: Your company's application configuration and business processes may differ from the procedures or business scenarios presented in this chapter.

Vehicles in Siebel Automotive

In Siebel Automotive, vehicles are a specialized kind of asset. Vehicles can be owned by an account, a dealer, or an individual contact. Vehicles can also be associated in relationships other than ownership. Every vehicle is an instance of a defined product.

Scenario for Working with Vehicles

This scenario is an example of a workflow performed by the administrator and end user. Your company may follow a different workflow according to its business requirements.

A call center representative for an automotive manufacturer receives an inbound call from a customer who has a question about getting service for his car. The call center representative asks the caller for the vehicle's VIN, but he does not know it. She searches on his last name and phone number in the Contacts view, and then she goes to the Contact Vehicles view to find that two vehicles are associated with this contact. From the vehicle make and model, she identifies the correct vehicle identification number (VIN) and drills down on the VIN to access the Vehicles screen.

Note: The VIN is unique for each vehicle.

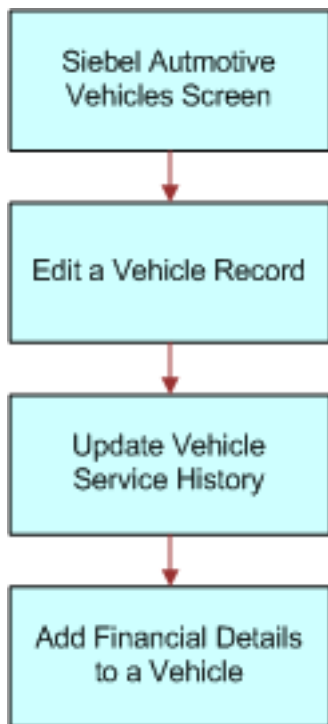
On the Vehicles screen, the call center representative finds detailed information about the vehicle, such as where and when it was built, its service and transaction history, and the individual contacts and accounts that are associated with the vehicle.

Vehicles Process Workflow

The following image illustrates the end-user workflow for working with vehicles, and it includes the following steps:

1. Edit a Vehicle Record
2. Update Vehicle Service History
3. Add Financial Details to a Vehicle

Go to the Siebel Automotive Vehicles Screen to carry out each of these tasks.



Note: For information about procedures not covered in this book, such as updating contact and account information, see *Siebel Applications Administration Guide* . For information about multiorganization and position visibility, see *Siebel Security Guide* .

Entering Vehicle Records

Most vehicle records are entered into Siebel Automotive through EIM rather than through manual entry. End users follow this procedure to manually enter a vehicle record. It includes a table that lists and describes selected fields that are specific to vehicles.

To view, edit, create, and delete a vehicle

1. Navigate to the Administration - Vehicle screen.
2. In the Vehicles list, add, edit, or delete a record.

Process of Managing Vehicle Records

To manage vehicle records, end users perform the following tasks:

1. *Editing a Vehicle Record*
2. *Changing Vehicle Status*
3. *Deleting a Vehicle*
4. *Updating Vehicle Service History*
5. *Managing Vehicle Financial Details*

Editing a Vehicle Record

Use this procedure to make changes to vehicle records. End users cannot add or delete vehicles.

This task is a step in *Process of Managing Vehicle Records*.

To edit a vehicle record

1. Navigate to the Vehicles screen.
2. Click the VIN link for a selected vehicle record.
3. Make changes to the record as needed.
4. Click the More Info tab to edit additional information for the vehicle.

Note: For fleet information, click a VIN link, and then click More Info. In the Fleet Information field, the Fleet check box is a flag set to identify whether a vehicle belongs to Fleet or not, the Company field is the fleet company to which the vehicle belongs, and Fleet Type is the type of fleet the vehicle belongs to, such as, rental, ambulance, and so on.

Related Topics

Changing Vehicle Status

[Deleting a Vehicle](#)

[Updating Vehicle Service History](#)

[Managing Vehicle Financial Details](#)

Changing Vehicle Status

Use this procedure to change the status of a vehicle from Allocated to Available using the Vehicle Administration screen. This view should not ordinarily be used; it exists only to correct errors when a vehicle has been removed from a quote, but its Status field is still Allocated.

This task is a step in [Process of Managing Vehicle Records](#).

For more information about vehicle allocation, see [Allocating Vehicles to a Quote](#).

To change the status of a vehicle

1. Navigate to the Administration - Vehicle screen.
2. Drill down on the VIN field link for a selected vehicle record.
3. Click the More Info view tab.
4. In the Inventory Information section, select the new status from the Status field drop-down list.

Related Topics

[Editing a Vehicle Record](#)

[Deleting a Vehicle](#)

[Updating Vehicle Service History](#)

[Managing Vehicle Financial Details](#)

Deleting a Vehicle

Use this procedure to delete a vehicle.

This task is a step in [Process of Managing Vehicle Records](#).

To delete a vehicle

1. Navigate to the Administration - Vehicle screen.
2. Select a vehicle record, and click Delete.

Related Topics

[Editing a Vehicle Record](#)

[Changing Vehicle Status](#)

[Updating Vehicle Service History](#)

[Managing Vehicle Financial Details](#)

Updating Vehicle Service History

Use this procedure to view, edit, create, and delete service history for a vehicle.

This task is a step in [Process of Managing Vehicle Records](#).

To view, edit, create, and delete vehicle service history

1. Navigate to the Administration - Vehicle screen.
2. Drill down on a VIN.
3. Click Service History.
4. In the Service History list, add, edit, or delete records.

Note: To edit a service history record, select the record from the Service History list, and make any changes as needed.

Related Topics

[Editing a Vehicle Record](#)

[Changing Vehicle Status](#)

[Deleting a Vehicle](#)

[Managing Vehicle Financial Details](#)

Managing Vehicle Financial Details

Use this procedure to view, edit, create, and delete details about a vehicle's lease, loan, or cash payment options.

This task is a step in [Process of Managing Vehicle Records](#).

To view, edit, create, and delete financial details for a vehicle

1. Navigate to the Administration - Vehicle screen.
2. Drill down on the VIN field link for a selected vehicle record.
3. Click the Financial Detail view tab.
4. In the Financial Detail list, add, edit, or delete records.

Note: Depending on the Financing Type, the Financial Details form displays different fields. For example, if the Financing Type is Lease, the lower form displays tax rate percentages, monthly payments, and capitalization information; if the Financing Type is Cash, the lower form displays capitalized cost reductions and additions and total cost information.

Related Topics

[Editing a Vehicle Record](#)

[Changing Vehicle Status](#)

[Deleting a Vehicle](#)

[Updating Vehicle Service History](#)

10 Managing Products

Managing Products

This chapter provides information about standard Siebel Automotive functionality for product management. It consists of the following topics:

- *Types of Products*
- *About the List of Valid Vehicle Options*
- *Scenario for Working with Automotive Products*
- *Products Process Workflow*
- *Process of Managing Products*
- *Managing a Product's Information*
- *Associating Valid Options with a Product*
- *Adding Product Features and Specifications*

Note: Your company's application configuration and business processes may differ from the procedures or business scenarios presented in this chapter.

Types of Products

There are two main types of products in Siebel Automotive:

- Products of Type Vehicle and Type Option.
- Product of Type Option can be associated with a product of Type Vehicle.

Once this association has been made, the options associated with the vehicle product become valid options for the vehicle product.

Both vehicle and option products have their own distinct sets of features and specifications, which can be edited by the administrator.

About the List of Valid Vehicle Options

A list of valid options displays in the options view of the Vehicle screen. These valid options come from the product on which the vehicle has been based. You can select options for that particular vehicle from this list of valid options.

In Siebel Automotive, products may be vehicle models, options, or groups of options associated with a product.

Note: The Products screen displays information about hypothetical products that have no physical instance, while the Vehicles screen provides information about specific, physical vehicles. A product is an idea or a concept, while a vehicle is something real that can be driven, serviced, and sold to customers.

To effectively set up products and their associated attributes, follow the workflow process that is described in *Siebel Product Administration Guide* before performing procedures in this chapter.

Scenario for Working with Automotive Products

This scenario is an example of a workflow performed as an administrator. Your company may follow a different workflow according to its business requirements.

Administrator tasks, such as setting up products, specifications, features, and options must all be performed prior to the following business scenario.

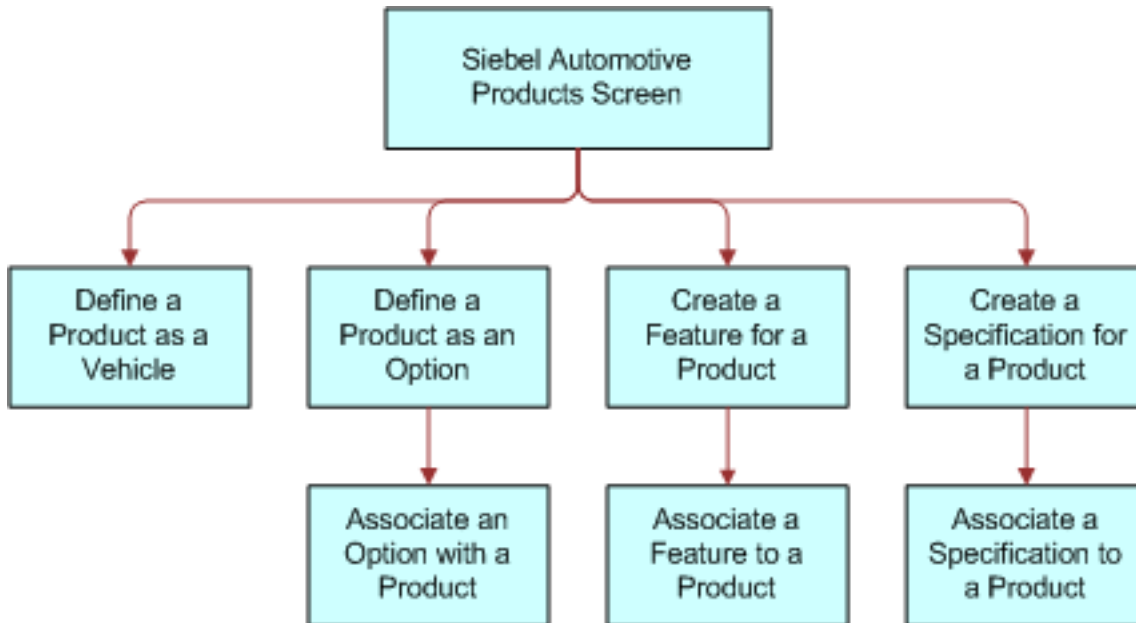
A customer buys a new car from a dealership. There were three valid options for the product: CD player, cassette player, and sunroof. The customer chose only the cassette player and the sun roof. The sunroof and cassette player are the options for the vehicle. All three are valid options for the product and vehicle.

Products Process Workflow

The following image illustrates the administrator workflow for working with products, and it includes the following steps:

- Define a Product as a Vehicle
- Define a Product as Option, then Associate an Option with a Product
- Create a Feature for a Product, then Associate a Feature to a Product
- Create a Specification for a Product, then Associate a Specification to a Product

Go to the Siebel Automotive Products screen to carry out each of these tasks.



Note: For more information on initial set up for products, see *Siebel Product Administration Guide* .

Process of Managing Products

After a product has been created, you can define the features, specifications, and options for a product through the Product Administrations screen. Defining these attributes allows end users to view and use information about a product in a sales or service interaction with a potential customer.

To manage products using Siebel Automotive, perform the following tasks:

1. *Managing a Product's Information.*
2. *Associating Valid Options with a Product.*
3. *Adding Product Features and Specifications.*

Managing a Product's Information

Use this procedure to view, edit, create, and delete a product. You can define product information about options, features, and specifications.

Note: The fields in the More Info view change according to what is chosen in the Type field on the Product form.

This task is a step in *Process of Managing Products*.

To view, edit, create, and delete a product as a vehicle

1. Navigate to the Administration - Product screen.
2. In the Products form, add, edit, or delete records.

Related Topics

[Associating Valid Options with a Product](#)

[Adding Product Features and Specifications](#)

Associating Valid Options with a Product

For an option to be associated with a vehicle as an installed option, you must first associate an optional product with the vehicle's product definition as a valid option.

This task is a step in [Process of Managing Products](#).

Related Topics

[Managing a Product's Information](#)

[Adding Product Features and Specifications](#)

Defining a Product as an Option

Use this procedure to define a product as an option.

This task is a step in [Associating Valid Options with a Product](#).

To define a product as an option

1. Navigate to the Administration - Product screen.
2. Create a new record.
3. In the Type field, select Option.
4. If the newly defined option is to be associated with one or more vehicles, click Create Asset.
5. Complete the fields as necessary.

Related Topic

[Associating an Option with a Product of Type Equal to Vehicle](#)

Associating an Option with a Product of Type Equal to Vehicle

Use this procedure to associate an option with a product of type equal to vehicle.

This task is a step in [Associating Valid Options with a Product](#).

To associate an option with a product of Type equal to Vehicle

1. Navigate to the Administration - Product screen, then the Valid Options view.
2. In the Valid Options list, add, edit, or delete records.

Related Topic

Associating an Option with a Product of Type Equal to Vehicle

Adding Product Features and Specifications

Use this procedure to add features and specifications that are related to an automotive product. This information is for the supply sales and service personnel.

This task is a step in *Process of Managing Products*.

Note: You must create features and specifications before adding them to a specific product.

Working with Product Features

Use this procedure to view, edit, create, and delete a feature for a product.

This task is a step in *Adding Product Features and Specifications*.

To view, edit, create, and delete a feature for a product

1. Navigate to the Administration - Product screen, then the Product Features view.
2. In the Product Features list, add, edit, or delete records.

Associating a Feature with a Product

Use this procedure to associate a feature with a product.

This task is a step in *Adding Product Features and Specifications*.

To associate a feature with a product

1. Navigate to the Administration - Product screen, then the Products view.
2. Drill down on the Name field link for a selected product record.
3. In the Administration - Product link bar, click the Features link.
4. In the Features list, create a new record.
5. In the Category field, select the category for the feature you just created in *Working with Product Features*.
6. Complete the fields as necessary.

Working with Product Specifications

Use this procedure to view, edit, create, and delete a specification for a product.

This task is a step in *Adding Product Features and Specifications*.

To view, edit, create, and delete a specification for a product

1. Navigate to the Administration - Product screen, then the Specifications view.
2. In the Specifications list, add, edit, or delete records.

Associating a Specification with a Product

Use this procedure to associate a specification with a product.

This task is a step in *Adding Product Features and Specifications*.

To associate a specification with a product

1. Navigate to the Administration - Product screen, then the Products view.
2. Select the product record that you want to associate a specification with.
3. In the Administration - Product link bar, click the Specifications link.
4. In the Specifications list, create a new record.
5. In the Category field, select the category for the specification you just created in *Working with Product Specifications*.
6. Complete the fields as necessary.

11 Associating Vehicles with Opportunities

Associating Vehicles with Opportunities

This chapter provides information about standard Siebel Automotive functionality for opportunity management. It consists of the following topics:

- *About Opportunities*
- *Associating a Vehicle with an Opportunity*

Note: Your company's application configuration and business processes may differ from the procedures or business scenarios presented in this chapter.

About Opportunities

In Siebel Automotive, an *opportunity* is a potential revenue-producing event. An opportunity often has a close date, a win probability, and a sales team.

Many of the procedures for working with opportunities can be found in *Siebel eSales Administration Guide*. A procedure that is specific to Siebel Automotive is adding revenue information to an opportunity.

Associating a Vehicle with an Opportunity

Use this procedure to associate a vehicle, vehicle model, and product line with an existing opportunity.

To associate a vehicle with an opportunity

1. Navigate to the Opportunities screen, then the Opportunities List view.
2. Drill down on the Opportunity Name field link for a selected opportunity record.
3. Click the Revenues view tab.
4. In the Revenues link bar, click the List link.
5. In the List, add, edit, or delete records.
6. Complete the fields as necessary.

Some fields are described in the following table.

Field	Description
Revenue	Amount expected to make from the opportunity.

Field	Description
Probability %	Probability of the opportunity.

12 Setting Up Households

Setting Up Households

This chapter provides information about standard Siebel Automotive functionality for household management. It consists of the following topics:

- *About Households*
- *Scenario for Working with Households*
- *Process of Working with Households*
- *Viewing Vehicles Associated with a Household*
- *Associating Team Members with a Household*

Note: Your company's application configuration and business processes may differ from the procedures or business scenarios presented in this chapter.

About Households

Households are entities comprising individual consumers or contacts that are economically affiliated and who share common purchasing or service interests. The Households screen provides information on households and the relationships that contacts have with households.

Households are optional and are not required to effectively use Siebel Automotive; however, if your company plans to target marketing and sales campaigns to a demographic group of potential customers, then household information may be valuable to marketing, sales, and service managers.

Through the association of contacts with households, Siebel Automotive allows marketing and service managers to see vehicles, opportunities, and service requests associated with household members. Managers can also use Oracle Business Intelligence to segment household data to target households that meet various demographic and purchasing trend criteria.

Scenario for Working with Households

This topic provides a scenario for business-to-consumer selling. The order in which the procedures are performed may vary based on your company's business practices.

A sales representative at an auto dealership sold a vehicle to a customer who is a stockbroker with a high income and net worth. The sales representative entered the customer as a contact, qualified the opportunity, and then associated activities with the sales opportunity. The representative also created a household and associated it with the customer as the primary contact.

The representative learned that the customer's wife and college-aged daughters own and drive a total of three vehicles. The daughters now share a vehicle, but because they are going to different colleges, the household needs to add a vehicle. The sales representative enters the information into Siebel Automotive and sends product literature with a letter inviting the customer and his family to come test drive a new vehicle.

Process of Working with Households

End users, primarily sales and service representatives, work with households in Siebel Automotive. How an end user proceeds depends on whether he is working with an existing household or setting up a new one. If the household exists, the end user can associate it with a contact from the Household screen, but all other associations must be made from the Contacts screen.

Note: Application administrator procedures that are specific to their job role are described in *Siebel Applications Administration Guide*. Additionally, application administrators may perform end user procedures described in this chapter.

To work with households, end users perform the following tasks:

1. *Viewing Vehicles Associated with a Household*
2. *Associating Team Members with a Household*

Viewing Vehicles Associated with a Household

Use this procedure to view vehicles associated with a contact, which may belong to a household. Vehicle information can provide household trends about make, model, and other vehicle features within a household.

This task is a step in *Process of Working with Households*.

To view vehicles associated with a household

1. Navigate to the Households screen, then the List view.
2. Drill down on the Name field link for a selected household record.
3. Click the Vehicles view tab.

Related Topic

Associating Team Members with a Household

Associating Team Members with a Household

Use this procedure to associate sales and service team members with a household in order to add and qualify opportunities and perform followup sales, marketing, and service procedures.

Note: The first team member added to a household is marked as the primary access. Only one team member for each household can have primary access. Click in the Primary field of the team member who has primary access to change the primary access for a household.

This task is a step in *Process of Working with Households*.

To associate team members with a household

1. Navigate to the Households screen, then the List view.
2. Select a household record.
3. In the Team field, add one or more team members.

Related Topic

- *Viewing Vehicles Associated with a Household*

13 Managing Quotes

Managing Quotes

This chapter provides information about quote management Siebel Automotive functionality that application administrators and end users can use to manage quotes in their daily job roles. It consists of the following topics:

- *About Quotes*
- *Scenario for Working with Automotive Quotes*
- *Quotes Process Workflow*
- *Process of Creating Quotes*
- *Setting the Price List for Quotes*
- *Creating Quotes*
- *Copying or Revising a Quote*
- *Allocating Vehicles to a Quote*

Note: Your company's application configuration and business processes may differ from the procedures or business scenarios presented in this chapter.

About Quotes

A *quote* is a formal offer for products or services proposed at specific prices and related payment terms that are sent to prospective customers.

Quotes are used to give the individual or business customer a representation of the total cost for vehicles and services they are considering. A customer service representative can give the customer a quote that is structured to meet his or her requirements.

Scenario for Working with Automotive Quotes

This scenario is an example of a workflow performed by the administrator and end user. Your company may follow a different workflow according to its business requirements.

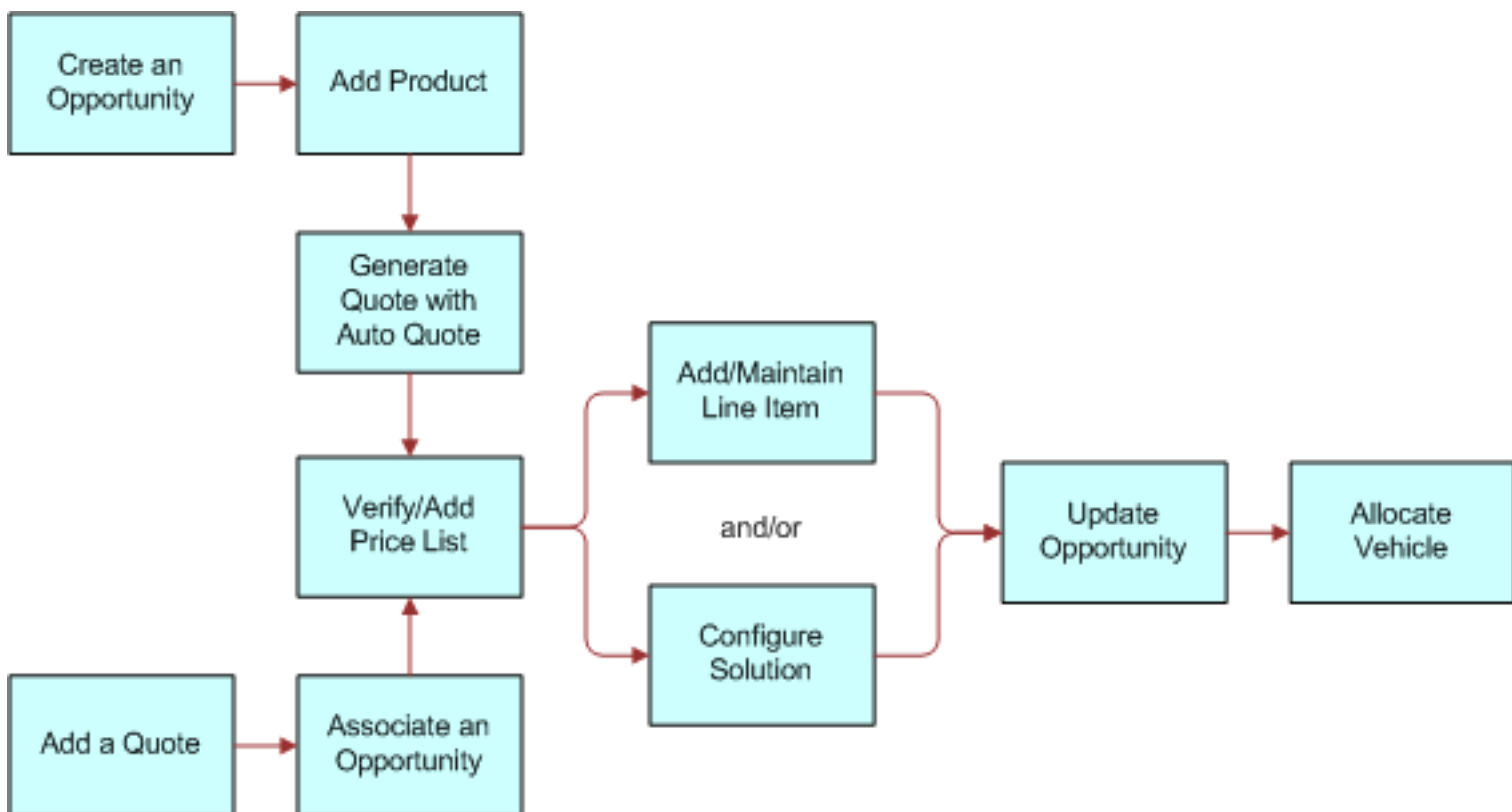
A sales representative at a dealership is asked to provide quotes for three vehicles for a potential customer. She first sets the price list for the quotes, and then adds the quote. After associating the first quote with the potential customer (opportunity), she copies it twice and revises the copied quotes for the second and third quotes.

With all three quotes created and associated with the opportunity, the sales representative shares the quote with the customer. A day later, the customer calls back expressing interest in one of the vehicles. The sales representative allocates the vehicle, holding it while the customer makes a purchasing decision.

Quotes Process Workflow

The following image illustrates the end-user workflow for working with quotes, and it includes the following steps:

1. Create an Opportunity, then:
 - o Add a Product.
 - o Generate Quote with Auto Quote.
2. Alternatively, add a Quote, then Associate an Opportunity.
3. Verify/Add Price List, then:
 - o Add/Maintain Line Item, or
 - o Configure Solution.
4. Update Opportunity.
5. Allocate Vehicle.



Note: For information about procedures not covered in this book, such as creating an opportunity and adding products, see *Siebel Applications Administration Guide*.

Process of Creating Quotes

To create quotes, end users perform the following tasks:

1. *Setting the Price List for Quotes*
2. *Creating Quotes*
3. *Copying or Revising a Quote*
4. *Allocating Vehicles to a Quote*

Setting the Price List for Quotes

Before creating a quote, use this procedure to set the default price list that you want to use in the quote process.

This task is a step in *Process of Creating Quotes*.

To set a default price list

1. Navigate to the User Profile Preferences screen, then the Price List & Sales Methodology view.
2. In the Price List field, select the price list that you want to use as a default for the Quotes screen.
3. If needed, select a sales methodology from the Sales Methodology drop-down list.

Related Topics

Creating Quotes

Copying or Revising a Quote

Allocating Vehicles to a Quote

Creating Quotes

Use this procedure to create quotes.

This task is a step in *Process of Creating Quotes*.

To create a new quote

1. Navigate to the Quotes screen, then the List view.
2. From the visibility filter, select My Quotes.
3. In the Quotes list, create a new record.
4. Complete the fields as necessary.

Related Topics

Setting the Price List for Quotes

[Copying or Revising a Quote](#)

[Allocating Vehicles to a Quote](#)

Copying or Revising a Quote

There are two ways to create a quote based on an existing quote:

- [Using Copy Record to Copy or Revise a Quote](#)
- [Using Revise to Copy or Revise a Quote](#)

This task is a step in [Process of Creating Quotes](#).

Note: The user can use the Quote screen to create a new opportunity associated with an existing or new account. The user cannot use the Quotes screen to edit any existing opportunity or account. The user cannot change the association between any existing opportunity and account, but the user can associate a different opportunity or account with the quote.

Related Topics

[Setting the Price List for Quotes](#)

[Creating Quotes](#)

[Allocating Vehicles to a Quote](#)

Using Copy Record to Copy or Revise a Quote

This procedure uses the Copy Record command to copy or revise a quote.

To use Copy Record to copy or revise a quote

1. Navigate to the Quotes screen, then the List view.
2. Select a quote record that you want to copy or revise.
3. Click Menu, and select Copy Record.

The following action occurs:

- A new quote number is created for the quote.
- All appropriate data is copied to the new record except for the Name, Created, and Quote Number fields.
- The quote Number is assigned automatically, the Name remains blank, and the Created date changes to today's date.
- The Revision field has a value of 1; the Price List reflects the selection made on the Quote tab of the Options dialog box and copies all line items.

Related Topics

[Setting the Price List for Quotes](#)

[Creating Quotes](#)

[Copying or Revising a Quote](#)

[Allocating Vehicles to a Quote](#)

Using Revise to Copy or Revise a Quote

This procedure uses the Revise button to copy or revise a quote.

Note: The first version remains inactive and remains for historical tracking, but the user can mark the previous version as Active and then revise it.

To use Revise to copy or revise a quote

1. Navigate to the Quotes screen, then the List view.
2. Select a quote record that you want to copy or revise.
3. Click Revise.

The following action occurs:

- All appropriate data is copied to the new record, including the Name and Quote Number fields, excluding the Revision field.
- The quote number remains the same.
- The number in the Revision field increases.
- The previous revision deactivates.
- All line items and the price list are copied.
- The status is set to the first status value (usually In Progress).
- The Date field reflects today's date.

Related Topics

[Setting the Price List for Quotes](#)

[Creating Quotes](#)

[Copying or Revising a Quote](#)

[Allocating Vehicles to a Quote](#)

Allocating Vehicles to a Quote

Use this procedure to allocate a vehicle from dealer inventory in order to reserve the vehicle for a specific customer opportunity.

For a vehicle to be allocated to a quote, the Status field for that vehicle should be Available.

This task is a step in *Process of Creating Quotes*.

To allocate vehicles to a quote

1. Navigate to the Quotes screen, then the List view.
2. Drill down on the Quote # field link for a selected quote record.
3. Click the Vehicles view tab.
4. Select the product record upon which the vehicle was based.
5. Scroll down to the Vehicles list, and create a new record.
6. Click the select button on the VIN # field.

The Pick Vehicle dialog box displays all vehicles whose product matches the Product field of the line item selected in the Line Items list, that have a Status of Available, and that are in the same organization as that of the user.

Note: Allocating a vehicle to a quote changes the status of the vehicle to Allocated. Deleting a vehicle from a quote changes the status of the vehicle to Available.

7. Select a vehicle and click ok.

Related Topics

Creating Quotes

Copying or Revising a Quote

14 Managing Service Requests

Managing Service Requests

This chapter provides information about standard Siebel Automotive functionality for service request management that application administrators and end users can use to manage service requests in their daily job roles. It consists of the following topics:

- *About Service Requests*
- *About Service Request Channels*
- *Scenario for Working with Automotive Service Requests*
- *Process of Working with Service Requests*
- *Automotive Captive Finance Service Request Types*
- *Creating a Service Request*
- *Assigning the Service Request*
- *Providing Details of Services to Be Performed*
- *Researching and Resolving a Service Request*

Note: Your company's application configuration and business processes may differ from the procedures or business scenarios presented in this chapter.

About Service Requests

A service request is a customer request for information about or assistance with products or services bought from a company. Service request records track customer requests and accompanying responses and are the central data object for managing potentially complex service issues to rapid, consistent, and correct resolution.

Service requests permit end users to create, assign, and manage customer service issues. They provide quick access to the customer's assets, profile, open issues, related product issues, and service agreement information. Each service request can include short and extended descriptions of the problem, problem categories, levels of severity and priority, and status tracking with the opening and closing date and time. Each service request can also include many important details such as related activities, related attachments, and relevant solutions.

About Service Request Channels

Depending on how an organization is structured, representatives can receive a service request through many different channels. These channels may include:

- Direct telephone calls, often routed to the representative through an Automated Call Distributor (ACD)

- Email requests
- Internet requests logged automatically by customers over the Internet
- Customers walking into a service center

For new service issues, it is necessary to enter a service request directly from the Service screen.

Scenario for Working with Automotive Service Requests

A customer calls a call center to report a vehicle that does not release its emergency brake. The service representative opens a new service request, enters the customer and product information, and records the customer's description of the problem. The application associates key information with the service request, which gives the representative access to the customer's profile.

The service representative assigns the service request to a dealer, who works to fix the request.

Process of Working with Service Requests

Service requests vary in difficulty, type of resolution, and impact on the organization. The typical service request cycle involves initiating a service request, resolving the customer service issue, and then tracking and analyzing the requests for process improvements which can benefit the organization by avoiding or quickening the resolution of future service issues.

To work with service requests, end users perform the following tasks.

1. *Creating a Service Request*
2. *Assigning the Service Request*
3. *Providing Details of Services to Be Performed*
4. *Researching and Resolving a Service Request*

Automotive Captive Finance Service Request Types

There are many different account service request types available for automotive captive finance companies. For details, see the Account Services topic on service requests in the *Siebel Finance Guide*.

Creating a Service Request

Use this procedure to create a service request.

This task is a step in *Process of Working with Service Requests*.

Note: There are many different account service request types available for automotive captive finance companies. For details, see the Account Services topic on service requests in the *Siebel Finance Guide*.

To create a service request

1. Navigate to the Service Requests screen, then the Service Requests List view.
2. From the visibility filter, select My Service Requests.
3. In the Service Request form, create a new record.
 - a. In the Type field, select Asset Finance.
 - b. In the Area field, select the type of service request.
4. Complete the fields as necessary.

Note: Information about the service request can also be entered on the More Info form.

Assigning the Service Request

This topic discusses the three ways to assign a service request and the circumstances under which each would be appropriate.

This task is a step in *Process of Working with Service Requests*.

Assigning the Service Request Manually

Use this procedure to assign a service request to a representative after the details have been entered, and it has been determined that the issue cannot be resolved by the receiving representative. Service requests can be assigned to a dealer or a service center.

To assign a service request manually

1. Navigate to the Service Requests screen, then the Service Requests List view.
2. From the visibility filter, select All Service Requests.
3. Select a SR # record.
4. In the Sub Status field, select Assigned.
5. In the Owner field, select the person to whom you want to assign the request.

Using Assignment Manager to Assign Service Requests

This method of assigning service requests requires a representative to use Assignment Manager. Assignment Manager automatically designates a customer service representative or call center agent based on skill level and availability.

To assign a service request using Assignment Manager

1. Navigate to the Service Requests screen, then the Service Requests List view.
2. From the visibility filter, select All Service Requests.
3. Select a SR # record.
4. In the lower form applet, click Menu, and select Assign.

Note: The application automatically assigns the service request to a representative or presents a list of potential assignees based on skills and other rating criteria. If presented with a list of eligible assignees, select one and close the assignment window.

Assigning Service Requests Using Dealer Assignment

Use this procedure to automatically assign a service request to a dealer or set up an appointment time with a dealer to deal with a service request.

To use Dealer Assignment to assign service requests

1. Navigate to the Service Requests screen, then the Service Requests List view.
2. Drill down on the SR # field link for a selected service request record.
3. Click the Dealer Assignment view tab and perform actions appropriate for your situation, as described in the following table:

To...	Then...
Assign the service request	<p>Select one of the following options from the Automatically Assign Service Request to a Dealer drop-down list:</p> <ul style="list-style-type: none"> ○ Preferred Service Dealer ○ Selling Dealer <p>Note: For a service request to be assigned to either of the two values, they should have been set for the vehicle.</p> <p>For more information about setting values for a vehicle, see Editing a Vehicle Record.</p>
Manually pick the dealer to assign this service request	Select the dealer from the Pick a Dealer field.
Set an appointment	Create a new record in the Appointment Time form and enter the time and date of the appointment.

Providing Details of Services to Be Performed

Use this procedure to view, edit, create, and delete record details of services to be performed for this service request.

This task is a step in [Process of Working with Service Requests](#).

To provide details of services to be performed

1. Navigate to the Service Requests screen, then the Service Requests List view.
2. Drill down on the SR # field link for a selected service request record.
3. Click the Services To Be Performed view tab.
4. In the Services To Be Performed list, add, edit, or delete records.

Note: The options in the Service Type drop-down list depend on what you select in the Category drop-down list.

Researching and Resolving a Service Request

Use this procedure to resolve an open service request based on solutions that exist in the application. In this case, the appropriate solution is attached to the service request for reference and is used by other representatives in resolving similar service issues in the future.

This task is a step in *Process of Working with Service Requests*.

To research and resolve a service request

1. Navigate to the Service Requests screen, then the Service Requests List view.
2. Drill down on the SR # field link for a selected service request record that you want to resolve.
3. To view related service requests, click the Related SRs view tab to see if the problem has been solved before.

If...	Then...
You find a relevant service request	Use Attach to attach it to the current service request.
A solution is still needed	Perform a full knowledge search and attach any relevant solutions to the current service request.

Note: You can also view additional information on the Decisions Issues tab.

4. From the Status field drop-down list, select Closed.

Note: When selecting Closed, the application automatically sets the Sub Status field to Resolved and populates the current date and time in the Closed field.

15 Tracking Service History

Tracking Service History

This chapter describes how to use Siebel Automotive's Service History screen to view information about the types of services and repairs done on a specific vehicle. It consists of the following topics:

- *Scenario for Tracking Automotive Service History Scenario*
- *Process of Tracking Service History*
- *Creating a New Service History Record*
- *Managing Services Performed*
- *Managing Manufacturer and Customer Pay*
- *Working with Service History*

Scenario for Tracking Automotive Service History Scenario

Customers, manufacturers, and dealers can keep track of all services and repairs performed on vehicles.

This topic provides scenarios for service history. The order in which the procedures are performed may vary based on the business practices of the end user's company.

Usually, dealers report service history for vehicles that are under warranty, using the same manufacturer-provided interface that they use to report sales. The manufacturer can import this data into Siebel Automotive using EIM.

The service history is automatically visible to the servicing dealer. If the value in the Servicing Dealer field is the organization of the employee who is logged in, then that employee is able to view the service history.

A customer buys a vehicle from a dealer and sets up a maintenance plan with the dealership. After 1,500 miles, the customer schedules an oil change with the dealership's service department.

After the oil change, the dealership logs the service, and the information is shared with the manufacturer. The dealer is aware of all services performed on the vehicle, and the next time the customer comes to the dealer Web site to track his service and repair history, the manufacturer is able to market other products to him.

Process of Tracking Service History

Car dealerships (dealers) use the Service History screen to create a new service history record after a vehicle has been serviced. They can also use the Service History screen to view a list of all services performed on a vehicle.

To track service history, end users perform the following tasks:

1. *Creating a New Service History Record*

2. [Managing Services Performed](#)
3. [Managing Manufacturer and Customer Pay](#)
4. [Working with Service History](#)

Creating a New Service History Record

Use this procedure to add a new service history record.

This task is a step in [Process of Tracking Service History](#).

To create a service history record

1. Navigate to the Service History screen.
2. In the Service History list, create a new record.
3. Complete the fields as necessary.

Related Topics

[Managing Services Performed](#)

[Managing Manufacturer and Customer Pay](#)

[Working with Service History](#)

Managing Services Performed

Use this procedure to view, edit, create, and delete services performed.

This task is a step in [Process of Tracking Service History](#).

To view, edit, create, and delete services performed

1. Navigate to the Service History screen.
2. Drill down on the SR # field link for a selected service request record.
3. Click the Services Performed view tab.
4. In the Services Performed list, add, edit, or delete records.

Note: In the Category field, the options are Preventive Maintenance, Repair, or Other. The choices in the Service Type drop-down list are determined by the option selected in the Category field.

Related Topics

[Creating a New Service History Record](#)

[Managing Manufacturer and Customer Pay](#)

[Working with Service History](#)

Managing Manufacturer and Customer Pay

Use this procedure to show manufacturer and customer pay records.

This task is a step in *Process of Tracking Service History*.

To manage manufacturer and customer pay

1. Navigate to the Service History screen.
2. Drill down on the SR # field link for a selected service request record.
3. Click the Labor Operation Codes view tab.

In	You can
The Manufacturing Pay list	Add, edit, or delete records.
The Customer Pay list	Add, edit, or delete records.

Related Topics

Creating a New Service History Record

Managing Services Performed

Working with Service History

Working with Service History

Use this procedures to view, edit, create, and delete service history for a vehicle or for a contact.

This task is a step in *Process of Tracking Service History*.

To view, edit, create, and delete the service history for a particular vehicle

1. Navigate to the Vehicles screen.
2. Drill down on the VIN field link for a selected vehicle record.
3. Click the Service History view tab.
4. In the Service History list, add, edit, or delete records.

To view, edit, create, and delete the service history for a particular contact

1. Navigate to the Contacts screen, then the Contacts List view.
2. Drill down on the Contact field link for a selected contact record.

3. Click the Service History view tab.
4. In the Service History list, add, edit, or delete records.

Related Topics

[Creating a New Service History Record](#)

[Managing Services Performed](#)

[Managing Manufacturer and Customer Pay](#)

16 Tracking Sales History

Tracking Sales History

This chapter provides information about standard Siebel Automotive functionality for tracking sales history. It consists of the following topics:

- *About Tracking Sales History*
- *Scenario for Tracking Automotive Sales History*
- *Process of Tracking Sales History*
- *Creating a New Sales History Record*
- *Viewing Sales History*

Note: Your company's application configuration and business processes may differ from the procedures or business scenarios presented in this chapter.

About Tracking Sales History

In the automotive industry, the automobile manufacturers sell vehicles to the dealers. In turn, the dealers sell vehicles to the consumers. The manufacturer sells the vehicle to the dealer at a certain price (Dealer Invoice) and suggests a retail price (Manufacturer Suggested Retail Price or MSRP) for the vehicle. As a result, the dealer's profit is the difference between MSRP and Dealer Invoice.

Dealers report their sales transactions to the manufacturers using proprietary interfaces. That data can be used by manufacturers who create targeted marketing campaigns and also for personalized interactions. The manufacturers load that data into Siebel Automotive using Enterprise Integration Manager (EIM).

Dealers need to periodically report back sales of all new vehicles to the manufacturer using a batch mode interface called Dealer Communication Systems (DCS). The information dealers provide to the manufacturers varies from dealer to dealer. In some cases, dealers may only provide the Vehicle Identification Number (VIN) of the vehicle sold, along with a contact name and address. However, in some cases, dealers may additionally provide the price at which the vehicle was sold along with the VIN, contact name, and address.

Scenario for Tracking Automotive Sales History

This topic provides scenarios for sales history. The order in which the procedures are performed may vary based on the business practices of the end user's company.

Siebel Automotive allows you enter or import a vehicle's sales history. Usually, dealers maintain their sales history in a Dealer Management System (DMS). After making a sale, the dealer reports it to the manufacturer, using an interface

provided by the manufacturer. The OEM can then import it into Siebel Automotive using Siebel's Enterprise Integration Manager (EIM).

The sales history is automatically visible to the selling dealer. If the value in the Selling Dealer field is the organization of the employee who is logged in, then that employee is able to view the sales history.

Process of Tracking Sales History

Car dealerships (dealers) are end users of the Sales History tab. Dealers can use the Sales History screen to create a new sales history record after the sale of a vehicle, and the dealers can also use the Sales History screen to view the sales history for their dealership.

To track sales history, end users perform the following tasks:

1. *Creating a New Sales History Record*
2. *Viewing Sales History*

Note: OEMs can also use this data to create targeted campaigns and personalize customer interactions.

Creating a New Sales History Record

A dealer can use this procedure to add a new sales history record.

Note: Most sales history records are added to Siebel Automotive using Enterprise Integration Manager (EIM).

This task is a step in *Process of Tracking Sales History*.

To create a sales history record

1. Navigate to the Sales History screen.
2. In the Sales History list, create a new record.

Related Topic

Viewing Sales History

Viewing Sales History

Use these procedures to view sales history for a vehicle or for a contact. The Sales History screen contains a list of all sales transactions.

This task is a step in *Process of Tracking Sales History*.

To view the sales history for a particular vehicle

1. Navigate to the Vehicles screen.
2. Drill down on the VIN field link for a selected vehicle record.
3. Click the Sales History view tab.

To view the sales history for a particular contact

1. Navigate to the Contacts screen, then the Contacts List view.
2. Drill down on the Last Name field link for a selected contact record.
3. Click the Sales History view tab.

Related Topic

[Creating a New Sales History Record](#)

17 Setting Up Preventive Maintenance

Setting Up Preventive Maintenance

This chapter provides information about standard Siebel Automotive functionality for preventive maintenance that is relevant to both application administrators and end users, including service and support center representatives.

Note: Your company's application configuration and business processes may differ from the procedures or business scenarios presented in this chapter.

This chapter is an introduction to preventive maintenance for Siebel Automotive. For more information on preventive maintenance and the preventive maintenance engine, see *Siebel Field Service Guide*.

This chapter consists of the following topics:

- *Scenarios for Working with Automotive Preventive Maintenance*
- *Process of Setting Up Preventive Maintenance*
- *Setting a Trigger for a Preventive Maintenance Plan*
- *Associating a Preventive Maintenance Plan with a Product*
- *Associating a Preventive Maintenance Plan with Vehicles*
- *Process of Tracking Preventive Maintenance*
- *Viewing Preventive Maintenance History for a Vehicle*
- *Working with Preventive Maintenance Plans for a Vehicle*

Scenarios for Working with Automotive Preventive Maintenance

The preventive maintenance engine can automatically generate service requests and activities based on triggers set up for mileage, time intervals, or threshold events.

This topic provides scenarios for business-to-consumer preventive maintenance. The order in which the procedures are performed may vary based on the business practices of the end user's company.

There are two types of preventive maintenance plans that can be used to generate preventive maintenance actions:

- *Periodic Maintenance Scenario*
- *Triggered Maintenance Scenario*

Periodic Maintenance Scenario

Periodic maintenance is recommended by the manufacturer and is known in advance of the scheduled event.

A dealership sold a vehicle to a customer a few months ago. Based on the common driving habits, the dealership has set up calculations to determine the average mileage the customer drives during a time period. Once the time period elapses, the Siebel Automotive preventive maintenance engine automatically creates a preventive maintenance action and generates an activity and a service request. The activity reminds the dealership to call the new customer and schedule an appointment for the recommended service. This scenario provides the dealership with an opportunity to gain revenue from the ongoing service associated with the vehicle.

Triggered Maintenance Scenario

Maintenance can be triggered based on data received from the vehicle. For example, if the vehicle's oil pressure falls below a specified level, Siebel Automotive can generate a preventive maintenance action to notify the customer to take the vehicle to the dealer for service.

Process of Setting Up Preventive Maintenance

You can use the Preventive Maintenance screen to set up preventive maintenance plans, define preventive maintenance plan triggers, associate a preventive maintenance plan with a product and vehicles, and assign actions for a preventive maintenance plan.

Note: For information about procedures not covered in this book, such as associating templates and setting up preventive maintenance plans, see *Siebel Field Service Guide*.

To set up preventive maintenance, perform the following tasks:

1. *Setting a Trigger for a Preventive Maintenance Plan*
2. *Associating a Preventive Maintenance Plan with a Product*
3. *Associating a Preventive Maintenance Plan with Vehicles*

Note: For information on how to set up the preventive maintenance engine parameters and a preventive maintenance plan, see *Siebel Field Service Guide*.

Setting a Trigger for a Preventive Maintenance Plan

After a preventive maintenance plan has been set up and the appropriate service request templates and activity templates have been defined, you can set the trigger for a preventive maintenance plan, which defines the type of plan and how the service interval is determined in Siebel Automotive. This procedure is based on a mileage trigger for maintenance.

This task is a step in *Process of Setting Up Preventive Maintenance*.

To set up a trigger for a preventive maintenance plan

1. Navigate to the Preventive Maintenance screen, then the Preventive Maintenance List view.
2. Select a preventive maintenance plan record.

3. Click the Triggers view tab, and take the following action:

- **Time Interval list.** Add, Edit, or Delete records.
- **Usage list.** Add, Edit, or Delete records.
- **Month-Day list.** Add, Edit, or Delete records.
- **Threshold list.** Add, Edit, or Delete records.
- **Event list.** Add, Edit, or Delete records.

Note: Preventive maintenance plans can have any number of triggers of any type (Time Interval, Usage, Threshold, and Event).

Related Topics

[Associating a Preventive Maintenance Plan with a Product](#)

[Associating a Preventive Maintenance Plan with Vehicles](#)

Associating a Preventive Maintenance Plan with a Product

After you define the preventive maintenance plan triggers, use this procedure to associate it with a product you added. See [Managing Products](#) for more information on using Products.

This task is a step in [Process of Setting Up Preventive Maintenance](#).

To associate a preventive maintenance plan with a product

1. Navigate to the Preventive Maintenance screen, then the Preventive Maintenance List view.
2. Select a preventive maintenance plan record.
3. Click the Products view tab.
4. In the Products list, add, edit, or delete records.

Related Topics

[Setting a Trigger for a Preventive Maintenance Plan](#)

[Associating a Preventive Maintenance Plan with Vehicles](#)

Associating a Preventive Maintenance Plan with Vehicles

When you associate the preventive maintenance plan with a product, use this procedure to associate it to a specific vehicle or vehicles. After a preventive maintenance plan is associated with a vehicle, you can run the preventive maintenance engine to create preventive maintenance actions, activities, and service requests for the vehicle.

This task is a step in *Process of Setting Up Preventive Maintenance*.

To associate a preventive maintenance plan with a vehicle or vehicles

1. Navigate to the Preventive Maintenance screen, then the Preventive Maintenance List view.
2. Select a preventive maintenance plan record.
3. Click the Products view tab.
4. Select a product record.
5. Scroll down to the Assets list, add, edit, or delete records.

Note: This procedure can also be done using the Preventive Maintenance view of the Vehicles screen.

Related Topics

Setting a Trigger for a Preventive Maintenance Plan

Associating a Preventive Maintenance Plan with a Product

Process of Tracking Preventive Maintenance

End users can view preventive maintenance actions associated with a product or an individual vehicle. The Preventive Maintenance view tab displays a list of completed and planned maintenance actions for a vehicle.

To use Siebel Automotive for preventive maintenance tracking, end users perform the following tasks.

1. *Viewing Preventive Maintenance History for a Vehicle*
2. *Working with Preventive Maintenance Plans for a Vehicle*

Note: For additional end-user procedures related to preventive maintenance, see *Siebel Field Service Guide*.

Viewing Preventive Maintenance History for a Vehicle

Use this procedure to view the preventive maintenance actions for a vehicle through the Preventive Maintenance tab of the Vehicles screen.

This task is a step in *Process of Tracking Preventive Maintenance*.

To view preventive maintenance history for a vehicle

1. Navigate to the Vehicles screen.
2. Drill down on the VIN field link for a selected vehicle record.
3. Click the Preventive Maintenance view tab.
4. In the Preventive Maintenance link bar, click the History link, if it is not already selected.
5. When a preventive maintenance action is completed, enter data in the Date Completed and Completed Reading fields.

The Completed Reading field is the reading for that particular preventive maintenance action. This value could be mileage, or oil level, and so on.

6. To view more details about the preventive maintenance plan, drill down on the link in the Plan Item Name field.

Related Topic

Working with Preventive Maintenance Plans for a Vehicle

Working with Preventive Maintenance Plans for a Vehicle

Use this procedure to view, edit, create, and delete preventive maintenance plans for a vehicle through the Preventive Maintenance tab of the Vehicles screen.

This task is a step in *Process of Tracking Preventive Maintenance*.

To view, edit, create, and delete preventive maintenance plans for a vehicle

1. Navigate to the Vehicles screen.
2. Drill down on the VIN field link for a selected vehicle record.
3. Click the Preventive Maintenance view tab.
4. In the Preventive Maintenance link bar, click the Plan link, if it is not already selected.
5. In the Plan list, add, edit, or delete records.

Related Topic

Viewing Preventive Maintenance History for a Vehicle

18 Setting Up and Using Siebel Automotive Tools

Setting Up and Using Siebel Automotive Tools

This chapter covers how to set up and use Oracle's Siebel Automotive tools for end users—Dealer Locator, Vehicle Inventory Search, and Financial Calculator. It consists of the following topics:

- *Process of Locating a Dealer*
- *Setting Up the Dealer Locator (Administrators)*
- *Locating a Dealer (End Users)*
- *Process of Searching for a Vehicle*
- *Setting Up Vehicle Search*
- *Searching for a Vehicle*
- *Calculating Loans and Leases*

Process of Locating a Dealer

To locate a dealer, perform the following tasks:

1. *Setting Up the Dealer Locator (Administrators)*
2. *Locating a Dealer (End Users)*

Setting Up the Dealer Locator (Administrators)

Administrators use the following procedure to control the settings for the Dealer Locator, which is used to find dealers near various end users. Dealer Locator needs to be set up before inventory search can work.

This task is a step in *Process of Locating a Dealer*.

CAUTION: Only one location should be added for each dealer. If there are multiple locations for one dealer, the inventory search may not function properly, because a vehicle is tied to a dealer, not to a dealer location.

To set up a dealer location

1. Navigate to the Administration - Application screen, then the Dealer Location Administration view.
2. In the Dealer Locations list, add, edit, or delete records.
3. Complete the fields as necessary.

Locating a Dealer (End Users)

End users use this procedure to locate dealers by the contact information for the dealer.

This task is a step in *Process of Locating a Dealer*.

To locate a dealer

- Navigate to the Automotive Tools screen, then the Dealer Locator view.

Tip: You can also use the wildcard character (*) to enter partial City names and ZIP Codes to increase the number of dealers that the locator finds. For example, typing **Fern*** in the City field matches all cities with names that begin with Fern. Typing **9461*** in the ZIP Code field matches all ZIP Codes that begin with 9461.

Process of Searching for a Vehicle

To search for a vehicle, end users perform the following tasks:

1. *Setting Up Vehicle Search*
2. *Searching for a Vehicle*

Setting Up Vehicle Search

Use this procedure to set up a vehicle in order for it to display in the inventory. As long as the Owned By, Account Name, and Status fields have been completed, the vehicle displays in the inventory. The vehicle can then be found using the Inventory Search feature.

This task is a step in *Process of Searching for a Vehicle*.

Note: The Dealer Locator must be set up before Inventory Search can function.

To set up vehicle search

1. Navigate to the Administration - Vehicle screen.
2. Select a VIN record.
3. In the Vehicles form applet, complete the following fields, along with any other fields as necessary.

Field	Description
Owned By	Type of owner should be Dealer.

Field	Description
Account	Select the name of the dealer from the dialog box.
Status	The status should be Available.

Searching for a Vehicle

Use this procedure to search for a vehicle by entering the city and state or ZIP Code.

This task is a step in *Process of Searching for a Vehicle*.

To search for a vehicle in inventory

1. Navigate to the Automotive Tools screen, then the Vehicle Inventory Search view.
2. Enter city and state or ZIP Code.
3. Click Search.

A list of vehicles matching the search criteria appears.

Note: Click Reset to start a new search.

Calculating Loans and Leases

A loan and a lease can be calculated simultaneously from the same information. Use this procedure to calculate the monthly payment for a lease or loan, allowing a contact to compare leases with purchases, and loans of varying terms with each other. Much of the same information is required to calculate a lease or a loan. After that information has been entered, multiple calculations for leases and loans can be generated by changing the terms.

To calculate the lease and loan prices of a vehicle

1. Navigate to the Automotive Tools screen, then the Financial Calculator view.
2. Enter values in the fields, and click Calculate.

19 Managing Warranties

Managing Warranties

This chapter covers how to set up and use Oracle's Siebel Automotive for warranties. It consists of the following topics:

- *About Warranty Products*
- *Roadmap for Creating a Warranty Product*
- *Structuring Warranty Products*
- *Managing Policies and Coverage*
- *Managing Supplier Warranty Policies*
- *About Rules*
- *Implementing Recall Campaigns*
- *Approving a Prewarranty Authorization*
- *Approving a Warranty Claim*
- *Administering Payments for Warranty Claims*
- *Administering Payments for Supplier Claims*
- *Managing Supplier Recovery Claims*

About Warranty Products

A *warranty product* is the warranty plan that is sold to customers. A *warranty* is an undertaking by the manufacturer or a third party to replace or repair a part if it fails during the warranty coverage period.

Siebel Automotive allows you to create warranty products, which contain the attributes that are used to define the terms and conditions of warranty coverage. A warranty product contains all the information that is required to configure a contract with the customer. Also, the warranty product contains attributes that guide processes, such as claims submission, coverage terms, payment methods, taxes, policy amendments, warranty product pricing, financial accounting information, and others. The following list describes the types of warranties that you can create using Siebel Automotive:

- **Standard.** The default warranty offered by the manufacturer.
- **Extended.** A warranty that covers assets not covered in the standard warranty.
- **Component.** A warranty that covers a specific component but not an entire asset. For example, a component warranty for a battery covers the battery but not the entire vehicle.

Warranty products can be one of the following:

- **Complex.** A complex example of a standard warranty product might be one that applies to several models of a vehicle with multiple coverage lists during varying periods.
- **Simple.** A simple warranty product might be an extended warranty on the brake system of a specific model of vehicle.

Roadmap for Creating a Warranty Product

Creating a warranty product is a multistep process that requires thought and planning. To be able to complete all of the steps in this procedure, you must have created coverage lists and defined products.

To create a warranty product, perform the following tasks:

1. Define the warranty product.
For more information, see [Defining a Warranty Product](#).
2. Add coverage lists that apply to the warranty product.
For more information, see [Adding Coverage Lists to a Warranty Product](#).
3. Add the vehicles to which the warranty product applies.
For more information, see [Adding Products to a Warranty Product](#).
4. If you want the warranty product to be available and active, you must change the status.
For more information, see [Modifying the Status of a Warranty Product](#).

Defining a Warranty Product

Before you can add coverage lists and stipulate vehicle lists, the warranty product must be defined.

This task is a step in [Roadmap for Creating a Warranty Product](#).

To define a warranty product

1. Navigate to the Administration - Service screen, then the Warranties view.
2. Click New.
3. Define the warranty product by entering data in the warranty product fields. The following table describes some fields.

Field	Description
Name	Name of the warranty product.
Warranty #	Warranty product number, which is the unique identifier of the warranty product.
Description	Description of the warranty product.
Type	Type of the warranty product. Available values include: Component, Standard, Product, Manufacturer, and Extended.
Subtype	Subtype of the warranty product.

Field	Description
Start Date Type	The date on which the warranty begins. Available values include: Install Date, Purchase Date, Registered Date, and Ship Date.
Duration (Days)	The duration of the warranty product, in days.
Provider	The provider or the warranty product.
Transferable	A check box that indicates whether a warranty product is transferable when the original owner sells to a new owner within the warranty period.
Recovery Type	The recovery type of the warranty.

Adding Coverage Lists to a Warranty Product

After a coverage list is created, it can be added to a warranty product. After the list is added, the coverage list will be applicable only within a defined range of time. For more information about coverage lists, see [Managing Coverage Lists](#)

This task is a step in [Roadmap for Creating a Warranty Product](#).

To add a coverage list to a warranty product

1. Navigate to the Administration - Service screen, then the Warranties view.
2. Drill down on a warranty.
3. Click the Coverage List view tab.
4. Click New.
5. Select a coverage list from the Add Coverage List dialog box, and click OK.
6. Repeat the previous two steps for every coverage list that you want to add to the warranty product.
7. For each coverage list added, define the Start Date and End Date fields.

These fields represent the period during which the coverage list applies to the warranty policy.

Adding Products to a Warranty Product

Warranty products must be associated with products. In this case, the product is a vehicle model or group of vehicle models. The association occurs when you add vehicles from a list of products to a warranty product.

This task is a step in [Roadmap for Creating a Warranty Product](#).

To add products to a warranty product

1. Navigate to the Administration - Service screen, then the Warranties view.

2. Drill down on a warranty product.
3. Click the Products view tab, and click New.
4. Select one or more vehicles from the Add Internal Products dialog box, and click Add.

Modifying the Status of a Warranty Product

Various business processes might call for a warranty product to be halted temporarily or permanently. Siebel Automotive allows administrators to manually change the status of a warranty product to activate or suspend a warranty product.

This task is a step in *Roadmap for Creating a Warranty Product*.

The Status field of the warranty product allows administrators to control its state. The following list describes the list of values for the Status field:

- **Active.** The warranty product is active.
- **Approved.** The warranty product has been approved but is not active.
- **Draft.** The warranty product is being drafted but is not ready for approval.
- **Pending.** The warranty product is pending approval.
- **Suspended.** The warranty product has been suspended.

To activate a warranty product

1. Navigate to the Administration - Service screen, then the Warranties view.
2. Drill down on a warranty product.
3. Click the More Info view tab.
4. Select Active from the Status field drop-down list.

To suspend a warranty product

1. Navigate to the Administration - Service screen, then the Warranties view.
2. Drill down on a warranty product.
3. Click the More Info view tab.
4. Select Suspend from the Status field drop-down list.

Structuring Warranty Products

This topic describes how to structure warranty products and includes the following topics:

- *About the Setup of a Master Data Model*
- *Managing Repair Operation Codes*
- *Managing Repair Operation Times*
- *Managing Part Prices*
- *Managing Coverage Lists*

- [Adding Repair Operation Codes to a Coverage List](#)
- [Adding Parts to a Coverage List](#)
- [Managing Trouble Code and Fault Code Data](#)
- [Managing Labor Rates](#)

About the Setup of a Master Data Model

All products can be categorized into various groups. For example, vehicles can be classified as passenger, off-road, or commercial vehicles among others. Manufacturers use classification methods to categorize their assets. In addition, industry standard categorizations are available.

Set up model data so that it can be used for various activities like confirming warranty eligibility, registering policies, warranty pricing, claims processing, and others. Model code data is a hierarchical structure with multiple levels. Different industries might use different levels of hierarchy to define the model data. The following table lists some examples of the code hierarchy of master data model.

Hierarchy Level	Hierarchy Level Name	Example One	Example Two
Level 1	Asset type	Passenger Car	LCD Television
Level 2	Make	Toyota	Sony
Level 3	Model	Corolla	Bravia
Level 4	Model Type	Corolla1.6 Petrol Lx2005	XBR-60LX900
		Corolla1.6 Diesel Lx2005	XBR-52LX900
		Corolla1.6 Petrol LZx2005	KDL-55HX800

Managing Repair Operation Codes

A *repair operation code* is a single repair operation that can be performed on an asset, for example, on a vehicle it might be used when refurbishing an engine head. Third-party data providers supply industry-standard repair operation codes in the setup of a code hierarchy. Repair operation data contains a list of all the possible repair operations that can be performed on a vehicle. Siebel Automotive uses the repair operation code data to validate repair operations on warranty coverage, claims entry, and claims validation.

Repair Operation Code Hierarchy

Siebel Automotive administrators can set up a hierarchical structure of repair operation codes that a third party provides. How best to set up these operation codes might depend on how the data is structured by the third-party provider. These operation codes might be set up using a bulk upload of the file provided by the third-party provider or set up manually. Consider the operation code hierarchy example in the following table.

Use Siebel Enterprise Integration Manager (EIM) to perform a bulk upload of operation code data to the Siebel database. For general information about using Siebel EIM, see *Siebel Enterprise Integration Manager Administration Guide*.

Hierarchy Level	Hierarchy Level Name	Example
Level 1	System	Engine and Transmission
Level 2	Assembly	Engine
Level 3	Sub-Assembly	Engine Head
Level 4	Repair Operation Code	Remove and Replace
		Remove and Refit
		Refurbish

Repair operation data is generally set up as a multilevel hierarchy. The table shows a four-level hierarchy of the repair operation code. There is a one-to-many relationship between the levels from start to finish OR, from level 1 to level 4:

- One system can have many assemblies.
- One assembly can have many subassemblies.
- One subassembly can have many repair operation codes.

Creating a Repair Operation Code

This topic describes how to create a repair operation code.

To create a repair operation code

1. Navigate to the Administration - Service screen, then the Repair Operation Code view.
2. Click New.
3. Define the repair operation code by entering data in the warranty product fields. The following table describes some fields.

Field	Description
Type	The hierarchical type of the repair operation code. Available values are: System, Assembly, Sub-Assembly, or Repair Operation Code.
Code	A unique code, assigned by the administrator.
Description	Description of the code.
Parent Code	The parent of the code.

Field	Description
	<p>Note: The type of the parent must be one level above the type of the child in the hierarchical structure. For more information about the hierarchy, see Repair Operation Code Hierarchy</p>

4. Define the repair operation times.

Related Topic

[Defining Repair Operation Times](#)

Managing Repair Operation Times

Every repair operation code is associated with a repair operation time. When a repair is carried out on a vehicle using the repair operation time, the labor rates of the repairer and the labor charges for the claim can be calculated. Repair operation times are provided along with the industry standard repair operation codes. However, Siebel Automotive enables you to create and maintain repair operation times for each repair operation code.

Defining Repair Operation Times

Repair operation times are often specific to a vehicle model. For that reason, when defining a repair operation code, you must attribute it to a specific product.

To define repair operation times for a repair operation code

1. Navigate to the Administration - Service screen, then the Repair Operation Code view.
2. Drill down on a repair operation code.
3. Click the Repair Operation Time view tab, and click New.
4. Specify the vehicle in the Product field, or click the single select button to choose from the Pick Product dialog box.
5. Select Unit of Measure from the drop-down list.
6. In the Time field, specify the amount of time that it will take to complete the repair operation for the vehicle you selected previously.
7. Define the start date.
8. Define the end date.
9. Repeat the previous steps for every vehicle to which this repair operation code applies.

Managing Part Prices

Repair operations generally involve the replacement of defective parts. A claim filed against a warranty includes the amount charged for the replacement parts. Part prices are used to validate whether amounts charged by a repairer for parts replacement are within the predefined limit. Therefore, create and update part price information regularly to maintain current prices. Additionally, you can change parts under a particular repair operation code. For more information about repair operation codes, see [Managing Repair Operation Codes](#). For information managing part prices, see [Siebel Pricing Administration Guide](#).

Note: Part prices might or might not have any relationship with the repair operation codes. For example, at the time of choosing parts for a particular repair operation code, Siebel Automotive might allow any part to be chosen without restrictions. In other cases, where there is a mandatory relationship between part prices and repair operation codes, Siebel Automotive restricts the choice of parts for a repair operation code. Similarly, the model type and part prices might or might not have any mandatory relationship.

Managing Coverage Lists

A *coverage list* is a list of repair operations codes covered by a warranty product. This list is used to validate whether a repair is covered by a warranty. Additionally, it is used to validate claims.

To further understand coverage lists, consider two kinds of warranty products: one that involves mechanical breakdown coverage and another that involves paint protection coverage. The first warranty product covers the operations to repair vehicle breakdowns related to faults, and the second warranty product covers paint damage or paint deterioration related repairs. These two warranty products must be associated with different coverage lists: each coverage list containing a unique applicable set of repair operation codes. These repair operation codes can be selected from the master list of repair operation codes. For more information, see [Repair Operation Code Hierarchy](#)

Coverage lists can be defined using subassemblies. When subassemblies are selected, by association, the various repair operation codes listed under those subassemblies are also included. A coverage list defined at the repair operation code level will include the various repair operation codes selected to be part of the list. You do not have to maintain multiple revisions of a coverage list.

To create a coverage list

1. Navigate to the Administration - Service screen, then the Coverage List view.
2. Click New.
3. Define the coverage list by entering data in the required fields. The following table describes some fields.

Field	Description
Coverage List Code	Unique code given to a coverage list.
Description	Description of the coverage list.
Coverage Period UOM	The unit of measure used for the Coverage Period field. The available options include: Days, Months, and Years.
Coverage Period	Duration of coverage.
Coverage Value UOM	The unit of measure used for the Coverage Value field. The available options include: Hours of Operation, Miles Covered, Kilometers Covered.
Coverage Value	Miles or kilometers of coverage or operation provided by the coverage list.

Field	Description
Source	The source of the repair operation codes used. The available options include: Internal, OEM Supplied and Industry Std.

4. Add the repair operation codes that apply to the coverage list.
For more information, see [Adding Repair Operation Codes to a Coverage List](#)
5. Add the parts that apply to the coverage list.
For more information, see [Adding Parts to a Coverage List](#)

Adding Repair Operation Codes to a Coverage List

This topic describes how to add repair operation codes to a coverage list.

To add repair operation codes to a coverage list

1. Navigate to the Administration - Service screen, then the Coverage List view.
2. Select a coverage list.
3. Click the Repair Operation Codes view tab, and click New
4. Enter the repair operation code, or click the single select button in the Repair Operation Code field to choose from the Add Repair Code dialog box.
5. Specify if the part is covered in the Part Covered? field.
6. Specify if the labor is covered in the Labor Covered? field.
7. Specify if the sublet is covered in the Sublet Covered? field.
8. Define the coverage period for the repair operation code by selecting a value in the Coverage Window drop-down list.
9. Define the start date for the repair operation code coverage.
10. Define the end date for the repair operation code coverage.
11. Repeat the previous steps for every repair operation code that you add to the coverage list.

Adding Parts to a Coverage List

When a part is added to a coverage list, the manufacturer is ensuring that only specified parts are replaced under a coverage list of a warranty program. This topic describes how to add parts to a coverage list.

To add parts to a coverage list

1. Navigate to the Administration - Service screen, then the Coverage List view.
2. Select a coverage list.
3. Click the Parts view tab, and click New.
4. Enter the part name, or click the single select button in the Part Name field to choose from the Pick Product dialog box.
5. Repeat the previous step for every part that you want to add to the coverage list.

Managing Trouble Code and Fault Code Data

Trouble codes are used to identify the type of trouble a customer might face with a vehicle. For example, the customer might describe a symptom of the trouble as an overheating engine. This fault can be identified as a trouble code so that the information can be stored about the claims.

Similarly, a fault code is used identify the cause of the problem that the customer is facing. For example, the engine overheating might be caused by a coolant leaking from the radiator. This diagnosis of the problem is identified as a fault code and stored on a claim for quality analysis.

Administrators can set up a hierarchical structure for trouble codes and fault codes. Many-to-many relationship can exist between trouble codes and fault codes. Moreover, many-to-many relationships can exist between fault codes and repair operation codes. Trouble codes and fault codes can be set up using a bulk upload or manually, using Siebel Automotive. For more information about repair operation codes, see [Managing Repair Operation Codes](#)

Use Siebel EIM to perform a bulk upload of trouble-code data and fault-code data to the Siebel database. For information about using Siebel EIM, see [Siebel Enterprise Integration Manager Administration Guide](#) .

Creating Fault Codes

This topic describes how to create a fault code.

To create a fault code

1. Navigate to the Administration - Service screen, then the Fault Trouble Code view, and click New.
2. Select Fault from the Type drop-down list.
3. Select Internal from the Source drop-down list.
4. Enter a unique identifier in the Code Number field.
5. Describe the cause of the trouble in the Description field.

Creating Trouble Codes

This topic describes how to create a trouble code.

To create a trouble code

1. Navigate to the Administration - Service screen, then the Fault Trouble Code view, and click New.
2. Select Trouble from the Type drop-down list.
3. Select Internal from the Source drop-down list.
4. Enter a unique identifier in the Code Number field.
5. Describe the symptoms of the trouble in the Description field.

Associating a Trouble Code with a Fault Code

This topic describes how to associate a trouble code with a fault code.

To associate a trouble code with a fault code

1. Navigate to the Administration - Service screen, then the Fault Trouble Code view.
2. Select a fault code.

Note: A fault code has the type defined as Fault.

3. Click the Trouble Code view tab, and click New.
4. Enter the trouble code, or click the single select button in the Trouble Code field to choose from the Pick Trouble Code dialog box.

Managing Labor Rates

Every repair operation code is associated with a repair time and labor rate. When a repair is carried out on the vehicle using the repair time and the labor rates of the repairer, the labor charges for the claim can be calculated. Labor rates are dealer specific. Siebel Automotive allows you to maintain the labor rates for each dealer individually. This topic contains the following topics:

- [Creating Labor Rates](#)
- [Viewing Labor Rates](#)
- [Deleting Labor Rates](#)

Creating Labor Rates

This topic describes how to create labor rates that are specific to a dealer.

To create labor rates specific to a dealer

1. Navigate to the Administration - Dealer screen, then the Registered Dealers view.
2. Select the dealer for which you want to define labor rates.
3. Click the Labor Rates view tab, and click New.
4. In the line item, provide the information described in the following table.

Field	Description
Rate Type	Select the type from the drop-down list.
Value	Type the monetary value for the rate.
Rate UOM	Select the rate unit of measure from the drop-down list.
Start Date	The start date for the rate.
End Date	The end date for the rate.

5. Repeat the previous two steps for each new labor rate.

Viewing Labor Rates

This topic describes how to view labor rates specific to a dealer.

To view labor rates specific to a dealer

1. Navigate to the Administration - Dealer screen, then the Registered Dealers view.

2. Select the dealer for which you want to view labor rates.
3. Click the Labor Rates view tab.
4. Review the labor rate details.

They include the following information:

- o Rate type
- o Value
- o Rate UOM
- o Start date
- o End date

Deleting Labor Rates

This topic describes how to delete labor rates that are specific to a dealer.

To delete labor rates specific to a dealer

1. Navigate to the Administration - Dealer screen, then the Registered Dealers view.
2. Select the dealer from which you want to delete labor rates.
3. Click the Labor Rates view tab.
4. Select the labor rate that you want to delete, and click Delete.
5. Confirm the deletion by clicking OK at the Siebel prompt.
6. Repeat the previous two steps for each labor rate that you want to delete.

Managing Policies and Coverage

This topic describes how to manage policies and contains the following topics:

- [About Policies](#)
- [Registering a Warranty Policy Manually](#)
- [Amending a Policy](#)
- [Changing the Status of a Policy](#)
- [Transferring a Policy](#)

About Policies

A *policy* is the unique instance of a warranty product that is applicable to an individual asset. For example, if you buy a vehicle, then the policy is the unique instance of a warranty product against your vehicle. A warranty policy associated with an asset provides information about the applicable warranty terms and conditions that relate to an asset, such as the customer details, the date when the policy came into force, and when it expires.

Registering a Warranty Policy Manually

This topic describes how to register a warranty policy manually. After the warranty policy is registered, all of the warranty programs that apply to the vehicle are added to the policy. Policy numbers are automatically generated by Siebel Automotive and are unique identifiers of the warranty as it applies to a specific vehicle. A vehicle might have many warranty policies, but a warranty policy number is associated with only one vehicle.

To register a warranty policy to a vehicle in the Vehicle screen

1. Navigate to the Vehicle screen, then the Vehicle view.
2. Search for the vehicle from which you want to retrieve the applicable warranty programs.
3. Drill down on the value in the VIN (vehicle identification number) field.
4. Click the Warranty view tab, and click Get Warranty.

To register a warranty policy to a vehicle in the Administration - Service screen

1. Navigate to the Administration - Service screen, then the Warranty Policies view.
2. Select the warranty policy you want to register.
3. Select Registered from the Policy Status drop-down list.

Amending a Policy

After a policy is created, it might be necessary to modify the information. This topic explains how to modify a policy.

To amend a policy

1. Navigate to the Administration - Service screen, then the Warranty Policies view.
2. Search for the policy that you want to modify.
3. In the Warranty Policies form, make the necessary modifications.

Note: You cannot modify fields that are grayed out.

Changing the Status of a Policy

During the lifetime of a policy, the status of the policy changes because of various events. For example, administrators might want to suspend a policy temporarily so that no further claims can be entered, approved and paid until the cause is clarified. After the reason is determined, the policy must be reinstated. Additionally, a customer might request a policy cancellation at any time during the lifetime of the policy. Siebel Automotive allows you to carry out such status changes to the policy. The following table describes the various statuses that a policy might have.

Policy Status Value	Description
Active	The policy is in force. Claims can be filed.

Policy Status Value	Description
Flat Cancelled	The policy was cancelled during the free-look period. A customer who purchases a policy can cancel the policy before it expires. The short period after the purchase is known as the <i>free-look period</i> . If the policy is cancelled during the free-look period, the customer is not charged for it.
Mid Term Cancelled	The policy was cancelled after the end of the free-look period.
Registered	The policy is registered in Siebel Automotive. However, the policy inception date or mileage has not come yet. Until the inception date or mileage comes, the policy has the status of Registered. Claims are not allowed during this time.

To modify a policy status

1. Navigate to the Administration - Service screen, then the Warranty Policies view.
2. Search for the policy that you want to change the status of.
3. In the Policy Information section of the Warranty Policies form, select a value from the Policy Status drop-down list.

Transferring a Policy

The original owner of a vehicle associated with a policy might sell the vehicle before the warranty expires. In some cases, the policy can be transferred to the new owner of the vehicle.

To transfer a policy

1. Navigate to the Administration - Service screen, then the Warranty Policies view.
2. Search for the policy that you want to transfer.
3. In the Customer Information section of the Warranty Policies form, click the single select button in the First Name field.
4. Select the new policy owner, in the Pick Contact dialogue box, and click OK.

Managing Supplier Warranty Policies

This topic describes how to manage supplier warranty policies and includes the following topics:

- [About Supplier Warranty Policies](#)
- [Creating Supplier Warranty Policies](#)
- [Associating Parts with Supplier Warranty Policies](#)
- [Searching for the Eligibility of a Supplier Warranty Policy](#)

About Supplier Warranty Policies

A *supplier warranty policy* defines the terms against which warranty expenses can be recovered from a supplier for a specific product, for example, if a part that was manufactured by a supplier fails and has been replaced. Siebel Automotive provides functionality that allows you to create and maintain supplier warranty policies.

The terms of supplier warranty policies define what can be recovered, including parts and the labor cost. You can modify supplier warranty policies to accommodate changing terms.

Creating Supplier Warranty Policies

This topic describes how to create a warranty policy.

To create a supplier warranty policy

1. Navigate to the Supplier Warranty Policies screen, then the Supplier Warranty Policies view.
2. Click New.
3. Enter the supplier name, or click the single select button in the Supplier Name field to select from the Pick Account dialog box.
4. Define the end date for the policy in the Policy End Date field.
5. Drill down on the policy number.
6. Define the parts that are covered by the supplier warranty.
For more information, see [Associating Parts with Supplier Warranty Policies](#)
7. Change the status of the policy to Approved.

Associating Parts with Supplier Warranty Policies

This topic describes how to associate parts with a supplier warranty policy.

To associate parts with a supplier warranty policy

1. Navigate to the Supplier Warranty Policies screen, then the Supplier Warranty Policies view.
2. Drill down on the supplier warranty policy with which you want to associate parts.
3. In the Line Items section, click New.
4. Enter the part name, or click the single select button in the Part Name field to select from the Pick Product dialog box.
5. Define the line item by entering data in the line item fields. The following table describes some fields.

Field	Description
Operation Code	Operation code from which the recovery is being started.
Fault Code	Fault code from which the recovery is being started.

Field	Description
Recovery Type	The type of the recovery.
Flat Rate	Value of the amount if the recovery type is Flat Rate.
Start Date	Starting date of the part coverage.
End Date	Ending date of the part coverage.

- Repeat the previous three steps for every part associated with the supplier warranty policy.

Searching for the Eligibility of a Supplier Warranty Policy

Siebel Automotive allows you to check the coverage of a supplier warranty policy based on a part number.

To search for the eligibility of a supplier recovery policy

- Navigate to the Supplier Warranty Policies screen, then the Supplier Recovery Eligibility view.
- Enter the part number that you want to search for in the Part # field, and click Search.

About Rules

A *rule* is a condition or a set of conditions that must be met to verify or process a claim. The two types of rules are as follows:

- Verification rules.** These rules verify whether the selected operation code is covered under the designated warranty policy and that the time and mileage limits are not exceeded.
- Claims processing rules.** These rules determine whether a repair line should be automatically approved, rejected or referred for office review or field review.

This topic contains the following topics:

- [About Verification Rules](#)
- [About Claims Processing Rules](#)

About Verification Rules

Siebel Automotive uses the verification rules to check every repair line within the selected claim. Verification rules apply to PWAs, work orders, and warranty claims.

The following table describes the conditions that apply to verification rule conditions.

Condition	Result
<p>If the Policy number field is empty ...</p> <p>Note: This condition applies only to standard and extended type claims.</p>	Then the policy number required message is displayed.
<p>If the Recall Campaign number field is empty ...</p> <p>Note: This condition applies only to recall type claims.</p>	Then the recall campaign number required message is displayed.

About Claims Processing Rules

Claims processing rules apply to PWAs and warranty claims. After a user submits a claim, the Status field of the claim is set to Approved or Approval In Progress. Before this occurs, a series of rules are verified.

Note: When the total amount claimed is less than \$1000, the claim is automatically approved.

The following table describes the conditions that are being validated and the result when the claim is selected.

Condition	Result
If the Claim Type field is set to Good Will ...	Then the status of that particular line item is set to Office Referral, and the status of the PWA or claim is set to Approval In Progress.
If the Requested Amount field for a line item is more than \$1000	Then the status of that particular line item is set to Office Referral, and the status of the PWA or claim is set to Approval In Progress.

Implementing Recall Campaigns

When an Original Equipment Manufacturer (OEM) develops and manufactures a product, the product is manufactured under legislative and environmental requirements in many cases. An OEM manufactures a product with the intention of offering it free from defect. However, sometimes after a product has been marketed and distributed, a defect might be identified, resulting in a recall. A *recall campaign* is used to recall the affected assets. It is broadcast to dealers, suppliers, and consumers of the product. This topic contains the following topics:

- [About Recall Campaigns](#)
- [Creating a Recall Campaign](#)
- [Amending a Recall Campaign](#)

- [Creating Exclusions](#)
- [Amending an Exclusion](#)

About Recall Campaigns

A *recall campaign* is a special alert by an OEM to notify and correct a known defect in the asset population that is marketed, distributed, and sold to the general public. The defect that triggers the recall campaign, typically stems from a problem that was not revealed or identified during factory testing. All assets that are affected must be identified. The OEM creates a list of the affected asset numbers to start the recall campaign.

Creating a Recall Campaign

After the defect in the product is identified, the OEM develops a comprehensive list of asset numbers that are affected and determines the necessary remedies to correct the defect or replace the product. When the customer is notified of the recall campaign, information is provided about the protocol and process required to carry out the repair work. For example, customers might be instructed to take the asset to the nearest service center, where service center personnel inspect the asset and perform the repairs if necessary. For more information about campaigns, see the topic about planning and designing marketing campaigns in *Siebel Marketing User Guide* .

To create a recall campaign

1. Navigate to the Campaign Management screen, and then Campaign List.
2. In the Campaign List, click New to add a recall campaign.

By default, an autogenerated campaign number is assigned to the recall campaign. Additionally, the planned start date is the day on which the recall campaign is created.

3. In the Campaign Name field, enter a name for the recall campaign.
4. In the Planned Start date field, enter the date for which the recall campaign commences.

By default, the date on which you create the recall campaign is entered in the field.

5. In the Planned End date field, enter the date for which the recall campaign terminates.
6. In the Category field, select Recall.
7. Select the recall campaign you created previously
8. Click the Assets view tab, and click New.
9. Select an asset that is affected by the recall campaign.
10. Repeat the previous two steps for all assets that will be included in the recall.
11. Click the Repair Operation Codes view tab, and click New.
12. Select the repair operation code for the asset.
13. Repeat the previous step for every repair operation code that is involved in the recall campaign for the asset.

Amending a Recall Campaign

Prior to a recall campaign being implemented, it might be necessary to alter some of the parameters of the campaign. For example, it might be necessary to adjust the planned start date because of the unavailability or delay in the parts required to fix the asset.

To amend a recall campaign

1. Navigate to the Campaign Management screen, and then Campaign List.
2. In the Campaign List, select a recall campaign to amend.
3. Modify the parameters of the recall campaign as described in the following table.

Field	Description
Campaign Name	The name of the campaign for which the recall is being implemented, for example, Electrical System - Window Regulator.
Planned Start	The effective start date for the recall campaign.
Planned End	The effective end date for the recall campaign.
Category	<p>The type of campaign. The options include:</p> <ul style="list-style-type: none"> ○ Sales ○ Service ○ Parts ○ Other ○ Recall <p>Note: All recall campaigns are created using the category Recall.</p>

4. Click the Assets view tab, and then select the asset that you want to amend.
5. Repeat the previous step for all assets that you want to amend.
6. Click the Repair Operation Codes view tab.
7. Select the repair operation code to amend for the asset that is subject to the recall campaign.
8. Repeat the previous step for every repair operation code that is involved in the recall campaign for the asset.

Creating Exclusions

Manufacturers, dealers, and suppliers must implement provisions in their product warranties to limit liability when a product is altered after purchase. Doing so helps to limit fraudulent and unnecessary warranty claims. The alteration of the product constitutes a modification and thereby changes and often voids the standard warranty coverage. When you create a warranty policy, one of the primary tasks is to establish guidelines for the policy, which involves specifying what is and what is not covered under the terms of the policy and what conditions constitute an exclusion, thereby limiting coverage for excluded conditions. Some of exclusions that you can create include:

- Neglect, misuse, or abuse
- Environmental causes, for example, rust, corrosion, or acts of nature
- Damage or failure caused by aftermarket parts or equipment

- Failure to perform the manufacturer's suggested maintenance
- Odometer alteration

To create an exclusion

1. Navigate to the Administration - Service screen.
2. Click the Exclusions view tab, and then click New.
3. In the Name field, enter a name for the exclusion, for example, CustomerAlteration.
4. In the Description field, enter a description for the exclusion, for example, After-Market Product Installed.

Amending an Exclusion

Complete the steps in this procedure to amend an exclusion after it has been created.

To amend an exclusion

1. Navigate to the Administration - Service screen, and then the Exclusions view tab.
2. Select the exclusion that you want to amend.
3. Repeat the previous step for all exclusions you want to modify.

Approving a Prewarranty Authorization

After a prewarranty authorization (PWA) is submitted and routed by the claims processing rules, you can review the claim details and approve or reject the PWA. If additional information or further clarification is required, you can return the claim to the dealer. If the details in the PWA line items are complete and the claim is successfully processed against the verification rules processing, then you can approve the PWA.

Note: A PWA is considered approved even if a single line item is approved and the rest of the line items are rejected.

To approve a prewarranty authorization

1. Navigate to the Warranty Claims screen and then PWA List - Approval view.
2. Select a prewarranty authorization number.

Note: The status of the prewarranty authorization is Approval In Progress.

3. Click the Line Item view tab.
4. Select a PWA line number to view and verify the line item details.

Note: Enter the percentage of the total cost for which the customer is responsible.

5. In the Status field, select Approved.
6. Repeat the previous two steps for all lines.
7. Click Submit Decision.

The status of the prewarranty authorization is updated to Approved.

Approving a Warranty Claim

After a claim is submitted for processing, the claim goes through the validation process including verification of warranty policy for the asset. The claim is processed against the predefined rules that have been established for claims processing. Claims that go through the verification process and are processed without errors have a status of either Approved or Rejected. Any claims that must be manually approved are identified and assigned to a claims manager for review and processing.

Note: A warranty claim is considered approved even if a single line item is approved and the rest of the line items are rejected.

Claims are validated against certain criteria but not limited to:

- Claim type
- Claim amount
- Operation codes
- Dealer codes
- Policy and warranty terms
- Recall campaign or product update
- Product update
- Vehicle master, customer master, parts master, and dealer master
- Claims history
- Miscellaneous validation and exception rules
- Predefined budgetary parameters

After you approve a claim, a credit memo is created, and the claim is sent for payment or invoice processing.

To approve a warranty claim

1. Navigate to the Warranty Claims screen and then Claim List - Approval view.
2. Select a warranty claim number.
3. Click the Line Item Details view tab.
4. Select a repair line that you want to view, and verify the line item details.
5. In the Status field, select Approved.
6. Repeat the previous two steps for all repair lines in the claim.
7. Click Submit Decision.

The claim status is updated.

Administering Payments for Warranty Claims

After all of the details for a warranty claim are entered, verified, validated, and the claim is approved, the next step in the life cycle of the warranty claim is payment. Siebel Automotive allows you to automatically create a payment request for a warranty claim when the status of the claim and all claim lines possess the status of *Approved*.

Note: All lines in the warranty claim must be for the same payee and must all have an Approved status.

This topic contains the following topics:

- [About Payments for Warranty Claims](#)
- [Viewing Payment Requests for Warranty Claims](#)
- [Viewing Warranty Claim Payment Transactions](#)

About Payments for Warranty Claims

Payments for warranty claims are processed for payment when a claim is approved. The payment request information is created and the following information is stored in Siebel Automotive for the claim record:

- Payment request data
- Payment request number
- Transaction type
- Claim number and dealer details
- Payee details
- Payment method
- Approved labor, parts, others, tax data for each approved line item from the claim
- Deductible amount
- Payment amount for each claim line

The claim status is updated to the status of Payment Request Sent until it is received and processed by the financial application that will render payment.

Note: Payment requests that are processed in batch mode through a third-party vendor possess a status of Ready or Transmitted when transferred in real-time, and then Payment Request Sent. You cannot amend warranty claims that have been processed for payment.

Viewing Payment Requests for Warranty Claims

After a warranty claim is submitted and approved, Siebel Automotive will automatically create a payment request for the claim.

Note: All lines in the warranty claim must be for the same payee and must all have an Approved status.

To view payment requests for warranty claims

1. Navigate to the Warranty Claims screen, and then Claims List view tab.
2. Select a warranty claim that has been approved.
3. Click the Payments view tab.
4. Review the claim and payee details. They include the following information:
 - o payment type
 - o payment number
 - o payee
 - o requested amount
 - o payment status

Viewing Warranty Claim Payment Transactions

You can view payment requests and payment request details for warranty claims that have been submitted on your behalf. After a warranty claim is submitted for payment processing, you cannot update the claim.

Note: Dealers or authorized agents can view transaction payments only for warranty claims with which they are associated.

To view warranty claim payment transactions

1. Navigate to the Warranty Claims screen, and then Claims List view tab.
2. Select a warranty claim that has been approved.
3. Click the Payments view tab, and review the claim and payee details.

Administering Payments for Supplier Claims

After all of the details for a supplier claim are entered, verified, validated, and the supplier claim is approved, the next step in the life cycle of the claim is payment. Siebel Automotive allows you to automatically create a payment request for a supplier claim when the status of the claim and all claim lines are approved.

Note: All lines in the warranty claim must be for the same payee and must have a status of Approved.

This topic contains the following topics:

- [About Payments for Supplier Claims](#)
- [Viewing Payment Requests for Approved Supplier Claims](#)
- [Viewing Supplier Claim Payment Transactions](#)

About Payments for Supplier Claims

Payments for supplier claims are processed for payment when the supplier claim is approved. The payment request information is created, and the following information is stored in Siebel Automotive for the supplier claim record:

- Payment request data
- Payment request number
- Transaction type
- Claim number and dealer details
- Payee details
- Payment method
- Approved labor, parts, others, tax data for each approved line item from the claim
- Penalty amount
- Payment amount for each claim line

The supplier claim status is updated to the status of Payment Request Sent until it is received and processed by the financial application that will disburse payment.

Note: Payment requests that are processed in batch mode through a third-party vendor possess a status of Ready or Transmitted when transferred in real-time, and then Payment Request Sent. You cannot modify warranty claims that have been processed for payment.

Viewing Payment Requests for Approved Supplier Claims

After a supplier claim is submitted and approved, Siebel Automotive automatically creates a payment request for the claim.

Note: All lines in the supplier claim must be for the same payee and must all have an Approved status.

To view payment requests for approved supplier claims

1. Navigate to the Warranty Claims screen, and then Claims List view tab.
2. Select a supplier claim that has been approved.
3. Click the Payments view tab, and review the supplier claim and payee details:
 - Payment type
 - Payment number
 - Payee
 - Requested amount
 - Payment status

Viewing Supplier Claim Payment Transactions

You can view supplier recovery claims that have been submitted on your behalf. After a supplier recovery claim is submitted for payment processing, you cannot update the claim.

Note: Dealers or authorized agents can view supplier payment transactions only for recovery claims with which they are associated.

To view supplier recovery claim payment transactions

1. Navigate to the Supplier Recovery Claims screen, and then Claims List view tab.
2. Select a supplier recover claim that has been approved.
3. Click the Payments view tab, and review the supplier recovery claim and supplier details.

Managing Supplier Recovery Claims

This topic describes how to manage supplies recovery claims and contains the following topics:

- [About Supplier Recovery Claims](#)
- [Creating a Supplier Recovery Claim](#)
- [Creating a Supplier Recovery Claim from a Warranty Claim](#)
- [Creating a Supplier Recovery Claim from a Work Order](#)
- [Creating an RMA for Sending Failed Parts to Suppliers](#)
- [Creating an RMA for Sending Failed Parts to Suppliers](#)
- [Viewing Financial Details of Supplier Recovery Claims](#)

About Supplier Recovery Claims

Although Original Equipment Manufacturers (OEM) sell final products to customers and offer warranty coverage for the product, the warranty defects might have originated with a third-party. For example, a supplier might have manufactured a defective product and might therefore be responsible for a warranty failure. In such cases, the OEM's dealer replaces the failed part under warranty and claims a warranty claim expense from the OEM. Because the defect has originated with the supplier, the OEM wants to recover the warranty claim expense from the supplier, which is called a supplier recovery claim. For information about approving or rejecting supplier recovery claims, see *Siebel Dealer Administration Guide* .

Creating a Supplier Recovery Claim

This topic describes how to create a supplier recovery claim.

To create a supplier recovery claim

1. Navigate to the Supplier Recovery Claims screen, then the Supplier Recovery Claims view.
2. Click New.
3. Enter the Supplier Name, or click the single select button in the Supplier Name field to choose from the Pick Account dialog box.
4. Select None from the drop-down list in the Create From field.

Note: You can create supplier recovery claims from a warranty claim or work order. For information about creating a supplier recovery claim based on an existing warranty claim or work order, see [Creating a Supplier Recovery Claim from a Warranty Claim](#) or [Creating a Supplier Recovery Claim from a Work Order](#)

5. Drill down on the supplier recovery claim number.
6. Click New in the Line Items view tab.
7. Enter the causal part number, or click the single select button in the Causal Part number field to choose from the Pick Causal Part dialog box.
8. Enter the supplier warranty policy number, or click the single select button in the Supplier Warranty Policy number field to choose from the Pick Supplier Policy dialog box.
9. In the Parts Costs details form, click New.
10. Enter the Part number, or click the single select button in the Part number field to choose from the Pick Causal Part dialog box.
11. Define the recovery amount, and click Submit.

Creating a Supplier Recovery Claim from a Warranty Claim

This topic describes how to create a supplier recovery claim based on a warranty claim.

To create a supplier recovery claim from a warranty claim

1. Navigate to the Supplier Recovery Claims screen, then the Supplier Recovery Claims view.
2. Click New.
3. Enter the supplier name, or click the single select button in the Supplier Name field to choose from the Pick Account dialog box.
4. Select Warranty Claim from the drop-down list in the Create From field.
5. Drill down on the supplier recovery claim number.
6. Click New in the Line Items view tab.
7. Enter the warranty claim number, or click the single select button in the Warranty Claim number field to choose from the Pick Warranty Claim dialog box.

Note: The Causal Part number, Causal Part Name, Fault Code, Trouble Code, Operation Code, Condition, Cause, Repair, Part Invoice number, Part Installed Date, Part Installed Mileage, Approved Time, Approved Amount, Invoice number, Type and Description fields are filled in automatically based on the selected warranty claim.

8. Enter the supplier warranty policy number, or click the single select button in the Supplier Warranty Policy number field to choose from the Pick Supplier Policy dialog box.
9. Click Submit.

Creating a Supplier Recovery Claim from a Work Order

This topic describes how to create a supplier recovery claim based on a work order. After a work order line number is selected, the part line items from the work order line item will be created automatically in the Parts Cost applet. If you pick another work order line number, the previously selected parts are deleted, and the new parts are then created corresponding to the newly selected work order line item. Initially, the recovery amount is the same as the approved amount, but you can change the recovery amount.

To create a supplier recovery claim from a work order

1. Navigate to the Supplier Recovery Claims screen, then the Supplier Recovery Claims view.
2. Click New.
3. Enter the supplier name, or click the single select button in the Supplier Name field to choose from the Pick Account dialog box.
4. Select Work Order from the drop-down list in the Create From field.
5. Drill down on the supplier recovery claim number.
6. Click New in the Line Items view tab.
7. Enter the work order number, or click the single select button in the Work Order number field to choose from the Pick Work Order dialog box.

Note: The Causal Part number, Causal Part Name, Fault Code, Trouble Code, Operation Code, Condition, Cause, Repair, Approved Time, Approved Amount, Invoice number, Type and Description fields are filled in automatically.

If a work order line number is selected, the part line items from the work order line item will be created automatically in the Parts Cost applet. If you pick another work order line number, the previously selected parts are deleted, and the new parts are then created corresponding to the newly selected work order line item.

8. Enter the supplier warranty policy number, or click the single select button in the Supplier Warranty Policy number field to choose from the Pick Supplier Policy dialog box.
9. Click Submit.

Creating an RMA for Sending Failed Parts to Suppliers

A Return Material Authorization (RMA) is a transaction in which a buyer or recipient of goods arranges to return the goods to the supplier to have them repaired or replaced or in order to receive a refund or credit from the supplier.

Based on the predefined rules, Siebel Automotive issues an RMA to send defective parts to a supplier. When certain conditions are met, the RMA will be created automatically, which occurs if the Parts Return Required option is selected at the supplier warranty policy level for the causal part. Then the RMA will be created automatically when submitting the supplier recovery claim. If an RMA has already been created to issue a part to the supplier, then additional RMAs can be linked to a supplier recovery claim. You can also create an RMA manually for other parts.

To link an RMA to a supplier recovery claim

1. Navigate to the Supplier Recovery Claims screen, then the Supplier Recovery Claims view.
2. Drill down on a supplier recovery claim number.
3. Click the RMAs view tab, and then click New.

- In the RMAs line item, provide the information described in the following table.

Field	Description
Order #	Siebel Automotive populates this field with a unique order number.
Type	Select the type from the drop-down list.
Status	Select the status from the drop-down list.
Account	Type the account name, or click the single select button in the Account Name field to choose from the Pick Account dialog box.
Contact Last Name	Type the contact last name or click the single select button in the Contact Last Name field to choose from the Pick Contact dialog box.

- Click Submit.

Viewing Financial Details of Supplier Recovery Claims

Siebel Automotive allows you to verify the payment status of each supplier recovery claim that has been approved. By accessing the payments information, you can view the claim number, payment transaction reference number, payment amount, and date of the transaction.

To view the financial details of a supplier recovery claim

- Navigate to the Supplier Recovery Claims screen, then the Supplier Recovery Claims view.
- Drill down on a supplier recovery claim number.
- Click the Payments view tab.

The payments associated with the supplier recovery claim will be listed in the view tab. Some fields that might be visible include: Claim number, Payment Type, Payment number, Supplier, Request Amount, Payment Status, External Reference, Payment Date, Paid Amount, and Cheque Number.

Index

P

PWA , *See*

