

# Oracle® Big Data Appliance Owner's Guide



Release 5.1

F21572-09

June 2020

The Oracle logo, consisting of a solid red square with the word "ORACLE" in white, uppercase, sans-serif font centered within it.

ORACLE®

Oracle Big Data Appliance Owner's Guide, Release 5.1

F21572-09

Copyright © 2011, 2020, Oracle and/or its affiliates.

Primary Author: Frederick Kush

This software and related documentation are provided under a license agreement containing restrictions on use and disclosure and are protected by intellectual property laws. Except as expressly permitted in your license agreement or allowed by law, you may not use, copy, reproduce, translate, broadcast, modify, license, transmit, distribute, exhibit, perform, publish, or display any part, in any form, or by any means. Reverse engineering, disassembly, or decompilation of this software, unless required by law for interoperability, is prohibited.

The information contained herein is subject to change without notice and is not warranted to be error-free. If you find any errors, please report them to us in writing.

If this is software or related documentation that is delivered to the U.S. Government or anyone licensing it on behalf of the U.S. Government, then the following notice is applicable:

U.S. GOVERNMENT END USERS: Oracle programs (including any operating system, integrated software, any programs embedded, installed or activated on delivered hardware, and modifications of such programs) and Oracle computer documentation or other Oracle data delivered to or accessed by U.S. Government end users are "commercial computer software" or "commercial computer software documentation" pursuant to the applicable Federal Acquisition Regulation and agency-specific supplemental regulations. As such, the use, reproduction, duplication, release, display, disclosure, modification, preparation of derivative works, and/or adaptation of i) Oracle programs (including any operating system, integrated software, any programs embedded, installed or activated on delivered hardware, and modifications of such programs), ii) Oracle computer documentation and/or iii) other Oracle data, is subject to the rights and limitations specified in the license contained in the applicable contract. The terms governing the U.S. Government's use of Oracle cloud services are defined by the applicable contract for such services. No other rights are granted to the U.S. Government.

This software or hardware is developed for general use in a variety of information management applications. It is not developed or intended for use in any inherently dangerous applications, including applications that may create a risk of personal injury. If you use this software or hardware in dangerous applications, then you shall be responsible to take all appropriate fail-safe, backup, redundancy, and other measures to ensure its safe use. Oracle Corporation and its affiliates disclaim any liability for any damages caused by use of this software or hardware in dangerous applications.

Oracle and Java are registered trademarks of Oracle and/or its affiliates. Other names may be trademarks of their respective owners.

Intel and Intel Inside are trademarks or registered trademarks of Intel Corporation. All SPARC trademarks are used under license and are trademarks or registered trademarks of SPARC International, Inc. AMD, Epyc, and the AMD logo are trademarks or registered trademarks of Advanced Micro Devices. UNIX is a registered trademark of The Open Group.

This software or hardware and documentation may provide access to or information about content, products, and services from third parties. Oracle Corporation and its affiliates are not responsible for and expressly disclaim all warranties of any kind with respect to third-party content, products, and services unless otherwise set forth in an applicable agreement between you and Oracle. Oracle Corporation and its affiliates will not be responsible for any loss, costs, or damages incurred due to your access to or use of third-party content, products, or services, except as set forth in an applicable agreement between you and Oracle.

# Contents

## Preface

---

Audience	xx
Documentation Accessibility	xx
Related Documentation	xx
Conventions	xxii
Backus-Naur Form Syntax	xxii
Changes in Oracle Big Data Appliance Release 5.1	xxiii

## Part I Preinstallation

---

### 1 Introduction to Oracle Big Data Appliance

---

1.1 About Oracle Big Data Appliance	1-1
1.2 Oracle Big Data Appliance Rack Components	1-1
1.3 Server Components	1-2
1.4 Spare Parts Kit Components	1-5
1.5 Oracle Big Data Appliance Management Software	1-7
1.6 Supportability Guidelines	1-8

### 2 Site Requirements for Oracle Big Data Appliance

---

2.1 General Environmental Requirements	2-1
2.2 Space Requirements	2-6
2.2.1 Receiving and Unpacking Requirements	2-6
2.2.2 Maintenance Access Requirements	2-7
2.3 Flooring Requirements	2-8
2.4 Electrical Power Requirements	2-8
2.4.1 PDUs for Oracle Big Data Appliance	2-8
2.4.1.1 Single-Phase PDUs for North America, South America, Japan, and Taiwan	2-9
2.4.1.2 Three-Phase PDUs for North America, South America, Japan, and Taiwan	2-9

2.4.1.3	Single-Phase PDUs for Europe, the Middle East, Africa, and Asia Pacific	2-10
2.4.1.4	Three-Phase PDUs for Europe, the Middle East, Africa, and Asia Pacific	2-11
2.4.2	Facility Power Requirements	2-12
2.4.3	Circuit Breaker Requirements	2-13
2.4.4	Grounding Guidelines	2-13
2.5	Temperature and Humidity Requirements	2-13
2.6	Ventilation and Cooling Requirements	2-15
2.7	Network Connection Requirements	2-16
2.8	Ensuring That the Site Is Ready	2-16

### 3 About the Network Requirements

---

3.1	Overview of Network Requirements	3-1
3.1.1	Default Network Connections	3-1
3.1.2	Minimum Requirements for the Networks	3-2
3.1.3	Network Diagram	3-3
3.2	Cabling the Client Network	3-5
3.2.1	How the Servers Connect to the Gateway Switches	3-5
3.2.2	Using Splitter Cables for Connecting to the 40 Gbps Physical Ports	3-7
3.2.3	What About Data Centers Without a 10 GbE Infrastructure?	3-7
3.2.4	Guidelines for Connecting to the Gateway Switches	3-7
3.2.4.1	Configuring for LACP/LAG Connections	3-8
3.2.5	Configuring Multiple Racks into a Single Hadoop Cluster	3-10
3.3	Factory Network Settings	3-10
3.4	Port Assignments for Oracle Big Data Appliance Software	3-11
3.5	Preparing the Network for Oracle Big Data Appliance	3-12

### 4 Using Oracle Big Data Appliance Configuration Generation Utility

---

4.1	Overview of Oracle Big Data Appliance Configuration Generation Utility	4-1
4.2	Generating the Configuration Files	4-2
4.3	About the Configuration Files	4-3
4.4	Validating the Network Settings	4-5
4.5	Customer Details Page	4-5
4.5.1	Using Standardized Host Names	4-6
4.5.2	Using Customized Host Names	4-6
4.5.3	Naming Multirack Clusters	4-7
4.5.4	Connecting to Oracle Big Data Appliance Over the Networks	4-7
4.6	Hardware Selection Page	4-7
4.7	Rack Details	4-8

4.8	Networking Page	4-9
4.9	Administration Network Page	4-9
4.10	General Network Properties Page	4-10
4.11	Review and Edit Details Page	4-11
4.12	Define Clusters Page	4-11
4.13	Cluster Page	4-12
4.13.1	A New Oracle NoSQL Database Cluster	4-13
4.13.1.1	User and Groups	4-13
4.13.1.2	Client Network	4-14
4.13.1.3	InfiniBand Network	4-15
4.13.1.4	MIT Kerberos	4-16
4.13.1.5	Installed Components	4-16
4.13.1.6	Oracle NoSQL Configuration	4-17
4.13.2	A New CDH Cluster	4-17
4.13.2.1	User/Groups	4-18
4.13.2.2	Client Network	4-18
4.13.2.3	InfiniBand Network	4-20
4.13.2.4	Big Data SQL	4-20
4.13.2.5	Big Data Connectors	4-21
4.13.2.6	Oracle Big Data Spatial and Graph	4-22
4.13.2.7	MIT Kerberos	4-22
4.13.2.8	Active Directory Kerberos	4-23
4.13.2.9	HDFS Transparent Encryption	4-24
4.13.2.10	Auto Service Request	4-25
4.13.2.11	Email Alerting	4-25
4.13.3	Adding to an Existing Cluster	4-26
4.14	Client Network Config Summary	4-26
4.15	Complete Page	4-26

## 5 Setting Up Auto Service Request

---

5.1	About Auto Service Request	5-1
5.2	Getting Ready to Install ASR	5-2
5.3	Installing ASR Manager	5-3
5.4	Verifying the ASR Manager Installation	5-3
5.5	Configuring the Trap Destinations on Oracle Big Data Appliance	5-4
5.6	Verifying ASR Assets	5-4
5.7	Validating Auto Service Request on Oracle Big Data Appliance	5-5
5.8	Troubleshooting ASR	5-6

## Part II Hardware Installation and Configuration

---

### 6 Installing Oracle Big Data Appliance at the Site

---

6.1	Reviewing Safety Guidelines	6-1
6.2	Unpacking Oracle Big Data Appliance	6-2
6.2.1	Contents of the Shipping Kit	6-4
6.2.2	Removing Oracle Big Data Appliance from the Shipping Crate	6-4
6.3	Placing Oracle Big Data Appliance in Its Allocated Space	6-6
6.3.1	Moving Oracle Big Data Appliance	6-6
6.3.2	Securing an Oracle Big Data Appliance Rack	6-7
6.3.2.1	Secure the Oracle Big Data Appliance Rack with Leveling Feet	6-8
6.3.3	Attaching a Ground Cable (Optional)	6-8
6.4	Powering On the System for the First Time	6-9
6.4.1	Inspecting the Oracle Big Data Appliance Rack After It Is in Place	6-9
6.4.2	Connecting Power Cords	6-10
6.4.3	Powering On Oracle Big Data Appliance	6-12

### 7 Configuring an Oracle Big Data Appliance Full Rack or Starter Rack

---

7.1	Configuring the KVM Switch	7-1
7.1.1	Starting the KVM Switch	7-2
7.1.2	Connecting the KVM Switch to the Management Network	7-2
7.1.3	Configuring the KVM Switch to Access the Servers	7-3
7.1.4	Accessing a Server by Using the KVM Switch	7-3
7.2	Configuring the Ethernet Switch	7-3
7.2.1	Configuring the Cisco Nexus 93108-1G or 9348 Ethernet Switch	7-3
7.2.1.1	Performing the Initial Switch Configuration for the Cisco Nexus 93108-1G Ethernet Switch	7-4
7.2.1.2	Setting the Clock on the Cisco 93108-1G or 9348 Ethernet Switch	7-8
7.2.2	Configuring the Cisco Catalyst 4948 Ethernet Switch	7-8
7.2.2.1	Scope of the Configuration	7-9
7.2.2.2	Prerequisites for Configuring the Ethernet Switch	7-9
7.2.2.3	Configuring the Ethernet Switch on the Customer Network	7-9
7.2.2.4	Setting Up Telnet Access on the Ethernet Switch	7-12
7.2.2.5	Configuring SSH on the Ethernet Switch	7-14
7.2.2.6	Setting the Clock and Time Zone on the Ethernet Switch	7-14
7.2.2.7	Configuring the NTP Servers for the Ethernet Switch	7-15
7.2.2.8	Disabling the Spanning Tree	7-16
7.2.2.9	Verifying the Ethernet Configuration	7-16
7.3	Configuring the InfiniBand Leaf and Spine Switches	7-17

7.3.1	Configuring an InfiniBand Switch	7-18
7.3.2	Setting the Time Zone and Clock on an InfiniBand Switch	7-20
7.3.3	Checking the Health of an InfiniBand Switch	7-21
7.3.4	Checking the Sun Network QDR InfiniBand Gateway Switches	7-22
7.4	Configuring the Power Distribution Units	7-24
7.4.1	Connecting the PDUs to the Network	7-24
7.4.2	Updating the PDU Firmware Version	7-25
7.5	Configuring the Oracle Big Data Appliance Servers	7-25
7.6	Configuring the Network	7-29
7.6.1	Copying the Configuration Files to Oracle Big Data Appliance	7-29
7.6.2	Starting the Network Configuration	7-31
7.6.3	Connecting to the Administrative Network	7-33
7.6.4	Connecting to the Client Network	7-34
7.6.5	Completing the Network Configuration	7-34
7.6.6	Checking the Virtual Interface Cards (VNICs)	7-36
7.6.7	Verifying Access to the Network Services	7-36
7.7	Configuring Multiple Oracle Big Data Appliance Racks	7-37
7.7.1	Configuring and Cabling Multiple Racks	7-38
7.7.2	Validating a Multirack InfiniBand Network	7-40

## 8 Expanding an Oracle Big Data Appliance Starter Rack

---

8.1	About Expanding an Oracle Big Data Appliance Starter Rack	8-1
8.1.1	Checking the Contents of a High Capacity Node plus InfiniBand Infrastructure	8-2
8.1.2	Checking the Status of a Starter Rack	8-2
8.2	Installing New Servers on an Oracle Big Data Appliance Starter Rack	8-3
8.3	Configuring the New Oracle Big Data Appliance Servers	8-3
8.4	Setting Up the Network	8-5
8.4.1	Copying the Configuration Files	8-5
8.4.2	Configuring the Network	8-6
8.4.3	Verifying the Network Configuration	8-7
8.5	Installing Oracle Big Data Appliance Software on the New Servers	8-7

## 9 Connecting Multiple Oracle Big Data Appliance Racks

---

9.1	Extending a Rack by Adding Another Rack	9-1
9.2	Prerequisites for Multirack Cabling	9-2
9.3	Cabling Two Racks Together	9-2
9.4	Cabling Several Racks Together	9-4

### 10 Installing the Oracle Big Data Appliance Software

---

10.1	About the Mammoth Utility	10-1
10.1.1	About Rolling Upgrades	10-2
10.2	Installation Prerequisites	10-2
10.3	Downloading the Mammoth Software Deployment Bundle	10-3
10.4	Installing the Software on a New Rack	10-5
10.4.1	Installing the Software	10-5
10.5	What If an Error Occurs During the Installation?	10-7
10.6	Adding Servers to a Cluster	10-8
10.7	Upgrading the Software on Oracle Big Data Appliance	10-10
10.7.1	About the Operating System Versions	10-10
10.7.2	Upgrading the Software	10-11
10.7.2.1	Pre-Upgrade Checklist	10-11
10.7.2.2	Using the Mammoth "step" and "range" Options in Upgrades	10-13
10.7.2.3	Upgrading to the Current Software Version	10-15
10.7.2.4	Known Upgrade Issues	10-16
10.7.2.5	Known Post-Upgrade Issues	10-20
10.7.2.6	Performing Parcel Upgrades Outside of the One-Off Patch Mechanism	10-21
10.8	Migrating from Oracle Linux 6 to Oracle Linux 7	10-21
10.8.1	Important Considerations	10-22
10.8.2	Prerequisites for Migrating to Oracle Linux 7	10-24
10.8.3	Oracle Linux 6 to Oracle Linux 7 Migration Steps	10-25
10.8.4	Output Examples From Oracle Linux 6 to Oracle Linux 7 Migration	10-28
10.9	Enabling Optional Software Included With the Release	10-35
10.9.1	Enable or Disable Oracle Big Data Connectors	10-36
10.9.1.1	Adding Oracle Big Data Connectors	10-36
10.9.1.2	Removing Oracle Big Data Connectors	10-37
10.9.2	Enable or Disable Oracle Big Data Spatial and Graph	10-38
10.9.3	Enable or Disable Auto Service Request	10-39
10.9.4	Enable Kerberos Authentication	10-40
10.9.5	Installing Oracle Big Data SQL	10-41
10.9.5.1	Installation Options	10-42
10.9.5.2	Installation Overview	10-43
10.9.5.3	Using Mammoth or bdacli to Install the Big Data Appliance Side of Oracle Big Data SQL	10-44
10.9.5.4	Installing Oracle Big Data SQL on the Oracle Database System	10-45
10.9.5.5	Customizing the Default Oracle Big Data SQL Installation	10-46



10.9.5.6	Managing the Oracle Big Data SQL Service	10-50
10.9.5.7	Uninstalling Oracle Big Data SQL	10-51
10.9.6	Setting Up and Configuring HBase	10-51
10.10	Installing Other Approved Software	10-52
10.10.1	Add Support for Oracle Enterprise Manager Cloud Control	10-52
10.10.2	Installing Cloudera Data Science Workbench	10-53
10.11	Reinstalling the Base Image	10-54
10.11.1	Reimaging a Single Oracle Big Data Appliance Server	10-54
10.11.2	Reimaging an Oracle Big Data Appliance Rack	10-56
10.11.3	Reimaging an Oracle Big Data Appliance Cluster	10-58
10.12	Installing a One-Off Patch	10-62
10.13	Mammoth Software Installation and Configuration Utility	10-63
10.13.1	Mammoth Options	10-63
10.13.2	Mammoth Installation Steps	10-65
10.14	Oracle Big Data Appliance Base Imaging Utilities	10-68
10.14.1	makebdaimage	10-68
10.14.2	reimagecluster	10-69
10.14.3	reimagerack	10-69

## Part IV Maintenance

---

### 11 Oracle Big Data Appliance Utilities

---

11.1.1	bdacheckcluster	11-2
11.1.2	bdacheckhw	11-3
11.1.3	bdacheckib	11-3
11.1.4	bdachecknet-cluster	11-5
11.1.5	bdachecknet-rack	11-6
11.1.6	bdachecksw	11-6
11.1.7	bdaccli	11-7
11.1.8	bdaconfiguredisk	11-21
11.1.9	bdadiag	11-23
11.1.10	bdadiagcluster	11-25
11.1.11	bdagetclientconfig	11-26
11.1.12	bdaid	11-27
11.1.13	bdaiestatus	11-27
11.1.14	bdaimagevalidate	11-28
11.1.15	bdanodedesc	11-29
11.1.16	bdaredoclientnet	11-29
11.1.17	bdaredousb	11-31
11.1.18	bdasecureerasenode	11-33

11.1.19	bdaserials	11-35
11.1.20	bdaswapoff	11-35
11.1.21	bdaswapon	11-36
11.1.22	bdaupdatefw	11-36
11.1.23	iblinkinfo	11-38
11.1.24	imagehistory	11-38
11.1.25	imageinfo	11-39
11.1.26	listlinkup	11-39
11.1.27	mount_hadoop_dirs	11-40
11.1.28	remove-root-ssh	11-40
11.1.29	reset-boot-order	11-41
11.1.30	setup-root-ssh	11-42
11.1.31	showusb	11-43
11.1.32	showwlan	11-43
11.1.33	showvnics	11-44
11.1.34	bdclustersyncntime	11-44

## 12 Maintaining Oracle Big Data Appliance

---

12.1	Monitoring the Ambient Temperature of Servers	12-1
12.2	Powering On and Off Oracle Big Data Appliance	12-2
12.2.1	Nonemergency Power Procedures	12-2
12.2.1.1	Powering On Oracle Big Data Appliance	12-2
12.2.1.2	Powering Off Oracle Big Data Appliance	12-2
12.2.1.3	Powering On and Off Network Switches	12-3
12.2.2	Emergency Power-Off Considerations	12-3
12.2.2.1	Emergency Power-Off Procedure	12-3
12.2.2.2	Emergency Power-Off Switch	12-4
12.2.3	Cautions and Warnings	12-4
12.3	Adding Memory to the Servers	12-4
12.3.1	Adding Memory to an Oracle Server X8-2L or X7-2L	12-4
12.3.2	Adding Memory to an Oracle Server X6-2L	12-5
12.3.3	Adding Memory to an Oracle Server X5-2L, Sun Server X4-2L, or Sun Server X3-2L	12-5
12.3.4	Adding Memory to Sun Fire X4270 M2 Servers	12-6
12.4	Maintaining the InfiniBand Network	12-6
12.4.1	Replacing a Failed InfiniBand Switch	12-6
12.4.2	Verifying InfiniBand Network Operation	12-8
12.4.3	About the Network Subnet Manager Master	12-10
12.5	Changing the Number of Connections to a Gateway Switch	12-11
12.6	Changing the NTP Servers	12-11
12.7	Monitoring the PDU Current	12-12

12.8	Node Migration	12-14
12.9	Capping CPU Cores on Servers	12-14

## 13 Replacing a Server Disk

---

13.1	Verifying the Server Configuration	13-1
13.1.1	Verifying Disk Controller Configuration	13-1
13.1.2	Verifying Virtual Drive Configuration	13-2
13.1.3	Verifying Physical Drive Configuration	13-2
13.2	About Disk Drive Identifiers	13-3
13.2.1	Standard Disk Drive Mappings	13-3
13.2.2	Standard Mount Points	13-4
13.2.3	Obtaining the Physical Slot Number of a Disk Drive	13-4
13.3	Overview of the Disk Replacement Process	13-4
13.4	What If a Server Fails to Restart?	13-5
13.5	Prerequisites for Replacing a Failing Disk	13-6
13.6	Replacing a Disk Drive	13-8
13.7	Correcting a Mounted Partitions Error	13-11
13.8	Configuring a Disk Drive	13-11

## 14 Executing Commands Across a Cluster Using the dcli Utility

---

14.1	Overview of the dcli Utility	14-1
14.1.1	Setting Up Passwordless SSH	14-1
14.1.2	Basic Use of dcli	14-2
14.1.2.1	Getting Help	14-2
14.1.2.2	Identifying the Target Servers	14-2
14.1.2.3	Specifying the Commands	14-2
14.1.2.4	Controlling the Output Levels	14-3
14.2	dcli Syntax	14-3
14.3	dcli Return Values	14-5
14.4	dcli Examples	14-5

## 15 Using Oracle Integrated Lights Out Manager

---

15.1	Oracle ILOM Overview	15-1
15.1.1	Oracle ILOM Interfaces	15-2
15.1.2	Oracle ILOM Users	15-2
15.2	Administrative Network Diagram	15-2
15.3	Oracle ILOM IP Addresses for Oracle Big Data Appliance Components	15-3
15.4	Connecting to Oracle ILOM Using the Network	15-3
15.4.1	Connecting to the Command-Line Interface	15-4

15.4.2	Connecting to the Web GUI	15-4
15.5	Connecting to Oracle ILOM Using a Serial Connection	15-5
15.5.1	Connecting to the Oracle ILOM of a Server	15-5
15.5.2	Connecting to the Oracle ILOM of an InfiniBand Switch	15-6
15.6	Backing Up and Restoring Oracle ILOM Settings	15-7
15.6.1	Backing Up the Oracle ILOM Configuration Settings	15-7
15.6.2	Restoring Oracle ILOM Configuration Settings	15-8

## Part V Appendixes

---

### A Error Messages for Oracle Big Data Appliance

---

### B Replacement Units

---

B.1	About Repair Categories	B-1
B.2	Disk Controller Batteries	B-2
B.3	LED Status Descriptions	B-2
B.3.1	Sun Server LEDs	B-3
B.3.2	Sun InfiniBand Switch LEDs	B-4
B.4	Parts for Oracle Big Data Appliance Servers	B-5
B.4.1	Oracle Server X7-2L Parts	B-6
B.4.2	Oracle Server X6-2L and X5-2L Parts	B-9
B.4.3	Sun Server X4-2L Parts	B-13
B.4.4	Sun Server X3-2L Parts	B-17
B.4.5	Sun Fire X4270 M2 Parts	B-20
B.5	Parts for Sun Datacenter InfiniBand Switch 36	B-25
B.6	Parts for Sun Network QDR InfiniBand Gateway Switch	B-26
B.7	Parts for the Cisco Ethernet Switch	B-27
B.8	Parts for Power Distribution Units	B-28
B.9	Cables and Cable Accessories for an Oracle Big Data Appliance Rack	B-29

### C In-Rack Cabling Tables for Oracle Big Data Appliance X8-2, X7-2, X6-2, and X5-2

---

C.1	Cable Color Coding	C-1
C.2	Oracle Big Data Appliance Rack Layout	C-1
C.3	Administrative Gigabit Ethernet Cable Connections	C-7
C.4	Oracle Integrated Lights Out Manager Cable Connections	C-7
C.5	Single-Phase Power Distribution Unit Cable Connections	C-8
C.6	Three-Phase Power Distribution Unit Cable Connections	C-9

C.7	In-Rack InfiniBand Switch-to-Switch Cable Connections	C-10
C.8	In-Rack InfiniBand Switch-to-Server Cable Connections	C-11

## D In-Rack Cabling Tables for Oracle Big Data Appliance X4-2 and X3-2

---

D.1	Cable Color Coding	D-1
D.2	Oracle Big Data Appliance Rack Layout	D-1
D.3	Administrative Gigabit Ethernet Cable Connections	D-7
D.4	Oracle Integrated Lights Out Manager Cable Connections	D-7
D.5	Single-Phase Power Distribution Unit Cable Connections	D-8
D.6	Three-Phase Power Distribution Unit Cable Connections	D-9
D.7	In-Rack InfiniBand Switch-to-Switch Cable Connections	D-10
D.8	In-Rack InfiniBand Switch-to-Server Cable Connections	D-11

## E In-Rack Cabling Tables for Oracle Big Data Appliance Sun Fire X4270 M2

---

E.1	Cable Color Coding	E-1
E.2	Oracle Big Data Appliance Rack Layout	E-1
E.3	KVM Network Cable Connections	E-2
E.4	Administrative Gigabit Ethernet Cable Connections	E-3
E.5	Oracle Integrated Lights Out Manager Cable Connections	E-4
E.6	Single-Phase Power Distribution Unit Cable Connections	E-5
E.7	Three-Phase Power Distribution Unit Cable Connections	E-6
E.8	In-Rack InfiniBand Switch-to-Switch Cable Connections	E-7
E.9	In-Rack InfiniBand Switch-to-Server Cable Connections	E-8

## F Multirack Cabling Tables

---

F.1	About Multirack Cabling	F-1
F.1.1	Cabling Together Oracle Exadata Database Machine and Oracle Big Data Appliance	F-2
F.1.2	Cable Connections for Switches in One Rack	F-2
F.1.3	Cable Connections for Switches in Two Racks	F-3
F.1.4	Cable Connections for Switches in Up to Eight Racks	F-4
F.2	Key to Cabling Table Abbreviations	F-4
F.3	Two-Rack Cabling	F-5
F.4	Three-Rack Cabling	F-6
F.5	Four-Rack Cabling	F-8
F.6	Five-Rack Cabling	F-10
F.7	Six-Rack Cabling	F-13

F.8	Seven-Rack Cabling	F-17
F.9	Eight-Rack Cabling	F-21

## G Manual Disk Configuration Steps

---

G.1	Identifying the Function of a Disk Drive	G-1
G.2	Configuring an Operating System Disk	G-1
G.2.1	Partitioning the Operating System Disk	G-2
G.2.1.1	Partitioning for Oracle Linux 6	G-2
G.2.2	Repairing the RAID Arrays	G-3
G.2.3	Formatting the HDFS Partition of an Operating System Disk	G-5
G.2.4	Restoring the Swap Partition	G-6
G.2.5	Restoring the GRUB Master Boot Records and HBA Boot Order	G-6
G.3	Configuring an HDFS or Oracle NoSQL Database Disk	G-9
G.4	Verifying the Disk Configuration	G-10

## H Oracle Big Data Appliance Software Accessibility Recommendations

---

H.1	Tips on Using Screen Readers and Braille Displays	H-1
H.2	Tips on Using Screen Magnifiers	H-1
H.3	Accessibility for the Oracle Big Data Appliance Configuration Generation Utility on Microsoft Windows	H-2
H.4	Keyboard Shortcuts for Oracle Big Data Manager	H-2

## I Recent Change History

---

I.1	Changes in Oracle Big Data Appliance Release 4.14	I-1
I.2	Changes in Oracle Big Data Appliance Release 4.13	I-2

## Index

---

## List of Tables

---

1-1	Oracle Big Data Appliance Rack Components	1-2
1-2	Oracle Server X8–2L Components	1-2
1-3	Oracle Server X7–2L Components	1-2
1-4	Oracle Server X6-2L Server Components	1-3
1-5	Oracle Server X5-2 Server Components	1-3
1-6	Sun Server X4-2L Server Components	1-4
1-7	Sun Server X3-2L Server Components	1-4
1-8	Sun Fire X4270 M2 Server Components	1-5
1-9	Bundled Components and Accessories	1-5
1-10	Bundled Cables	1-6
1-11	In-Rack Spare Cables	1-6
1-12	InfiniBand Inter-Switch Cables and Spares Provided	1-6
1-13	Total Number of Cables for Required for Various Multi-Rack Systems	1-6
2-1	Environmental Requirements for Oracle Big Data Appliance X8	2-1
2-2	Environmental Requirements for Oracle Big Data Appliance X7	2-2
2-3	Environmental Requirements for Oracle Big Data Appliance X6 and X5	2-2
2-4	Environmental Requirements for Oracle Big Data Appliance X6-2 and X5-2 High Capacity Node plus Infiniband Infrastructure	2-3
2-5	Environmental Requirements for Oracle Big Data Appliance X4-2 and X3-2	2-4
2-6	Environmental Requirements for Oracle Big Data Appliance Sun Fire X4270 M2-Based Rack	2-5
2-7	Shipping Measurements	2-7
2-8	Access Route Requirements for Oracle Big Data Appliance	2-7
2-9	Maintenance Access Requirements for Oracle Big Data Appliance	2-7
2-10	Floor Load Requirements for Oracle Big Data Appliance	2-8
2-11	Low-Voltage 15 kVA Single-Phase PDUs	2-9
2-12	Low-Voltage 15 kVA Three-Phase PDUs	2-10
2-13	High-voltage 22 kVA Single Phase PDUs	2-10
2-14	High-Voltage 15 kVA Three-Phase PDUs	2-11
2-15	Temperature, Humidity, and Altitude Requirements	2-14
3-1	Server/Gateway Connections Example	3-6
3-2	Default IP Addresses for Oracle Big Data Appliance	3-10
3-3	Oracle Big Data Appliance Port Numbers	3-11
3-4	Port Access Required by the Oracle Enterprise Manager Plug-In	3-12
4-1	Customer Details Page	4-5

4-2	Hardware Selection Page	4-8
4-3	Rack Details Page	4-8
4-4	Administration Network Page	4-10
4-5	General Network Properties Page	4-10
4-6	Advanced Network Properties	4-11
4-7	Define Clusters Page	4-12
4-8	User and Groups for a New Oracle NoSQL Database Cluster	4-13
4-9	Client Network	4-14
4-10	InfiniBand Network Page	4-15
4-11	MIT Kerberos	4-16
4-12	Installed Components	4-17
4-13	Oracle NoSQL Configuration	4-17
4-14	User/Groups for a New CDH Cluster	4-18
4-15	Client Network	4-19
4-16	InfiniBand Network Page	4-20
4-17	Big Data SQL	4-21
4-18	Installed Components	4-21
4-19	MIT Kerberos	4-22
4-20	Active Directory Kerberos	4-23
4-21	HDFS Transparent Encryption	4-24
4-22	Auto Service Request	4-25
4-23	Email Alerting Page	4-25
8-1	A High Capacity Node plus InfiniBand Infrastructure Components and Accessories	8-2
8-2	A High Capacity Node plus Infiniband Infrastructure Cables	8-2
10-1	Upgrade Steps	10-14
11-1	bdacli admin_cluster parameters	11-8
11-2	bdacli enable or disable Service Parameters	11-10
11-3	BDACLI start, stop, and restart Parameters	11-13
11-4	BDACLI reset Scope Parameters	11-14
11-5	BDACLI reset Network Parameters	11-14
11-6	InfiniBand Parameters	11-15
11-7	Rack Parameters	11-15
11-8	General Cluster Parameters	11-17
11-9	Oracle Big Data Connectors Status Parameters	11-17
11-10	Cluster Network Parameters	11-18
11-11	Cluster Security Parameters	11-18
11-12	Server Parameters for getinfo	11-19



11-13	Server Parameters for setinfo	11-20
11-14	One-Off Patch Parameters	11-20
12-1	Threshold Values for Single-Phase, Low-Voltage PDU	12-13
12-2	Threshold Values for Three-Phase, Low-Voltage PDU	12-13
12-3	Threshold Values for Single-Phase, High-Voltage PDU	12-13
12-4	Threshold Values for Three-Phase, High-Voltage PDU	12-14
12-5	bdacli Commands for CPU Core Capping	12-15
13-1	Disk Drive Identifiers	13-3
13-2	Mount Points	13-4
14-1	dcli Options	14-4
B-1	Oracle Big Data Appliance Repair Categories	B-1
B-2	Sun Server LED Status Descriptions	B-3
B-3	Sun InfiniBand Switch LED Status Descriptions	B-4
B-4	Replacement Parts for Oracle Server X7-2L Oracle Database Servers	B-6
B-5	Replacement Parts for Oracle Server X6-2L and X5-2L Servers	B-10
B-6	Replacement Parts for a Sun Server X4-2L Server	B-13
B-7	Replacement Parts for a Sun Server X3-2L Server	B-17
B-8	Replacement Parts for Sun Fire X4270 M2 Servers	B-21
B-9	Replacement Parts for the Sun Datacenter InfiniBand Switch 36	B-25
B-10	Replacement Parts for the Sun Network QDR InfiniBand Gateway Switch	B-26
B-11	Replacement Parts for Cisco Catalyst Ethernet	B-27
B-12	Replacement Parts for Power Distribution Units	B-28
B-13	Replacement Cables for an Oracle Big Data Appliance Rack	B-30
C-1	Administrative Gigabit Ethernet Cabling	C-7
C-2	Oracle ILOM Cabling	C-8
C-3	Single-Phase PDU Cabling	C-8
C-4	Three-Phase PDU Cabling	C-9
C-5	InfiniBand Switch-to-Switch Cabling	C-10
C-6	InfiniBand Switch-to-Server Cabling	C-11
D-1	Administrative Gigabit Ethernet Cabling	D-7
D-2	Oracle ILOM Cabling	D-8
D-3	Single-Phase PDU Cabling	D-8
D-4	Three-Phase PDU Cabling	D-9
D-5	InfiniBand Switch-to-Switch Cabling	D-10
D-6	InfiniBand Switch-to-Server Cabling	D-11
E-1	KVM Cabling	E-3
E-2	Administrative Gigabit Ethernet Cabling	E-3

E-3	Oracle ILOM Cabling	E-4
E-4	Single-Phase PDU Cabling	E-5
E-5	Three-Phase PDU Cabling	E-6
E-6	InfiniBand Switch-to-Switch Cabling	E-7
E-7	InfiniBand Switch-to-Server Cabling	E-8
F-1	Leaf Switch Connections for the First Rack in a Two-Rack System	F-5
F-2	Leaf Switch Connections for the Second Rack in a Two-Rack System	F-6
F-3	Leaf Switch Connections for the First Rack in a Three-Rack System	F-6
F-4	Leaf Switch Connections for the Second Rack in a Three-Rack System	F-7
F-5	Leaf Switch Connections for the Third Rack in a Three-Rack System	F-7
F-6	Leaf Switch Connections for the First Rack in a Four-Rack System	F-8
F-7	Leaf Switch Connections for the Second Rack in a Four-Rack System	F-9
F-8	Leaf Switch Connections for the Third Rack in a Four-Rack System	F-9
F-9	Leaf Switch Connections for the Fourth Rack in a Four-Rack System	F-10
F-10	Leaf Switch Connections for the First Rack in a Five-Rack System	F-11
F-11	Leaf Switch Connections for the Second Rack in a Five-Rack System	F-11
F-12	Leaf Switch Connections for the Third Rack in a Five-Rack System	F-12
F-13	Leaf Switch Connections for the Fourth Rack in a Five-Rack System	F-12
F-14	Leaf Switch Connections for the Fifth Rack in a Five-Rack System	F-13
F-15	Leaf Switch Connections for the First Rack in a Six-Rack System	F-14
F-16	Leaf Switch Connections for the Second Rack in a Six-Rack System	F-14
F-17	Leaf Switch Connections for the Third Rack in a Six-Rack System	F-15
F-18	Leaf Switch Connections for the Fourth Rack in a Six-Rack System	F-15
F-19	Leaf Switch Connections for the Fifth Rack in a Six-Rack System	F-16
F-20	Leaf Switch Connections for the Sixth Rack in a Six-Rack System	F-17
F-21	Leaf Switch Connections for the First Rack in a Seven-Rack System	F-17
F-22	Leaf Switch Connections for the Second Rack in a Seven-Rack System	F-18
F-23	Leaf Switch Connections for the Third Rack in a Seven-Rack System	F-19
F-24	Leaf Switch Connections for the Fourth Rack in a Seven-Rack System	F-19
F-25	Leaf Switch Connections for the Fifth Rack in a Seven-Rack System	F-20
F-26	Leaf Switch Connections for the Sixth Rack in a Seven-Rack System	F-20
F-27	Leaf Switch Connections for the Seventh Rack in a Seven-Rack System	F-21
F-28	Leaf Switch Connections for the First Rack in an Eight-Rack System	F-22
F-29	Leaf Switch Connections for the Second Rack in an Eight-Rack System	F-22
F-30	Leaf Switch Connections for the Third Rack in an Eight-Rack System	F-23
F-31	Leaf Switch Connections for the Fourth Rack in an Eight-Rack System	F-23
F-32	Leaf Switch Connections for the Fifth Rack in an Eight-Rack System	F-24

F-33	Leaf Switch Connections for the Sixth Rack in an Eight-Rack System	F-25
F-34	Leaf Switch Connections for the Seventh Rack in an Eight-Rack System	F-25
F-35	Leaf Switch Connections for the Eighth Rack in an Eight-Rack System	F-26
H-1	Keyboard Shortcuts in the Big Data Manager Data Explorer	H-2

# Preface

This guide describes Oracle Big Data Appliance, which is used for acquiring, organizing, and analyzing very large data sets. It includes information about hardware operations, site planning and configuration, and physical, electrical, and environmental specifications.

This preface contains the following topics:

- [Audience](#)
- [Related Documentation](#)
- [Conventions](#)
- [Backus-Naur Form Syntax](#)
- [Changes in Oracle Big Data Appliance Release 5.1](#)

## Audience

This guide is intended for Oracle Big Data Appliance customers and those responsible for data center site planning, installation, configuration, and maintenance of Oracle Big Data Appliance.

## Documentation Accessibility

For information about Oracle's commitment to accessibility, visit the Oracle Accessibility Program website at <http://www.oracle.com/pls/topic/lookup?ctx=acc&id=docacc>.

### Access to Oracle Support

Oracle customers that have purchased support have access to electronic support through My Oracle Support. For information, visit <http://www.oracle.com/pls/topic/lookup?ctx=acc&id=info> or visit <http://www.oracle.com/pls/topic/lookup?ctx=acc&id=trs> if you are hearing impaired.

## Related Documentation

### Oracle Big Data Appliance Documentation Library

In the [Big Data](#) portal on the Oracle Help Center, you can find a link to the complete Oracle Big Data Appliance library for your release of the product. The library includes the following documentation for Oracle Big Data Appliance as well as documentation for other Oracle big data products:

- *Oracle Big Data Appliance Owner's Guide* (this guide)

- Oracle Big Data Appliance Software User's Guide
- Oracle Big Data Connectors User's Guide
- Oracle Big Data Appliance Licensing Information User Manual
- Oracle Big Data Manager User's Guide (for Oracle Big Data Appliance)

 **Note:**

The Oracle Big Data Appliance Licensing Information User Manual is the consolidated reference for licensing information for Oracle and third-party software included in the Oracle Big Data Appliance product. Refer to this manual or contact Oracle Support if you have questions about licensing.

### Help for Oracle Big Data Appliance in My Oracle Support

[My Oracle Support](https://support.oracle.com) (support.oracle.com) provides detailed “how to” instructions in the form of MOS notes (My Oracle Support notes) that are constantly updated. If you do not find information that you need in Oracle Big Data Appliance documentation library, check My Oracle Support. Use your Oracle account credentials to log in.

Your Oracle support representative may sometimes refer you to a MOS note for assistance with an issue.

In the search field, you can enter a specific MOS note number or any set of keywords.



 **See Also:**

#### The Oracle Big Data Appliance Information Center

The [Oracle Big Data Appliance Information Center \(Doc ID 1445762.2\)](#) is an aggregation of MOS notes on many topics, such as

- Site Checklists.
- Service alerts.
- The latest base image and how to use it for new installs and reprovisions.
- Patches.
- Certified CDH upgrades.
- Tips on health checks as well as diagnostic and monitoring tools.

### Documentation for Affiliated Hardware Products

The following Oracle libraries contain hardware information for Oracle Big Data Appliance.

- *Oracle Server X7-2L Documentation Library* at [https://docs.oracle.com/cd/E72463\\_01/index.html](https://docs.oracle.com/cd/E72463_01/index.html)
- *Oracle Server X6-2L Documentation Library* at [https://docs.oracle.com/cd/E62172\\_01/index.html](https://docs.oracle.com/cd/E62172_01/index.html)
- *Oracle Server X5-2L Documentation Library* at [https://docs.oracle.com/cd/E41033\\_01/index.html](https://docs.oracle.com/cd/E41033_01/index.html)
- *Sun Rack II 1042 and 1242 library* at [http://docs.oracle.com/cd/E37710\\_01/nav/products.htm](http://docs.oracle.com/cd/E37710_01/nav/products.htm)
- *Sun Network QDR InfiniBand Gateway Switch Firmware Version 2.0 Documentation* at [http://docs.oracle.com/cd/E26699\\_01/index.html](http://docs.oracle.com/cd/E26699_01/index.html)
- *Sun Datacenter InfiniBand Switch 36 Firmware Version 2.0 Documentation* at [http://docs.oracle.com/cd/E26698\\_01/index.html](http://docs.oracle.com/cd/E26698_01/index.html)
- *Oracle Integrated Lights Out Manager 3.1 Documentation Library Documentation Library* at [http://docs.oracle.com/cd/E24707\\_01/index.html](http://docs.oracle.com/cd/E24707_01/index.html)

## Conventions

The following text conventions are used in this document:

Convention	Meaning
<b>boldface</b>	Boldface type indicates graphical user interface elements associated with an action, or terms defined in text or the glossary.
<i>italic</i>	Italic type indicates book titles, emphasis, or placeholder variables for which you supply particular values.
monospace	Monospace type indicates commands within a paragraph, URLs, code in examples, text that appears on the screen, or text that you enter.
# prompt	The pound (#) prompt indicates a command that is run as the Linux root user.

## Backus-Naur Form Syntax

The syntax in this reference is presented in a simple variation of Backus-Naur Form (BNF) that uses the following symbols and conventions:

Symbol or Convention	Description
[ ]	Brackets enclose optional items.
{ }	Braces enclose a choice of items, only one of which is required.
	A vertical bar separates alternatives within brackets or braces.
...	Ellipses indicate that the preceding syntactic element can be repeated.
delimiters	Delimiters other than brackets, braces, and vertical bars must be entered as shown.
<b>boldface</b>	Words appearing in boldface are keywords. They must be typed as shown. (Keywords are case-sensitive in some, but not all, operating systems.) Words that are not in boldface are placeholders for which you must substitute a name or value.

# Changes in Oracle Big Data Appliance Release 5.1

Release 5.1 includes the following new features, software revisions, and other changes.

## Cloudera 6.2.1 Support

Oracle Big Data Appliance 5.1 is based on Cloudera Enterprise 6.2.1. See the [Cloudera web site](#) for details about release 6.2.1.

## Supported Upgrades

You can upgrade to Oracle Big Data Appliance Release 5.1 directly from Releases 4.12, 14.13, and 4.14.

There are important prerequisites to fulfill before you can do the upgrade. See [Upgrading the Software on Oracle Big Data Appliance](#) in this guide for the prerequisites, the upgrade procedure, and some known issues.

Upgrade is supported for existing Oracle Linux 6 clusters to Big Data Appliance 5.1, but there is no option to create new Oracle Linux 6 clusters.

## Support for Migration from Oracle Linux 6 to Oracle Linux 7

Oracle Big Data Appliance 5.1 includes support for migrating cluster nodes from Oracle Linux 6 to Oracle Linux 7.

 See:

[Migrating from Oracle Linux 6 to Oracle Linux 7](#) in this guide.

## X8-2L Servers

Big Data Appliance 5.1 supports X8-2L servers as well as earlier server models supported by previous releases. Important differences between X8-2L and X7-2L in Oracle Big Data Appliance are in processing power and storage:

- X8-2L – 2.4 GHz Intel Xeon 8260 CPUs, 14 TB HDDs, and 240 GB Intel M.2 SSDs
- X7-2L - 2.1 GHz Xeon 8160 CPUs, 10 TB HDDs, 150 GB Intel M.2 SSDs

The same 32 GB DDR4 - 2666 MHz Memory is used in both Big Data Appliance X8-2L and X7-2L.

The extra 4 TB storage in X8-2L HDDs is not used by Big Data Appliance 5.1 and is available for customer use in this release.

You can integrate X8-2L servers into existing clusters consisting of X7-2L, X6-2L, and X5-2L servers. To do so, first ensure that the existing nodes of the cluster are running Big Data Appliance release 4.10 or higher.

New X8 racks are shipped with X8-2L servers with the base image pre-installed. The OS level is Oracle Linux 7.

It is possible to reimage X8-2L servers to Oracle Linux 6 in order to use them to extend an Oracle Linux 6 cluster. However, if you intend to migrate the cluster to Oracle Linux 7 in the near term, bear in mind that at this time there is no support for migrating X8-2L servers from Oracle Linux 6 to Oracle Linux 7.

X8 racks can be integrated into multirack configurations with existing X7, X6, or X5 racks.

There are no cabling changes for X8 racks.

### **New Mammoth Options for Upgrade and Cluster Extension**

Mammoth is the utility that you run in order to perform full installations of the Big Data Appliance software on a new rack as well as upgrades, cluster extensions, and patch installation. The `-s` (single step) and `-r` (range of steps) Mammoth options that were previously available only for full installation are now available for both upgrades and cluster extensions.

- This example uses `-s` to run only Step 1 of the upgrade. Step 1 is a set of pre-checks and pre-configuration operations.

```
# ./mammoth -s 1 -p
```

- This example uses `-r` to run a range of the cluster extension steps. It runs all steps up to Step 4 (PrepareBaseImage) on each of the new nodes, but does not proceed further.

```
# ./mammoth -r 1-4 -e node13 node14 node15
```

### **Uniform Service Layout for Multirack Clusters**

In earlier releases, there are difference in the distribution of services among the nodes of a multirack cluster, depending upon whether the cluster was originally configured as multirack or was a single-rack cluster extended to additional racks. In both cases, prior to Release 5.1, the services layout in the first rack is different from that of a single rack cluster.

In Oracle Big Data Appliance 5.1 the distribution of services in a single-rack cluster and in the first rack of a multirack cluster are the same. The services on the second and subsequent racks are now consistent regardless of whether the cluster started out as a single-rack or multirack cluster.

### **CPU Core Capping**

Core capping lets you disable or enable physical cores within the two CPUs on the appliance. One of the potential uses for this capability is to bring servers into licensing compliance. Cores can be enabled or disabled via the `bdacli` utility. See [Capping CPU Cores on Servers](#).

### **Automated Configuration of Replacements for Failed Operating System Disks and Data Disks**

The `bdaconfiguredisk` utility now enables you to configure replacement disks or reconfigure disks with no manual intervention after executing the script. The script supports both OS and data disks.



## Spark Tuning

Several changes to default Spark configuration parameters have been made. These changes speed up the execution of most Spark jobs.

## Enhanced Security

Improvements have been made to further enhance the security of Big Data Appliance clusters. These changes should reduce the impact of future vulnerabilities.

## About Big Data SQL 4.0

Oracle Big Data SQL supports queries against non-relational data stored in multiple big data sources, including Apache Hive, HDFS, Oracle NoSQL Database, Apache Kafka, Apache HBase, and other NoSQL databases, as well as the Amazon S3 and Oracle Object Store.

In addition to ORACLE\_HIVE and ORACLE\_HDFS, Release 4.0 also includes the new ORACLE\_BIGDATA driver. This is the driver that enables you to create external tables over data within object stores in the cloud.

Another feature introduced in Big Data SQL 4.0 is Query Server, a lightweight, zero-maintenance Oracle Database that runs locally on an edge node within Big Data Appliance clusters. It gives you an easy way to query data in Hadoop without the need for a full Oracle Database installation. Query Server provides no persistent storage except for certain categories of metadata that are useful to retain across sessions.

Big Data SQL 4.0 is primarily intended for use with Oracle Database 18c or later. Oracle Database 12.1 and 12.2 are also fully supported (although you cannot leverage the new Big Data SQL 4.0 capabilities with these database versions).

Big Data SQL components must be installed on both Hadoop and Oracle Database. The *Oracle Big Data SQL Installation Guide* provides instructions for both parts of the installation, including generic instructions for installing the product on several supported Hadoop frameworks. However, on Oracle Big Data Appliance, most of the Hadoop-side installation is integrated with Mammoth, the Big Data Appliance installer. [Installing Oracle Big Data SQL](#) in this guide explains what is different about the Hadoop-side installation of Big Data SQL on Big Data Appliance.



### See Also:

[Oracle Big Data SQL 4.0 Documentation](#)

## Software Versions in This Release

- Cloudera Enterprise 6.2.1, including CDH, Cloudera Manager, and Key Trustee, Sentry, Impala, Cloudera Search, Apache HBase 2.0, Apache Hive 2.0, Apache Spark 2.2, Apache Kafka 2.10.)

The Cloudera parcels for Kudu, Kafka, and Key Trustee Server are included for your convenience, but are not deployed or configured by default.

Note that in Oracle Big Data Appliance 4.13, the Mammoth installer deployed Apache Spark 2 automatically. In the upgrade to Oracle Big Data Appliance 5.1, this package is removed.

- Oracle Big Data SQL 4.0
- Oracle Big Data Connectors 5.0
- Oracle NoSQL Database Enterprise Edition 19.3.12
- Oracle NoSQL Community Edition 18.1.19
- MySQL 5.7.27
- Oracle R Advanced Analytics for Hadoop (ORAHAH) 2.8.1
- Oracle's R Distribution (ORD) 3.3.0
- Oracle Big Data Spatial & Graph 2.5.3

The 2.5.3 release includes several new APIs. Two new algorithms have been added for the in-memory analyst (PGX), along with several new features for PGQL support.

- Java JDK 8u231
- Oracle Linux 7 with UEK4 for new clusters. Oracle Linux 6 with UEK4 for Oracle Linux 6 cluster upgrades.

 **Note:**

New Oracle Big Data Appliance racks are delivered with Oracle Linux 7.

All servers in existing clusters (not in newly delivered racks) where you are installing Oracle Big Data Appliance 5.1 must first be updated to at least Oracle Big Data Appliance 4.10.0 before any X8-2L (or X7-2L) servers can be added as nodes in the cluster.

See [Oracle Big Data Appliance Patch Set Master Note \(Doc ID 1485745.1\)](#) in My Oracle Support for the base image download and instructions.

### Software and Features Not Supported in This Release

Because of the transition to Cloudera Enterprise 6.x, the following software and functionality cannot currently be supported in Oracle Big Data Appliance Release 5.1.

- **Oracle Big Data Discovery**  
If Oracle Big Data Discovery is installed, uninstall it prior to the upgrade to Big Data Appliance 5.1. Any previously installed versions of this product are not compatible with Cloudera 6.
- **The CDH 5-Compatible ODI (Oracle Data Integrator) Agent**  
The Oracle Big Data Appliance 5.1 installation does not include a compatible version of the ODI Agent at this time. The agent carried in previous releases is not compatible with Cloudera 6. Therefore, clusters cannot be upgraded to release 5.1 if the agent is enabled. Before you upgrade, check to ensure that the existing ODI Agent is disabled:

```
# bdacli getinfo cluster_odi_enabled
```

To remove the existing ODI Agent, use `bdacli` to disable Oracle Big Data Connectors. Then re-enable Big Data Connectors without including the ODI Agent -- `bdacli disable bdc` and then `bdacli enable bdc` (

The Oracle Big Data Appliance Configuration Utility will not allow you to select the ODI Agent for installation. If you import a pre-existing `master.xml` file into the Configuration Utility ensure that the ODI Agent installation is de-selected before generating new configuration files. Likewise, if you use the `bdacli` utility to enable Oracle Big Data Connectors, the `bdacli enable bdc` command will not enable the ODI Agent.

**Note:**

After the Mammoth installation, you can separately install the standalone ODI Agent 12.2.1.4 using the instructions in the [ODI product documentation](#). This version of the agent is certified as compatible with Cloudera 6.

- **Rolling Upgrades**

Rolling upgrades (where nodes are upgraded one-after-the-other and downtime is avoided) are generally an option in Oracle Big Data Appliance releases. However, this option is not currently available for upgrades from Oracle Big Data Appliance release 4.x to 5.1. An upgrade from 4.x to 5.1 will require some cluster downtime.

- **New Kafka Clusters and Cluster upgrades**

Creation of new Kafka clusters is temporarily de-supported in Oracle Big Data Appliance 5.1.

You do not need to uninstall existing Kafka clusters. They remain functional, but cannot be upgraded.

### Recent Change History Prior to Oracle Big Data Appliance 5.1

The [Recent Change History](#) appendix to this guide describes changes in Releases 4.14 and 4.13. If you are upgrading from an older version of Oracle Big Data Appliance, then it may be informative to read this change summary.

# Part I

## Preinstallation

You must complete the preinstallation procedures before receiving shipment of Oracle Big Data Appliance, to avoid delays with the installation.

Part I contains the following chapters:

- [Introduction to Oracle Big Data Appliance](#)
- [Site Requirements for Oracle Big Data Appliance](#)
- [About the Network Requirements](#)
- [Using Oracle Big Data Appliance Configuration Generation Utility](#)
- [Setting Up Auto Service Request](#)

# 1

## Introduction to Oracle Big Data Appliance

This chapter describes the features and hardware components of Oracle Big Data Appliance. It also includes usage information.

This chapter contains the following sections:

- [About Oracle Big Data Appliance](#)
- [Oracle Big Data Appliance Rack Components](#)
- [Server Components](#)
- [Spare Parts Kit Components](#)
- [Oracle Big Data Appliance Management Software](#)

### 1.1 About Oracle Big Data Appliance

Oracle Big Data Appliance is an engineered system of hardware and software optimized to capture and analyze the massive volumes of data generated by social media feeds, email, web logs, photographs, smart meters, sensors, and similar devices.

Oracle Big Data Appliance is engineered to work with Oracle Exadata Database Machine and Oracle Exalytics In-Memory Machine to provide the most advanced analysis of all data types, with enterprise-class performance, availability, supportability, and security.

The Oracle Linux operating system and Cloudera's Distribution including Apache Hadoop (CDH) underlie all other software components installed on Oracle Big Data Appliance.

#### See Also:

*Oracle Big Data Appliance Software User's Guide*

### 1.2 Oracle Big Data Appliance Rack Components

The Oracle Big Data Appliance consists of one or more racks of servers. Each rack includes network switches to connect to the appliance's internal networks and to connect to the external data center network. Each rack is supported by two PDUs.

The table below lists the components of an Oracle Big Data Appliance rack.

**Table 1-1 Oracle Big Data Appliance Rack Components**

Full Rack	Starter Rack	Description
18	6	Oracle Server X8–2L on new racks X7-2L, X6-2L, X5-2L, Sun Server X4-2L, Sun Server X3-2L, and Sun Fire X4270 M2 are supported on existing racks as well as on new X8 racks.
1	1	Sun Rack II 1242 base
2	2	Sun Network QDR InfiniBand Gateway NM2-GW switches
1	1	Sun Datacenter InfiniBand Switch 36 NM2-36P switches
1	1	Cisco Nexus 9348GC-FXP (All X8-2L racks. All X7-2L racks purchased after November 2018. Cisco Nexus 93108-1G Ethernet switch. (All X7-2L racks purchased before November 2018 unless the switch was replaced after that time. The Catalyst 4948-E-F Ethernet switch is supported in existing racks (4948 in a Sun Fire X4270 M2-based rack).
2	2	Power distribution units
0 or 1	0	KVM (only in Sun Fire X4270 M2-based racks)

## 1.3 Server Components

The following tables identify the factory-shipped components of currently supported Oracle Big Data Appliance server models.

**Table 1-2 Oracle Server X8–2L Components**

Quantity	Description
1	Oracle Server X8-2L server base
2	Intel Xeon 8260, 24-core, 2.4 GHz, 165W processors
12	14 TB HDD
2	240GB M.2 Intel SSDSCKKB240G8 Solid State Drive, FSB Certified
8	32 GB DDR4 - 2666 MHz Memory , expandable to 1.5TB
2	QDR 40Gb/sec InfiniBand ports
1	Dual-port InfiniBand QDR CX3 (40 Gb/sec) PCIe HCA
1	Built-in RJ45 1 Gigabit Ethernet port.

**Table 1-3 Oracle Server X7–2L Components**

Quantity	Description
1	Oracle Server X7-2L server base

**Table 1-3 (Cont.) Oracle Server X7–2L Components**

Quantity	Description
2	24-core Intel® Xeon® 8160 processors
12	10TB 7,200 RPM SAS drives
2	Mirrored M.2 150GB SATA SSD drives (in place of the USB flash drive included in X6–2L)
8	32 GB DDR4 - 2666 MHz Memory , expandable to 1.5TB
2	QDR 40Gb/sec InfiniBand ports
1	Dual-port InfiniBand QDR CX3 (40 Gb/sec) PCIe HCA
1	Built-in RJ45 1 Gigabit Ethernet port.

The table below lists the factory-shipped components of an Oracle Server X6-2L.

**Table 1-4 Oracle Server X6-2L Server Components**

Quantity	Description
1	Oracle Server X6-2L server base
2	22-core Intel® Xeon® E5-2699 v4 processors (2.2GHz)
8	32 GB DDR4-2400 memory (expandable to maximum of 768 GB )
12	8 TB 3.5-inch 7200 RPM drives high capacity SAS (hot swappable)
1	Oracle Integrated Lights Out Manager v3.1 with an Ethernet port for remote management
2	InfiniBand 4 x QDR (40 Gbps) ports (One dual-port PCIe 3.0 Host Channel Adapter network interface card)
4	Embedded 10 gigabit Ethernet port
1	Host bus adapter (disk controller) with 8 internal ports and 512 MB battery-backed write cache. 12 Gbps SAS III PCIe 8P RAID-INT
2	Redundant hot-swappable power supplies and fans
1	USB-2 4 GB flash drive

The table below lists the factory-shipped components of an Oracle Server X5-2.

**Table 1-5 Oracle Server X5-2 Server Components**

Quantity	Description
1	Oracle Server X5-2L server base
2	18-core Intel Xeon E5-2699 v3 processors (2.3 GHz)
8	16 GB DDR4 Memory
12	8 TB 3.5-inch 7200 RPM drives high capacity SAS (hot swappable)

**Table 1-5 (Cont.) Oracle Server X5-2 Server Components**

Quantity	Description
1	Oracle Integrated Lights Out Manager v3.1 with an Ethernet port for remote management
2	InfiniBand 4 x QDR (40 Gbps) ports (One dual-port PCIe 3.0 Host Channel Adapter network interface card)
4	Embedded 10 gigabit Ethernet port
1	Host bus adapter (disk controller) with 8 internal ports and 512 MB battery-backed write cache. 12 Gbps SAS III PCIe 8P RAID-INT
2	Redundant hot-swappable power supplies and fans
1	USB-2 4 GB flash drive

The table below lists the components of a Sun Server X4-2L.

**Table 1-6 Sun Server X4-2L Server Components**

Quantity	Description
1	Sun Server X4-2L server base
2	Eight-core Intel Xeon E5-2650 v2 processors (2.6 GHz)
8	8 GB DDR3 2RX4 1600 MHz DIMMs (64 GB RAM expandable up to 512 GB)
12	8 TB 3.5-inch 7200 RPM drives high capacity SAS (hot swappable)
1	Oracle Integrated Lights Out Manager v3.1 with an Ethernet port for remote management
2	InfiniBand 4 x QDR (40 Gbps) ports (One dual-port PCIe 3.0 Host Channel Adapter network interface card)
4	Embedded 10 gigabit Ethernet port
1	Host bus adapter (disk controller) with 8 internal ports and 512 MB battery-backed write cache. SAS III 6 Gbps
2	Redundant hot-swappable power supplies and fans
1	USB-2 4 GB flash drive

The table below lists the components of a Sun Server X3-2L.

**Table 1-7 Sun Server X3-2L Server Components**

Quantity	Description
1	Sun Server X3-2L server base
2	Eight-core Intel Xeon E5-2660 processors (2.2 GHz)
8	8 GB DDR3 2RX4 1600 MHz DIMMs (64 GB RAM expandable up to 512 GB)
12	3 TB 3.5-inch 7200 RPM drives high capacity SAS (hot swap)
1	Oracle Integrated Lights Out Manager v3.1 with an Ethernet port for remote management
2	InfiniBand 4 x QDR (4 Gbps) ports (One dual-port PCIe 2.0 Host Channel Adapter network interface card)



**Table 1-7 (Cont.) Sun Server X3-2L Server Components**

Quantity	Description
4	Embedded 10 gigabit Ethernet port
1	Host bus adapter (disk controller) with 8 internal ports and 512 MB battery-backed write cache. SAS III 6 GBPS
2	Redundant hot-swappable power supplies and fans
1	USB-2 4 GB flash drive

The table below lists the components of a Sun Fire X4270 M2.

**Table 1-8 Sun Fire X4270 M2 Server Components**

Quantity	Description
1	Sun Fire X4270 M2 server base
2	Six-core Intel Xeon X5675 processors (3.06 GHz)
6	8 GB DDR3 2RX4 1333 MHz DIMMs (48 GB RAM)
12	3 TB 3.5-inch 7200 RPM drives
1	Ethernet port for Oracle Integrated Lights Out Manager v3.0 for remote management
1	Dual-port 4X QDR (40 Gbps) InfiniBand Host Channel Adapter Network Interface Card
1	Host bus adapter (disk controller) with 8 internal ports and 512 MB battery-backed write cache
2	Redundant power supplies and fans
4	Embedded 1 gigabit Ethernet port
1	USB-2 4 GB flash drive

## 1.4 Spare Parts Kit Components

### X7-2L Spares Kits

The Oracle Big Data Appliance spare parts kit includes accessory kits, cables, and documentation. [Table 1-9](#) and [Table 1-10](#) identify the bundled spares.

Note that this kit does not include spare disk drives.

**Table 1-9 Bundled Components and Accessories**

Part Number	Quantity	Description
590-896-501B	1	LCD Accessory Kit (Sun Fire X4270 M2-based racks only)
-	1	Oracle Storage Server Documentation Kit
-	1	Rack Accessory Kit
53-2332-xx	1	Cisco Switch Documents and Accessory Kit

**Table 1-10 Bundled Cables**

Part Number	Length	Quantity	Description
530-4446-01	5 meters	10	QSFP passive copper spares for multiracking.
530-4445-01	3 meters	7	QSFP passive copper cables. Six of these are for multiracking. The seventh is an additional spare.
350-1519-01	-	1	NM2 serial cable kit, containing USB-to-serial adapters and null-modem cable.

[Table 1-11](#) lists the spare cables that are secured to the center section of an Oracle Big Data Appliance rack.

**Table 1-11 In-Rack Spare Cables**

Part Number	Length	Quantity	Description
530-4445-01	3 meters	1	QSFP passive copper replacement cables
530-4435-01	10 feet	1	Black Cat 5
530-4433-01	10 feet	1	Red Cat 5

**Table 1-12 InfiniBand Inter-Switch Cables and Spares Provided**

Cable	Inter-switch	Spares	Total
InfiniBand 2 meter cable	7	0	7
InfiniBand 3 meter cable	2	6	8
InfiniBand 5 meter cable	0	10	10

The table below shows the total number of cables required for multi-rack systems. The kit covers all cabling requirements for two-way and three-way multiracking. For systems as large as eight racks, all required three and five-meter cables are included. However, the 10-meter cables listed for four-way and larger multi-rack systems are an additional purchase.

**Table 1-13 Total Number of Cables for Required for Various Multi-Rack Systems**

Number of Racks	3 Meter Cables Needed	5 Meter Cables Needed	10 Meter Cables Needed
2	16	16	0
3	18	30	0
4	16	40	8
5	20	42	18
6	24	46	26

**Table 1-13 (Cont.) Total Number of Cables for Required for Various Multi-Rack Systems**

Number of Racks	3 Meter Cables Needed	5 Meter Cables Needed	10 Meter Cables Needed
7	28	44	40
8	16	52	60

## 1.5 Oracle Big Data Appliance Management Software

The software components are installed on all servers in an Oracle Big Data Appliance rack. Oracle Linux, required drivers, firmware, and hardware verification utilities are factory installed. Among them are the following tools:

### Note:

See [Oracle Big Data Appliance Utilities](#) except where directed otherwise.

- Oracle Integrated Lights Out Manager (Oracle ILOM) consists of preinstalled, dedicated hardware and software that you can use to manage and monitor the servers and switches in an Oracle Big Data Appliance rack.
- The `setup-root-ssh` utility sets up passwordless SSH for the `root` user among all the servers in an Oracle Big Data Appliance rack. See [Setting Up Passwordless SSH](#).
- The `dcli` utility executes commands across a group of servers on Oracle Big Data Appliance and returns the output. See [Executing Commands Across a Cluster Using the dcli Utility](#).
- Various utilities check the health of the cluster and the networks.

All end-user software is installed on site using the Mammoth utility.

### See Also:

- [Using Oracle Integrated Lights Out Manager](#)
- [Oracle Big Data Appliance Utilities](#)
- [Installing the Oracle Big Data Appliance Software](#)
- *Oracle Big Data Appliance Software User's Guide* for information about using Oracle Enterprise Manager Cloud Control and Cloudera Manager to monitor Oracle Big Data Appliance

## 1.6 Supportability Guidelines

Oracle sets guidelines for supportable customer modifications to the Oracle Big Data Appliance hardware and software. Oracle support is contingent upon customer compliance with these guidelines.

See Restrictions on Use as Condition of Receiving Support in the *Oracle Big Data Appliance License Information User Manual*

# 2

## Site Requirements for Oracle Big Data Appliance

This chapter describes the site requirements for Oracle Big Data Appliance. Use this chapter while you complete the *Oracle Big Data Appliance Site Checklists*.

This chapter contains these sections:

- [General Environmental Requirements](#)
- [Space Requirements](#)
- [Flooring Requirements](#)
- [Electrical Power Requirements](#)
- [Temperature and Humidity Requirements](#)
- [Ventilation and Cooling Requirements](#)
- [Network Connection Requirements](#)
- [Ensuring That the Site Is Ready](#)

### 2.1 General Environmental Requirements

The environmental requirements for Oracle Big Data Appliance depend on the model and the size of the system.

The following tables provide an overview of the rack requirements. Measurements are approximate. The other sections in this chapter provide detailed information.

**Table 2-1 Environmental Requirements for Oracle Big Data Appliance X8**

Environmental Component	Starter Rack	Full Rack
Net Weight	463 kg (1020.7 lbs) Shipping: 622.5 kg (1372.4 lb)	887 kg (1955.5 lbs) Shipping: 1046 kg (2306 lb)
Acoustic levels	78 db(A)	78 db(A)
Power	Maximum: 5.3 kW Typical: 3.7 kW	Maximum: 13.4 kW Typical: 9.4 kW
Cooling	Maximum: 18,087 BTU/hour Typical: 12,661 BTU/hour	Maximum: 45,659 BTU/hour Typical: 31,961 BTU/hour
Air flow front-to-back (subject to actual data center environment)	Maximum: 837 CFM Typical: 586 CFM	Maximum: 2114 CFM Typical: 1480 CFM

**Table 2-1 (Cont.) Environmental Requirements for Oracle Big Data Appliance X8**

Environmental Component	Starter Rack	Full Rack
IP addresses	18 for rmanagement: <ul style="list-style-type: none"> <li>• 12 for the administrative network</li> <li>• 6 for ILOMs</li> </ul> 6 for the client network 6 for InfiniBand	42 for management: <ul style="list-style-type: none"> <li>• 24 for the administrative network</li> <li>• 18 for ILOMs</li> </ul> 18 for the client network 18 for InfiniBand
Network drops	One network connection	One network connection
<b>See Also:</b> <a href="#">About the Network Requirements.</a>		
External connectivity	1 x Built-in RJ45 1 Gigabit Ethernet port per node	1 x Built-in RJ45 1 Gigabit Ethernet port per node

**Table 2-2 Environmental Requirements for Oracle Big Data Appliance X7**

Environmental Component	Starter Rack	Full Rack
Net Weight	415 kg (915 lbs) Shipping: 546 kg (1203 lbs)	836 kg (1843 lbs) Shipping: 979 kg (2158 lbs)
Acoustic levels	78 db(A)	78 db(A)
Power	Maximum: 5.3 kW Typical: 3.7 kW	Maximum: 13.4 kW Typical: 9.4 kW
Cooling	Maximum: 18,087 BTU/hour Typical: 12,661 BTU/hour	Maximum: 45,659 BTU/hour Typical: 31,961 BTU/hour
Air flow front-to-back (subject to actual data center environment)	Maximum: 837 CFM Typical: 586 CFM	Maximum: 2114 CFM Typical: 1480 CFM
IP addresses	18 for rmanagement: <ul style="list-style-type: none"> <li>• 12 for the administrative network</li> <li>• 6 for ILOMs</li> </ul> 6 for the client network 6 for InfiniBand	42 for management: <ul style="list-style-type: none"> <li>• 24 for the administrative network</li> <li>• 18 for ILOMs</li> </ul> 18 for the client network 18 for InfiniBand
Network drops	One network connection	One network connection
<b>See Also:</b> <a href="#">About the Network Requirements.</a>		
External connectivity	1 x Built-in RJ45 1 Gigabit Ethernet port per node	1 x Built-in RJ45 1 Gigabit Ethernet port per node

**Table 2-3 Environmental Requirements for Oracle Big Data Appliance X6 and X5**

Environmental Component	Starter Rack	Full Rack
Net Weight	415 kg (915 lb)	836 kg (1843 lb)

**Table 2-3 (Cont.) Environmental Requirements for Oracle Big Data Appliance X6 and X5**

Environmental Component	Starter Rack	Full Rack
Acoustic levels	8.4 Bel	8.5 Bel
Power	Maximum: 5.2 kW Typical: 3.6 kW	Maximum: 13.0 kW Typical: 9.1 kW
Cooling	Maximum: 17,521 BTU/hour (18,485 kJ/hour) Typical: 12,265 BTU/hour (12,940 kJ/hour)	Maximum: 44,136 BTU/ hour (46,564 kJ/hour) Typical: 30,895 BTU/ hour 32,594 kJ/hour)
Air flow front-to-back (subject to actual data center environment)	Maximum: 811 CFM Typical: 568 CFM	Maximum: 2043 CFM Typical: 1430 CFM
IP addresses	18 for rmanagement: <ul style="list-style-type: none"> <li>12 for the administrative network</li> <li>6 for ILOMs</li> </ul> 6 for the client network 6 for InfiniBand	42 for management: <ul style="list-style-type: none"> <li>24 for the administrative network</li> <li>18 for ILOMs</li> </ul> 18 for the client network 18 for InfiniBand
Network drops <b>See Also:</b> <a href="#">About the Network Requirements</a> .	One network connection	One network connection
External connectivity	1 x 1 Gbps Ethernet port 6 x 10 Gbps Ethernet ports	1 x 1 Gbps Ethernet ports 16 x 10 Gbps Ethernet ports

 **See Also:**

- [Flooring Requirements](#)
- [Electrical Power Requirements](#)
- [Temperature and Humidity Requirements](#) and [Ventilation and Cooling Requirements](#)
- [About the Network Requirements](#)

[Table 2-4](#) identifies the general environmental requirements for an Oracle Big Data Appliance X5-2 High Capacity Node plus Infiniband Infrastructure.

**Table 2-4 Environmental Requirements for Oracle Big Data Appliance X6-2 and X5-2 High Capacity Node plus Infiniband Infrastructure**

Environmental Factor	High Capacity Node plus Infiniband Infrastructure
Height	3.5 inches (87.6 mm)

**Table 2-4 (Cont.) Environmental Requirements for Oracle Big Data Appliance X6-2 and X5-2 High Capacity Node plus Infiniband Infrastructure**

Environmental Factor	High Capacity Node plus Infiniband Infrastructure
Width	17.5 inches (445.0 mm)
Depth	29.0 inches (737.0 mm)
Net Weight	33.1 kg (73.0 lb)
Power	Maximum: 0.7 kW Typical: 0.5 kW (Typical power usage varies by application workload)
Cooling	Maximum: 2,481 BTU/hour (2617 kJ/hour) Typical: 1,736 BTU/hour (1831 kJ/hour)
Air flow front-to-back (subject to actual data center environment)	Maximum: 115 CFM Typical: 80 CFM

 **See Also:**

- [Flooring Requirements](#)
- ["Electrical Power Requirements"](#)
- [Temperature and Humidity Requirements](#) and [Ventilation and Cooling Requirements](#)

The table below shows the general environmental requirements for Oracle Big Data Appliance X4-2 and Oracle Big Data Appliance X3-2.

**Table 2-5 Environmental Requirements for Oracle Big Data Appliance X4-2 and X3-2**

Environmental Factor	Starter Rack	Full Rack
Net Weight	418 kg (922 lb)	829 kg (1828 lb)
Acoustic levels	76 Bel	8.3 Bel
Power	Maximum: 4.2 kW Typical: 3 kW	Maximum: 10 kW (10.2 kVA) Typical: 7 kW (7.15 kVA)
Cooling	Maximum: 14,052 BTU/hour (14,825.6 kJ/hour) Typical: 9,836 BTU/hour (10,377.5 kJ/hour)	Maximum: 34,142 BTU/hour (34,838 kJ/hour) Typical: 23,940 BTU/hour (24,420 kJ/hour)



**Table 2-5 (Cont.) Environmental Requirements for Oracle Big Data Appliance X4-2 and X3-2**

Environmental Factor	Starter Rack	Full Rack
Air flow front-to-back (subject to actual data center environment)	Maximum: 676 CFM Typical: 473 CFM	Maximum: 1,573 CFM Typical: 1,103 CFM
IP addresses	18 for rmanagement: <ul style="list-style-type: none"> <li>12 for the administrative network</li> <li>6 for ILOMs</li> </ul> 6 for the client network 6 for InfiniBand	42 for management: <ul style="list-style-type: none"> <li>24 for the administrative network</li> <li>18 for ILOMs</li> </ul> 18 for the client network 18 for InfiniBand
Network drops	One network connection	One network connection
External connectivity	1 x 1 Gbps Ethernet port 6 x 10 Gbps Ethernet ports	1 x 1 Gbps Ethernet ports 16 x 10 Gbps Ethernet ports

 **See Also:**

- ["Flooring Requirements"](#)
- ["Electrical Power Requirements"](#)
- ["Temperature and Humidity Requirements"](#) and ["Ventilation and Cooling Requirements"](#)
- [About the Network Requirements](#)

The table below identifies the general environmental requirements for the Oracle Big Data Appliance Sun Fire X4270 M2-based rack.

**Table 2-6 Environmental Requirements for Oracle Big Data Appliance Sun Fire X4270 M2-Based Rack**

Environmental Component	Full Rack
Net Weight	816.5 kg (1800 lb)
Acoustic levels	8.3 Bel
Power	Maximum: 12.0 kW (12.25 kVA) Typical: 8.4 kW (8.6 kVA) (Typical power usage varies by application workload)
Cooling	Maximum: 40,971 BTU/hour (41,807 kJ/hour) Typical: 28,680 BTU/hour (29,265 kJ/hour)

**Table 2-6 (Cont.) Environmental Requirements for Oracle Big Data Appliance Sun Fire X4270 M2-Based Rack**

Environmental Component	Full Rack
Air flow front-to-back (subject to actual data center environment)	Maximum: Approximately 1,886 CFM Typical: Approximately 1,340 CFM
IP addresses	42 for management: <ul style="list-style-type: none"> <li>• 24 for the administrative network</li> <li>• 18 for ILOMs</li> </ul> 18 for the client network 18 for InfiniBand
Network drops	Minimum of two network connections
External connectivity	2 x 1 Gbps Ethernet ports 16 x 10 Gbps Ethernet ports

 **See Also:**

- ["Flooring Requirements"](#)
- ["Electrical Power Requirements"](#)
- ["Temperature and Humidity Requirements"](#) and ["Ventilation and Cooling Requirements"](#)
- [About the Network Requirements](#)

## 2.2 Space Requirements

The space requirements for Oracle Big Data Appliance X7–2 racks are as follows:

- Height: 42U, 1998 mm (78.66 inches)
- Width: 600 mm (23.62 inches)
- Depth: 1200 mm (47.24 inches)

The minimum ceiling height for the cabinet is 230 cm (90 inches), measured from the true floor or raised floor, whichever is higher. An additional 92 cm (36 inches) is required above the rack height in the front and rear aisle space for maintenance access. The space surrounding the cabinet must not restrict the movement of cool air between the air conditioner and the front of the systems within the cabinet, or the movement of hot air coming out of the rear of the cabinet.

### 2.2.1 Receiving and Unpacking Requirements

Before Oracle Big Data Appliance arrives, ensure that the receiving area is large enough for the package. [Table 2-7](#) lists the dimensions and weight of the shipped items.

**Table 2-7 Shipping Measurements**

Measurement	Full Rack	Starter Rack
Height	216 cm (85 inches)	216 cm (85 inches)
Width	122 cm (48 inches)	122 cm (48 inches)
Depth	157.5 cm (62 inches)	157.5 cm (62 inches)
Weight	979 kg (2158 lb)	546 kg (1203 lb)

If your loading dock meets the height and ramp requirements for a standard freight carrier truck, then you can use a pallet jack to unload the rack. If not, you must provide a standard forklift or other means to unload the rack. You can also request that the rack be shipped in a truck with a lift gate.

Leave Oracle Big Data Appliance in its shipping container until it arrives at the installation site. Ensure sufficient clearance and clear pathways for moving it from the unpacking location to the installation location. The entire access route to the installation site should be free of raised-pattern flooring that can cause vibration.

Use a conditioned space when removing the packaging material to reduce particles before entering the data center. Allow enough space for unpacking Oracle Big Data Appliance from its shipping cartons. [Table 2-8](#) lists the access route requirements.

**Table 2-8 Access Route Requirements for Oracle Big Data Appliance**

Access Route Item	With Shipping Pallet	Without Shipping Pallet
Minimum door height	218.4 cm (86 inches)	204 cm (80.5 inches)
Minimum door width	127 cm (50 inches)	64 cm (25.5 inches)
Minimum elevator depth	162.6 cm (64 inches)	124 cm (49 inches)
Maximum incline	6 degrees	6 degrees
Minimum elevator, pallet jack, and floor loading capacity	1134 kg (2500 lb)	1134 kg (2500 lb)

## 2.2.2 Maintenance Access Requirements

The maintenance area must be large enough for Oracle Big Data Appliance and have the required access space. For example, the required space to remove the side panels is 67.6 cm (26.6 inches). [Table 2-9](#) lists the maintenance access requirements.

Open tiles are required for electrical access.

**Table 2-9 Maintenance Access Requirements for Oracle Big Data Appliance**

Location	Maintenance Access Requirement
Rear maintenance	91.4 cm (36 inches)
Front maintenance	91.4 cm (36 inches)
Top maintenance	91.4 cm (36 inches)

## 2.3 Flooring Requirements

Oracle recommends that Oracle Big Data Appliance be installed on raised flooring. The site floor and the raised flooring must be able to support the total weight.

[Table 2-10](#) lists the floor load requirements.

**Table 2-10 Floor Load Requirements for Oracle Big Data Appliance**

Description	Requirement
Maximum allowable weight of installed rack equipment	1134 kg (2500 lb)
Maximum allowable weight of installed power distribution units	52 kg (115 lb)
Maximum dynamic load (maximum allowable weight of installed equipment including PDUs)	1186 kg (2615 lb)

## 2.4 Electrical Power Requirements

Oracle Big Data Appliance can operate effectively over a wide range of voltages and frequencies. However, it must have a reliable power source. Damage may occur if the ranges are exceeded. Electrical disturbances such as the following may damage Oracle Big Data Appliance:

- Fluctuations caused by brownouts
- Wide and rapid variations in input voltage levels or in input power frequency
- Electrical storms
- Faults in the distribution system, such as defective wiring

To protect Oracle Big Data Appliance from such disturbances, you should have a dedicated power distribution system, power-conditioning equipment, and lightning arresters or power cables to protect from electrical storms.

Each rack has two preinstalled power distribution units (PDUs). The PDUs accept different power sources. You must specify the type of PDU that is correct for your Oracle Big Data Appliance and data center.

### 2.4.1 PDUs for Oracle Big Data Appliance

The type of PDU depends on the location where Oracle Big Data Appliance is installed. Refer to the appropriate sections for your location:

- [Single-Phase PDUs for North America, South America, Japan, and Taiwan](#)
- [Three-Phase PDUs for North America, South America, Japan, and Taiwan](#)
- [Single-Phase PDUs for Europe, the Middle East, Africa, and Asia Pacific](#)
- [Three-Phase PDUs for Europe, the Middle East, Africa, and Asia Pacific](#)

### 2.4.1.1 Single-Phase PDUs for North America, South America, Japan, and Taiwan

[Table 2-11](#) lists the requirements for low-voltage single-phase PDUs for North America, South America, Japan, and Taiwan. There are two PDUs per rack.

**Table 2-11 Low-Voltage 15 kVA Single-Phase PDUs**

Option	Requirement per PDU
Number of inputs	3 x 30A single phase
Voltage	200 to 240 VAC
Frequency	50/60 Hz
Current	24A maximum per input
Power rating	15 kVA
Output current	72A (3 x 24A)
Outlets	42 x C13; 6 x C19
Outlet groups	6
Group protection <sup>1</sup>	20A
Data center receptacle	15 kVA, with three 30A/250V 2-pole/3-wire NEMA L6-30P plugs

<sup>1</sup> UL489 2-pole circuit breaker

The following are needed to connect Oracle Big Data Appliance to a low-voltage single-phase power source:

- 6 power cords for two PDUs, 30A at 200 to 240 VAC
- 6 receptacles to connect the PDUs to 6 NEMA L6-30 data center receptacles

[Figure 2-1](#) shows the low-voltage, single-phase PDU power connector for North America, South America, Japan, and Taiwan.

**Figure 2-1 Low-Voltage, Single-Phase Power Connector**



### 2.4.1.2 Three-Phase PDUs for North America, South America, Japan, and Taiwan

[Table 2-12](#) lists the requirements for low-voltage three-phase PDUs for North America, South America, Japan, and Taiwan. There are two PDUs per rack.

**Table 2-12 Low-Voltage 15 kVA Three-Phase PDUs**

Option	Requirement per PDU
Number of inputs	1 x 60A three-phase 4-wire
Voltage	190 to 220 VAC
Frequency	50/60 Hz
Current	40A maximum per phase
Power rating	14.4 kVA
Output current	69A (3 x 23A)
Outlets	42 x C13; 6 x C19
Outlet groups	6
Group protection <sup>1</sup>	20A
Data center receptacle	15 kVA IEC 60309 60A 4-pin 250 VAC three-phase IP67

<sup>1</sup> UL489 2-pole circuit breaker

The following are needed to connect Oracle Big Data Appliance to a low-voltage three-phase power source:

- 2 power cords for two PDUs, 60A at 190 to 220 VAC three-phase
- 2 receptacles to connect the PDUs to 2 IEC 60309 60A 4-pin 250 VAC three-phase IP67 data center receptacles

Figure 2-2 shows the low-voltage three-phase PDU power connector for North America, South America, Japan, and Taiwan.

**Figure 2-2 Low-Voltage Three-Phase Power Connector**



### 2.4.1.3 Single-Phase PDUs for Europe, the Middle East, Africa, and Asia Pacific

Table 2-13 lists the requirements for a 15 kVA high-voltage single-phase PDU for Europe, the Middle East, Africa, and Asia Pacific, except Japan and Taiwan. There are two PDUs per rack.

**Table 2-13 High-voltage 22 kVA Single Phase PDUs**

Option	Requirement per PDU
Voltage	220 to 240 VAC
Frequency	50/60 Hz

**Table 2-13 (Cont.) High-voltage 22 kVA Single Phase PDUs**

Option	Requirement per PDU
Current	25A maximum per input
Power rating	15 kVA
Output current	72A (3 x 32A)
Outlets	42 x C13; 6 x C19
Outlet groups	6
Group protection <sup>1</sup>	20A
Data center receptacle	15 kVA, with three blue 32A/240V splash-proof 2-pole/3-wire IEC 60309 plugs

<sup>1</sup> UL489 1-pole circuit breaker

The following are needed to connect Oracle Big Data Appliance to a high-voltage single-phase power source:

- 6 power cords for two PDUs, 25A at 220/380 to 240/415 VAC 1-phase voltage
- 6 receptacles to connect the PDUs to 2 IEC 60309 32A 3-pin 250 VAC IP44 data center receptacles, and that require 22 kVA, 1-phase

Figure 2-3 shows the high-voltage single-phase PDU power connector for EMEA and APAC, except for Japan and Taiwan.

**Figure 2-3 High-voltage Single Phase Power Connector**



#### 2.4.1.4 Three-Phase PDUs for Europe, the Middle East, Africa, and Asia Pacific

Table 2-14 lists the requirements for high-voltage three-phase PDUs for Europe, the Middle East, Africa, and Asia Pacific, except Japan and Taiwan. There are two PDUs per rack. The following specifications are per PDU.

**Table 2-14 High-Voltage 15 kVA Three-Phase PDUs**

Option	Requirement per PDU
Number of inputs	1 x 25A three-phase 5 wire
Voltage	220/380 to 240/415 VAC three-phase
Frequency	50/60 Hz
Current	25A maximum per phase

**Table 2-14 (Cont.) High-Voltage 15 kVA Three-Phase PDUs**

Option	Requirement per PDU
Power rating	14.4 kVA
Output current	62.7A (3 x 20.9A)
Outlets	42 x C13; 6 x C19
Outlet groups	6
Group protection <sup>1</sup>	20A
Data center receptacle	15 kVA, three-phase, 5-pin, IEC 60309 32A, 5-pin 230/400V, three-phase IP44

<sup>1</sup> UL489 1-pole circuit breaker

The following are needed to connect Oracle Big Data Appliance to a high-voltage three-phase power source:

- 2 power cords for two PDUs, 25A at 220/380 to 240/415 VAC three-phase
- 2 receptacles to connect the PDUs to 2 IEC 60309 32A 5-pin 230/400 VAC three-phase IP44 data center receptacles

Figure 2-4 shows the high-voltage three-phase PDU power connector for EMEA and APAC, except for Japan and Taiwan.

**Figure 2-4 High-Voltage Three-Phase Power Connector**



## 2.4.2 Facility Power Requirements

Electrical work and installations must obey applicable local, state, or national electrical codes. Contact your facilities manager or a qualified electrician to determine what type of power is supplied to the building.

To prevent catastrophic failures, design the input power sources to ensure adequate power is provided to the PDUs. Use dedicated AC breaker panels for all power circuits that supply power to the PDU. When planning for power distribution requirements, balance the power load between available AC supply branch circuits. In the United States and Canada, ensure that the overall system AC input current load does not exceed 80 percent of the branch circuit AC current rating.

PDU power cords are 4 meters (13.12 feet) long, and 1 to 1.5 meters (3.3 to 4.9 feet) of the cord is routed within the rack cabinet. The installation site AC power receptacle must be within 2 meters (6.6 feet) of the rack.



## 2.4.3 Circuit Breaker Requirements

To prevent catastrophic failures, the design of your power system must ensure that adequate power is provided to the servers. Use dedicated AC breaker panels for all power circuits that supply power to the server. Electrical work and installations must obey applicable local, state, and national electrical codes. Servers require that electrical circuits be grounded to the earth.

In addition to circuit breakers, provide a stable power source, such as an uninterruptible power supply (UPS), to reduce the possibility of component failures. If computer equipment is subjected to repeated power interruptions and fluctuations, then it is susceptible to a higher rate of component failure.

 **Note:**

The owner supplies the circuit breakers. Each power cord requires one circuit breaker.

## 2.4.4 Grounding Guidelines

The cabinets for Oracle Big Data Appliance are shipped with grounding-type power cords. Always connect the cords to grounded power outlets. Because different grounding methods are used depending on location, check the grounding type and refer to documentation, such as International Electrotechnical Commission (IEC) documents, for the correct grounding method. Ensure that the facility administrator or qualified electrical engineer verifies the grounding method for the building and performs the grounding work.

## 2.5 Temperature and Humidity Requirements

Airflow through Oracle Big Data Appliance is from front to back. See [Table 2-6](#) for information about cooling and airflow.

 **Note:**

Studies show that temperature increases of 10 degrees Celsius (15 degrees Fahrenheit) above 20 degrees Celsius (70 degrees Fahrenheit) reduce long-term electronics reliability by 50 percent.

Excessive internal temperatures may result in full or partial shutdown of Oracle Big Data Appliance.

[Table 2-15](#) lists the temperature, humidity, and altitude requirements for operating and nonoperating systems.

**Table 2-15 Temperature, Humidity, and Altitude Requirements**

Condition	Operating Requirement	Nonoperating Requirement	Optimum
Temperature	5° to 32° Celsius (41° to 89.6° Fahrenheit)	-40° to 70° Celsius (-40° to 158° Fahrenheit)	For optimal rack cooling, data center temperatures from 21° to 23° Celsius (70° to 74° Fahrenheit)
Relative humidity	10 to 90 percent relative humidity, noncondensing	Up to 93 percent relative humidity	For optimal data center rack cooling, 45 to 50 percent, noncondensing
Altitude	3,048 meters ( 10000 feet) maximum	12,000 meters (39,400 feet) maximum	Ambient temperature is reduced by 1 degree Celsius for each 300 meters above 900 meters altitude above sea level

Set conditions to the optimal temperature and humidity ranges to minimize the chance of downtime due to component failure. Operating Oracle Big Data Appliance for extended periods at or near the operating range limits, or installing it in an environment where it remains at or near nonoperating range limits, could significantly increase hardware component failure.

The ambient temperature range of 21 to 23 degrees Celsius (70 to 74 degrees Fahrenheit) is optimal for server reliability and operator comfort. Most computer equipment can operate in a wide temperature range, but near 22 degrees Celsius (72 degrees Fahrenheit) is desirable because it is easier to maintain safe humidity levels. Operating in this temperature range provides a safety buffer if the air conditioning system fails.

The ambient relative humidity range of 45 to 50 percent is suitable for safe data processing operations. Most computer equipment can operate in a wide range (20 to 80 percent), but the range of 45 to 50 percent is recommended for the following reasons:

- Helps protect computer systems from corrosion problems associated with high humidity levels
- Provides the greatest operating time buffer if the air conditioner control fails
- Helps avoid failures or temporary malfunctions caused by intermittent interference from static discharges that may occur when relative humidity is too low

 **Note:**

Electrostatic discharge (ESD) is easily generated and hard to dissipate in areas of low relative humidity, such as below 35 percent. ESD becomes critical when humidity drops below 30 percent. Maintaining humidity in a data center is not difficult, because a high-efficiency vapor barrier and a low rate of air changes are normally present.

## 2.6 Ventilation and Cooling Requirements

Always provide adequate space in front and behind the rack to allow for proper ventilation. Do not obstruct the front or rear of the rack with equipment or objects that might prevent air from flowing through the rack. Rack-mountable servers and equipment typically draw cool air in through the front of the rack and let out warm air through the rear of the rack. There is no air flow requirement for the left and right sides due to front-to-back cooling.

If the rack is not completely filled with components, then cover the empty sections with filler panels. Gaps between components can adversely affect air flow and cooling within the rack.

Relative humidity is the percentage of the total water vapor that can exist in the air without condensing, and it is inversely proportional to air temperature. Humidity goes down when the temperature rises, and goes up when the temperature drops. For example, air with a relative humidity of 45 percent at a temperature of 24 degrees Celsius (75 degrees Fahrenheit) has a relative humidity of 65 percent at a temperature of 18 degrees Celsius (64 degrees Fahrenheit). As the temperature drops, the relative humidity rises to more than 65 percent, and water droplets form.

Air conditioning facilities usually do not precisely monitor or control temperature and humidity throughout an entire computer room. Generally, you should monitor individual points corresponding to multiple exhaust vents in the main unit and other units in the room, because the distribution of temperature and humidity is uneven across the room. Pay special consideration to humidity when using underfloor ventilation.

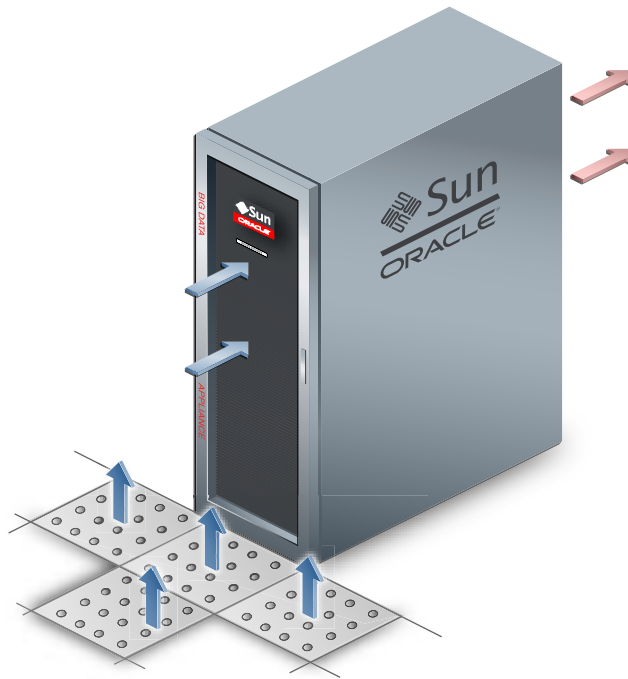
Oracle Big Data Appliance is designed to function while mounted in a natural convection air flow. Follow these requirements to meet the environmental specification:

- Ensure that the rack has adequate air flow.
- Ensure that the rack has front-to-back cooling. The air inlet is at the front of the server, and the air outlet is at the rear.
- Allow a minimum clearance of 91.4 cm (36 inches) at the front of the rack and 91.4 cm (36 inches) at the rear of the rack for ventilation.

Use perforated tiles, rated for 400 cubic feet per minute (CFM) per tile air flow, in front of the rack for cold air intake. The tiles can be arranged in any order in front of the rack, if cold air from the tiles can flow into the rack. Inadequate cold air flow could result in a higher inlet temperature in the servers due to exhaust air recirculation. Oracle recommends four floor tiles for Oracle Big Data Appliance.

[Figure 2-5](#) shows a typical installation of the floor tiles for Oracle Big Data Appliance in a typical data center.

Figure 2-5 Typical Data Center Configuration for Perforated Floor Tiles



## 2.7 Network Connection Requirements

Before installation, network cables must run from your existing network infrastructure to the installation site. The requirements to connect Oracle Big Data Appliance to your existing network infrastructure are as follows:

- Management network connection requirements
  - One 1 Gbps Ethernet connection for the management switch in the rack
  - One 1 Gbps Ethernet connection for the KVM switch in the rack (Sun Fire X4270 M2-based racks only)
- Client access network connection requirements
  - 2 (minimum) to 16 (maximum) 10 Gbps Ethernet connections split between the two Sun Network QDR InfiniBand Gateway switches in the rack. The exact number of connections depends on your bandwidth requirements.



### See Also:

[About the Network Requirements](#)

## 2.8 Ensuring That the Site Is Ready

Before Oracle Big Data Appliance is delivered to the site, perform these tasks to ensure that the site is ready:

- Review the site requirements.
- Generate the configuration files.
- Configure the network.
- Prepare the site based on requirements.

### Task 1 Review Site Requirements

Review the site requirements in this chapter and in the *Oracle Big Data Appliance Site Checklists* to understand the requirements of Oracle Big Data Appliance and ensure you are ready for delivery.

### Task 2 Generate the Configuration Files

Run the Oracle Big Data Appliance Configuration Generation Utility. Enter the network configuration settings, software installation choices, and credentials in the fields provided by this utility. When you are done, generate the configuration files.

#### See Also:

- [About the Network Requirements](#)
- [Using Oracle Big Data Appliance Configuration Generation Utility](#)

### Task 3 Configure the Network

Configure the existing network. This includes registering the networks in the Domain Name System (DNS), assigning IP addresses, and configuring data center switches and firewalls. Run the `bda-preinstall-checkip.sh` script and fix any errors.

#### See Also:

["Validating the Network Settings"](#)

### Task 4 Prepare the Site Based on Requirements

Prepare the site based on the requirements described earlier in this chapter, such as installing the network cables and power supplies, before the arrival of Oracle Big Data Appliance:

1. Review the safety guidelines.
2. Note problems or peculiarities at the site. For example, ensure that the doors are tall enough and wide enough for Oracle Big Data Appliance.
3. Verify that the installation site flooring has a strength rating to withstand the combined weight of Oracle Big Data Appliance and any other installed equipment.
4. Install all necessary electrical equipment, and ensure that sufficient power is provided for Oracle Big Data Appliance.
5. Ensure that the installation site provides adequate air conditioning.
6. Operate the air conditioning system for 48 hours to bring the room temperature to the appropriate level.

7. Install the network cables for Oracle Big Data Appliance.
8. Clean and vacuum the area thoroughly in preparation for installation.

 **See Also:**

- "Reviewing Safety Guidelines"
- "Space Requirements"
- "Flooring Requirements"
- "Electrical Power Requirements"
- "Temperature and Humidity Requirements"
- "Network Connection Requirements"
- *Sun Rack II Power Distribution Units User's Guide* at <https://docs.oracle.com/cd/E19657-01/html/E23956/index.html>

# 3

## About the Network Requirements

There are three different networks to connect on Oracle Big Data Appliance.

This chapter contains these sections:

- [Overview of Network Requirements](#)
- [Cabling the Client Network](#)
- [Factory Network Settings](#)
- [Port Assignments for Oracle Big Data Appliance Software](#)
- [Preparing the Network for Oracle Big Data Appliance](#)

### 3.1 Overview of Network Requirements

Oracle Big Data Appliance includes a set of racked servers and the equipment to connect the servers to your network.

The network connections enable the servers to be administered remotely and enable clients to connect to them. Use the information in this chapter to configure the environment for Oracle Big Data Appliance.

Each X8–2L and X7–2L server has the following network components and interfaces:

- 1 x Dual-port InfiniBand QDR CX3 (40 Gb/sec) PCIe HCA
- 1 x Built-in RJ45 1 Gigabit Ethernet port

X6–2L and earlier servers have the following network components and interfaces:

- 1 Dual-port 4X QDR (40 Gbps) InfiniBand Host Channel Adapter network interface card
- 1 Ethernet port for Oracle Integrated Lights Out Manager v3.1 for remote management (v3.0 for Sun Fire X4270 M2 servers)
- 4 10-Gigabit Ethernet ports (1-Gigabit Ethernet ports for Sun Fire X4270 M2)

#### 3.1.1 Default Network Connections

The installation process automatically discovers whether each Sun Network QDR InfiniBand Gateway switch has at least one 10 GbE connection. If they all do, then two virtual network interface cards (VNICs) are configured for each server: one for each switch bonded as bondeth0 in active/passive failover mode. The VNICs are assigned automatically to the available 10 GbE connections in round-robin fashion. For example, if each switch has three available 10 GbE connections, then the VNIC on server 1 is assigned to 10 GbE port 1, server 2 to port 2, server 3 to port 3, server 4 to port 1, and so on.

All VNICs are assigned to the same default virtual local area network (VLAN). To assign different VLANs to different VNICs, you must delete the initial VNICs and manually create your own.

## 3.1.2 Minimum Requirements for the Networks

Additional configuration, such as defining multiple VLANs or enabling routing, may be required for the switch to operate properly in your environment. If additional configuration is needed, then your network administrator must perform the necessary configuration steps during installation of Oracle Big Data Appliance.

To deploy Oracle Big Data Appliance, ensure that your network meets the minimum requirements. Oracle Big Data Appliance uses three networks.



### Note:

Each network must be on a distinct and separate subnet from the other networks.

These are the network descriptions:

- **Administrative network:** This 1 gigabit Ethernet (GbE) network connects to your existing administrative network and is used to administer all components of Oracle Big Data Appliance. It connects the servers, Oracle ILOM, and InfiniBand switches connected to the Ethernet switch in the rack. This network is also called the management network.

There are two uplinks to the administrative network:

- From the Ethernet switch in the rack
- From the KVM switch in the rack (Sun Fire X4270 M2-based racks only)

Each server has two network interfaces for administration. One provides administrative access to the operating system through the eth0 Ethernet interface, and the other provides access to the Integrated Lights Out Manager through the Oracle ILOM Ethernet interface. Oracle Big Data Appliance is delivered with the eth0 and ILOM interfaces connected to the Ethernet switch on the rack. Do not use the eth0 interface on the servers for client network traffic. Cabling or configuration changes to these interfaces are not permitted.

Domain Name System (DNS) servers are not required on the administrative network, although Oracle Big Data Appliance uses them if they are available. At least one Network Time Protocol (NTP) server must also be available. The NTP server for the administrative network can be different from the NTP server for the client network.

All Oracle Big Data Appliance components on the administrative network must be on the same subnet; that is, the eth0 IP addresses for all servers, ILOMs, PDUs, InfiniBand switches, and the Cisco Ethernet switch must be on the same subnet.

- **Client access network:** This 10 GbE network connects the servers through the gateway switches to your existing client network and is used for client access to the servers. Client applications access the software through this network by using the client network host names of the servers.

There are two Sun Network QDR InfiniBand Gateway switches in the rack. Each switch supports 1 to 8 connections for client access for a total of up to 16 client network connections. For failover, you must have at least one connection from



each switch and scale up according to your requirements for loading data and providing client access.

At least one DNS server must be accessible on the client network. At least one NTP server must also be available. The NTP server for the client network can be different from the NTP server for the administrative network.

- **InfiniBand private network:** This network connects the servers by using the InfiniBand switches on the rack and the bondib0 interface. This nonroutable network is fully contained within Oracle Big Data Appliance and any other Oracle engineered systems that are connected to it with InfiniBand cables. This network does not connect to your existing network. It is automatically configured during installation.

### 3.1.3 Network Diagram

The servers are configured on the network as follows:

- `eth0`: Provides access to the operating system using the administrative network.
- `bondeth0`: Provides access to the server using the client access network.
- `ILOM`: Provides access to Oracle Integrated Lights Out Manager (ILOM) using the administrative network.

Use the `bda-preinstall-checkip.sh` script to verify the readiness of the network environment before cabling Oracle Big Data Appliance to the existing network. See "[Preparing the Network for Oracle Big Data Appliance](#)."

[Figure 3-1](#) shows the network connections for Oracle Server X5-2L, Sun Server X4-2L, and Sun Server X3-2L-based racks.

**Figure 3-1 Network Diagram for Oracle Big Data Appliance X5-2L, X4-2L, X3-2L**

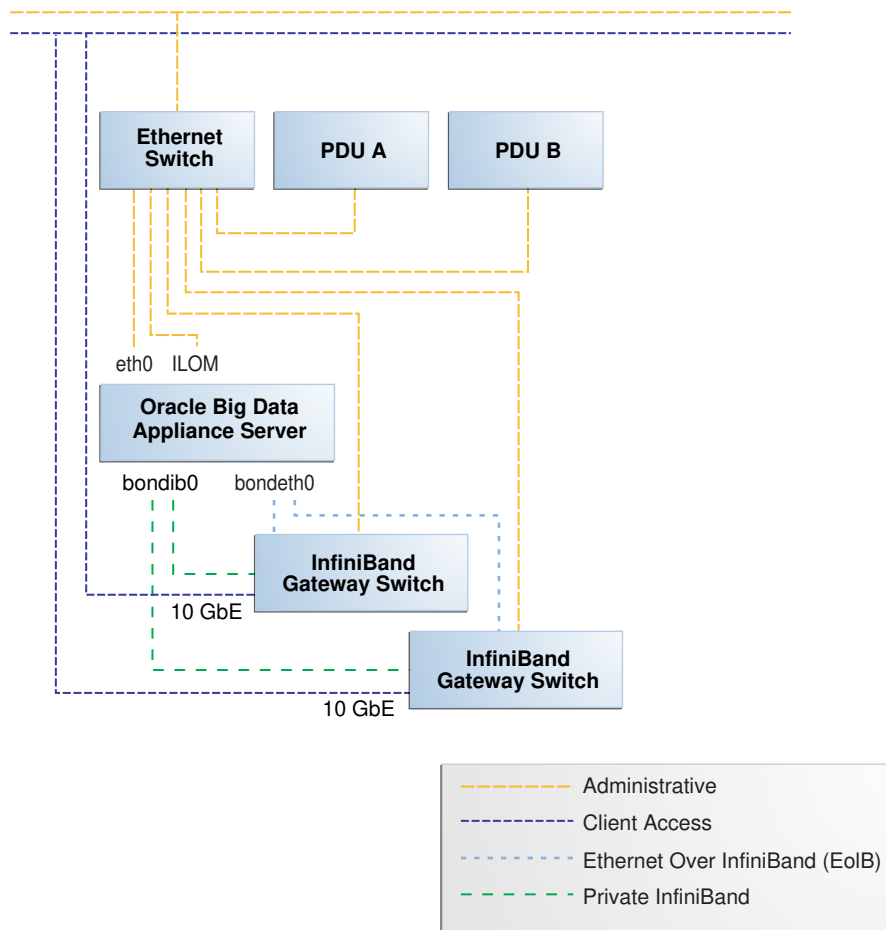
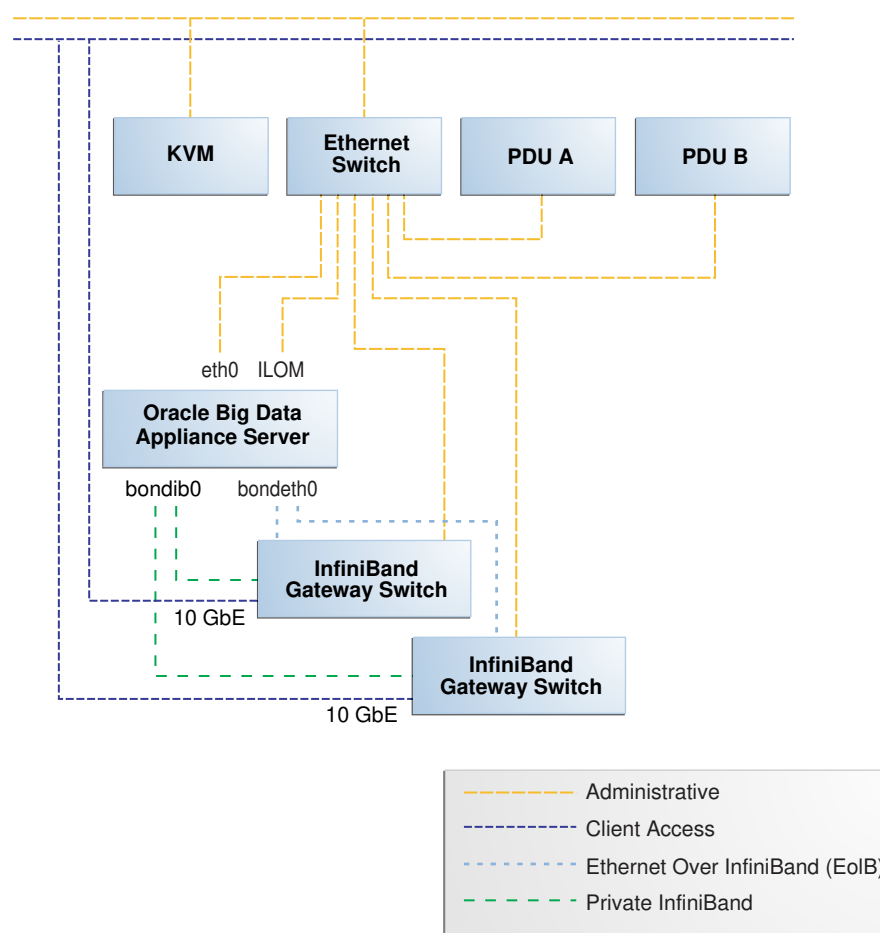


Figure 3-2 shows the network connections for a Sun Fire X4270 M2 -based rack, which includes a KVM.

Figure 3-2 Network Diagram for Oracle Big Data Appliance (with KVM)



## 3.2 Cabling the Client Network

Each of the two Sun Network QDR InfiniBand Gateway switches in Oracle Big Data Appliance has eight 10 GbE ports. The two switches enable you to create up to 16 10 GbE connections for each rack. You can determine how many connections to create based on the bandwidth needed for the client network. For proper functioning, at least one of the eight ports of each gateway switch must have an active connection to the site's 10 GbE network. Oracle recommends that the two switches have the same number of active 10 GbE connections, so that failover does not result in a loss of available client network bandwidth.

### 3.2.1 How the Servers Connect to the Gateway Switches

Physical Ethernet connections exist only between the site network and the gateway switches.

The Oracle Big Data Appliance servers are connected via InfiniBand only to these switches. Each server has two InfiniBand connections, one to each gateway switch, in an active-passive backup mode; only the active InfiniBand connection is used for all InfiniBand traffic to that server. If that connection fails, it immediately fails over to the other connection.

Half of the Oracle Big Data Appliance servers have active connections to one gateway switch, and the other half have active connections to the other gateway switch. Inside Oracle Big Data Appliance, the client network traffic is transported over those InfiniBand connections using the Ethernet over InfiniBand (EoIB) protocol. As a result, each Oracle Big Data Appliance server has two virtual NICs (VNICs) that are bonded in the same active-passive backup mode. Each VNIC is assigned a specific port on the gateway switch. If a switch has only one 10 GbE connection, then all VNICs for that switch point to the same port. If a switch has multiple connections, then the VNICs are spread across those ports in round-robin fashion.

For example, suppose a customer creates three 10 GbE uplinks from each gateway switch in order to connect the servers for two clusters, each of five nodes. In this scenario, it is known that the majority of the network I/O will be on Cluster1. Therefore, when the customer runs the Oracle Big Data Appliance Configuration Utility, they can choose to allocate more ports to Cluster1 than to Cluster2. Based on that customer-defined configuration, Mammoth determines which ports are assigned to the cluster. For clusters using multiple ports, it round-robins the server assignments among those ports, also alternating which switch is active as it loops through the servers. This is demonstrated in the table below.

**Table 3-1 Server/Gateway Connections Example**

Cluster, Node	Active Link	Backup Link
Cluster1, Node1	Switch 1, Link 1 <sup>1</sup>	Switch 2, Link 1
Cluster1, Node2	Switch 1, Link 2	Switch 2, Link 2
Cluster1, Node3	Switch 2, Link 1	Switch 1, Link 1
Cluster1, Node4	Switch 2, Link 2	Switch 1, Link 2
Cluster1, Node5	Switch 1, Link 1	Switch 2, Link 1
Cluster2, Node1	Switch 1, Link 3	Switch 2, Link 3
Cluster2, Node2	Switch 2, Link 3	Switch 1, Link 3
Cluster2, Node3	Switch 1, Link 3	Switch 2, Link 3
Cluster2, Node4	Switch 2, Link 3	Switch 1, Link 3
Cluster2, Node5	Switch 1, Link 3	Switch 2, Link 3

<sup>1</sup> All switches in this table are Sun Network QDR InfiniBand Gateway Switches

Depending on the number of 10 GbE connections, the client network traffic for multiple servers can be sent across the same physical 10 GbE connection. The maximum number of connections provides 160 gigabits per second (Gbps) of client network bandwidth to Oracle Big Data Appliance.

 See Also:

- [Oracle Big Data Appliance Configuration Utility](#)

## 3.2.2 Using Splitter Cables for Connecting to the 40 Gbps Physical Ports

Although you can create up to eight 10 GbE connections for each gateway switch, its physical ports are 40 Gbps quad small form-factor pluggable (QSFP) ports. Each gateway switch has two of these physical ports reserved for 10 GbE connectivity. The ports are equipped with QSFP transceivers that take an optical cable with an MTP/MPO connector. On the site network side are typically 10 Gbps ports with SFP+ transceivers that take LC connectors. For these connections, you can use splitter cables that have a single male MTP/MPO connector on one end and four pairs of LC connectors on the other end. Each 10 Gbps SFP+ transceiver takes a duplex LC connector for a total of four pairs. Thus, you can use a single splitter cable to create up to four 10 GbE connections. However, all four duplex LC connectors do not require a connection to the site network.

The splitter cables are not provided with Oracle Big Data Appliance and must be ordered separately from Oracle. They are available in lengths of 10, 20, and 50 meters. Oracle recommends that you order the SFP+ transceivers used at the site end of the 10 GbE network from the same manufacturer as the 10 GbE switch.

## 3.2.3 What About Data Centers Without a 10 GbE Infrastructure?

If your data center does not have a 10 GbE infrastructure, you can still connect Oracle Big Data Appliance to it by using an external switch that supports both 10 GbE (or 40 GbE) and 1 GbE. The Sun Network 10 GbE Switch 72p and numerous third-party switches provide this capability. You can connect the Sun Network QDR InfiniBand Gateway switches to a 10 GbE or 40 GbE port and connect the data center to a 1 GbE port in the external switch.

## 3.2.4 Guidelines for Connecting to the Gateway Switches

Oracle recommends that you follow these guidelines for making 10 GbE connections to the two gateway switches in Oracle Big Data Appliance:

- Make the same number of 10 GbE connections to both gateway switches.
- To make 1 to 4 10-GbE connections to each switch, use a single QSFP splitter cable to the 0A-ETH port of both switches.
- To make 5 to 8 10-GbE connections to each switch, use two QSFP splitter cables to both 0A-ETH and 1A-ETH ports of both switches. Divide the connections as evenly as possible between the 2 splitter cables.
- To make multiple 10 GbE connections to a single QSFP splitter cable, start with the lowest number port and work upward. For example, for two connections, use 0A-ETH1 and 0A-ETH2.

- Make the 10 GbE connections to the same ports on both NM2-GW switches. If you make connections to 0A-ETH1 and 0A-ETH2 on one switch, then make connections only to 0A-ETH1 and 0A-ETH2 on the other switch.

### 3.2.4.1 Configuring for LACP/LAG Connections

A Link Aggregation Group (LAG) bonds two or more Ethernet connections together for increased uplink speed and greater resiliency.

When you pre-configure the networking for a cluster in the Oracle Big Data Appliance Configuration Utility, you can define a LAG by clicking the **Use LACP/LAG** checkbox and then selecting the connectors to include in the LAG. The network scripts will create two LAGs, one on each switch. One will be active and the other passive in relation to each node. For example, if you select 0A-ETH-1 and 0A-ETH-2 in the configuration utility, then when you run the network setup scripts in this case, two LAGs are configured: 0A-ETH-1 + 0A-ETH-2 on leaf switch 1 and 0A-ETH-1 + 0A-ETH-2 on leaf switch 2. For some nodes, the LAG on leaf switch 1 will be active and the LAG on leaf switch 2 will be passive, because the LAG on leaf switch 1 is (0A-ETH-1 + 0A-ETH-2 on leaf switch 1). For other nodes, this is reversed. The external switch in this configuration must provide one logical connection per InfiniBand switch.

LAG implementation includes following constraints:

- A connector cannot belong to more than one LAG.
- A connector in a LAG cannot be used in a VLAN or VNIC. You can assign a VLAN ID to the LAG, but you cannot reuse the ports in the LAG for VNICs in another network. Therefore, if you create additional client networks you should avoid the ports already used in the LAG .
- A LAG across switches is not supported.
- Within a rack, a LAG may be shared by multiple clusters that occupy the same rack.
- A single LAG can service only one rack. To use Link Aggregation on a cluster that spans multiple BDA racks, the customer must create a Link Aggregation Group for each of the two switches on all of the racks in the cluster.

Although LAG-related configuration changes to the cluster and the InfiniBand switches are done automatically when you run the network setup scripts generated by the configuration utility, these scripts do not reconfigure the external switches. You must manually enable LAG mode on external switches connected to the InfiniBand switch.

 **Note:**

If you set up LAGs in the configuration utility, then configure external switches to enable LAG before running the network setup scripts that are generated by the configuration utility.

Make sure that the external switch configuration matches the setup that you specify in the configuration utility.

When you run the network setup scripts on each node, be sure that connectors selected for the LAG are not actively in use. Otherwise the LAG creation will fail.

The steps required to enable LAN will differ for various Ethernet switch models, and datacenter configurations. The example below shows how to use 802.3ad-based LACP on a Cisco 4948 switch. Refer to the product documentation provided with your own switch for the equivalent steps.

The example uses VLAN ID 1 and 2 and assumes that Cisco ports 1/4 and 1/5 are connected to InfiniBand switch 10GbE uplink ports 1A-ETH-1 and 1A-ETH-2, respectively.

**Example 3-1 LAG Configuration for External Cisco 4948 Ethernet Switch Connections to InfiniBand**

The first set of commands in the example must be run in the order provided for Cisco ports 1/4 and 1/5, which are connected to the InfiniBand switch.

```
switchport
switchport trunk encapsulation dot1q
switchport trunk allowed vlan 1,2
switchport mode trunk
no shutdown
channel-group 3 mode active
```

For Cisco Port-Chan 3 in this example, you would run these commands in the order shown:

```
switchport
switchport trunk encapsulation dot1q
switchport trunk allowed vlan 1,2
switchport mode trunk
```

 **See Also:**

- [Oracle Big Data Appliance Configuration Utility](#)

## 3.2.5 Configuring Multiple Racks into a Single Hadoop Cluster

When multiple Oracle Big Data Appliance racks are connected to form a single Hadoop cluster, Oracle strongly recommends that you spread the 10 GbE connections across the switches in different racks. Every gateway switch in every rack must have at least one 10 GbE connection. Oracle does not support a configuration in which the 10 GbE connections to the switches in a single rack are used for all servers in all Oracle Big Data Appliance racks.

## 3.3 Factory Network Settings

This initial network configuration is set at the factory for Oracle Big Data Appliance:

- **Gateway:** 192.168.1.254 in all devices as required
- **Subnet Mask:** 255.255.255.0 in all devices as required
- **IP Address Range:** 192.168.1.1 to 192.168.1.211

[Table 3-2](#) lists the default IP addresses for Oracle Big Data Appliance.

**Table 3-2 Default IP Addresses for Oracle Big Data Appliance**

Host	Administrative IP Addresses	Oracle ILOM IP Addresses	InfiniBand Bonded IP Addresses
bda18 <sup>1</sup>	192.168.1.18	192.168.1.118	192.168.10.18
bda17 <sup>1</sup>	192.168.1.17	192.168.1.117	192.168.10.17
bda16 <sup>1</sup>	192.168.1.16	192.168.1.116	192.168.10.16
bda15 <sup>1</sup>	192.168.1.15	192.168.1.115	192.168.10.15
bda14 <sup>1</sup>	192.168.1.14	192.168.1.114	192.168.10.14
bda13 <sup>1</sup>	192.168.1.13	192.168.1.113	192.168.10.13
bda12 <sup>2</sup>	192.168.1.12	192.168.1.112	192.168.10.12
bda11 <sup>2</sup>	192.168.1.11	192.168.1.111	192.168.10.11
bda10 <sup>2</sup>	192.168.1.10	192.168.1.110	192.168.10.10
bdasw-ib3	192.168.1.203		
Cisco Switch	192.168.1.200		
bdasw-ib2	192.168.1.202		
bda9 <sup>2</sup>	192.168.1.9	192.168.1.109	192.168.10.9
bda8 <sup>2</sup>	192.168.1.8	192.168.1.108	192.168.10.8
bda7 <sup>2</sup>	192.168.1.7	192.168.1.107	192.168.10.7
bda6	192.168.1.6	192.168.1.106	192.168.10.6
bda5	192.168.1.5	192.168.1.105	192.168.10.5
bda4	192.168.1.4	192.168.1.104	192.168.10.4
bda3	192.168.1.3	192.168.1.103	192.168.10.3
bda2	192.168.1.2	192.168.1.102	192.168.10.2
bda1	192.168.1.1	192.168.1.101	192.168.10.1



**Table 3-2 (Cont.) Default IP Addresses for Oracle Big Data Appliance**

Host	Administrative IP Addresses	Oracle ILOM IP Addresses	InfiniBand Bonded IP Addresses
bdasw-ib1	196.168.1.201		
PDU A	192.168.1.210		
PDU B	192.168.1.211		

<sup>1</sup> Full racks only

<sup>2</sup> Full racks or starter racks with additional servers only

## 3.4 Port Assignments for Oracle Big Data Appliance Software

This section identifies the port numbers used by Oracle Big Data Appliance software

For port numbers used by Cloudera CDH, CM, and other Cloudera products, see the [Cloudera documentation library](#).

**Table 3-3 Oracle Big Data Appliance Port Numbers**

Port	Used by
22	ssh
80	yumrepos (only during installation)
111	portmap
162	Auto Service Request Manager (optional)
443	Auto Service Request Manager (optional)
668	rpc.statd
3306	MySQL Database
5000	Oracle NoSQL Database registration
5001	Oracle NoSQL Database administration
5010 to 5020	Oracle NoSQL Database processes
5042	Oracle Big Data SQL
6481	Auto Service Request Manager service tags listener (optional)
8139	Puppet nodes
8140	Puppet parent
8890	Big Data Manager
20910	Oracle Data Integrator agent
30920	Automated Service Monitor (ASM)

The following table describes Oracle Big Data Appliance port access required by the Oracle Management Service (OMS) and Management Agent in order to use the Oracle Enterprise Manager plug-in.

**Table 3-4 Port Access Required by the Oracle Enterprise Manager Plug-In**

Port Number	On Which Node	Use
7183	Cloudera Manager Server host.	For discovery , if HTTPS access is enabled on Cloudera Manager.
7180	Cloudera Manager Server host.	For discovery and monitoring, if HTTPS access is not enabled on Cloudera Manager.
7187	Cloudera Manager Server host.	For monitoring, if HTTPS access is enabled on Cloudera Manager.
22	All nodes	SSH for bdacli execution during discovery.

## 3.5 Preparing the Network for Oracle Big Data Appliance

Oracle Big Data Appliance Configuration Generation Utility generates these files for you to use before installation:

- **bda-install-review.html**: Lists the host names and custom IP addresses for Oracle Big Data Appliance. Verify that the information is correct, and add the host names and IP addresses to a name server on the network. You can view this file in a browser.
- **bda-preinstall-checkip.sh**: Performs validation checks on network configuration values, including host names and IP addresses.

See "[Generating the Configuration Files.](#)"

Run the `bda-preinstall-checkip.sh` script at these points in the installation process:

- Before Oracle Big Data Appliance arrives at the site but after the network administrator has added the new names and IP addresses to the name server. This step ensures that the network configuration parameters are valid and the network is ready to accept Oracle Big Data Appliance connections.
- After Oracle Big Data Appliance arrives but before it is connected to the network. This step ensures that the network has not changed and is still ready to accept Oracle Big Data Appliance connections.



### Note:

Running `bda-preinstall-checkip.sh` is a critical pre-installation step. Network errors can cause extensive delays in the installation procedure.

**To check the network for conflicts:**

1. Copy the `bda-preinstall-checkip.sh` script to any Linux system with a 10 GB Ethernet connection to the subnet on which Oracle Big Data Appliance will be deployed.

2. Ensure that the script is executable:

```
chmod +x bda-preinstall-checkip.sh
```

3. Execute the script:

```
./bda-preinstall-checkip.sh
```

4. If the script identifies errors, open the `bda-checkip.out` file for details. It contains information about every test the script performed. The output file is created in the same directory as the script.
5. Resolve all reported errors before rerunning the script.

[Example 3-2](#) shows success and error messages from the `bda-preinstall-checkip.sh` script.

### Example 3-2 Output from `bda-preinstall-checkip.sh`

```
Big Data Appliance pre-installation network verification starting ...

Using name server 198.51.100.21 for all DNS lookups

Domain is example.com

Processing DNS name servers : SUCCESS
Processing NTP time servers : SUCCESS
Processing gateways : SUCCESS
Processing factory IP addresses : SUCCESS
Processing public node names (bondeth0) : SUCCESS
Processing private IP addresses (bondib0) : ERROR - see bda-checkip.out for
details
Processing admin node names (eth0) : SUCCESS
Processing ILOM names : SUCCESS
Processing switch and PDU IP addresses : SUCCESS
Processing ASR hostname : SUCCESS

One or more checks report ERROR. Review bda-checkip.out for details
```

# 4

## Using Oracle Big Data Appliance Configuration Generation Utility

This chapter describes how to use Oracle Big Data Appliance Configuration Generation Utility.

This chapter contains the following topics:

- [Overview of Oracle Big Data Appliance Configuration Generation Utility](#)
- [Generating the Configuration Files](#)
- [About the Configuration Files](#)
- [Validating the Network Settings](#)
- [Customer Details Page](#)
- [Hardware Selection Page](#)
- [Rack Details](#)
- [Networking Page](#)
- [Administration Network Page](#)
- [General Network Properties Page](#)
- [Review and Edit Details Page](#)
- [Define Clusters Page](#)
- [Cluster Page](#)
- [Complete Page](#)

### 4.1 Overview of Oracle Big Data Appliance Configuration Generation Utility

Oracle Big Data Appliance Configuration Generation Utility acquires information from you, such as IP addresses and software preferences, that are required for deploying Oracle Big Data Appliance. After guiding you through a series of pages, the utility generates a set of configuration files. These files help automate the deployment process and ensure that Oracle Big Data Appliance is configured to your specifications.

Choose the option that describes the type of hardware installation you are configuring:

- Click **One or more new Big Data Appliance racks being installed** if you do not have a previously-generated `master.xml` configuration file to start with.

The other three choices activate the **Import** button, so that you can select the `master.xml` file from a previous configuration. After selecting one of these options, import the `master.xml`,

- Click **One or more Big Data Appliance racks being added to an existing group of Big Data Appliances** if you need to configure new rack hardware and do not intend to add servers or make any cluster changes at this time.
- Click **One or more nodes being added to a Big Data Appliance starter rack or partially filled rack** for in-rack or cluster expansion – adding new nodes to the existing racks and/or to existing clusters.
- Click **An in-process configuration using a saved master.xml configuration file** for general editing purposes.

Click **Next** to go to the Customer Details page. If you are working off of an existing `master.xml` file, fields are pre-populated and selectors are preset throughout the pages of the utility based on the data in the file.

Figure 4-1 shows the Customer Details page of the Oracle Big Data Appliance Configuration Generation Utility.

**Figure 4-1 Oracle Big Data Appliance Configuration Generation Utility**

## 4.2 Generating the Configuration Files

The following procedures explain how to install Oracle Big Data Appliance Configuration Generation Utility and generate the configuration files.

### To configure Oracle Big Data Appliance:

1. Download Oracle Big Data Appliance Configuration Generation Utility from Oracle Technology Network at

<http://www.oracle.com/technetwork/database/bigdata-appliance/downloads/index.html>

The file is named `BDAConfigurator-version.zip`. The utility requires Oracle JRE 1.7 or later.

2. Extract the files in `BDAConfigurator-version.zip`. For example:

```
$ unzip BDAConfigurator-<version>.zip
Archive:  BDAConfigurator-<version>.zip
  creating: BDAConfigurator-<version>/
  inflating: BDAConfigurator-<version>/exagen.jar
  inflating: BDAConfigurator-<version>/oracle_ice.jar
  inflating: BDAConfigurator-<version>/passwd.jar
  inflating: BDAConfigurator-<version>/orai18n-utility.jar
  .
  .
  .
```

3. Change to the `BDAConfigurator-version` directory.

4. Run Oracle Big Data Appliance Configuration Generation Utility.

- On Linux:

```
$ sh bdaconf.sh
```

- On Microsoft Windows, double-click `bdaconf.cmd` in Windows Explorer, or run the file from the command line:

```
C:\> bdaconf.cmd
```

5. On the Welcome page, select a configuration type.

6. Click **Import** if the button is activated, and select a previously saved `master.xml` configuration file.

7. Follow the steps of the wizard. On the Complete page, click **Create Files**.

8. Validate the network configuration.

See "[Validating the Network Settings](#)."

9. Send the generated `bda.zip` file to your Oracle representative.

## 4.3 About the Configuration Files

Oracle Big Data Appliance Configuration Generation Utility generates the following files to use when you configure the system. You can select the directory where they are saved.

This is the basic structure of the directory tree

```
company_name/
  bda-timestamp.zip
  bda-install-preview.html
  bda-preinstall-checkip.sh
  rack_name/
    rack_name-network.json
    rack_name-rack-network.json
  cluster_name/
    cluster_name-config.json
```

```
cluster_name-cluster-network.json  
master.xml
```

If there is more than one rack or more than one cluster in the configuration, separate directories are included for these as well. “Rack\_name” and “cluster\_name” in the example above and in the table below are placeholders that refer to the actual name of the rack and cluster. For example, if your cluster name is “cluster01” then the configuration output includes `cluster01-config.json` and `cluster01-cluster-network.json`.

**bda-timestamp.zip**

Contains a copy of the configuration files. If an Oracle customer service representative will perform the installation, then send this file to Oracle before the installation date. Otherwise, transfer the file to a USB drive for copying to Oracle Big Data Appliance.

**bda-install-preview.html**

Provides a report that lists all the details of the configuration. You can view the this report in a browser. Check it carefully to ensure that all of the settings are correct.

**bda-preinstall-checkip.sh**

Runs a series of tests to ensure the specified names and IP addresses for Oracle Big Data Appliance were added correctly to the name server, and they do not conflict with the existing network configuration.

**<rack\_name>-network.json**

Contains the network configuration for a full rack, a starter rack, or a starter rack with additional servers. It contains information about all the servers, switches, and PDUs.

**<rack\_name>-rack-network.json**

Contains network configuration for the administration network on a single rack of servers, including information about switches and PDUs. This is part of a pair of files (the other being `cluster-network.json`) that together contain the same information as `<rackname>-network.json`.

**<cluster\_name>-config.json**

Contains all the information for a cluster, including the network configuration, port numbers, user names, and passwords. The configuration utility creates a separate parameter file for each cluster. If several clusters are being configured, then each parameter file is located in a separate subdirectory.

If additional servers are configured over a starter rack as an addition to an existing cluster, then the configuration utility does not generate a parameter file; the Mammoth utility generates it.

**<cluster\_name>-cluster-network.json**

Contains network configuration information for the cluster, including client and private networks. This is part of a pair of files (the other being `rack-network.json`) that together contain the same information as `<rackname>-network.json`.

**master.xml**

Contains all the configuration settings in XML format so that Oracle Big Data Appliance Configuration Generation Utility can read it. To alter the configuration of an Oracle Big Data Appliance deployment, you can load this file, enter the changes, and regenerate the configuration files.

This file is used only by Oracle Big Data Appliance Configuration Generation Utility. It is not used for the actual configuration of Oracle Big Data Appliance.

Rename `<rack_name>-network.json` to `network.json` and use that file to configure the cluster. The “`rack_name-`” prefix exists only so that you can distinguish one set of files for another in the configurator output. The scripts that use this file do not recognize the prefix.

## 4.4 Validating the Network Settings

Validating the network settings before the Oracle Big Data Appliance hardware arrives at your site is a critical step. Network problems can cause extended delays in the installation.

### To validate the network configuration settings:

1. Copy the `bda-preinstall-checkip.sh` file generated by Oracle Big Data Appliance Configuration Generation Utility to a Linux host on the same network that Oracle Big Data Appliance will use.

2. Log in to the Linux host and run `bda-preinstall-checkip.sh`:

```
$ sh bda-preinstall-checkip.sh
```

This script checks your existing network for conflicts with the Oracle Big Data Appliance IP address pool.

3. Correct any network problems discovered by the script before installation begins. Network problems during the installation can cause extensive delays.
4. Run the network connections to the planned location for Oracle Big Data Appliance.
5. Inform your Oracle representative when you have completed these steps.

## 4.5 Customer Details Page

The following table describes the customer details fields. The Generated Names shows the names created from the entered values.

**Table 4-1 Customer Details Page**

Customer Details Field	Description
Customer Name	The name of your enterprise. Required.
Region	The geographic area where Oracle Big Data Appliance will be installed.
Time Zone	The time zone for your installation. You must select the appropriate region before selecting the time zone.
Rack Base Name	A maximum of 10 alphanumeric characters for the name of the Oracle Big Data Appliance rack.
Rack Start Index	A digit that uniquely identifies the rack. It is a suffix of the rack base name.



**Table 4-1 (Cont.) Customer Details Page**

Customer Details Field	Description
Server Base Name	Base name for all servers. A two-digit suffix uniquely identifies each server.  The rack name and server base name are used to generate the host names for all network interfaces: eth0, bondib0, bondeth0, and Oracle ILOM. For example, a rack base name of bda, a rack start index of 1, and a server base name of node results in host names of bda1node01, bda1node02, and so forth.
Admin Name Suffix	Suffix to the basic host name to form the eth0 host names
Private Name Suffix	Suffix to the basic host name to form the bondib0 host name
ILOM Name Suffix	Suffix to the basic host name to form the Oracle ILOM name
Switch Base Name	Suffix to the rack name to form the base name for all switches. For example, a rack name of bda and a switch base name of sw results in switch names of bda1sw-ip, bda1sw-ib1, and so forth.  <b>Important:</b> Ensure that the fully constructed switch names (such as bda1sw-ib1) do not exceed 20 characters.
Domain Name	Name of the domain in which Oracle Big Data Appliance operates. Required.

## 4.5.1 Using Standardized Host Names

The rack name is used in the assignment of standardized host names for all Oracle Big Data Appliance servers. The host name for all servers on the client network is in this format:

*racknameNodeNN.domain*

In this syntax:

- *NN* is the position number of the server node in the rack (01 to 18).
- *domain* is the domain name.

Host names must have fewer than 16 characters, which can be ASCII lower-case letters (a to z), numbers (0 to 9), and hyphens (-) only. Do not begin or end the name with a hyphen.

## 4.5.2 Using Customized Host Names

You can change the suffixes used for the different network interfaces.

You can enter server host names that do not follow the naming conventions on the [Review and Edit Details Page](#).

## 4.5.3 Naming Multirack Clusters

Oracle recommends that for a cluster of multiple racks, you use the cluster name as the first segment of the rack name and then add a number to identify the rack as a suffix, as in:

```
<cluster_name><rack_number>
```

For example, in a three-rack cluster, if the cluster name is `cluster1` and the domain name is `example.com`, then the fully qualified host name of the server at the bottom of the first rack is `cluster101node01.example.com`. For the top server in the third rack of this cluster, the host name is `cluster103node18.example.com`.

## 4.5.4 Connecting to Oracle Big Data Appliance Over the Networks

The host names on the other networks have a short extension that follows the unit number. If you retained the default extensions, then use these formats to connect to Oracle Big Data Appliance after it is connected to the network:

- For short host names over the administration network:

```
racknameNodeNN-adm
```

- For the private InfiniBand network host names:

```
racknameNodeNN-priv
```

- For the Oracle Integrated Lights Out Manager (ILOM) host names:

```
racknameNodeNN-ilom
```

- For the switch host names:

```
racknamesw-ibM
```

In this syntax:

- *NN* is the position number of the server in the rack (01 to 18).
- *M* is 1, 2, or 3, depending on the switch location in the rack.

## 4.6 Hardware Selection Page

The hardware page identifies one or more racks that you want to deploy at the same time. The racks must be cabled together.

For example, if you are deploying three full racks, then add Full Rack three times to your deployment.

The following table describes the hardware selection choices.

**Table 4-2 Hardware Selection Page**

Hardware Selection Field	Description
Select interconnected hardware to deploy	Lists the available hardware configurations. Choose one or more racks. You can choose the same type of rack multiple times. <ul style="list-style-type: none"> <li>• Full rack: Contains 18 servers.</li> <li>• Starter rack: Contains 6 servers.</li> <li>• Partially filled rack: Contains any number of servers between 7 and 17.</li> </ul>
This is your deployment	Lists the hardware selected for your site.
Will you use non-Oracle PDUs?	Oracle strongly recommends that the PDUs that are shipped with Oracle Big Data Appliance be used to supply power to its servers and switches.  However, if your data center has specific requirements that the Oracle-supplied PDUs do not meet, then you can use other PDUs to supply power to the Oracle Big Data Appliance servers and switches. Oracle does not support customer-supplied PDUs, and Oracle Enterprise Manager Cloud Control does not monitor them.

## 4.7 Rack Details

The rack details page identifies the optional network connections for an Oracle Big Data Appliance rack.

The following table describes the rack detail fields.

**Table 4-3 Rack Details Page**

Rack Detail Field	Description
Rack Name	Enter the name of the rack.
Number of 10 GbE Connections	<p>The two Sun Network QDR InfiniBand Gateway switches in every Oracle Big Data Appliance must have an equal number of 10 GbE links to the client network. Each gateway switch supports up to eight 10-GbE links, for a total of 16 links. Each server is assigned to one 10-GbE link on each gateway switch.</p> <p>Therefore, an Oracle Big Data Appliance full rack or starter rack with an extension kit can use up to 16 10-GbE links. A starter rack can use up to 12 10-GbE links.</p> <p>Oracle recommends using as many 10 GbE links to the Oracle Big Data Appliance rack as the data center can support. The additional links increase the network bandwidth available between Oracle Big Data Appliance and the client network, and reduces the impact if a link fails.</p> <p>Oracle uses this information to ensure that the correct number of cables is ordered or available at the installation site. It also lets the Oracle field engineer plan how many 10 GbE links to connect to the Oracle Big Data Appliance rack.</p>

Table 4-3 (Cont.) Rack Details Page

Rack Detail Field	Description
BDA will be connected via InfiniBand to any Oracle engineered systems	<p>Select this option if you are connecting this rack to another rack through the InfiniBand fabric. When connecting multiple racks, ensure the following:</p> <ul style="list-style-type: none"> <li>The InfiniBand IP addresses of all servers are unique, including the servers in other Oracle engineered systems.</li> <li>All InfiniBand IP addresses are on the same network.</li> </ul> <p>For example, if you connect an Oracle Big Data Appliance rack to Oracle Exadata Database Machine, then you must use the same netmask on the InfiniBand networks for both systems. Moreover, after you apply this netmask to the InfiniBand IP addresses of the Exadata database servers, the Exadata storage servers, and the Oracle Big Data Appliance servers, all IP addresses are in the same subnet."</p>

## 4.8 Networking Page

The networking page identifies the number of IP addresses required for each network. The administration, client Ethernet, and InfiniBand networks are required. You must allocate the specified number of IP addresses for them.

Each IP address pool initially contains a range of consecutive IP addresses. If some IP addresses in the range are not available, then you can change individual addresses on the [Review and Edit Details Page](#).

## 4.9 Administration Network Page

The values that you enter on this page are used to add the Oracle Big Data Appliance servers, switches, and PDUs to your existing administration network to enable SSH access to these devices. Each server has two network interfaces for administration. One interface provides access to the operating system, and the other provides access to Oracle Integrated Lights Out Manager (ILOM).

The administration network is not generally used by the tools and utilities on the appliance itself (except for SSH access to servers when a client network has not yet been set up). Also, if ASR is configured, SNMP traffic to the ASR manager will use the administration network.

### Note:

Each network must be on a separate subnet from the other networks.

The following table describes the fields on the administration network page.

**Table 4-4 Administration Network Page**

Administration Network Field	Description
Starting IP Address for Pool	The first IP address on the administration network available for use by Oracle Big Data Appliance.
Pool Size	The required number of IP addresses on the administration network. The IP addresses for a rack are assigned in this order: Oracle Big Data Appliance servers, Oracle ILOMs, Ethernet switch, spine switch, leaf switches (2), and PDUs (2).
Ending IP Address for Pool	The last IP address on the administration network assigned to Oracle Big Data Appliance. The value in this field is automatically calculated from the starting IP address and the pool size. Ensure that all of the IP addresses are available for use in the pool defined by the starting and ending addresses. If they are not available, then you can either assign a different range or manually change individual IP addresses on the <a href="#">Review and Edit Details Page</a> .
Subnet Mask	The subnet mask for the administration network.
Gateway	The IP address for the gateway. The gateway IP address is generated automatically, so verify that it is correct.

## 4.10 General Network Properties Page

The client and administration networks typically use the same Domain Name System (DNS) and Network Time Protocol (NTP) servers. If they are different on your networks, then enter the values for the client network first.

The following table describes the general network properties.

**Table 4-5 General Network Properties Page**

General Network Properties Field	Description
DNS Servers	Up to six IP addresses for the DNS servers. At least one DNS server must be accessible on the client network. DNS servers are not required on the administration network, although Oracle Big Data Appliance uses them if they are available.
NTP Servers	Up to six IP addresses for the NTP servers. Both the client network and the administration network must have access to at least one NTP server. The NTP servers for the administration network can be different from the NTP servers for the client network. If they are, then identify the NTP servers for the client network in this field. Between the client and administrative network, you must add a total of at least three NTP servers
Search Domains	Up to six domain names in which Oracle Big Data Appliance operates, such as <code>example.com</code> and <code>us.example.com</code>

**Table 4-5 (Cont.) General Network Properties Page**

General Network Properties Field	Description
Are administration host name entries in DNS?	Select Yes or No: <ul style="list-style-type: none"> <li><b>Yes:</b> Administration host name DNS entries are validated during preinstall checks and network configuration.</li> <li><b>No:</b> Administration host name DNS entries are not validated during preinstall checks and network configuration.</li> </ul>

The next table describes the network properties for the administration network if they are different from the client network. Typically, these properties are the same for both networks. They default to the values you entered for the general network properties.

**Table 4-6 Advanced Network Properties**

Advanced Network Properties Field	Description
Advanced Network Configuration	Select this option if the client and administration networks are isolated on your system and use different DNS and NTP servers, different domains, or both. You can then complete the fields for the administration network.
Admin Domain Name	The name of the administration domain.
Admin DNS Servers	Up to six IP addresses for the administration Domain Name System server, if they are different from the client network.
Admin NTP Servers	Up to six IP addresses for the administration Network Time Protocol server, if they are different from the client network.
Admin Search Domains	Up to six domain names in which Oracle Big Data Appliance administration network operates, if they are different from the client network.

## 4.11 Review and Edit Details Page

Use this page to review and modify the network configuration settings.

If you specified a range of IP addresses for any of the networks that includes addresses already in use, then replace those IP addresses on this page. Otherwise, the network configuration of Oracle Big Data Appliance will fail, causing unnecessary delays. When you are done making changes, click **Regenerate using changed base values**.

## 4.12 Define Clusters Page

Use the define clusters page to identify the number of clusters to create and the servers that compose each cluster.

You can configure clusters for either CDH or Oracle NoSQL Database on this page. A cluster can occupy a single rack or span multiple racks.

In a multi-cluster environment, it is not required that all clusters uniformly run the same version of Oracle Big Data Appliance. Multiple clusters running different versions of the software on different racks or the same rack are supported configurations.



#### Note:

Kafka cluster creation and extension is temporarily de-supported in Oracle Big Data Appliance 5.1

The minimum cluster size for each type is as follows:

- For CDH clusters, five servers minimum is strongly recommended for production in order to support high availability. If a single node fails in a cluster of less than five nodes, replacement or repair will require substantial cluster downtime. Clusters as small as three nodes can be created, but these should be used for development only
- For NoSQL Database clusters, three nodes is the minimum for production. The total number of nodes must always be divisible by three (three, six, nine, and so forth).
- For each rack contributing servers to either a CDH or NoSQL cluster, the minimum number of servers is three.

The following table describes the cluster definition choices.

**Table 4-7 Define Clusters Page**

Define Clusters Field	Description
Number of clusters to create	Select the number of clusters. For each cluster, a new tab appears on the page, and a new page appears in Oracle Big Data Appliance Configuration Generation Utility. Be sure to complete all tabs before continuing to the next page.
Cluster Name	Enter a unique name for the cluster. The name must begin with a letter and can consist of alphanumeric characters and dashes (-). Underscores, (_) and other non-alphanumeric characters are not accepted.
<i>Cluster Type</i>	Choose the type of cluster: <ul style="list-style-type: none"> <li>• <b>CDH cluster:</b> Installs Cloudera's Distribution including Apache Hadoop and optional software on cluster of new servers</li> <li>• <b>NoSQL DB cluster:</b> Installs Oracle NoSQL Database on a cluster of new servers</li> </ul>
<i>Unassigned Servers</i>	From the list on the left, select the servers for the cluster and move them to the list of assigned servers on the right.
<i>Assigned Servers</i>	Lists the servers selected for the cluster. Customers are advised to follow Oracle's recommendations for the minimum number of servers per cluster.

## 4.13 Cluster Page

Select the software to install on this cluster. The fields displayed on this field depend on the type of cluster being configured:

- [A New Oracle NoSQL Database Cluster](#)
- [A New CDH Cluster](#)

### 4.13.1 A New Oracle NoSQL Database Cluster

For each new Oracle NoSQL Database cluster, the Configuration Utility provides a page where you configure the networking for the cluster. On this page, provide the following general information about the cluster's client network:

- Cluster Name
- DNS Servers
- NTP Servers
- Search Domains
- Domain Name
- Region
- Time Zone

Also provide the configuration details requested in the following subsections of the page:

- [User and Groups](#)
- [Client Network](#)
- [InfiniBand Network](#)
- [MIT Kerberos](#)
- [Auto Service Request](#)
- [Installed Components](#)
- [Oracle NoSQL Configuration](#)

#### 4.13.1.1 User and Groups

The following table describes the user name, groups, and password fields for a new Oracle NoSQL Database cluster. Passwords are optional, but you must enter them during the software installation if you do not provide them here.

**Table 4-8 User and Groups for a New Oracle NoSQL Database Cluster**

User/Groups Field	Description
OS password for root user	The <code>root</code> password on all servers in the cluster.
OS password for oracle user	The <code>oracle</code> password on all servers in the cluster. Oracle applications run under this identity.
oracle user ID	The ID number of the <code>oracle</code> user. It must match the <code>oracle</code> UID of a connected Oracle Exadata Database Machine. The UID ensures that the <code>oracle</code> user can log in from Oracle Big Data Appliance to the correct account in Oracle Database. Required.
oinstall group ID	The ID number of the Oracle Inventory Group ( <code>oinstall</code> ). It must match the <code>oinstall</code> group ID of a connected Oracle Exadata Database Machine.



**Table 4-8 (Cont.) User and Groups for a New Oracle NoSQL Database Cluster**

User/Groups Field	Description
dba group ID	The ID number of the dba group. It must match the dba group ID of a connected Oracle Exadata Database Machine.

### 4.13.1.2 Client Network

The following table describes the fields of the Client Network panel on the Cluster Page of the Oracle Big Data Configuration Utility.

 **Note:**

- Client and private InfiniBand networks within a cluster may not use the same subnet. However, subnets may be shared by client networks on different clusters.
- Oracle Big Data Appliance does not support setting up multiple client networks on the same physical gateway ports. You must choose disjoint, non-overlapping sets of physical ports for different networks.

**Table 4-9 Client Network**

Client Network Field	Description
Starting IP Address for Pool	The first IP address on the client network you are configuring.
Pool Size	The required number of IP addresses (one for each node in the current cluster).
Ending IP Address for Pool	The last IP address on the client network. This is calculated automatically based on the starting address and pool size. Ensure that all of the IP addresses are available for use in the pool defined by the starting and ending addresses. If not all are available, then you can either assign a different range or manually change individual IP addresses on the Client Network and InfiniBand Network pages.
Subnet Mask	The subnet mask of the client network on the current cluster.
Gateway	The IP address of the client network on the current cluster.
VLAN ID	Note that the default VLAN ID value is NO.
Domain	FQDN of the domain hosting the network.

**Table 4-9 (Cont.) Client Network**

Client Network Field	Description
Use LACP/LAG	Click this checkbox to create a Link Aggregation Group for client networks.  Note that after a LAG is created, the connectors in the LAG are not available for individual selection, nor inclusion in other LAGs or for use in a VLAN or VNIC.  LAG setup on the Oracle Big Data Appliance side is automated if you select this option and assign connectors to the LAG. However, you must manually enable LAG mode on external switches that will communicate with the InfiniBand switch over the LAG. See <a href="#">Configuring for LACP/LAG Connections</a>
Connectors	You must check at least one connector from the eight connectors for each cluster's client network. This provides each cluster with least two connectors. (One connector is dedicated to failover and is located on the secondary InfiniBand switch.) Make the 10 GbE connections to the same ports on both switches.
Add a Client to this Cluster	Add another client network to this cluster. Click this button to create another set of input fields. Add the necessary identifiers to these fields in order to configure the additional client network.
Remove a Client from this Cluster	Removes the last additional client from the list of client networks.

### 4.13.1.3 InfiniBand Network

The InfiniBand network connects the Oracle Big Data Appliance servers within a rack. It can also connect multiple racks to form a multirack Hadoop cluster, or to provide access to Oracle Big Data Appliance from Oracle Exadata Database Machine.

Although you can configure multiple client networks within a cluster, each cluster can support only one InfiniBand network.

The following table describes the InfiniBand network fields.

**Table 4-10 InfiniBand Network Page**

InfiniBand Network Field	Description
Starting IP Address for Pool	The first IP address on the private InfiniBand network available for use by the Oracle Big Data Appliance servers. The default is 192.168.10.1.
Pool Size	The required number of IP addresses. All Oracle Big Data Appliance servers require an IP address on the InfiniBand network. The pool size is calculated for the deployment that you identified on the <a href="#">Hardware Selection Page</a> .

**Table 4-10 (Cont.) InfiniBand Network Page**

InfiniBand Network Field	Description
Ending IP Address for Pool	The last IP address assigned to the InfiniBand network for this deployment. This address is automatically calculated from the starting IP address and the pool size.  Ensure that all of the IP addresses are available for use in the pool defined by the starting and ending addresses. If they are not available, then you can either assign a different range or manually change individual IP addresses on the <a href="#">Review and Edit Details Page</a> .
Subnet Mask	The subnet mask for the InfiniBand network. The default is 255.255.252.0.
PKey	The unique ID of the InfiniBand partition used by this network.
PName	The partition name.
PType	The partition membership type (FULL or LIMITED).
MTU	Maximum Transmission Unit for this network.

#### 4.13.1.4 MIT Kerberos

MIT Kerberos authentication is a security option for NoSQL clusters.



#### Note:

The MIT Kerberos option is only available if you choose to install Oracle NoSQL Enterprise Edition. This option is not available for Oracle NoSQL Community Edition.

The following table describes the MIT Kerberos fields.

**Table 4-11 MIT Kerberos**

Kerberos Field	Description
Enable MIT Kerberos-based authentication?	Select this option to support MIT Kerberos on Oracle Big Data Appliance.
Kerberos KDC database password	A password for the KDC database, if it is being created on Oracle Big Data Appliance.
Kerberos realm	Enter the name of the realm for Oracle Big Data Appliance, such as <code>EXAMPLE.COM</code> .

If MIT Kerberos is selected, the configurator will create a default `admin` user with administrator privileges. The same password is used for the Kerberos KDC. The password may not include the dollar sign or backslash characters (`$`, `\`).

#### 4.13.1.5 Installed Components

You can install either Community Edition or Enterprise Edition of Oracle NoSQL Database.

The following table describes these choices.

**Table 4-12 Installed Components**

Component Field	Description
Oracle NoSQL Database Edition	Choose between Community Edition and Enterprise Edition: <ul style="list-style-type: none"> <li>• <b>Community Edition</b> is included in the license for Oracle Big Data Appliance.</li> <li>• <b>Enterprise Edition</b> requires a separate license. You must have this license to install Enterprise Edition on Oracle Big Data Appliance.</li> </ul>

### 4.13.1.6 Oracle NoSQL Configuration

Oracle NoSQL Database 12c Release 1.3.0.5 and later versions support secondary zones, which are composed of nodes that function only as replicas. You can use the secondary zones on Oracle Big Data Appliance to maintain extra copies of the data for increased redundancy and read capacity, or to provide low latency, read access to data at a distant location.

The following table describes the modifiable configuration settings.

**Table 4-13 Oracle NoSQL Configuration**

Configuration Field	Description
Oracle NoSQL store name	A unique name for the KV store on Oracle Big Data Appliance. The default value is BDAKV1.
Oracle NoSQL primary zone name	The name of the primary zone for all nodes in the cluster. The default value is BDAKV1_PRIMARY_ZN.
Oracle NoSQL primary zone replication factor	A replication factor of 1 or more for the primary zone. The default value is 3.

### 4.13.2 A New CDH Cluster

For each new cluster, the Configuration Utility provides a page where you configure the networking for the cluster.

On this page, provide the following general information about the cluster's client network:

- Cluster Name
- DNS Servers
- NTP Servers
- Search Domains
- Domain Name
- Region
- Time Zone

Also provide the configuration details requested in the following subsections of the page:

- [User/Groups](#)
- [Client Network](#)
- [InfiniBand Network](#)
- [Big Data Connectors](#)
- [Big Data SQL](#)
- [MIT Kerberos](#)
- [Active Directory Kerberos](#)
- [HDFS Transparent Encryption](#)
- [Auto Service Request](#)
- [Email Alerting](#)

### 4.13.2.1 User/Groups

The table below shows the user credentials and group memberships that you need to provide when setting up new CDH cluster. Passwords are optional, but you must enter them during the software installation if you do not provide them here.

**Table 4-14 User/Groups for a New CDH Cluster**

User/Groups Field	Description
OS password for root user	The <code>root</code> password on all servers in the cluster.
OS password for oracle user	The <code>oracle</code> password on all servers in the cluster. Oracle applications run under this identity.
oracle user ID	The ID number of the <code>oracle</code> user. It must match the <code>oracle</code> UID of a connected Oracle Exadata Database Machine. The UID ensures that the <code>oracle</code> user can log in from Oracle Big Data Appliance to the correct account in Oracle Database. Required.
oinstall group ID	The ID number of the Oracle Inventory Group ( <code>oinstall</code> ). It must match the <code>oinstall</code> group ID of a connected Oracle Exadata Database Machine.
dba group ID	The ID number of the <code>dba</code> group. It must match the <code>dba</code> group ID of a connected Oracle Exadata Database Machine.
Cloudera Manager admin password	The password for the <code>admin</code> user for Cloudera Manager. Available only for CDH clusters.
MySQL admin password	The password for the MySQL Database administration user. Available only for CDH clusters.

### 4.13.2.2 Client Network

The following table describes the fields of the Client Network panel on the Cluster Page of the Oracle Big Data Configuration Utility.

 **Note:**

- Client and private InfiniBand networks within a cluster may not use the same subnet. However, subnets may be shared by client networks on different clusters.
- Oracle Big Data Appliance does not support setting up multiple client networks on the same physical gateway ports. You must choose disjoint, non-overlapping sets of physical ports for different networks.

**Table 4-15 Client Network**

Client Network Field	Description
Starting IP Address for Pool	The first IP address on the client network you are configuring.
Pool Size	The required number of IP addresses (one for each node in the current cluster).
Ending IP Address for Pool	The last IP address on the client network. This is calculated automatically based on the starting address and pool size. Ensure that all of the IP addresses are available for use in the pool defined by the starting and ending addresses. If not all are available, then you can either assign a different range or manually change individual IP addresses on the Client Network and InfiniBand Network pages.
Subnet Mask	The subnet mask of the client network on the current cluster.
Gateway	The IP address of the client network on the current cluster.
VLAN ID	Note that the default VLAN ID value is NO.
Domain	FQDN of the domain hosting the network.
Use LACP/LAG	Click this checkbox to create a Link Aggregation Group for client networks. Note that after a LAG is created, the connectors in the LAG are not available for individual selection, nor inclusion in other LAGs or for use in a VLAN or VNIC. LAG setup on the Oracle Big Data Appliance side is automated if you select this option and assign connectors to the LAG. However, you must manually enable LAG mode on external switches that will communicate with the InfiniBand switch over the LAG. See <a href="#">Configuring for LACP/LAG Connections</a>
Connectors	You must check at least one connector from the eight connectors for each cluster's client network. This provides each cluster with least two connectors. (One connector is dedicated to failover and is located on the secondary InfiniBand switch.) Make the 10 GbE connections to the same ports on both switches.
Add a Client to this Cluster	Add another client network to this cluster. Click this button to create another set of input fields. Add the necessary identifiers to these fields in order to configure the additional client network.
Remove a Client from this Cluster	Removes the last additional client from the list of client networks.

### 4.13.2.3 InfiniBand Network

The InfiniBand network connects the Oracle Big Data Appliance servers within a rack. It can also connect multiple racks to form a multirack Hadoop cluster, or to provide access to Oracle Big Data Appliance from Oracle Exadata Database Machine.

Although you can configure multiple client networks within a cluster, each cluster can support only one InfiniBand network.

The following table describes the InfiniBand network fields.

**Table 4-16 InfiniBand Network Page**

InfiniBand Network Field	Description
Starting IP Address for Pool	The first IP address on the private InfiniBand network available for use by the Oracle Big Data Appliance servers. The default is 192.168.10.1.
Pool Size	The required number of IP addresses. All Oracle Big Data Appliance servers require an IP address on the InfiniBand network. The pool size is calculated for the deployment that you identified on the <a href="#">Hardware Selection Page</a> .
Ending IP Address for Pool	The last IP address assigned to the InfiniBand network for this deployment. This address is automatically calculated from the starting IP address and the pool size.  Ensure that all of the IP addresses are available for use in the pool defined by the starting and ending addresses. If they are not available, then you can either assign a different range or manually change individual IP addresses on the <a href="#">Review and Edit Details Page</a> .
Subnet Mask	The subnet mask for the InfiniBand network. The default is 255.255.252.0.
PKey	The unique ID of the InfiniBand partition used by this network.
PName	The partition name.
PType	The partition membership type (FULL or LIMITED).
MTU	Maximum Transmission Unit for this network.

### 4.13.2.4 Big Data SQL

You can install Oracle Big Data SQL on a CDH cluster. You must have a separate license for this product. The following table describes the Oracle Big Data SQL fields.

#### Important:

If Oracle Big Data SQL 3.2 had already been installed and you are re-running the configuration utility (for example, to generate new configuration files and then run `bdacli reset`), note that existing Oracle Big Data SQL 3.2 installation directories under `/opt/oracle/BDSJaguar` are deleted during the reconfiguration. To preserve these directories, back them up to another location and then copy them back to `/opt/oracle/BDSJaguar` when the operation is complete.

Table 4-17 Big Data SQL

Big Data SQL Field	Description
Is Big Data SQL licensed?	Oracle Big Data SQL supports queries from Oracle Database against data stored in Hive and HDFS on Oracle Big Data Appliance. This technology requires a separate license. If you have a license, choose <b>Yes</b> .
Install Big Data SQL?	Choose <b>Yes</b> to install Oracle Big Data SQL during the initial software release. If you choose <b>No</b> , you can use bdacli to enable Oracle Big Data SQL at a later date.  Oracle Big Data Appliance releases carry a version of Oracle Big Data SQL that can be installed by Mammoth or bdacli. This is the one that can be selected for installation in the configuration utility. A newer version that may be compatible with your installation of Oracle Big Data Appliance is sometimes available from Oracle Software Delivery Cloud ( <a href="https://edelivery.oracle.com">https://edelivery.oracle.com</a> ). However, a version newer than the one integrated with Mammoth requires the use of its own installer can cannot be managed by bdacli commands. See the <a href="#">Oracle Big Data SQL Master Compatibility Matrix (Doc ID 2119369.1)</a> in My Oracle Support for information on Oracle Big Data SQL releases and supported platforms.
Is Big Data SQL using InfiniBand?	Choose Yes to use the InfiniBand network. Choose <b>No</b> to use the Client network. The default is <b>Yes</b> .  Note: Ethernet networking for Oracle Big Data SQL between Oracle SPARC SuperCluster and Oracle Big Data Appliance is not supported at this time.

### 4.13.2.5 Big Data Connectors

You can install Oracle Big Data Connectors on a CDH cluster. You must have a separate license for this product. The following table describes the installed components field.

Table 4-18 Installed Components

Component Field	Description
Are Big Data Connectors licensed?	Oracle Big Data Connectors facilitate data access between data stored in the CDH cluster and Oracle Database. The connectors require a separate license. If you have a license, choose <b>Yes</b> . This choice activates the other fields.



**Table 4-18 (Cont.) Installed Components**

Component Field	Description
Install Oracle Data Integrator Agent?	The agent supports Oracle Data Integrator, which is one of the Oracle Big Data Connectors. You must have a license for Oracle Big Data Connectors.
MySQL password for Oracle Data Integrator Agent?	The password for the Oracle Data Integrator user in MySQL Database.

 **Note:**

In Oracle Big Data Appliance 5.1, you cannot choose to enable the ODI Agent. You can instead install the standalone 12.2.1.4 version of the agent after the Mammoth installation. See the [ODI documentation](#) documentation for instructions.

### 4.13.2.6 Oracle Big Data Spatial and Graph

The Cluster page included a checkbox to indicate whether not you have a license for Oracle Big Data Spatial and Graph.

 **Note:**

Oracle Big Data Spatial and Graph documentation is included in the Oracle Big Data Appliance documentation library.

### 4.13.2.7 MIT Kerberos

MIT Kerberos authentication is a security option for CDH clusters. It is included with your Oracle Big Data Appliance license.

To use a key distribution center (KDC) elsewhere on the network (that is, not on Oracle Big Data Appliance), you must complete several steps before installing the software. See "[Installation Prerequisites](#)."

The following table describes the MIT Kerberos fields.

**Table 4-19 MIT Kerberos**

Kerberos Field	Description
Enable MIT Kerberos-based authentication?	Select this option to support MIT Kerberos on Oracle Big Data Appliance.

**Table 4-19 (Cont.) MIT Kerberos**

Kerberos Field	Description
Set up key distribution center on BDA	Choose <b>Yes</b> to set up a key distribution center (KDC) on Oracle Big Data Appliance. Otherwise, a KDC must always be available on the network to all clients.
Kerberos KDC database password	A password for the KDC database, if it is being created on Oracle Big Data Appliance.
Non-BDA key distribution center hosts	List the fully qualified names or the IP addresses of the KDCs, available on the same network, that can serve as either the primary or backup KDC for Oracle Big Data Appliance.
<div style="border-left: 2px solid purple; padding-left: 10px; margin-left: 20px;"> <p><b>! Important:</b></p> <p>The first external KDC server in the list (the one at the top of the list), must be the same server identified as the Kerberos Admin Server in <code>Krb5.conf</code>.</p> </div>	
Kerberos realm	Enter the name of the realm for Oracle Big Data Appliance, such as <code>EXAMPLE.COM</code> .
Encrypt HDFS Data Transport	Enables encryption of data transfer between DataNodes and clients, and among DataNodes.
Encrypt Hadoop Services	Enables SSL encryption for HDFS, MapReduce, and YARN web interfaces, as well as encrypted shuffle for MapReduce and YARN. It also enables authentication for access to the web console for the HDFS, MapReduce, and YARN roles.
Enable Sentry Authorization	Select this option to use Apache Sentry to provide fine-grained authorization to data stored in Hadoop.

### 4.13.2.8 Active Directory Kerberos

Active Directory Kerberos authentication is a Windows-based security option for CDH clusters. It is included with your Oracle Big Data Appliance license.

The following table describes the Active Directory Kerberos fields.

**Table 4-20 Active Directory Kerberos**

Kerberos Field	Description
Enable Active Directory Kerberos-based authentication?	Select this option to support Active Directory Kerberos on Oracle Big Data Appliance.
Active Directory Host	The fully qualified name or IP address of the Active Directory host.
Kerberos realm	Enter the name of the realm for Oracle Big Data Appliance, such as <code>EXAMPLE.COM</code> .

**Table 4-20 (Cont.) Active Directory Kerberos**

Kerberos Field	Description
Active Directory Domain	Domain distinguished name where all the accounts are created on the Active Directory, such as ou=bda,DC=example,DC=com.
Active Directory Account Prefix	Add an optional prefix for all Active Directory account names in this domain. 10 characters maximum length. Restricted to aA-zZ, 0-9, -, _.
Active Directory admin user	Name of the Active Director Admin user that can create, delete, and modify accounts on the Active Directory.
Active Directory admin password	Password for the Active Director Admin user.
Encrypt HDFS Data Transport	Enables encryption of data transfer between DataNodes and clients, and among DataNodes.
Encrypt Hadoop Services	Enables SSL encryption for HDFS, MapReduce, and YARN web interfaces, as well as encrypted shuffle for MapReduce and YARN. It also enables authentication for access to the web console for the HDFS, MapReduce, and YARN roles.
Enable Sentry authorization	Select this option to use Apache Sentry to provide fine-grained authorization to data stored in Hadoop.

### 4.13.2.9 HDFS Transparent Encryption

HDFS Transparent Encryption is a security option for data at-rest in CDH clusters.

HDFS Transparent Encryption requires that you enable Kerberos. It works with either Active Directory Kerberos or MIT Kerberos. (See "[Installation Prerequisites](#).")

The following table describes the HDFS Transparent Encryption fields.

**Table 4-21 HDFS Transparent Encryption**

HDFS Transparent Field	Description
Enable HDFS Transparent Encryption.	Select this option to enable encryption of Hadoop data at rest on the Oracle Big Data Appliance.
Set up Key Trustee Servers on the BDA	Select this option to set up Key Trustee Servers internally on BDA cluster. If you enable this option, the remaining key trustee setup parameters are not needed. Mammoth will configure the installation.
Active Navigator Key Trustee Server	Manages encryption keys, certificates, and passwords. In the current implementation, this must be a server external to the Oracle Big Data Appliance.
Passive Navigator Key Trustee Server	The passive Navigator Key Trustee Server is a backup to ensure that this service does not become a single point of failure.
Key Trustee Organization	Key Trustee organization name configured by the Key Trustee Server administrator. This is the organization that keys are stored against.
Key Trustee Authorization Code	The authorization code that corresponds to the Navigator Key Trustee organization. This code is used by Cloudera Manager to authenticate against the Key Trustee Server.

### 4.13.2.10 Auto Service Request

ASR monitors the health of Oracle Big Data Appliance hardware and automatically submits a service request when it detects a fault. Although you can opt out of this program, Oracle recommends that you enable ASR.

ASR Manager must be installed and configured to run on a separate server outside of Oracle Big Data Appliance before the software is installed and configured on Oracle Big Data Appliance. The software installation fails with an error if Enable Auto Service Request is selected, but ASR Manager is not accessible using the specified host address and port number. The Mammoth utility does not install ASR Manager.

The software on Oracle Big Data Appliance must be able to connect to ASR Manager. ASR Manager must be able to route to the Internet, either directly or through a proxy, to send event information that automatically opens service requests.

The following table describes the Auto Service Request fields.

**Table 4-22 Auto Service Request**

ASR Field	Description
Enable Auto Service Request	Select this option to support Auto Service Request.
ASR Manager Host Name	The fully qualified name or the IP address of a Linux server on the network where ASR will be installed
ASR Manager Port	The port number for ASR Manager. The default port is 162.
ASR Root Password	Password for <code>root</code> on the ASR Manager host

### 4.13.2.11 Email Alerting

Cloudera Manager sends email alerts when it detects a problem in the CDH cluster.

The following table describes the email alert fields.

**Table 4-23 Email Alerting Page**

Email Alerting Field	Description
SMTP Server	The fully qualified name or the IP address of the existing SMTP server that the company uses on its internal network. Required.
Uses SSL	Select <b>Yes</b> if a Secure Sockets Layer (SSL) connection is required.
SMTP Port	The port number used by the email server
Requires Authentication	Select this option if your SMTP server requires authentication. You can then enter a user name and a password.
SMTP User Name	User name for Cloudera Manager to log in to the SMTP server. This field is hidden when authentication not selected.
SMTP Password	Password for the user name. This field is hidden when authentication is not selected.

Table 4-23 (Cont.) Email Alerting Page

Email Alerting Field	Description
Recipient Addresses	The valid email addresses of users who need to get alerts from Cloudera Manager. Enter each email address on a separate line. Required. The field to the right indicates the number of email addresses entered in the dialog box.

### 4.13.3 Adding to an Existing Cluster

You cannot use the Oracle Big Data Appliance Configuration Utility to add servers to an existing cluster. Use the Mammoth Utility to do this.

See "[Adding Servers to a Cluster.](#)"

## 4.14 Client Network Config Summary

This page provides an opportunity to view all of the client network IP addresses on the rack and make any final changes before generating the configuration files.

You can also click **Reset all IPs using default values** to void all client IP addresses and re-generate IP address assignments from the default client network IP address pool.

## 4.15 Complete Page

You have now set all the installation and configuration options. Click **Back** to return to a page and change its settings. The **Back** button does not clear the pages. Your settings remain unless you change them.

The text boxes on this page provide a place for you to identify the Hadoop components and any third-party applications that you plan to use on the cluster, and to record any notes that might be useful at a later date. This information is saved in a file named `master.xml`, which you can use to reload these configuration settings into Oracle Big Data Appliance Configuration Generation Utility.

To generate the configuration files, click **Create Files** and click **Yes** in response to the prompt. An operating system window automatically opens in the directory where the files are saved.

 **See Also:**

[Copying the Configuration Files to Oracle Big Data Appliance](#)

# 5

## Setting Up Auto Service Request

This chapter explains how to install and configure Auto Service Request for Oracle Big Data Appliance. It contains these sections:

- [About Auto Service Request](#)
- [Getting Ready to Install ASR](#)
- [Installing ASR Manager](#)
- [Verifying the ASR Manager Installation](#)
- [Configuring the Trap Destinations on Oracle Big Data Appliance](#)
- [Verifying ASR Assets](#)
- [Validating Auto Service Request on Oracle Big Data Appliance](#)
- [Troubleshooting ASR](#)

### 5.1 About Auto Service Request

Auto Service Request (ASR) is designed to automatically open service requests when specific Oracle Big Data Appliance hardware faults occur.

ASR detects faults in the most common server components, such as disks, fans, and power supplies, and automatically opens a service request when a fault occurs. ASR monitors only server components and does not detect all possible faults.

ASR is not a replacement for other monitoring mechanisms, such as SMTP and SNMP alerts, within the customer data center. It is a complementary mechanism that expedites and simplifies the delivery of replacement hardware. ASR should not be used for downtime events in high-priority systems. For high-priority events, contact Oracle Support Services directly.

When ASR detects a hardware problem, ASR Manager submits a service request to Oracle Support Services. In many cases, Oracle Support Services can begin work on resolving the issue before the administrator is even aware the problem exists.

An email message is sent to both the My Oracle Support email account and the technical contact for Oracle Big Data Appliance to notify them of the creation of the service request.

A service request may not be filed automatically on some occasions. This can happen because of the unreliable nature of the SNMP protocol or a loss of connectivity to ASR Manager. Oracle recommends that customers continue to monitor their systems for faults and call Oracle Support Services if they do not receive notice that a service request has been filed automatically.

 **See Also:**

- Oracle Auto Service Request web page at <http://www.oracle.com/technetwork/systems/asr/overview/index.html>
- Oracle Auto Service Request user documentation at <http://www.oracle.com/technetwork/systems/asr/documentation/index.html>

## 5.2 Getting Ready to Install ASR

Before installing ASR, complete these prerequisites:

1. Create a My Oracle Support account at <http://support.oracle.com>.
2. Ensure that the following are set up correctly:
  - Oracle Premier Support for Systems, Oracle Premier Support for Operating Systems, or Oracle Limited Warranty
  - The technical contact person at the customer site who is responsible for Oracle Big Data Appliance
  - A valid shipping address at the customer site for Oracle Big Data Appliance parts
3. Identify and designate a system to host ASR Manager.

ASR Manager must be installed on a server that has connectivity to Oracle Big Data Appliance and an outbound Internet connection using HTTPS or an HTTPS proxy. To submit a service request (SR), the server must be able to access the Internet.

4. ASR Manager uses the following ports for normal operations. Ensure that the Oracle Big Data Appliance and ASR Manager server ports are open:
  - All Oracle Big Data Appliance servers must have port 6481 open for HTTP-based asset activation requests that they receive from ASR Manager.
  - The server running ASR Manager must have port 162 open for SNMP-based telemetry messages that the Oracle Big Data Appliance servers send to it.
  - The Oracle `transport.oracle.com` web server has port 443 open for HTTPS-based telemetry messages that ASR Manager sends to it.

See [Figure 5-1](#) for the port locations.

5. Ensure that the designated system conforms to the "Hardware and Network Configuration Recommendations for ASR." See the Oracle ASR website: [http://docs.oracle.com/cd/E37710\\_01/nav/products.htm](http://docs.oracle.com/cd/E37710_01/nav/products.htm)
6. Confirm that Java Development Kit 6 (JDK 1.6.0\_04 or later) is running on the designated ASR Manager system:

```
java -version
```

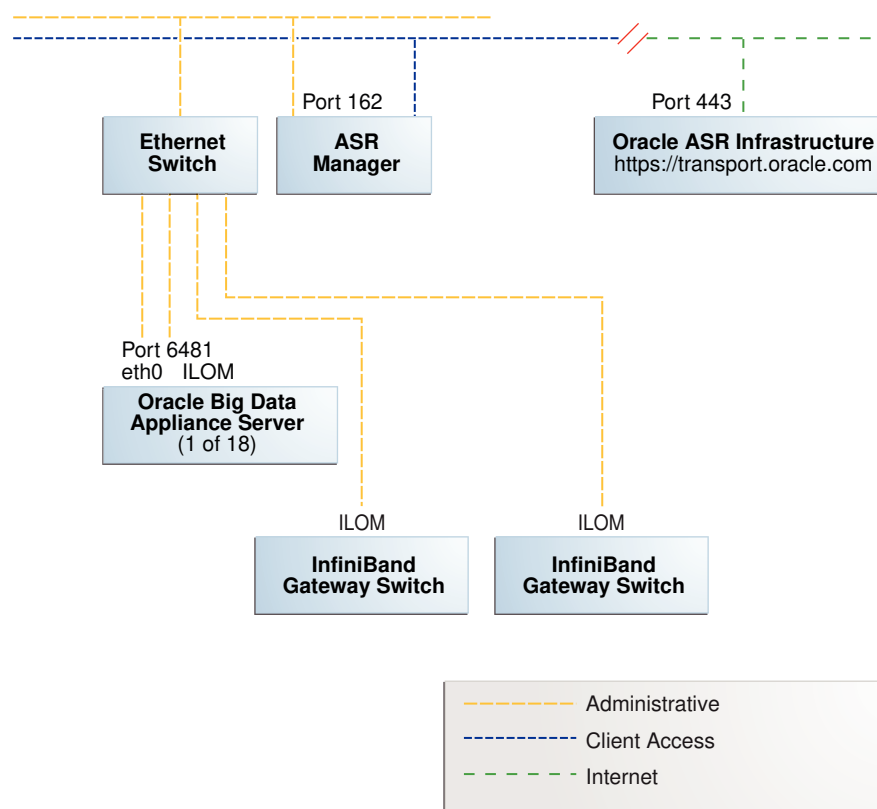
If necessary, download and install the latest version of JDK from the Java SE Downloads website:

<http://www.oracle.com/technetwork/java/javase/downloads/index.html>

7. Obtain `root` access to the designated ASR Manager host.
8. Identify and verify connectivity to Oracle Big Data Appliance.
9. Verify connectivity to the Internet using HTTPS.

Figure 5-1 shows the network connections between ASR and Oracle Big Data Appliance.

**Figure 5-1 Auto Service Request Network Connections**



## 5.3 Installing ASR Manager

To install ASR Manager, download the current version from My Oracle Support ID 1185493.1. Then follow the instructions in the *Oracle Auto Service Request Quick Installation Guide* at

[http://docs.oracle.com/cd/E37710\\_01/index.htm](http://docs.oracle.com/cd/E37710_01/index.htm)

Do not set up the assets.

## 5.4 Verifying the ASR Manager Installation

As `root`, perform these checks on ASR Manager to ensure that it is installed properly:



- Verify that ASR Manager 3.5 or later is running:  

```
asr show_rules_version
```
- Check the registration status:  

```
asr show_reg_status
```
- Test the connection by sending a test message to the transport server.  

```
asr test_connection
```

## 5.5 Configuring the Trap Destinations on Oracle Big Data Appliance

ASR is an optional software component of Oracle Big Data Appliance. When configuring the software in Oracle Big Data Appliance Configuration Generation Utility, you must complete the section about ASR. Then during the software installation, the Mammoth utility configures the servers to trap the component fault indicators.

You can use `bdacli` at any time to add or drop support for ASR. If you reconfigure ASR, use `bdacli enable` to activate configuration changes:

```
# bdacli enable asr
```

You do not need to disable and then enable ASR unless there are errors when you attempt to enable it. In that case, run `bdacli disable asr` first and then run `bdacli enable asr`.

### See Also:

- [Mammoth Installation Steps.](#)
- [Enabling Optional Software Included With the Release.](#)

## 5.6 Verifying ASR Assets

To verify the ASR assets:

1. In ASR Manager, verify that ASR is activated:

```
asr list_asset -i asset_ip
```

In the preceding command, `asset_ip` is the IP address of a server or an Oracle ILOM. To list all assets, enter this command:

```
asr list_asset
```

The following is an example of the output. You should see a host name and an Oracle ILOM name for each of the servers, for a total of 12, 24, or 36 activations. If you see fewer, then identify the missing ones and activate them. An example of a server name is `bda1node15` and an Oracle ILOM name is `bda1node15-c`.

ADDRESS	HOST_NAME	SERIAL_NUMBER	ASR	PRODUCT_NAME
203.0.114.44	bdainode15	1143FMM023	Enabled	SUN FIRE X4270 M2 SERVER
203.0.115.139	bdainode15-c	1143FMM023	Enabled	SUN FIRE X4270 M2 SERVER
203.0.114.45	bdainode16	1143FMM021	Enabled	SUN FIRE X4270 M2 SERVER
203.0.115.140	bdainode16-c	1143FMM021	Enabled	SUN FIRE X4270 M2 SERVER
203.0.114.46	bdainode17	1143FMM022	Enabled	SUN FIRE X4270 M2 SERVER
203.0.115.141	bdainode17-c	1143FMM022	Enabled	SUN FIRE X4270 M2 SERVER

2. If no assets are listed, then verify that ASR is configured on Oracle Big Data Appliance. Log in to the first server and enter this command:

```
# cat /opt/oracle/BDAMammoth/cluster_name-config.json | grep ASR
```

The following output shows that ASR has not been configured.

```
ASR_ENABLED=false
SETUP_ASR_SERVER=false
ASR_HOST=
ASR_PORT=162
ASR_SERVER_PWD=
```

To configure ASR, see ["Enabling Optional Software Included With the Release."](#)

## 5.7 Validating Auto Service Request on Oracle Big Data Appliance

To validate the ASR installation, you can generate test events.

### To set up a test event on Oracle ILOM:

1. Log in to the Oracle ILOM of any server in Oracle Big Data Appliance.
2. Change to the following directory:

```
-> cd /SP/alertmgmt/rules/3
```

3. Enter this command:

```
-> show
```

The following information is displayed:

```
/SP/alertmgmt/rules/3
Targets:

Properties:
  type = snmptrap
  level = disable
  destination = 0.0.0.0
  destination_port = 0
  community_or_username = public
  snmp_version = 1
  testrule = (Cannot show property)

Commands:
  cd
  set
  show
```

4. Ensure that the properties have valid values, not blank or set to zeros as shown in Step 3. Use the appropriate IP address and port for your site.

5. Set the test trap:

```
-> set testrule=true
```

6. You should receive an email about the event. Verify that an email was also sent to the address listed in your customer support identifier (CSI) for Oracle Big Data Appliance.

**To set up a test in the operating system environment:**

1. Log in to any server on Oracle Big Data Appliance.
2. Enter this command to validate the operating system.

```
# ./opt/oracle/bda/compmon/bda_mon_hw_asr.pl -validate_snmp_subscriber -type  
asr
```

The sample output shows 10.10.10.123:162 as the ASR Manager address:

```
Sending test trap to destination - 10.10.10.123:162
```

3. Verify that an email about the event was sent to you and to the address listed in your customer support identifier (CSI) for Oracle Big Data Appliance.

This test event does not open a case, but it makes a verifiable entry in the ASR back end.

If you received the emails from both of the previous tests (Oracle ILOM and operating system environment), then your validation is complete. If not, then proceed to "[Troubleshooting ASR](#)".

If the emails state that there are contract issues, contact your installation coordinator for further assistance.

## 5.8 Troubleshooting ASR

For troubleshooting procedures for the ASR software, see Chapter 5 of the *Oracle ASR Installation and Operations Guide* at:

<http://www.oracle.com/technetwork/systems/asr/documentation/index.html>

If you continue to have issues, contact ASR support. See My Oracle Support Note 1352349.1.

# Part II

## Hardware Installation and Configuration

You must follow these instructions only if you plan to install and configure Oracle Big Data Appliance yourself.

Typically, an Oracle field engineer installs and configures the hardware components.

This part of the guide contains the following chapters:

- [Installing Oracle Big Data Appliance at the Site](#)
- [Configuring an Oracle Big Data Appliance Full Rack or Starter Rack](#)
- [Expanding an Oracle Big Data Appliance Starter Rack](#)
- [Connecting Multiple Oracle Big Data Appliance Racks](#)

# 6

## Installing Oracle Big Data Appliance at the Site

This chapter describes how to move, install, and configure the hardware—from unpacking Oracle Big Data Appliance to powering on the system. This chapter contains these sections:

- [Reviewing Safety Guidelines](#)
- [Unpacking Oracle Big Data Appliance](#)
- [Placing Oracle Big Data Appliance in Its Allocated Space](#)
- [Powering On the System for the First Time](#)

### 6.1 Reviewing Safety Guidelines

Before Oracle Big Data Appliance arrives, review the following safety precautions to ensure that the site is safe and ready for delivery. Failing to observe these precautions can result in injury, equipment damage, or malfunction.

- Do not block ventilation openings.
- Do not install Oracle Big Data Appliance in a location that is exposed to direct sunlight or near a device that may become hot.
- Do not install Oracle Big Data Appliance in a location that is exposed to excessive dust, corrosive gases, or air with high salt concentrations.
- Do not install Oracle Big Data Appliance in a location that is exposed to frequent vibrations. Install it on a flat, level surface.
- Use a power outlet that provides proper grounding. For shared grounding, the grounding resistance must not be greater than 10 ohms. Ensure that your facility administrator or a qualified electrical engineer verifies the grounding method for the building and performs the grounding work.
- Be sure that each grounding wire used for Oracle Big Data Appliance is used exclusively for Oracle Big Data Appliance. Observe the precautions, warnings, and notes about handling that appear on labels on the equipment.
- Do not place cables under the equipment or stretch the cables tightly.
- Do not disconnect power cords from the equipment while its power is on.
- If you cannot reach the connector lock when disconnecting LAN cables, then press the connector lock with a flathead screwdriver to disconnect the cable. You could damage the system board if you force your fingers into the gap rather than using a flathead screwdriver.
- Do not place anything on top of Oracle Big Data Appliance or perform any work directly above it.

- Do not let the room temperature rise sharply, especially in winter. Sudden temperature changes can cause condensation to form inside Oracle Big Data Appliance. Allow for a sufficient warm-up period before operation.
- Do not install Oracle Big Data Appliance near a photocopier, air conditioner, welding machine, or any other equipment that generates loud, electronic noises.
- Avoid static electricity at the installation location. Static electricity transferred to Oracle Big Data Appliance can cause malfunctions. Static electricity is often generated on carpets.
- Confirm that the supply voltage and frequency match the electrical ratings indicated for Oracle Big Data Appliance.
- Do not insert anything into any Oracle Big Data Appliance opening, unless doing so is part of a documented procedure.

 **WARNING:**

Oracle Big Data Appliance contains high-voltage parts. If a metal object or other electrically conductive object enters an opening in Oracle Big Data Appliance, then it could cause a short circuit. This could result in personal injury, fire, electric shock, and equipment damage.

- When using single-phase power distribution units (PDUs), note the following:
  - PDU A input 0 and PDU B input 2 must be on the same phase.
  - PDU A input 1 and PDU B input 1 must be on the same phase.
  - PDU A input 2 and PDU B input 0 must be on the same phase.

The inputs are labeled where they come out of the PDU. Connecting cables as described ensures that the phases are balanced on both sides, A and B, in a failover.

 **See Also:**

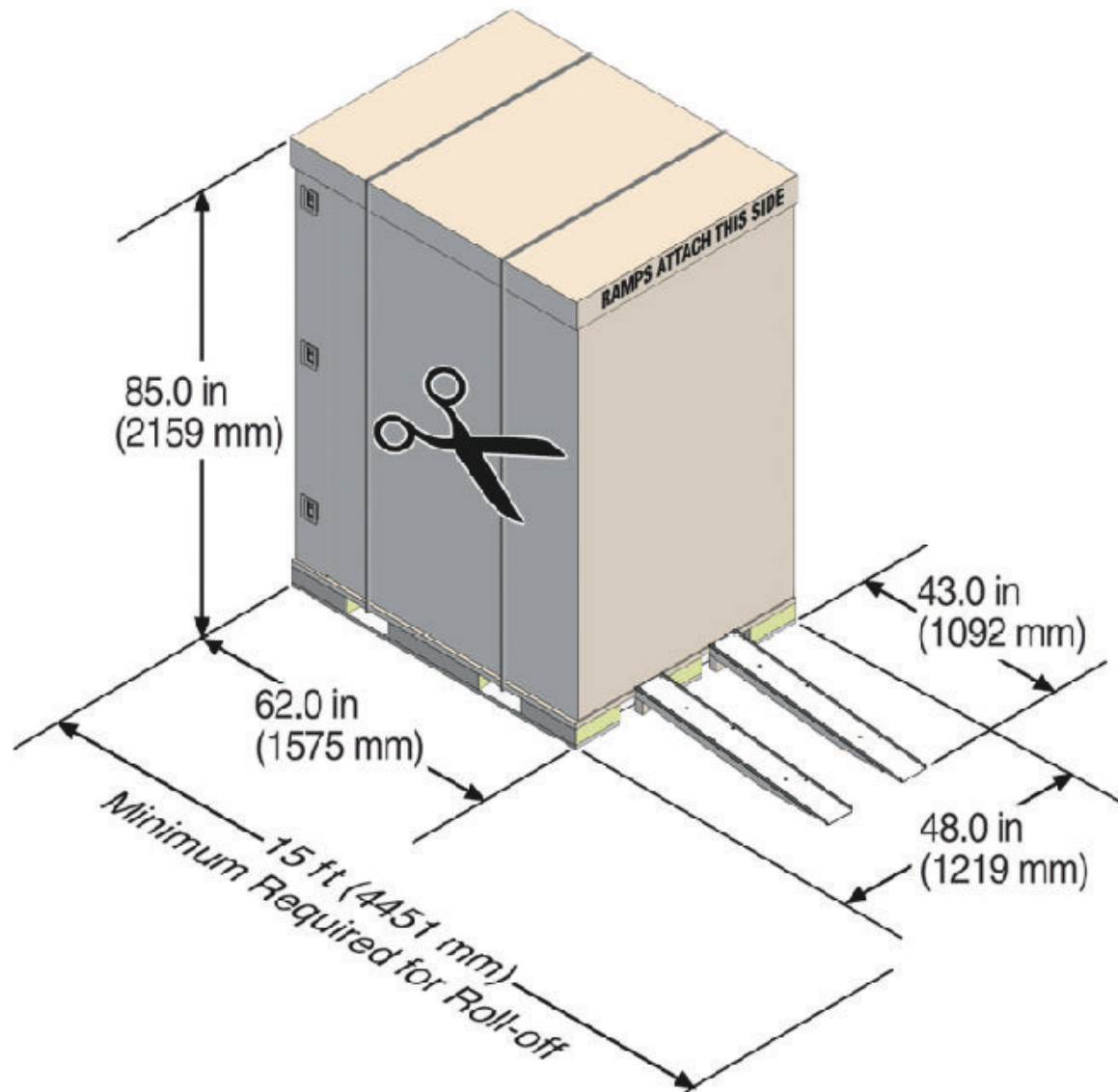
- All safety notices printed on the packaging
- *Oracle® Engineered System Safety and Compliance Guide: ESY27*
- *Important Safety Information for Sun Hardware Systems* at <http://docs.oracle.com/cd/E19115-01/mod.dc.d20/816-7190-12/816-7190-12.pdf>  
*Important Safety Information for Sun Hardware Systems (816-7190)* that is included with the rack
- [Sun Rack II Power Distribution Units User's Guide](#)

## 6.2 Unpacking Oracle Big Data Appliance

You should determine the unpacking location during the site planning process. See [Site Requirements for Oracle Big Data Appliance](#).

Figure 6-1 shows the Oracle Big Data Appliance shipping crate.

**Figure 6-1 Oracle Big Data Appliance in the Shipping Crate**



**See Also:**

*Sun Rack II Unpacking Guide* for additional information about unpacking the rack. The guide is available at

<http://docs.oracle.com/cd/E19844-01/index.html>

## 6.2.1 Contents of the Shipping Kit

The shipping kit includes the tools and equipment needed to install and service Oracle Big Data Appliance.

The contents of the kit are as follows::

- 16 mm long No. 2 Phillips screw
- T30 Torx cranked wrench key
- T25 Torx cranked wrench key
- 6 mm hexagon Allen wrench key
- SW 12 mm single-headed wrench
- 2 square jumper brackets with 4 M5 Torx screws
- 2 cable management hooks with 4 spring nuts
- Side panel removal tool
- Keys to the front door, rear door, and side panel locks
- 32 M6 cage nuts
- 32 M6 screws
- Cage nut mounting tool
- SW 17 mm single-headed wrench is included on the shipping pallet

 **Note:**

The following items are not included in the shipping kit:

- No. 2 Phillips screwdriver
- Antistatic wrist strap

## 6.2.2 Removing Oracle Big Data Appliance from the Shipping Crate

Follow the instructions in this section in order to avoid personal injury or damage to the appliance.

 **Note:**

Oracle strongly recommends that you use professional movers to unpack and install Oracle Big Data Appliance. However, you may choose to unpack it yourself.



 **See Also:**

Sun Rack II unpacking instructions included with the packaging

**To unpack Oracle Big Data Appliance:**

 **Important:**

1. When unpacking, verify that the leveling feet are **up** before moving rack.
2. When moving rack to a different location, including repacking, verify that leveling feet are up before moving rack.

1. Unpack Oracle Big Data Appliance carefully from the packaging and shipping pallet:
  - a. Remove the shipping carton bands.
  - b. Remove the yellow fasteners and carton top.
  - c. Remove the carton sides and inner top.

 **WARNING:**

Rocking or tilting the rack can cause it to fall over and cause serious injury or death.

2. Remove the shipping kit.
3. Attach the ramps to the shipping pallet as follows:
  - a. Remove the ramps from the pallet sides.
  - b. Obtain the parts bag from inside the cabinet.
  - c. Adjust the leveling bolts on the ramps and connect the ramps to the pallet wheel track.
4. Carefully roll Oracle Big Data Appliance off the shipping pallet as follows:
  - a. Unfasten the exterior shipping brackets from the pallet.
  - b. Unfasten the interior shipping brackets from the pallet. Use care when removing the shipping brackets from underneath Oracle Big Data Appliance. Access to the inside shipping brackets might be limited.
  - c. Roll the cabinet down the ramps to the level floor. Oracle recommends having three people available to move the rack down the ramp: one person on each side to help guide the rack and one person in back.
5. Save the shipping brackets that secure the rack to the shipping pallet. You will need them if you later need to relocate the rack.

 **Note:**

Do not dispose of these brackets, because you cannot order replacement brackets.

Oracle recommends that you follow local laws and guidelines for disposal of the packaging material.

## 6.3 Placing Oracle Big Data Appliance in Its Allocated Space

This section describes how to position, stabilize, and ground Oracle Big Data Appliance. This section contains the following topics:

- [Moving Oracle Big Data Appliance](#)
- [Securing an Oracle Big Data Appliance Rack](#)
- [Attaching a Ground Cable \(Optional\)](#)

### 6.3.1 Moving Oracle Big Data Appliance

Use these guidelines when moving an appliance to a new location within the same facility.

 **Note:**

If you are moving an appliance that has already been installed and in use, see [Steps to Gracefully Shutting Down and Powering On Oracle Big Data Appliance \(Doc ID 1607802.1\)](#) in My Oracle Support (support.oracle.com). If there is no change in network configuration, then a relocation has no impact from a software perspective. Verify that any multi-racking InfiniBand cables are long enough for the new location. Also ensure that all external cables (including power cables) are removed and secured in the rack while wheeling it

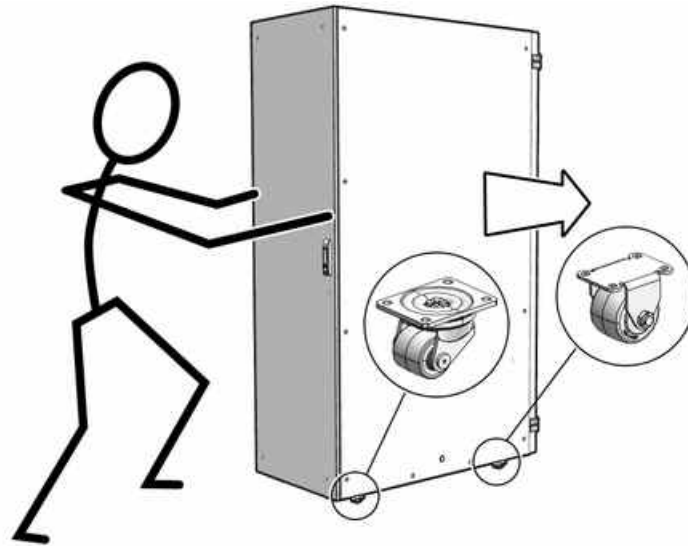
To move Oracle Big Data Appliance:

1. Ensure that the doors are closed and secured.
2. **Important:** Check to ensure that the leveling and stabilizing feet on the rack are raised and out of the way.
3. Push Oracle Big Data Appliance from behind to the installation site.

When moving Oracle Big Data Appliance to the installation site, the front casters do not turn; you must steer the unit by moving the rear casters, as shown in [Figure 6-2](#). You can safely maneuver Oracle Big Data Appliance by carefully pushing it.

[Figure 6-2](#) shows the correct way to maneuver Oracle Big Data Appliance.

Figure 6-2 Carefully Push Oracle Big Data Appliance from Behind



Use two people to move the rack: one person in front and one person in back to help guide the rack. When transporting configured racks from one location to another, move them slowly -- 0.65 meters (2 feet) per second or slower.

Carefully examine the transportation path. Avoid obstacles such as doorways or elevator thresholds that can cause abrupt stops or shocks. Go around obstacles by using ramps or lifts to enable smooth transport.

**⚠ WARNING:**

- Never attempt to move Oracle Big Data Appliance by pushing on the side panels. Pushing on the side panels can tip the rack over. This can cause serious personal injury or death, and also damage to the equipment.
- Never tip or rock Oracle Big Data Appliance because the rack can fall over.

### 6.3.2 Securing an Oracle Big Data Appliance Rack

After moving Oracle Big Data Appliance to the installation site, secure the rack to ensure that it does not move or tip over. You can secure the rack permanently by extending the rack leveling feet, using the shipping brackets, or both.

**⚠ Caution:**

Shipping brackets are not for use for bracing or anchoring the rack during seismic events.

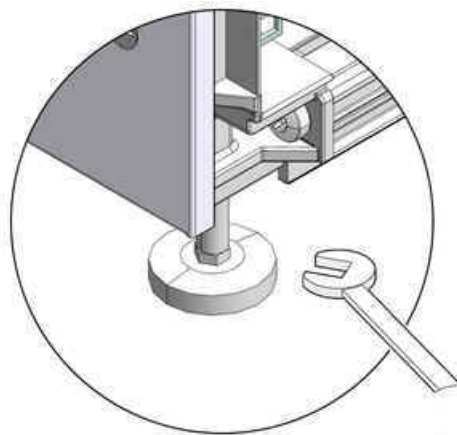
### 6.3.2.1 Secure the Oracle Big Data Appliance Rack with Leveling Feet

The rack contains four leveling feet that you can lower to secure the rack.

**To adjust the leveling feet:**

1. Locate the four leveling feet located at the bottom corners of the rack.
2. Lower the leveling feet to the floor as shown in the figure below, using the SW 12 mm wrench. When lowered correctly, the four leveling feet should support the full weight of the rack.

**Figure 6-3 Securing the Oracle Big Data Appliance Rack Using Leveling Feet**



### 6.3.3 Attaching a Ground Cable (Optional)

The Oracle Big Data Appliance rack power distribution units (PDUs) achieve earth ground through their power cords. Final chassis ground is achieved by way of the ground prong when you connect the power cord to a socket. For additional grounding, attach a chassis earth ground cable to the rack. The additional ground point enables electrical current leakage to dissipate more efficiently.

**⚠ WARNING:**

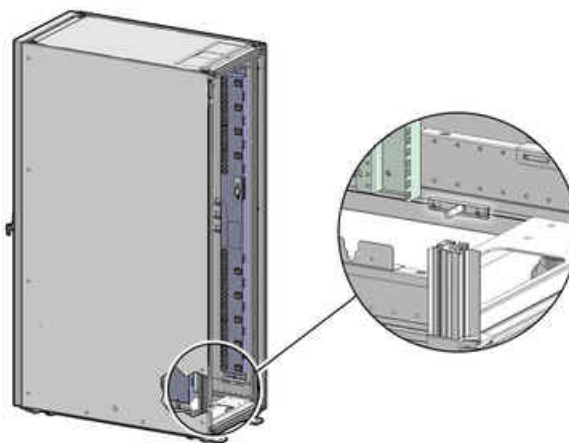
The PDU power input lead cords and the ground cable must reference a common earth ground. If they do not, then a difference in ground potential can be introduced. If you are unsure of your facility's PDU receptacle grounding, then do not install a ground cable until you confirm that there is a proper PDU receptacle grounding. If a difference in ground potential is apparent, then you must take corrective action.

**To attach a ground cable:**

1. Obtain a grounding cable. It is not shipped with the system.

2. Ensure that the installation site has properly grounded the power source in the data center. The facility PDU must have earth ground.
3. Ensure that all grounding points, such as raised floors and power receptacles, reference the facility ground.
4. Ensure that direct, metal-to-metal contact is made for this installation. During manufacturing, the ground cable attachment area might have been painted or coated.
5. Attach the ground cable to an attachment point located at the bottom rear of the system frame, as shown in [Figure 6-4](#). The attachment point is an adjustable bolt that is inside the rear of the cabinet.

**Figure 6-4 Earth Ground Attachment Bolt Location**



## 6.4 Powering On the System for the First Time

Before powering on the system for the first time, you must inspect it and connect the power cords. This section contains the following topics:

- [Inspecting the Oracle Big Data Appliance Rack After It Is in Place](#)
- [Connecting Power Cords](#)
- [Powering On Oracle Big Data Appliance](#)

### 6.4.1 Inspecting the Oracle Big Data Appliance Rack After It Is in Place

Visually inspect the Oracle Big Data Appliance physical system after it is in place, but before power is supplied.

**To inspect the Oracle Big Data Appliance rack:**

1. Check the rack for damage.
2. Check the rack for loose or missing screws.
3. Check the rack for the ordered configuration. Refer to the Customer Information Sheet (CIS) on the side of the packaging.

4. Check that all cable connections are secure and firmly in place as follows:
  - a. Check the power cables. Ensure that the correct connectors have been supplied for the data center facility power source.
  - b. Check the network data cables.
5. Check the site location tile arrangement for cable access and airflow.
6. Check the data center airflow that leads into the front of the rack.



**See Also:**

"[Ventilation and Cooling Requirements](#)" for more information

## 6.4.2 Connecting Power Cords

This procedure describes how to connect power cords to the Oracle Big Data Appliance rack.

**To connect power cords to the rack:**

1. Open the rear cabinet door.
2. Ensure that the correct power connectors have been supplied.
3. Unfasten the power cord cable ties. The ties are for shipping only and are no longer needed.
4. Route the power cords to the facility receptacles. You can route the power cords through the top or the bottom of the rack.
5. Secure the power cords in bundles.
6. Ensure that the breaker switches are OFF before connecting the power cables.
7. Plug the PDU power cord connectors into the facility receptacles.



**See Also:**

Power cords, cord routing, and connections are illustrated in [Figure 6-5](#), [Figure 6-6](#), and [Figure 6-7](#).

[Figure 6-5](#) shows the location of the power cord cable ties in a rack.

**Figure 6-5 Location of Power Cord Cable Ties**

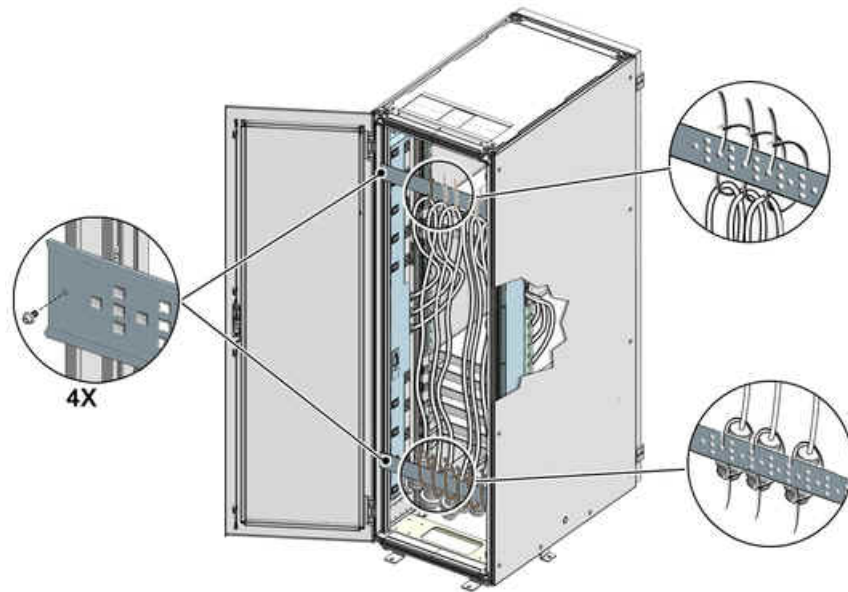


Figure 6-6 shows the power cords routed out of the bottom of the rack.

**Figure 6-6 Power Cord Routing Out the Bottom**

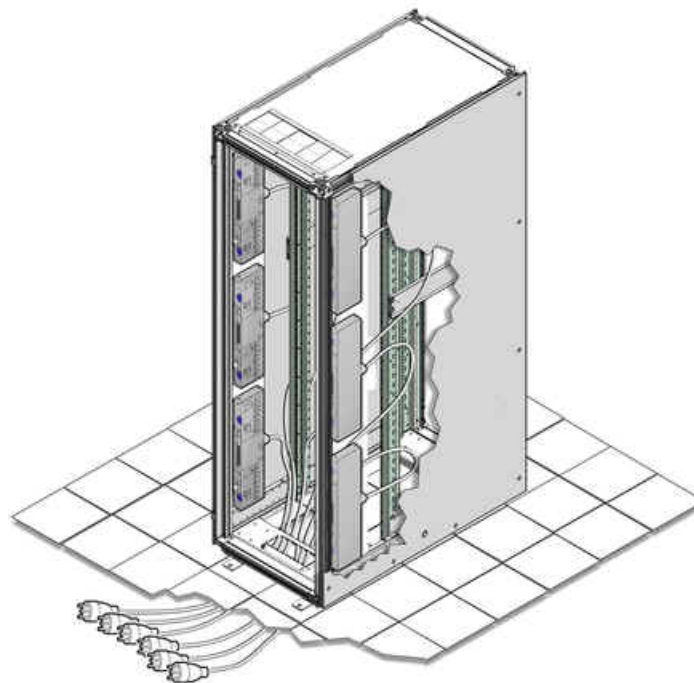
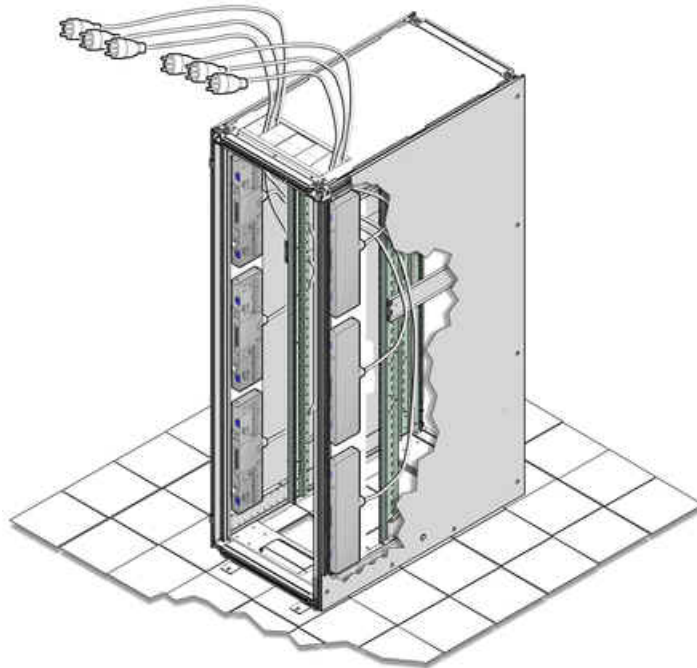


Figure 6-7 shows the power cords routed out the top of the rack.

**Figure 6-7 Power Cord Routing Out the Top**



### 6.4.3 Powering On Oracle Big Data Appliance

Follow the instructions for powering on the appliance in the order provided.

 **Note:**

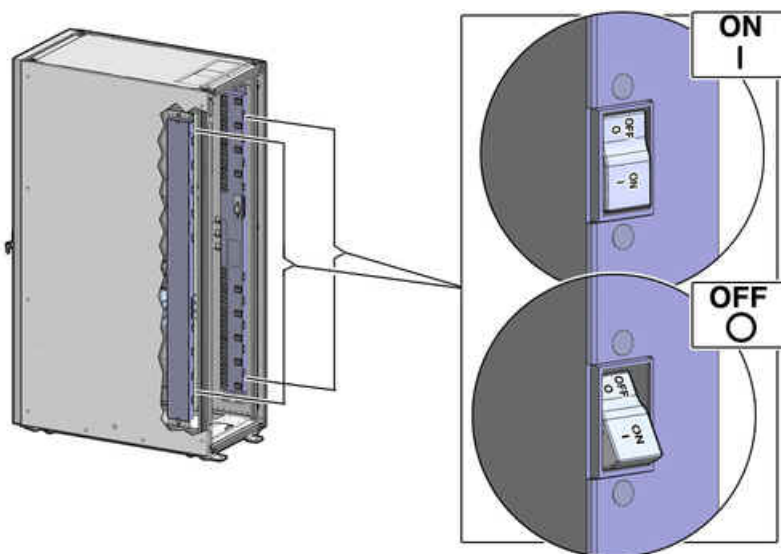
Oracle Big Data Appliance nodes may take up to 15 minutes to start through the normal BIOS POST tests.

**To power up Oracle Big Data Appliance:**

1. Switch on the PDU B circuit breakers, one at a time. PDU B is on the right side of the rack when viewed from the rear. The circuit breakers are on the rear of the rack as shown in [Figure 6-8](#). Press the ON (I) side of the toggle switch. When the breaker is ON, the switch is flush with the side of the PDU.



**Figure 6-8 PDU Switch Locations**



2. Verify that the expected power light-emitting diodes (LEDs) are on. The LEDs are located as follows:
  - Servers: Top LED
  - Cisco switch: Left LED (viewed from front) is green, and the other LEDs are red
  - InfiniBand switches: Right LED (viewed from front) labeled PS1
  - KVM switch: Lower LED B (Sun Fire X4270 M2-based rack only)
  - KMM switch: Only supplied by PDU B (Sun Fire X4270 M2-based rack only)
3. Connect power to PDU A. Ensure that the breaker switches are in the OFF position before connecting the power cables.

 **See Also:**

"[Reviewing Safety Guidelines](#)" for information about single-phase PDUs and cabling

4. On single-phase systems, ensure that the following inputs are on the same phase:
  - PDU A Input 2 and PDU B Input 0
  - PDU A Input 1 and PDU B Input 1
  - PDU A Input 0 and PDU B Input 2
5. Switch on the PDU A circuit breakers one at a time.
6. Verify that the expected power LEDs are on throughout the rack.
7. Perform a visual check of all cable connections in the rack. Do not press every connector to verify connection.
8. Verify that the OK LED is blinking standby for all systems. The OK LED blinks every 3 seconds when in standby mode. It is dark for 2 to 3 minutes while Oracle ILOM is booting before going to standby mode.

9. If a system does not go into standby mode:
  - a. Connect a laptop to the service processor SET MGT port with baud settings of 115200,8,N,1.
  - b. At the pre-boot prompt, enter `boot`.

Each time the system restarts, a file is generated in the `/root` directory with the results of the validation check. The file is named either `BDA_REBOOT_SUCCEEDED` or `BDA_REBOOT_FAILED`, depending on the success or failure of the validation checks.



**Note:**

After powering on Oracle Big Data Appliance, configure the system as described in [Configuring an Oracle Big Data Appliance Full Rack or Starter Rack](#).

# 7

## Configuring an Oracle Big Data Appliance Full Rack or Starter Rack

This chapter describes how to configure the system, accounts, and software for an Oracle Big Data Appliance full rack or starter rack.

This chapter contains the following sections:

- [Configuring the KVM Switch](#)
- [Configuring the Ethernet Switch](#)
- [Configuring the InfiniBand Leaf and Spine Switches](#)
- [Configuring the Power Distribution Units](#)
- [Configuring the Oracle Big Data Appliance Servers](#)
- [Configuring the Network](#)
- [Configuring Multiple Oracle Big Data Appliance Racks](#)

### See Also:

- [Expanding an Oracle Big Data Appliance Starter Rack](#)
- [Executing Commands Across a Cluster Using the dcli Utility](#)
- [Using Oracle Integrated Lights Out Manager](#)

### Note:

- Oracle recommends that you have the `bda-install-preview.html` file available while completing these procedures. See "[About the Configuration Files.](#)"
- Oracle recommends that an Oracle field engineer performs the configuration steps described in this chapter.

## 7.1 Configuring the KVM Switch

A KVM switch is provided only in Oracle Big Data Appliance racks with Sun Fire X4270 M2 servers.

The KVM configuration consists of these procedures:

- [Starting the KVM Switch](#)

- [Connecting the KVM Switch to the Management Network](#)
- [Configuring the KVM Switch to Access the Servers](#)
- [Accessing a Server by Using the KVM Switch](#)

## 7.1.1 Starting the KVM Switch

To start the KVM switch:

1. Ensure that all connected components are powered off.
2. Pull the KVM tray out from the front of the rack, and open it using the handle.
3. Touch the touch pad.
4. Toggle between the host and KVM interface by pressing the Ctrl key on the left side twice, similar to double-clicking with a mouse. You see the main user interface page.
5. In the navigator on the left, select **Target Devices** under Unit View. In the main display area, verify that 18 target devices are listed with Action set to KVM Session.

The sessions are numbered from the bottom of the rack to the top.

6. If 18 sessions are not shown:
  - a. In the navigator under Appliances, expand Ports, and then select **IQ Adaptors**.
  - b. In the main display area, choose the **Port** table heading to sort the sessions by port number.
  - c. Note any missing sessions, so that you can fix them later.
  - d. In the navigator, choose **Target Devices** to return to the Target Devices page.

## 7.1.2 Connecting the KVM Switch to the Management Network

To connect the KVM switch to the management network:

1. In the navigator under User Accounts, select **Local**.
2. Under Users, choose **Admin**.
3. Set the password for the Admin account to the password provided by the Oracle Install Coordinator and then choose **Save**. Do not modify any other parameters.
4. Under Appliance Settings, expand Network, and then choose **IPv4**. The Network Information page appears.
5. Enter values for Address, Subnet, and Gateway, and then choose **Save**.
6. Under Appliance Settings, choose **DNS** to display the DNS Information page.
7. Enter the IP addresses of the DNS servers, and then choose **Save**.
8. Under Network, choose **General** to display the Appliance General Network Settings page.
9. Connect the KVM LAN1 Ethernet port to the management network.

10. To verify that the port has been configured correctly, ensure that the Media Access Control (MAC) address on the Network Settings page matches the label next to the LAN1/LAN2 ports at the rear of the KVM switch.
11. Under Users, select **Overview** to display the Unit Maintenance page.
12. Enter a name for the KVM switch, and then choose **Save**.
13. To restart the KVM switch, choose **Reboot** under Overview and **Yes** to confirm.

### 7.1.3 Configuring the KVM Switch to Access the Servers

To configure the KVM switch to access the servers:

1. Under Unit View, select **Target Devices** to display the Target Devices page.
2. Start up the server. The power button is on the front panel.
3. Click the server name in the Name column to display the Unit Overview page.
4. Click **Overview** and overwrite the name with the Oracle standard naming format of customer prefix, node type, and number. For example, `bda1node03` identifies the third server from the bottom of the `bda1` rack.
5. Click **Save**.
6. Repeat Steps 2 through 5 for each server in the rack. Each server boots through BIOS, and boots the operating system with the default factory IP configuration.

### 7.1.4 Accessing a Server by Using the KVM Switch

To access a server by using the KVM switch:

1. Under Unit View, select **Target Devices** to display the Target Devices page.
2. Click the system name in the Name column.
3. Click **KVM Session** to open a session with the server.

## 7.2 Configuring the Ethernet Switch

Oracle Big Data X7 racks are now shipped with the Cisco Nexus 9348GC-FXP Ethernet Switch.

Previously X7 racks shipped with the Cisco Nexus 93108-1G. The configuration steps are the same for both versions of the Nexus switch. Older Racks were shipped with the Cisco Catalyst 4948 Ethernet Switch.

- [Configuring the Cisco Nexus 93108-1G or 9348 Ethernet Switch](#)
- [Configuring the Cisco Catalyst 4948 Ethernet Switch](#)

### 7.2.1 Configuring the Cisco Nexus 93108-1G or 9348 Ethernet Switch

The Cisco Nexus 93108-1G or 9348 Ethernet switch supplied with Oracle Big Data Appliance rack is minimally configured during installation.

Note that the Cisco Nexus 93108-1G or 9348 switch supports multiple uplinks to the customer network by utilizing the QSFP+ ports. This is a more complicated switch

setup due to the redundant connectivity, and should be performed by the customer's network administrator.

Whether you are configuring the switch for the first time, or configuring a replacement switch, use the following procedures:

### 7.2.1.1 Performing the Initial Switch Configuration for the Cisco Nexus 93108-1G Ethernet Switch

During the initial configuration, you reset the switch and use the Basic System Configuration Dialog to configure the switch.

Before configuring the switch, note the following:

- The Cisco Ethernet switch should not be connected until the running configuration has been verified, and any necessary changes have been made by the network administrator.
- The Cisco Ethernet switch should not be connected to the customer network until the IP addresses on all components have been configured in Oracle Big Data Appliance rack. This is to prevent any duplicate IP address conflicts which are possible due to the default addresses set in the components when shipped.

Configuration should be done with the network administrator.

1. Connect from the Cisco switch serial console to a laptop or similar device using the available RJ45 cable.
2. Ensure the terminal session is recorded on the laptop by logging the output.

The output can be used as a reference that the switch has been configured correctly. The default serial port speed is 9600 baud, 8 bits, no parity, 1 stop bit, and no handshake.

3. Power on the switch.
4. Login as the `admin` user.

```
User Access Verification
bdalsw-ip login: admin
Password: *****
```

 **Note:**

If you do not have the password for the `admin` user, then contact Oracle Support Services.

5. Erase the existing configuration.

```
bdalsw-ip# write erase
```

Warning: This command will erase the startup-configuration.

```
Do you wish to proceed anyway? (y/n) [n] y
```

- Restart the system so you can perform the automated setup.

```
bdalsw-ip# reload
```

```
This command will reboot the system. (y/n)? [n] y
```

```
2017 Aug 31 01:09:00 bdalsw-ip %$ VDC-1 %$ %PLATFORM-2-  
PFM_SYSTEM_RESET: Manual system restart from Command Line Interface
```

```
CISCO SWITCH Ver7.59  
Device detected on 0:1:2 after 0 msec  
...
```

- Switch to normal setup and, when asked if you want to enforce secure password standard, enter **no**, then enter a new password for the **admin** user.

```
Running S93thirdparty-script...
```

```
Populating conf files for hybrid sysmgr ...  
Starting hybrid sysmgr ...  
inserting /isan/lib/modules/klm_cisco_nb.o ... done
```

```
Abort Auto Provisioning and continue with normal setup ? (yes/no)  
[n]: yes
```

```
---- System Admin Account Setup ----
```

```
Do you want to enforce secure password standard (yes/no) [y]: no
```

```
Enter the password for "admin":  
Confirm the password for "admin":
```

- When the Basic System Configuration Dialog appears, choose to enter the basic configuration dialog.

```
---- Basic System Configuration Dialog VDC: 1 ----
```

```
This setup utility will guide you through the basic configuration of  
the system. Setup configures only enough connectivity for management  
of the system.
```

```
Please register Cisco Nexus9000 Family devices promptly with your  
supplier. Failure to register may affect response times for initial  
service calls. Nexus9000 devices must be registered to receive  
entitled support services.
```

```
Press Enter at anytime to skip a dialog. Use ctrl-c at anytime  
to skip the remaining dialogs.
```

```
Would you like to enter the basic configuration dialog (yes/no): yes
```

- In the basic configuration, you can use the default inputs until asked to enter the switch name.

In this example, the switch has a name of `test123sw-adm0`.

```
Create another login account (yes/no) [n]:  
Configure read-only SNMP community string (yes/no) [n]:  
Configure read-write SNMP community string (yes/no) [n]:  
Enter the switch name : test123sw-adm0
```

10. Respond `no` when asked to configure Out-of-band management configuration.

```
Continue with Out-of-band (mgmt0) management configuration?  
(yes/no) [y]: no
```

11. Respond `yes` when asked to configure advanced IP options.

```
Configure advanced IP options? (yes/no) [n]: yes
```

12. Respond `no` when asked to configure static route (this will be configured later).

```
Configure static route? (yes/no) [n]: no
```

13. Enter the destination prefix and mask, and other values as prompted.

```
Destination prefix : 10.100.100.0  
  
Destination prefix mask : 255.255.255.0  
  
Next hop IPv4 address : 10.100.100.1
```

14. Skip configuring the DNS IPv4 addresses (this will be configured later).

```
Configure the DNS IPv4 address? (yes/no) [n]: no
```

15. Skip configuring the default domain name (this will be configured later).

```
Configure the default domain name? (yes/no) [n]: no
```

16. Accept the default responses until asked to configure SSH and the NTP server.

```
Enable the telnet service? (yes/no) [n]: no  
Enable the ssh service? (yes/no) [y]: yes  
Type of ssh key you would like to generate (dsa/rsa) [rsa]: rsa  
Number of rsa key bits <1024-2048> [1024]: 1024
```

```
Configure the ntp server? (yes/no) [n]: yes  
NTP server IPv4 address : 10.100.100.3
```

17. Accept the default responses until asked to specify the CoPP system profile. Enter `lenient`.

```
Configure default interface layer (L3/L2) [L2]:  
Configure default switchport interface state (shut/noshut)  
[noshut]:
```



```
Configure CoPP system profile (strict/moderate/lenient/dense)
[strict]: lenient
```

**18.** After reviewing the configuration, save the configuration.

The following configuration will be applied:

```
no password strength-check
switchname test123sw-adm0
...
```

Would you like to edit the configuration? (yes/no) [n]:

Use this configuration and save it? (yes/no) [y]: **yes**

```
[#####] 100%
Copy complete.
```

**19.** Add the VLAN 1 IP address.

```
test123sw-adm0(config)# feature interface-vlan
test123sw-adm0(config)# interface vlan 1
test123sw-adm0(config-if)# ip address 10.100.100.110/24
test123sw-adm0(config-if)# no shutdown
test123sw-adm0(config-if)# exit
```

**20.** Set the spanning tree port type for ports 1-47.

```
test123sw-adm0(config)# interface E1/1-47
test123sw-adm0(config-if)# spanning-tree port type edge
test123sw-adm0(config-if)# exit
```

**21.** Set switchport on all 48 ports and set port 48 to a network port (instead of a host port).

```
test123sw-adm0(config)# interface E1/1-48
test123sw-adm0(config-if)# switchport
test123sw-adm0(config-if)# exit
test123sw-adm0(config)# interface E1/48
test123sw-adm0(config-if)# spanning-tree port type network
test123sw-adm0(config-if)# ip route 0.0.0.0/0 10.100.100.1
```

**22.** Configure the DNS information.

```
test123sw-adm0(config)# ip domain-name example.com
test123sw-adm0(config)# ip name-server 10.100.100.2
test123sw-adm0(config)# exit
```

**23.** Save the current configuration.

```
test123sw-adm0# copy running-config startup-config
[#####] 100%
Copy complete.
```

**24.** Optional: Set the clock, as described in the next topic.

## 7.2.1.2 Setting the Clock on the Cisco 93108-1G or 9348 Ethernet Switch

After you have performed the initial configuration, you can adjust the time used by the switch.

1. Log in as the admin user.
2. View the current time.

```
test123sw-adm0(config)# show clock
20:44:52.986 UTC Thu Aug 31 2017
Time source is NTP
```

3. Set the timezone appropriately.

```
test123sw-adm0(config)# clock timezone PST -8 0
```

4. View the modified time.

```
test123sw-adm0(config)# show clock
12:46:22.692 PST Thu Aug 31 2017
Time source is NTP
```

5. Save the configuration.

```
test123sw-adm0# copy running-config startup-config
[#####] 100%
Copy complete.
```

## 7.2.2 Configuring the Cisco Catalyst 4948 Ethernet Switch

The Cisco Catalyst 4948 Ethernet switch supplied with Oracle Big Data Appliance has IPBASEK9-MZ firmware. The switch is minimally configured during installation. These procedures configure the Cisco Ethernet switch into one large virtual LAN.

The Cisco Ethernet switch configuration consists of these topics and procedures:

- [Scope of the Configuration](#)
- [Prerequisites for Configuring the Ethernet Switch](#)
- [Configuring the Ethernet Switch on the Customer Network](#)
- [Setting Up Telnet Access on the Ethernet Switch](#)
- [Configuring SSH on the Ethernet Switch](#)
- [Setting the Clock and Time Zone on the Ethernet Switch](#)
- [Configuring the NTP Servers for the Ethernet Switch](#)
- [Disabling the Spanning Tree](#)
- [Verifying the Ethernet Configuration](#)

### 7.2.2.1 Scope of the Configuration

This configuration disables IP routing and sets the following:

- Host name
- IP address
- Subnet mask
- Default gateway
- Domain name
- Name server
- NTP server
- Time
- Time zone

### 7.2.2.2 Prerequisites for Configuring the Ethernet Switch

To avoid disrupting the customer network, observe these prerequisites:

- Do not connect the Cisco Ethernet switch until the network administrator has verified the running configuration and made any necessary changes.
- Do not connect the Cisco Ethernet switch to the customer network until the IP addresses on all components have been configured in Oracle Big Data Appliance. This sequence prevents any duplicate IP address conflicts, which are possible due to the default addresses set in the components when shipped.
- Configure the Cisco Ethernet switch with the network administrator.

#### See Also:

- [About the Network Requirements](#)
- [Oracle Big Data Appliance Site Checklists](#)

### 7.2.2.3 Configuring the Ethernet Switch on the Customer Network

At the `<password>` placeholder in these instructions, enter the password provided by the Oracle Install Coordinator.

To configure the Ethernet switch on the customer network:

1. Connect a serial cable from the Cisco switch console to a laptop or similar device. An RJ45 to DB9 serial cable is included with the Cisco documentation package.

The status lights turn on and this message is displayed:

```
Switch con0 is now available
Press RETURN to get started.
```

2. If the Ethernet switch displays status lights and a welcome message, then continue. If it does not, then go to "[Correcting the Autoboot Settings.](#)"

3. Ensure that the terminal session is recorded on the laptop by logging the output. You can use the output as a record that the switch has been configured correctly. The default serial port speed is 9600 baud, 8 bits, no parity, 1 stop bit, and no handshake.

4. Change to enable mode using the following command.

```
Switch> enable  
Password: <password>
```

5. Configure the network for a single VLAN. The following is an example of the configuration:

```
Switch# configure terminal  
Enter configuration commands, one per line. End with CNTL/Z.  
Switch(config)# interface vlan 1  
Switch(config-if)# ip address 10.7.7.34 255.255.255.0  
Switch(config-if)# end  
Switch# *Jan 23 15:54:00.506: %SYS-5-CONFIG_I:Configured from console by console  
Switch# write memory  
Building configuration...  
Compressed configuration from 2474 bytes to 1066 bytes [OK ]
```

6. If the network does not require IP routing on the switch, then disable the default IP routing setting and configure the default gateway. This method is preferred. Consult the network administrator if in doubt.

```
Switch# configure terminal  
Enter configuration commands, one per line. End with CNTL/Z.  
Switch(config)# no ip routing  
Switch(config)# ip default-gateway 10.17.7.1  
Switch(config)# end  
*Jan 23 15:54:00.506: %SYS-5-CONFIG_I:Configured from console by console  
Switch# write memory  
Building configuration...  
Compressed configuration from 3600 bytes to 1305 bytes[OK]
```

7. If the network requires IP routing on the switch, and then keep the default IP routing setting and configure the default gateway as follows:

```
Switch# configure terminal  
Enter configuration commands, one per line. End with CNTL/Z.  
Switch(config)# ip route 0.0.0.0 0.0.0.0 10.7.7.1  
Switch(config)# end  
*Jan 23 15:55:02.506: %SYS-5-CONFIG_I:Configured from console by console  
Switch# write memory  
Building configuration...  
Compressed configuration from 2502 bytes to 1085 bytes [OK ]
```

8. Set the host name of the switch to the name specified in the installation preview. This example uses the name bdalsw-ip.

```
Switch# configure terminal  
Enter configuration commands, one per line. End with CNTL/Z.  
Switch(config)# hostname bdalsw-ip  
bdalsw-ip(config)# end  
*Jan 23 15:57:50.886: %SYS-5-CONFIG_I: Configured from console by console  
bdalsw-ip# write memory  
Building configuration...  
Compressed configuration from 3604 bytes to 1308 bytes[OK]  
bdalsw-ip#
```

The system host name appears in the prompt.

9. Configure up to three DNS servers, using the IP addresses specified in the installation preview instead of the examples shown here. If no DNS service is available, then set the domain name anyway, so that the SSH keys are configurable.

```
bdalsw-ip# configure terminal
Enter configuration commands, one per line. End with CNTL/Z.
bdalsw-ip(config)# ip domain-name mydomain.com
bdalsw-ip(config)# ip name-server 10.7.7.3
bdalsw-ip(config)# ip name-server 129.148.5.5
bdalsw-ip(config)# ip name-server 10.8.160.1
bdalsw-ip(config)# end
*Sep 15 14:26:37.045: %SYS-5-CONFIG_I: Configured from console by console
bdalsw-ip# write memory
Building configuration...
Compressed configuration from 2603 bytes to 1158 bytes[OK]
```

### Correcting the Autoboot Settings

If the Cisco Ethernet switch does not display any link or status lights, then the incorrect autoboot settings may prevent it from starting. If the serial console port shows the rommon prompt, then complete the following procedure.

#### Correcting the autoboot settings of the Cisco switch:

1. Verify that the IPBASE and IPBASEK9 firmware reboot files are available:

```
rommon 1 >dir bootflash:
File Size (Bytes) File Name
-----
25213107 cat4500e-ipbase-mz.150-2.SG2.bin
32288280 cat4500e-ipbasek9-mz.151-1.SG.bin
Total space = 128165888 bytes, Available = 60643328 bytes
```

2. Restart the switch manually using the default image:

```
rommon 2 >boot
Rommon reg: 0x00004780
Reset2Reg: 0x00009EFF
##
Fortooin controller 0x0B5A753B..0x0B70B6CD original
size:0x001C3EA5
#####
diagsk5 version 5.0.1
.
.
.
```

3. Press Enter to get the Switch prompt.
4. Enter enable mode. Enter the password provided by the Oracle Install Coordinator, just press Enter:

```
Switch>enable
Password: The default password is <password>
Switch#
```

5. Verify that the boot variable is not set:

```
Switch# show bootvar
BOOT variable =
CONFIG_FILE variable does not exist
```

```
BOOTLDR variable does not exist  
Configuration register is 0x2102
```

6. Verify that IPBASEK9 is available in the boot file system:

```
Switch# dir bootflash:  
Directory of bootflash:/  
6 -rw- 25213107 Dec 3 2012 17:27:38 +00:00 cat4500eipbase-mz.150-2.SG2.bin  
7 -rw- 32288280 Apr 1 2013 11:41:54 +00:00 cat4500eipbasek9-mz.151-1.SG.bin  
128165888 bytes total (60643328 bytes free)
```

7. If IPBASEK9 is not listed in the bootflash directory, then you must install it before continuing. See My Oracle Support Document ID 1415044.1.

8. Set the BOOT variable as shown in this example:

```
Switch# config term  
Enter configuration commands, one per line. End with CNTL/Z.  
Switch(config)# config-register 0x2102  
Switch(config)# no boot system  
Switch(config)# boot system bootflash:cat4500e-ipbasek9-mz.151-1.SG.bin  
Switch(config)# end
```

9. Verify the new BOOT setting:

```
Switch# show running-config | include boot  
boot-start-marker  
boot system bootflash:cat4500e-ipbasek9-mz.151-1.SG.bin  
boot-end-marker
```

10. Save the changes to the startup configuration:

```
Switch# copy running-config startup-config all  
Destination filename [startup-config]? Enter  
Switch# write memory  
Building configuration...  
Compressed configuration from 3628 bytes to 1281 bytes[OK]
```

11. Reload the firmware.

```
Switch# reload  
Proceed with reload? [confirm] y  
*Apr 24 09:31:32.887: %SYS-5-RELOAD: Reload requested by console. Reload  
reason: Reload command
```

The switch automatically restarts and then continues the reload process.

## 7.2.2.4 Setting Up Telnet Access on the Ethernet Switch

Oracle Big Data Appliance ships with a version of the Cisco Ethernet switch software that supports both telnet and SSH. Telnet access is optional. The following procedure describes how to enable and disable remote telnet access.



### Note:

Telnet access is not secure.

**To set up telnet access to the Ethernet switch:**

At the `<password>` placeholder in these instructions, enter the password provided by the Oracle Install Coordinator.

1. Set the password for telnet access if necessary; it should already be set when you receive Oracle Big Data Appliance.

```
bdalsw-ip# configure terminal
Enter configuration commands, one per line. End with CNTL/Z.
bdalsw-ip(config)# enable password <password>
bdalsw-ip(config)# enable secret <password>
The enable secret you have chosen is the same as your enable password.
This is not recommended. Re-enter the enable secret.
bdalsw-ip(config)# end
bdalsw-ip# write memory
*Jan 23 15:57:50.886: %SYS-5-CONFIG_I:Configured from console by console
Building configuration...
Compressed configuration from 2502 bytes to 1085 bytes [OK ]
```

2. Set up telnet access. In this example, the first login output shows that the password is not set and telnet access is disabled. If the login command returns nothing, then the password is set and telnet access is available.

```
Switch# configure terminal
Enter configuration commands, one per line. End with CNTL/Z.
bdalsw-ip(config)# line vty 0 15
bdalsw-ip(config-line)# login
%Login disabled on line 1,until 'password' is set
%Login disabled on line 2,until 'password' is set
%Login disabled on line 3,until 'password' is set
...
bdalsw-ip(config-line)# password <password>
bdalsw-ip(config-line)# login
bdalsw-ip(config-line)# end
bdalsw-ip# write memory
*Jan 23 15:58:53.630: %SYS-5-CONFIG_I: Configured from console by console
Building configuration...
Compressed configuration from 3604 bytes to 1308 bytes[OK]
```

3. To disable telnet access and prevent remote access, follow this example:

```
Switch# configure terminal
Enter configuration commands, one per line. End with CNTL/Z.
bdalsw-ip(config)# line vty 0 15
bdalsw-ip(config-line)# no password
bdalsw-ip(config-line)# login
%Login disabled on line 1, until 'password' is set
%Login disabled on line 2, until 'password' is set
%Login disabled on line 3, until 'password' is set
...
bdalsw-ip(config-line)# end
bdalsw-ip# write memory
*Jan 23 15:58:53.630: %SYS-5-CONFIG_I: Configured from console by console
Building configuration...
Compressed configuration from 3786 bytes to 1468 bytes[OK]
```

## 7.2.2.5 Configuring SSH on the Ethernet Switch

The current firmware supports remote connections using SSH. To set up SSH on the Cisco Ethernet switch, follow the example below.

Where the `<password>` placeholder occurs in this example, enter the password provided by the Oracle Install Coordinator.

```
bdalsw-ip# configure terminal
Enter configuration commands, one per line. End with CNTL/Z.
bdalsw-ip(config)# crypto key generate rsa
% You already have RSA keys defined named bdalsw-ip.mydomain.com.
% Do you really want to replace them? [yes/no]: yes
Choose the size of the key modulus in the range of 360 to 2048 for
your General Purpose Keys. Choosing a key modulus greater than 512
may take a few minutes.
How many bits in the modulus [512]: 768
% Generating 768 bit RSA keys, keys will be non-exportable...[OK]
bdalsw-ip(config)# username admin password 0 <password>
bdalsw-ip(config)# line vty 0 15
bdalsw-ip(config-line)# transport input ssh
bdalsw-ip(config-line)# exit
bdalsw-ip(config)# aaa new-model
bdalsw-ip(config)# ip ssh time-out 60
bdalsw-ip(config)# ip ssh authentication-retries 3
Oracle Internal and Approved Partners Only Page 11 of 47 V 1.0 Created: 21. Dec.
2012
Task Comment Check
bdalsw-ip(config)# ip ssh version 2
bdalsw-ip(config)# end
*Sep 15 14:26:37.045: %SYS-5-CONFIG_I: Configured from console by console
bdalsw-ip# write memory
Building configuration...
Compressed configuration from 2603 bytes to 1158 bytes[OK]
```

## 7.2.2.6 Setting the Clock and Time Zone on the Ethernet Switch

The Cisco Ethernet switch keeps internal time in coordinated universal time (UTC) format.

To set the local time and time zone, ordering is important. The following is an example of setting the local time to the U.S. Eastern time zone:

```
bdalsw-ip# configure terminal
Enter configuration commands, one per line. End with CNTL/Z.
bdalsw-ip(config)# clock timezone EST -5
bdalsw-ip(config)# clock summer-time EDT recurring
bdalsw-ip(config)# end
bdalsw-ip# clock set 15:00:00 January 23 2012
bdalsw-ip# write memory
Building configuration...
Compressed configuration from 3778 bytes to 1433 bytes[OK]
bdalsw-ip# show clock
15:00:18.819 EST Mon Jan 23 2012
```

### Clock Commands

The following are descriptions of the commands for setting the clock and time zone:



- To use UTC, enter this command:

```
no clock timezone global configuration
```

- To use a time zone:

```
clock timezone zone hours-offset [minutes-offset]
```

In this command, *zone* is the time zone to display when standard time is in effect, *hours-offset* is the hours offset from UTC, and *minutes-offset* is the minutes offset from UTC.

- To set summer time hours:

```
clock summer-time zone recurring [week day month hh:mm week day month \
hh:mm [offset]]
```

In this command, *zone* is the time zone to be displayed when summer time (daylight savings time) is in effect, *week* is the week of the month (1 to 5 or last), *day* is the day of the week, *month* is the month, *hh:mm* is the time in 24-hour format, and *offset* is the number of minutes to add during summer time. The default offset is 60 minutes. Summer time is disabled by default.

- To manually set the clock to any time:

```
clock set hh:mm:ss month day year
```

In this command, *hh:mm:ss* is the hour, month, and second in 24-hour format, *day* is the day of the month, *month* is the month, and *year* is the year. The time specified is relative to the configured time zone.



#### See Also:

[Cisco IOS Configuration Fundamentals Command Reference](#)

### 7.2.2.7 Configuring the NTP Servers for the Ethernet Switch

Configure up to two NTP servers. Use IP addresses instead of names, which fail when the switch is not connected to the network. If you must use names, then configure the NTP servers after the switch is connected to the network and DNS is resolving names correctly.

The following example shows the NTP server synchronized to local time when the Cisco switch is connected to the network and has access to NTP.

```
bdalsw-ip# configure terminal
Enter configuration commands, one per line. End with CNTL/Z.
bdalsw-ip(config)# ntp server 10.196.23.254 prefer
bdalsw-ip(config)# ntp server 192.168.9.19
bdalsw-ip(config)# end
Jan 23 20:00:41.235: %SYS-5-CONFIG_I:Configured from console by console
bdalsw-ip# write memory
Building configuration...
Compressed configuration from 3870 bytes to 1487 bytes [OK ]
bdalsw-ip# show ntp status
output varies by network
bdalsw-ip# show clock
15:00:57.919 EST Mon Jan 23 2012
```

A symbol may precede the output of the show clock command:

- \* (star): The time is not authoritative.
- . (dot) The time is authoritative, but NTP is not synchronized.
- (blank) The time is authoritative, as shown in the example.

## 7.2.2.8 Disabling the Spanning Tree

By default, spanning tree is enabled on Cisco switches, but it is disabled in the factory on all the server connection ports 1 to 47.

Adding a switch with spanning tree enabled can cause problems on networks where it is disabled intentionally. As a precaution, disable spanning tree on the uplink port's VLAN before connecting to the customer network.

If spanning tree must be turned on before or after the connection, then the network administrator can specify the appropriate protocol settings, as described in the Cisco switch configuration documentation.

### To disable the spanning tree:

1. If the port must be disabled, then enter these commands:

```
bdalsw-ip# configure terminal
Enter configuration commands, one per line. End with CNTL/Z.
Switch(config)# no spanning-tree vlan 1
Switch(config)# end
Jan 23 20:01:15.083: %SYS-5-CONFIG_I: Configured from console by console
bdalsw-ip# write memory
Building configuration...
Compressed configuration from 2654 bytes to 1163 bytes[OK]
```

2. To verify the disabling of the spanning tree:

```
bdalsw-ip# show spanning-tree vlan 1
Spanning tree instance(s) for vlan 1 does not exist.
```

3. To re-enable the default protocol settings, if necessary:

```
Switch# configure terminal
Enter configuration commands, one per line. End with CNTL/Z.
Switch(config)# spanning-tree vlan 1
Switch(config)# end
Switch# write memory
```

## 7.2.2.9 Verifying the Ethernet Configuration

To verify the Cisco Ethernet switch configuration:

1. Verify the configuration by entering the following command:

```
bdalsw-ip# show running-config
```

The following is an example of the output:

```
Building configuration...
Current configuration :2654 bytes
!
version 15.0
no service pad
service timestamps debug datetime msec
```

```

service timestamps log datetime msec
no service password-encryption
service compress-config
.
.
.

```

2. If any setting is incorrect, then repeat the appropriate step. To erase a setting, enter `no` in front of the same command. For example, to erase the default gateway, enter these commands:

```

bdalsw-ip# configure terminal
Enter configuration commands, one per line. End with CNTL/Z.
bdalsw-ip# no ip default-gateway 10.7.7.1
bdalsw-ip# end
bdalsw-ip#
*Sep 15 14:13:26.013: %SYS-5-CONFIG_I: Configured from console by console
bdalsw-ip# write memory

```

3. Save the current configuration by entering this command:

```

bdalsw-ip# copy running-config startup-config
Destination filename [startup-config]?
Building configuration...
Compressed configuration from 2654 bytes to 1189 bytes[OK]

```

4. Exit from the session with this command:

```

bdalsw-ip#exit
bdalsw-ip con0 is now available
Press RETURN to get started.

```

5. Disconnect the cable from the Cisco console.
6. To check the configuration, attach a laptop to port 48 and ping the IP address of the internal management network.

### ▲ Caution:

Do not connect the Cisco Ethernet switch to the management network until after the system is configured with the customer's IP addresses and the switch configuration is complete.

## 7.3 Configuring the InfiniBand Leaf and Spine Switches


Oracle Big Data Appliance has two Sun Network QDR InfiniBand Gateway leaf switches and one Sun Datacenter InfiniBand Switch 36 spine switch. To configure the switches, follow these procedures for each one:

- [Configuring an InfiniBand Switch](#)
- [Setting the Time Zone and Clock on an InfiniBand Switch](#)
- [Checking the Health of an InfiniBand Switch](#)
- [Checking the Sun Network QDR InfiniBand Gateway Switches](#)

 **Note:**

Only Oracle Big Data Appliance servers may be connected to the Oracle Big Data Appliance InfiniBand NM2 switches. Also, it is not permitted to interconnect systems other than Oracle Engineered System servers (such as Oracle Big Data Appliance and Exadata Database Machine) to the InfiniBand fabric. The InfiniBand fabric is intimately connected with the operating system and the kernel and is designed to support Oracle Engineered System servers only.

## 7.3.1 Configuring an InfiniBand Switch

 **Before you Start:**

- For details on remote Ethernet connections to 192.168.1.201, 192.168.1.202, or 192.168.1.203, see "[Connecting to Oracle ILOM Using the Network](#)".
- For details on local serial connections, see "[Connecting to Oracle ILOM Using a Serial Connection](#)".

To configure an InfiniBand switch:

1. Connect to the switch using a serial or an Ethernet connection.
2. Log in as `ilom-admin` with password that is provided by the Oracle Install Coordinator.

The switch has a Linux-like operating system and an Oracle ILOM interface that is used for configuration.

3. Check the firmware version and update if needed. You can get information about the latest recommended InfiniBand firmware from these notes in My Oracle Support [My Oracle Support](#):

How to upgrade the Firmware for NM2-GW Sun Network QDR InfiniBand Gateway Switches on Oracle Big Data Appliance (Doc ID 1534255.1) [153255.1](#)

How to upgrade the Firmware for NM2-36P Sun Datacenter InfiniBand Switch 36 Switches on Oracle Big Data Appliance (Doc ID [1543955.1](#))

4. Change to the `/SP/network` directory.

```
cd /SP/network
```

5. Enter these commands to configure the switch:

```
set pendingipaddress=ip_address
set pendingipnetmask=ip_netmask
set pendingipgateway=ip_gateway
set pendingipdiscovery=static
set commitpending=true
```

In these commands, *ip\_address*, *ip\_netmask*, and *ip\_gateway* represent the appropriate settings on your network.

6. Enter a `show` command to view the changes. If any values are wrong, reenter the `set` commands ending with `set commitpending=true`.

```
-> show

/SP/network
  Targets:
    interconnect
    ipv6
    test

  Properties:
    commitpending = (Cannot show property)
    dhcp_ser_ip = none
    ipaddress = 10.135.42.24
    ipdiscovery = static
    ipgateway = 10.135.40.1
    ipnetmask = 255.255.255.0
    macaddress = 00:21:28:E7:B3:34
    managementport = SYS/SP/NET0
    outofbandmacaddress = 00:21:28:E7:B3:33
    pendingipaddress = 10.135.42.23
    pendingipdiscovery = static
    pendingipgateway = 10.135.42.1
    pendingipnetmask = 255.255.248.0
    pendingmanagementport = /SYS/SP/NET0
    sidebandmacaddress = 00:21:28:E7:B3:35
    state = enabled

  Commands:
    cd
    set
    show

->
```

7. Set and verify the switch host name, replacing *hostname* with the valid name of the switch, such as `bda1sw-ib2`. Do not include the domain name.

```
-> set /SP hostname=hostname
-> show /SP hostname
```

```
/SP
  Properties:
    hostname = bda1sw-iba
```

8. Set the DNS server name and the domain name:

```
-> set /SP/clients/dns auto_dns=enabled
-> set /SP/clients/dns nameserver=ip_address
-> set /SP/clients/dns searchpath=domain_name
```

In these commands, *ip\_address* is one to three comma-separated IP addresses of the name servers in the preferred search order, and *domain\_name* is the full DNS domain name, such as `us.example.com`.

9. Verify the settings:

```
-> show /SP/clients/dns
/SP/clients/dns
  Targets:

  Properties:
```

```
auto_dns = enabled
nameserver = 10.196.23.245, 172.32.202.15
retries = 1
searchpath = us.example.com
timeout = 5
```

```
Commands:
  cd
  set
  show
```

## 7.3.2 Setting the Time Zone and Clock on an InfiniBand Switch

To set the time zone on an InfiniBand switch:

1. Check the current time setting:

```
-> show /SP/clock
```

If the setting is not accurate, continue with these steps.

2. Set the time zone, replacing *zone\_identifier* with the time zone in the Configuration Template, such as *America/New\_York*:

```
-> set /SP/clock timezone=zone_identifier
```

3. Check the current time setting:

```
-> show /SP/clock
```

If the setting is not accurate, continue with these steps.

4. Set the SP clock manually, replacing *MMDDHHmmCCyy* with the month, day, hour, minute, century, and year.

```
-> set datetime=MMddHHmmCCyy
```

5. Check the current time setting:

```
-> show /SP/clock
```

6. Configure the Network Time Protocol (NTP), replacing *ip\_address* with the server address. Server 1 is the primary NTP server and Server 2 is the secondary server.

```
-> set /SP/clients/ntp/server/1 address=ip_address
```

```
-> set /SP/clients/ntp/server/2 address=ip_address
```

7. Enable the NTP servers:

```
-> set /SP/clock usntpserver=enabled
```

### Note:

Properly synchronized clocks are required for the Mammoth software installation to succeed. If no NTP server is available on the administrative network, then configure the first Oracle Big Data Appliance server as an NTP server.

8. Verify the settings:

```
-> show /SP/clients/ntp/server/1
-> show /SP/clients/ntp/server/2
-> show /SP/clock
```

### 7.3.3 Checking the Health of an InfiniBand Switch

To check the health of an InfiniBand leaf or spine switch:

1. Open the Fabric Management shell:

```
-> show /SYS/Fabric_Mgmt
```

The prompt changes from -> to FabMan@hostname->

2. Check the firmware version. You can find the current version and related information at Oracle Support note [1534255.1](#).

```
FabMan@bdalsw-02->version
SUN DCS gw version: 2.0.5-2
Build time: Nov 29 2011 16:05:05
FPGA version: 0x34
SP board info:
Manufacturing Date: 2011.05.31
Serial Number: "NCD6Q0126"
Hardware Revision: 0x0006
Firmware Revision: 0x0000
BIOS version: SUN0R100
BIOS date: 06/22/2010
FabMan@bdalsw-02->
```

3. Check the overall health of the switch and correct any issues:

```
FabMan@bdalsw-ib2-> showunhealthy
OK - No unhealthy sensors
```

4. Check the environment. Ensure that all tests return OK and PASSED, and correct any issues before continuing. This example shows a problem with PSU1 caused by a loose power cord. See the line starting with WARNING PSU.

```
FabMan@bdalsw-ib2-> env_test
Environment test started:
Starting Environment Daemon test:
Environment daemon running
Environment Daemon test returned OK
Starting Voltage test
Voltage ECB OK
Measured 3.3V Main = 3.28
Measured 3.3V Standby = 3.39 V
Measured 12V = 11.97 V
Measured 5V = 4.99 V
Measured VBAT = 3.09 V
Measured 1.0V = 1.01 V
Measured I4 1.2V = 1.22 V
Measured 2.5V = 2.52 V
Measured V1P2 DIG = 1.19 V
Measured V1P2 ANG = 1.18 V
Measured 1.2V BridgeX = 1.22 V
Measured 1.8V = 1.78 V
Measured 1.2V Standby = 1.20 V
Voltage test returned OK
Starting PSU test:
PSU 0 present OK
```

```

WARNING PSU 1 present AC Loss
PSU test returned 1 faults
Starting Temperature test:
Back temperature 30
Front temperature 29
SP temperature 36
Switch temperature 52,
.
.
.

```

5. Verify a priority setting of 5 for the InfiniBand Gateway leaf switches or 8 for the InfiniBand Switch 36 spine switch:

```

FabMan@bdal-sw-ib2-> setsmpriority list
Current SM settings:
smpriority 5
controlled_handover TRUE
subnet_prefix 0xfe80000000000000

```

If `smpriority` is correct, then you can skip the next step.

6. To correct the priority setting:
  - a. Stop the InfiniBand Subnet Manager:
 

```
FabMan@bdal-sw-ib2-> disableism
```
  - b. Set the priority to 5 for the InfiniBand Gateway leaf switches or 8 for the InfiniBand Switch 36 spine switch. This example is for a leaf switch:
 

```
FabMan@bdal-sw-ib2-> setsmpriority 5
```
  - c. Restart the InfiniBand Subnet Manager:
 

```
FabMan@bdal-sw-ib2-> enableism
```
7. Exit the Fabric Management shell:
 

```
FabMan@bdal-sw-ib2-> exit
->
```
8. Exit the Oracle ILOM shell:
 

```
-> exit
```
9. Log in to the switch as `root` and restart it to ensure that all changes take effect:
 

```
# reboot
```
10. Repeat these steps for the other InfiniBand switches.

### 7.3.4 Checking the Sun Network QDR InfiniBand Gateway Switches


You must check all gateway switch instance numbers (NM2-GW) in the fabric to ensure that the automatic setup assigned unique instance numbers to each switch, both within each rack and among all racks in a multirack environment.

If two switches in the fabric share the same instance number, then the IB-10GbE ports might not work correctly.

The switches must not use consecutive numbers. Oracle recommends even numbers only. From the factory, the Oracle Big Data Appliance gateway switches use the numbers 10 and 20.



If Oracle Big Data Appliance racks are connected to Oracle Exalogic Elastic Cloud Machine racks, then verify that the instance numbers are even and unique to each switch in the fabric.

 **Note:**

Firmware for all Sun Network QDR InfiniBand Gateway switches in the fabric should be at least version 2.1.8-1. Version 2.2.7-1 is recommended. Version 2.2.9 is also validated for Oracle Big Data Appliance racks, but for large production clusters currently running much older firmware, a more conservative upgrade to version 2.1.8-1 or 2.2.7-1 is recommended.

**To check the gateway switches:**

At the `<password>` placeholder in these instructions, enter the password provided by the Oracle Install Coordinator.

1. Login as user `ilom-admin` on rack 1 gateway switch 1:

```
localhost: ilom-admin  
password: <password>
```

2. Enter the Fabric Management shell:

```
-> show /SYS/Fabric_Mgmt  
NOTE: show on Fabric_Mgmt will launch a restricted Linux shell.  
User can execute switch diagnosis, SM Configuration and IB  
monitoring commands in the shell. To view the list of commands,  
use "help" at rsh prompt.  
Use exit command at rsh prompt to revert back to  
ILOM shell.  
FabMan@hostname->
```

3. Display the current number:

```
FabMan@bdalsw-iba->setgwinstance --list  
No BXM system name set, using 6 last bits of the ip-address, value: 24
```

If you see No BXM system name set (as shown here), or a system name of 0, then you must set the instance number manually.

4. If rack 1 gateway switch 1 is not set to 10:

```
FabMan@bdalsw-iba->setgwinstance 10  
Stopping Bridge Manager..-. [ OK ]  
Starting Bridge Manager. [ OK ]  
FabMan@bdalsw-iba->setgwinstance --list  
BXM system name set to 10
```

5. Repeat Steps 1 to 4 for gateway switch 2. Set it to 20 instead of 10.
6. If multiple racks are cabled together (Oracle Big Data Appliance racks and Oracle Exalogic Elastic Cloud Machine racks), then repeat Steps 1 to 5 on each rack. Increment the instance numbers from the previous rack by 2 to get a unique number:
  - Set rack 2 gateway switch 1 to 12 (10+2).
  - Set rack 2 gateway switch 2 to 22 (20+2).

Continue in this way, assigning even numbers between 0 and 63.

## 7.4 Configuring the Power Distribution Units

The power distribution unit (PDU) configuration consists of these procedures:

- [Connecting the PDUs to the Network](#)
- [Updating the PDU Firmware Version](#)

### 7.4.1 Connecting the PDUs to the Network

The power distribution units (PDUs) are configured with a static IP address to connect to the network for monitoring. Ensure that you have the following network information before connecting the PDUs:

- Static IP address
- Subnet mask
- Default gateway

**To connect the PDUs to the network:**

1. Use a web browser to access the PDU metering unit by entering the factory default IP address for the unit. The address of PDU A is 192.168.1.210, and the address of PDU B is 192.168.1.211.

The Current Measurement page opens. If the PDUs do not respond, then they probably have different IP addresses:

- a. Press and hold the red RESET button.
  - b. When the display starts to count down in about 10 to 15 seconds, release the button and then press it again without holding it down.
  - c. When the monitor is restarting, note the current IP setting, and whether it is a dynamic host configuration protocol (DHCP) or static address. Use those addresses to connect.
2. Log in as the `admin` user on the PDU metering unit. The default password is `admin` or `admin`. Change this password after configuring the network.
  3. To check the firmware version, select **Module Info**. The version should be 1.06. You can upgrade the firmware for a lower version. See "[Updating the PDU Firmware Version](#)."
  4. Click **Net Configuration** in the upper left of the page.
  5. Confirm that the DHCP Enabled option is not selected.
  6. Enter the following network settings for the PDU metering unit:
    - IP address
    - Subnet mask
    - Default gateway
  7. Click **Submit** to set the network settings and reset the PDU metering unit.
  8. Repeat Steps 6 and 7 for the second PDU.

## 7.4.2 Updating the PDU Firmware Version

To update the PDU firmware version:

1. Download the latest firmware version from My Oracle Support:
  - a. Log in at <http://support.oracle.com>.
  - b. Select the **Patches & Updates** tab.
  - c. For Patch Search, click **Product or Family (Advanced)**.
  - d. For Product, select Sun Rack II PDU.
  - e. For Release, select Sun Rack II PDU 1.0.6.
  - f. Click **Search** to see the Patch Search Results page.
  - g. Click the patch name, such as **16523441**.
  - h. Download the file.
2. Unzip the file on your local system. It has a name such as p16523441\_1060\_Generic.zip. Then unzip the PDU file, which has a name like OraclePDU\_v1.0.6.zip.
3. In the PDU web interface, select **Net Configuration** and log in as admin with password adm1n.
4. Scroll down to Firmware Update.
5. Click **Browse**, select the MKAPP\_V1.06.DL file, and click **Submit**.
6. Click **Browse**, select the HTML\_V1.06.DL file, and click **Submit**.
7. Click **Module Info** to verify the firmware version number.
8. Click **Net Configuration**, and then click **Logout**.

## 7.5 Configuring the Oracle Big Data Appliance Servers

Before configuring the network, ensure that the Oracle Big Data Appliance servers are set up correctly.

 **Note:**

If you must connect to the Oracle ILOM serial management port, then the baud rate setting on the servers changes from the default Oracle ILOM setting of 9600 to 115200 baud, 8 bits, no parity, and 1 stop bit. To display the server console, use this command:

```
start HOST/console
```

**To check the Oracle Big Data Appliance servers:**

1. Power on all servers by pressing the power button on the front panel of each server. The servers take 5 to 10 minutes to run through the normal startup tests.
2. Use a laptop to connect to a server:

- a. Open an SSH connection using PuTTY or a similar utility.
  - b. Enter the default IP address of the server.
3. Log in as the `root` user to the first server. The password is provided by the Oracle Install Coordinator..
  4. Set up passwordless SSH for `root` by entering the `setup-root-ssh` command, as described in "Setting Up Passwordless SSH".

For starter racks, with or without expansion, you must use the `-j` parameter. See [setup-root-ssh](#).

```
# setup-root-ssh -j "eth0_ips[range]"
```

5. Verify that SSH keys are distributed across the rack:

```
# cd /opt/oracle/bda
# dcli "hostname ; date"
```

6. If prompted for a password, enter Ctrl+C several times. This prompt confirms distribution of the keys, so that you can continue to the next step. Otherwise, generate the root SSH keys across the rack, replacing `password` with a valid password and using the `-j` parameter for a starter rack:

```
# setup-root-ssh -p password [-j "eth0_ips[range]"]
```

Enter the `dcli` command in Step 5 again to verify the keys.

7. Compare the system serial numbers (S/N) on the front sticker to the server assignments from the bottom (1) to the top (18) of the rack, to ensure that they match:

```
# dcli "dmidecode -s "chassis-serial-number"
192.168.10.1: 1143FMM064
.
.
.
192.168.10.18: 1144FMM1A0
```

8. Compare the rack master serial number on the rack front sticker to the rack assignment, to ensure that they match:

```
# dcli "ipmitool sunoem cli 'show /SP system_identifier'" | grep =
192.168.10.1: system_identifier = Oracle Big Data Appliance AK00024695
.
.
.
192.168.10.18: system_identifier = Oracle Big Data Appliance AK00024695
```

9. If the rack master serial number is incorrect, then reset it in the ILOM on every system. Enter the following command on one line, with no breaks, replacing `R-MSN` with the rack master serial number (such as `AK00024695`):

```
# dcli -l root \"ipmitool sunoem cli' set /SP system_identifier=\\\"Oracle
Big Data Appliance R-MSN\\\" \" \" \> /tmp/set-rack-csn.out
```

In the previous syntax, the `system_identifier` has a 40-character limit.

10. Verify that the InfiniBand ports are up, two on each server (36 total for a full rack of 18 servers).

```
# dcli ibstatus | grep phys
192.168.10.1: phys state: 5: LinkUp
192.168.10.1: phys state: 5: LinkUp
```

```
..
192.168.10.18: phys state: 5: LinkUp
192.168.10.18: phys state: 5: LinkUp
```

11. Verify that the InfiniBand ports are running at 40 Gbps (4X QDR):

```
# dcli ibstatus | grep rate | more
192.168.10.1: rate: 40 Gb/sec (4X QDR)
192.168.10.1: rate: 40 Gb/sec (4X QDR)
..
192.168.10.18: rate: 40 Gb/sec (4X QDR)
192.168.10.18: rate: 40 Gb/sec (4X QDR)
```

12. Verify that Oracle ILOM does not detect any faults:

```
# dcli 'ipmitool sunoem cli "show faulty"'
```

The output should appear as follows for each server:

```
bdalnode02-adm.example.com: Connected. Use ^D to exit.
bdalnode02-adm.example.com: -> show faulty
bdalnode02-adm.example.com: Target      | Property      | Value
bdalnode02-adm.example.com:-----+-----+-----
bdalnode02-adm.example.com:
bdalnode02-adm.example.com: -> Session closed
bdalnode02-adm.example.com: Disconnected
```

13. Power up each server and verify that BDA\_IMAGING\_SUCCEEDED and BDA\_REBOOT\_SUCCEEDED are in the /root directory of every server:

```
# dcli 'ls /root/BDA*'
```

14. Save the hardware profile output from each system in a file for review, replacing *filename* with a file name of your choice:

```
# dcli bdacheckhw > filename
```

15. Check the hardware profile output file using commands like the following. In these example, the file name is all-bdahwcheck.out.

- To verify that there are no failures in the hardware profile:

```
grep -vi SUCCESS ~/all-bdahwcheck.out
```

This command returns all lines that do not show SUCCESS, so no returned lines means no failures.

- To verify 32 cores:

```
grep cores ~/all-bdahwcheck.out
```

- To verify 63 GB of memory:

```
grep memory ~/all-bdahwcheck.out
```

- To verify four fans:

```
grep fans ~/all-bdahwcheck.out
```

- To verify that the status is OK for both power supplies:

```
grep supply ~/all-bdahwcheck.out
```

- To verify that disks 0 to 11 are all the same model, online, spun up, and no alert:

```
grep disk ~/all-bdahwcheck.out | grep "model\|status" | more
```

- To verify that the host channel adapter model is Mellanox Technologies MT26428 ConnectX VPI PCIe 2.0:

```
grep Host ~/all-bdahwcheck.out | grep model | more
```

16. Save the RAID configuration in a file, replacing *filename* with a file name of your choice:

```
dcli MegaCli64 -ldinfo -lall -a0 | grep "Virtual Drive\|State" > filename
```

17. Verify that 12 virtual drives (0 to 11) are listed for each server. In this example, the RAID configuration is stored in a file named `all-ldstate.out`.

```
less ~/all-ldstate.out
```

18. Save the software profile output from each system into a file for review, replacing *filename* with a file name of your choice:

```
dcli bdachecksw > filename
```

19. Verify that the partition setup and software versions are correct. In this example, the software profile is stored in a file named `all-bdaswcheck.out`.

```
less ~/all-bdaswcheck.out
```

20. Verify the system boots in this order: USB, RAID Slot 0, PXE:

```
# dcli "ubiosconfig export all -x /tmp/bios.xml"
[# dcli "grep -m1 -A20 boot_order /tmp/bios.xml" | more
[root@bda01 bda]# dcli "ubiosconfig export all -x /tmp/bios.xml"
[root@bda01 bda]# dcli "grep -m1 -A20 boot_order /tmp/bios.xml" | more
<boot_order>
  <boot_device>
    <description>USB:USBIN:ORACLE UNIGEN-UFD PMAP</description>
    <instance>1</instance>
  </boot_device>
  <boot_device>
    <description>RAID:PCIE6:(Bus 50 Dev 00)PCI RAID Adapter</description>
    <instance>1</instance>
  </boot_device>
  <boot_device>
    <description>PXE:NET0:IBA XE Slot 4000 v2196</description>
    <instance>1</instance>
  </boot_device>
  <boot_device>
    <description>PXE:NET1:IBA XE Slot 4001 v2196</description>
    <instance>1</instance>
  </boot_device>
  <boot_device>
    <description>PXE:NET2:IBA XE Slot 8800 v2196</description>
    <instance>1</instance>
  </boot_device>
```

21. If the boot order is incorrect:

- a. Log in to the ILOM for that server and force the next restart into BIOS setup:

```
# set /HOST boot_device=bios
```

- b. Restart the server and correct the BIOS.

## 7.6 Configuring the Network

Oracle Big Data Appliance Configuration Generation Utility generates the cluster-network.json and rack-network.json files, which are used to configure all three network interfaces and all Oracle ILOMs. See "[Generating the Configuration Files](#)" if you do not have this file.

The network configuration consists of these procedures:

- [Copying the Configuration Files to Oracle Big Data Appliance](#)
- [Starting the Network Configuration](#)
- [Connecting to the Administrative Network](#)
- [Completing the Network Configuration](#)
- [Checking the Virtual Interface Cards \(VNICs\)](#)
- [Verifying Access to the Network Services](#)

### 7.6.1 Copying the Configuration Files to Oracle Big Data Appliance

To copy the configuration files to Oracle Big Data Appliance:

1. Copy the configuration files to a USB flash drive.
2. Use a laptop or the KVM switch to open a console session to the first server. The first server is the lowest server in the rack. See [Oracle Big Data Appliance Rack Layout](#).
3. Log in as the `root` user on the first server. Use the password provided by the Oracle Install Coordinator.
4. Plug the USB drive into the USB port of the first server. The port is on the right front of the server. Information like the following is displayed on the console:

```
# scsi 0:0:0:0: Direct-Access    CBM        USB 2.0
Q: 0 ANSI:2
sd 0:0:0:0: Attached scsi generic sg14 type 0
sd 0:0:0:0: [sdn] 7954432 512-byte logical blocks: (4.07 GB/3.79 GiB)
sd 0:0:0:0: [sdn] Write Protect is off
sd 0:0:0:0: [sdn] Assuming drive cache: write through
sd 0:0:0:0: [sdn] Assuming drive cache: write through
sd 0:0:0:0: [sdn] Assuming drive cache: write through
sd 0:0:0:0: [sdn] Attached SCSI removable disk
```

5. Enter the `showusb` command to locate the USB drive. The command returns with the mapped device or, if no USB drive is connected, with no output.

```
# showusb
/dev/sdn1
```

6. Create a directory on the server:

```
# mkdir /mnt/usb
```

7. Mount the device using the device name given in Step 5. The following is an example of the command.

```
# mount -t vfat /dev/sdn1 /mnt/usb
```

8. Verify the location of the file on the USB flash drive:

```
# ls /mnt/usb
cluster-network.json
rack-network.json
bin
boot
.
.
.
```

9. Copy `cluster-network.json` and `rack-network.json` (or `networkexpansion.json`) from the USB flash drive to the `/opt/oracle/bda` directory on the server:

Note that you can still use `network.json`, but `cluster-network.json` and `rack-network.json` are recommended.

```
# cd /mnt/usb
# cp *network.json /opt/oracle/bda
```

 **Note:**

If `cluster_name-config.json` is also on the drive, you can copy it to the server for use in [Installing the Oracle Big Data Appliance Software](#).

10. Dismount the USB flash drive and remove the device:

```
# umount /mnt/usb
# rmdir /mnt/usb
```

11. Remove the USB flash drive from the server.

 **Note:**

A valid configuration file is required on all nodes of the cluster. The same file (and the same version of the file) should be deployed to this path on all nodes of the cluster – `/opt/oracle/bda/install/state/config.json`.

In addition to this, there should be a valid set of network configuration files on all nodes of the cluster. There are there two alternate valid sets of configuration files:

- `network.json`  
If this is present it should be the same on all nodes of a rack and contain all network information for all nodes of the rack. If this is present then `rack-network.json` and `cluster-network.json` should not be present
- **Both** `rack-network.json` and `cluster-network.json`.  
If these are present then `network.json` should not be present. `rack-network.json` should be the same on all nodes in a rack and should contain only admin network information. `cluster-network.json` should be the same on all nodes of the cluster and should contain client and private network information



## 7.6.2 Starting the Network Configuration

### Note:

If you have installed Oracle Big Data Appliance releases previously, note that the setup scripts `networksetup-one` and `networksetup-two` are deprecated. Run `rack-networksetup` in place of `networksetup-one`. Run `cluster-networksetup` in place of `networksetup-two`.

The `rack-networksetup` script reads `rack-network.json` and sets up the host names and Oracle ILOM names for all servers and configures the administrative network and the private InfiniBand network. The procedure varies slightly depending on whether you are configuring a new rack (either a full rack or a starter rack), or, are configuring additional servers after deploying the starter rack.

### To start the network configuration on a new rack:

At the `<password>` placeholder in these instructions, enter the password provided by the Oracle Install Coordinator.

1. Log in as the `root` user on the first server. Use the password provided by the Oracle Install Coordinator.

```
# ssh root@192.168.10.1
Password: <password>
```

2. For a new rack, verify that `/opt/oracle/bda` contains the new `rack-network.json` and `cluster-network.json` files.

For the additional servers over the starter rack, verify that `/opt/oracle/bda` contains both `rack-network.json` and `cluster-network.json` (or `network.json`) from an existing node and the new `networkexpansion.json` file.

3. Verify that the InfiniBand network is healthy:

```
# cd /opt/oracle/bda
# bdacheckib -s

LINK bdasw-ib1.0B ... bdasw-ib3.8B UP
LINK bdasw-ib1.1B ... bdasw-ib2.8B UP
LINK bdasw-ib3.15A ... bda2.HCA-1.2 UP
LINK bdasw-ib3.15B ... bda1.HCA-1.2 UP
LINK bdasw-ib3.14A ... bda4.HCA-1.2 UP
LINK bdasw-ib3.14B ... bda3.HCA-1.2 UP
LINK bdasw-ib3.13A ... bda6.HCA-1.2 UP
.
.
.
```

The InfiniBand network is used extensively during software installation. To perform more in-depth checks of the fabric, run the `iblinkinfo` utility.

4. Remove passwordless SSH. See "[remove-root-ssh](#)."
5. Reconnect to the server using its ILOM instead of SSH:

```
# ssh root@192.168.1.101
Password: <password>
-> start -f /HOST/console
bdal login:
User: root
Password: <password>
```

The rack-networksetup script restarts the network services, so you do not see all of the output using an SSH connection.

## 6. Begin the network configuration:

```
# cd /opt/oracle/bda/network
# ./rack-networksetup
```

### Example 7-1 Sample Output from rack-networksetup

```
# ./rack-networksetup
rack-networksetup: do basic sanity checks on /opt/oracle/bda/rack-network.json
and /opt/oracle/bda/cluster-network.json
rack-networksetup: passed
rack-networksetup: Found 6 node(s) accessible
rack-networksetup: If this number is not the total number of nodes,
rack-networksetup: please make sure that all nodes are ON and connected correctly

rack-networksetup: Type 'r' if you want to retry (If you are waiting for nodes
to boot and become accessible)
rack-networksetup: Type 'n' to abort network setup
rack-networksetup: Type 'y' to continue configuring 6 node(s)

Continue using 6 nodes? [r/n/y]:
Y
rack-networksetup: checking for rack-expansion.json
rack-networksetup: ping servers on ship admin network by ip
rack-networksetup: passed
rack-networksetup: test ssh to servers on ship admin network by ip
rack-networksetup: passed
rack-networksetup: verify servers on ship admin are BDA nodes
rack-networksetup: passed
rack-networksetup: copy /opt/oracle/bda/rack-network.json and /opt/oracle/bda/
cluster-network.json to servers
rack-networksetup: verify transfer of /opt/oracle/bda/rack-network.json
and /opt/oracle/bda/cluster-network.json
rack-networksetup: passed
rack-networksetup: executing network settings on all servers
rack-networksetup: wait a few seconds for the network to restart on <IP address>
rack-networksetup: wait a few seconds for the network to restart on <IP address>
rack-networksetup: rack-networksetup: bdanetworktool.main: Start
time = Sun Feb 6 14:33:30 PST 2017
rack-networksetup: rack-networksetup: bdanetworktool.main:
Host = bda02
rack-networksetup: rack-networksetup: bdanetworktool.main: Using deploy
files /opt/oracle/bda/cluster-network.json and /opt/oracle/bda/rack-network.json
rack-networksetup: rack-networksetup: bdanetworktool.main: Using node
nr = 2
rack-networksetup: rack-networksetup: bdanetworktool.main: Using local
files = false
rack-networksetup: rack-networksetup: bdanetworktool.main: Apply nws settings on
usb = false
rack-networksetup: rack-networksetup: bdanetworktool.main: Apply dns
settings = false
rack-networksetup: rack-networksetup: bdanetworktool.main: Apply client nw
```

```

settings                = false
rack-networksetup: rack-networksetup: bdanetworktool.main: Remove client nw
settings                = false
rack-networksetup: rack-networksetup: bdanetworktool.main: Apply ntp
settings                = false
rack-networksetup: rack-networksetup: bdanetworktool.main: Apply extra ib
settings                = false
rack-networksetup: rack-networksetup: bdanetworktool.main: Apply ssh
settings                = true
rack-networksetup: rack-networksetup: bdanetworktool.main: Apply bondib0
settings                = false
rack-networksetup: rack-networksetup: bdanetworktool.main: Apply eth0
settings                = true
rack-networksetup: rack-networksetup: bdanetworktool.main: Apply ilom
settings                = true
rack-networksetup: rack-networksetup: bdanetworktool.main: Apply /etc/hosts
settings                = true
rack-networksetup: rack-networksetup: bdanetworktool.main: Set
timezone                = true
rack-networksetup: rack-networksetup: bdanetworktool.main: Set host
name                    = true
rack-networksetup: rack-networksetup: bdanetworktool.main:
Creating                = /etc/sysconfig/network-scripts/ifcfg-eth0
rack-networksetup: rack-networksetup: bdanetworktool.main:
Creating                = /etc/sysconfig/network
rack-networksetup: rack-networksetup: bdanetworktool.main: Removing all
from /etc/hosts
rack-networksetup: rack-networksetup: bdanetworktool.main: Removing known ip
entries from /etc/hosts
.
.
.

```

### 7.6.3 Connecting to the Administrative Network

Before completing the network configuration, you must connect Oracle Big Data Appliance to the 1 GbE administrative (management) network.

**To connect Oracle Big Data Appliance to the administrative network:**

1. Connect port 48 of the Cisco Ethernet switch to the administrative network.
2. To use the small form-factor pluggable (SFP) ports for a fiber uplink in port 48 (optional), reconfigure the port:

```

bdalsw-ip# configure terminal
Enter configuration commands, one per line. End with CNTL/Z.

bdalsw-ip(config)# interface gigabitEthernet 1/48
bdalsw-ip(config-if)# media-type sfp
bdalsw-ip(config-if)# end
bdalsw-ip#
*Sep 15 14:12:06.309: %SYS-5-CONFIG_I: Configured from console by console
bdalsw-ip# write memory
bdalsw-ip# copy running-config startup-config

```

 **See Also:**

For SFP port configuration details, see the *Cisco Catalyst 4948 Install Guide* at [http://www.cisco.com/c/en/us/td/docs/switches/lan/catalyst4900/4948/4948\\_in/05modcfg.html](http://www.cisco.com/c/en/us/td/docs/switches/lan/catalyst4900/4948/4948_in/05modcfg.html)

## 7.6.4 Connecting to the Client Network

You must also connect Oracle Big Data Appliance to the 10 GbE client network.

### To connect Oracle Big Data Appliance to the client network:

1. Connect the two Sun Network QDR InfiniBand Gateway leaf switches to the data center.
2. After the cables are routed, the network administrator may need to alter the network switch end configuration to recognize the links.
3. Use SSH to connect to a Sun Network QDR InfiniBand Gateway switch, and log in as the `ilom-admin` user.

4. Enter the Fabric Management shell:

```
-> show /SYS/Fabric_Mgmt
```

5. Ensure that the Bridge entries have active links from the leaf switches to the customer network switch:

```
FabMan@bdalsw-iba-> listlinkup
```

This output shows four ports connected to each switch:

```
Connector 0A-ETH Present
Bridge-0 Port 0A-ETH-1 (Bridge-0-2) up (Enabled)
Bridge-0 Port 0A-ETH-2 (Bridge-0-2) down (Enabled)
Bridge-0 Port 0A-ETH-3 (Bridge-0-1) up (Enabled)
Bridge-0 Port 0A-ETH-4 (Bridge-0-1) down (Enabled)
Connector 1A-ETH Present
Bridge-1 Port 1A-ETH-1 (Bridge-1-2) up (Enabled)
Bridge-1 Port 1A-ETH-2 (Bridge-1-2) down (Enabled)
Bridge-1 Port 1A-ETH-3 (Bridge-1-1) up (Enabled)
Bridge-1 Port 1A-ETH-4 (Bridge-1-1) down (Enabled)
```

6. Repeat Steps 3 to 5 on the second gateway switch (-ib3).

## 7.6.5 Completing the Network Configuration

 **Note:**

If you have installed Oracle Big Data Appliance releases previously, note that the setup scripts `networksetup-one` and `networksetup-two` are deprecated. To complete the configuration, run `cluster-networksetup` in place of `networksetup-two`.

The `cluster-networksetup` script reads `cluster-network.json`. It completes some steps started by `rack-networksetup` (steps that require a network connection). It also configures the default VLAN and all required VNICs for the 10 GbE client network. It then verifies all network connections and displays a message if it discovers any unexpected ones, including those caused by cabling mistakes.

The 10 GbE ports of the Sun Network QDR InfiniBand Gateway switches must be connected to the data center.

#### To complete the network configuration:

1. Ensure that both the administrative network and the client network are connected to Oracle Big Data Appliance.

#### Note:

This procedure fails if the networks are not connected. See "[Connecting to the Administrative Network](#)".

2. Run the following script to complete the network setup:

```
./cluster-networksetup | tee /tmp/network-conf.out
```

The previous command captures the output in a file named `/tmp/network-conf.out`.

[Example 7-2](#) shows sample output from the script.

#### Example 7-2 Sample Output from `cluster-networksetup`

```
# ./cluster-networksetup
cluster-networksetup: do basic sanity checks on /opt/oracle/bda/rack-
network.json and /opt/oracle/bda/cluster-network.json
cluster-networksetup: passed
cluster-networksetup: checking for rack-expansion.json
cluster-networksetup: ping server ips on admin network
cluster-networksetup: passed
cluster-networksetup: test ssh server ips on admin network
cluster-networksetup: passed
cluster-networksetup: run connected network post script on each server
cluster-networksetup: post network setup for 10.100.100.101
cluster-networksetup: post network setup for 10.100.100.102
cluster-networksetup: post network setup for 10.100.100.103
cluster-networksetup: post network setup for 10.100.100.104
cluster-networksetup: post network setup for 10.100.100.105
cluster-networksetup: post network setup for this node
cluster-networksetup: passed
cluster-networksetup: verify infiniband topology
cluster-networksetup: passed
cluster-networksetup: start setup client network (10gigE over Infiniband)
cluster-networksetup: ping both gtw leaf switches
cluster-networksetup: passed
cluster-networksetup: confirm switches occur in ib fabric
cluster-networksetup: switch crosscheck failed matching all switches:
cluster-networksetup:   -> BdaDeploy switch key values: leaf1: bdalsw-ib2,
leaf2: bdalsw-ib3, spine: bdalsw-ib1
cluster-networksetup:   -> ib switch values: bdalsw-ib1 bdasw-ib3 bdalsw-ib2
cluster-networksetup: passed
```

```

cluster-networksetup: verify existence of gateway ports
cluster-networksetup: passed
cluster-networksetup: ping server ips on admin network
cluster-networksetup: passed
cluster-networksetup: ping servers by name on admin network
cluster-networksetup: passed
cluster-networksetup: test ssh server ips on admin network
cluster-networksetup: passed
cluster-networksetup: test unique gw instance id
cluster-networksetup: passed
cluster-networksetup: wait a few seconds for the network to restart on
10.100.100.101
cluster-networksetup: wait a few seconds for the network to restart on
10.100.100.102
.
.
.

```

## 7.6.6 Checking the Virtual Interface Cards (VNICs)

Verify that the VNICs were created correctly on both gateway switches.

### To check the VNICs:

1. Use SSH to connect to a Sun Network QDR InfiniBand Gateway switch, and log in as the `ilom-admin` user.
2. Enter the Fabric Management shell:

```
-> show /SYS/Fabric_Mgmt
```

3. Verify that the active ports are assigned to the default VLAN (0):

```

FabMan@bdalsw-ib2-> showvlan
Connector/LAG VLN PKEY
-----
0A-ETH-1      0 ffff
0A-ETH-3      0 ffff
1A-ETH-1      0 ffff
1A-ETH-3      0 ffff

```

4. Verify that the VNICs were created round-robin on each server and 10 GbE interface:

```

FabMan@hostname-> showvnic
ID STATE FLG IOA_GUID NODE
IID MAC VLN PKEY GW
-----
561 UP N 0021280001CF4C23 bda1node12 BDA 192.168.41.31 0000
CE:4C:23:85:2B:0A NO ffff 0A-ETH-1

```

- ```

.
.
.

```
5. Ensure that you can ping in to and out from the 10 GB interfaces.

## 7.6.7 Verifying Access to the Network Services

Ensure that all network services are running correctly.

**To verify access to the network services:**

1. Verify that the `dcli` command is working:

```
# cd /opt/oracle/bda
# dcli "hostname ; date"
```

2. If you are prompted for a password, then enter `Ctrl+c` several times. Otherwise, generate new SSH keys with the `setup-root-ssh` utility. See "[setup-root-ssh](#)."
3. Use the output from the `date` command to check that the servers are synchronized within a few seconds. If they are not, then restart each device. Time differences can cause the software installation to fail.

You can also check the NTP clients:

```
# ntpq -p 127.0.0.1
```

4. Verify network connectivity:

```
[root@node01 network]# bdachecknet-rack
bdachecknet-rack: do basic sanity checks on /opt/oracle/bda/rack-
network.json and /opt/oracle/bda/cluster-network.json
bdachecknet-rack: passed
bdachecknet-rack: checking for rack-expansion.json
bdachecknet-rack: ping test private infiniband ips (bondib0 40gbs)
bdachecknet-rack: passed
bdachecknet-rack: ping test admin ips (eth0 1gbs)
bdachecknet-rack: passed
bdachecknet-rack: test client network (eoib) resolve and reverse resolve
bdachecknet-rack: passed
bdachecknet-rack: test client name array matches ip array
bdachecknet-rack: passed
bdachecknet-rack: ping servers on client network by ip
bdachecknet-rack: passed
bdachecknet-rack: test ntp servers
bdachecknet-rack: passed
bdachecknet-rack: ping client gateway
bdachecknet-rack: passed
bdachecknet-rack: test arp -a
bdachecknet-rack: passed
bdachecknet-rack: all checks succeeded
```

5. If the network is not able to resolve both DNS names and IP addresses, then correct the `/etc/resolv.conf` files. Otherwise, the software installation will fail.
6. Check the accessibility of the PDUs by entering the IP address or host name as the address in a browser.

If the connection is successful, you see the Current Measurement page.

## 7.7 Configuring Multiple Oracle Big Data Appliance Racks

The general process when installing multiple racks is to configure the individual racks, cable the racks together, and validate the multirack network.

## 7.7.1 Configuring and Cabling Multiple Racks

Complete one of the following procedures. They differ depending on whether you are setting up a new installation or adding racks to an operational installation, and whether there are other engineered systems, such as Oracle Exadata Database Machine.

### To install multiple racks:

1. Complete the configuration steps for each rack individually:
  - [Configuring the KVM Switch](#)
  - [Configuring the Cisco Catalyst 4948 Ethernet Switch](#)
  - [Configuring the InfiniBand Leaf and Spine Switches](#)
  - [Configuring the Power Distribution Units](#)
  - [Configuring the Oracle Big Data Appliance Servers](#)
  - [Configuring the Network](#)
2. Cable the Oracle Big Data Appliance racks together. See [Connecting Multiple Oracle Big Data Appliance Racks](#).
3. Revalidate the InfiniBand network. See "[Validating a Multirack InfiniBand Network](#)."

### To add one or more racks to an operational Oracle Big Data Appliance rack:

1. Complete the configuration steps for each new Oracle Big Data Appliance rack individually:
  - [Configuring the KVM Switch](#)
  - [Configuring the Cisco Catalyst 4948 Ethernet Switch](#)
  - [Configuring the InfiniBand Leaf and Spine Switches](#)
  - [Configuring the Power Distribution Units](#)
  - [Configuring the Oracle Big Data Appliance Servers](#)
  - [Configuring the Network](#)
2. Unplug the power to the InfiniBand switches on the new racks.
3. Cable the Oracle Big Data Appliance racks together. See [Connecting Multiple Oracle Big Data Appliance Racks](#).
4. Plug in power to the InfiniBand switches. Wait five minutes between switches while the subnet manager fabric is updated.
5. Revalidate the InfiniBand network. See "[Validating a Multirack InfiniBand Network](#)."

### To connect Oracle Big Data Appliance racks to a new Oracle Exadata Database Machine or Oracle Exalogic Elastic Cloud Machine rack:

1. Complete the configuration steps for each Oracle Big Data Appliance rack individually:
  - [Configuring the KVM Switch](#)
  - [Configuring the Cisco Catalyst 4948 Ethernet Switch](#)
  - [Configuring the InfiniBand Leaf and Spine Switches](#)



- [Configuring the Power Distribution Units](#)
  - [Configuring the Oracle Big Data Appliance Servers](#)
  - [Configuring the Network](#)
2. Cable the Oracle Big Data Appliance racks together. See [Connecting Multiple Oracle Big Data Appliance Racks](#).
  3. Revalidate the InfiniBand network. See "[Validating a Multirack InfiniBand Network](#)."

**To add one or more racks to an operational Oracle Exadata Database Machine or Oracle Exalogic Elastic Cloud Machine rack:**

1. Complete the configuration steps for each new Oracle Big Data Appliance rack individually:
  - [Configuring the KVM Switch](#)
  - [Configuring the Cisco Catalyst 4948 Ethernet Switch](#)
  - [Configuring the InfiniBand Leaf and Spine Switches](#)
  - [Configuring the Power Distribution Units](#)
  - [Configuring the Oracle Big Data Appliance Servers](#)
  - [Configuring the Network](#)
2. Unplug the power to the InfiniBand switches on the new racks.
3. Cable the Oracle Big Data Appliance, Oracle Exadata Database Machine, or Oracle Exalogic Elastic Cloud Machine racks together. See [Connecting Multiple Oracle Big Data Appliance Racks](#).
4. Plug in power to the InfiniBand switches. Wait five minutes between switches while the subnet manager fabric is updated.
5. Ensure that the subnet manager only runs on the switches with the highest firmware versions:

For example, if Oracle Big Data Appliance has the highest firmware version, then make its spine switch the master and its gateway switches the failover. On the racks that have lower firmware versions than the Oracle Big Data Appliance InfiniBand switches (both spine and gateway), disable the subnet manager.

- a. Log into the Exadata master switch as `root`.
  - b. Verify that the Oracle Big Data Appliance switches are visible:
 

```
# ibswitches
```
  - c. Disable the subnet manager on Oracle Exadata Database Machine:
 

```
# disablesm
```
  - d. Log in to each additional lower-version InfiniBand switch and verify that the master switch changes to the Oracle Big Data Appliance spine switch:
 

```
# getmaster
```
  - e. Disable subnet manager on each lower-version InfiniBand switch:
 

```
# disablesm
```
6. Revalidate the InfiniBand network. See "[Validating a Multirack InfiniBand Network](#)."

## 7.7.2 Validating a Multirack InfiniBand Network

After cabling the racks together, verify that the InfiniBand network is operating correctly.



### Note:

The `bdacheckib` utility validates connections among Oracle Big Data Appliance and Oracle Exadata Database Machine racks. It does not check other types of racks, such as Oracle Exalogic Elastic Cloud Machine.

### To validate the InfiniBand network:

1. Generate a topology file for the network:

```
# bdacheckib -g
```

The name of the generated file is `sample-multi-rack.json`

2. Open `sample-multi-rack.json` in a text editor.
3. Reorder the elements to start with the rack at the left and end with the rack on the right. Save the file.
4. Validate the configuration:

```
# bdacheckib sample-multi-rack.json
Verifying rack #1
leaf: bdalsw-ib2
LINK ... to rack2 UP
LINK ... to rack2 UP
LINK ... to rack1 UP
LINK ... to rack2 UP
LINK ... to rack3 UP
LINK ... to rack3 UP
LINK ... to rack1 UP
LINK ... to rack1 UP
leaf: bdalsw-ib3
LINK ... to rack2 UP
LINK ... to rack2 UP
LINK ... to rack1 UP
.
.
.
```

[Example 7-3](#) shows a sample configuration file.

### Example 7-3 Multirack Configuration File `sample-multi-rack.json`

```
# cat sample-multi-rack.json
# This json multirack spec is generated. The array elements are sorted
# alphabetically. A proper arranged json spec representing racks from left to
# right
# can be used as input mr.json to bdacheckib (bdacheckib mr.json)
# Commas separating rack elements are optional.
[{"SPINE_NAME": "bdalsw-ib1", "LEAF1_NAME": "bdalsw-ib2", "LEAF2_NAME": "bdalsw-
ib3"}
{"SPINE_NAME": "bda2sw-ib1", "LEAF1_NAME": "bda2sw-ib2", "LEAF2_NAME": "bda2sw-
```

```
ib3"}  
{"SPINE_NAME": "exa1sw-ib1", "LEAF1_NAME": "exa1sw-ib2", "LEAF2_NAME": "exa01sw-  
ib3"}]
```

# 8

## Expanding an Oracle Big Data Appliance Starter Rack

You can install and configure up to 12 servers on a starter rack.

Oracle Big Data Appliance supports clusters with homogenous or mixed X5–2L, X6–2L, X7–2L, and X8-2L clusters. However, if you include X8-2L or X7–2L servers in the cluster, then you must first upgrade the cluster to Oracle Big Data Appliance release v4.10.0 or higher.

All Big Data Appliances support mixed server hardware within a cluster, but all nodes within a cluster must run the same Big Data Appliance software release and must also uniformly run either Oracle Linux 6 or Oracle Linux 7.

- [About Expanding an Oracle Big Data Appliance Starter Rack](#)
- [Installing New Servers on an Oracle Big Data Appliance Starter Rack](#)
- [Configuring the New Oracle Big Data Appliance Servers](#)
- [Setting Up the Network](#)
- [Installing Oracle Big Data Appliance Software on the New Servers](#)

### Note:

Oracle recommends that an Oracle field engineer performs the procedures described in this chapter.

Also note that physically adding servers to a partially-filled rack requires downtime. Extending a cluster onto new nodes in the same rack should not require downtime.

## 8.1 About Expanding an Oracle Big Data Appliance Starter Rack

An Oracle Big Data Appliance starter rack has the same hardware configuration as a full rack, except that it comes with 6 servers instead of 18. All switches and power supplies are included in the starter rack, and do not need to be upgraded or supplemented to support additional servers.

You can add up to 12 new servers on a starter rack by using a High Capacity node plus InfiniBand Infrastructure. You can either add all the new servers together or add some of the new servers at a later time on a starter rack.

All Oracle Big Data Appliance expansion nodes come with the in-rack cables required for power as well as connections to the administrative and InfiniBand networks. Adding

servers to a rack requires no changes to multi-rack InfiniBand connections, since that is a separate cabling task from switch to switch.

## 8.1.1 Checking the Contents of a High Capacity Node plus InfiniBand Infrastructure

Before starting the installation, ensure that you received all components, cables, and accessories for the High Capacity node plus InfiniBand Infrastructure as shown in the following tables.

[Table 8-1](#) lists the components and accessories.

**Table 8-1 A High Capacity Node plus InfiniBand Infrastructure Components and Accessories**

| Quantity | Description                                                                 |
|----------|-----------------------------------------------------------------------------|
| 1        | Oracle Big Data Appliance High Capacity Node plus InfiniBand Infrastructure |
| 2        | 2U snap-in slide rail kit                                                   |
| 1        | 1U-2U slim-rail CMA kit                                                     |
| 1        | Velcro 25-foot roll                                                         |
| 1        | Cable labeling kit                                                          |
| 1        | Server documentation and license packages                                   |

[Table 8-2](#) lists the cables.

**Table 8-2 A High Capacity Node plus Infiniband Infrastructure Cables**

| Length   | Quantity | Description                    |
|----------|----------|--------------------------------|
| 10 feet  | 1        | Red Ethernet Cat 5 or Cat 5e   |
| 10 feet  | 1        | Ethernet Black Cat 5 or Cat 5e |
| 3 meters | 2        | InfiniBand QSFP                |
| 2 meters | 2        | Power                          |

## 8.1.2 Checking the Status of a Starter Rack

Ensure that the starter rack is in a good working condition before you install the High Capacity node plus InfiniBand Infrastructure:

- Check the LEDs on all components to verify a normal operating state. Resolve any issues before proceeding.
- Verify that the Sun Rack II PDU firmware is at or above the minimum version of 1.06. See "[Updating the PDU Firmware Version](#)."

## 8.2 Installing New Servers on an Oracle Big Data Appliance Starter Rack

The following describes how to physically install new servers on a starter rack.

### **Caution:**

Two people are needed to install new servers on a starter rack.

#### To install new servers on a starter rack:

1. Unpack all power cables, Ethernet cables, and InfiniBand cables, and mark them with the labels provided in the kit:
  - Mark both ends of cable with the appropriate label. Take care to put the "from" and "to" labels on the correct end.
  - Select the appropriate PDU power cord labels for your installation, either single-phase or three-phase.
2. Plug in the cables at both ends. Refer to the cabling tables in the appendixes.
3. Install the server rack mount kits in the rack. Start at the first empty unit at the bottom and work up toward the top of the rack.
4. Install the servers in the rack rails. After installing each server, ensure that the server and the unit below it can slide in and out normally.
5. Install the cable arms and cables into each server, starting with the first new server at the bottom and working up to the top unit. Ensure that all InfiniBand cables are plugged in to the correct ports on both ends. Keep the power cables out of the way while you route the InfiniBand and Ethernet cables.

### **Caution:**

Do not plug the power cables into the PDU strips until you are ready to turn on the PDU and configure it. Plug the power cables only into the servers now.

## 8.3 Configuring the New Oracle Big Data Appliance Servers

After installing the new servers in the rack, you can configure them as described in the following steps.

#### To configure the new servers:

At the `<password>` placeholder in these instructions, enter the password provided by the Oracle Install Coordinator.

1. Disconnect the Cisco switch uplink cable (port 48) from the network, in case the factory IP addresses duplicate those on the local network.
2. Plug the power cords into the appropriate outlets. Route the cables to PDU-A last. When you are done, Oracle ILOM starts, the service processor LED is solid green, and the system is in Standby mode with a flashing OK LED.
3. Press the power button on the servers to turn them on. The system automatically detects the factory IP addresses. See "[Factory Network Settings](#)."
4. Using a laptop connected to the first new server, log in as `root` using SSH. The default password is provided by the Oracle Install Coordinator.
5. Set up passwordless SSH for the `root` user. For *range*, for example, enter `[7:10]` when you install four new servers.

```
# setup-root-ssh -j "eth0_ips[range]" -p <password>
```

See "[setup-root-ssh](#)."

6. Confirm that passwordless SSH works properly across the range of new servers. Use the same value for *range* as you did in step 5.

```
# dcli -j "eth0_ips[range]" "hostname; date"
```

7. Compare the output of the following command with the system serial number (S/N) sticker on the front of each system.

```
# dcli -j "eth0_ips[range]" "dmidecode -s chassis-serial-number"
192.168.1.7: 1143FMM064
.
.
.
192.168.1.10: 1144FMM1A0
```

If you find inconsistencies, then verify that the InfiniBand cables are plugged into the correct ports on the gateway switches for each node.

8. Set the rack master serial number in the ILOM to the S/N on the front left rack sticker (also displayed on the rear of the rack near PDU-A):

```
# dcli -j "eth0_ips[range]" "ipmitool sunoem cli 'set /SP
\system_identifier=\""Oracle Big Data Appliance rack-master-serial-
number\""'"
```

This example sets the range to `[7:10]` for the four new servers, and sets the serial number to `AK00086253`:

```
# dcli -j "eth0_ips[7:10]" "ipmitool sunoem cli 'set /SP
\system_identifier=\""Oracle Big Data Appliance AK00086253\""'"
```

The system identifier has a 40-character limit.

9. Verify that the rack master serial number is set correctly. This example uses the range for the four new servers:

```
# dcli -j "eth0_ips[7:10]" "ipmitool sunoem cli 'show /SP
\system_identifier'" | grep =
192.168.1.7: system_identifier = Oracle Big Data Appliance AK00086253
.
.
.
192.168.1.10: system_identifier = Oracle Big Data Appliance AK00086253
```

10. Complete the physical hardware checks beginning with Step 10 in "Configuring the Oracle Big Data Appliance Servers." In all `dcli` commands, be sure to enter the range, using the `eth0_ips[range]` syntax shown previously.

## 8.4 Setting Up the Network

The following topics explain how to add the new servers to the Ethernet administrative network:

- [Copying the Configuration Files](#)
- [Configuring the Network](#)
- [Verifying the Network Configuration](#)



### See Also:

["Configuring the Network"](#)

### 8.4.1 Copying the Configuration Files

These instructions use a serial connection to Oracle ILOM. If you use an SSH connection instead, then you lose the console connection when the IP addresses change from the factory settings to the custom settings in "Configuring the Network."

Follow these steps to copy the configuration files to the first new server in the rack.

#### To copy the configuration files:

At the `<password>` placeholder in these instructions, enter the password provided by the Oracle Install Coordinator.

1. Plug your laptop into the Oracle ILOM "SER MGT" port of the first new server.
2. Log in as `root` with the password provided to you:

```
login as: root
Using keyboard-interactive authentication.
Password: password
Oracle(R) Integrated Lights Out Manager
Version 3.1.2.12 r74388
Copyright (c) 2012, Oracle and/or its affiliates. All rights reserved.
->
```

3. Open the console and log in with the same credentials:

```
-> start /SP/console
Are you sure you want to start /SP/console (y/n)? y
Serial console started. To stop, type ESC (
bda7 login:
User: root
Password: <password>
#
```

4. If you do not see a prompt, press **Enter**.



5. Copy the original Oracle Big Data Appliance configuration files from the first server in the rack (server 1) to the new server where you are logged in. Replace *IP\_address* with the real IP address of server 1:

```
# scp root@IP_address:/opt/oracle/bda/{rack-network.json,cluster-
network.json} /opt/oracle/bda
```

Alternatively, use a USB flash drive to copy the file between servers.

6. Copy the new `<rackname>-rack-expansion.json` and `<clustername>-cluster-expansion.json` configuration files from a USB flash drive to the same `/opt/oracle/dba` directory. In the copy command, rename the files as shown in the example below.

```
# mkdir /mnt/usb
# /opt/oracle/bda/bin/showusb /dev/sdml
# mount /dev/sdml /mnt/usb
# cp /mnt/usb/ <clustername>-cluster-expansion.json /opt/oracle/bda/cluster-
expansion.json
# cp /mnt/usb/ <rackname>-rack-expansion.json /opt/oracle/bda/rack-
expansion.json
```

See "[Copying the Configuration Files to Oracle Big Data Appliance](#)" for general instructions on using a flash drive.

## 8.4.2 Configuring the Network

Complete the following procedure to configure the network.

1. Run the `rack-networksetup` script:

```
# cd /opt/oracle/bda
# cd network
# ./rack-networksetup
```

After this step completes, the servers have their custom IP addresses.

2. Reconnect the Cisco switch uplink cable to the local network.
3. If you lost your SSH connection when the IP addresses changed, then reconnect:
  - a. Use SSH to connect to Oracle ILOM of the first server, using the custom IP address.
  - b. Log in as the `root` user with the password provided to you by the Oracle installation coordinator.

If you use a serial connection, you may still be connected when `rack-networksetup` completes. If not, type `Esc+` to get the Oracle ILOM prompt before reconnecting.

4. Verify that the administrative network is properly set up. Run the following command and check that the IP addresses reported back match the addresses in the configuration files.

```
# dcli -j "eth0_ips[range]" "ifconfig eth0 | grep 'inet '"
```

5. Verify the InfiniBand topology by running `bdacheckib -m` on the rack configuration file:

```
# cd /opt/oracle/bda
# bdacheckib -m rack-network.json
```

6. Verify that passwordless SSH still works:

```
# cd /opt/oracle/bda
# dcli -j "eth0_ips[range]" "hostname ; date"
```

If you are prompted for a password, type Ctrl+c several times. If the `dcli` command fails, then repeat Steps 5 and 6 of the first procedure to configure the servers.

7. Use the output from the `date` utility in Step 6 to verify that the clocks for all servers and switches are synchronized. The times should be within a few seconds.

If they are not synchronized, then you can manually change the time, restart the device, or check the routing through the Cisco switch to the NTP server. Issue this command to check the status of an NTP client:

```
# ntpq -p 127.0.0.1
```

8. Run `cluster-networksetup`:

```
# ./cluster-networksetup | tee /tmp/bdanet_exp.out
```

The `tee` utility captures the output in a file while still allowing it to appear on your screen.

9. Log out of the server, unless it is the first server in the cluster.

## 8.4.3 Verifying the Network Configuration

Complete the following procedure to ensure that the network is working properly

1. Log in to the first server in the cluster.
2. Verify that the network and all network services are working properly:

```
# bdachecknet-cluster | tee -a /tmp/bdanet_exp.out
bdachecknet-cluster: do basic sanity checks on /opt/oracle/bda/rack-
network.json and /opt/oracle/bda/cluster-network.json
bdachecknet-cluster: passed
bdachecknet-cluster: checking for rack-expansion.json
bdachecknet-cluster: ping test private infiniband ips (bondib0 40gbs)
bdachecknet-cluster: passed
bdachecknet-cluster: ping test admin ips (eth0 1gbs)
bdachecknet-cluster: passed
bdachecknet-cluster: test client network (eoiB) resolve and reverse resolve
bdachecknet-cluster: passed
.
.
.
```

3. If the systems are not able to resolve and use the DNS names, then manually correct the `/etc/resolv.conf` files and verify the reverse lookup.
4. Submit an install base update service request in My Oracle Support to update your assets.

## 8.5 Installing Oracle Big Data Appliance Software on the New Servers

You can add the new servers to an existing cluster, or configure them as a new cluster.

**To add the servers to an existing cluster:**

- Complete the instructions in "[Adding Servers to a Cluster.](#)"

**To configure the servers as a separate cluster:**

1. Run Oracle Big Data Appliance Configuration Generation Utility, and generate the configuration files. See "[Generating the Configuration Files.](#)"
2. Run the Mammoth utility to install the software. See "[Installing the Software on a New Rack.](#)"

# 9

## Connecting Multiple Oracle Big Data Appliance Racks

This chapter describes how to combine multiple Oracle Big Data Appliance racks into one large cluster. It contains the following sections:

- [Extending a Rack by Adding Another Rack](#)
- [Prerequisites for Multirack Cabling](#)
- [Cabling Two Racks Together](#)
- [Cabling Several Racks Together](#)



**See Also:**

[Multirack Cabling Tables](#)

### 9.1 Extending a Rack by Adding Another Rack

When creating a multirack Hadoop cluster or providing access to Oracle Big Data Appliance from an Oracle Exadata Database Machine, you must connect multiple racks to each other. Racks can be cabled together with no downtime.

During the cabling procedure, note the following:

- There is some performance degradation while you are cabling the racks together. This degradation results from reduced network bandwidth, and the data retransmission due to packet loss when a cable is unplugged.
- The environment is not a high-availability environment because one leaf switch must be off. All traffic goes through the remaining leaf switch.
- Only the existing rack is operational, and any new rack is powered down.
- The software running on the systems must not have problems related to InfiniBand restarts.
- The new racks must be configured with the appropriate IP addresses to be migrated into the expanded system before any cabling, and duplicate IP addresses are not allowed.
- The existing spine switch is set to priority 10 during the cabling procedure. This setting gives the spine switch a higher priority than any other switch in the network fabric. The spine switch is first to take the Subnet Manager Master role whenever a new Subnet Manager Master is set during the cabling procedure.
- To extend a cluster to a new rack, there must be at least four nodes in the first rack. The minimum for racks subsequently added to the cluster is three nodes.

 **See Also:**

- [Multirack Cabling Tables](#) for the physical connections among the racks
- *Monitoring the Subnet Manager* at [http://docs.oracle.com/cd/E36265\\_01/html/E36266/z400029a2024434.html#scrolltoc](http://docs.oracle.com/cd/E36265_01/html/E36266/z400029a2024434.html#scrolltoc)

## 9.2 Prerequisites for Multirack Cabling

### Check the Firmware on all Switches

Verify that all Sun Network QDR InfiniBand Gateway switches on all connected Oracle Big Data Appliance and Oracle Exadata Database Machine racks are running the supported firmware. The minimum is version NM2 2.1.8-2. Version 2.2.9-3 is recommended. Update the firmware as necessary.

 **Note:**

NM2 2.2.7-2 is a prerequisite for further upgrades. Before upgrading to either the 2.2.8-2 or 2.2.9-3 firmware, you must first upgrade to 2.2.7-2. Otherwise, the firmware update will fail.

When updating the firmware of Sun Network QDR InfiniBand Gateway switches from v2.0.x to v2.1.x or higher, be careful to update them in descending order of the gateway instance numbers. Start with the switch with the highest gateway instance number.

From the Oracle ILOM interface, use this hardware command to obtain the gateway instance number:

```
setgwinstance --list
```

See My Oracle Support Doc [1534255.1](#) for instructions on upgrading the InfiniBand firmware on Oracle Big Data Appliance.

### Use Oracle-Supplied Cables

Customers are advised to use only Oracle-supplied cables for connections to the InfiniBand switches, including connections to Exadata Database Machine or to other Oracle-supplied engineered systems. Oracle does not certify or validate cables from other sources and cannot provide support for any issues that may arise from use of third-party cables for these rack-to-rack connections.

## 9.3 Cabling Two Racks Together

The following procedure describes how to cable two racks together. This procedure assumes that the racks are adjacent to each other. In the procedure, the existing rack is R1, and the new rack is R2.

**To cable two racks together:**

1. Set the priority of the current, active Subnet Manager Master to 10 on the spine switch, as follows:
  - a. Log in to any InfiniBand switch on the active system.
  - b. Use the `getmaster` command to verify that the Subnet Manager Master is running on the spine switch.
  - c. Log in to the spine switch.
  - d. Use the `disableesm` command to stop the Subnet Manager.
  - e. Use the `setsmpriority 10` command to set the priority to 10.
  - f. Use the `enableesm` command to restart the Subnet Manager.
  - g. Repeat Step 1.b to ensure that the Subnet Manager Master is running on the spine switch.
2. Ensure that the new rack is near the existing rack. The InfiniBand cables must be able to reach the servers in each rack.
3. Completely shut down the new rack (R2).
4. Cable the leaf switch in the new rack according to [Table F-2](#).
5. Shut down leaf switch R1 IB2. This causes all servers to fail over their InfiniBand traffic to R1 IB3.
6. Disconnect all interswitch links between R1 IB2 and R1 IB3.
7. Cable leaf switch R1 IB2 according to [Table F-1](#).
8. Power on leaf switch R1 IB2.
9. Wait for 3 minutes for R1 IB2 to become completely operational.

To check the switch, log in to it and run the `ibswitches` command. The output should show three switches: R1 IB1, R1 IB2, and R1 IB3.
10. Shut down leaf switch R1 IB3. This causes all servers to fail over their InfiniBand traffic to R1 IB2.
11. Cable leaf switch R1 IB3 according to [Table F-1](#).
12. Power on leaf switch R1 IB3.
13. Wait for 3 minutes for R1 IB3 to become completely operational.

To check the switch, log in to it and run the `ibswitches` command. The output should show three switches: R1 IB1, R1 IB2, and R1 IB3.
14. Power on all the InfiniBand switches in R2.
15. Wait for 3 minutes for the switches to become completely operational.

To check the switch, log in to it and run the `ibswitches` command. The output should show six switches: R1 IB1, R1 IB2, R1 IB3, R2 IB1, R2 IB2, and R2 IB3.
16. Ensure that the Subnet Manager Master is running on R1 IB1 by running the `getmaster` command from any switch.
17. Power on all servers in R2.
18. Log in to spine switch R1 IB1, and lower its priority to 8 as follows:

- a. Use the `disableism` command to stop the Subnet Manager.
  - b. Use the `setsmpriority 8` command to set the priority to 8.
  - c. Use the `enableism` command to restart the Subnet Manager.
19. Ensure that the Subnet Manager Master is running on one of the spine switches.  
After cabling the racks together, proceed to configure the racks.

## 9.4 Cabling Several Racks Together

The following procedure describes how to cable several racks together. This procedure assumes that the racks are adjacent to each other. In the procedure, the existing racks are R1, R2,... Rn, the new rack is Rn+1, and the Subnet Manager Master is running on R1 IB1.

You can cable up to 18 racks together without additional switches.

### To cable several racks together:

1. Set the priority of the current, active Subnet Manager Master to 10 on the spine switch, as follows:
  - a. Log in to any InfiniBand switch on the active system.
  - b. Use the `getmaster` command to verify that the Subnet Manager Master is running on the spine switch.
  - c. Log in to the spine switch.
  - d. Use the `disableism` command to stop the Subnet Manager.
  - e. Use the `setsmpriority 10` command to set the priority to 10.
  - f. Use the `enableism` command to restart the Subnet Manager.
  - g. Repeat Step 1.b to ensure that the Subnet Manager Master is running on the spine switch.
2. Ensure that the new rack is near the existing rack. The InfiniBand cables must be able to reach the servers in each rack.
3. Completely shut down the new rack (Rn+1).
4. Cable the leaf switch in the new rack according to the appropriate table in [Multirack Cabling Tables](#). For example, if rack Rn+1 was R4, then use [Table F-9](#).

**▲ Caution:**

Cabling within a live network must be done carefully in order to avoid potentially serious disruptions.

The cabling table that you use for your new InfiniBand topology tells you how to connect ports on the leaf switches to ports on spine switches in order to connect the racks. Some of these ports on the spine switches might be already in use to support the existing InfiniBand topology. In these cases, connect only the cable on the leaf switch in the new rack and stop there for now. Make note of which cables you were not able to terminate.

Do not unplug any cables on the spine switch in the existing rack at this point. Step 5 describes how to re-cable the leaf switches on the existing racks (one leaf switch after the other - while the leaf switch being re-cabled will be powered off), which will free up these currently in-use ports. At that point, you can connect the other end of the cable from the leaf switch in the new rack to the spine switch in the existing rack as indicated in the table.

5. Complete the following procedure for each of the original racks. In these steps, Rx represents a rack number from R1 to Rn.
  - a. Shut down leaf switch Rx IB2. This causes all servers to fail over their InfiniBand traffic to Rx IB3.
  - b. Cable leaf switch Rx IB2 according to [Multirack Cabling Tables](#).
  - c. Power on leaf switch Rx IB2.
  - d. Wait for 3 minutes for Rx IB2 to become completely operational.

To check the switch, log in it and run the `ibswitches` command. The output should show  $n*3$  switches for IB1, IB2, and IB3 in racks R1, R2,... Rn.
  - e. Shut down leaf switch Rx IB3. This causes all servers to fail over their InfiniBand traffic to Rx IB2.
  - f. Cable leaf switch Rx IB3 according to [Multirack Cabling Tables](#).
  - g. Power on leaf switch Rx IB3.
  - h. Wait for 3 minutes for Rx IB3 to become completely operational.

To check the switch, log in to the switch and enter the `ibswitches` command. The output should show  $n*3$  switches for IB1, IB2, and IB3 in racks R1, R2,... Rn.

All racks should now be rewired according to [Multirack Cabling Tables](#).
6. Power on all the InfiniBand switches in Rn+1.
7. Wait for 3 minutes for the switches to become completely operational.

To check the switch, log in to the switch and run the `ibswitches` command. The output should show  $(n+1)*3$  switches for IB1, IB2, and IB3 in racks R1, R2,... Rn+1.
8. Ensure that the Subnet Manager Master is running on R1 IB1 by entering the `getmaster` command from any switch.



9. Power on all servers in R $n$ +1.
10. Log in to spine switch R1 IB1, and lower its priority to 8 as follows:
  - a. Enter the `disableesm` command to stop the Subnet Manager.
  - b. Enter the `setsmpriority 8` command to set the priority to 8.
  - c. Enter the `enableesm` command to restart the Subnet Manager.
11. Ensure that the Subnet Manager Master is running on one of the spine switches by entering the `getmaster` command from any switch.
12. Ensure that the Subnet Manager is running on every spine switch by entering the following command from any switch:

```
ibdiagnet -r
```

Each spine switch should show as running in the Summary Fabric *SM-state-priority* section of the output. If a spine switch is not running, then log in to the switch and enable the Subnet Manager by entering the `enableesm` command.

13. If there are now four or more racks, then log in to the leaf switches in each rack and disable the Subnet Manager by entering the `disableesm` command.

# Part III

## Software Installation and Configuration

An Oracle service representative typically configures the network configuration, and installs and configures the software.

Part III contains the following chapter:

- [Installing the Oracle Big Data Appliance Software](#)

# 10

## Installing the Oracle Big Data Appliance Software

This chapter explains how to install, reinstall, and reconfigure the software on Oracle Big Data Appliance. It contains these sections:

- [About the Mammoth Utility](#)
- [Installation Prerequisites](#)
- [Downloading the Mammoth Software Deployment Bundle](#)
- [Installing the Software on a New Rack](#)
- [Adding Servers to a Cluster](#)
- [What If an Error Occurs During the Installation?](#)
- [Upgrading the Software on Oracle Big Data Appliance](#)
- [Enabling Optional Software Included With the Release](#)
- [Reinstalling the Base Image](#)
- [Installing a One-Off Patch](#)
- [Mammoth Software Installation and Configuration Utility](#)
- [Oracle Big Data Appliance Base Imaging Utilities](#)

### Note:

If you did not enter the required passwords in the Oracle Big Data Appliance Configuration Generation Utility, then you are prompted to enter them during the software installation. Ensure that you know the current passwords for the operating system `root` and `oracle` users, the Cloudera Manager `admin` user, and the MySQL administrator. If you are installing or reinstalling Oracle Big Data Connectors, then you also need the MySQL password for Oracle Data Integrator.

### 10.1 About the Mammoth Utility

Mammoth is a command-line utility for installing and configuring the Oracle Big Data Appliance software. Using Mammoth, you can:

- Set up a cluster for either CDH or Oracle NoSQL Database.
- Create a cluster on one or more racks.
- Create multiple clusters on an Oracle Big Data Appliance rack.
- Extend a cluster to new servers on the same rack or a new rack.

- Update a cluster with new software.

## 10.1.1 About Rolling Upgrades

A rolling upgrade is an upgrade method that avoids cluster downtime.

A rolling upgrade reboots the nodes of a cluster in a sequence that always leaves one node out of three replicas active. This allows the cluster to stay on-line throughout the entire series of reboots. As a result, some (though not all) services of the cluster can remain accessible without interruption during the upgrade. There are brief interruptions for non-redundant services such as HUE, Oozie, and HiveServer2 while the nodes where they run are rebooted. Also, when the MySQL master node is rebooted, Cloudera Manager, Hive, Oozie, and HUE are briefly interrupted.

 **Note:**

Rolling upgrades are not supported in Oracle Big Data Appliance 5.1 because the upgrade to Release 5.1 requires some cluster downtime. During this upgrade, if you are prompted to choose between a rolling upgrade and a conventional upgrade, choose a conventional upgrade.

## 10.2 Installation Prerequisites

The Oracle Enterprise Manager options require software on a remote server on the same network as Oracle Big Data Appliance. Those installations must be complete before you run Mammoth, or it will fail.

Similarly, you must complete several steps for Kerberos if the key distribution center (KDC) is installed on a remote server. There are no preliminary steps if you install the KDC on Oracle Big Data Appliance.

The following list describes the prerequisites for all installation options.

### Auto Service Request Requirements:

- Your My Oracle Support account is set up.
- ASR Manager is up and running.

### Enterprise Manager Requirements:

- Oracle Management System (OMS) version 12.1.0.4.0 or higher is up and running.
- The OMS agent pull URL is working.
- The OMS `emcli` download URL is working.
- Both the HTTPS upload port and the console port are open.

 **Note:**

Double-check the OMS credentials and ensure that you enter them correctly when running Mammoth. Invalid credentials are the primary cause of failure in the Enterprise Manager discovery process.

**MIT Kerberos Requirements for a Remote KDC:**

1. Add `cloudera-scm/admin` as a user to the KDC database by running the following command from `kadmin`:

```
addprinc -randkey cloudera-scm/admin@<REALM NAME>
```

2. Grant `cloudera-scm/admin` all permissions to the Kerberos database. It must be able to add, modify, remove, and list principals from the database.

3. Create the `cmf.keytab` file by running the following command from `kadmin`:

```
xst -k cmf.keytab cloudera-scm/admin@<REALM NAME>
```

4. Move `cmf.keytab` to `/opt/oracle/BDAMammoth`.

5. To support Oozie and Hue, ensure that the remote KDC supports renewable tickets. If it does not, then follow these steps:

- a. Open `kdc.conf` and set values for `max_life` and `max_renewable_life`. The `max_life` parameter defines the time period when the ticket is valid, and the `max_renewable_life` parameter defines the time period when users can renew a ticket.
- b. Set `maxrenewlife` for the `krbtgt` principal. Use the following `kadmin` command, replacing `duration` with the time period and `REALM NAME` with the name of the realm:

```
modprinc -maxrenewlife duration krbtgt/REALM NAME
```

If the KDC does not support renewable tickets when Kerberos is configured, then Oozie and Hue might not work correctly.

**Active Directory Kerberos Requirements for a Remote KDC**

Active Directory Kerberos requirements are documented in MOS (My Oracle Support).

See MOS documents 2013585.1 and 2029378.1.

## 10.3 Downloading the Mammoth Software Deployment Bundle

The Mammoth bundle contains the installation files. Before you install the software, you must use Oracle Big Data Appliance Configuration Generation Utility to generate the configuration files, as described in "[Generating the Configuration Files](#)."

You use the same bundle for all procedures described in this chapter, regardless of rack size, and whether you are creating CDH or Oracle NoSQL Database clusters, or upgrading existing clusters.

 **Note:**

The Mammoth software deployment bundle no longer includes a copy of the base image ISO. If you need the base image at a later time, you can find the download link in the My Oracle Support note referenced below – *Oracle Big Data Appliance Patch Set Master Note (Doc ID 1485745.1)*

**To download the Mammoth bundle:**

1. Locate the download site in either My Oracle Support or Automated Release Updates (ARU):

**My Oracle Support**

- a. Log on to [My Oracle Support](#) and view [Oracle Big Data Appliance Patch Set Master Note \(Doc ID 1485745.1\)](#)
- b. From the list of Mammoth bundles, click the link to the bundle software version for this release.
- c. Find the link to the appropriate Mammoth patch bundle in the table.

**ARU**

- a. Connect to ARU.
  - b. On the Patches page, set Product to Big Data Appliance Integrated Software and Release to the appropriate release number.
  - c. Click **Search**.
2. Download the BDA Mammoth ZIP files to any directory (such as `/tmp`) in the first node of the cluster. Depending on the configuration of the rack, this node can be the first, seventh, or thirteenth server from the bottom of the rack. For multitrack clusters, this server is in the primary rack.

The patch consists of a set of files labeled as follows: `p<patch_number>_Linux-x86-64_<file number>of<total number of files>.zip`

3. Log in to the first node of the cluster as `root`.
4. Extract all files from the all of the downloaded zip files. For example:

```
$ unzip p<patch_number>_Linux-x86-64_1of4.zip
  Archive:  p<patch_number>_<version>_Linux-x86-64_1of4.zip
  inflating: README.txt
  creating: BDAMammoth-ol7-<version>/
  ...
```

5. Change to the `BDAMammoth-<version>` directory:

```
# cd BDAMammoth-ol7-<version>
```

6. Extract all files from `BDAMammoth-<version>.run`:

```
# ./BDAMammoth-ol7-<version>.run
```

```
Big Data Appliance Mammoth v<version> Self-extraction
```

```
Checking for and testing BDA Package in /tmp
```

```
Removing existing temporary files
```

```
Generating /tmp/BDAMammoth.tar
Verifying MD5 sum of /tmp/BDAMammoth.tar
/tmp/BDAMammoth.tar MD5 checksum matches

Extracting /tmp/BDAMammoth.tar to /opt/oracle/BDAMammoth

Extracting Package RPMs to bdarepo
Moving BDAPackages into /opt/oracle/

Extracting BDA Extras

Removing temporary files
.
.
.
Please "cd /opt/oracle/BDAMammoth" before running "./mammoth -i <rack_name>"
#
```

The new version of the Mammoth software is installed in `/opt/oracle/BDAMammoth`, and the previous version (if you are upgrading) is saved in `/opt/oracle/BDAMammoth/previous-BDAMammoth`.

7. Follow the specific instructions for the type of installation you are performing.

## 10.4 Installing the Software on a New Rack

The Mammoth utility installs and configures the software on Oracle Big Data Appliance using the files generated by Oracle Big Data Appliance Configuration Generation Utility. A cluster can be dedicated to either CDH (Hadoop) or Oracle NoSQL Database. Note that CDH and Oracle NoSQL Database cannot operate within the same cluster.

For a CDH cluster, Mammoth installs and configures Cloudera's Distribution including Apache Hadoop. This includes all the Hadoop software and Cloudera Manager, which is the tool for administering your Hadoop cluster. .

For a NoSQL cluster, Mammoth installs Oracle NoSQL Database.

Mammoth can also install some optional Oracle software such as Oracle Big Data Connectors and Oracle Big Data SQL.

In addition to installing the software across all servers in the rack, Mammoth creates the required user accounts, sets the appropriate configuration parameters and starts the services on the cluster.

### 10.4.1 Installing the Software

Follow this procedure to install and configure the software on one or more Oracle Big Data Appliance racks. You can configure one cluster on multiple racks in a single installation.

#### To install the software:

1. Verify that the Oracle Big Data Appliance rack is configured according to the custom network settings described in `/opt/oracle/bda/network.json` (or, `cluster-network.json`). If the rack is still configured to the factory default IP addresses, first perform the network configuration steps described in "[Configuring the Network](#)."

2. Verify that the software is not installed on the rack already. If the software is installed and you want to upgrade it, then use the `mammoth -p` option in Step 6.
3. Download and unzip the Mammoth bundle. You must be logged in as `root` to the first server in the cluster.
4. Change to the `BDAMammoth` directory.

```
# cd /opt/oracle/BDAMammoth
```

5. Copy `cluster_name-config.json` to the current directory.
6. Run the `mammoth` command with the appropriate options. This sample command runs all steps:

```
./mammoth -i rack_name
```

After Mammoth completes Step 3 of the installation, it prompts you to restart, if it upgraded the base image.

7. If you installed support for Auto Service Request, then complete the steps in "[Verifying the Auto Service Request Installation.](#)"
8. To configure another CDH cluster on the server:
  - a. Copy the `BDAMammoth` ZIP file to any directory on the first server of the cluster, which is either server 7 or server 13.
  - b. Repeat Steps 3 to 7. Each cluster has its own `cluster_name-config.json` file. Oracle Big Data Appliance Configuration Generation Utility creates the files in separate directories named for the clusters.



#### See Also:

- "[Downloading the Mammoth Software Deployment Bundle](#)"
- "[About the Configuration Files](#)"
- "[Mammoth Software Installation and Configuration Utility.](#)"



#### Note:

Mammoth stores the current configuration in the `/opt/oracle/bda/install/state` directory. *Do not delete the files in this directory.* Mammoth fails without this information if you must use it again, such as adding a rack to the cluster.

### Verifying the Auto Service Request Installation

1. Log in to My Oracle Support at <http://support.oracle.com>.
2. Search for document ID 2103715.1, *Engineered Systems ASR Configuration Check tool (asrexacheck version 4.x)*, and download the `asrexacheck` script.  
  
Although this check was originally intended for Oracle Exadata Database Machine, it is now supported on Oracle Big Data Appliance.



3. Copy `asrexacheck` to a server in the Oracle Big Data Appliance cluster.
4. Log in to the server as `root`.
5. Copy `asrexacheck` to all servers in the cluster:

```
# dcli -C -f asrexacheck -d /opt/oracle.SupportTools
```
6. Change the file access permissions:

```
# dcli -C chmod 755 /opt/oracle.SupportTools/asrexacheck
```
7. Run the script:

```
# dcli -C /opt/oracle.SupportTools/asrexacheck
```
8. File an Oracle Support Request (SR) to validate the ASR installation. Note the following choices:
  - a. Under "What is the Problem?" click the Hardware tab.
  - b. For Products Grouped By, select Hardware License.
  - c. For Problem Type, select My - Auto Service Request (ASR) Installation and Configuration Issues.
  - d. Include the output of `asrexacheck`.
9. Go back to previous set of steps (**To Install the Software:**) and continue with Step 8.

 **See Also:**

- For information about `dcli`:  
[Executing Commands Across a Cluster Using the `dcli` Utility](#)

## 10.5 What If an Error Occurs During the Installation?

If the Mammoth utility fails, take these steps to resolve the problem:

1. Read the error message to see if it suggests a cause or a resolution.
2. Make the recommended changes and rerun the step.
3. If the error message does not recommend a resolution, or it does not resolve the problem:
  - File a service request (SR) with My Oracle Support.
  - Upload the diagnostic zip file, which Mammoth generates when an error occurs.

 **See Also:**

*Oracle Big Data Appliance Software User's Guide*

## 10.6 Adding Servers to a Cluster

You can use the Mammoth installer to add servers to a cluster.

To add servers to an existing cluster, use the Mammoth Utility to extend the cluster onto the new servers. Do not use the Oracle Big Data Appliance Configuration Generation Utility for this purpose.

### Note:

- A single-rack cluster must always include a minimum of three nodes.
- If the cluster is extended to a second rack, cluster, then the first rack must include a minimum of four nodes.
- The second rack and all subsequent racks within a multi-rack cluster may contribute one to any number of nodes to the cluster.

There is no cluster downtime in this process for either single or multi-rack clusters.

It is not necessary to decommission edge nodes when adding new nodes to an existing cluster.

There is no significant difference between how new server nodes and old nodes are configured. However, when a new node has a larger disk capacity, the data partitions created are correspondingly larger in order to use the entire disk. HDFS handles the fact that some data nodes have more space available than other nodes. Oracle Big Data Appliance performs no additional special configuration.

### See Also:

- ["About Rolling Upgrades"](#)

**To install the software on additional servers in a cluster:**

### Before You Start:

- See ["Mammoth Software Installation and Configuration Utility"](#) for an explanation of the Mammoth `-e` option.
1. Ensure that all servers are running the same software version. The additional servers must not have an Oracle Big Data Appliance base image that is newer than the existing cluster.
  2. Ensure that all racks that form a single Hadoop cluster are cabled together.

3. Connect as `root` to `node01` of the primary rack and change to the `BDAMammoth` directory:

```
cd /opt/oracle/BDAMammoth
```

**Note:** Always start Mammoth from the primary rack.

4. Generate a parameter file for the server group. The following example adds six servers beginning with `node13`:

```
./mammoth -e node13 node14 node15 node16 node17 node18
```

You can also use the `-r` (range) or `-s` (step) options in conjunction with `mammoth -e`, as in:

```
# mammoth -r 1-4 -e newnode1 newnode2 newnode3...
```

```
# mammoth -s 2 -e newnode1 newnode2 newnode3...
```

The servers can be on the same rack or multiple racks.

After Mammoth completes Step 3 of the installation, it prompts you to restart, if it upgraded the base image.

5. If you are using Oracle Enterprise Manager Cloud Control to monitor Oracle Big Data Appliance, then run `rediscovery` to identify the hardware and software changes.

If you have a license for Oracle Big Data Connectors, then they are installed on all nodes of the non-primary racks, although the services do not run on them. Oracle Data Integrator agent still runs on `node03` of the primary rack.

Mammoth obtains the current configuration from the files stored in `/opt/oracle/bda/install/state`. If those files are missing or if any of the services have been moved manually to run on other nodes, then Mammoth fails.

#### See Also:

- ["About Software Version Differences"](#)
- ["Connecting Multiple Oracle Big Data Appliance Racks"](#)

#### About Software Version Differences

All servers configured as one Hadoop cluster must have the same image. A new Oracle Big Data Appliance rack might be factory-installed with a newer base image than the previously installed racks. Use the `imageinfo` utility on any server to get the image version. When all servers of a single Hadoop cluster have the same image version, you can install the software.

To synchronize the new servers with the rest of the Hadoop cluster, either upgrade the existing cluster to the latest image version or downgrade the image version of the new servers.

**To upgrade the image version:**

- Run Mammoth with the `-p` option to upgrade the software on the cluster to the latest version. See "[Upgrading the Software on Oracle Big Data Appliance](#)."

**To downgrade the image version:**

- Reimage the new rack to the older version installed on the cluster.
- Use the old version of the Mammoth utility, which is on the first server of the existing cluster, to extend the cluster onto the new rack.

 **See Also:**

See Oracle Big Data Appliance Installation Frequently Asked Questions (FAQ) (Doc ID 1518939.1) for information about reimaging. [Oracle Big Data Appliance Frequently Asked Questions \(DOC ID 1518939.1\)](#)

## 10.7 Upgrading the Software on Oracle Big Data Appliance

The procedure for upgrading the software is the same whether you are upgrading from one major release to another or just applying a patch set. The procedure is also the same whether your Hadoop cluster consists of one Oracle Big Data Appliance rack or multiple racks.

The process upgrades all components of the software stack including the firmware, Oracle Linux Unbreakable Enterprise Kernel (UEK), CDH, JDK, and Oracle Big Data Connectors (if previously installed).

To upgrade only Oracle Big Data Connectors, and no other components of the software stack, contact Oracle Support for assistance.

Software downgrades are not supported.

 **Note:**

The cluster will be unavailable while the `mammoth` command is executing.

If you are upgrading from a release that did not include high availability Sentry, Mammoth displays a message to notify you that enabling HA for Sentry requires a short shutdown of all Sentry-dependent services.

Currently, Oracle Big Data Appliance software upgrades do not require corresponding upgrades of the InfiniBand or Cisco switches.

### 10.7.1 About the Operating System Versions

This Oracle Big Data Appliance release supports both Oracle Linux 7 for new installations and Oracle Linux 6 for upgrades. Oracle Linux 5 is not supported.

## 10.7.2 Upgrading the Software

Follow the procedures in this section to upgrade the software on an Oracle Big Data Appliance cluster to the current version.

You can upgrade to Oracle Big Data Appliance Release 5.1 directly from Releases 4.12, 4.13, 4.14. See the [Cloudera Enterprise Upgrade Guide](#) for supported Cloudera upgrade paths.

Upgrades to newer CDH major releases are not supported outside of Mammoth. These must be done as part of a full-stack Mammoth upgrade. For example, it is not supported to manually upgrade a CDH 5.13.1 environment to CDH 6.0.1. Nor could you directly upgrade a release such as CDH 5.11 to 5.12.

Minor (third-digit) CDH upgrades to newer maintenance releases within the same major release are supported. For example, you could directly upgrade CDH 5.11 to 5.11.2

### Note:

In Oracle Big Data Appliance 5.1, rolling upgrades (which avoid cluster downtime) are not currently supported. Mammoth upgrades will require cluster downtime.

### See Also:

Before you begin the upgrade steps, review the [Known Upgrade Issues](#)

### 10.7.2.1 Pre-Upgrade Checklist

#### Note:

If you are using Key Trustee Servers that are external to the Oracle Big Data Appliance, you should upgrade the servers where the external Key Trustee Servers are configured *before* upgrading Oracle Big Data Appliance. After the Key Trustee Servers are upgraded, you can work through the Oracle Big Data Appliance cluster upgrade prerequisites and then upgrade the appliance. You must also import the certificates from the external Key Trustee servers. The procedure to do this is included in the steps below.

1. Obtain the list of passwords currently in effect for the cluster. Mammoth will prompt you for these:
  - oracle
  - root
  - Cloudera Manager admin

- MySQL Database admin
2. Disable Oracle Big Data Discovery. This product is not supported in Oracle Big Data Appliance 5.1. The ODI Agent must not be present when you run the upgrade. Uninstall it before upgrading.

```
# bdacli disable bdd
```

3. Uninstall the ODI agent. The Mammoth installation in this release does not install the ODI agent and you will not be able to install the agent via bdacli after the Mammoth installation.  
There is no separate uninstall procedure for the ODI agent. To remove it, uninstall Oracle Big Data Connectors and then reinstall Oracle Big Data Connectors without the agent. You will need to authenticate with the Configuration Manager admin password and the MySQL root password for both operations.

```
# bdacli disable bdc
```

```
# bdacli enable bdc
```

When you enable Big Data Connectors, exclude the ODI agent by responding **n** to this prompt:

```
Do you wish to enable ODI? [y/n]: n
```

After the Mammoth installation, you can separately install the standalone ODI Agent version 12.2.1.4 using the instructions in the [ODI product documentation](#). This version of the agent is certified as compatible with Cloudera 6.

4. Stop and remove the following services before the upgrade. These are no longer supported as of Cloudera Enterprise 6.

```
Accumulo
Sqoop 2
MapReduce 1
Record Service
```

Spark 1.6 is also not supported, but it is automatically removed during the upgrade.

In Oracle Big Data Appliance 4.1, Apache Sentry changed from a file-based provider to the Sentry service. If Sentry as a file-based provider was enabled when you upgrade the cluster, then the file-based provider is retained. To switch to the Sentry service, disable Sentry before you upgrade the software, and then re-enable Sentry afterward.

5. If the cluster has a Solr service, check to ensure that at least one collection exists in that Solr service. Otherwise, either add a collection or remove the service.
6. Stop all Oozie jobs before the upgrade. Failure to do this may cause the upgrade to fail.
7. If you are using external Key Trustee Servers, you should import the external Key Trustee Servers' certificates before starting the upgrade, as follows.  
For the active Key Trustee Server:

- a. Copy the key-trustee certificate `/opt/cloudera/security/x509/hostname.pem` from the active Key Trustee Server to the `/root` directory on the Mammoth node (the node where Mammoth runs, which is usually node0).
- b. On the Mammoth node, run `keytool -importcert -file /root/hostname.pem -keystore /opt/cloudera/security/jks/<cluster_name>.truststore -alias keytrustee_active`. Be sure to include the full path to the truststore. Otherwise, the command will create a new truststore instead of modifying the existing one.

For the passive Key Trustee Server:

- a. Copy the key-trustee certificate `/opt/cloudera/security/x509/hostname.pem` from the active Key Trustee Server to the `/root` directory on the Mammoth node.
- b. On the Mammoth node, run `# keytool -importcert -file /root/hostname.pem -keystore /opt/cloudera/security/jks/<cluster_name>.truststore -alias keytrustee_passive`. Be sure to include the full path to the truststore. Otherwise, the command will create a new truststore instead of modifying the existing one.
- c. On the Mammoth node, run `# dcli -C -f /opt/cloudera/security/jks/<cluster_name>.truststore -d /opt/cloudera/security/jks`
8. If the cluster has KMS and HBase master roles in the same node, you must move the HBase master role to another node. If the KMS and HBase master roles are in the same node an error will occur during the upgrade because both roles are using the same port (16000).
9. If Big Data SQL is installed on the cluster and the cluster is running Oracle Linux 6 (not Oracle Linux 7), then install the Python cryptography module if it is not already present.

On the node where Cloudera Manager runs (usually node3):

- a. Download the `get-pip.py` script.

```
curl https://bootstrap.pypa.io/get-pip.py -o get-pip.py
```

- b. Install pip, using `scl`:

```
scl enable python27 'python get-pip.py'
```

- c. Install the Python cryptography module:

```
scl enable python27 'pip install cryptography'
```

#### Tip:

To verify that the module was installed you can run: `scl enable python27 'python -c "import cryptography"'` and then check that the return code is 0.

## 10.7.2.2 Using the Mammoth "step" and "range" Options in Upgrades

Several Mammoth installer options are supported for use with upgrades.

The Mammoth "step" (-s) and "range" (-r) parameters are options that can be used in combination with the standard `mammoth -p` command.

- `mammoth -s <n> -p`  
Run the specified Mammoth upgrade step only.
- `mammoth -r <n>-<n> -p`  
Run Mammoth upgrade steps in the range of *n* through *n*

One situation in which these options can be useful is when the maintenance window available for upgrade may be insufficient to run a complete upgrade. You can safely complete a single upgrade step or range of steps and then resume the upgrade at a later time.

The table below shows the upgrade steps. Provide the appropriate step number values to -s or -r in a Mammoth upgrade command.

**Table 10-1 Upgrade Steps**

| Step    | Description                                  |
|---------|----------------------------------------------|
| 1       | Pre-checks and pre-configuration for upgrade |
| 2       | Operating system upgrade                     |
| 3 and 4 | Cloudera Manager upgrade                     |
| 5       | CDH upgrade                                  |
| 6       | Big Data Appliance software upgrade          |
| 7       | Start Cloudera services                      |
| 8       | Start Cloudera services                      |

### Examples

- Run the pre-checks and upgrade the OS only:  

```
# mammoth -r 1-2 -p
```
- Upgrade Cloudera Manager only:  

```
# mammoth -r 3-4 -p
```
- Upgrade CDH only:  

```
# mammoth -s 5 -p
```
- Start Cloudera services:  

```
# mammoth -s 7 -p
```
- Upgrade Big Data Manager and do final cleanup:  

```
# mammoth -s 8 -p
```



### 10.7.2.3 Upgrading to the Current Software Version

Making sure cluster services are healthy before upgrade, and especially after reboot is very important.

Upgrade the Oracle Big Data Appliance software to the current software version as follows. This is a summary. Refer to Doc ID 2101906. in [My Oracle Support](#) for details, including prerequisites, further information on the steps below, and known issues.

1. Download and unzip the Mammoth bundle, as described in "[Downloading the Mammoth Software Deployment Bundle](#)." You must be logged in as `root` to node 1 of the primary rack.

2. Change to the `BDAMammoth` directory.

```
# cd /opt/oracle/BDAMammoth
```

3. How you start the upgrade depends on whether or not Solr is installed within the cluster.

- If there is no Solr service in the cluster, then start the upgrade with the `mammoth-p` command :

```
# ./mammoth -p
```

- If a Solr service is present, run the first four steps using the Mammoth range option (`-r`) to stop temporarily after Step 4.

```
# mammoth -p -r 1-4
```

When Step 4 is complete and before proceeding further with the upgrade, go to <http://tiny.cloudera.com/cm-cdh6-preupgrade-solr-6> and work through the Solr pre-upgrade steps documented by Cloudera.

After you have completed the steps provided by Cloudera, continue with the Oracle Big Data Appliance upgrade without specifying a range.

```
# ./mammoth -p
```

Mammoth automatically upgrades the base image if necessary.

4. After all nodes reboot, perform the following checks.

- a. Check uptime.

```
# dcli -C uptime
```

- b. Check `/root/BDA_REBOOT_SUCCEEDED`.

```
# dcli -C ls -ltr /root/BDA_REBOOT_SUCCEEDED
```

**Note:** If there is no `BDA_REBOOT_SUCCEEDED`, check for `/root/BDA_REBOOT_*` and `/root/bda_reboot_status`.

- c. Verify that the kernel and JDK are upgraded.

```
# dcli -C uname -a  
# dcli -C java -version
```

- d. Check that all Cloudera Configuration Manager services are healthy. You may need to manually restart some services.

 **Note:**

During any upgrade, it is **crucial that all services in CM are healthy after the reboot before you continue**. Unhealthy services may result in upgrade failures.

Oracle Big Data SQL is exception to this. During an upgrade from any Oracle Big Data Appliance 4.x release to 5.1, if Big Data SQL is already installed, the BigDataSQL service in CM will initially show bad health after a reboot. This is expected and will be automatically corrected in every case later in Mammoth upgrade. You can opt to correct it immediately by using Big Data SQL's Jaguar utility as explained in [Known Upgrade Issues](#).

5. After the reboot and the post reboot checks, log on to node 1 of the primary rack and rerun `mammoth -p` in order to resume the upgrade.

```
# cd /opt/oracle/BDAMammoth
# ./mammoth -p
```

6. When the upgrade is complete, perform the post-upgrade validation steps described in the MOS document (2101906.1).

## 10.7.2.4 Known Upgrade Issues

There are errors that may occur during the upgrade.

### Failure to Disable Oracle Big Data Discovery or the ODI (Oracle Data Integrator) Agent

As mentioned in the section, there are products and services that must be disabled or removed prior to the upgrade. If you did not disable Oracle Big Data Discovery or the ODI agent prior to the upgrade, you will see this message during the upgrade:

```
BDA version and Mammoth version are not the same: BDA-5.1.0
Mammoth-4.12.0
```

Ordinarily, you would run `bdacli` commands to disable these components, but an attempt to do so in this situation returns one of these error message.

```
ERROR: Big Data Discovery is not supported for this BDA version.
```

```
ERROR: Oracle Data Integrator is not supported for this BDA version.
```

The workaround is to temporarily revert to the previous version of the Mammoth software and then use `bdacli` to disable Oracle Big Data Discovery and/or the ODI agent. When that is done, switch back to the newly installed Mammoth software. We can do this because the previous version of Mammoth is not deleted by the upgrade. It is stored at `/opt/oracle/BDAMammoth/previous-BDAMammoth`.

Follow this procedure:

1. Uninstall the new Oracle Big Data Appliance RPM that was installed by the upgrade. For example:

```
# rpm -e bda-5.1.0-1.el6.x86_64
```

2. Move the `BDAMammoth` directory that was newly created by the upgrade to a backup location. For example:

```
# mv /opt/oracle/BDAMammoth/ /opt/oracle/BDAMammoth_v5
```

3. Copy and rename the `previous-BDAMammoth` directory (the backup that Mammoth created) to `/opt/oracle/BDAMammoth`:

```
# cp -pR /opt/oracle/BDAMammoth_v5/previous-BDAMammoth/ /opt/oracle/BDAMammoth
```

4. Change directories to `/opt/oracle/BDAMammoth/bdarepo/RPMS/x86_64` and re-install the previous (pre-upgrade) Oracle Big Data Appliance RPM. For example:

```
# rpm -ivh bda-4.12.0-2.el7.x86_64.rpm
```

5. Now try again to disable Oracle Big Data Discovery or the ODI agent:

```
# bdacli disable bdd
```

 **Note:**

There is no `bdacli` command to disable the ODI agent alone. You must uninstall Oracle Big Data Connectors and then reinstall it without the ODI agent. You can find the commands for this in the [Pre-Upgrade Checklist](#)

6. If the removal succeeds, then switch back to the new Mammoth software. First, delete the temporary installation of the old software at `/opt/oracle/BDAMammoth` and then move and rename the archive of the new directory back to `/opt/oracle/BDAMammoth`:

```
# rm -rf /opt/oracle/BDAMammoth
```

```
# mv /opt/oracle/BDAMammoth_v5 /opt/oracle/BDAMammoth
```

You do not need to uninstall the old Big Data Appliance RPM and reinstall the newer one. The upgrade will do this. Now you can resume the upgrade:

```
# mammoth -p
```

### Error Reported When HBase and Kerberos Key Management Server are on the Same Node

As mentioned in the pre-upgrade checklist, in CDH 6, KMS and HBase by default both use port 16000. Therefore, if both are running on the same node, an "Address already in use" error will occur during the upgrade. You can see this error in the

Cloudera Manager Admin Console. In the console, click the indicator that shows the number of running commands. Click **All Recent Commands** and search for the latest execution of the `Upgrade Cluster` command.

Look for this error message:

```
java.lang.RuntimeException: Failed construction of Master
Caused by:
org.apache.hbase.thirdparty.io.netty.channel.unix.Errors$NativeIoException: bind(..) failed: Address already in use
```

To fix this error, change the HBase Master port. In Configuration Manager, navigate to `HBase->configuration` and change the value of `hbase.master.port`. Check that the port number you assign is not already in use.

Run `mammoth -p` to continue the upgrade after resolving this conflict.

### Expected Error at Upgrade Step 5 (CDH Upgrade) if Solr is Already Installed on the Cluster

This error will always occur if CDH 5 Solr or earlier is present on the pre-upgrade system.

```
ERROR: This is an expected error.
The Apache Solr version in Cloudera Search in CDH 5 is incompatible
with the Solr version in CDH 6.
Please, follow the documentation to fix this issue before continue with
the upgrade.
```

The error message refers to the Cloudera documentation. See [Migrating Cloudera Search Configuration Before Upgrading to CDH 6](#). After completing the Cloudera instructions, run `mammoth -p` to continue.

### Error Starting the YARN ResourceManager at Step 5

This intermittent error may be logged in Cloudera Manager under **Recent commands->Upgrade Cluster**.

```
Error starting ResourceManager
org.apache.hadoop.service.ServiceStateException:
org.apache.zookeeper.KeeperException$NoAuthException:
KeeperErrorCode = NoAuth for /yarn-leader-election/yarnRM/
ActiveStandbyElectorLock
```

You can fix the problem by removing `/yarn-leader-election` and `/rmstore/ZKRMStateRoot` in ZooKeeper

To do this, add the `super-auth` key to ZooKeeper. You can use Java to obtain a digest that you then use to temporarily define a superuser within the ZooKeeper configuration options in Configuration Manager. You can then use that superuser to remove `/yarn-leader-election` and `/rmstore/ZKRMStateRoot`.

1. First, run this command to return the digest needed to enable the ZooKeeper superuser with the password of your choice:

```
java -classpath zookeeper.jar:lib/*
org.apache.zookeeper.server.auth.DigestAuthenticationProvider
super:cloudera
```

The command returns the digest. For example: super:cloudera-  
>super:cY+9eK20soteVC3fQ83SXDvwlP0=

2. In Configuration Manager, go to Zookeeper service configuration -> Java Configuration Options for ZooKeeper Server.
3. Append the following string to the configuration options. **Important:** *Be sure that you do not overwrite any existing options.*

```
-Dzookeeper.DigestAuthenticationProvider.superDigest=<The required
digest>
```

For example, using the digest returned in the first step:

```
-
Dzookeeper.DigestAuthenticationProvider.superDigest=super:cY+9eK20so
teVC3fQ83SXDvwlP0=
```

4. Save the changes and restart the ZooKeeper service.
5. Use the ZooKeeper client to SSH into one of the Hadoop nodes and run the three commands below:

```
zookeeper-client -server zk_host:2181
addauth digest super:cloudera
rmr /yarn-leader-election
rmr /rmstore/ZKRMStateRoot
```

6. Restart the YARN service.
7. Remove `-Dzookeeper.DigestAuthenticationProvider.superDigest` from Zookeeper service configuration -> Java Configuration Options for ZooKeeper Server.
8. Save your changes and then restart the ZooKeeper service.
9. Resume the upgrade:

```
# mammoth -p
```

 **Tip:**

These instructions consistently tell you to use `mammoth -p` to resume the upgrade. If you prefer, you can also resume the upgrade through Configuration Manager (In CM, go to **All recent commands**, find **Upgrade CDH Cluster**, and click the **Resume** option.) These methods are equivalent, but with `mammoth -p` you will be able to more quickly see any errors that may occur.

### Configuration Manager Shows That BigDataSQL Health is Bad After Node Reboots

This issue occurs in every case if Oracle Big Data SQL is already installed prior to the upgrade. After the reboot of each node during the upgrade, Cloudera Configuration Manager will indicate that the health of the BigDataSQL service is bad. This is expected and occurs only because `JAVA_HOME` has changed. The correction occurs later in the upgrade process and BigDataSQL is then restored to good health. In some cases you may not want to wait for the automatic restore to good health, for example, if you are performing the upgrade across several maintenance windows. You can manually restore the BigDataSQL service to good health by using the Big Data SQL Jaguar utility. The Jaguar `reconfigure` operation corrects the problem.

```
# ./jaguar reconfigure <myconfigfilename>.json
```

The default path and configuration file is `/opt/oracle/BDSjaguar/bds-config.json`. However, the person who installed Big Data SQL may have set up a different path and used a different file name. Search for the `BDSjaguar` directory. You will find the configuration file there. No changes to the configuration file are required in order to fix the service health issue.

 **See Also:**

About the Jaguar Utility in the *Oracle Big Data SQL Installation Guide* provides more information about the Jaguar utility and the `reconfigure` operation.

## 10.7.2.5 Known Post-Upgrade Issues

The following issues may arise after the upgrade.

### Warning About Required Psycopg2 Version

If you run the Cloudera Manager Host Inspector after the upgrade, you will see the following warning:

```
Warning: Starting with CDH 6, PostgreSQL-backed Hue requires Psycopg2
version to be at least 2.5.4
```

This is expected. The warning is harmless, because Big Data Appliance clusters use a MySQL database, not PostgreSQL.

## 10.7.2.6 Performing Parcel Upgrades Outside of the One-Off Patch Mechanism

Oracle one-off patches for Oracle Big Data Appliance software are by definition supported. Parcel upgrades that are not part of a one-off patch are unsupported unless affirmed by Oracle Support.

Mammoth bundles include a recent version of the parcel for Cloudera's Distribution including Apache Hadoop (CDH). However, CDH is released on Cloudera's schedule and sometimes a newer CDH release than the one in the current Mammoth bundle may be available. A new CDH version may be supported for integration with the current Oracle Big Data Appliance release. Consult with Oracle Support if you have questions.

## 10.8 Migrating from Oracle Linux 6 to Oracle Linux 7

If you want to extend existing Oracle Linux 6 clusters with X7-2L servers, then consider upgrading the cluster to Oracle Linux 7. These two latest servers models are shipped with Oracle Linux 7 installed. Oracle Linux 6 clusters do not support Oracle Linux 7 nodes.

This upgrade is for CDH clusters only. It does not apply to Oracle NoSQL Database clusters.

The cluster must already be at Oracle Big Data Appliance 5.1 before you can start the migration to Oracle Linux 7.

### The Operating System Migration in This Release Requires Two Patches

1. [Patch 30459890: ORACLE BIG DATA APPLIANCE MAMMOTH DEPLOYMENT BUNDLE V5.1.0 FOR ORACLE LINUX 7](#)
2. The latest Oracle Big Data Appliance Base Image (v4.10.0-11 or later) for Oracle Linux 7. This image includes support for migration from Oracle Linux 6 to Oracle Linux 7.  
<https://support.oracle.com/epmos/faces/PatchDetail?patchId=28218768>

### Estimating Time Required for the Migration

The total time to perform the cluster-wide Oracle Big Data Appliance Mammoth upgrades and then the per-node OS migration can be substantial. The main factors are the size of the cluster and the server model of the nodes.

The migration may take three to four hours for a slave node. For a master node, the process may take five hours or more, depending on the size of the MySQL database.

### About Migrating Multiple Nodes at the Same Time

It is not possible to migrate more than one critical node at a time. (Critical nodes are Node0 to Node3.)

It is possible to migrate two non-critical nodes (but no more than two) at the same time, with this constraint:

- For the first pair of nodes being migrated, the execution of `bdarestorenode.sh` must complete on the first node before you can start the run of `bdarestorenode.sh` on the second node.

In general, it is recommended to avoid running `bdarestorenode.sh` more than once at the same time within the cluster. However you can run `bdadumpnode.sh`, `bdareimagenode.sh`, and perform other steps in the process concurrently on two non-critical nodes.



**Note:**

While the migration is on-going, some nodes will be running on Oracle Linux 7 and others will still be running on Oracle Linux 6. It is safe to continue to use the cluster during this time. However, do not add new services to the cluster while the upgrade is in progress.

## 10.8.1 Important Considerations

Here are some things you should know before you start the upgrade.

### **The OS Upgrade Uses the Latest Oracle Big Data Appliance Base Image**

You will need to download the latest Oracle Big Data Appliance base image for Oracle Linux 7 (4.10.0-12 or above ), either directly to each node or to a location in the cluster where you can then copy the image to each node. In this process, you unzip the base image on each node, but do not install it. The OS upgrade leverages some functionality that is available in the base image.

### **Only Mammoth-Installed Software is Migrated**

The OS upgrade process does not back up and does not migrate software that was not installed by Mammoth, the Big Data Appliance installation utility.

If you have installed third-party software products outside of the Mammoth installation mechanism, then you must make separate provisions for backing up and restoring or reinstalling such software after the upgrade. This includes Oracle software that is not installed by Mammoth as well as Cloudera software that may be included in the Mammoth software deployment bundle for your convenience, but is not installed by Mammoth (such as Kudu and Kafka).

Also, Oracle Linux modules added by the customer to Oracle Linux 6 kernel are not migrated to the Oracle Linux 7 installation.

### **On Each Node, Roles That are not Installed by Mammoth Must be Removed Prior to the Upgrade of the Node**

Before starting the upgrade on each node, use Cloudera Manager to find the roles running on the node. Be sure to remove all roles not installed by Mammoth, otherwise the upgrade may not succeed.

### **File Backup Considerations**

The process generates a list of essential files to be backed up. You can add your own list as well.

HDFS data is preserved in the upgrade.



It is the customer's responsibility to separately back up any non-HDFS data that should be preserved prior to the migration. It is strongly recommended to back up all files that are not stored in HDFS.

### Service Interruptions During the Upgrade

The upgrade of critical nodes (generally nodes 1 to 4) will necessarily include temporary interruptions of important services, but at no point does it shut down the entire cluster. Jobs that are in process can continue to run. Hadoop functionality remains partially or mostly available. The specific service outages at any point in the process depend upon which services and roles are running on the node that is currently undergoing upgrade.

Because of the three-factor replication of data on Oracle Big Data Appliance, there is no loss of service during the upgrade of non-critical nodes (nodes which primarily store data). Ensure that the replication factor is set to 3 (the default) on the cluster. If it is not, then data on a node undergoing the upgrade may be temporarily unavailable.

The distribution of services and roles across nodes of single-rack and multirack clusters include some differences. Since services running on a node are unavailable while the node is undergoing upgrade, this may be a factor in how you order and schedule the upgrade on the nodes of the cluster. Other than this, there are no special considerations in the upgrade process for single-rack versus multirack clusters.

### Security Setups are Preserved

Kerberos security configurations as well as HDFS Transparent Encryption and HTTPS/Network Encryption are preserved in the upgrade.

Cloudera Manager roles are retained in the upgrade.

### The MySQL Database is Preserved

In the upgrade steps on each node, you run the `bdadumpnode.sh` script to preserve information on the node. On the node where the MySQL database runs (generally on Node3), this includes a dump of the MySQL database. If you want to do an additional dump of the database, then do so immediately before beginning the upgrade on Node3. Ensure that the database state in the manual dump is consistent with the automatic dump performed by the upgrade. Store the manual dump in a separate location on another node.

### Run Health Checks After Each node Upgrade and Rebalance Loads if Needed

After the upgrade has completed on each node, recheck cluster health (`mammoth -c`) and via the Cloudera Manager web console recheck services health status.

During the OS upgrade, HDFS data on the node being upgraded is automatically replicated to other nodes. If the nodes receiving the replicated data are already under heavy load, then in CM, the replication may trigger a yellow "Concerning health" indicator for some DataNode roles.

If this situation occurs, then before proceeding to the next upgrade run HDFS Balancer in CM. If over-utilization is the cause of the yellow warning indicator, then rebalancing should clear it.

1. In Configuration Manager, go to the HDFS service.
2. Select **Actions** and then select **Rebalance**.

3. Click **Rebalance** to continue.



#### Note:

Depending on data volume, rebalancing may take many hours.

#### If Oracle Big Data Connectors is enabled, then ORAAH may not work after the upgrade

The solution is to disable and then re-enable Oracle Big Data Connectors after the upgrade. You will need to authenticate with the Configuration Manager admin password and the MySQL root password for both operations.

```
# bdacli disable bdc
# bdccli enable bdc
```

When you re-enable Big Data Connectors, note that Big Data Appliance 5.1 does not support the ODI agent. At the following prompt, enter **n** :

```
Do you wish to enable ODI? [y/n]: n
```

#### Errors That You May Encounter During Node Reimaging

- `bdareimagenode: Preparing internal USB disk failed`  
If you see this error, do the following:
  1. Reboot the node.
  2. Run `lsscsi` to check that the disks are in the correct order.
  3. Run `mount -l` to verify the mounted HDFS partitions. Check for anomalies.
  4. Repeat the reimaging of the node:
 

```
# ./bdareimagenode.sh | tee /path_to_log/bdareimagenode.log
```
- `cp: writing `/tmp/bdausbmnt/boot/upgrade.img': No space left on device`  
When re-imaging a server with a 4 GB USB drive, this error is recorded in the log file `bdareimagenode-prepare-usb.out`. This expected error is harmless and you can ignore it. The file `upgrade.img` and all files after it are not needed by the reimaging process.

## 10.8.2 Prerequisites for Migrating to Oracle Linux 7

Be sure that these prerequisites are met before proceeding with the migration.

- **The Cluster Software Level Must be Oracle Linux 6 on Oracle Big Data Appliance 4.13.0 or Greater**
- **Disable or Uninstall Oracle Big Data SQL**

If Oracle Big Data SQL is installed, you must uninstall the Hadoop side of the installation before performing the OS upgrade on any nodes. It is not necessary to uninstall the database server side of the installation. Although the database side can remain intact during the OS upgrade on the Hadoop cluster, queries

against data in Hadoop will not work while the upgrade is in progress and until you re-enable Big Data SQL in the cluster.

- For Oracle Big Data SQL 3.2 and later, use the following `bdacli` command to disable this Oracle Big Data SQL across the cluster:

```
# bdacli disable big_data_sql
```

- If an earlier version of Oracle Big Data SQL is installed use the `setup-bds` command with the `uninstall` parameter and the same version of the configuration file that was used to perform the installation:

```
# ./setup-bds uninstall bds-config.json
```

 **Tip:**

If you are not sure which method to use, you can safely try `bdacli disable big_data_sql`. If this command fails, then it is likely that the software was installed using `./setup-bds`.

If you have not removed Oracle Big Data SQL, before the OS upgrade, the process displays a message stating that you must remove Oracle Big Data SQL and then terminates with an error.

Reinstall Big Data SQL on the Hadoop cluster and reconnect with the database side of the installation after the upgrade. If there are connectivity problems after reinstalling Oracle Big Data SQL on the Hadoop cluster, you can try reconfiguring the installation on the database server to bring the two sides back into alignment. See `./bds-database-install.sh --reconfigure` in the Oracle Big Data SQL Installation Guide.

- **Uninstall eCryptfs if it is in use**

Early versions of Oracle Big Data supported the use of eCryptfs, but support for this encryption method was deprecated in later versions. Upgrade of nodes that use eCryptfs encryption is not supported.

If you have not removed eCryptfs, the OS upgrade displays a message stating that you must remove them and then terminates with an error.

You can re-encrypt the data with HDFS Transparent Encryption before or after the migration.

HDFS Transparent Encryption and HTTPS / Network Encryption are not affected by the OS upgrade.

## 10.8.3 Oracle Linux 6 to Oracle Linux 7 Migration Steps

This is the procedure for upgrading a cluster from Oracle Linux 6 to Oracle Linux 7.

If you have not already done so, review previous sections in this chapter:

- [Important Considerations](#)
- [Prerequisites for Migrating to Oracle Linux 7](#)

Pay special attention to requirement to preserve critical information on another node prior to the reboot step.

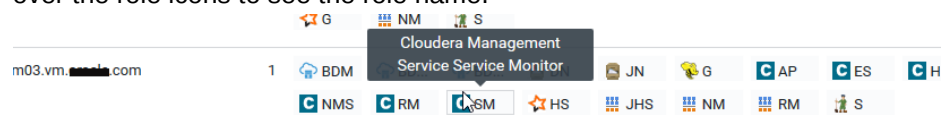
1. As root, run `mammoth -c` to check cluster health. Resolve issues that might interfere with the operating system upgrade before proceeding further.
2. On the "Mammoth node" (where Mammoth runs, usually the first node of the cluster), download the Mammoth OL7 bundle that matches the release of Big Data Appliance currently running on OL6 to `/tmp` and unzip it. For example, if you are running Big Data Appliance 5.2, download and unzip [Patch 30459890: ORACLE BIG DATA APPLIANCE MAMMOTH DEPLOYMENT BUNDLE V5.1.0 FOR ORACLE LINUX 7](#).
3. Change to the `BDAMammoth` directory and run `BDAMammoth*.run` the with `osupgrade` flag. For example:

```
# ./BDAMammoth-CDH-ol7-5.1.0.run -osupgrade
```

4. On each node of the cluster, perform the following steps. Work through the nodes one at a time. Start with the non-critical DataNodes, generally Node5 and higher. End with the Mammoth node (usually Node1). This is the most significant critical node.
  - a. On the node, remove the Hadoop roles that are part of any services not managed by Mammoth. This includes, Sqoop gateway roles.

Roles managed by Mammoth are HDFS, Impala, Sentry (as long as `bdacli getinfo cluster_sentry_enabled` returns `true`), Spark, Spark2, YARN, Hive, HUE, Oozie, and Zookeeper." Mammoth also manages Management Service roles. All of these should remain, with the exception of any extra Management Service roles that were added manually. These Management Service roles should be removed.

**TIP:** In Cloudera Manager go to **Hosts>Roles**. Hover over the role icons to see the role name.



Temporarily delete roles the roles not managed by Mammoth. It is not sufficient to stop these roles. You can restore them after the upgrade.

- b. Download patch [28218768](#), which contains the Oracle Big Data Appliance base image. Unzip the archive into `/root`.
- c. Review all of the files in `/root/<BDABaseImageVersion>/osupgrade_filelist`. These are the files and directories that the upgrade has predetermined should be saved. Create your own file list at `/opt/oracle/BDAMammoth/bdaconfig/tmp/my_filelist` if you want to preserve more files or directories.
- d. Change to the extracted `BDABaseImage` directory. From there, run `./bdadumpnode.sh`.
- e. In the output of `bdadumpnode.sh`, find the backup directory path that will be used. You can see it immediately after the message, "Backup directory selected". Note down the backup directory. You will need it later in these steps.
- f. From the extracted `BDABaseImage` directory, run `# ./bdareimagenode.sh`. Again, save the output to a log.

```
# ./bdareimagenode.sh | tee /path_to_log/bdareimagenode.log
```

Also check `/tmp/bdareimagenode-prepare-usb.out` to verify that the script ran without errors.

- g. Do the following to preserve critical information before the reboot in the next step:

### ⚠ Caution:

To reduce the risk of data loss, you are strongly recommended to take these steps.

1. Check to ensure that the label `DO_NOT_WIPE` is set on `/dev/sda4`. If it is not, set it with this command.

```
e2label /dev/sda4 DO_NOT_WIPE
```

2. Save the following information to a location within HDFS on a different node.

### 💡 Tip:

It is best to store this information in HDFS on another Hadoop node, since the default three-factor replication will automatically copy it to two other nodes as well. (If you store the information outside of HDFS, then you won't get the extra protection provided by this replication.)

- A backup copy of the entire `/u*/osupgrade_backup` directory after `bdadumpnode.sh` has completed. Do this in addition to including the same directory in the local `/opt/oracle/BDAMammoth/bdaconfig/tmp/my_filelist`. Taking both steps provides extra protection. All directories not in `osupgrade_filelist` or `my_filelist` will be deleted and not preserved
- The logs of the `bdadumpnode.sh` and `bdareimagenode.sh` output in the previous steps.
- Backups of the output of `blkid`, `df -h`, and the `lsblk` command shown below:

```
# blk > <nodename>_blk.log
```

```
# df -h > <nodename>_df-h.log
```

```
# lsblk --output NAME,MOUNTPOINT,LABEL,PARTLABEL >
<nodename>_lsblk.log
```

- h.** After saving critical information, reboot the server:

```
# reboot
```
- i.** After the node has finished reimaging and is back online, log in and run `uname -r` to confirm that the OS is now at Oracle Linux 7.

Then, check for `/root/BDA_IMAGING_*`. If this directory exists, then reimaging has succeeded.
- j.** If there are no indications of errors, then reboot the server again.

After the reboot is complete, check for the existence of `/root/BDA_REBOOT_*` to confirm that the reboot succeeded. (It is normal for these files to be empty.)
- k.** After reimaging is complete and the server has rebooted, execute this script:

```
# /root/Extras/bdarestorenode.sh
```

Ensure that this script completes successfully.
- l. Optional Step:** Check [After Oracle Linux 6 to Oracle Linux 7 Migration on BDA 5.1.0, the Oracle Linux OL7 RPMs are Not the Same as on a New or Upgraded BDA v5.1.0 Cluster \(Doc ID 2677625.1\)](#) for optional RPM updates.
- m.** Perform any server-specific customizations or third-party software installations needed on this node.
- n.** Log on to the next node. Repeat the process on all non-critical nodes, and then on the critical nodes. Leave the "Mammoth node" until last. This is the node where Mammoth runs, usually Node1.
- 5.** Log on to the Mammoth node (again, usually Node1) and complete the same steps above. Be sure to run `/root/Extras/bdarestorenode.sh` as the last step.
- 6.** Do a final check of cluster health:

```
# mammoth -c
```

## 10.8.4 Output Examples From Oracle Linux 6 to Oracle Linux 7 Migration

The following examples are provided to show you expected output from operations performed during the migration to Oracle Linux 7. There may be some differences between these examples and the output you observe on your own systems.

### **bdadumpnode.sh**

```
# ./bdadumpnode.sh
bdadumpnode: working directory           : /root/BDABaseImage-
o17-4.10.0_190314
Enter CM admin password:
Enter CM admin password again:

bdadumpnode: CM REST API version        : v19
Enter MySQL root password:
Enter MySQL root password again:

bdadumpnode: required disk space(1K blocks) : 18163
bdadumpnode: Backup directory selected   : /u01/osupgrade_backup
```

```

bdadumpnode: HDFS Transparent Encryption is enabled on this cluster
bdadumpnode: Stopping all hadoop roles on host : <node name>13
bdadumpnode: Succeeded. Output in : /opt/oracle/BDAMammoth/
bdaconfig/tmp/cm_commands.out
bdadumpnode: Succeeded. Output
in : /opt/oracle/BDAMammoth/bdaconfig/tmp/hosts_7634f839-f511-44d7-b2dd-
a991230291b_view_full_1552690645.out
bdadumpnode: Stopping yarn - yarn-
NODEMANAGER-2bb159eb8269eec214d88ac80364bf9a
bdadumpnode: Succeeded.
Output in : /opt/oracle/BDAMammoth/bdaconfig/tmp/
clusters_scajvm_services_yarn_roleCommands_stop_1552690646.out
bdadumpnode: Command 1613 finished after 5 seconds
bdadumpnode: Operation completed successfully
bdadumpnode: Stopping hdfs - hdfs-
DATANODE-2bb159eb8269eec214d88ac80364bf9a
bdadumpnode: Succeeded.
Output in : /opt/oracle/BDAMammoth/bdaconfig/tmp/
clusters_scajvm_services_hdfs_roleCommands_stop_1552690654.out
bdadumpnode: Command 1616 finished after 5 seconds
bdadumpnode: Operation completed successfully
bdadumpnode: Stopping Cloudera Manager Agent and Server on host : <node
name>13
Stopping cloudera-scm-agent: [60G[[0;32m OK [0;39m]
bdadumpnode: Backing up files on host : <node name>13
bdadumpnode: Copying : /etc/auto_direct_bda
bdadumpnode: Copying : /etc/auto.master
bdadumpnode: Copying : /etc/cloudera-scm-agent
bdadumpnode: Copying : /etc/cloudera-scm-server
bdadumpnode: Copying : /etc/dnsmasq.conf
bdadumpnode: Copying : /etc/exports
bdadumpnode: Copying : /etc/group
bdadumpnode: Copying : /etc/hosts
bdadumpnode: Copying : /etc/my.cnf
bdadumpnode: Copying : /etc/passwd
bdadumpnode: Copying : /etc/puppet
bdadumpnode: Copying : /etc/resolv.conf
bdadumpnode: Copying : /etc/shadow
bdadumpnode: Copying : /etc/ssh
bdadumpnode: Copying : /etc/yum.conf
bdadumpnode: Copying : /etc/yum.repos.d/bda.repo
bdadumpnode: Copying : /home
bdadumpnode: Copying : /opt/cloudera/csd
bdadumpnode: Copying : /opt/cloudera/security
bdadumpnode: Copying : /opt/exportdir
bdadumpnode: Copying : /opt/hadoop
bdadumpnode: Copying : /opt/oracle/bda/bin/krb5prop.sh
bdadumpnode: Copying : /opt/oracle/bda/cluster-hosts-
infiniband
bdadumpnode: Copying : /opt/oracle/bda/.imagehistory
bdadumpnode: Copying : /opt/oracle/bda/install/log
bdadumpnode: Copying : /opt/oracle/bda/install/state
bdadumpnode: Copying : /opt/oracle.cellos
bdadumpnode: Copying : /opt/oracle.ExaWatcher
bdadumpnode: Copying : /opt/oracle/odiagent

```

```

bdadumpnode: Copying                : /opt/oracle.oswatcher
bdadumpnode: Copying                : /opt/oracle/
oxh-4.9.1-1.cdh5.0.0
bdadumpnode: Copying                : /root/.ssh
bdadumpnode: Copying                : /usr/java/default/jre/lib/
security/local_policy.jar
bdadumpnode: Copying                : /usr/share/java/mysql-
connector-java-commercial-5.1.34-bin.jar
bdadumpnode: Copying                : /usr/share/java/mysql-
connector-java.jar
bdadumpnode: Copying                : /var/lib/cloudera-scm-agent
bdadumpnode: Copying                : /var/lib/cloudera-scm-navigator
bdadumpnode: Copying                : /var/lib/cloudera-scm-server
bdadumpnode: Copying                : /var/lib/oozie
bdadumpnode: Copying                : /var/lib/puppet
bdadumpnode: Copying                : /var/lib/zookeeper
*****
bdadumpnode: Node dump completed successfully on host : <node name>l3
*****

```

### **bdareimagenode.sh**

```

# ./bdareimagenode.sh
bdareimagenode: Using BDABaseImage-ol7-4.10.0_190314.iso to reimage
this node
BDABaseImage-ol7-4.10.0_190314.iso: OK
bdareimagenode: Using node nr          : 13
bdareimagenode: Using network files: /opt/oracle/bda/rack-network.json
& /opt/oracle/bda/cluster-network.json
bdareimagenode: Running makebdaimage...
bdareimagenode: Resetting disk labels of data partitions to DO_NOT_WIPE
on specified servers
hba slot: s0p4
hba slot: s1p4
hba slot: s2p1
hba slot: s3p1
hba slot: s4p1
hba slot: s5p1
hba slot: s6p1
hba slot: s7p1
hba slot: s8p1
hba slot: s9p1
hba slot: s10p1
hba slot: s11p1
bdareimagenode: Internal USB disk has been prepared. All disk labels
have been set to DO_NOT_WIPE
bdareimagenode: Please check log /tmp/bdareimagenode-prepare-usb.out.
If no error then reboot this server

```

### **bdarestorenode.sh**

```

# ./bdarestorenode.sh
bdarestorenode: working directory      : /root

```



```
Enter CM admin password:
Enter CM admin password again:

bdarestorenode: CM REST API version      : v19
bdarestorenode: restoring system data on host : <node name>13
bdarestorenode: working directory        : /u01/osupgrade_backup
bdarestorenode: merging passwd, shadow and group
bdarestorenode: restoring /etc directories
bdarestorenode: restoring /var/lib directories
bdarestorenode: restoring /opt directories
bdarestorenode: restoring puppet, ssh, jce, and mysql java directories
bdarestorenode: adding domain to /etc/idmapd.conf
Loaded plugins: langpacks
===== repo: ol7_UEKR4
=====
[ol7_UEKR4]
async = True
bandwidth = 0
base_persistdir = /var/lib/yum/repos/x86_64/7Server
baseurl = https://yum.oracle.com/repo/OracleLinux/OL7/UEKR4/x86_64/
cache = 0
cachedir = /var/cache/yum/x86_64/7Server/ol7_UEKR4
check_config_file_age = True
compare_providers_priority = 80
cost = 1000
deltarpm_metadata_percentage = 100
deltarpm_percentage =
enabled = 0
enablegroups = True
exclude =
failovermethod = priority
ftp_disable_epsv = False
gpgcadir = /var/lib/yum/repos/x86_64/7Server/ol7_UEKR4/gpgcadir
gpgcakey =
gpgcheck = True
gpgdir = /var/lib/yum/repos/x86_64/7Server/ol7_UEKR4/gpgdir
gpgkey = file:///etc/pki/rpm-gpg/RPM-GPG-KEY-oracle
hdrdir = /var/cache/yum/x86_64/7Server/ol7_UEKR4/headers
http_caching = all
includepkgs =
ip_resolve =
keepalive = True
keepcache = False
mddownloadpolicy = sqlite
mdpolicy = group:small
mediaid =
metadata_expire = 21600
metadata_expire_filter = read-only:present
metalink =
minrate = 0
mirrorlist =
mirrorlist_expire = 86400
name = Latest Unbreakable Enterprise Kernel Release 4 for Oracle Linux
7Server (x86_64)
old_base_cache_dir =
```

```

password =
persistdir = /var/lib/yum/repos/x86_64/7Server/ol7_UEKR4
pkgdir = /var/cache/yum/x86_64/7Server/ol7_UEKR4/packages
proxy = False
proxy_dict =
proxy_password =
proxy_username =
repo_gpgcheck = False
retries = 10
skip_if_unavailable = False
ssl_check_cert_permissions = True
sslcacert =
sslclientcert =
sslclientkey =
sslverify = True
throttle = 0
timeout = 30.0
ui_id = ol7_UEKR4/x86_64
ui_repodir_vars = releasever,
    basearch
username =

===== repo: ol7_latest
=====
[ol7_latest]
async = True
bandwidth = 0
base_persistdir = /var/lib/yum/repos/x86_64/7Server
baseurl = https://yum.oracle.com/repo/OracleLinux/OL7/latest/x86_64/
cache = 0
cachedir = /var/cache/yum/x86_64/7Server/ol7_latest
check_config_file_age = True
compare_providers_priority = 80
cost = 1000
deltarpm_metadata_percentage = 100
deltarpm_percentage =
enabled = 0
enablegroups = True
exclude =
failovermethod = priority
ftp_disable_epsv = False
gpgcadir = /var/lib/yum/repos/x86_64/7Server/ol7_latest/gpgcadir
gpgcakey =
gpgcheck = True
gpgdir = /var/lib/yum/repos/x86_64/7Server/ol7_latest/gpgdir
gpgkey = file:///etc/pki/rpm-gpg/RPM-GPG-KEY-oracle
hdrdir = /var/cache/yum/x86_64/7Server/ol7_latest/headers
http_caching = all
includepkgs =
ip_resolve =
keepalive = True
keepcache = False
mddownloadpolicy = sqlite
mdpolicy = group:small
mediaid =

```

```
metadata_expire = 21600
metadata_expire_filter = read-only:present
metalink =
minrate = 0
mirrorlist =
mirrorlist_expire = 86400
name = Oracle Linux 7Server Latest (x86_64)
old_base_cache_dir =
password =
persistdir = /var/lib/yum/repos/x86_64/7Server/ol7_latest
pkgdir = /var/cache/yum/x86_64/7Server/ol7_latest/packages
proxy = False
proxy_dict =
proxy_password =
proxy_username =
repo_gpgcheck = False
retries = 10
skip_if_unavailable = False
ssl_check_cert_permissions = True
sslcacert =
sslclientcert =
sslclientkey =
sslverify = True
throttle = 0
timeout = 30.0
ui_id = ol7_latest/x86_64
ui_reposid_vars = releasever,
    basearch
username =
```

```
Unpacking JAR files...
```

```
tools.jar...
plugin.jar...
javaws.jar...
deploy.jar...
rt.jar...
jsse.jar...
charsets.jar...
localedata.jar...
```

```
bdarestorenode:checking ol7 bundle directory on node : <node name>09
bdarestorenode: Ensure CDH ol7 parcel in the remote temp repo
bdarestorenode: Ensure Cloudera Manager ol7 pkgs in the bdarepo
bdarestorenode: Ensure MySQL ol7 pkgs in the bdarepo
Loaded plugins: langpacks, ulninfo
Cleaning repos: bda
Cleaning up everything
Maybe you want: rm -rf /var/cache/yum, to also free up space taken by
orphaned data from disabled or removed repos
Loaded plugins: aliases, changelog, filter-data, keys, list-data, ps,
security,
: verify
Cleaning repos: bda
Cleaning up Everything
Could not find valid repo at: /var/www/html/bda
Spawning worker 0 with 1528 pkgs
```

```
Workers Finished
Gathering worker results

Saving Primary metadata
Saving file lists metadata
Saving other metadata
Generating sqlite DBs
Sqlite DBs complete
bdarestorenode: restoring Kerberos directories
bdarestorenode: installing MySQL ol7 pkgs on host : <node name>13
bdarestorenode: restoring my.cnf
bdarestorenode: installing cloudera manager pkgs
bdarestorenode: restoring cloudera directories
bdarestorenode: starting cloudera manager services
Starting cloudera-scm-agent (via systemctl): [60G[[0;32m OK [0;39m]
bdarestorenode: waiting for CDH parcel to automatically deploy on
node : <node name>13
bdarestorenode: Succeeded. Output in : /opt/oracle/BDAMammoth/
bdaconfig/tmp/cm_commands.out
bdarestorenode: Succeeded. Output in : /opt/oracle/BDAMammoth/
bdaconfig/tmp/cm_config_1552708777.out
bdarestorenode: Succeeded. Output in : /opt/oracle/BDAMammoth/
bdaconfig/tmp/
clusters_scajvm_parcel_products_CDH_versions_5.15.1-1.cd5.15.1.p0.4_15
52708957.out
bdarestorenode: Succeeded. Output in : /opt/oracle/BDAMammoth/
bdaconfig/tmp/
clusters_scajvm_parcel_products_CDH_versions_5.15.1-1.cd5.15.1.p0.4_15
52709018.out
bdarestorenode: Succeeded. Output in : /opt/oracle/BDAMammoth/
bdaconfig/tmp/
clusters_scajvm_parcel_products_CDH_versions_5.15.1-1.cd5.15.1.p0.4_15
52709079.out
bdarestorenode: Succeeded. Output in : /opt/oracle/BDAMammoth/
bdaconfig/tmp/
clusters_scajvm_parcel_products_CDH_versions_5.15.1-1.cd5.15.1.p0.4_15
52709139.out
bdarestorenode: Succeeded. Output in : /opt/oracle/BDAMammoth/
bdaconfig/tmp/
clusters_scajvm_parcel_products_CDH_versions_5.15.1-1.cd5.15.1.p0.4_15
52709200.out
bdarestorenode: Succeeded. Output in : /opt/oracle/BDAMammoth/
bdaconfig/tmp/
clusters_scajvm_parcel_products_CDH_versions_5.15.1-1.cd5.15.1.p0.4_15
52709261.out
bdarestorenode: Succeeded. Output in : /opt/oracle/BDAMammoth/
bdaconfig/tmp/
clusters_scajvm_parcel_products_CDH_versions_5.15.1-1.cd5.15.1.p0.4_15
52709322.out
bdarestorenode: CDH parcel activated successfully! :
CDH-5.15.1-1.cd5.15.1.p0.4-el7.parcel
bdarestorenode: waiting for SPARK2 parcel to automatically deploy on
node : <node name>13
bdarestorenode: Succeeded. Output in : /opt/oracle/BDAMammoth/
bdaconfig/tmp/
```

```

clusters_scajvm_parcel_products_SPARK2_versions_2.3.0.cloudera3-1.cdh5.
13.3.p0.458809_1552709325.out
bdarestorenode: Spark2 parcel activated successfully! :
SPARK2-2.3.0.cloudera3-1.cdh5.13.3.p0.458809-e17.parcel
bdarestorenode: Succeeded. Output in : /opt/oracle/BDAMammoth/
bdaconfig/tmp/
clusters_scajvm_parcel_products_KEYTRUSTEE_SERVER_versions_5.15.0-1.key
trustee5.15.0.p0.278282_1552709329.out
bdarestorenode: Succeeded. Output in : /opt/oracle/BDAMammoth/
bdaconfig/tmp/
clusters_scajvm_parcel_products_KEYTRUSTEE_SERVER_versions_5.15.0-1.key
trustee5.15.0.p0.278282_1552709389.out
bdarestorenode: Succeeded. Output in : /opt/oracle/BDAMammoth/
bdaconfig/tmp/
clusters_scajvm_parcel_products_KEYTRUSTEE_SERVER_versions_5.15.0-1.key
trustee5.15.0.p0.278282_1552709450.out
bdarestorenode: Key Trustee Server parcel activated successfully! :
5.15.0-1.keytrustee5.15.0.p0.278282
bdarestorenode: Succeeded. Output in : /opt/oracle/BDAMammoth/
bdaconfig/tmp/
clusters_scajvm_parcel_products_KEYTRUSTEE_versions_5.15.1-1.KEYTRUSTEE
5.15.1.p0.484462_1552709453.out
bdarestorenode: KeyTrustee parcel activated successfully! :
KEYTRUSTEE-5.15.1-1.KEYTRUSTEE5.15.1.p0.484462-e17.parcel
bdarestorenode: start_hadoop_roles_in_current_host
bdarestorenode: Succeeded. Output in : /opt/oracle/BDAMammoth/
bdaconfig/tmp/cm_commands.out
bdarestorenode: Succeeded. Output in : /opt/oracle/BDAMammoth/
bdaconfig/tmp/cm_commands_hostsStartRoles.out
.....bdarestorenode: Command 1621 finished after 40 seconds
bdarestorenode: Operation completed successfully
bdarestorenode: Installing OSG
bdarestorenode: Installing Oracle R and ORAAH : <node name>13
bdarestorenode: Installing Oraloader
bdarestorenode: Installing Oxh
bdarestorenode: /u01/osupgrade_backup/my_filelist not found. No
customer data to restore
*****
bdarestorenode: OS upgrade completed successfully on host : <node
name>13
*****

```

## 10.9 Enabling Optional Software Included With the Release

Oracle Big Data Appliance includes a number of optional software packages. If you did not choose to install these packages in the initial installation, you can reverse some of those decisions later. In some cases, you can quickly enable optional software using the `bdacli` utility. In other cases, more setup and configuration steps are necessary. Be prepared to provide relevant server names, ports, user names, and passwords where required.

This section provides examples of some reconfiguration options:

- [Enable or Disable Oracle Big Data Connectors](#)

- [Enable or Disable Auto Service Request](#)
- [Add Support for Oracle Enterprise Manager Cloud Control](#)
- [Enable Kerberos Authentication](#)



**Note:**

See "[bdacli](#)" for the complete syntax.

## 10.9.1 Enable or Disable Oracle Big Data Connectors

Oracle Big Data Connectors is included in the Oracle Big Data Appliance deployment bundle. Oracle Big Data Appliance customers do not need to download Oracle Big Data Connectors from an external source. However, you can download and install a newer version if it has been approved for use on this release of Oracle Big Data Appliance.

Oracle Big Data Connectors includes the following:

- Oracle Loader for Hadoop
- Oracle SQL Connector for Hadoop Distributed File System
- Oracle XQuery for Hadoop
- Oracle R Advanced Analytics for Hadoop
- Oracle Datasource for Apache Hadoop

Prior to the Oracle Big Data Appliance software installation, you can use the Oracle Big Data Appliance Configuration Generation Utility to instruct Mammoth to enable Oracle Big Data Connectors at installation time. At any time after the installation you can use the `bdacli` utility to enable or disable Oracle Big Data Connectors:

```
# bdacli [enable|disable] bdc
```



**See Also:**

- [Using Oracle Big Data Appliance Configuration Generation Utility](#)
- [bdacli](#)
- [Oracle Big Data Connectors User's Guide](#)

The following sections provide more detail on enabling and disabling Oracle Big Data Connectors.

### 10.9.1.1 Adding Oracle Big Data Connectors

When adding support for Oracle Big Data Connectors, you can choose whether to install Oracle Data Integrator agent. If you do, then you must provide passwords for the MySQL Database root user and the Oracle Data Integrator user of MySQL

Database (BDA\_ODI\_REPO). You must also know the password for the Cloudera Manager admin user if it is not saved in `cluster_name-config.json`:

The following procedure uses the `bdacli` utility.

#### To add Oracle Big Data Connectors to a cluster:

1. Log in to the first NameNode (node01) of the primary rack as `root`.
2. Enable Oracle Big Data Connectors:

```
# bdacli enable bdc
INFO: Logging all actions in /opt/oracle/BDAMammoth/bdaconfig/tmp/
bdainode03-20140805110007.log and traces in /opt/oracle/BDAMammoth/
bdaconfig/tmp/bdainode03-20140805110007.trc
INFO: This is the install of the primary rack
INFO: Checking if password-less ssh is set up
.
.
.
Do you wish to enable ODI? [y/n]: y
Enter password for the BDA_ODI_REPO mysql user
Enter password: odi_password
Enter password again: odi_password
Enter password for the mysql root user
Enter password: root_password
Enter password again: root_password
WARNING: The password for the Cloudera Manager admin user is missing from
the parameters file and is required for the installation.
Enter password: admin_password
Enter password again: admin_password
  % Total    % Received % Xferd  Average Speed   Time    Time     Time
Current
                                Dload  Upload  Total  Spent  Left  Speed
  0    2    0    2    0    0    181    0  ---:--:--  ---:--:--  ---:--:--
250
INFO: Creating environment.pp file ...
INFO: Making sure all puppet agents can be accessed.
INFO: Pinging puppet agents
INFO: Adding BDC to the cluster. This will take some time ...
.
.
.
SUCCESS: Successfully reconfigured service
```

### 10.9.1.2 Removing Oracle Big Data Connectors

When removing support for Oracle Big Data Connectors, you must provide the password for the MySQL Database root user if the password is not saved in `cluster_name-config.json`:

The following procedure uses the `bdacli` utility.

#### To remove Oracle Big Data Connectors from a cluster:

1. Log in to the first NameNode (node01) of the primary rack as `root`.
2. Remove Oracle Big Data Connectors:

```
# bdacli disable bdc
INFO: Logging all actions in /opt/oracle/BDAMammoth/bdaconfig/tmp/
```

```

bdalnode03-20140805104603.log and traces in /opt/oracle/BDAMammoth/
bdaconfig/tmp/bdalnode03-20140805104603.trc
INFO: This is the install of the primary rack
INFO: Checking if password-less ssh is set up
INFO: Executing checkRoot.sh on nodes

/opt/oracle/BDAMammoth/bdaconfig/tmp/all_nodes #Step -1#
SUCCESS: Executed checkRoot.sh on nodes

/opt/oracle/BDAMammoth/bdaconfig/tmp/all_nodes #Step -1#
INFO: Executing checkSSHAllNodes.sh on nodes

/opt/oracle/BDAMammoth/bdaconfig/tmp/all_nodes #Step -1#
SUCCESS: Executed checkSSHAllNodes.sh on nodes

/opt/oracle/BDAMammoth/bdaconfig/tmp/all_nodes #Step -1#
INFO: Reading component versions from

/opt/oracle/BDAMammoth/bdaconfig/COMPONENTS
INFO: Creating nodelist files...
WARNING: The password for the Cloudera Manager admin user is missing from
the parameters file and is required for the installation.
Enter password: admin_password
Enter password again: admin_password
  % Total    % Received % Xferd  Average Speed   Time    Time     Time
Current
                                Dload  Upload  Total  Spent  Left  Speed
  0    2    0    2    0    0   184    0  --:--:--  --:--:--  --:--:--
250
WARNING: The password for the MySQL root user is missing from the parameters
file and is required for the installation.
Enter password: root_password
Enter password again: root_password
INFO: Executing verifyMySQLPasswd.sh on nodes
/opt/oracle/BDAMammoth/bdaconfig/tmp/all_nodes #Step -1#
SUCCESS: Executed verifyMySQLPasswd.sh on nodes
.
.
.
/opt/oracle/BDAMammoth/bdaconfig/tmp/all_nodes #Step -1#
INFO: Creating environment.pp file ...
INFO: Making sure all puppet agents can be accessed.
INFO: Pinging puppet agents
INFO: Removing big data connectors. This will take some time ...
.
.
.
SUCCESS: Successfully reconfigured service

```

## 10.9.2 Enable or Disable Oracle Big Data Spatial and Graph

Oracle Big Data Spatial and Graph is included in the Oracle Big Data Appliance deployment bundle. Oracle Big Data Appliance customers do not need to download Oracle Big Data Spatial and Graph from an external source.

You can enable or disable this software at any time. These are the options:

- Prior to the Oracle Big Data Appliance software installation, you can use the Oracle Big Data Appliance Configuration Generation Utility to instruct Mammoth to enable Oracle Big Data Spatial and Graph at installation time.



- At any time after the installation you can use the `bdacli` utility to enable or disable Oracle Big Data Spatial and Graph.

```
# bdacli [enable|disable] osg
```

#### See Also:

- [Using Oracle Big Data Appliance Configuration Generation Utility](#)
- The `bdacli` reference in this guide.

## 10.9.3 Enable or Disable Auto Service Request

The following procedure shows how to add support for Auto Service Request.

### To support Auto Service Request:

1. Set up your My Oracle Support account and install ASR Manager. You must do this before activating Auto Service Request on Oracle Big Data Appliance. See [Setting Up Auto Service Request](#).
2. Turn on Auto Service Request monitoring and activate the assets:

```
# bdacli enable asr
INFO: Logging all actions in /opt/oracle/BDAMammoth/bdaconfig/tmp/
bdalnode01-20130205075303.log and traces in /opt/oracle/BDAMammoth/
bdaconfig/tmp/bdalnode01-20130205075303.trc
.
.
.
Enter the value for ASR_HOST [Default: ]: asr-host.example.com
Enter the value for ASR_PORT [Default: 162]:
Enter the value for ASR_SERVER_USER: jdoe

Please Check the values you entered for the ASR parameters

ASR_HOST = asr-host.example.com
ASR_PORT = 162
ASR_SERVER_USER = jdoe

Are these values correct (y/n): y
Enter password for user jdoe on machine asr-host.example.com
Enter password: password
Enter password again: password
INFO: Creating environment.pp file ...
INFO: Making sure all puppet agents can be accessed.
INFO: Pinging puppet agents
INFO: Setting up ASR on all nodes. This will take some time ...
.
.
.
```

3. Complete the steps in "[Verifying the Auto Service Request Installation](#)."

## 10.9.4 Enable Kerberos Authentication

The following procedure configures Kerberos authentication.



### Note:

If you choose to enable Active Directory Kerberos, first read MOS (My Oracle Support) documents 2029378.1 and 2013585.1. These documents explain required preliminary steps and provide important information on known issues.

### To support Kerberos authentication:

1. Ensure that you complete the Kerberos prerequisites listed in "[Installation Prerequisites](#)."
2. Log into the first NameNode (node01) of the primary rack.
3. Configure Kerberos:

```
# bdacli enable kerberos
INFO: Logging all actions in /opt/oracle/BDAMammoth/bdaconfig/tmp/
bdalnode01-20131104072502.log and traces in /opt/oracle/BDAMammoth/
bdaconfig/tmp/bdalnode01-20131104072502.trc
.
.
.
INFO: Executing checkRoot.sh on nodes /opt/oracle/BDAMammoth/bdaconfig/tmp/
all_nodes #Step -1#
SUCCESS: Executed checkRoot.sh on nodes /opt/oracle/BDAMammoth/bdaconfig/tmp/
all_nodes #Step -1#
SUCCESS: Password-less root SSH is setup.

Do you want to setup KDC on a BDA node (yes/no): yes

Please enter the realm name: EXAMPLE.COM

Enter password for Kerberos database: password
Enter password again: password
INFO: Executing changekrb5_kdc.sh on nodes bdalnode01 #Step -1#
SUCCESS: Executed changekrb5_kdc.sh on nodes bdalnode01 #Step -1#
SUCCESS: Successfully set the Kerberos configuration on the KDC
INFO: Setting up Master KDC
INFO: Executing setupKDC.sh on nodes bdalnode01 #Step -1#
.
.
.
```

### Services Automatically Configured for Kerberos by bdacli

Using `bdacli enable kerberos` configures Kerberos for the cluster as a whole and also for services that are pre-configured by the Mammoth installer: HDFS, YARN, Spark, Hive, Hue, Oozie, and Zookeeper. For these services, no additional steps are needed.

For services that you have added and configured such as HBase or Flume, review the Cloudera documentation on using Cloudera Manager to configure Kerberos for each service.

## 10.9.5 Installing Oracle Big Data SQL

Oracle Big Data SQL supports queries against non-relational data stored in multiple big data sources, including Apache Hive, HDFS, Oracle NoSQL Database, Apache HBase, and other NoSQL databases, as well as Oracle Cloud Infrastructure Object Storage and Amazon S3.

### Note:

A license is required to install Oracle Big Data SQL on Oracle Big Data Appliance. No additional license is required for the Oracle Database side of the installation.

See the Oracle Big Data Appliance Licensing Information User Manual for details on licensing requirements.

### Supported Connections to Oracle Database

When installed on Oracle Big Data Appliance, Oracle Big Data SQL can be configured to connect the following Oracle Database systems:

- Oracle Exadata Database Machine
- Oracle Database on Oracle Linux or RHEL-based commodity servers. Specific systems are listed in the [Oracle Big Data SQL Master Compatibility Matrix](#) (Doc ID 2119369.1 in [My Oracle Support](#))

Oracle Big Data SQL can connect to both single-node Oracle Databases and multinode databases (such as Oracle RAC).

### See Also:

This section is an overview of the Oracle Big Data SQL installation for Oracle Big Data Appliance customers. For complete information on installing, configuring, and using Oracle Big Data SQL, refer to these documents:

- [Oracle Big Data SQL Installation Guide](#)
- [Oracle Big Data SQL User's Guide](#)

### Installing Over an Existing Oracle Big Data SQL Installation

It is not necessary to uninstall a previous version of the software. The installation will upgrade the previously installed version to the current release level.

 **Note:**

If a previous version of Oracle Big Data SQL already exists on the Oracle Big Data Appliance, the Mammoth installer will upgrade this installation to the current release level regardless of whether or not you select Oracle Big Data SQL for installation via the form fields in the Configuration Generation Utility.

On Oracle Big Data Appliance, the software is installed at `/opt/oracle/BDSJaguar` on the configuration management server (the node where Cloudera Configuration Manager is running).

### Automatic Setup of Ticket Renewal for Kerberos-Secured Environments

If your environment is Kerberos-secured, the installation automatically sets up a cron job to renew the ticket for the `oracle` account principal four times per day. This frequency is to satisfy the AD Kerberos requirement. The extra tickets are harmless for MIT Kerberos. The automation is set up as needed for both Oracle Big Data Appliance and the Oracle Database system.

## 10.9.5.1 Installation Options

Each Oracle Big Data Appliance software release already includes a version of Oracle Big Data SQL that is ready to install, using the utilities available on the appliance.

You have the option of using Big Data Appliance utilities as described in this guide. The other option is to download and install a "standalone" release of Big Data SQL from the Oracle Software Delivery Cloud ([edelivery.oracle.com](http://edelivery.oracle.com)) if a newer version that is compatible with this Big Data Appliance release is available. But for Big Data Appliance, the recommended method is to install the Big Data SQL package included with your Big Data Appliance software.

The advantages of installing the version of Big Data SQL included with the appliance are:

- The software prerequisites to the installation are already met.
- You can add Big Data SQL to the Big Data Appliance release installation by checking a checkbox in the Big Data Appliance Configuration Generation Utility. The Mammoth utility will then automatically include Big Data SQL in the installation.
- You can also install Big Data SQL later, using the `bdacli` utility. This is also a simple procedure. The command is `bdacli enable big_data_sql`.
- During the upgrade to a newer Big Data Appliance software release, Mammoth will automatically upgrade the Hadoop side of the Big Data SQL installation to the version included in the release bundle if the version included in the Big Data Appliance release bundle is newer. It does this whether the version of Big Data SQL already on the appliance was installed by Mammoth itself or from the standalone installation bundle.

The limitations of installing the version of Big Data SQL included with Big Data Appliance are:

- The installation is performed for the Hadoop side only. You still need to install the database side of the product using the instructions in this guide. You also must refer to this guide if you want to modify the default installation.

- The Big Data Appliance release may not include the latest available version of Big Data SQL.

This guide explains how to install Big Data SQL using Mammoth or bdacli. For instructions on installing using the "standalone" Big Data SQL bundle, see the [Oracle Big Data SQL User's Guide](#).

## 10.9.5.2 Installation Overview

Oracle Big Data SQL includes an installation on Oracle Big Data Appliance and another installation on the database system that will query data on the appliance.

### Phases of the Installation

#### 1. Installing on Oracle Big Data Appliance.

The Oracle Big Data Appliance Configuration Generation Utility provides form fields to direct Mammoth to include Oracle Big Data SQL in your installation.

You can also use the bdacli utility enable Oracle Big Data SQL at any time after the Mammoth installation:

#### 2. Installing on the Oracle Database system.

You must do this part of the installation manually. A database-side installation bundle is generated when you run the Oracle Big Data Appliance installation. You must copy this bundle over to each compute node of the Oracle Database system, unpack it, and install it.

#### 3. Enabling optional security and user access features (not part of the default installation)

You can customize the Oracle Big Data SQL installation to include features that are not configurable in the default installation on Oracle Big Data Appliance, such as:

- *Query Server*, a lightweight, zero-maintenance 18c Oracle Database that you install directly on a Hadoop cluster edge node. It gives you an easy way query data in Hadoop without the need for a full-fledged Oracle Database system. The service consists of the Oracle SQL query engine only. It provides no persistent storage except for certain categories of metadata that are useful to retain across sessions.
- *Multi-User Authorization*, which enables users other than the database owner to run Oracle Big Data SQL queries against data in the Hadoop clusters on the appliance. Completing the activation of this feature (as well as *Database Authentication*, which is enabled by default) requires a third step in the installation process.

#### See Also:

Instructions on how to install the database-side bundle and enable optional features are provided in the Oracle Big Data SQL Installation Guide.

### 10.9.5.3 Using Mammoth or bdacli to Install the Big Data Appliance Side of Oracle Big Data SQL

Big Data SQL can be installed via the Mammoth or bdacli utilities. If Mammoth detects that an earlier releases of Big Data SQL is already installed, it will automatically upgrade the Big Data Appliance side of the installation. The database side must be upgraded manually.

 **Note:**

The installation of Big Data SQL via Mammoth or bdacli does not include the Query Server feature. You can add Query Server by reconfiguring the installation later.

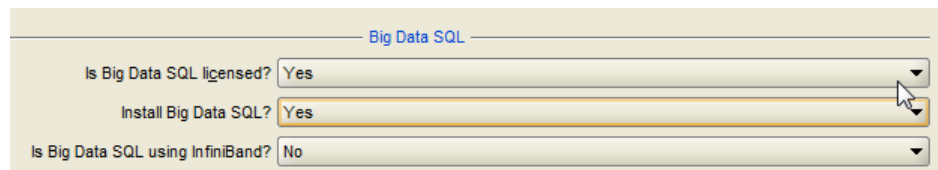
#### If This is a First-Time Installation (no Earlier Release Installed)

##### Directing Mammoth to install the software:

You can include Oracle Big Data SQL in the Mammoth installation by selecting it in the Oracle Big Data Appliance Configuration Generation Utility. You must make the selection for each cluster where you want to install the software.

Set up the Oracle Big Data SQL installation on Cluster Definition page of the Configuration Generation Utility as shown in the figure below.

**Figure 10-1 Oracle Big Data SQL Fields in the Configuration Generation Utility**



The screenshot shows a configuration utility window titled "Big Data SQL". It contains three dropdown menus:

- "Is Big Data SQL licensed?" with the value "Yes" selected.
- "Install Big Data SQL?" with the value "Yes" selected.
- "Is Big Data SQL using InfiniBand?" with the value "No" selected.

1. If you select **Yes** to the licensing question, you can proceed to the other options. Also select **Yes** in response to "Install Big Data SQL?"
2. Specify whether Oracle Big Data Appliance is connected to the Oracle Database system over an Ethernet or InfiniBand connection. Both are supported.

When you generate the configuration files, the directive to run the Oracle Big Data SQL installation is added to the `<cluster name>-config.json` file.

##### Performing a post-Mammoth installation, using bdacli:

If you did not include Oracle Big Data SQL in the Mammoth installation, you can use the bdacli utility to enable it at any time after the Mammoth installation:

```
# bdacli enable big_data_sql
```

Both Mammoth and bdacli install Oracle Big Data SQL on all of the DataNodes of the selected cluster.

 **Note:**

In an Oracle Linux 6 cluster only, you must install the Python cryptography module on the node where Configuration Manager is hosted (usually Node3) before you can use Big Data SQL. Download pip from the Internet, install pip, and then use pip to install the cryptography module. Use scl to invoke Python 2.7 for the Python commands:

```
curl https://bootstrap.pypa.io/get-pip.py -o get-pip.py
scl enable python27 'python get-pip.py'
scl enable python27 'pip install cryptography'
```

### Generating a GUID-Key Pair for Database Authentication

In order to make use of the Database Authentication feature described in the Oracle Big Data SQL Installation Guide, you must generate and install a GUID-key pair. This process starts by running the following command on the node where Cloudera Configuration Manager is installed in order to generate the key:

```
# ./jaguar --requestdb <database name> databasereq
```

You then copy the file that contains that key to the Oracle Database server prior to running the database-side installation of Oracle Big Data SQL. There are several other steps to complete the process of enabling Database Authentication. Read through [Installing or Upgrading the Hadoop Side of Oracle Big Data SQL](#) in the Oracle Big Data SQL Installation Guide to learn about the Jaguar utility used to generate the key file and about the complete key generation and installation process.

### If an Earlier Release of Oracle Big Data SQL is Already Installed

In this case, you do not need to select Oracle Big Data SQL in the Configuration Generation Utility. Mammoth will automatically upgrade the earlier Oracle Big Data SQL release to the current version on all clusters where it is currently installed.

 **Note:**

Upgrade of the Oracle Database side of the installation is not automatic. Install the database side of the software as described in this guide.

## 10.9.5.4 Installing Oracle Big Data SQL on the Oracle Database System

When you install Oracle Big Data SQL on Oracle Big Data Appliance, this process also generates a database-side installation bundle. Install this bundle on the database system where you intend to run Oracle Big Data SQL queries against the Hadoop data on Oracle Big Data Appliance.

To install the database-side bundle, see [Installing or Upgrading the Oracle Database Side of Oracle Big Data SQL](#) in the *Oracle Big Data SQL Installation Guide*.

### 10.9.5.5 Customizing the Default Oracle Big Data SQL Installation

When you use Mammoth or `bdacli` to install Big Data SQL, these utilities perform a basic installation that does not enable all of the features that are available.

After the basic installation, you can use the Jaguar utility that comes with Big Data SQL to enable additional features and make other changes. For example:

- Add Multi-User Authorization.

In previous releases of Oracle Big Data SQL, all queries against Hadoop and Hive data are executed as the `oracle` user and there is no option to change users. Although `oracle` is still the underlying user in all cases, Oracle Big Data SQL can now use Hadoop Secure Impersonation to direct the `oracle` account to execute tasks on behalf of other designated users. This enables HDFS data access based on the user that is currently executing the query, rather than the singular `oracle` user.

- Add Database Authentication.

This is authentication of Oracle Database connections to Oracle Big Data SQL processes in the Hadoop cluster. It provides a safeguard against impersonation attacks, in which a rogue service attempts to establish a connection.

- Add Query Server.

You can install Query Server on an cluster-managed or unmanaged edge node.

- Switch the network used by Oracle Big Data SQL.

If the physical connections to support it are in place, you can switch Oracle Big Data Appliance and Oracle Database server from Ethernet to InfiniBand or vice versa without the need to reinstall Oracle Big Data SQL.

You can reconfigure the installation again later to reverse any of these changes.

#### Using the Jaguar Utility to Reconfigure the Installation

On the cluster node where Cloudera Configuration Manager is installed (usually node 3), you can find the Big Data SQL installation directory at `/opt/oracle/BDSJaguar`. Use the Jaguar utility in this directory to reconfigure the default installation. Jaguar reads a JSON file in which you set the configurable parameters of the installation. The default configuration file is `bds-config.json`, but you can use any name. The recommended method for starting a custom configuration is to make a copy of the default `bds-config.json` created by Mammoth and add your customizations to this file.

When you run `jaguar reconfigure`, the operation reads the parameters you have set in the configuration file, modifies the Oracle Big Data Appliance side of the installation accordingly, and also generates a new database-side installation bundle that supports the feature changes you have made.



 **Note:**

Jaguar provides a number of different operations, including install and uninstall. However if you have installed the version of Oracle Big Data SQL that is bundled with Oracle Big Data Appliance, do not run the Jaguar install and uninstall operations. Use the Configuration Generation Utility or `bdacli` to enable or disable the software.

 **See Also:**

About the Jaguar Utility and Jaguar Configuration Parameter and Command Reference in the *Oracle Big Data SQL Installation Guide*

 **Important:**

If you create and use a custom configuration file, be sure to make a backup of the file and store it in a safe location. The file is the record of your configuration and you may need it to recreate or modify the configuration later. This is not only to protect it from accidental deletion or modification by a user. The following Mammoth and `bdacli` operations remove or overwrite the Oracle Big Data SQL installation directory, `/opt/oracle/BDSJaguar`.

- A Mammoth extension (`# mammoth -e`) or Mammoth upgrade (`# mammoth -p`) deletes the Oracle Big Data SQL installation directory.
- A reprovisioning (`# bdacli admin-cluster reprovision <node name>`) prompts you to delete the directory.
- A re-run of `# bdacli install` will overwrite your custom configuration with the default configuration.

### 10.9.5.5.1 Adding Query Server

You can reconfigure an existing Oracle Big Data SQL installation to include Query Server.

Query Server is an Oracle Database instance that you can optionally install as a component of Big Data SQL on an edge node in your Hadoop cluster. You use Query Server to primarily query data stored in the cluster (in HDFS and Hive formats) using Oracle external tables. This enables you to take advantage of the full SQL capabilities provided by the Oracle Database.

This section explains how to install Query Server. *Working With Query Server in the Oracle Big Data SQL User's Guide* explains how you can use Query Server.

### 10.9.5.5.2 Prerequisites for Query Server

The following must be set up on Big Data Appliance before you install Query Server.

- **A dedicated edge node**

Query Server must be installed on an edge node. It is highly recommended that this node is dedicated. Query Server cannot run on a node that is running the DataNode role, nor the BDSERVER role.

Requirements for the edge node:

- **The QueryServer package from the Oracle Software Delivery Cloud (edelivery.com)**  
Instructions for downloading and deploying the package are provided in this section.
- **Query Server-specific configuration parameters that you set in `/opt/oracle/BDSjaguar/bds-config.json`**  
The `bds-config.json` file informs the reconfigure operation which features should be enabled or disabled, provides path information, and other information needed to complete the operation. At a minimum, you must configure the parameters in the `edgedb` section of the configuration file. In this section, you specify that edge node is enabled for use by Query Server (you can also disable it here) and provide the address. You can also add a list of Hive databases that you want Query Server to synchronize in order to pick up updates. For example:

```
"edgedb": {  
  "node" : "dbnode.domain.com",  
  "enabled" : "true",  
  "sync_hive_db_list" : "my_hive_db_1,my_hive_db2"  
}
```

If you are using Kerberos, you can set up additional Kerberos parameters to allow multiple users to access Query Server. Otherwise, only the `oracle` user has access. You can find details in the Jaguar Configuration Parameter and Command Reference in the *Oracle Big Data SQL Installation Guide*.

### 10.9.5.5.3 Installing Query Server

You can use this method to add Query Server whether Oracle Big Data SQL was installed using Oracle Big Data Appliance tools (Mammoth or `bdacli`), or the standalone Big Data SQL installer.

In summary, download the Query Server bundle from `edelivery.oracle.com` and execute the run file it contains. Then use the `jaguar` utility to add Query to the existing Big Data SQL installation.

Before you start, ensure that the prerequisites described in the previous section are met.

The Query Server installation is on Big Data Appliance only. No change is required to the database side of the Oracle Big Data SQL installation.

There are two files to download. These are the two parts of the Query Server bundle:

- `v982741-01_1of2.zip`  
`v982741-01_2of2.zip`

 **Note:**

Do not download `v982738-01.zip`. This package is not needed in order to add Query Server.

1. Log on to the [Oracle Software Delivery Cloud](#).
2. Search for “Oracle Big Data SQL.”
3. Select Oracle Big Data SQL 4.0.0.0 for Linux x86-64.  
The actual version available may be greater than 4.0.0.0 *n.n.n*. The same bundle is compatible with all supported Hadoop clusters.
4. Agree to the Oracle Standard Terms and Restrictions. Then you can download the bundle.
5. Copy the two zip files to the node that hosts Configuration Manager. This is usually Node3. Choose any location in the file system.
6. Log in as root and unzip the two files

You will also see that both files contain the script `join.sh`. Run this script in order to assemble the bundle. You can use the copy of `join.sh` from either zip file.

```
$ unzip -j -o V982741-01_1of2.zip
Archive: V982741-01_1of2.zip
  inflating: BDSQLQS82d323d472f5c4666e1a7e48cd2d75b9-00
  inflating: join.sh
  inflating: readme.lst

$ unzip -j -o V982741-01_2of2.zip
Archive: V982741-01_2of2.zip
  inflating: BDSQLQS82d323d472f5c4666e1a7e48cd2d75b9-01
  inflating: join.sh
  inflating: readme.lst

$ ./join.sh
Re-assembling Big Data SQL Query Server bundle
Detected files:
BDSQLQS82d323d472f5c4666e1a7e48cd2d75b9-00
BDSQLQS82d323d472f5c4666e1a7e48cd2d75b9-01
Joining 2 files
BigDataSQL-4.0.0-QueryServer.zip successfully created !!!
```

This join creates a new bundle called `BDSEExtra-4.0.0-QueryServer.zip`. Unzip the newly-created bundle to extract the `QueryServer` run file and then execute the run file.

```
# unzip BDSEExtra-4.0.0-QueryServer.zip
...
# ./BDSEExtra-4.0.0-QueryServer.run
```

7. Edit `/opt/oracle/BDSjaguar/bds-config.json`.

In the `edgedb` section of the configuration file, use JSON syntax to identify edge node where you want Query Server to be installed and also list Hive databases that you want the Query Server database to synchronize with.

```
"edgedb": {  
  "node" : "dbnode.domain.com",  
  "enabled" : "true",  
  "sync_hive_db_list" : "my_hive_db_1,my_hive_db2"  
}
```

8. In `/opt/oracle/BDSjaguar`, invoke the jaguar installer with the reconfigure operator and the configuration filename as parameters.

```
# ./jaguar reconfigure bds-config.json
```

Query Server will be installed on the edge node.

This completes the Query Server installation.

### 10.9.5.6 Managing the Oracle Big Data SQL Service

When Oracle Big Data SQL is installed on the appliance, its `bd_cell` service is installed and started on all DataNodes of the Hadoop cluster.

The Oracle Big Data Appliance `bdacli` utility provides operations to manage the Oracle Big Data SQL service on each DataNode and also cluster-wide.

#### **For the instance of the service on a single DataNode:**

```
bdacli {start | stop | restart | status} big_data_sql_server <node name>
```

#### **For all instances within the cluster:**

```
bdacli {start | stop | restart | status} big_data_sql_cluster
```



#### **Note:**

The `bdacli` utility also provides `# bdacli {enable | disable} big_data_sql` to install or uninstall the service cluster-wide. If you have customized the installation by adding non-default configuration parameters, be aware that these commands will overwrite your custom configuration with the default configuration. If you use them, first be sure that you have archived a copy of your custom configuration file so that you can use the Jaguar reconfigure operation to restore your customizations.

 **See Also:**

The [bdacli reference](#) in this guide describes bdacli operations available for managing Oracle Big Data SQL and other services.

## 10.9.5.7 Uninstalling Oracle Big Data SQL

To completely uninstall Oracle Big Data SQL, remove the software from both Oracle Big Data Appliance and from the Oracle Database system.

### Uninstalling from the Oracle Database System

Use the `bds-database-install.sh` script utility to install/uninstall the database side of Oracle Big Data SQL.

On the Oracle Database server (or on each node of a multinode database) run `bds-database-install.sh` with the `--uninstall` parameter.

```
$ /bds-database-install.sh --uninstall --crs=false
```

 **Note:**

If Grid is not running on this database node, or, if the database does not use Grid (CRS/ASM), then include the optional `--crs` parameter and set it to `false`.

Also note that the `--uninstall-as-primary` and `--uninstall-as-secondary` parameters from previous releases are deprecated in this release. It is no longer necessary to differentiate between primary and secondary clusters in the uninstall process.

### Uninstalling from Oracle Big Data Appliance

Use `bdacli` to disable (uninstall) Oracle Big Data SQL on Oracle Big Data Appliance.

```
# bdacli disable big_data_sql
```

This command uninstalls the software from all DataNodes in the entire cluster.

## 10.9.6 Setting Up and Configuring HBase

HBase is included in the Oracle Big Data Appliance installation, but additional steps are required before you can use it.

Use Configuration Manager to complete the setup of HBase. See [Configuring HBase via Cloudera Manager on Oracle Big Data Appliance V2.2 and higher \(Doc ID 1588891.1\)](#) in [My Oracle Support](#) for instructions.

## 10.10 Installing Other Approved Software

In addition to the optional software included with the Oracle Big Data Appliance deployment bundle, there are other applications that are tested and approved for installation on the appliance.

- [Add Support for Oracle Enterprise Manager Cloud Control](#)
- [Installing Cloudera Data Science Workbench](#)

If you install software that is not on this list or has not been otherwise approved for use on Oracle Big Data Appliance, then be sure to follow the guidelines described in the *Oracle Big Data Appliance Licensing Information User Manual*. Also check the licensing manual to determine the party that is responsible for support.

### 10.10.1 Add Support for Oracle Enterprise Manager Cloud Control

Oracle Big Data Appliance supports these versions of the Enterprise Manager System Monitoring plug-in: 13.2 PG, 13.2, 13.1, and 12.c. You can install the Enterprise Manager System Monitoring plug-in for Oracle Big Data Appliance in an Oracle Enterprise Manager Cloud Control installation on the same network.

#### Installing the Oracle Enterprise Manager Cloud Control Plug-In

1. Install the preliminary patches (if required for the plug-in version you choose).

To enable system monitoring over HTTPS for either the 13.1 or 12.c plug-in, you must first install the patches listed in the table below. You can download these patches from the Oracle Automated Release Updates (ARU) site. the 13.2 and 13.2PG plug-ins do not require additional patches.

| Enterprise Manager System Monitoring Plug-In                                                                                                                                              | Patch Prerequisites for Support of the Plug-In on Oracle Big Data Appliance                                                                            |
|-------------------------------------------------------------------------------------------------------------------------------------------------------------------------------------------|--------------------------------------------------------------------------------------------------------------------------------------------------------|
| 13.2 and 13.2 PG Enterprise Manager System Monitoring Plug-Ins.<br>For Oracle Big Data Appliance, the specific 13.2 PG version is Enterprise Manager for Big Data Appliance (13.2.2.0.0). | No patches needed.                                                                                                                                     |
| 13.1 Enterprise Manager System Monitoring Plug-In                                                                                                                                         | <ul style="list-style-type: none"> <li>• OMS side patch: 23294904</li> <li>• Agent plugin : 23294778</li> <li>• Discovery plugin : 23294785</li> </ul> |
| 12.c Enterprise Manager System Monitoring Plug-In                                                                                                                                         | <ul style="list-style-type: none"> <li>• OMS side patch: 23218275</li> <li>• BDA Plugin Discovery OH patches: 23218115 and 23218109.</li> </ul>        |

2. Install the Enterprise Manager System Monitoring plug-in.

For instructions on installing the version 13.1 plug-in, see *Oracle Enterprise Manager System Monitoring Plug-in Installation Guide for Oracle Big Data Appliance*. You can use these same instructions to install version 13.2 and 13.2 PG.

For instructions on installing the 12.c plug-in, see this My Oracle Support Document: [Download/Deployment of the 12c EM May Bundle Patch to Support Discovery/Monitoring of Cloudera Manager Admin Console HTTPS URLs \(Doc ID 2148611.1\)](#).

### What's New in 13.2 PG for Oracle Big Data Appliance?

The 13.2 PG plug-in for Oracle Big Data Appliance adds support for the following targets:

- Sentry
- Sqoop2
- Key Management Service
- Key Trustee Service
- Cluster Security

#### See Also:

See the following note in My Oracle Support for a cross-reference of Oracle Big Data Appliance releases and compatible Oracle Enterprise Manager plug-ins.

[Oracle Enterprise Manager Cloud Control Big Data Appliance Plug-In Compatibility Matrix for BDA V4.5 and Higher \(Doc ID 2267589.1\)](#)

## 10.10.2 Installing Cloudera Data Science Workbench

Cloudera Data Science Workbench (CDSW) can be installed on Oracle Big Data Appliance.

You can install Cloudera Data Science Workbench on Oracle Big Data Appliance edge nodes running Oracle Linux 7. These can be either Mammoth-managed or unmanaged edge nodes.

The installation procedures are available on Cloudera's documentation website: <https://www.cloudera.com/documentation.html>

#### Note:

Cloudera Data Science Workbench is not included in the Oracle Big Data Appliance license and is not covered under Oracle Big Data Appliance support. See the Cloudera website for licensing and support information.

This product is not included in the Oracle Big Data Appliance deployment bundle. You can download the installation package from the Cloudera website.

 **See Also:**

- Cloudera's description of Cloudera Data Science Workbench at <https://www.cloudera.com/products/data-science-and-engineering/data-science-workbench.html>
- My Oracle Support (MOS) note [2177796.1](#), which describes how to convert a cluster node into a Mammoth-managed edge node.
- 

## 10.11 Reinstalling the Base Image

You may need to reinstall the base image if you want to return Oracle Big Data Appliance to its original state, or you replaced a failed server.

The operating system and various utilities are factory-installed on Oracle Big Data Appliance, as described in "[Oracle Big Data Appliance Management Software](#)". Mammoth automatically upgrades the base image as necessary before upgrading the Oracle Big Data Appliance software to a newer version.

You can reimage all or part of a rack. However, all the servers in a cluster must have the same image. Follow the appropriate instructions:

- [Reimaging a Single Oracle Big Data Appliance Server](#)
- [Reimaging an Oracle Big Data Appliance Rack](#)
- [Reimaging an Oracle Big Data Appliance Cluster](#)

### 10.11.1 Reimaging a Single Oracle Big Data Appliance Server

Follow this procedure to reimage one server.

 **Caution:**

If you reimage a server, then all files and data are erased.

**To reinstall the base image on one server:**

1. Download the base image patch from My Oracle Support or Oracle Automated Release Updates (ARU), and copy it to the server being reimaged.

 **Caution:**

Use the most recent 4.x version of the base image. Do not use the version included in the Mammoth bundle.



See "[Downloading the Mammoth Software Deployment Bundle](#)." You can take the same basic steps to download the base image patch from My Oracle Support.

2. If you are reimaging the server to the current customer settings, verify that `/opt/oracle/bda/rack-network.json` and `/opt/oracle/bda/cluster-network.json` reflect the intended network configuration. If it does not, then generate a new set of files using Oracle Big Data Appliance Configuration Generation Utility. See "[Generating the Configuration Files](#)."

(Note that use of `/opt/oracle/bda/network.json` is still supported, but not recommended.)

3. Ensure that 4 GB or more disk space are free in the partition:

```
$ df -h
Filesystem                Size      Used Avail Use% Mounted on
/dev/md2                   161G       23G   130G  15% /
/dev/md0                    194M        40M   145M  22% /boot
tmpfs                      24G         0    24G   0% /dev/shm
/dev/sda4                   1.7T     197M   1.7T   1% /u01
/dev/sdb4                   1.7T     197M   1.7T   1% /u02
/dev/sdc1                   1.8T     199M   1.8T   1% /u03
/dev/sdd1                   1.8T     199M   1.8T   1% /u04
.
.
.
```

4. Unzip the downloaded base image ZIP file. The following example shows a partial listing of the output to the command line:

```
# unzip p<number>_<version>_Linux-x86-64.zip
Archive: p<number>_Linux-x86-64.zip
creating: BDABaseImage-ol7-<version>_RELEASE/
creating: BDABaseImage-ol7-<version>_RELEASE/Extras/
creating: BDABaseImage-ol7-<version>_RELEASE/Extras/BALANCER/
extracting: BDABaseImage-ol7-<version>_RELEASE/Extras/BALANCER/orabalancer-
<version>-h2.zip
inflating: BDABaseImage-ol7-<version>_RELEASE/Extras/BALANCER/orabalancer-
<version>-h2.noarch.rpm
extracting: BDABaseImage-ol7-<version>_RELEASE/Extras/BALANCER/
orabalancerdemo-<version>-h2.zip
creating: BDABaseImage-ol7-<version>_RELEASE/Extras/CELL/
inflating: BDABaseImage-ol7-<version>_RELEASE/Extras/CELL/bd_cell-
<version>_LINUX.X64_160506.11
...
```

5. Change to the subdirectory created in the previous step:

```
# cd BDABaseImage-ol7-<version>_RELEASE
```

6. Log on to the server to be reimaged and run the `makebdimage` command. The the example below show the command to reimage Node 4 (including the internal USB) from the base image to the custom settings in the configuration files. Comma-separate `rack-network.json` and `cluster-network.json` and submit them as a single parameter.

```
# ./makebdimage -usbint BDABaseImage-<version>_RELEASE.iso /opt/
oracle/bda/rack-network.json,/opt/oracle/bda/cluster-network.json 4
```

Note that submitting `network.json` as the file parameter still works, but is no longer recommended:

```
# ./makebdaimage -usbint BDABaseImage-<version>_RELEASE.iso /opt/  
oracle/bda/network.json 4
```

7. If the `makebdaimage` command succeeds without errors, then restart the server.

## 10.11.2 Reimaging an Oracle Big Data Appliance Rack

Follow this procedure to reimage an entire rack.

### ▲ Caution:

If you reimage an entire rack, then all clusters, files, and data on the rack are erased. Reimaging is *not* required for a software upgrade.

#### To reinstall the base image on all servers in a rack:

1. If the Oracle Big Data Appliance software was installed previously on the rack, then save the `/opt/oracle/BDAMammoth/cluster_name-config.json` file to a safe place outside Oracle Big Data Appliance.
2. Download the most recent base image patch from My Oracle Support or Oracle Automated Release Updates (ARU), and copy it to the first (bottom) server of the rack being reimaged.

See "[Downloading the Mammoth Software Deployment Bundle](#)." You can take the same basic steps to download the base image patch from My Oracle Support.

### ▲ Caution:

Use the most recent 4.x version of the base image. Do not use the version included in the Mammoth bundle.

3. Establish an SSH connection to the first server and log in as `root`.
4. If you are reimaging to existing customer network settings, then verify that `/opt/oracle/bda/network.json` reflects the intended network configuration. If it does not, then generate a new file using Oracle Big Data Appliance Configuration Generation Utility.
5. Ensure that passwordless SSH is set up:

```
# dcli hostname  
192.nnn.nn.37: bda1node01.example.com  
192.nnn.nn.38: bda1node02.example.com  
192.nnn.nn.39: bda1node03.example.com  
.  
.  
.
```

This command must run without errors and return the host names of all Oracle Big Data Appliance servers. If not, then follow the steps in "[Setting Up Passwordless SSH](#)". Do not continue until the `dcli hostname` command runs successfully on all servers.

6. Check all Oracle Big Data Appliance servers for hardware issues:

```
# dcli bdacheckhw | grep -v SUCCESS
```

7. Resolve any hardware errors and warnings before reimaging the rack.
8. Verify that at least 4 GB are available in the root (`/`) partition of all servers:

9. 

```
# dcli df -h /
```

| 192.nnn.nn.37: Filesystem | Size | Used | Avail | Use% | Mounted on |
|---------------------------|------|------|-------|------|------------|
| 192.nnn.nn.37: /dev/md2   | 161G | 21G  | 132G  | 14%  | /          |
| 192.nnn.nn.38: Filesystem | Size | Used | Avail | Use% | Mounted on |
| 192.nnn.nn.38: /dev/md2   | 161G | 19G  | 135G  | 12%  | /          |
| 192.nnn.nn.39: Filesystem | Size | Used | Avail | Use% | Mounted on |
| 192.nnn.nn.39: /dev/md2   | 161G | 23G  | 131G  | 15%  | /          |
| .                         |      |      |       |      |            |
| .                         |      |      |       |      |            |
| .                         |      |      |       |      |            |

10. Unzip the downloaded base image ZIP file. For example:

```
# unzip p<number>_<version>_Linux-x86-64.zip
Archive:  p<number>_<version>_Linux-x86-64.zip
creating: BDABaseImage-ol7-<version>_RELEASE/
inflating: BDABaseImage-ol7-<version>_RELEASE/biosconfig
inflating: BDABaseImage-ol7-<version>_RELEASE/makebdaimage
extracting: BDABaseImage-ol7-<version>_RELEASE/BDABaseImage-ol6-
<version>_RELEASE.md5sum
inflating: BDABaseImage-ol7-<version>_RELEASE/reimagerack
inflating: BDABaseImage-ol7-<version>_RELEASE/reimagecluster
inflating: BDABaseImage-ol7-<version>_RELEASE/BDABaseImage-ol6-
<version>_RELEASE.iso
.
.
.
```

11. Change to the subdirectory created in the previous step:

```
# cd BDABaseImage-ol7-<version>_RELEASE
```

12. Complete one of the following procedures:

- To reimage an Oracle Big Data Appliance that was configured for a customer network to the same customer network settings, execute the `./reimagerack` command.
- To reimage an appliance that still has the factory settings:
  - a. Ensure that `/opt/oracle/bda/network.json` does not exist.
  - b. Execute the `./reimagerack` command.
- To restore the factory network settings on a rack configured with custom network settings:
  - a. Copy `/opt/oracle/bda/network.json` to a safe location outside Oracle Big Data Appliance.
  - b. Ensure that `/opt/oracle/bda/BdaShip.json` exists.
  - c. Reimage the rack:

```
./reimagerack deploy ship
```

### 13. Run Mammoth.

#### See Also:

- ["Generating the Configuration Files"](#)
- [reimagerack](#) for complete syntax of the `reimagerack` command.
- ["Installing the Software"](#) for instructions on running Mammoth.

## 10.11.3 Reimaging an Oracle Big Data Appliance Cluster

Follow this procedure to reimage a group of servers that the Mammoth utility has deployed as a single cluster. This can only be used on a group of servers that has been deployed as a single cluster using Mammoth. You can either reapply the network settings that are in currently in effect or revert to factory settings.

#### Caution:

If you reimage a cluster, then all files and data on the cluster are deleted. Reimaging is *not* required for a software upgrade.

#### Mandatory Prerequisites

You must rename the files `<rack_name>-rack-network.json` and `<cluster_name>-cluster-network.json` generated by the Oracle Big Data Appliance configuration utility to `rack-network.json` and `cluster-network.json`, respectively. In other words, truncate the rack name and cluster name prefixes as well as the first hyphen. The only purpose of those prefixes is to enable you to distinguish one cluster or rack from another in the output of the configuration utility.

#### Important:

**Before reimaging**, `/opt/oracle/bda/rack-network.json` and `/opt/oracle/bda/rack-network.json` **must exist on all nodes of the cluster.**

**To reinstall the base image on all servers in a cluster:** **Tip:**

The `reimagecluster` utility creates an installer on the internal USB drive of each server in the rack, initializes the installation, and reboots each server. While the servers are down for reboot, you can log on to Integrated Lights Out Manager (ILOM) on each server to monitor progress:

```
<server name>-ilom.<domain>.com
```

Click on **Remote Control -> Redirection -> Launch Remote Console** to launch a Java console where you can monitor the re-imaging.

1. If the Oracle Big Data Appliance software was installed previously on the rack, then save the `/opt/oracle/BDAMammoth/mammoth-<rack_name>.params` file (or `/opt/oracle/BDAMammoth/<cluster_name>-config.json`) to a safe place outside Oracle Big Data Appliance. If the cluster has been upgraded, the file may exist in `/opt/oracle/BDAMammoth/previous-BDAMammoth` directory.
2. Download the latest Oracle Big Data Appliance Base Image tarball from My Oracle Support to a temporary directory. Copy it onto the first (bottom) server of the cluster to be re-imaged.
3. If re-imaging to your current settings, verify that `/opt/oracle/bda/rack-network.json` and `cluster-network.json` reflect the intended network configuration. If they do not, then generate new files using Oracle Big Data Appliance Configuration Generation Utility.
4. Establish an SSH connection to the first server and log in as `root`.
5. Ensure that password-less SSH has been setup on the cluster (`dcli -C hostname` should run without errors). If it has not been setup, run `setup-root-ssh -C`.

```
# setup-root-ssh -C
Enter root password:
...
...
setup-root-ssh succeeded
```

`dcli -C hostname` must run without errors and return the host names of all Oracle Big Data Appliance servers in the cluster. If not, then follow the steps in "[Setting Up Passwordless SSH](#)". Do not continue until the `dcli -C hostname` command runs successfully on all servers.

6. Ensure that there is at least 4 GB free in the `/` partition of all servers:

```
# dcli -C df -h /
10.xxx.xxx.xx: Filesystem      Size  Used Avail Use% Mounted on
10.xxx.xxx.xx: /dev/md2                    459G   49G  387G  12% /
10.xxx.xxx.xx: Filesystem      Size  Used Avail Use% Mounted on
...
```

7. Unzip the downloaded base image ZIP file. For example:

```
# unzip p<number>_<version>_Linux-x86-64.zip
Archive: p<number>_<version>_Linux-x86-64.zip
creating: BDABaseImage-ol7-<version>_RELEASE/
creating: BDABaseImage-ol7-<version>_RELEASE/Extras/
creating: BDABaseImage-ol7-<version>_RELEASE/Extras/BALANCER/
extracting: BDABaseImage-ol7-<version>_RELEASE/Extras/BALANCER/orabalancer-
<version>-h2.zip
inflating: BDABaseImage-ol7-<version>_RELEASE/Extras/BALANCER/orabalancer-
<version>-h2.noarch.rpm
extracting: BDABaseImage-ol7-<version>_RELEASE/Extras/BALANCER/
orabalancerdemo-<version>-h2.zip
creating: BDABaseImage-ol7-<version>_RELEASE/Extras/CELL/
inflating: BDABaseImage-ol7-<version>_RELEASE/Extras/CELL/bd_cell-
<version>_LINUX.X64_160506.11
...
```

8. Change to the subdirectory created in the previous step:

```
# cd BDABaseImage-ol7-<version>_RELEASE
```

9. Use one of the following procedures to re-image the entire Oracle Big Data Appliance. The first alternative is to retain your existing configuration . The second is to restore to factory settings (prior to Oracle Big Data Appliance Configuration Utility setup) .

#### Reimage and Retain Existing Network Settings

- a. At `/opt/oracle/bda/`, check that both `network.json` and `BdaShip.json` are listed.

```
# ls *.json
network.json BdaShip.json
```

If `network.json` is not listed, locate the customer-specific `network.json` file (the one that describes the configuration you want to keep). First check to ensure that this file defines correct network settings. If it does not, generate a new file using Oracle Big Data Appliance Configuration Generation Utility. Then copy the file to `/opt/oracle/bda` and rename it to `network.json`.

- b. Use `dcli` to copy `network.json` to all nodes of the cluster.

```
# dcli -C -f /opt/oracle/bda/network.json -d /opt/oracle/bda/
```

- c. Execute the `./reimagecluster` command. Partial output of the command is shown below.

```
# ./reimagerack
Passwordless SSH set up to all hosts : xxx.xxx.xx.xx
xxx.xxx.xx.xx xxx.xxx.xx.xx xxx.xxx.xx.xx xxx.xxx.xx.xx
xxx.xxx.xx.xx
Using /tmp/BDABaseImage-ol7-<version>_RELEASE/BDABaseImage-ol7-
<version>_RELEASE.iso to re-image
BDABaseImage-ol7-<version>_RELEASE.iso: OK
Re-imaging to existing customer network settings
```

```
FINAL CONFIRMATION : All of the following hosts will be
completely erased, re-imaged and initialized including resetting
```

```

of the iloms: xxx.xxx.xx.xx xxx.xxx.xx.xx xxx.xxx.xx.xx
xxx.xxx.xx.xx xxx.xxx.xx.xx xxx.xxx.xx.xx
Proceed [y/n]?
Y
Running hardware checks on all nodes...
...
Rebooting all servers
Broadcast message from root@bdalnode01.example.com (unknown)
at 15:58 ...
The system is going down for reboot NOW!

```

### To Reimage to Factory Network Settings

- a. As described in Step 1, check that `/opt/oracle/bda/rack-network.json` and `cluster-network.json` have been copied to a safe location outside Oracle Big Data Appliance and that `/opt/oracle/bda/BdaShip.json` exists.
- b. Reimage the cluster to factory-shipped settings with the following command:

```
# ./reimagecluster deploy ship
```

10. Whether you re-imaged with existing network settings or restored to factory settings, the final steps are the same. After reboot from `reimagecluster` completes, run `setup-root-ssh` to re-establish a connection to all the servers in the rack. This is necessary so that the `dcli` command can be run to reboot all the servers again.

```

# setup-root-ssh
Enter root password:
...
setup-root-ssh succeeded

```

11. Reboot all servers once again using the `dcli` reboot command.

```
# dcli reboot
```

12. Verify that the files `/root/BDA_IMAGING_SUCCEEDED` and `/root/BDA_REBOOT_SUCCEEDED` exist on each server in the rack.

```
# dcli ls -lrt /root/BDA_*
```

Check that the date and timestamp of `/root/BDA_REBOOT_SUCCEEDED` correspond to the time of the reboot in the reimagining process. The file may be zero-byte or may contain some INFO messages.

13. Verify the installed base image version, as in this example:

```

# imageinfo
Big Data Appliance Image Info
IMAGE_VERSION : <version>
IMAGE_CREATION_DATE : Wed Mar 12 20:19:54 UTC 2019
IMAGE_LABEL : BDA_<version>_LINUX.X64_RELEASE
LINUX_VERSION : Oracle Linux Server release <version>
KERNEL_VERSION : 2.<version>.el6uek.x86_64

```

```
BDA_RPM_VERSION : bda-<version>-1.el6.x86_64
OFED_VERSION : OFED-IOV-<version>
JDK_VERSION : jdk1.<version>-fcs.x86_64
```

You can now run the Mammoth utility to bring the system up to the latest Oracle Big Data Appliance version.

#### See Also:

- These MOS notes provides additional details on reimaging:
  - [Oracle Big Data Appliance Base Image Version 4.10.0 for New Installations or Reprovisioning Existing Installations on Oracle Linux 7 \(Doc ID 2416137.1\)](#)
  - [Oracle Big Data Appliance Base Image Version 4.10.0 for New Installations or Reprovisioning Existing Installations on Oracle Linux 6 \(Doc ID 2364648.1\)](#)
- [About the Mammoth Utility](#)

## 10.12 Installing a One-Off Patch

One-off patch bundles provide a fix to specific bugs in one or more releases. You use Mammoth to apply the patch to your cluster

### To install a one-off patch from a bundle:

1. Download the patch bundle from the Automated Release Update (ARU) system to a directory such as `/tmp` on the first node of the Oracle Big Data Appliance cluster.

The file is named `BDA-patch-release-patch.zip`. The examples in this procedure use the name `BDA-patch-<version>-123456.zip`.

2. Unzip the file. For example:

```
# unzip BDA-patch-<version>-123456.zip
Archive:  BDA-patch-<version>-123456.zip
  creating: BDA-patch-<version>-123456/
  inflating: BDA-patch-<version>-123456/BDA-patch-<version>-123456.run
  inflating: BDA-patch-<version>-123456/README.txt
```

3. Change to the patch directory created in Step 2. For example:

```
$ cd BDA-patch-<version>-123456
```

4. Extract the contents of the run file. For example:

```
$ ./BDA-patch-<version>-123456.run
Big Data Appliance one-off patch 123456 for v<version> Self-extraction

Removing existing temporary files

Generating /tmp/BDA-patch-<version>-123456.tar
Verifying MD5 sum of /tmp/BDA-patch-<version>-123456.tar
/tmp/BDA-patch-<version>-123456.tar MD5 checksum matches

Extracting /tmp/BDA-patch-<version>-123456.tar to /opt/oracle/BDAMammoth/
```



```
patches/123456  
Removing temporary files
```

Please "cd /opt/oracle/BDAMammoth" before running "./mammoth -p 123456"

5. Change to the BDAMammoth directory:

```
$ cd /opt/oracle/BDAMammoth
```

6. Install the patch. For example:

```
$ ./mammoth -p 123456
```

Mammoth prompts you to choose whether or not you want to load the patch as rolling upgrade. (See "About Rolling Upgrades")

Alternatively, you can use the `bdacli` command. See "bdacli".

## 10.13 Mammoth Software Installation and Configuration Utility

Mammoth is the utility for installing, Oracle Big Data Appliance release software and also for performing upgrades and cluster extensions.

You must log in as `root` on the first server and change to the `/opt/oracle/BDAMammoth` directory to use Mammoth. It has this syntax:

```
./mammoth option [cluster_name] ]
```

In this command, *cluster\_name* is the name of the cluster. You must enter *cluster\_name* in the first command exactly as it appears in (*cluster\_name-config.json*). Afterward, *cluster\_name* defaults to the rack specified in a previous `mammoth` command.

In a multirack system, you must finish installation on one rack before starting the installation on another rack.

The next section of this guide lists and describes the Mammoth command line options.

### 10.13.1 Mammoth Options

Use the Mammoth utility to install the Oracle Big Data Appliance software and also to perform upgrades, extend clusters, and run checks on clusters.

The Mammoth command line options are as follows. Note that the `-j` option available in previous releases has been removed.

**-c**

Run the Oracle Big Data Appliance cluster checks.

**-e newnode1 newnode2 newnode3...**

Generates a parameter file for the list of servers to be added to a cluster. It then adds the new node or nodes to the cluster and installs required software on these nodes.

The servers in the list can be in the same rack or multiple racks.

Reboots normally occur only for the new nodes and only at the initial update of the factory image.

The parameter file generated is `opt/oracle/BDAMammoth/<cluster_name>-config.json`, where `<cluster-name>` is the name of the cluster being extended. No passwords are included in the parameter file, so you must enter them when running Mammoth. Cluster extension expects the default root password on nodes in the extension, so you should retain that password until the extension has completed. Be sure to change passwords afterward.

On Oracle NoSQL Database clusters, Mammoth prompts for the kind of zone for the new nodes. You can choose from an existing zone, a new primary zone, or a new secondary zone. When adding to an existing zone, Mammoth lists the zones that you can use. When creating a new zone, Mammoth prompts for the zone name and replication factor.

You can use the `-r` (range) or `-s` (step) options in conjunction with `mammoth -e`, as in:

```
# mammoth -r 1-4 -e newnode1 newnode2 newnode3...
```

```
# mammoth -s 2 -e newnode1 newnode2 newnode3...
```

**-h**

Displays command Help including command usage and a list of steps.

**-i *cluster\_name***

Runs all mandatory steps on the cluster, equivalent to `-r 1-18` for a full rack. Use this option when configuring a new rack or adding a group of servers to a cluster.

**-l**

Lists the steps of the Mammoth installation.

**-p**

Upgrades the software on the cluster to the current version or installs a one-off patch. You can use the `-r` (range) or `-s` (step) options in conjunction with `mammoth -p`, as in:

```
# mammoth -r 1-4 -p
```

```
# mammoth -s 2 -p
```

**-r *n-N***

Runs steps *n* through *N* of Mammoth while no errors occur.

**-s *n***

Runs step *n*. Enter *cluster\_name* to identify another cluster on the same rack. The default is the current cluster. See the `-e` option.

**Note:**

With both `-s` and `-r`, the proper sequence of install, upgrade, or extension steps is enforced. You cannot use these options to bypass steps.

**-v**

Displays the version number of the Mammoth.

## 10.13.2 Mammoth Installation Steps

Mammoth performs the following sequence of steps in an Oracle Big Data Appliance release installation.

### Step 1 PreinstallChecks

This step performs several tasks:

- Validates the configuration files and prompts for the passwords.
- Sets up a Secure Shell (SSH) for the root user so you can connect to all addresses on the administrative network without entering a password.
- Sets up passwordless SSH for the root user on the InfiniBand network.
- Generates `/etc/hosts` from the configuration file and copies it to all servers so they use the InfiniBand connections to communicate internally. The file maps private IP addresses to public host names.
- Sets up an alias to identify the node where the Mammoth is run as the puppet master node. For example, if you run the Mammoth from `bda1node01` with an IP address `192.nnn.nn.1`, then a list of aliases for that IP address includes `bda1node01-master`. The Mammoth uses Puppet for the software installation.
- Checks the network timing on all nodes. If the timing checks fail, then there are unresolved names and IP addresses that will prevent the installation from running correctly. Fix these issues before continuing with the installation.

This step also performs a variety of hardware and software checks. A failure in any of these checks causes the Mammoth to fail:

- The ARP cache querying time is 2 seconds or less.
- All server clocks are synchronized within 10 seconds of the current server.
- All servers succeeded on the last restart and generated a `/root/BDA_REBOOT_SUCCEEDED` file.
- The `bdacheckhw` utility succeeds.
- The `bdachecksw` utility succeeds.

### Step 2 SetupPuppet

This step configures puppet agents on all nodes and start them, configures a puppet master on the node where the Mammoth is being run, waits for the agents to submit their certificates, and automates their signing. This step also changes the root password on all nodes (optional). After this step is completed, Puppet can deploy the software.

Puppet is a distributed configuration management tool that is commonly used for managing Hadoop clusters. The puppet master is a parent service and maintains a Puppet repository. A puppet agent operates on each Hadoop node.

A file named `/etc/puppet/puppet.conf` resides on every server and identifies the location of the puppet master.

Puppet operates in two modes:

- Periodic pull mode in which the puppet agents periodically contact the puppet master and asks for an update, or

- Kick mode in which the puppet master alerts the puppet agents that a configuration update is available, and the agents then ask for the update. Puppet operates in kick mode during the Mammoth installation.

In both modes, the puppet master must trust the agent. To establish this trust, the agent sends a certificate to the puppet master node where the `sys` admin process signs it. When this transaction is complete, the puppet master sends the new configuration to the agent.

For subsequent steps, you can check the Puppet log files on each server, as described in "[What If an Error Occurs During the Installation?](#)".

### Step 3 UpdateBaselImage

Installs the most recent Oracle Big Data Appliance image and system parameter settings. The system automatically restarts if the kernel is upgraded.

### Step 4 PrepareBaselImage

- Copies third-party licenses to `/opt/oss/src/OSSLicenses.pdf` on every server, as required by the licensing agreements.
- Copies third-party software source code to `/opt/oss/src/` on every server, as required by the licensing agreements.

Mammoth does not copy the source code to Oracle NoSQL Database clusters.

- Creates the `hdfs` and `mapred` users, and the `hadoop` group. It also creates the `oracle` user and the `dba` and `oinstall` groups.

The various packages installed in later steps also create users and groups during their installation.

#### See Also:

*Oracle Big Data Appliance Software User's Guide* for more information about users and groups.

- The NameNode data is copied to multiple places to prevent a loss of this critical information should a failure occur in either the disk or the entire node where they are set up.

### Step 5 SetupMySQL

Installs and configures MySQL Database. This step creates the primary database and several databases on node03 for use by Cloudera Manager. It also sets up replication of the primary database to a backup database on node02.

Mammoth does not install MySQL Database on Oracle NoSQL Database clusters.

### Step 6 SetupKDC

Configures the Kerberos Key Distribution Center (KDC) that is used to set up security on the cluster.

### Step 7 InstallHadoop

Installs all packets in Cloudera's Distribution including Apache Hadoop (CDH) and Cloudera Manager. It then starts the Cloudera Manager server on node03 and configures the cluster.

Mammoth does not install CDH or Cloudera Manager on Oracle NoSQL Database clusters.

### Step 8 StartHadoopServices

Starts the agents on all nodes and starts all CDH services. Also enables HTTPS for Cloudera Manager, Hue, and Oozie if HTTPS/ Network Encryption was enabled. After this step, you have a fully functional Hadoop installation. Cloudera Manager runs on port 7180 of node03. You can open it in a browser, for example:

```
http://bda1node03.example.com:7180
```

In this example, bda1node03 is the name of node03 and example.com is the domain. The default user name and password is admin. You are prompted to change the password at the end of this step.

Note that Mammoth does not install or start CDH services on Oracle NoSQL Database clusters.

### Step 9 InstallBDASoftware

Installs the server-side components of Oracle Big Data Connectors, if this option was selected in Oracle Big Data Appliance Configuration Generation Utility. Oracle Big Data Connectors must be licensed separately. Optional.

Installs the server-side components of Oracle Big Data SQL, if this option was selected in Oracle Big Data Appliance Configuration Generation Utility. Oracle Big Data SQL must be licensed separately.

Installs Oracle NoSQL Database on clusters allocated to its use. Enterprise Edition requires a separate license.

### Step 10 SetupHadoopSecurity

Actions performed in this step are based upon the choices you made in the Oracle Big Data Appliance Configuration Utility prior to installation.

- Configures HTTPS/ Network Encryption if this option was selected.
- Configures HDFS Transparent Encryption if this option was selected.

Mammoth sets up the The Navigator Key Trustee services required by HDFS Transparent Encryption based on whether you chose local or external Key Trustee servers in the configuration utility prior to installation:

- If you had selected **Setup Key Trustee Servers on the BDA** in the configuration utility, Mammoth will setup up active and passive Key Trustee servers locally on the Oracle Big Data Appliance.
- If you chose to use external Key Trustee Servers, the connection to the external servers is configured in this setup. (Note that you must have already configured the external Navigator Key Trustee Servers as described in MOS Doc ID 2112644.1)
- Configures Kerberos authentication if this option was selected. There are no prerequisites if you set up the key distribution center on Oracle Big Data Appliance. Otherwise, see "[Installation Prerequisites](#)."

### Step 11 SetupASR

Installs and configures Auto Service Request (ASR). Optional.

This step does the following:

- Installs the required software packages
- Configures the trap destinations
- Starts the monitoring daemon

To activate the assets from ASR Manager, see "[Verifying ASR Assets](#)".

**Note:**

For this step to run successfully, the ASR host system must be up with ASR Manager running and configured properly. See [Setting Up Auto Service Request](#).

**Step 12 CleanupInstall**

Performs the following:

- Changes the Cloudera Manager password if specified in the Installation Template.
- Deletes temporary files created during the installation.
- Copies log files from all nodes to subdirectories in `/opt/oracle/bda/install/log`.
- Runs cluster verification checks, including TeraSort, to ensure that everything is working properly. It also generates an install summary. All logs are stored in a subdirectory under `/opt/oracle/bda/install/log` on node01.

**Step 13 CleanupSSHroot (Optional)**

Removes passwordless SSH for `root` that was set up in "PreinstallChecks".

## 10.14 Oracle Big Data Appliance Base Imaging Utilities

The following imaging utilities are distributed in the base image bundle.

To run these utilities, you must be logged in as `root`.

- [makebdaimage](#)
- [reimagecluster](#)
- [reimagerack](#)

### 10.14.1 makebdaimage

Reinstalls the base image on a single server, a cluster, or an entire rack. Both [reimagecluster](#) and [reimagerack](#) call this utility.

The `makebdaimage` utility has this syntax:

```
makebdaimage [--usb | --usbint] [--noiloms] /path/BDABaseImage-  
version_RELEASE.iso /path/BDDaDeploy.json target_servers
```

**Options****--usb | --usbint**

Identifies the USB port that will be used for reimaging. Use `--usb` for the external USB drive, or `--usbint` for the internal drive. The internal USB drive contains a full Linux installation.

To use the `--usbint` option, you must be logged in to the target server; otherwise, you reimage the server using the wrong network information.

**--noiloms**

The reimaging process does not alter the Oracle ILOMs on the target servers.

**target\_servers**

One or more servers where the image will be installed, which you specify using one of these formats:

- **node\_number**  
Identifies one server for reimaging. Enter the position of the server in the rack, from 1 to 18, counting from bottom to top.
- **from.json to.json**  
Identifies the current configuration (*from.json*) and the desired configuration (*to.json*). The JSON files can be either the factory configuration in *BdaShip.json* or a custom configuration in *network.json*. You can find them in */opt/oracle/bda* on configured servers.
- **to.json**: Concatenation of JSON files similar to *network.json* and *BdaShip.json*, but containing an extra *ETH0\_MACS* array entry. The first entry in the concatenated file with a matching *eth0\_mac* entry is used when reimaging. The *to.json* file is used as is.

## 10.14.2 reimagedcluster

Reimages all servers in the cluster in parallel using *dcli* and *makebdaimage*.

The *reimagedcluster* utility has this syntax:

```
reimagedcluster [--no-iloms]
```

**Prerequisites**

- Verify that the following command returns the list of servers in the cluster:  

```
$ dcli -C hostname
```
- Ensure that exactly one *BDABaseImage-version\_RELEASE\*.iso* file is in the current directory.

**Options****--no-iloms**

The reimaging process does not alter the Oracle ILOMs on the target servers.

## 10.14.3 reimagerack

Reimages all servers in the rack in parallel using *dcli* and *makedbaimage*.

The *reimagerack* utility has this syntax:

```
reimagerack [--no-iloms] [--no-macs] [--hosts n1, n2...] [from.json [to.json]]
```

**Prerequisites**

- Verify that the following command returns the list of servers in the rack:  

```
$ dcli -hostname
```

- Ensure that exactly one `BDABaseImage-version_RELEASE*.iso` file is in the current directory.

### Options

#### **--no-iloms**

The reimaging process does not alter the Oracle ILOMs on the target servers.

#### **--no-macs**

The utility does not retrieve the server MAC addresses. Instead, it uses the InfiniBand cabling. Use this option only when restoring the factory settings; you must include both JSON files (`from.json` and `to.json`) in the command line.

#### **--hosts *n1, n2...***

Restricts reimaging to the servers identified by a comma-delimited list of host names or IP addresses, whichever one `dcli` accepts. All servers must be in the list of target servers identified by the `dcli -t` command.

This option enforces the `--no-macs` option, so its restrictions also apply.

#### ***from.json***

The full path to the current configuration file, either `BdaShip.json` or `network.json`.

This option defaults to `/opt/oracle/bda/network.json`. If `network.json` is missing, then the option defaults to `/opt/oracle/bda/BdaShip.json`. The servers must already be set to the values in the JSON file used by `reimagerack`.

#### ***to.json***

The full path to the new network configuration in effect after reimaging. It can be either a `network.json` or a `BdaShip.json` file.



# Part IV

## Maintenance

Part IV describes procedures and utilities that you use to maintain Oracle Big Data Appliance. It contains the following chapters:

- [Oracle Big Data Appliance Utilities](#)
- [Maintaining Oracle Big Data Appliance](#)
- [Replacing a Server Disk](#)
- [Executing Commands Across a Cluster Using the dcli Utility](#)
- [Using Oracle Integrated Lights Out Manager](#)

# 11

## Oracle Big Data Appliance Utilities

This chapter describes the utilities available on Oracle Big Data Appliance. Most of the utilities are for monitoring the health of the hardware and the network.

- `bdacheckcluster`
- `bdacheckhw`
- `bdacheckib`
- `bdachecknet-cluster`
- `bdachecknet-rack`
- `bdachecksw`
- `bdacli`
- `bdaclustersync`
- `bdaconfiguredisk`
- `bdadiag`
- `bdadiagcluster`
- `bdagetclientconfig`
- `bdaibstatus`
- `bdaid`
- `bdaimagevalidate`
- `bdanodedesc`
- `bdaredoclientnet`
- `bdasecureerasenode`
- `bdaserials`
- `bdaswapoff`
- `bdaswapon`
- `bdaupdatefw`
- `iblinkinfo`
- `imagehistory`
- `imageinfo`
- `listlinkup`
- `mount_hadoop_dirs`
- `remove-root-ssh`
- `reset-boot-order`

- [setup-root-ssh](#)
- [showusb](#)
- [showvlan](#)
- [showwnics](#)

## 11.1.1 bdacheckcluster

Checks the health of a CDH cluster, including the software, hardware, and network, and logs the results in a file in the `/tmp` directory.

To also run the CDH cluster health checks, enter the Cloudera Manager `admin` password in response to the prompt. If you do not enter the password, then these checks are skipped.

### Syntax

```
bdacheckcluster
```

### Notes

If the cluster is protected by Kerberos authentication, then you must obtain a ticket for the `hdfs` user before running `bdacheckcluster`.

### Example

This example shows the output from the utility:

```
# bdacheckcluster
INFO: Logging results to /tmp/bdacheckcluster_1373393815/
Enter CM admin password to enable check for CM services and hosts
Press ENTER twice to skip CM services and hosts checks
Enter password: password
Enter password again: password
SUCCESS: Mammoth configuration file is valid.
SUCCESS: hdfs is in good health
SUCCESS: mapreduce is in good health
SUCCESS: oozie is in good health
SUCCESS: zookeeper is in good health
SUCCESS: hive is in good health
SUCCESS: hue is in good health
SUCCESS: Cluster passed checks on all hadoop services health check
SUCCESS: bdalnode01.example.com is in good health
SUCCESS: bdalnode02.example.com is in good health
SUCCESS: bdalnode03.example.com is in good health
.
.
.
SUCCESS: Cluster passed checks on all hosts health check
SUCCESS: All cluster host names are pingable
SUCCESS: All cluster hosts passed checks on last reboot
INFO: Starting cluster host hardware checks
SUCCESS: All cluster hosts pass hardware checks
INFO: Starting cluster host software checks
SUCCESS: All cluster hosts pass software checks
SUCCESS: All ILOM hosts are pingable
SUCCESS: All client interface IPs are pingable
SUCCESS: All admin eth0 interface IPs are pingable
```

```
SUCCESS: All private Infiniband interface IPs are pingable
SUCCESS: All cluster hosts resolve public hostnames to private IPs
.
.
.
INFO: Checking local reverse DNS resolve of private IPs on all cluster hosts
SUCCESS: All cluster hosts resolve private IPs to public hostnames
SUCCESS: 2 virtual NICs available on all cluster hosts
SUCCESS: NTP service running on all cluster hosts
SUCCESS: At least one valid NTP server accessible from all cluster servers.
SUCCESS: Max clock drift of 0 seconds is within limits
SUCCESS: Big Data Appliance cluster health checks succeeded
```

## 11.1.2 bdacheckhw

Checks the hardware profile of the server.

### Syntax

```
bdacheckhw
```

### Usage Notes

See "[Configuring the Oracle Big Data Appliance Servers](#)" for tips about using this utility.

### Example

This example shows the output from the utility:

```
# bdacheckhw
SUCCESS: Found BDA v2 server : SUN FIRE X4270 M3
SUCCESS: Correct processor info : Intel(R) Xeon(R) CPU E5-2660 0 @ 2.20GHz
SUCCESS: Correct number of types of CPU : 1
SUCCESS: Correct number of CPU cores : 32
SUCCESS: Sufficient GB of memory (>=63): 63
SUCCESS: Correct BIOS vendor : American Megatrends Inc.
SUCCESS: Sufficient BIOS version (>=08080102): 18021300
SUCCESS: Recent enough BIOS release date (>=05/23/2011):06/19/2012
SUCCESS: Correct ILOM major version : 3.1.2.12
SUCCESS: Sufficient ILOM minor version (>=74388): 74388
SUCCESS: Correct number of fans : 4
SUCCESS: Correct fan 0 status : ok
SUCCESS: Correct fan 1 status : ok
.
.
.
SUCCESS: Big Data Appliance hardware validation checks succeeded
```

## 11.1.3 bdacheckib

Checks the InfiniBand cabling between the servers and switches of a single rack, when entered with no options.

Run this command after connecting as `root` to any server.

### Syntax

```
bdacheckib [parameter]
```

## Parameters

### -s

The same as running without options except that the network must still be configured with the factory default settings. You can use this option as soon as Oracle Big Data Appliance arrives at the site, even before the switches are configured.

### -m *json\_file*

Verifies that the InfiniBand switch-to-switch cabling among multiple racks is correct. To create *json\_file*, see the -g option.

### -g

Generates a sample JSON file named `sample-multi-rack.json`. Use this file as an example of the format required by the -m option.

## Usage Notes

The network must be configured with custom settings as described by `/opt/oracle/bda/network.json`.

## Examples

This example checks the switch-to-server InfiniBand cables:

```
[root@node01 network]# bdacheckib
LINK bdalsw-ib3.15A ... bdalnode02.HCA-1.2 UP
LINK bdalsw-ib3.15B ... bdalnode01.HCA-1.2 UP
LINK bdalsw-ib3.14A ... bdalnode04.HCA-1.2 UP
LINK bdalsw-ib3.14B ... bdalnode03.HCA-1.2 UP
.
.
.
```

The next example generates the JSON file and shows the output.

```
[root@bdalnode01 bda]# bdacheckib -g
[root@bdalnode01 bda]# cat sample-multi-rack.json
# This json multirack spec is generated. The array elements are sorted
# alphabetically. A properly arranged json spec representing racks from left to right
# can be used as input to bdacheckib (bdacheckib -m multi-rack.json)
# Note commas separating rack elements are optional.
[
{"SPINE_NAME": "bdalsw-ib1", "LEAF1_NAME": "bdalsw-ib2", "LEAF2_NAME": "bdalsw-ib3"}
{"SPINE_NAME": "bda2sw-ib1", "LEAF1_NAME": "bda2sw-ib2", "LEAF2_NAME": "bda2sw-ib3"}
{"SPINE_NAME": "dm01sw-ib1", "LEAF1_NAME": "dm01sw-ib2", "LEAF2_NAME": "dm01sw-ib3"}
]
```

The final example checks all the racks on the InfiniBand network using the edited JSON file created in the previous example:

```
# bdacheckib -m sample-multi-rack.json

Rack #1 leaf to spines topology check
  leaf: bdalsw-ib2
    expected 2 links to rack 1, found 4 OK
    expected 2 links to rack 2, found 4 OK
    expected 2 links to rack 3, found 3 OK
    expected 2 links to rack 4, found 3 OK
  leaf: bdalsw-ib3
    expected 2 links to rack 1, found 3 OK
    expected 2 links to rack 2, found 4 OK
```

```

expected 2 links to rack 3, found 3 OK
expected 2 links to rack 4, found 3 OK
.
.
.

Rack #1 cabling details
leaf: bdalsw-ib2
LINK ... to rack2 ..... UP
LINK ... to rack2 ..... UP
LINK ... to rack1 ..... UP
LINK ... to rack1 ..... UP
LINK ... to rack3 ..... UP
LINK ... to rack3 ..... UP
LINK ... to rack4 ..... UP
LINK ... to rack4 ..... UP
.
.
.

```

## 11.1.4 bdachecknet-cluster

Checks cluster network connectivity after network setup.

### Syntax

```
bdachecknet-cluster
```

### Usage Notes

Run this command after connecting as `root` to any server.

### Example

This example shows the output from the utility:

```

bdachecknet-cluster: do basic sanity checks on /opt/oracle/bda/rack-network.json
and /opt/oracle/bda/cluster-network.json
bdachecknet-cluster: passed
bdachecknet-cluster: checking for rack-expansion.json
bdachecknet-cluster: ping test private infiniband ips (bondib0 40gbs)
bdachecknet-cluster: passed
bdachecknet-cluster: ping test admin ips (eth0 1gbs)
bdachecknet-cluster: passed
bdachecknet-cluster: test client network (eoib) resolve and reverse resolve
bdachecknet-cluster: passed
bdachecknet-cluster: test client name array matches ip array
bdachecknet-cluster: passed
bdachecknet-cluster: ping servers on client network by ip
bdachecknet-cluster: passed
bdachecknet-cluster: test ntp servers
bdachecknet-cluster: passed
bdachecknet-cluster: ping client gateway
bdachecknet-cluster: passed
bdachecknet-cluster: test arp -a
bdachecknet-cluster: passed
bdachecknet-cluster: test vnics for this node
      host                if      status actv primary switch
gw port  ping gw vlan
=====

```

```

=====
bdanode05          eth8 up    no   no    bda43sw-ib2      0A-
ETH-3  yes        N/A
bdanode05          eth9 up    yes  yes   bda43sw-ib3      0A-
ETH-3  yes        N/A

bdachecknet-cluster: all checks succeeded

```

## 11.1.5 bdachecknet-rack

Check rack connectivity after network setup.

### Syntax

```
bdachecknet-rack
```

### Usage Notes

Run this command after connecting as root to any server.

### Example

This example shows the output from the utility:

```

[root@node01 network]# bdachecknet-rack
bdachecknet-rack: do basic sanity checks on /opt/oracle/bda/rack-network.json
and /opt/oracle/bda/cluster-network.json
bdachecknet-rack: passed
bdachecknet-rack: checking for rack-expansion.json
bdachecknet-rack: ping test private infiniband ips (bondib0 40gbs)
bdachecknet-rack: passed
bdachecknet-rack: ping test admin ips (eth0 1gbs)
bdachecknet-rack: passed
bdachecknet-rack: test client network (eoib) resolve and reverse resolve
bdachecknet-rack: passed
bdachecknet-rack: test client name array matches ip array
bdachecknet-rack: passed
bdachecknet-rack: ping servers on client network by ip
bdachecknet-rack: passed
bdachecknet-rack: test ntp servers
bdachecknet-rack: passed
bdachecknet-rack: ping client gateway
bdachecknet-rack: passed
bdachecknet-rack: test arp -a
bdachecknet-rack: passed
bdachecknet-rack: all checks succeeded

```

## 11.1.6 bdachecksw

Checks the software profile of a server.

### Syntax

```
bdachecksw
```

## Usage Notes

See "[Configuring the Oracle Big Data Appliance Servers](#)" for tips about using this utility.

## Example

This example shows the output from the utility:

```
# bdacli
SUCCESS: Correct OS disk s0 partition info : 1 ext3 raid 2 ext3 raid 3 linux-
swap 4 ext3 primary
SUCCESS: Correct OS disk s1 partition info : 1 ext3 raid 2 ext3 raid 3 linux-
swap 4 ext3 primary
SUCCESS: Correct data disk s2 partition info : 1 ext3 primary
SUCCESS: Correct data disk s3 partition info : 1 ext3 primary
SUCCESS: Correct data disk s4 partition info : 1 ext3 primary
SUCCESS: Correct data disk s5 partition info : 1 ext3 primary
SUCCESS: Correct data disk s6 partition info : 1 ext3 primary
SUCCESS: Correct data disk s7 partition info : 1 ext3 primary
SUCCESS: Correct data disk s8 partition info : 1 ext3 primary
SUCCESS: Correct data disk s9 partition info : 1 ext3 primary
SUCCESS: Correct data disk s10 partition info : 1 primary
SUCCESS: Correct data disk s11 partition info : 1 primary
SUCCESS: Correct software RAID info : /dev/md2 level=raid1 num-
devices=2 /dev/md0 level=raid1 num-devices=2
SUCCESS: Correct mounted partitions : /dev/mapper/lvgl-lv1 /lv1 ext4 /dev/md0 /
boot ext3 /dev/md2 / ext3 /dev/sd4 /u01 ext4 /dev/sd4 /u02 ext4 /dev/sd1 /u03
ext4 /dev/sd1 /u04 ext4 /dev/sd1 /u05 ext4 /dev/sd1 /u06 ext4 /dev/sd1 /u07
ext4 /dev/sd1 /u08 ext4 /dev/sd1 /u09 ext4 /dev/sd1 /u10 ext4
SUCCESS: Correct matching label and slot : symbolic link to `../../sda4'
SUCCESS: Correct matching label and slot : symbolic link to `../../sdb4'
.
.
.
SUCCESS: Correct Linux kernel version 2.6-39-400.200 series : Linux
2.6.39-400.2 14.3.el6uek.x86_64
SUCCESS: Correct Java Virtual Machine version : HotSpot(TM) 64-Bit Server
1.7.0_25
SUCCESS: Correct puppet version : 2.6.11
SUCCESS: Correct MySQL version : 5.5.35
SUCCESS: All required programs are accessible in $PATH
SUCCESS: All required RPMs are installed and valid
SUCCESS: Correct bda-monitor status : bda monitor is running
SUCCESS: Big Data Appliance software validation checks succeeded
```

### 11.1.7 bdacli

The Oracle Big Data Appliance Command-Line Interface (`bdacli`) queries various configuration files to return information about the rack, cluster, server, InfiniBand network, and software patches.

The `bdacli` utility also adds and removes patches and optional services. It can migrate critical services between critical nodes, and add and remove servers from a cluster.

The `bdacli` utility displays usage information if no parameters are included on the command line or the values are undefined.



## Syntax

```
bdacli action [parameters]
```

## Actions

### help

Displays general usage information for bdacli, a list of actions, and a list of supported parameters for the `getinfo` action.

### {add | remove} patch *patch\_number*

Adds or removes a software patch on Oracle Big Data Appliance that matches *patch\_number*. You must log in as `root` to use `add` or `remove`.

### admin\_cluster *parameter node\_name*

Enables you to administer the nodes in a cluster in response to a failing server. [Table 11-1](#) describes the parameters.

| Parameter                 | Description                                                                                                                                                                                                                                                                                                                                                                                                                      |
|---------------------------|----------------------------------------------------------------------------------------------------------------------------------------------------------------------------------------------------------------------------------------------------------------------------------------------------------------------------------------------------------------------------------------------------------------------------------|
| <code>decommission</code> | Removes the specified node from the cluster and decommissions the server in Cloudera Manager. It also updates the Mammoth files.<br>You can decommission a failing, noncritical node. Note that critical services on the node must be moved first. This parameter is for temporarily removing a node from a cluster for maintenance and is not a method to delete a node from a cluster.                                         |
| <code>recommission</code> | Removes the node from the list of decommissioned nodes, and recommissions the server in Cloudera Manager. Use this command after decommissioning and repairing a failing server.                                                                                                                                                                                                                                                 |
| <code>migrate</code>      | Moves the services from a critical node to a noncritical node, and decommissions the failing server in Cloudera Manager. You specify the name of the failing critical node, and the utility selects the noncritical node for the migration. When migration is complete, the new node has all of the functionality of the original critical node. You can only migrate a critical node, and should do so only when it is failing. |

---

| Parameter   | Description                                                                                                                                                                                                  |
|-------------|--------------------------------------------------------------------------------------------------------------------------------------------------------------------------------------------------------------|
| reprovision | Restores a server to the cluster as a noncritical node, and recommissions the server in Cloudera Manager. Use this command after migrating the services of a critical node and repairing the failing server. |

---

 **Note:**

If Oracle Big Data SQL is installed, you must disable it before a reprovision operation and can then re-enable it when reprovisioning is complete. Use `bdacli disable big_data_sql` and `bdacli enable big_data_sql`. Before disabling and re-enabling Oracle Big Data SQL, make a back up of all installation directories under `/opt/oracle/BDSJaguar` in order to preserve them. The `/opt/oracle/BDSJaguar` directory is deleted and then recreated empty when Oracle Big Data SQL is disabled and then re-enabled (uninstalled and then re-installed). Copy the installation directories back to `/opt/oracle/BDSJaguar` after Oracle Big Data SQL has been re-enabled.

**{enable | disable} service**

Enables or disables an optional software component on Oracle Big Data Appliance. You must log in as `root` to use `enable` or `disable`.

[Table 11-2](#) describes the component parameters.

| Parameter               | Description                                                                   |
|-------------------------|-------------------------------------------------------------------------------|
| <code>asr</code>        | Auto Service Request                                                          |
| <code>auditvault</code> | Oracle Audit Vault and Database Firewall plugin ( <code>disable</code> only.) |
| <code>bdc</code>        | Oracle Big Data Connectors. A license is required.                            |

 **Note:**


In Oracle Big Data Appliance 5.1, you cannot choose to enable the ODI Agent when you run this command. You can install the ODI Agent separately. See the Oracle Data Integrator documentation for instructions: [Installing and Configuring Oracle Data Integrator](#)

| Parameter    | Description         |
|--------------|---------------------|
| big_data_sql | Oracle Big Data SQL |

**! Important:**

Before disabling and then re-enabling Oracle Big Data SQL, make a back up of all installation directories under `/opt/oracle/BDSJaguar` in order to preserve any customizations you have made to the default installation. The `/opt/oracle/BDSJaguar` directory is deleted and then recreated empty when Oracle Big Data SQL is disabled and then re-enabled (uninstalled and then re-installed). Copy the installation directories back to `/opt/oracle/BDSJaguar` after Oracle Big Data SQL has been re-enabled.

|                 |                                                                                                                                                                                                              |
|-----------------|--------------------------------------------------------------------------------------------------------------------------------------------------------------------------------------------------------------|
| em              | A license is required.<br>Oracle Enterprise Manager Cloud Control agent (disable only.)                                                                                                                      |
| disk_encryption | Disable existing eCryptfs encryption. disable only. There is no enable action for this parameter. You have the option to use the <code>hdfs_transparent_encryption</code> parameter to encrypt data at rest. |

| Parameter                   | Description                                                                                                                                                                                                                                                                                                                                                                                                                                                                                                                                                                                                                                                                                                                                                                                                                                                        |
|-----------------------------|--------------------------------------------------------------------------------------------------------------------------------------------------------------------------------------------------------------------------------------------------------------------------------------------------------------------------------------------------------------------------------------------------------------------------------------------------------------------------------------------------------------------------------------------------------------------------------------------------------------------------------------------------------------------------------------------------------------------------------------------------------------------------------------------------------------------------------------------------------------------|
| hdfs_transparent_encryption | <p>HDFS Transparent Encryption on the cluster. Respond Yes or No to a prompt to set up Key Trustee Servers on the BDA. If you respond No, you are further prompted for the addresses of the Active and Passive Key Trustee Servers, as well as the Key Trustee organization and authorization code. If you respond Yes, the Key Trustee Servers are set up on Oracle Big Data Appliance in a predetermined configuration. Kerberos is required.</p> <p>After the initial configuration, starting/stopping the KMS/KTS servers can be done only through Cloudera Manager.</p> <p>Mammoth does not have direct access to edge nodes and therefore cannot set up or detect KMS services on these nodes. Customers can set up KMS services on edge nodes themselves. These must exist same cluster as the services that require access to the Key Trustee Servers.</p> |
|                             | <div data-bbox="1052 907 1364 1570" style="border: 1px solid #0070C0; background-color: #E6F2FF; padding: 10px;"> <p> <b>See Also:</b></p> <ul style="list-style-type: none"> <li>• <a href="#">Document 2111343.1 in My Oracle Support</a> for important Kerberos prerequisites and procedure details.</li> <li>• <a href="#">cloudera.com</a> for details about Cloudera's data at rest encryption architecture.</li> </ul> </div>                                                                                                                                                                                                                                                                                                                                            |
| ad_kerberos                 | <p>Active Directory Kerberos. Also prompts the user to choose whether or not to enable the features <i>Encrypt Hadoop Services</i> and <i>Encrypt HDFS Data Transport</i>.</p> <p>The <code>disable</code> option disables these services as well as <code>ad_kerberos</code>.</p> <p>Note that there are important preliminary steps. See MOS (My Oracle Support) documents 2013585.1 and 2029378.1.</p>                                                                                                                                                                                                                                                                                                                                                                                                                                                          |

| Parameter                     | Description                                                                                                                                                                                                                                                                                                                                                                                                                                         |
|-------------------------------|-----------------------------------------------------------------------------------------------------------------------------------------------------------------------------------------------------------------------------------------------------------------------------------------------------------------------------------------------------------------------------------------------------------------------------------------------------|
| kerberos                      | MIT Kerberos. Also prompts the user to choose whether or not to enable the features <i>Encrypt Hadoop Services</i> and <i>Encrypt HDFS Data Transport</i> . The disable option disables these services as well as MIT Kerberos. This parameter does not control Active Directory Kerberos. See <code>ad_kerberos</code> in this table.                                                                                                              |
| https_cm_hue_oozie            | HTTPS for Cloudera Manager, Hue, and Oozie. There is no disable option. Kerberos is required.                                                                                                                                                                                                                                                                                                                                                       |
| hdfs_encrypted_data_transport | Encryption of HDFS data transport between DataNodes and clients, and among DataNodes. Kerberos is required. Applies to HDFS data only.                                                                                                                                                                                                                                                                                                              |
| hadoop_network_encryption     | For CDH clusters, this command enables HTTPS encryption and Kerberos authentication for HDFS and YARN, also enables encrypted web shuffling for YARN. Data spills to non-HDFS disk storage from Spark shuffle, MapReduce intermediate files, map and reduce operations, and Impala SQL are also encrypted. Basically this option encrypts all network traffic except HDFS data transport. Kerberos is a prerequisite for Hadoop Network Encryption. |
| osg                           | Oracle Big Data Spatial and Graph. This software is not included in the Oracle Big Data Appliance license. A separate license is required.                                                                                                                                                                                                                                                                                                          |
| sentry                        | Apache Sentry authorization.                                                                                                                                                                                                                                                                                                                                                                                                                        |

 **Note:**

If HDFS Transparent Encryption is disabled, data stored in the HDFS Transparent Encryption zones in the cluster will remain encrypted and therefore inaccessible. To restore access to the data, re-enable HDFS Transparent Encryption using the same key provider.

**{start | stop | restart | status} service**

Starts, stops, restarts, or returns the current status of a service on a cluster or a specific node.

| Parameter            | Description                                     |
|----------------------|-------------------------------------------------|
| big_data_sql_cluster | Oracle Big Data SQL on all nodes of the cluster |

| Parameter                                                  | Description                                                                                                                                                                                                |
|------------------------------------------------------------|------------------------------------------------------------------------------------------------------------------------------------------------------------------------------------------------------------|
| <code>big_data_sql_server</code><br><code>node_name</code> | Oracle Big Data SQL on a specified node of the cluster.<br>Use <code>bdacli</code> with this parameter only from the first node of the cluster, where the current <code>config.json</code> file is stored. |

**reset scope\_parameter network\_parameter**

Reconfigures the network (or networks) within the specified scope. The network configuration will set the IP addresses, subnets, domain and DNS. In the case of a virtual adapter such as client network or private network, the VNICs are deleted and recreated with the new IP addresses.

Requires `root` privileges.

**Examples:**

```
bdacli reset server admin_network
bdacli reset cluster client_network
bdacli reset cluster private_network
bdacli reset server all_networks
```

| Scope Parameter      | Description                                                               |
|----------------------|---------------------------------------------------------------------------|
| <code>server</code>  | The action is performed for the node where the command is being executed. |
| <code>cluster</code> | The action is performed for all the nodes in the cluster.                 |
| <code>rack</code>    | The action is performed for all the nodes in the rack.                    |

| Network Parameter            | Description                                                                                                                                                                                      |
|------------------------------|--------------------------------------------------------------------------------------------------------------------------------------------------------------------------------------------------|
| <code>admin_network</code>   | Reconfigures the admin network interface <code>eth0</code> to what is specified in <code>&lt;rack-name&gt;-network.json</code> .                                                                 |
| <code>client_network</code>  | Reconfigures the client <code>eth8</code> , <code>eth9</code> , <code>bondeth0</code> and all the extra client networks to what is specified in <code>&lt;cluster-name&gt;-network.json</code> . |
| <code>private_network</code> | Reconfigures client <code>ib0</code> , <code>ib1</code> , <code>bondib0</code> and all the extra private networks to what is specified in <code>&lt;cluster-name&gt;-network.json</code> .       |
| <code>all_networks</code>    | Reconfigures all networks (admin, client and private) to what is specified in the corresponding network files.                                                                                   |

**getinfo [parameter]**

Returns a list of `getinfo` parameters. If you include a parameter name in the command, then `getinfo` returns information about that system component:

- **InfiniBand parameters:** The `bdacli` command queries the InfiniBand fabric. See "[InfiniBand Parameters](#)".

- **Rack parameters:** Describes a physical Oracle Big Data Appliance rack. The `bdaccli` command queries the current `network.json` configuration file for the rack where the command executes. See "[Rack Parameters](#)".
- **Cluster parameters:** Describes a logical Oracle Big Data Appliance cluster. The `bdaccli` command queries the current `config.json` file for the Hadoop cluster where the command executes. See "[Cluster Parameters](#)".
- **Server parameters:** Describes a server. The `bdaccli` command queries the operating system of the server where the `bdaccli` command executes. See "[Server Parameters](#)".
- **One-off patch parameters:** Provides information about one-off patches. See "[One-Off Patch Parameters](#)".

Parameter names that end with an "s" return lists. Boolean parameters return a string of either `true` or `false`.

### InfiniBand Parameters

The following table describes the InfiniBand parameters for `bdaccli getinfo`.

**Table 11-6 InfiniBand Parameters**

| Parameter                   | Returns                                                                                                                                                                                                                                                                                                              |
|-----------------------------|----------------------------------------------------------------------------------------------------------------------------------------------------------------------------------------------------------------------------------------------------------------------------------------------------------------------|
| <code>ib_bda_servers</code> | A list of all Oracle Big Data Appliance servers on the InfiniBand fabric. The list contains the unqualified client host names, which are sorted alphabetically. The list can include servers in multiple racks that are cabled together.                                                                             |
| <code>ib_switches</code>    | Lists the switches on the InfiniBand fabric, including the switch name, Globally Unique Identifier (GUID), and type (GTW for a gateway switch, or 36P for a spine switch). The list contains the unqualified administration names, which are sorted alphabetically by switch name. See " <a href="#">Examples</a> ". |

### Rack Parameters

[Table 11-7](#) describes the rack parameters for `bdaccli getinfo`.

**Table 11-7 Rack Parameters**

| Parameter                           | Returns                                                                                                                                                                                                                                                   |
|-------------------------------------|-----------------------------------------------------------------------------------------------------------------------------------------------------------------------------------------------------------------------------------------------------------|
| <code>rack_admin_domain_name</code> | The administrative network domain name for the rack, such as <code>example.com</code> . Because all cluster nodes must have the same administrative domain name, the return value is also the administrative network domain for all nodes in the cluster. |
| <code>rack_domain_name</code>       | The client network domain name for the rack, such as <code>example.com</code> . Because all cluster nodes must have the same client domain name, the return value is also the client network domain for all nodes in the cluster.                         |
| <code>rack_ib_switch_ips</code>     | The IP addresses of the three InfiniBand switches in the rack in this order: spine switch, first leaf switch (upper), second leaf switch (lower)                                                                                                          |



**Table 11-7 (Cont.) Rack Parameters**

| Parameter               | Returns                                                                                                                                                                                  |
|-------------------------|------------------------------------------------------------------------------------------------------------------------------------------------------------------------------------------|
| rack_ib_switch_names    | The unqualified names of the three InfiniBand switches in the rack in this order: spine switch (upper), second leaf switch (lower). For example, bda1sw-ib1, bda1sw-ib2, and bda1sw-ib3. |
| rack_ilom_ips           | An ordered list of IP addresses of all Oracle ILOMs in the rack, starting with the lowest server                                                                                         |
| rack_ilom_names         | An ordered list of host names of all Oracle ILOMs in the rack, such as bda1node01-ilom and bda1node02-ilom, starting with the lowest server                                              |
| rack_ip_switch_ip       | The IP address of the Cisco Ethernet switch                                                                                                                                              |
| rack_ip_switch_name     | The host name of the Cisco Ethernet switch, such as bda1sw-ip                                                                                                                            |
| rack_name               | The name of this rack, such as bda1                                                                                                                                                      |
| rack_pdu_ips            | An ordered list of IP addresses of PDUs in the rack, starting with PDU-A                                                                                                                 |
| rack_pdu_names          | An ordered list of unqualified names of PDUs in the rack, starting with PDU-A (such as bda1-pdua and bda1-pdub)                                                                          |
| rack_serial_number      | The rack serial number                                                                                                                                                                   |
| rack_server_admin_ips   | An ordered list of IP addresses on the administrative network of all servers in the rack, starting with the lowest server                                                                |
| rack_server_admin_names | An ordered list of host names on the administrative network of all servers in the rack (such as bda1node01-adm, bda1node02-adm, and so forth) starting with the lowest server            |
| rack_server_ips         | An ordered list of IP addresses on the client network of all servers in the rack, starting with the lowest server                                                                        |
| rack_server_names       | An ordered list of host names on the client network of all servers in the rack (such as bda1node01, bda1node02, and so forth) starting with the lowest server                            |
| rack_server_priv_ips    | A list of IP addresses for ILOM devices in the rack                                                                                                                                      |
| rack_server_priv_names  | The unqualified names of the ILOM devices in the rack (such as bda1node01-priv, bda1node02-priv, and so forth)                                                                           |

### Cluster Parameters

The following tables describe the cluster parameters:

- [Table 11-8](#)
- [Table 11-9](#)
- [Table 11-10](#)
- [Table 11-11](#)

[Table 11-8](#) describes the general cluster parameters for `bdacli getinfo`.

**Table 11-8 General Cluster Parameters**

| Parameter                                 | Returns                                                                                                                                                                                                    |
|-------------------------------------------|------------------------------------------------------------------------------------------------------------------------------------------------------------------------------------------------------------|
| <code>cluster_asr_enabled</code>          | true if Auto Service Request is configured for this cluster; false, otherwise.                                                                                                                             |
| <code>cluster_big_data_sql_enabled</code> | true if Oracle Big Data SQL is enabled for this cluster; false otherwise.                                                                                                                                  |
| <code>cluster_big_data_sql_version</code> | Shows the version of Oracle Big Data SQL that is installed within the cluster.                                                                                                                             |
| <code>cluster_asr_enabled</code>          | Returns true if Auto Service Request is configured for this cluster, else false.                                                                                                                           |
| <code>cluster_cdh_version</code>          | The version of Cloudera's Distribution including Apache Hadoop installed on this cluster, such as 4.5.0-o16.                                                                                               |
| <code>cluster_cm_server</code>            | The Cloudera Manager address, including the server name and port number, such as <code>bda1node03.example.com:7180</code> .                                                                                |
| <code>cluster_cm_version</code>           | The version of Cloudera Manager running on this cluster.                                                                                                                                                   |
| <code>cluster_em_enabled</code>           | true if Oracle Enterprise Manger is configured for this cluster; false otherwise<br>NOTE: Enterprise Manager can no longer be enabled via <code>bdacli</code> .                                            |
| <code>cluster_name</code>                 | The name of the cluster, such as <code>cluster-c</code> .                                                                                                                                                  |
| <code>cluster_nosqldb_type</code>         | The edition of Oracle NoSQL Database installed on this cluster ( <code>community edition</code> or <code>enterprise edition</code> ), or <code>none</code> if Oracle NoSQL Database is not installed.      |
| <code>cluster_nosqldb_version</code>      | The version of Oracle NoSQL Database installed on the cluster.                                                                                                                                             |
| <code>cluster_primary_host</code>         | The unqualified host name of the server that hosts the puppet master. The Mammoth utility was deployed from this host, and any reconfiguration of the cluster must be done while logged in to that server. |
| <code>cluster_type</code>                 | The type of cluster, either <code>hadoop</code> or <code>nosqldb</code> .                                                                                                                                  |
| <code>cluster_version</code>              | The Oracle Big Data Appliance software version installed on this cluster by the Mammoth utility. (The same version must be installed on all nodes of a cluster.)                                           |

[Table 11-9](#) describes the cluster parameters related to Oracle Big Data Connectors for `bdacli getinfo`.

**Table 11-9 Oracle Big Data Connectors Status Parameters**

| Parameter                          | Returns                                                               |
|------------------------------------|-----------------------------------------------------------------------|
| <code>cluster_bdc_installed</code> | true if Oracle Big Data Connectors is installed; false otherwise      |
| <code>cluster_odi_enabled</code>   | true if the Oracle Data Integrator agent is enabled; false otherwise. |
| <code>cluster_odi_version</code>   | The version of Oracle Data Integrator agent installed on the cluster. |

**Table 11-9 (Cont.) Oracle Big Data Connectors Status Parameters**

| Parameter                              | Returns                                                                        |
|----------------------------------------|--------------------------------------------------------------------------------|
| <code>cluster_oraaah_version</code>    | The version of Oracle R Advanced Analytics for Hadoop installed on the cluster |
| <code>cluster_oraloader_version</code> | The version of Oracle Loader for Hadoop installed on the cluster               |
| <code>cluster_osch_version</code>      | The version of Oracle SQL Connector for HDFS installed on the cluster          |
| <code>cluster_oxh_version</code>       | The version of Oracle XQuery for Hadoop installed on the cluster               |

[Table 11-10](#) describes the cluster network parameters for `bdacli getinfo`.

**Table 11-10 Cluster Network Parameters**

| Parameter                          | Returns                                                                                                                                                                                                                                                                                                                                                                                                                                                               |
|------------------------------------|-----------------------------------------------------------------------------------------------------------------------------------------------------------------------------------------------------------------------------------------------------------------------------------------------------------------------------------------------------------------------------------------------------------------------------------------------------------------------|
| <code>cluster_hosts_entries</code> | <p>A list of <code>/etc/hosts</code> entries that you can append to the <code>/etc/hosts</code> file on any device on the same InfiniBand fabric as the Oracle Big Data Appliance cluster, to ensure that Hadoop traffic uses the InfiniBand network. Do not add these entries to a device on a different fabric.</p> <p>Each entry is on a separate line with three parts: the InfiniBand IP address, the full client host name, and the short client host name.</p> |
| <code>cluster_ilom_ips</code>      | An ordered list of IP addresses for the Oracle ILOMs in the servers, starting with the first node in the cluster                                                                                                                                                                                                                                                                                                                                                      |
| <code>cluster_ilom_names</code>    | A list of unqualified host names on the administrative network for the Oracle ILOMs in the servers, in order starting with the first server in the cluster                                                                                                                                                                                                                                                                                                            |
| <code>cluster_node_ips</code>      | The IP addresses on the client network of all nodes in this cluster                                                                                                                                                                                                                                                                                                                                                                                                   |
| <code>cluster_node_names</code>    | The host names on the client network of all nodes in the cluster, such as <code>bda1node01</code>                                                                                                                                                                                                                                                                                                                                                                     |

[Table 11-11](#) describes the cluster security parameters for `bdacli getinfo`.

**Table 11-11 Cluster Security Parameters**

| Parameter                       | Returns                                                                                                                                                                                           |
|---------------------------------|---------------------------------------------------------------------------------------------------------------------------------------------------------------------------------------------------|
| <code>cluster_av_admin</code>   | The name of the Oracle Audit Vault and Database Firewall administration user. Returns an error if Audit Vault is not configured for this cluster.                                                 |
| <code>cluster_av_enabled</code> | <p><code>true</code> if Oracle Audit Vault and Database Firewall auditing is enabled; <code>false</code> otherwise</p> <p>NOTE: Audit Vault can no longer be enabled via <code>bdacli</code>.</p> |
| <code>cluster_av_port</code>    | The port number that the Audit Vault server listens on. Returns an error if Oracle Audit Vault and Database Firewall is not configured on this cluster.                                           |

**Table 11-11 (Cont.) Cluster Security Parameters**

| Parameter                                   | Returns                                                                                                                                               |
|---------------------------------------------|-------------------------------------------------------------------------------------------------------------------------------------------------------|
| cluster_av_server                           | The IP address of the Audit Vault server. Returns an error if Oracle Audit Vault and Database Firewall is not configured on this cluster.             |
| cluster_av_service                          | The database service name for the Audit Vault server. Returns an error if Oracle Audit Vault and Database Firewall is not configured on this cluster. |
| cluster_hdfs_encryption_enabled             | true if network encryption of Hadoop data is enabled for this cluster; false otherwise                                                                |
| cluster_hdfs_transparent_encryption_enabled | true if HDFS Transparent Encryption of Hadoop data at rest is enabled for this cluster; false otherwise                                               |
| cluster_kerberos_enabled                    | true if Kerberos security is enabled; false otherwise.                                                                                                |
| cluster_kerberos_kdc_hosts                  | A list of key distribution center (KDC) hosts external to Oracle Big Data Appliance. Returns an error if Kerberos is not enabled.                     |
| cluster_kerberos_kdc_on_bda                 | true if the Kerberos KDC is on Oracle Big Data Appliance; false otherwise. Returns an error if Kerberos is not enabled.                               |
| cluster_kerberos_realm                      | The Kerberos realm for the cluster. Returns an error if Kerberos is not enabled.                                                                      |
| cluster_sentry_enabled                      | true if Sentry is configured on the cluster; false otherwise.                                                                                         |

### Server Parameters

[Table 11-12](#) describes the server parameters for `bdacli getinfo`.

**Table 11-12 Server Parameters for getinfo**

| Parameter                | Returns                                                                                                                                                                                                                                                                                                        |
|--------------------------|----------------------------------------------------------------------------------------------------------------------------------------------------------------------------------------------------------------------------------------------------------------------------------------------------------------|
| server_mammoth_installed | true if the Mammoth utility has deployed the Oracle Big Data Appliance software on this server; false otherwise.                                                                                                                                                                                               |
| server_name              | The name of this server on the client network, such as <code>bda1node01</code> .                                                                                                                                                                                                                               |
| server_os_version        | The version of Oracle Linux on this server, such as 6.4.                                                                                                                                                                                                                                                       |
| server_all_cores         | Get the total number of available physical cores on the server (both CPUs). Must be run as root.                                                                                                                                                                                                               |
| server_active_cores      | Get the number of physical cores that are actually being used on the server. Must be run as root.                                                                                                                                                                                                              |
| server_enabled_cores     | Get the number of physical cores enabled on the BIOS. This is normally the same as the number of physical cores that are actually being used on the server. This number may be different if <code>bdacli setinfo active_cores</code> has been called and the server has not yet rebooted. Must be run as root. |

The table below describes server-related `setinfo` parameters. At this time the only `setinfo` parameter is `active_cores`.

**Table 11-13 Server Parameters for setinfo**

| Parameter             | Action                                                                                                                                                                                                                                                                                                                                                                                        |
|-----------------------|-----------------------------------------------------------------------------------------------------------------------------------------------------------------------------------------------------------------------------------------------------------------------------------------------------------------------------------------------------------------------------------------------|
| active_cores <number> | Sets the number of active physical cores for the system. The number passed as a parameter must be an even number (since Oracle Big Data Appliance has two sockets). The number must be between the minimum supported value (16) and the maximum allowed for the architecture. The server must be rebooted for the changes to the BIOS configuration file to take effect. Must be run as root. |

### One-Off Patch Parameters

[Table 11-14](#) describes the one-off patch parameters for `bdacli getinfo`.

**Table 11-14 One-Off Patch Parameters**

| Parameter         | Returns                                                                                                                                                                                                                         |
|-------------------|---------------------------------------------------------------------------------------------------------------------------------------------------------------------------------------------------------------------------------|
| available_patches | A list of valid patches available for installation. A valid patch has a directory under <code>/opt/oracle/bda/patches</code> or <code>/opt/oracle/BDAMammoth/patches</code> that contains a file named <code>inventory</code> . |
| installed_patches | A list of patches already installed. An installed patch has a directory in both <code>/opt/oracle/bda/patches</code> and <code>/opt/oracle/BDAMammoth/patches</code> .                                                          |

### See Also

"[Enabling Optional Software Included With the Release](#)" for more information about the optional services.

### Examples

The following commands provide information about the optional software on the cluster:

```
# bdacli getinfo cluster_bdc_installed
true
# bdacli getinfo cluster_hdfs_encryption_enabled
true
```

The following command lists all switches on the current InfiniBand fabric. In this example, three Oracle Big Data Appliance racks are on the fabric with the standard hardware configuration of one spine switch and two gateway switches each.

```
$ bdacli getinfo ib_switches
bda1sw-iba0 00:21:28:6c:c8:af:a0:a0 36P
bda1sw-ibb0 00:21:28:46:9e:3b:a0:a0 36P
bda1sw-ibs0 00:21:28:6c:c8:ae:a0:a0 36P
bda2sw-ib1 00:21:28:46:98:d3:a0:a0 36P
bda2sw-ib2 00:21:28:de:ae:4a:c0:a0 GTW
bda2sw-ib3 00:21:28:c3:70:9a:c0:a0 GTW
```

```

bda3sw-ib1 00:21:28:46:90:ee:a0:a0 36P
bda3sw-ib2 00:21:28:df:34:8a:c0:a0 GTW
bda3sw-ib3 00:21:28:df:0f:0a:c0:a0 GTW
bda4sw-ib1 00:21:28:e8:af:23:a0:a0 36P
bda4sw-ib2 00:10:e0:0c:48:a0:c0:a0 GTW
bda4sw-ib3 00:21:28:f4:82:ce:c0:a0 GTW

```

This example installs patch 1234:

```
$ bdacli add patch 1234
```

## 11.1.8 bdaconfiguredisk

This utility is the supported method for configuring a new disk when it replaces a failed disk on a cluster node.

It also provides a summary of the state of all disks on the local node and options to clear reported error conditions and if needed, delete all data and partitions from a disk and repartition the disk.

The utility works with both data disks and operating system disks. It auto-detects the type of disk (data or OS).

### Syntax

```
bdaconfiguredisk [parameter]
```

| Parameter or Option            | Description                                                                                                                                                                                                                                                                                                                                  |
|--------------------------------|----------------------------------------------------------------------------------------------------------------------------------------------------------------------------------------------------------------------------------------------------------------------------------------------------------------------------------------------|
| -h                             | Display this help message and exit. Takes no action. Same as running with no options or parameters.                                                                                                                                                                                                                                          |
| -v                             | Display the script version and exit. Takes no action.                                                                                                                                                                                                                                                                                        |
| -i                             | Returns a summary of the status of all local disks.                                                                                                                                                                                                                                                                                          |
| -c                             | This option does not configure disks. It does not delete data or partitions from disks. It attempts to clear the error state of any disks in an abnormal (not in "Configured, good") condition. Sometimes errors reported by <code>bdachecksw</code> or <code>bdacheckhw</code> can be cleared by running <code>bdaconfiguredisk -c</code> . |
| < <i>disk mount point</i> >    | The name of the mount point for the disk (such as <code>/u05</code> ). This targets the specific disk for initial configuration or for re-configuration.                                                                                                                                                                                     |
| -f < <i>disk mount point</i> > | Unlike the <code>-c</code> option, <code>-f</code> does delete disk partitions and all data and then repartitions the disk, which may restore the disk to the "Configured, good" condition. This operation should be run before reprovisioning a disk that is generating errors that cannot otherwise be cleared.                            |
| -g                             | Displays verbose output to the console as well as the log. By default, verbose output is written to the log only.                                                                                                                                                                                                                            |

## Usage Notes

Configure a new, replacement data disk:

```
$ bdaconfiguredisk /u06
```

Clear the state of the disk, wipe all data, configure the disk, and write verbose output to the console.

```
$ bdaconfiguredisk -g -f /u06
```

Get a summary of the states of all disks:

```
$ bdaconfiguredisk -i
```

Attempt to clear the state of any disk that is not in the “Configured, good” state:

```
$ bdaconfiguredisk -c
```

View usage notes:

```
$ bdaconfiguredisk
```

## Example

This example shows a configuration with the `-f` option and non-verbose output:

```
# bdaconfiguredisk -f /u06
```

```
Logging verbose output to /tmp/bdaconfiguredisk_11198.log
```

```
Partition name: sdf1.
```

```
Slot number (n) = 5, Partition number (m) = 1
```

```
Unmounting /u06
```

```
Command is: >umount /u06< .
```

```
Successfully unmounted /u06
```

```
Command is: >parted /dev/disk/by-hba-slot/s5 -s mklabel gpt mkpart ext4
```

```
0% 100%< .
```

```
Command is: >mke2fs -t ext4 /dev/disk/by-hba-slot/s5p1< .
```

```
Unmounting /u06
```

```
Command is: >umount /u06< .
```

```
Command is: >mke2fs -t ext4 /dev/disk/by-hba-slot/s5p1< .
```

```
Formatted the partition.
```

```
Command is: >tune2fs -c -1 -i 0 -m 0.2 -L /u06 /dev/disk/by-hba-slot/s5p1< .
```

```
tune2fs 1.42.9 (28-Dec-2013)
```

```
Setting maximal mount count to -1
```

```
Setting interval between checks to 0 seconds
```

Setting reserved blocks percentage to 0.2% (1464842 blocks)  
Successfully reset partition label, reserved space, and file system check options to the missing device.

Command is: >udevadm trigger< .

Successfully triggered kernel device uevents.  
Successfully partitioned the disk for data usage.

Successfully configured the new disk.

0

#### See Also:

The `bdaconfiguredisk` utility should successfully reconfigure disks on the appliance and the manual steps provided in previous releases should no longer be needed. However, you can find [Manual Disk Configuration Steps](#) [Manual Disk Configuration Steps](#) in an appendix of this guide.

## 11.1.9 bdadiag

Collects diagnostic information about an individual server for Oracle Support.

### Syntax

```
bdadiag [parameter]
```

### Parameters

#### cm

Downloads diagnostics from Cloudera Manager. You must know the Cloudera Manager `admin` password to use this parameter.

#### hadoop

Collects the CDH cluster logs from `/var/log`.

#### hdfs

Collects the output of a complete Hadoop Distributed File System (HDFS) `fsck` check.

#### ilom

Gathers ILOM data using `ipmitool`. You cannot use `ilom` in the same command as `snapshot`.

#### osw

Collects Oracle OS Watcher logs, which include historical operating system performance and monitoring data. The output can consume several hundred megabytes of disk space.

#### snapshot

Collects ILOM snapshot data over the network, and provides most useful output than the `ilom` option. You must know the server `root` password to use this parameter. You cannot use `snapshot` in the same command as `ilom`.



## Return Value

The name of the compressed file in the `/tmp` directory where `bdadiag` stored the data. The file name has the form `bdadiag_server-name_server-serial-number_date.tar.bz2`.

The logs are organized in subdirectories, including the following:

```
asr
ilom
install
messages
net
raid
sysconfig
```

## Usage Notes

You must be connected to the server as `root`.

The optional parameters instruct `bdadiag` to collect additional diagnostics. You can enter the options together on the command line to collect the most information.

You run `bdadiag` at the request of Oracle Support and associate it with an open Service Request (SR). See the *Oracle Big Data Appliance Software User's Guide* for details about providing diagnostics to Oracle Support.

## Example

This example shows the basic output from the utility:

```
# bdadiag

Big Data Appliance Diagnostics Collection Tool v4.0.0

Gathering Linux information

Skipping ILOM collection. Use the ilom or snapshot options, or login
to          ILOM over the network and run Snapshot separately if necessary.

Generating diagnostics tarball and removing temp directory

=====

Done. The report files are bzip2 compressed in /tmp/
bdadiag_bda1node0101_12          16FM5497_2014_01_18_06_49.tar.bz2
=====
```

The next example shows the additional output from the `cm` option.

```
# bdadiag cm

Big Data Appliance Diagnostics Collection Tool v4.0.0

Getting Cloudera Manager Diagnostics
Password for the Cloudera Manager admin user is needed
Enter password: password
Enter password again: password
Passwords match
```

```

Waiting for Cloudera Manager ...
Succeeded. Output in : /opt/oracle/BDAMammoth/bdaconfig/tmp/cm_commands.out
Collecting diagnostic data ...
{ "startTime" : "2014-09-07T14:18", "endTime" : "2014-09-06T14:18" }
Succeeded. Output in : /opt/oracle/BDAMammoth/bdaconfig/tmp/
cm_commands_collectD
iagnosticData.out
Command ID is 526
.....
Command 526 finished after 30 seconds
Operation completed successfully
Diagnostic data successfully collected
Can be downloaded from URL http://bdainode03.example.com:7180/cmf/command/526/
download
Downloading diagnostic data ...
Original Cloudera Manager Diagnostics Bundle Name : 3609df48-4930-11e1-9006-
b8ac6f8061c1.cluster1.20140907-18-59.support-bundle.zip
Data successfully downloaded and placed
in /tmp/bdadiag_bda2node01_1408NM50AE_2014_09_07_14_18/3609df48-4930-11e1-9006-
b8ac6f8061c1.AK00198532.cluster1.20140907-18-59.support-bundle.zip
Gathering Linux information
.
.
.

```

The next example shows the additional output from the `snapshot` option:

```

# bdadiag snapshot

Big Data Appliance Diagnostics Collection Tool v4.0.0

Please enter Host OS root password required for snapshot: password

Gathering Linux information

Gathering ILOM Snapshot data - please be patient, this may take a long time

snapshot running: Tue Sep 2 13:42:28 PDT 2014
snapshot running: Tue Sep 2 13:43:21 PDT 2014
snapshot running: Tue Sep 2 13:44:32 PDT 2014
snapshot running: Tue Sep 2 13:45:35 PDT 2014
snapshot running: Tue Sep 2 13:46:31 PDT 2014
snapshot running: Tue Sep 2 13:47:43 PDT 2014
snapshot running: Tue Sep 2 13:48:47 PDT 2014
Snapshot Collection completed.

Generating diagnostics tarball and removing temp directory

=====
Done. The report files are bzip2 compressed in /tmp/
bdadiag_bdainode01_1143FMM06E_2014_09_02_14_40.tar.bz2
=====

```

## 11.1.10 bdadiagcluster

Creates a diagnostic bundle for the cluster.

### Syntax

```
bdadiagcluster
```

## Usage Notes

You must be logged in as the `root` user. To include the diagnostics provided by Cloudera Manager, you must provide the Cloudera Manager password twice when prompted for it.

## Example

The following example creates a bundled zip file from the diagnostic zip files creates on the servers in a six-node cluster. It does not include the Cloudera Manager diagnostics.

```
# bdadiagcluster
Enter CM admin password to run dumpcluster
Press ENTER twice to skip CM services and hosts checks
Enter password: Enter
Enter password again: Enter
INFO: Starting Big Data Appliance diagnose cluster at Mon May  5 07:34:03 2014
INFO: Logging results to /tmp/bdadiagcluster_1399300440.log
SUCCESS: Created BDA diagcluster zipfile on node bda01node01
SUCCESS: Created BDA diagcluster zipfile on node bda01node02
SUCCESS: Created BDA diagcluster zipfile on node bda01node03
SUCCESS: Created BDA diagcluster zipfile on node bda01node04
SUCCESS: Created BDA diagcluster zipfile on node bda01node05
SUCCESS: Created BDA diagcluster zipfile on node bda01node06
SUCCESS: bdadiagcluster_1399300440.zip created
INFO: Big Data Appliance diagnose cluster complete at Mon May  5 07:34:48 2014
INFO: Please get the Big Data Appliance cluster diagnostic bundle at /tmp/
bdadiagcluster_1399300440.zip
```

## 11.1.11 bdagetclientconfig

Deploys the HDFS, MapReduce, and Hive client configuration files from Cloudera Manager.

### Syntax

```
bdagetclientconfig
```

### Usage Notes

You must be connected to the server as `root`.

To deploy a new client configuration to all nodes of the cluster, use the `dcli -C` command.

### Example

This example shows the output from one node in the cluster:

```
# bdagetclientconfig

bdagetclientconfig : Download and deploy HDFS, Map-Reduce and Hive client
configuration files

Logging to /tmp/bdagetclientconfig-1368541073.out

Downloading HDFS and Map-Reduce client configuration zipfile
```

```
Downloading Hive client configuration zipfile

Deploying HDFS, Map-Reduce and Hive client configurations

Successfully downloaded and deployed HDFS, Map-Reduce and Hive client
configurations !
```

## 11.1.12 bdaid

Returns information about an individual server.

If you need to contact Oracle Support about an issue with Cloudera's Distribution including Apache Hadoop, then run this command first.

### Syntax

```
bdaid
```

### Usage Notes

You must be connected to the server as `root`.

### Example

This example shows the output from the utility:

```
# bdaid
Server Hostname       : bda1node09
Rack Serial Number   : AK00023713
Server Serial Number : 1137FMM06Y
Appliance Name       : bda1
```

## 11.1.13 bdaibstatus

The `bdaibstatus` utility checks status for the following networks by pinging the gateway for each network.

- The client network `bondeth0` and its slaves `eth8` and `eth9` .
- The private network `bondib0` and its slaves `ib0` and `ib1`.

For releases Oracle Big Data Appliance 4.7 and greater, `bdaibstatus` replaces `bdacheckvnics`, which provided similar functionality.

Run this command after connecting as `root` to any server.

### Syntax

```
bdaibstatus [-bsgpch]
```

### Parameters

**-b**  
Brief. No heading.

**-s**

Test the passive network interface also. Temporarily make each passive slave interface active, ping the gateway from the slave, and then return the slave to passive mode.

**-g**

Bring down the primary interface if both of the following are true:

- The primary interface is bad (fails to ping the gateway).
- The non-primary interface is good (successfully pings the gateway).

This parameter includes an implicit `-s`.

**-p**

Display results for private InfiniBand interfaces only.

**-c**

Display results for client network interfaces only.

**-h**

Display this help information.

**Example**

```
[root@node01 network]# bdaibstatus
host if status actv primary pkey
=====
bdanode01 ib0 up yes yes NO
bdanode01 ib1 up no no NO
host if status actv primary switch gw port ping gw vlan
=====
=====
bdanode01 eth9 up yes yes bdasw-ib3 0A-ETH-1 yes N/A
```

## 11.1.14 bdaimagevalidate

Validates the hardware and software on a server by running [bdacheckhw](#), and then [bdachecksw](#).

**Syntax**

```
bdaimagevalidate [startup]
```

**Parameters****startup**

Regenerates the `bda_reboot_status` and `BDA_REBOOT_*` files in `/root`, in addition to performing the validation checks. Use this parameter if the checks fail after restarting the server, such that either `BDA_REBOOT_FAILED` or `BDA_REBOOT_WARNINGS` exist, and the issue is resolved. Do not use this parameter for the initial set of checks, that is, if `/root/bda_reboot_status` does not exist.

### Example

```
# bdaimagevalidate
SUCCESS: Found BDA v3 server : SUN SERVER X4-2L
SUCCESS: Correct processor info : Intel(R) Xeon(R) CPU E5-2650 v2 @ 2.60GHz
SUCCESS: Correct number of types of CPU : 1
SUCCESS: Correct number of CPU cores : 32
SUCCESS: Sufficient GB of memory (>=63): 63
SUCCESS: Correct BIOS vendor : American Megatrends Inc.
SUCCESS: Sufficient BIOS version (>=08080102): 26010600
SUCCESS: Recent enough BIOS release date (>=05/23/2011):07/08/2013
SUCCESS: Correct ILOM major version : 3.1.2.32
SUCCESS: Sufficient ILOM minor version (>=82440): 82440
.
.
.
SUCCESS: Correct bda-monitor status : bda monitor is running
SUCCESS: Big Data Appliance software validation checks succeeded
SUCCESS: All Big Data Appliance validation checks succeeded
```

## 11.1.15 bdanodedesc

Displays the server name and IP address.

### Syntax

```
bdanodedesc
```

### Example

This example shows that the user is logged in to a BDA server named bda1node03 with an IP address of 192.168.40.61:

```
$ bdanodedesc
bda1node03 BDA 192.168.40.61 HCA-
```

## 11.1.16 bdaredoclientnet

Re-creates the virtual network interface cards (VNICs) for all servers in the rack and spreads them across the available 10 GbE ports.

### Syntax

```
bdaredoclientnet
```

### Usage Notes

Log in to server 1 and change to the `/opt/oracle/bda/network` directory to run this utility.

You must run this utility after changing the number of 10 GbE connections to a Sun Network QDR InfiniBand Gateway switch. See "[Changing the Number of Connections to a Gateway Switch](#)".

The `bdaredoclientnet` utility performs the following subset of tasks done by the `cluster-networksetup` script during the initial configuration of Oracle Big Data Appliance:

- Verifies that the administrative network is working, the InfiniBand cabling is correct, and the InfiniBand switches are available
- Determines how many 10 GbE connections are available and connects them to the InfiniBand Gateway switches
- Deletes all VNICs and re-creates them
- Connects to each server and updates the configuration files
- Restarts the client network and verifies that it can connect to each server using the newly configured client network

### Example

The following example shows the output from the `bdaredoclientnet` utility:

```
# cd /opt/oracle/bda/network
# bdaredoclientnet
bdaredoclientnet: do basic sanity checks on /opt/oracle/bda/network.json
bdaredoclientnet: warning: bda deploy /opt/oracle/bda/network.json check odd nr
of elements 7
bdaredoclientnet: passed
bdaredoclientnet: checking for networkexpansion.json
src/query_smp.c:196; umad (DR path slid 0; dclid 0; 0,1,13,34,20 Attr 0xff90:1)
bad status 110; Connection timed out
src/query_smp.c:196; umad (DR path slid 0; dclid 0; 0,1,13,31,20 Attr 0xff90:2)
bad status 110; Connection timed out
bdaredoclientnet: ping servers by name on admin network
bdaredoclientnet: ping servers by name on admin network
bdaredoclientnet: passed
bdaredoclientnet: verify infiniband topology
bdaredoclientnet: passed
bdaredoclientnet: start setup client network (10gigE over Infiniband)
bdaredoclientnet: ping both gtw leaf switches
bdaredoclientnet: passed
bdaredoclientnet: verify existence of gateway ports
bdaredoclientnet: passed
bdaredoclientnet: removing existing eoib setup for this server
Shutting down interface bondeth0:           [ OK ]
Shutting down interface bondib0:           [ OK ]
Shutting down interface eth0:              [ OK ]
Shutting down loopback interface:          [ OK ]
Disabling IPv4 packet forwarding: net.ipv4.ip_forward = 0
   [ OK ]
Bringing up loopback interface:            [ OK ]
Bringing up interface bondib0:            [ OK ]
Bringing up interface eth0:               [ OK ]
bdaredoclientnet: ping server ips on admin network
bdaredoclientnet: passed
bdaredoclientnet: ping servers by name on admin network
bdaredoclientnet: passed
bdaredoclientnet: test ssh server ips on admin network
hello from bdalnode02.example.com
hello from bdalnode03.example.com
.
.
.
bdaredoclientnet: passed
bdaredoclientnet: check existence of default vlan for port 0A-ETH-1 on bdalsw-ib2
bdaredoclientnet: use existing default vlan for port 0A-ETH-1 on bdalsw-ib2
bdaredoclientnet: check existence of default vlan for port 0A-ETH-1 on bdalsw-ib3
```

```

bdaredoclientnet: use existing default vlan for port 0A-ETH-1 on bdalsw-ib3
bdaredoclientnet: passed
bdaredoclientnet: apply eoib on each server
bdaredoclientnet: wait a few seconds for the network to restart on 10.111.22.001
bdaredoclientnet: wait a few seconds for the network to restart on 10.111.22.002
.
.
.
check and delete vNIC for bdalnode02 on switch bdalsw-ib2
vNIC ID 757 deleted
IO Adapter for vNIC deleted
check and delete vNIC for bdalnode02 on switch bdalsw-ib3
check and delete vNIC for bdalnode02 on switch bdalsw-ib2
check and delete vNIC for bdalnode02 on switch bdalsw-ib3
vNIC ID 707 deleted
IO Adapter for vNIC deleted
create vNIC eth9 bdalnode02 on switch bdalsw-ib3
vNIC created
create vNIC eth8 bdalnode02 on switch bdalsw-ib2
vNIC created
.
.
.
bdaredoclientnet: ping server ips on client network
bdaredoclientnet: passed
bdaredoclientnet: test ssh server ips on client network
hello from bdalnode02.example.com
hello from bdalnode03.example.com
.
.
.
bdaredoclientnet: passed
bdaredoclientnet: end setup client network

```

## 11.1.17 bdaredousb

Provisions the internal USB drive on a Oracle Big Data Appliance server. Run this utility to re-provision a corrupted internal USB drive or to provision an internal USB drive that has been replaced.

The following are indicators of USB corruption.

- The errors messages below may appear the during following operations: re-imaging of the cluster, Mammoth installations, execution of `bdachecksw` or `bdacheckcluster`:

```

SUCCESS: Correct internal USB device (sdm) : 1
WARNING: Wrong internal USB partitions :
INFO: Expected internal USB partitions : 1 primary ext3 or 1 ext4
primary
.....
WARNING: Big Data Appliance warnings during software validation
checks

```

- An attempt to mount the USB partition returns this message:

```
# mount /usbdisk mount: special device LABEL=BDAUSB does not exist
```



- Commands to display the USB partition table return this error message:

```
# parted /dev/sdm -s print Error: /dev/sdm: unrecognised disk label
# parted /dev/sdml -s print Error: /dev/sdml: unrecognised disk
label
```

## Syntax

```
bdaredousb <node name>
```

Pass the name of node where the internal USB drive is not corrupted.

## Usage Notes

As `root`, log on to the node with the corrupted or newly-replaced USB drive.

Pass the name of another node in the same cluster as an argument to the script. Choose any node where the internal USB drive is not corrupted. Enter `y` to confirm that the operation should proceed.

The script uses the configuration of the uncorrupted USB drive to re-provision the corrupted drive (or provision the new drive) on the local server.

## Example

The following example shows the output from the `bdaredousb` utility. In this example, `mybda10.mydomain.com` is a node in the same cluster as the local node (the node with the corrupted USB drive).

The output may be slightly different on various Oracle Big Data Appliance releases.

```
# bdaredousb mybda10.mydomain.com

Internal USB will be formatted and its contents will be replaced.
Do you want to continue with this operation? (y/n): y
mke2fs 1.41.12 (17-May-2010)
Filesystem label=BDAUSB
OS type: Linux
Block size=4096 (log=2)
Fragment size=4096 (log=2)
Stride=0 blocks, Stripe width=0 blocks
244800 inodes, 978432 blocks
48921 blocks (5.00%) reserved for the super user
First data block=0
Maximum filesystem blocks=1002438656
30 block groups
32768 blocks per group, 32768 fragments per group
8160 inodes per group
Superblock backups stored on blocks:
    32768, 98304, 163840, 229376, 294912, 819200, 884736

Writing inode tables: done
Creating journal (16384 blocks): done
Writing superblocks and filesystem accounting information: done

This filesystem will be automatically checked every 38 mounts or
180 days, whichever comes first. Use tune2fs -c or -i to override.
tune2fs 1.41.12 (17-May-2010)
```

```

Setting maximal mount count to -1
Setting interval between checks to 0 seconds

Copying content from <Functional-BDA-Node>... this will take some time
7831552+0 records in
7831552+0 records out
4009754624 bytes (4.0 GB) copied, 341.012 s, 11.8 MB/s
0+148886 records in
0+148886 records out
4009754624 bytes (4.0 GB) copied, 348.247 s, 11.5 MB/s
Finished copying USB contents from <Functional-BDA-Node>
Mounting USB
Patching network files for USB
BdaAdmNwSetup: Start time           = Tue Nov 24 20:09:10 PDT 2017
BdaAdmNwSetup: Using local files     = false
/dev/sdml on /usbdisk type ext4 (rw)
BdaAdmNwSetup: Apply nws settings on uds = true
BdaAdmNwSetup: Apply dns settings     = true
BdaAdmNwSetup: Apply ntp settings     = true
BdaAdmNwSetup: Apply ssh settings     = true
BdaAdmNwSetup: Apply bondib0 settings = false
BdaAdmNwSetup: Apply eth0 settings    = true
BdaAdmNwSetup: Apply ilom settings    = false
BdaAdmNwSetup: Apply /etc/hosts settings = false
BdaAdmNwSetup: Set timezone           = true
BdaAdmNwSetup: Set host name          = false
BdaAdmNwSetup: Creating                = /usbdisk/etc/sysconfig/network-
scripts/ifcfg-eth0
BdaAdmNwSetup: Creating                = /usbdisk/etc/sysconfig/network
BdaAdmNwSetup: Append to               = /usbdisk/etc/ntp.conf
bdasettime: restarting ntp service
bdasettime: find working ntp server in list 10.***.40.1 10.***.56.1 10.***.128.1
server 10.***.40.1, stratum 3, offset -0.000033, delay 0.02600
24 Jun 20:09:13 ntpdate[1845]: adjust time server 10.133.40.1 offset -0.000033
sec
bdasettime: using ntp server 10.***.40.1
Shutting down ntpd:                    [ OK ]
24 Jun 20:09:13 ntpdate[1860]: step time server 10.***.40.1 offset -0.000027 sec
Starting ntpd:                          [ OK ]
BdaAdmNwSetup: Append to                = /usbdisk/etc/resolv.conf
BdaAdmNwSetup: Append to                = /usbdisk/etc/ssh/sshd.conf
BdaAdmNwSetup: Reset                   = /usbdisk/etc/clock
BdaAdmNwSetup: Reset                   = /usbdisk/etc/localtime link
Unmounting USB

```

## 11.1.18 bdasecureerasenode

Securely erases all data partitions on the node where it is executed.

### Syntax

bdasecureerasenode *optional parameter*

| Parameter | Description                                            |
|-----------|--------------------------------------------------------|
| -h        | Displays this help message and exits. Takes no action. |

| Parameter                                | Description                               |
|------------------------------------------|-------------------------------------------|
| <code>-p &lt;number of passes&gt;</code> | Number of shred passes. The default is 3. |

## Usage Notes

The `bdasecureerasenode` utility securely erases all files data partitions on the node where it is executed. Device files are not shredded.

Users have the option to set the number of shred passes (three is the default).

All output is logged to `/tmp/shred_$$`.

This utility is based on `shred` command from the GNU Core Utilities.



### Note:

Disk shredding is not guaranteed to render data completely unrecoverable by forensics.

Before running this utility, you should securely remove any sensitive data from `/u01` through `/u12`. This may include MySQL databases under `/var/lib/mysql`.

## Estimated Run Time

Shredding disks is a time-consuming job even for the latest hardware. For an X7–2L server, a single pass takes approximately thirteen hours.

## Example

The output below is truncated for the purposes of this example.

```
# bdasecureerasenode
```

```
Continue with node shredding? y
```

```
Shredding /dev/disk/by-hba-slot/s10p1, logging to /tmp/shred_101257/s10p1.log
Shredding /dev/disk/by-hba-slot/s11p1, logging to /tmp/shred_101257/s11p1.log
Shredding /dev/disk/by-hba-slot/s2p1, logging to /tmp/shred_101257/s2p1.log
Shredding /dev/disk/by-hba-slot/s3p1, logging to /tmp/shred_101257/s3p1.log
Shredding /dev/disk/by-hba-slot/s4p1, logging to /tmp/shred_101257/s4p1.log
Shredding /dev/disk/by-hba-slot/s5p1, logging to /tmp/shred_101257/s5p1.log
Shredding /dev/disk/by-hba-slot/s6p1, logging to /tmp/shred_101257/s6p1.log
Shredding /dev/disk/by-hba-slot/s7p1, logging to /tmp/shred_101257/s7p1.log
Shredding /dev/disk/by-hba-slot/s8p1, logging to /tmp/shred_101257/s8p1.log
Shredding /dev/disk/by-hba-slot/s9p1, logging to /tmp/shred_101257/s9p1.log
Shredding /dev/disk/by-hba-slot/s0p5, logging to /tmp/shred_101257/s0p5.log
Shredding /dev/disk/by-hba-slot/s1p5, logging to /tmp/shred_101257/s1p5.log
```

```
Completed 0% .....
Completed 1% .....
Completed 2% .....
Completed 3% .....
Completed 4% .....
```

```

...
Completed 99% .....
Completed 100%

Node shredding finished.

```

## 11.1.19 bdaserials

Returns the serial numbers and media access control (MAC) addresses for most components of the Oracle Big Data Appliance server that you are connected to.

### Syntax

```
bdaserials
```

### Example

This example shows the output from the utility:

```

# bdaserials
Client Hostname : bdax72bur09node01.us.oracle.com Admin Hostname :
                  bda01.us.oracle.com ILOM Hostname : bda01-c.us.oracle.com Rack Serial
Number : AK00413187
Hardware Generation : ORACLE SERVER X7-2L System serial number :
1733XC2033 System UUID :
080020FF-FFFF-FFFF-FFFF-0010E0C3D35CMotherboard serial number :
465136N+1731RD00ER Chassis serial number :
1733XC2033 Memory serial numbers : 360A30BC NO DIMM 360A3281 NO DIMM NO
DIMM NO DIMM 360A36E1
NO DIMM 360A3280 NO DIMM NO DIMM NO DIMM 360A31B3 NO DIMM 360A316C NO DIMM
NO DIMM NO DIMM
360A327B NO DIMM 360A327D NO DIMM NO DIMM NO DIMM Infiniband HCA serial
number :
465774K-1722700303 Disk controller serial number : SK72480870 Hard disk
serial numbers
:WWN: 5000CCA251C8DA63 HGST
H7210A520SUN010TA3741715RKGA2NWWN: 5000CCA251C8CBB7 HGST
H7210A520SUN010TA3741715RKEATNWWN: 5000CCA251C8CC77 HGST
H7210A520SUN010TA3741715RKEDANWWN: 5000CCA251C8C143 HGST
H7210A520SUN010TA3741715RKDN6NWWN: 5000CCA251C8A9B3 HGST
H7210A520SUN010TA3741715RKB2KNWWN: 5000CCA251C8CBDF HGST
H7210A520SUN010TA3741715RKEB3NWWN: 5000CCA251C8B99B HGST
H7210A520SUN010TA3741715RKD4DNWWN: 5000CCA251C8D403 HGST
H7210A520SUN010TA3741715RKEWXNWWN: 5000CCA251C8A9BF HGST
H7210A520SUN010TA3741715RKB2NNWWN: 5000CCA251C8BFEB HGST
H7210A520SUN010TA3741715RKDKENWWN: 5000CCA251C8A877 HGST
H7210A520SUN010TA3741715RKB00NWWN: 5000CCA251C8C177 HGST
H7210A520SUN010TA3741715RKDNMN
...

```

## 11.1.20 bdaswapoff

Turns off swapping by the operating system.

### Syntax

```
bdaswapoff
```

## Usage Notes

The `bdaswapoff` utility disables both swap partitions on a server, which disables all swapping by the operating system. This state persists when the server restarts; you must run `bdaswapon` to restore swapping. Swapping is turned off by default to improve performance and to allow high availability if a disk fails.

Use `bdaswapoff` instead of the Linux `swapoff` utility.

## See Also

["bdaswapon"](#)

## Example

This example turns off swapping:

```
# bdaswapoff
#
```

## 11.1.21 bdaswapon

Turns on paging and swapping by the operating system.

## Syntax

```
bdaswapon
```

## Usage Notes

Swapping is turned off by default to improve performance and the ability to recover from disk failure.

Use `bdaswapon` instead of the Linux `swapon` utility.

## See Also

["bdaswapoff"](#)

## Example

This example turns on swapping:

```
# bdaswapon
Filename                               Type           Size   Used   Priority
/dev/sda3                               partition     12287992  0      1
/dev/sdb3                               partition     12287992  0      1
```

## 11.1.22 bdaupdatefw

Updates the firmware for any of the following: .

- Drives
- Drive controllers
- HCAs
- ILOMs

The Mammoth software deployment bundle includes the ILOM firmware, but the Mammoth upgrade of Oracle Big Data Appliance does not automatically install it. You can manually upgrade ILOM firmware as needed by running `bdaupdatefw -i`. Mammoth may automatically update firmware for any of the other devices listed above if an important update is required.

## Syntax

`bdaupdatefw parameter`

## Parameters

### **-d N**

Updates the LSI disk firmware for the specified disk (*N*). Each server has 12 disks, which are numbered from 0 to 11.

### **-f**

Specifies the file path to the firmware. If the path is omitted, then `bdaupdatefw` uses the default firmware for the specified component from `/opt/oracle/bda/firmware`.

### **-h**

Displays syntax and usage information for `bdaupdatefw`.

### **-i**

Updates the Oracle ILOM firmware.

### **-l**

Updates the LSI disk controller firmware.

### **-m**

Updates the firmware for the Mellanox host channel adapter (InfiniBand card).

## Usage

This utility is typically run by Oracle field engineers when installing or replacing hardware components, which may not be factory-installed with a supported firmware version. During a software installation, Mammoth copies the currently supported firmware to Oracle Big Data Appliance. The `bdaupdatefw` command uses those files when they are needed to update the firmware of a server component.

You can update one firmware package in a single command. Thus, you can specify only one of the following parameters: `-d`, `-i`, `-l`, or `-m`.

### **Caution:**

Only use the firmware provided in a Mammoth bundle. Do not attempt to install firmware downloaded from a third-party site. Doing so may result in the loss of warranty and support.

## Examples

This example shows the output from a command to update the Oracle ILOM firmware. To perform the update, you must execute the `ipmiflash` command provided in the output.

```
# bdaupdatefw -i
[INFO:GENERAL] No firmware file specified. Using default firmware file - /opt/oracle/bda/firmware/ILOM-3_2_0_r74388-Sun_Fire_X4270_M3.pkg
[INFO:GENERAL] Updating ILOM firmware with the firmware file /opt/oracle/bda/firmware/ILOM-3_2_0_r74388-Sun_Fire_X4270_M3.pkg
[INFO:GENERAL] Original version is: 3.1.2.12 r74388
[INFO:GENERAL]
[INFO:GENERAL] Please run the following command and enter the root password
[INFO:GENERAL] for the ILOM when requested
[INFO:GENERAL]
[INFO:GENERAL] Note that this command will shutdown the server after flashing.
[INFO:GENERAL] You will need to login to the ILOM to power on the server afterwards.
[INFO:GENERAL]
[INFO:GENERAL] ipmiflash -v -I lanplus -H 10.133.46.218 -U root write /opt/oracle/bda/firmware/ILOM-3_1_2_12_r74388-Sun_Fire_X4270_M3.pkg
[INFO:GENERAL]
```

## 11.1.23 iblinkinfo

Lists all InfiniBand connections in the InfiniBand network.

### Syntax

```
iblinkinfo
```

### Usage Notes

Run this command as `root` from any server.

### Example

This example shows two Oracle Big Data Appliances and one Oracle Exadata Database Machine on the InfiniBand network:

```
[root@bdalnode01 network]# iblinkinfo
Switch 0x002128df348ac0a0 SUN IB QDR GW switch bdalsw-ib2 10.133.43.36:
 149 1[ ] == ( 4X 10.0 Gbps Active/ LinkUp)==> 130 2[ ] "SUN IB QDR GW switch bdalsw-ib2 10.133...
 149 2[ ] == ( 4X 10.0 Gbps Active/ LinkUp)==> 127 1[ ] "SUN IB QDR GW switch bdalsw-ib2 10.133...
 149 3[ ] == ( 4X 10.0 Gbps Active/ LinkUp)==> 111 2[ ] "SUN IB QDR GW switch bdalsw-ib2 10.133...
 149 4[ ] == ( 4X 10.0 Gbps Active/ LinkUp)==> 109 1[ ] "SUN IB QDR GW switch bdalsw-ib2 10.133...
 149 5[ ] == ( 4X 10.0 Gbps Active/ LinkUp)==> 143 1[ ] "bdalnode02 BDA 192.168.41.20 HCA-1" ( )
 149 6[ ] == ( 4X 10.0 Gbps Active/ LinkUp)==> 137 1[ ] "bdalnode01 BDA 192.168.41.19 HCA-1" ( )
 149 7[ ] == ( 4X 10.0 Gbps Active/ LinkUp)==> 141 1[ ] "bdalnode04 BDA 192.168.41.22 HCA-1" ( )
 149 8[ ] == ( 4X 10.0 Gbps Active/ LinkUp)==> 123 1[ ] "bdalnode03 BDA 192.168.41.21 HCA-1" ( )
 149 9[ ] == ( 4X 10.0 Gbps Active/ LinkUp)==> 151 1[ ] "bdalnode06 BDA 192.168.41.24 HCA-1" ( )
 149 10[ ] == ( 4X 10.0 Gbps Active/ LinkUp)==> 112 1[ ] "bdalnode05 BDA 192.168.41.23 HCA-1" ( )
 149 11[ ] == ( 4X 10.0 Gbps Active/ LinkUp)==> 139 1[ ] "bdalnode07 BDA 192.168.41.25 HCA-1" ( )
 149 12[ ] == ( Down/Disabled)==> [ ] "" ( )
 149 13[ ] == ( Down/Disabled)==> [ ] "" ( )
 149 14[ ] == ( 4X 10.0 Gbps Active/ LinkUp)==> 85 9[ ] "SUN DCS 36P QDR dm01sw-ib1 10.133.40.203" ( )
 149 15[ ] == ( Down/Disabled)==> [ ] "" ( )
.
.
.
```

## 11.1.24 imagehistory

Displays a history of operating system upgrades.

**Syntax**

```
imagehistory
```

**Example**

This example shows that the appliance was imaged with version 3.1.0 with an upgrade to 4.0.0

```
$ imagehistory
```

```
Big Data Appliance Image History
```

```
IMAGE_VERSION           : 3.1.0
IMAGE_CREATION_DATE     : Tue Jun 24 06:44:22 UTC 2014
IMAGING_START_DATE     : Sat Aug 30 18:15:01 UTC 2014
IMAGING_END_DATE       : Sat Aug 30 14:59:39 EDT 2014
DEPLOYMENT_VERSION     : 4.0.0
DEPLOYMENT_START_DATE  : Sat Aug 30 15:18:07 EDT 2014
DEPLOYMENT_END_DATE    : Sat Aug 30 16:39:07 EDT 2014
```

## 11.1.25 imageinfo

Displays information about the Oracle Big Data Appliance operating system image currently running.

**Syntax**

```
imageinfo
```

**Example**

This example identifies the 4.0.0 image:

```
$ imageinfo
```

```
Big Data Appliance Image Info
```

```
IMAGE_CREATION_DATE     : Sat Aug 30 13:55:26 EDT 2014
IMAGE_LABEL             : BDA_MAIN_LINUX.X64_140829
IMAGE_VERSION          : 4.0.0
LINUX_VERSION           : Oracle Linux Server release 5.8
KERNEL_VERSION         : 2.6.39-400.215.9.el5uek
BDA_RPM_VERSION        : bda-4.0.0-1.el5
OFED_VERSION           : OFED-IOV-1.5.5-2.0.0088
JDK_VERSION            : jdk-1.7.0_65-fcs
HADOOP_VERSION         : 2.3.0-cdh5.1.0
```

## 11.1.26 listlinkup

Shows the Ethernet bridge ports with active links.

**Syntax**

```
listlinkup
```



## Usage Notes

Run this command after connecting as `root` to a Sun Network QDR InfiniBand Gateway switch.

## Example

This example shows three active ports (0A-ETH-1, 0A-ETH-3, and 0A-ETH-4) out of the eight available ports on switch `bda1sw-ib3`:

```
[root@bdalsw-ib3 ~]# listlinkup | grep Bridge
Bridge-0 Port 0A-ETH-1 (Bridge-0-2) up (Enabled)
Bridge-0 Port 0A-ETH-2 (Bridge-0-2) down (Enabled)
Bridge-0 Port 0A-ETH-3 (Bridge-0-1) up (Enabled)
Bridge-0 Port 0A-ETH-4 (Bridge-0-1) up (Enabled)
Bridge-1 Port 1A-ETH-1 (Bridge-1-2) down (Enabled)
Bridge-1 Port 1A-ETH-2 (Bridge-1-2) down (Enabled)
Bridge-1 Port 1A-ETH-3 (Bridge-1-1) down (Enabled)
Bridge-1 Port 1A-ETH-4 (Bridge-1-1) down (Enabled)
```

## 11.1.27 mount\_hadoop\_dirs

Makes password-encrypted data accessible after the server is restarted. Until you run this utility and enter the correct password, the data is unreadable.

### Syntax

```
mount_hadoop_dirs
```

### Example

This example shows the prompt for entering the password:

```
$ mount_hadoop_dirs
Enter password to mount Hadoop directories: password
```

## 11.1.28 remove-root-ssh

Removes passwordless SSH previously established by the [setup-root-ssh](#) command.

### Syntax

```
remove-root-ssh [-C | -c | -g | -j] [-p]
```

```
remove-root-ssh -h
```

### Parameters

#### **-C**

Targets all servers in the cluster, using the list of servers in `/opt/oracle/bda/cluster-hosts-infiniband`.

#### **-c *host1, host2,...***

Targets the servers specified as *host1*, *host2*, and so forth, on the command line.

**-g *groupfile***

Targets a user-defined set of servers listed in *groupfile*. You can enter either server names or IP addresses in the file, one per line.

**-j "etho0\_ips[range]"**

Specifies the range of servers in a starter rack [1-6] or a starter rack with additional servers [1-12]. This parameter is required in the 2.2.x base image when the utility is used before network configuration.

**-h**

Displays Help.

**-p *password***

Specifies the `root` password on the command line.

Oracle recommends that you omit this parameter. You will be prompted to enter the password, which the utility does not display on your screen.

**Usage Notes**

You must know the `root` password to use this command.

If you do not specify the target servers, then `remove-root-ssh` uses all servers in the rack.

**See Also**

["setup-root-ssh"](#), ["Setting Up Passwordless SSH"](#)

**Example**

This example shows passwordless SSH being removed:

```
# remove-root-ssh
calling /opt/oracle/bda/bin/dcli -c 192.168.42.37,192.168.42.38,192.168.42.39 --
unkey
192.168.42.37: ssh key dropped
192.168.42.38: ssh key dropped
192.168.42.39: ssh key dropped
remove-root-ssh succeeded
```

## 11.1.29 reset-boot-order

Resets the boot order of the server to the factory defaults, as specified in the BIOS. By doing so, it clears any ILOM booting overrides.

**Syntax**

```
reset-boot-order
```

**Example**

The following example resets the boot order of the current server:

```
# reset-boot-order
Set Boot Device to none

Cleared ILOM boot override - Boot device: none

Found BDA v1 Hardware - setting boot order using biosconfig
```

```
Copyright (C) SUN Microsystems 2009.
BIOSconfig Utility Version 2.2.1
Build Date: Aug 24 2009
Build Time: 09:01:30

BIOSconfig Specification Version 2.4

Processing Input BIOS Data...

Success

Found USB device name : USB:02.82;01 Unigen PSA4000
.
.
.
BIOSconfig Specification Version 2.4

Processing Input BIOS Data...

Success
New BIOS boot order :
        USB:02.82;01 Unigen PSA4000
        RAID:Slot0.F0:(Bus 13 Dev 00)PCI RAID Adapter
        PXE:IBA GE Slot 0100 v1331
        PXE:IBA GE Slot 0101 v1331
        PXE:IBA GE Slot 0700 v1331
        PXE:IBA GE Slot 0701 v1331
```

## 11.1.30 setup-root-ssh

Establishes passwordless SSH for the `root` user.

### Syntax

```
setup-root-ssh [-C | -c | -g | -j] [-p]
```

```
setup-root-ssh -h
```

### Parameters

#### **-C**

Targets all servers in the cluster, using the list of servers in `/opt/oracle/bda/cluster-hosts-infiniband`.

#### **-c *host1, host2,...***

Targets the servers specified as *host1*, *host2*, and so forth, on the command line.

#### **-g *groupfile***

Targets a user-defined set of servers listed in *groupfile*. You can enter either server names or IP addresses in the file, one per line.

#### **-j "*etho0\_ips[range]*"**

Specifies the range of servers in a starter rack [1-6] or a starter rack with additional servers [1-12]. This parameter is required in the 2.2.x base image when the utility is used before network configuration.

**-h**  
Displays Help.

**-p *password***  
Specifies the `root` password on the command line.  
Oracle recommends that you omit this parameter. You will be prompted to enter the password, which the utility does not display on your screen.

### Usage Notes

You must know the `root` password to use this command.

If you do not specify the target servers, then `setup-root-ssh` uses all servers in the rack.

### See Also

["remove-root-ssh"](#), ["Setting Up Passwordless SSH"](#)

### Example

This example shows passwordless SSH being set up for `root`:

```
# setup-root-ssh
Enter root password: password
spawn /opt/oracle/bda/bin/dcli -c 192.168.42.37,192.168.42.38... -k
root@192.168.42.37's password:
root@192.168.42.38's password:
.
.
.
192.168.42.37: ssh key added
192.168.42.38: ssh key added
.
.
.
setup-root-ssh succeeded
```

## 11.1.31 showusb

Shows the device location of an inserted USB drive as it is known to the operating system, such as `/dev/sdn`.

### Syntax

```
showusb
```

## 11.1.32 showvlan

Lists the VLANs configured on the switch.

### Syntax

```
showvlan
```

## Usage Notes

Run this command after connecting as `root` to a Sun Network QDR InfiniBand Gateway switch.

## Example

This example shows the default VLAN, which has an ID of 0, on switch `bda1sw-ib3`:

```
# showvlan
Connector/LAG  VLN  PKEY
-----
0A-ETH-1      0    ffff
0A-ETH-2      0    ffff
0A-ETH-3      0    ffff
0A-ETH-4      0    ffff
1A-ETH-1      0    ffff
1A-ETH-3      0    ffff
1A-ETH-4      0    ffff
```

## 11.1.33 showvnics

Lists the virtual network interface cards (VNICs) created for the switch.

## Syntax

```
showvnics
```

## Usage Notes

Run this command after connecting as `root` to a Sun Network QDR InfiniBand Gateway switch.

## Example

This example shows the VNICs created in a round-robin process for switch `bda1sw-ib3`:

```
# showvnics
ID  STATE  FLG  IOA_GUID          NODE          IID  MAC          VLN  PKEY  GW
-----
561 UP      N    0021280001CF4C23  bda1node13   BDA  192.168.41.31  0000 CE:4C:23:85:2B:0A NO  ffff  0A-ETH-1
564 UP      N    0021280001CF4C53  bda1node16   BDA  192.168.41.34  0000 CE:4C:53:85:2B:0D NO  ffff  0A-ETH-1
567 UP      N    0021280001CF4B58  bda1node01   BDA  192.168.41.19  0000 CE:4B:58:85:2A:FC NO  ffff  0A-ETH-1
555 UP      N    0021280001CF2A5C  bda1node07   BDA  192.168.41.25  0000 CE:2A:5C:85:2B:04 NO  ffff  0A-ETH-1
552 UP      N    0021280001CF4C74  bda1node04   BDA  192.168.41.22  0000 CE:4C:74:85:2B:01 NO  ffff  0A-ETH-1
558 UP      N    0021280001CF179B  bda1node10   BDA  192.168.41.28  0000 CE:17:9B:85:2B:07 NO  ffff  0A-ETH-1
.
.
.
```

## 11.1.34 bdaclustersynctime

Synchronizes the time of all servers in a cluster.

## Syntax

```
bdaclustersynctime
```

## Usage Notes

To use this utility, you must log in as `root` to the first server in the node. Passwordless `ssh` must also be set up for the cluster. See the `-C` parameter for "[setup-root-ssh](#)."

This utility creates a log file named `bdaclustersynctime.log` in the directory identified in the output.

## Example

The following example successfully runs `bdaclustersynctime`:

```
# bdaclustersynctime
INFO: Logging results to /tmp/bdacluster_1373485952/
SUCCESS: Mammoth configuration file is valid.
SUCCESS: All cluster host names are pingable
SUCCESS: NTP service running on all cluster hosts
SUCCESS: At least one valid NTP server found
SUCCESS: No errors found syncing date and time on all nodes
SUCCESS: Max clock drift of 0 seconds is within limits
SUCCESS: Sync date and time of cluster succeeded
```

# 12

## Maintaining Oracle Big Data Appliance

This chapter describes how to monitor and maintain Oracle Big Data Appliance. Some procedures use the `dcli` utility to execute commands in parallel on all servers.

This chapter contains the following sections:

- [Monitoring the Ambient Temperature of Servers](#)
- [Powering On and Off Oracle Big Data Appliance](#)
- [Adding Memory to the Servers](#)
- [Maintaining the InfiniBand Network](#)
- [Changing the Number of Connections to a Gateway Switch](#)
- [Changing the NTP Servers](#)
- [Monitoring the PDU Current](#)
- [Node Migration](#)



### See Also:

[Executing Commands Across a Cluster Using the dcli Utility](#)

### 12.1 Monitoring the Ambient Temperature of Servers

Maintaining environmental temperature conditions within design specification for a server helps to achieve maximum efficiency and targeted component service lifetimes. Temperatures outside the ambient temperature range of 21 to 23 degrees Celsius (70 to 74 degrees Fahrenheit) affect all components within Oracle Big Data Appliance, possibly causing performance problems and shortened service lifetimes.

#### To monitor the ambient temperature:

1. Connect to an Oracle Big Data Appliance server as `root`.
2. Set up passwordless SSH for `root` by entering the `setup-root-ssh` command, as described in "[Setting Up Passwordless SSH](#)".
3. Check the current temperature:

```
dcli 'ipmitool sunoem cli "show /SYS/T_AMB" | grep value'
```

4. If any temperature reading is outside the operating range, then investigate and correct the problem. See [Table 2-15](#).

The following is an example of the command output:

```
bdalnode01-adm.example.com: value = 22.000 degree C
bdalnode02-adm.example.com: value = 22.000 degree C
bdalnode03-adm.example.com: value = 22.000 degree C
```

```
bda1node04-adm.example.com: value = 23.000 degree C
.
.
.
```

## 12.2 Powering On and Off Oracle Big Data Appliance

This section includes the following topics:

- [Nonemergency Power Procedures](#)
- [Emergency Power-Off Considerations](#)
- [Cautions and Warnings](#)

### 12.2.1 Nonemergency Power Procedures

This section contains the procedures for powering on and off the components of Oracle Big Data Appliance in an orderly fashion.



#### See Also:

*Oracle Big Data Appliance Software User's Guide* for powering on and off gracefully when the software is installed and running.

#### 12.2.1.1 Powering On Oracle Big Data Appliance

To turn on Oracle Big Data Appliance:

- Turn on all 12 breakers on both PDUs.

Oracle ILOM and the Linux operating system start automatically.

#### 12.2.1.2 Powering Off Oracle Big Data Appliance

To turn off Oracle Big Data Appliance:

1. Turn off the servers.
2. Turn off all 12 breakers on both PDUs.

##### 12.2.1.2.1 Powering Off the Servers

Use the Linux `shutdown` command to turn off or restart the servers. Enter this command as `root` to shut down a server immediately:

```
# shutdown -hP now
```

The following command restarts a server immediately:

```
# shutdown -r now
```



 **See Also:**

Linux SHUTDOWN manual page for details

### 12.2.1.2.2 Powering Off Multiple Servers at the Same Time

Use the `dcli` utility to run the `shutdown` command on multiple servers at the same time. Do not run the `dcli` utility from a server that will be shut down. Set up passwordless SSH for `root`, as described in "[Setting Up Passwordless SSH](#)".

The following command shows the syntax of the command:

```
# dcli -l root -g group_name shutdown -hP now
```

In this command, `group_name` is a file that contains a list of servers.

The following example shuts down all Oracle Big Data Appliance servers listed in the `server_group` file:

```
# dcli -l root -g server_group shutdown -hP now
```

 **See Also:**

[Executing Commands Across a Cluster Using the dcli Utility](#)

### 12.2.1.3 Powering On and Off Network Switches

The network switches do not have power switches. They turn off when power is removed by turning off a PDU or a breaker in the data center.

## 12.2.2 Emergency Power-Off Considerations

In an emergency, halt power to Oracle Big Data Appliance immediately. The following emergencies may require powering off Oracle Big Data Appliance:

- Natural disasters such as earthquake, flood, hurricane, tornado, or cyclone
- Abnormal noise, smell, or smoke coming from the system
- Threat to human safety

### 12.2.2.1 Emergency Power-Off Procedure

To perform an emergency power-off procedure for Oracle Big Data Appliance, turn off power at the circuit breaker or pull the emergency power-off switch in the computer room. After the emergency, contact Oracle Support Services to restore power to the system.

### 12.2.2.2 Emergency Power-Off Switch

Emergency power-off (EPO) switches are required when computer equipment contains batteries capable of supplying more than 750 volt-amperes for more than 5 minutes. Systems that have these batteries include internal EPO hardware for connection to a site EPO switch or relay. Use of the EPO switch removes power from Oracle Big Data Appliance.

### 12.2.3 Cautions and Warnings

The following cautions and warnings apply to Oracle Big Data Appliance:

 **WARNING:**

Do not touch the parts of this product that use high-voltage power. Touching them might result in serious injury.

 **Caution:**

- Do not turn off Oracle Big Data Appliance unless there is an emergency. In that case, follow the "[Emergency Power-Off Procedure](#)".
- Keep the front and rear cabinet doors closed. Failure to do so might cause system failure or result in damage to hardware components.
- Keep the top, front, and back of the cabinets clear to allow proper airflow and prevent overheating of components.
- Use only the supplied hardware.

## 12.3 Adding Memory to the Servers

You can add memory to all servers in the cluster or to specific servers.

 **See Also:**

["Parts for Oracle Big Data Appliance Servers"](#)

### 12.3.1 Adding Memory to an Oracle Server X8-2L or X7-2L

Oracle Big Data Appliance X8-2L and X7-2 ships from the factory with 256 GB of memory in each server. Eight of the 24 slots are populated with 32 GB DIMMs. Memory is expandable up to 768 GB in the case of 32 GB DIMMs in all 24 slots. Memory is expandable up to 1.5 TB in the case of 64 GB DIMMs in all 24 slots.

Recommended configurations are 8, 12, or 24 DIMMs per server.

 **Note:**

- All DIMMs on a server must be of the same type. Mixing DIMM types (such as 32 GB and 64 GB DIMMs) on the same server is not supported
- Memory expansions other than to 12 or 24 DIMMs per server are possible, but not recommended since they may negatively impact performance

To order more memory, contact your Oracle sales representative.

See the [Oracle Server X8-2L Service Manual](#) or [Oracle® Server X7-2L Service Manual](#) for DIMM population scenarios and rules, installation, and other information.

### 12.3.2 Adding Memory to an Oracle Server X6-2L

Oracle Big Data Appliance X6-2L ships from the factory with 256 GB of memory in each server. Eight of the 24 slots are populated with 32 GB DIMMs. Memory is expandable up to 768 GB (in the case of 32 GB DIMMs in all 24 slots).

See the [Oracle® Server X6-2L Service Manual](#) for instruction on DIMM population scenarios and rules, installation, and other information.

### 12.3.3 Adding Memory to an Oracle Server X5-2L, Sun Server X4-2L, or Sun Server X3-2L

Oracle Big Data Appliance X5-2 ships from the factory with 128 GB of memory in each server. Eight of the 24 slots are populated with 16 GB DIMMs. Memory is expandable up to 768 GB (in the case of 32 GB DIMMs in all 24 slots).

Oracle Big Data Appliance X4-2 and X3-2 servers are shipped with 64 GB of memory. The eight slots are populated with 8 GB DIMMs. These appliances support 8 GB, 16 GB, and 32 GB DIMMs. You can expand the amount of memory for a maximum of 512 GB (16 x 32 GB) in a server. You can use the 8 \* 32 GB Memory Kit.

You can mix DIMM sizes, but they must be installed in order from largest to smallest. You can achieve the best performance by preserving symmetry. For example, add four of the same size DIMMs, one for each memory channel, to each processor, and ensure that both processors have the same size DIMMs installed in the same order.

#### **To add memory to an Oracle Server X5-2L, Sun Server X4-2L, or Sun Server X3-2L:**

1. If you are mixing DIMM sizes, then review the DIMM population rules in the *Oracle Server X5-2L Service Manual* at [http://docs.oracle.com/cd/E41033\\_01/html/E48325/cnpsm.gnvje.html#scrolltoc](http://docs.oracle.com/cd/E41033_01/html/E48325/cnpsm.gnvje.html#scrolltoc)
2. Power down the server.
3. Install the new DIMMs. If you are installing 16 or 32 GB DIMMs, then replace the existing 8 GB DIMMs first, and then replace the plastic fillers. You must install

the largest DIMMs first, then the next largest, and so forth. You can reinstall the original DIMMs last.

See the *Oracle Server X5-2L Service Manual* at

[http://docs.oracle.com/cd/E41033\\_01/html/E48325/cnpsm.ceiebfdg.html#scrolltoc](http://docs.oracle.com/cd/E41033_01/html/E48325/cnpsm.ceiebfdg.html#scrolltoc)

4. Power on the server.

## 12.3.4 Adding Memory to Sun Fire X4270 M2 Servers

Oracle Big Data Appliance ships from the factory with 48 GB of memory in each server. Six of the 18 DIMM slots are populated with 8 GB DIMMs. You can populate the empty slots with 8 GB DIMMs to bring the total memory to either 96 GB (12 x 8 GB) or 144 GB (18 x 8 GB). An upgrade to 144 GB may slightly reduce performance because of lower memory bandwidth; memory frequency drops from 1333 MHz to 800 MHz.

**To add memory to a Sun Fire X4270 M2 server:**

1. Power down the server.
2. Replace the plastic fillers with the DIMMs. See the *Sun Fire X4270 M2 Server Service Manual* at  
[http://docs.oracle.com/cd/E19245-01/E21671/motherboard.html#50503715\\_71311](http://docs.oracle.com/cd/E19245-01/E21671/motherboard.html#50503715_71311)
3. Power on the server.

## 12.4 Maintaining the InfiniBand Network

The InfiniBand network connects the servers through the bondib0 interface to the InfiniBand switches in the rack. This section describes how to perform maintenance on the InfiniBand switches.

This section contains the following topics:

- [Backing Up and Restoring Oracle ILOM Settings](#)
- [Replacing a Failed InfiniBand Switch](#)
- [Verifying InfiniBand Network Operation](#)
- [About the Network Subnet Manager Master](#)

### 12.4.1 Replacing a Failed InfiniBand Switch

Complete these steps to replace a Sun Network QDR InfiniBand Gateway switch or a Sun Datacenter InfiniBand Switch 36.

 **See Also:**

- "In-Rack InfiniBand Switch-to-Server Cable Connections" for information about cabling
- *Sun Network QDR InfiniBand Gateway Switch Installation Guide* at [http://docs.oracle.com/cd/E26699\\_01/html/E26706/gentextid-125.html#scrolltoc](http://docs.oracle.com/cd/E26699_01/html/E26706/gentextid-125.html#scrolltoc)
- *Sun Datacenter InfiniBand Switch 36 User's Guide* at [http://docs.oracle.com/cd/E26698\\_01/html/E26434/gentextid-119.html#scrolltoc](http://docs.oracle.com/cd/E26698_01/html/E26434/gentextid-119.html#scrolltoc)

**To replace a failed InfiniBand switch:**

1. Turn off both power supplies on the switch by removing the power plugs.
2. Disconnect the cables from the switch. All InfiniBand cables have labels at both ends indicating their locations. If any cables do not have labels, then label them.
3. Remove the switch from the rack.
4. Install the new switch in the rack.
5. Restore the switch settings using the backup file, as described in "[Backing Up and Restoring Oracle ILOM Settings](#)".
6. Connect to the switch as `ilom_admin` and open the Fabric Management shell:

```
-> show /SYS/Fabric_Mgmt
```

The prompt changes from `->` to `FabMan@hostname->`

7. Disable the Subnet Manager:

```
FabMan@bda1sw-02-> disablesm
```
8. Connect the cables to the new switch, being careful to connect each cable to the correct port.
9. Verify that there are no errors on any links in the fabric:

```
FabMan@bda1sw-02-> ibdiagnet -c 1000 -r
```
10. Enable the Subnet Manager:

```
FabMan@bda1sw-02-> enablesm
```

 **Note:**

If the replaced switch was the Sun Datacenter InfiniBand Switch 36 spine switch, then manually fail the master Subnet Manager back to the switch by disabling the Subnet Managers on the other switches until the spine switch becomes the master. Then reenables the Subnet Manager on all the other switches.

## 12.4.2 Verifying InfiniBand Network Operation

If any component in the InfiniBand network has required maintenance, including replacing an InfiniBand Host Channel Adapter (HCA) on a server, an InfiniBand switch, or an InfiniBand cable, or if operation of the InfiniBand network is suspected to be substandard, then verify that the InfiniBand network is operating properly. The following procedure describes how to verify network operation:

 **Note:**

Use this procedure any time the InfiniBand network is performing below expectations.

### To verify InfiniBand network operation:

1. Enter the `ibdiagnet` command to verify InfiniBand network quality:

```
# ibdiagnet -c 1000
```

Investigate all errors reported by this command. It generates a small amount of network traffic and can run during a normal workload.

 **See Also:**

*Sun Network QDR InfiniBand Gateway Switch Command Reference* at  
[http://docs.oracle.com/cd/E26699\\_01/html/E26706/gentextid-28027.html#scrolltoc](http://docs.oracle.com/cd/E26699_01/html/E26706/gentextid-28027.html#scrolltoc)

2. Report switch port error counters and port configuration information. The `LinkDowned`, `RcvSwRelayErrors`, `XmtDiscards`, and `XmtWait` errors are ignored by this command:

```
# ibqueryerrors.pl -rR -s LinkDowned,RcvSwRelayErrors,XmtDiscards,XmtWait
```

 **See Also:**

Linux man page for `ibqueryerrors.S`

3. Check the status of the hardware:

```
# bdacheckhw
```

The following is an example of the output:

```
[SUCCESS: Correct system model : SUN FIRE X4270 M2 SERVER
[SUCCESS: Correct processor info : Intel(R) Xeon(R) CPU X5675 @ 3.07GHz
[SUCCESS: Correct number of types of CPU : 1
[SUCCESS: Correct number of CPU cores : 24
[SUCCESS: Sufficient GB of memory (>=48): 48
[SUCCESS: Correct GB of swap space : 24
```

```
[SUCCESS: Correct BIOS vendor : American Megatrends Inc.
[SUCCESS: Sufficient BIOS version (>=08080102): 08080102
[SUCCESS: Recent enough BIOS release date (>=05/23/2011) : 05/23/2011
[SUCCESS: Correct ILOM version : 3.0.16.10.a r68533
[SUCCESS: Correct number of fans : 6
[SUCCESS: Correct fan 0 status : ok
[SUCCESS: Correct fan 1 status : ok
[SUCCESS: Correct fan 2 status : ok
[SUCCESS: Correct fan 3 status : ok
[SUCCESS: Correct fan 4 status : ok
[SUCCESS: Correct fan 5 status : ok
[SUCCESS: Correct number of power supplies : 2
[Im[34mINFO: Detected Santa Clara Factory, skipping power supply checks
[SUCCESS: Correct disk controller model : LSI MegaRAID SAS 9261-8i
[SUCCESS: Correct disk controller firmware version : 12.12.0-0048
[SUCCESS: Correct disk controller PCI address : 13:00.0
[SUCCESS: Correct disk controller PCI info : 0104: 1000:0079
[SUCCESS: Correct disk controller PCIe slot width : x8
[SUCCESS: Correct disk controller battery type : iBBU08
[SUCCESS: Correct disk controller battery state : Operational
[SUCCESS: Correct number of disks : 12
[SUCCESS: Correct disk 0 model : SEAGATE ST32000SSSUN2.0
[SUCCESS: Sufficient disk 0 firmware (>=61A): 61A
[SUCCESS: Correct disk 1 model : SEAGATE ST32000SSSUN2.0
[SUCCESS: Sufficient disk 1 firmware (>=61A): 61A
.
.
.
[SUCCESS: Correct disk 10 status : Online, Spun Up No alert
[SUCCESS: Correct disk 11 status : Online, Spun Up No alert
[SUCCESS: Correct Host Channel Adapter model : Mellanox Technologies MT26428
ConnectX VPI PCIe 2.0
[SUCCESS: Correct Host Channel Adapter firmware version : 2.9.1000
[SUCCESS: Correct Host Channel Adapter PCI address : 0d:00.0
[SUCCESS: Correct Host Channel Adapter PCI info : 0c06: 15b3:673c
[SUCCESS: Correct Host Channel Adapter PCIe slot width : x8
[SUCCESS: Big Data Appliance hardware validation checks succeeded
```

#### 4. Check the status of the software:

```
# bdachcksw

[SUCCESS: Correct OS disk sda partition info : 1 ext3 raid 2 ext3 raid 3
linux-swap 4 ext3 primary
[SUCCESS: Correct OS disk sdb partition info : 1 ext3 raid 2 ext3 raid 3
linux-swap 4 ext3 primary
[SUCCESS: Correct data disk sdc partition info : 1 ext3 primary
[SUCCESS: Correct data disk sdd partition info : 1 ext3 primary
[SUCCESS: Correct data disk sde partition info : 1 ext3 primary
[SUCCESS: Correct data disk sdf partition info : 1 ext3 primary
[SUCCESS: Correct data disk sdg partition info : 1 ext3 primary
[SUCCESS: Correct data disk sdh partition info : 1 ext3 primary
[SUCCESS: Correct data disk sdi partition info : 1 ext3 primary
[SUCCESS: Correct data disk sdj partition info : 1 ext3 primary
[SUCCESS: Correct data disk sdk partition info : 1 ext3 primary
[SUCCESS: Correct data disk sdl partition info : 1 ext3 primary
[SUCCESS: Correct software RAID info : /dev/md2 level=raid1 num-
devices=2 /dev/md0 level=raid1 num-devices=2
[SUCCESS: Correct mounted partitions : /dev/md0 /boot ext3 /dev/md2 /
ext3 /dev/sda4 /u01 ext4 /dev/sdb4 /u02 ext4 /dev/sdc1 /u03 ext4 /dev/
sdd1 /u04 ext4 /dev/sde1 /u05 ext4 /dev/sdf1 /u06 ext4 /dev/sdg1 /u07
ext4 /dev/sdh1 /u08 ext4 /dev/sdi1 /u09 ext4 /dev/sdj1 /u10 ext4 /dev/
```

```
sdk1 /u11 ext4 /dev/sd11 /u12 ext4
[SUCCESS: Correct swap partitions : /dev/sdb3 partition /dev/sda3 partition
[SUCCESS: Correct Linux kernel version : Linux 2.6.32-200.21.1.el5uek
[SUCCESS: Correct Java Virtual Machine version : HotSpot(TM) 64-Bit Server
1.6.0_29
[SUCCESS: Correct puppet version : 2.6.11
[SUCCESS: Correct MySQL version : 5.6
[SUCCESS: All required programs are accessible in $PATH
[SUCCESS: All required RPMs are installed and valid
[SUCCESS: Big Data Appliance software validation checks succeeded
```

## 12.4.3 About the Network Subnet Manager Master

The Subnet Manager manages all operational characteristics of the InfiniBand network.

The functions of the Subnet Manager are:

- Discover the network topology
- Assign a local identifier to all ports connected to the network
- Calculate and program switch forwarding tables
- Monitor changes in the fabric

The InfiniBand network can have multiple Subnet Managers, but only one Subnet Manager is active at a time. The active Subnet Manager is the Master Subnet Manager. The other Subnet Managers are the Standby Subnet Managers. If a Master Subnet Manager is shut down or fails, then a Standby Subnet Manager automatically becomes the Master Subnet Manager.

Each Subnet Manager has a configurable priority. When multiple Subnet Managers are on the InfiniBand network, the Subnet Manager with the highest priority becomes the master Subnet Manager. On Oracle Big Data Appliance, the Subnet Managers on the leaf switches are configured as priority 5, and the Subnet Managers on the spine switches are configured as priority 8.

The following guidelines determine where the Subnet Managers run on Oracle Big Data Appliance:

- Run the Subnet Managers only on the switches in Oracle Big Data Appliance. Running a Subnet Manager on any other device is not supported.
- When the InfiniBand network consists of one, two, or three racks cabled together, all switches must run a Subnet Manager. The master Subnet Manager runs on a spine switch.
- For multirack configurations joining different types of racks, such as Oracle Big Data Appliance and Exalogic, see My Oracle Support note [1682501.1](#).
- When the InfiniBand network consists of four or more racks cabled together, then only the spine switches run a Subnet Manager. The leaf switches must disable the Subnet Manager.



 **See Also:**

- Sun Network QDR InfiniBand Gateway Switch library at [http://docs.oracle.com/cd/E26699\\_01/index.html](http://docs.oracle.com/cd/E26699_01/index.html)
- Sun Datacenter InfiniBand Switch 36 library at [http://docs.oracle.com/cd/E26698\\_01/index.html](http://docs.oracle.com/cd/E26698_01/index.html)

## 12.5 Changing the Number of Connections to a Gateway Switch

If you change the number of 10 GbE connections to a Sun Network QDR InfiniBand Gateway switch, then you must run the `bdaredoclientnet` utility. See "[bdaredoclientnet](#)."

### To re-create the VNICs in a rack:

1. Verify that `/opt/oracle/bda/network.json` exists on all servers and correctly describes the custom network settings. This command identifies files that are missing or have different date stamps:

```
dcli ls -l /opt/oracle/bda/network.json
```

2. Connect to node01 (bottom of rack) using the administrative network. The `bdaredoclientnet` utility shuts down the client network, so you cannot use it in this procedure.

3. Remove passwordless SSH:

```
/opt/oracle/bda/bin/remove-root-ssh
```

See "[Setting Up Passwordless SSH](#)" for more information about this command.

4. Change directories:

```
cd /opt/oracle/bda/network
```

5. Run the utility:

```
bdaredoclientnet
```

The output is similar to that shown in [Example 7-2](#).

6. Restore passwordless SSH (optional):

```
/opt/oracle/bda/bin/setup-root-ssh
```

## 12.6 Changing the NTP Servers

The configuration information for Network Time Protocol (NTP) servers can be changed after the initial setup. The following procedure describes how to change the NTP configuration information for InfiniBand switches, Cisco switches, and Sun servers. Oracle recommends changing each server individually.

**To update the Oracle Big Data Appliance servers:**

1. Stop NTP services on the server.
2. Update the `/etc/ntp.conf` file with the IP address of the new NTP server.
3. Repeat these steps for each server.

**To update the InfiniBand switches:**

1. Log in to the switch as the `ilom-admin` user.
2. Follow the instructions in "[Setting the Time Zone and Clock on an InfiniBand Switch](#)".

**To update the Cisco Ethernet switch:**

1. Use telnet to connect to the Cisco Ethernet switch.
2. Delete the current setting:

```
# configure terminal
Enter configuration commands, one per line. End with CNTL/Z.
(config)# no ntp server current_IPaddress
```

3. Enter the new IP address:

```
# configure terminal
Enter configuration commands, one per line. End with CNTL/Z.
(config)# ntp server new_IPaddress
```

4. Save the current configuration:

```
# copy running-config startup-config
```

5. Exit from the session:

```
# exit
```

**See Also:**

["Configuring the Cisco Catalyst 4948 Ethernet Switch"](#)

Restart Oracle Big Data Appliance after changing the servers and switches.

## 12.7 Monitoring the PDU Current

The PDU current can be monitored directly. Configure threshold settings as a way to monitor the PDUs. The configurable threshold values for each metering unit module and phase are Info low, Pre Warning, and Alarm.

 **See Also:**

*Sun Rack II Power Distribution Units User's Guide* for information about configuring and monitoring PDUs at

<https://docs.oracle.com/cd/E19657-01/html/E23956/index.html>

Table 12-1 lists the threshold values for the Oracle Big Data Appliance rack using a single-phase, low-voltage PDU.

**Table 12-1 Threshold Values for Single-Phase, Low-Voltage PDU**

| PDU | Module/Phase      | Info Low Threshold | Pre Warning Threshold | Alarm Threshold |
|-----|-------------------|--------------------|-----------------------|-----------------|
| A   | Module 1, phase 1 | 0                  | 18                    | 23              |
| A   | Module 1, phase 2 | 0                  | 22                    | 24              |
| A   | Module 1, phase 3 | 0                  | 18                    | 23              |
| B   | Module 1, phase 1 | 0                  | 18                    | 23              |
| B   | Module 1, phase 2 | 0                  | 22                    | 24              |
| B   | Module 1, phase 3 | 0                  | 18                    | 23              |

Table 12-2 lists the threshold values for the Oracle Big Data Appliance rack using a three-phase, low-voltage PDU.

**Table 12-2 Threshold Values for Three-Phase, Low-Voltage PDU**

| PDU     | Module/Phase      | Info Low Threshold | Pre Warning Threshold | Alarm Threshold |
|---------|-------------------|--------------------|-----------------------|-----------------|
| A and B | Module 1, phase 1 | 0                  | 32                    | 40              |
| A and B | Module 1, phase 2 | 0                  | 34                    | 43              |
| A and B | Module 1, phase 3 | 0                  | 33                    | 42              |

Table 12-3 lists the threshold values for the Oracle Big Data Appliance rack using a single-phase, high-voltage PDU.

**Table 12-3 Threshold Values for Single-Phase, High-Voltage PDU**

| PDU | Module/Phase      | Info Low Threshold | Pre Warning Threshold | Alarm Threshold |
|-----|-------------------|--------------------|-----------------------|-----------------|
| A   | Module 1, phase 1 | 0                  | 16                    | 20              |
| A   | Module 1, phase 2 | 0                  | 20                    | 21              |
| A   | Module 1, phase 3 | 0                  | 16                    | 20              |
| B   | Module 1, phase 1 | 0                  | 16                    | 20              |
| B   | Module 1, phase 2 | 0                  | 20                    | 21              |
| B   | Module 1, phase 3 | 0                  | 16                    | 20              |

Table 12-4 lists the threshold values for the Oracle Big Data Appliance rack using a three-phase, high-voltage PDU.

**Table 12-4 Threshold Values for Three-Phase, High-Voltage PDU**

| PDU     | Module/Phase      | Info Low Threshold | Pre Warning Threshold | Alarm Threshold |
|---------|-------------------|--------------------|-----------------------|-----------------|
| A and B | Module 1, phase 1 | 0                  | 18                    | 21              |
| A and B | Module 1, phase 2 | 0                  | 18                    | 21              |
| A and B | Module 1, phase 3 | 0                  | 17                    | 21              |

## 12.8 Node Migration

There is no automated failover for the cluster nodes. You must perform the recovery process manually and the process differs for critical and non-critical nodes.

Nodes 0 through 3 host services that are essential to Oracle Big Data Appliance. Therefore, these are critical nodes. Recover from a critical node failure by migrating all of its services to another node. Nodes 4 and above are generally DataNodes. Since data is replicated across three nodes, the failure of a single DataNode is non-critical. To recover from a non-critical node failure, attempt to restart the node and if that fails, replace it.

Use the `bdacli admin_cluster` command to decommission, commission, and migrate nodes.

A node migration only moves roles and should not result in any changes in private keys or trust stores. Renewed certificates should still be in place after a node migration.

### See Also:

See *Managing a Hardware Failure in the Oracle Big Data Appliance Software User's Guide* for instructions how to replace a failing CDH or NoSQL cluster node.

## 12.9 Capping CPU Cores on Servers

The `bdacli` utility provides operations to set or get the number of active cores on servers.

### Introduction

Customers may have reasons to reduce the number of active CPUs on specific servers within the appliance. For example, in cases where licensing cost is determined by the number of CPU cores, you can selectively disable cores in order to maintain compliance with a licensing agreement.

Oracle Big Data Appliance servers ship with two CPUs. Each of these contain the same number of physical cores, so the total number of physical cores on a single server is twice the number of cores on a single CPU. By default, the number of virtual

cores visible to the operating system is twice the total number of physical cores. This is because Intel hyper-threading is enabled by default for all Oracle Big Data Appliance CPUs.

For example, on X8-2L and X7-2 servers, there are 24 cores on a single CPU so the total number of physical cores is  $24 \times 2 = 48$ . With hyper-threading 48 physical cores become 96 virtual cores.

The `bdacli setinfo active_cores` command lets you reduce the number of active cores, or, increase them up to the number of available physical cores. Related `bdacli getinfo` parameters let you determine the number of available physical cores, the current number of physical cores enabled in the BIOS, and the number of cores actually in use by the server.

All of the commands in the following table must be executed as root.

**Table 12-5 bdacli Commands for CPU Core Capping**

| Command                                                 | Return or Result                                                                                                                                                                                                                                                                                                                                                      |
|---------------------------------------------------------|-----------------------------------------------------------------------------------------------------------------------------------------------------------------------------------------------------------------------------------------------------------------------------------------------------------------------------------------------------------------------|
| <code>bdacli getinfo server_all_cores</code>            | Get the total number of available physical cores on the server (both CPUs).                                                                                                                                                                                                                                                                                           |
| <code>bdacli getinfo server_active_cores</code>         | Get the number of physical cores that are actually being used on the server.                                                                                                                                                                                                                                                                                          |
| <code>bdacli getinfo server_enabled_cores</code>        | Get the number of physical cores enabled on the BIOS. This is normally the same as the number of physical cores that are actually being used on the server. This number may be different if <code>bdacli setinfo active_cores</code> has been called and the server has not yet rebooted.                                                                             |
| <code>bdacli setinfo active_cores &lt;number&gt;</code> | Sets the number of active physical cores for the system. The number passed as a parameter must be an even number (since Oracle Big Data Appliance has two sockets). The number must be between the minimum supported value (16) and the maximum allowed for the architecture. The server must rebooted for the changes to the BIOS configuration file to take effect. |

 **Note:**

Setting the number of active cores does not require a reboot.

**Example**

This example shows use of the commands on a X8-2L and X7-2L servers. The number of physical cores on an X6-2L and X5-2L servers are different, but the procedure is the same.

1. Get the total number of available physical cores for the server

```
# getinfo server_all_cores
```

2. Get the number of physical cores that are actually being used on the server.

```
# bdacli getinfo server_active_cores
```

3. Get the number of physical cores enabled on the BIOS. This is normally the same as the as the number of physical cores that are actually being used on the server but may be different if `bdacli setinfo active_cores` has been called and the server has not yet rebooted. This is the number of physical cores that will be active after the next reboot.

```
# bdacli getinfo server_enabled_cores
```

4. Set the number of active physical cores for the system. The number passed as a parameter has to be an even number (since the Oracle Big Data Appliance servers have two sockets). This number must be between the minimum supported value (16) and the maximum allowed for that architecture. The server has to be rebooted for the changes to the BIOS configuration file to take effect

```
# bdacli setinfo active_cores <number>
```

### Core Capping on Edge Nodes and on Cluster Nodes in Earlier Releases

The `bdacli` commands described above are built into Oracle Big Data Appliance as of Release 5.0. However, you can load a patch to enable them on servers within earlier releases of Oracle Big Data Appliance, including edge nodes . The patch is not needed on edge nodes running Oracle Big Data Appliance 5.1.

#### See Also:

My Oracle Support note 2473609.1 describes how to patch core capping functionality into earlier Oracle Big Data Appliance servers.

# 13

## Replacing a Server Disk

This chapter contains the following sections:

- [Verifying the Server Configuration](#)
- [About Disk Drive Identifiers](#)
- [Prerequisites for Replacing a Failing Disk](#)
- [Overview of the Disk Replacement Process](#)
- [What If a Server Fails to Restart?](#)
- [Replacing a Disk Drive](#)
- [Correcting a Mounted Partitions Error](#)

### Note:

The failure of a disk is never catastrophic on Oracle Big Data Appliance. No user data is lost. Data stored in HDFS or Oracle NoSQL Database is automatically replicated.

Repair of the physical disks does not require shutting down Oracle Big Data Appliance. However, individual servers can be taken outside of the cluster temporarily and require downtime.

### See Also:

My Oracle Support Doc ID 1581331.1 [My Oracle Support Doc ID 1581331.1](#)

- ["Parts for Oracle Big Data Appliance Servers"](#) for disk repair procedures

## 13.1 Verifying the Server Configuration

The 12 disk drives in each Oracle Big Data Appliance server are controlled by an LSI MegaRAID SAS 92610-8i disk controller. Oracle recommends verifying the status of the RAID devices to avoid possible performance degradation or an outage. The effect on the server of validating the RAID devices is minimal. The corrective actions may affect operation of the server and can range from simple reconfiguration to an outage, depending on the specific issue uncovered.

### 13.1.1 Verifying Disk Controller Configuration

Enter this command to verify the disk controller configuration:

```
# MegaCli64 -AdpAllInfo -a0 | grep "Device Present" -A 8
```

The following is an example of the output from the command. There should be 12 virtual drives, no degraded or offline drives, and 14 physical devices. The 14 devices are the controllers and the 12 disk drives.

```

                                Device Present
                                =====
Virtual Drives      : 12
  Degraded          : 0
  Offline           : 0
Physical Devices    : 14
  Disks             : 12
  Critical Disks    : 0
  Failed Disks      : 0

```

If the output is different, then investigate and correct the problem.

## 13.1.2 Verifying Virtual Drive Configuration

Enter this command to verify the virtual drive configuration:

```
# MegaCli64 -LDInfo -lAll -a0
```

The following is an example of the output for Virtual Drive 0. Ensure that State is Optimal.

```

Adapter 0 -- Virtual Drive Information:
Virtual Drive: 0 (Target Id: 0)
Name          :
RAID Level    : Primary-0, Secondary-0, RAID Level Qualifier-0
Size         : 1.817 TB
Parity Size   : 0
State        : Optimal
Strip Size   : 64 KB
Number Of Drives : 1
Span Depth   : 1
Default Cache Policy: WriteBack, ReadAheadNone, Cached, No Write Cache if Bad BBU
Current Cache Policy: WriteBack, ReadAheadNone, Cached, No Write Cache if Bad BBU
Access Policy : Read/Write
Disk Cache Policy : Disk's Default
Encryption Type : None

```

## 13.1.3 Verifying Physical Drive Configuration

Use the following command to verify the physical drive configuration:

```
# MegaCli64 -PDList -a0 | grep Firmware
```

The following is an example of the output from the command. The 12 drives should be Online, Spun Up. If the output is different, then investigate and correct the problem.

```

Firmware state: Online, Spun Up
Device Firmware Level: 061A
Firmware state: Online, Spun Up
Device Firmware Level: 061A
Firmware state: Online, Spun Up
Device Firmware Level: 061A
.
.
.

```



## 13.2 About Disk Drive Identifiers

The Oracle Big Data Appliance servers contain a disk enclosure cage that is controlled by the host bus adapter (HBA). The enclosure holds 12 disk drives that are identified by slot numbers 0 to 11. The drives can be dedicated to specific functions, as shown in [Table 13-1](#).

Oracle Big Data Appliance uses symbolic links, which are defined in `/dev/disk/by_hba_slot`, to identify the slot number of a disk. The links have the form `snpm`, where *n* is the slot number and *m* is the partition number. For example, `/dev/disk/by_hba_slot/s0p1` initially corresponds to `/dev/sda1`.

When a disk is hot swapped, the operating system cannot reuse the kernel device name. Instead, it allocates a new device name. For example, if you hot swap `/dev/sda`, then the disk corresponding `/dev/disk/by-hba-slot/s0` might link to `/dev/sdn` instead of `/dev/sda`. Therefore, the links in `/dev/disk/by-hba-slot/` are automatically updated when devices are added or removed.

The command output lists device names as kernel device names instead of symbolic link names. Thus, `/dev/disk/by-hba-slot/s0` might be identified as `/dev/sda` in the output of a command.

### 13.2.1 Standard Disk Drive Mappings

[Table 13-1](#) shows typical initial mappings between the RAID logical drives and the operating system identifiers. Nonetheless, you must use the mappings that exist for your system, which might be different from the ones listed here. The table also identifies the dedicated function of each drive in an Oracle Big Data Appliance server. The server with the failed drive is part of either a CDH cluster (HDFS) or an Oracle NoSQL Database cluster.

**Table 13-1 Disk Drive Identifiers**

| Symbolic Link to Physical Slot         | Typical Initial Kernel Device Name | Dedicated Function            |
|----------------------------------------|------------------------------------|-------------------------------|
| <code>/dev/disk/by-hba-slot/s0</code>  | <code>/dev/sda</code>              | Operating system              |
| <code>/dev/disk/by-hba-slot/s1</code>  | <code>/dev/sdb</code>              | Operating system              |
| <code>/dev/disk/by-hba-slot/s2</code>  | <code>/dev/sdc</code>              | HDFS or Oracle NoSQL Database |
| <code>/dev/disk/by-hba-slot/s3</code>  | <code>/dev/sdd</code>              | HDFS or Oracle NoSQL Database |
| <code>/dev/disk/by-hba-slot/s4</code>  | <code>/dev/sde</code>              | HDFS or Oracle NoSQL Database |
| <code>/dev/disk/by-hba-slot/s5</code>  | <code>/dev/sdf</code>              | HDFS or Oracle NoSQL Database |
| <code>/dev/disk/by-hba-slot/s6</code>  | <code>/dev/sdg</code>              | HDFS or Oracle NoSQL Database |
| <code>/dev/disk/by-hba-slot/s7</code>  | <code>/dev/sdh</code>              | HDFS or Oracle NoSQL Database |
| <code>/dev/disk/by-hba-slot/s8</code>  | <code>/dev/sdi</code>              | HDFS or Oracle NoSQL Database |
| <code>/dev/disk/by-hba-slot/s9</code>  | <code>/dev/sdj</code>              | HDFS or Oracle NoSQL Database |
| <code>/dev/disk/by-hba-slot/s10</code> | <code>/dev/sdk</code>              | HDFS or Oracle NoSQL Database |
| <code>/dev/disk/by-hba-slot/s11</code> | <code>/dev/sdl</code>              | HDFS or Oracle NoSQL Database |

## 13.2.2 Standard Mount Points

Table 13-2 show the mappings between HDFS partitions and mount points.

**Table 13-2 Mount Points**

| Symbolic Link to Physical Slot and Partition | HDFS Partition | Mount Point |
|----------------------------------------------|----------------|-------------|
| /dev/disk/by-hba-slot/s0p4                   | /dev/sda4      | /u01        |
| /dev/disk/by-hba-slot/s1p4                   | /dev/sdb4      | /u02        |
| /dev/disk/by-hba-slot/s2p1                   | /dev/sdc1      | /u03        |
| /dev/disk/by-hba-slot/s3p1                   | /dev/sdd1      | /u04        |
| /dev/disk/by-hba-slot/s4p1                   | /dev/sde1      | /u05        |
| /dev/disk/by-hba-slot/s5p1                   | /dev/sdf1      | /u06        |
| /dev/disk/by-hba-slot/s6p1                   | /dev/sdg1      | /u07        |
| /dev/disk/by-hba-slot/s7p1                   | /dev/sdh1      | /u08        |
| /dev/disk/by-hba-slot/s8p1                   | /dev/sdi1      | /u09        |
| /dev/disk/by-hba-slot/s9p1                   | /dev/sdj1      | /u10        |
| /dev/disk/by-hba-slot/s10p1                  | /dev/sdk1      | /u11        |
| /dev/disk/by-hba-slot/s11p1                  | /dev/sdl1      | /u12        |

## 13.2.3 Obtaining the Physical Slot Number of a Disk Drive

Use the following `MegaCli64` command to verify the mapping of virtual drive numbers to physical slot numbers. See "[Replacing a Disk Drive](#)."

```
# MegaCli64 LdPdInfo a0 | more
```

## 13.3 Overview of the Disk Replacement Process

1. Replace the failed disk drive.
2. Run the `bdaconfiguredisk` utility to configure the new disk drive.

The `bdaconfiguredisk` utility automates the rest of the process. Its operations include:

- Performs the basic configuration steps for the new disk.
- Identifies the dedicated function of the failed disk, as an operating system disk, or as either an HDFS disk or an Oracle NoSQL Database disk.
- Configures the disk for its dedicated function.
- Verifies that the configuration is correct.
- Provisions the disk (installs the Oracle Big Data Appliance software).

 **See Also:**

"Servicing Storage Drives" in the *Oracle X8-2L Service Manual* at

[https://docs.oracle.com/cd/E93361\\_01/html/E93393/gqtcs.html#scrolltoc](https://docs.oracle.com/cd/E93361_01/html/E93393/gqtcs.html#scrolltoc)

"Servicing Storage Drives" in the *Oracle Server X7-2L Service Manual* at

[http://docs.oracle.com/cd/E62172\\_01/html/E62184/z400001c165586.html#scrolltoc](http://docs.oracle.com/cd/E62172_01/html/E62184/z400001c165586.html#scrolltoc)

"Servicing Storage Drives and Rear Drives" in the *Oracle Server X6-2L Service Manual* at

[http://docs.oracle.com/cd/E62172\\_01/html/E62184/z400001c165586.html#scrolltoc](http://docs.oracle.com/cd/E62172_01/html/E62184/z400001c165586.html#scrolltoc)

"Servicing Storage Drives and Rear Drives" in the *Oracle Server X5-2L Service Manual* at

[http://docs.oracle.com/cd/E41033\\_01/html/E48325/cnpsm.z40000091011460.html#scrolltoc](http://docs.oracle.com/cd/E41033_01/html/E48325/cnpsm.z40000091011460.html#scrolltoc)

"Servicing Storage Drives and Boot Drives" in the *Sun Fire X4270M2 Server Service Manual* at

[http://docs.oracle.com/cd/E19245-01/E21671/hotswap.html#50503714\\_61628](http://docs.oracle.com/cd/E19245-01/E21671/hotswap.html#50503714_61628)

## 13.4 What If a Server Fails to Restart?

The server may restart during the disk replacement procedures, either because you issued a `reboot` command or made an error in a MegaCli64 command. In most cases, the server restarts successfully, and you can continue working. However, in other cases, an error occurs so that you cannot reconnect using `ssh`. In this case, you must complete the reboot using Oracle ILOM.

### To restart a server using Oracle ILOM:

1. Use your browser to open a connection to the server using Oracle ILOM. For example:

```
http://bdalnode12-c.example.com
```

 **Note:**

Your browser must have a JDK plug-in installed. If you do not see the Java coffee cup on the log-in page, then you must install the plug-in before continuing.

2. Log in using your Oracle ILOM credentials.
3. Select the **Remote Control** tab.

4. Click the **Launch Remote Console** button.
5. Enter Ctrl+d to continue rebooting.
6. If the reboot fails, then enter the server `root` password at the prompt and attempt to fix the problem.
7. After the server restarts successfully, open the Redirection menu and choose **Quit** to close the console window.



#### See Also:

Oracle Integrated Lights Out Manager (ILOM) 3.0 documentation at

<http://docs.oracle.com/cd/E19860-01/>

## 13.5 Prerequisites for Replacing a Failing Disk

To replace an HDFS disk or an operating system disk that is in a state of predictive failure, you must first dismount the HDFS partitions. You must also turn off swapping before replacing an operating system disk.



#### Note:

Only dismount HDFS partitions. For an operating system disk, ensure that you do not dismount operating system partitions. Only partition 4 (sda4 or sdb4) of an operating system disk is used for HDFS.

#### To dismount HDFS partitions:

1. Log in to the server with the failing drive.
2. If the failing drive supported the operating system, then turn off swapping:

```
# bdaswapoff
```

Removing a disk with active swapping crashes the kernel.

3. List the mounted HDFS partitions:

```
# mount -l
```

```
/dev/md2 on / type ext4 (rw,noatime)
proc on /proc type proc (rw)
sysfs on /sys type sysfs (rw)
devpts on /dev/pts type devpts (rw,gid=5,mode=620)
/dev/md0 on /boot type ext4 (rw)
tmpfs on /dev/shm type tmpfs (rw)
/dev/sda4 on /u01 type ext4 (rw,nodev,noatime) [/u01]
/dev/sdb4 on /u02 type ext4 (rw,nodev,noatime) [/u02]
/dev/sdc1 on /u03 type ext4 (rw,nodev,noatime) [/u03]
/dev/sdd1 on /u04 type ext4 (rw,nodev,noatime) [/u04]
.
.
.
```

4. Check the list of mounted partitions for the failing disk. If the disk has no partitions listed, then proceed to "Replacing a Disk Drive." Otherwise, continue to the next step.

 **Caution:**

For operating system disks, look for partition 4 (sda4 or sdb4). Do not dismount an operating system partition.

5. Dismount the HDFS mount points for the failed disk:

```
# umount mountpoint
```

For example, `umount /u11` removes the mount point for partition `/dev/sdk1`.

If the `umount` commands succeed, then proceed to "Replacing a Disk Drive." If a `umount` command fails with a device busy message, then the partition is still in use. Continue to the next step.

6. Open a browser window to Cloudera Manager. For example:

```
http://bda1node03.example.com:7180
```

7. Complete these steps in Cloudera Manager:

 **Note:**

If you remove mount points in Cloudera Manager as described in the following steps, then you must restore these mount points in Cloudera Manager after finishing all other configuration procedures.

- a. Log in as `admin`.
  - b. On the Services page, click **hdfs**
  - c. Click the **Instances** subtab.
  - d. In the Host column, locate the server with the failing disk. Then click the service in the Name column, such as **datanode**, to open its page.
  - e. Click the **Configuration** subtab.
  - f. Remove the mount point from the Directory field.
  - g. Click **Save Changes**.
  - h. From the Actions list, choose **Restart this DataNode**.
8. In Cloudera Manager, remove the mount point from `NodeManager Local Directories`:
    - a. On the Services page, click **Yarn**.
    - b. In the Status Summary, click **NodeManager**.
    - c. From the list, click to select the NodeManager that is on the host with the failed disk.
    - d. Click the **Configuration** subtab.

- e. Remove the mount point from the NodeManager.
  - f. Click **Save Changes**.
  - g. Restart the NodeManager.
9. If you have added any other roles that store data on the same HDFS mount point (such as HBase Region Server), then remove and restore the mount points for these roles in the same way.
  10. Return to your session on the server with the failed drive.
  11. Reissue the `umount` command:

```
# umount mountpoint
```

If the `umount` still fails, run `lsof` to list open files under the HDFS mount point and the processes that opened them. This may help you to identify the process that is preventing the unmount. For example:

```
# lsof | grep /u11
```

12. Bring the disk offline:

```
# MegaCli64 PDoffline "physdrv[enclosure:slot]" a0
```

For example, `"physdrv[20:10]"` identifies disk `s11`, which is located in slot 10 of enclosure 20.

13. Delete the disk from the controller configuration table:

```
MegaCli64 CfgLDDel Lslot a0
```

For example, `L10` identifies slot 10.

14. Complete the steps in "[Replacing a Disk Drive](#)."

## 13.6 Replacing a Disk Drive

Complete this procedure to replace a failed or failing disk drives.

1. Before replacing a failing disk, see "[Prerequisites for Replacing a Failing Disk](#)."
2. Replace the failed disk drive.  
See "[Parts for Oracle Big Data Appliance Servers](#)".
3. Power on the server if you powered it off to replace the failed disk.
4. Connect to the server as `root` using either the KVM or an SSL connection to a laptop.
5. Store the physical drive information in a file:

```
# MegaCli64 pdlist a0 > pdinfo.tmp
```

**Note:** This command redirects the output to a file so that you can perform several searches using a text editor. If you prefer, you can pipe the output through the `more` or `grep` commands.

The utility returns the following information for each slot. This example shows a Firmware State of `Unconfigured(good)`, `Spun Up`.

```

Enclosure Device ID: 20
Slot Number: 8
Drive's position: DiskGroup: 8, Span: 0, Arm: 0
Enclosure position: 0
Device Id: 11
WWN: 5000C5003487075C
Sequence Number: 2
Media Error Count: 0
Other Error Count: 0
Predictive Failure Count: 0
Last Predictive Failure Event Seq Number: 0
PD Type: SAS
Raw Size: 1.819 TB [0xe8e088b0 Sectors]
Non Coerced Size: 1.818 TB [0xe8d088b0 Sectors]
Coerced Size: 1.817 TB [0xe8b6d000 Sectors]
Firmware state: Unconfigured(good), Spun Up
Is Commissioned Spare : NO
Device Firmware Level: 061A
Shield Counter: 0
Successful diagnostics completion on : N/A
SAS Address(0): 0x5000c5003487075d
SAS Address(1): 0x0
Connected Port Number: 0(path0)
Inquiry Data: SEAGATE ST32000SSSUN2.0T061A1126L6M3WX
FDE Enable: Disable
Secured: Unsecured
Locked: Unlocked
Needs EKM Attention: No
Foreign State: None
Device Speed: 6.0Gb/s
Link Speed: 6.0Gb/s
Media Type: Hard Disk Device
.
.
.

```

6. Open the file you created in Step 5 in a text editor and search for the following:
  - Disks that have a Foreign State of Foreign
  - Disks that have a Firmware State of Unconfigured

7. For disks that have a Foreign State of Foreign, clear that status:

```
# MegaCli64 CfgForeign clear a0
```

A foreign disk is one that the controller saw previously, such as a reinserted disk.

8. For disks that have a Firmware State of Unconfigured (Bad), complete these steps:

- a. Note the enclosure device ID number and the slot number.
- b. Enter a command in this format:

```
# MegaCli64 pdmakegood physdrv[enclosure:slot] a0
```

For example, [20:10] repairs the disk identified by enclosure 20 in slot 10.

- c. Check the current status of Foreign State again:

```
# MegaCli64 pdlist a0 | grep foreign
```

- d. If the Foreign State is still Foreign, then repeat the clear command:

```
# MegaCli64 CfgForeign clear a0
```

- For disks that have a Firmware State of Unconfigured (Good), use the following command. If multiple disks are unconfigured, then configure them in order from the lowest to the highest slot number:

```
# MegaCli64 CfgLdAdd r0[enclosure:slot] a0
```

```
Adapter 0: Created VD 1
```

```
Adapter 0: Configured the Adapter!!
```

```
Exit Code: 0x00
```

For example, [20:5] repairs the disk identified by enclosure 20 in slot 5.

- If the `CfgLdAdd` command in Step 9 fails because of cached data, then clear the cache:

```
# MegaCli64 discardpreservedcache l1 a0
```

- Verify that the disk is recognized by the operating system:

```
# lsscsi
```

The disk may appear with its original device name (such as `/dev/sdc`) or under a new device name (such as `/dev/sdn`). If the operating system does not recognize the disk, then the disk is missing from the list generated by the `lsscsi` command.

The `lsscsi` output might not show the correct order, but you can continue with the configuration. While the same physical to logical disk mapping is required, the same disk to device mapping for the kernel is not required. The disk configuration is based on `/dev/disks/by-hba-slot` device names.

This example output shows two disks with new device names: `/dev/sdn` in slot 5, and `/dev/sdo` in slot 10.

```
[0:0:20:0]   enclosu ORACLE  CONCORD14      0960  -
[0:2:0:0]   disk    LSI      MR9261-8i      2.12  /dev/sda
[0:2:1:0]   disk    LSI      MR9261-8i      2.12  /dev/sdb
[0:2:2:0]   disk    LSI      MR9261-8i      2.12  /dev/sdc
[0:2:3:0]   disk    LSI      MR9261-8i      2.12  /dev/sdd
[0:2:4:0]   disk    LSI      MR9261-8i      2.12  /dev/sde
[0:2:5:0]   disk    LSI      MR9261-8i      2.12  /dev/sdn
[0:2:6:0]   disk    LSI      MR9261-8i      2.12  /dev/sdg
[0:2:7:0]   disk    LSI      MR9261-8i      2.12  /dev/sdh
[0:2:8:0]   disk    LSI      MR9261-8i      2.12  /dev/sdi
[0:2:9:0]   disk    LSI      MR9261-8i      2.12  /dev/sdj
[0:2:10:0]  disk    LSI      MR9261-8i      2.12  /dev/sdo
[0:2:11:0]  disk    LSI      MR9261-8i      2.12  /dev/sdl
[7:0:0:0]   disk    ORACLE  UNIGEN-UPD     PMAP  /dev/sdm
[
```

- Check the hardware profile of the server, and correct any errors:

```
# bdacheckhw
```

- Check the software profile of the server, and correct any errors:

```
# bdacheksw
```

If you see a "Wrong mounted partitions" error and the device is missing from the list, then you can ignore the error and continue. However, if you see a "Duplicate



mount points" error or the slot numbers are switched, then see "[Correcting a Mounted Partitions Error](#)".

14. Identify the function of the drive, so you configure it properly. See "[Identifying the Function of a Disk Drive](#)".

## 13.7 Correcting a Mounted Partitions Error

When the `bdachecksw` utility finds a problem, it typically concerns the mounted partitions.

An old mount point might appear in the `mount` command output, so that the same mount point, such as `/u03`, appears twice.

### To fix duplicate mount points:

1. Dismount both mount points by using the `umount` command twice. This example dismounts two instances of `/u03`:

```
# umount /u03
# umount /u03
```

2. Remount the mount point. This example remounts `/u03`:

```
# mount /u03
```

If a disk is in the wrong slot (that is, the virtual drive number), then you can switch two drives.

### To switch slots:

1. Remove the mappings for both drives. This example removes the drives from slots 4 and 10:

```
# MegaCli64 cfgLdDel L4 a0
# MegaCli64 cfgLdDel L10 a0
```

2. Add the drives in the order you want them to appear; the first command obtains the first available slot number:

```
# MegaCli64 cfgLdAdd [20:4] a0
# MegaCli64 cfgLdAdd [20:5] a0
```

3. If mount errors persist even when the slot numbers are correct, then you can restart the server.

## 13.8 Configuring a Disk Drive

Use the `bdaconfiguredisk` utility to configure or reconfigure disk drives on Oracle Big Data Appliance servers.

The `bdaconfiguredisk` utility provides a fully-automated process for configuring disks. The utility now works with both operating system and data disks on Hadoop and NoSQL systems.

 **See Also:**

- [bdaconfiguredisk](#)
- [Manual Disk Configuration Steps](#) are provided as an appendix to this guide, but `bdaconfiguredisk` performs all of the steps for you and is strongly recommended over the manual procedure.

# 14

## Executing Commands Across a Cluster Using the dcli Utility

The `dcli` utility executes commands across a group of servers on Oracle Big Data Appliance and returns the output. You use `dcli` in [Configuring an Oracle Big Data Appliance Full Rack or Starter Rack](#).

This chapter contains the following sections:

- [Overview of the dcli Utility](#)
- [dcli Syntax](#)
- [dcli Return Values](#)
- [dcli Examples](#)

### 14.1 Overview of the dcli Utility

The `dcli` utility executes commands on multiple Oracle Big Data Appliance servers using the administrative (eth0) interface to make the connections. You can run the utility from any server.

This utility can be run by `root` only.

#### 14.1.1 Setting Up Passwordless SSH

The `dcli` utility requires a passwordless Secure Shell (SSH) between the local server and all target servers. You run the `dcli` utility on the local server, and the commands specified in `dcli` execute on the target servers.

Two scripts facilitate the use of SSH on Oracle Big Data Appliance: `setup-root-ssh` and `remove-root-ssh`. These scripts accept two options that are also used by `dcli`:

- `-c`: Targets all the servers in a Hadoop cluster
- `-g`: Targets a user-defined set of servers

See [Table 14-1](#) for details about these options.

#### Note:

The Mammoth utility requires remote `root` access. However, Oracle Big Data Appliance does not require it for normal operation.

#### To set up passwordless SSH for root:

1. Connect to an Oracle Big Data Appliance server using PuTTY or a similar utility. Select an SSH connection type.

2. Log in as `root`.
3. Set up passwordless SSH for `root` across the rack:

```
setup-root-ssh
```

You see the message "ssh key added" from each server.

4. You can now run any `ssh` command on any server in the rack without entering a password. In addition to `dcli` commands, you can use `scp` to copy files between servers.
5. To remove passwordless SSH from `root`:

```
remove-root-ssh
```



#### See Also:

Full parameter descriptions of [setup-root-ssh](#) and [remove-root-ssh](#).

## 14.1.2 Basic Use of dcli

This topic identifies some basic options to the `dcli` command. For a complete list of options, see [Table 14-1](#).

### 14.1.2.1 Getting Help

To see the `dcli` help page, enter the `dcli` command with the `-h` or `--help` options. You can see a description of the commands by entering the `dcli` command with no options.

### 14.1.2.2 Identifying the Target Servers

You can identify the servers where you want the commands to run either in the command line or in a file. For a list of default target servers, use the `-t` option. To change the target servers for the current command, use the `-c` or `-g` options described in [Table 14-1](#).

You can manually create files with groups of servers to manage together. For example, you might manage servers 5 to 18 together, because they have no special functions like servers 1 to 4.

### 14.1.2.3 Specifying the Commands

You typically specify a command for execution on the target servers on the command line. However, you can also create a command file for a series of commands that you often use together or for commands with complex syntax. See the `-x` option in [Table 14-1](#).

You can also copy files to the target servers without executing them by using the `-f` option.

### 14.1.2.4 Controlling the Output Levels

You can request more information with the `-v` option or less information with the `-n` option. You can also limit the number of returned lines with the `--maxlines` option, or replace matching strings with the `-r` option.

Following are examples of various output levels using a simple example: the Linux `date` command.

#### Note:

The output from only one server (node07) is shown. The syntax in these examples executes the `date` command on all servers.

This is the default output, which lists the server followed by the date.

```
# dcli date
bdalnode07-adm.example.com: Tue Feb 14 10:22:31 PST 2012
```

The minimal output returns OK for completed execution:

```
# dcli -n date
OK: ['bdalnode07.example.com']
```

Verbose output provides extensive information about the settings under which the command ran:

```
dcli -v dateoptions.nodes: Noneoptions.destfile: Noneoptions.file:
Noneoptions.group: dcserveroptions.maxLines: 100000options.listNegatives:
Falseoptions.pushKey: Falseoptions.regex: Noneoptions.sshOptions:
Noneoptions.scpOptions: Noneoptions.dropKey: Falseoptions.serializeOps:
Falseoptions.userID: rootoptions.verbosity 1options.vmsstatOps
Noneoptions.execfile: Noneargv: ['/opt/oracle/bda/bin/dcli', '-g', 'dcservers',
'-v', 'date']Success connecting to nodes: ['bdalnode07.example.com']...entering
thread for bdalnode07.example.com:execute: /usr/bin/ssh -l root
bdalnode07.example.com ' date' ...exiting thread for bdalnode07.example.com
status: 0bdalnode07.example.com: Tue Feb 14 10:24:43 PST 2012]
```

## 14.2 dcli Syntax

```
dcli [option] [command]
```

### Parameters

#### option

An option described in [Table 14-1](#). You can omit all options to run a command on all servers in the current rack.


#### command

Any command that runs from the operating system prompt. If the command contains punctuation marks or special characters, then enclose the command in double quotation marks.

The backslash (\) is the escape character. Precede the following special characters with a backslash on the command line to prevent interpretation by the shell. The backslash is not needed in a command file. See the `-x` option for information about command files.

- \$ (dollar sign)
- ' (quotation mark)
- < (less than)
- > (greater than)
- ( ) (parentheses)

**Table 14-1 dcli Options**

| Option                                                                                                                                                                                                                                                                                                      | Description                                                                                                                                                                                                       |
|-------------------------------------------------------------------------------------------------------------------------------------------------------------------------------------------------------------------------------------------------------------------------------------------------------------|-------------------------------------------------------------------------------------------------------------------------------------------------------------------------------------------------------------------|
| <code>-C</code>                                                                                                                                                                                                                                                                                             | Uses the list of servers in <code>/opt/oracle/bda/cluster-rack-infiniband</code> as the target. See " <a href="#">Identifying the Target Servers</a> ".                                                           |
| <div style="border: 1px solid #0070c0; padding: 10px; background-color: #e6f2ff;">  <b>Note:</b><br/>The <code>dcli -C</code> command can only be used on the node on which <code>setup-root-ssh -C</code> was run. </div> |                                                                                                                                                                                                                   |
| <code>-c nodes</code>                                                                                                                                                                                                                                                                                       | Specifies a comma-separated list of Oracle Big Data Appliance servers where the command is executed                                                                                                               |
| <code>-j JSON expr</code>                                                                                                                                                                                                                                                                                   | <code>expr</code> in <code>json-select --jxp=expr --deployment or cloud</code> .                                                                                                                                  |
| <code>-d destfile</code>                                                                                                                                                                                                                                                                                    | Specifies a target directory or file name for the <code>-f</code> option                                                                                                                                          |
| <code>-f file</code>                                                                                                                                                                                                                                                                                        | Specifies files to be copied to the user's home directory on the target servers. The files are not executed. See the <code>-l</code> option.                                                                      |
| <code>-g groupfile</code>                                                                                                                                                                                                                                                                                   | Specifies a file containing a list of Oracle Big Data Appliance servers where the command is executed. You can use either server names or IP addresses in the file.                                               |
| <code>-h, --help</code>                                                                                                                                                                                                                                                                                     | Displays a description of the commands                                                                                                                                                                            |
| <code>-k</code>                                                                                                                                                                                                                                                                                             | Pushes the <code>ssh</code> key to each server's <code>/root/.ssh/authorized_keys</code> file. See " <a href="#">Setting Up Passwordless SSH</a> " for an easier alternative.                                     |
| <code>-l userid</code>                                                                                                                                                                                                                                                                                      | Identifies the user ID for logging in to another server. The default ID is <code>root</code> .                                                                                                                    |
| <code>--maxlines=maxlines</code>                                                                                                                                                                                                                                                                            | Identifies the maximum lines of output displayed from a command executed on multiple servers. The default is 10,000 lines.                                                                                        |
| <code>-n</code>                                                                                                                                                                                                                                                                                             | Abbreviates the output for non-error messages. Only the server name is displayed when a server returns normal output (return code 0).<br>You cannot use the <code>-n</code> and <code>-r</code> options together. |
| <code>-r regexp</code>                                                                                                                                                                                                                                                                                      | Replaces the output with the server name for lines that match the specified regular expression                                                                                                                    |
| <code>-s sshoptions</code>                                                                                                                                                                                                                                                                                  | Specifies a string of options that are passed to SSH                                                                                                                                                              |
| <code>--scp=scpoptions</code>                                                                                                                                                                                                                                                                               | Specifies a string of options that are passed to Secure Copy (SCP), when these options are different from <code>sshoptions</code>                                                                                 |

**Table 14-1 (Cont.) dcli Options**

| Option                     | Description                                                                                                                                                                                                                                                                                                                                                                                                           |
|----------------------------|-----------------------------------------------------------------------------------------------------------------------------------------------------------------------------------------------------------------------------------------------------------------------------------------------------------------------------------------------------------------------------------------------------------------------|
| --serial                   | Serializes execution over the servers. The default is parallel execution.                                                                                                                                                                                                                                                                                                                                             |
| -T                         | Lists the target nodes space-separated.                                                                                                                                                                                                                                                                                                                                                                               |
| -t                         | Lists target nodes.                                                                                                                                                                                                                                                                                                                                                                                                   |
| --unkey                    | Drops the keys from the <code>authorized_key</code> files of the target servers                                                                                                                                                                                                                                                                                                                                       |
| -v                         | Displays the verbose version of all messages                                                                                                                                                                                                                                                                                                                                                                          |
| --version                  | Displays the <code>dcli</code> version number                                                                                                                                                                                                                                                                                                                                                                         |
| --<br>vmstat=VMSTATO<br>PS | Displays the syntax of the Linux Virtual Memory Statistics utility ( <code>vmstat</code> ).<br>This command returns process, virtual memory, disk, trap, and CPU activity information.<br><br>To enter a <code>vmstat</code> command, enclose its options in quotation marks. For example:<br><br><code>--vmstat="-a 3 5"</code><br><br>See your Linux documentation for more information about <code>vmstat</code> . |
| -x <i>execfile</i>         | Specifies a command file to be copied to the user's home directory and executed on the target servers. See the <code>-l</code> option.                                                                                                                                                                                                                                                                                |

## 14.3 dcli Return Values

- 0: The command ran successfully on all servers.
- 1: One or more servers were inaccessible or remote execution returned a nonzero value. A message lists the unresponsive servers. Execution continues on the other servers.
- 2: A local error prevented the command from executing.

If you interrupt the local `dcli` process, then the remote commands may continue without returning their output or status.

## 14.4 dcli Examples

Following are examples of the `dcli` utility.

This example returns the default list of target servers:

```
# dcli -t
Target nodes: ['bdalnode01-adm.example.com', 'bdalnode02-adm.example.com',
'bdalnode03-adm.example.com', 'bdalnode04-adm.example.com', 'bdalnode05-
adm.example.com', 'bdalnode06-adm.example.com', 'bdalnode07-adm.example.com',
'bdalnode08-adm.example.com', 'bdalnode09-adm.example.com']
```

The next example checks the temperature of all servers:

```
# dcli 'ipmitool sunoem cli "show /SYS/T_AMB" | grep value'

bdalnode01-adm.example.com: value = 22.000 degree C
bdalnode02-adm.example.com: value = 22.000 degree C
bdalnode03-adm.example.com: value = 22.000 degree C
```

```
bdalnode04-adm.example.com: value = 23.000 degree C  
.  
.  
.
```



# 15

## Using Oracle Integrated Lights Out Manager

Oracle Integrated Lights Out Manager (Oracle ILOM) is a preinstalled component of Oracle Big Data Appliance that you can use to monitor the servers and switches. You use Oracle ILOM in [Configuring an Oracle Big Data Appliance Full Rack or Starter Rack](#).

This chapter contains the following sections:

- [Oracle ILOM Overview](#)
- [Administrative Network Diagram](#)
- [Oracle ILOM IP Addresses for Oracle Big Data Appliance Components](#)
- [Connecting to Oracle ILOM Using the Network](#)
- [Connecting to Oracle ILOM Using a Serial Connection](#)

### See Also:

- For Sun Server X4-2L and Sun Server X3-2L servers, the Oracle Integrated Lights Out Manager 3.1 documentation library at [http://docs.oracle.com/cd/E24707\\_01/index.html](http://docs.oracle.com/cd/E24707_01/index.html)
- For Sun Fire X4270 M2 servers, Oracle Integrated Lights Out Manager 3.0 documentation library at <http://docs.oracle.com/cd/E19860-01/>

### 15.1 Oracle ILOM Overview

Oracle Integrated Lights Out Manager (Oracle ILOM) provides advanced service processor (SP) hardware and software that you can use to manage and monitor the servers and switches in an Oracle Big Data Appliance rack. Oracle ILOM dedicated hardware and software is preinstalled on these components. It automatically initializes as soon as power is applied.

Oracle ILOM enables you to actively manage and monitor servers in Oracle Big Data Appliance regardless of the operating system state, providing you with a reliable lights-out management (LOM) system.

With Oracle ILOM, you can proactively:

- Learn about hardware errors and faults as they occur
- Remotely control the power state of a server
- View the graphical and nongraphical consoles

- View the current status of sensors and indicators on the system
- Determine the hardware configuration of your system
- Receive generated alerts about system events in advance

The Oracle ILOM service processor runs its own embedded operating system and has a dedicated Ethernet port, which together provide out-of-band management capability. In addition, you can access Oracle ILOM from the server operating system (Oracle Linux). Using Oracle ILOM, you can remotely manage Oracle Big Data Appliance as if you were using a local KVM.

## 15.1.1 Oracle ILOM Interfaces

Oracle ILOM supports two interfaces for accessing its features and functions. You can choose to use a browser-based web interface or a command-line interface.

### Web Interface

The web interface enables you use a browser to log in to the SP, and then to perform system management and monitoring.

### Command-Line Interface

The command-line interface (CLI) enables you to operate Oracle ILOM using keyboard commands. It adheres to industry-standard DMTF-style CLI and scripting protocols. Oracle ILOM supports SSH v2.0 and v3.0 for secure access to the CLI. From the CLI, you can reuse existing scripts and automate tasks using familiar interfaces.

## 15.1.2 Oracle ILOM Users

The Oracle Big Data Appliance servers are configured initially with only the `root` user.

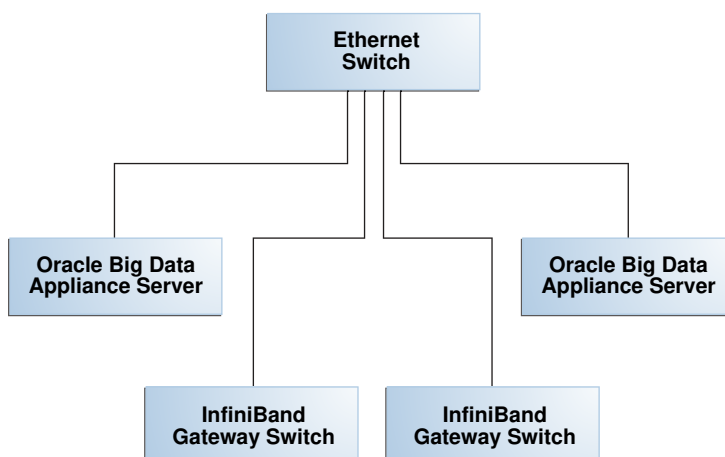
The InfiniBand switches are configured with these additional users:

- `ilom-admin`: Provides the write privileges needed to change the system configuration, without the full power of `root`.
- `ilom-operator`: Provides read-only privileges to monitor the system.

As `root`, you can create additional ILOM users if you want.

## 15.2 Administrative Network Diagram

Figure 15-1 illustrates the administrative Oracle ILOM network. It shows two of the 18 servers and the two Sun Network QDR InfiniBand Gateway Switches. The Cisco Ethernet management switch is connected to the servers and the InfiniBand switches.

**Figure 15-1 Administrative Network in Oracle Big Data Appliance**

## 15.3 Oracle ILOM IP Addresses for Oracle Big Data Appliance Components

You require at least one static IP address for service processor (Oracle ILOM) access. For the list of default Oracle ILOM IP addresses assigned to Oracle Big Data Appliance components at the time of manufacturing, see "[Factory Network Settings](#)".

After you reconfigure these IP addresses using Oracle Big Data Appliance Configuration Generation Utility, you must use the reconfigured IP addresses to access Oracle ILOM.

## 15.4 Connecting to Oracle ILOM Using the Network

You can typically access Oracle ILOM using the network over an Ethernet connection. You must know the Oracle ILOM Ethernet address. Before system configuration, the address is the factory IP address setting. After system configuration, you can use either the component name or the IP address listed in the Installation Template. You can use either the CLI or the browser interface to access Oracle ILOM. Alternatively, you can launch a remote KVM session (Sun Fire X4270 M2-based racks only).

### Note:

You can use this connection method when Oracle ILOM IP addresses can be accessed over the network. Oracle recommends that you use this connection method. See [Configuring an Oracle Big Data Appliance Full Rack or Starter Rack](#)

This section discusses the following topics:

- [Connecting to the Command-Line Interface](#)
- [Connecting to the Web GUI](#)

## 15.4.1 Connecting to the Command-Line Interface

To connect to the Oracle ILOM command-line interface follow these steps.

1. Open a secure shell (SSH) client, such as PuTTY.
2. In the **Host Name (or IP address)** field, enter the Oracle ILOM name or IP address of the component to connect to. For example, before configuration, you might enter the factory default IP address of 192.168.1.203 for a Sun Network QDR InfiniBand Gateway switch. After configuration, you might enter the new IP address or a name such as bda1sw-ib2.
3. Ensure that **SSH** is chosen as the **Connection Type**.
4. Type the user name and the password when prompted. The default user name is `root`, and the default password is provided by the Oracle Install Coordinator.  
The CLI command prompt (`#`) is displayed.
5. Enter `help` for a list of commands.



### See Also:

*Oracle ILOM Daily Management -- CLI Procedures Guide at*

<http://docs.oracle.com/cd/E19860-01/>

## 15.4.2 Connecting to the Web GUI

To connect to the Oracle ILOM web interface:

1. Open a web browser and navigate to the Oracle ILOM name or the IP address of an Oracle Big Data Appliance server or switch.  
The login screen is displayed.
2. Enter your user name and password. The initial password is provided by the Oracle Install Coordinator.

**Note:** Use the `passwd` command to change the password.



### See Also:

- ["Oracle ILOM Users"](#) for the factory-configured user names.

3. Click **Log In**.

The web GUI is displayed, as shown in [Figure 15-2](#).

Figure 15-2 Oracle ILOM 3.1 Web Interface

The screenshot displays the Oracle Integrated Lights Out Manager (ILOM) 3.1 web interface. At the top, there is a navigation menu with tabs for System Information, System Monitoring, Power Management, Storage, Configuration, User Management, Remote Control, and Maintenance. Below this is a secondary menu with tabs for Overview, Components, Fault Management, Identification Information, Banner Messages, Session Timeout, and Versions. The main content area is titled "System Overview" and includes a brief description: "View system summary information. You may also change power state and view system status and fault information." Below this, several system parameters are listed:

- Product Name: SUN FIRE X4270 M2 SERVER
- Part/Serial Number: 30057782+1+1 / 1137FMM0C8
- Host Power: On (with a "Change..." button)
- System Status: Faulted (with a "View..." button)
- BIOS Version: 08120104
- SP Hostname: bda1node08-ilom
- Uptime: 189 days, 21:57:38
- IP Address: 10.128.17.229
- ILOM Version: v3.0.16.10.d r74499

#### See Also:

- *Oracle ILOM 3.1 Quick Start* at [http://docs.oracle.com/cd/E24707\\_01/html/E24528/gentextid-219.html#scrolltoc](http://docs.oracle.com/cd/E24707_01/html/E24528/gentextid-219.html#scrolltoc)
- *Oracle ILOM 3.0 Daily Management —Web Procedures Guide* at <http://docs.oracle.com/cd/E19860-01/>

## 15.5 Connecting to Oracle ILOM Using a Serial Connection

You servers: connecting to Oracle ILOM can connect to Oracle ILOM using a serial connection if you are unable to access it using the network due to any of the following problems:

- Misconfiguration of the network
- Misconfiguration of Oracle ILOM IP addresses
- Misconfiguration of Cisco Ethernet switch ports
- Sideband configuration issues

### 15.5.1 Connecting to the Oracle ILOM of a Server

To connect to Oracle ILOM of a server using a serial connection:

1. Attach a serial cable from a terminal or a PC running terminal emulation software to the SER MGT port of an Oracle Big Data Appliance server. The cable should be 15 feet or shorter.
2. Verify that your terminal or laptop is operational.
3. Configure the terminal device or the terminal emulation software to use the following settings:
  - 8N1: eight data bits, no parity, one stop bit
  - 9600 baud (default, but can be set to any standard rate up to 115200)
  - Disable software flow control (XON/XOFF)
  - Disable hardware control
4. Verify that power is supplied to either PSU.

If power is supplied to either PSU, then Oracle ILOM is functional regardless of the power state of the servers.
5. Press Enter on the terminal device. A connection between the terminal device and Oracle ILOM is established.

The Oracle ILOM login prompt is displayed.
6. Log in to the CLI as `root` using the default password provided by the Oracle Install Coordinator.

The Oracle ILOM default command prompt is displayed.

## 15.5.2 Connecting to the Oracle ILOM of an InfiniBand Switch

To connect to Oracle ILOM of an InfiniBand switch using a serial connection:

1. Attach a USB-to-serial connector to the USB port of the switch.
2. Verify that your terminal or laptop is operational.
3. Configure the terminal device or the terminal emulation software to use the following settings:
  - 8N1: eight data bits, no parity, one stop bit
  - 115200 baud
  - Disable software flow control (XON/XOFF)
  - Disable hardware control
4. Press the Return or Enter key on the serial device several times to synchronize the connection.

You may see text similar to the following:

```
where nm2name is the host name of the management controller. The name  
might be the word hostname.
```

Even if you do not see the text, go to Step 5.
5. Log in using the administrative user name (`ilom-admin`) and the password provided by the Oracle Install Coordinator. The `#` prompt is displayed.

 **Note:**

If you do not see this output or prompt, there is a problem with the serial configuration, the USB-to-serial connector, or the CLI.

## 15.6 Backing Up and Restoring Oracle ILOM Settings

Oracle ILOM supports remote administration of the Oracle Big Data Appliance servers. This section explains how to back up and restore the Oracle ILOM configuration settings, which are set by the Mammoth utility.

 **See Also:**

- For Sun Server X4-2L and Sun Server X3-2L servers, the Oracle Integrated Lights Out Manager 3.1 documentation library at [http://docs.oracle.com/cd/E24707\\_01/index.html](http://docs.oracle.com/cd/E24707_01/index.html)
- For Sun Fire X4270 M2 servers, the Oracle Integrated Lights Out Manager 3.0 documentation library at <http://docs.oracle.com/cd/E19860-01/>

### 15.6.1 Backing Up the Oracle ILOM Configuration Settings

To back up the Oracle ILOM configuration settings on a Sun Server X4-2L or X3-2L server:

1. Open your browser on any system that is on the same network as Oracle Big Data Appliance, and navigate to the Oracle ILOM service processor. This example uses the Oracle ILOM address of a server named node08:

`http://bda1node08-ilom.example.com`

To back up the Oracle ILOM for an InfiniBand switch, enter the switch address, such as bda1sw-ib1.

2. Log in as the `root` user. Enter the password provided by the Oracle Install Coordinatorthe password provided by the Oracle Install Coordinator.
3. Navigate to the Backup/Restore page:
  - For Oracle ILOM 3.1, select the Maintenance tab, and then select the Backup/Restore subtab.
  - For Oracle ILOM 3.0, expand the ILOM Administration folder in the navigation tree, and select **Configuration Management**.
4. Select the Backup operation and the Browser transfer method, as shown in [Figure 15-3](#).
5. Enter a pass phrase. The phrase is used to encrypt sensitive information, such as passwords, in the backup file.

6. Click **Run** to start the backup operation. The results are downloaded to your local system in an XML file named `config_backup.xml`.
7. Save the file in a secure location.
8. Click the **Log Out** button.

**Figure 15-3 Oracle ILOM 3.1 Configuration Backup**

| System Information | System Monitoring | Power Management         | Storage  | Configuration | User Management | Remote Control | Maintenance |
|--------------------|-------------------|--------------------------|----------|---------------|-----------------|----------------|-------------|
| Firmware Upgrade   | Backup/Restore    | Configuration Management | Reset SP | Snapshot      |                 |                |             |

### Configuration Backup/Restore

Perform system configuration backup or restore from this page. Select Backup or Restore from *Operation* menu. Choose a *Transfer Method* and fill in all required fields. You may choose to supply a *passphrase* to encrypt sensitive data within a backup file or for decrypting such data when restoring a configuration. If a passphrase is not specified, then sensitive data will not be included in the backup file. Click *Run* to start the operation.

Operation:

Transfer Method:

The downloaded file will be saved according to your browser settings.

Passphrase:

Confirm Passphrase:

## 15.6.2 Restoring Oracle ILOM Configuration Settings

To restore the Oracle ILOM configuration settings:

1. Open your browser on any system on the same network as Oracle Big Data Appliance and navigate to an Oracle ILOM service processor. This example uses Oracle ILOM on node08:  
`http://bdalnode08-ilom.us.example.com`
2. Log in as the `ilom_admin` user. Enter the default password provided by the Oracle Install Coordinator.
3. Select the **Maintenance** tab, and then select the **Backup/Restore** subtab.
4. Select the Restore operation and the Browser transfer method.
5. Click **Choose File** and select the `config_backup.xml` file saved previously in a backup operation.
6. Enter the pass phrase that was set during the backup operation.
7. Click **Run** to restore the configuration.



# Part V

## Appendixes

Part V provides reference information. It contains the following chapters:

- [Error Messages for Oracle Big Data Appliance](#)
- [Replacement Units](#)
- [In-Rack Cabling Tables for Oracle Big Data Appliance X8-2, X7-2, X6-2, and X5-2](#)
- [In-Rack Cabling Tables for Oracle Big Data Appliance X4-2 and X3-2](#)
- [In-Rack Cabling Tables for Oracle Big Data Appliance Sun Fire X4270 M2](#)
- [Multirack Cabling Tables](#)

# A

## Error Messages for Oracle Big Data Appliance

This appendix describes the hardware messages for Oracle Big Data Appliance.

The following messages are Auto Service Request (ASR) alerts. ASR automatically submits a service request to Oracle Support Services in response to these alerts.

Information is also written to the system logs.

### **DISKALRT-02001 System OS hard disk failure**

Cause: A physical disk that is hosting the operating system failed or an operating system RAID volume has lost redundancy. HDFS might also raise an alert.

Action: Replace the physical disk as soon as possible. Follow the instructions in [Replacing a Server Disk](#) for configuring an operating system disk.

### **DISKALRT-02002 System OS hard disk predictive failure**

Cause: A physical disk that is hosting the operating system is in a state of predictive failure.

Action: Replace the physical disk as soon as possible. Follow the instructions in [Replacing a Server Disk](#) for configuring an operating system disk.

### **DISKALRT-02003 System OS hard disk poor performance**

Cause: A physical disk that is hosting the operating system is performing poorly, which indicates that it is failing.

Action: Plan to replace the disk. If multiple disk disks in a server are identified as poor performers, then check for problems with the cable connections, the controllers, and the disk backplane before replacing the disks. To replace a disk, follow the instructions in [Replacing a Server Disk](#) for configuring an operating system disk.

### **DISKALRT-02004 Data hard disk failure**

Cause: A physical disk that is *not* hosting the operating system failed.

Action: Replace the physical disk as soon as possible. Follow the instructions in [Replacing a Server Disk](#) for configuring a disk for either HDFS or Oracle NoSQL Database.

### **DISKALRT-02005 Data hard disk predictive failure**

Cause: A physical disk that is *not* hosting the operating system is in a state of predictive failure.

Action: Replace the physical disk as soon as possible. Follow the instructions in [Replacing a Server Disk](#) for configuring a disk for either HDFS or Oracle NoSQL Database.

**DISKALRT-02006 Data hard disk poor performance**

Cause: A physical disk that is *not* hosting the operating system is performing poorly, which indicates that it is failing.

Action: Replace the physical disk as soon as possible. Follow the instructions in [Replacing a Server Disk](#) for configuring a disk for either HDFS or Oracle NoSQL Database.

**DISKALRT-02007 Solid-state drive disk failure**

Cause: A solid-state drive failed.

Action: Replace the drive as soon as possible.

**DISKALRT-02008 Solid-state disk predictive failure**

Cause: A solid-state drive is in a state of predictive failure.

Action: Replace the drive as soon as possible.

**DISKALRT-02009 Solid-state disk poor performance**

Cause: A solid-state drive is performing poorly, which indicates that it is failing.

Action: Replace the drive as soon as possible.

# B

## Replacement Units

This appendix lists the replacement units for the components in Oracle Big Data Appliance racks. All replacement units are field replaceable units (FRUs), which are installed by Oracle field engineers.

This appendix contains the following sections:

- [About Repair Categories](#)
- [Disk Controller Batteries](#)
- [LED Status Descriptions](#)
- [Parts for Oracle Big Data Appliance Servers](#)
- [Parts for Sun Datacenter InfiniBand Switch 36](#)
- [Parts for Sun Network QDR InfiniBand Gateway Switch](#)
- [Parts for the Cisco Ethernet Switch](#)
- [Parts for Power Distribution Units](#)
- [Cables and Cable Accessories for an Oracle Big Data Appliance Rack](#)



### See Also:

"Spare Parts Kit Components"

## B.1 About Repair Categories

Repair categories describe the potential effects of a repair action.

The table below lists the repair categories and related actions.

**Table B-1 Oracle Big Data Appliance Repair Categories**

| Category                   | Description                                                                                                                                                                        | Examples                                                                                                                |
|----------------------------|------------------------------------------------------------------------------------------------------------------------------------------------------------------------------------|-------------------------------------------------------------------------------------------------------------------------|
| Hot Swap (HS)              | The repair part is hot swappable and can be replaced without shutting down the host system. Procedures may be needed before and after replacement to protect the data.             | <ul style="list-style-type: none"><li>• Disks</li><li>• Fans</li><li>• Power supplies</li></ul>                         |
| Infrastructure Repair (IR) | This is the repair of a connectivity component within an Oracle Big Data Appliance rack. No downtime of the rack is required. However, individual components may require downtime. | <ul style="list-style-type: none"><li>• External cables</li><li>• InfiniBand switch</li><li>• Ethernet switch</li></ul> |

**Table B-1 (Cont.) Oracle Big Data Appliance Repair Categories**

| Category                   | Description                                                                                                                                                                                                                                                                                                                                                                                                                                                                                                                                                                                                                                                                                                                       | Examples                                                                                                                        |
|----------------------------|-----------------------------------------------------------------------------------------------------------------------------------------------------------------------------------------------------------------------------------------------------------------------------------------------------------------------------------------------------------------------------------------------------------------------------------------------------------------------------------------------------------------------------------------------------------------------------------------------------------------------------------------------------------------------------------------------------------------------------------|---------------------------------------------------------------------------------------------------------------------------------|
| BDA Server Offline (BDA-O) | <p>Repair of the part requires shutting down one Big Data Appliance server. No downtime of the rack is required; however, individual servers may require downtime and temporary removal from the cluster. Rebalancing the workload and data duplication may temporarily affect performance.</p> <p>If the system is currently running, then shut it down gracefully. See "<a href="#">Powering On and Off Oracle Big Data Appliance</a>" for additional information.</p> <p>If you monitor the system using Oracle Enterprise Manager Cloud Control, then prevent unnecessary alerts by putting the target in a blackout state. Refer to <a href="#">Oracle Enterprise Manager Administration</a> for additional information.</p> | <ul style="list-style-type: none"> <li>• System boards</li> <li>• PCIe cards</li> <li>• Memory</li> <li>• Processors</li> </ul> |

## B.2 Disk Controller Batteries

The disk controllers in the servers have battery-backed write cache to accelerate write performance. If the battery charge capacity degrades such that the battery cannot protect the cached data for a power loss of 48 hours or more, then the write cache is disabled and the disk controller switches to write through mode. This results in reduced write performance but no data loss. The servers generate an alert when the battery charge is insufficient, when the temperature is high, and when the battery should be replaced.

Battery charge capacity degrades over time, and the life expectancy of a battery is inversely proportional to the operating temperature. The worst-case life expectancy of a battery in an Oracle Big Data Appliance rack is as follows:

| Inlet Ambient Temperature                    | Battery Lifetime |
|----------------------------------------------|------------------|
| < 25 degrees Celsius (77 degrees Fahrenheit) | 3 years          |
| < 32 degrees Celsius (90 degrees Fahrenheit) | 2 years          |

Oracle replaces failed batteries at no extra charge if the battery charge capacity in the disk controllers falls below the minimum threshold. As part of Oracle Premier Support for Systems, Oracle attempts to proactively replace the batteries in an Oracle Big Data Appliance rack before the end of the estimated lifetime, on a best effort basis.

## B.3 LED Status Descriptions

This section describes the light-emitting diodes (LEDs) in an Oracle Big Data Appliance rack. It contains these topics:

- [Sun Server LEDs](#)

- Sun InfiniBand Switch LEDs

## B.3.1 Sun Server LEDs

Table B-2 identifies some LED status indicators on the Sun Server X4-2L and X3-2L that can indicate a fault.

### See Also:

"About Server and Component Status Indicators" in the *Sun Server X4-2 Service Manual* at

[http://docs.oracle.com/cd/E36975\\_01/html/E38045/z4000be71405942.html#scrolltoc](http://docs.oracle.com/cd/E36975_01/html/E38045/z4000be71405942.html#scrolltoc)

**Table B-2 Sun Server LED Status Descriptions**

| Component      | LED Status                                                                                                                                                                                                                                                                                                                                                                                                                                                                                                                                                                                                                          |
|----------------|-------------------------------------------------------------------------------------------------------------------------------------------------------------------------------------------------------------------------------------------------------------------------------------------------------------------------------------------------------------------------------------------------------------------------------------------------------------------------------------------------------------------------------------------------------------------------------------------------------------------------------------|
| General Status | <p>The following LEDs are located on the front and back panels of each server:</p> <p>Service Required (amber)</p> <ul style="list-style-type: none"> <li>• Off indicates normal operation.</li> <li>• Steady on indicates a fault in the server.</li> </ul> <p>Power/OK (green)</p> <ul style="list-style-type: none"> <li>• Steady on indicates that the server is powered on.</li> <li>• A slow blink indicates that the server is starting up.</li> <li>• A steady blink indicates that standby power is on, but chassis power is off.</li> <li>• Off indicates no AC power or an incomplete startup of Oracle ILOM.</li> </ul> |
| Fans           | <p>Each fan module has one bicolored LED, which you can see when the top cover fan door is open.</p> <p>Fan Status (amber/green)</p> <ul style="list-style-type: none"> <li>• Amber indicates that the fan module is faulty. The front and rear panel Service Required LEDs are also lit when the system detects a fan module fault.</li> <li>• Green indicates that the system is powered on, and the fan module is functioning correctly.</li> </ul>                                                                                                                                                                              |
| Drives         | <p>The following LEDs are located on the storage and boot drives:</p> <p>Service Required (amber)</p> <ul style="list-style-type: none"> <li>• Off indicates normal operation.</li> <li>• Steady on indicates a fault in the drive.</li> </ul> <p>OK/Activity (green)</p> <ul style="list-style-type: none"> <li>• Steady on indicates normal inactivity.</li> <li>• A steady blink indicates normal activity.</li> <li>• Off indicates that the power is off, or the system does not recognize the drive.</li> </ul>                                                                                                               |

**Table B-2 (Cont.) Sun Server LED Status Descriptions**

| Component    | LED Status                                                                                                                                                                                                                                                                                                                                                                                                                                                                                                                                                                                                                                                       |
|--------------|------------------------------------------------------------------------------------------------------------------------------------------------------------------------------------------------------------------------------------------------------------------------------------------------------------------------------------------------------------------------------------------------------------------------------------------------------------------------------------------------------------------------------------------------------------------------------------------------------------------------------------------------------------------|
| Power supply | <p>The following LEDs are on each power supply. You can see them from the back of the server.</p> <p>Service Required (amber)</p> <ul style="list-style-type: none"> <li>• Off indicates normal operation.</li> <li>• Steady on indicates that the system has detected a problem in the power supply regarding the voltage, current, temperature, or fans.</li> </ul> <p>AC OK/DC OK (green)</p> <ul style="list-style-type: none"> <li>• Steady on indicates normal operation for both AC and DC power.</li> <li>• A slow blink indicates that input AC power is normal and output DC power is disabled.</li> <li>• Off indicates no input AC power.</li> </ul> |

## B.3.2 Sun InfiniBand Switch LEDs

Table B-3 identifies some LED status indicators on Sun Datacenter InfiniBand Switch 36 and Sun Network QDR InfiniBand Gateway switches that can indicate a fault.

### See Also:

- "Identifying LEDs" in the *Sun Datacenter InfiniBand Switch 36 Service Manual* at [http://docs.oracle.com/cd/E26698\\_01/html/E26434/z40000fe1394411.html](http://docs.oracle.com/cd/E26698_01/html/E26434/z40000fe1394411.html)
- "Identifying LEDs" in the *Sun Network QDR InfiniBand Gateway Switch Service Manual* at [http://docs.oracle.com/cd/E26699\\_01/html/E26706/z40000fe1394411.html](http://docs.oracle.com/cd/E26699_01/html/E26706/z40000fe1394411.html)

**Table B-3 Sun InfiniBand Switch LED Status Descriptions**

| Component | LED Status                                                                                                                                                                                                                                                                                                                                                                                                                                                                                        |
|-----------|---------------------------------------------------------------------------------------------------------------------------------------------------------------------------------------------------------------------------------------------------------------------------------------------------------------------------------------------------------------------------------------------------------------------------------------------------------------------------------------------------|
| Chassis   | <p>The following LEDs are located on the left side of the rear panel.</p> <p>Attention (amber)</p> <ul style="list-style-type: none"> <li>• Steady on indicates a fault.</li> <li>• Off indicates normal operation.</li> <li>• Flashing indicates no function.</li> </ul> <p>OK (green)</p> <ul style="list-style-type: none"> <li>• Steady on indicates normal operation.</li> <li>• Off indicates that the switch is off or initializing.</li> <li>• Flashing indicates no function.</li> </ul> |

**Table B-3 (Cont.) Sun InfiniBand Switch LED Status Descriptions**

| Component                | LED Status                                                                                                                                                                                                                                                                                                                                                                                                                                                                                                                                                                                                                                                                                                |
|--------------------------|-----------------------------------------------------------------------------------------------------------------------------------------------------------------------------------------------------------------------------------------------------------------------------------------------------------------------------------------------------------------------------------------------------------------------------------------------------------------------------------------------------------------------------------------------------------------------------------------------------------------------------------------------------------------------------------------------------------|
| Link status              | <p>The link status LEDs are located by the data cable connectors on the rear panel.</p> <p>Link (green)</p> <ul style="list-style-type: none"> <li>Steady on indicates that a link is established.</li> <li>Off indicates that the link is down.</li> <li>Flashing indicates that there are symbol errors.</li> </ul>                                                                                                                                                                                                                                                                                                                                                                                     |
| Network management ports | <p>The following LEDs are located on the network management connector on the rear panel.</p> <p>Link Speed (amber/green):</p> <ul style="list-style-type: none"> <li>Green steady on indicates a 1000BASE-T link.</li> <li>Amber steady on indicates a 100BASE-T link.</li> <li>Off indicates no link.</li> <li>Flashing indicates no function.</li> </ul> <p>Activity (green):</p> <ul style="list-style-type: none"> <li>Flashing indicates packet activity.</li> <li>On indicates no function.</li> <li>Off indicates no activity.</li> </ul>                                                                                                                                                          |
| Power supply             | <p>The following LEDs are located on the power supply at the front of the chassis.</p> <p>Attention (amber)</p> <ul style="list-style-type: none"> <li>Steady on indicates a fault, and 12 VDC is shut down.</li> <li>Off indicates normal operation.</li> <li>Flashing indicates no function.</li> </ul> <p>OK (green)</p> <ul style="list-style-type: none"> <li>Steady on indicates 12 VDC.</li> <li>Off indicates no DC voltage.</li> <li>Flashing indicates no function.</li> </ul> <p>AC LED is green</p> <ul style="list-style-type: none"> <li>Steady on indicates AC power is supplied.</li> <li>Off indicates that AC power is not present.</li> <li>Flashing indicates no function.</li> </ul> |
| Fan                      | <p>The following LED is located on the air inlet on the front of the chassis.</p> <p>FT</p> <ul style="list-style-type: none"> <li>On indicates a problem with the fan.</li> <li>Off indicates normal operation</li> </ul>                                                                                                                                                                                                                                                                                                                                                                                                                                                                                |

## B.4 Parts for Oracle Big Data Appliance Servers

The following topics identify the replacement parts for the Oracle Big Data Appliance storage servers:

- [Oracle Server X7-2L Parts](#)
- [Oracle Server X6-2L and X5-2L Parts](#)
- [Sun Server X4-2L Parts](#)
- [Sun Server X3-2L Parts](#)



- [Sun Fire X4270 M2 Parts](#)

 **Note:**

Oracle Big Data Appliance ships with two spare drives. If a drive is faulty, then the customer can replace the drive before an Oracle service representative arrives if circumstances warrant immediate action.

## B.4.1 Oracle Server X7-2L Parts

The following are replaceable parts for the X7-2L server.

 **Note:**

This parts list is specific to X7-2L for Oracle Big Data Appliance. There are some differences in the X7-2L parts list for Oracle Big Data Appliance, Exadata Database Machine, and other products.

 **See Also:**

If a repair procedure includes powering down the server, see the instructions in the [Oracle Server X7-2 Service Manual](#), which provides the steps for graceful shutdown (or immediate shutdown, if needed).

The [Oracle Servers X7-2 and X7-2L Installation Guide](#) shows the server's front and back panels. Note that the "Do Not Service" indicator on the front panel is not used in Oracle Big Data Appliance.

**Table B-4 Replacement Parts for Oracle Server X7-2L Oracle Database Servers**

| Part Number | Description                                                               | Repair Category | Coverage under Basic Warranty | Repair Procedure                                                                                                                                                                                                                                                                                                                                   |
|-------------|---------------------------------------------------------------------------|-----------------|-------------------------------|----------------------------------------------------------------------------------------------------------------------------------------------------------------------------------------------------------------------------------------------------------------------------------------------------------------------------------------------------|
| 7346413     | SWITCH,CI<br>SCO<br>NEXUS<br>93108TC-EX<br>(1GB),PORT<br>-SIDE<br>EXHAUST | DBO             | FRU                           | <a href="#">Oracle Servers X7-2 and X7-2L Installation Guide</a>                                                                                                                                                                                                                                                                                   |
| 7046514     | Assy, single<br>slide<br>rail,snap in,<br>919mm,<br>EXA<br>products       | DBO             | FRU                           | <ol style="list-style-type: none"> <li>1. Power down the server gracefully.</li> <li>2. See "Reinstall the Server Into the Rack" in <i>Oracle Server X7-2 Service Manual</i> at <a href="http://docs.oracle.com/cd/E72435_01/html/E72445/gqrpu.html#scrolltoc">http://docs.oracle.com/cd/E72435_01/html/E72445/gqrpu.html#scrolltoc</a></li> </ol> |

**Table B-4 (Cont.) Replacement Parts for Oracle Server X7-2L Oracle Database Servers**

| Part Number | Description                                        | Repair Category | Coverage under Basic Warranty | Repair Procedure                                                                                                                                                                                                                                                                                                                                                                                                                                                                                                                                                                                                                                                                                                                               |
|-------------|----------------------------------------------------|-----------------|-------------------------------|------------------------------------------------------------------------------------------------------------------------------------------------------------------------------------------------------------------------------------------------------------------------------------------------------------------------------------------------------------------------------------------------------------------------------------------------------------------------------------------------------------------------------------------------------------------------------------------------------------------------------------------------------------------------------------------------------------------------------------------------|
| 370-5621    | 3 volt lithium battery                             | DBO             | FRU                           | See "Servicing the Battery (CRU)" in <i>Oracle Server X7-2 Service Manual</i> at <a href="http://docs.oracle.com/cd/E72435_01/html/E72445/gqviv.html#scrolltoc">http://docs.oracle.com/cd/E72435_01/html/E72445/gqviv.html#scrolltoc</a>                                                                                                                                                                                                                                                                                                                                                                                                                                                                                                       |
| 7332759     | Assy,Drive,1 0TB,3.5",SA S3/7200rpm, Coral         | HS              | CRU                           | See "Servicing Storage Drives" in <i>Oracle Server X7-2 Manual</i> at <a href="http://docs.oracle.com/cd/E72463_01/html/E72474/gqtcs.html#scrolltoc">http://docs.oracle.com/cd/E72463_01/html/E72474/gqtcs.html#scrolltoc</a>                                                                                                                                                                                                                                                                                                                                                                                                                                                                                                                  |
| 7341587     | M.2,150GB, SATA,22x80 mm,SSD,INTEL, DC S3520       | DBO             | FRU                           | See "Servicing Storage Drives (CRU)" in <i>Oracle Server X7-2 Service Manual</i> at <a href="http://docs.oracle.com/cd/E72435_01/html/E72445/gquak.html#scrolltoc">http://docs.oracle.com/cd/E72435_01/html/E72445/gquak.html#scrolltoc</a>                                                                                                                                                                                                                                                                                                                                                                                                                                                                                                    |
| 7332759     | Assy,Drive,1 0TB,3.5",SA S3/7200rpm, Coral         | HS              | CRU                           | See "Servicing Storage Drives" in <i>Oracle Server X7-2 Manual</i> at <a href="http://docs.oracle.com/cd/E72463_01/html/E72474/gqtcs.html#scrolltoc">http://docs.oracle.com/cd/E72463_01/html/E72474/gqtcs.html#scrolltoc</a>                                                                                                                                                                                                                                                                                                                                                                                                                                                                                                                  |
| 7341466     | ASM,MECH, M.2,X7-2L.                               | DBO             | FRU                           | No repair procedure available.                                                                                                                                                                                                                                                                                                                                                                                                                                                                                                                                                                                                                                                                                                                 |
| 7322171     | ASM, LFIM, X7-2L                                   | DBO             | FRU                           | See "Servicing Other Cables" in <i>Oracle Server X7-2 Service Manual</i> at <a href="http://docs.oracle.com/cd/E72435_01/html/E72445/gqvev.html#scrolltoc">http://docs.oracle.com/cd/E72435_01/html/E72445/gqvev.html#scrolltoc</a>                                                                                                                                                                                                                                                                                                                                                                                                                                                                                                            |
| 7046442     | Assembly, dual port, QDR CX3, host channel adapter | DBO             | FRU                           | <ol style="list-style-type: none"> <li>1. Shut down the server gracefully.</li> <li>2. See "Servicing PCIe Cards (CRU)" in <i>Oracle Server X7-2 Service Manual</i> at <a href="http://docs.oracle.com/cd/E72435_01/html/E72445/gqvjk.html#scrolltoc">http://docs.oracle.com/cd/E72435_01/html/E72445/gqvjk.html#scrolltoc</a></li> <li>3. Verify the InfiniBand topology by running <code>bdacheckib -m</code> on the rack configuration file. For example, if the rack name is rack01: <pre># cd /opt/oracle/bda # bdacheckib -m rack01-network.json</pre> </li> <li>4. Run the <code>bdacli bdacheckhw</code> command to verify the new hardware meets the hardware and firmware specifications: <pre># bdacli bdacheckhw</pre> </li> </ol> |

**Table B-4 (Cont.) Replacement Parts for Oracle Server X7-2L Oracle Database Servers**

| Part Number        | Description                                                 | Repair Category | Coverage under Basic Warranty | Repair Procedure                                                                                                                                                                                                                                                                                                                                                                                                                                                                                                                                                                                      |
|--------------------|-------------------------------------------------------------|-----------------|-------------------------------|-------------------------------------------------------------------------------------------------------------------------------------------------------------------------------------------------------------------------------------------------------------------------------------------------------------------------------------------------------------------------------------------------------------------------------------------------------------------------------------------------------------------------------------------------------------------------------------------------------|
| 7332895            | HBA,12GB SAS3 PCIe 16 PORT RAID-INT (w/FLASH MOD),VAIL      | DBO             | FRU                           | <ol style="list-style-type: none"> <li>1. Shut down the server gracefully.</li> <li>2. See "Servicing PCIe Cards (CRU)" in <i>Oracle Server X7-2 Service Manual</i> at <a href="http://docs.oracle.com/cd/E72435_01/html/E72445/gqvjk.html#scrolltoc">http://docs.oracle.com/cd/E72435_01/html/E72445/gqvjk.html#scrolltoc</a></li> </ol>                                                                                                                                                                                                                                                             |
| 7322160            | HEATSINK, CPU,X7-2L                                         | DBO             | FRU                           | See "Servicing Processors (FRU)" in <i>Oracle Server X7-2 Service Manual</i> at <a href="http://docs.oracle.com/cd/E72435_01/html/E72445/gqtmk.html#scrolltoc">http://docs.oracle.com/cd/E72435_01/html/E72445/gqtmk.html#scrolltoc</a>                                                                                                                                                                                                                                                                                                                                                               |
| 7330698            | DIMM, 32 GB, RDIMM, DDR4, 2666                              | DBO             | FRU                           | See "Servicing the DIMMs (CRU)" in <i>Oracle Server X7-2 Service Manual</i> at <a href="http://docs.oracle.com/cd/E72435_01/html/E72445/gqvkr.html#scrolltoc">http://docs.oracle.com/cd/E72435_01/html/E72445/gqvkr.html#scrolltoc</a>                                                                                                                                                                                                                                                                                                                                                                |
| 7333459            | Power supply, AC, A266, F, 12V, 1200W                       | HS              | FRU                           | <ol style="list-style-type: none"> <li>1. Remove rear left side of the CMA, and then swing it back and out to the right.</li> </ol> <p>The telescopic cross member supporting the cables directly behind the server can be retracted to access both power supplies.</p> <ol style="list-style-type: none"> <li>1. See "Servicing Power Supplies (CRU)" in <i>Oracle Server X7-2 Service Manual</i> at <a href="http://docs.oracle.com/cd/E72435_01/html/E72445/gqunc.html#scrolltoc">http://docs.oracle.com/cd/E72435_01/html/E72445/gqunc.html#scrolltoc</a></li> <li>2. Install the CMA.</li> </ol> |
| 7332895            | HBA, 12 Gb SAS PCIe 16-port RAID internal with flash module | DBO             | FRU                           | See "Servicing the Internal HBA Card and HBA Super Capacitor (FRU)" in <i>Oracle Server X7-2 Service Manual</i> at <a href="http://docs.oracle.com/cd/E72435_01/html/E72445/gqvmq.html#scrolltoc">http://docs.oracle.com/cd/E72435_01/html/E72445/gqvmq.html#scrolltoc</a>                                                                                                                                                                                                                                                                                                                            |
| 7086345            | Assembly, super cap, 13.5 volt, 6.4F, SAS3 HBA              | DBO             | FRU                           | See "Servicing the Internal HBA Card (FRU)" in <i>Oracle Server X7-2 Service Manual</i> at <a href="http://docs.oracle.com/cd/E62159_01/html/E62171/goeht.html#scrolltoc">http://docs.oracle.com/cd/E62159_01/html/E62171/goeht.html#scrolltoc</a>                                                                                                                                                                                                                                                                                                                                                    |
| 7315464            | CBL,SAS3,X 7-2L                                             | DBO             | FRU                           | See "Servicing the Internal HBA SAS Cable assembly" in <i>Oracle Server X7-2 Service Manual</i> at <a href="http://docs.oracle.com/cd/E72435_01/html/E72445/gqvav.html#scrolltoc">http://docs.oracle.com/cd/E72435_01/html/E72445/gqvav.html#scrolltoc</a>                                                                                                                                                                                                                                                                                                                                            |
| 7331123<br>7322166 | Fan module                                                  | HS              | FRU                           | See "Servicing Fan Modules (CRU)" in <i>Oracle Server X7-2 Service Manual</i> at <a href="http://docs.oracle.com/cd/E72435_01/html/E72445/gquhg.html#scrolltoc">http://docs.oracle.com/cd/E72435_01/html/E72445/gquhg.html#scrolltoc</a>                                                                                                                                                                                                                                                                                                                                                              |

**Table B-4 (Cont.) Replacement Parts for Oracle Server X7-2L Oracle Database Servers**

| Part Number | Description                                           | Repair Category | Coverage under Basic Warranty | Repair Procedure                                                                                                                                                                                                                                                                                                                                                           |
|-------------|-------------------------------------------------------|-----------------|-------------------------------|----------------------------------------------------------------------------------------------------------------------------------------------------------------------------------------------------------------------------------------------------------------------------------------------------------------------------------------------------------------------------|
| 7346820     | CPU, XEON P-8160, 2.1 GHz, 150W, 24 core, (SR3B0)     | DBO             | FRU                           | See "Servicing Processors (FRU)" in <i>Oracle Server X7-2 Service Manual</i> at <a href="http://docs.oracle.com/cd/E72435_01/html/E72445/gqtmk.html#scrolltoc">http://docs.oracle.com/cd/E72435_01/html/E72445/gqtmk.html#scrolltoc</a>                                                                                                                                    |
| 7341141     | ASM,12-DBP_UNI,2U                                     | DBO             | FRU                           | See "Servicing the Disk Backplane (FRU)" in <i>Oracle Server X7-2 Service Manual</i> at <a href="http://docs.oracle.com/cd/E72435_01/html/E72445/gqvap.html#scrolltoc">http://docs.oracle.com/cd/E72435_01/html/E72445/gqvap.html#scrolltoc</a>                                                                                                                            |
| 7335280     | ASM, MB MECH, X7-2L                                   | DBO             | FRU                           | <ol style="list-style-type: none"> <li>See "Servicing the Motherboard (FRU)" in <i>Oracle Server X7-2 Service Manual</i> at <a href="http://docs.oracle.com/cd/E72435_01/html/E72445/gqvfa.html#scrolltoc">http://docs.oracle.com/cd/E72435_01/html/E72445/gqvfa.html#scrolltoc</a></li> <li>Press F2 after restarting the server.</li> <li>Set the boot order.</li> </ol> |
| 7346413     | SWITCH,CISCO NEXUS 93108TC-EX (1GB),PORT-SIDE EXHAUST | DBO             | FRU                           | No repair procedure available.                                                                                                                                                                                                                                                                                                                                             |
| 7346902     | COOLING FAN,CISCO NEXUS 9K,PORT-SIDE EXHAUST FLOW     | DBO             | FRU                           | No repair procedure available.                                                                                                                                                                                                                                                                                                                                             |
| 7346904     | PSU,CISCO NEXUS 9000 650W AC,PORT-SIDE EXHAUST        | DBO             | FRU                           | No repair procedure available.                                                                                                                                                                                                                                                                                                                                             |

## B.4.2 Oracle Server X6-2L and X5-2L Parts

Figure B-1 shows the front view of the Oracle Server X6-2L and X5-2L. The hard drives are numbered from left to right, starting in the lower left. The drives in the bottom row are numbers 0, 1, 2, and 3. The drives in the middle row are numbers 4, 5, 6, and 7. The drives in the top row are numbers 8, 9, 10, and 11.

**Figure B-1 Front View of Oracle Servers X6-2L and X5-2L**



Figure B-2 shows the rear view of a Oracle Server X6-2L or X5-2L storage server.

**Figure B-2 Rear View of Oracle Servers X6-2L and X5-2L**



Table B-5 lists the replaceable parts for the Oracle Server X6-2L and X5-2L, which are covered under the Oracle Premier Support for Systems warranty. The parts list for X6-2L and X5-2L are nearly the same except for CPUs and DIMMs. Unless otherwise noted, the repair procedures are in the *Oracle Server X5-2L Service Manual*.

 **Note:**

All replacement parts listed in the following table are FRUs when covered under Premier Support of Systems warranty.

**Table B-5 Replacement Parts for Oracle Server X6-2L and X5-2L Servers**

| Part Number | Description                             | Repair Category | Repair Procedure                                                                                                                                                                                                                                                                                                                                                                                                      |
|-------------|-----------------------------------------|-----------------|-----------------------------------------------------------------------------------------------------------------------------------------------------------------------------------------------------------------------------------------------------------------------------------------------------------------------------------------------------------------------------------------------------------------------|
| 350-1719    | Assembly, 1U-2U Snap-in, slim rail rack | EBO             | <ol style="list-style-type: none"> <li>1. If the server is currently running, then shut it down gracefully. See "<a href="#">Powering On and Off Oracle Big Data Appliance</a>".</li> <li>2. See "Reinstall the Server in the Rack" at <a href="http://docs.oracle.com/cd/E41033_01/html/E48325/cnpsm.z40004191003899.html">http://docs.oracle.com/cd/E41033_01/html/E48325/cnpsm.z40004191003899.html</a></li> </ol> |
| 370-5621    | 3V lithium battery                      | EBO             | See "Servicing the Battery" at <a href="http://docs.oracle.com/cd/E41033_01/html/E48325/cnpsm.z40000f91037456.html">http://docs.oracle.com/cd/E41033_01/html/E48325/cnpsm.z40000f91037456.html</a>                                                                                                                                                                                                                    |

**Table B-5 (Cont.) Replacement Parts for Oracle Server X6-2L and X5-2L Servers**

| Part Number | Description                                        | Repair Category | Repair Procedure                                                                                                                                                                                                                                                                                                                                                                                                                                                                                                  |
|-------------|----------------------------------------------------|-----------------|-------------------------------------------------------------------------------------------------------------------------------------------------------------------------------------------------------------------------------------------------------------------------------------------------------------------------------------------------------------------------------------------------------------------------------------------------------------------------------------------------------------------|
| 7014226     | Cable, interlock, 125 mm                           | EBO             | See "Servicing SAS Cables" at <a href="http://docs.oracle.com/cd/E41033_01/html/E48325/cnpsm.baecfjbc.html">http://docs.oracle.com/cd/E41033_01/html/E48325/cnpsm.baecfjbc.html</a>                                                                                                                                                                                                                                                                                                                               |
| 7017231     | Indicator assembly, right                          | EBO             | See "Servicing the Front LED/USB Indicator Modules" at <a href="http://docs.oracle.com/cd/E41033_01/html/E48325/cnpsm.z40001d31014236.html">http://docs.oracle.com/cd/E41033_01/html/E48325/cnpsm.z40001d31014236.html</a>                                                                                                                                                                                                                                                                                        |
| 7023515     | Disk backplane assembly, 2 rear                    | EBO             | See "Servicing the Front and Rear Storage Drive Backplanes" at <a href="http://docs.oracle.com/cd/E41033_01/html/E48325/cnpsm.z40007ac1419009.html">http://docs.oracle.com/cd/E41033_01/html/E48325/cnpsm.z40007ac1419009.html</a>                                                                                                                                                                                                                                                                                |
| 7044130     | Power Supply, A258, 1000W, AC Input                | HS              | <ol style="list-style-type: none"> <li>1. Remove rear left side of the CMA, and then swing it back and out to the right.<br/>The telescopic cross member supporting the cables directly behind the server can be retracted to access both power supplies.</li> <li>2. See "Servicing Power Supplies" at <a href="http://docs.oracle.com/cd/E41033_01/html/E48325/cnpsm.z4000091014153.html">http://docs.oracle.com/cd/E41033_01/html/E48325/cnpsm.z4000091014153.html</a></li> <li>3. Replace the CMA.</li> </ol> |
| 7045042     | Fan assembly, 2U, 80 x 80, Ferrite, center rotate  | HS              | See "Servicing Fan Modules" at <a href="http://docs.oracle.com/cd/E41033_01/html/E48325/cnpsm.z4000091014194.html">http://docs.oracle.com/cd/E41033_01/html/E48325/cnpsm.z4000091014194.html</a>                                                                                                                                                                                                                                                                                                                  |
| 7046442     | Assembly, dual port, QDR CX3, host channel adapter | EBO             | <ol style="list-style-type: none"> <li>1. If the server is currently running, then shut it down gracefully. See "Powering On and Off Oracle Big Data Appliance".</li> <li>2. See "Servicing PCIe Cards" at <a href="http://docs.oracle.com/cd/E41033_01/html/E48325/cnpsm.z40000f91037409.html">http://docs.oracle.com/cd/E41033_01/html/E48325/cnpsm.z40000f91037409.html</a></li> <li>3. Verify that the new hardware meets the hardware and firmware specifications:<br/><br/># bdacheckhw</li> </ol>          |
| 7064884     | Heat sink, CPU (Oracle Server X5-2L)               | EBO             | See "Servicing Storage Drives (CRU)" in <i>Sun Server X5-2 Service Manual</i> at <a href="http://docs.oracle.com/cd/E41033_01/html/E48325/cnpsm.z40001d31037480.html">http://docs.oracle.com/cd/E41033_01/html/E48325/cnpsm.z40001d31037480.html</a>                                                                                                                                                                                                                                                              |
| 7067728     | Pre-Greased 1U CPU Heatsink (Oracle Server X6-2L)  |                 | See "Servicing Storage Drives (CRU)" in <i>Sun Server X5-2 Service Manual</i> at                                                                                                                                                                                                                                                                                                                                                                                                                                  |

**Table B-5 (Cont.) Replacement Parts for Oracle Server X6-2L and X5-2L Servers**

| Part Number | Description                                                | Repair Category | Repair Procedure                                                                                                                                                                                                                                             |
|-------------|------------------------------------------------------------|-----------------|--------------------------------------------------------------------------------------------------------------------------------------------------------------------------------------------------------------------------------------------------------------|
| 70668<br>24 | Assembly, drive, 8 TB, 3.5 inch, SAS/7200rpm               | HS              | See "Servicing Storage Drives and Rear Drives" in <i>Sun Server X5-2 Service Manual</i> at <a href="http://docs.oracle.com/cd/E41033_01/html/E48325/cnpsm.z4000091011460.html">http://docs.oracle.com/cd/E41033_01/html/E48325/cnpsm.z4000091011460.html</a> |
| 70693<br>37 | Assembly, backplane, 12X3.5, W/SAS expansion, 2U           | EBO             | See "Servicing the Front and Rear Storage Drive Backplanes" at <a href="http://docs.oracle.com/cd/E41033_01/html/E48325/cnpsm.z40007ac1419009.html">http://docs.oracle.com/cd/E41033_01/html/E48325/cnpsm.z40007ac1419009.html</a>                           |
| 70780<br>71 | DIMM 16 GB (Oracle Server X5-2L)                           | EBO             | See "Servicing the DIMMs" at <a href="http://docs.oracle.com/cd/E41033_01/html/E48325/cnpsm.ceicjagi.html">http://docs.oracle.com/cd/E41033_01/html/E48325/cnpsm.ceicjagi.html</a>                                                                           |
| 73102<br>10 | 32GB DDR4-2400 DIMM (Oracle Server X6-2L)                  |                 | See "Servicing the DIMMs" at <a href="http://docs.oracle.com/cd/E62172_01/html/E62184/ceicjagi.html#scrolltoc">http://docs.oracle.com/cd/E62172_01/html/E62184/ceicjagi.html#scrolltoc</a>                                                                   |
| 70852<br>09 | HBA, 12 Gb SAS PCIe 8-port RAID internal with flash module | EBO             | See "Servicing the Oracle Storage 12 Gb/s SAS PCIe RAID HBA Card" at <a href="http://docs.oracle.com/cd/E41033_01/html/E48325/cnpsm.gocfy.html">http://docs.oracle.com/cd/E41033_01/html/E48325/cnpsm.gocfy.html</a>                                         |
| 70863<br>45 | Assembly, super cap, 13.5 volt, 6.4F, SAS3 HBA             | EBO             | See "Servicing the Oracle Storage 12 Gb/s SAS PCIe RAID HBA Card" at <a href="http://docs.oracle.com/cd/E41033_01/html/E48325/cnpsm.gocfy.html">http://docs.oracle.com/cd/E41033_01/html/E48325/cnpsm.gocfy.html</a>                                         |
| 70863<br>46 | Cable, super cap, 620M, 6-pin, straight, SAS3 HBA          | EBO             | See "Servicing SAS Cables" at <a href="http://docs.oracle.com/cd/E41033_01/html/E48325/cnpsm.baecfjbc.html">http://docs.oracle.com/cd/E41033_01/html/E48325/cnpsm.baecfjbc.html</a>                                                                          |
| 70901<br>70 | Flash drive, MLC, OSA ID, USB, 8 GB                        | EBO             | See "Servicing the Internal USB Flash Drives" at <a href="http://docs.oracle.com/cd/E41033_01/html/E48325/cnpsm.ceiicfbf.html">http://docs.oracle.com/cd/E41033_01/html/E48325/cnpsm.ceiicfbf.html</a>                                                       |
| 70951<br>06 | CPU, 2.3GHz 18-Core E5-2699 (Oracle Server X5-2L)          | EBO             |                                                                                                                                                                                                                                                              |

**Caution:**

Processors should be removed and replaced only by authorized Oracle Service personnel.

[http://docs.oracle.com/cd/E41033\\_01/html/E48325/cnpsm.z40001d31037480.html](http://docs.oracle.com/cd/E41033_01/html/E48325/cnpsm.z40001d31037480.html)

**Table B-5 (Cont.) Replacement Parts for Oracle Server X6-2L and X5-2L Servers**

| Part Number | Description                                                      | Repair Category | Repair Procedure                                                                                                                                                                                                                                                                                                                                                                          |
|-------------|------------------------------------------------------------------|-----------------|-------------------------------------------------------------------------------------------------------------------------------------------------------------------------------------------------------------------------------------------------------------------------------------------------------------------------------------------------------------------------------------------|
| 7313670     | CPU, 22-Core 2.2GHz Intel E5-2699 v4, 145W (Oracle Server X6-2L) |                 | <div style="border: 1px solid orange; padding: 5px; margin-bottom: 10px;"> <p><b>Caution:</b></p> <p>Processors should be removed and replaced only by authorized Oracle Service personnel.</p> </div> <p><a href="http://docs.oracle.com/cd/E62172_01/html/E62184/z40001d31037480.html#scrolltoc">http://docs.oracle.com/cd/E62172_01/html/E62184/z40001d31037480.html#scrolltoc</a></p> |
| 7096185     | Assembly, indicator, left                                        | EBO             | See "Servicing the Front LED/USB Indicator Modules" at <a href="http://docs.oracle.com/cd/E41033_01/html/E48325/cnpsm.z40001d31014236.html">http://docs.oracle.com/cd/E41033_01/html/E48325/cnpsm.z40001d31014236.html</a>                                                                                                                                                                |
| 7098504     | ASM, MOBO tray                                                   | EBO             |                                                                                                                                                                                                                                                                                                                                                                                           |

### B.4.3 Sun Server X4-2L Parts

Table B-7 lists the replaceable parts for the Sun Server X4-2L, which are covered under the Oracle Premier Support for Systems warranty. Unless otherwise noted, the repair procedures are in the *Sun Server X4-2 Service Manual*.

**Table B-6 Replacement Parts for a Sun Server X4-2L Server**

| Part Number | Description                      | Repair Category | Repair Procedure                                                                                                                                                                                               |
|-------------|----------------------------------|-----------------|----------------------------------------------------------------------------------------------------------------------------------------------------------------------------------------------------------------|
| 150-3993    | Battery, 3V, 390 MAH, LITH, COIN | BDA-O           | See "Servicing the Battery" at <a href="http://docs.oracle.com/cd/E36974_01/html/E38145/z40000f91037456.html#scrolltoc">http://docs.oracle.com/cd/E36974_01/html/E38145/z40000f91037456.html#scrolltoc</a>     |
| 7090170     | 8 GB USB flash drive             | BDA-O           | See "Servicing the Internal USB Flash Drives" at <a href="http://docs.oracle.com/cd/E36974_01/html/E38145/ceicfbfd.html#scrolltoc">http://docs.oracle.com/cd/E36974_01/html/E38145/ceicfbfd.html#scrolltoc</a> |



**Table B-6 (Cont.) Replacement Parts for a Sun Server X4-2L Server**

| Part Number | Description                                                  | Repair Category | Repair Procedure                                                                                                                                                                                                                                                                                                                                                                                                                                                                                                                                                                          |
|-------------|--------------------------------------------------------------|-----------------|-------------------------------------------------------------------------------------------------------------------------------------------------------------------------------------------------------------------------------------------------------------------------------------------------------------------------------------------------------------------------------------------------------------------------------------------------------------------------------------------------------------------------------------------------------------------------------------------|
| 371-4985    | 6 Gigabit SAS RAID PCI battery module, RoHS:Y (LION), BBU-08 | BDA-O           | <ol style="list-style-type: none"> <li>1. Power down the server gracefully. See "Powering Off the Server for Orderly Shutdown" at <a href="http://docs.oracle.com/cd/E36974_01/html/E38145/z40002401396307.html#scrolltoc">http://docs.oracle.com/cd/E36974_01/html/E38145/z40002401396307.html#scrolltoc</a></li> <li>2. See <i>Sun Storage 6 Gb SAS PCIe HBA, Internal Installation Guide For HBA Models SGX-SAS6-INT-Z and SG-SAS6-INT-Z</i> (internal only) at <a href="http://docs.oracle.com/cd/E19337-01/index.html">http://docs.oracle.com/cd/E19337-01/index.html</a></li> </ol> |
| 7047503     | Niwot card                                                   | BDA-O           | <ol style="list-style-type: none"> <li>1. Power down the server gracefully. See "Powering Off the Server for Orderly Shutdown" at <a href="http://docs.oracle.com/cd/E36974_01/html/E38145/z40002401396307.html#scrolltoc">http://docs.oracle.com/cd/E36974_01/html/E38145/z40002401396307.html#scrolltoc</a></li> <li>2. See "Servicing PCIe Cards" at <a href="http://docs.oracle.com/cd/E36974_01/html/E38145/z40000f91037409.html#scrolltoc">http://docs.oracle.com/cd/E36974_01/html/E38145/z40000f91037409.html#scrolltoc</a></li> </ol>                                            |
| 7057184     | Assembly Battery Carrier Remote                              | HS              | Oracle internal service documentation                                                                                                                                                                                                                                                                                                                                                                                                                                                                                                                                                     |
| 7082397     | InfiniBand dual port, QDR CX3, HCA                           | BDA-O           | <ol style="list-style-type: none"> <li>1. Power down the server gracefully. See "Powering Off the Server for Orderly Shutdown" at <a href="http://docs.oracle.com/cd/E36974_01/html/E38145/z40002401396307.html#scrolltoc">http://docs.oracle.com/cd/E36974_01/html/E38145/z40002401396307.html#scrolltoc</a></li> <li>2. See "Servicing PCIe Cards" at <a href="http://docs.oracle.com/cd/E36974_01/html/E38145/z40000f91037409.html#scrolltoc">http://docs.oracle.com/cd/E36974_01/html/E38145/z40000f91037409.html#scrolltoc</a></li> </ol>                                            |

**Table B-6 (Cont.) Replacement Parts for a Sun Server X4-2L Server**

| Part Number | Description                                | Repair Category | Repair Procedure                                                                                                                                                                                                                                                                                                                                                                                                                                                                                                                                                                                                               |
|-------------|--------------------------------------------|-----------------|--------------------------------------------------------------------------------------------------------------------------------------------------------------------------------------------------------------------------------------------------------------------------------------------------------------------------------------------------------------------------------------------------------------------------------------------------------------------------------------------------------------------------------------------------------------------------------------------------------------------------------|
| 375-3701    | 6 Gbps SAS RAID disk<br>PCIe HBA, RoHS:Y   | BDA-O           | <ol style="list-style-type: none"> <li>1. Power down the server gracefully. See "Powering Off the Server for Orderly Shutdown" at <a href="http://docs.oracle.com/cd/E36974_01/html/E38145/z40002401396307.html#scrolltoc">http://docs.oracle.com/cd/E36974_01/html/E38145/z40002401396307.html#scrolltoc</a></li> <li>2. See "Servicing PCIe Cards" at <a href="http://docs.oracle.com/cd/E36974_01/html/E38145/z40000f91037409.html#scrolltoc">http://docs.oracle.com/cd/E36974_01/html/E38145/z40000f91037409.html#scrolltoc</a></li> </ol> <p><b>Note:</b> Do not run any controller commands when replacing the disk.</p> |
| 7066826     | Drive, 8 TB, 3.5", SAS/<br>7200 RPM, CORAL | HS              | <p>See "Servicing Storage Drives" at <a href="http://docs.oracle.com/cd/E36974_01/html/E38145/z40000091011460.html#scrolltoc">http://docs.oracle.com/cd/E36974_01/html/E38145/z40000091011460.html#scrolltoc</a></p> <p>Do not run any controller commands when replacing the disk.</p>                                                                                                                                                                                                                                                                                                                                        |
| 7014391     | SAS expander assembly                      | BDA-O           | <p>See "Servicing the SAS Expander Module" at <a href="http://docs.oracle.com/cd/E36974_01/html/E38145/ceieidja.html#scrolltoc">http://docs.oracle.com/cd/E36974_01/html/E38145/ceieidja.html#scrolltoc</a></p>                                                                                                                                                                                                                                                                                                                                                                                                                |
| 7020486     | DIMM, 8 GB, DDR3, 1600<br>MHz, 1.3V        | BDA-O           | <p>See "Servicing the DIMMs" at <a href="http://docs.oracle.com/cd/E36974_01/html/E38145/ceicjagi.html#scrolltoc">http://docs.oracle.com/cd/E36974_01/html/E38145/ceicjagi.html#scrolltoc</a></p>                                                                                                                                                                                                                                                                                                                                                                                                                              |
| 7018701     | DIMM, 16 GB, DDR3, 1600<br>MHz, 1.35V      | BDA-O           | <p>See "Servicing the DIMMs" at <a href="http://docs.oracle.com/cd/E36974_01/html/E38145/ceicjagi.html#scrolltoc">http://docs.oracle.com/cd/E36974_01/html/E38145/ceicjagi.html#scrolltoc</a></p>                                                                                                                                                                                                                                                                                                                                                                                                                              |
| 7071891     | LRDIMM,32GB,DDR3,160<br>0,4Rx4,1.35V       | BDA-O           | <p>See "Servicing the DIMMs" at <a href="http://docs.oracle.com/cd/E36974_01/html/E38145/ceicjagi.html#scrolltoc">http://docs.oracle.com/cd/E36974_01/html/E38145/ceicjagi.html#scrolltoc</a></p>                                                                                                                                                                                                                                                                                                                                                                                                                              |
| 7020774     | Pregreased CPU heatsink                    | BDA-O           | <p>See "Servicing Processors" at <a href="http://docs.oracle.com/cd/E36974_01/html/E38145/z40001d31037480.html#scrolltoc">http://docs.oracle.com/cd/E36974_01/html/E38145/z40001d31037480.html#scrolltoc</a></p>                                                                                                                                                                                                                                                                                                                                                                                                               |

**Table B-6 (Cont.) Replacement Parts for a Sun Server X4-2L Server**

| Part Number | Description                                                                                                                                                                                                                                                        | Repair Category | Repair Procedure                                                                                                                                                                                                                                                                                                                                                                     |
|-------------|--------------------------------------------------------------------------------------------------------------------------------------------------------------------------------------------------------------------------------------------------------------------|-----------------|--------------------------------------------------------------------------------------------------------------------------------------------------------------------------------------------------------------------------------------------------------------------------------------------------------------------------------------------------------------------------------------|
| 7075289     | CPU, Intel E5-2650 v2 8-core 2.6 GHz                                                                                                                                                                                                                               | BDA-O           | See "Servicing Processors" at <a href="http://docs.oracle.com/cd/E36974_01/html/E38145/z40001d31037480.html#scrolltoc">http://docs.oracle.com/cd/E36974_01/html/E38145/z40001d31037480.html#scrolltoc</a>                                                                                                                                                                            |
| 7044130     | Power supply, AC, A258, F, 12V, 1000W                                                                                                                                                                                                                              | HS              | See "Servicing Power Supplies" at <a href="http://docs.oracle.com/cd/E36974_01/html/E38145/z40000091014153.html#scrolltoc">http://docs.oracle.com/cd/E36974_01/html/E38145/z40000091014153.html#scrolltoc</a>                                                                                                                                                                        |
| 7045042     | Dual counter rotating fan module, 80x80 mm                                                                                                                                                                                                                         | HS              | See "Servicing Fan Modules" at <a href="http://docs.oracle.com/cd/E36974_01/html/E38145/z40000091014194.html#scrolltoc">http://docs.oracle.com/cd/E36974_01/html/E38145/z40000091014194.html#scrolltoc</a>                                                                                                                                                                           |
| 7047257     | 12-slot backplane cable kit with the following: <ul style="list-style-type: none"> <li>• Disk drive flex cable</li> <li>• Dual backplane power cable</li> <li>• Single backplane power cable</li> <li>• Disk data cable, iPass+ HD to iPass+ HD, 600 mm</li> </ul> | BDA-O           | <ol style="list-style-type: none"> <li>1. Shut down the rack. See "Powering On and Off Oracle Big Data Appliance".</li> <li>2. See "Servicing the Front and Rear Storage Drive Backplanes" at <a href="http://docs.oracle.com/cd/E36974_01/html/E38145/z40007ac1419009.html#scrolltoc">http://docs.oracle.com/cd/E36974_01/html/E38145/z40007ac1419009.html#scrolltoc</a></li> </ol> |
| 7047768     | 12-slot 3.5" disk cage, including fan door, and left and right ear assembly                                                                                                                                                                                        | BDA-O           | <ol style="list-style-type: none"> <li>1. Shut down the rack. See "Powering On and Off Oracle Big Data Appliance".</li> <li>2. See "Servicing the Front and Rear Storage Drive Backplanes" at <a href="http://docs.oracle.com/cd/E36974_01/html/E38145/z40007ac1419009.html#scrolltoc">http://docs.oracle.com/cd/E36974_01/html/E38145/z40007ac1419009.html#scrolltoc</a></li> </ol> |
| 7049382     | System board assembly, RoHS:Y                                                                                                                                                                                                                                      | BDA-O           | <ol style="list-style-type: none"> <li>1. Shut down the rack. See "Powering On and Off Oracle Big Data Appliance".</li> <li>2. "Servicing the Motherboard Assembly" at <a href="http://docs.oracle.com/cd/E36974_01/html/E38145/z40001d31037512.html#scrolltoc">http://docs.oracle.com/cd/E36974_01/html/E38145/z40001d31037512.html#scrolltoc</a></li> </ol>                        |

## B.4.4 Sun Server X3-2L Parts

Table B-7 lists the replaceable parts for the Sun Server X3-2L, which are covered under the Oracle Premier Support for Systems warranty. Unless otherwise noted, the repair procedures are in the *Sun Server X3-2L Service Manual*.

**Table B-7 Replacement Parts for a Sun Server X3-2L Server**

| Part Number | Description                                                  | Repair Category | Repair Procedure                                                                                                                                                                                                                                                                                                                                                                                                                                                                                                                                  |
|-------------|--------------------------------------------------------------|-----------------|---------------------------------------------------------------------------------------------------------------------------------------------------------------------------------------------------------------------------------------------------------------------------------------------------------------------------------------------------------------------------------------------------------------------------------------------------------------------------------------------------------------------------------------------------|
| 150-3993    | Battery, 3V, 390 MAH, LITH, COIN                             | BDA-O           | See "Servicing the Battery" at <a href="http://docs.oracle.com/cd/E23393_01/html/E27229/z40000f91037456.html#scrolltoc">http://docs.oracle.com/cd/E23393_01/html/E27229/z40000f91037456.html#scrolltoc</a><br><br><b>Note:</b> Rear storage drive 1 might be populated with a remote battery module for the host bus adapter (HBA) card. See "Remove a Rear Storage Drive" at <a href="http://docs.oracle.com/cd/E23393_01/html/E27229/bbggjgea.html#scrolltoc">http://docs.oracle.com/cd/E23393_01/html/E27229/bbggjgea.html#scrolltoc</a>       |
| 7090170     | 8 GB USB flash drive                                         | BDA-O           | See "Servicing the Internal USB Flash Drives" at <a href="http://docs.oracle.com/cd/E23393_01/html/E27229/ceiicfbd.html#scrolltoc">http://docs.oracle.com/cd/E23393_01/html/E27229/ceiicfbd.html#scrolltoc</a>                                                                                                                                                                                                                                                                                                                                    |
| 371-4985    | 6 Gigabit SAS RAID PCI battery module, RoHS:Y (LION), BBU-08 | BDA-O           | <ol style="list-style-type: none"> <li>1. Power down the server gracefully. See "Powering Down the Server" at <a href="http://docs.oracle.com/cd/E23393_01/html/E27229/z400061b1011735.html">http://docs.oracle.com/cd/E23393_01/html/E27229/z400061b1011735.html</a></li> <li>2. See <i>Sun Storage 6 Gb SAS PCIe HBA, Internal Installation Guide For HBA Models SGX-SAS6-INT-Z and SG-SAS6-INT-Z</i> (internal only) at <a href="http://docs.oracle.com/cd/E19337-01/index.html">http://docs.oracle.com/cd/E19337-01/index.html</a></li> </ol> |

**Table B-7 (Cont.) Replacement Parts for a Sun Server X3-2L Server**

| Part Number | Description                                 | Repair Category | Repair Procedure                                                                                                                                                                                                                                                                                                                                                                                                                                                                                                                                                   |
|-------------|---------------------------------------------|-----------------|--------------------------------------------------------------------------------------------------------------------------------------------------------------------------------------------------------------------------------------------------------------------------------------------------------------------------------------------------------------------------------------------------------------------------------------------------------------------------------------------------------------------------------------------------------------------|
| 7047503     | Niwot card                                  | BDA-O           | <ol style="list-style-type: none"> <li>1. Power down the server gracefully. See "Powering Down the Server" at <a href="http://docs.oracle.com/cd/E23393_01/html/E27229/z400061b1011735.html">http://docs.oracle.com/cd/E23393_01/html/E27229/z400061b1011735.html</a></li> <li>2. See "Servicing PCIe Cards" at <a href="http://docs.oracle.com/cd/E23393_01/html/E27229/z40000f91037409.html">http://docs.oracle.com/cd/E23393_01/html/E27229/z40000f91037409.html</a></li> </ol>                                                                                 |
| 7057184     | Assembly Battery Carrier Remote             | HS              | <p>See "Remove a Rear Storage Drive" at <a href="http://docs.oracle.com/cd/E23393_01/html/E27229/bbggjgea.html#scrolltoc">http://docs.oracle.com/cd/E23393_01/html/E27229/bbggjgea.html#scrolltoc</a></p>                                                                                                                                                                                                                                                                                                                                                          |
| 375-3696    | InfiniBand (CX2) dual port CX2 4x QDR PCI-e | BDA-O           | <ol style="list-style-type: none"> <li>1. Power down the server gracefully. See "Powering Down the Server" at <a href="http://docs.oracle.com/cd/E23393_01/html/E27229/z400061b1011735.html">http://docs.oracle.com/cd/E23393_01/html/E27229/z400061b1011735.html</a></li> <li>2. See "Servicing PCIe Cards" at <a href="http://docs.oracle.com/cd/E23393_01/html/E27229/z40000f91037409.html">http://docs.oracle.com/cd/E23393_01/html/E27229/z40000f91037409.html</a></li> </ol>                                                                                 |
| 375-3701    | 6 Gbps SAS RAID disk PCIe HBA, RoHS:Y       | BDA-O           | <ol style="list-style-type: none"> <li>1. Power down the server gracefully. See "Powering Down the Server" at <a href="http://docs.oracle.com/cd/E23393_01/html/E27229/z400061b1011735.html">http://docs.oracle.com/cd/E23393_01/html/E27229/z400061b1011735.html</a></li> <li>2. See "Servicing PCIe Cards" at <a href="http://docs.oracle.com/cd/E23393_01/html/E27229/z40000f91037409.html">http://docs.oracle.com/cd/E23393_01/html/E27229/z40000f91037409.html</a></li> </ol> <p><b>Note:</b> Do not run any controller commands when replacing the disk.</p> |

**Table B-7 (Cont.) Replacement Parts for a Sun Server X3-2L Server**

| Part Number | Description                           | Repair Category | Repair Procedure                                                                                                                                                                                                                                                                                                                                                                                                                                                                                                                                                                                          |
|-------------|---------------------------------------|-----------------|-----------------------------------------------------------------------------------------------------------------------------------------------------------------------------------------------------------------------------------------------------------------------------------------------------------------------------------------------------------------------------------------------------------------------------------------------------------------------------------------------------------------------------------------------------------------------------------------------------------|
| 7010036     | DR 3 TB, 3.5-inch, SAS/7200, CORAL    | HS              | See "Servicing Storage Drives and Rear Drives" at <a href="http://docs.oracle.com/cd/E23393_01/html/E27229/z40000091011460.html">http://docs.oracle.com/cd/E23393_01/html/E27229/z40000091011460.html</a><br><br>Do not run any controller commands when replacing the disk.<br><b>Note:</b> Rear storage drive 1 might be populated with a remote battery module for the host bus adapter (HBA) card. See "Remove a Rear Storage Drive" at <a href="http://docs.oracle.com/cd/E23393_01/html/E27229/bbggjgea.html#scrolltoc">http://docs.oracle.com/cd/E23393_01/html/E27229/bbggjgea.html#scrolltoc</a> |
| 7014391     | SAS expander assembly                 | BDA-O           | See "Servicing the SAS Expander Module" at <a href="http://docs.oracle.com/cd/E23393_01/html/E27229/ceieidja.html">http://docs.oracle.com/cd/E23393_01/html/E27229/ceieidja.html</a>                                                                                                                                                                                                                                                                                                                                                                                                                      |
| 7020486     | DIMM, 8 GB, DDR3, 1600 MHz, 1.3V      | BDA-O           | See "Servicing the DIMMs" at <a href="http://docs.oracle.com/cd/E23393_01/html/E27229/ceicjagi.html#scrolltoc">http://docs.oracle.com/cd/E23393_01/html/E27229/ceicjagi.html#scrolltoc</a>                                                                                                                                                                                                                                                                                                                                                                                                                |
| 7018704     | DIMM, 16 GB, DDR3, 1600 MHz, 1.35V    | BDA-O           | See "Servicing the DIMMs" at <a href="http://docs.oracle.com/cd/E23393_01/html/E27229/ceicjagi.html#scrolltoc">http://docs.oracle.com/cd/E23393_01/html/E27229/ceicjagi.html#scrolltoc</a>                                                                                                                                                                                                                                                                                                                                                                                                                |
| 7071891     | LRDIMM,32GB,DDR3,1600,4Rx4,1.35V      | BDA-O           | See "Servicing the DIMMs" at <a href="http://docs.oracle.com/cd/E23393_01/html/E27229/ceicjagi.html#scrolltoc">http://docs.oracle.com/cd/E23393_01/html/E27229/ceicjagi.html#scrolltoc</a>                                                                                                                                                                                                                                                                                                                                                                                                                |
| 7020774     | Pregreased CPU heatsink               | BDA-O           | See "Servicing Processors" at <a href="http://docs.oracle.com/cd/E23393_01/html/E27229/z40001d31037480.html#scrolltoc">http://docs.oracle.com/cd/E23393_01/html/E27229/z40001d31037480.html#scrolltoc</a>                                                                                                                                                                                                                                                                                                                                                                                                 |
| 7026881     | CPU,Intel,E5-2660,2.2GHz, 8-core      | BDA-O           | See "Servicing Processors" at <a href="http://docs.oracle.com/cd/E23393_01/html/E27229/z40001d31037480.html#scrolltoc">http://docs.oracle.com/cd/E23393_01/html/E27229/z40001d31037480.html#scrolltoc</a>                                                                                                                                                                                                                                                                                                                                                                                                 |
| 7044130     | Power supply, AC, A258, F, 12V, 1000W | HS              | See "Servicing Power Supplies" at <a href="http://docs.oracle.com/cd/E23393_01/html/E27229/z40000091014153.html">http://docs.oracle.com/cd/E23393_01/html/E27229/z40000091014153.html</a>                                                                                                                                                                                                                                                                                                                                                                                                                 |

**Table B-7 (Cont.) Replacement Parts for a Sun Server X3-2L Server**

| Part Number | Description                                                                                                                                                                                                                                                        | Repair Category | Repair Procedure                                                                                                                                                                                                                                                                                                                                                 |
|-------------|--------------------------------------------------------------------------------------------------------------------------------------------------------------------------------------------------------------------------------------------------------------------|-----------------|------------------------------------------------------------------------------------------------------------------------------------------------------------------------------------------------------------------------------------------------------------------------------------------------------------------------------------------------------------------|
| 7045042     | Dual counter rotating fan module, 80x80 mm                                                                                                                                                                                                                         | HS              | See "Servicing Fan Modules" at <a href="http://docs.oracle.com/cd/E23393_01/html/E27229/z40000091014194.html">http://docs.oracle.com/cd/E23393_01/html/E27229/z40000091014194.html</a>                                                                                                                                                                           |
| 7047257     | 12-slot backplane cable kit with the following: <ul style="list-style-type: none"> <li>• Disk drive flex cable</li> <li>• Dual backplane power cable</li> <li>• Single backplane power cable</li> <li>• Disk data cable, iPass+ HD to iPass+ HD, 600 mm</li> </ul> | BDA-O           | <ol style="list-style-type: none"> <li>1. Shut down the rack. See "Powering On and Off Oracle Big Data Appliance".</li> <li>2. See "Servicing the Front and Rear Storage Drive Backplanes" at <a href="http://docs.oracle.com/cd/E23393_01/html/E27229/z40007ac1419009.html">http://docs.oracle.com/cd/E23393_01/html/E27229/z40007ac1419009.html</a></li> </ol> |
| 7047768     | 12-slot 3.5" disk cage, including fan door, and left and right ear assembly                                                                                                                                                                                        | BDA-O           | <ol style="list-style-type: none"> <li>1. Shut down the rack. See "Powering On and Off Oracle Big Data Appliance".</li> <li>2. See "Servicing the Front and Rear Storage Drive Backplanes" at <a href="http://docs.oracle.com/cd/E23393_01/html/E27229/z40007ac1419009.html">http://docs.oracle.com/cd/E23393_01/html/E27229/z40007ac1419009.html</a></li> </ol> |
| 7049382     | System board assembly, RoHS:Y                                                                                                                                                                                                                                      | BDA-O           | <ol style="list-style-type: none"> <li>1. Shut down the rack. See "Powering On and Off Oracle Big Data Appliance".</li> <li>2. "Servicing the Motherboard Assembly" at <a href="http://docs.oracle.com/cd/E23393_01/html/E27229/z40001d31037512.html">http://docs.oracle.com/cd/E23393_01/html/E27229/z40001d31037512.html</a></li> </ol>                        |

## B.4.5 Sun Fire X4270 M2 Parts

Table B-8 lists the replaceable parts for the Sun Fire X4270 M2, which are covered under the Oracle Premier Support for Systems warranty. Unless otherwise noted, the repair procedures are in the *Sun Fire X4270 M2 Server Service Manual*.

**Table B-8 Replacement Parts for Sun Fire X4270 M2 Servers**

| Part Number | Description                                                  | Repair Category | Repair Procedure                                                                                                                                                                                                                                                                                                                                                                                                                                                                     |
|-------------|--------------------------------------------------------------|-----------------|--------------------------------------------------------------------------------------------------------------------------------------------------------------------------------------------------------------------------------------------------------------------------------------------------------------------------------------------------------------------------------------------------------------------------------------------------------------------------------------|
| 150-3993    | Battery, 3V, 390 MAH, LITH, COIN                             | BDA-O           | See Section 4.6, "Servicing the Server Battery" in <i>Sun Fire X4270 M2 Server Service Manual</i> at<br><a href="http://docs.oracle.com/cd/E19245-01/821-0488-12/motherboard.html#50438179_71528">http://docs.oracle.com/cd/E19245-01/821-0488-12/motherboard.html#50438179_71528</a>                                                                                                                                                                                                |
| 300-2235    | Power supply, A249, 1200W, 12V, 2U, RoHS:Y                   | HS              | See Section 3.4, "Servicing Power Supplies" in <i>Sun Fire X4270 M2 Server Service Manual</i> at<br><a href="http://docs.oracle.com/cd/E19245-01/821-0488-12/hotswap.html#50438178_11706">http://docs.oracle.com/cd/E19245-01/821-0488-12/hotswap.html#50438178_11706</a>                                                                                                                                                                                                            |
| 350-1502    | Universal rack mount kit                                     | BDA-O           | <ol style="list-style-type: none"> <li>1. If the system is currently running, then shut it down gracefully. See "Powering On and Off Oracle Big Data Appliance."</li> <li>2. See Chapter 2, "Installing the Server Into a Rack With Slide-Rails" in <i>Sun Fire X4170 M2 and X4270 M2 Servers Installation Guide</i> at<br/><a href="http://docs.oracle.com/cd/E19245-01/E27205/z4000c671007752.html">http://docs.oracle.com/cd/E19245-01/E27205/z4000c671007752.html</a></li> </ol> |
| 7090170     | 8 GB USB flash drive                                         | BDA-O           | Not applicable                                                                                                                                                                                                                                                                                                                                                                                                                                                                       |
| 371-4966    | LV DIMM, 8 GB, DDR3, 1RX4, 1333 MHz                          | BDA-O           | See Section 4.2, "Servicing Memory Modules (DIMMs)" in <i>Sun Fire X4270 M2 Server Service Manual</i> at<br><a href="http://docs.oracle.com/cd/E19245-01/821-0488-12/motherboard.html#50438179_71526">http://docs.oracle.com/cd/E19245-01/821-0488-12/motherboard.html#50438179_71526</a>                                                                                                                                                                                            |
| 371-4982    | 6 Gigabit SAS RAID PCI battery module, RoHS:Y (LION), BBU-08 | BDA-O           | <ol style="list-style-type: none"> <li>1. If the system is currently running, then shut it down gracefully. See "Powering On and Off Oracle Big Data Appliance."</li> <li>2. See <i>Sun Storage 6 Gb SAS PCIe HBA, Internal Installation Guide For HBA Models SGX-SAS6-INT-Z and SG-SAS6-INT-Z</i> (internal only) at<br/><a href="http://docs.oracle.com/cd/E19337-01/index.html">http://docs.oracle.com/cd/E19337-01/index.html</a></li> </ol>                                     |



**Table B-8 (Cont.) Replacement Parts for Sun Fire X4270 M2 Servers**

| Part Number | Description                                 | Repair Category | Repair Procedure                                                                                                                                                                                                                                                                                                                                                                                                                                                                                                                                                                         |
|-------------|---------------------------------------------|-----------------|------------------------------------------------------------------------------------------------------------------------------------------------------------------------------------------------------------------------------------------------------------------------------------------------------------------------------------------------------------------------------------------------------------------------------------------------------------------------------------------------------------------------------------------------------------------------------------------|
| 375-3696    | InfiniBand (CX2) dual port CX2 4x QDR PCI-e | BDA-O           | <ol style="list-style-type: none"> <li>1. If the system is currently running, then shut it down gracefully. See <a href="#">"Powering On and Off Oracle Big Data Appliance."</a></li> <li>2. See Section 4.5, "Servicing PCIe Cards" in <i>Sun Fire X4270 M2 Server Service Manual</i> at <a href="http://docs.oracle.com/cd/E19245-01/821-0488-12/motherboard.html#50438179_86021">http://docs.oracle.com/cd/E19245-01/821-0488-12/motherboard.html#50438179_86021</a></li> </ol>                                                                                                       |
| 375-3701    | 6 Gbps SAS RAID disk PCIe HBA, RoHS:Y       | BDA-O           | <ol style="list-style-type: none"> <li>1. If the system is currently running, then shut it down gracefully. See <a href="#">"Powering On and Off Oracle Big Data Appliance."</a></li> <li>2. See Section 4.5, "Servicing PCIe Cards" in <i>Sun Fire X4270 M2 Server Service Manual</i> at <a href="http://docs.oracle.com/cd/E19245-01/821-0488-12/motherboard.html#50438179_86021">http://docs.oracle.com/cd/E19245-01/821-0488-12/motherboard.html#50438179_86021</a></li> </ol> <p><b>Note:</b> Do not run any controller commands in the service manual when replacing the disk.</p> |
| 530-3927    | Cable, PDB, MB, 1U+2U, ribbon               | BDA-O           | <p>See Section 5.10, "Servicing Cables" in <i>Sun Fire X4270 M2 Server Service Manual</i> at <a href="http://docs.oracle.com/cd/E19245-01/821-0488-12/infrastructure_x4270_M2.html#50438167_58217">http://docs.oracle.com/cd/E19245-01/821-0488-12/infrastructure_x4270_M2.html#50438167_58217</a></p>                                                                                                                                                                                                                                                                                   |
| 530-4228    | Cable, mini-SAS, 36 POS LONG, LY, RoHS:Y    | BDA-O           | <p>See Section 5.10, "Servicing Cables" in <i>Sun Fire X4270 M2 Server Service Manual</i> at <a href="http://docs.oracle.com/cd/E19245-01/821-0488-12/infrastructure_x4270_M2.html#50438167_78806">http://docs.oracle.com/cd/E19245-01/821-0488-12/infrastructure_x4270_M2.html#50438167_78806</a></p>                                                                                                                                                                                                                                                                                   |
| 541-2075    | Bus_bar, power, 1U+2U, RoHS:Y               | BDA-O           | <p>See Section 5.6, "Servicing the Power Distribution Board" in <i>Sun Fire X4270 M2 Server Service Manual</i> at <a href="http://docs.oracle.com/cd/E19245-01/821-0488-12/infrastructure_x4270_M2.html#50438167_85936">http://docs.oracle.com/cd/E19245-01/821-0488-12/infrastructure_x4270_M2.html#50438167_85936</a></p>                                                                                                                                                                                                                                                              |

**Table B-8 (Cont.) Replacement Parts for Sun Fire X4270 M2 Servers**

| Part Number | Description                                                                                                                                               | Repair Category | Repair Procedure                                                                                                                                                                                                                                                                                                                                                                                                                                                  |
|-------------|-----------------------------------------------------------------------------------------------------------------------------------------------------------|-----------------|-------------------------------------------------------------------------------------------------------------------------------------------------------------------------------------------------------------------------------------------------------------------------------------------------------------------------------------------------------------------------------------------------------------------------------------------------------------------|
| 541-2884    | Assembly, riser, X8, X8, 2U, PCI-E, RoHS:Y                                                                                                                | BDA-O           | See Section 4.4, "Servicing PCIe Risers" in <i>Sun Fire X4270 M2 Server Service Manual</i> at <a href="http://docs.oracle.com/cd/E19245-01/821-0488-12/motherboard.html#50438179_53252">http://docs.oracle.com/cd/E19245-01/821-0488-12/motherboard.html#50438179_53252</a>                                                                                                                                                                                       |
| 541-3310    | Xeon Heatsink with grease, RoHS:Y, 2U                                                                                                                     | BDA-O           | See Section 4.7, "Servicing CPUs" in <i>Sun Fire X4270 M2 Server Service Manual</i> at <a href="http://docs.oracle.com/cd/E19245-01/821-0488-12/motherboard.html#50438179_23425">http://docs.oracle.com/cd/E19245-01/821-0488-12/motherboard.html#50438179_23425</a>                                                                                                                                                                                              |
| 541-3356    | x8/x8 switched PCIe riser assembly, RoHS:Y with the following: <ul style="list-style-type: none"> <li>x8/x8 switch PCIe riser</li> <li>bracket</li> </ul> | BDA-O           | <ol style="list-style-type: none"> <li>If the system is currently running, then shut it down gracefully. See "Powering On and Off Oracle Big Data Appliance."</li> <li>See Section 4.4, "Servicing PCIe Risers" in <i>Sun Fire X4270 M2 Server Service Manual</i> at <a href="http://docs.oracle.com/cd/E19245-01/821-0488-12/motherboard.html#50438179_53252">http://docs.oracle.com/cd/E19245-01/821-0488-12/motherboard.html#50438179_53252</a></li> </ol>     |
| 541-4081    | System board assembly, RoHS:Y                                                                                                                             | BDA-O           | <ol style="list-style-type: none"> <li>If the system is currently running, then shut it down gracefully. See "Powering On and Off Oracle Big Data Appliance."</li> <li>See Section 4.8, "Servicing the Motherboard" in <i>Sun Fire X4270 M2 Server Service Manual</i> at <a href="http://docs.oracle.com/cd/E19245-01/821-0488-12/motherboard.html#50438179_98526">http://docs.oracle.com/cd/E19245-01/821-0488-12/motherboard.html#50438179_98526</a></li> </ol> |
| 541-4124    | Fan deck, Hyde, RoHS:Y                                                                                                                                    | BDA-O           | See Section 5.3, "Servicing the Fan Board" in <i>Sun Fire X4270 M2 Server Service Manual</i> at <a href="http://docs.oracle.com/cd/E19245-01/821-0488-12/infrastructure_x4270_M2.html#50438167_71556">http://docs.oracle.com/cd/E19245-01/821-0488-12/infrastructure_x4270_M2.html#50438167_71556</a>                                                                                                                                                             |

**Table B-8 (Cont.) Replacement Parts for Sun Fire X4270 M2 Servers**

| Part Number | Description                               | Repair Category | Repair Procedure                                                                                                                                                                                                                                                                                                            |
|-------------|-------------------------------------------|-----------------|-----------------------------------------------------------------------------------------------------------------------------------------------------------------------------------------------------------------------------------------------------------------------------------------------------------------------------|
| 541-4222    | Assembly, fan, CR, 2U, RoHS:Y             | HS              | See Section 3.3, "Servicing Fan Modules" in <i>Sun Fire X4270 M2 Server Service Manual</i> at <a href="http://docs.oracle.com/cd/E19245-01/821-0488-12/hotswap.html#50438178_28930">http://docs.oracle.com/cd/E19245-01/821-0488-12/hotswap.html#50438178_28930</a>                                                         |
| 541-4223    | Power distribution board, 2U, RoHS:Y      | BDA-O           | See Section 5.6, "Servicing the Power Distribution Board" in <i>Sun Fire X4270 M2 Server Service Manual</i> at <a href="http://docs.oracle.com/cd/E19245-01/821-0488-12/infrastructure_x4270_M2.html#50438167_71558">http://docs.oracle.com/cd/E19245-01/821-0488-12/infrastructure_x4270_M2.html#50438167_71558</a>        |
| 541-4304    | Indicator, right, Hyde 12/24, RoHS:Y      | BDA-O           | See Section 5.5, "Servicing the Front Panel LED Modules" in <i>Sun Fire X4270 M2 Server Service Manual</i> at <a href="http://docs.oracle.com/cd/E19245-01/821-0488-12/infrastructure_x4270_M2.html#50438167_71563">http://docs.oracle.com/cd/E19245-01/821-0488-12/infrastructure_x4270_M2.html#50438167_71563</a>         |
| 541-4305    | Assembly, disk, SAS2, XP_DC, Hyde, RoHS:Y | BDA-O           | See Section 5.2, "Servicing the SAS Expander Board" in <i>Sun Fire X4270 M2 Server Service Manual</i> at <a href="http://docs.oracle.com/cd/E19245-01/821-0488-12/infrastructure_x4270_M2.html#50438167_28246">http://docs.oracle.com/cd/E19245-01/821-0488-12/infrastructure_x4270_M2.html#50438167_28246</a>              |
| 541-4306    | Assembly, connector board bracket, Hyde   | BDA-O           | See Section 5.7, "Servicing the Connector Board" in <i>Sun Fire X4270 M2 Server Service Manual</i> at <a href="http://docs.oracle.com/cd/E19245-01/821-0488-12/infrastructure_x4270_M2.html#50438167_pgfid-1296581">http://docs.oracle.com/cd/E19245-01/821-0488-12/infrastructure_x4270_M2.html#50438167_pgfid-1296581</a> |
| 541-4363    | 12-slot disk backplane, RoHS:Y            | BDA-O           | See Section 5.4, "Servicing the Disk Backplane" in <i>Sun Fire X4270 M2 Server Service Manual</i> at <a href="http://docs.oracle.com/cd/E19245-01/821-0488-12/infrastructure_x4270_M2.html#50438167_71557">http://docs.oracle.com/cd/E19245-01/821-0488-12/infrastructure_x4270_M2.html#50438167_71557</a>                  |
| 541-4371    | Indicator, left, Hyde 12/24, RoHS:Y       | BDA-O           | See Section 5.5, "Servicing the Front Panel LED Modules" in <i>Sun Fire X4270 M2 Server Service Manual</i> at <a href="http://docs.oracle.com/cd/E19245-01/821-0488-12/infrastructure_x4270_M2.html#50438167_71563">http://docs.oracle.com/cd/E19245-01/821-0488-12/infrastructure_x4270_M2.html#50438167_71563</a>         |

Table B-8 (Cont.) Replacement Parts for Sun Fire X4270 M2 Servers

| Part Number | Description                                                                                                                                                                                                                                                  | Repair Category | Repair Procedure                                                                                                                                                                                                                                                                                                                                                                         |
|-------------|--------------------------------------------------------------------------------------------------------------------------------------------------------------------------------------------------------------------------------------------------------------|-----------------|------------------------------------------------------------------------------------------------------------------------------------------------------------------------------------------------------------------------------------------------------------------------------------------------------------------------------------------------------------------------------------------|
| 560-2952    | Cable kit, Hyde, RoHS:Y with the following: <ul style="list-style-type: none"> <li>Disk backplane power cable</li> <li>24-slot DBP power cable</li> <li>12/24 slot disk backplane signal cable</li> <li>Fan signal cable</li> <li>Fan power cable</li> </ul> | BDA-O           | Refer to the entries for the individual items in the kit.                                                                                                                                                                                                                                                                                                                                |
| 7010036     | FRU DR 3 TB 3.5-inch SAS/7200, CORAL                                                                                                                                                                                                                         | --              | See Section 3.2, "Servicing Storage Drives and Boot Drives" in <i>Sun Fire X4270 M2 Server Service Manual</i> at <a href="http://docs.oracle.com/cd/E19245-01/821-0488-12/hotswap.html#50438178_61628">http://docs.oracle.com/cd/E19245-01/821-0488-12/hotswap.html#50438178_61628</a><br><b>Note:</b> Do not run any controller commands in the service manual when replacing the disk. |
| 7012433     | 3.06 GHz processor                                                                                                                                                                                                                                           | BDA-O           | See Section 4.7, "Servicing CPUs" in <i>Sun Fire X4270 M2 Server Service Manual</i> at <a href="http://docs.oracle.com/cd/E19245-01/821-0488-12/motherboard.html#50438179_23425">http://docs.oracle.com/cd/E19245-01/821-0488-12/motherboard.html#50438179_23425</a>                                                                                                                     |

## B.5 Parts for Sun Datacenter InfiniBand Switch 36

Table B-9 lists the replaceable parts for the Sun Datacenter InfiniBand Switch 36, which are covered under the Oracle Premier Support for Systems warranty. Unless otherwise noted, the repair procedures reference the *Sun Datacenter InfiniBand Switch 36 Service Manual* at

[http://docs.oracle.com/cd/E26698\\_01/index.html](http://docs.oracle.com/cd/E26698_01/index.html)

See "Cables and Cable Accessories for an Oracle Big Data Appliance Rack" for information about InfiniBand cables.

Table B-9 Replacement Parts for the Sun Datacenter InfiniBand Switch 36

| Part Number | Description                               | Repair Category | Repair Procedure                                                                                                                                                                    |
|-------------|-------------------------------------------|-----------------|-------------------------------------------------------------------------------------------------------------------------------------------------------------------------------------|
| 7081595     | A247A, 12V, 760-watt power supply, RoHS:Y | HS              | See "Servicing Power Supplies" at <a href="http://docs.oracle.com/cd/E26698_01/html/E26434/z40001f49112.html">http://docs.oracle.com/cd/E26698_01/html/E26434/z40001f49112.html</a> |

**Table B-9 (Cont.) Replacement Parts for the Sun Datacenter InfiniBand Switch 36**

| Part Number | Description                                                | Repair Category | Repair Procedure                                                                                                                                                                                                                                                                                                                                             |
|-------------|------------------------------------------------------------|-----------------|--------------------------------------------------------------------------------------------------------------------------------------------------------------------------------------------------------------------------------------------------------------------------------------------------------------------------------------------------------------|
| 350-1312    | Fan module for Sun Datacenter InfiniBand Switch 36, RoHS:Y | HS              | See "Servicing Fans" at <a href="http://docs.oracle.com/cd/E26698_01/html/E26434/z40001f59112.html">http://docs.oracle.com/cd/E26698_01/html/E26434/z40001f59112.html</a>                                                                                                                                                                                    |
| 371-2210    | CR2032 3V battery, RoHS:Y                                  | IR              | See "Servicing the Battery" at <a href="http://docs.oracle.com/cd/E26698_01/html/E26434/z40001f79112.html">http://docs.oracle.com/cd/E26698_01/html/E26434/z40001f79112.html</a>                                                                                                                                                                             |
| 541-3495    | Sun Datacenter InfiniBand Switch 36, RoHS:YL               | IR              | <ol style="list-style-type: none"> <li>1. See "Replacing a Failed InfiniBand Switch".</li> <li>2. See "Installing the Switch" in the <i>Sun Datacenter InfiniBand Switch 36 Installation Guide</i> at <a href="http://docs.oracle.com/cd/E26698_01/html/E26434/cggfbhfhf.html">http://docs.oracle.com/cd/E26698_01/html/E26434/cggfbhfhf.html</a></li> </ol> |
| 594-6603    | 10 Gbps QSFP short wavelength transceiver                  | IR              | See "Servicing Data Cables" at <a href="http://docs.oracle.com/cd/E26698_01/html/E26434/z40001f69112.html">http://docs.oracle.com/cd/E26698_01/html/E26434/z40001f69112.html</a>                                                                                                                                                                             |

## B.6 Parts for Sun Network QDR InfiniBand Gateway Switch

Table B-10 lists the replaceable parts for the Sun Network QDR InfiniBand Gateway switch, which are covered under the Oracle Premier Support for Systems warranty. Unless otherwise noted, the repair procedures refer to the *Sun Network QDR InfiniBand Gateway Switch Service Manual* at

[http://docs.oracle.com/cd/E26699\\_01/index.html](http://docs.oracle.com/cd/E26699_01/index.html)

See "Cables and Cable Accessories for an Oracle Big Data Appliance Rack" for information about InfiniBand cables.

**Table B-10 Replacement Parts for the Sun Network QDR InfiniBand Gateway Switch**

| Part Number | Description                               | Repair Category | Repair Procedure                                                                                                                                                                    |
|-------------|-------------------------------------------|-----------------|-------------------------------------------------------------------------------------------------------------------------------------------------------------------------------------|
| 7081595     | A247A, 12V, 760-watt power supply, RoHS:Y | HS              | See "Servicing Power Supplies" at <a href="http://docs.oracle.com/cd/E26699_01/html/E26706/z40001f49112.html">http://docs.oracle.com/cd/E26699_01/html/E26706/z40001f49112.html</a> |

**Table B-10 (Cont.) Replacement Parts for the Sun Network QDR InfiniBand Gateway Switch**

| Part Number | Description                               | Repair Category | Repair Procedure                                                                                                                                                                                                                                                                                                                                                  |
|-------------|-------------------------------------------|-----------------|-------------------------------------------------------------------------------------------------------------------------------------------------------------------------------------------------------------------------------------------------------------------------------------------------------------------------------------------------------------------|
| 350-1312    | Fan module, RoHS:Y                        | HS              | See "Servicing Fans" at <a href="http://docs.oracle.com/cd/E26699_01/html/E26706/z40001f59112.html">http://docs.oracle.com/cd/E26699_01/html/E26706/z40001f59112.html</a>                                                                                                                                                                                         |
| 371-2210    | CR2032 3V battery, RoHS:Y                 | IR              | See "Servicing the Battery" at <a href="http://docs.oracle.com/cd/E26699_01/html/E26706/z40001f79112.html">http://docs.oracle.com/cd/E26699_01/html/E26706/z40001f79112.html</a>                                                                                                                                                                                  |
| 594-6603    | 10 Gbps QSFP short wavelength transceiver | IR              | See "Servicing Data Cables" at <a href="http://docs.oracle.com/cd/E26699_01/html/E26706/z40001f69112.html">http://docs.oracle.com/cd/E26699_01/html/E26706/z40001f69112.html</a>                                                                                                                                                                                  |
| 7014378     | Assembly, system, NM2-Gateway             | IR              | <ol style="list-style-type: none"> <li>1. See "Replacing a Failed InfiniBand Switch".</li> <li>2. See "Installing the Gateway" in the <i>Sun Network QDR InfiniBand Gateway Switch Installation Guide</i> at <a href="http://docs.oracle.com/cd/E26699_01/html/E26706/cggbhfhf.html">http://docs.oracle.com/cd/E26699_01/html/E26706/cggbhfhf.html</a></li> </ol> |

## B.7 Parts for the Cisco Ethernet Switch

Table B-11 lists replaceable parts for the Cisco Ethernet switch, which are covered under the Oracle Premier Support for Systems warranty.

### See Also:

See *Catalyst 4948E and Catalyst 4948E-F Switch Installation Guide* at [http://www.cisco.com/c/en/us/td/docs/switches/lan/catalyst4900/4948E/installation/guide/4948E\\_ins.html](http://www.cisco.com/c/en/us/td/docs/switches/lan/catalyst4900/4948E/installation/guide/4948E_ins.html)

**Table B-11 Replacement Parts for Cisco Catalyst Ethernet**

| Part Number | Description      | Repair Category | Repair                                                                                            |
|-------------|------------------|-----------------|---------------------------------------------------------------------------------------------------|
| 7055121     | Cooling fan tray | HS              | See Chapter 4 of the <i>Cisco Catalyst 4948E and Catalyst 4948E-F Switch Installation Guide</i> . |

**Table B-11 (Cont.) Replacement Parts for Cisco Catalyst Ethernet**

| Part Number | Description             | Repair Category | Repair                                                                                            |
|-------------|-------------------------|-----------------|---------------------------------------------------------------------------------------------------|
| 7055122     | Power supply, redundant | HS              | See Chapter 4 of the <i>Cisco Catalyst 4948E and Catalyst 4948E-F Switch Installation Guide</i> . |
| 7055123     | SNET, WS-C4948E-F IR    |                 | See Chapter 3 of the <i>Cisco Catalyst 4948E and Catalyst 4948E-F Switch Installation Guide</i> . |

## B.8 Parts for Power Distribution Units

Table B-12 lists the replacement parts for the power distribution units (PDUs), which are covered under the Oracle Premier Support for Systems warranty. The repair procedures references the *Sun Rack II Power Distribution Units User's Guide* at

<https://docs.oracle.com/cd/E19657-01/html/E23956/index.html>

Because of the number of cables and connections, Oracle recommends shutting down the Oracle Big Data Appliance rack during the replacement of power distribution unit parts.

**Table B-12 Replacement Parts for Power Distribution Units**

| Part Number | Description                                                                                         | Repair Category | Repair Procedures                                                                                                                                                                                              |
|-------------|-----------------------------------------------------------------------------------------------------|-----------------|----------------------------------------------------------------------------------------------------------------------------------------------------------------------------------------------------------------|
| 180-2379    | 13A/250V 90 degree IEC 320 Sheet E to IEC 320 C13 cord, 1 meter, RoHS:Y                             | HS              | Not applicable                                                                                                                                                                                                 |
| 180-2380    | 13A/250V 90 degree IEC 320 Sheet E to IEC 320 C13 cord, 2 meter, RoHS:Y                             | HS              | Not applicable                                                                                                                                                                                                 |
| 371-3995    | Three-phase PDU: 15 kVA, IEC309 60A, 4-pin, 250 VAC, three-phase IP67, North America, RoHS:Y        | IR              | See "Removing and Replacing PDUs" at <a href="http://docs.oracle.com/cd/E19844-01/html/E23956/z4000546165586.html#scrolltoc">http://docs.oracle.com/cd/E19844-01/html/E23956/z4000546165586.html#scrolltoc</a> |
| 371-4976    | Three-phase PDU: 15 kVA, 5-pin, IEC309 32A, 5-pin 230/400V, three-phase IP44, international, RoHS:Y | IR              | See "Removing and Replacing PDUs" at <a href="http://docs.oracle.com/cd/E19844-01/html/E23956/z4000546165586.html#scrolltoc">http://docs.oracle.com/cd/E19844-01/html/E23956/z4000546165586.html#scrolltoc</a> |

Table B-12 (Cont.) Replacement Parts for Power Distribution Units

| Part Number | Description                                                                                                          | Repair Category | Repair Procedures                                                                                                                                                                                              |
|-------------|----------------------------------------------------------------------------------------------------------------------|-----------------|----------------------------------------------------------------------------------------------------------------------------------------------------------------------------------------------------------------|
| 371-4199    | Single-phase PDU: 15 kVA, with three 30A/250V 2-pole/3-wire NEMA L6-30P plugs, North America, RoHS:Y                 | IR              | See "Removing and Replacing PDUs" at <a href="http://docs.oracle.com/cd/E19844-01/html/E23956/z4000546165586.html#scrolltoc">http://docs.oracle.com/cd/E19844-01/html/E23956/z4000546165586.html#scrolltoc</a> |
| 371-5040    | Single-phase PDU: 22 kVA, with three blue 32A/240V splash-proof 2-pole/3-wire IEC 60309 plugs, international, RoHS:Y | IR              | See "Removing and Replacing PDUs" at <a href="http://docs.oracle.com/cd/E19844-01/html/E23956/z4000546165586.html#scrolltoc">http://docs.oracle.com/cd/E19844-01/html/E23956/z4000546165586.html#scrolltoc</a> |

## B.9 Cables and Cable Accessories for an Oracle Big Data Appliance Rack

Table B-13 lists the replacement cables and cable accessories for an Oracle Big Data Appliance rack, which are covered under the Oracle Premier Support for Systems warranty.

### See Also:

- *Sun Network QDR InfiniBand Gateway Switch Service Manual* at [http://docs.oracle.com/cd/E26699\\_01/html/E26706/gentextid-26783.html#scrolltoc](http://docs.oracle.com/cd/E26699_01/html/E26706/gentextid-26783.html#scrolltoc)
- *Sun Datacenter InfiniBand Switch 36 Service Manual* at [http://docs.oracle.com/cd/E26698\\_01/html/E26434/gentextid-21904.html#scrolltoc](http://docs.oracle.com/cd/E26698_01/html/E26434/gentextid-21904.html#scrolltoc)
- See *Cisco Catalyst 4948E and Catalyst 4948E-F Switch Installation Guide* at [http://www.cisco.com/en/US/docs/switches/lan/catalyst4900/4948E/installation/guide/4948E\\_ins.html](http://www.cisco.com/en/US/docs/switches/lan/catalyst4900/4948E/installation/guide/4948E_ins.html)



**Table B-13 Replacement Cables for an Oracle Big Data Appliance Rack**

| Part Number | Description                                                                                                                                                                          | Repair Category | Repair                                                                                                                                                                                                                                                                                                                                                                                                                                                                                                                                       |
|-------------|--------------------------------------------------------------------------------------------------------------------------------------------------------------------------------------|-----------------|----------------------------------------------------------------------------------------------------------------------------------------------------------------------------------------------------------------------------------------------------------------------------------------------------------------------------------------------------------------------------------------------------------------------------------------------------------------------------------------------------------------------------------------------|
| 350-1287    | Slim rail, CMA, 1U-2U for Sun servers                                                                                                                                                | BDA-O           | <ol style="list-style-type: none"> <li>1. Power down the server gracefully. See "Powering Down the Server" at <a href="http://docs.oracle.com/cd/E23393_01/html/E27229/z400061b1011735.html">http://docs.oracle.com/cd/E23393_01/html/E27229/z400061b1011735.html</a></li> <li>2. See "Install Cable Management Arm" in the <i>Sun Server X3-2L Installation Guide</i> at <a href="http://docs.oracle.com/cd/E23393_01/html/E27229/z40000401014951.html">http://docs.oracle.com/cd/E23393_01/html/E27229/z40000401014951.html</a></li> </ol> |
| 350-1519    | Serial cable kit, RoHS:Y with the following: <ul style="list-style-type: none"> <li>• USB to DB 9-pin M serial cable</li> <li>• DB 9-pin F to DB 9-pin F null modem cable</li> </ul> | HS              | <p>See "Understanding Cabling" in the <i>Sun Datacenter InfiniBand Switch 36 Installation Guide</i> at <a href="http://docs.oracle.com/cd/E26698_01/html/E26434/cgghhjcc.html">http://docs.oracle.com/cd/E26698_01/html/E26434/cgghhjcc.html</a></p>                                                                                                                                                                                                                                                                                         |
| 530-4567    | 4x QSFP copper QDR InfiniBand cable, 2 m, RoHS:Y                                                                                                                                     | HS              | <ol style="list-style-type: none"> <li>1. See "Maintaining the InfiniBand Network".</li> <li>2. See "Understanding Cabling" in the <i>Sun Datacenter InfiniBand Switch 36 Installation Guide</i> at <a href="http://docs.oracle.com/cd/E26698_01/html/E26434/cgghhjcc.html">http://docs.oracle.com/cd/E26698_01/html/E26434/cgghhjcc.html</a></li> </ol> <p><b>Note:</b> Redundancy is lost during cable replacement.</p>                                                                                                                    |
| 530-4445    | 4x QSFP copper QDR InfiniBand cable, 3 m, RoHS:Y                                                                                                                                     | HS              | <ol style="list-style-type: none"> <li>1. See "Maintaining the InfiniBand Network".</li> <li>2. See "Understanding Cabling" in the <i>Sun Datacenter InfiniBand Switch 36 Installation Guide</i> at <a href="http://docs.oracle.com/cd/E26698_01/html/E26434/cgghhjcc.html">http://docs.oracle.com/cd/E26698_01/html/E26434/cgghhjcc.html</a></li> </ol>                                                                                                                                                                                     |

**Table B-13 (Cont.) Replacement Cables for an Oracle Big Data Appliance Rack**

| Part Number | Description                                                    | Repair Category | Repair                                                                                                                                                                                                                                                                                                                                                                   |
|-------------|----------------------------------------------------------------|-----------------|--------------------------------------------------------------------------------------------------------------------------------------------------------------------------------------------------------------------------------------------------------------------------------------------------------------------------------------------------------------------------|
| 530-4446    | 4x QSFP copper QDR InfiniBand cable, 5 m, RoHS:Y               | HS              | <ol style="list-style-type: none"> <li>1. See <a href="#">"Maintaining the InfiniBand Network"</a>.</li> <li>2. See "Understanding Cabling" in the <i>Sun Datacenter InfiniBand Switch 36 Installation Guide</i> at <a href="http://docs.oracle.com/cd/E26698_01/html/E26434/cggfhjcc.html">http://docs.oracle.com/cd/E26698_01/html/E26434/cggfhjcc.html</a></li> </ol> |
| 530-4432    | Ethernet cable, Cat 5/5E, RJ45 to RJ45, 7 foot, blue, RoHS:Y   | HS              | See <i>Cisco Catalyst 4948E and Catalyst 4948E-F Switch Installation Guide</i> .                                                                                                                                                                                                                                                                                         |
| 530-4433    | Ethernet cable, Cat 5/5E, RJ45 to RJ45, 10 foot, red, RoHS:Y   | HS              | See <i>Cisco Catalyst 4948E and Catalyst 4948E-F Switch Installation Guide</i> .                                                                                                                                                                                                                                                                                         |
| 530-4434    | Ethernet cable, Cat 5/5E, RJ45 to RJ45, 7 foot, red, RoHS:Y    | HS              | See <i>Cisco Catalyst 4948E and Catalyst 4948E-F Switch Installation Guide</i> .                                                                                                                                                                                                                                                                                         |
| 530-4435    | Ethernet cable, Cat 5/5E, RJ45 to RJ45, 10 foot, black, RoHS:Y | HS              | See <i>Cisco Catalyst 4948E and Catalyst 4948E-F Switch Installation Guide</i> .                                                                                                                                                                                                                                                                                         |
| 530-4436    | Ethernet cable, Cat 5/5E, RJ45 to RJ45, 7 foot, black, RoHS:Y  | HS              | See <i>Cisco Catalyst 4948E and Catalyst 4948E-F Switch Installation Guide</i> .                                                                                                                                                                                                                                                                                         |

# C

## In-Rack Cabling Tables for Oracle Big Data Appliance X8-2, X7-2, X6-2, and X5-2

The tables in this appendix show the in-rack cable connections for Oracle Big Data Appliance X8-2, X7-2, X6-2, and X5-2 racks.

This appendix contains the following sections:

- [Cable Color Coding](#)
- [Oracle Big Data Appliance Rack Layout](#)
- [Administrative Gigabit Ethernet Cable Connections](#)
- [Oracle Integrated Lights Out Manager Cable Connections](#)
- [Single-Phase Power Distribution Unit Cable Connections](#)
- [Three-Phase Power Distribution Unit Cable Connections](#)
- [In-Rack InfiniBand Switch-to-Switch Cable Connections](#)
- [In-Rack InfiniBand Switch-to-Server Cable Connections](#)

### C.1 Cable Color Coding

The cables used in Oracle Big Data Appliance are color-coded as follows:

- **Black:** InfiniBand cables or AC power jumper cables
- **Red:** Integrated Lights Out Management (Oracle ILOM) Ethernet management cables
- **Blue:** Gigabit Ethernet management (eth0) cables

### C.2 Oracle Big Data Appliance Rack Layout

The following figures show the front and rear layouts for three configurations of Oracle Big Data Appliance X8-2, X7-2, X6-2, and X5-2: full rack, starter rack, and starter rack with High Capacity nodes plus InfiniBand Infrastructure.

The table below shows the layout of a full rack for Oracle Big Data Appliance X8-2, X7-2, X6-2, and X5-2.

Figure C-1 Oracle Big Data Appliance X8-2, X7-2, X6-2, and X5-2 Full Rack Layout

| Rear View |                                      |    | Front View |                         |    |
|-----------|--------------------------------------|----|------------|-------------------------|----|
| U#        | Big Data Appliance                   | U# | U#         | Big Data Appliance      | U# |
| 42        | 1U Solid Filler                      | 42 | 42         | 1U Solid Filler         | 42 |
| 41        | 1U Solid Filler                      | 41 | 41         | 1U Solid Filler         | 41 |
| 40        | BDA Server 18                        | 40 | 40         | BDA Server 18           | 40 |
| 39        |                                      | 39 | 39         |                         |    |
| 38        | BDA Server 17                        | 38 | 38         | BDA Server 17           | 38 |
| 37        |                                      | 37 | 37         |                         |    |
| 36        | BDA Server 16                        | 36 | 36         | BDA Server 16           | 36 |
| 35        |                                      | 35 | 35         |                         |    |
| 34        | BDA Server 15                        | 34 | 34         | BDA Server 15           | 34 |
| 33        |                                      | 33 | 33         |                         |    |
| 32        | BDA Server 14                        | 32 | 32         | BDA Server 14           | 32 |
| 31        |                                      | 31 | 31         |                         |    |
| 30        | BDA Server 13                        | 30 | 30         | BDA Server 13           | 30 |
| 29        |                                      | 29 | 29         |                         |    |
| 28        | BDA Server 12                        | 28 | 28         | BDA Server 12           | 28 |
| 27        |                                      | 27 | 27         |                         |    |
| 26        | BDA Server 11                        | 26 | 26         | BDA Server 11           | 26 |
| 25        |                                      | 25 | 25         |                         |    |
| 24        | BDA Server 10                        | 24 | 24         | BDA Server 10           | 24 |
| 23        |                                      | 23 | 23         |                         |    |
| 22        | Sun Network QDR Infiniband GW Switch | 22 | 22         | 1U Vented Filler        | 22 |
| 21        | Cisco Ethernet "Admin" Switch        | 21 | 21         | 1U Vented Filler        | 21 |
| 20        | Sun Network QDR Infiniband GW Switch | 20 | 20         | 1U Vented Filler        | 20 |
| 19        | BDA Server 9                         | 19 | 19         | BDA Server 9            | 19 |
| 18        |                                      | 18 | 18         |                         |    |
| 17        | BDA Server 8                         | 17 | 17         | BDA Server 8            | 17 |
| 16        |                                      | 16 | 16         |                         |    |
| 15        | BDA Server 7                         | 15 | 15         | BDA Server 7            | 15 |
| 14        |                                      | 14 | 14         |                         |    |
| 13        | BDA Server 6                         | 13 | 13         | BDA Server 6            | 13 |
| 12        |                                      | 12 | 12         |                         |    |
| 11        | BDA Server 5                         | 11 | 11         | BDA Server 5            | 11 |
| 10        |                                      | 10 | 10         |                         |    |
| 9         | BDA Server 4                         | 9  | 9          | BDA Server 4            | 9  |
| 8         |                                      | 8  | 8          |                         |    |
| 7         | BDA Server 3                         | 7  | 7          | BDA Server 3            | 7  |
| 6         |                                      | 6  | 6          |                         |    |
| 5         | BDA Server 2                         | 5  | 5          | BDA Server 2            | 5  |
| 4         |                                      | 4  | 4          |                         |    |
| 3         | BDA Server 1                         | 3  | 3          | BDA Server 1            | 3  |
| 2         |                                      | 2  | 2          |                         |    |
| 1         | Sun Datacenter QDR Infiniband Switch | 1  | 1          | 1U Vented Filler        | 1  |
|           | Power Distribution Unit-A            |    |            | Power Distribution Unit |    |
|           | Power Distribution Unit-B            |    |            | Power Distribution Unit |    |

The table below shows the layout of a starter rack for Oracle Big Data Appliance X8-2, X7-2, X6-2 or X5-2.

Figure C-2 Oracle Big Data Appliance X8-2, X7-2, X6-2, and X5-2 Starter Rack Layout

| Rear View |                                      |    | Front View |                         |    |
|-----------|--------------------------------------|----|------------|-------------------------|----|
| U#        | Big Data Appliance                   | U# | U#         | Big Data Appliance      | U# |
| 42        | 1U Solid Filler                      | 42 | 42         | 1U Solid Filler         | 42 |
| 41        | 1U Solid Filler                      | 41 | 41         | 1U Solid Filler         | 41 |
| 40        | 1U Solid Filler                      | 40 | 40         | 1U Solid Filler         | 40 |
| 39        | 1U Solid Filler                      | 39 | 39         | 1U Solid Filler         | 39 |
| 38        | 1U Solid Filler                      | 38 | 38         | 1U Solid Filler         | 38 |
| 37        | 1U Solid Filler                      | 37 | 37         | 1U Solid Filler         | 37 |
| 36        | 1U Solid Filler                      | 36 | 36         | 1U Solid Filler         | 36 |
| 35        | 1U Solid Filler                      | 35 | 35         | 1U Solid Filler         | 35 |
| 34        | 1U Solid Filler                      | 34 | 34         | 1U Solid Filler         | 34 |
| 33        | 1U Solid Filler                      | 33 | 33         | 1U Solid Filler         | 33 |
| 32        | 1U Solid Filler                      | 32 | 32         | 1U Solid Filler         | 32 |
| 31        | 1U Solid Filler                      | 31 | 31         | 1U Solid Filler         | 31 |
| 30        | 1U Solid Filler                      | 30 | 30         | 1U Solid Filler         | 30 |
| 29        | 1U Solid Filler                      | 29 | 29         | 1U Solid Filler         | 29 |
| 28        | 1U Solid Filler                      | 28 | 28         | 1U Solid Filler         | 28 |
| 27        | 1U Solid Filler                      | 27 | 27         | 1U Solid Filler         | 27 |
| 26        | 1U Solid Filler                      | 26 | 26         | 1U Solid Filler         | 26 |
| 25        | 1U Solid Filler                      | 25 | 25         | 1U Solid Filler         | 25 |
| 24        | 1U Solid Filler                      | 24 | 24         | 1U Solid Filler         | 24 |
| 23        | 1U Solid Filler                      | 23 | 23         | 1U Solid Filler         | 23 |
| 22        | Sun Network QDR Infiniband GW Switch | 22 | 22         | 1U Vented Filler        | 22 |
| 21        | Cisco Ethernet "Admin" Switch        | 21 | 21         | 1U Vented Filler        | 21 |
| 20        | Sun Network QDR Infiniband GW Switch | 20 | 20         | 1U Vented Filler        | 20 |
| 19        | 1U Solid Filler                      | 19 | 19         | 1U Solid Filler         | 19 |
| 18        | 1U Solid Filler                      | 18 | 18         | 1U Solid Filler         | 18 |
| 17        | 1U Solid Filler                      | 17 | 17         | 1U Solid Filler         | 17 |
| 16        | 1U Solid Filler                      | 16 | 16         | 1U Solid Filler         | 16 |
| 15        | 1U Solid Filler                      | 15 | 15         | 1U Solid Filler         | 15 |
| 14        | 1U Solid Filler                      | 14 | 14         | 1U Solid Filler         | 14 |
| 13        | BDA Server 6                         | 13 | 13         | BDA Server 6            | 13 |
| 12        |                                      | 12 | 12         |                         | 12 |
| 11        | BDA Server 5                         | 11 | 11         | BDA Server 5            | 11 |
| 10        |                                      | 10 | 10         |                         | 10 |
| 9         | BDA Server 4                         | 9  | 9          | BDA Server 4            | 9  |
| 8         |                                      | 8  | 8          |                         | 8  |
| 7         | BDA Server 3                         | 7  | 7          | BDA Server 3            | 7  |
| 6         |                                      | 6  | 6          |                         | 6  |
| 5         | BDA Server 2                         | 5  | 5          | BDA Server 2            | 5  |
| 4         |                                      | 4  | 4          |                         | 4  |
| 3         | BDA Server 1                         | 3  | 3          | BDA Server 1            | 3  |
| 2         |                                      | 2  | 2          |                         | 2  |
| 1         | Sun Datacenter QDR Infiniband Switch | 1  | 1          | 1U Vented Filler        | 1  |
|           | Power Distribution Unit-A            |    |            | Power Distribution Unit |    |
|           | Power Distribution Unit-B            |    |            | Power Distribution Unit |    |

The table below shows the layout of an Oracle Big Data Appliance X8-2, X7-2, X6-2 or X5-2 starter rack with High Capacity Nodes plus InfiniBand Infrastructure.

Figure C-3 Oracle Big Data Appliance X8-2, X7-2, X6-2, and X5-2 Starter Rack With Big Data Appliance High Capacity Nodes Plus InfiniBand Infrastructure

| Rear View |                                      |    | Front View |                           |    |
|-----------|--------------------------------------|----|------------|---------------------------|----|
| U#        | Big Data Appliance                   | U# | U#         | Big Data Appliance        | U# |
| 42        | 1U Solid Filler                      | 42 | 42         | 1U Solid Filler           | 42 |
| 41        | 1U Solid Filler                      | 41 | 41         | 1U Solid Filler           | 41 |
| 40        | 1U Solid Filler                      | 40 | 40         | 1U Solid Filler           | 40 |
| 39        | 1U Solid Filler                      | 39 | 39         | 1U Solid Filler           | 39 |
| 38        | 1U Solid Filler                      | 38 | 38         | 1U Solid Filler           | 38 |
| 37        | 1U Solid Filler                      | 37 | 37         | 1U Solid Filler           | 37 |
| 36        | 1U Solid Filler                      | 36 | 36         | 1U Solid Filler           | 36 |
| 35        | 1U Solid Filler                      | 35 | 35         | 1U Solid Filler           | 35 |
| 34        | 1U Solid Filler                      | 34 | 34         | 1U Solid Filler           | 34 |
| 33        | 1U Solid Filler                      | 33 | 33         | 1U Solid Filler           | 33 |
| 32        | 1U Solid Filler                      | 32 | 32         | 1U Solid Filler           | 32 |
| 31        | 1U Solid Filler                      | 31 | 31         | 1U Solid Filler           | 31 |
| 30        | 1U Solid Filler                      | 30 | 30         | 1U Solid Filler           | 30 |
| 29        | 1U Solid Filler                      | 29 | 29         | 1U Solid Filler           | 29 |
| 28        | BDA Server 12                        | 28 | 28         | BDA Server 12             | 28 |
| 27        |                                      | 27 | 27         |                           | 27 |
| 26        | BDA Server 11                        | 26 | 26         | BDA Server 11             | 26 |
| 25        |                                      | 25 | 25         |                           | 25 |
| 24        | BDA Server 10                        | 24 | 24         | BDA Server 10             | 24 |
| 23        |                                      | 23 | 23         |                           | 23 |
| 22        | Sun Network QDR Infiniband GW Switch | 22 | 22         | 1U Vented Filler          | 22 |
| 21        | Cisco Ethernet "Admin" Switch        | 21 | 21         | 1U Vented Filler          | 21 |
| 20        | Sun Network QDR Infiniband GW Switch | 20 | 20         | 1U Vented Filler          | 20 |
| 19        | BDA Server 9                         | 19 | 19         | BDA Server 9              | 19 |
| 18        |                                      | 18 | 18         |                           | 18 |
| 17        | BDA Server 8                         | 17 | 17         | BDA Server 8              | 17 |
| 16        |                                      | 16 | 16         |                           | 16 |
| 15        | BDA Server 7                         | 15 | 15         | BDA Server 7              | 15 |
| 14        |                                      | 14 | 14         |                           | 14 |
| 13        | BDA Server 6                         | 13 | 13         | BDA Server 6              | 13 |
| 12        |                                      | 12 | 12         |                           | 12 |
| 11        | BDA Server 5                         | 11 | 11         | BDA Server 5              | 11 |
| 10        |                                      | 10 | 10         |                           | 10 |
| 9         | BDA Server 4                         | 9  | 9          | BDA Server 4              | 9  |
| 8         |                                      | 8  | 8          |                           | 8  |
| 7         | BDA Server 3                         | 7  | 7          | BDA Server 3              | 7  |
| 6         |                                      | 6  | 6          |                           | 6  |
| 5         | BDA Server 2                         | 5  | 5          | BDA Server 2              | 5  |
| 4         |                                      | 4  | 4          |                           | 4  |
| 3         | BDA Server 1                         | 3  | 3          | BDA Server 1              | 3  |
| 2         |                                      | 2  | 2          |                           | 2  |
| 1         | Sun Datacenter QDR Infiniband Switch | 1  | 1          | 1U Vented Filler          | 1  |
|           | Power Distribution Unit-A            |    |            | Power Distribution Unit-A |    |



## C.3 Administrative Gigabit Ethernet Cable Connections

**Table C-1** shows the cable connections for the administrative Gigabit Ethernet network (Net 0). The Ethernet switch is located in rack unit 21. The cables are 10 feet long and black, with the exception of the PDU cables, which are 1 meter long and white.

**Table C-1 Administrative Gigabit Ethernet Cabling**

| From Rack Unit <sup>1</sup> | Component     | To Ethernet Port |
|-----------------------------|---------------|------------------|
| U39                         | Server 18     | 1                |
| U37                         | Server 17     | 3                |
| U35                         | Server 16     | 5                |
| U33                         | Server 15     | 7                |
| U31                         | Server 14     | 9                |
| U29                         | Server 13     | 11               |
| U27                         | Server 12     | 13               |
| U25                         | Server 11     | 17               |
| U23                         | Server 10     | 21               |
| U22                         | NM2-IB Switch | 45               |
| U20                         | NM2-IB Switch | 46               |
| U18                         | Server 9      | 25               |
| U16                         | Server 8      | 29               |
| U14                         | Server 7      | 31               |
| U12                         | Server 6      | 33               |
| U10                         | Server 5      | 35               |
| U8                          | Server 4      | 37               |
| U6                          | Server 3      | 39               |
| U4                          | Server 2      | 41               |
| U2                          | Server 1      | 43               |
| U1                          | NM2-IB Switch | 47               |
| PDU-A                       | PDU-A         | 15               |
| PDU-B                       | PDU-B         | 19               |

<sup>1</sup> Un is the unit location in the rack, where n is the number.

## C.4 Oracle Integrated Lights Out Manager Cable Connections

**Table C-2** shows the cable connections from the servers to the Oracle ILOM switch. The Oracle ILOM ports on the servers are labeled Net Mgt and connect to the Cisco Ethernet switch located in rack unit 21.

**Table C-2 Oracle ILOM Cabling**

| From Rack Unit <sup>1</sup> | Component | Ethernet Port | Cable Length | Cable Color |
|-----------------------------|-----------|---------------|--------------|-------------|
| U39                         | Server 18 | 2             | 10 feet      | Red         |
| U37                         | Server 17 | 4             | 10 feet      | Red         |
| U35                         | Server 16 | 6             | 10 feet      | Red         |
| U33                         | Server 15 | 8             | 10 feet      | Red         |
| U31                         | Server 14 | 10            | 10 feet      | Red         |
| U29                         | Server 13 | 12            | 10 feet      | Red         |
| U27                         | Server 12 | 14            | 10 feet      | Red         |
| U25                         | Server 11 | 18            | 10 feet      | Red         |
| U23                         | Server 10 | 22            | 10 feet      | Red         |
| U18                         | Server 9  | 26            | 10 feet      | Red         |
| U16                         | Server 8  | 30            | 10 feet      | Red         |
| U14                         | Server 7  | 32            | 10 feet      | Red         |
| U12                         | Server 6  | 34            | 10 feet      | Red         |
| U10                         | Server 5  | 36            | 10 feet      | Red         |
| U8                          | Server 4  | 38            | 10 feet      | Red         |
| U6                          | Server 3  | 40            | 10 feet      | Red         |
| U4                          | Server 2  | 42            | 10 feet      | Red         |
| U2                          | Server 1  | 44            | 10 feet      | Red         |
| Not applicable              | Service   | 48            | 7 feet       | Blue        |

<sup>1</sup> Un is the unit location in the rack, where n is the number.

## C.5 Single-Phase Power Distribution Unit Cable Connections

Table C-3 shows the connections for single-phase cabling from each power distribution unit (PDU) to the power supplies in the rack. The cables terminate at PDU-A on the left and are routed to the right to enter the cable management arm (CMA). The cables are bundled in groups of four.

**Table C-3 Single-Phase PDU Cabling**

| Rack Unit <sup>1</sup> | PDU-A/PS-00 | PDU-B/PS-01 | Cable Length |
|------------------------|-------------|-------------|--------------|
| U39                    | G5-6        | G0-0        | 2 meters     |
| U37                    | G5-3        | G0-3        | 2 meters     |
| U35                    | G5-0        | G0-6        | 2 meters     |
| U33                    | G4-6        | G1-0        | 2 meters     |
| U31                    | G4-4        | G1-2        | 2 meters     |
| U29                    | G4-2        | G1-4        | 2 meters     |

**Table C-3 (Cont.) Single-Phase PDU Cabling**

| Rack Unit <sup>1</sup> | PDU-A/PS-00 | PDU-B/PS-01 | Cable Length |
|------------------------|-------------|-------------|--------------|
| U27                    | G3-6        | G2-0        | 2 meters     |
| U25                    | G3-5        | G2-1        | 2 meters     |
| U23                    | G3-3        | G2-3        | 2 meters     |
| U22                    | G3-1        | G2-5        | 1 meter      |
| U21                    | G3-0        | G2-6        | 2 meters     |
| U20                    | G2-4        | G3-2        | 2 meters     |
| U18                    | G2-2        | G3-4        | 2 meters     |
| U16                    | G1-6        | G4-0        | 2 meters     |
| U14                    | G2-0        | G3-6        | 2 meters     |
| U12                    | G1-4        | G4-2        | 2 meters     |
| U10                    | G1-2        | G4-4        | 2 meters     |
| U8                     | G1-0        | G4-6        | 2 meters     |
| U6                     | G0-6        | G5-0        | 2 meters     |
| U4                     | G0-4        | G5-2        | 2 meters     |
| U2                     | G0-2        | G5-4        | 2 meters     |
| U1                     | G0-0        | G5-6        | 2 meters     |

<sup>1</sup> Un is the unit location in the rack, where n is the number.

## C.6 Three-Phase Power Distribution Unit Cable Connections

Table C-4 describes three-phase cabling from each power distribution unit (PDU) to the power supplies in the rack. The cables are terminated to PDU-A on the left, are routed to the right to enter the cable management arm (CMA), and are bundled in groups of four.

**Table C-4 Three-Phase PDU Cabling**

| Rack Unit <sup>1</sup> | PDU-A/PS-00 | PDU-B/PS-01 | Cable Length |
|------------------------|-------------|-------------|--------------|
| U39                    | G5-6        | G2-0        | 2 meters     |
| U37                    | G5-3        | G2-3        | 2 meters     |
| U35                    | G5-0        | G2-6        | 2 meters     |
| U33                    | G4-6        | G1-0        | 2 meters     |
| U31                    | G4-4        | G1-2        | 2 meters     |
| U29                    | G4-2        | G1-4        | 2 meters     |
| U27                    | G3-6        | G0-0        | 2 meters     |
| U25                    | G3-5        | G0-1        | 2 meters     |
| U23                    | G3-3        | G0-3        | 2 meters     |
| U22                    | G5-1        | G2-5        | 2 meters     |
| U21                    | G3-0        | G0-6        | 2 meters     |

**Table C-4 (Cont.) Three-Phase PDU Cabling**

| Rack Unit <sup>1</sup> | PDU-A/PS-00 | PDU-B/PS-01 | Cable Length |
|------------------------|-------------|-------------|--------------|
| U20                    | G2-4        | G5-2        | 2 meters     |
| U18                    | G2-2        | G5-4        | 2 meters     |
| U16                    | G1-6        | G4-0        | 2 meters     |
| U14                    | G2-0        | G5-6        | 2 meters     |
| U12                    | G1-4        | G4-2        | 2 meters     |
| U10                    | G1-2        | G4-4        | 2 meters     |
| U8                     | G1-0        | G4-6        | 2 meters     |
| U6                     | G0-6        | G3-0        | 2 meters     |
| U4                     | G0-4        | G3-2        | 2 meters     |
| U2                     | G0-2        | G3-4        | 2 meters     |
| U1                     | G0-0        | G3-6        | 2 meters     |

<sup>1</sup> Un is the unit location in the rack, where *n* is the number.

## C.7 In-Rack InfiniBand Switch-to-Switch Cable Connections

Table C-5 lists the location, ports, and cables for the InfiniBand connections from switch to switch.

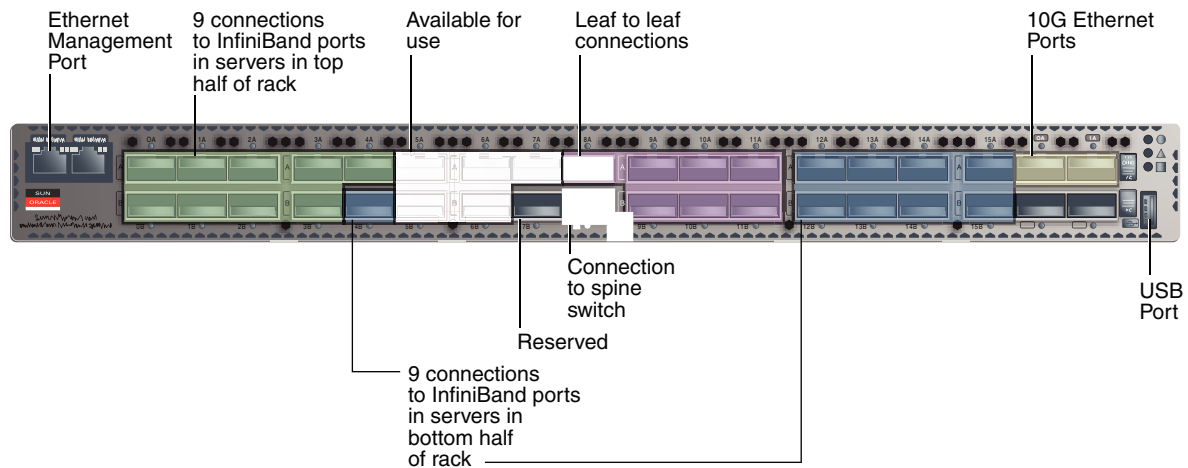
**Table C-5 InfiniBand Switch-to-Switch Cabling**

| From InfiniBand Switch Rack Unit <sup>1</sup> | Port | To InfiniBand Switch Rack Unit <sup>1</sup> | Port | Cable Length | Description   |
|-----------------------------------------------|------|---------------------------------------------|------|--------------|---------------|
| U20                                           | 9B   | U22                                         | 9A   | 2 meters     | Leaf to leaf  |
| U20                                           | 10B  | U22                                         | 10A  | 2 meters     | Leaf to leaf  |
| U20                                           | 11B  | U22                                         | 11A  | 2 meters     | Leaf to leaf  |
| U20                                           | 8A   | U22                                         | 8A   | 2 meters     | Leaf to leaf  |
| U20                                           | 9A   | U22                                         | 9B   | 2 meters     | Leaf to leaf  |
| U20                                           | 10A  | U22                                         | 10B  | 2 meters     | Leaf to leaf  |
| U20                                           | 11A  | U22                                         | 11B  | 2 meters     | Leaf to leaf  |
| U1                                            | 1B   | U20                                         | 8B   | 3 meters     | Spine to leaf |
| U1                                            | 0B   | U22                                         | 8B   | 3 meters     | Spine to leaf |

<sup>1</sup> Un is the unit location in the rack, where *n* is the number.

Figure C-4 identifies the locations of the ports on a Sun Network QDR InfiniBand Gateway switch. Ports 5A, 5B, 6A, 6B, and 7A are available to connect to another device, such as Oracle Exalytics In-Memory Machine. Oracle recommends that you start with port 5A. Port 7B is reserved for future use by Oracle Big Data Appliance.

**Figure C-4 Sun Network QDR InfiniBand Gateway Ports**



## C.8 In-Rack InfiniBand Switch-to-Server Cable Connections

Table C-6 lists the location, ports, and cables for the InfiniBand connections from the leaf switches to the servers.

**Table C-6 InfiniBand Switch-to-Server Cabling**

| From InfiniBand Switch Rack Unit <sup>1</sup> | Port | To Rack Unit <sup>1</sup> | Port <sup>2</sup> | Cable Length |
|-----------------------------------------------|------|---------------------------|-------------------|--------------|
| U22                                           | 0A   | U39                       | PCIe 3 P1         | 3 meters     |
| U22                                           | 0B   | U37                       | PCIe 3 P1         | 3 meters     |
| U22                                           | 1A   | U35                       | PCIe 3 P1         | 3 meters     |
| U22                                           | 1B   | U33                       | PCIe 3 P1         | 3 meters     |
| U22                                           | 2A   | U31                       | PCIe 3 P1         | 3 meters     |
| U22                                           | 2B   | U29                       | PCIe 3 P1         | 3 meters     |
| U22                                           | 3A   | U27                       | PCIe 3 P1         | 3 meters     |
| U22                                           | 3B   | U25                       | PCIe 3 P1         | 3 meters     |
| U22                                           | 4A   | U23                       | PCIe 3 P1         | 3 meters     |
| U20                                           | 0A   | U39                       | PCIe 3 P2         | 3 meters     |
| U20                                           | 0B   | U37                       | PCIe 3 P2         | 3 meters     |
| U20                                           | 1A   | U35                       | PCIe 3 P2         | 3 meters     |
| U20                                           | 1B   | U33                       | PCIe 3 P2         | 3 meters     |
| U20                                           | 2A   | U31                       | PCIe 3 P2         | 3 meters     |
| U20                                           | 2B   | U29                       | PCIe 3 P2         | 3 meters     |
| U20                                           | 3A   | U27                       | PCIe 3 P2         | 3 meters     |
| U20                                           | 3B   | U25                       | PCIe 3 P2         | 3 meters     |
| U20                                           | 4A   | U23                       | PCIe 3 P2         | 3 meters     |
| U20                                           | 4B   | U18                       | PCIe 3 P1         | 3 meters     |

**Table C-6 (Cont.) InfiniBand Switch-to-Server Cabling**

| From InfiniBand Switch Rack Unit <sup>1</sup> | Port | To Rack Unit <sup>1</sup> | Port <sup>2</sup> | Cable Length |
|-----------------------------------------------|------|---------------------------|-------------------|--------------|
| U20                                           | 12A  | U16                       | PCIe 3 P1         | 3 meters     |
| U20                                           | 12B  | U14                       | PCIe 3 P1         | 3 meters     |
| U20                                           | 13A  | U12                       | PCIe 3 P1         | 3 meters     |
| U20                                           | 13B  | U10                       | PCIe 3 P1         | 3 meters     |
| U20                                           | 14A  | U8                        | PCIe 3 P1         | 3 meters     |
| U20                                           | 14B  | U6                        | PCIe 3 P1         | 3 meters     |
| U20                                           | 15A  | U4                        | PCIe 3 P1         | 3 meters     |
| U20                                           | 15B  | U2                        | PCIe 3 P1         | 3 meters     |
| U22                                           | 4B   | U18                       | PCIe 3 P2         | 3 meters     |
| U22                                           | 12A  | U16                       | PCIe 3 P2         | 3 meters     |
| U22                                           | 12B  | U14                       | PCIe 3 P2         | 3 meters     |
| U22                                           | 13A  | U12                       | PCIe 3 P2         | 3 meters     |
| U22                                           | 13B  | U10                       | PCIe 3 P2         | 3 meters     |
| U22                                           | 14A  | U8                        | PCIe 3 P2         | 3 meters     |
| U22                                           | 14B  | U6                        | PCIe 3 P2         | 3 meters     |
| U22                                           | 15A  | U4                        | PCIe 3 P2         | 3 meters     |
| U22                                           | 15B  | U2                        | PCIe 3 P2         | 3 meters     |

<sup>1</sup> Un is the unit location in the rack, where n is the number.

<sup>2</sup> Pn is the InfiniBand port, where n is the port number.

# D

## In-Rack Cabling Tables for Oracle Big Data Appliance X4-2 and X3-2

The tables in this appendix show the in-rack cable connections for Oracle Big Data Appliance X4-2 and Oracle Big Data Appliance X3-2 racks. This appendix contains the following sections:

- [Cable Color Coding](#)
- [Oracle Big Data Appliance Rack Layout](#)
- [Administrative Gigabit Ethernet Cable Connections](#)
- [Oracle Integrated Lights Out Manager Cable Connections](#)
- [Single-Phase Power Distribution Unit Cable Connections](#)
- [Three-Phase Power Distribution Unit Cable Connections](#)
- [In-Rack InfiniBand Switch-to-Switch Cable Connections](#)
- [In-Rack InfiniBand Switch-to-Server Cable Connections](#)

### D.1 Cable Color Coding

The cables used in Oracle Big Data Appliance are color-coded as follows:

- **Black:** InfiniBand cables or AC power jumper cables
- **Red:** Integrated Lights Out Management (Oracle ILOM) Ethernet management cables
- **Blue:** Gigabit Ethernet management (eth0) cables

### D.2 Oracle Big Data Appliance Rack Layout

The following figures show the front and rear layouts for three configurations of Oracle Big Data Appliance X4-2 and X3-2: full rack, starter rack, and starter rack with High Capacity nodes plus InfiniBand Infrastructure.

[Figure D-1](#) shows the layout of a full rack for Oracle Big Data Appliance X4-2 or Oracle Big Data Appliance X3-2.

Figure D-1 Oracle Big Data Appliance X4-2 Full Rack Layout

| Rear View |                                      |    | Front View |                         |    |
|-----------|--------------------------------------|----|------------|-------------------------|----|
| U#        | Big Data Appliance                   | U# | U#         | Big Data Appliance      | U# |
| 42        | 1U Solid Filler                      | 42 | 42         | 1U Solid Filler         | 42 |
| 41        | 1U Solid Filler                      | 41 | 41         | 1U Solid Filler         | 41 |
| 40        | BDA Server 18                        | 40 | 40         | BDA Server 18           | 40 |
| 39        |                                      | 39 | 39         |                         |    |
| 38        | BDA Server 17                        | 38 | 38         | BDA Server 17           | 38 |
| 37        |                                      | 37 | 37         |                         |    |
| 36        | BDA Server 16                        | 36 | 36         | BDA Server 16           | 36 |
| 35        |                                      | 35 | 35         |                         |    |
| 34        | BDA Server 15                        | 34 | 34         | BDA Server 15           | 34 |
| 33        |                                      | 33 | 33         |                         |    |
| 32        | BDA Server 14                        | 32 | 32         | BDA Server 14           | 32 |
| 31        |                                      | 31 | 31         |                         |    |
| 30        | BDA Server 13                        | 30 | 30         | BDA Server 13           | 30 |
| 29        |                                      | 29 | 29         |                         |    |
| 28        | BDA Server 12                        | 28 | 28         | BDA Server 12           | 28 |
| 27        |                                      | 27 | 27         |                         |    |
| 26        | BDA Server 11                        | 26 | 26         | BDA Server 11           | 26 |
| 25        |                                      | 25 | 25         |                         |    |
| 24        | BDA Server 10                        | 24 | 24         | BDA Server 10           | 24 |
| 23        |                                      | 23 | 23         |                         |    |
| 22        | Sun Network QDR Infiniband GW Switch | 22 | 22         | 1U Vented Filler        | 22 |
| 21        | Cisco Ethernet "Admin" Switch        | 21 | 21         | 1U Vented Filler        | 21 |
| 20        | Sun Network QDR Infiniband GW Switch | 20 | 20         | 1U Vented Filler        | 20 |
| 19        | BDA Server 9                         | 19 | 19         | BDA Server 9            | 19 |
| 18        |                                      | 18 | 18         |                         |    |
| 17        | BDA Server 8                         | 17 | 17         | BDA Server 8            | 17 |
| 16        |                                      | 16 | 16         |                         |    |
| 15        | BDA Server 7                         | 15 | 15         | BDA Server 7            | 15 |
| 14        |                                      | 14 | 14         |                         |    |
| 13        | BDA Server 6                         | 13 | 13         | BDA Server 6            | 13 |
| 12        |                                      | 12 | 12         |                         |    |
| 11        | BDA Server 5                         | 11 | 11         | BDA Server 5            | 11 |
| 10        |                                      | 10 | 10         |                         |    |
| 9         | BDA Server 4                         | 9  | 9          | BDA Server 4            | 9  |
| 8         |                                      | 8  | 8          |                         |    |
| 7         | BDA Server 3                         | 7  | 7          | BDA Server 3            | 7  |
| 6         |                                      | 6  | 6          |                         |    |
| 5         | BDA Server 2                         | 5  | 5          | BDA Server 2            | 5  |
| 4         |                                      | 4  | 4          |                         |    |
| 3         | BDA Server 1                         | 3  | 3          | BDA Server 1            | 3  |
| 2         |                                      | 2  | 2          |                         |    |
| 1         | Sun Datacenter QDR Infiniband Switch | 1  | 1          | 1U Vented Filler        | 1  |
|           | Power Distribution Unit-A            |    |            | Power Distribution Unit |    |
|           | Power Distribution Unit-B            |    |            | Power Distribution Unit |    |



Figure D-2 shows the layout of a starter rack for Oracle Big Data Appliance X4-2 or Oracle Big Data Appliance X3-2.

Figure D-2 Oracle Big Data Appliance X4-2 Starter Rack Layout

| Rear View |                                      |    | Front View |                         |    |
|-----------|--------------------------------------|----|------------|-------------------------|----|
| U#        | Big Data Appliance                   | U# | U#         | Big Data Appliance      | U# |
| 42        | 1U Solid Filler                      | 42 | 42         | 1U Solid Filler         | 42 |
| 41        | 1U Solid Filler                      | 41 | 41         | 1U Solid Filler         | 41 |
| 40        | 1U Solid Filler                      | 40 | 40         | 1U Solid Filler         | 40 |
| 39        | 1U Solid Filler                      | 39 | 39         | 1U Solid Filler         | 39 |
| 38        | 1U Solid Filler                      | 38 | 38         | 1U Solid Filler         | 38 |
| 37        | 1U Solid Filler                      | 37 | 37         | 1U Solid Filler         | 37 |
| 36        | 1U Solid Filler                      | 36 | 36         | 1U Solid Filler         | 36 |
| 35        | 1U Solid Filler                      | 35 | 35         | 1U Solid Filler         | 35 |
| 34        | 1U Solid Filler                      | 34 | 34         | 1U Solid Filler         | 34 |
| 33        | 1U Solid Filler                      | 33 | 33         | 1U Solid Filler         | 33 |
| 32        | 1U Solid Filler                      | 32 | 32         | 1U Solid Filler         | 32 |
| 31        | 1U Solid Filler                      | 31 | 31         | 1U Solid Filler         | 31 |
| 30        | 1U Solid Filler                      | 30 | 30         | 1U Solid Filler         | 30 |
| 29        | 1U Solid Filler                      | 29 | 29         | 1U Solid Filler         | 29 |
| 28        | 1U Solid Filler                      | 28 | 28         | 1U Solid Filler         | 28 |
| 27        | 1U Solid Filler                      | 27 | 27         | 1U Solid Filler         | 27 |
| 26        | 1U Solid Filler                      | 26 | 26         | 1U Solid Filler         | 26 |
| 25        | 1U Solid Filler                      | 25 | 25         | 1U Solid Filler         | 25 |
| 24        | 1U Solid Filler                      | 24 | 24         | 1U Solid Filler         | 24 |
| 23        | 1U Solid Filler                      | 23 | 23         | 1U Solid Filler         | 23 |
| 22        | Sun Network QDR Infiniband GW Switch | 22 | 22         | 1U Vented Filler        | 22 |
| 21        | Cisco Ethernet "Admin" Switch        | 21 | 21         | 1U Vented Filler        | 21 |
| 20        | Sun Network QDR Infiniband GW Switch | 20 | 20         | 1U Vented Filler        | 20 |
| 19        | 1U Solid Filler                      | 19 | 19         | 1U Solid Filler         | 19 |
| 18        | 1U Solid Filler                      | 18 | 18         | 1U Solid Filler         | 18 |
| 17        | 1U Solid Filler                      | 17 | 17         | 1U Solid Filler         | 17 |
| 16        | 1U Solid Filler                      | 16 | 16         | 1U Solid Filler         | 16 |
| 15        | 1U Solid Filler                      | 15 | 15         | 1U Solid Filler         | 15 |
| 14        | 1U Solid Filler                      | 14 | 14         | 1U Solid Filler         | 14 |
| 13        | BDA Server 6                         | 13 | 13         | BDA Server 6            | 13 |
| 12        |                                      | 12 | 12         |                         | 12 |
| 11        | BDA Server 5                         | 11 | 11         | BDA Server 5            | 11 |
| 10        |                                      | 10 | 10         |                         | 10 |
| 9         | BDA Server 4                         | 9  | 9          | BDA Server 4            | 9  |
| 8         |                                      | 8  | 8          |                         | 8  |
| 7         | BDA Server 3                         | 7  | 7          | BDA Server 3            | 7  |
| 6         |                                      | 6  | 6          |                         | 6  |
| 5         | BDA Server 2                         | 5  | 5          | BDA Server 2            | 5  |
| 4         |                                      | 4  | 4          |                         | 4  |
| 3         | BDA Server 1                         | 3  | 3          | BDA Server 1            | 3  |
| 2         |                                      | 2  | 2          |                         | 2  |
| 1         | Sun Datacenter QDR Infiniband Switch | 1  | 1          | 1U Vented Filler        | 1  |
|           | Power Distribution Unit-A            |    |            | Power Distribution Unit |    |
|           | Power Distribution Unit-B            |    |            | Power Distribution Unit |    |

Figure D-3 shows the layout of an Oracle Big Data Appliance X4-2 or Oracle Big Data Appliance X3-2 starter rack with High Capacity Nodes plus InfiniBand Infrastructure.

Figure D-3 Oracle Big Data Appliance X4-2 Starter Rack With Big Data Appliance X5-2 High Capacity Nodes Plus InfiniBand Infrastructure

| Rear View |                                      |    | Front View |                           |    |
|-----------|--------------------------------------|----|------------|---------------------------|----|
| U#        | Big Data Appliance                   | U# | U#         | Big Data Appliance        | U# |
| 42        | 1U Solid Filler                      | 42 | 42         | 1U Solid Filler           | 42 |
| 41        | 1U Solid Filler                      | 41 | 41         | 1U Solid Filler           | 41 |
| 40        | 1U Solid Filler                      | 40 | 40         | 1U Solid Filler           | 40 |
| 39        | 1U Solid Filler                      | 39 | 39         | 1U Solid Filler           | 39 |
| 38        | 1U Solid Filler                      | 38 | 38         | 1U Solid Filler           | 38 |
| 37        | 1U Solid Filler                      | 37 | 37         | 1U Solid Filler           | 37 |
| 36        | 1U Solid Filler                      | 36 | 36         | 1U Solid Filler           | 36 |
| 35        | 1U Solid Filler                      | 35 | 35         | 1U Solid Filler           | 35 |
| 34        | 1U Solid Filler                      | 34 | 34         | 1U Solid Filler           | 34 |
| 33        | 1U Solid Filler                      | 33 | 33         | 1U Solid Filler           | 33 |
| 32        | 1U Solid Filler                      | 32 | 32         | 1U Solid Filler           | 32 |
| 31        | 1U Solid Filler                      | 31 | 31         | 1U Solid Filler           | 31 |
| 30        | 1U Solid Filler                      | 30 | 30         | 1U Solid Filler           | 30 |
| 29        | 1U Solid Filler                      | 29 | 29         | 1U Solid Filler           | 29 |
| 28        | BDA Server 12                        | 28 | 28         | BDA Server 12             | 28 |
| 27        |                                      | 27 | 27         |                           |    |
| 26        | BDA Server 11                        | 26 | 26         | BDA Server 11             | 26 |
| 25        |                                      | 25 | 25         |                           |    |
| 24        | BDA Server 10                        | 24 | 24         | BDA Server 10             | 24 |
| 23        |                                      | 23 | 23         |                           |    |
| 22        | Sun Network QDR Infiniband GW Switch | 22 | 22         | 1U Vented Filler          | 22 |
| 21        | Cisco Ethernet "Admin" Switch        | 21 | 21         | 1U Vented Filler          | 21 |
| 20        | Sun Network QDR Infiniband GW Switch | 20 | 20         | 1U Vented Filler          | 20 |
| 19        | BDA Server 9                         | 19 | 19         | BDA Server 9              | 19 |
| 18        |                                      | 18 | 18         |                           |    |
| 17        | BDA Server 8                         | 17 | 17         | BDA Server 8              | 17 |
| 16        |                                      | 16 | 16         |                           |    |
| 15        | BDA Server 7                         | 15 | 15         | BDA Server 7              | 15 |
| 14        |                                      | 14 | 14         |                           |    |
| 13        | BDA Server 6                         | 13 | 13         | BDA Server 6              | 13 |
| 12        |                                      | 12 | 12         |                           |    |
| 11        | BDA Server 5                         | 11 | 11         | BDA Server 5              | 11 |
| 10        |                                      | 10 | 10         |                           |    |
| 9         | BDA Server 4                         | 9  | 9          | BDA Server 4              | 9  |
| 8         |                                      | 8  | 8          |                           |    |
| 7         | BDA Server 3                         | 7  | 7          | BDA Server 3              | 7  |
| 6         |                                      | 6  | 6          |                           |    |
| 5         | BDA Server 2                         | 5  | 5          | BDA Server 2              | 5  |
| 4         |                                      | 4  | 4          |                           |    |
| 3         | BDA Server 1                         | 3  | 3          | BDA Server 1              | 3  |
| 2         |                                      | 2  | 2          |                           |    |
| 1         | Sun Datacenter QDR Infiniband Switch | 1  | 1          | 1U Vented Filler          | 1  |
|           | Power Distribution Unit-A            |    |            | Power Distribution Unit-A |    |

## D.3 Administrative Gigabit Ethernet Cable Connections

**Table D-1** shows the cable connections for the administrative Gigabit Ethernet network (Net 0). The Ethernet switch is located in rack unit 21. The cables are 10 feet long and black.

**Table D-1 Administrative Gigabit Ethernet Cabling**

| From Rack Unit <sup>1</sup> | Component     | To Ethernet Port |
|-----------------------------|---------------|------------------|
| U39                         | Server 18     | 1                |
| U37                         | Server 17     | 3                |
| U35                         | Server 16     | 5                |
| U33                         | Server 15     | 7                |
| U31                         | Server 14     | 9                |
| U29                         | Server 13     | 11               |
| U27                         | Server 12     | 13               |
| U25                         | Server 11     | 17               |
| U23                         | Server 10     | 21               |
| U22                         | NM2-IB Switch | 45               |
| U20                         | NM2-IB Switch | 46               |
| U18                         | Server 9      | 25               |
| U16                         | Server 8      | 29               |
| U14                         | Server 7      | 31               |
| U12                         | Server 6      | 33               |
| U10                         | Server 5      | 35               |
| U8                          | Server 4      | 37               |
| U6                          | Server 3      | 39               |
| U4                          | Server 2      | 41               |
| U2                          | Server 1      | 43               |
| U1                          | NM2-IB Switch | 47               |

<sup>1</sup> Un is the unit location in the rack, where n is the number.

## D.4 Oracle Integrated Lights Out Manager Cable Connections

**Table D-2** shows the cable connections from the servers to the Oracle ILOM switch. The Oracle ILOM ports on the servers are labeled Net Mgt and connect to the Cisco Ethernet switch located in rack unit 21.

**Table D-2 Oracle ILOM Cabling**

| From Rack Unit <sup>1</sup> | Component | Ethernet Port | Cable Length | Cable Color |
|-----------------------------|-----------|---------------|--------------|-------------|
| U39                         | Server 18 | 2             | 10 feet      | Red         |
| U37                         | Server 17 | 4             | 10 feet      | Red         |
| U35                         | Server 16 | 6             | 10 feet      | Red         |
| U33                         | Server 15 | 8             | 10 feet      | Red         |
| U31                         | Server 14 | 10            | 10 feet      | Red         |
| U29                         | Server 13 | 12            | 10 feet      | Red         |
| U27                         | Server 12 | 14            | 10 feet      | Red         |
| U25                         | Server 11 | 18            | 10 feet      | Red         |
| U23                         | Server 10 | 22            | 10 feet      | Red         |
| U18                         | Server 9  | 26            | 10 feet      | Red         |
| U16                         | Server 8  | 30            | 10 feet      | Red         |
| U14                         | Server 7  | 32            | 10 feet      | Red         |
| U12                         | Server 6  | 34            | 10 feet      | Red         |
| U10                         | Server 5  | 36            | 10 feet      | Red         |
| U8                          | Server 4  | 38            | 10 feet      | Red         |
| U6                          | Server 3  | 40            | 10 feet      | Red         |
| U4                          | Server 2  | 42            | 10 feet      | Red         |
| U2                          | Server 1  | 44            | 10 feet      | Red         |
| PDU-A                       | PDU-A     | 15            | 1 meter      | White       |
| PDU-B                       | PDU-B     | 19            | 1 meter      | White       |
| Not applicable              | Service   | 48            | 10 feet      | Blue        |

<sup>1</sup> Un is the unit location in the rack, where n is the number.

## D.5 Single-Phase Power Distribution Unit Cable Connections

Table D-3 shows the connections for single-phase cabling from each power distribution unit (PDU) to the power supplies in the rack. The cables terminate at PDU-A on the left and are routed to the right to enter the cable management arm (CMA). The cables are bundled in groups of four.

**Table D-3 Single-Phase PDU Cabling**

| Rack Unit <sup>1</sup> | PDU-A/PS-00 | PDU-B/PS-01 | Cable Length |
|------------------------|-------------|-------------|--------------|
| U39                    | G5-6        | G0-0        | 2 meters     |
| U37                    | G5-3        | G0-3        | 2 meters     |
| U35                    | G5-0        | G0-6        | 2 meters     |
| U33                    | G4-6        | G1-0        | 2 meters     |

**Table D-3 (Cont.) Single-Phase PDU Cabling**

| Rack Unit <sup>1</sup> | PDU-A/PS-00    | PDU-B/PS-01 | Cable Length |
|------------------------|----------------|-------------|--------------|
| U31                    | G4-4           | G1-2        | 2 meters     |
| U29                    | G4-2           | G1-4        | 2 meters     |
| U27                    | G3-6           | G2-0        | 2 meters     |
| U25                    | G3-5           | G2-1        | 2 meters     |
| U23                    | G3-3           | G2-3        | 2 meters     |
| U24                    | G3-1           | G2-5        | 2 meters     |
| U23                    | Not applicable | G3-0        | included     |
| U22                    | G2-5           | G3-1        | 1 meter      |
| U21                    | G3-0           | G2-6        | 2 meters     |
| U20                    | G2-4           | G3-2        | 2 meters     |
| U18                    | G2-2           | G3-4        | 2 meters     |
| U16                    | G1-6           | G4-0        | 2 meters     |
| U14                    | G2-0           | G3-6        | 2 meters     |
| U12                    | G1-4           | G4-2        | 2 meters     |
| U10                    | G1-2           | G4-4        | 2 meters     |
| U8                     | G1-0           | G4-6        | 2 meters     |
| U6                     | G0-6           | G5-0        | 2 meters     |
| U4                     | G0-4           | G5-2        | 2 meters     |
| U2                     | G0-2           | G5-4        | 2 meters     |
| U1                     | G0-0           | G5-6        | 2 meters     |

<sup>1</sup> Un is the unit location in the rack, where n is the number.

## D.6 Three-Phase Power Distribution Unit Cable Connections

Table D-4 describes three-phase cabling from each power distribution unit (PDU) to the power supplies in the rack. The cables are terminated to PDU-A on the left, are routed to the right to enter the cable management arm (CMA), and are bundled in groups of four.

**Table D-4 Three-Phase PDU Cabling**

| Rack Unit <sup>1</sup> | PDU-A/PS-00 | PDU-B/PS-01 | Cable Length |
|------------------------|-------------|-------------|--------------|
| U39                    | G5-6        | G2-0        | 2 meters     |
| U37                    | G5-3        | G2-3        | 2 meters     |
| U35                    | G5-0        | G2-6        | 2 meters     |
| U33                    | G4-6        | G1-0        | 2 meters     |
| U31                    | G4-4        | G1-2        | 2 meters     |
| U29                    | G4-2        | G1-4        | 2 meters     |
| U27                    | G3-6        | G0-0        | 2 meters     |

**Table D-4 (Cont.) Three-Phase PDU Cabling**

| Rack Unit <sup>1</sup> | PDU-A/PS-00    | PDU-B/PS-01 | Cable Length |
|------------------------|----------------|-------------|--------------|
| U25                    | G3-5           | G0-1        | 2 meters     |
| U23                    | G3-3           | G0-3        | 2 meters     |
| U24                    | G3-1           | G0-5        | 2 meters     |
| U23                    | Not applicable | G5-0        | Included     |
| U22                    | G2-5           | G5-1        | 1 meter      |
| U21                    | G3-0           | G0-6        | 2 meters     |
| U20                    | G2-4           | G5-2        | 2 meters     |
| U18                    | G2-2           | G5-4        | 2 meters     |
| U16                    | G1-6           | G4-0        | 2 meters     |
| U14                    | G2-0           | G5-6        | 2 meters     |
| U12                    | G1-4           | G4-2        | 2 meters     |
| U10                    | G1-2           | G4-4        | 2 meters     |
| U8                     | G1-0           | G4-6        | 2 meters     |
| U6                     | G0-6           | G3-0        | 2 meters     |
| U4                     | G0-4           | G3-2        | 2 meters     |
| U2                     | G0-2           | G3-4        | 2 meters     |
| U1                     | G0-0           | G3-6        | 2 meters     |

<sup>1</sup> Un is the unit location in the rack, where n is the number.

## D.7 In-Rack InfiniBand Switch-to-Switch Cable Connections

Table D-5 lists the location, ports, and cables for the InfiniBand connections from switch to switch.

**Table D-5 InfiniBand Switch-to-Switch Cabling**

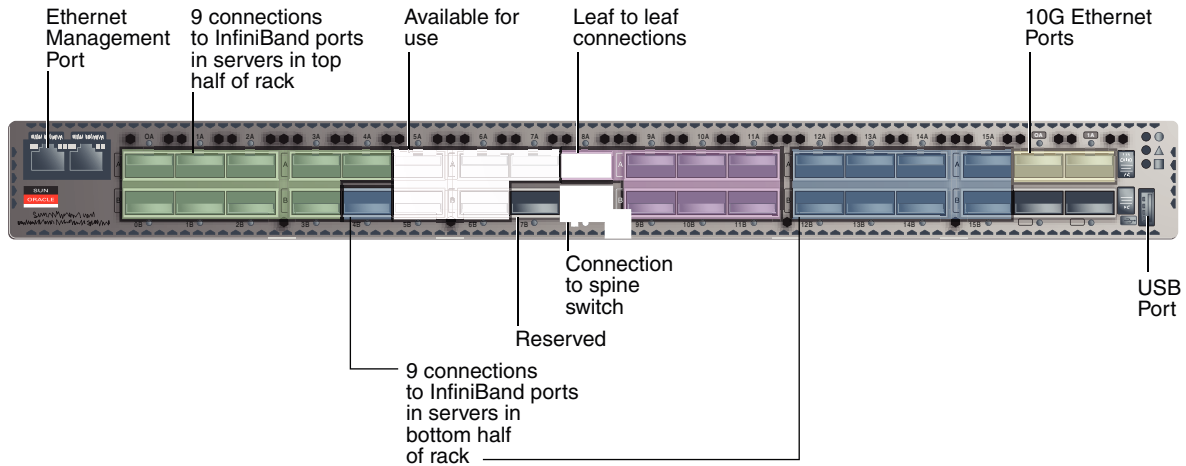
| From InfiniBand Switch Rack Unit <sup>1</sup> | Port | To InfiniBand Switch Rack Unit <sup>1</sup> | Port | Cable Length | Description   |
|-----------------------------------------------|------|---------------------------------------------|------|--------------|---------------|
| U20                                           | 9B   | U22                                         | 9A   | 2 meters     | Leaf to leaf  |
| U20                                           | 10B  | U22                                         | 10A  | 2 meters     | Leaf to leaf  |
| U20                                           | 11B  | U22                                         | 11A  | 2 meters     | Leaf to leaf  |
| U20                                           | 8A   | U22                                         | 8A   | 2 meters     | Leaf to leaf  |
| U20                                           | 9A   | U22                                         | 9B   | 2 meters     | Leaf to leaf  |
| U20                                           | 10A  | U22                                         | 10B  | 2 meters     | Leaf to leaf  |
| U20                                           | 11A  | U22                                         | 11B  | 2 meters     | Leaf to leaf  |
| U1                                            | 0B   | U20                                         | 8B   | 3 meters     | Spine to leaf |
| U1                                            | 1B   | U22                                         | 8B   | 3 meters     | Spine to leaf |

<sup>1</sup> Un is the unit location in the rack, where n is the number.



Figure D-4 identifies the locations of the ports on a Sun Network QDR InfiniBand Gateway switch. Ports 5A, 5B, 6A, 6B, and 7A are available to connect to another device, such as Oracle Exalytics In-Memory Machine. Oracle recommends that you start with port 5A. Port 7B is reserved for future use by Oracle Big Data Appliance.

**Figure D-4 Sun Network QDR InfiniBand Gateway Ports**



## D.8 In-Rack InfiniBand Switch-to-Server Cable Connections

Table D-6 lists the location, ports, and cables for the InfiniBand connections from the leaf switches to the servers.

**Table D-6 InfiniBand Switch-to-Server Cabling**

| From InfiniBand Switch Rack Unit <sup>1</sup> | Port | To Rack Unit <sup>1</sup> | Port <sup>2</sup> | Cable Length |
|-----------------------------------------------|------|---------------------------|-------------------|--------------|
| U22                                           | 0A   | U39                       | PCIe 3 P1         | 3 meters     |
| U22                                           | 0B   | U37                       | PCIe 3 P1         | 3 meters     |
| U22                                           | 1A   | U35                       | PCIe 3 P1         | 3 meters     |
| U22                                           | 1B   | U33                       | PCIe 3 P1         | 3 meters     |
| U22                                           | 2A   | U31                       | PCIe 3 P1         | 3 meters     |
| U22                                           | 2B   | U29                       | PCIe 3 P1         | 3 meters     |
| U22                                           | 3A   | U27                       | PCIe 3 P1         | 3 meters     |
| U22                                           | 3B   | U25                       | PCIe 3 P1         | 2 meters     |
| U22                                           | 4A   | U23                       | PCIe 3 P1         | 2 meters     |
| U20                                           | 0A   | U39                       | PCIe 3 P2         | 3 meters     |
| U20                                           | 0B   | U37                       | PCIe 3 P2         | 3 meters     |
| U20                                           | 1A   | U35                       | PCIe 3 P2         | 3 meters     |
| U20                                           | 1B   | U33                       | PCIe 3 P2         | 3 meters     |
| U20                                           | 2A   | U31                       | PCIe 3 P2         | 3 meters     |

**Table D-6 (Cont.) InfiniBand Switch-to-Server Cabling**

| From InfiniBand Switch Rack Unit <sup>1</sup> | Port | To Rack Unit <sup>1</sup> | Port <sup>2</sup> | Cable Length |
|-----------------------------------------------|------|---------------------------|-------------------|--------------|
| U20                                           | 2B   | U29                       | PCIe 3 P2         | 3 meters     |
| U20                                           | 3A   | U27                       | PCIe 3 P2         | 3 meters     |
| U20                                           | 3B   | U25                       | PCIe 3 P2         | 2 meters     |
| U20                                           | 4A   | U23                       | PCIe 3 P2         | 2 meters     |
| U20                                           | 4B   | U18                       | PCIe 3 P1         | 2 meters     |
| U20                                           | 12A  | U16                       | PCIe 3 P1         | 2 meters     |
| U20                                           | 12B  | U14                       | PCIe 3 P1         | 3 meters     |
| U20                                           | 13A  | U12                       | PCIe 3 P1         | 3 meters     |
| U20                                           | 13B  | U10                       | PCIe 3 P1         | 3 meters     |
| U20                                           | 14A  | U8                        | PCIe 3 P1         | 3 meters     |
| U20                                           | 14B  | U6                        | PCIe 3 P1         | 3 meters     |
| U20                                           | 15A  | U4                        | PCIe 3 P1         | 3 meters     |
| U20                                           | 15B  | U2                        | PCIe 3 P1         | 3 meters     |
| U22                                           | 4B   | U18                       | PCIe 3 P2         | 2 meters     |
| U22                                           | 12A  | U16                       | PCIe 3 P2         | 2 meters     |
| U22                                           | 12B  | U14                       | PCIe 3 P2         | 3 meters     |
| U22                                           | 13A  | U12                       | PCIe 3 P2         | 3 meters     |
| U22                                           | 13B  | U10                       | PCIe 3 P2         | 3 meters     |
| U22                                           | 14A  | U8                        | PCIe 3 P2         | 3 meters     |
| U22                                           | 14B  | U6                        | PCIe 3 P2         | 3 meters     |
| U22                                           | 15A  | U4                        | PCIe 3 P2         | 3 meters     |
| U22                                           | 15B  | U2                        | PCIe 3 P2         | 3 meters     |

<sup>1</sup>  $Un$  is the unit location in the rack, where  $n$  is the number.

<sup>2</sup>  $Pn$  is the InfiniBand port, where  $n$  is the port number.

# E

## In-Rack Cabling Tables for Oracle Big Data Appliance Sun Fire X4270 M2

The tables in this appendix show the in-rack cable connections for Sun Fire X4270 M2-based Oracle Big Data Appliance racks. This appendix contains the following sections:

- [Cable Color Coding](#)
- [Oracle Big Data Appliance Rack Layout](#)
- [KVM Network Cable Connections](#)
- [Administrative Gigabit Ethernet Cable Connections](#)
- [Oracle Integrated Lights Out Manager Cable Connections](#)
- [Single-Phase Power Distribution Unit Cable Connections](#)
- [Three-Phase Power Distribution Unit Cable Connections](#)
- [In-Rack InfiniBand Switch-to-Switch Cable Connections](#)
- [In-Rack InfiniBand Switch-to-Server Cable Connections](#)

### E.1 Cable Color Coding

The cables used in Oracle Big Data Appliance are color-coded as follows:

- Black: InfiniBand cables or AC power jumper cables
- Red: Integrated Lights Out Management (Oracle ILOM) Ethernet management cables
- Blue: Gigabit Ethernet management (eth0) cables
- Orange: KVM switch to dongle cables

### E.2 Oracle Big Data Appliance Rack Layout

[Figure E-1](#) shows the front and rear layout of an Oracle Big Data Appliance rack.

Figure E-1 Rack Layout of Oracle Big Data Appliance

| Rear View |                                      |                    |       |    | Front View                |       |                    |       |    |
|-----------|--------------------------------------|--------------------|-------|----|---------------------------|-------|--------------------|-------|----|
| U#        | PDU A                                | Big Data Appliance | PDU B | U# | U#                        | PDU B | Big Data Appliance | PDU A | U# |
| 42        | INP2                                 | BDA Server 18      | INP0  | 42 | 42                        | INP0  | BDA Server 18      | INP2  | 42 |
| 41        |                                      | BDA Server 17      |       | 41 | 41                        |       |                    |       |    |
| 40        |                                      | BDA Server 16      |       | 40 | 40                        |       |                    |       |    |
| 39        |                                      | BDA Server 15      |       | 39 | 39                        |       |                    |       |    |
| 38        |                                      | BDA Server 14      |       | 38 | 38                        |       |                    |       |    |
| 37        |                                      | BDA Server 13      |       | 37 | 37                        |       |                    |       |    |
| 36        |                                      | BDA Server 12      |       | 36 | 36                        |       |                    |       |    |
| 35        |                                      | BDA Server 11      |       | 35 | 35                        |       |                    |       |    |
| 34        |                                      | BDA Server 10      |       | 34 | 34                        |       |                    |       |    |
| 33        |                                      | BDA Server 9       |       | 33 | 33                        |       |                    |       |    |
| 32        |                                      | BDA Server 8       |       | 32 | 32                        |       |                    |       |    |
| 31        |                                      | BDA Server 7       |       | 31 | 31                        |       |                    |       |    |
| 30        |                                      | BDA Server 6       |       | 30 | 30                        |       |                    |       |    |
| 29        |                                      | BDA Server 5       |       | 29 | 29                        |       |                    |       |    |
| 28        |                                      | BDA Server 4       |       | 28 | 28                        |       |                    |       |    |
| 27        |                                      | BDA Server 3       |       | 27 | 27                        |       |                    |       |    |
| 26        |                                      | BDA Server 2       |       | 26 | 26                        |       |                    |       |    |
| 25        |                                      | BDA Server 1       |       | 25 | 25                        |       |                    |       |    |
| 24        | Sun Network QDR Infiniband GW Switch | 24                 | 24    | 24 | 1U Vented Filler          | 24    | 24                 |       |    |
| 23        | KVM LCD                              | 23                 | 23    | 23 | KVM LCD                   | 23    | 23                 |       |    |
| 22        | KVM Switch                           | 22                 | 22    | 22 | 1U Vented Filler          | 22    | 22                 |       |    |
| 21        | Cisco Ethernet "Admin" Switch        | 21                 | 21    | 21 | 1U Vented Filler          | 21    | 21                 |       |    |
| 20        | Sun Network QDR Infiniband GW Switch | 20                 | 20    | 20 | 1U Vented Filler          | 20    | 20                 |       |    |
| 19        | BDA Server 18                        | 19                 | 19    | 19 | BDA Server 18             | 19    | 19                 |       |    |
| 18        | BDA Server 17                        | 18                 | 18    | 18 | BDA Server 17             | 18    | 18                 |       |    |
| 17        | BDA Server 16                        | 17                 | 17    | 17 | BDA Server 16             | 17    | 17                 |       |    |
| 16        | BDA Server 15                        | 16                 | 16    | 16 | BDA Server 15             | 16    | 16                 |       |    |
| 15        | BDA Server 14                        | 15                 | 15    | 15 | BDA Server 14             | 15    | 15                 |       |    |
| 14        | BDA Server 13                        | 14                 | 14    | 14 | BDA Server 13             | 14    | 14                 |       |    |
| 13        | BDA Server 12                        | 13                 | 13    | 13 | BDA Server 12             | 13    | 13                 |       |    |
| 12        | BDA Server 11                        | 12                 | 12    | 12 | BDA Server 11             | 12    | 12                 |       |    |
| 11        | BDA Server 10                        | 11                 | 11    | 11 | BDA Server 10             | 11    | 11                 |       |    |
| 10        | BDA Server 9                         | 10                 | 10    | 10 | BDA Server 9              | 10    | 10                 |       |    |
| 9         | BDA Server 8                         | 9                  | 9     | 9  | BDA Server 8              | 9     | 9                  |       |    |
| 8         | BDA Server 7                         | 8                  | 8     | 8  | BDA Server 7              | 8     | 8                  |       |    |
| 7         | BDA Server 6                         | 7                  | 7     | 7  | BDA Server 6              | 7     | 7                  |       |    |
| 6         | BDA Server 5                         | 6                  | 6     | 6  | BDA Server 5              | 6     | 6                  |       |    |
| 5         | BDA Server 4                         | 5                  | 5     | 5  | BDA Server 4              | 5     | 5                  |       |    |
| 4         | BDA Server 3                         | 4                  | 4     | 4  | BDA Server 3              | 4     | 4                  |       |    |
| 3         | BDA Server 2                         | 3                  | 3     | 3  | BDA Server 2              | 3     | 3                  |       |    |
| 2         | BDA Server 1                         | 2                  | 2     | 2  | BDA Server 1              | 2     | 2                  |       |    |
| 1         | Sun Datacenter QDR Infiniband Switch | 1                  | 1     | 1  | 1U Vented Filler          | 1     | 1                  |       |    |
|           | Power Distribution Unit-A            |                    |       |    | Power Distribution Unit-A |       |                    |       |    |
|           | Power Distribution Unit-B            |                    |       |    | Power Distribution Unit-B |       |                    |       |    |

## E.3 KVM Network Cable Connections

A KVM switch is provided only in Sun Fire X4270 M2-based rack.

Table E-1 shows the keyboard, video, and mouse (KVM) network cabling to the servers. The cables are orange.

**Table E-1 KVM Cabling**

| From Rack Unit | Component          | To KVM Port |
|----------------|--------------------|-------------|
| U41            | Server 18          | 1           |
| U39            | Server 17          | 2           |
| U37            | Server 16          | 3           |
| U35            | Server 15          | 4           |
| U33            | Server 14          | 5           |
| U31            | Server 13          | 6           |
| U29            | Server 12          | 7           |
| U28            | Server 11          | 8           |
| U27            | Server 10          | 9           |
| U26            | NM2-IB leaf switch | 10          |
| U25            | KVM switch         | 11          |
| U19            | KVM tray           | 12          |
| U18            | Cisco switch       | 13          |
| U17            | NM2-IB leaf switch | 14          |
| U16            | Server 9           | 15          |
| U14            | Server 8           | 16          |
| U12            | Server 7           | 17          |
| U10            | Server 6           | 18          |
| U8             | Server 5           | 19          |
| U6             | Server 4           | 20          |
| U4             | Server 3           | 21          |
| U2             | Server 2           | 22          |

## E.4 Administrative Gigabit Ethernet Cable Connections

Table E-2 shows the cable connections for the administrative Gigabit Ethernet network (Net 0). The Ethernet switch is located in rack unit 21. The cables are 10 feet long and black.

**Table E-2 Administrative Gigabit Ethernet Cabling**

| From Rack Unit <sup>1</sup> | Component | To Ethernet Port |
|-----------------------------|-----------|------------------|
| U41                         | Server 18 | 1                |
| U39                         | Server 17 | 3                |
| U37                         | Server 16 | 5                |
| U35                         | Server 15 | 7                |
| U33                         | Server 14 | 9                |
| U31                         | Server 13 | 11               |
| U29                         | Server 12 | 13               |

**Table E-2 (Cont.) Administrative Gigabit Ethernet Cabling**

| From Rack Unit <sup>1</sup> | Component     | To Ethernet Port |
|-----------------------------|---------------|------------------|
| U27                         | Server 11     | 17               |
| U25                         | Server 11     | 21               |
| U24                         | NM2-IB Switch | 45               |
| U20                         | NM2-IB Switch | 46               |
| U18                         | Server 10     | 25               |
| U16                         | Server 9      | 29               |
| U14                         | Server8       | 31               |
| U12                         | Server 7      | 33               |
| U10                         | Server 6      | 35               |
| U8                          | Server 5      | 37               |
| U6                          | Server 4      | 39               |
| U4                          | Server 3      | 41               |
| U2                          | NM2-IB Switch | 43               |
| U1                          | Server 2      | 47               |

<sup>1</sup> Un is the unit location in the rack, where n is the number.

## E.5 Oracle Integrated Lights Out Manager Cable Connections

Table E-3 shows the cable connections from the servers to the Oracle ILOM switch. The Oracle ILOM ports on the servers are labeled Net Mgt and connect to the Cisco Ethernet switch located in rack unit 21.

**Table E-3 Oracle ILOM Cabling**

| From Rack Unit <sup>1</sup> | Component | Ethernet Port | Cable Length | Cable Color |
|-----------------------------|-----------|---------------|--------------|-------------|
| U41                         | Server 18 | 2             | 10 feet      | Red         |
| U39                         | Server 17 | 4             | 10 feet      | Red         |
| U37                         | Server 16 | 6             | 10 feet      | Red         |
| U35                         | Server 15 | 8             | 10 feet      | Red         |
| U33                         | Server 14 | 10            | 10 feet      | Red         |
| U31                         | Server 13 | 12            | 10 feet      | Red         |
| U29                         | Server 12 | 14            | 10 feet      | Red         |
| U27                         | Server 11 | 18            | 10 feet      | Red         |
| U25                         | Server 10 | 22            | 10 feet      | Red         |
| U18                         | Server 9  | 26            | 10 feet      | Red         |
| U16                         | Server 8  | 30            | 10 feet      | Red         |
| U14                         | Server 7  | 32            | 10 feet      | Red         |

**Table E-3 (Cont.) Oracle ILOM Cabling**

| From Rack Unit <sup>1</sup> | Component | Ethernet Port | Cable Length | Cable Color |
|-----------------------------|-----------|---------------|--------------|-------------|
| U12                         | Server 6  | 34            | 10 feet      | Red         |
| U10                         | Server 5  | 36            | 10 feet      | Red         |
| U8                          | Server 4  | 38            | 10 feet      | Red         |
| U6                          | Server 3  | 40            | 10 feet      | Red         |
| U4                          | Server 2  | 42            | 10 feet      | Red         |
| U2                          | Server 1  | 44            | 10 feet      | Red         |
| PDU-A                       | PDU-A     | 15            | 1 meter      | White       |
| PDU-B                       | PDU-B     | 20            | 1 meter      | White       |
| Not applicable              | Service   | 48            | 10 feet      | Blue        |

<sup>1</sup> Un is the unit location in the rack, where n is the number.

## E.6 Single-Phase Power Distribution Unit Cable Connections

Table E-4 shows the connections for single-phase cabling from each power distribution unit (PDU) to the power supplies in the rack. The cables terminate at PDU-A on the left and are routed to the right to enter the cable management arm (CMA). The cables are bundled in groups of four.

**Table E-4 Single-Phase PDU Cabling**

| Rack Unit <sup>1</sup> | PDU-A/PS-00    | PDU-B/PS-01 | Cable Length |
|------------------------|----------------|-------------|--------------|
| U41                    | G5-6           | G0-0        | 2 meters     |
| U39                    | G5-3           | G0-3        | 2 meters     |
| U37                    | G5-0           | G0-6        | 2 meters     |
| U35                    | G4-6           | G1-0        | 2 meters     |
| U33                    | G4-4           | G1-2        | 2 meters     |
| U31                    | G4-2           | G1-4        | 2 meters     |
| U29                    | G3-6           | G2-0        | 2 meters     |
| U27                    | G3-5           | G2-1        | 2 meters     |
| U25                    | G3-3           | G2-3        | 2 meters     |
| U24                    | G3-1           | G2-5        | 2 meters     |
| U23                    | Not Applicable | G3-0        | included     |
| U22                    | G2-5           | G3-1        | 1 meter      |
| U21                    | G3-0           | G2-6        | 2 meters     |
| U20                    | G2-4           | G3-2        | 2 meters     |
| U18                    | G2-2           | G3-4        | 2 meters     |
| U16                    | G1-6           | G4-0        | 2 meters     |

**Table E-4 (Cont.) Single-Phase PDU Cabling**

| Rack Unit <sup>1</sup> | PDU-A/PS-00 | PDU-B/PS-01 | Cable Length |
|------------------------|-------------|-------------|--------------|
| U14                    | G2-0        | G3-6        | 2 meters     |
| U12                    | G1-4        | G4-2        | 2 meters     |
| U10                    | G1-2        | G4-4        | 2 meters     |
| U8                     | G1-0        | G4-6        | 2 meters     |
| U6                     | G0-6        | G5-0        | 2 meters     |
| U4                     | G0-4        | G5-2        | 2 meters     |
| U2                     | G0-2        | G5-4        | 2 meters     |
| U1                     | G0-0        | G5-6        | 2 meters     |

<sup>1</sup> Un is the unit location in the rack, where n is the number.

## E.7 Three-Phase Power Distribution Unit Cable Connections

Table E-5 describes three-phase cabling from each power distribution unit (PDU) to the power supplies in the rack. The cables are terminated to PDU-A on the left, are routed to the right to enter the cable management arm (CMA), and are bundled in groups of four.

**Table E-5 Three-Phase PDU Cabling**

| Rack Unit <sup>1</sup> | PDU-A/PS-00    | PDU-B/PS-01 | Cable Length |
|------------------------|----------------|-------------|--------------|
| U41                    | G5-6           | G2-0        | 2 meters     |
| U39                    | G5-3           | G2-3        | 2 meters     |
| U37                    | G5-0           | G2-6        | 2 meters     |
| U35                    | G4-6           | G1-0        | 2 meters     |
| U33                    | G4-4           | G1-2        | 2 meters     |
| U31                    | G4-2           | G1-4        | 2 meters     |
| U29                    | G3-6           | G0-0        | 2 meters     |
| U27                    | G3-5           | G0-1        | 2 meters     |
| U25                    | G3-3           | G0-3        | 2 meters     |
| U24                    | G3-1           | G0-5        | 2 meters     |
| U23                    | Not Applicable | G5-0        | Included     |
| U22                    | G2-5           | G5-1        | 1 meter      |
| U21                    | G3-0           | G0-6        | 2 meters     |
| U20                    | G2-4           | G5-2        | 2 meters     |
| U18                    | G2-2           | G5-4        | 2 meters     |
| U16                    | G1-6           | G4-0        | 2 meters     |
| U14                    | G2-0           | G5-6        | 2 meters     |
| U12                    | G1-4           | G4-2        | 2 meters     |
| U10                    | G1-2           | G4-4        | 2 meters     |



**Table E-5 (Cont.) Three-Phase PDU Cabling**

| Rack Unit <sup>1</sup> | PDU-A/PS-00 | PDU-B/PS-01 | Cable Length |
|------------------------|-------------|-------------|--------------|
| U8                     | G1-0        | G4-6        | 2 meters     |
| U6                     | G0-6        | G3-0        | 2 meters     |
| U4                     | G0-4        | G3-2        | 2 meters     |
| U2                     | G0-2        | G3-4        | 2 meters     |
| U1                     | G0-0        | G3-6        | 2 meters     |

<sup>1</sup> Un is the unit location in the rack, where n is the number.

## E.8 In-Rack InfiniBand Switch-to-Switch Cable Connections

Table E-6 lists the location, ports, and cables for the InfiniBand connections from switch to switch. Figure E-2 identifies the locations of the ports on a Sun Network QDR InfiniBand Gateway switch.

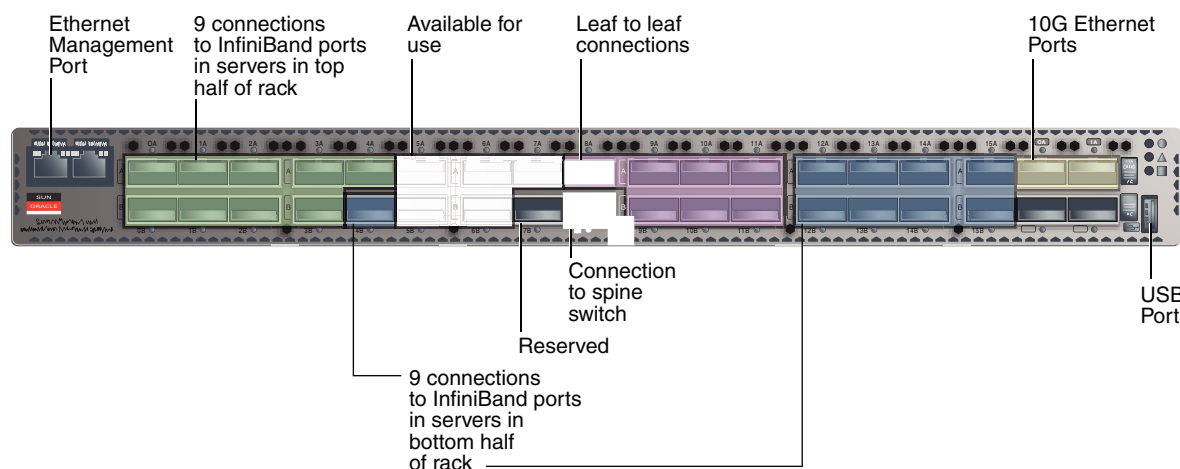
**Table E-6 InfiniBand Switch-to-Switch Cabling**

| From InfiniBand Switch Rack Unit <sup>1</sup> | Port | To InfiniBand Switch Rack Unit <sup>1</sup> | Port | Cable Length | Description   |
|-----------------------------------------------|------|---------------------------------------------|------|--------------|---------------|
| U20                                           | 9B   | U24                                         | 9A   | 2 meters     | Leaf to leaf  |
| U20                                           | 10B  | U24                                         | 10A  | 2 meters     | Leaf to leaf  |
| U20                                           | 11B  | U24                                         | 11A  | 2 meters     | Leaf to leaf  |
| U20                                           | 8A   | U24                                         | 8A   | 2 meters     | Leaf to leaf  |
| U20                                           | 9A   | U24                                         | 9B   | 2 meters     | Leaf to leaf  |
| U20                                           | 10A  | U24                                         | 10B  | 2 meters     | Leaf to leaf  |
| U20                                           | 11A  | U24                                         | 11B  | 2 meters     | Leaf to leaf  |
| U1                                            | 0B   | U20                                         | 8B   | 3 meters     | Spine to leaf |
| U1                                            | 1B   | U24                                         | 8B   | 3 meters     | Spine to leaf |

<sup>1</sup> Un is the unit location in the rack, where n is the number.

Figure E-2 identifies the locations of the ports on a Sun Network QDR InfiniBand Gateway switch. Ports 5A, 5B, 6A, 6B, and 7A are available to connect to another device, such as Oracle Exalytics In-Memory Machine. Oracle recommends that you start with port 5A. Port 7B is reserved for future use by Oracle Big Data Appliance.

Figure E-2 Sun Network QDR InfiniBand Gateway Switch Ports



## E.9 In-Rack InfiniBand Switch-to-Server Cable Connections

Table E-7 lists the location, ports, and cables for the InfiniBand connections from the leaf switches to the servers.

Table E-7 InfiniBand Switch-to-Server Cabling

| From InfiniBand Switch Rack Unit <sup>1</sup> | Port | To Rack Unit <sup>1</sup> | Port <sup>2</sup> | Cable Length |
|-----------------------------------------------|------|---------------------------|-------------------|--------------|
| U24                                           | 0A   | U41                       | PCIe 3 P1         | 3 meters     |
| U24                                           | 0B   | U39                       | PCIe 3 P1         | 3 meters     |
| U24                                           | 1A   | U37                       | PCIe 3 P1         | 3 meters     |
| U24                                           | 1B   | U35                       | PCIe 3 P1         | 3 meters     |
| U24                                           | 2A   | U33                       | PCIe 3 P1         | 3 meters     |
| U24                                           | 2B   | U31                       | PCIe 3 P1         | 3 meters     |
| U24                                           | 3A   | U29                       | PCIe 3 P1         | 3 meters     |
| U24                                           | 3B   | U27                       | PCIe 3 P1         | 2 meters     |
| U24                                           | 4A   | U25                       | PCIe 3 P1         | 2 meters     |
| U20                                           | 0A   | U41                       | PCIe 3 P2         | 3 meters     |
| U20                                           | 0B   | U39                       | PCIe 3 P2         | 3 meters     |
| U20                                           | 1A   | U37                       | PCIe 3 P2         | 3 meters     |
| U20                                           | 1B   | U35                       | PCIe 3 P2         | 3 meters     |
| U20                                           | 2A   | U33                       | PCIe 3 P2         | 3 meters     |
| U20                                           | 2B   | U31                       | PCIe 3 P2         | 3 meters     |
| U20                                           | 3A   | U29                       | PCIe 3 P2         | 3 meters     |
| U20                                           | 3B   | U27                       | PCIe 3 P2         | 2 meters     |
| U20                                           | 4A   | U25                       | PCIe 3 P2         | 2 meters     |
| U20                                           | 4B   | U18                       | PCIe 3 P1         | 2 meters     |

Table E-7 (Cont.) InfiniBand Switch-to-Server Cabling

| From InfiniBand Switch Rack Unit <sup>1</sup> | Port | To Rack Unit <sup>1</sup> | Port <sup>2</sup> | Cable Length |
|-----------------------------------------------|------|---------------------------|-------------------|--------------|
| U20                                           | 12A  | U16                       | PCle 3 P1         | 2 meters     |
| U20                                           | 12B  | U14                       | PCle 3 P1         | 3 meters     |
| U20                                           | 13A  | U12                       | PCle 3 P1         | 3 meters     |
| U20                                           | 13B  | U10                       | PCle 3 P1         | 3 meters     |
| U20                                           | 14A  | U8                        | PCle 3 P1         | 3 meters     |
| U20                                           | 14B  | U6                        | PCle 3 P1         | 3 meters     |
| U20                                           | 15A  | U4                        | PCle 3 P1         | 3 meters     |
| U20                                           | 15B  | U2                        | PCle 3 P1         | 3 meters     |
| U24                                           | 4B   | U18                       | PCle 3 P2         | 2 meters     |
| U24                                           | 12A  | U16                       | PCle 3 P2         | 2 meters     |
| U24                                           | 12B  | U14                       | PCle 3 P2         | 3 meters     |
| U24                                           | 13A  | U12                       | PCle 3 P2         | 3 meters     |
| U24                                           | 13B  | U10                       | PCle 3 P2         | 3 meters     |
| U24                                           | 14A  | U8                        | PCle 3 P2         | 3 meters     |
| U24                                           | 14B  | U6                        | PCle 3 P2         | 3 meters     |
| U24                                           | 15A  | U4                        | PCle 3 P2         | 3 meters     |
| U24                                           | 15B  | U2                        | PCle 3 P2         | 3 meters     |

<sup>1</sup>  $U_n$  is the unit location in the rack, where  $n$  is the number.

<sup>2</sup>  $P_n$  is the InfiniBand port, where  $n$  is the port number.

# F

## Multirack Cabling Tables

This appendix describes the hardware connections and contains the tables for multirack cabling. It contains the following sections:

- [About Multirack Cabling](#)
- [Key to Cabling Table Abbreviations](#)
- [Two-Rack Cabling](#)
- [Three-Rack Cabling](#)
- [Four-Rack Cabling](#)
- [Five-Rack Cabling](#)
- [Six-Rack Cabling](#)
- [Seven-Rack Cabling](#)
- [Eight-Rack Cabling](#)



### See Also:

[Connecting Multiple Oracle Big Data Appliance Racks](#)

### F.1 About Multirack Cabling

You can connect multiple Oracle Big Data Appliance racks, or a combination of Oracle Big Data Appliance racks, Oracle Exadata Database Machine racks, Oracle Exalogic racks, and Oracle SuperCluster racks.

The Oracle Big Data Appliance rack has a Sun Datacenter QDR InfiniBand Switch for the spine switch at rack unit 1 (U1). The rack also has two Sun Network QDR InfiniBand Gateway switches for the leaf switches at rack units 20 and 24 (U20 and U24). See [Figure E-1](#).

These switches attach to standard quad small form-factor pluggable (QSFP) connectors at the end of the InfiniBand cables. This document describes how to cable together up to 8 racks without external InfiniBand switches. For systems larger than 8 racks, contact Oracle Support for assistance with formulating a plan.

The cable lengths in this appendix are for adjacent racks with the cables running underneath the racks. In this scenario, the cables are generally 3 feet long to connect within the rack, 5 feet long to connect up to two racks away, and 10 feet long to connect three or more racks away. If the racks are apart or the cables run above the racks, then longer cables may be required. The cable lengths listed here are provided only as a guideline. You should always verify the actual cable lengths required.

## F.1.1 Cabling Together Oracle Exadata Database Machine and Oracle Big Data Appliance

Oracle Exadata Database Machine full racks and half racks must have a spine switch. If the rack does not have a spine switch, then be sure to order an Exadata Expansion Switch Kit for the installation.

An Oracle Exadata Database Machine eighth or quarter rack does not require a spine switch to connect to a Oracle Big Data Appliance, whether it is a starter rack, a starter rack with High Capacity nodes plus InfiniBand Infrastructure, or a full rack.

 **See Also:**

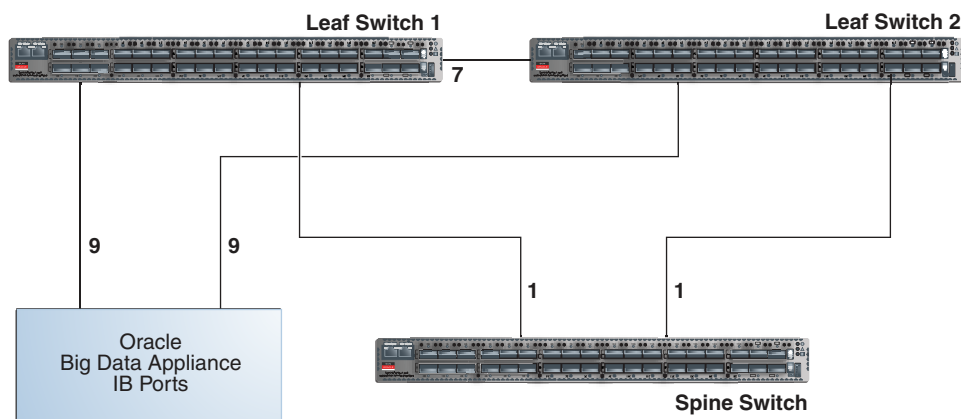
*Oracle Exadata Database Machine Extending and Multi-Rack Cabling Guide*

## F.1.2 Cable Connections for Switches in One Rack

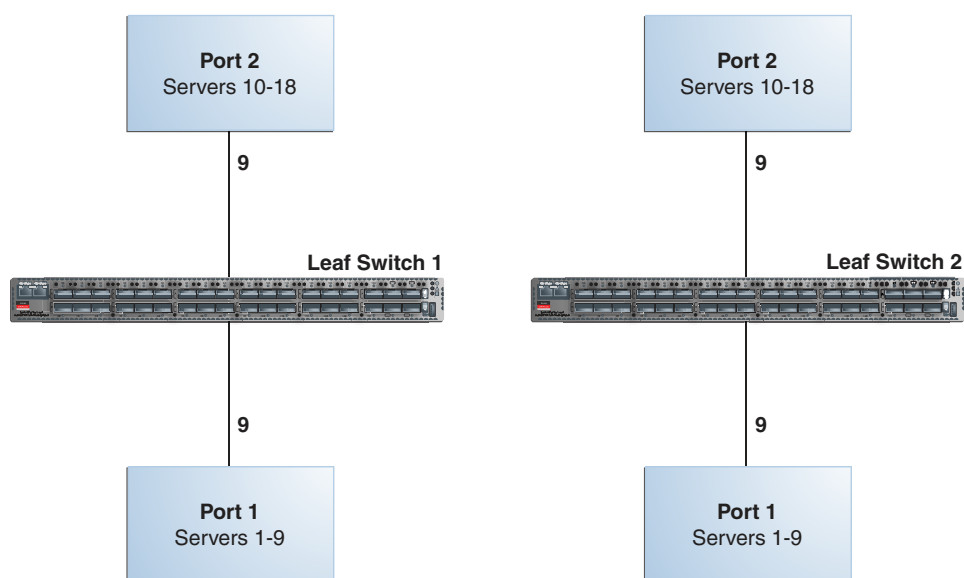
In a single rack, the two leaf switches are connected by seven cables.

Each leaf switch has one cable to the spine switch. Nine servers connect to one leaf switch, and the other nine servers connect to the other leaf switch, as shown in [Figure F-1](#).

**Figure F-1 Connections Between Spine Switch and Leaf Switches**



The servers connect to the leaf switches as shown in [Figure F-2](#).

**Figure F-2 Connections Between the Servers and the Leaf Switches**

### F.1.3 Cable Connections for Switches in Two Racks

When you connect multiple racks, remove the seven interswitch connections between leaf switches and the two connections between the leaf switches and the spine switch. From each leaf switch, distribute eight connections over the spine switches in all racks. In multirack environments, the leaf switches inside a rack are not directly interconnected, as shown in [Figure F-3](#).

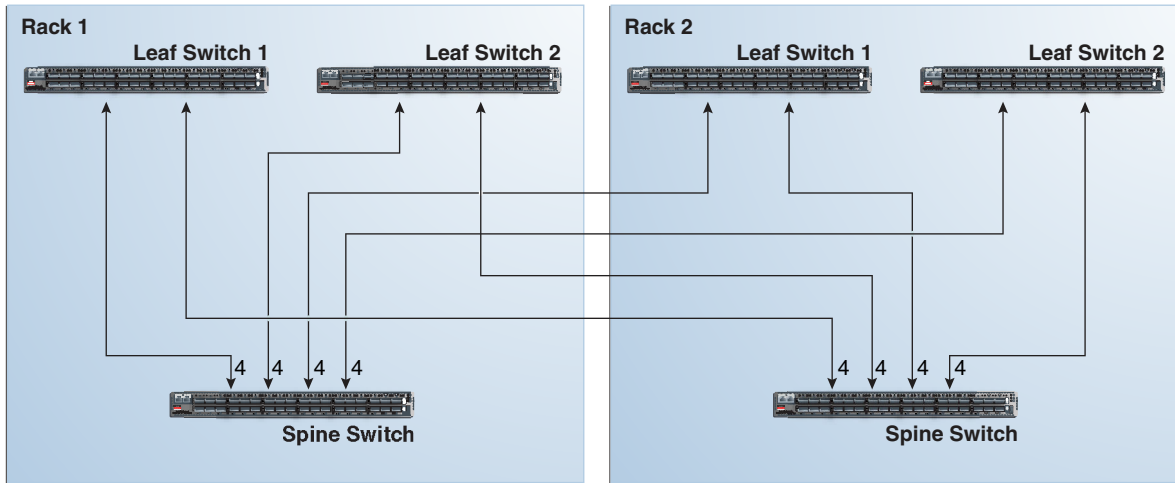
[Figure F-3](#) shows that each leaf switch in rack 1 connects to the following switches:

- Four connections to its internal spine switch
- Four connections to the spine switch in rack 2

The spine switch in rack 1 connects to the following switches:

- Eight connections to the internal leaf switches (four to each rack 1 switch)
- Eight connections to the leaf switches in rack 2 (four to each rack 2 switch)

Figure F-3 Connecting Switches Across Two Racks

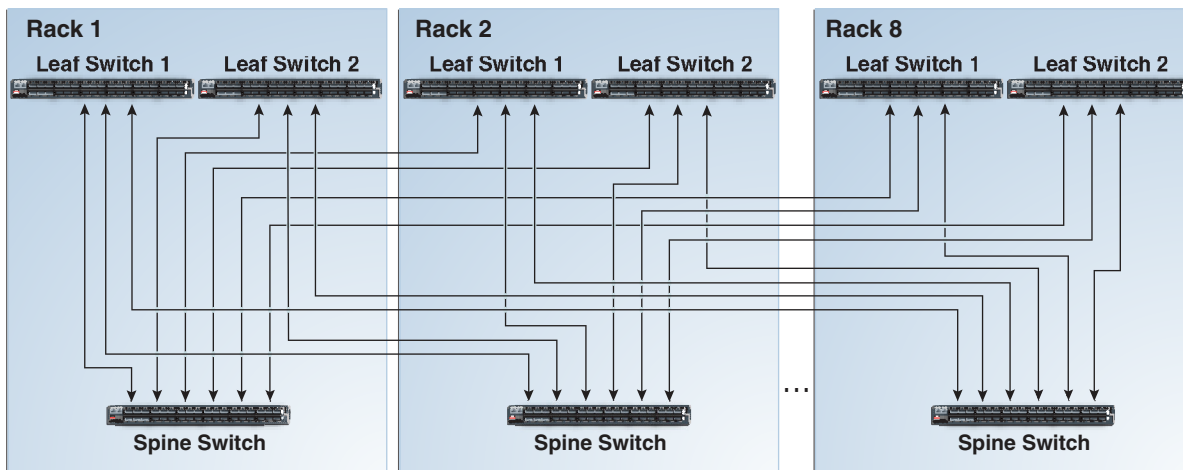


## F.1.4 Cable Connections for Switches in Up to Eight Racks

As the number of racks increases from two to eight, the pattern continues as shown in Figure F-4. Because not all of the racks are shown, not all of the cables are shown either.

Each leaf switch has eight interswitch connections distributed over all spine switches. Each spine switch has 16 interswitch connections distributed over all leaf switches. The leaf switches are not directly interconnected with other leaf switches, and the spine switches are not directly interconnected with the other spine switches.

Figure F-4 Connecting Switches Across Multiple Racks



## F.2 Key to Cabling Table Abbreviations

The following abbreviations are used in the tables:

| Abbreviation | Description                                                  |
|--------------|--------------------------------------------------------------|
| $Rn$         | Rack $n$ , where $n$ is the number of the rack, such as R1.  |
| $IBn$        | Unit location in rack, where $n$ is the number, such as IB3. |
| $Pn$         | InfiniBand port $n$ , where $n$ is port number, such as P8A. |

## F.3 Two-Rack Cabling

Table F-1 shows the cable connections for the first spine switch (R1-U1) when two racks are cabled together.

 **Note:**

- The spine switch is in U1 (IB1) for all racks.
- The leaf switches are in U20 (IB2) and U24 (IB3).
- In this section, the leaf switches are called IB2 and IB3.

**Table F-1 Leaf Switch Connections for the First Rack in a Two-Rack System**

| Leaf Switch          | Connection                                                                                                    | Cable Length |
|----------------------|---------------------------------------------------------------------------------------------------------------|--------------|
| R1 IB3 within Rack 1 | R1-IB3-P8A to R1-U1-P3A<br>R1-IB3-P8B to R1-U1-P4A<br>R1-IB3-P9A to R1-U1-P5A<br>R1-IB3-P9B to R1-U1-P6A      | 3 meters     |
| R1 IB3 to Rack 2     | R1-IB3-P10A to R2-U1-P7A<br>R1-IB3-P10B to R2-U1-P8A<br>R1-IB3-P11A to R2-U1-P9A<br>R1-IB3-P11B to R2-U1-P10A | 5 meters     |
| R1 IB2 within Rack 1 | R1-IB2-P8A to R1-U1-P3B<br>R1-IB2-P8B to R1-U1-P4B<br>R1-IB2-P9A to R1-U1-P5B<br>R1-IB2-P9B to R1-U1-P6B      | 3 meters     |
| R1 IB2 to Rack 2     | R1-IB2-P10A to R2-U1-P7B<br>R1-IB2-P10B to R2-U1-P8B<br>R1-IB2-P11A to R2-U1-P9B<br>R1-IB2-P11B to R2-U1-P10B | 5 meters     |

Table F-2 shows the cable connections for the second spine switch (R2-U1) when two racks are cabled together.



**Table F-2 Leaf Switch Connections for the Second Rack in a Two-Rack System**

| Leaf Switch          | Connection                | Cable Length |
|----------------------|---------------------------|--------------|
| R2 IB3 within Rack 2 | R2-IB3-P8A to R2-U1-P3A   | 3 meters     |
|                      | R2-IB3-P8B to R2-U1-P4A   |              |
|                      | R2-IB3-P9A to R2-U1-P5A   |              |
|                      | R2-IB3-P9B to R2-U1-P6A   |              |
| R2 IB3 to Rack 1     | R2-IB3-P10A to R1-U1-P7A  | 5 meters     |
|                      | R2-IB3-P10B to R1-U1-P8A  |              |
|                      | R2-IB3-P11A to R1-U1-P9A  |              |
|                      | R2-IB3-P11B to R1-U1-P10A |              |
| R2 IB2 within Rack 2 | R2-IB2-P8A to R2-U1-P3B   | 3 meters     |
|                      | R2-IB2-P8B to R2-U1-P4B   |              |
|                      | R2-IB2-P9A to R2-U1-P5B   |              |
|                      | R2-IB2-P9B to R2-U1-P6B   |              |
| R2 IB2 to Rack 1     | R2-IB2-P10A to R1-U1-P7B  | 5 meters     |
|                      | R2-IB2-P10B to R1-U1-P8B  |              |
|                      | R2-IB2-P11A to R1-U1-P9B  |              |
|                      | R2-IB2-P11B to R1-U1-P10B |              |

## F.4 Three-Rack Cabling

Table F-3 shows the cable connections for the first spine switch (R1-U1) when three racks are cabled together.



### Note:

- The spine switch is in U1 (IB1) for all racks.
- The leaf switches are in U20 (IB2) and U24 (IB3).
- In this section, the leaf switches are called IB2 and IB3.

**Table F-3 Leaf Switch Connections for the First Rack in a Three-Rack System**

| Leaf Switch          | Connection                | Cable Length |
|----------------------|---------------------------|--------------|
| R1 IB3 within Rack 1 | R1-IB3-P8A to R1-U1-P3A   | 3 meters     |
|                      | R1-IB3-P8B to R1-U1-P4A   |              |
|                      | R1-IB3-P9A to R1-U1-P5A   |              |
| R1 IB3 to Rack 2     | R1-IB3-P9B to R2-U1-P6A   | 5 meters     |
|                      | R1-IB3-P10A to R2-U1-P7A  |              |
|                      | R1-IB3-P10B to R2-U1-P8A  |              |
| R1 U24 to Rack 3     | R1-IB3-P11A to R3-U1-P9A  | 5 meters     |
|                      | R1-IB3-P11B to R3-U1-P10A |              |

**Table F-3 (Cont.) Leaf Switch Connections for the First Rack in a Three-Rack System**

| Leaf Switch          | Connection                                                                      | Cable Length |
|----------------------|---------------------------------------------------------------------------------|--------------|
| R1 IB2 within Rack 1 | R1-IB2-P8A to R1-U1-P3B<br>R1-IB2-P8B to R1-U1-P4B<br>R1-IB2-P9A to R1-U1-P5B   | 3 meters     |
| R1 IB2 to Rack 2     | R1-IB2-P9B to R2-U1-P6B<br>R1-IB2-P10A to R2-U1-P7B<br>R1-IB2-P10B to R2-U1-P8B | 5 meters     |
| R1 IB2 to Rack 3     | R1-IB2-P11A to R3-U1-P9B<br>R1-IB2-P11B to R3-U1-P10B                           | 5 meters     |

Table F-4 shows the cable connections for the second spine switch (R2-U1) when three racks are cabled together.

**Table F-4 Leaf Switch Connections for the Second Rack in a Three-Rack System**

| Leaf Switch          | Connection                                                                      | Cable Length |
|----------------------|---------------------------------------------------------------------------------|--------------|
| R2 IB3 within Rack 2 | R2-IB3-P8A to R2-U1-P3A<br>R2-IB3-P8B to R2-U1-P4A<br>R2-IB3-P9A to R2-U1-P5A   | 3 meters     |
| R2 IB3 to Rack 1     | R2-IB3-P11A to R1-U1-P9A<br>R2-IB3-P11B to R1-U1-P10A                           | 5 meters     |
| R2 IB3 to Rack 3     | R2-IB3-P9B to R3-U1-P6A<br>R2-IB3-P10A to R3-U1-P7A<br>R2-IB3-P10B to R3-U1-P8A | 5 meters     |
| R2 IB2 within Rack 2 | R2-IB2-P8A to R2-U1-P3B<br>R2-IB2-P8B to R2-U1-P4B<br>R2-IB2-P9A to R2-U1-P5B   | 3 meters     |
| R2 IB2 to Rack 1     | R2-IB2-P11A to R1-U1-P9B<br>R2-IB2-P11B to R1-U1-P10B                           | 5 meters     |
| R2 IB2 to Rack 3     | R2-IB2-P9B to R3-U1-P6B<br>R2-IB2-P10A to R3-U1-P7B<br>R2-IB2-P10B to R3-U1-P8B | 5 meters     |

Table F-5 shows the cable connections for the third spine switch (R3-U1) when three racks are cabled together.

**Table F-5 Leaf Switch Connections for the Third Rack in a Three-Rack System**

| Leaf Switch          | Connection                                                                    | Cable Length |
|----------------------|-------------------------------------------------------------------------------|--------------|
| R3 IB3 within Rack 3 | R3-IB3-P8A to R3-U1-P3A<br>R3-IB3-P8B to R3-U1-P4A<br>R3-IB3-P9A to R3-U1-P5A | 3 meters     |

**Table F-5 (Cont.) Leaf Switch Connections for the Third Rack in a Three-Rack System**

| Leaf Switch          | Connection                | Cable Length |
|----------------------|---------------------------|--------------|
| R3 IB3 to Rack 1     | R3-IB3-P9B to R1-U1-P6A   | 5 meters     |
|                      | R3-IB3-P10A to R1-U1-P7A  |              |
|                      | R3-IB3-P10B to R1-U1-P8A  |              |
| R3 IB3 to Rack 2     | R3-IB3-P11A to R2-U1-P9A  | 5 meters     |
|                      | R3-IB3-P11B to R2-U1-P10A |              |
| R3 IB2 within Rack 3 | R3-IB2-P8A to R3-U1-P3B   | 3 meters     |
|                      | R3-IB2-P8B to R3-U1-P4B   |              |
|                      | R3-IB2-P9A to R3-U1-P5B   |              |
| R3 IB2 to Rack 1     | R3-IB2-P9B to R1-U1-P6B   | 5 meters     |
|                      | R3-IB2-P10A to R1-U1-P7B  |              |
|                      | R3-IB2-P10B to R1-U1-P8B  |              |
| R3 IB2 to Rack 2     | R3-IB2-P11A to R2-U1-P9B  | 5 meters     |
|                      | R3-IB2-P11B to R2-U1-P10B |              |

## F.5 Four-Rack Cabling

Table F-6 shows the cable connections for the first spine switch (R1-U1) when four racks are cabled together.

### Note:

- The spine switch is in U1 (IB1) for all racks.
- The leaf switches are in U20 (IB2) and U24 (IB3).
- In this section, the leaf switches are called IB2 and IB3.

**Table F-6 Leaf Switch Connections for the First Rack in a Four-Rack System**

| Leaf Switch          | Connection                | Cable Length |
|----------------------|---------------------------|--------------|
| R1 IB3 within Rack 1 | R1-IB3-P8A to R1-U1-P3A   | 3 meters     |
|                      | R1-IB3-P8B to R1-U1-P4A   |              |
| R1 IB3 to Rack 2     | R1-IB3-P9A to R2-U1-P5A   | 5 meters     |
|                      | R1-IB3-P9B to R2-U1-P6A   |              |
| R1 IB3 to Rack 3     | R1-IB3-P10A to R3-U1-P7A  | 5 meters     |
|                      | R1-IB3-P10B to R3-U1-P8A  |              |
| R1 IB3 to Rack 4     | R1-IB3-P11A to R4-U1-P9A  | 10 meters    |
|                      | R1-IB3-P11B to R4-U1-P10A |              |
| R1 IB2 within Rack 1 | R1-IB2-P8A to R1-U1-P3B   | 3 meters     |
|                      | R1-IB2-P8B to R1-U1-P4B   |              |

**Table F-6 (Cont.) Leaf Switch Connections for the First Rack in a Four-Rack System**

| Leaf Switch      | Connection                                            | Cable Length |
|------------------|-------------------------------------------------------|--------------|
| R1 IB2 to Rack 2 | R1-IB2-P9A to R2-U1-P5B<br>R1-IB2-P9B to R2-U1-P6B    | 5 meters     |
| R1 IB2 to Rack 3 | R1-IB2-P10A to R3-U1-P7B<br>R1-IB2-P10B to R3-U1-P8B  | 5 meters     |
| R1 IB2 to Rack 4 | R1-IB2-P11A to R4-U1-P9B<br>R1-IB2-P11B to R4-U1-P10B | 10 meters    |

[Table F-7](#) shows the cable connections for the second spine switch (R2-U1) when four racks are cabled together.

**Table F-7 Leaf Switch Connections for the Second Rack in a Four-Rack System**

| Leaf Switch          | Connection                                            | Cable Length |
|----------------------|-------------------------------------------------------|--------------|
| R2 IB3 within Rack 2 | R2-IB3-P8A to R2-U1-P3A<br>R2-IB3-P8B to R2-U1-P4A    | 3 meters     |
| R2 IB3 to Rack 1     | R2-IB3-P11A to R1-U1-P9A<br>R2-IB3-P11B to R1-U1-P10A | 5 meters     |
| R2 IB3 to Rack 3     | R2-IB3-P9A to R3-U1-P5A<br>R2-IB3-P9B to R3-U1-P6A    | 5 meters     |
| R2 IB3 to Rack 4     | R2-IB3-P10A to R4-U1-P7A<br>R2-IB3-P10B to R4-U1-P8A  | 5 meters     |
| R2 IB2 within Rack 2 | R2-IB2-P8A to R2-U1-P3B<br>R2-IB2-P8B to R2-U1-P4B    | 3 meters     |
| R2 IB2 to Rack 1     | R2-IB2-P11A to R1-U1-P9B<br>R2-IB2-P11B to R1-U1-P10B | 5 meters     |
| R2 IB2 to Rack 3     | R2-IB2-P9A to R3-U1-P5B<br>R2-IB2-P9B to R3-U1-P6B    | 5 meters     |
| R2 IB2 to Rack 4     | R2-IB2-P10A to R4-U1-P7B<br>R2-IB2-P10B to R4-U1-P8B  | 5 meters     |

[Table F-8](#) shows the cable connections for the third spine switch (R3-U1) when four racks are cabled together.

**Table F-8 Leaf Switch Connections for the Third Rack in a Four-Rack System**

| Leaf Switch          | Connection                                           | Cable Length |
|----------------------|------------------------------------------------------|--------------|
| R3 IB3 within Rack 3 | R3-IB3-P8A to R3-U1-P3A<br>R3-IB3-P8B to R3-U1-P4A   | 3 meters     |
| R3 IB3 to Rack 1     | R3-IB3-P10A to R1-U1-P7A<br>R3-IB3-P10B to R1-U1-P8A | 5 meters     |

**Table F-8 (Cont.) Leaf Switch Connections for the Third Rack in a Four-Rack System**

| Leaf Switch          | Connection                                            | Cable Length |
|----------------------|-------------------------------------------------------|--------------|
| R3 IB3 to Rack 2     | R3-IB3-P11A to R2-U1-P9A<br>R3-IB3-P11B to R2-U1-P10A | 5 meters     |
| R3 IB3 to Rack 4     | R3-IB3-P9A to R4-U1-P5A<br>R3-IB3-P9B to R4-U1-P6A    | 5 meters     |
| R3 IB2 within Rack 3 | R3-IB2-P8A to R3-U1-P3B<br>R3-IB2-P8B to R3-U1-P4B    | 3 meters     |
| R3 IB2 to Rack 1     | R3-IB2-P10A to R1-U1-P7B<br>R3-IB2-P10B to R1-U1-P8B  | 5 meters     |
| R3 IB2 to Rack 2     | R3-IB2-P11A to R2-U1-P9B<br>R3-IB2-P11B to R2-U1-P10B | 5 meters     |
| R3 IB2 to Rack 4     | R3-IB2-P9A to R4-U1-P5B<br>R3-IB2-P9B to R4-U1-P6B    | 5 meters     |

[Table F-9](#) shows the cable connections for the fourth spine switch (R4-U1) when four racks are cabled together

**Table F-9 Leaf Switch Connections for the Fourth Rack in a Four-Rack System**

| Leaf Switch          | Connection                                            | Cable Length |
|----------------------|-------------------------------------------------------|--------------|
| R4 IB3 within Rack 4 | R4-IB3-P8A to R4-U1-P3A<br>R4-IB3-P8B to R4-U1-P4A    | 3 meters     |
| R4 IB3 to Rack 1     | R4-IB3-P9A to R1-U1-P5A<br>R4-IB3-P9B to R1-U1-P6A    | 10 meters    |
| R4 IB3 to Rack 2     | R4-IB3-P10A to R2-U1-P7A<br>R4-IB3-P10B to R2-U1-P8A  | 5 meters     |
| R4 IB3 to Rack 3     | R4-IB3-P11A to R3-U1-P9A<br>R4-IB3-P11B to R3-U1-P10A | 5 meters     |
| R4 IB2 within Rack 4 | R4-IB2-P8A to R4-U1-P3B<br>R4-IB2-P8B to R4-U1-P4B    | 3 meters     |
| R4 IB2 to Rack 1     | R4-IB2-P9A to R1-U1-P5B<br>R4-IB2-P9B to R1-U1-P6B    | 10 meters    |
| R4 IB2 to Rack 2     | R4-IB2-P10A to R2-U1-P7B<br>R4-IB2-P10B to R2-U1-P8B  | 5 meters     |
| R4 IB2 to Rack 3     | R4-IB2-P11A to R3-U1-P9B<br>R4-IB2-P11B to R3-U1-P10B | 5 meters     |

## F.6 Five-Rack Cabling

[Table F-10](#) shows the cable connections for the first spine switch (R1-U1) when five racks are cabled together.

 **Note:**

- The spine switch is in U1 (IB1) for all racks.
- The leaf switches are in U20 (IB2) and U24 (IB3).
- In this section, the leaf switches are called IB2 and IB3.

**Table F-10 Leaf Switch Connections for the First Rack in a Five-Rack System**

| Leaf Switch          | Connection                                           | Cable Length |
|----------------------|------------------------------------------------------|--------------|
| R1 IB3 within Rack 1 | R1-IB3-P8A to R1-U1-P3A<br>R1-IB3-P8B to R1-U1-P4A   | 3 meters     |
| R1 IB3 to Rack 2     | R1-IB3-P9A to R2-U1-P5A<br>R1-IB3-P9B to R2-U1-P6A   | 5 meters     |
| R1 IB3 to Rack 3     | R1-IB3-P10A to R3-U1-P7A<br>R1-IB3-P10B to R3-U1-P8A | 5 meters     |
| R1 IB3 to Rack 4     | R1-IB3-P11A to R4-U1-P9A                             | 10 meters    |
| R1 IB3 to Rack 5     | R1-IB3-P11B to R5-U1-P10A                            | 10 meters    |
| R1 IB2 within Rack 1 | R1-IB2-P8A to R1-U1-P3B<br>R1-IB2-P8B to R1-U1-P4B   | 3 meters     |
| R1 IB2 to Rack 2     | R1-IB2-P9A to R2-U1-P5B<br>R1-IB2-P9B to R2-U1-P6B   | 5 meters     |
| R1 IB2 to Rack 3     | R1-IB2-P10A to R3-U1-P7B<br>R1-IB2-P10B to R3-U1-P8B | 5 meters     |
| R1 IB2 to Rack 4     | R1-IB2-P11A to R4-U1-P9B                             | 10 meters    |
| R1 IB2 to Rack 5     | R1-IB2-P11B to R5-U1-P10B                            | 10 meters    |

[Table F-11](#) shows the cable connections for the second spine switch (R2-U1) when five racks are cabled together.

**Table F-11 Leaf Switch Connections for the Second Rack in a Five-Rack System**

| Leaf Switch          | Connection                                           | Cable Length |
|----------------------|------------------------------------------------------|--------------|
| R2 IB3 within Rack 2 | R2-IB3-P8A to R2-U1-P3A<br>R2-IB3-P8B to R2-U1-P4A   | 3 meters     |
| R2 IB3 to Rack 1     | R2-IB3-P11B to R1-U1-P10A                            | 5 meters     |
| R2 IB3 to Rack 3     | R2-IB3-P9A to R3-U1-P5A<br>R2-IB3-P9B to R3-U1-P6A   | 5 meters     |
| R2 IB3 to Rack 4     | R2-IB3-P10A to R4-U1-P7A<br>R2-IB3-P10B to R4-U1-P8A | 5 meters     |
| R2 IB3 to Rack 5     | R2-IB3-P11A to R5-U1-P9A                             | 10 meters    |
| R2 IB2 within Rack 2 | R2-IB2-P8A to R2-U1-P3B<br>R2-IB2-P8B to R2-U1-P4B   | 3 meters     |

**Table F-11 (Cont.) Leaf Switch Connections for the Second Rack in a Five-Rack System**

| Leaf Switch      | Connection                                           | Cable Length |
|------------------|------------------------------------------------------|--------------|
| R2 IB2 to Rack 1 | R2-IB2-P11B to R1-U1-P10B                            | 5 meters     |
| R2 IB2 to Rack 3 | R2-IB2-P9A to R3-U1-P5B<br>R2-IB2-P9B to R3-U1-P6B   | 5 meters     |
| R2 IB2 to Rack 4 | R2-IB2-P10A to R4-U1-P7B<br>R2-IB2-P10B to R4-U1-P8B | 5 meters     |
| R2 IB2 to Rack 5 | R2-IB2-P11A to R5-U1-P9B                             | 10 meters    |

[Table F-12](#) shows the cable connections for the third spine switch (R3-U1) when five racks are cabled together.

**Table F-12 Leaf Switch Connections for the Third Rack in a Five-Rack System**

| Leaf Switch          | Connection                                           | Cable Length |
|----------------------|------------------------------------------------------|--------------|
| R3 IB3 within Rack 3 | R3-IB3-P8A to R3-U1-P3A<br>R3-IB3-P8B to R3-U1-P4A   | 3 meters     |
| R3 IB3 to Rack 1     | R3-IB3-P11A to R1-U1-P9A                             | 5 meters     |
| R3 IB3 to Rack 2     | R3-IB3-P11B to R2-U1-P10A                            | 5 meters     |
| R3 IB3 to Rack 4     | R3-IB3-P9A to R4-U1-P5A<br>R3-IB3-P9B to R4-U1-P6A   | 5 meters     |
| R3 IB3 to Rack 5     | R3-IB3-P10A to R5-U1-P7A<br>R3-IB3-P10B to R5-U1-P8A | 5 meters     |
| R3 IB2 within Rack 3 | R3-IB2-P8A to R3-U1-P3B<br>R3-IB2-P8B to R3-U1-P4B   | 3 meters     |
| R3 IB2 to Rack 1     | R3-IB2-P11A to R1-U1-P9B                             | 5 meters     |
| R3 IB2 to Rack 2     | R3-IB2-P11B to R2-U1-P10B                            | 5 meters     |
| R3 IB2 to Rack 4     | R3-IB2-P9A to R4-U1-P5B<br>R3-IB2-P9B to R4-U1-P6B   | 5 meters     |
| R3 IB2 to Rack 5     | R3-IB2-P10A to R5-U1-P7B<br>R3-IB2-P10B to R5-U1-P8B | 5 meters     |

[Table F-13](#) shows the cable connections for the fourth spine switch (R4-U1) when five racks are cabled together.

**Table F-13 Leaf Switch Connections for the Fourth Rack in a Five-Rack System**

| Leaf Switch          | Connection                                           | Cable Length |
|----------------------|------------------------------------------------------|--------------|
| R4 IB3 within Rack 4 | R4-IB3-P8A to R4-U1-P3A<br>R4-IB3-P8B to R4-U1-P4A   | 3 meters     |
| R4 IB3 to Rack 1     | R4-IB3-P10A to R1-U1-P7A<br>R4-IB3-P10B to R1-U1-P8A | 10 meters    |
| R4 IB3 to Rack 2     | R4-IB3-P11A to R2-U1-P9A                             | 5 meters     |

**Table F-13 (Cont.) Leaf Switch Connections for the Fourth Rack in a Five-Rack System**

| Leaf Switch          | Connection                                           | Cable Length |
|----------------------|------------------------------------------------------|--------------|
| R4 IB3 to Rack 3     | R4-IB3-P11B to R3-U1-P10A                            | 5 meters     |
| R4 IB3 to Rack 5     | R4-IB3-P9A to R5-U1-P5A<br>R4-IB3-P9B to R5-U1-P6A   | 5 meters     |
| R4 IB2 within Rack 4 | R4-IB2-P8A to R4-U1-P3B<br>R4-IB2-P8B to R4-U1-P4B   | 3 meters     |
| R4 IB2 to Rack 1     | R4-IB2-P10A to R1-U1-P7B<br>R4-IB2-P10B to R1-U1-P8B | 10 meters    |
| R4 IB2 to Rack 2     | R4-IB2-P11A to R2-U1-P9B                             | 5 meters     |
| R4 IB2 to Rack 3     | R4-IB2-P11B to R3-U1-P10B                            | 5 meters     |
| R4 IB2 to Rack 5     | R4-IB2-P9A to R5-U1-P5B<br>R4-IB2-P9B to R5-U1-P6B   | 5 meters     |

Table F-14 shows the cable connections for the fifth spine switch (R5-U1) when five racks are cabled together.

**Table F-14 Leaf Switch Connections for the Fifth Rack in a Five-Rack System**

| Leaf Switch          | Connection                                           | Cable Length |
|----------------------|------------------------------------------------------|--------------|
| R5 IB3 within Rack 5 | R5-IB3-P8A to R5-U1-P3A<br>R5-IB3-P8B to R5-U1-P4A   | 3 meters     |
| R5 IB3 to Rack 1     | R5-IB3-P9A to R1-U1-P5A<br>R5-IB3-P9B to R1-U1-P6A   | 10 meters    |
| R5 IB3 to Rack 2     | R5-IB3-P10A to R2-U1-P7A<br>R5-IB3-P10B to R2-U1-P8A | 10 meters    |
| R5 IB3 to Rack 3     | R5-IB3-P11A to R3-U1-P9A                             | 5 meters     |
| R5 IB3 to Rack 4     | R5-IB3-P11B to R4-U1-P10A                            | 5 meters     |
| R5 IB2 within Rack 5 | R5-IB2-P8A to R5-U1-P3B<br>R5-IB2-P8B to R5-U1-P4B   | 3 meters     |
| R5 IB2 to Rack 1     | R5-IB2-P9A to R1-U1-P5B<br>R5-IB2-P9B to R1-U1-P6B   | 10 meters    |
| R5 IB2 to Rack 2     | R5-IB2-P10A to R2-U1-P7B<br>R5-IB2-P10B to R2-U1-P8B | 10 meters    |
| R5 IB2 to Rack 3     | R5-IB2-P11A to R3-U1-P9B                             | 5 meters     |
| R5 IB2 to Rack 4     | R5-IB2-P11B to R4-U1-P10B                            | 5 meters     |

## F.7 Six-Rack Cabling

Table F-15 shows the cable connections for the first spine switch (R1-U1) when cabling six racks.



 **Note:**

- The spine switch is in U1 (IB1) for all racks.
- The leaf switches are in U20 (IB2) and U24 (IB3).
- In this section, the leaf switches are called IB2 and IB3.

**Table F-15 Leaf Switch Connections for the First Rack in a Six-Rack System**

| Leaf Switch          | Connection                                         | Cable Length |
|----------------------|----------------------------------------------------|--------------|
| R1 IB3 within Rack 1 | R1-IB3-P8A to R1-U1-P3A<br>R1-IB3-P8B to R1-U1-P4A | 3 meters     |
| R1 IB3 to Rack 2     | R1-IB3-P9A to R2-U1-P5A<br>R1-IB3-P9B to R2-U1-P6A | 5 meters     |
| R1 IB3 to Rack 3     | R1-IB3-P10A to R3-U1-P7A                           | 5 meters     |
| R1 IB3 to Rack 4     | R1-IB3-P10B to R4-U1-P8A                           | 10 meters    |
| R1 IB3 to Rack 5     | R1-IB3-P11A to R5-U1-P9A                           | 10 meters    |
| R1 IB3 to Rack 6     | R1-IB3-P11B to R6-U1-P10A                          | 10 meters    |
| R1 IB2 within Rack 1 | R1-IB2-P8A to R1-U1-P3B<br>R1-IB2-P8B to R1-U1-P4B | 3 meters     |
| R1 IB2 to Rack 2     | R1-IB2-P9A to R2-U1-P5B<br>R1-IB2-P9B to R2-U1-P6B | 5 meters     |
| R1 IB2 to Rack 3     | R1-IB2-P10A to R3-U1-P7B                           | 5 meters     |
| R1 IB2 to Rack 4     | R1-IB2-P10B to R4-U1-P8B                           | 10 meters    |
| R1 IB2 to Rack 5     | R1-IB2-P11A to R5-U1-P9B                           | 10 meters    |
| R1 IB2 to Rack 6     | R1-IB2-P11B to R6-U1-P10B                          | 10 meters    |

[Table F-16](#) shows the cable connections for the second spine switch (R2-U1) when six racks are cabled together.

**Table F-16 Leaf Switch Connections for the Second Rack in a Six-Rack System**

| Leaf Switch          | Connection                                         | Cable Length |
|----------------------|----------------------------------------------------|--------------|
| R2 IB3 within Rack 2 | R2-IB3-P8A to R2-U1-P3A<br>R2-IB3-P8B to R2-U1-P4A | 3 meters     |
| R2 IB3 to Rack 1     | R2-IB3-P11B to R1-U1-P10A                          | 5 meters     |
| R2 IB3 to Rack 3     | R2-IB3-P9A to R3-U1-P5A<br>R2-IB3-P9B to R3-U1-P6A | 5 meters     |
| R2 IB3 to Rack 4     | R2-IB3-P10A to R4-U1-P7A                           | 5 meters     |
| R2 IB3 to Rack 5     | R2-IB3-P10B to R5-U1-P8A                           | 10 meters    |
| R2 IB3 to Rack 6     | R2-IB3-P11A to R6-U1-P9A                           | 10 meters    |
| R2 IB2 within Rack 2 | R2-IB2-P8A to R2-U1-P3B<br>R2-IB2-P8B to R2-U1-P4B | 3 meters     |

**Table F-16 (Cont.) Leaf Switch Connections for the Second Rack in a Six-Rack System**

| Leaf Switch      | Connection                                         | Cable Length |
|------------------|----------------------------------------------------|--------------|
| R2 IB2 to Rack 1 | R2-IB2-P11B to R1-U1-P10B                          | 5 meters     |
| R2 IB2 to Rack 3 | R2-IB2-P9A to R3-U1-P5B<br>R2-IB2-P9B to R3-U1-P6B | 5 meters     |
| R2 IB2 to Rack 4 | R2-IB2-P10A to R4-U1-P7B                           | 5 meters     |
| R2 IB2 to Rack 5 | R2-IB2-P10B to R5-U1-P8B                           | 10 meters    |
| R2 IB2 to Rack 6 | R2-IB2-P11A to R6-U1-P9B                           | 10 meters    |

Table F-17 shows the cable connections for the third spine switch (R3-U1) when six racks are cabled together.

**Table F-17 Leaf Switch Connections for the Third Rack in a Six-Rack System**

| Leaf Switch          | Connection                                         | Cable Length |
|----------------------|----------------------------------------------------|--------------|
| R3 IB3 within Rack 3 | R3-IB3-P8A to R3-U1-P3A<br>R3-IB3-P8B to R3-U1-P4A | 3 meters     |
| R3 IB3 to Rack 1     | R3-IB3-P11A to R1-U1-P9A                           | 5 meters     |
| R3 IB3 to Rack 2     | R3-IB3-P11B to R2-U1-P10A                          | 5 meters     |
| R3 IB3 to Rack 4     | R3-IB3-P9A to R4-U1-P5A<br>R3-IB3-P9B to R4-U1-P6A | 5 meters     |
| R3 IB3 to Rack 5     | R3-IB3-P10A to R5-U1-P7A                           | 5 meters     |
| R3 IB3 to Rack 6     | R3-IB3-P10B to R6-U1-P8A                           | 10 meters    |
| R3 IB2 within Rack 3 | R3-IB2-P8A to R3-U1-P3B<br>R3-IB2-P8B to R3-U1-P4B | 3 meters     |
| R3 IB2 to Rack 1     | R3-IB2-P11A to R1-U1-P9B                           | 5 meters     |
| R3 IB2 to Rack 2     | R3-IB2-P11B to R2-U1-P10B                          | 5 meters     |
| R3 IB2 to Rack 4     | R3-IB2-P9A to R4-U1-P5B<br>R3-IB2-P9B to R4-U1-P6B | 5 meters     |
| R3 IB2 to Rack 5     | R3-IB2-P10A to R5-U1-P7B                           | 5 meters     |
| R3 IB2 to Rack 6     | R3-IB2-P10B to R6-U1-P8B                           | 10 meters    |

Table F-18 shows the cable connections for the fourth spine switch (R4-U1) when six racks are cabled together.

**Table F-18 Leaf Switch Connections for the Fourth Rack in a Six-Rack System**

| Leaf Switch          | Connection                                         | Cable Length |
|----------------------|----------------------------------------------------|--------------|
| R4 IB3 within Rack 4 | R4-IB3-P8A to R4-U1-P3A<br>R4-IB3-P8B to R4-U1-P4A | 3 meters     |
| R4 IB3 to Rack 1     | R4-IB3-P10B to R1-U1-P8A                           | 10 meters    |
| R4 IB3 to Rack 2     | R4-IB3-P11A to R2-U1-P9A                           | 5 meters     |

**Table F-18 (Cont.) Leaf Switch Connections for the Fourth Rack in a Six-Rack System**

| Leaf Switch          | Connection                                         | Cable Length |
|----------------------|----------------------------------------------------|--------------|
| R4 IB3 to Rack 3     | R4-IB3-P11B to R3-U1-P10A                          | 5 meters     |
| R4 IB3 to Rack 5     | R4-IB3-P9A to R5-U1-P5A<br>R4-IB3-P9B to R5-U1-P6A | 5 meters     |
| R4 IB3 to Rack 6     | R4-IB3-P10A to R6-U1-P7A                           | 5 meters     |
| R4 IB2 within Rack 4 | R4-IB2-P8A to R4-U1-P3B<br>R4-IB2-P8B to R4-U1-P4B | 3 meters     |
| R4 IB2 to Rack 1     | R4-IB2-P10B to R1-U1-P8B                           | 10 meters    |
| R4 IB2 to Rack 2     | R4-IB2-P11A to R2-U1-P9B                           | 5 meters     |
| R4 IB2 to Rack 3     | R4-IB2-P11B to R3-U1-P10B                          | 5 meters     |
| R4 IB2 to Rack 5     | R4-IB2-P9A to R5-U1-P5B<br>R4-IB2-P9B to R5-U1-P6B | 5 meters     |
| R4 IB2 to Rack 6     | R4-IB2-P10A to R6-U1-P7B                           | 5 meters     |

[Table F-19](#) shows the cable connections for the fifth spine switch (R5-U1) when six racks are cabled together.

**Table F-19 Leaf Switch Connections for the Fifth Rack in a Six-Rack System**

| Leaf Switch          | Connection                                         | Cable Length |
|----------------------|----------------------------------------------------|--------------|
| R5 IB3 within Rack 5 | R5-IB3-P8A to R5-U1-P3A<br>R5-IB3-P8B to R5-U1-P4A | 3 meters     |
| R5 IB3 to Rack 1     | R5-IB3-P10A to R1-U1-P7A                           | 10 meters    |
| R5 IB3 to Rack 2     | R5-IB3-P10B to R2-U1-P8A                           | 10 meters    |
| R5 IB3 to Rack 3     | R5-IB3-P11A to R3-U1-P9A                           | 5 meters     |
| R5 IB3 to Rack 4     | R5-IB3-P11B to R4-U1-P10A                          | 5 meters     |
| R5 IB3 to Rack 6     | R5-IB3-P9A to R6-U1-P5A<br>R5-IB3-P9B to R6-U1-P6A | 5 meters     |
| R5 IB2 within Rack 5 | R5-IB2-P8A to R5-U1-P3B<br>R5-IB2-P8B to R5-U1-P4B | 3 meters     |
| R5 IB2 to Rack 1     | R5-IB2-P10A to R1-U1-P7B                           | 10 meters    |
| R5 IB2 to Rack 2     | R5-IB2-P10B to R2-U1-P8B                           | 10 meters    |
| R5 IB2 to Rack 3     | R5-IB2-P11A to R3-U1-P9B                           | 5 meters     |
| R5 IB2 to Rack 4     | R5-IB2-P11B to R4-U1-P10B                          | 5 meters     |
| R5 IB2 to Rack 6     | R5-IB2-P9A to R6-U1-P5B<br>R5-IB2-P9B to R6-U1-P6B | 5 meters     |

[Table F-20](#) shows the cable connections for the sixth spine switch (R6-U1) when six racks are cabled together.

**Table F-20 Leaf Switch Connections for the Sixth Rack in a Six-Rack System**

| Leaf Switch          | Connection                                         | Cable Length |
|----------------------|----------------------------------------------------|--------------|
| R6 IB3 within Rack 6 | R6-IB3-P8A to R6-U1-P3A<br>R6-IB3-P8B to R6-U1-P4A | 3 meters     |
| R6 IB3 to Rack 1     | R6-IB3-P9A to R1-U1-P5A<br>R6-IB3-P9B to R1-U1-P6A | 10 meters    |
| R6 IB3 to Rack 2     | R6-IB3-P10A to R2-U1-P7A                           | 10 meters    |
| R6 IB3 to Rack 3     | R6-IB3-P10B to R3-U1-P8A                           | 10 meters    |
| R6 IB3 to Rack 4     | R6-IB3-P11A to R4-U1-P9A                           | 5 meters     |
| R6 IB3 to Rack 5     | R6-IB3-P11B to R5-U1-P10A                          | 5 meters     |
| R6 IB2 within Rack 6 | R6-IB2-P8A to R6-U1-P3B<br>R6-IB2-P8B to R6-U1-P4B | 3 meters     |
| R6 IB2 to Rack 2     | R6-IB2-P10A to R2-U1-P7B                           | 10 meters    |
| R6 IB2 to Rack 1     | R6-IB2-P9A to R1-U1-P5B<br>R6-IB2-P9B to R1-U1-P6B | 10 meters    |
| R6 IB2 to Rack 3     | R6-IB2-P10B to R3-U1-P8B                           | 10 meters    |
| R6 IB2 to Rack 4     | R6-IB2-P11A to R4-U1-P9B                           | 5 meters     |
| R6 IB2 to Rack 5     | R6-IB2-P11B to R5-U1-P10B                          | 5 meters     |

## F.8 Seven-Rack Cabling

Table F-21 shows the cable connections for the first spine switch (R1-U1) when seven racks are cabled together.

### Note:

- The spine switch is in U1 (IB1) for all racks.
- The leaf switches are in U20 (IB2) and U24 (IB3).
- In this section, the leaf switches are called IB2 and IB3.

**Table F-21 Leaf Switch Connections for the First Rack in a Seven-Rack System**

| Leaf Switch          | Connection                                         | Cable Length |
|----------------------|----------------------------------------------------|--------------|
| R1 IB3 within Rack 1 | R1-IB3-P8A to R1-U1-P3A<br>R1-IB3-P8B to R1-U1-P4A | 3 meters     |
| R1 IB3 to Rack 2     | R1-IB3-P9A to R2-U1-P5A                            | 5 meters     |
| R1 IB3 to Rack 3     | R1-IB3-P9B to R3-U1-P6A                            | 5 meters     |
| R1 IB3 to Rack 4     | R1-IB3-P10A to R4-U1-P7A                           | 10 meters    |
| R1 IB3 to Rack 5     | R1-IB3-P10B to R5-U1-P8A                           | 10 meters    |
| R1 IB3 to Rack 6     | R1-IB3-P11A to R6-U1-P9A                           | 10 meters    |

**Table F-21 (Cont.) Leaf Switch Connections for the First Rack in a Seven-Rack System**

| Leaf Switch          | Connection                                         | Cable Length |
|----------------------|----------------------------------------------------|--------------|
| R1 IB3 to Rack 7     | R1-IB3-P11B to R7-U1-P10A                          | 10 meters    |
| R1 IB2 within Rack 1 | R1-IB2-P8A to R1-U1-P3B<br>R1-IB2-P8B to R1-U1-P4B | 3 meters     |
| R1 IB2 to Rack 2     | R1-IB2-P9A to R2-U1-P5B                            | 5 meters     |
| R1 IB2 to Rack 3     | R1-IB2-P9B to R3-U1-P6B                            | 5 meters     |
| R1 IB2 to Rack 4     | R1-IB2-P10A to R4-U1-P7B                           | 10 meters    |
| R1 IB2 to Rack 5     | R1-IB2-P10B to R5-U1-P8B                           | 10 meters    |
| R1 IB2 to Rack 6     | R1-IB2-P11A to R6-U1-P9B                           | 10 meters    |
| R1 IB2 to Rack 7     | R1-IB2-P11B to R7-U1-P10B                          | 10 meters    |

Table F-22 shows the cable connections for the second spine switch (R2-U1) when cabling seven racks.

**Table F-22 Leaf Switch Connections for the Second Rack in a Seven-Rack System**

| Leaf Switch          | Connection                                         | Cable Length |
|----------------------|----------------------------------------------------|--------------|
| R2 IB3 within Rack 2 | R2-IB3-P8A to R2-U1-P3A<br>R2-IB3-P8B to R2-U1-P4A | 3 meters     |
| R2 IB3 to Rack 1     | R2-IB3-P11B to R1-U1-P10A                          | 5 meters     |
| R2 IB3 to Rack 3     | R2-IB3-P9A to R3-U1-P5A                            | 5 meters     |
| R2 IB3 to Rack 4     | R2-IB3-P9B to R4-U1-P6A                            | 5 meters     |
| R2 IB3 to Rack 5     | R2-IB3-P10A to R5-U1-P7A                           | 10 meters    |
| R2 IB3 to Rack 6     | R2-IB3-P10B to R6-U1-P8A                           | 10 meters    |
| R2 IB3 to Rack 7     | R2-IB3-P11A to R7-U1-P9A                           | 10 meters    |
| R2 IB2 within Rack 2 | R2-IB2-P8A to R2-U1-P3B<br>R2-IB2-P8B to R2-U1-P4B | 3 meters     |
| R2 IB2 to Rack 1     | R2-IB2-P11B to R1-U1-P10B                          | 5 meters     |
| R2 IB2 to Rack 3     | R2-IB2-P9A to R3-U1-P5B                            | 5 meters     |
| R2 IB2 to Rack 4     | R2-IB2-P9B to R4-U1-P6B                            | 5 meters     |
| R2 IB2 to Rack 5     | R2-IB2-P10A to R5-U1-P7B                           | 10 meters    |
| R2 IB2 to Rack 6     | R2-IB2-P10B to R6-U1-P8B                           | 10 meters    |
| R2 IB2 to Rack 7     | R2-IB2-P11A to R7-U1-P9B                           | 10 meters    |

Table F-23 shows the cable connections for the third spine switch (R3-U1) when seven racks are cabled together.

**Table F-23 Leaf Switch Connections for the Third Rack in a Seven-Rack System**

| Leaf Switch          | Connection                                         | Cable Length |
|----------------------|----------------------------------------------------|--------------|
| R3 IB3 within Rack 3 | R3-IB3-P8A to R3-U1-P3A<br>R3-IB3-P8B to R3-U1-P4A | 3 meters     |
| R3 IB3 to Rack 1     | R3-IB3-P11A to R1-U1-P9A                           | 5 meters     |
| R3 IB3 to Rack 2     | R3-IB3-P11B to R2-U1-P10A                          | 5 meters     |
| R3 IB3 to Rack 4     | R3-IB3-P9A to R4-U1-P5A                            | 5 meters     |
| R3 IB3 to Rack 5     | R3-IB3-P9B to R5-U1-P6A                            | 5 meters     |
| R3 IB3 to Rack 6     | R3-IB3-P10A to R6-U1-P7A                           | 10 meters    |
| R3 IB3 to Rack 7     | R3-IB3-P10B to R7-U1-P8A                           | 10 meters    |
| R3 IB2 within Rack 3 | R3-IB2-P8A to R3-U1-P3B<br>R3-IB2-P8B to R3-U1-P4B | 3 meters     |
| R3 IB2 to Rack 1     | R3-IB2-P11A to R1-U1-P9B                           | 5 meters     |
| R3 IB2 to Rack 2     | R3-IB2-P11B to R2-U1-P10B                          | 5 meters     |
| R3 IB2 to Rack 4     | R3-IB2-P9A to R4-U1-P5B                            | 5 meters     |
| R3 IB2 to Rack 5     | R3-IB2-P9B to R5-U1-P6B                            | 5 meters     |
| R3 IB2 to Rack 6     | R3-IB2-P10A to R6-U1-P7B                           | 10 meters    |
| R3 IB2 to Rack 7     | R3-IB2-P10B to R7-U1-P8B                           | 10 meters    |

[Table F-24](#) shows the cable connections for the fourth spine switch (R4-U1) when seven racks are cabled together.

**Table F-24 Leaf Switch Connections for the Fourth Rack in a Seven-Rack System**

| Leaf Switch          | Connection                                         | Cable Length |
|----------------------|----------------------------------------------------|--------------|
| R4 IB3 within Rack 4 | R4-IB3-P8A to R4-U1-P3A<br>R4-IB3-P8B to R4-U1-P4A | 3 meters     |
| R4 IB3 to Rack 1     | R4-IB3-P10B to R1-U1-P8A                           | 10 meters    |
| R4 IB3 to Rack 2     | R4-IB3-P11A to R2-U1-P9A                           | 5 meters     |
| R4 IB3 to Rack 3     | R4-IB3-P11B to R3-U1-P10A                          | 5 meters     |
| R4 IB3 to Rack 5     | R4-IB3-P9A to R5-U1-P5A                            | 5 meters     |
| R4 IB3 to Rack 6     | R4-IB3-P9B to R6-U1-P6A                            | 5 meters     |
| R4 IB3 to Rack 7     | R4-IB3-P10A to R7-U1-P7A                           | 10 meters    |
| R4 IB2 within Rack 4 | R4-IB2-P8A to R4-U1-P3B<br>R4-IB2-P8B to R4-U1-P4B | 3 meters     |
| R4 IB2 to Rack 1     | R4-IB2-P10B to R1-U1-P8B                           | 10 meters    |
| R4 IB2 to Rack 2     | R4-IB2-P11A to R2-U1-P9B                           | 5 meters     |
| R4 IB2 to Rack 3     | R4-IB2-P11B to R3-U1-P10B                          | 5 meters     |
| R4 IB2 to Rack 5     | R4-IB2-P9A to R5-U1-P5B                            | 5 meters     |
| R4 IB2 to Rack 6     | R4-IB2-P9B to R6-U1-P6B                            | 5 meters     |

**Table F-24 (Cont.) Leaf Switch Connections for the Fourth Rack in a Seven-Rack System**

| Leaf Switch      | Connection               | Cable Length |
|------------------|--------------------------|--------------|
| R4 IB2 to Rack 7 | R4-IB2-P10A to R7-U1-P7B | 10 meters    |

[Table F-25](#) shows the cable connections for the fifth spine switch (R5-U1) when seven racks are cabled together.

**Table F-25 Leaf Switch Connections for the Fifth Rack in a Seven-Rack System**

| Leaf Switch          | Connection                                         | Cable Length |
|----------------------|----------------------------------------------------|--------------|
| R5 IB3 within Rack 5 | R5-IB3-P8A to R5-U1-P3A<br>R5-IB3-P8B to R5-U1-P4A | 3 meters     |
| R5 IB3 to Rack 1     | R5-IB3-P10A to R1-U1-P7A                           | 10 meters    |
| R5 IB3 to Rack 2     | R5-IB3-P10B to R2-U1-P8A                           | 10 meters    |
| R5 IB3 to Rack 3     | R5-IB3-P11A to R3-U1-P9A                           | 5 meters     |
| R5 IB3 to Rack 4     | R5-IB3-P11B to R4-U1-P10A                          | 5 meters     |
| R5 IB3 to Rack 6     | R5-IB3-P9A to R6-U1-P5A                            | 5 meters     |
| R5 IB3 to Rack 7     | R5-IB3-P9B to R7-U1-P6A                            | 5 meters     |
| R5 IB2 within Rack 5 | R5-IB2-P8A to R5-U1-P3B<br>R5-IB2-P8B to R5-U1-P4B | 3 meters     |
| R5 IB2 to Rack 1     | R5-IB2-P10A to R1-U1-P7B                           | 10 meters    |
| R5 IB2 to Rack 2     | R5-IB2-P10B to R2-U1-P8B                           | 10 meters    |
| R5 IB2 to Rack 3     | R5-IB2-P11A to R3-U1-P9B                           | 5 meters     |
| R5 IB2 to Rack 4     | R5-IB2-P11B to R4-U1-P10B                          | 5 meters     |
| R5 IB2 to Rack 6     | R5-IB2-P9A to R6-U1-P5B                            | 5 meters     |
| R5 IB2 to Rack 7     | R5-IB2-P9B to R7-U1-P6B                            | 5 meters     |

[Table F-26](#) shows the cable connections for the sixth spine switch (R6-U1) when seven racks are cabled together.

**Table F-26 Leaf Switch Connections for the Sixth Rack in a Seven-Rack System**

| Leaf Switch          | Connection                                         | Cable Length |
|----------------------|----------------------------------------------------|--------------|
| R6 IB3 within Rack 6 | R6-IB3-P8A to R6-U1-P3A<br>R6-IB3-P8B to R6-U1-P4A | 3 meters     |
| R6 IB3 to Rack 1     | R6-IB3-P9B to R1-U1-P6A                            | 10 meters    |
| R6 IB3 to Rack 2     | R6-IB3-P10A to R2-U1-P7A                           | 10 meters    |
| R6 IB3 to Rack 3     | R6-IB3-P10B to R3-U1-P8A                           | 10 meters    |
| R6 IB3 to Rack 4     | R6-IB3-P11A to R4-U1-P9A                           | 5 meters     |
| R6 IB3 to Rack 5     | R6-IB3-P11B to R5-U1-P10A                          | 5 meters     |
| R6 IB3 to Rack 7     | R6-IB3-P9A to R7-U1-P5A                            | 5 meters     |

**Table F-26 (Cont.) Leaf Switch Connections for the Sixth Rack in a Seven-Rack System**

| Leaf Switch          | Connection                                         | Cable Length |
|----------------------|----------------------------------------------------|--------------|
| R6 IB2 within Rack 6 | R6-IB2-P8A to R6-U1-P3B<br>R6-IB2-P8B to R6-U1-P4B | 3 meters     |
| R6 IB2 to Rack 1     | R6-IB2-P9B to R1-U1-P6B                            | 10 meters    |
| R6 IB2 to Rack 2     | R6-IB2-P10A to R2-U1-P7B                           | 10 meters    |
| R6 IB2 to Rack 3     | R6-IB2-P10B to R3-U1-P8B                           | 10 meters    |
| R6 IB2 to Rack 4     | R6-IB2-P11A to R4-U1-P9B                           | 5 meters     |
| R6 IB2 to Rack 5     | R6-IB2-P11B to R5-U1-P10B                          | 5 meters     |
| R6 IB2 to Rack 7     | R6-IB2-P9A to R7-U1-P5B                            | 5 meters     |

[Table F-27](#) shows the cable connections for the seventh spine switch (R7-U1) when seven racks are cabled together.

**Table F-27 Leaf Switch Connections for the Seventh Rack in a Seven-Rack System**

| Leaf Switch          | Connection                                         | Cable Length |
|----------------------|----------------------------------------------------|--------------|
| R7 IB3 within Rack 7 | R7-IB3-P8A to R7-U1-P3A<br>R7-IB3-P8B to R7-U1-P4A | 3 meters     |
| R7 IB3 to Rack 1     | R7-IB3-P9A to R1-U1-P5A                            | 10 meters    |
| R7 IB3 to Rack 2     | R7-IB3-P9B to R2-U1-P6A                            | 10 meters    |
| R7 IB3 to Rack 3     | R7-IB3-P10A to R3-U1-P7A                           | 10 meters    |
| R7 IB3 to Rack 4     | R7-IB3-P10B to R4-U1-P8A                           | 10 meters    |
| R7 IB3 to Rack 5     | R7-IB3-P11A to R5-U1-P9A                           | 5 meters     |
| R7 IB3 to Rack 6     | R7-IB3-P11B to R6-U1-P10A                          | 5 meters     |
| R7 IB2 within Rack 7 | R7-IB2-P8A to R7-U1-P3B<br>R7-IB2-P8B to R7-U1-P4B | 3 meters     |
| R7 IB2 to Rack 1     | R7-IB2-P9A to R1-U1-P5B                            | 10 meters    |
| R7 IB2 to Rack 2     | R7-IB2-P9B to R2-U1-P6B                            | 10 meters    |
| R7 IB2 to Rack 3     | R7-IB2-P10A to R3-U1-P7B                           | 10 meters    |
| R7 IB2 to Rack 4     | R7-IB2-P10B to R4-U1-P8B                           | 10 meters    |
| R7 IB2 to Rack 5     | R7-IB2-P11A to R5-U1-P9B                           | 5 meters     |
| R7 IB2 to Rack 6     | R7-IB2-P11B to R6-U1-P10B                          | 5 meters     |

## F.9 Eight-Rack Cabling

[Table F-28](#) shows the cable connections for the first spine switch (R1-U1) when cabling eight racks.



 **Note:**

- The spine switch is in U1 (IB1) for all racks.
- The leaf switches are in U20 (IB2) and U24 (IB3).
- In this section, the leaf switches are called IB2 and IB3.

**Table F-28 Leaf Switch Connections for the First Rack in an Eight-Rack System**

| Leaf Switch          | Connection                | Cable Length |
|----------------------|---------------------------|--------------|
| R1 IB3 within Rack 1 | R1-IB3-P8A to R1-U1-P3A   | 3 meters     |
| R1 IB3 to Rack 2     | R1-IB3-P8B to R2-U1-P4A   | 5 meters     |
| R1 IB3 to Rack 3     | R1-IB3-P9A to R3-U1-P5A   | 5 meters     |
| R1 IB3 to Rack 4     | R1-IB3-P9B to R4-U1-P6A   | 10 meters    |
| R1 IB3 to Rack 5     | R1-IB3-P10A to R5-U1-P7A  | 10 meters    |
| R1 IB3 to Rack 6     | R1-IB3-P10B to R6-U1-P8A  | 10 meters    |
| R1 IB3 to Rack 7     | R1-IB3-P11A to R7-U1-P9A  | 10 meters    |
| R1 IB3 to Rack 8     | R1-IB3-P11B to R8-U1-P10A | 10 meters    |
| R1 IB2 within Rack 1 | R1-IB2-P8A to R1-U1-P3B   | 3 meters     |
| R1 IB2 to Rack 2     | R1-IB2-P8B to R2-U1-P4B   | 5 meters     |
| R1 IB2 to Rack 3     | R1-IB2-P9A to R3-U1-P5B   | 5 meters     |
| R1 IB2 to Rack 4     | R1-IB2-P9B to R4-U1-P6B   | 10 meters    |
| R1 IB2 to Rack 5     | R1-IB2-P10A to R5-U1-P7B  | 10 meters    |
| R1 IB2 to Rack 6     | R1-IB2-P10B to R6-U1-P8B  | 10 meters    |
| R1 IB2 to Rack 7     | R1-IB2-P11A to R7-U1-P9B  | 10 meters    |
| R1 IB2 to Rack 8     | R1-IB2-P11B to R8-U1-P10B | 10 meters    |

[Table F-29](#) shows the cable connections for the second spine switch (R2-U1) when eight racks are cabled together.

**Table F-29 Leaf Switch Connections for the Second Rack in an Eight-Rack System**

| Leaf Switch          | Connection                | Cable Length |
|----------------------|---------------------------|--------------|
| R2 IB3 within Rack 2 | R2-IB3-P8A to R2-U1-P3A   | 3 meters     |
| R2 IB3 to Rack 1     | R2-IB3-P11B to R1-U1-P10A | 5 meters     |
| R2 IB3 to Rack 3     | R2-IB3-P8B to R3-U1-P4A   | 5 meters     |
| R2 IB3 to Rack 4     | R2-IB3-P9A to R4-U1-P5A   | 5 meters     |
| R2 IB3 to Rack 5     | R2-IB3-P9B to R5-U1-P6A   | 10 meters    |
| R2 IB3 to Rack 6     | R2-IB3-P10A to R6-U1-P7A  | 10 meters    |
| R2 IB3 to Rack 7     | R2-IB3-P10B to R7-U1-P8A  | 10 meters    |
| R2 IB3 to Rack 8     | R2-IB3-P11A to R8-U1-P9A  | 10 meters    |
| R2 IB2 within Rack 2 | R2-IB2-P8A to R2-U1-P3B   | 3 meters     |

**Table F-29 (Cont.) Leaf Switch Connections for the Second Rack in an Eight-Rack System**

| Leaf Switch      | Connection                | Cable Length |
|------------------|---------------------------|--------------|
| R2 IB2 to Rack 1 | R2-IB2-P11B to R1-U1-P10B | 5 meters     |
| R2 IB2 to Rack 3 | R2-IB2-P8B to R3-U1-P4B   | 5 meters     |
| R2 IB2 to Rack 4 | R2-IB2-P9A to R4-U1-P5B   | 5 meters     |
| R2 IB2 to Rack 5 | R2-IB2-P9B to R5-U1-P6B   | 10 meters    |
| R2 IB2 to Rack 6 | R2-IB2-P10A to R6-U1-P7B  | 10 meters    |
| R2 IB2 to Rack 7 | R2-IB2-P10B to R7-U1-P8B  | 10 meters    |
| R2 IB2 to Rack 8 | R2-IB2-P11A to R8-U1-P9B  | 10 meters    |

[Table F-30](#) shows the cable connections for the third spine switch (R3-U1) when eight racks are cabled together.

**Table F-30 Leaf Switch Connections for the Third Rack in an Eight-Rack System**

| Leaf Switch          | Connection                | Cable Length |
|----------------------|---------------------------|--------------|
| R3 IB3 within Rack 3 | R3-IB3-P8A to R3-U1-P3A   | 3 meters     |
| R3 IB3 to Rack 1     | R3-IB3-P11A to R1-U1-P9A  | 5 meters     |
| R3 IB3 to Rack 2     | R3-IB3-P11B to R2-U1-P10A | 5 meters     |
| R3 IB3 to Rack 4     | R3-IB3-P8B to R4-U1-P4A   | 5 meters     |
| R3 IB3 to Rack 5     | R3-IB3-P9A to R5-U1-P5A   | 5 meters     |
| R3 IB3 to Rack 6     | R3-IB3-P9B to R6-U1-P6A   | 10 meters    |
| R3 IB3 to Rack 7     | R3-IB3-P10A to R7-U1-P7A  | 10 meters    |
| R3 IB3 to Rack 8     | R3-IB3-P10B to R8-U1-P8A  | 10 meters    |
| R3 IB2 within Rack 3 | R3-IB2-P8A to R3-U1-P3B   | 3 meters     |
| R3 IB2 to Rack 1     | R3-IB2-P11A to R1-U1-P9B  | 5 meters     |
| R3 IB2 to Rack 2     | R3-IB2-P11B to R2-U1-P10B | 5 meters     |
| R3 IB2 to Rack 4     | R3-IB2-P8B to R4-U1-P4B   | 5 meters     |
| R3 IB2 to Rack 5     | R3-IB2-P9A to R5-U1-P5B   | 5 meters     |
| R3 IB2 to Rack 6     | R3-IB2-P9B to R6-U1-P6B   | 10 meters    |
| R3 IB2 to Rack 7     | R3-IB2-P10A to R7-U1-P7B  | 10 meters    |
| R3 IB2 to Rack 8     | R3-IB2-P10B to R8-U1-P8B  | 10 meters    |

[Table F-31](#) shows the cable connections for the fourth spine switch (R4-U1) when eight racks are cabled together.

**Table F-31 Leaf Switch Connections for the Fourth Rack in an Eight-Rack System**

| Leaf Switch          | Connection              | Cable Length |
|----------------------|-------------------------|--------------|
| R4 IB3 within Rack 4 | R4-IB3-P8A to R4-U1-P3A | 3 meters     |

**Table F-31 (Cont.) Leaf Switch Connections for the Fourth Rack in an Eight-Rack System**

| Leaf Switch          | Connection                | Cable Length |
|----------------------|---------------------------|--------------|
| R4 IB3 to Rack 1     | R4-IB3-P10B to R1-U1-P8A  | 10 meters    |
| R4 IB3 to Rack 2     | R4-IB3-P11A to R2-U1-P9A  | 5 meters     |
| R4 IB3 to Rack 3     | R4-IB3-P11B to R3-U1-P10A | 5 meters     |
| R4 IB3 to Rack 5     | R4-IB3-P8B to R5-U1-P4A   | 5 meters     |
| R4 IB3 to Rack 6     | R4-IB3-P9A to R6-U1-P5A   | 5 meters     |
| R4 IB3 to Rack 7     | R4-IB3-P9B to R7-U1-P6A   | 10 meters    |
| R4 IB3 to Rack 8     | R4-IB3-P10A to R8-U1-P7A  | 10 meters    |
| R4 IB2 within Rack 4 | R4-IB2-P8A to R4-U1-P3B   | 3 meters     |
| R4 IB2 to Rack 1     | R4-IB2-P10B to R1-U1-P8B  | 10 meters    |
| R4 IB2 to Rack 2     | R4-IB2-P11A to R2-U1-P9B  | 5 meters     |
| R4 IB2 to Rack 3     | R4-IB2-P11B to R3-U1-P10B | 5 meters     |
| R4 IB2 to Rack 5     | R4-IB2-P8B to R5-U1-P4B   | 5 meters     |
| R4 IB2 to Rack 6     | R4-IB2-P9A to R6-U1-P5B   | 5 meters     |
| R4 IB2 to Rack 7     | R4-IB2-P9B to R7-U1-P6B   | 10 meters    |
| R4 IB2 to Rack 8     | R4-IB2-P10A to R8-U1-P7B  | 10 meters    |

[Table F-32](#) shows the cable connections for the fifth spine switch (R5-U1) when eight racks are cabled together.

**Table F-32 Leaf Switch Connections for the Fifth Rack in an Eight-Rack System**

| Leaf Switch          | Connection                | Cable Length |
|----------------------|---------------------------|--------------|
| R5 IB3 within Rack 5 | R5-IB3-P8A to R5-U1-P3A   | 3 meters     |
| R5 IB3 to Rack 1     | R5-IB3-P10A to R1-U1-P7A  | 10 meters    |
| R5 IB3 to Rack 2     | R5-IB3-P10B to R2-U1-P8A  | 10 meters    |
| R5 IB3 to Rack 3     | R5-IB3-P11A to R3-U1-P9A  | 5 meters     |
| R5 IB3 to Rack 4     | R5-IB3-P11B to R4-U1-P10A | 5 meters     |
| R5 IB3 to Rack 6     | R5-IB3-P8B to R6-U1-P4A   | 5 meters     |
| R5 IB3 to Rack 7     | R5-IB3-P9A to R7-U1-P5A   | 5 meters     |
| R5 IB3 to Rack 8     | R5-IB3-P9B to R8-U1-P6A   | 10 meters    |
| R5 IB2 within Rack 5 | R5-IB2-P8A to R5-U1-P3B   | 3 meters     |
| R5 IB2 to Rack 1     | R5-IB2-P10A to R1-U1-P7B  | 10 meters    |
| R5 IB2 to Rack 2     | R5-IB2-P10B to R2-U1-P8B  | 10 meters    |
| R5 IB2 to Rack 3     | R5-IB2-P11A to R3-U1-P9B  | 5 meters     |
| R5 IB2 to Rack 4     | R5-IB2-P11B to R4-U1-P10B | 5 meters     |
| R5 IB2 to Rack 6     | R5-IB2-P8B to R6-U1-P4B   | 5 meters     |
| R5 IB2 to Rack 7     | R5-IB2-P9A to R7-U1-P5B   | 5 meters     |
| R5 IB2 to Rack 8     | R5-IB2-P9B to R8-U1-P6B   | 10 meters    |

Table F-33 shows the cable connections for the sixth spine switch (R6-U1) when eight racks are cabled together.

**Table F-33 Leaf Switch Connections for the Sixth Rack in an Eight-Rack System**

| Leaf Switch          | Connection                | Cable Length |
|----------------------|---------------------------|--------------|
| R6 IB3 within Rack 6 | R6-IB3-P8A to R6-U1-P3A   | 3 meters     |
| R6 IB3 to Rack 1     | R6-IB3-P9B to R1-U1-P6A   | 10 meters    |
| R6 IB3 to Rack 2     | R6-IB3-P10A to R2-U1-P7A  | 10 meters    |
| R6 IB3 to Rack 3     | R6-IB3-P10B to R3-U1-P8A  | 10 meters    |
| R6 IB3 to Rack 4     | R6-IB3-P11A to R4-U1-P9A  | 5 meters     |
| R6 IB3 to Rack 5     | R6-IB3-P11B to R5-U1-P10A | 5 meters     |
| R6 IB3 to Rack 7     | R6-IB3-P8B to R7-U1-P4A   | 5 meters     |
| R6 IB3 to Rack 8     | R6-IB3-P9A to R8-U1-P5A   | 5 meters     |
| R6 IB2 within Rack 6 | R6-IB2-P8A to R6-U1-P3B   | 3 meters     |
| R6 IB2 to Rack 1     | R6-IB2-P9B to R1-U1-P6B   | 10 meters    |
| R6 IB2 to Rack 2     | R6-IB2-P10A to R2-U1-P7B  | 10 meters    |
| R6 IB2 to Rack 3     | R6-IB2-P10B to R3-U1-P8B  | 10 meters    |
| R6 IB2 to Rack 4     | R6-IB2-P11A to R4-U1-P9B  | 5 meters     |
| R6 IB2 to Rack 5     | R6-IB2-P11B to R5-U1-P10B | 5 meters     |
| R6 IB2 to Rack 7     | R6-IB2-P8B to R7-U1-P4B   | 5 meters     |
| R6 IB2 to Rack 8     | R6-IB2-P9A to R8-U1-P5B   | 5 meters     |

Table F-34 shows the cable connections for the seventh spine switch (R7-U1) when eight racks are cabled together.

**Table F-34 Leaf Switch Connections for the Seventh Rack in an Eight-Rack System**

| Leaf Switch          | Connection                | Cable Length |
|----------------------|---------------------------|--------------|
| R7 IB3 within Rack 7 | R7-IB3-P8A to R7-U1-P3A   | 3 meters     |
| R7 IB3 to Rack 1     | R7-IB3-P9A to R1-U1-P5A   | 10 meters    |
| R7 IB3 to Rack 2     | R7-IB3-P9B to R2-U1-P6A   | 10 meters    |
| R7 IB3 to Rack 3     | R7-IB3-P10A to R3-U1-P7A  | 10 meters    |
| R7 IB3 to Rack 4     | R7-IB3-P10B to R4-U1-P8A  | 10 meters    |
| R7 IB3 to Rack 5     | R7-IB3-P11A to R5-U1-P9A  | 5 meters     |
| R7 IB3 to Rack 6     | R7-IB3-P11B to R6-U1-P10A | 5 meters     |
| R7 IB3 to Rack 8     | R7-IB3-P8B to R8-U1-P4A   | 5 meters     |
| R7 IB2 within Rack 7 | R7-IB2-P8A to R7-U1-P3B   | 3 meters     |
| R7 IB2 to Rack 1     | R7-IB2-P9A to R1-U1-P5B   | 10 meters    |
| R7 IB2 to Rack 2     | R7-IB2-P9B to R2-U1-P6B   | 10 meters    |
| R7 IB2 to Rack 3     | R7-IB2-P10A to R3-U1-P7B  | 10 meters    |
| R7 IB2 to Rack 4     | R7-IB2-P10B to R4-U1-P8B  | 10 meters    |

**Table F-34 (Cont.) Leaf Switch Connections for the Seventh Rack in an Eight-Rack System**

| Leaf Switch      | Connection                | Cable Length |
|------------------|---------------------------|--------------|
| R7 IB2 to Rack 5 | R7-IB2-P11A to R5-U1-P9B  | 5 meters     |
| R7 IB2 to Rack 6 | R7-IB2-P11B to R6-U1-P10B | 5 meters     |
| R7 IB2 to Rack 8 | R7-IB2-P8B to R8-U1-P4B   | 5 meters     |

[Table F-35](#) shows the cable connections for the eighth spine switch (R8-U1) when eight racks are cabled together.

**Table F-35 Leaf Switch Connections for the Eighth Rack in an Eight-Rack System**

| Leaf Switch          | Connection                | Cable Length |
|----------------------|---------------------------|--------------|
| R8 IB3 within Rack 8 | R8-IB3-P8A to R8-U1-P3A   | 3 meters     |
| R8 IB3 to Rack 1     | R8-IB3-P8B to R1-U1-P4A   | 10 meters    |
| R8 IB3 to Rack 2     | R8-IB3-P9A to R2-U1-P5A   | 10 meters    |
| R8 IB3 to Rack 3     | R8-IB3-P9B to R3-U1-P6A   | 10 meters    |
| R8 IB3 to Rack 4     | R8-IB3-P10A to R4-U1-P7A  | 10 meters    |
| R8 IB3 to Rack 5     | R8-IB3-P10B to R5-U1-P8A  | 10 meters    |
| R8 IB3 to Rack 6     | R8-IB3-P11A to R6-U1-P9A  | 5 meters     |
| R8 IB3 to Rack 7     | R8-IB3-P11B to R7-U1-P10A | 5 meters     |
| R8 IB2 within Rack 8 | R8-IB2-P8A to R8-U1-P3B   | 3 meters     |
| R8 IB2 to Rack 1     | R8-IB2-P8B to R1-U1-P4B   | 10 meters    |
| R8 IB2 to Rack 2     | R8-IB2-P9A to R2-U1-P5B   | 10 meters    |
| R8 IB2 to Rack 3     | R8-IB2-P9B to R3-U1-P6B   | 10 meters    |
| R8 IB2 to Rack 4     | R8-IB2-P10A to R4-U1-P7B  | 10 meters    |
| R8 IB2 to Rack 5     | R8-IB2-P10B to R5-U1-P8B  | 10 meters    |
| R8 IB2 to Rack 6     | R8-IB2-P11A to R6-U1-P9B  | 5 meters     |
| R8 IB2 to Rack 7     | R8-IB2-P11B to R7-U1-P10B | 5 meters     |

# G

## Manual Disk Configuration Steps

It is recommended that you run the `bdaconfiguredisk` utility in order to resolve disk errors and to configure or reconfigure a data or operating systems disk on Oracle Big Data Appliance. The utility automates the process. These manual steps should not be needed, but are included as a fallback that you can refer to if necessary.

### G.1 Identifying the Function of a Disk Drive

The server with the failed disk is configured to support either HDFS or Oracle NoSQL Database, and most disks are dedicated to that purpose. However, two disks are dedicated to the operating system. Before configuring the new disk, find out how the failed disk was configured.

Oracle Big Data Appliance is configured with the operating system on the first two disks.

**To confirm that a failed disk supported the operating system:**

1. Check whether the replacement disk corresponds to `/dev/sda` or `/dev/sdb`, which are the operating system disks.

```
# lsscsi
```

See the output from Step 11 of "[Replacing a Disk Drive](#)".

2. Verify that `/dev/sda` and `/dev/sdb` are the operating system mirrored partitioned disks:

```
# mdadm -Q --detail /dev/md2
```

```
/dev/md2:
```

```
Version : 0.90
```

```
Creation Time : Mon Jul 22 22:56:19 2013
```

```
Raid Level : raid1
```

```
.
```

```
.
```

```
.
```

| Number | Major | Minor | RaidDevice | State       |           |
|--------|-------|-------|------------|-------------|-----------|
| 0      | 8     | 2     | 0          | active sync | /dev/sda2 |
| 1      | 8     | 18    | 1          | active sync | /dev/sdb2 |

3. If the previous steps indicate that the failed disk is an operating system disk, then proceed to "[Configuring an Operating System Disk](#)".

### G.2 Configuring an Operating System Disk

The first two disks support the Linux operating system. These disks store a copy of the mirrored operating system, a swap partition, a mirrored boot partition, and an HDFS data partition.

To configure an operating system disk, you must copy the partition table from the surviving disk, create an HDFS partition (ext4 file system), and add the software raid partitions and boot partitions for the operating system.

Complete these procedures after replacing the disk in either slot 0 or slot 1.

- [Partitioning the Operating System Disk](#)
- [Repairing the RAID Arrays](#)
- [Formatting the HDFS Partition of an Operating System Disk](#)
- [Restoring the Swap Partition](#)
- [Restoring the GRUB Master Boot Records and HBA Boot Order](#)

## G.2.1 Partitioning the Operating System Disk

### G.2.1.1 Partitioning for Oracle Linux 6

To partition a logical drive for Oracle Linux 6:

1. Complete the steps in "[Replacing a Disk Drive](#)".
2. Confirm that the new disk does not have a partition table:

```
# parted /dev/disk/by-hba-slot/sn -s print
```

You should see a message about a missing partition table.

3. If the `parted` command displays a partition table, then clear it:

```
# dd if=/dev/zero of=/dev/disk/by-hba-slot/sn bs=1M count=100
```

#### Tip:

You can use this command to restart an operating system disk configuration, if you make a mistake.

4. Create the partition table:

```
# parted /dev/disk/by-hba-slot/sn -s mklabel gpt print
```

5. List the Cylinder, Head, Sector (CHS) partition information of the *surviving* disk. Thus, if you are partitioning `/dev/disk/by-hba-slot/s0`, then enter `/dev/disk/by-hba-slot/s1` for `/dev/disk/by-hba-slot/sm` in the following command:

```
# parted /dev/disk/by-hba-slot/sm -s unit chs print
```

```
Model: LSI MR9261-8i (scsi)
Disk /dev/sda: 243031,30,6
Sector size (logical/physical): 512B/512B
BIOS cylinder,head,sector geometry: 243031,255,63. Each cylinder is 8225kB.
Partition Table: gpt
```

| Number | Start        | End          | File system    | Name         | Flags |
|--------|--------------|--------------|----------------|--------------|-------|
| 1      | 0,0,34       | 25,127,7     | ext4           | primary boot |       |
| 2      | 25,127,8     | 21697,116,20 |                | primary raid |       |
| 3      | 21697,116,21 | 23227,61,35  | linux-swap(v1) | primary      |       |
| 4      | 23227,61,36  | 243031,29,36 | ext4           | primary      |       |

6. Create partitions 1 to 3 on the new drive by duplicating the partitions of the surviving disk. Issue three commands in this format:

```
# parted /dev/disk/by-hba-slot/sn -s mkpart primary file_system start end
```

Use the start and end addresses that you obtained in Step 5 instead of the addresses shown in the following example:

```
# parted /dev/disk/by-hba-slot/sn -s mkpart primary ext4 0,0,34 25,127,7
# parted /dev/disk/by-hba-slot/sn -s mkpart primary ext4 25,127,8
21697,116,20
# parted /dev/disk/by-hba-slot/sn -s mkpart primary linux-swap 21697,116,21
23227,61,35
```

7. Create primary partition 4 using the start address obtained in Step 5 and an end address of 100%:

```
# parted /dev/disk/by-hba-slot/sn -s mkpart primary ext4 23227,61,36 100%
```

Partition 4 stores HDFS data, and this syntax makes the partition as large as possible.

8. Set the RAID flags:

```
# parted -s /dev/disk/by-hba-slot/sn set 1 raid
# parted -s /dev/disk/by-hba-slot/sn set 2 raid
```

9. Set the boot flag:

```
# parted -s /dev/disk/by-hba-slot/sn set 1 boot
```

10. Verify that the boot flag is set:

```
# parted /dev/disk/by-hba-slot/sn -s unit chs print
```

An example of the output is as follows:

```
Model: LSI MR9261-8i (scsi)
Disk /dev/sda: 243031,30,6
Sector size (logical/physical): 512B/512B
BIOS cylinder,head,sector geometry: 243031,255,63. Each cylinder is 8225kB.
Partition Table: gpt
Number Start          End              File system     Name      Flags
 1      0,32,32            24,89,0         ext4            primary  boot
 2      24,89,1            60812,135,58   ext4            primary  raid
 3      60812,135,59      65618,90,7     linux-swap(v1) primary
 4      65618,90,8        243030,252,37  ext4            primary
```

11. Complete the steps in "Repairing the RAID Arrays".

## G.2.2 Repairing the RAID Arrays

After partitioning the disks, you can repair the two logical RAID arrays:

- /dev/md0 contains /dev/disk/by-hba-slot/s0p1 and /dev/disk/by-hba-slot/s1p1. It is mounted as /boot.
- /dev/md2 contains /dev/disk/by-hba-slot/s0p2 and /dev/disk/by-hba-slot/s1p2. It is mounted as / (root).



**▲ Caution:**

Do not dismount the `/dev/md` devices, because that action shuts down the system.

**To repair the RAID arrays:**

1. Remove the partitions from the RAID arrays:

```
# mdadm /dev/md0 -r detached
# mdadm /dev/md2 -r detached
```

2. Verify that the RAID arrays are degraded:

```
# mdadm -Q --detail /dev/md0
# mdadm -Q --detail /dev/md2
```

3. Verify that the degraded file for each array is set to 1:

```
# cat /sys/block/md0/md/degraded
1
# cat /sys/block/md2/md/degraded
1
```

4. Restore the partitions to the RAID arrays:

```
# mdadm --add /dev/md0 /dev/disk/by-hba-slot/snp1
# mdadm --add /dev/md2 /dev/disk/by-hba-slot/snp2
```

5. Check that resynchronization is started, so that `/dev/md2` is in a state of recovery and not idle:

```
# cat /sys/block/md2/md/sync_action
repair
```

6. To verify that resynchronization is proceeding, you can monitor the `mdstat` file. A counter identifies the percentage complete.

```
# cat /proc/mdstat

Personalities : [raid1]
md0 : active raid1 sdb1[1] sda1[0]
      204736 blocks [2/2] [UU]

md2 : active raid1 sdb2[2] sda2[0]
      174079936 blocks [2/1] [U_]
      [=====>.....] recovery = 61.6% (107273216/174079936)
      finish=18.4min speed=60200K/sec
```

The following output shows that synchronization is complete:

```
Personalities : [raid1]
md0 : active raid1 sdb1[1] sda1[0]
      204736 blocks [2/2] [UU]

md2 : active raid1 sdb2[1] sda2[0]
      174079936 blocks [2/2] [UU]

unused devices: <none>
```

7. Display the content of `/etc/mdadm.conf`:

```
# cat /etc/mdadm.conf

# mdadm.conf written out by anaconda
DEVICE partitions
MAILADDR root
ARRAY /dev/md0 level=raid1 num-devices=2 UUID=df1bd885:c1f0f9c2:25d6...
ARRAY /dev/md2 level=raid1 num-devices=2 UUID=6c949a1a:1d45b778:a6da...
```

8. Compare the output of the following command with the content of `/etc/mdadm.conf` from Step 7:

```
# mdadm --examine --brief --scan --config=partitions
```

9. If the UUIDs in the file are different from UUIDs in the output of the `mdadm` command:
  - a. Open `/etc/mdadm.conf` in a text editor.
  - b. Select from `ARRAY` to the end of the file, and delete the selected lines.
  - c. Copy the output of the command into the file where you deleted the old lines.
  - d. Save the modified file and exit.
10. Complete the steps in "[Formatting the HDFS Partition of an Operating System Disk](#)".

## G.2.3 Formatting the HDFS Partition of an Operating System Disk

Partition 4 (`sda4`) on an operating system disk is used for HDFS. After you format the partition and set the correct label, HDFS rebalances the job load to use the partition if the disk space is needed.

### To format the HDFS partition:

1. Format the HDFS partition as an ext4 file system:

```
# mkfs -t ext4 /dev/disk/by-hba-slot/snp4
```

#### Note:

If this command fails because the device is mounted, then dismount the drive now and skip step 3. See "[Prerequisites for Replacing a Failing Disk](#)" for dismounting instructions.

2. Verify that the partition label (such as `/u01` for `s0p4`) is missing:

```
# ls -l /dev/disk/by-label
```

3. Dismount the appropriate HDFS partition, either `/u01` for `/dev/sda`, or `/u02` for `/dev/sdb`:

```
# umount /u0n
```

4. Reset the partition label:

```
# tune2fs -c -1 -i 0 -m 0.2 -L /u0n /dev/disk/by-hba-slot/snp4
```

5. Mount the HDFS partition:

```
# mount /u0n
```

- Complete the steps in ["Restoring the Swap Partition"](#).

## G.2.4 Restoring the Swap Partition

After formatting the HDFS partition, you can restore the swap partition.

**To restore the swap partition:**

- Set the swap label:

```
# mkswap -L SWAP-sdn3 /dev/disk/by-hba-slot/snp3
Setting up swapspace version 1, size = 12582907 kB
LABEL=SWAP-sdn3, no uuid
```

- Verify that the swap partition is restored:

```
# bdaswapon; bdaswapoff
Filename                                Type      Size      Used      Priority
/dev/sda3                               partition 12287992  0         1
/dev/sdb3                               partition 12287992  0         1
```

- Verify that the replaced disk is recognized by the operating system:

```
$ ls -l /dev/disk/by-label
total 0
lrwxrwxrwx 1 root root 10 Aug  3 01:22 BDAUSB -> ../../sdn1
lrwxrwxrwx 1 root root 10 Aug  3 01:22 BDAUSBBOOT -> ../../sdm1
lrwxrwxrwx 1 root root 10 Aug  3 01:22 SWAP-sda3 -> ../../sda3
lrwxrwxrwx 1 root root 10 Aug  3 01:22 SWAP-sdb3 -> ../../sdb3
lrwxrwxrwx 1 root root 10 Aug  3 01:22 u01 -> ../../sda4
lrwxrwxrwx 1 root root 10 Aug  3 01:22 u02 -> ../../sdb4
lrwxrwxrwx 1 root root 10 Aug  3 01:22 u03 -> ../../sdc1
lrwxrwxrwx 1 root root 10 Aug  3 01:22 u04 -> ../../sdd1
.
.
.
```

- If the output does not list the replaced disk:

- On Linux 6, run `udevadm trigger`.

Then repeat step 3. The `lsscsi` command should also report the correct order of the disks.

- Complete the steps in ["Restoring the GRUB Master Boot Records and HBA Boot Order"](#).

## G.2.5 Restoring the GRUB Master Boot Records and HBA Boot Order

After restoring the swap partition, you can restore the Grand Unified Bootloader (GRUB) master boot record.

The `device.map` file maps the BIOS drives to operating system devices. The following is an example of a device map file:

```
# this device map was generated by anaconda
(hd0)    /dev/sda
(hd1)    /dev/sdb
```

However, the GRUB device map does not support symbolic links, and the mappings in the device map might not correspond to those used by `/dev/disk/by-hba-slot`. The following procedure explains how you can correct the device map if necessary.

**To restore the GRUB boot record:****1. Check which kernel device the drive is using in slot1**

```
# ls -ld /dev/disk/by-hba-slot/s1
lrwxrwxrwx 1 root root 9 Apr 22 12:54 /dev/disk/by-hba-slot/s1 -> ../../sdb
```

**2. If the output displays /dev/sdb as shown in step 1, then proceed to the next step (open GRUB).**

If another device is displayed, such as /dev/sdn, then you must first set hd1 to point to the correct device:

**a. Make a copy of the device.map file:**

```
# cd /boot/grub
# cp device.map mydevice.map
# ls -l *device*
-rw-r--r-- 1 root root 85 Apr 22 14:50 device.map
-rw-r--r-- 1 root root 85 Apr 24 09:24 mydevice.map
```

**b. Edit mydevice.map to point hd1 to the new device. In this example, s1 pointed to /dev/sdn in step 1.**

```
# more /boot/grub/mydevice.map
# this device map was generated by bda install
(hd0)    /dev/sda
(hd1)    /dev/sdn
```

**c. Use the edited device map (mydevice.map) in the remaining steps.****3. Open GRUB, using either device.map as shown, or the edited mydevice.map:**

```
# grub --device-map=/boot/grub/device.map

GNU GRUB  version 0.97  (640K lower / 3072K upper memory)

[ Minimal BASH-like line editing is supported.  For the first word, TAB
  lists possible command completions.  Anywhere else TAB lists the possible
  completions of a device/filename.
]
```

**4. Set the root device, entering hd0 for /dev/sda, or hd1 for /dev/sdb:**

```
grub> root (hdn,0)

root (hdn,0)
Filesystem type is ext2fs, partition type 0x83
```

**5. Install GRUB, entering hd0 for /dev/sda, or hd1 for /dev/sdb:**

```
grub> setup (hdn)

setup (hdn)
Checking if "/boot/grub/stage1" exists... no
Checking if "/grub/stage1" exists... yes
Checking if "/grub/stage2" exists... yes
Checking if "/grub/e2fs_stage1_5" exists... yes
Running "embed /grub/e2fs_stage1_5 (hdn)"... failed (this is not fatal)
Running "embed /grub/e2fs_stage1_5 (hdn,0)"... failed (this is not fatal)
Running "install /grub/stage1 (hdn) /grub/stage2 p /grub/grub.conf "...
```

succeeded  
Done.

6. Close the GRUB command-line interface:

```
grub> quit
```

7. Ensure that the boot drive in the HBA is set correctly:

```
# MegaCli64 /c0 show bootdrive
```

If BootDrive VD:0 is set, the command output is as follows:

```
Controller = 0
Status = Success
Description = None
Controller Properties :
=====
-----
Ctrl_Prop Value
-----
BootDrive VD:0
-----
```

If BootDrive VD:0 is not set, the command output shows No Boot Drive:

```
Controller = 0
Status = Success
Description = None
Controller Properties :
=====
-----
Ctrl_Prop Value
-----
BootDrive No Boot Drive
-----
```

8. If MegaCli64 /c0 show bootdrive reports that the boot drive is not set, then set it as follows:

```
# MegaCli64 /c0/v0 set bootdrive=on
```

```
Controller = 0
Status = Success
Description = None
Detailed Status :
=====
-----
VD Property Value Status ErrCd ErrMsg
-----
0 Boot Drive On Success 0 -
-----
```

9. Verify that the boot drive is now set:

```
# MegaCli64 /c0 show bootdrive
```

```
Controller = 0
Status = Success
Description = None
Controller Properties :
=====
-----
Ctrl_Prop Value
-----
```

```
BootDrive VD:0
-----
```

10. Ensure that the auto-select boot drive feature is enabled:

```
# MegaCli64 adpBIOS EnblAutoSelectBootLd a0
Auto select Boot is already Enabled on Adapter 0.
```

11. Check the configuration. See "[Verifying the Disk Configuration](#)".

## G.3 Configuring an HDFS or Oracle NoSQL Database Disk

Complete the following instructions for any disk that is not used by the operating system. See "[Identifying the Function of a Disk Drive](#)".

To configure a disk, you must partition and format it.

### Note:

Replace `snp1` in the following commands with the appropriate symbolic name, such as `s4p1`.

### To format a disk for use by HDFS or Oracle NoSQL Database:

1. Complete the steps in "[Replacing a Disk Drive](#)", if you have not done so already.
2. Partition the drive:

```
# parted /dev/disk/by-hba-slot/sn -s mklabel gpt mkpart primary ext4 0% 100%
```

3. Format the partition for an ext4 file system:

```
# mkfs -t ext4 /dev/disk/by-hba-slot/snp1
```

4. Reset the appropriate partition label to the missing device. See [Table 13-2](#).

```
# tune2fs -c -1 -i 0 -m 0.2 -L /unn /dev/disk/by-hba-slot/snp1
```

For example, this command resets the label for `/dev/disk/by-hba-slot/s2p1` to `u03`:

```
# tune2fs -c -1 -i 0 -m 0.2 -L /u03 /dev/disk/by-hba-slot/s2p1
Setting maximal mount count to -1
Setting interval between checks to 0 seconds
Setting reserved blocks percentage to 0.2% (976073 blocks)
```

5. Verify that the replaced disk is recognized by the operating system:

```
$ ls -l /dev/disk/by-label
total 0
lrwxrwxrwx 1 root root 10 Aug  3 01:22 BDAUSB -> ../../sdn1
lrwxrwxrwx 1 root root 10 Aug  3 01:22 BDAUSBBOOT -> ../../sdm1
lrwxrwxrwx 1 root root 10 Aug  3 01:22 SWAP-sda3 -> ../../sda3
lrwxrwxrwx 1 root root 10 Aug  3 01:22 SWAP-sdb3 -> ../../sdb3
lrwxrwxrwx 1 root root 10 Aug  3 01:22 u01 -> ../../sda4
lrwxrwxrwx 1 root root 10 Aug  3 01:22 u02 -> ../../sdb4
lrwxrwxrwx 1 root root 10 Aug  3 01:22 u03 -> ../../sdc1
lrwxrwxrwx 1 root root 10 Aug  3 01:22 u04 -> ../../sdd1
```

6. If the output does not list the replaced disk:
  - On Linux 6, run `udevadm trigger`.Then repeat step 5. The `lsscsi` command should also report the correct order of the disks.
7. Mount the HDFS partition, entering the appropriate mount point:

```
# mount /unn
```

For example, `mount /u03`.
8. If you are configuring multiple drives, then repeat the previous steps.
9. If you previously removed a mount point in Cloudera Manager for an HDFS drive, then restore it to the list.
  - a. Open a browser window to Cloudera Manager. For example:

```
http://bdainode03.example.com:7180
```
  - b. Open Cloudera Manager and log in as `admin`.
  - c. On the Services page, click **hdfs**.
  - d. Click the **Instances** subtab.
  - e. In the Host column, locate the server with the replaced disk. Then click the service in the Name column, such as **datanode**, to open its page.
  - f. Click the **Configuration** subtab.
  - g. If the mount point is missing from the Directory field, then add it to the list.
  - h. Click **Save Changes**.
  - i. From the Actions list, choose **Restart**.
10. If you previously removed a mount point from NodeManager Local Directories, then also restore it to the list using Cloudera Manager.
  - a. On the Services page, click **Yarn**.
  - b. In the Status Summary, click **NodeManager**.
  - c. From the list, click to select the NodeManager that is on the host with the failed disk.
  - d. Click the Configuration sub-tab.
  - e. If the mount point is missing from the NodeManager Local Directories field, then add it to the list.
  - f. Click **Save Changes**.
  - g. From the Actions list, choose **Restart**.
11. Check the configuration. See "[Verifying the Disk Configuration](#)".

## G.4 Verifying the Disk Configuration

Before you can reinstall the Oracle Big Data Appliance software on the server, you must verify that the configuration is correct on the new disk drive.

**To verify the disk configuration:**

1. Check the software configuration:

```
# bdachecksw
```

2. If there are errors, then redo the configuration steps as necessary to correct the problem.
3. Check the `/root` directory for a file named `BDA_REBOOT_SUCCEEDED`.
4. If you find a file named `BDA_REBOOT_FAILED`, then read the file to identify and fix any additional problems.
5. Use this script to generate a `BDA_REBOOT_SUCCEEDED` file:

```
# /opt/oracle/bda/lib/bdastartup.sh
```

6. Verify that `BDA_REBOOT_SUCCEEDED` exists. If you still find a `BDA_REBOOT_FAILED` file, then redo the previous steps.



# H

## Oracle Big Data Appliance Software Accessibility Recommendations

### H.1 Tips on Using Screen Readers and Braille Displays

The following are some suggestions on using text-to-speech output and braille displays.

- Use a character mode based terminal such as Putty or Cygwin. Do not use an X-Windows-based VNC.
- In the settings of the terminal software, set the cursor type to "block" cursor, not blinking or flashing.
- The output of the certain commands can generate a significant amount of information and might spill off the terminal window, and the virtual window or braille display. In those, cases consider piping the output of a command through `more` in order to break the output into pages. You can then use the space bar key to page through the output.
- A few recommended screen reader settings include the following (JAWS is used here just as an example):
  - Set the JAWS cursor to "All". Use the key combination of `Insert + s` until you hear "All".
  - You may need to turn off virtual cursor. If you are using JAWS, you can do this using the key combination of `Insert + z`.
  - Use the virtual window to capture text. If you are using JAWS, you can do this using the key combination of `Insert + Alt + w`.

### H.2 Tips on Using Screen Magnifiers

Examples of screen magnifiers include ZoomText, MAGic, and SuperNova.

- Screen magnifiers can support both character-based terminals and X-Window-based VNC.
- If you are using the screen reader function of the screen magnifier (ZoomText screen reader), then you should use a character-based terminal as described above.
- If you are using a VNC, decide your preference for a window display, for example, TWM or ICE. A display setting for ICE can be done with the following:

```
vncserver -geometry 1600x950 :2
```

1600x950 specifies the display size, and :2 specifies the VNC display number.

## H.3 Accessibility for the Oracle Big Data Appliance Configuration Generation Utility on Microsoft Windows

The Oracle Big Data Appliance Configuration Generation Utility is Java-based application that gathers deployment information for Oracle Big Data Appliance installations. It does not ship with its own JRE but runs on what is available locally. If you run it under version 8 or greater of the JRE, the Java Access Bridge and assistive technology software such as JAWS, ZoomText, and others are available to you.

1. Make sure the Java Access Bridge is enabled in Windows using the "Ease of Access" from the Windows Control Panel.
2. Follow the instructions in [Enabling and Testing Java Access Bridge](#) in the Java SE documentation.

## H.4 Keyboard Shortcuts for Oracle Big Data Manager

Tasks in the Big Data Manager Data Explorer that you can perform using keyboard shortcuts.

**Table H-1 Keyboard Shortcuts in the Big Data Manager Data Explorer**

| Task                                                                 | Keyboard Shortcut        |
|----------------------------------------------------------------------|--------------------------|
| Change the currently selected item                                   | Up/Down/Left/Right Arrow |
| Open the selected directory/container                                | Enter                    |
| Navigate back to parent directory/container                          | Backspace                |
| Select the first item in list                                        | Home or PageUp           |
| Select the last item in list                                         | End or PageDown          |
| Switch between left and right panel in the Data Explorer             | Tab                      |
| Deselect the currently selected item                                 | Esc                      |
| Open the <b>Rename</b> dialog (supported only on HDFS)               | F2                       |
| Reload the content of the current panel (same as the Refresh button) | F5 or Ctrl+R             |
| Invokes copy/move/paste actions                                      | Ctrl+C/X/V               |

If are using an Apple keyboard, use the Command key instead of the Control (Ctrl) key.

# Recent Change History

This appendix describes changes in Releases 4.14 and 4.13. If you are upgrading from an older version of Oracle Big Data Appliance, then it may be informative to read this change summary.

## I.1 Changes in Oracle Big Data Appliance Release 4.14

Release 4.14 includes the following new features, software revisions, and other changes.

Release 4.14 is primarily a maintenance release that includes software version upgrades and defect fixes. In addition, there are changes in the distribution of services among the nodes of multitrack clusters. Release 4.14 also includes support for Oracle Linux 6 to Oracle Linux 7 migration, which was a post-release add-on to Oracle Big Data Appliance 4.13.

### Software Versions in This Release

- Cloudera Enterprise 5.16.1, including CDH, Cloudera Manager, and Key Trustee, Sentry, Impala, Cloudera Search, Apache HBase, Apache Hive, Apache Spark 1.6.

Note that Apache Spark 1.6 is deployed as shipped with CDH, but Mammoth also deploys Apache Spark 2.4.0 automatically. The Cloudera parcels for Kudu, Kafka, and Key Trustee Server are included for your convenience, but are not deployed or configured by default.

- Oracle Big Data Connectors 5.0
- ODI Agent 12.2.1.3
- Cloudera CDK Powered By Apache Kafka 4.0
- Oracle NoSQL Database Enterprise Edition 19.1.6
- Oracle NoSQL Community Edition 18.1.19
- Oracle Big Data SQL 3.2.1.2
- MySQL Enterprise Edition 5.7.25
- Oracle R Advanced Analytics for Hadoop (ORAAH) 2.8.1
- Oracle's R Distribution (ORD) 3.3.0
- Oracle Big Data Spatial & Graph 2.5.1
- Java JDK 8u211
- Oracle Linux 7 with UEK4 for new clusters. (New Oracle Big Data Appliance racks are delivered with Oracle Linux 7.) Oracle Linux 6 with UEK4 for Oracle Linux 6 cluster upgrades.

### About Oracle Big Data SQL 3.2.1.2

Release 3.2.1.2 supports Oracle Database 12.2.0.1 with the October 2018 DBRU (Database Release Update), as well as Oracle Database 12.1.

### **About Oracle Big Data Discovery**

Big Data Discovery 1.6 supports Oracle Big Data Appliance 4.14. You can download the installation files from the Oracle Software Delivery Cloud (also known as eDelivery).

The procedures for installing and upgrading Big Data Discovery on Oracle Big Data Appliance have not changed with release 1.6. This procedure differs from the one described in the *Oracle Big Data Discovery Installation Guide*.

For upgrades, follow the instructions in the [Oracle Big Data Discovery Upgrade Guide](#)

### **About Perfect Balance**

Perfect Balance was removed from Oracle Big Data Appliance as of Release 4.13.

### **In-Place Procedure for Migrating Big Data Appliance Oracle Linux 6 Clusters to Oracle Linux 7**

See [Migrating from Oracle Linux 6 to Oracle Linux 7](#) in this guide.

### **Uniform Service Layout for Multirack Clusters**

In earlier releases, there are difference in the distribution of services among the nodes of a multirack cluster, depending upon whether the cluster was originally configured as multirack or was a single-rack cluster extended to additional racks. In both cases, prior to this release, the services layout in the first rack is different from that of a single rack cluster.

In Oracle Big Data Appliance 4.14, the distribution of services in a single-rack cluster and in the first rack of a multirack cluster are the same. The services on the second and subsequent racks are now consistent regardless of whether the cluster started out as a single-rack or multirack cluster.

### **Automated Configuration of Replacements for Failed Operating System Disks and Data Disks**

The [bdaconfiguredisk](#) utility now enables you to configure replacement disks or reconfigure disks with no manual intervention after executing the script. The script supports both OS and data disks.

### **The Oracle Big Data Appliance Deployment Bundle no Longer Includes the Base Image**

The bundle now includes Oracle Big Data Appliance components as RPMs only. The base image is no longer included. There are no changes in the steps you follow to unpack and deploy the bundle.

If you need the base image to bring existing servers up to the minimum release 4.10 base level, see [Oracle Big Data Appliance Patch Set Master Note \(Doc ID 1485745.1\)](#) in My Oracle Support.

## **I.2 Changes in Oracle Big Data Appliance Release 4.13**

Release 4.13 includes the following software revisions and new features.

 **Note:**

*This is a post-release update. As of March, 2019 there is now an in-place procedure for migrating Big Data Appliance 4.13 Oracle Linux 6 clusters to Oracle Linux 7. See "Migrating from Oracle Linux 6 to Oracle Linux 7" in this guide.*

**Software Versions in This Release**

- Cloudera Enterprise 5.15.1, including CDH, Cloudera Manager, and Key Trustee, Sentry, Impala, Cloudera Search, Apache HBase, Apache Hive, Apache Spark 1.6.

Note that Apache Spark 1.6 is deployed as shipped with CDH, but Mammoth also deploys Apache Spark 2 automatically. The Cloudera parcels for Kudu, Kafka, and Key Trustee Server are included for your convenience, but are not deployed or configured by default.

- Oracle Big Data Connectors 4.12
- Cloudera CDK Powered By Apache Kafka 3.1.0
- Oracle NoSQL Database Enterprise Edition 18.1.11
- Oracle Big Data SQL 3.2.1
- Oracle NoSQL Community Edition 18.1.11
- MySQL Enterprise Edition 5.7.23
- Oracle R Advanced Analytics for Hadoop (ORAAH) 2.8.0
- Oracle's R Distribution (ORD) 3.3.0
- Oracle Big Data Spatial & Graph 2.5
- Java JDK 8u181
- ODI Agent 12.2.1.3.0
- Oracle Linux 7 with UEK4 for new clusters. (New Oracle Big Data Appliance racks are delivered with Oracle Linux 7.) Oracle Linux 6 with UEK4 for Oracle Linux 6 cluster upgrades.

All servers in existing clusters (not in newly delivered racks) where you are installing Oracle Big Data Appliance 4.13 must first be updated to at least Oracle Big Data Appliance 4.10.0 before any X7–2L servers can be added as nodes in the cluster.

**About Oracle Big Data SQL 3.2.1**

Release 3.2.1 is the first Oracle Big Data SQL release to support both Oracle Database 12.2.0.1 and 12.1.0.2. This is the primary feature enhancement in release 3.2.1.

The same Oracle Big Data SQL 3.2.1 installation on a Hadoop cluster can connect to both Oracle Database 12.2.0.1 and 12.1.0.2.

**About Oracle Big Data Spatial and Graph 2.5**

Release 2.5 includes the following changes:

- Count action added to the Spatial Index in the Spark Vector API.

- The multimedia analytics feature is deprecated.

### About Oracle Big Data Discovery 1.6

Big Data Discovery 1.6 supports Oracle Big Data Appliance 4.13. You can download the installation files from the Oracle Software Delivery Cloud (also known as eDelivery).

The procedures for installing and upgrading Big Data Discovery on Oracle Big Data Appliance have not changed with release 1.6.

For upgrades, follow the instructions in the [Oracle Big Data Discovery Upgrade Guide](#).

### About Perfect Balance

Perfect Balance is not included in Oracle Big Data Appliance 4.13. (This software was deprecated in previous releases.)

### Disk Shredding for Secure Node Decommissioning

The `bdasecureerasenode` utility securely erases all data partitions on the node where it is executed. This utility is based on `shred` command from the GNU Core Utilities.

Users have the option to set the number of `shred` passes (three is the default). The output of the `shred` process is logged in `/tmp`.

### Oracle Big Data Manager now Supports External Kerberos Key Distribution Centers

This extends Oracle Big Data Manager compatibility with Kerberos-secured cluster configurations in two ways.

- **Oracle Big Data Manager now supports AD Kerberos.**  
In Oracle Big Data Appliance 4.12, Oracle Big Data Manager support for Kerberos-secured clusters was limited to MIT Kerberos.
- **Oracle Big Data Manager can now run on MIT Kerberos-secured clusters where KDCs are either internal or external to the appliance.**

### Extensibility and Automatic Upgrade for Kafka Clusters

Kafka clusters are now extensible. This feature was not available in Oracle Big Data Appliance 4.12. The `./mammoth -e` command is used to extend both CDH and Kafka clusters. See "[Mammoth Options](#)" in this guide for information about `mammoth -e` and other options.

Pre-existing Kafka clusters are automatically upgraded to Kafka 3.1.0 during the Mammoth installation.

#### Note:

The `bdacli admin_cluster` operations (decommission, recommission, migrate, and reprovision) are not available for Kafka clusters in Oracle Big Data Appliance 4.13.

## The Oracle Big Data Appliance Deployment Bundle no Longer Includes the Base Image

The bundle now includes Oracle Big Data Appliance components as RPMs only. The base image is no longer included. There are no changes in the steps you follow to unpack and deploy the bundle.

If you need the base image to bring existing servers up to the minimum release 4.10 base level, see [Oracle Big Data Appliance Patch Set Master Note \(Doc ID 1485745.1\)](#) in My Oracle Support.

## SHA-2 Supported for Security Certificates Used with SSL

Oracle Big Data Appliance now supports SHA-2 (specifically, the SHA256, SHA384 and SHA512 Cryptographic Hash Algorithms) for signing SSL certificates.

## Active Directory Kerberos on Oracle Big Data Appliance no Longer Requires an SSL Certificate

In this release of Oracle Big Data Appliance, both the Mammoth installer and the `bdaccli enable ad_kerberos` command enable AD Kerberos without the need of an SSL certificate. AD Kerberos can be enabled whether `/opt/oracle/BDAMammoth/active_directory.cer` is present or not .

Customers have the option to add an AD Kerberos SSL certificate. Both SHA-1 and SHA-2 are supported.

### See Also:

The following documents provide comprehensive information on installing, configuring, and upgrading AD Kerberos on Oracle Big Data Appliance.

- [Instructions to Enable/Disable AD Kerberos on Oracle Big Data Appliance with Mammoth V4.2 and Higher \(Doc ID 2029378.1\)](#) in My Oracle Support.

This document prerequisites, installation and post-installation steps for AD Kerberos. Note however, the document covers a range of Oracle Big Data Appliance releases and an SSL certificate is *not* a requirement for AD Kerberos on Oracle Big Data Appliance 4.13.

- [BDA V4.2.0 Active Directory Kerberos Install and Upgrade Frequently Asked Questions \(FAQ\) \(Doc ID 2013585.1\)](#).

If you intend to enable AD Kerberos, you should carefully review this document.

# Index

## Symbols

---

, Client Network Config Summary page, [4-26](#)

## A

---

AC breaker panels, [2-12](#)  
AC power, location, [2-12](#)  
access route requirements, [2-7](#)  
accessing servers from KVM, [7-3](#)  
acoustic levels, [2-1–2-5](#)  
adding racks, [10-8](#)  
adding services, [11-7](#)  
adding to an existing cluster configuration  
    options, [4-26](#)  
administration software overview, [1-7](#)  
administrative network, [3-2](#)  
    cabling requirements, [2-16](#)  
    connections, [2-16](#)  
    ports, [3-1](#)  
administrative network diagram, [15-2](#)  
Administrative Network page (configuration), [4-9](#)  
administrative utilities, [1-7](#)  
African PDU specifications, [2-11](#)  
air conditioning, [2-14](#), [2-17](#), [6-2](#)  
airflow, [2-1–2-6](#), [2-13](#)  
airflow requirements, [2-15](#)  
alert notifications, [4-25](#)  
alerts, [15-2](#)  
altitude requirements, [2-13](#)  
ambient relative humidity range, [2-14](#)  
ambient temperature range, [2-14](#), [12-1](#)  
American PDU specifications, [2-9](#)  
Asia Pacific PDU specifications, [2-11](#)  
ASR  
    about, [5-1](#)  
    activating assets, [5-4](#)  
    adding support, [10-39](#)  
    configuration, [5-2](#)  
    installation prerequisites, [10-2](#)  
    troubleshooting, [5-6](#)  
    validation, [5-5](#), [10-6](#)  
ASR Manager, [4-25](#)  
    installation, [5-3](#)  
    port number, [4-25](#)

ASR network connections, [5-2](#)  
ASR trap destinations, [5-4](#)  
asrexacheck script, [10-6](#)  
asset verification (ASR), [5-4](#)  
Auto Service Request, [5-1](#)  
    configuration, [4-25](#)  
    installing, [10-65](#)  
    port assignments, [3-11](#)

## B

---

base image utilities, [10-68](#)  
batteries  
    life expectancy, [B-2](#)  
    replacement policy, [B-2](#)  
BDA server offline repair category, [B-2](#)  
BDA\_REBOOT files, [6-14](#), [11-28](#)  
bda-checkip.out file, [3-13](#)  
bda-install-review.html file, [4-3](#)  
BDA-O repair category, [B-2](#)  
bda-preinstall-checkip.sh file, [4-3](#)  
bda.zip configuration archive, [4-3](#)  
bdacheckcluster utility, [11-2](#)  
bdacheckhw utility, [7-27](#), [11-3](#), [12-8](#)  
bdacheckib utility, [11-3](#)  
bdachecknet-cluster utility, [8-7](#), [11-5](#)  
bdachecknet-rack utility, [11-6](#)  
bdachecksw utility, [7-28](#), [11-6](#), [12-9](#)  
bdacli utility, [11-7](#)  
bdaclustersyncntime utility, [11-44](#)  
bdaconfiguredisk utility, [11-21](#)  
BdaDeploy.json file, [4-3](#)  
bdadiag utility, [11-23](#)  
bdagetclientconfig utility, [11-26](#)  
bdaibstatus utility, [11-27](#)  
bdaid utility, [11-27](#)  
bdaimagevalidate utility, [11-28](#)  
BDAMammoth directory, [10-63](#)  
bdaredoclientnet utility, [11-29](#)  
bdaredousb utility, [11-31](#)  
bdaserials utility, [11-35](#)  
bdaswapoff utility, [11-35](#)  
bdaswapon utility, [11-36](#)  
bdaupdatefw utility, [11-36](#)  
Big Data Appliance



See Oracle Big Data Appliance  
 Big Data Connectors  
 See Oracle Big Data Connectors  
 Big Data SQL  
 starting, stopping, restarting, [11-13](#)  
 black cables, [C-1](#), [D-1](#), [E-1](#)  
 blue cables, [C-1](#), [D-1](#), [E-1](#)  
 bondeth0 interface  
 network connections, [3-1](#)  
 bondib0 interface  
 description, [3-3](#)  
 maintenance, [12-6](#)  
 bondib0 network  
 verifying operations, [12-8](#)  
 boot order, resetting, [11-41](#)  
 breaker panels, [2-13](#)

## C

cable tie,  
 removing, [6-10](#)  
 cables  
 color coding, [C-1](#), [D-1](#), [E-1](#)  
 splitter, [3-7](#)  
 cabling  
 client network, [3-5](#)  
 eight racks, [F-21](#)  
 existing network requirements, [2-16](#)  
 five racks, [F-10](#)  
 four racks, [F-8](#)  
 multirack, [9-2](#), [F-1](#)  
 seven racks, [F-17](#)  
 six racks, [F-13](#)  
 spare parts, [B-29](#)  
 three racks, [F-6](#)  
 two racks, [F-5](#)  
 cabling tables  
 with KVM (Sun Fire servers), [E-1](#)  
 without KVM (X4-2L and X3-2L servers), [D-1](#)  
 cage nuts, [6-4](#)  
 casters, [6-6](#)  
 cautions, [12-4](#)  
 CDH  
 health checks, [11-2](#)  
 CDH cluster logs, [11-23](#)  
 CDH installation, [10-65](#)  
 CDH services, starting, [10-65](#)  
 ceiling height requirements, [2-6](#)  
 checking cluster configuration, [11-5](#)  
 checking firmware, [7-28](#)  
 checking network configuration, [11-6](#)  
 checking the server software, [11-6](#)  
 circuit breakers, [2-13](#), [6-12](#)  
 Cisco switch, [1-5](#), [7-8](#)  
 configuring default gateway, [7-4](#)

Cisco switch (*continued*)  
 configuring host name, [7-4](#)  
 replacement parts, [B-27](#)  
 setting password, [7-4](#)  
 See also Ethernet switch  
 CleanupInstall step, [10-65](#)  
 CleanupSSHroot step, [10-65](#)  
 CLI utility, [11-7](#)  
 CLI, Oracle ILOM, [15-2](#)  
 client access network  
 cabling requirements, [2-16](#)  
 description, [3-2](#)  
 requirements, [2-16](#)  
 client configuration distribution, [11-26](#)  
 client network, [3-6](#)  
 bandwidth, [3-6](#)  
 cabling, [3-5](#)  
 configuration, [4-8](#)  
 Client network  
 configuration, [4-14](#), [4-18](#)  
 LACP/LAG, [4-14](#), [4-18](#)  
 client network connections, [3-10](#)  
 clock configuration  
 Ethernet switch, [7-14](#)  
 InfiniBand switches, [7-20](#)  
 Cloud Control, [1-7](#)  
 Cloudera's Distribution including Apache Hadoop  
 See CDH, [1-1](#)  
 cluster expansion, [10-8](#)  
 cluster name configuration, [4-12](#)  
 cluster naming conventions, [4-7](#)  
 Cluster page (configuration), [4-12](#)  
 cluster reimaging, [10-69](#)  
 cluster validation, [11-5](#)  
`cluster_name`-config.json, [4-3](#)  
 cluster-networksetup script, [8-7](#)  
`cmf.keytab` file, [10-3](#)  
 collecting diagnostics, [11-23](#)  
 color coding, cables, [C-1](#), [D-1](#), [E-1](#)  
 command files, executing across servers, [14-5](#)  
 command-line interface, [11-7](#)  
 commands, remote execution across servers,  
[1-7](#), [14-1](#)  
 Complete page, [4-26](#)  
 component configuration, full or starter rack, [7-1](#)  
 component failure, environmental causes, [2-13](#)  
 component names, [4-7](#)  
 components  
 location in the rack, [C-1](#), [D-1](#), [E-1](#)  
 configuration  
 disk controller, [13-1](#)  
 editing in the Configuration Generation utility,  
[4-3](#)  
 full or starter rack components, [7-1](#)  
 physical drives, [13-2](#)

configuration (*continued*)  
 querying, [11-7](#)  
 virtual drive, [13-2](#)

Configuration, [4-26](#)

configuration files, [4-3](#)  
 copying to new servers, [8-5](#)  
 generating, [4-3](#), [4-26](#)  
 ntp.conf file, [12-12](#)

Configuration Generation Utility, [4-1](#)  
 input file, [4-3](#)  
 installing, [4-2](#)  
 overview, [4-1](#)

configuration worksheets  
 See Configuration Generation Utility

configure terminal command, [7-9](#)

configuring a new disk, [13-8](#)

configuring ASR, [5-2](#)

configuring Ethernet switch, [7-8](#), [7-10](#)

configuring KVM, [7-1](#), [7-3](#)

configuring servers, [7-25](#)

connecting KVM to the network, [7-2](#)

connectors  
 See Oracle Big Data Connectors

cooling requirements, [2-1–2-5](#)

copper cables, [1-6](#)

copying files, [14-2](#)

CopyLicenseFiles step, [10-65](#)

corrosion problems, [2-14](#)

CreateUsers step, [10-65](#)

Customer Details Page (configuration), [4-5](#)

## D

---

data center switch configuration, [2-17](#)

dba group, [4-14](#), [4-18](#), [10-66](#)

dcli utility  
 description, [1-7](#)  
 examples, [14-5](#)  
 option descriptions, [14-3](#)  
 return values, [14-5](#)  
 syntax, [14-3](#)  
 target servers, [14-2](#)  
 using, [14-1](#)

diagnostics collection, [11-23](#)

dimensions  
 rack, [2-6](#)  
 shipping, [2-6](#)

directories, copying files across servers, [14-4](#)

disableasm command, [9-3](#), [9-4](#), [9-6](#), [12-7](#)

disk configuration, [11-21](#)

disk controllers, [13-1](#)

disk drives  
 physical slots, [13-3](#)  
 server status indicators, [B-3](#)  
 spares, [B-6](#)

disk drives (*continued*)  
 symbolic links, [13-3](#)

disks  
 configuring, [13-8](#)  
 repairing, [13-1](#)  
 replacing, [13-1](#)

DNS network registration, [2-17](#)

DNS server requirement, [3-2](#), [3-3](#), [4-10](#)

domain name system configuration, [4-10](#)

door dimensions, [2-7](#)

drive configuration, physical, [13-2](#)

## E

---

earth ground cable, [6-8](#)

electric receptacles, [2-8](#)

electrical access, [2-7](#)

electrical requirements, [2-8](#), [6-2](#), [6-13](#)

electrical storms, [2-8](#)

electronic noise, [6-2](#)

electrostatic discharge, [2-14](#)

elevator requirements, [2-7](#)

email accounts  
 alerts (Cloudera Manager), [4-25](#)  
 email accounts, My Oracle Support (ASR), [5-1](#)  
 email alerts configuration, [4-25](#)  
 emergency shutdown, [12-3](#)  
 enableasm command, [9-4](#), [9-6](#)  
 engineered systems, connecting to Oracle Big Data Appliance, [C-10](#), [D-11](#), [E-7](#)

environmental requirements  
 full rack, [2-4](#)

environmental specifications, [2-1–2-5](#)

eth0 interface, [3-2](#)

Ethernet bridge ports, [11-39](#)

Ethernet cabling, [2-16](#), [3-5](#)

Ethernet interface, [3-2](#)

Ethernet over InfiniBand protocol., [3-6](#)

Ethernet ports, [2-2](#), [2-3](#), [2-5](#), [2-6](#), [3-1](#)

Ethernet switch, [7-8](#)  
 configuration, [7-8](#), [7-9](#)  
 configuring host name, [7-10](#)  
 IP routing, [7-10](#)  
 port speed, [7-10](#)  
 replacement parts, [B-27](#)  
 setting remote password, [7-13](#)  
 spare parts, [1-5](#)  
 time settings, [7-14](#)  
 validating and saving configuration, [7-16](#)

European PDU specifications, [2-11](#)

ext4 file system, [G-5](#)

external filer configuration, [10-65](#)

---

## F

Fabric Management, [7-21](#)  
 factory patches, [10-65](#)  
 failover connections, [3-1](#), [3-2](#), [3-5](#)  
 fan modules  
     server status indicators, [B-3](#)  
     switch status indicators, [B-5](#)  
 files, copying to multiple servers, [14-4](#)  
 filler panels, [2-15](#)  
 firewall configuration, [2-17](#)  
 Firmware State status, [13-9](#)  
 firmware updates, [11-36](#)  
 first server location, [7-29](#)  
 floor load, [2-7](#), [2-8](#)  
 floor tiles, [2-15](#)  
 flooring  
     raised, [2-8](#)  
     raised pattern, [2-7](#)  
 Foreign State status, [13-9](#)  
 forklift, [2-7](#)  
 FRUs, [B-1](#)  
 full rack component configuration, [7-1](#)

---

## G

gateway configuration  
     Ethernet switch, [7-10](#)  
 gateway switch factory IP addresses, [3-10](#)  
 gateway switch ports, [E-7](#)  
 gateway switches  
     assigning to VNICs, [3-6](#)  
     cabling, [3-5](#)  
     configuring, [7-17](#)  
     connecting to Oracle ILOM, [15-6](#)  
     guidelines for connecting, [3-7](#)  
     replacing, [12-6](#)  
     See *also* InfiniBand switches, [3-6](#)  
     using splitter cables, [3-7](#)  
 General Network Properties page (configuration),  
     [4-10](#)  
 getmaster command, [9-3–9-5](#)  
 getting help, [11-27](#)  
 ground cable, [6-8](#)  
 grounding resistance, [6-1](#)  
 grounding to earth, [2-13](#)  
 groups, hadoop, [10-66](#)  
 GRUB master boot records, [G-6](#)

---

## H

hadoop group, [10-66](#)  
 Hadoop installation, [10-65](#)  
 Hadoop services, starting, [10-65](#)

hardware configuration, [4-8](#)  
     querying, [11-7](#)  
 hardware diagnostics, [15-1](#)  
 hardware failures, automatic reporting, [5-1](#)  
 hardware profiles, acquiring from servers, [7-27](#)  
 Hardware Selection page (configuration), [4-7](#)  
 hardware status indicators, [B-2](#)  
 hardware validation, [11-2](#), [11-3](#), [11-28](#)  
 HBase, [10-51](#)  
 HDFS diagnostics, [11-23](#)  
 HDFS disk formatting, [G-9](#)  
 HDFS partitions, [13-4](#)  
 HDFS Transparent Encryption  
     configuration, [4-24](#)  
 hdfs user, [10-66](#)  
 health checks on InfiniBand switches, [7-21](#)  
 High Capacity node plus InfiniBand Infrastructure  
     cables, [8-2](#)  
     components, [8-2](#)  
     configuring servers, [8-3](#)  
     installing servers, [8-3](#)  
     network configuration, [8-6](#)  
     PDU firmware requirement, [8-2](#)  
 high-voltage PDUs, [2-11](#), [12-13](#), [12-14](#)  
 host factory IP addresses, [3-10](#)  
 hot swap repair category, [B-1](#)  
 HS repair category, [B-1](#)  
 humidity range, [2-13](#), [2-14](#)

---

## I

ibdiagnet utility, [12-8](#)  
 iblinkinfo utility, [11-38](#)  
 ibqueryerrors utility, [12-8](#)  
 ibstatus utility, [7-25](#)  
 ILOM  
     See Oracle ILOM  
 ilom-admin default password, [7-18](#)  
 image validation, [11-28](#)  
 imagehistory utility, [11-38](#)  
 imageinfo utility, [10-9](#), [11-39](#)  
 incline, maximum, [2-7](#)  
 InfiniBand configuration, [7-17](#)  
 InfiniBand Gateway switch ports, [E-7](#)  
 InfiniBand network  
     cabling checks, [11-3](#)  
     factory IP addresses, [3-10](#)  
     network checks, [11-27](#)  
 InfiniBand network interface card, [3-1](#)  
 InfiniBand Network page (configuration), [4-15](#),  
     [4-20](#)  
 InfiniBand network verification, [12-8](#)  
 InfiniBand ports, connecting to other devices,  
     [C-10](#), [D-11](#), [E-7](#)  
 InfiniBand private network, [3-3](#)

InfiniBand Subnet Manager, [12-10](#)

InfiniBand switches

- checking status, [7-25](#)
- configuring, [7-17](#)
- health checks, [7-21](#)
- priority settings, [7-22](#)
- replacing, [12-6](#)
- setting time zone, [7-20](#)
- spare parts, [B-25](#), [B-26](#)

infrastructure repair category, [B-1](#)

installation of new servers over a starter rack, [8-3](#)

installation prerequisites, [10-2](#)

InstallBDASoftware step, [10-65](#)

InstallHadoop step, [10-65](#)

installing patches, [10-65](#)

installing the software, [10-5](#)

International Electrotechnical Commission (IEC), [2-13](#)

IP address requirements, [2-2](#), [2-3](#), [2-5](#), [2-6](#)

IP addresses

- administrative network configuration, [4-9](#)
- editing individual, [4-11](#)
- factory settings, [3-10](#)
- InfiniBand network configuration, [4-15](#), [4-20](#)

IP routing, [7-10](#)

ipmitool command, [7-27](#)

IR repair category, [B-1](#)

## J

---

Japanese PDU specifications, [2-9](#)

jumper brackets, [6-4](#)

## K

---

Kerberos authentication

- adding support, [10-40](#)
- configuration, [4-22](#), [4-23](#)
- NoSQL, [4-16](#)
- installation prerequisites (remote KDC only), [10-2](#)

Kerberos configuration, [10-65](#)

kernel device names (disk drives), [13-3](#)

key distribution center, [4-23](#), [10-2](#)

KVM switch

- accessing servers, [7-3](#)
- cabling, [E-2](#)
- configuration procedures, [7-1](#)
- connecting to the network, [7-2](#)
- MAC address, [7-3](#)
- naming, [7-3](#)
- starting, [7-2](#)

## L

---

leaf switches

- configuring, [7-17](#)
- See also InfiniBand switches, [7-17](#)

LED color codes, [B-3](#), [B-4](#)

LED status indicators, [B-2](#)

leveling bolts, [6-5](#)

leveling feet, [6-6](#), [6-8](#)

license location, [10-65](#)

lift gate, [2-7](#)

lightning arresters, [2-8](#)

lights-out management, [15-1](#)

Link Aggregation Group, [4-14](#), [4-18](#)

listlinkup command, [11-39](#)

loading dock, [2-7](#)

locating first server, [7-29](#)

locks, panel, [6-4](#)

low-voltage PDUs, [2-9](#), [12-13](#)

## M

---

MAC address of KVM switch, [7-3](#)

MAC addresses, [11-35](#)

maintenance access requirements, [2-7](#)

makebdamage utility, [10-68](#)

Mammoth download, [10-3](#)

Mammoth Utility

- description, [10-5](#)
- execution steps, [10-65](#)
- reasons for failure, [10-9](#)
- running, [10-5](#)
- SetupHadoopSecurity step
  - enabling Kerberos, [10-65](#)
  - enabling Network Encryption, [10-65](#)
  - enabling Sentry, [10-65](#)
  - enabling Transparent Encryption, [10-65](#)
  - setting mount points, [10-65](#)
- synchronizing clocks, [7-20](#)
- syntax, [10-63](#)

mammoth-rack\_name.params file, [4-3](#)

management network

- cabling requirements, [2-16](#)
- connecting the KVM, [7-2](#)
- connections, [2-16](#)
- factory IP addresses, [3-10](#)
- ports, [3-1](#)

management utilities, [1-7](#), [15-2](#)

mapred user, [10-66](#)

master.xml configuration file, [4-3](#)

MegaCli64 command, [7-28](#), [13-1](#)

memory, adding to servers, [12-4](#)

Middle Eastern PDU specifications, [2-11](#)

minimum ceiling height, [2-6](#)

monitoring PDUs, [12-12](#)

mount points, [13-4](#)  
 mount\_hadoop\_dirs utility, [11-40](#)  
 mounting a device, [7-29](#)  
 mounting tool, [6-4](#)  
 multirack cabling  
   procedures, [9-1](#)  
   three to eight, [9-4](#)  
   two racks, [9-2](#)  
 multirack clusters, [3-10](#)  
 multirack software configuration, [10-8](#)  
 My Oracle Support email account, [5-1](#)  
 MySQL Database installation, [10-65](#)

## N

---

naming conventions, [4-7](#)  
 NET0, [3-2](#)  
 network  
   connecting the KVM, [7-2](#)  
   factory IP addresses, [3-10](#)  
 network configuration, [4-9](#)  
 network configuration file, [4-3](#)  
 network configuration JSON files, [8-6](#)  
 network connections, [2-16](#), [7-33](#)  
   ASR, [5-2](#)  
   reconfiguring 10GbE, [11-29](#)  
 network diagrams, [3-3](#), [15-2](#)  
 network errors, checking for, [3-12](#)  
 network interfaces, InfiniBand card, [3-1](#)  
 network operations, verifying InfiniBand, [12-8](#)  
 network registration, [2-17](#)  
 network requirements, [2-2](#), [2-3](#), [2-5](#), [2-6](#)  
 network settings  
   preinstall validation, [4-5](#)  
 network suffix configuration, [4-6](#)  
 network time protocol, [4-10](#), [12-11](#)  
 network topology, [12-10](#)  
 network validation, [11-2](#), [11-6](#)  
 network.json configuration file, [4-3](#)  
 Networking page (configuration), [4-9](#)  
 networks  
   administrative, [3-2](#)  
   client access, [2-16](#), [3-2](#)  
   descriptions, [3-2](#)  
   InfiniBand, [3-3](#)  
 noise, electronic, [6-2](#)  
 North American PDU specifications, [2-9](#)  
 NTP server requirement, [3-2](#), [3-3](#), [4-10](#)  
 NTP servers, [12-11](#)  
   configuring, [7-15](#)  
   setting on InfiniBand switches, [7-20](#)  
 ntp.conf file, [12-12](#)  
 nuts, [6-4](#)

## O

---

ODI  
   See Oracle Data Integrator  
 oinstall group, [4-13](#), [4-18](#), [10-66](#)  
 operating cautions and warnings, [12-4](#)  
 operating system disks, [G-1](#), [G-2](#)  
 operating system history, [11-38](#)  
 operating system image, [11-39](#)  
 Oracle Big Data Appliance,  
   general description, [1-1](#)  
   rack components, [1-1](#)  
 Oracle Big Data Connectors,  
   configuration, [4-21](#)  
   installation, [10-9](#), [10-65](#)  
   installing server components, [4-21](#)  
   software installation, [10-9](#)  
 Oracle Data Integrator, [4-22](#)  
 Oracle Enterprise Manager  
   troubleshooting, [10-3](#)  
 Oracle Enterprise Manager Cloud Control, [1-7](#)  
   adding support on Oracle Big Data  
   Appliance, [10-52](#)  
   rediscovery, [10-9](#)  
 Oracle Enterprise Manager plug-in installation  
   prerequisites, [10-2](#)  
 Oracle Exadata Database Machine, [4-14](#), [4-18](#)  
 Oracle ILOM, [15-1](#)  
   backing up configuration, [15-7](#)  
   connecting to CLI, [15-4](#)  
   connecting to web interface, [15-4](#)  
   description, [15-1](#)  
   Ethernet connections, [15-3](#)  
   factory IP addresses, [3-10](#)  
   opening serial connections, [15-5](#)  
   restoring configuration, [15-8](#)  
   user interfaces, [15-2](#)  
 Oracle ILOM port, [3-1](#)  
 Oracle Inventory Group, [4-13](#), [4-18](#)  
 Oracle Linux, [1-1](#)  
 Oracle NoSQL Database  
   configuration, [4-13](#), [4-17](#)  
   disk formatting, [G-9](#)  
   installation, [10-65](#)  
 Oracle Server X6-2L  
   replacement parts, [B-9](#)  
 Oracle Support, [11-27](#)  
 oracle user name, [4-13](#), [4-18](#)  
 orange cables, [C-1](#), [D-1](#), [E-1](#)  
 OS watcher logs, [11-23](#)

## P

---

pallet jack, [2-7](#)  
 panel locks, [6-4](#)

parallel execution of commands, [14-1](#)

partitions

- creating on a new disk, [G-2](#)
- dismounting, [13-6](#)

passwordless SSH, [11-40](#), [11-42](#), [14-1](#)

passwords (default)

- Ethernet switch, [7-11](#)
- ilom-admin, [7-18](#)
- PDU metering unit, [7-24](#)
- servers, [7-26](#)

patch installation, [10-65](#)

PatchFactoryImage step, [10-65](#)

path to data center, [2-7](#)

PDAs, location in the rack, [C-1](#), [D-1](#), [E-1](#)

PDU configuration, [7-24](#)

PDU metering unit password, [7-24](#)

PDU requirements, [2-8](#)

PDU specifications

- for America, Japan, Taiwan, [2-9](#)
- for Americas, Japan, Taiwan, [2-9](#)
- for Europe, Middle East, Africa, Asia Pacific, [2-11](#)

PDU thresholds, [12-12](#)

PDUs

- circuit breakers, [6-12](#)
- network connections, [7-24](#)
- powering on, [6-12](#)
- replacement parts, [B-28](#)
- single-phase, [6-2](#), [6-13](#)

perforated tiles, [2-15](#)

photocopiers, [6-2](#)

physical drive configuration, [13-2](#)

port speed of Ethernet switch, [7-10](#)

ports

- ASR Manager, [4-25](#)
- connecting to 40 GbE, [3-7](#)

ports, open gateway, [C-10](#), [D-11](#), [E-7](#)

power connectors, [2-8](#)

power cord length requirements, [2-12](#)

power cords, [2-13](#)

- connecting to rack, [6-10](#)
- removing cable ties, [6-10](#)
- routing, [6-10](#)

power LED locations, [6-13](#)

power off switch, [12-3](#)

power outlet grounding, [2-13](#)

power receptacle location, [2-12](#)

power requirements, [2-1–2-5](#), [2-8](#)

power supplies

- server status indicators, [B-4](#)
- switch status indicators, [B-5](#)
- uninterruptable, [2-13](#)

powering off, [12-2](#)

- emergency, [12-3](#)

powering on, [6-12](#), [12-2](#)

preinstall-checkip script

- running, [3-12](#)

preinstall-checkip.sh file, [4-3](#)

preinstallation tasks, [2-16](#)

prerequisites to software installation, [10-2](#)

private network

- verifying operations, [12-8](#)

problem reporting, [5-1](#)

Puppet utility, [10-65](#)

## Q

---

QSFP cables, [1-6](#)

QSFP ports, splitting, [3-7](#)

querying configuration, [11-7](#)

## R

---

rack base name configuration, [4-5](#)

rack components, [1-1](#)

Rack Details page (configuration), [4-8](#)

rack dimensions, [2-6](#)

rack layout illustration, [C-1](#), [D-1](#), [E-1](#)

rack layouts

- with KVM (Sun Fire servers), [E-1](#)
- without KVM, [C-1](#), [D-1](#)

rack reimaging, [10-56](#)

rack weight, [2-1](#), [2-2](#), [2-4](#), [2-5](#)

rack-networksetupscript, [8-6](#)

racks

- adding another, [9-1](#)
- connecting power cords, [6-10](#)
- inspecting, [6-9](#)
- installing Oracle Big Data Appliance software, [10-5](#)
- moving instructions, [6-6](#)
- reimaging, [10-69](#)

RAID arrays, repairing logical, [G-3](#)

RAID configuration, [7-28](#)

RAID logical drives, [13-3](#)

red cables, [C-1](#), [D-1](#), [E-1](#)

reimagecluster utility, [10-69](#)

reimagerack utility, [10-69](#)

reimaging a rack, [10-56](#)

reinstalling the software, [10-6](#)

relative humidity, [2-14](#), [2-15](#)

remove-root-ssh script, [11-40](#), [14-2](#)

removing services, [11-7](#)

repair categories, [B-1](#)

replacement parts, [B-1](#)

replacing spine switch, [12-6](#)

reset-boot-order utility, [11-41](#)

resolv.conf configuration file, [8-7](#)

restart validation, [6-14](#)

restarting Big Data SQL, [11-13](#)



Review and Edit Details page (configuration),  
[4-11](#)  
 root user, passwordless SSH, [14-1](#)  
 route requirements, [2-7](#)  
 running-config output, [7-16](#)

## S

safety guidelines, [6-1](#)  
 scp file copy utility, [14-2](#)  
 screwdrivers, [6-4](#)  
 screws, [6-4](#)  
 search domain configuration, [4-10](#)  
 securing the rack, [6-8](#)  
 sensor monitoring, [15-2](#)  
 serial numbers, [11-35](#)  
 server boot order, resetting, [11-41](#)  
 server configuration, [7-25](#)  
     High Capacity node plus InfiniBand  
     Infrastructure, [8-3](#)  
 server diagnostics, [11-23](#)  
 server disks  
     configuring, [13-8](#)  
     replacing, [13-1](#)  
 server factory IP addresses, [3-10](#)  
 server LEDs, [B-2](#)  
 server locations in the rack, [C-1](#), [D-1](#), [E-1](#)  
 server software validation, [11-6](#)  
 servers  
     adding memory, [12-4](#)  
     adding to a cluster, [10-8](#)  
     connecting to Oracle ILOM, [15-5](#)  
     default passwords, [7-26](#)  
     LED color codes, [B-3](#), [B-4](#)  
     location in the rack, [C-1](#), [D-1](#), [E-1](#)  
     monitoring, [15-1](#)  
     spare parts, [B-10](#), [B-13](#), [B-17](#)  
 services, starting, [10-65](#)  
 setup-root-ssh script, [11-42](#), [12-11](#), [14-2](#)  
 SetupASR step, [10-65](#)  
 SetupInstall step, [10-65](#)  
 SetupKerberos step, [10-65](#)  
 SetupMySQL step, [10-65](#)  
 SetupPuppet step, [10-65](#)  
 shipping brackets, [6-5](#)  
 shipping dimensions, [2-6](#), [6-3](#)  
 shipping kit, [6-4](#)  
 shipping weight, [2-6](#)  
 show command, [7-16](#)  
 showusb utility, [7-29](#), [11-43](#)  
 showvlan utility, [11-43](#)  
 showvnic utility, [11-44](#)  
 shutdown, [12-2](#)  
 shutdown command, [12-2](#)  
 single-phase PDUs, [2-9](#), [6-2](#), [6-13](#), [12-13](#)  
 site readiness tasks, [2-16](#)  
 slot numbers (disk drives), [13-4](#)  
 slots, disk drives, [13-3](#)  
 SMTP alerts, [5-1](#)  
 SNMP alerts, [5-1](#)  
 software configuration  
     querying, [11-7](#)  
 software installation  
     multiple racks, [10-8](#)  
     upgrading, [10-10](#)  
     using Mammoth, [10-5](#)  
 software profiles, acquiring from servers, [7-28](#)  
 software source code, third party, [10-66](#)  
 software validation, [11-2](#), [11-28](#)  
 sound levels, [2-1–2-5](#)  
 South American PDU specifications, [2-9](#)  
 spares kit, [6-5](#)  
 spine switches  
     cabling, [F-3](#)  
     configuring, [7-17](#)  
     replacing, [12-6](#)  
 splitter cables, [3-7](#)  
 spring nuts, [6-4](#)  
 SSH  
     removing passwordless, [11-40](#)  
     setting up passwordless, [11-42](#)  
 SSH keys, checking rack distribution, [7-26](#)  
 stabilizing feet, [6-6](#)  
 starter rack  
     component configuration, [7-1](#)  
     expanding, [8-1](#)  
     physical layout, [C-1](#), [D-1](#)  
 StartHadoopServices step, [10-65](#)  
 starting KVM, [7-2](#)  
 starting or stopping Big Data SQL, [11-13](#)  
 startup order, resetting, [11-41](#)  
 static discharges, [2-14](#)  
 static electricity, [6-2](#)  
 status indicators, [B-2](#)  
 storage servers  
     replacement parts, [B-9](#)  
 Subnet Manager, [9-3](#), [9-4](#), [12-10](#)  
 Subnet Manager Master, [9-6](#)  
 Subnet Managers, [12-10](#)  
 subnet mask factory settings, [3-10](#)  
 Sun Network 10 GbE Switch 72p, [3-7](#)  
 Sun Network QDR InfiniBand Gateway Switch,  
     [11-29](#), [11-40](#), [12-11](#)  
 support accounts, [5-2](#)  
 support services, [11-27](#)  
 swap partition, restoring, [G-6](#)  
 swapping, [11-35](#), [11-36](#), [13-6](#)  
 switch LEDs, InfiniBand switch LEDs, [B-2](#)  
 switch ports, [E-7](#)

switches  
 location in the rack, [C-1](#), [D-1](#), [E-1](#)  
 monitoring, [15-1](#)  
 naming conventions, [4-6](#)  
 replacement parts, [B-27](#)  
 replacing, [12-6](#)  
 setting host names, [7-19](#)  
 spare parts, [B-25](#), [B-26](#)  
 symbolic link names (disk drives), [13-3](#)  
 synchronizing servers, [11-44](#)

## T

---

Taiwanese PDU specifications, [2-9](#)  
 tee utility, [8-7](#)  
 telnet access, configuring Ethernet switch, [7-13](#)  
 temperature  
 acceptable range, [2-14](#)  
 operating range, [2-13](#)  
 test events (ASR), [5-5](#)  
 testrule setting (ASR), [5-6](#)  
 third-party license location, [10-65](#)  
 third-party software source code, [10-66](#)  
 three-phase PDUs, [2-9](#), [2-11](#), [12-13](#), [12-14](#)  
 thresholds for PDUs, [12-12](#)  
 time synchronization, [11-44](#)  
 time zone  
 configuration setting, [4-5](#)  
 configuring Ethernet switch, [7-14](#)  
 configuring InfiniBand switches, [7-20](#)  
 setting summer time, [7-15](#)  
 top clearance (rack), [2-6](#)  
 trap destinations (ASR), [5-4](#)  
 turning off, [12-2](#)  
 turning on, [12-2](#)

## U

---

unpacking instructions, [6-4](#)  
 upgrade history, [11-38](#)

upgrading the software, [10-10](#)  
 UPS, [2-13](#)  
 USB flash drive, [7-29](#), [11-43](#)  
 users, hdfs and mapred, [10-66](#)

## V

---

validating a cluster, [11-2](#)  
 validating cluster configuration, [11-5](#)  
 validating hardware and software, [11-28](#)  
 validating network configuration, [11-6](#)  
 validating the server software, [11-6](#)  
 validation checks after reboot, [6-14](#)  
 ventilation requirements, [2-15](#)  
 verifying  
 database server configuration, [13-1](#)  
 firmware, [B-11](#)  
 hardware, [B-11](#)  
 virtual drive configuration, [13-2](#)  
 VLAN, [4-14](#), [4-18](#)  
 VLANs  
 configuration, [11-43](#)  
 configuration example, [7-10](#)  
 default configuration, [3-1](#)  
 VNICs  
 assigning to gateway switches, [3-6](#)  
 configuration, [11-44](#)  
 default configuration, [3-1](#)  
 re-creating, [11-29](#)

## W

---

warnings, [12-4](#)  
 watcher logs (OS), [11-23](#)  
 weight  
 rack, [2-1](#), [2-2](#), [2-4](#), [2-5](#)  
 shipping, [2-6](#)  
 wrenches, [6-4](#)  
 wrist strap, [6-4](#)