

Mount for Payment Terminal for Select Oracle MICROS Workstation Stands

Assembly Guide

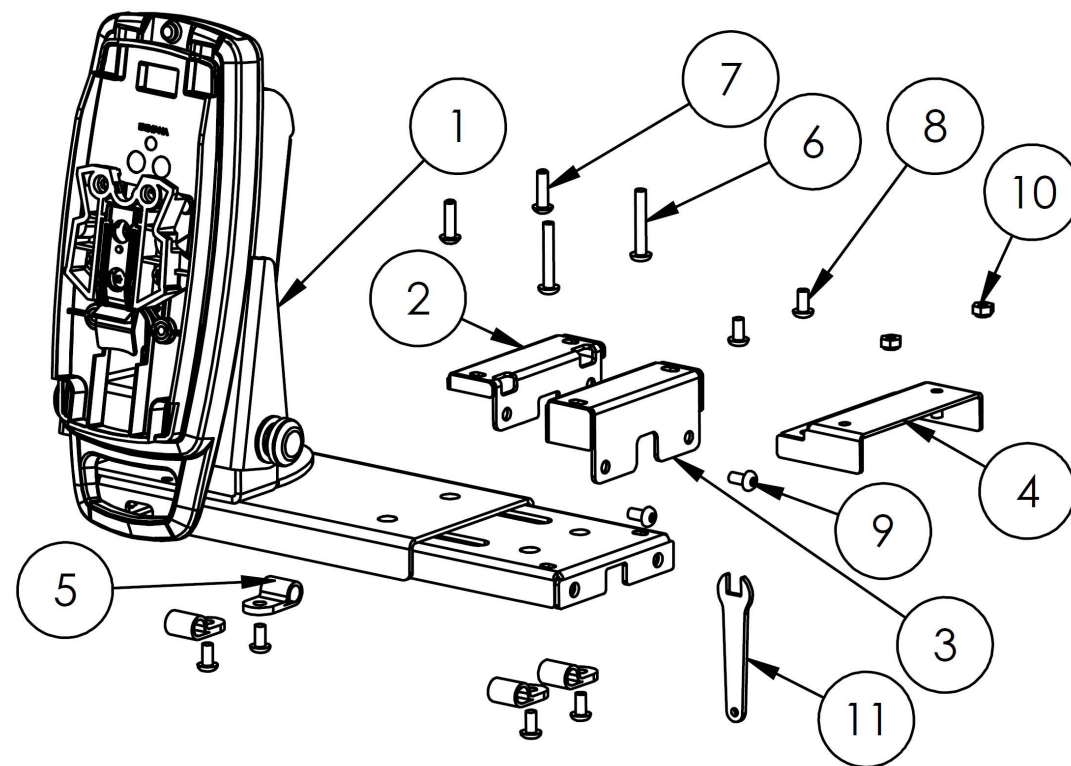
What's in the Box

- Bag 1: Compact Stand mounting components
- Bag 2: Adjustable Stand mounting components
- Bag 3: Flexible Stand mounting components
- Bag 4: Workstation 8 Vertical Stand mounting components
- Bag 5: Cable clips and screws

Required but not included:

- 2.5mm hex wrench (included with MICROS workstations)
- Adapter plate (payment terminal-specific)

Parts List



Bag 1: Compact Stand mounting components

- ⑧ 2x M4 x 8mm long button hex head screws

Bag 2: Adjustable Stand mounting components

- ② 1x small spacer bracket
- ⑦ 2x M4 x 14mm long button hex head screws
- ⑧ 2x M4 x 8mm long button hex head screws

Bag 3: Flexible Stand mounting components

- ③ 1x large spacer bracket
- ⑥ 2x M4 x 25mm long button hex head screws
- ⑨ 2x M4 x 8mm long button hex head screws

Bag 4: Workstation 8 Vertical Stand mounting components

- ④ 1x Extension spacer bracket
- ⑧ 2x M4 x 8mm long button hex head screws
- ⑩ 2x M4 nyloc nuts
- ⑪ 7mm open-end wrench

Bag 5: Cable Clips

- ⑤ 4x cable clips
- ⑧ 4x M4 x 8mm long button head screws

Note: All M4 screws feature a 0.7mm thread pitch.

Assembly Steps

1 Flexible Stand

Mount the large spacer to the Payment Terminal Mount using the 2X M4 x 8mm long button head screws. (Bag #3)
Use the MICROS 2.5mm hex wrench or similar to tighten the screws.

Adjustable Stand

Mount the small spacer to the Payment Terminal Mount using the 2X M4 x 8mm long button head screws. (Bag #2)
Use the MICROS 2.5mm hex wrench or similar to tighten the screws.

Workstation 8 Vertical Stand

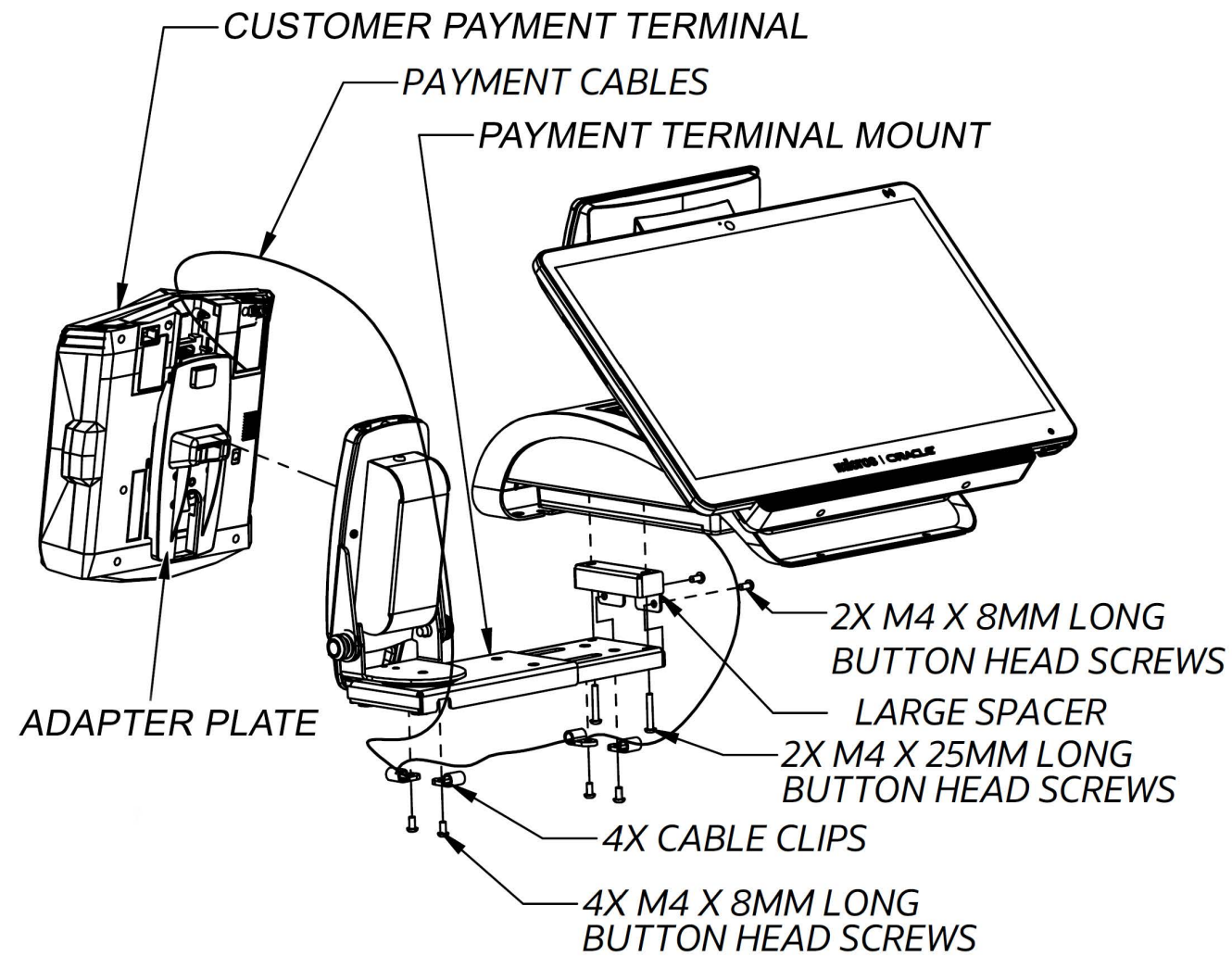
Mount the spacer using the 2X M4 x 8mm long button head screws. (Bag #4)
Use the MICROS 2.5mm hex wrench or similar to tighten the screws.

Compact Stand

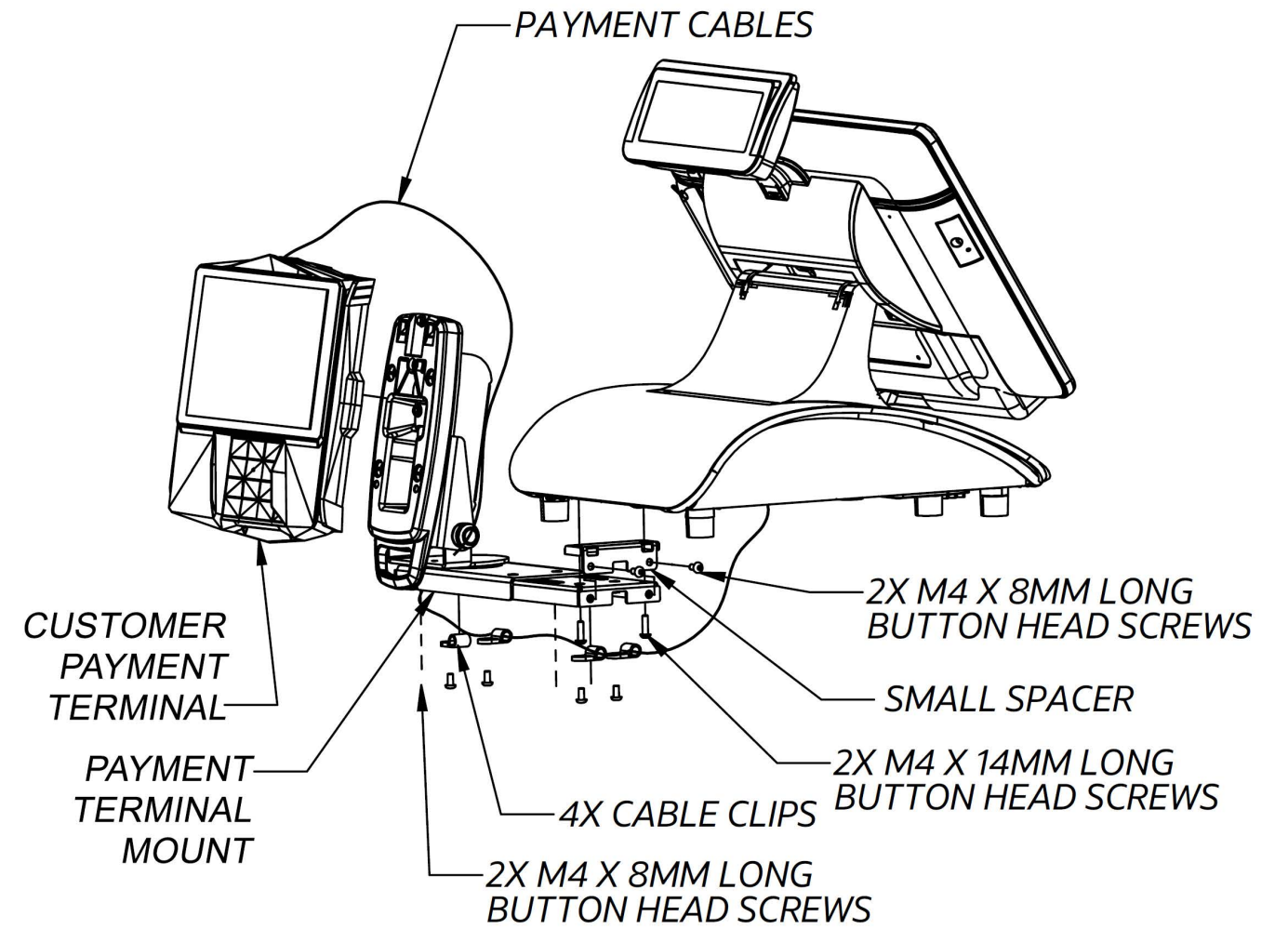
The Compact Stand does not require a spacer.

- 2 Install the payment cables through the 4X cable clips and secure using the 4X M4 x 8mm long button head screws. (Bag #5)
Use the MICROS 2.5mm hex wrench or similar to tighten the screws.
- 3 Install the Payment Terminal Mount on the Workstation 8 Vertical Stand using the 2X M4 nyloc nuts. Tighten nuts with 7mm open-end wrench. (Bag #4)
- 4 Install the Payment Terminal Mount on the Flexible Stand using the 2X M4 x 25mm long button head screws. (Bag #3)
Use the MICROS 2.5mm hex wrench or similar to tighten the screws.
- 5 Install the Payment Terminal Mount on the Adjustable Stand using the 2X M4 x 14mm long button head screws. (Bag #2)
Use the MICROS 2.5mm hex wrench or similar to tighten the screws.
- 6 Install the Payment Terminal Mount on the Compact Stand using the 2X M4 x 8mm long button head screws. (Bag #1)
Use the MICROS 2.5mm hex wrench or similar to tighten the screws.
- 7 Install customer-supplied payment device and adapter plate (payment terminal-specific) on the Payment Terminal Mount as shown.

Flexible Stand

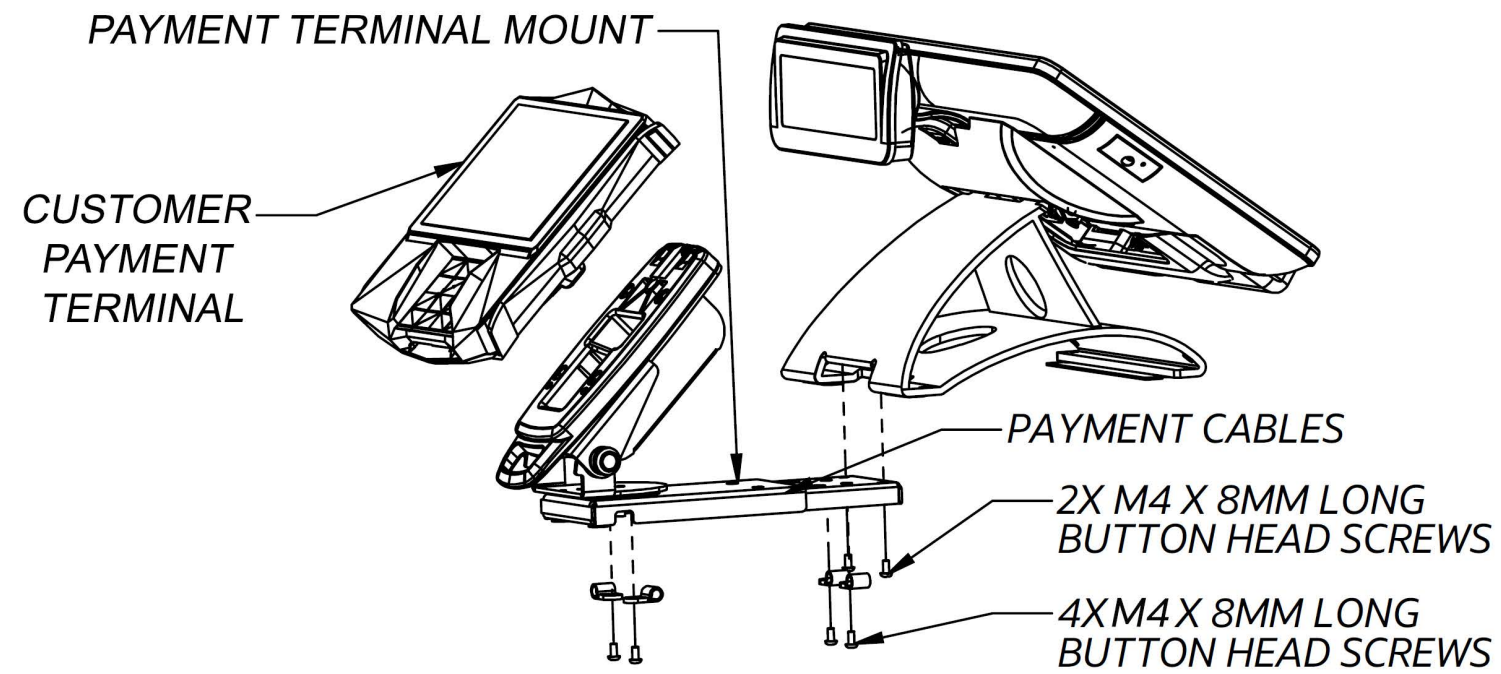


Adjustable Stand

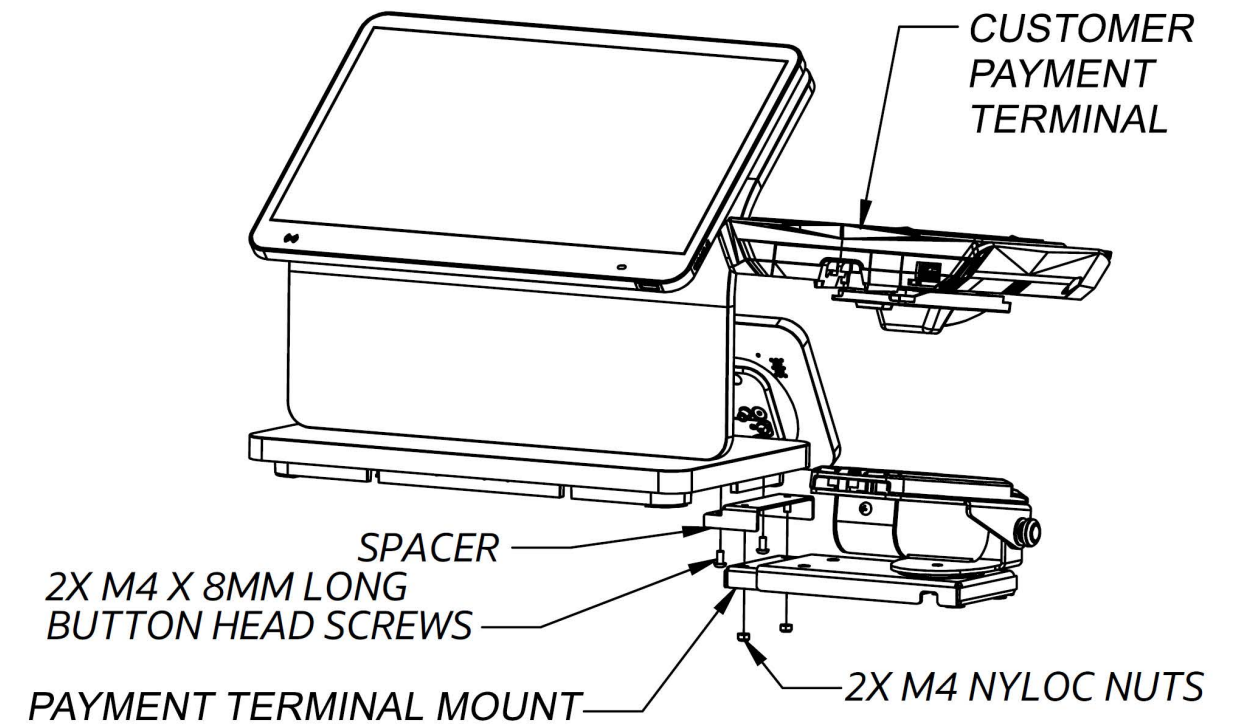


NOTE: Required adapter plate (payment terminal-specific) not included

Compact Stand



Workstation 8 Vertical Stand



NOTE: Required adapter plate (payment terminal-specific) not included

Flexible Stand Example



Compact Stand Example



Mount for Payment Terminal for Select Oracle MICROS Workstation Stands Assembly Guide

F82538-01

Oracle Legal Notices

Copyright Notice

Copyright © 2023 Oracle and/or its affiliates.

License Restrictions Warranty/Consequential Damages Disclaimer

This software and related documentation are provided under a license agreement containing restrictions on use and disclosure and are protected by intellectual property laws. Except as expressly permitted in your license agreement or allowed by law, you may not use, copy, reproduce, translate, broadcast, modify, license, transmit, distribute, exhibit, perform, publish, or display any part, in any form, or by any means. Reverse engineering, disassembly, or decompilation of this software, unless required by law for interoperability, is prohibited.

Warranty Disclaimer

The information contained herein is subject to change without notice and is not warranted to be error-free. If you find any errors, please report them to us in writing.

Restricted Rights Notice

If this is software or related documentation that is delivered to the U.S. Government or anyone licensing it on behalf of the U.S. Government, then the following notice is applicable:

U.S. GOVERNMENT END USERS: Oracle programs (including any operating system, integrated software, any programs embedded, installed or activated on delivered hardware, and modifications of such programs) and Oracle computer documentation or other Oracle data delivered to or accessed by U.S. Government end users are "commercial computer software" or "commercial computer software documentation" pursuant to the applicable Federal Acquisition Regulation and agency-specific supplemental regulations. As such, the use, reproduction, duplication, release, display, disclosure, modification, preparation of derivative works, and/or adaptation of i) Oracle programs (including any operating system, integrated software, any programs embedded, installed or activated on delivered hardware, and modifications of such programs), ii) Oracle computer documentation and/or iii) other Oracle data, is subject to the rights and limitations specified in the license contained in the applicable contract. The terms governing the U.S. Government's use of Oracle cloud services are defined by the applicable contract for such services. No other rights are granted to the U.S. Government.

Hazardous Applications Notice

This software or hardware is developed for general use in a variety of information management applications. It is not developed or intended for use in any inherently dangerous applications, including applications that may create a risk of personal injury. If you use this software or hardware in dangerous applications, then you shall be responsible to take all appropriate fail-safe, backup, redundancy, and other measures to ensure its safe use. Oracle Corporation and its affiliates disclaim any liability for any damages caused by use of this software or hardware in dangerous applications.

Trademark Notice

Oracle, Java, and MySQL are registered trademarks of Oracle and/or its affiliates. Other names may be trademarks of their respective owners.

Intel and Intel Inside are trademarks or registered trademarks of Intel Corporation. All SPARC trademarks are used under license and are trademarks or registered trademarks of SPARC International, Inc. AMD, Epyc, and the AMD logo are trademarks or registered trademarks of Advanced Micro Devices. UNIX is a registered trademark of The Open Group.

Third-Party Content, Products, and Services Disclaimer

This software or hardware and documentation may provide access to or information about content, products, and services from third parties. Oracle Corporation and its affiliates are not responsible for and expressly disclaim all warranties of any kind with respect to third-party content, products, and services unless otherwise set forth in an applicable agreement between you and Oracle. Oracle Corporation and its affiliates will not be responsible for any loss, costs, or damages incurred due to your access to or use of third-party content, products, or services, except as set forth in an applicable agreement between you and Oracle.

Documentation Accessibility

For information about Oracle's commitment to accessibility, visit the Oracle Accessibility Program website at <http://www.oracle.com/pls/topic/lookup?ctx=acc&id=docacc>

Access to Oracle Support

Oracle customers that have purchased support have access to electronic support through My Oracle Support. For information, visit <http://www.oracle.com/pls/topic/lookup?ctx=acc&id=info> or visit <http://www.oracle.com/pls/topic/lookup?ctx=acc&id=trs> if you are hearing impaired.