

Oracle® Rack Cabinet 1242 Getting Started Guide

This guide describes how to move and set up the Oracle Rack Cabinet 1242 and provides safety guidelines you must follow when working with the rack. For complete rack installation and service procedures, refer to the *Oracle Rack Cabinet 1242 User's Guide* at:

<http://www.oracle.com/goto/oraclerack1242/docs>

For instructions on installing and cabling servers or equipment in the rack, refer to the equipment documentation.

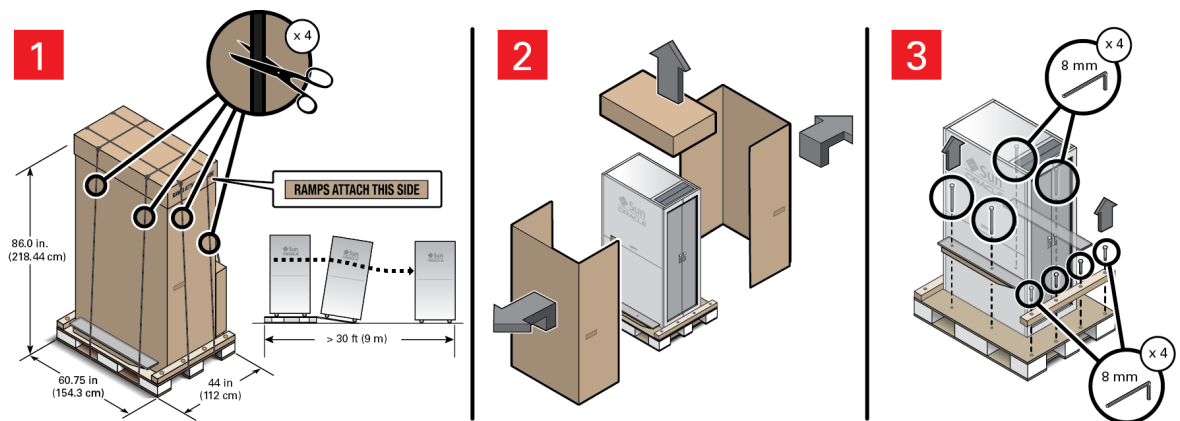
Observing Safety Guidelines and Cautions

1. Read the important hardware safety documents.
2. Use professional movers when unpacking and installing the rack.
3. Follow the procedures in the *Oracle Rack Cabinet 1242 User's Guide* and *Oracle Rack Cabinet 1242 Power Distribution Units User's Guide*.
4. When installing or servicing equipment in the rack, extend the anti-tilt bar and take antistatic precautions.
5. Load the heaviest items first from the bottom of the rack up. Secure each item before installing another item.
6. Ensure that the rack is adequately stabilized before servicing installed equipment, and extend only one piece of equipment out of the rack at a time.
7. For additional safety guidelines and warnings, refer to the online documentation.

▼ Unpack the Rack

1. **Remove the rack from its packaging container, and remove the ramps and rear wood strip from the shipping pallet [1-3].**

For more information, refer to the unpacking procedures in the *Oracle Rack Cabinet 1242 User's Guide*.



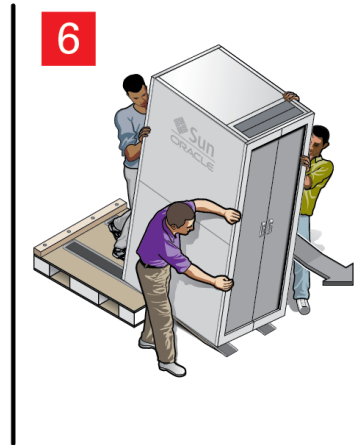
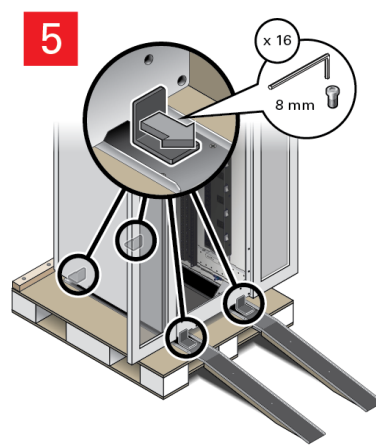
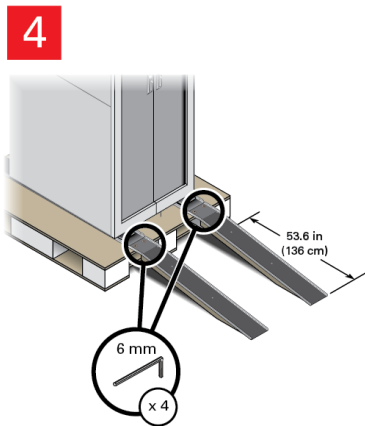
-
2. **Unload the rack from the shipping pallet by attaching the ramps [4], removing the L-brackets [5], and carefully rolling the rack down the ramps [6].**



Caution - Follow all unloading instructions carefully and never stand in the path of the rack, especially when rolling the rack down the ramps. Otherwise, serious personal injury or death might occur.



Caution - When unpacking the rack at the installation site, or when repackaging the rack to move the rack to a new location, verify that the leveling feet are up before moving the rack, and that the doors, if present, are closed and locked.

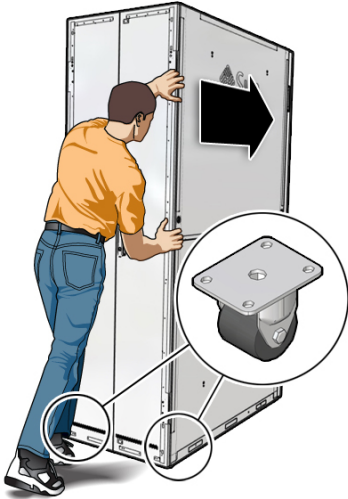


▼ Move the Rack

- Push the rack from behind and use the back casters to steer the rack.

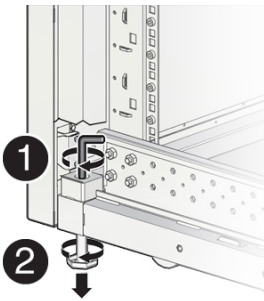


Caution - If you installed equipment into the rack before moving it, avoid tipping or rocking the rack as it can fall over and cause serious injury and equipment damage.

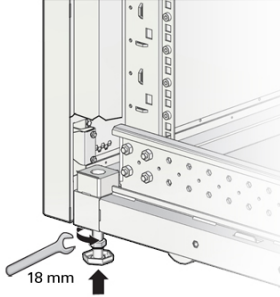


▼ Lower the Leveling Feet

1. Stabilize the rack by lowering the four leveling feet to the floor, using a 6-mm Allen L-key wrench or your fingers.



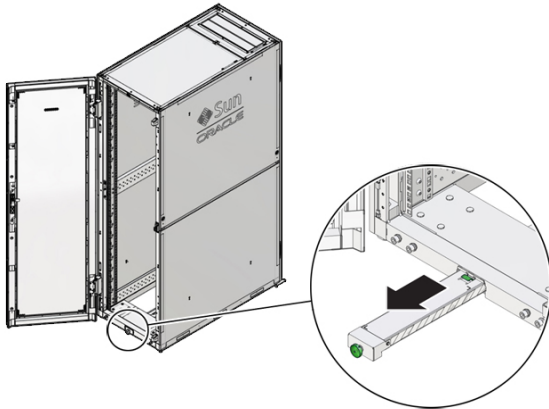
-
2. Lock the leveling feet, using an 18-mm open wrench.



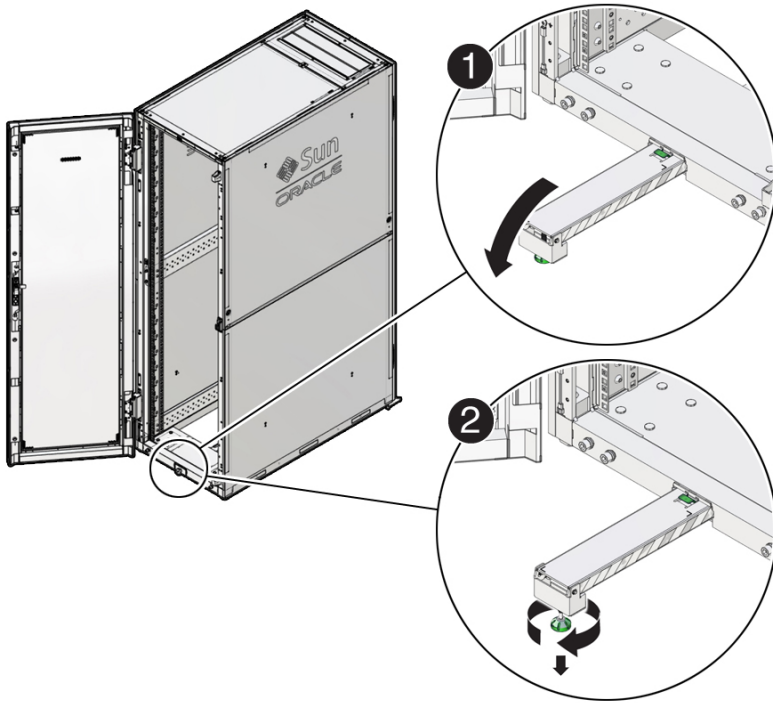
▼ Extend the Anti-tilt Bar

1. Unscrew the knob counter-clockwise at the end of the anti-tilt bar.
2. Pull the anti-tilt bar to the fully extended position.

The green release tab on top of the anti-tilt bar automatically locks the bar in place when fully extended.



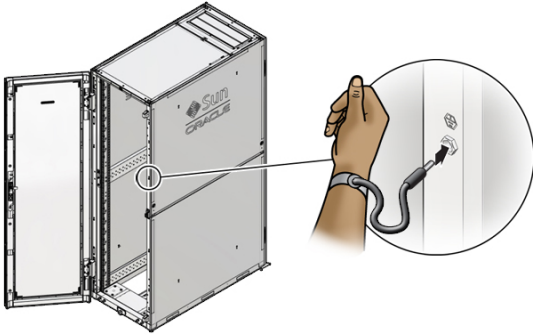
-
3. Rotate the end of the foot 90 degrees so that it is perpendicular to the floor [1], and adjust the height of the foot so that it rests on the floor [2].



Caution - The rack shipping brackets are not for use for bracing or anchoring the rack during seismic events.

▼ Plug in Antistatic Wrist Strap

- Plug in the antistatic wrist strap to the electrostatic discharge (ESD) jack and attach the strap to your wrist.





Product Documentation Library

Documentation and resources for this product and related products are available at <http://www.oracle.com/goto/oraclerack1242/docs>.

Access to Oracle Support

Oracle customers that have purchased support have access to electronic support through My Oracle Support. For information, visit <http://www.oracle.com/pls/topic/lookup?ctx=acc&id=info> or visit <http://www.oracle.com/pls/topic/lookup?ctx=acc&id=trs> if you are hearing impaired.

Feedback

Provide feedback on this document at <http://www.oracle.com/goto/docfeedback>.

Copyright © 2019, 2020, Oracle and/or its affiliates. All rights reserved.

Copyright © 2019, 2020, Oracle et/ou ses affiliés. Tous droits réservés.

ORACLE[®]

Part No: E85665-03

Mfg. No: 7346417

April 2020

