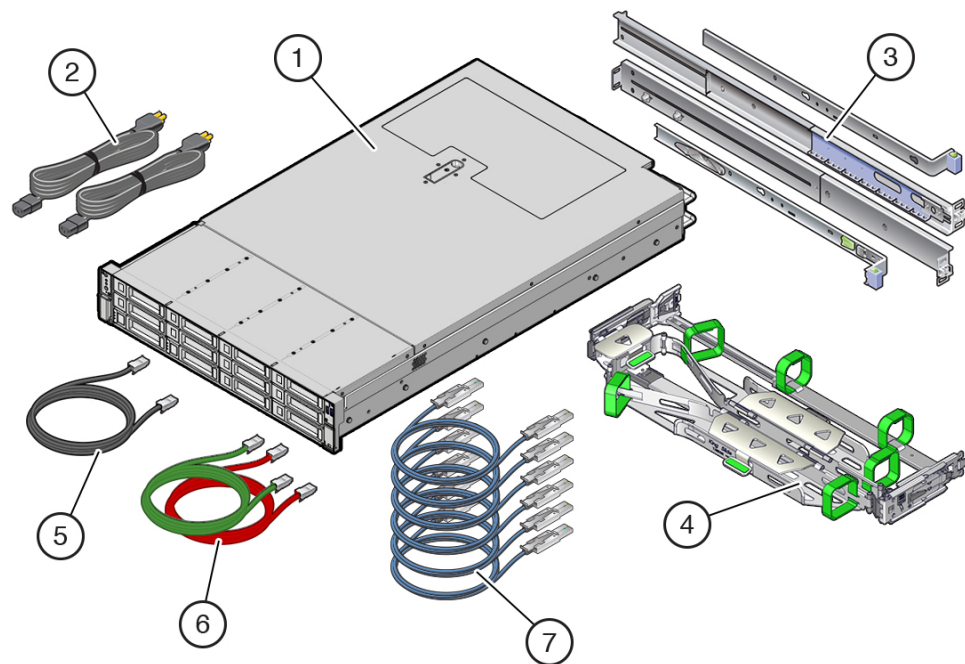
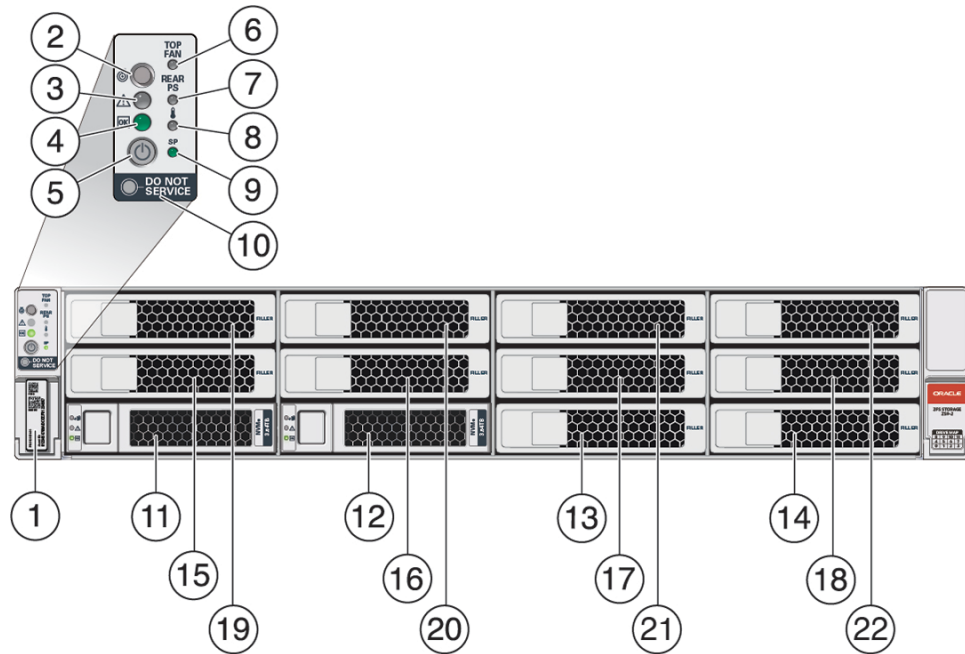


Contents



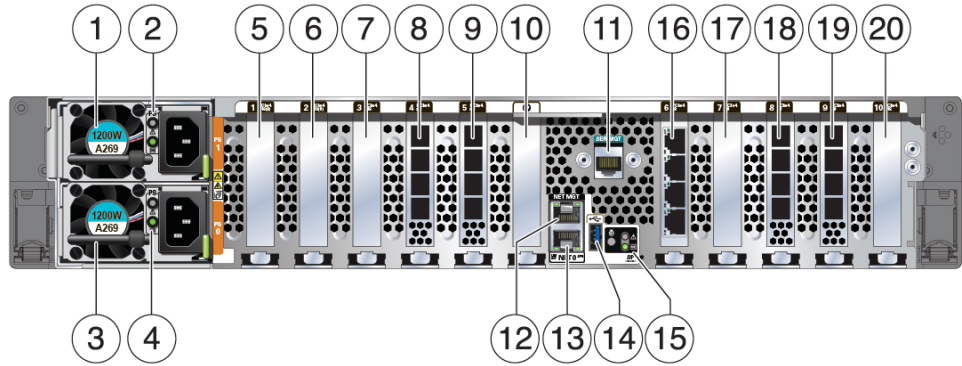
1 Oracle ZFS Storage ZS9-2 controller	2 Two power cords	3 Slide rail kit
4 Cable management arm	5 One 6-meter Ethernet cable (black)	6 Two 2.5-meter Ethernet cables (green, red)
7 Up to eight (mid-range model) or up to sixteen (high-end model) 3-meter or 6-meter active optical SAS cables (blue). Length and quantity per customer order.		

Front Panel Components



1 RFID tag	2 System status LED: Locator (white)	3 System status LED: Service Action Required (amber)
4 System status LED: Power/OK (green)	5 Power button	6 Fan service action required (amber)
7 Power Supply (PS) service action required (amber)	8 Over-temperature warning (amber)	9 Service Processor (SP) OK (green)
10 Do Not Service indicator	11 System disk 0	12 System disk 1
13 Filler panel	14 Filler panel	15 Filler panel
16 Filler panel	17 Filler panel	18 Filler panel
19 Filler panel	20 Filler panel	21 Filler panel
22 Filler panel		

Back Panel Components



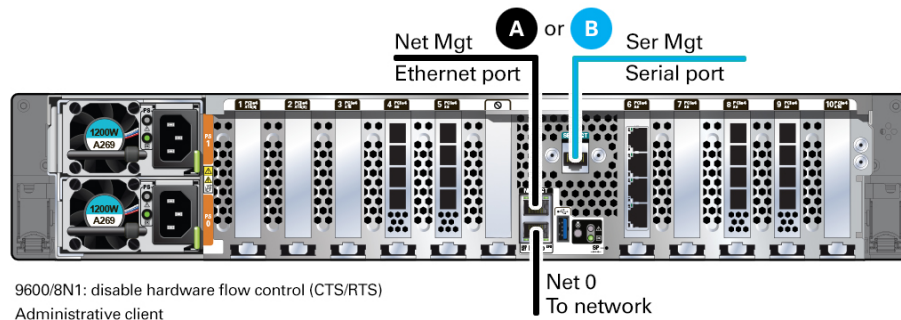
1 Power Supply Unit (PSU) 1	2 PSU 1 status indicators (top to bottom): <ul style="list-style-type: none"> • Attention (amber) • Power/OK (green) 	3 PSU 0
4 PSU 0 status indicators (top to bottom): <ul style="list-style-type: none"> • Attention (amber) • Power/OK (green) 	5 Second PCIe option (slot 1)	6 Third PCIe option (slot 2)
7 Fifth PCIe option (slot 3)	8 External SAS-3 HBA (slot 4)	9 Slot 5: <ul style="list-style-type: none"> • High-end model: External SAS-3 HBA • Mid-range model: Filler panel; slot not available
10 Not available	11 Serial management (SER MGT) RJ-45 serial port	12 Service Processor (SP) NET MGT port
13 Network (NET) 100/1000BASE-T RJ-45 Gigabit Ethernet (GbE) port: NET 0	14 USB 3.0 port	15 System status LEDs: <ul style="list-style-type: none"> • Locate (white) - left • Attention (amber) - right, top • Power/OK (green) - right, bottom
16 Ethernet cluster interface card (slot 6)	17 First PCIe option (slot 7)	18 Slot 8: <ul style="list-style-type: none"> • High-end model: External SAS-3 HBA • Mid-range model: Filler panel; slot not available
19 External SAS-3 HBA (slot 9)	20 Fourth PCIe option (slot 10)	

Install the Hardware

For detailed information, see the *Oracle ZFS Storage Appliance Installation Guide* available from <https://docs.oracle.com/en/storage>.

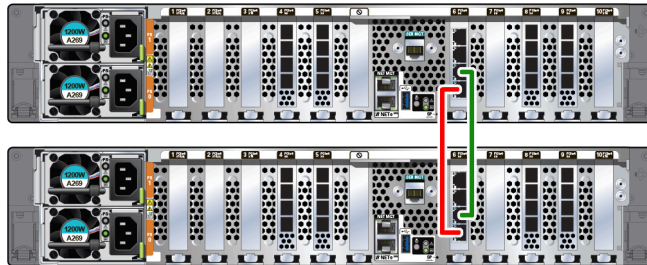
Connect System Cables

For detailed information, see the *Oracle ZFS Storage Appliance Installation Guide* available from <https://docs.oracle.com/en/storage>. If you have clustered controllers, connect the cables to both controllers. Do not connect power cables to the controllers or disk shelves until instructed to do so in "Power On and Configure the System." The following illustration shows an Oracle ZFS Storage ZS9-2 high-end model.



Connect Clustered Controllers

If you have clustered controllers, connect the two controllers together. For detailed information, see the *Oracle ZFS Storage Appliance Cabling Guide* available from <https://docs.oracle.com/en/storage>.

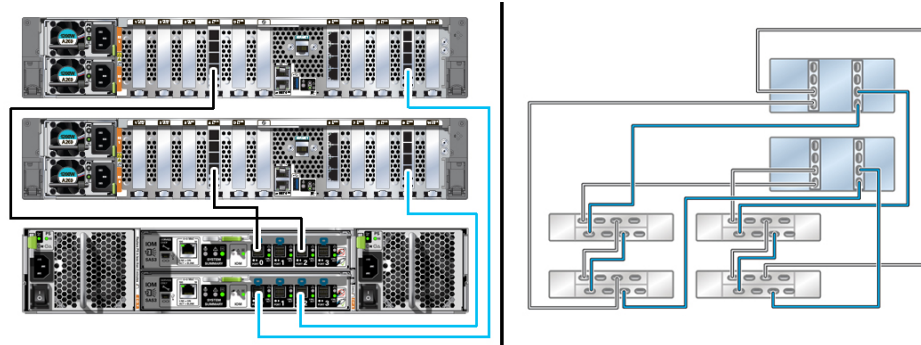


Connect Disk Shelves

The following illustration shows clustered controllers connected to an Oracle Storage Drive Enclosure DE3-24P (left panel), and connected to four Oracle Storage Drive Enclosure DE3-24x disk shelves (right panel). For additional configuration options, see *Oracle ZFS Storage Appliance Cabling Guide* available from <https://docs.oracle.com/en/storage>. Do not connect power cables to disk shelves or controllers until instructed to do so in "Power On and Configure the System."

▲ Caution:

Use **active optical cables (AOCs)** to connect Oracle ZFS Storage ZS9-2 external SAS-3 HBAs to Oracle Storage Drive Enclosure DE3-24x disk shelves. Use copper cables to connect disk shelves to each other, and to connect the controller to Oracle Storage Drive Enclosure DE2-24x disk shelves.

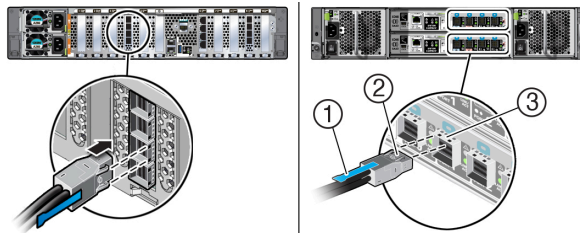


▲ Caution:

Attaching a SAS cable in the wrong orientation at the controller HBA or the disk shelf I/O Module damages the port connector, and the system will not function properly.

The following procedure connects an AOC cable to the controller and to an Oracle Storage Drive Enclosure DE3-24P disk shelf. For additional information, see *Oracle ZFS Storage Appliance Cabling Guide* available from <https://docs.oracle.com/en/storage>.

1. Facing the controller HBA, position the cable's release tab to the right (left panel) for the controller end, and to the top for the disk shelf end (#1 in right panel).
2. Insert the cable connectors into the appropriate ports, aligning the cable connector latches (#2 in right panel) with the port latch receiver holes (#3 in right panel). Ensure the latches engage with the receiver holes.



Power On and Configure the System

Required information: Network host name and port of your serial connection, or network management port DHCP-assigned address. Connect disk shelf power cables, power on disk shelves, connect controller power cables, power on controllers, and configure the system as described in the *Oracle ZFS Storage Appliance Installation Guide* available from <https://docs.oracle.com/en/storage>.

Perform Initial Configuration

For detailed information, see the *Oracle ZFS Storage Appliance Installation Guide* available from <https://docs.oracle.com/en/storage>, including properly configuring management interfaces and updating controller software.

Product Documentation Library

Documentation and resources for this product and related products are available in the storage section of the Oracle Help Center, located at <https://docs.oracle.com/en/storage>.

Documentation Accessibility

For information about Oracle's commitment to accessibility, visit the Oracle Accessibility Program web site at <http://www.oracle.com/pls/topic/lookup?ctx=acc&id=docacc>.

Access to Oracle Support

Oracle customers that have purchased support have access to electronic support through My Oracle Support. For information, visit <http://www.oracle.com/pls/topic/lookup?ctx=acc&id=info> or visit <http://www.oracle.com/pls/topic/lookup?ctx=acc&id=trs> if you are hearing impaired.

Feedback

Provide feedback on this document at <http://www.oracle.com/goto/docfeedback>.

Oracle ZFS Storage ZS9-2 Getting Started Guide
F40862-03

Copyright © 2021, 2022, Oracle and/or its affiliates.

This software and related documentation are provided under a license agreement containing restrictions on use and disclosure and are protected by intellectual property laws. Except as expressly permitted in your license agreement or allowed by law, you may not use, copy, reproduce, translate, broadcast, modify, license, transmit, distribute, exhibit, perform, publish, or display any part, in any form, or by any means. Reverse engineering, disassembly, or decompilation of this software, unless required by law for interoperability, is prohibited.

The information contained herein is subject to change without notice and is not warranted to be error-free. If you find any errors, please report them to us in writing.

If this is software, software documentation, data (as defined in the Federal Acquisition Regulation), or related documentation that is delivered to the U.S. Government or anyone licensing it on behalf of the U.S. Government, then the following notice is applicable:

U.S. GOVERNMENT END USERS: Oracle programs (including any operating system, integrated software, any programs embedded, installed, or activated on delivered hardware, and modifications of such programs) and Oracle computer documentation or other Oracle data delivered to or accessed by U.S. Government end users are "commercial computer software," "commercial computer software documentation," or "limited rights data" pursuant to the applicable Federal Acquisition Regulation and agency-specific supplemental regulations. As such, the use, reproduction, duplication, release, display, disclosure, modification, preparation of derivative works, and/or adaptation of i) Oracle programs (including any operating system, integrated software, any programs embedded, installed, or activated on delivered hardware, and modifications of such programs), ii) Oracle computer documentation and/or iii) other Oracle data, is subject to the rights and limitations specified in the license contained in the applicable contract. The terms governing the U.S. Government's use of Oracle cloud services are defined by the applicable contract for such services. No other rights are granted to the U.S. Government.

This software or hardware is developed for general use in a variety of information management applications. It is not developed or intended for use in any inherently dangerous applications, including applications that may create a risk of personal injury. If you use this software or hardware in dangerous applications, then you shall be responsible to take all appropriate fail-safe, backup, redundancy, and other measures to ensure its safe use. Oracle Corporation and its affiliates disclaim any liability for any damages caused by use of this software or hardware in dangerous applications.

Oracle®, Java, and MySQL are registered trademarks of Oracle and/or its affiliates. Other names may be trademarks of their respective owners.

Intel and Intel Inside are trademarks or registered trademarks of Intel Corporation. All SPARC trademarks are used under license and are trademarks or registered trademarks of SPARC International, Inc. AMD, Epyc, and the AMD logo are trademarks or registered trademarks of Advanced Micro Devices. UNIX is a registered trademark of The Open Group.

This software or hardware and documentation may provide access to or information about content, products, and services from third parties. Oracle Corporation and its affiliates are not responsible for and expressly disclaim all warranties of any kind with respect to third-party content, products, and services unless otherwise set forth in an applicable agreement between you and Oracle. Oracle Corporation and its affiliates will not be responsible for any loss, costs, or damages incurred due to your access to or use of third-party content, products, or services, except as set forth in an applicable agreement between you and Oracle.